

STORMSHIELD NETWORK SECURITY

QUICK INSTALLATION GUIDE - SNI20

1. INSTALLATION

Before you install your Stormshield Network Firewall, carefully read and follow the safety instructions listed in the document SAFETY RULES AND INSTALLATION PRECAUTIONS.

CONTENTS OF THE PACKAGING

- Your Stormshield Network Firewall appliance,
- A 6-pin power connector, with screws,
- An RJ45 crossover cable,
- An RJ45 to DB9F serial cable.

Take note of the registration password **1** and the serial number **2** located on the side panel of your Firewall. You will be asked for this information during the installation.

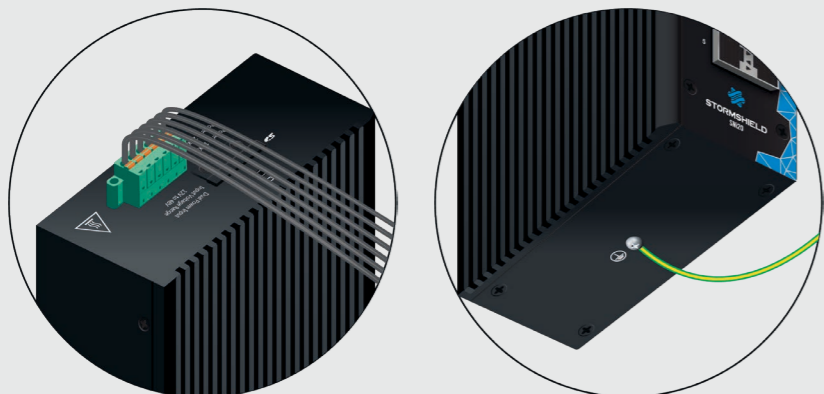
INSTALLATION

Install the Firewall using the mounting system provided. For instructions on how to do so, please refer to the document PRODUCT PRESENTATION AND INSTALLATION.

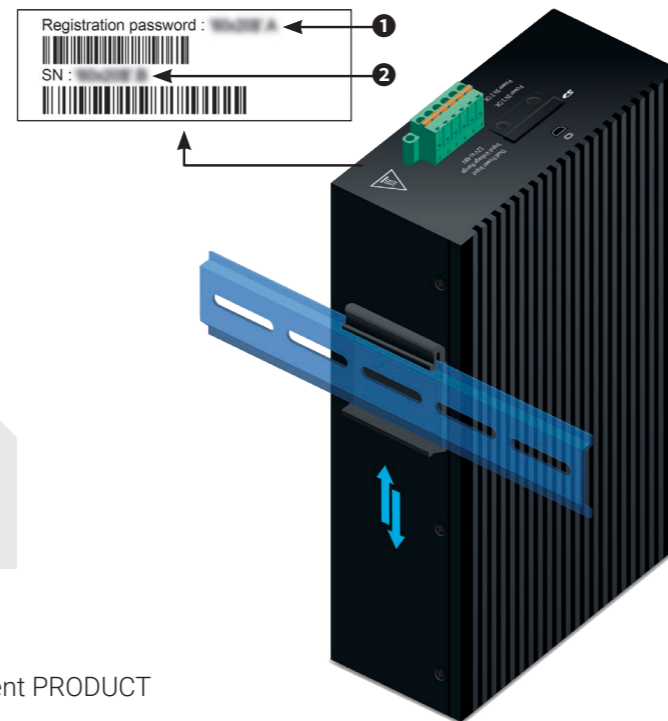
2. PLUGGING AND INTERFACES ORDER

IMPORTANT

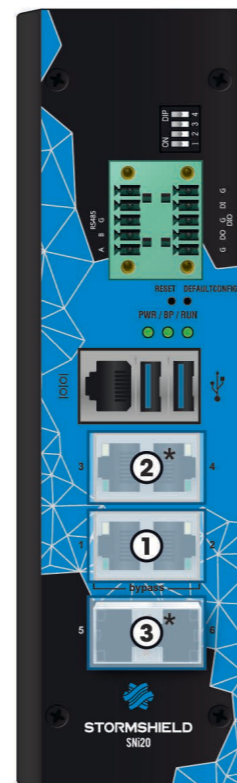
Special considerations for equipments connected to a DC mains supply: the equipment must be installed by a qualified electrician.



For further information, please refer to the document PRODUCT PRESENTATION AND INSTALLATION.



Interfaces* are ordered as shown below:



* Depending on license.

3. CONNECTING AND STARTING UP

Connect the network ports in the following order:

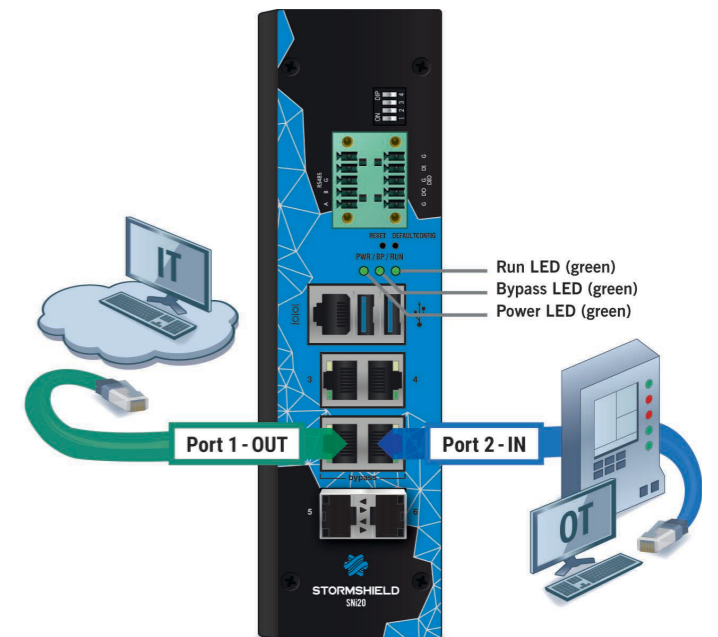
- **INTERNAL interface 2** → IN
- **EXTERNAL interface 1** → OUT

Once powered, your Firewall will then start running automatically. Then wait for several minutes until **Run** LED lights up.

IMPORTANT

Network port **1** is reserved for the Internet router. The administration interface can be accessed from port **2**.

From your client workstation, you will be able to log on to the administration interface at the following address:
https://10.0.0.254/admin
Enter « admin » as both the login and password.



4. ASSISTANCE

- If you are unable to connect to your Firewall, check the configuration of your client workstation. DHCP has to be enabled on this client workstation or its IP address has to belong to the same address range as the Firewall's (10.0.0.0/8).
- To shut down your Firewall, log on to the configuration interface. Go to the MAINTENANCE module (SYSTEM menu) and click on « Shut down the Firewall ». Then wait for several minutes until the **Power** LED turns to yellow.
- In the event of hardware problems with your Firewall or if one of the elements does not match its description, please contact your certified partner.
- During the initial connection, a warning may appear in your browser. Confirm that you wish to continue in order to access the administration interface.
- If you had connected your client workstation to **Port 1**, you will no longer be able to access the administration interface. You will need to connect your computer to **Port 2** and reboot the Firewall. Connect to the Firewall in Console mode (refer to the document PRODUCT PRESENTATION AND INSTALLATION).

5. DOCUMENTATION

Log on to the following address to access or to obtain the ID and password for accessing **YOUR SECURE AREA**:
https://www.mystormshield.eu

YOUR SECURE AREA allows you to do the following:

- Activate licenses, software options or download the latest updates,
- Manage your licenses,
- Subscribe to technical and commercial mailing lists.

For further information, please refer to the document PRODUCT PRESENTATION AND INSTALLATION.

ONLINE HELP for Stormshield Network Firewalls is available online and contains various types of documentation (Guides, Technical Notes, etc).
https://documentation.stormshield.eu

THE KNOWLEDGE BASE compiled by the technical support team can be accessed from your Secure area.



STORMSHIELD