

STORMSHIELD NETWORK SECURITY

QUICK INSTALLATION GUIDE

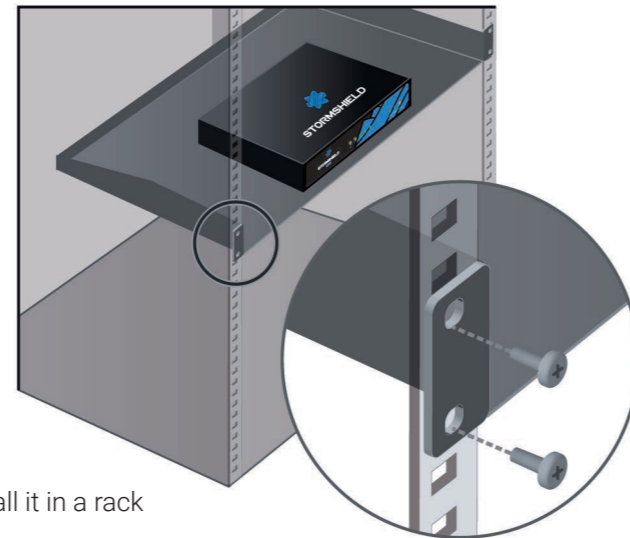
SN160, SN160W, SN210, SN210W and SN310

1. INSTALLATION

Before you install your Stormshield Network Firewall, carefully read and follow the safety instructions listed in the document SAFETY RULES AND INSTALLATION PRECAUTIONS.

CONTENTS OF THE PACKAGING

- Your Stormshield Network Firewall appliance,
- A power adapter,
- An RJ45 crossover cable,
- A USB cable (A to B type),
- Three Wi-Fi antennas (SN160W and SN210W).



Take note of the registration password **1** and the serial number **2** located on the underside of your Firewall. You will be asked for this information during the installation.

INSTALLATION

Place the Firewall horizontally on its non-slip rubber feet or install it in a rack using a rack mount shelf. It can be included by special order. SN160 and SN160W models can also be installed vertically (screws and fastenings not provided). For instructions on how to do so, please refer to the document PRODUCT PRESENTATION AND INSTALLATION.

2. CONNECTING THE APPLIANCE

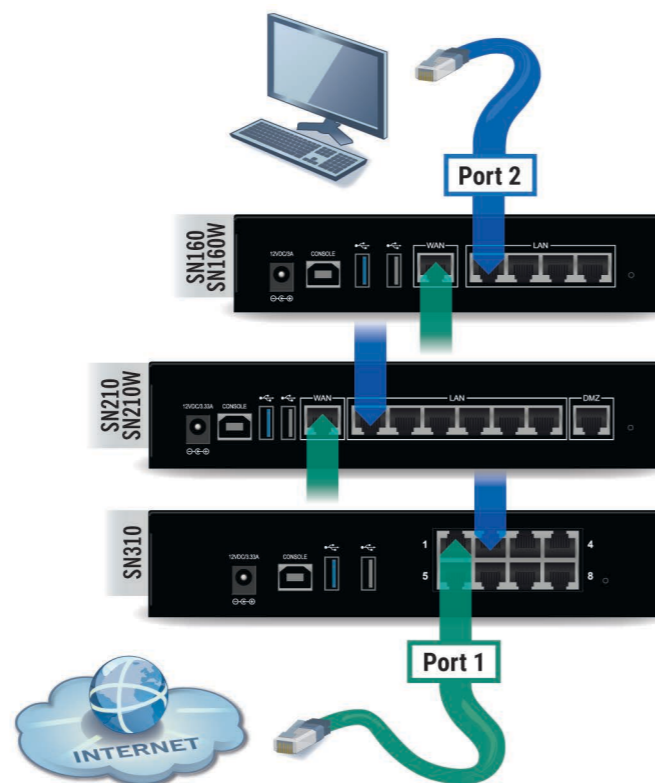
Plug your Stormshield Network Firewall into the mains power supply.

Connect the network ports in the following order:

- **INTERNAL interface 2 (IN)** → Client workstation
- **EXTERNAL interface 1 (OUT)** → Internet access device

IMPORTANT
Network port **1** is reserved for the modem or the Internet router. You cannot access the configuration interface from this port.

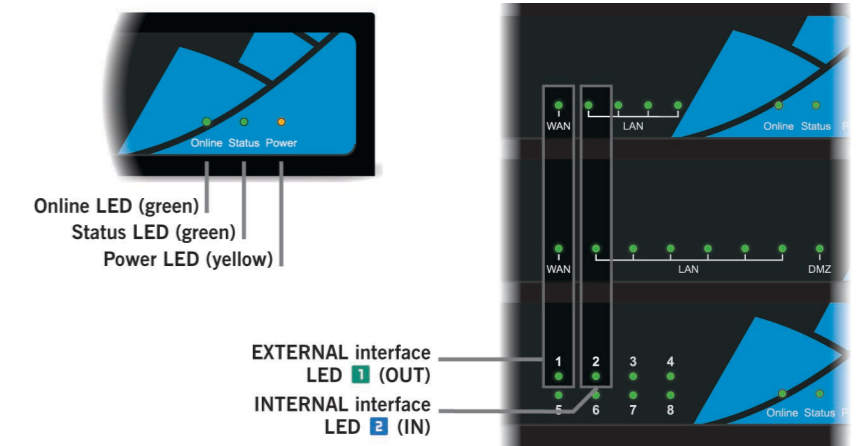
For further information, please refer to the document PRODUCT PRESENTATION AND INSTALLATION.



3. STARTUP

Once your Firewall is plugged into the mains power supply, it will start running automatically. Wait for several minutes until all 3 LEDs (**Online**, **Status** and **Power**) light up.

From your client workstation, you will be able to log on to the administration interface at the following address: **https://10.0.0.254/admin**
Enter « admin » as both the login and password.



4. ASSISTANCE

- If you are unable to connect to your Firewall, check the configuration of your client workstation. DHCP has to be enabled on this client workstation or its IP address has to belong to the same address range as the Firewall's (10.0.0.0/8).
- During the initial connection, a warning may appear in your browser. Confirm that you wish to continue in order to access the administration interface.
- If you had connected your client workstation to **Port 1**, you will no longer be able to access the administration interface. You will need to connect your computer to **Port 2** and reboot the Firewall. Connect to the Firewall in Console mode (refer to the document PRODUCT PRESENTATION AND INSTALLATION).
- To shut down your Firewall, log on to the configuration interface. Go to the MAINTENANCE module (SYSTEM menu) and click on « Shut down the Firewall ». Then wait for several minutes until the **Online** and **Status** LEDs go out.
- In the event of hardware problems with your Firewall or if one of the elements does not match its description, please contact your certified partner.

5. DOCUMENTATION

Log on to the following address to access or to obtain the ID and password for accessing **YOUR SECURE AREA**: **https://www.mystormshield.eu**

- YOUR SECURE AREA** allows you to do the following:
- Activate licenses, software options or download the latest updates,
 - Manage your licenses,
 - Subscribe to technical and commercial mailing lists.

For further information, please refer to the document PRODUCT PRESENTATION AND INSTALLATION.

ONLINE HELP for Stormshield Network Firewalls is available online and contains various types of documentation (Guides, Technical Notes, etc). **https://documentation.stormshield.eu**

THE KNOWLEDGE BASE compiled by the technical support team can be accessed from your Secure area.

