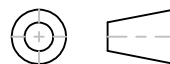


MATERIAL: SAE 1050-1065
 HARDNESS: HRC 38-42
 HEAT TREATMENT: AUSTEMPER
 FINISH: ZINC PLATED CR3
 10-32 STAMPED ON BOTTOM

RECOMMENDED FOR USE WITH .06"-.08" PANEL THICKNESS

THIRD ANGLE PROJECTION

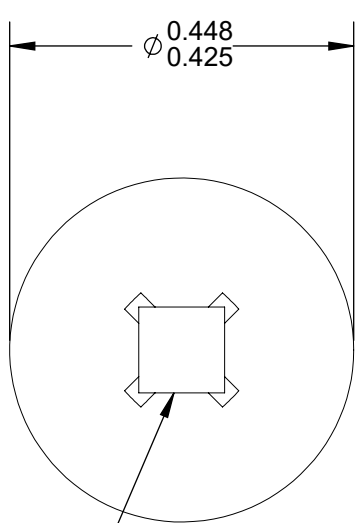
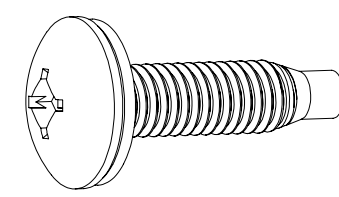


GENERAL NOTES

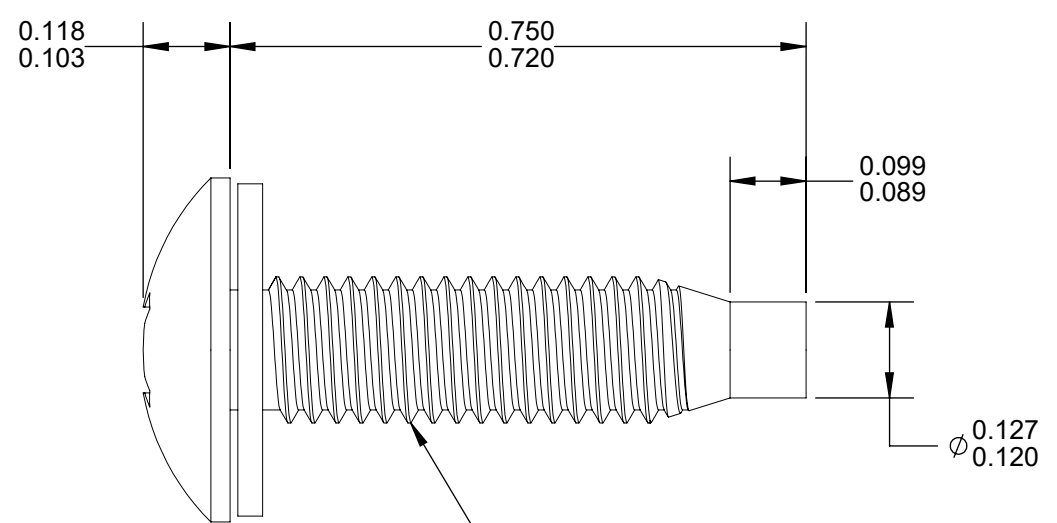
DIMENSIONS ARE IN MM - DO NOT SCALE
 THIS DOCUMENT CONTAINS CONFIDENTIAL,
 PROPRIETARY INFORMATION THAT IS
 PROPERTY OF STARTECH.COM

StarTech.com

PRODUCT ID	CLPSCRW1032
DESCRIPTION	Server Rack Screws and Clip Nuts - 10-32 - Rack Mount Screws and Slide-On Cage Nuts - 50 Pack
DO NOT SCALE	SHEET: 1 OF: 2
	UPLOAD DATE: 1/26/2022

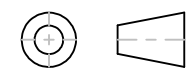


#2R Type-III Square Recess
 Penetration Gaging Depth: 0.060"-0.075"
 #2 Type-I Phillips Cross Recess
 Penetration Gaging Depth: 0.070"-0.093"



- NOTES:**
- 1) Screw Material: Low Carbon Steel
 - 2) Screw Finish: Black Oxide
 - 3) Washer Material: Black Nylon 6/6
 - 4) Washer Outside Diameter: 0.429"-0.439"
 - 5) Washer Thickness: 0.030"-0.040"
 - 6) Must Be Heat Treated To ANSI B18.6.3 Spec
 - 7) Must Be RoHS And Reach Compliant

THIRD ANGLE PROJECTION



GENERAL NOTES

DIMENSIONS ARE IN MM - DO NOT SCALE
 THIS DOCUMENT CONTAINS CONFIDENTIAL,
 PROPRIETARY INFORMATION THAT IS
 PROPERTY OF STARTECH.COM



PRODUCT ID	CLPSCRW1032
DESCRIPTION	Server Rack Screws and Clip Nuts - 10-32 - Rack Mount Screws and Slide-On Cage Nuts - 50 Pack
DO NOT SCALE	SHEET: 2 OF: 2
UPLOAD DATE: 1/26/2022	