

**JUMO GmbH & Co. KG**  
Delivery address: Mackenrodtstraße 14  
36039 Fulda, Germany  
Postal address: 36035 Fulda, Germany  
Phone: +49 661 6003-0  
Fax: +49 661 6003-607  
E-mail: mail@jumo.net  
Internet: www.jumo.net

**JUMO Instrument Co. Ltd.**  
JUMO House  
Temple Bank, Riverway  
Harlow, Essex CM20 2DY, UK  
Phone: +44 1279 635533  
Fax: +44 1279 635262  
E-mail: sales@jumo.co.uk  
Internet: www.jumo.co.uk

**JUMO Process Control, Inc.**  
6733 Myers Road  
East Syracuse, NY 13057, USA  
Phone: 315-437-5866  
1-800-554-5866  
Fax: 315-437-5860  
E-mail: info.us@jumo.net  
Internet: www.jumousa.com



# Panel-mounted Thermostats

## JUMO heatTHERM, type 602030 and 602031

### Special features

- Stable switching point position due to ambient temperature compensation (standard)
- Max. switching capacity 16 A, 400 V
- Operating life at least 250,000 switching cycles for TR and TW
- Control ranges of up to 500 °C are possible
- STB with extensive setting range: 250 K at 250 °C
- Switching point deviation during the entire operating life of up to ± 5 %

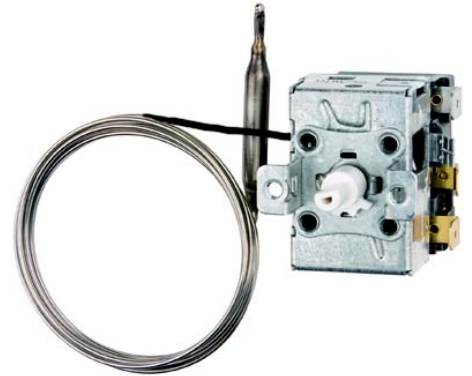
### Brief description

Thermostats control and monitor thermal processes.

The JUMO heatTHERM is available as temperature controller TR, temperature monitor TW (type 602030), safety temperature monitor STW, or safety temperature limiter STB (type 602031).

The panel-mounted thermostat operates according to the fluid expansion principle. The electrical switching element is a snap-action switch.

The panel-mounted thermostat is RoHS-compliant and cadmium-free.



Type 602030 / 01



Type 602030 / 02



Type 602030 / 20  
Type 602031 / 21



Type 602030 / 80  
Type 602031 / 81

### Approvals/approval marks (see "Technical Data")



**JUMO GmbH & Co. KG**  
 Delivery address: Mackenrodtstraße 14  
 36039 Fulda, Germany  
 Postal address: 36035 Fulda, Germany  
 Phone: +49 661 6003-0  
 Fax: +49 661 6003-607  
 E-mail: mail@jumo.net  
 Internet: www.jumo.net

**JUMO Instrument Co. Ltd.**  
 JUMO House  
 Temple Bank, Riverway  
 Harlow, Essex CM20 2DY, UK  
 Phone: +44 1279 635533  
 Fax: +44 1279 635262  
 E-mail: sales@jumo.co.uk  
 Internet: www.jumo.co.uk

**JUMO Process Control, Inc.**  
 6733 Myers Road  
 East Syracuse, NY 13057, USA  
 Phone: 315-437-5866  
 1-800-554-5866  
 Fax: 315-437-5860  
 E-mail: info.us@jumo.net  
 Internet: www.jumousa.com



## Technical data

### Switching function

<b>Temperature controller TR / temperature monitor TW</b>	If the temperature on the temperature probe exceeds the setpoint value, the microswitch is activated by the transmission mechanics and the electrical circuit is opened or closed. If the temperature falls below the selected setpoint value (by the amount of the switching differential), the microswitch is reset to its initial position.
<b>Safety temperature monitor STW</b>	If the temperature on the temperature probe exceeds the setpoint value, the snap-action switch is activated and the electrical circuit is opened or closed. If the temperature falls below the selected setpoint value (by the amount of the switching differential), the snap-action switch is reset to its initial position.  If the probe has cooled down to a temperature below approx. -20 °C the electrical circuit opens - however it closes again when the temperature rises.  If the measuring system is destroyed (i.e. if the expansion fluid emerges) the pressure in the diaphragm drops and permanently opens the electrical circuit.
<b>Safety temperature limiter STB with restart lock and self-monitoring</b>	If the temperature on the temperature probe exceeds the switching point, the snap-action switch is activated, the electrical circuit is opened, and the snap-action switch is mechanically locked.  The unlocking difference depends on the control range. Precise values can be attained from the respective device type. They are also available upon request.  If the probe has cooled down to a temperature below approx. -20 °C the electrical circuit opens - however it closes again when the temperature rises.  If the measuring system is destroyed (i.e. if the expansion fluid emerges) the pressure in the diaphragm drops and permanently opens the electrical circuit. Unlocking is no longer possible.

### Temperature compensation

When the ambient temperature on the switching head and the capillary deviates — from the calibration ambient temperature of +22 °C — a switching point offset occurs. This switching point offset is reduced to a minimum due to the temperature compensation.

**JUMO GmbH & Co. KG**  
 Delivery address: Mackenrodtstraße 14  
 36039 Fulda, Germany  
 Postal address: 36035 Fulda, Germany  
 Phone: +49 661 6003-0  
 Fax: +49 661 6003-607  
 E-mail: mail@jumo.net  
 Internet: www.jumo.net

**JUMO Instrument Co. Ltd.**  
 JUMO House  
 Temple Bank, Riverway  
 Harlow, Essex CM20 2DY, UK  
 Phone: +44 1279 635533  
 Fax: +44 1279 635262  
 E-mail: sales@jumo.co.uk  
 Internet: www.jumo.co.uk

**JUMO Process Control, Inc.**  
 6733 Myers Road  
 East Syracuse, NY 13057, USA  
 Phone: 315-437-5866  
 1-800-554-5866  
 Fax: 315-437-5860  
 E-mail: info.us@jumo.net  
 Internet: www.jumousa.com



## Technical data

### Case

<b>Case</b>	Sheet steel, galvanized
<b>Protection type</b>	IP 00 according to EN 60529
<b>Switching socket</b>	Polyester resin molding compound, black
<b>Max. permissible ambient temperature</b>	For transport and storage: -40 to +80 °C In use: Max. +80 °C
<b>Rated position (NL)</b>	Any
<b>Weight</b>	Approx. 0.12 kg
<b>Capillary</b>	2,000 mm including 460 mm protective tubing as standard, min. bending radius of the capillary 5 mm Material no. Cu-DHP

### Electrical data

<b>Electrical connection</b>	Snap-action switch with single-pole changeover contact		
<b>Switching capacity</b>	TR / TW	STW	STB
	On the N/C contact (contact deck 1-2): AC 400 V +10 %, 16 A, AC 230 V +10 %, 16 (2.5) A, cos φ = 1 (0.6), DC 230 V +10 %, 0.25 A		
<b>Switching capacity</b>	On the N/O contact (contact deck 1-4): AC 400 V +10 %, 6.3 A, AC 230 V +10 %, 6.3 (2.5) A, cos φ = 1 (0.6), DC 230 V +10 %, 0.25 A		On the signal contact (contact deck 1-4): AC 400 V +10 %, 2 A, AC 230 V +10 %, 2 (0.4) A, cos φ = 1 (0.6), DC 230 V +10 %, 0.25 A
	Snap-action switch with gold plating - extra code 702: AC / DC 24 V, 0.1 A)		
<b>Electrical connection</b>	A 6.3-0.8 according to DIN 46244		
<b>Switching reliability</b>	To ensure the greatest possible switching reliability, we recommend a minimum load of: AC / DC = 24 V, 100 mA for silver contacts AC / DC = 10 V, 5 mA for gold-plated contacts (TZ 702)		

	Switching function	Rated value			
<b>Switching differential in % of the control range span</b>	TR / TW	2.5 %		Standard	
	TR / TW	7 %		Upon request	
	STW	7 %		Standard	
<b>Ambient temperature influence</b>	When the ambient temperature on the switching head and the capillary deviates from the calibration ambient temperature of +22 °C, a switching point offset of approx. -0.1 K/K occurs.				
<b>Switching point accuracy</b>	<b>TR / TW</b>	Switching differential	Scale beginning	Upper third	
		2.5 %	Standard	± 6 %	± 3 %
	<b>STW / STB</b>	7 %	Upon request	± 8 %	± 4 %
		7 %	Control range	In the "first half"	In the "second half"
			+70 to 130 °C	+0/-12 K	+0/-5 K
			+95 to 120 °C	+0/-5 K	+0/-5 K
			+20 to 150 °C	+0/-15 K	+0/-10 K
+50 to 300 °C	+0/-30 K	+0/-15 K			

**JUMO GmbH & Co. KG**  
 Delivery address: Mackenrodtstraße 14  
 36039 Fulda, Germany  
 Postal address: 36035 Fulda, Germany  
 Phone: +49 661 6003-0  
 Fax: +49 661 6003-607  
 E-mail: mail@jumo.net  
 Internet: www.jumo.net

**JUMO Instrument Co. Ltd.**  
 JUMO House  
 Temple Bank, Riverway  
 Harlow, Essex CM20 2DY, UK  
 Phone: +44 1279 635533  
 Fax: +44 1279 635262  
 E-mail: sales@jumo.co.uk  
 Internet: www.jumo.co.uk

**JUMO Process Control, Inc.**  
 6733 Myers Road  
 East Syracuse, NY 13057, USA  
 Phone: 315-437-5866  
 1-800-554-5866  
 Fax: 315-437-5860  
 E-mail: info.us@jumo.net  
 Internet: www.jumousa.com

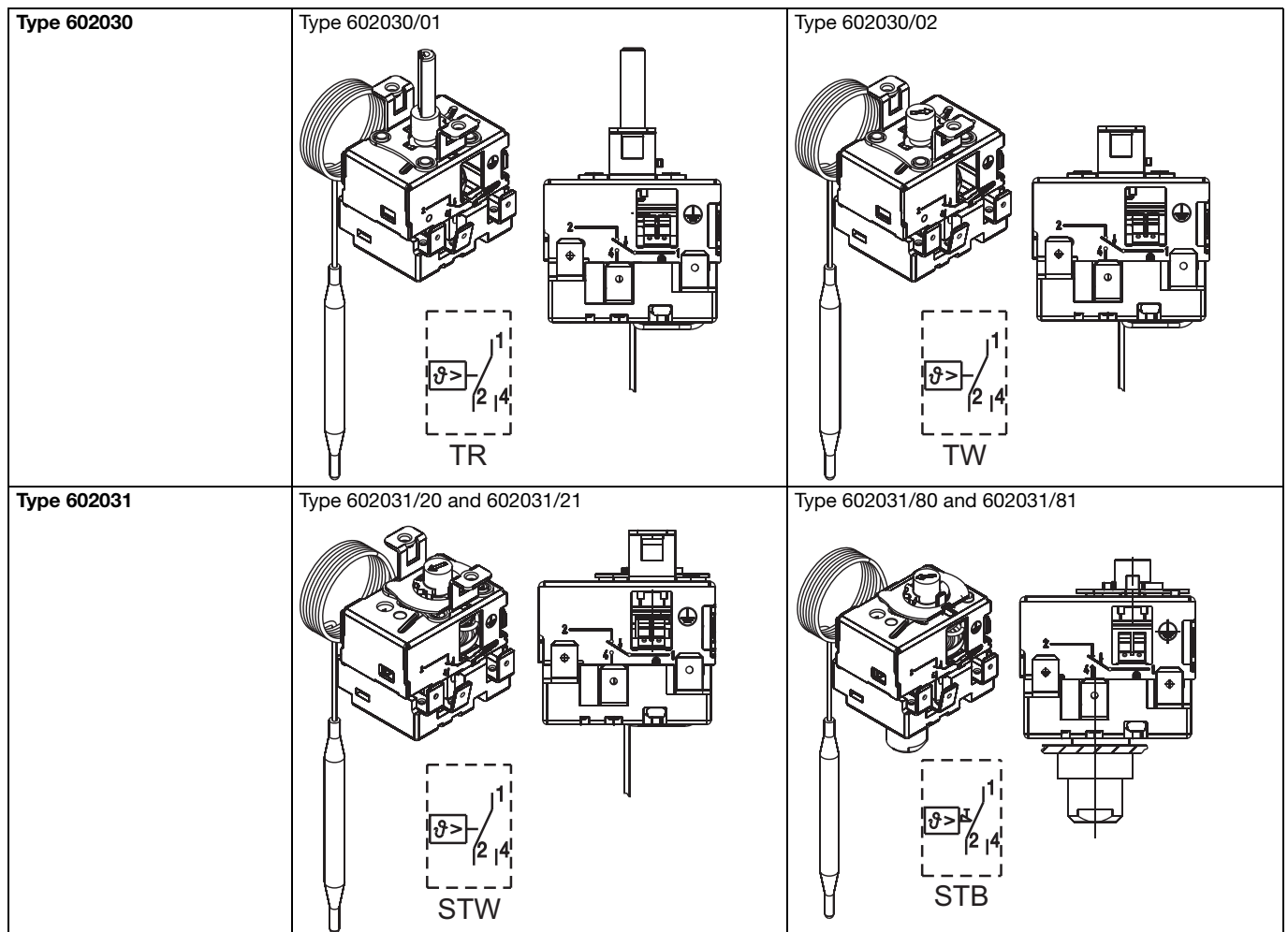


### Approvals/approval marks

Approval marks	Testing agency	Certificates/certification number	Inspection basis	Valid for
DIN	DIN CERTCO / TÜV Süd	STB1169	DIN EN 14597	JUMO heatTHERM (STB)
DIN	DIN CERTCO / TÜV Süd	STW(STB)1190	DIN EN 14597	JUMO heatTHERM (STW(STB))
DIN	DIN CERTCO / TÜV Süd (German Technical Inspection Agency)	TR1168	DIN EN 14597	JUMO heatTHERM (TR)
DIN	DIN CERTCO / TÜV Süd (German Technical Inspection Agency)	TW1189	DIN EN 14597	JUMO heatTHERM (TW)
DIN	TÜV Süd (German Technical Inspection Agency)	B <sub>10d</sub> = 250,000*	DIN EN ISO 13849-1	JUMO heatTHERM
c UL us	UL Germany	E66358 Vol. 1	UL 873	JUMO heatTHERM with switching capacity 230 V, 15 A
c UL us	UL Germany	MH45736 Vol. 1	UL 353	JUMO heatTHERM (STB) with switching capacity 230 V, 15 A
DGRL	TÜV Süd (German Technical Inspection Agency)	IS-TAF-MUC 07113377017	97/23/EC	JUMO heatTHERM (STW(STB)/STB)

\* For further details see: Safety manual (B 602031.9) JUMO heatTHERM (-AT), (-DR) 602031, 603070.  
 Switching capacity check implemented at 16 A, 230 V, ohmic load.

### Wiring diagrams



**JUMO GmbH & Co. KG**  
 Delivery address: Mackenrodtstraße 14  
 36039 Fulda, Germany  
 Postal address: 36035 Fulda, Germany  
 Phone: +49 661 6003-0  
 Fax: +49 661 6003-607  
 E-mail: mail@jumo.net  
 Internet: www.jumo.net

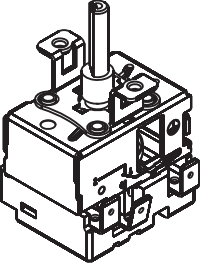
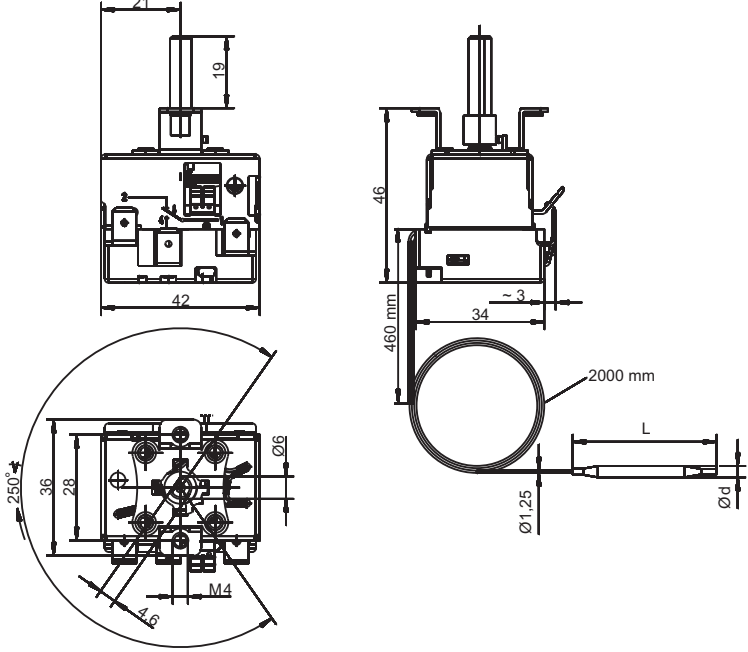
**JUMO Instrument Co. Ltd.**  
 JUMO House  
 Temple Bank, Riverway  
 Harlow, Essex CM20 2DY, UK  
 Phone: +44 1279 635533  
 Fax: +44 1279 635262  
 E-mail: sales@jumo.co.uk  
 Internet: www.jumo.co.uk

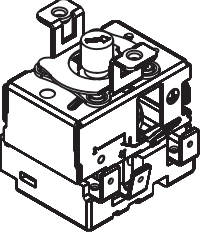
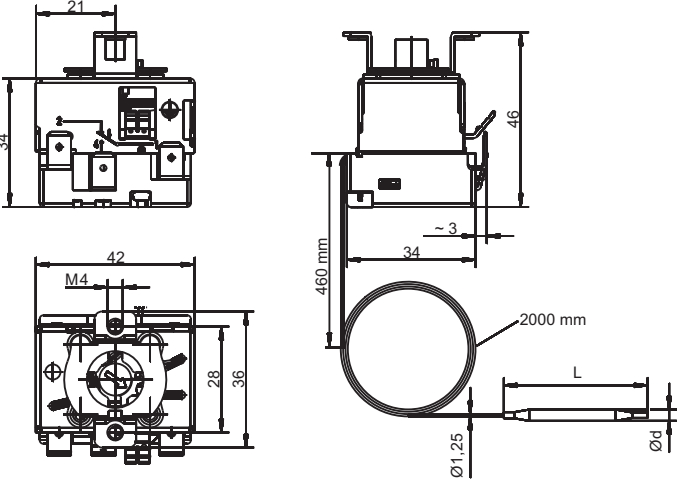
**JUMO Process Control, Inc.**  
 6733 Myers Road  
 East Syracuse, NY 13057, USA  
 Phone: 315-437-5866  
 1-800-554-5866  
 Fax: 315-437-5860  
 E-mail: info.us@jumo.net  
 Internet: www.jumousa.com



## Devices in stock

### Dimensions

<p><b>Type 602030/01</b></p> <ul style="list-style-type: none"> <li>• Temperature controller</li> <li>• Compensated ambient temperature (standard)</li> <li>• Max. switching capacity 16 A, 400 V</li> <li>• Operating life at least 250,000 switching cycles</li> <li>• Switching point deviation (drift) during the entire operating life of up to <math>\pm 5\%</math></li> </ul> 					
Part no.	Type	Control range °C	Capillary mm	Switching differential	Probe $\varnothing d \times L$
60003218	602030/01	+20 to 90	2,000	Approx. 2 K	6 x 132 mm
60003280		+20 to 90		Approx. 5 K	6 x 79 mm
60003219		+0 to 120		Approx. 3 K	6 x 87 mm
60003220		+0 to 200		Approx. 5 K	6 x 78 mm
60003221		+50 to 300		Approx. 6 K	6 x 66 mm

<p><b>Type 602030/02</b></p> <ul style="list-style-type: none"> <li>• Temperature monitor</li> <li>• Compensated ambient temperature (standard)</li> <li>• Max. switching capacity 16 A, 400 V</li> <li>• Operating life at least 250,000 switching cycles</li> <li>• Switching point deviation (drift) during the entire operating life of up to <math>\pm 5\%</math></li> </ul> 					
Part no.	Type	Control range °C	Capillary mm	Switching differential	Probe $\varnothing d \times L$
60003222	602030/02	+20 to 90	2,000	Approx. 2 K	6 x 132 mm
60003281		+20 to 90		Approx. 5 K	6 x 79 mm
60003223		+0 to 120		Approx. 3 K	6 x 87 mm
60003224		+0 to 200		Approx. 5 K	6 x 78 mm
60003225		+50 to 300		Approx. 6 K	6 x 66 mm

**JUMO GmbH & Co. KG**  
 Delivery address: Mackenrodtstraße 14  
 36039 Fulda, Germany  
 Postal address: 36035 Fulda, Germany  
 Phone: +49 661 6003-0  
 Fax: +49 661 6003-607  
 E-mail: mail@jumo.net  
 Internet: www.jumo.net

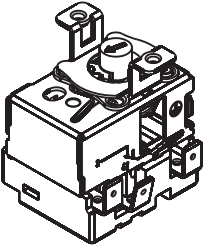
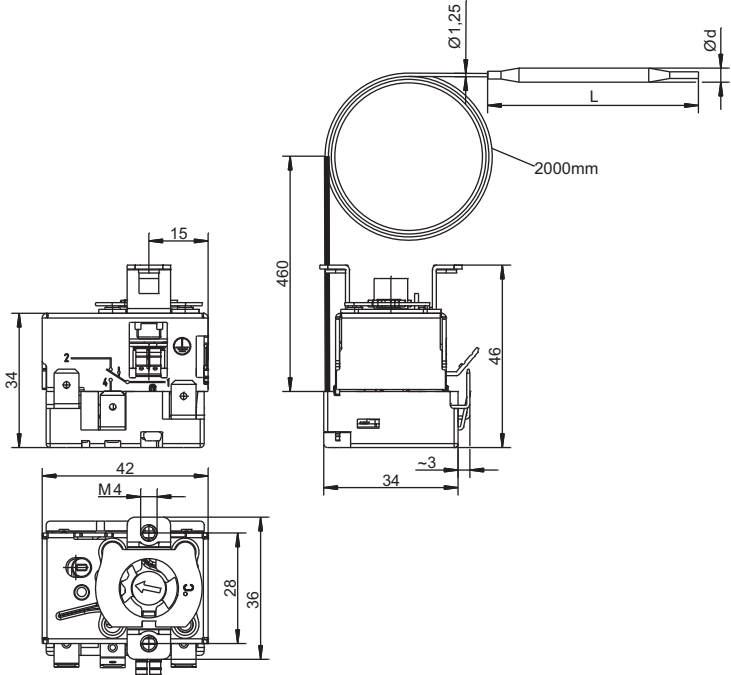
**JUMO Instrument Co. Ltd.**  
 JUMO House  
 Temple Bank, Riverway  
 Harlow, Essex CM20 2DY, UK  
 Phone: +44 1279 635533  
 Fax: +44 1279 635262  
 E-mail: sales@jumo.co.uk  
 Internet: www.jumo.co.uk

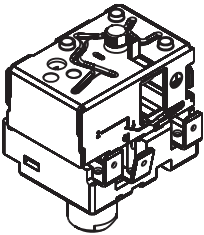
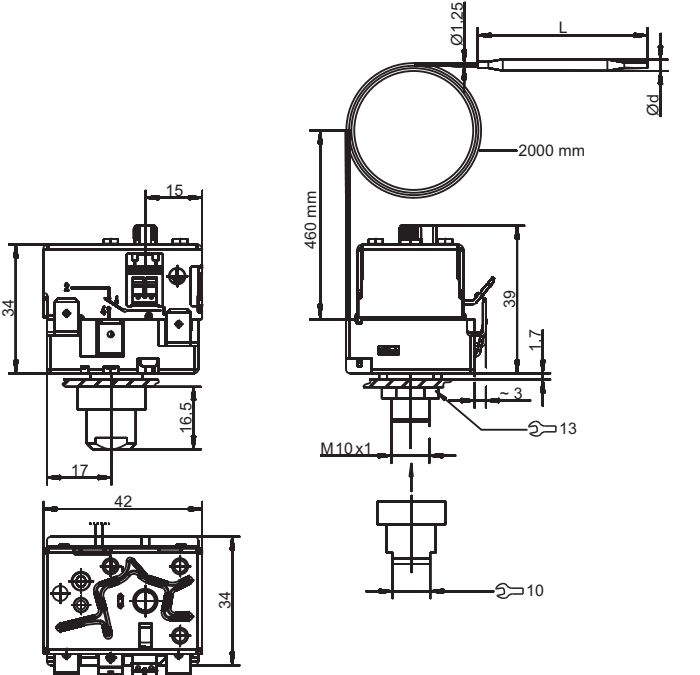
**JUMO Process Control, Inc.**  
 6733 Myers Road  
 East Syracuse, NY 13057, USA  
 Phone: 315-437-5866  
 1-800-554-5866  
 Fax: 315-437-5860  
 E-mail: info.us@jumo.net  
 Internet: www.jumousa.com



## Devices in stock

### Dimensions

<p><b>Type 602031/21</b></p> <ul style="list-style-type: none"> <li>• Safety temperature monitor</li> <li>• Compensated ambient temperature (standard)</li> <li>• Max. switching capacity 16 A, 400 V</li> </ul> 					
<p><b>Part no.</b> 60003226</p>	<p><b>Type</b> 602031/21</p>	<p><b>Control range °C</b> +70 to 130</p>	<p><b>Capillary mm</b> 2,000</p>	<p><b>Switching differential</b> Approx. 10 K</p>	<p><b>Probe Ø d × L</b> 6 x 60 mm</p>

<p><b>Type 602031/80</b></p> <ul style="list-style-type: none"> <li>• Safety temperature limiter</li> <li>• Compensated ambient temperature (standard)</li> <li>• Max. switching capacity 16 A, 400 V</li> </ul> 					
<p><b>Part no.</b> 60002994</p>	<p><b>Type</b> 602031/80</p>	<p><b>Switching point °C</b> +100</p>	<p><b>Capillary mm</b> 2,000</p>	<p><b>Unlocking difference</b> Approx. 10 K</p>	<p><b>Probe Ø d × L</b> 6 x 72 mm</p>

**JUMO GmbH & Co. KG**  
 Delivery address: Mackenrodtstraße 14  
 36039 Fulda, Germany  
 Postal address: 36035 Fulda, Germany  
 Phone: +49 661 6003-0  
 Fax: +49 661 6003-607  
 E-mail: mail@jumo.net  
 Internet: www.jumo.net

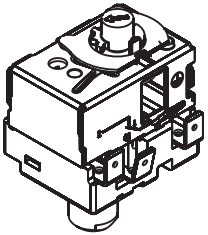
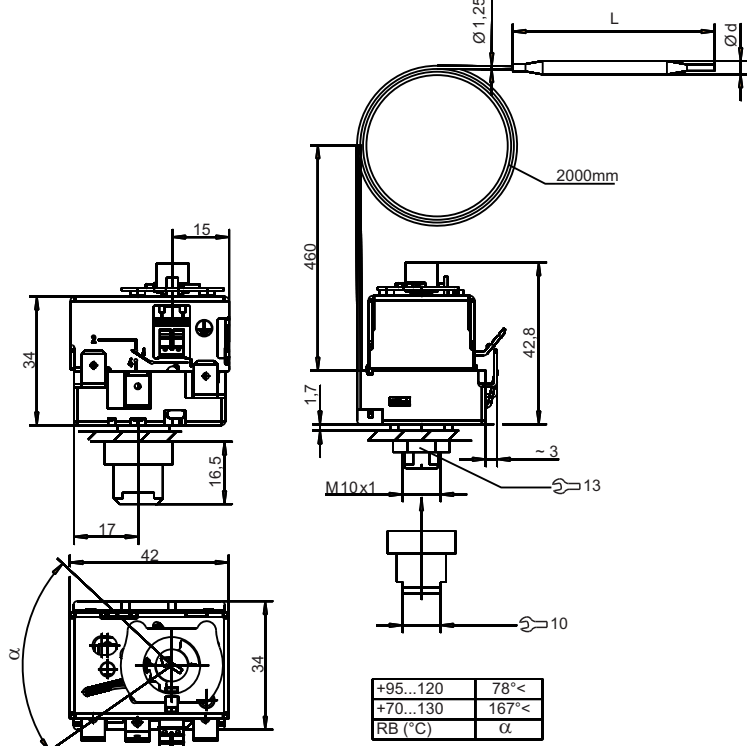
**JUMO Instrument Co. Ltd.**  
 JUMO House  
 Temple Bank, Riverway  
 Harlow, Essex CM20 2DY, UK  
 Phone: +44 1279 635533  
 Fax: +44 1279 635262  
 E-mail: sales@jumo.co.uk  
 Internet: www.jumo.co.uk

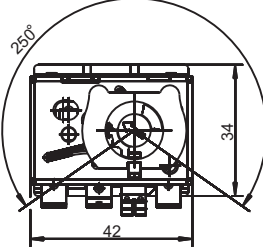
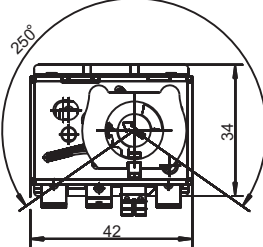
**JUMO Process Control, Inc.**  
 6733 Myers Road  
 East Syracuse, NY 13057, USA  
 Phone: 315-437-5866  
 1-800-554-5866  
 Fax: 315-437-5860  
 E-mail: info.us@jumo.net  
 Internet: www.jumousa.com



## Devices in stock

### Dimensions

<p><b>Type 602031/81</b></p> <ul style="list-style-type: none"> <li>• Safety temperature limiter</li> <li>• Compensated ambient temperature (standard)</li> <li>• Max. switching capacity 16 A, 400 V</li> </ul> 	 <table border="1" data-bbox="925 1182 1101 1249"> <tr> <td>+95...120</td> <td>78° &lt;</td> </tr> <tr> <td>+70...130</td> <td>167° &lt;</td> </tr> <tr> <td>RB (°C)</td> <td>α</td> </tr> </table>					+95...120	78° <	+70...130	167° <	RB (°C)	α
+95...120	78° <										
+70...130	167° <										
RB (°C)	α										
<p><b>Part no.</b></p>	<p>Type</p>	<p>Control range °C</p>	<p>Capillary mm</p>	<p>Unlocking difference</p>	<p>Probe Ø d x L</p>						
<p>60002995</p>	<p>602031/81</p>	<p>+95 to 120</p>	<p>2,000</p>	<p>Approx. 10 K</p>	<p>6 x 72 mm</p>						
<p>60003136</p>		<p>+70 to 130</p>			<p>6 x 68 mm</p>						

<p><b>Type 602031/81</b></p> <ul style="list-style-type: none"> <li>• Safety temperature limiter</li> <li>• Compensated ambient temperature (standard)</li> <li>• Max. switching capacity 16 A, 400 V</li> <li>• With extra code 749: 250° .∠</li> </ul> 					
<p><b>Part no.</b></p>	<p>Type</p>	<p>Control range °C</p>	<p>Capillary mm</p>	<p>Unlocking difference</p>	<p>Probe Ø d x L</p>
<p>60003291</p>	<p>602031/81</p>	<p>+20 to 150</p>	<p>2,000</p>	<p>In the upper third approx. 15 K At the scale beginning approx. 30 K</p>	<p>6 x 60 mm</p>
<p>60003292</p>		<p>+50 to 300</p>		<p>In the upper third approx. 25 K At the scale beginning approx. 45 K</p>	<p>6 x 85 mm</p>

**JUMO GmbH & Co. KG**  
 Delivery address: Mackenrodtstraße 14  
 36039 Fulda, Germany  
 Postal address: 36035 Fulda, Germany  
 Phone: +49 661 6003-0  
 Fax: +49 661 6003-607  
 E-mail: mail@jumo.net  
 Internet: www.jumo.net

**JUMO Instrument Co. Ltd.**  
 JUMO House  
 Temple Bank, Riverway  
 Harlow, Essex CM20 2DY, UK  
 Phone: +44 1279 635533  
 Fax: +44 1279 635262  
 E-mail: sales@jumo.co.uk  
 Internet: www.jumo.co.uk

**JUMO Process Control, Inc.**  
 6733 Myers Road  
 East Syracuse, NY 13057, USA  
 Phone: 315-437-5866  
 1-800-554-5866  
 Fax: 315-437-5860  
 E-mail: info.us@jumo.net  
 Internet: www.jumousa.com



## Order details

### Panel-mounted thermostat JUMO heatTHERM type 602030 and 602031

Minimum purchase order 500 pieces

Order code	(1)	Basic type		
	602030	Panel-mounted thermostat JUMO heatTHERM with single-pole snap-action switch (TR/TW)		
	602031	Panel-mounted thermostat JUMO heatTHERM with single-pole snap-action switch (STW/STB)		
		<b>(2) Basic type extensions</b>		
x	01	Temperature controller (TR)	With changeover contact	
x	02	Temperature monitor (TW)	With changeover contact	
x	20	Safety temperature monitor (STW)	Permanently set with changeover contact	
x	21	Safety temperature monitor (STW)	Adjustable with changeover contact	
x	80	Safety temperature limiter (STB)	Permanently set with changeover contact and restart lock	
x	81	Safety temperature limiter (STB)	Adjustable with changeover contact and restart lock	
		<b>(3) Control range / limit value range °C</b>	Max. allowable probe temperature °C	
x	x	000	With permanently set switching point	
x		026	0 to +120	145
x		028	0 to +200	230
x		041	+20 to +90	115
x		064	+50 to +300 (temperature probe made of CrNi)	345
x		043	+20 to +150 (only with extra code 749)	180
x		640	+50 to +300 (temperature probe made of CrNi, only with extra code 749)	345
x		666	+95 to +120	145
x		671	+70 to +130	155
			Further control ranges / limit value ranges up to 350 °C upon request (up to +500 °C without approval)	
		<b>(4) Limit value STW/STB permanently set °C</b>	Max. allowable probe temperature °C	Switching point tolerance
x		000	With adjustable limit value	
x		095	+95	+0/-5 K
x		100	+100	+0/-5 K
x		110	+110	+0/-5 K
			Further limit values up to 350 °C upon request (up to +500 °C without approval)	
		<b>(5) Switching differential %</b>		
x		00	No specifications for STB	
x		25	2.5	
x		70	7	
		<b>(6) Capillary length mm</b>		
x		2000	2,000	
x			Special length upon request (maximum length 5,000 mm), specifications in plain text - 1,000 mm steps	
		<b>(7) Capillary material</b>		
x		40	Cu (copper) Ø 1.25 mm	



**JUMO GmbH & Co. KG**  
 Delivery address: Mackenrodtstraße 14  
 36039 Fulda, Germany  
 Postal address: 36035 Fulda, Germany  
 Phone: +49 661 6003-0  
 Fax: +49 661 6003-607  
 E-mail: mail@jumo.net  
 Internet: www.jumo.net

**JUMO Instrument Co. Ltd.**  
 JUMO House  
 Temple Bank, Riverway  
 Harlow, Essex CM20 2DY, UK  
 Phone: +44 1279 635533  
 Fax: +44 1279 635262  
 E-mail: sales@jumo.co.uk  
 Internet: www.jumo.co.uk


**JUMO Process Control, Inc.**  
 6733 Myers Road  
 East Syracuse, NY 13057, USA  
 Phone: 315-437-5866  
 1-800-554-5866  
 Fax: 315-437-5860  
 E-mail: info.us@jumo.net  
 Internet: www.jumousa.com



## Order details

### Panel-mounted thermostat JUMO heatTHERM type 602030 and 602031

**Order code**

x	x	10	<b>(8) Process connection (PC)</b> Plain cylindrical probe	
x	x	4	<b>(9) Diameter "d" (probe diameter) mm</b> 4	
x	x	6	6	
x	x	40	<b>(10) Temperature probe material</b> Cu (copper)	
x	x	20	CrNi (stainless steel 1.4571)	
x	x	13	<b>(11) Capillary insulation</b> PVC hose, black	
x	x	460	<b>(12) Insulation length mm (from case)</b> 460	
x	x		Special length upon request (maximum length 700 mm)	
x	x	000	<b>(13) Extra codes</b> Without extra code	
x	x	702	Snap-action switch, gold-plated	
x	x	742	Straight plug	
x	x	749	Setting range with 250 angular degrees (only STB)	

X = selection option for the basic type

**Special versions upon request! The minimum purchase quantity for special versions is 500 pieces.**

**Order code**

(1) (2) (3) (4) (5) (6) (7) (8) (9) (10) (11) (12) (13)  
 602031 / [ ] - [ ] - [ ] - [ ] - [ ] - [ ] - [ ] - [ ] - [ ] - [ ] - [ ] - [ ] / [ ] , ...

**Order example**

602031 / [80] - [000] - [110] - [25] - [2000] - [40] - [10] - [6] - [40] - [13] - [460] / [000<sup>a</sup>] , ...

<sup>a</sup> List extra codes in sequence, separated by commas.

**JUMO GmbH & Co. KG**  
 Delivery address: Mackenrodtstraße 14  
 36039 Fulda, Germany  
 Postal address: 36035 Fulda, Germany  
 Phone: +49 661 6003-0  
 Fax: +49 661 6003-607  
 E-mail: mail@jumo.net  
 Internet: www.jumo.net

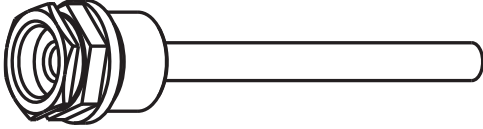
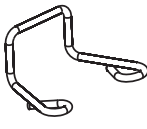
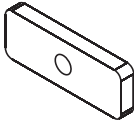

**JUMO Instrument Co. Ltd.**  
 JUMO House  
 Temple Bank, Riverway  
 Harlow, Essex CM20 2DY, UK  
 Phone: +44 1279 635533  
 Fax: +44 1279 635262  
 E-mail: sales@jumo.co.uk  
 Internet: www.jumo.co.uk

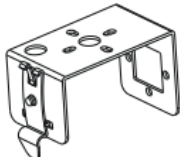


**JUMO Process Control, Inc.**  
 6733 Myers Road  
 East Syracuse, NY 13057, USA  
 Phone: 315-437-5866  
 1-800-554-5866  
 Fax: 315-437-5860  
 E-mail: info.us@jumo.net  
 Internet: www.jumousa.com







## Accessories

(according to product group 606710 and 606715)

Thermowell-set (according to product group 606710)	Thermowell with sealing collar		Clamp for strain relief	Plate for surface-mounted thermostat	Screw for surface-mounted thermostat
Suitable for type 602030 and 602031					
Part no.	Type	Abbreviation	Connection	Insertion length EL in mm	Material
60003177	Screw-in thermowell with sealing collar	28	G 1/2	100	Brass/ nickel-plated
60003203				150	
60003171				200	
60003172				100	Stainless steel / 1.4571
60003205				150	
60003173				200	

Mounting set for mounting rail DIN EN 60715 TH 35-7.5 (according to product group 606710)					
Part no.	Type			 2 screws M3 x 4	 2 screws M4 x 5
00511794	Adapter set, mounting rail JUMO heatTHERM/ EM				

Setpoint adjuster for type 602030/01 (according to product group 606715)						
Part no.	Type	Control range °C	W 8			
60003091	W 8	+20 to +90				 2 screws M4 x 8
60003227		0 to +120				
60003095		0 to +200				
60003098		+50 to +300				