

(0.50 mm) .0197" (HQCD) (0.80 mm) .0315" (EQCD)

QSTRIP® COAX CABLE ASSEMBLIES

SPECIFICATIONS

For complete specifications see www.samtec.com?HQCD or www.samtec.com?EQCD

- Cable:** 38 AWG micro coax ribbon
- Signal Routing:** 50 Ω Single-Ended
- Overall Length:** (95.3 mm) 03.75" to (1 m) 40" standard
- Cable Flexing Life:** >10,000 cycles
- Cable Bending Radius:** <2.5mm
- Plating:** Au over 50 μ" (1.27 μm) Ni
- Current Rating:** EQCD: 500 mA per pin HQCD: 300 mA per pin (6 adjacent pins powered)
- Cable Propagation Delay:** 4.79 nsec/meter
- Operating Temp Range:** -25 °C to +105 °C
- Unmating Force (-RT1 option):** -RT1 option increases unmating force up to 50%
- RoHS Compliant:** Yes

HQCD Mates with: QTH, QSH

EQCD Mates with: QTE, QSE

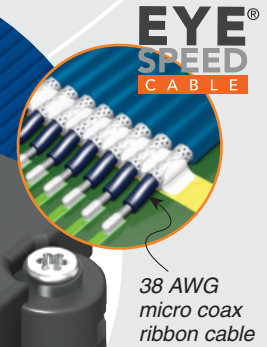


- Screw & panel mount options
- Retention pins

0.50 mm or 0.80 mm pitch

Socket or Terminal

Surface Mount or Panel Mount



HIGH-SPEED CHANNEL PERFORMANCE

HQCD or EQCD

Rating based on Samtec reference channel. For full SI performance data visit www.samtec.com or contact SIG@samtec.com

14
Gbps

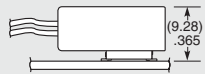
RECOGNITIONS

For complete scope of recognitions see www.samtec.com/quality



FILE NO. E111594

APPLICATIONS



Processing conditions will affect mated height.

ALSO AVAILABLE (MOV Required)

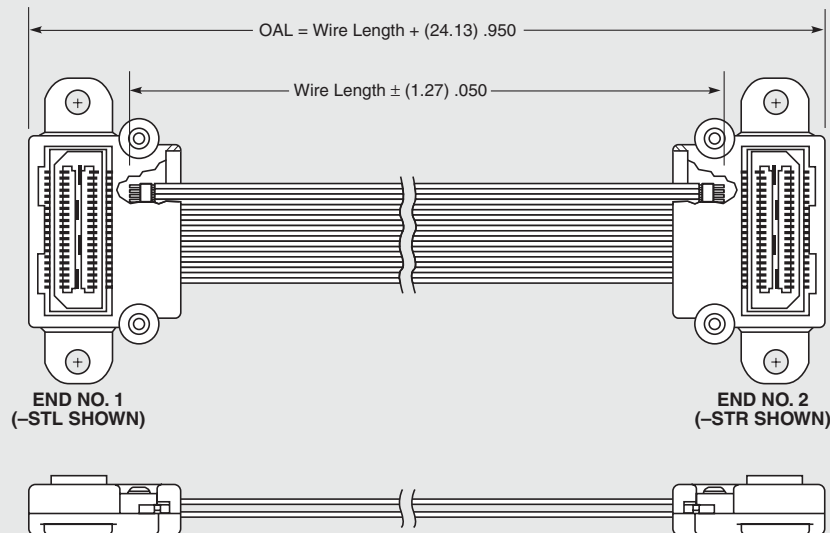
- Other sizes and lengths
- Other terminations
- Other wire AWG
- Retention pin

Notes: Cable lengths longer than 40.00" (1 meter) are not supported with S.I. test data.

Design your High-Speed Cable with Samtec's High-Speed Cable Solutionator® at www.samtec.com/hdr

This Series is non-standard, non-returnable.

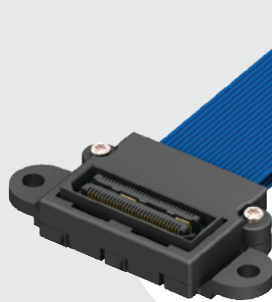
TYPE	NO. OF POSITIONS PER ROW	WIRE LENGTH
<p>HQCD = (0.50 mm) .0197" pitch</p> <p>EQCD = (0.80 mm) .0315" pitch</p>	<p>-030, -060, -090 (HQCD Series)</p> <p>-020, -040, -060 (EQCD Series)</p>	<p>- "XX.XX" = Wire Length in Inches (43.7 mm) 01.72" minimum</p>



EQCD-020-40.00-TPU-TTR-1



HQCD-030-06.00-STL-TTR-1-B



HQCD, EQCD SERIES



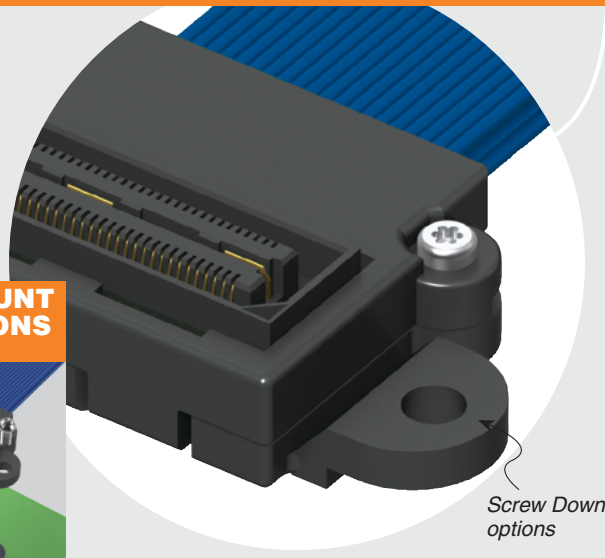
#4-40 Thread

Panel Mount options

SCREW MOUNT APPLICATIONS (-F, -S, -B)



SO-0318-04-01-02



Screw Down options

END NO. 1

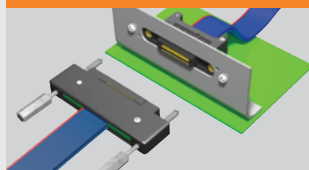
END NO. 2

WIRING OPTION

END OPTIONS

Specify END ASSEMBLIES from chart

PANEL MOUNT END OPTION APPLICATIONS (-TPU, -TPD, -SPU, SPD)



END 1 ONLY	PANEL MOUNT	
TPU		Terminal, Panel Mount, Notch Up
TPD		Terminal, Panel Mount, Notch Down
SPU		Socket, Panel Mount, Notch Up
SPD		Socket, Panel Mount, Notch Down

- 1 = Pin 1 to Pin 1
- 2 = Pin 1 to Pin 2
- 3 = Pin 1 to Second to Last Pin
- 4 = Pin 1 to Last Pin

Leave blank for no Screw Mount & Retention End Option

- F = Screw Mount End No. 1 only (Not available with XPX options)
- S = Screw Mount End No. 2 only
- B = Screw Mount Both Ends (Not available with XPX options)

- 1 = End No. 1 Screw Mount. End No. 2 Retention Pin or Socket
- 2 = End No. 1 Retention Pin or Socket. End No. 2 Screw Mount Option

END 1 or END 2	SURFACE MOUNT	
TTR		Terminal, Top Mount, Notch Right
TTL		Terminal, Top Mount, Notch Left
TBR		Terminal, Bottom Mount, Notch Right
TBL		Terminal, Bottom Mount, Notch Left
STR		Socket, Top Mount, Notch Right
STL		Socket, Top Mount, Notch Left
SBR		Socket, Bottom Mount, Notch Right
SBL		Socket, Bottom Mount, Notch Left

Due to technical progress, all designs, specifications and components are subject to change without notice.