

Tekelec EAGLE[®] 5 Integrated Signaling System

Feature Manual - G-Flex C7 Relay

910-5726-001 Revision A

June 2009



**Copyright 2009 Tekelec
All Rights Reserved
Printed in USA**

Notice

Information in this documentation is subject to change without notice. Unauthorized use, copying, or translation of this documentation can result in civil or criminal penalties.

Any export of Tekelec products is subject to the export controls of the United States and the other countries where Tekelec has operations.

No part of this documentation may be reproduced, translated, or transmitted in any form or by any means, electronic or mechanical, including photocopying or recording, for any purpose without the express written permission of an authorized representative of Tekelec.

Other product names used herein are for identification purposes only, and may be trademarks of their respective companies.

RoHS 5/6 - As of July 1, 2006, all products that comprise new installations shipped to European Union member countries will comply with the EU Directive 2002/95/EC "RoHS" (Restriction of Hazardous Substances). The exemption for lead-based solder described in the Annex will be exercised. RoHS 5/6 compliant components will have unique part numbers as reflected in the associated hardware and installation manuals.

WEEE - All products shipped to European Union member countries comply with the EU Directive 2002/96/EC, Waste Electronic and Electrical Equipment. All components that are WEEE compliant will be appropriately marked. For more information regarding Tekelec's WEEE program, contact your sales representative.

Trademarks

The Tekelec logo, EAGLE, G-Flex, G-Port, IP7, IP7 Edge, and IP7 Secure Gateway are registered trademarks of Tekelec. TekServer, A-Port, EAGLE 5 ISS, and V-Flex are trademarks of Tekelec. All other trademarks are the property of their respective owners.

Patents

This product is covered by one or more of the following U.S. and foreign patents:

U.S. Patent Numbers:

5,732,213; 5,953,404; 6,115,746; 6,167,129; 6,324,183; 6,327,350; 6,456,845; 6,606,379; 6,639,981; 6,647,113; 6,662,017; 6,735,441; 6,745,041; 6,765,990; 6,795,546; 6,819,932; 6,836,477; 6,839,423; 6,885,872; 6,901,262; 6,914,973; 6,940,866; 6,944,184; 6,954,526; 6,954,794; 6,959,076; 6,965,592; 6,967,956; 6,968,048; 6,970,542; 6,987,781; 6,987,849; 6,990,089; 6,990,347; 6,993,038; 7,002,988; 7,020,707; 7,031,340; 7,035,239; 7,035,387; 7,043,000; 7,043,001; 7,043,002; 7,046,667; 7,050,456; 7,050,562; 7,054,422; 7,068,773; 7,072,678; 7,075,331; 7,079,524; 7,088,728; 7,092,505; 7,108,468; 7,110,780; 7,113,581; 7,113,781; 7,117,411; 7,123,710; 7,127,057; 7,133,420; 7,136,477; 7,139,388; 7,145,875; 7,146,181; 7,155,206; 7,155,243; 7,155,505; 7,155,512; 7,181,194; 7,190,702; 7,190,772; 7,190,959; 7,197,036; 7,206,394; 7,215,748; 7,219,264; 7,222,192; 7,227,927; 7,231,024; 7,242,695; 7,254,391; 7,260,086; 7,260,207; 7,283,969; 7,286,516; 7,286,647; 7,286,839; 7,295,579; 7,299,050; 7,301,910; 7,304,957; 7,318,091; 7,319,857; 7,327,670

Foreign Patent Numbers:

EP1062792; EP1308054; EP1247378; EP1303994; EP1252788; EP1161819; EP1177660; EP1169829; EP1135905; EP1364520; EP1192758; EP1240772; EP1173969; CA2352246

Ordering Information

Your Tekelec Sales Representative can provide you with information about how to order additional discs.

Table of Contents

Chapter 1: Introduction.....	1
Overview.....	2
Scope and Audience.....	2
Manual Organization.....	2
Related Publications.....	2
Documentation Admonishments.....	3
Customer Care Center.....	3
Emergency Response.....	5
Documentation Availability, Packaging, and Updates.....	6
Locate Product Documentation on the Customer Support Site.....	7
Chapter 2: Feature Description.....	9
G-Flex C7 Relay Overview.....	10
Product Description.....	11
Commands.....	15
Assumptions/Limitations.....	16
General Requirements.....	16
G-Flex MAP Layer Routing.....	19
Feature Control Requirements.....	20
Limitations.....	20
EPAP Provisioning Blacklist.....	20
G-Flex Relay Function.....	21
Conversion of National/Local Numbers to International Numbers.....	23
Conversion of E.214 MGT to E.212 IMSI.....	24
Database Lookup.....	25
Message Forwarding.....	25
G-Flex SCCP Service Re-Route Capability.....	28
MPS/EPAP Platform.....	33
EPAP/PDBA Overview.....	35
Subscriber Data Provisioning.....	36
EPAP (EAGLE Provisioning Application Processor).....	38
Service Module Cards.....	39
Network Connections.....	42
Network Perspectives.....	47
Serviceability Hints.....	49

Chapter 3: EAGLE 5 ISS G-Flex Commands.....	51
System Debug Services (SDS) Commands.....	52
MSU Trap and Trace Command.....	52
Provisioning Hierarchy for the G-Flex Database.....	52
EAGLE 5 ISS Terminal Database Commands.....	53
Maintenance and Measurements Commands.....	62
Commands.....	62
Chapter 4: G-Flex Feature Activation.....	71
Introduction.....	72
Prerequisites.....	72
Feature Activation Overview.....	73
Feature Activation Procedure.....	74
Install and Configure Service Module Cards.....	85
Enable and Turn on the G-Flex Feature.....	90
The 1100 TPS/Service Module Card for ITU NP Feature.....	95
Activating the E5-SM4G Throughput Capacity Feature.....	96
Chapter 5: Maintenance and Measurements.....	101
Hardware Requirements.....	102
EPAP Status and Alarms.....	102
DSM Status Requests.....	103
Hourly Maintenance Report.....	103
G-Flex System Status Reports.....	104
Code and Application Data Loading.....	105
EPAP Application Data Loading.....	105
State Transitions During Start-Up.....	107
G-Flex Related Alarms.....	110
G-Flex Related UIMs.....	114
G-Flex Measurements.....	116
Glossary.....	121

List of Figures

Figure 1: E.214 (E.212) Routing Example - Location Updating.....	12
Figure 2: Mobile Terminated Call.....	13
Figure 3: Functional Diagram – G-Flex in SCCP.....	22
Figure 4: Functional Diagram – G-Flex SCCP Service Re-Route (OFFLINE).....	28
Figure 5: MPS/EPAP Platform Architecture.....	33
Figure 6: Subscriber Data Provisioning Architecture (High Level).....	37
Figure 7: Database Administrative Architecture.....	38
Figure 8: Customer Provisioning Network.....	43
Figure 9: EPAP Sync Network.....	44
Figure 10: DSM Networks.....	45
Figure 11: Dial-Up PPP Network.....	46
Figure 12: Location of an Integrated EAGLE 5 ISS/G-Flex Node in Wireless Network.....	47
Figure 13: Location of a G-Flex Node in Wireless Network.....	48
Figure 14: Obit Message for Abort of Card Loading.....	107
Figure 15: EPAP-related Feature Enabled, Normal Operating Sequence.....	108
Figure 16: EPAP-related Feature Enabled, but Service Module card Memory Less Than 1 GB.....	108
Figure 17: EPAP-related Feature Enabled, but Service Module card Not Connected to EPAP.....	108
Figure 18: EPAP-related Feature Enabled, but Service Module card Memory Insufficient for Database.....	109
Figure 19: EPAP-related Feature Enabled, but Database Exceeds Service Module card Memory.....	109
Figure 20: EPAP-related Feature Not Enabled at First, but then Activated on Service Module card.....	109
Figure 21: EPAP-related Feature Activation Unsuccessful due to Insufficient Database.....	110

List of Tables

Table 1: Admonishments.....3
Table 2: DigitAction Applications.....14
Table 3: G-Flex Relay Data Combinations.....23
Table 4: National/Local Numbers to International Numbers Conversion Logic.....23
Table 5: GREF Forwarding Message: MTP Portion.....26
Table 6: GFRF Forwarding Message: SCCP Portion.....27
Table 7: G-Flex SCCP Re-route Summary.....30
Table 8: G-Flex LIM Re-route Message Handling Summary.....32
Table 9: EPAP IP Addresses in the DSM Network.....46
Table 17: G-Flex Subsystem Alarms.....113
Table 18: G-Flex UIMs.....114
Table 19: Pegs for G-Flex.....117

Chapter 1

Introduction

Topics:

- *Overview.....2*
- *Scope and Audience.....2*
- *Manual Organization.....2*
- *Related Publications.....2*
- *Documentation Admonishments.....3*
- *Customer Care Center.....3*
- *Emergency Response.....5*
- *Documentation Availability, Packaging, and Updates.....6*
- *Locate Product Documentation on the Customer Support Site.....7*

This chapter contains general information about the G-Flex documentation, the organization of this manual, and how to get technical assistance.

Overview

This manual provides an overview of the G-Flex[®] C7 Relay feature of the EAGLE 5 ISS (Integrated Signaling System). The G-Flex feature enables efficient Home Location Register (HLR) management in International Telecommunications Union (ITU) networks, American National Standards Institute (ANSI) networks, Global System for Mobile communications (GSM) networks, and IS-41 networks. The G-Flex C7 Relay node is located in the operator's C7/SS7 network between the Mobile Switching Centers (MSCs) and HLRs. G-Flex optimizes the use of subscriber numbers and number ranges by providing a logical link between any MSISDN number and any IMSI. This arrangement allows subscribers to be moved easily from one HLR to another.

The G-Flex feature is optional on the EAGLE 5 ISS, and can be turned on, but not off, via a feature access key. Note that G-Flex and North American LNP (Local Number Portability) are mutually exclusive on an EAGLE 5 ISS node. The Global Title Translations (GTT) feature is required for operation of the G-Flex feature.

Scope and Audience

This manual is intended for anyone responsible for installing, maintaining, and using the G-Flex feature in the EAGLE 5 ISS. Users of this manual and the others in the EAGLE 5 ISS family of documents must have a working knowledge of telecommunications and network installations.

Manual Organization

This document is organized into the following chapters:

- [Introduction](#) on page 1, contains general information about the G-Flex documentation, the organization of this manual, and how to get technical assistance.
- [Feature Description](#) on page 9, provides a functional description of G-Flex, including network perspectives, assumptions and limitations, a database overview, DSM provisioning and reloading, G-Flex user interface, SDS commands, and the G-Flex relay function.
- [EAGLE 5 ISS G-Flex Commands](#) on page 51, describes the user interface in detail.
- [G-Flex Feature Activation](#) on page 71, describes how to activate the G-Flex feature.
- [Maintenance and Measurements](#) on page 101, describes maintenance and measurements in detail, including EPAP status and alarms, hardware verification messages, G-Flex system status reports and commands, code and application data loading, and alarms.

Related Publications




For information about additional publications that are related to this document, refer to the *Related Publications* document. The *Related Publications* document is published as a part of the *Release*

Documentation and is also published as a separate document on the Tekelec Customer Support Site.

Documentation Admonishments

Admonishments are icons and text throughout this manual that alert the reader to assure personal safety, to minimize possible service interruptions, and to warn of the potential for equipment damage.

Table 1: Admonishments

	<p>DANGER: (This icon and text indicate the possibility of <i>personal injury</i>.)</p>
	<p>WARNING: (This icon and text indicate the possibility of <i>equipment damage</i>.)</p>
	<p>CAUTION: (This icon and text indicate the possibility of <i>service interruption</i>.)</p>

Customer Care Center

The Tekelec Customer Care Center is your initial point of contact for all product support needs. A representative takes your call or email, creates a Customer Service Request (CSR) and directs your requests to the Tekelec Technical Assistance Center (TAC). Each CSR includes an individual tracking number. Together with TAC Engineers, the representative will help you resolve your request.

The Customer Care Center is available 24 hours a day, 7 days a week, 365 days a year, and is linked to TAC Engineers around the globe.

Tekelec TAC Engineers are available to provide solutions to your technical questions and issues 7 days a week, 24 hours a day. After a CSR is issued, the TAC Engineer determines the classification of the trouble. If a critical problem exists, emergency procedures are initiated. If the problem is not critical, normal support procedures apply. A primary Technical Engineer is assigned to work on the CSR and provide a solution to the problem. The CSR is closed when the problem is resolved.

Tekelec Technical Assistance Centers are located around the globe in the following locations:

Tekelec - Global

Email (All Regions): support@tekelec.com

- USA and Canada

Phone:

1-888-FOR-TKLC or 1-888-367-8552 (toll-free, within continental USA and Canada)

1-919-460-2150 (outside continental USA and Canada)

TAC Regional Support Office Hours:

8:00 a.m. through 5:00 p.m. (GMT minus 5 hours), Monday through Friday, excluding holidays

- **Central and Latin America (CALA)**

Phone:

USA access code +1-800-658-5454, then 1-888-FOR-TKLC or 1-888-367-8552 (toll-free)

TAC Regional Support Office Hours (except Brazil):

10:00 a.m. through 7:00 p.m. (GMT minus 6 hours), Monday through Friday, excluding holidays

- **Argentina**

Phone:

0-800-555-5246 (toll-free)

- **Brazil**

Phone:

0-800-891-4341 (toll-free)

TAC Regional Support Office Hours:

8:30 a.m. through 6:30 p.m. (GMT minus 3 hours), Monday through Friday, excluding holidays

- **Chile**

Phone:

1230-020-555-5468

- **Columbia**

Phone:

01-800-912-0537

- **Dominican Republic**

Phone:

1-888-367-8552

- **Mexico**

Phone:

001-888-367-8552

- **Peru**

Phone:

0800-53-087

- **Puerto Rico**

Phone:

1-888-367-8552 (1-888-FOR-TKLC)

- **Venezuela**

Phone:

0800-176-6497

- **Europe, Middle East, and Africa**

- **Signaling**

Phone:

+44 1784 467 804 (within UK)

TAC Regional Support Office Hours:

8:00 a.m. through 7:00 p.m. (GMT), Monday through Friday, excluding holidays

- **Software Solutions**

Phone:

+33 3 89 33 54 00

TAC Regional Support Office Hours:

8:00 a.m. through 7:00 p.m. (GMT), Monday through Friday, excluding holidays

- **Asia**

- **India**

Phone:

+91 124 436 8552 or +91 124 436 8553

TAC Regional Support Office Hours:

10:00 a.m. through 7:00 p.m. (GMT plus 5 1/2 hours), Monday through Saturday, excluding holidays

- **Singapore**

Phone:

+65 6796 2288

TAC Regional Support Office Hours:

9:00 a.m. through 6:00 p.m. (GMT plus 8 hours), Monday through Friday, excluding holidays

Emergency Response

In the event of a critical service situation, emergency response is offered by the Tekelec Customer Care Center 24 hours a day, 7 days a week. The emergency response provides immediate coverage,

automatic escalation, and other features to ensure that the critical situation is resolved as rapidly as possible.

A critical situation is defined as a problem with an EAGLE 5 ISS that severely affects service, traffic, or maintenance capabilities, and requires immediate corrective action. Critical problems affect service and/or system operation resulting in:

- A total system failure that results in loss of all transaction processing capability
- Significant reduction in system capacity or traffic handling capability
- Loss of the system's ability to perform automatic system reconfiguration
- Inability to restart a processor or the system
- Corruption of system databases that requires service affecting corrective actions
- Loss of access for maintenance or recovery operations
- Loss of the system ability to provide any required critical or major trouble notification

Any other problem severely affecting service, capacity/traffic, billing, and maintenance capabilities may be defined as critical by prior discussion and agreement with the Tekelec Customer Care Center.

Documentation Availability, Packaging, and Updates

Tekelec provides documentation with each system and in accordance with contractual agreements. For General Availability (GA) releases, Tekelec publishes a complete EAGLE 5 ISS documentation set. For Limited Availability (LA) releases, Tekelec may publish a documentation subset tailored to specific feature content or hardware requirements. Documentation Bulletins announce a new or updated release.

The Tekelec EAGLE 5 ISS documentation set is released on an optical disc. This format allows for easy searches through all parts of the documentation set.

The electronic file of each manual is also available from the Tekelec Customer Support site (support.tekelec.com). This site allows for 24-hour access to the most up-to-date documentation, including the latest versions of Feature Notices.

Printed documentation is available for GA releases on request only and with a lead time of six weeks. The printed documentation set includes pocket guides for commands and alarms. Pocket guides may also be ordered separately. Exceptions to printed documentation are:

- Hardware or Installation manuals are printed without the linked attachments found in the electronic version of the manuals.
- The Release Notice is available only on the Customer Support site.

Note: Customers may print a reasonable number of each manual for their own use.

Documentation is updated when significant changes are made that affect system operation. Updates resulting from Severity 1 and 2 PRs are made to existing manuals. Other changes are included in the documentation for the next scheduled release. Updates are made by re-issuing an electronic file to the customer support site. Customers with printed documentation should contact their Sales Representative for an addendum. Occasionally, changes are communicated first with a Documentation Bulletin to provide customers with an advanced notice of the issue until officially

released in the documentation. Documentation Bulletins are posted on the Customer Support site and can be viewed per product and release.

Locate Product Documentation on the Customer Support Site

Access to Tekelec's Customer Support site is restricted to current Tekelec customers only. This section describes how to log into the Tekelec Customer Support site and locate a document. Viewing the document requires Adobe Acrobat Reader, which can be downloaded at www.adobe.com.

1. Log into the Tekelec **new** Customer Support site at support.tekelec.com.

Note: If you have not registered for this new site, click the **Register Here** link. Have your customer number available. The response time for registration requests is 24 to 48 hours.

2. Click the **Product Support** tab.
3. Use the Search field to locate a document by its part number, release number, document name, or document type. The Search field accepts both full and partial entries.
4. Click a subject folder to browse through a list of related files.
5. To download a file to your location, right-click the file name and select **Save Target As**.

Chapter 2

Feature Description

Topics:

- [G-Flex C7 Relay Overview.....10](#)
- [G-Flex MAP Layer Routing.....19](#)
- [EPAP Provisioning Blacklist.....20](#)
- [G-Flex Relay Function.....21](#)
- [MPS/EPAP Platform.....33](#)

This chapter provides a functional description of G-Flex, including network perspectives, assumptions and limitations, a database overview, DSM provisioning and reloading, G-Flex user interface, SDS commands, and the G-Flex relay function.

G-Flex C7 Relay Overview

In today's mobile networks, subscribers are assigned to Home Location Registers (HLRs) and AuCs (Authentication Centers) via blocks or ranges of subscriber numbers. These ranges are used by MSCs (Mobile Switching Centers) to route many types of signalling messages to HLRs/AuCs. There are several types of numbers that identify subscribers, both of which are assigned by MSCs to HLR/AuCs via this range mechanism.

- MSISDN (Mobile Station International Integrated Services Digital Network) numbers, which use numbering plan E.164
- IMSI (International Mobile Subscriber Identity) numbers, which use numbering plan E.212
- MIN (Mobile Identification Number), which uses the E.164 numbering plan
- MDN (Mobile Directory Number), which uses the E.164 numbering plan

Problems arose in areas such as network load balancing and efficient use of HLR capacity. G-Flex is a feature designed to alleviate some of these problems by allowing the operator to flexibly assign individual subscribers to HLRs and route signaling messages, based on subscriber numbering, accordingly. The current phase of development applies to routing to HLRs only. In the future, this capability may be expanded to include routing to other intelligent devices such as SCPs (Service Control Points) and VMSCs (Voice Mail Service Centers), depending on market needs.

Note:

In this document, the term HLR is used to include AuC, as applicable.

Today's rigid scheme for assigning subscribers to HLRs leads to several inefficiencies for network operators. Below are a few examples:

- When IMSI numbers, which identify the SIM (Subscriber Identity Module), get lost or are otherwise out of service, "holes" sometimes open in the IMSI ranges. These holes result in HLR capacity that cannot be used because switches will not be routing messages using those lost numbers anymore.
- In many cases, subscribers are "split" across multiple HLRs, as their IMSI range can point to a different HLR than their MSISDN range. Operators must take special steps to ensure that calls are not mishandled.
- With the advent of MNP (Mobile Number Portability), the MSISDN no longer indicates the subscription network. This leads to holes in the MSISDN ranges that address HLRs. As in the case with IMSIs, these MSISDN holes result in HLR capacity that cannot be used by existing MSC routing schemes.
- With the advent of MNP, operators need to handle message routing based on MSISDNs that are imported to the network from another operator, and so do not fit into the existing range mechanism at all.
- Prepaid service may result in the allocation of a large block of IMSIs to an HLR, many of which may not be put in service for a while.
- Corporate clients may reserve a large block of numbers that must be assigned to an HLR. Many of these may not be used for a while, if ever.

Product Description

The G-Flex C7 Relay node is located in the operator's C7/SS7 network between the MSCs and HLRs. It can also serve as the direct interface to other networks. G-Flex can be deployed as an integrated part of the STP (Signal Transfer Point) function or as a stand-alone node.

G-Flex optimizes the use of subscriber numbers and number ranges by providing a logical link between any MSISDN number or IMSI, and an HLR. This allows subscribers to easily be moved from one HLR to another.

It also allows each HLR to be filled to 100% of its capacity by allowing subscriber number ranges to be split over different HLRs and individual subscriber numbers to be assigned to any HLR. Another benefit is that subscriber number routing data is not required to be maintained in all MSCs in the network.

G-Flex is optional on the EAGLE 5 ISS, and can be turned on (but not turned off) via a feature access key. G-Flex and North American LNP (Local Number Portability) are mutually exclusive on an EAGLE 5 ISS node.

Call Flows

As stated in the preceding sections, several types of subscriber numbers can be used as a basis for routing messages to HLRs: IMSI, MSISDN, MIN, and MDN. In actuality, there are two flavors of IMSI routing: one that uses the actual IMSI, which is an E.212 number, and one that uses the Mobile Global Title (MGT), which is an E.214 number derived from the IMSI. G-Flex handles both of these cases in addition to the MSISDN/MIN/MDN cases, which use the E.164 numbering plan. The following subsections address these three cases.

In GSM networks, each network entity (for example, MSC, HLR, VLR [Visitor Location Register]) is identified by an E.164 entity address. Note that GSM networks also route messages based on E.164 entity addresses when those addresses are known by the sender. While the routing of these messages must also be handled by the G-Flex C7 Relay, this functionality is not considered to be a core part of the G-Flex functionality. These numbers are not expected to be populated in the G-Flex database and so messages routed using these addresses should fall through to normal (or enhanced) GTT (Global Title Translation). Therefore, call flows for this type of routing are not described here.

The call flows in this section show only one possible scenario for how messages are routed in the network and where various stages of GTT are performed. The G-Flex C7 Relay may perform intermediate or final GTT and/or replace the SCCP (Signaling Connection Control Part) CdPA (Called Party Address) with the HLR entity address, depending on the message received and provisioned data. All call flows here assume the G-Flex C7 Relay is integrated with the EAGLE 5 ISS.

MGT (E.214) Routing

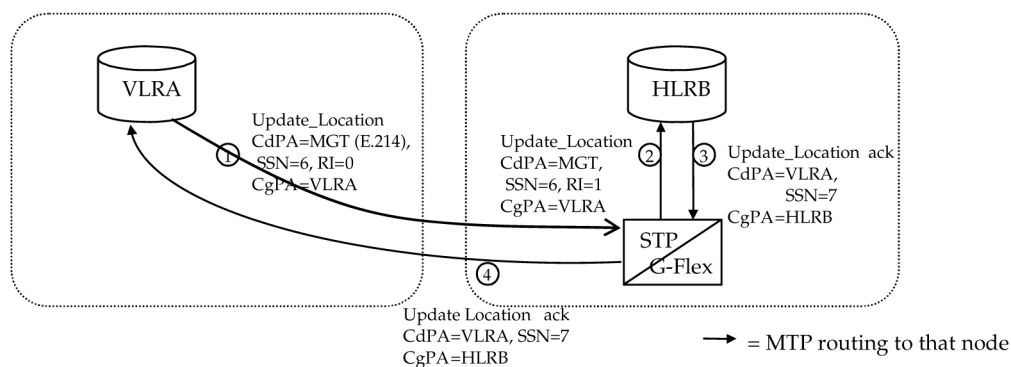
The partial Update Location procedure, detailed in [Figure 1: E.214 \(E.212\) Routing Example - Location Updating](#) on page 12, is an example of E.214 mobile global title routing. This routing is employed in situations where the E.164 address of the receiving node (HLRB) is not yet known by the sending node (VLRA).

In order to update information about the subscriber's location, VLRA sends a MAP (Mobile Application Part) Update_Location message to the G-Flex Relay (possibly via a Gateway MSC [Mobile Switching Center]).

The steps in [Figure 1: E.214 \(E.212\) Routing Example - Location Updating](#) on page 12 are cross-referenced in the following procedure.

1. The message is received at the G-Flex Relay. Global title information triggers G-Flex processing. Since the SCCP CdPA contains an E.214 number, G-Flex first converts the E.214 number to an international E.212 number before searching the G-Flex database (GFDB) with the E.212 number (Step 1). G-Flex also handles the case where an E.212 number is received in the SCCP CdPA. In this case, the database is searched directly using the E.212 number.
2. G-Flex finds a match with HLR GT information and routes the message to the designated DPC (HLRB) (Step 2).
3. HLRB responds to VLRA with an Update_Location ack. This message has the E.164 address of VLRA in the SCCP CdPA and is routed by normal (or enhanced) GTT, not G-Flex (Step 3).
4. The message is relayed to VLRA (Step 4).

Figure 1: E.214 (E.212) Routing Example - Location Updating



There are other MAP messages from VLR (Visitor Location Register) to HLR that also fall into this category of requiring E.214 global title routing. All of these messages are handled the same way by G-Flex, using the process described above.

IMSI (E.212) Routing

G-Flex processing, when it receives a message routed with an E.212 number in the SCCP CdPA GTA (Global Title Address), is essentially the same as when an E.214 number is received. The only difference is that the number does not have to be converted to E.212 (since it is already E.212) before doing the database lookup. Therefore, those call flows are not shown here.

MSISDN/MIN/MDN (E.164) Routing

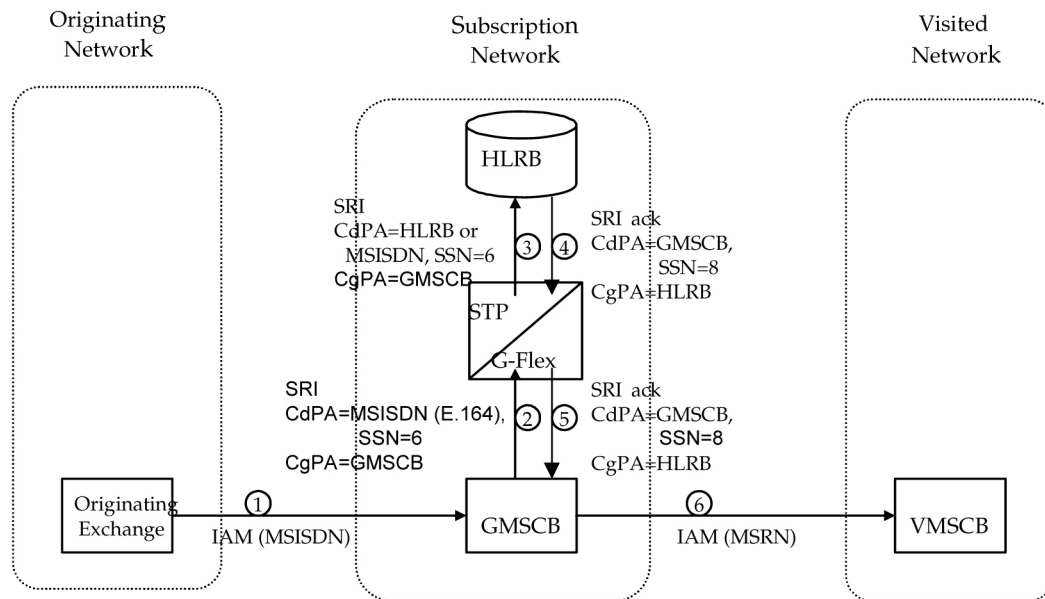
A mobile terminated call results in the GMSC (Gateway Mobile Switching Center) querying the HLR through the use of the called number as a GTA. G-Flex is used to locate the appropriate HLR. The partial mobile terminated call procedure detailed in [Figure 2: Mobile Terminated Call](#) on page 13 is an example of MSISDN global title SCCP addressing. This applies to MIN and MDN routing numbers as well.

The steps in [Figure 2: Mobile Terminated Call](#) on page 13 are cross-referenced in the following procedure.

1. A call is originated and an IAM (Initial Address Message) is sent from the originating network to the subscription network (Step 1).

2. Digit analysis at GMSCB detects a mobile terminated call to a mobile station and generates a MAP Send_Routing_Info (SRI) message to the G-Flex Relay (Step 2).
3. The EAGLE 5 ISS receives the message. Global title information triggers G-Flex processing. Since the SCCP CdPA contains an E.164 number, G-Flex searches the GFDB with the E.164 number, which must be converted to an international number if it is not one already. The G-Flex finds a match with HLR GT information and routes the message to the designated DPC (HLRB) (Step 3).
4. HLRB responds to GMSCB with an SRI ack. This message has the E.164 address of GMSCB in the SCCP CdPA, and is routed by normal (or enhanced) GTT, not G-Flex (Step 4).
5. The message is relayed to GMSCB (Step 5).
6. GMSCB sends an IAM containing the MSRN (Mobile Station Roaming Number) to the visited network (Step 6).

Figure 2: Mobile Terminated Call



Other MAP messages that are routed using MSISDN/MIN/MDN global title routing to an HLR are handled the same way by G-Flex. This includes mobile terminated short messages, for example.

EPAP Provisioning Blacklist

This feature provides checks to prevent the inadvertent provisioning of protected address strings into the EPAP database. If a protected address string is provisioned into the PDB as a DN, DN Block or IMSI, the EAGLE 5 ISS may incorrectly route messages. This feature allows the user to define a list of prohibited address strings that are not allowed as DN, DN Block, or IMSI address strings. The E.164 addresses of all HLRs should be provisioned in the provisioning blacklist.

DigitAction Expansion

The DigitAction Expansion provides more flexibility to formulate the SCCP Called Party Address (SCCP) Global Title Address (GTA) field of the MAP messages relayed by G-Flex.

Without DigitAction Expansion, G-Flex supports four options (none, insert, prefix, and replace) to overwrite the SCCP CdPA GTA field. With DigitAction Expansion, four additional options (delcc, delccprefix, spare1, and spare2) are included to overwrite the SCCP CdPA GTA field.

The rules for formatting the SCCP CdPA GTA field are based on the value specified in the DigitAction field. If DigitAction = none, the EAGLE 5 ISS does not overwrite the SCCP CdPA GTA. For all other values, the EAGLE 5 ISS formats the SCCP CdPA GTA according to the value assigned to DigitAction. Refer to [Table 2: DigitAction Applications](#) on page 14 for examples of DigitAction Expansion on the SCCP CdPA GTA of an outgoing message when the Entity ID = 1404 and the default country code = 886.

Table 2: DigitAction Applications

DigitAction	Value in Incoming CdPA GTA	Value in Outgoing CdPA GTA	Meaning
none	886944000213	886944000213	No change to the Called Party GTA (default)
prefix	886944000213	1404886944000213	Prefix Called Party GTA with the entity id
replace	886944000213	1404	Replace Called Party GTA with the entity id
insert	886944000213	8861404944000213	Insert entity id after country code. (CC + Entity Id + NDC + SN)
delccprefix	886944000213	1404944000213	Delete country code and add prefix
delcc	886944000213	944000213	Delete country code
spare1	886944000213	treated as none	No change to the Called Party GTA (default)
spare2	886944000213	treated as none	No change to the Called Party GTA (default)

DigitAction Expansion is provisioned via the PDBI Enter Network Entity or Update Network Entity commands. DigitAction Expansion can also be modified via the Add an NE and Update an NE GUI screens.

G-Flex SCCP Service Re-Route Capability

This feature is used when the G-Flex database is incoherent with MPS data and the GTT data is valid. G-Flex SCCP Service Re-Route provides the capability to re-route the traffic from the EAGLE 5 ISS to other G-Flex database nodes and inform the originating nodes to re-route the G-Flex service related traffic to other G-Flex service nodes.

This feature is designed to handle and control re-routing of G-Flex traffic from an affected node to alternate nodes within an operators network. This feature is an optional feature and doesn't affect the normal G-Flex functionality. This feature also provides the option to mark G-Flex OFFLINE to perform a controlled re-routing during this state.

G-Flex MAP Layer Routing

This feature allows subscriber digits to be obtained from either the SCCP layer or the MAP layer of a message during G-Flex database lookup. This ability resolves the issue of truncation of digits by the mobile switching center (MSC) that may occur in the SCCP layer.

This feature applies only to MAP Update_Location, Update_GPRS_Location, Send_Parameters, and MAP Send_Authentication_Information operations within GSM messages. These four MAP operations commonly encode the SCCP CdPA GTA in the E.214 format (MGT) where trailing IMSI digits may be truncated from MGT, and these messages always include IMSI in the MAP layer. CdPA digits from the SCCP layer are always used to route all other MAP messages.

Commands

This section lists the maintenance and measurements user interface commands for the G-Flex feature. These commands allow provisioning, operations, and maintenance activities for Service Module cards. For details, refer to Chapter 3, [Maintenance and Measurements Commands](#) on page 62.

Commands listed here include:

- `rept-stat-sys`
- `rept-stat-sccp`
- `rept-stat-mps`
- `rept-meas`
- `rept-stat-trbl`
- `rept-stat-alm`
- `rept-stat-db`
- `inh-card / alw-card`
- `ent-card / rtrv-card / dlt-card`
- `chg-gpl / act-gpl / rtrv-gpl / rept-stat-gpl / copy-gpl`
- `ent-bp / dlt-bp / disp-bp / disp-mem / set-mem`
- `inh-alm / unhb-alm`
- `pass`, including the following commands:
 - `pass:cmd='ping'`

- `pass:cmd='netstat'`
- `pass:cmd='nslookup'`
- `pass:cmd='arp'`
- `pass:cmd='help'`

The complete functionality of the commands is described in detail in the *Commands Manual*. That document also provides the actual parameter names, valid values, and output for the commands.

Assumptions/Limitations

The following assumptions and limitations are present.

1. The EAGLE 5 ISS does not perform any conversion in the SCCP portion of the message to support message routing across the domain boundary (ANSI to ITU and visa versa).
2. The EAGLE 5 ISS supports message routing across network boundaries (ITU-N to ITU-I) and visa versa. However, GTT and/or enhanced GTT (EGTT) neither modify the National Indicator bit in the CdPA AI nor convert the CdPA PC (Point Code) to match the network type.
3. For messages with E.214 numbers in the SCCP CdPA, a simple conversion can form an E.212 number. The E.212 number formed in this way is the full IMSI of the subscriber, that is, it is assumed that no truncation occurs when the E.214 number is originally formed from the E.212 number. Such truncation is allowed by the E.214 recommendation.
4. This feature allows for up to eight MSISDN numbers per subscriber (that is, per IMSI) to be related. It is assumed that operators do not need to support more than eight MSISDN numbers per subscriber. (Expansion to eight MSISDN numbers is anticipated in the near future.)
5. No overload controls are required beyond the existing EAGLE 5 ISS lower level mechanisms (for example, for MTP congestion, etc.)
6. Using combinations of GTT selectors (GTI [Global Title Indicator], TT [Translation Type], NP [Number Portability], and NAI) as triggers for G-Flex processing plus SSN discrimination will provide the ability to limit G-Flex processing to only the messages for which it is appropriate.
7. G-Flex C7 Relay supports message routing to a single network node for a particular subscriber. For example, an individual subscriber cannot have some messages routed to his HLR and other messages routed to a separate AuC. In this example, G-Flex does not support the AuC being collocated with the HLR. The G-Flex design allows for expansion to include routing to multiple network elements (corresponding to multiple services) for the same subscriber.
8. For performance estimates, EAGLE 5 ISS-generated UDTS messages will count as two processed messages.

General Requirements

Numbering

1. Incoming called party numbers (from the SCCP portion) destined for G-Flex processing are conditioned to fit the GDB requirements where possible:

- If the GTT selectors available in the incoming message match an entry in the G-Flex selector table, then the service numbering plan from the selector table entry uses that number's numbering plan. Further conditioning is applied based on this new numbering plan.
 - If the GTT selectors available in the incoming message match an entry in the G-Flex selector table, then the service nature of address from the selector table entry uses that number's nature of address. Further conditioning is applied based on this new nature of address.
 - If the nature of address is National (Significant), the default CC (country code for E.164 or E.214) or default MCC (for E.212) is prepended to the number for GDB look up. The default code to be used by the EAGLE 5 ISS must be previously provisioned by the EAGLE 5 ISS operator. If not, a UIM (Unsolicited Information Message) is issued, and the message falls through to GTT.
 - If the nature of address is Subscriber, the default CC + default NC (network code for E.164 or E.214) or default MCC + default MNC (for E.212) are prepended to the number. The default codes to be used by the EAGLE 5 ISS must be previously provisioned by the EAGLE 5 ISS operator. If not, a UIM is issued, and the message falls through to GTT.
 - If the numbering plan is E.214, the CC + NC part of the number is replaced with its corresponding MCC + MNC from the provisioned conversion data. If no matching CC + NC has been provisioned, a UIM is issued, and the message falls through to GTT.
2. Numbers with fewer than five digits after the above conditioning are not used for G-Flex. In this case, a UIM is issued, and the message falls through to GTT.
 3. Numbers with more than 15 digits after the above conditioning are not used for G-Flex. In this case, a UIM is issued, and the message falls through to GTT.

Maintenance

Validation of G-Flex Hardware Configuration

Service Module card loading has been modified to verify the validity of the hardware configuration for the Service Module cards. Hardware verification includes the following:

- Service Module Main Board Verification

An AMD-K6 (or better) main board is required to support the G-Flex VSCCP application on the Service Module card. EAGLE 5 ISS maintenance stores the validity status of the Service Module card's main board configuration.

Note: The system does not allow the G-Flex feature to be turned on if the hardware configuration is invalid.

When the VSCCP application is initializing, it determines the main board type. The SCCP maintenance block is the mechanism used to relay the main board information to OAM. This requires that the application software be loaded to the Service Module card and then the main board information received in the SCCP maintenance block must be verified. If the main board is determined to be invalid for the G-Flex application, loading of the Service Module card is automatically inhibited.

- Service Module card Applique Memory Verification

The VSCCP application performs two types of memory validation to determine whether or not a Service Module card has sufficient memory to run G-Flex:

- *Local Memory Validation.* When the G-Flex feature access key is first enabled, or any time the G-Flex feature is enabled and the Service Module card is initializing, the Service Module card checks to see if the Service Module card has at least one D1G applique.
- *Real-Time Memory Validation (during card initialization).* Once communications between the Service Module card and EPAP have been established, and the Service Module card has joined the RMTP Tree, the EPAP starts downloading the RTDB to the Service Module card. After the Service Module card has downloaded the RTDB, it continues to receive database updates as necessary. The EPAP includes the size of the current RTDB in all records sent to the Service Module card. The Service Module card compares the size required to the amount of memory installed, and issues a minor alarm once the database exceeds 80% of the Service Module card memory. If the database completely fills the Service Module card memory, a major alarm is issued, the Service Module card leaves the RMTP tree, and the Service Module card's status changes to IS-ANR/Restricted. The Service Module card continues to carry traffic.

- Actions Taken When Hardware Determined to be Invalid

When the hardware configuration for a Service Module card is determined to be invalid for the G-Flex application, SCM automatically inhibits loading for that specific Service Module card. A major alarm is generated indicating that card loading for that Service Module card has failed and has been automatically inhibited (that is, prevented from reloading again). Refer to Chapter 5, *G-Flex Related Alarms* on page 110 for the specific alarm that is generated. When card loading has been inhibited, the primary state of the card is set to `oos-mt-dsbl'd`, and the secondary state of the card is set to `MEA` (Mismatch of Equipment and Attributes).

The following actions apply to a Service Module card determined to be invalid:

- The Service Module card will not download the EAGLE 5 ISS databases.
- The Service Module card will not download the real-time RTDB from the EPAP.
- The Service Module card will not accept RTDB updates (that is, add, change, delete) from the EPAP, nor will it accept EAGLE 5 ISS database updates.

To activate loading of a Service Module card that has been automatically inhibited, the craftsperson must enter the `alw-card` command (`alw-card:loc=xxxx`).

- Unstable Loading Mode

At some point, having a number of invalid Service Module cards results in some of the LIMs (Link Interface Module) being denied SCCP services. There is a threshold that needs to be monitored: if the number of valid Service Module cards is insufficient to provide service to at least 80% of the IS-NR LIMs, the system is said to be in an unstable loading mode. For other reasons why an EAGLE 5 ISS might be in an unstable loading mode, refer to Chapter 5, *Loading Mode Support Status Reporting* on page 105.

Maintenance Commands

The following commands are used for G-Flex maintenance.

- The debug command `ent-trace` traps G-Flex MSUs (Message Signaling Unit) based on the point code of the switch that generated the MSU (SSP), a particular DN, or IMSI. Note that an MSU is considered to be a G-Flex MSU after its CdPA SSN is determined to be a HLR SSN. For MSISDN and IMSI, the comparison is based on the search key built from the CdPA GTAI

(Global Title Address Information) after any conditioning. The existing GT SCCP trigger also applies to G-Flex messages.

- The command `rept-stat-mps` reports current G-Flex statistics. An MSU is considered to be a G-Flex MSU after its CdPA SSN is determined to be a HLR SSN. This command reports G-Flex statistics on a single SCCP card basis or on a G-Flex system basis.

For more information, refer to Chapter 5, *Maintenance and Measurements Commands* on page 62.

G-Flex Loading Mode Support

Loading mode support is not applicable for RTDB updates, since Service Module cards use incremental loading from the EPAP. EAGLE 5 ISS Administrative updates are allowed while a Service Module card is loading and the system is above the 80% card stability threshold. If it is below the 80% threshold, loading mode support allows EAGLE 5 ISS administrative updates to be rejected while cards finish loading and cross the 80% or better threshold.

For G-Flex, loading mode support is applicable for database updates originating from the EAGLE 5 ISS GPSM-II's (General Purpose Service Module II cards) destined for the Service Module cards.

Audit Requirements

The G-Flex audit does not change EAGLE 5 ISS's compliance to STP audit requirements, to which it currently adheres. New G-Flex database tables residing on the EAGLE 5 ISS TDM fixed disks are audited by the existing EAGLE 5 ISS audit, which only verifies tables on the EAGLE 5 ISS active and standby TDMs. There are new audit mechanisms for new G-Flex tables residing on the EPAP platform that are downloaded to the Service Module cards. The new audit mechanisms consist of the following.

- On each Service Module card and on the standby EPAP, a background audit calculates checksums for each G-Flex RTDB table record and compares the calculated checksum against the checksum value stored in each record. If they are not the same, then a *database corrupt* alarm is issued.
- A process that runs periodically on the active EPAP (approximately every five seconds or less) sends the latest RTDB database level to all the Service Module cards and the standby EPAP. If the database levels do not match, the standby EPAP or Service Module card issues a *diff level* alarm.

For more information on the new audit mechanisms, refer to the *EPAP Administration Manual*.

G-Flex MAP Layer Routing

When the SCCP CdPA in a message receiving G-Flex service is truncated by the MSC, G-Flex needs to use the subscriber number from the MAP layer for routing.

The G-Flex MAP Layer Routing feature allows subscriber digits to be obtained from either the SCCP layer or the MAP layer of a message during G-Flex database lookup. This ability resolves the issue of truncation of digits by the mobile switching center (MSC) that may occur in the SCCP layer.

The G-Flex MAP Layer Routing feature allows the user to specify whether the subscriber digits are obtained from the SCCP or MAP layer when performing G-Flex database lookup. This is a user-configurable G-Flex option.

This feature applies only to MAP Update_Location, Update_GPRS_Location, Send_Parameters, and MAP Send_Authentication_Information operations within GSM messages. These four MAP operations commonly encode the SCCP CdPA GTA in the E.214 format (MGT) where trailing IMSI digits may be truncated from MGT, and these messages always include IMSI in the MAP layer. CdPA digits from the SCCP layer are always used to route all other MAP messages.

Note: As part of this feature, the G-Flex feature is converted from a feature bit to a FAK and part number.

Feature Control Requirements

The G-Flex MAP Layer Routing feature has the following feature control requirements:

- The G-Flex feature must be enabled and turned on (FAK for part number 893-0219-01) before the G-Flex MLR feature can be enabled.
- The G-Flex MLR feature requires a FAK for part number 893-0217-01
- If the **ansigflex** option in `chg-stpopts` command is turned on, then the feature cannot be enabled.
- A temporary FAK cannot be used to enable the G-Flex or the G-Flex MLR features.
- If the G-Flex feature is turned on with the feature bit before upgrade occurs, then the feature is automatically enabled and turned on with the FAK after upgrade.
- The G-Flex and G-Flex MLR features cannot be turned off after being turned on.

Limitations

ANSI G-Flex traffic at 1700 TPS per Service Module card and 5000 TPS per E5-SM4G card is not supported by the G-Flex MLR feature. ANSI traffic operates at standard G-Flex TPS rates if the G-Flex MLR feature is turned on.

EPAP Provisioning Blacklist

This feature provides blacklist functionality for protected E.164 addresses of network elements, such as HLRs. All G-Flex provisioning data is checked against this blacklist to prevent inadvertent population of protected E.164 addresses into the G-Flex database as MSISDNs.

The G-Flex blacklist ranges are stored in the PDB database. G-Flex blacklist ranges are not sent to or stored in the RTDB.

The customer is responsible for determining the ranges of address strings that should be considered, protected, and entered into the blacklist. Reliability of this feature depends on the completeness of the blacklist.



CAUTION:

If the G-Flex blacklist does not include all protected address strings in the customer network and one of those protected address strings is provisioned as a DN, DN Block, or IMSI, there will be unintended message routing, possibly causing network outages.

Provisioning of the E.164 addresses for this feature is only made via the EPAP GUI. The EPAP GUI is used to retrieve, view, and delete entries in the blacklist. EPAP GUI menus to add and delete G-Flex blacklist ranges are only accessible to PDBA group and the User Administration (uiadmin) user.

A maximum of 150 blacklist ranges are supported by the EPAP. A valid G-Flex blacklist range is defined by two address strings of 5-15 hexadecimal digits, where the ending address is greater than or equal to the beginning address. Address strings must be of the same length. G-Flex blacklist ranges cannot overlap. A valid G-Flex blacklist range cannot conflict with DN, DN block, or IMSI values in the PDB. If a conflict is determined, the blacklist range will be rejected.

When provisioning a valid G-Flex blacklist range, this feature also verifies that Network Entity address strings do not conflict with DN, DN Block or IMSI address strings within the same EPAP PDB.

This feature also verifies that Network Entity address strings do not conflict with DN, DN Block or IMSI address strings within the same EPAP PDB. The command is rejected if a conflict is found.

This feature also provides for PDBI checks against the blacklist ranges when the PDBI is used for the provisioning of DNs, DN blocks, and IMSIs. The command is rejected if a conflict is found.

This feature also provides for PDBI checks against the Network Entity table in memory when the PDBI is used for the provisioning of DNs, DN blocks, and IMSIs. The command is rejected if a conflict is found.

The provisioning of blacklist ranges do not cause PDB database levels to increment.

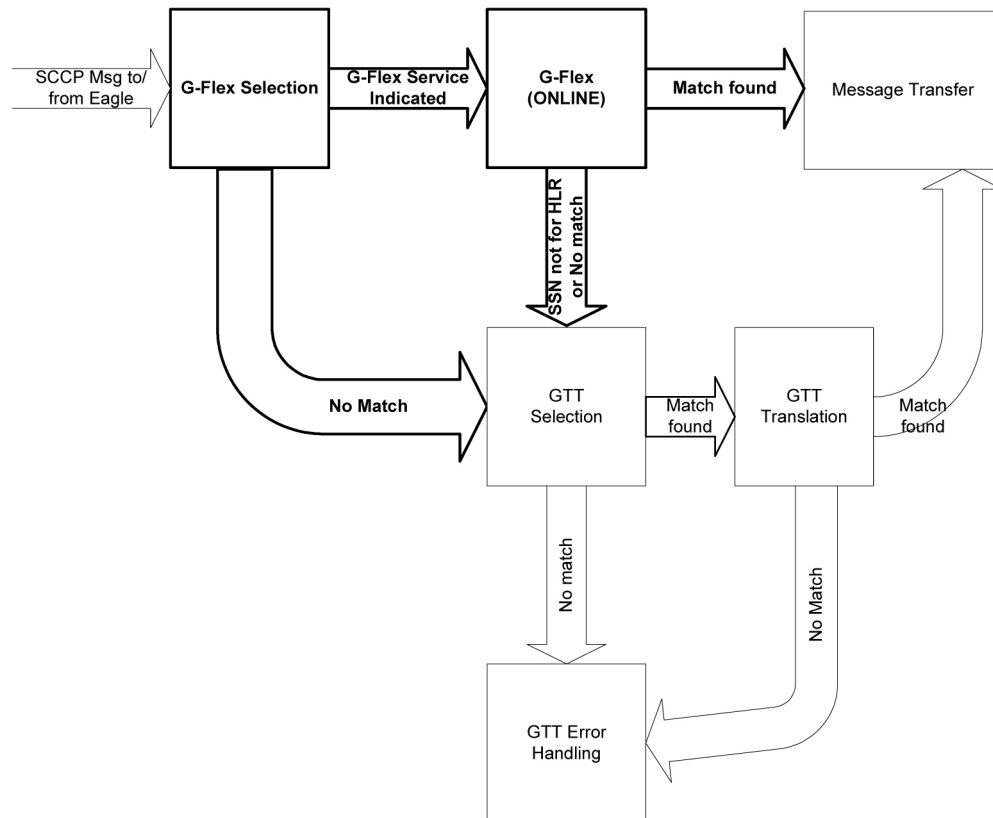
G-Flex Relay Function

G-Flex Relay Function (GFRF) is, in a way, an enhancement to GTT functionality. GFRF involves the following main enhancements to EAGLE 5 ISS's GTT.

- **Increased number of translations** – The GTT limit is 270,000 total translations. With GFRF, the number is millions. However, the GFRF translations are only from international MSISDNs and IMSIs to HLRs.
- **Number conditioning** – Since the GDB stores MSISDNs and IMSIs as international numbers and does not store MGTs, G-Flex provides the capability to condition incoming numbers to be international MSISDNs or IMSIs for the database look up.
- **Provides discrimination of messages that need its functionality** – Since G-Flex is currently only used for translating to HLRs, it provides a method to identify which messages should receive G-Flex Relay *vs.* GTT. This is provided via a G-Flex service selector table that defaults back to the GTT Selector table if a match is not found, and by providing SSN-based discrimination.
- **Variable number of digits** – There is no fixed number of digits for MSISDNs or IMSIs. For example, a 12-digit MSISDN can coexist with a 15-digit one. However, the number of digits of the stored numbers must be between 5 and 15.
- **Replacement of GT with entity address** – The ability to set the outgoing CdPA GT (NP, NAI, ES, GTAI) to the HLR's international entity number is provided.

Figure 3: Functional Diagram – G-Flex in SCCP on page 22 shows the basic functional diagram for SCCP, with the new parts for G-Flex in bold.

Figure 3: Functional Diagram – G-Flex in SCCP



In order to keep the diagram simple, the only error conditions shown are the no-match cases for G-Flex and GTT selectors and translations. G-Flex has its own error handling for some cases that issues UIMs and peg measurements appropriately before letting the MSU fall through to GTT translation. Also, there are error conditions in GTT selection, GTT translation, and message transfer that are handled by GTT error handling.

G-Flex Relay is performed in the following stages.

1. The message arrives at EAGLE 5 ISS `route-on-gt`. The EAGLE 5 ISS decodes the SCCP portion and uses the data to perform G-Flex selection based on the CdPA GT fields other than the ES and GTAI. The result of this selection provides two pieces of data, identification of the `np` and `na.i` for G-Flex and a G-Flex service indicator. The service indicator is G-Flex if GFRF is required. If a G-Flex selector does not match the incoming GT fields, then GTT selection is attempted. It is possible that G-Flex and GTT selectors will not match the incoming GT fields. In this case, GTT error handling is used.
2. If stage 1 indicates that G-Flex Relay is required and if the message is not a UDTS-generated by the EAGLE 5 ISS, the EAGLE 5 ISS performs SSN-based discrimination. If the G-Flex state is ONLINE, then step [List item](#) on page 22 is performed. Otherwise, G-Flex SCCP Service Re-Route is performed.
3. The conditioned number is looked up in the GDB.

4. If the number is found, the translation data for the number is used to alter and route the message.
5. If G-Flex Relay is not required, or the number is not found in the GDB, the set of GTT translations is used for translation.

[Table 3: G-Flex Relay Data Combinations](#) on page 23 lists possible combinations for G-Flex selector and G-Flex data provisioning, and the resulting action of G-Flex relay.

Table 3: G-Flex Relay Data Combinations

G-Flex Selector Matches Incoming GT	Number in GDB	EAGLE 5 ISS Action
No	N/A	GTT used
Yes	No	Fall-through to GTT
Yes	Yes	G-Flex translation

GFRF is divided into the following subtasks. Each is described in the sections that follow.

- Conversion of national/local numbers to international numbers
- Conversion of E.214 MGT to E.212 international IMSI
- Database lookup
- Message forwarding
- Error handling

Conversion of National/Local Numbers to International Numbers

G-Flex stores international DNs and IMSIs in its database. SCCP CdPA numbers may need to be converted to international numbers in order to do a database lookup. When a message needs GFRF and has either a national (significant) number or *Subscriber Number* as the Service NAI, then the national/local to international number conversion is triggered. G-Flex uses the SCCP CdPA GTAI number and its SNAI to convert to an international number based on the numbering plan. Refer to [Table 4: National/Local Numbers to International Numbers Conversion Logic](#) on page 23.

Table 4: National/Local Numbers to International Numbers Conversion Logic

Service Numbering Plan	Service Nature of Address	Action
E.164	National (Significant) number	Prepend GTAI digits with the default E.164 country code (CC).

Service Numbering Plan	Service Nature of Address	Action
E.164	Subscriber number	Prepend GTAI digits with the default E.164 country code (CC) and network code (NC).
E.212	National (Significant) number	Prepend GTAI digits with the default mobile country code (MCC).
E.212	Subscriber number	Prepend GTAI digits with the default mobile country code (MCC) and mobile network code (MNC).
E.214	National (Significant) number	Prepend GTAI digits with the default E.164 country code (CC).
E.214	Subscriber number	Prepend GTAI digits with the default E.164 country code (CC) and network code (NC).
Other	N/A	Assume the default to be E.164 International number

Notes:

- If any of the default CC, NC, MCC, or MNC are required for conversion and are not provisioned in the database, GFRF issues a UIM and falls through to GTT.
- If the converted number is fewer than five digits, GFRF falls through and performs GTT on the message. GFRF issues a UIM when a converted number is fewer than five digits.
- If the converted number is more than 15 digits, then GFRF issues a UIM when the number exceeds 15 digits and falls through to GTT.
- GFRF uses the conditioned number for database lookup purposes only and does not modify the CdPA GTAI in the message unless `rcgta=yes` or `ccgt=yes`.
- For the G-Flex selector-specified service numbering plan (IMSI, DN, or MGT), the numbering plan in the incoming message is replaced with the G-Flex Selector service numbering plan (E.164, E.212, or E.214, respectively). This is for G-Flex database lookup purposes only.

Conversion of E.214 MGT to E.212 IMSI

Since the GDB does not store MGTs, the messages with E.214 MGT in the CdPA GTAI are converted to an E.212 International IMSI in order to perform the GDB lookup. G-Flex maintains a logical MGT2IMSI conversion table to perform this conversion. The MGT2IMSI conversion table contains

up to ten entries of E.164 part (CC + NC digits) and its corresponding E.212 part (MCC + MNC). If a G-Flex message has E.214 as the CdPA numbering plan, GFRF performs the following steps to derive the E.212 International IMSI:

1. GFRF uses MGT as the key and does a lookup in the MGT2IMSI conversion table to find a match on E.164 part (CC + NC digits).
2. If a match is found, GFRF replaces the matched digits of the MGT with the corresponding E.212 part (MCC + MNC digits). If a match is not found, a UIM is issued and the GFRF falls through to GTT.
3. GFRF uses this complete E.212 International IMSI number to do the database lookup.

Note:

If the IMSI for a particular country/network is the complete 15 digits and the E.164 CC + NC for that country is more than five digits, the MGT generated could contain a truncated MSIN. This is possible because the converted MGT is more than 15 digits and the maximum number of digits allowed in the MGT is 15 digits. (Refer to E.214 for more details on conversion.) Under these circumstances, the MGT is truncated at 15 digits. Therefore, the MGT-to-IMSI reconversion would not regenerate a complete IMSI and would lead to incorrect results and errors.

Database Lookup

GFRF performs the G-Flex database lookup using either the complete international DN or IMSI. If the DN or IMSI number is found in the database and it has an HLR translation, GFRF extracts the HLR translation data and generates a forwarding message. GFRF falls through and performs GTT for the following error cases:

- The DN number is not present in the database.
- The IMSI number is not present in the database.

The preceding error cases do not generate any UIM or UAM (Unsolicited Alarm Message), but fall through to GTT processing.

If the G-Flex database lookup is for GTI=2 and is an even number of digits ending in 0, then the G-Flex database performs a less than or equal to lookup for the odd number of digits (digit length minus 1). If a match is found, G-Flex saves the record and record index. It then tries to continue to find an exact match on the even number of digits. If the exact match is found in the G-Flex database, then the HLR translation data corresponding to the even number of digits record is used. Otherwise the HLR translation data corresponding to the found odd number of digits record is used. If the even and odd translation is not found, then the GFRF falls through and performs GTT.

The important issue is that the less than or equal to search re-enters the search where the comparison left off. This minimizes any impact on performance for this special case.

Message Forwarding

GFRF Forwarding Message: MTP Portion

G-Flex modifies the MTP routing label to include HLR PC as the DPC and EAGLE 5 ISS's own PC as the OPC. G-Flex modifies the MTP Level 2 length based on the size of the forwarding message. [Table 5: GREF Forwarding Message: MTP Portion](#) on page 26 lists the fields modified by GFRF.

Table 5: GREF Forwarding Message: MTP Portion

Fields	Values
MTP Level 2 length	Number of octets in response MSU starting from MTP3 SIO field. If number of octets is greater than 63, Level 2 length is set to 63
MTP Level 3 DPC	Point code obtained from the HLR GT information in G-Flex database
MTP Level 3 OPC	EAGLE 5 ISS's true PC

GFRF Forwarding Message: SCCP Portion**Replacing the CdPA GTAI digits with the HLR entity number**

When a MSISDN or IMSI number is found in the database and the Replace GT flag is set for this entry, GFRF replaces the CdPA GTAI digits with the provisioned HLR entity number. G-Flex also modifies the numbering plan (E.164), nature of address (international), and encoding scheme to match the HLR entity number.

GFRF does not replace the Global Title Indicator format (GTI) element of the GT.

Replacing of SSN in the CdPA

When the HLR translation data includes a SSN, GFRF replaces the SSN in the called party address of the message with the new SSN. If the SSN is not present in the incoming message, then GFRF updates the Subsystem Number Indicator and includes the new SSN in the called party address of the message before it forwards the message to the next node.

Inclusion of OPC in the CgPA

When the routing indicator of the calling party address is set to *Route on SSN*, and no SPC is present in it, the OPC from the received message is taken and inserted into the CgPA before the message is forwarded to the next node.

Deleting the CdPA GT Digits

When G-Flex performs Final-GTT, the routing indicator of the called party address is set to *Route on SSN*. G-Flex provides an option to delete the global title present in the called party address. If the *Delete GT* option is set, G-Flex modifies the GTI to zero and deletes the GT information from the SCCP CdPA before the message is forwarded to the end node. [Table 6: GFRF Forwarding Message: SCCP Portion](#) on page 27 summarizes the possible changes by GFRF to the SCCP fields.

Table 6: GFRF Forwarding Message: SCCP Portion

Field	Value
SCCP CdPA Length	New CdPA length after the possible modifications
SCCP CdPA Routing indicator	Routing indicator obtained from the G-Flex database. (GT or DPCSSN)
SCCP CdPA Global Title Indicator	Same as incoming message or zero
SCCP CdPA Subsystem Number Indicator	Same as incoming message or replaced/inserted with the subsystem number indicator based on the existence of the SSN provisioned in the HLR translation
SCCP CdPA SSN	Same as incoming message or replaced/inserted with the SSN provisioned in the HLR translation
SCCP CdPA GT	Same as incoming message or replaced or deleted with HLR entity address provisioned in the database
SCCP CgPA Length	New CgPA length after the possible modifications
SCCP CgPA Point Code Indicator	Same as incoming message <i>or</i> if CgPA RI is "Route on SSN" and PCI is not 1, then set PCI to 1
SCCP CgPA SPC	If the CgPA RI is "Route on SSN" and no point code is present in the CgPA SPC, then the OCP is included as the SPC (Secondary Point Code)
SCCP CdPA Subsystem Number Indicator	Same as incoming message or replaced/inserted with the Subsystem Number indicator based on the existence of the SSN provisioned in the HLR translation

Error handling

The purpose of the Error handling is to discard or return messages that encounter routing and database failures and cannot be delivered to the HLR. When GFRF is unable to transfer a message and the return on error is *set*, then GFRF follows the same error handle procedures followed by GTT. The *data* field of the UDT message and the reason cause for return are included in UDTS message.

GFRF follows the same error handling procedures as GTT for the following error cases:

- Routing failures
- Network Congestion

Forwarding message after replace GT and/or Insertion of OPC or SSN is greater than the CCS7 message limit (272 bytes).

An exception to GTT error handling is when the GFRF database entry cannot be found. In this case, it is not considered an error and the GFRF capability will forward the message to GTT processing.

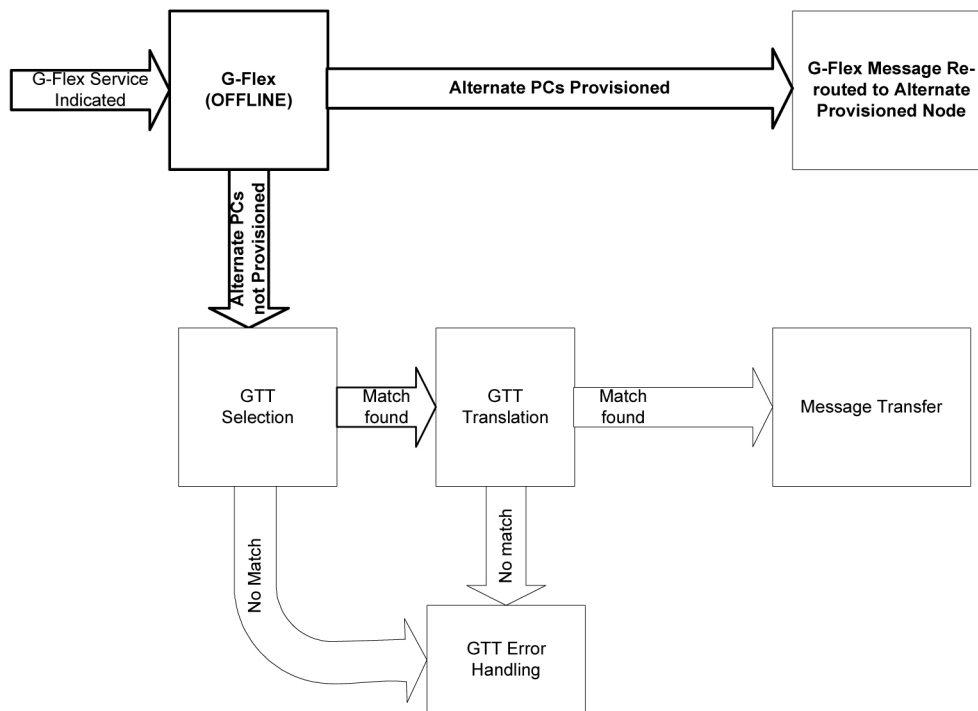
G-Flex SCCP Service Re-Route Capability

This feature is designed to handle and control re-routing of G-Flex traffic from an affected node to alternate nodes within an operators network. This feature is an optional feature and doesn't affect the normal G-Flex functionality. This feature consists of the following main functions:

- *Service State* on page 29
- *G-Flex Re-routing* on page 29
- *G-Flex Capability Point Codes* on page 29

Figure 4: Functional Diagram – G-Flex SCCP Service Re-Route (OFFLINE) on page 28 shows the basic functional diagram for the G-Flex SCCP Service Re-Route feature, with the new parts for specific for this feature in bold.

Figure 4: Functional Diagram – G-Flex SCCP Service Re-Route (OFFLINE)



Service State

Service state is part of the G-Flex SCCP Service Re-Route capability. Service state is used to indicate the current state of G-Flex, either `ONLINE` or `OFFLINE`. Service state also gives the user the option to mark G-Flex as `OFFLINE` or `ONLINE` based on the current behavior. If a G-Flex problem is identified, G-Flex can be marked `OFFLINE` to initiate the re-routing procedure. In the case when SCCP cards need to be reloaded for some reason, G-Flex can be marked `OFFLINE` until enough cards are in-service and then bring G-Flex `ONLINE` in a controlled fashion. This feature also provides the option to mark G-Flex `OFFLINE` to perform a controlled re-routing during this state.

G-Flex Re-routing

G-Flex re-routing is an optional feature and is enabled by defining a list of alternate PCs or by defining the GTT option. G-Flex re-routing is activated by marking G-Flex `OFFLINE`. When G-Flex is `OFFLINE` and alternate PCs are provisioned, any messages destined for G-Flex are re-routed to the available alternate PCs that are defined for G-Flex. If alternate PCs are not provisioned or none are available, then the GTT option is used. If the GTT option is set to `YES`, then messages destined for G-Flex will fall through to GTT as part of the re-routing procedure.

Re-routing is applied to all G-Flex messages (based on `SRVSEL`). There is no distinction of DPC of the messages. The DPC of the message can be either `True`, `Secondary`, or `Capability Point code`.

G-Flex Capability Point Codes

Capability Point Codes (CPC) are also supported for G-Flex. The use of G-Flex capability point code aids the adjacent nodes in knowing about G-Flex outages. When G-Flex is brought down through administrative commands, all traffic destined to this G-Flex node will generate a Transfer Prohibited (TFP) message to the adjacent node about the G-Flex CPC. The TFP response to the adjacent node causes the traffic originating nodes to stop sending G-Flex traffic to this node. All G-Flex traffic coming into this node is sent to the alternate G-Flex nodes. Adjacent nodes will initiate route-set-test procedures after receipt of the TFP response.

If the messages are destined to the EAGLE 5 ISS true point code, then TFP messages are not generated when the G-Flex service is `OFFLINE`. The originator would not be aware of the outage.

Once G-Flex is back in service on the EAGLE 5 ISS, a Transfer Allowed (TFA) message is sent to the traffic originating adjacent nodes in response to route-set-test message. The traffic originating nodes will then start sending G-Flex traffic to the original G-Flex node.

G-Flex Capability point codes can be provisioned when the G-Flex feature is `ON`. There can be more than one Capability Point Code assigned to G-Flex `CPCType`.

When the G-Flex feature is turned `ON` and the G-Flex service state is set to `OFFLINE`, the user can change the service to `ONLINE` at any point. Once the feature is turned `ONLINE`, G-Flex will start processing messages if at least one SCCP card is `IS-NR`.

The G-Flex service can be set to `OFFLINE` at any point. This causes the EAGLE 5 ISS to stop processing G-Flex traffic and re-routing is performed.

The G-Flex service state is persistent. Booting the OAM or all the SCCP cards will not change the service state. Commands must be used to change the service state.

G-Flex supports up to 7 alternate PCs per domain. All 6 domains (`ANSI`, `ITU-I`, `ITUN14`, `ITUN14 spare`, `ITU-I spare` and `ITUN24`) are supported. An entire set of alternate PCs are considered as a re-route set. A GTT option is supported for G-Flex SCCP Service Re-Route. When the G-Flex

service is OFFLINE , G-Flex messages fall through to GTT based on the GTT option. This option is set to YES by default.

G-Flex SCCP Service Re-Route Summary

If the G-Flex service is not normal (because the RTDB is not in sync with MPS or if cards are misrouting G-Flex messages) then the G-Flex service state should be changed to OFFLINE .

Before changing G-Flex service to OFFLINE , it should be decided what kind of re-routing will be used during the outage. The EAGLE 5 ISS supports re-routing data to alternate point codes or falling through to GTT as two possible options. Re-routing to alternate point codes has priority over falling through to GTT. Examples of the two options follow:

Option 1

Define alternate point codes to re-route G-Flex traffic. This is the recommended option. Up to 7 alternate G-Flex nodes can be provisioned to re-route all the incoming G-Flex traffic. Once provisioned, the G-Flex service can be changed to OFFLINE . This example has any incoming being G-Flex traffic being load-shared to point codes based on the relative cost.

```
chg-sccp-serv:serv=GFLEX:pci1=1-1-1:rc1=10:pci2=2-2-2:rc2=10:pci3=3-3-3:rc3=10:pci4=4-4-4:rc4=10
chg-sccp-serv:serv=GFLEX:pci1=5-5-5:rc1=10:pci2=6-6-6:rc2=10:pci3=7-7-7:rc3=10:pci4=8-8-8:rc4=10
chg-sccp-serv:serv=GFLEX:state=offline
```

Option 2

With this option default GTT translations are provisioned for G-Flex service. Then the **chg-sccp-serv** command is used to provision GTT=YES. All G-Flex messages will fall through to GTT. An example command follows:

```
chg-sccp-serv:serv=GFLEX:GTT=YES (it is YES by default)
```

Once the G-Flex re-routing data is provisioned, G-Flex service can be changed to OFFLINE . At this point all G-Flex traffic will be re-routed. The user can take necessary steps to correct the G-Flex service on the node. Until all the cards or enough cards are in active state with valid G-Flex database, G-Flex service should not be changed to ONLINE .

Table 7: G-Flex SCCP Re-route Summary on page 30 shows the actions taken when the G-Flex service is offline, a message arrives at the affected node requiring G-Flex service, and SCCP cards are available.

Table 7: G-Flex SCCP Re-route Summary

Result of service selector	DPC	Alternate point code defined and available	GTT to be performed as fall through	Message Handling	Network Management
G-Flex	G-Flex Capability PC	Yes	N/A	Re-route to alternate point code based on relative cost	TFP concerning CPC

Result of service selector	DPC	Alternate point code defined and available	GTT to be performed as fall through	Message Handling	Network Management
G-Flex	G-Flex Capability PC	No *	Yes	Fall through to GTT and perform GTT	TFP concerning CPC
G-Flex	G-Flex Capability PC	No *	No	Generate UDTS (return cause = network failure)	TFP concerning CPC
G-Flex	G-Flex Capability PC	Not Defined	Yes	Fall through to GTT and perform GTT	TFP concerning CPC
G-Flex	G-Flex Capability PC	Not Defined	No	Generate UDTS (return cause = no relation for this addr)	TFP concerning CPC
Not G-Flex	G-Flex Capability PC	N/A	N/A	Perform appropriate Service/GTT	None
G-Flex	True or Secondary PC or non-G-Flex CPC	Yes	N/A	Re-route to alternate point code based on relative cost	None
G-Flex	True or Secondary PC or non-G-Flex CPC	No *	No	Generate UDTS (return cause = network failure)	None
G-Flex	True or Secondary PC or non-G-Flex CPC	No *	Yes	Fall through to GTT and perform GTT	None

Result of service selector	DPC	Alternate point code defined and available	GTT to be performed as fall through	Message Handling	Network Management
G-Flex	True or Secondary PC or non-G-Flex CPC	Not Defined	Yes	Fall through to GTT and perform GTT	None
G-Flex	True or Secondary PC or non-G-Flex CPC	Not Defined	No	Generate UDTS (return cause = no translation for this addr)	None
Not G-Flex	True or Secondary PC or non-G-Flex CPC	N/A	N/A	Perform appropriate Service/GTT	None
* Alternate point codes are defined and unavailable (prohibited or congested).					

Table 8: G-Flex LIM Re-route Message Handling Summary on page 32 shows the actions of LIM re-route functionality when SCCP cards are unavailable or down.

Table 8: G-Flex LIM Re-route Message Handling Summary

Routing Indicator in Incoming Message	DPC	Full or Partial Failure	G-Flex Service Status	Message Handling	Network Management
rt-on-gt	G-Flex Capability PC	Full	N/A	Generate UDTS	TFP concerning CPC, UPU
rt-on-gt	Non G-Flex Capability PC	Full	N/A	Generate UDTS	TFP concerning CPC, UPU
rt-on-gt	True PC	Full	N/A	Generate UDTS	UPU
rt-on-gt	G-Flex Capability PC	Partial*	ONLINE	Generate UDTS	None

Routing Indicator in Incoming Message	DPC	Full or Partial Failure	G-Flex Service Status	Message Handling	Network Management
rt-on-gt	True PC or non G-Flex Capability PC	Partial*	ONLINE	Generate UDTS	None
rt-on-gt	G-Flex CPC	Partial*	OFFLINE	Generate UDTS	TFP concerning CPC, UPU
rt-on-gt	True PC or non-G-Flex CPC	Partial*	OFFLINE	Generate UDTS	None
* It is considered a partial failure if some SCCP cards are available but overloaded.					

MPS/EPAP Platform

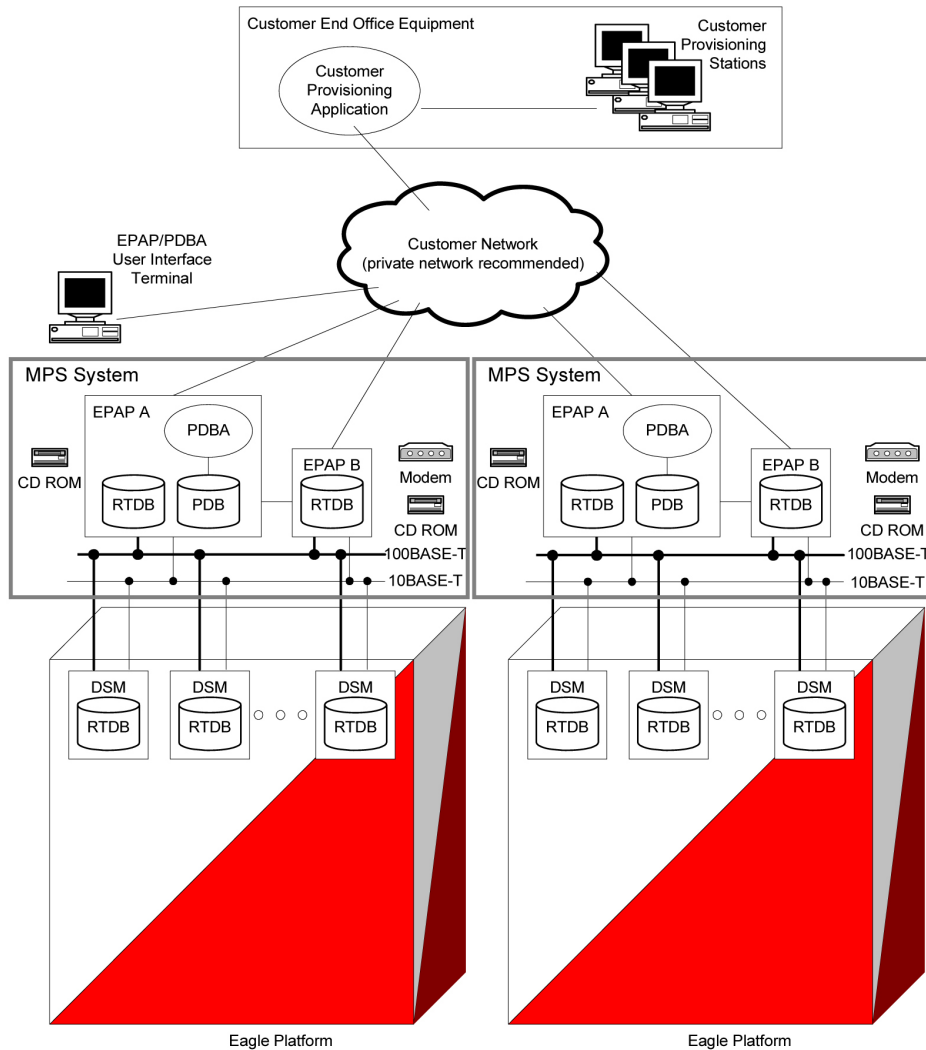
Tekelec provides the MPS (Multi-Purpose Server) platform as a subsystem of the EAGLE 5 ISS. The MPS provides support for the AINPQ, A-Port, EIR, G-Flex, G-Port, IGM, V-Flex, and INP features.

The MPS is composed of hardware and software components that interact to create a secure and reliable platform. (For details about the MPS hardware, refer to the *Tekelec 1000 Application Server Hardware Manual*.) The MPS provides the means of interfacing the customer provisioning application with the EAGLE 5 ISS. It connects the customer with the EAGLE 5 ISS and accepts the customer number portability data, while accommodating numbers of varying lengths.

The EAGLE Provisioning Application Processor (EPAP) is software that runs on the MPS hardware platform. It collects and organizes customer provisioning data, and forwards it to the EAGLE 5 ISS Service Module cards. [Figure 5: MPS/EPAP Platform Architecture](#) on page 33 shows the overall system architecture, providing a graphic overview of MPS/EPAP platform from customer provisioning through the MPS subsystem to the EAGLE 5 ISS Service Module card databases.

Note: In this Manual, Service Module Card refers to either a DSM card or an E5-SM4G card unless a specific card is required. For more information about the supported cards, refer to the *EAGLE 5 ISS Hardware Manual*.

Figure 5: MPS/EPAP Platform Architecture



Design Overview and System Layout

Figure 5: MPS/EPAP Platform Architecture on page 33 illustrates the overall system architecture and identifies the different tasks, databases and interfaces involved. The system consists of two mated MPS servers. Each MPS contains two EPAP platforms, EPAP A and EPAP B, each containing a RealTime Database (RTDB), a Provisioning Database (PDB), servers, optical media, modems, and network hubs. Each MPS and its EPAPs may be thought of as an ‘EPAP system’; the EPAP system and the mated EAGLE 5 ISS is referred to as the ‘mated EPAP system’. Each EPAP system is a T1000 AS system with a total of four Ethernet interfaces: one from each EPAP to the 100Base-T Ethernet and one from each EPAP to the 10Base-T Ethernet.

On the EAGLE 5 ISS platform side, a set of Service Module cards, which hold the RTDB database, is part of the STP. Two high-speed Ethernet links connect the Service Module cards and the EPAPs. One of the links is a 100BASE-T Ethernet bus, and the other is a 10BASE-T Ethernet bus.

The RTDB database is provisioned and maintained through the EPAPs. EPAP A and EPAP B act as the active EPAP and the standby EPAP. One link serves as the active link, and the other as the

standby link. At any given time, there is only one active EPAP and one active link. The database is provisioned through the active link by the active EPAP; the other EPAP provides redundancy.

In case of failure of the active EPAP, the standby EPAP takes over the role of active EPAP and continues to provision the subscriber database. In the case where the active link fails, the active EPAP switches to the standby link to continue provisioning the Service Module cards. The two Ethernet links are part of the DSM network.

Another 100BASE-T Ethernet link exists between the EPAPs; that link is called the EPAP sync network.

The major modules on the EPAP are:

- Service Module card provisioning module
- Maintenance module
- RTDB module
- PDB module

The Service Module card provisioning module is responsible for updating subscriber databases on the EAGLE 5 ISS Service Module cards using the Reliable Multicast Transport Protocol (RMTP) multicast. The maintenance module is responsible for the proper functioning of the EPAP platform. The PDB module is responsible for preparing and maintaining the Real Time Database, which is the “golden copy” of the subscriber database. The PDB module can run on one of the EPAPs of either of the mated EAGLE 5 ISSs.

Functional Overview

The main function of the MPS / EPAP platform is to provision the data from the customer network to the Service Module cards on the EAGLE 5 ISS. Subscriber database records are continuously updated from the customer network to the PDB. The PDB module communicates with the maintenance module and the RTDB task over a TCP/IP connection to provision the Service Module cards on the EAGLE 5 ISS. The maintenance module is responsible for the overall stability and performance of the system.

It is possible for the current copy of the RTDB database on the Service Module cards to get out-of-sync due to missed provisioning or card rebooting. Therefore, the RTDB on the EPAP contains a coherent, current copy of the subscriber database. The EPAP-Service Module card provisioning task sends database information out on the provisioning link. The Service Module cards act as the receivers and are reprovisioned.

EPAP/PDBA Overview

The EAGLE Provisioning Application Processor (EPAP) platform and the Provisioning Database Application (PDBA), coupled with the Provisioning Database Interface (PDBI) facilitate the user database required for EAGLE 5 ISS EPAP-based features. The following functions are supported:

- Accept and store subscription data provisioned by the customer
- Update and reload subscriber databases on the Service Module cards

The PDBA operates on the master Provisioning Database (PDB). The EPAP and PDBA are both installed on the MPS hardware platform.

The EPAP platform performs the following:

- Maintains an exact copy of the real time database (RTDB) on the EPAP
- Distributes the subscription database to the Service Module cards
- Maintains a redundant copy of the RTDB database

The EPAP platform is a mated pair of processors (the upper processor, called EPAP A, and the lower processor, EPAP B) contained in one frame.

During normal operation, information flows through the EPAP/PDBA software with no intervention. Subscription data is generated at one or more operations centers and is delivered to the PDBA through a TCP socket interface (PDBI). The PDBA software stores and replicates data on EPAP A on the mated EPAP system. The data is then transmitted by the EPAPs across a private network to the Service Module cards located in the EAGLE 5 ISS frame.

The primary interface to the PDBA consists of machine-to-machine messages. The interface is defined by Tekelec and is described in the Provisioning Database Interface Manual. Provisioning software compatible with the EPAP socket interface can be created or updated using the interface described in that manual.

Additionally, a direct user interface is provided on each EPAP to allow for configuration, maintenance, debugging, and platform operations. A direct user interface is also provided by the PDBA for configuration and database maintenance.

The MPS/EPAP is an open-systems platform and easily accommodates the required high provisioning rates. Compared to the traditional OAM platform, the persistent database and provisioning in an open systems platform provides these benefits:

- Variety of hardware components and vendors
- Availability of third party communication and database tools
- Standard communication protocols
- Availability of personnel with related experience

Each EPAP server maintains a copy of the Real Time Database (RTDB) in order to provision the EAGLE 5 ISS Service Module cards. The EPAP server must comply with the hardware requirements in the *MPS Hardware Manual*. [Figure 5: MPS/EPAP Platform Architecture](#) on page 33 illustrates the EPAP architecture contained in the MPS subsystem.

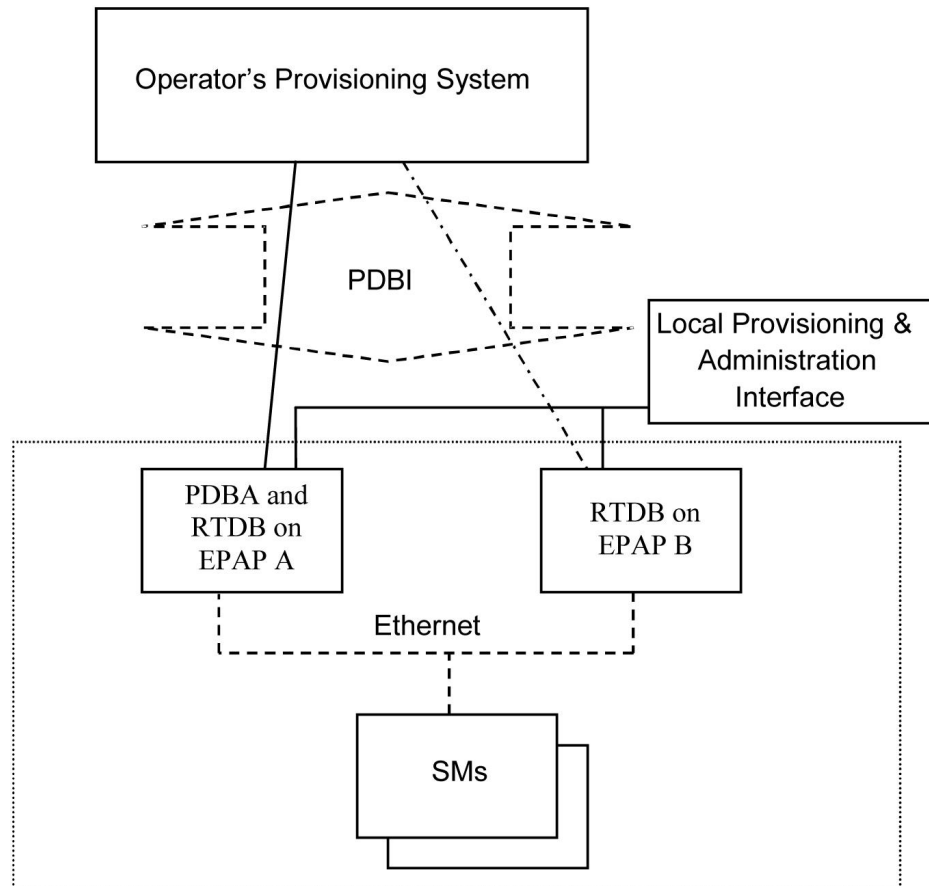
Each EPAP has a dedicated optical media drive. One EPAP per EAGLE 5 ISS platform has a modem capable of supporting remote diagnostics, configuration, and maintenance. These remote operations are performed through EPAP login sessions and are accessible across the customer network as well as through a direct terminal connection to the EPAP using an RS232 connection. Refer to the *Tekelec T1000 Application Server Hardware Manual* for details about the hardware devices and network connections.

Subscriber Data Provisioning

[Figure 6: Subscriber Data Provisioning Architecture \(High Level\)](#) on page 37 shows the current high-level view of the subscriber data provisioning architecture. Only those parts of the EAGLE 5 ISS platform that are relevant to subscriber data provisioning are shown. This section defines requirements for the Provisioning Database Interface (PDBI) between the EPAP and the operator's provisioning system (OPS). Provisioning clients connect to the EPAPs via the PDBI. This interface contains commands that allow all of the provisioning and retrieving of subscription data. The

PDBI is used for real-time provisioning of subscriber and network entity data only. Refer to the *Provisioning Database Interface Manual* for more details.

Figure 6: Subscriber Data Provisioning Architecture (High Level)



A pair of active/standby EPAP servers provides the interface between the Real Time Database (RTDB) of the EAGLE 5 ISS Service Module cards and the OPS. EPAP A is equipped with both the PDB (Provisioning Database) and the RTDB, and EPAP B has just the RTDB. An EPAP with just the RTDB must be updated by the EPAP that has the PDB.

For more information about the EPAP, refer to the *EPAP Administration Manual*. For more information about the MPS hardware, refer to the *Tekelec 1000 Application Server Hardware Manual*.

Distributed Administrative Architecture

This section describes, at a high level, the distributed administrative architecture for the EAGLE 5 ISS, including the EPAP.

Databases requiring high update and retrieval rates, such as the EPAP RTDB, are populated using redundant Ethernet connections to Service Module cards from an EPAP MPS platform.

An EPAP consists of a combined Provisioning (MySQL) and Real Time Database (RTDB). The Provisioning Database (PDB) responds to requests for updates by the active and standby RTDBs on both mated EAGLE 5 ISSs. The active EPAP RTDB is responsible for initiating multi-cast updates of changed database records to the Service Module cards after the data has been committed to the

EPAP disks. Furthermore, the PDB may accept and commit more database updates while the RTDBs are completing their previous updates.

It is this overlapping of database updates, coupled with an RTDB transactional database engine and fast download time, that allows larger amounts of data at a time to be transferred from the PDB. Committing larger amounts of data at a time to the RTDB (versus a single update at a time) allows faster overall transaction rates to be achieved. The boundaries of the transaction rates become more closely related to cache size and disk cache flush time than the disk access time of a single update. Thus, successful completion of EPAP database updates only guarantees that the PDB has been updated, but it does *not* mean the RTDB has completed the update and sent the new subscription data to the Service Module card.

The EPAP architecture contains a local provisioning terminal and a modem for remote access, as well as other functions. A backup device can be used to back up or restore the provisioning database. The local provisioning terminal is used to manually repair the standby EPAP RTDB or to turn the subscriber database audit on or off. For additional information, refer to the *Tekelec T1000 Application Server Hardware Manual* and *EPAP Administration Manual*.

EPAP (EAGLE Provisioning Application Processor)

As shown in [Figure 5: MPS/EPAP Platform Architecture](#) on page 33, a single MPS system contains two EPAP (EAGLE Provisioning Application Processor) servers. At any given time, only one actively communicates with the Service Module cards. The other EPAP server is in standby mode. In addition, two MPS systems can be deployed in a mated-pair configuration.

The primary purpose of the EPAP systems is to maintain the RTDB and PDB and to download copies of the RTDB to the Service Module cards on the EAGLE 5 ISS.

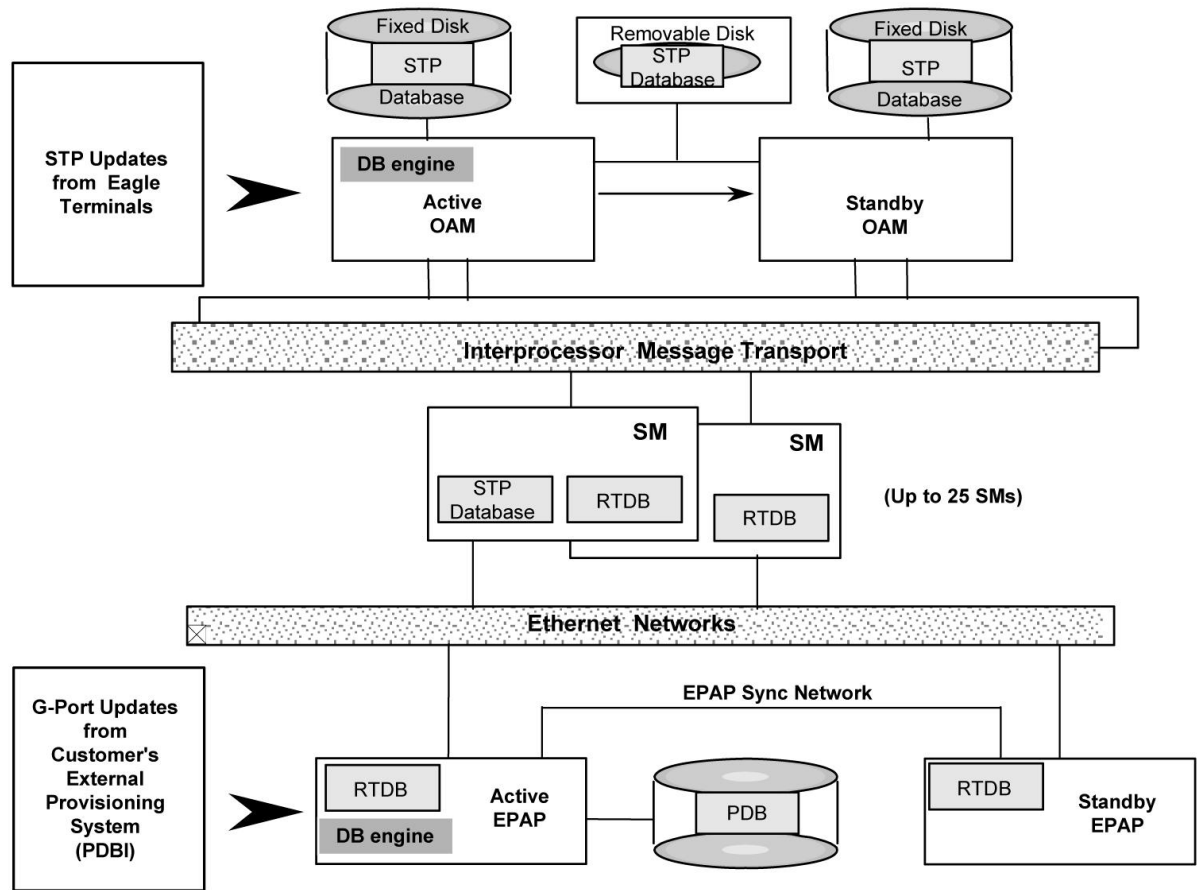
The PDB on the active EPAP receives subscription data from the customer network through the PDBI, the external source of provisioning information. The PDBA continually updates the active EPAP's PDB. The PDB uses MySQL database software. Once an update is applied to the active PDB, it is sent to the RTDBs on the active and standby EPAPs.

Both the active and standby EPAPs maintain copies of the RTDB. Periodically, the Service Module card polls the active EPAP RTDB for any new updates. The active EPAP downloads the updates to the Service Module for its own resident copy of the RTDB.

In a mated-pair configuration, there are two mated MPS Systems, as shown in [Figure 5: MPS/EPAP Platform Architecture](#) on page 33. The PDB on the active EPAP automatically updates the PDB on the mate platform. The PDB on the mate platform then updates its EPAP RTDBs, which in turn update the RTDBs on the associated Service Module cards.

Provisioning of the EAGLE 5 ISS's Service Module cards is performed through two interfaces, using two different sets of commands. Provisioning is accomplished by the STP updates from EAGLE 5 ISS terminals and by updates from the customer's external provisioning system. This system of dual provisioning is illustrated in [Figure 7: Database Administrative Architecture](#) on page 38.

Figure 7: Database Administrative Architecture



Service Module Cards

From 1 to 25 Service Module cards can be provisioned with one or more EPAP-related features enabled. EPAP-related features require that all Service Module cards contain 4 GB of memory. [Figure 7: Database Administrative Architecture](#) on page 38 illustrates each Service Module card having two Ethernet links, the main Service Module network on the 100BASE-T link and the backup Service Module network on the 10BASE-T link. The Service Module cards run the VSCCP software application.

The Service Module Ethernet ports are linked to the EPAP system to receive the downloaded Real Time database (RTDB). Multiple Service Module cards provide a means of load balancing in high-traffic situations. The RTDB on the Service Module card is in a format that facilitates rapid lookups.

Though the Service Module card copies of the RTDB are intended to be identical, the various databases may not be identical at all times for the following reasons:

- When a Service Module card is initialized, the card downloads the current copy of the database from the EPAP. While that card is being loaded, it cannot receive new updates that have arrived at the EPAP since reload began..
- Card databases can become out-of-sync with the EPAP RTDB when the EPAP receives updates from its provisioning source, but it has not yet sent the updates down to the Service Module cards. Updates are applied to the Provisioning Database (PDB) as they are received.

Two possible scenarios contribute to a condition where a Service Module card may not have enough memory to hold the entire database:

- The database is downloaded successfully to the Service Module card, but subsequent updates eventually increase the size of the database beyond the capacity of the Service Module card memory. In this situation, it is desirable for EPAP-related features to continue processing transactions, even though the database might not be up-to-date.
- When a Service Module card is booted and it is determined then that the card does not have enough memory for the entire database, the database is not loaded on that card. Each Service Module card is responsible for recognizing and reporting its out-of-memory conditions by means of alarms.

Overview of EPAP to Service Module Card Communications

Before discussing Service Module card status reporting or EPAP status reporting, it is helpful to understand the communications between the Service Module cards and the EPAP in broad terms.

- UDP - sending Service Module card status messages

The Service Module cards and EPAPs create a UDP (User Datagram Protocol) socket which is used for status messages. One of the last things a Service Module card does when it is initialized is to send a status message to the EPAP, containing the Service Module ID, database level, and memory size. The EPAP maintains tables containing the last known status of each Service Module card. EPAP uses these to determine whether or not the Service Module card needs to download the database.

- IP - reporting EPAP maintenance data

The Service Module cards create a TCP socket when they are initialized, and listen for connection requests. During initialization or after a loss of connectivity, the active EPAP chooses one of the Service Module cards and issues a *Connect* to establish the TCP/IP connection with that Service Module card (referred to as the primary Service Module). The purpose of this link is to provide a path for reporting EPAP alarms and to forward maintenance blocks to the Service Module card.

- IP Multicast - downloading GSM database

Because of the large size of the database and the need to download it quickly on up to 25 Service Module cards, EPAP-related features use a technique known as IP multicasting. This technique is based on Reliable Multicast Transport Protocol-II (RMTP-II), a product of Globalcast Communications. IP multicasting downloads the RTDB and database updates to all of the Service Module cards simultaneously.

The administration of IP multicasting is based on the concept of a “tree”, or stream of data, which is constantly being broadcast by the EPAP. Service Module cards that need to download the real time database or to receive database updates “join the tree”. Service Module cards can also “leave the tree”, typically when the database fills their available memory.

Service Module Card Provisioning and Reload

One of the core functions of the EPAP is to provision the Service Module cards with the Real Time Database (RTDB) updates. In order to provide redundancy for this feature, separate RMTP channels are created on each interface from each EPAP:

- EPAP A, Link A (on the main DSM network, 100BASE-T)

- EPAP A, Link B (on the backup DSM network, 10BASE-T)
- EPAP B, Link A (on the main DSM network, 100BASE-T)
- EPAP B, Link B (on the backup DSM network, 10BASE-T)

Provisioning and other data is broadcast on one of these channels to all of the Service Module cards. Provisioning is done by database level in order to leave tables coherent between updates.

The Service Module cards do the following:

- Detect the need for incremental updates and send a status message to the EPAP.
- Discriminate between the various streams according to the database level contained in each message and accept updates based on the Service Module card database level.

Service Module Card Reload Model

Service Module cards may require a complete database reload in the event of reboot or loss of connectivity for a significant amount of time. The EPAP provides a mechanism to quickly load a number of Service Module cards with the current database. The database on the EPAP is large and may be updated constantly. The database sent to the Service Module card or cards will likely be missing some of these updates making it corrupt, in addition to being "back level."

EPAP Continuous Reload

It is important to understand how the EPAP handles reloading of multiple Service Module cards from different starting points. Reload begins when the first Service Module card requires it. Records are read sequentially from the Real Time Database (RTDB) from an arbitrary starting point, wrapping back to the beginning. If another Service Module card requires reloading at this time, it uses the existing record stream and notifies the Service Module card provisioning task of the first record it read. This continues until all Service Module cards are satisfied.

Service Module Card Database Levels and Reloading

The current database level when the reload started is of special importance during reload. When a Service Module card detects that the last record has been received, it sends a status message back to the EPAP indicating the database level at the start of reload. This action starts incremental loading. The Service Module card continues to reload until it is completely caught up with the current level of the RTDB. As database records are sent to the Service Module cards during reload, normal provisioning can *change* those records. All records changed between the start and end of reloading must be incrementally loaded before the database is coherent and usable by the Service Module card.

The following terminology is used here for the stages of database reload for a given Service Module card.

- **Stage 1 loading:** The database is being copied record for record from the golden RTDB in the EPAP to the Service Module card RTDB. The database is incoherent during stage 1 loading.
- **Incremental update:** The database is receiving all of the updates missed during stage 1 loading or some other reason (e.g., network outage, processor limitation, lost communication, etc.). The database is coherent, but back-level during incremental update.
- **Current:** The database is receiving current updates from the Service Module card provisioning task.

- **Coherent:** The database is at a whole database level, that is, not currently updating records belonging to a database level.

Service Module Card Reload Requirements

Service Module cards may require a complete database reload if there is a reboot or loss of connectivity for a significant amount of time. The EPAP provides a mechanism to quickly load a number of Service Module cards with the current database. The RTDB on the EPAP is large and can be updated constantly from the customer's provisioning network. As the RTDB is sent to the Service Module cards, it can possibly miss some updates, making it inconsistent as well as back level.

The upload process is divided into two stages, one that sequentially sends the initial database records and another that sends any updates missed since the beginning of the first stage. The Service Module card reload stream uses a separate RMTP channel from the provisioning and incremental update streams. This allows Service Module card multicast hardware to filter out the high volume of reload traffic from Service Module cards that do not require it.

Service Module cards do the following:

- Detect the need for stage 1 loading and send a status message to the EPAP.
- Identify the first record that the Service Module card was able to read in the above status message if a record stream is already in progress.
- Handle the record stream regardless of the starting point (that is, accommodate records starting with the middle record of the middle table).
- Expect tables to be sent in a particular order and therefore detect any gap in the record stream.
- Send a status message if a gap is detected. Stage1 loading is essentially reset to the last update received.
- Handle wrapping from the last record from the last table to the first record of the first table.
- Know when they have received all the required records to proceed to stage 2 loading.
- Send a status message when stage 1 loading is complete, indicating the database level at the beginning of stage 1.
- Detect when the master RTDB crosses a memory boundary during stage 1 loading; the card automatically reboots and then auto-inhibits.

EPAP Status and Error Reporting via Maintenance Blocks

The EPAPs forward all status and error messages to the Service Module cards in maintenance blocks. Maintenance blocks are asynchronously sent whenever the EPAP has something to report. The maintenance blocks eventually update EPAP Device Control Blocks (DCBs) located on the EAGLE 5 ISS. The DCBs provide the status information that is received when a `rept-stat-mps` command is issued.

Network Connections

Several customer and Tekelec-installed private networks are *required* to support the provisioning of subscription data. These networks are:

- [Customer Provisioning Network](#) on page 43
- [EPAP Sync Network](#) on page 44
- [DSM Networks](#) on page 45

- [Dial-Up PPP Network](#) on page 46

The following discussion is an overview of these private networks. It expands on the networks in the architecture diagram shown in [Figure 8: Customer Provisioning Network](#) on page 43. (For details about configuring these networks, refer to the *EPAP Administration Manual*.)

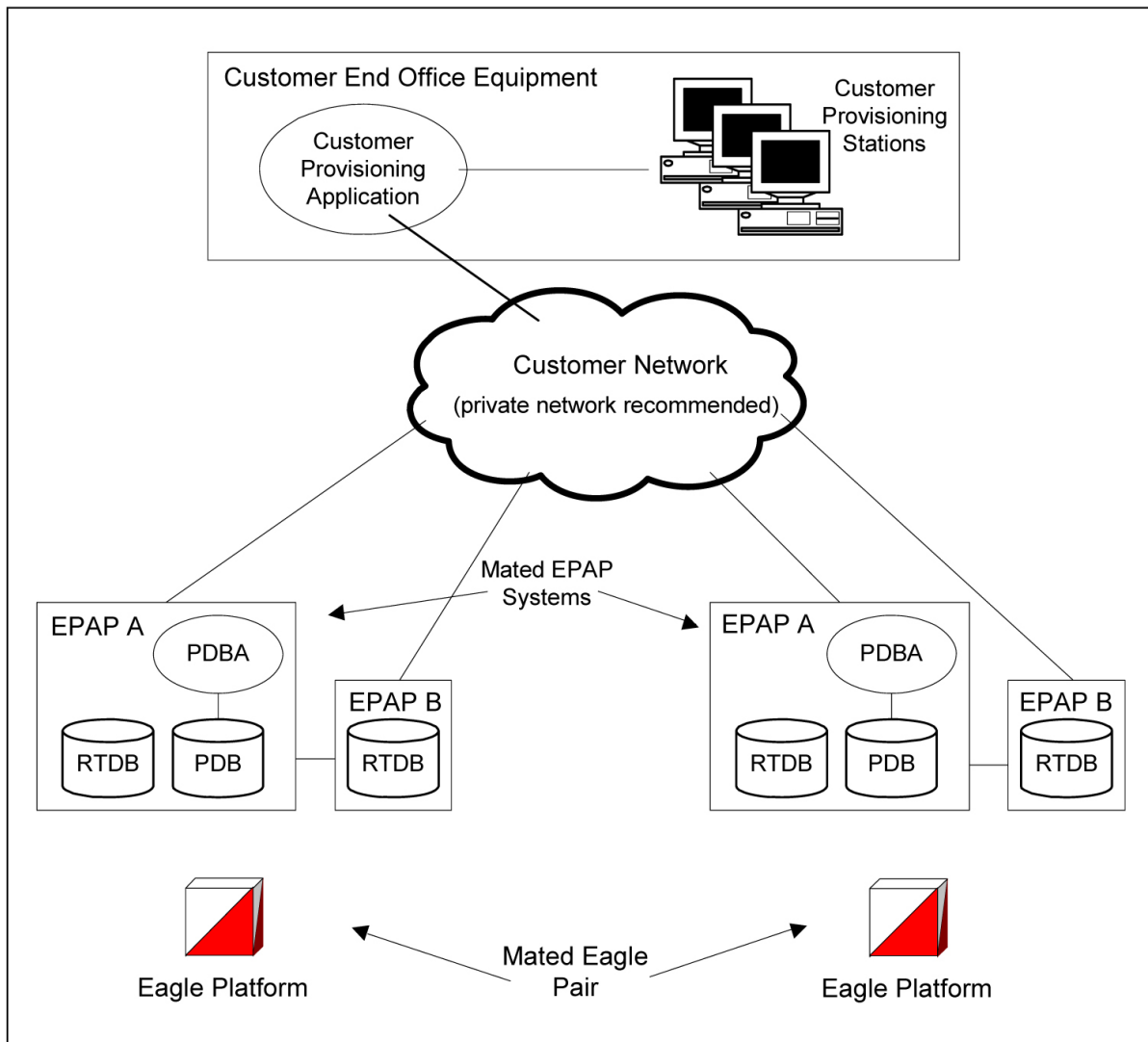
Customer Provisioning Network

The customer network carries the following traffic:

- Customer queries and responses to the PDB via the PDBI from the customer provisioning network
- Updates between PDBs of a mated EAGLE 5 ISS pair
- Updates between a PDB on one EAGLE 5 ISS and RTDBs on a mated EAGLE 5 ISS
- PDBA import/export (file transfer) traffic
- Traffic from a PDBA reloading from its mate
- EPAP and PDBA user interface traffic.

A typical customer network is shown in [Figure 8: Customer Provisioning Network](#) on page 43.

Figure 8: Customer Provisioning Network

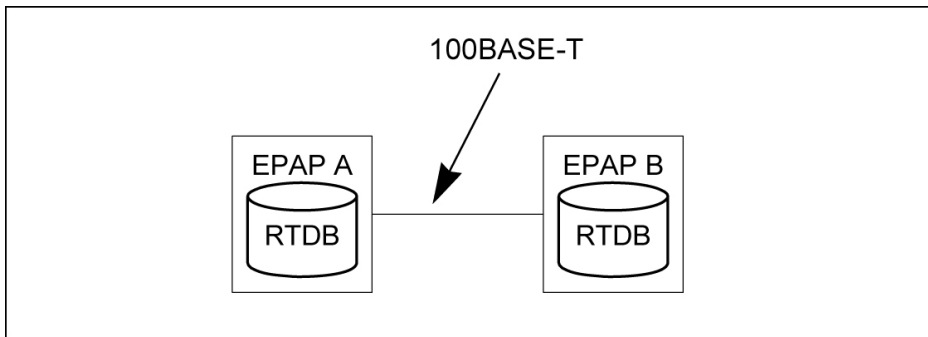


Although a dedicated network is recommended, it is possible that unrelated customer traffic can use the network as well. The determination, either to have a dedicated network or to allow other customer traffic, should be based on available external Ethernet bandwidth and network performance considerations.

EPAP Sync Network

The EPAP sync network carries RTDB and maintenance application traffic between active and standby EPAP servers on an MPS system. It synchronizes the contents of the RTDBs of both EPAP A and B. The EPAP Sync network is a single Ethernet connection between EPAP A and EPAP B running at 100BASE-T, as shown in [Figure 9: EPAP Sync Network](#) on page 44.

Figure 9: EPAP Sync Network

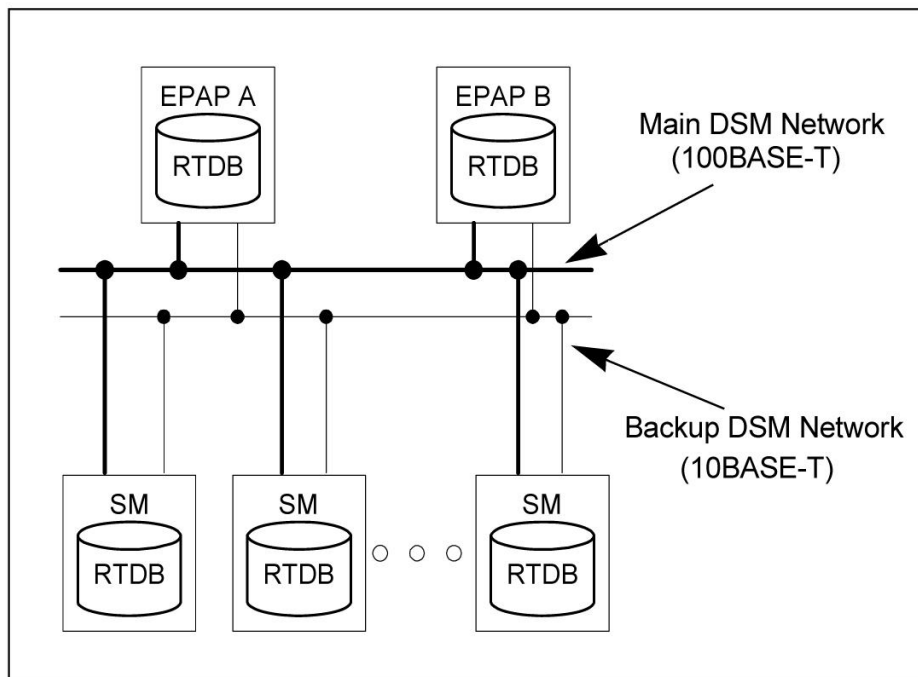


DSM Networks

The DSM networks are shown in [Figure 10: DSM Networks](#) on page 45. They carry provisioning data from the active EPAP RTDB to the Service Module cards. They also carry reload and maintenance traffic to the Service Module cards.

The DSM networks consist of two Ethernet networks: the main DSM network running at 100BASE-T, and the backup DSM network running at 10BASE-T. Both Ethernet networks connect EPAP A and EPAP B with every Service Module card on a single EAGLE 5 ISS platform.

Figure 10: DSM Networks



Maintenance information is sent from the active EPAP to an arbitrarily selected Service Module card. The selected Service Module card is known as the primary Service Module card. Static information is exchanged across this interface at initialization, and dynamic information is exchanged on occasion.

While much of the traditional OAM provisioning and database functionality is implemented on the EPAP, the maintenance reporting mechanism is still the OAM.

The first and second octets of the EPAP network addresses for this network are 192.168. (The first two octets for private class C networks are defined in RFC 1918.)

The third octet is customer specifiable for each DSM network. It is important to select values that do not interfere with the customer's network addressing scheme.

The fourth octet of the address is specified as follows:

- If the EPAP is configured as "EPAP A", the fourth octet has a value of 100.
- If the EPAP is configured as "EPAP B", the fourth octet has a value of 200.

[Table 9: EPAP IP Addresses in the DSM Network](#) on page 46 summarizes the contents of each octet.

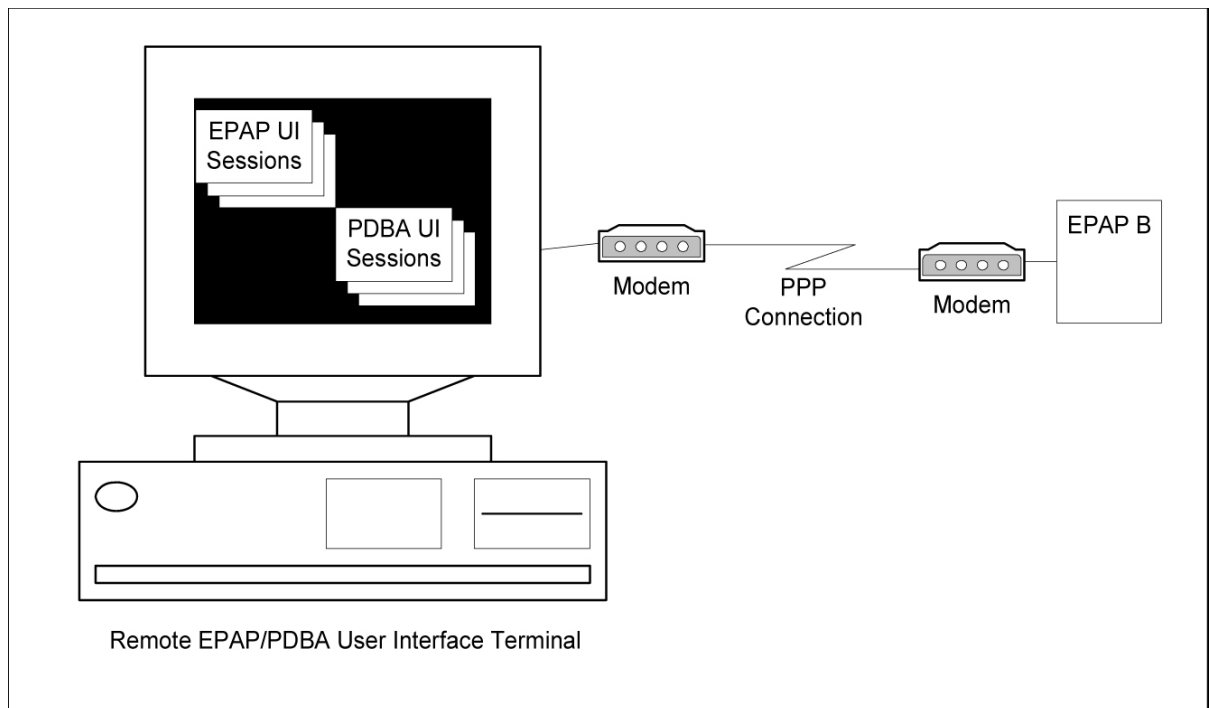
Table 9: EPAP IP Addresses in the DSM Network

Octet	Value
1	'192'
2	'168'
3	One customer-provisioned value for DSM network A, and another for DSM network B
4	'100' for EPAP A '200' for EPAP B

Dial-Up PPP Network

The dial-up PPP network allows multiple user-interface sessions to be established with the EPAP. The network connects a remote EPAP/PDBA user interface terminal with the EPAP in the EAGLE 5 ISS's MPS subsystem. The dial-up PPP network is illustrated in [Figure 11: Dial-Up PPP Network](#) on page 46.

Figure 11: Dial-Up PPP Network



Network Perspectives

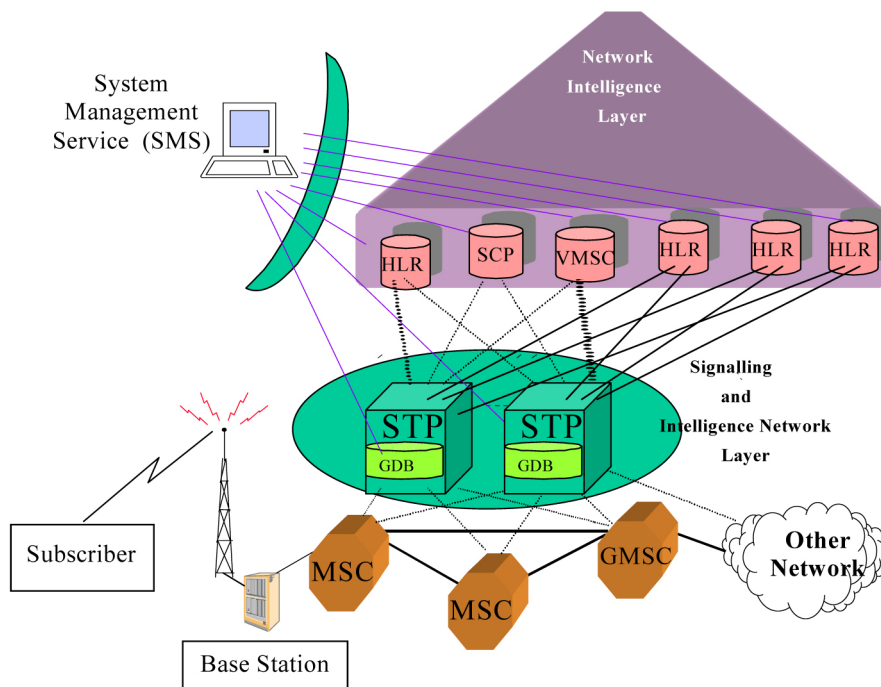
The EAGLE 5 ISS solution for G-Flex can be deployed in the network in two ways:

- As an integrated EAGLE 5 ISS G-Flex node
- As a stand-alone EAGLE 5 ISS G-Flex relay function

Integrated EAGLE 5 ISS/G-Flex Node

Figure 12: Location of an Integrated EAGLE 5 ISS/G-Flex Node in Wireless Network on page 47 shows the location of the Integrated EAGLE 5 ISS/G-Flex in a mobile network. This uses the Integrated EAGLE 5 ISS/G-Flex relay function solution to do HLR translations along with final GTT and routing functions.

Figure 12: Location of an Integrated EAGLE 5 ISS/G-Flex Node in Wireless Network

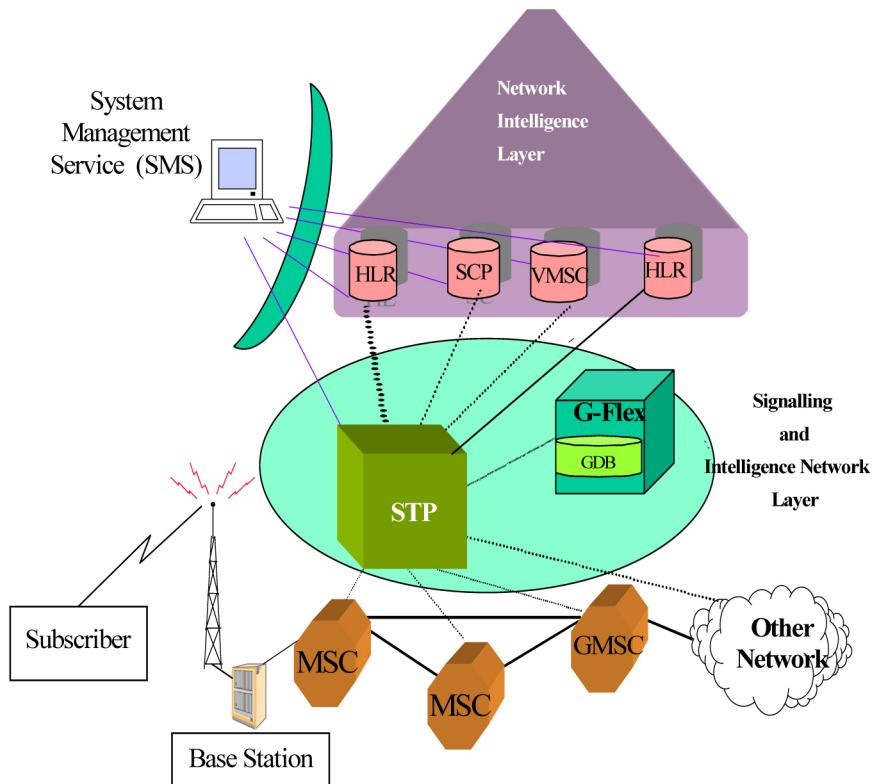


Stand-Alone EAGLE 5 ISS G-Flex Relay Function

Figure 13: Location of a G-Flex Node in Wireless Network on page 48 shows the location of G-Flex in a wireless network. This performs only the G-Flex relay function, while the EAGLE 5 ISS performs the STP functions. One advantage of such a setup is that the impact on the network due to the introduction of this new node is minimal. The originating nodes continue to route messages to the same EAGLE 5 ISS. The existing EAGLE 5 ISS forwards only HLR-destined (or AuC-destined messages if the HLR is integrated) to the G-Flex relay function based on the DN and IMSI/MGT number ranges. All HLR-provisioned subscriber numbers must be provisioned in the GDB (G-Flex database) before the G-Flex relay function is brought into service.

Once in service, the G-Flex relay function performs the HLR translations on incoming messages and then either MTP routes the message through the EAGLE 5 ISS directly to the end node or forwards the translated message back to the EAGLE 5 ISS. If the EAGLE 5 ISS is capable of broadcasting SCCP subsystem management messages (that is, SSPs and SSAs) to the G-Flex node, then G-Flex could directly route the messages to the HLR entity numbers. It could then forward the message to the EAGLE 5 ISS so that the forwarded messages could be easily translated to derive a HLR address. Note that the GTT (global title translation) data must be carefully set up to prevent looping between EAGLE 5 ISS and the G-Flex node.

Figure 13: Location of a G-Flex Node in Wireless Network



Serviceability Hints

The following hints are offered to aid in the serviceability of G-Flex databases:

- [Mated Application Considerations](#) on page 49
- [Entity Point Codes and Routes](#) on page 49

Mated Application Considerations

An EPAP-administered entity data can possibly become out-of-sync with the EAGLE 5 ISS mated application table because the creation of entity point codes (and/or subsystem numbers) in the mated application table is not performed at database administration time.

If this mismatch is discovered in real-time operations, a UIM message (such as “SCCP did not route - DPC not in MAP tbl” or “SCCP did not route - SS not in MAP tbl”) is sent to the EAGLE 5 ISS maintenance terminal. This message means the MSU was discarded.

For this reason, it is recommended that the entity (SP or RN) not be administered until the entity point code (and/or subsystem number) has been entered into the EAGLE 5 ISS mated application (MAP) table.

Entity Point Codes and Routes

Verification that an entity point code exists in the route table and has a route is not performed at database administration time. Therefore, it is possible for the EPAP entity data to be out-of-sync with the EAGLE 5 ISS route table.

If an out-of-sync condition is discovered during real-time operation, a UIM is sent to the EAGLE 5 ISS maintenance terminal, indicating one of these conditions:

- Destination point code is not in the route table.
- Destination point code exists in the route table but is not assigned a route.
- Destination point code exists in the route table and has been assigned a route, but it is out of service.

Chapter 3

EAGLE 5 ISS G-Flex Commands

Topics:

- [System Debug Services \(SDS\) Commands.....52](#)
- [Provisioning Hierarchy for the G-Flex Database.....52](#)
- [Maintenance and Measurements Commands.....62](#)

This section describes the user interface and provides command examples needed to administer the G-Flex feature. The exact command syntax, specifications, and command classes are provided in the *Commands Manual*. The command examples are provided to convey the intention of the user interface requirements.

System Debug Services (SDS) Commands

The following section describes SDS command `ent-trace` used with G-Flex.

MSU Trap and Trace Command

The G-Flex Relay Function uses the existing `ent-trace` command functionality to provide a trap-and-trace feature for MSUs on the Service Module card. The G-Flex Relay Function introduces two new triggers so the user can trigger on DN and IMSI.

The user can create a MSU trigger on the TSM card on any one or more of the criteria (both old and new) defined in the following using the `ent-trace` command. When multiple trigger criteria are entered, the MSU is trapped when any of the criteria are satisfied.



CAUTION: As with other debug commands, this command can cause OAM to reset if too many MSUs are trapped.

CAUTION

- **E.164 MSISDN number (MSISDN)** – Use this criterion to trap messages immediately before performing a G-Flex search based on the MSISDN numbers defined in the G-Flex database. This parameter allows a variable number of digits (from 5 to 15). The number specified must be an International E.164 number (MSISDN or Entity Number).
- **E.212 IMSI number (IMSI)** – Use this criterion to trap messages immediately before performing a G-Flex search based on the IMSI numbers defined in the G-Flex database. This parameter allows a variable number of digits (from 5 to 15). The number specified must be an international E.212 IMSI. This parameter cannot be used to trap on E.214 MGT.
- **Global Title digits (GT)** – Use this criterion to trap messages based on CdPA Global Title Address (that is, either E.164, E.214 MGT, or E.212 number) present in the SCCP part of the message.
- **SSP point code (MSC or VLR PC, for example)** – After the SSN has been determined to belong to a G-Flex entity object, use this criterion to trap messages based on CgPA (Calling Party Address) SPC present in the SCCP part of the message. If no point code is present in CgPA SPC, the criteria is matched with the OPC present in the MTP part of the message.

A trace must still be set on all Service Module cards (`card=sccp-all`). Use a repetition parameter (`rep`) to control the number of MSUs that are trapped.

MSUs that satisfy any of the trigger criteria are trapped on the TSM card, are forwarded to OAM, and are displayed. Refer to *Commands Manual* for a complete description of the `ent-trace` command.

Provisioning Hierarchy for the G-Flex Database

Part of the database is administered from the EPAP to the Service Module cards, and part is administered from the EAGLE 5 ISS GPSM-IIs to the Service Module cards. In general, the EAGLE

5 ISS terminal interfaces use the `ent` commands to enter new data into the database, `chg` commands to change existing data in the database, and `dlc` commands to delete data in the database.

EAGLE 5 ISS Terminal Database Commands

EAGLE 5 ISS `chg-ctrl-feat` Commands

The `chg-ctrl-feat` command administers the G-Flex feature. It has three variations, each of which is described in the following: `enable-ctrl-feat`, `chg-ctrl-feat` and `rtrv-ctrl-feat`. For further details on these commands, please refer to the *Commands Manual*.

- `enable-ctrl-feat`: **Enable Control Feature Command** – The `enable-ctrl-feat` command enables the G-Flex and G-Flex Map Layer Routing features available for the system. A command example follows.

```
enable-ctrl-feat:partnum=893xxxxxx:fak=xxxxxxxxxxxxxxxxx
  rlgncxa03w 06-06-01 16:40:40 EST EAGLE 35.0.0
  ENABLE-CTRL-FEAT: MASP A - COMPLTD
;
```

- `chg-ctrl-feat`: **Change Control Feature Status Command** – The `chg-ctrl-feat` command activates optional features available for the system. Features can only be turned on. Once the feature is turned on, it cannot be turned off. The `chg-ctrl-feat` command turns on the G-Flex numbering capability and provides mutual exclusion between LNP and G-Flex. The GTT feature is a prerequisite for G-Flex. The `chg-ctrl-feat` command also provides the processor, DRAM, and disk capacity validation required to support the G-Flex feature. This command updates the MAS configuration table. A command example follows.

```
tekelecstp 06-07-26 14:47:58 EST EAGLE 36.0.0
chg-ctrl-feat :partnum=893018001:status=on Command entered at terminal
#4. CHG-CTRL-FEAT: MASP A - COMPLTD
```

- `rtrv-ctrl-feat`: **Retrieve Control Feature Status Command** – The `rtrv-ctrl-feat` command displays the feature status for the G-Flex feature. An example of command output follows.

```
rlgncxa03w 08-01-30 16:40:40 EST EAGLE5 38.0.0
The following features have been permanently enabled:
Feature Name          Partnum    Status    Quantity
HC-MIM SLK Capacity  893012707 on         64
Command Class Management 893005801 on         ----
Prepaid SMS Intercept Ph1 893006701 on         ----
Intermed GTT Load Sharing 893006901 on         ----
MNP Circ Route Prevent  893007001 on         ----
XGTT Table Expansion    893006101 on        400000
XMAP Table Expansion    893007710 on         3000
Large System # Links    893005910 on         2000
Routesets               893006403 on         8000
EAGLE5 Product          893007101 on         ----
EAGLE Product           893007201 off        ----
IP7 Product             893007301 off        ----
Network Security Enhance 893009101 off        ----
Telnet                  893005701 on         ----
Port Chk for MO SMS     893009301 on         ----
LNP ELAP Configuration  893010901 on         ----
15 Minute Measurements  893012101 off        ----
EAGLE OA&M IP Security  893400001 off        ----
SCCP Conversion         893012001 on         ----
SE-HSL SLK Capacity     893013005 on         64
```

GSM Map Screening (GMS)	893013201	on	----
Enhanced GMS (EGMS)	893012401	on	----
MTP MAP Screening	893013501	on	----
Spare Point Code Support	893013601	on	----
GSM MAP SRI Redirect	893014001	on	----
ISUP NP with EPAP	893013801	on	----
Origin-Based MTP Routing	893014201	on	----
ITUN-ANSI SMS Conversion	893015301	on	----
Flexible GTT Load-Sharing	893015401	on	----
IDP Screening for Prepaid	893015501	on	----
Origin Based SCCP Routing	893014301	on	----
Lrg BICC MSU for IP Sig	893018401	off	----
VFLEX	893016701	on	----
Transaction Based GTT LS	893017101	on	----
Hex Digit Support for GTT	893018501	on	----
E5-SM4G Throughput Cap	893019101	on	----
G-Flex MAP Layer Routing	893021701	on	----
G-Flex	893021901	on	----

EAGLE 5 ISS G-Flex System Options Commands

The G-Flex system options (`gsmopts`) commands change and display G-Flex-specific system options in the EAGLE 5 ISS database. It has two variations, each of which is described in the following: `chg-gsmopts` and `rtrv-gsmopts`. For further details on these commands, refer to the *Commands Manual*.

- chg-gsmopts: Change G-Flex System Options Command** – The `chg-gsmopts` command changes G-Flex-specific system options in the database. This command updates the GSMOPTS table. Up to 10 CCNC/MCCMNC numbering plan conversion parameter combinations can be created. If “none” is specified for MCCMNC, then the CCNC combination is deleted. The default parameters are always overwritten when specified. The `chg-gsmopts` command determines whether the G-Flex feature uses digits from the SCCP or MAP layer for database lookup.

Command : `chg-gsmopts` Class = DATABASE

Parameter	Optional/Mandatory	Range	Description
CCNC	Optional	2-8 digits	Country Code and Network Code
DEFMAPVR	Optional	1-3 digits	Default MAP version
DEFMCC	Optional	3 digits, none	E212 Default Mobile Country Code
DEFMNC	Optional	1-4 digits, none	E212 Default Mobile Network Code
GFLEXMAPLAYERRTG	Optional	on, off	G-Flex MAP layer routing status

Parameter	Optional/ Mandatory	Range	Description
GSM21S41	Optional	1-15 digits, none	GSM to IS41 migration prefix
IS412GSM	Optional	1-15 digits, none	IS41 to GSM migration prefix
MIGRPFEX	Optional	single, multiple	Migration Prefix
MCCMNC	Optional	4-7 digits, none	Numbering plan for the MSRN
MSISDNTRUNC	Optional	0-5 digits	MS ISDN truncation digits
MSRNDIG	Optional	rn, rndn, cc rndn	Routing number
SRFADDR	Optional	1-15 digits, none	Entity address of the MNP_SRF node
SRIDN	Optional	tcap, sccp	SRIDN location
SRIDNNOTFOUND	optional	ggt, srinack	When G-Port encounters an RTDB query result that indicates that the given DN is not known, the SRIDNNOFOUND parameter value determines further procesing. The default value is ggt.

Command examples follow.

```
chg-gsmopts: defmcc=214: defmnc=34
```

```
chg-gsmopts: ccnc=33322123: mccmnc=21434
```

```
chg-gsmopts: ccnc=334: mccmnc=22435
```

```
chg-gsmopts: ccnc=334: mccmnc=none
```

```
chg-gsmopts: gflexmaplayerrrtg=on
```

- `rtrv-gsmopts`: **Retrieve G-Flex System Options Command** – The `rtrv-gsmopts` command retrieves all G-Flex-specific system options from the database. The `rtrv-gsmopts` command displays the G-Flex MAP Layer Routing status.

The following example displays output for the `rtrv-gsmopts` command when the G-Flex MAP Layer Routing feature is enabled and turned on.

```
tekelecstp 08-01-04 20:34:22 EST EAGLE 38.0.0
GSM OPTIONS
-----
DEFMCC          = NONE
DEFMNC          = NONE
SRFADDR        = NONE
MSRNDIG        = RN
DEFMAPVR       = 1
IS412GSM       = NONE
MSISDNTRUNC    = 0
MIGRPFX        = SINGLE
GSM2IS41       = NONE
GFLEXMAPLAYERRTG = ON
SRIDNNOTFOUND = GTT
```

- **chg-stpopts: Change STP Options Command** – Use the `chg-stpopts` command to change the values of one or more of the STP node level processing option indicators maintained in the STP's options table. The `chg-stpopts` command prevents the **ansigflex** option from being enabled when the G-Flex MAP Layer Routing feature is enabled.

EAGLE 5 ISS G-Flex Service Selector Commands

The G-Flex service selector (`srvsel`) commands are a new set of commands that provision new selectors for the G-Flex service, providing greater flexibility when provisioning the type of messages that require G-Flex processing. There are four variants, each of which is described in the following sections: `ent-srvsel`, `chg-srvsel`, `dlt-srvsel`, and `rtrv-srvsel`. For further details on the EAGLE 5 ISS G-Flex service selector commands (such as command rules and output format), refer to the *Commands Manual*.

- **ent-srvsel: Enter G-Flex Service Selectors Command** – The `ent-srvsel` command specifies that the applicable G-Flex service selectors indicating G-Flex processing is required. The available parameters follow:

```
Command : ent-srvsel          Class = DATABASE
```

Parameter	Optional/ Mandatory	Range	Description
GTI, GTIA, GTII, GTIN, GTIN24	Mandatory	1-4	Global Title Indicator
SERV	Mandatory	gport, gflex, inpq, inpmr	GSM service
SSN	Mandatory	0-255, *	Subsystem Number
TT	Mandatory	0-255	Translation Type
NAI	Optional	sub, rsvd, natl, intl	Nature Of Address Indicator

Parameter	Optional/ Mandatory	Range	Description
NAIV	Optional	0-127	NAI Value
NP	Optional	e164, generic, x121, f69, e210, e212, e214, private	Numbering Plan
NPV	Optional	0-15	Numbering Plan Value
SNAI	Optional	sub, natl, intl	Service Nature Of Address Indicator
SNP	Optional	e164, e212, e214	Service Numbering Plan

- **chg-srvsel: Change G-Flex Service Selector Command** – The chg-srvsel command specifies the applicable G-Flex selectors required to change an existing G-Flex selector entry. The available parameters follow:

Command : chg-srvsel Class = DATABASE

Parameter	Optional/ Mandatory	Range	Description
GTI, GTIA, GTII, GTIN, GTIN24	Mandatory	1-4	Global Title Indicator
SSN	Mandatory	0-255, *	Subsystem Number
TT	Mandatory	0-255	Translation Type
NAI	Optional	sub, rsvd, natl, intl	Nature Of Address Indicator
NAIV	Optional	0-127	NAI Value
NP	Optional	e164, generic, x121, f69, e210, e212, e214, private	Numbering Plan
NPV	Optional	0-15	Numbering Plan Value

Parameter	Optional/ Mandatory	Range	Description
NSERV	Optional	gport, gflex, inpq, inpmr, smsmr, mnpms, eir	New GSM service
NSNAI	Optional	sub, natl, intl, rnidn, none	New Service Nature Of Address Indicator
NSNP	Optional	e164, e212, e214, none	New Service Numbering Plan

- **dlt-srvsel: Delete G-Flex Service Selector Command** – The `dlt-srvsel` command deletes a G-Flex service selector. The available parameters follow:

```
Command : dlt-srvsel          Class = DATABASE
```

Parameter	Optional/ Mandatory	Range	Description
GTI, GTIA, GTIL, GTIN,GTIN24	Mandatory	1-4	Global Title Indicator
SSN	Mandatory	0-255, *	Subsystem Number
TT	Mandatory	0-255	Translation Type
NAI	Optional	sub, rsvd, natl, intl	Nature Of Address Indicator
NAIV	Optional	0-127	NAI Value
NP	Optional	e164, generic, x121, f69, e210, e212, e214, private	Numbering Plan
NPV	Optional	0-15	Numbering Plan Value

- **rtrv-srvsel: Retrieve G-Flex Service Selector Command** – The `rtrv-srvsel` command displays a list of administered G-Flex service selector combinations. All output is sorted first by service, then by global title domain (ANSI first, followed by ITU), GTI, translation type,

numbering plan, and by the nature of address indicator. The output can be filtered by specifying any optional parameter. The available parameters follow:

Command : `rtrv-srvsel` Class = DATABASE

Parameter	Optional/ Mandatory	Range	Description
GTI, GTIA, GTII, GTIN,GTIN24	Optional	1-4	Global Title Indicator
NAI	Optional	sub, rsvd, natl, intl	Nature Of Address Indicator
NAIV	Optional	0-127	NAI Value
NP	Optional	e164, generic, x121, f69, e210, e212, e214, private	Numbering Plan
NPV	Optional	0-15	Numbering Plan Value
SERV	Optional	gport, gflex, inpq, inpmr	GSM service
SNAI	Optional	sub, natl, intl, rnidn, rnndn, rnsdn,ccrndn	Service Nature Of Address Indicator
SNP	Optional	e164, e212, e214	Service Numbering Plan
TT	Optional	0-255	Translation Type

EAGLE 5 ISS G-FLEX SCCP Service Commands

The `sccp-serv` commands allow for services to be taken ON and OFF line and their processing load to be shifted to other designated nodes. These commands also support the assignment of PCs to PC groups used for G-Flex SCCP Service Re-Route assignment. There are three variants, each of which is described in the following sections: `chg-sccp-serv`, `dlt-sccp-serv`, and `rtrv-sccp-serv`.

Entries (using the `chg-sccp-serv` command) are provisioned in the SCCP-SERV table, and are shown by the `rtrv-sccp-serv` command output. This reduces the maximum number of entries that the MRN table can contain by the number of entries shown in the `rtrv-sccp-serv` command output. For more information on provisioning MRN tables, refer to the *Database Administration Manual - Global Title Translations* manual.

For further details on the EAGLE 5 ISS G-Flex SCCP service commands (such as command rules and output format), refer to the *Commands Manual*.

- chg-sccp-serv: Change G-Flex SCCP Service Command** – The `chg-sccp-serv` command is used to add point codes to an existing service group, or to change the Relative Cost (RC) of existing point codes in a group. SCCP Service groups are organized by service (G-Flex or G-Port) and point code network type (ANSI, ITU-I, Spare ITU-I, ITU-N, Spare ITU-N, or ITUN-24). Up to seven PCs may be in a network type grouping for service re-route load sharing. This command allows for additions/modifications of up to 4 PCs at once. The point code parameters support the Spare Point Code subtype prefix `s-` for ITU-I and ITU-N point codes. The available parameters follow:

Command : `chg-sccp-serv Class = DATABASE`

Parameter	Optional/ Mandatory	Range	Description
SERV	Mandatory	gport, gflex	Service
STATE	Optional	offline, online	Status
GTT	Optional	no, yes	Global Title Translation
PC1, PCA1, PCI1, PCN1, PCN241	Optional	Refer to <i>Commands Manual</i>	Post GTT-translated PC
RC1	Optional	00-99	Relative Cost
PC2, PCA2, PCI2, PCN2, PCN242	Optional	Refer to <i>Commands Manual</i>	Post GTT-translated PC
RC2	Optional	00-99	Relative Cost
PC3, PCA3, PCI3, PCN3, PCN243	Optional	Refer to <i>Commands Manual</i>	Post GTT-translated PC
RC3	Optional	00-99	Relative Cost
PC4, PCA4, PCI4, PCN4, PCN244	Optional	Refer to <i>Commands Manual</i>	Post GTT-translated PC
RC4	Optional	00-99	Relative Cost

- dlt-sccp-serv: Delete G-Flex SCCP Service Command** – The `dlt-sccp-serv` command is used to remove entries from the SCCP Service table. A single command may either remove a PC from a group, or remove the entire group. The available parameters follow:

```
Command : dlt-sccp-serv Class = DATABASE
```

Parameter	Optional/ Mandatory	Range	Description
SERV	Mandatory	gport, gflex	Service
PC1, PCA1, PCI1, PCN1, PCN241	Optional	Refer to <i>Commands Manual</i>	Post GTT-translated PC
PC2, PCA2, PCI2, PCN2, PCN242	Optional	Refer to <i>Commands Manual</i>	Post GTT-translated PC
PC3, PCA3, PCI3, PCN3, PCN243	Optional	Refer to <i>Commands Manual</i>	Post GTT-translated PC
PC4, PCA4, PCI4, PCN4, PCN244	Optional	Refer to <i>Commands Manual</i>	Post GTT-translated PC
ALL	Optional	No, Yes	Yes will delete the entire group

- rtrv-sccp-serv: Retrieve G-Flex SCCP Service Command** – The `rtrv-sccp-serv` command is used to display the SCCP Service application relationship information maintained by the EAGLE 5 ISS. Point codes are grouped by service. The sample output that follows indicates that the G-Port and G-Flex features are turned on and the SCCP Service table is empty.

```
tekelecstp 05-12-20 08:32:58 EST 37.5.0
rtrv-sccp-serv
Command entered at terminal #4.
-----
Service      : GFLEX
State       : Offline
GTT Option  : Yes
-----
Service      : GPORT
State       : Offline
GTT Option  : Yes
-----
;
```

EAGLE 5 ISS Feature Key Control Commands

These commands are used to enable, update, view, and control the G-Flex features on the EAGLE 5 ISS. A separate Feature Access Key is required to turn on each feature. Features must be purchased in order to have access to the Feature Access Key, which must be used when enabling these features.

There is no temporary key associated with the G-Flex feature and once it is turned on, it cannot be turned off. There are two steps that will be taken to turn the G-Flex feature on. The first step is to enable the feature. The second step is to turn the status to on.

Part number 893021901 is used to enable the G-Flex feature on the EAGLE 5 ISS. Once the FAK is enabled and turned on, it cannot be turned off.

Part number 893021701 is used to enable the G-Flex MAP Layer Routing feature on the EAGLE 5 ISS.

EAGLE 5 ISS chg-db: Change Database Commands

The `chg-db` commands copies the EAGLE 5 ISS TDM resident G-Flex database tables during database backup, restore, and repair.

EAGLE 5 ISS rept-stat-db: Report Database Status

The `rept-stat-db` command displays both the EAGLE 5 ISS and the G-Flex database status and level information for each DSM network card, and for the active and standby EPAP databases.

Maintenance and Measurements Commands

This section provides a description of the maintenance and measurements commands for the G-Flex features. The commands that follow allow provisioning, operations, and maintenance activities for Service Module cards.

Commands

The command examples shown illustrate the requirements and provide suggestions for suitable names and output. The complete functionality of the commands is described in detail in the *Commands Manual*, and the actual parameter names, valid values, and output for the commands are provided.

Commands described here include:

- [*rept-stat-sys*](#) on page 63
- [*rept-stat-sccp*](#) on page 63
- [*rept-stat-mps*](#) on page 64
- [*rept-meas*](#) on page 65
- [*rept-stat-trbl*](#) on page 65
- [*rept-stat-alm*](#) on page 65
- [*rept-stat-db*](#) on page 65
- [*inh-card*](#) / [*alw-card*](#) on page 65
- [*ent-card*](#) / [*rtrv-card*](#) / [*dlt-card*](#) on page 66
- [*chg-gpl*](#) / [*act-gpl*](#) / [*rtrv-gpl*](#) / [*rept-stat-gpl*](#) / [*copy-gpl*](#) on page 66
- [*chg-gpl*](#) / [*act-gpl*](#) / [*rtrv-gpl*](#) / [*rept-stat-gpl*](#) / [*copy-gpl*](#) on page 66
- [*ent-bp*](#) / [*dlt-bp*](#) / [*disp-bp*](#) / [*disp-mem*](#) / [*set-mem*](#) on page 66

- [inh-alm / unhb-alm](#) on page 67
- [pass](#) on page 68

rept-stat-sys

The `rept-stat-sys` command syntax is not modified, but the report output now displays the status of the Service Module cards. The remainder of the report is unchanged.

rept-stat-sccp

The command handling and scroll area output for the `rept-stat-sccp` command includes the Service Module card. The `loc` parameter displays detailed card traffic statistics.

Samples of the reports produced by these commands are shown in the following two examples.

- `rept-stat-sccp`

```

Command entered at terminal #3.
;
tekelecstp 00-06-23 13:34:22 EST EAGLE 37.5.0

SCCP SUBSYSTEM REPORT IS-NR      Active      -----
GSM SUBSYSTEM REPORT IS-NR      Active      -----
SCCP Cards Configured= 4 Cards IS-NR= 2 Capacity Threshold = 100%
CARD VERSION PST SST AST MSU USAGE CPU
USAGE
-----
30% 1212 101-001-000 IS-NR Active ALMINH 45%
20% 1301 101-001-000 IS-NR Active ----- 35%
0% 1305 ----- OOS-MT Isolated ----- 0%
0% 2112 ----- OOS-MT-DSBLD Manual ----- 0%
-----

SCCP Service Average MSU Capacity = 40% Average CPU Capacity = 25%
AVERAGE MSU USAGE PER SERVICE:
GTT = 15% GFLEX = 5%
TOTAL SERVICE STATISTICS:
SERVICE SUCCESS ERRORS WARNINGS FORWARD TO GTT TOTAL
GTT: 1995 5 - - 2000
GFLEX: 500 1 4 10 515
Command Completed.
;

```

- `rept-stat-sccp:loc=1106`

```

Command entered at terminal #4.
;
tekelecstp 00-06-23 13:34:22 EST EAGLE 37.5.0
CARD VERSION TYPE PST SST AST
1106 101-010-000 DSM IS-NR Active -----
ALARM STATUS = No Alarms.
GTT: STATUS = ACT MSU USAGE = 10%
GFLEX: STATUS = ACT MSU USAGE = 10%
CPU USAGE = 15%

```

```

CARD SERVICE STATISTICS:
  SERVICE      SUCCESS      ERRORS      WARNINGS      FORWARD TO GTT      TOTAL
GTT:           1995           5            -              -              2000
GFLEX:         500            1            4              10             515
Command Completed.
;

```

rept-stat-mps

There are two variants of this new command.

- `rept-stat-mps` - produces a summary report showing the overall status of the G-Flex provisioning system and a moderate level of information for each Service Module card.
- `rept-stat-mps:loc=xxxx` - produces a more detailed report showing the G-Flex status of a specific Service Module card. Note that this version of the command displays the percent utilization of a particular Service Module card memory.

Samples of the reports produced by these commands are shown in the following two examples.

- `rept-stat-mps`

```

Command entered at terminal #4.
;
Integrat40 00-06-24 10:37:22 EST EAGLE 37.5.0
          VERSION      PST      SST      AST
EPAP A           026-015-000  IS-NR  Active  -----
          ALARM STATUS = No Alarms
EPAP B           026-015-000  IS-NR  Active  -----
          ALARM STATUS = No Alarms
CARD  PST      SST      GSM STAT  G-Flex STAT
1106  IS-NR    Active  ACT      ACT
1201  IS-ANR   Active  SWDL    SWDL
1205  OOS-MT-DSBLD Manual  -----
1302  OOS-MT   Fault   -----
1310  IS-ANR   Standby SWDL    SWDL
CARD 1106 ALARM STATUS = No Alarms
CARD 1201 ALARM STATUS = No Alarms
CARD 1205 ALARM STATUS = No Alarms
CARD 1302 ALARM STATUS = No Alarms
CARD 1310 ALARM STATUS = No Alarms
Command Completed.
;

```

- `rept-stat-mps:loc=1106`

```

Command entered at terminal #4.
;
integrat40 99-09-24 10:37:22 EST EAGLE 37.5.0
CARD VERSION      TYPE      PST      SST      AST
1106  101-9-000    DSM      IS-NR    Active  -----
      DSM PORT A           IS-NR    Active  -----
      DSM PORT B           IS-NR    Active  -----
      GTT STATUS           = ACT
      GSM STATUS           = ACT
      ALARM STATUS         = No Alarms.
      DSM MEMORY USAGE     = xxx%
Command Completed.
;

```

rept-meas

This command includes G-Flex measurements in the output sent to the EAGLE 5 ISS Terminal. Refer to the *Commands Manual* for details of the command.

rept-stat-trbl

This command includes the G-Flex subsystem and Service Module/EPAP IP link alarms. Refer to the *Commands Manual* for details of this command.

rept-stat-alm

This command includes the alarm totals of the G-Flex subsystem and Service Module/EPAP IP links. Refer to the *Commands Manual* for details of this command.

rept-stat-db

This command displays both EAGLE 5 ISS and G-Flex database status and level information for each Service Module network card, and for the active and standby EPAP databases. It reports database exception status such as corrupted, incoherent, or inconsistent, as well as providing the birthdates and levels. For details about this command, refer to the *Commands Manual*.

Hourly Maintenance Report

The Hourly Maintenance Report, generated automatically, includes the alarm totals of the G-Flex subsystem and Service Module/EPAP IP links. A sample follows.

```
eagle10506 99-10-10 16:00:01 EST EAGLE 37.5.0
 5072.0000 REPT COND GSM SS
 "GSM SS :00440,MTCEINT-0,SA,99-10-10,16:00:01,,,,*C"
;
eagle10506 99-10-10 16:00:01 EST EAGLE 37.5.0
 5077.0000 REPT COND EPAPDSM
 "EPAPDSM :0084,MTCEINT-0,SA,99-10-10,16:00:01,,,,**"
;
eagle10506 99-10-10 16:00:01 EST EAGLE 37.5.0
 5007.0000 REPT COND CARD
 "CARD 1102:0422,SCMMA,SA,99-10-10,16:00:01,,,,**"
;
eagle10506 99-09-13 16:00:01 EST EAGLE 37.5.0
 3561.0000 REPT COND ALARM STATUS
 "ALARMS:PERM. INHIBITED,0,0,0"
 "ALARMS:TEMP. INHIBITED,0,0,0"
 "ALARMS:ACTIVE,10,14,3"
 "ALARMS:TOTAL,10,14,3"
;
```

inh-card / alw-card

The command-handling and scroll area output for these commands includes the Service Module card. Refer to the *Commands Manual* for details of these commands.

- `inh-card` is not inhibited unless it is a TSM, DCM, Service Module, or LIM card.
- If the specified card is the only in-service Service Module card, the `force=yes` parameter is required.

- If inhibiting this Service Module card would cause less than 80% of the IS-NR LIMs to have VSCCP service (that is, cause the system to enter an unstable loading mode), the `force=yes` parameter is required.

ent-card / rtrv-card / dlt-card

The command-handling and scroll area output for these commands includes the Service Module card. For the `ent-card` command, the `APPL=VSCCP` is supported. Refer to the *Commands Manual* for details of this command.

- If the addition of a LIM card exceeds the system's VSCCP service capabilities, the `force=yes` parameter is required.

A sample of the reports produced by these commands is shown in the following example.

```
ent-card:loc=1201:type=dsm:appl=VSCCP
Command entered at terminal #3.
;

Command Completed.
;
```

chg-gpl / act-gpl / rtrv-gpl / rept-stat-gpl / copy-gpl

The command-handling and scroll area output for these commands include the VSCCP GPL. Refer to the *Commands Manual* for details of these commands.

Samples of the reports produced by these commands are shown in this example.

```
act-gpl:appl=VSCCP:ver=26-1-0
Command entered at terminal #3.
;

tekelecstp 99-10-24 06:54:39 EST EAGLE 37.5.0
VSCCP activate on 1114 completed
VSCCP activate on 1116 completed
;

rtrv-gpl:appl= VSCCP
Command entered at terminal #3.
;

tekelecstp 99-10-04 07:01:08 EST EAGLE 37.5.0
GPL Auditing ON
APPL CARD RELEASE APPROVED TRIAL REMOVE TRIAL
VSCCP 1114 026-001-000 026-001-000 026-001-000 026-001-000
VSCCP 1116 026-001-000 026-001-000 026-001-000 -----
rept-stat-gpl:appl= VSCCP
Command entered at terminal #3.
;

tekelecstp 99-10-04 12:55:50 EST EAGLE 37.5.0
APPL CARD RUNNING APPROVED TRIAL
VSCCP 1205 026-001-000 ALM 026-001-000 026-001-000
VSCCP 1211 026-001-000 ALM+ 026-001-000 -----
Command Completed.
;
```

ent-bp / dlt-bp / disp-bp / disp-mem / set-mem

The command-handling and scroll area output for these commands includes the Service Module card. (These commands recognize the Service Module boards.)

- The `CARD=<GPL><Subsystem>` is supported for the VSCCP GPL.

A sample of the reports produced by these commands is shown in the following example.

```
disp-bp:card=vscpp-all:
Command Accepted - Processing
  tekelecstp 99-01-20 19:21:10 EST EAGLE 37.5.0
  disp-bp:card=vscpp-all
  Command entered at terminal #1.
;
  tekelecstp 99-12-04 01:38:29 EST EAGLE 37.5.0
  SDS Installed Breakpoint Report from IMT Address H'0005
  BP Address      Memory-Dump Address      Conditions      Rpt Ct  Ind
  -----
  H'0000a974
    Code Breakpoint      1- ANY          1            0
                        2- ANY
```

chg-sid / dlt-sid

These commands are used to change and report on the self-identification of the EAGLE 5 ISS. The self-identification identifies the EAGLE 5 ISS to other signaling points in the network. This command includes a CPC type for G-Flex.

The CPC parameter is used to support incoming messages routed via Intermediate GTT (rt-gt) to the EAGLE 5 ISS (with DPC = CPC) for G-Flex. Refer to the *Commands Manual* for details of this command.

inh-alm / unhb-alm

These commands allow both Port A and Port B to be specified for the dev=d1k. This allows alarms to be inhibited on the Service Module ports. Refer to the *Commands Manual* for details of these commands.

chg-ip-card / rtrv-ip-card

These commands allow you to provision and report on the Internet Protocol networking parameters for any given Service Module card. Use the **loc** parameter to specify a Service Module card, and the **dn**sa and **dn**sb parameters to specify a default router. Refer to the *Commands Manual* for details of these commands.

chg-ip-lnk / rtrv-ip-lnk

These commands allow you to provision and report on the Internet Protocol link table. Use the **loc** parameter to specify a Service Module card. Refer to the *Commands Manual* for details of these commands.

ent-ip-host / dlt-ip-host / rtrv-ip-host

These commands allow you to provision, remove, and report on the entries in the Internet Protocol host table. The IP host table defines local and remote host names for IP addresses. Use the **host** parameter to specify the logical name for the device associated with the IP address in the **ipaddr** parameter. Refer to the *Commands Manual* for details of these commands.

pass

The `pass` command allows remote execution of a selected command by the targeted card. (These commands recognize the Service Module boards.) Selected commands are allowed as follows.

- `pass:cmd="ping"`
- `pass:cmd="netstat"`
- `pass:cmd="nslookup"`
- `pass:cmd="arp"`
- `pass:cmd="help"`

For this feature, the `loc` parameter must be a Service Module card location. For other details of the `pass` command, refer to *Commands Manual*.

pass:cmd="Ping"

The 'ping' `pass` command supports troubleshooting of the private EPAP/Service Module IP network. The following example demonstrates typical usage.

```
eagle10506 99-08-11 08:43:45 EST EAGLE 37.5.0
pass:loc=1215:cmd="ping -h"
Command entered at terminal #2.
;
eagle10506 99-08-11 08:43:45 EST EAGLE 37.5.0
PASS: Command sent to card
;
eagle10506 99-08-11 08:43:45 EST EAGLE 37.5.0
Usage: ping <hostname | ipaddr> [-h] [-i size] [-n count]
Options:
-h          Displays this message
-i count   Number of pings to send. Range=1..5. Default=3.
-n size    Sets size of ICMP echo packet. Range=12..2048. Default=64.
hostname   Name of machine to ping
ipaddr     IP Address of machine to ping (d.d.d.d)
;
```

pass:cmd="netstat"

The 'netstat' `pass` command supports troubleshooting of network interface and routing configuration problems within the private EPAP/Service Module IP network.

The following examples demonstrate typical usage.

```
eagle10506 99-08-11 08:43:00 EST EAGLE 37.5.0
pass:loc=1215:cmd="netstat -h"
Command entered at terminal #2.
;
eagle10506 99-08-11 08:43:00 EST EAGLE 37.5.0
PASS: Command sent to card
;
eagle10506 99-08-11 08:43:00 EST EAGLE 37.5.0
Usage: netstat [-a] [-i] [-h] [-m data|sys|dd] [-p icmp|ip|tcp|udp] [-r]
Options:
-a          display socket information for all protocols
-h          Displays this message
-i          display interface information for all interfaces
-m          display buffer pool information for 1 of the system pools
```

```

    -p          display socket information for 1 of the protocols
    -r          display the route table information
;

```

pass:cmd="nslookup"

The 'nslookup' pass command supports debugging of domain name server (DNS) to IP addressing tables. DNS is not supported for EPAP cards for the initial release.

The following examples demonstrate typical usage.

```

eagle10506 99-08-11 08:45:57 EST EAGLE 37.5.0
pass:loc=1215:cmd="nslookup"
Command entered at terminal #2.
;
eagle10506 99-08-11 08:45:57 EST EAGLE 37.5.0
PASS: Command sent to card
;
eagle10506 99-08-11 08:45:57 EST EAGLE 37.5.0
Usage: nslookup [hostname|ipaddr]
Options:
    hostname  String name
    ipaddr    d.d.d.d
;

```

pass:cmd="arp"

The 'arp' pass command supports the verification of and correction of IP stack ARP tables. In general, this command is not required for normal operation.

The following examples demonstrates typical usage.

```

eagle10506 99-08-11 08:43:23 EST EAGLE 37.5.0
pass:loc=1215:cmd="arp -h"
Command entered at terminal #2.
;
eagle10506 99-08-11 08:43:23 EST EAGLE 37.5.0
PASS: Command sent to card
;
eagle10506 99-08-11 08:43:23 EST EAGLE 37.5.0
Usage: arp [-a] [-d ipaddr] [-f] [-h] [-s ipaddr enetaddr]
Options:
    -a          Display All entries in ARP table
    -d          Delete specified entry (ipaddr) from ARP table
    -f          Flush all entries from ARP table
    -h          Displays this message
    -s          Set ARP table entry to associate ipaddr with enetaddr
    enetaddr   x:x:x:x:x:x
    ipaddr     d.d.d.d
;
eagle10506 99-08-11 08:43:25 EST EAGLE 37.5.0
ARP command complete
;

```

pass:cmd="help"

The 'help' pass command provides a list of supported pass commands for the target location.

The following examples demonstrates typical usage.

```

eagle10506 99-08-11 08:42:18 EST EAGLE 37.5.0

```

```
pass:loc=1215:cmd="help"  
Command entered at terminal #2.  
;  
eagle10506 99-08-11 08:42:18 EST EAGLE 37.5.0  
PASS: Command sent to card  
;  
eagle10506 99-08-11 08:42:18 EST EAGLE 37.5.0  
List of commands supported is:  
nslookup  
netstat  
arp  
ping  
help  
END of LIST  
;
```

Chapter 4

G-Flex Feature Activation

Topics:

- *Introduction.....72*
- *Prerequisites.....72*
- *Feature Activation Overview.....73*
- *Feature Activation Procedure.....74*
- *The 1100 TPS/Service Module Card for ITU NP Feature.....95*
- *Activating the E5-SM4G Throughput Capacity Feature.....96*

This chapter identifies prerequisites for the G-Flex feature activation procedure, an overview of the activation steps, and a matching number of detailed step descriptions to turn on the G-Flex feature. The G-Flex feature activation is performed at the EAGLE 5 ISS.

Introduction

The G-Flex features optimizes the use of subscriber numbers and number ranges in a GSM Mobile Network by providing a logical link between any Mobile Station international ISDN (MSISDN) number and any International Mobile Station Identifier (IMSI). This feature allows subscribers to be moved easily from one Home Location Register (HLR) to another. The G-Flex feature applies to ANSI, ITU-I (international), and ITU-N (national) networks.

The G-Flex feature, and other related features, are optional and can be purchased from Tekelec. If you are not sure whether you have purchased a specific feature, contact your Tekelec Sales Representative or Account Representative.



CAUTION:

Once a feature has been turned on with the `chg-ctrl-feat` command, it cannot be turned off. Since features may overwrite other features or create changes in the database, assure that you have a license and full technical support from Tekelec before turning on this or any feature.

The G-Flex feature requires Service Module cards running the VSCCP application.

Refer to the *Dimensioning Guide for EPAP Advanced DB Features Technical Reference* for important information on the dimensioning rules and the Service Module database capacity requirements.

Procedures described in the remainder of this manual apply only to the G-Flex feature and can only be performed if the G-Flex feature is turned on.

The following features are related to the G-Flex feature (see your Tekelec Sales or Account Representative for additional information):

- Global Title Translation (GTT)
- Enhanced Global Title Translation (EGTT)
- Variable-Length Global Title Translation (VGTT)
- EAGLE Provisioning Application Processor (EPAP)

Prerequisites

The G-Flex feature activation assumes that the features Global Title Translation (GTT), Enhanced Global Title Translation (EGTT), and Variable-Length Global Title Translation (VGTT) are already provisioned. Refer to the *Database Administration Manual - Features* for provisioning procedures.

The G-Flex feature activation assumes that the EPAP software is already configured; refer to *EPAP Administration Manual, EPAP Software Configuration*.

The G-Flex feature activation assumes that Service Module cards to be installed and TSM cards to be removed are identified:

- Note installed Service Module card locations if any
- Note available odd-even card slots for Service Module card installation

- Note installed TSM card locations
- Note adjacent odd-even TSM card slot number positions for Service Module card replacement
Note: TSM cards use one card slot; Service Module cards require two card slots, odd-even.
- Determine Service Module card IP addresses and have them available during the activation procedure.

For in-service systems, schedule Service Module card replacement in maintenance window that allows the reboot of Service Module cards (`init-card:loc=<Service Module card location>`) one at a time.



CAUTION

CAUTION: In an in-service environment and when replacing TSM cards with Service Module cards, initialize one Service Module card at a time. Verify its return to IS-NR state before initializing another Service Module card. This precaution keeps cards in service and precludes an interruption of SCCP services.

For in-service systems with TSM cards running the SCCP application, one Service Module card must be installed in an available double-slot odd-even location and provisioned with the VSCCP application prior to inhibiting one or more TSM cards. The Service Module card running the VSCCP application will take over the traffic (`alw-card`) once the TSM card becomes inhibited.



CAUTION

CAUTION: SCCP traffic redundancy will be lost if inhibiting two TSM cards at a time with only one Service Module card available in their place. Redundancy will be re-established once the two TSM cards are replaced with a second Service Module card.

For in-service systems that already have the G-Port and/or INP feature enabled, only perform the [Enable and Turn on the G-Flex Feature](#) on page 90 procedures to turn on the G-Flex feature. With the G-Port and/or INP feature enabled, the Service Module cards already contain the RTDB database.

For new systems, Service Module cards may be rebooted all at one time using the `init-card:appl=vsccp` command.

For new systems, GTT, EGTT, and VGTT features may be turned on prior to or immediately following the reboot of all Service Module cards.

Feature Activation Overview

This section provides an overview of the G-Flex feature activation procedure.

The feature activation consists of these sections:

- Configure system for HLR destinations. See [Feature Activation Procedure](#) on page 74.
- Install Service Module cards in available slots and configure for VSCCP. See [Install and Configure Service Module Cards](#) on page 85.
- Enable and turn on the G-Flex feature. See [Enable and Turn on the G-Flex Feature](#) on page 90.

Feature Activation Procedure

[Step 1](#) on page 74 through [Step 28](#) on page 85 configure the system to be able to communicate with the system of the HLR database. The route to this database may already be configured. Perform these steps to verify that you have entered all HLR destinations for G-Flex and make configuration changes as needed.

1. Before changing a true point code (PC) and adding a capability point code (CPC) for the G-Flex feature, display the current values of the self-identification configuration (shown in [Step 2](#) on page 74), the destination point codes (DPCs) (shown in [Step 3](#) on page 74), and the routes and linksets assigned to the DPCs (shown in [Step 4](#) on page 74).
The G-Flex feature applies to ANSI, ITU-I (international), and ITU-N (national) networks.
2. Display the current self identification of the system (PC and CPC) using the `rtrv-sid` command.

This is an example of the possible output:

```
rlghncxa03w 01-10-07 00:57:31 GMT EAGLE 37.5.0
PCA          PCI          PCN          CLLI          PCTYPE
001-001-001 1-100-1      11111       rlghncxa03w  OTHER
CPCA
001-002-001 001-002-002 001-002-003 001-002-004
CPCI
1-101-1     1-101-2     1-101-3     1-101-4
CPCN
11121      11122      11123      11124
```

If the ITUDUPPC (ITU national duplicate point code) feature is on, the ITU national point code also contains a group code. The group code is a two-character field from aa to zz that is entered as the last subfield of an ITU national point code, nnnnn-gc (for example, 2112-aa).

3. Display the current destination point codes in the destination point code table (`dpca/dpci/dpcn`) using the `rtrv-dstn` command.

This is an example of the possible output:

```
rlghncxa03w 01-10-10 11:43:04 GMT EAGLE 37.5.0
DPCA          CLLI          BEI ELEI  ALIASI  ALIASN  DOMAIN
201-001-001  rlghncxa03w no ---  -----  -----  SS7
DPCI          CLLI          BEI ELEI  ALIASA  ALIASN  DOMAIN
2-100-1     rlghncxa03w no ---  222-210-000 12001  SS7
DPCN          CLLI          BEI ELEI  ALIASA  ALIASI  DOMAIN
21111      rlghncxa03w no ---  222-200-200 2-121-1  SS7
DESTINATION ENTRIES ALLOCATED: 2000
  FULL DPC(s): 3
  NETWORK DPC(s): 0
  CLUSTER DPC(s): 0
  TOTAL DPC(s): 3
  CAPACITY (% FULL): 1%
X-LIST ENTRIES ALLOCATED: 500
```

4. Display the current route configuration using the `rtrv-rte` command.

This is an example of the possible output:

```
rlghncxa03w 01-10-07 11:43:04 GMT EAGLE 37.5.0
DPCA          ALIASI       ALIASN       CLLI          LSN          RC APCA
201-001-001  1-111-1     11121       adp1         1s000001    10 240-012-002
                1s000002    10 240-012-002
```


				ls000003	20	240-012-002
				ls000004	30	240-012-002
				ls000005	40	240-012-002
				ls000006	50	240-012-002
DPCI	ALIASN	ALIASA	CLLI	LSN	RC	APCI
2-100-1	121111	240-111-111	idp1	ls100001	10	1-234-5
				ls100002	10	1-234-6
				ls100003	20	1-234-7
				ls100004	30	1-234-1
				ls100005	40	1-234-2
				ls100006	50	1-234-3
DPCN	ALIASA	ALIASI	CLLI	LSN	RC	APCN
21111	011-222-111	0-001-1	ndp1	ls200001	10	11111
				ls200002	10	11112
				ls200003	20	11113
				ls200004	30	11114
				ls200005	40	11115
				ls200006	50	11116

- If the system's point code (pca/pci/pcn) or capability point code (cpca/cpci/cpcn) to be configured in this procedure is shown in [Step 2](#) on page 74, [Step 3](#) on page 74, or [Step 4](#) on page 74, choose another point code to configure with this procedure ([Step 9](#) on page 76).
- If configuring the system point code or capability point code (pcn or cpcn) of an ITU-N network, view the current value of the ITU-N point code format.

Otherwise continue with [Step 7](#) on page 75. Enter the `rtrv-stpopts` command and specify the ITU-N point code format option `npcfmt i`. The `npcfmt i` option identifies how the ITU-N point code is entered into the database and how it is displayed in any outputs. The value is shown in the `NPCFMTI` field.

This is an example of the possible output:

```
rlghncxa03w 01-10-17 16:02:05 GMT EAGLE 37.5.0
STP OPTIONS
-----
MTPT31CTL          1
MTPLTI             yes
MTPLTCTDPCQ       3
MTPLTST           10000
MTPXLQ             500
MTPXLET            0100
MTPXLOT            90%
MTPDPCQ           1750
TFATFRPR          1000
MTPRSI             yes
MTPRSIT            5000
MTPLPRST           yes
MTPT10ALT          30000
SLSCNV             perlS
UIMRD              yes
CRITALMINH         no
DISPACTALMS        no
NPCFMTI            4-4-4-2
DEFCC              49
DEFNDC             177
DSMAUD             on
```

If you wish to change the format of the ITU-N point code, go to section "ITU National Point Code Formats" in the *Database Administration Manual - SS7*. Then continue with [Step 7](#) on page 75.

- Display the mated applications in the database using the `rtrv-map` command.

These are examples of possible output:

```

rlghncxa03w 01-10-07 11:43:04 GMT EAGLE 37.5.0
PCA          SSN  RC  MPCA          MSSN MATERC SRM  MRC  GRP  NAME
001-001-001    5  10
rlghncxa03w 01-10-07 11:43:04 GMT EAGLE 37.5.0
PCN          SSN  RC  MPCN          MSSN MATERC SRM  MRC  GRP  NAME
11111        5  10  12347        5      20
rlghncxa03w 01-10-07 11:43:04 GMT EAGLE 37.5.0
PCI          SSN  RC  MPCN          MSSN MATERC SRM  MRC  GRP  NAME
2-100-1      5  20  3-200-1      250     99  ---  ---  abcdefgh

```

If the system's point code is shown in the `rtrv-map` command output (in the `PCA`, `PCI`, `PCN`, `MPCA`, `MPCI`, or `MPCN` fields), remove the system's point code from the mated application table. Refer to procedure "Removing a Mated Application" in the *Database Administration Manual - Global Title Translation*.

If the system's point code or capability point code is a destination point code of a route, select a point code that is not the destination point code of a route (see output of the `rtrv-rte` command in [Step 4](#) on page 74) and not in the destination point code table (see output of the `rtrv-dstn` command in [Step 3](#) on page 74).

- Change PC, CPC, DPC, route, linkset, and LIM card configurations for the HLR database using [Step 9](#) on page 76 through [Step 28](#) on page 85.



CAUTION

CAUTION: Changing a system's point code requires a system reboot using the `init-sys` command to fully implement the changes. The `init-sys` command causes a complete system reload and should be used only in an environment that is not in service. Using this command ensures the updated self identification information is loaded onto all cards but does interrupt service.

- Configure the system's point code (`pca/pci/pcn`) and capability point code (`cpca/cpci/cpcn`) by network type using the `chg-sid` command. For example, enter one of these commands:

```

chg-sid:pca=003-001-001:cpca=003-002-001
chg-sid:pci=1-100-2:cpci=1-102-1
chg-sid:pcn=11112:cpcn=11125

```

where:

:pca/pci/pcn

The point code used to uniquely identify the system.

:cpca/cpci/cpcn

The point code used by the SS7 protocol to identify a group of functionally related EAGLE 5 ISSs in the signaling network to which the EAGLE 5 ISS belongs.

After successful completion of this command, the system returns the following output:

```
rlghncxa03w 01-10-07 00:57:31 GMT EAGLE 37.5.0
CHG-SID: MASP A - COMPLTD
```

When any of the `pca/pci/pcn` parameters have changed, the system needs to be reinitialized. The following caution message is displayed:

```
CAUTION: SYSTEM SITE ID HAS BEEN CHANGED, MANUAL RE-INITIALIZATION IS NEEDED
```



CAUTION

CAUTION:

The `init-sys` command causes a complete system reload and should be used only in an environment that is not in service. Using this command ensures the updated self identification information is loaded onto all cards, but does interrupt service. When the `init-sys` command executes, the system does not retain the manually initiated state (for example, OOS-MT-DSBLD) for the signaling link, card, or terminal. After the command executes, the system attempts to bring all provisioned links, cards, and terminals on line, including those that were previously out of service. You will need to manually put each device back into its previous state after the system is back on line. Print or electronically capture the output of the `rept-stat-slk`, `rept-stat-card`, and `rept-stat-trm` commands for reference prior to issuing the `init-sys` command. To restore a device to its previous state, issue the appropriate inhibit/deactivate command listed in the *Commands Manual* in the Related Commands section for each of the above `rept-stat` commands.

10. Reinitialize the system by entering the `init-sys` command if changes were made in [Step 9](#) on page 76 to any `pca/pci/pcn` parameter.

Note: The `init-sys` command must be entered twice within 30 seconds for the system to re-initialize. If the `init-sys` command is not executed twice within 30 seconds, the attempt to re-initialize the system is aborted.

When the `init-sys` command is first entered, this message should appear.

```
rlghncxa03w 01-10-07 00:57:31 GMT EAGLE 37.5.0
CAUTION: This command causes a complete system reload, and
will result in traffic loss.
Re-enter command within 30 seconds to confirm.
```

When the `init-sys` command is re-entered within the 30 second time limit, this message should appear.

```
rlghncxa03w 01-10-07 00:57:31 GMT EAGLE 35.0.0
Init System command issued at terminal #3
```

From the time that the `init-sys` command is accepted, you must wait approximately two minutes before you can perform [Step 11](#) on page 78 (logging into the system). If the terminal is in the VT-100/VT-320 mode, the terminal display will be refreshed with non-zero alarm counts. During this two-minute interval, an intermediate screen refresh occurs, which is caused by the MASP's role change from active to standby and from standby to active. This screen refresh is typically a partial refresh and the alarm indicators are set to zero.

If you are logged into the system in the KSR mode, the only response you will receive of being able to log into the system is the message 'UAM 0009, MASP became active'. UAM 0009 could

be issued twice due to a possible transient MASP role change (switching from active to standby). Following the execution of the `init-sys` command, the MASP that was active before the `init-sys` command was entered will be the active MASP again when the system has finished reinitializing.

11. Verify the SID changes using the `rtrv-sid` command.

This is an example of the possible output:

```
durhncxa03w 01-10-07 00:57:31 GMT EAGLE 37.5.0
PCA          PCI          PCN          CLLI          PCTYPE
001-001-001 1-100-2      11112       rlghncxa03w  OTHER
003-001-001
CPCA
001-002-001      001-002-002      001-002-003      001-002-004
003-002-001
CPCI
1-101-1          1-101-2          1-101-3          1-101-4
1-102-1
CPCN
11121           11122           11123           11124
11125
```

12. Enter a destination point code for the HLR location in the Destination Point Code table by network type using the `ent-dstn` command.

For example, enter one of these commands:

```
ent-dstn:dpca=301-100-100
ent-dstn:dpci=2-100-2
ent-dstn:dpcn=21112
```

where:

:dpc/dpca/dpci/dpcn

The destination point code being added to the database

The system returns this message:

```
rlghncxa03w 01-10-17 15:35:05 GMT EAGLE 37.5.0
Destination table is (40 of 4000) 1% full
ENT-DSTN: MASP A - COMPLTD
```

13. Verify the changes using the `rtrv-dstn` command and specifying the DPC that was entered in [Step 12](#) on page 78.

For example, enter one of these commands:

```
rtrv-dstn:dpca=301-100-100
rtrv-dstn:dpci=2-100-2
rtrv-dstn:dpcn=21112
```

This is an example of the possible output for DPCA s.

```
rtrv-dstn:dpca=301-100-100
RLGHNCXA03W 01-10-30 21:16:37 GMT EAGLE 37.5.0
DPCA          CLLI          BEI  ELEI  ALIASI          ALIASN          DOMAIN
301-100-100  -----      no   ---   2-100-2      21112          SS7
              SPC          NCAI
```

```

----- no
Destination table is (20 of 2000) 1% full
    
```

This is an example of the possible output for DPCIs.

```

rtrv-dstn:dpci=2-100-2
RLGHNCXA03W 01-10-30 21:16:37 GMT EAGLE 37.5.0
DPCI        CLLI        BEI  ELEI  ALIASA  ALIASN  DOMAIN
2-100-2    -----      no  ---   301-100-100  21112  SS7
           SPC          NCAI
           -----      no
Destination table is (20 of 2000) 1% full
    
```

This is an example of the possible output for DPCNs.

```

rtrv-dstn:dpcn=21112
RLGHNCXA03W 01-10-30 21:16:37 GMT EAGLE 37.5.0
DPCN        CLLI        BEI  ELEI  ALIASA  ALIASI  DOMAIN
21112      -----      no  ---   301-100-100  2-100-2  SS7
           SPC          NCAI
           -----      no
Destination table is (20 of 2000) 1% full
    
```

- Enter a linkset with the `ent-ls` command, and assign it to the destination point code by network type.

For example, enter one of these commands:

```

ent-ls:lsn=ls300001:apca=240-020-001:lst=c
ent-ls:lsn=ls400001:apci=2-200-2:lst=c
ent-ls:lsn=ls500001:apcn=21122:lst=c
    
```

where:

:lsn

The name of the linkset

:apc/apca/apci/apcn

Adjacent point code – the point code identifying the node that is next to the system

:lst

The linkset type of the specified linkset

After successful completion of this command, the system returns the following message:

```

RLGHNCXA03W 01-10-17 16:23:21 GMT EAGLE 37.5.0
Link set table is ( 114 of 1024) 12% full
ENT-LS: MASP A - COMPLTD
    
```

- Verify the changes using the `rtrv-ls` command and specifying the linkset name. For example, enter one of these commands:

```

rtrv-ls:lsn=ls300001
rtrv-ls:lsn=ls400001
rtrv-ls:lsn=ls500001
    
```

For `lsn300001`, the system returns output similar to the following:

```

                L3T  SLT
LSN          APCA (SS7)  SCRN SET  SET BEI LST LNKS GWSA GWSM GWSL SLSCI NIS
ls300001 240-020-001
scr1 1      2  no  a      0
    
```

```

    on   off  off  no   on
CLLI           TFATCABMLQ MTPRSE ASL8
RLGHNCXA03W  1           no     no

                L2T     L1           PCR PCR
LOC  PORT SLC TYPE  SET BPS  MODE TSET ECM  N1  N2
Link set table is (114 of 1024) 12% full

```

For lsn400001, the system returns output similar to the following:

```

                                L3T  SLT
LSN           APCI (SS7)  SCRN  SET  SET BEI LST LNKS GWSA GWSM GWSL SLSCI NIS
ls400001 2-200-2
    scr1 1 2 no a 0
    on   off  off  no   on
CLLI           TFATCABMLQ MTPRSE ASL8
RLGHNCXA03W  1           no     no

                L2T     L1           PCR PCR
LOC  PORT SLC TYPE  SET BPS  MODE TSET ECM  N1  N2
Link set table is (114 of 1024) 12% full

```

For lsn500001, the system returns output similar to the following:

```

                                L3T  SLT
LSN           APCN (SS7)  SCRN  SET  SET BEI LST LNKS GWSA GWSM GWSL SLSCI NIS
ls500001 21122
    scr3 1 2 no a 0
    on   off  off  no   on
CLLI           TFATCABMLQ MTPRSE ASL8
RLGHNCXA03W  1           no     no

                L2T     L1           PCR PCR
LOC  PORT SLC TYPE  SET BPS  MODE TSET ECM  N1  N2
Link set table is (114 of 1024) 12% full

```

16. Add the LIM cards to the database using the `ent-card` command.

For this example, enter these commands:

```

ent-card:loc=1105:type=lime1:appl=ccs7itu
ent-card:loc=1106:type=lime1:appl=ccs7itu

```

where:

:loc

Specifies the slot number for the card.

:type

Specifies that the card is a LIME1 card.

:appl

Specifies that the application is CCS7ITU.

After successful completion of this command, the system returns the following message:

```

RLGHNCXA03W 01-10-12 09:12:36 GMT EAGLE 37.5.0
ENT-CARD: MASP A - COMPLTD

```

17. Verify the changes using the `rtrv-card` command with the card location specified.

For this example, enter these commands:

```

rtrv-card:loc=1105 rtrv-card:loc=1106

```

These are examples of the possible output:

CARD	TYPE	APPL	PORT A	LSET (SLC)	PORT B	LSET (SLC)	1105
LIME1		CCS7ITU	-----	(--)	-----	(--)	

CARD	TYPE	APPL	PORT A	LSET (SLC)	PORT B	LSET (SLC)	1106
LIME1		CCS7ITU	-----	(--)	-----	(--)	

18. Assign signaling links to the LIM cards using the ent-slk command.

For example, enter these commands:

```
ent-slk:loc=1105:port=a:lsn=ls400001:slc=0:l2tset=1
ent-slk:loc=1106:port=a:lsn=ls500001:slc=0:l2tset=1
```

where:

:loc

The card location of the LIM that the SS7 signaling link will be assigned to.

:port

The port on the card specified in the loc parameter.

:lsn

The name of the linkset that will contain the signaling link.

:slc

The signaling link code. The slc must be unique within the linkset. It must be the same at both the system location and the distant node.

:l2tset

The level 2 timer set table. A signaling link may be assigned to any of the twenty tables.

After successful completion of this command, the system returns the following message:

```
RLGHNCXA03W 01-10-07 08:29:03 GMT EAGLE 37.5.0
ENT-SLK: MASP A - COMPLTD
```

Signaling links are the only elements in the database directly supported by a hardware device. When a link is added to a linkset, the link remains in the state OOS-MT-DSBLD (out of service maintenance disabled) until it is activated; see [Step 26](#) on page 84.

19. Verify the changes using the rtrv-slk command, specifying the card location and port of the signaling link entered in [Step 18](#) on page 81.

```
rtrv-slk:loc=1105:port=a
rtrv-slk:loc=1106:port=a
```

This is an example of the possible output.

RLGHNCXA03W	01-10-19	21:16:37	GMT	EAGLE	37.5.0													
LOC	PORT	LSN	SLC	TYPE	L2T	BPS	L1	MODE	TSET	ECM	PCR	PCR						
A	ls400001	0	LIME1	1	56000	---	---	BASIC	---	---	N1	N2	1105					

RLGHNCXA03W	01-10-19	21:16:37	GMT	EAGLE	37.5.0													
LOC	PORT	LSN	SLC	TYPE	L2T	BPS	L1	MODE	TSET	ECM	PCR	PCR						
A	ls500001	0	LIME1	1	56000	---	---	BASIC	---	---	N1	N2	1106					

20. Add a route for the new DPC by network type using the `ent-rte` command.
For example, enter one of these commands:

```
ent-rte:dpc=301-100-100:lsn=ls300001:rc=10
ent-rte:dpci=2-100-2:lsn=ls400001:rc=10
ent-rte:dpcn=21112:lsn=ls500001:rc=10
```

where:

:dpc/dpca/dpci/dpcn

Destination point code of the node that the traffic is bound for

:lsn

The name of the linkset that will carry the traffic bound for the node specified by the destination point code.

:rc

The relative cost (priority) for this route.

After successful completion of this command, the system returns the following message:

```
RLGHNCXA03W 01-10-07 08:28:30 GMT EAGLE 37.5.0
ENT-RTE: MASP A - COMPLTD
```

21. Verify the changes using the `rtrv-rte` command and specifying the destination point code of the route.

This is an example of the possible output:

```
rlghncxa03w 01-10-07 11:43:04 GMT EAGLE 37.5.0
DPCA      ALIASI      ALIASN      CLLI      LSN        RC  APCA
201-001-001 1-111-1      11121      adp1      ls000001  10 240-012-002
           ls000002  10 240-012-002
           ls000003  20 240-012-002
           ls000004  30 240-012-002
           ls000005  40 240-012-002
           ls000006  50 240-012-002
301-001-001 1-111-1      11121      adp1      ls300001  10 240-020-001
DPCI      ALIASN      ALIASA      CLLI      LSN        RC  APCI
2-100-1    121111      240-111-111 idp1      ls100001  10 1-234-5
           ls100002  10 1-234-6
           ls100003  20 1-234-7
           ls100004  30 1-234-1
           ls100005  40 1-234-2
           ls100006  50 1-234-3 2-100-2
   121111    240-111-111 idp1      ls400001  10 1-200-2
DPCN      ALIASA      ALIASI      CLLI      LSN        RC  APCN
21111     011-222-111 0-001-1    ndp1      ls200001  10 11111
           ls200002  10 11112
           ls200003  20 11113
           ls200004  30 11114
           ls200005  40 11115
           ls200006  50 11116      21112
011-222-111 0-001-1    ndp1      ls500001  10 11122
```

22. Add a mated application to the database by network type using the `ent-map` command.
For this example, enter this command:

```
ent-map:pca=003-001-001:ssn=12:rc=0:mpca=004-004-004:mssn=250 :materc=99
:grp=grp10
```



```
ent-map:pci=2-100-1:ssn=12:rc=20:mpci=3-200-1:mssn=50 :materc=99:grp=grp03
ent-map:pcn=11112:ssn=12:rc=10:mpcn=11114:mssn=250:materc=99 :grp=grp07
```

where:

:pc/pca/pci/pcn

The point code of the primary signaling point that is to receive the message.

:ssn

Subsystem number – the subsystem address of the primary point code that is to receive the message.

:rc

The relative cost

:mpc/mpca/mpci/mpcn

The point code of the backup signaling point that is to receive the message.

:mssn

Mate subsystem number – the subsystem address of the backup point code that is to receive the message.

:materc

Mate relative cost.

:grp

The name of the concerned signaling point code group that contains the point codes that should be notified of the subsystem status. This parameter applies to both RPCs/SSNs.

When each of these commands have successfully completed, this message should appear.

```
RLGHNCXA03W 01-10-07 00:28:31 GMT EAGLE 37.5.0
ENT-MAP: MASP A - COMPLTD
```

23. Verify the changes using the `rtrv-map` command.

These are examples of possible output.

```
rlghncxa03w 01-10-07 11:43:04 GMT EAGLE 37.5.0
PCA          SSN  RC  MPCN          MSSN  MATERC  SRM  MRC  GRP  NAME
001-001-001    5  20  004-004-004    250    99  ---  ---  GRP10
003-001-001   12  0  004-004-004    250    99  ---  ---  GRP10
rlghncxa03w 01-10-07 11:43:04 GMT EAGLE 37.5.0
PCN          SSN  RC  MPCN          MSSN  MATERC  SRM  MRC  GRP  NAME
11111         5  20  12347         250    99  ---  ---  GRP07
11112        12  0  12347         250    99  ---  ---  GRP07
rlghncxa03w 01-10-07 11:43:04 GMT EAGLE 37.5.0
PCI          SSN  RC  MPCN          MSSN  MATERC  SRM  MRC  GRP  NAME
1-100-1       5  0  3-200-1       250    99  ---  ---  GRP03
2-100-1      12  20  3-200-1       50     99  ---  ---  GRP03
```

24. Allow the LIM cards that were entered in [Step 16](#) on page 80 by using the `alw-card` command.

For example, enter these commands:

```
alw-card:loc=1105
alw-card:loc=1106
```

This message appears:

```
RLGHNCXA03W 01-10-30 21:20:37 GMT EAGLE 37.5.0
Card has been allowed.
```

25. Verify the in-service normal (IS-NR) status of the cards using the `rept-stat-card` command. This is an example of the possible output:

```
RLGHNCXA03W 01-10-27 16:43:42 GMT EAGLE 37.5.0
CARD  VERSION          TYPE      APPL      PST          SST          AST 1103
 100-000-00003-000  DCM      STPLAN    IS-NR      Active      ---
1104  100-000-00003-000  TSM      GLS        IS-NR      Active      ---
1105  100-000-00003-000  LIME1    CCS7ITU    IS-NR      Active      ---
1106  100-000-00003-000  LIME1    CCS7ITU    IS-NR      Active      ---
1113  100-000-00002-000  MCAP     OAM        IS-NR      Active      ---
1114  100-000-00002-000  TDM          IS-NR      Active      ---
1115  100-000-00002-000  MCAP     OAM        IS-NR      Active      ---
1116  100-000-00002-000  TDM          IS-NR      Active      ---
1117  100-000-00002-000  MDAL          IS-NR      Active      ---
1201  100-000-00003-000  LIMDS0   SS7ANSI    IS-NR      Active      ---
1204  100-000-00003-000  LIMATM   ATMANSI    IS-NR      Active      ---
1205  100-000-00001-000  DCM      IPLIM      IS-NR      Active      ---
1207  100-000-00001-000  DCM      SS7IPGW    IS-NR      Active      ---
1303  100-000-00001-000  DCM      IPLIM      IS-NR      Active      ---
1305  100-000-00001-000  DCM      SS7IPGW    IS-NR      Active      ---
```

26. Activate the signaling links entered in [Step 18](#) on page 81 using the `act-slk` command. For example, enter these commands

```
act-slk:loc=1105:port=a
act-slk:loc=1106:port=a
```

The link changes its state from OOS-MT-DSBLD (out-of-service maintenance-disabled) to IS-NR (in-service normal). The output confirms the activation.

```
RLGHNCXA03W 01-10-07 11:11:28 GMT EAGLE 37.5.0
Activate Link message sent to card
```

27. Verify the in-service normal (IS-NR) status of the signaling link using the `rept-stat-slk` command.

For example, enter these commands:

```
rept-stat-slk:loc=1105
rept-stat-slk:loc=1106
```

This message should appear.

```
RLGHNCXA03W 01-10-30 21:16:37 GMT EAGLE 37.5.0
SLK      LSN      CLLI      PST      SST      AST
1105,A   1s400001  -----  IS-NR    Avail    ----
Command Completed.

RLGHNCXA03W 01-10-30 21:16:37 GMT EAGLE 37.5.0
SLK      LSN      CLLI      PST      SST      AST
```

```
1106,A 1s500001 ----- IS-NR Avail ----
Command Completed.
```

28. Display the new LIM cards in the database using the `rtrv-card` command. This is an example of the possible output:

```
RLGHNCXA03W 01-10-15 16:34:56 GMT EAGLE 40.1
CARD  TYPE          APPL      PORT A LSET (SLC)  PORT B LSET (SLC)
1103  DCM            STPLAN   -----  (--)  -----  (--)
1104  TSM             GLS      -----  (--)  -----  (--)
1105  LIME1           CCS7ITU  1s400001 (00)  -----  (--)
1106  LIME1           CCS7ITU  1s500001 (00)  -----  (--)
1113  MCAP            OAM
1114  TDM
1115  MCAP            OAM
1116  TDM
1117  MDAL
1201  LIMDS0          SS7ANSI  lsn1      (00)  lsn2      (01)
1204  LIMATM          ATMANSI  atmgwy    (00)  -----  (--)
1205  DCM             IPLIM    ipgwy1    (00)  ipgwy3    (01)
1207  DCM             SS7IPGW  ipgwy2    (00)  -----  (--)
1303  DCM             IPLIM    ipgwy1    (00)  ipgwy3    (01)
1305  DCM             SS7IPGW  ipgwy4    (00)  -----  (--)
```

Determine a location where the double-slot Service Module card can be inserted. The output shows slots 1107 and 1108 are not occupied. Also determine adjacent (odd-even slots) for later TSM card replacements.

Install and Configure Service Module Cards

1. Install and configure Service Module cards as needed in available odd-even slots using [Step 2](#) on page 85 through [Step 16](#) on page 90.
For our example, install a Service Module card in slots 1107 and 1108.
2. Install the Service Module card in slots 1107 and 1108.

The Service Module card requires two slots and must be installed in an odd slot with an adjacent empty even slot on its right side.

- a) Open the ejector levers on the Service Module card.

Carefully align the card's edges with the top and bottom card guides. Then push the card along the length of the card guides until the rear connectors on the card engage the mating connectors on the target shelf backplane.

- b) Press the left edge of the card's faceplate using constant pressure until you feel the card's progress cease.



WARNING

Warning: Do not impact the faceplate in order to mate the connectors. Any impact to the card's faceplate can damage the faceplate, the pins, or the connectors.

- c) Push in the top and bottom inject/eject clamps.

This locks the card in place and ensures a strong connection with the pins on the target shelf backplane.

- d) Verify that both IMT bus LEDs are green.

- e) Install the cabling required to connect the Service Module card to the MPS.

Refer to the *Installation Manual* for details.

3. Add the Service Module card to the database and configure it with the VSCCP application using the `ent-card` command.

For this example, enter this command.

```
ent-card:loc=1107:type=dsm:appl=vsccp
```

where:

:loc

Specifies the slot number for the card. The slot number must be an odd number.

:type

Specifies that the card is a Service Module card.

:appl

Specifies that the application is VSCCP.

After successful completion of this command, the system returns the following message:

```
RLGHNCXA03W 01-10-12 09:12:36 GMT EAGLE 37.5.0
ENT-CARD: MASP A - COMPLTD
```

4. Verify the Service Module card using the `rtrv-card` command with the card location specified. For this example, enter this command:

```
rtrv-card:loc=1107
```

This is an example of the possible output:

```
RLGHNCXA03W 01-10-30 09:12:36 GMT EAGLE 37.5.0
CARD  TYPE          APPL          PORT A LSET (SLC)  PORT B LSET (SLC) 1107 DSM
VSCCP
-----  (--)          -----  (--)
```

5. Display the current link parameters associated with the Service Module card in the database by entering the `rtrv-ip-lnk` command.

This is an example of the possible output:

```
RLGHNCXA03W 01-10-30 21:14:37 GMT EAGLE 37.5.0
LOC PORT IPADDR      SUBMASK      DUPLEX      SPEED  MACTYPE  AUTO  MCAST
1107 A  -----  -----  HALF      10     DIX      NO    NO
1107 B  -----  -----  HALF      10     DIX      NO    NO
```

6. Enter the IP address port and speed associated with the Service Module card in the database using the `chg-ip-lnk` command.

For this example, enter these commands:

```
chg-ip-lnk:loc=1107:port=a:duplex=half:ipaddr=192.168.122.1
:mactype=dix:speed=100:mcast=yes:submask=255.255.255.0
```

```
chg-ip-lnk:loc=1107:port=b:duplex=half:ipaddr=192.168.123.1
:mactype=dix:speed=10:mcast=yes:submask=255.255.255.0
```

where:

:loc

The card location of the Service Module card within the EAGLE 5 ISS.

:port

The port ID. The port parameter of the `chg-ip-lnk` command specifies the physical interface of the Service Module card.

:ipaddr

IP address assigned to the port. This is a TCP/IP address expressed in standard "dot notation." IP addresses consist of the system's network number and the machine's unique host number.

:duplex

This is the mode of operation of the interface.

:speed

This is interface bandwidth in megabits per second. The speed is either 100 Mbps for main Service Module network or 10 Mbps for backup Service Module network.

:mactype

This is the Media Access Control Type of the interface. Specify `dix` for the Digital/Inter/Xerox de facto standard for the Ethernet.

:mcast

This is the Multicast Control of the interface.

:submask

The subnet mask of the IP interface, in the form of an IP address with a restricted range of values.

When this command has successfully completed, the following message appears:

```
RLGHNCXA03W 01-10-30 21:18:37 GMT EAGLE 37.5.0
CHG-IP-LNK: MASP A - COMPLTD
```

- Verify the new link parameters associated with the Service Module card in the database by entering the `rtrv-ip-lnk` command.

This is an example of the possible output:

```
RLGHNCXA03W 01-10-30 21:14:37 GMT EAGLE 37.5.0
LOC  PORT  IPADDR          SUBMASK          DUPLEX  SPEED  MACTYPE  AUTO  MCAST
1107 A    192.168.122.1  255.255.255.0  HALF    100    DIX      NO    YES
1107 B    192.168.123.1  255.255.255.0  HALF    10     DIX      NO    YES
```

- Display the current IP host information in the database by entering the `rtrv-ip-host` command.

This is an example of the possible output:

```
RLGHNCXA03W 01-10-30 21:17:37 GMT EAGLE 37.5.0
IPADDR      HOST
192.1.1.32  KC_HLR2
192.1.1.50  DN_MSC1
192.1.1.52  DN_MSC2
```

- Add the host name and IP address for each VSCCP link using the `ent-ip-host` command. For example, enter these commands:

```
ent-ip-host:host=vsccp_1107_a:ipaddr=192.168.122.1
ent-ip-host:host=vsccp_1107_b:ipaddr=192.168.123.1
```

where:

:host

Specifies the host name. Each VSCCP link must be specified separately.

:ipaddr

Specifies the IP network address for each EPAP. The first three octets of the IP address must be the same as MPS A and B ports, respectively. The fourth octet identifies the Service Module card and must have a unique octet identifier for the card's IP address; we recommend numbering the Service Module cards sequentially, using values 1 to 25. (This example shows the assignment of the first Service Module card.)

After successful completion of this command, the system returns the following message:

```
RLGHNCXA03W 01-10-30 21:18:37 GMT EAGLE 37.5.0
ENT-IP-HOST: MASP A - COMPLTD
```

10. Verify the new IP host information in the database by entering the `rtrv-ip-host` command. The following is an example of the possible output.

```
RLGHNCXA03W 01-10-30 21:19:37 GMT EAGLE 37.5.0
IPADDR          HOST
192.1.1.32      KC_HLR2
192.1.1.50      DN_MSC1
192.1.1.52      DN_MSC2
192.168.122.1   VSCCP_1107_A
192.168.123.1   VSCCP_1107_B
```

Note: Most G-Flex customer private networks do not require setting up a default router for the Service Module card. However, if your network configuration does require a default router to connect the Service Module card communication to the EPAP, then only one default router is assignable to each Service Module card. Assign the default router address to each Service Module card as shown in this step.

11. Change the TCP/IP information for the Service Module card in the database using the `chg-ip-card` command.

For this example, enter this command:

```
chg-ip-card:loc=1107:domain=nc.tekelec.com :defrouter=192.168.122.250
```

where:

:loc

The location of the Service Module card within the EAGLE 5 ISS.

:domain

The domain name of domain server.

:defrouter

Default router address. The IP address for default router. This is a TCP/IP address expressed in standard "dot notation". IP addresses consist of the system's network number and the machine's unique host number.

After successful completion of this command, the system returns the following message:

```
RLGHNCXA03W 01-10-30 21:20:37 GMT EAGLE 37.5.0
CHG-IP-CARD: MASP A - COMPLTD
```

12. Verify the new TCP/IP parameters associated with the Service Module card in the database by entering the `rtrv-ip-card` command.

This is an example of the possible output:

```
RLGHNCXA03W 01-10-30 21:21:37 GMT EAGLE 37.5.0
  LOC 1107
    SRCHORDR LOCAL
    DNSA -----
    DNSB -----
    DEFROUTER 192.168.122.250
    DOMAIN    NC.TEKELEC.COM
```

13. Boot the Service Module card that was added in [Step 3](#) on page 86 in by using the `alw-card` command.

For example, enter this command:

```
alw-card:loc=1107
```

This message appears:

```
RLGHNCXA03W 01-10-30 21:20:37 GMT EAGLE 37.5.0
Card has been allowed.
```

14. Verify the in-service normal (IS-NR) status of the Service Module card using the `rept-stat-card` command.

This is an example of the possible output.

```
RLGHNCXA03W 01-10-27 16:43:42 GMT EAGLE 37.5.0
CARD  VERSION                TYPE  APPL    PST      SST      AST
1103  100-000-00002-000         DCM   STPLAN  IS-NR    Active   ---
1104  100-000-00003-000         TSM   GLS     IS-NR    Active   ---
1107  100-000-00003-000         DSM   VSCCP   IS-NR    Active   ---
1113  100-000-00002-000         MCAP  OAM     IS-NR    Active   ---
1114  100-000-00002-000         TDM   OAM     IS-NR    Active   ---
1115  100-000-00002-000         MCAP  OAM     IS-NR    Active   ---
1116  100-000-00002-000         TDM   OAM     IS-NR    Active   ---
1117  100-000-00002-000         MDAL  OAM     IS-NR    Active   ---
1201  100-000-00003-000         LIMDS0 SS7ANSI IS-NR    Active   ---
1204  100-000-00003-000         LIMATM ATMANSI IS-NR    Active   ---
1205  100-000-00001-000         DCM   IPLIM   IS-NR    Active   ---
1207  100-000-00001-000         DCM   SS7IPGW IS-NR    Active   ---
1303  100-000-00001-000         DCM   IPLIM   IS-NR    Active   ---
1305  100-000-00001-000         DCM   SS7IPGW IS-NR    Active   ---
```

15. Test the presence of the EPAP hosts on the network using the `pass` command with the `ping` parameter.

This command is invoked with a destination (either a hostname or IP address). For example, enter the following command:

```
pass:loc=1107:cmd="ping 192.168.122.100".
pass:loc=1107:cmd="ping 192.168.122.200".
pass:loc=1107:cmd="ping 192.168.123.100".
pass:loc=1107:cmd="ping 192.168.123.200".
```

After successful completion of each command, the system returns output similar to the following:

```
rlghncxa03w 00-06-27 08:30:44 GMT EAGLE 37.5.0
pass: loc=1107: cmd="ping 192.168.122.100"
```

```

Command entered at terminal #1.
;
rlghncxa03w 00-06-27 08:30:44 GMT EAGLE 37.5.0
PASS: Command sent to card
;
rlghncxa03w 00-06-27 08:30:44 GMT EAGLE 37.5.0
PING command in progress
;
rlghncxa03w 00-06-27 08:30:46 GMT EAGLE 37.5.0
PING 192.168.122.100: 56 data bytes
64 bytes from tekral.nc.tekelec.com (192.168.122.100):icmp_seq=0.time=5. ms
64 bytes from tekral.nc.tekelec.com (192.168.122.100):icmp_seq=1.time=0. ms
64 bytes from tekral.nc.tekelec.com (192.168.122.100):icmp_seq=2.time=0. ms
----192.168.100.3 PING Statistics----
3 packets transmitted, 3 packets received, 0% packet loss
round-trip (ms) min/avg/max = 0/1/5
PING command complete

```

If the pass commands with the `ping` parameter is not successful, verify the the correct connection of the hardware cabling and try again. If the command fails again, contact the [Customer Care Center](#) on page 3.

16. Repeat [Step 2](#) on page 85 through [Step 15](#) on page 89 to add all Service Module cards (N+1) to be installed in available slots.

Enable and Turn on the G-Flex Feature

1. Enable the G-Flex feature using the following command:

```
enable-ctrl-feat:partnum=893021901:fak=<fak>
```

2. Turn on the G-Flex feature using the following command:

```
chg-ctrl-feat:partnum=893021901:status=on
```

The system returns the following output:

```
rlghncxa03w 01-10-11 11:34:04 GMT EAGLE 37.5.0
chg-ctrl-feat: MASP A - COMPLD
```

3. Enable the G-Flex MAP Layer Routing feature using the following command:

```
enable-ctrl-feat:partnum=893021701:fak=<fak>
```

4. Turn the G-Flex MAP Layer Routing Feature ON by entering the following command:

```
chg-ctrl-feat:partnum=893021701:status=on
```

5. Turn the G-Flex MAP Layer Routing option ON by entering the following command:

```
chg-gsmopts:gflexmaplayerrtg=on
```

6. Enter the default country code (CC) and default network destination code (NDC) to convert the nature of address indicator (NAI) of MSISDNs to the international format (`nai=intl`) with the `chg-stpopts` command.

Enter the command by network type. For an ANSI network, for example, enter the following command:

```
chg-stpopts:defcc=1:defndc=972
```

For an ITU-I or ITU-N network, for example, enter the following command:

```
chg-stpopts:defcc=1:defndc=38:dsmaud=on:npcfnti=2-9-2-1
```

where:

:defcc

The default country code.

:defndc

The default network destination code.

:dsmaud

The Service Module card audit running state (*on* or *off*).

:npcfnti

The ITU National Point Code Format Identifier, which identifies how the ITU-N point code is entered into the database and how it is displayed in all EAGLE 5 ISS outputs. This code is a 14-bit integer.

After successful completion of this command, the system returns the following output:

```
rlghncxa03w 01-10-07 00:57:31 GMT EAGLE 37.5.0
CHG-STPOPTS: MASP A - COMPLTD
```

7. Verify the new country code and network destination code using the `rtrv-stpopts` command. This is an example of the possible output in an ANSI network:

```
rlghncxa03w 01-10-07 00:57:31 GMT EAGLE 37.5.0
STP OPTIONS
-----
DEFCC                1
DEFNDC               972
```

This is an example of the possible output in an ITU-I or ITU-N network:

```
rlghncxa03w 01-10-07 00:57:31 GMT EAGLE 37.5.0
STP OPTIONS
-----
NPCFNTI             2-9-2-1
DEFCC                1
DEFNDC               38
DSMAUD               on
```

8. Change the default mobile country code (MCC) and default mobile network destination code (MNDC) to convert the nature of address indicator (NAI) of IMSIs to the international format (`nai=intl`).

Enter the `chg-gsmopts` command by network type. For an ANSI network, for example, enter the following command:

```
chg-gsmopts:ccnc=1972:defmcc=919:defmnc=6666:mccmnc=9196666
```

For an ITU/N network, for example, enter the following command:

```
chg-gsmopts:defmcc=214:defmnc=34:ccnc=334:mccmnc=22435
```

where:

:ccnc

Defines the E214 country code and network code.

:defmcc

Defines the default GSM mobile country code.

:defmnc

Defines the default GSM mobile network code.

:mccmnc

Defines the E212 mobile country code and mobile network code.

The system returns the following message:

```
rlghncxa03w 00-08-20 09:04:14 GMT EAGLE 37.5.0
CHG-GSMOPTS: MASP A - COMPLTD
```

9. Verify the changes using the `rtrv-gsmopts` command.

This command displays all GSM (Global System for Mobile Telecommunication) system options from the database.

This is an example of the possible output in an ANSI network:

```
rlghncxa03w 00-08-20 09:04:14 GMT EAGLE 37.5.0
GSMOPT OPTIONS
-----
DEFMCC=919
DEFMNC=6666
CCNC=1977
MCCMNC=9196666
```

This is an example of the possible output in an ITU-I or ITU-N network:

```
rlghncxa03w 00-08-20 09:04:14 GMT EAGLE 37.5.0
GSMOPT OPTIONS
-----
DEFMCC=214
DEFMNC=34
CCNC=334
MCCMNC=22435
```

10. Use the `ent-srvsel` command to enter the G-Flex service selectors by network type.

This command assigns applicable service selectors required to specify the service entry for Service Module services.

For an ANSI network, for example, the following commands show how to set up service selector combinations for G-Flex services:

```
ent-srvsel:gtia=2:tt=10:snp=e164:snai=intl:serv:gflex
ent-srvsel:gtia=2:tt=11:snp=e164:snai=natl:serv:gflex
ent-srvsel:gtia=2:tt=12:snp=e164:snai=sub:serv:gflex
```

For an ITU-I network, for example, enter the following command:

```
ent-srvsel:gtii=4:tt=1:snp=e164:snai=intl:serv:gflex:nai=intl
:np=e164
```

where:

:gti/gtia/gtii/gtin

Specifies the global title translation indicator (2 = ANSI, ITU; 4 = ITU). :tt - specifies the translation type.

:snp

Defines the service numbering plan (e164, e212, or e214).

:snai

Specifies the international Service Nature of Address Indicator.

:serv

Specifies the service feature.

:nai

Specifies the nature of address indicator.

:np

Specifies the numbering plan.

The system returns the following message:

```
rlghncxa03w 01-10-07 00:28:31 GMT EAGLE 37.5.0
Service Selector table is (114 of 1024) 11% full
ENT-SRVSEL: MASP A - COMPLTD
```

11. Verify the changes using the `rtrv-srvsel` command.

This command retrieves a list of administered service selector combinations. Avoid lengthy output by filtering the list using various parameter combinations. (The selector table can have over 1,000 entries.)

For example, enter this command:

```
rtrv-srvsel:gtia=2
rtrv-srvsel:gtii=2
rtrv-srvsel:gtii=4
```

After successful completion of this command, the system returns output similar to the following:

```
rlghncxa03w 01-10-28 00:29:31 GMT EAGLE 37.5.0
GTIA TT NP NAI NPV NAIV SNP SNAI SERV
2 10 --- --- --- --- e164 intl gflex
2 11 --- --- --- --- e164 natl gflex
2 12 --- --- --- --- e164 sub gflex
rlghncxa03w 01-10-28 00:29:31 GMT EAGLE 37.5.0
```

```

GTII  TT  NP      NAI  NPV  NAIV  SNP  SNAI  SERV
2      0  e164  intl  ---  ---  e164  intl  gflex
2      1  e164  intl  ---  ---  e164  intl  gflex

rlghncxa03w  01-10-28  00:29:31 GMT EAGLE 37.5.0
GTII  TT  NP      NAI  NPV  NAIV  SNP  SNAI  SERV
4      1  e164  intl  ---  ---  e164  intl  gflex
4      2  e164  intl  ---  ---  e164  intl  gflex

```

**CAUTION**

CAUTION: When you have an in-service environment and you are replacing TSM cards with Service Module cards, initialize one Service Module card at a time. Verify its return to IS-NR state before initializing another Service Module card. This precaution keeps cards in service and precludes an interruption of SCCP services.

Note: GTT, EGTT, and VGTT traffic are routed based on the global titles in the OAM database while G-Flex, G-Port, and INP traffic is routed based on the global title in the RTDB. Rebooting a Service Module card running the VSCCP application causes both the OAM and RTDB databases on the Service Module card to reload.

12. Reload a Service Module card using the `init-card` command.

For example, enter this command:

```
init-card:loc=1101
```

The system returns the following message:

```

rlghncxa03w  01-10-07  00:28:31 GMT EAGLE 37.5.0
Command entered at terminal #3.
Init Card command issued to card 1101

```

13. Verify its return to IS-NR state with the `rept-stat-card` command.

(Wait until in-service state is restored.)

This is an example of the possible output:

```

RLGHNCXA03W  01-10-07  00:30:42 GMT  EAGLE 41.0
CARD  VERSION          TYPE      APPL      PST      SST      AST
1101  100-000-00003-000  DSM      VSCCP     IS-NR    Active  ---
1103  100-000-00002-000  DCM      STPLAN   IS-NR    Active  ---
1104  100-000-00003-000  TSM      GLS      IS-NR    Active  ---
1107  100-000-00003-000  DSM      VSCCP     IS-NR    Active  ---
1113  100-000-00002-000  MCAP     OAM      IS-NR    Active  ---
1114  100-000-00002-000  TDM      IS-NR    Active  ---
1115  100-000-00002-000  MCAP     OAM      IS-NR    Active  ---
1116  100-000-00002-000  TDM      IS-NR    Active  ---
1117  100-000-00002-000  MDAL     IS-NR    Active  ---
1201  100-000-00003-000  LIMDS0   SS7ANSI  IS-NR    Active  ---
1204  100-000-00003-000  LIMATM   ATMANSI  IS-NR    Active  ---
1205  100-000-00001-000  DCM      IPLIM    IS-NR    Active  ---
1207  100-000-00001-000  DCM      SS7IPGW  IS-NR    Active  ---
1303  100-000-00001-000  DCM      IPLIM    IS-NR    Active  ---
1305  100-000-00001-000  DCM      SS7IPGW  IS-NR    Active  ---
1305  100-000-00001-000  DCM      SS7IPGW  IS-NR    Active  ---

```

14. After the `init-card` and the `rept-stat-card` commands show that service is successfully restored, repeat [Step 12](#) on page 94 and [Step 13](#) on page 94 for each Service Module card in your system.
15. Enter the `chg-sccp-serv:serv=gflex:state=online` command to set the G-Flex service state online.

16. Confirm that essential activation procedures are successful.


- a) Use `rept-stat-sccp` to verify all your Service Module cards are loaded and are IS-NR (in-service normal) status.
- b) Use `rept-stat-mps` to verify all your Service Module cards and the EPAP are connected and operational.
- c) Use `rept-stat-db:display=all` to verify database levels are identical for the EPAP PDB and RTDB and the RTDBs on the Service Module cards.

The G-Flex feature is now installed, activated, and ready for operations.

The 1100 TPS/Service Module Card for ITU NP Feature

This procedure is used to enable and turn on the 1100 TPS/Service Module card for ITU NP feature. This feature provides up to 26,400 transactions per second when the maximum number of Service Module cards are installed in the EAGLE 5 ISS and one or more EPAP-related features (such as G-Port, G-Flex, A-Port, INP, EIR, Migration) are enabled and turned on.

This feature can be enabled only for Service Module cards that are rated at 850 transactions per second (TPS).

 **CAUTION:** The increase of the Service Module card capacity, 1100 TPS per Service Module card, assumes incoming traffic consists of at least 30% of GTT routed traffic that does not require EPAP based lookup. If more than 70% of incoming traffic requires EPAP based lookup, Group Ticket Voucher (TVG) may shutdown and overall TVG capacity of 1100 for the card may not be met.

The feature access key is based on the feature's part number and the serial number of the EAGLE 5 ISS, making the feature access key site-specific.

The `enable-ctrl-feat` command enables the 1100 TPS/Service Module card for ITU NP feature by inputting the feature's access key and the feature's part number with these parameters:

:fak

The feature access key provided by Tekelec. The feature access key contains 13 alphanumeric characters and is not case sensitive.

:partnum

The Tekelec-issued part number of the 1100 TPS/Service Module card for ITU NP feature, 893018001.

After the 1100 TPS/Service Module card for ITU NP feature has been enabled, the feature must be turned on with the `chg-ctrl-feat` command. The `chg-ctrl-feat` command uses these parameters:

:partnum

The Tekelec-issued part number of the 1100 TPS/Service Module card for ITU NP feature, 893018001.

:status=on

Used to turn the 1100 TPS/Service Module card for ITU NP feature on.

Activating the E5-SM4G Throughput Capacity Feature

This procedure is used to enable and turn on the E5-SM4G Throughput Capacity feature.

The E5-SM4G Throughput Capacity feature increases the processing capacity of SCCP traffic for an EAGLE 5 ISS processing EPAP-based traffic to 75,000 transactions per second. To achieve this increase in SCCP processing capacity, the maximum number of 25 E5-SM4G cards must be provisioned and installed in the EAGLE 5 ISS and one or more EPAP-related features enabled and turned on.

The E5-SM4G Throughput Capacity feature cannot be enabled unless the EAGLE 5 ISS contains Service Module cards. Service Module cards cannot be installed in the EAGLE 5 ISS unless HIPR cards are installed in all shelves containing Service Module cards. Use the `rept-stat-gpl:gpl=hipr` command to verify whether HIPR cards are installed in all shelves containing Service Module cards.

The E5-SM4G Throughput Capacity feature cannot be enabled if:

- The LNP feature is enabled.
- The STPLAN feature is turned on.
- The GTT feature is not turned on.

The feature access key for the E5-SM4G Throughput Capacity feature is provided by Tekelec. Contact your Tekelec Sales Representative or Account Representative before beginning the feature activation procedure if you do not have the feature access key for this feature. Based on the feature part number and the serial number of the EAGLE 5 ISS, the feature access key is site-specific. The feature access key contains thirteen alphanumeric characters and is not case sensitive. The E5-SM4G Throughput Capacity feature cannot be enabled with a temporary feature access key. The E5-SM4G Throughput Capacity feature cannot be turned off after the feature is turned on.

The `enable-ctrl-feat` command requires that the database contain a valid serial number for the EAGLE 5 ISS, and that this serial number is locked. Verify with the `rtrv-serial-num` command. The EAGLE 5 ISS is shipped with a serial number in the database, but the serial number is not locked. The serial number can be changed, if necessary, and locked after the EAGLE 5 ISS is on-site, with the `ent-serial-num` command.

Note:

To enter and lock the serial number of the EAGLE 5 ISS, the `ent-serial-num` command must be entered twice. The first entry of the `ent-serial-num` command adds the correct serial number to the database with the `serial` parameter. The second entry of the `ent-serial-num` with the `serial` and `lock=yes` parameters locks the serial number. Verify that the serial number in the database is correct before locking the serial number. The serial number is on a label affixed to the control shelf (shelf 1100).

Refer to *Commands Manual* for detailed descriptions of all commands used in this procedure.

1. Display the status of the E5-SM4G Throughput Capacity feature by entering the `rtrv-ctrl-feat` command.

Example of a possible output:

```
rlghncxa03w 09-08-24 21:15:37 EST EAGLE 40.1.0
The following features have been permanently enabled:
```

Feature Name	Partnum	Status	Quantity
HC-MIM SLK Capacity	893012707	on	64
ISUP Normalization	893000201	on	----
Command Class Management	893005801	on	----
Intermed GTT Load Sharing	893006901	off	----
XGTT Table Expansion	893006101	off	----
XMAP Table Expansion	893007710	on	3000
Large System # Links	893005910	on	2000
Routesets	893006403	on	8000

The following features have been temporarily enabled:

Feature Name	Partnum	Status	Quantity	Trial Period Left
Zero entries found.				

The following features have expired temporary keys:

Feature Name	Partnum
Zero entries found.	

If the `rtrv-ctrl-feat` output shows that the LNP feature is enabled, this procedure cannot be performed. The E5-SM4G Throughput Capacity feature cannot be enabled if the LNP feature is enabled.

If the `rtrv-ctrl-feat` output shows the E5-SM4G Throughput Cap entry status as *on*, then the E5-SM4G Throughput Capacity feature is enabled and turned on. No further action in this procedure is necessary.

If the `rtrv-ctrl-feat` output shows the E5-SM4G Throughput Cap entry status as *off*, then the E5-SM4G Throughput Capacity feature is enabled but not turned on. Go to [Step 9](#) on page 99 to turn on the feature.

If the E5-SM4G Throughput Capacity and LNP features are not enabled, continue to [Step 2](#) on page 97.

2. Enter the `rtrv-feat` command to verify the status of the STPLAN feature.

The STPLAN feature is displayed as the LAN entry in the `rtrv-feat` output.

If the STPLAN feature is turned on, the E5-SM4G Throughput Capacity feature cannot be enabled and this procedure cannot be performed.

If the STPLAN feature is turned off, continue to [Step 3](#) on page 97.

3. Verify that the GTT feature is turned on.

The GTT feature is displayed as the GTT entry in the `rtrv-feat` output in [Step 2](#) on page 97. To enable the E5-SM4G Throughput Capacity feature, the GTT feature must be turned on.

If the GTT feature is turned off, continue to [Step 4](#) on page 97.

If the GTT feature is turned on, go to [Step 5](#) on page 98.

4. Perform "Adding a Service Module" in *Database Administration Manual - Global Title Translation* to:
 - Turn on the GTT feature
 - Add the required number of Service Module cards to the database

After the "Adding a Service Module" procedure is completed, go to [Step 6](#) on page 98

- Verify the number of E5-SM4G cards provisioned in the database using the `rept-stat-gpl:gpl=sccphc` command.

Example of a possible output.

```
rlghncxa03w 09-08-24 11:40:26 EST EAGLE 40.1.0
GPL      CARD      RUNNING      APPROVED      TRIAL
SCCPHC  1201      126-002-000  126-002-000  126-003-000
SCCPHC  1203      126-002-000  126-002-000  126-003-000
SCCPHC  1207      126-002-000  126-002-000  126-003-000
SCCPHC  1213      126-002-000  126-002-000  126-003-000
SCCPHC  1215      126-002-000  126-002-000  126-003-000
SCCPHC  1305      126-002-000  126-002-000  126-003-000
SCCPHC  1313      126-002-000  126-002-000  126-003-000
SCCPHC  2103      126-002-000  126-002-000  126-003-000
Command Completed.
```

If the required number of Service Module cards is provisioned in the database, continue to [Step 6](#) on page 98.

If the required number of Service Module cards is not provisioned in the database, perform "Adding a Service Module" in *Database Administration Manual - Global Title Translation* to add the required number of Service Module cards to the database. After the "Adding a Service Module" procedure is completed, continue to [Step 6](#) on page 98..

- Verify whether HIPR cards are installed on all the EAGLE 5 ISS shelves containing E5-SM4G cards using the `rept-stat-gpl:gpl=hipr` command.

```
rlghncxa03w 09-08-24 11:40:26 EST EAGLE 40.1.0
GPL      CARD      RUNNING      APPROVED      TRIAL
HIPR     1109      126-002-000  126-002-000  126-003-000
HIPR     1110      126-002-000  126-002-000  126-003-000
HIPR     1209      126-002-000  126-002-000  126-003-000
HIPR     1210      126-002-000  126-002-000  126-003-000
HIPR     1309      126-002-000  126-002-000  126-003-000
HIPR     1310      126-002-000  126-002-000  126-003-000
HIPR     2109      126-002-000  126-002-000  126-003-000
HIPR     2110      126-002-000  126-002-000  126-003-000
Command Completed.
```

If HIPR cards are installed in all shelves containing E5-SM4G cards, continue to [Step 7](#) on page 98.

If HIPR cards are not installed on all shelves containing E5-SM4G cards, perform the procedure in *Installation Manual - EAGLE 5 ISS* to install the HIPR cards. After the HIPR cards have been installed, continue to [Step 7](#) on page 98.

- Display the serial number in the database with the `rtrv-serial-num` command. The serial number is on a label affixed to the control shelf (shelf 1100).

Example of a possible output:

```
rlghncxa03w 09-08-24 21:15:37 EST EAGLE 40.1.0
System serial number = nt00001231

System serial number is not locked.

rlghncxa03w 09-08-24 21:15:37 EST EAGLE 40.1.0
Command Completed
```

If the serial number is not correct and is locked, this feature cannot be enabled and the remainder of this procedure cannot be performed. Contact [Customer Care Center](#) on page 3 to change an incorrect and locked serial number.

If the serial number is not correct and is not locked, continue to [Step 8](#) on page 99.

If the serial number is correct and is not locked, go to [Step 10](#) on page 99.

If the serial number is correct and locked, go to [Step 11](#) on page 99.

8. Enter the correct serial number into the database using the `ent-serial-num` command with the `serial` parameter .

Command example:

```
ent-serial-num:serial=<EAGLE 5 ISS serial number>
```

After the command has completed successfully, this message is displayed.

```
rlghncxa03w 09-08-24 21:15:37 EST EAGLE 40.1.0
ENT-SERIAL-NUM: MASP A - COMPLTD
```

9. Verify that the serial number entered in [Step 8](#) on page 99 was entered correctly using the `rtrv-serial-num` command.

Example of a possible output:

```
rlghncxa03w 09-08-24 21:15:37 EST EAGLE 40.1.0
System serial number = nt00001231
```

```
System serial number is not locked.
```

```
rlghncxa03w 09-08-24 21:15:37 EST EAGLE 40.1.0
Command Completed
```

If the serial number was not entered correctly, repeat [Step 8](#) on page 99 and enter the correct serial number.

10. Lock the serial number in the database by entering the `ent-serial-num` command with the correct serial number as shown in [Step 9](#) on page 99 and with the `lock=yes` parameter value.

Command example:

```
ent-serial-num:serial=<EAGLE 5 ISS serial number>:lock=yes
```

After this command has completed successfully, this message is displayed:

```
rlghncxa03w 09-08-24 21:15:37 EST EAGLE 40.1.0
ENT-SERIAL-NUM: MASP A - COMPLTD
```

11. Enable the E5-SM4G Throughput Capacity feature with the feature access key by entering the `enable-ctrl-feat` command.

Command example:

```
enable-ctrl-feat:partnum=893019101:fak=<E5-SM4G Throughput Capacity
feature access key>
```

Note: The feature access key for the E5-SM4G Throughput Capacity feature is provided by Tekelec. Contact your Tekelec Sales Representative or Account Representative if you do not have the feature access key for this feature. This feature cannot be enabled with a temporary feature access key.

After the command has completed successfully, this message is displayed:

```
rlghncxa03w 09-08-24 21:15:37 EST EAGLE 40.1.0
ENABLE-CTRL-FEAT: MASP B - COMPLTD
```

12. Perform one of the following:

- To turn on the E5-SM4G Throughput Capacity feature, continue to [Step 13](#) on page 100.
 - To not turn on the E5-SM4G Throughput Capacity feature, go to [Step 14](#) on page 100.
13. Turn on the E5-SM4G Throughput Capacity feature using the `chg-ctrl-feat` command, specifying the E5-SM4G Throughput Capacity feature part number and the `status=on` parameter value.

Note: After this feature is turned on, it cannot be turned off.

Command example:

```
chg-ctrl-feat:partnum=893019101:status=on
```

After the command has completed successfully, this message is displayed:

```
rlghncxa03w 09-08-24 21:15:37 EST EAGLE 40.1.0
CHG-CTRL-FEAT: MASP B - COMPLTD
```

14. Verify the changes by entering the `rtrv-ctrl-feat` command with the E5-SM4G Throughput Capacity feature part number .

Command example:

```
rtrv-ctrl-feat:partnum=893019101
```

Example of a possible output:

```
rlghncxa03w 09-08-24 21:15:37 EST EAGLE 40.1.0
The following features have been permanently enabled:

Feature Name           Partnum   Status   Quantity
E5-SM4G Throughput Cap 893019101 on       ----

The following features have been temporarily enabled:
Feature Name           Partnum   Status   Quantity   Trial Period Left
Zero entries found.

The following features have expired temporary keys:
Feature Name           Partnum
Zero entries found.
```

15. Back up the new changes using the `chg-db` command.

Command example:

```
chg-db:action=backup:dest=fixed
```

The following messages appear with the active Maintenance and Administration Subsystem Processor (MASP) appearing first.

```
BACKUP (FIXED) : MASP A - Backup starts on active MASP.
BACKUP (FIXED) : MASP A - Backup on active MASP to fixed disk complete.
BACKUP (FIXED) : MASP A - Backup starts on standby MASP.
BACKUP (FIXED) : MASP A - Backup on standby MASP to fixed disk complete.
```

Chapter 5

Maintenance and Measurements

Topics:

- *Hardware Requirements.....102*
- *EPAP Status and Alarms.....102*
- *G-Flex System Status Reports.....104*
- *Code and Application Data Loading.....105*
- *G-Flex Related Alarms.....110*
- *G-Flex Related UIMs.....114*
- *G-Flex Measurements.....116*

This chapter describes maintenance and measurements in detail, including EPAP status and alarms, hardware verification messages, EIR system status reports and commands, code and application data loading, and alarms.

Hardware Requirements

The EPAP-related features require Service Module cards that run the VSCCP application. The EAGLE 5 ISS can be equipped with from 1 to 25 Service Module cards to support the EPAP-related features.

EPAP Status and Alarms

Because EPAP has no direct means of accepting user input or displaying output messages on EAGLE 5 ISS terminals, maintenance, measurements, and status information are routed through a Service Module card. EPAP sends two types of messages to the Service Module card: [EPAP Maintenance Blocks](#) on page 102 and [DSM Status Requests](#) on page 103. Each message type is discussed in the following sections.

EPAP Maintenance Blocks

The active EPAP generates and sends maintenance blocks to the primary Service Module card. One maintenance block is sent as soon as the IP link is established between the active EPAP and the primary Service Module card. Additional maintenance blocks are sent whenever the EPAP needs to report any change in status or error conditions. The information returned in maintenance blocks is included in the output of the `rept-stat-mps` and `rept-stat-sccp` commands.

The EPAP sends maintenance blocks that contain at least the following information:

- Status of EPAP 'A' - actual states are active, standby, and down (inoperative). Maintenance blocks include a field for this information so that it can be forwarded to the EPAP A Device Control Block (DCB), where it is available for the output of the `rept-stat-mps` command.
- Status of EPAP 'B' - actual states are active, standby, and down (inoperative). Maintenance blocks include a field for this information so that it can be forwarded to the EPAP B DCB, where it is available for the output of the `rept-stat-mps` command.
- Identification of Active EPAP - a field to identify the active EPAP.
- Congestion Indicator - an indicator showing provisioning link congestion. The link between the EPAPs and the external source of provisioning data can become congested in high-provisioning traffic situations. When this occurs and subsequently as the congestion clears, the EPAP sends maintenance blocks to the Service Module card. The EPAP must ensure that no more than one maintenance block per second is sent to the primary Service Module card if the only reason is to report a change in congestion status.
- Alarm Conditions - an error code field. If the EPAP needs to report an alarm condition, it puts an appropriate UAM identifier in this field.
- Current MPS Database Size - a field indicating the current RTDB size. The Service Module card uses this information to calculate the percentage of memory utilized by the RTDB.

DSM Status Requests

When the EPAP needs to know the status of a Service Module card, it sends a DSM status request to that Service Module card. Because status messages are sent over UDP, the EPAP broadcasts the DSM status request (to all Service Module cards) and each Service Module card returns its status to the EPAP.

DSM Status Reporting to the EPAP

The sections that follow describe the DSM status reporting for the EPAP.

DSM Status Messages – When Sent

Service Module cards send a DSM status message to the EPAP when any the following events occur in the Service Module card:

- The Service Module card is booted.
- The Service Module card receives a DSM Status Request message from the EPAP
- The Service Module card determines that it needs to download the entire database, for example, if the Service Module card determines that the RTDB needs to be downloaded (for instance, if the database is totally corrupted), or if a craftsperson requests that the database be reloaded.
- The Service Module card starts receiving database downloads or database updates. When a Service Module card starts downloading the RTDB or accepting database updates, it sends a DSM Status Message informing the EPAP of the first record received. This helps the EPAP keep track of downloads in progress.

DSM Status Messages Fields

The DSM Status Message provides the following information to the EPAP:

- **DSM Memory Size.** When the Service Module card is initialized, it determines the amount of memory present. The EPAP uses the value to determine if the Service Module card has enough memory to hold the RTDB.

Refer to the *Dimensioning Guide for EPAP Advanced DB Features Technical Reference* for important information on the dimensioning rules and the Service Module card database capacity requirements.

- **Load Mode Status.** This indicator indicates whether or not 80% of the IS-NR (In-Service Normal) LIMs have access to SCCP services.

Hourly Maintenance Report

The Hourly Maintenance Report, generated automatically, includes the alarm totals of the G-Flex subsystem and Service Module card /EPAP IP links. A sample follows.

```
eagle10506 99-10-10 16:00:01 EST EAGLE 37.5.0
5072.0000 REPT COND GSM SS
"GSM SS :0440,MTCEINT-0,SA,99-10-10,16:00:01,,,,*C"
;
eagle10506 99-10-10 16:00:01 EST EAGLE 37.5.0
5073.0000 REPT COND INP SS
```

```

"INP SS :0440,MTCEINT-0,SA,99-10-10,16:20:01,,,,*C"
;
eagle10506 99-10-10 16:00:01 EST EAGLE 37.5.0
5077.0000 REPT COND EPAPDSM
"EPAPDSM :0084,MTCEINT-0,SA,99-10-10,16:00:01,,,,**"
;
eagle10506 99-10-10 16:00:01 EST EAGLE 37.5.0
5007.0000 REPT COND CARD
"CARD 1102:0422,SCMMA,SA,99-10-10,16:00:01,,,,**"
;
eagle10506 99-09-13 16:00:01 EST EAGLE 37.5.0
3561.0000 REPT COND ALARM STATUS
"ALARMS:PERM. INHIBITED,0,0,0"
"ALARMS:TEMP. INHIBITED,0,0,0"
"ALARMS:ACTIVE,10,14,3"
"ALARMS:TOTAL,10,14,3"
;

```

G-Flex System Status Reports

Status reporting described here includes the following:

- System status
- G-Flex status
- Service Module card memory capacity status
- Loading mode support status

System Status Reporting

The `rept-stat-sys` command supports the Service Module cards running the VSCCP application.

The `rept-stat-sccp` command supports the Service Module cards running the VSCCP application and reports G-Flex statistics.

G-Flex Status Reporting

The `rept-stat-mps` command supports G-Flex system reporting. `rept-stat-mps` concentrates on reporting the status of the provisioning system. See "Maintenance and Measurements User Interface Commands", for more details. G-Flex statistics are placed in the `rept-stat-sccp` command.

Service Module card Memory Capacity Status Reporting

As described in the *DSM Status Messages Fields* on page 103, the Service Module card sends a message to the EPAP containing the amount of memory on the Service Module card. The EPAP determines whether the Service Module card has enough memory to store the RTDB and sends an ack or nak back to the Service Module card indicating whether or not the Service Module card has an adequate amount of memory. Refer to the *Dimensioning Guide for EPAP Advanced DB Features Technical Reference* for important information on the dimensioning rules and the Service Module card database capacity requirements.

When the EPAP sends database updates to the Service Module cards, the update messages include a field that contains the new database memory requirements. Each Service Module card monitors the DB size requirements, and issues a minor alarm if the size of the DB exceeds 80% of its memory. If a database increases to the point that there is insufficient Service Module card memory, a major alarm is issued.

The `rept-stat-mps:loc=xxxx` command shows the amount of memory used by the RTDB as a percent of available Service Module card memory.

Loading Mode Support Status Reporting

The OAM application determines whether or not the system is in an unstable loading mode since it knows the state of all LIM, SCCP, and Service Module cards in the system. When the loading mode is unstable, the `rept-stat-sys` command reports the existence of the unstable loading mode and the specific conditions that caused it. Refer to [Loading Mode Support](#) on page 106, for more details.

Code and Application Data Loading

Service Module Code Loading

The EAGLE 5 ISS OAM code loads the Service Module card.

EPAP Application Data Loading

The G-Flex feature requires that new TDM-resident data tables be loaded in addition to those currently supported by EAGLE 5 ISS. The GPL and data loading support this additional table loading while maintaining support for loading the existing EAGLE 5 ISS tables.

In order to support both RTDB and EAGLE 5 ISS data loading, the Service Module card GPL verifies its hardware configuration during initialization to determine if it has the capacity to support the RTDB.

The Service Module card GPL application data loader registers all tables for loading, independent of the G-Flex feature provisioning and main board / applique hardware configuration. As a result, load requests are always identical. During loading, multiple Service Module card load requests are combined into a single download, reducing the overall download time. The Service Module card stores or discards RTDB table data based on whether or not it has RTDB-capable hardware for features like G-Port, G-Flex, INP, and EIR.

The OAM, on the other hand, downloads or sets memory boundaries for the G-Flex options, HOMERN, and service selector tables only if the G-Flex feature is provisioned. When the G-Flex feature is not provisioned, the OAM does not attempt to read these tables from disk. Instead, empty tables (i.e., tables without entries) are downloaded. All other tables requested for loading are read from disk and downloaded routinely.

Non G-Flex Data Initialization

If the Service Module card's hardware configuration cannot support the RTDB, the G-Flex tables are marked as absent during Service Management System initialization. Memory is not reserved for the G-Flex table data. G-Flex tables are registered with the application data loader (ADL),

specifying a data discard function. G-Flex table data is discarded during loading by the ADL discard function, rather than storing it in memory.

EPAP-Service Module Card Loading Interface

The Service Module card must convey to the EPAP that it needs to download the RTDB. This occurs when the Service Module card sends a Full Download Request message to the EPAP.

Loading Mode Support

No more than 16 LIMs can be serviced by each Service Module card.

80% Threshold of Support

Loading mode is based on the ability of the system to provide SCCP service to at least 80% of the LIMs.

Service Module Card Capacity

An insufficient number of Service Module cards that are in the is-nr (In Service - Normal) or oos-mt-dsbl (Out of Service - Maintenance Disabled) relative to 80% of the number of provisioned LIMs is called a "failure to provide adequate SCCP capacity."

Insufficient SCCP Service

It is also possible for LIMs or Service Module cards to be inhibited or to have problems that prevent them from operating normally. If enough Service Module cards are out of service, it may not be possible for the remaining is-nr Service Module cards to service at least 80% of the number of is-nr LIMs. This is called "insufficient SCCP service." When this occurs, some of the LIMs are denied SCCP service. It is possible to inhibit LIMs to bring the ratio back to 16:1 (or better).

Conditions That Create an Unstable Loading Mode

The current system implementation interrupts and aborts card loading upon execution of an STP database chg command. Loading mode support denies the execution of EAGLE 5 ISS database chg commands when the system is in an unstable loading mode. An unstable loading mode exists when any of the following conditions are true:

- The system's maintenance baseline has not been established.
- Less than 80% of the number of LIMs provisioned are is-nr or oos-mt-dsbl.
- The number of is-nr and oos-mt-dsbl Service Module cards running the VSCCP application is insufficient to service at least 80% of all provisioned LIMs.
- Insufficient SCCP service occurs when an insufficient number of is-nr Service Module cards are available to service at least 80% of the number of is-nr LIMs.
- LIM cards are being denied SCCP service and any Service Module cards are in an abnormal state (oos-mt or is-anr).

Effects of System in an Unstable Loading Mode

- No affect on RTDB downloads or updates.

Unstable loading mode has no impact on RTDB downloads or the stream of RTDB updates.

- `rept-stat-sys` reports unstable loading mode.

When the loading mode is unstable, the `rept-stat-sys` command response reports the existence of the unstable loading mode and the specific trigger that caused it.

- No STP database updates allowed.

Once an STP database has been loaded, that database can be updated (as long as the system is not in an unstable loading mode). However, if an STP update arrives during STP database loading, the Service Module card aborts the current loading, issues a class 01D7 obit, and reboots. [Figure 14: Obit Message for Abort of Card Loading](#) on page 107 shows an example.

Figure 14: Obit Message for Abort of Card Loading

```

tekelecstp 97-04-08 12:29:04 EAGLE 35.0.0
-----
Card 1317  Module RADB_MGR.C  Line 337  Class 01d7
Card 1317  Module RADB_MGR.C  Line 337  Class 01d7
Register Dump :
    EFL=00000246      CS =0058          EIP=0000808d      SS =0060
    EAX=000a6ff3      ECX=000a0005      EDX=00000000      EBX=000a6fa0
    ESP=00108828      EBP=0010882c      ESI=001f1e10      EDI=00000000
    DS =0060          ES =0060          FS =0060          GS =0060

Stack Dump :
[SP+1E]=001f      [SP+16]=0000      [SP+0E]=000a      [SP+06]=0010
[SP+1C]=1e10      [SP+14]=0004      [SP+0C]=6fa0      [SP+04]=8850
[SP+1A]=0010      [SP+12]=001f      [SP+0A]=0004      [SP+02]=0001
[SP+18]=886c      [SP+10]=4928      [SP+08]=7ec3      [SP+00]=504b

User Data Dump :

14 02 fa ed 01 01 1d 01 5a 01 00      .....Z..

Report Date:97-04-08  Time:12:29:04

```

Using the force Option

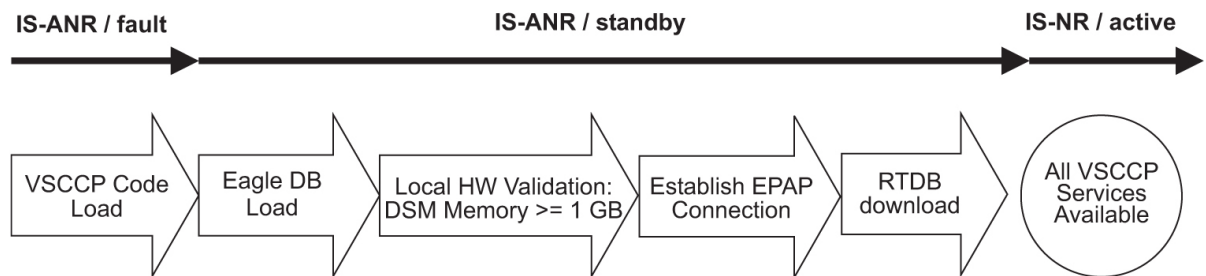
Use the force option to force the execution of commands that would put the system in unstable loading mode. If executing the `ent-card` or `inh-card` commands would cause the system to enter an unstable loading mode, use the force option on the command.

State Transitions During Start-Up

[Figure 15: EPAP-related Feature Enabled, Normal Operating Sequence](#) on page 108 through [Figure 21: EPAP-related Feature Activation Unsuccessful due to Insufficient Database](#) on page 110 show the transitions that a Service Module card goes through as it boots, loads code and data, and runs various VSCCP services. These figures do not illustrate every possible situation, but they do include the most common scenarios involving EPAP-related features.

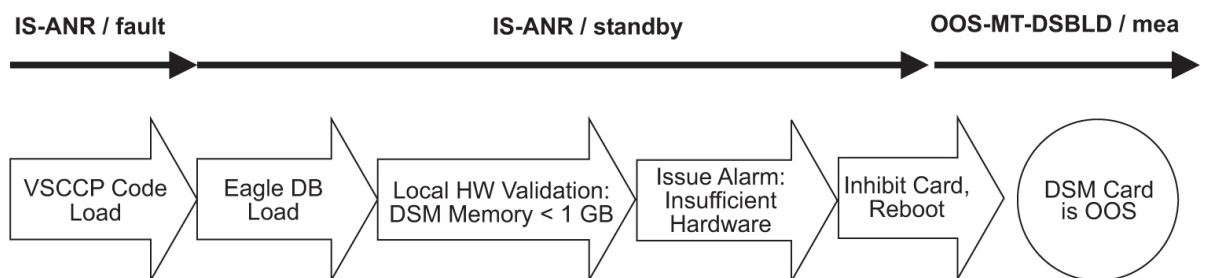
In *Figure 15: EPAP-related Feature Enabled, Normal Operating Sequence* on page 108, the EPAP-related feature is enabled, and the Service Module card memory is at least 1 GB and is connected to the EPAP. A normal Service Module card operating sequence occurs, providing EPAP-related feature service.

Figure 15: EPAP-related Feature Enabled, Normal Operating Sequence



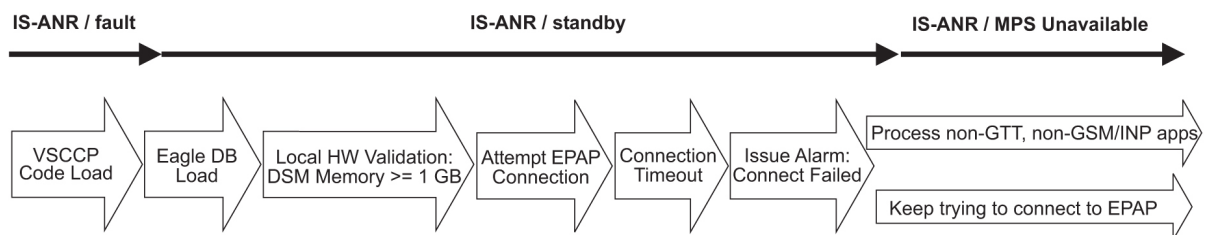
In *Figure 16: EPAP-related Feature Enabled, but Service Module card Memory Less Than 1 GB* on page 108, the EPAP-related feature is enabled, but the Service Module card memory is less than 1 GB. The EPAP-related feature cannot begin operation. Refer to *Dimensioning Guide for EPAP Advanced DB Features Technical Reference* for important information about the dimensioning rules and the Service Module card database capacity requirements.

Figure 16: EPAP-related Feature Enabled, but Service Module card Memory Less Than 1 GB



In *Figure 17: EPAP-related Feature Enabled, but Service Module card Not Connected to EPAP* on page 108, the EPAP-related feature is enabled, the Service Module card memory has at least 1 GB, but the Service Module card is unable to connect EPAP; the EPAP-related feature cannot begin operation.

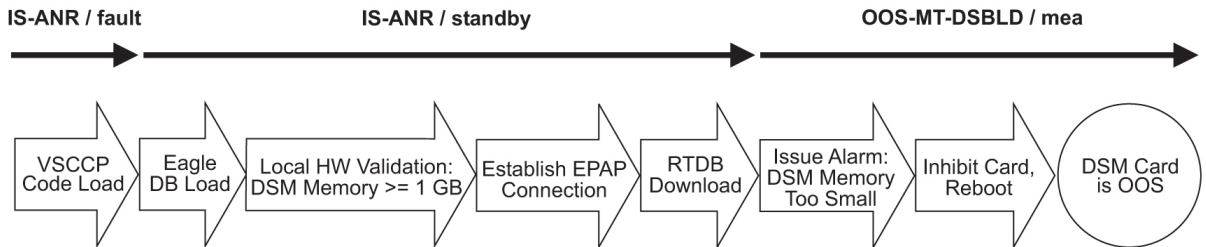
Figure 17: EPAP-related Feature Enabled, but Service Module card Not Connected to EPAP



In *Figure 18: EPAP-related Feature Enabled, but Service Module card Memory Insufficient for Database* on page 109, the EPAP-related feature is enabled, the Service Module card has the required 1 GB memory and is connected to the EPAP, but the Service Module card is too small for the required database; the EPAP-related feature cannot begin operation. Refer to *Dimensioning Guide for EPAP*

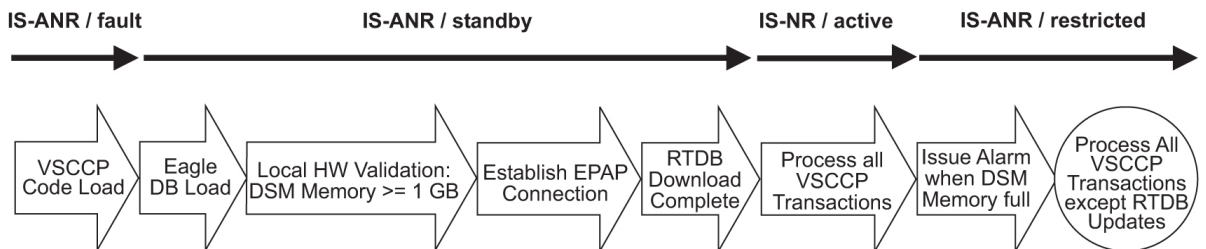
Advanced DB Features Technical Reference for important information about the dimensioning rules and the Service Module card database capacity requirements.

Figure 18: EPAP-related Feature Enabled, but Service Module card Memory Insufficient for Database



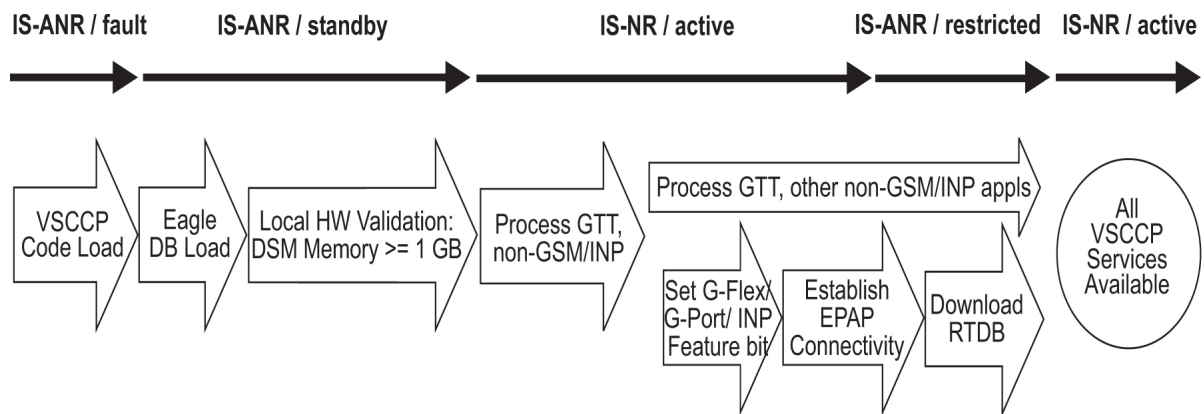
In [Figure 19: EPAP-related Feature Enabled, but Database Exceeds Service Module card Memory](#) on page 109, the EPAP-related feature is enabled, the Service Module card is connected to the EPAP, but the RTDB grows eventually to exceed the capacity of the Service Module card memory, despite its memory size of at least 1 GB (an alarm is issued when the Service Module card memory becomes full from the RTDB update). The EPAP-related feature cannot begin operation. Refer to *Dimensioning Guide for EPAP Advanced DB Features Technical Reference* for important information about the dimensioning rules and the Service Module card database capacity requirements.

Figure 19: EPAP-related Feature Enabled, but Database Exceeds Service Module card Memory



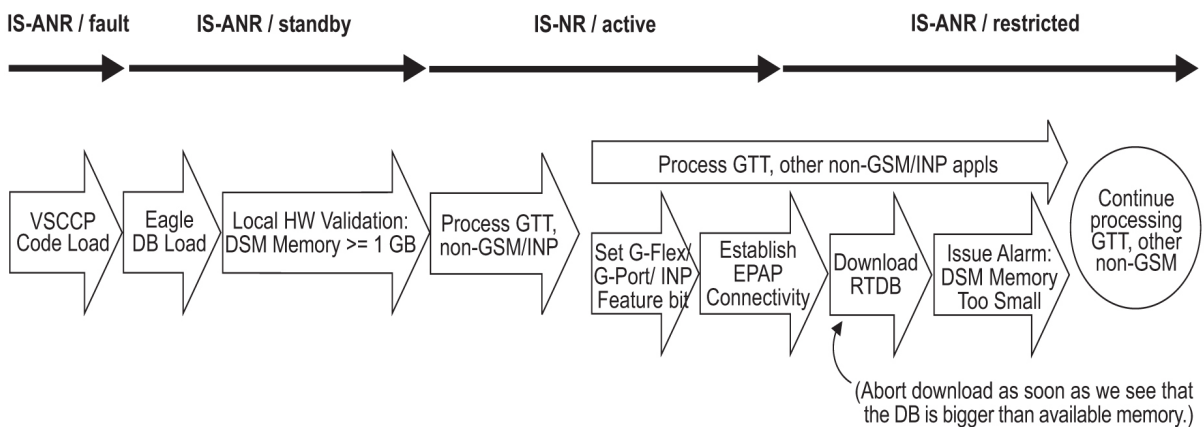
In [Figure 20: EPAP-related Feature Not Enabled at First, but then Activated on Service Module card](#) on page 109, the EPAP-related feature is not initially enabled; the Service Module card memory has at least 1 GB but no EPAP connection; the Service Module card is running other applications when the EPAP-related feature is turned on; the Service Module card has sufficient memory to provide EPAP-related feature service.

Figure 20: EPAP-related Feature Not Enabled at First, but then Activated on Service Module card



In *Figure 21: EPAP-related Feature Activation Unsuccessful due to Insufficient Database* on page 110, the EPAP-related feature is not initially enabled; the Service Module card memory has at least 1 GB but no EPAP connection, and is running other applications when the EPAP-related feature is turned on. However, the Service Module card memory is insufficient for the needed database, and the cannot provide EPAP-related feature operation. Refer to the *Dimensioning Guide for EPAP Advanced DB Features Technical Reference* for important information about the dimensioning rules and the Service Module card database capacity requirements.

Figure 21: EPAP-related Feature Activation Unsuccessful due to Insufficient Database



G-Flex Related Alarms

Refer to the *Unsolicited Alarm and Information Messages Manual* for a complete description and the associated corrective procedure for all G-Flex related UAMs.

EPAP - Service Module Card Connection Status

The EPAP and the Service Module card are connected over a 100-Mbit Ethernet link and use TCP/IP. If this connection is inoperative, the Service Module card generates an appropriate UAM. Loss of connectivity or inability of the EPAP to communicate (for example, hardware or software failure) is detected and reported within 10 seconds.

EPAP UAMs

The maintenance blocks from the EPAP have a field used to identify error message requests. The Service Module card processes the incoming maintenance blocks and generates the requested UAM. The actual EPAP UAMs are defined in the *Unsolicited Alarm and Information Messages Manual*; the Service Module card only acts as a delivery agent.

Service Module Card Failure

No new alarms have been created to report Service Module card failure. The existing card alarm UAM 013, *Card is isolated from the system*, indicates a Service Module card failure. The Service Module card failure alarm is output to the Card Output Group.

Service Module Card-EPAP Link

Two alarms are used to indicate the Service Module card-to-EPAP link status:

- 0084, *IP Connection Unavailable* (Major)
- 0085, *IP Connection Available* (Normal/Clearing)

The Service Module card-EPAP Link alarms are output to the Link Maintenance Output Group. See the *Unsolicited Alarm and Information Messages Manual* for details on these UAM formats.

Example:

```

1           2           3           4           5           6           7           8
1234567890123456789012345678901234567890123456789012345678901234567890
station1234 00-04-30 16:28:08 EST EAGLE 37.5.0
** 3582.0084 ** VSCCP PORT B 1217 IP Connection Unavailable
    
```

Service Module Card Hardware-Related Alarms

A major alarm appears when a Service Module card does not have the hardware configuration required for the G-Flex application. Loading the Service Module card is automatically inhibited. Card alarms can be inhibited and uninhibited with the `inh-alm` and `unhb-alm` commands. The Service Module card Hardware-Related alarms are output to the Card Output Group.

Example:

```

1           2           3           4           5           6           7           8
1234567890123456789012345678901234567890123456789012345678901234567890
station1234 00-04-30 16:28:08 EST EAGLE 37.5.0
** 0012.0441 ** CARD 1108 VSCCP Incorrect main board - CPU
    
```

A major alarm is displayed when a Service Module card detects that its applique memory is at least 80% full. The actual memory usage can be displayed by entering the `rept-stat-mps:loc=xxxx` command.

Example:

```

1           2           3           4           5           6           7           8
1234567890123456789012345678901234567890123456789012345678901234567890
    
```

```

station1234 00-04-30 16:28:08 EST EAGLE 37.5.0
** 0012.0446 ** CARD 1108 VSCCP          RTDB database capacity is 80% full

```

A critical alarm is generated when a Service Module card detects that its applique memory is 95% full. Loading of the Service Module card is automatically inhibited when it reaches 100% of capacity. The actual memory usage can be displayed by entering the `rept-stat-mps:loc=xxxx` command.

Example:

```

1           2           3           4           5           6           7           8
12345678901234567890123456789012345678901234567890123456789012345678901234567890
station1234 00-04-30 16:28:08 EST EAGLE 37.5.0
*C 0012.0442 *C CARD 1108 VSCCP          RTDB database capacity is 95% full

```

A major alarm is displayed when a Service Module card does not have an applique with at least 1 GB of memory or does not have enough capacity for the RTDB. This alarm is generated whenever the Service Module card detects that its memory cannot contain the RTDB.

Example:

```

1           2           3           4           5           6           7           8
12345678901234567890123456789012345678901234567890123456789012345678901234567890
station1234 00-04-30 16:28:08 EST EAGLE 37.5.0
** 0012.0422 ** CARD 1108 VSCCP          Insufficient extended memory

```

When the `alw-card` command is executed, loading of the Service Module card is attempted. The following message appears, indicating that card loading is no longer inhibited.

Example:

```

1           2           3           4           5           6           7           8
12345678901234567890123456789012345678901234567890123456789012345678901234567890
station1234 00-04-30 16:28:08 EST EAGLE 37.5.0
0012.0423      CARD 1108 VSCCP          Card reload attempted

```

Service Module Card Database Audit Alarm

During an audit of the Service Module cards, the status of the RTDB is examined and an alarm is raised when a corrupted database is found.

When any RTDB database becomes corrupted, a major alarm is raised. The Service Module card Database Audit alarm is output to the Card Output Group.

Example:

```

1           2           3           4           5           6           7           8
12345678901234567890123456789012345678901234567890123456789012345678901234567890
station1234 00-04-30 16:28:08 EST EAGLE 37.5.0
** 0012.0443 ** CARD 1108 VSCCP          RTDB Database is corrupted

```

Service Module Card Database Alarms

During the operation of Service Module cards, the status of databases is examined and alarms can be raised. When a Service Module card's RTDB is inconsistent (that is, Service Module card's birthdate and level do not match the active EPAP RTDB birthdate and level), a minor alarm is raised. The Service Module Database alarms are output to the Card Output Group.

Example:

```

1           2           3           4           5           6           7           8
12345678901234567890123456789012345678901234567890123456789012345678901234567890
station1234 00-04-30 16:28:08 EST EAGLE 37.5.0
* 0012.0444 * CARD 1108 VSCCP RTDB Database is inconsistent
    
```

While the EPAP RTDB database is being downloaded to a Service Module card, it is in an incoherent state. An alarm is raised.

Example:

```

1           2           3           4           5           6           7           8
12345678901234567890123456789012345678901234567890123456789012345678901234567890
station1234 99-09-30 16:28:08 EST EAGLE 37.5.0
* 0012.0448 * CARD 1108 VSCCP RTDB Database is incoherent
    
```

When an inconsistent, incoherent, or corrupted Service Module card RTDB has been fixed (that is, repaired) when the Service Module card is in an is-nr condition, an alarm is raised.

Example:

```

1           2           3           4           5           6           7
8
12345678901234567890123456789012345678901234567890123456789012345678901234567890
station1234 00-04-30 16:28:08 EST EAGLE 37.5.0
0012.0445 CARD 1108 VSCCP RTDB Database has been corrected
    
```

G-Flex Subsystem Alarms

The same alarms that are output for an SCCP subsystem are output for the G-Flex subsystem (including G-Flex traffic). See [Table 10: G-Flex Subsystem Alarms](#) on page 113.

Table 10: G-Flex Subsystem Alarms

UAM #	Severity	Message Text	Output Group (UI Output Direction)
0328	None	SCCP is available	gtt
0329	None	SCCP capacity normal, card(s) abnormal	gtt
0330	Major	SCCP TPS Threshold exceeded	gtt
0331	Critical	SCCP is not available	gtt
0335	None	SCCP is removed	gtt

UAM #	Severity	Message Text	Output Group (UI Output Direction)
0336	Major	LIM(s) have been denied SCCP service	g t t
0526	None	Service is available	sys_maint
0527	Minor	Service abnormal	sys_maint
0528	Critical	Service is not available	sys_maint
0529	Critical	Service is disabled	sys_maint
0530	None	Service is removed	sys_maint

G-Flex Related UIMs

UIM formats for the EGTT feature support the new GTT requirements. The *Unsolicited Alarm and Information Messages Manual* contains a complete description of all UIM text and formats. See [Table 11: G-Flex UIMs](#) on page 114 for the G-Flex UIMs. All of the the G-Flex related UIMs are output to the Application Subsystem Output Group.

Table 11: G-Flex UIMs

UIM #	Text	Description	Action
1242	Conv to intl num - Dflt CC not found	Default CC is not defined	Define the default CC by chg-stpopts:defcc=xxxx
1243	Conv to intl num - Dflt NC not found	Conversion to international number failed because default NC was not found	Define the default NDC by chg-stpopts:defnrc=xxxx
1244	Conv to intl num - Dflt MCC not found	Default MCC is not defined	Define the default MCC by chg-gsmopts:defmcc=xxxx
1245	Conv to intl num - Dflt MNC not found	Default MNC is not defined	Define the default MNC by chg-gsmopts:defmnc=xxxx

UIM #	Text	Description	Action
1246	Invalid length of conditioned digits	Length of the conditioned international number is <5 or >15	Use an international number with length within this range.
1247	Conversion of MGT to IMSI not possible	The E.212 part for the E.214 MGT digit not found in the database	Enter the E.212 part (MCC + MNC) for the E.214 MGT part (CC + NDC) in the database using chg-gsmopts:ccndc=xxxxxx:mccmnc=yyyyyy
1384	G-Flex MLR: Op without IMSI erroneous	The G-Flex MLR Function encountered an updateLocation , updateGPRSLocation, or sendAuthenticationInfo operation that did not contain an IMSI parameter	No action necessary
1385	G-Flex MLR: Op without IMSI skipped	The G-Flex MLR Function encountered a operation that did not contain an IMSI parameter	No action necessary
1386	G-Flex MLR: Op with bad TCAP skipped	The G-Flex MLR Function encountered problems decoding the TCAP and MAP layers of a message prior to attempting to identify an IMSI parameter	No action necessary
1387	G-Flex MLR: Op with bad IMSI skipped	The G-Flex MLR Function encountered an IMSI parameter that contains fewer than 5 digits or more than 15 digits	No action necessary

G-Flex Measurements

Refer to the *Measurements Manual* for detailed measurement usage information.

OAM Based Measurements

The collection of measurements is a separate task from reporting. Measurements collection is activated automatically upon system power-up, or through administrative commands. Collection is organized by ENTTYPE and reporting period. Collection occurs per link every 5 minutes, and separately every 30 minutes. Measurements are generated on the application cards and periodically collected by the OAM and stored for later retrieval on the TDMs. The command related to measurements collection is *chg-meas*.

Reports can be scheduled or printed on-demand. Scheduled and on-demand reports are accessible by the following administrative commands:

- *chg-meas* - Turns collection on/off and schedules automatic report generation.
- *rtrv-meas-sched* - Verifies collection state and automatic report schedules.
- *rept-meas* - Generates individual measurement reports for schedule-enttype-entid combinations.

Before a report is printed, measurement collection must be activated. Refer to the *Commands Manual* for more information on how to use measurement commands.

Measurements Platform

The Measurements Platform (MP) is required for an EAGLE 5 ISS with more than 700 links. It provides a dedicated processor for collecting and reporting STP, LNP, INP, G-FLEX, and G-PORT measurements data. The interface to the customer's network supports the FTP transfer of Measurements reports to an FTP server. Following collection, scheduled reports are automatically generated and transferred to the customer's FTP server via the FTP interface.

Note: Existing FTP file server reports are overwritten by subsequent requests that produce the identical file name.

Reports can be scheduled or printed on-demand. Scheduled and on-demand reports are accessible by the following administrative commands:

- *chg-measopts* - Used to enable or disable the automatic generation and FTP transfer of scheduled measurement reports to the FTP server.
- *rept-stat-meas* - Reports the status of the measurements subsystem including card location and state, Alarm level, and Subsystem State.
- *rept-ftp-meas* - Manually initiates generation and FTP transfer of a measurements report from the MCPM to the FTP server.
- *rtrv-measopts* - Generates a user interface display showing the enabled/disabled status of all FTP scheduled reports.

The following G-Flex MSU measurements are supported for the G-Flex feature.

Table 12: Pegs for G-Flex

Event Name	Description	Unit
gfgtmatch	G-Flex GTTs with Match – The total number of G-Flex Global Title Translation successfully completed.	Peg count
gfgtnomch	G-Flex GTTs No Match – The total number of G-Flex Global Title Translations completed that did not match an entry in the G-Flex database.	Peg count
gfgtnolkup	G-Flex GTTs No Look-up – The total number of G-Flex Global Title Translations that could not be looked up in the G-Flex database because of some error. Note: This counter is not available via rept-meas by TT.	Peg count

The following measurement events are included on the STP Daily Maintenance (MTCD) and STP Day-to-Hour (MTCPTH) measurement reports and include peg counts for G-FLEX MSUs. These reports are similar to those used for GTT. The existing GTT/SCCP measurements are used for both GTT and G-Flex and appear in the same reports.

<ul style="list-style-type: none"> MSSCCPFL 	<p>MSUs discarded due to SCCP routing failure</p> <p>Also includes G-Flex MSUs that got a match from either the G-Flex or GTT database, but cannot be routed because of PC (Point Code) or SS (SubSystem) congestion, PC or SS unavailable, SS unequipped, or an unqualified error.</p>
<ul style="list-style-type: none"> GTTUN0NS 	<p>GTT unable to perform; no such type.</p> <p>Also includes G-Flex GTT MSUs that did not match on new selectors (GTI, NP, NAI) in addition to ones not matching on TT.</p>
<ul style="list-style-type: none"> GTTUN1NT 	<p>GTT unable to perform: no translation on this address</p>

	Also includes G-Flex MSUs that fell through to GTT, obtained a selector match but still did not get a match on the GTA.
<ul style="list-style-type: none"> • GTTPERFD 	<p>Number of GTT performed</p> <p>Also includes G-Flex MSUs that got a match in either the G-Flex or GTT database.</p> <p>These measurements can also be used to determine the following:</p> <ul style="list-style-type: none"> • Total number of G-Flex MSUs: $x = \text{gfgtmatch} + \text{gfgtnomch} + \text{gfgtnolkup}$ • Number of non-G-Flex GTT MSUs: $(\text{gttperfd} + \text{gttun1nt} + \text{gttun0ns}) - (x)$

This implementation does not discriminate between the MSSCCPFL, GTTUN0NS, GTTUN1NT, or GTTPERFD pegs for G-Flex or GTT applications. For example, a search failure could result from a problem in either the G-Flex or GTT database.

Measurement Reports

Measurements are available with these report commands. Refer to the *Commands Manual* for detailed usage information.

OAM Based	
<ul style="list-style-type: none"> • Per STP system, 24-hour total 	rept-meas:type=systot:enttype=stp
<ul style="list-style-type: none"> • Per STP system, by TT 	rept-meas:type=systot:enttype=tt:tt=xxx
<ul style="list-style-type: none"> • Per system, daily 	rept-meas:type=mtcd:enttype=stp
<ul style="list-style-type: none"> • Per system, day-to-hour 	rept-meas:type=mtcdth:enttype=stp
MP Based	
<ul style="list-style-type: none"> • Per STP system, 24-hour total 	rept-ftp-meas:type=systot:enttype=stp
<ul style="list-style-type: none"> • Per STP system, by TT 	rept-ftp-meas:type=systot:enttype=tt

<ul style="list-style-type: none">• Per system, daily	rept-ftp-meas:type=mtcd:enttype=stp
<ul style="list-style-type: none">• Per system, day-to-hour	rept-ftp-meas:type=mtcdth:enttype=stp

Glossary

A

ADL	Application Data Loader
AI	Address Indicator Application Initializer
AINPQ	ANSI-41 INP Query
ANSI	American National Standards Institute An organization that administers and coordinates the U.S. voluntary standardization and conformity assessment system. ANSI develops and publishes standards. ANSI is a non-commercial, non-government organization which is funded by more than 1000 corporations, professional bodies, and enterprises.
A-Port	ANSI-41 Mobile Number Portability
ARP	Address Resolution Protocol
AS	Application Server A logical entity serving a specific Routing Key. An example of an Application Server is a virtual switch element handling all call processing for a unique range of PSTN trunks, identified by an SS7 DPC/OPC/CIC_range. Another example is a virtual database element, handling all HLR transactions for a particular SS7

A

DPC/OPC/SCCP_SSN combination. The AS contains a set of one or more unique Application Server Processes, of which one or more normally is actively processing traffic.

C

CC

Country Code

CCS7

Common Channel Signaling System #7

Offers all of the call setup advantages of CCS and also enables network elements to share more than just basic SS7 call-control information. It provides the services of the Integrated Services Digital Network-User Part (ISUP), the Transaction Capabilities Application Part (TCAP), and the Operation Maintenance and Administration Part (OMAP).

See also SS7.

CCS7ITU

The application for the ITU SS7 signaling links that is used with card types `limds0`, `limch`, `limel`, and `limt1`.

CdPA

Called Party Address

The portion of the MSU that contains the additional addressing information of the destination of the MSU. Gateway screening uses this additional information to determine if MSUs that contain the DPC in the routing label and the subsystem number in the called party address portion of the MSU are allowed in the network where the EAGLE 5 ISS is located.

C

CgPA

Calling Party Address

The point code and subsystem number that originated the MSU. This point code and subsystem number are contained in the calling party address portion of the signaling information field of the MSU. Gateway screening uses this information to determine if MSUs that contain this point code and subsystem number area allowed in the network where the EAGLE 5 ISS is located.

CPC

Capability Point Code

A capability point code used by the SS7 protocol to identify a group of functionally related STPs in the signaling network.

D

Database

All data that can be administered by the user, including cards, destination point codes, gateway screening tables, global title translation tables, links, LNP services, LNP service providers, location routing numbers, routes, shelves, subsystem applications, and 10 digit telephone numbers.

DB

Database

Daughter Board

Documentation Bulletin

DCB

Device Control Block

DCM

Database Communication Module

The DCM provides IP connectivity for applications. Connection to a host is achieved through an

D

ethernet LAN using the TCP/IP protocol.

Destination

The node to which the signaling link traffic is routed. This destination is identified by a point code, either a full point code or a cluster point code.

DN

Directory number

A DN can refer to any mobile or wireline subscriber number, and can include MSISDN, MDN, MIN, or the wireline Dialed Number.

DNS

Domain Name Services

DPC

Destination Point Code

DPC refers to the scheme in SS7 signaling to identify the receiving signaling point. In the SS7 network, the point codes are numeric addresses which uniquely identify each signaling point. This point code can be adjacent to the EAGLE 5 ISS, but does not have to be.

DPCA

Destination Point Code ANSI

DPCI

Destination Point Code International

DRAM

Dynamic Random Access Memory

A type of memory chip that has to be refreshed periodically.

DSM

Database Service Module.

The DSM provides large capacity SCCP/database functionality. The

D

DSM is an application card that supports network specific functions such as EAGLE Provisioning Application Processor (EPAP), Global System for Mobile Communications (GSM), EAGLE Local Number Portability (ELAP), and interface to Local Service Management System (LSMS).

E

EGTT

Enhanced Global Title Translation

A feature that is designed for the signaling connection control part (SCCP) of the SS7 protocol. The EAGLE 5 ISS uses this feature to determine to which service database to send the query message when a Message Signaling Unit (MSU) enters the system.

EIR

Equipment Identity Register

A network entity used in GSM networks, as defined in the 3GPP Specifications for mobile networks. The entity stores lists of International Mobile Equipment Identity (IMEI) numbers, which correspond to physical handsets (not subscribers). Use of the EIR can prevent the use of stolen handsets because the network operator can enter the IMEI of these handsets into a 'blacklist' and prevent them from being registered on the network, thus making them useless.

Enhanced Global Title Translation

See EGTT.

EPAP

EAGLE Provisioning Application Processor

E

ES The shelves in the EAGLE 5 ISS that contain the LIM, ASM, and ACM cards. This shelf cannot contain the CAM, TDM, or the MDAL card. This shelf can be added to and removed from the database. These shelves are numbered from 1200 to 6100.

F

FTP File Transfer Protocol
A client-server protocol that allows a user on one computer to transfer files to and from another computer over a TCP/IP network.

G

GB Gigabyte — 1,073,741,824 bytes

GDB GSM Real-time Database

GFDB G-Flex Database

G-Flex GSM Flexible numbering
A feature that allows the operator to flexibly assign individual subscribers across multiple HLRs and route signaling messages, based on subscriber numbering, accordingly.

GMSC Gateway MSC

GPL Generic Program Load
Software that allows the various features in the system to work. GPLs and applications are not the same software.

G

G-Port	<p>GSM Mobile Number Portability</p> <p>A feature that provides mobile subscribers the ability to change the GSM subscription network within a portability cluster, while retaining their original MSISDN(s).</p>
GSM	<p>Global System for Mobile Communications</p>
GT	<p>Global Title Routing Indicator</p>
GTA	<p>Global Title Address</p>
GTAI	<p>Global Title Address Information</p>
GTI	<p>Global Title Indicator</p>
GTT	<p>Global Title Translation</p> <p>A feature of the signaling connection control part (SCCP) of the SS7 protocol that the EAGLE 5 ISS uses to determine which service database to send the query message when an MSU enters the EAGLE 5 ISS and more information is needed to route the MSU. These service databases also verify calling card numbers and credit card numbers. The service databases are identified in the SS7 network by a point code and a subsystem number.</p>
GUI	<p>Graphical User Interface</p> <p>The term given to that set of items and facilities which provide the user with a graphic means for manipulating screen data rather</p>

G

than being limited to character based commands.

H

HLR Home Location Register

HOMERN Home Network Routing Number Prefix

I

IAM Initial Address Message

ID Identity, identifier

IGM IS41 GSM Migration

IMSI International Mobile Subscriber Identity

IMT Inter-Module-Transport
The communication software that operates the inter-module-transport bus on all cards except the LIMATM, DCM, DSM, and HMUX.

INP INAP-based Number Portability
Tekelec's INP can be deployed as a stand-alone or an integrated signal transfer point/number portability solution. With Tekelec's stand-alone NP server, no network reconfiguration is required to implement number portability. The NP server delivers a much greater signaling capability than the conventional SCP-based approach.

I

	Intelligent Network (IN) Portability
Integrated Services Digital Network	The network services that provide end-to-end digital connections to which users have access to a wide range of services through a limited set of standard user to network interfaces.
IP	Internet Protocol IP specifies the format of packets, also called datagrams, and the addressing scheme. The network layer for the TCP/IP protocol suite widely used on Ethernet networks, defined in STD 5, RFC 791. IP is a connectionless, best-effort packet switching protocol. It provides packet routing, fragmentation and re-assembly through the data link layer.
IS-ANR	In Service - Abnormal The entity is in service but only able to perform a limited subset of its normal service functions.
ISDN	Integrated Services Digital Network
IS-NR	In Service - Normal
ISDN	Integrated Services Digital Network Integrates a number of services to form a transmission network. For example, the ISDN network integrates, telephony, facsimile, teletext, Datex-J, video telephony and data transfer services,

I

providing users with various digital service over a single interface: voice, text, images, and other data.

ISS Integrated Signaling System

ITU International Telecommunications Union

ITUDUPPC ITU National Duplicate Point Code
This feature applies only to 14-bit ITU national point codes. This feature allows an EAGLE 5 ISS mated pair to route traffic for two or more countries that may have overlapping point code values.

K

KSR Keyboard Send/Receive Mode

L

LIM Link Interface Module
Provides access to remote SS7, IP and other network elements, such as a Signaling Control Point (SCP) through a variety of signaling interfaces (DS0, MPL, E1/T1 MIM, LIM-ATM, E1-ATM, IPLIMx, IPGWx). The LIMs consist of a main assembly and possibly, an interface appliqué board. These appliqué boards provide level one and some level two functionality on SS7 signaling links.

Link Signaling Link

LNP Local Number Portability

M

M

MAP	Mobile Application Part
MAS	<p>Maintenance and Administration Subsystem</p> <p>A set of cards located in the Control Shelf, used to provide a central management point for the EAGLE 5 ISS. The MAS provides user interface, maintenance communication, peripheral services, alarm processing, system disk interface, and measurements using the following three subassemblies: GPSM-II, TDM, and MDAL.</p>
MASP	<p>Maintenance and Administration Subsystem Processor</p> <p>The Maintenance and Administration Subsystem Processor (MASP) function is a logical pairing of the GPSM-II card and the TDM card. The GPSM-II card is connected to the TDM card by means of an Extended Bus Interface (EBI) local bus.</p> <p>The MDAL card contains the removable cartridge drive and alarm logic. There is only one MDAL card in the Maintenance and Administration Subsystem (MAS) and it is shared between the two MASPs.</p>
Mated Application	The point codes and subsystem numbers of the service databases that messages are routed to for global title translation.
MCC	Mobile Country Code

M

MCPM	<p>Measurement Collection and Polling Module</p> <p>The Measurement Collection and Polling Module (MCPM) provides comma delimited core STP measurement data to a remote server for processing. The MCPM is an EDSM with 2 GB of memory running the MCP application.</p>
MDN	<p>Mobile Dialed Number</p> <p>Mobile Directory Number</p>
MGT	<p>Mobile Global Title</p>
MIN	<p>Mobile Identification Number</p>
MNP	<p>Mobile Number Portability</p>
MP	<p>Measurement Platform</p> <p>Message Processor</p> <p>The role of the Message Processor is to provide the application messaging protocol interfaces and processing. However, these servers also have OAM&P components. All Message Processors replicate from their System OAM's database and generate faults to a Fault Management System.</p>
MPS	<p>Multi-Purpose Server</p> <p>The Multi-Purpose Server provides database/reload functionality and a variety of high capacity/high speed offboard database functions for applications. The MPS resides in the General Purpose Frame.</p>

M

MRN	<p>Message Reference Number</p> <p>An unsolicited numbered message (alarm or information) that is displayed in response to an alarm condition detected by the system or in response to an event that has occurred in the system.</p> <p>Mated Relay Node</p> <p>A mated relay node (MRN) group is provisioned in the database to identify the nodes that the traffic is load shared with, and the type of routing, either dominant, load sharing, or combined dominant/load sharing.</p>
MSC	Mobile Switching Center
MSISDN	<p>Mobile Station International Subscriber Directory Number</p> <p>The MSISDN is the network specific subscriber number of a mobile communications subscriber. This is normally the phone number that is used to reach the subscriber.</p>
MSRN	Mobile Station Roaming Number
MSU	<p>Message Signaling Unit</p> <p>The SS7 message that is sent between signaling points in the SS7 network with the necessary information to get the message to its destination and allow the signaling points in the network to set up either a voice or data connection between themselves. The message contains the following information:</p> <ul style="list-style-type: none">• The forward and backward sequence numbers assigned to the message which indicate the

M

position of the message in the traffic stream in relation to the other messages.

- The length indicator which indicates the number of bytes the message contains.
- The type of message and the priority of the message in the signaling information octet of the message.
- The routing information for the message, shown in the routing label of the message, with the identification of the node that sent message (originating point code), the identification of the node receiving the message (destination point code), and the signaling link selector which the EAGLE 5 ISS uses to pick which link set and signaling link to use to route the message.

MTP

The levels 1, 2, and 3 of the SS7 protocol that control all the functions necessary to route an SS7 MSU through the network.

N

NAI

Nature of Address Indicator
Standard method of identifying users who request access to a network.

NAIV

NAI Value

NC

Network Cluster
Network Code

NDC

Network destination code

N

NE Network Element
An independent and identifiable piece of equipment closely associated with at least one processor, and within a single location.

NP Number Plan

NPV Numbering Plan Value

O

OAM Operations, Administration, and Maintenance
The generic load program (application) that operates the Maintenance and Administration Subsystem which controls the operation of the EAGLE 5 ISS.

OOS-MT Out of Service - Maintenance
The entity is out of service and is not available to perform its normal service function. The maintenance system is actively working to restore the entity to service.

OPC Originating Point Code

OPS Operator Provisioning System

P

PC Point Code
The identifier of a signaling point or service control point in a network. The format of the point code can be one of the following types:

P

- ANSI point codes in the format network indicator-network cluster-network cluster member (**ni-nc-ncm**).
- Non-ANSI domestic point codes in the format network indicator-network cluster-network cluster member (**ni-nc-ncm**).
- Cluster point codes in the format network indicator-network cluster-* or network indicator-*-*.
- ITU international point codes in the format **zone-area-id**.
- ITU national point codes in the format of a 5-digit number (**nnnnn**), or 2, 3, or 4 numbers (members) separated by dashes (**m1-m2-m3-m4**) as defined by the Flexible Point Code system option. A group code is required (**m1-m2-m3-m4-gc**) when the ITUDUPPC feature is turned on.
- 24-bit ITU national point codes in the format main signaling area-subsignaling area-service point (**msa-ssa-sp**).

The EAGLE 5 ISS LNP uses only the ANSI point codes and Non-ANSI domestic point codes.

PCI

Peripheral Component Interface
Point Code International
Protocol Control Information
Peripheral Component
Interconnect

PDB

Provisioning Database

P

PDBA Provisioning Database Application

There are two Provisioning Database Applications (PDBAs), one in EPAP A on each EAGLE 5 ISS. They follow an Active/Standby model. These processes are responsible for updating and maintaining the Provisioning Database (PDB).

PDBI Provisioning Database Interface

The interface consists of the definition of provisioning messages only. The customer must write a client application that uses the PDBI request/response messages to communicate with the PDBA.

PPP Point-to-Point Protocol

R

RC Relative Cost

Restricted The network management state of a route, link set, or signaling link that is not operating properly and cannot carry all of its traffic. This condition only allows the highest priority messages to be sent to the database entity first, and if space allows, followed by the other traffic. Traffic that cannot be sent on the restricted database entity must be rerouted or the traffic is discarded.

RFC Request for Comment

RFCs are standards-track documents, which are official specifications of the Internet protocol suite defined by the

R

Internet Engineering Task Force (IETF) and its steering group the IESG.

RI

Routing Indicator

RMTP

Reliable Multicast Transport Protocol

RN

Routing Number

Route

A path to another signaling point.

RTDB

Real Time Database

S

SCCP

Signaling Connection Control Part

SCM

System Configuration Manager
System Configuration Matrix.

SDS

System Debug Services

Service Nature of Address
Indicator

See SNAI.

SIM

Subscriber Identity Module

An ID card the size of a credit card for GSM network subscribers, and is typically referred to as a chip card or smartcard.

SIO

Service Information Octet.

The network indicator code (NIC), priority (PRI), and service indicator (SI) in the SIO field in the message

S

signaling unit (MSU). This information identifies the type of MSU (ISUP, TCAP, and so forth) that is allowed in the network where the EAGLE 5 ISS is located.

SNAI

Service Nature of Address Indicator

An internal G-Port parameter that allows a user to specify how to interpret the signaling connection control part (SCCP) called party address (CdPA) GTA of a LOCREQ/SMSREQ message.

SP

Service Provider
Signaling Point

Spare Point Code

The EAGLE ITU International/National Spare Point Code feature allows a network operator to use the same Point Codes across two networks (either ITU-I or ITU-N). The feature also enables National and National Spare traffic to be routed over the same linkset. The EAGLE uses the MSU Network Indicator (NI) to differentiate the same point code of one network from the other. In accordance with the SS7 standard, unique Network Indicator values are defined for Point Code types ITU-I, ITU-N, ITU-I Spare, and ITU-N Spare.

SPC

Secondary Point Code

The SPC enables the EAGLE 5 ISS to assume more than one point code for SS7 routing. The EAGLE 5 ISS uses the SPC for routing and provisioning as if the SPC were an actual point code of the EAGLE 5

S

ISS. The EAGLE 5 ISS supports one ANSI true point code and up to seven secondary point codes.

Spare Point Code

SRI Send_Route_Information Message

SS Subsystem

SS7 Signaling System #7

SSN Subsystem Number

The subsystem number of a given point code. The subsystem number identifies the SCP application that should receive the message, or the subsystem number of the destination point code to be assigned to the LNP subsystem of the EAGLE 5 ISS.

A value of the routing indicator portion of the global title translation data commands indicating that no further global title translation is required for the specified entry.

SSP Subsystem Prohibited network management message.

Subsystem Prohibited SCCP (SCMG) management message. (CER)

STP Signal Transfer Point

STPs are ultra-reliable, high speed packet switches at the heart of SS7 networks, which terminate all link types except F-links. STPs are nearly always deployed in mated pairs for reliability reasons. Their

S

primary functions are to provide access to SS7 networks and to provide routing of signaling messages within and among signaling networks.

Subsystem Number

See SSN.

T

TCP

Transfer Control Protocol

TCP/IP

Transmission Control Protocol/Internet Protocol

TDM

Terminal Disk Module
Time Division Multiplexing

TFA

TransFer Allowed (Msg)

TFP

TransFer Prohibited (Msg)
A procedure included in the signaling route management (functionality) used to inform a signaling point of the unavailability of a signaling route.

TPS

Transactions Per Second

TSM

Translation Services Module
Provides translation capability and Global Title Translation (GTT) implementation for the Local Number Portability (LNP) function and is used for downloading gateway screening tables to link interface modules (LIMs).

T

TT	Translation Type. Resides in the Called Party Address (CdPA) field of the MSU and determines which service database is to receive query messages. The translation type indicates which Global Title Translation table determines the routing to a particular service database.
----	---

U

UAM	Unsolicited Alarm Message.
UDP	User Datagram Protocol
UDT	Unit Data Transfer
UDTS	Unitdata Service message
UI	User Interface
UIM	Unsolicited Information Message
UPU	User Part Unavailable

V

VGTT	Variable Length GTT A feature that provides the ability to provision global title entries of varying lengths to a single translation type or GTT set. Users are able to assign global title entries of up to 10 different lengths to a single translation type or GTT set.
VLR	Visitor Location Register

V

VSCCP

VxWorks Signaling Connection Control Part

The application used by the Service Module card to support the G-Flex, G-Port, INP, AINPQ, EIR, A-Port, IGM, V-Flex, and LNP features. If the G-Flex, G-Port, INP, AINPQ, EIR, A-Port, IGM, V-Flex, or LNP feature is not turned on, and a Service Module card is present, the VSCCP GPL processes normal GTT traffic.

Index

100BASE-T Ethernet bus 34
10BASE-T Ethernet bus 34
80% card stability threshold 19
80% full applique memory 111
80% of IS-NR LIMs 18

A

act-slk 84
Actions Taken When Hardware Determined to be Invalid 18
activate optional features 53
activate signaling link 83, 84
activate signaling link, act-slk
 SS7IPGW 83, 84
active EPAP 35, 38, 44
active EPAP RTDB process 38
active/standby EPAP servers 37
add capability PC 74
add mated application 82
add route for new DPC 82
add signaling link 81
ADL 106
administrative updates 19
admonishments, documentation 3
allow inhibited card 83, 89
allow Service Module card 94
alw-card 83, 89, 112
American National Standards Institute 2
ANSI 2
appl=vsccp 80, 86
APPL=VSCCP parameter 66
application data loader 106
applique memory 111
assign individual subscribers to HLRs 10
assign routes and linksets 74
AuC 10
availability, documentation 6

B

background audit 19
Blacklist Ranges 21

C

C7 network 2
calculates checksums 19
capability point code 74, 75, 76
card loading interrupted or aborted 106

caution
 changing point code 76
 init-sys command 77
CAUTION admonishment 3
CCNC 54
CCNC/MCCMNC numbering plan conversion 54
ccnc= 92
change G-Flex-specific system options 54
change GSM system options 91
change TCP/IP information for Service Module 88
change true PC 74
changing point code
 caution 76
checksum value stored 19
chg-ctrl-feat 53, 90
 Change Control Feature Status Command 53
chg-gsmopts 54, 92
 Change G-Flex System Options Command 54
chg-ip-card 88
chg-sccp-serv
 Change G-Flex SCCP Service Command 60
chg-sid 76
chg-srvsel
 Change G-Flex Service Selector Command 57
chg-stpopts 90
Coherent 42
command
 chg-sid 76
 init-sys 77
complete database reload 42
configure EAGLE 5 ISS point code 76
connectivity 42
control number of trapped MSUs 52
conversion parameter combinations 54
converted number sizes 24
copies TDM resident database tables 62
corrupt alarm 19
corrupted database 112
CPC 74
CSR, See Customer Service Request (CSR)
Current 41
current G-Flex statistics 19
Customer Care Center
 contact information 3
 emergency response 6
customer network 38
Customer Service Request (CSR) 3
Customer Support site
 how to access 7
customer's external provisioning system 38

D

DANGER admonishment 3
 data from customer network 38
 database
 records 35
 database corrupt alarm 19
 database memory requirements 105
 database reload 42
 DCBs 42
 debug command ent-trace 18
 debug DNS to IP addressing tables 69
 defmcc= 92
 defmnc= 92
 delete G-Flex service selectors 58
 Delete GT option 26
 delivery agent 111
 destination point code 50
 destination point codes 74
 device control blocks 42
 direct interface to networks 11
 display current IP host information 87
 display feature status 53
 display G-Flex service selectors 58
 display signaling link status, rept-stat-slk
 SS7IPGW 84
 display STP and G-Flex DB status and level per DSM 62
 dlt-sccp-serv
 Delete G-Flex SCCP Service Command 61
 dlt-srvsel
 Delete G-Flex Service Selector Command 58
 documentation 3, 6, 7
 availability, packaging, and updates 6
 Documentation Bulletins 7
 electronic files 6
 locate on Customer Support site 7
 printed 6
 Related Publications 3
 Release Notice 6
 DPC 74
 dpci, dpcn parameters 74
 dual provisioning 38

E

E.164 10, 17, 24
 E.164 entity address 11
 E.164 MSISDN number (MSISDN) 52
 E.164 number 52
 E.212 10, 24
 E.212 IMSI 52
 E.212 IMSI number (IMSI) 52
 E.212 International IMSI 24
 E.212 number 12
 E.212 numbers 16
 E.214 17, 24
 E.214 MGT 24

E.214 numbers 16
 E5-SM4G Throughput Capacity 96
 EAGLE 5 ISS mated application table 49
 EAGLE 5 ISS terminal interfaces 52
 Eagle Provisioning Application Processor 33
 EAGLE Provisioning Application Processor 35, 38
 EAGLE Provisioning Application Processors 37
 Eagle Service Module card databases 33
 electronic files, documentation 6
 emergency response, Customer Care Center 6
 enable-ctrl-feat 53
 ent-card 80, 86, 107
 ent-dstn 78
 ent-ip-host 87
 ent-ls 79
 ent-map 82
 ent-rte 82
 ent-serial-num 96
 ent-slk 81
 ent-srvsel 56, 92
 Enter G-Flex Service Selectors Command 56
 ent-trace 18, 52
 enter G-Flex service selectors 92
 enter linkset 79
 entering
 init-sys command 77
 entity number 21
 Entity Number 52
 entity PC 49
 entity point codes 49
 EPAP 33, 34, 35, 37, 38
 EPAP A 37
 EPAP A, Link A 40
 EPAP A, Link B 41
 EPAP architecture 38
 EPAP automatically updates PDB 38
 EPAP B 37
 EPAP B, Link A 41
 EPAP B, Link B 41
 EPAP network addresses 46
 EPAP RTDB incoherent 113
 ept-stat-epap 42
 Ethernet links 34
 execute selected command remotely by the targeted card
 68

F

feat commands 53
 feature activation
 E5-SM4G Throughput Capacity 96
 force option 107
 force=yes parameter 66
 functional description 2

Feature Manual - G-Flex C7 Relay

G

- G-Flex Blacklist 20
- G-Flex blacklist range 21
- G-Flex C7 Relay feature 2
- G-Flex MSU measurements 116
- G-Flex MSUs 18
- G-Flex relay function 48
- G-Flex Relay Function 21
- G-Flex selector-specified service numbering plan 24
- G-Flex statistics 19
- G-Flex VSCCP application 17
- general information 2
- General Purpose Service Module II 19
- GFRF 21
- Global System for Mobile communications 2
- Global Title digits (GT) 52
- Global Title Indicator 16
- Global Title Translation 11
- Globalcast Communications 40
- GPSM 19
- group code 74
- GSM 2
- gsmopts commands 54
- GTI 16
- GTT 11
- GTT/SCCP measurements 117

H

- high-traffic situations 39
- HLR 2, 10
- Home Location Register 2, 10
- host=epap-a 88
- how to activate G-Flex 2

I

- import/export traffic 43
- IMSI 2, 10, 15, 20
- IMSI incomplete 25
- IMSI number 72
- IMSI numbers 52
- incoherent EPAP RTDB 113
- incomplete IMSI 25
- inconsistent RTDB 112
- incorrect results and errors 25
- Increased number of translations 21
- incremental loading 41
- incremental loading from EPAP 19
- Incremental update 41
- incremental updates 41
- inh-card 107
- inhibit LIMs 106
- inhibit loading Service Module card 111
- init-card 94
- init-sys 77

- init-sys command
 - caution 77
 - re-entering 77
- initializing Service Module cards 39
- inoperative Ethernet connection 110
- Integrated Signaling System 2
- international DNs and IMSIs 23
- international entity number 21
- International Mobile Subscriber Identity 10
- international numbers 23
- International Telecommunications Union 2
- IP 40
- IP Multicast 40
- ipaddr=192.168.122.nnn 88
- IS-41 2
- ITU 2
- ITU national duplicate PC 74
- ITU national point code 74
- ITU-I 16
- ITU-N 16
- ITUDUPPC 74

L

- LIMs 18
- Link Interface Module 18
- linksets assigned 74
- list pass commands for target location 69
- LNP 11
- load balancing 39
- loading mode support 19
- loading Service Module card 111
- loc parameter 81
- loc=1103 80, 86
- Local Memory Validation 18
- Local Number Portability 11
- local provisioning terminal 38
- locate documentation on Customer Support site 7
- logical link between MSISDN number and IMSI 72
- loss of connectivity 40, 42

M

- main board configuration 17
- maintenance and measurement interface 62
- maintenance and measurements 2
- maintenance application traffic 44
- MAP 11
- mated application table 49
- mated EPAP system 34
- mated MPS servers 34
- mated pair configuration 38
- maximum number of digits allowed in MGT 25
- MCCMNC 54
- mccmnc= 92
- MDN 10
- MEA 18

measurements 116
 memory requirements 105
 Message Signaling Unit 18
 MGT-to-IMSI reconversion 25
 MGT2IMSI conversion table 24
 MIN 10
 Mismatch of Equipment and Attributes 18
 MNP 10
 Mobile Application Part 11
 Mobile Directory Number 10
 Mobile Identification Number 10
 Mobile Number Portability 10
 Mobile Station International Integrated Services Digital Network 10
 Mobile Switching Center 10
 Mobile Switching Centers 2
 modem for remote access 38
 MPS 37
 MPS platform 33
 MSC 2, 10
 MSIN truncated 25
 MSISDN 10
 MSISDN number 2, 72
 MSISDN numbers 52
 MSISDN/MIN/MDN global title routing 13
 MSU measurements 116
 MSU trapped 52
 MSUs 18
 multi cast updates 38
 Multi-Purpose Server 33
 Multi-Purpose Server (MPS) hardware 37
 multiple Service Modules 41
 multiple trigger criteria 52
 MySQL 38

N

NAI 16
 National Indicator bit 16
 national number 23
 National/Local Numbers to International Numbers Conversion Logic 23
 network addresses 46
 NP 16
 npcfmt option 75
 Number conditioning 21
 number conversion triggered 23
 Number Portability 16
 numbering plan 10, 23, 24

O

OAM code 105
 OAM provisioning 45
 OPS 37
 out-of-sync 49
 out-of-sync condition 50

overlapping database updates 38
 overload controls 16

P

packaging, documentation 6
 parameter 76
 pass 89
 PCN
 chg-sid 76
 PCN parameter
 chg-sid 76
 PDB 37
 PDBA 35, 43
 PDBI 36, 37
 PDBI checks 21
 ping parameter 89
 platforms 34
 point code 76
 printed documentation 6
 protected E.164 address 20
 Provides discrimination of messages that need its functionality 21
 provision new selectors for G-Flex 56
 provision Service Module cards 35
 provision V-Flex 35
 Provisioning Database 34, 37, 38
 Provisioning Database Application 35
 Provisioning Database Interface 37
 provisioning Service Module cards 38

R

re-entering init-sys command 77
 real-time database 36
 Real-Time Memory Validation 18
 Realtime Database 37
 RealTime Database 34
 reinitialize system 77
 Related Publications 3
 Release Notice 6
 Reliable Multicast Transport Protocol-II 40
 reload traffic 42
 reloading multiple Service Modules 41
 rep parameter 52
 repetition parameter 52
 replace TSM card with Service Module card 85
 Replacement of GT with entity address 21
 report Service Module card failure 111
 rept-stat-card 84, 89, 94
 rept-stat-epap 19, 104
 rept-stat-sccp 104
 rept-stat-silk 84
 rept-stat-sys 104, 105, 107
 retrieve G-Flex-specific system options 55
 RMTP channel 42
 RMTP multicast 35

Feature Manual - G-Flex C7 Relay

- RMTP-II 40
- Route on SSN 26
- route signaling messages 10
- route table 49
- route-on-gt 22
- routes and linksets assigned to the DPCs 74
- RS232 connection 36
- RTDB 37
- RTDB database 38
- RTDB inconsistent 112
- rtrv-card 80, 85, 86
- rtrv-ctrl-feat
 - Retrieve Feature Status Command 53
- rtrv-dstn 74, 76, 78
- rtrv-gsmopts
 - Retrieve G-Flex System Options Command 55
- rtrv-ip-card 89
- rtrv-ip-host 87, 88
- rtrv-ls 79
- rtrv-map 75, 83
- rtrv-rte 74, 76, 82
- rtrv-sccp-serv
 - Retrieve G-Flex SCCP Service Command 61
- rtrv-serial-num 96
- rtrv-sid 74, 78
- rtrv-slk 81
- rtrv-srvsel 58, 93
 - Retrieve G-Flex Service Selector Command 58
- rtrv-stpopts 75, 91

S

- SAI 15
- SCCP maintenance block 17
- SCCP services 18
- SDS command ent-trace 52
- selector-specified service numbering plan 24
- self identification of system 74
- send status message 41
- sendAuthenticationInfo 115
- sendParameters 115
- sequential steps to activate G-Flex 71
- Service Module 37
- Service Module Card Applique Memory Verification 17
- Service Module card failure 111
- Service Module card polls 38
- Service Module card provisioning module 35
- Service Module card-EPAP link status 111
- Service Module cards 33, 102
- Service Module Main Board Verification 17
- Service Module multicast hardware 42
- service numbering plan 24
- Signal Transfer Point 11
- SIM 10
- sizes of converted numbers 24
- specifies G-Flex service selectors 56
- specify G-Flex selectors 57

- specify ITU national PC format 75
- srvsel commands 56
- SS7IPGW
 - activate signaling link, act-slk 83, 84
 - display signaling link status, rept-stat-slk 84
- SSN discrimination 16
- SSP point code 52
- Stage 1 loading 41
- standby EPAP 35, 38, 44
- statistics 19
- steps to activate G-Flex 71
- STP 11
- STP administrative updates 19
- STP audit requirement 19
- STP functions 48
- Subscriber Identity Module 10
- subsystem alarms 113
- subsystem numbers 49
- system point code 75
- system self-identification 74

T

- TAC Regional Support Office 4
- TCP/IP socket 40
- TDM-resident data tables 105
- terminal interfaces 53
- threshold monitoring 18
- TOPPLE admonishment 3
- trace set on SCCP cards 52
- transitions of Service Module card 107
- Translation Type 16
- trap on CdPA GTA 52
- trap on CgPA SPC 52
- trap on E.214 MGT 52
- trap-and-trace MSUs on SCCP card 52
- trigger criteria 52
- trigger on DN and IMSI 52
- troubleshoot network interface and routing configuration 68
- troubleshoot private EPAP/Service Module IP network 68
- true point code 74
- truncated MSIN 25
- TT 16
- type=dsm 80
- type=Service Module 86
- types of subscriber numbers 11

U

- UAM formats 111
- UAMs from EPAP 111
- UDP 40
- UDTS messages 16
- UIM issued 25
- UIM message 49

UIM messages 114
Unstable Loading Mode 18
updateGPRSLocation 115
updateLocation 115
updates, documentation 6
user interface 2
user interface traffic 43

V

valid G-Flex blacklist range 21
validity status 17
variable number of digits 52

Variable number of digits 21
verify and correct IP stack ARP tables 69
verify IS-NR card status 84, 89
Visitor Location Register 11
VLR 11
VLRA 11
VSCCP 39, 102
VSCCP application 17

W

WARNING admonishment 3
wireless network 48