



NVIDIA ConnectX-6 InfiniBand/Ethernet Adapter Cards for OCP Spec 3.0 User Manual

Table of Contents

- Introduction..... 10**
 - Products Overview 10
 - Features and Benefits 11
 - Operating Systems/Distributions 14
 - Connectivity 14
- Interfaces 15**
 - InfiniBand Interface 15
 - Ethernet QSFP56 Interfaces 15
 - PCI Express Interface 15
 - LED Interface 15
 - FRU EEPROM 16
 - Heatsink Interface 16
 - SMBus Interface 17
 - Voltage Regulators 17
 - CPLD Interface 17
- Hardware Installation 18**
 - Safety Warnings 18
 - Installation Procedure Overview..... 19
 - System Requirements 20

| | |
|---|-----------|
| Hardware Requirements | 20 |
| Airflow Requirements | 20 |
| Software Requirements | 21 |
| Safety Precautions | 21 |
| Pre-Installation Checklist | 22 |
| OCP 3.0 Bracket Replacement Instructions | 22 |
| OCP 3.0 Adapter Card Installation Instructions..... | 26 |
| Cables and Modules..... | 28 |
| Identifying the Card in Your System..... | 29 |
| Adapter Cards Extraction Instructions..... | 31 |
| Safety Precautions | 31 |
| Instructions | 31 |
| Driver Installation..... | 33 |
| Windows Driver Installation | 33 |
| Software Requirements | 33 |
| Downloading WinOF-2 Driver | 34 |
| Installing WinOF-2 Driver | 34 |
| Attended Installation..... | 35 |
| Unattended Installation..... | 44 |
| Firmware Upgrade | 46 |
| Linux Driver Installation | 46 |

| | |
|---|-----------|
| Prerequisites..... | 46 |
| Downloading MLNX_OFED..... | 47 |
| Installing MLNX_OFED..... | 47 |
| Installation Script..... | 47 |
| Installation Procedure..... | 50 |
| Installation Results..... | 53 |
| Installation Logging..... | 53 |
| Driver Load Upon System Boot..... | 54 |
| mlnxofedinstall Return Codes..... | 54 |
| Installation Logging..... | 55 |
| Uninstalling MLNX_OFED..... | 55 |
| Additional Installation Procedures..... | 56 |
| Installing MLNX_OFED Using YUM..... | 56 |
| Installing MLNX_OFED Using apt-get..... | 62 |
| Performance Tuning..... | 66 |
| VMware Driver Installation..... | 66 |
| Hardware and Software Requirements..... | 66 |
| Installing NATIVE ESXi Driver for VMware vSphere..... | 67 |
| Removing Earlier NVIDIA Drivers..... | 67 |
| Firmware Programming..... | 68 |
| Updating Adapter Firmware..... | 69 |

| | |
|--|-----------|
| Troubleshooting | 71 |
| General Troubleshooting | 71 |
| Linux Troubleshooting | 72 |
| Windows Troubleshooting | 73 |
| Specifications..... | 74 |
| MCX653435A-HDAI/MCX653435M-HDAI Specifications | 74 |
| MCX653436A-HDAI/MCX653436A-HDAB Specifications | 75 |
| MCX653435A-EDAI Specifications | 77 |
| MCX653435A-HDAE Specifications | 79 |
| Board Mechanical Drawing and Dimensions | 81 |
| Brackets Mechanical Drawings and Dimensions | 82 |
| Cards with Ejector Latch Bracket | 82 |
| Cards with Internal Lock Bracket..... | 82 |
| Dual-port Cards with Internal Lock Bracket | 83 |
| Dual-port Cards with Thumbscrew Bracket | 83 |
| Monitoring..... | 84 |
| Thermal Sensors..... | 84 |
| Finding the GUID/MAC and Serial Number on the Adapter Card..... | 85 |
| Board Label Example | 85 |
| Document Revision History | 87 |

About This Manual

This User Manual describes NVIDIA® ConnectX®-6 InfiniBand/Ethernet adapter cards for Open Compute Project (OCP), Spec 3.0. It provides details as to the interfaces of the board, specifications, required software and firmware for operating the board, and relevant documentation.

Ordering Part Numbers

The table below provides the ordering part numbers (OPN) for the available ConnectX-6 InfiniBand/Ethernet adapter cards for OCP Spec 3.0.

| NVIDIA SKU | Legacy OPN | Marketing Description | Lifecycle |
|--------------------|-----------------|--|-----------------|
| 900-9X657-0018-MIO | MCX653435M-HDAI | ConnectX®-6 InfiniBand/Ethernet adapter card, 200Gb/s (HDR IB and 200GbE) for OCP 3.0, with host management, Single-port QSFP56, PCIe4.0 x16, Internal Lock | Mass Production |
| 900-9X657-0058-SI2 | MCX653436A-HDAI | ConnectX®-6 InfiniBand/Ethernet adapter card, 200Gb/s (HDR IB and 200GbE) for OCP 3.0, with host management, Dual-port QSFP56, PCIe4.0 x16, Internal Lock | Mass Production |
| 900-9X657-0058-SB0 | MCX653436A-HDAB | ConnectX®-6 InfiniBand/Ethernet adapter card, 200Gb/s (HDR IB and 200GbE) for OCP 3.0, with host management, Dual-port QSFP56, PCIe4.0 x16, Thumbscrew Bracket | Mass Production |

EOL'ed (End of Life) Ordering Part Number

| NVIDIA SKU | Legacy OPN | Marketing Description |
|--------------------|-----------------|--|
| 900-9X657-0018-SI0 | MCX653435A-HDAI | ConnectX®-6 InfiniBand/Ethernet adapter card, 200Gb/s (HDR IB and 200GbE) for OCP 3.0, with host management, Single-port QSFP56, PCIe4.0 x16, Internal Lock |
| 900-9X657-0016-SI0 | MCX653435A-EDAI | ConnectX®-6 InfiniBand/Ethernet adapter card, 100Gb/s (HDR100, EDR IB and 100GbE) for OCP 3.0, with host management, Single-port QSFP56, PCIe 3.0/4.0 x16, Internal Lock |
| 900-9X657-0018-SE0 | MCX653435A-HDAE | ConnectX®-6 InfiniBand/Ethernet adapter card, 200Gb/s (HDR IB and 200GbE) for OCP 3.0, with host management, Single-port QSFP56, PCIe4.0 x16, Ejector Latch |

Intended Audience

This manual is intended for the installer and user of these cards. The manual assumes basic familiarity with InfiniBand/Ethernet network and architecture specifications.

Technical Support

Customers who purchased NVIDIA products directly from NVIDIA are invited to contact us through the following methods:

- URL: <https://www.nvidia.com> > Support
- E-mail: enterprisesupport@nvidia.com

Customers who purchased NVIDIA Global Support Services, please see your contract for details regarding Technical Support.

Customers who purchased NVIDIA products through an NVIDIA-approved reseller should first seek assistance through their reseller.

Related Documentation

| | |
|--|---|
| MLNX_OFED for Linux User Manual and Release Notes | User Manual describing OFED features, performance, band diagnostic, tools content, and configuration. See MLNX_OFED for Linux Documentation . |
| WinOF-2 for Windows User Manual and Release Notes | User Manual describing WinOF-2 features, performance, Ethernet diagnostic, tools content, and configuration. See WinOF-2 for Windows Documentation . |
| NVIDIA VMware for Ethernet User Manual | User Manual and release notes describing the various components of the NVIDIA ConnectX® NATIVE ESXi stack. See VMware® ESXi Drivers Documentation . |
| NVIDIA Firmware Utility (mlxup) User Manual and Release Notes | NVIDIA firmware update and query utility used to update the firmware. Refer to Firmware Utility (mlxup) Documentation . |
| NVIDIA Firmware Tools (MFT) User Manual | User Manual describing the set of MFT firmware management tools for a single node. See MFT User Manual . |
| InfiniBand Architecture Specification Release 1.2.1, Vol 2 - Release 1.3 | InfiniBand Specifications |
| IEEE Std 802.3 Specification | IEEE Ethernet Specifications |
| PCI Express Specifications | Industry Standard PCI Express Base and Card Electromechanical Specifications. Refer to PCI-SIG Specifications . |
| LinkX Interconnect Solutions | LinkX InfiniBand cables and transceivers are designed to maximize the performance of High-Performance Computing networks, requiring high-bandwidth, low-latency connections between compute nodes and switch nodes. NVIDIA offers one of the industry's broadest portfolio of QDR/FDR10 (40Gb/s), FDR (56Gb/s), EDR/HDR100 (100Gb/s), HDR (200Gb/s) and NDR (400Gb/s) cables, including Direct Attach Copper cables (DACs), copper splitter cables, Active Optical Cables (AOCs) and transceivers in a wide range of lengths from 0.5m to 10km. In addition to meeting IBTA standards, NVIDIA tests every product in an end-to-end environment ensuring a Bit Error Rate of less than 1E-15. Read more at LinkX Cables and Transceivers . |
| Open Compute Project 3.0 Specifications | https://www.opencompute.org/ |

Document Conventions

When discussing memory sizes, MB and MBytes are used in this document to mean size in mega Bytes. The use of Mb or Mbits (small b) indicates size in mega bits. In this document PCIe is used to mean PCI Express.

Introduction

This is the User Guide for Ethernet adapter cards based on the ConnectX®-6 InfiniBand/Ethernet integrated circuit device for OCP Spec 3.0. These adapters connectivity provide the highest performing low latency and most flexible interconnect solution for PCI Express Gen 3.0/4.0 servers used in Enterprise Data Centers and High-Performance Computing environments.

The following provides the ordering part number, port speed, number of ports, and PCI Express speed.

Important Note:

ConnectX-6 OCP 3.0 cards were tested for Shock & Vibe in accordance with NVIDIA specifications and setups as defined in document XXX, as the OCP spec 3.0 available at that time did not contain any S&V definitions. A newer version of the OCP spec 3.0 has defined S&V specifications and NVIDIA is in the midst of retesting these cards to comply with OCP spec 3.0.

Products Overview


| Model | | Cards for OCP Spec 3.0 | | | | |
|-------------------------------|-------------------|--|------------------|--------------------------------|------------------|----------------------------|
| Part Number | | MCX653435A-HDAI | MCX653436A-HDAI | MCX653435A-HDAE ^(a) | MCX653436A-HDAB | MCX653435A-EDAI |
| Host Management | | ✓ | ✓ | ✓ | ✓ | ✓ |
| Network Connector Type | | Single-port QSFP56 | Dual-port QSFP56 | Single-port QSFP56 | Dual-port QSFP56 | Single-port QSFP56 |
| Data Rate | InfiniBand | SDR/DDR/QDR/FDR/EDR/HDR100/HDR | | | | SDR/DDR/QDR/FDR/EDR/HDR100 |
| | Ethernet | 10/25/40/50/100/200 Gb/s | | | | 10/25/40/50/100 Gb/s |
| PCI Express Connectors | | PCIe Gen 3.0 / 4.0 x16 SERDES @ 8.0GT/s / 16.0GT/s | | | | |
| Dimensions | | Small Form Factor (SFF) OCP 3.0 4.52 in. x 2.99 in (115.00mm x 76.00mm) | | | | |
| Retention Mechanism | | Internal Lock | Ejector Latch | Pull Tab (Thumbscrew) | Internal Lock | |

| Model | Cards for OCP Spec 3.0 | | | | |
|----------------|---|--------------------|--------------------|--------------------|--------------------|
| RoHS | RoHS Compliant | | | | |
| IC Part Number | MT28908A0-XCCF-HVM | MT28908A0-XCCF-HVM | MT28908A0-XCCF-HVM | MT28908A0-XCCF-HVM | MT28908A0-XCCF-HVM |
| Device ID | 4123 for Physical Function (PF) 4124 for Virtual Function (VF) | | | | |

a. MCX653435A-HDAE - The Gen 4.0 card has been tested and certified with PCIe 3.0 servers. PCIe 4.0 interface will be tested when servers with Gen 4.0 support become available.

For more detailed information see [Specifications](#).

Features and Benefits

 This section describes hardware features and capabilities. Please refer to the relevant driver and/or firmware release notes for feature availability.

| Feature | Description |
|---|--|
| PCI Express (PCIe) | Uses PCIe Gen 3.0 (8GT/s) or Gen 4.0 (16GT/s) through x16 edge connector. |
| 200Gb/s InfiniBand/Ethernet Adapter | ConnectX-6 offers the highest throughput InfiniBand/Ethernet adapter, supporting HDR 200Gb/s InfiniBand and 200Gb/s Ethernet and enabling any standard networking, clustering, or storage to operate seamlessly over any converged network leveraging a consolidated software stack. |
| InfiniBand Architecture Specification v1.3 compliant | ConnectX-6 delivers low latency, high bandwidth, and computing efficiency for performance-driven server and storage clustering applications. ConnectX-6 is InfiniBand Architecture Specification v1.3 compliant. |
| InfiniBand HDR | A standard InfiniBand data rate, where each lane of a 4X port runs a bit rate of 53.125Gb/s with a 64b/66b encoding, resulting in an effective bandwidth of 200Gb/s. |

| Feature | Description |
|---|---|
| InfiniBand HDR100 | A standard InfiniBand data rate, where each lane of a 2X port runs a bit rate of 53.125Gb/s with a 64b/66b encoding, resulting in an effective bandwidth of 100Gb/s. |
| Up to 200 Gigabit Ethernet | <p>NVIDIA adapters comply with the following IEEE 802.3 standards:</p> <ul style="list-style-type: none"> • 200GbE / 100GbE / 50GbE / 40GbE / 25GbE / 10GbE / 1GbE • IEEE 802.3bj, 802.3bm 100 Gigabit Ethernet • IEEE 802.3by, Ethernet Consortium 25, 50 Gigabit Ethernet, supporting all FEC modes • IEEE 802.3ba 40 Gigabit Ethernet • IEEE 802.3by 25 Gigabit Ethernet • IEEE 802.3ae 10 Gigabit Ethernet • IEEE 802.3ap based auto-negotiation and KR startup • Proprietary Ethernet protocols (20/40GBASE-R2, 50GBASE-R4) • IEEE 802.3ad, 802.1AX Link Aggregation • IEEE 802.1Q, 802.1P VLAN tags and priority • IEEE 802.1Qau (QCN) • Congestion Notification • IEEE 802.1Qaz (ETS) • IEEE 802.1Qbb (PFC) • IEEE 802.1Qbg • IEEE 1588v2 • Jumbo frame support (9.6KB) |
| InfiniBand EDR | A standard InfiniBand data rate, where each lane of a 4X port runs a bit rate of 25.78125Gb/s with a 64b/66b encoding, resulting in an effective bandwidth of 100Gb/s. |
| Memory Components | <ul style="list-style-type: none"> • EEPROM - The EEPROM capacity is 32Kbit. FRU I2C address is (0x50) and is accessible through the PCIe SMBus. (Note: Address 0x58 is reserved) • SPI Quad - includes 256Mbit SPI Quad Flash device (MX25L25645GXDI-08G device by Macronix) |
| Overlay Networks | In order to better scale their networks, data center operators often create overlay networks that carry traffic from individual virtual machines over logical tunnels in encapsulated formats such as NVGRE and VXLAN. While this solves network scalability issues, it hides the TCP packet from the hardware offloading engines, placing higher loads on the host CPU. ConnectX-6 effectively addresses this by providing advanced NVGRE and VXLAN hardware offloading engines that encapsulate and de-capsulate the overlay protocol. |
| RDMA and RDMA over Converged Ethernet (RoCE) | ConnectX-6, utilizing IBTA RDMA (Remote Data Memory Access) and RoCE (RDMA over Converged Ethernet) technology, delivers low-latency and high-performance over Band and Ethernet networks. Leveraging data center bridging (DCB) capabilities as well as ConnectX-6 advanced congestion control hardware mechanisms, RoCE provides efficient low-latency RDMA services over Layer 2 and Layer 3 networks. |

| Feature | Description |
|--|--|
| NVIDIA PeerDirect™ | PeerDirect™ communication provides high-efficiency RDMA access by eliminating unnecessary internal data copies between components on the PCIe bus (for example, from GPU to CPU), and therefore significantly reduces application run time. ConnectX-6 advanced acceleration technology enables higher cluster efficiency and scalability to tens of thousands of nodes. |
| CPU Offload | Adapter functionality enables reduced CPU overhead leaving more CPU resources available for computation tasks. Open vSwitch (OVS) offload using ASAP ² (™) <ul style="list-style-type: none"> • Flexible match-action flow tables • Tunneling encapsulation/decapsulation |
| Quality of Service (QoS) | Support for port-based Quality of Service enabling various application requirements for latency and SLA. |
| Hardware-based I/O Virtualization | ConnectX-6 provides dedicated adapter resources and guaranteed isolation and protection for virtual machines within the server. |
| Storage Acceleration | A consolidated compute and storage network achieves significant cost-performance advantages over multi-fabric networks. Standard block and file access protocols can leverage RDMA for high-performance storage access. <ul style="list-style-type: none"> • NVMe over Fabric offloads for the target machine |
| SR-IOV | ConnectX-6 SR-IOV technology provides dedicated adapter resources and guaranteed isolation and protection for virtual machines (VM) within the server. |
| NC-SI | The adapter supports a Network Controller Sideband Interface (NC-SI), MCTP over SMBus and MCTP over PCIe - Baseboard Management Controller interface. |
| High-Performance Accelerations | <ul style="list-style-type: none"> • Tag Matching and Rendezvous Offloads • Adaptive Routing on Reliable Transport • Burst Buffer Offloads for Background Checkpointing |
| Wake-on-LAN (WoL) | The adapter supported Wake-on-LAN (WoL), a computer networking standard that allows an adapter to be turned on or awakened by a network message. In STBY mode, only port0 is available. |
| Reset-on-LAN (RoL) | Supported |

Operating Systems/Distributions

- RHEL/CentOS
- Windows
- FreeBSD
- VMware
- OpenFabrics Enterprise Distribution (OFED)
- OpenFabrics Windows Distribution (WinOF-2)

Connectivity

- Interoperable with 1/10/25/40/50/100/200 Gb/s Ethernet switches
- Passive copper cable with ESD protection
- Powered connectors for optical and active cable support


Interfaces

InfiniBand Interface

The network ports of the ConnectX®-6 adapter cards are compliant with the *InfiniBand Architecture Specification, Release 1.3*. InfiniBand traffic is transmitted through the cards' QSFP56 connectors.

Ethernet QSFP56 Interfaces

The network ports of the ConnectX®-6 adapter card are compliant with the IEEE 802.3 Ethernet standards listed in [Features and Benefits](#). Ethernet traffic is transmitted through the QSFP56 connectors on the adapter card.

 The adapter card includes special circuits to protect from ESD shocks to the card/server when plugging copper cables.

PCI Express Interface

The table below describes the supported PCIe interface in ConnectX-6 adapter cards.

| Supported PCIe Interface | Features |
|---|--|
| PCIe Gen 3.0/4.0 (1.1 and 3.0 compatible) through x16 edge connectors | Link Rates: 2.5, 5.0, 8.0GT/s or 16GT/s. Auto Negotiation to: x16, x8, x4, x2 or x1. Support for MSI/MSI-X mechanisms. |

LED Interface

There are two I/O LEDs, LED0 and LED1, per port to indicate speed and link status. LED0 is a bicolor (yellow and green) LED and LED1 is a single color (green) LED.

Link Indications

| LED and State | Description | | | | | | | | | |
|---------------------|--|---------------------------------|-------------|--------------|------------------|---|---------------------------------|--------------|--|---------------------------------|
| 1Hz blinking Yellow | Beacon command for locating the adapter card | | | | | | | | | |
| 4Hz blinking Yellow | Indicates an error with the link. The error can be one of the following: <table border="1" data-bbox="965 406 1872 616"> <thead> <tr> <th>Error Type</th> <th>Description</th> <th>LED Behavior</th> </tr> </thead> <tbody> <tr> <td>I²C</td> <td>I²C access to the networking ports fails</td> <td>Blinks until the error is fixed</td> </tr> <tr> <td>Over-current</td> <td>Over-current condition of the networking ports</td> <td>Blinks until the error is fixed</td> </tr> </tbody> </table> | Error Type | Description | LED Behavior | I ² C | I ² C access to the networking ports fails | Blinks until the error is fixed | Over-current | Over-current condition of the networking ports | Blinks until the error is fixed |
| Error Type | Description | LED Behavior | | | | | | | | |
| I ² C | I ² C access to the networking ports fails | Blinks until the error is fixed | | | | | | | | |
| Over-current | Over-current condition of the networking ports | Blinks until the error is fixed | | | | | | | | |
| LED0 - Link Speed | <ul style="list-style-type: none"> A constant Green indicates a link with the maximum networking speed. A constant Yellow indicates a link with less than the maximum networking speed If LED0 is off, then the link has not been established. | | | | | | | | | |
| LED1 - Activity | <ul style="list-style-type: none"> A blinking Green indicates a valid link with data transfer. If LED1 is off, then there is no activity | | | | | | | | | |

FRU EEPROM

FRU EEPROM allows the baseboard to identify different types of Mezzanine cards. FRU EEPROM is accessible through SMCLK and SMDATA. FRU EEPROM address is defined according to SLOT_ID0 and SLOT_ID1 and its capacity is 4Kb.

Heatsink Interface

A heatsink is attached to the ConnectX-6 IC in order to dissipate the heat from the ConnectX-6 IC. It is attached either by using four spring-loaded push pins that insert into four mounting holes.

ConnectX-6 IC has a thermal shutdown safety mechanism that automatically shuts down the ConnectX-6 card in case of a high-temperature event, improper thermal coupling or heatsink removal.

SMBus Interface

ConnectX-6 technology maintains support for manageability through a BMC. ConnectX-6 OCP 3.0 adapter can be connected to a BMC using MCTP over SMBus or MCTP over PCIe protocols as if it is a standard NVIDIA OCP 3.0 adapter. For configuring the adapter for the specific manageability solution in use by the server, please contact NVIDIA Support.

Voltage Regulators

The voltage regulator power is derived from the OCP 3.0 edge connector 12V and 3.3V supply pins. These voltage supply pins feed onboard regulators that provide the necessary power to the various components on the card.


CPLD Interface

The adapter card incorporates a CPLD device that controls the networking port LEDs and the scan chain. It draws its power supply from 3.3V_EDGE.






Hardware Installation





Installation and initialization of ConnectX-6 adapter cards for OCP Spec 3.0 require attention to the mechanical attributes, power specification, and precautions for electronic equipment.

Safety Warnings

 Safety warnings are provided here in the English language. For safety warnings in other languages, refer to the [Adapter Installation Safety Instructions](#).

Note that not all warnings are relevant to all models.

| | |
|---|--|
|  | General Installation Instructions Read all installation instructions before connecting the equipment to the power source. |
|  | Jewelry Removal Warning Before you install or remove equipment that is connected to power lines, remove jewelry such as bracelets, necklaces, rings, watches, and so on. Metal objects heat up when connected to power and ground and can meltdown, causing serious burns and/or welding the metal object to the terminals. |
|  | Over-temperature This equipment should not be operated in an area with an ambient temperature exceeding the maximum recommended: 55°C (131°F). An airflow of 200LFM at this maximum ambient temperature is required for HCA cards and NICs. To guarantee proper airflow, allow at least 8cm (3 inches) of clearance around the ventilation openings. |
|  | During Lightning - Electrical Hazard During periods of lightning activity, do not work on the equipment or connect or disconnect cables. |
|  | Copper Cable Connecting/Disconnecting Some copper cables are heavy and not flexible, as such, they should be carefully attached to or detached from the connectors. Refer to the cable manufacturer for special warnings and instructions. |

| | |
|---|--|
|  | <p>Equipment Installation This equipment should be installed, replaced, or serviced only by trained and qualified personnel.</p> |
|  | <p>Equipment Disposal The disposal of this equipment should be in accordance to all national laws and regulations.</p> |
|  | <p>Local and National Electrical Codes This equipment should be installed in compliance with local and national electrical codes.</p> |
|  | <p>Hazardous Radiation Exposure</p> <ul style="list-style-type: none"> • Caution - Use of controls or adjustment or performance of procedures other than those specified herein may result in hazardous radiation exposure. For products with optical ports. • CLASS 1 LASER PRODUCT and reference to the most recent laser standards: IEC 60 825-1:1993 + A1:1997 + A2:2001 and EN 60825-1:1994+A1:1996+ A2:20 |

Installation Procedure Overview

The installation procedure of ConnectX-6 adapter cards for OCP Spec 3.0 involves the following steps:

| Step | Procedure | Direct Link |
|------|---|---|
| 1 | Check the system's hardware and software requirements. | Refer to System Requirements |
| 2 | Pay attention to the airflow consideration within the host system | Refer to Airflow Requirements |
| 3 | Follow the safety precautions | Refer to Safety Precautions |
| 4 | Follow the pre-installation checklist | Refer to Pre-Installation Checklist |

| Step | Procedure | Direct Link |
|------|---|---|
| 5 | (Optional) Replace the assembled OCP 3.0 bracket with the desired form factor bracket | Refer to OCP 3.0 Bracket Replacement Instructions |
| 6 | Install ConnectX-6 adapter card for OCP spec 3.0 in the system | Refer to Installation Instructions |
| 7 | Connect cables or modules to the card | Refer to Cables and Modules |
| 8 | Identify ConnectX-6 adapter card in the system | Refer to Identify the Card in Your System |

System Requirements

- ⚠ Unless otherwise specified, NVIDIA products are designed to work in an environmentally controlled data center with low levels of gaseous and dust (particulate) contamination. The operating environment should meet severity level G1 as per ISA 71.04 for gaseous contamination and ISO 14644-1 class 8 for cleanliness level.

Hardware Requirements

- ⚠ For proper operation and performance, please make sure to use a PCIe slot with a corresponding bus width and that can supply sufficient power to your card. Refer to the Specifications section of the manual for more power requirements.

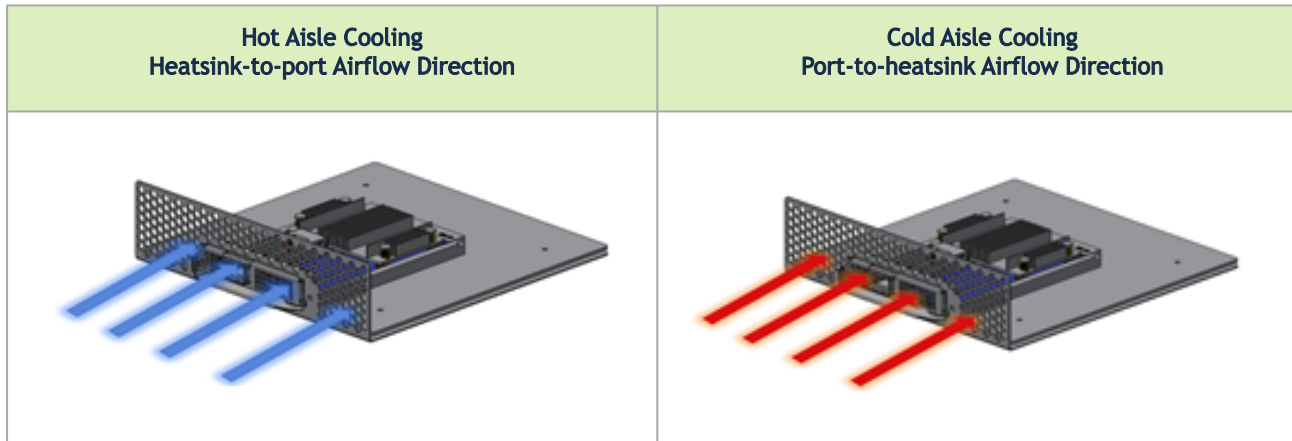
A system with a PCI Express x16 slot for OCP spec 3.0 is required for installing the card.

Airflow Requirements

ConnectX-6 adapter cards are offered with two airflow patterns: from the heatsink to the network ports, and vice versa, as shown below.

Please refer to the "Specifications" chapter for airflow numbers for each specific card model.

⚠ All cards in the system should be planned with the same airflow direction.



Software Requirements

- See Operating Systems/Distributions section under the Introduction section.
- Software Stacks - NVIDIA OpenFabric software package MLNX_OFED for Linux, WinOF-2 for Windows, and VMware. See the Driver Installation section.

Safety Precautions

⚠ The adapter is being installed in a system that operates with voltages that can be lethal. Before opening the case of the system, observe the following precautions to avoid injury and prevent damage to system components.

- Remove any metallic objects from your hands and wrists.
- Make sure to use only insulated tools.
- Verify that the system is powered off and is unplugged.
- It is strongly recommended to use an ESD strap or other antistatic devices.

1. Remove any metallic objects from your hands and wrists.
2. Make sure to use only insulated tools.
3. Verify that the system is powered off and is unplugged.
4. It is strongly recommended to use an ESD strap or other antistatic devices.

Pre-Installation Checklist

1. Unpack the ConnectX-6 adapter card.
Unpack and remove the ConnectX-6 card. Check the parts for visible damage that may have occurred during shipping. Please note that the cards must be placed on an antistatic surface.

- ⚠ Please note that if the card is removed hastily from the antistatic bag, the plastic ziplock may harm the EMI fingers on the networking connector. Carefully remove the card from the antistatic bag to avoid damaging the EMI fingers.

Shut down your system if active:

Turn off the power to the system, and disconnect the power cord. Refer to the system documentation for instructions. Before you install the ConnectX-6 card, make sure that the system is disconnected from power.

OCP 3.0 Bracket Replacement Instructions

The OCP 3.0 adapter card is shipped assembled either with a thumbscrew (pull-tab) bracket, an internal-lock bracket, or an ejector-latch bracket. If this form factor is suitable for your requirements, you can skip the remainder of this section and move to Installation Instructions. If you need to replace the assembled OCP 3.0 bracket with a different form-factor bracket, please follow the instructions in this section.

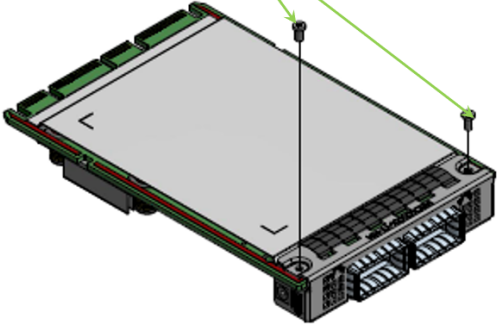
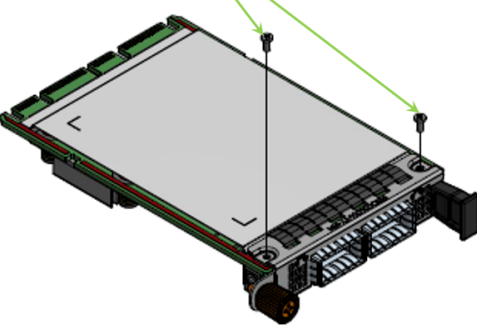
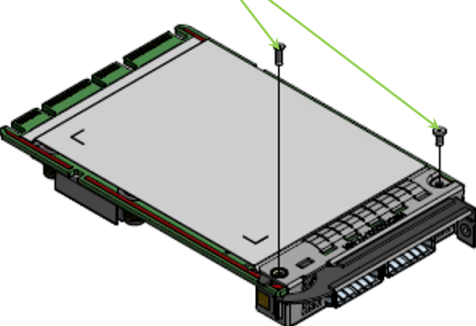
- ⚠ Due to risk of damaging the EMI gasket, it is not recommended to replace the bracket more than three times.

To replace the bracket you will need the following parts:

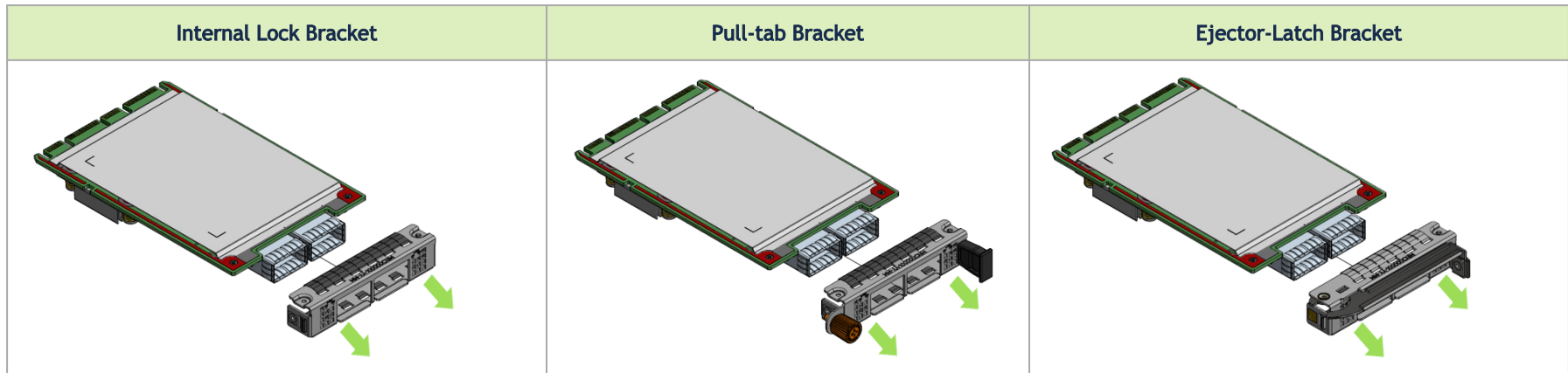
- The new bracket of the desired form factor.
- The screws supplied with the new bracket kit.
- The required torx tool type as specified in the instructions.

Removing the Existing Bracket

1. Using the torx tool type listed in the below table, remove the screws according to the instructions per OCP 3.0 bracket type.

| Internal Lock Bracket | Pull-tab (Thumbscrew) Bracket | Ejector-Latch Bracket |
|---|---|---|
| <p data-bbox="398 475 618 501">Use Torx #6 tool</p>  | <p data-bbox="949 475 1169 501">Use Torx #6 tool</p>  | <p data-bbox="1594 488 1814 513">Use Torx #6 tool</p>  |

2. Gently separate the bracket from the OCP 3.0 card.

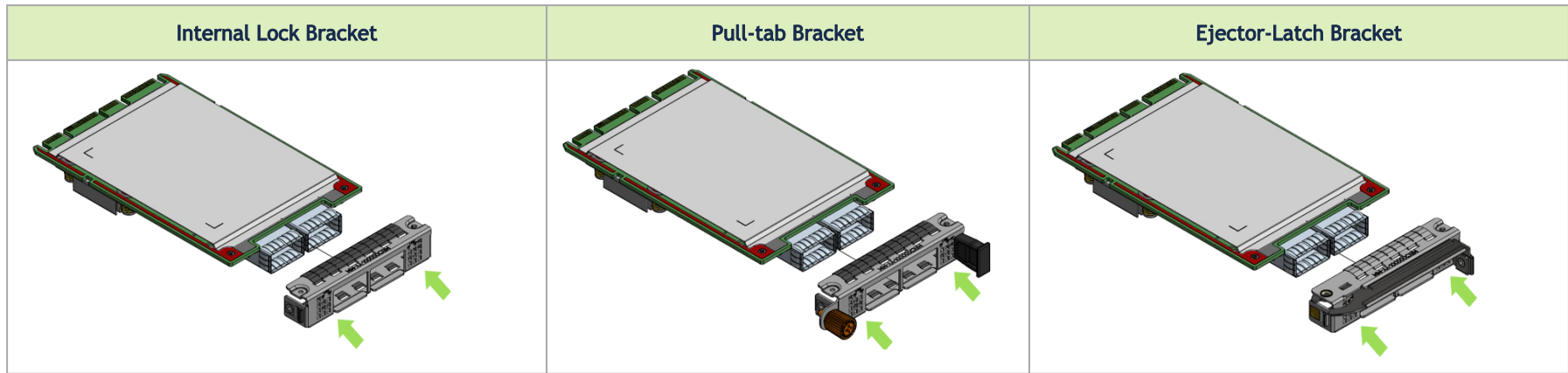


⚠ Be careful not to put stress on the LEDs on the adapter card.

3. Save the two screws.

Installing the New Bracket

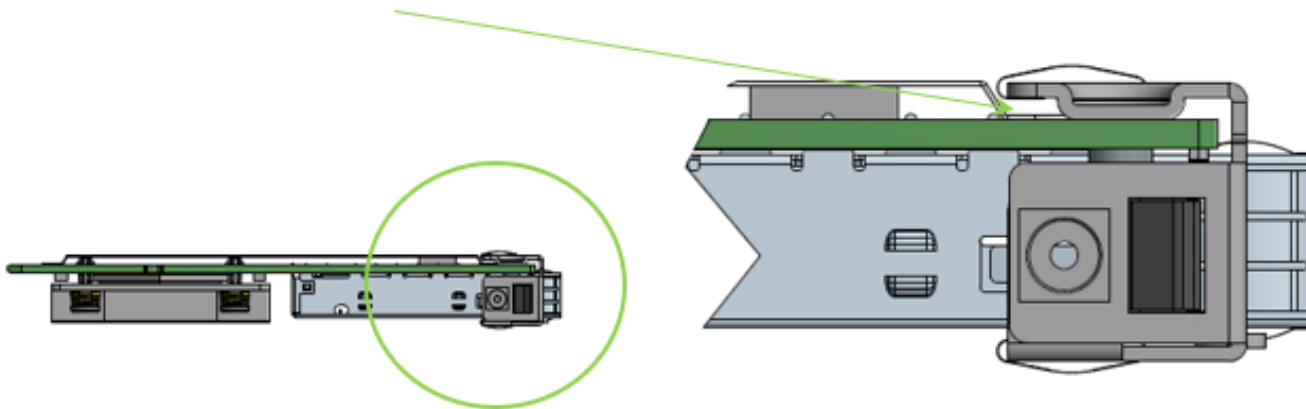
1. Assemble the new bracket onto the card.



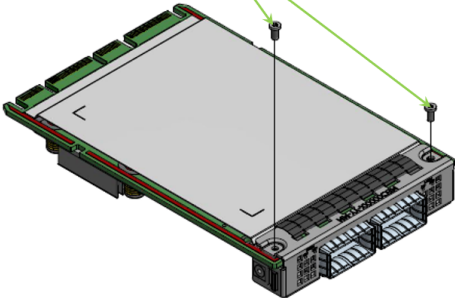
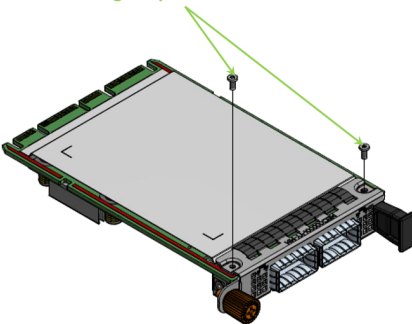
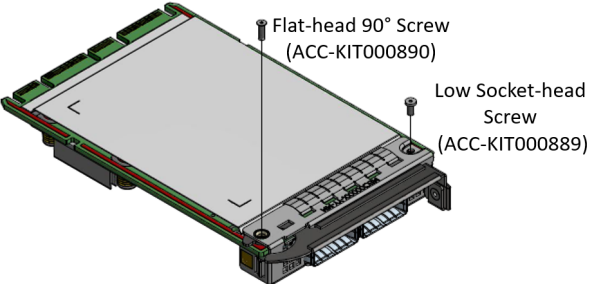
⚠ Do not force the bracket onto the adapter card.

2. Ensure that the insulator's front edge is beneath the bracket, as shown in the below figure.

Insulator front edge beneath the bracket



- Screw on the OCP 3.0 bracket with the supplied screws that came with the new bracket kit. Use the specified torx tool type and apply the specified torque on the screws per bracket form factor.

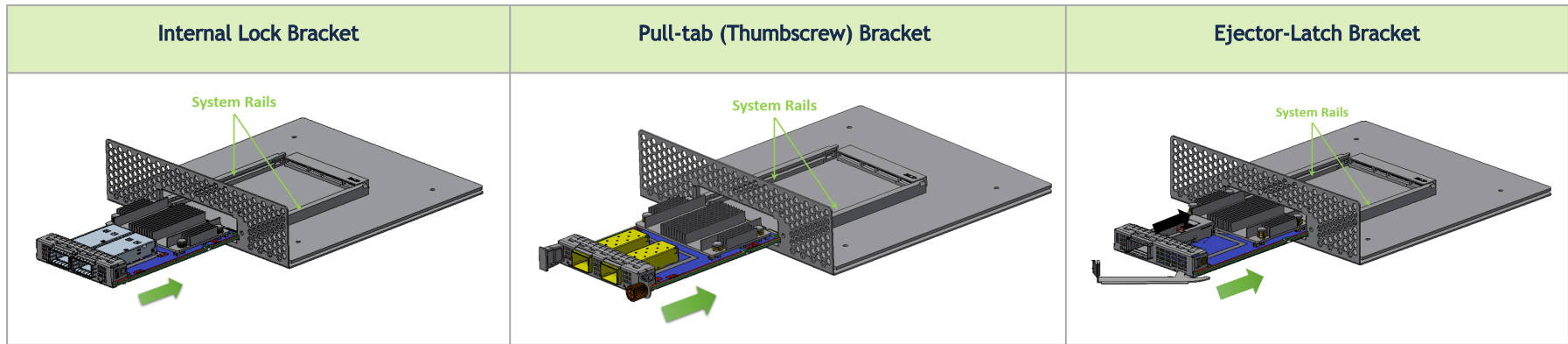
| Internal Lock Bracket | Pull-tab Bracket | Ejector-Latch Bracket |
|--|--|--|
| <p data-bbox="367 347 658 400">Use Torx #6 tool Closing torque = 0.26-0.3 Nm</p>  | <p data-bbox="846 339 1093 392">Use Torx #6 tool Closing torque = 0.26-0.3 Nm</p>  | <p data-bbox="1218 328 2042 381">Note that one screw is flat-head 90° screw and the other is socket-head screw. Screw on the different types of screws as shown in the below illustration.</p> <p data-bbox="1279 392 1603 448">Use Torx #6 tool Closing torque = 0.14-0.18 Nm</p>  <p data-bbox="1487 507 1682 555">Flat-head 90° Screw (ACC-KIT000890)</p> <p data-bbox="1666 571 1823 651">Low Socket-head Screw (ACC-KIT000889)</p> |

OCP 3.0 Adapter Card Installation Instructions

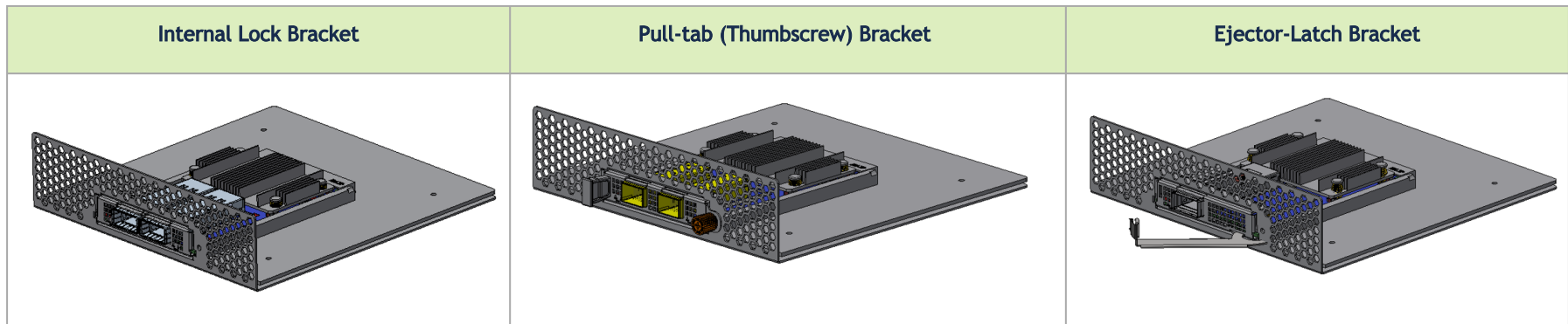
This section provides detailed instructions on how to install your adapter card in a system. The OCP 3.0 adapter card is shipped assembled either with an internal-lock, a pull-tab (thumbscrew), or an ejector-latch bracket. Follow the below instructions depending on the card you have purchased.

⚠ The following figures are for illustration purposes only.

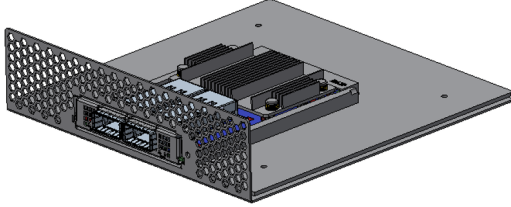
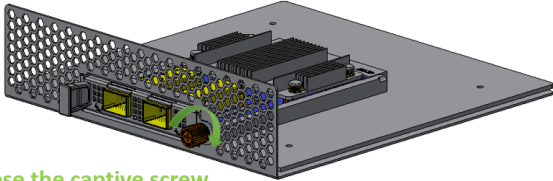
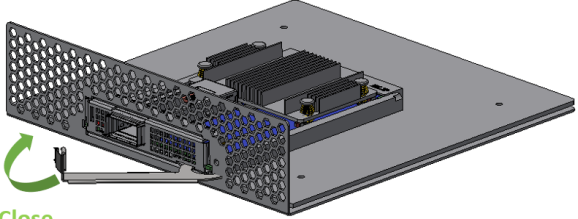
- Before installing the card, make sure that the system is off and the power cord is not connected to the server. Please follow proper electrical grounding procedures.
- Open the system case.
- Align the card with the system rails.



4. Push the card until connectors are in a full mate.



5. Secure the card.

| Internal Lock Bracket | Pull-tab (Thumbscrew) Bracket | Ejector-Latch Bracket |
|--|--|--|
| <p>A clicking sound is heard once the connectors are in a full mate.</p>  | <p>Turn the captive screw clockwise until firmly locked.</p>  <p>Close the captive screw</p> | <p>Close the ejector.</p>  <p>Close</p> |


To uninstall the adapter card, see [Uninstalling the Card](#).

Cables and Modules

Cable Installation

1. All cables can be inserted or removed with the unit powered on.
2. To insert a cable, press the connector into the port receptacle until the connector is firmly seated.
 - a. Support the weight of the cable before connecting the cable to the adapter card. Do this by using a cable holder or tying the cable to the rack.
 - b. Determine the correct orientation of the connector to the card before inserting the connector. Do not try and insert the connector upside down. This may damage the adapter card.
 - c. Insert the connector into the adapter card. Be careful to insert the connector straight into the cage. Do not apply any torque, up or down, to the connector cage in the adapter card.
 - d. Make sure that the connector locks in place.

 When installing cables make sure that the latches engage.

 Always install and remove cables by pushing or pulling the cable and connector in a straight line with the card.

3. After inserting a cable into a port, the Yellow or Green LED0 indicator will light when the physical connection is established (that is, when the unit is powered on and a cable is plugged into the port with the other end of the connector plugged into a functioning port). See [Adapter Card LED Operations](#).
4. After plugging in a cable, lock the connector using the latching mechanism particular to the cable vendor. When a logical connection is made, Green LED1 will light. When data is being transferred, Green LED1 will blink.
5. Care should be taken as not to impede the air exhaust flow through the ventilation holes. Use cable lengths that allow for routing horizontally around to the side of the chassis before bending upward or downward in the rack.
6. To remove a cable, disengage the locks and slowly pull the connector away from the port receptacle. The LED indicator will turn off when the cable is unseated.

Identifying the Card in Your System

On Linux

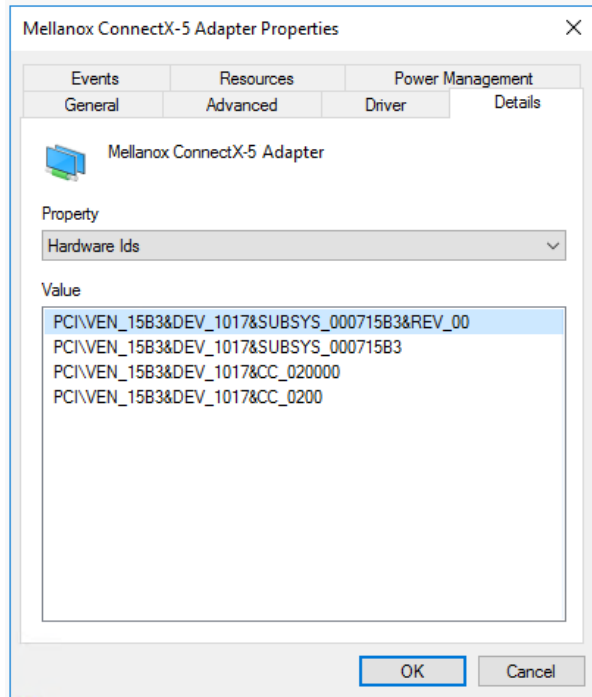
Get the device location on the PCI bus by running `lspci` and locating lines with the string “Mellanox Technologies”:

```
lspci |grep -i Mellanox  
Network controller: Mellanox Technologies MT28800 Family [ConnectX-6]
```

On Windows

1. Open Device Manager on the server. Click Start => Run, and then enter `devmgmt.msc`.
2. Expand System Devices and locate your ConnectX-6 adapter card.
3. Right click the mouse on your adapter's row and select Properties to display the adapter card properties window.
4. Click the Details tab and select Hardware Ids (Windows 2012/R2/2016) from the Property pull-down menu.

PCI Device (Example)



5. In the Value display box, check the fields VEN and DEV (fields are separated by '&'). In the display example above, notice the sub-string "PCI\VEN_15B3&DEV_1003": VEN is equal to 0x15B3 - this is the Vendor ID of NVIDIA; and DEV is equal to 1018 (for ConnectX-6) - this is a valid NVIDIA PCI Device ID.

⚠ If the PCI device does not have an NVIDIA adapter ID, return to Step 2 to check another device.

⚠ The list of NVIDIA PCI Device IDs can be found at the [PCI ID repository](#).

Adapter Cards Extraction Instructions

Follow the below instructions depending on the card form-factor you have purchased.

Safety Precautions

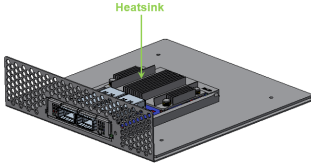
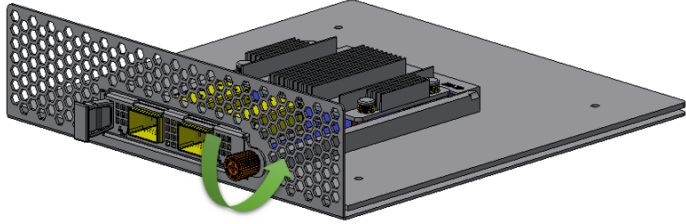
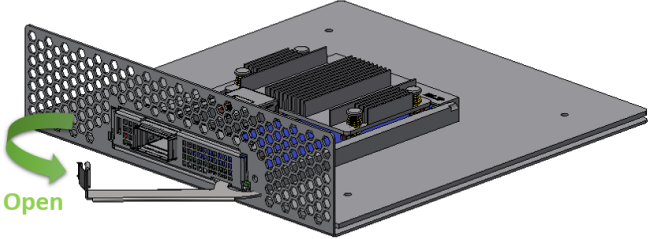
The adapter is installed in a system that operates with voltages that can be lethal. Before uninstalling the adapter card, please observe the following precautions to avoid injury and prevent damage to system components.

1. Remove any metallic objects from your hands and wrists.
2. It is strongly recommended to use an ESD strap or other antistatic devices.
3. Turn off the system and disconnect the power cord from the server.

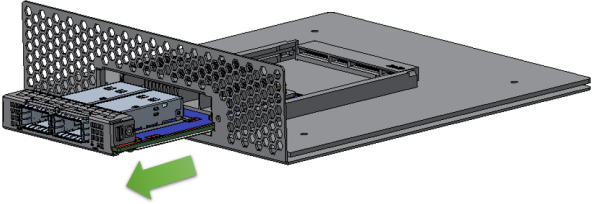
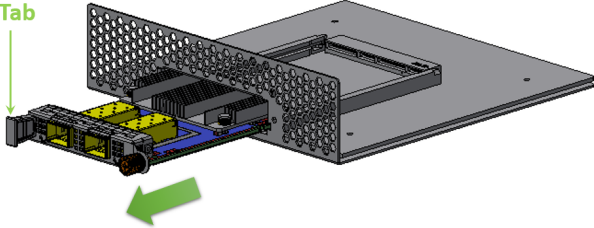
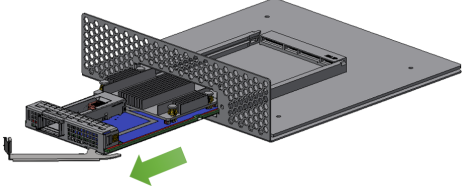
Instructions

 Please note that the following images are for illustration purposes only.

1. Verify that the system is powered off and unplugged.
2. Wait 30 seconds.
3. Unsecure the card.

| Internal Lock Bracket | Pull-tab (Thumbscrew) Bracket | Ejector-Latch Bracket |
|---|--|--|
| <p>While holding the heatsink, gently push the card out of the server.</p>  <p>Heatsink</p> <div style="border: 1px solid red; padding: 5px; margin-top: 10px;"> <p>⚠ Careful, the heatsink might be hot.</p> </div> | <p>Rotate the captive screw counterclockwise.</p>  <p>Open</p> | <p>Open the ejector latch.</p>  <p>Open</p> |

4. Gently pull out the adapter card.

| Internal Lock Bracket | Pull-tab (Thumbscrew) Bracket | Ejector-Latch Bracket |
|---|---|---|
| <p>Gently pull out the adapter card from the server.</p>  | <p>While holding the tab, pull out the adapter card.</p>  <p>Tab</p> | <p>Open the ejector latch.</p>  |

Driver Installation

Please use the relevant driver installation section.

- [Windows Driver Installation](#)
- [Linux Driver Installation](#)
- [VMware Driver Installation](#)

Windows Driver Installation

For Windows, download and install the latest WinOF-2 for Windows software package available via the NVIDIA website at: [WinOF-2 webpage](#). Follow the installation instructions included in the download package (also available from the download page).

The snapshots in the following sections are presented for illustration purposes only. The installation interface may slightly vary, depending on the operating system in use.

Software Requirements

| Description | Package |
|----------------------------------|-----------------------------------|
| Windows Server 2022 | MLNX_WinOF2-<version>_All_x64.exe |
| Windows Server 2019 | |
| Windows Server 2016 | |
| Windows Server 2012 R2 | |
| Windows 11 Client (64 bit only) | |
| Windows 10 Client (64 bit only) | |
| Windows 8.1 Client (64 bit only) | |

Note: The Operating System listed above must run with administrator privileges.

Downloading WinOF-2 Driver

➤ To download the .exe file according to your Operating System, please follow the steps below:

1. Obtain the machine architecture.
 - a. To go to the Start menu, position your mouse in the bottom-right corner of the Remote Desktop of your screen.
 - b. Open a CMD console (Click Task Manager-->File --> Run new task and enter CMD).
 - c. Enter the following command.

```
echo %PROCESSOR_ARCHITECTURE%
```

⚠ On an x64 (64-bit) machine, the output will be “AMD64”.

2. Go to the WinOF-2 web page at: <https://www.nvidia.com/en-us/networking/> > Products > Software > InfiniBand Drivers (Learn More) > Nvidia WinOF-2.
3. Download the .exe image according to the architecture of your machine (see [Step 1](#)).
The name of the .exe is in the following format: MLNX_WinOF2-<version>_<arch>.exe.

⚠ Installing the incorrect .exe file is prohibited. If you do so, an error message will be displayed. For example, if you install a 64-bit .exe on a 32-bit machine, the wizard will display the following (or a similar) error message: “The installation package is not supported by this processor type. Contact your vendor”

Installing WinOF-2 Driver

The snapshots in the following sections are for illustration purposes only. The installation interface may slightly vary, depending on the used operating system.

This section provides instructions for two types of installation procedures, and both require administrator privileges:

- [Attended Installation](#)
An installation procedure that requires frequent user intervention.
- [Unattended Installation](#)
An automated installation procedure that requires no user intervention.

Attended Installation

The following is an example of an installation session.

1. Double click the .exe and follow the GUI instructions to install MLNX_WinOF2.
2. [Optional] Manually configure your setup to contain the logs option (replace “LogFile” with the relevant directory).


```
MLNX_WinOF2_<revision_version>_All_Arch.exe /v"/l*vx [LogFile]"
```

3. [Optional] If you do not want to upgrade your firmware version (i.e., MT_SKIPFWUPGRD default value is False).

```
MLNX_WinOF2_<revision_version>_All_Arch.exe /v" MT_SKIPFWUPGRD=1"
```

4. [Optional] If you do not want to install the Rshim driver, run.

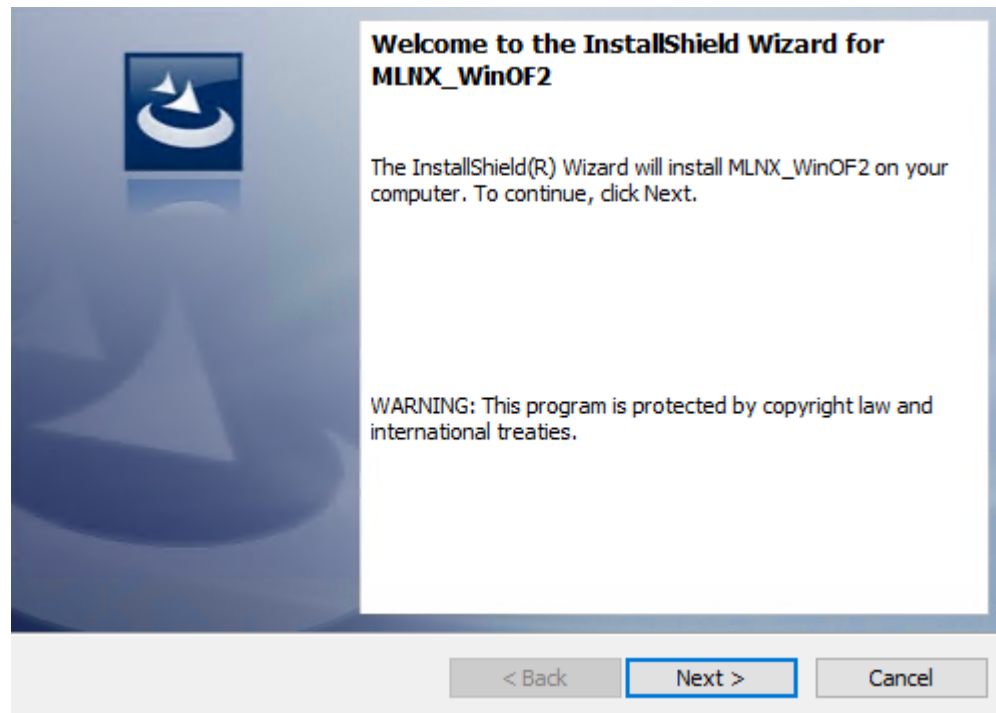
```
MLNX_WinOF2_<revision_version>_All_Arch.exe /v" MT_DISABLE_RSHIM_INSTALL=1"
```

 The Rshim driver installation will fail if a prior Rshim driver is already installed. The following fail message will be displayed in the log:
"ERROR!!! Installation failed due to following errors: MlxRshim drivers installation disabled and MlxRshim drivers Installed, Please remove the following oem inf files from driver store: <oem inf list>"

5. [Optional] If you want to skip the check for unsupported devices, run.

```
MLNX_WinOF2_<revision_version>_All_Arch.exe /v" SKIPUNSUPPORTEDDEVCHECK=1"
```

6. Click Next in the Welcome screen.



7. Read and accept the license agreement and click Next.

License Agreement

Please read the following license agreement carefully.

Copyright (c) 2005-2019, Mellanox Technologies All rights reserved.

Redistribution and use in source and binary forms, with or without modification, are permitted provided that the following conditions are met:

Redistributions of source code must retain the above copyright notice, this list of conditions and the following disclaimer.

Redistributions in binary form must reproduce the above

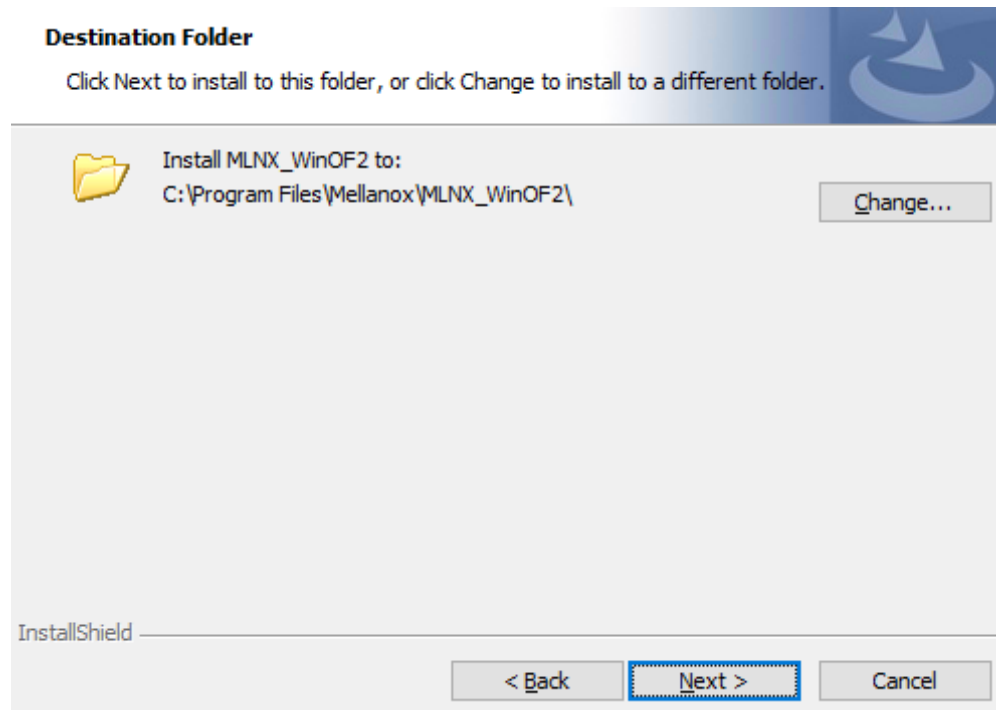
I accept the terms in the license agreement I do not accept the terms in the license agreement

Print

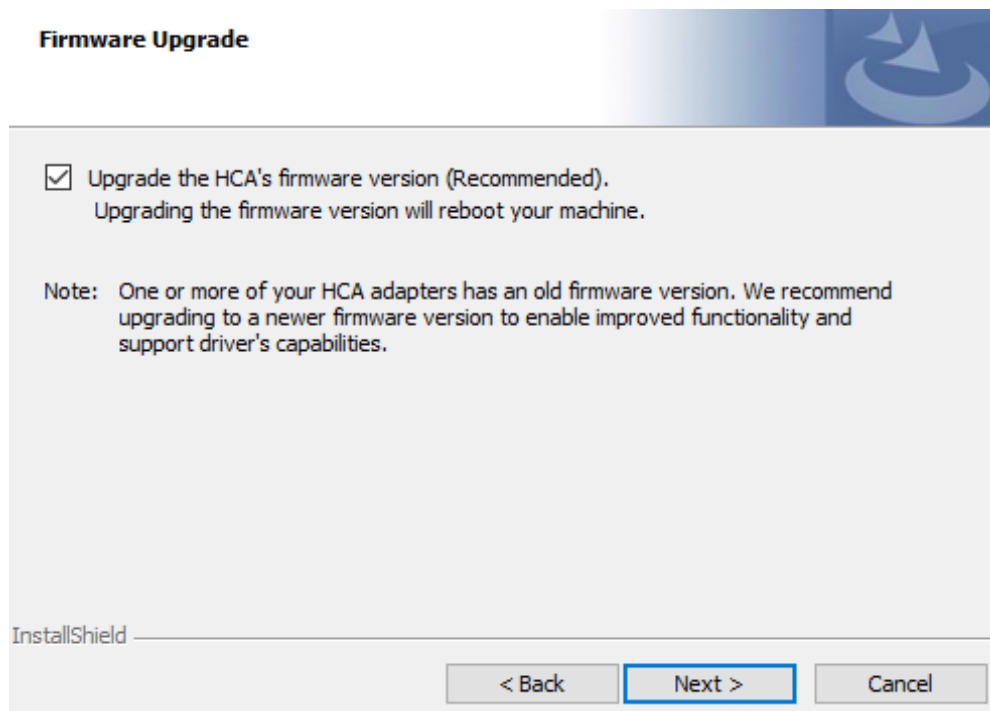
InstallShield

< Back Next > Cancel

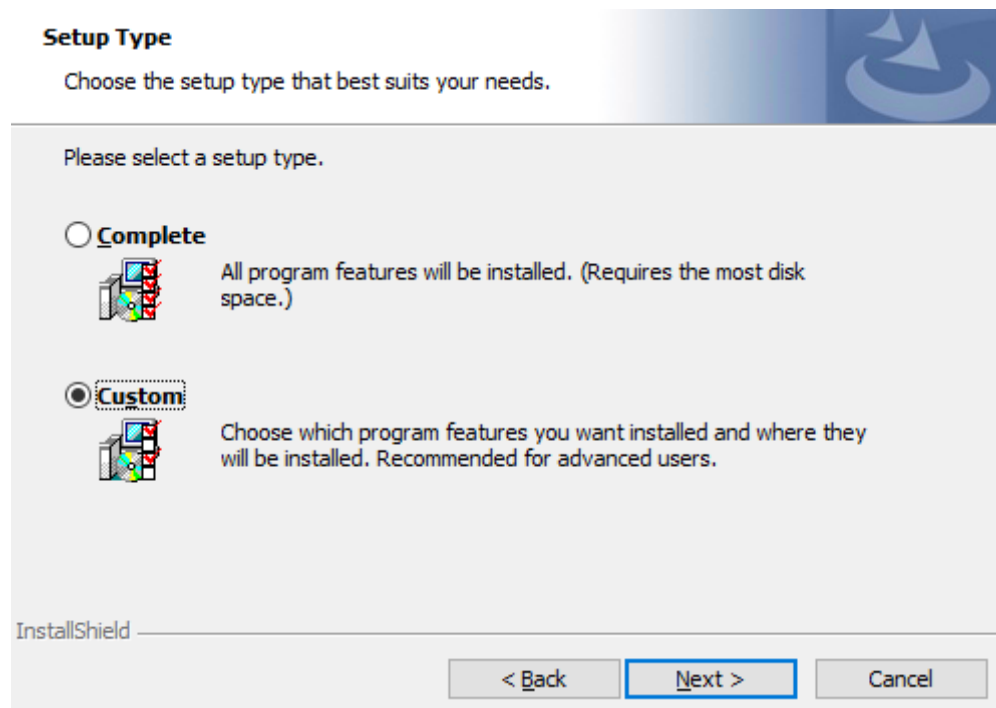
8. Select the target folder for the installation.



9. The firmware upgrade screen will be displayed in the following cases:
- If the user has an OEM card. In this case, the firmware will not be displayed.
 - If the user has a standard NVIDIA® card with an older firmware version, the firmware will be updated accordingly. However, if the user has both an OEM card and a NVIDIA® card, only the NVIDIA® card will be updated.

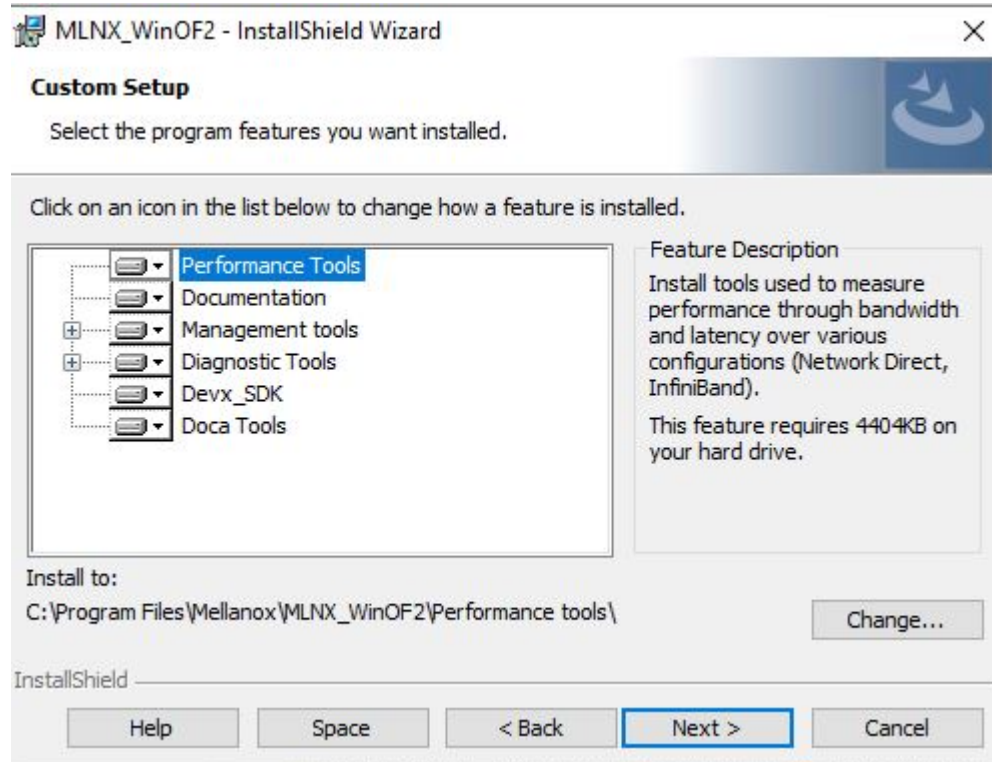


10. Select a Complete or Custom installation, follow [Step a](#) onward.

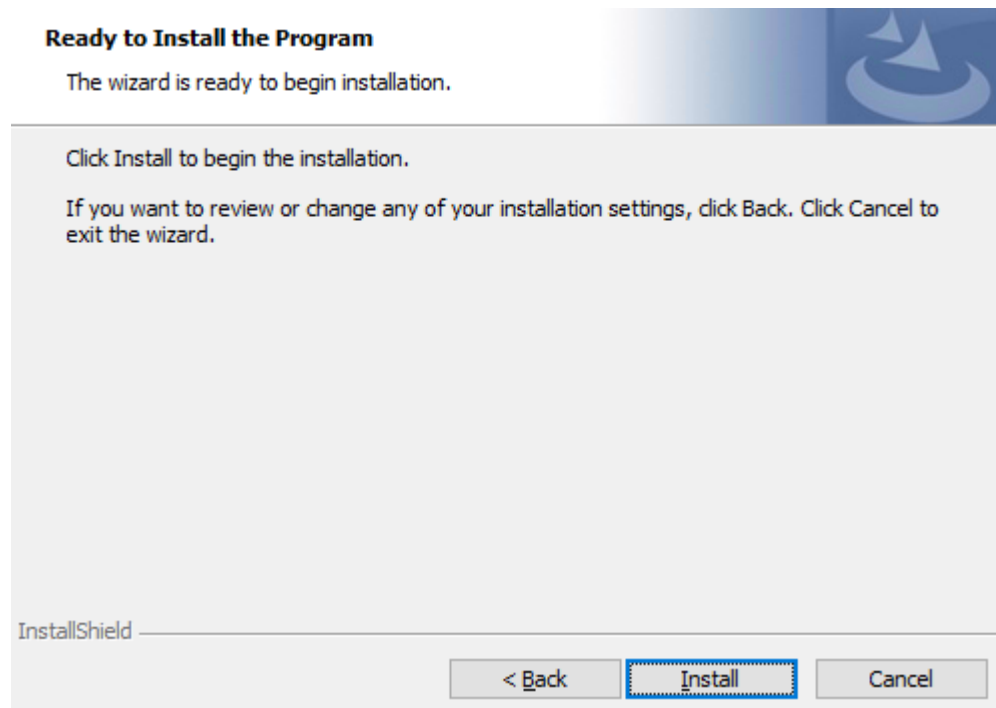



- a. Select the desired feature to install:
- Performance tools - install the performance tools that are used to measure performance in user environment
 - Documentation - contains the User Manual and Release Notes
 - Management tools - installation tools used for management, such as mlxstat
 - Diagnostic Tools - installation tools used for diagnostics, such as mlx5cmd

- b. Click Next to install the desired tools.



11. Click Install to start the installation.



12. In case firmware upgrade option was checked in [Step 7](#), you will be notified if a firmware upgrade is required (see ).

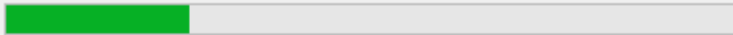
Installing MLNX_WinOF2

The program features you selected are being installed.



Please wait while the InstallShield Wizard installs MLNX_WinOF2. This may take several minutes.

Status:



Firmware upgrade is required. This may take several minutes.

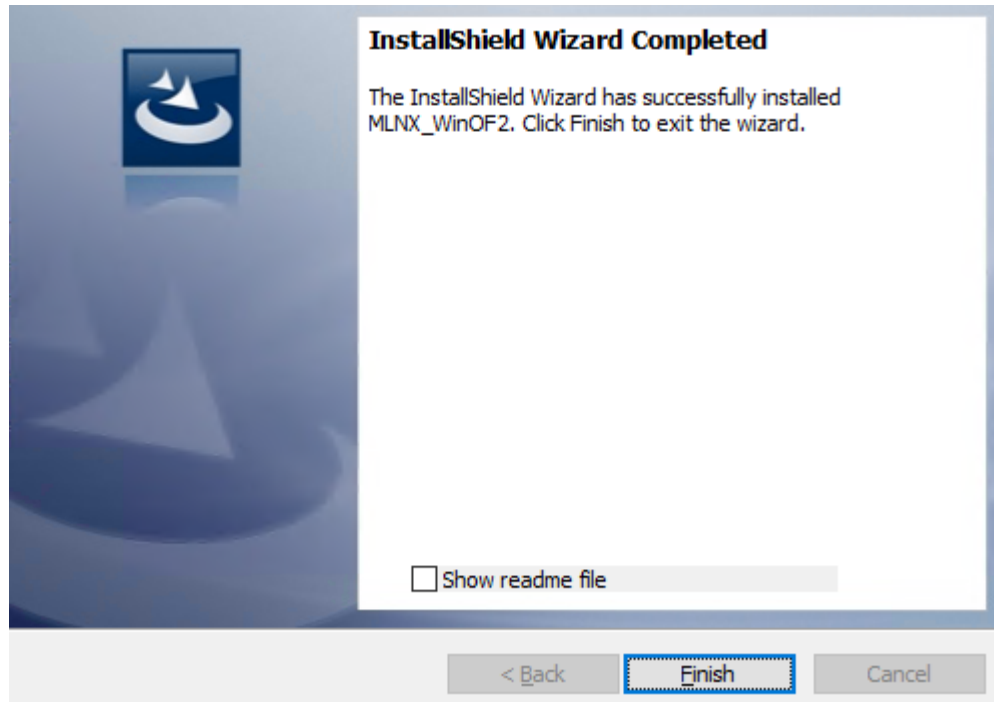
InstallShield

< Back

Next >

Cancel

13. Click Finish to complete the installation.



Unattended Installation

⚠ If no reboot options are specified, the installer restarts the computer whenever necessary without displaying any prompt or warning to the user. To control the reboots, use the */norestart* or */forcerestart* standard command-line options.

The following is an example of an unattended installation session.

1. Open a CMD console-> Click Start-> Task Manager File-> Run new task-> and enter CMD.

2. Install the driver. Run:

```
MLNX_WinOF2-[Driver/Version]_<revision_version>_All_-Arch.exe /S /v/qn
```

3. [Optional] Manually configure your setup to contain the logs option:

```
MLNX_WinOF2-[Driver/Version]_<revision_version>_All_-Arch.exe /S /v/qn /v"/l*v*vx [LogFile] "
```

4. [Optional] if you wish to control whether to install ND provider or not (i.e., *MT_NDPROPERTY default value is True*).


```
MLNX_WinOF2-[Driver/Version]_<revision_version>_All_Arch.exe /vMT_NDPROPERTY=1
```

5. [Optional] If you do not wish to upgrade your firmware version (i.e., *MT_SKIPFWUPGRD default value is False*).

```
MLNX_WinOF2-[Driver/Version]_<revision_version>_All_Arch.exe /vMT_SKIPFWUPGRD=1
```

6. [Optional] If you do not want to install the Rshim driver, run.

```
MLNX_WinOF2_<revision_version>_All_Arch.exe /v" MT_DISABLE_RSHIM_INSTALL=1 "
```

 The Rshim driver installation will fail if a prior Rshim driver is already installed. The following fail message will be displayed in the log:
"ERROR!!! Installation failed due to following errors: MlxRshim drivers installation disabled and MlxRshim drivers Installed, Please remove the following oem inf files from driver store: <oem inf list>"

7. [Optional] If you want to enable the default configuration for Rivermax, run.

```
MLNX_WinOF2_<revision_version>_All_Arch.exe /v"MT_RIVERMAX=1 /l*v*vx C:\Users\<<user>\log.txt "
```

8. [Optional] If you want to skip the check for unsupported devices, run/

```
MLNX_WinOF2_<revision_version>_All_Arch.exe /v" SKIPUNSUPPORTEDEDDEVCHECK=1 "
```

Firmware Upgrade

If the machine has a standard NVIDIA® card with an older firmware version, the firmware will be automatically updated as part of the NVIDIA® WinOF-2 package installation. For information on how to upgrade firmware manually, please refer to [MFT User Manual](#).

If the machine has a DDA (pass through) facility, firmware update is supported only in the Host. Therefore, to update the firmware, the following must be performed:

1. Return the network adapters to the Host.
2. Update the firmware according to the steps in the [MFT User Manual](#).
3. Attach the adapters back to VM with the DDA tools.

Linux Driver Installation

This section describes how to install and test the MLNX_OFED for Linux package on a single server with a NVIDIA ConnectX-6 adapter card installed.

Prerequisites

| Requirements | Description |
|--------------------------------------|---|
| Platforms | A server platform with a ConnectX®-6 (IB, EN) (firmware: fw-ConnectX6) installed |
| Required Disk Space for Installation | 1GB |
| Operating System | Linux operating system. For the list of supported operating system distributions and kernels, please refer to the <i>MLNX_OFED Release Notes</i> file. |
| Installer Privileges | The installation requires administrator (root) privileges on the target machine. |

Downloading MLNX_OFED

1. Verify that the system has a NVIDIA network adapter installed.

The following example shows a system with an installed NVIDIA adapter card:

```
# lspci -v | grep Mellanox
86:00.0 Network controller [0207]: Mellanox Technologies MT28908A0 Family
      Subsystem: Mellanox Technologies Device 0014
86:00.1 Network controller [0207]: Mellanox Technologies MT28908A0 Family
      Subsystem: Mellanox Technologies Device 0014
```

2. Download the ISO image to your host.

The image's name has the format `MLNX_OFED_LINUX-<ver>-<OS label><CPU arch>.iso`.

You can download and install the latest OpenFabrics Enterprise Distribution (OFED) software package available via the NVIDIA web site at [nvidia.com/en-us/networking](https://www.nvidia.com/en-us/networking) → Products → Software → InfiniBand Drivers → [NVIDIA MLNX_OFED](#)

- i. Scroll down to the Download wizard, and click the Download tab.
- ii. Choose your relevant package depending on your host operating system.
- iii. Click the desired ISO/tgz package.
- iv. To obtain the download link, accept the End User License Agreement (EULA).

3. Use the Hash utility to confirm the file integrity of your ISO image. Run the following command and compare the result to the value provided on the download page.

```
SHA256 MLNX_OFED_LINUX-<ver>-<OS label>.iso
```

Installing MLNX_OFED

Installation Script

The installation script, `mlnxofedinstall`, performs the following:

- Discovers the currently installed kernel
- Uninstalls any software stacks that are part of the standard operating system distribution or another vendor's commercial stack
- Installs the MLNX_OFED_LINUX binary RPMs (if they are available for the current kernel)
- Identifies the currently installed InfiniBand and Ethernet network adapters and automatically upgrades the firmware

Note: To perform a firmware upgrade using customized firmware binaries, a path can be provided to the folder that contains the firmware binary files, by running `--fw-image-dir`. Using this option, the firmware version embedded in the MLNX_OFED package will be ignored.

Example:

```
./mlnxofedinstall --fw-image-dir /tmp/my_fw_bin_files
```

⚠ If the driver detects unsupported cards on the system, it will abort the installation procedure. To avoid this, make sure to add `--skip-unsupported-devices-check` flag during installation.

Usage

```
./mnt/mlnxofedinstall [OPTIONS]
```

The installation script removes all previously installed OFED packages and re-installs from scratch. You will be prompted to acknowledge the deletion of the old packages.

⚠ Pre-existing configuration files will be saved with the extension `".conf.rpmsave"`.

- If you need to install OFED on an entire (homogeneous) cluster, a common strategy is to mount the ISO image on one of the cluster nodes and then copy it to a shared file system such as NFS. To install on all the cluster nodes, use cluster-aware tools (such as `pdsh`).
- If your kernel version does not match with any of the offered pre-built RPMs, you can add your kernel version by using the `"mlnx_add_kernel_support.sh"` script located inside the MLNX_OFED package.

⚠ On Redhat and SLES distributions with errata kernel installed there is no need to use the `mlnx_add_kernel_support.sh` script. The regular installation can be performed and weak-updates mechanism will create symbolic links to the MLNX_OFED kernel modules.

⚠ If you regenerate kernel modules for a custom kernel (using `--add-kernel-support`), the packages installation will not involve automatic regeneration of the `initramfs`. In some cases, such as a system with a root filesystem mounted over a ConnectX card, not regenerating the `initramfs` may even cause the system to fail to reboot. In such cases, the installer will recommend running the following command to update the `initramfs`:

```
dracut -f
```

On some OSs, `dracut -f` might result in the following error message which can be safely ignore.
`libkmod: kmod_module_new_from_path: kmod_module 'mdev' already exists with different path`

The “`mlnx_add_kernel_support.sh`” script can be executed directly from the `mlnxofedinstall` script. For further information, please see '`--add-kernel-support`' option below.

⚠ On Ubuntu and Debian distributions drivers installation use Dynamic Kernel Module Support (DKMS) framework. Thus, the drivers' compilation will take place on the host during `MLNX_OFED` installation. Therefore, using "`mlnx_add_kernel_support.sh`" is irrelevant on Ubuntu and Debian distributions.

Example: The following command will create a `MLNX_OFED_LINUX` ISO image for RedHat 7.3 under the `/tmp` directory.

```
# ./MLNX_OFED_LINUX-x.x-x-rhel7.3-x86_64/mlnx_add_kernel_support.sh -m /tmp/MLNX_OFED_LINUX-x.x-x-rhel7.3-x86_64/ --make-tgz
Note: This program will create MLNX_OFED_LINUX TGZ for rhel7.3 under /tmp directory.
All Mellanox, OEM, OFED, or Distribution IB packages will be removed.
Do you want to continue?[y/N]:y
See log file /tmp/mlnx_ofed_iso.21642.log

Building OFED RPMs. Please wait...
Removing OFED RPMs...
Created /tmp/MLNX_OFED_LINUX-x.x-x-rhel7.3-x86_64-ext.tgz
```

- The script adds the following lines to `/etc/security/limits.conf` for the userspace components such as MPI:
 - * soft memlock unlimited
 - * hard memlock unlimited

- These settings set the amount of memory that can be pinned by a userspace application to unlimited. If desired, tune the value unlimited to a specific amount of RAM.

For your machine to be part of the InfiniBand/VPI fabric, a Subnet Manager must be running on one of the fabric nodes. At this point, OFED for Linux has already installed the OpenSM Subnet Manager on your machine.

For the list of installation options, run:

```
./mlnxofedinstall --h
```

Installation Procedure


This section describes the installation procedure of MLNX_OFED on NVIDIA adapter cards.


- a. Log in to the installation machine as root.
- b. Mount the ISO image on your machine.


```
host1# mount -o ro,loop MLNX_OFED_LINUX-<ver>-<OS label>-<CPU arch>.iso /mnt
```

- c. Run the installation script.


```
/mnt/mlnxofedinstall
Logs dir: /tmp/MLNX_OFED_LINUX-x.x-x.logs
This program will install the MLNX_OFED_LINUX package on your machine.
Note that all other Mellanox, OEM, OFED, RDMA or Distribution IB packages will be removed.
Those packages are removed due to conflicts with MLNX_OFED_LINUX, do not reinstall them.
Starting MLNX_OFED_LINUX-x.x.x installation ...
.....
.....
Installation finished successfully.
Attempting to perform Firmware update...
Querying Mellanox devices firmware ...
```

 For unattended installation, use the --force installation option while running the MLNX_OFED installation script:
`/mnt/mlnxofedinstall --force`

 MLNX_OFED for Ubuntu should be installed with the following flags in chroot environment:
`./mlnxofedinstall --without-dkms --add-kernel-support --kernel <kernel version in chroot> --without-fw-update --force`
For example:
`./mlnxofedinstall --without-dkms --add-kernel-support --kernel 3.13.0-85-generic --without-fw-update --force`
Note that the path to kernel sources (--kernel-sources) should be added if the sources are not in their default location.

 In case your machine has the latest firmware, no firmware update will occur and the installation script will print at the end of installation a message similar to the following:

```
Device #1:
-----
Device Type: ConnectX-X
Part Number: MCXXXX-XXX
PSID: MT_<version>
PCI Device Name: 0b:00.0
Base MAC: 0000e41d2d5cf810
Versions: Current Available
FW XX.XX.XXXX
Status: Up to date
```

 In case your machine has an unsupported network adapter device, no firmware update will occur and one of the error messages below will be printed. Please contact your hardware vendor for help with firmware updates.

```
Error message #1:
Device #1:
-----
Device Type: ConnectX-X
Part Number: MCXXXX-XXX
PSID: MT_<version>
PCI Device Name: 0b:00.0
```

Base MAC: 0000e41d2d5cf810
 Versions: Current Available
 FW XX.XX.XXXX
 Status: No matching image found
 Error message #2:
 The firmware for this device is not distributed inside NVIDIA driver: 0000:01:00.0 (PSID: IBM2150110033)
 To obtain firmware for this device, please contact your HW vendor.

- d. Case A: If the installation script has performed a firmware update on your network adapter, you need to either restart the driver or reboot your system before the firmware update can take effect. Refer to the table below to find the appropriate action for your specific card.

| Action \ Adapter | Driver Restart | Standard Reboot (Soft Reset) | Cold Reboot (Hard Reset) |
|---|----------------|------------------------------|--------------------------|
| Standard ConnectX-4/ConnectX-4 Lx or higher | - | + | - |
| Adapters with Multi-Host Support | - | - | + |
| Socket Direct Cards | - | - | + |


Case B: If the installations script has not performed a firmware upgrade on your network adapter, restart the driver by running: “/etc/init.d/openibd restart”.

- e. (InfiniBand only) Run the `hca_self_test.ofed` utility to verify whether or not the InfiniBand link is up. The utility also checks for and displays additional information such as:
- HCA firmware version
 - Kernel architecture
 - Driver version
 - Number of active HCA ports along with their states
 - Node GUID

For more details on `hca_self_test.ofed`, see the file `docs/readme_and_user_manual/hca_self_test.readme`.

After installation completion, information about the OFED installation, such as prefix, kernel version, and installation parameters can be retrieved by running the command `/etc/infiniband/info`. Most of the OFED components can be configured or reconfigured after the installation, by modifying

the relevant configuration files. See the relevant chapters in this manual for details.
 The list of the modules that will be loaded automatically upon boot can be found in the `/etc/infiniband/openib.conf` file.

 Installing OFED will replace the RDMA stack and remove existing 3rd party RDMA connectors.

Installation Results

| | |
|----------|--|
| Software | <ul style="list-style-type: none"> • Most of MLNX_OFED packages are installed under the “/usr” directory except for the following packages which are installed under the “/opt” directory: <ul style="list-style-type: none"> • fca and ibutils • iproute2 (rdma tool) - installed under <code>/opt/Mellanox/iproute2/sbin/rdma</code> • The kernel modules are installed under <ul style="list-style-type: none"> • <code>/lib/modules/`uname -r`/updates</code> on SLES and Fedora Distributions • <code>/lib/modules/`uname -r`/extra/mlnx-ofa_kernel</code> on RHEL and other RedHat like Distributions • <code>/lib/modules/`uname -r`/updates/dkms/</code> on Ubuntu |
| Firmware | <ul style="list-style-type: none"> • The firmware of existing network adapter devices will be updated if the following two conditions are fulfilled: <ul style="list-style-type: none"> • The installation script is run in default mode; that is, without the option ‘<code>--without- fw-update</code>’ • The firmware version of the adapter device is older than the firmware version included with the OFED ISO image <p>Note: If an adapter’s Flash was originally programmed with an Expansion ROM image, the automatic firmware update will also burn an Expansion ROM image.</p> • In case your machine has an unsupported network adapter device, no firmware update will occur and the error message below will be printed. “The firmware for this device is not distributed inside NVIDIA driver: 0000:01:00.0 (PSID: IBM2150110033) To obtain firmware for this device, please contact your HW vendor.” |

Installation Logging

While installing MLNX_OFED, the install log for each selected package will be saved in a separate log file.
 The path to the directory containing the log files will be displayed after running the installation script in the following format:
 Example:

```
Logs dir: /tmp/MLNX_OFED_LINUX-4.4-1.0.0.0.IBMM2150110033.logs
```

Driver Load Upon System Boot

Upon system boot, the NVIDIA drivers will be loaded automatically.

- To prevent the automatic load of the NVIDIA drivers upon system boot:
- Add the following lines to the "/etc/modprobe.d/mlnx.conf" file.

```
blacklist mlx5_core
blacklist mlx5_ib
```

- Set "ONBOOT=no" in the "/etc/infiniband/openib.conf" file.
- If the modules exist in the initramfs file, they can automatically be loaded by the kernel. To prevent this behavior, update the initramfs using the operating systems' standard tools.
Note: The process of updating the initramfs will add the blacklists from step 1, and will prevent the kernel from loading the modules automatically.

mlnxofedinstall Return Codes

The table below lists the mlnxofedinstall script return codes and their meanings.

| Return Code | Meaning |
|-------------|---|
| 0 | The Installation ended successfully |
| 1 | The installation failed |
| 2 | No firmware was found for the adapter device |
| 22 | Invalid parameter |
| 28 | Not enough free space |
| 171 | Not applicable to this system configuration. This can occur when the required hardware is not present on the system |
| 172 | Prerequisites are not met. For example, missing the required software installed or the hardware is not configured correctly |
| 173 | Failed to start the mst driver |

| | |
|----------|---|
| Software | <ul style="list-style-type: none"> • Most of MLNX_OFED packages are installed under the “/usr” directory except for the following packages which are installed under the “/opt” directory: <ul style="list-style-type: none"> • fca and ibutils • iproute2 (rdma tool) - installed under /opt/Mellanox/iproute2/sbin/rdma • The kernel modules are installed under <ul style="list-style-type: none"> • /lib/modules/`uname -r`/updates on SLES and Fedora Distributions • /lib/modules/`uname -r`/extra/mlnx-ofa_kernel on RHEL and other RedHat like Distributions • /lib/modules/`uname -r`/updates/dkms/ on Ubuntu |
| Firmware | <ul style="list-style-type: none"> • The firmware of existing network adapter devices will be updated if the following two conditions are fulfilled: <ul style="list-style-type: none"> • The installation script is run in default mode; that is, without the option ‘--without- fw-update’ • The firmware version of the adapter device is older than the firmware version included with the OFED ISO image <p>Note: If an adapter’s Flash was originally programmed with an Expansion ROM image, the automatic firmware update will also burn an Expansion ROM image.</p> • In case your machine has an unsupported network adapter device, no firmware update will occur and the error message below will be printed. “The firmware for this device is not distributed inside NVIDIA driver: 0000:01:00.0 (PSID: IBM2150110033) To obtain firmware for this device, please contact your HW vendor.” |

Installation Logging

While installing MLNX_OFED, the install log for each selected package will be saved in a separate log file.

The path to the directory containing the log files will be displayed after running the installation script in the following format:

Example:

```
Logs dir: /tmp/MLNX_OFED_LINUX-4.4-1.0.0.0.IBMM2150110033.logs
```

Uninstalling MLNX_OFED

Use the script /usr/sbin/ofed_uninstall.sh to uninstall the MLNX_OFED package. The script is part of the ofed-scripts RPM.

Additional Installation Procedures

Installing MLNX_OFED Using YUM

This type of installation is applicable to RedHat/OL and Fedora operating systems.

Setting up MLNX_OFED YUM Repository

- a. Log into the installation machine as root.
- b. Mount the ISO image on your machine and copy its content to a shared location in your network.

```
# mount -o ro,loop MLNX_OFED_LINUX-<ver>-<OS label>-<CPU arch>.iso /mnt
```

- c. Download and install NVIDIA's GPG-KEY:
The key can be downloaded via the following link:
<http://www.mellanox.com/downloads/ofed/RPM-GPG-KEY-Mellanox>

```
# wget http://www.mellanox.com/downloads/ofed/RPM-GPG-KEY-Mellanox
--2018-01-25 13:52:30-- http://www.mellanox.com/downloads/ofed/RPM-GPG-KEY-Mellanox
Resolving www.mellanox.com... 72.3.194.0
Connecting to www.mellanox.com|72.3.194.0|:80... connected.
HTTP request sent, awaiting response... 200 OK
Length: 1354 (1.3K) [text/plain]
Saving to: ?RPM-GPG-KEY-Mellanox?

100%[=====>] 1,354      --.-K/s   in 0s

2018-01-25 13:52:30 (247 MB/s) - ?RPM-GPG-KEY-Mellanox? saved [1354/1354]
```

- d. Install the key.

```
# sudo rpm --import RPM-GPG-KEY-Mellanox
```



```
warning: rpmts_HdrFromFdno: Header V3 DSA/SHA1 Signature, key ID 6224c050: NOKEY
Retrieving key from file:///repos/MLNX_OFED/<MLNX_OFED file>/RPM-GPG-KEY-Mellanox
Importing GPG key 0x6224C050:
  Userid: "Mellanox Technologies (Mellanox Technologies - Signing Key v2) <support@mellanox.com>"
  From   : /repos/MLNX_OFED/<MLNX_OFED file>/RPM-GPG-KEY-Mellanox
Is this ok [y/N]:
```

- e. Check that the key was successfully imported.

```
# rpm -q gpg-pubkey --qf '%{NAME}-%{VERSION}-%{RELEASE}\t%{SUMMARY}\n' | grep Mellanox
gpg-pubkey-a9e4b643-520791ba      gpg(Mellanox Technologies <support@mellanox.com>)
```

- f. Create a yum repository configuration file called "/etc/yum.repos.d/mlnx_ofed.repo" with the following content:

```
[mlnx_ofed]
name=MLNX_OFED Repository
baseurl=file:///<path to extracted MLNX_OFED package>/RPMS
enabled=1
gpgkey=file:///<path to the downloaded key RPM-GPG-KEY-Mellanox>
gpgcheck=1
```

- g. Check that the repository was successfully added.

```
# yum repolist
Loaded plugins: product-id, security, subscription-manager
This system is not registered to Red Hat Subscription Management. You can use subscription-manager to register.
repo id repo name                                status
mlnx_ofed  MLNX_OFED Repository                            108
rpmforge   RHEL 6Server - RPMforge.net - dag                4,597

repolist: 8,351
```

Setting up MLNX_OFED YUM Repository Using --add-kernel-support

- Log into the installation machine as root.
- Mount the ISO image on your machine and copy its content to a shared location in your network.

```
# mount -o ro,loop MLNX_OFED_LINUX-<ver>-<OS label>-<CPU arch>.iso /mnt
```

- c. Build the packages with kernel support and create the tarball.

```
# /mnt/mlnx_add_kernel_support.sh --make-tgz <optional --kmp> -k $(uname -r) -m /mnt/  
Note: This program will create MLNX_OFED_LINUX TGZ for rhel7.6 under /tmp directory.  
Do you want to continue?[y/N]:y  
See log file /tmp/mlnx_iso.4120_logs/mlnx_ofed_iso.4120.log  
  
Checking if all needed packages are installed...  
Building MLNX_OFED_LINUX RPMs . Please wait...  
Creating metadata-rpms for 3.10.0-957.21.3.el7.x86_64 ...  
WARNING: If you are going to configure this package as a repository, then please note  
WARNING: that it contains unsigned rpms, therefore, you need to disable the gpgcheck  
WARNING: by setting 'gpgcheck=0' in the repository conf file.  
Created /tmp/MLNX_OFED_LINUX-5.2-0.5.5.0-rhel7.6-x86_64-ext.tgz
```

- d. Open the tarball.

```
# cd /tmp/  
# tar -xvf /tmp/MLNX_OFED_LINUX-5.2-0.5.5.0-rhel7.6-x86_64-ext.tgz
```

- e. Create a YUM repository configuration file called "/etc/yum.repos.d/mlnx_ofed.repo" with the following content:

```
[mlnx_ofed]  
name=MLNX_OFED Repository  
baseurl=file:///<path to extracted MLNX_OFED package>/RPMS  
enabled=1  
gpgcheck=0
```

- f. Check that the repository was successfully added.

```
# yum repolist  
Loaded plugins: product-id, security, subscription-manager  
This system is not registered to Red Hat Subscription Management. You can use subscription-manager to  
register.
```

```

repo id repo name status
mlnx_ofed MLNX_OFED Repository 108
rpmforge RHEL 6Server - RPMforge.net - dag 4,597

repolist: 8,351

```

Installing MLNX_OFED Using the YUM Tool

After setting up the YUM repository for MLNX_OFED package, perform the following:

- a. View the available package groups by invoking:

```

# yum search mlnx-ofed-
mlnx-ofed-all.noarch : MLNX_OFED all installer package (with KMP support)
mlnx-ofed-all-user-only.noarch : MLNX_OFED all-user-only installer package (User Space packages only)
mlnx-ofed-basic.noarch : MLNX_OFED basic installer package (with KMP support)
mlnx-ofed-basic-user-only.noarch : MLNX_OFED basic-user-only installer package (User Space packages
only)
mlnx-ofed-bluefield.noarch : MLNX_OFED bluefield installer package (with KMP support)
mlnx-ofed-bluefield-user-only.noarch : MLNX_OFED bluefield-user-only installer package (User Space
packages only)
mlnx-ofed-dpdk.noarch : MLNX_OFED dpdk installer package (with KMP support)
mlnx-ofed-dpdk-upstream-libs.noarch : MLNX_OFED dpdk-upstream-libs installer package (with KMP support)
mlnx-ofed-dpdk-upstream-libs-user-only.noarch : MLNX_OFED dpdk-upstream-libs-user-only installer package
(User Space packages only)
mlnx-ofed-dpdk-user-only.noarch : MLNX_OFED dpdk-user-only installer package (User Space packages only)
mlnx-ofed-eth-only-user-only.noarch : MLNX_OFED eth-only-user-only installer package (User Space
packages only)
mlnx-ofed-guest.noarch : MLNX_OFED guest installer package (with KMP support)
mlnx-ofed-guest-user-only.noarch : MLNX_OFED guest-user-only installer package (User Space packages
only)
mlnx-ofed-hpc.noarch : MLNX_OFED hpc installer package (with KMP support)
mlnx-ofed-hpc-user-only.noarch : MLNX_OFED hpc-user-only installer package (User Space packages only)
mlnx-ofed-hypervisor.noarch : MLNX_OFED hypervisor installer package (with KMP support)
mlnx-ofed-hypervisor-user-only.noarch : MLNX_OFED hypervisor-user-only installer package (User Space
packages only)
mlnx-ofed-kernel-only.noarch : MLNX_OFED kernel-only installer package (with KMP support)
mlnx-ofed-vma.noarch : MLNX_OFED vma installer package (with KMP support)
mlnx-ofed-vma-eth.noarch : MLNX_OFED vma-eth installer package (with KMP support)

```

```

mlnx-ofed-vma-eth-user-only.noarch : MLNX_OFED vma-eth-user-only installer package (User Space packages only)
mlnx-ofed-vma-user-only.noarch : MLNX_OFED vma-user-only installer package (User Space packages only)
mlnx-ofed-vma-vpi.noarch : MLNX_OFED vma-vpi installer package (with KMP support)
mlnx-ofed-vma-vpi-user-only.noarch : MLNX_OFED vma-vpi-user-only installer package (User Space packages only)

```

where:

| | |
|----------------------|---|
| mlnx-ofed-all | Installs all available packages in MLNX_OFED |
| mlnx-ofed-basic | Installs basic packages required for running NVIDIA cards |
| mlnx-ofed-guest | Installs packages required by guest OS |
| mlnx-ofed-hpc | Installs packages required for HPC |
| mlnx-ofed-hypervisor | Installs packages required by hypervisor OS |
| mlnx-ofed-vma | Installs packages required by VMA |
| mlnx-ofed-vma-eth | Installs packages required by VMA to work over Ethernet |
| mlnx-ofed-vma-vpi | Installs packages required by VMA to support VPI |
| bluefield | Installs packages required for BlueField |
| dpdk | Installs packages required for DPDK |
| dpdk-upstream-libs | Installs packages required for DPDK using RDMA-Core |
| kernel-only | Installs packages required for a non-default kernel |

Note: MLNX_OFED provides kernel module RPM packages with KMP support for RHEL and SLES. For other operating systems, kernel module RPM packages are provided only for the operating system's default kernel. In this case, the group RPM packages have the supported kernel version in their package's name.

Example:

```

mlnx-ofed-all-3.17.4-301.fc21.x86_64.noarch : MLNX_OFED all installer package for kernel 3.17.4-301.fc21.x86\_64 (without KMP support)
mlnx-ofed-basic-3.17.4-301.fc21.x86_64.noarch : MLNX_OFED basic installer package for kernel 3.17.4-301.fc21.x86\_64 (without KMP support)

```

```

mlnx-ofed-guest-3.17.4-301.fc21.x86_64.noarch : MLNX_OFED guest installer package for kernel 3.17.4-301.fc21.x86_64 (without KMP support)
mlnx-ofed-hpc-3.17.4-301.fc21.x86_64.noarch : MLNX_OFED hpc installer package for kernel 3.17.4-301.fc21.x86_64 (without KMP support)
mlnx-ofed-hypervisor-3.17.4-301.fc21.x86_64.noarch : MLNX_OFED hypervisor installer package for kernel 3.17.4-301.fc21.x86_64 (without KMP support)
mlnx-ofed-vma-3.17.4-301.fc21.x86_64.noarch : MLNX_OFED vma installer package for kernel 3.17.4-301.fc21.x86_64 (without KMP support)
mlnx-ofed-vma-eth-3.17.4-301.fc21.x86_64.noarch : MLNX_OFED vma-eth installer package for kernel 3.17.4-301.fc21.x86_64 (without KMP support)
mlnx-ofed-vma-vpi-3.17.4-301.fc21.x86_64.noarch : MLNX_OFED vma-vpi installer package for kernel 3.17.4-301.fc21.x86_64 (without KMP support)
mlnx-ofed-hypervisor-3.17.4-301.fc21.x86_64.noarch : MLNX_OFED hypervisor installer package for kernel 3.17.4-301.fc21.x86_64 (without KMP support)
mlnx-ofed-vma-3.17.4-301.fc21.x86_64.noarch : MLNX_OFED vma installer package for kernel 3.17.4-301.fc21.x86_64 (without KMP support)
mlnx-ofed-vma-eth-3.17.4-301.fc21.x86_64.noarch : MLNX_OFED vma-eth installer package for kernel 3.17.4-301.fc21.x86_64 (without KMP support)
mlnx-ofed-vma-vpi-3.17.4-301.fc21.x86_64.noarch : MLNX_OFED vma-vpi installer package for kernel 3.17.4-301.fc21.x86_64 (without KMP support)

```

When using an operating system different than RHEL or SLES, or you have installed a kernel that is not supported by default in MLNX_OFED, you can use the `mlnx_add_kernel_support.sh` script to build MLNX_OFED for your kernel.

The script will automatically build the matching group RPM packages for your kernel so that you can still install MLNX_OFED via yum.

Please note that the resulting MLNX_OFED repository will contain unsigned RPMs, therefore, you should set `'gpgcheck=0'` in the repository configuration file.

b. Install the desired group.

```

# yum install mlnx-ofed-all
Loaded plugins: langpacks, product-id, subscription-manager
Resolving Dependencies
--> Running transaction check
---> Package mlnx-ofed-all.noarch 0:3.1-0.1.2 will be installed
--> Processing Dependency: kmod-iser = 1.0-OFED.3.1.0.1.2.1.g832a737.rhel7u1 for package: mlnx-ofed-all-3.1-0.1.2.noarch
.....
.....
  qperf.x86_64 0:0.4.9-9
  rds-devel.x86_64 0:2.0.7-1.12

```

```
rds-tools.x86_64 0:2.0.7-1.12
sdpnstat.x86_64 0:1.60-26
srptools.x86_64 0:1.0.2-12
```

Complete!

- ⚠** Installing MLNX_OFED using the “YUM” tool does not automatically update the firmware. To update the firmware to the version included in MLNX_OFED package, run:
- ```
yum install mlnx-fw-updater
```

## Installing MLNX\_OFED Using apt-get

This type of installation is applicable to Debian and Ubuntu operating systems.

### Setting up MLNX\_OFED apt-get Repository

- Log into the installation machine as root.
- Extract the MLNX\_OFED package on a shared location in your network.  
It can be downloaded from <https://www.nvidia.com/en-us/networking/> → Products → Software → InfiniBand Drivers.
- Create an apt-get repository configuration file called “/etc/apt/sources.list.d/mlnx\_ofed.list” with the following content:

```
deb file: /<path to extracted MLNX_OFED package>/DEBS ./
```

- Download and install NVIDIA's Technologies GPG-KEY.

```
wget -qO - http://www.mellanox.com/downloads/ofed/RPM-GPG-KEY-Mellanox | sudo apt-key add -
```

- Verify that the key was successfully imported.

```
apt-key list
pub 1024D/A9E4B643 2013-08-11
uid Mellanox Technologies <support@mellanox.com>
sub 1024g/09FCC269 2013-08-11
```

- f. Update the apt-get cache.

```
sudo apt-get update
```

### Setting up MLNX\_OFED apt-get Repository Using --add-kernel-support

- a. Log into the installation machine as root.
- b. Mount the ISO image on your machine and copy its content to a shared location in your network.

```
mount -o ro,loop MLNX_OFED_LINUX-<ver>-<OS label>-<CPU arch>.iso /mnt
```

- c. Build the packages with kernel support and create the tarball.

```
/mnt/mlnx_add_kernel_support.sh --make-tgz <optional --kmp> -k $(uname -r) -m /mnt/
Note: This program will create MLNX_OFED_LINUX TGZ for rhel7.6 under /tmp directory.
Do you want to continue?[y/N]:y
See log file /tmp/mlnx_iso.4120_logs/mlnx_ofed_iso.4120.log

Checking if all needed packages are installed...
Building MLNX_OFED_LINUX RPMS . Please wait...
Creating metadata-rpms for 3.10.0-957.21.3.el7.x86_64 ...
WARNING: If you are going to configure this package as a repository, then please note
WARNING: that it contains unsigned rpms, therefore, you need to disable the gpgcheck
WARNING: by setting 'gpgcheck=0' in the repository conf file.
Created /tmp/MLNX_OFED_LINUX-5.2-0.5.5.0-rhel7.6-x86_64-ext.tgz
```

- d. Open the tarball.

```
cd /tmp/
```

```
tar -xvf /tmp/MLNX_OFED_LINUX-5.2-0.5.5.0-rhel7.6-x86_64-ext.tgz
```

- e. Create an apt-get repository configuration file called `"/etc/apt/sources.list.d/mlnx_ofed.list"` with the following content:

```
deb [trusted=yes] file:/<path to extracted MLNX_OFED package>/DEBS ./
```

- f. Update the apt-get cache.

```
sudo apt-get update
```

## Installing MLNX\_OFED Using the apt-get Tool

After setting up the apt-get repository for MLNX\_OFED package, perform the following:

- a. View the available package groups by invoking:

```
apt-cache search mlnx-ofed-
apt-cache search mlnx-ofed
knem-dkms - DKMS support for mlnx-ofed kernel modules
mlnx-ofed-kernel-dkms - DKMS support for mlnx-ofed kernel modules
mlnx-ofed-kernel-utils - Userspace tools to restart and tune mlnx-ofed kernel modules
mlnx-ofed-vma-vpi - MLNX_OFED vma-vpi installer package (with DKMS support)
mlnx-ofed-kernel-only - MLNX_OFED kernel-only installer package (with DKMS support)
mlnx-ofed-bluefield - MLNX_OFED bluefield installer package (with DKMS support)
mlnx-ofed-hpc-user-only - MLNX_OFED hpc-user-only installer package (User Space packages only)
mlnx-ofed-dpdk-user-only - MLNX_OFED dpdk-user-only installer package (User Space packages only)
mlnx-ofed-all-exact - MLNX_OFED all installer package (with DKMS support) (exact)
mlnx-ofed-all - MLNX_OFED all installer package (with DKMS support)
mlnx-ofed-vma-vpi-user-only - MLNX_OFED vma-vpi-user-only installer package (User Space packages only)
mlnx-ofed-eth-only-user-only - MLNX_OFED eth-only-user-only installer package (User Space packages
only)
mlnx-ofed-vma-user-only - MLNX_OFED vma-user-only installer package (User Space packages only)
mlnx-ofed-hpc - MLNX_OFED hpc installer package (with DKMS support)
mlnx-ofed-bluefield-user-only - MLNX_OFED bluefield-user-only installer package (User Space packages
only)
mlnx-ofed-dpdk - MLNX_OFED dpdk installer package (with DKMS support)
mlnx-ofed-vma-eth-user-only - MLNX_OFED vma-eth-user-only installer package (User Space packages only)
```



```

mlnx-ofed-all-user-only - MLNX_OFED all-user-only installer package (User Space packages only)
mlnx-ofed-vma-eth - MLNX_OFED vma-eth installer package (with DKMS support)
mlnx-ofed-vma - MLNX_OFED vma installer package (with DKMS support)
mlnx-ofed-dpdk-upstream-libs-user-only - MLNX_OFED dpdk-upstream-libs-user-only installer package (User Space packages only)
mlnx-ofed-basic-user-only - MLNX_OFED basic-user-only installer package (User Space packages only)
mlnx-ofed-basic-exact - MLNX_OFED basic installer package (with DKMS support) (exact)
mlnx-ofed-basic - MLNX_OFED basic installer package (with DKMS support)
mlnx-ofed-dpdk-upstream-libs - MLNX_OFED dpdk-upstream-libs installer package (with DKMS support)

```

where:


|                       |                                                     |
|-----------------------|-----------------------------------------------------|
| mlnx-ofed-all         | MLNX_OFED all installer package                     |
| mlnx-ofed-basic       | MLNX_OFED basic installer package                   |
| mlnx-ofed-vma         | MLNX_OFED vma installer package                     |
| mlnx-ofed-hpc         | MLNX_OFED HPC installer package                     |
| mlnx-ofed-vma-eth     | MLNX_OFED vma-eth installer package                 |
| mlnx-ofed-vma-vpi     | MLNX_OFED vma-vpi installer package                 |
| knem-dkms             | MLNX_OFED DKMS support for mlnx-ofed kernel modules |
| kernel-dkms           | MLNX_OFED kernel-dkms installer package             |
| kernel-only           | MLNX_OFED kernel-only installer package             |
| bluefield             | MLNX_OFED bluefield installer package               |
| mlnx-ofed-all-exact   | MLNX_OFED mlnx-ofed-all-exact installer package     |
| dpdk                  | MLNX_OFED dpdk installer package                    |
| mlnx-ofed-basic-exact | MLNX_OFED mlnx-ofed-basic-exact installer package   |
| dpdk-upstream-libs    | MLNX_OFED dpdk-upstream-libs installer package      |

b. Install the desired group.

```
apt-get install '<group name>'
```

Example:

```
apt-get install mlnx-ofed-all
```

 Installing MLNX\_OFED using the “apt-get” tool does not automatically update the firmware. To update the firmware to the version included in MLNX\_OFED package, run:  

```
apt-get install mlnx-fw-updater
```

## Performance Tuning

Depending on the application of the user's system, it may be necessary to modify the default configuration of network adapters based on the ConnectX® adapters. In case that tuning is required, please refer to the [Performance Tuning Guide for NVIDIA Network Adapters](#).


## VMware Driver Installation

This section describes VMware Driver Installation.

## Hardware and Software Requirements

| Requirement          | Description                                                                                   |
|----------------------|-----------------------------------------------------------------------------------------------|
| Platforms            | A server platform with an adapter card based on ConnectX®-6 (IB, EN) (firmware: fw-ConnectX6) |
| Operating System     | ESXi 6.5                                                                                      |
| Installer Privileges | The installation requires administrator privileges on the target machine.                     |

## Installing NATIVE ESXi Driver for VMware vSphere

 Please uninstall all previous driver packages prior to installing the new version.

To install the driver:

1. Log into the ESXi server with root permissions.
2. Install the driver.


```
#> esxcli software vib install -d <path>/<bundle_file>
```

Example:

```
#> esxcli software vib install -d /tmp/MLNX-NATIVE-ESX-ConnectX-4-5_4.16.8.8-10EM-650.0.0.4240417.zipesxcli
```

3. Reboot the machine.
4. Verify the driver was installed successfully.

```
esxcli software vib list | grep nmlx
nmlx5-core 4.16.8.8-10EM.650.0.0.4240417 MEL PartnerSupported 2017-01-31
nmlx5-rdma 4.16.8.8-10EM.650.0.0.4240417 MEL PartnerSupported 2017-01-31
```

 After the installation process, all kernel modules are loaded automatically upon boot.


## Removing Earlier NVIDIA Drivers

 Please unload the previously installed drivers before removing them.

To remove all the drivers:

1. Log into the ESXi server with root permissions.
2. List all the existing NATIVE ESXi driver modules. (See Step 4 in [Installing NATIVE ESXi Driver for VMware vSphere.](#))
3. Remove each module:

```
#> esxcli software vib remove -n nmlx5-rdma
#> esxcli software vib remove -n nmlx5-core
```

 To remove the modules, you must run the command in the same order as shown in the example above.

4. Reboot the server.

## Firmware Programming

1. Download the VMware bootable binary images v4.6.0 from the [Firmware Tools \(MFT\) site](#).
  - a. ESXi 6.5 File: mft-4.6.0.48-10EM-650.0.0.4598673.x86\_64.vib
  - b. MD5SUM: 0804cffe30913a7b4017445a0f0adbe1
2. Install the image according to the steps described in the [MFT User Manual](#).

 The following procedure requires custom boot image downloading, mounting and booting from a USB device.

---

## Updating Adapter Firmware

Each adapter card is shipped with the latest version of qualified firmware at the time of manufacturing. However, NVIDIA issues firmware updates occasionally that provide new features and bug fixes. To check that your card is programmed with the latest available firmware version, download the mlxup firmware update and query utility. The utility can query for available adapters and indicate which adapters require a firmware update. If the user confirms, mlxup upgrades the firmware using embedded images. The latest mlxup executable and documentation are available in [mlxup - Update and Query Utility](#).

```
[server1]# ./mlxup
Querying Mellanox devices firmware ...
Device Type: ConnectX-6
Part Number: MCX653436A-HDAI
Description: ConnectX®-6 VPI adapter card, 200Gb/s (HDR IB and 200GbE) for OCP 3.0, with host management,
Dual-port QSFP56, PCIe4.0 x16, Internal Lock
PSID: MT_2190110032
PCI Device Name: 0000:06:00.0
Base GUID: e41d2d0300fd8b8a
Versions: Current Available
 FW 16.00.0000 16.00.0000

Status: Up to date

Device Type: ConnectX-6
Part Number: MCX653436A-HDAI
Description: ConnectX®-6 VPI adapter card, 200Gb/s (HDR IB and 200GbE) for OCP 3.0, with host management,
Dual-port QSFP56, PCIe4.0 x16, Internal Lock
PSID: MT_2170110021
PCI Device Name: 0000:07:00.0
Base MAC: 0000e41d2da206d4
Versions: Current Available
 FW 16.20.1000 16.24.1000

Status: Update required

Perform FW update? [y/N]: y
Device #1: Up to date
Device #2: Updating FW ... Done
```

Restart needed for updates to take effect.  
Log File: /var/log/mlxup/mlxup-yyyymmdd.log

# Troubleshooting

## General Troubleshooting

|                                                                  |                                                                                                                                                                                                                                                                                                                                                                                                                                                                                                                                                                                                                                                                                                                                                                                                                       |
|------------------------------------------------------------------|-----------------------------------------------------------------------------------------------------------------------------------------------------------------------------------------------------------------------------------------------------------------------------------------------------------------------------------------------------------------------------------------------------------------------------------------------------------------------------------------------------------------------------------------------------------------------------------------------------------------------------------------------------------------------------------------------------------------------------------------------------------------------------------------------------------------------|
| <b>Server unable to find the adapter</b>                         | <ul style="list-style-type: none"><li>• Ensure that the adapter is placed correctly</li><li>• Make sure the adapter slot and the adapter are compatible<br/>Install the adapter in a different PCI Express slot</li><li>• Use the drivers that came with the adapter or download the latest</li><li>• Make sure your motherboard has the latest BIOS</li><li>• Try to reboot the server</li></ul>                                                                                                                                                                                                                                                                                                                                                                                                                     |
| <b>The adapter no longer works</b>                               | <ul style="list-style-type: none"><li>• Reseat the adapter in its slot or a different slot, if necessary</li><li>• Try using another cable</li><li>• Reinstall the drivers for the network driver files may be damaged or deleted</li><li>• Reboot the server</li></ul>                                                                                                                                                                                                                                                                                                                                                                                                                                                                                                                                               |
| <b>Adapters stopped working after installing another adapter</b> | <ul style="list-style-type: none"><li>• Try removing and re-installing all adapters</li><li>• Check that cables are connected properly</li><li>• Make sure your motherboard has the latest BIOS</li></ul>                                                                                                                                                                                                                                                                                                                                                                                                                                                                                                                                                                                                             |
| <b>Link indicator light is off</b>                               | <ul style="list-style-type: none"><li>• Try another port on the switch</li><li>• Make sure the cable is securely attached</li><li>• Check you are using the proper cables that do not exceed the recommended lengths</li><li>• Verify that your switch and adapter port are compatible</li></ul>                                                                                                                                                                                                                                                                                                                                                                                                                                                                                                                      |
| <b>Link light is on, but with no communication established</b>   | <ul style="list-style-type: none"><li>• Check that the latest driver is loaded</li><li>• Check that both the adapter and its link are set to the same speed and duplex settings</li></ul>                                                                                                                                                                                                                                                                                                                                                                                                                                                                                                                                                                                                                             |
| <b>Event message received of insufficient power</b>              | <ul style="list-style-type: none"><li>• When [ adapter's current power consumption ] &gt; [ PCIe slot advertised power limit ] - a warning message appears in the server's system even logs (Eg. dmesg: "Detected insufficient power on the PCIe slot")</li><li>• It's recommended to use a PCIe slot that can supply enough power.</li><li>• If a message of the following format appears - "mlx5_core 0003:01:00.0: port_module:254:(pid 0): Port module event[error]: module 0, Cable error, One or more network ports have been powered down due to insufficient/unadvertised power on the PCIe slot" please upgrade your Adapter's firmware.</li><li>• If the message remains - please consider switching from Active Optical Cable (AOC) or transceiver to Direct Attached Copper (DAC) connectivity.</li></ul> |

## Linux Troubleshooting

|                                     |                                                                                                                                                                                                                       |
|-------------------------------------|-----------------------------------------------------------------------------------------------------------------------------------------------------------------------------------------------------------------------|
| <b>Environment Information</b>      | <pre>cat /etc/issue uname -a cat /proc/cupinfo   grep 'model name'   uniq ofed_info -s ifconfig -a ip link show ethtool &lt;interface&gt; ethtool -i &lt;interface_of_Mellanox_port_num&gt; ibdev2netdev</pre>        |
| <b>Card Detection</b>               | <pre>lspci   grep -i Mellanox</pre>                                                                                                                                                                                   |
| <b>Mellanox Firmware Tool (MFT)</b> | <p>Download and install MFT: <a href="#">MFT Documentation</a><br/>Refer to the User Manual for installation instructions.<br/>Once installed, run:</p> <pre>mst start mst status flint -d &lt;mst_device&gt; q</pre> |
| <b>Ports Information</b>            | <pre>ibstat ibv_devinfo</pre>                                                                                                                                                                                         |
| <b>Firmware Version Upgrade</b>     | <p>To download the latest firmware version, refer to the <a href="#">NVIDIA Update and Query Utility</a>.</p>                                                                                                         |
| <b>Collect Log File</b>             | <pre>cat /var/log/messages dmesg &gt;&gt; system.log journalctl (Applicable on new operating systems) cat /var/log/syslog</pre>                                                                                       |



## Windows Troubleshooting

|                                     |                                                                                                                                                                                                                                                                                                                                                                 |
|-------------------------------------|-----------------------------------------------------------------------------------------------------------------------------------------------------------------------------------------------------------------------------------------------------------------------------------------------------------------------------------------------------------------|
| <b>Environment Information</b>      | From the Windows desktop choose the Start menu and run: <code>msinfo32</code><br>To export system information to a text file, choose the Export option from the File menu.<br>Assign a file name and save.                                                                                                                                                      |
| <b>Mellanox Firmware Tool (MFT)</b> | Download and install MFT: <a href="#">MFT Documentation</a><br>Refer to the User Manual for installation instructions.<br>Once installed, open a CMD window and run:<br>WinMFT<br><code>mst start</code><br><code>mst status</code><br><code>flint -d &lt;mst_device&gt; q</code>                                                                               |
| <b>Ports Information</b>            | <code>vstat</code>                                                                                                                                                                                                                                                                                                                                              |
| <b>Firmware Version Upgrade</b>     | Download the latest firmware version using the PSID/board ID from <a href="#">here</a> .<br><code>flint -d &lt;mst_device&gt; -i &lt;firmware_bin_file&gt; b</code>                                                                                                                                                                                             |
| <b>Collect Log File</b>             | <ul style="list-style-type: none"><li>• Event log viewer</li><li>• MST device logs:<ul style="list-style-type: none"><li>• <code>mst start</code></li><li>• <code>mst status</code></li></ul></li><li>• <code>flint -d &lt;mst_device&gt; dc &gt; dump_configuration.log</code></li><li>• <code>mstdump &lt;mst_device&gt; dc &gt; mstdump.log</code></li></ul> |

# Specifications

## MCX653435A-HDAI/MCX653435M-HDAI Specifications


**⚠** Please make sure to install the ConnectX-6 OCP 3.0 card in a PCIe slot that is capable of supplying 35W.

|                          |                                                                                                                                                                                                                                                                                                                                            |                   |                                |                  |
|--------------------------|--------------------------------------------------------------------------------------------------------------------------------------------------------------------------------------------------------------------------------------------------------------------------------------------------------------------------------------------|-------------------|--------------------------------|------------------|
| <b>Physical</b>          | <b>Size:</b> 2.99 in. x 4.52 in (76.00mm x 115.00mm)                                                                                                                                                                                                                                                                                       |                   |                                |                  |
|                          | <b>Connector:</b> Single QSFP56 InfiniBand and Ethernet (copper and optical)                                                                                                                                                                                                                                                               |                   |                                |                  |
|                          | <b>Retention Mechanism:</b> Internal Lock                                                                                                                                                                                                                                                                                                  |                   |                                |                  |
| <b>Protocol Support</b>  | <b>Data Rate:</b>                                                                                                                                                                                                                                                                                                                          | Ethernet          | 1/10/25/40/100/200 Gb/s        |                  |
|                          |                                                                                                                                                                                                                                                                                                                                            | InfiniBand        | SDR/DDR/QDR/FDR/EDR/HDR100/HDR |                  |
|                          | <b>Ethernet:</b> 200GBASE-CR4, 200GBASE-KR4, 200GBASE-SR4, 100GBASE-CR4, 100GBASE-KR4, 100GBASE-SR4, 50GBASE-R2, 50GBASE-R4, 40GBASE-CR4, 40GBASE-KR4, 40GBASE-SR4, 40GBASE-LR4, 40GBASE-ER4, 40GBASE-R2, 25GBASE-R, 20GBASE-KR2, 10GBASE-LR, 10GBASE-ER, 10GBASE-CX4, 10GBASE-CR, 10GBASE-KR, SGMII, 1000BASE-CX, 1000BASE-KX, 10GBASE-SR |                   |                                |                  |
|                          | <b>InfiniBand:</b> IBTA v1.3 and 1.4<br><b>Auto-Negotiation<sup>(a)</sup>:</b> 1X/2X/4X SDR (2.5Gb/s per lane), DDR (5Gb/s per lane), QDR (10Gb/s per lane), FDR (14.0625Gb/s per lane), EDR (25Gb/s per lane) port, HDR100 (2 lane x 50Gb/s per lane), HDR (50Gb/s per lane) port                                                         |                   |                                |                  |
|                          | <b>PCI Express Gen 3.0 / 4.0:</b> SERDES @ 8.0GT/s / 16.0GT/s, 16 lanes (3.0 and 1.1 compatible)                                                                                                                                                                                                                                           |                   |                                |                  |
| <b>Power and Airflow</b> | <b>Voltage:</b> 3.3VAUX, 12V                                                                                                                                                                                                                                                                                                               |                   |                                |                  |
|                          | <b>Power</b>                                                                                                                                                                                                                                                                                                                               | <b>Cable Type</b> | <b>Active Mode</b>             | <b>STBY Mode</b> |
|                          | <b>Typical Power<sup>(b)</sup></b>                                                                                                                                                                                                                                                                                                         | Passive Cables    | 18.53W                         | 6.6W             |
|                          | <b>Maximum Power</b>                                                                                                                                                                                                                                                                                                                       | Passive Cables    | 23.3W                          | 10.45W           |
|                          | <b>Maximum power available through QSFP56 port:</b> 4.55W                                                                                                                                                                                                                                                                                  |                   |                                |                  |

|               | Airflow <sup>(c)</sup> | Cable Type                   | Hot Aisle - HSK to Port                     |               | Cold Aisle @35C - Port to HSK |           |
|---------------|------------------------|------------------------------|---------------------------------------------|---------------|-------------------------------|-----------|
|               |                        |                              | Active Mode@55C                             | STBY Mode@45C | Active Mode                   | STBY Mode |
|               |                        | Passive Cable                | 500LFM                                      | 100LFM        | 200LFM                        | 100LFM    |
| Environmental | Temperature            | Operational                  | 0° C to 55° C                               |               |                               |           |
|               |                        | Non-operational              | -40° C to 70° C                             |               |                               |           |
|               | Humidity               | Operational                  | 10% to 85% relative humidity                |               |                               |           |
|               |                        | Non-operational              | 10% to 90% relative humidity <sup>(d)</sup> |               |                               |           |
|               | Altitude (Operational) | 3050m                        |                                             |               |                               |           |
| Regulatory    | Safety                 | CB / cTUVus / CE             |                                             |               |                               |           |
|               | EMC                    | CE / FCC / VCCI / ICES / RCM |                                             |               |                               |           |
|               | RoHS                   | RoHS compliant               |                                             |               |                               |           |

- a. ConnectX-6 adapters supplement the IBTA auto-negotiation specification to get better bit error rates and longer cable reaches. This supplemental feature only initiates when connected to another NVIDIA InfiniBand product.
- b. Typical power for ATIS traffic load.
- c. Airflow numbers are measured while using NVIDIA HDR optic cable. The maximum allowed temperature (internal sensor) for NVIDIA HDR optic cable is 75C.
- d. The non-operational storage temperature specifications apply to the product without its package.

## MCX653436A-HDAI/MCX653436A-HDAB Specifications

 Please make sure to install the ConnectX-6 OCP 3.0 card in a PCIe slot that is capable of supplying 80W.

|                                                                                  |                                                                                                                                                                                                                                                                                                                                            |                    |                                |                       |                                      |                  |
|----------------------------------------------------------------------------------|--------------------------------------------------------------------------------------------------------------------------------------------------------------------------------------------------------------------------------------------------------------------------------------------------------------------------------------------|--------------------|--------------------------------|-----------------------|--------------------------------------|------------------|
| <b>Physical</b>                                                                  | <b>Size:</b> 2.99 in. x 4.52 in (76.00mm x 115.00mm)                                                                                                                                                                                                                                                                                       |                    |                                |                       |                                      |                  |
|                                                                                  | <b>Connector:</b> Dual QSFP56 InfiniBand and Ethernet (copper and optical)                                                                                                                                                                                                                                                                 |                    |                                |                       |                                      |                  |
|                                                                                  | <b>Retention Mechanism:</b> Internal Lock                                                                                                                                                                                                                                                                                                  |                    |                                |                       |                                      |                  |
| <b>Protocol Support</b>                                                          | <b>Ethernet:</b> 200GBASE-CR4, 200GBASE-KR4, 200GBASE-SR4, 100GBASE-CR4, 100GBASE-KR4, 100GBASE-SR4, 50GBASE-R2, 50GBASE-R4, 40GBASE-CR4, 40GBASE-KR4, 40GBASE-SR4, 40GBASE-LR4, 40GBASE-ER4, 40GBASE-R2, 25GBASE-R, 20GBASE-KR2, 10GBASE-LR, 10GBASE-ER, 10GBASE-CX4, 10GBASE-CR, 10GBASE-KR, SGMII, 1000BASE-CX, 1000BASE-KX, 10GBASE-SR |                    |                                |                       |                                      |                  |
|                                                                                  | <b>InfiniBand:</b> IBTA v1.3                                                                                                                                                                                                                                                                                                               |                    |                                |                       |                                      |                  |
|                                                                                  | <b>Auto-Negotiation</b> <sup>(a)</sup> : 1X/2X/4X SDR (2.5Gb/s per lane), DDR (5Gb/s per lane), QDR (10Gb/s per lane), FDR10 (10.3125Gb/s per lane), FDR (14.0625Gb/s per lane), EDR (25Gb/s per lane) port, HDR100 (2 lane x 50Gb/s per lane), HDR (50Gb/s per lane) port                                                                 |                    |                                |                       |                                      |                  |
|                                                                                  | <b>Data Rate:</b>                                                                                                                                                                                                                                                                                                                          | Ethernet           | 1/10/25/40/100/200 Gb/s        |                       |                                      |                  |
|                                                                                  |                                                                                                                                                                                                                                                                                                                                            | InfiniBand         | SDR/DDR/QDR/FDR/EDR/HDR100/HDR |                       |                                      |                  |
| <b>PCI Express Gen 4.0:</b> SERDES @ 16.0GT/s, 16 lanes (3.0 and 1.1 compatible) |                                                                                                                                                                                                                                                                                                                                            |                    |                                |                       |                                      |                  |
| <b>Power and Airflow</b>                                                         | <b>Voltage:</b> 3.3VAUX, 12V                                                                                                                                                                                                                                                                                                               |                    |                                |                       |                                      |                  |
|                                                                                  | <b>Power</b>                                                                                                                                                                                                                                                                                                                               | <b>Cable Type</b>  | <b>Active Mode</b>             |                       | <b>STBY Mode</b>                     |                  |
|                                                                                  | <b>Typical Power</b> <sup>(b)</sup>                                                                                                                                                                                                                                                                                                        | Passive Cables     | 21.4W                          |                       | 6.6W                                 |                  |
|                                                                                  | <b>Maximum Power</b>                                                                                                                                                                                                                                                                                                                       | Passive Cables     | 26.7W                          |                       | 10.45W                               |                  |
|                                                                                  | <b>Maximum power available through QSFP56 port:</b> 4.55W                                                                                                                                                                                                                                                                                  |                    |                                |                       |                                      |                  |
|                                                                                  | <b>Airflow</b> <sup>(c)</sup>                                                                                                                                                                                                                                                                                                              | <b>Cable Type</b>  | <b>Hot Aisle - HSK to Port</b> |                       | <b>Cold Aisle @35C - Port to HSK</b> |                  |
|                                                                                  |                                                                                                                                                                                                                                                                                                                                            |                    | <b>Active Mode @55C</b>        | <b>STBY Mode @45C</b> | <b>Active Mode</b>                   | <b>STBY Mode</b> |
|                                                                                  | Passive Cable                                                                                                                                                                                                                                                                                                                              | 700LFM             | 100LFM                         | Not Supported         | Not Supported                        |                  |
| <b>Environmental</b>                                                             | <b>Temperature</b>                                                                                                                                                                                                                                                                                                                         | <b>Operational</b> | 0°C to 55°C                    |                       |                                      |                  |

|                   |                        |                              |                                             |
|-------------------|------------------------|------------------------------|---------------------------------------------|
|                   |                        | <b>Non-operational</b>       | -40° C to 70° C                             |
|                   | <b>Humidity</b>        | <b>Operational</b>           | 10% to 85% relative humidity                |
|                   |                        | <b>Non-operational</b>       | 10% to 90% relative humidity <sup>(d)</sup> |
|                   | Altitude (Operational) | 3050m                        |                                             |
| <b>Regulatory</b> | <b>Safety</b>          | CB / cTUVus / CE             |                                             |
|                   | <b>EMC</b>             | CE / FCC / VCCI / ICES / RCM |                                             |
|                   | <b>RoHS</b>            | RoHS compliant               |                                             |

- a. ConnectX-6 adapters supplement the IBTA auto-negotiation specification to get better bit error rates and longer cable reaches. This supplemental feature only initiates when connected to another NVIDIA InfiniBand product.
- b. Typical power for ATIS traffic load.
- c. Airflow numbers are measured while using NVIDIA HDR optic cable. The maximum allowed temperature (internal sensor) for NVIDIA HDR optic cable is 75C.
- d. The non-operational storage temperature specifications apply to the product without its package.

## MCX653435A-EDAI Specifications

 Please make sure to install the ConnectX-6 OCP 3.0 card in a PCIe slot that is capable of supplying 35W.

|                         |                                                                                                                                                                                                                                                                                                                                            |
|-------------------------|--------------------------------------------------------------------------------------------------------------------------------------------------------------------------------------------------------------------------------------------------------------------------------------------------------------------------------------------|
| <b>Physical</b>         | <b>Size:</b> 2.99 in. x 4.52 in (76.00mm x 115.00mm)                                                                                                                                                                                                                                                                                       |
|                         | <b>Connector:</b> Single QSFP56 InfiniBand and Ethernet (copper and optical)                                                                                                                                                                                                                                                               |
|                         | <b>Retention Mechanism:</b> Internal Lock                                                                                                                                                                                                                                                                                                  |
| <b>Protocol Support</b> | <b>Ethernet:</b> 200GBASE-CR4, 200GBASE-KR4, 200GBASE-SR4, 100GBASE-CR4, 100GBASE-KR4, 100GBASE-SR4, 50GBASE-R2, 50GBASE-R4, 40GBASE-CR4, 40GBASE-KR4, 40GBASE-SR4, 40GBASE-LR4, 40GBASE-ER4, 40GBASE-R2, 25GBASE-R, 20GBASE-KR2, 10GBASE-LR, 10GBASE-ER, 10GBASE-CX4, 10GBASE-CR, 10GBASE-KR, SGMII, 1000BASE-CX, 1000BASE-KX, 10GBASE-SR |

|                                                                                                |                                                                                                                                                                                                                                                                            |                            |                                             |                    |                                      |  |
|------------------------------------------------------------------------------------------------|----------------------------------------------------------------------------------------------------------------------------------------------------------------------------------------------------------------------------------------------------------------------------|----------------------------|---------------------------------------------|--------------------|--------------------------------------|--|
|                                                                                                | <b>InfiniBand:</b> IBTA v1.3                                                                                                                                                                                                                                               |                            |                                             |                    |                                      |  |
|                                                                                                | <b>Auto-Negotiation</b> <sup>(a)</sup> : 1X/2X/4X SDR (2.5Gb/s per lane), DDR (5Gb/s per lane), QDR (10Gb/s per lane), FDR10 (10.3125Gb/s per lane), FDR (14.0625Gb/s per lane), EDR (25Gb/s per lane) port, HDR100 (2 lane x 50Gb/s per lane), HDR (50Gb/s per lane) port |                            |                                             |                    |                                      |  |
|                                                                                                | <b>Data Rate:</b>                                                                                                                                                                                                                                                          | Ethernet                   | 1/10/25/40/100 Gb/s                         |                    |                                      |  |
|                                                                                                | InfiniBand                                                                                                                                                                                                                                                                 | SDR/DDR/QDR/FDR/EDR/HDR100 |                                             |                    |                                      |  |
| <b>PCI Express Gen 3.0/4.0:</b> SERDES @ 8.0GT/s / 16.0GT/s, 16 lanes (3.0 and 1.1 compatible) |                                                                                                                                                                                                                                                                            |                            |                                             |                    |                                      |  |
| <b>Power and Airflow</b>                                                                       | <b>Voltage:</b> 3.3VAUX, 12V                                                                                                                                                                                                                                               |                            |                                             |                    |                                      |  |
|                                                                                                | <b>Power</b>                                                                                                                                                                                                                                                               | <b>Cable Type</b>          | <b>Active Mode</b>                          |                    | <b>STBY Mode</b>                     |  |
|                                                                                                | <b>Typical Power</b> <sup>(b)</sup>                                                                                                                                                                                                                                        | Passive Cables             | 17.4W                                       |                    | 5.45W                                |  |
|                                                                                                | <b>Maximum Power</b>                                                                                                                                                                                                                                                       | Passive Cables             | 20.9W                                       |                    | 9.2W                                 |  |
|                                                                                                | <b>Maximum power available through QSFP56 port:</b> 3.5W                                                                                                                                                                                                                   |                            |                                             |                    |                                      |  |
|                                                                                                | <b>Airflow</b>                                                                                                                                                                                                                                                             | <b>Cable Type</b>          | <b>Host Aisle - HSK to Port</b>             |                    | <b>Cold Aisle @35C - Port to HSK</b> |  |
|                                                                                                |                                                                                                                                                                                                                                                                            | <b>Active Mode @55C</b>    | <b>STBY Mode @55C</b>                       | <b>Active Mode</b> | <b>STBY Mode</b>                     |  |
|                                                                                                | Passive 100Gb/s Cable                                                                                                                                                                                                                                                      | 350LFM                     | 100LFM                                      | 150LFM             | 100LFM                               |  |
| <b>Environmental</b>                                                                           | <b>Temperature</b>                                                                                                                                                                                                                                                         | <b>Operational</b>         | 0° C to 55° C                               |                    |                                      |  |
|                                                                                                |                                                                                                                                                                                                                                                                            | <b>Non-operational</b>     | -40° C to 70° C                             |                    |                                      |  |
|                                                                                                | <b>Humidity</b>                                                                                                                                                                                                                                                            | <b>Operational</b>         | 10% to 85% relative humidity                |                    |                                      |  |
|                                                                                                |                                                                                                                                                                                                                                                                            | <b>Non-operational</b>     | 10% to 90% relative humidity <sup>(c)</sup> |                    |                                      |  |
|                                                                                                | Altitude (Operational)                                                                                                                                                                                                                                                     | 3050m                      |                                             |                    |                                      |  |
| <b>Regulatory</b>                                                                              | <b>Safety</b>                                                                                                                                                                                                                                                              | CB / cTUVus / CE           |                                             |                    |                                      |  |

|  |             |                              |
|--|-------------|------------------------------|
|  | <b>EMC</b>  | CE / FCC / VCCI / ICES / RCM |
|  | <b>RoHS</b> | RoHS compliant               |

- a. ConnectX-6 adapters supplement the IBTA auto-negotiation specification to get better bit error rates and longer cable reaches. This supplemental feature only initiates when connected to another NVIDIA InfiniBand product.
- b. Typical power for ATIS traffic load.
- c. The non-operational storage temperature specifications apply to the product without its package.

## MCX653435A-HDAE Specifications

 Please make sure to install the ConnectX-6 OCP 3.0 card in a PCIe slot that is capable of supplying 35W.

|                          |                                                                                                                                                                                                                                                                                                                                            |                                |
|--------------------------|--------------------------------------------------------------------------------------------------------------------------------------------------------------------------------------------------------------------------------------------------------------------------------------------------------------------------------------------|--------------------------------|
| <b>Physical</b>          | <b>Size:</b> 2.99 in. x 4.52 in (76.00mm x 115.00mm)                                                                                                                                                                                                                                                                                       |                                |
|                          | <b>Connector:</b> Single QSFP56 InfiniBand and Ethernet (copper and optical)                                                                                                                                                                                                                                                               |                                |
|                          | <b>Retention Mechanism:</b> Ejector Latch                                                                                                                                                                                                                                                                                                  |                                |
| <b>Protocol Support</b>  | <b>Ethernet:</b> 200GBASE-CR4, 200GBASE-KR4, 200GBASE-SR4, 100GBASE-CR4, 100GBASE-KR4, 100GBASE-SR4, 50GBASE-R2, 50GBASE-R4, 40GBASE-CR4, 40GBASE-KR4, 40GBASE-SR4, 40GBASE-LR4, 40GBASE-ER4, 40GBASE-R2, 25GBASE-R, 20GBASE-KR2, 10GBASE-LR, 10GBASE-ER, 10GBASE-CX4, 10GBASE-CR, 10GBASE-KR, SGMII, 1000BASE-CX, 1000BASE-KX, 10GBASE-SR |                                |
|                          | <b>InfiniBand:</b> IBTA v1.3                                                                                                                                                                                                                                                                                                               |                                |
|                          | <b>Auto-Negotiation</b> <sup>(a)</sup> : 1X/2X/4X SDR (2.5Gb/s per lane), DDR (5Gb/s per lane), QDR (10Gb/s per lane), FDR10 (10.3125Gb/s per lane), FDR (14.0625Gb/s per lane), EDR (25Gb/s per lane) port, HDR100 (2 lane x 50Gb/s per lane), HDR (50Gb/s per lane) port                                                                 |                                |
|                          | <b>Data Rate:</b>                                                                                                                                                                                                                                                                                                                          | Ethernet                       |
|                          | InfiniBand                                                                                                                                                                                                                                                                                                                                 | SDR/DDR/QDR/FDR/EDR/HDR100/HDR |
|                          | <b>PCI Express Gen 4.0:</b> SERDES @ 16.0GT/s, 16 lanes (3.0 and 1.1 compatible)                                                                                                                                                                                                                                                           |                                |
| <b>Power and Airflow</b> | <b>Voltage:</b> 3.3VAUX, 12V                                                                                                                                                                                                                                                                                                               |                                |

|               | Power                                              | Cable Type                   | Active Mode                                 |                                | STBY Mode |  |
|---------------|----------------------------------------------------|------------------------------|---------------------------------------------|--------------------------------|-----------|--|
|               | Typical Power <sup>(b)</sup>                       | Passive Cables               | 18.53W                                      |                                | 6.6W      |  |
|               | Maximum Power                                      | Passive Cables               | 23.3W                                       |                                | 10.45W    |  |
|               | Maximum power available through QSFP56 port: 4.55W |                              |                                             |                                |           |  |
| Airflow       | Cable Type                                         | Host Aisle - HSK to Port     |                                             | Cold Aisle @ 35C - Port to HSK |           |  |
|               |                                                    | Active Mode @55C             | STBY Mode @45C                              | Active Mode                    | STBY Mode |  |
|               | Passive Cable                                      | 500LFM                       | 100LFM                                      | 200LFM                         | 100LFM    |  |
| Environmental | Temperature                                        | Operational                  | 0 °C to 55 °C                               |                                |           |  |
|               |                                                    | Non-operational              | -40 °C to 70 °C                             |                                |           |  |
|               | Humidity                                           | Operational                  | 10% to 85% relative humidity                |                                |           |  |
|               |                                                    | Non-operational              | 10% to 90% relative humidity <sup>(c)</sup> |                                |           |  |
|               | Altitude (Operational)                             | 3050m                        |                                             |                                |           |  |
| Regulatory    | Safety                                             | CB / cTUVus / CE             |                                             |                                |           |  |
|               | EMC                                                | CE / FCC / VCCI / ICES / RCM |                                             |                                |           |  |
|               | RoHS                                               | RoHS compliant               |                                             |                                |           |  |

a. ConnectX-6 adapters supplement the IBTA auto-negotiation specification to get better bit error rates and longer cable reaches. This supplemental feature only initiates when connected to another NVIDIA InfiniBand product.

b. Typical power for ATIS traffic load.

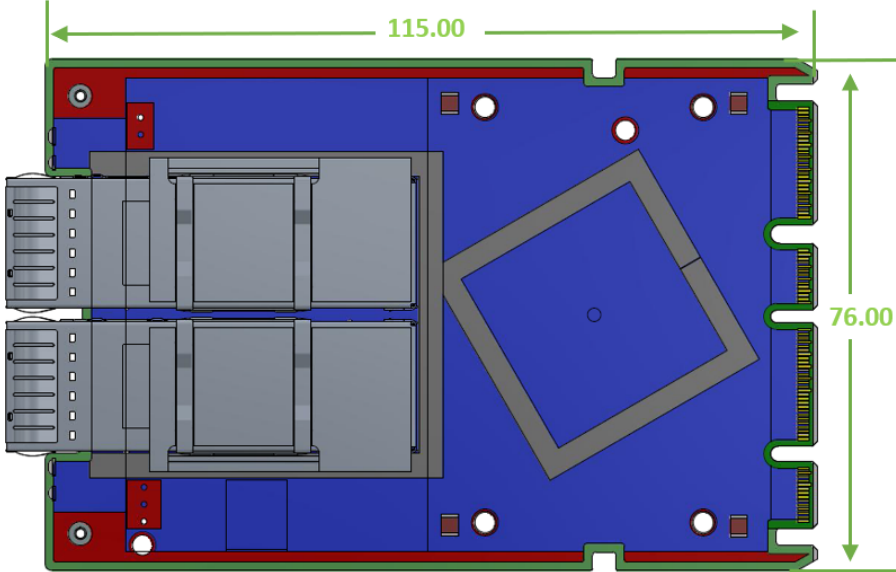
c. The non-operational storage temperature specifications apply to the product without its package.



# Board Mechanical Drawing and Dimensions

⚠ All dimensions are in millimeters. The PCB mechanical tolerance is +/- 0.13mm.

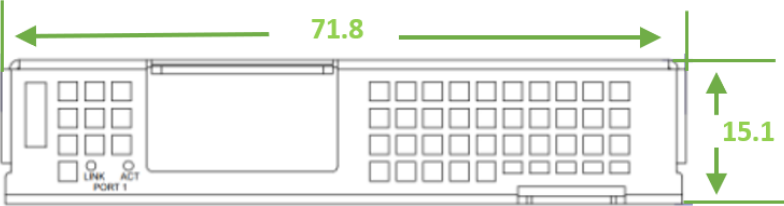
ConnectX-6 for OCP 3.0 Mechanical Drawing and Dimensions



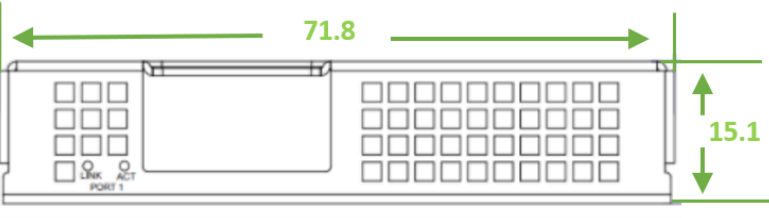
# Brackets Mechanical Drawings and Dimensions

⚠ All dimensions are in millimeters. The brackets mechanical tolerance is +/- 0.25mm.

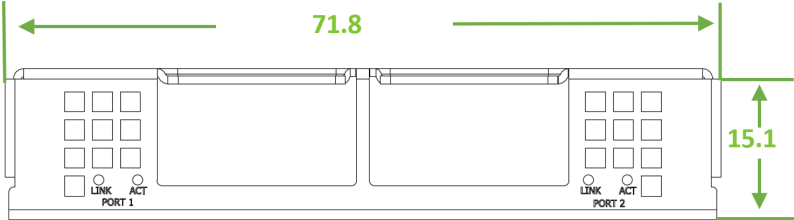
## Cards with Ejector Latch Bracket



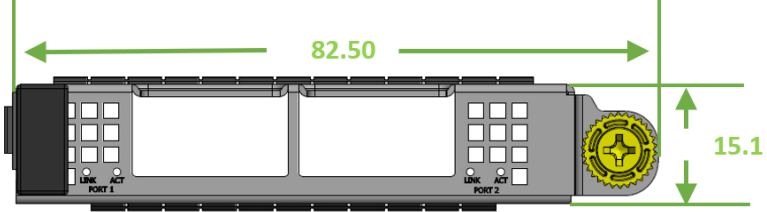
## Cards with Internal Lock Bracket



### Dual-port Cards with Internal Lock Bracket



### Dual-port Cards with Thumbscrew Bracket



---

# Monitoring

## Thermal Sensors

The adapter card incorporates the ConnectX IC, which operates in the range of temperatures between 0°C and 105°C.

Three thermal threshold definitions impact the overall system operation state:

- **Warning** - 105°C: On managed systems only: When the device crosses the 105°C thresholds, a Warning Threshold message is issued by the management SW, indicating to system administration that the card has crossed the warning threshold. Note that this temperature threshold does not require nor lead to any action by hardware (such as adapter card shutdown).
- **Critical** - 115°C: When the device crosses this temperature, the firmware automatically shuts down the device.
- **Emergency** - 130°C: If the firmware fails to shut down the device upon crossing the critical threshold, the device automatically shuts down upon crossing the emergency (130°C) threshold.

The card's thermal sensors can be read through the system's SMBus. The user can read these thermal sensors and adapt the system airflow following the readouts and the needs of the above-mentioned IC therma

# Finding the GUID/MAC and Serial Number on the Adapter Card

Each NVIDIA adapter card has a different identifier printed on the label: serial number and the card MAC for the Ethernet protocol and the card GUID for the InfiniBand protocol. VPI cards have both a GUID and a MAC (derived from the GUID).

⚠ The product revisions indicated on the labels in the following figures do not necessarily represent the latest revisions of the cards.

⚠ The country of manufacturing indicated on the board labels is not exhaustive; the products can be manufactured in other countries.



## Board Label Example

ConnectX-6 200GbE HDR                      YYYY-MM-DD

Model: CX653436A

P/N: MCX653436A-HDAI

Rev: A7

S/N: MTXXXXXXXXXX

GUID: F4 52 14 03 00 99 23 00

P1: F45214992300                      P2: F45214992301









ME P1: F45214992302                      ME P2: F45214992303

P/N: MCX653436A-HDAI



S/N: MTXXXXXXXXXX  
Made in Israel

CAN ICES-3 (A)/NMB-3(A)



## Document Revision History

| Date      | Description of Changes                                                                                                                                             |
|-----------|--------------------------------------------------------------------------------------------------------------------------------------------------------------------|
| Nov. 2023 | Added thumbscrew bracket mechanical drawing in <a href="#">Specification</a>                                                                                       |
| May. 2023 | Updated <a href="#">Specifications</a> to include non-operational storage temperature specifications                                                               |
| Apr. 2023 | Added a bracket mechanical drawing for dual-port cards with internal lock bracket                                                                                  |
| Sep. 2022 | Added a note on FRU EEPROM memory under the Features and Benefits table.                                                                                           |
| Feb. 2021 | Added OPN MCX653436A-HDAB                                                                                                                                          |
| Oct. 2020 | <ul style="list-style-type: none"><li>• Updated airflow numbers in "Specifications".</li><li>• Updated networking ports LEDs indications in "Interfaces"</li></ul> |
| Sep. 2020 | Added OCP 3.0 bracket replacement instructions.                                                                                                                    |
| Nov. 2020 | Updated "Specifications" with airflow numbers.                                                                                                                     |
| Oct. 2019 | Added a note to "Introduction".<br>Updated the Ethernet supported protocols in "Specifications".                                                                   |
| May. 2019 | First release                                                                                                                                                      |

## Notice

This document is provided for information purposes only and shall not be regarded as a warranty of a certain functionality, condition, or quality of a product. Neither NVIDIA Corporation nor any of its direct or indirect subsidiaries and affiliates (collectively: "NVIDIA") make any representations or warranties, expressed or implied, as to the accuracy or completeness of the information contained in this document and assumes no responsibility for any errors contained herein. NVIDIA shall have no liability for the consequences or use of such information or for any infringement of patents or other rights of third parties that may result from its use. This document is not a commitment to develop, release, or deliver any Material (defined below), code, or functionality.

NVIDIA reserves the right to make corrections, modifications, enhancements, improvements, and any other changes to this document, at any time without notice. Customer should obtain the latest relevant information before placing orders and should verify that such information is current and complete. NVIDIA products are sold subject to the NVIDIA standard terms and conditions of sale supplied at the time of order acknowledgement, unless otherwise agreed in an individual sales agreement signed by authorized representatives of NVIDIA and customer ("Terms of Sale"). NVIDIA hereby expressly objects to applying any customer general terms and conditions with regards to the purchase of the NVIDIA product referenced in this document. No contractual obligations are formed either directly or indirectly by this document.

NVIDIA products are not designed, authorized, or warranted to be suitable for use in medical, military, aircraft, space, or life support equipment, nor in applications where failure or malfunction of the NVIDIA product can reasonably be expected to result in personal injury, death, or property or environmental damage. NVIDIA accepts no liability for inclusion and/or use of NVIDIA products in such equipment or applications and therefore such inclusion and/or use is at customer's own risk.

NVIDIA makes no representation or warranty that products based on this document will be suitable for any specified use. Testing of all parameters of each product is not necessarily performed by NVIDIA. It is customer's sole responsibility to evaluate and determine the applicability of any information contained in this document, ensure the product is suitable and fit for the application planned by customer, and perform the necessary testing for the application in order to avoid a default of the application or the product. Weaknesses in customer's product designs may affect the quality and reliability of the NVIDIA product and may result in additional or different conditions and/or requirements beyond those contained in this document. NVIDIA accepts no liability related to any default, damage, costs, or problem which may be based on or attributable to: (i) the use of the NVIDIA product in any manner that is contrary to this document or (ii) customer product designs.

No license, either expressed or implied, is granted under any NVIDIA patent right, copyright, or other NVIDIA intellectual property right under this document. Information published by NVIDIA regarding third-party products or services does not constitute a license from NVIDIA to use such products or services or a warranty or endorsement thereof. Use of such information may require a license from a third party under the patents or other intellectual property rights of the third party, or a license from NVIDIA under the patents or other intellectual property rights of NVIDIA.

Reproduction of information in this document is permissible only if approved in advance by NVIDIA in writing, reproduced without alteration and in full compliance with all applicable export laws and regulations, and accompanied by all associated conditions, limitations, and notices.

THIS DOCUMENT AND ALL NVIDIA DESIGN SPECIFICATIONS, REFERENCE BOARDS, FILES, DRAWINGS, DIAGNOSTICS, LISTS, AND OTHER DOCUMENTS (TOGETHER AND SEPARATELY, "MATERIALS") ARE BEING PROVIDED "AS IS." NVIDIA MAKES NO WARRANTIES, EXPRESSED, IMPLIED, STATUTORY, OR OTHERWISE WITH RESPECT TO THE MATERIALS, AND EXPRESSLY DISCLAIMS ALL IMPLIED WARRANTIES OF NONINFRINGEMENT, MERCHANTABILITY, AND FITNESS FOR A PARTICULAR PURPOSE. TO THE EXTENT NOT PROHIBITED BY LAW, IN NO EVENT WILL NVIDIA BE LIABLE FOR ANY DAMAGES, INCLUDING WITHOUT LIMITATION ANY DIRECT,





INDIRECT, SPECIAL, INCIDENTAL, PUNITIVE, OR CONSEQUENTIAL DAMAGES, HOWEVER CAUSED AND REGARDLESS OF THE THEORY OF LIABILITY, ARISING OUT OF ANY USE OF THIS DOCUMENT, EVEN IF NVIDIA HAS BEEN ADVISED OF THE POSSIBILITY OF SUCH DAMAGES. Notwithstanding any damages that customer might incur for any reason whatsoever, NVIDIA's aggregate and cumulative liability towards customer for the products described herein shall be limited in accordance with the Terms of Sale for the product.

**Trademarks**

NVIDIA, the NVIDIA logo, and Mellanox are trademarks and/or registered trademarks of NVIDIA Corporation and/or Mellanox Technologies Ltd. in the U.S. and in other countries. Other company and product names may be trademarks of the respective companies with which they are associated.

**Copyright**

© 2023 NVIDIA Corporation & affiliates. All Rights Reserved.

