

Dell EMC SD-WAN Edge 600 Series Installation Guide

August 2019

Notes, cautions, and warnings

 **NOTE:** A NOTE indicates important information that helps you make better use of your product.

 **CAUTION:** A CAUTION indicates either potential damage to hardware or loss of data and tells you how to avoid the problem.

 **WARNING:** A WARNING indicates a potential for property damage, personal injury, or death.

© 2019 Dell Inc. or its subsidiaries. All rights reserved. Dell, EMC, and other trademarks are trademarks of Dell Inc. or its subsidiaries. Other trademarks may be trademarks of their respective owners.

1 About this guide.....	5
Related documents.....	5
Information symbols.....	5
2 SD-WAN Edge 600 Series.....	7
Introduction.....	7
Features.....	8
Physical dimensions.....	9
LEDs.....	9
Edge 600 Series configurations.....	10
Prerequisites.....	10
3 Site preparations.....	11
Site selection.....	11
Platform mounting.....	11
Fans and airflow.....	12
Power.....	12
Storing components.....	12
4 Edge 600 Series installation.....	13
Unpack.....	13
Desktop mount.....	13
Wall mount.....	13
Rack mount.....	15
Optics modules.....	16
Platform power up.....	16
Platform setup	17
5 User interface.....	19
Overview.....	19
Properties.....	20
Reset settings.....	21
6 Specifications.....	22
Chassis physical design.....	22
IEEE standards.....	23
Safety standards and compliance agency certifications.....	23
Agency compliance.....	23
USA Federal Communications Commission statement.....	23
FCC caution.....	24
Industry Canada Statement.....	24
Radiocommunication equipment compliance for Thailand.....	25
Brasil – Aviso da Anatel.....	25
European Union EMC directive conformance statement.....	26

Japan VCCI compliance for class A equipment.....	27
Korean certification of compliance.....	28
Mexican certification of compliance.....	28
Taiwanese certification of compliance.....	28
Singapore certification of compliance.....	28
Product recycling and disposal.....	29

7 Dell EMC support..... 30

About this guide

This guide provides site preparation recommendations, step-by-step procedures for installing your device, and connecting to a power source.

CAUTION: To avoid electrostatic discharge (ESD) damage, wear grounding wrist straps when handling this equipment.

NOTE: Only trained and qualified personnel can install this equipment. Read this guide before you install and power up this equipment. This equipment contains two power cables. Disconnect both power cables before servicing.

NOTE: This equipment contains optical transceivers, which comply with the limits of Class 1 laser radiation.



Figure 1. Class 1 laser product tag

NOTE: When no cable is connected, visible and invisible laser radiation may emit from the aperture of the optical transceiver ports. Avoid exposure to laser radiation. Do not stare into open apertures.

NOTE: Read this guide before unpacking the device. For unpacking instructions, see [Unpack](#).

Regulatory

Marketing model Dell EMC SD-WAN Edge 600 Series (610, 620, 640, and 680) are represented by the regulatory model E24W and the regulatory type E24W001.

Topics:

- [Related documents](#)
- [Information symbols](#)

Related documents

For more information about the Dell EMC SD-WAN Edge 600 Series, see the following documents:

- *Dell EMC SD-WAN Edge 600 Series Quick Start Guide*
- *Dell EMC SD-WAN Edge 600 Series Release Notes*

NOTE: For the most recent documentation, see the Dell EMC support site at www.dell.com/support.

Information symbols

This book uses the following information symbols:

NOTE: The Note icon signals important operational information.

CAUTION: The Caution icon signals information about situations that could result in equipment damage or loss of data.

NOTE: The Warning icon signals information about hardware handling that could result in injury.

 **NOTE:** The ESD Warning icon requires that you take electrostatic precautions when handling the device.

SD-WAN Edge 600 Series

The Dell EMC SD-WAN Edge 600 Series (610, 620, 640, and 680) simplifies SD-WAN integration into your IT solution. It connects the service provider edge or small-to-medium branch locations to the cloud to host virtual network functions. The Edge 600 Series with 10/30/50/100/200/500 Mbps and 1/5/10 Gbps comes with VeloCloud software preinstalled.

- Dell EMC SD-WAN Edge—a hardware device with VeloCloud/VMware software preinstalled.
- VeloCloud/VMware Gateway—a virtual machine that is hosted on the Internet with the VeloCloud/VMware software preinstalled. VeloCloud/VMware manages the Gateway.
- VeloCloud/VMware Orchestrator—a graphic user interface (GUI) hosted on the Internet and used to configure the preinstalled VeloCloud/VMware software. Your network administrator configures the Orchestrator. VeloCloud/VMware manages the Orchestrator.

NOTE: For software information, see VeloCloud, now part of VMware, documentation at www.velocloud.com.

Topics:

- [Introduction](#)
- [Features](#)
- [Physical dimensions](#)
- [LEDs](#)
- [Edge 600 Series configurations](#)
- [Prerequisites](#)

Introduction

The Dell EMC SD-WAN Edge 600 Series (610, 620, 640, and 680) is a high-performance platform purpose-built for access deployments hosting virtual network functions (VNFs). It is a fixed desktop form factor with an optional rack mount kit. The Edge 600 Series connects the service provider edge or small-to-medium branch locations to the cloud. There are six 1 GbE ports with two 1 GbE small form-factor pluggable (SFP) or 10 GbE small form-factor pluggable plus (SFP+) ports, depending on the platform type.

The Edge 600 Series accelerates security encryption using quick assist technology (QAT) and 120G or 240G storage options.



- Edge 610—two-core CPU, 4G RAM model
- Edge 620—four-core CPU, 8G RAM model
- Edge 640—eight-core CPU, 32G RAM model
- Edge 680—sixteen-core CPU, 32G RAM model

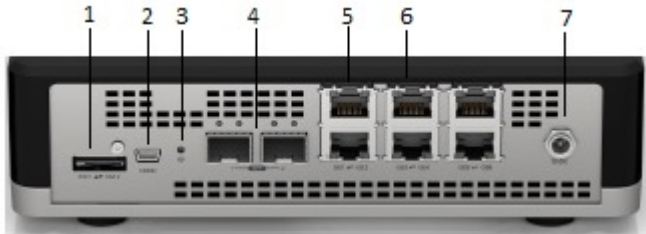
The Edge 600 Series supports the following speeds:

Table 1. Edge 600 Series speeds

BW Tier	Edge 610	Edge 620	Edge 640	Edge 680
10 Mbps	Yes	Yes		
30 Mbps	Yes	Yes		
50 Mbps	Yes	Yes		
100 Mbps	Yes	Yes	Yes	
200 Mbps	Yes	Yes	Yes	

BW Tier	Edge 610	Edge 620	Edge 640	Edge 680
500 Mbps		Yes	Yes	Yes
1 Gbps			Yes	Yes
2 Gbps				Yes

The platform includes a dedicated MiniUSB 2.0 console port for out-of-band management. It also includes two USB 3.0 Type-A console ports on the right and left sides of the platform. The reset button resets the Edge 600 Series platform to the factory settings.



1. SIM slots
2. MiniUSB port 2.0
3. Reset button
4. SFP/SFP+ ports
5. Two 1 GbE GE1/GE2 default LAN connections
6. Four 1 GbE GE3-6 or SFP1-2 default WAN connections
7. DC Power connection

The Edge 600 Series includes two USB 3.0 Type-A console ports on the right and left sides of the platform.



Features

Hardware description

- Edge 610—two-core CPU
- Edge 620—four-core CPU
- Edge 640—eight-core CPU
- Edge 680—sixteen-core CPU
- Six 1 GbE networking ports
- Two 1 GbE SFP or 10 GbE SFP+ ports, depending on the platform
- One dedicated MiniUSB 2.0 console port for out-of-band management
- Two USB 3.0 Type A ports on each side of the platform
- One M.2 SATA SSD with 120 GB or 240 GB capacity
- DDR4 with ECC
- Memory by SKU:
 - Edge 610—4 GB on-board
 - Edge 620—8 GB on board
 - Edge 640 and Edge 680—16 GB on-board + 16 GB SO-DIMM

- Zero, one, or two fans with airflow from the sides and back of the platform
- External power supply*
- Supports Native Linux OS provided by VNF partners. Also supports KVM or ESXi hypervisors
- Desktop mount with rubber feet and wall mount accessories included
- Optional rack mount accessory available

NOTE: *For thermal considerations, do not place the external PSU on top of the Edge 600 Series platform.

Physical dimensions

- 8.1 in x 7.9 in x 2.0 in (W x D x H)
- 20.8 cm x 20.0 cm x 5.2 cm (W x D x H)

LEDs

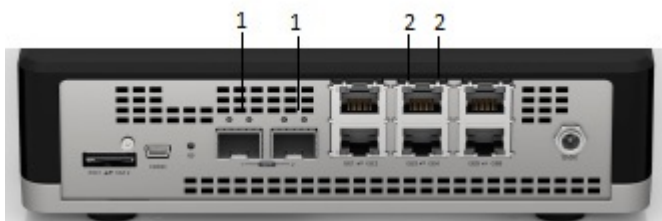
The Edge 600 Series has a service indicator LED display on the front of the platform. This indicator displays the status of the platform, the WAN connection, and the VeloCloud service.

- Red—there is no WAN connection.
- Yellow—the platform has an Internet connection but the device is either not activated or the VeloCloud service is not active.
- Green—one of the WAN ports detects a valid Internet connection.
- Blue—the platform is in standby mode.

As the system functions are in process, the service indicator displays:

- White—initial power-on and boot is in progress.
- Flashing blue—system reset or software update is in progress.
- Flashing white—VeloCloud Orchestrator function in progress.
- Flashing red—hardware failure.

The Edge 600 Series also includes LED displays on the back of the of the platform.



1. SFP/SFP+ WAN port LEDs
2. 1 GbE networking WAN and LAN port LEDs

Table 2. SFP/SFP+ port status indicator LEDs

	Status	Link and speed
Left side (bicolor green/ amber):	Solid green	Link up, 1 Gbps (for SFP)
	Solid green	Link up, 10 Gbps (for SFP+)
	Solid amber	Link up, 100 Mbps (for SFP)
	Solid amber	Link up, 1 Gbps (for SFP+)
	Off	Link down
Right side (green):	Solid green	No activity
	Blinking green	Activity

Table 3. RJ45 port status indicator LEDs

	Status	Link and speed
Left side (bicolor green/ amber):	Solid green	Link up, 1 Gbps
	Solid amber	Link up, 10 Mbps or 100 Mbps
	Off	Link down
Right side (green):	Solid green	Activity
	Off	No activity

Edge 600 Series configurations

You can order the Edge 600 Series in several different configurations.

- 610—two-core CPU, six 1 GbE networking ports, two 1 GbE SFP ports, one MiniUSB 2.0 console port, two USB 3.0 Type-A, AC power supply, no fan, airflow on sides and back
- 620—four-core CPU, six 1 GbE networking ports, two 1 GbE SFP ports, one MiniUSB 2.0 console port, two USB 3.0 Type-A, AC power supply, one fan, airflow on sides and back
- 640—eight-core CPU, six 1 GbE networking ports, two 1 GbE SFP or 10 GbE SFP+ ports, one MiniUSB 2.0 console port, two USB 3.0 Type-A, AC power supply, two fans, airflow on sides and back
- 680—sixteen-core CPU, six 1 GbE networking ports, two 1 GbE SFP or 10 GbE SFP+ ports, one MiniUSB 2.0 console port, two USB 3.0 Type-A, AC power supply, two fans, airflow on sides and back

Prerequisites

The following is a list of components that are required for successful platform installation:

NOTE: For detailed installation instructions, see [Site preparations](#) and [Edge 600 Series installation](#).

- Dell EMC SD-WAN Edge 600 Series (610, 620, 640, or 680) platform
- AC country- and regional-specific cable to connect the AC power source to each of the AC power supplies
- Rubber feet for desktop use and wall mount accessories
- (Optional) Rail mounting accessories for rack mount
- Screws for rack installation, not included
- #1 and #2 Phillips screw drivers, not included
- Torx screwdriver, not included
- Copper/fiber cables

Site preparations

The Edge 600 Series platform connects the service provider edge or small-to-medium branch locations to the cloud, to host virtual network functions.

Use the platform on a desktop or optionally install the platform in a wall or rack.

NOTE: If you optionally install the platform into a rack or cabinet, install the platform first, and then install any additional components such as cables or optics.

Topics:

- [Site selection](#)
- [Platform mounting](#)
- [Fans and airflow](#)
- [Power](#)
- [Storing components](#)

Site selection

Ensure that the area where you install your platform meets the following safety requirements:

- Near an adequate power source
- Connected to a properly grounded power outlet

WARNING: Earth the Edge 600 Series. Connect the Edge 600 Series to an outlet that is a properly wired, earth-ground socket outlet.

- Environmental—platform location—continuous temperature range is 0°C to 40°C (32°F to 104°F)
- Operating humidity:
 - 5% to 85% (RH), noncondensing continuously
 - 5% to 90% (RH), noncondensing Short term (< 1% of operational hour per year)
- In a dry, clean, well-ventilated, and temperature-controlled room, away from heat sources such as hot air vents or direct sunlight
- Away from sources of severe electromagnetic noise

For more information about platform storage and environment temperatures, see [Specifications](#).

Platform mounting

The Edge 600 Series supports the following mounting options:

- Desktop placement using rubber pads
- Wall-mounting
- Rack-mounting using the optional rackmount tray

Rack and platform ground

Ensure that you install in the platform in a grounded rack. Ground the rack to the same ground point the power service in your area uses. The ground path must be permanent.

Dell EMC recommends you ground your platform. Connect the grounding cables as described in [Edge 600 Series installation](#).

NOTE: For a DC-powered platform, the only way to safely ground your platform is to attach a dedicated ground wire. The ground lug kit ships in a plastic bag placed with the other accessories inside the shipping box. The ground lug bracket screws ship attached to the platform. Before you install the DC platform in the dual-tray, attach the ground lug and bracket to the platform using the included screws and then attach the DC ground wire to the ground lug.

Fans and airflow

Fan installation is done at the factory. The Edge 600 Series supports forced airflow from the sides and back of the enclosure.

- Two-core—no fan
- Four-core—single fans
- Eight-core—two fans
- Sixteen-core—two fans

Position the platform in a well-ventilated environment with clearance around the exhaust vents. The fan speed varies based on internal temperature monitoring. The platform never intentionally turns off the fans.

NOTE: The Edge 600 Series fans are not field-replaceable.

Power

To connect the platform to the applicable power source, use the appropriate power cable.

When installing DC platforms, follow the requirements of the National Electrical Code, ANSI/NFPA 70, where applicable.

The platform is powered-up when you connect the power cable between the platform and the power source.

Storing components

If you do not install your Edge 600 Series platform and components immediately, properly store the platform and all components using these guidelines:

- Storage location temperature must remain constant. The storage range is from -40°C to 70°C (-40° to 158°F).
- Store on a dry surface or floor, away from direct sunlight, heat, and air conditioning ducts.
- Store in a dust-free environment.

NOTE: ESD damage can occur when components are mishandled. Always wear an ESD-preventive wrist or heel ground strap when handling the platform and accessories. After you remove the original packaging, place the Edge 600 Series platform and components on an anti-static surface.

Edge 600 Series installation

To install the Edge 600 Series platform, complete the installation procedures in the order that is presented in this chapter.

Always handle the platform and components with care.

i **NOTE:** For thermal considerations, do not stack the Edge 600 Series platforms on top of each other.

i **NOTE:** ESD damage can occur if components are mishandled. Always wear an ESD-preventive wrist or heel ground strap when handling the platform and components. As with all electrical devices of this type, take all the necessary safety precautions to prevent injury when installing this platform.

Topics:

- [Unpack](#)
- [Desktop mount](#)
- [Wall mount](#)
- [Rack mount](#)
- [Optics modules](#)
- [Platform power up](#)
- [Platform setup](#)

Unpack

i **NOTE:** Before unpacking the platform, inspect the container and immediately report any evidence of damage.

When unpacking the platform, make sure that the following items are included:

- One Dell EMC SD-WAN Edge 600 Series platform
 - MiniUSB console cable
 - Rubber feet for desktop use or wall-mount hardware
 - (Optional) dual rackmount tray
 - AC-to-DC power adapter
 - *Dell EMC Edge 600 Series Quick Start Guide*
 - *Safety and Regulatory Information*
 - *Warranty and Support Information*
1. Place the container on a clean, flat surface and cut all straps securing the container.
 2. Open the container or remove the container top.
 3. Carefully remove the appliance from the container and place it on a secure and clean surface.
 4. Remove all packing material.
 5. Inspect the product and accessories for damage.

Desktop mount

The Edge 600 Series includes four rubber pads that provide secure and stable placement of the platform on a clean, flat surface.

i **NOTE:** Ensure the platform is in a well-ventilated environment with clearance around the exhaust vents.

Wall mount

The Edge 600 Series includes wall mount installation hardware. You need a torque screwdriver to complete this installation.

⚠ WARNING: When mounting the Edge 640 or Edge 680 platform to the wall, face the Ethernet ports up towards the ceiling and the system status LED panel down, facing the floor.

ⓘ NOTE: When driving the screws into the bracket and platform, verify that you torque to 5 lb-in.

ⓘ NOTE: When mounting the platform to the wall using the included wall mount brackets, you do not need to remove the rubber pads from the bottom of the platform.

ⓘ NOTE: Ensure the platform is in a well-ventilated environment with clearance around the exhaust vents.

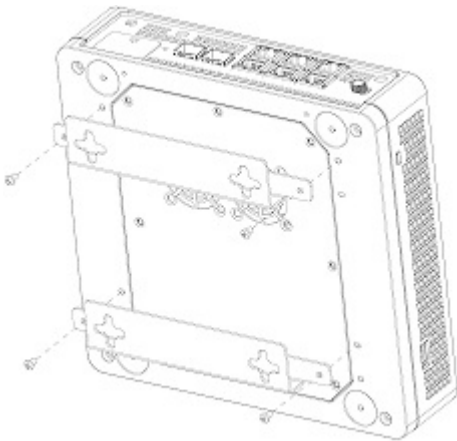
Depending on the configuration you purchased, one of two wall-mount brackets is included:

- Wall mount bracket with cross-shaped cutout for the mounting screws for the 610 and 620 platforms.
- Wall mount bracket with keyhole cutout for the mounting screws for the 640 and 680 platforms.

ⓘ NOTE: Before mounting the Edge 600 Series to the wall, verify that the wall surface is strong enough to support the platform installation and can withstand the weight of the platform, power cable, and network cabling.

Cross-shaped bracket installation

1. Using a torque screwdriver, attach the wall mount brackets to the platform using the four M3 screws included.

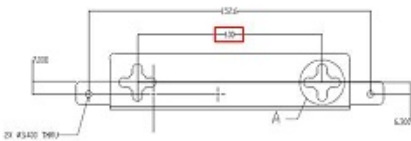


2. Anchor the screws into the wall surface.

Depending on the type of wall surface, use the M3 screw and anchor to ensure a secure installation.

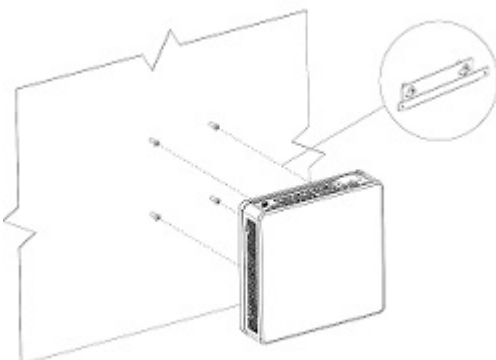
Use the measurement in the red box to mark the distance between the two installation points:

The recommended M3 screw dimensions are as follows:



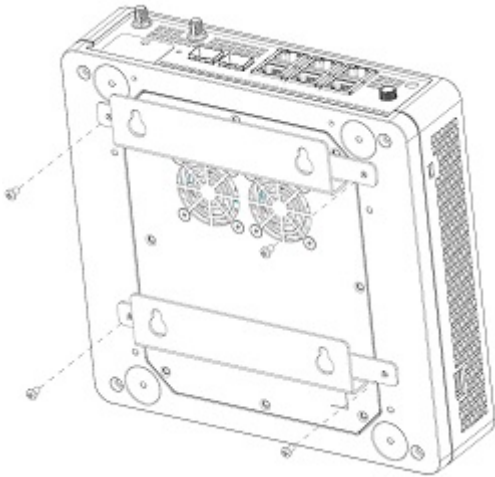
3. Place the pre-installed platform brackets over the wall-mounted screws. Slide the platform to one side to secure the platform in place.

⚠ WARNING: When mounting the platform to the wall, face the Ethernet ports up towards the ceiling and the system status LED panel down, facing the floor.

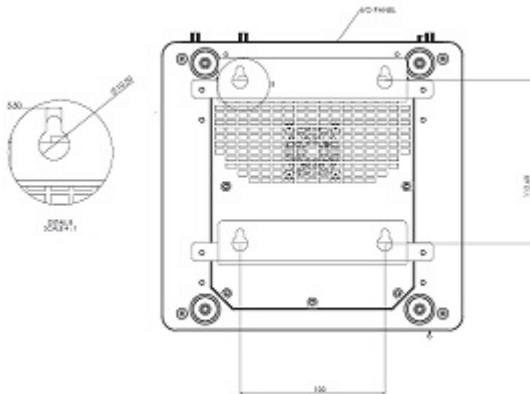


Keyhole-shaped bracket installation

- Using a torque screwdriver, attach the wall mount brackets to the platform using the four M3 screws included.

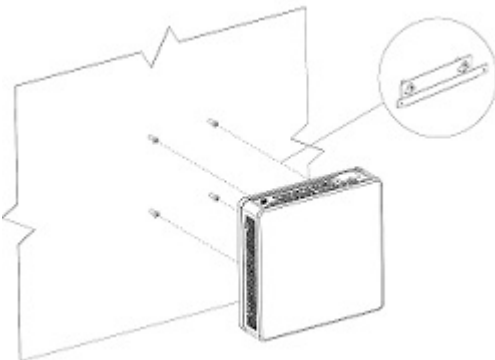


- Anchor the screws into the wall surface.



- Place the pre-installed platform brackets over the wall-mounted screws. Slide the platform to one side to secure the platform in place.

⚠ WARNING: When mounting the Edge 640 or Edge 680 platform to the wall, face the Ethernet ports up towards the ceiling and the system status LED panel down, facing the floor.



Rack mount

As an option, you can mount the Edge 600 Series platform to a dual rackmount tray. Purchase the dual rackmount tray separately. You must have a torque screwdriver to complete this installation.

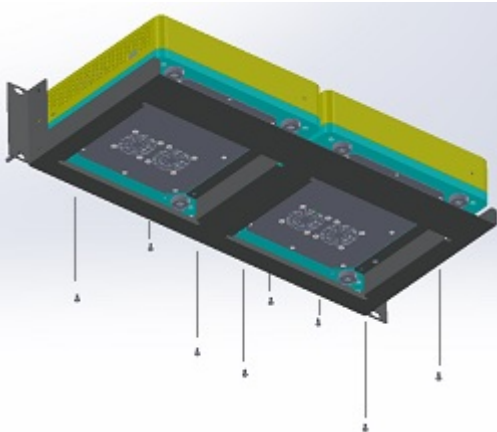
- ⓘ NOTE:** When driving the screws into the bracket and platform, verify that you torque to 5 lb-in.
- ⓘ NOTE:** When mounting the platform to the wall using the included wall mount brackets, you do not need to remove the rubber pads from the bottom of the platform.

NOTE: Ensure the platform is in a well-ventilated environment with clearance around the exhaust vents.

1. Place one or two Edge 600 Series platforms in the dual rackmount tray.



2. Use the eight included M3 screws to attach the platforms to the dual rackmount tray. Use four screws for each platform.



3. Install the rackmount tray in to your rack using the installation instructions included with the tray.

Optics modules

The Edge 610 and Edge 620 platforms have SFP ports. The Edge 640 and Edge 680 platforms have SFP+ ports.

To support 1 Gbps mode, the Edge 600 platform supports Dell EMC SFP 1 Gbps optic modules.

- 10 GbE SFP+ ports support any 1 G/10 G, SX/SR or LX/LR, dual-speed optical module.
- 10 GbE SFP+ ports support 1000Base-SX/LX optical modules.
- 10 GbE SFP+ passive copper direct-attach cables, also known as DAC, that comply with SFF-8431 and SFF-8472 standards, 0.5m, 1m, 2m, 3m, 5m, 7m.
- 10 GbE SFP+ active optical cable, also known as AOC cables—10 GbE only, no 1 GbE support.
- 10 GbE SFP+ SR, LR, ER optical modules that comply with SFF-8431 and SFF-8472 standards.
- 1 GbE SFP ports support 1000Base-SX/LX optical modules.

NOTE: 100BASE-SX/LX auto-negotiation (1G AN) is not supported.

Platform power up

Before you turn on the platform, reinspect the rack mounting or desktop placement of platform, and verify that the power supply to the Edge 600 Series is secure.

Verify the following:

- Optional: The equipment is properly secured to the rack and properly grounded.
- Optional: The equipment rack is properly mounted and grounded.
- The ambient temperature around the platform, which may be higher than the room temperature, is within the limits that are specified for the Edge 600 Series. For more information, see [Specifications](#).
- There is no source of heat near the unit.

NOTE: ESD damage can occur if components are mishandled. Always wear an ESD-preventive wrist or heel ground strap when handling the platform and components.

Start up sequence

When the platform powers up, the fans immediately come on at high speed. The fan speed slows as the platform continues to boot.

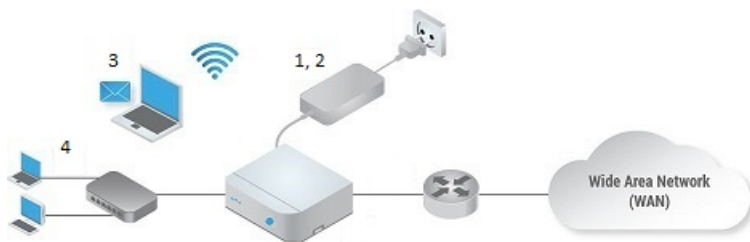
Platform setup

⚠ WARNING: To avoid electrostatic discharge (ESD) damage, wear grounding wrist straps when handling this equipment.

Install the device in an area that meets the following safety requirements:

- Near a properly grounded AC power outlet.
- In a temperature-controlled room with a temperature range from 0°C to 40°C (32°F to 104°F).
- In a dry, clean, and well-ventilated room away from heat sources such as hot air vents or direct sunlight
- Away from severe electromagnetic noise

The numbers one through four in the following figure correspond to the setup procedure:

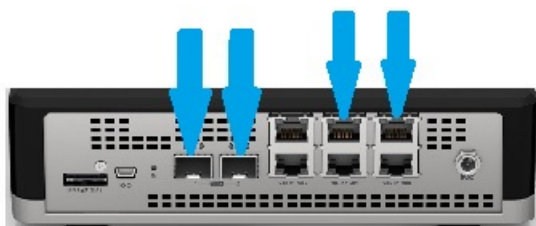


1. Connect the power adapter to the AC power outlet. Connect the other end of the power adapter to the power port on the Edge. When the Edge powers ON, verify that the status LED on the front of the Edge is on.

ⓘ NOTE: Connect the device to a properly wired earth-ground AC power outlet.



2. Connect one of the default WAN ports (GE3-6 or SFP1-2) to an available Internet connection. SFP modules are not included.



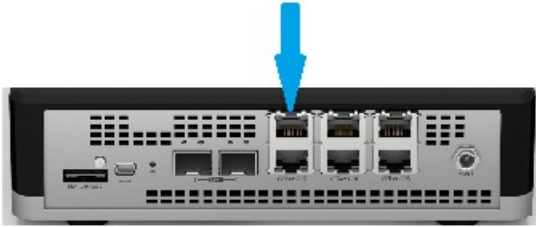
- a. 1—SFP 1-2
- b. 2—GE 3-6

ⓘ NOTE: By default, the Edge gets a DHCP IP address from the ISP on the WAN uplink. When the WAN connection is fully operational, the cloud LED on the front of the Edge is green.

3. If you received an email from your IT administrator, follow the instructions in the email to complete the Edge activation. If you did not receive an email, request the setup instructions for your IT administrator or contact your Dell EMC sales representative.



4. Connect local devices such as computers and switches to the GE1 or GE2 ports, or through the Edge WiFi.



- GE1 or GE2

After following these instructions, if you are still unable to activate the Edge, contact your Dell EMC sales representative.

User interface

You can access the Edge 600 Series platform user interface (UI) at <https://edge.velocloud.net> or at the default IP address of 192.168.2.1 using one of the default LAN ports, GE1 or GE2, or through the WiFi connection.

The WiFi default SSID is shown on the **Overview** page under **Switched Interfaces / Wireless**. This SSID defaults to `velocloud-xxx` where `xxx` is the last 3 digits of the serial number. The default password for the WiFi connection is `vcsecret`.

The platform UI includes local web pages—**Overview**, **Properties**, and **Reset Settings**, as well as a **Diagnostic dump** button that provides troubleshooting functions and information about the interfaces.

NOTE: Use the UI only for initial configuration and troubleshooting when the Internet is not available. Do not use the platform UI during normal operations because the information and configurations are available through the VeloCloud Orchestrator.

Topics:

- [Overview](#)
- [Properties](#)
- [Reset settings](#)

Overview

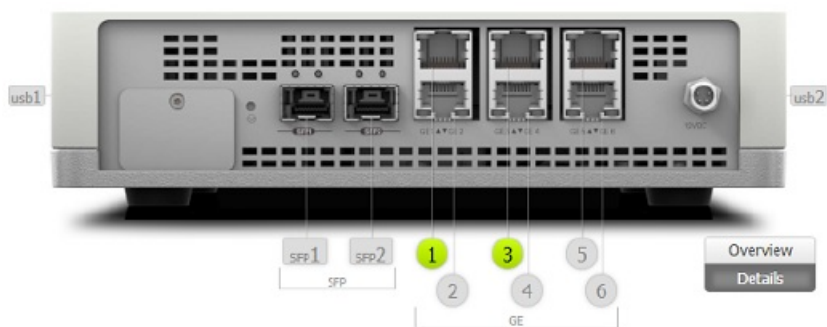
The **Overview** page provides the status of your routed interfaces (WAN) and switched interfaces (LAN) connections.

The top half of the screen displays a diagram of the device. If connections are active, green indicator lights display on the hardware diagram—in this case, GE1 is a valid LAN connection and GE3 is a valid WAN connection. Next to the device image are two buttons, **Overview** and **Details**. Click the **Details** button to display WAN and LAN connection status information.

Underneath the device diagram, the status of the WAN and LAN connections display. In this area, change the display by clicking the **Connected**, **Both**, or **Unconnected** buttons.

If you click a WAN connection, a properties page for that connection opens.

NOTE: From the Overview page, you can click the **Reset Settings** button or the **Download Diagnostic Bundle** button to obtain a diagnostic dump file.



Edge Overview

Reset Settings Download Diagnostic Bundle **Connected** Both Unconnected

Routed Interfaces

Wired

GE3 10.33.33.68 / 23

Switched Interfaces

Wired

GE1

Wireless

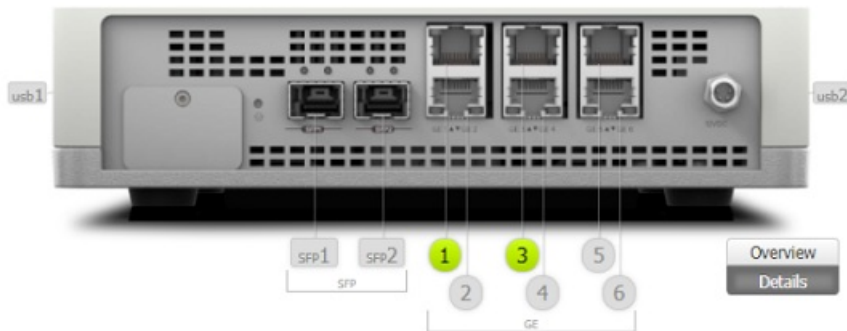
velocloud-NK2 (2.4GHz, Channel 6) Encryption: WPA2 Personal

Properties

If you click a WAN connection from the **Overview** page, a properties page for that connection displays.

From the **Properties** page, you can view status information and change the connection properties. For example, you can specify a static IP address for the interface, or select a PPPoE for the connection. However, Dell EMC recommends entering static and PPPoE values using the **Device Settings override** on the VeloCloud Orchestrator.

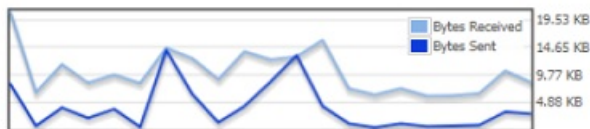
When you finish changing the properties, click the **Save Changes** button. To return to the previous screen, click the **<< Return** button.



GE3 Properties

« Return Save

Status



Link Detected:	Yes
ISP:	Not yet detected
Speed:	1000 Mbps, full duplex
Autonegotiation:	On
MAC Address:	20:04:0F:30:72:1E

Configuration

Changes may require the link to briefly go offline.

(Fields marked with * are required.)

* Addressing:	<input checked="" type="radio"/> DHCP
	<input type="radio"/> Static
	<input type="radio"/> PPPoE
* IP Address:	<input type="text" value="10.33.33.68"/>
* Subnet Mask:	<input type="text" value="255.255.254.0"/>
* Gateways:	<input type="text" value="10.33.33.253"/>
VLAN:	<input type="text"/>
* Autonegotiation:	<input checked="" type="radio"/> On
	<input type="radio"/> Off

Reset settings

The **Reset Settings** page has the following buttons:

- Identify—Flashes the platform lights for 30 seconds to help you locate the Edge.
- Restart Service—Restarts the VMware SD-WAN by VeloCloud service.
- Reboot—Initiates a reboot of the platform. When the service light illuminates again, the device has completed the reboot process.
- Reset Configuration—Returns the platform to an unactivated state. Cloud services are turned off, the platform is no longer associated with a cloud-managed configuration, and the initial default configuration reapplies.
- Hard Reset—Deactivates the platform, restores default configuration, and restores the original software version.

Specifications

This section lists the Edge 600 Series specifications.

NOTE: For RoHS information, see [Restricted Material Compliance](#).

Topics:

- [Chassis physical design](#)
- [IEEE standards](#)
- [Safety standards and compliance agency certifications](#)
- [Agency compliance](#)
- [Product recycling and disposal](#)

Chassis physical design

Table 4. Edge 600 Series specifications

Feature	Specification
Size	8.1 in x 7.9 in x 2.0 in (W x D x H) 20.8 cm x 20.0 cm x 5.20 cm (W x D x H)
Weight, depending on the product NOTE: Platform weight does not include power adapter weight.	2.87 lb to 3.11 lb 1.30 Kg to 1.41 Kg
AC power input	100 VAC–240 VAC, 50/60 Hz
AC maximum current draw per system	100 VAC: 2.0 A 240 VAC: 1.0 A
Typical power consumption	16 core: 40 W 8 core: 35 W 4 core: 20 W 2 core: 16 W
Maximum power consumption	16 core: 50 W 8 core: 45 W 4 core: 30 W 2 core: 26 W
RoHS information	Go to: Restricted Material Compliance .

Table 5. Edge 600 Series temperatures

Feature	Specification
Operating temperature	0°C to 40°C (32°F to 104°F)
Storage temperature	–40°C to 70°C (–40°F to 158°F)

Feature	Specification
Operating relative humidity	5% to 85% (RH), non-condensing continuously 5% to 90% (RH), non-condensing short term (< 1% of operational hour per year)
Storage relative humidity	5% to 90% (RH)
Operating altitude	Maximum: 10,000 feet (3,048 meters) No performance degradation up to 3,117 feet (950 meters)

IEEE standards

The Edge 600 Series complies with the following IEEE standards:

- 802.1ab—LLDP
- 802.1ax—Layer 2
- 802.1d, 802.1w, 802.1s, 802.1x—Mgmt/Security; 802.3x—Layer 2
- 802.3—1000BASE-KX

Safety standards and compliance agency certifications

- CUS UL 60950-1, 2nd Edition
- CSA 60950-1-03, 2nd Edition
- EN 60950-1, 2nd Edition
- IEC 62368-1
- EN 60825-1, 1st Edition
- EN 60825-1 Safety of Laser Products—Part 1: Equipment Classification Requirements and User's Guide
- EN 60825-2 Safety of Laser Products—Part 2: Safety of Optical Fibre Communication Systems
- FDA Regulation 21 CFR 1040.10 and 1040.11
- IEC 60950-1, 2nd Ed, including all National Deviations and Group Differences

Agency compliance

The Edge 600 Series complies with the following safety and agency requirements:

USA Federal Communications Commission statement

⚠ CAUTION: The use of external signal amplifiers in-line with the transceiver antennas is strictly prohibited.

⚠ CAUTION: Use only the antenna(s) which have been approved by the applicant. Non-approved antenna(s) may produce unwanted spurious or excessive RF transmitting power which may lead to a violation of FCC/IC limits and is prohibited.

This device complies with Part 15 of the FCC Rules. Operation is subject to the following two conditions:

1) This device may not cause harmful interference, and (2) this device must accept any interference received, including interference that may cause undesired operation.

This equipment has been tested and found to comply with the limits for a Class A digital device, pursuant to Part 15 of the FCC Rules.

These limits are designed to provide reasonable protection against harmful interference in a residential installation. This equipment generates, uses and can radiate radio frequency energy and, if not installed and used in accordance with the instructions, may cause harmful interference to radio communications. However, there is no guarantee that interference will not occur in a particular installation. If this equipment does cause harmful interference to radio or television reception, which can be determined by turning the equipment off and on, the user is encouraged to try to correct the interference by one of the following measures.

Reorient or relocate the receiving antenna.

Increase the separation between the equipment and receiver.

Connect the equipment into an outlet on a circuit different from that to which the receiver is connected.

Consult the dealer or an experienced radio/TV technician for help.

FCC caution

Any changes or modifications not expressly approved by the party responsible for compliance could void the user's authority to operate this equipment. This transmitter must not be co-located or operating in conjunction with any other antenna or transmitter.

Radiation exposure statement

This equipment complies with FCC radiation exposure limits set forth for an uncontrolled environment. This equipment should be installed and operated with minimum distance 20cm between the radiator & your body.

NOTE: The country code selection is for non-US model only and is not available to all US model. Per FCC regulation, all WiFi product marketed in US must fixed to US operation channels only.

Industry Canada Statement

CAUTION: The use of external signal amplifiers in-line with the transceiver antennas is strictly prohibited.

CAUTION: Use only the antenna(s) which have been approved by the applicant. Non-approved antenna(s) may produce unwanted spurious or excessive RF transmitting power which may lead to a violation of FCC/IC limits and is prohibited.

CAUTION: L'utilisation d'amplificateurs de signal externes en ligne avec les antennes de l'émetteur-récepteur est strictement interdite.

CAUTION: Utilisez uniquement les antennes approuvées par le demandeur. Une ou plusieurs antennes non approuvées peuvent produire une puissance de transmission RF parasite ou excessive, susceptible d'entraîner une violation des limites FCC / IC et est interdite.

This device complies with Industry Canada license-exempt RSS standard(s). Operation is subject to the following two conditions:

1. This device may not cause interference, and
2. This device must accept any interference, including interference that may cause undesired operation of the device.

Le présent appareil est conforme aux CNR d'Industrie Canada applicables aux appareils radio exempts de licence. L'exploitation est autorisée aux deux conditions suivantes:

1. l'appareil ne doit pas produire de brouillage, et
2. l'utilisateur de l'appareil doit accepter tout brouillage radioélectrique subi, même si le brouillage est susceptible d'en compromettre le fonctionnement.

This Class A digital apparatus complies with Canadian ICES-003.

Cet appareil numérique de la classe A est conforme à la norme NMB-003 du Canada.

This device complies with RSS-GEN, RSS-210, RSS-130, RSS-132, RSS-133, RSS-139, RSS-195, RSS-199 & RSS-247 of Industry Canada. Operation is subject to the condition that this device does not cause harmful interference.

Cet appareil est conforme à la norme RSS-GEN, RSS-210, RSS-130, RSS-132, RSS-133, RSS-139, RSS-195, RSS-199 & RSS-247 d'Industrie Canada. L'opération est soumise à la condition que cet appareil ne provoque aucune interférence nuisible.

This device and its antenna(s) must not be co-located or operating in conjunction with any other antenna or transmitter, except tested built-in radios.

Cet appareil et son antenne ne doivent pas être situés ou fonctionner en conjonction avec une autre antenne ou un autre émetteur, exception faites des radios intégrées qui ont été testées.

The County Code Selection feature is disabled for products marketed in the US/Canada.

La fonction de sélection de l'indicatif du pays est désactivée pour les produits commercialisés aux États-Unis et au Canada.

Radiation Exposure Statement: This equipment complies with IC radiation exposure limits set forth for an uncontrolled environment. This equipment should be installed and operated with minimum distance 20cm between the radiator & your body.

Déclaration d'exposition aux radiations: Cet équipement est conforme aux limites d'exposition aux rayonnements IC établies pour un environnement non contrôlé. Cet équipement doit être installé et utilisé avec un minimum de 20 cm de distance entre la source de rayonnement et votre corps.

Caution:

1. The device for operation in the band 5150-5250 MHz is only for indoor use to reduce the potential for harmful interference to co-channel mobile satellite systems;
2. The worst-case tilt angle(s) necessary to remain compliant with the eirp elevation mask requirement set forth in Section 6.2.2(3) shall be clearly indicated.
3. Users should also be advised that high-power radars are allocated as primary users (i.e. priority users) of the bands 5250-5350 MHz and 5650-5850 MHz and that these radars could cause interference and/or damage to LE-LAN devices.

Avertissement:

1. Les dispositifs fonctionnant dans la bande 5150-5250 MHz sont réservés uniquement pour une utilisation à l'intérieur afin de réduire les risques de brouillage préjudiciable aux systèmes de satellites mobiles utilisant les mêmes canaux;
2. Les pires angles d'inclinaison nécessaires pour rester conforme à l'exigence de la p.i.r.e. applicable au masque d'élévation, et énoncée à la section 6.2.2 3), doivent être clairement indiqués.
3. De plus, les utilisateurs devraient aussi être avisés que les utilisateurs de radars de haute puissance sont désignés utilisateurs principaux (c.-à-d., qu'ils ont la priorité) pour les bandes 5250-5350 MHz et 5650-5850 MHz et que ces radars pourraient causer du brouillage et/ou des dommages aux dispositifs LAN-EL.

Radiocommunication equipment compliance for Thailand

The following is for radiocommunication equipment per act B.E 2498.



Translation of content:
This radiocommunication equipment is exempted to possess license, user license, or radiocommunication station license as per NBTC notification regarding radiocommunication equipment and radiocommunication station has been exempted for license according to radio communication act B.E. 2498

Brasil – Aviso da Anatel

Este equipamento opera em caráter secundário, isto é, não tem direito a proteção contra interferência prejudicial, mesmo de estações do mesmo tipo, e não pode causar interferência a sistemas operando em caráter primário.



Brazilian certificate

European Union EMC directive conformance statement

This product is in conformity with the protection requirements of EU Council Directive 2004/108/EC on the approximation of the laws of the Member States relating to electromagnetic compatibility. Dell EMC cannot accept responsibility for any failure to satisfy the protection requirements resulting from a non-recommended modification of this product, including the fitting of non-Dell EMC option cards.

This product has been tested and found to comply with the limits for Class A Information Technology Equipment according to CISPR 32/ CISPR34 and EN55032 / EN55034. The limits for Class A equipment were derived for commercial and industrial environments to provide reasonable protection against interference with licensed communication equipment.

NOTE: This is a Class A product. In a domestic environment, this device may cause radio interference, in which case, you may be required to take adequate measures.

European Community Contact

Dell EMC, EMEA - Central

Dahlenweg 19

66265 Heusweiler

Germany

Tel: +49 172 6802630

Email: EMEA Central Sales

Japan VCCI compliance for class A equipment

この装置は、情報処理装置等電波障害自主規制協議会（VCCI）の基準に基づくクラスA 情報技術装置です。この装置を家庭環境で使用すると電波妨害を引き起こすことがあります。この場合には使用者が適切な対策を講ずるよう要求されることがあります。

Figure 2. Japan: VCCI compliance for class A equipment

This is Class A product based on the standard of the Voluntary Control Council For Interference by Information Technology Equipment (VCCI). If this equipment is used in a domestic environment, radio disturbance may arise. When such trouble occurs, the user may be required to take corrective actions.

NOTE: Use the AC power cords with Dell EMC equipment only. Do not use Dell EMC AC power cords with any unauthorized hardware.

本製品に同梱いたしております電源コードセットは、本製品専用です。本電源コードセットは、本製品以外の製品ならびに他の用途でご使用いただくことは出来ません。製品本体には同梱された電源コードセットを使用し、他製品の電源コードセットを使用しないで下さい。

Figure 3. Japan: warning label

WiFi and Bluetooth compliance certificate

電波法により5GHz帯は屋内使用に限ります。

Japanese WiFi, Bluetooth compliance certificate

BTE compliance certificate

タブレットコンピュータの使用目的オリエンテーション

使用者の体に対してタブレットコンピュータ画面側を抱き抱えることは、タブレットの使用可能な方法ではありません。

WWAN トランスミッタがアクティブであるために、使用者の身体からタブレットコンピュータを 20 センチ以上の距離を確保してください。

製品の他の 5 つの側面は、デルの特徴としてタブレットの使用可能な向きを指定し使用者の身体に密着しながら使用することができます。

ありがとうございます。

Japanese BTE compliance certificate

Korean certification of compliance

Korean certification of compliance


	 [equipment type]
품명(Product Name)	Ethemet Switch
모델명(Model)	[model number]
신청인(Applicant)	Dell Technologies
제조사(Manufacturer)	[Manufacturer]
제조년월(Manufacturing Date)	[date]
제조국(Country of Origin)	China

Figure 4. Korean package label

Radio compliance certificate

Korea (Korean warning statement is only required for devices contain 2400~2483 and/or 5725~5825 MHz radios)

해당 무선설비는 운용 중 전파혼신 가능성이 있음

Korean radio compliance certificate

Mexican certification of compliance

Mexican compliance.

La operación de este equipo está sujeta a las siguientes dos condiciones:

1. es posible que este equipo o dispositivo no cause interferencia perjudicial y
2. este equipo o dispositivo debe aceptar cualquier interferencia, incluyendo la que pueda causar su operación no deseada.

Taiwanese certification of compliance

Taiwanese radio compliance.

台灣: 國家通訊傳播委員會

低功率電波輻射性電機管理辦法

第十二條經型式認證合格之低功率射頻電機，非經許可，公司、商號或使用者均不得擅自變更頻率、加大功率或變更原設計之特性及功能。

第十四條低功率射頻電機之使用不得影響飛航安全及干擾合法通信；經發

現有干擾現象時，應立即停用，並改善至無干擾時方得繼續使用。前項合法通信，指依電信法規定作業之無線電通信。低功率射頻電機須忍受合法通信或工業、科學及醫療用電波輻射性電機設備之干擾。

在 5.25-5.35 兆赫頻帶內操作之無線資訊傳輸設備，限於室內使用。

Taiwanese radio compliance certificate

Singapore certification of compliance

Singaporean radio compliance.

Complies with IMDA Standards

XXXXXXX (xxxxxx = Dealer Code)

Certification pending.

Product recycling and disposal

You must recycle or discard this appliance according to applicable local and national regulations. Dell EMC encourages owners of information technology (IT) equipment to responsibly recycle their equipment when it is no longer needed. Dell EMC offers a variety of product return programs and services in several countries to assist equipment owners in recycling their IT products.

Waste electrical and electronic equipment (WEEE) directive for recovery, recycle and reuse of IT and telecommunications products

Dell EMC appliances are labeled in accordance with European Directive 2002/96/EC concerning waste electrical and electronic equipment (WEEE). The Directive determines the framework for the return and recycling of used appliances as applicable throughout the European Union. This label is applied to various products to indicate that the product is not to be thrown away, but rather reclaimed upon end of life per this Directive.



Figure 5. The European WEEE symbol

In accordance with the European WEEE Directive, electrical and electronic equipment (EEE) is to be collected separately and to be reused, recycled, or recovered at end of life. Users of EEE with the WEEE marking per Annex IV of the WEEE Directive, as shown above, must not dispose of end of life EEE as unsorted municipal waste, but use the collection framework available to customers for the return, recycling and recovery of WEEE. Customer participation is important to minimize any potential effects of EEE on the environment and human health due to the potential presence of hazardous substances in EEE.

Dell EMC products, which fall within the scope of the WEEE, are labeled with the crossed-out wheeled-bin symbol, as shown above, as required by WEEE.

For information on Dell EMC product recycling offerings, see the WEEE Recycling instructions on Support. For more information, contact the Dell EMC Technical Assistance Center.

Dell EMC support

The Dell EMC support site provides documents and tools to help you effectively use Dell EMC equipment and mitigate network outages. Through the support site you can obtain technical information, access software upgrades and patches, download available management software, and manage your open cases. The Dell EMC support site provides integrated, secure access to these services.

To access the Dell EMC support site, go to www.dell.com/support/. To display information in your language, scroll down to the bottom of the web page and select your country from the drop-down menu.

- To obtain product-specific information, enter the 7-character service tag, or the 11-digit express service code of your appliance and click **submit**.

To view the appliance service tag or express service code, pull out the luggage tag on the upper-right side of the appliance.

- To receive more technical support, click **Contact Us**. On the Contact Information web page, click **Technical Support**.

To access documentation, go to www.dell.com/manuals/.

To search for drivers and downloads, go to www.dell.com/drivers/.

To participate in Dell EMC community blogs and forums, go to www.dell.com/community.