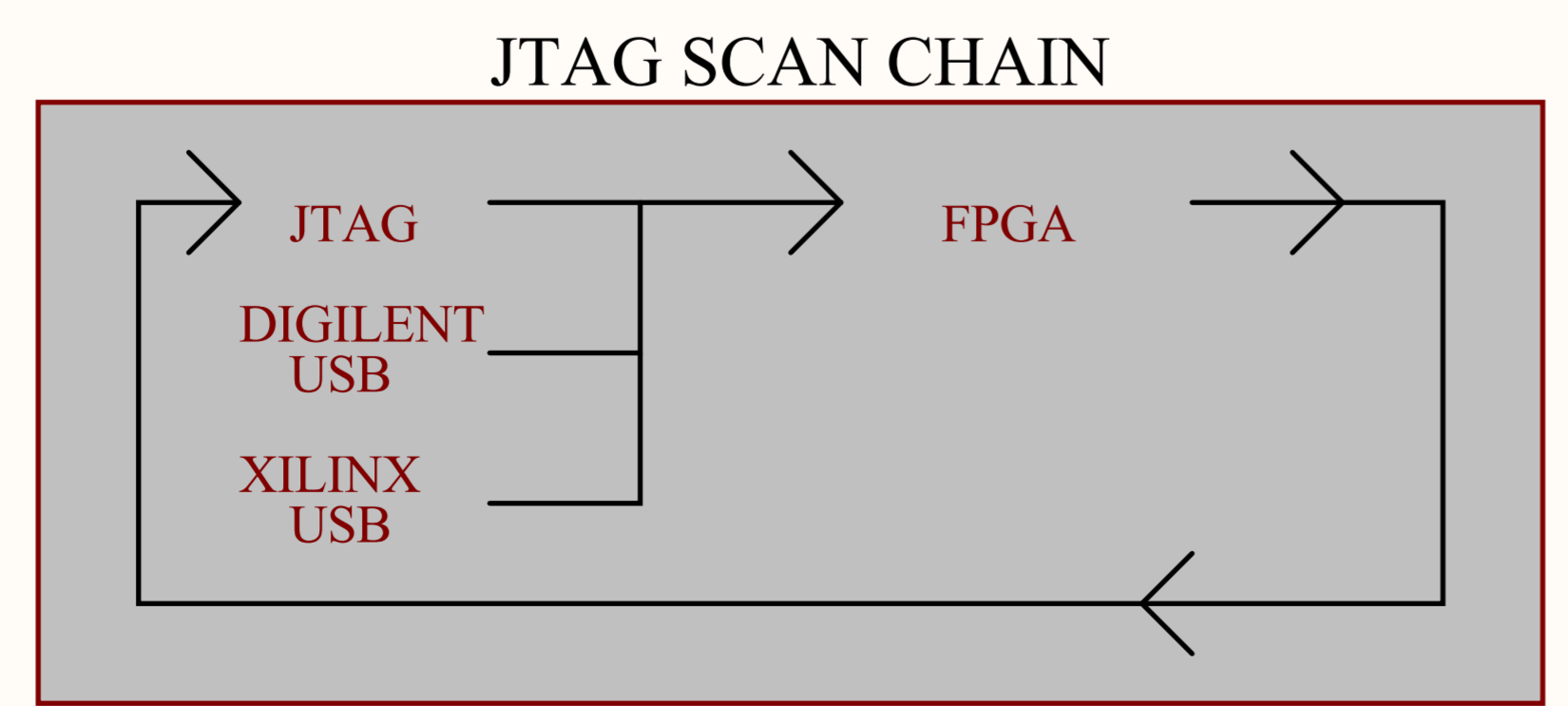
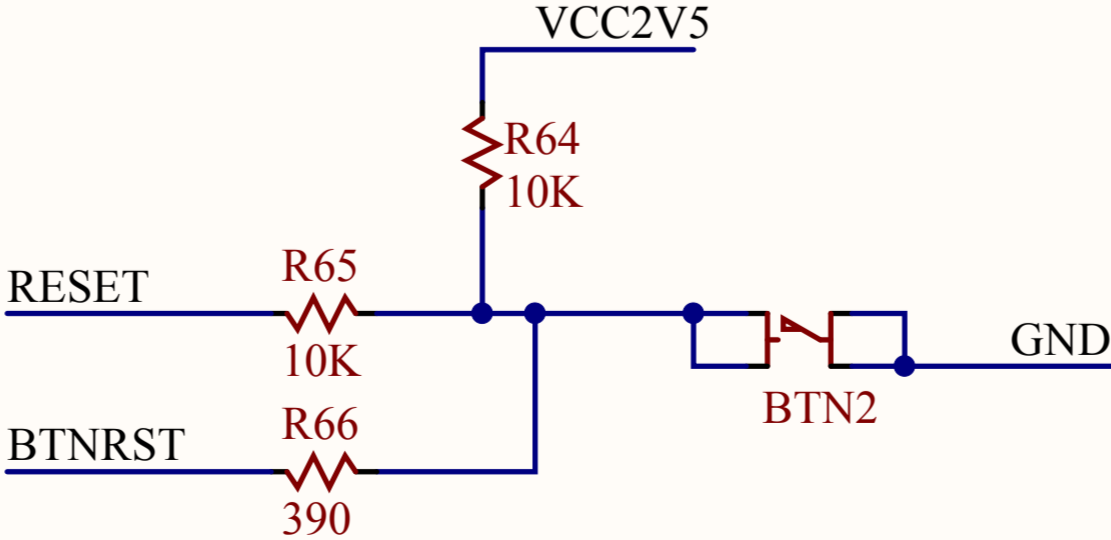
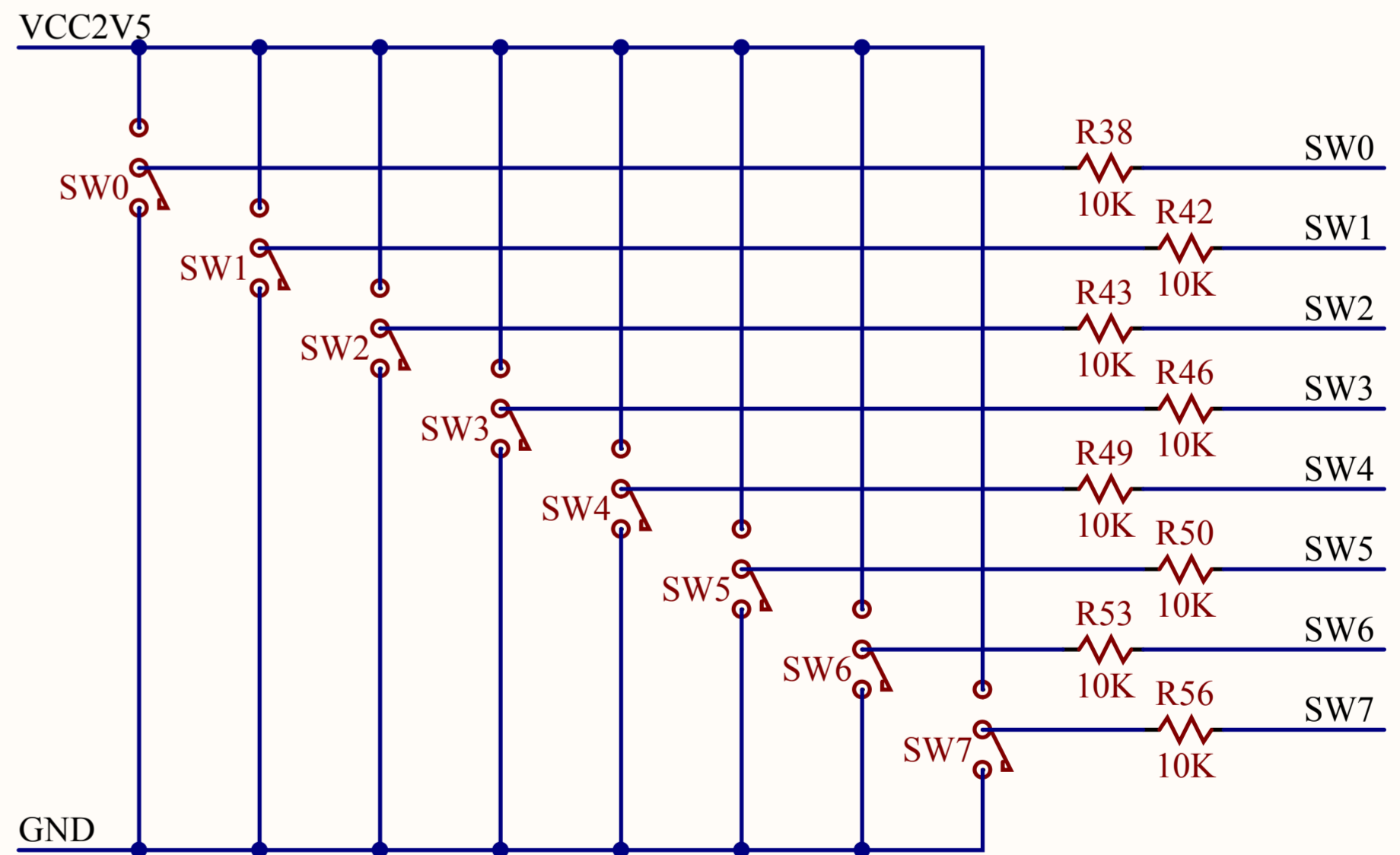
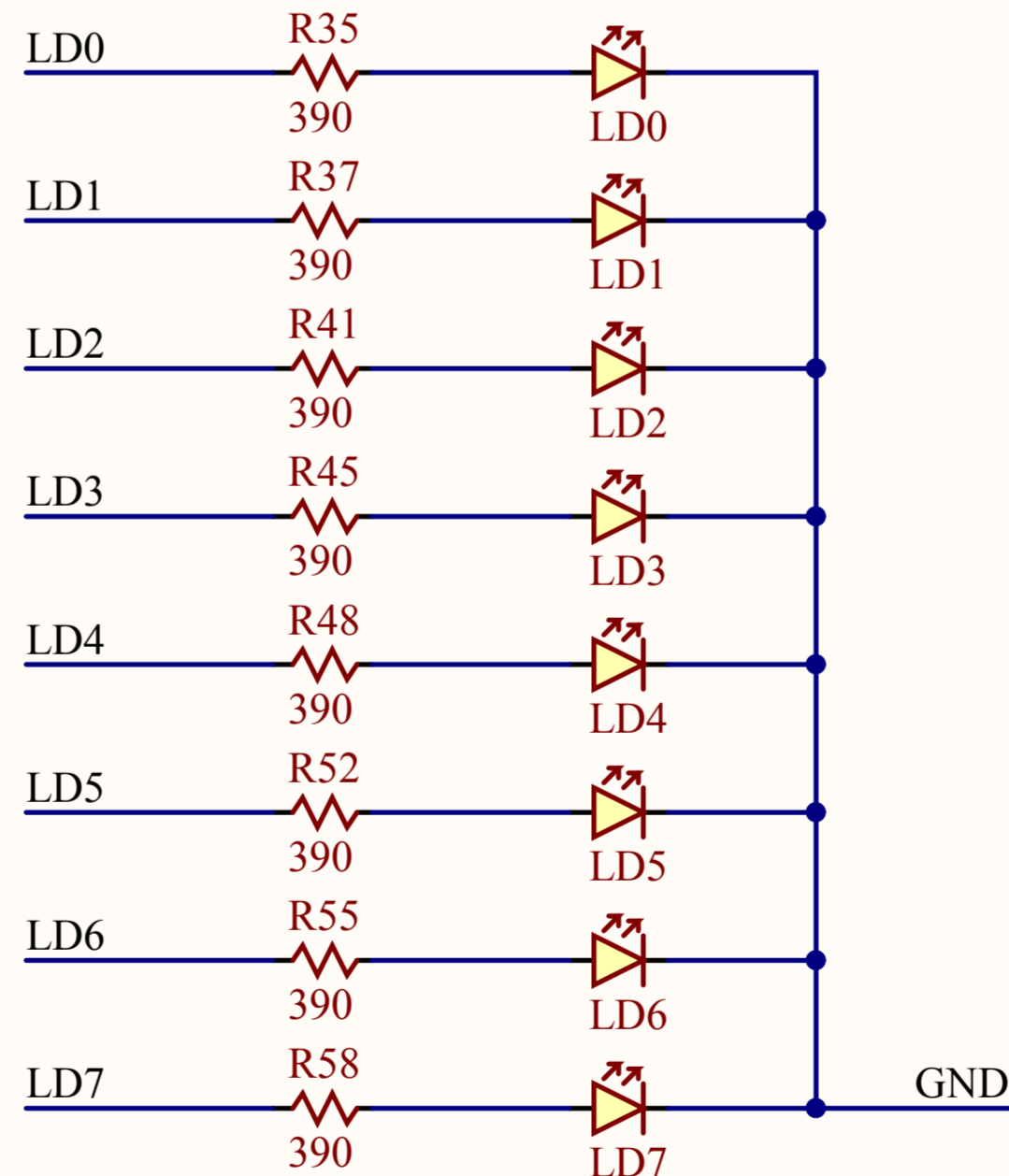
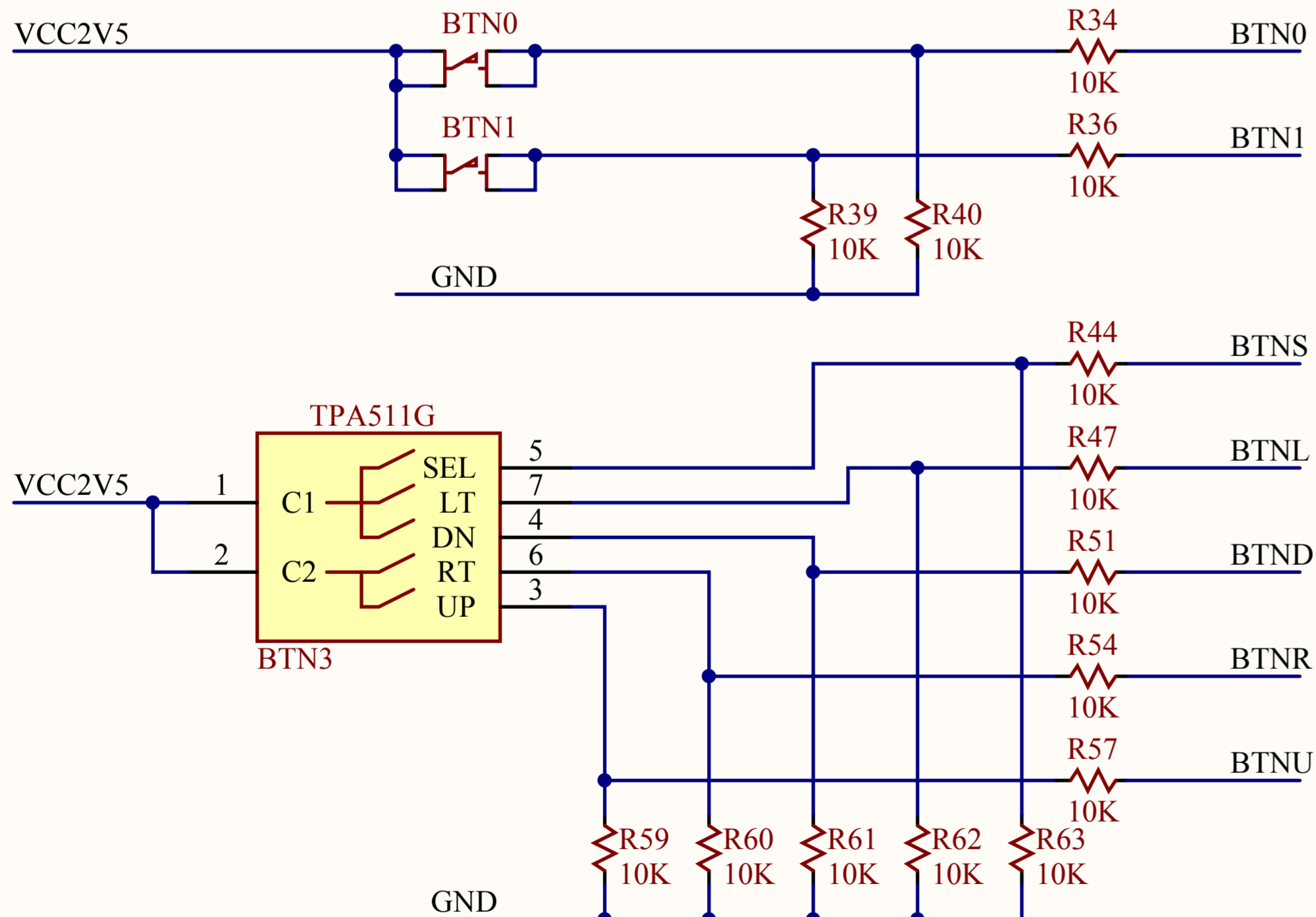
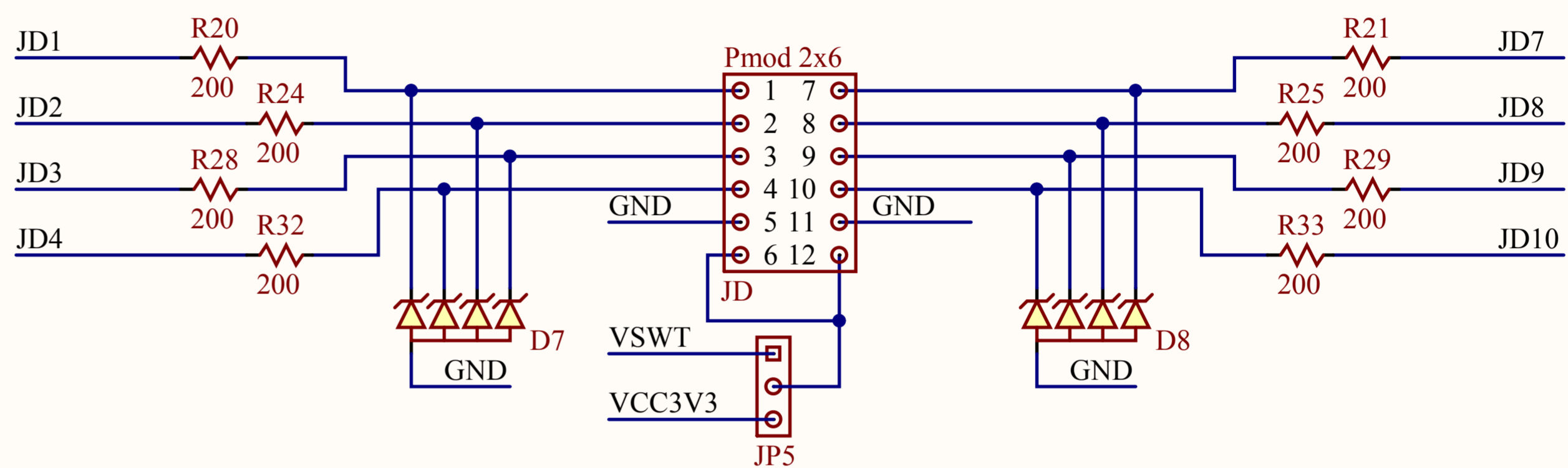
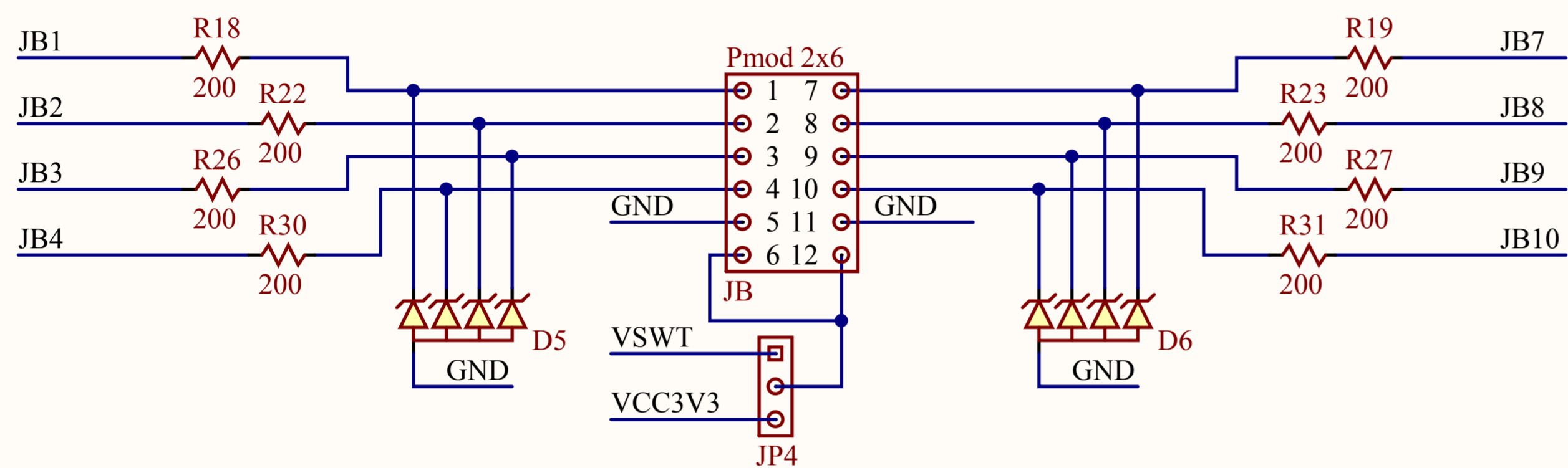
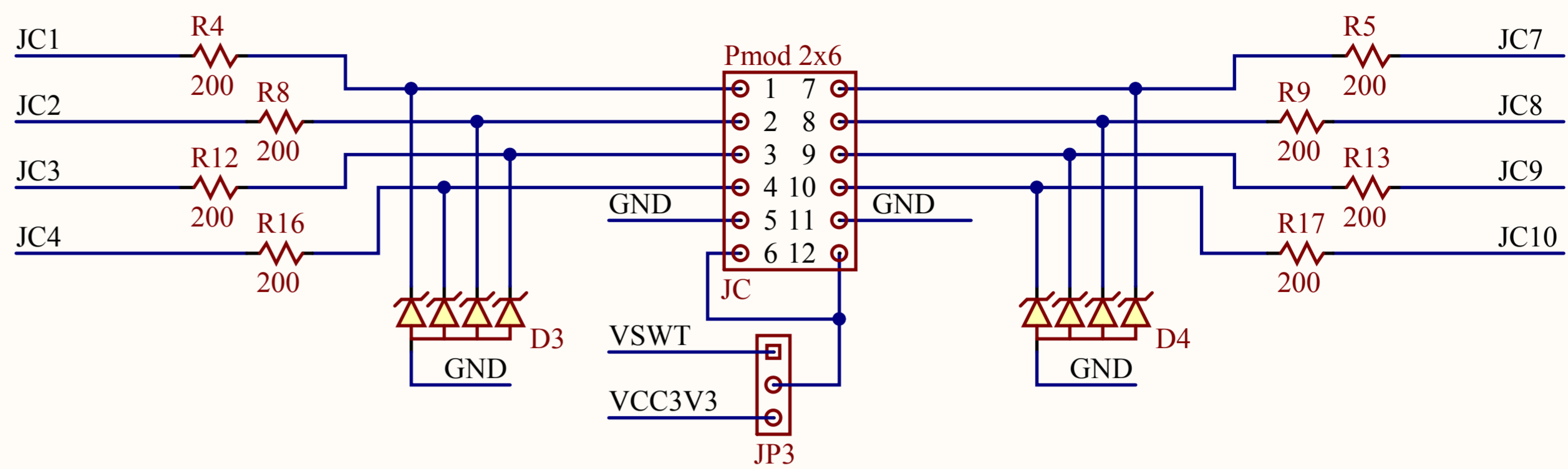
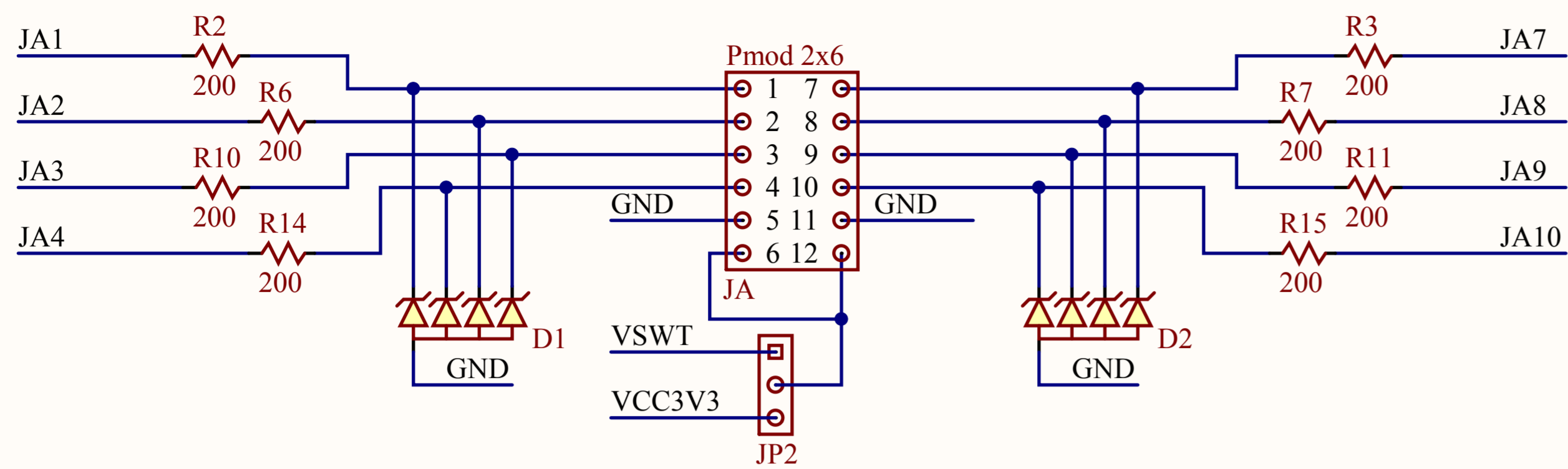


- Genesys
- Digilent Inc.
- Xilinx
- Texas Instruments
- Numonyx
- ROHS
- Chinese ROHS

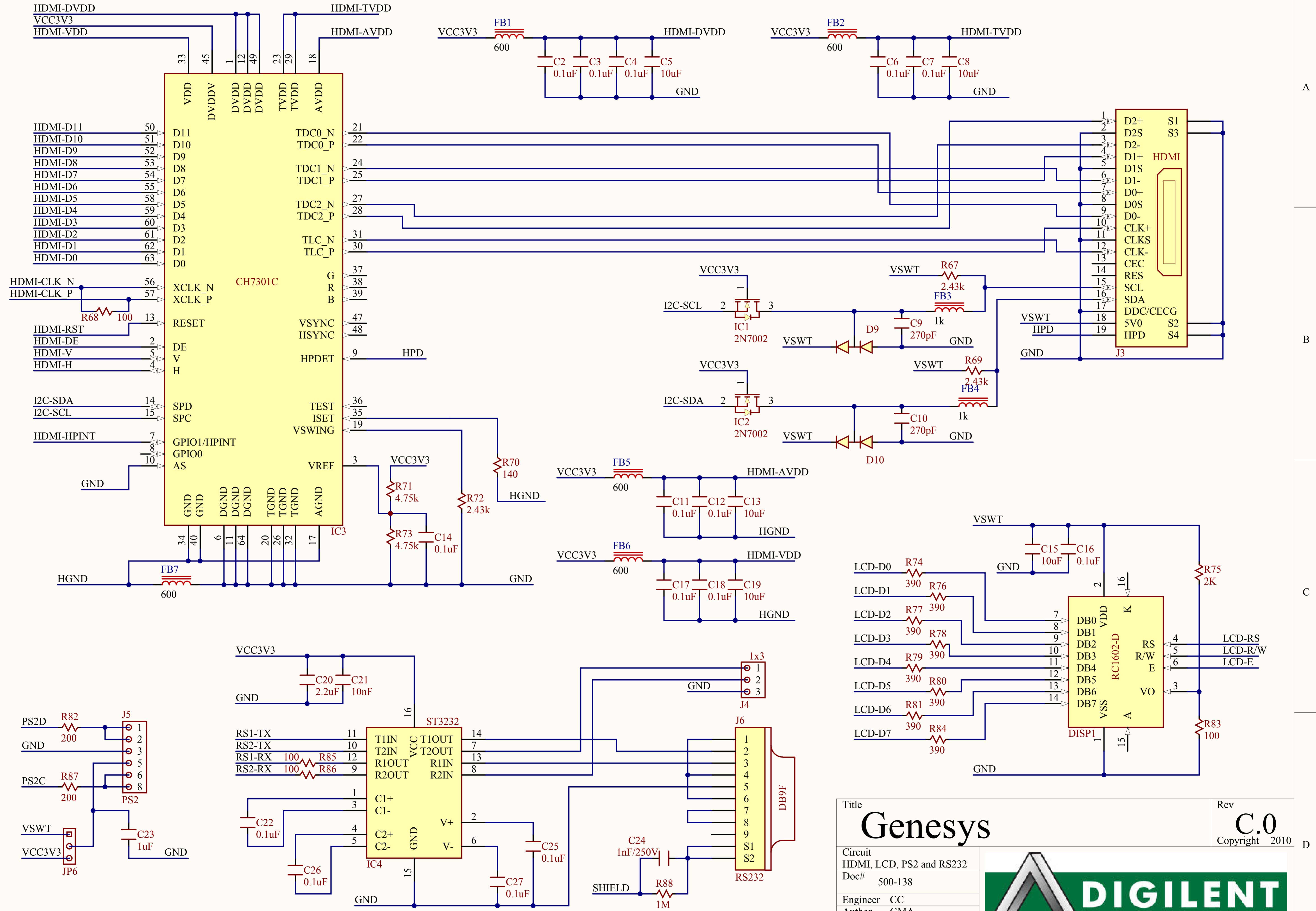


- Foot
- F1
- Foot
- F2
- Foot
- F3
- Foot
- F4

Title Genesys		Rev C.0 Copyright 2010
Circuit Expansion Headers		
Doc# 500-138		
Engineer CC		
Author GMA		
Date 1/5/2010		
Sheet# 01 out of 17		



Title Genesis		Rev C.0 Copyright 2010
Circuit Pmod Headers and IO		 www.digilentinc.com
Doc# 500-138		
Engineer CC		
Author GMA		
Date 1/5/2010		
Sheet# 02 out of 17		



Title		Rev	
Genesys		C.0	
Circuit		Copyright 2010	
HDMI, LCD, PS2 and RS232			
Doc#	500-138		
Engineer	CC		
Author	GMA		
Date	1/5/2010		
Sheet#	03 out of 17		



DIGILENT
www.digilentinc.com

A

A

B

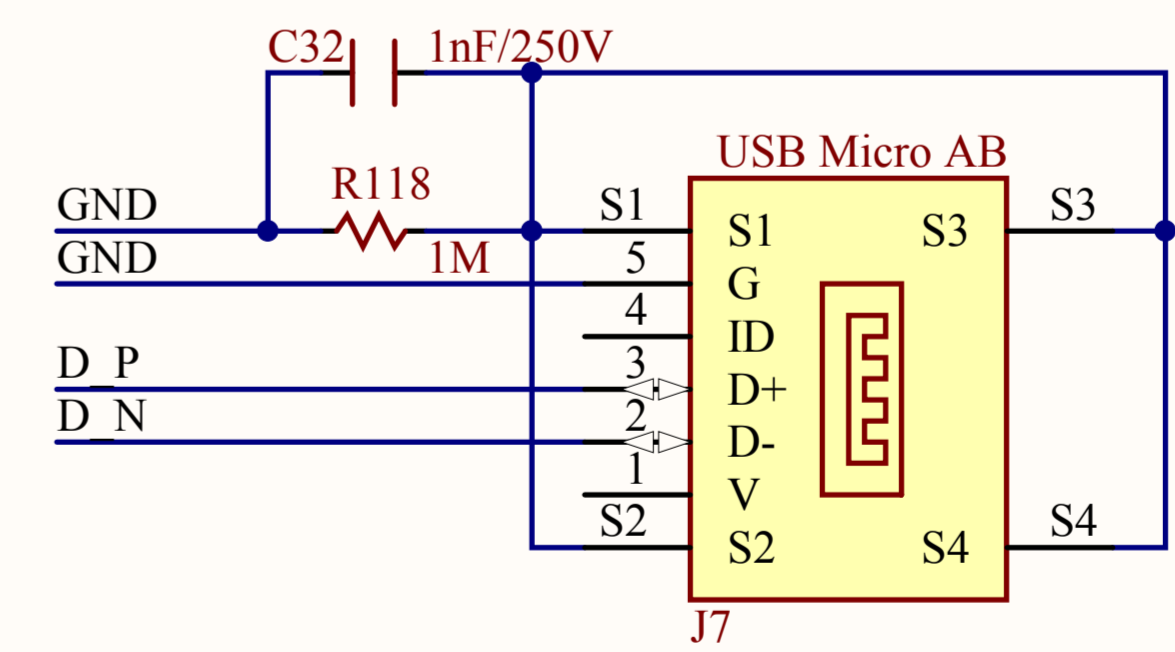
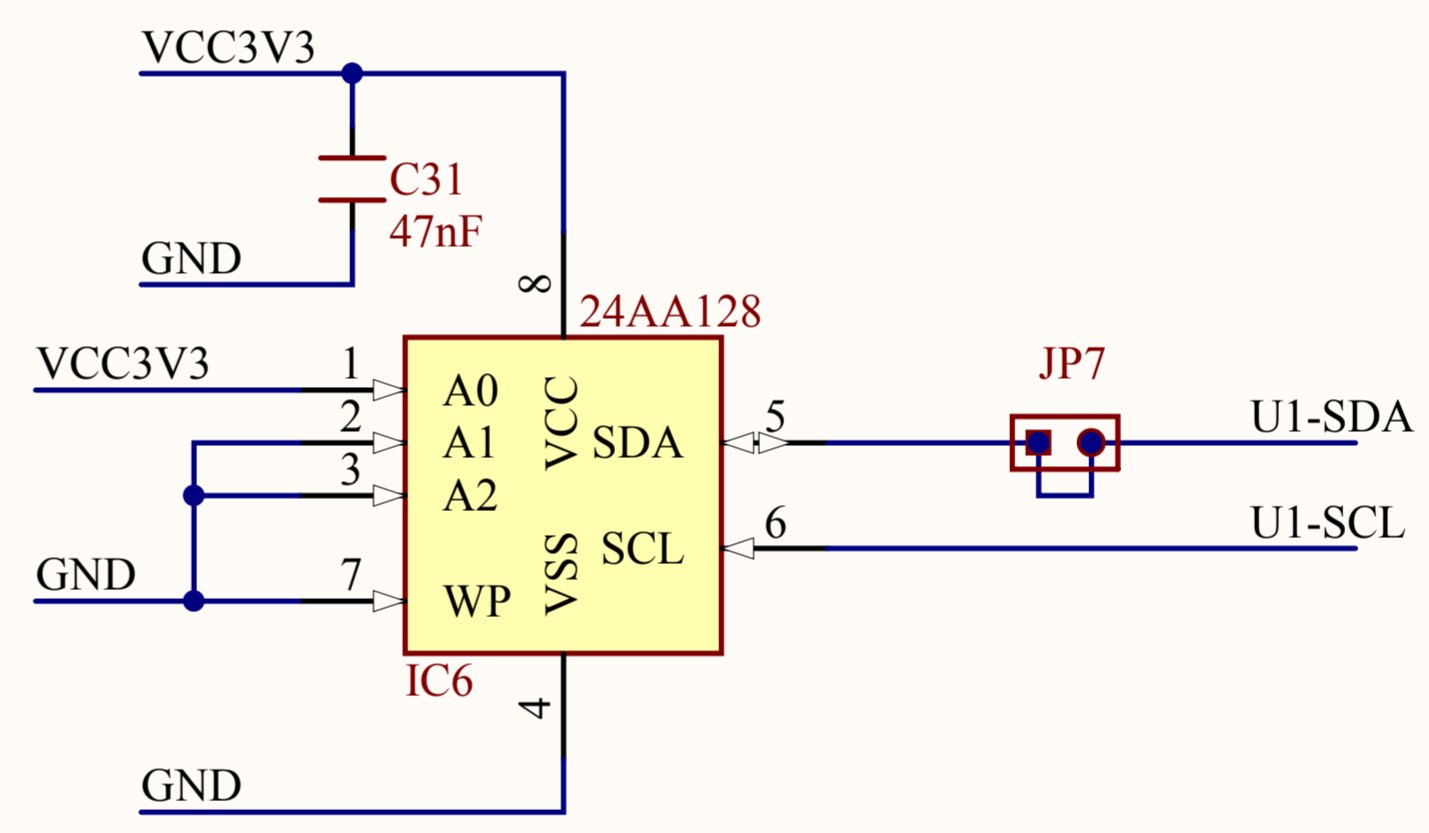
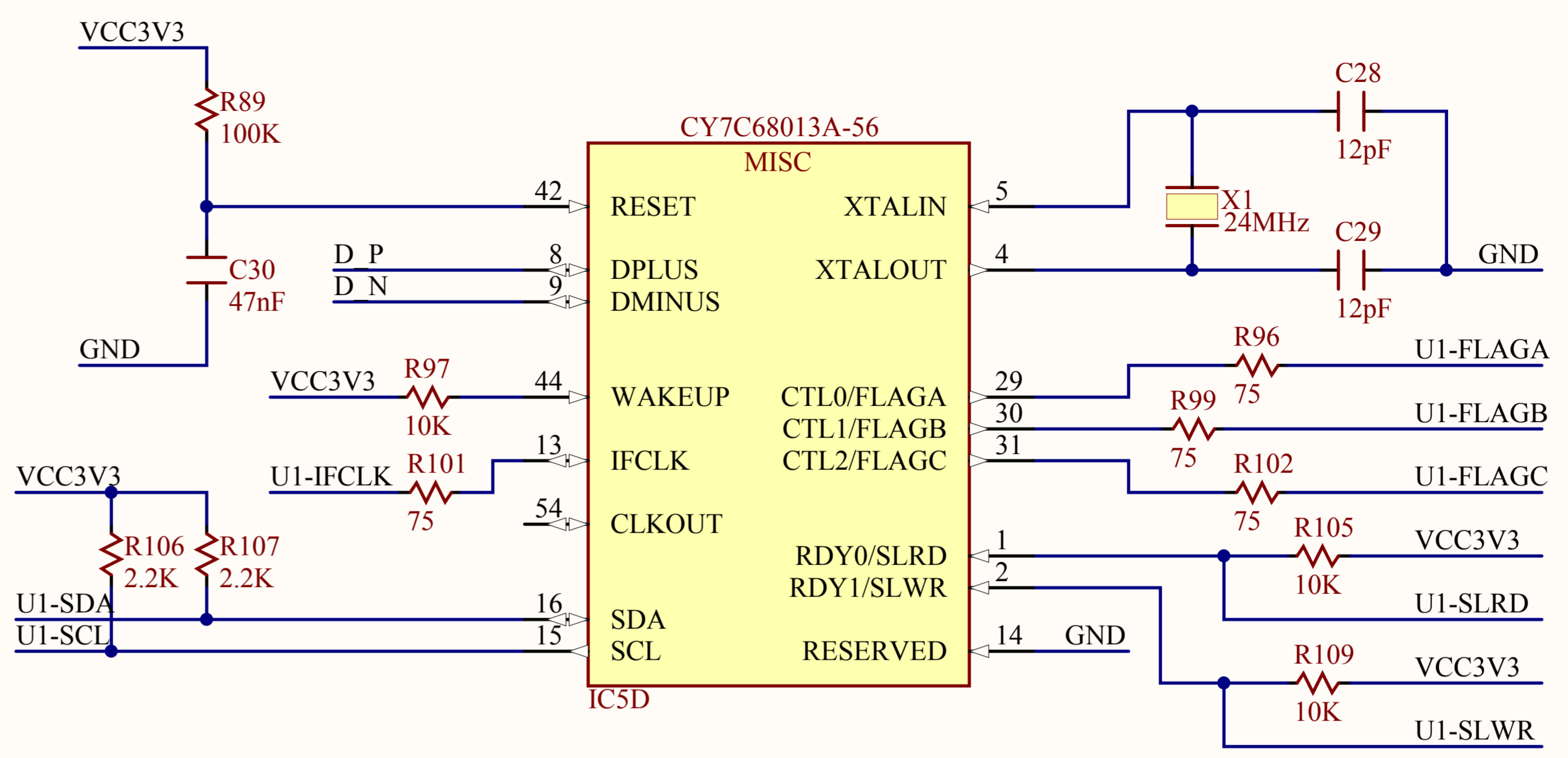
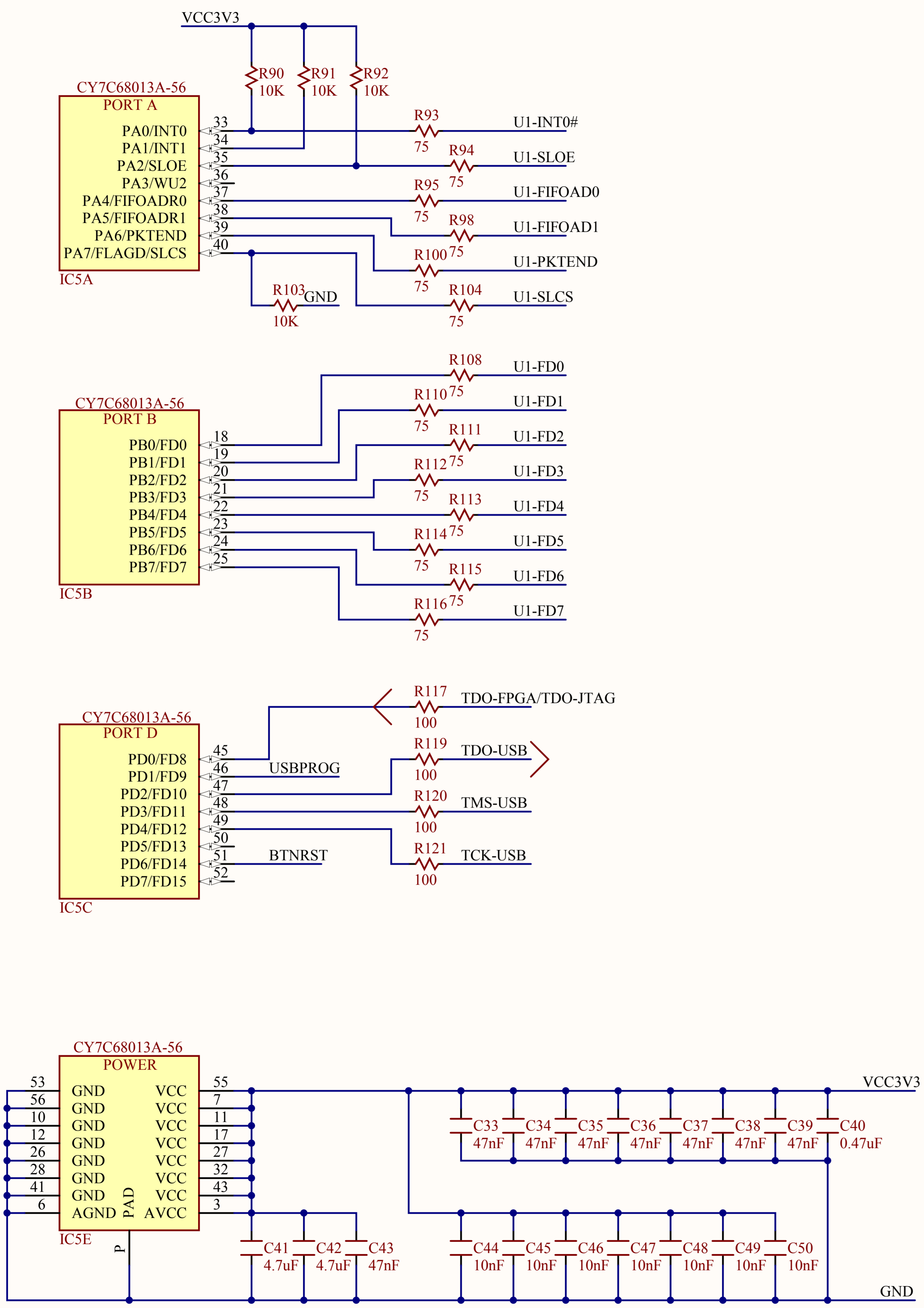
B

C

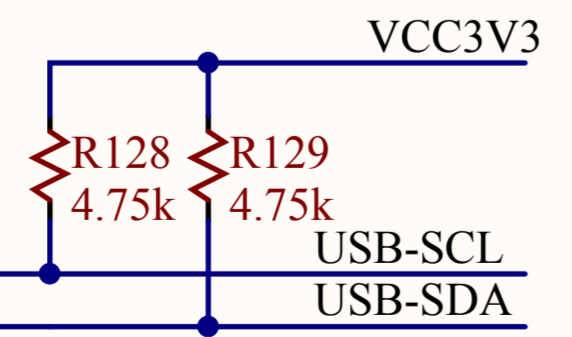
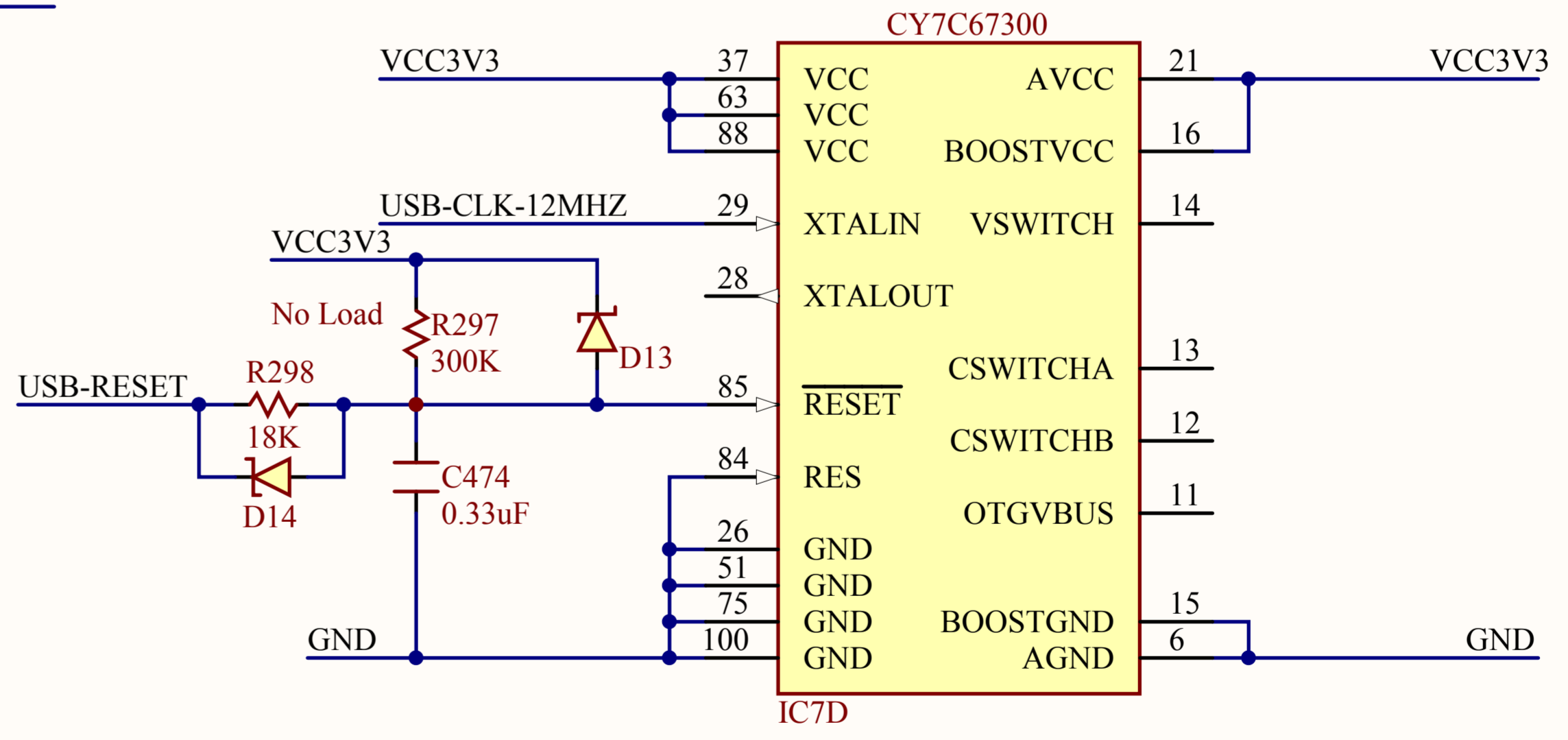
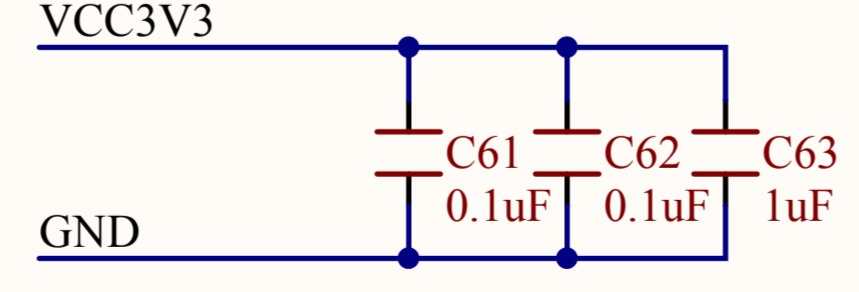
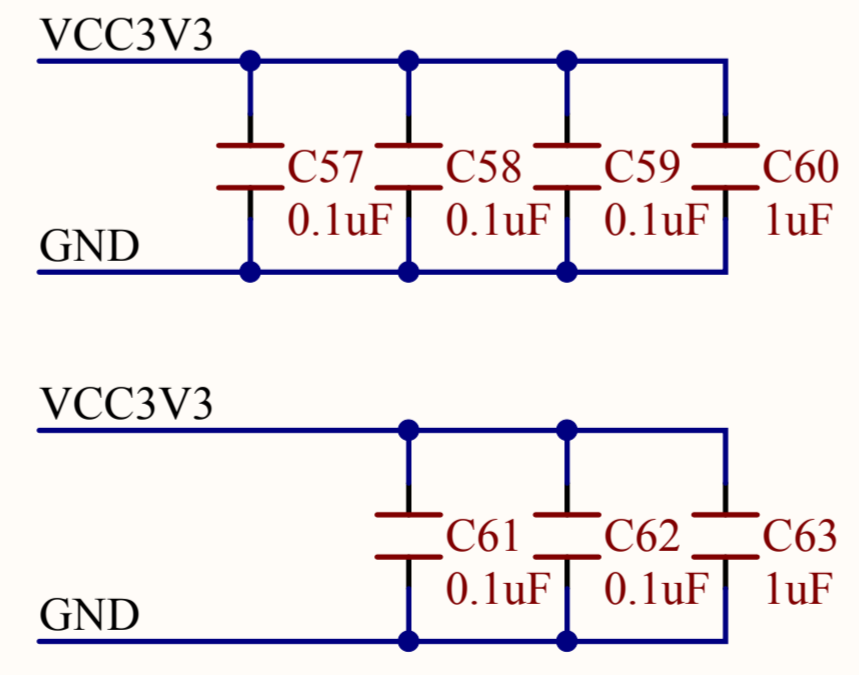
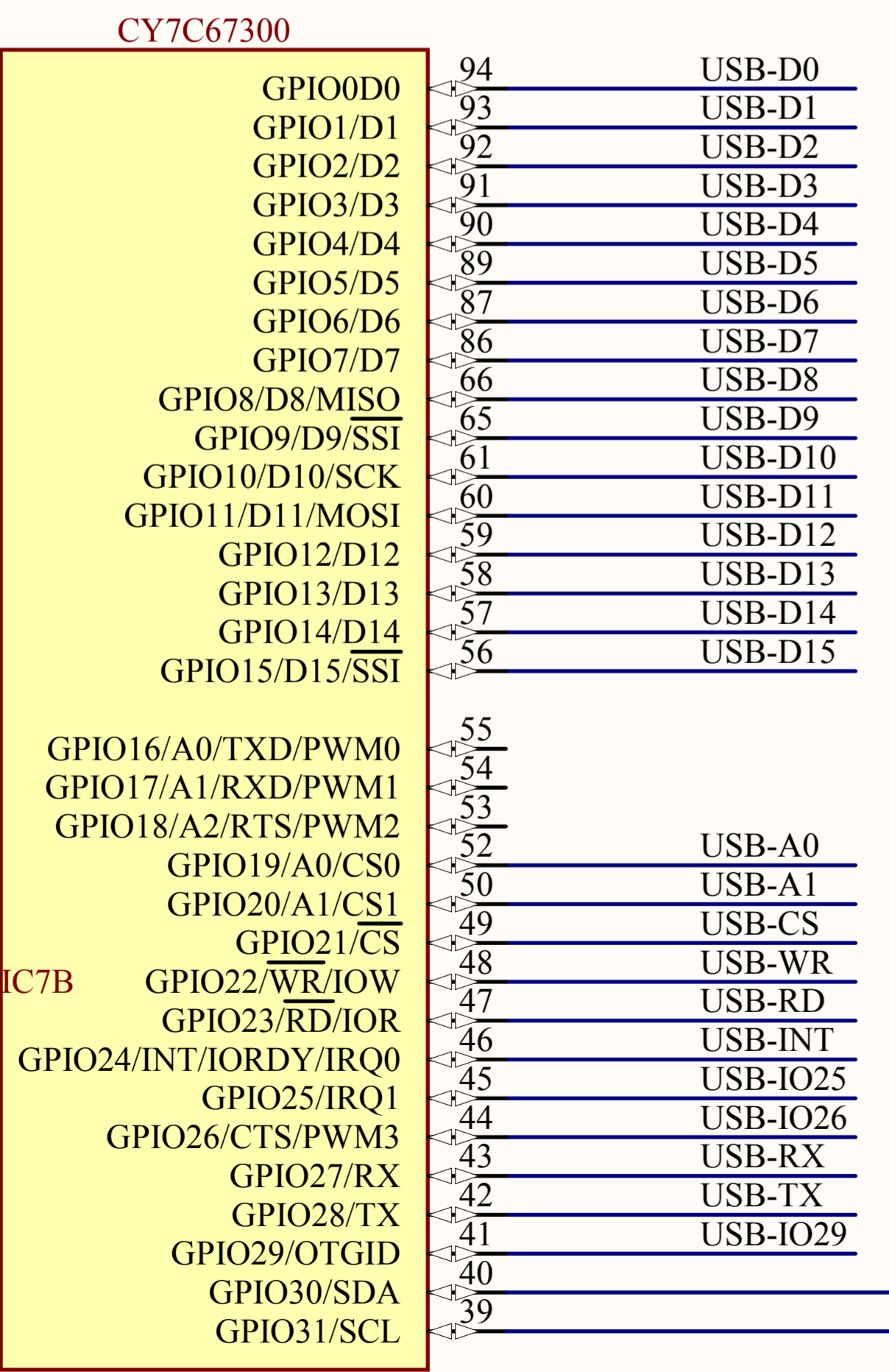
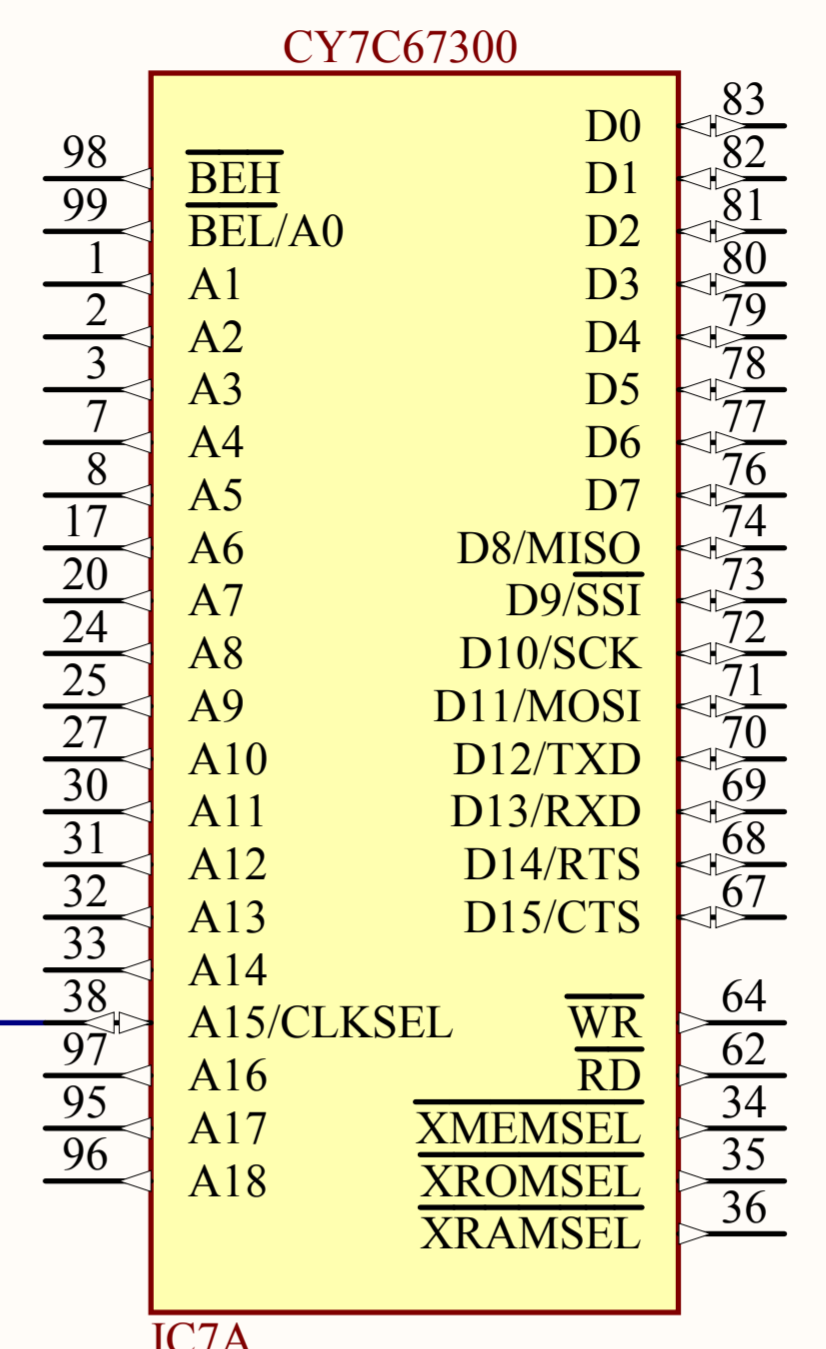
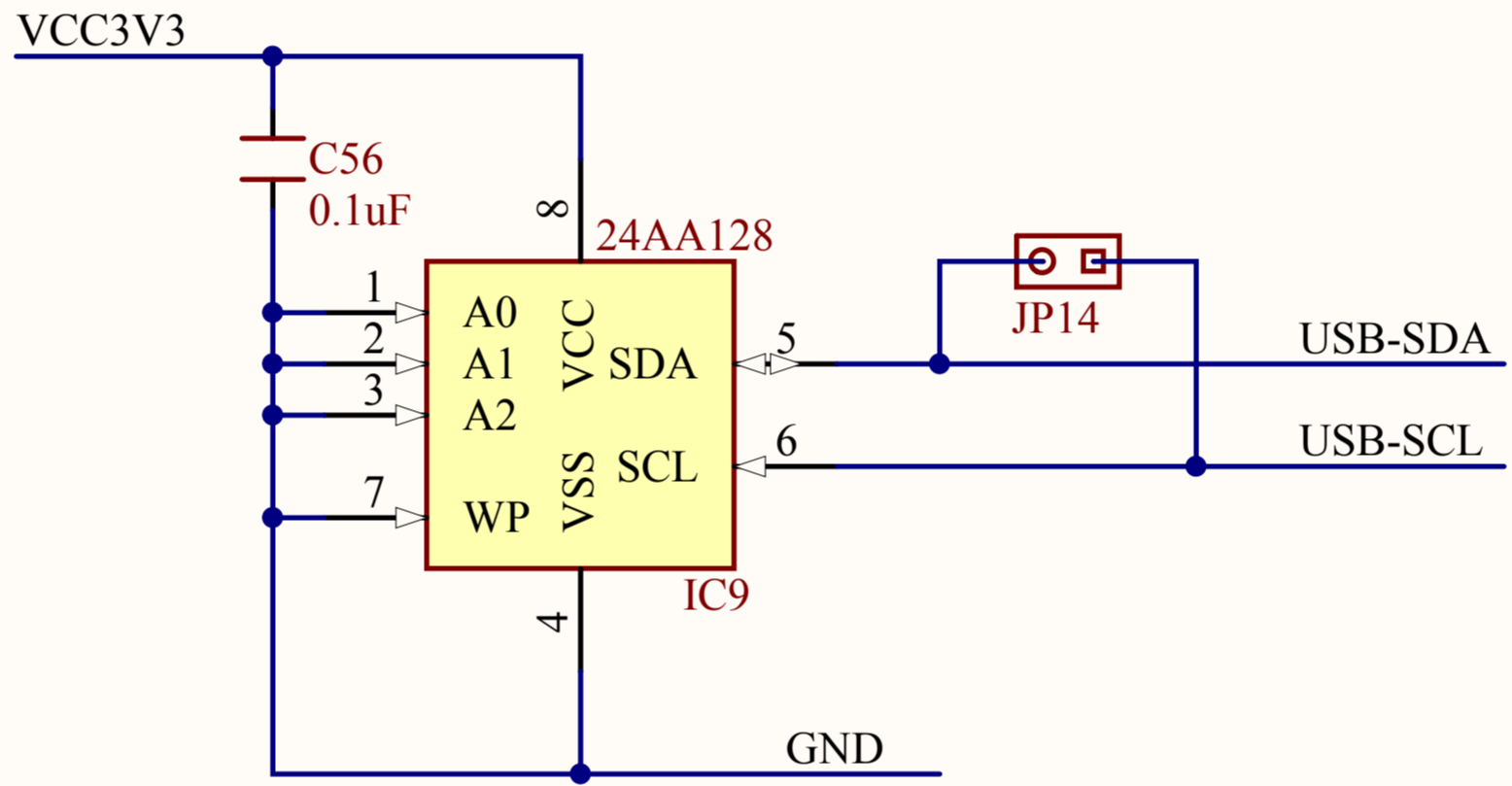
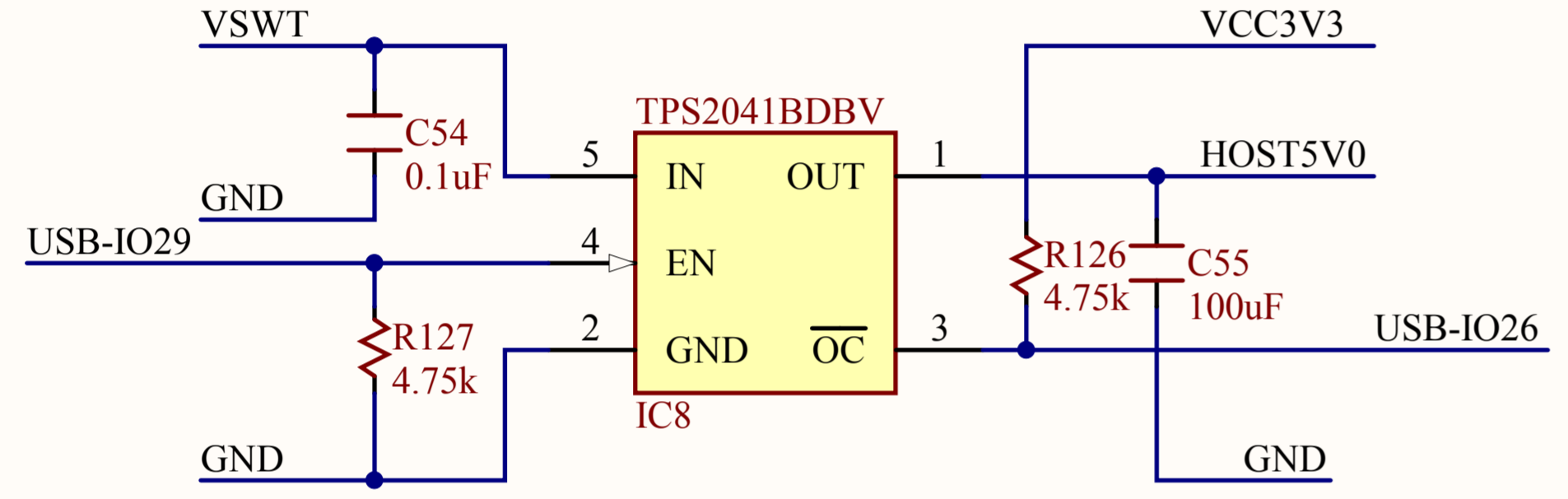
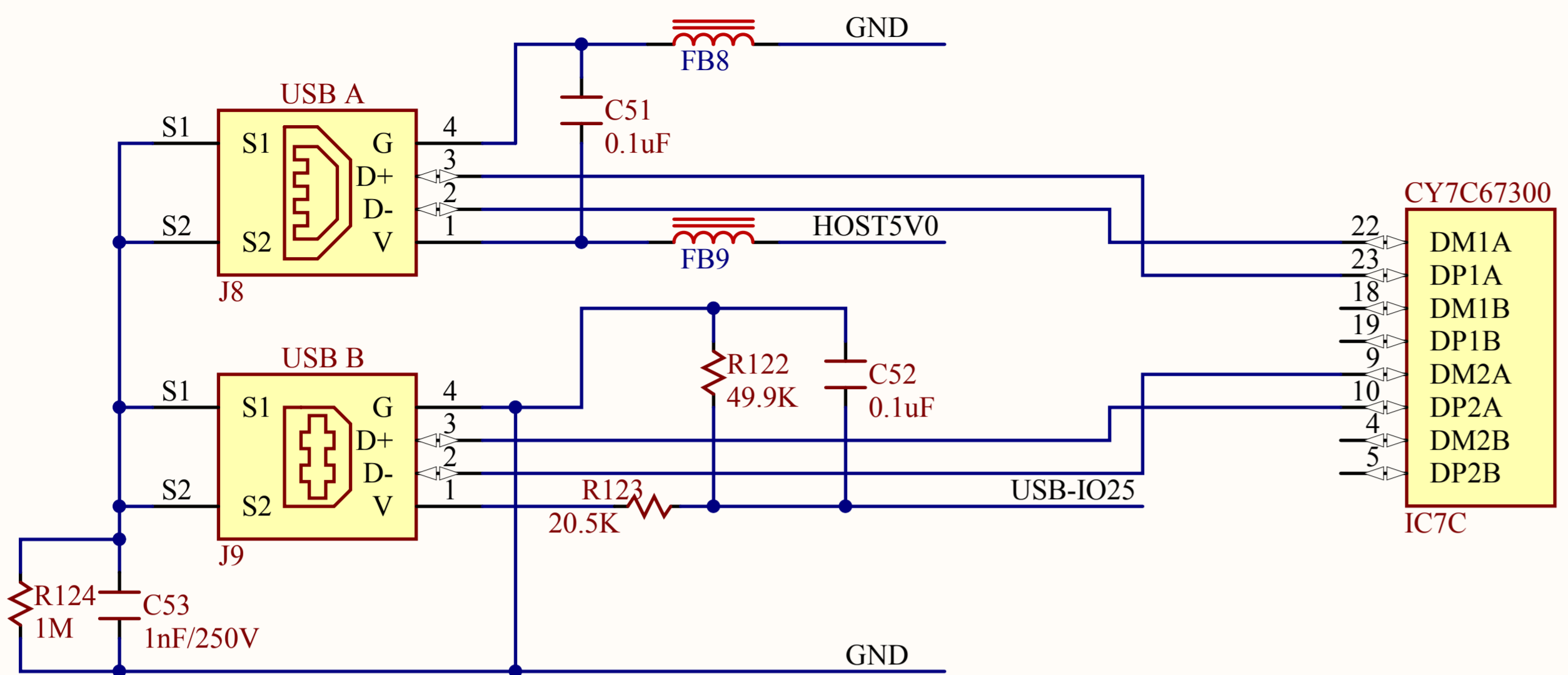
C

D

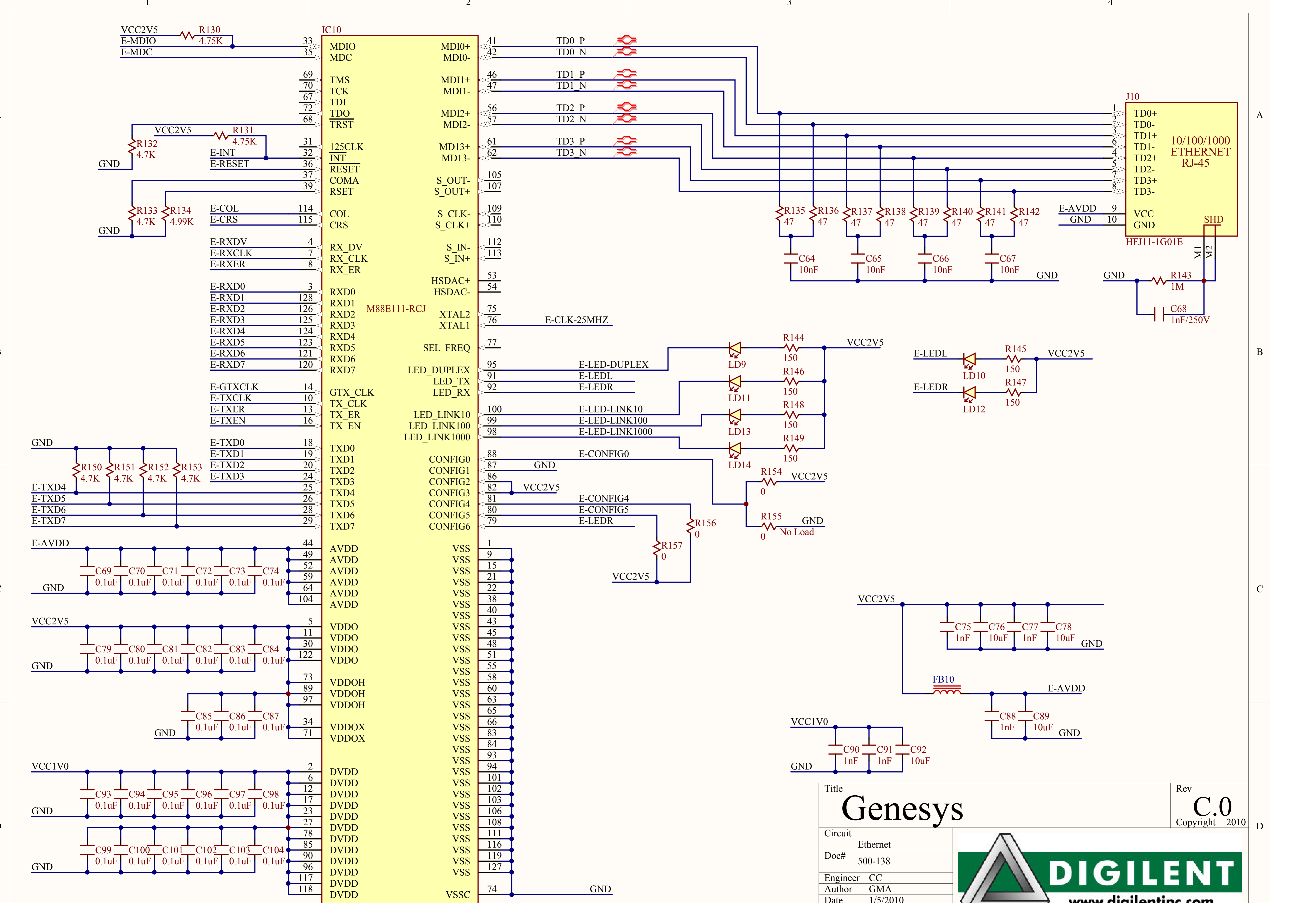
D



Title		Rev	
<h1>Genesys</h1>		<h1>C.0</h1> Copyright 2010	
Circuit	Digilent USB		
Doc#	500-138		
Engineer	CC		
Author	GMA		
Date	1/5/2010		
Sheet#	04 out of 17		



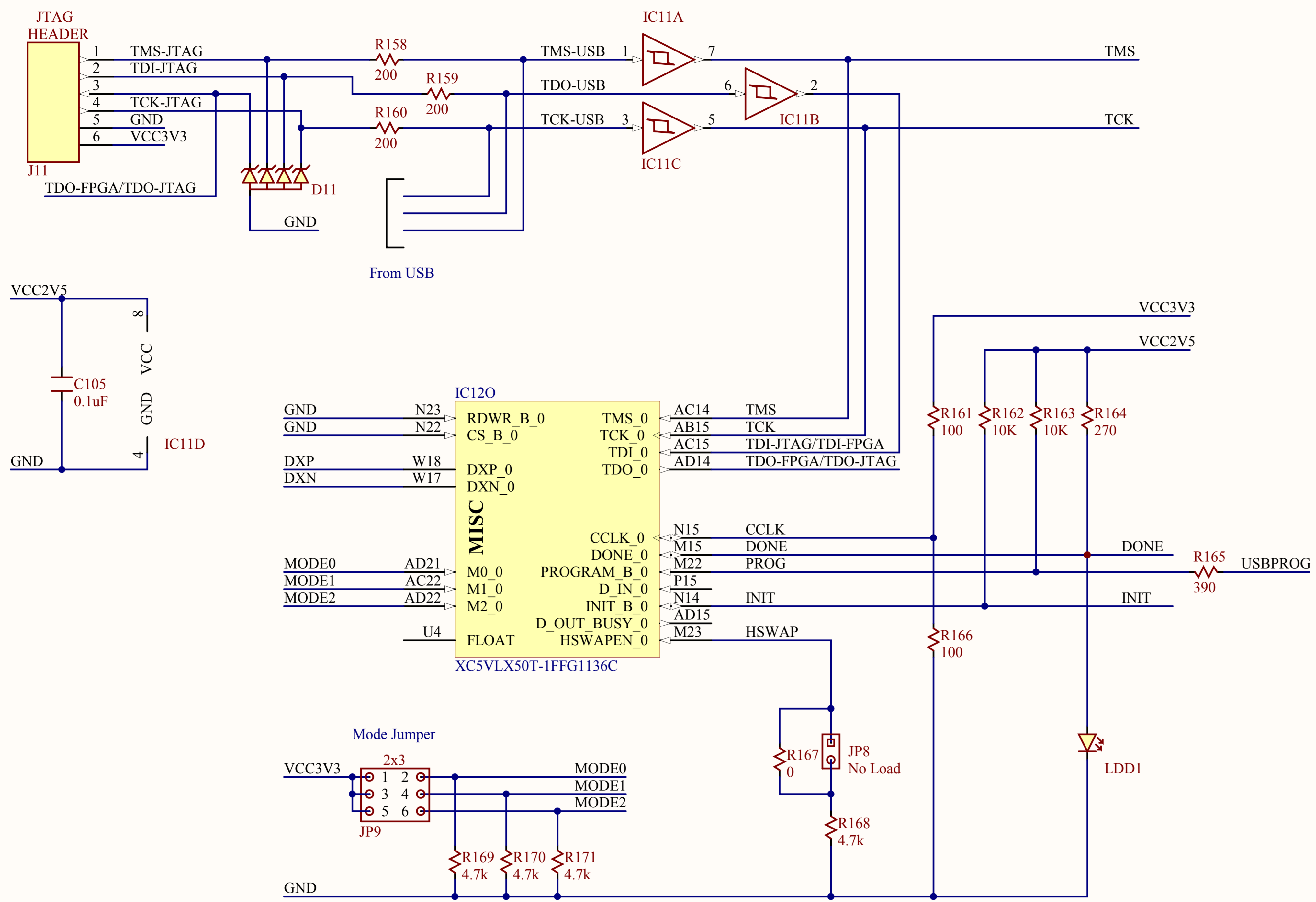
Title Genesys		Rev C.0 Copyright 2010
Circuit USB Host Controller		 www.digilentinc.com
Doc#	500-138	
Engineer	CC	
Author	GMA	
Date	1/5/2010	
Sheet#	05 out of 17	



Title		Rev
Genesys		C.0
Circuit		Copyright 2010
Ethernet		
Doc#	500-138	
Engineer	CC	
Author	GMA	
Date	1/5/2010	
Sheet#	06 out of 17	



DIGILENT
www.digilentinc.com



Title Genesys		Rev C.0 Copyright 2010
Circuit Virtex 5 Programing		 www.digilentinc.com
Doc#	500-138	
Engineer	CC	
Author	GMA	
Date	1/5/2010	
Sheet#	07 out of 17	

IC12A

BANK 1	IO_L0P_A19_1	L21	P30-A19
	IO_L0N_A18_1	L20	P30-A18
	IO_L1P_A17_1	L15	P30-A17
	IO_L1N_A16_1	L16	P30-A16
	IO_L2P_A15_D31_1	J22	P30-A15
	IO_L2N_A14_D30_1	K21	P30-A14
	IO_L3P_A13_D29_1	K16	P30-A13
	IO_L3N_A12_D28_1	J15	P30-A12
	IO_L4P_A11_D27_1	G22	P30-A11
	IO_L4N_VREF_A10_D26_1	H22	P30-A10
	IO_L5P_A9_D25_1	L14	P30-A9
	IO_L5N_A8_D24_1	K14	P30-A8
	IO_L6P_A7_D23_1	K23	P30-A7
	IO_L6N_A6_D22_1	K22	P30-A6
	IO_L7P_A5_D21_1	J12	P30-A5
	IO_L7N_A4_D20_1	H12	P30-A4
	IO_L8P_CC_A3_D19_1	G23	P30-A3
	IO_L8N_CC_A2_D18_1	H23	P30-A2
	IO_L9P_CC_A1_D17_1	K13	P30-A1
	IO_L9N_CC_A0_D16_1	K12	P30-A0

XC5VLX50T-1FFG1136C

IC12B

BANK 2	IO_L0P_CC_RS1_2	AE13	GCLK2
	IO_L0N_CC_RS0_2	AE12	
	IO_L1P_CC_A25_2	AF23	HDMI-RST
	IO_L1N_CC_A24_2	AG23	P30-A24
	IO_L2P_A23_2	AF13	P30-A23
	IO_L2N_A22_2	AG12	P30-A22
	IO_L3P_A21_2	AE22	P30-A21
	IO_L3N_A20_2	AE23	P30-A20
	IO_L4P_FCS_B_2	AE14	P30-CE
	IO_L4N_VREF_FOE_B_MOSI_2	AF14	P30-OE
	IO_L5P_FWE_B_2	AF21	P30-ADV
	IO_L5N_CS0_B_2	AF15	P30-DQ7
	IO_L6P_D7_2	AE16	P30-DQ6
	IO_L6N_D6_2	AE21	P30-DQ5
	IO_L7P_D5_2	AD20	P30-DQ4
	IO_L7N_D4_2	AF16	P30-DQ3
	IO_L8P_D3_2	AE17	P30-DQ2
	IO_L8N_D2_FS2_2	AE19	P30-DQ1
	IO_L9P_D1_FS1_2	AD19	P30-DQ0
	IO_L9N_D0_FS0_2		

XC5VLX50T-1FFG1136C

IC12C

BANK 3	IO_L0P_CC_GC_3	H17	SW4
	IO_L0N_CC_GC_3	H18	SW3
	IO_L1P_CC_GC_3	K17	SW5
	IO_L1N_CC_GC_3	L18	SW1
	IO_L2P_GC_VRN_3	G15	SW7
	IO_L2N_GC_VRP_3	G16	SW6
	IO_L3P_GC_3	K18	SW2
	IO_L3N_GC_3	J19	SW0
	IO_L4P_GC_3	J16	E-TXCLK
	IO_L4N_GC_VREF_3	J17	BTNR
	IO_L5P_GC_3	L19	E-RXCLK
	IO_L5N_GC_3	K19	BTNL
	IO_L6P_GC_3	H14	
	IO_L6N_GC_3	H15	BTND
	IO_L7P_GC_3	J20	E-GTXCLK
	IO_L7N_GC_3	J21	BTNS
	IO_L8P_GC_3	J14	GCLK4 P
	IO_L8N_GC_3	H13	GCLK4 N
	IO_L9P_GC_3	H19	GCLK5 P
	IO_L9N_GC_3	H20	GCLK5 N

XC5VLX50T-1FFG1136C

IC12D

BANK 4	IO_L0P_GC_D15_4	AG22	P30-DQ15
	IO_L0N_GC_D14_4	AH22	P30-DQ14
	IO_L1P_GC_D13_4	AH12	P30-DQ13
	IO_L1N_GC_D12_4	AG13	P30-DQ12
	IO_L2P_GC_D11_4	AH20	P30-DQ11
	IO_L2N_GC_D10_4	AH19	P30-DQ10
	IO_L3P_GC_D9_4	AH14	P30-DQ9
	IO_L3N_GC_D8_4	AH13	P30-DQ8
	IO_L4P_GC_4	AG21	P30-CLK
	IO_L4N_GC_VREF_4	AG20	AUD-SDO
	IO_L5P_GC_4	AH15	GCLKS
	IO_L5N_GC_4	AG15	RS1-RX
	IO_L6P_GC_4	AG18	GCLK0
	IO_L6N_GC_4	AF19	RS1-TX
	IO_L7P_GC_VRN_4	AH17	AUD-BIT-CLK
	IO_L7N_GC_VRP_4	AG16	RS2-TX
	IO_L8P_CC_GC_4	AF18	RS2-RX
	IO_L8N_CC_GC_4	AE18	AUD-SDI
	IO_L9P_CC_GC_4	AH18	P30-WAIT
	IO_L9N_CC_GC_4	AG17	P30-RST

XC5VLX50T-1FFG1136C

IC12E

BANK 11	IO_L0P_11	B32	EXP-IO1 P
	IO_L0N_11	A33	EXP-IO1 N
	IO_L1P_11	B33	EXP-IO3 P
	IO_L1N_11	C33	EXP-IO3 N
	IO_L2P_11	C32	EXP-IO2 P
	IO_L2N_11	D32	EXP-IO2 N
	IO_L3P_11	C34	EXP-IO5 P
	IO_L3N_11	D34	EXP-IO5 N
	IO_L4P_11	G32	EXP-IO6 P
	IO_L4N_VREF_11	H32	EXP-IO6 N
	IO_L5P_11	F33	EXP-IO7 P
	IO_L5N_11	E34	EXP-IO7 N
	IO_L6P_11	E32	EXP-IO4 P
	IO_L6N_11	E33	EXP-IO4 N
	IO_L7P_11	G33	EXP-IO9 P
	IO_L7N_11	F34	EXP-IO9 N
	IO_L8P_CC_11	J32	EXP-IO8 P
	IO_L8N_CC_11	H33	EXP-IO8 N
	IO_L9P_CC_11	H34	EXP-IO11 P
	IO_L9N_CC_11	J34	EXP-IO11 N
	IO_L10P_CC_SM15P_11	L34	EXP-IO12 P
	IO_L10N_CC_SM15N_11	K34	EXP-IO12 N
	IO_L11P_CC_SM14P_11	K33	EXP-IO10 P
	IO_L11N_CC_SM14N_11	K32	EXP-IO10 N
	IO_L12P_VRN_11	N33	EXP-IO14 P
	IO_L12N_VRP_11	M33	EXP-IO14 N
	IO_L13P_11	L33	EXP-IO13 P
	IO_L13N_11	M32	EXP-IO13 N
	IO_L14P_11	P34	EXP-IO16 P
	IO_L14N_VREF_11	N34	EXP-IO16 N
IO_L15P_SM13P_11	P32	EXP-IO15 P	
IO_L15N_SM13N_11	N32	EXP-IO15 N	
IO_L16P_SM12P_11	T33	EXP-IO18 P	
IO_L16N_SM12N_11	R34	EXP-IO18 N	
IO_L17P_SM11P_11	R33	EXP-IO17 P	
IO_L17N_SM11N_11	R32	EXP-IO17 N	
IO_L18P_SM10P_11	U33	EXP-IO20 P	
IO_L18N_SM10N_11	T34	EXP-IO20 N	
IO_L19P_SM9P_11	U32	EXP-IO19 P	
IO_L19N_SM9N_11	U31	EXP-IO19 N	

XC5VLX50T-1FFG1136C

IC12F

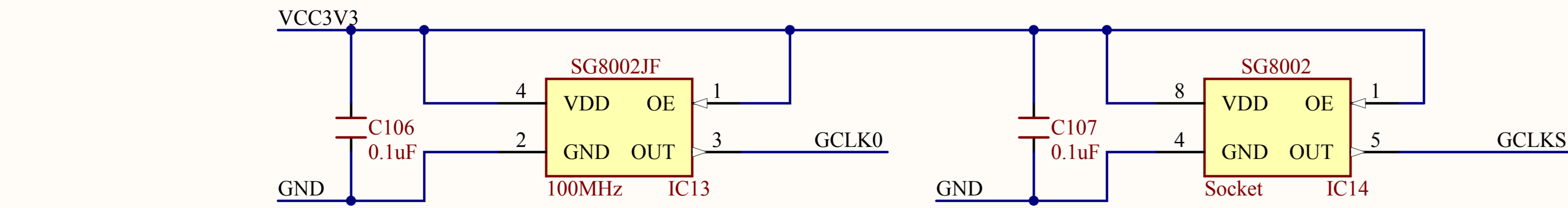
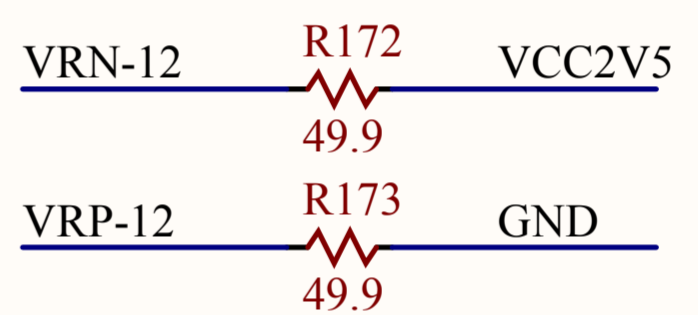
BANK 12	IO_L0P_12	M6	E-RXD5
	IO_L0N_12	M5	E-RXD6
	IO_L1P_12	N8	E-RXDV
	IO_L1N_12	N7	E-RXD0
	IO_L2P_12	M7	E-RXD4
	IO_L2N_12	L6	E-RXD7
	IO_L3P_12	N5	E-MDC
	IO_L3N_12	P5	E-RXD3
	IO_L4P_12	L4	E-RESET
	IO_L4N_VREF_12	L5	E-CRS
	IO_L5P_12	P7	E-RXER
	IO_L5N_12	P6	E-RXD2
	IO_L6P_12	K7	
	IO_L6N_12	K6	E-COL
	IO_L7P_12	R6	E-RXD1
	IO_L7N_12	T6	E-INT
	IO_L8P_CC_12	J6	
	IO_L8N_CC_12	J5	E-TXD0
	IO_L9P_CC_12	R7	E-TXD3
	IO_L9N_CC_12	R8	E-TXER
	IO_L10P_CC_12	T8	E-TXD4
	IO_L10N_CC_12	U7	E-TXD7
	IO_L11P_CC_12	H7	
	IO_L11N_CC_12	J7	
	IO_L12P_VRN_12	R9	VRN-12
	IO_L12N_VRP_12	P9	VRP-12
	IO_L13P_12	H5	
	IO_L13N_12	G5	E-TXD1
	IO_L14P_12	R11	E-TXD5
	IO_L14N_VREF_12	P10	
IO_L15P_12	F5	E-TXD2	
IO_L15N_12	F6		
IO_L16P_12	T10	E-TXEN	
IO_L16N_12	T11	E-TXD6	
IO_L17P_12	G6	BTN0	
IO_L17N_12	G7	BTN1	
IO_L18P_12	T9		
IO_L18N_12	U10	E-MDIO	
IO_L19P_12	E6	BTNU	
IO_L19N_12	E7	RESET	

XC5VLX50T-1FFG1136C

IC12G

BANK 13	IO_L0P_SM8P_13	V32	EXP-IO22 P
	IO_L0N_SM8N_13	V33	EXP-IO22 N
	IO_L1P_SM7P_13	W34	EXP-IO21 P
	IO_L1N_SM7N_13	V34	EXP-IO21 N
	IO_L2P_SM6P_13	Y33	EXP-IO24 P
	IO_L2N_SM6N_13	AA33	EXP-IO24 N
	IO_L3P_SM5P_13	AA34	EXP-IO23 P
	IO_L3N_SM5N_13	Y34	EXP-IO23 N
	IO_L4P_13	Y32	EXP-IO26 P
	IO_L4N_VREF_13	W32	EXP-IO26 N
	IO_L5P_SM4P_13	AC34	EXP-IO27 P
	IO_L5N_SM4N_13	AD34	EXP-IO27 N
	IO_L6P_SM3P_13	AC32	EXP-IO28 P
	IO_L6N_SM3N_13	AB32	EXP-IO28 N
	IO_L7P_SM2P_13	AC33	EXP-IO25 P
	IO_L7N_SM2N_13	AB33	EXP-IO25 N
	IO_L8P_CC_SM1P_13	AF33	EXP-IO30 P
	IO_L8N_CC_SM1N_13	AE33	EXP-IO30 N
	IO_L9P_CC_SM0P_13	AF34	EXP-IO29 P
	IO_L9N_CC_SM0N_13	AE34	EXP-IO29 N
	IO_L10P_CC_13	AH34	EXP-IO32 P
	IO_L10N_CC_13	AJ34	EXP-IO32 N
	IO_L11P_CC_13	AD32	EXP-IO33 P
	IO_L11N_CC_13	AE32	EXP-IO33 N
	IO_L12P_VRN_13	AG33	EXP-IO31 P
	IO_L12N_VRP_13	AH33	EXP-IO31 N
	IO_L13P_13	AK34	EXP-IO34 P
	IO_L13N_13	AK33	EXP-IO34 N
	IO_L14P_13	AG32	EXP-IO35 P
	IO_L14N_VREF_13	AH32	EXP-IO35 N
IO_L15P_13	AJ32	EXP-IO37 P	
IO_L15N_13	AK32	EXP-IO37 N	
IO_L16P_13	AL34	EXP-IO39 P	
IO_L16N_13	AL33	EXP-IO39 N	
IO_L17P_13	AM33	EXP-IO36 P	
IO_L17N_13	AM32	EXP-IO36 N	
IO_L18P_13	AN34	EXP-IO38 P	
IO_L18N_13	AN33	EXP-IO38 N	
IO_L19P_13	AN32	EXP-IO40 P	
IO_L19N_13	AP32	EXP-IO40 N	

XC5VLX50T-1FFG1136C



Title		Rev
Genesys		C.0
Circuit		Copyright 2010
Virtex 5 and Clocks		
Doc#	500-138	
Engineer	CC	
Author	GMA	
Date	1/5/2010	
Sheet#	08 out of 17	

IC12J

IO Pin	IC Pin	Function
IO_L0P_18	AC4	LCD-D3
IO_L0N_18	AC5	LCD-D5
IO_L1P_18	AB6	LCD-D4
IO_L1N_18	AB7	LCD-D1
IO_L2P_18	AA5	LCD-E
IO_L2N_18	AB5	LCD-D2
IO_L3P_18	AC7	LCD-D6
IO_L3N_18	AD7	LCD-D7
IO_L4P_18	Y8	LCD-D0
IO_L4N_VREF_18	Y9	USB-D3
IO_L5P_18	AD4	USB-A0
IO_L5N_18	AD5	USB-RD
IO_L6P_18	AA6	USB-D1
IO_L6N_18	Y7	USB-D2
IO_L7P_18	AD6	USB-INT
IO_L7N_18	AE6	USB-A1
IO_L8P_CC_18	W6	LCD-R/W
IO_L8N_CC_18	Y6	USB-D0
IO_L9P_CC_18	AE7	USB-WR
IO_L9N_CC_18	AF6	USB-CS
IO_L10P_CC_18	AG5	USB-D14
IO_L10N_CC_18	AF5	USB-D15
IO_L11P_CC_18	W7	USB-TX
IO_L11N_CC_18	V7	LCD-RS
IO_L12P_VRN_18	AH5	USB-D9
IO_L12N_VRP_18	AG6	USB-D10
IO_L13P_18	Y11	USB-D6
IO_L13N_18	W11	USB-D5
IO_L14P_18	AH7	USB-D8
IO_L14N_VREF_18	AG7	USB-D11
IO_L15P_18	W10	USB-D4
IO_L15N_18	W9	HDMI-HPINT
IO_L16P_18	AJ7	USB-D7
IO_L16N_18	AJ6	USB-RESET
IO_L17P_18	V8	I2C-SDA
IO_L17N_18	U8	I2C-SCL
IO_L18P_18	AK7	USB-D12
IO_L18N_18	AK6	USB-D13
IO_L19P_18	V10	HDMI-DE
IO_L19N_18	V9	USB-RX

BANK 18

XC5VLX50T-1FFG1136C

IC12L

IO Pin	IC Pin	Function
IO_L0P_20	E9	HDMI-D8
IO_L0N_20	E8	HDMI-D10
IO_L1P_20	F9	HDMI-D9
IO_L1N_20	F8	HDMI-D11
IO_L2P_20	F10	HDMI-D6
IO_L2N_20	G10	HDMI-D0
IO_L3P_20	G8	HDMI-D1
IO_L3N_20	H8	HDMI-H
IO_L4P_20	D11	HDMI-D5
IO_L4N_VREF_20	D10	HDMI-D7
IO_L5P_20	K11	HDMI-CLK P
IO_L5N_20	J11	HDMI-CLK N
IO_L6P_20	D12	HDMI-D3
IO_L6N_20	C12	HDMI-D4
IO_L7P_20	H10	PS2D
IO_L7N_20	H9	PS2C
IO_L8P_CC_20	A13	U1-FLAGB
IO_L8N_CC_20	B12	HDMI-D2
IO_L9P_CC_20	J10	U1-IFCLK
IO_L9N_CC_20	J9	AUD-SYNC
IO_L10P_CC_20	K8	U1-FLAGC
IO_L10N_CC_20	K9	U1-FD4
IO_L11P_CC_20	B13	U1-FLAGA
IO_L11N_CC_20	C13	U1-FD6
IO_L12P_VRN_20	L10	U1-FD3
IO_L12N_VRP_20	L11	U1-FIFOAD0
IO_L13P_20	G11	U1-FD1
IO_L13N_20	G12	U1-FD0
IO_L14P_20	M8	U1-PKTEND
IO_L14N_VREF_20	L8	U1-FIFOAD1
IO_L15P_20	F11	U1-SLOE
IO_L15N_20	E11	U1-INT0#
IO_L16P_20	M10	U1-SLWR
IO_L16N_20	L9	U1-FD5
IO_L17P_20	E12	AUD-RESET
IO_L17N_20	E13	U1-FD7
IO_L18P_20	N10	U1-SLRD
IO_L18N_20	N9	U1-SLCS
IO_L19P_20	F13	HDMI-V
IO_L19N_20	G13	U1-FD2

BANK 20

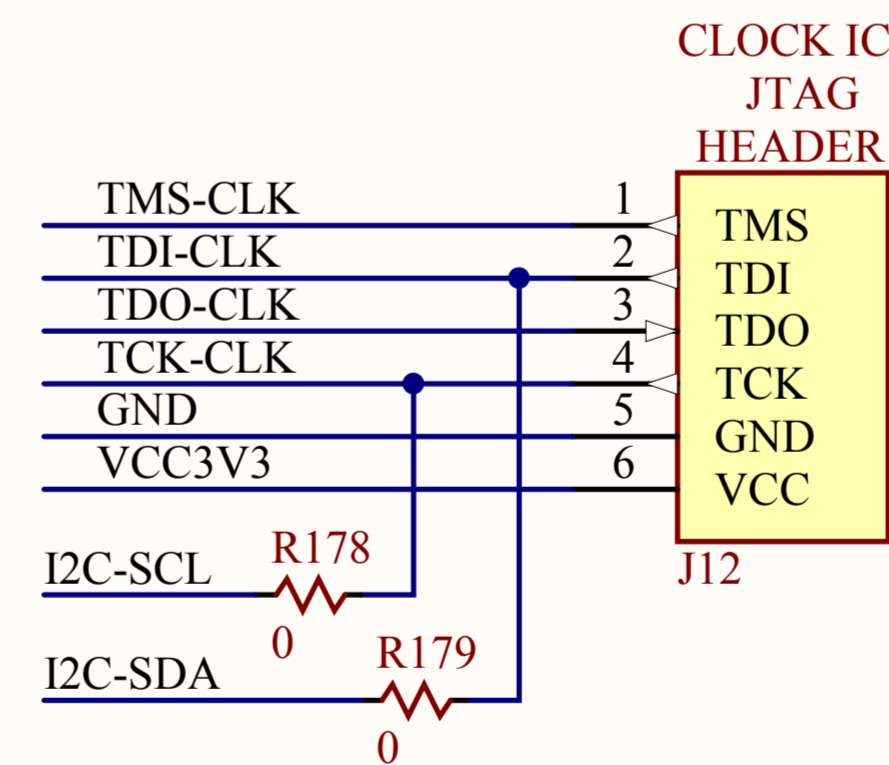
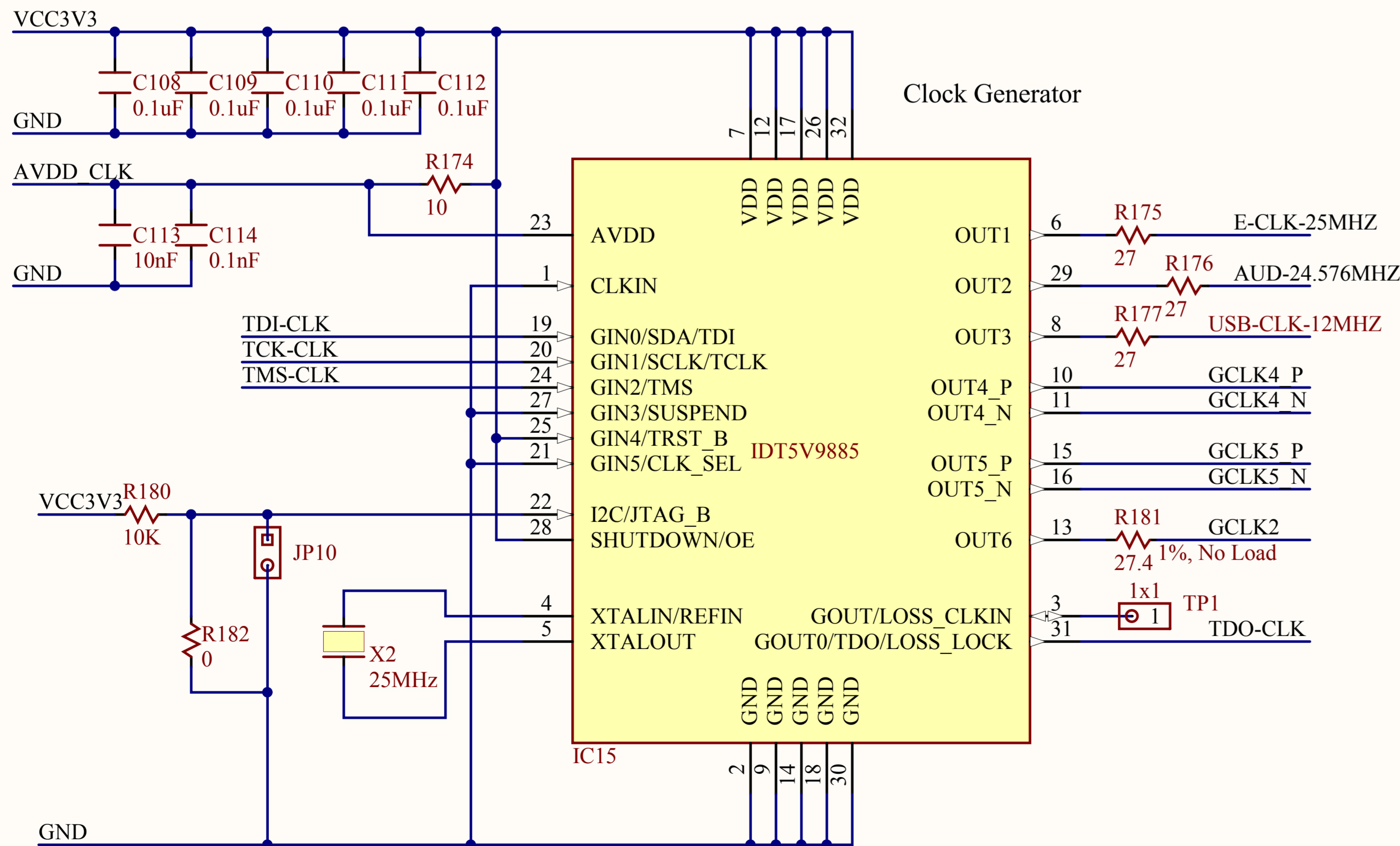
XC5VLX50T-1FFG1136C

IC12N

IO Pin	IC Pin	Function
IO_L0P_22	AN14	JD1
IO_L0N_22	AP14	JD7
IO_L1P_22	AB10	JB3
IO_L1N_22	AA10	JB9
IO_L2P_22	AN13	JD2
IO_L2N_22	AM13	JA3
IO_L3P_22	AA8	JC10
IO_L3N_22	AA9	JB10
IO_L4P_22	AP12	JD3
IO_L4N_VREF_22	AN12	JD8
IO_L5P_22	AC8	JB2
IO_L5N_22	AB8	JB8
IO_L6P_22	AM12	JA4
IO_L6N_22	AM11	JD9
IO_L7P_22	AC10	JC8
IO_L7N_22	AC9	JB4
IO_L8P_CC_22	AL11	JC1
IO_L8N_CC_22	AL10	JD4
IO_L9P_CC_22	AE8	JA8
IO_L9N_CC_22	AD9	JA2
IO_L10P_CC_22	AD10	JA7
IO_L10N_CC_22	AD11	JA1
IO_L11P_CC_22	AK11	JC7
IO_L11N_CC_22	AJ11	JA10
IO_L12P_VRN_22	AF8	JB7
IO_L12N_VRP_22	AE9	JB1
IO_L13P_22	AK8	JD10
IO_L13N_22	AK9	JC3
IO_L14P_22	AF9	JC4
IO_L14N_VREF_22	AF10	JA9
IO_L15P_22	AJ9	JC9
IO_L15N_22	AJ10	JC2
IO_L16P_22	AF11	LD6
IO_L16N_22	AE11	LD7
IO_L17P_22	AH9	LD2
IO_L17N_22	AH10	LD4
IO_L18P_22	AG8	LD0
IO_L18N_22	AH8	LD1
IO_L19P_22	AG10	LD3
IO_L19N_22	AG11	LD5

BANK 22

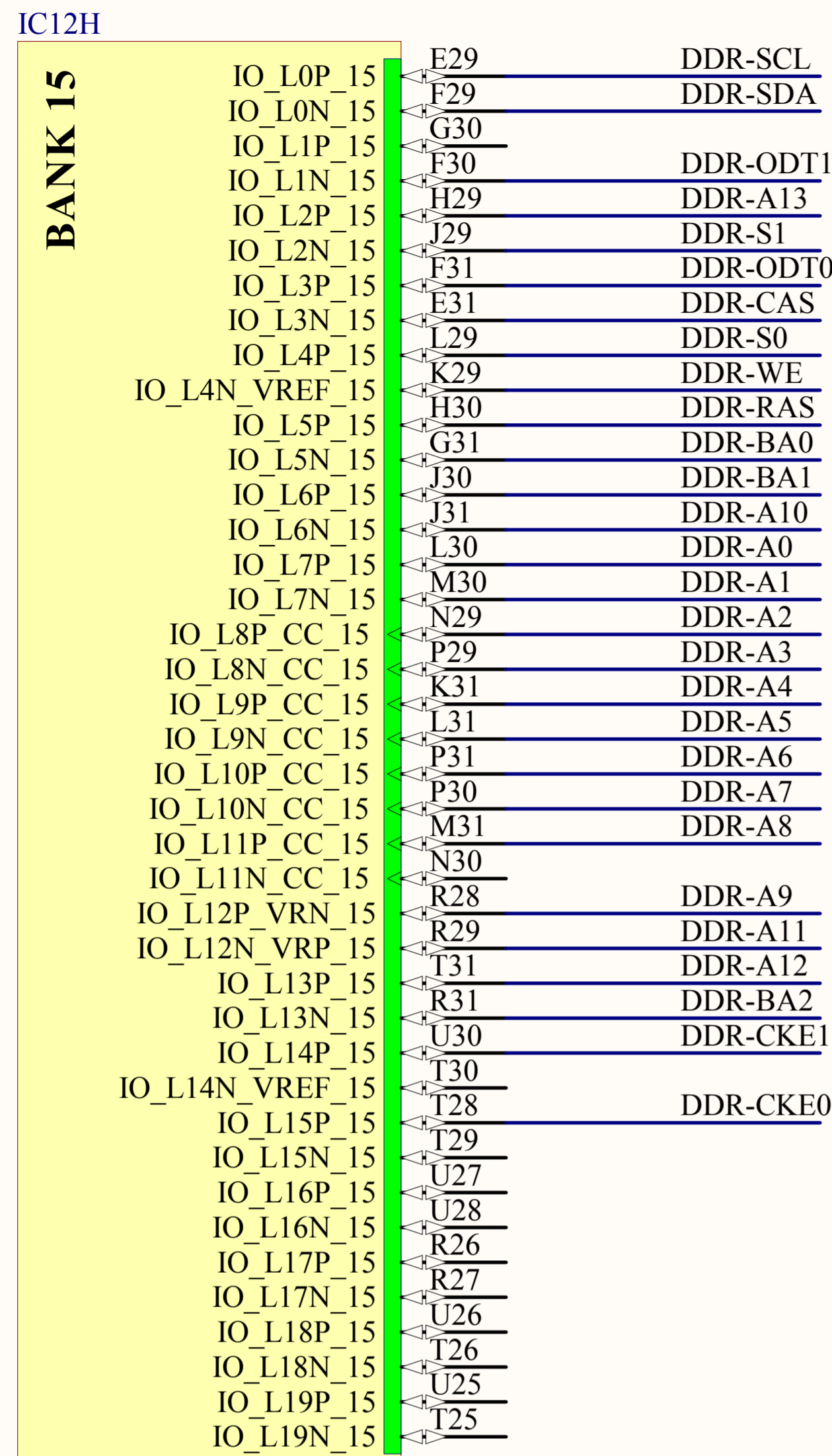
XC5VLX50T-1FFG1136C



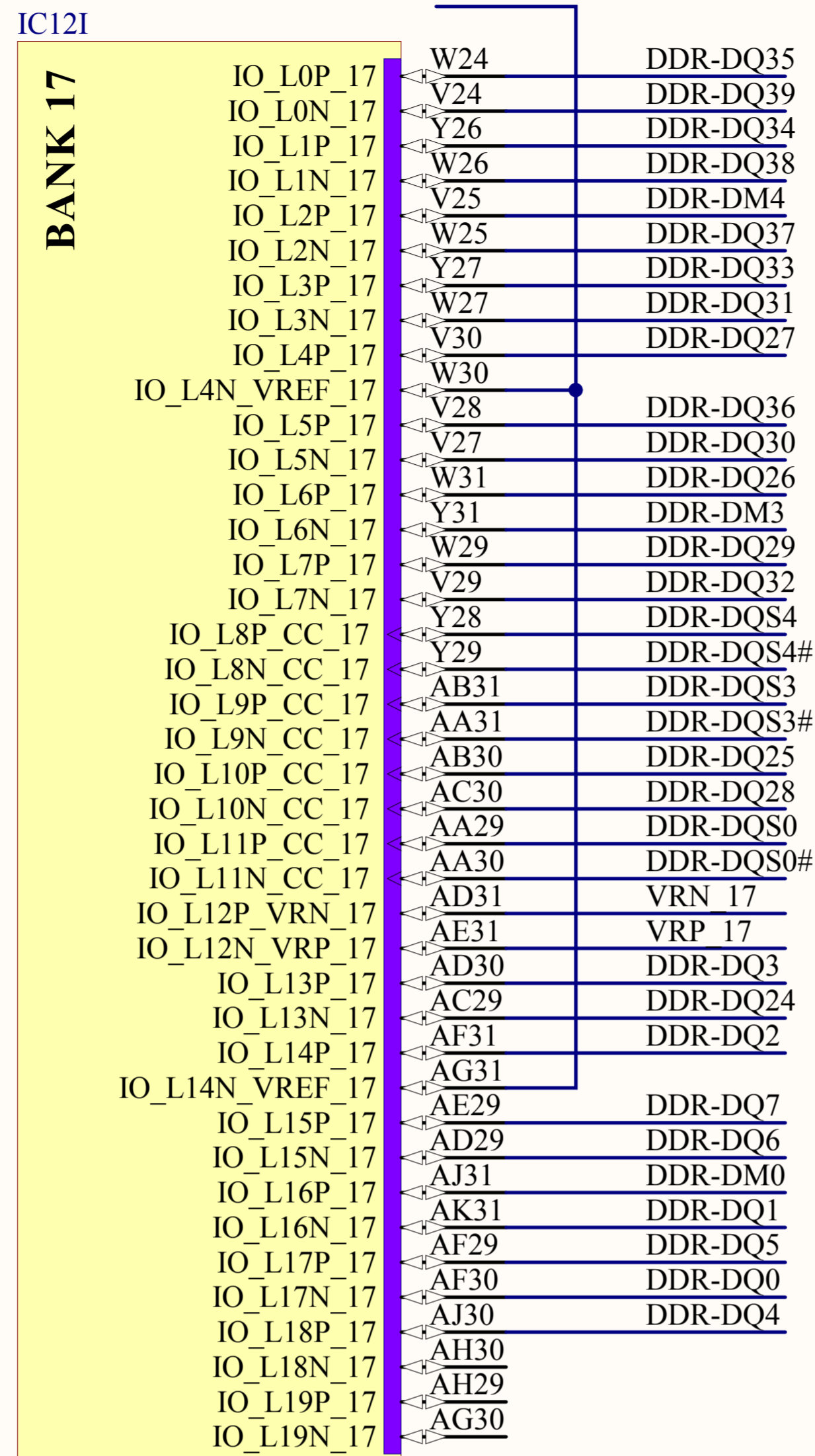
Title		Rev	
<h1>Genesys</h1>		<h1>C.0</h1>	
		Copyright 2010	
Circuit	Virtex 5 And Clock IC		
Doc#	500-138		
Engineer	CC		
Author	GMA		
Date	1/5/2010		
Sheet#	09 out of 17		



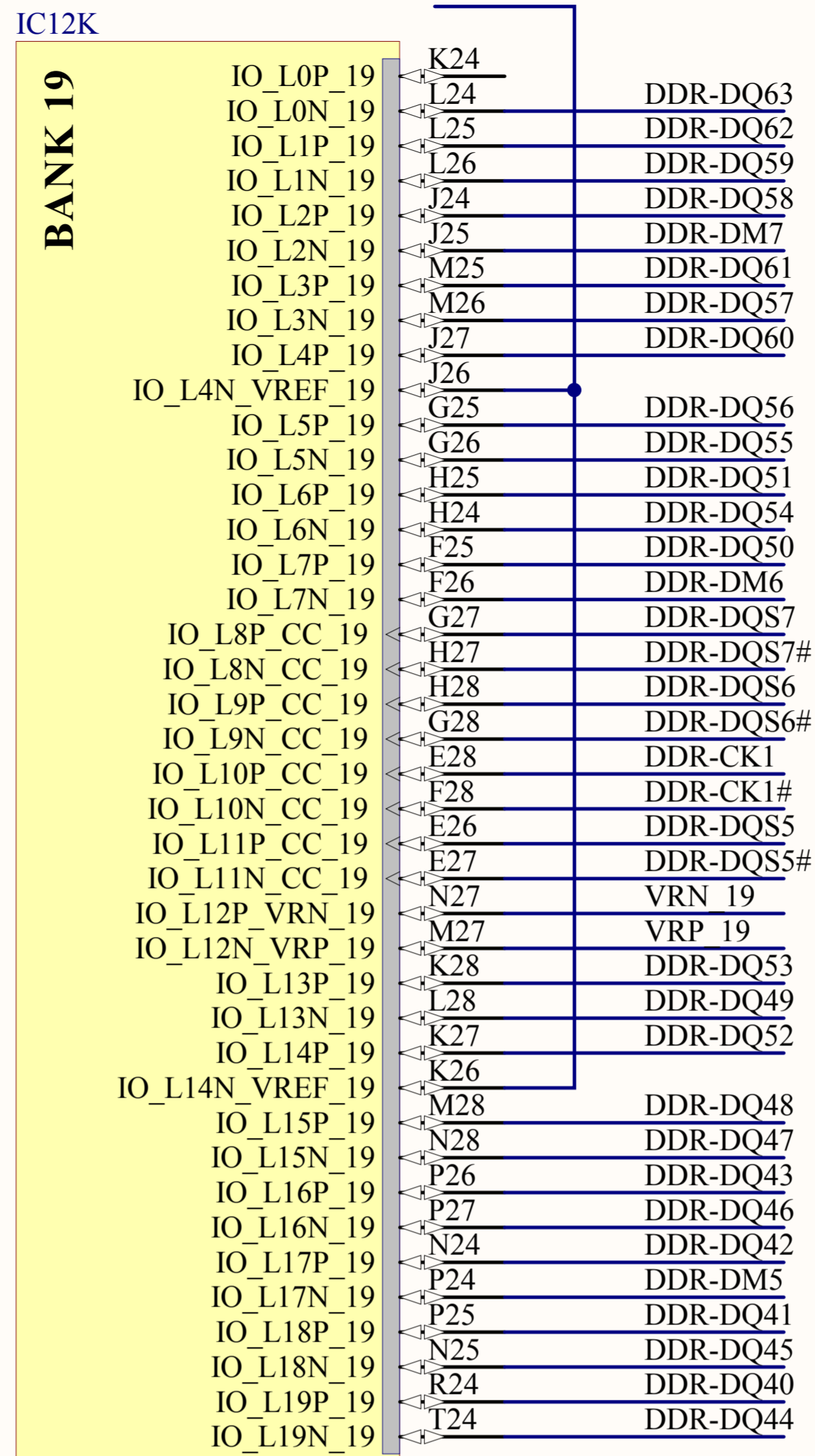
www.digilentinc.com



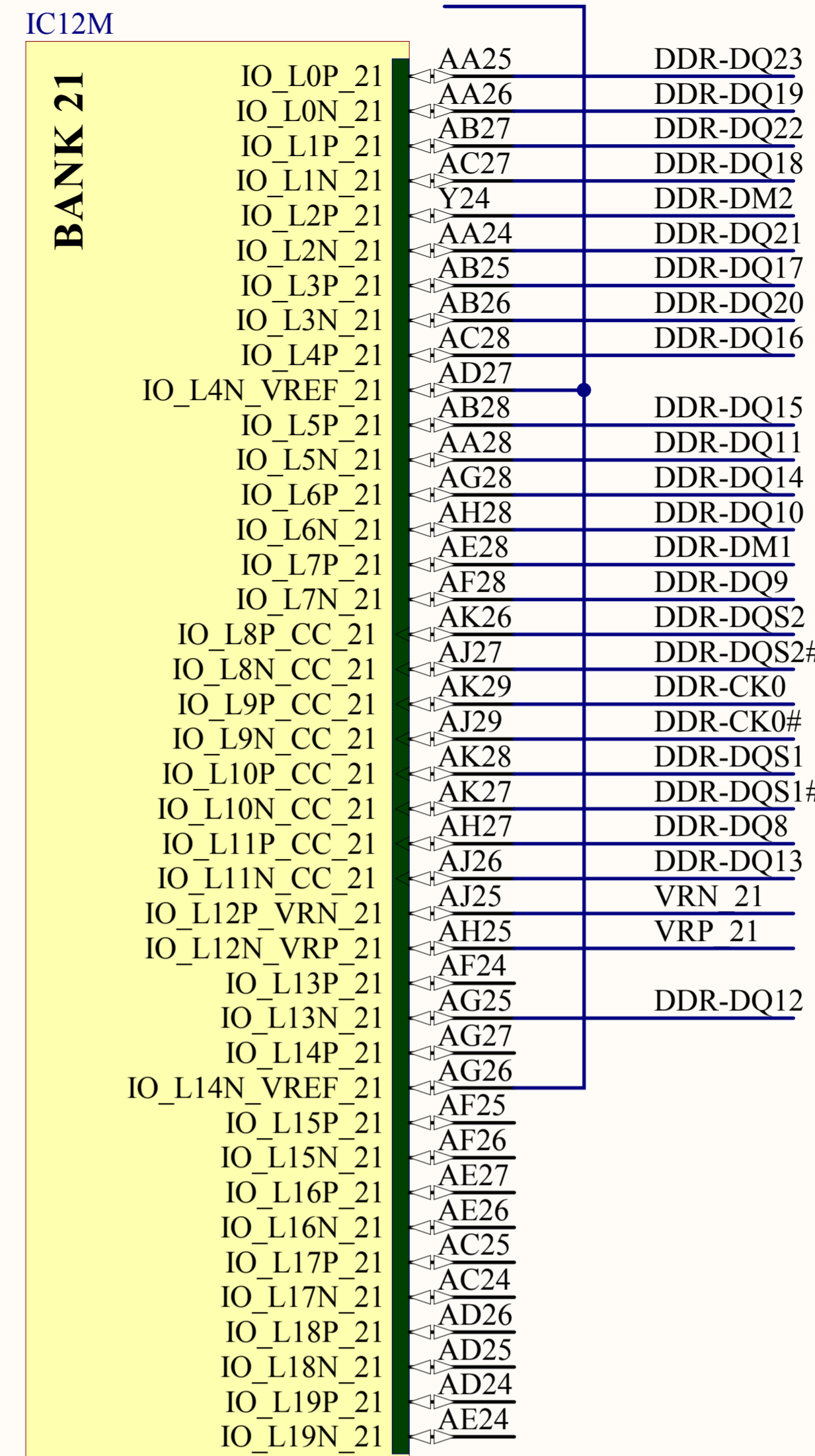
XC5VLX50T-1FFG1136C



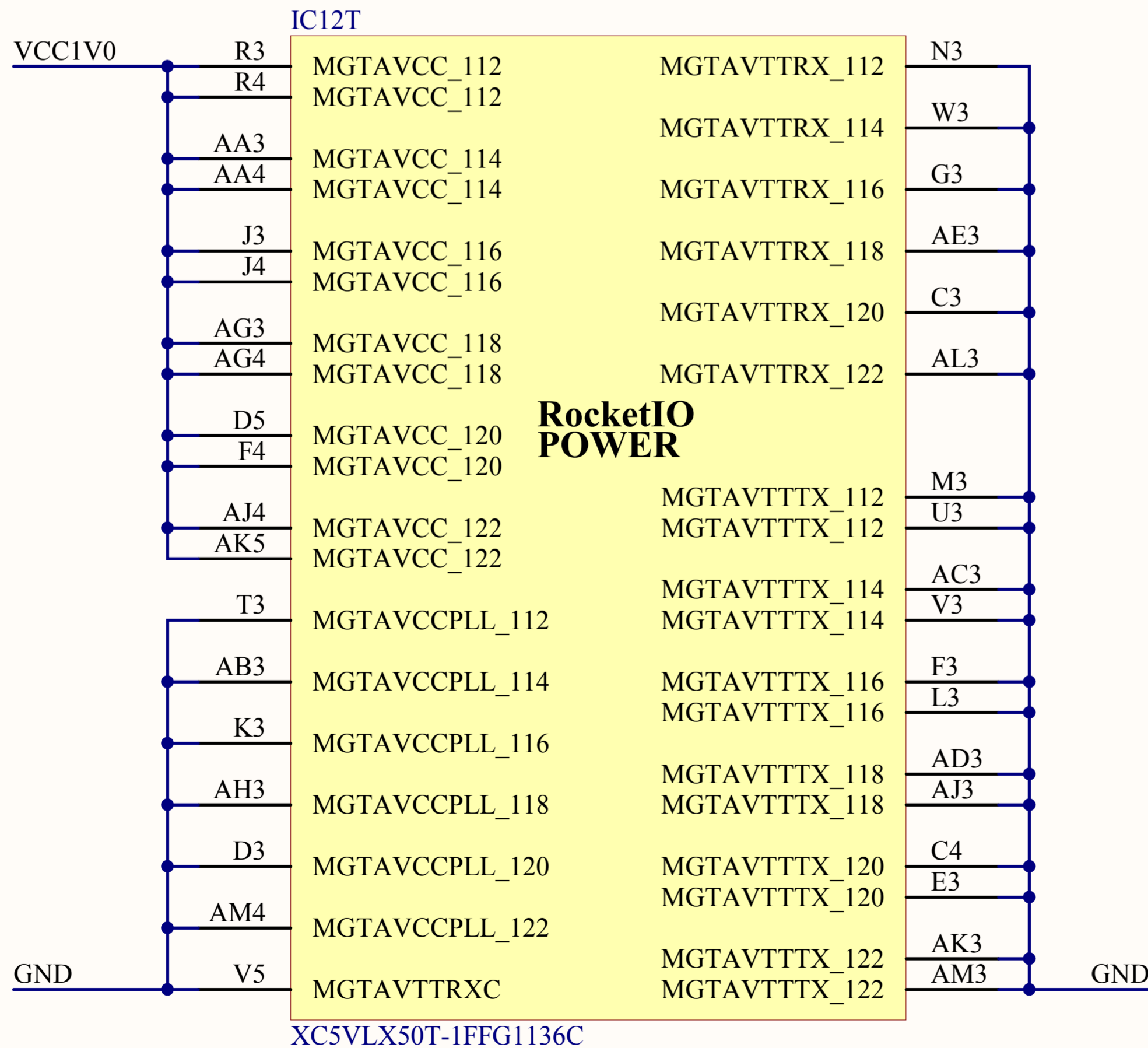
XC5VLX50T-1FFG1136C



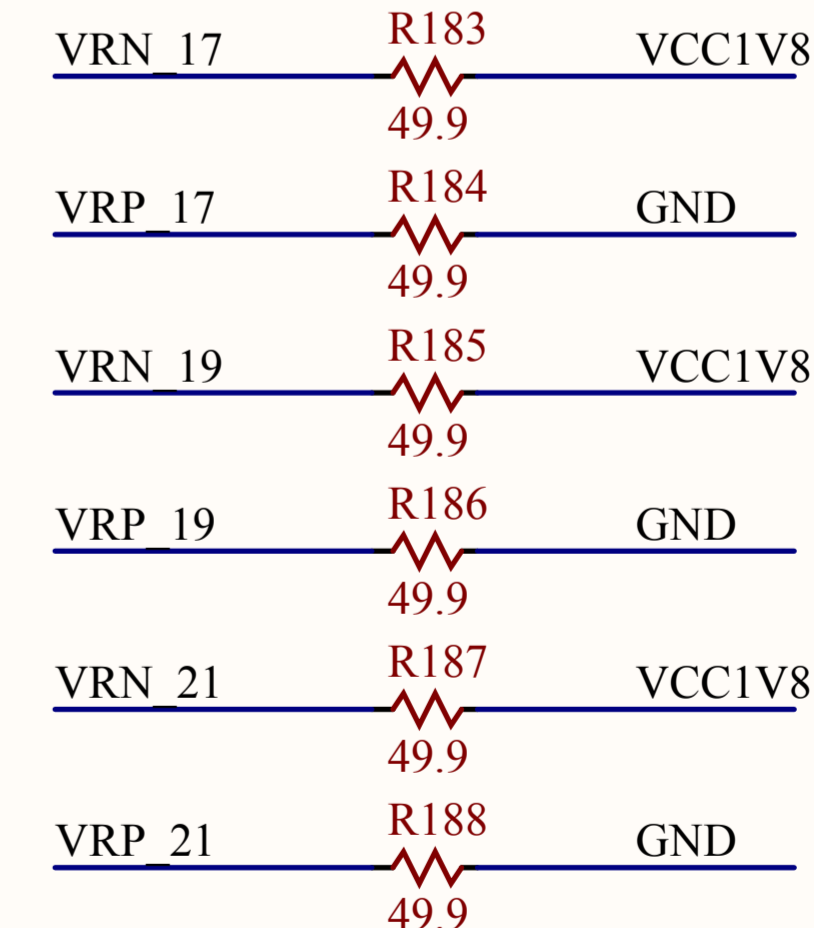
XC5VLX50T-1FFG1136C



XC5VLX50T-1FFG1136C



XC5VLX50T-1FFG1136C



Title		Rev
Genesys		C.0
Circuit		Copyright 2010
Virtex 5		
Doc#	500-138	
Engineer	CC	
Author	GMA	
Date	1/5/2010	
Sheet#	10 out of 17	

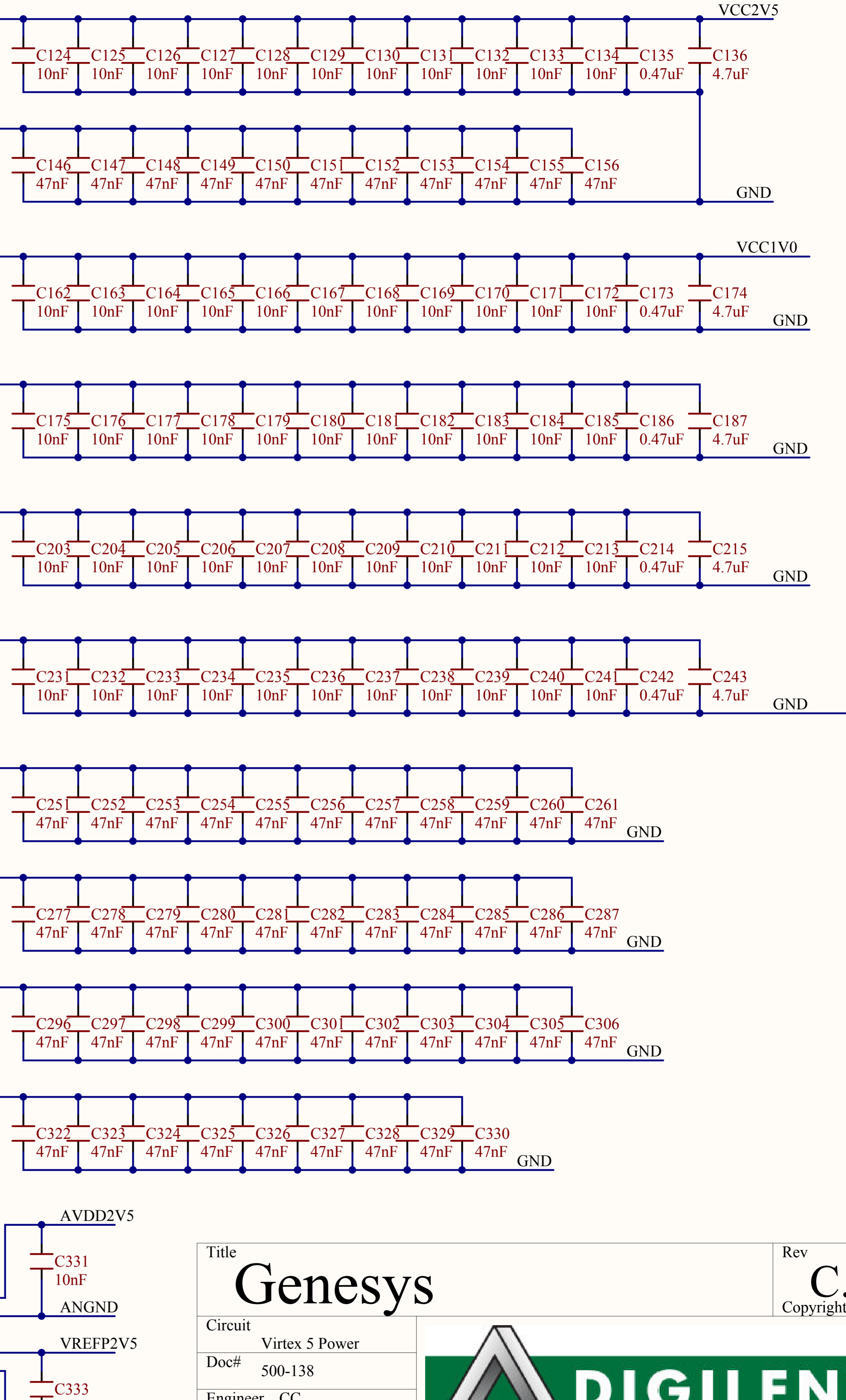
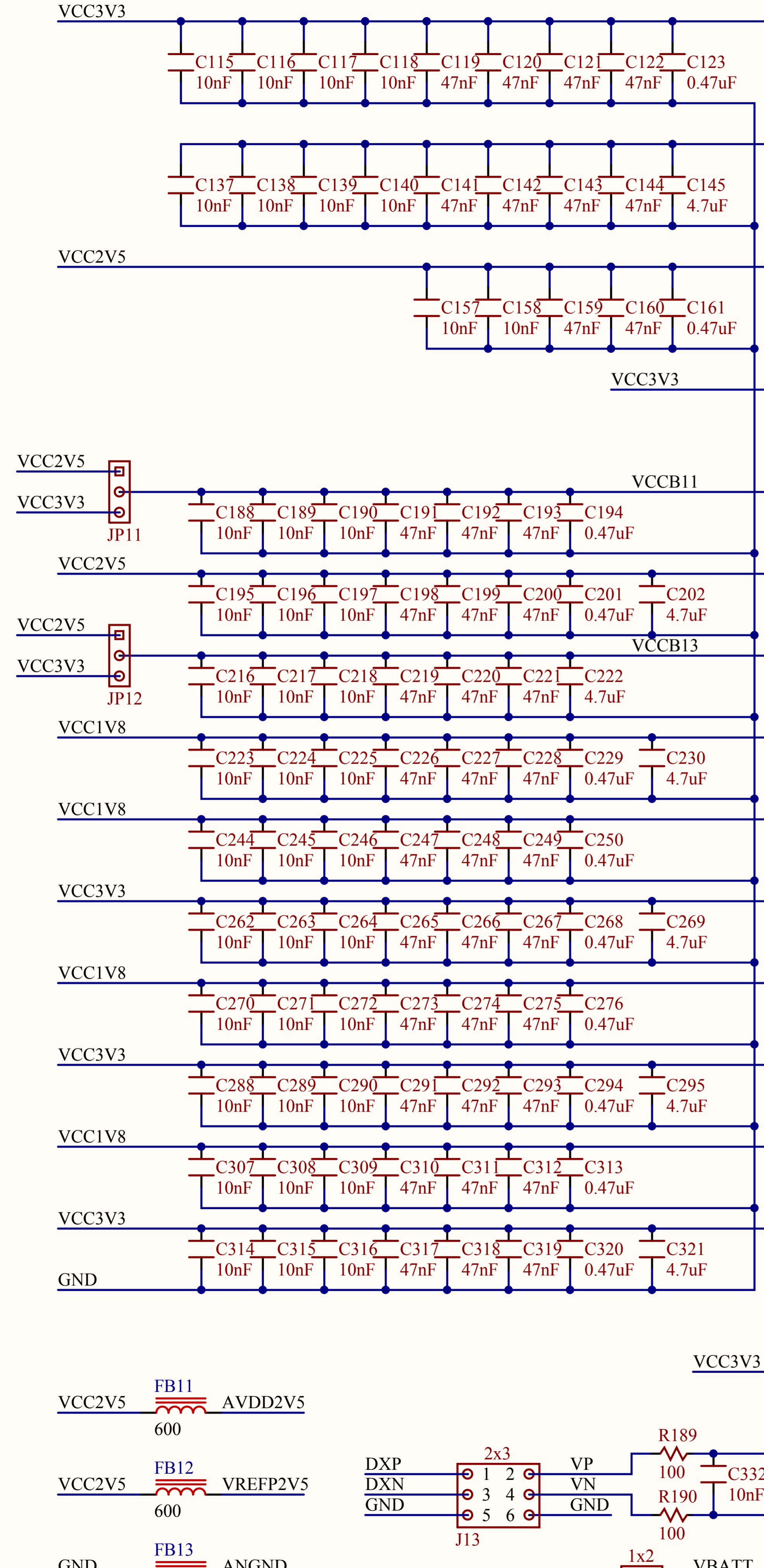


DIGILENT
www.digilentinc.com

IC12Q

AA22	VCCO_0	VCCAUX
AD23	VCCO_0	VCCAUX
D13	VCCO_1	VCCAUX
G14	VCCO_1	VCCAUX
AM19	VCCO_2	VCCAUX
AH21	VCCO_2	VCCAUX
E20	VCCO_3	VCCAUX
D23	VCCO_3	VCCAUX
AL12	VCCO_4	VCCAUX
AG14	VCCO_4	VCCAUX
C16	VCCO_5	VCCINT
F17	VCCO_5	VCCINT
B19	VCCO_5	VCCINT
AK15	VCCO_6	VCCINT
AN16	VCCO_6	VCCINT
AJ18	VCCO_6	VCCINT
T27	VCCO_11	VCCINT
R30	VCCO_11	VCCINT
V31	VCCO_11	VCCINT
N6	VCCO_12	VCCINT
T7	VCCO_12	VCCINT
M9	VCCO_12	VCCINT
W28	VCCO_13	VCCINT
AB29	VCCO_13	VCCINT
AA32	VCCO_13	VCCINT
M29	VCCO_15	VCCINT
L32	VCCO_15	VCCINT
P33	VCCO_15	VCCINT
AE30	VCCO_17	VCCINT
AH31	VCCO_17	VCCINT
AD33	VCCO_17	VCCINT
AC6	VCCO_18	VCCINT
W8	VCCO_18	VCCINT
AB9	VCCO_18	VCCINT
J28	VCCO_19	VCCINT
E30	VCCO_19	VCCINT
H31	VCCO_19	VCCINT
J8	VCCO_20	VCCINT
E10	VCCO_20	VCCINT
H11	VCCO_20	VCCINT
AJ28	VCCO_21	VCCINT
AM29	VCCO_21	VCCINT
AL32	VCCO_21	VCCINT
AF7	VCCO_22	VCCINT
AJ8	VCCO_22	VCCINT
AH11	VCCO_22	VCCINT
G24	VCCO_23	VCCINT
C26	VCCO_23	VCCINT
F27	VCCO_23	VCCINT
AL22	VCCO_25	VCCINT
AK25	VCCO_25	VCCINT
AN26	VCCO_25	VCCINT
U18	VP_0	AVDD_0
V17	VN_0	AVSS_0
L23	VBATT_0	VREFN_0

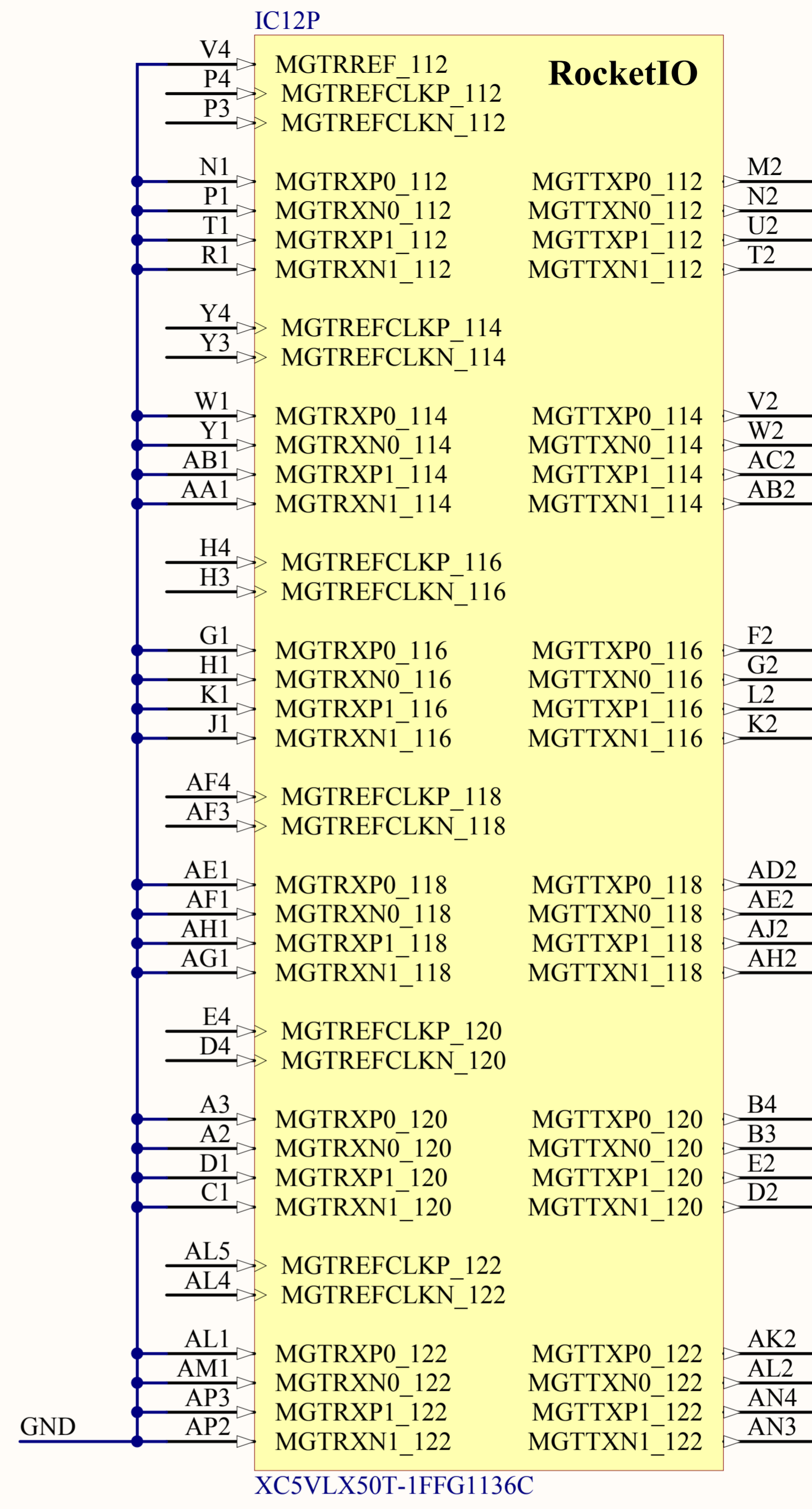
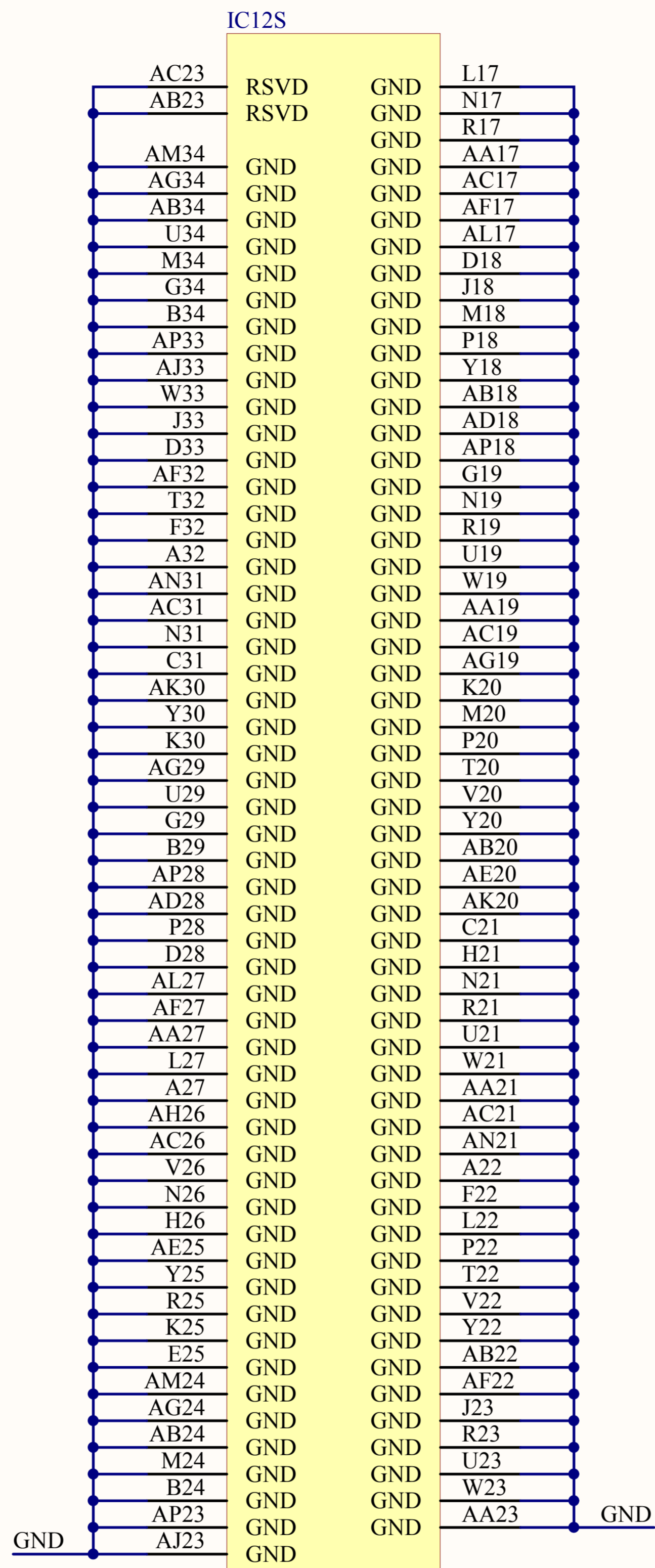
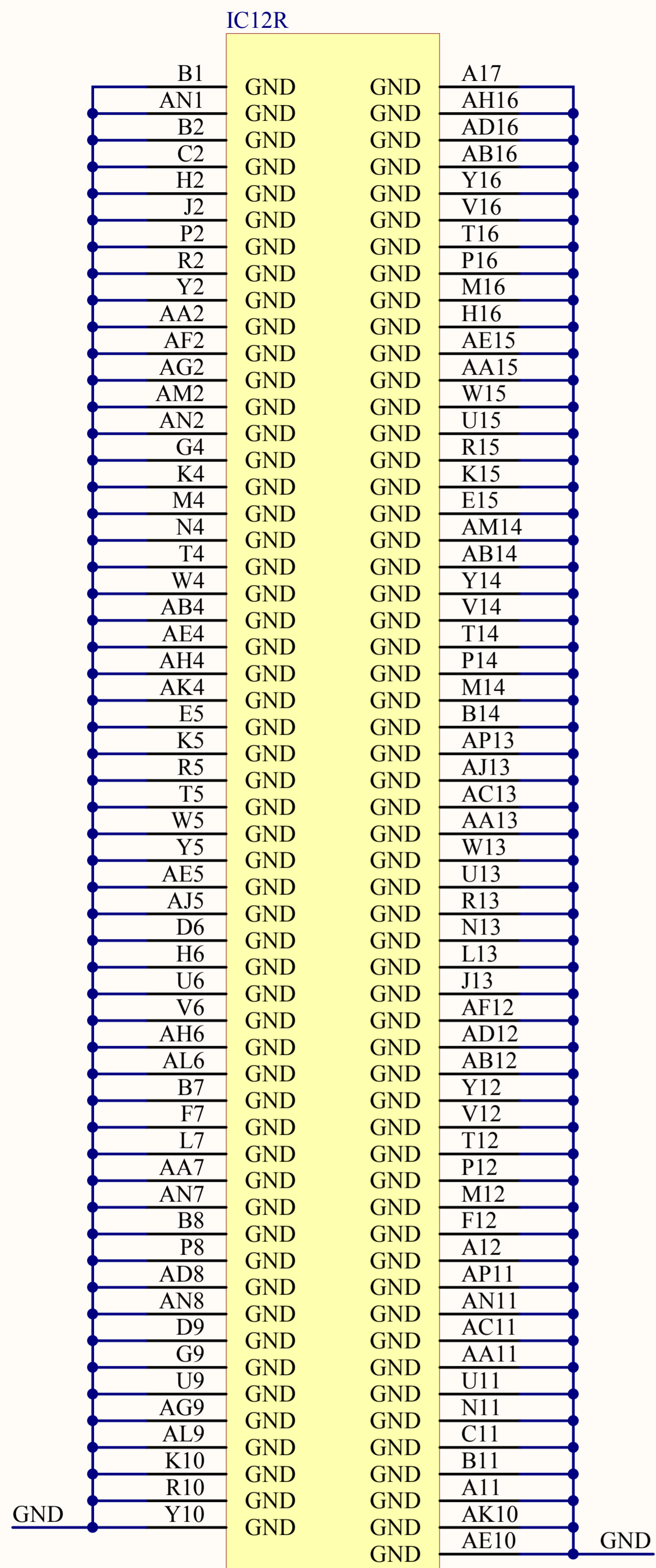
M11	VCCAUX
P11	VCCAUX
V11	VCCAUX
AB11	VCCAUX
L12	VCCAUX
AC12	VCCAUX
M21	VCCAUX
P23	VCCAUX
T23	VCCAUX
V23	VCCAUX
Y23	VCCAUX
U24	VCCAUX
N12	VCCINT
R12	VCCINT
U12	VCCINT
W12	VCCINT
AA12	VCCINT
M13	VCCINT
P13	VCCINT
T13	VCCINT
V13	VCCINT
Y13	VCCINT
AB13	VCCINT
AD13	VCCINT
R14	VCCINT
U14	VCCINT
W14	VCCINT
AA14	VCCINT
T15	VCCINT
V15	VCCINT
Y15	VCCINT
N16	VCCINT
R16	VCCINT
U16	VCCINT
W16	VCCINT
AA16	VCCINT
AC16	VCCINT
M17	VCCINT
P17	VCCINT
Y17	VCCINT
AB17	VCCINT
AD17	VCCINT
N18	VCCINT
R18	VCCINT
AA18	VCCINT
AC18	VCCINT
M19	VCCINT
P19	VCCINT
T19	VCCINT
V19	VCCINT
Y19	VCCINT
AB19	VCCINT
N20	VCCINT
R20	VCCINT
U20	VCCINT
W20	VCCINT
AA20	VCCINT
AC20	VCCINT
P21	VCCINT
T21	VCCINT
V21	VCCINT
Y21	VCCINT
AB21	VCCINT
R22	VCCINT
U22	VCCINT
W22	VCCINT
T18	AVDD2V5
T17	ANGND
V18	VREFP2V5
U17	GND



Title		Rev
Genesys		C.0
Circuit		Copyright 2010
Virtex 5 Power		
Doc#	500-138	
Engineer	CC	
Author	GMA	
Date	1/5/2010	
Sheet#	11 out of 17	

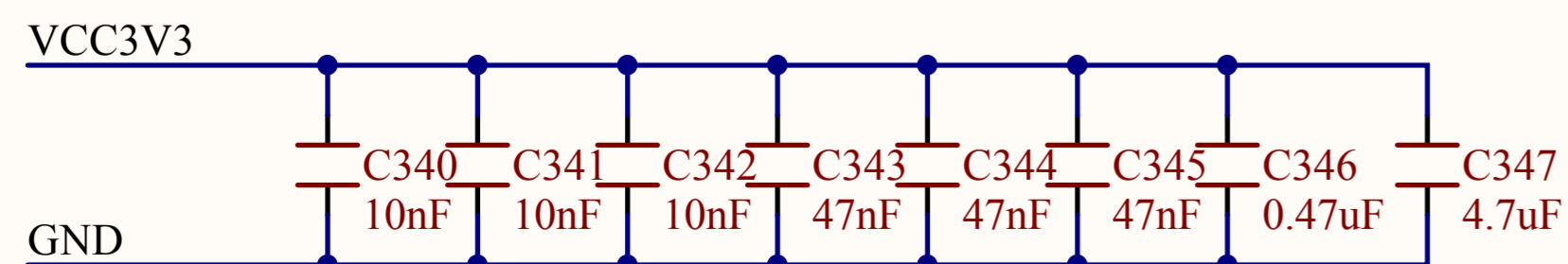
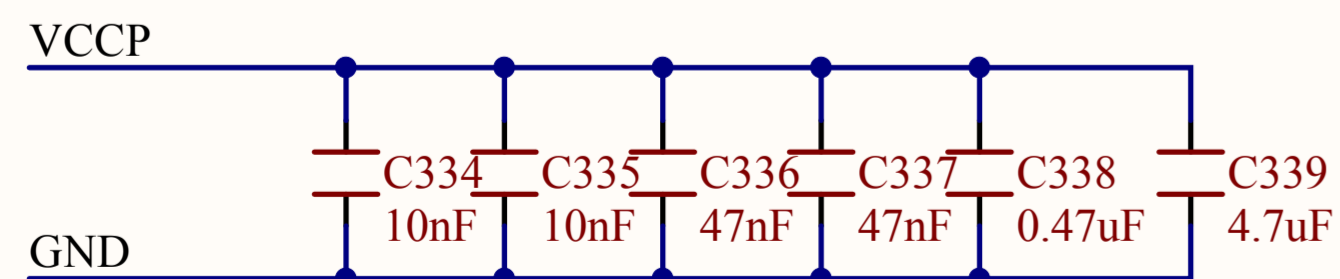
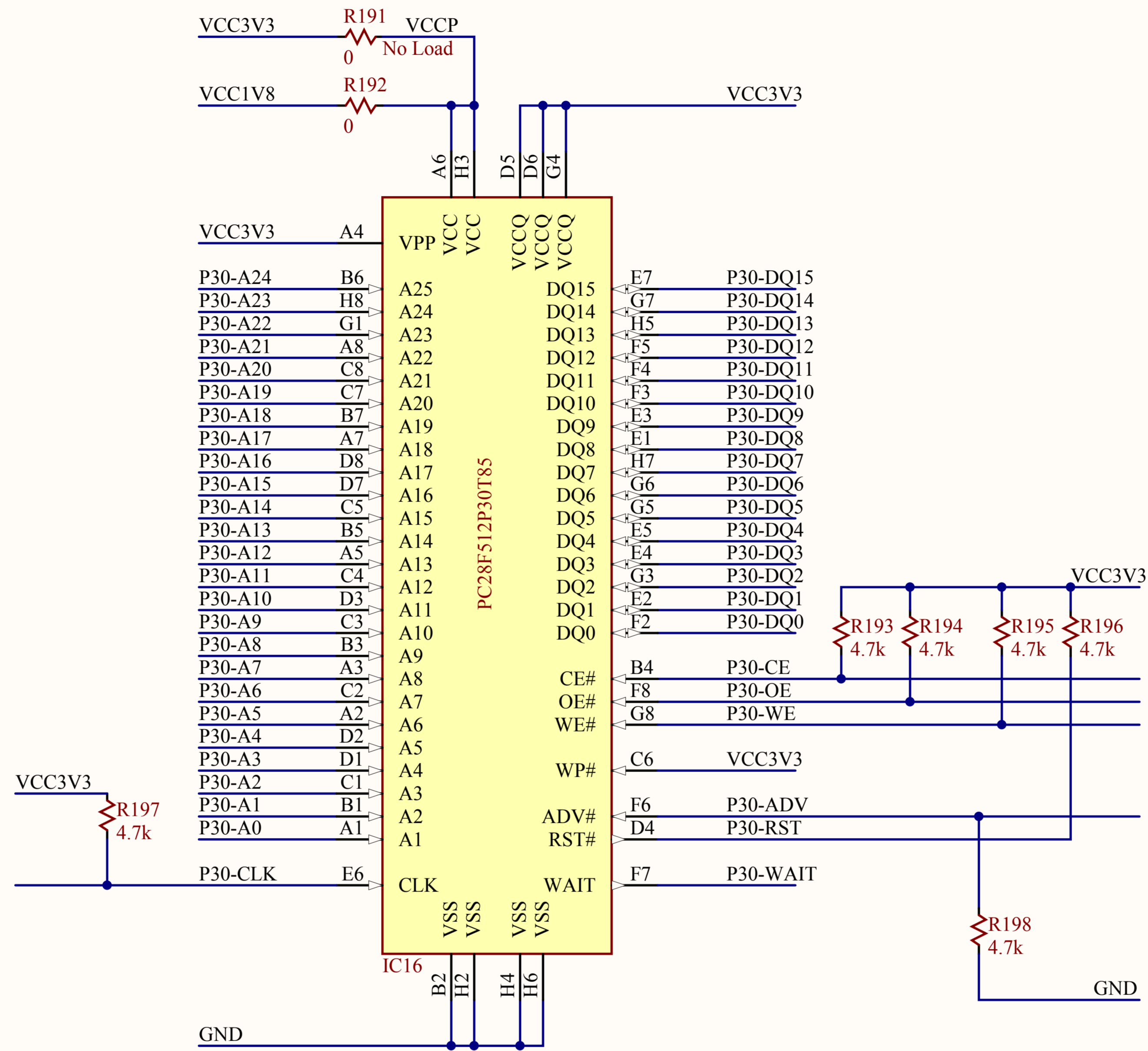


www.digilentinc.com



Title		Rev	
Genesys		C.0	
Circuit		Copyright 2010	
Virtex 5 Ground			
Doc#	500-138	 www.digilentinc.com	
Engineer	CC		
Author	GMA		
Date	1/5/2010		
Sheet#	12 out of 17		

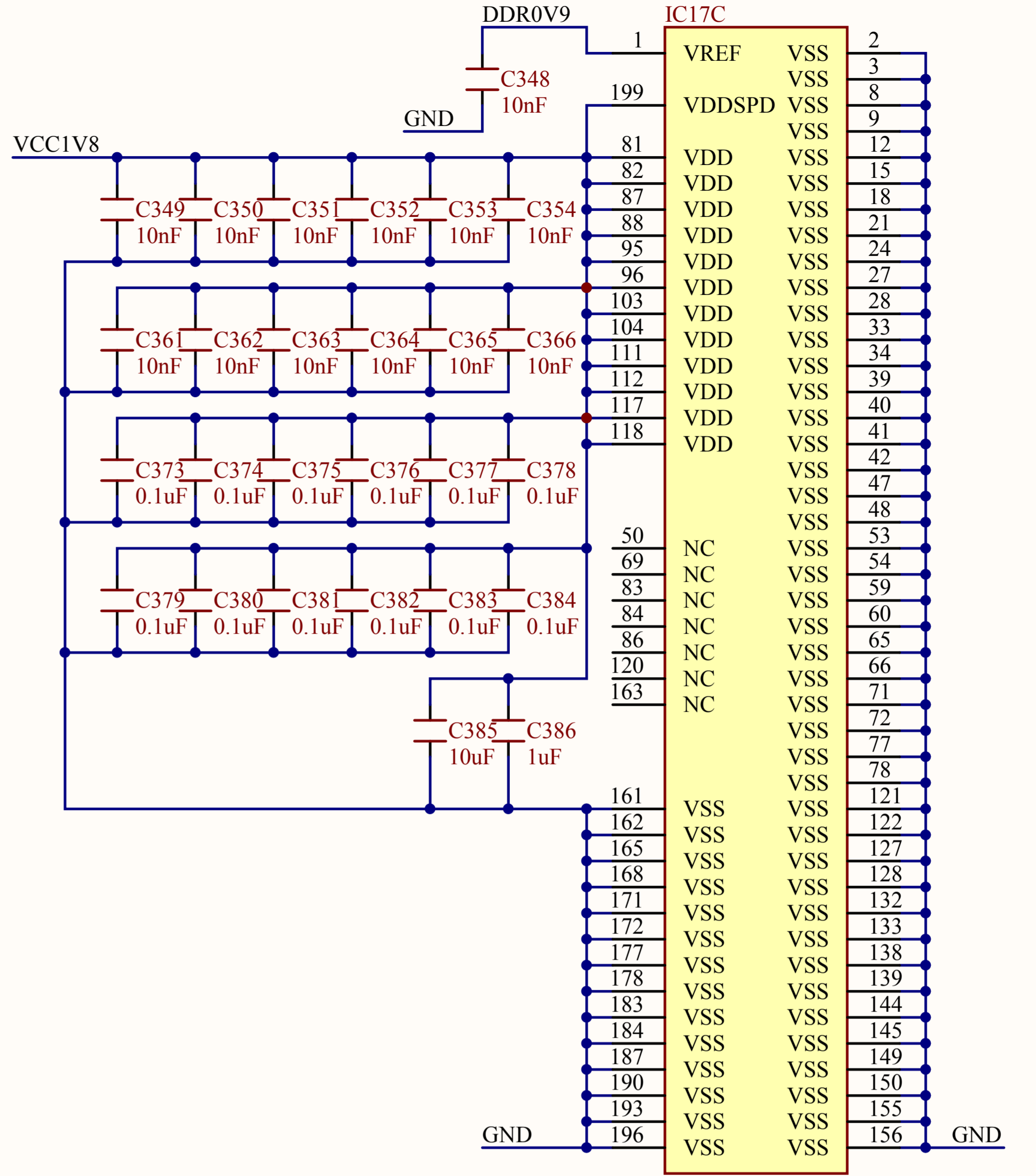
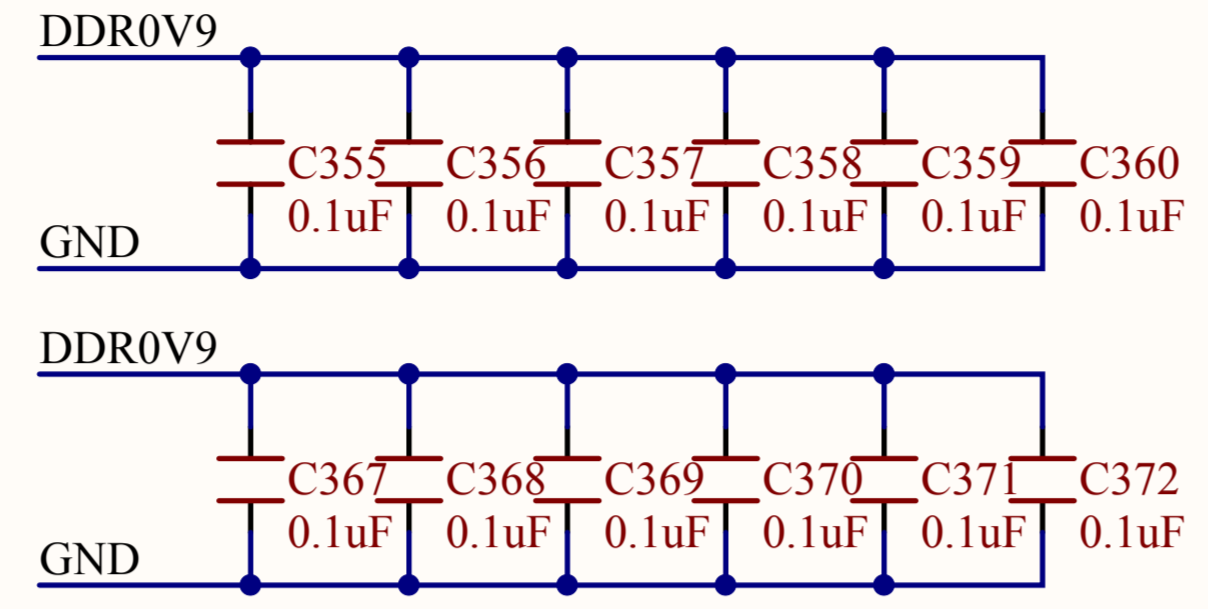
Note: Load resistor to 3.3V and remove resistor to 1.8V for P33



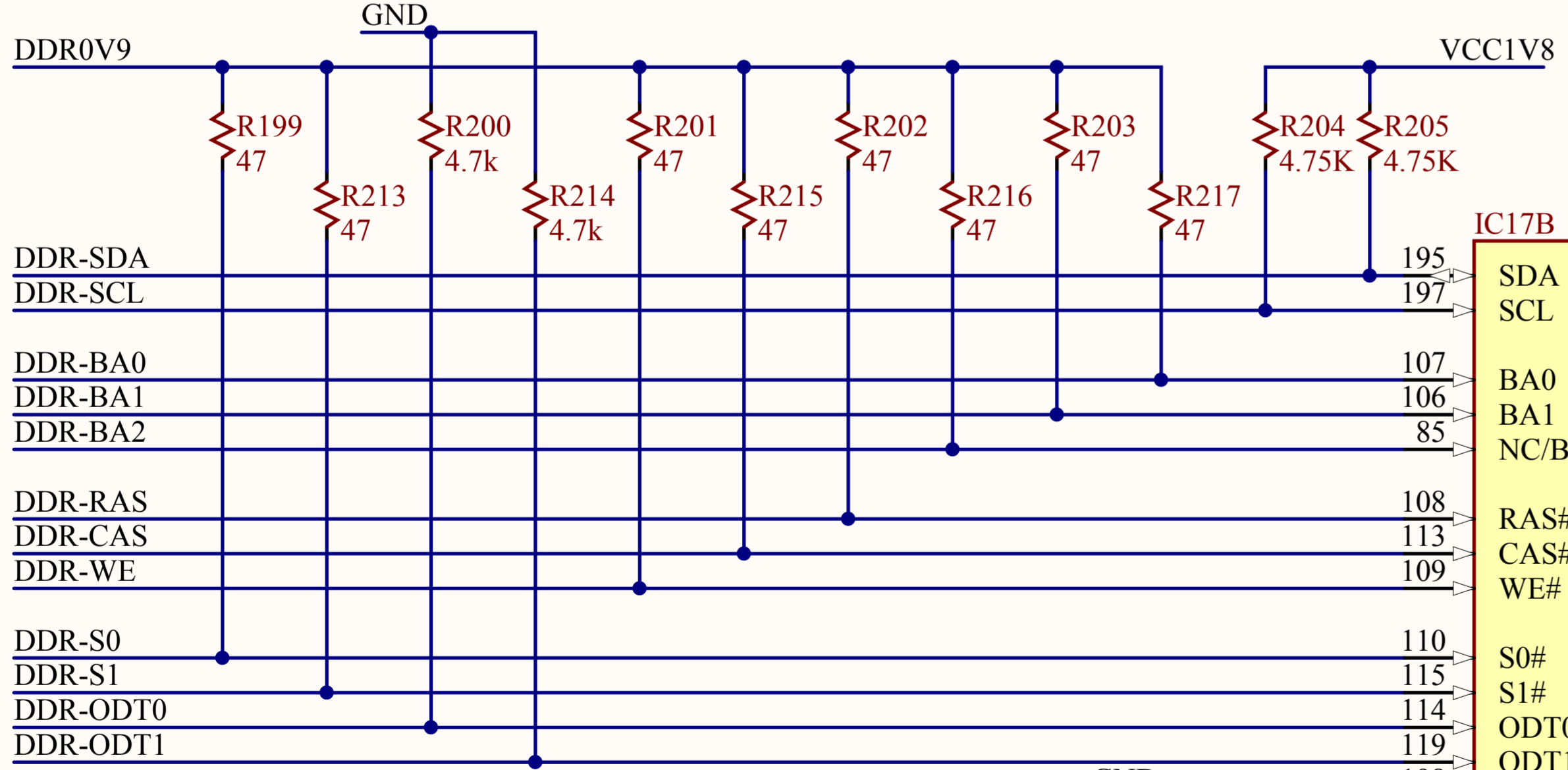
Title Genesys		Rev C.0 Copyright 2010
Circuit P33 Strata Flash		 www.digilentinc.com
Doc# 500-138		
Engineer CC		
Author GMA		
Date 1/5/2010		
Sheet# 13 out of 17		

IC17A			
DDR-DQS3	70	DQS3	DQS7
DDR-DQS3#	68	DQS3#	DQS7#
DDR-DQS2	51	DQS2	DQS6
DDR-DQS2#	49	DQS2#	DQS6#
DDR-DQS1	31	DQS1	DQS5
DDR-DQS1#	29	DQS1#	DQS5#
DDR-DQS0	13	DQS0	DQS4
DDR-DQS0#	11	DQS0#	DQS4#
DDR-DQ31	76	DQ31	DQ63
DDR-DQ30	74	DQ30	DQ62
DDR-DQ29	64	DQ29	DQ61
DDR-DQ28	62	DQ28	DQ60
DDR-DQ27	75	DQ27	DQ59
DDR-DQ26	73	DQ26	DQ58
DDR-DQ25	63	DQ25	DQ57
DDR-DQ24	61	DQ24	DQ56
DDR-DQ23	58	DQ23	DQ55
DDR-DQ22	56	DQ22	DQ54
DDR-DQ21	46	DQ21	DQ53
DDR-DQ20	44	DQ20	DQ52
DDR-DQ19	57	DQ19	DQ51
DDR-DQ18	55	DQ18	DQ50
DDR-DQ17	45	DQ17	DQ49
DDR-DQ16	43	DQ16	DQ48
DDR-DQ15	38	DQ15	DQ47
DDR-DQ14	36	DQ14	DQ46
DDR-DQ13	22	DQ13	DQ45
DDR-DQ12	20	DQ12	DQ44
DDR-DQ11	37	DQ11	DQ43
DDR-DQ10	35	DQ10	DQ42
DDR-DQ9	25	DQ9	DQ41
DDR-DQ8	23	DQ8	DQ40
DDR-DQ7	16	DQ7	DQ39
DDR-DQ6	14	DQ6	DQ38
DDR-DQ5	6	DQ5	DQ37
DDR-DQ4	4	DQ4	DQ36
DDR-DQ3	19	DQ3	DQ35
DDR-DQ2	17	DQ2	DQ34
DDR-DQ1	7	DQ1	DQ33
DDR-DQ0	5	DQ0	DQ32

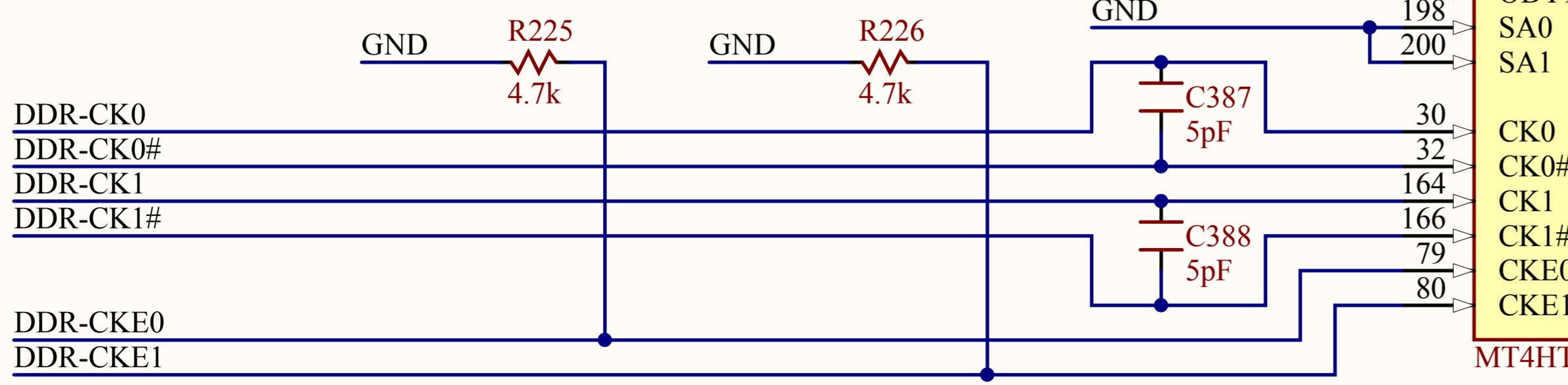
MT4HTF51264H



MT4HTFxx64H

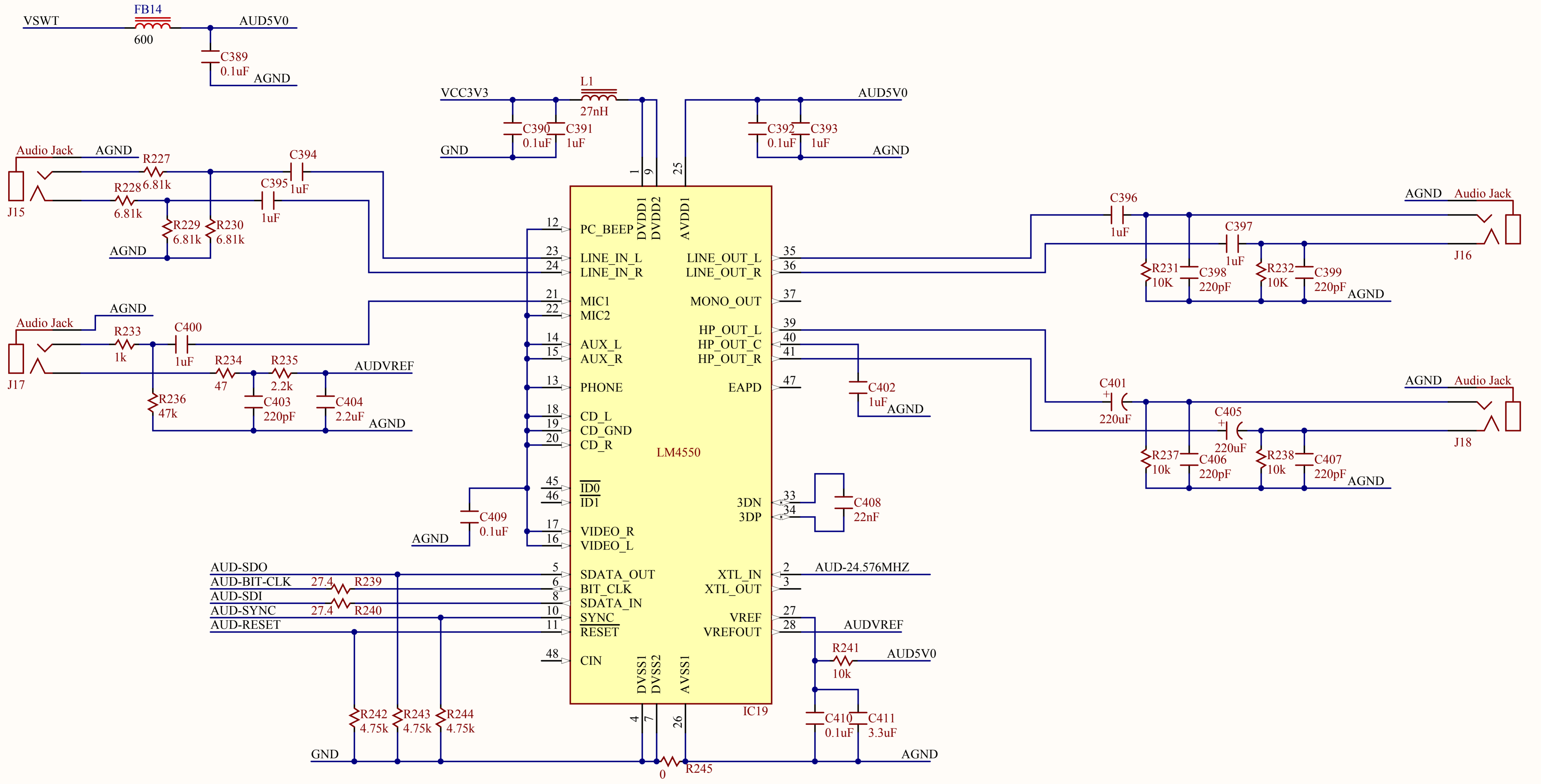


IC17B			
SDA	A0	102	DDR-A0
SCL	A1	101	DDR-A1
	A2	100	DDR-A2
	A3	99	DDR-A3
BA0	A4	98	DDR-A4
BA1	A5	97	DDR-A5
NC/BA2	A6	94	DDR-A6
	A7	92	DDR-A7
RAS#	A8	93	DDR-A8
CAS#	A9	91	DDR-A9
WE#	A10	105	DDR-A10
	A11	90	DDR-A11
	A12	89	DDR-A12
	A13	116	DDR-A13
S0#	DM0	10	DDR-DM0
S1#	DM1	26	DDR-DM1
ODT0	DM2	52	DDR-DM2
ODT1	DM3	67	DDR-DM3
SA0	DM4	130	DDR-DM4
SA1	DM5	147	DDR-DM5
	DM6	170	DDR-DM6
	DM7	185	DDR-DM7

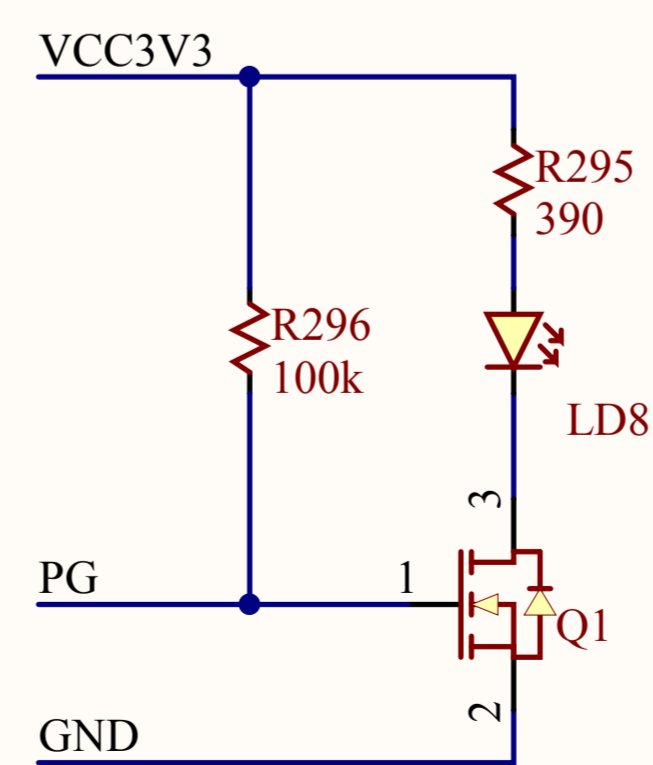
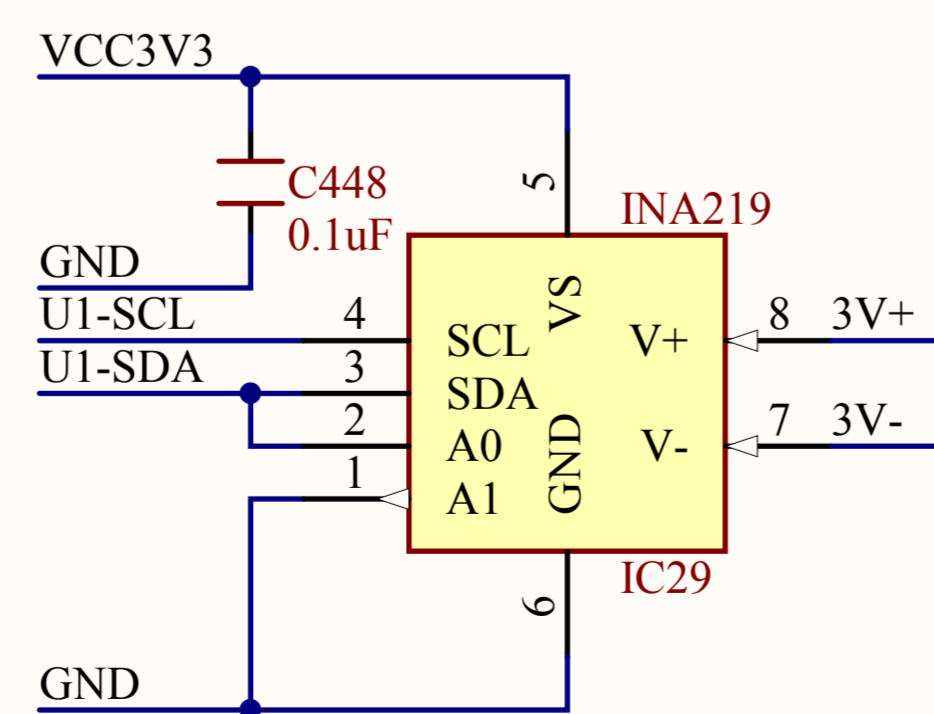
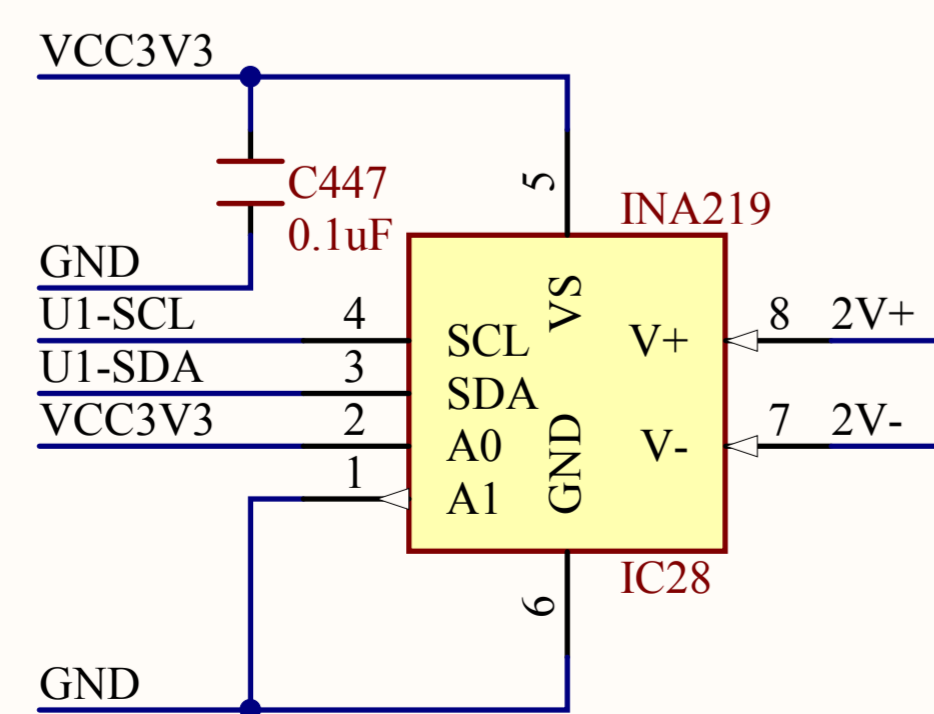
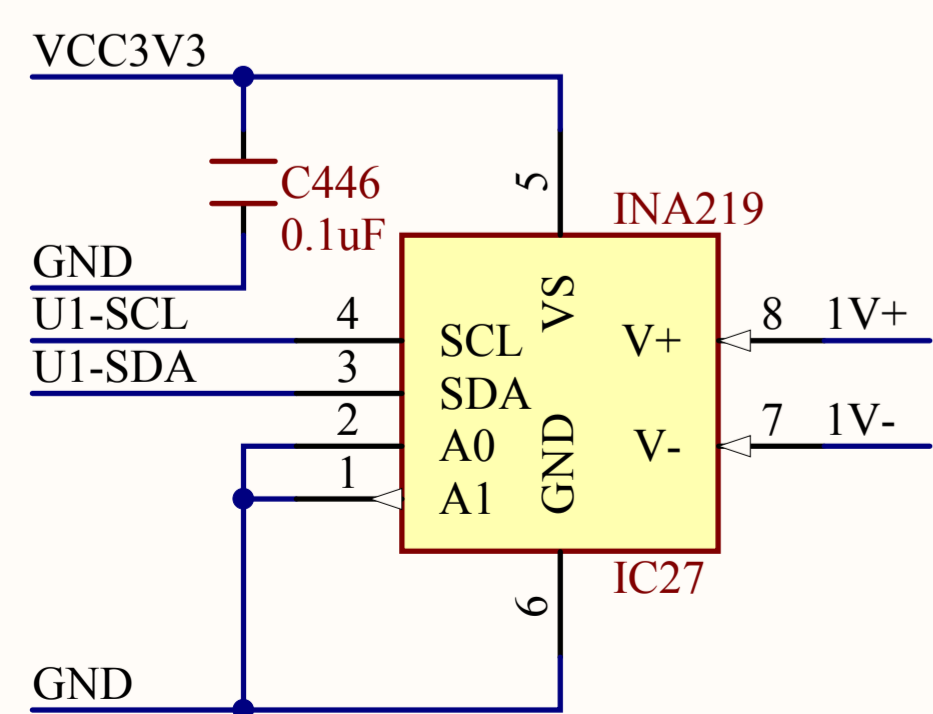
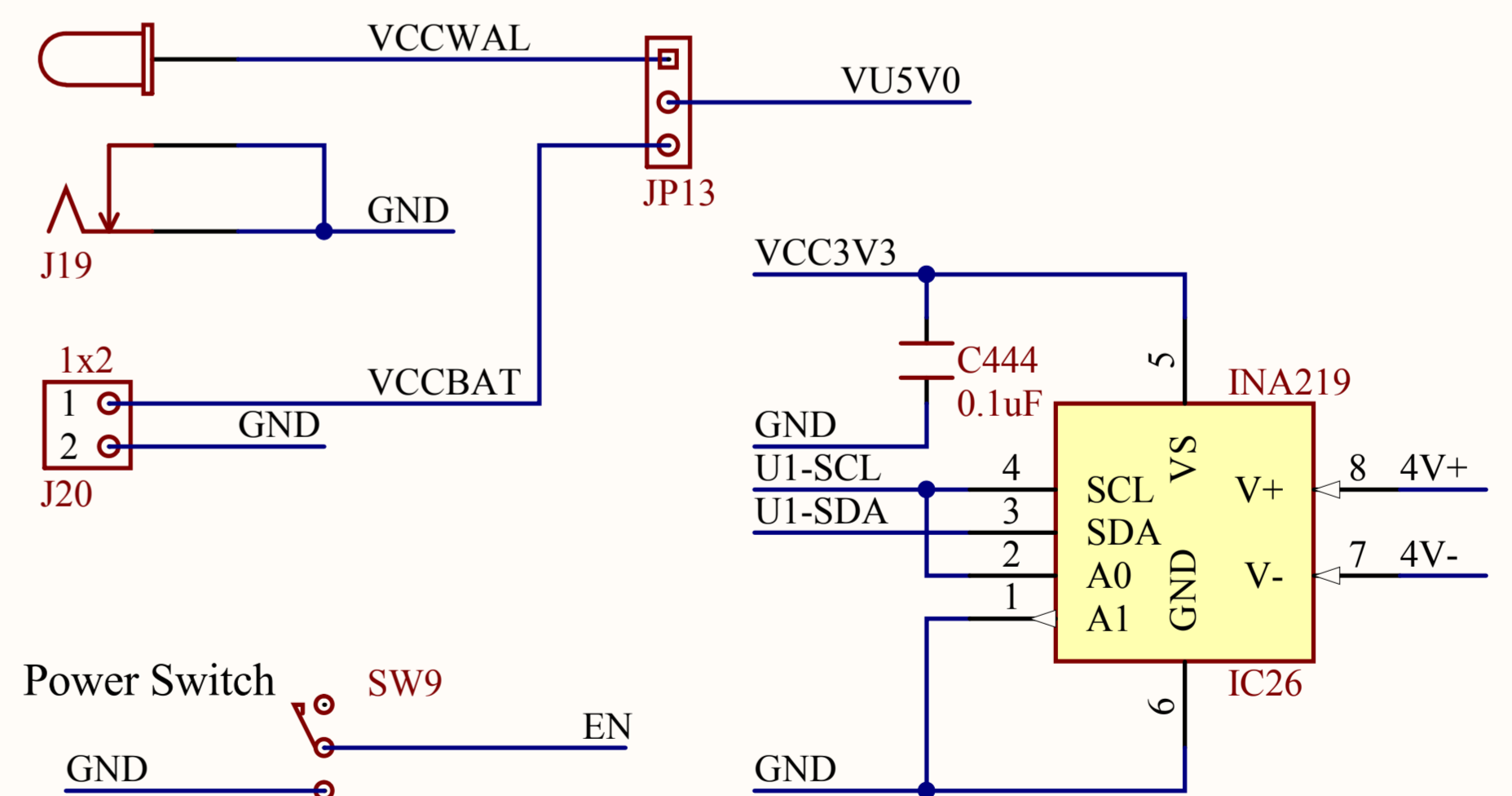
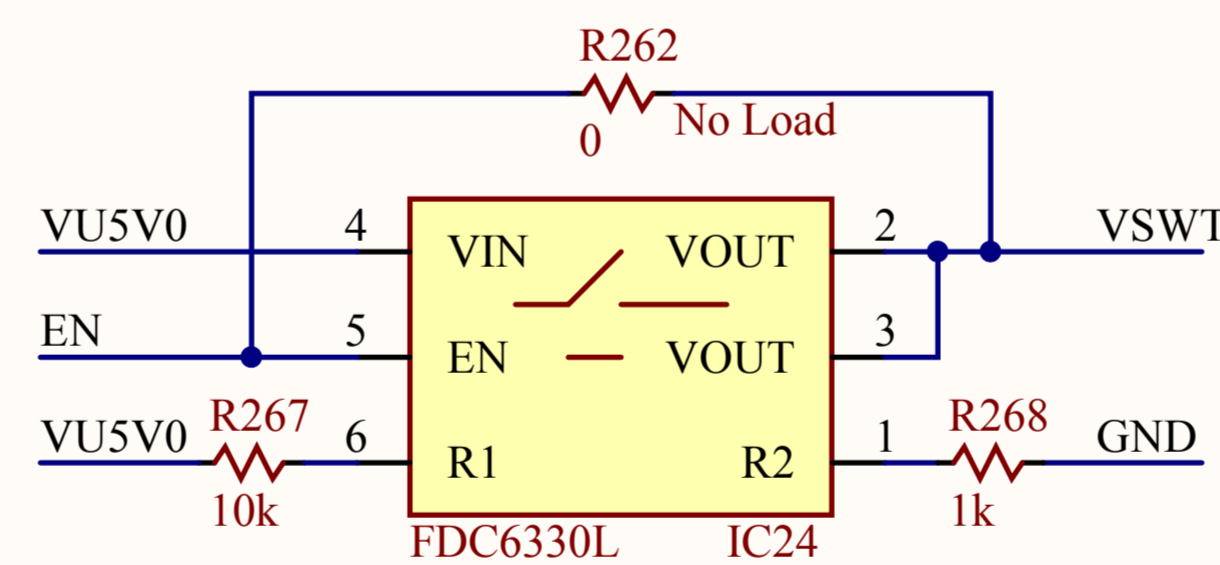
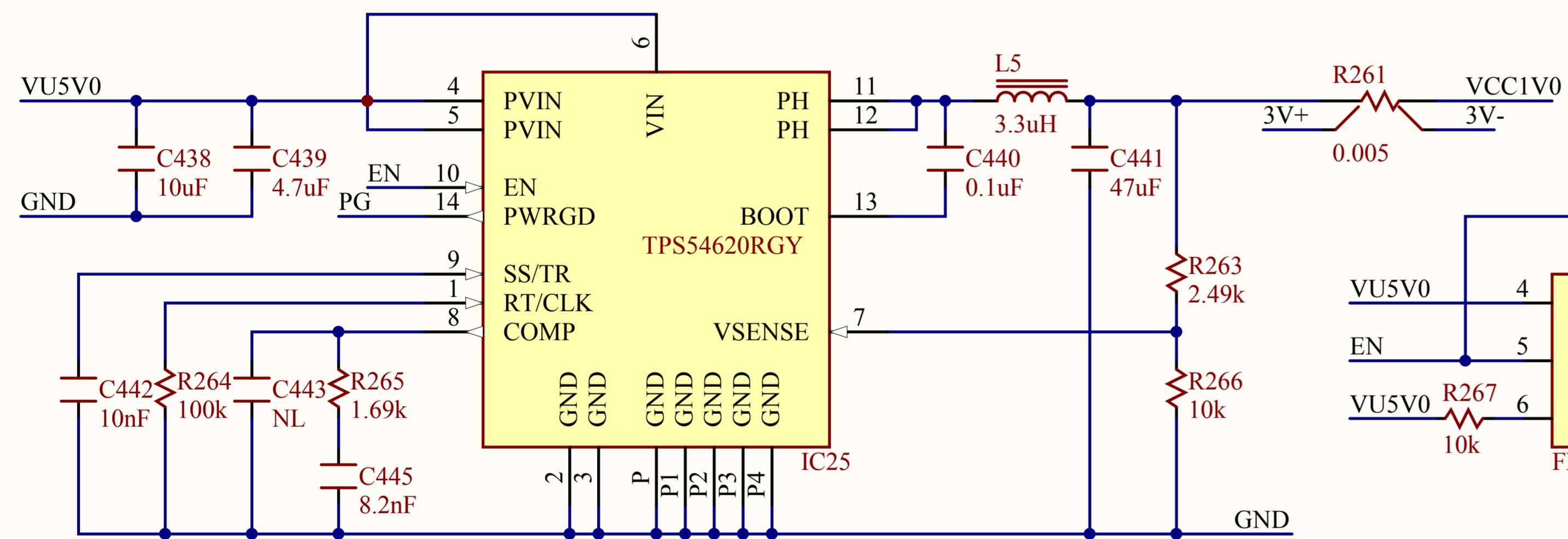
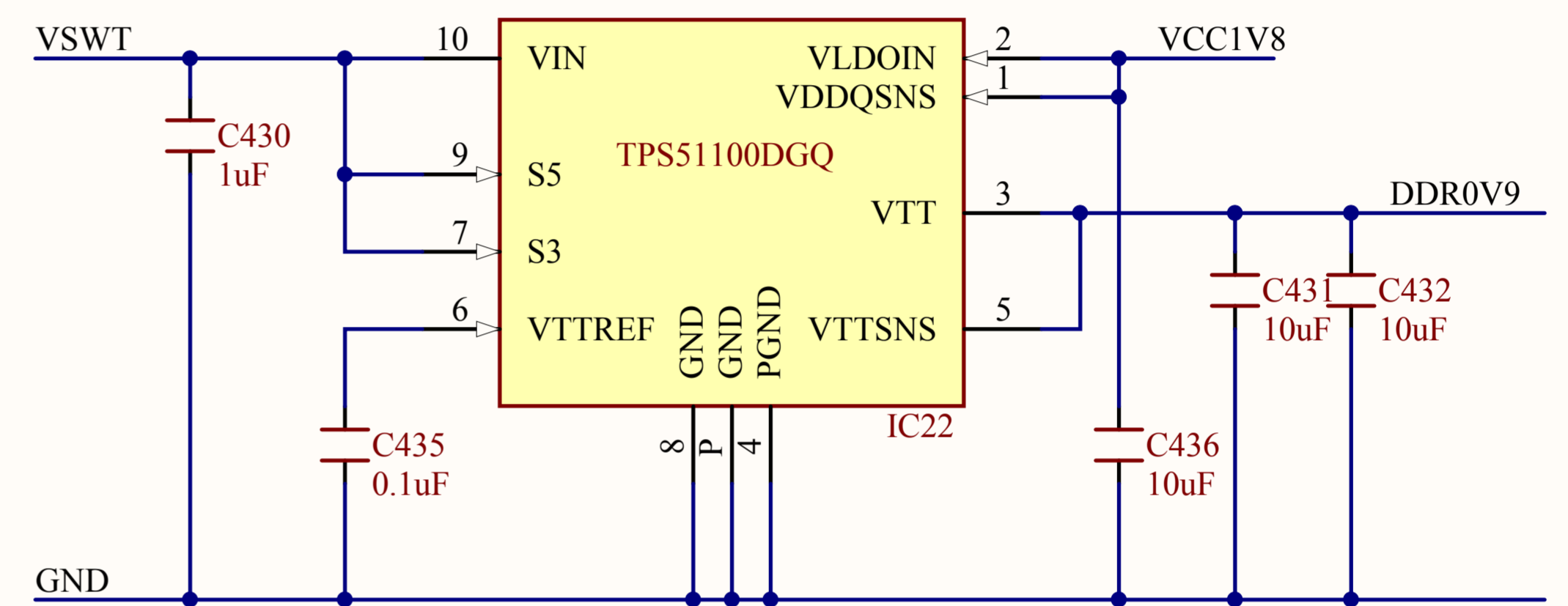
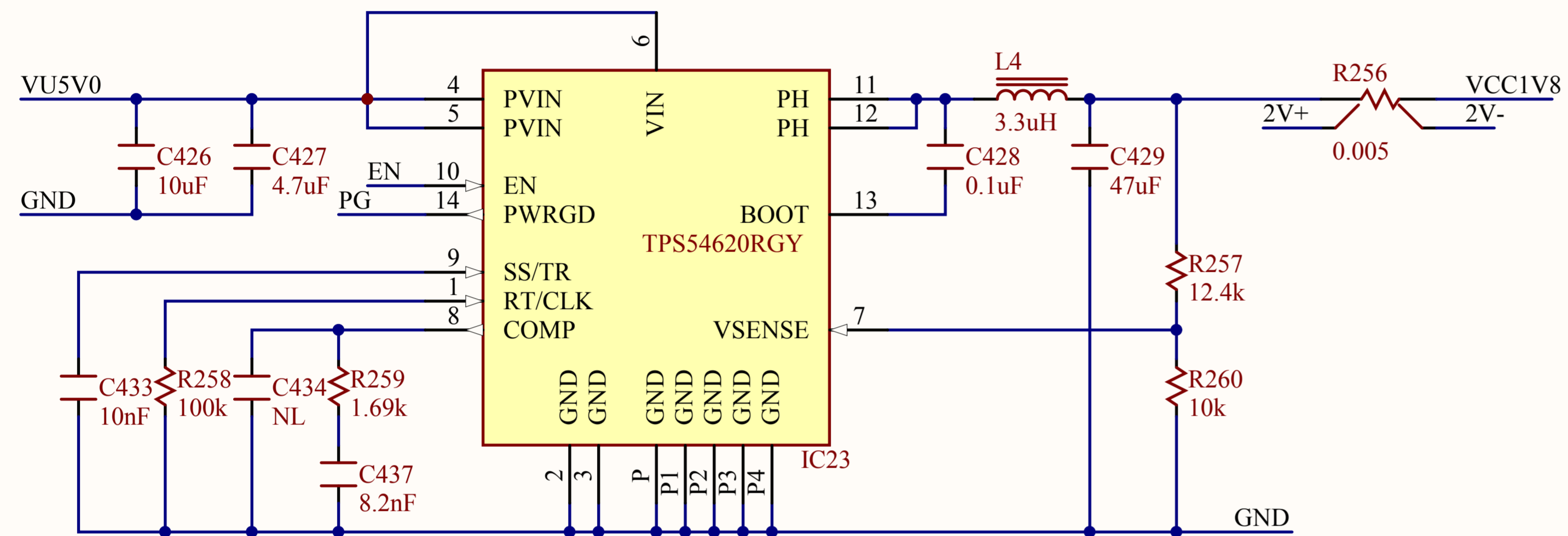
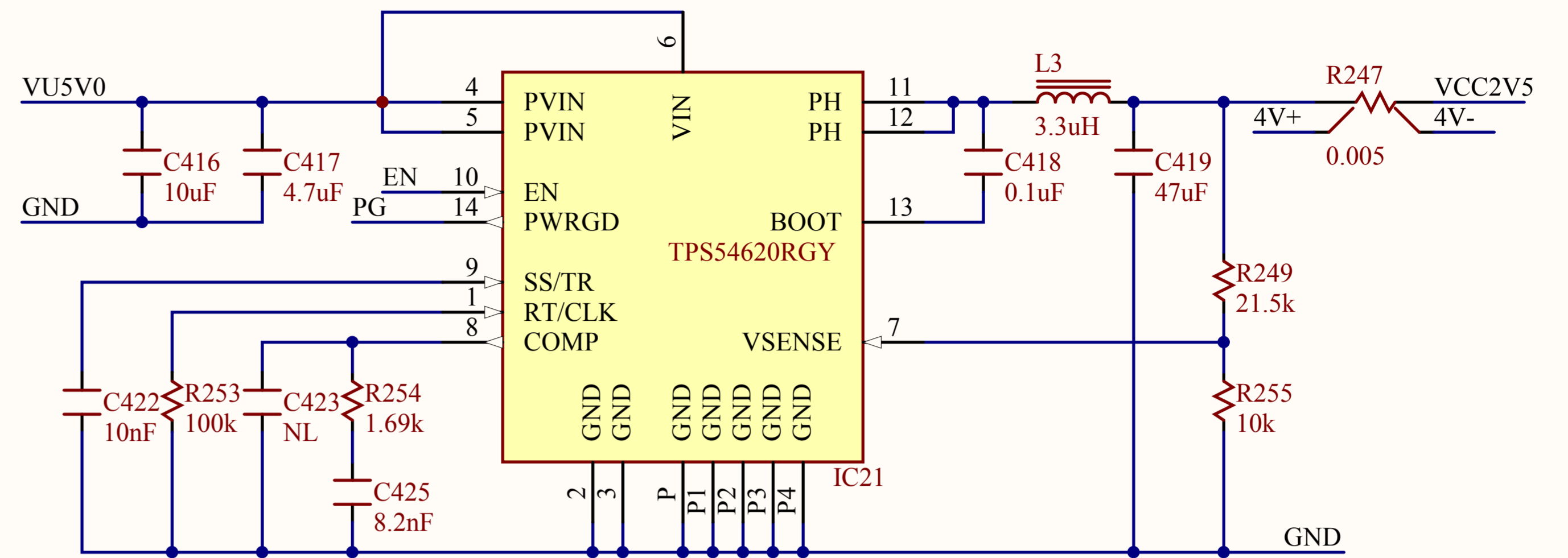
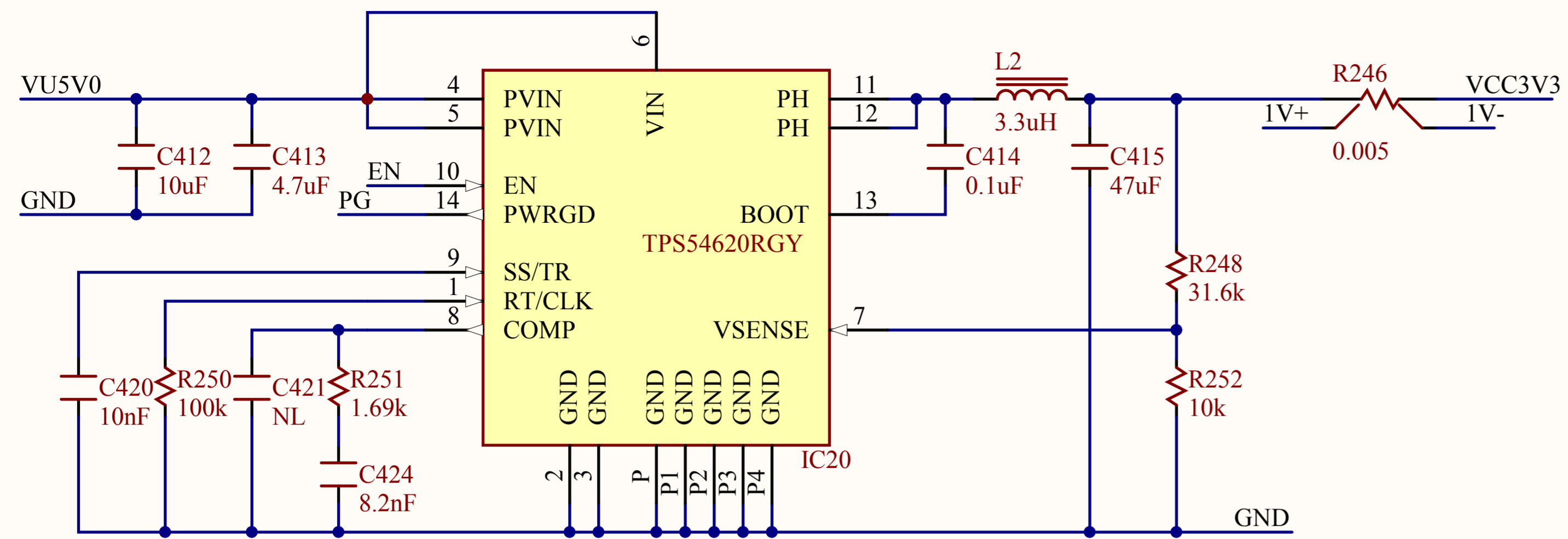


MT4HTFxx64H

Title Genesys		Rev C.0
Circuit DDR2	Doc# 500-138	Copyright 2010
Engineer CC	Author GMA	 www.digilentinc.com
Date 1/5/2010	Sheet# 14 out of 17	



Title Genesis		Rev C.0 Copyright 2010
Circuit Audio Codec		
Doc# 500-138		
Engineer CC		
Author GMA		
Date 1/5/2010		
Sheet# 15 out of 17	www.digilentinc.com	



NOTE: I2C Bus shared with Digilent USB I2C ROM

Title Genesys		Rev C.0 Copyright 2010
Circuit Power Supply		
Doc# 500-138		
Engineer CC		
Author GMA		
Date 1/5/2010		
Sheet# 16 out of 17		