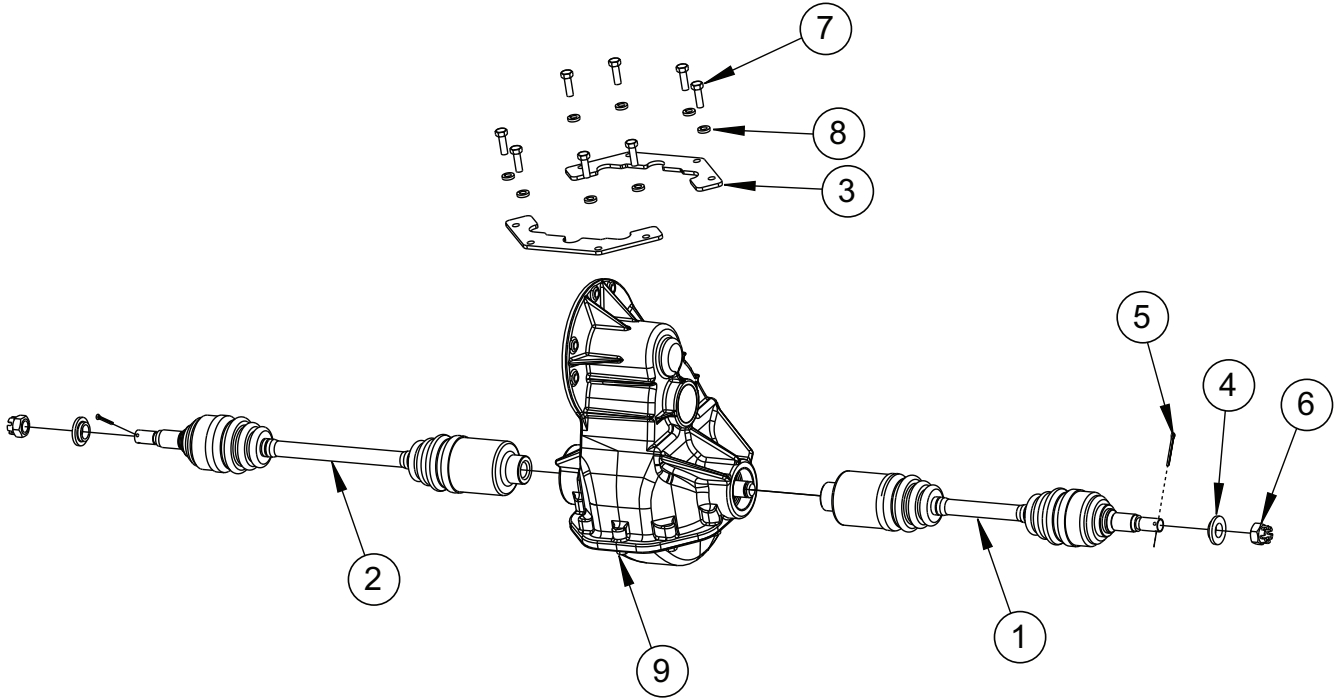
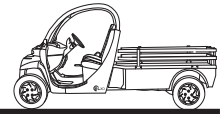
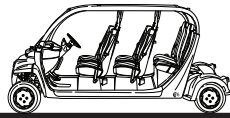


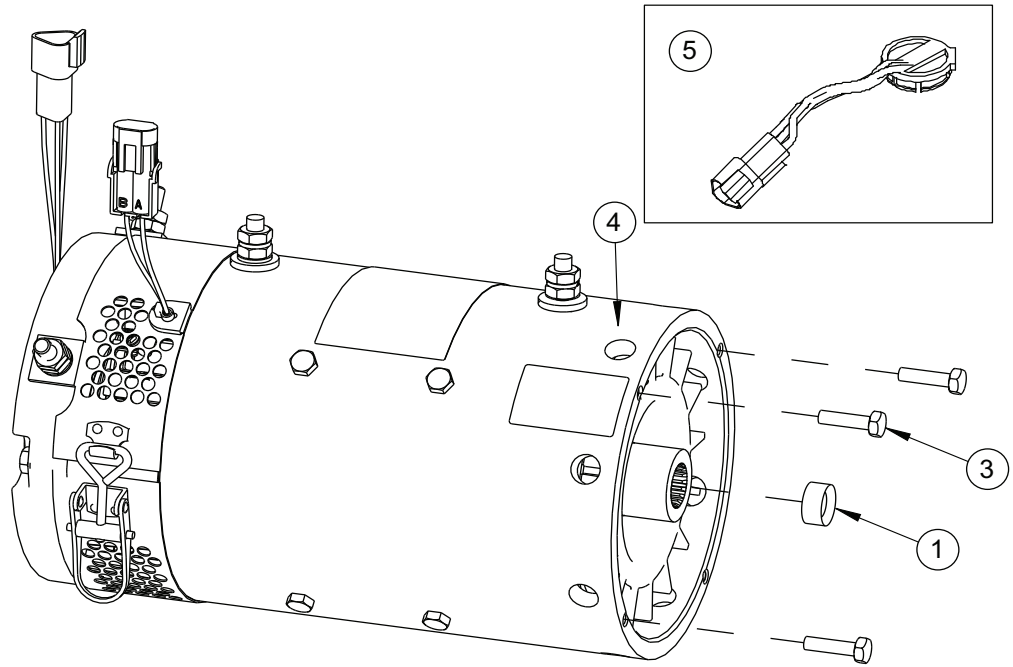
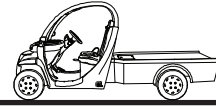
**ASSY, DRIVE LINE - 12.44, 46 IN WIDE**

<u>ITEM</u>	<u>PART NO.</u>	<u>DESCRIPTION</u>	<u>QTY.</u>
1	0113-02685	ASSY, HALFSHAFT - LH TRIPOD	1
2	0113-02686	ASSY, HALFSHAFT - RH (LONG) TRIPOD	1
3	0313-00417	KEEPER, GEARBOX/DIFF	2
4	0324-01480	WASHER, AXLE SHAFT	2
5	0510-00137	TIE, CABLE W/#10 MOUNT HOLE 9" BLACK (NOT SHOWN)	1
6	0510-00409	PIN, COTTER 1/8 X 1.25 LG ZC	2
7	0521-00401	NUT, HEX - CASTLE - M16 X 2.0 - ZNC	2
8	0522-00016	BOLT, HEX - 5/16 - 18 UNC X 1.0 GR 5 ZINC PLATED	8
9	0524-00081	WASHER, LOCK - 5/15 ZINC PLATED	8
10	0613-00643	ASSY, GEAR BOX/DIFFERENTIAL - W/BREATHER VENT 12.44 : 1	1
11	0613-00645	VENT, BREATHER - DIFFERENTIAL	1



**ASSY, DRIVE LINE - 14.76, 46 IN WIDE**

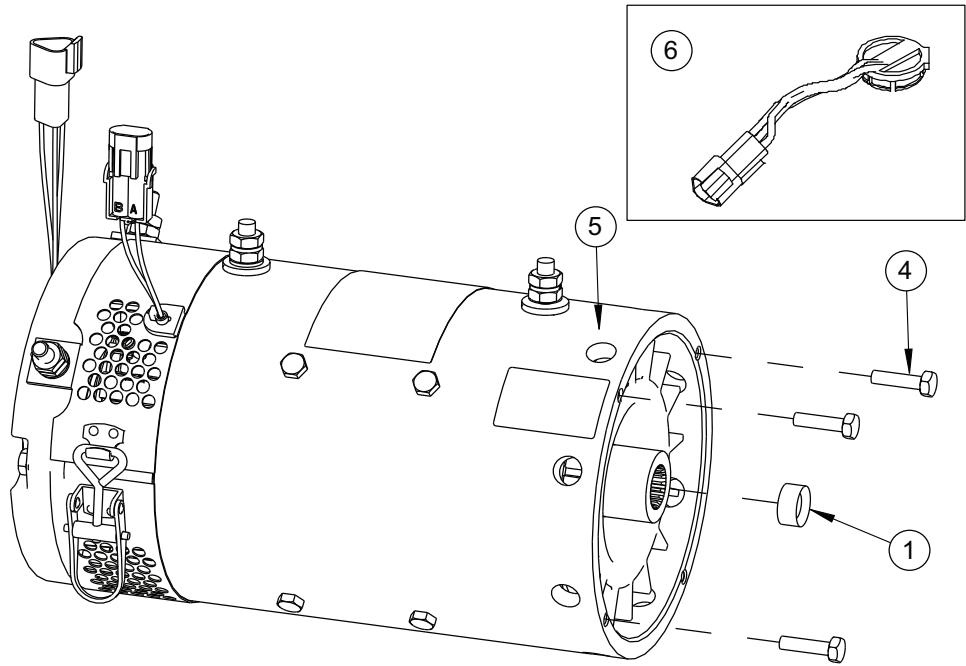
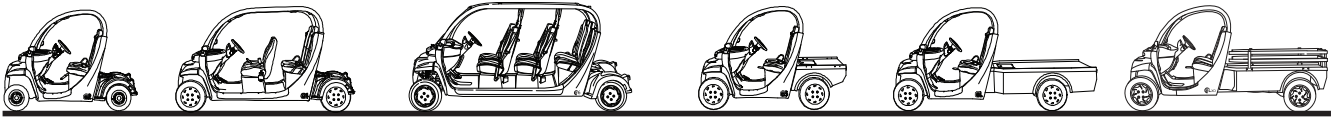
<u>ITEM</u>	<u>PART NO.</u>	<u>DESCRIPTION</u>	<u>QTY.</u>
1	0113-02685	ASSY, HALFSHAFT - LH TRIPOD	1
2	0113-02686	ASSY, HALFSHAFT - RH (LONG) TRIPOD	1
3	0313-00417	KEEPER, GEARBOX/DIFF	2
4	0324-01480	WASHER, AXLE SHAFT	2
5	0510-00409	PIN, COTTER 1/8 X 1.25 LG ZC	2
6	0521-00401	NUT, HEX - CASTLE - M16 X 2.0 - ZNC	2
7	0522-00016	BOLT, HEX - 5/16 - 18 UNC X 1.0 GR 5 ZINC PLATED	8
8	0524-00081	WASHER, LOCK - 5/15 ZINC PLATED	8
9	0613-00582	ASSY, GEAR BOX/DIFFERENTIAL - 14.76:1	1



**ASSY, MOTOR - 5.0 HP HD**

<u>ITEM</u>	<u>PART NO.</u>	<u>DESCRIPTION</u>	<u>QTY.</u>
1	0313-00168	BUMPER, RESILIENT - DIFF TO MOTOR	1
*2	-	LOCKTITE, RED - 27140	0.03ML
3	0522-00056	BOLT, HEX - 1/4 - 20 UNC X 1.0 GR 8 ZN YL	3
4	0613-00541	MOTOR, ELECTRIC - HD 5 HP 72 V W/THERMAL PROTECTION	1
5	0606-00272	ASSY, SENSOR - SPEED	1

\*STARRED ITEMS ARE NOT AVAILABLE SEPARATELY

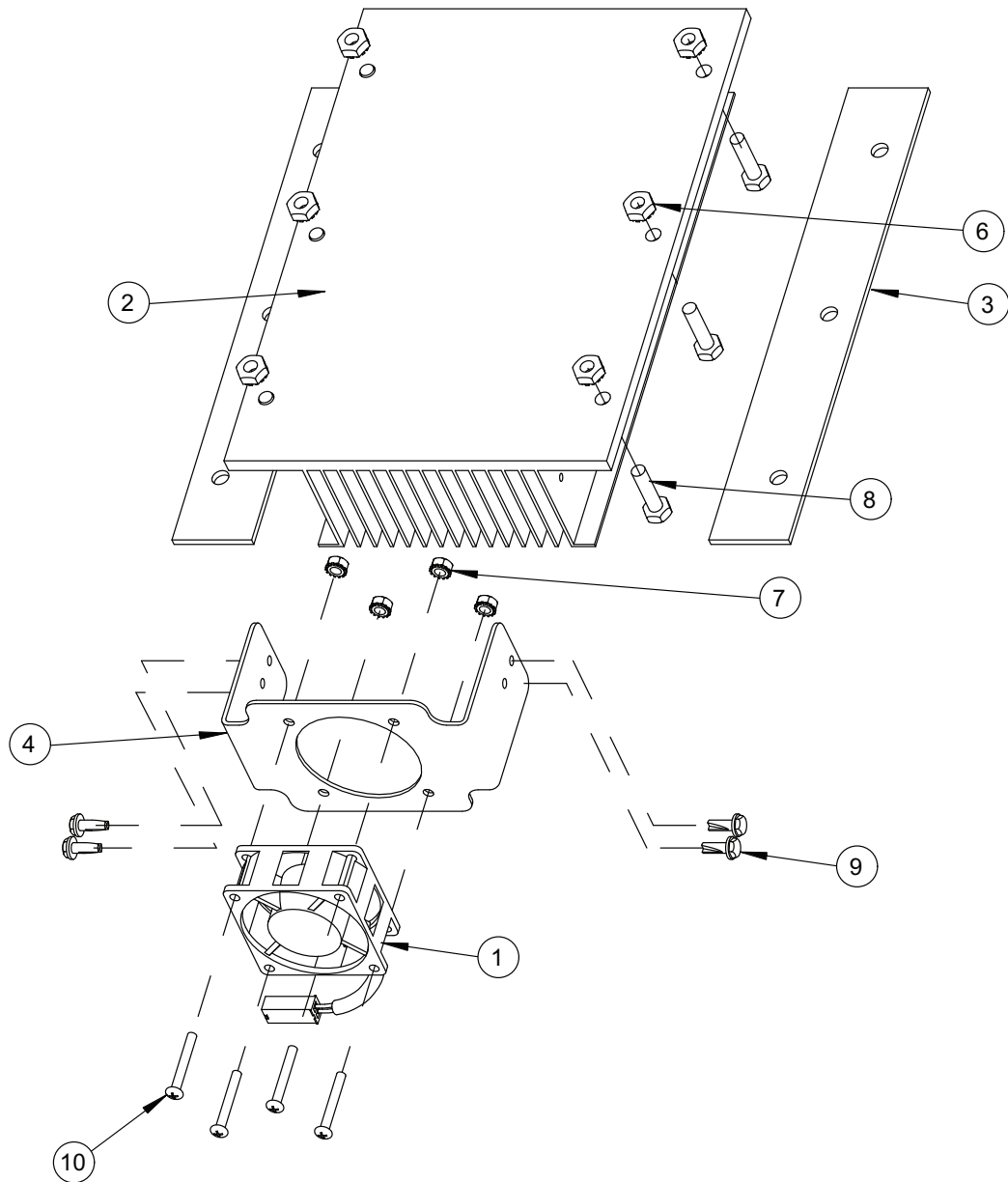
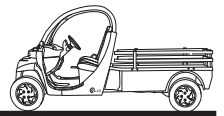
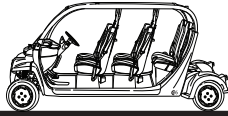


**ASSY, MOTOR - 7.0 HP XD**

<u>ITEM</u>	<u>PART NO.</u>	<u>DESCRIPTION</u>	<u>QTY.</u>
1	0313-00168	BUMPER, RESILIENT - DIFF TO MOTOR	1
**2	0350-02793	DECAL, HORSEPOWER - 7.0	2
*3	-	LOCKTITE, RED - 27140	0.03 ML
4	0522-00056	BOLT, HEX - 1/4 - 20 UNC X 1.0 GR 8 ZN YL	3
5	0613-00724	MOTOR, ELECTRIC VENTED 7 HP, W/THERMAL PROTECTION	1
6	0606-00272	ASSY, SENSOR - SPEED	1

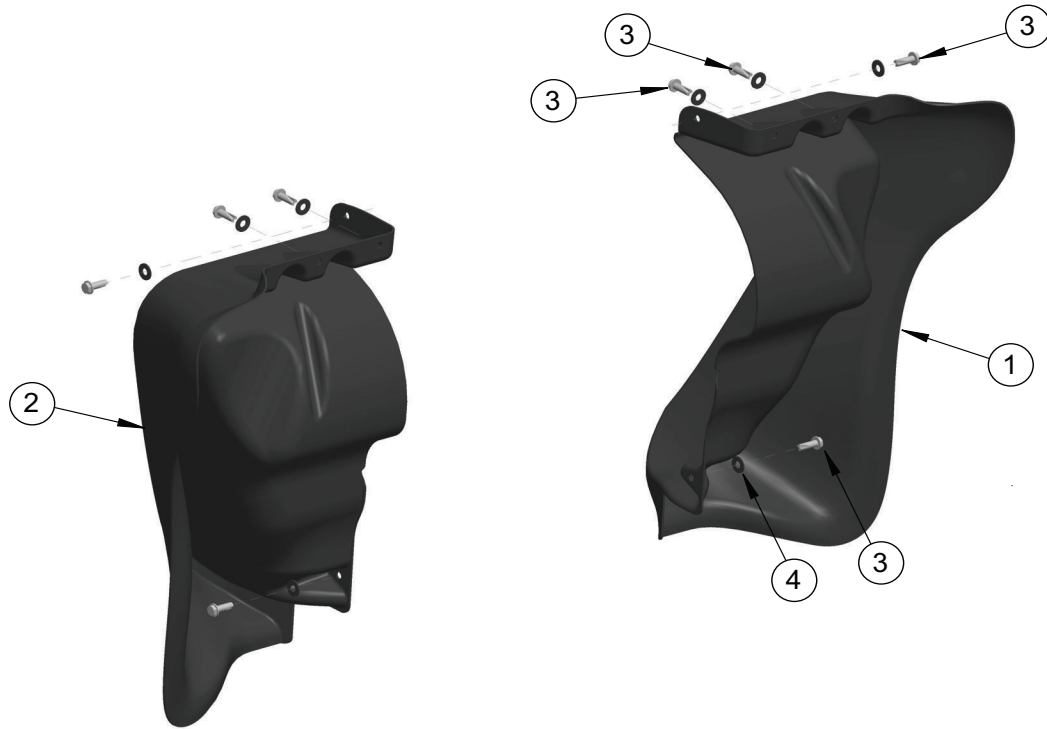
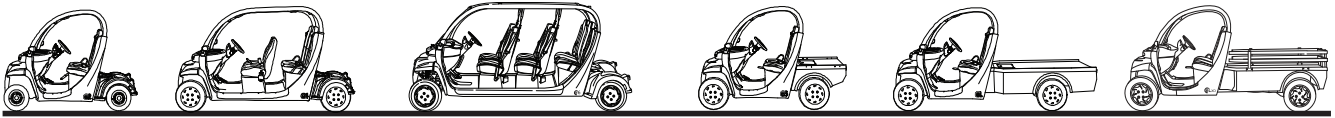
\*STARRED ITEMS ARE NOT AVAILABLE SEPARATELY

\*\*REFER TO SECTION 10 DECALS FOR ILLUSTRATION



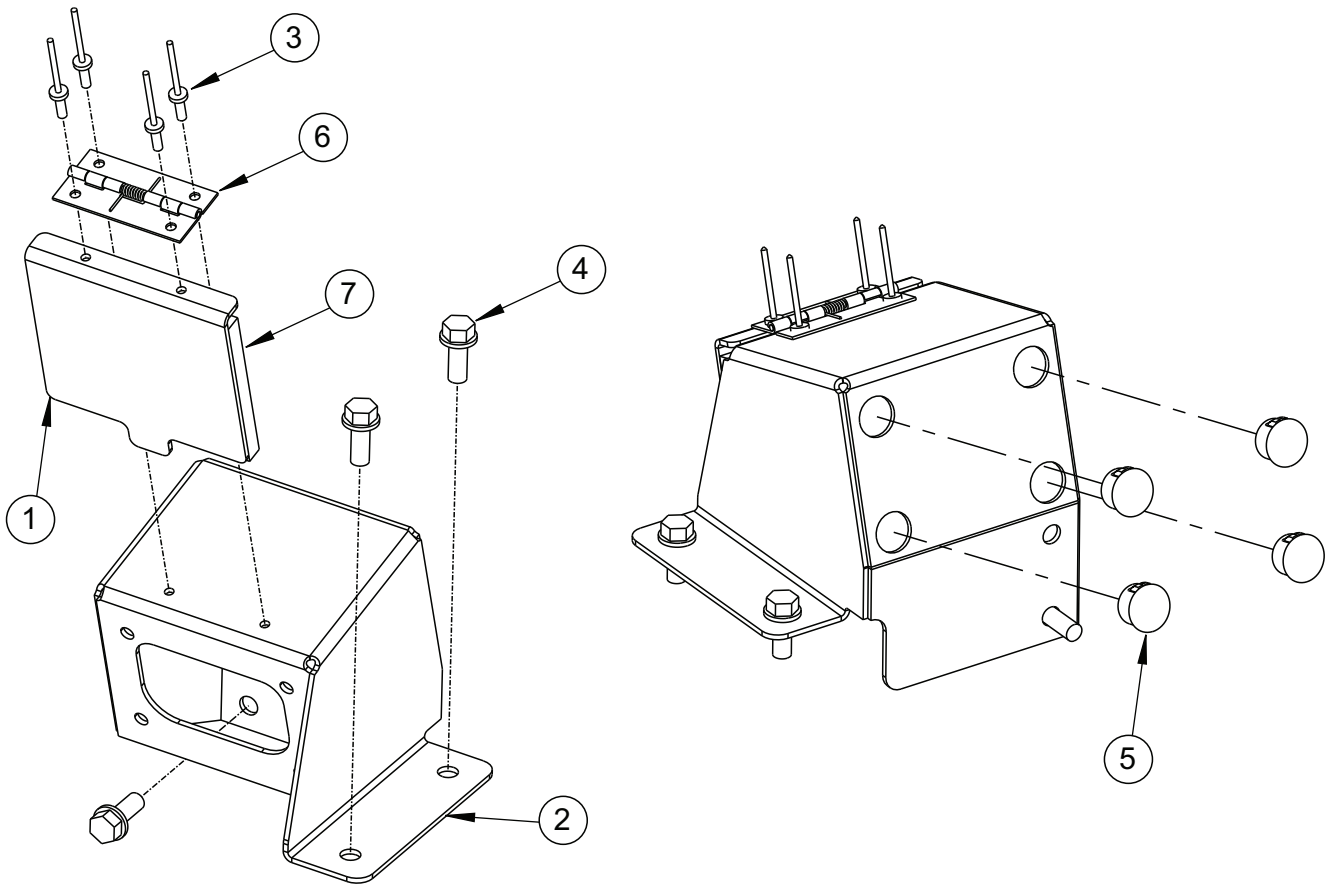
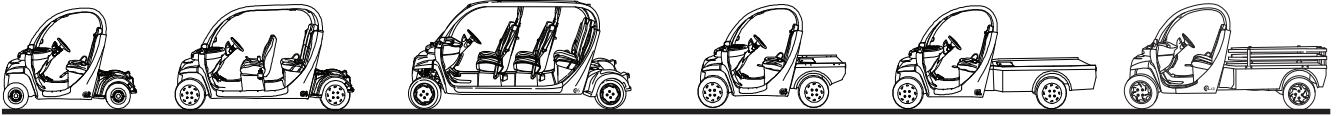
**ASSY, COOLING PACKAGE**

<u>ITEM</u>	<u>PART NO.</u>	<u>DESCRIPTION</u>	<u>QTY.</u>
1	0106-02112	ASSY, FAN	1
2	0306-02221	HEATSINK, CONTROLLER - ALUMINUM	1
3	0306-02222	PLATE, HEATSINK MOUNT	2
4	0306-02237	BRACKET, FAN	1
5	0406-00259	THERMAL GREASE, TYPE 120 SILICONE	1
6	0521-00071	NUT, KEPS - 1/4 - 20 UNC ZINC PLATED	6
7	0521-00317	NUT, KEPS - 8-32 ZINC PLATED	4
8	0522-00049	BOLT, HEX - 1/4 - 20 UNC X 1.0 GRADE 2	6
9	0523-00163	SCREW, HEX - WHSD 10 - 16 X 1/2 #2 POINT STL BLK ZINC WASHER HD SELF-DRILLING	4
10	0523-00432	SCREW, MACH GENERIC SST	4



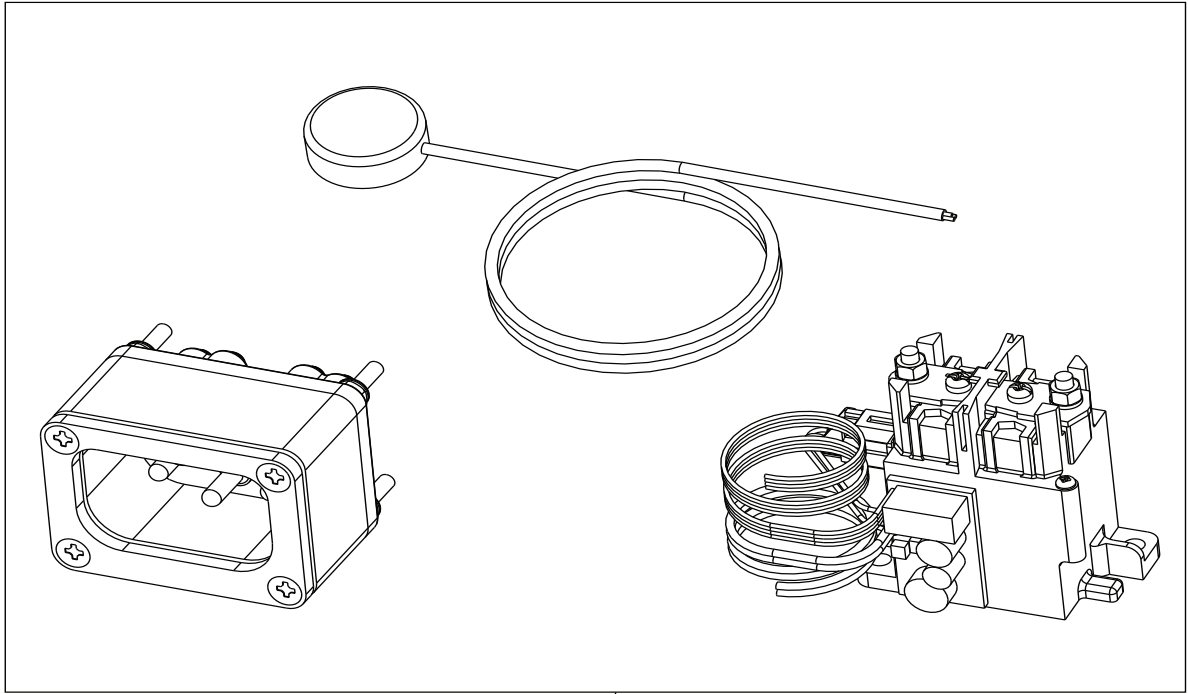
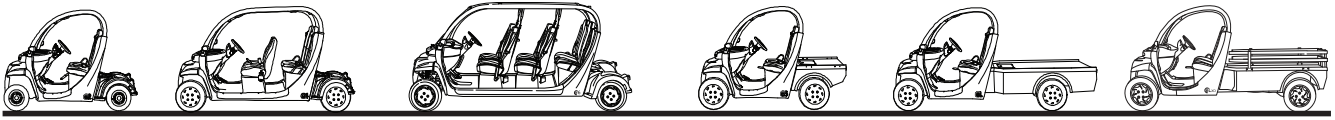
**ASSY, SCOOP - DUAL**

<u>ITEM</u>	<u>PART NO.</u>	<u>DESCRIPTION</u>	<u>QTY.</u>
1	0305-02630	SCOOP, WIND - RH	1
2	0305-02631	SCOOP, WIND - LH	1
3	0523-00032	SCREW, HEX - WSD 1/2 X 0.75 ZN WASHER HD SELF-DRILLING	8
4	0524-00062	WASHER, FLAT - 1/4 0.281 ID X 0.625 OD X 0.050 THK ZN	8



**ASSY, BRACKET - FAST CHARGE RECEPTACLE**

<u>ITEM</u>	<u>PART NO.</u>	<u>DESCRIPTION</u>	<u>QTY.</u>
1	0310-02581	LID, FAST CHARGE	1
2	0251-00260	WLD. BRACKET - FAST CHARGE RECEPTACLE	1
3	0520-00534	RIVET, BLIND - 1/8" BDY DIA. 1/4" DOME HEAD DIA 1/16-1/8 GRIP ZINC PLATED STEEL	4
4	0522-00405	BOLT, HEX - 1/4 - 20 UNSLT X 5/8 LG WSR HD ZN	3
5	0610-00701	PLUG, HOLE - 9/16" BLACK PLASTIC	4
6	0610-00706	HINGE, SPRING - SELF-CLOSING, 2" LENGTH X 1" WIDE SS	1
7	0310-02581	FOAM, FAST CHARGE LID	1



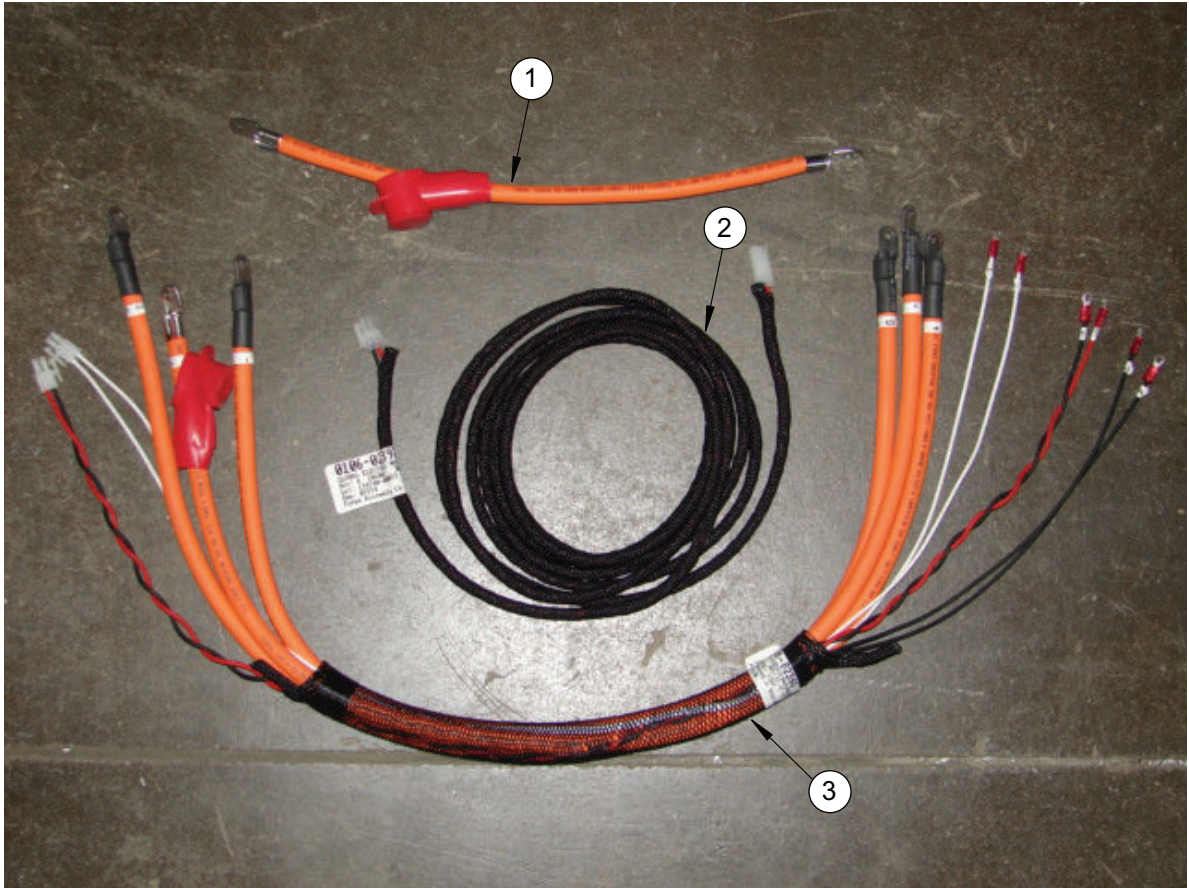
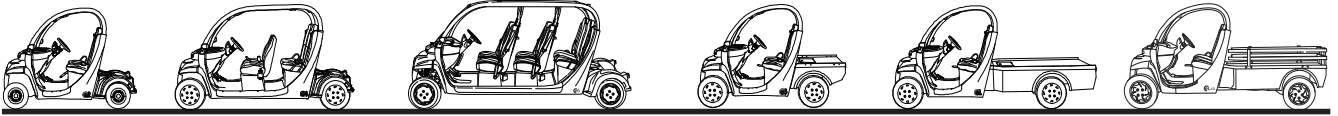
1

**KIT, FAST CHARGE COMPONENTS - 0606-00702**

<u>ITEM</u>	<u>PART NO.</u>	<u>DESCRIPTION</u>	<u>QTY.</u>
1	0606-00702	FAST CHARGE COMPONENTS	1

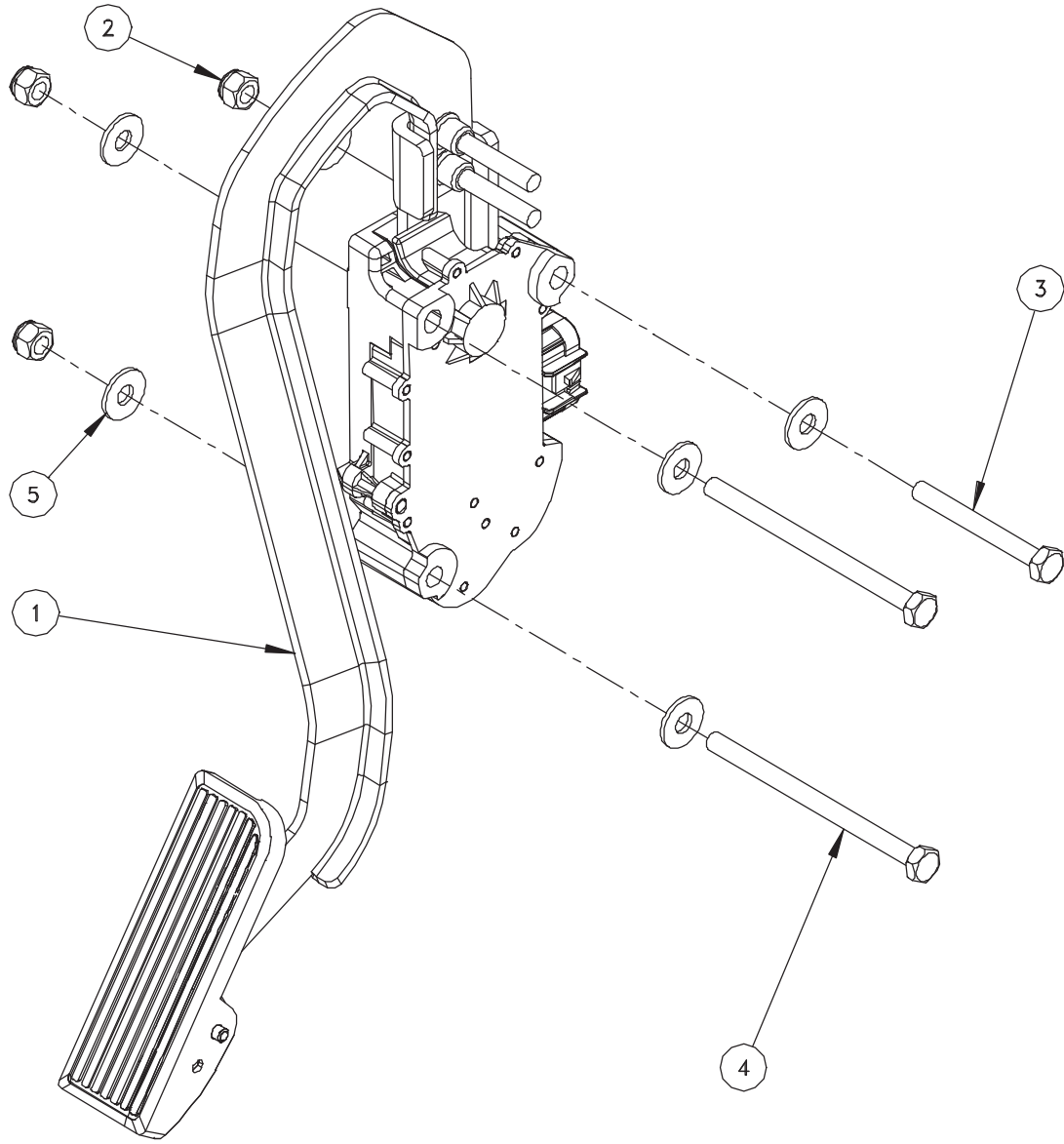
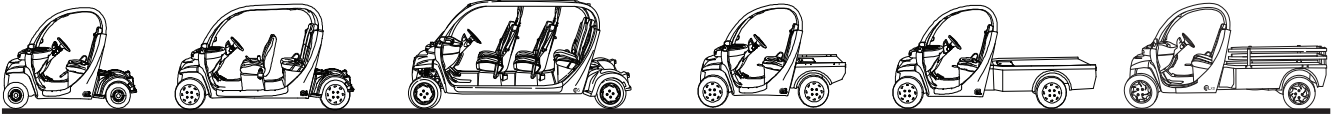
NOT SOLD SEPARATELY





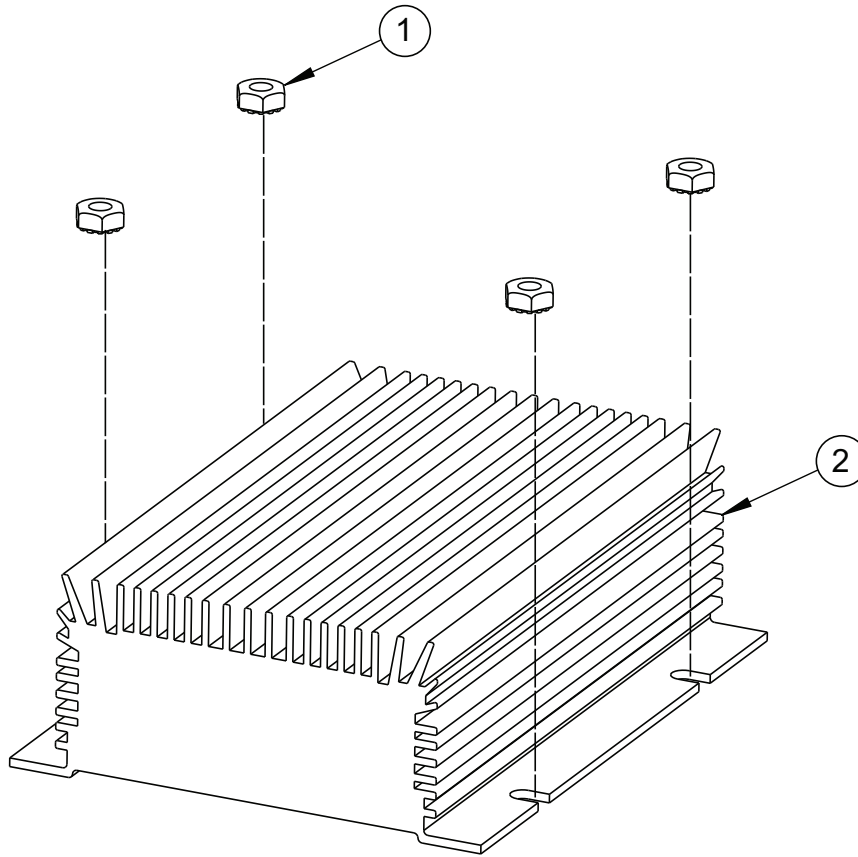
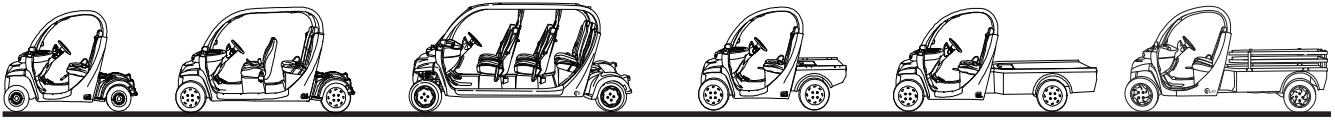
**KIT, FAST CHARGE COMPONENTS**

<u>ITEM</u>	<u>PART NO.</u>	<u>DESCRIPTION</u>	<u>QTY.</u>
1	0106-02391	ASSY, CABLE - FAST CHARGE	1
2	0106-02392	ASSY, WIRE HARNESS - TEMP SENSOR	1
3	0106-02390	ASSY, WIRE HARNESS - FAST CHARGE	1



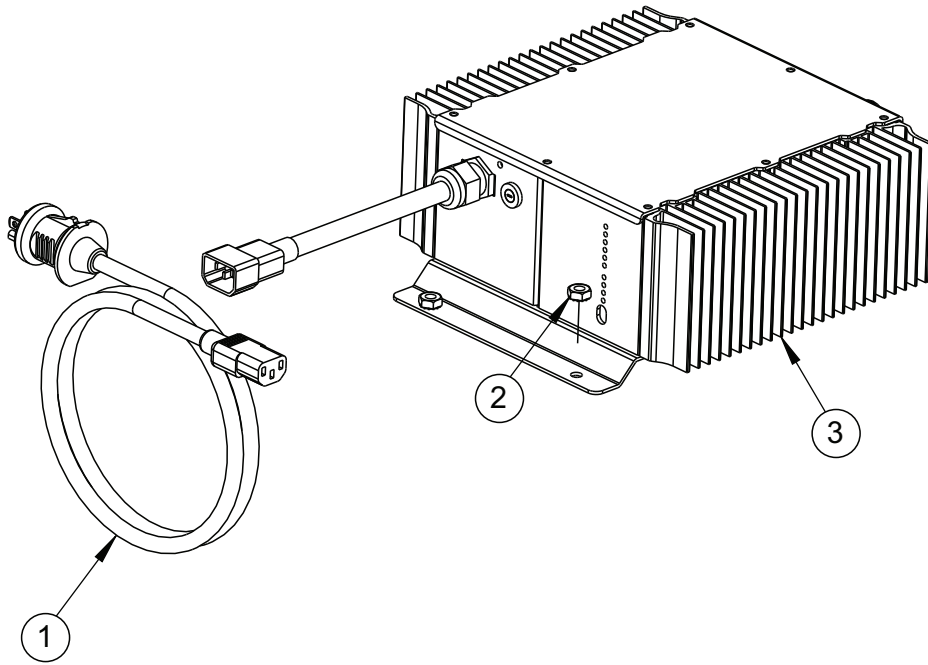
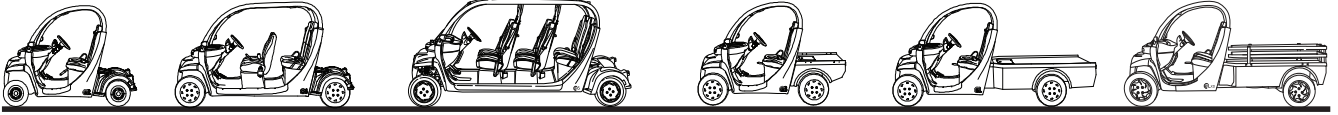
**ASSY, ACCELERATOR PEDAL**

<b>ITEM</b>	<b>PART NO.</b>	<b>DESCRIPTION</b>	<b>QTY.</b>
1	0148-01000	ASSY, PEDAL - ACCELERATOR	1
2	0521-00050	NUT, HEX - NYLOCK 1/4-20 UNC GR5 ZN	3
3	0522-00201	BOLT, HEX - 1/4 - 20 UNC X 2.25 GR5 ZN ZINC PLATED	1
4	0522-00365	BOLT, HEX - 1/4 - 20 UNC X 3.75 LG GR 5 ZNC PLT	2
5	0524-00062	WASHER, FLAT - 1/4 0.282 ID X 0.715 OD X 0.063 THK ZN	6



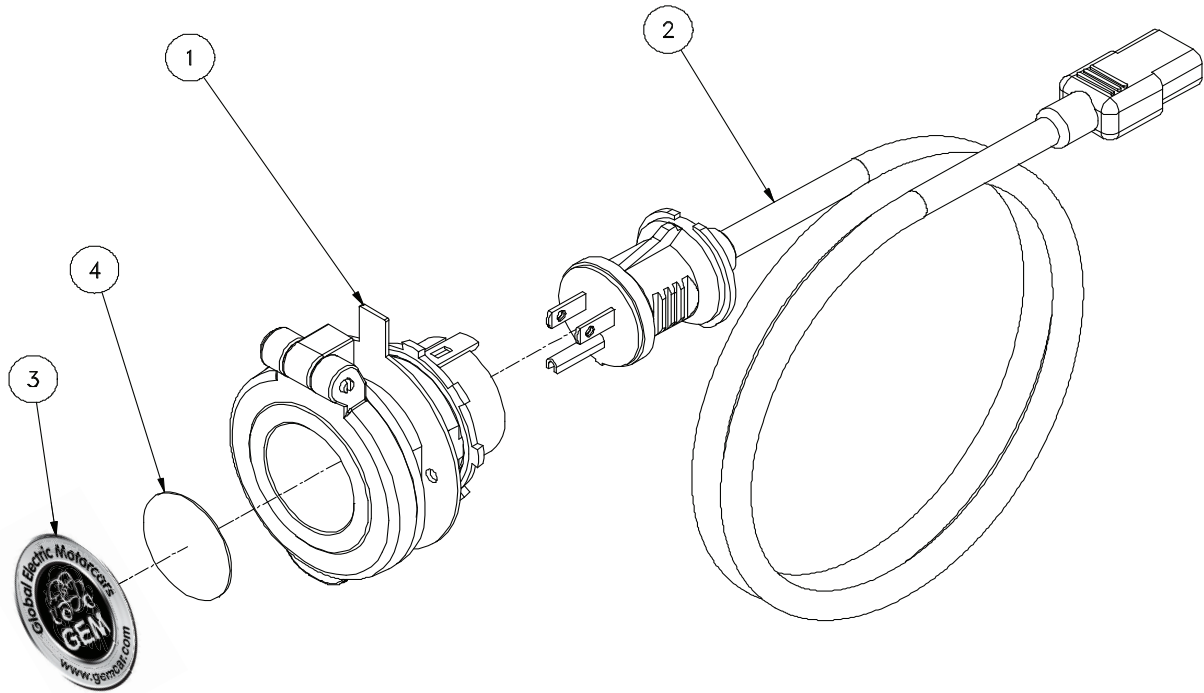
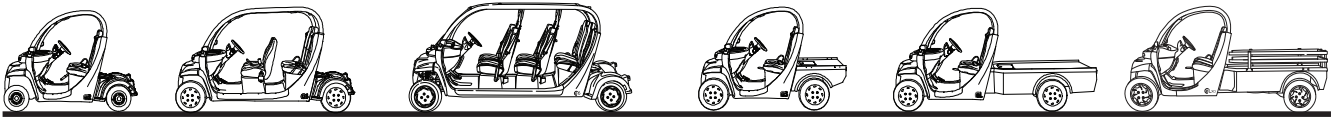
**ASSY, CONVERTER - 72V/12V 30 AMP (SURE POWER)**

<u>ITEM</u>	<u>PART NO.</u>	<u>DESCRIPTION</u>	<u>QTY.</u>
1	0521-00071	NUT, KEPS - 1/4 - 20 UNC ZINC PLATED GR 5 ZINC PLATED	4
2	0606-00421	CONVERTER, 72V/12V - 30AMP	1



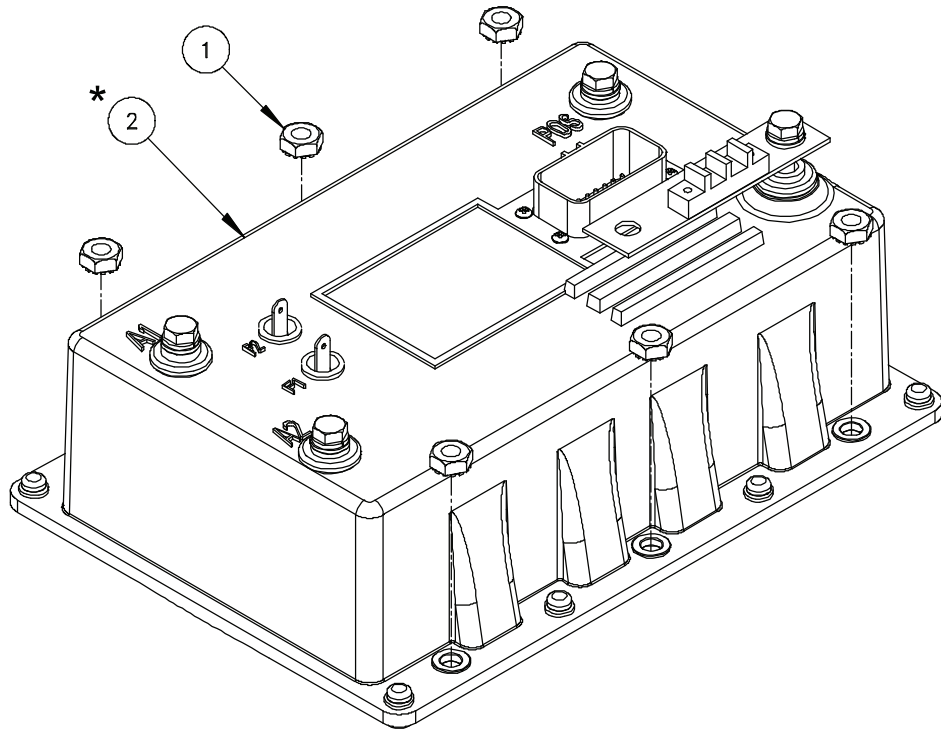
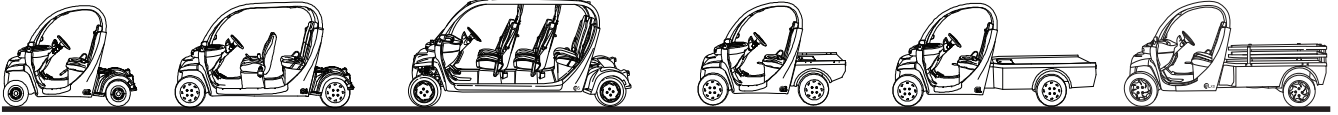
**ASSY, CHARGER - 72 V 12 AMP WITH SERIAL**

<u>ITEM</u>	<u>PART NO.</u>	<u>DESCRIPTION</u>	<u>QTY.</u>
1	0306-01135	CORD, EXTERIOR CHARGING INLET, TYPE B PLUG	1
2	0521-00071	NUT, KEPS - 1/4 - 20 UNC ZINC PLATED	4
3	0606-00678	CHARGER, 72 V - 12 AMP W/SERIAL	1
4	0606-00681	SENSOR, BATTERY TEMPERATURE - DELTA Q (NOT SHOWN)	1



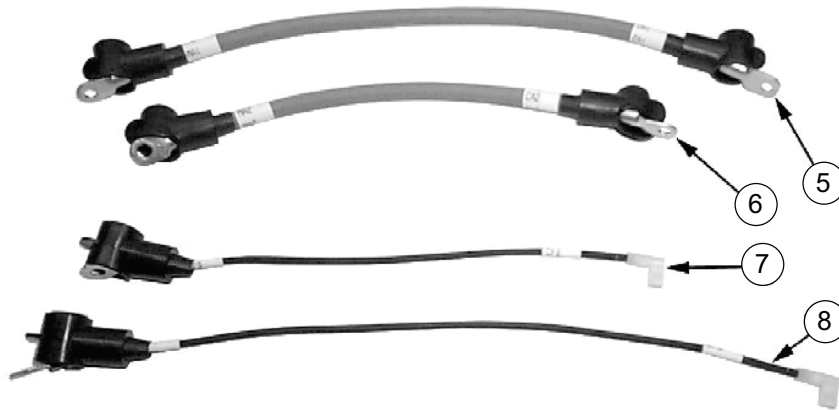
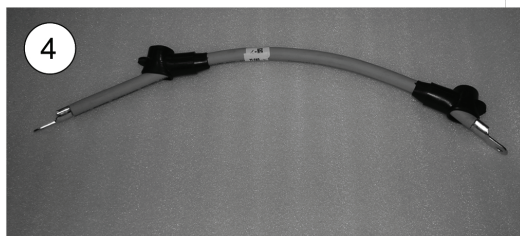
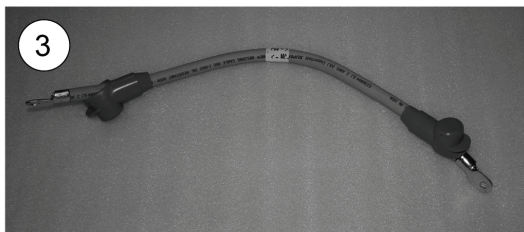
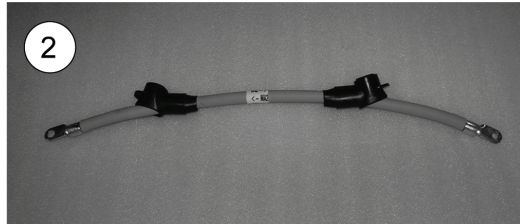
**ASSY, EXTERIOR CHARGING INLET, 15A/125VAC, NEMA 5-15**

<u>ITEM</u>	<u>PART NO.</u>	<u>DESCRIPTION</u>	<u>QTY.</u>
1	0110-00832	ASSY, EXTERIOR CHARGING INLET HOUSING	1
2	0306-01135	CORD, EXTERIOR CHARGING INLET, TYPE B PLUG	1
3	0350-03008	DECAL, FRONT EMBLEM	1
4	0350-01134	DECAL, EXTERIOR CHARGING INLET - FILLER	1



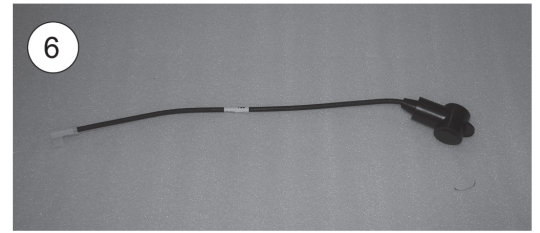
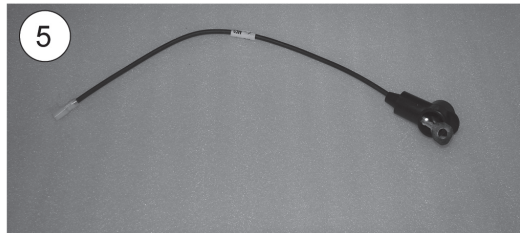
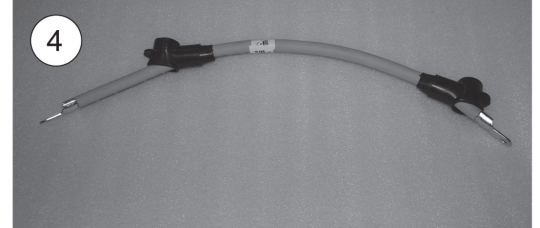
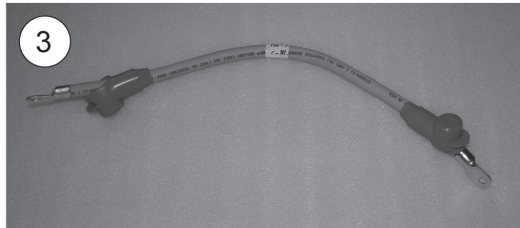
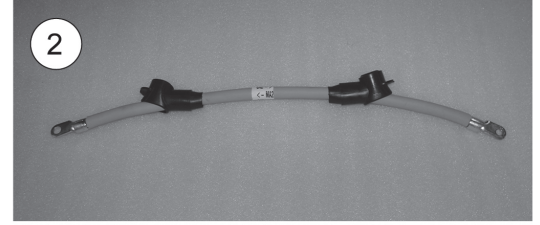
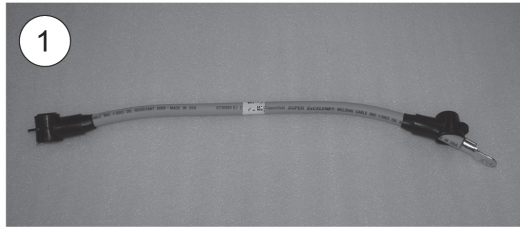
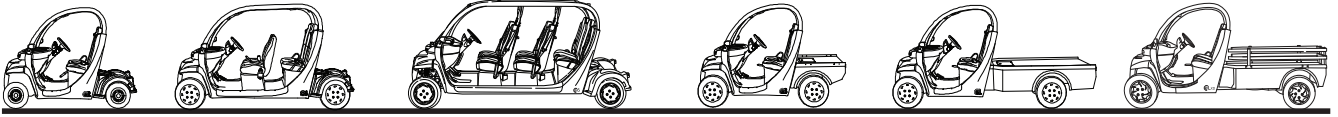
**ASSY, CONTROL - ELECTRIC MOTOR 5 HP**

ITEM	PART NO.	DESCRIPTION	QTY.
1	0521-00071	NUT, KEPS - 1/4 - 20 UNC ZINC PLATED GR 5 ZINC PLATED	6
*2	0606-00628	CONTROL, ELECTRIC MOTOR - 72 VT4 *(When ordering a replacement controller, please specify the vehicles battery type, odometer reading and wheel/tire type and size.)	1



**ASSY, CABLES - without COOLING PACKAGE**

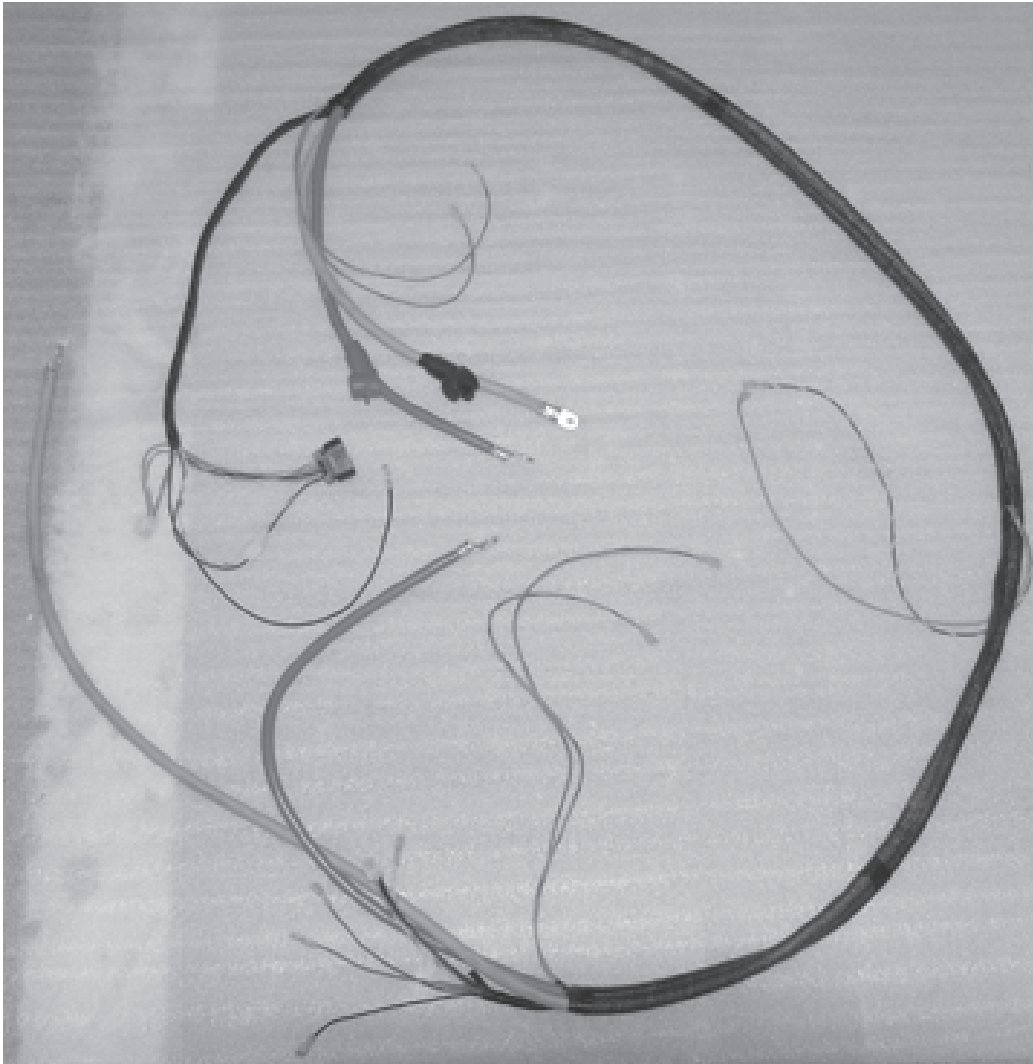
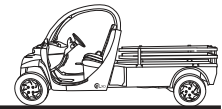
<u>ITEM</u>	<u>PART NO.</u>	<u>DESCRIPTION</u>	<u>QTY.</u>
1	0106-02948	ASSY, CABLE - MC+ TO DSW	1
2	0106-03200	ASSY, CABLE MC- TO POS	1
3	0106-01040	ASSY, CABLE NEG TO 72 GND	1
4	0106-03113	ASSY, CABLE DSW - TO +72	1
5	0106-01047	ASSY, CABLE MA1 TO CA1	1
6	0106-01048	ASSY, CABLE MA2 TO CA2	1
7	0106-01049	ASSY, CABLE MF2 TO CF2	1
8	0106-01050	ASSY, CABLE MF1 TO CF1	1



**ASSY, CABLES - with COOLING PACKAGE**

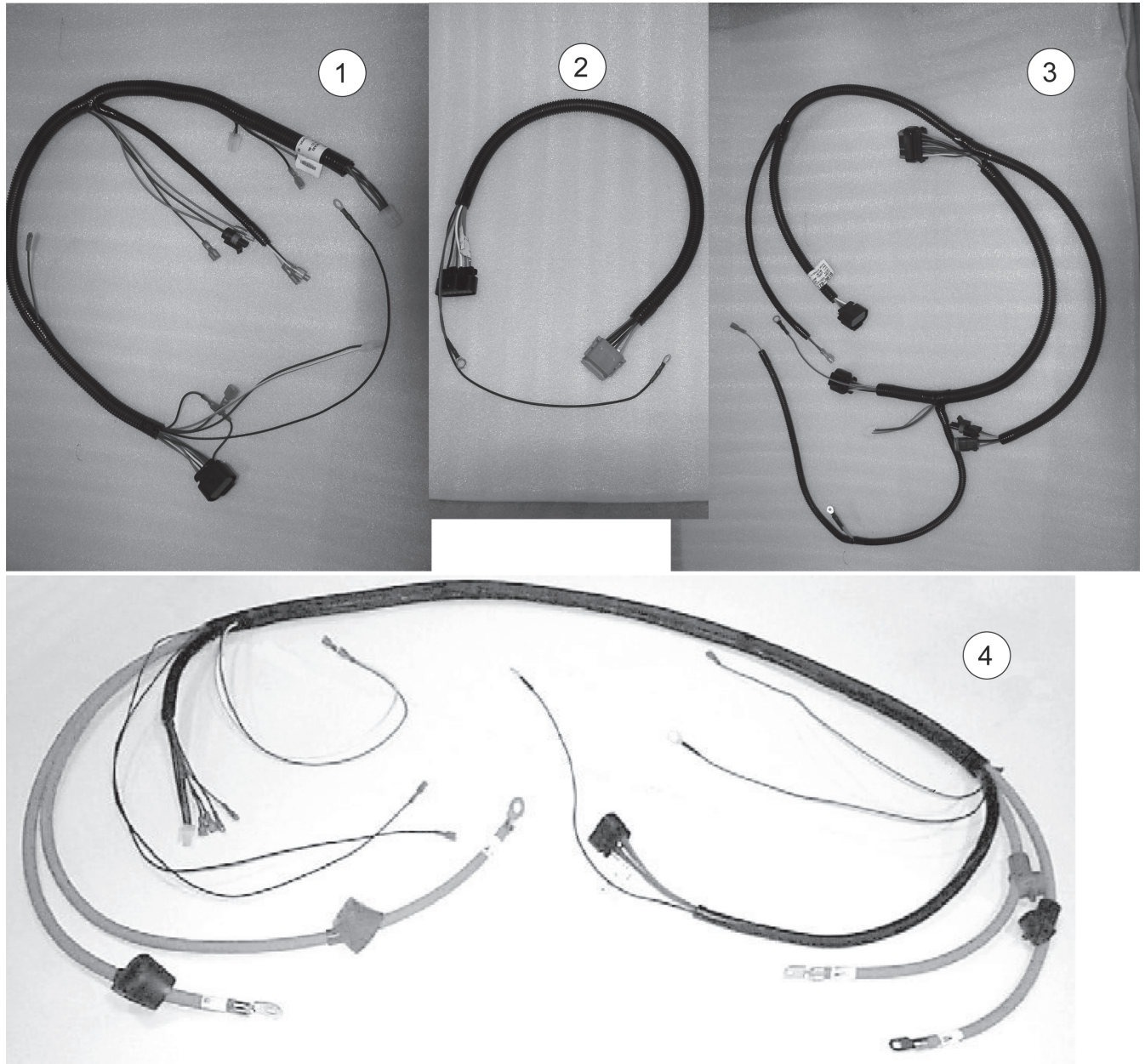
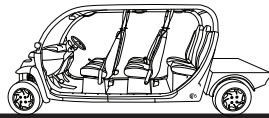
<u>ITEM</u>	<u>PART NO.</u>	<u>DESCRIPTION</u>	<u>QTY.</u>
1	0106-02948	ASSY, CABLE TO DSW	1
2	0106-03200	ASSY, CABLE MC- TO POS	1
3	0106-01040	ASSY, CABLE NEG TO 72 GND	1
4	0106-01049	ASSY, CABLE MF2 TO CF2	1
5	0106-01050	ASSY, CABLE MF1 TO CF1	1
6	0106-03113	ASSY, CABLE DSW TO +72	1
7	0106-02056	ASSY, CABLE MA1 TO CA1	1
8	0106-02057	ASSY, CABLE MA2 TO CA2	1





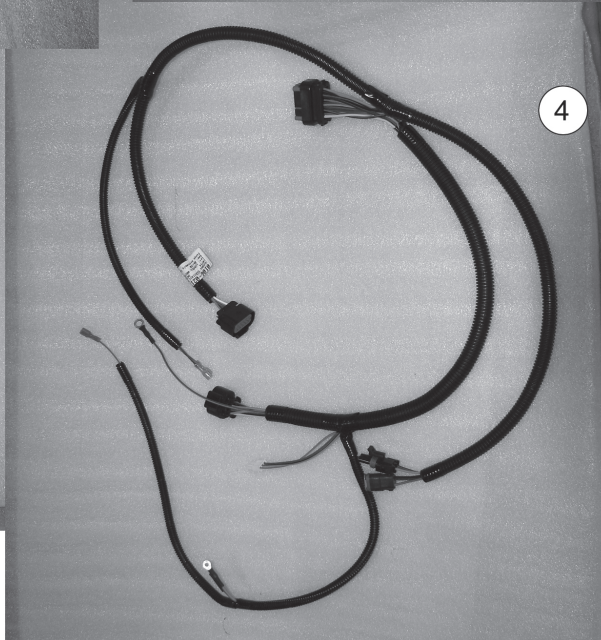
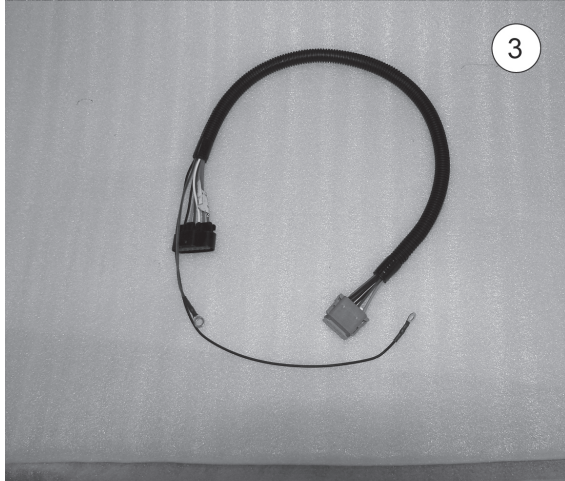
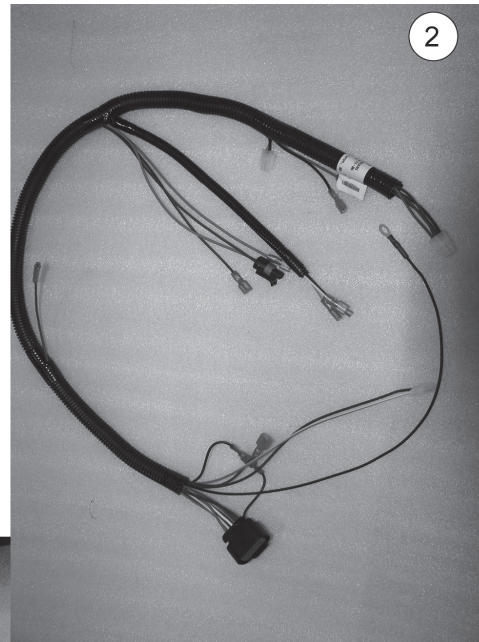
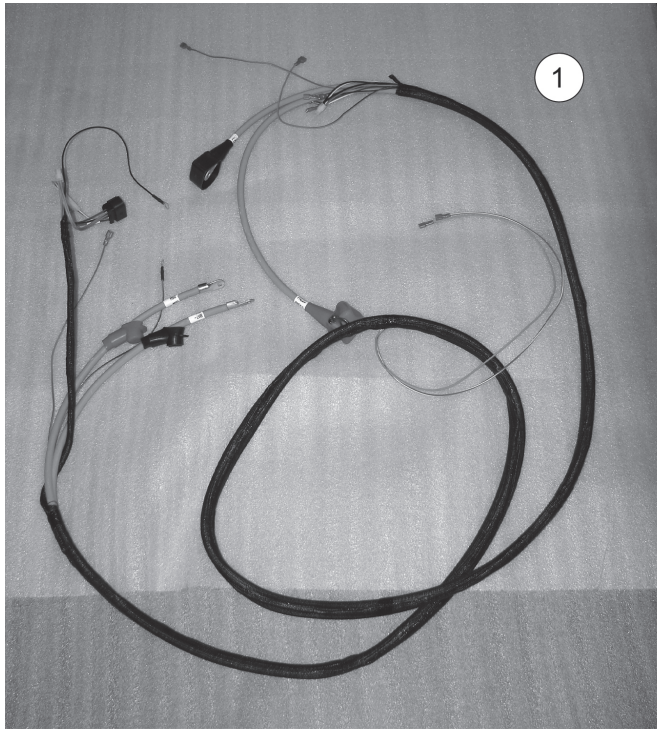
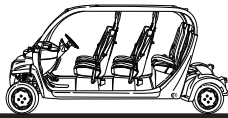
**ASSY, WIRE HARNESS, MAIN REAR POWER**

<u>ITEM</u>	<u>PART NO.</u>	<u>DESCRIPTION</u>	<u>QTY.</u>
	0106-03108	ASSY, WIRE HARNESS - REAR e2, eL, eLXD	1



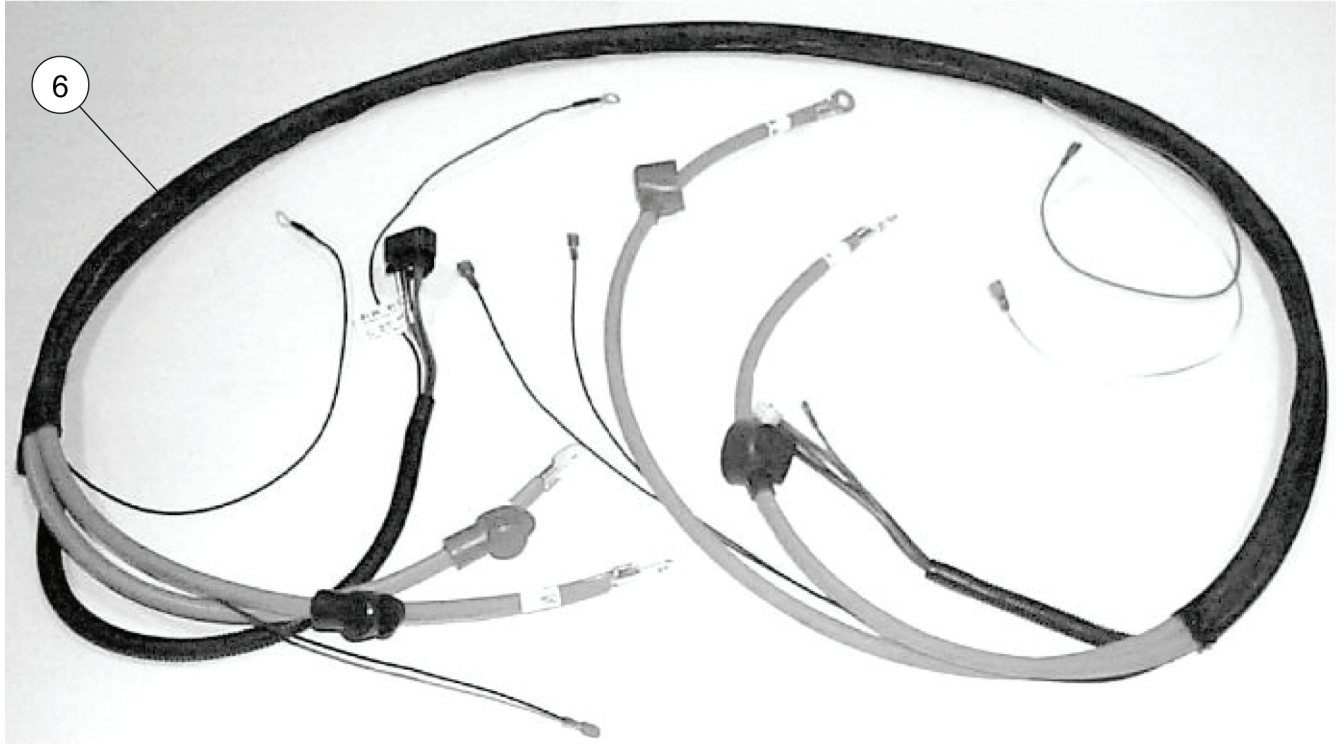
**ASSY, WIRE HARNESS - e6S**

<u>ITEM</u>	<u>PART NO.</u>	<u>DESCRIPTION</u>	<u>QTY.</u>
1	0106-02177	ASSY, WIRE HARNESS - FRONT	1
2	0106-01027	ASSY, WIRE HARNESS - CONVERTER	1
3	0106-02176	ASSY, WIRE HARNESS - CONTROLLER	1
4	0106-03111	ASSY, WIRE HARNESS REAR, e6S	1

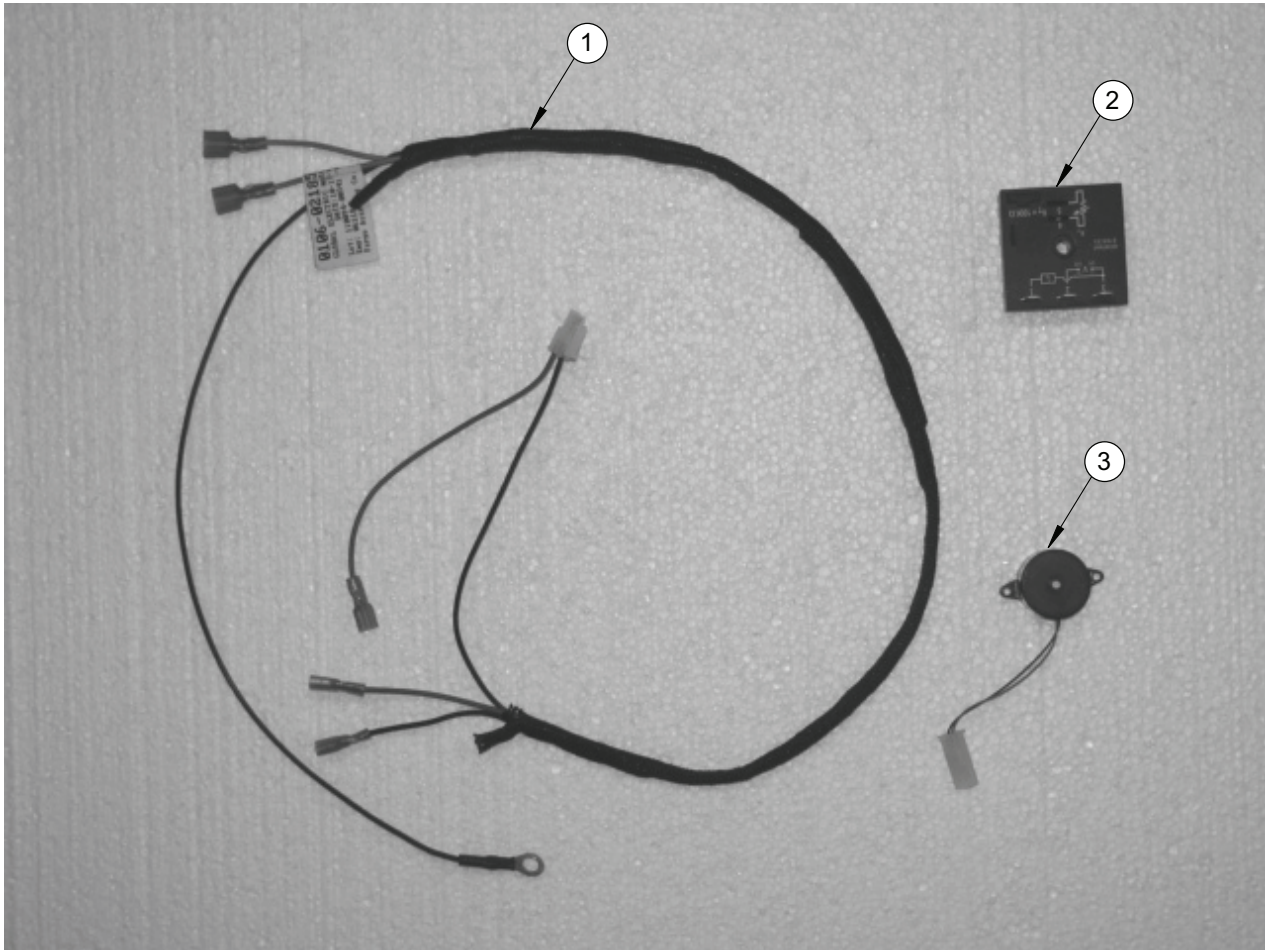
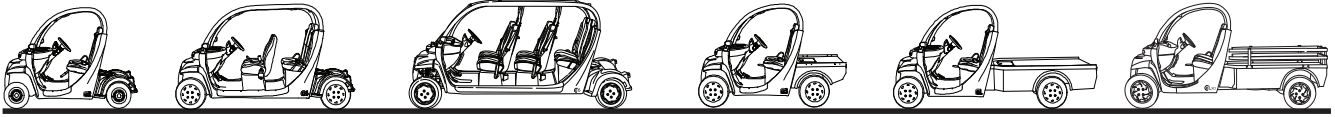


**ASSY, WIRE HARNESS - e6**

<u>ITEM</u>	<u>PART NO.</u>	<u>DESCRIPTION</u>	<u>QTY.</u>
1	0106-03110	ASSY, WIRE HARNESS - REAR, e6	1
2	0106-02177	ASSY, WIRE HARNESS - FRONT -	1
3	0106-01027	ASSY, WIRE HARNESS - CONVERTER	1
4	0106-02176	ASSY, WIRE HARNESS - CONTROLLER	1



<b>ITEM</b>	<b>PART NO.</b>	<b>DESCRIPTION</b>	<b>QTY.</b>
6	0106-03109	ASSY, WIRE HARNESS - REAR - e4	1



<b>ITEM</b>	<b>PART NO.</b>	<b>DESCRIPTION</b>	<b>QTY.</b>
1	0106-02185	TURN SIGNAL REMINDER HARNESS	1
2	0606-00697	RELAY, 12V, 1A - 45S DELAY ON MAKE	1
3	0106-02186	ASSY, BUZZER, 12 VDC - 2500HZ	1

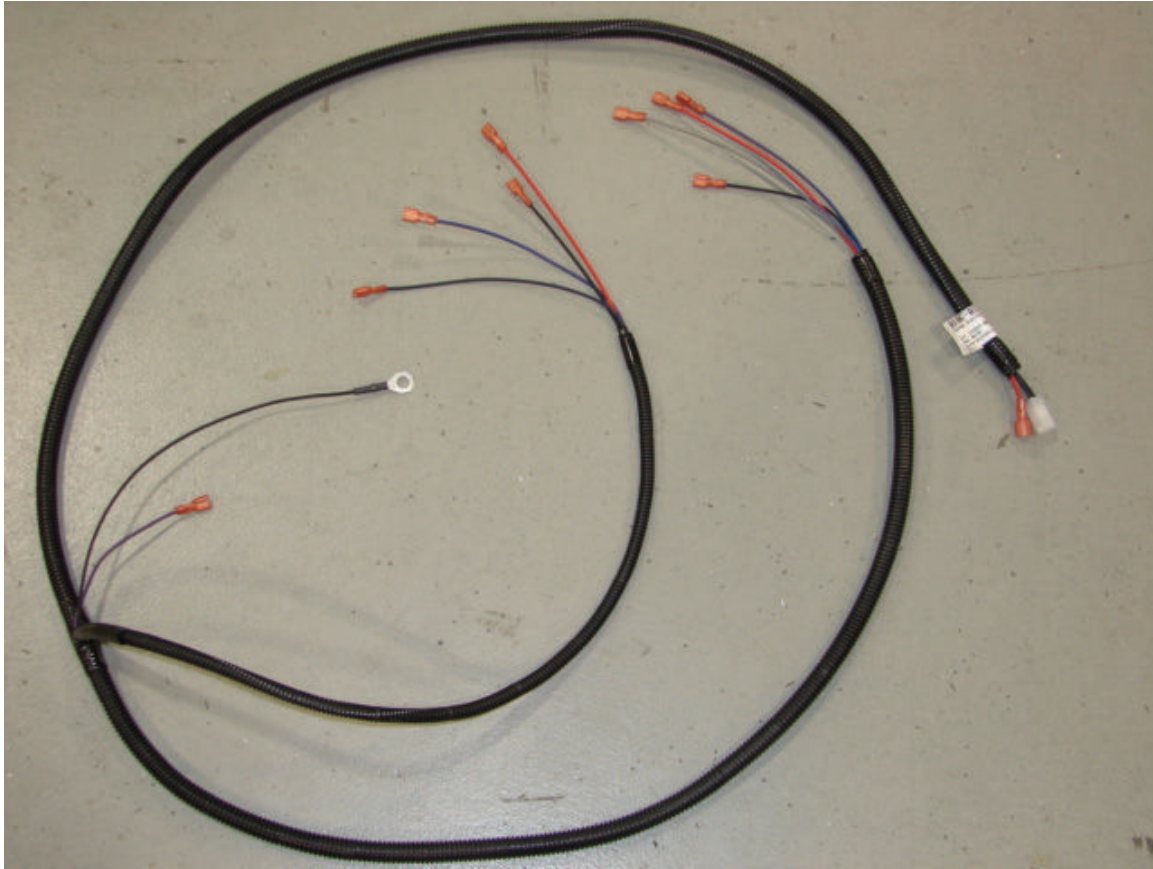


**ITEM**  
4

**PART NO.**  
0106-01757

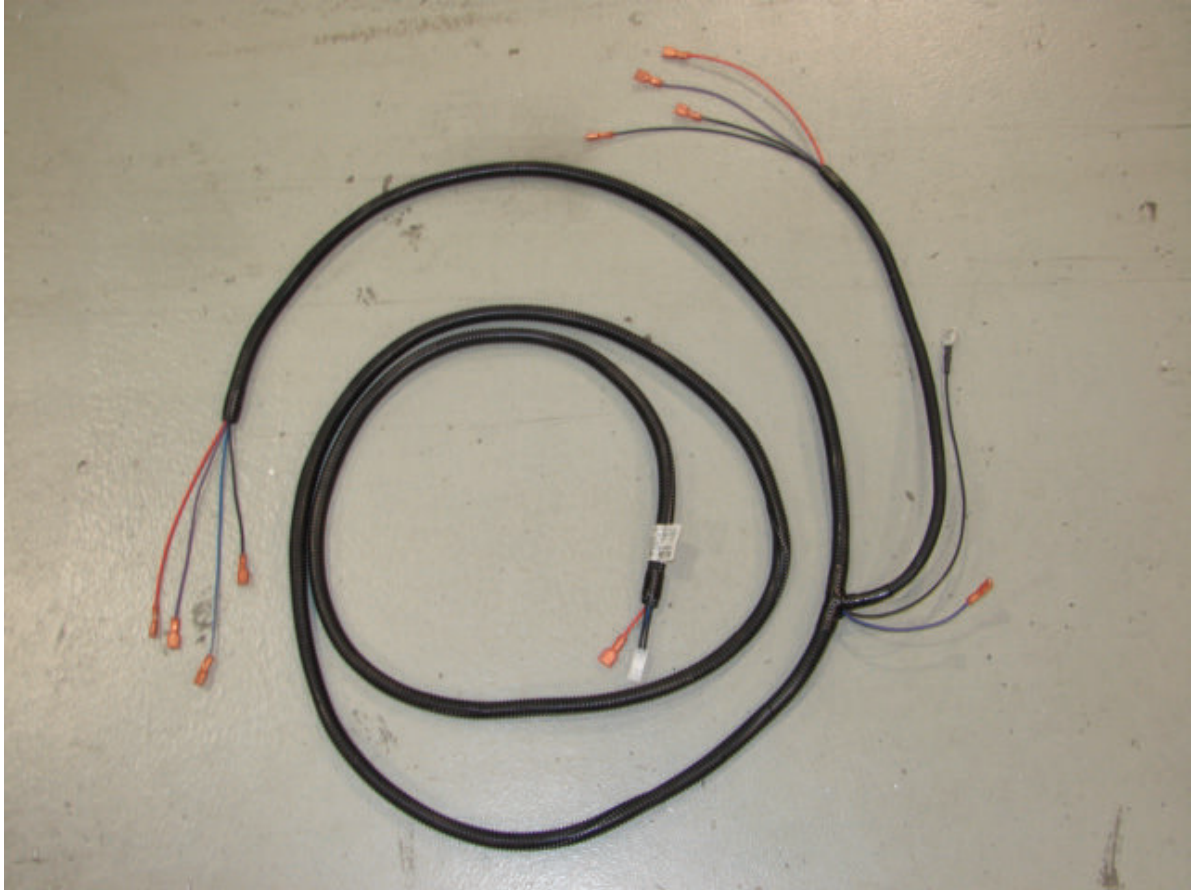
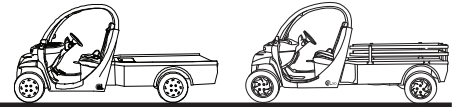
**DESCRIPTION**  
ASSY, WIRE HARNESS - TAILLIGHT

**QTY.**  
1



**ASSY, WIRE HARNESS - TAIL LIGHT**

<u>ITEM</u>	<u>PART NO.</u>	<u>DESCRIPTION</u>	<u>QTY.</u>
1	0106-01617	ASSY, WIRE HARNESS - TAIL LIGHT	1



**ASSY, WIRE HARNESS - TAIL LIGHT LONG BACK**

<u>ITEM</u>	<u>PART NO.</u>	<u>DESCRIPTION</u>	<u>QTY.</u>
1	0106-01408	ASSY, WIRE HARNESS - TAIL LIGHT	1



**ASSY, WIRE HARNESS - e2**

<u>ITEM</u>	<u>PART NO.</u>	<u>DESCRIPTION</u>	<u>QTY.</u>
1	0106-02177	ASSY, WIRE HARNESS - FRONT	1
2	0106-01027	ASSY, WIRE HARNESS - CONVERTER	1
3	0106-02176	ASSY, WIRE HARNESS - CONTROLLER	1
EU	0106-03124	ASSY, WIRE HARNESS - CONTROLLER	1
4	0106-01757	ASSY, WIRE HARNESS - TAILLIGHT	1
EU	0106-01312	ASSY, HARNESS - UNIVERSAL TAIL LIGHT	1
5	0106-03108	ASSY, WIRE HARNESS - REAR, e2 eS	1
6	0106-02184	ASSY, WIRE HARNESS - PARK BRAKE	1
7	0106-02185	ASSY, WIRE HARNESS - TURN SIGNALS	1
8	0106-01030	ASSY, WIRE HARNESS - STEERING COLUMN	1
*	0106-02217	ASSY, WIRE HARNESS - HEADLIGHT - 07	1
EU	0106-01305	ASSY, WIRE HARNESS - HEADLIGHT	1

**ASSY, WIRE HARNESS - e4**

<u>ITEM</u>	<u>PART NO.</u>	<u>DESCRIPTION</u>	<u>QTY.</u>
1	0106-02177	ASSY, WIRE HARNESS - FRONT	1
2	0106-01027	ASSY, WIRE HARNESS - CONVERTER	1
3	0106-02176	ASSY, WIRE HARNESS - CONTROLLER	1
EU	0106-03124	ASSY, WIRE HARNESS - CONTROLLER	1
4	0106-01757	ASSY, WIRE HARNESS - TAIL LIGHT	1
EU	0106-01312	ASSY, HARNESS - UNIVERSAL TAIL LIGHT	1
5	0106-03109	ASSY, WIRE HARNESS - REAR, e4	1
6	0106-02184	ASSY, WIRE HARNESS - PARK BRAKE	1
7	0106-02185	ASSY, WIRE HARNESS - TURN SIGNALS - REMINDER - TIMER	1
8	0106-01030	ASSY, WIRE HARNESS - STEERING COLUMN	1
*	0106-02217	ASSY, WIRE HARNESS - HEADLIGHT - 07	1
EU	0106-01305	ASSY, WIRE HARNESS - HEADLIGHT	1

**ASSY, WIRE HARNESS - e6**

<u>ITEM</u>	<u>PART NO.</u>	<u>DESCRIPTION</u>	<u>QTY.</u>
1	0106-03110	ASSY, WIRE HARNESS - REAR , e6	1
1	0106-03111	ASSY, WIRE HARNESS - REAR , e6S	1
2	0106-02177	ASSY, WIRE HARNESS - FRONT	1
3	0106-01027	ASSY, WIRE HARNESS - CONVERTER	1
4	0106-02176	ASSY, WIRE HARNESS - CONTROLLER	1
EU	0106-03124	ASSY, WIRE HARNESS - CONTROLLER	1
5	0106-02184	ASSY, WIRE HARNESS - PARK BRAKE	1
6	0106-01757	ASSY, WIRE HARNESS - TAIL LIGHT	1
	0106-01617	ASSY WIRE HARNESS - TAIL LIGHT - e6S	1
7	0106-02185	ASSY, WIRE HARNESS - TURN SIGNALS ALARM	1
8	0106-01030	ASSY, WIRE HARNESS - STEERING COLUMN	1
*	0106-02217	ASSY, WIRE HARNESS - HEADLIGHT - 07	1
EU	0106-01305	ASSY, WIRE HARNESS - HEADLIGHT	1

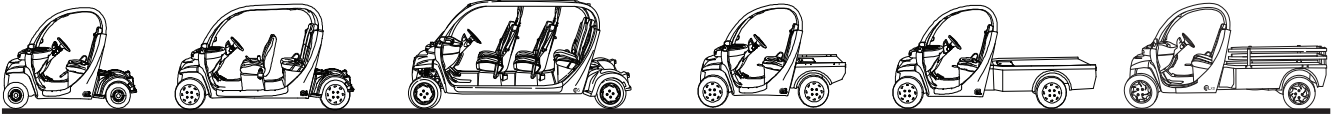
**ASSY, WIRE HARNESS - eS**

<u>ITEM</u>	<u>PART NO.</u>	<u>DESCRIPTION</u>	<u>QTY.</u>
1	0106-02177	ASSY, WIRE HARNESS - FRONT	1
2	0106-01027	ASSY, WIRE HARNESS - CONVERTER	1
3	0106-02176	ASSY, WIRE HARNESS - CONTROLLER	1
EU	0106-03124	ASSY, WIRE HARNESS - CONTROLLER	1
4	0106-03108	ASSY, WIRE HARNESS - MAIN REAR e2, eS	1
5	0106-01617	ASSY, WIRE HARNESS - TAIL LIGHT EU	1
6	0106-02184	ASSY, WIRE HARNESS - PARK BRAKE	1
7	0106-02185	ASSY, WIRE HARNESS - TURN SIGNALS	1
8	0106-01030	ASSY, WIRE HARNESS - STEERING COLUMN	1
*	0106-02217	ASSY, WIRE HARNESS - HEADLIGHT - 07	1
EU	0106-01305	ASSY, WIRE HARNESS - HEADLIGHT	1

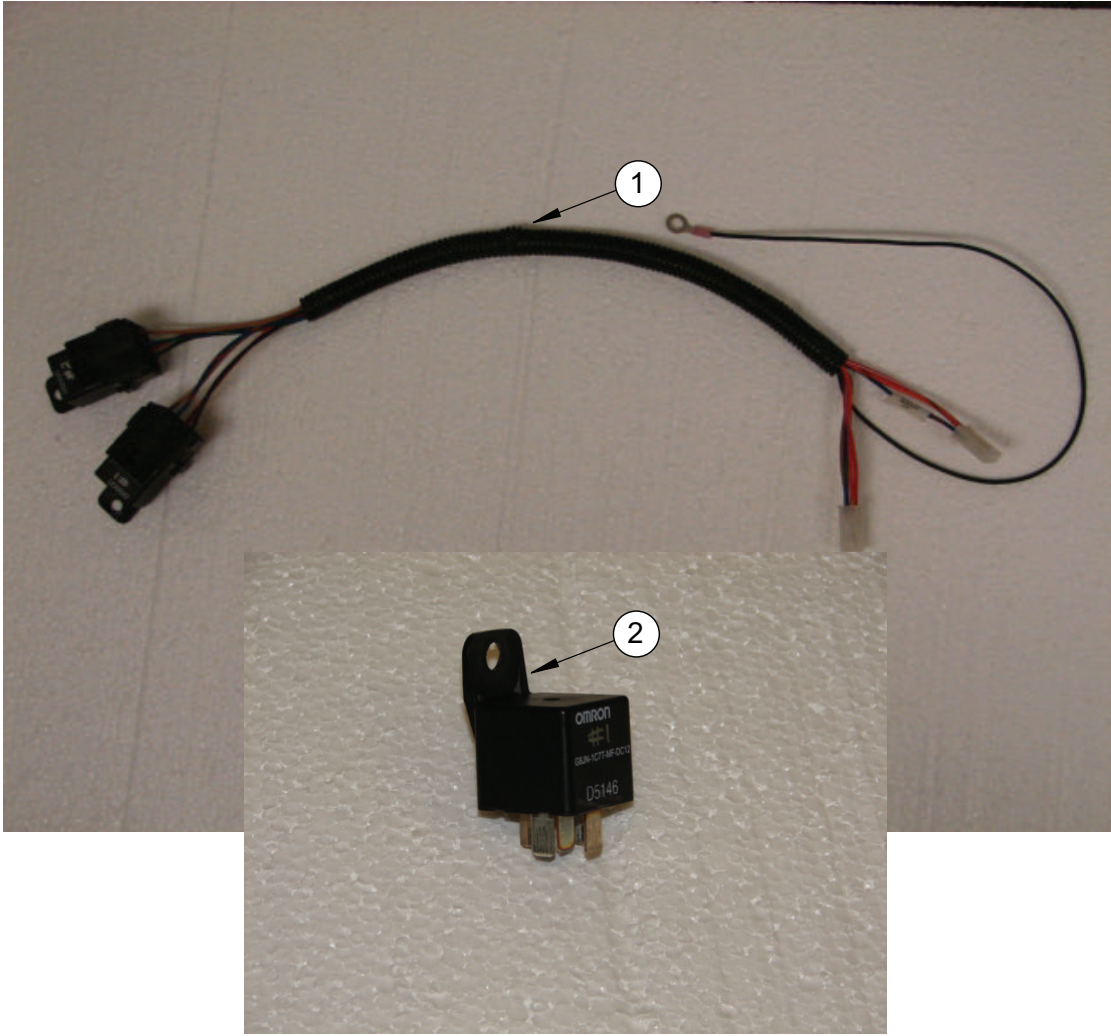
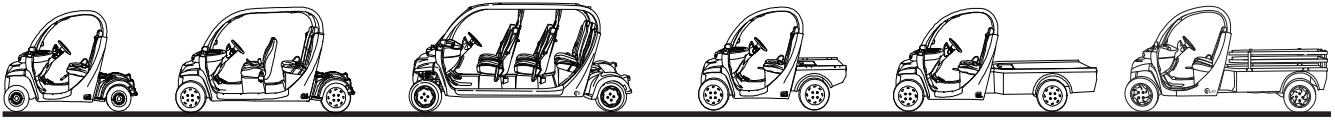
**ASSY, WIRE HARNESS - eL & eLXD**

<u>ITEM</u>	<u>PART NO.</u>	<u>DESCRIPTION</u>	<u>QTY.</u>
1	0106-02177	ASSY, WIRE HARNESS - FRONT	1
2	0106-01027	ASSY, WIRE HARNESS - CONVERTER	1
3	0106-02176	ASSY, WIRE HARNESS - CONTROLLER	1
EU	0106-03124	ASSY, WIRE HARNESS - CONTROLLER	1
4	0106-03108	ASSY, WIRE HARNESS - REAR, eL	1
5	0106-01408	ASSY, TAIL LIGHT HARNESS W/ GND - LNG BK	1
6	0106-02184	ASSY, WIRE HARNESS - PARK BRAKE	1
7	0106-02185	ASSY, WIRE HARNESS - TURN SIGNALS	1
8	0106-01030	ASSY, WIRE HARNESS - STEERING COLUMN	1
*	0106-02217	ASSY, WIRE HARNESS - HEADLIGHT - 07	1
EU	0106-01305	ASSY, WIRE HARNESS - HEADLIGHT	1

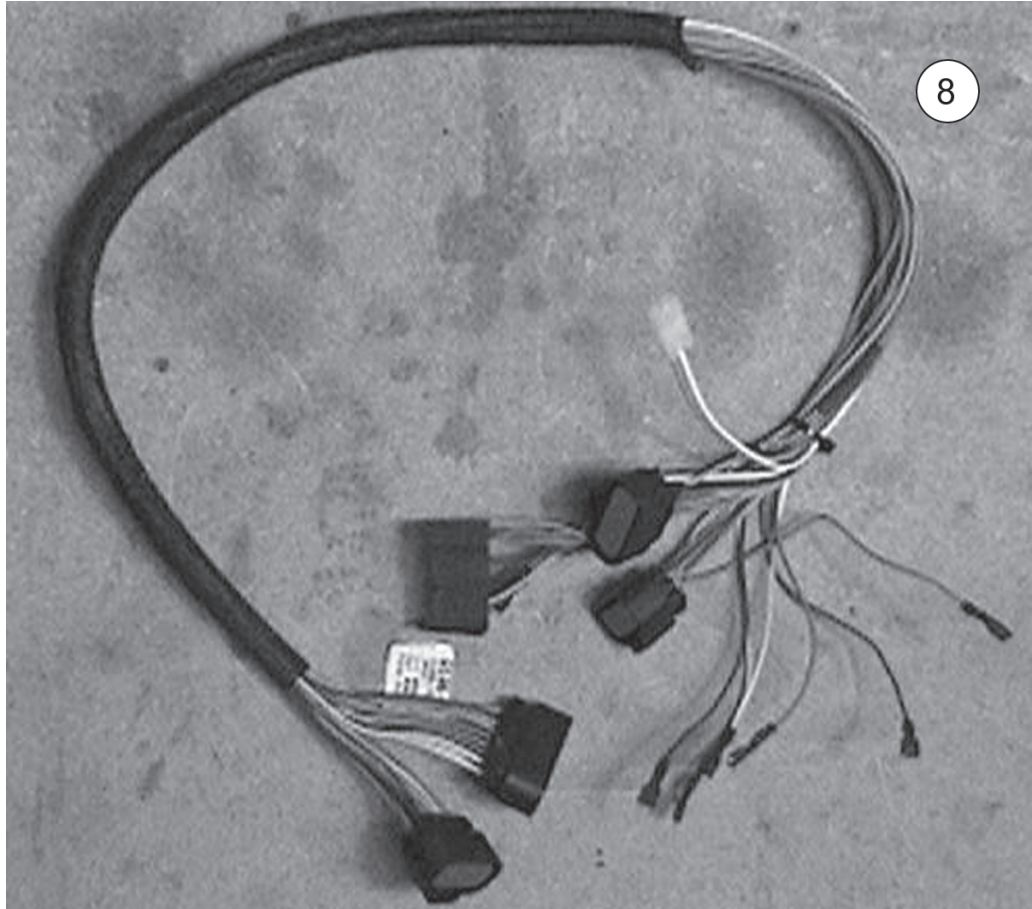
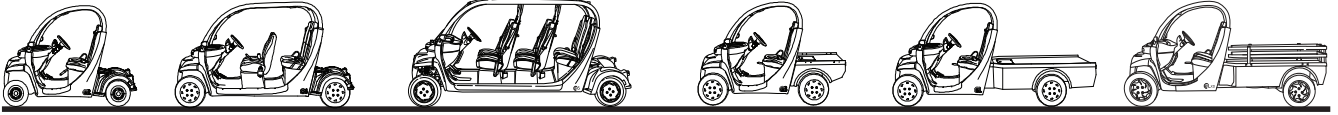
\*NO PICTURE AVAILABLE



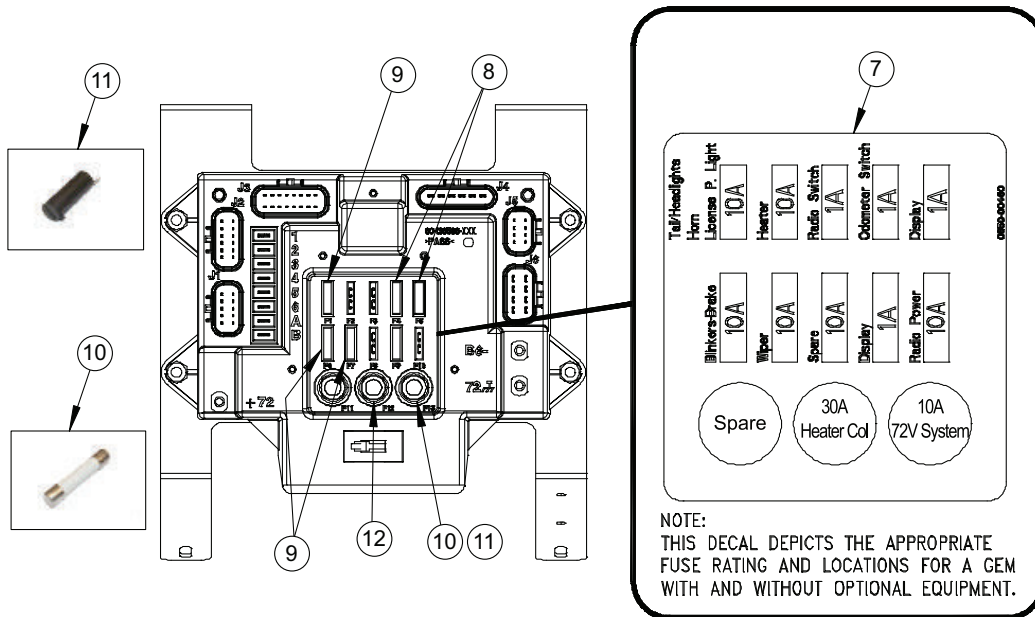
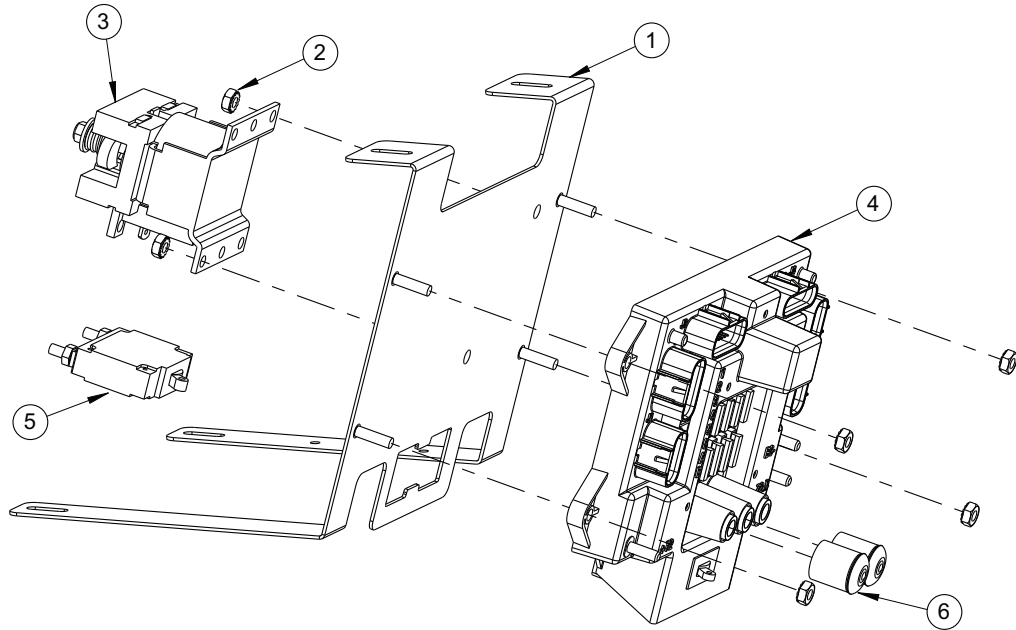
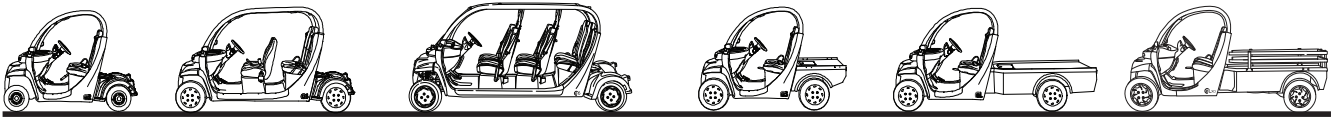
<b>ITEM</b>	<b>PART NO.</b>	<b>DESCRIPTION</b>	<b>QTY.</b>
1	0106-02177	ASSY, WIRE HARNESS - FRONT	1
2	0106-01027	ASSY, WIRE HARNESS - CONVERTER	1
3	0106-02176	ASSY, WIRE HARNESS - CONTROLLER	1



<u>ITEM</u>	<u>PART NO.</u>	<u>DESCRIPTION</u>	<u>QTY.</u>
1	0106-02184	ASSY, WIRE HANRESS - PARK BRAKE	1
2	0606-00868	RELAY, PARK BRAKE - SPDT 12 VDC	1

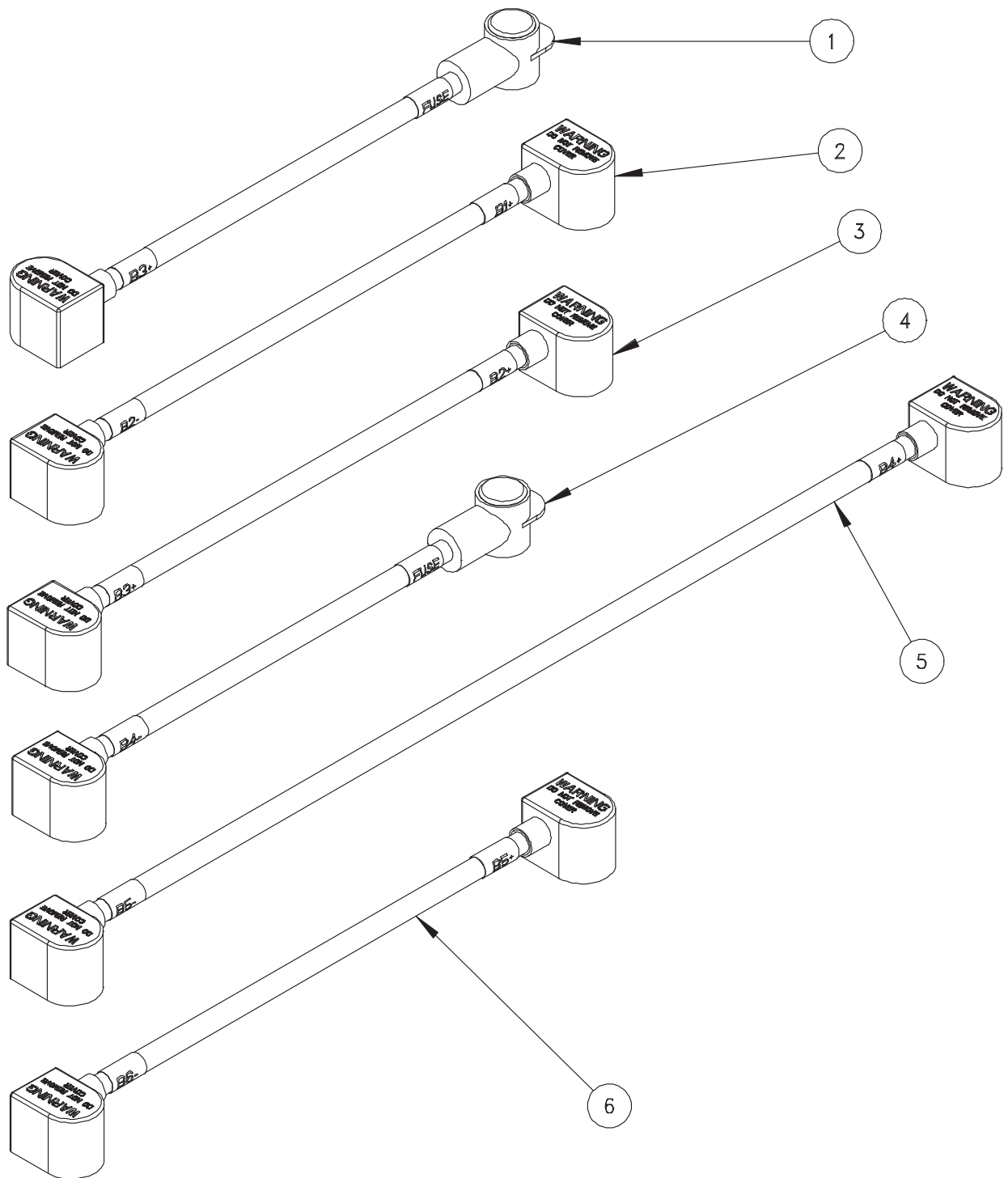


<b>ITEM</b>	<b>PART NO.</b>	<b>DESCRIPTION</b>	<b>QTY.</b>
8	0106-01030	ASSY, WIRE HARNESS - STEERING COLUMN	1



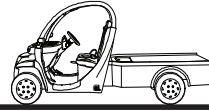
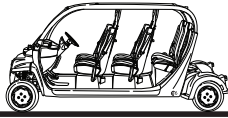
**ASSY, PSDM TO DASH SUPPORT**

ITEM	PART NO.	DESCRIPTION	QTY.
1	0151-01283	ASSY, PSDM PLATE	1
2	0521-00071	NUT, KEPS - 1/4 - 20 UNC ZINC PLATED	6
3	0606-00420	CONTACTOR, MAIN - 100A	1
4	0606-00436	MODULE, POWER & SIGNAL DISTRIBUTION PSDM	1
5	0606-00445	SWITCH, DISCONNECT - 100A	1
6	0610-00782	CAP, VINYL - 8/12" ID X 1: LENGTH, BLACK W/FLANGE	2
7	0650-00460	DECAL, FUSE BLOCK - VIN37417 TO CURRENT	1
8	0606-00476	FUSE, ATC-1	2
9	0606-00293	FUSE, ATC-10	4
10	0606-00474	FUSE, CARTRIDGE - 10 AMP SLO-BLO	3
11	0606-00454	CAPS, FUSE HOLDER	3
12	0606-00515	FUSE, CERAMIC TUBE - 30A SLO- BLO	



**ASSY, BATTERY CABLE - 0106-01213**

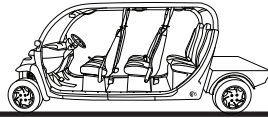
<u>ITEM</u>	<u>PART NO.</u>	<u>DESCRIPTION</u>	<u>QTY.</u>
1	0106-01036	ASSY, CABLE B3+ TO FUSE	1
2	0106-01042	ASSY, CABLE B1+ TO B2-	1
3	0106-01043	ASSY, CABLE B2+ TO B3-	1
4	0106-01044	ASSY, CABLE FUSE TO B4-	1
5	0106-01045	ASSY, CABLE B4+ TO B5-	1
6	0106-01046	ASSY, CABLE B5+ TO B6-	1



**NO PICTURE AVAILABLE PARTS LISTING ONLY**

**ASSY, BATTERY INTERCONNECTS - 0106-02234**

<b><u>ITEM</u></b>	<b><u>PART NO.</u></b>	<b><u>DESCRIPTION</u></b>	<b><u>QTY.</u></b>
1	0106-02244	ASSY, CABLE, 3/8" RING - B1+ TO B2	1
2	0020-02245	ASSY, CABLE, 3/8" RING - B2+ TO B3	1
3	0030-02246	ASSY, CABLE, 3/8" RING - B3+ TO FUSE	1
4	0040-02247	ASSY, CABLE 3/8" RING - FUSE TO B4-	1
5	0050-02248	ASSY, CABLE, 3/8" RING - B4+ TO B5-	1
6	0060-02249	ASSY, CABLE 3/8" RING - B5+ TO B6-	1
7	0524-00478	WASHER, CONICAL ID 0.380, OD 0.750, H 0.059, T 0.040	12
8	0521-00335	NUT, 3/8-16 FIN. HEX NUT, 18-8 STAINLESS	12

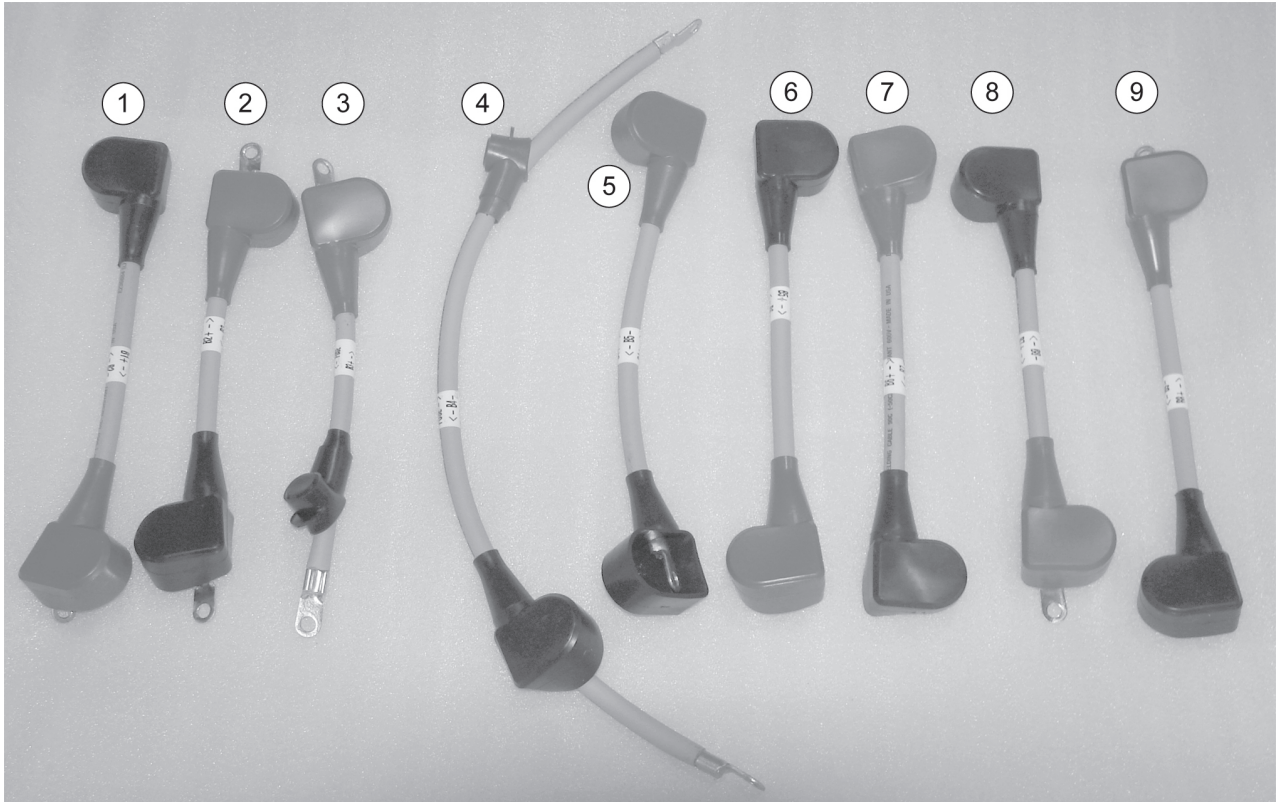
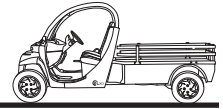


**NO PICTURE AVAILABLE PARTS LISTING ONLY**

**ASSY, BATTERY INTERCONNECTS - 0106-02254**

<b><u>ITEM</u></b>	<b><u>PART NO.</u></b>	<b><u>DESCRIPTION</u></b>	<b><u>QTY.</u></b>
1	0106-02235	ASSY, CABLE, 5/16" RING - B1+ TO B2	1
2	0106-02236	ASSY CABLE, 5/16" RING - B2+ TO B3-	1
3	0106-02238	ASSY CABLE, 5/16" RING - FUSE TO B4-	1
4	0106-02239	ASSY, CABLE, 5/16" RING - B4+ TO B5-	1
5	0106-02240	ASSY, CABLE, 5/16" RING - B5+ TO B6-	1
6	0106-02241	ASSY, CABLE, 5/16" RING - B6+ TO B7-	1
7	0106-00442	ASSY, CABLE, 5/16" RING - B7+ TO B8-	1
8	0106-02243	ASSY, CABLE, 5/16" RING - B8+ TO B9-	1
9	0524-00477	WASHER, CONICAL ID 0.317, OD 0.625, H 0.059, T 0.047	18

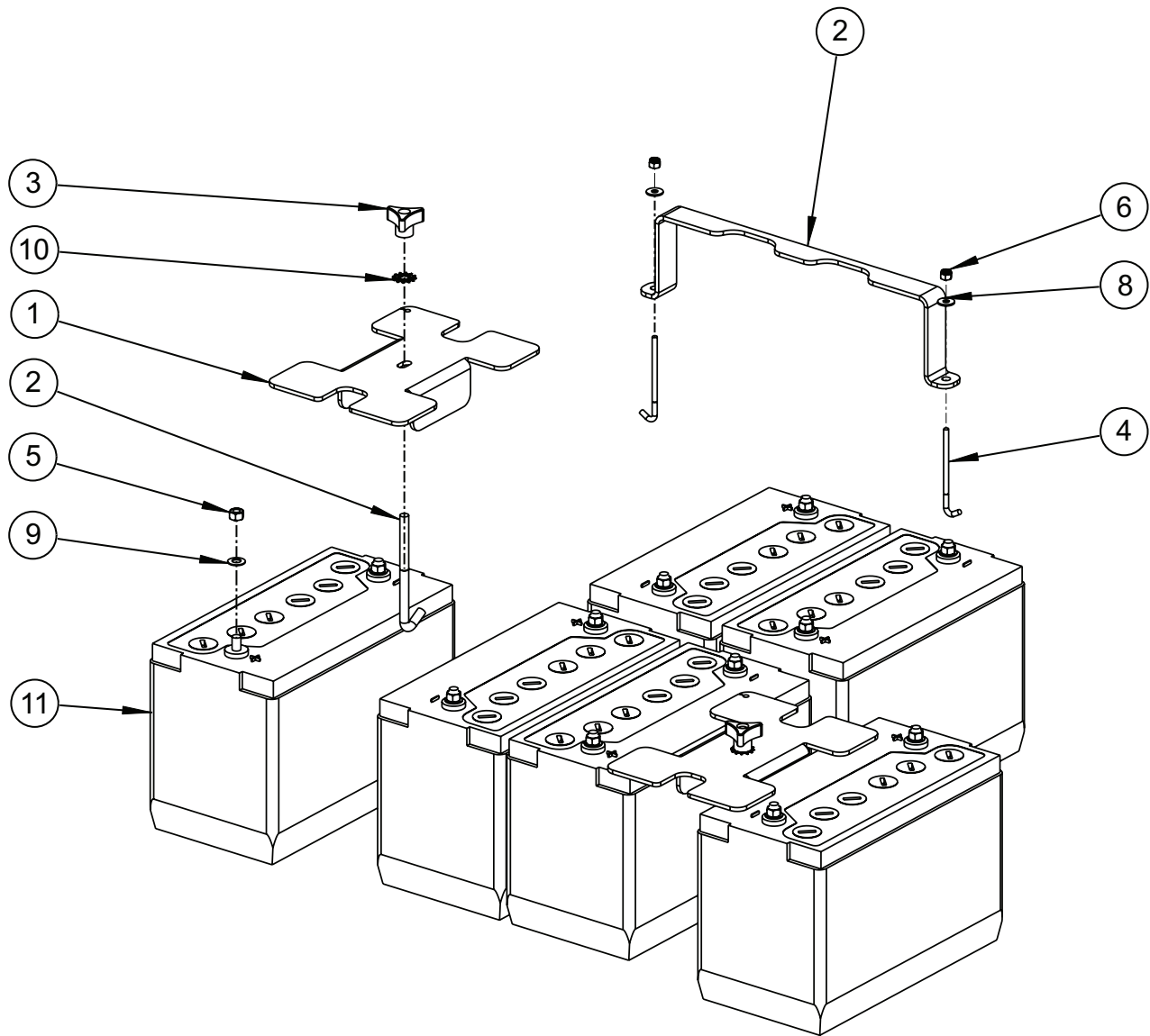




**ASSY, BATTERY INTERCONNECTS - eLXD 8V - 0106-02233**

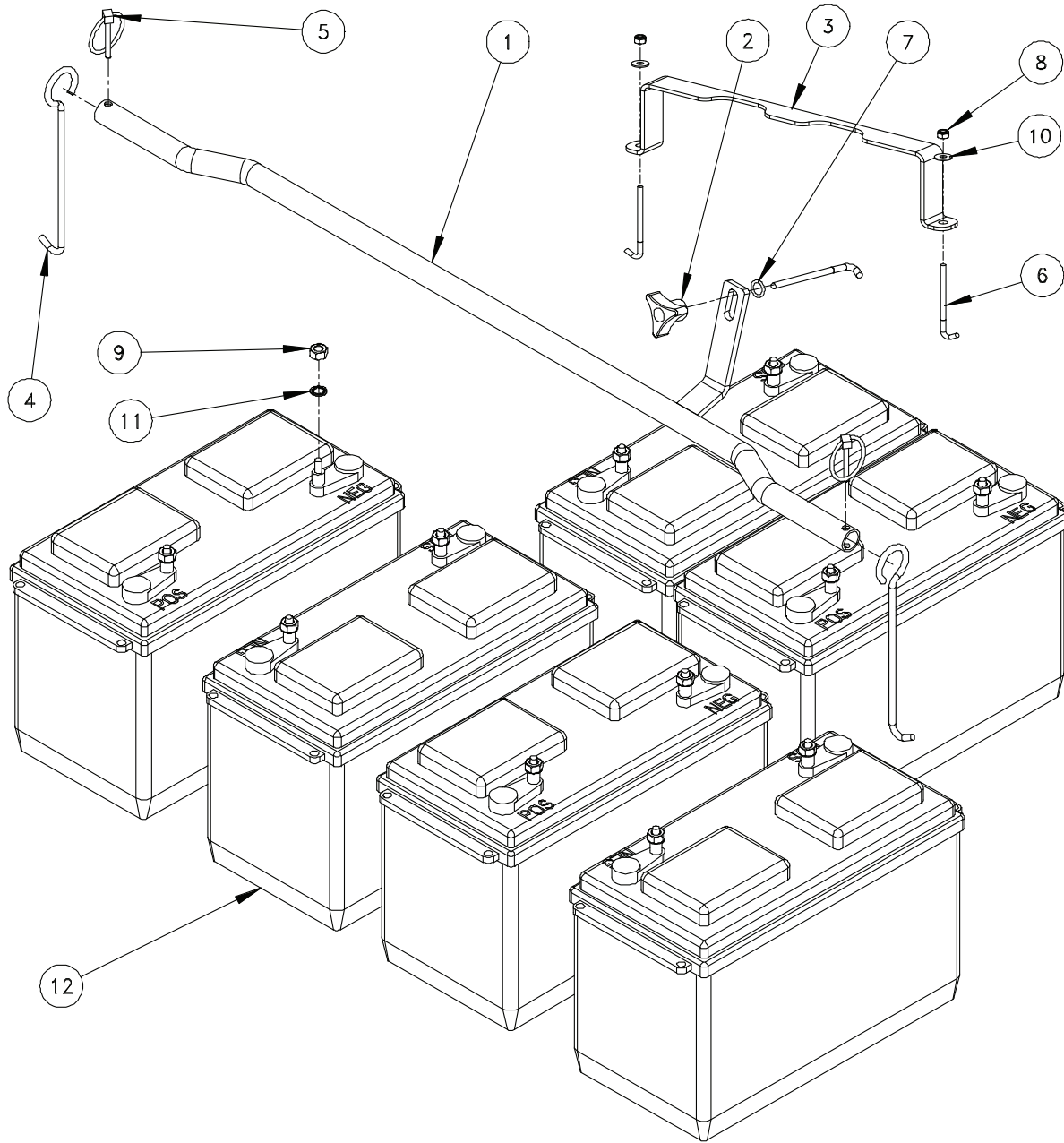
<u>ITEM</u>	<u>PART NO.</u>	<u>DESCRIPTION</u>	<u>QTY.</u>
1	0106-02235	ASSY, CABLE 5/16 RING - B1+ TO B2-	1
2	0106-02236	ASSY, CABLE 5/16 RING - B2+ TO B3-	1
3	0106-02237	ASSY, CABLE 5/16 RING - B3+ TO FUSE	1
4	0106-02238	ASSY, CABLE 5/16 RING - FUSE TO B4-	1
5	0106-02239	ASSY, CABLE 5/16 RING - B4+ TO B5-	1
6	0106-02240	ASSY, CABLE 5/16 RING - B5+ TO B6-	1
7	0106-02241	ASSY, CABLE 5/16 RING - B6+ TO B7-	1
8	0106-02242	ASSY, CABLE 5/16 RING - B7+ TO B8-	1
9	0106-02243	ASSY, CABLE 5/16 RING - B8+ TO B9-	1
*10	0524-00477	WASHER, CONICAL ID. 0.317, OD. 0.625, H. 0.059, T. 0.047	18

\*NOT SHOWN



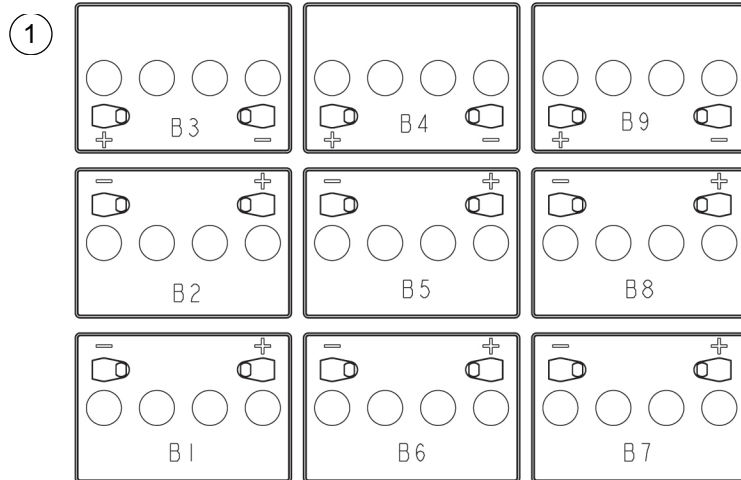
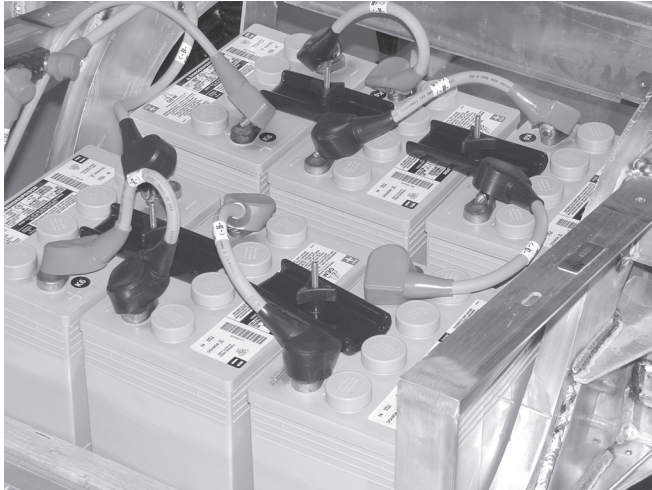
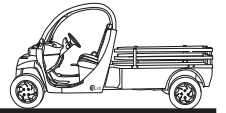
**ASSY, BATTERY LEAD ACID FLOODED EV31 HOLD DOWN**

ITEM	PART NO.	DESCRIPTION	QTY.
1	0306-01944	BRACKET, BATTER HOLD DOWN	2
2	0306-02124	BRKT, BATTERY HOLD DOWN	1
3	0506-00481	KNOB, 3/8 - 16 3 PRONG	2
4	0510-00336	HOOK, J THREADED 1/4 - 20 UNC X 4"	2
5	0510-00479	HOOK, J THREADED 3/8 - 16 UNC X 5-1/2"	2
6	0521-00050	NUT, HEX - NYLOCK 1/4-20 UNC GR5	2
7	0521-00335	NUT, 3/8-16 FIN. HEX NUT, 18-8 STAINLESS	12
8	0524-00062	WASHER, FLAT - 1/4 0.282 ID X 0.715 OD X 0.063 THK ZN	2
9	0524-00478	WASHER, CONICAL - ID 0.380, OD .750, H 0.059, T 0.040, ZN	12
10	0524-00482	WASHER, LOCK - 3/8 EXTERNAL/INTERNAL STAR ZP	2
11	0606-00584	BATTERY, 12 VOLT DEKA FLOODED EV31	6



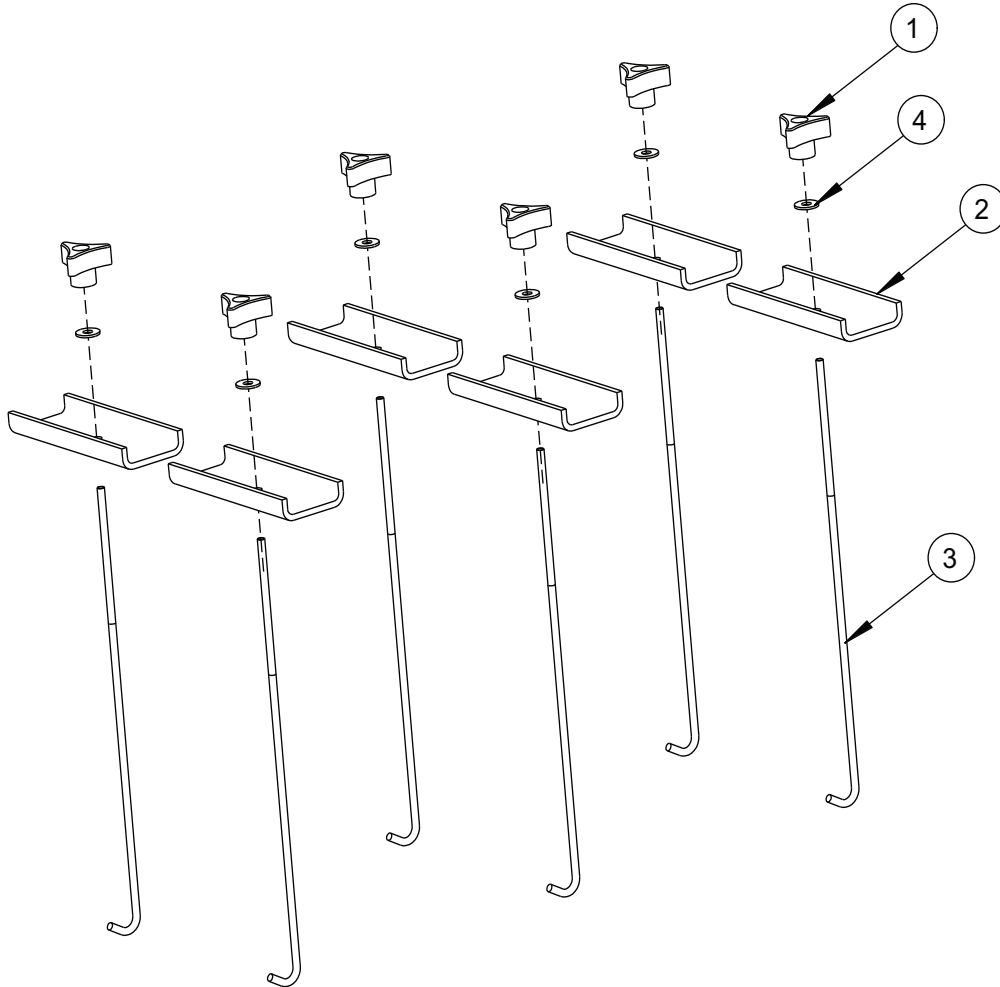
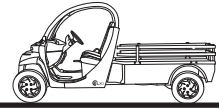
**ASSY, BATTERY VRLA GEL HOLD DOWN (STANDARD COMPONENT FOR EUROPEAN HOMOLOGATED VEHICLES)**

<u>ITEM</u>	<u>PART NO.</u>	<u>DESCRIPTION</u>	<u>QTY.</u>
1	0201-00138	WELDMENT, REAR BATTERY HANDLE	1
2	0306-00996	KNOB, 1/4 - 20 3 PRONG	1
3	0306-02124	BRKT, BATTERY HOLD DOWN	1
4	0510-00286	HOOK, J REAR PIVOTTUBE HOLD DOWN ZINC PLATED	2
5	0510-00287	PIN, LYNCH 3/16" ZINC PLATED	2
6	0510-00336	HOOK, J THREADED 1/4 - 20 UNC X 4"	3
7	0510-00342	O-RING, 3/32 C/S X 7/32 ID X 13/32 OD	1
8	0521-00050	NUT, HEX - NYLOCK 1/4 - 20 UNC GR5 ZN	2
9	0521-00335	NUT, 3/8 - 16 FIN. HEX NUT, 18 - 8 STAINLESS	12
10	0524-00062	WASHER, FLAT - 1/4 0.282 ID X 0.715 OD X 0.063 THK ZN	2
11	0524-00478	WASHER, CONICAL	12
12	0606-00364	BATTERY, 12 VOLT-GEL DEEP CYCLE	6



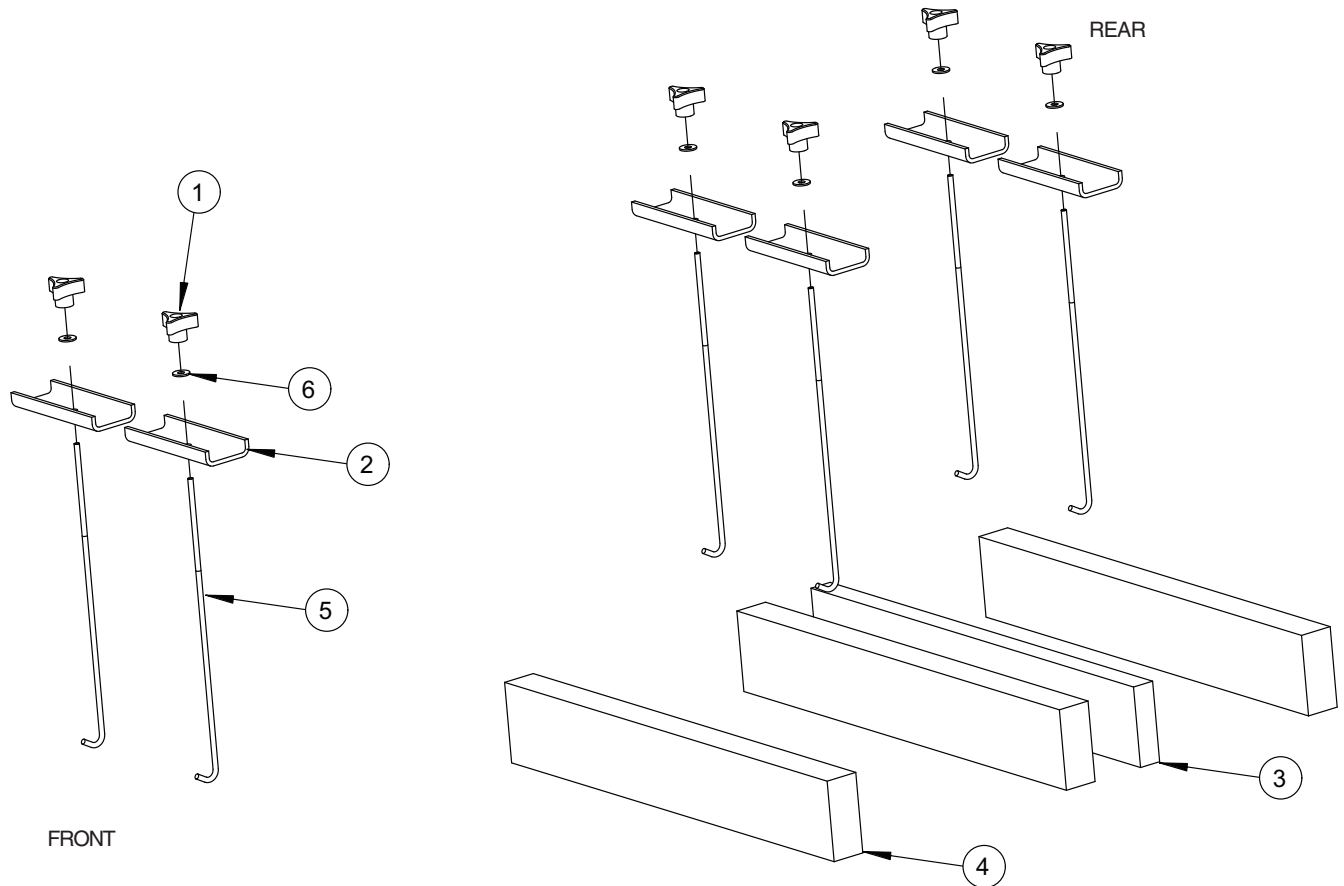
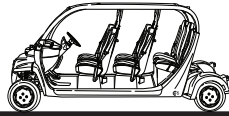
**OPTIONS, BATTERIES 8V, GEL**

<u>ITEM</u>	<u>PART NO.</u>	<u>DESCRIPTION</u>	<u>QTY.</u>
1	0606-00587	BATTERIES, GEL 8V	9



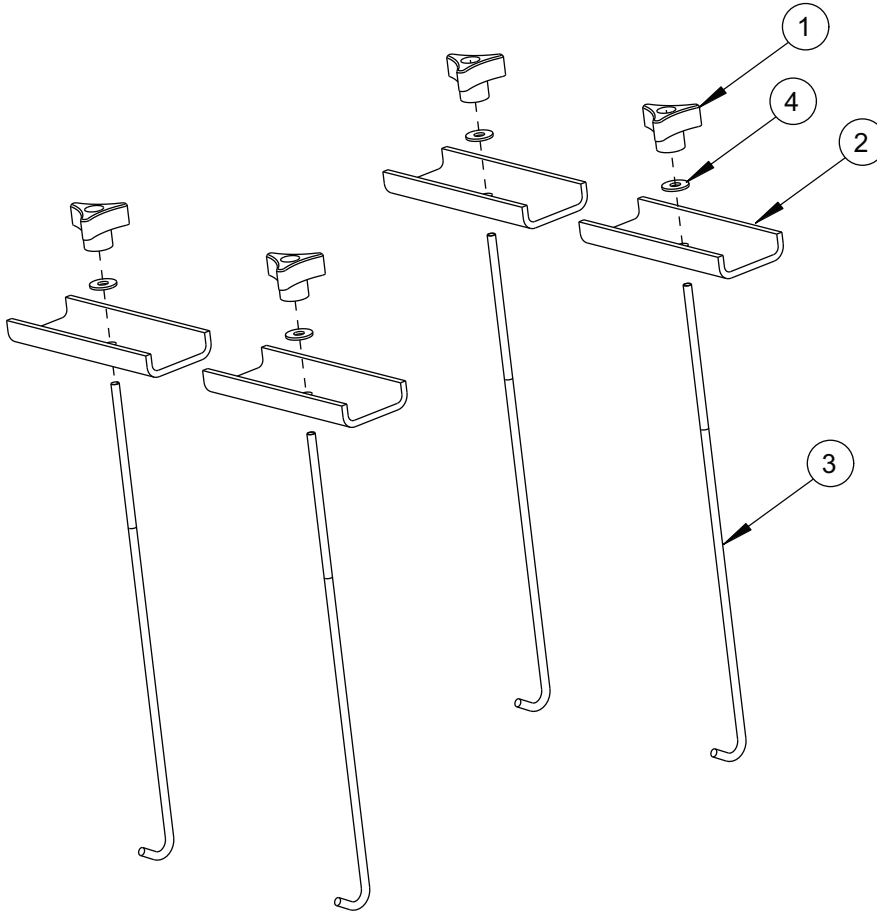
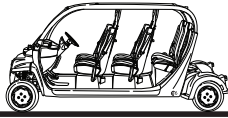
**ASSY, BATTERY HOLD DOWN 8-VOLT**

<u>ITEM</u>	<u>PART NO.</u>	<u>DESCRIPTION</u>	<u>QTY.</u>
1	0306-00996	KNOB, 1/4 - 20 3 PRONG	6
2	0306-01892	CHANNEL, HOLD DOWN - BATTERY	6
3	0510-00472	HOOK, "J" THREADED 1/4 - 20 UNC	6
4	0524-00062	WASHER, FLAT - 1/4 0.282 ID X 0.715 OD X 0.063 THK ZN	6



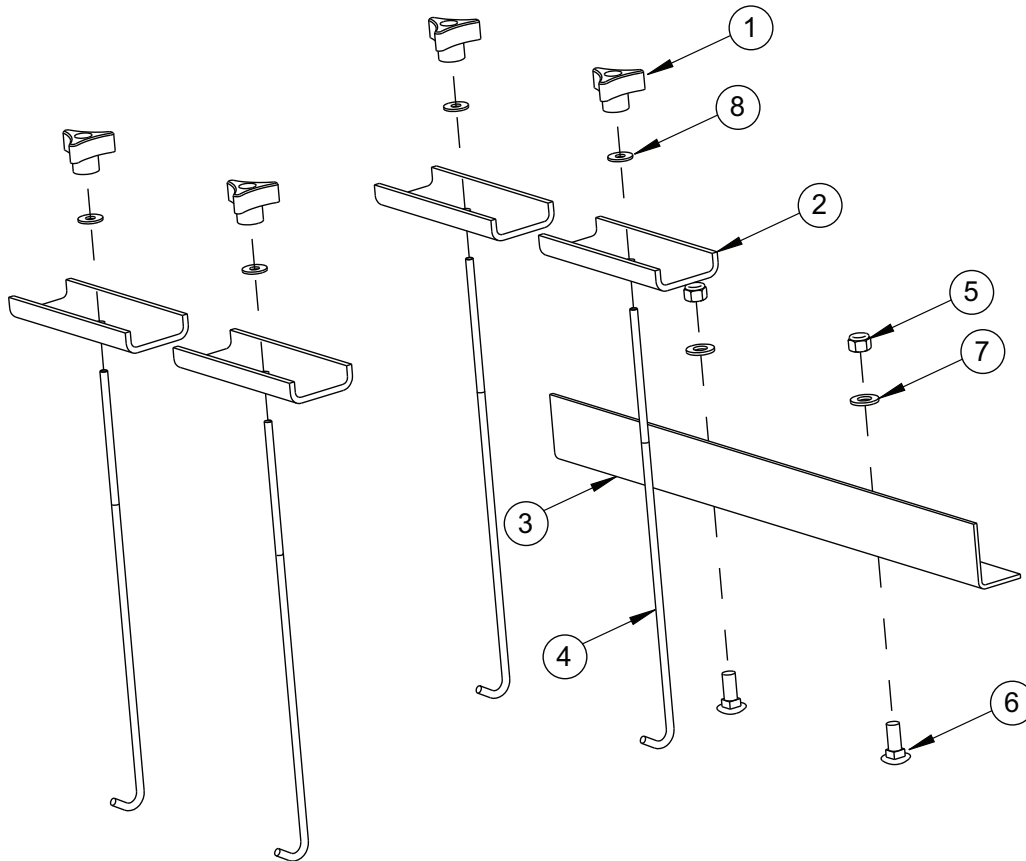
**ASSY, BATTERY HOLD DOWN e6 - 8 VOLT**

<u>ITEM</u>	<u>PART NO.</u>	<u>DESCRIPTION</u>	<u>QTY.</u>
1	0306-00996	KNOB, 1/4 - 20 3 PRONG	6
2	0306-01892	CHANNEL, HOLD DOWN - BATTERY	6
3	0351-01811	SPACER, BATTERY - e6	1
4	0351-01939	SPACER, BATTERY	3
5	0510-00472	HOOK, "J" THREADED 1/4 20 UNC	6
6	0524-00062	WASHER, FLAT - 1/4 0.282 ID X 0.715 OD X 0.063 THK ZN	6



**ASSY BATTERY HOLD DOWN e6 12 VOLT**

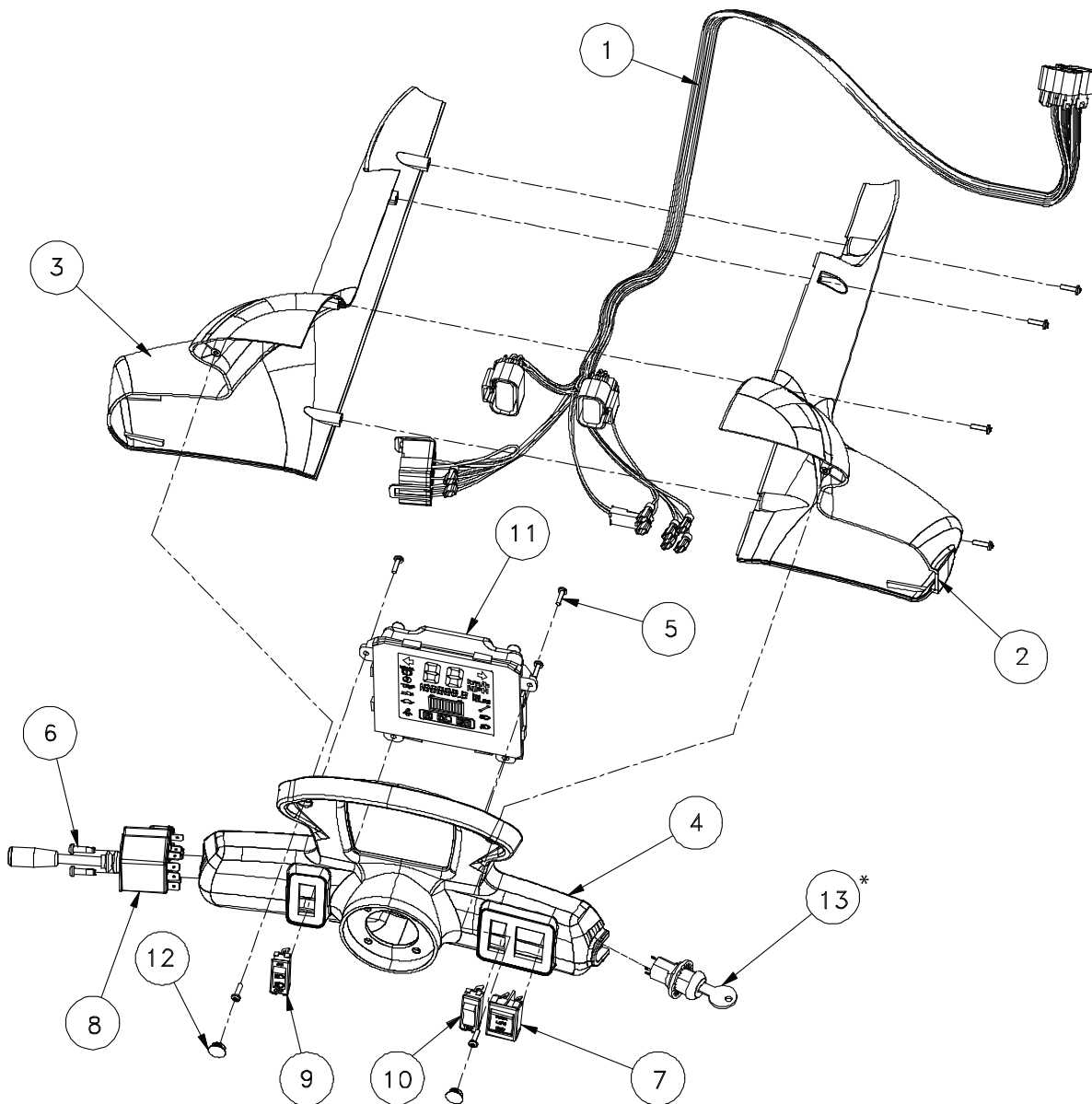
<u>ITEM</u>	<u>PART NO.</u>	<u>DESCRIPTION</u>	<u>QTY.</u>
1	0306-00996	KNOB, 1/4 - 20 3 PRONG	4
2	0306-01892	CHANNEL, HOLD DOWN - BATTERY	4
3	0510-00472	HOOK, "J" THREADED 1/4 - 20 UNC	4
4	0524-00602	WASHER, FLAT - 1/4 0.282 ID X 0.715 OD X 0.063 THK ZN	4



**ASSY BATTERY HOLD DOWN eL 12 VOLT**

<u>ITEM</u>	<u>PART NO.</u>	<u>DESCRIPTION</u>	<u>QTY.</u>
1	0306-00996	KNOB, 1/4 - 20 3 PRONG	4
2	0306-01892	CHANNEL, HOLD DOWN - BATTERY	4
3	0351-02296	ANGLE, SUPPORT - BATT TRAY	1
4	0510-00472	HOOK, "J" THREADED 1/4 - 20 UNC	4
5	0521-00010	NUT, HEX - NYLOCK 3/8 - 16 UNC GR5	2
6	0522-00001	BOLT, CARRIAGE - 3/8 - 16 UNC X 1.0 LG GRADE 5 ZINC PLATTED	2
7	0524-00009	WASHER, FLAT - 3/8 SAE 0.406 ID X 0.8125 OD X 0.080 THK ZN	2
8	0524-00062	WASHER, FLAT - 1/4 0.282 ID X 0.715 OD X 0.063 THK ZN	4

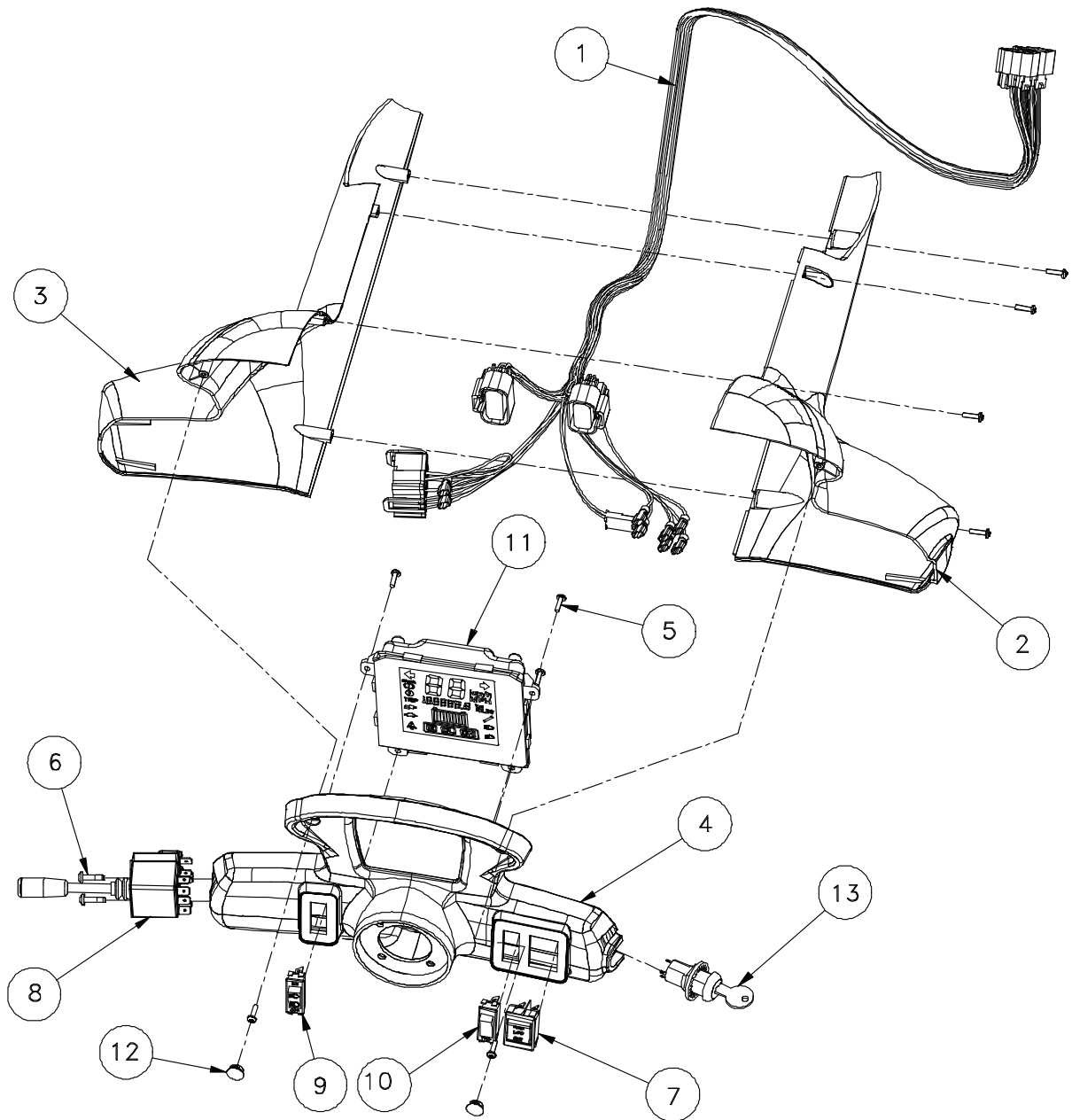
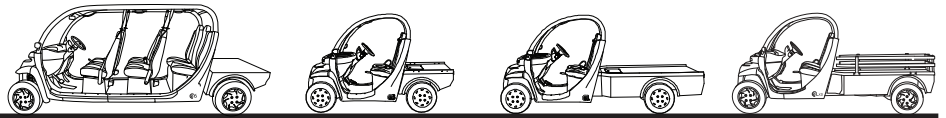




**ASSY, COLUMN STEERING 2&4 PASS**

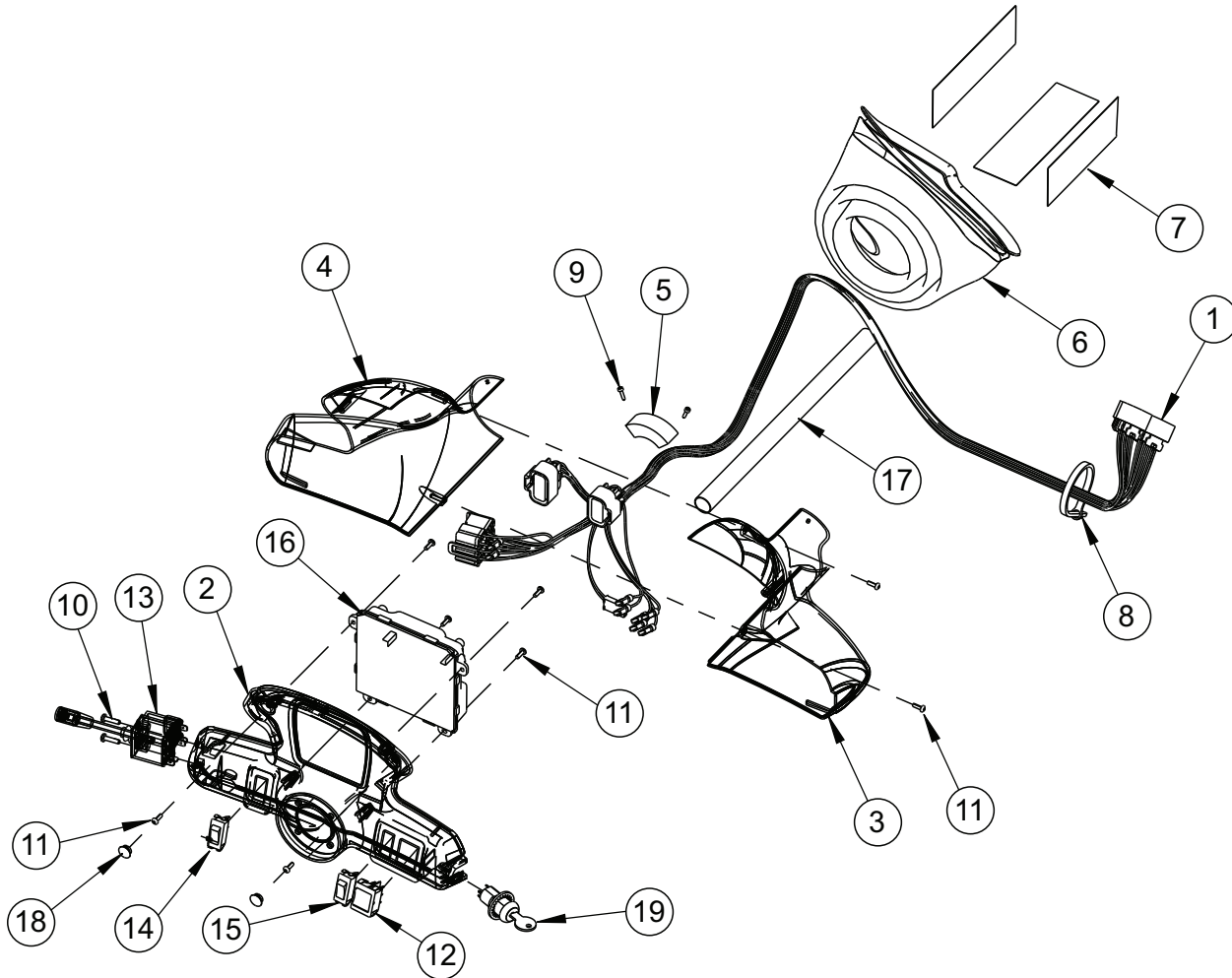
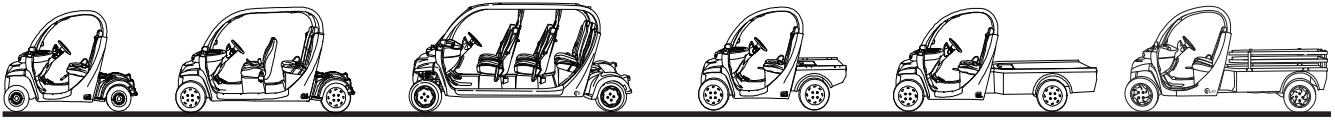
<u>ITEM</u>	<u>PART NO.</u>	<u>DESCRIPTION</u>	<u>QTY.</u>
1	0106-01030	HARNES, INSTRUMENT PANEL	1
2	0305-01271	COWL, RH	1
3	0305-01272	COWL, LH	1
4	0305-01273	COWL, FRONT	1
5	0523-00590	SCREW, PLASTITE - - 6 - 19 x 1/2 RF BLK ZC, WAX	10
6	0523-00544	SCREW, MACHINE-TORX PAN HD M4 X 0.7 X 16	2
7	0606-00415	SWITCH, DRIVE MODE	1
8	0606-00416	SWITCH, TURN SIGNAL	1
9	0606-00417	SWITCH, LIGHT	1
10	0306-01822	SWITCH,ROCKER, 3-POS - LIGHTS	1
11	0606-00418	SWITCH,TRIP	1
12	0606-00419	DISPLAY LCD DRIVER	1
13	0617-00471	PLUG, SCREW COVER	2
*13	0110-02338	KEY SW KIT W/T-HANDLE	1

\* ONLY SERVICED WITH 0110-02338 REFER TO SECTION 9 - MISCELLANEOUS



**ASSY, COLUMN STEERING L&S BACK**

<b>ITEM</b>	<b>PART NO.</b>	<b>DESCRIPTION</b>	<b>QTY.</b>
1	0106-01030	HARNES, INSTRUMENT PANEL	1
2	0305-01271	COWL, RH	1
3	0305-01272	COWL, LH	1
4	0305-01273	COWL, FRONT	1
5	0523-00590	SCREW, PLASTITE - - 6 - 19 x 1/2 RF BLK ZC, WAX	10
6	0523-00544	SCREW, MACHINE-TORX PAN HD M4 X 0.7 X 16	2
7	0606-00415	SWITCH, DRIVE MODE	1
8	0606-00416	SWITCH, TURN SIGNAL	1
9	0606-00417	SWITCH, LIGHT	1
10	0306-01822	SWITCH,ROCKER, 3-POS - LIGHTS	1
11	0606-00418	SWITCH, TRIP	1
12	0606-00419	DISPLAY LCD DRIVER	1
13	0617-00471	PLUG, SCREW COVER	2
	0906-00016	KEY SW KIT	1

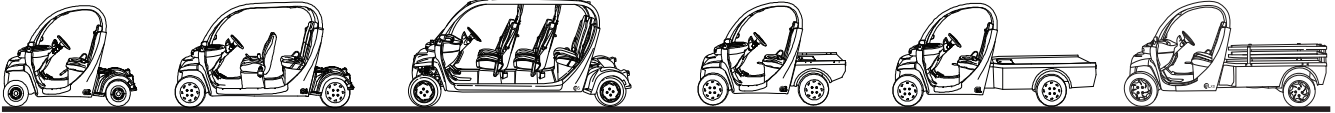


**ASSY, INSTRUMENT POD - ADJUSTABLE TILT STEERING**

ITEM	PART NO.	DESCRIPTION	QTY.
1	0106-01030	ASSY, HARNESS - INSTRUMENT PANEL	1
2	0305-01273	COWL, FRONT	1
3	0305-01271	COWL, RH	1
4	0305-01272	COWL, LH	1
5	0305-02821	SUPPORT, INST POD	1
6	0312-02573	BELLOWS, STEERING COLUMN	1
7	0312-02836	STRIP, GORILLA TAPE	3
8	0510-00137	TIE, CABLE W/#10 MOUNT HOLE 9" BLACK	1
9	0523-00166	SCREW, PHIL PAN HEAD - #4 X 1/2 PH PAN T/S A 18-8	2
10	0523-00544	SCREW, MACHINE TORX PAN HEAD M4 X 0.7 X 16mm LG	2
11	0523-00590	SCREW, PLASTITE - 619 X 1/2 RF, T15 TAMPER PROOF, BLACK ZINC & WAX	8
12	0606-00415	SWITCH, DRIVE MODE	1
13	0606-00416	SWITCH, TURN SIGNAL	1
14	0606-00417	SWITCH, LIGHT	1
	0606-00415	SWITCH, TOGGLE, 3-POS - DRIVE MODE	
	0306-01822	SWITCH, ROCKER, 3-POS - LIGHTS	
15	0606-00418	SWITCH, TRIP	1
16	0606-00419	DISPLAY LCD DRIVER	1
17	0606-00784	SLEAVING, HARNESS - TILT COLUMN	1
18	0617-00471	PLUG, SCREW COVER	2
19	-	REFER TO SECTION 9 MISCELLANEOUS	1

**NOTES:**

- A. HEADLIGHT SWITCH IS SUPPLIED WITHIN HEADLIGHT OPTION.
- B. IGNITION SWITCH IS SUPPLIED WITH LOCK SET.
- C. CABLE TIE IS USED TO SECURE HARNESS TO FRAME.



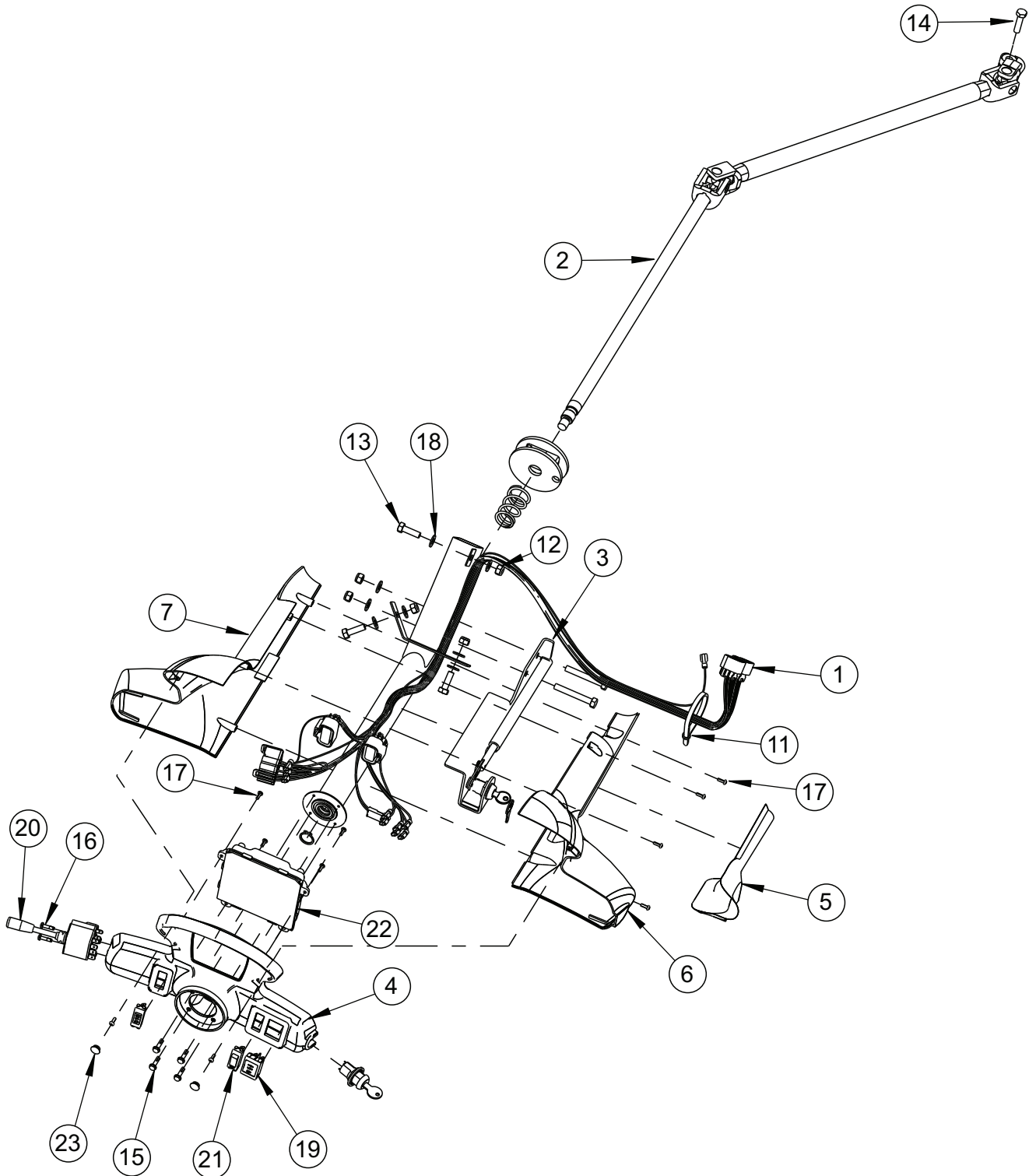
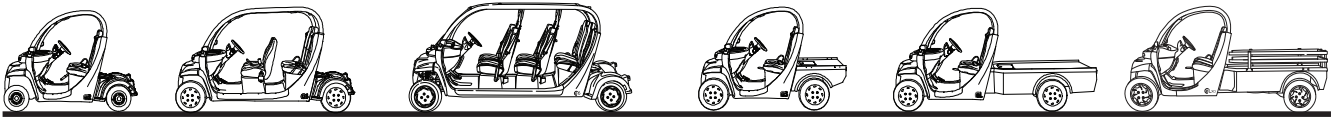
**ASSY, COLUMN STEERING W/LOCK**

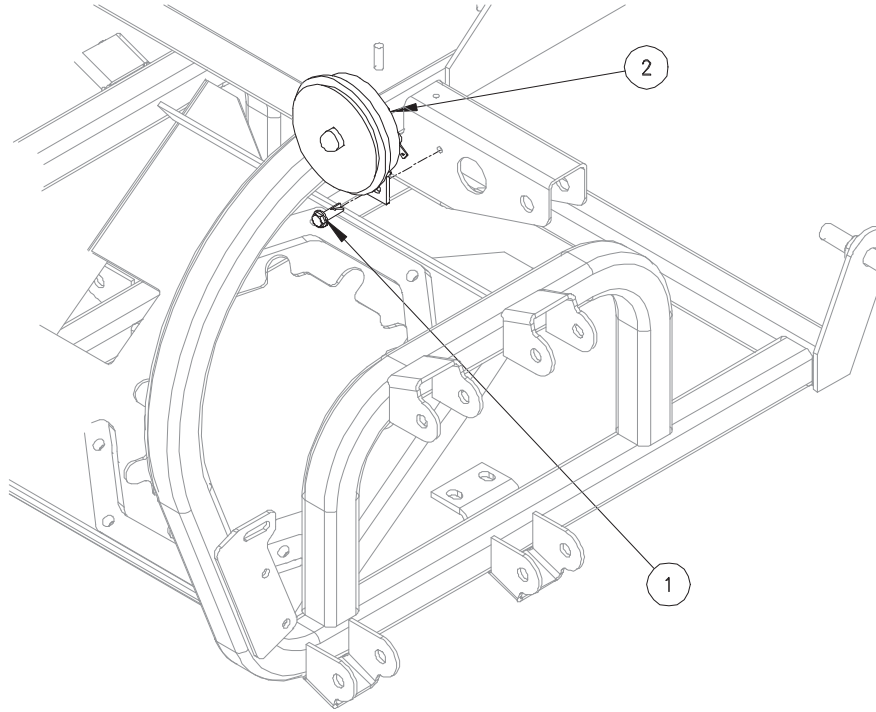
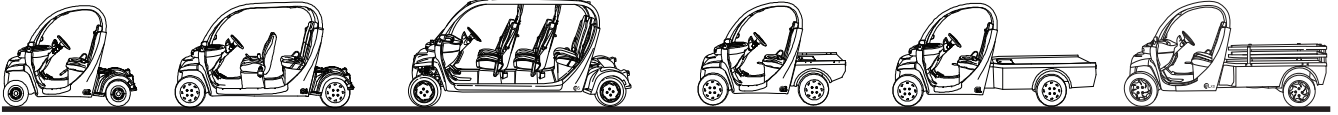
<u>ITEM</u>	<u>PART NO.</u>	<u>DESCRIPTION</u>	<u>QTY.</u>
1	0106-01030	ASSY, HARNESS - INSTRUMENT PANEL	1
2	0112-01210	ASSY, STEERING COLUMN-SPLINED	1
3	-	ASSY, STEERING LOCK - MANUAL	1
4	0305-01273	COWL, FRONT	1
5	0305-01818	COVER, STEERING LOCK	1
6	0305-01937	COWL, RH W/LOCK	1
7	0305-01272	COWL, LH W/LOCK	1
8	0307-02109	PAD, WEAR	1
9	0408-00263	ADHESIVE, METHACRYLATE - LOCTITE H3300	12.5 ML
10	0408-00274	LOCTITE 416	0.01 OZ
11	0510-00137	TIE, CABLE W/#10 MOUNT HOLE 9" BLACK	1
12	0521-00017	NUT, HEX - NYLOCK 5/16-18 UNC GR5	3
13	0522-00016	BOLT, HEX - 5/16 - 18 UNC X 1.0 GR 5	3
14	0522-00293	BOLT, HEX - M8 x 1.25 x 30mm LG BLK OX HHCS - GR 10.9 -	1
15	0523-00349	SCREW, HEX - WHSD 10-16 X 3/4 ZINC PLATED WASHER HD SELF DRILLING	4
16	0523-00544	SCREW, MACHINE-TORX PAN HD M4 X 0.7 X 16mm LG	2
17	0523-00590	SCREW, PLASTITE - 6-19 X 1/2 RF, T15 TAMPER PROOF, BLACK ZINC & WAX10	
18	0524-00003	WASHER, FLAT - 5/16 SAE 0.344 ID X 0.688 OD X 0.065 THK ZN	6
19	0606-00415	SWITCH, DRIVE MODE	1
20	0606-00416	SWITCH, TURN SIGNAL	1
21	0606-00418	SWITCH, TRIP	1
22	0606-00419	DISPLAY LCD DRIVER	1
23	0617-00471	PLUG, SCREW COVER	2

**NOTES:**

A. LOCK AND HEADLIGHT SWITCH SHOWN FOR REFERENCE ONLY.

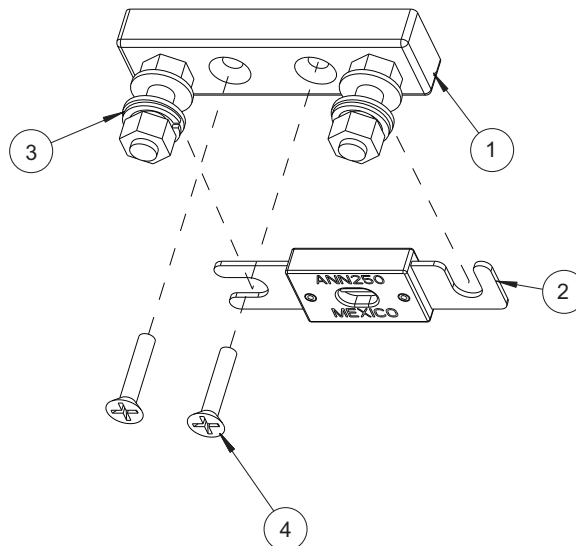
B. CABLE TIE IS USED TO SECURE HARNESS TO FRAME.





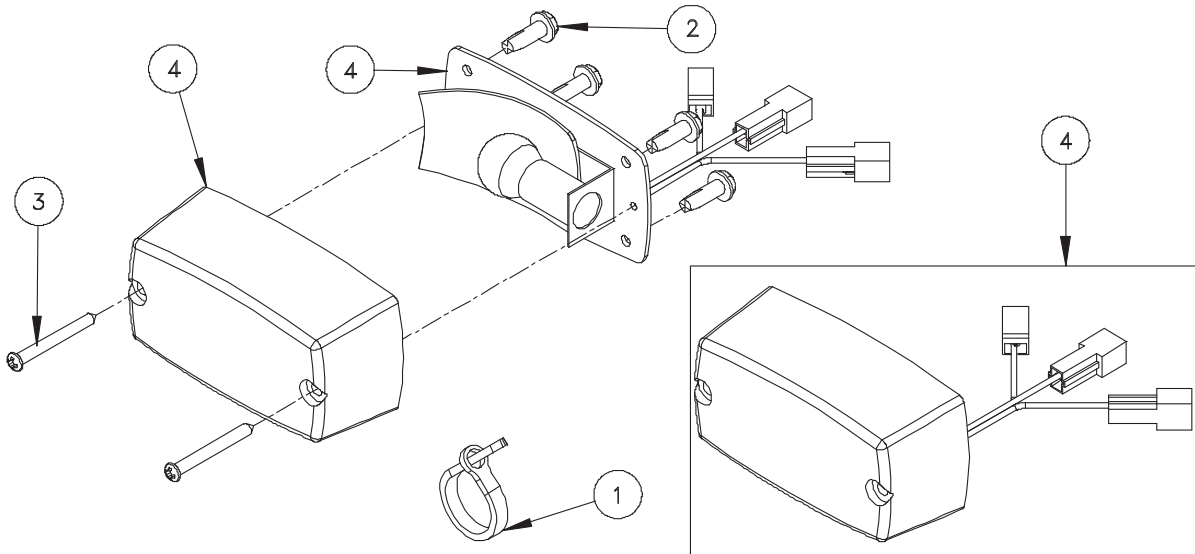
**ASSY, HORN**

<u>ITEM</u>	<u>PART NO.</u>	<u>DESCRIPTION</u>	<u>QTY.</u>
1	0523-00032	SCREW, HEX - WHSD 1/4 X 0.75 ZN	1
2	0606-00507	HORN, ECE	1



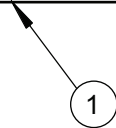
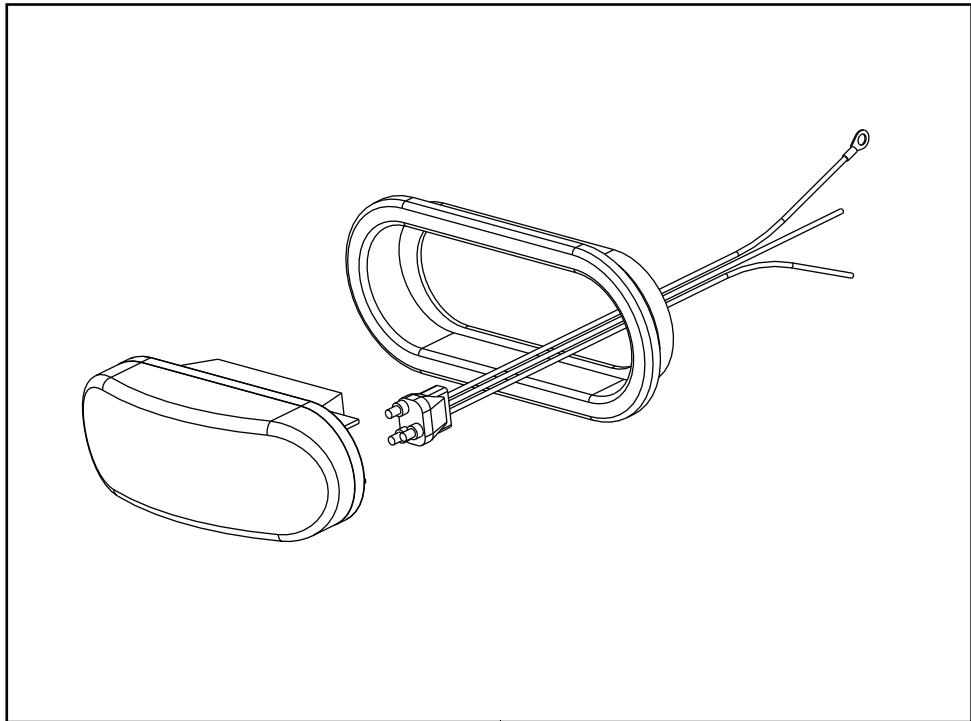
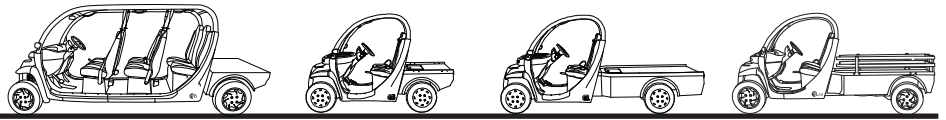
**ASSY, FUSE - BATTERY**

<u>ITEM</u>	<u>PART NO.</u>	<u>DESCRIPTION</u>	<u>QTY.</u>
1	0606-00443	ASSY, FUSE HOLDER	1
2	0606-00442	FUSE, BATTERY - 250A	1
3	0524-00477	WASHER CONICAL ID 0.317, OD 0.625, H 0.059, T 0.047	2
4	0523-00408	SCREW PHILLIPS FLAT HEAD 12-24 X 1.0	2



**ASSY, TAIL LIGHTS - CAR**

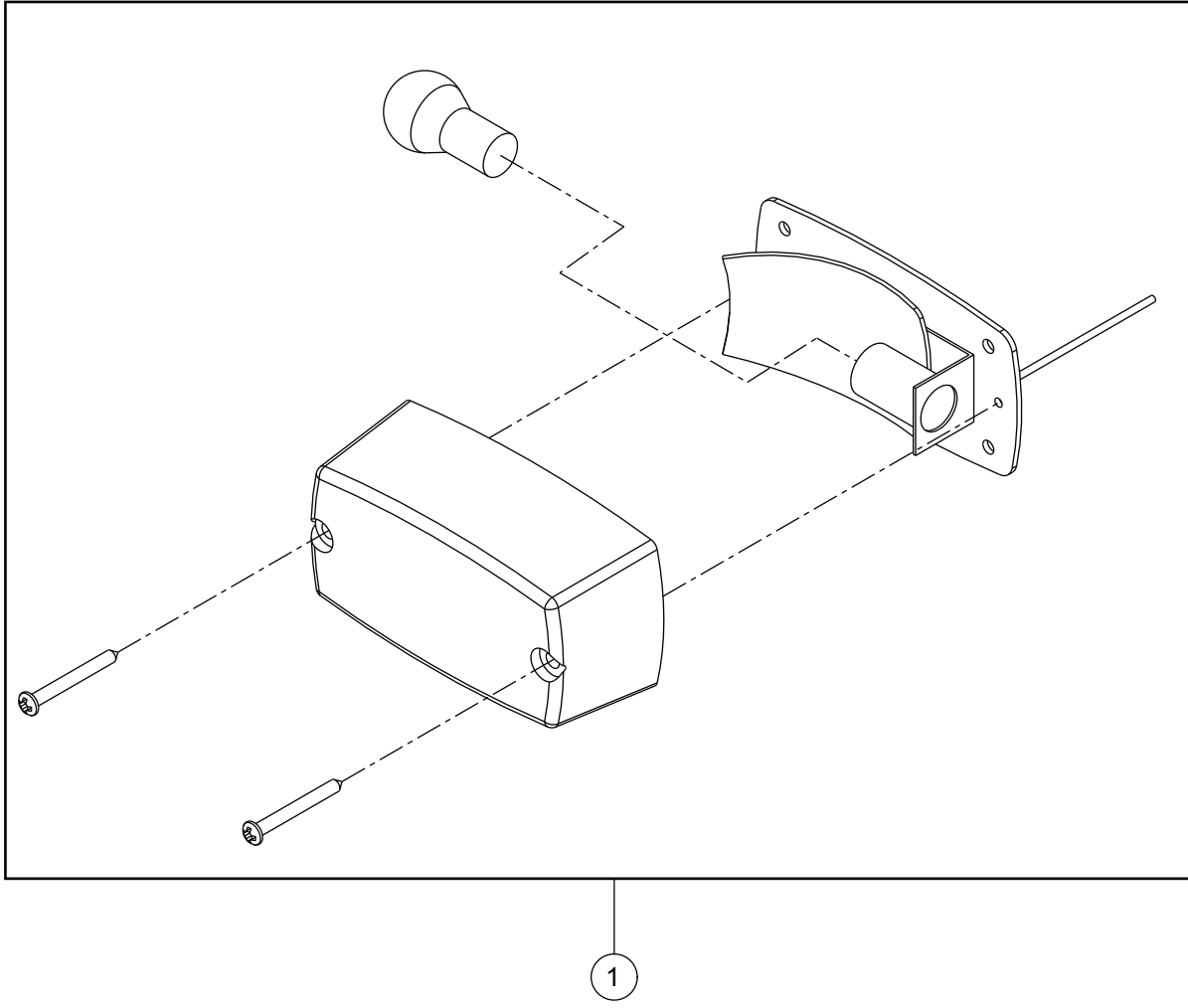
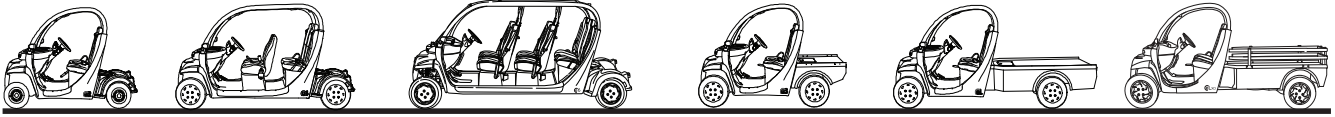
<u>ITEM</u>	<u>PART NO.</u>	<u>DESCRIPTION</u>	<u>QTY.</u>
1	0510-00137	TIE, CABLE W/#10 MOUNT HOLE 9" BLACK	2
2	0523-00032	SCREW, HEX - WHSD 1/4 X 0.75 ZN	8
3	0523-00168	SCREW, PHIL TRUSS HEAD-#10 X 1 3/4 LG STEEL ZINC PHIL TRUSS	4
4	0606-00141	KIT, TAIL LIGHT	2



**ASSY, TAIL LIGHT UTILITY BED**

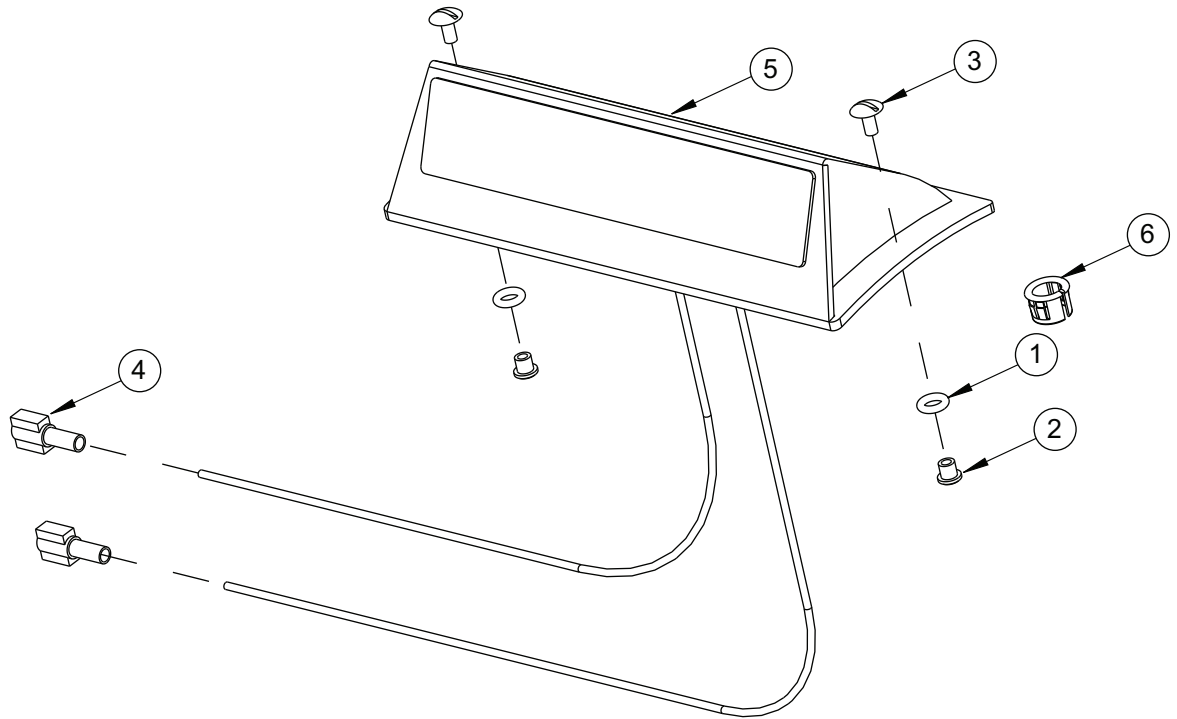
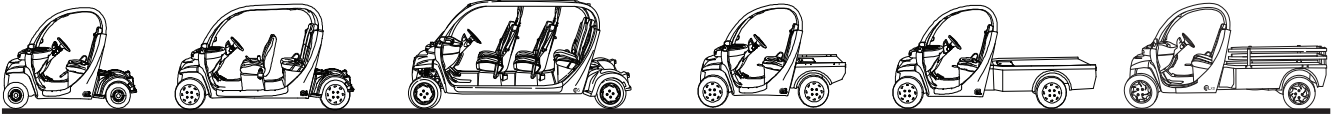
<b>ITEM</b>	<b>PART NO.</b>	<b>DESCRIPTION</b>	<b>QTY.</b>
1	0606-00147	ASSY, TAIL LIGHT BED	1





**KIT, REVERSE LAMP**

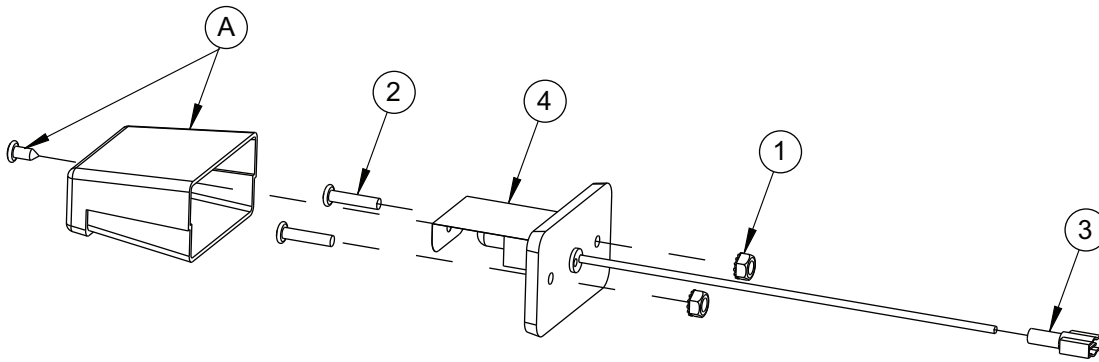
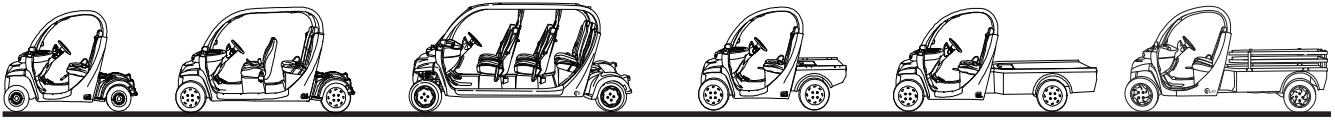
<u>ITEM</u>	<u>PART NO.</u>	<u>DESCRIPTION</u>	<u>QTY.</u>
1	0606-00207	REVERSE LAMP	1



**ASSY, CHMSL**

<u>ITEM</u>	<u>PART NO.</u>	<u>DESCRIPTION</u>	<u>QTY.</u>
1	0510-00342	O-RING, 3/32 C/S X 7/32 ID X 13/32 OD	2
2	0521-00240	NUT, BINDING POST # 8-32 GRAY	2
3	0523-00241	SCREW, BINDING POST #8-32 X 0.375 WHITE	2
4	0606-00117	TERMINAL, SPADE - MALE INSULATED 1/4 22 - 18 GAWIRE	2
5	0606-00349	LAMP, CHMSL	1
6	0619-00359	BUSHING, OPEN/CLOSE - 0.50 INCH HOLE	2

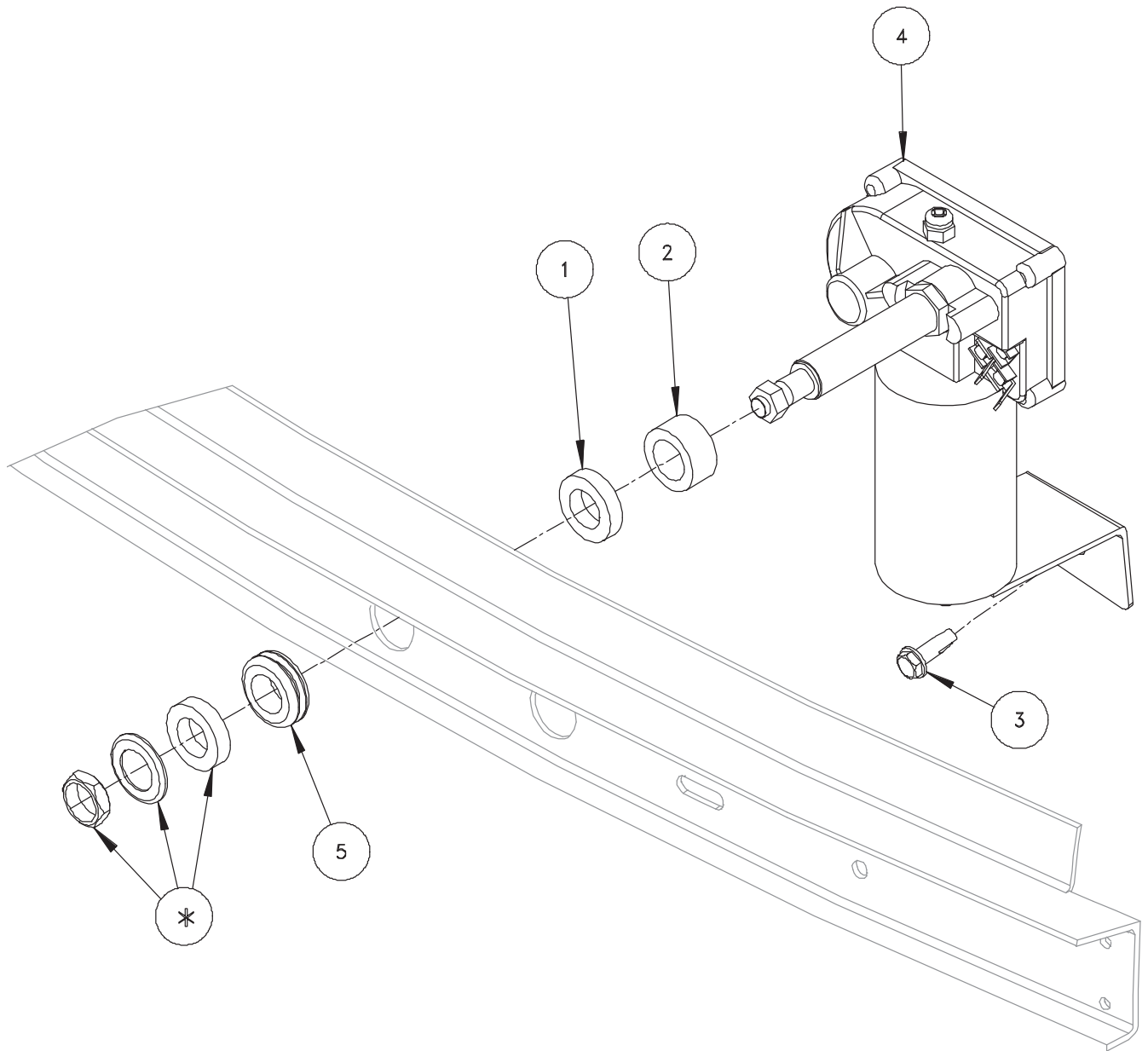
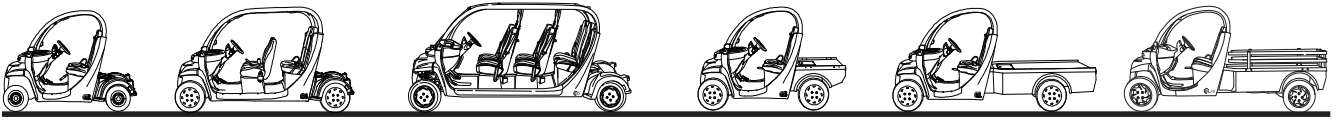
NOTE: APPLY THREAD SEALANT TO SCREW PRIOR TO ASSEMBLY.



**ASSY, LICENSE PLATE LAMP**

<u>ITEM</u>	<u>PART NO.</u>	<u>DESCRIPTION</u>	<u>QTY.</u>
1	0521-00317	NUT, KEPS - 8-32 ZINC PLATED	2
2	0523-00282	SCREW, MACH PAN HEAD PHIL 8-32 X 3/4 ZN	2
3	0606-00117	TERMINAL, SPADE - MALE INSULATED 1/4 22 - 18 GA WIRE	1
4	0606-00206 0606-00760	KIT, LICENSE PLATE LAMP CHROME OPTION	1 1

NOTE: LENS AND SCREW ARE PART OF ITEM #4



**ASSY, WIPER MOTOR WINDSHIELD WIPER**

<u>ITEM</u>	<u>PART NO.</u>	<u>DESCRIPTION</u>	<u>QTY.</u>
1	0518-00085	BUSHING, RUBBER - 1.06245 OD X 0.625 ID X	1
2	0519-00230	SPACER, SPECIAL NYLON	1
3	0523-00032	SCREW, HEX - WASHER HEAD SELF DRILL 1/4	1
4	0610-00254	MOTOR, WIPER - DIN 8	1
5	0618-00434	GROMMET, SBR RUBBER - 5/8" ID X 1/8" GROOVE FOR 7/8" HOLE	1

\* STARRED PARTS ARE SUPPLIED WITH ITEM #4