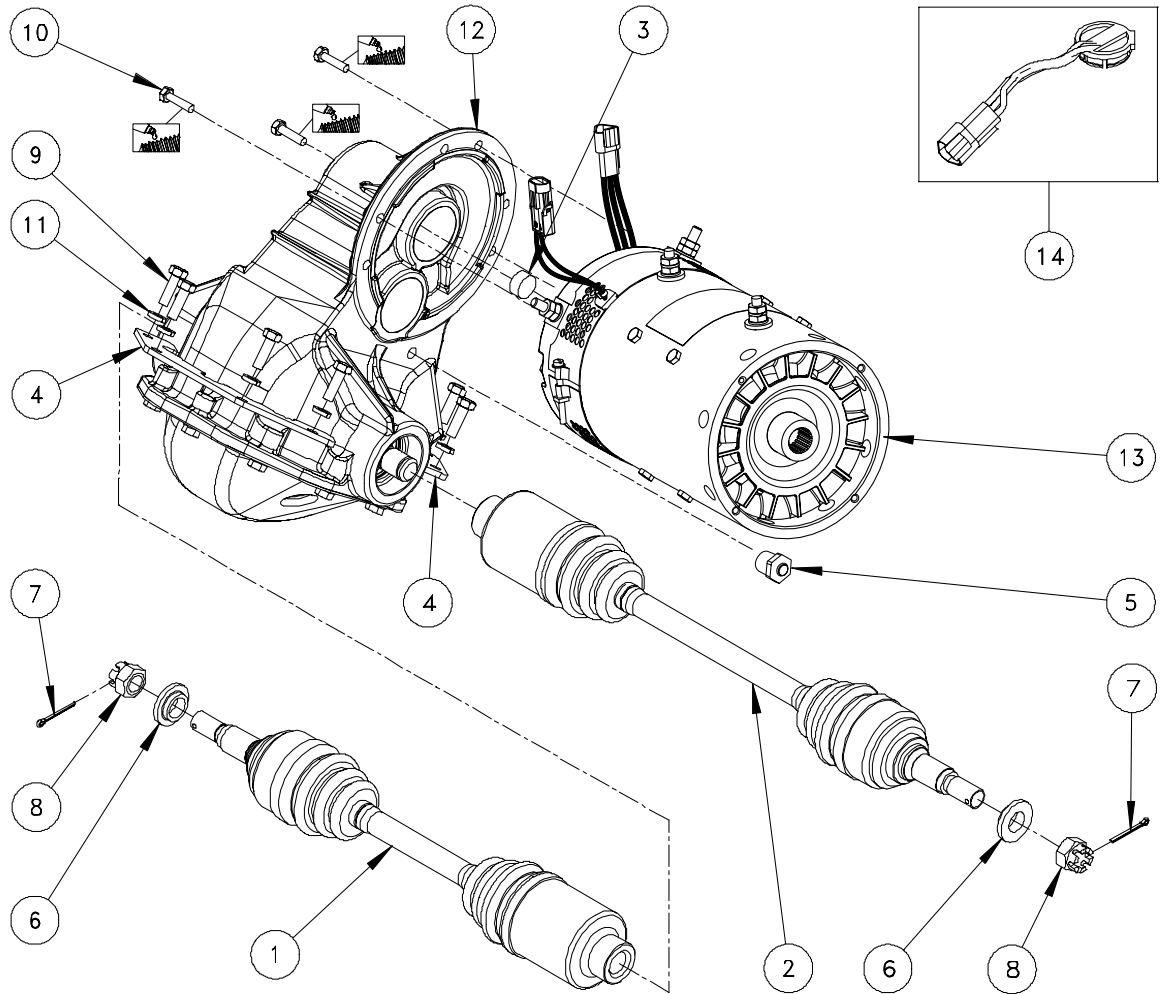
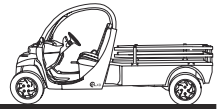
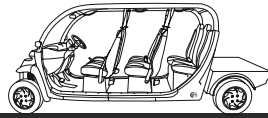


ASSY, DRIVE LINE - 72 VOLT 46 IN WIDE -

<u>ITEM</u>	<u>PART NO.</u>	<u>DESCRIPTION</u>	<u>QTY.</u>
1	0113-02685	ASSY, HALF SHAFT - LH TRI POD	1
2	0113-02686	ASSY, HALF SHAFT - RH (LONG) TRI POD	1
3	0313-00168	BUMPER, RESILIENT - DIFF TO MOTOR	1
4	0313-00417	KEEPER, GEARBOX DIFF	2
5	0613-00645	DIFFERENTIAL BREATHER VENT	1
6	0324-01480	WASHER, AXLE SHAFT	2
7	0510-00409	PIN, COTTER 1/8 X 1.25 LG ZC	2
8	0521-00401	NUT, HEX - CASTLE - M16 x 2.0 - ZNC	2
9	0522-00016	BOLT, HEX - 5/16 - 18 UNC X 1.0 GR 5 ZINC PLATED	8
10	0522-00056	BOLT, HEX - 1/4 - 20 UNC X 1.0 GR 8 ZN YL ZINC PLATED	3
11	0524-00081	WASHER, LOCK - 5/16 ZINC PLATED	8
12	0613-00643	ASSY, GEAR BOX DIFFERENTIAL W/BREATHER VENT- 12.44:1	1
13	0613-00541	MOTOR, ELECTRIC - 72 VOLT, 5 HP, HEAVY DUTY	1
14	0606-00272	ASSY, SENSOR - SPEED	1



= ADD LOCTITE ® 242 OR EQUIVALENT

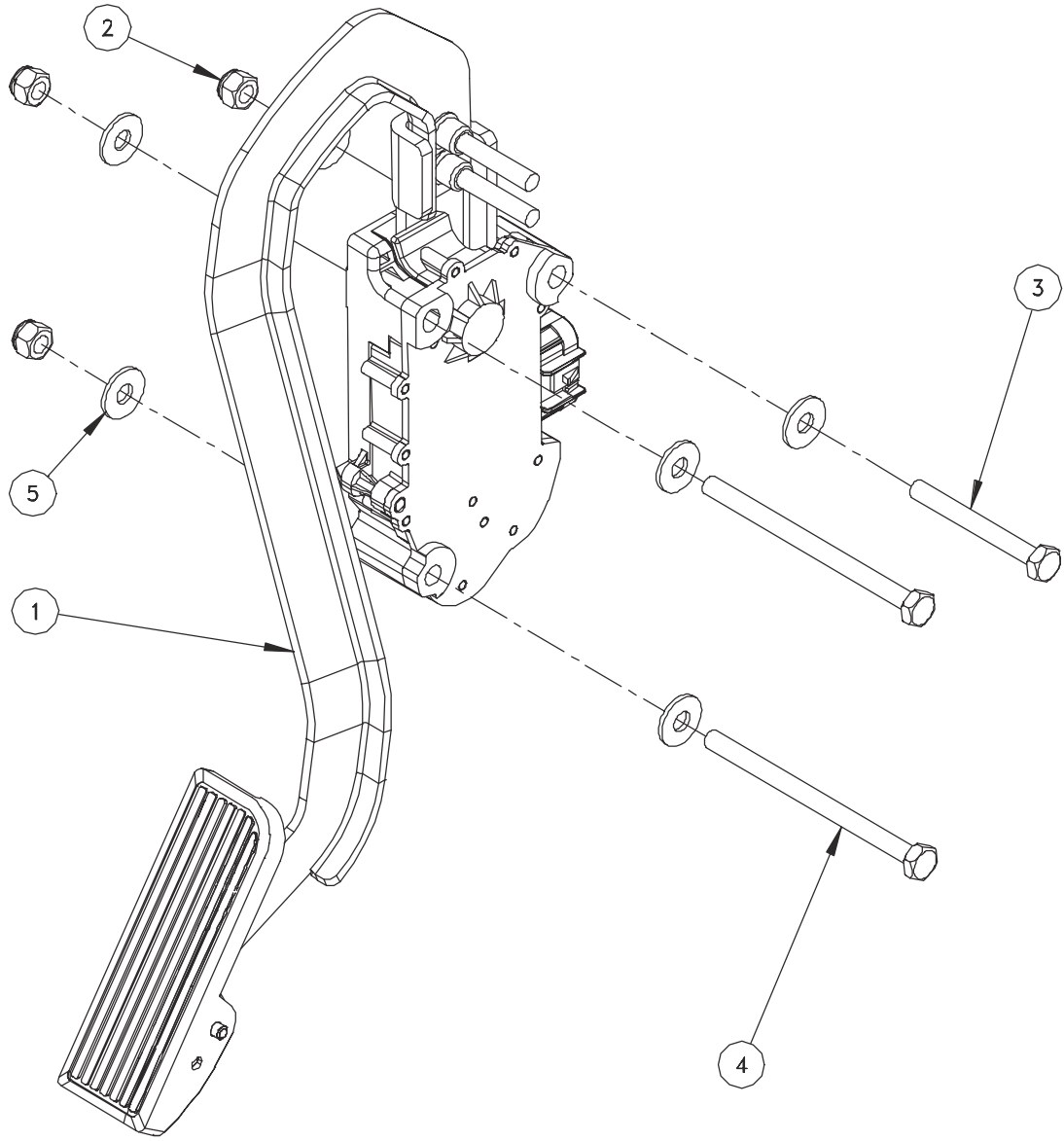
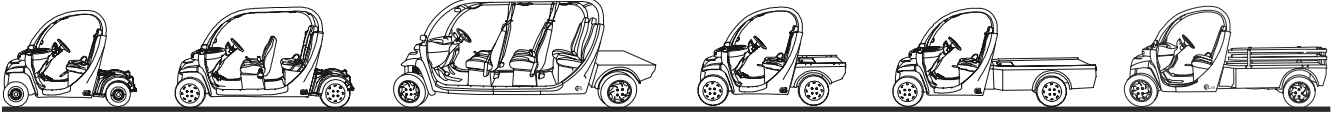


ASSY, DRIVE LINE - 72 VOLT 46 IN WIDE -

<u>ITEM</u>	<u>PART NO.</u>	<u>DESCRIPTION</u>	<u>QTY.</u>
1	0113-02685	ASSY, HALF SHAFT - LH TRI POD	1
2	0113-02686	ASSY, HALF SHAFT - RH (LONG) TRI POD	1
3	0313-00168	BUMPER, RESILIENT - DIFF TO MOTOR	1
4	0313-00417	KEEPER, GEARBOX DIFF	2
5	0613-00645	DIFFERENTIAL BREATHER VENT	1
6	0324-01480	WASHER, AXLE SHAFT	2
7	0510-00409	PIN, COTTER 1/8 X 1.25 LG ZC	2
8	0521-00401	NUT, HEX - CASTLE - M16 x 2.0 - ZNC	2
9	0522-00016	BOLT, HEX - 5/16 - 18 UNC X 1.0 GR 5 ZINC PLATED	8
10	0522-00056	BOLT, HEX - 1/4 - 20 UNC X 1.0 GR 8 ZN YL ZINC PLATED	3
11	0524-00081	WASHER, LOCK - 5/16 ZINC PLATED	8
12	0613-00582	ASSY, GEAR BOX DIFFERENTIAL - 14.76:1	1
13	0613-00724	MOTOR, ELECTRIC VENTED 7 HP, WITH THERMAL PROTECTION	1
14	0606-00272	ASSY, SENSOR - SPEED	1

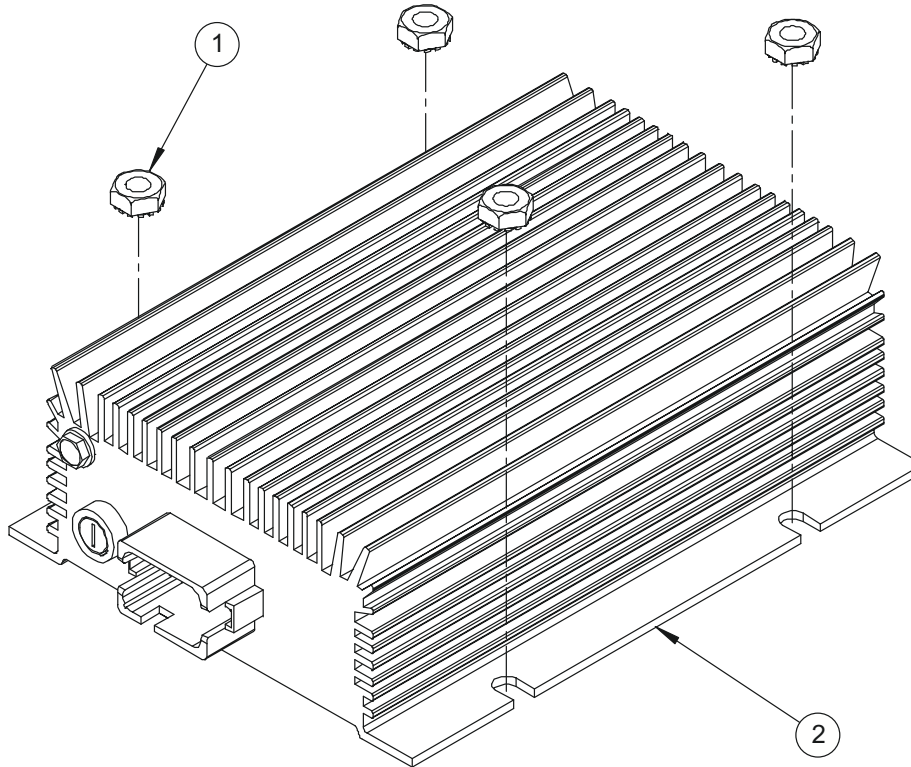
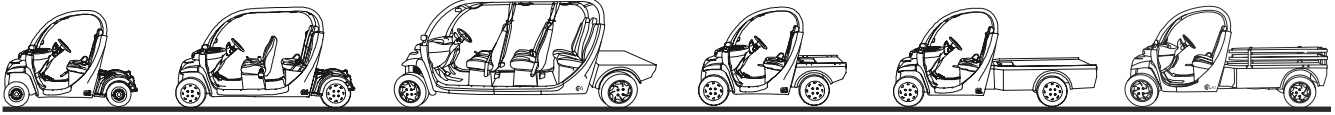


= ADD LOCTITE ® 242 OR EQUIVALENT



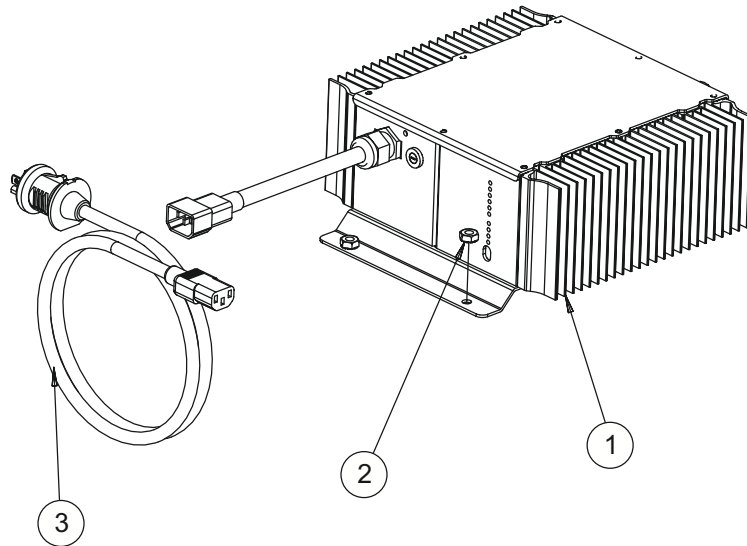
ASSY, ACCELERATOR PEDAL

ITEM	PART NO.	DESCRIPTION	QTY.
1	0148-01000	ASSY, PEDAL - ACCELERATOR	1
2	0521-00050	NUT, HEX - NYLOCK 1/4-20 UNC GR5 ZN	3
3	0522-00201	BOLT, HEX - 1/4 - 20 UNC X 2.25 GR5 ZN ZINC PLATED	1
4	0522-00365	BOLT, HEX - 1/4 - 20 UNC X 3.75 LG GR 5 ZNC PLT	2
5	0524-00062	WASHER, FLAT - 1/4 0.282 ID X 0.715 OD X 0.063 THK ZN	6



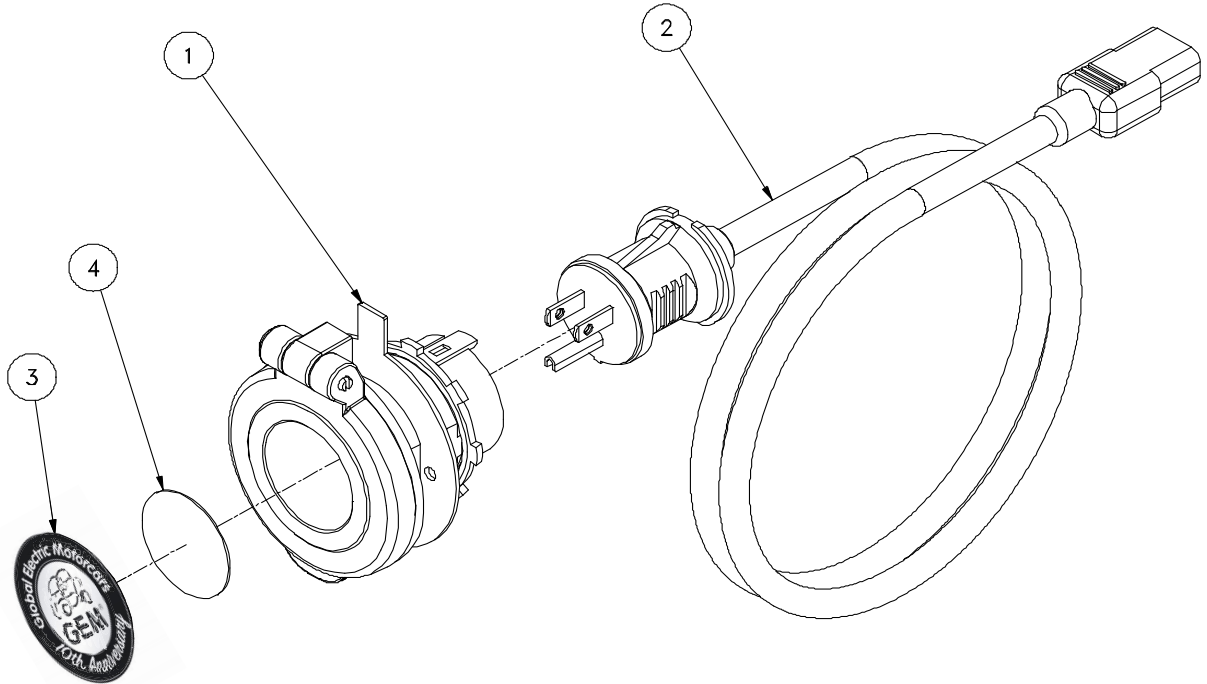
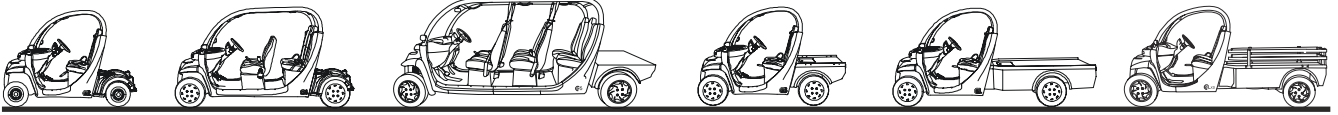
ASSY, CONVERTER - 72V/12V 30 AMP (SURE POWER)

<u>ITEM</u>	<u>PART NO.</u>	<u>DESCRIPTION</u>	<u>QTY.</u>
1	0521-00071	NUT, KEPS - 1/4 - 20 UNC ZINC PLATED GR 5 ZINC PLATED	4
2	0606-00421	CONVERTER, 72V/12V - 30AMP	1



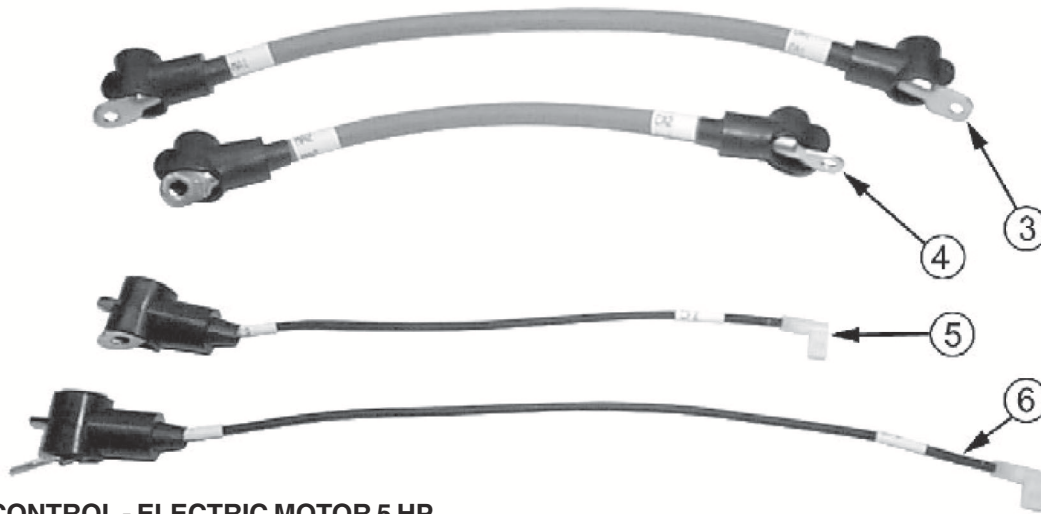
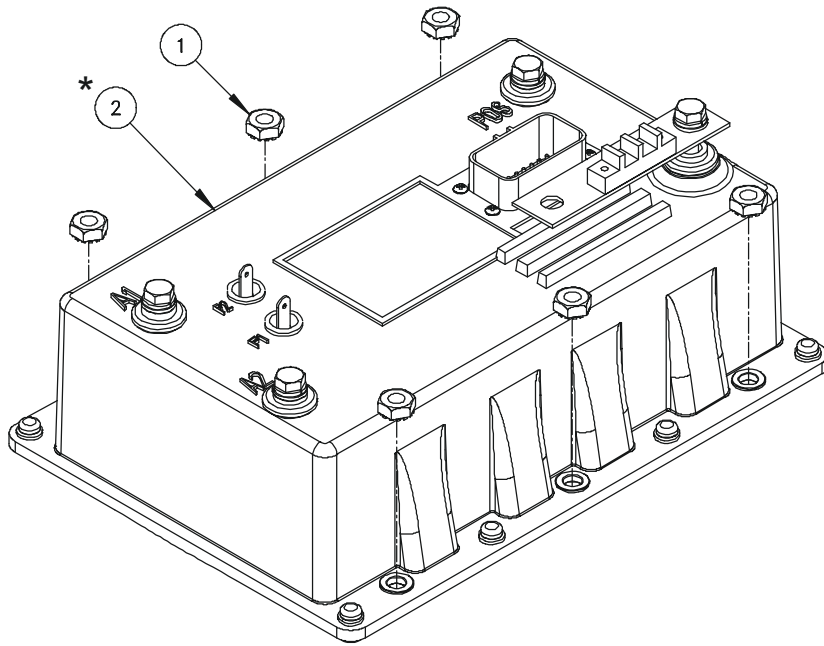
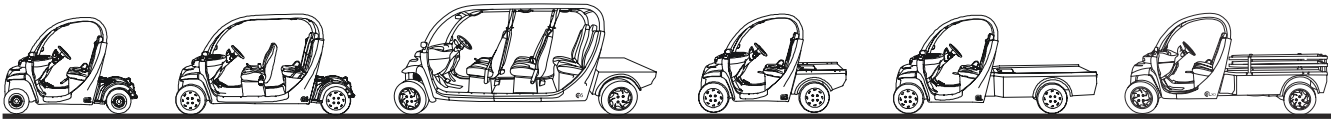
ASSY, CHARGER - 72 V 12 AMP WITH SERIAL

<u>ITEM</u>	<u>PART NO.</u>	<u>DESCRIPTION</u>	<u>QTY.</u>
1	0606-00678	CHARGER, 72 V - 12 AMP W/SERIAL	1
2	0521-00071	NUT, KEPS - 1/4 - 20 UNC ZINC PLATED	4
3	0306-01135	CORD, EXTERIOR CHARGING INLET	1



ASSY, EXTERIOR CHARGING INLET, 15A/125VAC, NEMA 5-15

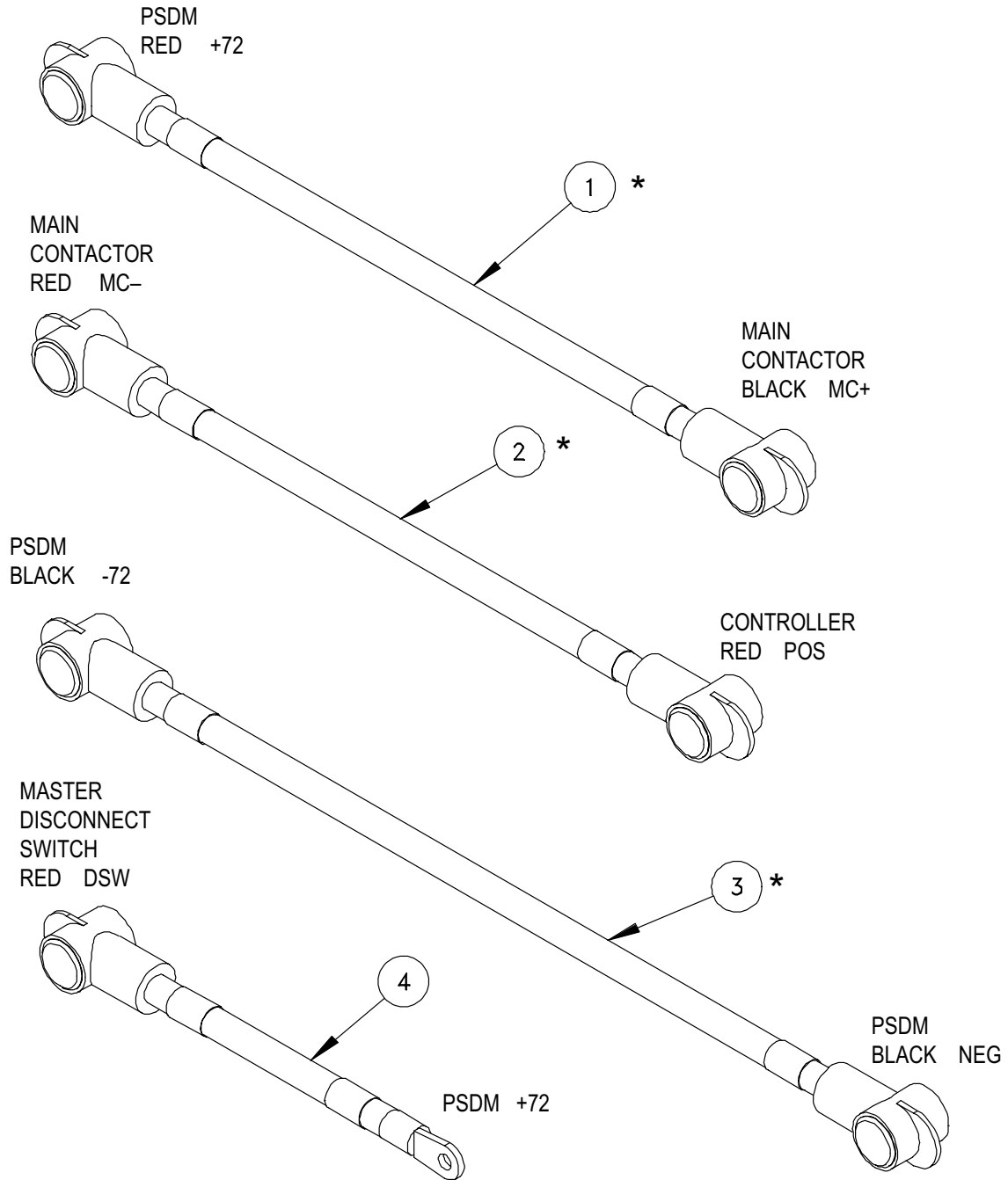
<u>ITEM</u>	<u>PART NO.</u>	<u>DESCRIPTION</u>	<u>QTY.</u>
1	0110-00832	ASSY, EXTERIOR CHARGING INLET HOUSING	1
2	0306-01135	CORD, EXTERIOR CHARGING INLET	1
3	0350-02145	DECAL, EXTERIOR CHARGING INLET - 10TH ANNIVERSARY	1
	0350-02144	DECAL, EXTERIOR CHARGING INLET - EMBLEM STANDARD	1
4	0305-02618	DECAL, EXTERIOR CHARGING INLET - FILLER	1



ASSY, CONTROL - ELECTRIC MOTOR 5 HP

ITEM	PART NO.	DESCRIPTION	QTY.
1	0521-00071	NUT, KEPS - 1/4 - 20 UNC ZINC PLATED GR 5 ZINC PLATED	6
*2	0606-00628	CONTROL, ELECTRIC MOTOR - 5 HP 72 V 12 IN WHL *(When ordering a replacement controller, please specify the vehicles battery type, odometer reading and wheel/tire type and size.)	1
3	0106-01047	ASSY, CABLE MA1 TO CA1	1
4	0106-01048	ASSY, CABLE MA2 TO CA2	1
5	0106-01049	ASSY, CABLE MF2 TO CF2	1
6	0106-01050	ASSY, CABLE MF1 TO CF1	1

*FOR e6 & eLXD MODELS SEE PAGES 65 AND 77



ASSY, CABLES

<u>ITEM</u>	<u>PART NO.</u>	<u>DESCRIPTION</u>	<u>QTY.</u>
1	0106-01038	ASSY, CABLE 72+ MC+	1
*2	0106-01039	ASSY, CABLE MC- TO POS	1
*3	0106-01040	ASSY, CABLE NEG TO 72 GND	1
4	0106-01070	ASSY, CABLE +72 TO DSW	1

*DOES NOT APPLY TO e6 & eLXD MODELS. SEE PAGE 77.

ASSY, WIRE HARNESS - 2-PASS

<u>ITEM</u>	<u>PART NO.</u>	<u>DESCRIPTION</u>	<u>QTY.</u>
1	0106-02177	ASSY, WIRE HARNESS - FRONT	1
2	0106-01027	ASSY, WIRE HARNESS - CONVERTER	1
3	0106-02176	ASSY, WIRE HARNESS - CONTROLLER	1
4	0106-01757	ASSY, WIRE HARNESS - TAILLIGHT	1
5	0106-02144	ASSY, REAR HARNESS AND CABLE (SHORT)	1
6	0106-02184	ASSY, WIRE HARNESS - PARK BRAKE	1
7	0106-02185	ASSY, WIRE HARNESS - TURN SIGNALS	1
8	0106-01030	ASSY, WIRE HARNESS - STEERING COLUMN	1
*	0106-02219	ASSY, WIRE HARNESS - HEADLIGHT NY	1

ASSY, WIRE HARNESS - 4-PASS

<u>ITEM</u>	<u>PART NO.</u>	<u>DESCRIPTION</u>	<u>QTY.</u>
1	0106-02177	ASSY, WIRE HARNESS - FRONT	1
2	0106-01027	ASSY, WIRE HARNESS - CONVERTER	1
3	0106-02176	ASSY, WIRE HARNESS - CONTROLLER	1
4	0106-01757	ASSY, WIRE HARNESS - TAIL LIGHT	1
5	0106-02170	ASSY, REAR HARNESS AND CABLE	1
6	0106-02184	ASSY, WIRE HARNESS - PARK BRAKE	1
7	0106-02185	ASSY, WIRE HARNESS - TURN SIGNALS	1
8	0106-01030	ASSY, WIRE HARNESS - STEERING COLUMN	1
*	0106-02219	ASSY, WIRE HARNESS - HEADLIGHT NY	1

ASSY, WIRE HARNESS - 6-PASS

<u>ITEM</u>	<u>PART NO.</u>	<u>DESCRIPTION</u>	<u>QTY.</u>
1	0106-02175	ASSY, WIRE HARNESS - MAIN - e6	1
2	0106-02177	ASSY, WIRE HARNESS - FRONT	1
3	0106-01027	ASSY, WIRE HARNESS - CONVERTER	1
4	0106-02176	ASSY, WIRE HARNESS - CONTROLLER	1
5	0106-02184	ASSY, WIRE HARNESS - PARK BRAKE	1
6	0106-01757	ASSY, WIRE HARNESS - TAIL LIGHT	1
7	0106-02185	ASSY, WIRE HARNESS - TURN SIGNALS	1
8	0106-01030	ASSY, WIRE HARNESS - STEERING COLUMN	1
*	0106-02219	ASSY, WIRE HARNESS - HEADLIGHT NY	1

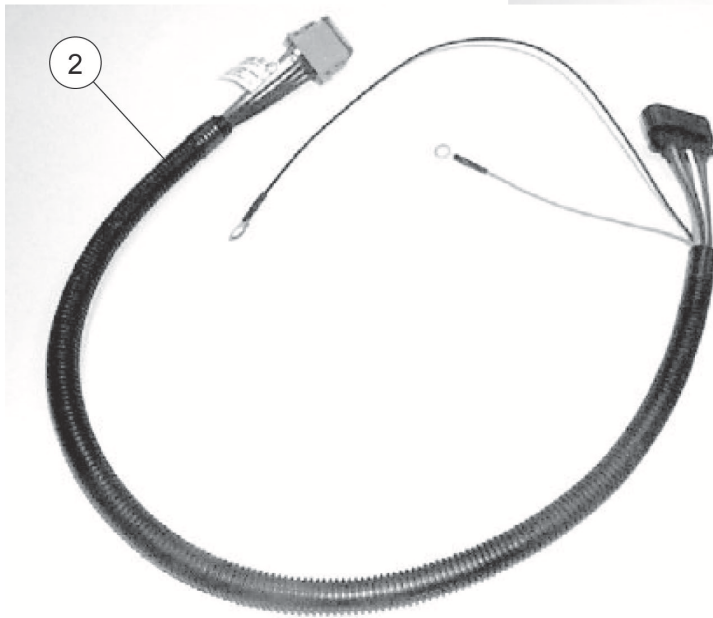
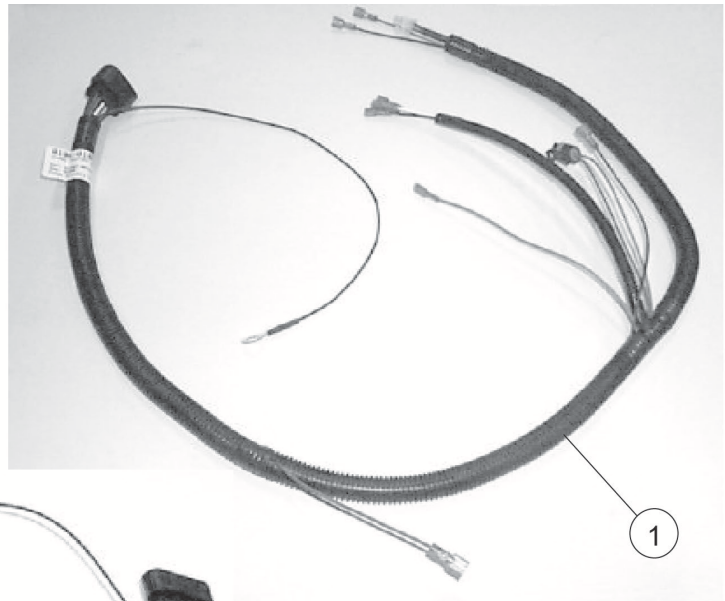
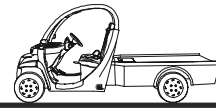
ASSY, WIRE HARNESS - SHORT BACK

<u>ITEM</u>	<u>PART NO.</u>	<u>DESCRIPTION</u>	<u>QTY.</u>
1	0106-02177	ASSY, WIRE HARNESS - FRONT	1
2	0106-01027	ASSY, WIRE HARNESS - CONVERTER	1
3	0106-02176	ASSY, WIRE HARNESS - CONTROLLER	1
4	0106-02144	ASSY, REAR HARNESS AND CABLE (SHORT)	1
5	0106-01312	ASSY, TAIL LIGHT HARNESS W/ GND - LNG BK	1
6	0106-02184	ASSY, WIRE HARNESS - PARK BRAKE	1
7	0106-02185	ASSY, WIRE HARNESS - TURN SIGNALS	1
8	0106-01030	ASSY, WIRE HARNESS - STEERING COLUMN	1
*	0106-02219	ASSY, WIRE HARNESS - HEADLIGHT NY	1

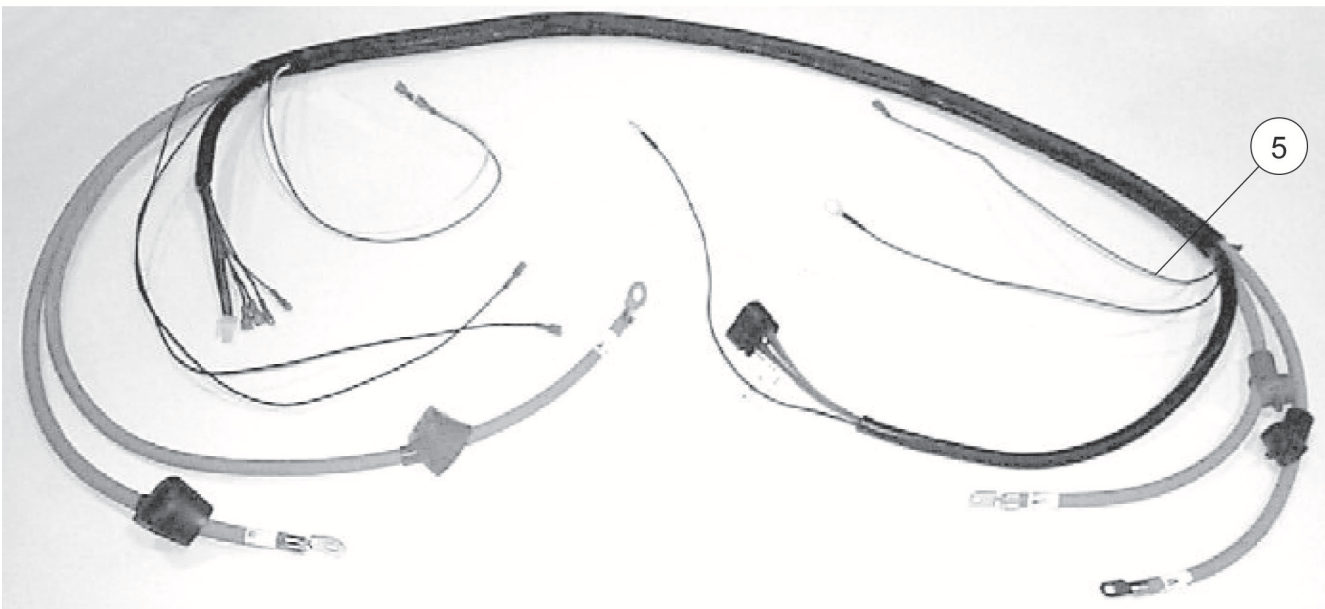
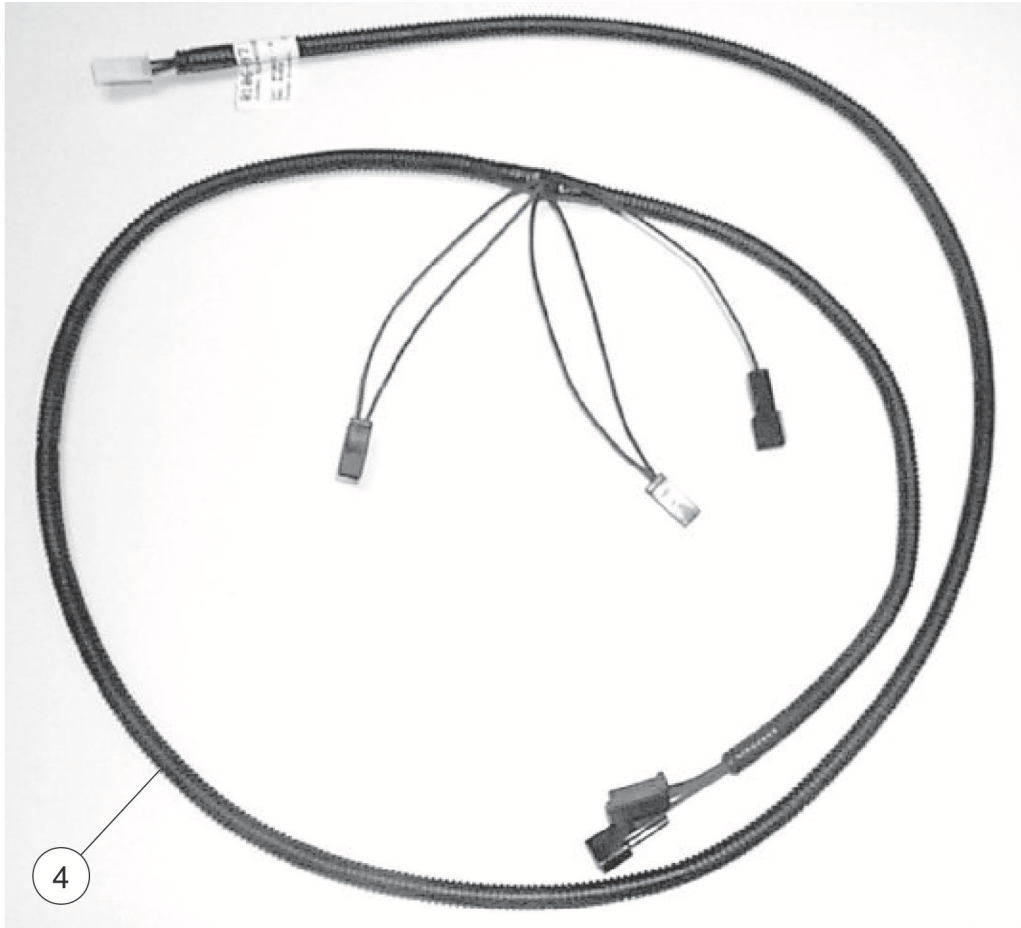
ASSY, WIRE HARNESS - LONG BACK

<u>ITEM</u>	<u>PART NO.</u>	<u>DESCRIPTION</u>	<u>QTY.</u>
1	0106-02177	ASSY, WIRE HARNESS - FRONT	1
2	0106-01027	ASSY, WIRE HARNESS - CONVERTER	1
3	0106-02176	ASSY, WIRE HARNESS - CONTROLLER	1
4	0106-02144	ASSY, REAR HARNESS AND CABLE (SHORT)	1
5	0106-01408	ASSY, TAIL LIGHT HARNESS W/ GND - LNG BK	1
6	0106-02184	ASSY, WIRE HARNESS - PARK BRAKE	1
7	0106-02185	ASSY, WIRE HARNESS - TURN SIGNALS	1
8	0106-01030	ASSY, WIRE HARNESS - STEERING COLUMN	1
*	0106-02219	ASSY, WIRE HARNESS - HEADLIGHT NY	1

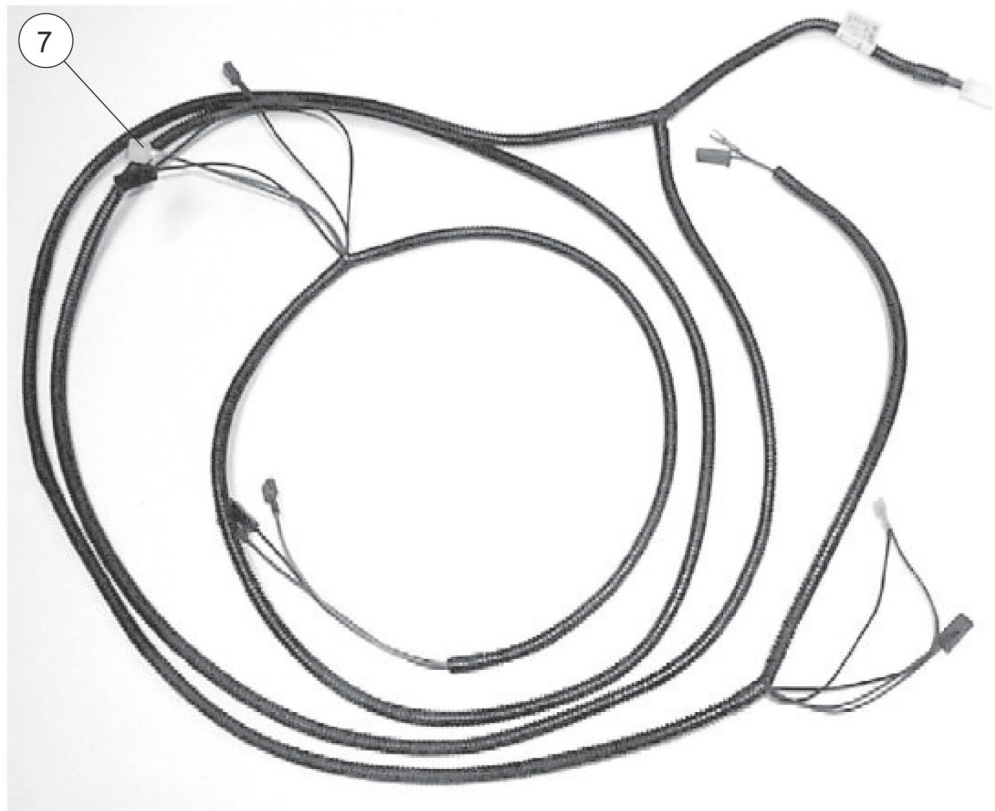
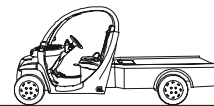
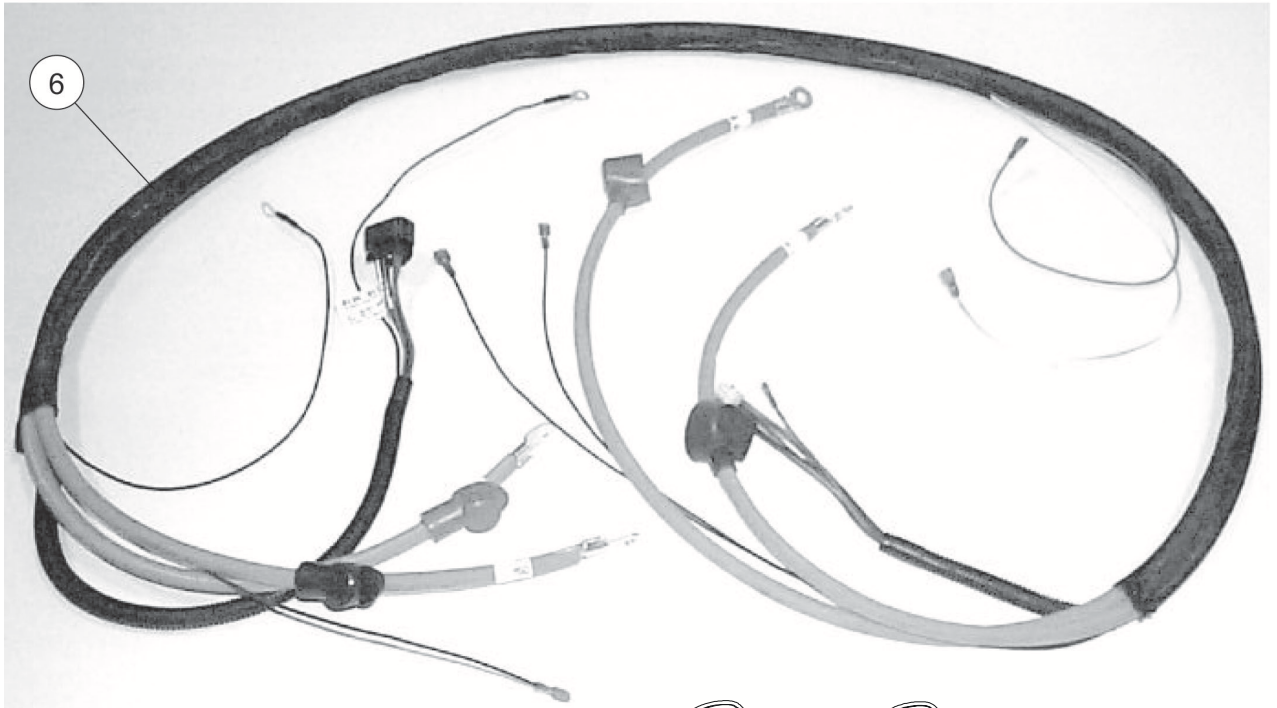
*NO PICTURE AVAILABLE



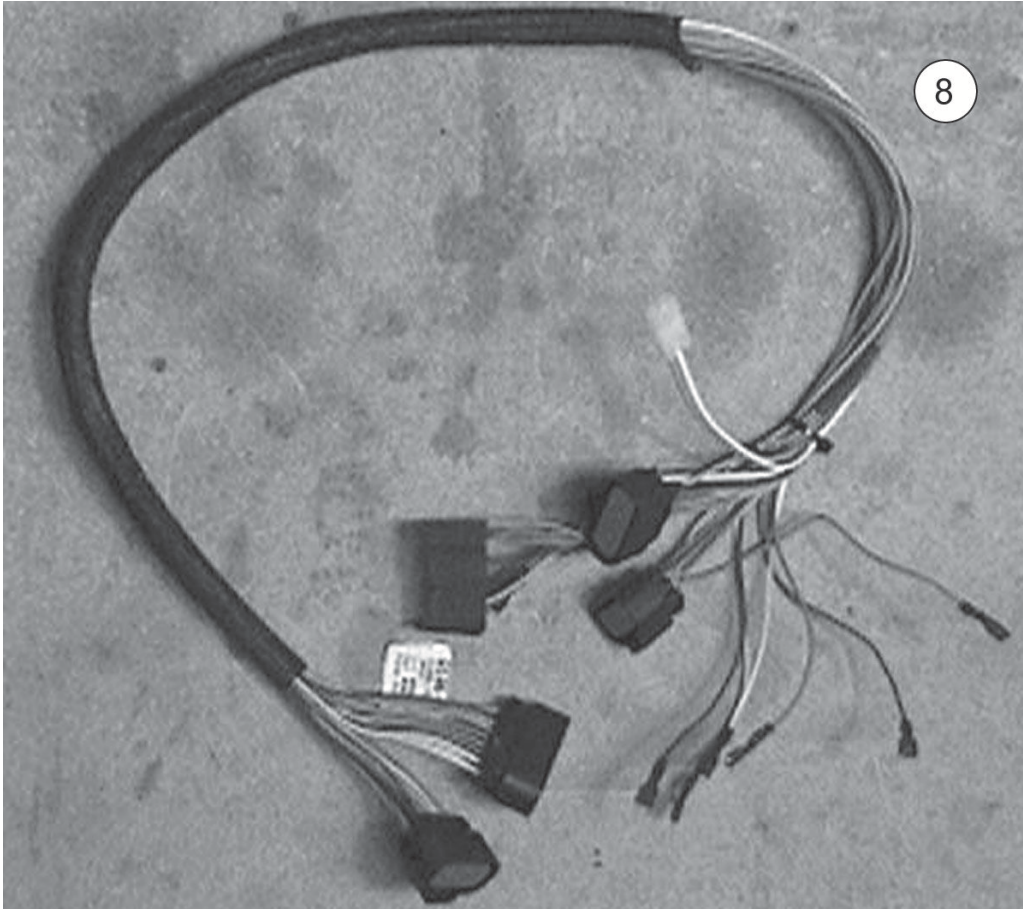
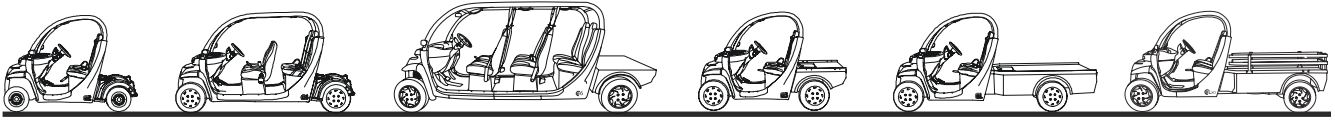
ITEM	PART NO.	DESCRIPTION	QTY.
1	0106-02177	ASSY, WIRE HARNESS - FRONT	1
2	0106-01027	ASSY, WIRE HARNESS - CONVERTER	1
3	0106-02176	ASSY, WIRE HARNESS - CONTROLLER	1



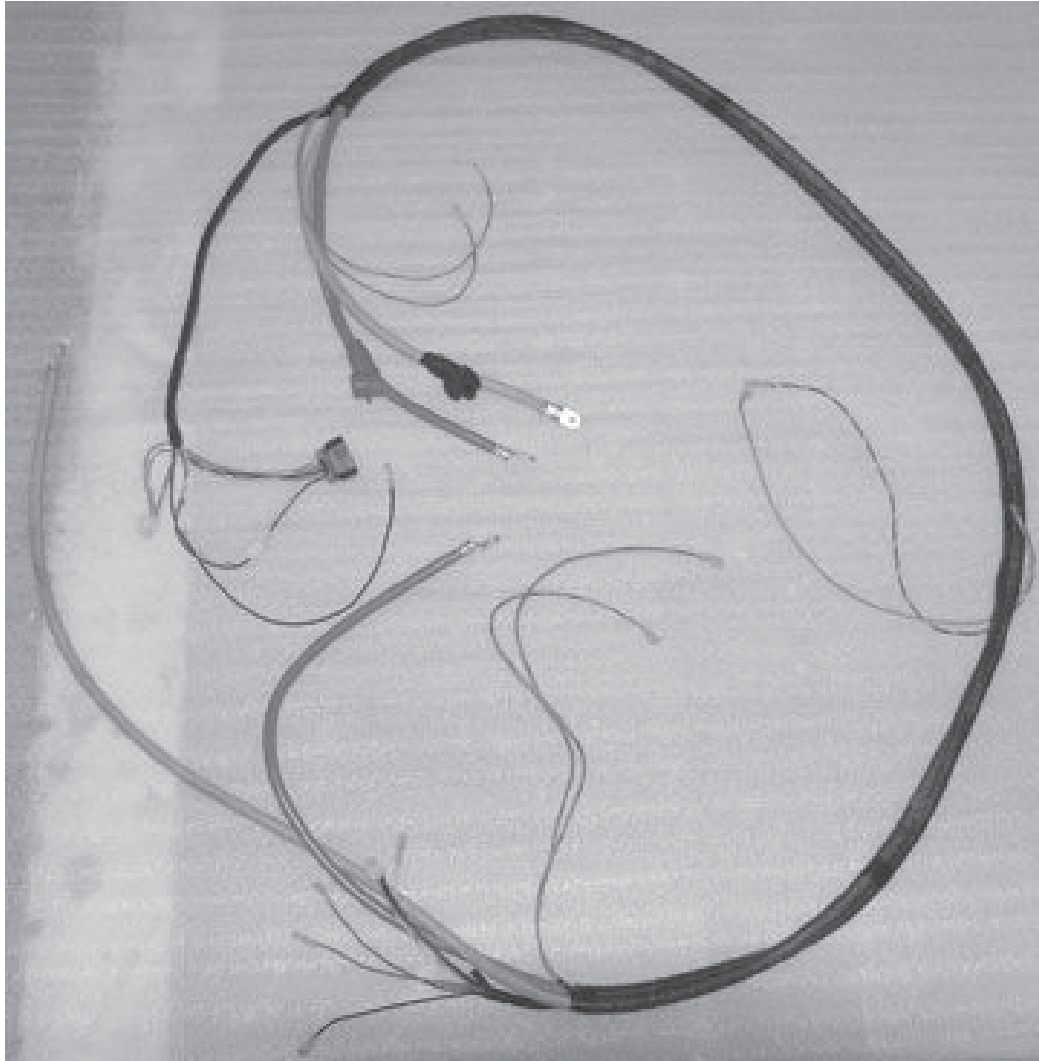
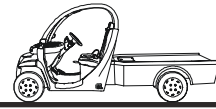
ITEM	PART NO.	DESCRIPTION	QTY.
4	0106-01757	ASSY, WIRE HARNESS - TAILLIGHT	1
5	0106-02144	ASSY, REAR HARNESS AND CABLE (SHORT)	1



ITEM	PART NO.	DESCRIPTION	QTY.
6	0106-02184	ASSY, REAR HARNESS - PARKING BRAKE	1
7	0106-02185	ASSY, WIRE HARNESS - TURN SIGNALS	1
8	0106-02339	ASSY, WIRE HARNESS - STEERING COLUMN	1

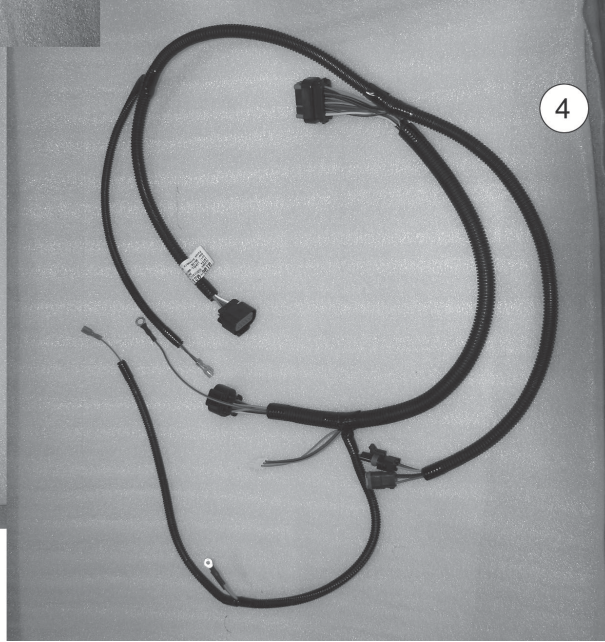
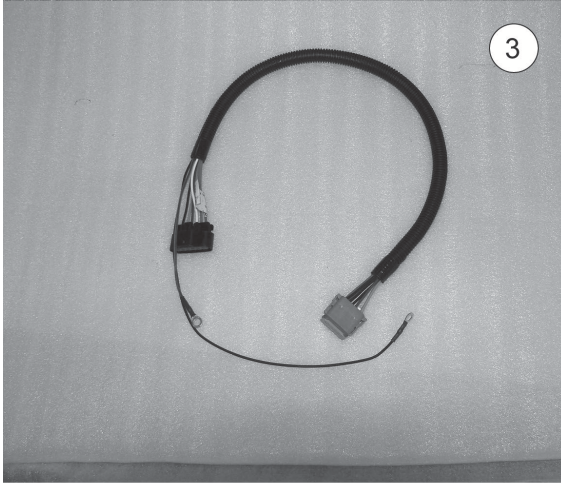
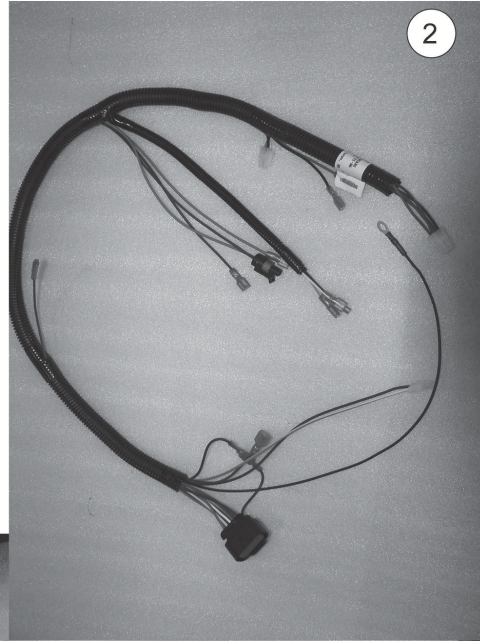
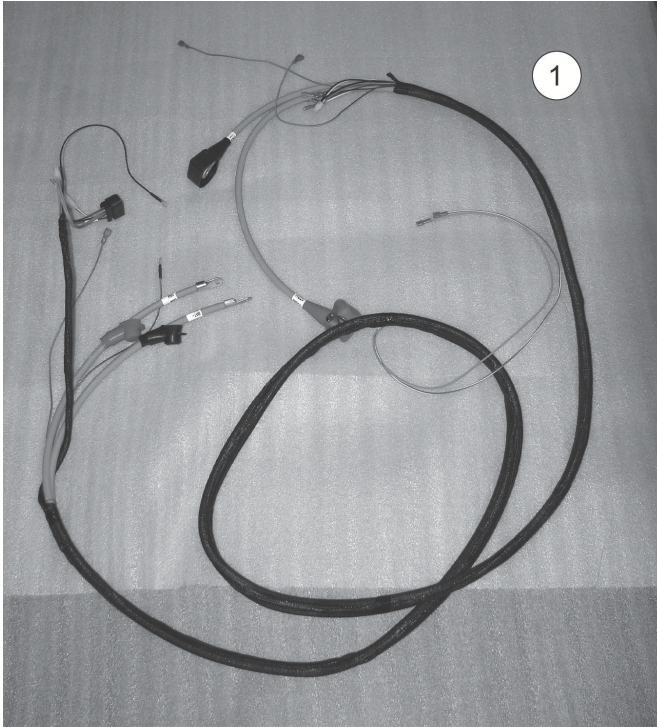
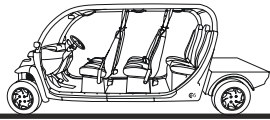


ITEM	PART NO.	DESCRIPTION	QTY.
8	0106-01030	ASSY, WIRE HARNESS - STEERING COLUMN	1



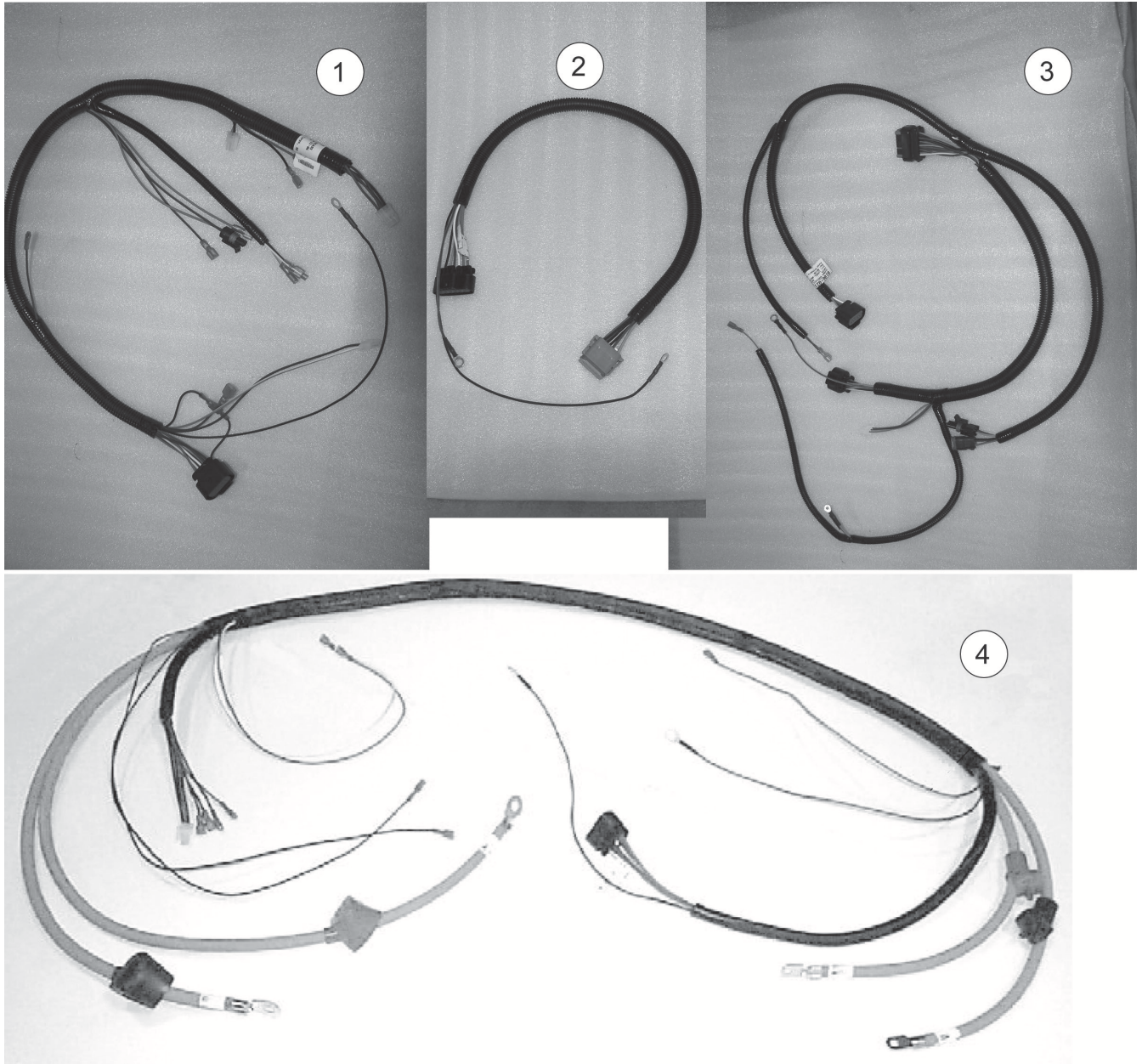
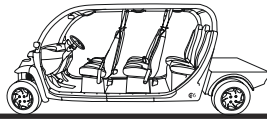
ASSY, WIRE HARNESS, MAIN - e2, eL, eS

ITEM	PART NO.	DESCRIPTION	QTY.
	0106-02144	ASSY, WIRE HARNESS, MAIN	1



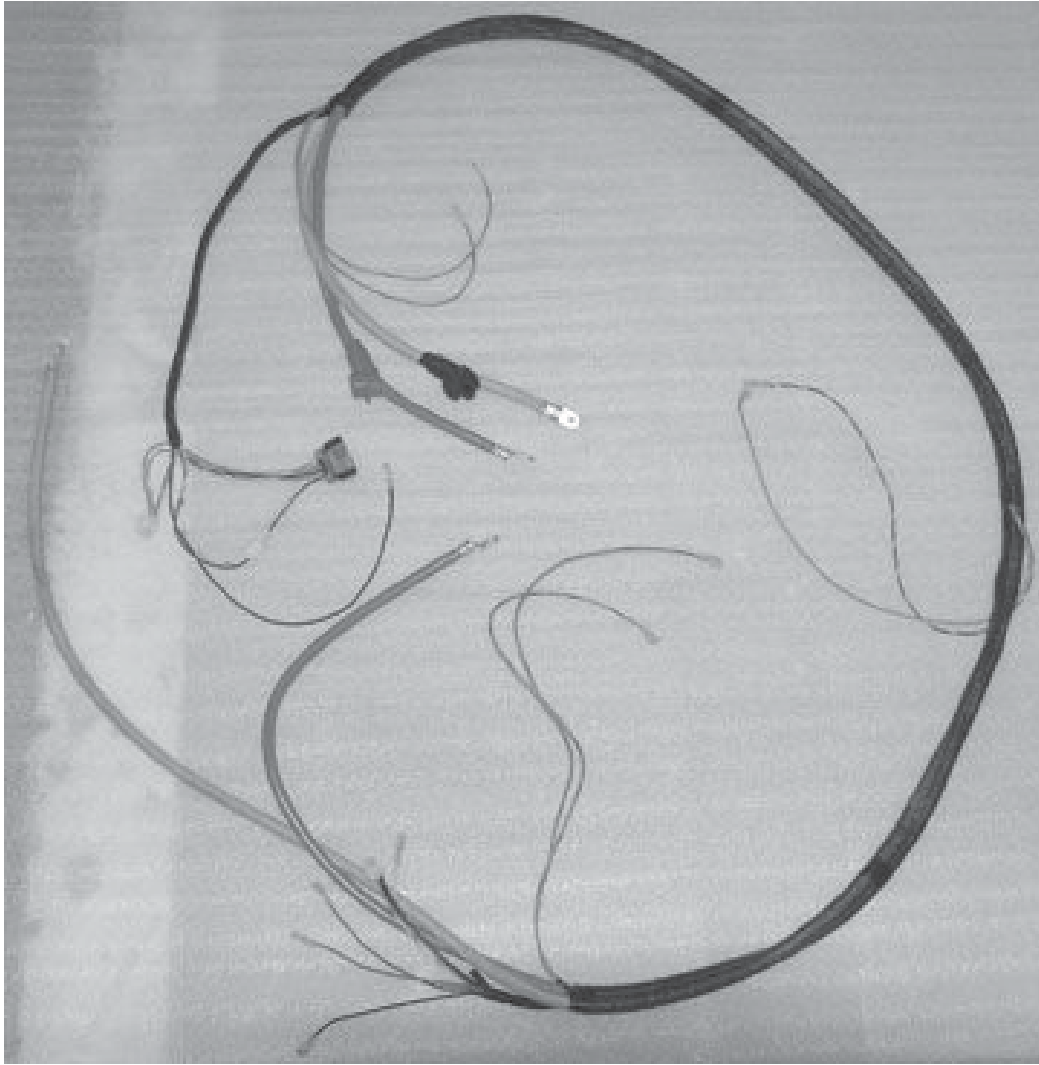
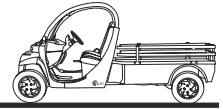
ASSY, WIRE HARNESS - e6

ITEM	PART NO.	DESCRIPTION	QTY.
1	0106-02175	ASSY, WIRE HARNESS, MAIN -	1
2	0106-02177	ASSY, WIRE HARNESS - FRONT -	1
3	0106-01027	ASSY, WIRE HARNESS - CONVERTER	1
4	0106-02227	ASSY, WIRE HARNESS - MAIN - e6	1



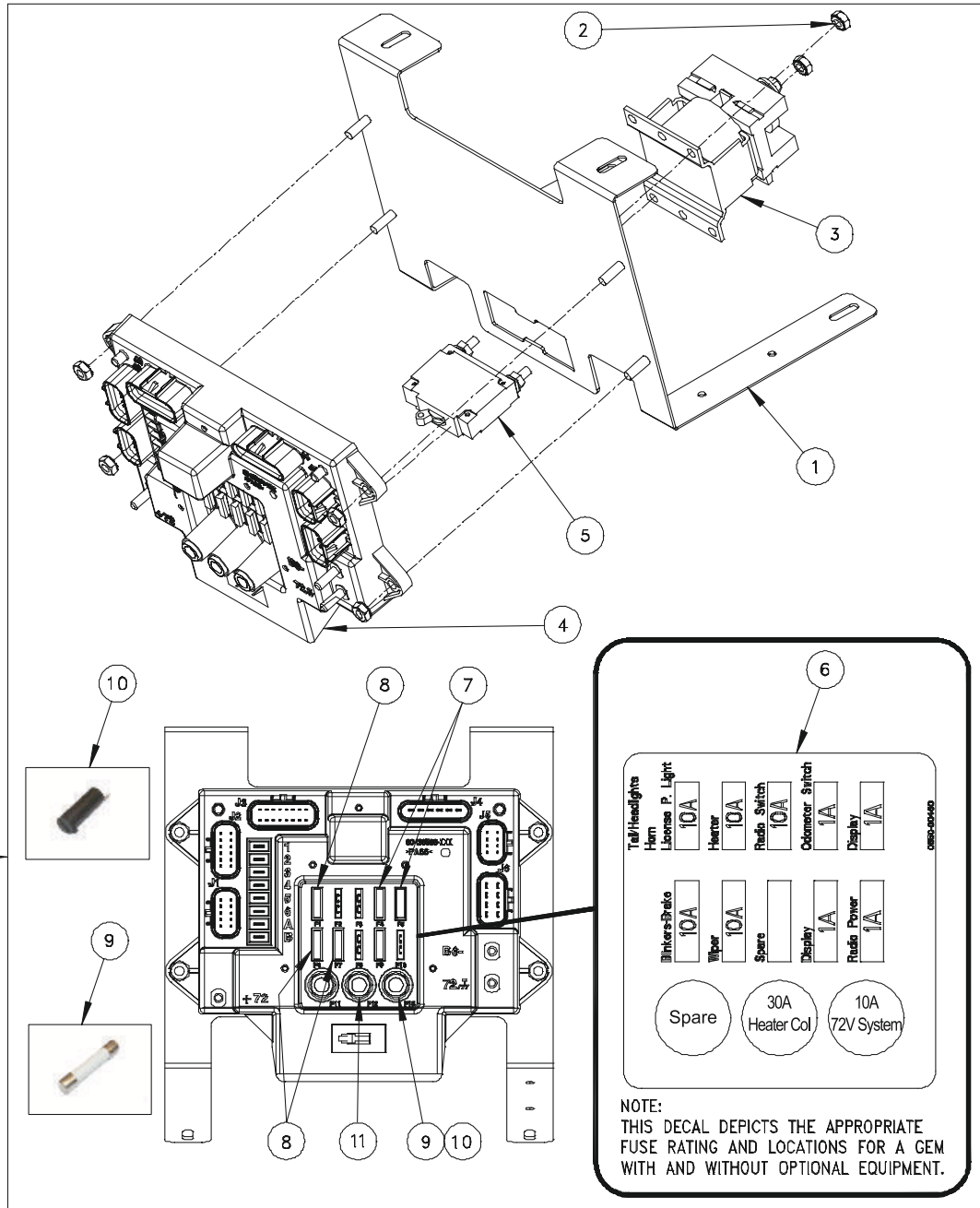
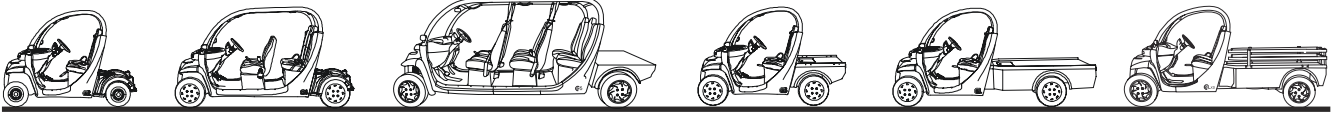
ASSY, WIRE HARNESS - e6S

<u>ITEM</u>	<u>PART NO.</u>	<u>DESCRIPTION</u>	<u>QTY.</u>
1	0106-02177	ASSY, WIRE HARNESS - FRONT	1
2	0106-01027	ASSY, WIRE HARNESS - CONVERTER	1
3	0106-02144	ASSY, WIRE HARNESS - MAIN	1
4	0106-01312	ASSY, TAILLIGHT HARNESS W/ GND - LNG BK	1



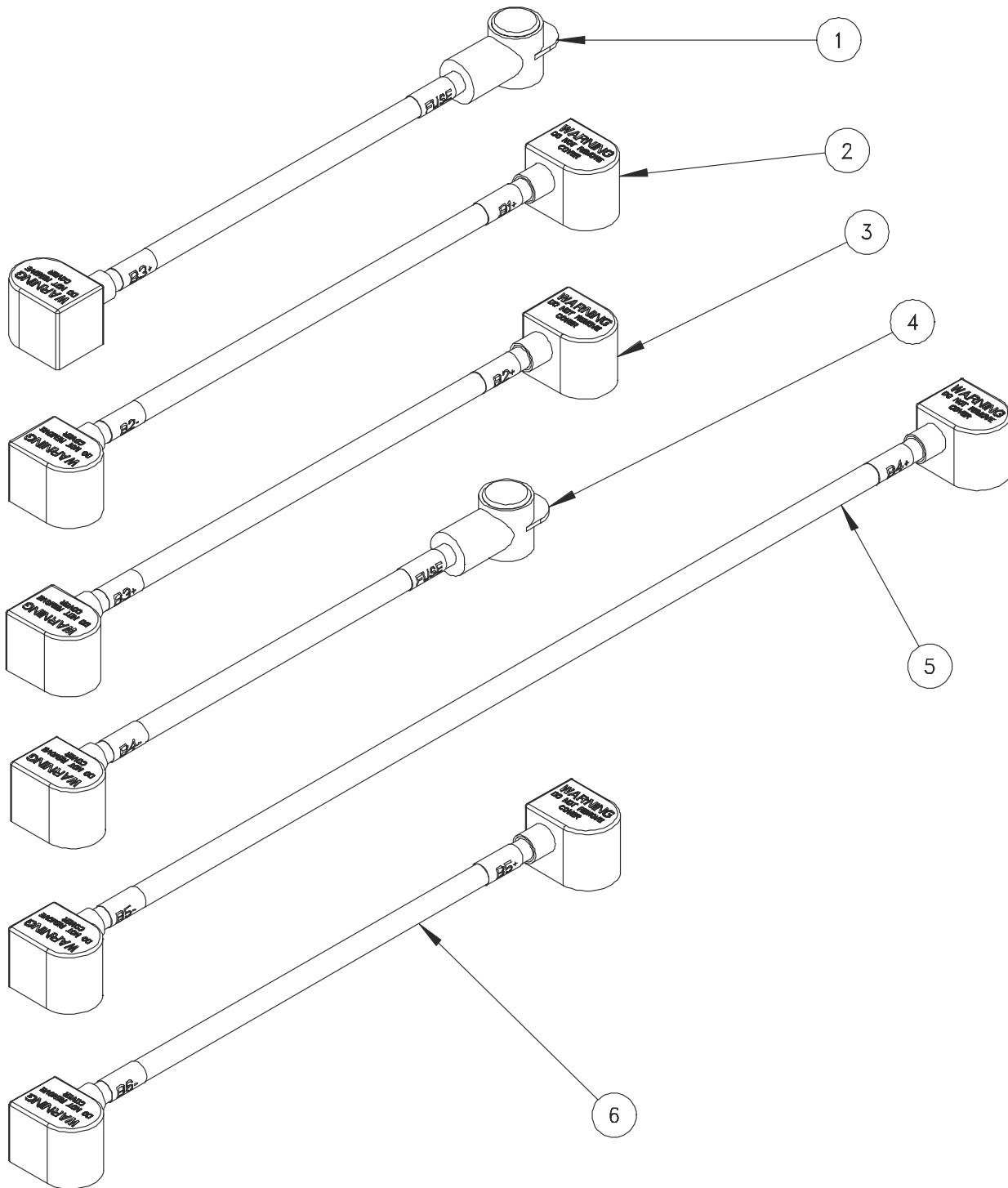
ASSY, WIRE HARNESS - eLXD

<u>ITEM</u>	<u>PART NO.</u>	<u>DESCRIPTION</u>	<u>QTY.</u>
	0106-02160	ASSY, WIRE HARNESS, MAIN	1



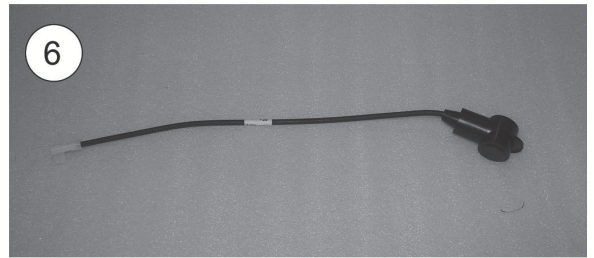
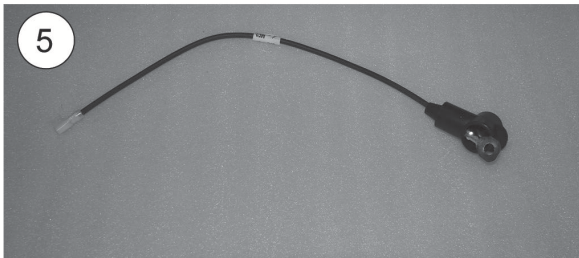
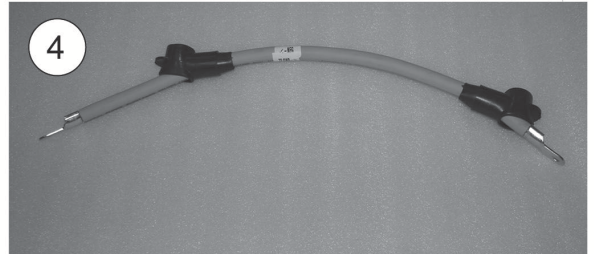
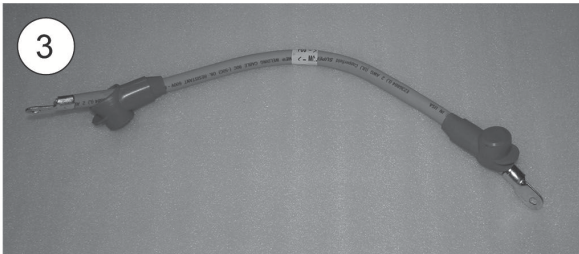
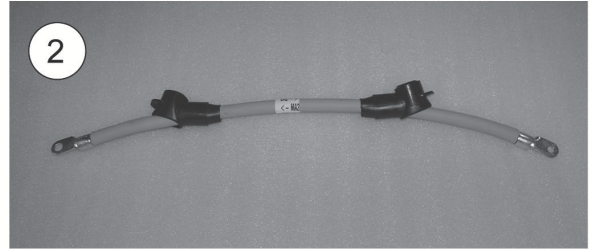
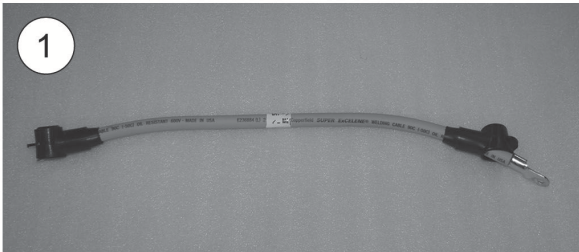
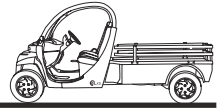
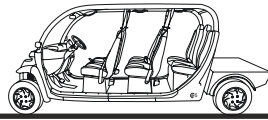
ASSY, PSDM TO DASH SUPPORT

ITEM	PART NO.	DESCRIPTION	QTY.
1	0151-01283	ASSY, PSDM PLATE	1
2	0521-00071	NUT, KEPS - 1/4 - 20 UNC ZINC PLATED	6
3	0606-00420	CONTACTOR, MAIN - 100A	1
4	0606-00436	MODULE, POWER & SIGNAL DISTRIBUTION PSDM	1
5	0606-00445	SWITCH, DISCONNECT - 100A	1
6	0650-00460	DECAL, FUSE BLOCK - VIN 37417	1
7	0606-00476	FUSE, ATC-1	2
8	0606-00293	FUSE, ATC-10	4
9	0606-00474	FUSE, CARTRIDGE - 10 AMP SLO-BLO	3
10	0606-00454	CAPS, FUSE HOLDER	3
11	0606-00515	FUSE, CERAMIC TUBE - 30A SLO- BLO	1
12	0106-01285	ASSY, PSDM	1



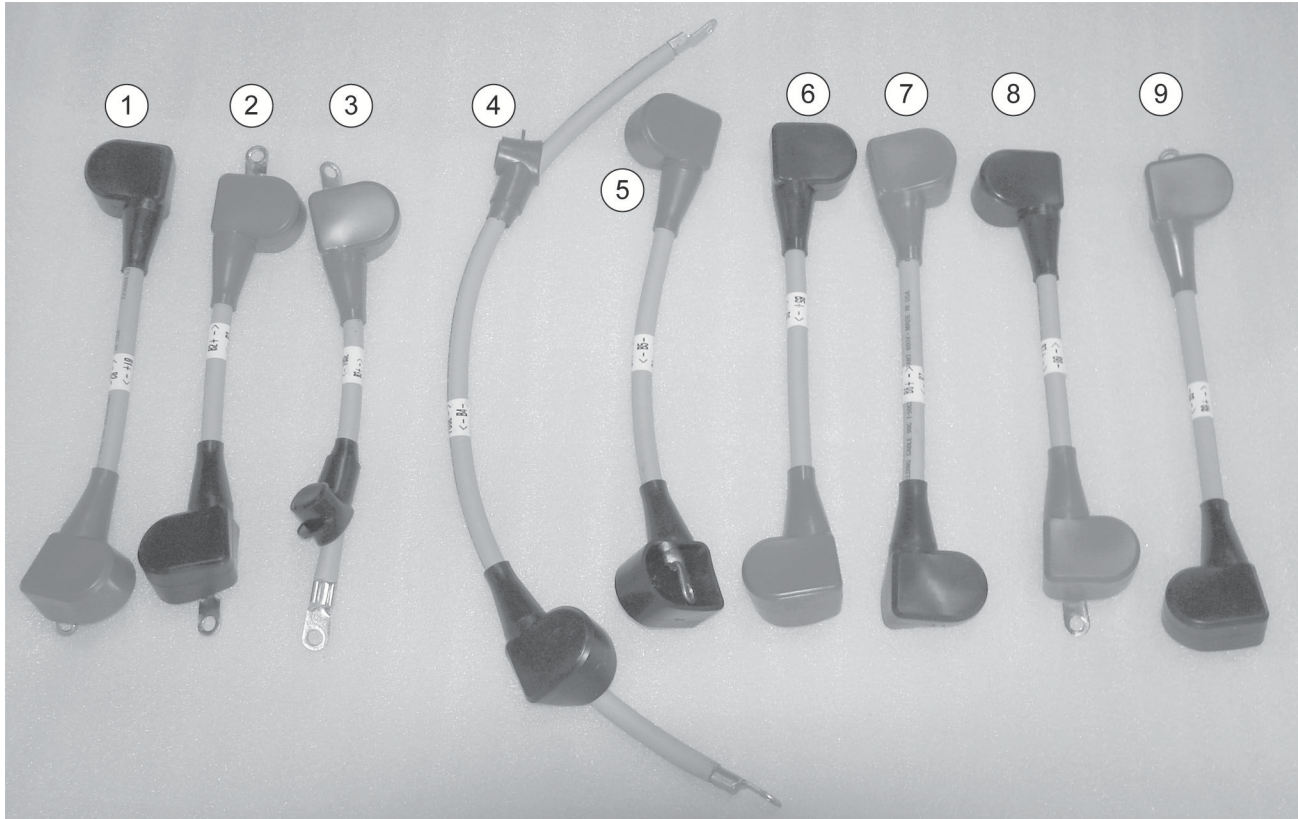
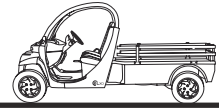
ASSY, BATTERY CABLE

<u>ITEM</u>	<u>PART NO.</u>	<u>DESCRIPTION</u>	<u>QTY.</u>
1	0106-01036	ASSY, CABLE B3+ TO FUSE	1
2	0106-01042	ASSY, CABLE B1+ TO B2-	1
3	0106-01043	ASSY, CABLE B2+ TO B3-	1
4	0106-01044	ASSY, CABLE FUSE TO B4-	1
5	0106-01045	ASSY, CABLE B4+ TO B5-	1
6	0106-01046	ASSY, CABLE B5+ TO B6-	1



ASSY, CABLES - e6 & eLXD

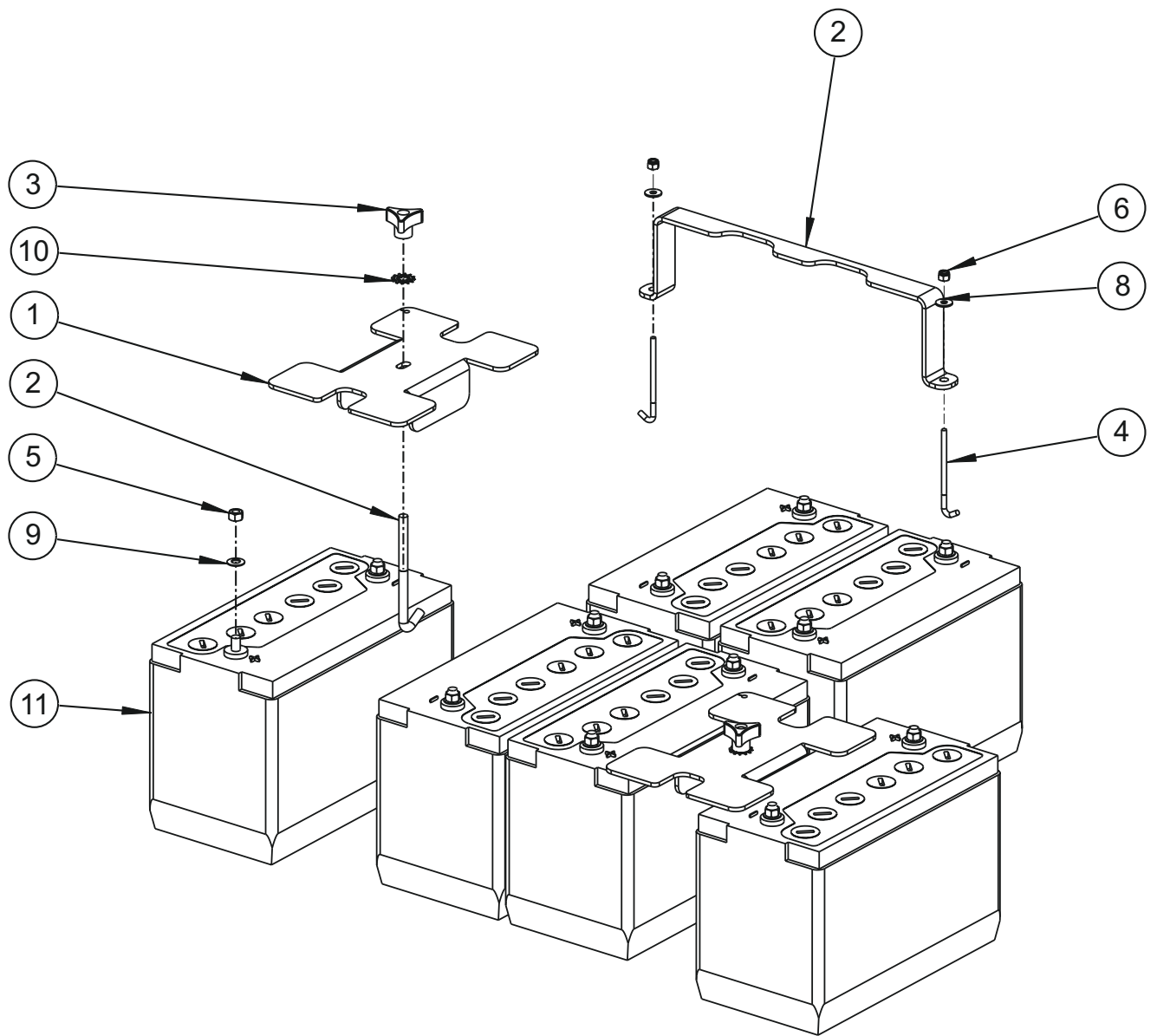
<u>ITEM</u>	<u>PART NO.</u>	<u>DESCRIPTION</u>	<u>QTY.</u>
1	0106-02056	ASSY, CABLE - MA1 TO CA1	1
2	0106-02057	ASST, CABLE - MA2 TO CA2	1
3	0106-02058	ASSY, CABLE - POS TO MC-	1
4	0106-02059	ASSY, CABLE NEG TO 72 GND	1
5	0106-01049	ASSY, CABLE MF2 TO CF2	1
6	0106-01050	ASSY, CABLE MF1 TO CF1	1



ASSY, BATTERY INTERCONNECTS - eLXD 8V

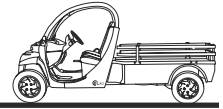
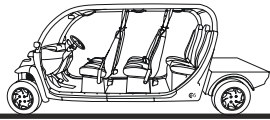
<u>ITEM</u>	<u>PART NO.</u>	<u>DESCRIPTION</u>	<u>QTY.</u>
1	0106-02235	ASSY, CABLE 5/16 RING - B1+ TO B2-	1
2	0106-02236	ASSY, CABLE 5/16 RING - B2+ TO B3-	1
3	0106-02237	ASSY, CABLE 5/16 RING - B3+ TO FUSE	1
4	0106-02238	ASSY, CABLE 5/16 RING - FUSE TO B4-	1
5	0106-02239	ASSY, CABLE 5/16 RING - B4+ TO B5-	1
6	0106-02240	ASSY, CABLE 5/16 RING - B5+ TO B6-	1
7	0106-02241	ASSY, CABLE 5/16 RING - B6+ TO B7-	1
8	0106-02242	ASSY, CABLE 5/16 RING - B7+ TO B8-	1
9	0106-02243	ASSY, CABLE 5/16 RING - B8+ TO B9-	1
*10	0524-00477	WASHER, CONICAL ID. 0.317, OD. 0.625, H. 0.059, T. 0.047	18

*NOT SHOWN



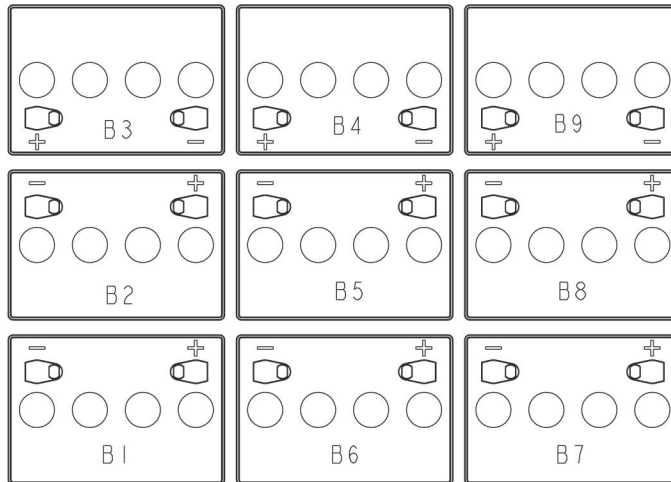
ASSY, BATTERY LEAD ACID FLD-REAR HLD DWN

ITEM	PART NO.	DESCRIPTION	QTY.
1	0306-01944	BRACKET, BATTER HOLD DOWN	2
2	0306-02124	BRKT, BATTERY HOLD DOWN	1
3	0506-00481	KNOB, 3/8 - 16 3 PRONG	2
4	0510-00336	HOOK, J THREADED 1/4 - 20 UNC X 4"	2
5	0510-00479	HOOK, J THREADED 3/8 - 16 UNC X 5-1/2"	2
6	0521-00050	NUT, HEX - NYLOCK 1/4-20 UNC GR5	2
7	0510-00335	NUT, 3/8-16 FIN. HEX NUT, 18-8 STAINLESS	12
8	0524-00062	WASHER, FLAT - 1/4 0.282 ID X 0.715 OD X 0.063 THK ZN	2
9	0524-00244	WASHER, CONICAL - ID 0.380, OD .750, H 0.059, T 0.040, ZN	12
10	0524-00482	WASHER, LOCK - 3/8 EXTERNAL/INTERNAL STAR ZP	2
11	0606-00584	BATTERY, 12 VOLT DEKA FLOODED EV31	6



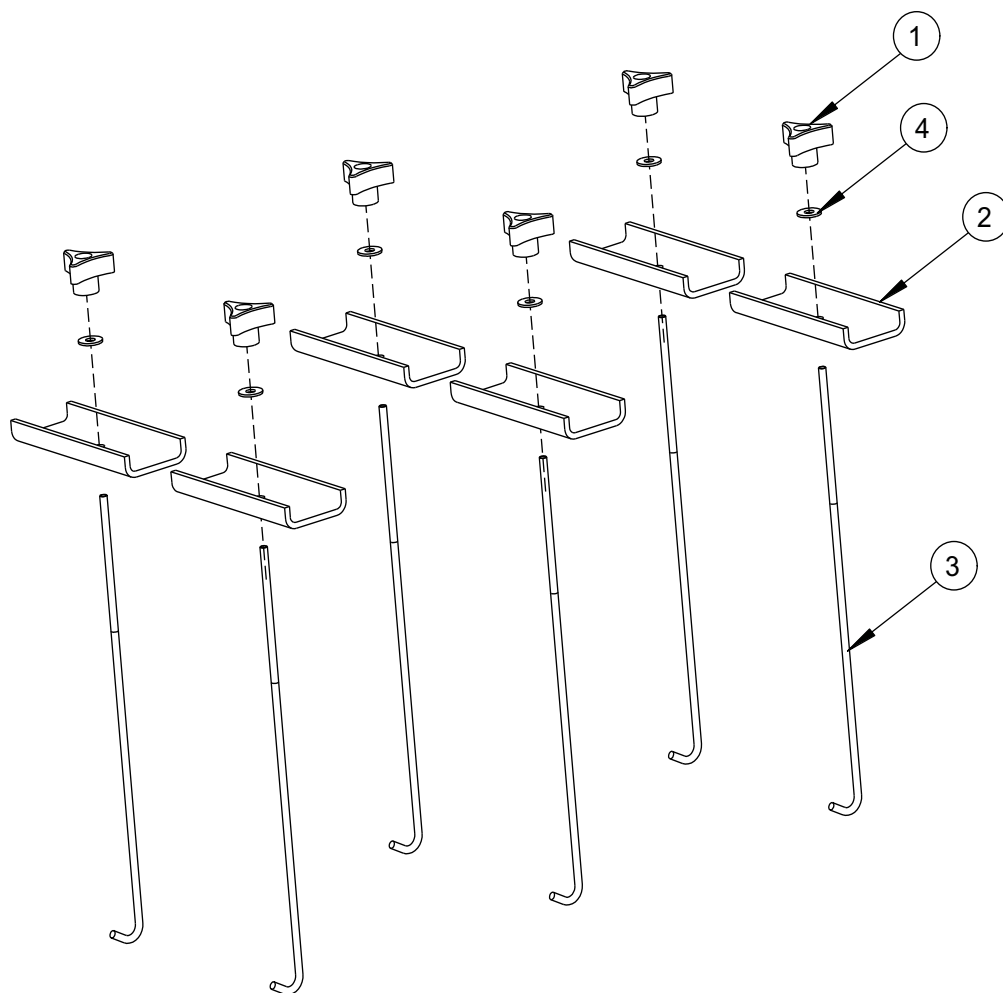
1

2



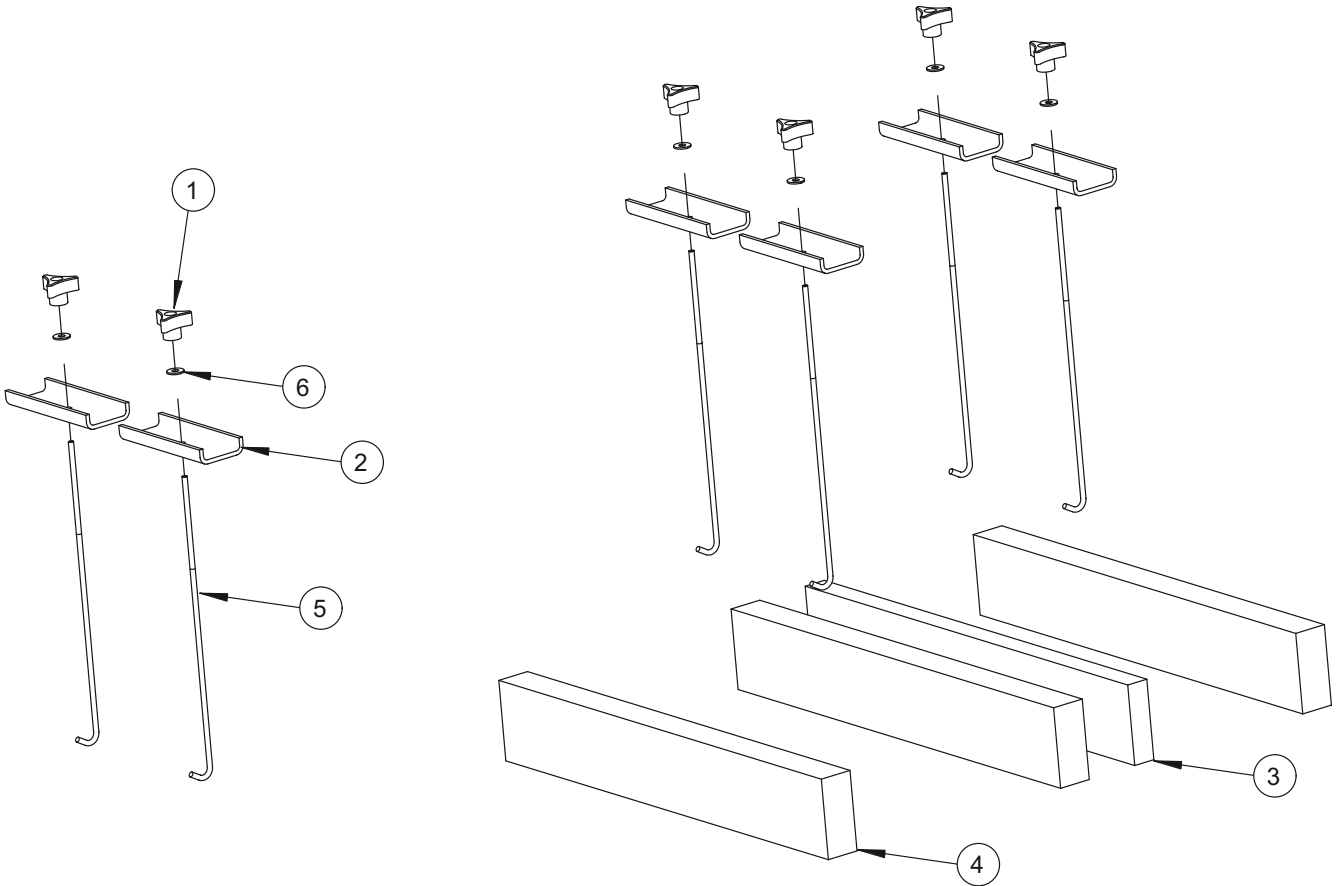
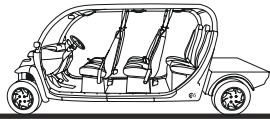
OPTIONS, BATTERIES 8V, GEL

<u>ITEM</u>	<u>PART NO.</u>	<u>DESCRIPTION</u>	<u>QTY.</u>
1	0107-02252	BATTERIES, GEL 8V	1
2	0606-00578	BATTERIES, GEL 8V	9



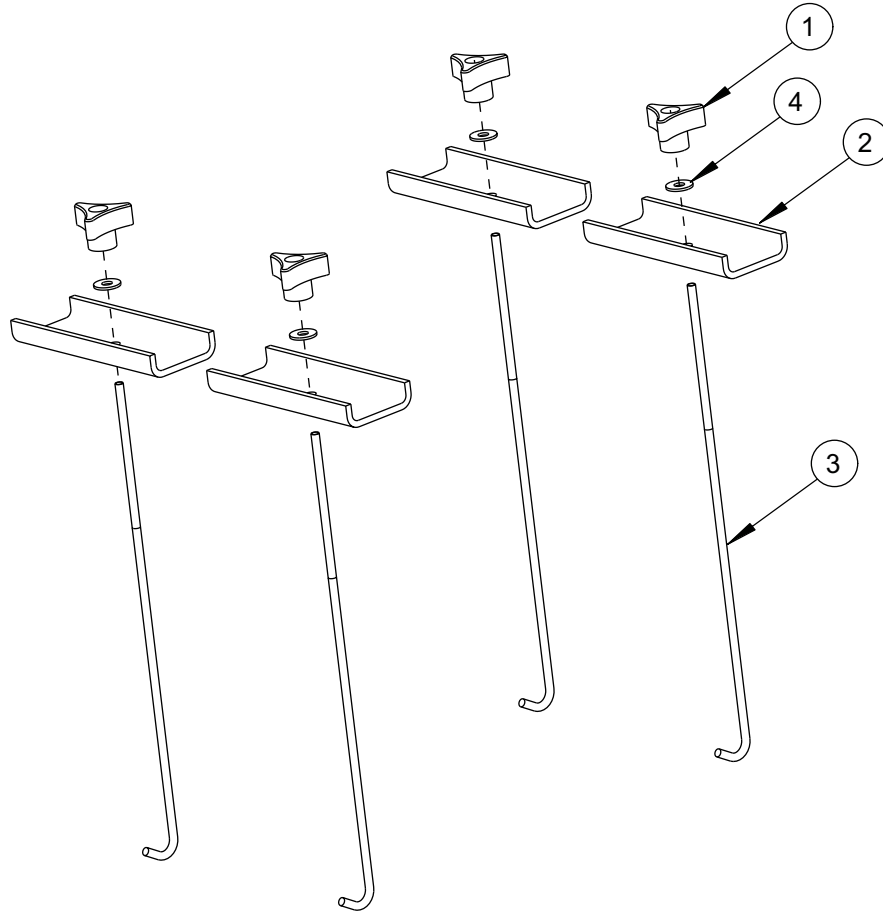
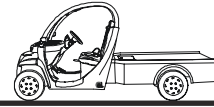
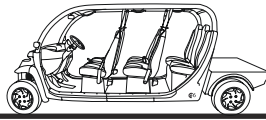
ASSY, BATTERY HOLD DOWN 8-VOLT

<u>ITEM</u>	<u>PART NO.</u>	<u>DESCRIPTION</u>	<u>QTY.</u>
1	0306-00996	KNOB, 1/4 - 20 3 PRONG	6
2	0306-01892	CHANNEL, HOLD DOWN - BATTERY	6
3	0510-00472	HOOK, "J" THREADED 1/4 - 20 UNC	6
4	0524-00062	WASHER, FLAT - 1/4 0.282 ID X 0.715 OD X 0.063 THK ZN	6



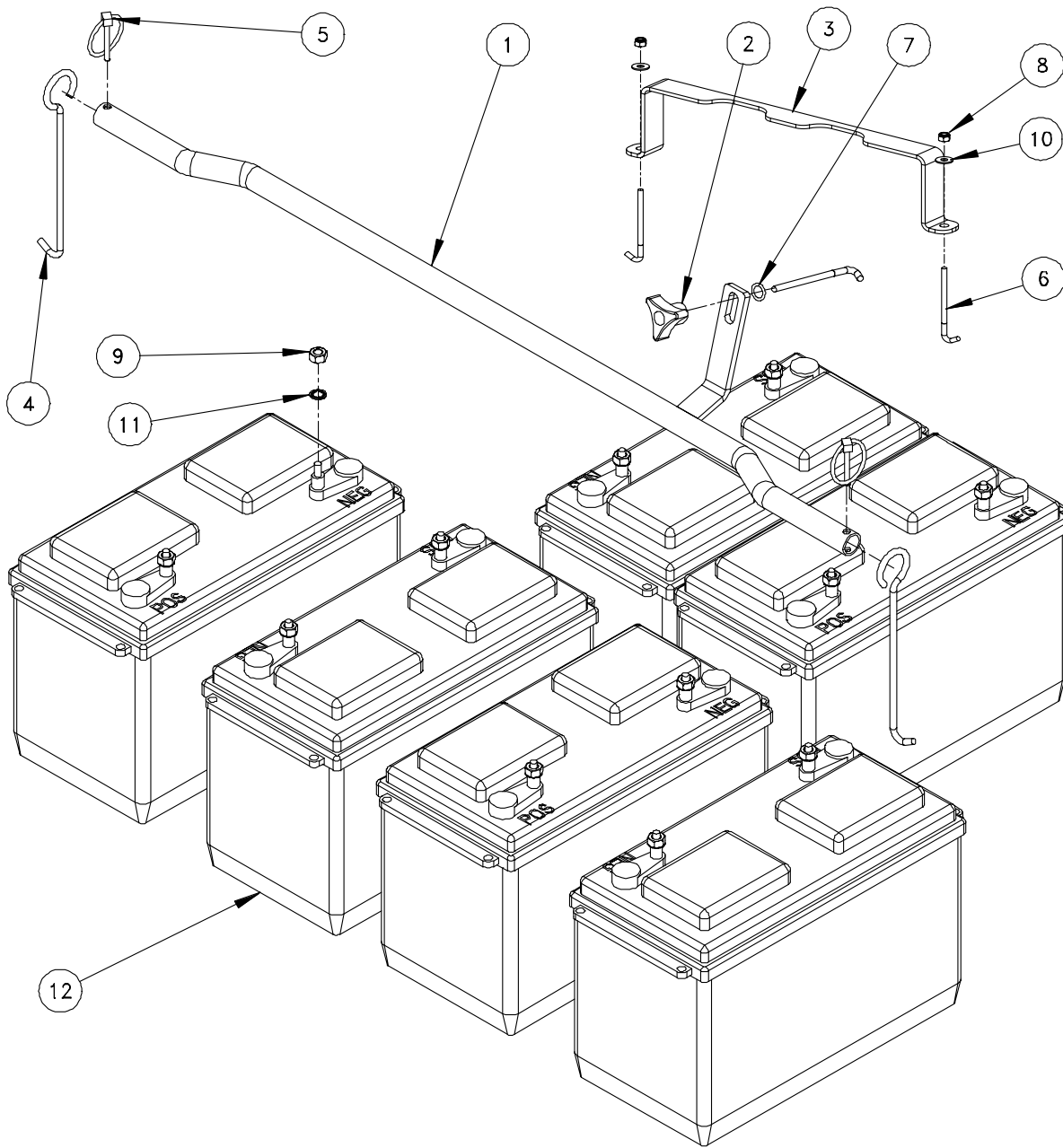
ASSY, BATTERY HOLD DOWN e6S

<u>ITEM</u>	<u>PART NO.</u>	<u>DESCRIPTION</u>	<u>QTY.</u>
1	0306-00996	KNOB, 1/4 - 20 3 PRONG	6
2	0306-01892	CHANNEL, HOLD DOWN - BATTERY	6
3	0351-01811	SPACER, BATTERY - e6S	1
4	0351-01939	SPACER, BATTERY	3
5	0510-00472	HOOK, "J" THREADED 1/4 20 UNC	6
6	0524-00062	WASHER, FLAT - 1/4 0.282 ID X 0.715 OD X 0.063 THK ZN	6



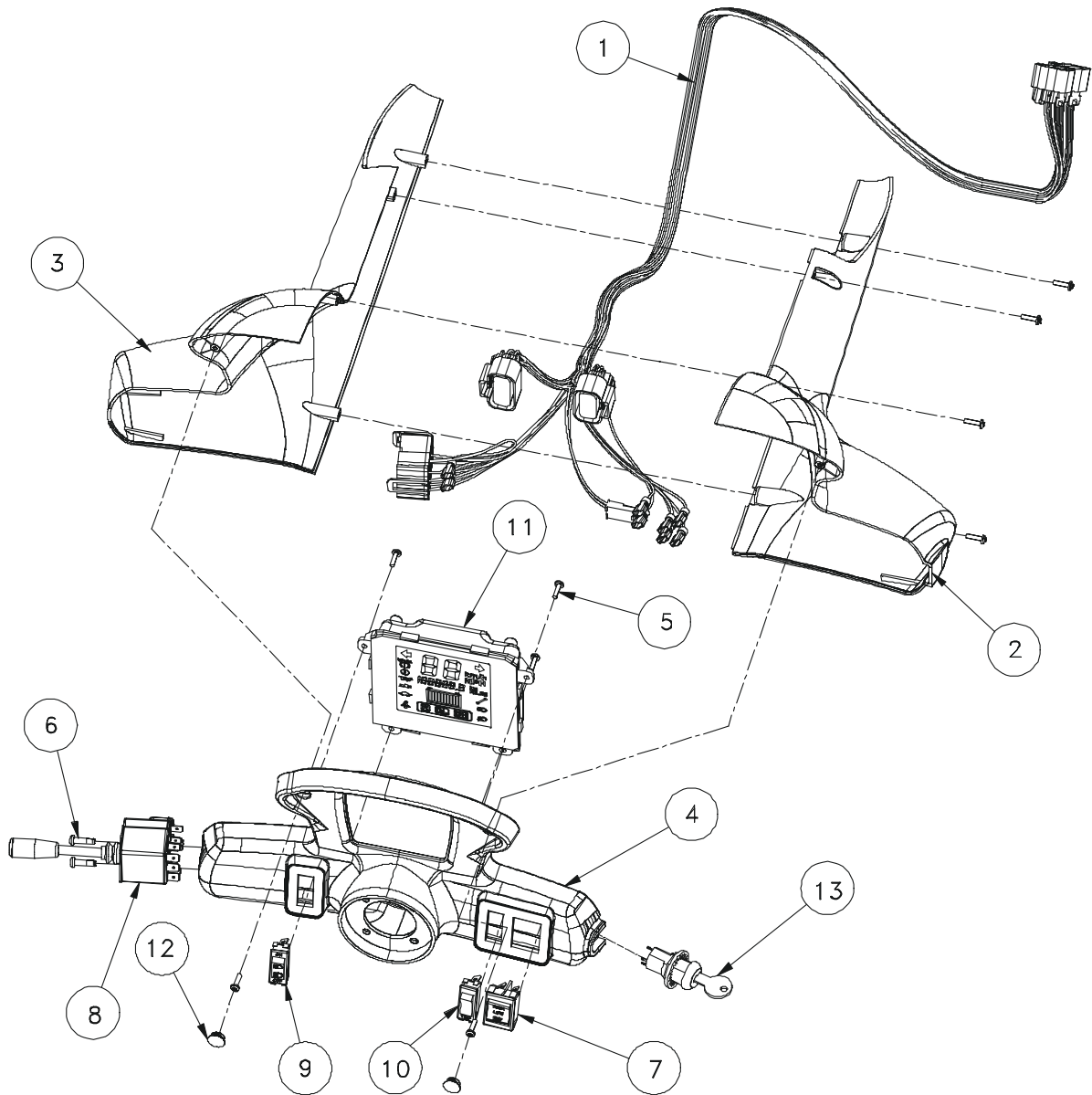
ASSY BATTERY HOLD DOWN e6 LT

<u>ITEM</u>	<u>PART NO.</u>	<u>DESCRIPTION</u>	<u>QTY.</u>
1	0306-00996	KNOB, 1/4 - 20 3 PRONG	4
2	0306-01892	CHANNEL, HOLD DOWN - BATTERY	4
3	0510-00472	HOOK, "J" THREADED 1/4 - 20 UNC	4
4	0524-00602	WASHER, FLAT - 1/4 0.282 ID X 0.715 OD X 0.063 THK ZN	4



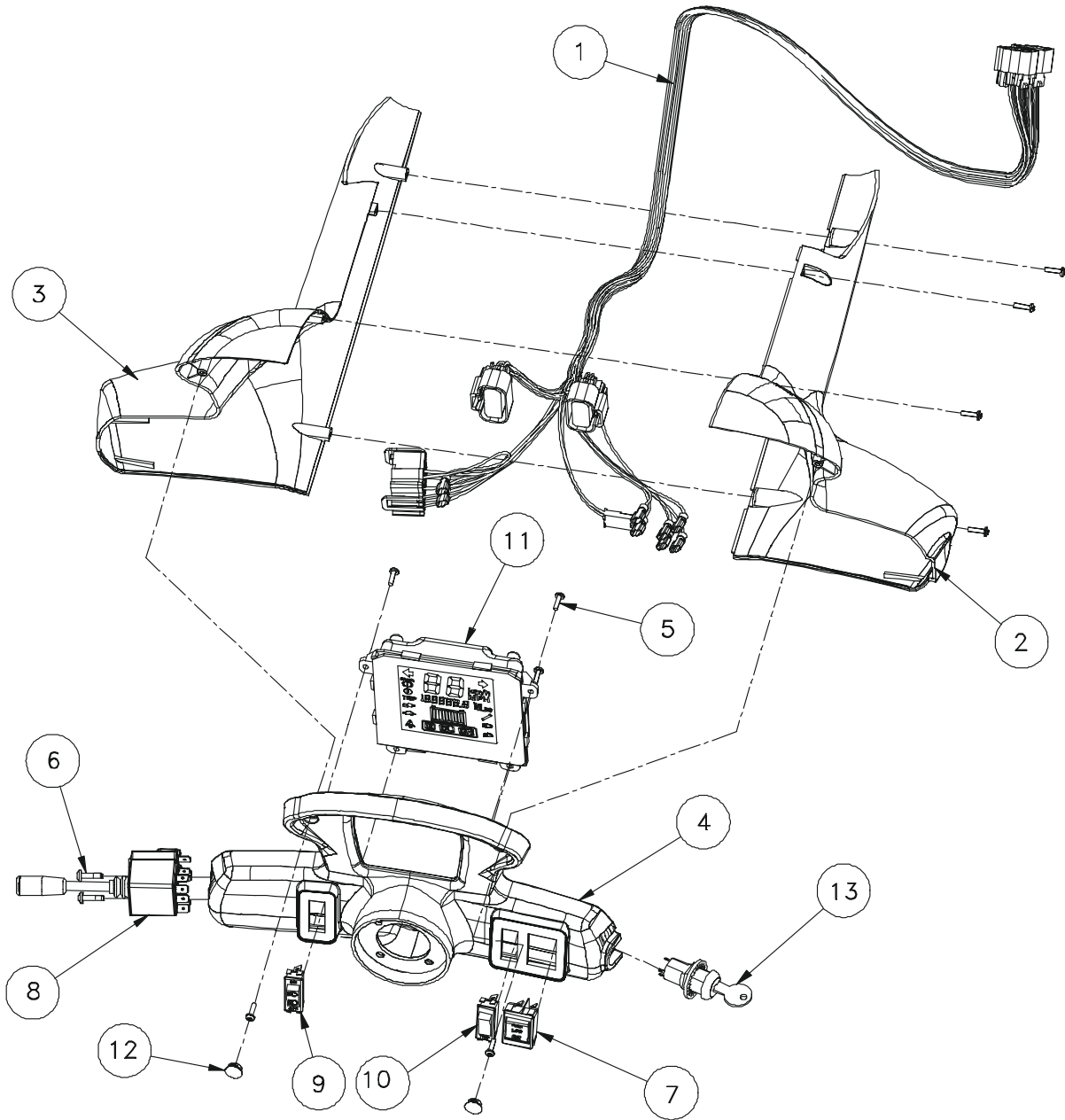
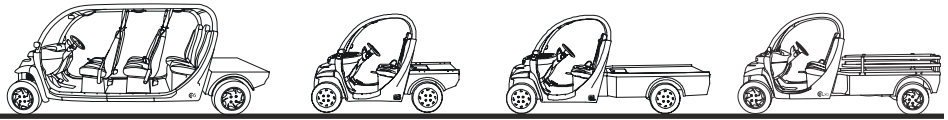
ASSY, BATTERY LEAD ACID GEL-REAR HLD DWN

<u>ITEM</u>	<u>PART NO.</u>	<u>DESCRIPTION</u>	<u>QTY.</u>
1	0201-00138	WELDMENT, REAR BATTERY HANDLE	1
2	0306-00996	KNOB, 1/4 - 20 3 PRONG	1
3	0306-02124	BRKT, BATTERY HOLD DOWN	1
4	0510-00286	HOOK, J REAR PIVOTTUBE HOLD DOWN ZINC PLATED	2
5	0510-00287	PIN, LYNCH 3/16" ZINC PLATED	2
6	0510-00336	HOOK, J THREADED 1/4 - 20 UNC X 4"	3
7	0510-00342	O-RING, 3/32 C/S X 7/32 ID X 13/32 OD	1
8	0521-00050	NUT, HEX - NYLOCK 1/4 - 20 UNC GR5 ZN	2
9	0521-00335	NUT, 3/8 - 16 FIN. HEX NUT, 18 - 8 STAINLESS	12
10	0524-00062	WASHER, FLAT - 1/4 0.282 ID X 0.715 OD X 0.063 THK ZN	2
11	0524-00478	WASHER, CONICAL	12
12	0606-00364	BATTERY, 12 VOLT-GEL DEEP CYCLE	6



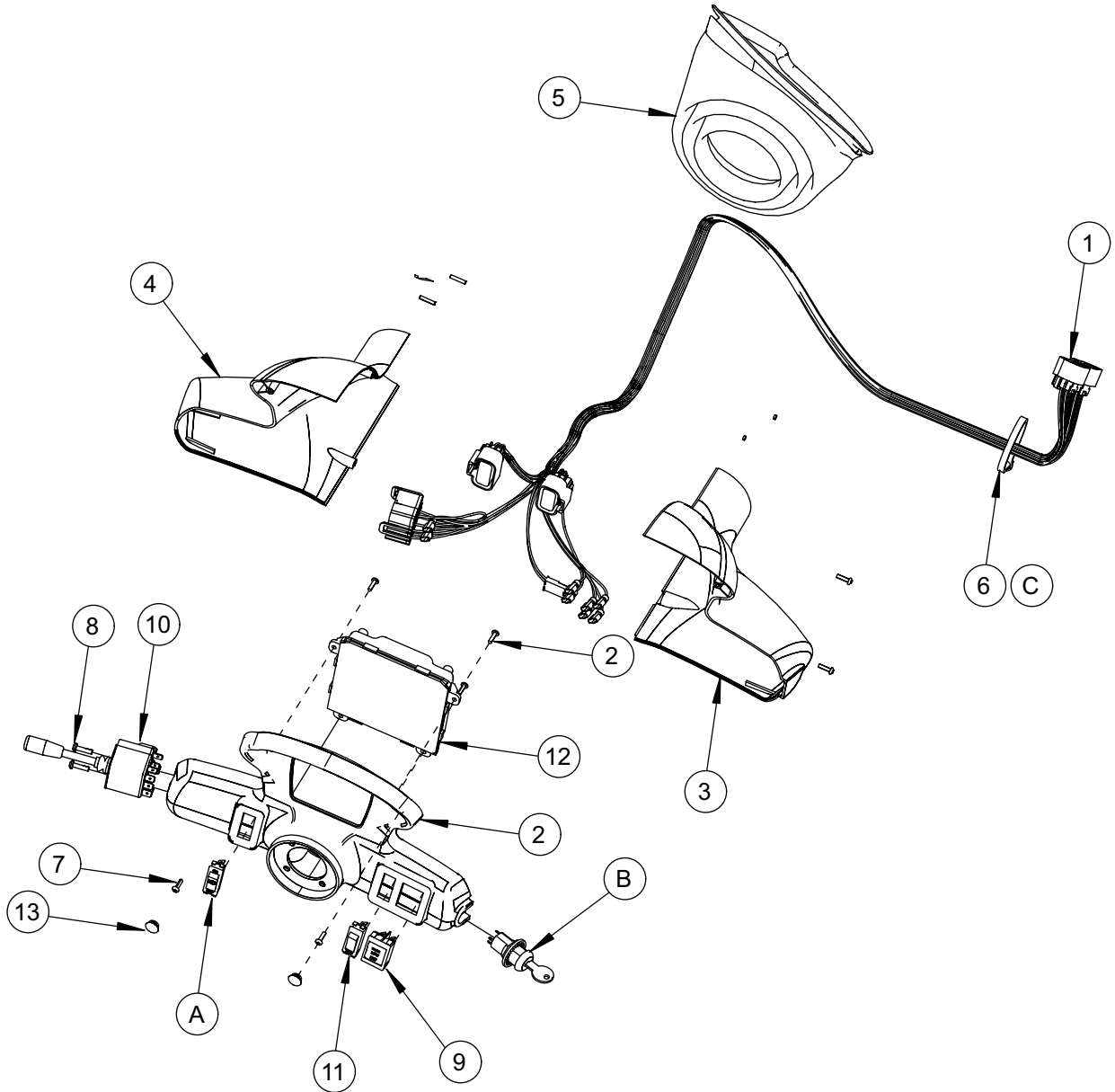
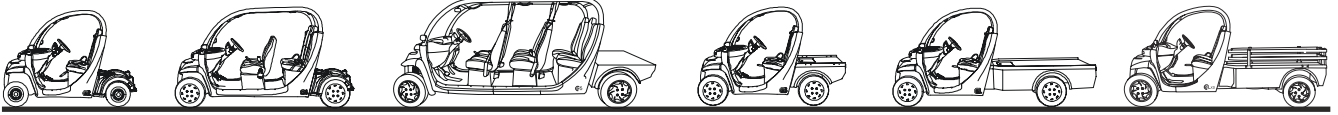
ASSY, COLUMN STEERING 2&4 PASS

<u>ITEM</u>	<u>PART NO.</u>	<u>DESCRIPTION</u>	<u>QTY.</u>
1	0106-01030	HARNES, INSTRUMENT PANEL	1
2	0305-01271	COWL, RH	1
3	0305-01272	COWL, LH	1
4	0305-01273	COWL, FRONT	1
5	0523-00407	SCREW, MACHINE TORX PAN HEAD #6 - 19 X 0.50	10
6	0523-00413	SCREW, MACHINE-TORX PAN HD M4 X 0.7 X 16mm LG	2
7	0606-00415	SWITCH, DRIVE MODE	1
8	0606-00416	SWITCH, TURN SIGNAL	1
9	0606-00417	SWITCH, LIGHT	1
10	0606-00418	SWITCH, TRIP	1
11	0606-00419	DISPLAY LCD DRIVER	1
12	0617-00471	PLUG, SCREW COVER	2
13	0906-00017	KEY SW KIT W/T-HANDLE	1



ASSY, COLUMN STEERING L&S BACK

ITEM	PART NO.	DESCRIPTION	QTY.
1	0106-01030	HARNESS, INSTRUMENT PANEL	1
2	0305-01271	COWL, RH	1
3	0305-01272	COWL, LH	1
4	0305-01273	COWL, FRONT	1
5	0523-00407	SCREW, MACHINE TORX PAN HEAD #6 - 19 X 0.50	10
6	0523-00413	SCREW, MACHINE-TORX PAN HD M4 X 0.7 X 16mm LG	2
7	0606-00415	SWITCH, DRIVE MODE	1
8	0606-00416	SWITCH, TURN SIGNAL	1
9	0606-00417	SWITCH, LIGHT	1
10	0606-00418	SWITCH, TRIP	1
11	0606-00419	DISPLAY LCD DRIVER	1
12	0617-00471	PLUG, SCREW COVER	2
13	0906-00016	KEY SW KIT	1

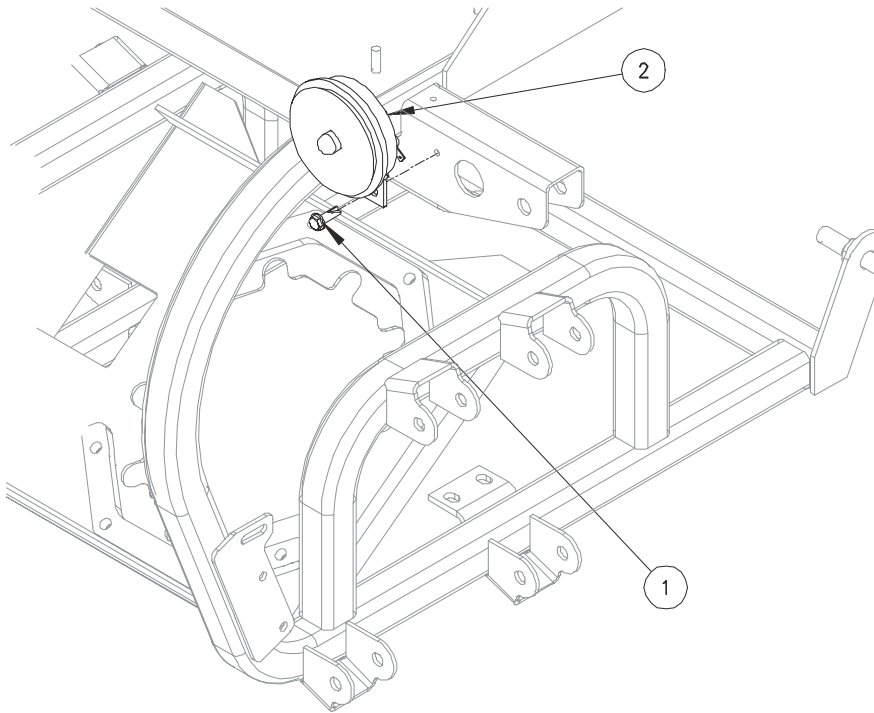
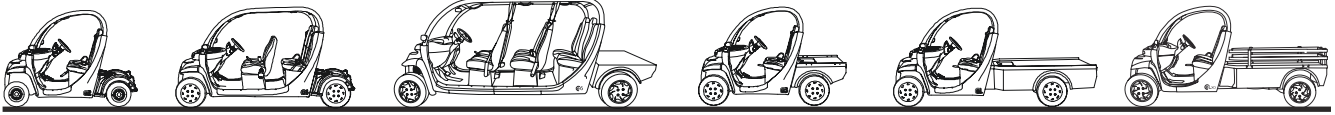


ASSY, INSTRUMENT POD

ITEM	PART NO.	DESCRIPTION	QTY.
1	0106-01030	ASSY, HARNESS - INSTRUMENT PANEL	1
2	0305-01273	COWL, FRONT	1
3	0305-02602	COWL, RH	1
4	0305-02603	COWL, LH	1
5	0312-02573	BELLOWS, STEERING COLUMN	1
6	0510-00137	TIE, CABLE W/#10 MOUNT HOLE 9" BLACK	1
7	0523-00407	SCREW, MACHINE TORX PAN HEAD #6 - 19 x 0.50	8
8	0523-00544	SCREW, MACHINE TORX PAN HEAD M4 X 7 X 16mm LG	2
9	0606-00415	SWITCH, DRIVE MODE	1
10	0606-00416	SWITCH, TURN SIGNAL	1
11	0606-00418	SWITCH, TRIP	1
12	0606-00419	DISPLAY LCD DRIVER	1
13	0617-00471	PLUG, SCREW COVER	2

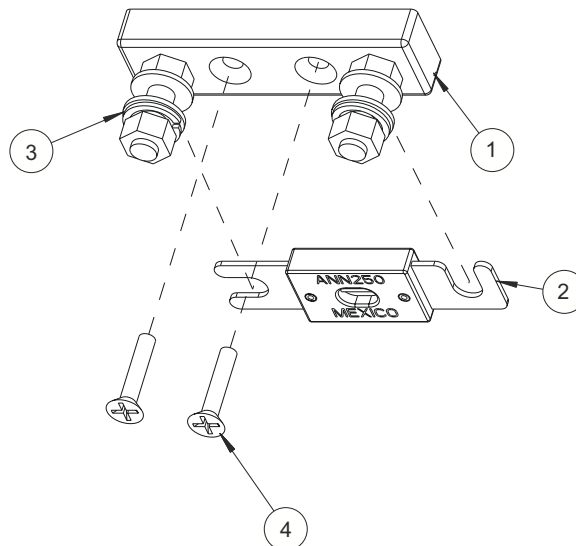
NOTE:

- A. HEADLIGHT SWITCH IS SUPPLIED WITHIN HEADLIGHT OPTION.
- B. IGNITION SWITCH IS SUPPLIED WITH LOCK SET.
- C. CABLE TIE IS USED TO SECURE HARNESS TO FRAME.



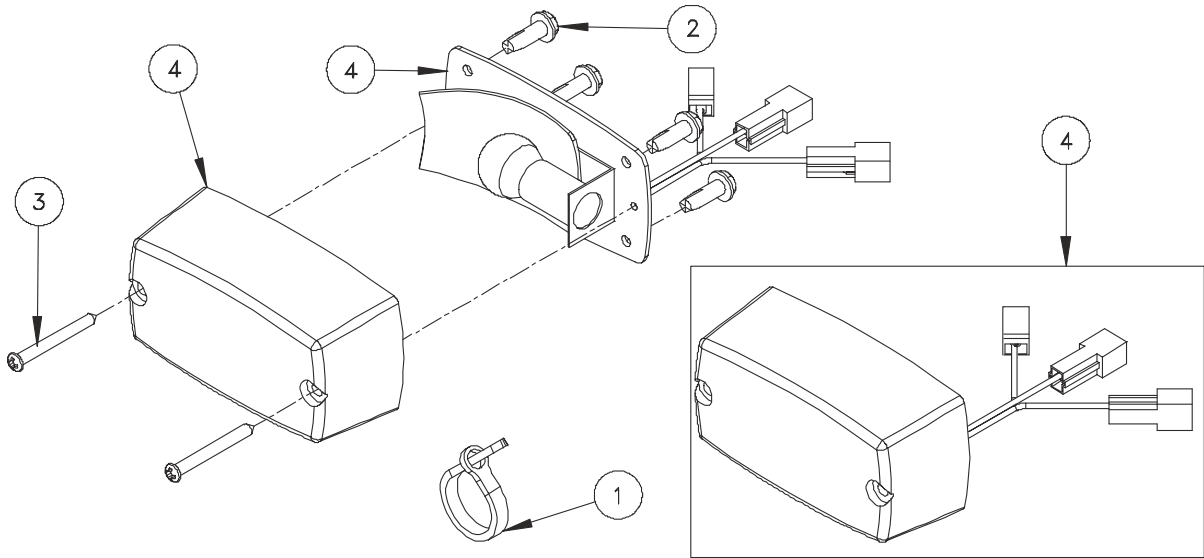
ASSY, HORN

<u>ITEM</u>	<u>PART NO.</u>	<u>DESCRIPTION</u>	<u>QTY.</u>
1	0523-00032	SCREW, HEX - WHSD 1/4 X 0.75 ZN	1
2	0606-00507	HORN, ECE	1



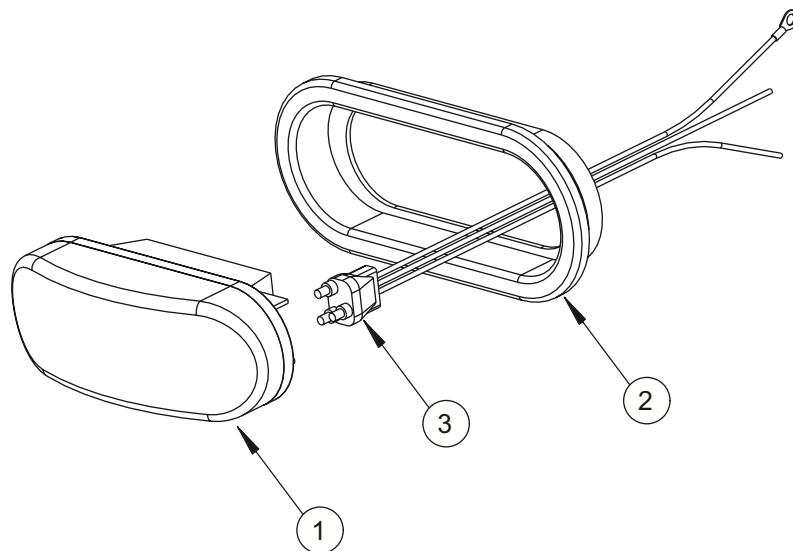
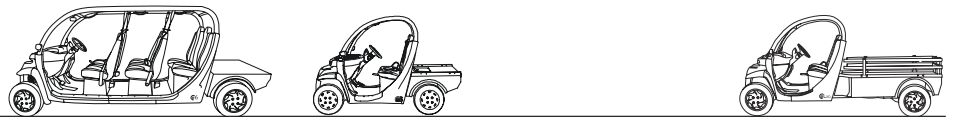
ASSY, FUSE -BATTERY

<u>ITEM</u>	<u>PART NO.</u>	<u>DESCRIPTION</u>	<u>QTY.</u>
1	0606-00443	ASSY, FUSE HOLDER	1
2	0606-00442	FUSE, BATTERY - 250A	1
3	0524-00477	WASHER CONICAL ID 0.317, OD 0.625, H 0.059, T 0.047	2
4	0523-00408	SCREW PHILLIPS FLAT HEAD 12-24 X 1.0	2



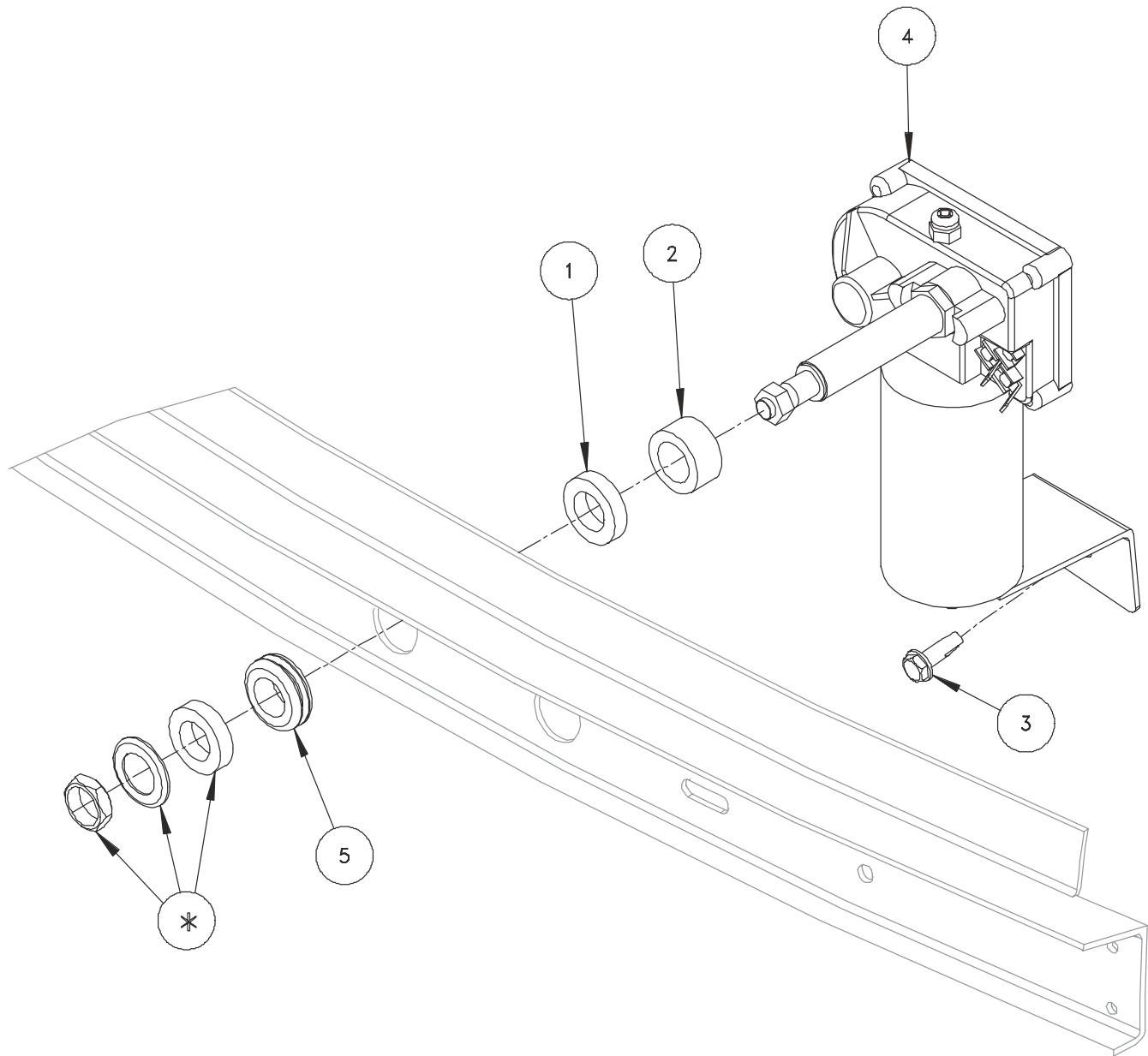
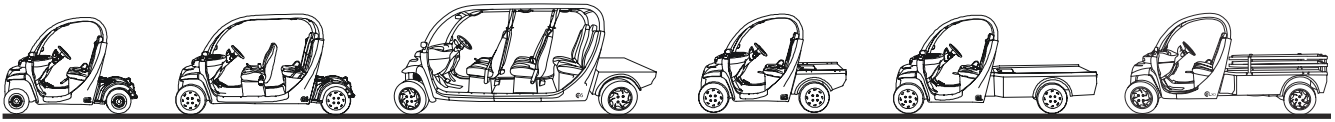
ASSY, TAIL LIGHTS - CAR

<u>ITEM</u>	<u>PART NO.</u>	<u>DESCRIPTION</u>	<u>QTY.</u>
1	0510-00137	TIE, CABLE W/#10 MOUNT HOLE 9" BLACK	2
2	0523-00032	SCREW, HEX - WHSD 1/4 X 0.75 ZN	8
3	0523-00168	SCREW, PHILTRUSS HEAD-#10 X 1 3/4 LG STEELZINC PHILTRUSS	4
4	0606-00141	KIT, TAIL LIGHT	2



ASSY, TAIL LIGHT HARNESS - LG UTILITY

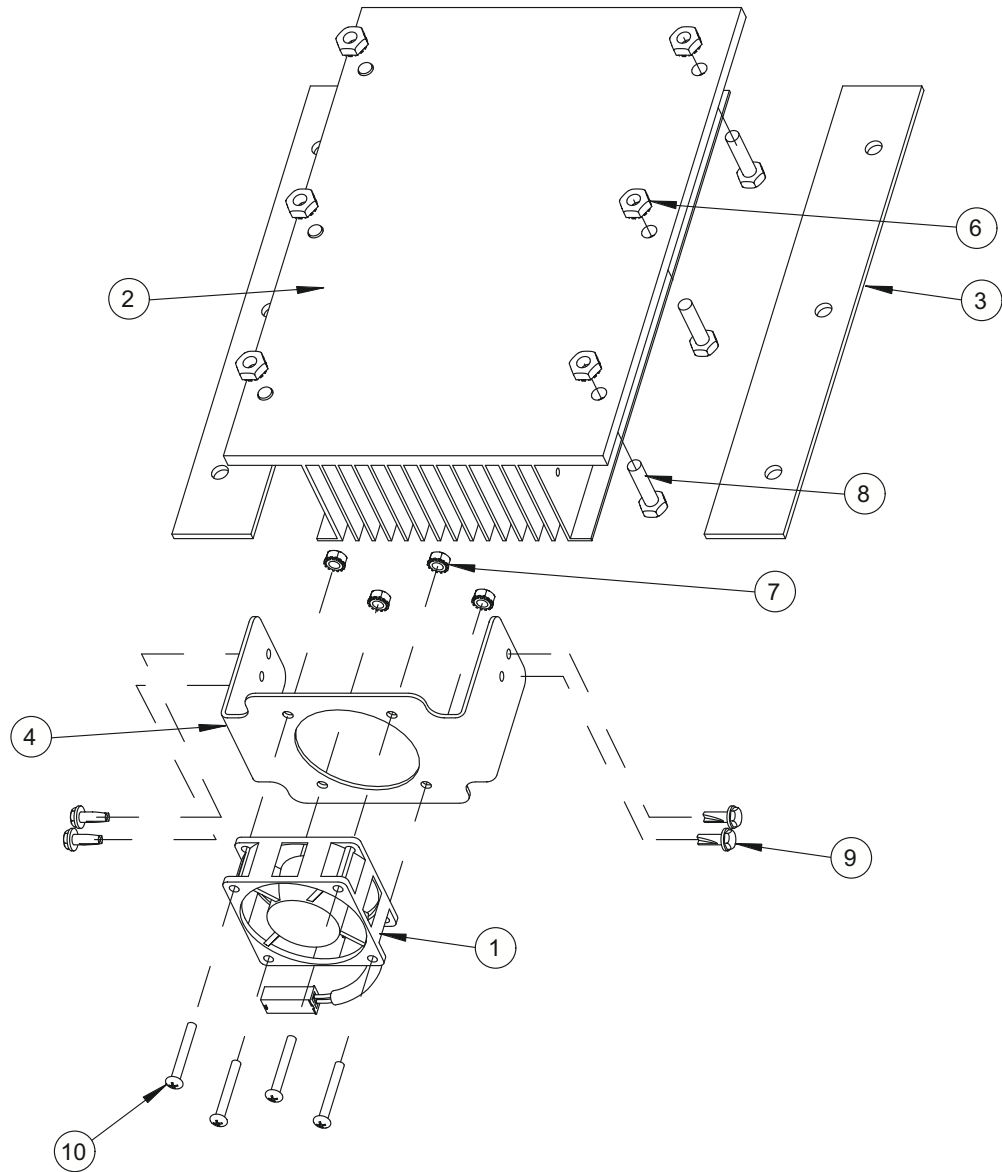
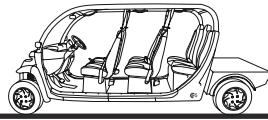
<u>ITEM</u>	<u>PART NO.</u>	<u>DESCRIPTION</u>	<u>QTY.</u>
1	0606-00144	LIGHT, TAIL, SEALED - UTILITY BED	1
2	0606-00145	GROMMET, RUBBER - TAIL LIGHT - UTIL BED	1
3	0606-00146	HARNESS, LIGHT - TAIL - UTILBED	1



ASSY, WIPER MOTOR WINDSHIELD WIPER

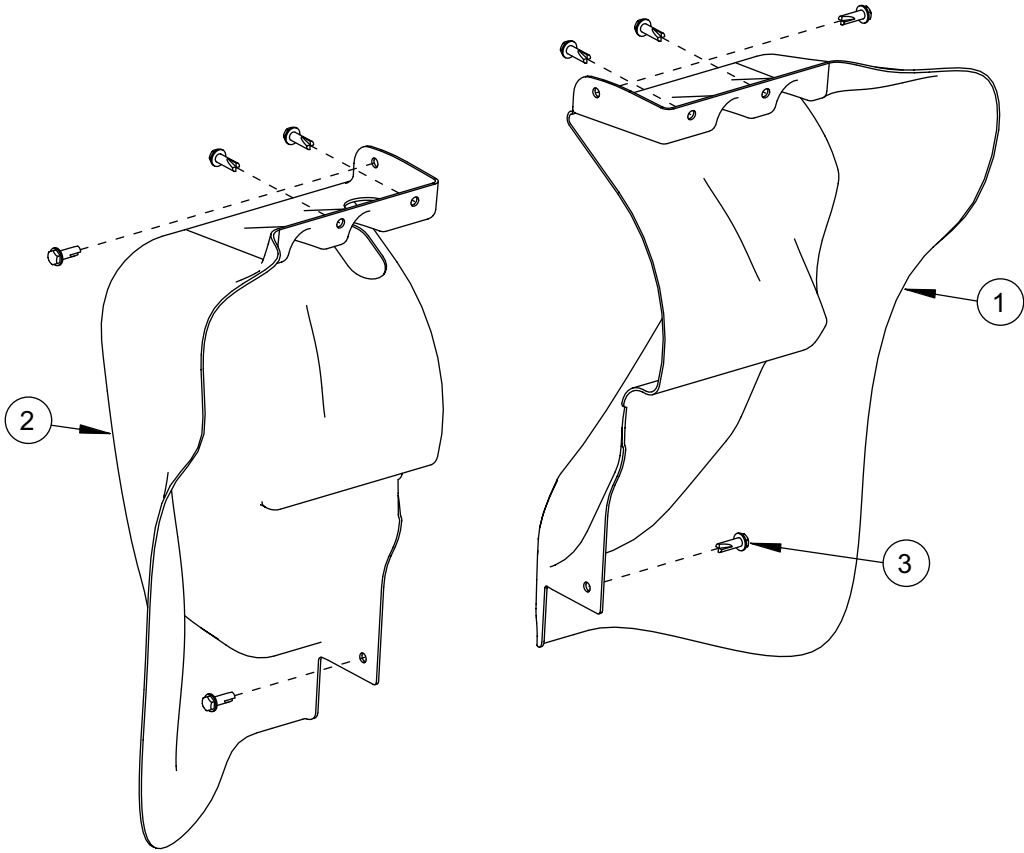
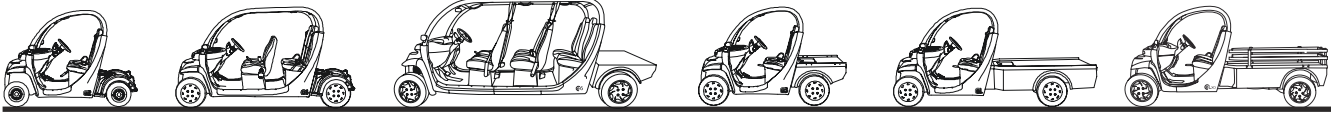
<u>ITEM</u>	<u>PART NO.</u>	<u>DESCRIPTION</u>	<u>QTY.</u>
1	0518-00085	BUSHING, RUBBER - 1.06245 OD X 0.625 ID X	1
2	0519-00230	SPACER, SPECIAL NYLON	1
3	0523-00032	SCREW, HEX - WASHER HEAD SELF DRILL 1/4	1
4	0610-00254	MOTOR, WIPER - DIN 8	1
5	0618-00434	GROMMET, SBR RUBBER - 5/8" ID X 1/8" GROOVE FOR 7/8" HOLE	1

* STARRED PARTS ARE SUPPLIED WITH ITEM #4



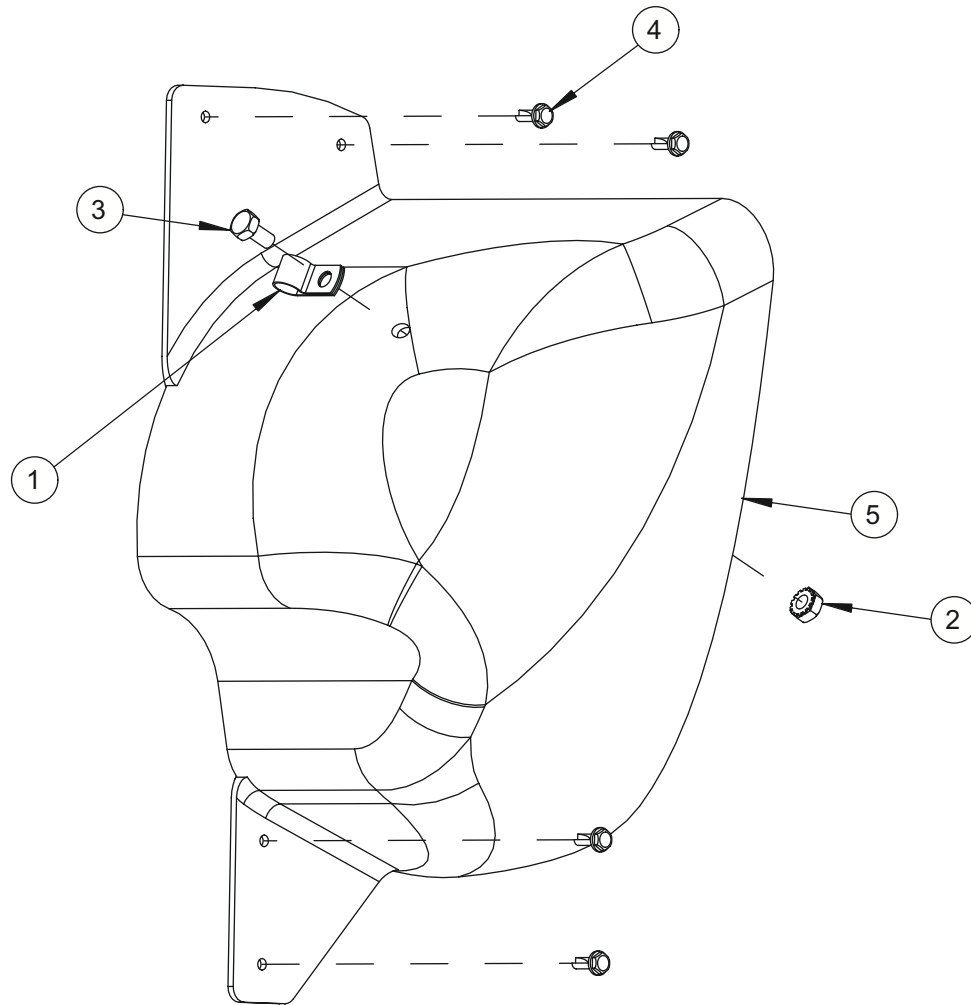
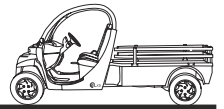
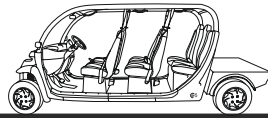
ASSY, COOLING PACKAGE - 0110-02070

<u>ITEM</u>	<u>PART NO.</u>	<u>DESCRIPTION</u>	<u>QTY.</u>
1	0106-02112	ASSY, FAN	1
2	0306-02221	HEATSINK, CONTROLLER - ALUMINUM	1
3	0306-02222	PLATE, HEATSINK MOUNT	2
4	0306-02237	BRACKET, FAN	1
5	0406-00259	THERMAL GREASE, TYPE 120 SILICONE	1
6	0521-00071	NUT, KEPS - 1/4 - 20 UNC ZINC PLATED	6
7	0521-00317	NUT, KEPS - 8-32 ZINC PLATED	4
8	0522-00049	BOLT, HEX - 1/4 - 20 UNC X 1.0 GRADE 2	6
9	0523-00163	SCREW, HEX - WHSD 10 - 16 X 1/2 #2 POINT STL BLK ZINC WASHER HD SELF DRILLING	4
10	0523-00432	SCREW, MACH GENERIC SST	4



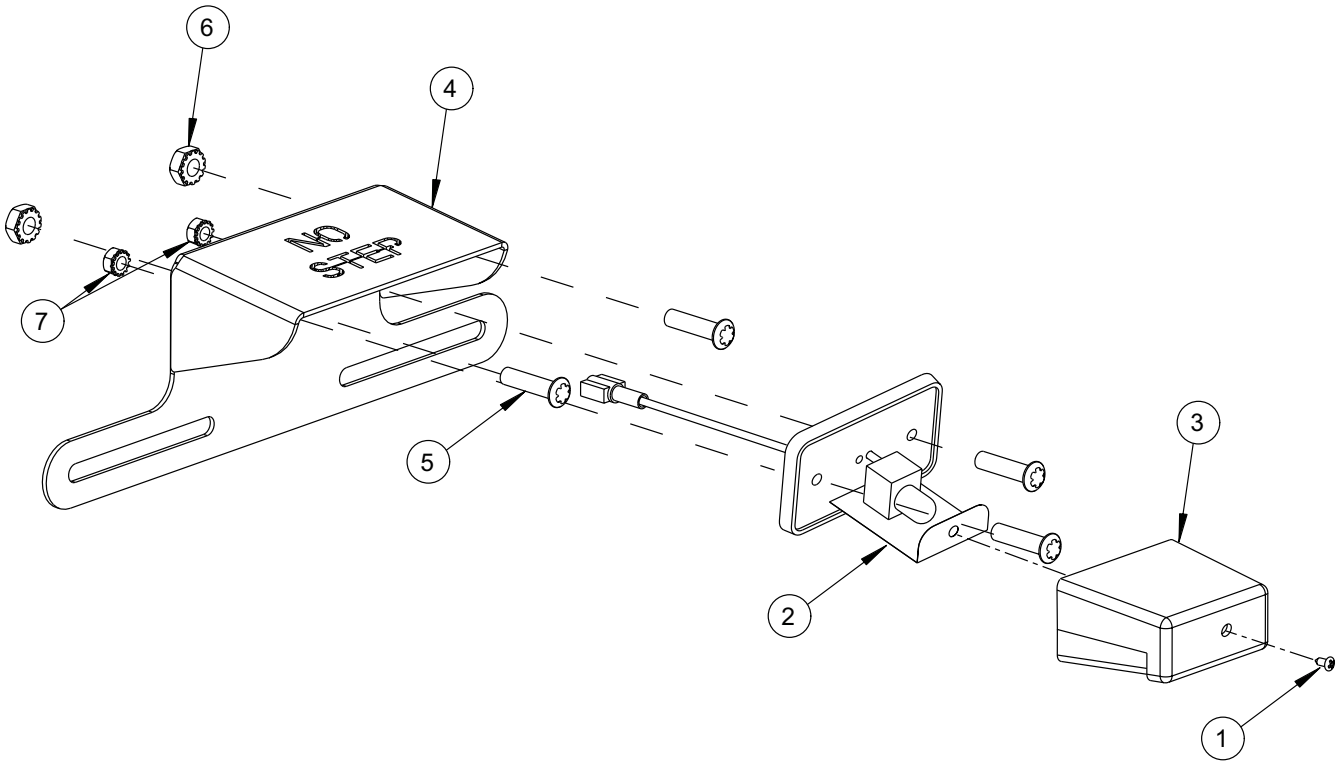
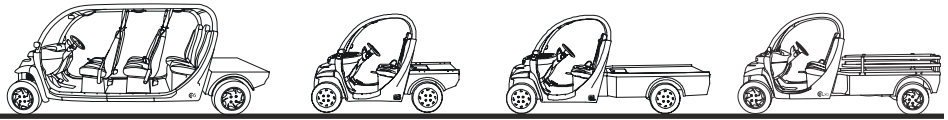
ASSY, SCOOP - DUAL

<u>ITEM</u>	<u>PART NO.</u>	<u>DESCRIPTION</u>	<u>QTY.</u>
1	0305-02630	SCOOP, WIND - RH	1
2	0305-02631	SCOOP, WIND - LH	1
3	0523-00032	BOLT, HEX - 1/4 - 0.75 ZN WASHER HD SELF DRILLING	8



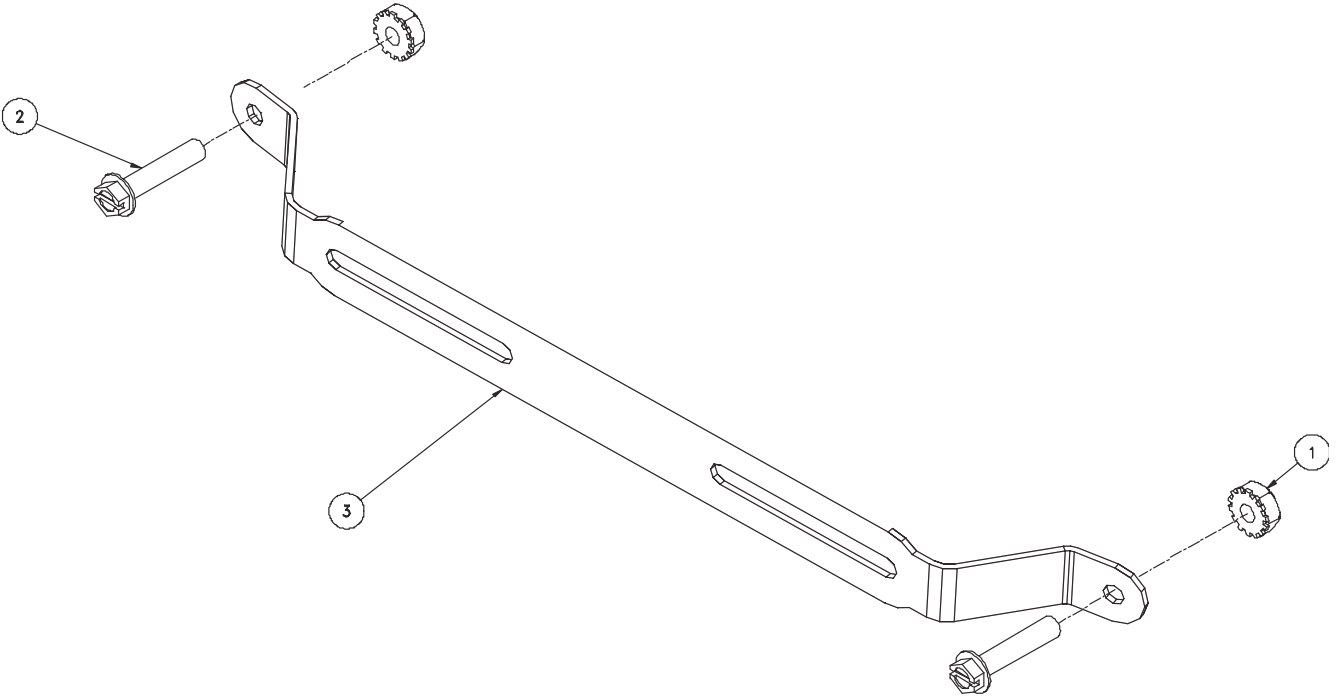
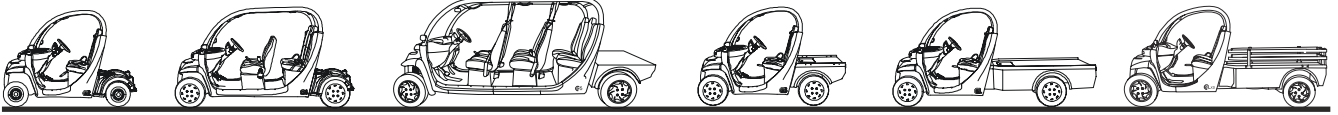
ASSY, COOLING PACKAGE - 0105-02442

<u>ITEM</u>	<u>PART NO.</u>	<u>DESCRIPTION</u>	<u>QTY.</u>
1	0510-00154	CLAMP, P - 3/8 WIRE STL/BLK VINYL COATED	1
2	0512-00071	NUT, KEPS - 1/4 - 20 UNC ZINC PLATED	1
3	0522-00320	BOLT, HEX - 1/4 - .20 UNC X 0.5 LG, GR 5 ZINC PLATED	1
4	0523-00163	SCREW, HEX - WHSD 10 - 16 X 1/2 #2 POINT STL BLK ZINC WASHER HD SELF DRILLING	4
5	0305-01884	SCOOP, MOTORAIR	1



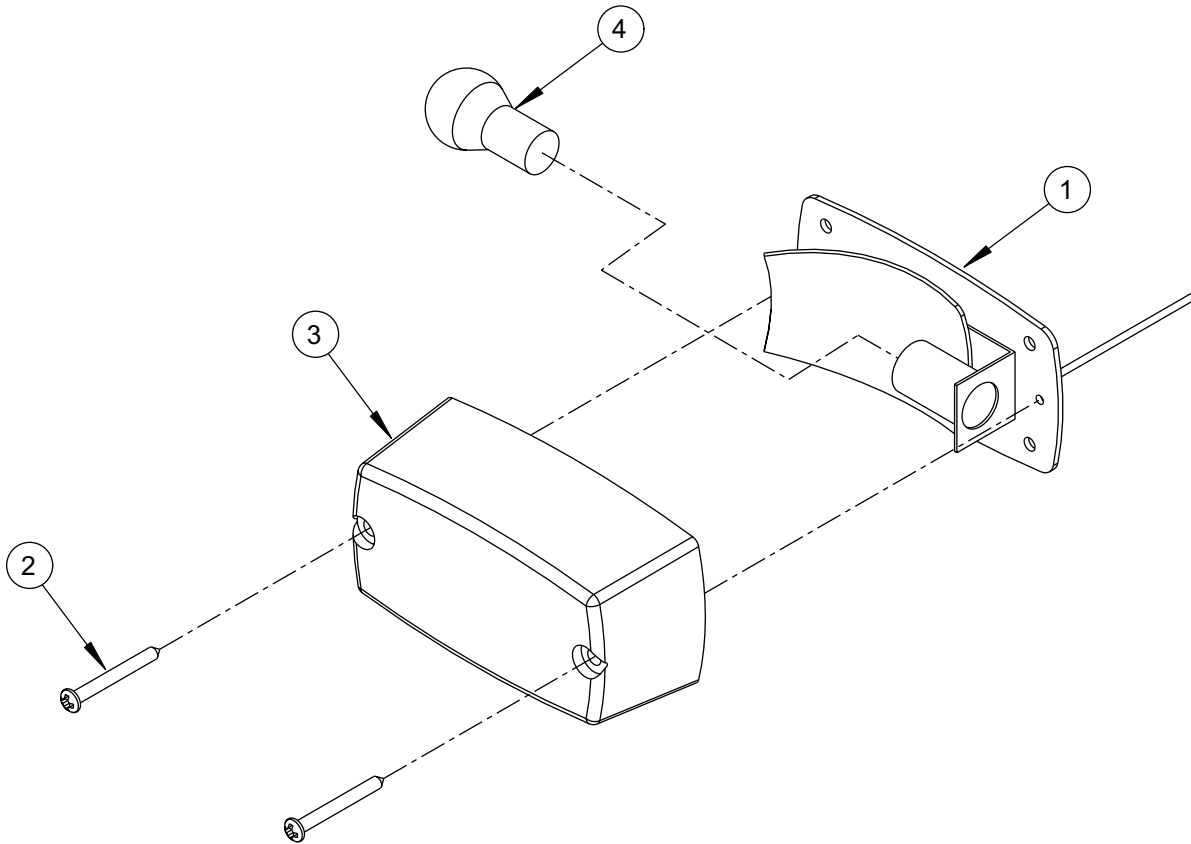
ASSY, LICENSE PLATE BRACKET AND LIGHT, REAR - COMPLETE

<u>ITEM</u>	<u>PART NO.</u>	<u>DESCRIPTION</u>	<u>QTY.</u>
1	0523-00358	SCREW, PHIL PAN HEAD - #8 X 3/8 SELF THREAD	1
2	0606-00229	18-8 SST PHIL TRUSS	1
3	0606-00230	BASE, LICENSE PLATE LAMP	1
4	0521-00250	LENS, LICENSE PLATE LAMP	1
5	0521-00071	BRACKET, PLATE - LICENSE REAR	1
6	0521-00071	NUT, KEPS - 1/4 - 20 UNC ZINC PLATED	2
7	0607-00164	BOLT, TORX - TRUSS HD - 1/4 - 20 X 1 - 18-8 S.S.	4
	0521-00014	NUTS ARE PART OF SUB ASSEMBLY P/N 0106-02154	2



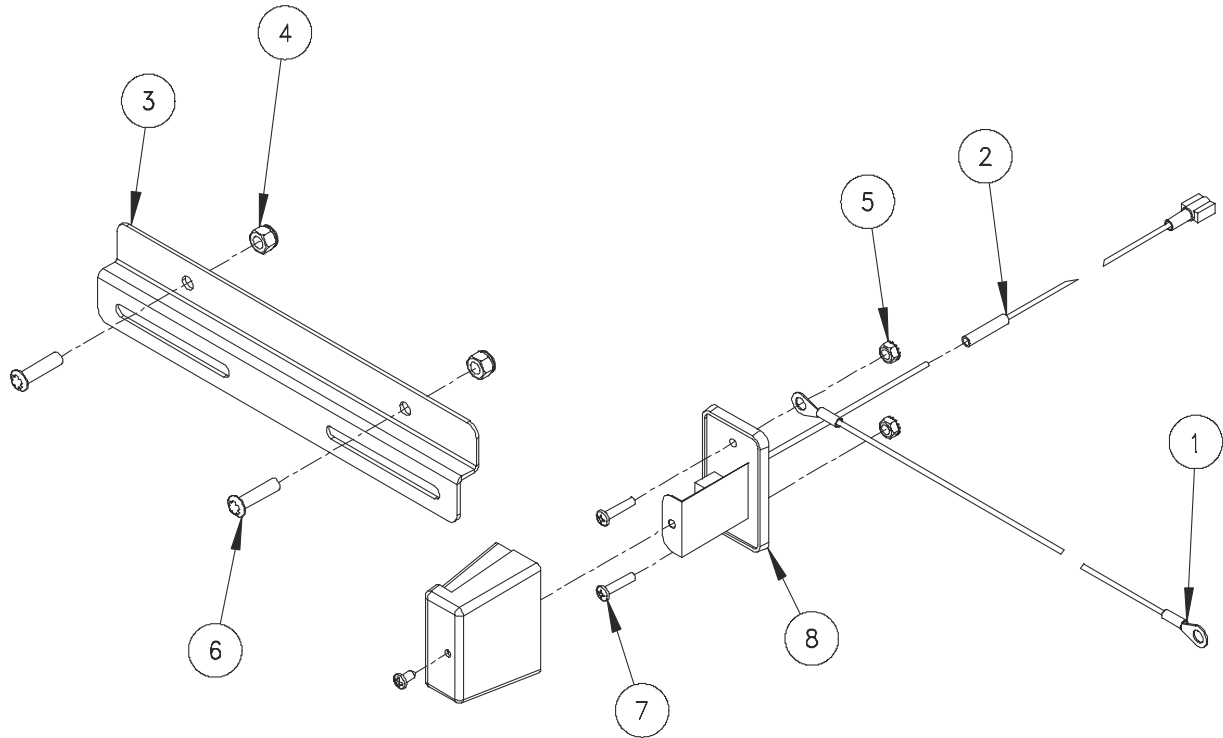
ASSY, LICENSE PLATE MOUNT - FRONT

<u>ITEM</u>	<u>PART NO.</u>	<u>DESCRIPTION</u>	<u>QTY.</u>
1	0521-00014	NUT, KEPS - 12 - 24 UNC ZINC PLATED GR 5 ZINC PLATED	2
2	0523-00134	SCREW, MACHINE #12-24 x 1 HEX SLOT HEAD	2
3	0305-01228	BRACKET, LICENSE PLATE - FRONT	1



KIT, REVERSE LAMP

<u>ITEM</u>	<u>PART NO.</u>	<u>DESCRIPTION</u>	<u>QTY.</u>
1	0106-00014	ASSY, BASE - REVERSE LAMP	1
2	0523-00227	SCREW, PHIL PAN HEAD - #8 X 1.5 LG SST PHIL TRUSS -	2
3	0606-00216	LENS, REVERSE LAMP	1
4	0606-00217	BULB, REVERSE LAMP	1



ASSY, LICENSE PLATE REAR

<u>ITEM</u>	<u>PART NO.</u>	<u>DESCRIPTION</u>	<u>QTY.</u>
1	0106-00688	ASSY, WIRE HARNESS LICENSE LAMP GROUND	1
2	0106-00823	ASSY, WIRE HARNESS - LICENSE LAMP POWER	1
3	0305-00928	BRACKET, LICENSE PLATE	1
4	0521-00050	NUT, HEX - NYLOCK 1/4-20 UNC GR5 ZN	2
5	0521-00317	NUT, KEPS - 8-32 ZINC PLATED GR 5 ZINC PLATED	2
6	0522-00333	BOLT, TORX - TRUSS HD - 1/4 - 20 X 1 - 18-8 S.S.	2
7	0523-00282	SCREW, MACH PAN HEAD PHIL 8-32 X 3/4 ZN	2
8	0606-00206	KIT, LICENSE PLATE LAMP	1
	0606-00760	KIT, LICENSE PLATE LAMP - CHROME OPTION	1