

# LED Utility

LED Under Cabinet Puck Light



## Applications

Ideal for apartments, motels, and condos. Perfect for kitchens, utility, closets, schools, garages, and offices.

## Specification Features

<b>UL or ETL Listing</b>	ETL, Damp Locations
<b>Dimensions</b>	2.5"W x 0.25"H
<b>Housing</b>	Die Cast Aluminum
<b>Lens/Diffuser</b>	Polycarbonate
<b>Voltage</b>	DC 12v
<b>Light Source</b>	Integrated LED
<b>Wattage</b>	3w
<b>Lumens</b>	240
<b>CRI</b>	80
<b>Kelvin</b>	30K, 40K
<b>Dimmable</b>	0-10v
<b>Warranty</b>	5 year normal operation
<b>Mounting</b>	Surface Mount. All necessary hardware included.

DCPK8001	Single Light Only
DCPK8003	3 Light Kit with DCPKIT001
DCPK8004	4 Light Kit with DCPKIT001



**DCPKIT001** = 1 DC Adapter and 1 Power Supply.  
Dimmable and linkable up to 6 units.



Part	Wattage	Lumens	CRI	Dimensions
DCPK8001	3w	240lm	80	2.5"W x 0.25"H
DCPK8003	9w (3x 3w)	720lm	80	2.5"W x 0.25"H
DCPK8004	12w (4x 3w)	960lm	80	2.5"W x 0.25"H

### Ordering Example:

DCPK8001-3W-30K-BK

Prefix	Wattage	Kelvin/CCT	Finish	Options
DCPK8001	3W = 3 watts	30K = 3000 ° Kelvin	WH = White	
DCPK8003	9W = 9 watts	40K = 4000 ° Kelvin	BK = Black	
DCPK8004	12W = 12 watts			



# LED Utility

LED Color/Kelvin Selectable Under Cabinet Light



## Applications

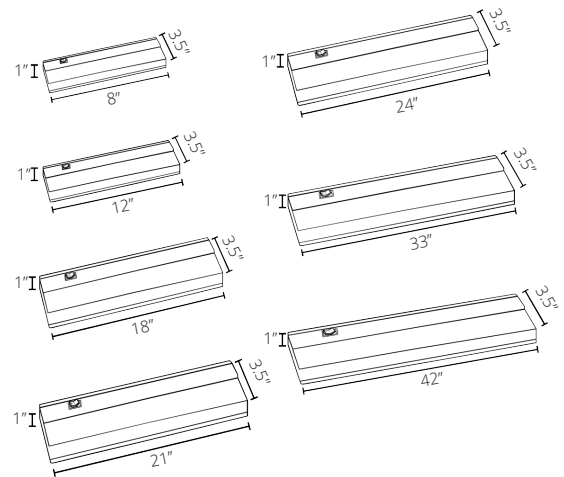
Self contained task light for under cabinet, work stations, over cabinet accent light, display cases and exhibits, merchandising, indirect accent, wall units, and bars.

## Specification Features

<b>UL or ETL Listing</b>	CE, UL, cUL listed
<b>Housing</b>	Heavy Duty Steel
<b>Lens/Diffuser</b>	Injection molded white ribbed acrylic
<b>Voltage</b>	AC 120v
<b>Light Source</b>	Integrated LED
<b>CRI</b>	>80
<b>Kelvin</b>	Color/Kelvin Selectable Fixture 30k & 40k
<b>Warranty</b>	5 year normal operation
<b>Mounting</b>	Hardwire connections for ceiling or wall. Suitable for non-insulated surfaces. Side and rear knock-outs. Linkable design for multiple units.
<b>Features</b>	Easy access on/off switch, side and rear knock-outs.



Part	Wattage	Lumens	Kelvin	Length
DCUL8	4w	350lm	30K, 40K	8"
DCUL12	7.5w	560lm	30K, 40K	12"
DCUL18	6.5w	500lm	30K, 40K	18"
DCUL21	6.8w	600lm	30K, 40K	21"
DCUL24	7.8w	680lm	30K, 40K	24"
DCUL33	10.75w	850lm	30K, 40K	33"
DCUL42	13.45w	1150lm	30K, 40K	42"



### Ordering Example:

DCUL12-7.5W-30K-WH



Prefix	Wattage	Kelvin/CCT	Finish		
DCUL8	DCUL24	4W = 4 watt LED	7.8W = 7.8 watt LED	CCT = Selectable CCT (30K, 40K)	WH = White
DCUL12	DCUL33	7.5W = 7.5 watt LED	10.75W = 10.75 watt LED		
DCUL18	DCUL42	6.5W = 6.5 watt LED	13.45W = 13.45 watt LED		
DCUL21		6.8W = 6.8 watt LED			

# LED Utility

## LED Strip Light



### Applications

Ideal for apartments, motels, and condos. Perfect for kitchens, utility, closets, schools, garages, and offices. General purpose lighting in retail stores and commercial environments.

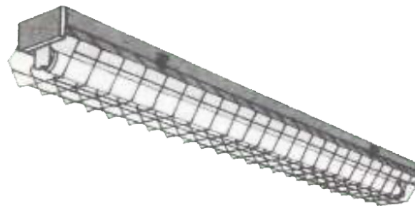
### Specification Features

<b>UL or ETL Listing</b>	Wet Locations
<b>Housing</b>	Die formed heavy gauge steel
<b>Voltage</b>	120v-277v
<b>Light Source</b>	LED T8 tube (sold separately)
<b>CRI</b>	>80
<b>Kelvin</b>	30K, 40K, 50K
<b>EM Back-up</b>	90 Minutes minimum operation
<b>Warranty</b>	5 year normal operation
<b>Mounting</b>	Units may be surface or pendant mounted, individually or in a continuous row. For continuous back-to-back socket mounting, insert combination end couplers into ends of adjoining units to act as a sleeve coupling and to permit use of housing as a continuous wireway.



#### Optional Wire Guard

DCWG-2	2 Foot
DCWG-4	4 Foot



### Suggested Lamp

#### 24"

LEDT800 • 30K • 80 CRI  
LEDT802 • 40K • 80 CRI  
LEDT803 • 50K • 80 CRI



#### 48"

LEDT801 • 30K • 80 CRI  
LEDT804 • 40K • 80 CRI  
LEDT805 • 50K • 80 CRI



Part	Wattage	Lumens	Kelvin	Dimensions
DCUL825	18W (2x 9W)	1,800lm	30K 40K 50K	4.75"W x 3.25"H x 24.25"L
DCUL826	36W (2x 18W)	3,600lm	30K 40K 50K	4.75"W x 3.25"H x 48"L

#### Ordering Example:

DCUL825-18W-30K-WH-DCWG-2

Prefix	Wattage	Kelvin/CCT	Finish	Options
DCUL825	18W = 2x 9 watt LED T8 Tubes	30K = 3000° Kelvin	WH = White	EM = Emergency Back-up
DCUL826	36W = 2x 18 watt LED T8 Tubes	40K = 4000° Kelvin 50K = 5000° Kelvin		DCWG-2 = Wire Guard for 2 ft. DCWG-4 = Wire Guard for 4 ft.



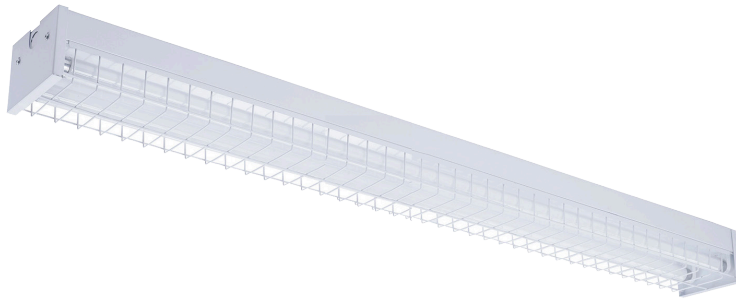
# LED Utility

## LED Stairwell Light



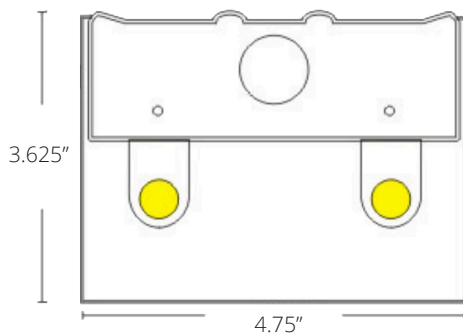
### Applications

Ideal for apartments, motels, and condos. Perfect for kitchens, utility, closets, schools, garages, and offices.



### Specification Features

<b>UL or ETL Listing</b>	Damp Locations
<b>Housing</b>	Heavy gauge cold rolled steel
<b>Ends</b>	Solid Steel End Caps / Wire Guard
<b>Voltage</b>	120v-277v
<b>Light Source</b>	2x 18W LED T8 Tubes
<b>CRI</b>	80
<b>Kelvin</b>	30K, 40K, 50K
<b>Warranty</b>	5 year normal operation
<b>Mounting</b>	Surface or Suspension Mount.



### Suggested Lamp



LEDT801 • 30K • 80 CRI  
 LEDT804 • 40K • 80 CRI  
 LEDT805 • 50K • 80 CRI

Part	Wattage	Lumens	Kelvin	Dimensions
DCUL806	36W (2x 18W)	3,600lm	30K 40K 50K	4.75"W x 3.625"H x 46.5"L

**Ordering Example:**  
 DCUL806-36W-30K-WH-EM



Prefix	Wattage	Kelvin/CCT	Finish	Options
DCUL806	36W = 2x 18 watt LED T8 Tubes	30K = 3000° Kelvin 40K = 4000° Kelvin 50K = 5000° Kelvin	WH = White	EM = Emergency Back-up

# LED Utility

LED Designer Strip

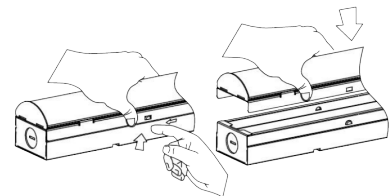
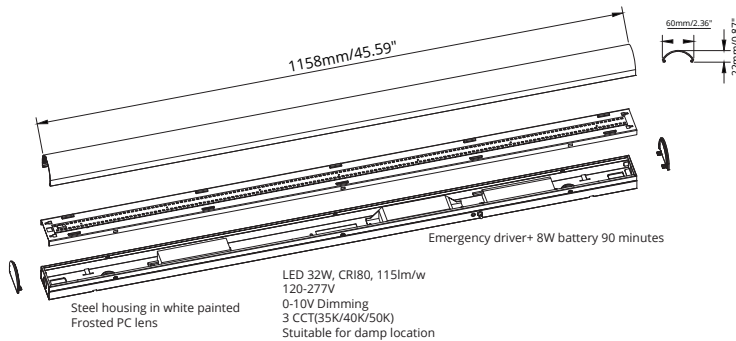
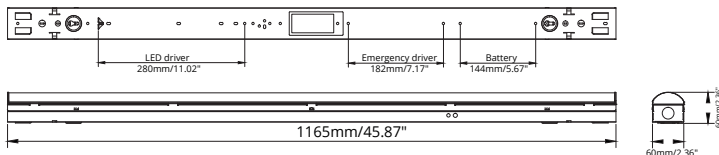


## Applications

Ideal for apartments, motels, and condos. Perfect for kitchens, utility, closets, schools, garages, and offices.

## Specification Features

<b>UL or ETL Listing</b>	Damp Locations
<b>Housing</b>	Heavy gauge cold rolled steel
<b>Lens/Diffuser</b>	Extruded Opal Polycarbonate
<b>Voltage</b>	120v - 277v
<b>Light Source</b>	Integrated LED
<b>CRI</b>	80
<b>Kelvin</b>	30K, 35K, 40K, 50K
<b>EM Back-Up</b>	90 minute minimum operation
<b>Dimmable</b>	0-10v
<b>Warranty</b>	5 year normal operation
<b>Mounting</b>	Surface or Suspension Mount.



**Easy Open Access**

Part	Wattage	Lumens	CRI	Dimensions
DCUL810	20W	2,300lm	80	23.375"L x 2.375"W x 2.375"H
DCUL812	32W	3,680lm	80	45.875"L x 2.375"W x 2.375"H
DCUL814	60W	6,900lm	80	91.625"L x 2.375"W x 2.375"H

**Ordering Example:**  
DCUL810-20W-30K-WH-MS

Prefix	Wattage	Kelvin/CCT	Finish	Options
DCUL810	20W = 20 watt Integrated LED	30K = 3000° Kelvin	WH = White	MS = Microwave Sensor
DCUL812	32W = 32 watt Integrated LED	35K = 3500° Kelvin		DMS Dimming Microwave Sensor
DCUL814	60W = 60 watt Integrated LED	40K = 4000° Kelvin		SB = Sensor Box
		50K = 5000° Kelvin		EM = 8W Emergency Back-up



# LED Utility

LED Economy Wrap



## Applications

Ideal for apartments, motels, and condos. Perfect for kitchens, utility, closets, schools, garages, and offices.

## Specification Features

<b>UL or ETL Listing</b>	ETL - Damp Locations
<b>Housing</b>	Heavy gauge cold rolled steel
<b>Ends</b>	Robust End Caps
<b>Lens/Diffuser</b>	Extruded Opal Polycarbonate
<b>Voltage</b>	120v - 277v
<b>Light Source</b>	Integrated LED
<b>CRI</b>	80
<b>Kelvin</b>	30K, 35K, 40K
<b>Dimmable</b>	0-10v
<b>Warranty</b>	5 year normal operation
<b>Mounting</b>	Surface or Suspension Mount.



Part	Wattage	Lumens	CRI	Dimensions
DCUL804	25W	3,000lm	80	4.75"W x 2"H x 23.5"L
DCUL805	40W	4,800lm	80	4.75"W x 2"H x 46.5"L

### Ordering Example:

DCUL804-25W-30K-WH



Prefix	Wattage	Kelvin/CCT	Finish	Options
DCUL804	25W = 25 watt Integrated LED	30K = 3000° Kelvin	WH = White	
DCUL805	40W = 40 watt Integrated LED	35K = 3500° Kelvin		
		40K = 4000° Kelvin		

# LED Utility

Builder Model Wrap



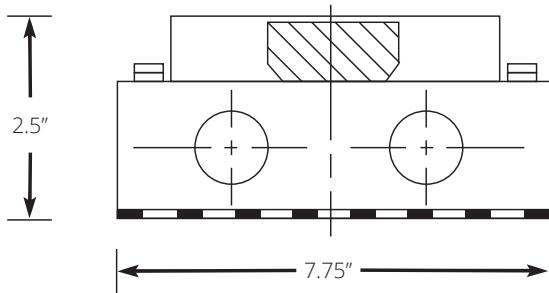
## Applications

Ideal for apartments, motels, and condos. Perfect for kitchens, utility, closets, schools, garages, and offices.



## Specification Features

<b>UL or ETL Listing</b>	ETL - Damp Locations
<b>Housing</b>	Heavy gauge cold rolled steel
<b>Ends</b>	Injection solid polycarbonate end caps
<b>Lens/Diffuser</b>	Frosted Prismatic Acrylic
<b>Voltage</b>	120v
<b>Light Source</b>	LED T8 (sold separately)
<b>CRI</b>	80
<b>Kelvin</b>	30K, 40K, 50K
<b>EM Back-up</b>	90 Minutes minimum operation
<b>Warranty</b>	5 year normal operation
<b>Mounting</b>	Surface or Suspension Mount.



## Suggested Lamp



LEDT801 • 30K • 80 CRI  
LEDT804 • 40K • 80 CRI  
LEDT805 • 50K • 80 CRI

Part	Wattage	Lumens	Kelvin	Dimensions
DCUL800	36W (2x 18W)	3,600lm	30K, 40K, 50K	7.25"W x 2.75"H x 46.5"L
DCUL801	72W (4x 18W)	7,200lm	30K, 40K, 50K	13"W x 2.75"H x 48"L

### Ordering Example:

DCUL800-36W-CCT-WH-EM



Prefix	Wattage	Kelvin/CCT	Finish	Options
DCUL800	36W = 2x 18 watt LED T8 Tubes	30K = 3000° Kelvin	WH = White	EM = Emergency Back-up
DCUL801	72W = 4x 18 watt LED T8 Tubes	40K = 4000° Kelvin 50K = 5000° Kelvin		

# LED Utility

LED Euro Wraparound



## Applications

Ideal for apartments, motels, and condos. Perfect for kitchens, utility, closets, schools, garages, and offices.



## Specification Features

<b>UL or ETL Listing</b>	Damp Locations
<b>Housing</b>	Heavy gauge cold rolled steel
<b>Ends</b>	Injection Solid Polycarbonate
<b>Lens/Diffuser</b>	Extruded Opal Polycarbonate
<b>Voltage</b>	120v - 277v
<b>Light Source</b>	Integrated LED
<b>CRI</b>	>82
<b>Kelvin</b>	30K, 35K, 40K, 50K
<b>Warranty</b>	5 year normal operation
<b>Mounting</b>	Surface or Suspension Mount.

Part	Wattage	Lumens	CRI	Dimensions
DCUL802	50W	3,125lm	>82	8.25"W x 2.75"H x 46.88"L

### Ordering Example:

DCUL802-50W-30K-WH-EM



Prefix	Wattage	Kelvin/CCT	Finish	Options
DCUL802	50W = 50 watt Integrated LED	30K = 3000° Kelvin 40K = 4000° Kelvin 50K = 5000° Kelvin	WH = White	EM = Emergency Back-up



# LED Utility

LED Puff Linear

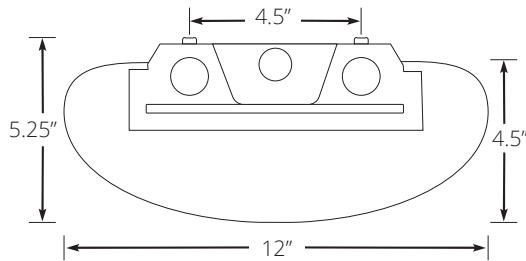


## Applications

Ideal for apartments, motels, and condos. Perfect for kitchens, utility, closets, schools, garages, and offices. You see the light, not the fixture.

## Specification Features

<b>UL or ETL Listing</b>	Damp Locations
<b>Housing</b>	Die formed heavy gauge steel
<b>Ends</b>	Design embossed ends are locked and secured to the housing
<b>Lens/Diffuser</b>	Dur-illum 2200™ Co-polyester. Indestructible lens.
<b>Voltage</b>	120v - 277v
<b>Light Source</b>	2x LED T8 Tube (sold separately)
<b>CRI</b>	>80
<b>Kelvin</b>	30K, 40K, 50K
<b>EM Back-up</b>	90 minute minimum operation
<b>Warranty</b>	5 year normal operation
<b>Mounting</b>	Ceiling. Suitable for individual or continuous run installations. May be surface mounted or suspended on stems/rods.



## Suggested Lamp



LEDT801 • 30K • 80 CRI  
LEDT804 • 40K • 80 CRI  
LEDT805 • 50K • 80 CRI

Part	Wattage	Lumens	CRI	Dimensions
DCUL820	36W (2x 18W)	3,000lm	80	4.75"W x 2"H x 23.5"L

**Ordering Example:**  
DCUL820-36W-30K-WH-EM



Prefix	Wattage	Kelvin/CCT	Finish	Options
DCUL820	36W = 2x 18W LED T8 Tubes	30K = 3000° Kelvin 40K = 4000° Kelvin 50K = 5000° Kelvin	WH = White	EM = Emergency Back-up

# LED Utility

LED Stairwell Light



## Applications

Versatile utility LED light. Ideal for stairwells, hallways, corridors, closets, and pathways.

### Surface Mount Utility Light

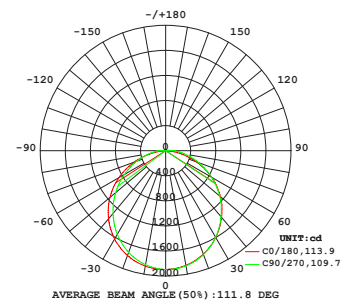
- Selectable Light Color Temperature
- Motion Sensor
- Emergency Battery Back-up



## Specification Features

<b>UL or ETL Listing</b>	Damp Locations
<b>Housing</b>	Injection solid polycarbonate
<b>Lens/Diffuser</b>	Opal Polycarbonate
<b>Voltage</b>	120v-277v
<b>Light Source</b>	Integrated LED
<b>CRI</b>	>80
<b>Kelvin</b>	Selectable CCT (30K, 40K, 50K)
<b>Dimming</b>	0-10V
<b>EM Back-up</b>	90 Minutes minimum operation
<b>Features</b>	Motion Sensor (included), EM Battery Back-up (optional)
<b>Warranty</b>	5 year normal operation
<b>Mounting</b>	Surface or Suspension Mount.

LUMINOUS INTENSITY DISTRIBUTION DIAGRAM



Part	Wattage	Lumens	EM Lumens	Kelvin	Dimensions
DCUL848	48W	(30K) 5,500lm (40K) 5,800lm (50K) 5,600lm	(30K) 1,650lm (40K) 1,740lm (50K) 1,680lm	30K 40K 50K	7"W x 3.13"H x 47.75"L

### Ordering Example:

DCUL848-48W-CCT-WH-EM

Prefix	Wattage	Kelvin/CCT	Finish	Options
DCUL848	48W = 48 watt Integrated LED	CCT = Selectable CCT (30K, 40K, 50K)	WH = White	EM = Emergency Back-up



# LED Utility

## LED Stairwell Light



### Applications

Versatile utility LED light. Ideal for stairwells, hallways, corridors, closets, and pathways.



### Specification Features

<b>UL or ETL Listing</b>	Damp Locations
<b>Housing</b>	Robust aluminum housing and gear tray
<b>Ends</b>	Injection solid polycarbonate
<b>Lens/Diffuser</b>	Opal Polycarbonate
<b>Voltage</b>	120v-277v
<b>Light Source</b>	Integrated LED
<b>CRI</b>	80
<b>Kelvin</b>	30K, 35K, 40K, 50K
<b>EM Back-up</b>	8W · 90 Minutes minimum operation
<b>Warranty</b>	5 year normal operation
<b>Mounting</b>	Surface or Suspension Mount.

Part	Wattage	Lumens	Kelvin	Dimensions
DCUL844	15W	2,025lm	30K, 35K, 40K, 50K	4"W x 3.25"H x 24.25"L
DCUL846	32W	4,320lm	30K, 35K, 40K, 50K	4"W x 3.25"H x 48"L

#### Ordering Example:

DCUL846-32W-30K-WH-MS

Prefix	Wattage	Kelvin/CCT	Finish	Options
DCUL844	15W = 15 watt Integrated LED	30K = 3000° Kelvin	WH = White	MS = Microwave Sensor
DCUL846	32W = 32 watt Integrated LED	35K = 3500° Kelvin 40K = 4000° Kelvin 50K = 5000° Kelvin		EM = Emergency Back-up



# LED Utility

LED Enclosed & Gasketed, Vapor-Tight Utility Light



## Applications

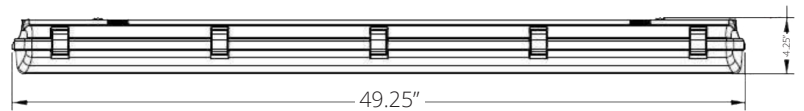
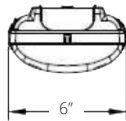
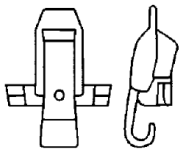
Ideal for apartments, motels, and condos. Perfect for kitchens, utility, closets, schools, garages, and offices.



## Specification Features

<b>UL or ETL Listing</b>	Wet Locations
<b>Housing</b>	Weather resistant & corrosion free polycarbonate
<b>Lens/Diffuser</b>	Diffuser clamps to housing with 6 trouble free molded latches
<b>Voltage</b>	120v - 277v
<b>Light Source</b>	Integrated LED
<b>CRI</b>	80
<b>Kelvin</b>	30K, 40K
<b>Dimmable</b>	0-10v
<b>Warranty</b>	5 year normal operation
<b>Mounting</b>	Surface Mount. All necessary hardware included.

### Standard Latches



Part	Wattage	Lumens	CRI	Dimensions
DCUL839	20W	2,200lm	80	6"W x 4.25"H x 25"L
DCUL840	42W	4,400lm	80	6"W x 4.25"H x 49.25"L

### Ordering Example:

DCUL840-42W-30K-WH-EM

Prefix	Wattage	Kelvin/CCT	Finish	Options
DCPK839	20W = 20 watt Integrated LED	30K = 3000° Kelvin	WH = White	EM = Emergency Back-up
DCPK840	42W = 42 watt Integrated LED	40K = 4000° Kelvin		



# LED Utility

LED Enclosed & Gasketed, Vapor-Tight Utility Light



DCUL838



DCUL842

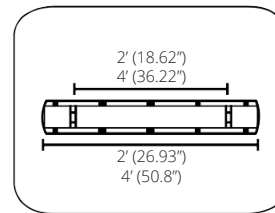
## Applications

Ideal for parking garages, cold storage facilities, food processing facilities, dusty or wet environments, stairwells, indoor equestrian facilities, canopies, and workshops.

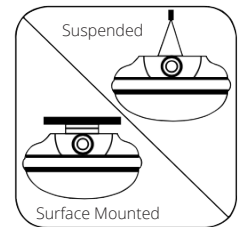
## Specification Features

<b>UL or ETL Listing</b>	CE, UL, cUL listed
<b>Listing</b>	Wet Locations (IP65)
<b>Housing</b>	Weather resistant & corrosion free polycarbonate
<b>Lens/Diffuser</b>	
<b>Voltage</b>	120v - 277v
<b>Light Source</b>	Integrated LED
<b>CRI</b>	>80
<b>Kelvin</b>	Selectable CCT (30K, 40K, 50K)
<b>Dimmable</b>	0-10v
<b>Ambient Temp.</b>	Suitable for 30°C temperatures.
<b>Warranty</b>	5 year normal operation
<b>Mounting</b>	Surface or Suspended Mount.

### Dimensions



### Installation



Part	Wattage	EM Wattage	Lumens	EM Lumens	Dimensions
DCUL838	25W 40W	10W 16W	3,250lm 5,200lm	1,300lm 2,080lm	6.75"W x 3.88"H x 26.88"L
DCUL842	40W 60W 75W	16W 24W 30W	5,200lm 7,072lm 9,750lm	5,200lm 2,828lm 3,900lm	6.75"W x 3.88"H x 50.75"L

### Ordering Example:

DCUL12-7.5W-30K-WH-MS

Prefix	Wattage	Kelvin/CCT	Finish	Options
DCUL838	25W = 25 watt Integrated LED	CCT = Selectable CCT	WH = White	EM = Emergency Back-up
DCUL842	40W = 40 watt Integrated LED 60W = 60 watt Integrated LED 75W = 75 watt integrated LED	(30K, 40K, 50K)		MS = Motion Sensor



# LED Utility

## LED Bed Light



### Applications

The bed light's design and functionality fits the needs of both patient rooms and assisted living environments. The smooth shape reduces its visual impact on the wall while simplifying the cleaning routine.

### Specification Features

<b>UL or ETL Listing</b>	Damp Locations
<b>Housing</b>	Baked white enamel on all metal parts
<b>Voltage</b>	120v-277v
<b>Light Source</b>	4x LED T8 tubes (sold separately)
<b>CRI</b>	>80
<b>Kelvin</b>	30K, 40K, 50K
<b>Warranty</b>	2 year normal operation
<b>Mounting</b>	Horizontal wall mount only. Power connections can be made in the fixture wiring channel or in a standard junction box (not included)



Four position, 3 circuit pull switch (on up, on down, on both, all off) are standard and located toward the right side.

LED nightlight and on/off pull switch is included.



### Suggested Lamp



LEDT801 • 30K • 80 CRI  
LEDT804 • 40K • 80 CRI  
LEDT805 • 50K • 80 CRI

Part	Wattage	Lumens	Kelvin	Dimensions
DCUL860	72W (4x 18W)	7,200lm	30K 40K 50K	8.125"W x 5.25"H x 48.6"L

**Ordering Example:**  
DCUL860-72W-30K-WH-PC

Prefix	Wattage	Kelvin/CCT	Finish	Options
DCUL860	72W = 4x 18 watt LED T8 Tubes	30K = 3000° Kelvin 40K = 4000° Kelvin 50K = 5000° Kelvin	WH = White	PC = Pull Chain



# LED Utility

## LED Recessed Troffer



### Applications

Office areas, classrooms, retail stores, and hospitals. Economy grade, recessed, lay-in T-Bar luminaire with framed door. For use in applications where low cost, high quality and ease of installation are required. Shallow design accommodates mounting into low ceiling plenums.

### Specification Features

<b>UL or ETL Listing</b>	Damp Locations
<b>Housing</b>	Heavy gauge steel with powder coat finish.
<b>Voltage</b>	120v-277v
<b>Light Source</b>	Integrated LED
<b>CRI</b>	80
<b>Kelvin</b>	30K, 40K, 50K
<b>Dimmable</b>	0-10v
<b>Warranty</b>	5 year normal operation
<b>Mounting</b>	Recessed mounted. Housing rests on T-Bars with suspension holes available for chain mounting applications



Part	Wattage	Lumens	Kelvin	Dimensions
DCUL854	25W	3,125lm	30K 40K 50K	23.82"W x 23.62"L x 3.15"H
DCUL855	40W	5,000lm	30K 40K 50K	47.64"W x 23.62"L x 2"H
DCUL856	40W	5,000lm	30K 40K 50K	23.82"W x 23.62"L x 3.15"H
DCUL857	50W	6,250lm	30K 40K 50K	47.64"W x 23.62"L x 2"H

#### Ordering Example:

DCUL854-25W-30K-WH

Prefix	Wattage	Kelvin/CCT	Finish	Options
DCUL854	25W = 25 watt Integrated LED	30K = 3000° Kelvin	WH = White	
DCUL855	40W = 40 watt Integrated LED	40K = 4000° Kelvin		
DCUL856	50W = 50 watt Integrated LED	50K = 5000° Kelvin		
DCUL857				



# LED Utility

Architectural LED Linear



## Applications

Architectural linear LED suspension lighting fixtures bring clean lines and clear light to storage rooms, offices, conference rooms, retail reception areas, hallways, and education facilities.

## Specification Features

<b>UL or ETL Listing</b>	Damp Locations
<b>Voltage</b>	120v-277v
<b>Light Source</b>	Integrated LED
<b>CRI</b>	>80
<b>Kelvin</b>	30K, 40K, 50K - CCT Selectable
<b>Dimmable</b>	0-10v
<b>Warranty</b>	5 year normal operation
<b>Mounting</b>	Recessed mounted. Housing rests on T-Bars with suspension holes available for chain mounting applications



Part	Wattage	Lumens	Kelvin	CRI	Dimensions
DCLL104-25W	25W	2,500lm	30K, 40K, 50K CCT Selectable	>80	3.375"H x 2.75"W x 47.5" L
DCLL104-40W	40W	8,000lm	30K, 40K, 50K CCT Selectable	>80	3.375"H x 2.75"W x 47.5" L
DCLL106-60W	60W	10,900lm	30K, 40K, 50K CCT Selectable	>80	3.375"H x 2.75"W x 70.75" L

### Ordering Example:

DCLL104-25W-CCT-WH-SM-DN-EM



Prefix	Wattage	Kelvin/CCT	Finish	Mounting	Light Direction	Options
DCLL104	25W = 25 watt	CCT = Selectable CCT	WH = White	SM = Surface Mount	UP = Up	EM = Emergency Back-up
DCLL106	40W = 40 watt 60W = 60 watt			SC = Suspension Chain WM = Wall Mount RMK = Recessed Mount Kit	DN = Down UD = Up/Down	



# LED Utility

LED Linear High Bay



## Applications

Compact and economical luminaire utilizing the latest in LED technology, offers exceptional lighting in low to high ceiling applications and delivers the best luminous performance to warehouse, manufacturing, distribution, industrial, and commercial applications.

## Specification Features

<b>UL or ETL Listing</b>	Damp Locations
<b>Housing</b>	Cold Rolled Steel
<b>Voltage</b>	120v-277v
<b>Light Source</b>	Integrated LED
<b>CRI</b>	>80
<b>Kelvin</b>	30K, 35K, 40K, 50K
<b>Dimmable</b>	0-10v
<b>Warranty</b>	5 year normal operation
<b>Mounting</b>	Surface or Suspension Chain mounted



Part	Wattage	Lumens	Kelvin	Dimensions
DCUL724-200W	200W	25,000lm	30K, 35K 40K, 50K	3.375"H x 2.75"W x 47.5" L

### Ordering Example:

DCUL724-200W-30K-WH-EM



Prefix	Wattage	Kelvin/CCT	Finish	Options
DCUL854	25W = 25 watt Integrated LED	30K = 3000° Kelvin	WH = White	
DCUL855	40W = 40 watt Integrated LED	40K = 4000° Kelvin		
DCUL856	50W = 50 watt Integrated LED	50K = 5000° Kelvin		
DCUL857				

# LED Utility

## Decorative LED Ring Light



### Applications

The doughnut ring light has a unique ring style light with an LED light source illuminating its full light distribution. It is available in several sizes and diffuser colors.



### Specification Features

<b>UL or ETL Listing</b>	Damp Locations
<b>Voltage</b>	120v-277v
<b>Light Source</b>	Integrated LED
<b>CRI</b>	>80
<b>Kelvin</b>	30K, 40K, 50K
<b>Dimmable</b>	0-10v
<b>Warranty</b>	5 year normal operation
<b>Mounting</b>	Pendant or surface mounted.

Part	Wattage	Lumens	Kelvin	CRI	Dimensions
DCLL175-25W	25W	1,750lm	30K, 40K, 50K	>80	2.36"H x 15.7"W
DCLL175-36W	36W	2,520lm	30K, 40K, 50K	>80	2.36"H x 23.6"W
DCLL175-60W	60W	4,200lm	30K, 40K, 50K	>80	2.36"H x 35.4"W
DCLL175-80W	80W	5,600lm	30K, 40K, 50K	>80	2.36"H x 47.2"W
DCLL175-100W	100W	7,000lm	30K, 40K, 50K	>80	2.36"H x 59"W
DCLL175-120W	120W	8,400lm	30K, 40K, 50K	>80	2.36"H x 70.9"W

#### Ordering Example:

DCLL175-25W-30K-WH



Prefix	Wattage	Kelvin/CCT	Finish	Mounting	Options
DCLL175	25W = 25 watt 36W = 36 watt 60W = 60 watt 80W = 80 watt	100W = 100 watt 120W = 120 watt	30K = 3000 °K 40K = 4000 °K 50K = 5000 °K	WH = White	PM = Pendant Mount SM = Surface Mount

# LED Utility

## Architectural LED Moon Light



## Applications

Moon Light with a classic shape and proportions, widely used for general lighting applications.

## Specification Features

<b>UL or ETL Listing</b>	Damp Locations
<b>Voltage</b>	120v-277v
<b>Light Source</b>	Integrated LED
<b>CRI</b>	>80
<b>Kelvin</b>	30K, 35K, 40K, 50K
<b>Dimmable</b>	0-10v
<b>Warranty</b>	5 year normal operation
<b>Mounting</b>	Pendant or surface mounted.

Part	Wattage	Lumens	Kelvin	CRI	Dimensions
DCLL112-50W	50W	2,550lm	30K, 40K, 50K	>80	3.1"H x 18.9"W
DCLL112-80W	80W	4,250lm	30K, 40K, 50K	>80	3.1"H x 23.6"W
DCLL112-120W	120W	6,120lm	30K, 40K, 50K	>80	3.1"H x 35.4"W
DCLL112-220W	220W	11,220lm	30K, 40K, 50K	>80	3.1"H x 47.2"W

### Ordering Example:

DCUL112-50W-30K-WH



Prefix	Wattage	Kelvin/CCT	Finish	Mounting	Options
DCUL112	50W = 50 watt Integrated LED 80W = 80 watt Integrated LED 120W = 120 watt Integrated LED 220W = 220 watt integrated LED	30K = 3000° Kelvin 40K = 4000° Kelvin 50K = 5000° Kelvin	WH = White BK = Black SI = Silver	PM = Pendant Mount SM = Surface Mount	

# LED Utility

## Decorative LED Ring Light



### Applications

The doughnut ring light has a unique ring style light with an LED light source illuminating its full light distribution. It is available in several sizes and diffuser colors.

### Specification Features

<b>UL or ETL Listing</b>	Damp Locations
<b>Voltage</b>	120v-277v
<b>Light Source</b>	Integrated LED
<b>CRI</b>	>80
<b>Kelvin</b>	30K, 40K, 50K
<b>Dimmable</b>	0-10v
<b>Warranty</b>	5 year normal operation
<b>Mounting</b>	Pendant or surface mounted.



Optional acoustic felt for sound dampening in offices and large open spaces. Available in 35 unique colors upon request.

Part	Wattage	Lumens	Kelvin	CRI	Dimensions
DCLL175-25W	25W	1,750lm	30K, 40K, 50K	>80	2.36"H x 15.7"W
DCLL175-36W	36W	2,520lm	30K, 40K, 50K	>80	2.36"H x 23.6"W
DCLL175-60W	60W	4,200lm	30K, 40K, 50K	>80	2.36"H x 35.4"W
DCLL175-80W	80W	5,600lm	30K, 40K, 50K	>80	2.36"H x 47.2"W
DCLL175-100W	100W	7,000lm	30K, 40K, 50K	>80	2.36"H x 59"W
DCLL175-120W	120W	8,400lm	30K, 40K, 50K	>80	2.36"H x 70.9"W

### Ordering Example:

DCLL175-25W-30K-WH



Prefix	Wattage	Kelvin/CCT	Finish	Mounting	Options	
DCLL175	25W = 25 watt 36W = 36 watt 60W = 60 watt 80W = 80 watt	100W = 100 watt 120W = 120 watt	30K = 3000 °K 40K = 4000 °K 50K = 5000 °K	WH = White BK = Black SI = Silver	PM = Pendant Mount SM = Surface Mount	AF = Acoustic Felt

# LED Utility

## Architectural LED Moon Light

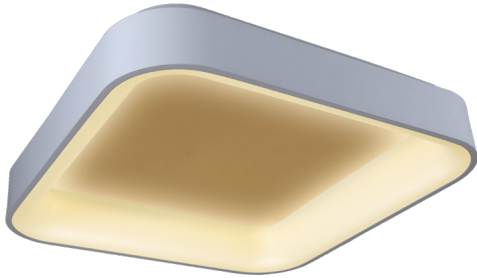
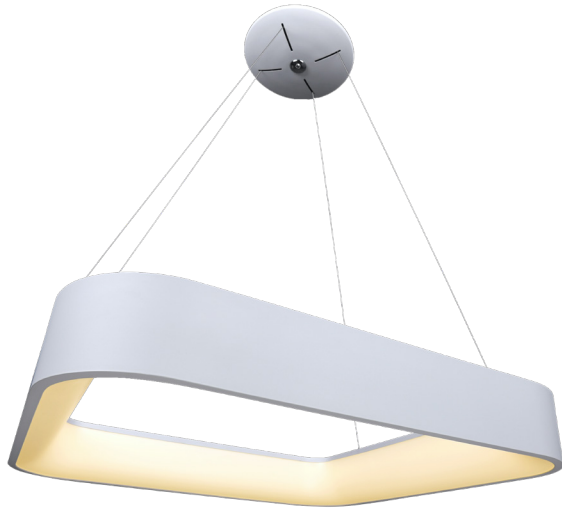


### Applications

Moon Light with a classic shape and proportions, widely used for general lighting applications.

### Specification Features

<b>UL or ETL Listing</b>	Damp Locations
<b>Voltage</b>	120v-277v
<b>Light Source</b>	Integrated LED
<b>CRI</b>	>80
<b>Kelvin</b>	30K, 35K, 40K, 50K
<b>Dimmable</b>	0-10v
<b>Warranty</b>	5 year normal operation
<b>Mounting</b>	Pendant or surface mounted.



Optional acoustic felt for sound dampening in offices and large open spaces. Available in 35 unique colors upon request.

Part	Wattage	Lumens	Kelvin	Dimensions
DCLL112-50W	50W	2,550lm	30K, 40K, 50K	3.1"H x 18.9"W
DCLL112-80W	80W	4,250lm	30K, 40K, 50K	3.1"H x 23.6"W
DCLL112-120W	120W	6,120lm	30K, 40K, 50K	3.1"H x 35.4"W
DCLL112-220W	220W	11,220lm	30K, 40K, 50K	3.1"H x 47.2"W

### Ordering Example:

DCUL112-50W-30K-WH



Prefix	Wattage	Kelvin/CCT	Finish	Mounting	Options
DCUL112	50W = 50 watt Integrated LED 80W = 80 watt Integrated LED 120W = 120 watt Integrated LED 220W = 220 watt integrated LED	30K = 3000° Kelvin 40K = 4000° Kelvin 50K = 5000° Kelvin	WH = White BK = Black SI = Silver	PM = Pendant Mount SM = Surface Mount	AF = Acoustic Felt