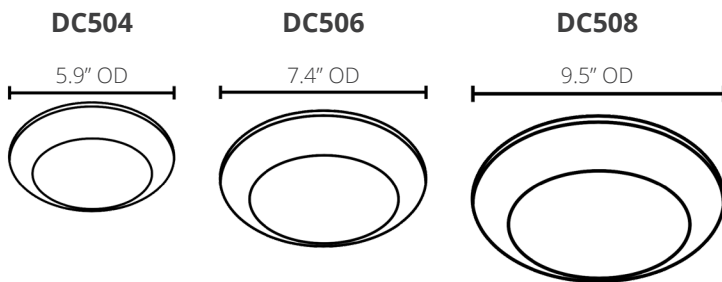


LED Disk Lights

4", 6", and 8" LED Disk Lights



DC504, DC506, DC508



Applications

LED flush mounts add class to any decor. Low profile design ideally suited for showers, lobbies, corridors, conference rooms, common spaces, kitchenettes, and interiors in commercial, hospitality, retail, and residential environments.

Specification Features

UL or ETL Listing	Wet Locations
Certifications	ETL
Housing	Stamped Steel
Lens/Diffuser	Opal Acrylic - Twist On/Off
Voltage	AC 110-120v / Driverless Model
Wattage	8w, 10w, 15w, 16w, 30w, 32w
Lumens	570, 800, 1050, 2200
CRI	90
Kelvin	30K, 40K
Operating Temp.	(-20° to -40° C) (25° C Nominal)
Surge Protection	1 kv
Warranty	5 year normal operation
Mounting	Ceiling, includes all necessary hardware. Mounts to most 4" x 4" J boxes. Suitable for installation within the closest storage space (NEC code 410.16)
Dimmer	

Easy & cost effective solutions to replacing recessed can lights!

DC888 - Retrofit Kit

Retrofit Kit includes:

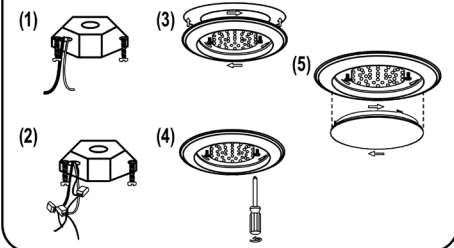
- LED Disk Light (1)
- Mounting Bracket (1)
- Springs Mounting Clip (2)
- Quick Connector (1)
- Mounting Screws (2)
- E26 Lamp Holder Adapter (1)
- Wire Nuts (3)
- Power Connector (1)
- Gasket (1)
- Instructions Sheet (1)



Whether you're installing as a retrofit or a surface mount luminaire, everything you need is included in the box.



Mounting and Assembly Instructions:



Part	Available Finishes	Kelvin/CCT	Voltage	Dimensions	Lumens	CRI	Dimmable	Special Functions
DC504-8W	BN • ORB • WH	CCT Selectable (30K/40K)	AC 120V	5.9" OD x 1.2" H	570	90	Yes (0-10V)	Surface, Wet, Retrofit
DC506-10W	BN • ORB • WH	CCT Selectable (30K/40K)	AC 120V	7.4" OD x 1.2" H	800	90	Yes (0-10V)	Surface, Wet, Retrofit
DC506-15W	BN • ORB • WH	CCT Selectable (30K/40K)	AC 120V	7.4" OD x 1.2" H	1,050	90	Yes (0-10V)	Surface, Wet, Retrofit
DC508-30W	BN • ORB • WH	CCT Selectable (30K/40K)	AC 120V	9.5" OD x 1.2" H	2,200	90	Yes (0-10V)	Surface, Wet, Retrofit
DC506-16W	BN • ORB • WH	30K • 40K	DC 277V	7.4" OD x 1.2" H	1,000	90	No	Surface, 277V ONLY
DC508-32W	BN • ORB • WH	30K • 40K	DC 277V	9.5" OD x 1.2" H	1,900	90	No	Surface, 277V ONLY
DC506-15W-MS	BN • ORB • WH	CCT Selectable (30K/40K)	AC 120V	7.4" OD x 1.2" H	1,050	90	No	Motion Sensor
DC508-30W-MS	BN • ORB • WH	CCT Selectable (30K/40K)	AC 120V	9.5" OD x 1.2" H	2,200	90	No	Motion Sensor
DCEM506	BN • ORB • WH	30K • 40K	AC 120V	7.4" OD x 1.2" H	1,095	81	No	Motion Sensor
DCEM508	BN • ORB • WH	30K • 40K	AC 120V	9.5" OD x 1.2" H	2,200	81	No	Motion Sensor

DC504

Surface Mount Disk

Replaces 4" Recessed Can Light - Retrofit Kit Available



Applications

LED flush mounts add class to any decor. Low profile design ideally suited for showers, lobbies, corridors, conference rooms, common spaces, kitchenettes, and interiors in commercial, hospitality, retail, and residential environments.

Specification Features

UL or ETL Listing	Wet Locations
Certifications	Title 24, JA8 Certified DLC - Certified Energy Star - Qualified
Dimensions	1.2" Height x 5.9" Outside Diameter
Housing	Stamped Steel
Lens/Diffuser	Opal Acrylic - Twist On/Off
Voltage	AC 110-120v - Driverless
Wattage	8w
Lumens	570
CRI	90
Kelvin	CCT Selectable (30K, 40K)
Flicker	T24, JA8 - Flicker Free
Dimmable	T24, JA8 - 0-10v
Operating Temp.	(-20° to -40° C) (25° C Nominal)
Surge Protection	1 kv
Warranty	5 year normal operation
Mounting	Ceiling, includes all necessary hardware. Mounts to most 4" x 4" J boxes. Suitable for installation within the closest storage space (NEC code 410.16)

DC888 - Retrofit Kit

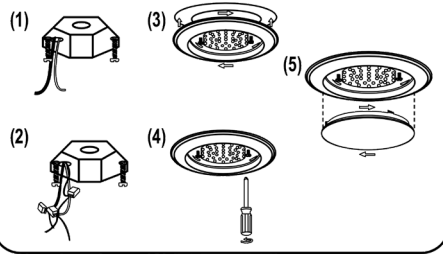
Retrofit Kit includes:

- LED Disk Light (1)
- Mounting Bracket (1)
- Springs Mounting Clip (2)
- Quick Connector (1)
- Mounting Screws (2)
- E26 Lamp Holder Adapter (1)
- Wire Nuts (3)
- Power Connector (1)
- Gasket (1)
- Instructions Sheet (1)



Whether you're installing as a retrofit or a surface mount luminaire, everything you need is included in the box.

Mounting and Assembly Instructions:



Ordering Example:

DC504-8W-CCT-BN-DC888



Prefix	Wattage	Kelvin/CCT	Finish	Options
DC504	8W = 8 Watts	CCT Selectable (30K, 40K)	BN = Brushed Nickel ORB = Oil Rubbed Bronze WH = White	DC888 = Recessed Can Retrofit Kit

DC506

Surface Mount Disk

Replaces 6" Recessed Can Light - Retrofit Kit Available



Applications

LED flush mounts add class to any decor. Low profile design ideally suited for showers, lobbies, corridors, conference rooms, common spaces, kitchenettes, and interiors in commercial, hospitality, retail, and residential environments.

Specification Features

UL or ETL Listing	Wet Locations
Certifications	Title 24, JA8 Certified DLC - Certified Energy Star - Qualified
Dimensions	1.2" Height x 7.4" Outside Diameter
Housing	Stamped Steel
Lens/Diffuser	Opal Acrylic - Twist On/Off
Voltage	AC 110-120v - Driverless
Wattage	10w, 15w, 16W
Lumens	800, 1050
CRI	90
Kelvin	CCT Selectable (30K, 40K)
Flicker	(T24, JA8) Flicker Free
Dimmable	(T24, JA8) 0-10v
Operating Temp.	(-20° to -40° C) (25° C Nominal)
Surge Protection	1 kv
Warranty	5 year normal operation
Mounting	Ceiling, includes all necessary hardware. Mounts to most 4" x 4" J boxes. Suitable for installation within the closest storage space (NEC code 410.16)
EM Back-up	See DCEM Disk Series (pg. 58)

DC888 - Retrofit Kit

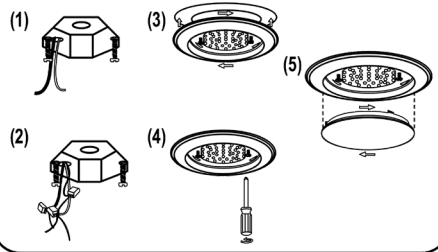
Retrofit Kit includes:

- LED Disk Light (1)
- Mounting Bracket (1)
- Springs Mounting Clip (2)
- Quick Connector (1)
- Mounting Screws (2)
- E26 Lamp Holder Adapter (1)
- Wire Nuts (3)
- Power Connector (1)
- Gasket (1)
- Instructions Sheet (1)



Whether you're installing as a retrofit or a surface mount luminaire, everything you need is included in the box.

Mounting and Assembly Instructions:



Ordering Example:

DC506-10W-CCT-BN-DC888



Prefix	Wattage	Kelvin/CCT	Finish	Options
DC506	10W = 10 Watts	CCT =	BN = Brushed Nickel	DC888 = Recessed Can Retrofit Kit
DC506-277V	15W = 15 Watts	Selectable	ORB = Oil Rubbed Bronze	
	16W = 16 Watts	(30K, 40K)	WH = White	

DCEM506

6" Disk w/ Emergency Back-Up

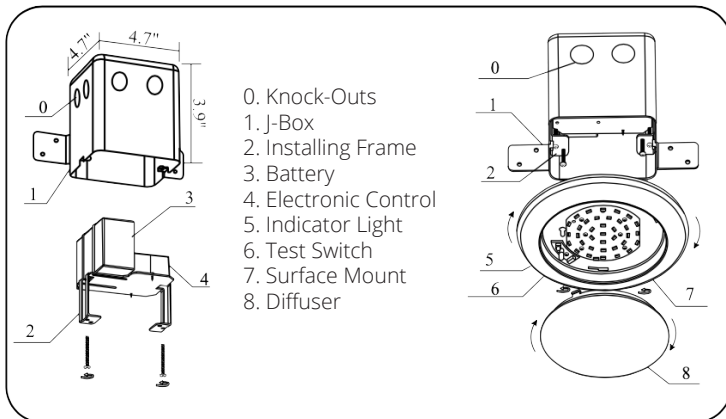


Applications

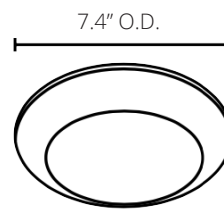
LED flush mounts add class to any decor. Low profile design ideally suited for showers, lobbies, corridors, conference rooms, common spaces, kitchenettes, and interiors in commercial, hospitality, retail, and residential environments.

Specification Features

UL or ETL Listing	Wet Locations
Certifications	Title 24, JA8 Certified DLC - Certified
Dimensions	1.2" Height x 7.4" Outside Diameter
Housing	Stamped Steel
Lens/Diffuser	UV Rated Polycarbonate
Voltage	AC 110-120v - Driverless
Wattage	15w (EM: 6w)
Lumens	1,095lm (EM: 400lm)
CRI	81
Kelvin	30K, 40K
Emergency Mode	Up to 90 Minutes
Flicker	(T24, JA8) Flicker Free
Dimmable	(T24, JA8) 0-10v
Operating Temp.	(-20° to -40° C) (25° C Nominal)
Surge Protection	1 kv
Warranty	5 year normal operation
Mounting	Requires included battery rough-in housing (DCEM508-BATT).



DCEM506-BATT	Shipped at Rough-In
DCEM506-TRIM	Shipped at Trim Out



**Trim does not fit in all J-Boxes
Will not fit in pancake J-Boxes.**

Ordering Example:
DCEM506-15W-30K-BN

Prefix	Wattage	Kelvin/CCT	Finish	Options
DCEM506	15W = 15 Watts	30K = 3000°K 40K = 4000°K	BN = Brushed Nickel ORB = Oil Rubbed Bronze WH = White	



DC508

Surface Mount Disk

Replaces 8" Recessed Can Light - Retrofit Kit Available



Applications

LED flush mounts add class to any decor. Low profile design ideally suited for showers, lobbies, corridors, conference rooms, common spaces, kitchenettes, and interiors in commercial, hospitality, retail, and residential environments.

Specification Features

UL or ETL Listing	Wet Locations
Certifications	Title 24, JA8 Certified DLC - Certified Energy Star - Qualified
Dimensions	1.2" Height x 9.5" Outside Diameter
Housing	Stamped Steel
Lens/Diffuser	Opal Acrylic - Twist On/Off
Voltage	AC 110-120v - Driverless
Wattage	30w
Lumens	2200
CRI	90
Kelvin	CCT Selectable (30K, 40K)
Flicker	(T24, JA8) Flicker Free
Dimmable	(T24, JA8) 0-10v
Operating Temp.	(-20° to -40° C) (25° C Nominal)
Surge Protection	1 kv
Warranty	5 year normal operation
Mounting	Ceiling, includes all necessary hardware. Mounts to most 4" x 4" J boxes. Suitable for installation within the closest storage space (NEC code 410.16)
EM Back-up	See DCEM Disk Series (pg. 59)

DC888 - Retrofit Kit

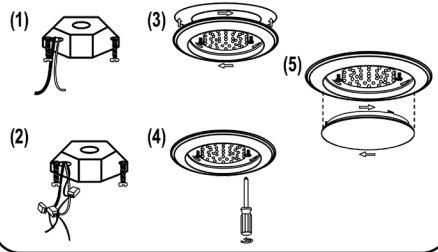
Retrofit Kit includes:

- LED Disk Light (1)
- Mounting Bracket (1)
- Springs Mounting Clip (2)
- Quick Connector (1)
- Mounting Screws (2)
- E26 Lamp Holder Adapter (1)
- Wire Nuts (3)
- Power Connector (1)
- Gasket (1)
- Instructions Sheet (1)



Whether you're installing as a retrofit or a surface mount luminaire, everything you need is included in the box.

Mounting and Assembly Instructions:



Ordering Example:

DC508-30W-CCT-BN-DC888



Prefix	Wattage	Kelvin/CCT	Finish	Options
DC508	30W = 30 Watts	CCT = Selectable (30K, 40K)	BN = Brushed Nickel ORB = Oil Rubbed Bronze WH = White	DC888 = Recessed Can Retrofit Kit

DCEM508

8" Disk w/ Emergency Back-Up



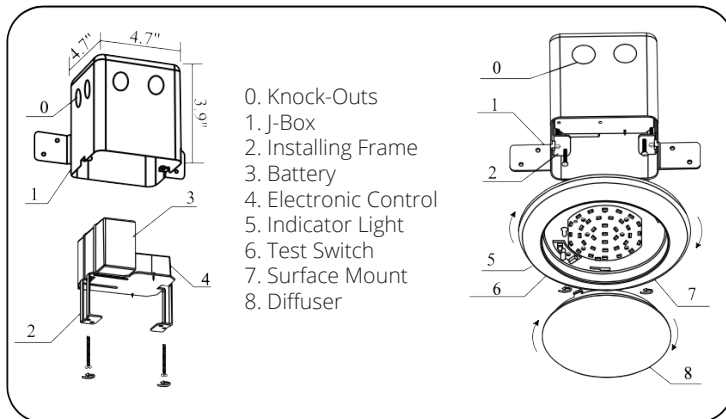
Applications

LED flush mounts add class to any decor. Low profile design ideally suited for showers, lobbies, corridors, conference rooms, common spaces, kitchenettes, and interiors in commercial, hospitality, retail, and residential environments.

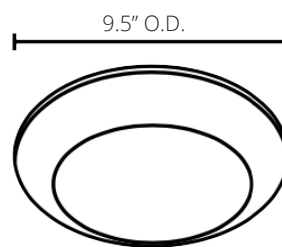


Specification Features

UL or ETL Listing	Wet Locations
Certifications	Title 24, JA8 Certified DLC - Certified
Dimensions	1.2" Height x 9.5" Outside Diameter
Housing	Stamped Steel
Lens/Diffuser	UV Rated Polycarbonate
Voltage	AC 110-120v - Driverless
Wattage	30w (EM: 12w)
Lumens	2,200lm (EM: 880lm)
CRI	81
Kelvin	30K, 40K
Emergency Mode	Up to 90 Minutes
Flicker	(T24, JA8) Flicker Free
Dimmable	(T24, JA8) 0-10v
Operating Temp.	(-20° to -40° C) (25° C Nominal)
Surge Protection	1 kv
Warranty	5 year normal operation
Mounting	Requires included battery rough-in housing (DCEM508-BATT).



DCEM508-BATT	Shipped at Rough-In
DCEM508-TRIM	Shipped at Trim Out



Trim does not fit in all J-Boxes
Will not fit in pancake J-Boxes.

Ordering Example:
DCEM508-30W-30K-BN



Prefix	Wattage	Kelvin/CCT	Finish	Options
DCEM508	30W = 30 Watts	30K = 3000°K 40K = 4000°K	BN = Brushed Nickel ORB = Oil Rubbed Bronze WH = White	

DC506-277V/DC508-277V



277V Only Surface Mount Disk

Replaces 6" & 8" Recessed Can Lights - 277V ONLY - Retrofit Kit Available



Applications

LED flush mounts add class to any decor. Low profile design ideally suited for showers, lobbies, corridors, conference rooms, common spaces, kitchenettes, and interiors in commercial, hospitality, retail, and residential environments.

Specification Features

UL or ETL Listing	Wet Locations
Certifications	ETL
Dimensions	DC506-277V = 1.2" Height x 7.4" O.D. DC508-277V = 1.2" Height x 9.5" O.D.
Housing	Stamped Steel
Lens/Diffuser	Opal Acrylic - Twist On/Off
Voltage	AC 277v - Driverless
Wattage	DC506-277V = 16W DC508-277V = 32W
Lumens	DC506-277V = 1,000 DC508-277V = 1,900
CRI	90
Kelvin	30K
Dimmable	Non-Dimmable
Operating Temp.	(-20° to -40° C) (25° C Nominal)
Surge Protection	1 kv
Warranty	5 year normal operation
Mounting	Ceiling, includes all necessary hardware. Mounts to most 4" x 4" J boxes. Suitable for installation within the closest storage space (NEC code 410.16)

DC888 - Retrofit Kit

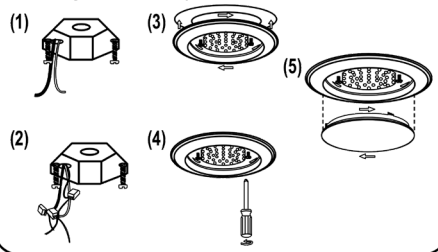
Retrofit Kit includes:

- LED Disk Light (1)
- Mounting Bracket (1)
- Springs Mounting Clip (2)
- Quick Connector (1)
- Mounting Screws (2)
- E26 Lamp Holder Adapter (1)
- Wire Nuts (3)
- Power Connector (1)
- Gasket (1)
- Instructions Sheet (1)



Whether you're installing as a retrofit or a surface mount luminaire, everything you need is included in the box.

Mounting and Assembly Instructions:



Ordering Example:

DC508-277V-32W-30K-BN-DC888

Prefix	Wattage	Kelvin/CCT	Finish	Options
DC506-277V	16W = 16 Watts	30K = 3000°K	BN = Brushed Nickel	DC888 = Recessed Can Retrofit Kit
DC508-277V	32W = 32 Watts	40K = 4000°K	ORB = Oil Rubbed Bronze WH = White	



DC890

6" LED Pancake Disk Light



Applications

LED flush mounts add class to any decor. Low profile design ideally suited for showers, lobbies, corridors, conference rooms, common spaces, kitchenettes, and interiors in commercial, hospitality, retail, and residential environments.

Specification Features

UL or ETL Listing	Wet Locations
Dimensions	1" Height x 7.5" Outside Diameter
Housing	Stamped Steel
Lens/Diffuser	Opal Acrylic - Snap in
Voltage	120V
Wattage	15W
Lumens	800lm
CRI	90
Kelvin	30K, 40K
Dimmable	0-10v
Warranty	5 year normal operation
Mounting	Ceiling, includes all necessary hardware. Mounts to most 4" x 4" J boxes.



Ordering Example:

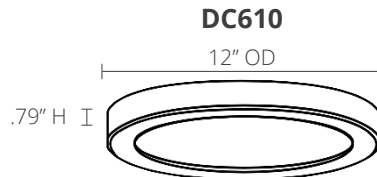
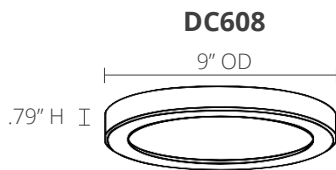
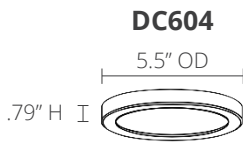
DC890-15W-30K



Prefix	Wattage	Kelvin/CCT	Finish	Options
DC890	10W = 10 Watts	30K = 3000°K 40K = 4000°K	WH = White	

Ultra-Thin Round

LED Disk Lights



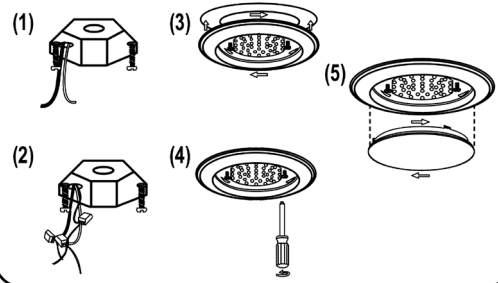
Applications

LED flush mounts add class to any decor. Low profile design ideally suited for showers, lobbies, corridors, conference rooms, common spaces, kitchenettes, and interiors in commercial, hospitality, retail, and residential environments.

Specification Features

UL or ETL Listing	Wet Locations
Certifications	ETL
Housing	Stamped Steel
Lens/Diffuser	Flat Glass Lens
Voltage	AC 110-120v / Driverless Model
Wattage	10w, 15w, 18w, 25w
Lumens	570, 800, 1050, 2200
CRI	90
Kelvin	30K, 40K
Operating Temp.	(-20° to -40°C) (25°C Nominal)
Surge Protection	1 kv
Warranty	5 year normal operation
Mounting	Ceiling, includes all necessary hardware. Mounts to most 4" x 4" J boxes. Suitable for installation within the closest storage space (NEC code 410.16)
Dimmer	

Mounting and Assembly Instructions:



Intertek

Part	Available Finishes	Kelvin/ CCT	Voltage	Dimensions	Lumens	CRI	Dimmable	Special Functions
DC604	BN • ORB • WH	30K • 40K	AC 120V	5.5" OD x .79" H	600	90	Yes (0-10V)	Surface, Wet
DC606	BN • ORB • WH	30K • 40K	AC 120V	7" OD x .79" H	1,050	90	Yes (0-10V)	Surface, Wet
DC608-15W	BN • ORB • WH	30K • 40K	AC 120V	9" OD x .79" H	1,050	90	Yes (0-10V)	Surface, Wet
DC608-18W	BN • ORB • WH	30K • 40K	AC 120V	9" OD x .79" H	1,600	90	Yes (0-10V)	Surface, Wet
DC610	BN • ORB • WH	30K • 40K	AC 120V	12" OD x .79" H	2,200	90	Yes (0-10V)	Surface, Wet

DC604

4" Ultra Thin Round Surface Mount Disk

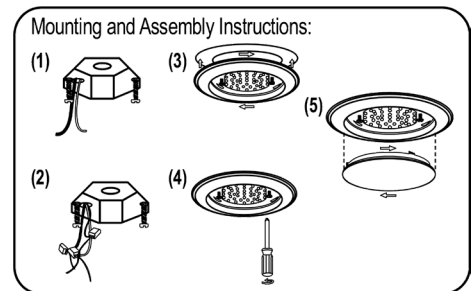


Applications

LED flush mounts add class to any decor. Low profile design ideally suited for showers, lobbies, corridors, conference rooms, common spaces, kitchenettes, and interiors in commercial, hospitality, retail, and residential environments.

Specification Features

UL or ETL Listing	Wet Locations
Certifications	Title 24, JA8 Certified DLC - Certified Energy Star - Qualified
Dimensions	.79" Height x 5.5" Outside Diameter
Housing	Stamped Steel
Lens/Diffuser	Flat Glass Lens
Voltage	AC 110-120v - Driverless
Wattage	10w
Lumens	600
CRI	90
Kelvin	30K, 40K
Flicker	(T24, JA8) Flicker Free
Dimmable	(T24, JA8) 0-10v - Tri-arc
Operating Temp.	(-20° to -40° C) (25° C Nominal)
Surge Protection	1 kv
Warranty	5 year normal operation
Mounting	Ceiling, includes all necessary hardware. Mounts to most 4" x 4" J boxes. Suitable for installation within the closest storage space (NEC code 410.16)



Ordering Example:
DC604-10W-30K-BN

Prefix	Wattage	Kelvin/CCT	Finish	Options
DC604	10W = 10 Watts	30K = 3000°K 40K = 4000°K	BN = Brushed Nickel ORB = Oil Rubbed Bronze WH = White	



DC606

6" Ultra Thin Round Surface Mount Disk

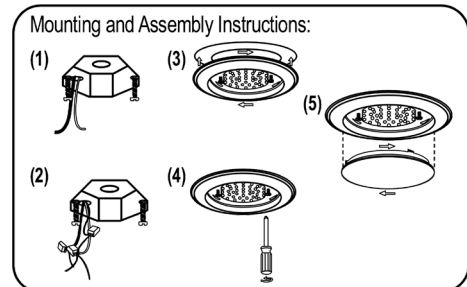


Applications

LED flush mounts add class to any decor. Low profile design ideally suited for showers, lobbies, corridors, conference rooms, common spaces, kitchenettes, and interiors in commercial, hospitality, retail, and residential environments.

Specification Features

UL or ETL Listing	Wet Locations
Certifications	Title 24, JA8 Certified DLC - Certified Energy Star - Qualified
Dimensions	.79" Height x 7" Outside Diameter
Housing	Stamped Steel
Lens/Diffuser	Flat Glass Lens
Voltage	AC 110-120v - Driverless
Wattage	15w
Lumens	1,050
CRI	90
Kelvin	30K, 40K
Flicker	(T24, JA8) Flicker Free
Dimmable	(T24, JA8) 0-10v
Operating Temp.	(-20° to -40° C) (25° C Nominal)
Surge Protection	1 kv
Warranty	5 year normal operation
Mounting	Ceiling, includes all necessary hardware. Mounts to most 4" x 4" J boxes. Suitable for installation within the closest storage space (NEC code 410.16)



Ordering Example:

DC606-15W-30K-BN



Prefix	Wattage	Kelvin/CCT	Finish	Options
DC606	15W = 15 Watts	30K = 3000°K 40K = 4000°K	BN = Brushed Nickel ORB = Oil Rubbed Bronze WH = White	

DC608

8" Ultra Thin Round Surface Mount Disk

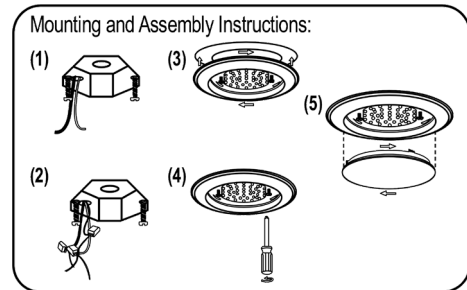


Applications

LED flush mounts add class to any decor. Low profile design ideally suited for showers, lobbies, corridors, conference rooms, common spaces, kitchenettes, and interiors in commercial, hospitality, retail, and residential environments.

Specification Features

UL or ETL Listing	Wet Locations
Certifications	Title 24, JA8 Certified DLC - Certified Energy Star - Qualified
Dimensions	.79" Height x 9" Outside Diameter
Housing	Stamped Steel
Lens/Diffuser	Flat Glass Lens
Voltage	AC 110-120v - Driverless
Wattage	15w, 18w
Lumens	1,050, 1,600
CRI	90
Kelvin	30K, 40K
Flicker	(T24, JA8) Flicker Free
Dimmable	(T24, JA8) 0-10v
Operating Temp.	(-20° to -40° C) (25° C Nominal)
Surge Protection	1 kv
Warranty	5 year normal operation
Mounting	Ceiling, includes all necessary hardware. Mounts to most 4" x 4" J boxes. Suitable for installation within the closest storage space (NEC code 410.16)



Ordering Example:
DC608-15W-30K-BN



Prefix	Wattage	Kelvin/CCT	Finish	Options
DC608	15W = 15 Watts 18W = 18 Watts	30K = 3000°K 40K = 4000°K	BN = Brushed Nickel ORB = Oil Rubbed Bronze WH = White	

DC610

12" Ultra Thin Round Surface Mount Disk

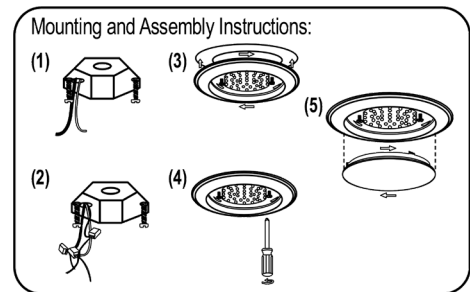
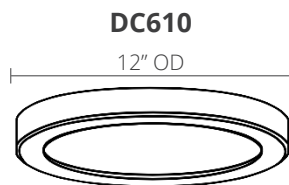


Applications

LED flush mounts add class to any decor. Low profile design ideally suited for showers, lobbies, corridors, conference rooms, common spaces, kitchenettes, and interiors in commercial, hospitality, retail, and residential environments.

Specification Features

UL or ETL Listing	Wet Locations
Certifications	Title 24, JA8 Certified DLC - Certified Energy Star - Qualified
Dimensions	.79" Height x 12" Outside Diameter
Housing	Stamped Steel
Lens/Diffuser	Flat Glass Lens
Voltage	AC 110-120v - Driverless
Wattage	25w
Lumens	2,200
CRI	90
Kelvin	30K, 40K
Flicker	(T24, JA8) Flicker Free
Dimmable	(T24, JA8) 0-10v
Operating Temp.	(-20° to -40° C) (25° C Nominal)
Surge Protection	1 kv
Warranty	5 year normal operation
Mounting	Ceiling, includes all necessary hardware. Mounts to most 4" x 4" J boxes. Suitable for installation within the closest storage space (NEC code 410.16)



Ordering Example:

DC610-25W-30K-BN



Prefix	Wattage	Kelvin/CCT	Finish	Options
DC610	25W = 25 Watts	30K = 3000°K 40K = 4000°K	BN = Brushed Nickel ORB = Oil Rubbed Bronze WH = White	

Low Profile Round

LED Disk Lights

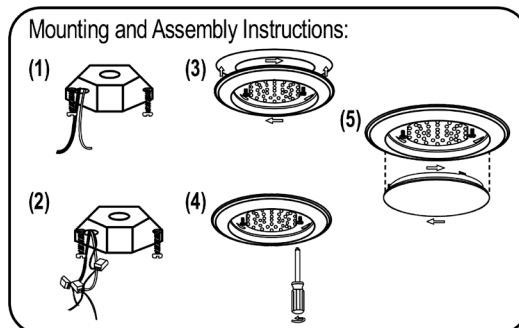


Applications

LED flush mounts add class to any decor. Low profile design ideally suited for showers, lobbies, corridors, conference rooms, common spaces, kitchenettes, and interiors in commercial, hospitality, retail, and residential environments.

Specification Features

UL or ETL Listing	Wet Locations
Certifications	ETL
Housing	Stamped Steel
Lens/Diffuser	Flat Glass Lens
Voltage	AC 110-120v / Driverless Model
Wattage	15w, 20w, 25w
Lumens	1,050, 1,400, 1,750
CRI	80
Kelvin	30K, 40K
Operating Temp.	(-20° to -40°C) (25°C Nominal)
Surge Protection	1 kv
Warranty	5 year normal operation
Mounting	Ceiling, includes all necessary hardware. Mounts to most 4" x 4" J boxes. Suitable for installation within the closest storage space (NEC code 410.16)
Dimmer	



Part	Available Finishes	Kelvin/ CCT	Voltage	Dimensions	Lumens	CRI	Dimmable	Special Functions
DC626	BN • ORB • WH	30K • 40K	AC 120V	7.2" OD x 1.2" H	1,050	90	Yes (0-10V)	Surface, Wet
DC628	BN • ORB • WH	30K • 40K	AC 120V	8.5" OD x 1.2" H	1,400	90	Yes (0-10V)	Surface, Wet
DC630	BN • ORB • WH	30K • 40K	AC 120V	11.5" OD x 1.2" H	1,750	90	Yes (0-10V)	Surface, Wet

DC626

6" Low Profile Round Surface Mount Disk

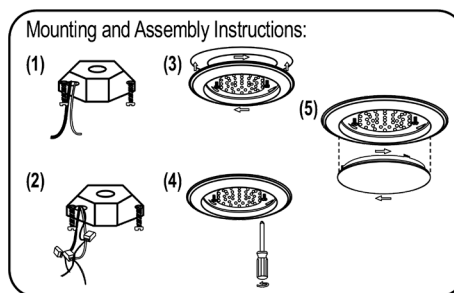


Applications

LED flush mounts add class to any decor. Low profile design ideally suited for showers, lobbies, corridors, conference rooms, common spaces, kitchenettes, and interiors in commercial, hospitality, retail, and residential environments.

Specification Features

UL or ETL Listing	Wet Locations
Certifications	Title 24, JA8 Certified DLC - Certified Energy Star - Qualified
Dimensions	1.2" Height x 7.2" Outside Diameter
Housing	Stamped Steel
Lens/Diffuser	Flat Glass Lens
Voltage	AC 110-120v - Driverless
Wattage	15w
Lumens	1,050
CRI	80
Kelvin	30K, 40K
Flicker	(T24, JA8) Flicker Free
Dimmable	(T24, JA8) 0-10v
Operating Temp.	(-20° to -40° C) (25° C Nominal)
Surge Protection	1 kv
Warranty	5 year normal operation
Mounting	Ceiling, includes all necessary hardware. Mounts to most 4" x 4" J boxes. Suitable for installation within the closest storage space (NEC code 410.16)
EM Back-Up	See DCEM Disk Series (pg. 61)



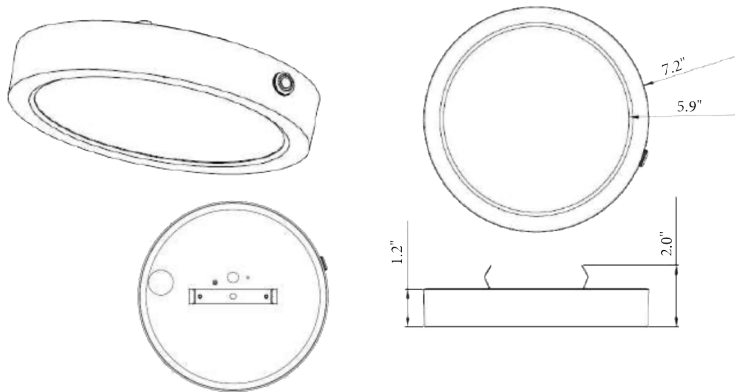
Ordering Example:
DC626-15W-30K-BN



Prefix	Wattage	Kelvin/CCT	Finish	Options
DC626	15W = 15 Watts	30K = 3000° K 40K = 4000° K	BN = Brushed Nickel ORB = Oil Rubbed Bronze WH = White	

DCEM626

6" Disk w/ Emergency Back-Up



Applications

LED flush mounts add class to any decor. Low profile design ideally suited for showers, lobbies, corridors, conference rooms, common spaces, kitchenettes, and interiors in commercial, hospitality, retail, and residential environments.

Specification Features

UL or ETL Listing	Wet Locations
Certifications	Title 24, JA8 Certified DLC - Certified
Dimensions	1.2" Height x 7.2" Outside Diameter
Housing	Stamped Steel
Lens/Diffuser	UV Rated Polycarbonate
Voltage	AC 110-120v - Driverless
Wattage	15w (EM: 6w)
Lumens	1,050lm (EM: 400lm)
CRI	80
Kelvin	30K, 40K
Emergency Mode	Up to 90 Minutes
Flicker	(T24, JA8) Flicker Free
Dimmable	(T24, JA8) 0-10v
Operating Temp.	(-20° to -40° C) (25° C Nominal)
Surge Protection	1 kv
Warranty	5 year normal operation
Mounting	Ceiling, includes all necessary hardware. Mounts to most 4" x 4" J boxes. Suitable for installation within the closest storage space (NEC code 410.16)

Ordering Example:
DCEM626-15W-30K-WH



Prefix	Wattage	Kelvin/CCT	Finish	Options
DCEM626	15W = 15 Watts	30K = 3000°K 40K = 4000°K	BN = Brushed Nickel ORB = Oil Rubbed Bronze WH = White	DC888 = Retrofit Kit

DC628

8" Low Profile Round Surface Mount Disk

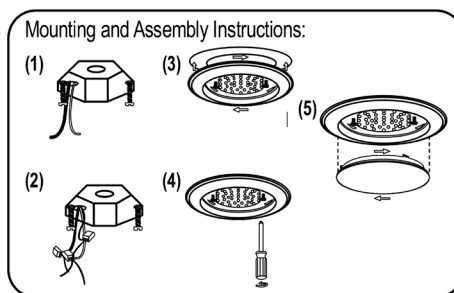


Applications

LED flush mounts add class to any decor. Low profile design ideally suited for showers, lobbies, corridors, conference rooms, common spaces, kitchenettes, and interiors in commercial, hospitality, retail, and residential environments.

Specification Features

UL or ETL Listing	Wet Locations
Certifications	Title 24, JA8 Certified DLC - Certified Energy Star - Qualified
Dimensions	1.2" Height x 8.5" Outside Diameter
Housing	Stamped Steel
Lens/Diffuser	Flat Glass Lens
Voltage	AC 110-120v - Driverless
Wattage	20w
Lumens	1,400
CRI	80
Kelvin	30K, 40K
Flicker	(T24, JA8) Flicker Free
Dimmable	(T24, JA8) 0-10v
Operating Temp.	(-20° to -40° C) (25° C Nominal)
Surge Protection	1 kv
Warranty	5 year normal operation
Mounting	Ceiling, includes all necessary hardware. Mounts to most 4" x 4" J boxes. Suitable for installation within the closest storage space (NEC code 410.16)
EM Back-Up	See DCEM Disk Series (pg. 62)



Ordering Example:

DC628-15W-30K-BN



Prefix	Wattage	Kelvin/CCT	Finish	Options
DC628	20W = 20 Watts	30K = 3000°K 40K = 4000°K	BN = Brushed Nickel ORB = Oil Rubbed Bronze WH = White	

DCEM628

8" Disk w/ Emergency Back-Up

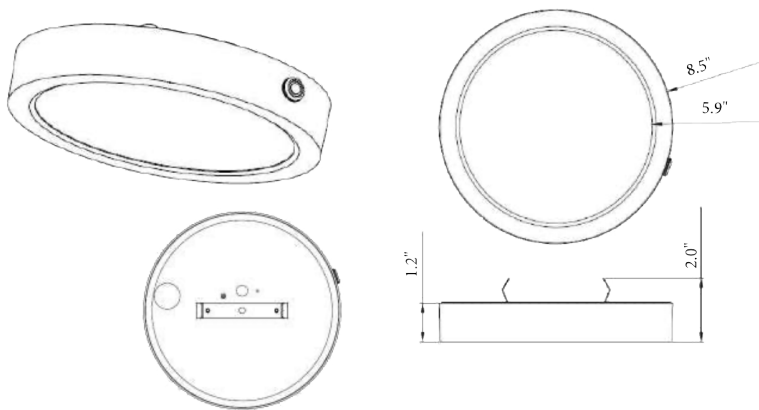


Applications

LED flush mounts add class to any decor. Low profile design ideally suited for showers, lobbies, corridors, conference rooms, common spaces, kitchenettes, and interiors in commercial, hospitality, retail, and residential environments.

Specification Features

UL or ETL Listing	Wet Locations
Certifications	Title 24, JA8 Certified DLC - Certified
Dimensions	1.2" Height x 8.5" Outside Diameter
Housing	Stamped Steel
Lens/Diffuser	UV Rated Polycarbonate
Voltage	AC 110-120v - Driverless
Wattage	20w (EM: 8w)
Lumens	1,400lm (EM: 560lm)
CRI	80
Kelvin	30K, 40K
Emergency Mode	Up to 90 Minutes
Flicker	(T24, JA8) Flicker Free
Dimmable	(T24, JA8) 0-10v
Operating Temp.	(-20° to -40° C) (25° C Nominal)
Surge Protection	1 kv
Warranty	5 year normal operation
Mounting	Ceiling, includes all necessary hardware. Mounts to most 4" x 4" J boxes. Suitable for installation within the closest storage space (NEC code 410.16)



Ordering Example:

DCEM628-20W-30K-WH



Prefix	Wattage	Kelvin/CCT	Finish	Options
DCEM628	20W = 20 Watts	30K = 3000°K 40K = 4000°K	BN = Brushed Nickel ORB = Oil Rubbed Bronze WH = White	DC888 = Retrofit Kit

DC630

10" Low Profile Round Surface Mount Disk

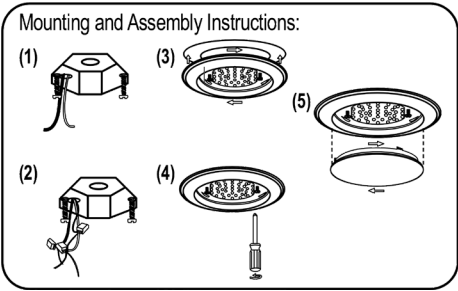
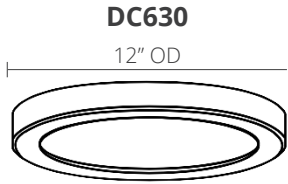


Applications

LED flush mounts add class to any decor. Low profile design ideally suited for showers, lobbies, corridors, conference rooms, common spaces, kitchenettes, and interiors in commercial, hospitality, retail, and residential environments.

Specification Features

UL or ETL Listing	Wet Locations
Certifications	Title 24, JA8 Certified DLC - Certified Energy Star - Qualified
Dimensions	1.2" Height x 11.5" Outside Diameter
Housing	Stamped Steel
Lens/Diffuser	Flat Glass Lens
Voltage	AC 110-120v - Driverless
Wattage	25w
Lumens	1,750
CRI	80
Kelvin	30K, 40K
Flicker	(T24, JA8) Flicker Free
Dimmable	(T24, JA8) 0-10v
Operating Temp.	(-20° to -40° C) (25° C Nominal)
Surge Protection	1 kv
Warranty	5 year normal operation
Mounting	Ceiling, includes all necessary hardware. Mounts to most 4" x 4" J boxes. Suitable for installation within the closest storage space (NEC code 410.16)



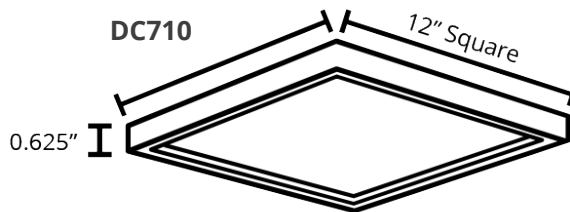
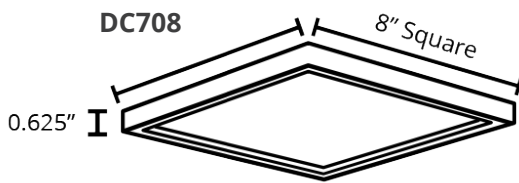
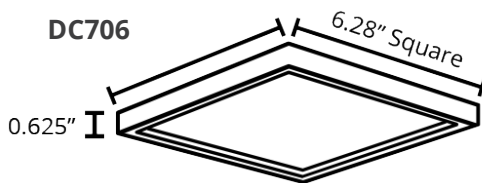
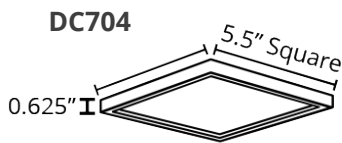
Ordering Example:
DC630-25W-30K-BN



Prefix	Wattage	Kelvin/CCT	Finish	Options
DC630	25W = 25 Watts	30K = 3000° K 40K = 4000° K	BN = Brushed Nickel ORB = Oil Rubbed Bronze WH = White	

Ultra-Thin Square

LED Disk Lights



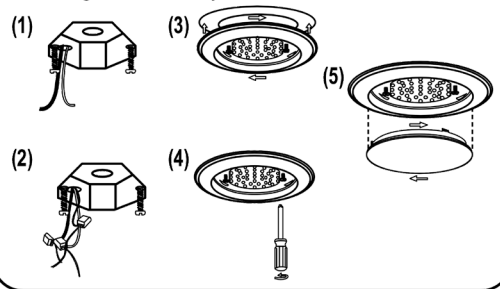
Applications

LED flush mounts add class to any decor. Low profile design ideally suited for showers, lobbies, corridors, conference rooms, common spaces, kitchenettes, and interiors in commercial, hospitality, retail, and residential environments.

Specification Features

UL or ETL Listing	Wet Locations
Certifications	ETL
Housing	Stamped Steel
Lens/Diffuser	Flat Glass Lens
Voltage	AC 110-120v / Driverless Model
Wattage	8w, 15w, 23w
Lumens	660, 1,000, 1,850
CRI	90
Kelvin	30K, 40K
Operating Temp.	(-20° to -40° C) (25° C Nominal)
Surge Protection	1 kv
Warranty	5 year normal operation
Mounting	Ceiling, includes all necessary hardware. Mounts to most 4" x 4" J boxes. Suitable for installation within the closest storage space (NEC code 410.16)
Dimmer	

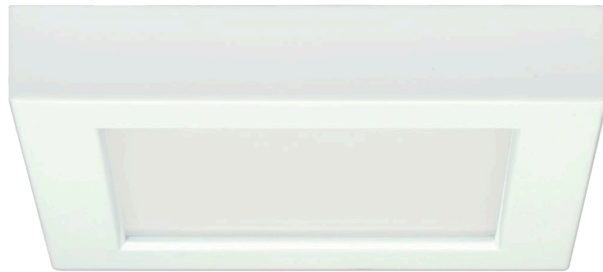
Mounting and Assembly Instructions:



Part	Available Finishes	Kelvin/ CCT	Voltage	Dimensions	Lumens	CRI	Dimmable	Special Functions
DC704	BN • ORB • WH	30K • 40K	AC 120V	5.5" OD x .625" H	660	90	Yes (0-10V)	Surface, Wet
DC706	BN • ORB • WH	30K • 40K	AC 120V	6.28" OD x .625" H	1,000	90	Yes (0-10V)	Surface, Wet
DC708	BN • ORB • WH	30K • 40K	AC 120V	8" OD x .625" H	1,200	90	Yes (0-10V)	Surface, Wet
DC710	BN • ORB • WH	30K • 40K	AC 120V	12" OD x .625" H	1,850	90	Yes (0-10V)	Surface, Wet

DC704

4" Ultra-Thin Square Surface Mount Disk

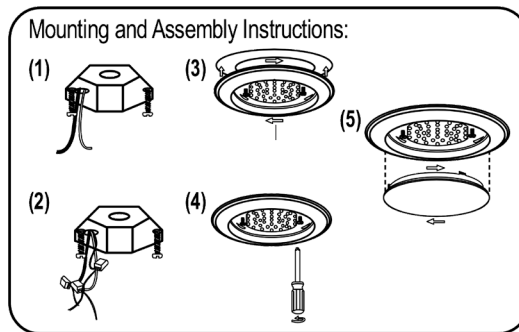
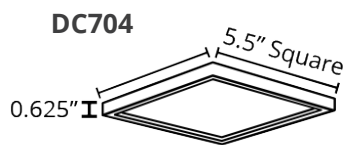


Applications

LED flush mounts add class to any decor. Low profile design ideally suited for showers, lobbies, corridors, conference rooms, common spaces, kitchenettes, and interiors in commercial, hospitality, retail, and residential environments.

Specification Features

UL or ETL Listing	Wet Locations
Certifications	Title 24, JA8 Certified DLC - Certified Energy Star - Qualified
Dimensions	.625" Height x 5.5" Outside Diameter
Housing	Stamped Steel
Lens/Diffuser	Flat Glass Lens
Voltage	AC 110-120v - Driverless
Wattage	8w
Lumens	660
CRI	90
Kelvin	30K, 40K
Flicker	(T24, JA8) Flicker Free
Dimmable	(T24, JA8) 0-10v
Operating Temp.	(-20° to -40° C) (25° C Nominal)
Surge Protection	1 kv
Warranty	5 year normal operation
Mounting	Ceiling, includes all necessary hardware. Mounts to most 4" x 4" J boxes. Suitable for installation within the closest storage space (NEC code 410.16)



Ordering Example:

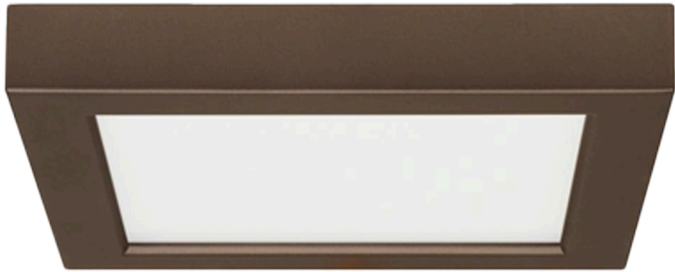
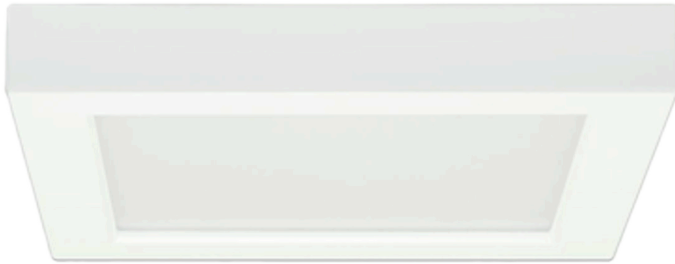
DC704-8W-30K-BN

Prefix	Wattage	Kelvin/CCT	Finish	Options
DC704	8W = 8 Watts	30K = 3000° K 40K = 4000° K	BN = Brushed Nickel ORB = Oil Rubbed Bronze WH = White	



DC706

6" Ultra-Thin Square Surface Mount Disk

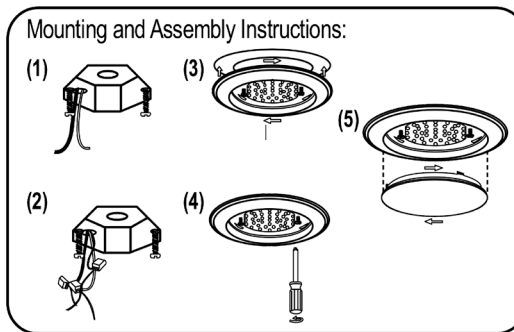
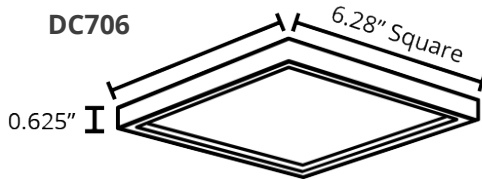


Applications

LED flush mounts add class to any decor. Low profile design ideally suited for showers, lobbies, corridors, conference rooms, common spaces, kitchenettes, and interiors in commercial, hospitality, retail, and residential environments.

Specification Features

UL or ETL Listing	Wet Locations
Certifications	Title 24, JA8 Certified DLC - Certified Energy Star - Qualified
Dimensions	.625" Height x 6.28" Outside Diameter
Housing	Stamped Steel
Lens/Diffuser	Flat Glass Lens
Voltage	AC 110-120v - Driverless
Wattage	15w
Lumens	1,000
CRI	90
Kelvin	30K, 40K
Flicker	(T24, JA8) Flicker Free
Dimmable	(T24, JA8) 0-10v
Operating Temp.	(-20° to -40° C) (25° C Nominal)
Surge Protection	1 kv
Warranty	5 year normal operation
Mounting	Ceiling, includes all necessary hardware. Mounts to most 4" x 4" J boxes. Suitable for installation within the closest storage space (NEC code 410.16)



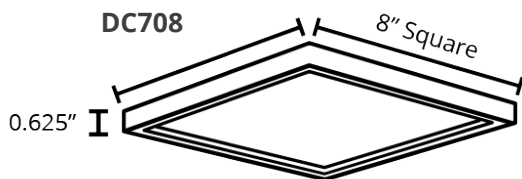
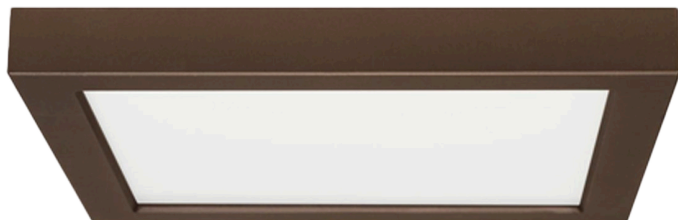
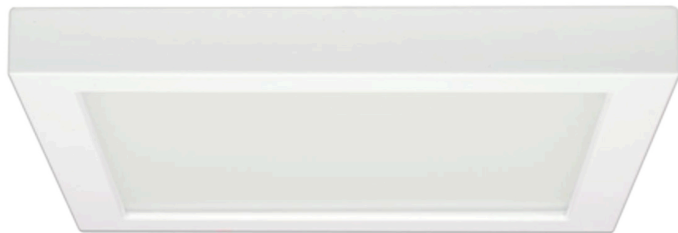
Ordering Example:
DC706-15W-30K-BN



Prefix	Wattage	Kelvin/CCT	Finish	Options
DC706	15W = 15 Watts	30K = 3000°K 40K = 4000°K	BN = Brushed Nickel ORB = Oil Rubbed Bronze WH = White	

DC708

8" Ultra-Thin Square Surface Mount Disk



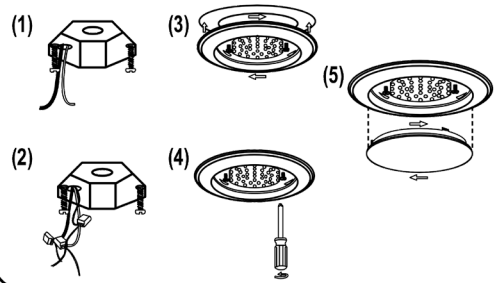
Applications

LED flush mounts add class to any decor. Low profile design ideally suited for showers, lobbies, corridors, conference rooms, common spaces, kitchenettes, and interiors in commercial, hospitality, retail, and residential environments.

Specification Features

UL or ETL Listing	Wet Locations
Certifications	Title 24, JA8 Certified DLC - Certified Energy Star - Qualified
Dimensions	.625" Height x 8" Outside Diameter
Housing	Stamped Steel
Lens/Diffuser	Flat Glass Lens
Voltage	AC 110-120v - Driverless
Wattage	18w
Lumens	1,200
CRI	90
Kelvin	30K, 40K
Flicker	(T24, JA8) Flicker Free
Dimmable	(T24, JA8) 0-10v
Operating Temp.	(-20° to -40° C) (25° C Nominal)
Surge Protection	1 kv
Warranty	5 year normal operation
Mounting	Ceiling, includes all necessary hardware. Mounts to most 4" x 4" J boxes. Suitable for installation within the closest storage space (NEC code 410.16)

Mounting and Assembly Instructions:



Ordering Example:

DC708-18W-30K-BN



Prefix	Wattage	Kelvin/CCT	Finish	Options
DC708	18W = 18 Watts	30K = 3000°K 40K = 4000°K	BN = Brushed Nickel ORB = Oil Rubbed Bronze WH = White	

DC710

10" Ultra-Thin Square Surface Mount Disk

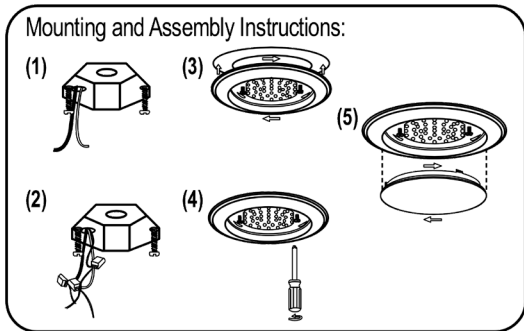
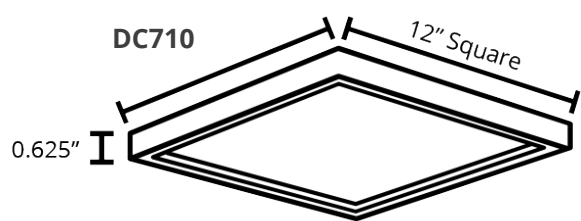


Applications

LED flush mounts add class to any decor. Low profile design ideally suited for showers, lobbies, corridors, conference rooms, common spaces, kitchenettes, and interiors in commercial, hospitality, retail, and residential environments.

Specification Features

UL or ETL Listing	Wet Locations
Certifications	Title 24, JA8 Certified DLC - Certified Energy Star - Qualified
Dimensions	.625" Height x 12" Outside Diameter
Housing	Stamped Steel
Lens/Diffuser	Flat Glass Lens
Voltage	AC 110-120v - Driverless
Wattage	23w
Lumens	1,850
CRI	90
Kelvin	30K, 40K
Flicker	(T24, JA8) Flicker Free
Dimmable	(T24, JA8) 0-10v
Operating Temp.	(-20° to -40° C) (25° C Nominal)
Surge Protection	1 kv
Warranty	5 year normal operation
Mounting	Ceiling, includes all necessary hardware. Mounts to most 4" x 4" J boxes. Suitable for installation within the closest storage space (NEC code 410.16)



Ordering Example:
DC710-23W-30K-BN

Prefix	Wattage	Kelvin/CCT	Finish	Options
DC710	23W = 23 Watts	30K = 3000°K 40K = 4000°K	BN = Brushed Nickel ORB = Oil Rubbed Bronze WH = White	



DCTD404

Temporary Round Disk Jobsite Lighting



Unlike permanent lighting, temporary lighting is installed on a job-site while working to ensure maximum illumination while working. The ability to keep the temporary fixture installed until after sheet rock is installed ensures maximum utility.

Applications

Our solution to an ongoing hassle. Install over the J-Box and it doesn't have to be removed until you are ready to install a permanent light fixture. The *Patent Pending* design does not impede sheet rock and has no dangling wire or low hanging fixtures to get in the way of other trades. 2 screws and quick connects make installation a breeze!

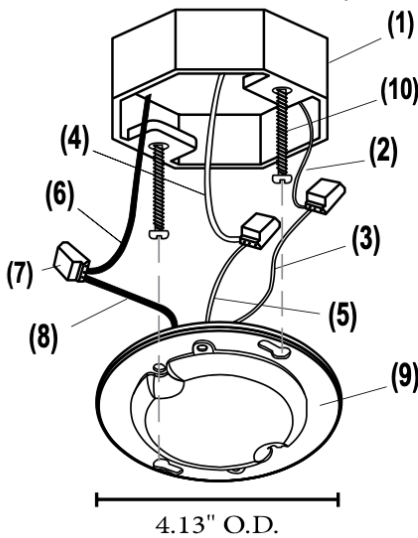
Specification Features

UL or ETL Listing	Damp Locations
Certifications	ETL
Dimensions	.59" Height x 4.13" Outside Diameter
Housing	Stamped Steel
Lens/Diffuser	UV Rated Polycarbonate
Voltage	AC 120v
Wattage	10.5w
Lumens	950lm
CRI	90
Kelvin	40K (30K available by special order)
Dimmable	10% on most dimmers
Operating Temp.	(-20° to -40° C) (25° C Nominal)
Warranty	5 year normal operation
Mounting	Mounts to most 4" junction boxes

Features:

- Quick & Easy Mounting
- Temporary Light Source
- 10.5 watts & 950 Lumens
- ETL Damp Location
- 25,000 Hr. Rated
- Doesn't impede sheet rock installation

Temp Disk Assembly Instructions:



1. Junction Box
2. House Ground Wire
3. Fixture Ground Wire
4. White Supply Wire
5. White Fixture Wire
6. Black Supply Wire
7. Wire Connector
8. Black Fixture Wire
9. Fixture Body
10. Mounting Screw

CONFORMS to STD. 1598
 CERTIFIED to CSA STD C22.2 No. 250.0
 Model No: DCTD404-10.5W-40K-WH
 Rating: 120VAC 60Hz 10.5W
 Made in China "ABI" LED2113
 Customer Services 469-640-2688



Ordering Example:

DCTD404-10.5W-120V-30K-WH

Prefix	Wattage	Kelvin/CCT	Finish	Options
DCTD404	10.5W = 10.5 Watts	30K = 3000° K* 40K = 4000° K (30K by special order only)	WH = White	



DCTD101

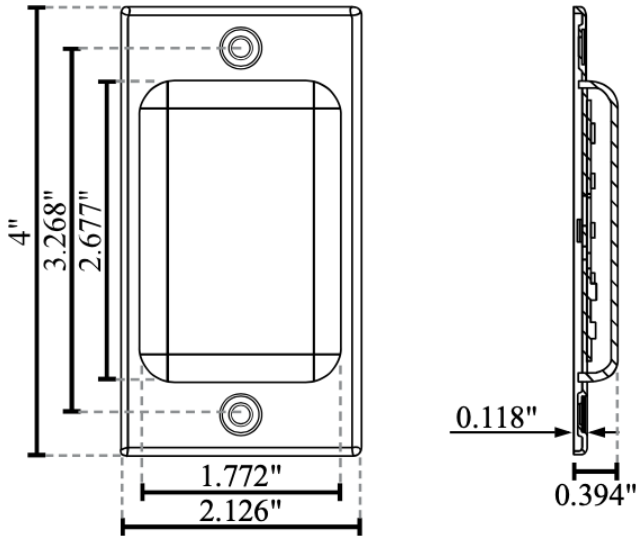
Temporary Vertical Disk Jobsite Lighting



Standard Single-Gauge J-Box



Unlike permanent lighting, temporary lighting is installed on a job-site while working to ensure maximum illumination while working. The ability to keep the temporary fixture installed until after sheet rock is installed ensures maximum utility.



Applications

Our solution to an ongoing hassle. Install over the J-Box and it doesn't have to be removed until you are ready to install a permanent light fixture. The *Patent Pending* design does not impede sheet rock and has no dangling wire or low hanging fixtures to get in the way of other trades. 2 screws and quick connects make installation a breeze!

Specification Features

UL or ETL Listing	Damp Locations
Certifications	ETL
Dimensions	.59" Height x 4.13" Outside Diameter
Housing	Stamped Steel
Lens/Diffuser	UV Rated Polycarbonate
Voltage	AC 120v
Wattage	10.5w
Lumens	1,050lm
CRI	90
Kelvin	40K (30K available by special order)
Dimmable	10% on most dimmers
Operating Temp.	(-20° to -40° C) (25° C Nominal)
Warranty	5 year normal operation
Mounting	Mounts to most 4" junction boxes

Features:

- Quick & Easy Mounting
- Temporary Light Source
- 11 watts & 750 Lumens
- ETL Damp Location
- 25,000 Hr. Rated
- Doesn't impede sheet rock installation



CONFORMS to STD. 1598
 CERTIFIED to CSA STD C22.2 No. 250.0
 Model No: DCTD404-10.5W-40K-WH
 Rating: 120VAC 60Hz 10.5W
 Made in China "ABI" LED2113
 Customer Services 469-640-2688

Ordering Example:

DCTD101-11W-30K-WH

Prefix	Wattage	Kelvin/CCT	Finish	Options
DCTD101	11W = 11 Watts	30K = 3000° K* 40K = 4000° K (30K by special order only)	WH = White	

