

LED Area Lights

Medium/Large Wall Pack

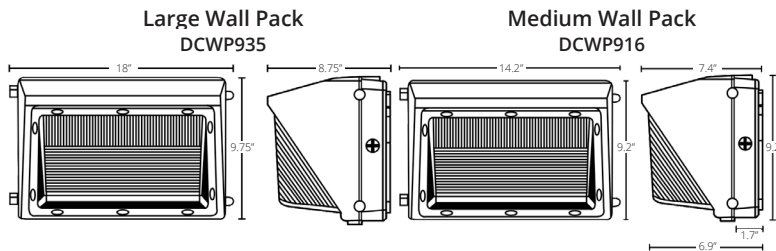


Applications

Ideal for entrances, parking areas, building perimeter, walkways, underpasses, loading docks, recreation areas, and more.

Specification Features

UL or ETL Listing	Wet Locations (IP65). Approved UL1598
DLC	4.1 listed. DLC Premium
Housing	Heavy Duty Die Cast Aluminum
Photo-control	Optional, easy field install
Lens/Diffuser	Tempered glass diffuser. Dust-proof, insect, heat, and impact resistant
Voltage	120v-277v
Light Source	Integrated LED
Light Distribution	Type III
CRI	>Ra-75+
Kelvin	30K, 40K, 50K
Ambient Temp.	Suitable for 40° temperatures
Cold Weather	Cold weather starting -40° C to +54° C (-40° F to +130° F)
EM Back-Up	90 minutes minimum operation
Warranty	5 year normal operation
Mounting	Mounts directly to standard 4" Junction box or directly to wall



Part	Wattage	Lumens	Kelvin	CRI	Dimensions
DCWP916-45W	45w	5,200lm	50K	>75	9.2"H x 14.2"W x 7.4" Ext.
DCWP916-70W	70w	8,000lm	50K	>75	9.2"H x 14.2"W x 7.4" Ext.
DCWP935-90W	90w	10,900lm	50K	80	9.75"H x 18"W x 8.75" Ext.
DCWP935-135W	135w	15,600lm	50K	80	9.75"H x 18"W x 8.75" Ext.

Ordering Example:
DCWP916-DB-45W-50K-AT120

Prefix	Wattage	Kelvin/CCT	Finish	Options
DCWP916	45W = 45 watt Integrated LED	30K = 3000° Kelvin	DB = Dark Bronze	AT120 = Photocontrol (120-277vac)
DCWP935	70W = 70 watt Integrated LED 90W = 90 watt Integrated LED 135W = 135 watt Integrated LED	40K = 4000° Kelvin 50K = 5000° Kelvin		EM = Emergency Back-up



LED Area Lights

LED Slim Wall Pack



Applications

Ideal for apartments, motels, and condos. Perfect for kitchens, utility, closets, schools, garages, and offices.

Specification Features

UL or ETL Listing	Wet Locations
Housing	Weather resistant & corrosion free polycarbonate
Lens/Diffuser	Diffuser clamps to housing with 6 trouble free molded latches
Voltage	120v - 277v
Light Source	Integrated LED
CRI	80
Kelvin	30K, 40K, 50K
Dimmable	0-10v
Warranty	5 year normal operation
Mounting	Surface Mount. All necessary hardware included.

Part	Wattage	Lumens	CRI	Dimensions
DCWP940-15W	15W	1,000lm	>75	7.75"H x 6.5"W x 4.25" Ext.
DCWP940-20W	20W	2,000lm	>75	7.75"H x 6.5"W x 4.25" Ext.
DCWP940-30W	30W	3,000lm	>75	7.75"H x 6.5"W x 4.25" Ext.
DCWP940-40W	40W	4,500lm	>75	7.75"H x 6.5"W x 4.25" Ext.
DCWP942-70W	70W	7,500lm	>75	9.5"H x 11.25"W x 5.75" Ext.
DCWP942-90W	90W	9,700lm	>75	9.5"H x 11.25"W x 5.75" Ext.

Ordering Example:

DCWP940-DB-20W-50K-AT120

Prefix	Wattage	Kelvin/CCT	Finish	Options
DCWP940	15W = 15 watt LED 20W = 20 watt LED 30W = 30 watt LED 40W = 40 watt LED	70W = 70 watt LED 30K = 3000° Kelvin 40K = 4000° Kelvin 50K = 5000° Kelvin	DB = Dark Bronze	AT120 = Photocontrol (120-277vac)



LED Area Lights

LED Dark Sky Wall Pack



Applications

Ideal for parking garages, cold storage facilities, food processing facilities, dusty or wet environments, stairwells, indoor equestrian facilities, canopies, and workshops.

Specification Features

UL or ETL Listing	Suitable for Wet Locations. IP65 optics and housing. Approved UL1598
DLC	4.1 listed. DLC Premium
Housing	Heavy duty die-cast aluminum
Lens/Diffuser	Tempered glass diffuser is dust-proof, insect, heat and impact resistant.
Driver Current	150mA
Voltage	120v - 277v
Power Factor	>0.95 / >0.89
Light Distribution	Tye III
LED	Long Lasting 50,000 hr. rated
CRI	>Ra-75+
Kelvin	50K standard
Ambient Temp.	Suitable for 40°C temperatures.
Cold Weather	Cold Weather Starting -40°C / +54°C (-40°F to +130°F)
Warranty	1 year normal operation
Mounting	Mounts to standard 4" J-Box or directly to the wall.
EM Back-up	Minimum 90 minutes. Field install.
Photocontrol	Sold Separately, Easy Field Install



Part	Wattage	Lumens	CRI	Dimensions
DCWP918-45W	45W	4,900lm	75+	14"W x 5"H x 8.2"Ext.
DCWP918-70W	70W	7,350lm	75+	14"W x 5"H x 8.2"Ext.
DCWP918-90W	90W	9,500lm	75+	14"W x 5"H x 8.2"Ext.
DCWP918-135W	135W	14,000lm	75+	14"W x 5"H x 8.2"Ext.

Ordering Example:

DCWP918-45W-50K-AT120

Prefix	Wattage	Kelvin/CCT	Finish	Options
DCWP918	40W = 40 watt LED 70W = 70 watt LED 90W = 90 watt LED 135W = 135 watt LED	30K = 3000° Kelvin 40K = 4000° Kelvin 50K = 5000° Kelvin	DB = Dark Bronze	AT120 = Photo-control EM = Emergency Back-up



LED Area Lights

LED Flood Light



Applications

Ideal for building facade lighting, sports fields, landscape lighting, uplighting for signs/displays, and many other general applications where flood lighting may be useful.

Specification Features

UL or ETL Listing	Suitable for Wet Locations and Ground Mounting
DLC	Approved. UL1598, UL8750
Housing	Heavy duty die-cast aluminum
Lens/Diffuser	Tempered, impact-resistant glass
LED Chip	Cree CXA Series. LM 80 Certified.
Voltage	120v - 277v
Power Factor	>0.98
LED Driver	High Luminous
CRI	70+
Kelvin	50K standard
Ambient Temp.	Suitable for 40°C temperatures.
Cold Weather	Cold Weather Starting -40 °C (-40 °F)
Warranty	5 years normal operation
Mounting	Mounts to standard 4" J-Box or directly to the wall.
EM Back-up	Minimum 90 minutes. Field install.
Photocontrol	Sold Separately, Easy Field Install



Knuckle Mount
(included)



EP902SMB
Small Mounting Yoke



PS
Pole Slip-fitter

Part	Wattage	Lumens	CRI	Dimensions
DCFL900-35W	35W	3,600lm	70+	9.5"W x 11"H x 5.5"Ext.
DCFL900-45W	45W	5,600lm	70+	9.5"W x 11"H x 5.5"Ext.
DCFL900-65W	65W	7,100lm	70+	9.5"W x 11"H x 5.5"Ext.

Ordering Example:

DCFL900-45W-50K-ASM

Prefix	Wattage	Kelvin/CCT	Finish	Options
DCFL900	35W 45W 65W	50K = 5000° Kelvin	DB = Dark Bronze	AT120 = Photocontrol (120-277vac) EP902SMB = Small Mounting Yoke PS = Pole Slip Fitter



LED Area Lights

LED Flood Light



Applications

Ideal for building facade lighting, sports fields, landscape lighting, uplighting for signs/displays, and many other general applications where flood lighting may be useful.

Specification Features

UL or ETL Listing	Suitable for Wet Locations and Ground Mounting
DLC	Approved. UL1598, UL8750
Housing	Heavy duty die-cast aluminum
Lens/Diffuser	Tempered, impact-resistant glass
LED Chip	Cree CXA Series. LM 80 Certified.
Voltage	120v - 277v
Power Factor	>0.98
LED Driver	High Luminous
CRI	70+
Kelvin	50K standard
Ambient Temp.	Suitable for 40°C temperatures.
Cold Weather	Cold Weather Starting -40°C (-40°F)
Warranty	5 years normal operation
Mounting	Mounts to standard 4" J-Box or directly to the wall.
Photocontrol	Sold Separately, Easy Field Install



Knuckle Mount
(included)



EP902SMB
Small Mounting Yoke



PS
Pole Slip-fitter

Part	Wattage	Lumens	CRI	Dimensions
DCWP930-70W	70W	8,900lm	70+	11"H x 13"W x 5.5" Ext.
DCWP930-70W	90W	11,000lm	70+	11"H x 13"W x 5.5" Ext.
DCWP930-70W	110W	12,500lm	70+	11"H x 13"W x 5.5" Ext.

Ordering Example:

DCFL930-DB-70W-50K-AT120

Prefix	Wattage	Kelvin/CCT	Finish	Options
DCFL930	70W = 15 watt LED 90W = 20 watt LED 110W = 30 watt LED	50K = 5000° Kelvin	DB = Dark Bronze	AT120 = Photocontrol (120-277vac) EP902SMB = Small Mounting Yoke PS = Pole Slip Fitter



LED Area Lights

LED Flood Light

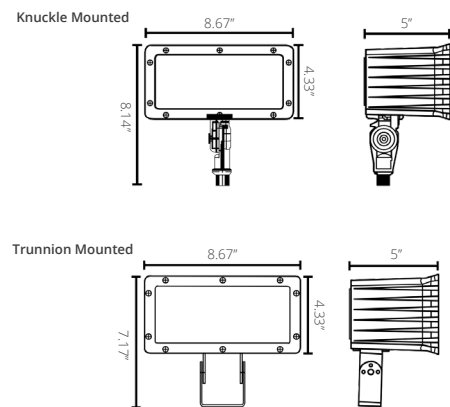


Applications

Ideal for building facade lighting, sports fields, landscape lighting, uplighting for signs/displays, and many other general applications where flood lighting may be useful.

Specification Features

UL or ETL Listing	Suitable for Wet Locations and Ground Mounting
DLC	Listed
Housing	Heavy duty die-cast aluminum
LED Chip	Phillips rated 50,000 hr.
Voltage	120v - 277v
LED Driver	High Luminous
Kelvin	50K standard
Ambient Temp.	Suitable for 40°C temperatures.
Cold Weather	Cold Weather Starting -40°C (-40°F)
Warranty	5 years normal operation
Mounting	Knuckle, Trunnion, or Slip-fitter
Photocontrol	Sold Separately, Easy Field Install



Part	Wattage	Lumens	CRI	Dimensions
DCWP750-45W	45W	4,950lm	80	4.33"H x 8.67"W x 5"Ext.
DCWP750-70W	70W	6,800lm	80	4.33"H x 8.67"W x 5"Ext.

Ordering Example:

DCWP750-45W-50K-ASM

Prefix	Wattage	Kelvin/CCT	Finish	Options
DCFL750	45W 70W	50K = 5000° Kelvin	DB = Dark Bronze	AT120 = Photocontrol (120-277vac) EP902SMB = Small Mounting Yoke PS = Pole Slip Fitter



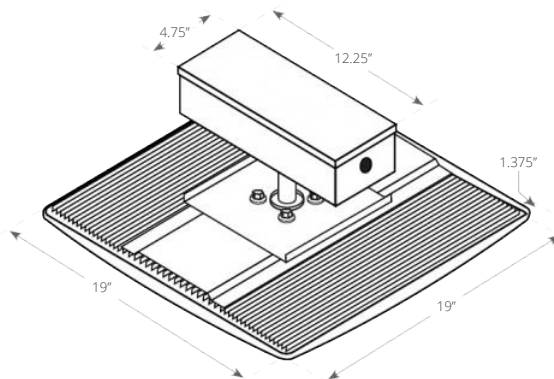
LED Area Lights

LED Gas Station Canopy



Applications

Ideal for gas stations and general lighting applications.



Specification Features

UL or ETL Listing	Wet Locations
DLC	Approved. UL1598, UL8750
Housing	Powder coated die-cast aluminum
Lens/Diffuser	Impact resistant polycarbonate
LED Chip	Phillips Lumileds. High Efficiency
Voltage	120v - 277v
Power Factor	>0.98
CRI	80
Kelvin	50K standard
Cold Weather	Cold Weather Starting -40°C (-40°F)
Warranty	5 years normal operation
Mounting	Pendant Mount
EM Back-up	Minimum 90 minutes. Field install.

Part	Wattage	Lumens	CRI	Dimensions
DCLED600	100W	11,500lm	80	9.25"H x 19"W x 19"L
DCLED602	120W	14,000lm	80	9.25"H x 19"W x 19"L
DCLED604	150W	18,000lm	80	9.25"H x 19"W x 19"L
DCLED606	200W	23,000lm	80	9.25"H x 19"W x 19"L

Ordering Example:

DCLED600-100W-50K-WH-EM

Prefix	Wattage	Kelvin/CCT	Finish	Options
DCLED600	100W = 100 watt LED	50K = 5000° Kelvin	WH = White	EM = Emergency Back-Up
DCLED602	120W = 120 watt LED			
DCLED604	150W = 150 watt LED			
DCLED606	200W = 200 watt LED			



LED Area Lights

LED Square Canopy



Applications

Ideal for security, entryways, perimeter lighting, exterior canopies, stairwells.

Specification Features

UL or ETL Listing	Approved for wet locations, IP54 not intended for use in environments with direct exposure to high pressure water, such as car washes.
DLC	Approved. UL1598, UL8750
Housing	Powder coated die-cast aluminum
Lens/Diffuser	UV stabilized prismatic acrylic refractor with self-retaining screws.
LED Chip	Cree CXA, LED High Efficiency
Voltage	120v - 277v
Power Factor	>0.95
CRI	80
Kelvin	50K standard
Cold Weather	Cold Weather Starting -40° C (-40° F)
Warranty	5 years normal operation
Mounting	Surface Mount (10-20 ft.)
Spacing	4 times mounting height.
EM Back-Up	90 minutes minimum operation

Part	Wattage	Lumens	CRI	Dimensions
DCLED510	45W	4,200lm	80	5.5"H x 13.25"W x 13.25"L
DCLED512	70W	6,700lm	80	5.5"H x 13.25"W x 13.25"L



Ordering Example:

DCLED510-45W-50K-DB-EM

Prefix	Wattage	Kelvin/CCT	Finish	Options
DCLED510	45W = 45 watt LED	50K = 5000° Kelvin	WH = White	EM = Emergency Back-Up
DCLED512	70W = 70 watt LED		DB = Dark Bronze	

LED Area Lights

LED Garden Bollards



Features

LED technology is ideal for commercial and retail lighting applications because of the many color choices, long life operation, and that LEDs do not emit any harmful UV rays that can fade artwork or fabrics. LEDs offer sparkle to applications with true crisp color temperature ranges to meet any architectural and design needs.

- Exceptional Energy Savings
- Reduced Maintenance and Labor Costs
- Improved Quality of Lighting
- Enclosed Tops Prevent Debris and Moisture from Accumulating Within the Garden Bollard
- All Cast Aluminum Construction
- "Green" Product

Applications

Auto dealerships, multi-family parking lots, assisted living, educations, business campuses, parks & recreation facilities, security areas, malls, and retail stores.

Specification Features

UL or ETL Listing	Wet Locations IP65
Housing	Die cast aluminum, powder coated
Lens/Diffuser	Polycarbonate
Energy Star	Qualified
Lighting Facts	Listed
Voltage	100v/277v
Kelvin	50K standard
Warranty	5 years normal operation
Mounting	Flush Mount. (3) 4" anchor bolts included.



DCGB100
15W/25W

DCGB120
15W/25W

DCGB22
15W

DCGB130
15W/25W

DCGB140
30W

DCGB150
30W

DCGB160
12W/16W/22W

DCGB170
12W/16W/22W

Ordering Example:

DCGB120-25W-30K-BK



Prefix	Wattage	Kelvin/CCT	Finish	Options
DCGB100	DCGB140	Multi-Watt - 12W/16W/22W	30K = 3000° Kelvin	BK = Black (standard) EM = Emergency Back-up
DCGB120	DCGB150	15W/25W	40K = 4000° Kelvin	(DCGB100, DCGB120, DCGB130 only)
DCGB122	DCGB160	15W	CCT Selectable (30K, 40K, 50K)	GY = Grey
DCGB130	DCGB170	30W		WH = White

LED Area Lights

LED Garden Bollards



Applications

Auto dealerships, multi-family parking lots, assisted living, educations, business campuses, parks & recreation facilities, security areas, malls, and retail stores.

Specification Features

UL or ETL Listing	Wet Locations IP65
Housing	Die cast aluminum, powder coated
Lens/Diffuser	Polycarbonate
Energy Star	Qualified
Lighting Facts	Listed
Voltage	100v/277v
Kelvin	30K, 40K
Warranty	5 years normal operation
Mounting	Flush Mount. (3) 4" anchor bolts included.
Dimensions	39.5"H x 9"W

Ordering Example:

DCGB100-25W-30K-BK



Prefix	Wattage	Kelvin/CCT	Finish	Options
DCGB100	15W 25W	30K = 3000° Kelvin 40K = 4000° Kelvin	BK = Black (standard) BZ = Bronze GY = Grey WH = White	EM = Emergency Back-up

LED Area Lights

LED Garden Bollards



Applications

Auto dealerships, multi-family parking lots, assisted living, educations, business campuses, parks & recreation facilities, security areas, malls, and retail stores.

Specification Features

UL or ETL Listing	Wet Locations IP65
Housing	Die cast aluminum, powder coated
Lens/Diffuser	Polycarbonate
Energy Star	Qualified
Lighting Facts	Listed
Voltage	100v/277v
Kelvin	30K, 40K
Warranty	5 years normal operation
Mounting	Flush Mount. (3) 4" anchor bolts included.
Dimensions	39.5"H x 9"W

Ordering Example:

DCGB120-25W-30K-BK



Prefix	Wattage	Kelvin/CCT	Finish	Options
DCGB120	15W 25W	30K = 3000° Kelvin 40K = 4000° Kelvin	BK = Black (standard) BZ = Bronze GY = Grey WH = White	EM = Emergency Back-up

LED Area Lights

LED Garden Bollards



Applications

Auto dealerships, multi-family parking lots, assisted living, educations, business campuses, parks & recreation facilities, security areas, malls, and retail stores.

Specification Features

UL or ETL Listing	Wet Locations IP65
Housing	Die cast aluminum, powder coated
Lens/Diffuser	Polycarbonate
Energy Star	Qualified
Lighting Facts	Listed
Voltage	100v/277v
Kelvin	30K, 40K
Warranty	5 years normal operation
Mounting	Flush Mount. (3) 4" anchor bolts included.
Dimensions	39.5"H x 5"W

Ordering Example:

DCGB122-15W-30K-BK



Prefix	Wattage	Kelvin/CCT	Finish	Options
DCGB122	15W	30K = 3000° Kelvin 40K = 4000° Kelvin	BK = Black (standard) BZ = Bronze GY = Grey WH = White	

LED Area Lights

LED Garden Bollards



Applications

Auto dealerships, multi-family parking lots, assisted living, educations, business campuses, parks & recreation facilities, security areas, malls, and retail stores.

Specification Features

UL or ETL Listing	Wet Locations IP65
Housing	Die cast aluminum, powder coated
Lens/Diffuser	Polycarbonate
Energy Star	Qualified
Lighting Facts	Listed
Voltage	100v/277v
Kelvin	30K, 40K
Warranty	5 years normal operation
Mounting	Flush Mount. (3) 4" anchor bolts included.
Dimensions	39.5"H x 9"W

Ordering Example:

DCGB130-25W-30K-BK



Prefix	Wattage	Kelvin/CCT	Finish	Options
DCGB130	15W 25W	30K = 3000° Kelvin 40K = 4000° Kelvin	BK = Black (standard) BZ = Bronze GY = Grey WH = White	EM = Emergency Back-up

LED Area Lights

LED Garden Bollards



Applications

Auto dealerships, multi-family parking lots, assisted living, educations, business campuses, parks & recreation facilities, security areas, malls, and retail stores.

Specification Features

UL or ETL Listing	Wet Locations IP65
Housing	Die cast aluminum, powder coated
Lens/Diffuser	UV stabilized optical grade polymer
DLC	4.1 Listed. DLC Premium
Voltage	100v/277v
Kelvin	30K, 40K
CRI	Ra-70
Warranty	5 years normal operation
Dimensions	47.125"H x 7"W

Ordering Example:

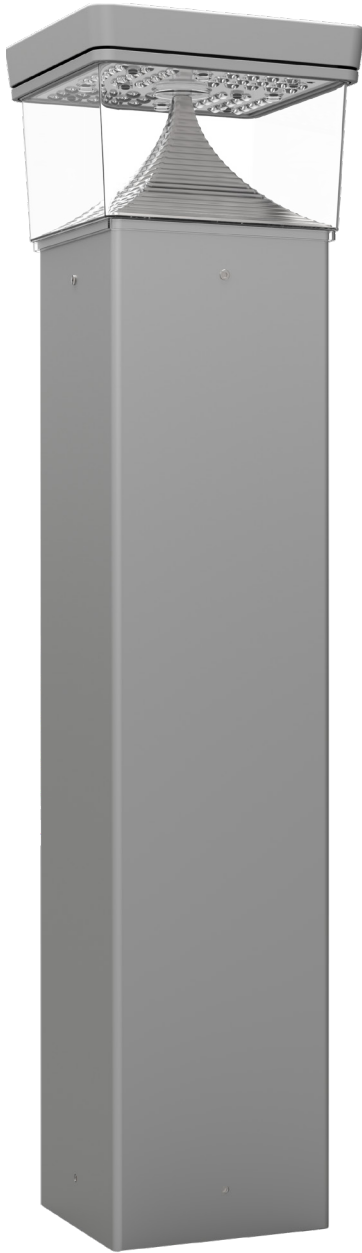
DCGB140-15W-30K-BK



Prefix	Wattage	Kelvin/CCT	Finish	Options
DCGB140	30W	30K = 3000° Kelvin 40K = 4000° Kelvin	BK = Black (standard) BZ = Bronze GY = Grey WH = White	

LED Area Lights

LED Garden Bollards



Applications

Auto dealerships, multi-family parking lots, assisted living, educations, business campuses, parks & recreation facilities, security areas, malls, and retail stores.

Specification Features

UL or ETL Listing	Wet Locations IP65
Housing	Die cast aluminum, powder coated
Lens/Diffuser	Polycarbonate
Energy Star	Qualified
Lighting Facts	Listed
Voltage	100v/277v
Kelvin	30K, 40K
Warranty	5 years normal operation
Dimensions	47.125"H x 7"W

Ordering Example:

DCGB150-30W-30K-BK



Prefix	Wattage	Kelvin/CCT	Finish	Options
DCGB150	30W	30K = 3000° Kelvin 40K = 4000° Kelvin 50K = 5000° Kelvin	BK = Black (standard) BZ = Bronze GY = Grey WH = White	

LED Area Lights

LED Garden Bollards



Applications

Auto dealerships, multi-family parking lots, assisted living, educations, business campuses, parks & recreation facilities, security areas, malls, and retail stores.

Specification Features

UL or ETL Listing	Wet Location
Housing	Corrosion Resistant Aluminum
Lens/Diffuser	Clear Polycarbonate
Voltage	120V-277V
Wattage	Wattage Selectable (12W,16W,22W)
Kelvin	CCT Selectable (30K, 40K, 50K)
CRI	>80
Warranty	5 years normal operation
Dimensions	41.875"H x 6.125"W

Ordering Example:

DCGB160-MW-CCT-BK



Prefix	Wattage	Kelvin/CCT	Finish	Options
DCGB160	MW = Multi-Watt (12W/16W/22W)	CCT = CCT Selectable (30K, 40K, 50K)	BK = Black (standard) BZ = Bronze GY = Grey WH = White	

LED Area Lights

LED Garden Bollards



Applications

Auto dealerships, multi-family parking lots, assisted living, educations, business campuses, parks & recreation facilities, security areas, malls, and retail stores.

Specification Features

UL or ETL Listing	Wet Location
Housing	Corrosion Resistant Aluminum
Lens/Diffuser	Clear Polycarbonate
Voltage	120V-277V
Wattage	Wattage Selectable (12W,16W,22W)
Kelvin	CCT Selectable (30K, 40K, 50K)
CRI	>80
Warranty	5 years normal operation
Dimensions	41.875"H x 6.125"W

Ordering Example:

DCGB170-MW-CCT-BK



Prefix	Wattage	Kelvin/CCT	Finish	Options
DCGB170	MW = Multi-Watt (12W/16W/22W)	CCT = CCT Selectable (30K, 40K, 50K)	BK = Black (standard) BZ = Bronze GY = Grey WH = White	



Pole Wind Ratings

POLES should be selected to suit the application. It is also important to select the pole according to the structural requirement. Effective Projected Area (EPA) ratings are listed against each pole and cover the full range of fixtures with various mounting options. Effective Projected Area (EPA) is the exposed surface area of both the fixture and the bracket with some variation depending on the shape of the surface.

POLE selection should also take into account the wind regions shown on the wind map. Base your Effective Projected Area (EPA) rating of the pole on the wind rating in that area. What is also most important is the total weight of the fixtures to be mounted on the pole. A maximum fixture weight is listed on the pole section tables. Please add the total weight of all fixtures when selecting your pole.

Follow these easy steps when selecting your pole and fixture:

1. Select a fixture and desired pole height.
2. Determine EPA rating for the selected fixture and mounting method.
3. Find the geographic wind zone for the job site.
4. Ensure that the pole's EPA rating is equal to or greater than the EPA rating for your desired fixture and mount by comparing the fixture/mount EPA rating to the selected pole's rating.

NOTE: When selecting poles for geographic areas with winds or EPAs exceeding our published data, please consult a local civil engineer with the information from our catalog before ordering.

Light Distribution Patterns



The Type I distribution is ideal for narrow walkways or bike paths. It is intended to be located at or near the center of the pathway, approximately two mounting heights in width.



The Type II distribution is ideal for wider walkways, entrance roadways, bike paths, and other long and narrow lighting applications. Intended to be located near the side of a roadway approximately 1.75 mounting heights in width.



The Type III distribution is ideal for roadway, general parking, and other area lighting applications. Intended to be located near the side of the area, approximately 2.75 mounting heights in width.



The Type IV distribution is especially suited for wall mounting applications and for illuminating the perimeter of parking areas. Intended to be located near the side of the area, which is over 2.75 mounting heights in width. It produces a semicircular distribution with essentially the same candlepower at lateral angles from 270° to 0° to 90°.



The Type 5 distribution is ideal for general parking and area lighting applications. Intended to be located at or near the center of an intersection or in a large area since it has no beams, but produces a circular distribution with essentially the same candlepower at all lateral angles.

LED Area Lights

LED Shoebox Replacement

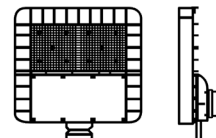


Applications

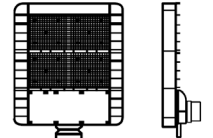
Auto dealerships, multi-family parking lots, assisted living, educations, business campuses, parks & recreation facilities, security areas, malls, and retail stores.

Specification Features

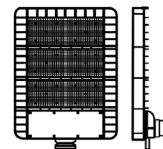
UL or ETL Listing	Wet Locations IP65. UL approved UL1598
Housing	Die cast aluminum
Lens/Diffuser	UV stabilized optical grade polymer
DLC	4.1 Listed. DLC Premium
Voltage	100v/277v
Kelvin	30K, 40K
CRI	Ra-70
Warranty	5 years normal operation
Dimensions	47.125"H x 7"W



LEDAL-100W



LEDAL-150W



LEDAL-300W

Light Distribution Type	Wattage	Kelvin	Lumens	CRI	Bug Rating
Type 3 	100W	40K	12,000lm	70	B2-UO-G2
	100W	50K	11,100lm	70	B2-UO-G2
	150W	40K	18,000lm	70	B2-UO-G3
	150W	50K	17,300lm	70	B2-UO-G3
	300W	40K	36,000lm	70	B2-UO-G4
	300W	50K	33,600lm	70	B2-UO-G4
Type 5 	100W	40K	12,000lm	70	B2-UO-G1
	100W	50K	11,100lm	70	B2-UO-G1
	150W	40K	18,000lm	70	B2-UO-G1
	150W	50K	17,300lm	70	B2-UO-G1
	300W	40K	36,000lm	70	B2-UO-G2
	300W	50K	33,600lm	70	B2-UO-G2

Ordering Example:

DCLEDAL-150W-U-T3-40K-PM-BK-MS

Prefix	Wattage	Kelvin/CCT	Voltage	Optic	Finish	Mounting	Options
DCLEDAL	100W 150W 300W	40K = 4000° Kelvin 50K = 5000° Kelvin	U = 120-277V H = 347-480V	T3 = Type 3 T5 = Type 5	BK = Black BZ = Bronze WH = White	PM = Pole Mount SF = Slipfitter TM = Trunion Mount WM = Wall Mount	AT300 = Photocontrol (120-277v) MS = Motion Sensor (120-277v) HS = House Shield



LED Area Lights

LED Shoebox Replacement Options



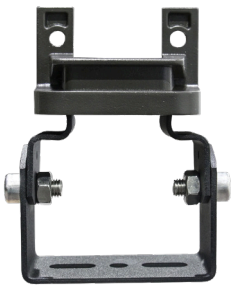
PM
Round or Square Pole Mount



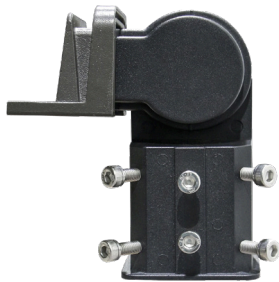
AT300 = Twistlock Electronic Photocell
(120/208/240/277VAC)
NEMA 3-pin



MS = Motion Sensor
Line Voltage - 100-277VAC
High/Low/Off
Integrated outdoor occupancy daylight sensor



TM
Trunnion Mount



SF
Slipfitter



WM
Wall Mount

Light Distribution	
<p>Type 3</p>	<p>The Type 3 distribution is ideal for roadway, general parking, and other area lighting applications. Intended to be located near the side of the area, approximately 2.75 mounting heights in width.</p>
<p>Type 5</p>	<p>The Type 5 distribution is ideal for general parking and area lighting applications. Intended to be located at or near the center of an intersection or in a large area since it has no beams, but produces a circular distribution with essentially the same candlepower at all lateral angles.</p>

LED Area Lights

LED Designer Post Top



Applications

Classic design, the product is simple, modern, and elegant. Elegant design will fit on modern and traditional buildings. Ideal for single and multi-family communities and commercial installations, motels, and hotels. Perfect for landscape, entrances, perimeter, and pool applications.

Specification Features

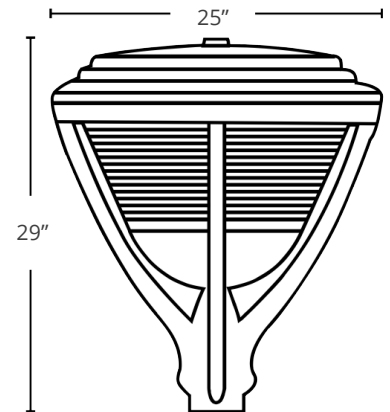
Canopy	Aluminum
Support Staffs	Fiberglass reinforced plastics. Excellent mechanical strength.
Reflector	High Grade Aluminum
UL Listing	Wet Location IP65
Socket	1x E26 Medium Base
Lamp	LED Corn (sold separately)
Mounting	Fits 3" OD pole
Warranty	5 years normal operation
Dimensions	29"H x 25"W

Light Distribution

Type 5



The Type 5 distribution is ideal for general parking and area lighting applications. Intended to be located at or near the center of an intersection or in a large area since it has no beams, but produces a circular distribution with essentially the same candlepower at all lateral angles.



Part	Wattage	Base	Lumens	CRI	Energy Savings
DCPT4118-35W	35W	E26	3,960lm	80	150w PSMH
DCPT4118-45W	45W	E26	4,950lm	80	175w PSMH
DCPT4118-54W	54W	E26	5,940lm	80	250w PSMH



Recommended Lamp

CORN-360

35W - 50K
45W - 50K
54W - 50K

Ordering Example:

DCPT4118-35W-U-50K-DG

Prefix	Wattage	Voltage	Kelvin/CCT	Finish	Options
DCPT4118	35W 45W 54W	U = 120-277V	50K = 5000° Kelvin	DG = Dark Grey	



LED Area Lights

LED Designer Post Top



Applications

Classic design, the product is simple, modern, and elegant. Elegant design will fit on modern and traditional buildings. Ideal for single and multi-family communities and commercial installations, motels, and hotels. Perfect for landscape, entrances, perimeter, and pool applications.

Specification Features

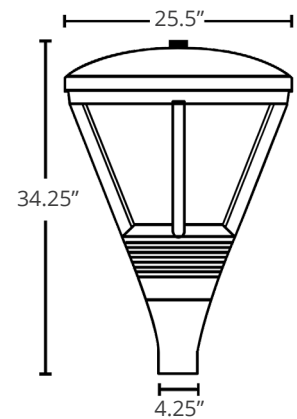
Canopy	Aluminum
Support Staffs	Fiberglass reinforced plastics. Excellent mechanical strength.
Reflector	High Grade Aluminum
UL Listing	Wet Location IP65
Socket	Integrated LED
Lamp	LED Corn (sold separately)
Mounting	Fits 3" OD pole
Warranty	5 years normal operation
Dimensions	29"H x 25"W

Light Distribution

Type 5



The Type 5 distribution is ideal for general parking and area lighting applications. Intended to be located at or near the center of an intersection or in a large area since it has no beams, but produces a circular distribution with essentially the same candlepower at all lateral angles.



Part	Wattage	Base	Lumens	CRI	Energy Savings
DCPT4130-35W	35W	E26	3,960lm	80	150w PSMH
DCPT4130-45W	45W	E26	4,950lm	80	175w PSMH
DCPT4130-54W	54W	E26	5,940lm	80	250w PSMH



Recommended Lamp

CORN-360

35W - 50K
45W - 50K
54W - 50K

Ordering Example:

DCPT4130-35W-U-50K-DG

Prefix	Wattage	Voltage	Kelvin/CCT	Finish	Options
DCPT4130	35W 45W 54W	U = 120-277V	50K = 5000° Kelvin	DG = Dark Grey	



LED Area Lights

LED Designer Post Top



Applications

Classic design, the product is simple, modern, and elegant. Elegant design will fit on modern and traditional buildings. Ideal for single and multi-family communities and commercial installations, motels, and hotels. Perfect for landscape, entrances, perimeter, and pool applications.

Specification Features

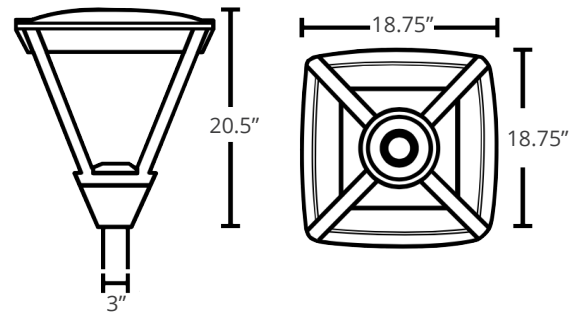
Body	Die cast aluminum
Optical	Anodized PP Plastic Reflector
Lens	Tempered Glass
Gear Plate	Galvanized steel plate
Light Source	Integrated LED
Mounting	Fits 3" OD pole
UL Listing	Wet Location IP66
Finish	Surface anti-aging electrostatic spray processing super resistance to corrosion.
Warranty	5 years normal operation
Dimensions	20.5"H x 18.75"W

Light Distribution

Type 5



The Type 5 distribution is ideal for general parking and area lighting applications. Intended to be located at or near the center of an intersection or in a large area since it has no beams, but produces a circular distribution with essentially the same candlepower at all lateral angles.



Part	Wattage	Lumens	CRI	Energy Savings
DCPT4870	35W	3,960lm	80	150w PSMH
DCPT4872	45W	4,950lm	80	175w PSMH
DCPT4870	54W	5,940lm	80	250w PSMH

Ordering Example:

DCPT4118-35W-U-50K-BK

Prefix	Wattage	Voltage	Kelvin/CCT	Finish	Options
DCPT4118	35W 45W 54W	U = 120-277V	50K = 5000° Kelvin	BK = Black	



LED Area Lights

LED Designer Post Top



Applications

Classic design, the product is simple, modern, and elegant. Elegant design will fit on modern and traditional buildings. Ideal for single and multi-family communities and commercial installations, motels, and hotels. Perfect for landscape, entrances, perimeter, and pool applications.

Specification Features

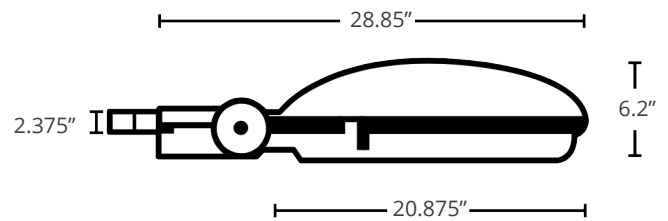
Body	Die cast aluminum
Optical	Anodized PP Plastic Reflector
Lens	Tempered Glass
Gear Plate	Galvanized steel plate
Light Source	Integrated LED
Mounting	Fits 2 ^{3/8} " OD pole
UL Listing	Wet Location IP66
Finish	Surface anti-aging electrostatic spray processing super resistance to corrosion.
Warranty	5 years normal operation
Dimensions	20.5"H x 18.75"W

Light Distribution

Type 5



The Type 5 distribution is ideal for general parking and area lighting applications. Intended to be located at or near the center of an intersection or in a large area since it has no beams, but produces a circular distribution with essentially the same candlepower at all lateral angles.



Part	Wattage	Lumens	CRI	Energy Savings
DCPT4876	40W	1m	80	150w PSMH
DCPT4878	60W	1m	80	175w PSMH
DCPT4880	80W	1m	80	250w PSMH

Ordering Example:

DCPT4130-40W-U-50K-DG

Prefix	Wattage	Voltage	Kelvin/CCT	Finish	Options
DCPT4876	40W	U = 120-277V	50K = 5000° Kelvin	DG = Dark Grey	
DCPT4878	60W				
DCPT4880	80W				



LED Area Lights

LED Designer Post Top



Applications

Classic design, the product is simple, modern, and elegant. Elegant design will fit on modern and traditional buildings. Ideal for single and multi-family communities and commercial installations, motels, and hotels. Perfect for landscape, entrances, perimeter, and pool applications.

Specification Features

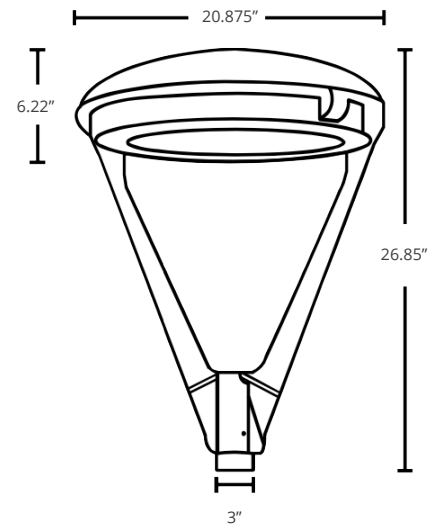
Body	Die cast aluminum
Optical	Anodized PP Plastic Reflector
Lens	Tempered Glass
Gear Plate	Galvanized steel plate
Light Source	Integrated LED
Mounting	Fits 3" OD pole
UL Listing	Wet Location IP66
Finish	Surface anti-aging electrostatic spray processing super resistance to corrosion.
Warranty	5 years normal operation
Dimensions	26.85"H x 20.875"W

Light Distribution

Type 5



The Type 5 distribution is ideal for general parking and area lighting applications. Intended to be located at or near the center of an intersection or in a large area since it has no beams, but produces a circular distribution with essentially the same candlepower at all lateral angles.



Part	Wattage	Lumens	CRI	Energy Savings
DCPT4870	35W	3,960lm	80	150w PSMH
DCPT4872	45W	4,950lm	80	175w PSMH
DCPT4870	54W	5,940lm	80	250w PSMH

Ordering Example:

DCPT4882-35W-U-50K-BK

Prefix	Wattage	Voltage	Kelvin/CCT	Finish	Options
DCPT4882	35W	U = 120-277V	50K = 5000° Kelvin	BK = Black	
DCPT4884	45W			DB = Dark Bronze	
DCPT4886	54W				



LED Area Lights

LED Designer Post Top



Applications

Classic design, the product is simple, modern, and elegant. Elegant design will fit on modern and traditional buildings. Ideal for single and multi-family communities and commercial installations, motels, and hotels. Perfect for landscape, entrances, perimeter, and pool applications.

Specification Features

Body	Die cast aluminum
Optical	Anodized PP Plastic Reflector
Lens	Tempered Glass
Gear Plate	Galvanized steel plate
Light Source	Integrated LED
Mounting	Fits 3" OD pole
UL Listing	Wet Location IP65
Finish	Surface anti-aging electrostatic spray processing super resistance to corrosion.
Warranty	5 years normal operation
Dimensions	

Light Distribution

Type 5



The Type 5 distribution is ideal for general parking and area lighting applications. Intended to be located at or near the center of an intersection or in a large area since it has no beams, but produces a circular distribution with essentially the same candlepower at all lateral angles.

Part	Wattage	Lumens	CRI
DCPT4890-60W	60W	7,200lm	Ra-70
DCPT4890-100W	100W	12,000lm	Ra-70
DCPT4890-150W	150W	18,000lm	Ra-70

Ordering Example:

DCPT4890-60W-U-50K-BK

Prefix	Wattage	Voltage	Kelvin/CCT	Finish	Options
DCPT4890	60W 100W 150W	U = 120-277V	40K = 4000° Kelvin 50K = 5000° Kelvin	BK = Black BZ = Bronze GY = Grey WH = White	AT120 = Photocontrol



LED Area Lights

LED Designer Post Top



Applications

Classic design, the product is simple, modern, and elegant. Elegant design will fit on modern and traditional buildings. Ideal for single and multi-family communities and commercial installations, motels, and hotels. Perfect for landscape, entrances, perimeter, and pool applications.

Specification Features

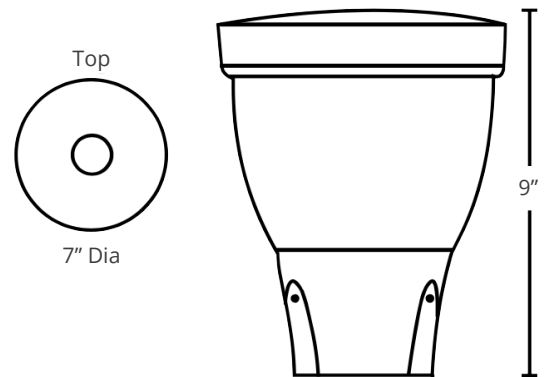
Body	Die cast aluminum
Optical	Anodized PP Plastic Reflector
Lens	UV stabilized & impact resistant optical grade polymer
Light Source	Integrated LED
Driver Current	150mA
Power Factor	0.95/>0.89
UL Listing	Wet Location IP65
Cold Weather Start	-35 °C to +55 °C (-31 °F to +131 °F)
Warranty	5 years normal operation
Dimensions	9"H x 7"W

Light Distribution

Type 5



The Type 5 distribution is ideal for general parking and area lighting applications. Intended to be located at or near the center of an intersection or in a large area since it has no beams, but produces a circular distribution with essentially the same candlepower at all lateral angles.



Part	Wattage	Lumens	CRI
DCPT5000	30W	3,000lm	Ra-70

Ordering Example:

DCPT5000-30W-U-40K-BK

Prefix	Wattage	Voltage	Kelvin/CCT	Finish	Options
DCPT5000	30W	U = 120-277V	40K = 4000 °Kelvin 50K = 5000 °Kelvin	BK = Black BZ = Bronze GY = Grey WH = White	AT120 = Photocontrol



LED Area Lights

LED Designer Post Top



Applications

Classic design, the product is simple, modern, and elegant. Elegant design will fit on modern and traditional buildings. Ideal for single and multi-family communities and commercial installations, motels, and hotels. Perfect for landscape, entrances, perimeter, and pool applications.

Specification Features

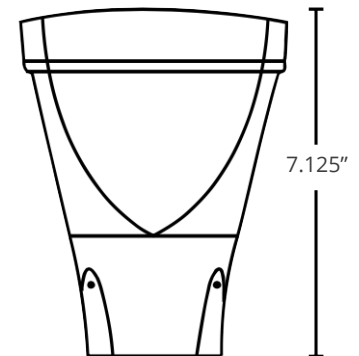
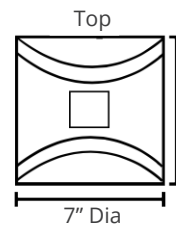
Body	Die cast aluminum
Optical	Anodized PP Plastic Reflector
Lens	Tempered Glass
Gear Plate	Galvanized steel plate
Light Source	Integrated LED
Mounting	Fits 3" OD pole
UL Listing	Wet Location IP65
Cold Weather Start	-35 °C to +55 °C (-31 °F to +131 °F)
Warranty	5 years normal operation
Dimensions	7.125"H x 7"W

Light Distribution

Type 5



The Type 5 distribution is ideal for general parking and area lighting applications. Intended to be located at or near the center of an intersection or in a large area since it has no beams, but produces a circular distribution with essentially the same candlepower at all lateral angles.



Part	Wattage	Lumens	CRI
DCPT5002	30W	3,000lm	Ra-70

Ordering Example:

DCPT5002-30W-U-50K-BK

Prefix	Wattage	Voltage	Kelvin/CCT	Finish	Options
DCPT5002	30W	U = 120-277V	40K = 4000° Kelvin 50K = 5000° Kelvin	BK = Black BZ = Bronze GY = Grey WH = White	AT120 = Photocontrol



LED Area Lights

LED Designer Post Top



Applications

Classic design, the product is simple, modern, and elegant. Elegant design will fit on modern and traditional buildings. Ideal for single and multi-family communities and commercial installations, motels, and hotels. Perfect for landscape, entrances, perimeter, and pool applications.

Specification Features

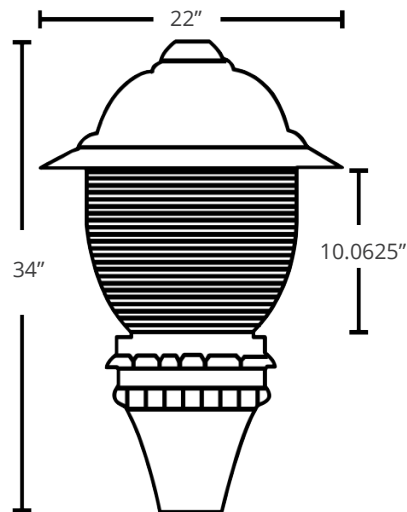
Body	Spun aluminum
Globe	High efficiency clear textured refractor
Support Staff	Fiberglass reinforced plastics. Excellent mechanical strength
Light Source	E26 medium base
UL Listing	Wet Location IP65
Cold Weather Start	-35°C to +55°C (-31°F to +131°F)
Warranty	5 years normal operation
Dimensions	42"H x 18"W

Light Distribution

Type 5



The Type 5 distribution is ideal for general parking and area lighting applications. Intended to be located at or near the center of an intersection or in a large area since it has no beams, but produces a circular distribution with essentially the same candlepower at all lateral angles.



Part	Wattage	Lumens	CRI	Energy Savings
DCPT4160-35W	35W	3,960lm	80	150w PSMH
DCPT4160-45W	45W	4,950lm	80	175w PSMH
DCPT4160-54W	54W	5,940lm	80	250w PSMH



Recommended Lamp

CORN-360

35W - 50K
45W - 50K
54W - 50K

Ordering Example:

DCPT4190-35W-U-40K-BK

Prefix	Wattage	Voltage	Kelvin/CCT	Finish	Options
DCPT4160	35W 45W 54W	U = 120-277V	40K = 4000° Kelvin 50K = 5000° Kelvin	BK = Black BZ = Bronze GY = Grey WH = White	AT120 = Photocontrol



LED Area Lights

LED Designer Post Top



Applications

Classic design, the product is simple, modern, and elegant. Elegant design will fit on modern and traditional buildings. Ideal for single and multi-family communities and commercial installations, motels, and hotels. Perfect for landscape, entrances, perimeter, and pool applications.

Specification Features

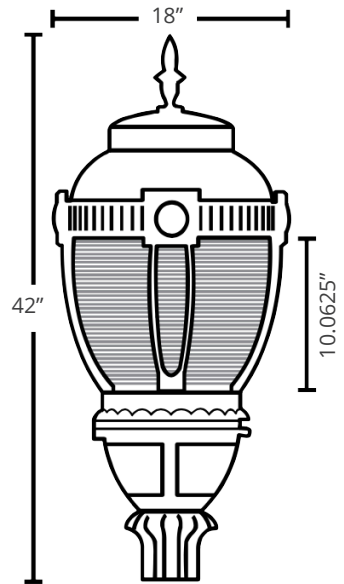
Body	Die cast aluminum
Optical	Anodized PP Plastic Reflector
Lens	Tempered Glass
Gear Plate	Galvanized steel plate
Light Source	Integrated LED
Mounting	Fits 3" OD pole
UL Listing	Wet Location IP65
Cold Weather Start	-35 °C to +55 °C (-31 °F to +131 °F)
Warranty	5 years normal operation
Dimensions	7.125"H x 7"W

Light Distribution

Type 5



The Type 5 distribution is ideal for general parking and area lighting applications. Intended to be located at or near the center of an intersection or in a large area since it has no beams, but produces a circular distribution with essentially the same candlepower at all lateral angles.



Recommended Lamp

CORN-360

35W - 50K
45W - 50K
54W - 50K

Part	Wattage	Lumens	CRI
DCPT5002	30W	3,000lm	Ra-70

Ordering Example:

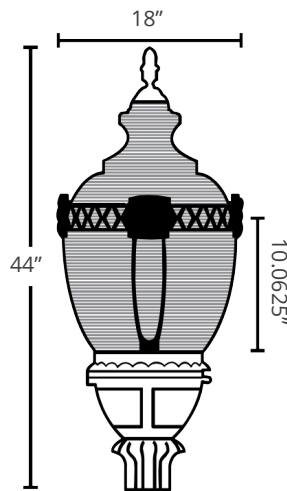
DCPT5002-30W-U-50K-BK

Prefix	Wattage	Voltage	Kelvin/CCT	Finish	Options
DCPT5002	30W	U = 120-277V	40K = 4000° Kelvin 50K = 5000° Kelvin	BK = Black BZ = Bronze GY = Grey WH = White	AT120 = Photocontrol



LED Area Lights

LED Designer Post Top



Applications

Classic design, the product is simple, modern, and elegant. Elegant design will fit on modern and traditional buildings. Ideal for single and multi-family communities and commercial installations, motels, and hotels. Perfect for landscape, entrances, perimeter, and pool applications.

Specification Features

Body	Spun aluminum
Globe	High efficiency clear textured refractor
Support Staff	Fiberglass reinforced plastics. Excellent mechanical strength
Light Source	E26 medium base
UL Listing	Wet Location IP65
Warranty	5 years normal operation
Dimensions	44"H x 18"W

Light Distribution

Type 5



The Type 5 distribution is ideal for general parking and area lighting applications. Intended to be located at or near the center of an intersection or in a large area since it has no beams, but produces a circular distribution with essentially the same candlepower at all lateral angles.

Part	Wattage	Lumens	CRI	Energy Savings
DCPT4176-24W	24W	2,640lm	80	100w PSMH
DCPT4176-35W	35W	3,960lm	80	150w PSMH
DCPT4176-45W	45W	4,950lm	80	175w PSMH
DCPT4176-54W	54W	5,940lm	80	250w PSMH

Ordering Example:

DCPT4190-35W-U-40K-BK

Prefix	Wattage	Voltage	Kelvin/CCT	Finish	Options
DCPT4176	24W 35W 45W 54W	U = 120-277V	40K = 4000° Kelvin 50K = 5000° Kelvin	BK = Black BZ = Bronze GY = Grey WH = White	AT120 = Photocontrol



Recommended Lamp

CORN-360

35W - 50K
45W - 50K
54W - 50K



LED Area Lights

LED Designer Post Top



Applications

Classic design, the product is simple, modern, and elegant. Elegant design will fit on modern and traditional buildings. Ideal for single and multi-family communities and commercial installations, motels, and hotels. Perfect for landscape, entrances, perimeter, and pool applications.

Specification Features

Body	Spun aluminum
Globe	High efficiency clear textured refractor
Support Staff	Fiberglass reinforced plastics. Excellent mechanical strength
Light Source	E26 medium base
UL Listing	Wet Location IP65
Warranty	5 years normal operation
Dimensions	36"H x 16.5"W

Light Distribution

Type 5



The Type 5 distribution is ideal for general parking and area lighting applications. Intended to be located at or near the center of an intersection or in a large area since it has no beams, but produces a circular distribution with essentially the same candlepower at all lateral angles.



Wattage	Lumens	CRI	Energy Savings
36W	3,960lm	80	150w PSMH
45W	4,950lm	80	175w PSMH



Recommended Lamp

CORN-360

35W - 50K
45W - 50K
54W - 50K

Ordering Example:

DCPT800206-36W-U-50K-BK

Prefix	Wattage	Voltage	Kelvin/CCT	Finish	Options
DCPT800206	36W	U = 120-277V	50K = 5000° Kelvin	BK = Black	
DCPT800208	45W			DG = Dark Grey	
DCPT800216				LG = Light Grey	
DCPT800218					



LED Area Lights

Direct Burial Poles



Applications

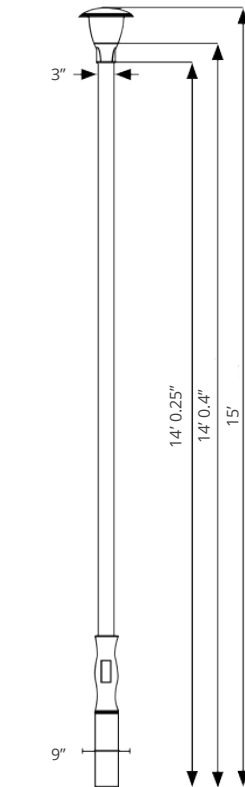
Auto dealerships, multi-family parking lots, assisted living, education, business campuses, parks & recreation areas

Specification Features

Body	Fabricated from the highest grade structural steel.
Photocell	Optional, sold separately, easy field install
Paint	Polyester powder coat finish
Thickness	3" x .05 Round tube
Mounting	Direct burial installation



Wire way access window



Burial Depth	Post Length
18"	8'
24"	10'
24"	12'
30"	15'

Ordering Example:

DCPOLES500-15-BK

Prefix	Height	Finish
DCPOLES500	15 = 15 feet	BK = Black (standard) BZ = Bronze



LED Area Lights

Decorative Poles

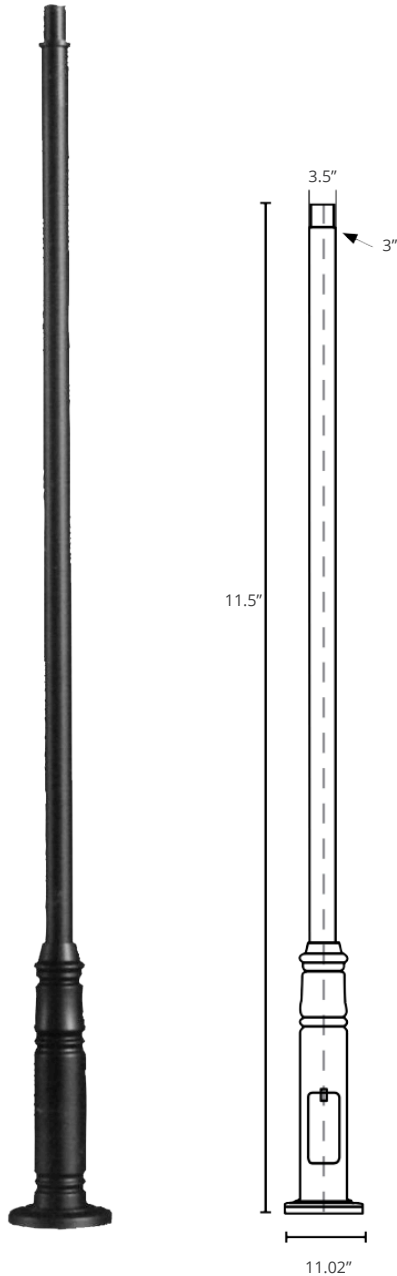


Applications

Auto dealerships, multi-family parking lots, assisted living, education, business campuses, parks & recreation areas

Specification Features

Body	Tapered high-tensile carbon steel shaft from 3.5" round welded to a steel anchor plate. After tapering, forming, and welding, the entire shaft assembly is hot dipped galvanized.
Access Plate	A 3.5" x 7" maintenance opening with cover and ground connector is centered 13" from the bottom of the anchor plate.
Base Cover	Made of one piece of fiberglass reinforced plastics, mechanically assembled together with stainless screws. There is one door in the base cover to open the maintenance hatch.
Finish	"Hot-Dipped" chemical etching preparation. Polyester powder coat texture finish. Standard stock color is black.



Ordering Example:

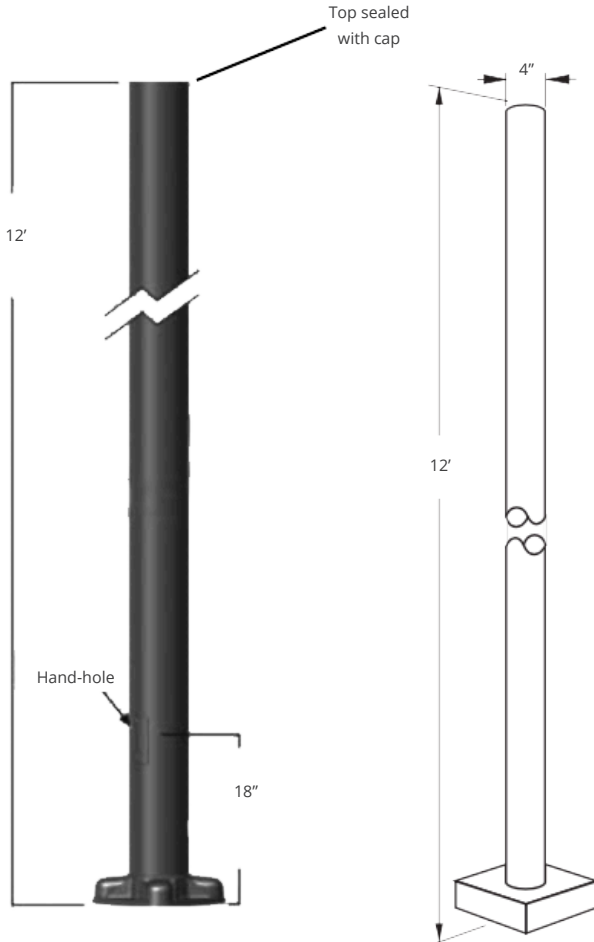
DCPOLES300-12-BK

Prefix	Height	Finish
DCPOLES300	10 = 10 feet 12 = 12 feet	BK = Black (standard) BZ = Bronze



LED Area Lights

Festoon Poles



Applications

Ideal for patios, overhangs, outdoor living areas, tents for weddings or festivals, and event lighting.

Shaft

Diameter	4"
Construction	Structural Steel
Yield Strength	Meets minimum of 46,000 PSI
Wind Rating	90 MPH
Wall Thickness	7Ga, 11Ga
Wiring	Reinforced hand hole w/ cover. Ground lug located inside pole opposite hand hole.
Finish	Polyester powder coat, pretreated by sand blast. Top coat baked a 400 degrees for maximum hardness and durability.

Base

Construction	Hot Rolled Steel
Yield Strength	Meets minimum of 46,000 PSI
Application	Base telescopes & is circumferentially welded to pole shaft
Installation	Slotted bolt holes provide 1" flexibility on either side of bolt circle centerline.
Wiring	Reinforced hand hole w/ cover. Ground lug located inside pole opposite hand hole.
Anchorage	4 anchor bolts (hot rolled steel) minimum yield strength of 50,000 PSI "L" bend on the end are threaded on the other end. Galvanized and come with 2 nuts and washers.
Finish	Polyester powder coat, pretreated by sand blast. Top coat baked a 400 degrees for maximum hardness and durability.

Ordering Example:

DCPOLES400-12-BK

Prefix	Height	Finish
DCPOLES400	10 = 10 feet 12 = 12 feet	BK = Black (standard) BZ = Bronze



LED Area Lights

Commercial Grade LED String Lights



Applications

Ideal for patios, overhangs, outdoor living areas, tents for weddings or festivals, and event lighting.

Specification Features

ETL Listing	Indoor/Outdoor. Suitable for year-round use. IP64
Wire Color	Black
Wire Type	2-wire with 120V plug and terminated end.
Sockets	48' = 24 Sockets 100' = 50 Sockets
Light Source	E26 Medium Base - S14 Bulb
Voltage	120V
Wattage	48' = 600W per string 100' = 1,250W per string
Socket Spacing	24"
Construction	Formulated PVC sockets form a tight seal around bulbs to preclude the entrance of water and moisture. Suspended socket has T-mold with mounting hole at top while non-suspended socket has two mounting ears built into the base.
Mounting	For spans up to 20 feet, use eye bolts and plastic ties to anchor ends. For spans longer than 20 feet, use catenary cable (sold separately) with plastic ties at each socket.

Hanging Instructions

Light sockets must be suspended so that bulbs are facing down only. **DO NOT MOUNT THE LIGHT STRINGS WITH SOCKETS FACING UPWARD!**

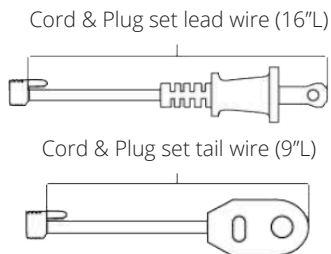
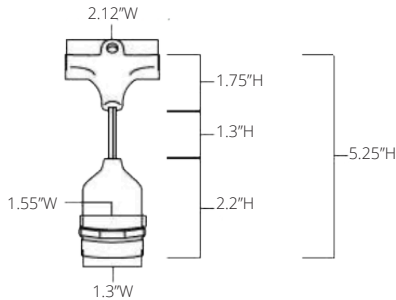
Light string must be securely attached to a support structure at each end of each span. The maximum unsupported span distance for 48 foot Cord & Plug Light String is 20 feet (10 sockets).

Secure light string to supporting hardware (eye bolts, brackets, etc - not included) using cable ties (not included).

Ensure any cut ends are properly sealed to prevent entrance of water

For spans exceeding 20 feet, use properly rated cable support system and cable ties (neither are provided with light string) and follow local codes for suspended cables and loads.

See accessories on the following page.



Ordering Example:

DCSTL830-48-S-BK

Prefix	Height	Model	Finish
DCSTL830	48 = 48 feet 100 = 100 feet	S = Suspended	BK = Black

LED Area Lights

String Light Accessories



	Part	Description
	DCLEDS14	Decorative S14 bulb with E26 base. Long lasting LED.
	DC-M/MS-END	Black plastic end cap.
	DC-SL-CABLE-60	60ft. Catenary Cable Kit includes: (1) 60ft. length of 1/8" diameter catenary/guide cable for light string installation, (2) heavy duty cable locks, and (1) cable release key.
	DC-SL-CABLE-110	110ft. Catenary Cable Kit includes: (1) 110ft. length of 1/8" diameter catenary/guide cable for light string installation, (2) heavy duty cable locks, and (1) cable release key.
	DC-SL-CABLE-500	500ft. Catenary Cable Bulk Reel includes: (1) 500ft. length of 1/8" diameter catenary/guide cable for light string installation.
	DC-SL-LOCK-4	(4) Heavy duty cable locks for 1/8" catenary cable, includes cable release key. Supports loads up to 330lbs.
	DC-SL-TT	Tenioning tool is used to eliminate sag from catenary cable. Never tighten cable before load is attached. Never over-tighten cable.

