

NHD-C0216CZ-FSW-FBW-3V3

COG (Chip-on-Glass) Liquid Crystal Display Module

| | |
|--------|------------------------------|
| NHD- | Newhaven Display |
| C0216- | COG, 2 lines x 16 characters |
| CZ- | Model |
| F- | Transflective |
| SW- | Side White LED Backlight |
| F- | FSTN (+) |
| B- | 6:00 View Angle |
| W- | Wide Temp (-20 c ~ +70 c) |
| 3V3- | 3Vdd, 3V Backlight |
| | RoHS Compliant |

Newhaven Display International, Inc.

2511 Technology Drive, Suite 101

Elgin IL, 60124

Ph: 847-844-8795

Fax: 847-844-8796

www.newhavendisply.com

nhtech@newhavendisply.com

nhsales@newhavendisply.com

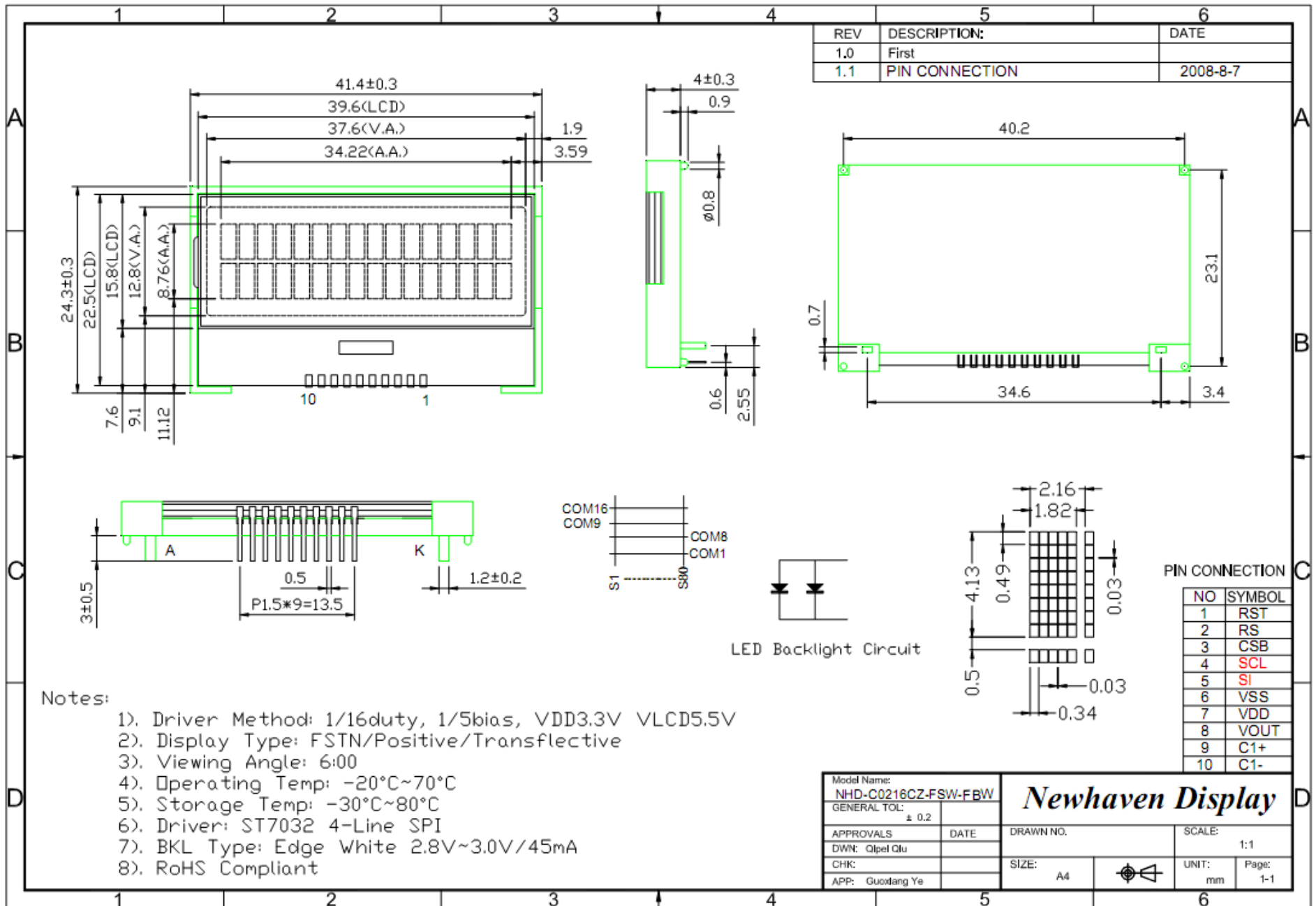
Document Revision History

| Revision | Date | Description | Changed by |
|----------|------------|------------------------------------|------------|
| 0 | 11/11/2008 | Initial Release | |
| 1 | 8/26/2009 | User guide reformat | BE |
| 2 | 10/9/2009 | Updated Electrical Characteristics | MC |
| 3 | 10/22/2009 | Font Table Revision | BE |
| 4 | 10/27/2009 | Updated the Block Diagram | MC |
| 5 | 11/19/2009 | Updated backlight supply current | MC |
| 6 | 12/18/2009 | Pin description updated | BE |

Functions and Features

- 2 lines x 16 characters
- Built-in controller (ST7032 or equivalent)
- 5x8 dots with cursor
- 4-line SPI MPU interface
- 1/16 duty, 1/5 bias

Mechanical Drawing



Notes:

- 1). Driver Method: 1/16duty, 1/5bias, VDD3.3V VLCD5.5V
- 2). Display Type: FSTN/Positive/Transflective
- 3). Viewing Angle: 6:00
- 4). Operating Temp: $-20^{\circ}\text{C} \sim 70^{\circ}\text{C}$
- 5). Storage Temp: $-30^{\circ}\text{C} \sim 80^{\circ}\text{C}$
- 6). Driver: ST7032 4-Line SPI
- 7). BKL Type: Edge White 2.8V~3.0V/45mA
- 8). RoHS Compliant

| REV | DESCRIPTION: | DATE |
|-----|----------------|----------|
| 1.0 | First | |
| 1.1 | PIN CONNECTION | 2008-8-7 |

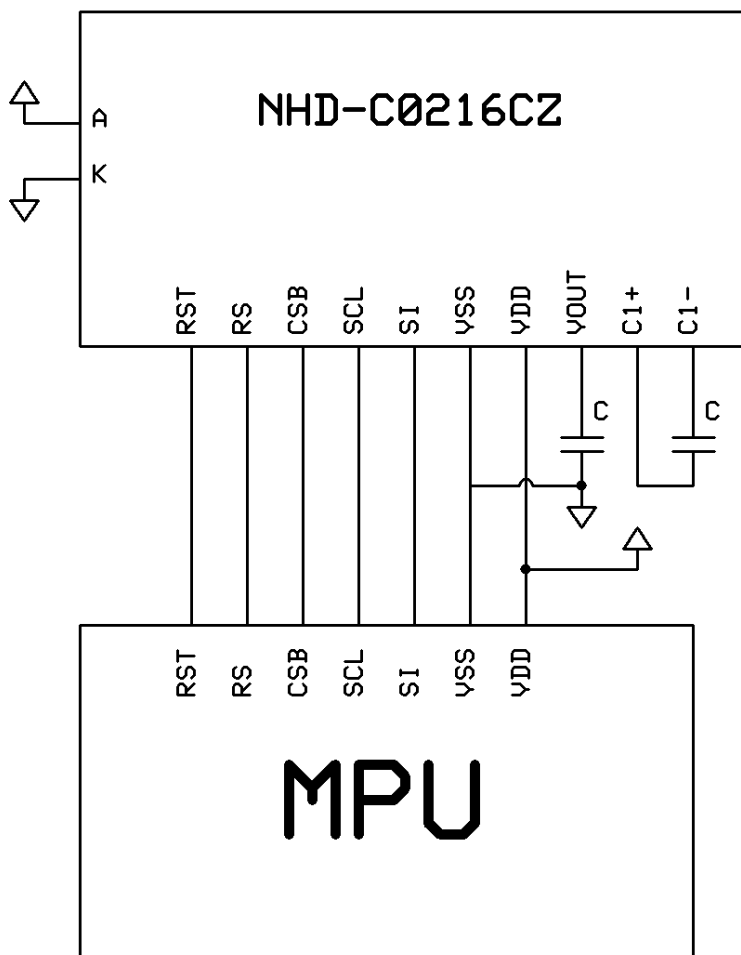
| | | | |
|---|------|-------------------------|--------------------|
| Model Name: NHD-C0216CZ-FSW-FBW | | Newhaven Display | |
| GENERAL TOL: ± 0.2 | | | |
| APPROVALS | DATE | DRAWN NO. | SCALE: 1:1 |
| DWN: Qlpei Qlu | | SIZE: A4 | UNIT: mm Page: 1-1 |
| CHK: | | | |
| APP: Guodang Ye | | | |

Pin Description and Wiring Diagram

| Pin No. | Symbol | External Connection | Function Description |
|---------|--------|---------------------|---|
| 1 | RST | MPU | Active LOW Reset Signal |
| 2 | RS | MPU | Register Select Signal. RS=0: instruction; RS=1: data |
| 3 | CSB | MPU | Active LOW Chip Select signal |
| 4 | SCL | MPU | Serial clock |
| 5 | SI | MPU | Input data |
| 6 | Vss | Power Supply | Ground |
| 7 | VDD | | Power supply for logic for LCD (3.3V). |
| 8 | VOUT | | DC/DC voltage converter. Connect to 1uF capacitor to VDD or Vss |
| 9 | C1+ | | Voltage booster circuit. Connect to 0.47uF-2.2uF cap to PIN10. |
| 10 | C1- | | Voltage booster circuit. Connect to 0.47uF-2.2uF cap to PIN9. |
| A | LED+ | Power Supply | Power supply for Backlight (3.0V) |
| K | LED- | Power Supply | Backlight Ground |

Recommended LCD connector: 1.5mm pitch, 10 pins Soldered to PCB

Backlight connector: A and K pins **Mates with:** - Solder to wires or PCB



Electrical Characteristics

| Item | Symbol | Condition | Min. | Typ. | Max. | Unit |
|-----------------------------|--------|--------------|------|------|------|------|
| Operating Temperature Range | Top | Absolute Max | -20 | - | +70 | °C |
| Storage Temperature Range | Tst | Absolute Max | -30 | - | +80 | °C |
| Supply Voltage | VDD | | 2.7 | 3.3 | 4.5 | V |
| Supply Current | IDD | VDD= 3.3V | - | 0.3 | 0.5 | mA |
| Supply for LCD (contrast) | VDD-Vo | Ta=25°C | - | 5.5 | - | V |
| "H" Level input | VIH | | 2.2 | - | VDD | V |
| "L" Level input | VIL | | 0 | - | 0.6 | V |
| "H" Level output | VoH | | 2.4 | - | - | V |
| "L" Level output | VoL | | - | - | 0.4 | V |
| | | | | | | |
| Backlight Supply Voltage | VLED | | - | 3.0 | - | V |
| Backlight Supply Current | ILED | VLED=3.0V | - | 30 | 45 | mA |

Optical Characteristics

| Item | Symbol | Condition | Min. | Typ. | Max. | Unit |
|----------------------------|--------|-----------|------|------|------|------|
| Viewing Angle - Vertical | AV | Cr ≥ 2 | -60 | - | +35 | ° |
| Viewing Angle - Horizontal | AH | Cr ≥ 2 | -40 | - | +40 | ° |
| Contrast Ratio | Cr | | - | 6 | - | - |
| Response Time (rise) | Tr | - | - | 150 | 250 | ms |
| Response Time (fall) | Tf | - | - | 150 | 250 | ms |

Controller Information

Built-in ST7032. Download specification at http://www.newhavendisplay.com/app_notes/ST7032.pdf

Table of Commands

| Instruction | Instruction Code | | | | | | | | | | Description | Instruction Execution Time | | |
|----------------------------|------------------|-----|-----|-----|-----|-----|-----|-----|-----|-----|--|----------------------------|------------|------------|
| | RS | R/W | DB7 | DB6 | DB5 | DB4 | DB3 | DB2 | DB1 | DB0 | | OSC=380KHz | OSC=540kHz | OSC=700KHz |
| Clear Display | 0 | 0 | 0 | 0 | 0 | 0 | 0 | 0 | 0 | 1 | Write "20H" to DDRAM. and set DDRAM address to "00H" from AC | 1.08 ms | 0.76 ms | 0.59 ms |
| Return Home | 0 | 0 | 0 | 0 | 0 | 0 | 0 | 0 | 1 | x | Set DDRAM address to "00H" from AC and return cursor to its original position if shifted. The contents of DDRAM are not changed. | 1.08 ms | 0.76 ms | 0.59 ms |
| Entry Mode Set | 0 | 0 | 0 | 0 | 0 | 0 | 0 | 1 | I/D | S | Sets cursor move direction and specifies display shift. These operations are performed during data write and read. | 26.3 us | 18.5 us | 14.3 us |
| Display ON/OFF | 0 | 0 | 0 | 0 | 0 | 0 | 1 | D | C | B | D=1:entire display on C=1:cursor on B=1:cursor position on | 26.3 us | 18.5 us | 14.3 us |
| Function Set | 0 | 0 | 0 | 0 | 1 | DL | N | DH | *0 | IS | DL: interface data is 8/4 bits N: number of line is 2/1 DH: double height font IS: instruction table select | 26.3 us | 18.5 us | 14.3 us |
| Set DDRAM address | 0 | 0 | 1 | AC6 | AC5 | AC4 | AC3 | AC2 | AC1 | AC0 | Set DDRAM address in address counter | 26.3 us | 18.5 us | 14.3 us |
| Read Busy flag and address | 0 | 1 | BF | AC6 | AC5 | AC4 | AC3 | AC2 | AC1 | AC0 | Whether during internal operation or not can be known by reading BF. The contents of address counter can also be read. | 0 | 0 | 0 |
| Write data to RAM | 1 | 0 | D7 | D6 | D5 | D4 | D3 | D2 | D1 | D0 | Write data into internal RAM (DDRAM/CGRAM/ICONRAM) | 26.3 us | 18.5 us | 14.3 us |
| Read data from RAM | 1 | 1 | D7 | D6 | D5 | D4 | D3 | D2 | D1 | D0 | Read data from internal RAM (DDRAM/CGRAM/ICONRAM) | 26.3 us | 18.5 us | 14.3 us |

Note *: this bit is for test command , and must always set to "0"

| Instruction table 0 (IS=0) | | | | | | | | | | | | | | |
|----------------------------|---|---|---|---|-----|-----|-----|-----|-----|-----|--|---------|---------|---------|
| Cursor or Display Shift | 0 | 0 | 0 | 0 | 0 | 1 | S/C | R/L | x | x | S/C and R/L: Set cursor moving and display shift control bit, and the direction, without changing DDRAM data. | 26.3 us | 18.5 us | 14.3 us |
| Set CGRAM | 0 | 0 | 0 | 1 | AC5 | AC4 | AC3 | AC2 | AC1 | AC0 | Set CGRAM address in address counter | 26.3 us | 18.5 us | 14.3 us |

| Instruction table 1 (IS=1) | | | | | | | | | | | | | | |
|---------------------------------|---|---|---|---|---|---|-----|------|------|------|--|---------|---------|---------|
| Internal OSC frequency | 0 | 0 | 0 | 0 | 0 | 1 | BS | F2 | F1 | F0 | BS=1:1/4 bias BS=0:1/5 bias F2~0: adjust internal OSC frequency for FR frequency. | 26.3 us | 18.5 us | 14.3 us |
| Set ICON address | 0 | 0 | 0 | 1 | 0 | 0 | AC3 | AC2 | AC1 | AC0 | Set ICON address in address counter. | 26.3 us | 18.5 us | 14.3 us |
| Power/ICON control/Contrast set | 0 | 0 | 0 | 1 | 0 | 1 | Ion | Bon | C5 | C4 | Ion: ICON display on/off Bon: set booster circuit on/off C5,C4: Contrast set for internal follower mode. | 26.3 us | 18.5 us | 14.3 us |
| Follower control | 0 | 0 | 0 | 1 | 1 | 0 | Fon | Rab2 | Rab1 | Rab0 | Fon: set follower circuit on/off Rab2~0: select follower amplified ratio. | 26.3 us | 18.5 us | 14.3 us |
| Contrast set | 0 | 0 | 0 | 1 | 1 | 1 | C3 | C2 | C1 | C0 | Contrast set for internal follower mode. | 26.3 us | 18.5 us | 14.3 us |

| Display Position | | | | | | | | | | |
|--------------------------------|----|----|----|----|----|----|-------|----|----|----|
| | 1 | 2 | 3 | 4 | 5 | 6 | | 38 | 39 | 40 |
| DDRAM Address (hexadecimal) | 00 | 01 | 02 | 03 | 04 | 05 | | 25 | 26 | 27 |
| | 40 | 41 | 42 | 43 | 44 | 45 | | 65 | 66 | 67 |

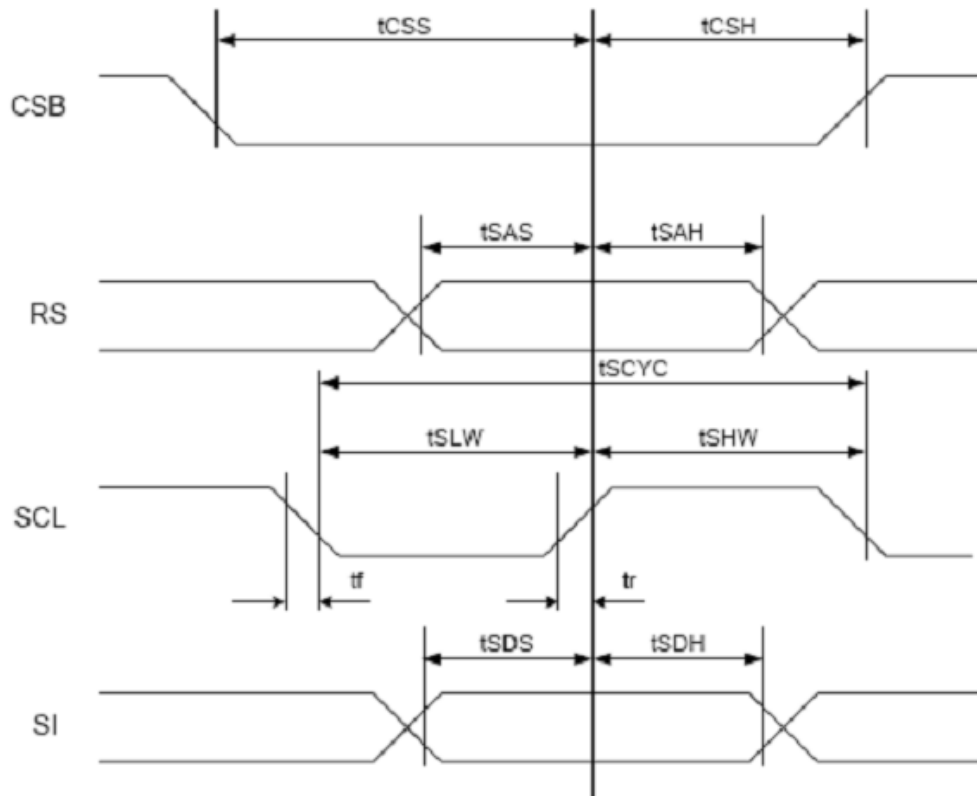
Figure 10. 2-Line Display

Timing Characteristics

($T_a=25^\circ\text{C}$, $V_{DD}=3.0\text{V}$)

| Item | Symbol | Symbol | Min. | Typ. | Max. | Unit |
|---------------------|--------|------------|------|------|------|------|
| Serial clock period | SCL | tSCYC | 200 | - | - | ns |
| SCL 'H' pulse width | | tSHW | 20 | - | - | |
| SCL 'L' pulse width | | tSLW | 160 | - | - | |
| SCL rise/fall time | SCL | T_r, t_f | - | - | 20 | |
| Address setup time | RS | tSAS | 10 | - | - | |
| Address hold time | | tSAH | 250 | - | - | |
| Data setup time | SI | tSDS | 10 | - | - | |
| Data hold time | | tSDH | 10 | - | - | |
| CS-SCL time | cs | tCSS | 20 | - | - | |
| | | tCSH | 350 | - | - | |

Serial interface



Example Initialization Program

```
void init()
//initialize the LCD
{
    P3 = 1;
    P1 = 1;
    RST = 0;                //RESET
    delay(2);
    RST = 1;                //end reset
    delay(20);
    Writecom(0x30);         //wake up
    delay(2);
    Call writecom(0x30);    //wake up
    Call writecom(0x30);    //wake up
    Call writecom(0x39);    //function set
    Call writecom(0x14);    //internal osc frequency
    Call writecom(0x56);    //power control
    Call writecom(0x6D);    //follower control

    Call writecom(0x70);    //contrast
    Call writecom(0x0C);    //display on
    Call writecom(0x06);    //entry mode
    Call writecom(0x01);    //clear
    delay(10);
}

void writecom(int d)
{
    CS = 0;                //CS
    RS = 0;                //A0 = Command
    for(serialcounter = 1; serialcounter <= 8; serialcounter++) //send 8 bits
    {
        if((d&0x80)==0x80) //get only the MSB
            SI=1;         //if 1, then SI=1
        else
            SI=0;         //if 0, then SI=0
        d=(d<<1);        //shift data byte left
        SCL = 0;
        SCL = 1;
        SCL = 0;          //SCL
    }
    CS = 1;
}

void writedata(int d)
{
    CS = 0;                //CS
    RS = 1;                //A0 = Data
    for(serialcounter = 1; serialcounter <= 8; serialcounter++) //send 8 bits
    {
        if((d&0x80)==0x80) //get only the MSB
            SI=1;         //if 1, then SI=1
        else
            SI=0;         //if 0, then SI=0
        d=(d<<1);        //shift data byte left
        SCL = 0;
        SCL = 1;
        SCL = 0;          //SCL
    }
    CS = 1;
}
```

Quality Information

| Test Item | Content of Test | Test Condition | Note |
|---------------------------------------|---|---|------|
| High Temperature storage | Endurance test applying the high storage temperature for a long time. | +80°C , 48hrs | 2 |
| Low Temperature storage | Endurance test applying the low storage temperature for a long time. | -30°C , 48hrs | 1,2 |
| High Temperature Operation | Endurance test applying the electric stress (voltage & current) and the high thermal stress for a long time. | +70°C , 48hrs | 2 |
| Low Temperature Operation | Endurance test applying the electric stress (voltage & current) and the low thermal stress for a long time. | -20°C , 48hrs | 1,2 |
| High Temperature / Humidity Operation | Endurance test applying the electric stress (voltage & current) and the high thermal with high humidity stress for a long time. | +40°C , 90% RH , 96hrs | 1,2 |
| Thermal Shock resistance | Endurance test applying the electric stress (voltage & current) during a cycle of low and high thermal stress. | 0°C,30min -> 25°C,5min -> 50°C,30min = 1 cycle 10 cycles | |
| Vibration test | Endurance test applying vibration to simulate transportation and use. | 10-55Hz , 15mm amplitude. 60 sec in each of 3 directions X,Y,Z For 15 minutes | 3 |
| Static electricity test | Endurance test applying electric static discharge. | VS=800V, RS=1.5kΩ, CS=100pF One time | |

Note 1: No condensation to be observed.

Note 2: Conducted after 4 hours of storage at 25°C, 0%RH.

Note 3: Test performed on product itself, not inside a container.

Precautions for using LCDs/LCMs

See Precautions at www.newhavendisplay.com/specs/precautions.pdf

Warranty Information and Terms & Conditions

http://www.newhavendisplay.com/index.php?main_page=terms

■ Features

- **5 x 8 dot matrix possible**
- **Low power operation support:**
-- 2.7 to 5.5V
- **Range of LCD driver power**
-- 3.0 to 7.0V
- **4-bit, 8-bit, serial MPU or 400kbits/s fast I²C-bus interface are available**
- **80 x 8-bit display RAM (80 characters max.)**
- **10,240-bit character generator ROM for a total of 256 character fonts(max)**
- **64 x 8-bit character generator RAM(max)**
- **16-common x 80-segment and 1-common x 80-segment ICON liquid crystal display driver**
- **16 x 5 –bit ICON RAM(max)**
- **Wide range of instruction functions:**
Display clear, cursor home, display on/off, cursor on/off, display character blink, cursor shift, display shift, double height font
- **Automatic reset circuit that initializes the controller/driver after power on and external reset pin**
- **Internal oscillator(Frequency=540KHz) and external clock**
- **Built-in voltage booster and follower circuit (low power consumption)**
- **Com/Seg direction selectable**
- **Multi-selectable for CGRAM/CGROM size**
- **Instruction compatible to ST7066U**
- **Available in COG type**

■ Description

The ST7032 dot-matrix liquid crystal display controller can display alphanumeric, Japanese kana characters, and symbols. It can be configured to drive a dot-matrix liquid crystal display under the control of a 4 / 8-bit with 6800-series or 8080-series, 3/4-line serial interface microprocessor. Since all the functions such as display RAM, character generator ROM/RAM and liquid crystal driver, required for driving a dot-matrix liquid crystal display are internally provided on one chip, a minimal system can be used with this controller/driver.



The ST7038 character generator ROM size is 256 5x8dot bits which can be used to generate 256 different character fonts (5x8dot).

The ST7032 is suitable for low voltage supply 2.7V to 5.5V) and is perfectly suitable for any portable product which is driven by the battery and requires low power consumption.

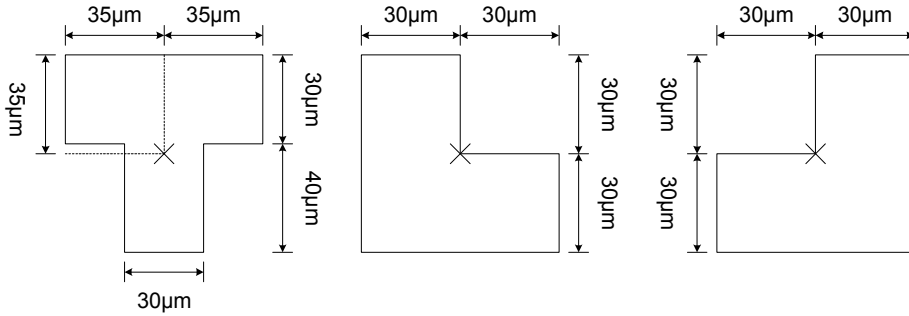
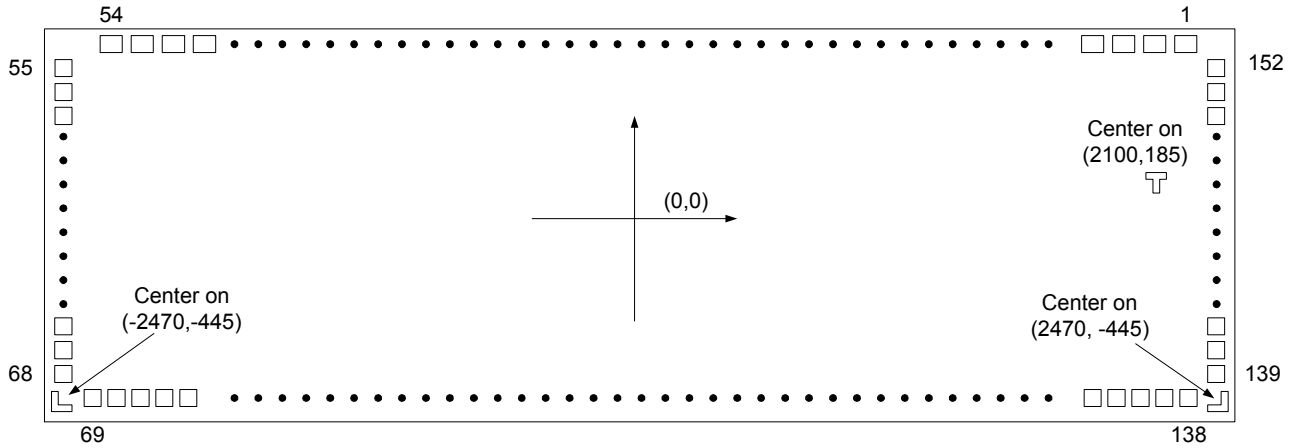
The ST7032 LCD driver consists of 17 common signal drivers and 80 segment signal drivers. The maximum display RAM size can be either 80 characters in 1-line display or 40 characters in 2-line display. A single ST7032 can display up to one 16-character line or two 16-character lines.

The ST7032 dot-matrix LCD driver does not need extra cascaded drivers.

| Product Name | Character generator ROM Size | OPR1 | OPR2 | Support Character |
|--------------|------------------------------|------|------|------------------------|
| ST7032-0D | 256 | 1 | 1 | English/Japan/European |

| | | |
|---------|---|---|
| ST7032 | 6800-4bit / 8bit interface (without IIC interface) |  |
| ST7032i | IIC interface |  |

■ Pad Dimensions



- **Chip Size: 5130.0 x 1080.0 μm**
- **Chip Thickness: 480 μm**
- **Bump Pitch : 62 μm(min)**
- **Bump Height : 17 μm**
- **Bump Size :**
 - **Pad No.1~54 : 54 x 97 μm**
 - **Pad No.55~152 : 40 x 97 μm**

■ Pad Location Coordinates

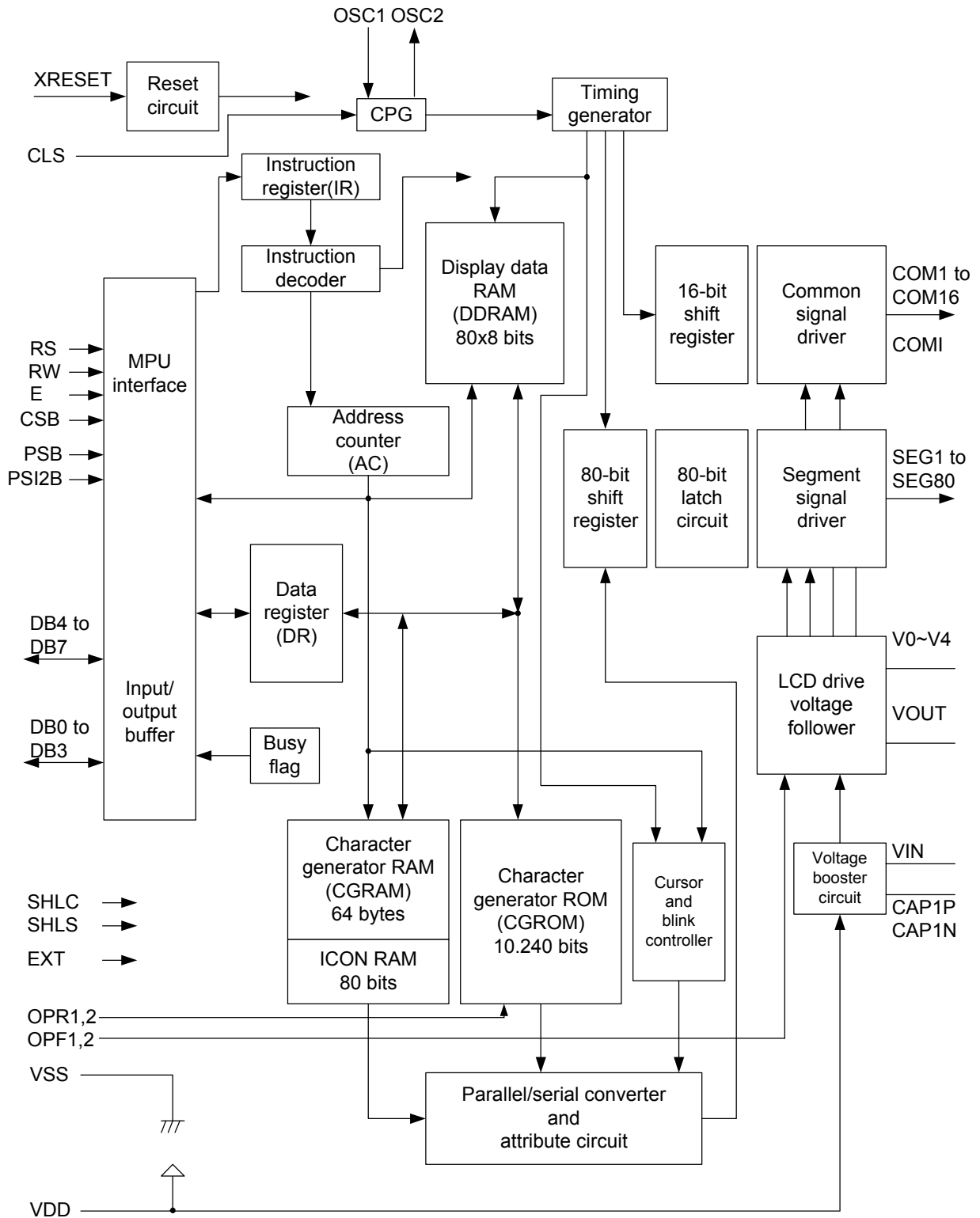
| Pad No. | Function | X | Y |
|---------|----------|--------|-------|
| 1 | XRESET | 2165.5 | 420.5 |
| 2 | OSC1 | 2089.5 | 420.5 |
| 3 | OSC2 | 2013.5 | 420.5 |
| 4 | RS | 1937.5 | 420.5 |
| 5 | CSB | 1861.5 | 420.5 |
| 6 | RW | 1785.5 | 420.5 |
| 7 | E | 1709.5 | 420.5 |
| 8 | DB0 | 1633.5 | 420.5 |
| 9 | DB1 | 1557.5 | 420.5 |
| 10 | DB2 | 1481.5 | 420.5 |
| 11 | DB3 | 1405.5 | 420.5 |
| 12 | DB4 | 1329.5 | 420.5 |
| 13 | DB5 | 1253.5 | 420.5 |
| 14 | DB6 | 1177.5 | 420.5 |
| 15 | DB7 | 1101.5 | 420.5 |
| 16 | VSS | 1025.5 | 420.5 |
| 17 | VSS | 949.5 | 420.5 |
| 18 | VSS | 873.5 | 420.5 |
| 19 | OPF1 | 797.5 | 420.5 |
| 20 | OPF2 | 721.5 | 420.5 |
| 21 | OPR1 | 645.5 | 420.5 |
| 22 | OPR2 | 569.5 | 420.5 |
| 23 | SHLC | 493.5 | 420.5 |
| 24 | SHLS | 417.5 | 420.5 |
| 25 | VDD | 341.5 | 420.5 |
| 26 | VDD | 265.5 | 420.5 |
| 27 | VDD | 189.5 | 420.5 |
| 28 | VIN | 113.5 | 420.5 |
| 29 | VIN | 37.5 | 420.5 |
| 30 | TEST1 | -38.5 | 420.5 |
| 31 | TEST2 | -114.5 | 420.5 |
| 32 | VSS | -190.5 | 420.5 |
| 33 | NC | -266.5 | 420.5 |
| 34 | VOUT | -342.5 | 420.5 |
| 35 | VOUT | -418.5 | 420.5 |
| 36 | PSB | -494.5 | 420.5 |
| 37 | VSS | -570.5 | 420.5 |
| 38 | PSI2B | -646.5 | 420.5 |
| 39 | CAP1P | -722.5 | 420.5 |
| 40 | CAP1P | -798.5 | 420.5 |

| Pad No. | Function | X | Y |
|---------|----------|---------|--------|
| 41 | EXT | -874.5 | 420.5 |
| 42 | VSS | -950.5 | 420.5 |
| 43 | CLS | -1026.5 | 420.5 |
| 44 | CAP1N | -1102.5 | 420.5 |
| 45 | CAP1N | -1178.5 | 420.5 |
| 46 | VOUT | -1254.5 | 420.5 |
| 47 | VOUT | -1330.5 | 420.5 |
| 48 | V0 | -1406.5 | 420.5 |
| 49 | V0 | -1482.5 | 420.5 |
| 50 | V1 | -1558.5 | 420.5 |
| 51 | V2 | -1634.5 | 420.5 |
| 52 | V3 | -1710.5 | 420.5 |
| 53 | V4 | -1786.5 | 420.5 |
| 54 | NC | -1862.5 | 420.5 |
| 55 | COM[8] | -2445.5 | 423 |
| 56 | COM[7] | -2445.5 | 361 |
| 57 | COM[6] | -2445.5 | 299 |
| 58 | COM[5] | -2445.5 | 237 |
| 59 | COM[4] | -2445.5 | 175 |
| 60 | COM[3] | -2445.5 | 113 |
| 61 | COM[2] | -2445.5 | 51 |
| 62 | COM[1] | -2445.5 | -11 |
| 63 | COM1 | -2445.5 | -73 |
| 64 | SEG[1] | -2445.5 | -135 |
| 65 | SEG[2] | -2445.5 | -197 |
| 66 | SEG[3] | -2445.5 | -259 |
| 67 | SEG[4] | -2445.5 | -321 |
| 68 | SEG[5] | -2445.5 | -383 |
| 69 | SEG[6] | -2130.5 | -420.5 |
| 70 | SEG[7] | -2068.5 | -420.5 |
| 71 | SEG[8] | -2006.5 | -420.5 |
| 72 | SEG[9] | -1944.5 | -420.5 |
| 73 | SEG[10] | -1882.5 | -420.5 |
| 74 | SEG[11] | -1820.5 | -420.5 |
| 75 | SEG[12] | -1758.5 | -420.5 |
| 76 | SEG[13] | -1696.5 | -420.5 |
| 77 | SEG[14] | -1634.5 | -420.5 |
| 78 | SEG[15] | -1572.5 | -420.5 |
| 79 | SEG[16] | -1510.5 | -420.5 |
| 80 | SEG[17] | -1448.5 | -420.5 |

| Pad No. | Function | X | Y |
|---------|----------|---------|--------|
| 81 | SEG[18] | -1386.5 | -420.5 |
| 82 | SEG[19] | -1324.5 | -420.5 |
| 83 | SEG[20] | -1262.5 | -420.5 |
| 84 | SEG[21] | -1200.5 | -420.5 |
| 85 | SEG[22] | -1138.5 | -420.5 |
| 86 | SEG[23] | -1076.5 | -420.5 |
| 87 | SEG[24] | -1014.5 | -420.5 |
| 88 | SEG[25] | -952.5 | -420.5 |
| 89 | SEG[26] | -890.5 | -420.5 |
| 90 | SEG[27] | -828.5 | -420.5 |
| 91 | SEG[28] | -766.5 | -420.5 |
| 92 | SEG[29] | -704.5 | -420.5 |
| 93 | SEG[30] | -642.5 | -420.5 |
| 94 | SEG[31] | -580.5 | -420.5 |
| 95 | SEG[32] | -518.5 | -420.5 |
| 96 | SEG[33] | -456.5 | -420.5 |
| 97 | SEG[34] | -394.5 | -420.5 |
| 98 | SEG[35] | -332.5 | -420.5 |
| 99 | SEG[36] | -270.5 | -420.5 |
| 100 | SEG[37] | -208.5 | -420.5 |
| 101 | SEG[38] | -146.5 | -420.5 |
| 102 | SEG[39] | -84.5 | -420.5 |
| 103 | SEG[40] | -22.5 | -420.5 |
| 104 | SEG[41] | 39.5 | -420.5 |
| 105 | SEG[42] | 101.5 | -420.5 |
| 106 | SEG[43] | 163.5 | -420.5 |
| 107 | SEG[44] | 225.5 | -420.5 |
| 108 | SEG[45] | 287.5 | -420.5 |
| 109 | SEG[46] | 349.5 | -420.5 |
| 110 | SEG[47] | 411.5 | -420.5 |
| 111 | SEG[48] | 473.5 | -420.5 |
| 112 | SEG[49] | 535.5 | -420.5 |
| 113 | SEG[50] | 597.5 | -420.5 |
| 114 | SEG[51] | 659.5 | -420.5 |
| 115 | SEG[52] | 721.5 | -420.5 |
| 116 | SEG[53] | 783.5 | -420.5 |
| 117 | SEG[54] | 845.5 | -420.5 |
| 118 | SEG[55] | 907.5 | -420.5 |
| 119 | SEG[56] | 969.5 | -420.5 |
| 120 | SEG[57] | 1031.5 | -420.5 |

| Pad No. | Function | X | Y |
|---------|----------|--------|--------|
| 121 | SEG[58] | 1093.5 | -420.5 |
| 122 | SEG[59] | 1155.5 | -420.5 |
| 123 | SEG[60] | 1217.5 | -420.5 |
| 124 | SEG[61] | 1279.5 | -420.5 |
| 125 | SEG[62] | 1341.5 | -420.5 |
| 126 | SEG[63] | 1403.5 | -420.5 |
| 127 | SEG[64] | 1465.5 | -420.5 |
| 128 | SEG[65] | 1527.5 | -420.5 |
| 129 | SEG[66] | 1589.5 | -420.5 |
| 130 | SEG[67] | 1651.5 | -420.5 |
| 131 | SEG[68] | 1713.5 | -420.5 |
| 132 | SEG[69] | 1775.5 | -420.5 |
| 133 | SEG[70] | 1837.5 | -420.5 |
| 134 | SEG[71] | 1899.5 | -420.5 |
| 135 | SEG[72] | 1961.5 | -420.5 |
| 136 | SEG[73] | 2023.5 | -420.5 |
| 137 | SEG[74] | 2085.5 | -420.5 |
| 138 | SEG[75] | 2147.5 | -420.5 |
| 139 | SEG[76] | 2445.5 | -383 |
| 140 | SEG[77] | 2445.5 | -321 |
| 141 | SEG[78] | 2445.5 | -259 |
| 142 | SEG[79] | 2445.5 | -197 |
| 143 | SEG[80] | 2445.5 | -135 |
| 144 | COM[9] | 2445.5 | -73 |
| 145 | COM[10] | 2445.5 | -11 |
| 146 | COM[11] | 2445.5 | 51 |
| 147 | COM[12] | 2445.5 | 113 |
| 148 | COM[13] | 2445.5 | 175 |
| 149 | COM[14] | 2445.5 | 237 |
| 150 | COM[15] | 2445.5 | 299 |
| 151 | COM[16] | 2445.5 | 361 |
| 152 | COMI2 | 2445.5 | 423 |

■ Block Diagram



■ Pin Function

| Name | Number | I/O | Interfaced with | Function | | | | | | | | | | | | | | | | | | | | |
|---------------|--------|-------------------------|-----------------|---|------|-------|-----------|-------|---|--------|-----|---|-----|---|-----|-------------------------|---|---|-------------|---|---|---|-----|---|
| XRESET | 1 | I | MPU | External reset pin. Only if the power on reset used, the XRESET pin must be fixed to VDD. Low active. | | | | | | | | | | | | | | | | | | | | |
| RS | 1 | I | MPU | Select registers. 0: Instruction register (for write) Busy flag & address counter (for read) 1: Data register (for write and read) | | | | | | | | | | | | | | | | | | | | |
| R/W | 1 | I | MPU | Select read or write (In parallel mode). 0: Write 1: Read | | | | | | | | | | | | | | | | | | | | |
| E | 1 | I | MPU | Starts data read/write. (<u>"E" must connect to "VDD" when serial interface is selected.</u>) | | | | | | | | | | | | | | | | | | | | |
| CSB | 1 | I | MPU | Chip select in parallel mode and serial interface (Low active).When the CSB in falling edge state (in serial interface), the shift register and the clock counter are reset. | | | | | | | | | | | | | | | | | | | | |
| DB4 to DB7 | 4 | I/O | MPU | Four high order bi-directional data bus pins. Used for data transfer and receive between the MPU and the ST7032. DB7 can be used as a busy flag. In serial interface mode DB7 is SI (input data), DB6 is SCL (serial clock). In I ² C interface DB7 (SDA) is input data and DB6 (SCL) is clock input. SDA and SCL must connect to I ² C bus (I ² C bus is to connect a resistor between SDA/SCL and the power of I ² C bus). | | | | | | | | | | | | | | | | | | | | |
| DB0 to DB3 | 4 | I/O | MPU | Four low order bi-directional data bus pins. Used for data transfer and receive between the MPU and the ST7032. These pins are not used during 4-bit operation. | | | | | | | | | | | | | | | | | | | | |
| Ext | 1 | I | ITO option | Extension instruction select: 0:enable extension instruction(add contrast/ICON/double height font/ extension instruction) 1:disable extension instruction(compatible to ST7066U, but without 5x11dot font) | | | | | | | | | | | | | | | | | | | | |
| PSB | 1 | I | MPU | Interface selection 0:serial mode <u>("E" must connect to "VDD" when serial mode is selected.)</u> 1:parallel mode(4/8 bit) In I ² C interface PSB must connect to VDD | | | | | | | | | | | | | | | | | | | | |
| PSI2B | 1 | I | ITO option | <table border="1"> <thead> <tr> <th>PSB</th> <th>PSI2B</th> <th>Interface</th> </tr> </thead> <tbody> <tr> <td>0</td> <td>0</td> <td>No use</td> </tr> <tr> <td>0</td> <td>1</td> <td>SI4</td> </tr> <tr> <td>1</td> <td>0</td> <td>SI2 (I²C)</td> </tr> <tr> <td>1</td> <td>1</td> <td>Parallel 68</td> </tr> </tbody> </table> | PSB | PSI2B | Interface | 0 | 0 | No use | 0 | 1 | SI4 | 1 | 0 | SI2 (I ² C) | 1 | 1 | Parallel 68 | | | | | |
| PSB | PSI2B | Interface | | | | | | | | | | | | | | | | | | | | | | |
| 0 | 0 | No use | | | | | | | | | | | | | | | | | | | | | | |
| 0 | 1 | SI4 | | | | | | | | | | | | | | | | | | | | | | |
| 1 | 0 | SI2 (I ² C) | | | | | | | | | | | | | | | | | | | | | | |
| 1 | 1 | Parallel 68 | | | | | | | | | | | | | | | | | | | | | | |
| OPR1, OPR2 | 2 | I | ITO option | Character generator select: <table border="1"> <thead> <tr> <th>OPR1</th> <th>OPR2</th> <th>CGROM</th> <th>CGRAM</th> </tr> </thead> <tbody> <tr> <td>0</td> <td>0</td> <td>240</td> <td>8</td> </tr> <tr> <td>0</td> <td>1</td> <td>250</td> <td>6</td> </tr> <tr> <td>1</td> <td>0</td> <td>248</td> <td>8</td> </tr> <tr> <td>1</td> <td>1</td> <td>256</td> <td>0</td> </tr> </tbody> </table> | OPR1 | OPR2 | CGROM | CGRAM | 0 | 0 | 240 | 8 | 0 | 1 | 250 | 6 | 1 | 0 | 248 | 8 | 1 | 1 | 256 | 0 |
| OPR1 | OPR2 | CGROM | CGRAM | | | | | | | | | | | | | | | | | | | | | |
| 0 | 0 | 240 | 8 | | | | | | | | | | | | | | | | | | | | | |
| 0 | 1 | 250 | 6 | | | | | | | | | | | | | | | | | | | | | |
| 1 | 0 | 248 | 8 | | | | | | | | | | | | | | | | | | | | | |
| 1 | 1 | 256 | 0 | | | | | | | | | | | | | | | | | | | | | |

| Name | Number | I/O | Interfaced with | Function | | |
|---------------|--------|-------------------------------|-----------------|---|------|--|
| SHLC | 1 | I | ITO option | Common signals direction select: 0:Com1~16←Row address 15~0(Invert) 1:Com1~16←Row address 0~15(Normal) | | |
| SHLS | 1 | I | ITO option | Segment signals direction select: 0:Seg1~80←Column address 79~0(Invert) 1:Seg1~80←Column address 0~79(Normal) | | |
| COM1 to COM16 | 16 | O | LCD | Common signals that are not used are changed to non-selection waveform. COM9 to COM16 are non-selection waveforms at 1/8 or 1/9 duty factor | | |
| COMI | 2 | O | LCD | ICON common signals | | |
| SEG1 to SEG80 | 80 | O | LCD | Segment signals | | |
| OPF1 OPF2 | 2 | I | ITO option | The built-in voltage follower circuit selection | | |
| | | | | OPF1 | OPF2 | Bias select |
| | | | | 0 | 0 | Built-in voltage follower(only use at EXT=0) |
| | | | | 0 | 1 | Built-in bias resistor(3.3K Ω) \pm 30% |
| | | | | 1 | 0 | Built-in bias resistor(9.6K Ω) \pm 30% |
| 1 | 1 | External bias resistor select | | | | |
| CAP1P | 1 | - | Power supply | For voltage booster circuit(VDD-VSS) External capacitor about 0.1u~4.7uf | | |
| CAP1N | 1 | - | Power supply | | | |
| VIN | 1 | - | Power supply | Input the voltage to booster | | |
| VOUT | 1 | - | Power supply | DC/DC voltage converter. Connect a capacitor between this terminal and VIN when the built-in booster is used. | | |
| V0 to V4 | 5 | - | Power supply | Power supply for LCD drive V0-Vss = 7V (Max) Built-in/external Voltage follower circuit | | |
| VDD VSS | 2 | - | Power supply | VDD : 2.7V to 5.5V, VSS: 0V | | |
| CLS | | I | ITO option | Internal/External oscillation select 0:external clock 1:internal oscillation | | |
| OSC1 OSC2 | 2 | I/O | Oscillation | When the pin input is an external clock, it must be input to OSC1. | | |
| TEST1,2 | 2 | I/O | Test pin | TEST1,2 must connect to VDD. | | |

■ EXT option pin difference table

| | ST7066U normal mode (EXT=1) | Extension mode (EXT=0) |
|----------------------|---|--|
| Booster | Always OFF | ON/OFF control by instruction |
| Bias (V0~V4) | Can't use the follower circuit Only use external resistor or internal resistor(1/5 bias) | Follower or internal/external resistor selectable |
| Contrast adjust | Control by external VR | 1. Control by instruction with follower 2. Control by external VR with internal/external resistor |
| ICON RAM | Can't be use | RAM size has 80 bit width (S1~S80). |
| Instruction | Control normal instruction similar to ST7066U. | Control extension instruction for low power consumption. |
| Double height font | Only 5x8 font | Can set 5x8 or 5x16 font |
| OSC frequency adjust | Only adjust by external clock. | Can set OSC frequency by instruction set. |
| | | |

■ Function Description

● System Interface

This chip has all four kinds of interface type with MPU: 4-bit bus, 8-bit bus, serial and fast I²C interface. 4-bit bus or 8-bit bus is selected by DL bit in the instruction register.

During read or write operation, two 8-bit registers are used. One is data register (DR); the other is instruction register (IR).

The data register (DR) is used as temporary data storage place for being written into or read from DDRAM/CGRAM/ICON RAM, target RAM is selected by RAM address setting instruction. Each internal operation, reading from or writing into RAM, is done automatically. So to speak, after MPU reads DR data, the data in the next DDRAM/CGRAM/ICON RAM address is transferred into DR automatically. Also after MPU writes data to DR, the data in DR is transferred into DDRAM/CGRAM/ICON RAM automatically.

The Instruction register (IR) is used only to store instruction code transferred from MPU. MPU cannot use it to read instruction data.

Using RS input pin to select command or data in 4-bit/8-bit bus mode.

| RS | R/W | Operation |
|----|-----|---|
| L | L | Instruction Write operation (MPU writes Instruction code into IR) |
| L | H | Read Busy Flag (DB7) and address counter (DB0 ~ DB6) |
| H | L | Data Write operation (MPU writes data into DR) |
| H | H | Data Read operation (MPU reads data from DR) |

Table 1. Various kinds of operations according to RS and R/W bits.

I²C interface

**It just only could write Data or Instruction to ST7032 by the IIC Interface.
It could not read Data or Instruction from ST7032 (except Acknowledge signal).**

SCL: serial clock input

SDA: serial data input

Slaver address could only set to 0111110, no other slaver address could be set

The I²C interface send RAM data and executes the commands sent via the I²C Interface. It could send data bit to the RAM. The I²C Interface is two-line communication between different ICs or modules. The two lines are a Serial Data line (SDA) and a Serial Clock line (SCL). Both lines must be connected to a positive supply via a pull-up resistor. Data transfer may be initiated only when the bus is not busy.

BIT TRANSFER

One data bit is transferred during each clock pulse. The data on the SDA line must remain stable during the HIGH period of the clock pulse because changes in the data line at this time will be interpreted as a control signal. Bit transfer is illustrated in Fig.1.

START AND STOP CONDITIONS

Both data and clock lines remain HIGH when the bus is not busy. A HIGH-to-LOW transition of the data line, while the clock is HIGH is defined as the START condition (S). A LOW-to-HIGH transition of the data line while the clock is HIGH is defined as the STOP condition (P). The START and STOP conditions are illustrated in Fig.2.

SYSTEM CONFIGURATION

The system configuration is illustrated in Fig.3.

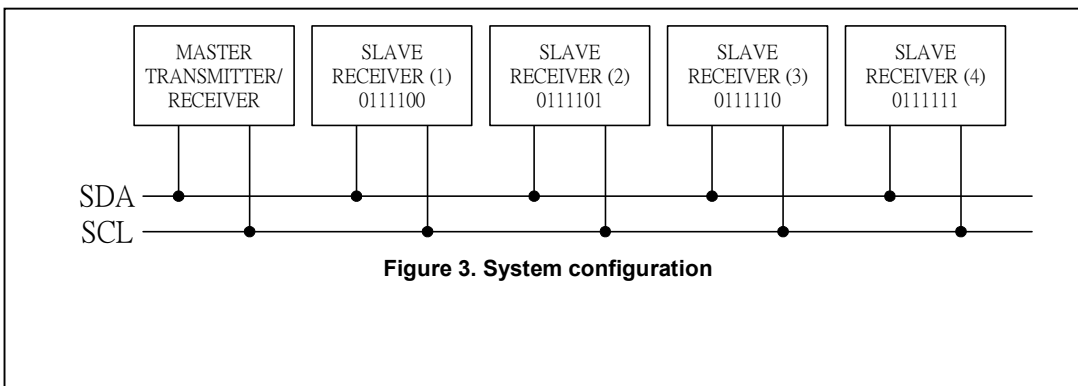
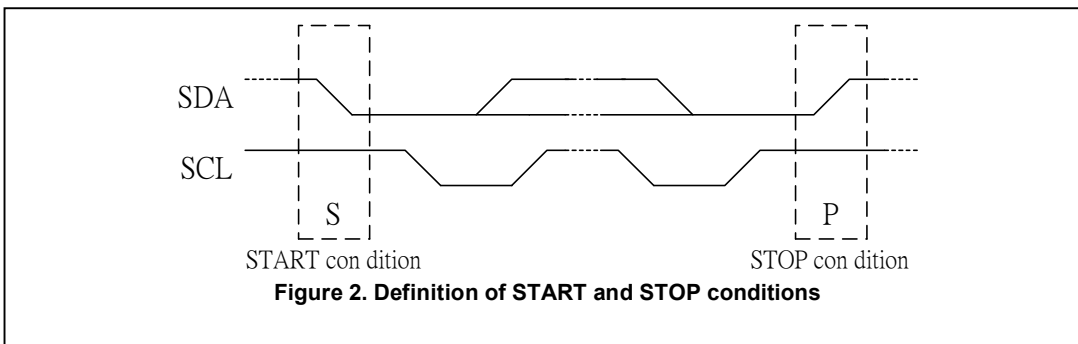
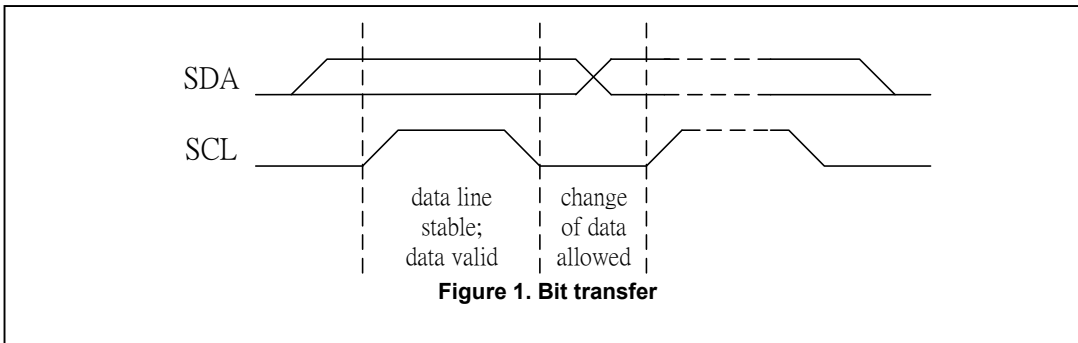
- Transmitter: the device, which sends the data to the bus
- Master: the device, which initiates a transfer, generates clock signals and terminates a transfer
- Slave: the device addressed by a master

- Multi-Master: more than one master can attempt to control the bus at the same time without corrupting the message
- Arbitration: procedure to ensure that, if more than one master simultaneously tries to control the bus, only one is allowed to do so and the message is not corrupted
- Synchronization: procedure to synchronize the clock signals of two or more devices.

ACKNOWLEDGE

Acknowledge is not Busy Flag in I2C interface.

Each byte of eight bits is followed by an acknowledge bit. The acknowledge bit is a HIGH signal put on the bus by the transmitter during which time the master generates an extra acknowledge related clock pulse. A slave receiver which is addressed must generate an acknowledge after the reception of each byte. A master receiver must also generate an acknowledge after the reception of each byte that has been clocked out of the slave transmitter. The device that acknowledges must pull-down the SDA line during the acknowledge clock pulse, so that the SDA line is stable LOW during the HIGH period of the acknowledge related clock pulse (set-up and hold times must be taken into consideration). A master receiver must signal an end-of-data to the transmitter by not generating an acknowledge on the last byte that has been clocked out of the slave. In this event the transmitter must leave the data line HIGH to enable the master to generate a STOP condition. Acknowledgement on the I²C Interface is illustrated in Fig.4.



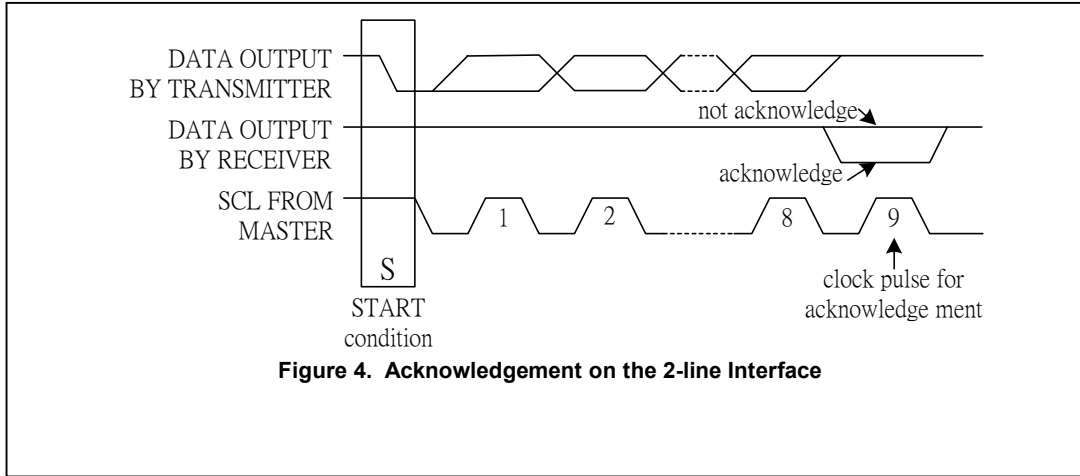


Figure 4. Acknowledgement on the 2-line Interface

I²C Interface protocol

The ST7032 supports command, data write addressed slaves on the bus.

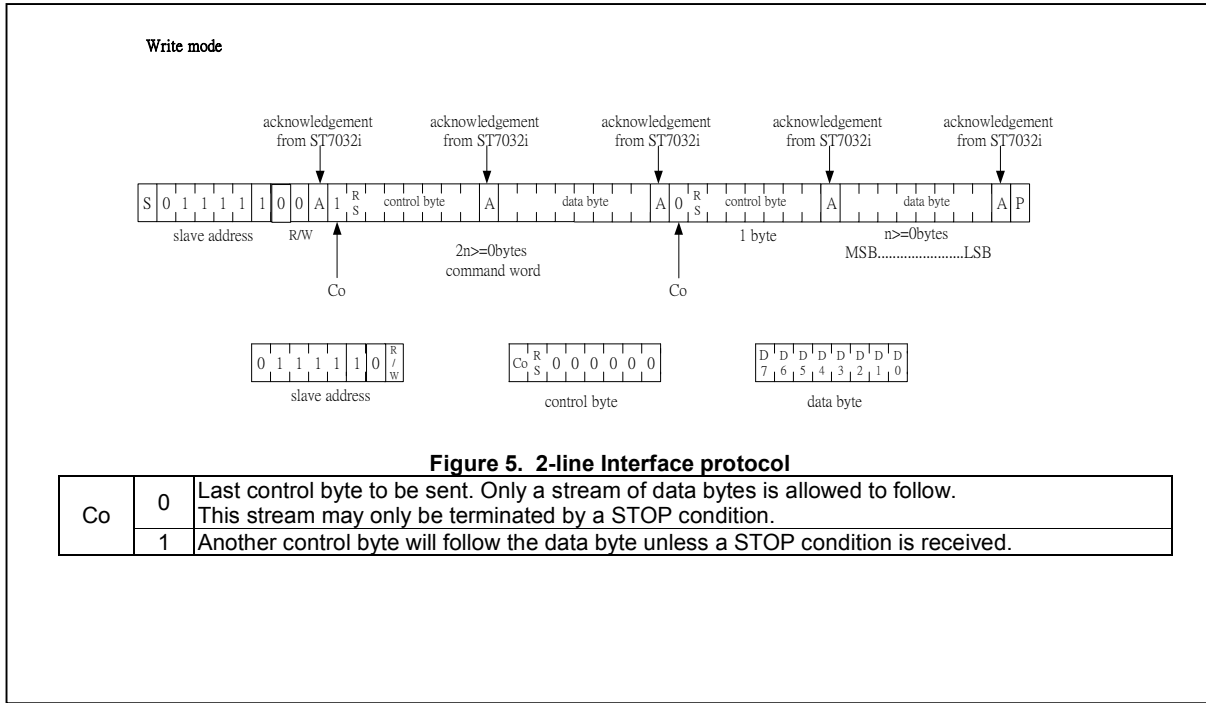
Before any data is transmitted on the I²C Interface, the device, which should respond, is addressed first. Only one 7-bit slave addresses (0111110) is reserved for the ST7032. The R/W is assigned to 0 for Write only.

The I²C Interface protocol is illustrated in Fig.5.

The sequence is initiated with a START condition (S) from the I²C Interface master, which is followed by the slave address. All slaves with the corresponding address acknowledge in parallel, all the others will ignore the I²C Interface transfer. After acknowledgement, one or more command words follow which define the status of the addressed slaves.

A command word consists of a control byte, which defines Co and RS, plus a data byte.

The last control byte is tagged with a cleared most significant bit (i.e. the continuation bit Co). After a control byte with a cleared Co bit, only data bytes will follow. The state of the RS bit defines whether the data byte is interpreted as a command or as RAM data. All addressed slaves on the bus also acknowledge the control and data bytes. After the last control byte, depending on the RS bit setting; either a series of display data bytes or command data bytes may follow. If the RS bit is set to logic 1, these display bytes are stored in the display RAM at the address specified by the data pointer. The data pointer is automatically updated and the data is directed to the intended ST7032i device. If the RS bit of the last control byte is set to logic 0, these command bytes will be decoded and the setting of the device will be changed according to the received commands. Only the addressed slave makes the acknowledgement after each byte. At the end of the transmission the I²C INTERFACE-bus master issues a STOP condition (P).



During write operation, two 8-bit registers are used. One is data register (DR), the other is instruction register (IR).

The data register (DR) is used as temporary data storage place for being written into DDRAM/CGRAM/ICON RAM, target RAM is selected by RAM address setting instruction. Each internal operation, writing into RAM, is done automatically. So to speak, after MPU writes data to DR, the data in DR is transferred into DDRAM/CGRAM/ICON RAM automatically.

The Instruction register (IR) is used only to store instruction code transferred from MPU. MPU cannot use it to read instruction data.

To select register, use RS input in I²C interface.

| RS | R/W | Operation |
|----|-----|---|
| L | L | Instruction Write operation (MPU writes Instruction code into IR) |
| H | L | Data Write operation (MPU writes data into DR) |

Table 2. Various kinds of operations according to RS and R/W bits.

● **Busy Flag (BF)**

When BF = "High", it indicates that the internal operation is being processed. So during this time the next instruction cannot be accepted. BF can be read, when RS = Low and R/W = High (Read Instruction Operation), through DB7 port. Before executing the next instruction, be sure that BF is not High.

● **Address Counter (AC)**

Address Counter (AC) stores DDRAM/CGRAM/ICON RAM address, transferred from IR. After writing into (reading from) DDRAM/CGRAM/ICON RAM, AC is automatically increased (decreased) by 1. When RS = "Low" and R/W = "High", AC can be read through DB0 ~ DB6 ports.

● **Display Data RAM (DDRAM)**

Display data RAM (DDRAM) stores display data represented in 8-bit character codes. Its extended capacity is 80 x 8 bits, or 80 characters. The area in display data RAM (DDRAM) that is not used for display can be used as general data RAM. See Figure 7 for the relationships between DDRAM addresses and positions on the liquid crystal display.

The DDRAM address (A_{DD}) is set in the address counter (AC) as hexadecimal.

➤ **1-line display (N = 0) (Figure 8)**

When there are fewer than 80 display characters, the display begins at the head position. For example, if using only the ST7032, 16 characters are displayed. See Figure 8.

When the display shift operation is performed, the DDRAM address shifts. See Figure 9.

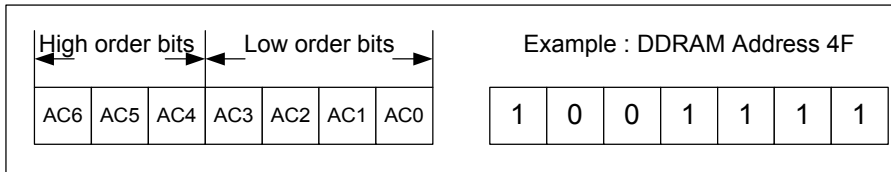


Figure 7. DDRAM Address

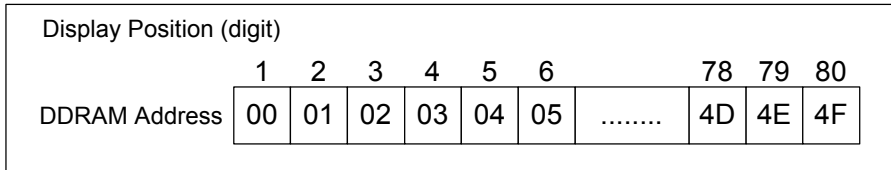


Figure 8. 1-Line Display

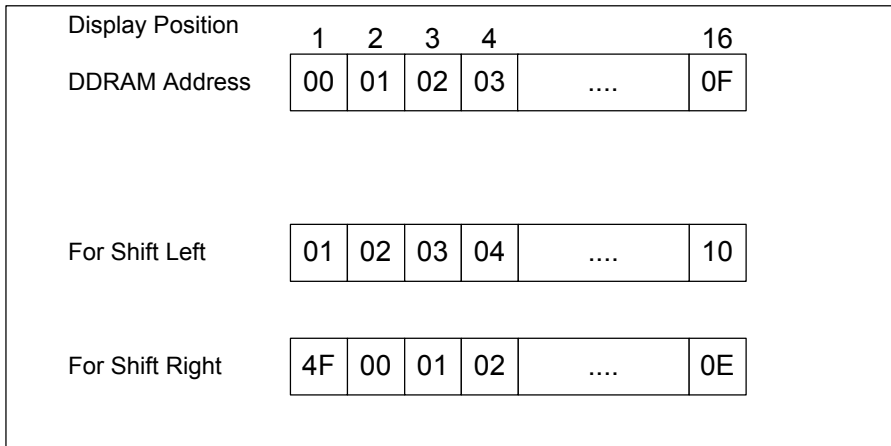


Figure 9. 1-Line by 16-Character Display Example

➤ **2-line display (N = 1) (Figure 10)**

Case 1: When the number of display characters is less than 40 , 2 lines, the two lines are displayed from the head. Note that the first line end address and the second line start address are not consecutive. See Figure 10.

| | | | | | | | | | | |
|--------------------------------|----|----|----|----|----|----|-------|----|----|----|
| Display Position | | | | | | | | | | |
| | 1 | 2 | 3 | 4 | 5 | 6 | | 38 | 39 | 40 |
| DDRAM Address (hexadecimal) | 00 | 01 | 02 | 03 | 04 | 05 | | 25 | 26 | 27 |
| | 40 | 41 | 42 | 43 | 44 | 45 | | 65 | 66 | 67 |

Figure 10. 2-Line Display

Case 2: For a 16-character , 2-line display See Figure 11.
When display shift operation is performed, the DDRAM address shifts. See Figure 11.

| | | | | | | | | | | | | | | | | |
|------------------|----|----|----|----|----|----|----|----|----|----|----|----|----|----|----|----|
| Display Position | 1 | 2 | 3 | 4 | 5 | 6 | 7 | 8 | 9 | 10 | 11 | 12 | 13 | 14 | 15 | 16 |
| DDRAM Address | 00 | 01 | 02 | 03 | 04 | 05 | 06 | 07 | 08 | 09 | 0A | 0B | 0C | 0D | 0E | 0F |
| | 40 | 41 | 42 | 43 | 44 | 45 | 46 | 47 | 48 | 49 | 4A | 4B | 4C | 4D | 4E | 4F |
| For Shift Left | 01 | 02 | 03 | 04 | 05 | 06 | 07 | 08 | 09 | 0A | 0B | 0C | 0D | 0E | 0F | 10 |
| | 41 | 42 | 43 | 44 | 45 | 46 | 47 | 48 | 49 | 4A | 4B | 4C | 4D | 4E | 4F | 50 |
| For Shift Right | 27 | 00 | 01 | 02 | 03 | 04 | 05 | 06 | 07 | 08 | 09 | 0A | 0B | 0C | 0D | 0E |
| | 67 | 40 | 41 | 42 | 43 | 44 | 45 | 46 | 47 | 48 | 49 | 4A | 4B | 4C | 4D | 4E |

Figure 11. 2-Line by 16-Character Display Example

- **Character Generator ROM (CGROM)**

The character generator ROM generates 5 x 8 dot character patterns from 8-bit character codes. It can generate 240/250/248/256 5 x 8 dot character patterns (select by OPR1/2 ITO pin). User-defined character patterns are also available by mask-programmed ROM.

- **Character Generator RAM (CGRAM)**

In the character generator RAM, the user can rewrite character patterns by program. For 5 x 8 dots, eight character patterns can be written.

Write into DDRAM the character codes at the addresses shown as the left column of Table 3 to show the character patterns stored in CGRAM.

See Table 4 for the relationship between CGRAM addresses and data and display patterns. Areas that are not used for display can be used as general data RAM.

- **ICON RAM**

In the ICON RAM, the user can rewrite icon pattern by program.

There are totally 80 dots for icon can be written.

See Table 5 for the relationship between ICON RAM address and data and the display patterns.

- **Timing Generation Circuit**

The timing generation circuit generates timing signals for the operation of internal circuits such as DDRAM, CGROM and CGRAM. RAM read timing for display and internal operation timing by MPU access are generated separately to avoid interfering with each other. Therefore, when writing data to DDRAM, for example, there will be no undesirable interference, such as flickering, in areas other than the display area. (In I²C interface the reading function is invalid.)

- **LCD Driver Circuit**

LCD Driver circuit has 17 common and 80 segment signals for LCD driving. Data from CGRAM/CGROM/ICON is transferred to 80 bit segment latch serially, and then it is stored to 80 bit shift latch. When each common is selected by 17 bit common register, segment data also output through segment driver from 80 bit segment latch.

- **Cursor/Blink Control Circuit**

It can generate the cursor or blink in the cursor/blink control circuit. The cursor or the blink appears in the digit at the display data RAM address set in the address counter.

Table 3. Correspondence between Character Codes and Character Patterns

ST7032-0D (ITO option OPR1=1, OPR2=1)

| b7-b4 b3-b0 | 0000 | 0001 | 0010 | 0011 | 0100 | 0101 | 0110 | 0111 | 1000 | 1001 | 1010 | 1011 | 1100 | 1101 | 1110 | 1111 |
|----------------|------|------|------|------|------|------|------|------|------|------|------|------|------|------|------|------|
| 0000 | 0 | 1 | 2 | 3 | 4 | 5 | 6 | 7 | 8 | 9 | 0 | 1 | 2 | 3 | 4 | 5 |
| 0001 | 6 | 7 | 8 | 9 | A | B | C | D | E | F | G | H | I | J | K | L |
| 0010 | M | N | O | P | Q | R | S | T | U | V | W | X | Y | Z | [|] |
| 0011 | { | } | ~ | ^ | _ | ` | a | b | c | d | e | f | g | h | i | j |
| 0100 | k | l | m | n | o | p | q | r | s | t | u | v | w | x | y | z |
| 0101 | { | } | ~ | ^ | _ | ` | a | b | c | d | e | f | g | h | i | j |
| 0110 | k | l | m | n | o | p | q | r | s | t | u | v | w | x | y | z |
| 0111 | { | } | ~ | ^ | _ | ` | a | b | c | d | e | f | g | h | i | j |
| 1000 | k | l | m | n | o | p | q | r | s | t | u | v | w | x | y | z |
| 1001 | { | } | ~ | ^ | _ | ` | a | b | c | d | e | f | g | h | i | j |
| 1010 | k | l | m | n | o | p | q | r | s | t | u | v | w | x | y | z |
| 1011 | { | } | ~ | ^ | _ | ` | a | b | c | d | e | f | g | h | i | j |
| 1100 | k | l | m | n | o | p | q | r | s | t | u | v | w | x | y | z |
| 1101 | { | } | ~ | ^ | _ | ` | a | b | c | d | e | f | g | h | i | j |
| 1110 | k | l | m | n | o | p | q | r | s | t | u | v | w | x | y | z |
| 1111 | { | } | ~ | ^ | _ | ` | a | b | c | d | e | f | g | h | i | j |

| Character Code (DDRAM Data) | | | | | | | | CGRAM Address | | | | | | Character Patterns (CGRAM Data) | | | | | | | |
|-----------------------------|----|----|----|----|----|----|----|---------------|----|----|----|----|----|---------------------------------|----|----|----|----|----|----|----|
| b7 | b6 | b5 | b4 | b3 | b2 | b1 | b0 | b5 | b4 | b3 | b2 | b1 | b0 | b7 | b6 | b5 | b4 | b3 | b2 | b1 | b0 |
| 0 | 0 | 0 | 0 | - | 0 | 0 | 0 | 0 | 0 | 0 | 0 | 0 | 0 | - | - | - | 1 | 1 | 1 | 1 | 1 |
| | | | | | 0 | 0 | 0 | | | | 0 | 0 | 0 | | | | 0 | 0 | 0 | | |
| | | | | | 0 | 0 | 0 | | | | 0 | 0 | 0 | | | | 0 | 0 | 0 | | |
| | | | | | 0 | 0 | 0 | | | | 0 | 0 | 0 | | | | 0 | 0 | 0 | | |
| | | | | | 0 | 0 | 0 | | | | 0 | 0 | 0 | | | | 0 | 0 | 0 | | |
| | | | | | 0 | 0 | 0 | | | | 0 | 0 | 0 | | | | 0 | 0 | 0 | | |
| | | | | | 0 | 0 | 0 | | | | 0 | 0 | 0 | | | | 0 | 0 | 0 | | |
| | | | | | 0 | 0 | 0 | | | | 0 | 0 | 0 | | | | 0 | 0 | 0 | | |
| 0 | 0 | 0 | 0 | - | 0 | 0 | 1 | 0 | 0 | 1 | 0 | 0 | 0 | - | - | - | 1 | 1 | 1 | 1 | 0 |
| | | | | | 0 | 0 | 1 | | | | 0 | 0 | 1 | | | | 0 | 0 | 1 | | |
| | | | | | 0 | 0 | 1 | | | | 0 | 1 | 0 | | | | 0 | 1 | 0 | 1 | |
| | | | | | 0 | 0 | 1 | | | | 0 | 1 | 1 | | | | 0 | 0 | 0 | 0 | |
| | | | | | 0 | 0 | 1 | | | | 0 | 0 | 1 | | | | 0 | 0 | 0 | 0 | |
| | | | | | 0 | 0 | 1 | | | | 0 | 0 | 1 | | | | 0 | 0 | 0 | 0 | |
| | | | | | 0 | 0 | 1 | | | | 0 | 0 | 1 | | | | 1 | 0 | 0 | 1 | |
| | | | | | 0 | 0 | 1 | | | | 0 | 0 | 1 | | | | 1 | 1 | 0 | 0 | |

Table 4. Relationship between CGRAM Addresses, Character Codes (DDRAM) and Character patterns (CGRAM Data)

Notes:

1. Character code bits 0 to 2 correspond to CGRAM address bits 3 to 5 (3 bits: 8 types).
2. CGRAM address bits 0 to 2 designate the character pattern line position. The 8th line is the cursor position and its display is formed by a logical OR with the cursor. Maintain the 8th line data, corresponding to the cursor display position, at 0 as the cursor display. If the 8th line data is 1, 1 bit will light up the 8th line regardless of the cursor presence.
3. Character pattern row positions correspond to CGRAM data bits 0 to 4 (bit 4 being at the left).
4. As shown Table 4, CGRAM character patterns are selected when character code bits 4 to 7 are all 0. However, since character code bit 3 has no effect, the R display example above can be selected by either character code 00H or 08H.
5. "1" for CGRAM data corresponds to display selection and "0" to non-selection, "-" Indicates no effect.
6. Different OPR1/2 ITO option can select different CGRAM size.

When SHLS=1, ICON RAM map refer below table

| ICON address | ICON RAM bits | | | | | | | |
|--------------|---------------|----|----|-----|-----|-----|-----|-----|
| | D7 | D6 | D5 | D4 | D3 | D2 | D1 | D0 |
| 00H | - | - | - | S1 | S2 | S3 | S4 | S5 |
| 01H | - | - | - | S6 | S7 | S8 | S9 | S10 |
| 02H | - | - | - | S11 | S12 | S13 | S14 | S15 |
| 03H | - | - | - | S16 | S17 | S18 | S19 | S20 |
| 04H | - | - | - | S21 | S22 | S23 | S24 | S25 |
| 05H | - | - | - | S26 | S27 | S28 | S29 | S30 |
| 06H | - | - | - | S31 | S32 | S33 | S34 | S35 |
| 07H | - | - | - | S36 | S37 | S38 | S39 | S40 |
| 08H | - | - | - | S41 | S42 | S43 | S44 | S45 |
| 09H | - | - | - | S46 | S47 | S48 | S49 | S50 |
| 0AH | - | - | - | S51 | S52 | S53 | S54 | S55 |
| 0BH | - | - | - | S56 | S57 | S58 | S59 | S60 |
| 0CH | - | - | - | S61 | S62 | S63 | S64 | S65 |
| 0DH | - | - | - | S66 | S67 | S68 | S69 | S70 |
| 0EH | - | - | - | S71 | S72 | S73 | S74 | S75 |
| 0FH | - | - | - | S76 | S77 | S78 | S79 | S80 |

When SHLS=0, ICON RAM map refer below table

| ICON address | ICON RAM bits | | | | | | | |
|--------------|---------------|----|----|-----|-----|-----|-----|-----|
| | D7 | D6 | D5 | D4 | D3 | D2 | D1 | D0 |
| 00H | - | - | - | S80 | S79 | S78 | S77 | S76 |
| 01H | - | - | - | S75 | S74 | S73 | S72 | S71 |
| 02H | - | - | - | S70 | S69 | S68 | S67 | S66 |
| 03H | - | - | - | S65 | S64 | S63 | S62 | S61 |
| 04H | - | - | - | S60 | S59 | S58 | S57 | S56 |
| 05H | - | - | - | S55 | S54 | S53 | S52 | S51 |
| 06H | - | - | - | S50 | S49 | S48 | S47 | S46 |
| 07H | - | - | - | S45 | S44 | S43 | S42 | S41 |
| 08H | - | - | - | S40 | S39 | S38 | S37 | S36 |
| 09H | - | - | - | S35 | S34 | S33 | S32 | S31 |
| 0AH | - | - | - | S30 | S29 | S28 | S27 | S26 |
| 0BH | - | - | - | S25 | S24 | S23 | S22 | S21 |
| 0CH | - | - | - | S20 | S19 | S18 | S17 | S16 |
| 0DH | - | - | - | S15 | S14 | S13 | S12 | S11 |
| 0EH | - | - | - | S10 | S9 | S8 | S7 | S6 |
| 0FH | - | - | - | S5 | S4 | S3 | S2 | S1 |

Table 5. ICON RAM map

When ICON RAM data is filled the corresponding position displayed is described as the following table.

■ Instructions

There are four categories of instructions that:

- Designate ST7032 functions, such as display format, data length, etc.
- Set internal RAM addresses
- Perform data transfer with internal RAM
- Others

➤ instruction table at “Normal mode”

(When “EXT” option pin connect to VDD, the instruction set follow below table)

| Instruction | Instruction Code | | | | | | | | | | Description | Instruction Execution Time | | |
|----------------------------|------------------|-----|-----|-----|-----|-----|-----|-----|-----|-----|--|----------------------------|------------|------------|
| | RS | R/W | DB7 | DB6 | DB5 | DB4 | DB3 | DB2 | DB1 | DB0 | | OSC=380KHz | OSC=540kHz | OSC=700KHz |
| Clear Display | 0 | 0 | 0 | 0 | 0 | 0 | 0 | 0 | 0 | 1 | Write "20H" to DDRAM. and set DDRAM address to "00H" from AC | 1.08 ms | 0.76 ms | 0.59 ms |
| Return Home | 0 | 0 | 0 | 0 | 0 | 0 | 0 | 0 | 1 | x | Set DDRAM address to "00H" from AC and return cursor to its original position if shifted. The contents of DDRAM are not changed. | 1.08 ms | 0.76 ms | 0.59 ms |
| Entry Mode Set | 0 | 0 | 0 | 0 | 0 | 0 | 0 | 1 | I/D | S | Sets cursor move direction and specifies display shift. These operations are performed during data write and read. | 26.3 us | 18.5 us | 14.3 us |
| Display ON/OFF | 0 | 0 | 0 | 0 | 0 | 0 | 1 | D | C | B | D=1:entire display on C=1:cursor on B=1:cursor position on | 26.3 us | 18.5 us | 14.3 us |
| Cursor or Display Shift | 0 | 0 | 0 | 0 | 0 | 1 | S/C | R/L | x | x | S/C and R/L: Set cursor moving and display shift control bit, and the direction, without changing DDRAM data. | 26.3 us | 18.5 us | 14.3 us |
| Function Set | 0 | 0 | 0 | 0 | 1 | DL | N | x | x | x | DL: interface data is 8/4 bits N: number of line is 2/1 | 26.3 us | 18.5 us | 14.3 us |
| Set CGRAM | 0 | 0 | 0 | 1 | AC5 | AC4 | AC3 | AC2 | AC1 | AC0 | Set CGRAM address in address counter | 26.3 us | 18.5 us | 14.3 us |
| Set DDRAM address | 0 | 0 | 1 | AC6 | AC5 | AC4 | AC3 | AC2 | AC1 | AC0 | Set DDRAM address in address counter | 26.3 us | 18.5 us | 14.3 us |
| Read Busy flag and address | 0 | 1 | BF | AC6 | AC5 | AC4 | AC3 | AC2 | AC1 | AC0 | Whether during internal operation or not can be known by reading BF. The contents of address counter can also be read. | 0 | 0 | 0 |
| Write data to RAM | 1 | 0 | D7 | D6 | D5 | D4 | D3 | D2 | D1 | D0 | Write data into internal RAM (DDRAM/CGRAM) | 26.3 us | 18.5 us | 14.3 us |
| Read data from RAM | 1 | 1 | D7 | D6 | D5 | D4 | D3 | D2 | D1 | D0 | Read data from internal RAM (DDRAM/CGRAM) | 26.3 us | 18.5 us | 14.3 us |

Note:

Be sure the ST7032 is not in the busy state (BF = 0) before sending an instruction from the MPU to the ST7032. If an instruction is sent without checking the busy flag, the time between the first instruction and next instruction will take much longer than the instruction time itself. Refer to Instruction Table for the list of each instruction execution time.

➤ **instruction table at “Extension mode”**
 (when “EXT” option pin connect to Vss, the instruction set follow below table)

| Instruction | Instruction Code | | | | | | | | | | Description | Instruction Execution Time | | | |
|----------------------------|------------------|-----|-----|-----|-----|-----|-----|-----|-----|-----|-------------|--|------------|------------|---------|
| | RS | R/W | DB7 | DB6 | DB5 | DB4 | DB3 | DB2 | DB1 | DB0 | | OSC=380KHz | OSC=540KHz | OSC=700KHz | |
| Clear Display | 0 | 0 | 0 | 0 | 0 | 0 | 0 | 0 | 0 | 0 | 1 | Write "20H" to DDRAM. and set DDRAM address to "00H" from AC | 1.08 ms | 0.76 ms | 0.59 ms |
| Return Home | 0 | 0 | 0 | 0 | 0 | 0 | 0 | 0 | 0 | 1 | x | Set DDRAM address to "00H" from AC and return cursor to its original position if shifted. The contents of DDRAM are not changed. | 1.08 ms | 0.76 ms | 0.59 ms |
| Entry Mode Set | 0 | 0 | 0 | 0 | 0 | 0 | 0 | 0 | 1 | I/D | S | Sets cursor move direction and specifies display shift. These operations are performed during data write and read. | 26.3 us | 18.5 us | 14.3 us |
| Display ON/OFF | 0 | 0 | 0 | 0 | 0 | 0 | 0 | 1 | D | C | B | D=1:entire display on C=1:cursor on B=1:cursor position on | 26.3 us | 18.5 us | 14.3 us |
| Function Set | 0 | 0 | 0 | 0 | 1 | DL | N | DH | *0 | IS | | DL: interface data is 8/4 bits N: number of line is 2/1 DH: double height font IS: instruction table select | 26.3 us | 18.5 us | 14.3 us |
| Set DDRAM address | 0 | 0 | 1 | AC6 | AC5 | AC4 | AC3 | AC2 | AC1 | AC0 | | Set DDRAM address in address counter | 26.3 us | 18.5 us | 14.3 us |
| Read Busy flag and address | 0 | 1 | BF | AC6 | AC5 | AC4 | AC3 | AC2 | AC1 | AC0 | | Whether during internal operation or not can be known by reading BF. The contents of address counter can also be read. | 0 | 0 | 0 |
| Write data to RAM | 1 | 0 | D7 | D6 | D5 | D4 | D3 | D2 | D1 | D0 | | Write data into internal RAM (DDRAM/CGRAM/ICONRAM) | 26.3 us | 18.5 us | 14.3 us |
| Read data from RAM | 1 | 1 | D7 | D6 | D5 | D4 | D3 | D2 | D1 | D0 | | Read data from internal RAM (DDRAM/CGRAM/ICONRAM) | 26.3 us | 18.5 us | 14.3 us |

Note *: this bit is for test command , and must always set to "0"

| Instruction table 0(IS=0) | | | | | | | | | | | | | | | |
|---------------------------|---|---|---|---|-----|-----|-----|-----|-----|-----|--|--|---------|---------|---------|
| Cursor or Display Shift | 0 | 0 | 0 | 0 | 0 | 1 | S/C | R/L | x | x | | S/C and R/L: Set cursor moving and display shift control bit, and the direction, without changing DDRAM data. | 26.3 us | 18.5 us | 14.3 us |
| Set CGRAM | 0 | 0 | 0 | 1 | AC5 | AC4 | AC3 | AC2 | AC1 | AC0 | | Set CGRAM address in address counter | 26.3 us | 18.5 us | 14.3 us |

| Instruction table 1(IS=1) | | | | | | | | | | | | | | | |
|---------------------------------|---|---|---|---|---|---|-----|------|------|------|--|--|---------|---------|---------|
| Internal OSC frequency | 0 | 0 | 0 | 0 | 0 | 1 | BS | F2 | F1 | F0 | | BS=1:1/4 bias BS=0:1/5 bias F2~0: adjust internal OSC frequency for FR frequency. | 26.3 us | 18.5 us | 14.3 us |
| Set ICON address | 0 | 0 | 0 | 1 | 0 | 0 | AC3 | AC2 | AC1 | AC0 | | Set ICON address in address counter. | 26.3 us | 18.5 us | 14.3 us |
| Power/ICON control/Contrast set | 0 | 0 | 0 | 1 | 0 | 1 | Ion | Bon | C5 | C4 | | Ion: ICON display on/off Bon: set booster circuit on/off C5,C4: Contrast set for internal follower mode. | 26.3 us | 18.5 us | 14.3 us |
| Follower control | 0 | 0 | 0 | 1 | 1 | 0 | Fon | Rab2 | Rab1 | Rab0 | | Fon: set follower circuit on/off Rab2~0: select follower amplified ratio. | 26.3 us | 18.5 us | 14.3 us |
| Contrast set | 0 | 0 | 0 | 1 | 1 | 1 | C3 | C2 | C1 | C0 | | Contrast set for internal follower mode. | 26.3 us | 18.5 us | 14.3 us |

■ Instruction Description

- **Clear Display**

| | | | | | | | | | |
|----|-----|-----|-----|-----|-----|-----|-----|-----|-----|
| RS | R/W | DB7 | DB6 | DB5 | DB4 | DB3 | DB2 | DB1 | DB0 |
| 0 | 0 | 0 | 0 | 0 | 0 | 0 | 0 | 0 | 1 |

Clear all the display data by writing "20H" (space code) to all DDRAM address, and set DDRAM address to "00H" into AC (address counter). Return cursor to the original status, namely, bring the cursor to the left edge on first line of the display. Make entry mode increment (I/D = "1").

- **Return Home**

| | | | | | | | | | |
|----|-----|-----|-----|-----|-----|-----|-----|-----|-----|
| RS | R/W | DB7 | DB6 | DB5 | DB4 | DB3 | DB2 | DB1 | DB0 |
| 0 | 0 | 0 | 0 | 0 | 0 | 0 | 0 | 1 | X |

Return Home is cursor return home instruction. Set DDRAM address to "00H" into the address counter. Return cursor to its original site and return display to its original status, if shifted. Contents of DDRAM do not change.

- **Entry Mode Set**

| | | | | | | | | | |
|----|-----|-----|-----|-----|-----|-----|-----|-----|-----|
| RS | R/W | DB7 | DB6 | DB5 | DB4 | DB3 | DB2 | DB1 | DB0 |
| 0 | 0 | 0 | 0 | 0 | 0 | 0 | 1 | I/D | S |

Set the moving direction of cursor and display.

- **I/D : Increment / decrement of DDRAM address (cursor or blink)**
 When I/D = "High", cursor/blink moves to right and DDRAM address is increased by 1.
 When I/D = "Low", cursor/blink moves to left and DDRAM address is decreased by 1.
 * CGRAM operates the same as DDRAM, when read from or write to CGRAM.
- **S: Shift of entire display**
 When DDRAM read (CGRAM read/write) operation or S = "Low", shift of entire display is not performed. If S = "High" and DDRAM write operation, shift of entire display is performed according to I/D value (I/D = "1": shift left, I/D = "0" : shift right).

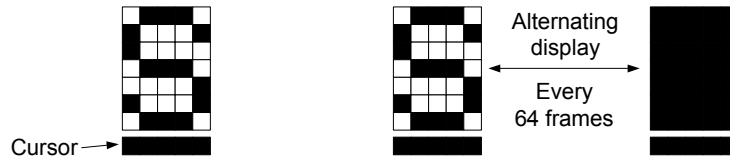
| S | I/D | Description |
|---|-----|--------------------------------|
| H | H | Shift the display to the left |
| H | L | Shift the display to the right |

● Display ON/OFF

| | | | | | | | | | |
|----|-----|-----|-----|-----|-----|-----|-----|-----|-----|
| RS | R/W | DB7 | DB6 | DB5 | DB4 | DB3 | DB2 | DB1 | DB0 |
| 0 | 0 | 0 | 0 | 0 | 0 | 1 | D | C | B |

Control display/cursor/blink ON/OFF 1 bit register.

- **D : Display ON/OFF control bit**
When D = "High", entire display is turned on.
When D = "Low", display is turned off, but display data is remained in DDRAM.
- **C : Cursor ON/OFF control bit**
When C = "High", cursor is turned on.
When C = "Low", cursor is disappeared in current display, but I/D register remains its data.
- **B : Cursor Blink ON/OFF control bit**
When B = "High", cursor blink is on, that performs alternate between all the high data and display character at the cursor position.
When B = "Low", blink is off.



● Cursor or Display Shift

| | | | | | | | | | |
|----|-----|-----|-----|-----|-----|-----|-----|-----|-----|
| RS | R/W | DB7 | DB6 | DB5 | DB4 | DB3 | DB2 | DB1 | DB0 |
| 0 | 0 | 0 | 0 | 0 | 1 | S/C | R/L | X | X |

- **S/C: Screen/Cursor select bit**
When S/C="High", Screen is controlled by R/L bit.
When S/C="Low", Cursor is controlled by R/L bit.
- **R/L: Right/Left**
When R/L="High", set direction to right.
When R/L="Low", set direction to left.
Without writing or reading of display data, shift right/left cursor position or display. This instruction is used to correct or search display data. During 2-line mode display, cursor moves to the 2nd line after 40th digit of 1st line. Note that display shift is performed simultaneously in all the line. When displayed data is shifted repeatedly, each line shifted individually. When display shift is performed, the contents of address counter are not changed.

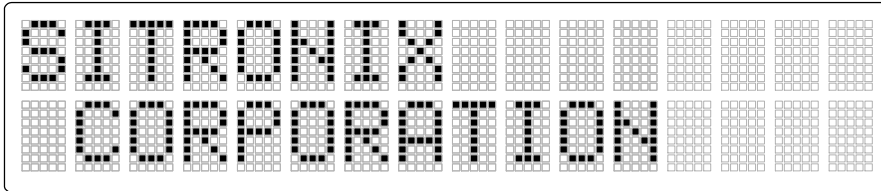
| S/C | R/L | Description | AC Value |
|-----|-----|--|----------|
| L | L | Shift cursor to the left | AC=AC-1 |
| L | H | Shift cursor to the right | AC=AC+1 |
| H | L | Shift display to the left. Cursor follows the display shift | AC=AC |
| H | H | Shift display to the right. Cursor follows the display shift | AC=AC |

● **Function Set**

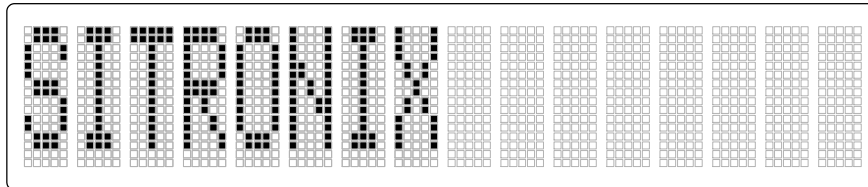
| | | | | | | | | | |
|----|-----|-----|-----|-----|-----|-----|-----|-----|-----|
| RS | R/W | DB7 | DB6 | DB5 | DB4 | DB3 | DB2 | DB1 | DB0 |
| 0 | 0 | 0 | 0 | 1 | DL | N | DH | 0 | IS |

- **DL : Interface data length control bit**
 When DL = "High", it means 8-bit bus mode with MPU.
 When DL = "Low", it means 4-bit bus mode with MPU. So to speak, DL is a signal to select 8-bit or 4-bit bus mode.
 When in 4-bit bus mode, it needs to transfer 4-bit data by two times.
- **N : Display line number control bit**
 When N = "High", 2-line display mode is set.
 When N = "Low", it means 1-line display mode.
- **DH : Double height font type control bit**
 When DH = " High " and N= "Low", display font is selected to double height mode(5x16 dot),RAM address can only use 00H~27H.
 When DH= "High" and N= "High", it is forbidden.
 When DH = " Low ", display font is normal (5x8 dot).

| N | DH | EXT option pin connect to high | | EXT option pin connect to low | |
|---|----|--------------------------------|----------------|-------------------------------|----------------|
| | | Display Lines | Character Font | Display Lines | Character Font |
| L | L | 1 | 5x8 | 1 | 5x8 |
| L | H | 1 | 5x8 | 1 | 5x16 |
| H | L | 2 | 5x8 | 2 | 5x8 |
| H | H | 2 | 5x8 | Forbidden | |



2 line mode normal display (DH=0/N=1)



1 line mode with double height font (DH=1/N=0)

- **IS : normal/extension instruction select**
 When IS=" High", extension instruction be selected (refer extension instruction table)
 When IS=" Low", normal instruction be selected (refer normal instruction table)

● **Set CGRAM Address**

| | | | | | | | | | |
|----|-----|-----|-----|-----|-----|-----|-----|-----|-----|
| RS | R/W | DB7 | DB6 | DB5 | DB4 | DB3 | DB2 | DB1 | DB0 |
| 0 | 0 | 0 | 1 | AC5 | AC4 | AC3 | AC2 | AC1 | AC0 |

Set CGRAM address to AC.

This instruction makes CGRAM data available from MPU.

● **Set DDRAM Address**

| | | | | | | | | | |
|----|-----|-----|-----|-----|-----|-----|-----|-----|-----|
| RS | R/W | DB7 | DB6 | DB5 | DB4 | DB3 | DB2 | DB1 | DB0 |
| 0 | 0 | 1 | AC6 | AC5 | AC4 | AC3 | AC2 | AC1 | AC0 |

Set DDRAM address to AC.

This instruction makes DDRAM data available from MPU.

When 1-line display mode (N = 0), DDRAM address is from "00H" to "4FH".

In 2-line display mode (N = 1), DDRAM address in the 1st line is from "00H" to "27H", and DDRAM address in the 2nd line is from "40H" to "67H".

● **Read Busy Flag and Address**

| | | | | | | | | | |
|----|-----|-----|-----|-----|-----|-----|-----|-----|-----|
| RS | R/W | DB7 | DB6 | DB5 | DB4 | DB3 | DB2 | DB1 | DB0 |
| 0 | 1 | BF | AC6 | AC5 | AC4 | AC3 | AC2 | AC1 | AC0 |

When BF = "High", indicates that the internal operation is being processed. So during this time the next instruction cannot be accepted.

The address Counter (AC) stores DDRAM/CGRAM addresses, transferred from IR.

After writing into (reading from) DDRAM/CGRAM, AC is automatically increased (decreased) by 1.

● **Write Data to CGRAM,DDRAM or ICON RAM**

| RS | R/W | DB7 | DB6 | DB5 | DB4 | DB3 | DB2 | DB1 | DB0 |
|----|-----|-----|-----|-----|-----|-----|-----|-----|-----|
| 1 | 0 | D7 | D6 | D5 | D4 | D3 | D2 | D1 | D0 |

Write binary 8-bit data to **CGRAM, DDRAM or ICON RAM**

The selection of RAM from DDRAM, CGRAM or ICON RAM, is set by the previous address set instruction : DDRAM address set, CGRAM address set, ICON RAM address set. RAM set instruction can also determine the AC direction to RAM.

After write operation, the address is automatically increased/decreased by 1, according to the entry mode.

● **Read Data from CGRAM,DDRAM or ICON RAM**

| RS | R/W | DB7 | DB6 | DB5 | DB4 | DB3 | DB2 | DB1 | DB0 |
|----|-----|-----|-----|-----|-----|-----|-----|-----|-----|
| 1 | 1 | D7 | D6 | D5 | D4 | D3 | D2 | D1 | D0 |

Read binary 8-bit data from DDRAM/CGRAM/ICON RAM

The selection of RAM is set by the previous address set instruction. If address set instruction of RAM is not performed before this instruction, the data that read first is invalid, because the direction of AC is not determined. If you read RAM data several times without RAM address set instruction before read operation, you can get correct RAM data from the second, but the first data would be incorrect, because there is no time margin to transfer RAM data.

※Read data must be “set address” before this instruction.

● **Bias selection/Internal OSC frequency adjust**

| | | | | | | | | | |
|----|-----|-----|-----|-----|-----|-----|-----|-----|-----|
| RS | R/W | DB7 | DB6 | DB5 | DB4 | DB3 | DB2 | DB1 | DB0 |
| 0 | 0 | 0 | 0 | 0 | 1 | BS | F2 | F1 | F0 |

➤ **BS: bias selection**

When BS="High", the bias will be 1/4

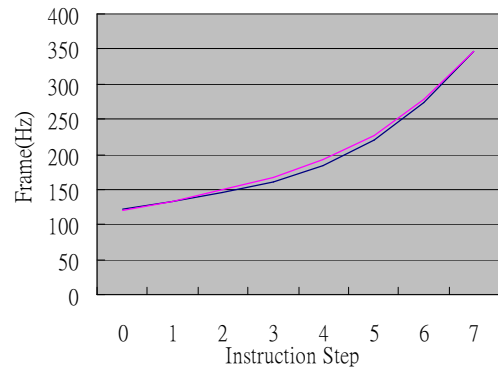
When BS="Low", the bias will be 1/5

BS will be invalid when external bias resistors are used (OPF1=1, OPF2=1)

➤ **F2,F1,F0 : Internal OSC frequency adjust**

When CLS connect to high, that instruction can adjust OSC and Frame frequency.

| Internal frequency adjust | | | Frame frequency (Hz) (2 line mode) | |
|---------------------------|----|----|---|-------------|
| F2 | F1 | F0 | VDD = 3.0 V | VDD = 5.0 V |
| 0 | 0 | 0 | 122 | 120 |
| 0 | 0 | 1 | 131 | 133 |
| 0 | 1 | 0 | 144 | 149 |
| 0 | 1 | 1 | 161 | 167 |
| 1 | 0 | 0 | 183 | 192 |
| 1 | 0 | 1 | 221 | 227 |
| 1 | 1 | 0 | 274 | 277 |
| 1 | 1 | 1 | 347 | 347 |



● **Set ICON RAM address**

| | | | | | | | | | |
|----|-----|-----|-----|-----|-----|-----|-----|-----|-----|
| RS | R/W | DB7 | DB6 | DB5 | DB4 | DB3 | DB2 | DB1 | DB0 |
| 0 | 0 | 0 | 1 | 0 | 0 | AC3 | AC2 | AC1 | AC0 |

Set ICON RAM address to AC.

This instruction makes ICON data available from MPU.

When IS=1 at Extension mode,

The ICON RAM address is from "00H" to "0FH".

● **Power/ICON control/Contrast set(high byte)**

| | | | | | | | | | |
|----|-----|-----|-----|-----|-----|-----|-----|-----|-----|
| RS | R/W | DB7 | DB6 | DB5 | DB4 | DB3 | DB2 | DB1 | DB0 |
| 0 | 0 | 0 | 1 | 0 | 1 | ION | BON | C5 | C4 |

➤ **Ion: set ICON display on/off**

When Ion = "High", ICON display on.

When Ion = "Low", ICON display off.

➤ **Bon: switch booster circuit**

Bon can only be set when internal follower is used (OPF1=0, OPF2=0).

When Bon = "High", booster circuit is turn on.

When Bon = "Low", booster circuit is turn off.

➤ **C5,C4 : Contrast set(high byte)**

C5,C4,C3,C2,C1,C0 can only be set when internal follower is used (OPF1=0,OPF2=0).They can more precisely adjust the input reference voltage of V0 generator. The details please refer to the supply voltage for LCD driver.

● **Follower control**

| RS | R/W | DB7 | DB6 | DB5 | DB4 | DB3 | DB2 | DB1 | DB0 |
|----|-----|-----|-----|-----|-----|-----------------|----------|----------|----------|
| 0 | 0 | 0 | 1 | 1 | 0 | F _{ON} | Rab 2 | Rab 1 | Rab 0 |

➤ **Fon: switch follower circuit**

Fon can only be set when internal follower is used (OPF1=0,OPF2=0).

When Fon = "High", internal follower circuit is turn on.

When Fon = "Low", internal follower circuit is turn off.

➤ **Rab2,Rab1,Rab0 : V0 generator amplified ratio**

Rab2,Rab1,Rab0 can only be set when internal follower is used (OPF1=0,OPF2=0).They can adjust the amplified ratio of V0 generator. The details please refer to the supply voltage for LCD driver.

● **Contrast set(low byte)**

| RS | R/W | DB7 | DB6 | DB5 | DB4 | DB3 | DB2 | DB1 | DB0 |
|----|-----|-----|-----|-----|-----|-----|-----|-----|-----|
| 0 | 0 | 0 | 1 | 1 | 1 | C3 | C2 | C1 | C0 |

➤ **C3,C2,C1,C0:Contrast set(low byte)**

C5,C4,C3,C2,C1,C0 can only be set when internal follower is used (OPF1=0,OPF2=0).They can more precisely adjust the input reference voltage of V0 generator. The details please refer to the supply voltage for LCD driver.

■ Reset Function

Initializing by Internal Reset Circuit

An internal reset circuit automatically initializes the ST7032 when the power is turned on. The following instructions are executed during the initialization. The busy flag (BF) is kept in the busy state (BF = 1) until the initialization ends. The busy state lasts for 40 ms after VDD rises to stable.

1. Display clear
2. Function set:
 - DL = 1; 8-bit interface data
 - N = 0; 1-line display
 - DH=0; normal 5x8 font
 - IS=0; use instruction table 0
3. Display on/off control:
 - D = 0; Display off
 - C = 0; Cursor off
 - B = 0; Blinking off
4. Entry mode set:
 - I/D = 1; Increment by 1
 - S = 0; No shift
5. Internal OSC frequency
 - (F2,F1,F0)=(1,0,0)
6. ICON control
 - Ion=0; ICON off
7. Power control
 - BS=0; 1/5bias
 - Bon=0; booster off
 - Fon=0; follower off
 - (C5,C4,C3,C2,C1,C0)=(1,0,0,0,0,0)
 - (Rab2,Rab1,Rab0)=(0,1,0)

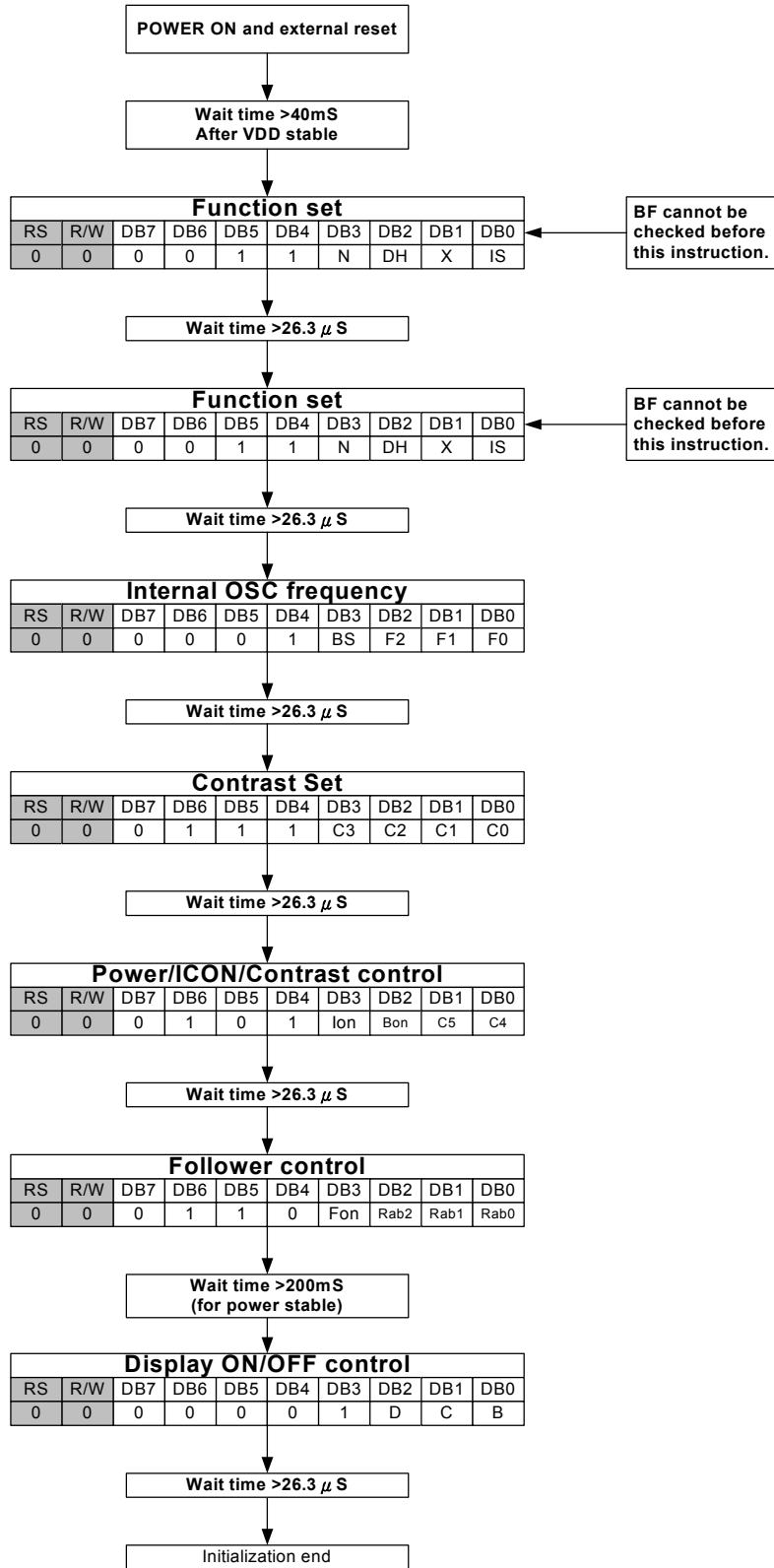
Note:

If the electrical characteristics conditions listed under the table Power Supply Conditions Using Internal Reset Circuit are not met, the internal reset circuit will not operate normally and will fail to initialize the ST7032.

When internal Reset Circuit not operate, ST7032 can be reset by XRESET pin from MPU control signal.

■ Initializing by Instruction

- 8-bit Interface (fosc=380KHz)



➤ **Initial Program Code Example For 8051 MPU(8 Bit Interface):**

```

;-----
INITIAL_START:
    CALL  HARDWARE_RESET
    CALL  DELAY40mS
    MOV   A,#38H      ;FUNCTION SET
    CALL  WRINS_NOCHK ;8 bit,N=1,5*7dot
    CALL  DELAY30uS
    MOV   A,#39H      ;FUNCTION SET
    CALL  WRINS_NOCHK ;8 bit,N=1,5*7dot,IS=1
    CALL  DELAY30uS
    MOV   A,#14H      ;Internal OSC frequency adjustment
    CALL  WRINS_CHK
    CALL  DELAY30uS
    MOV   A,#78H      ; Contrast control
    CALL  WRINS_CHK
    CALL  DELAY30uS
    MOV   A,#5EH      ;Power/ICON/Contrast control
    CALL  WRINS_CHK
    CALL  DELAY30uS
    MOV   A,#6AH      ;Follower control
    CALL  WRINS_CHK
    CALL  DELAY200mS  ;for power stable
    MOV   A,#0CH      ;DISPLAY ON
    CALL  WRINS_CHK
    CALL  DELAY30uS
    MOV   A,#01H      ;CLEAR DISPLAY
    CALL  WRINS_CHK
    CALL  DELAY2mS
    MOV   A,#06H      ;ENTRY MODE SET
    CALL  WRINS_CHK   ;CURSOR MOVES TO RIGHT
    CALL  DELAY30uS
;-----
MAIN_START:
    XXXX
    XXXX
    XXXX
    XXXX
;-----
WRINS_CHK:
    CALL  CHK_BUSY
WRINS_NOCHK:
    CLR   RS          ;EX:Port 3.0
    CLR   RW          ;EX:Port 3.1
    SETB  E           ;EX:Port 3.2
    MOV   P1,A        ;EX:Port 1=Data Bus
    CLR   E
    MOV   P1,#FFH     ;For Check Busy Flag
    RET
;-----
CHK_BUSY:
    ;Check Busy Flag
    CLR   RS
    SETB  RW
    SETB  E
    JB    P1.7,$
    CLR   E
    RET

```


➤ Initial Program Code Example For 8051 MPU(4 Bit Interface):

```

;-----
INITIAL_START:
    CALL  HARDWARE_RESET
    CALL  DELAY40mS
    MOV   A,#38H      ;FUNCTION SET
    CALL  WRINS_ONCE ;8 bit, 5*7 dot
    CALL  DELAY2mS

    MOV   A,#38H      ;FUNCTION SET
    CALL  WRINS_ONCE ;8 bit, 5*7 dot
    CALL  DELAY30uS

    MOV   A,#38H      ;FUNCTION SET
    CALL  WRINS_ONCE ;8 bit, 5*7 dot
    CALL  DELAY30uS

    CALL  CHK_BUSY
    MOV   A,#28H      ;FUNCTION SET
    CALL  WRINS_ONCE ; 4 bit, 5*7 dot
    CALL  DELAY30uS

    MOV   A,#29H      ;FUNCTION SET
    CALL  WRINS_CHK  ; 4 bit N = 1, 5*7 dot
    CALL  DELAY30uS ; IS = 1

    MOV   A,#14H      ;Internal OSC
    CALL  WRINS_CHK
    CALL  DELAY30uS

    MOV   A,#78H      ;Contrast set
    CALL  WRINS_CHK
    CALL  DELAY30uS

    MOV   A,#5EH      ;Power/ICON/Contrast
    CALL  WRINS_CHK
    CALL  DELAY30uS

    MOV   A,#6AH      ;Follower control
    CALL  WRINS_CHK
    CALL  DELAY200mS ;For power stable

    MOV   A,#0CH      ;DISPLAY ON
    CALL  WRINS_CHK
    CALL  DELAY30uS

    MOV   A,#01H      ;CLEAR DISPLAY
    CALL  WRINS_CHK
    CALL  DELAY2mS

    MOV   A,#06H      ;ENTRY MODE SET
    CALL  WRINS_CHK
    CALL  DELAY30uS
;-----

MAIN_START:
    XXXX
    XXXX
    XXXX
    .
;-----

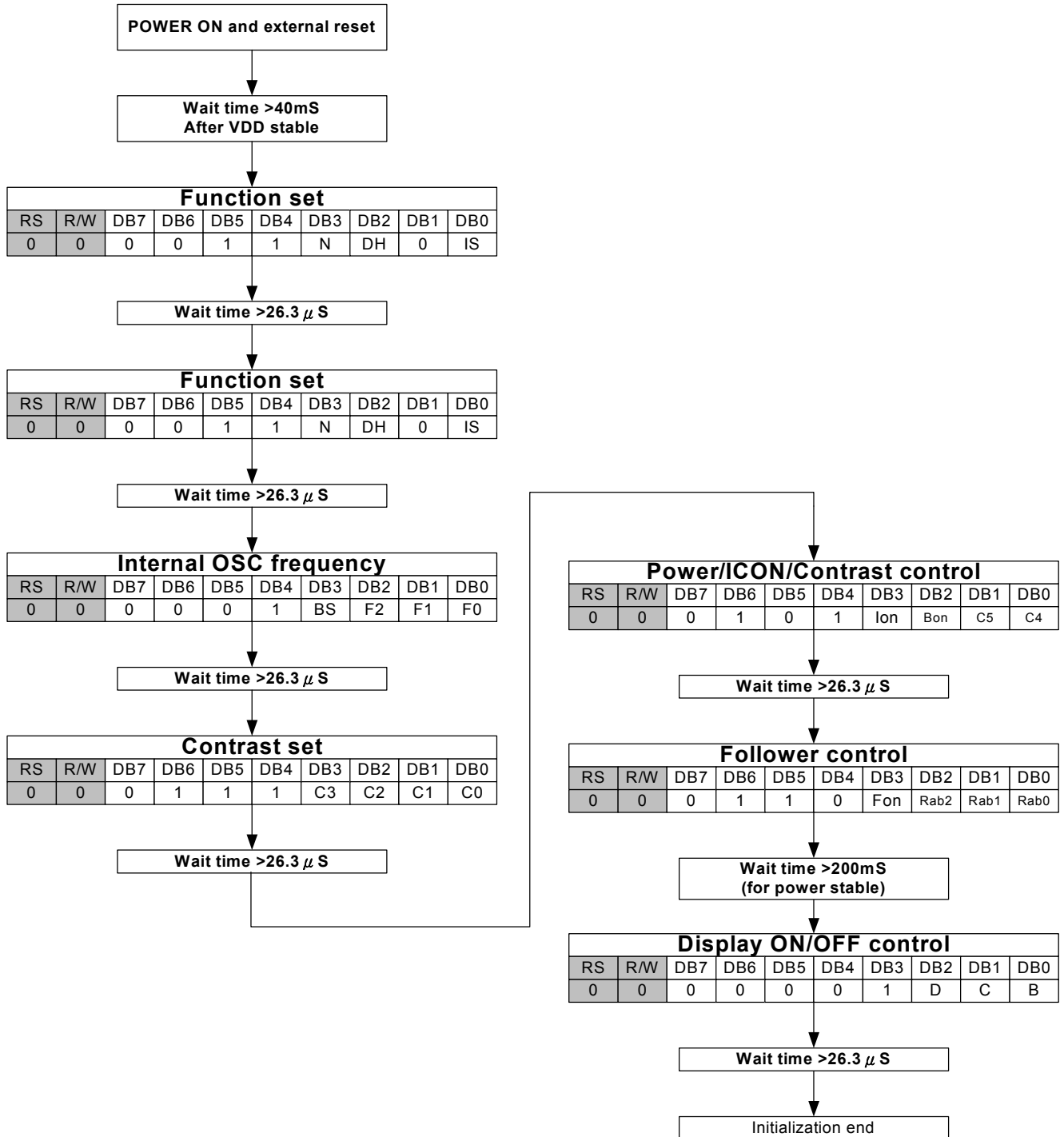
```

```

;-----
WRINS_CHK:
    CALL  CHK_BUSY
WRINS_NOCHK:
    PUSH  A
    ANL  A,#F0H
    CLR  RS      ;EX:Port 3.0
    CLR  RW      ;EX:Port 3.1
    SETB E      ;EX:Port 3.2
    MOV  P1,A    ;EX:Port1=Data Bus
    CLR  E
    POP  A
    SWAP A
WRINS_ONCE:
    ANL  A,#F0H
    CLR  RS
    CLR  RW
    SETB E
    MOV  P1,A
    CLR  E
    MOV  P1,#FFH ;For Check Bus Flag
    RET
;-----
CHK_BUSY:
    PUSH  A
    MOV  P1,#FFH ;Check Busy Flag
$1
    CLR  RS
    SETB RW
    SETB E
    MOV  A,P1
    CLR  E
    MOV  P1,#FFH
    CLR  RS
    SETB RW
    SETB E
    NOP
    CLR  E
    JB  A.7,$1
    POP  A
    RET
;-----

```

- Serial interface & IIC interface (fosc = 380KHz)



➤ **Initial Program Code Example For 8051 MPU(Serial Interface):**

INITIAL_START:

```

CALL  HARDWARE_RESET
CALL  DELAY40mS
MOV   A,#38H      ;FUNCTION SET
CALL  WRINS_NOCHK ;8 bit,N=1,5*7dot
CALL  DELAY30uS
MOV   A,#39H      ;FUNCTION SET
CALL  WRINS_NOCHK ;8 bit,N=1,5*7dot,IS=1
CALL  DELAY30uS
MOV   A,#14H      ;Internal OSC frequency adjustment
CALL  WRINS_NOCHK
CALL  DELAY30uS
MOV   A,#78H      ;Contrast set
CALL  WRINS_NOCHK
CALL  DELAY30uS
MOV   A,#5EH      ;Power/ICON/Contrast control
CALL  WRINS_NOCHK
CALL  DELAY30uS
MOV   A,#6AH      ;Follower control
CALL  WRINS_NOCHK
CALL  DELAY200mS  ;for power stable
MOV   A,#0CH      ;DISPLAY ON
CALL  WRINS_NOCHK
CALL  DELAY30uS
MOV   A,#01H      ;CLEAR DISPLAY
CALL  WRINS_NOCHK
CALL  DELAY2mS
MOV   A,#06H      ;ENTRY MODE SET
CALL  WRINS_NOCHK ;CURSOR MOVES TO RIGHT
CALL  DELAY30uS

```

MAIN_START:

```

XXXX
XXXX
XXXX
XXXX
.
.
.

```

WRINS_NOCHK:

```

PUSH  1
MOV   R1,#8
CLR   RS
$1
RLC   A
MOV   SI,C
SET   SCL
NOP
CLR   SCL
DJNZ  R1,$1
POP   1

CALL  DLY1.5mS
RET

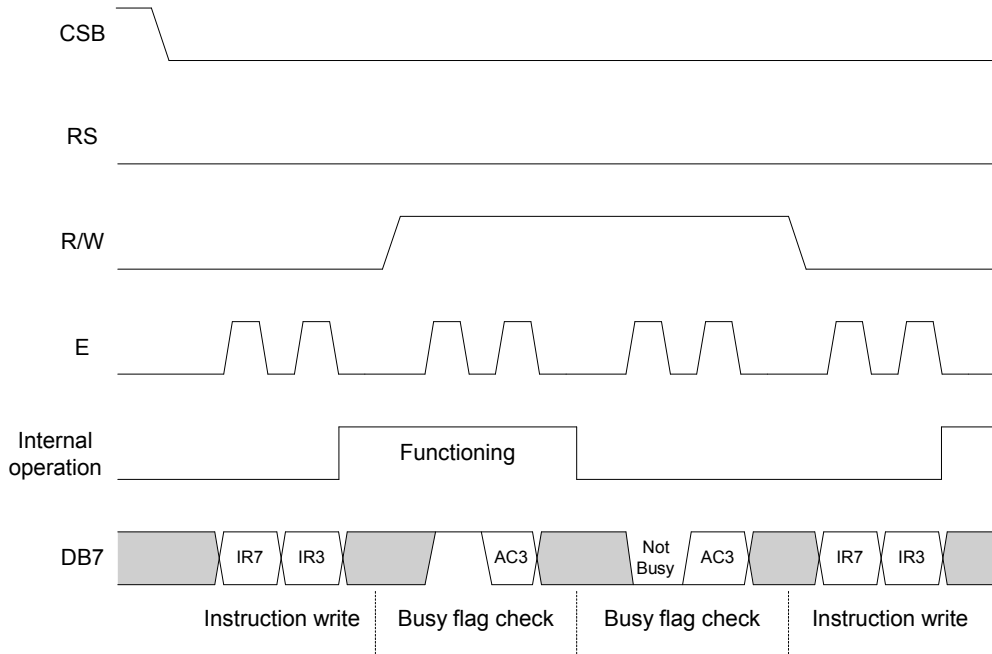
```

■ Interfacing to the MPU

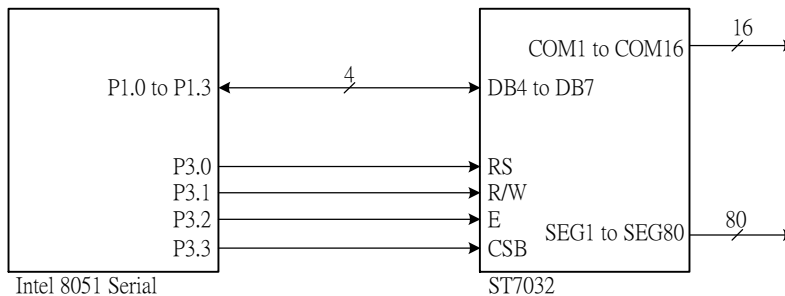
The ST7032 can send data in two 4-bit operations/one 8-bit operation, serial 1 bit operation or fast I²C operation, thus allowing interfacing with 4-bit, 8-bit or I²C MPU.

- **For 4-bit interface data, only four bus lines (DB4 to DB7) are used for transfer.** Bus lines DB0 to DB3 are disabled. The data transfer between the ST7032 and the MPU is completed after the 4-bit data has been transferred twice. As for the order of data transfer, the four high order bits (for 8-bit operation, DB4 to DB7) are transferred before the four low order bits (for 8-bit operation, DB0 to DB3). The busy flag must be checked (one instruction) after the 4-bit data has been transferred twice. Two more 4-bit operations then transfer the busy flag and address counter data.

➤ Example of busy flag check timing sequence

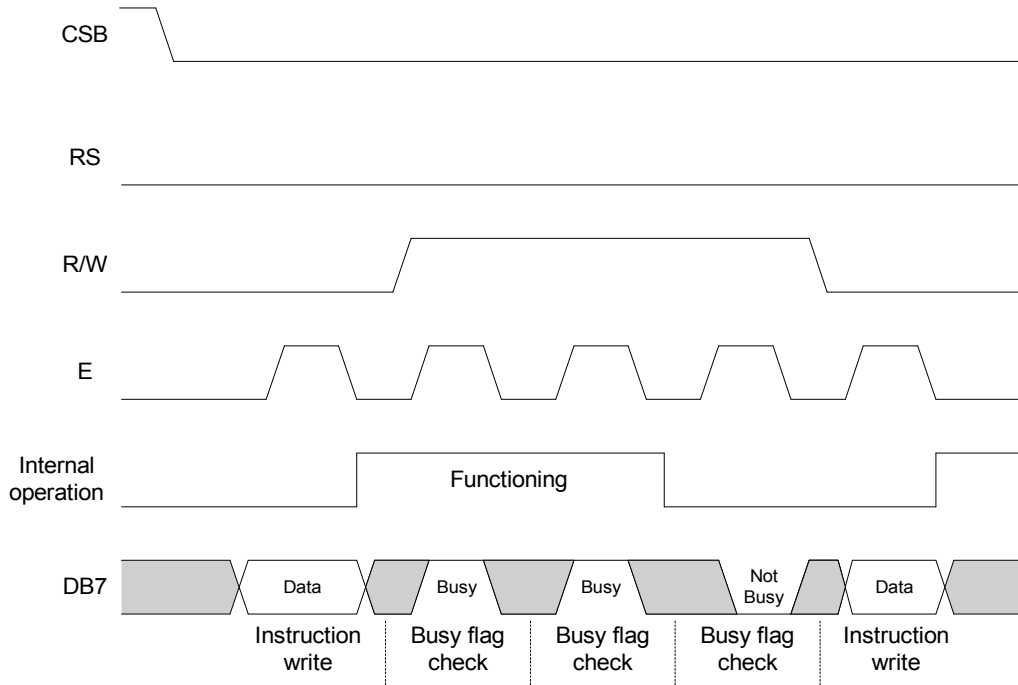


➤ Intel 8051 interface(4 Bit)

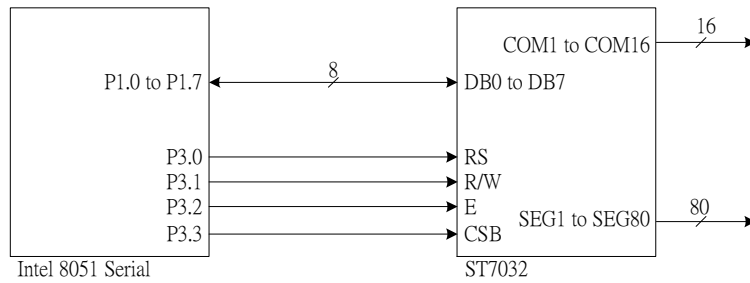


- For 8-bit interface data, all eight bus lines (DB0 to DB7) are used.

➤ Example of busy flag check timing sequence

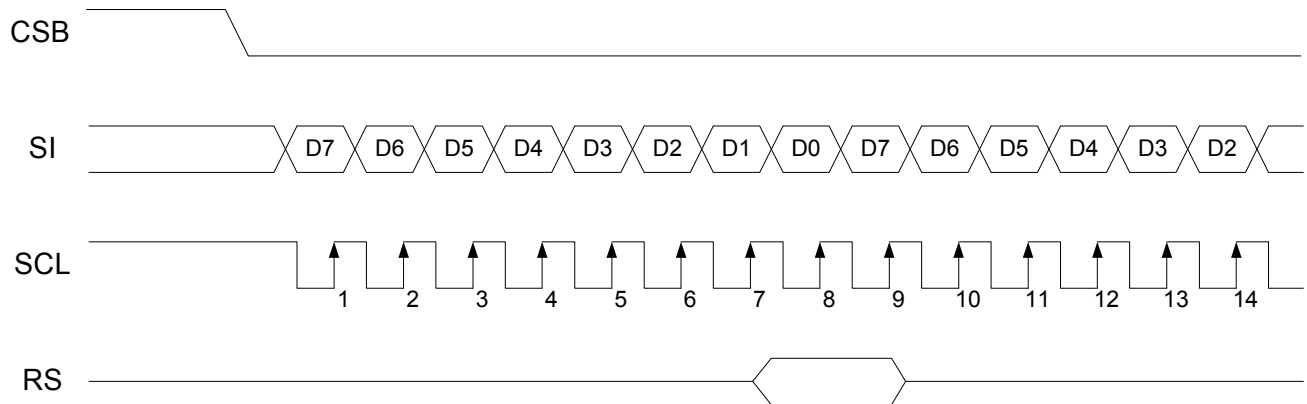


➤ Intel 8051 interface(8 Bit)



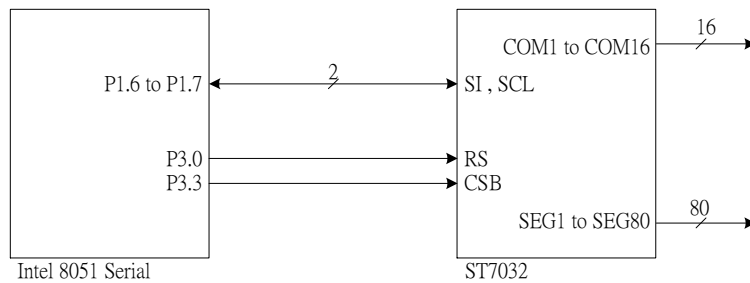
- For serial interface data, only two bus lines (DB6 to DB7) are used.

➤ Example of timing sequence



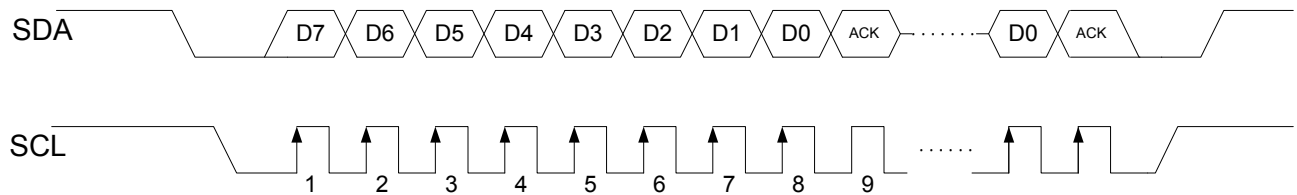
Note:The falling edge must cause on CSB before the serial clock (SCL) active.

➤ Intel 8051 interface(Serial)

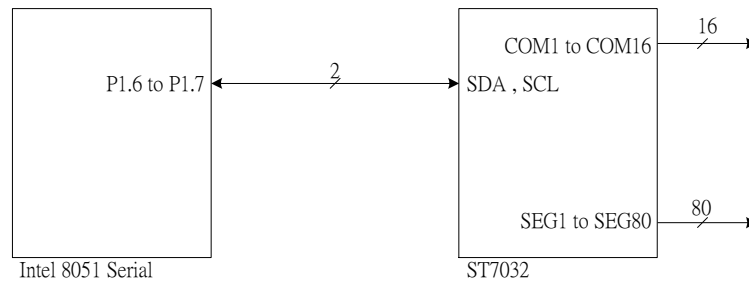


- For I²C interface data, only two bus lines (DB6 to DB7) are used.

➤ Example of timing sequence

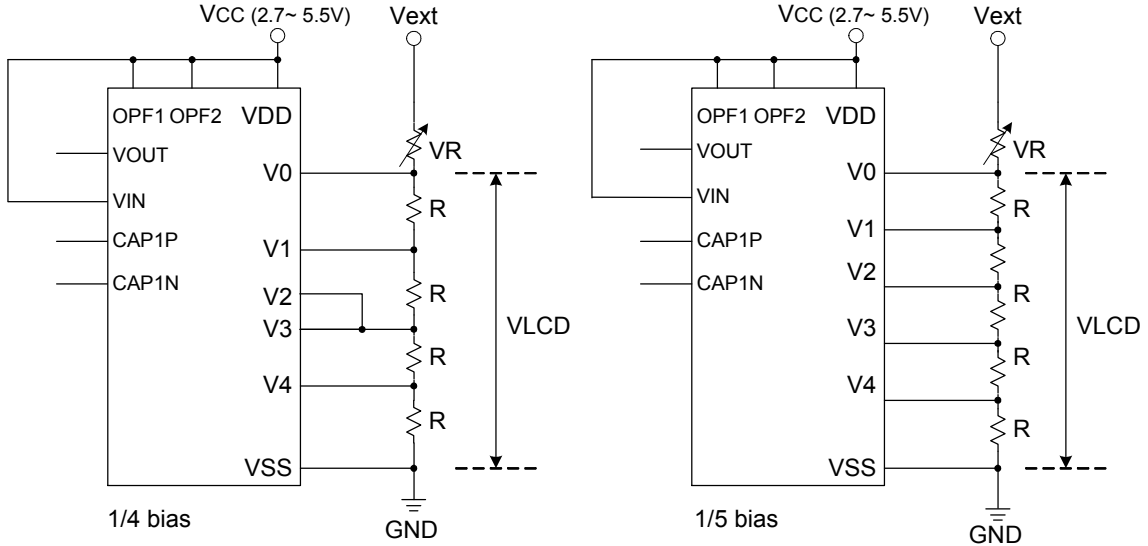


➤ Intel 8051 interface(I²C)

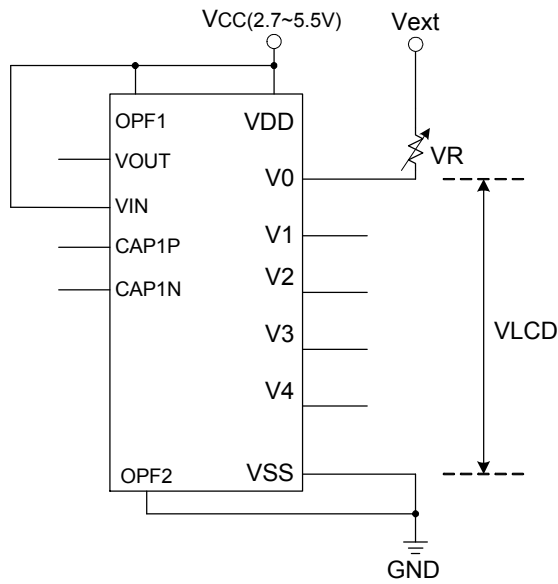


■ Supply Voltage for LCD Drive

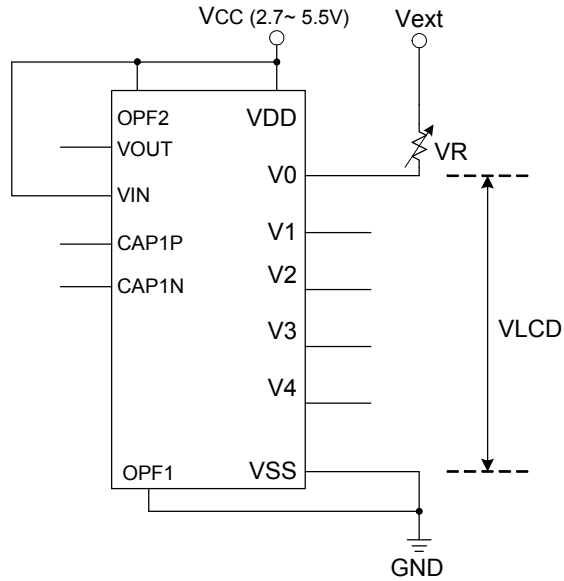
- When external bias resistors are used
(OPF1=1,OPF2=1)



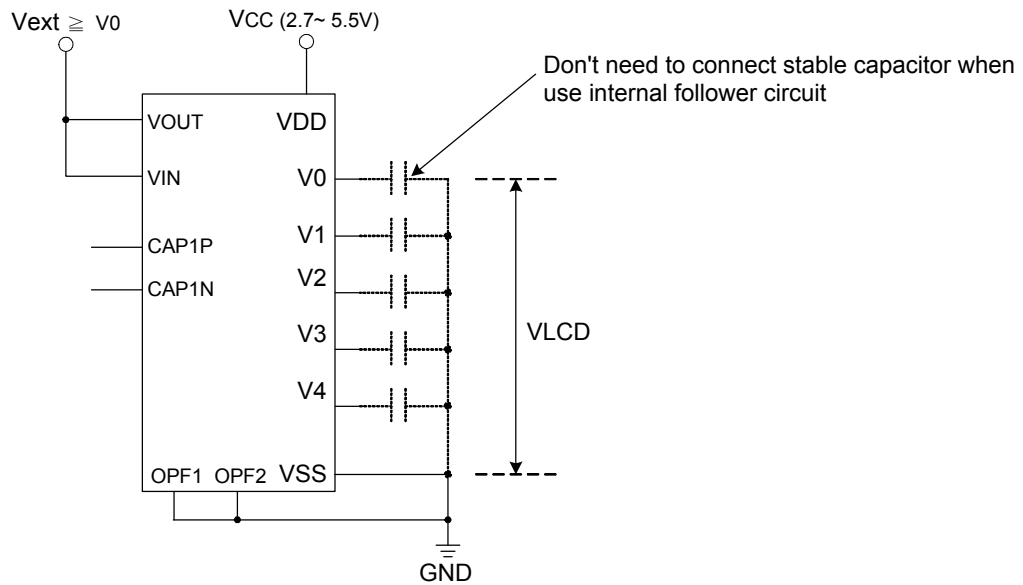
- When built-in bias resistors(9.6KΩ) are used
(OPF1=1,OPF2=0)



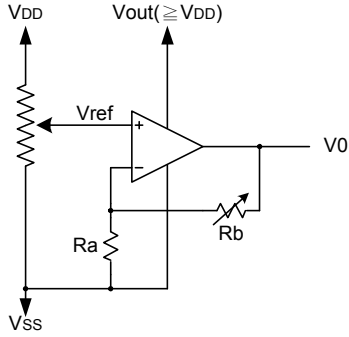
- When built-in bias resistors(3.3KΩ) are used
(OPF1=0,OPF2=1)



- When built-in voltage followers with external Vout are used
(OPF1=0,OPF2=0 and instruction setting Bon=0,Fon=1)



➤ **V0 voltage follower value calculation**

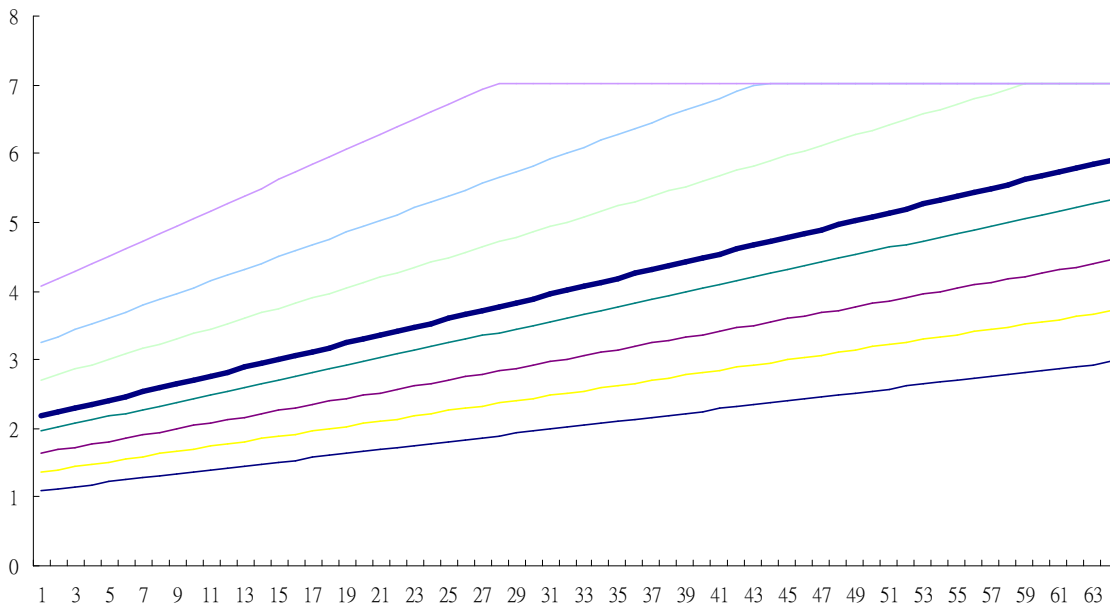


$$V0 = \left(1 + \frac{R_b}{R_a}\right) * V_{ref}$$

$$\text{While } V_{ref} = V_{DD} * \left(\frac{\alpha + 36}{100}\right)$$

| C5 | C4 | C3 | C2 | C1 | C0 | α |
|----|----|----|----|----|----|----------|
| 0 | 0 | 0 | 0 | 0 | 0 | 0 |
| 0 | 0 | 0 | 0 | 0 | 1 | 1 |
| 0 | 0 | 0 | 0 | 1 | 0 | 2 |
| ⋮ | | | | | | ⋮ |
| 1 | 1 | 1 | 1 | 0 | 1 | 61 |
| 1 | 1 | 1 | 1 | 1 | 0 | 62 |
| 1 | 1 | 1 | 1 | 1 | 1 | 63 |

| Rab2 | Rab1 | Rab0 | 1+Rb/Ra |
|------|------|------|---------|
| 0 | 0 | 0 | 1 |
| 0 | 0 | 1 | 1.25 |
| 0 | 1 | 0 | 1.5 |
| 0 | 1 | 1 | 1.8 |
| 1 | 0 | 0 | 2 |
| 1 | 0 | 1 | 2.5 |
| 1 | 1 | 0 | 3 |
| 1 | 1 | 1 | 3.75 |

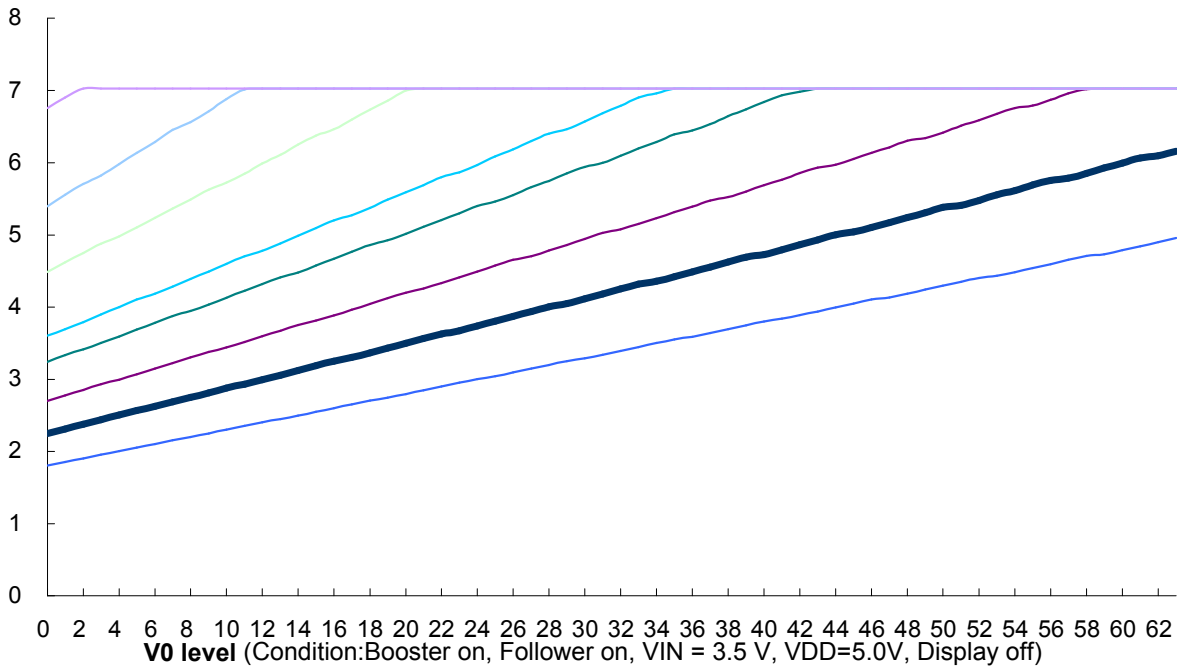


V0 level (Condition:Booster on, Follower on, VIN=3.5V, VDD=3.0V,Display off)

The recommended curve: follower = 04H

Notes:

1. $V_{out} \geq V0 \geq V1 \geq V2 \geq V3 \geq V4 \geq V_{SS}$ must be maintained.
2. If the calculation value of V0 is higher than Vout, the real V0 value will saturate to Vout.
3. internal built-in booster can only be used when OPF1=0,OPF2=0.



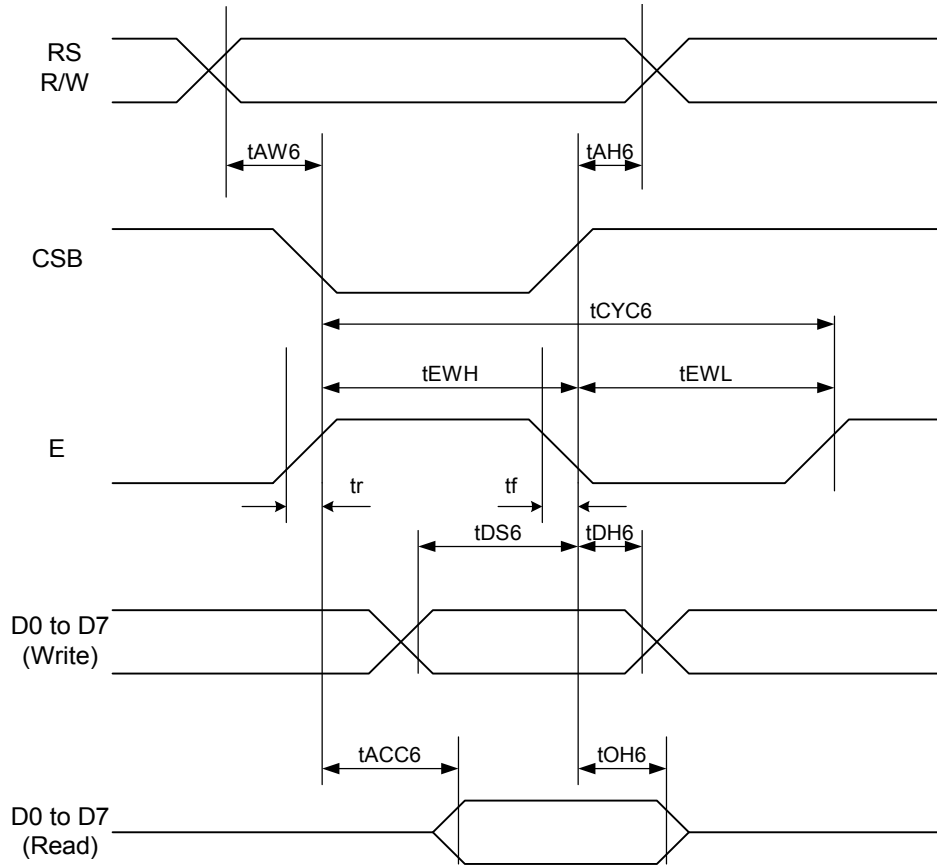
The recommended curve: follower = 01H

Notes:

1. $V_{out} \geq V0 \geq V1 \geq V2 \geq V3 \geq V4 \geq V_{SS}$ must be maintained.
2. If the calculation value of V0 is higher than Vout, the real V0 value will saturate to Vout.
3. internal built-in booster can only be used when OPF1=0,OPF2=0.

AC Characteristics

● 68 Interface

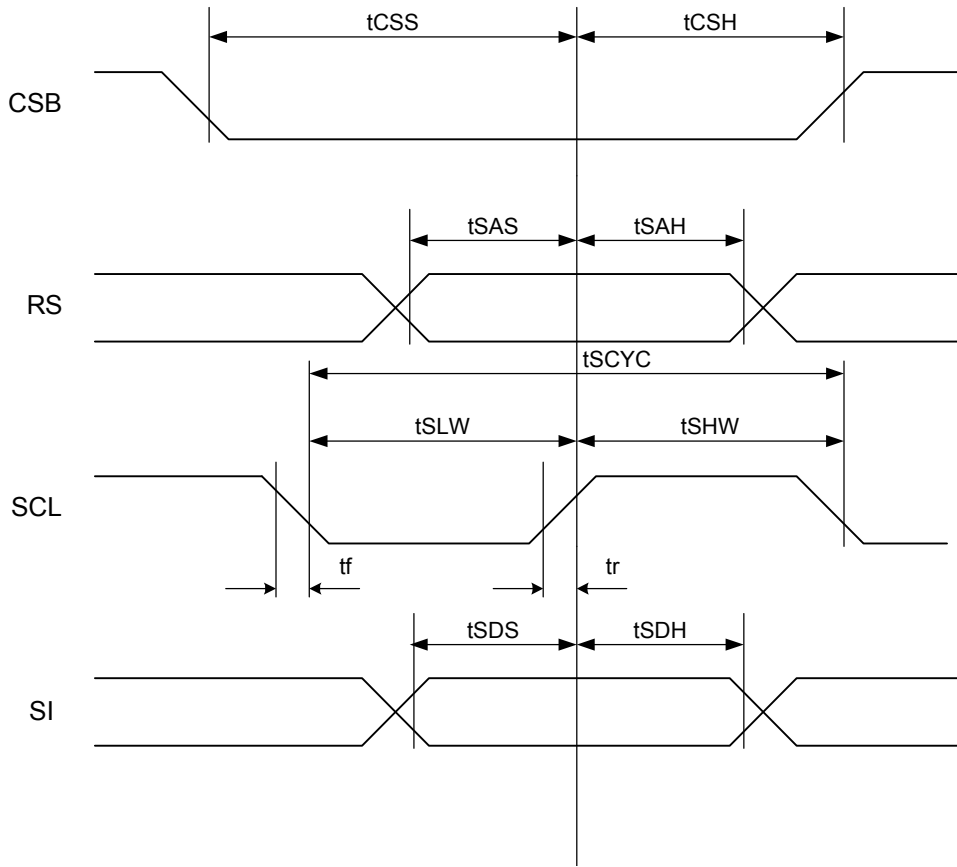


(Ta = -30°C to 85°C)

| Item | Signal | Symbol | Condition | VDD=2.7 to 4.5V Rating | | VDD=4.5 to 5.5V Rating | | Units |
|-----------------------|----------|--------------------------------|-------------------------|------------------------|------|------------------------|------|-------|
| | | | | Min. | Max. | Min. | Max. | |
| Address hold time | RS | t _{AH6} | — | 20 | - | 20 | - | ns |
| Address setup time | RS | t _{AW6} | — | 20 | - | 20 | - | ns |
| System cycle time | RS | t _{CYC6} | — | 400 | - | 280 | - | ns |
| Data setup time | D0 to D7 | t _{DS6} | — | 100 | - | 80 | - | ns |
| Data hold time | D0 to D7 | t _{DH6} | | 40 | - | 20 | - | |
| Access time | D0 to D7 | t _{ACC6} | C _L = 100 pF | - | 500 | - | 400 | ns |
| Output disable time | D0 to D7 | t _{OH6} | | 300 | - | 150 | - | |
| Enable Rise/Fall time | E | t _r ,t _f | — | - | 20 | - | 20 | ns |
| Enable H pulse time | E | t _{EWH} | — | 200 | - | 120 | - | ns |
| Enable L pulse time | E | t _{EWL} | — | 150 | - | 130 | - | ns |

Note: All timing is specified using 20% and 80% of V_{DD} as the reference.

● Serial Interface

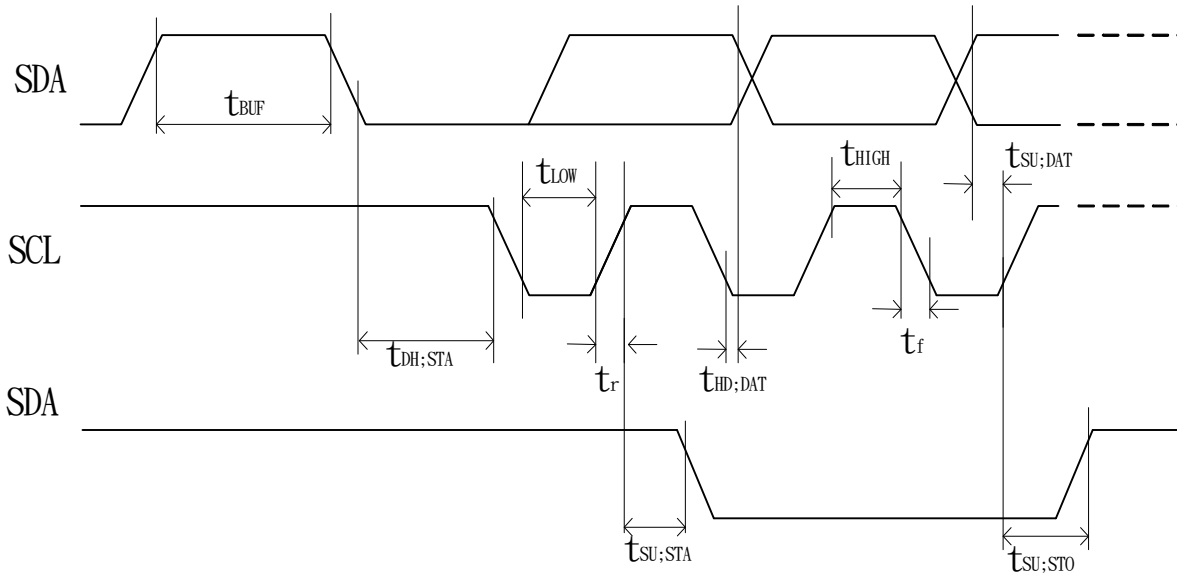


(Ta = -30°C to 85°C)

| Item | Signal | Symbol | Condition | VDD=2.7 to 4.5V Rating | | VDD=4.5 to 5.5V Rating | | Units |
|---------------------|--------|--------|-----------|------------------------|------|------------------------|------|-------|
| | | | | Min. | Max. | Min. | Max. | |
| Serial Clock Period | SCL | tscyc | — | 200 | - | 100 | - | ns |
| SCL "H" pulse width | | tshw | | 20 | - | 20 | - | |
| SCL "L" pulse width | | tslw | | 160 | - | 120 | - | |
| SCL Rise/Fall time | SCL | tr,tf | — | - | 20 | - | 20 | ns |
| Address setup time | RS | tsas | — | 10 | - | 10 | - | ns |
| Address hold time | | tsah | | 250 | - | 150 | - | |
| Data setup time | SI | tlds | — | 10 | - | 10 | - | ns |
| Data hold time | | tldh | | 10 | - | 20 | - | |
| CS-SCL time | CS | tcss | — | 20 | - | 20 | - | ns |
| | | tch | | 350 | - | 200 | - | |

*1 All timing is specified using 20% and 80% of VDD as the standard.

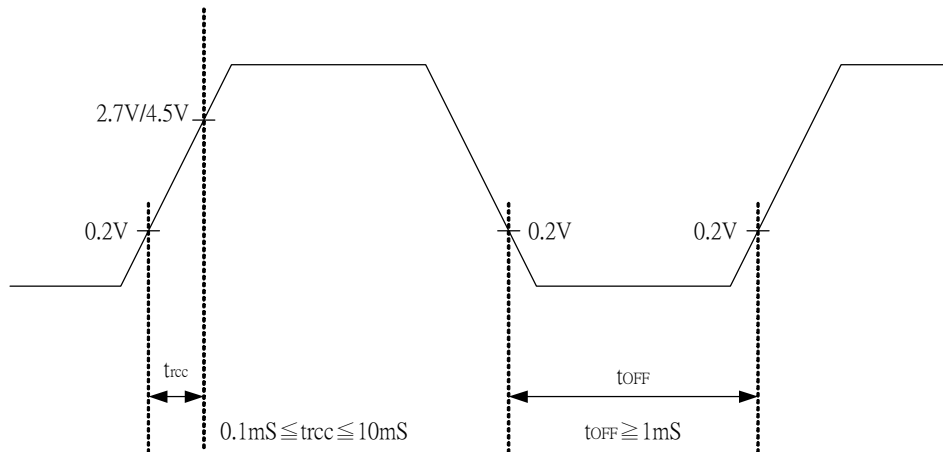
● I2C interface



(Ta = -30°C to 85°C)

| Item | Signal | Symbol | Condition | VDD=2.7 to 4.5V Rating | | VDD=4.5 to 5.5V Rating | | Units |
|--|----------|--------------|-----------|------------------------|------|------------------------|------|-------|
| | | | | Min. | Max. | Min. | Max. | |
| SCL clock frequency | SCL | f_{SCLK} | — | DC | 400 | DC | 400 | KHz |
| SCL clock low period | | t_{LOW} | — | 1.3 | — | 1.3 | — | us |
| SCL clock high period | | t_{HIGH} | — | 0.6 | — | 0.6 | — | us |
| Data set-up time | SI | $t_{SU;DAT}$ | — | 180 | — | 100 | — | ns |
| Data hold time | | $t_{HD;DAT}$ | — | 0 | 0.9 | 0 | 0.9 | us |
| SCL,SDA rise time | SCL, SDA | t_r | — | $20+0.1C_b$ | 300 | $20+0.1C_b$ | 300 | ns |
| SCL,SDA fall time | | t_f | — | $20+0.1C_b$ | 300 | $20+0.1C_b$ | 300 | |
| Capacitive load represent by each bus line | | C_b | — | — | 400 | — | 400 | pf |
| Setup time for a repeated START condition | SI | $t_{SU;STA}$ | — | 0.6 | — | 0.6 | — | us |
| Start condition hold time | | $t_{HD;STA}$ | — | 0.6 | — | 0.6 | — | us |
| Setup time for STOP condition | | $t_{SU;STO}$ | — | 0.6 | — | 0.6 | — | us |
| Bus free time between a Stop and START condition | SCL | t_{BUF} | — | 1.3 | — | 1.3 | — | us |

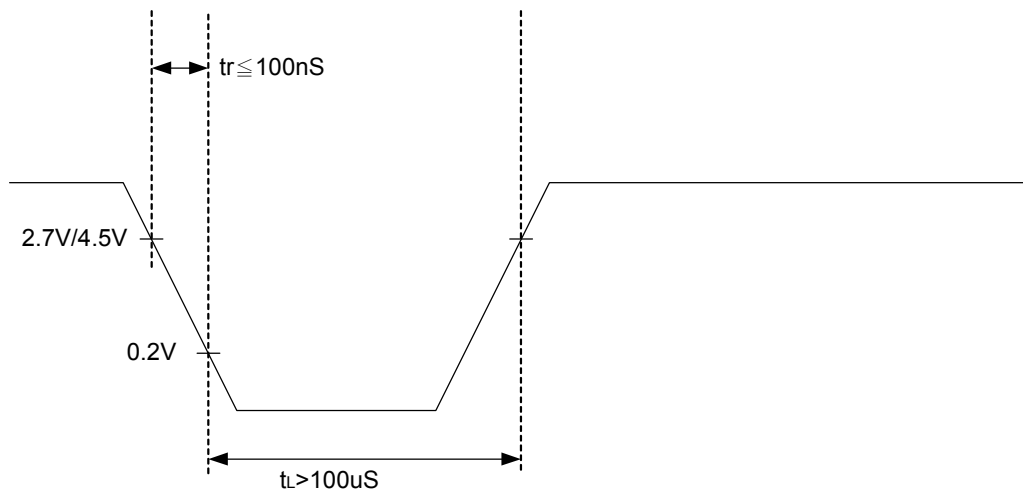
● Internal Power Supply Reset



Notes:

- ◆ t_{OFF} compensates for the power oscillation period caused by momentary power supply oscillations.
- ◆ Specified at 4.5V for 5V operation, and at 2.7V for 3V operation.
- ◆ If 2.7V/4.5V is not reached during 3V/5V operation, internal reset circuit will not operate normally.

● Hardware reset(XRESET)



■ Absolute Maximum Ratings

| Characteristics | Symbol | Value |
|-----------------------|------------------|--|
| Power Supply Voltage | VDD | -0.3 to +6.0 |
| LCD Driver Voltage | V _{LCD} | 7.0- V _{ss} to -0.3+V _{ss} |
| Input Voltage | V _{IN} | -0.3 to VDD+0.3 |
| Operating Temperature | T _A | -30°C to + 85°C |
| Storage Temperature | T _{STO} | -65°C to + 150°C |

■ DC Characteristics

(T_A = -30°C to 85°C, VDD = 2.7 V – 4.5 V)

| Symbol | Characteristics | Test Condition | Min. | Typ. | Max. | Unit |
|-------------------|---|--|-------------|------|------------|------|
| VDD | Operating Voltage | - | 2.7 | - | 4.5 | V |
| V _{LCD} | LCD Voltage | V0-V _{ss} | 2.7 | - | 7.0 | V |
| I _{CC} | Power Supply Current | VDD=3.0V (Use internal booster/follower circuit) | - | 160 | 230 | uA |
| V _{IH1} | Input High Voltage (Except OSC1) | - | 1.9 | - | VDD | V |
| V _{IL1} | Input Low Voltage (Except OSC1) | - | - 0.3 | - | 0.8 | V |
| V _{IH2} | Input High Voltage (OSC1) | - | 0.7 VDD | - | VDD | V |
| V _{IL2} | Input Low Voltage (OSC1) | - | - | - | 0.2 VDD | V |
| V _{OH1} | Output High Voltage (DB0 - DB7) | I _{OH} = -1.0mA | 0.75 VDD | - | - | V |
| V _{OL1} | Output Low Voltage (DB0 - DB7) | I _{OL} = 1.0mA | - | - | 0.8 | V |
| V _{OH2} | Output High Voltage (Except DB0 - DB7) | I _{OH} = -0.04mA | 0.8 VDD | - | VDD | V |
| V _{OL2} | Output Low Voltage (Except DB0 - DB7) | I _{OL} = 0.04mA | - | - | 0.2 VDD | V |
| R _{COM} | Common Resistance | V _{LCD} = 4V, I _d = 0.05mA | - | 2 | 20 | KΩ |
| R _{SEG} | Segment Resistance | V _{LCD} = 4V, I _d = 0.05mA | - | 2 | 30 | KΩ |
| I _{LEAK} | Input Leakage Current | V _{IN} = 0V to VDD | -1 | - | 1 | μA |
| I _{PUP} | Pull Up MOS Current | VDD = 3V | 20 | 30 | 40 | μA |
| f _{OSC} | Oscillation frequency | VDD = 3V, 1/17duty | 350 | 540 | 1100 | KHz |

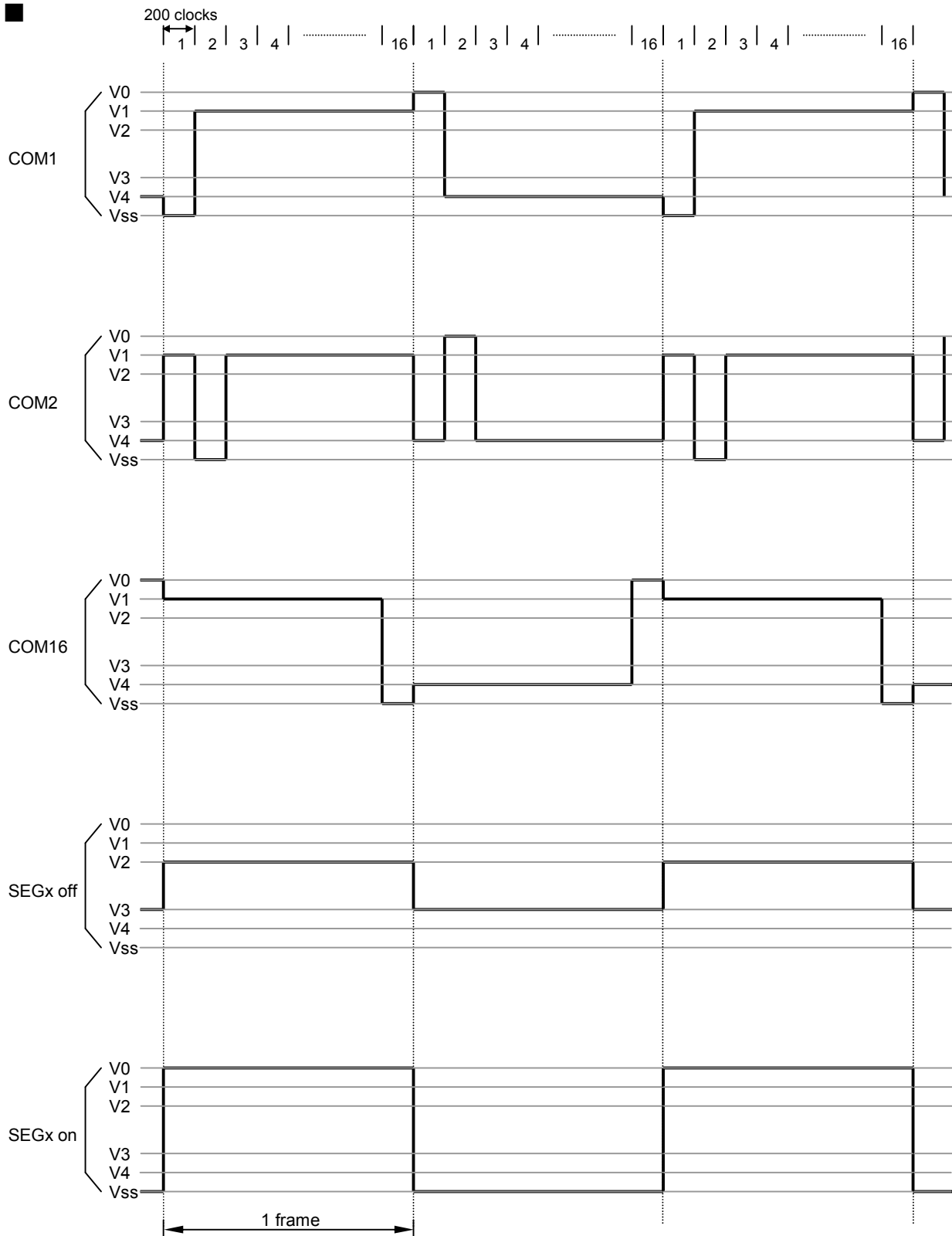
■ DC Characteristics

(TA = -30°C to 85°C, VDD = 4.5 V - 5.5 V)

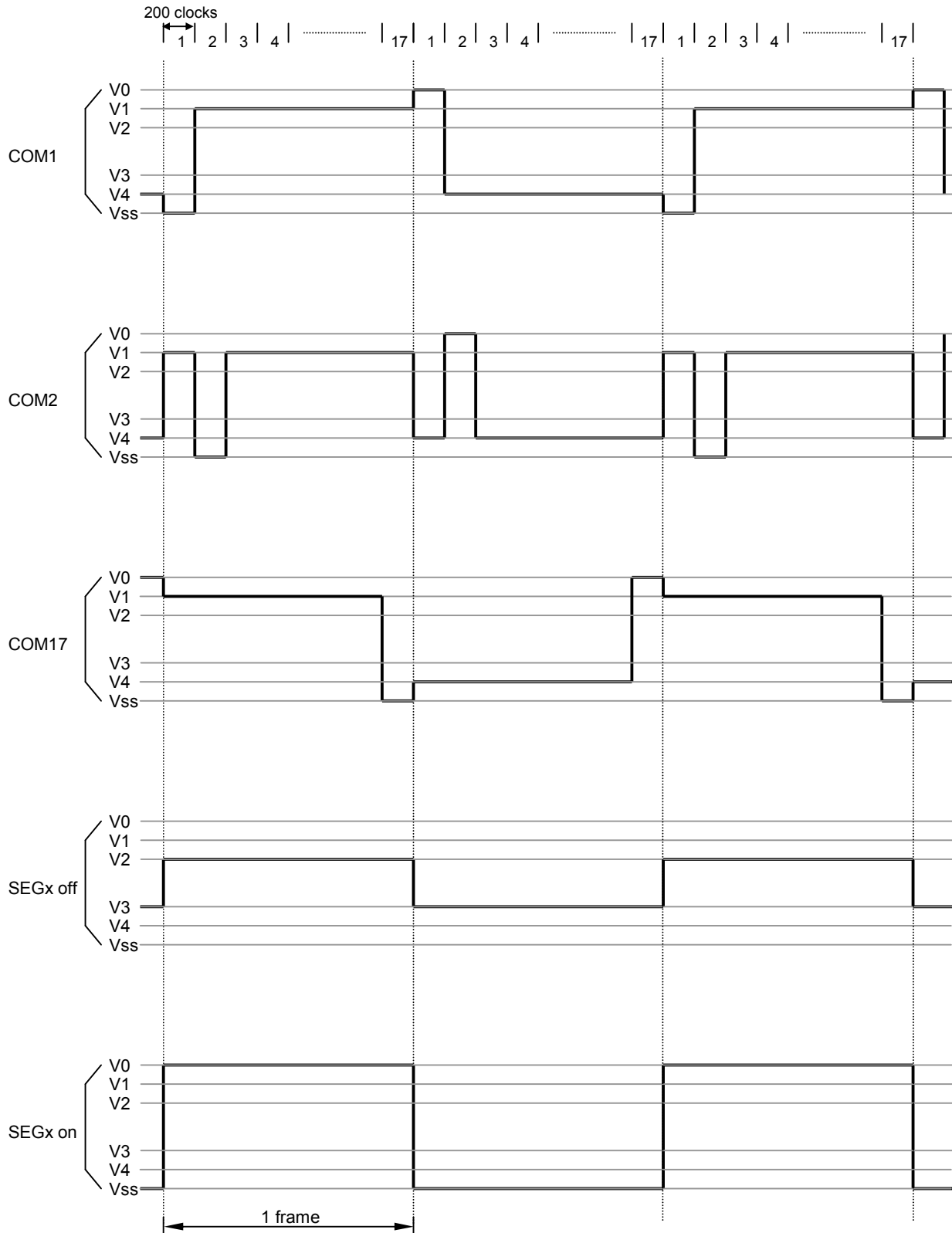
| Symbol | Characteristics | Test Condition | Min. | Typ. | Max. | Unit |
|-------------------|---|--|------------|------|------------|------|
| VDD | Operating Voltage | - | 4.5 | - | 5.5 | V |
| V _{LCD} | LCD Voltage | V ₀ -V _{SS} | 2.7 | - | 7.0 | V |
| I _{CC} | Power Supply Current | VDD=5.0V (Use internal booster/follower circuit) | - | 240 | 340 | uA |
| V _{IH1} | Input High Voltage (Except OSC1) | - | 2.7 | - | VDD | V |
| V _{IL1} | Input Low Voltage (Except OSC1) | - | -0.3 | - | 0.8 | V |
| V _{IH2} | Input High Voltage (OSC1) | - | 0.7 VDD | - | VDD | V |
| V _{IL2} | Input Low Voltage (OSC1) | - | - | - | 1.0 | V |
| V _{OH1} | Output High Voltage (DB0 - DB7) | I _{OH} = -1.0mA | 3.8 | - | VDD | V |
| V _{OL1} | Output Low Voltage (DB0 - DB7) | I _{OL} = 1.0mA | - | - | 0.8 | V |
| V _{OH2} | Output High Voltage (Except DB0 - DB7) | I _{OH} = -0.04mA | 0.8 VDD | - | VDD | V |
| V _{OL2} | Output Low Voltage (Except DB0 - DB7) | I _{OL} = 0.04mA | - | - | 0.2 VDD | V |
| R _{COM} | Common Resistance | V _{LCD} = 4V, I _d = 0.05mA | - | 2 | 20 | KΩ |
| R _{SEG} | Segment Resistance | V _{LCD} = 4V, I _d = 0.05mA | - | 2 | 30 | KΩ |
| I _{LEAK} | Input Leakage Current | V _{IN} = 0V to VDD | -1 | - | 1 | μA |
| I _{PUP} | Pull Up MOS Current | VDD = 5V | 65 | 95 | 125 | μA |
| f _{OSC} | Oscillation frequency | VDD = 5V, 1/17duty | 350 | 540 | 1100 | KHz |

■ LCD Frame Frequency

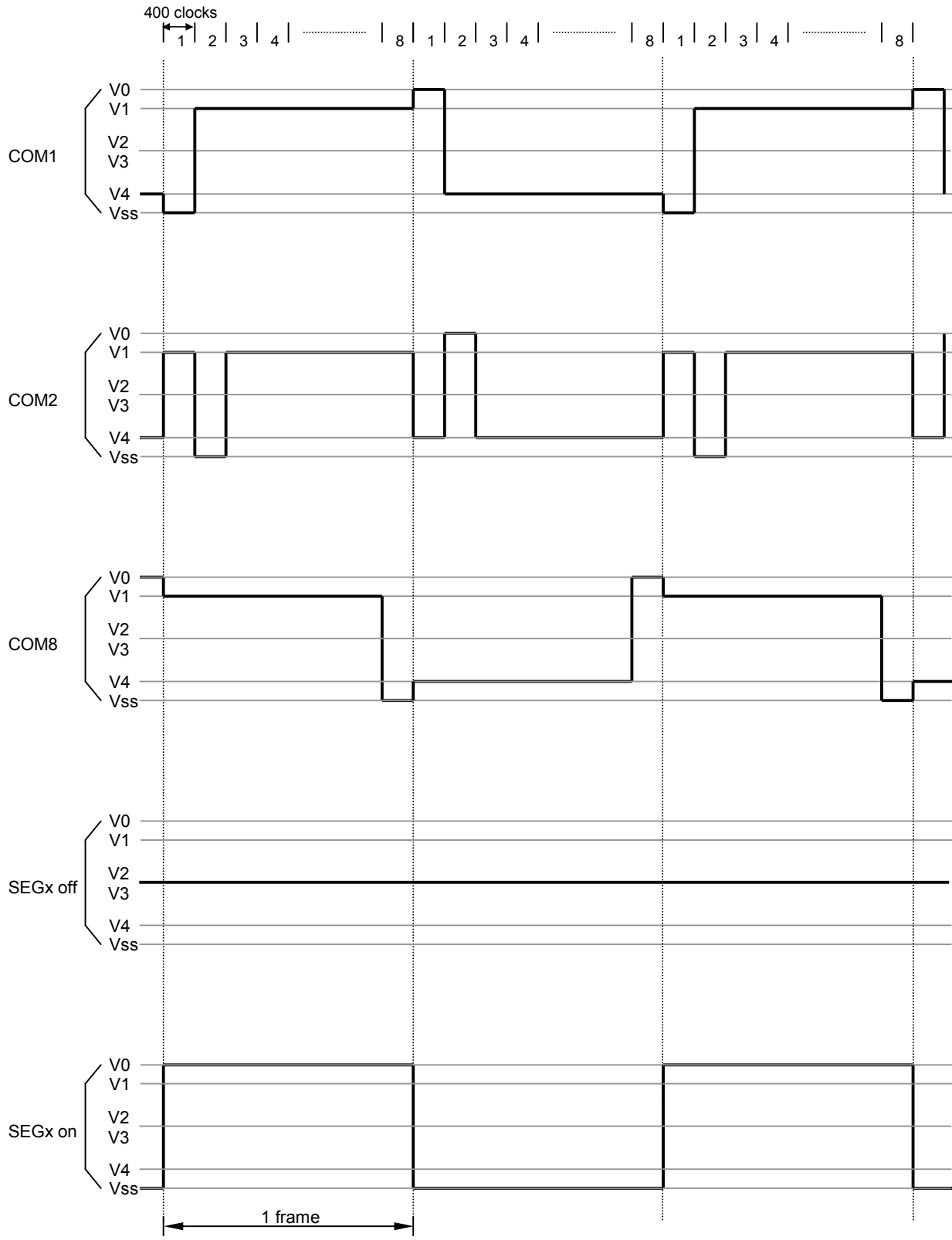
- 1/16 Duty(ST7066U normal mode); Assume the oscillation frequency is 540KHZ, 1 clock cycle time = 1.85us, 1/16 duty; 1/5 bias, 1 frame = 1.85us x 200 x 16 = 5.92ms=168.9Hz(SHLC and SHLS connect to High)



- 1/17 Duty(Extension mode); Assume the oscillation frequency is 540KHZ, 1 clock cycle time = 1.85us, 1/17 duty; 1/5 bias, 1 frame = 1.85us x 200 x 17 = 6.29ms=159Hz(SHLC and SHLS connect to High)**

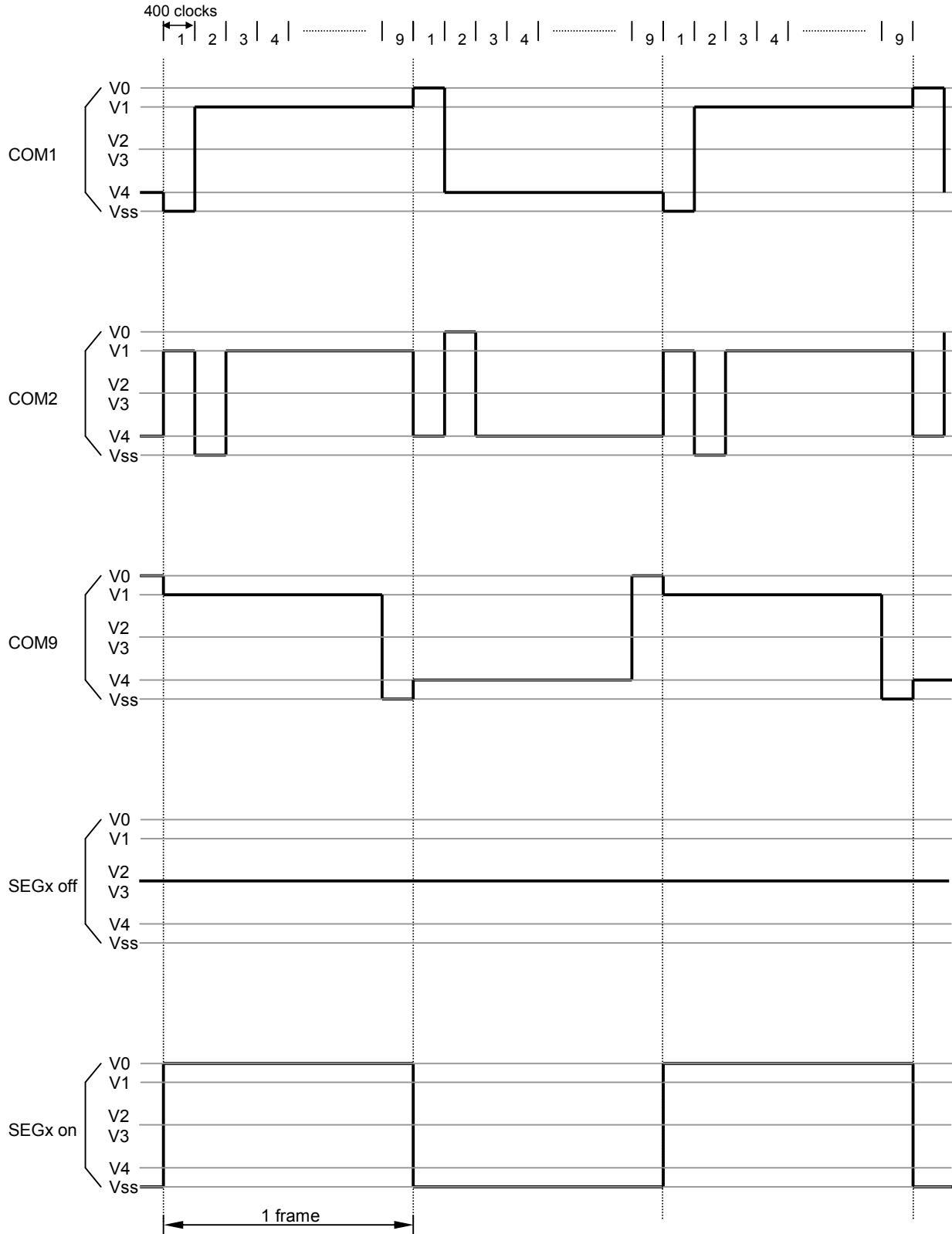


- 1/8 Duty(ST7066U normal mode); Assume the oscillation frequency is 540KHZ, 1 clock cycle time = 1.85us, 1/8 duty; 1/4 bias, 1 frame = 1.85us x 400 x 8 = 5.92ms=168.9Hz(SHLC and SHLS connect to



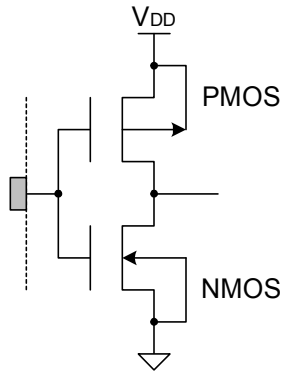
High)

- 1/9 Duty(Extension mode); Assume the oscillation frequency is 540KHZ, 1 clock cycle time = 1.85us, 1/9 duty; 1/4 bias, 1 frame = 1.85us x 400 x 9 = 6.66ms=150Hz(SHLC and SHLS connect to

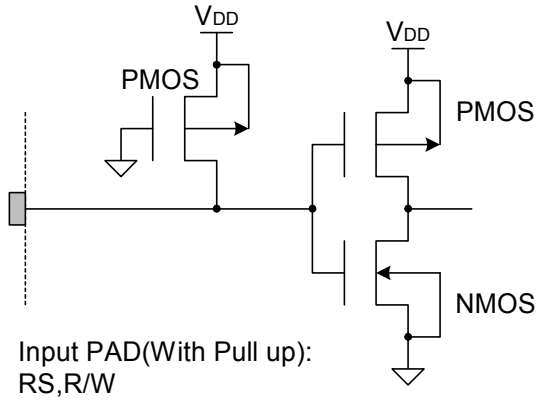


High)

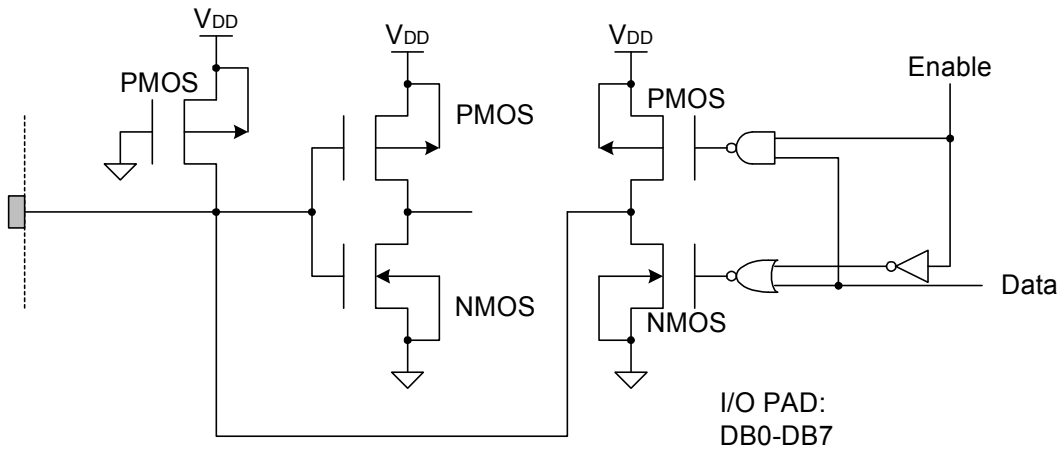
■ I/O Pad Configuration



Input PAD(No Pull up):
XRESET,E,CSB,PSB,OP
Rx,SHLx,CLS,EXT



Input PAD(With Pull up):
RS,R/W



I/O PAD:
DB0-DB7

■ LCD and ST7032 Connection

SHLC/SHLS ITO option pin can select at different direction for LCD panel

- Com normal direction/Seg normal direction



2Line x 16 Characters,SHLC=1,SHLS=1

- Com normal direction/Seg reverse direction



2Line x 16 Characters,SHLC=1,SHLS=0

- Com reverse direction/Seg normal direction



2Line x 16Characters,SHLC=0,SHLS=1

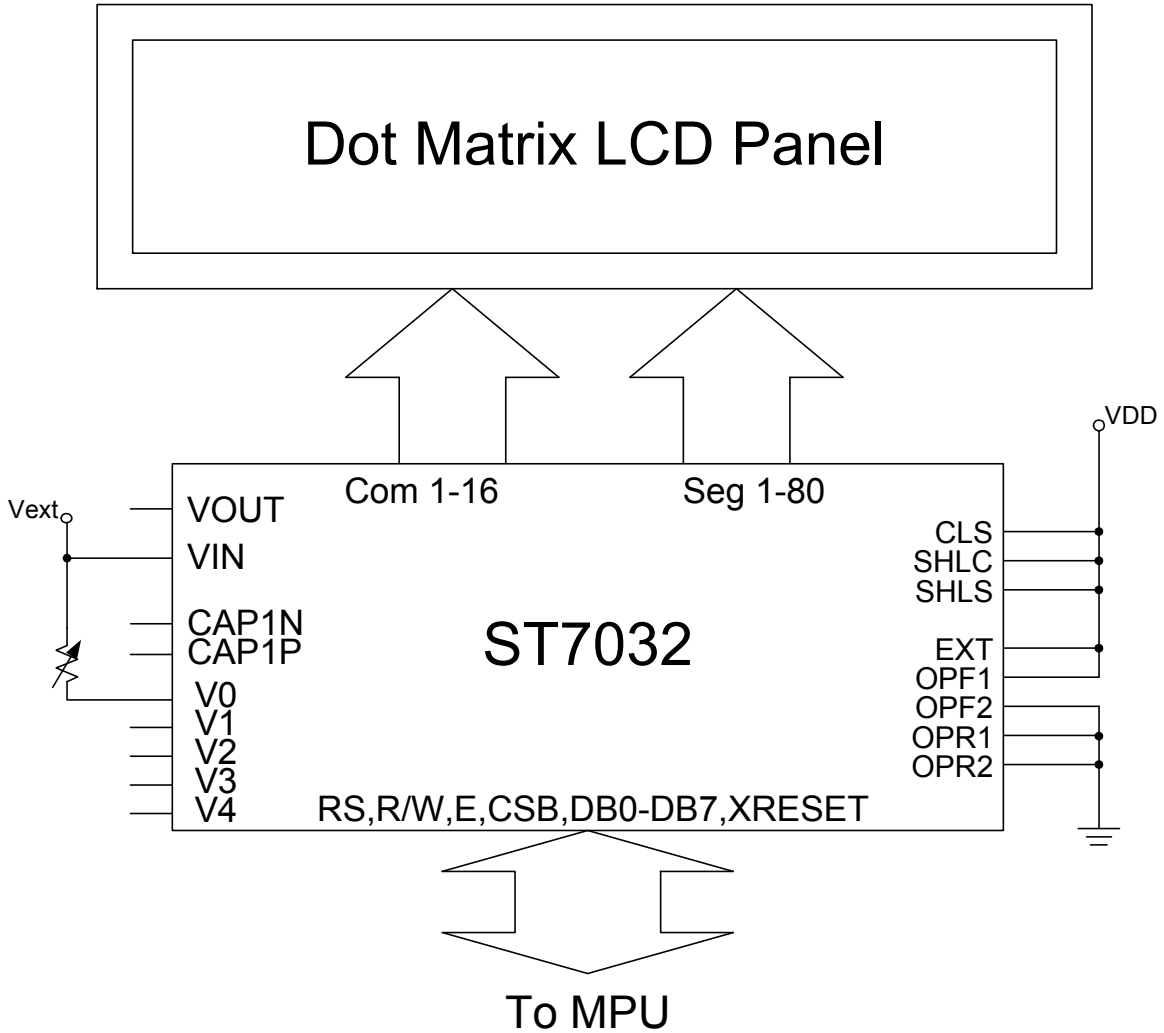
- Com reverse direction/Seg reverse direction



2Line x 16Characters,SHLC=0,SHLS=0

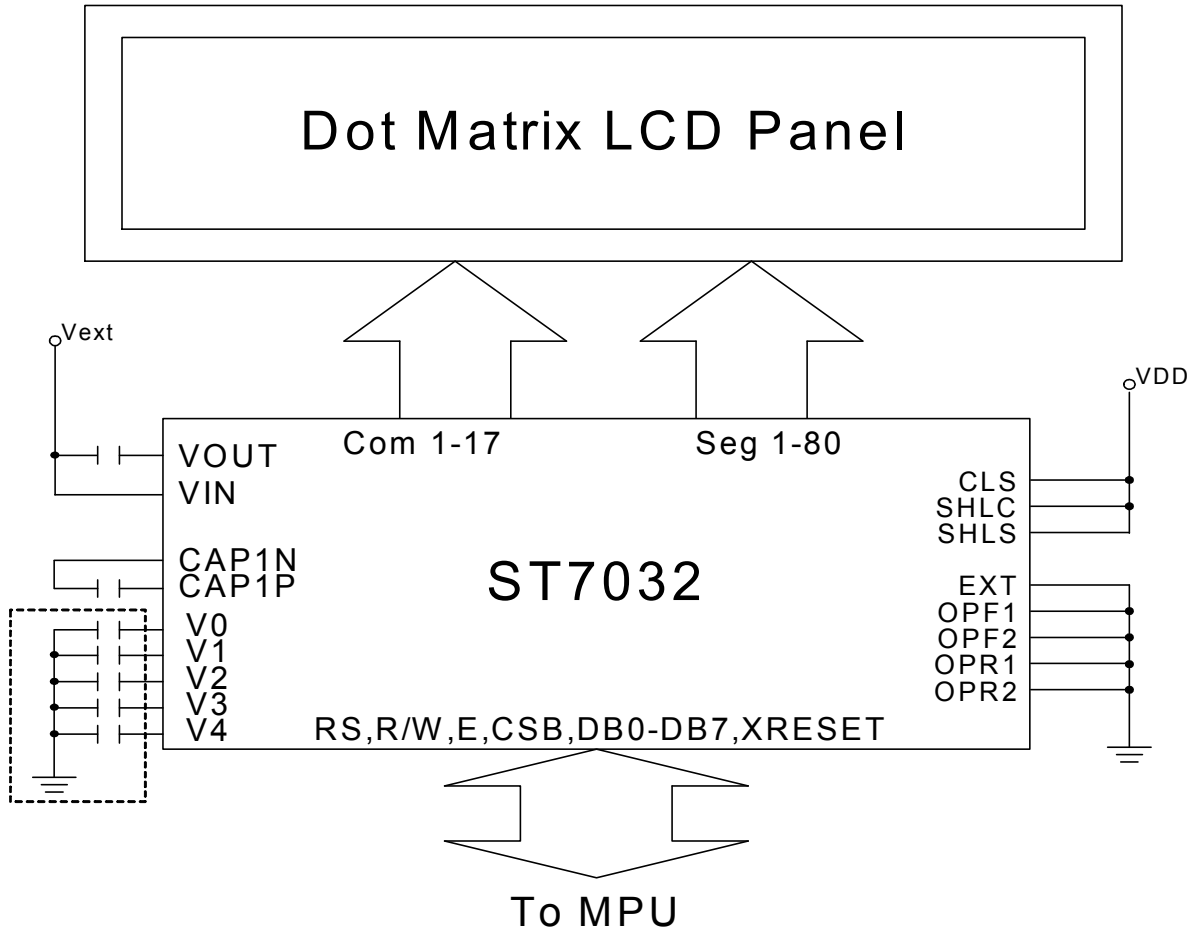
■ **Application Circuit(ST7066U normal mode)**

- Use internal resistor(9.6K ohm) and contrast adjust with external VR.
- Booster always off.
- Has 240 character of CGROM and 8 characters of CGRAM
- Internal oscillator.



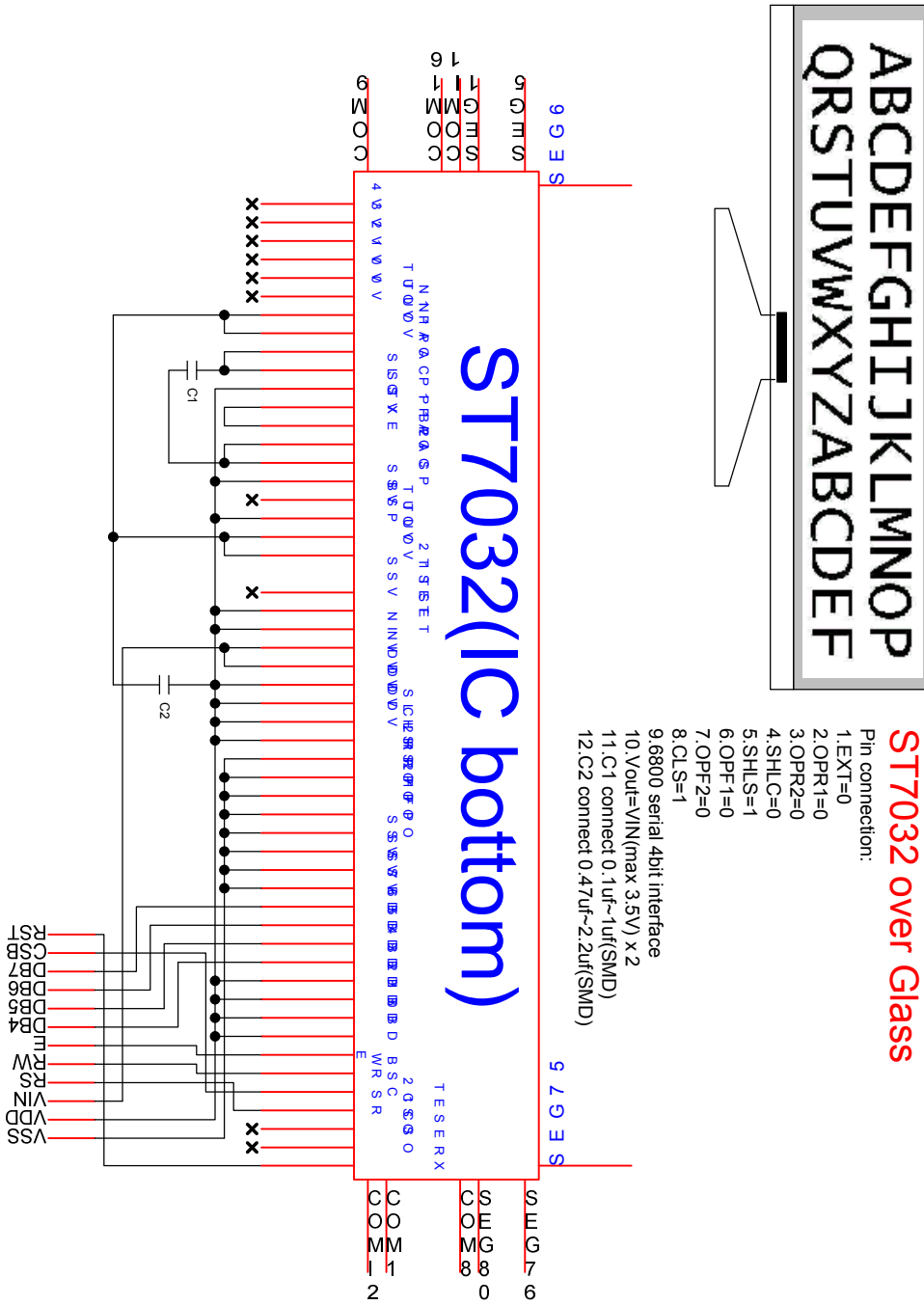
■ Application Circuit(Extension mode)

- Use internal follower circuit.
- Booster has 2 times pump.
- Has 240 character of CGROM and 8 characters of CGRAM
- Internal oscillator

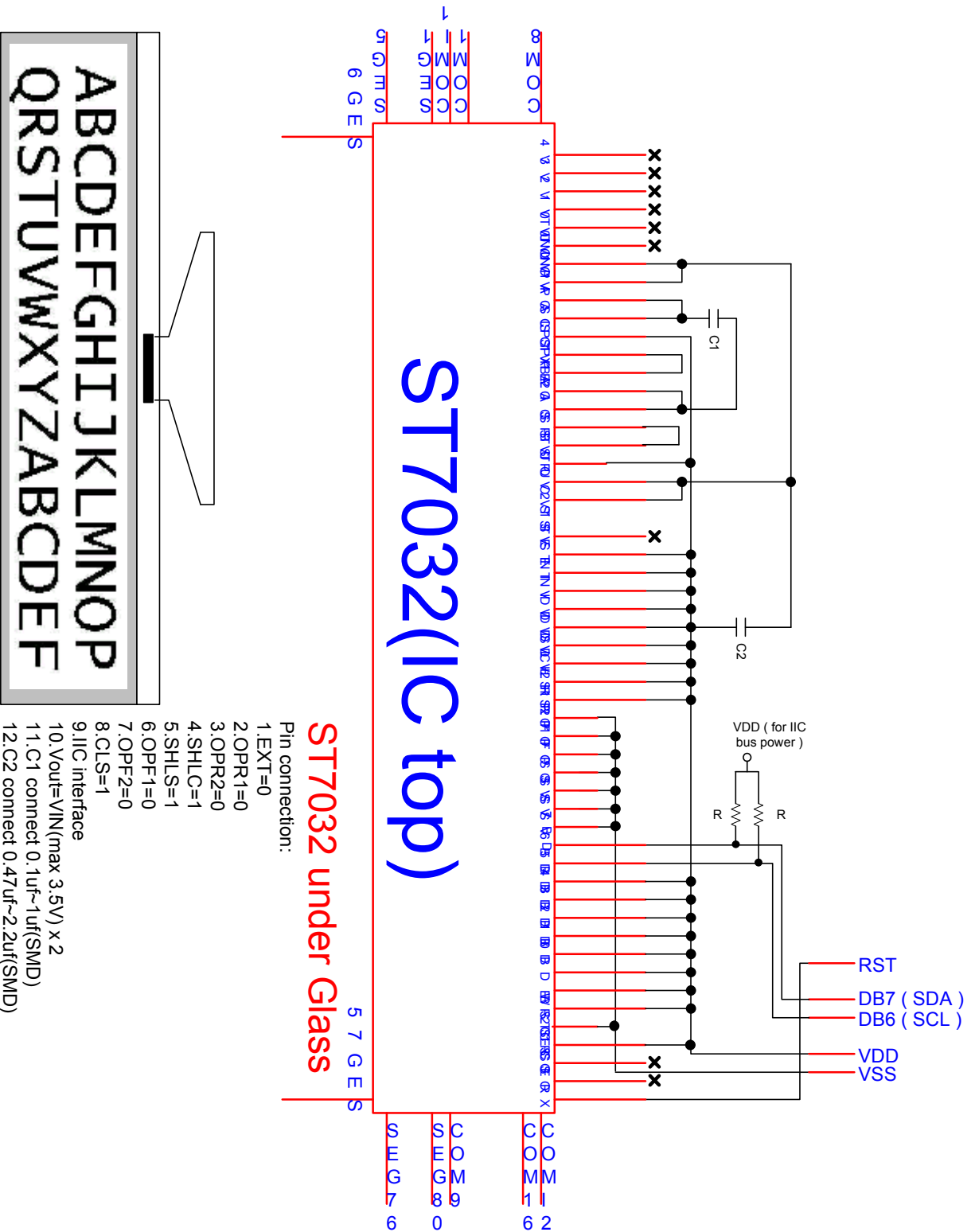


- When the heavy load is applied, the dotted line part could be added.

- ST7032 over Glass, 6800 serial 4bit interface, with booster and follower circuit on



- ST7032i under Glass, IIC interface, with booster and follower circuit on





User's Guide

LCD Safe Handling Procedure

For product support, contact

Newhaven Display International
2511 Technology Drive, #101
Elgin, IL 60124
Tel: (847)844-8795 Fax: (847)844-8796

USING LCD MODULES

LIQUID CRYSTAL DISPLAY MODULES

LCD's are composed of glass, liquid crystal fluid, and a polarizer. Please pay attention to the following items when handling:

1. Keep the temperature within a specified range for use and storage. Polarization degradation, bubble generation or polarizer peel-off may occur with high temperatures and high humidity.
2. Do not touch, push or rub the exposed polarizer with anything harder than an HB lead pencil (glass, tweezers, etc).
3. N-hexane is recommended for cleaning the adhesives used to attach the front/rear polarizer. Reflectors made of organic substances will be damaged by chemicals such as acetone, toluene, ethanol and isopropyl alcohol.
4. If the display surface becomes contaminated, breathe on the surface and gently wipe it with a soft dry cloth. If it is heavily contaminated, wipe it gently with absorbent cotton or another soft material like a chamois soaked in Isopropyl alcohol or Ethyl alcohol. Scrub gently to avoid damaging the display surface.
5. Wipe off saliva or water immediately! Contact with water over a long period of time may cause deformation or color fading.
6. Avoid contact with oil or any greasy substances.
7. If there is condensation on the surface and contact with the terminals while cold, it will damage, stain or dirty the polarizer. After the product is tested at a low temperature, they must be warmed up in a container before being exposed to room temperature environments.
8. Do not put or attach anything on the display area in order to avoid leaving marks.
9. Do not touch the display with bare hands. This will stain the display area and degrade the insulation between terminals. (Some cosmetics are detrimental to the polarizer).
10. Exercise care to minimize corrosion of the electrode. Corrosion of the electrodes is accelerated by water droplets, moisture condensation or a current flow in a high-humidity environment.
11. As glass is fragile, care should be taken to avoid chipping, while handling the edges especially.

PRECAUTIONS FOR HANDLING LCD MODULES

Since the LCD module has been assembled and adjusted with a high degree of precision, avoid applying excessive shock or force to the module or making any alterations or modifications to it.

1. Do not alter, modify or change the shape of the tab on the metal frame.
2. Do not make extra holes on the printed circuit board, modify its shape or change the positions of components to be attached.
3. Do not damage or modify the pattern wiring on the printed circuit board.
4. Absolutely do not modify the zebra rubber strip (conductive rubber) or heat the seal connector!
5. Except for soldering the interface, do not make any alterations or modifications with a soldering iron.
6. Do not drop, bend or twist the LCD module. In particular, don't forcibly pull or bend the I/O cable or backlight cable.

7. In order to avoid cracking the FPC, pay attention to the area where the FPC is bent, the edge of the overlay, the area of the surface of Ni-Au plating, the area of soldering land, and the area of the through hole.

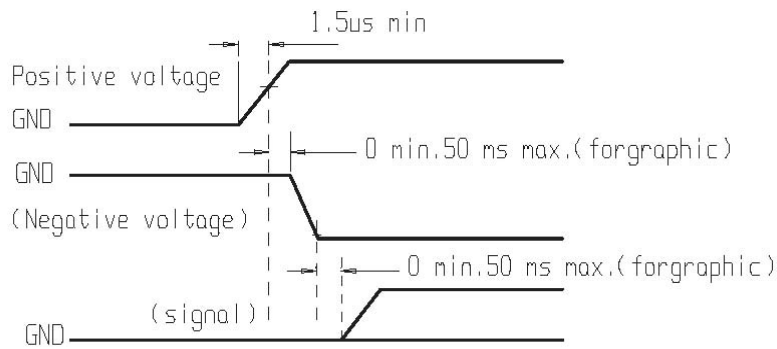
ELECTRO-STATIC DISCHARGE CONTROL

Since this module uses a CMOS LSI, give the same careful attention to the electrostatic discharge as you would for an ordinary CMOS IC.

1. Make sure you are grounded when handling LCD modules. To minimize the performance degradation of the LCD modules resulting from destruction caused by static electricity, exercise care to avoid holding the following sections when handling the modules: exposed area of the printed circuit board, terminal electrode sections.
2. Before removing the LCD module from its packing case or incorporating it into a set, be sure the module and your body have the same electric potential.
3. When soldering the terminal of the LCD module, make sure the AC power source for the soldering iron does not leak.
4. When using an electric screwdriver to attach the LCD module, the screwdriver should be of ground potentiality, to minimize any transmission of electromagnetic waves producing sparks coming from the commutator of the motor.
5. As far as possible, make the electric potential of your work clothes and that of the work bench the ground potential.
6. To reduce the generation of static electricity, be careful that the air in the working environment is not too dry. (A relative humidity of 50-60% is recommended).

PRECAUTIONS FOR OPERATION

1. Viewing angle varies with the change of liquid crystal driving voltage (VO). Adjust VO to show the best contrast.
2. Driving the LCD in the voltage above the limit shortens its life.
3. If the LCD modules have been operating for a long time showing the same display patterns, the display patterns may remain on the screen as ghost images and a slight contrast irregularity may also appear. A normal operating status can be regained by suspending use for some time. It should be noted that this phenomenon does not adversely affect performance reliability.
4. Response time is greatly delayed at temperatures below the operating temperature range, however this does not mean the LCD will be out of order. It will recover when it returns to the specified temperature range.
5. If the display area is pushed hard during operation, the display may become abnormal, however it will return to normal if it is turned off and then turned back on.
6. Condensation on terminals can cause an electrochemical reaction disrupting the terminal circuit, therefore it must be used under the relative condition of 40°C, 50% RH.
7. When turning the power on, input each signal after the positive/negative voltage becomes stable.



STORAGE

WHEN STORING LCD'S, THE FOLLOWING PRECAUTIONS ARE NECESSARY:

1. Store them in a sealed polyethylene bag. If properly sealed, there is no need for desiccant.
2. Store them in a dark place; do not expose them to sunlight or fluorescent light. Keep the temperature between 0°C and 35°C.
3. The polarizer surface should not come in contact with any other objects. (We advise you to store them in the container in which they were shipped).
4. Environmental conditions:
 - A). Do not leave them for more than 160 hours at 70°C
 - B). They should not be left for more than 48 hours at -20°C

SAFETY

1. It is recommended to crush damaged or unnecessary LCDs into pieces and wash them off with solvents such as acetone and ethanol, which should later be burned.
2. If any liquid leaks out of a damaged glass cell and comes in contact with the hands, wash off thoroughly with soap and water.

LIMITED WARRANTY

Newhaven Display MAKES NO WARRANTY RESPECTING THE MERCHANTABILITY OF THE PRODUCTS OR THEIR SUITABILITY OR FITNESS FOR ANY PARTICULAR PURPOSE OR USE OR RESPECTING INFRINGEMENT. Newhaven Display's liability arising out of any sale of products to Customer is expressly limited to repair and/or replacement of such Products, at Newhaven Display's election, with such remedies exclusive and in lieu of all others. Newhaven Display will not be responsible for any subsequent or consequential events or injury or damage to any personnel or user including third party personnel and/or user. This warranty is in lieu of any and all other warranties, whether oral, written, expressed, implied or statutory. Implied warranties of fitness for a particular purpose and merchantability are specifically excluded and shall not apply. Customer's obligations and Newhaven Display's remedies with respect to defective or nonconforming products, are solely and exclusively as stated herein. Furthermore, no warranty will apply if the Product has been subject to misuse, static discharge, neglect, accident, modification, or has been soldered or altered in any way or if any of the LCD handling precautions have been disregarded. Broken glass, scratches on polarizer, mechanical damages, as well as defects that are caused by accelerated environment tests are excluded from warranty. In returning products, they must be returned in their original packaging. If the original packaging is not used, the returned product must be properly packaged to prevent damage or warranty will be void. There must be a detailed description of the failures or defect for each returned part.

RETURN LCD MODULES UNDER WARRANTY

The Customer must notify Newhaven Display within one year from date of shipment of any defective product. If Newhaven Display agrees to accept a return, return freight charges may be paid by Newhaven Display. Newhaven Display will not accept COD shipments. Contact a sales representative for a Return Materials Authorization Number and addressing instructions prior to returning product.

Handling Precautions

1. Limitation of Application:

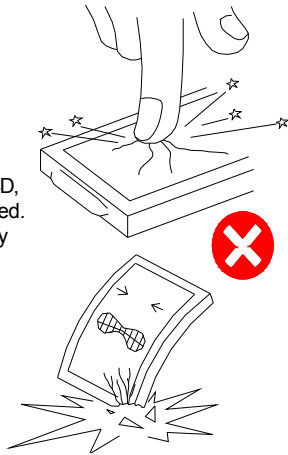
Newhaven products are designed for use in ordinary electronic devices such as business machines, telecommunications equipment, measurement devices..etc. Please handle the products with care. (See below)
Newhaven products are not designed, intended or authorized for use in any application which the failure of the product could result in a situation where personal injury or death may occur. These applications include, but are not limited to: life-sustaining equipment, nuclear control devices, aerospace equipment, devices related to hazardous or flammable materials..etc. (If Buyer intends to purchase or use the Newhaven products for such unintended or unauthorized applications, Buyer must secure prior written consent to such use by a responsible officer of Newhaven Display). Should Buyer purchase or use Newhaven products for any such unintended or unauthorized application (without such consent), Buyer shall indemnify and hold Newhaven and its officers, employees, subsidiaries, affiliates and distributors harmless against all claims, costs, damages and expenses, and reasonable attorney's fees, arising out of, directly or indirectly, any claim of personal injury or death associated with such unintended or unauthorized use, even if such claim alleges that Newhaven was negligent regarding the design or manufacture of the part.

2. Industrial Rights and Patents

Newhaven shall not be responsible for any infringement of industrial property rights of third parties in any country arising out of the application or use of Newhaven products, except which directly concern the structure or production of such products.

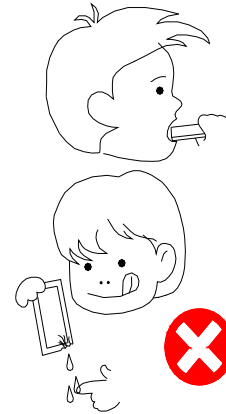
Do Not Press!

If pressure is applied to LCD, orientation may be disturbed. The LCD can be broken by shock!



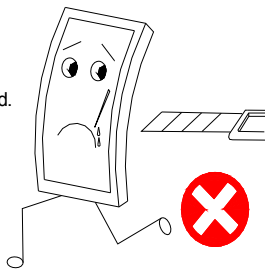
Don't Swallow or Touch Liquid Crystal!

Liquid Crystal may leak if the display breaks. If it accidentally gets on your hands, wash them with soap and water!



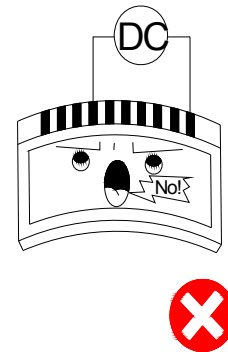
Do Not Scratch!

Polarizer is a soft material and can easily be scratched.



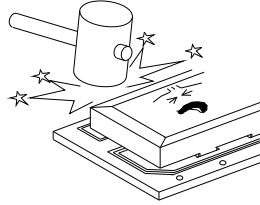
No DC Voltage to LCD!

DC voltage or higher voltage than specified will reduce the lifetime of the LCD.

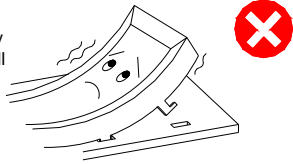


Do Not Put Pressure on the Metallic Frame or Disassemble the LCD Module

Pressure on the metallic frame and PCB may deform the conductive rubber or break the liquid crystal cell and backlight, which will cause defects.

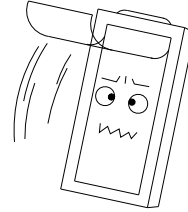


LCD may be shifted or conductive rubber may be reshaped, which will cause defects.



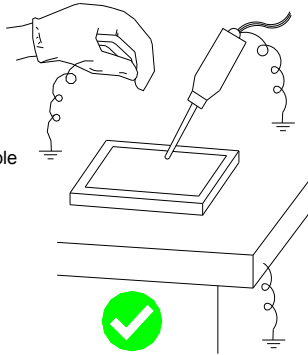
Slowly Peel Off Protective Film!

Avoid static electricity.



Avoid Static Electricity!

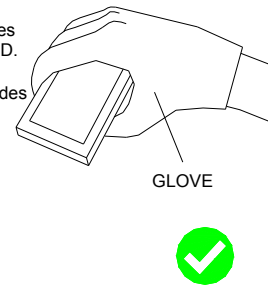
Please be sure to ground human body and electric appliances during work. It is preferable to use a conductive mat on the table and wear cotton clothes or conduction processed fiber. Synthetic fiber is not recommended.



Wear Gloves While Handling!

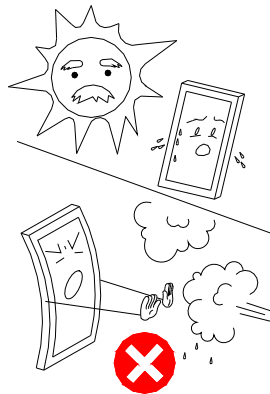
It is preferable to wear gloves to avoid damaging the LCD.

Please do not touch electrodes with bare hands or leave any residue.



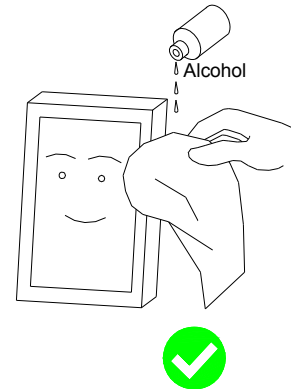
Keep Away From Extreme Heat and Humidity!

LCD deteriorates.



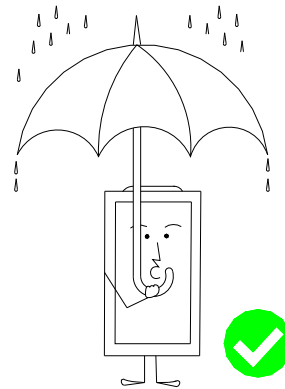
Use Alcohol to Clean Terminals!

When attaching with the heat seal or anisotropically conductive film, wipe off with alcohol before use.



Don't Drop Water on LCD!

Note that the presence of waterdrops or dew in the LCD panel may deteriorate the polarizer or corrode the electrodes.



Precaution in Soldering LCD Module

Basic instructions: Solder I/O terminals only.
Use soldering iron without leakage.

(1) Soldering condition to I/O terminals

Temperature at tip of the iron: $280 \pm 10^\circ$

Soldering time: 3~4 sec.

Type of solder: Eutectic solder (containing colophony-flux)

*Do not use flux because it may soak into the LCD Module or contaminate it.

*It is preferable to peel off protective film on the display surface after soldering I/O terminals are complete.

(2) Remove connector or cable

*When you remove connector or cable soldered to I/O terminals, please confirm that solder is fully melted. If you remove by force, electrodes at I/O terminals may be damaged (or stripped off).

*It is recommended to use a solder suction machine.

Long-term Storage

If it is necessary to store LCD modules for a period of time, please comply with the following procedures.

If storage conditions are not satisfactory, the display (especially polarizer) or soldering I/O terminals may become difficult (some oxide is generated at I/O terminals plating).

1. Store as delivered by Newhaven.

2. If you store it unpacked, put it in an anti-static bag, seal its opening and store where it is not subjected to direct sunlight or fluorescent light.

3. Store at temperature 0 to $+35^\circ$ and at low humidity. Please refer to our specification sheets for storage temperature range and humidity conditions.

Long-term Storage

Please use power supply with built-in surge protection circuit.
