

DODGE[®]

2010 PT COMPONENTS ENGINEERING CATALOG



BALDOR[®]



CONTENTS

DODGE Power Transmission Components Catalog

Couplings	PT1
Clutches and Brakes	PT2
FLEXIDYNE	PT3
Fluid Coupling	PT4
TORQUE-TAMER	PT5
Bushings	PT6
V-Drives	PT7
FHP	PT8
Drive Component Accessories	PT9
DYNA-SYNC	PT10
HT200/HTD Synchronous Drives	PT11
HTR Synchronous Drives	PT12
HTRC Synchronous Drives	PT13
Roller Chain Sprockets	PT14
Conveyor Components	PT15
Engineering	PT16
Part Number IndexINDEX-1
Keyword IndexINDEX-67

REFERENCE GUIDE

PT Component
Quick References

Couplings

Clutches and Brakes

FLEXIDVNE

Fluid Couplings

TORQUE-TAMER

Bushings

PARA-FLEX Couplings

Page PT1-2

- Torque transmitted through composite element system
- Finished-bore and TAPER-LOCK® flange designs
- Five-year limited warranty
- No lubrication and visual inspection reduces maintenance time
- Accommodates highest misalignment of any coupling in the industry
 - 4° angular
 - 1/8" parallel
 - 5/16" end float
- ATEX Approved



D-FLEX Couplings

Page PT1-29

- Low-cost Type J couplings offered in four sizes
- Type S couplings feature AGMA 9 balanced flanges off the shelf
- Type B couplings offered with standard QD bushing shaft attachment
- Type SC spacer couplings satisfy standard spacing requirements for pump
- Rounded EPDM and Neoprene elements for improved fit and longer
- AGMA 9 balance on S and SC flanges for reduced vibration
- ATEX Approved



Applications

- Interchangeable components make installation quick, easy
- No lubrication assures trouble-free operation

GRID-LIGN Couplings

Page PT1-42

- Flexible tapered element isolates vibration and cushions shock loads
- High-torque capability
- Interchangeability with other tapered grid couplings
- Tapered grid design



Gear Couplings

Page PT1-60

- High-quality forged steel
- Largest tooth profile provides additional service factor
- Largest bore capacity in the industry, in most sizes
- Proven "O"-ring seal design
- Machined flanges for improved sealing
- High-grade fasteners
- High-torque rating allows for coupling downsizing
- Crowned tooth profile for longer life and improved performance
- Interchangeable with industry-standard gear couplings half for half



Chain Couplings

Page PT1-66

- Simple, widely accepted, inexpensive way to couple two shafts
- Interchangeable with industry-standard dimensions
- Can be provided with TAPER-LOCK bushed hubs, finished bore, or reboreable flanges
- Covers and assemblies available from stock
- Shaft attachment flexibility
- High-torque capability
- Compact design
- Low operating cost
- Broad product line



Poly-Disc Coupling

Page PT1-73

- Requires no lubrication
- Taper-Lock bushing allows for connection of two different shaft sizes
- Polyurethane element
- Pin design cushions shock loads
- Excellent for washdown applications
- Wide temperature range (-90 to 170 ° F)
- Misalignment = 2° Angular, 1/32 in. parallel



Please see www.baldor.com for Instruction Manuals on all Dodge products.

REFERENCE GUIDE

Taper-Lock Rigid Coupling

Page PT 1-74

- Metallic coupling
- Requires no lubrication
- Taper-Lock bushing allows for connection of two different shaft sizes
- 8 Flange sizes thru 6" bore



Ribbed Rigid Coupling

Page PT1-75

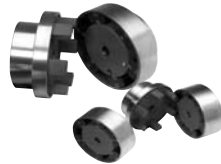
- Metallic coupling
- Requires no lubrication
- Clearance fit with full length key
- Same shaft size required on both sides
- 34 Sizes thru 7" bore



POWERPLUS

Page PT1-76

- A power-dense, high torque elastomeric coupling
- Power density at high speeds
- Positive drive
- Shock load and vibration dampening
- Easy installation
- Low maintenance
- ATEX approved
- Minimal length thru bore
- Lightweight design



D-Series Motor Brakes

Page PT2-6

- Exceptionally long-life friction material
- Internally rectified DC coil provides quieter operation
- Easy installation and external adjustment
- One moving part, reduces replacement parts
- Smooth stopping action
- Splined hub for superior load distribution
- Manual release
- Clutch/brake modules



Clutch/Brake Modules

Page PT2-12

- Conforms to UL and CSA requirements
- One-piece, die-cast housing simplifies mounting; housing finned for maximum heat dissipation
- Pre-lubricated and sealed ball bearings have higher B10 life rating than competitive modules
- High-torque, non-asbestos friction material assures long life and environmental safety
- Armatures incorporate a high-impact, high-temperature molded spline for heavy-torque and high-cycle capabilities
- DYNA-GAP automatic air gap mechanism automatically compensates for friction surface wear
- Modules are factory assembled, adjusted, and burnished for easy installation and out-of-the-box operation
- Rotor incorporates ball bearing and Driv-Lok key for foolproof installation
- Standard NEMA C-face and base mounted, shaft-in/ shaft-out mounting configurations



Shaft Mounted Clutches & Brakes

Page PT2-18

- Bore to size and taper lock bushings
- Voltage Input = 90, 24 and 6 VDC
- Static torque range: 22 lb-ft thru 175 lb-ft
- Factory assembled, adjusted, burnished
- Dyna-Gap self adjusting mechanism
- Heavy duty spline driven armature



FLEXIDYNE Couplings

Page PT3-2

- Motor starts under no-load conditions
- Permits use of STD NEMA-B motor
- Coupling or drive styles available
- 100% efficient, no slippage
- Can provide overload protection by slipping at loads somewhat greater than pre-set starting torque



REFERENCE GUIDE

PT Component
Quick References

Couplings

Clutches and Brakes

FLEXIDYNE

Fluid Couplings

TORQUE-TAMER

Bushings

Fluid Couplings

Page PT4-1

- Motor starts under no-load conditions
- Starting torque can be customized easily
- Permits use of standard NEMA design B motors
- Reduced voltage starters not needed
- Sizes 7 to 24 KSD with standard QD mounting sheave style
- KCP and CKCP mountings may require tapped motor shaft
- Available in standard and delay fill for increased control
- Optional fuse plug for overload protection
- Contact DODGE for non-standard sheaves



TORQUE-TAMER

Page PT5-2

- DODGE TORQUE-TAMER Clutches
- Low cost overload protection that's a cinch to adjust
- Quality features
 - Non-Asbestos friction discs
 - Long-Life bushing
- Exclusive "easy set" adjustment
- Automatic reset
- Higher torque ratings
- Application versatility
- Minimum maintenance



Bushings

Page PT6-2

- Full line of TAPER-LOCK and QD available
- Stock sizes available up to 12" shaft diameter
- Material: sintered steel, cast iron, ductile iron, and stainless steel
- Easy installation and demounting
- Inch and metric bores



Weld-On Hubs

Page PT6-12

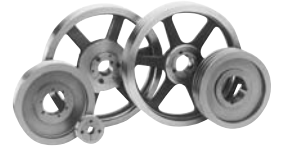
- Full line of TAPER-LOCK and QD available
- Steel material with rugged, compact designs
- Hubs to accommodate most bushing sizes
- Made-to-order capabilities—special construction and materials



V-Belt Sheaves

Page PT7-27

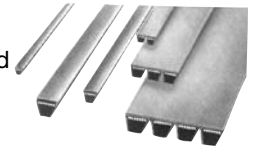
- Full line of TAPER-LOCK and QD available
- Classical (A, B, and C) and D-V Wedge style (3V, 5V, and 8V) groove profiles
- Stock sizes from one to 12 grooves and 2.65" to 71" in diameter
- Manufactured to MPTA standards
- MTO capabilities—material, construction, BTS, etc.
- Computer drive selection available



V-Belts

Page PT7-28

- Full range of Classical (A, B, and C) and D-V Wedge (3V, 5V, and 8V) belts
- Manufactured to RMA standards
- Poly-band, Double-V (hex), and FHP belts available
- Lengths from 22" to 660"
- Drive capability from 1 HP to over 1000 HP



REFERENCE GUIDE

FHP Belt Drives

Page PT8-10

- Full range of FHP belts available
- Finished-bore and “QT/L” bushed style sheaves available
- “QT/L” bushings available in metric bores
- Cast iron and manufactured to MPTA standards
- Sheave outside diameter range: 1-1/2” to 19-3/4”
- Variable pitch sheaves available
- Computer drive selection available



HTR and HTRC Synchronous Belt Drives

Page PT12-1 and PT13-1

Virtually maintenance free

- Requires no oil or grease to run efficiently
- No need to re-tension the belts
- Compact maintenance free design



Reinforced Parabolic Tooth Profile (RPP)

- Allows synchronous transmission of power eliminating slippage and speed variation on high torque application
- Low installation tension reducing loads on other power transmission components (i.e., bearings, gearing, motors, etc.)
- Delivers power up to speeds of 10,000 FPM (Standard hardware is rated for 6,500 FPM). Contact Dodge if speeds greater than 6500 FPM are required.
- Superior meshing characteristics with the sprocket
- Reduces sprocket wear due to friction
- Higher power ratings than comparable timing belts
- Quieter operation
- Wide speed range coverage

DYNA-SYNC Drives (Timing)

Page PT10-2

The Original Timing Drive

- Synchronized No-Slip Transmission
- No Lubrication Required
- Efficiency: Approximately 98%
- Low Maintenance
- Virtually No Backlash
- Constant Linear Velocity
- Drive Ratios to 8.5:1
- Pitches: XL, L, H, and XH
- Dual-Sided Teeth Available for Serpentine Drives



Mine Duty Extra Drum Pulley Assemblies

Page PT13-49

- One-piece integral hubs eliminate welded hub heat-affected zones (HAZ)
- 14° taper bushings with the lowest installation stress of any taper bushing shaft mounting system for two hub pulley applications
- Continuous welding of internal center disc
- Up to 1” vulcanized 45, 60, and 70 durometer SBR and 45, 60, and 70 durometer Neoprene rubber lagged with plain and groove surfaces
- Vulcanized 60 durometer D-Lag with +73% more abrasion resistance than 60 durometer SBR
- Drums either center crowned or straight face



HT Synchronous Belt Drives

Page PT11-2

- Full line of TAPER-LOCK, QD, and minimum plain bore sprockets
- Higher capacity drives
- Available pitches: HT series, 5 mm, 8 mm, and 14 mm
- Made-to-order sprocket capabilities: construction, non-standard number of teeth, etc.
- HT200 belt profiles
- Computer drive selection available
- Modified curvilinear tooth profile



REFERENCE GUIDE

PT Component
Quick References

Couplings

Clutches and Brakes

FLEXIDVNE

Fluid Couplings

TORQUE-TAMER

Bushings

Engineered Drum Pulley Assemblies

Page PT13-30

- Made to order based upon conveyor load, belt tension, belt wrap angles, and bearing centers
- Supplied for belt ratings up to and exceeding 8000 PIW or 1400 kN/m
- Welded, integral, and profiled end discs versions minimize the harmful effects of weld heat-affected zones (HAZ)
- 14° taper bushings with the lowest installation stress of any taper bushing shaft mounting system for two hub pulley applications up to 12" shaft diameter
- Keyless locking devices available for most shaft sizes



Roller Chain Sprockets

Page PT14-2

- Sprockets manufactured to ANSI standard
- TAPER-LOCK sprockets: #35 (3/8" pitch) to #160 (2" pitch)
- Double-strand and double-single sprockets also available
- Special machining and re-bore capabilities available as made-to-order product
- Accessories available: chain casings, idlers, tensioners, etc.
- Hardened teeth up to 25 teeth on #40 through #160 sprockets
- Chain tools available



Heavy Duty Drum Pulley Assemblies

Page PT15-10

- Standard, stock pulley assemblies fit CEMA dimensions and exceed the CEMA application standards for use with conveyor belts rated up to 750 PIW/(131 kN/m)
- 14° taper bushings with the lowest installation stress of any taper bushing shaft mounting system for two hub pulley applications
- Up to 1" vulcanized 45, 60, and 70 durometer SBR and 45, 60, and 70 durometer Neoprene rubber lagged with plain and groove surfaces
- Vulcanized 60 durometer D-Lag with +73% more abrasion resistance than 60 durometer SBR
- Drums either center crowned or straight face



Heavy Duty Wing Pulley Assemblies

Page PT15-22

- Standard, stock pulley assemblies fit CEMA dimensions and exceed the CEMA application standards for use with conveyor belts rated up to 350 PIW/61 kN/m
- 14° taper bushings with the lowest installation stress of any taper bushing shaft mounting system for two hub pulley applications
- Slide-on 92 durometer urethane wing lagging 1/2" thick or 45, 60, and 70 durometer SBR, vulcanized directly to contact bars. Also weld-on strips with 45 and 60 durometer with prebonded SBR rubber lagging



Mine Duty Extra Wing Pulley Assemblies

Page PT15-28

- Designed for use with DODGE Mine Duty EXTRA drum pulleys
- One-piece integral hubs
- 14° taper bushings with the lowest installation stress of any taper bushing shaft mounting system for two hub pulley applications
- Rugged construction incorporating 2" x 3/4" thick contact bars, 3/8" thick wings, and 3/8" thick spacers
- Up to 1/2" vulcanized 45, 60, and 70 durometer SBR and 45, 60, and 70 Neoprene rubber lagging on contact bars
- AR400 bar available



CONTENTS

Couplings

Features / Benefits

PARA-FLEX®	PT1-2
PARA-FLEX High Speed Flywheel	PT1-29
D-FLEX®	PT1-35
GRID-LIGN®	PT1-48
Gear Coupling	PT1-60
Chain Coupling	PT1-65
Power Plus	PT1-76

Specification

PARA-FLEX®	PT1-4
D-FLEX®	PT1-37
GRID-LIGN®	PT1-50
Gear Coupling	PT1-62
Chain Coupling	PT1-72
Power Plus	PT1-72

How To Order

PARA-FLEX®	PT1-4
D-FLEX®	PT1-37
GRID-LIGN®	PT1-50
Gear Coupling	PT1-62
Chain Coupling	PT1-72
Power Plus	PT1-74

Nomenclature

PARA-FLEX®	PT1-5
D-FLEX®	PT1-37
GRID-LIGN®	PT1-51
Gear Coupling	PT1-62
Chain Coupling	PT1-72
POLY-DISC®	PT1-63
Rigid	PT1-63

Selection/Dimensions

PARA-FLEX®	PT1-6
High Speed, TAPER-LOCK	PT1-30
D-FLEX®	PT1-38
GRID-LIGN®	PT1-52
Gear Coupling	PT1-63
Chain Coupling	PT1-66
POLY-DISC®	PT1-73
Rigid	PT1-74

Modifications/Accessories	PT1-81
---------------------------	--------

Engineering/Technical	PT1-83
-----------------------	--------

Part Number Index	INDEX-1
-------------------	---------

Keyword Index	INDEX-63
---------------	----------



FEATURES/BENEFITS

DODGE PARA-FLEX Couplings



Finished Bore Flange Design

- Extra bore capacity
- Accommodates larger shaft diameters
- Allows for smaller coupling selection
- Two setscrews at 65°
- Precision alignment flats
- Ductile iron flange for clearance or interference fits

TAPER-LOCK Flange Design

- Reversible flanges for H or F style mounting on sizes PX50-PX120
- Uses standard TAPER-LOCK bushings for wide range of bores

Five-Year Limited Warranty

- Dependable product performance
- 40+ years application experience
- Warranty includes sizes PX40 thru PX200



No Lubrication

- Less maintenance

Visual Inspection

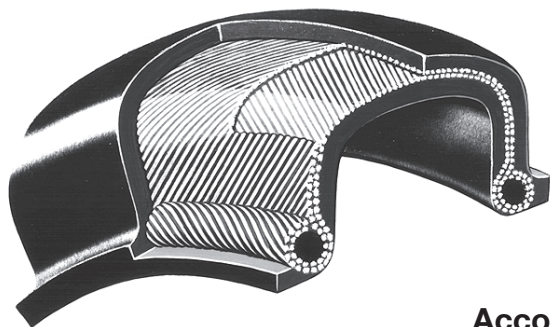
- Saves time

ATEX Approved

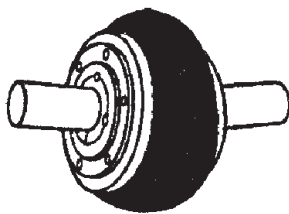
- Documents available

Torque Transmitted Through Composite Element System

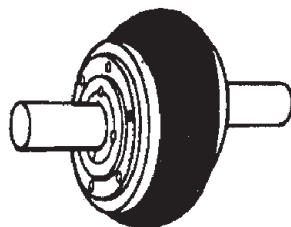
- Reinforced with torque-carrying tension cords
- Natural rubber or Neoprene
- Split end reinforcement
- Split element for easy installation
- Dampens torsional vibration



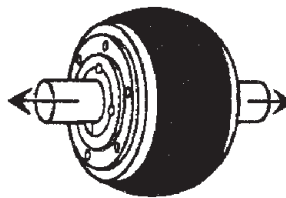
Accommodates Misalignment



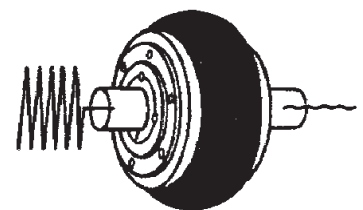
Takes 4° angular misalignment



Takes 1/8" parallel misalignment



Takes end-float of 1/4" to 5/16"



Dampens vibrations



FEATURES/BENEFITS

DODGE PARA-FLEX GTL, GT & GFB

GRIP TIGHT Bushing

- Baldor Technology
- GRIP TIGHT “Thin Wall” bushing provides largest bore size capability
 - Large Bore Size permits downsizing to a smaller coupling
- No keyway required (keyed shafting can be used if desired)
 - No Keyway = reduced vibration
 - No Keyway = maintenance savings
- Can be used with commercial shafting
 - Lower Shaft Tolerance = Less Shaft Preparation = shaft manufacturing (grinding) savings
- Concentric Contact on Shaft = Less vibration
 - Less wear/damage to coupled equipment
 - Better equipment efficiencies
- Easy on & Reliable Mounting from Coupling Side (not Coupling End)
 - Installation Savings vs. TL & QD Bushings

No fretting corrosion or setscrew marks on the shaft

 - Shaft Maintenance & Replacement Savings
- Proven GRIP TIGHT technology used in Dodge bearing and gear products

PARA-FLEX GTL, GT & GFB Flange

- PXGT Flange accepts GRIP TIGHT “Thin Wall” Bushings
 - Largest available bushed bore size
 - Larger Bore Size permits downsizing to a smaller coupling
- PXGT Flange accepts larger Taper Lock Bushings than existing PXTL Flange
 - Larger Bore Size permits downsizing to a smaller coupling
- PXGFB Finished Bore Flange provides greater bore capacity than existing PXFBX Flange
 - Larger bore size permits downsizing to a smaller coupling
 - Fewer Parts = Easier Installation
 - Internal Clamp Ring is integrated into Flange
 - Fewer flange blots
- Faster Installation & Reduced Maintenance Time via:
 - Total PARA-FLEX installation time reduced approximately 35%
 - Element Locking Nut allows for the “Fastest Tire Change in the Industry”
- Locking nut provides improved grip of element
 - Allows higher element torque ratings

PARA-FLEX “Problem Solver” Element

- Industry Leading 5 year warranty
 - Total Cost of Ownership Savings
- Highest Combined Misalignment Capability (Torsional, Axial & Angular)
 - Longer Element Life
 - Total Cost of Ownership Savings
 - Dampens vibrations
 - Handles varying torque & shock loads
- Tire Cord limits catastrophic Element failures
 - No unexpected process shutdowns
 - Warranty & Process Savings
- Element fatigue indicators
 - Allows for scheduled maintenance
- Lower Service Factors adds vs. Polyurethane Element
 - For temperatures > 150°F
 - For severe applications
 - Results in a smaller coupling
- Element can be installed on misaligned shafts
 - Fast simpler element installation & replacement



NOTE: Instruction manuals for PARA-FLEX Couplings and Taper Lock Bushings are available on www.dodge-pt.com



PARA-FLEX

SPECIFICATION

PARA-FLEX Couplings employ a molded, non-lubricated elastomeric flexing member loaded in shear. The flexible member is compounded natural or neoprene rubber with textile cord reinforcement throughout and has an extra layer of reinforcement adjacent to the split for added durability. The compound of natural rubber element shall be suitable for operation in ambient temperature from -45°F to +180°F; Neoprene -40°F to +210°F.

The flexible element is attached by clamping between axially separable rings with exposed SAE grade 8 cap screws. The couplings are designed to be capable of accommodating combined misalignments of 4° angular, 1/8" parallel, and 5/16" end float at the full rating of the coupling without restricting the rating or life of the coupling. The flexible element must be replaceable without disturbing the coupled equipment and without the requirement for realignment.

The coupling assemblies have optional methods of attachment to the shaft including but not limited to: clearance fit, interference fit and GRIP TIGHT Bushings or TAPER-LOCK bushings. Clearance fits and interference fits are supplied with an industry standard keyway and two set screws, one over the key and one at 65°.

Spacer Couplings consist of two hubs and a pre-assembled center assembly. The center assembly is readily removable to facilitate maintenance on pumps or other connected equipment and must be replaceable without disturbing the coupled equipment and without realignment.

- 1 PX40: 4° angular, 1/16" parallel, 3/16" end float.
- 2 PX110: 4° angular, 1/8" parallel, 1/4" end float.
- 3 PH & PF: 1° angular, 1/16" parallel, 3/16" end float.

PARA-FLEX Couplings are static conductive.

HOW TO ORDER

Standard couplings consist of:	Spacer Couplings consist of:
(2) Flange Assemblies	(2) Hubs
(1) Flexible Element	(1) Center Assembly
(2) Bushings (TL or GT only)	



NOMENCLATURE



PARA-FLEX ————— **PX** **40** **FBX**
 X = Standard —————
 S = Spacer
 H = High Speed
 F = Flywheel

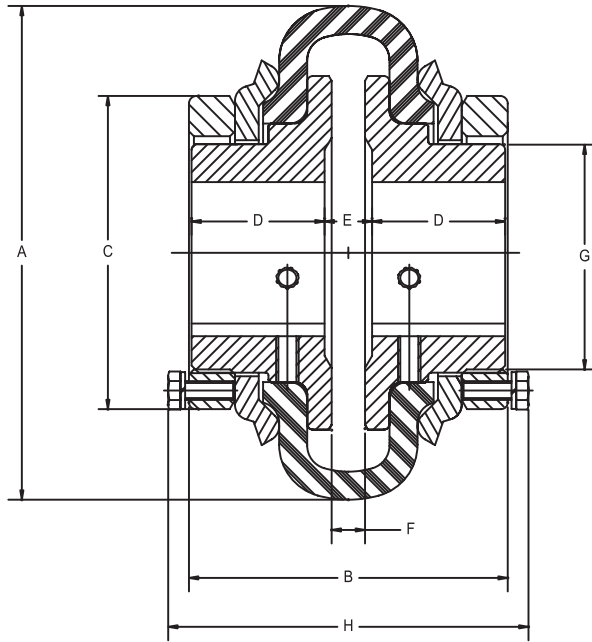
 Size (PX, PS only) ex.: Approx. 4" O.D. —————

 GFB = Greater Finished Bore —————
 GT = GRIP TIGHT Bushing
 GTL = Greater TAPER-LOCK Bushing
 FBX = Straight Bore, Extra Capacity
 FBS = Straight Bore, Short Series
 TL = TAPER-LOCK®
 BBS = Bored-To-Size, Steel
 TBS = One Taper Bored, one Bored-To-size, Steel
 BBPS = BBS, Piloted for Floating Shaft
 TBPS = TBS, Piloted for Floating Shaft



SELECTION/DIMENSIONS

PARA-FLEX GFB



GFB

PARA-FLEX GFB Greater Finished Bore

Coupling Size	Min. Bore	Max. Bore (Std Key)	Max. Bore (Shallow Key)	HP/100	Torque (In-Lbs)	Max. RPM	A	B	C	D	E	F	G	H (1)	Weight (Lbs.) (2)	Inertia (Lb-Ft ²) (3)
PX50GFB	1/2	1-11/16	1-7/8	2.00	1260	4500	5.25	3.44	3.34	1.38	0.60	0.45	2.55	4.24	6.4	0.09
PX60GFB	7/8	2-3/8	2-3/4	3.72	2340	4000	6.50	4.30	4.71	1.65	0.82	0.64	3.53	5.14	11.2	0.29
PX80GFB	1	3-3/16	3-1/2	7.15	4502	3100	8.38	5.01	6.09	1.98	0.97	0.73	4.71	6.13	23.1	0.99
PX100GFB	1-7/8	4-1/8	4-1/2	8.58	6250	2600	10.00	5.56	7.25	2.29	0.98	0.98	5.89	6.16	46.3	2.93

- (1) Before clamping the element
- (2) Weight of complete coupling at max bore
- (3) Inertia of complete coupling at max bore



SELECTION/DIMENSIONS

PARA-FLEX GFB

Bore* (in)	PX50GFB	PX60GFB	PX80GFB	PX100GFB
Reborable	000302	000308	000315	000251
1/2	000303			
5/8	000304			
7/8	000305	000309		
1-1/8	000306	000310		
1-3/8	000307	000311		
1-9/16	000359			
1-5/8	000360	000312	000380	
1-11/16	000361			
1-3/4	000362 Δ		000381	
1-13/16	000363 Δ			
1-7/8	000364 Δ	000313	000316	000252
1-15/16				000253
2				000254
2-1/8		000314	000317	000255
2-3/16				000256
2-1/4				000257
2-3/8		000365	000318	000258
2-7/16		000366 Δ		
2-1/2		000367 Δ		000259
2-5/8		000368 Δ		000260
2-11/16		000369 Δ		
2-3/4		000370 Δ		000261
2-7/8			000319	000262
3				000263
3-1/8			000371	000264
3-3/16			000372	
3-1/4			000373 Δ	000265
3-3/8			000374 Δ	000266
3-7/16			000375 Δ	
3-1/2			000376 Δ	000267
3-5/8				000268
3-3/4				000269
3-7/8				000270
4				000271
4-1/8				000272
4-1/4				000273Δ
4-3/8				000274Δ
4-1/2				000275Δ
Element Part Number	011105	011106	011108	011110

* For additional PXGFB bores part numbers not listed above, check with DODGE Marketing

Δ Key furnished for these sizes only

Complete coupling consist of:

(2) GFB Flange Assemblies

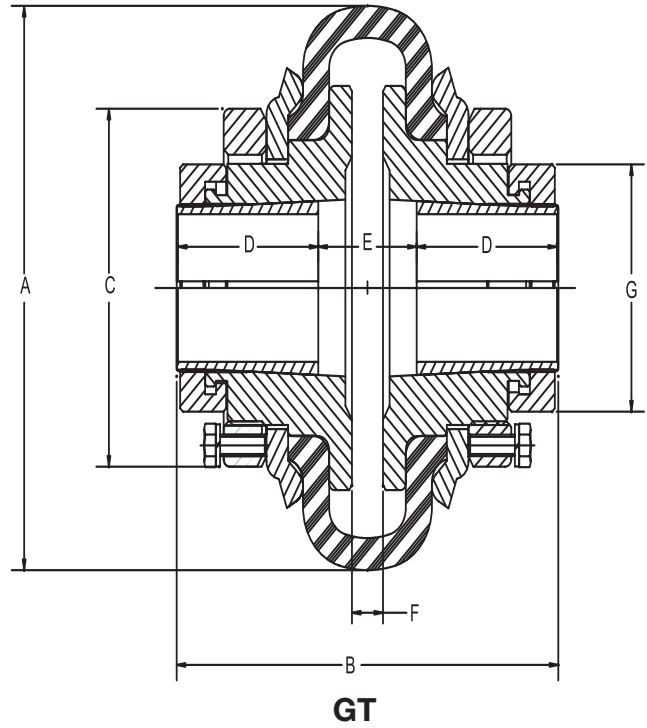
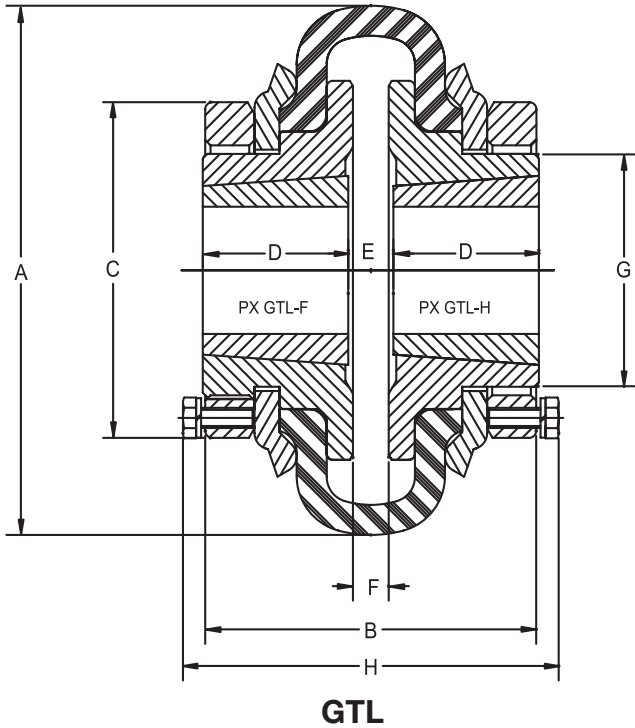
(1) Element

FEATURES/BENEFITS PAGE PT1-2	SPECIFICATION/HOW TO ORDER PAGE PT1-4	MODIFICATION/ACCESSORIES PAGE PT1-81	ENGINEERING/TECHNICAL PAGE PT1-83
---------------------------------	--	---	--------------------------------------



SELECTION/DIMENSIONS

PARA-FLEX, GTL & GT



PARA-FLEX GTL with TAPER-LOCK Bushings

Coupling Size	Max. Bore	HP/100	Torque (In-Lbs)	Max. RPM	DWG Type	A	B	C	D	E	F	G	H (1)	Weight (Lbs) (2)	Inertia (Lb-Ft ²) (3)
PX50GTL	1-1/4	2.00	1260	4500	1	5.25	3.60	3.34	1.50	0.52	0.45	2.55	4.24	6.4	0.89
PX60GTL	2-1/8	3.72	2340	4000	1	6.50	4.30	4.71	1.25	0.82	0.64	3.53	5.14	11.2	0.29
PX80GTL	2-11/16	7.15	4502	3100	1	8.38	5.01	6.09	1.75	0.89	0.73	4.71	6.13	23.1	0.99
PX100GTL	3-1/4	8.58	6250	2600	1	10.00	5.55	7.67	2.00	0.95	0.95	5.89	6.16	46.3	2.93

- (1) Before clamping the element
- (2) Weight of complete coupling with bushing at max bore
- (3) Inertia of complete coupling with bushing at max bore

PARA-FLEX GT with GRIP TIGHT Adapter

Coupling Size	Max. Bore	HP/100	Torque (in-Lbs) (3)	Max. RPM	DWG Type	A	B	C	D	E	F	G	Weight (Lbs) (1)	Inertia (lb-Ft ²) (2)
PX50GT	1-7/16	2.00	1260	4500	2	5.25	4.58	3.34	1.62	1.22	0.45	2.39	6.5	0.10
PX60GT	2-1/4	3.72	2340	4000	2	6.50	5.50	4.71	1.93	1.50	0.64	3.43	12.4	0.33
PX80GT	3	7.15	4502	3100	2	8.38	6.49	6.09	2.56	1.37	0.73	4.44	24.9	1.05

- (1) Weight of complete coupling with bushing at max bore
- (2) Inertia of complete coupling with bushing at max bore
- (3) Check GT Bushing Torque rating on page PT1-10 : PT1-11. Use the lower max. Torque rating between the element and GT bushing,

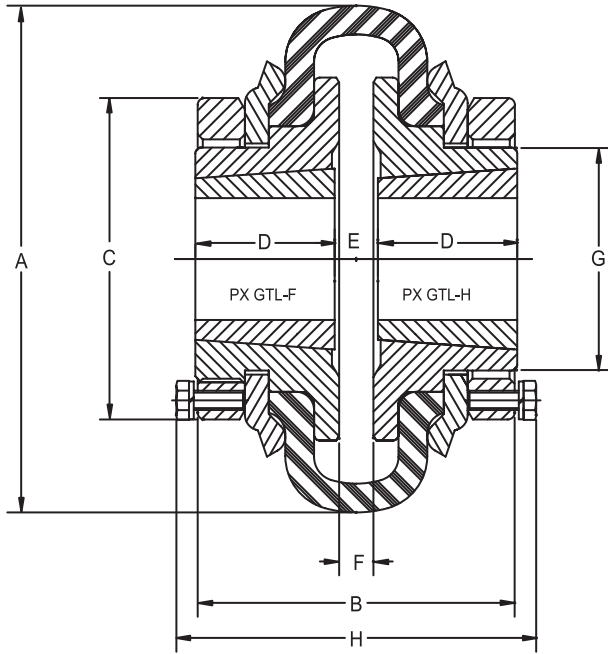
Selection instructions found on page PT1-83

FEATURES/BENEFITS PAGE PT1-2	SPECIFICATION/HOW TO ORDER PAGE PT1-4	MODIFICATION/ACCESSORIES PAGE PT1-81	ENGINEERING/TECHNICAL PAGE PT1-83
---------------------------------	--	---	--------------------------------------

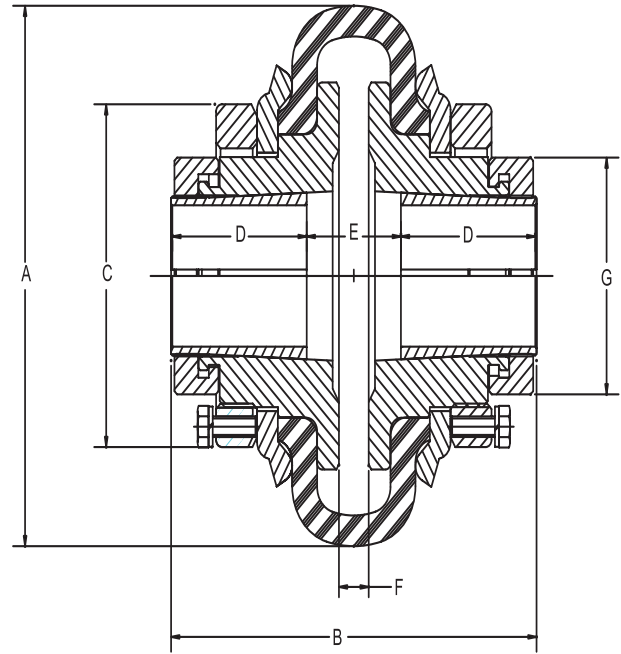


SELECTION/DIMENSIONS

PARA-FLEX, GTL & GT Part Numbers



GTL



GT

PARA-FLEX GTL with TAPER-LOCK Bushings

Coupling Size	Flange Assembly Part Number		Bushing Size	Element Part Number
	Type F	Type H		
PX50GTL	000335	000377	1215	011105
PX60GTL	000336	000378	2012	011106
PX80GTL	000337	000379	2517	011108
PX100GTL	000276	000277	3020	011110

PARA-FLEX GT with GRIP TIGHT Adapter

Coupling Size	Flange Assembly Part Number	GT Series	Element Part Number
PX50GT	000332	207	011105
PX60GT	000333	211	011106
PX80GT	000334	215	011108

Complete Coupling Consists Of:

- (2) Flange Assemblies
- (2) TL Bushings or GRIP TIGHT Bushings (TL Bushings are on page PT6-3 and Grip Tight Bushings are on page PT1-10: PT1-11)
- (1) Element

Selection instructions found on page PT1-83

FEATURES/BENEFITS PAGE PT1-2	SPECIFICATION/HOW TO ORDER PAGE PT1-4	MODIFICATION/ACCESSORIES PAGE PT1-81	ENGINEERING/TECHNICAL PAGE PT1-83
---------------------------------	--	---	--------------------------------------



SELECTION/DIMENSIONS

GT Adapter and Lock Nut Assemblies

PXGT	Series	Shaft Size	Adapter Sleeve & Lock Nut Assembly			
			Part No.	Description		
50	207	RB	136432	AN-GT-07-008 REBORE		
		1/2	136433	AN-GT-07-008		
		5/8	136434	AN-GT-07-010		
		3/4	136435	AN-GT-07-012		
		7/8	136436	AN-GT-07-014		
		1	136437	AN-GT-07-100		
		1 1/8	136438	AN-GT-07-102		
		1 3/16	129926	AN-GTM-07-103		
		1 1/4	129911	AN-GT-07-104		
		1 3/8	129912	AN-GT-07-106		
		1 7/16	129913	AN-GT-07-107		
		30mm	129954	AN-GTM-07-30M		
		35mm	129946	AN-GT-07-35M		
		60	211	RB	136439	AN-GT-11-014 REBORE
7/8	136440			AN-GT-11-014		
1	136441			AN-GT-11-100		
1 1/8	136442			AN-GT-11-102		
1 3/16	136443			AN-GT-11-103		
1 1/4	136444			AN-GT-11-104		
1 3/8	136445			AN-GT-11-106		
1 7/16	136446			AN-GT-11-107		
1 1/2	136447			AN-GT-11-108		
1 5/8	136448			AN-GT-11-110		
1 3/4	136449			AN-GT-11-112		
1 7/8	136450			AN-GT-11-114		
1 15/16	129931			AN-GTM-11-115		
2	129932			AN-GTM-11-200		
2 1/8	136451			AN-GT-11-202		
2 3/16	129920			AN-GT-11-203		
2 1/4	129956			AN-GT-11-204		
50mm	129961			AN-GTM-11-50M		
55mm	129950			AN-GT-11-55M		
80	215			RB	136453	AN-GT-15-104 REBORE
				1 1/4	136454	AN-GT-15-104
		1 3/8	136455	AN-GT-15-106		
		1 7/16	136456	AN-GT-15-107		
		1 1/2	136457	AN-GT-15-108		
		1 5/8	136458	AN-GT-15-110		
		1 3/4	136459	AN-GT-15-112		
		1 7/8	136460	AN-GT-15-114		
		1 15/16	136461	AN-GT-15-115		
		2	136462	AN-GT-15-200		
		2 1/8	136463	AN-GT-15-202		
		2 3/16	136464	AN-GT-15-203		
		2 1/4	136465	AN-GT-15-204		
		2 3/8	136466	AN-GT-15-206		
		2 7/16	136467	AN-GT-15-207		
		2 1/2	136468	AN-GT-15-208		
		2 11/16	129937	AN-GTM-15-211		
		2 7/8	136469	AN-GT-15-214		
		2 15/16	129923	AN-GT-15-215		
		3	129987	AN-GT-15-300		
		70mm	129964	AN-GTM-15-70M		
		75mm	129953	AN-GT-15-75M		

Selection Chart For Metric Bore Sizes

Coupling Size	Shaft Size (inches)	Flange Type			Element Rated Torque (in-lbs)	Maximum GT Adapter Torque (in-lbs)	Max RPM
		GTL	GT	GFB			
PX50	RB	X	X		1260	1836	4500
	30 mm		X				
	35 mm		X				
PX60	RB	X	X		2340		4000
	14 mm	X					
	16 mm	X					
	18 mm	X					
	19 mm	X					
	20 mm	X					
	22 mm	X					
	24 mm	X					
	25 mm	X					
	28 mm	X					
	30 mm	X					
	32 mm	X					
	35 mm	X					
	38 mm	X					
	40 mm	X					
	42 mm	X					
45 mm	X						
48 mm	X						
50 mm		X		3158			
55 mm		X		3474			
PX80	RB	X	X		4502		3100
	14 mm	X					
	16 mm	X					
	18 mm	X					
	19 mm	X					
	20 mm	X					
	22 mm	X					
	24 mm	X					
	25 mm	X					
	28 mm	X					
	30 mm	X					
	32 mm	X					
	35 mm	X					
	38 mm	X					
	40 mm	X					
	42 mm	X					
	45 mm	X					
48 mm	X						
50 mm	X						
55 mm	X						
60 mm	X						
65 mm	X						
70 mm		X		7602			
75 mm		X		8146			

Element Size	Standard Part No.	Neoprene (1) Part No.	Cordless (2) Part No.	Weight (Lbs)
PX50	011105	011296	011285	0.7
PX60	011106	011297	011286	1.2
PX80	011108	011299	011288	2.2
PX100	011110	011301	011290	2.5

- (1) Neoprene element ratings are the same as the standard natural rubber element range. (Green sticker or painted mark)
- (2) Cordless elements have an average static torsional stiffness 25% of the standard element and approximately 25% of the torque rating. (White sticker or painted mark)

FEATURES/BENEFITS PAGE PT1-2	SPECIFICATION/HOW TO ORDER PAGE PT1-4	MODIFICATION/ACCESSORIES PAGE PT1-81	ENGINEERING/TECHNICAL PAGE PT1-83
---------------------------------	--	---	--------------------------------------

PT Component Reference Guide
 Couplings
 Clutches and Brakes
 FLEXIDYNE
 Fluid Couplings
 TORQUE-TAMER
 Bushings



SELECTION/DIMENSIONS

Selection Chart For English Bore Sizes

Coupling Size	Shaft Size (Inches)	Flange Type			Element Rated Torque (in-lbs)	Maximum GT Adapter Torque (in-lbs)	Max RPM	Coupling Size	Shaft Size (Inches)	Flange Type			Element Rated Torque (in-lbs)	Maximum GT Adapter Torque (in-lbs)	Max RPM
		GTL	GT	GFB						GTL	GT	GFB			
PX50	RB	X	X		1260	4500	PX80	RB	X	X		4502	3100		
	1/2	X	R					1/2	X						
	9/16	X						5/8	X						
	5/8	X	R					11/16	X						
	11/16	X						3/4	X						
	3/4	X	R					13/16	X						
	13/16	X						7/8	X						
	7/8	X	R					15/16	X						
	15/16	X						1	X						
	1	X	R					1 1/16	X						
	1-1/16	X						1 1/8	X						
	1-1/8	X	R					1 3/16	X						
	1-3/16	X	X					1 1/4	X	R	3448^				
	1-1/4	X	X					1 5/16	X						
	1-3/8		X					1 3/8	X	R	3793^				
	1-7/16		X					1 7/16	X	R	3965^				
	1-9/16			X				1 1/2	X	R	4138^				
	1-5/8			X				1 9/16	X						
	1-11/16			X				1 5/8	X	R	4483^				
	1-3/4			X				1 11/16	X						
1-13/16			X	1 3/4	X	R	4828								
1-7/8			X	1 13/16	X										
PX60	RB	X	X		2340	4000	1 7/8	X	R		5173				
	1/2	X					1 15/16	X	R		5345				
	9/16	X					2	X	R		5517				
	5/8	X					2 1/16	X							
	11/16	X					2 1/8	X	R		5862				
	3/4	X					2 3/16	X	R		6034				
	13/16	X					2 1/4	X	R		6207				
	7/8	X	R				2 5/16	X							
	15/16	X					2 3/8	X	R		6552				
	1	X	R				2 7/16	X	R		6724				
	1 1/16	X					2 1/2	X	R		6897				
	1 1/8	X	R				2 5/8	X							
	1 3/16	X	R				2 11/16	X	X		7414				
	1 1/4	X	R				2 7/8		R		7931				
	1 5/16	X					2 15/16		X		8104				
	1 3/8	X	R				3		X		8276				
	1 7/16	X	R				3 1/8			X					
	1 1/2	X	R				3 3/16			X					
	1 9/16	X					3 1/4			X					
	1 5/8	X	R				3 3/8			X					
	1 11/16	X					3 7/16			X					
	1 3/4	X	R				3 1/2			X					
	1 13/16	X													
	1 7/8	X	R												
	1 15/16	X	X												
	2	X	X												
	2 1/8	X	R												
	2 3/16		X												
	2 1/4		X												
	2 3/8			X											
2 7/16			X												
2 1/2			X												
2 5/8			X												
2 11/16			X												
2 3/4			X												

NOTE: Bore sizes for flanges with "R" are reborable sizes
 ^ Sizes where the GT capacity is below element capacity

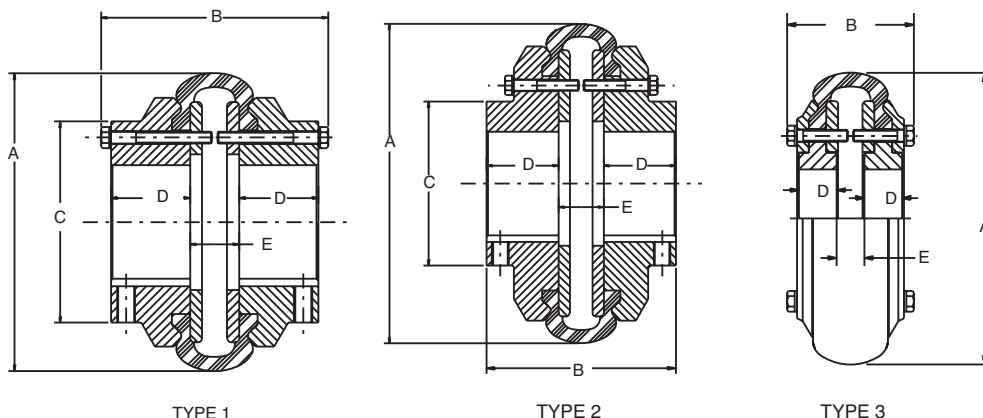
Selection instructions found on page PT1-83

FEATURES/BENEFITS PAGE PT1-2	SPECIFICATION/HOW TO ORDER PAGE PT1-4	MODIFICATION/ACCESSORIES PAGE PT1-81	ENGINEERING/TECHNICAL PAGE PT1-83
---------------------------------	--	---	--------------------------------------



SELECTION/DIMENSIONS

Standard, Straight Bore



FBX

Coupling Size	Min. Bore	Max. Bore	HP/100	Torque (In-Lbs)	Max. RPM	Dwg. Type	A	B	C	D	E	Weight (1) (Lbs.)	Inertia (2) (Lb-Ft ²)
PX40FBX	1/2	1-7/16	.68	429	4500	1	4.25	3.50	2.88	1.15	.76	4.10	.05
PX50FBX	5/8	1-7/8	1.43	900	4500	1	5.25	4.44	3.14	1.51	.96	7.70	.10
PX60FBX	7/8	2-3/16	2.86	1800	4000	1	6.50	5.59	4.08	1.84	1.28	13.50	.26
PX70FBX	7/8	2-3/8	3.49	2200	3600	1	7.38	6.13	4.63	2.00	1.50	19.90	.54
PX80FBX	1-7/16	2-7/8	5.72	3605	3100	1	8.38	6.69	5.39	2.30	1.50	30.00	1.06
PX90FBX	1-7/16	3-3/8	7.15	4502	2800	1	9.25	7.69	6.09	2.70	1.53	42.40	1.96
PX100FBX	1-7/16	3-3/8 ●	8.58	5402	2600	2	10.00	7.13	5.15	2.70	1.71	50.10	2.71
PX110FBX	1-1/2	3-3/4 ■	12.30	7750	2300	2	11.00	7.14	5.56	2.79	1.56	56.00	3.10
PX120FBX	1-1/2	3-3/4	20.00	12605	2100	2	12.38	7.75	5.84	3.00	1.75	80.20	5.81

● Shallow keyway on bores of 3-1/4", 3-3/8". Key provided.

■ Shallow keyway on bores of 3-5/8", 3-3/4". Key provided.

FBS

Coupling Size	Min. Bore	Max. Bore	HP/100	Torque (In-Lbs)	Max. RPM	Dwg. Type	A	B	D	E	Weight (1) (Lbs.)	Inertia (2) (Lb-Ft ²)
PX50FBS	5/8	1-3/8	1.43	900	4500	3	5.25	2.75	.88	.53	4.10	.05
PX60FBS	7/8	1-13/16	2.86	1800	4000	3	6.50	3.36	1.00	.71	8.20	.16
PX70FBS	7/8	2-3/16	3.49	2200	3600	3	7.38	3.57	1.00	.95	11.80	.32
PX80FBS	1-7/16	2-11/16	5.72	3605	3100	3	8.38	3.57	1.25	.95	16.60	.60
PX90FBS	1-7/16	2-7/8	7.15	4502	2800	3	9.25	4.03	1.75	.33	22.60	1.00

(1) Weight of complete coupling at maximum bore.

(2) Inertia of complete coupling at maximum bore.

FEATURES/BENEFITS PAGE PT1-2	SPECIFICATION/HOW TO ORDER PAGE PT1-4	MODIFICATION/ACCESSORIES PAGE PT1-81	ENGINEERING/TECHNICAL PAGE PT1-83
---------------------------------	--	---	--------------------------------------



SELECTION/DIMENSIONS

Standard, Straight Bore - Part Numbers FBX Flange Assemblies

Bore (in.)	Coupling Size/Part Number								
	PX40FBX	PX50FBX	PX60FBX	PX70FBX	PX80FBX	PX90FBX	PX100FBX	PX110FBX	PX120FBX
Reborable	• 000478	• 000480	• 000481	• 000482	• 000483	• 000484	• 000485	• 000486	• 000487
Finished Bore Flanges									
5/8	• 000822	000575							
3/4	• 000823	000576							
7/8	• 000824	000577	000590	000606					
15/16	000825	000578	003251	003283					
1	• 000826	• 000579	000591	000607					
1-1/16	000827	000580	003252	003284					
1-1/8	• 000828	• 000581	• 000592	• 000608					
1-3/16	000829	000582	003253	003285					
1-1/4	• 000830	• 000583	• 000593	• 000609					
1-5/16	000831	000584	003254	003286					
1-3/8	• 000832	• 000585	• 000594	• 000610					
1-7/16	000833	000586	000595	003287	000619	000632	000649		
1-1/2		• 000587	• 000596	• 000611	• 000620	• 000633	000650	000666	000685
1-9/16			000597	003288	003323	003356	003402	003450	003501
1-5/8		• 000588	• 000598	• 000612	• 000621	• 000634	000651	000667	000686
1-11/16			000599	003289	003324	003357	003403	003451	003502
1-3/4		000589	• 000600	• 000613	• 000622	• 000635	• 000652	• 000668	000687
1-7/8		• 000573	• 000601	• 000614	• 000623	• 000636	• 000653	• 000669	000688
1-15/16			000602	003291	003326	003359	003405	003453	003504
2			000603	000615	000624	000637	000654	000670	000689
2-1/8			• 000604	• 000616	• 000625	• 000638	• 000655	• 000671	000690
2-3/16			000605	003293	003328	003361	003407	003455	003506
2-1/4				• 000617	• 000626	• 000639	• 000656	• 000672	000691
2-3/8				• 000618	• 000627	• 000640	• 000657	• 000673	000692
2-7/16					003330	003363	003409	003457	003508
2-1/2					• 000628	• 000641	000658	000674	000693
2-5/8					000629	000642	000659	000675	000694
2-3/4					000630	000643	000660	000676	000695
2-7/8					• 000631	• 000644	• 000661	• 000677	• 000696
3						000645	000662	000678	000697
3-1/8						000646	000663	000679	000698
3-1/4						000647	000664	000680	000699
3-3/8						• 000648	• 000665	• 000681	• 000700
3-1/2								000682	000701
3-5/8								000683	000702
3-3/4								000684	000703

FBS Flange Assemblies

Bore (in.)	Coupling Size/Part Number				
	PX50FBS	PX60FBS	PX70FBS	PX80FBS	PX90FBS
Reborable	• 009199	• 009214	• 009215	• 009223	• 009230

(1) Standard natural rubber element Part Numbers on Page PT1-16

- Stocked flange assemblies

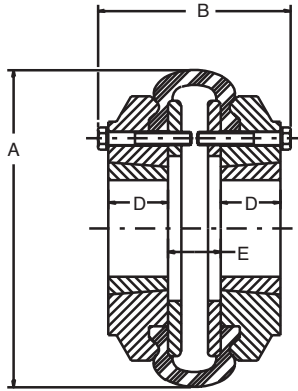
Complete coupling consists of (2) FBX or FBS flange assemblies, and (1) element.

FEATURES/BENEFITS PAGE PT1-2	SPECIFICATION/HOW TO ORDER PAGE PT1-4	MODIFICATION/ACCESSORIES PAGE PT1-81	ENGINEERING/TECHNICAL PAGE PT1-83
---------------------------------	--	---	--------------------------------------

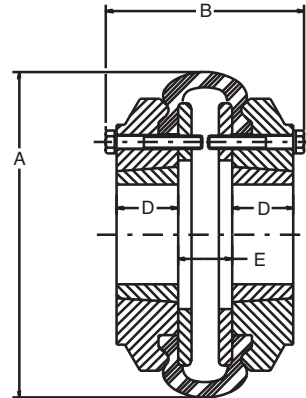


SELECTION/DIMENSIONS

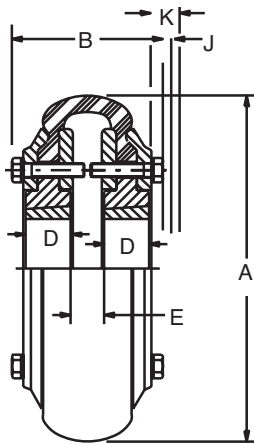
Standard, TAPER-LOCK



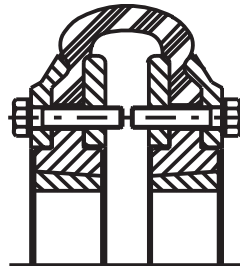
PX40 STANDARD COUPLING
TYPE H TAPER-LOCK



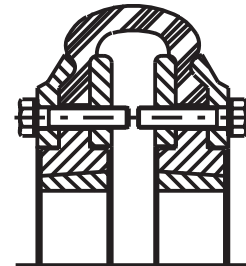
PX40 STANDARD COUPLING
TYPE F TAPER-LOCK



TYPE HF

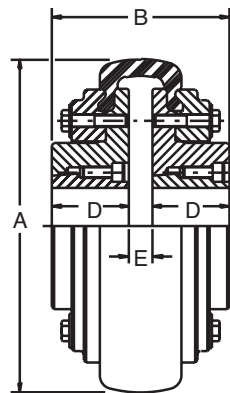


TYPE H

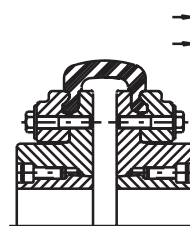


TYPE F

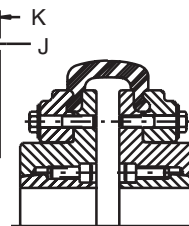
PX-50-120 PARA-FLEX TAPER-LOCK COUPLINGS



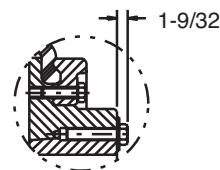
TYPE HF



TYPE H-H



TYPE F-F



PX280 & 320 ONLY

PX-140-320 PARA-FLEX TAPER-LOCK COUPLINGS



SELECTION/DIMENSIONS

Standard, TAPER-LOCK

Coupling Size	Max. Bore	HP/100	Torque (In-Lbs)	Max. RPM	A	B	D	E	J (1)	K (2)	Weight (Lbs.) (3)	Inertia (Lb-Ft ²) (4)
PX40TL	1	.68	429	4500	4.25	3.00	0.88	0.77	0.63	0.75	4.20	0.05
PX50TL	1-1/8	1.43	900	4500	5.25	2.75	0.88	0.53	0.63	0.75	4.70	0.07
PX60TL	1-7/16	2.86	1800	4000	6.50	3.34	1.00	0.72	0.81	1.06	9.20	0.21
PX70TL	1-11/16	3.49	2200	3600	7.38	3.56	1.00	0.95	0.81	1.06	13.00	0.30
PX80TL	2-1/8	5.72	3605	3100	8.38	3.75	1.25	0.77	0.94	1.38	19.60	0.73
PX90TL	2-11/16	7.15	4502	2800	9.25	4.03	1.75	0.33	1.00	1.63	28.80	1.30
PX100TL	2-11/16	8.58	5402	2600	10.00	4.22	1.75	0.52	1.00	1.63	38.00	2.20
PX110TL	2-11/16	12.30	7750	2300	11.00	4.53	1.75	0.47	1.00	1.63	52.10	3.70
PX120TL	3-1/4	20.00	12605	2100	12.38	5.03	2.00	0.44	1.19	2.06	74.40	6.60
PX140TL	3-15/16	44.00	27590	1840	14.13	7.81	3.50	0.81	1.31	2.69	156.00	18.70
PX160TL	4-7/16	60.00	37800	1560	16.63	9.19	4.00	1.19	1.63	3.38	243.00	33.70
PX200TL	4-15/16	131.00	82500	1300	20.00	10.31	4.50	1.31	1.94	4.06	417.00	101.00
PX240TL	5	240.00	151200	1080	24.13	11.91	5.00	1.91	2.31	4.81	682.00	231.00
PX280TL	7	480.00	302200	910	28.50	15.97	6.00	2.22	1.63	4.38	1148.00	544.00
PX320TL	8	719.00	453000	810	32.50	16.31	6.50	2.06	1.63	4.38	1640.00	1077.00

- Notes:** (1) Space required to tighten bushing with shortened hex key.
 (2) Space required to loosen bushing with shortened hex key.
 (3) Weight of complete coupling with bushing.
 (4) Inertia of complete coupling with bushing.

FEATURES/BENEFITS PAGE PT1-2	SPECIFICATION/HOW TO ORDER PAGE PT1-4	MODIFICATION/ACCESSORIES PAGE PT1-81	ENGINEERING/TECHNICAL PAGE PT1-83
---------------------------------	--	---	--------------------------------------



SELECTION/DIMENSIONS

Standard, TAPER-LOCK Part Numbers

TAPER-LOCK Flange Assemblies

Coupling Size	Flange Assembly Part No.		TAPER-LOCK Bushing Size
	Type H	Type F	
PX40	000849	000848	1008
PX50	010601	*	1108
PX60	010602	*	1310
PX70	010603	*	1610
PX80	010604	*	2012
PX90	010605	*	2517
PX100	010606	*	2517
PX110	010607	*	2517
PX120	010608	*	3020
PX140	011134	011154	3535
PX160	011137	011157	4040
PX200	011140	011160	4545
PX240	011144	011164	5050
PX280	011455	011456	7060
PX320	011472	011471	8065

Standard Natural Rubber Elements †

Coupling Size	Flexible Element Part No.
PX40	011529
PX50	011105
PX60	011106
PX70	011107
PX80	011108
PX90	011109
PX100	011110
PX110	011111
PX120	011112
PX140	011114
PX160	011117
PX200	011120
PX240	011124
PX280	011457
PX320	011463

* PX50-PX120 have a reversible flange for type H or F mount

Complete coupling consists of (2) TAPER-LOCK Flange Assemblies, and (1) element.

† See page PT1-81 for optional elements



FEATURES/BENEFITS PAGE PT1-2	SPECIFICATION/HOW TO ORDER PAGE PT1-4	MODIFICATION/ACCESSORIES PAGE PT1-81	ENGINEERING/TECHNICAL PAGE PT1-83
---------------------------------	--	---	--------------------------------------



SELECTION/DIMENSIONS

Standard, TAPER-LOCK Part Numbers

Metric PARA-FLEX TAPER-LOCK Flange Assemblies

Coupling Size	Flange Assembly Part No.		Taper-Lock Bushing Size
	Type H	Type F	
PXM40	013095	013096	1008
PXM50	013040	013041	1210
PXM60	013043	013042	1610
PXM70	013044	■	1610
PXM80	013045	■	2012
PXM90	013046	■	2517 *
PXM100	013047	■	2517 *
PXM110	013048	■	2517 *
PXM120	013049	■	3020

■ PXM70 - PXM120 have a reversible flange for type H or F mount.

* Hard metric bushing required

Note: For TAPER-LOCK designs, TAPER-LOCK bushings must be ordered separately. Refer to bushing section PT6-2.



FEATURES/BENEFITS PAGE PT1-2	SPECIFICATION/HOW TO ORDER PAGE PT1-4	MODIFICATION/ACCESSORIES PAGE PT1-81	ENGINEERING/TECHNICAL PAGE PT1-83
---------------------------------	--	---	--------------------------------------



SELECTION/DIMENSIONS

Spacer, Straight Bore Shaft Hub - Part Numbers (1)

Bore (in.)	Coupling Size/Part Number											
	PS40	PS50	PS60		PS70		PS80/90		PS100/110		PS120	
	FBX	FBX	FBS	FBX	FBS	FBX	FBS	FBX	FBS	FBX	FBS	FBX
Reborable	• 000479	• 000490	• 000492	• 000491	• 000494	000493	• 000496	• 000495	• 000498	• 000497	• 000500	• 000499
5/8	• 000836	000704										
3/4	• 000837	000705										
7/8	• 000838	000706	000719		000739							
15/16	000839	000707										
1	• 000840	• 000708	000720		000740							
1-1/16	000841	000709										
1-1/8	• 000842	• 000710	• 000721		• 000741							
1-3/16	000843	000711										
1-1/4	• 000844	• 000712	• 000722		• 000742							
1-5/16	000845	000713										
1-3/8	• 000846	• 000714	• 000723		• 000743							
1-7/16	000847	000715	000724				000759		000776			
1-1/2		• 000716	• 000725		• 000744		• 000760		000777		000796	
1-9/16			000726									
1-5/8		• 000717	• 000727		• 000745		• 000761		000778		000797	
1-11/16			000728									
1-3/4		000718	• 000729		• 000746		• 000762		• 000779		• 000798	
1-7/8		• 000574	• 000730		• 000747		• 000763		• 000780		• 000799	
1-15/16			000731									
2				000732		000735	000764		000781		000800	
2-1/8				• 000733		• 000736	000765	• 000748	• 000782		• 000801	
2-3/16				000734								
2-1/4						• 000737		• 000749	• 000783		• 000802	
2-3/8						• 000738		• 000750	• 000784		• 000803	
2-1/2								• 000751	• 000785		• 000804	
2-5/8								000752		000766		000786
2-3/4								000753		000767		000787
2-7/8								• 000754		• 000768		• 000788
3								000755		000769		000789
3-1/8								000756		000770		000790
3-1/4								000757		000771		000791
3-3/8								• 000758		• 000772		• 000792
3-1/2										000773		000793
3-5/8										000774		000794
3-3/4										000775		000795

• Stocked shaft hubs

(1) See page PT1-22 for spacer center assembly part numbers.

Complete coupling consists of:

(2) Shaft Hubs, TAPER-LOCK or Straight Bore

(1) Spacer Center Assembly

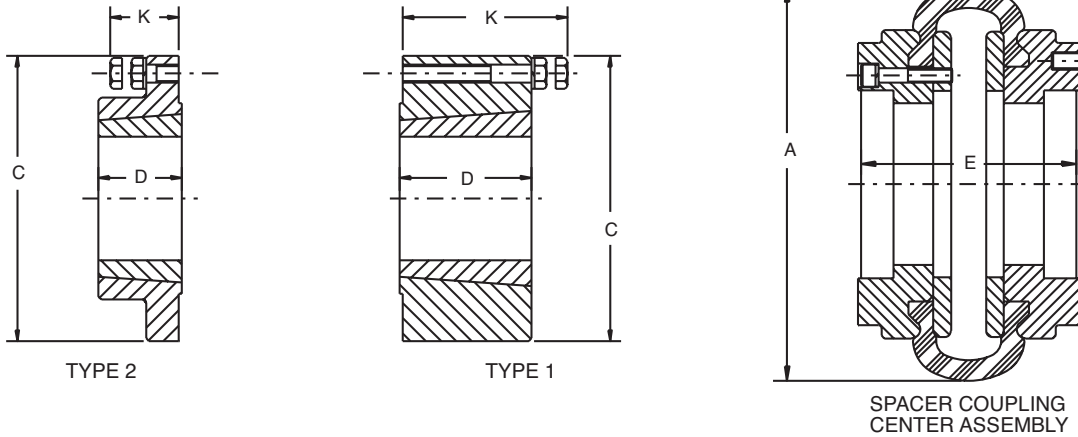
NOTE: Standard Bore Tolerances: Straight bore couplings from PX40 - PX120 are furnished with clearance fit. PX140 - PX320 are furnished with interference fit.

FEATURES/BENEFITS PAGE PT1-2	SPECIFICATION/HOW TO ORDER PAGE PT1-4	MODIFICATION/ACCESSORIES PAGE PT1-81	ENGINEERING/TECHNICAL PAGE PT1-83
---------------------------------	--	---	--------------------------------------



SELECTION/DIMENSIONS

Spacer, TAPER-LOCK



TAPER-LOCK Spacer Shaft Hubs

Coupling Size	Max. Bore	HP/100	Torque (In-Lbs)	Max. RPM	Dwg. Type	C	D	K (1)	Weight (Lbs) (2)	Inertia (Lb. Ft. ²)
PS40TL	1	.68	429	4500	1	2.88	0.88	1.75	1.10	0.01
PS50TL	1-1/4	1.43	900	4500	2	3.81	1.00	1.00	1.80	0.02
PS60TL	1-11/16	2.86	1800	4000	2	4.44	1.00	1.00	2.40	0.03
PS70TL	2-1/8	3.49	2200	3600	2	5.00	1.25	1.00	4.00	0.07
PS80TL	2-11/16	5.72	3605	3100	2	6.00	1.75	1.25	7.70	0.22
PS90TL	2-11/16	7.15	4502	2800	2	6.00	1.75	1.25	7.70	0.22
PS100TL	2-11/16	8.58	5402	2600	2	6.75	1.75	1.25	9.00	0.28
PS110TL	2-11/16	12.30	7750	2300	2	6.75	1.75	1.25	9.00	0.28
PS120TL	3-1/4	20.00	12605	2100	2	8.25	2.00	1.50	16.60	0.76
PS140TL	3-15/16	44.00	27590	1840	1	7.69	3.50	4.50	37.00	2.20
PS160TL	4-7/16	60.00	37800	1560	1	8.63	4.00	5.00	55.00	3.90
PS200TL	4-15/16	131.00	82500	1300	1	10.00	4.50	5.50	87.40	8.00

Spacer Center Assemblies

Coupling Size	A	E		Weight (Lbs.) (3)	Weight Adder (4)	Inertia (Lb. Ft. ²) (5)	Inertia Adder (6)
		Min.	Max.				
PS40	4.25	2.75	5.75	4.00	.50	0.04	0.01
PS50	5.25	2.88	7.33	6.90	1.28	0.10	0.02
PS60	6.50	3.38	7.33	9.50	1.70	0.28	0.03
PS70	7.38	3.50	7.50	12.20	2.10	0.50	0.07
PS80	8.38	3.50	10.00	16.90	2.90	1.89	0.22
PS90	9.25	3.50	10.00	21.10	2.90	1.40	0.22
PS100	10.00	3.50	10.00	23.60	3.87	2.10	0.28
PS110	11.00	3.50	10.00	41.00	3.87	3.30	0.28
PS120	12.38	4.50	10.00	56.40	5.86	7.30	0.76
PS140	14.13	6.44	13.00	115.00	4.49	18.70	0.80
PS160	16.63	8.06	11.44	216.00	5.58	33.70	0.90
PS200	20.00	9.94	12.88	290.00	7.65	101.00	1.60

- (1) Screw clearance required to remove center assembly
- (2) Hub weight includes bushing at max. bore
- (3) Center assembly weight at minimum length

- (4) Weight adder per inch length
- (5) Center assembly inertia at minimum length
- (6) Inertia added per inch length

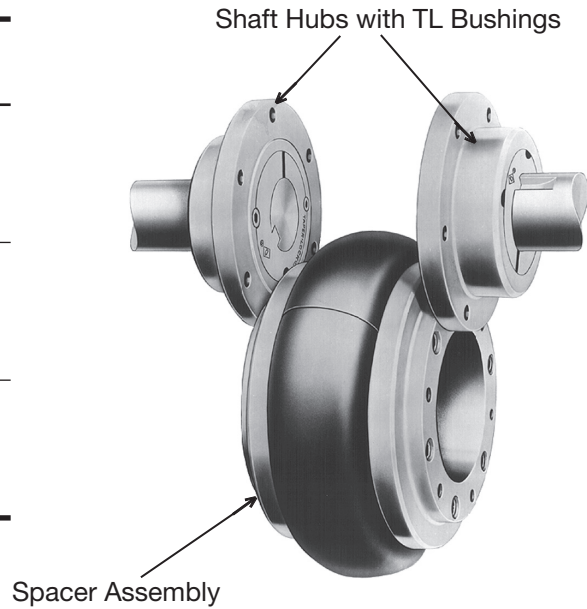
FEATURES/BENEFITS PAGE PT1-2	SPECIFICATION/HOW TO ORDER PAGE PT1-4	MODIFICATION/ACCESSORIES PAGE PT1-81	ENGINEERING/TECHNICAL PAGE PT1-83
---------------------------------	--	---	--------------------------------------



SELECTION/DIMENSIONS

Spacer, TAPER-LOCK Shaft - Hubs Part Numbers

Coupling Size	Shaft Hub Part No.	TAPER-LOCK Bushing Size
PS40	000850	1008
PS50	011620	1210
PS60	011621	1610
PS70	011622	2010
PS80	011623	2517
PS90	011623	2517
PS100	011624	2517
PS110	011624	2517
PS120	011625	3020
PS140	011626	3535
PS160	011627	4040
PS200	011628	4545



For complete listing of part numbers for all BSE lengths, see page PT1-22 and PT1-23

Complete coupling consists of: (2) shaft hubs, TAPER-LOCK or straight bore, and (1) spacer center assembly

NOTE: For TAPER-LOCK designs, TAPER-LOCK bushings must be ordered separately. Refer to bushing section PT6-2.

FEATURES/BENEFITS PAGE PT1-2	SPECIFICATION/HOW TO ORDER PAGE PT1-4	MODIFICATION/ACCESSORIES PAGE PT1-81	ENGINEERING/TECHNICAL PAGE PT1-83
---------------------------------	--	---	--------------------------------------



SELECTION/DIMENSIONS

PARA-FLEX

Spacer Center Assembly Part Numbers

B.S.E.	PS40	PS50	PS60	PS70	PS80	PS90	PS100	PS110	PS120	PS140	PS160	PS200
2-7/8		011121										
3		011125										
3-1/8		011132										
3-1/4		011145										
3-3/8		011152	010723									
3-1/2	● 000854	● 011565	● 011567	● 011569	● 011571	● 011564	● 011579	● 011580				
3-5/8		011720	011726	011740	011775							
3-11/16								011890				
3-3/4		011721	011727	011741	011776	011589		011891				
3-7/8		011722	011728	011742	011777			011892				
4		011723	011729	● 011743	● 011778	● 011555		● 011893				
4-1/8		011724	011730	011744	011779	011810	011850	011894				
4-1/4		011725	011731	011745	011780	011811	011851	011895				
4-3/8		011582	011732	011746	011781	011812	011852	011896				
4-1/2			011583	011584		011586	011587	011897	011581			
4-5/8			011733	011747	011782	011813	011853	011898				
4-3/4			011734	011748	011783	011814	011854	011899	011935			
4-7/8				011749	011784	011815	011855	011900	011936			
5	● 000857	● 012767	● 012765	● 011750	● 011785	● 011816	● 011700	● 011705	● 011937			
5-1/8				011751	011786	011817	011856	011901	011938			
5-1/4				011752	011787	011818	011857	011902	011939			
5-5/16							011847					
5-3/8				011753	011788	011819	011858	011903	011940			
5-1/2				011754	011789	011820	011859	011904	011941			
5-5/8				011755	011790	011821	011860	011905	011942			
5-3/4	000858	000859	000861	011756	011791	011822	011861	011906	011943			
5-7/8				011757	011792	011823	011862	011907	011944			
6				● 011758	● 011793	● 011824	● 011701	● 011706	● 011710			
6-1/16												
6-1/8				011602	011794	011825	011863	011908	011945			
6-1/4				011759	011795	011826	011864	011909	011946			
6-5/16												
6-3/8				011760	011796	011827	011865	011910	011947			
6-7/16										010539		
6-1/2				011761	011797	011828	011866	011911	011948	010547		
6-5/8				011762	011798	011829	011867	011912	011949	010548		
6-3/4				011763	011799	011830	011868	011913	011950	010549		
6-7/8				011764	011604	011606	011869	011914	011951	010550		
7			● 012766	● 011765	● 011800	● 011831	● 011702	● 011707	● 011711	● 010551		
7-1/8				011766	011801	011832	011870	011915	011952	010552		
7-1/4				011767	011802	011833	011871	011916	011953	010553		
7-1/3		000860	000862		012289				012291	012290		
7-3/8				011768	011803	011834	011872	011917	011954	010554		
7-1/2				● 011603	● 011804	011835	011873	011918	011955	010555		
7-5/8					011805	011836	011874	011919	011956	010556		
7-3/4					011806	011837	011875	011920	011957	010975		
7-7/8					011807	011838	011876	011921	011958	010976		

● Stock Center Assemblies

FEATURES/BENEFITS PAGE PT1-2	SPECIFICATION/HOW TO ORDER PAGE PT1-4	MODIFICATION/ACCESSORIES PAGE PT1-81	ENGINEERING/TECHNICAL PAGE PT1-83
---------------------------------	--	---	--------------------------------------

PT Component Reference Guide
 Couplings
 Clutches and Brakes
 FLEXIDYNE
 Fluid Couplings
 TORQUE-TAMER
 Bushings



SELECTION/DIMENSIONS

PARA-FLEX

Spacer Center Assembly Part Numbers

B.S.E.	PS40	PS50	PS60	PS70	PS80	PS90	PS100	PS110	PS120	PS140	PS160	PS200
Semi Fin	000851	010997	010998	011012	011000	011001	011002	011005	011006	011113	011115	011119
8					011605	011839	011703	011708	011712	010977		
8-1/16											010595	
8-1/8					009420	011840	011877	011922	011959	010978	010567	
8-3/16					009419							
8-1/4					009421	011841	011878	011923	011960	010979	010568	
8-3/8					009422	011842	011879	011924	011961	010980	010569	
8-1/2					009423	011607	011880	011925	011962	010981	010570	
8-5/8					009424			011926	011963	010982	010571	
8-3/4					009425			011927	011964	010983	010572	
8-7/8					009426			011928	011965	010984	010573	
9					009427			011709	011713	010985	010574	
9-1/8					009428			011929	011966	010986	010575	
9-3/16								011930	011967			
9-1/4					009429				012023	010987	010576	
9-3/8					009430				012024	010988	010577	
9-1/2					009431				012025	010989	010578	
9-5/8					009432				012026	010990	010579	
9-3/4					009433				012027	010991	● 010580	
9-7/8					009434				012028	010992	● 010581	
9-15/16												010699
10					● 009435	● 000863	000864	● 000865	● 012029	● 010993	● 010582	● 010675
10-1/8										010994	010583	010676
10-1/4										010995	010584	010677
10-5/16										010996		
10-3/8										009436	010585	010678
10-1/2										009437	010586	010679
10-5/8										009438	010587	010680
10-3/4										009439	010588	010681
10-7/8										009440	010589	010682
11										009441	010590	010683
11-1/8										009442	010591	010684
11-1/4										009443	010592	010685
11-3/8										009444	010593	010686
11-7/16											010594	
11-1/2										009445		010687
11-5/8										009446		010688
11-3/4										009447		010689
11-7/8										009448		010690
12										009449		010691
12-1/8										009450		010692
12-1/4										009451		010693
12-3/8										009452		010694
12-1/2										009453		010695
12-5/8										009454		010696
12-3/4										009455		010697
12-7/8										009456		010698
13										009457		

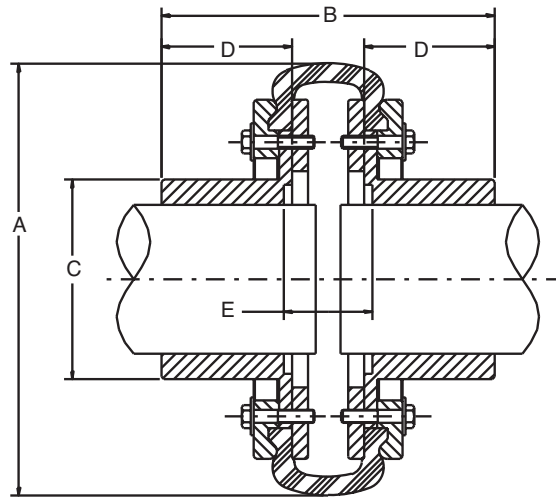
● Stock Center Assemblies

FEATURES/BENEFITS PAGE PT1-2	SPECIFICATION/HOW TO ORDER PAGE PT1-4	MODIFICATION/ACCESSORIES PAGE PT1-81	ENGINEERING/TECHNICAL PAGE PT1-83
---------------------------------	--	---	--------------------------------------



SELECTION/DIMENSIONS

Bore to Size, Type BBS



PX60 Thru PX320 Type BBS Couplings

Coupling Size	Min. Bore	Max. Bore	HP/100	Torque (In-Lbs)	Max. RPM	A	B	C	D	E	Weight (1) (Lbs.)	Inertia (2) (Lb-Ft ²)
PX60BBS	none	1-1/2	2.86	1,800	4000	6.50	4.28	2.38	1.50	1.28	8.8	.21
PX70BBS	none	2-1/8	3.49	2,200	3600	7.38	5.00	2.94	1.75	1.50	12.8	.32
PX80BBS	none	2-9/16	5.72	3,605	3100	8.38	5.50	3.69	2.00	1.50	18.4	.79
PX90BBS	none	2-3/4	7.15	4,502	2800	9.25	6.03	4.13	2.25	1.53	25.6	1.4
PX100BBS	none	3-1/4	8.58	5,402	2600	10.00	6.97	4.94	2.63	1.72	36.4	2.5
PX110BBS	none	3-15/16	12.30	7,750	2300	11.00	7.56	5.44	3.00	1.56	47.3	4.2
PX120BBS	none	4	20.00	12,605	2100	12.38	8.25	5.81	3.25	1.75	68.4	7.0
PX140BBS	2-1/4	4-1/2	44.00	27,590	1840	14.13	9.81	7.00	3.88	2.44	127.2	16.4
PX160BBS	2-1/2	6	60.00	37,800	1560	16.63	12.94	8.50	5.13	3.06	210.8	39.6
PX200BBS	2-7/8	6-3/4	131.00	82,500	1300	20.00	15.56	9.38	6.13	3.75	333.5	76.9
PX240BBS	4	7-1/2	240.00	151,200	1080	24.13	14.16	10.00	5.13	4.34	481.0	188.1
PX280BBS	4-7/16	9	480.00	302,200	910	28.50	18.47	12.00	7.13	4.66	802.0	440.8
PX320BBS	5-1/2	11	719.00	453,000	810	32.50	20.75	14.00	8.13	4.94	1074.0	709.6

(1) Weight of complete coupling at maximum bore

(2) Inertia of complete coupling at maximum bore



SELECTION/DIMENSIONS

Bore to Size, Type BBS



PX60BBS - PX320BBS Part Numbers

Coupling Size	BS Flange Assemblies Rough Bore	Standard Element
PX60BBS	010300	011106
PX70BBS	010301	011107
PX80BBS	010302	011108
PX90BBS	010303	011109
PX100BBS	010304	011110
PX110BBS	010305	011111
PX120BBS	010306	011112
PX140BBS	010530	011114
PX160BBS	010531	011117
PX200BBS	010532	011120
PX240BBS	010533	011124
PX280BBS	010528	011457
PX320BBS	010529	011463

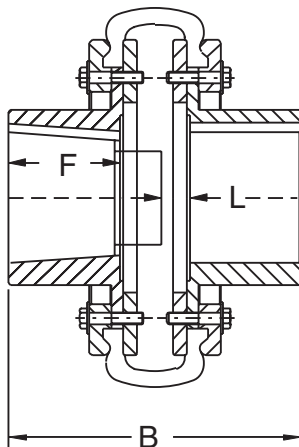
When bored to size, the PX60 through PX120 BBS sizes are furnished with clearance fit, standard keyway and two-set screws. PX140 and larger sizes are furnished as interference fit with standard keyway and no setscrew.

Complete coupling consists of: (2) BS Flange Assemblies and (1) Standard Element.



SELECTION/DIMENSIONS

Mill Motor, Type TBS*



Size	For Mill Motor Size	Min. Bore	Max. Bore	HP/100	Torque (In-Lbs)	Max. RPM	B	F	L	Weight(1) (Lbs.)	Inertia(2) (Lb-Ft ²)
PX60TBS	602,802*	none	1-1/2	2.86	1,800	4000	5.78	3.00	0.34	10.1	0.21
PX70TBS	603	none	2-1/8	3.49	2,200	3600	6.75	3.50	0.50	16.1	0.32
	802B,802C						6.25	3.00	0.56		
PX80TBS	603,803	none	2-9/16	5.72	3,605	3100	7.00	3.50	0.50	23.2	0.79
	604804						7.00	3.50	0.50		
PX90TBS	804	none	2-3/4	7.15	4,502	2800	7.28	3.50	0.53	29.9	1.4
PX100TBS	804	none	3-1/4	8.58	5,402	2600	7.84	3.50	0.72	44.4	2.5
PX110TBS	606,806	none	3-15/16	12.30	7,750	2300	8.56	4.00	0.59	62.3	4.2
	608						9.06	4.50	0.16		
PX120TBS	608,806	none	4	20.00	12,605	2100	9.00	4.00	0.63	81.4	7.0
	608,808						9.50	4.50	0.50		
PX140TBS	808	2-1/4	4-1/2	44.00	27,590	1840	10.63	4.69	1.19	136.2	16.4
	610-810						10.63	4.69	1.06		
	612						11.06	5.13	0.94		
PX160TBS	810	2-1/2	6	60.00	37,800	1560	12.50	4.69	1.69	227.8	39.6
	612-812						12.94	5.13	1.56		
	614						12.94	5.13	1.44		
PX200TBS	812	2-7/8	6-3/4	131.00	82,500	1300	14.63	5.19	2.19	344.5	76.9
	614-814						14.63	5.19	2.06		
	616-816						15.13	5.69	1.94		
	618-818						15.56	6.13	2.38		
PX240TBS	818	4	7-1/2	240.00	151,200	1080	15.22	6.19	2.97	519	188.1
	620						15.91	6.88	2.53		
PX280TBS	622	5-1/4	9	480.00	302,200	910	18.78	7.44	2.22	836	440.8
	624						20.78	9.44	2.22		

◆ Refer to page PT1-24 for additional envelope information

* 1-1/4" per foot taper on diameter



SELECTION/DIMENSIONS

Mill Motor, Type TBS*

PX60 - PX280 TBS Part Numbers

Coupling Size	For Mill Motor Size	TS Flange Assy (1) Req'd +	Std. Element (1) Req'd	BS Flange Assy (1) Req'd
PX60TBS	602,802*	010471	011106	See Page PT1-25
PX70TBS	603	010472	011107	
	802B,802C	010473		
PX80TBS	603,803	010474	011108	
	604,804			
PX90TBS	804	010475	011109	
PX100TBS	804	010476	011110	
PX110TBS	606,806	010477	011111	
	608	010478		
PX120TBS	606,806	010479	011112	
	608,808	010480		
PX140TBS	608,808	008980	011114	
	610,810	008981		
	612,812	008982		
PX160TBS	610,810	008983	011117	
	612,812	008984		
	614	008985		
PX200TBS	612,812	008986	011120	
	614,814	008987		
	616,816	008988		
	618,818	008989		
PX240TBS	818	008990	011124	
	620	008991		
PX280TBS	622	008992	011457	
	624	008993		

Coupling Size	TS Flange Assy Rough Bore
PX60TBS	010510
PX70TBS	010511
PX80TBS	010512
PX90TBS	010513
PX100TBS	010514
PX110TBS	010515
PX120TBS	010516
PX140TBS	010524
PX160TBS	010531
PX200TBS	010532
PX240TBS	010525
PX280TBS	010526

Complete coupling consists of:

- (1) TS Flange Assembly,
- (1) BS Flange Assembly, and
- (1) Standard Element.

* Key furnished for shallow keyways.

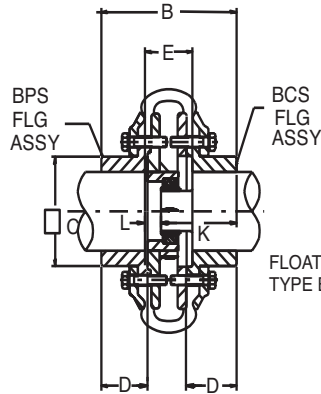
+ Part numbers are finished bore flanges to fit mill motor sizes listed.

FEATURES/BENEFITS PAGE PT1-2	SPECIFICATION/HOW TO ORDER PAGE PT1-4	MODIFICATION/ACCESSORIES PAGE PT1-81	ENGINEERING/TECHNICAL PAGE PT1-83
---------------------------------	--	---	--------------------------------------

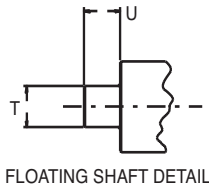


SELECTION/DIMENSIONS

Floating Shaft, Type BBPS

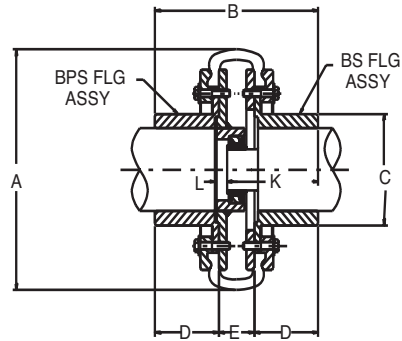


PX60 -120 BBPS



FLOATING SHAFT DETAIL

FLOATING SHAFT TYPE BBPS



PX140-320 BBPS

Size	Min. Bore	Max. Bore	HP/100	Torque (In-Lbs)	Max RPM	A	B	C	D	E	K	L	T	U	Weight (Lbs)	Inertia (Lb-Ft ²)
PX60BBPS	none	1-1/2	2.86	1,800	4000	6.50	4.28	2.38	1.50	1.78	2.45	0.58	.624/.6225	1.28	9.8	0.21
PX70BBPS	none	2-1/8	3.49	2,200	3600	7.38	5.00	2.94	1.75	2.06	3.05	0.48	.999/.9975	1.58	14.6	0.32
PX80BBPS	none	2-9/16	5.72	3,605	3100	8.38	5.50	3.69	2.00	2.00	3.30	0.45	.999/.9975	1.58	26.9	0.79
PX90BBPS	none	2-3/4	7.15	4,502	2800	9.25	6.03	4.13	2.25	2.09	3.67	0.39	1.249/1.2475	1.70	29.0	1.4
PX100BBPS	none	3-1/4	5.85	5,402	2600	10.00	6.97	4.94	2.63	2.16	4.13	0.44	1.249/1.2475	1.72	40.1	2.5
PX110BBPS	none	3-15/16	12.30	7,750	2300	11.00	7.56	5.44	3.00	2.06	4.44	0.38	1.249/1.2475	1.69	51.0	4.2
PX120BBPS	none	4	20	12,605	2100	12.38	8.25	5.81	3.25	2.44	4.89	0.45	1.499/1.497	1.98	75.7	7.0
PX140BBPS	2-1/4	4-1/2	44	27,590	1840	14.13	9.19	7.00	3.88	2.44	5.69	0.44	1.499/1.497	2.00	140.2	16.4
PX160BBPS	2-1/2	6	60	37,800	1560	16.63	12.94	8.50	5.13	3.06	7.25	0.75	1.499/1.497	2.94	230.8	39.6
PX200BBPS	2-7/8	6-3/4	131	82,500	1300	20.00	15.56	9.38	6.13	3.69	8.78	0.84	1.999/1.997	2.84	364.5	76.9
PX240BBPS	4	7-1/2	240	151,200	1080	24.13	14.16	10.00	5.13	4.28	8.06	1.16	1.999/1.997	3.12	529.0	188.1
PX280BBPS	4-7/16	9	480	302,200	910	28.50	18.47	12.00	7.13	4.59	10.22	1.31	1.999/1.997	3.28	877.0	440.8
PX320BBPS	5-1/2	11	719	453,000	810	32.50	20.75	14.00	8.13	4.88	11.38	1.44	1.999/1.997	3.44	1181.0	709.6

PX60BBPS - PX320BBPS Part Numbers

Coupling Size	BCS Flange Assy (1) Req'd	BPS Flange Assy (1) Req'd	Std Element (1) Req'd
PX60BBPS	010658	010657	011106
PX70BBPS	010660	010659	011107
PX80BBPS	010189	010190	011108
PX90BBPS	010191	010192	011109
PX100BBPS	010193	010194	011110
PX110BBPS	010599	010598	011111
PX120BBPS	010195	010196	011112

Complete coupling consists of:

- (1) BCS or BS Flange Assembly (depending on size of coupling),
- (1) BPS Flange Assembly, and
- (1) Standard Element.

BCS Flange Assembly consists of:

1. External Clamp Ring
2. Internal Clamp Ring
3. BCS Flange

BPS Flange Assembly consists of:

1. External Clamp Ring
2. Piloted Internal Clamp Ring
 - a. Includes floating shaft bearing assembly
3. BS Flange

Coupling Size	BS Flange Assy (1) Req'd	BPS Flange Assy (1) Req'd	Std Element (1) Req'd
PX140BBPS	010530	011714	011114
PX160BBPS	010531	011715	011117
PX200BBPS	010532	011716	011120
PX240BBPS	010533	011717	011124
PX280BBPS	010528	011718	011457
PX320BBPS	010529	011719	011463

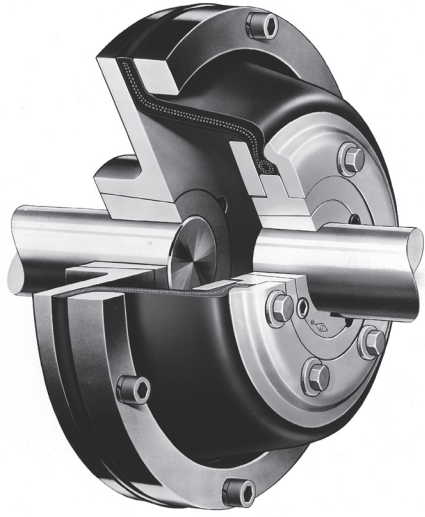
FEATURES/BENEFITS PAGE PT1-2	SPECIFICATION/HOW TO ORDER PAGE PT1-4	MODIFICATION/ACCESSORIES PAGE PT1-81	ENGINEERING/TECHNICAL PAGE PT1-83
---------------------------------	--	---	--------------------------------------

PT Component Reference Guide
 Couplings
 Clutches and Brakes
 FLEXIDYNE
 Fluid Couplings
 TORQUE-TAMER
 Bushings



FEATURES/BENEFITS

PARA-FLEX High Speed and Flywheel Couplings



HIGH SPEED TYPE

- Compensates for misalignment
- Cushions thrust loads
- Absorbs vibration and shock
- Prolongs bearing life
- Available in TAPER-LOCK and bored to sizes



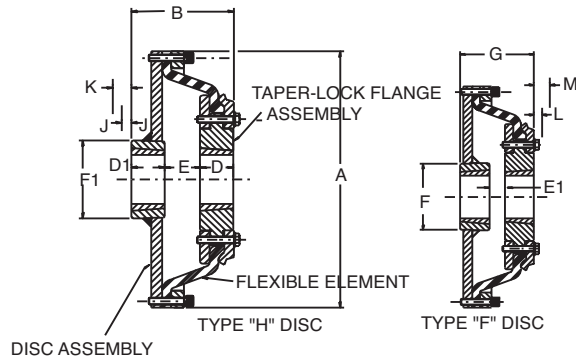
FLYWHEEL TYPE

- Specifically designed to connect the flexible element to standard SAE flywheel bolt patterns
- Available in TAPER-LOCK and bored to configurations

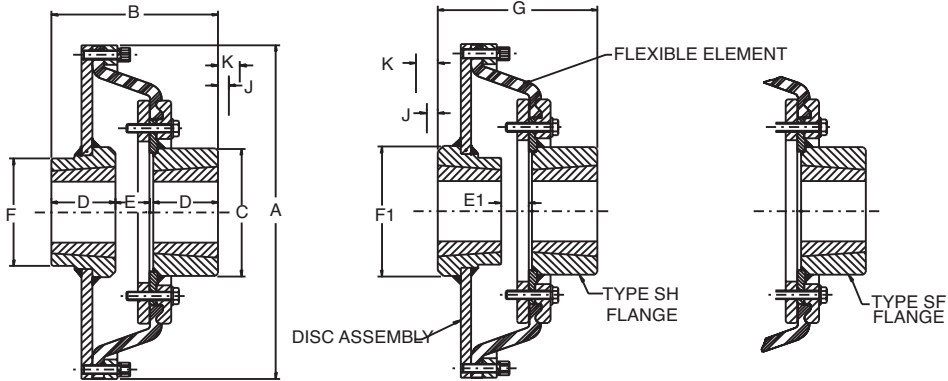


SELECTION/DIMENSIONS

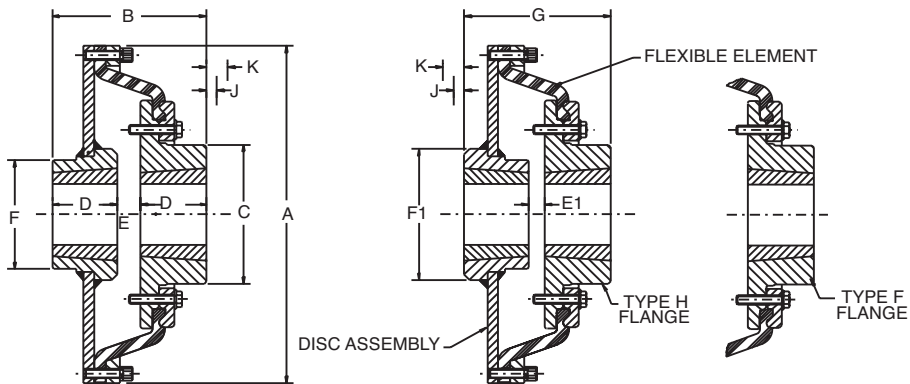
High Speed, TAPER-LOCK



PH87 THRU PH131



PH172 thru PH252 STEEL FLANGE ASSEMBLY



PH172 & PH192 IRON FLANGE ASSEMBLY



SELECTION/DIMENSIONS

High Speed, TAPER-LOCK

Coupling Size	Bushing Size	Min. Bore	Max. Bore	HP/100	Torque (In-Lbs)	Max. RPM		Weight (Lbs)		Inertia (Lb-Ft ²)	
						Gray Iron Flange	Steel Flange	Iron Flg	Steel Flg	Iron Flg	Steel Flg
PH87	+	1/2	+	3.0	1890	6000	19.5	1.32
PH96	*	1/2	*	4.5	2835	5230	27.2	2.44
PH116	2517	1/2	2-11/16	7.1	4470	4050	40.8	4.92
PH131	2517	1/2	2-11/16	9.5	5985	3750	59.7	8.87
PH172	3535	1-3/16	3-15/16	23.0	14490	1860	2800	138.2	128.5	31.74	29.98
PH192	4040	1-7/16	4-7/16	47.0	29610	1620	2430	219.6	219.6	51.09	50.37
PH213	4545	1-15/16	4-15/16	90.0	56700	2130	291.2	102.3	90.22
PH252	5050	2-7/16	5-5/16	135.0	85050	1945	389.9	144.1	133.7

Coupling Size	A	B		C		D	D ¹	E	
		Iron Flg	Steel Flg	Iron Flg	Steel Flg			Iron Flg	Steel Flg
PH87	9.44	3.53	1.00	1.75	0.81
PH96	10.31	4.30	1.25	1.75	1.33
PH116	12.31	4.44	1.75	1.75	1.14
PH131	13.81	5.45	1.75	1.75	1.95
PH172	18.31	8.06	8.97	7.50	7.00	3.50	1.06	1.88
PH192	20.31	9.31	10.25	8.63	8.50	4.00	1.31	2.25
PH213	22.50	11.31	8.75	4.50	2.31
PH252	26.50	14.31	9.50	5.00	4.31

Coupling Size	E ¹		F	F ¹	G		J★	K†	L★	M†
	Iron Flg	Steel Flg			Iron Flg	Steel Flg				
PH87	0.50	4.12	4.19	3.28	1.00	1.63	0.81	1.06
PH96	0.45	4.12	4.19	3.42	1.00	1.63	0.94	1.38
PH116	0.33	4.12	4.19	3.63	1.00	1.63	1.00	1.63
PH131	0.77	4.12	4.19	4.27	1.00	1.63	1.00	1.63
PH172	0.63	1.44	6.25	7.12	7.62	8.53	1.31	2.69
PH192	0.38	1.31	7.75	8.62	8.38	9.31	1.63	3.38
PH213	1.44	8.75	9.75	10.44	1.94	4.06
PH252	2.94	9.50	10.88	12.94	2.31	4.81

★ Space required to tighten bushing with shortened hex key or to loosen screws to permit removal of the hub by a puller

† Space required to loosen bushing with the shortened hex key using screws as hack screws - no puller required.

PH87 - PH252 Part Numbers

Coupling Size	TAPER-LOCK Flange (1) Req'd						Disc Assy (1) Req'd	HS Element (1) Req'd	Bushing Size
	Std Flange	Flange Size	Iron Flange		Steel Flange				
			Type H	Type F	Type SH	Type SF			
PH87	010603	PX70	011307	011227	+
PH96	010604	PX80	011308	011228	*
PH116	010606	PX100	011310	011230	2517
PH131	010607	PX110	011311	011231	2517
PH172	PX140	011134	011154	010290	010294	011314	011234	3535
PH192	PX160	011137	011157	010291	010295	011316	011236	4040
PH213	PX190	010292	010296	011319	011239	4545
PH252	PX220	010293	010297	011322	011242	5050

+ Flange assembly uses a 1610 bushing with 1-11/16 max. bore

Disc assembly uses a 2517 bushing with 2-11/16 max. bore

* Flange assembly uses a 2012 bushing with 2-1/8 max. bore

Disc assembly uses a 2517 bushing with 2-11/16 max. bore

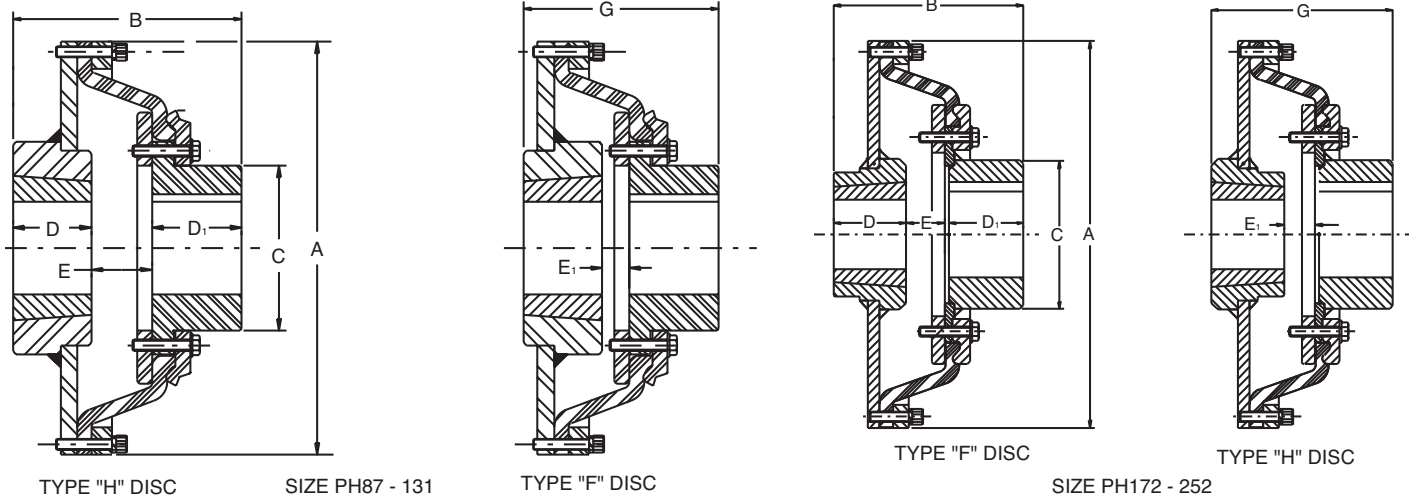
Complete coupling consists of: (1) TAPER-LOCK Flange Assembly, (1) TAPER-LOCK Disc Assembly, & (1) High speed Element. TAPER-LOCK bushings must be ordered separately. Refer to bushing section PT6-16.

FEATURES/BENEFITS PAGE PT1-29	SELECTION/DIMENSION PAGE PT1-30	MODIFICATION/ACCESSORIES PAGE PT1-81	ENGINEERING/TECHNICAL PAGE PT1-83
----------------------------------	------------------------------------	---	--------------------------------------



SELECTION/DIMENSIONS

High Speed, Bored to Size



Coupling Size	BS Flange Assembly		TAPER-LOCK Disc Assembly		A	B	C	D	D1	E	E1	G	Weight (Lbs)	Inertia (Lb-Ft ²)
	Min Bore	Max Bore	Min Bore	Max Bore										
PH87B	none	2-1/8	1/2	2-11/16	9.44	4.59	2.94	1.75	1.75	1.09	0.81	4.31	20.1	1.33
PH96B	none	2-9/16	1/2	2-11/16	10.31	5.44	3.69	1.75	2.00	1.69	0.81	4.56	28.0	2.47
PH116B	none	3-1/4	1/2	2-11/16	12.31	6.13	4.94	1.75	2.63	1.75	0.97	5.31	42.8	5.31
PH131B	none	3-15/16	1/2	2-11/16	13.81	7.25	5.44	1.75	3.00	2.50	1.31	6.06	60.1	9.08
PH172B	2-1/4	4-1/2	1-3/16	3-15/16	18.31	9.06	7.00	3.50	3.88	1.88	1.44	8.63	135.2	30.98
PH192B	2-1/2	6	1-7/16	4-7/16	20.31	11.19	8.50	4.00	5.13	2.25	1.31	10.25	220.6	54.27
PH213B	2-1/2	6-1/4	1-15/16	4-15/16	22.50	11.31	8.75	4.50	4.69	2.31	1.44	10.44	289.2	91.62
PH252B	2-7/8	6-7/8	2-7/16	5-5/16	26.50	14.31	9.50	5.00	5.19	4.31	2.94	12.94	379.9	135.9

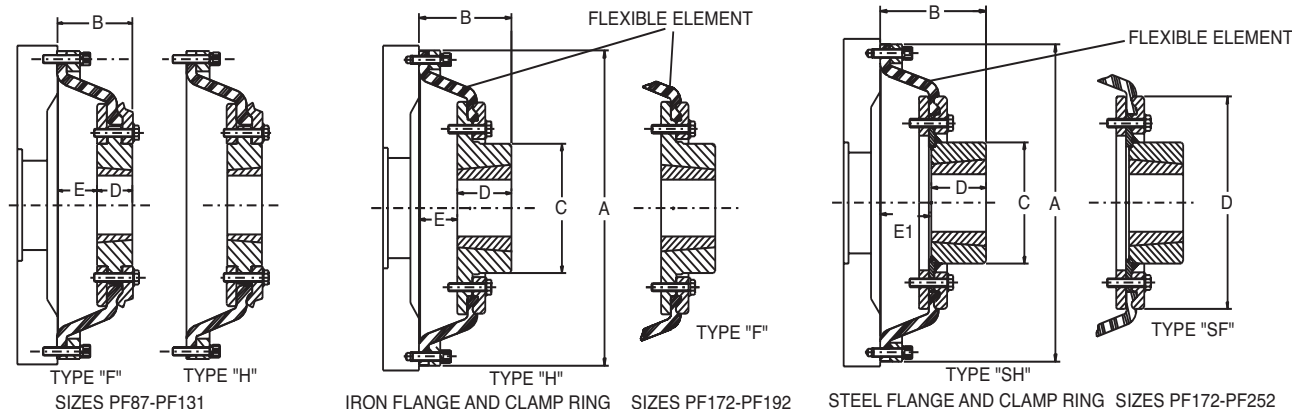
Coupling Size	BS Flange Assy (1) Req'd	TAPER-LOCK Disc Assy (1) Req'd	TAPER-LOCK Bushing Size	HS Element (1) Req'd
PH87B	010301	011307	2517	011227
PH96B	010302	011308	2517	011228
PH116B	010304	011310	2517	011230
PH131B	010305	011311	2517	011231
PH172B	010530	011314	3535	011234
PH192B	010531	011316	4040	011236
PH213B	010508	011319	4545	011239
PH252B	010509	011322	5050	011242

Complete coupling consists of: (1) BS Flange Assembly, (1) TAPER-LOCK Disc Assembly, (1) High Speed Element, and (1) TAPER-LOCK Bushing. TAPER-LOCK bushings must be ordered separately. Refer to bushing section PT6-16.



SELECTION/DIMENSIONS

Flywheel, TAPER-LOCK



Coupling Size	Bushing Size	Min. Bore	Max. Bore	HP/100	Torque (In-Lbs)	Max. RPM		A	B	
						Gray Iron Flange	Steel Flange		Iron Fig.	Steel Fig.
PF87	1610	1/2	1-11/16	3.00	1890	6000	6000	9.44	2.69
PF96	2012	1/2	2-1/8	4.50	2835	5230	5230	10.31	2.83
PF116	2517	1/2	2-11/16	7.10	4470	4050	4050	12.31	3.14
PF131	2517	1/2	2-11/16	9.50	5985	3750	3750	13.81	3.70
PF172	3535	1-3/16	3-15/16	23.00	14490	1860	2800	18.31	5.81	6.72
PF192	4040	1-7/16	4-7/16	47.00	29610	1620	2430	20.31	6.56	7.50
PF213	4545	1-15/16	4-15/16	90.00	56700	2130	22.50	9.00
PF252	5050	2-7/16	5-5/16	135.00	85050	1945	26.50	10.81

Coupling Size	Bushing Size	C		D	E	E1	Weight (Lbs) Less Bushing		Inertia (Lb-Ft ²)	
		Iron Fig.	Steel Fig.				Iron Figs	Steel Figs	Iron Figs	Steel Figs
PF87	1610	1.00	1.34	9.9	0.6
PF96	2012	1.25	1.58	13.5	1.05
PF116	2517	1.75	1.39	22.3	2.35
PF131	2517	1.75	1.95	33.3	4.35
PF172	3535	7.50	7.00	3.50	2.31	3.12	87.2	77.5	17.49	15.73
PF192	4040	8.63	8.50	4.00	2.56	3.50	128.6	128.6	28.84	28.12
PF213	4545	8.75	4.50	-	4.50	221.2	190.2	74.47	64.36
PF252	5050	9.50	5.00	-	5.81	297.9	260.9	121.79	111.38

PF87 THRU PF252 Part Numbers

Coupling Size	TAPER-LOCK Flange (1) Req'd					Bolt Ring Assy (1) Req'd	High Speed Element (1) Req'd	T-L Bushing Size
	Std Flange	Iron Flange		Steel Flange				
		Type H	Type F	Type SH	Type SF			
PF87	010603	011247	011227	1610
PF96	010604	011248	011228	2012
PF116	010606	011250	011230	2517
PF131	010607	011251	011231	2517
PF172	011134	011154	010290	010294	011254	011234	3535
PF192	011137	011157	010291	010295	011256	011236	4040
PF213	010292	010296	011259	011239	4545
PF252	010293	010297	011262	011242	5050

Complete coupling consists of: (1) TAPER-LOCK Flange Assembly (as selected), (1) Bolt Ring Assembly, (1) High Speed Element, and (1) TAPER-LOCK Bushing. TAPER-LOCK Bushings must be ordered separately.

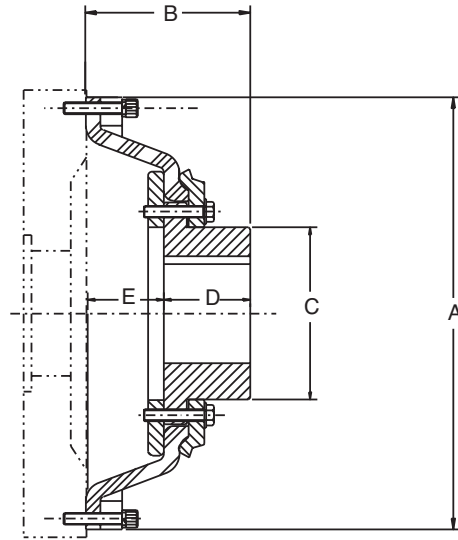
See page PT1-34 for Flywheel & Power Take Off housing information. Refer to bushing section PT6-16.

FEATURES/BENEFITS PAGE PT1-29	SELECTION/DIMENSION PAGE PT1-30	MODIFICATION/ACCESSORIES PAGE PT1-81	ENGINEERING/TECHNICAL PAGE PT1-83
----------------------------------	------------------------------------	---	--------------------------------------



SELECTION/DIMENSIONS

Flywheel, Bored to Size



PF87B THRU PF252B Bored-To-Size Flywheel Couplings

Coupling Size	Min. Bore	Max. Bore	HP/100	Torque (In-Lbs)	Max. RPM Steel Flg	A	B	C	D	E	Weight (Lbs)	Inertia (Lb-Ft ²)
PF87B	none	2-1/8	3.0	1890	6000	9.44	3.38	2.94	1.75	1.63	10.5	0.61
PF96B	none	2-9/16	4.5	2835	5230	10.31	3.94	3.69	2.00	1.94	14.3	1.08
PF116B	none	3-1/4	7.1	4470	4050	12.31	4.68	4.94	2.63	2.00	24.3	2.47
PF131B	none	3-15/16	9.5	5980	3750	13.81	5.50	5.44	3.00	2.50	33.7	4.56
PF172B	2-1/4	4-1/2	23.0	14490	2800	18.31	6.81	7.00	3.88	3.13	84.2	16.73
PF192B	2-1/2	6	47.0	29610	2430	20.31	8.44	8.50	5.13	3.50	129.6	32.02
PF213B	2-1/2	6-1/4	90.0	56700	2130	22.50	9.00	8.75	4.69	4.50	188.2	65.76
PF252B	2-7/8	6-7/8	135.0	85050	1945	26.50	10.81	9.50	5.19	5.81	250.9	113.58

PF87 - PF252B Part Numbers

Coupling Size	BS Flange Assy (1) Req'd	Bolt Ring Assy (1) Req'd	High Speed Element (1) Req'd
PF87B	010301	011247	011227
PF96B	010302	011248	011228
PF116B	010304	011250	011230
PF131B	010305	011251	011231
PF172B	010530	011254	011234
PF192B	010531	011256	011236
PF213B	010508	011259	011239
PF252B	010509	011262	011242

Complete coupling consists of: (1) BS Flange Assembly, (1) Bolt Ring Assembly, and (1) High Speed Element.

SAE Power Take Off & Flywheel Info.

Coupling Size	Fits Within These SAE Power Take-Off Housings	SAE Flywheel		
		Bolt Circle Diam.	Tapped Holes	
			No.	Size
PF87	6,5	8-3/4	8	5/16-18
PF96	4,3	9-5/8	6	3/8-16
PF116	4,3,2,1	11-5/8	8	3/8-16
PF131	3,2,1,0	13-1/8	8	3/8-16
PF172	0	17-1/4	8	1/2-13
PF192	0	19-1/4	8	1/2-13
PF213	0	21-3/8	6	5/8-11
PF252	0	25-1/4	12	5/8-11

PT Component Reference Guide
 Couplings
 Clutches and Brakes
 FLEXIDYNE
 Fluid Couplings
 TORQUE-TAMER
 Bushings



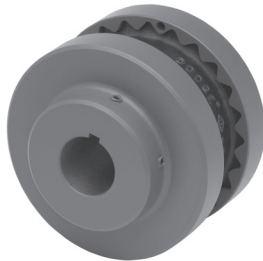
FEATURES/BENEFITS

D-FLEX Couplings



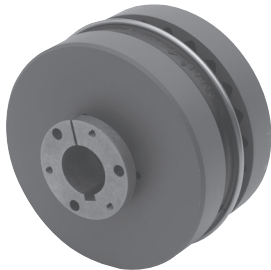
FLEXIBLE SOLUTIONS LOW COST TYPE J COUPLINGS OFFERED IN FOUR SIZES

- Features zinc die-cast flanges that are bored to size
- Accommodates applications through 10 HP at 1750 RPM
- Available with EPDM or Neoprene sleeves
- Shaft attachment with two setscrews at 65°



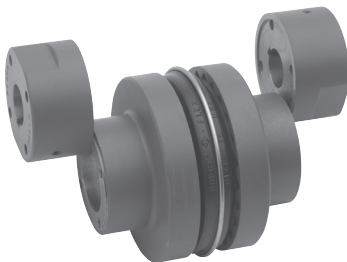
TYPE S COUPLINGS FEATURE AGMA 9 BALANCED FLANGES OFF THE SHELF

- High-strength, cast iron flanges that are finished bored for AGMA clearance fit
- Offers plain bore for reborning
- Available with EPDM, Neoprene or Hytel* sleeves
- Shaft attachment with two setscrews at 65°



TYPE B COUPLINGS OFFERED WITH STANDARD QD† BUSHING SHAFT ATTACHMENT

- Constructed from high-strength cast iron
- Available with EPDM or Neoprene sleeves



TYPE SC SPACER COUPLINGS SATISFY STANDARD SPACING REQUIREMENTS FOR PUMP APPLICATIONS

- Accommodates wide range of shaft spacing
- Features AGMA 9 balanced flanges & drop-out center for easy equipment maintenance
- Available with EPDM, Neoprene or Hytrel sleeves
- Uses H & HS shaft hubs that are bored to size for slip fit or offered with plain bore for reborning
- Shaft attachment with two setscrews at 65°
- Shaft hub flats are used for holding shafts stationary while loosening or tightening grade 8 bolts

★ Registered trademark of DuPont

† QD is a registered trademark of Emerson Electric Co.



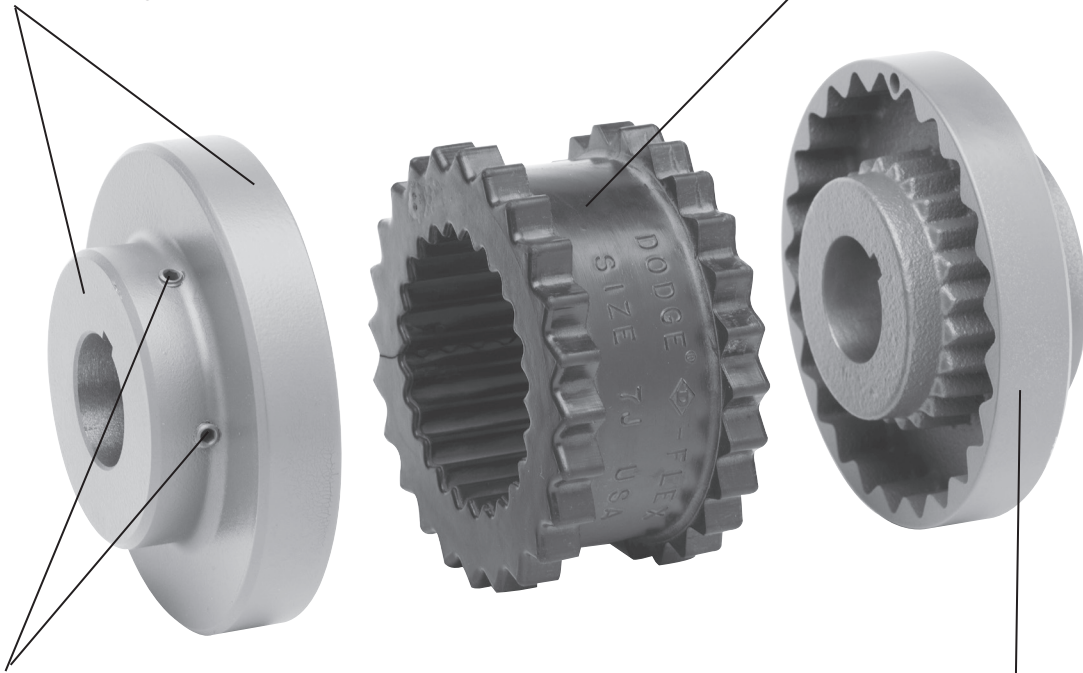
FEATURES/BENEFITS

D-FLEX Couplings

ADDED VALUE

Outside diameter concentric to bore for ease in alignment

Rounded EPDM and Neoprene element edges for full tooth engagement, even load distribution, and reduced stress build up at edges



Two setscrews at 65° on Type J flanges, Type S flanges & Type SC-H hubs for optimum shaft attachment. Holding force is 10% greater than two setscrews at 90°

Type S and SC flanges are balanced to AGMA 9 specifications for reduced vibration

- ATEX Approved
- Documents available

INTERCHANGEABLE COMPONENTS MAKE INSTALLATION QUICK, EASY

- Interchangeable with other elastomeric sleeve couplings
- Slides into position for snug fit

NO LUBRICATION ASSURES TROUBLE-FREE OPERATION

- No metal-to-metal contact
- Provides clean, quiet, trouble-free performance

NOTE: All instruction manuals for D-FLEX Coupling and QD and TL Bushings available on www.dodge-pt.com



D-FLEX

SPECIFICATION

D-FLEX Couplings employ a molded, non-lubricated elastomeric flexing sleeve loaded in shear. The flexible sleeve shall be of EPDM, Neoprene, or Hytrel. The compound of EPDM shall be suitable for operation in ambient temperature from -30°F to +275°F, Neoprene 0°F to +200°F, and Hytrel -65°F to +250°F. Both EPDM and Neoprene sleeves shall have torsional flexing capability of 15° and accommodate 1° of angular misalignment. Hytrel sleeves, suitable to transmit four times the power of EPDM or Neoprene, has torsional flexing capability of 7° and 1/4° of angular misalignment.

The flexible sleeve is connected with external and internal gear teeth that engage with mating teeth in each flange. The coupling assemblies have optional methods of attachment to the shaft including but not limited to: clearance fit or QD Bushings. Clearance fits are supplied with an industry standard keyway and two set screws, one over the key and one at 65°.

Spacer Couplings consist of two hubs and a center assembly consisting of two spacer hubs and one flexible element. The center assembly is readily removable to facilitate maintenance on pumps or other connected equipment and must be replaceable without disturbing the coupled equipment and without realignment.

D-FLEX couplings are static conductive except the ones with Hytrel element.

HOW TO ORDER


Standard couplings consist of:

- (2) Flange Assemblies
- (1) Flexible Sleeve

Spacer Couplings consist of:

- (2) Shaft Hubs
- (2) Spacer Flanges
- (1) Flexible Sleeve

NOMENCLATURE



6 JE / 2 - 6J X 7/8

SIZE _____

SLEEVE _____
(JE, JES, E, JN, JNS, N, H, HS)

FLANGE QTY. _____

FLANGE SIZE AND TYPE _____
(J, S, B, SC-H)

FLANGE BORE _____

For selection method, please refer to page PT1-83

FEATURES/BENEFITS PAGE PT1-35	SELECTION/DIMENSIONS PAGE PT1-37	MODIFICATION/ACCESSORIES PAGE PT1-81	ENGINEERING/TECHNICAL PAGE PT1-83
----------------------------------	-------------------------------------	---	--------------------------------------



SELECTION/DIMENSIONS

D-FLEX Couplings FOUR-WAY FLEXING ACTION HANDLES SHOCK, VIBRATION & MISALIGNMENT

Couplings

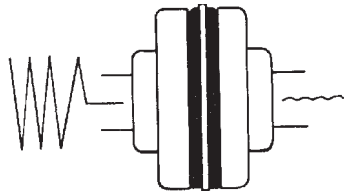
Clutches and Brakes

FLEXIDYNE

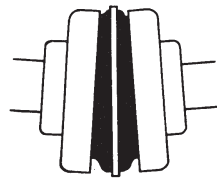
Fluid Couplings

TORQUE-TAMER

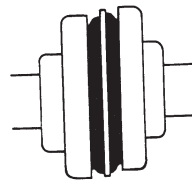
Bushings



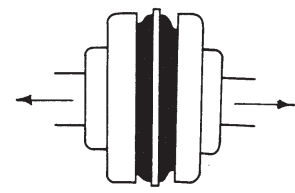
TORSIONAL
Absorbs torsional shock, dampens torsional vibrations



ANGULAR
Allows for angular misalignment



PARALLEL
Minimizes bearing loads, absorbs parallel misalignment with less wear and energy loss



AXIAL
Allows for shaft end-float

D-FLEX Coupling Sleeves

	EPDM Rubber	Neoprene	Hytel(1)
One-Piece Solid Construction	JE	JN	H
One-Piece Split Construction	JES	JNS	-
Two-Piece Construction	E	N	HS
Sizes Offered	3 - 10 JE, JES 4 - 16 E	3 - 10 JN, JNS 4 - 14 N	6 - 12 H, HS
Temperature Range	-30°F to +275°F	0°F to +200°F	-65°F to +250°F
Max Angular	1°	1°	1/4°
Max Parallel(2)	.010" -.062"	.010" -.062"	.010" -.035"
Axial End-Float(2)(3)	.03" -.125"	.03" -.125"	.06" -.125"
Torsional Flexibility	15° Wind Up	15° Wind Up	7° Wind Up
Application Use	General	Good Oil Resistance	Downsizing For Use Of Smaller Couplings

(1) Do not use with J or B flanges or as a replacement for other sleeves

(2) Depends on coupling size.

(3) Increase the E dimension by this amount to accommodate end float.

FEATURES/BENEFITS PAGE PT1-35	SPECIFICATION/HOW TO ORDER PAGE PT1-37	MODIFICATION/ACCESSORIES PAGE PT1-81	ENGINEERING/TECHNICAL PAGE PT1-83
----------------------------------	---	---	--------------------------------------



SELECTION/DIMENSIONS

D-FLEX Couplings

D-FLEX Coupling Sleeves - Part Numbers

Coupling Size	EPDM			Neoprene			Hytrel	
	JE	JES	E	JN	JNS	N	H	HS
3	• 004208	• 004242		• 004209	• 004243			
4	• 004210	• 004244	• 022190	• 004211	• 004245	• 022211		
5	• 004212	• 004246	• 022191	• 004213	• 004247	• 022212		
6	• 004214	• 004248	• 022192	• 004215	• 004249	• 022213	• 022183	• 022232
7	• 004216	• 004250	• 022193	• 004217	• 004251	• 022214	• 022184	• 022233
8	• 004218	• 004252	• 022194	• 004219	• 004253	• 022215	• 022185	• 022234
9	• 004220	• 004254	• 022195			• 022216	• 022186	• 022235
10	• 004222	• 004256	• 022196			• 022217	• 022187	• 022236
11			• 022197			• 022218	022188	022237
12			• 022198			• 022219	022189	022238
13			• 021990			021993		
14			• 021991			021994		
16			• 021992					

• Stocked sleeves

D-FLEX Flange/Sleeve Compatibility

Flange Style	EPDM		Neoprene		Hytrel	
	JE/JES 1 Piece	E 2 Piece	JN/JNS 1 Piece	N 2 Piece	H 1 Piece	HS 2 Piece
Type J	√	√	√	√		
Type S	√	√	√	√	√	√
Type B Bushed	√	√	√	√		
SC Spacer	√	√	√	√	√	√

D-FLEX Section/Ratings Data

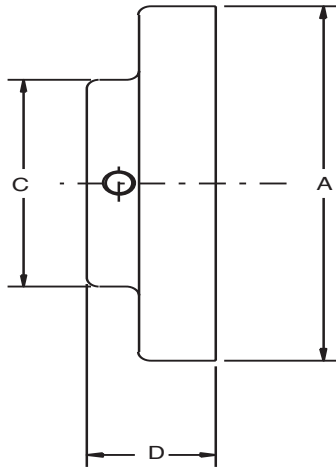
Element Size	Max. Bore				Max RPM	EPDM & Neoprene		Hytrel	
	Straight Bore			Bushed		HP/100	Rated Torque (In-Lbs)	HP/100	Rated Torque (In-Lbs)
	Type J	Type S	Type SC	Type B					
3	7/8	-	-	-	9200	0.10	60	-	-
4	1	-	-	-	7600	0.19	120	-	-
5	1-1/8	1-1/4	1-1/8	-	7600	0.38	240	-	-
6	1-3/8	1-7/8	1-3/8	1-3/16	6000	0.71	450	2.90	1,800
7	-	1-7/8	1-5/8	1-3/16	5250	1.20	725	4.60	2,875
8	-	2-3/8	1-7/8	1-5/8	4500	1.80	1,135	7.20	4,530
9	-	2-7/8	2-1/8	1-15/16	3750	2.80	1,800	11.40	7,200
10	-	3-3/8	2-3/8	2-1/2	3600	4.60	2,875	18.00	11,350
11	-	3-7/8	2-7/8	2-13/16	3600	7.20	4,530	28.60	18,000
12	-	3-15/16	2-7/8	3-1/2	2800	11.40	7,200	50.00	31,500
13	-	4-1/2	3-3/8	3-15/16	2400	18.00	11,350	75.00	47,268
14	-	5	3-7/8	3-15/16	2200	28.60	18,000	115.00	72,480
16	-	6	-	4-1/2	1500	75.00	47,250	-	-

FEATURES/BENEFITS PAGE PT1-35	SPECIFICATION/HOW TO ORDER PAGE PT1-37	MODIFICATION/ACCESSORIES PAGE PT1-81	ENGINEERING/TECHNICAL PAGE PT1-83
----------------------------------	---	---	--------------------------------------

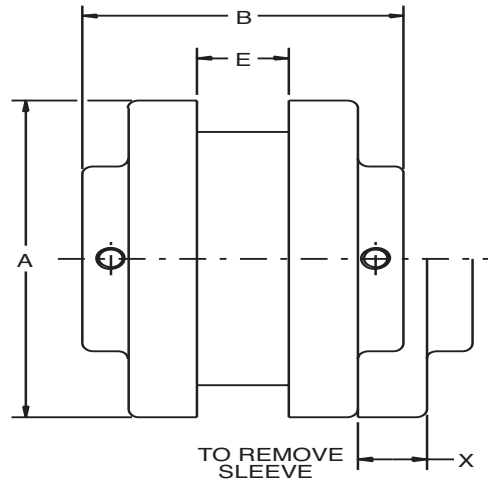


SELECTION/DIMENSIONS

D-FLEX Couplings TYPE "J" COUPLING DIMENSIONS



TYPE "J" FLANGE



TYPE "J" COUPLING

Dimensions

Coupling Size	Min. Bore	Max. Bore	HP/100	Torque (in.-lbs.)	Max. RPM	A	B	C	D	E	X	Weight (lbs.)
3J	3/8	7/8	0.10	60	9200	2.06	2.00	1.50	0.81	0.38	0.56	0.03
4J	1/2	1	0.19	120	7600	2.46	2.38	1.63	0.88	0.63	0.75	0.04
5J	1/2	1-1/8	0.38	240	7600	3.25	2.88	1.88	1.06	0.75	0.97	0.09
6J	5/8	1	0.71	450	6000	4.00	3.31	1.94	1.22	0.88	1.09	1.40
6J	1-1/8	1-3/8	0.71	450	6000	4.00	3.31	2.50	1.22	0.88	1.09	1.20

Part Numbers

Bore (in.)	Coupling Flange			
	3J	4J	5J	6J
3/8	• 022700			
1/2	• 022701	• 022708	• 022714	
5/8	• 022702	• 022709	• 022715	• 022721
3/4	• 022703	• 022710	• 022716	• 022722
7/8	• 022704	• 022711	• 022717	• 022723
15/16		• 022712	• 022718	• 022724
1		• 022713	• 022719	• 022725
1-1/8			• 022720	• 022726
1-3/16				• 022727
1-1/4				• 022728
1-3/8				• 022729

• Stock flange assemblies

Complete coupling consists of (2) J flanges, and (1) sleeve (from page PT1-39).

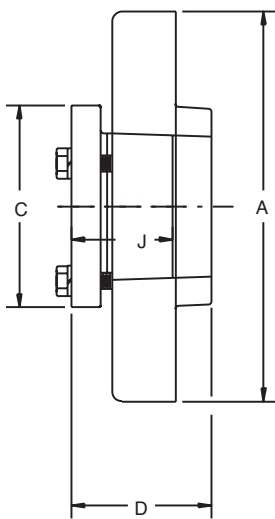
FEATURES/BENEFITS PAGE PT1-35	SPECIFICATION/HOW TO ORDER PAGE PT1-37	MODIFICATION/ACCESSORIES PAGE PT1-81	ENGINEERING/TECHNICAL PAGE PT1-83
----------------------------------	---	---	--------------------------------------



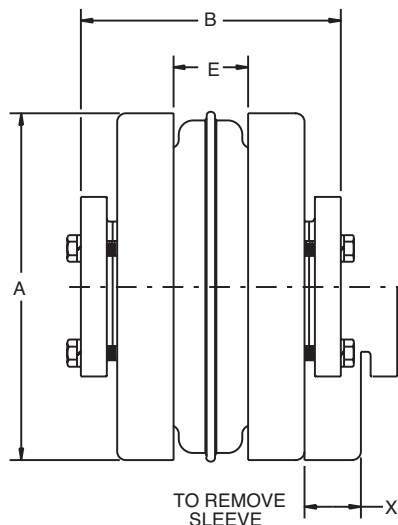
SELECTION/DIMENSIONS

D-FLEX Couplings

TYPE "B" QD BUSHED COUPLING DIMENSIONS



TYPE "B" FLANGE



TYPE "B" COUPLING

Dimensions

Coupling Size	Bushing Type	Min. Bore	Max. Bore#	HP/100	Torque (in.-lbs.)	Max. RPM	A	B	C	D	E	J	X	Weight (lbs.)+	
														Flange	Bushing
6B	JA	1/2	1-3/16	0.71	450	6000	4.00	3.31	2.00	1.53	0.88	1.00	1.09	1.30	0.40
7B	JA	1/2	1-3/16	1.20	725	5250	4.63	3.44	2.00	1.59	1.00	1.00	1.31	1.90	0.40
8B	SH	1/2	1-5/8	1.80	1135	4500	5.45	4.06	2.63	1.84	1.13	1.31	1.50	2.90	0.90
9B	SD	1/2	1-15/16	2.80	1800	3750	6.35	4.63	3.19	2.19	1.44	1.81	1.75	4.80	1.60
10B	SK	1/2	2-1/2	4.60	2875	3600	7.50	5.63	3.88	1.84	1.63	1.94	2.00	7.80	2.70
11B	SF	1/2	2-15/16	7.20	4530	3600	8.63	6.56	4.63	2.13	1.88	2.00	2.38	12.00	3.80
12B	E	7/8	3-1/2	11.40	7200	2800	10.00	7.94	6.00	2.69	2.31	2.75	2.69	18.00	9.00
13B	F	1	3-15/16	18.00	11350	2400	11.75	9.31	6.63	3.69	2.69	3.75	3.00	31.20	14.00
14B	F	1	3-15/16	28.60	18000	2200	13.88	10.44	6.63	3.69	3.25	3.75	3.50	51.40	14.00
16B	J	1-1/2	4-1/2	75.00	47250	1500	18.88	13.25	7.25	4.75	4.75	4.63	4.50	120.00	21.00

Max bore with shallow key

+ Approximate weight for each flange; average weight for each bushing

Part Numbers

	6B	7B	8B	9B	10B	11B	12B
Part No.	• 022501	• 022502	• 022503	• 022504	• 022505	• 022506	• 022507

• Stock flange assemblies

	13B	14B	16B
Part No.	022508	022509	022510

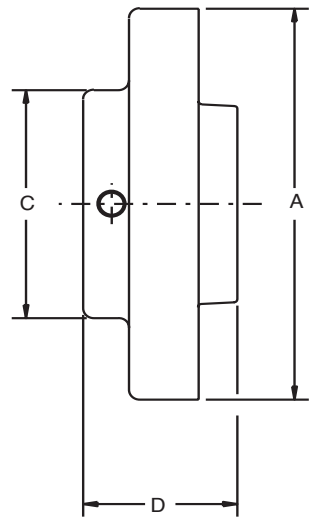
Complete coupling consists of (2) B flanges, (1) sleeve and (2) QD Bushings. QD Bushings must be ordered separately (from page PT6-16).

FEATURES/BENEFITS PAGE PT1-35	SPECIFICATION/HOW TO ORDER PAGE PT1-37	MODIFICATION/ACCESSORIES PAGE PT1-81	ENGINEERING/TECHNICAL PAGE PT1-83
----------------------------------	---	---	--------------------------------------

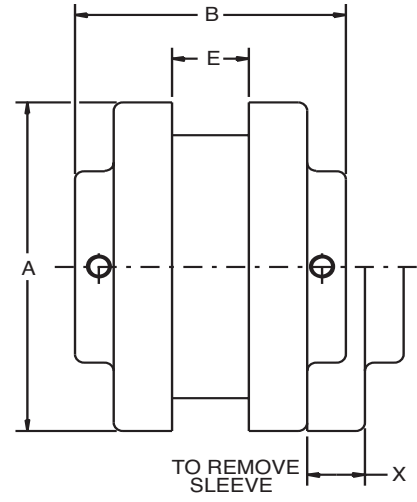


SELECTION/DIMENSIONS

D-FLEX Couplings TYPE "S" COUPLING DIMENSIONS



TYPE "S" FLANGE



TYPE "S" COUPLING

Dimensions

Coupling Size	Min. Bore	Max. Bore#	HP/100*	Torque* (in.-lbs.)	Max. RPM	A	B	C	D	E	X	Weight (lbs.)	
5S	1/2	1-1/4	0.38	240	7600	3.25	2.81	1.88	1.34	0.75	0.97	1.1	
6S	1/2	1-1/2	0.71	450	6000	4	3.5	2.81	1.63	0.88	1.09	1.8	
6S	1-9/16	1-3/4							1.31				
6S	1-13/16	1-7/8							1.31			1.8	
7S	1/2	1-7/8	1.2	725	5250	4.63	3.94	2.81	1.84	1	1.31	2.6	
8S	1/2	2-1/8	1.8	1135	4500	5.45	4.44	3.25	2.09	1.13	1.5	4.4	
8S	2-3/16	2-3/8							1.66				
9S	7/8	2-1/2	2.8	1800	3750	6.35	5.06	4.13	2.41	1.44	1.75	6.5	
9S	2-9/16	2-7/8							1.81				
10S	1-1/8	2-7/8	4.6	2875	3600	7.5	5.69	4.75	2.72	1.63	2	10.5	
10S	2-15/16	3-3/8							2.03				
11S	1-1/4	2-1/8	7.2	4530	3600	8.63	7.13	5.63	3.44	1.88	2.38	18.1	
11S	2-3/16	2-3/4							3.44				
11S	2-13/16	3-3/8							3.44				
11S	3-7/16	3-7/8							2.63				
12S	1-1/2	2-1/8	11.4	7200	2800	10	8.25	5.75	4	2.31	2.69	27.8	
12S	2-3/16	2-7/8											
12S	2-15/16	3-15/16											
13S	2" Reb.	4-1/2	18	11350	2400	11.75	9.25	6.75	4.38	2.69	3.06	45.2	
14S	2" Reb.	5	28.6	18000	2200	13.88	9.88	7.5	4.5	3.25	3.5	69.1	
16S	2" Reb.	6	75	47250	1500	18.88	14.25	8	6	4.75	4.25	125.3	

Max bore with shallow keyway. For max bore with standard keyway, see page PT1-43

* Ratings based on EPDM & Neoprene. For Hytrel ratings, see page PT1-39

FEATURES/BENEFITS PAGE PT1-35	SPECIFICATION/HOW TO ORDER PAGE PT1-37	MODIFICATION/ACCESSORIES PAGE PT1-81	ENGINEERING/TECHNICAL PAGE PT1-83
----------------------------------	---	---	--------------------------------------



SELECTION/DIMENSIONS

D-FLEX Couplings

Type "S" Coupling Flange - Part Numbers

Bore (in.)	Coupling Flange Size										
	5S	6S	7S	8S	9S	10S	11S	12S	13S	14S	16S
Reborable	• 004976	• 004977	• 004978	• 004979	• 004980	• 004981	• 004982	• 004983	• 004993	• 004994	• 004995
Finished Bore Flanges											
1/2	004498										
5/8	• 004500	004511	004534								
3/4	• 004502	• 004513	• 004536	004559							
7/8	• 004504	• 004515	• 004538	• 004561	004586						
15/16	• 004505	004516	004539	004562	004587						
1	• 004506	• 004517	• 004540	• 004563	004588						
1-1/8	• 004508	• 004519	• 004542	• 004565	004590	004619					
1-3/16	*• 004509	• 004520	• 004543	• 004566	004591	004620					
1-1/4	† 004510	• 004521	• 004544	• 004567	• 004592	• 004621	004656				
1-5/16		004522	004545	004568	004593	004622	004657				
1-3/8		• 004523	• 004546	• 004569	• 004594	• 004623	• 004658				
1-7/16		*• 004524	• 004547	• 004570	• 004595	• 004624	004659				
1-1/2		†• 004525	• 004548	• 004571	• 004596	• 004625	004660	004696			
1-5/8		• 004527	*• 004550	• 004573	• 004598	• 004627	• 004662	004698			
1-11/16		004528	004551	• 004574	• 004599	• 004628	004663	004699			
1-3/4		• 004529	004552	• 004575	• 004600	• 004629	004664	004700			
1-7/8		• 004531	†• 004554	• 004577	• 004602	• 004631	• 004666	• 004702			
1-15/16				• 004578	• 004603	• 004632	004667	004703			
2				*• 004579	• 004604	• 004633	004668	004704			
2-1/8				†• 004581	• 004606	• 004635	• 004670	• 004706			
2-3/16				004582	004607	• 004636	004671	004707			
2-1/4				004583	004608	004637	004672	004708			
2-3/8				• 004585	*• 004610	• 004639	• 004674	• 004710	004996		
2-7/16					004611	• 004640	004675	004711			
2-1/2					† 004612	• 004641	004676	004712			
2-5/8					004614	004643	004678	004714			
2-11/16					004615	004644	004679	004715			
2-3/4					004616	*• 004645	004680	004716			
2-7/8					• 004618	†• 004647	• 004682	• 004718	004997	004998	
2-15/16						004648	004683	004719			
3						004649	004684	004720			
3-1/8						004651	004686	004722			
3-1/4						004653	004688	004724			
3-5/16						004654	004689	004725			
3-3/8						• 004655	*†• 004690	• 004726			
3-7/16							004691	004727			
3-1/2							004692	004728			
3-5/8							004693	004730			
3-11/16								004731			
3-3/4							004694	004732			
3-7/8							• 004695	*† 004734			
3-15/16								004735			

• Stock flange assemblies

† Max bore for reborable flanges.

*Max bore with std. square keyway. Larger bores have rectangular keyways & keys supplied.

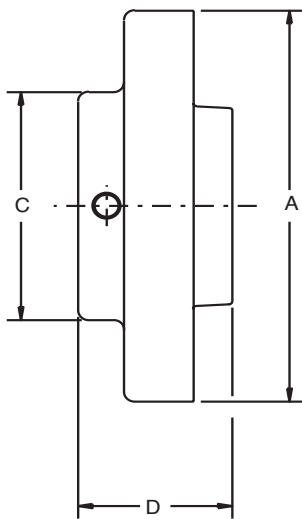
Complete coupling consists of (2) S flanges and (1) sleeve (from page PT1-39).

FEATURES/BENEFITS PAGE PT1-35	SPECIFICATION/HOW TO ORDER PAGE PT1-37	MODIFICATION/ACCESSORIES PAGE PT1-81	ENGINEERING/TECHNICAL PAGE PT1-83
----------------------------------	---	---	--------------------------------------

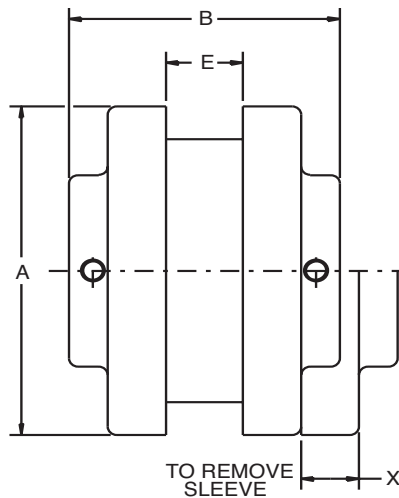


SELECTION/DIMENSIONS

D-FLEX Couplings TYPE "S" COUPLING DIMENSIONS - METRIC



TYPE "S" FLANGE



TYPE "S" COUPLING

Dimensions

Coupling Size	Min. Bore (mm)	Max. Bore #	Watts/100*	Torque* (N-m)	Max. RPM	A (mm)	B (mm)	C (mm)	D (mm)	E (mm)	X (mm)	Mass (kg)
5S	12.7	30	283	27.1	7600	82.6	71.4	48	34	19	25	0.5
6S	12.7	38	530	51	6000	101.6	89	71	41	22	28	0.9
7S	12.7	42	895	82	5250	117.6	100	71	47	25	33	1.2
8S	12.7	50	1343	128	4500	138.4	113	83	53	29	38	2.0
9S	22.2	60	2089	203	3750	161.3	129	92	61	37	44	2.9
10S	28.0	70	3432	325	3600	190.5	145	111	69	41	51	4.8
11S	30.0	95	5371	512	3600	219.2	181	143	87	48	60	8.2
12S	38.0	100	8504	814	2800	254.0	210	146	102	59	68	12.6
13S	50.8	114	13428	1282	2400	298.5	235	171	111	68	78	20.5
14S	50.8	127	21336	2034	2200	352.6	251	191	114	83	89	31.3
16S	50.8	140	55950	5339	1500	479.6	362	203	152	121	108	56.8

Max bore with shallow keyway. For max bore with standard keyway, see page PT1-43

* Ratings based on EPDM & Neoprene. For Hytrel ratings, see page PT1-39

FEATURES/BENEFITS PAGE PT1-35	SPECIFICATION/HOW TO ORDER PAGE PT1-37	MODIFICATION/ACCESSORIES PAGE PT1-81	ENGINEERING/TECHNICAL PAGE PT1-83
----------------------------------	---	---	--------------------------------------



SELECTION/DIMENSIONS

D-FLEX Couplings

Type "S" Coupling Flange - Part Numbers - Metric

Bore (mm)	Coupling Flange Size							
	5S	6S	7S	8S	9S	10S	11S	12S
14mm	004856	004865	004878	004893	004911			
16mm	004857	004866	004879	004894	004912			
18mm	004858	004867	004880	004895	004913			
19mm	004859	004868	004881	004896	004914			
20mm	004860	004869	004882	004897	004915			
22mm	004861	004870	004883	004898	004916			
24mm	004862	004871	004884	004899	004917			
25mm	004863	004872	004885	004900	004918			
28mm	004864	004873	004886	004901	004919	004928		
30mm		004874	004887	004902	004920	004929	004942	
32mm		004875	004888	004903	004921	004930	004943	
35mm		004876	004889	004904	004922	004931	004944	
38mm			004890	004905	004923	004932	004945	004960
40mm			004891	004906	004924	004933	004946	004961
42mm			004892	004907	004925	004934	004947	004962
45mm				004908	004926	004935	004948	004963
48mm				004909	004927	004936	004949	004964
50mm				004910		004937	004950	004965
55mm						004938	004951	004966
60mm						004939	004952	004967
65mm						004940	004953	004968
70mm						004941	004954	004969
75mm							004955	004970
80mm							004956	004971
85mm							004957	004972
90mm							004958	004973
95mm							004959	004974
100mm								004975

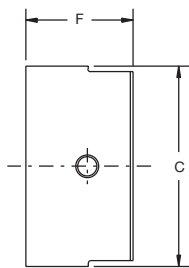
Complete coupling consists of (2) S flanges and (1) sleeve (from page PT1-39).

FEATURES/BENEFITS PAGE PT1-35	SPECIFICATION/HOW TO ORDER PAGE PT1-37	MODIFICATION/ACCESSORIES PAGE PT1-81	ENGINEERING/TECHNICAL PAGE PT1-83
----------------------------------	---	---	--------------------------------------

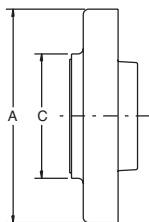


SELECTION/DIMENSIONS

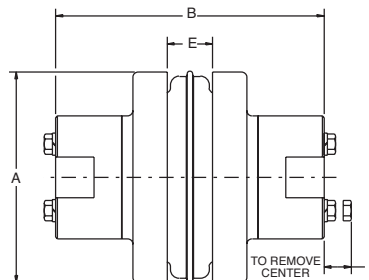
D-FLEX Couplings TYPE "SC" COUPLING DIMENSIONS



SHAFT HUB



SPACER FLANGE



COMPLETE SPACER COUPLING

Dimensions (1)

Cplg. Size	BSE	Flange Number	Shaft Hub		Max. Bore (2)		A	(3) B	C	E	F		K	Wt. (4)
			H	HS	H	HS					H	HS		
5SC	3.50	5SC35	5H	-	1-1/8	-	3.25	5.63	2.00	0.75	1.09	-	0.56	4.50
	3.50	6SC35	6H	---	1-3/8	-	4.00	5.88	2.50	0.88	1.22	-	0.75	7.30
	4.38	6SC44	6H	-	1-3/8	-	4.00	6.75	2.50	0.88	1.22	-	0.75	8.10
6SC	5.00	6SC50	6H	-	1-3/8	-	4.00	7.88	2.50	0.88	1.22	-	0.75	8.70
	3.50	7SC35	7H	---	1-5/8	-	4.63	6.38	2.81	1.00	1.47	-	0.63	9.90
	4.38	7SC44	7H	-	1-5/8	-	4.63	7.25	2.81	1.00	1.47	-	0.63	10.80
7SC	5.00	7SC50	7H	-	1-5/8	-	4.63	7.88	2.81	1.00	1.47	-	0.63	11.40
	3.50	8SC35	8H	-	1-7/8	-	5.45	6.88	3.25	1.13	1.72	-	0.81	15.20
	3.50	8SC35-10	10H	10HS	2-3/8	1-5/8	5.45	9.13	4.38	1.13	2.34	-	0.81	23.20
8SC	4.38	8SC44	8H	-	1-7/8	-	5.45	7.75	3.25	1.13	1.72	1.66	0.81	16.40
	5.00	8SC50	8H	-	1-7/8	-	5.45	8.38	3.25	1.13	1.72	1.33	1.19	17.40
	5.00	8SC50-10	10H	10HS	2-3/8	1-5/8	5.45	9.63	4.38	1.13	2.34	-	1.19	27.20
9SC	3.50	9SC35	9H	9HS	2-1/8	1-1/2	6.35	7.50	3.63	1.44	1.97	1.53	1.06	18.60
	4.38	9SC44	9H	9HS	2-1/8	1-1/2	6.35	8.25	3.63	1.44	1.97	1.53	1.06	22.20
	5.00	9SC50	9H	9HS	2-1/8	1-1/2	6.35	8.88	3.63	1.44	1.97	1.53	1.06	23.20
	5.00	9SC50-11	11H	11HS	2-7/8	1-7/8	6.35	10.38	5.25	1.44	2.72	1.91	1.19	40.40
	7.00	9SC70-11	11H	11HS	2-7/8	1-7/8	6.35	12.38	5.25	1.44	2.72	1.91	1.19	48.20
	7.75	9SC78-11	11H	11HS	2-7/8	1-7/8	6.35	13.13	5.25	1.44	2.72	1.91	1.19	51.00
10SC	4.75	10SC48	10H	10HS	2-3/8	1-5/8	7.50	9.38	4.38	1.63	2.34	1.66	1.19	37.60
	5.00	10SC50	10H	10HS	2-3/8	1-5/8	7.50	9.63	4.38	1.63	2.34	1.66	1.19	38.40
	7.00	10SC70-13	13H	13HS	3-3/8	2-1/2	7.50	13.63	6.13	1.63	3.34	2.47	1.88	72.00
	7.75	10SC78-13	13H	13HS	3-3/8	2-1/2	7.50	14.63	6.13	1.63	3.34	2.47	1.88	76.00
	10.00	10SC100-13	13H	13HS	3-3/8	2-1/2	7.50	16.63	6.13	1.63	3.34	2.47	1.88	88.00
11SC	4.75	11SC48	11H	11HS	2-7/8	1-7/8	8.63	10.31	5.25	1.88	2.72	1.91	1.19	54.50
	5.00	11SC50	11H	11HS	2-7/8	1-7/8	8.63	10.38	5.25	1.88	2.72	1.91	1.19	54.70
	7.00	11SC70-14	14H	-	3-7/8	-	8.63	14.38	6.50	1.88	3.84	2.00	2.00	86.10
	7.75	11SC78-14	14H	-	3-7/8	-	8.63	15.38	6.50	1.88	3.84	2.00	2.00	90.30
	10.00	11SC100-14	14H	-	3-7/8	-	8.63	17.63	6.50	1.88	3.84	2.00	2.00	102.70
12SC	7.00	12SC70	12H	12HS	2-7/8	2-1/2	10.00	12.88	5.75	2.31	2.97	2.53	1.50	88.10
	7.00	12SC70-14	14H	-	3-7/8	-	10.00	14.63	6.50	2.31	3.84	2.00	2.00	99.10
	7.75	12SC78	12H	12HS	2-7/8	2-1/2	10.00	13.63	5.75	2.31	2.97	2.53	1.50	91.90
	7.75	12SC78-14	14H	-	3-7/8	-	10.00	14.38	6.50	2.31	3.84	2.00	2.00	103.30
	10.00	12SC100-14	14H	-	3-7/8	-	10.00	17.63	6.50	2.31	3.84	2.00	2.00	115.70
13SC	7.75	13SC78	13H	13HS	3-3/8	2-1/2	11.75	14.38	6.13	2.69	3.34	2.47	1.88	129.60
14SC	7.75	14SC78	14H	-	3-7/8	-	13.88	15.38	6.50	3.25	3.84	-	2.00	179.90

(1) Ratings (HP/100, Torque, RPM) same as Type S. See page PT1-42.

(2) Check shaft hub table on next page for minimum Bore.

(3) B dimension included H hubs. Dimension will change if one or two HS (short hubs) are used.

(4) Complete coupling weight at MAX bore.

FEATURES/BENEFITS PAGE PT1-35	SPECIFICATION/HOW TO ORDER PAGE PT1-37	MODIFICATION/ACCESSORIES PAGE PT1-81	ENGINEERING/TECHNICAL PAGE PT1-83
----------------------------------	---	---	--------------------------------------



SELECTION/DIMENSIONS

D-FLEX Couplings

Type "SC" Couplings - Spacer Flange Part Numbers

BSE (in.)	Coupling Size						
	5SC	6SC	7SC	8SC	8SC-10	9SC	9SC-11
3.50	• 022000	• 022001	• 022004	• 022007	• 022775	• 022010	
4.38		• 022002	• 022005	• 022008		• 022011	
5.00		• 022003	• 022006	• 022009	• 022776	• 022012	• 022777
7.00							• 022778
7.75							• 022779

BSE (in.)	Coupling Size							
	10SC	10SC-13	11SC	11SC-14	12SC	12SC-14	13SC	14SC
4.75	• 022013		• 022015					
5.00	• 022014		• 022016					
7.00		022780		022783	• 022017	022786		
7.75		022781		022784	• 022018	022787	021997	021998
10.00		022782		022785		022788		

• Stock flanges

Spacer Shaft Hub Part Numbers

Bore (in.)	Coupling Size									
	5H	6H	7H	8H	9H	10H	11H	12H	13H	14H
Reborable Finished Bore Hubs	• 022220	• 022221	• 022222	• 022223	• 022224	• 022225	• 022226	• 022227	022228	
1/2	022329									
5/8	• 022331	022340	022353							
11/16	022332	022341	022354							
3/4	• 022333	• 022342	022355	022368						
7/8	• 022335	• 022344	• 022357	022370	022387					
15/16	022336	022345	022358	022371	022388					
1	• 022337	• 022346	• 022359	• 022372	022389					
1-1/8	• 022339	• 022348	• 022361	• 022374	022391	022409	0022452			
1-1/8 (1)					• 022392(1)	• 022410(1)	022453(1)			
1-3/16		022349	022362	022375	022393	022411	022454			
1-1/4		• 022350	022363	022376	022394	022412	022455			
1-5/16		022351	022364	022377	022395	022413	022456			
1-3/8		022352	• 022365	• 022378	• 022396	022414	022457			
1-7/16				022379	022397	022415	022458			
1-1/2			• 022366	• 022380	• 022398	022416	022459			
1-9/16				022381	022399	022417	022460			
1-5/8			• 022367	• 022382	• 022400	• 022418	022461			
1-5/8 (1)							022462(1)			
1-3/4				• 022384	• 022402	022420	022464			
1-7/8				• 022386	• 022404	• 022428	• 022466	022483		
1-15/16					022405	022429	022467	022484		
2					022406	022430	022468	022485		
2-1/8					• 022408	• 022432	• 022470	022487	022813(1)	
2-3/16						022433	022471	022488		
2-1/4						022434	022472	022489		
2-5/16						022435	022473	022490		
2-3/8						• 022436	• 022474	022491	022810	• 022815
2-3/8(1)								022492(1)	022814(1)	
2-7/16							022475	022493		
2-1/2							022476	022494		
2-5/8							022478	022496		
2-11/16							022479	022497		
2-3/4							022480	022498		
2-7/8							• 022482	022500	022811	022816
3-3/8									022812	022817
3-7/8										022818

• Stock hub assemblies

(1) HS (Short Hub)

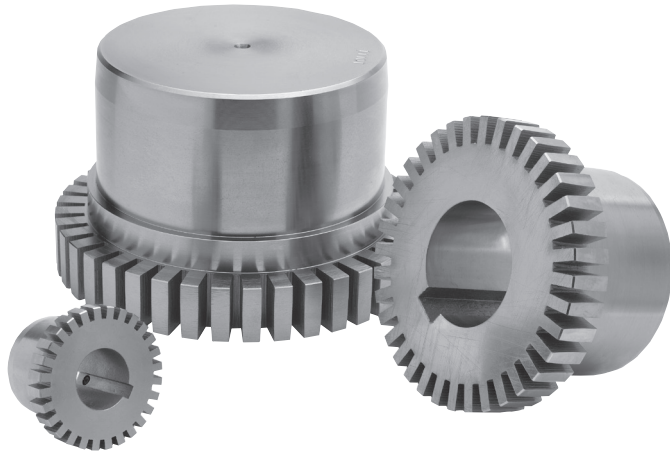
Complete coupling consists of (2) shaft hubs, (2) spacer flanges, and (1) sleeve (from page PT1-39)

FEATURES/BENEFITS PAGE PT1-35	SPECIFICATION/HOW TO ORDER PAGE PT1-37	MODIFICATION/ACCESSORIES PAGE PT1-81	ENGINEERING/TECHNICAL PAGE PT1-83
----------------------------------	---	---	--------------------------------------



FEATURES/BENEFITS

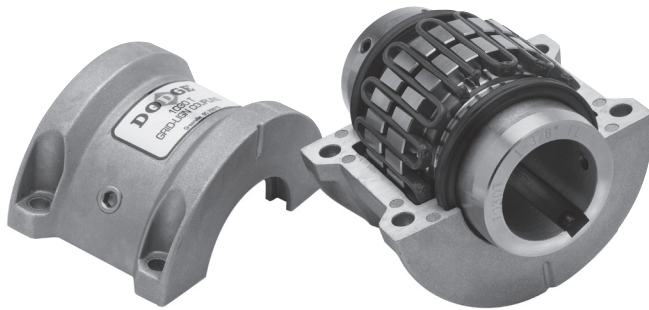
GRID-LIGN



The basic GRID-LIGN coupling consists of two steel shaft hubs, a high strength spring steel tapered grid element, two seals and a cover assembly. Misalignment and end float are accommodated by the sliding action of the grid in the lubricated hub grooves.

Standard GRID-LIGN couplings operate reliably between -35° and +210°F. They can accept angular misalignment to 1/2°, parallel misalignment to .012", and end float to .375". Speed capability goes as high as 6000 RPM.

GRID-LIGN couplings can be mounted with TAPER-LOCK bushings on shafts from 1/2" to 3-15/16". Straight bore hubs go up to 13" bore.



Flexible Tapered Element

- Isolates vibration, cushions shock loads
- Allows uniform contact during light, normal and shock loading conditions
- Lengthens machine life
- Constructed from tempered spring steel for long life

High Torque Capability

- Torque ranges from 464 to 1,650,000 in. lbs.
- Steel components allow for compact size

Interchangeability

- Stock GRID-LIGN coupling configurations include the standard full-flex design in vertically or horizontally split covers, half spacers and full spacers
- Interchangeable with other tapered grid style couplings

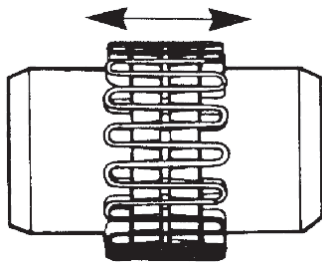
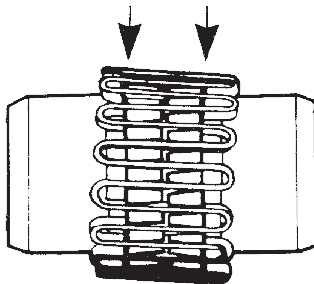
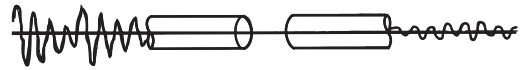
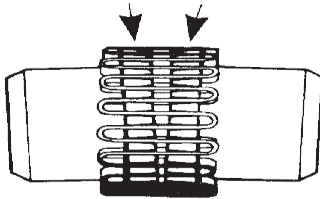


FEATURES/BENEFITS

GRID-LIGN

STYLE, SIZES AND RATINGS CHART

Coupling Styles	Number of Sizes	Maximum Ratings		
		Bore	Torque	Speed
T10 Standard Coupling H Cover	19	13.0"	1,650,000	6000
T20 Standard Coupling V Cover	10	5.0"	75,000	6000
T31 Full Spacer	8	4.25"	30,000	3600
T35 Half Spacer	8	4.25"	30,000	3600



TAPERED GRID DESIGN

- Tapered grid element, combined with the contoured hub grooves, transmit torque efficiency while accommodating misalignment and cushioning shock loads
- Grid element made from high strength steel that is quenched and tempered for long life

SPECIFICATION/HOW TO ORDER/NOMENCLATURE



GRID-LIGN

SPECIFICATION

GRID-LIGN Couplings are tapered grid style with hubs, grids and covers which are interchangeable with other industry standard tapered grid couplings. Grid hubs are machined steel, protected with an anti-rust coating. Hubs have optional methods of attachment to the shaft including but not limited to: clearance fit, interference fit or TAPER-LOCK bushings. Clearance fits and interference fits are supplied with an industry standard keyway. Clearance fits are supplied with two set screws, one over the key and one at 65°. The grid element is made of high strength spring steel, heat treated and shot peened to enhance strength and durability.

The coupling is designed and manufactured such that the grid member can be replaced without disturbing the connected equipment and without the requirement for realignment. All Grid-Lign Couplings are fitted with covers to retain lubrication and prevent the entry of abrasives and contaminants. Covers are of a two piece design to facilitate installation and are available as axial split or radial split. DODGE will provide recommendations for types and amounts of lubricant suitable for operation in ambient temperatures from -35°F to +210°F.

Spacer Couplings consist of two shaft hubs and a center assembly consisting of two spacer hubs, one grid and cover. The center assembly is readily removable to facilitate maintenance on pumps or other connected equipment. The center assembly must be replaceable without disturbing the coupled equipment and without realignment.

NOTE: Instruction manuals for all Dodge products available at www.dodge-pt.com

FEATURES/BENEFITS PAGE PT1-48	SELECTION/DIMENSIONS PAGE PT1-52	MODIFICATION/ACCESSORIES PAGE PT1-81	ENGINEERING/TECHNICAL PAGE PT1-83
----------------------------------	-------------------------------------	---	--------------------------------------



GRID-LIGN

HOW TO ORDER

<p>Standard couplings consist of:</p> <ul style="list-style-type: none"> (2) Shaft Hubs (1) Grid & Cover Assembly (T10 or T20) 	<p>Spacer couplings consists of:</p> <ul style="list-style-type: none"> T31 Spacer <ul style="list-style-type: none"> (2) "T" Shaft Hubs (2) Spacer Hubs (1) T10 Grid & Cover Assembly T35 Half Spacer <ul style="list-style-type: none"> (1) Shaft Hub (1) Spacer Hub (1) "T" Shaft Hub (1) T10 Grid & Cover Assembly
--	---

NOMENCLATURE

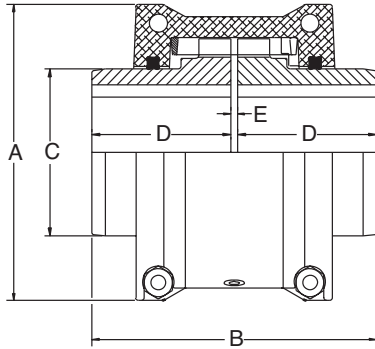
	<p>Size _____ <u>1020</u> _____ <u>T10</u></p>
	<p>Coupling Type _____</p> <ul style="list-style-type: none"> T10 = Horizontal Split Cover T20 = Vertical Split Cover T31 = Full Spacer T35 = Half Spacer



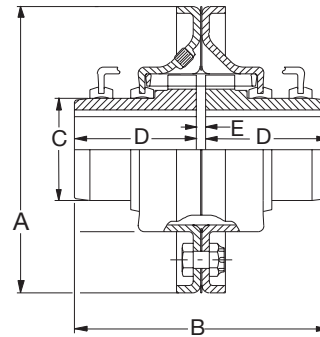
SELECTION/DIMENSIONS

GRID-LIGN

RATINGS AND DIMENSIONS FOR COUPLING SIZES 1020T - 1140T



TYPE T10



TYPE T20

Coupling Size	Straight Bore			TAPER-LOCK		HP/100		TORQUE		Max. RPM	
	Min. Bore	Maximum Bore		Min. Bore	Max. Bore	Str. Hub	T-L Hub	Str. Hub (In-Lbs)	T-L Hub (In-Lbs)	T10	T20
		Sq. Key	Rec. Key								
1020T	0	1-1/8	1-3/16	N/A	N/A	0.7	-	464	-	4500	6000
1030T	0	1-3/8	1-7/16	1/2	1-1/8	1.9	1.9	1320	1200	4500	6000
1040T	0	1-5/8	1-3/4	1/2	1-1/8	3.2	2.1	2200	1300	4500	6000
1050T	0	1-7/8	2	1/2	1-1/4	5.6	5.6	3850	3500	4500	6000
1060T	0	2-1/8	2-1/4	1/2	1-11/16	8.7	6.8	6050	4300	4350	6000
1070T	0	2-1/2	2-11/16	1/2	2-1/8	13.0	11.3	8800	7150	4125	5500
1080T	0	3	3-1/4	3/4	2-11/16	26.0	17.9	18150	11300	3600	4750
1090T	0	3-1/2	3-3/4	15/16	3-1/4	48.0	38.1	33000	24000	3600	4000
1100T	0	4	4-1/4	15/16	3-1/4	80.0	38.1	55550	24000	2440	3250
1110T	0	4-1/2	4-5/8	1-13/16	3-15/16	120.0	71.1	82500	44800	2250	3000
1120T	2-3/8	5	5-3/8	*	*	175.0	*	121000	*	2025	2700
1130T	2-5/8	6	6-1/2	*	*	254.0	*	176000	*	1800	2400
1140T	2-5/8	7	7-1/4	*	*	365.0	*	253000	*	1650	2200

Coupling Size	A		B		C	D		E	Weight (Lbs.) (1)		Inertia (Lb. Ft. ²) (2)
	T10	T20	Str. Hub	T-L Hub		Str. Hub	T-L Hub		T10	T20	
	1020T	3.47	4.38	3.89		N/A	1.56		1.9	N/A	
1030T	3.88	4.75	3.89	3.39	1.94	1.9	1.6	0.1	3.8	4.0	0.1
1040T	4.22	5.06	4.13	3.36	2.25	2.0	1.6	0.1	4.7	4.9	0.1
1050T	5.09	5.81	4.88	3.89	2.63	2.4	1.9	0.1	7.3	7.5	0.2
1060T	5.47	6.38	5.13	4.38	3.00	2.5	2.1	0.1	11.0	11.0	0.3
1070T	5.92	6.81	6.13	4.38	3.44	3.0	2.1	0.1	13.8	14.0	0.4
1080T	6.92	7.88	7.13	5.39	4.13	3.5	2.6	0.1	25.1	25.6	1.01
1090T	7.70	9.13	7.88	6.39	4.88	3.9	3.1	0.1	35.1	35.6	1.7
1100T	9.88	10.50	9.69	7.19	5.59	4.8	3.5	0.2	62.6	63.2	3.7
1110T	10.63	11.25	10.19	7.45	6.31	5.0	3.6	0.2	78.5	79.0	5.6
1120T	12.13	12.56	12.00	*	7.06	5.9	*	0.3	114.0		10.8
1130T	13.63	14.88	13.00	*	8.56	6.4	*	0.3	165.0		20.2
1140T	15.13	16.38	14.75	*	10.00	7.3	*	0.3	236.0		36.4

(1) Weight of complete coupling at maximum bore

(2) Inertia of complete coupling at maximum bore

* Priced on Request

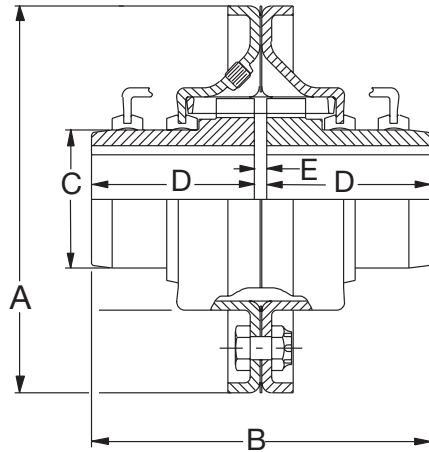
FEATURES/BENEFITS PAGE PT1-48	SPECIFICATION/HOW TO ORDER PAGE PT1-50	MODIFICATION/ACCESSORIES PAGE PT1-81	ENGINEERING/TECHNICAL PAGE PT1-83
----------------------------------	---	---	--------------------------------------

PT Component Reference Guide
Couplings
Clutches and Brakes
FLEXIDYNE
Fluid Couplings
TORQUE-TAMER
Bushings

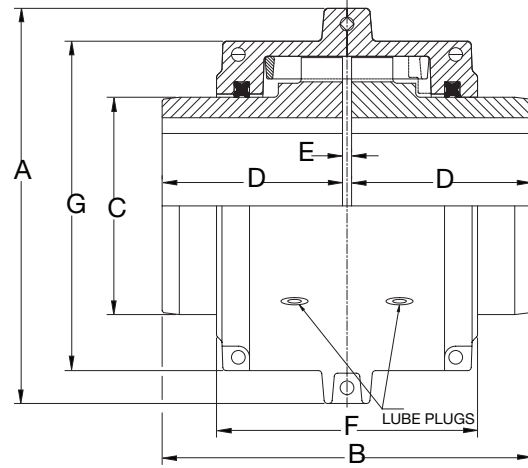


SELECTION/DIMENSIONS

GRID-LIGN COUPLINGS SIZES FOR 1150T - 1200T



TYPE T20



TYPE T10

Coupling Size	Straight Bore		Torque		Maximum RPM		Weight (lbs) (1)	Inertia (lb ft ²) (2)
	Minimum	Maximum	HP/100	In-Lbs	T10	T20		
1150T	4.1	8.0	558.5	352000	1500	2000	516	12387
1160T	4.6	9.0	785.4	495000	1350	1750	699	20192
1170T	5.1	10.0	1047.2	660000	1225	1600	988	35251
1180T	5.8	11.0	1451.8	915000	1110	1400	1365	63935
1190T	5.8	12.0	1919.9	1210000	1050	1300	1711	95407
1200T	6.8	13.0	2618.0	1650000	900	1100	2333	158256

Coupling Size	A		B	C	D	E	F	G
	T10	T20						
1150T	17.9	18.8	14.7	10.6	7.2	0.3	10.8	15.5
1160T	19.8	21.0	15.9	12.0	7.8	0.3	11.0	17.2
1170T	22.4	23.0	17.3	14.0	8.5	0.3	12.2	19.2
1180T	24.8	24.8	19.1	15.5	9.4	0.3	12.7	21.9
1190T	26.4	27.0	20.7	18.3	10.2	0.3	12.8	23.8
1200T	30.0	29.0	22.3	19.6	11.0	0.3	14.0	26.1

(1) Weight of complete coupling at minimum bore

(2) Inertia of complete coupling at minimum bore



SELECTION/DIMENSIONS

GRID-LIGN

Type T10 And T20 GRID-LIGN Couplings Part Numbers - Sizes 1020T Thru 1090T

Size	1020T	1030T	1040T	1050T	1060T	1070T	1080T	1090T
T10 Grid/Cover	• 006750	• 006751	• 006752	• 006753	• 006754	• 006755	• 006756	• 006757
T20 Grid/Cover	• 006765	• 006766	• 006767	• 006768	• 006769	• 006770	• 006771	• 006772
Grid	• 006275	• 006276	• 006277	• 006278	• 006279	• 006280	• 006281	• 006282
T10 Cover	• 006250	• 006251	• 006252	• 006253	• 006254	• 006255	• 006256	• 006257
T20 Cover	• 006260	• 006261	• 006262	• 006263	• 006264	• 006265	• 006266	• 006267
T-L Hubs	N/A	• 006318	• 006319	• 006320	• 006321	• 006322	• 006323	• 006324
Bushing Size	N/A	1108	1108	1215	1615	2012	2525	3030
Reborable	• 006290	• 006291	• 006292	• 006293	• 006294	• 006295	• 006296	• 006297
Finished Bore Hub								
1/2	006580							
5/8	006581	006585						
3/4	• 006582	• 006586						
7/8	006583	• 006587	• 006592	• 006576				
15/16	006571	006572	006950	006953	006957			
1	• 006584	• 006588	• 006593	• 006577				
1-1/8	• 006793	• 006589	• 006594	• 006599	006578			
1-3/16			006951	006954	006958			
1-1/4		• 006590	• 006595	• 006600	• 006579	006629		
1-3/8		• 006591	• 006596	• 006601	• 006606	006640		
1-7/16			006952	006955	006643	006961		
1-1/2			• 006597	• 006602	• 006607	• 006641	006642	006540
1-5/8			• 006598	• 006603	• 006608	• 006612	006539	
1-11/16				• 006956	006959	006962		
1-3/4				006604	• 006609	• 006613		
1-7/8				• 006605	• 006610	• 006614	006573	006541
1-15/16					• 006960	006963		
2					• 006794	• 006615	006620	
2-1/8					• 006611	• 006616	• 006621	006656
2-3/16						• 006964	006966	
2-1/4						• 006617	• 006622	• 006657
2-3/8						• 006618	• 006623	• 006804
2-7/16						• 006965	006967	
2-1/2						006619	• 006624	• 006795
2-5/8						006479	006625	006796
2-11/16							006968	006790
2-3/4							006626	006797
2-7/8							• 006627	• 006798
2-15/16							006969	006791
3							006628	006799
3-1/8								006800
3-1/4								006801
3-3/8								• 006802
3-7/16								006792
3-1/2								006803
3-5/8								
3-3/4								006480
3-7/8								
3-15/16								
4								

• Stock Sizes *Priced on request

Note: For TAPER-LOCK design, TAPER-LOCK bushings must be ordered separately

Note: 1020T - 1090T hubs come standard as clearance fit. Interference fit available on request.

Complete coupling consists of: (2) Hubs, TAPER-LOCK or straight bore, and (1) grid & cover assembly

FEATURES/BENEFITS PAGE PT1-48	SPECIFICATION/HOW TO ORDER PAGE PT1-50	MODIFICATION/ACCESSORIES PAGE PT1-81	ENGINEERING/TECHNICAL PAGE PT1-83
----------------------------------	---	---	--------------------------------------

PT Component Reference Guide
 Couplings
 Clutches and Brakes
 FLEXIDYNE
 Fluid Couplings
 TORQUE-TAMER
 Bushings



SELECTION/DIMENSIONS

GRID-LIGN

Type T10 And T20 GRID-LIGN Couplings Part Numbers - Sizes 1100T Through 1200T

Size	1100T	1110T	1120T	1130T	1140T	1150T	1160T	1170T	1180T	1190T	1200T
T10 Grid/Cover	• 006758	• 006759	• 006760	• 006761	• 006762	• 007456	• 007457	• 007458	• 007459	• 007460	• 007461
T20 Grid/Cover	• 006773	• 006774	425514	423677	426916	007017	007018	007019	007020	007021	007022
Grid	• 006283	• 006284	007462	007463	007464	• 007465	• 007466	• 007467	• 007468	• 007469	• 007470
T10 Cover	• 006258	• 006259	007471	007472	007473	• 007474	• 007475	• 007476	• 007477	• 007478	• 007479
T20 Cover	• 006268	• 006269	426672	426673	426674	007011	007012	007013	007014	007015	007016
T-L Hubs	• 006325	• 006326	423589	393257	*	*	*	*	*	*	*
Bushing Size	3030	3535	4040	4545	*	*	*	*	*	*	*
Reborable	• 006298	• 006299	• 006300	• 006301	• 006245	• 007450	• 007451	• 007452	• 007453	• 007454	• 007455
Finished Bore Hubs											
2-1/2	006460										
2-5/8	006461										
2-11/16	006473										
2-3/4	006462										
2-7/8	006463										
2-15/16	006474										
3	006464	006486									
3-1/8	006465	006487									
3-1/4	006466	006488									
3-3/8	• 006467	006489									
3-7/16	006475	006484									
3-1/2	006468	006490									
3-5/8	006469	006491									
3-3/4	006470	006492									
3-7/8	006471	006493									
3-15/16	006476	006485									
4	006472	006494									

• Stock Sizes *Priced on request

Note: For TAPER-LOCK design, TAPER-LOCK bushings must be ordered separately

Note: 1100T - 1200T hubs come standard as interference fit. Clearance fit available on request

Complete coupling consists of: (2) Hubs, TAPER-LOCK or straight bore, and (1) grid & cover assembly.

TL Bushings on page PT6-2

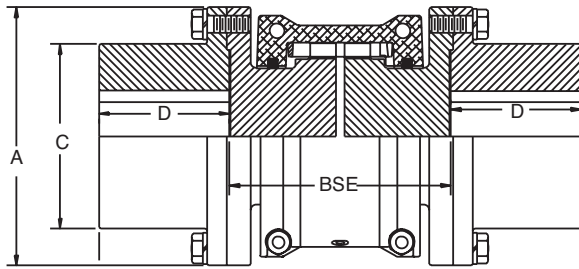
FEATURES/BENEFITS PAGE PT1-48	SPECIFICATION/HOW TO ORDER PAGE PT1-50	MODIFICATION/ACCESSORIES PAGE PT1-81	ENGINEERING/TECHNICAL PAGE PT1-83
----------------------------------	---	---	--------------------------------------



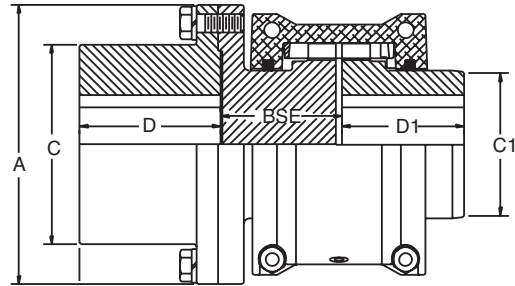
SELECTION/DIMENSIONS

GRID-LIGN

SPACER, STRAIGHT BORE & TAPER-LOCK DIMENSIONS/RATINGS



TYPE T31



TYPE T35

Coupling Size	Straight Bore			TAPER-LOCK		HP/100 (5)		TORQUE (5)		Max. RPM	T31 Weight*	
	Min. Bore	Maximum Bore		Min. Bore	Max. Bore	Str. Hub	T-L Hub	Str. Hub (In-Lbs)	T-L Hub (In-Lbs)		(1)	(2)
		Sq. Key	Rec. Key									
1020T	---	1-3/8	1-7/16	1/2	1-1/8	0.67	0.67	422	422	3600	8.1	.54
1030T	---	1-5/8	1-3/4	1/2	1-1/8	1.90	1.90	1200	1200	3600	11.1	.83
1040T	---	2-1/8	2-1/4	1/2	1-7/16	3.20	3.20	2000	2000	3600	18.0	1.11
1050T	---	2-3/8	2-1/2	1/2	1-11/16	5.60	5.60	3500	3500	3600	26.6	1.52
1060T	---	2-7/8	3-1/8	1/2	2-1/8	8.70	8.70	5500	5500	3600	42.7	1.98
1070T	---	3-1/8	3-1/4	3/4	2-11/16	13.00	13.00	8000	8000	3600	52.3	2.60
1080T	---	3-1/2	3-3/4	3/4	2-11/16	26.00	17.90	16,500	11,300	3600	84.8	3.70
1090T	---	4	4-1/4	15/16	3-1/4	48.00	38.10	30,000	24,000	3600	130.0	5.20

Coupling Size	A	C	C1	D	D1	T31 BSE		T35 BSE		T31 Inertia (Lb. Ft. ²)	
						Min.	Max.	Min.	Max.	(3)	(4)
1020T	3.38	2.06	1.56	1.38	1.88	3.50	8.00	1.78	4.03	0.07	0.001
1030T	3.69	2.34	1.94	1.63	1.88	3.50	8.50	1.78	4.28	0.11	0.003
1040T	4.44	3.11	2.25	2.13	2.00	3.50	8.50	1.78	4.28	0.21	0.005
1050T	4.94	3.44	2.63	2.38	2.38	4.38	8.50	2.22	4.28	0.51	0.010
1060T	5.69	4.06	3.00	2.88	3.50	5.00	13.00	2.53	6.53	0.88	0.020
1070T	6.00	4.31	3.44	3.13	3.00	5.00	13.00	2.53	6.53	1.23	0.030
1080T	7.00	4.81	4.13	3.50	3.50	7.25	16.00	3.66	8.03	2.49	0.060
1090T	8.25	5.63	4.88	4.00	3.88	7.25	16.00	3.66	8.03	5.01	0.110

- (1) Weight of T31 coupling at maximum bore
- (2) Weight adder per inch
- (3) Inertia of T31 coupling at maximum bore
- (4) Inertia adder per inch
- (5) HP/100 and TORQUE ratings for T-L style shaft hubs apply for "T" shaft hubs. See page PT1-52 for standard T-L style shaft hubs

* For weight and inertia of T35 use 1/2 of T31 value (this page) and 1/2 T10 value (page PT1-52)

FEATURES/BENEFITS PAGE PT1-48	SPECIFICATION/HOW TO ORDER PAGE PT1-50	MODIFICATION/ACCESSORIES PAGE PT1-81	ENGINEERING/TECHNICAL PAGE PT1-83
----------------------------------	---	---	--------------------------------------

PT Component Reference Guide
 Couplings
 Clutches and Brakes
 FLEXIDVNE
 Fluid Couplings
 TORQUE-TAMER
 Bushings



SELECTION/DIMENSIONS

GRID-LIGN

Type T 31 And T35 GRID-LIGN Couplings, Spacer Straight Bore "T" Hubs, TAPER-LOCK "T" Hubs, Grids And Covers - Part Numbers

Size	1020T	1030T	1040T	1050T	1060T	1070T	1080T	1090T
T10Grid/Cover	• 006750	• 006751	• 006752	• 006753	• 006754	• 006755	• 006756	• 006757
Grid	• 006275	• 006276	• 006277	• 006278	• 006279	• 006280	• 006281	• 006282
T10 Cover	• 006250	• 006251	• 006252	• 006253	• 006254	• 006255	• 006256	• 006257
T-L Hubs	• 006328	• 006329	• 006330	• 006331	• 006332	• 006333	• 006334	• 006335
Bushing Size	1108	1108	1310	1615	2012	2525	2525	3030
Reborable	• 006305	• 006306	• 006307	• 006308	• 006309	• 006310	• 006311	• 006312
Finished Bore Hubs								
5/8	006903							
7/8	• 006904	006907	006399					
1	006905	006908	• 006970	006984				
1-1/8	006906	006909	006971	006985				
1-1/4	006396	006397	006400	006402	006411			
1-3/8	• 006560	006894	006972	006986	006412			
1-7/16				006456				
1-1/2				006481	006413			
1-5/8		• 006398	006973	006987	006414	006417	006433	
1-3/4			006974	006988	006990	006418		
1-7/8			006564	006989	006991	006419	006434	• 006440
2				006457	006482			
2-1/8			006401	006565	006992	006429	006435	
2-3/8				006566	• 006567	• 006430	006458	006451
2-7/16					006415		006550	
2-5/8					006416		006436	
2-7/8					• 006568	006431	006437	006452
3						006432	006438	006453
3-3/8							• 006439	006454
3-7/8							006455	006455

• Stock Sizes

Complete spacer couplings consists of:

- T31 Spacer -** (2) "T" Shaft Hubs
 (2) Spacer Hubs (Page PT1-58)
 (1) T10 Grid & Cover Assembly
- T35 Half Spacer -** (1) Shaft Hub (Page PT1-49)
 (1) Spacer Hub (Page PT1-59)
 (1) "T" Shaft Hub
 (1) T10 Grid & Cover Assembly

NOTE: For TAPER-LOCK designs, TAPER-LOCK bushings must be ordered separately. Refer to bushing section PT6-16.

NOTE: 1020T - 1090T hubs come standard as clearance fit. Interference fit available on request.

FEATURES/BENEFITS PAGE PT1-48	SPECIFICATION/HOW TO ORDER PAGE PT1-50	MODIFICATION/ACCESSORIES PAGE PT1-81	ENGINEERING/TECHNICAL PAGE PT1-83
----------------------------------	---	---	--------------------------------------



SELECTION/DIMENSIONS

GRID-LIGN

Type T31 - Full Spacer

B.S.E. Dimensions (in.)	Coupling Size															
	1020T		1030T		1040T		1050T		1060T		1070T		1080T		1090T	
	Spacer Assembly		Spacer Assembly		Spacer Assembly		Spacer Assembly		Spacer Assembly		Spacer Assembly		Spacer Assembly		Spacer Assembly	
	P/N	Qty.	P/N	Qty.	P/N	Qty.	P/N	Qty.	P/N	Qty.	P/N	Qty.	P/N	Qty.	P/N	Qty.
3.5	006497	2	006504	2	006516	2										
3.94	006497	1	006504	1	006516	1										
	006498	1	006505	1	006517	1										
4.25	006497	1	006504	1	006516	1										
	006499	1	006506	1	006518	1										
4.38	006498	2	006505	2	006517	2	006533	2								
4.69	006498	1	006505	1	006517	1	006533	1								
	006499	1	006506	1	006518	1	006534	1								
5	006499	2	006506	2	006518	2	006534	2	006544	2	006553	2				
5.22					006516	1										
					006519	1										
5.38			006504	1	006516	1										
			006507	1	006520	1										
5.66					006517	1	006533	1								
					006519	1	006535	1								
5.81			006505	1	006517	1	006533	1								
			006507	1	006520	1	006536	1								
5.97					006518	1	006534	1								
					006519	1	006535	1								
6.12			006506	1	006518	1	006534	1	006544	1	006553	1				
			006507	1	006520	1	006536	1	006545	1	006554	1				
6.94					006519	2	006535	2								
7.09					006519	1	006535	1								
					006520	1	006536	1								
7.25			006507	2	006520	2	006536	2	006545	2	006554	2	006561	2	006569	2
8.00																
8.59													006561	1		
													006562	1		
8.62									006544	1	006553	1				
									006546	1	006555	1				
8.88																
9.75									006545	1	006554	1	006561	1	006569	1
									006546	1	006555	1	006563	1	006570	1
9.94													006562	2		
11.09													006562	1		
													006563	1		
12.25									006546	2	006555	2	006563	2	006570	2

FEATURES/BENEFITS PAGE PT1-48	SPECIFICATION/HOW TO ORDER PAGE PT1-50	MODIFICATION/ACCESSORIES PAGE PT1-81	ENGINEERING/TECHNICAL PAGE PT1-83
----------------------------------	---	---	--------------------------------------

PT Component Reference Guide

Couplings

Cutches and Brakes

FLEXIDVNE

Fluid Couplings

TORQUE-TAMER

Bushings



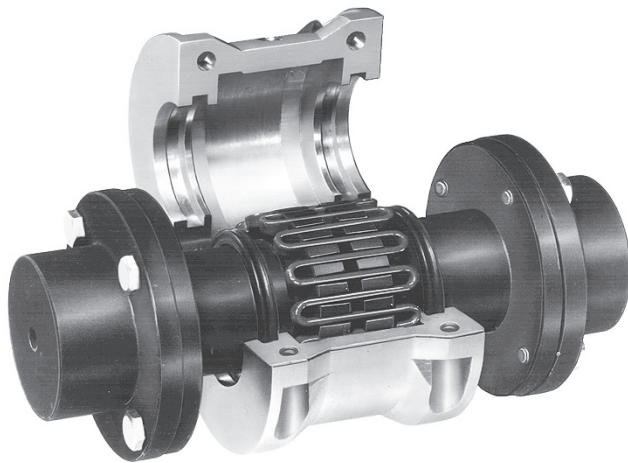
SELECTION/DIMENSIONS

GRID-LIGN

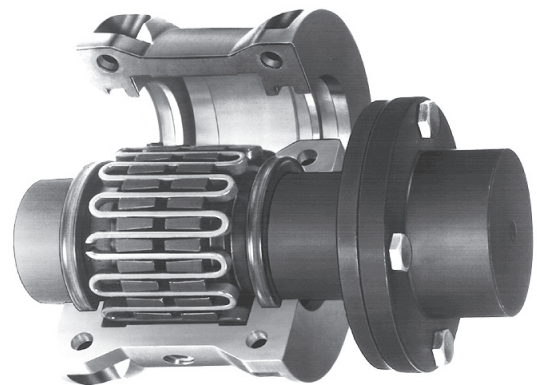
Type T35 - Half Spacer

B.S.E. Dimensions (in.)	Coupling Size															
	1020T		1030T		1040T		1050T		1060T		1070T		1080T		1090T	
	Spacer Assembly		Spacer Assembly		Spacer Assembly		Spacer Assembly		Spacer Assembly		Spacer Assembly		Spacer Assembly		Spacer Assembly	
	P/N	Qty.	P/N	Qty.	P/N	Qty.	P/N	Qty.	P/N	Qty.	P/N	Qty.	P/N	Qty.	P/N	Qty.
1.78	006497	1	006504	1	006516	1										
2.22	006498	1	006505	1	006517	1	006533	1								
2.53	006499	1	006506	1	006518	1	006534	1	006544	1	006553	1				
3.50					006519	1	006535	1								
3.66			006507	1	006520	1	006536	1	006545	1	006554	1	006561	1	006569	1
4.06																
5.00													006562	1		
6.16									006546	1	006555	1	006563	1	006570	1

T31 - Full Spacer



T35 - Half Spacer



FEATURES/BENEFITS PAGE PT1-48	SPECIFICATION/HOW TO ORDER PAGE PT1-50	MODIFICATION/ACCESSORIES PAGE PT1-81	ENGINEERING/TECHNICAL PAGE PT1-83
----------------------------------	---	---	--------------------------------------



FEATURES/BENEFITS

Gear Couplings

The Power-Dense, High-Torque Gear Coupling

The DODGE Gear Coupling (DGF) offers unmatched performance and proven reliability

Quality Manufacturing

- High-quality steel
- Larger tooth profile provides additional service factor
- Good inherent balance
- Proven O-ring seal design
- Machined flanges and gasket for improved sealing
- High-grade fasteners

Performance Benefits

- High torque rating allows for coupling downsizing
- Versatile design permits interchangeable half couplings
- Low backlash (well suited for reversing applications)
- Crowned tooth profile for longer life and improved performance

DODGE Benefits

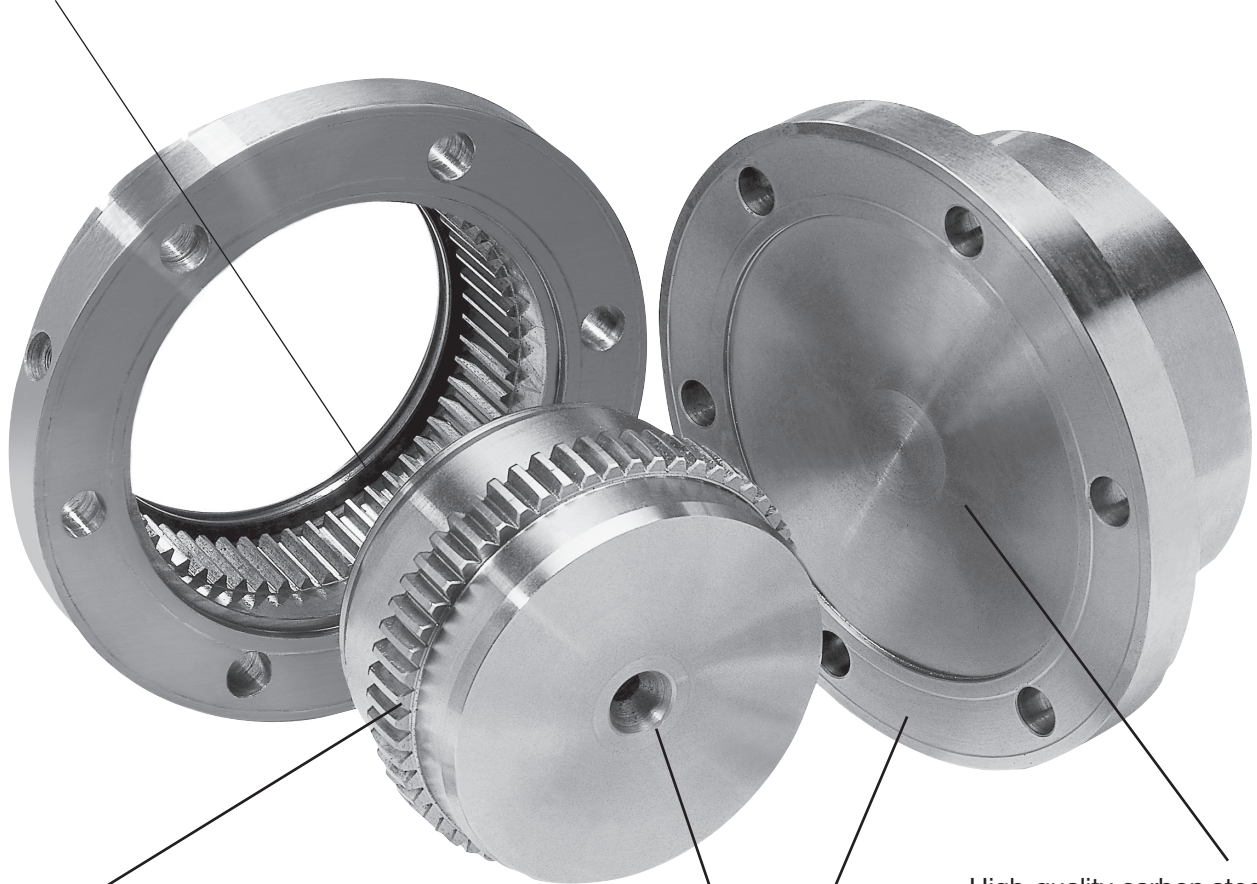
- Coupling solutions for any application
 - Choose from DODGE coupling family: Gear (DGF), PARA-FLEX, GRID-LIGN, D-FLEX, Rigid and Fluid - all available from stock
- Combine DODGE couplings with any DODGE speed reducer for unmatched performance
 - Choose from thousands of combinations to get a package tailored to meet your needs
- Years of application expertise
 - DODGE engineers can help specify products to achieve maximum results from your equipment



FEATURES/BENEFITS

Gear Couplings

Reliable O-ring design effectively seals against contaminants



High pressure angle provides large tooth base; results in high safety factor

Flexible, rigid hub styles available

High-quality carbon steel ensures longer service life

SPECIFICATION/HOW TO ORDER/NOMENCLATURE



Gear Couplings

SPECIFICATION

DODGE GEAR COUPLINGS are power dense and capable of transmitting high torque at high speeds while still remaining inherently well balanced. Gear Couplings transmit torque by the mating of two hubs with external gear teeth that are joined by flanged sleeves with internal gear teeth.

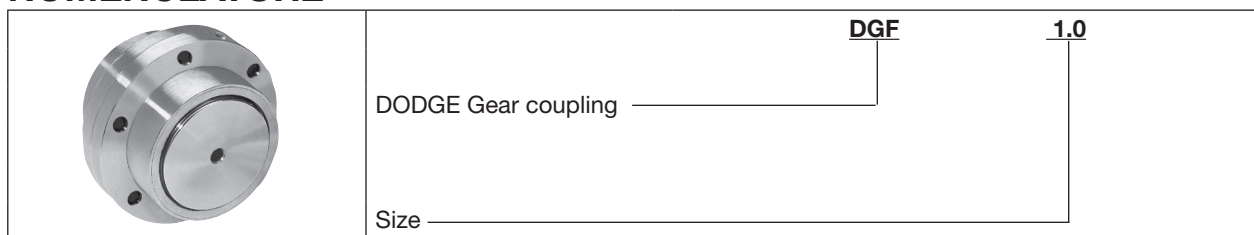
Gear Couplings will be provided with interference fit bores unless otherwise specified. The hubs and sleeves will be manufactured of high quality steel.

HOW TO ORDER

Standard couplings consist of:

- (2) Flex Hubs
- (2) Sleeves
- (1) Hardware Kit

NOMENCLATURE



COMPETITOR INTERCHANGE

DODGE DGF	FALK LIFELIGN	KOP-FLEX KOPPERS SERIES H	AMERIGEAR ZURN F SERIES	LOVEJOY/ SIER-BATH
1	1010G20 *	1	201	-
1.5	1015G20	1-1/2	201-1/2	1.5
2	1020G20	2	202	2
2.5	1025G20	2-1/2	202-1/2	2.5
3	1030G20	3	203	3
3.5	1035G20	3-1/2	203-1/2	3.5
4	1040G20	4	204	4
4.5	1045G20	4-1/2	204-1/2	4.5
5	1050G20	5	205	5
5.5	1055G20	5-1/2	205-1/2	5.5
6	1060G20	6	206	6
7	1070G20	7	207	-

* G20 - FLEX-FLEX
G52 - FLEX-RIGID

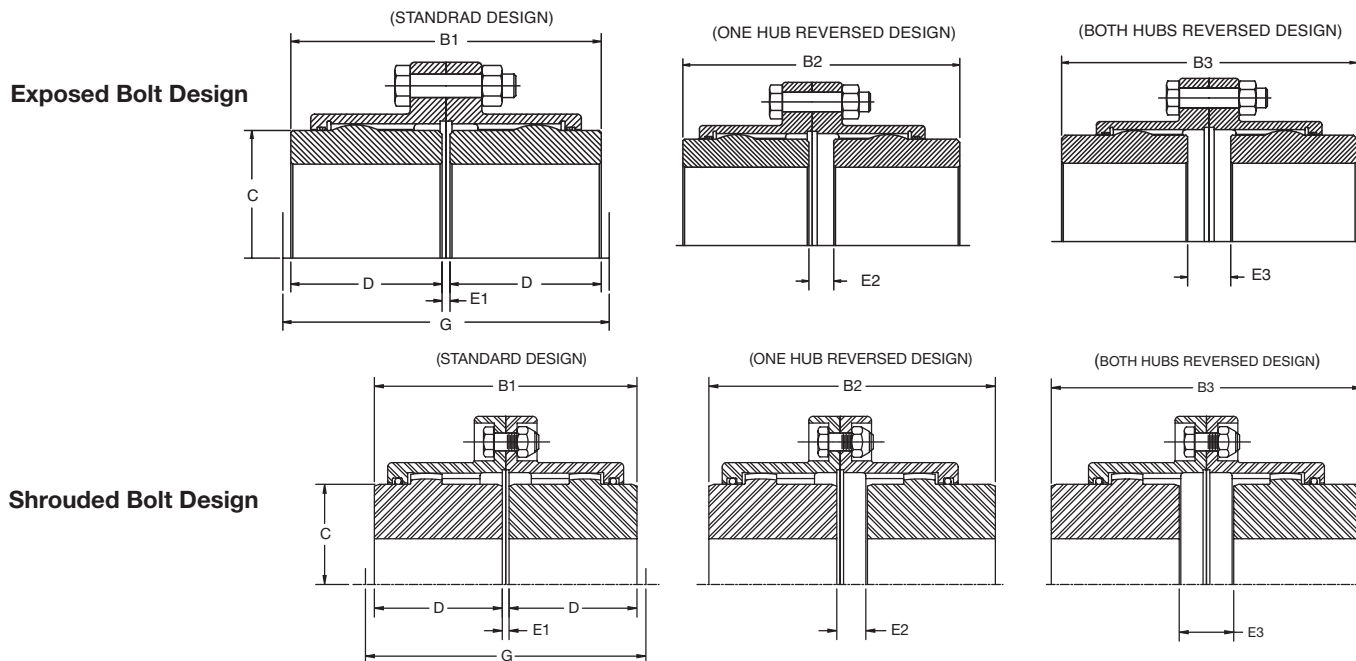
NOTE: Instruction manual for Gear Couplings available on www.dodge-pt.com

FEATURES/BENEFITS PAGE PT1-60	SPECIFICATION/HOW TO ORDER PAGE PT1-63	MODIFICATION/ACCESSORIES PAGE PT1-81	ENGINEERING/TECHNICAL PAGE PT1-83
----------------------------------	---	---	--------------------------------------



SELECTION/DIMENSIONS

Gear Couplings



Size	Min. Bore [in.]	Max. Bore [in.] Standard Keyway		Max. Bore [in.] Shallow Keyway		HP/100+ RPM	Torque+ [lb-in.]	Max. RPM*	Max. Parallel Offset [in.]**	Approx. Weight [lbs.]***
		Flex Hub	Rigid Hub	Flex Hub	Rigid Hub					
1	0.438	1.625	2.188	1.750	2.313	12	7500	6000	0.055	9
1.5	0.690	2.125	2.813	2.250	3.063	30	18900	5500	0.060	19
2	0.940	2.750	3.500	3.000	3.750	50	31500	5000	0.085	34
2.5	1.440	3.250	4.250	3.375	4.500	90	56700	4400	0.105	55
3	1.440	4.000	4.875	4.250	5.250	150	94500	4000	0.115	86
3.5	1.810	4.625	5.625	4.875	6.125	240	151300	3500	0.130	135
4	2.440	5.375	6.500	5.625	6.875	350	220600	3000	0.150	195
4.5	3.000	6.000	7.375	6.438	8.000	480	302500	2700	0.175	268
5	3.000	6.500	8.375	7.000	8.875	690	434900	2500	0.200	394
5.5	4.000	7.500	9.250	7.875	9.875	910	573500	2200	0.220	526
6	4.000	8.250	10.125	8.750	11.000	1190	750000	2100	0.120	687
7	5.000	9.500	11.250	9.750	12.250	1600	1008400	2000	0.135	1017

+ Ratings are based on standard interference fit.

* For higher RPM applications, contact DODGE Customer Order Engineering at (864) 284-5700.

** Based on 1-1/2 degrees angular misalignment per gear mesh for sizes 1 through 5-1/2, 3/4 degree angular misalignment per gear mesh for sizes 6 and 7, and maximum bore. Flex-Rigid configurations do not accept parallel misalignment.

*** Approximate weight with minimum bore.

Size	Dimension [in.]								
	B1	B2	B3	C	D	E1	E2	E3	G
1	3-1/2	3-13/16	4-1/8	2-5/16	1-11/16	1/8	7/16	3/4	4-3/16
1.5	4	4-1/4	4-1/2	3	1-15/16	1/8	3/8	5/8	4-3/4
2	5	5-13/16	6-3/8	4	2-7/16	1/8	13/16	1-1/2	6
2.5	6-1/4	7-1/32	7-13/16	4-5/8	3-1/32	3/16	31/32	1-3/4	7-1/8
3	7-3/8	8-1/32	8-11/16	5-5/8	3-19/32	3/16	27/32	1-1/2	8-1/8
3.5	8-5/8	9-3/16	9-3/4	6-1/2	4-3/16	1/4	13/16	1-3/8	9-3/8
4	9-3/4	10-7/16	11-1/8	7-1/2	4-3/4	1/4	15/16	1-5/8	10-1/4
4.5	10-15/16	12	13-1/16	8-1/2	5-5/16	5/16	1-3/8	2-7/16	11-1/2
5	12-3/8	13-23/32	15-1/16	9-1/2	6-1/32	5/16	1-21/32	3	13
5.5	14-1/8	15-5/8	17-1/8	6-29/32	6-29/32	5/16	1-13/16	3-5/16	14-3/8
6	15-1/8	16-17/32	17-15/16	11-1/2	7-13/32	5/16	1-23/32	3-1/8	17
7	17-3/4	19-1/16	20-3/8	13	8-11/16	3/8	1-11/16	3	20

* Minimum space required to install and align coupling.

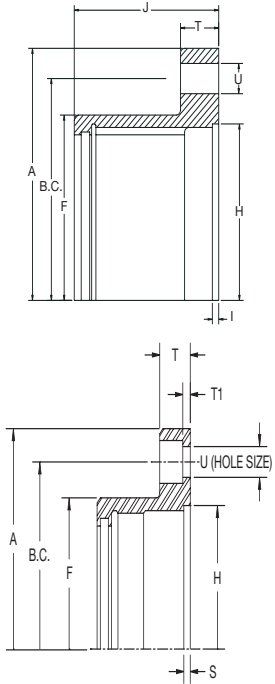
FEATURES/BENEFITS PAGE PT1-60	SPECIFICATION/HOW TO ORDER PAGE PT1-62	MODIFICATION/ACCESSORIES PAGE PT1-81	ENGINEERING/TECHNICAL PAGE PT1-83
----------------------------------	---	---	--------------------------------------



SELECTION/DIMENSIONS

Gear Couplings

(FLANGED SLEEVE AND RIGID HUB DETAILS)



Exposed Bolt Design

Shrouded Bolt Design

Size	Outside	Flange	Flange Thickness		Hub	Undercut	Undercut	Hole	Bolt	Number of Bolts
	Diameter A	Width J	T	T1	Diameter F	Depth I	Diameter H	Diameter U	Circle B.C.	
All Dimensions in Inches										
1 EB	4-9/16	1-21/32	9/16	-	3	3/32	2-7/8	1/4	3-3/4	6
1 SB	4-9/16	1-21/32	9/16	1/2	3	3/32	2-7/8	1/4	3-3/4	6
1.5 EB	6	1-7/8	3/4	-	3-7/8	3/32	3-11/16	3/8	4-13/16	8
1.5 SB	6	1-7/8	3/4	1/2	3-7/8	3/32	3-11/16	3/8	4-13/16	8
2 EB	7	2-3/8	3/4	-	4-13/16	3/32	4-5/8	1/2	5-7/8	6
2 SB	7	2-3/8	3/4	1/2	4-13/16	3/32	4-5/8	3/8	5-13/16	10
2.5 EB	8-3/8	2-7/8	15/16	-	5-13/16	3/32	5-7/16	5/8	7-1/8	6
2.5 SB	8-3/8	2-7/8	15/16	5/16	5-13/16	3/32	5-7/16	1/2	7	10
3 EB	9-7/16	3-5/16	15/16	-	6-13/16	3/32	6-7/16	5/8	8-1/8	8
3 SB	9-7/16	3-5/16	15/16	5/16	6-13/16	3/32	6-7/16	1/2	8	12
3.5 EB	11	3-13/16	1-1/8	-	7-27/32	3/32	7-3/8	3/4	9-1/2	8
3.5 SB	11	3-13/16	1-1/8	3/8	7-27/32	3/32	7-3/8	5/8	9-9/32	12
4 EB	12-1/2	4-1/4	1-1/8	-	9-3/16	3/16	8-3/4	3/4	11	8
4 SB	12-1/2	4-1/4	1-1/8	3/8	9-3/16	3/16	8-3/4	5/8	10-5/8	14
4.5 EB	13-5/8	4-13/16	1-1/8	-	10-5/16	3/16	9-3/4	3/4	12	10
4.5 SB	13-5/8	4-13/16	1-1/8	3/8	10-5/16	3/16	9-3/4	5/8	11-3/4	14
5 EB	15-5/16	5-1/2	1-1/2	-	11-7/16	3/16	10-3/4	7/8	13-1/2	8
5 SB	15-5/16	5-1/2	1-1/2	9/16	11-7/16	3/16	10-3/4	3/8	13-3/16	14
5.5 EB	16-3/4	6	1-1/2	-	10-1/2	3/16	12-1/8	7/8	14-1/2	14
5.5 SB	16-3/4	6	1-1/2	9/16	10-1/2	3/16	12-1/8	3/4	14-7/16	16
6 EB*	18	6-11/16	1	-	13-15/16	3/16	13-3/8	7/8	15-3/4	14
7 EB*	20-3/4	7-3/8	1-1/8	-	15-3/4	1/4	14-5/8	1	18-1/4	16

EB = Exposed Bolt Pattern

SB = Shrouded Bolt Pattern

* Sizes 6 & 7 only available in exposed bolt pattern

Part Numbers

Part Number	Description	Part Number	Description	Part Number	Description
Size 1.0		Size 3.0		Size 5.0	
013110	DGF 1.0 FLEX HUB	013126	DGF 3.0 FLEX HUB	013142	DGF 5.0 FLEX HUB
013111	DGF 1.0 SLEEVE EB	013127	DGF 3.0 SLEEVE EB	013143	DGF 5.0 SLEEVE EB
012975	DGF 1.0 SLEEVE SB	012979	DGF 3.0 SLEEVE SB	012983	DGF 5.0 SLEEVE SB
013112	DGF 1.0 RIGID HUB EB	013128	DGF 3.0 RIGID HUB EB	013144	DGF 5.0 RIGID HUB EB
013113	DGF 1.0 EB HARDWARE KIT	013129	DGF 3.0 EB HARDWARE KIT	013145	DGF 5.0 EB HARDWARE KIT
394171	DGF 1.0 SB HARDWARE KIT	394175	DGF 3.0 SB HARDWARE KIT	394179	DGF 5.0 SB HARDWARE KIT
Size 1.5		Size 3.5		Size 5.5	
013114	DGF 1.5 FLEX HUB	013130	DGF 3.5 FLEX HUB	013146	DGF 5.5 FLEX HUB
013115	DGF 1.5 SLEEVE EB	013131	DGF 3.5 SLEEVE EB	013147	DGF 5.5 SLEEVE EB
012976	DGF 1.5 SLEEVE SB	012980	DGF 3.5 SLEEVE SB	012984	DGF 5.5 SLEEVE SB
013116	DGF 1.5 RIGID HUB EB	013132	DGF 3.5 RIGID HUB EB	013148	DGF 5.5 RIGID HUB EB
013117	DGF 1.5 EB HARDWARE KIT	013133	DGF 3.5 EB HARDWARE KIT	013149	DGF 5.5 EB HARDWARE KIT
394172	DGF 1.5 SB HARDWARE KIT	394176	DGF 3.5 SB HARDWARE KIT	394180	DGF 5.5 SB HARDWARE KIT
Size 2.0		Size 4.0		Size 6.0	
013118	DGF 2.0 FLEX HUB	013134	DGF 4.0 FLEX HUB	013150	DGF 6.0 FLEX HUB
013119	DGF 2.0 SLEEVE EB	013135	DGF 4.0 SLEEVE EB	013151	DGF 6.0 SLEEVE EB
012977	DGF 2.0 SLEEVE SB	012981	DGF 4.0 SLEEVE SB	013152	DGF 6.0 RIGID HUB EB
013120	DGF 2.0 RIGID HUB EB	013136	DGF 4.0 RIGID HUB EB	013153	DGF 6.0 HARDWARE KIT
013121	DGF 2.0 EB HARDWARE KIT	013137	DGF 4.0 EB HARDWARE KIT		
394173	DGF 2.0 SB HARDWARE KIT	394177	DGF 4.0 SB HARDWARE KIT		
Size 2.5		Size 4.5		Size 7.0	
013122	DGF 2.5 FLEX HUB	013138	DGF 4.5 FLEX HUB	013154	DGF 7.0 FLEX HUB
013123	DGF 2.5 SLEEVE EB	013139	DGF 4.5 SLEEVE EB	013155	DGF 7.0 SLEEVE EB
012978	DGF 2.5 SLEEVE SB	012982	DGF 4.5 SLEEVE SB	013156	DGF 7.0 RIGID HUB EB
013124	DGF 2.5 RIGID HUB EB	013140	DGF 4.5 RIGID HUB EB	013157	DGF 7.0 HARDWARE KIT
013125	DGF 2.5 EB HARDWARE KIT	013141	DGF 4.5 EB HARDWARE KIT		
394174	DGF 2.5 SB HARDWARE KIT	394178	DGF 4.5 SB HARDWARE KIT		

Ordering Information: Standard Gear Couplings may be orders in 3 different assemblies -

1. Flex-Flex (or Full Flex): To order a complete Flex-Flex coupling you need - (2) Flex Hubs [reborable], (2) Sleeves (includes Seal), and (1) Hardware Kit.
2. Flex-Rigid: To order a complete Flex-Rigid Coupling you need - (1) Flex Hub [reborable], (1) Sleeve (includes Seal), (1) Rigid Hub [reborable], and (1) Hardware Kit.
3. Rigid-Rigid: To order a complete Rigid-Rigid Coupling you need - (2) Rigid Hubs [reborable], and (1) Hardware Kit.

FEATURES/BENEFITS PAGE PT1-60	SPECIFICATION/HOW TO ORDER PAGE PT1-62	MODIFICATION/ACCESSORIES PAGE PT1-81	ENGINEERING/TECHNICAL PAGE PT1-83
----------------------------------	---	---	--------------------------------------

PT Component Reference Guide
 Couplings
 Clutches and Brakes
 FLEXIDYNE
 Fluid Couplings
 TORQUE-TAMER
 Bushings



DODGE Moment Couplings

DODGE Moment Couplings are specifically designed to make the rigid connection between the output shaft of a gearbox and an overhung driven load, commonly a head pulley. Highly engineered to meet the most rigorous application requirements, these couplings are capable of handling both the required application torque and the bending moment forces of the suspended weight of a drive package, including the gearbox, motor, high-speed coupling, and swing base.

Moment Coupling hubs are designed to maximize the bore range of the driver and driven shafts. The male and female hubs are manufactured from 4140 alloy steel and are assembled with Grade 8 bolts. Suitable for a wide range of applications, DODGE Moment Couplings span a torque range of 100,000 to 920,000 inch-pounds and may be used in DODGE MagnaGear packages and in other operations.

Information needed from the customer for DODGE engineering to select the appropriate Moment Coupling for an application:

- Horse Power / Torque / Speed Requirements
- Driver and Driven Shaft Sizes
- Overhung Load
- Length of Lever Arm
- Application Specifics: Type of Operation; Required Stops and Starts; Shock Loads and Vibration

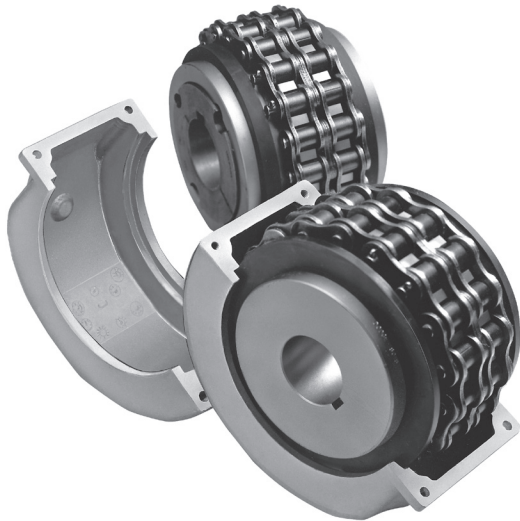
For more information on Couplings contact your authorized DODGE distributor or log onto www.dodge-pt.com.

FEATURES/BENEFITS PAGE PT1-61	SPECIFICATION/HOW TO ORDER PAGE PT1-67	MODIFICATION/ACCESSORIES PAGE PT1-78	ENGINEERING/TECHNICAL PAGE PT1-80
----------------------------------	---	---	--------------------------------------



FEATURES/BENEFITS

Chain Couplings



DODGE Chain Couplings offer a simple, widely accepted and inexpensive way to couple two shafts. They are interchangeable with industry standard dimensions. DODGE Chain Couplings can be provided with TAPER-LOCK bushed hubs, finished bore or reboreable flanges. Chain coupling covers and chain assemblies are also available from stock.

Low Operating Cost

- Long service life
- Inexpensive initial investment
- Economical replacement costs

Broad Product Line

- Six popular TAPER-LOCK coupling sizes
- Eleven popular straight bore sizes
- Stocked covers available for higher speeds

Shaft Attachment Flexibility

- TAPER-LOCK bushings
- Slip fit with setscrews
- Interference fit

High Torque Capability

- Hardened tooth sprockets
- ANSI standard double width roller chain

Compact Design

- All metallic components
- Excellent torque to bore compatibility



NOTE: Instruction manual for Chain Couplings and TAPER-LOCK Bushings available on www.dodge-pt.com



Chain Couplings

SPECIFICATION

Chain Couplings transmit torque through two hubs with hardened sprocket teeth and a double width roller chain. The chain is wrapped around the sprocket and connected with a link or pin for easy installation or removal. The Chain Coupling allows for misalignment through the clearances between chain and sprocket teeth. The coupling allows 2° angular misalignment, .015" parallel misalignment and up to .300" shaft end float. The temperature range is -30°F to +225°F.

The coupling hubs have optional methods of attachment to the shaft including but not limited to: clearance fit, interference fit or TAPER-LOCK bushings. Clearance fits and interference fits are supplied with an industry standard keyway. Clearance fits are supplied with one set screw over the keyway.

Aluminum covers with elastomeric seals contain lubricant and protect the chain and teeth in an abrasive or corrosive atmosphere.

HOW TO ORDER

Standard couplings consist of:

- (2) Flanges
- (1) Chain Assembly
- (1) Cover (check RPM requirements on page PT1-68)

NOMENCLATURE

	FB	60	18
	FB = Finished Bore		
	B = Reborable		
	Blank = TAPER-LOCK		
	Chain Size		
			Number of Teeth



EASY SELECTION

Chain Couplings

Basic Size No.	Max. Bore			Max. RPM		*HP Ratings at Various RPM 1.0 Service Factor									
	TAPER-LOCK	Finished Bore	Reborable	Without Covers	With Covers	10	20	40	60	80	100	150	200	250	300
4012	..	3/4	7/8	875	5000	0.22	0.43	0.86	1.29	1.72	2.15	2.83	3.43	4.03	4.57
4016	1-1/8	1-1/8	1-5/16	875	5000	0.38	0.77	1.53	2.30	3.06	3.83	5.02	6.06	7.14	8.08
5012	...	1-1/8	1-1/8	875	...	40	0.81	1.61	2.42	3.23	4.03	5.30	6.39	7.57	8.57
5016	...	1-5/8	1-11/16	800	4000	0.73	1.46	2.93	4.39	5.86	7.32	9.60	11.7	13.7	15.5
5018	1-11/16	...	2	800	4000	0.95	1.89	3.79	5.68	7.57	9.47	12.4	15.0	17.7	20.0
6018	...	2-7/16	2-7/16	675	3000	1.73	3.46	6.92	10.4	13.8	17.3	22.9	27.6	32.5	36.8
6020	2-1/8	...	2-3/4	675	3000	2.25	4.50	9.01	13.5	18.0	22.5	29.6	35.6	42.0	47.6
8018	...	2-7/8	3-1/8	500	2000	3.86	7.72	15.4	23.2	30.9	38.6	50.8	61.4	72.3	81.5
8020	3-1/4	...	3-9/16	500	2000	5.03	10.1	20.1	30.2	40.3	50.3	66.1	79.7	94.0	106.0
10020	3-15/16	...	4-5/8	450	1800	8.68	17.4	34.7	52.1	69.4	86.8	115.0	139.0	162.0	184.0
12018	4-11/16	400	...	13.7	27.3	54.6	82.0	109.0	137.0	178.0	217.0	253.0	288.0
12020	4-7/16	400	1600	16.8	33.6	67.2	101.0	134.0	168.0	218.0	264.0	308.0	350.0

* TAPER-LOCK Bushings are not recommended below 250 RPM

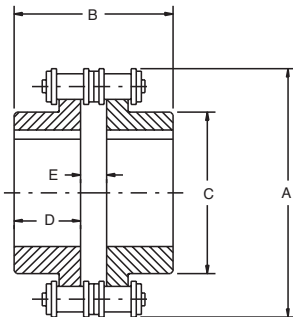
Basic Size No.	Max. Bore			Max. RPM		HP Ratings at Various RPM 1.0 Service Factor									
	TAPER-LOCK	Finished Bore	Reborable	Without Covers	With Covers	350	400	500	600	800	1000	1200	1400	160	1800
4012	..	3/4	7/8	875	5000	5.10	5.57	6.55	7.56	9.42	11.3	13.1	14.9	16.6	18.2
4016	1-1/8	1-1/8	1-5/16	875	5000	9.04	9.89	11.6	13.4	16.7	20.1	23.0	26.3	29.3	32.7
5012	...	1-1/8	1-1/8	875	...	9.41	10.42	12.2	14.1	17.5	21.0
5016	...	1-5/8	1-11/16	800	4000	17.3	18.9	22.3	25.7	32.0	38.3	44.5	50.4	56.2	61.9
5018	1-11/16	...	2	800	4000	22.4	24.5	28.8	33.1	41.4	49.7	56.8	65.1	72.6	80.9
6018	...	2-7/16	2-7/16	675	3000	41.2	44.9	53.0	60.9	75.9	90.7	105.0	120.0	134.0	147.0
6020	2-1/8	...	2-3/4	675	3000	53.2	58.2	68.5	78.8	98.5	118.0	135.0	155.0	173.0	192.0
8018	...	2-7/8	3-1/8	500	2000	91.5	99.8	118.0	135.0	169.0	202.0	234.0	266.0	297.0	326.0
8020	3-1/4	...	3-9/16	500	2000	119.0	130.0	153.0	176.0	220.0	264.0	302.0	346.0	386.0	430.0
10020	3-15/16	...	4-5/8	450	1800	205.0	225.0	265.0	305.0	380.0	454.0	527.0	598.0	667.0	734.0
12018	4-11/16	400	...	322.0	355.0
12020	4-7/16	400	1600	391.0	432.0	510.0	585.0	708.0	877.0	1003.0	1135.0	1273.0	...



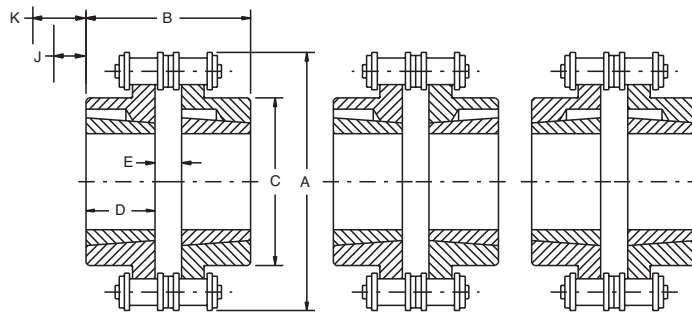
SELECTION/DIMENSIONS

Chain Couplings

STANDARD, STRAIGHT BORE AND TAPER-LOCK - FLANGES DIMENSIONS, RATINGS



STRAIGHT BORE CHAIN COUPLING



TYPE H-F

TYPE H-H

TYPE F-F

TAPER-LOCK CHAIN COUPLING

Ratings

Coupling Size	Straight Bore		TAPER-LOCK		Max. RPM		Weight (lbs.) (1)	
	Min.	Max.	Min.	Max.	Without Cover	With Cover	Str.	TL
4012	1/2	7/8	---	---	875	5000	2.20	---
4016	5/8	1-5/16	1/2	1-1/8	875	5000	3.80	2.70
5012	5/8	1-1/8	---	---	875	---	3.10	---
5016	5/8	1-11/16	---	---	800	4000	5.00	---
5018	3/4	2	1/2	1-11/16	800	4000	6.00	6.00
6018	1	2-7/16	---	---	675	3000	9.90	---
6020	1-1/8	2-3/4	1/2	2-1/8	675	3000	12.25	12.70
8018	1-1/8	3-1/8	---	---	500	2000	31.10	---
8020	1-1/2	3-9/16	7/8	3-1/4	500	2000	33.50	31.10
10020	1-1/2	4-5/8	1-3/16	3-15/16	450	1800	80.00	77.90
12018	2	4-11/16	---	---	400	---	110.00	---
12020	---	---	1-7/16	4-7/16	400	1600	---	135.00

Dimensions

Coupling Size	A	B		C	D		E		K (2)	J (3)
		Str.	T-L		Str.	T-L	Str.	T-L		
4012	2.41	2.53	---	1.41	1.13	---	0.28	---	---	---
4016	3.03	2.53	2.04	1.97	1.13	0.88	0.28	0.28	0.75	0.63
5012	3.00	2.88	---	1.75	1.25	---	0.38	---	---	---
5016	3.91	3.25	---	2.50	1.44	---	0.38	---	---	---
5018	4.19	3.75	2.38	2.97	1.69	1.00	0.38	0.38	1.06	0.81
6018	5.00	4.23	---	3.50	1.88	---	0.47	---	---	---
6020	5.50	4.47	2.94	3.88	2.00	1.25	0.47	0.47	1.38	0.94
8018	666	5.35	---	4.56	2.38	---	0.59	---	---	---
8020	7.30	5.85	4.59	5.38	2.63	2.00	0.59	0.59	2.06	1.19
10020	9.13	6.97	7.63	6.72	3.13	3.50	0.72	0.72	2.34	1.31
12018	10.00	7.88	---	6.75	3.50	---	0.86	---	---	---
12020	10.94	---	8.75	7.75	---	4.00	---	0.86	3.38	1.63

(1) Weight of complete coupling with cover at maximum bore (5012 & 12018 are without cover).

(2) Space required to loosen bushing with shortened hex key.

FEATURES/BENEFITS PAGE PT1-66	EASY SELECTION PAGE PT1-68	MODIFICATION/ACCESSORIES PAGE PT1-81	ENGINEERING/TECHNICAL PAGE PT1-83
----------------------------------	-------------------------------	---	--------------------------------------



SELECTION/DIMENSIONS

Chain Couplings

TAPER-LOCK, Reborable, Finished Bore Flanges - Part Number

Bore (in.)	Coupling Size											
	4012	4016	5012	5016	5018	6018	6020	8018	8020	10020	12018	12020
Chain Assembly	100480	100490	100489	100481	100491	100482	100492	100483	100493	100495	100497	100496
TL-H	---	• 099049	---	---	• 099053	---	• 099055	---	• 099057	• 099061	---	• 099063
TL-F	---	• 099048	---	---	• 099052	---	• 099054	---	• 099056	• 099060	---	• 099062
Bushing	---	1108	---	---	1610	---	2012	---	3020	3535	---	4040
Reborable	• 099190	• 099151	• 099150	• 099152	• 099161	• 099153	• 099162	• 099154	• 099163	• 099164	• 099226	
Finished Bore Hubs												
1/2"	• 099100											
5/8"	• 099101	• 099138										
3/4"	• 099102	• 099103	• 099132	• 099141	• 099193							
7/8"		• 099104	• 099133	• 099107	• 099194							
15/16"		• 099139	• 099134									
1"		• 099105	• 099135	• 099108	• 099195	• 099142						
1-1/8"		• 099106	• 099136	• 099109	• 099196	• 099143	• 099209	• 099146				
1-3/16"		• 099191		• 099192	• 099197	• 099206						
1-1/4"		• 099140		• 099110	• 099198	• 099115	• 099210					
1-3/8"				• 099111	• 099199	• 099116						
1-7/16"				• 099112	• 099200	• 099117						
1-1/2"				• 099113	• 099201	• 099118	• 099211		• 099219			
1-5/8"				• 099114	• 099202	• 099119						
1-3/4"					• 099203	• 099120	• 099212	• 099147				
1-7/8"					• 099204	• 099121						
1-15/16"					• 099205	• 099122	• 099213	• 099125				
2"						• 099123		099126				
2-1/8"						• 099124	• 099214	• 099127				
2-3/16"						• 099207			• 099220			
2-1/4"						• 099208						
2-3/8"						• 099144	• 099215	• 099128				
2-7/16"						• 099145	• 099216	• 099129	• 099221			
2-5/8"							• 099217	• 099130				
2-11/16"									• 099222			
2-7/8"								• 099131				
2-15/16"								• 099218	• 099223			
3-1/8"												
3-3/8"									• 099224			
3-7/16"									• 099225			

• Stock Sizes

Complete coupling consists of:

- (2) Hubs, TAPER-LOCK, straight bore, or reborable
- (1) Chain Assembly
- (1) Cover Assembly (if required)

NOTE: For TAPER-LOCK designs, TAPER-LOCK bushings must be ordered separately

FEATURES/BENEFITS PAGE PT1-66	EASY SELECTION PAGE PT1-68	MODIFICATION/ACCESSORIES PAGE PT1-81	ENGINEERING/TECHNICAL PAGE PT1-83
----------------------------------	-------------------------------	---	--------------------------------------



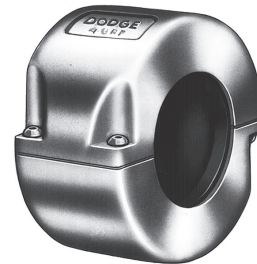
SELECTION/DIMENSIONS

Chain Couplings

CHAIN COUPLING COVERS

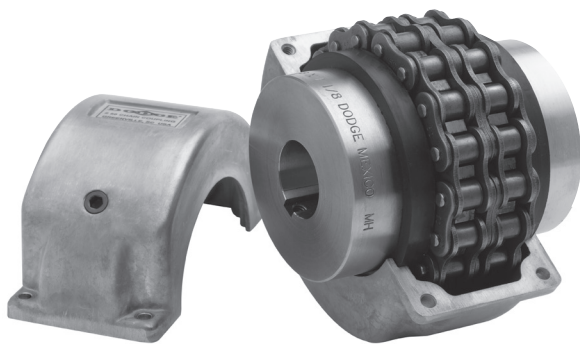
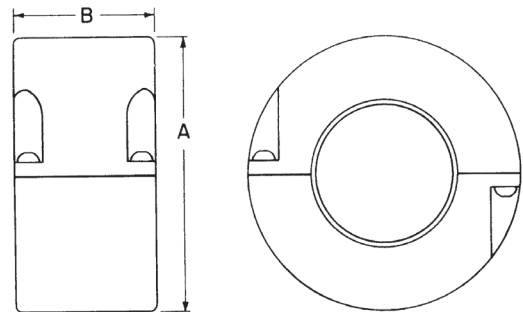
Chain coupling covers are recommended for use when couplings are operating under abrasive or moist conditions, or when coupling speeds exceed the RPM listed in the table below.

Cover should be filled with a roller bearing grease of soft or medium consistency. This provides excellent lubrication and substantially increases coupling life.



Chain Coupling Cover Recommendation

Coupling Size	Cover required when Coupling RPM exceeds this figure
4012	875
4016	875
5016	800
5018	800
6018	675
6020	675
8018	500
8020	500
10020	450
12020	400



Chain Coupling Cover Assemblies ▲

For Coupling Size	Cover Size	Part No.	Wt. (lbs.)	A	B
4012	40	099026	1.0	4.00	2.00
4016					
5016	50	099027	1.3	5.13	2.38
5018					
6018	60	099028	2.6	6.38	2.94
6020					
8018	80	099029	5.1	8.19	4.00
8020					
10020	100	099024	12.2	10.13	5.25
12020	120	099025	19.5	12.25	6.13

▲ Consists of (2) cover halves and screws; (4) seals for cover sizes 4012/4016 thru 8012/8020; (2) seals for cover sizes 10020 and 12020; and (2) cover gaskets.

SPECIFICATION/HOW TO ORDER NOMENCLATURE



POLY-DISC

SPECIFICATION

POLY-DISC Couplings are a pin type coupling using a molded polyurethane disc. The physical properties of the disc allow for the cushioning of shock loads and the resistance to most common chemicals such as acids, alkalis and petroleum products. The disc has an operating range of -90°F to +170°F.

The flexible disc is captured through metallic pins, utilizing a light press fit over the pins to prevent the accumulation of abrasive particles between the disc and pins. The pin holes are barreled to allow 2° angular misalignment and the flexible disc allows 1/32" parallel misalignment. The disc has spacer buttons to achieve automatic flange spacing which speeds up installation. Both flanges are machined all over and are taper bored to receive TAPER-LOCK bushings to permit quick and easy installation on shafts of equal or different diameters.

HOW TO ORDER

Consist of:

- (2) TAPER-LOCK Flanges
- (1) Disc

NOMENCLATURE

Size _____	3-1/4	-	H
(O.D. of Coupling)			
Type of T-L Flange			
H-Bushing installs from hub side			
F-Bushing installs from flange size			

Other Couplings -

RIGID SPECIFICATION

Rigid Couplings provide a connection between two perfectly aligned shafts. Flanged Rigid Couplings consist of two flanges joined by bolts and taper bored for TAPER-LOCK bushings to connect shafts of the same or different diameters. Ribbed Rigid Couplings are axially split to clamp on shafts of the same diameter and held together by bolts. The coupling uses one key over the entire length and permits quick and easy installation and removal.

HOW TO ORDER

- TAPER-LOCK consist of:
- (1) Male Flange Assembly
 - (1) Female Flange

NOMENCLATURE

T-L Rigid _____	R 35	Ribbed Rigid _____	2-3/4
Size _____		Bore Size of Coupling _____	
(Designated size of T-L Bushing)			

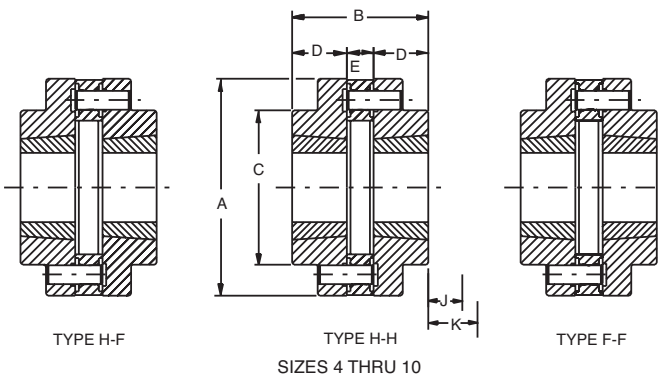
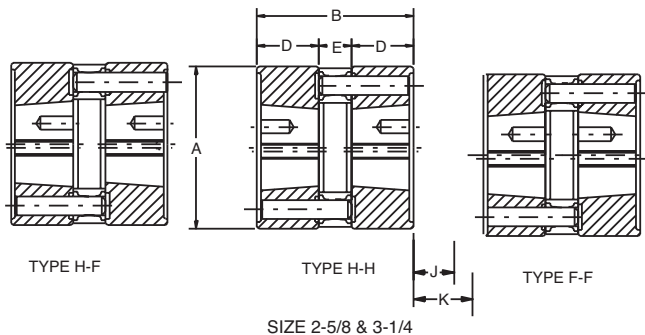
NOTE: Instruction manuals for POLY-DISC Couplings and TAPER-LOCK Bushings available on www.dodge-pt.com

FEATURES/BENEFITS PAGE PT1-66	SELECTION/DIMENSIONS PAGE PT1-73	MODIFICATION/ACCESSORIES PAGE PT1-81	ENGINEERING/TECHNICAL PAGE PT1-83
----------------------------------	-------------------------------------	---	--------------------------------------

PT Component Reference Guide
Couplings
Clutches and Brakes
FLEXIDYNE
Fluid Couplings
TORQUE-TAMER
Bushings

SELECTION/DIMENSIONS

POLY-DISC



Coupling Size	Bushing Size	Min. Bore	Max. Bore	HP/100	Torque (In-Lb)	Max. RPM	A	B	C	D	E	J	K	Weight (Lbs.)	Inertia (Lb-Ft ²)	Hole In disc
2-5/8	1008	1/2	1	0.29	180	3600	2.63	2.56	2.63	1.00	0.69	0.63	0.75	2.50	2.30	6
3-1/4	1210	1/2	1-1/4	0.57	360	3600	3.25	2.88	3.25	1.13	0.75	0.81	1.06	4.15	6.20	6
4	1215	1/2	1-1/4	0.95	600	3600	4.00	3.63	2.63	1.50	0.63	0.81	1.06	5.80	10.00	8
5-1/4	1615	1/2	1-11/16	2.29	1440	3600	5.25	3.75	3.25	1.50	0.75	0.81	1.06	12.10	34.40	8
7	2517	1/2	2-11/16	4.6	2900	3000	7.00	4.38	4.97	1.75	0.88	1.00	1.63	25.90	141.20	10
8	2517	1/2	2-11/16	10	6300	2400	8.00	4.63	5.00	1.75	1.13	1.00	1.63	34.10	246.70	12
10	3030	15/16	3-1/4	17.26	10900	2000	10.00	7.5	6.00	3.00	1.50	1.31	2.69	77.70	866.00	12

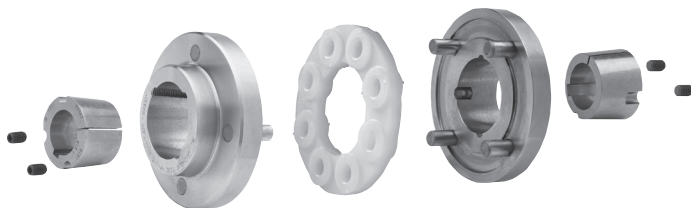
POLY-DISC Part Numbers

Coupling Size	Bushing Size	T-L Flanges (2) Req'd		Disc (1) Req'd
		Type H	Type F	
2-5/8	1008	008057	008058	008030
3-1/4	1210	008059	008060	008031
4	1215	008041	008040	008032
5-1/4	1615	008043	008042	008033
7	2517	008045	008044	008034
8	2517	008047	008046	008035
10	3030	008049	008048	008036

Complete coupling consists of:

- (2) TAPER-LOCK Flanges (as selected)
- (1) POLY-DISC Element.

NOTE: TAPER-LOCK bushings ordered separately. Refer to Bushing section PT6-15

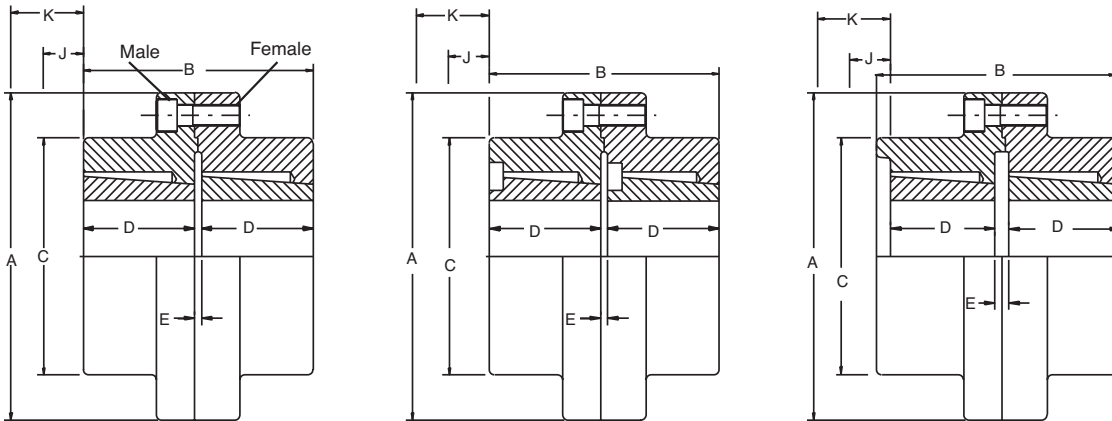


FEATURES/BENEFITS PAGE PT1-66	SPECIFICATION/HOW TO ORDER PAGE PT1-72	MODIFICATION/ACCESSORIES PAGE PT1-81	ENGINEERING/TECHNICAL PAGE PT1-83
----------------------------------	---	---	--------------------------------------



SELECTION/DIMENSIONS

TAPER-LOCK Rigid



R16 TO R30

R35 TO R50

R60

Size	Bushing Size	Min. Bore	Max. Bore	HP/100	Torque (In Lb)**	Max. RPM	A	B	C	D	E	J*	K†	Weight (Lbs.)
R16	1615	1/2	1-11/16	8.0	5,050	4965	5.00	3.25	3.25	1.50	0.25	0.81	1.06	8.00
R25	2517	1/2	2-11/16	29.2	18,400	3545	7.00	3.75	5.00	1.75	0.25	1.00	1.63	19.10
R30	3030	15/16	3-1/4	50.5	31,800	2920	8.50	6.25	5.75	3.00	0.25	1.19	2.06	38.10
R35	3535	1-3/16	3-15/16	80.0	50,500	2545	9.75	7.25	7.00	3.50	0.25	1.31	2.69	62.20
R40	4040	1-7/16	4-7/16	120	75,500	2115	11.75	8.25	8.50	4.00	0.25	1.63	3.38	105.60
R45	4545	1-15/16	4-15/16	170	107,000	1910	13.00	9.25	9.50	4.50	0.25	1.94	4.06	146.70
R50	5050	2-7/16	5-5/16	233	147,000	1740	14.25	10.25	10.50	5.00	0.25	2.31	4.81	194.40
R60	6050	3-7/16	6	404	254,500	1240	20.00	13.25	16.00	5.00	1.75	1.63	4.38	526.70

* Space required to tighten bushing with shortened hex key in bushings 1615 through 5050. 6050 uses standard wrench. Also space required to loosen screws to permit removal of hub by a puller

† Space required to loosen bushing using screws as jack screws-no puller required. Use shortened hex key for bushing 1615 through 5050. 6050 uses standard wrench

** Ratings are based on uniform, non-reversing type loads. For more severe conditions, consult DODGE



TAPER-LOCK Rigid Part Numbers

Coupling Size	Bushing Size	Male Flange Assy (1) Req'd	Female Flange (1) Req'd
R16	1615	003001	003002
R25	2517	003003	003004
R30	3030	003005	003006
R35	3535	003007	003008
R40	4040	003009	003010
R45	4545	003011	003012
R50	5050	003013	003014
R60	6050	003015	003016

Complete coupling consists of:

- (1) Male Flange Assembly
- (1) Female Flange

NOTE: TAPER-LOCK bushings ordered separately. Refer to bushing section PT6-16

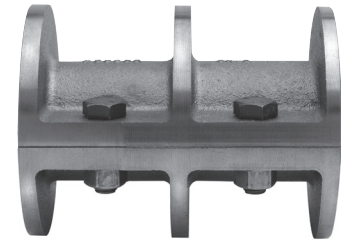
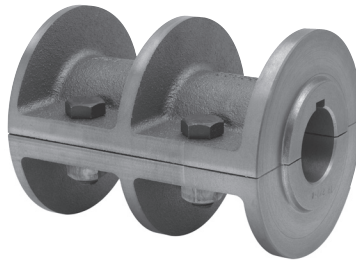
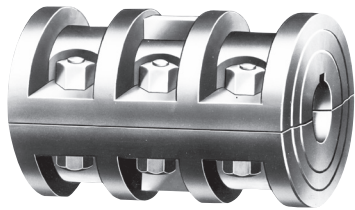
NOTE: Instruction manuals for TAPER-LOCK Rigid Couplings and TAPER-LOCK Bushings available on www.dodge-pt.com

FEATURES/BENEFITS PAGE PT1-66	SPECIFICATION/HOW TO ORDER PAGE PT1-72	MODIFICATION/ACCESSORIES PAGE PT1-81	ENGINEERING/TECHNICAL PAGE PT1-83
----------------------------------	---	---	--------------------------------------



SELECTION/DIMENSIONS

Ribbed Rigid



For Nominal Shaft of:	Style Cplg. Figure no.	Part Number	Max RPM	Torque (In-Lb)	Weight	Coupling Dia x Length	Keyway Size	Key Furnished	Bolts	
									No.	Dia.
1	1	009001	5360	1200	6.0					
1-3/16	1	009002	5360	2000	5.5	3-5/8 x 5-1/4	1/4 x 1/8	1/4 x 1/4 x 5-1/4	4	3/8
1-1/4	1	009003	5360	2300	5.2					
1-3/8	1	009004	4130	3100	11.0	4-5/8 x 6-3/16	5/16 x 5/32	5/16 x 5/16 x 6-3/16	4	1/2
1-7/16	1	009005	4130	3500	10.5	4-5/8 x 6-3/16	3/8 x 3/16	3/8 x 3/8 x 6-3/16	4	1/2
1-1/2	1	009006	4130	4000	10.2					
1-11/16	1	009007	3965	5700	13.7					
1-3/4	1	009008	3965	6300	13.3	4-13/16 x 7-1/16	3/8 x 3/16	3/8 x 3/8 x 7-1/16	4	1/2
1-7/8		009009	3635	7800	19.4				4	1/2
1-15/16	★	009010	3635	8600	20.6	5-1/4 x 7-15/16	1/2 x 1/4	1/2 x 1/2 x 7-15/16		
2		009011	3635	9400	20.0					
2-3/16		009013	3180	12400	29.1				4	5/8
2-1/4	★	009012	3180	13400	29.0	6 x 8-5/8	1/2 x 1/4	1/2 x 1/2 x 8-5/8		
2-7/16	2	009015	2965	17100	37.3				6	5/8
2-1/2	2	009016	2965	18400	36.6	6-7/16 x 9-11/16	5/8 x 5/16	5/8 x 5/8 x 9-11/16		
2-11/16	2	009017	2830	22900	43.4				6	5/8
2-3/4	2	009014	2830	24500	43.0	6-3/4 x 10-9/16	5/8 x 5/16	5/8 x 5/8 x 10-9/16		
2-15/16	2	009019	2545	29900	58.7				6	3/4
3	2	009020 *	2545	31800	56.2	7-1/2 x 11-3/8	3/4 x 3/8	3/4 x 3/4 x 11-3/8		
3-3/16	2	009022	2315	38200	80.5	8-1/4 x 12-1/4	3/4 x 3/8	3/4 x 3/4 x 12-1/4	6	7/8
3-1/4	2	009021 *	2315	40500	80.0	8-1/4 x 12-1/4	3/4 x 3/8	3/4 x 3/4 x 12-1/4	6	7/8
3-7/16	2	009023	2165	47900	94.6	8-13/16 x 13-3/16	7/8 x 7/16	7/8 x 7/8 x 13-3/16	6	7/8
3-1/2	2	009024 *	2165	50500	94.0	8-13/16 x 13-3/16	7/8 x 7/16	7/8 x 7/8 x 13-3/16	6	7/8
3-15/16	2	009025	1900	72000	146.6	10-1/16 x 15-1/4	1 x 1/2	1 x 1 x 15-1/4	6	1
4	2	009027 *	1900	75400	146.0	10-1/16 x 15-1/4	1 x 1/2	1 x 1 x 15-1/4	6	1
4-7/16	3	009026	1775	103000	215.0	10-3/4 x 18-3/16	1 x 1/2	1 x 1 x 18-3/16	6	1-1/8
4-1/2	3	009031 *	1775	107400	214.4	10-3/4 x 18-3/16	1 x 1/2	1 x 1 x 18-3/16	6	1-1/8
4-15/16	3	009028	1625	142000	276.3	11-3/4 x 19-5/8	1-1/4 x 5/8	1-1/4 x 1-1/4 x 19-5/8	6	1-1/8
5	3	009043 *	1625	147500	275.6	11-3/4 x 19-5/8	1-1/4 x 5/8	1-1/4 x 1-1/4 x 19-5/8	6	1-1/8
5-7/16	4	009029	1390	190000	426.2	13-3/4 x 20-3/8	1-1/4 x 5/8	1-1/4 x 1-1/4 x 20-3/8	8	1-1/8
5-1/2	4	009050 *	1390	196000	425.4	13-3/4 x 20-3/8	1-1/4 x 5/8	1-1/4 x 1-1/4 x 20-3/8	8	1-1/8
5-15/16	3	009042 *	1365	247000	426.0	14 x 20-3/4	1-1/2 x 3/4	1-1/2 x 1-1/2 x 20-3/4	6	1-1/4
6	3	009054 *	1365	255000	425.3	14 x 20-3/4	1-1/2 x 3/4	1-1/2 x 1-1/2 x 20-3/4	6	1-1/4
7	4	009044 *	1230	404000	560.8	15-1/2 x 21-15/16	1-3/4 x 3/4	1-3/4 x 1-1/2 x	8	1-1/4

★ Same as Fig. 1 except with a rib parallel to the bore between each pair of flanges

* Standard non-stock size. Consult DODGE for delivery

Note: Coupled shafts must be the same diameters

NOTE: Instruction manuals for Ribbed Rigid Couplings available on www.dodge-pt.com

FEATURES/BENEFITS PAGE PT1-66	SPECIFICATION/HOW TO ORDER PAGE PT1-72	MODIFICATION/ACCESSORIES PAGE PT1-81	ENGINEERING/TECHNICAL PAGE PT1-83
----------------------------------	---	---	--------------------------------------

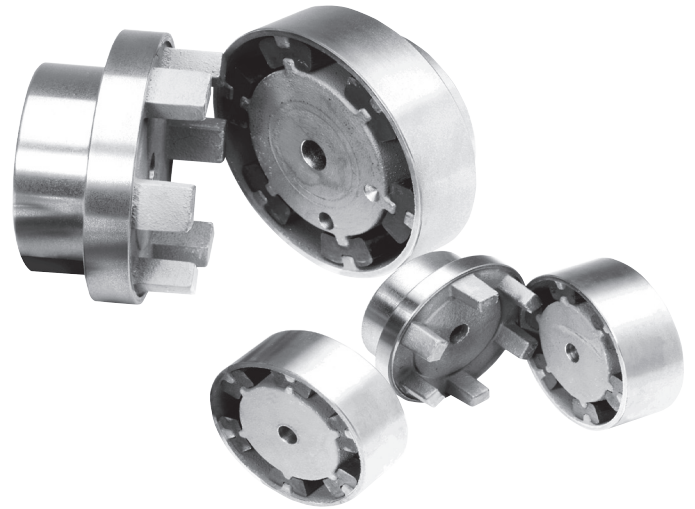


FEATURES/BENEFITS

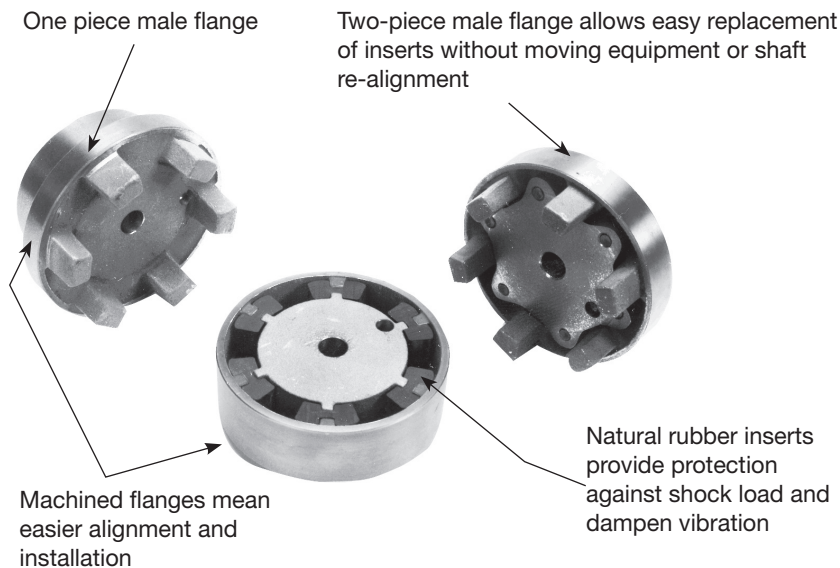
POWERPLUS

A POWER-DENSE, HIGH TORQUE ELASTOMERIC COUPLING – DODGE POWERPLUS is a cost-saving alternative to metallic couplings. POWERPLUS has a simple, non-lubricated design which makes it versatile and easy to maintain.

- **Power Density at High Speeds**
 - Up to 1945 HP at 1800 RPM
 - Up to 1210 kW at 1500 RPM
- **Positive Drive**
 - Will maintain tooth engagement even if rubber insert degradation occurs
- **Shock Load and Vibration Dampening**
 - Rubber inserts help absorb shock and protect both driver and driven equipment
- **Easy Installation**
 - Simple male/female flange design fits together for intuitive installation
- **Low Maintenance**
 - No lubrication required means less maintenance
- **ATEX Approved**
 - Documentation available



- **Minimal Length thru Bore**
 - Requires less shaft space than other coupling designs
- **Lightweight Design**
 - Lower weight complete coupling compared to other coupling products

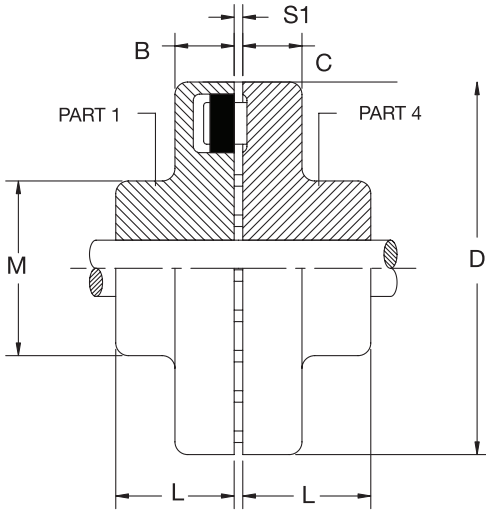


NOTE: Instruction manuals for POWERPLUS Couplings available on www.dodge-pt.com

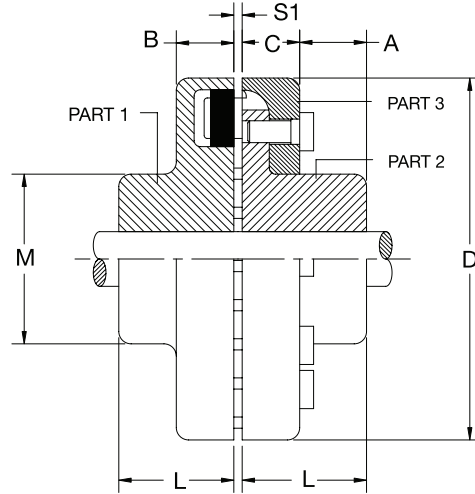


SELECTION

POWERPLUS Coupling Chart



TYPE A (One Piece Male Flange)



TYPE B (Two Piece Male Flange)

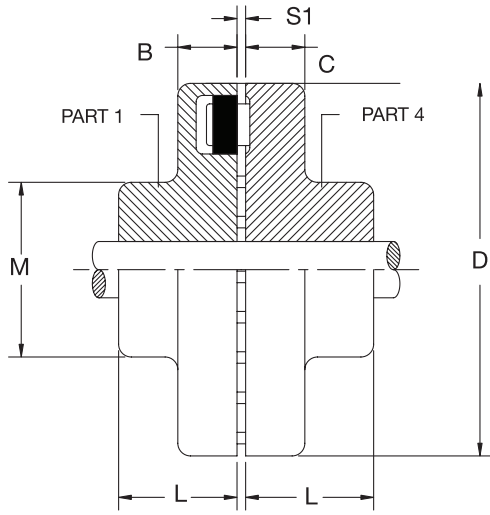
D Coupling Size	Type	Torque		Max RPM	Max Bore				M				C	
					mm		in		mm		in			
		mm	Nm		in-lb	Part 1	Part 2 & 4	Part 1	Part 2 & 4	Part 1	Part 2 & 4	Part 1	Part 2 & 4	mm
58	A	18.98	168	5000	19.05	23.88	0.75	0.94	-	39.88	-	1.57	7.87	0.31
68	A	34.01	301	5000	23.88	27.94	0.94	1.10	-	45.97	-	1.81	7.87	0.31
80	A	60.00	531	5000	29.97	38.10	1.18	1.50	-	68.07	-	2.68	9.91	0.39
95	A	100.01	885	5000	41.91	41.91	1.65	1.65	75.95	75.95	2.99	2.99	11.94	0.47
110	A	160.01	1,416	5000	48.01	48.01	1.89	1.89	86.11	86.11	3.39	3.39	13.97	0.55
125	A	240.01	2,124	5000	55.12	55.12	2.17	2.17	100.08	100.08	3.94	3.94	18.03	0.71
140	A	360.02	3,186	4900	59.94	59.94	2.36	2.36	100.08	100.08	3.94	3.94	20.07	0.79
160	A	560.14	4,957	4250	65.02	65.02	2.56	2.56	107.95	107.95	4.25	4.25	20.07	0.79
180	A	880.16	7,789	3800	74.93	74.93	2.95	2.95	124.97	124.97	4.92	4.92	20.07	0.79
200	A	1340.18	11,860	3400	85.09	85.09	3.35	3.35	139.95	139.95	5.51	5.51	23.88	0.94
225	A	2000.33	17,702	3000	89.92	89.92	3.54	3.54	150.11	150.11	5.91	5.91	18.03	0.71
250	A	2800.48	24,783	2750	100.08	100.08	3.94	3.94	165.10	165.10	6.50	6.50	18.03	0.71
280	A	3900.65	34,519	2450	109.98	109.98	4.33	4.33	180.09	180.09	7.09	7.09	20.07	0.79
110	B	160.01	1,416	5000	48.01	38.10	1.89	1.50	86.11	61.98	3.39	2.44	20.07	0.79
125	B	240.01	2,124	5000	55.12	44.96	2.17	1.77	89.92	74.93	3.54	2.95	23.11	0.91
140	B	360.02	3,186	4900	59.94	50.04	2.36	1.97	100.08	82.04	3.94	3.23	27.94	1.10
160	B	560.14	4,957	4250	65.02	57.91	2.56	2.28	107.95	95.00	4.25	3.74	27.94	1.10
180	B	880.16	7,789	3800	74.93	65.02	2.95	2.56	124.97	107.95	4.92	4.25	29.97	1.18
200	B	1340.18	11,860	3400	85.09	74.93	3.35	2.95	139.95	121.92	5.51	4.80	32.00	1.26
225	B	2000.33	17,702	3000	89.92	85.09	3.54	3.35	150.11	137.92	5.91	5.43	38.10	1.50
250	B	2800.48	24,783	2750	100.08	95.00	3.94	3.74	165.10	154.94	6.50	6.10	41.91	1.65
280	B	3900.65	34,519	2450	109.98	104.90	4.33	4.13	180.09	171.96	7.09	6.77	41.91	1.65
315	B	5500.95	48,681	2150	100.08	100.08	3.94	3.94	165.10	165.10	6.50	6.50	46.99	1.85
350	B	7701.29	68,153	1950	109.98	109.98	4.33	4.33	180.09	180.09	7.09	7.09	51.05	2.01
400	B	10301.65	91,165	1700	119.89	119.89	4.72	4.72	199.90	199.90	7.87	7.87	55.88	2.20
440	B	13502.26	119,489	1550	130.05	130.05	5.12	5.12	214.88	214.88	8.46	8.46	64.01	2.52
480	B	16602.75	146,927	1400	145.03	145.03	5.71	5.71	240.03	240.03	9.45	9.45	65.02	2.56

FEATURES/BENEFITS PAGE PT1-76	SPECIFICATION/HOW TO ORDER PAGE PT1-77	MODIFICATION/ACCESSORIES PAGE PT1-81	ENGINEERING/TECHNICAL PAGE PT1-83
----------------------------------	---	---	--------------------------------------

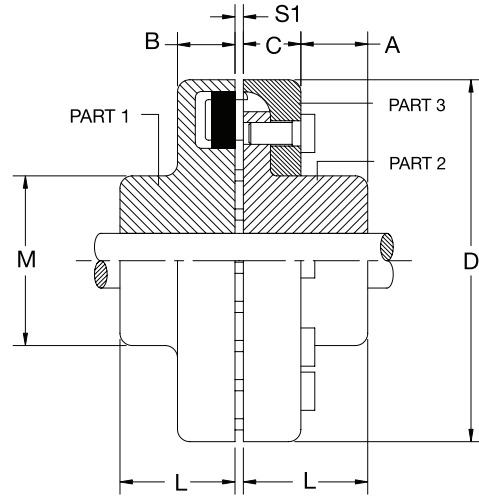
PT Component Reference Guide
Couplings
Clutches and Brakes
FLEXIDYNE
Fluid Couplings
TORQUE-TAMER
Bushings

SELECTION

POWERPLUS Coupling Chart



TYPE A (One Piece Male Flange)



TYPE B (Two Piece Male Flange)

Coupling Size	Type	L		B		S1				A		# of Inserts	Total Weight	
						mm		in					kg	lb
		mm	in	mm	in	Min	Max	Min	Max	mm	in			
58	A	20.07	0.79	20.07	0.79	2.032	4.06	0.08	0.16	-	-	4	0.45	0.99
68	A	20.07	0.79	20.07	0.79	2.032	4.06	0.08	0.16	-	-	5	0.65	1.43
80	A	29.97	1.18	29.97	1.18	2.032	4.06	0.08	0.16	-	-	6	1.30	2.87
95	A	35.05	1.38	29.97	1.18	2.032	4.06	0.08	0.16	-	-	6	2.00	4.41
110	A	39.88	1.57	34.04	1.34	2.032	4.06	0.08	0.16	-	-	6	3.10	6.83
125	A	50.04	1.97	36.07	1.42	2.032	4.06	0.08	0.16	-	-	6	5.00	11.02
140	A	55.12	2.17	34.04	1.34	2.032	4.06	0.08	0.16	-	-	6	7.00	15.43
160	A	59.94	2.36	38.10	1.5	2.032	6.10	0.08	0.24	-	-	7	9.50	20.94
180	A	70.10	2.76	41.91	1.65	2.032	6.10	0.08	0.24	-	-	8	14.00	30.86
200	A	80.01	3.15	46.99	1.85	2.032	6.10	0.08	0.24	-	-	8	20.00	44.09
225	A	89.92	3.54	52.07	2.05	2.032	6.10	0.08	0.24	-	-	8	25.00	55.12
250	A	100.08	3.94	59.94	2.36	3.048	8.13	0.12	0.32	-	-	8	35.00	77.16
280	A	109.98	4.33	65.02	2.56	3.048	8.13	0.12	0.32	-	-	8	46.50	102.51
110	B	39.88	1.57	26.92	1.06	2.032	4.06	0.08	0.16	33.02	1.30	6	3.00	6.61
125	B	50.04	1.97	30.99	1.22	2.032	4.06	0.08	0.16	38.10	1.50	6	5.00	11.02
140	B	55.12	2.17	34.04	1.34	2.032	4.06	0.08	0.16	42.93	1.69	6	6.50	14.33
160	B	59.94	2.36	39.12	1.54	2.032	6.10	0.08	0.24	46.99	1.85	7	9.80	21.61
180	B	70.10	2.76	41.91	1.65	2.032	6.10	0.08	0.24	50.04	1.97	8	13.50	29.76
200	B	80.01	3.15	46.99	1.85	2.032	6.10	0.08	0.24	53.09	2.09	8	20.00	44.09
225	B	89.92	3.54	52.07	2.05	2.032	6.10	0.08	0.24	60.96	2.40	8	26.50	58.42
250	B	100.08	3.94	59.94	2.36	3.048	8.13	0.12	0.32	69.09	2.72	8	37.50	82.67
280	B	109.98	4.33	65.02	2.56	3.048	8.13	0.12	0.32	72.90	2.87	8	49.00	108.03
315	B	124.97	4.92	70.10	2.76	3.048	8.13	0.12	0.32	77.98	3.07	9	63.00	138.89
350	B	139.95	5.51	73.91	2.91	3.048	8.13	0.12	0.32	83.06	3.27	9	86.00	189.6
400	B	160.02	6.3	77.98	3.07	3.048	8.13	0.12	0.32	87.88	3.46	10	122.00	268.96
440	B	180.09	7.09	86.11	3.39	5.08	9.91	0.20	0.39	99.06	3.90	10	159.00	350.53
480	B	189.99	7.48	89.92	3.54	5.08	9.91	0.20	0.39	103.89	4.09	10	200.00	440.92

FEATURES/BENEFITS PAGE PT1-76	SPECIFICATION/HOW TO ORDER PAGE PT1-77	MODIFICATION/ACCESSORIES PAGE PT1-81	ENGINEERING/TECHNICAL PAGE PT1-83
----------------------------------	---	---	--------------------------------------



SELECTION

POWERPLUS Part Numbers

Part Number	Description
DPP 58	
708383	POWERPLUS 58 Female Flange
708385	POWERPLUS 58 Male Flange (1 piece)
719349	POWERPLUS 58 Insert Pack
DPP 68	
708389	POWERPLUS 68 Female Flange
708391	POWERPLUS 68 Male Flange (1 piece)
719350	POWERPLUS 68 Insert Pack
DPP 80	
708399	POWERPLUS 80 Female Flange
708403	POWERPLUS 80 Male Flange (1 piece)
719351	POWERPLUS 80 Insert Pack
DPP 95	
708420	POWERPLUS 95 Female Flange
708425	POWERPLUS 95 Male Flange (1 piece)
719352	POWERPLUS 95 Insert Pack
DPP 110	
708079	POWERPLUS 110 Female Flange
708086	POWERPLUS 110 Male Flange (1 piece)
708083	POWERPLUS 110 Male Flange (2 piece)
719353	POWERPLUS 110 Insert Pack
DPP 125	
708110	POWERPLUS 125 Female Flange
708118	POWERPLUS 125 Male Flange (1 piece)
708084	POWERPLUS 125 Male Flange (2 piece)
719354	POWERPLUS 125 Insert Pack
DPP 140	
708151	POWERPLUS 140 Female Flange
708158	POWERPLUS 140 Male Flange (1 piece)
708155	POWERPLUS 140 Male Flange (2 piece)
719355	POWERPLUS 140 Insert Pack
DPP 160	
708188	POWERPLUS 160 Female Flange
708195	POWERPLUS 160 Male Flange (1 piece)
708192	POWERPLUS 160 Male Flange (2 piece)
719356	POWER PLUS 160 Insert Pack
DPP 180	
708223	POWERPLUS 180 Female Flange
708230	POWERPLUS 180 Male Flange (1 Piece)
708227	POWERPLUS 180 Male Flange (2 Piece)
719357	POWERPLUS 180 Insert Pack
DPP 200	
708252	POWERPLUS 200 Female Flange
708260	POWERPLUS 200 Male Flange (1 piece)
708256	POWERPLUS 200 Male Flange (2 piece)
719358	POWERPLUS 200 Insert Pack

Part Number	Description
DPP 225	
708280	POWERPLUS 225 Female Flange
708289	POWERPLUS 225 Male Flange (1 piece)
708284	POWERPLUS 225 Male Flange (2 piece)
719359	POWERPLUS 225 Insert Pack
DPP 250	
708300	POWERPLUS 250 Female Flange
708308	POWERPLUS 250 Male Flange (1 piece)
708304	POWERPLUS 250 Male Flange (2 piece)
719360	POWERPLUS 250 Insert Pack
DPP 280	
708322	POWERPLUS 280 Female Flange
708331	POWERPLUS 280 Male Flange (1 piece)
708326	POWERPLUS 280 Male Flange (2 piece)
719361	POWERPLUS 280 Insert Pack
DPP 315	
708337	POWERPLUS 315 Female Flange
708341	POWERPLUS 315 Male Flange (2 piece)
719362	POWERPLUS 350 Insert Pack
DPP 350	
708347	POWERPLUS 350 Female Flange
708351	POWERPLUS 350 Male Flange(2 piece)
719363	POWERPLUS 350 Insert Pack
DPP 400	
708357	POWERPLUS 400 Female Flange
708361	POWERPLUS 400 Male Flange (2 piece)
719364	POWERPLUS 400 Insert Pack
DPP 440	
708367	POWERPLUS 440 Female Flange
708370	POWERPLUS 440 Male Flange (2 piece)
719365	POWERPLUS 440 Insert Pack
DPP 480	
708375	POWERPLUS 480 Female Flange
708378	POWERPLUS 480 Male Flange (2 piece)
719366	POWERPLUS 480 Insert Pack

Complete coupling consist of:

- (1) Male flange (1 piece or 2 piece design)
- (1) Female flange (Includes 1 set of inserts)

FEATURES/BENEFITS PAGE PT1-76	SPECIFICATION/HOW TO ORDER PAGE PT1-77	MODIFICATION/ACCESSORIES PAGE PT1-81	ENGINEERING/TECHNICAL PAGE PT1-83
----------------------------------	---	---	--------------------------------------



PARA-FLEX Elements - Part Numbers

Element Size	Standard	Neoprene (1)	Cordless (2)	Weight (Lbs)
	Part No.	Part No.	Part No.	
PX40	011529	012455	012456	0.3
PX50	011105	011296	011285	0.7
PX60	011106	011297	011286	1.2
PX70	011107	011298	011287	1.6
PX80	011108	011299	011288	2.2
PX90	011109	011300	011289	2.6
PX100	011110	011301	011290	2.5
PX110	011111	011302	---	3.0
PX120	011112	011303	011292	4.8
PX140	011114	011304	---	5.6
PX160	011117	011305	---	9.1
PX200	011120	011306	---	20.8
PX240	011124	011312	---	27.0
PX280	011457	011313	---	45.0
PX320	011463	011315	---	80.0

High Speed/Flywheel Elements			
Element Size	Standard Part No.	Neoprene Part No. (1)	Weight (lbs)
PH87	011227	011266	1.20
PH96	011228	011267	1.80
PH116	011230	011268	2.00
PH131	011231	011269	3.50
PH172	011234	011270	7.50
PH192	011236	011271	9.30
PH213	011239	011272	13.90
PH252	011242	011273	27.00

(1) Neoprene element ratings are the same as the standard natural rubber element ratings. (Green sticker or painted mark)

- (1) Neoprene element ratings are the same as the standard natural rubber element ratings. (Green sticker or painted mark)
- (2) Cordless elements have an average static torsional stiffness 25% of the standard element and approximately 25% of the torque rating. (White sticker or painted mark)

Elastomer Compatibility

Ratings: 1 - Minor Effect 2 - Moderate Effect 3 - Severe Effect nd - No Data

Substance	Nat. Rubber	Neo-prene	EPDM	Hytre	Substance	Nat. Rubber	Neo-prene	EPDM	Hytre
Acetic Acids	2	1	1	1	Hydrobromic Acid (40%)	1	2	1	nd
Acetic Anhydride	2	1	2	nd	Kerosene	3	2	3	nd
Alcohols, Monohydric	2	1	2	nd	Lacquers	3	3	3	2
Ammonia Anhydrous	3	1	1	nd	Lead Sulfamate	2	1	1	nd
ASTM A Oils	3	1	1	1	Mineral Oil	3	2	2	1
Animal Fats	3	2	2	nd	Naphtha	3	2	3	1
Benzene	3	3	3	2	Nickel Chloride	1	2	1	nd
Carbonic Acid	3	2	2	nd	Nitric Acid (10%)	1	2	2	2
Calcium Bisulfite	2	1	3	nd	Ozone	3	2	1	nd
Chloroacetone	2	2	1	2	Petroleum (<250°F)	3	2	3	nd
Chloroacetic Acid	2	1	1	nd	Potassium Dichromate	2	1	1	nd
Copper Sulphate	2	1	1	1	Salt Water	1	2	1	1
Corn Oil	2	2	2	nd	Silicone Oils	1	1	1	1
Diesel Oil	3	2	3	1	Sulfuric Acid (Conc.)	3	3	3	3
Fuel Oil	3	2	3	1	Vinegar	2	1	1	nd
Gasoline	2	2	3	1	Zinc Sulfate	2	1	1	nd

MODIFICATIONS/ ACCESSORIES



GRID-LIGN Replacement Grids, Covers, and Seals - Part Numbers

Coupling Size	Grid	T10 Cover Assembly	T10 Seal Kit	T20 Cover Assembly	T20 Seal Kit
1020T	006275	006250	006805	006260	006815
1030T	006276	006251	006806	006261	006816
1040T	006277	006252	006807	006262	006817
1050T	006278	006253	006808	006263	006818
1060T	006279	006254	006809	006264	006819
1070T	006280	006255	006810	006265	006820
1080T	006281	006256	006811	006266	006821
1090T	006282	006257	006812	006267	006822
1100T	006283	006258	006813	006268	006823
1110T	006284	006259	006814	006269	006824
1120T	007462	007471	007520	426672	007529
1130T	007463	007472	007521	426673	007530
1140T	007464	007473	007522	426674	007531
1150T	007465	007474	007523	007011	007532
1160T	007466	007475	007524	007012	007533
1170T	007467	007476	007525	007013	007534
1180T	007468	007477	007526	007014	007535
1190T	007469	007478	007527	007015	007536
1200T	007470	007479	007528	007016	007537

Chain Coupling: Chain Assemblies And Covers - Part Numbers

Coupling Size	Chain Assembly	Chain Assembly Weight (Lbs.)	Cover Assembly (1)	Cover Assembly Weight (Lbs.)
4012	100480	.4	099026	1.0
4016	100490	.6	099026	1.0
5012	100489	.9	N/A	N/A
5016	100481	1.4	099027	1.3
5018	100491	1.4	099027	1.3
6018	100482	2.7	099028	2.6
6020	100492	2.7	099028	2.6
8018	100483	6.1	099029	5.1
8020	100493	6.1	099029	5.1
10020	100495	11.0	099024	12.2
12018	100497	20.0	N/A	N/A
12020	100496	20.0	099025	19.5

(1) Cover assemblies consist of cover halves, screws, seals, and cover gaskets.

PARA-FLEX Nickel Plated Screws

Flange Assembly Size	Screw Size (2)	Part Number	Number per Flange (3)
PX70, PX80	5/16-18X1-1/2	411767	5, 6
PX90, PX100	3/8-16X1-3/4	411768	6
PX120	1/2-13X2	411770	6
PX140	1/2-13X2-1/4	411771	8

(2) Nickel plated Grade 8 hex head cap screws. Screws not available from stock for PX140 with iron flanges. For sizes not listed, contact DODGE.

(3) 5 required for PX70; 6 for PX80.

NOTE: Product installation and maintenance instructions can be found at www.dodge-pt.com



Selection Methods:

D-FLEX, PARA-FLEX, GRID-LIGN, GEAR, POWER-PLUS, POLY-DISC, & RIGID COUPLINGS

HP/100 METHOD

Step 1: Obtain required service factor from Service Factor Tables on pages PT1-83 and PT1-84.

Step 2: Determine the application HP per 100 RPM:

$$\text{HP} / 100 \text{ RPM} = \frac{\text{Motor HP} \times 100 \times \text{Service Factor}}{\text{Coupling RPM}}$$

Step 3: From Rating Tables, find a rating equal to or greater than the HP/100 RPM. Note coupling size from left hand column.

Step 4: Check maximum RPM capability.

Step 5: Check maximum bore capacity. If maximum bore is exceeded, move to larger size with adequate bore-but be sure maximum RPM of coupling is not exceeded

Step 6: If the GT Adapter System is utilized then ensure the keyless torsional holding power exceeds the application demands. From the application tables listed on PT1-10 and PT1-11, ensure the **Maximum Adapter Torque** for the shaft size exceeds the application torque that was calculated in Step 2.

TORQUE METHOD:

Step 1: Obtain required service factor from Service Factor Tables on pages PT1-83 and PT1-84

Step 2: Determine torque required for application.

$$\text{Torque (In - lbs)} = \frac{63025 \times \text{HP} \times \text{SF}}{\text{Coupling RPM}}$$

Step 3: From Rating Tables, find a rating equal to or greater than the torque. Note coupling size from left hand column.

Step 4: Check maximum RPM capability

Step 5: Check maximum bore capacity. If maximum bore is exceeded, move to larger size with adequate bore-but be sure maximum RPM of coupling is not exceeded

CHAIN COUPLINGS

DESIGN HP METHOD:

Step1: Obtain required service factor from Service Factory Tables on pages PT1-84 and PT1-85

Step 2: Determine application HP:
HP Design = HP x SF

Step 3: From rating tables, select appropriate coupling RPM column and find a rating equal to or greater than HP design. Note coupling size from left hand column.

Step 4: Check maximum RPM capability

Step 5: Check maximum bore capacity. If maximum bore is exceeded, move to larger size with adequate bore-but be sure maximum RPM of coupling is not exceeded.

NOTE: If spring set motor brake is used, and brake HP is greater than prime mover, use brake HP in place of motor HP.

NOTE: If system peak torque is known and is non-reversing, start at Step 3. If system peak torque is known and reversing, multiply by 2.0 and start at Step 3

NOTE: Selection program "Couple" available on www.ptwizard.com



SERVICE FACTOR

Table 1

Application (Read Footnotes)	Factor Δ				
	PARA-FLEX/ Poly-Disc	Grid Chain Rigid	D-FLEX	Gear	Power-Plus
AGITATORS					
Paddle or Propeller (Vert. or Horiz.)	1.00	1.00	1.25	1.00	1.25
Screw	1.00	1.00	1.25	1.00	1.25
BLOWERS					
Centrifugal	1.00	1.00	1.25	1.00	1.00
Lobe	1.50	1.25	1.50	1.25	1.50
Vane	1.00	1.25	1.25	1.25	1.25
BREWING & DISTILLING					
Bottling Machinery, Brew Kettle	1.00	1.00	1.25	1.00	1.00
Cooker (Continuous Duty)	1.00	1.00	1.25	1.00	1.25
Mash Tub	1.00	1.00	1.25	1.00	1.25
Scale Hopper-Frequent Starting Peaks	1.50	1.75	◆	1.75	1.75
CAN FILLING MACHINE	1.00	1.00	1.25	1.00	1.00
CAR DUMPER	1.50	2.50	2.00	2.50	2.00
CAR PULLER	1.50	1.50	1.50	1.50	1.50
CLARIFIER	1.00	1.00	1.25	1.00	1.25
CLASSIFIER	1.00	1.00	1.25	1.00	1.25
CLAY-WORKING MACHINES					
Brick Press, Briquette Mach., Clay Working Mach., Pug Mill	1.50	1.50	1.50	1.75	1.75
COMPRESSORS**					
Centrifugal, Lobe, Screw	1.00	1.00	1.25	1.00	1.00
Lobe, Rotary	2.00	1.25	2.00	1.25	1.50
Reciprocating					
1 cylinder - single acting	3.50	3.00	◆	3.00	3.50
1 cylinder - double acting	3.00	3.00	◆	3.00	3.00
2 cylinder - single acting	3.00	3.00	◆	3.00	3.00
2 cylinder - double acting	2.50	3.00	◆	3.00	2.50
3 cl. or more - single acting	2.50	3.00	◆	3.00	2.50
3 cl. or more - double acting	2.00	2.00	◆	2.00	2.00
CONVEYORS					
Apron, Assembly, Belt, Chain, Flight, Oven	1.00	1.00	1.25	1.00	1.25
Reciprocating	2.50	3.00	◎	3.00	2.50
Screw	1.00	1.00	1.25	1.00	1.25
CRANES AND HOISTS					
Main Hoist-Medium Duty	1.50	1.75	1.50	1.75	1.75
Main Hoist-Heavy Duty	2.00	2.00	2.00	2.00	2.50
Skip Hoist, Travel Motion, Trolley	1.50	1.75	1.00	1.75	2.00
Motion, Slope	1.50	1.75	1.00	1.75	1.75
CRUSHERS					
Cane	2.00	2.00	2.00	2.00	2.00
Gyratory	2.50	2.50	◆	2.50	2.50

Application (Read Footnotes)	Factor Δ				
	PARA-FLEX/ Poly-Disc	Grid Chain Rigid	D-FLEX	Gear	Power-Plus
DREDGES					
Cable Reel, Screen Drive, Stacker	1.50	1.75	1.50	1.75	1.75
Conveyor	1.50	1.75	1.50	1.25	1.75
Cutter Head Drive, Jig Drive	2.50	2.00	2.00	2.00	2.00
Pump, Utility Winch	1.50	1.75	1.50	1.50	1.75
DYNAMOMETER	1.00	1.00	1.25	1.00	1.00
ELEVATORS					
Bucket, Freight	2.00	1.25	2.00	1.25	2.00
EXCITER	1.00	1.00	1.25	1.00	1.00
FANS					
Centrifugal	1.00	1.00	1.25	1.00	1.00
Cooling Tower	2.00	2.00	2.00	2.00	2.00
Heavy Duty (Forced Draft)	1.50	1.50	2.00	1.50	1.50
Induced Draft	1.50	1.50	2.00	1.50	2.00
Light	1.00	1.00	1.25	1.00	1.00
Propeller Indoor	1.50	1.50	2.00	1.50	1.50
FOOD INDUSTRY					
Beet Slicer	1.50	1.75	1.50	1.75	1.75
Cereal Cooker	1.00	1.25	1.25	1.25	1.25
Dough Mixer, Meat Grinder	1.50	1.75	1.50	1.75	1.75
GENERATORS					
Even Load	1.00	1.00	1.25	1.00	1.00
Hoist or Railway Service	1.50	1.50	1.50	1.50	1.50
Welder Load	2.00	2.00	2.00	2.00	2.00
GRIZZLY	2.00	2.00	2.00	2.00	2.00
KILN	2.00	2.00	2.00	2.00	2.00
LAUNDRY MACHINES					
Tumbler Washer	2.00	2.00	2.00	2.00	2.00
LINE SHAFTS					
Driving Processing Machinery	1.00	1.50	1.25	1.50	1.50
Light	1.00	1.50	1.25	1.50	1.50
LUMBER INDUSTRY					
Band Resaw	1.50	1.50	1.50	1.50	1.50
Circular Resaw	1.50	1.50	1.50	1.75	1.50
Edger Head Rig, Hog, Log Haul	2.00	2.00	2.00	2.00	2.00
Planer	1.50	1.75	1.50	1.75	1.75
Rolls Non-Reversing	1.50	1.25	1.50	1.25	1.25
Rolls Reversing	2.00	2.00	2.00	2.00	2.00
Sawdust Conveyor	1.00	1.25	1.25	1.25	1.25
Slab Conveyor	1.50	1.75	1.50	1.75	1.50
Sorting Table	1.50	1.75	1.50	1.50	1.50
MACHINE TOOLS					
Auxiliary	1.00	1.00	1.25	1.00	1.00

Note: Selection program "Couple" available on www.ptwizard.com

PT Component Reference Guide
Couplings
Clutches and Brakes
FLEXIDYNE
Fluid Couplings
TORQUE-TAMER
Bushings



SERVICE FACTOR

Table 1 (continued)

Application (Read Footnotes)	Factor Δ				
	PARA-FLEX/ Poly-Disc	Grid Chain Rigid	D-FLEX	Gear	Power-Plus
MACHINE TOOLS (continued)					
Main Drive	1.50	1.75	1.50	1.50	1.75
Notching Press, Planer (Reversing), Plate Planer, Punch Press	1.50	1.75	1.50	1.75	1.75
Traverse	1.00	1.00	1.25	1.00	1.00
METAL FORMING MACHINES					
Draw Bench, Carriage, Main Drive, Extruder,	2.00	2.00	1.50	2.00	2.00
Wire Drawing, Flattening Machine	2.00	2.00	1.50	1.75	2.00
MILLS Rotary Type					
Ball or Pebble direct or	2.50	2.00	2.00	2.00	2.25
on LS Shaft Gear Reducer	2.50	2.00	2.00	2.00	2.25
on HS Shaft Gear Reducer	2.00	1.50	1.50	1.50	1.75
Dryer and Cooler	1.50	1.75	1.50	1.75	2.00
Rod or Tube direct or	2.50	2.00	2.00	2.00	2.25
on LS Shaft Gear Reducer	2.50	2.00	2.00	2.00	2.25
on HS Shaft Gear Reducer	2.00	1.50	1.50	1.50	1.75
Tumbling Barrel	1.50	1.75	2.00	1.75	1.75
MIXERS					
Concrete (Continuous or intermittent)	1.50	1.75	1.50	1.75	1.75
Muller-Simpson type	1.50	1.75	1.50	1.50	1.75
OIL INDUSTRY					
Chiller	1.00	1.25	1.25	1.25	1.25
Oil Well Pumping (Not over 150% peak torque)	2.00	2.00	2.00	2.00	2.00
Paraffin Filter Press	1.50	1.50	1.50	1.50	1.50
PAPER MILLS					
Agitator	1.00	2.00	1.25	2.00	2.00
Barking Drum	2.50	2.50	2.00	2.50	2.25
Beater and Pulper	1.50	1.75	1.50	1.75	1.75
Bleacher	1.00	1.00	1.25	1.00	1.00
Calender	2.00	1.75	2.00	1.75	2.00
Chipper	3.00	2.50	2.00	2.50	2.50
Couch Cylinder Dryer	1.50	1.75	1.50	1.75	1.75
Felt Stretcher	1.00	1.25	1.25	1.25	1.25
Fourdrinier	1.50	1.75	1.50	1.75	1.75
Jordan	2.00	2.00	2.00	2.00	2.00
Press	2.00	1.75	1.50	1.75	1.75
Pulp Grinder	2.00	1.75	2.00	1.75	1.75
Stock Chest	1.50	1.50	1.50	1.50	1.50
Stock Pump					
Reciprocating	2.00	2.00	◆	2.00	2.00

Application (Read Footnotes)	Factor Δ				
	PARA-FLEX/ Poly-Disc	Grid Chain Rigid	D-FLEX	Gear	Power-Plus
PAPER MILLS (continued)					
Suction Roll	2.00	1.75	1.50	1.75	1.75
Winder	1.50	1.50	1.50	1.50	1.50
PARAFFIN FILTER PRESS					
	1.50	1.50	1.50	1.50	1.50
PRINTING PRESS					
	1.50	1.50	1.50	1.50	1.50
PROPELLER Marine					
	1.50	1.50	◆	1.50	1.50
PULLERS					
Barge Hall	2.50	2.00	2.00	1.50	2.00
PULVERIZERS					
Hammermill-Light Duty	1.50	1.50	1.50	1.50	1.50
Hammermill-Heavy Duty	2.00	1.75	2.00	1.75	1.75
Hog	2.00	1.75	2.00	1.75	1.75
Roller	1.50	1.50	1.50	1.50	1.50
PUMPS					
For Stock Pumps See Paper Mills					
Centrifugal	1.00	1.00	1.25	1.00	1.00
Descaling Gear Type	1.50	1.25	1.50	1.25	1.50
Oil Well Pumping (Not over 150% peak torque)	2.00	2.00	2.00	2.00	2.00
Rotary -other than gear	1.50	1.25	1.50	1.25	1.50
Reciprocating					
1 cylinder-single acting	2.50	3.00	◆	3.00	2.25
1 cylinder-double acting	2.00	3.00	◆	3.00	2.00
2 cylinder-single acting	2.00	2.00	◆	2.00	2.25
2 cylinder-double acting	1.50	1.75	◆	1.75	2.00
3 cylinder or more	1.50	1.50	◆	1.50	1.75
RUBBER INDUSTRY					
Banbury Mixer	2.50	2.50	2.00	2.50	2.50
Calender	2.00	2.00	2.00	2.00	2.00
Cracker Mixing Mill Plasticator	2.50	2.50	2.00	2.50	2.50
Refiner, Sheeter	2.00	2.50	2.00	2.50	2.00
Tire-Building Machine	2.00	2.50	2.00	2.50	2.50
Tire and Tube Press Opener Based on Peak Torque	1.00	1.00	1.25	1.00	1.00
Tuber and Strainer	1.50	1.75	1.50	1.75	1.75
Warming Mill	2.00	2.00	2.00	2.00	2.00
Washer	2.50	2.50	2.00	2.50	2.50
SCREENS					
Air Washing	1.00	1.00	1.25	1.00	1.00
Coal and Sand Rotary	1.50	1.50	1.50	1.50	1.50
Vibrating	2.50	2.50	2.00	2.50	2.50
Water	1.00	1.00	1.25	1.00	1.25

Note: Selection program "Couple" available on www.ptwizard.com



SERVICE FACTOR

Table 1 (continued)

Application (Read Footnotes)	Factor Δ				
	PARA-FLEX/ Poly-Disc	Grid Chain Rigid	D-FLEX	Gear	Power-Plus
SEWAGE DISPOSAL EQUIPMENT	1.00	1.00	1.25	1.00	1.25
SHOVEL	2.00	2.00	2.00	2.00	2.00
SHREDDER	1.50	1.50	1.50	1.50	1.50
STEEL INDUSTRY					
Cold Mills					
Coiler up or down	1.50	2.00	◆	1.50	2.00
Strip, Temper	2.00	2.00	◆	2.00	2.00
Hot Mills					
Coiler up or down	1.50	2.00	◆	1.50	2.00
Edger Drive	1.50	2.00	◆	1.50	2.00
Feed Roll Blooming	3.00	2.50	◆	3.00	3.50
Roughing Mill Delivery	3.00	2.50	◆	2.50	3.00
Non-reversing, Sheet Strip	3.00	2.50	◆	2.50	3.00
Rod Mill	2.50	2.50	◆	2.00	2.25
Soaking Pit Cover Drive Lift	3.00	1.50	◆	1.00	3.00
Soaking Pit Cover Drive Travel	3.00	1.50	◆	2.00	3.00

Application (Read Footnotes)	Factor Δ				
	PARA-FLEX/ Poly-Disc	Grid Chain Rigid	D-FLEX	Gear	Power-Plus
STEERING GEAR	1.00	1.00	1.25	1.00	1.25
STOKER		1.00	1.25	1.00	1.25
TEXTILE MILLS					
Batcher	1.00	1.25	1.25	1.25	1.25
"Calender, Card Machine, D Can"	1.50	1.50	1.50	1.50	1.50
Dyeing Machine	1.00	1.25	1.25	1.25	1.25
Loom	1.50	1.50	1.50	1.50	1.50
Mangel, Napper, Soaper	1.00	1.25	1.25	1.25	1.25
Spinner, Tenter Frame	1.50	1.50	1.50	1.50	1.50
WINDLASS	1.50	1.50	1.50	1.50	1.50
WOODWORKING MACHINES	1.00	1.00	1.25	1.00	1.25

SYSTEM SERVICE FACTOR CALCULATION

To determine the system service factor, the driver service factor adder (Table 1A) must be added to the driven service factor. (Table 1) Example: Determine the system service factor for a PARA-FLEX coupling used to couple a barking drum and a six-cylinder diesel engine.

$$\text{Driven S.F.} + \text{Driver S.F. Adder} = \text{System S.F.}$$

$$2.5 + .5 = 3.0$$

Δ The service factors listed are intended only as a general guide. Where substantial shock occurs or starting and stopping is frequent as on some "inching" drives and on some reversing drives or where the power source is an internal combustion engine with less

than four cylinders—Consult DODGE. Where torsional vibrations occur as in, for example, internal combustion engine or reciprocating compressor or pump applications, check the coupling stiffness for the possible development of damaging large-amplitude vibrations. A complete system torsional analysis may be necessary.

** Add 0.5 to factor if without flywheel

◆ CONSULT DODGE FOR SELECTION ASSISTANCE

Table 1A-Driver Service Factor Adders

Type of Coupling	Electric Motor Std. Torque	High Torque Motors	Turbines	Reciprocating Engine Number of Cylinders				
				12 or More	8 to 11	6 to 7	4 to 5	Less than 4
PARA-FLEX	0.00	0.00	0.00	0.00	0.50	0.50	0.50	◆
METALLIC	0.00	0.00	0.00	0.00	0.50	0.50	1.00	◆
D-FLEX	0.00	IF SF < 1.25 ADD 0.25	IF SF < 1.5 SUBTRACT 0.25	IF SF < 1.25 ADD 0.25				◆
		IF SF > 1.25 ADD 0.5	IF SF > 1.5 SUBTRACT 0.5	IF SF > 1.25 ADD 0.5				◆

Note: Selection program "Couple" available on www.ptwizard.com



Comparative Table

Coupling Type	Misalignment		End Float
	Angular	Parallel	
PARA-FLEX (PX, PS) (1) (2)	4°	.125"	± 0.156"
PARA-FLEX (PH, PF)	1°	0.0625"	± 0.094"
GRID-LIGN	1/2°	0.012"	0.375"
CHAIN	2°	.015"	0.300"
POLY-DISC	2°	0.032"	
POWERPLUS	Please refer to instruction manual #MN4025 on www.dodge-pt.com		

(1) PX40 is 4° Angular / .06" Parallel / ±.094" End Float

(2) PX110 is 4° Angular / 0.125" Parallel / ±.125" End Float

Temperature Range

Coupling Type	°F
PARA-FLEX	
PX, PS	-45°F (1) to +180°F(1)
PH, PF	-45°F (1) to +180°F(1)
D-FLEX	
EPDM	-30°F to +275°F
NEOPRENE	0°F to +200°F
HYTREL	-65°F to +250°F
GRID-LIGN	-35°F to +210°F
CHAIN	-30°F to +225°F
GEAR	-30°F to +250°F
POLY-DISC	-90°F to +170°F
NYLIGN	0°F to +170°F
POWERPLUS	-22°F to 176°F

(1) -40°F to +210°F for neoprene element.

D-Flex Misalignment (1)

Size	Types JE, JN, E & N			Types H & HS (4)		
	Parallel (1)	Angular (2)	End Float (3)	Parallel (1)	Angular (2)	End Float (3)
3	0.010	1°	± 0.030	-	-	-
4	0.010	1°	± 0.030	-	-	-
5	0.015	1°	± 0.046	-	-	-
6	0.015	1°	± 0.060	.010	1/4°	± 0.060
7	0.020	1°	± 0.060	.012	1/4°	± 0.060
8	0.020	1°	± 0.096	.015	1/4°	± 0.096
9	0.025	1°	± 0.096	.017	1/4°	± 0.096
10	0.025	1°	± 0.125	.020	1/4°	± 0.125
11	0.032	1°	± 0.125	.022	1/4°	± 0.125
12	0.032	1°	± 0.125	.025	1/4°	± 0.125
13	0.040	1°	± 0.125	.030	1/4°	± 0.125
14	0.045	1°	± 0.125	.035	1/4°	± 0.125
16	0.062	1°	± 0.125	-	1/4°	-

NOTE: (1) All dimensions are in inches

(2) Values are for when 1/4 or more of the rated torque is transmitted.
Reduce values by 50% for lower torques

(3) Increase E dimension by this amount to accommodate end float.

(4) Types H & HS should not be used as direct replacements for EPDM or Neoprene sleeves



PARA-FLEX Couplings Bolt Torque Information

Size	Standard				
	Clamp Ring Bolts (5) Torque (In.-Lbs.)			PS Shaft Hub Bolts (3)	
	No.	2-Piece Assy	3-Piece Assy	No.	Torque (In.-Lbs.)
PX40	4	130	130	4	130
PX50	5	130	130	4	180
PX60	5	290	290	5	180
PX70	5	290	290	5	180
PX80	6	290	290	5	300
PX90	6	480	480	6	300
PX100	6	480	480	6	300
PX110	6	480	480	6	300
PX120	6	1080	1080	6	720
PX140	8	1080	1080	5	720
PX160 (2)	8	2160	1150	6	1296
PX200	12	2160	2400	8	1296
PX240	12	3600	4020	-	-
PX280	14	4320	6600	-	-
PX320	16	4320	6600	-	-

(2) PX160 steel flanges have 10 clamp ring bolts

(3) SAE Grade 8

(5) SAE Grade 8. FB style couplings utilize class 10.9 metric clamping ring bolts

PARA-FLEX High Speed & Fly Wheel Bolt Torque Information (in-lb)

Size	For Flange (3)		For Bolt Ring (3)
	Iron Fig.	Steel Fig.	
87	290	290	180
96	290	290	300
116	480	480	360
131	480	480	420
172	1080	1150	600
192	2160	1150	780
213	2160	2160	840
252	3600	3600	2880

(3) SAE Grade 8

Torsional Stiffness

PARA-FLEX		HIGH SPEED PARA-FLEX	
Size	In-Lbs/Degree (4)	Size	In-Lbs/Degree (4)
PX40	120	PH 87	1000
PX50	224	PH 96	1190
PX60	414	PH 116	2182
PX70	544	PH 131	2566
PX80	876	PH 172	6737
PX90	1088	PH 192	13893
PX100	1530	PH 213	23143
PX110	2420	PH 252	39008
PX120	4014		
PX140	8296		
PX160	12,000		
PX200	29,000		
PX240	48,000		
PX280	98,000		
PX320	151,000		

(4) Values are nominal and may vary +/- 20%. To convert static values to approximate dynamic values, multiply the static values by 1.2

D-Flex Torsional Stiffness*

Size	EPDM & Neoprene (In-Lbs/radian)	Hytrel (In-Lbs/radian)
3	229	-
4	458	-
5	916	-
6	1,718	10,000
7	2,769	20,000
8	4,335	30,000
9	6,875	47,500
10	10,980	100,000
11	17,300	125,000
12	27,500	225,000
13	43,350	368,900
14	68,775	593,250
16	180,480	-

* Values shown are for an ambient temperature of 75°F

D-Flex Spacer Bolt Torques

Size	Shaft Hub Bolts (1)	
	Number	Torque Ft-Lbs
5SCH	4	4
6SCH	4	9
7SCH	4	9
8SCH	4	18
9SCH	4	31
10SCH	4	50
11SCH	4	75
12SCH	4	150
13SCH	4	150
14SCH	4	150

(1) SAE Grade 8

PT Component Reference Guide
Couplings
Clutches and Brakes
FLEXIDYNE
Fluid Couplings
TORQUE-TAMER
Bushings



AGMA Class 1 Fits

Nom. Shaft Diameter (In.)	Bore Dimensions			
	Clearance		Interference	
	Nom. Shaft Dia. Less	Bore Tolerance	Nom. Shaft Dia. Less	Bore Tolerance
0 - 1-1/2	.000	+.001 -.000	.001	-.0005 -.000
1-1/2 - 2	.000	+.001 -.000	.002	-.001 -.000
2 - 3	.000	+.0015 -.000	.002	-.0015 -.000
3 - 4	.000	+.0015 -.000	.003	-.0015 -.000
4 - 5	.000	+.002 -.000	.0035	-.0015 -.000
5 - 6	.000	+.002 -.000	.004	-.0015 -.000

Standard Keyways

Keyway Bore Size	Width	For Sq. Key	For Rec. Key
7/16	3/32	3/64	...
1/2 - 9/16	1/8	1/16	...
5/8 - 7/8	3/16	3/32	...
15/16 - 1-1/4	1/4	1/8	...
1-5/16 - 1-3/8	5/16	5/32	...
1-7/16 - 1-3/4	3/8	3/16	1/8
1-13/16 - 2-1/4	1/2	1/4	3/16
2-5/16 - 2-3/4	5/8	5/16	7/32
2-13/16 - 3-1/4	3/4	3/8	1/4
3-5/16 - 3-3/4	7/8	7/16	5/16
3-13/16 - 4-1/2	1	1/2	3/8
4-9/16 - 5-1/2	1-1/4	5/8	7/16

Metric Bore Standard

MM Bore	MM Keyway Width	MM Hub Keyseat	MM Key
14	5	2.3	5x5
16	5	2.3	5x5
18	6	2.8	6X6
19	6	2.8	6X6
20	6	2.8	6X6
22	6	2.8	6X6
24	8	3.3	8X7
25	8	3.3	8X7
28	8	3.3	8X7
30	8	3.3	8X7
32	10	3.3	10X8
35	10	3.3	10X8
38	10	3.3	10X8
40	12	3.3	12X8
42	12	3.3	12X8
45	14	3.8	14X9
48	14	3.8	14X9
50	14	3.8	14X9
55	16	4.3	16X10
60	18	4.4	18X11
65	18	4.4	18X11
70 & 75	20	4.9	20X12
80 & 85	22	5.4	22X14
90	25	5.4	25X14
95	25	5.4	25X14
100	28	6.4	28X16

MM bore and keyway conform to ISO standard recommendation R773, for "FREE" fit



NOTES

PT Component
Reference Guide

Couplings

Clutches and Brakes

FLEXIDYNE

Fluid Couplings

TORQUE-TAMER

Bushing

CONTENTS

Clutches and Brakes

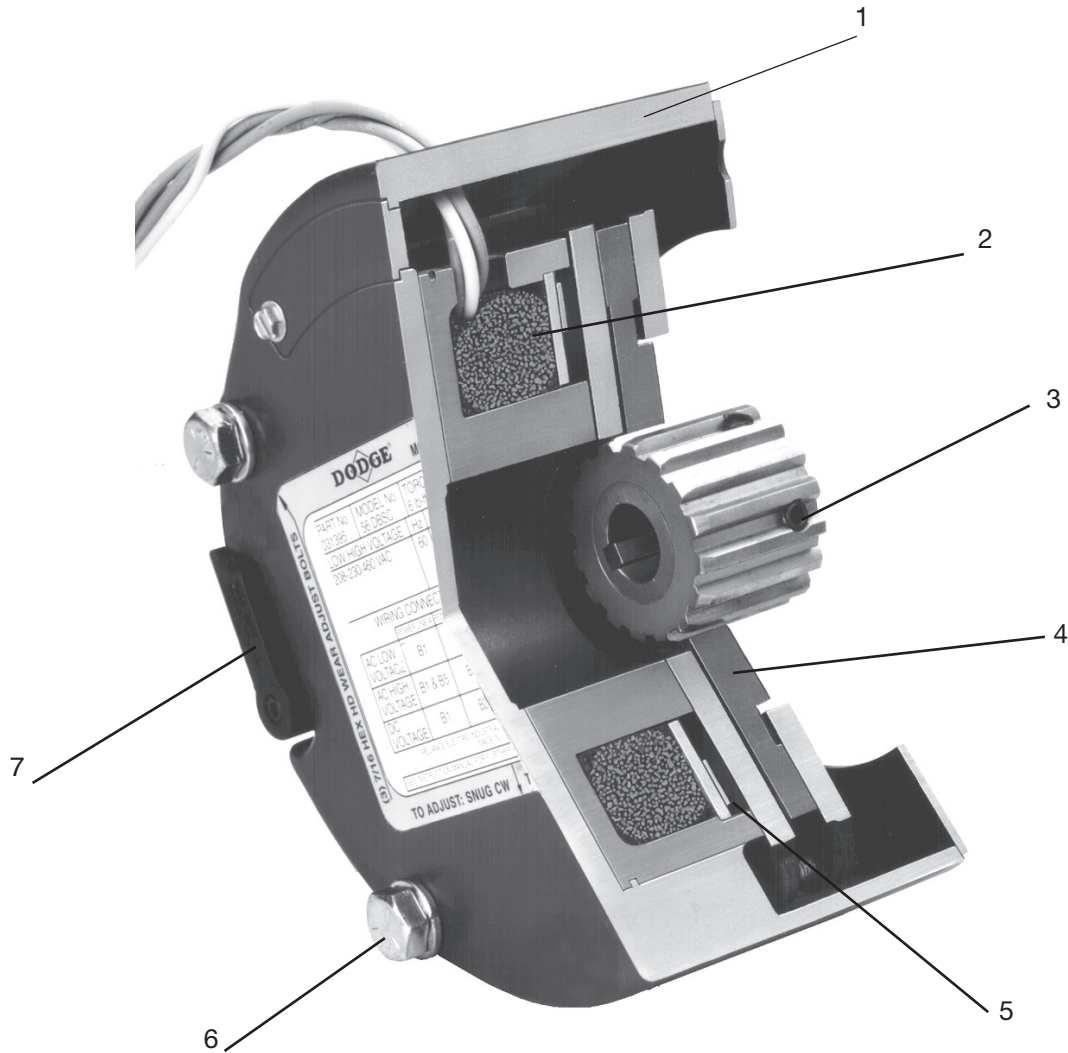
Features / Benefits	
Motor Brakes	PT2-2
Clutch/Brake Modules	PT2-11
Shaft Mounted Clutches & Brakes	PT2-18
Fractional HP Clutches & Brakes	PT2-24
Specification	
How to Order	
Nomenclature	
Motor Brakes	PT2-3
Clutch/Brake Modules	PT2-12
Shaft Mounted Clutches & Brakes	PT2-19
Fractional HP Clutches & Brakes	PT2-25
Selection, Fractional HP Clutches & Brakes	PT2-26
Selection/Dimensions	
Motor Brakes	
DBSC	PT2-5
DBSS	PT2-7
DBEC	PT2-8
DBES	PT2-9
Clutch/Brakes & Modules	
DMCCB & DMCCO	PT2-14
DMCCB-PSM	PT2-15
DMCBO & DMCBX	PT2-16
DMSCB & DMSCO	PT2-17
Shaft Mounted Clutches & Brakes	
IEC Series	PT2-21
IEB Series	PT2-22
IPB Series	PT2-23
Fractional HP Clutches & Brakes	
SL Series	PT2-30
BSL Series	PT2-31
SO Series	PT2-32
FB Series	PT2-33
FSB Series	PT2-34
FSBR Series	PT2-35
Modifications/Accessories	
Motor Brake	PT2-10
Power Supplies/Motor Adapters	PT2-36
Engineering/Technical	PT2-38
Part Number Index	INDEX-1
Keyword Index	INDEX-63



FEATURES/BENEFITS

Motor Brakes

1. Rugged, die-cast aluminum housing mounts at any angle without modification.
2. Internally rectified DC voltage coil operates on either AC or DC voltage. Class B insulation is standard.
3. Splined hub permits uniform load distribution. Integral key design simplifies installation - no loose parts.
4. Single, non-asbestos friction disc design extends life, reduces replacement parts and allows quiet operation (1)
5. Wave spring provides 360° of force when power is removed from the brake.
6. Industry standard NEMA C-face mounting. Interchanges easily with competitive units.
7. Easy-to-use, reliable manual release levers reset automatically.



- (1) 35 & 50 ft. lb. motor brakes employ two friction discs and can be mounted at any angle without modification





Motor Brakes

SPECIFICATION

D-Series Motor Brakes are designed with a single* non-asbestos friction disc for fewer adjustments, reduced replacement parts, and extended life. They are released when power is applied to the brake coil. The friction disc hub assembly and ultimately the load are free to turn. However, when power is taken away, intentionally or accidentally, an internal wave spring clamps the friction disc to stop and hold the load. The single* disc design has significantly fewer parts than competitive brakes and provides a dramatic improvement in brake friction disc life. Just as dramatic is the quiet operation compared to solenoid type brakes. DODGE D-Series motor brakes are available as stock off-the-shelf units in 2 configurations. DBSC C-Face brakes mount on the fan end (non-driving end) of a motor. DBSS double C-Face brakes are generally used as a coupler between standard C-Face motors and C-Face gear reducers.

* 35/50 ft.-lb motor brakes employ two friction discs

HOW TO ORDER

Motor Brakes are ordered by specifying the unit size, the motor frame size, and the voltage. Part numbers are found on the selection pages for each type of unit. Refer to the part number when ordering.

NOMENCLATURE

	56	DBSS	-	3	-	MA	-	115/230 VAC	60 HZ
NEMA C-Face Designation _____	56 = 56C (5/8" shaft) 140 = 143TC/145TC (7/8" shaft) 180 = 180TC/210TC (1-1/8" shaft)								
DODGE Brakes _____									
Housing Enclosure _____	S = Standard Enclosure/Drip-Proof E = E-Z KLEEN (Food Duty/NEMA 4X)								
Mounting Configuration _____	C = C-face (single)/Fan End Mounting S = Shaft-out (Double C-Face) Coupler								
Static Torque Rating (Ft.-Lbs) _____									
Wear Adjustment Method _____	MA = Manually Adjusted								
Coil Voltage _____	115/230 VAC 230/460 VAC Others As Noted On Brake Label								
Frequency _____	60 Hz 50 Hz Blank If DC Voltage Only								

FEATURES/BENEFITS PAGE PT2-2	SELECTION/DIMENSIONS PAGE PT2-4	MODIFICATION/ACCESSORIES PAGE PT2-10	ENGINEERING/TECHNICAL PAGE PT2-38
---------------------------------	------------------------------------	---	--------------------------------------



SELECTION/DIMENSIONS

Motor Brakes

Selection Procedure

1. Determine the motor frame size, horsepower and speed.
2. Use chart for brake static torque selection. Note that chart selections are based on a **1.4 service factor** and increased to the next highest standard brake torque rating. To select a brake using a different service factor, use the formula below to determine the required brake static torque.

$$T = \frac{HP \times 5252 \times SF}{RPM}$$

T = Brake Static Torque (Ft-Lbs)

HP = Motor Horsepower

SF = Service Factor Desired

RPM = Motor Speed

Once your torque requirement has been determined, select a brake with at least that capacity.

3. Consult Part Number charts on pages PT2-6 thru PT2-11 for appropriate part number. Brake voltage should be matched with motor voltage rating.
4. Verify mounting dimensions (C-face tenon, mounting bolt pattern, shaft size, etc.) from pages PT2-6 thru PT2-11.
5. In positioning applications, use of a fast response kit allows you to obtain faster stop times. To order see page PT2-11.
6. In positioning applications, use 2.0 SF

Note: DODGE D Series brakes are intended as holding brakes. Contact application engineering with inertia and application information for cycle rates exceeding 6 per minute.

Brake Static Torque Ratings* (Ft.-Lbs)

Motor HP	Motor Speed (RPM)							
	750	900	1200	1500	1800	3000	3600	5000
1/4	3	3	3	3	3	3	3	3
1/3	6	3	3	3	3	3	3	3
1/2	6	6	6	3	3	3	3	3
3/4	10	10	6	6	6	3	3	3
1	10	10	10	6	6	3	3	3
1-1/2	15	15	10	10	10	6	6	3
2	20	20	15	10	10	6	6	3
3	35	25	20	15	15	10	10	6
5	50	50	35	25	25	15	15	10
7-1/2	-	-	50	50	35	20	20	15
10	-	-	-	50	50	35	25	15

*Selections based on 1.4 service factor and increased to next highest standard brake torque rating.

Speed limit 5000 RPM maximum motor speed

FEATURES/BENEFITS PAGE PT2-2	SPECIFICATION/HOW TO ORDER PAGE PT2-3	MODIFICATION/ACCESSORIES PAGE PT2-10	ENGINEERING/TECHNICAL PAGE PT2-38
---------------------------------	--	---	--------------------------------------

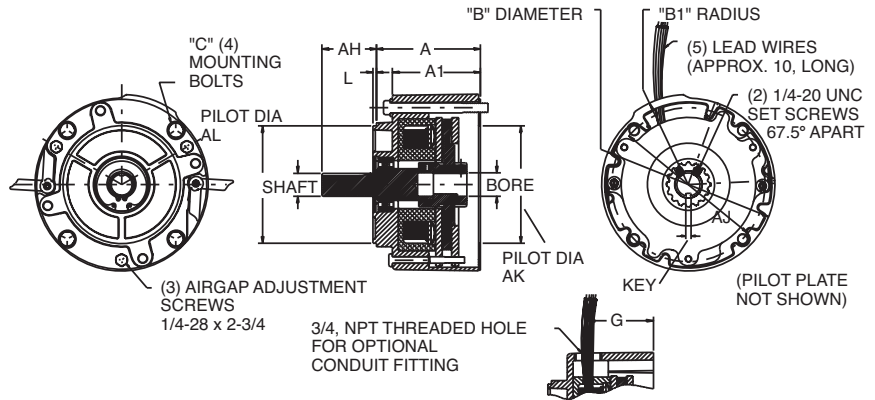


SELECTION/DIMENSIONS

Motor Brakes



DBSS Model



Complete Unit Part Numbers

Standard Enclosure		Unit Size --- Static Torque					
		3 Ft- Lbs	6 Ft- Lbs	10 Ft- Lbs	15 Ft- Lbs	20 Ft- Lbs	25 Ft- Lbs
DOUBLE C-FACE	DBSS Complete Units 56 Frame, 5/8" Bore						
	115/230 VAC 60 Hz (1)	031369	031411	031453	031342	031345	031348
	230/460 VAC 60 HZ (2)	031371	031413	031455	031343	031346	031349
	287/575 VAC 60 Hz (3)	031373	031415	031457	031344	031347	031350
	104/208 VAC 60 Hz (4)	031088	031100	031112	031124	031136	031148
	190/380 VAC 50 Hz (5)	031089	031101	031113	031125	031137	031149
	250/500 VAC 50 Hz	031090	031102	031114	031126	031138	031150
	48 VDC	031091	031103	031115	031127	031139	031151
	24 VDC	031092	031104	031116	031128	031140	031152
	12 VDC	031093	031105	031117	031129	031141	031153
	DBSS Complete Units 140 Frame, 7/8" Bore						
	115/230 VAC 60 Hz (1)	031375	031417	031459	031495	031525	031555
	230/460 VAC 60 HZ (2)	031377	031419	031461	031497	031527	031557
	287/575 VAC 60 Hz (3)	031379	031421	031463	031499	031529	031559
104/208 VAC 60 Hz (4)	031094	031106	031118	031130	031142	031154	
190/380 VAC 50 Hz (5)	031095	031107	031119	031131	031143	031155	
250/500 VAC 50 Hz	031096	031108	031120	031132	031144	031156	
48 VDC	031097	031109	031121	031133	031145	031157	
24 VDC	031098	031110	031122	031134	031146	031158	
12 VDC	031099	031111	031123	031135	031147	031159	

NOTES:

- Bold Part Numbers are stock units. Other voltage units available on standard non-stock basis.
- Coil will operate at the following voltages:
 - (1) 115/208-230 VAC 50 or 60 Hz, 133/265 VAC 60 Hz, 110-125 VDC
 - (2) 208-230/460 VAC 50 or 60 Hz, 240/480 VAC 60 Hz, 220/440 VAC 50 Hz, 230 VDC
 - (3) 287/575 VAC 60 Hz, 300/600 VAC 60 Hz
 - (4) 104/208 VAC 50 or 60 Hz, 100/200 VAC 60 Hz, 90-95 VDC
 - (5) 190/380 VAC 50 Hz, 200/400 VAC 60 Hz, 206/416 VAC 50 Hz

Dimensions

Standard Enclosure Double C-Face Coupler

Unit Size	Inertia Friction Disc & Hub (Lb-In ²)	Input Bore Output Shaft Dia.	Output Keyway & Input Key	A Max	A1 Nom	AK Pilot Dia.	AL Pilot Dia.	AH	AJ	B Dia. Max	B1 Radius Max.	C Mounting Bolts	G	L	Shipping Weight (Lbs)
56DBSS-3 56DBSS-6 56DBSS-10 56DBSS-15 56DBSS-20 56DBSS-25	1.73	5/8"	3/16 x 3/32	3.97	3.36	4.5	4.5	2.12	5.88	6.63	3.46	3/8 -16 UNC-2A (4) Equally Spaced on 5.875 Dia. Bolt Circle	2.57	0.13	13.2
140DBSS-3 140DBSS-6 140DBSS-10 140DBSS-15 140DBSS-20 140DBSS-25	1.74	7/8"	3/16 x 3/32	3.97	3.36	4.5	4.5	2.12	5.88	6.63	3.46	3/8 -16 UNC-2A (4) Equally Spaced on 5.875 Dia. Bolt Circle	2.57	0.13	13.3

FEATURES/BENEFITS PAGE PT-2	SPECIFICATION/HOW TO ORDER PAGE PT-3	MODIFICATION/ACCESSORIES PAGE PT-10	ENGINEERING/TECHNICAL PAGE PT-38
--------------------------------	---	--	-------------------------------------

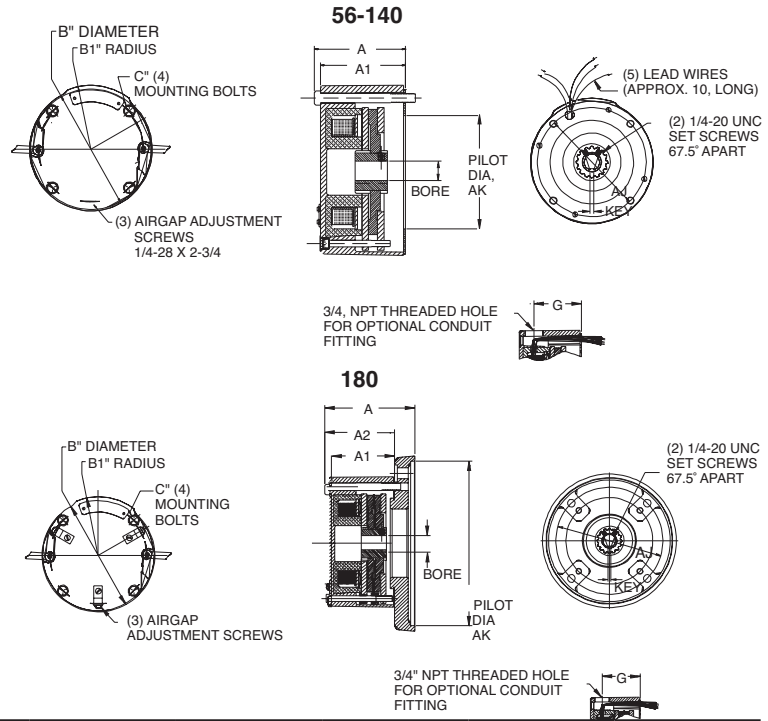
SELECTION/DIMENSIONS



Motor Brakes



DBSC Model



Complete Unit Part Numbers

Standard Enclosure		Unit Size-Static Torque					
		3 Ft-Lbs	6 Ft-Lbs	10 Ft-Lbs	15 Ft-Lbs	20 Ft-Lbs	25 Ft-Lbs
C-FACE (FAN END MOUNTING)	DBSC Complete Units						
	56 Frame, 5/8" Bore						
	115/230 VAC 60 Hz (1)	031351	031393	031435	031477	031507	031537
	230/460 VAC 60 HZ (2)	031353	031395	031437	031479	031509	031539
	287/575 VAC 60 Hz (3)	031355	031397	031439	031481	031511	031541
	104/208 VAC 60 Hz (4)	031000	031015	031030	031043	031058	031073
	190/380 VAC 50 Hz (5)	031001	031016	031031	031044	031059	031074
	250/500 VAC 50 Hz	031002	031017	031032	031045	031060	031075
	48 VDC	031003	031018	031033	031046	031061	031076
	24 VDC	031004	031019	031034	031047	031062	031077
	12 VDC	031005	031020	031035	031048	031063	031078
	DBSC Complete Units						
	140 Frame, 7/8" Bore						
	115/230 VAC 60 Hz (1)	031007	031022	031037	031050	031065	031080
	230/460 VAC 60 HZ (2)	031009	031024	031039	031052	031067	031082
	287/575 VAC 60 Hz (3)	031011	031026	031041	031054	031069	031084
	104/208 VAC 60 Hz (4)	031006	031021	031036	031049	031064	031079
	190/380 VAC 50 Hz (5)	031008	031023	031038	031051	031066	031081
	250/500 VAC 50 Hz	031010	031025	031040	031053	031068	031083
	48 VDC	031012	031027	031042	031055	031070	031085
24 VDC	031013	031028	031160	031056	031071	031086	
12 VDC	031014	031029	031161	031057	031072	031087	

NOTES:

- Bold Part Numbers are stock units. Other voltage units available on standard non-stock basis.
- Coil will operate at the following voltages:
 - (1) 115/208-230 VAC 50 or 60 Hz, 133/265 VAC 60 Hz, 110-125 VDC
 - (2) 208-230/460 VAC 50 or 60 Hz, 240/480 VAC 60 Hz, 220/440 VAC 50 Hz, 230 VDC
 - (3) 287/575 VAC 60 Hz, 300/600 VAC 60 Hz
 - (4) 104/208 VAC 50 or 60 Hz, 100/200 VAC 60 Hz, 90-95 VDC
 - (5) 190/380 VAC 50 Hz, 200/400 VAC 60 Hz, 206/416 VAC 50 Hz

FEATURES/BENEFITS PAGE PT2-2	SPECIFICATION/HOW TO ORDER PAGE PT2-3	MODIFICATION/ACCESSORIES PAGE PT2-10	ENGINEERING/TECHNICAL PAGE PT2-38
---------------------------------	--	---	--------------------------------------



SELECTION/DIMENSIONS

Complete Unit Part Numbers (Continued)

	Standard Enclosure	Unit Size-Static Torque						
		6 Ft-Lbs	10 Ft-Lbs	15 Ft-Lbs	20 Ft-Lbs	25 Ft-Lbs	35 Ft-Lbs	50 Ft-Lb
C-FACE (FAN END MOUNTING)	180 Frame, 1-1/8" Bore 8-1/2" Pilot Diameter							
	115/230 VAC 60 Hz (1)	027023	027032	027041	027050	027059	027068	027077
	230/460 VAC 60 Hz (2)	027024	027033	027042	027051	027060	027069	027078
	287/575 VAC 60 Hz (3)	027025	027034	027043	027052	027061	027070	027079
	104/208 VAC 60 Hz (4)	027026	027035	027044	027053	027062	027071	027080
	190/380 VAC 50 Hz (5)	027027	027036	027045	027054	027063	027072	027081
	250/500 VAC 50 Hz	027028	027037	027046	027055	027064	027073	027082
	48 VDC	027029	027038	027047	027056	027065	027074	027083
	24 VDC	027030	027039	027048	027057	027066	027075	027084
	12 VDC	027031	027040	027049	027058	027067	027076	027085

NOTES:

- Bold Part Numbers are stock units. Other voltage units available on standard non-stock basis.
- Coil will operate at the following voltages:
 - (1) 115/208-230 VAC 50 or 60 Hz, 133/265 VAC 60 Hz, 110-125 VDC
 - (2) 208-230/460 VAC 50 or 60 Hz, 240/480 VAC 60 Hz, 220/440 VAC 50 Hz, 230 VDC
 - (3) 287/575 VAC 60 Hz, 300/600 VAC 60 Hz
 - (4) 104/208 VAC 50 or 60 Hz, 100/200 VAC 60 Hz, 90-95 VDC
 - (5) 190/380 VAC 50 Hz, 200/400 VAC 60 Hz, 206/416 VAC 50 Hz

Dimensions

Standard Enclosure Single C-face (Fan End Mounting)

Unit Size (Lb-In2)	Inertia Friction Disc & Hub	Input Bore	Key	A Max	A1 Nom	AJ	AK Pilot Dia.	B Dia. Max.	B1 Radius Max	C Mounting Bolts	G	Shipping Weight (Lbs)
56DBSC-3 56DBSC-6 56DBSC-10 56DBSC-15 56DBSC-20 56DBSC-25	1.52	5/8"	3/16 x 3/32	3.74	3.36	5.88	4.5	6.63	3.46	3/8 - 16 UNC-2A (4) Equally Spaced on 5.875" Dia. Bolt Circle	2.57	11.7
140DBSC-3 140DBSC-6 140DBSC-10 140DBSC-15 140DBSC-20 140DBSC-25	1.51	7/8"	3/16 x 3/32	3.74	3.36	5.88	4.5	6.63	3.46		2.57	11.8

Unit Size (6)	Inertia Friction Disc & Hub (7) (Lb-In2)	Input Bore	Key	A Max	A1 Nom	A2	AJ	AK Pilot Dia.	B Dia. Max.	B1 Radius Max.	C Mounting Bolts	G	Shipping Weight (Lbs)
180DBSC-6* 180DBSC-10* 180DBSC-15* 180DBSC-20* 180DBSC-25* 180DBSC-35 180DBSC-50	1.51	1-1/8"	1/4" X 1/8"	4.78	3.36	3.74	7.25	8.5	6.63	3.46	3/8 - 16 UNC-2A (4) Equally Spaced on 5.875" Dia. Bolt Circle	2.57	20.6

(6) 140 Sizes do not require an adapter plate.

(7) Inertia for single-disc units.

*These sizes employ one friction disc.

FEATURES/BENEFITS PAGE PT2-2	SPECIFICATION/HOW TO ORDER PAGE PT2-3	MODIFICATION/ACCESSORIES PAGE PT2-10	ENGINEERING/TECHNICAL PAGE PT2-38
---------------------------------	--	---	--------------------------------------

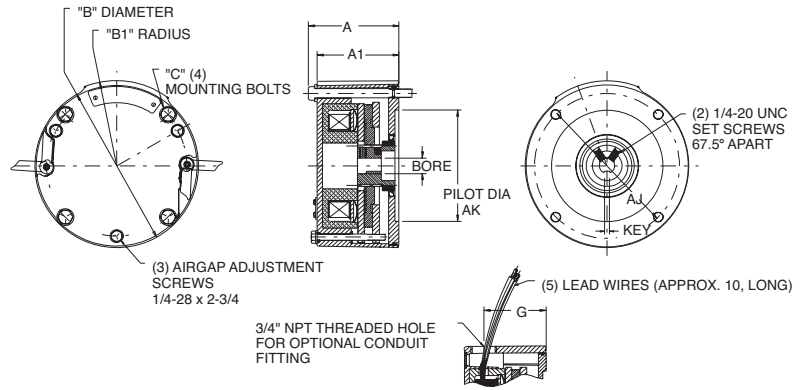


SELECTION/DIMENSIONS

Motor Brakes



DBEC Model



Complete Unit Part Numbers*

E-Z KLEEN Enclosure		Unit Size-Static Torque					
		3 Ft- Lbs	6 Ft- Lbs	10 Ft- Lbs	15 Ft- Lbs	20 Ft- Lbs	25 Ft- Lbs
C-FACE (FAN END MOUNTING)	DBEC Complete Units 56 Frame, 5/8" Bore						
	115/230 VAC 60 Hz (1)	031910	031913	031915	031918	031921	031924
	230/460 VAC 60 Hz (2)	031716	031718	031916	031919	031922	031925
	287/575 VAC 60 Hz (3)	031911	031914	031917	031920	031923	031926
	DBEC Complete Units 140 Frame, 7/8" Bore						
	115/230 VAC 60 Hz (1)	029436	029439	029442	029445	029448	029451
230/460 VAC 60 Hz (2)	029437	029440	029443	029446	029449	029452	
287/575 VAC 60 Hz (3)	029438	029441	029443	029447	029450	029453	

NOTES:

- * All torque ratings and voltages not listed here are available as standard non-stock units. Please contact DODGE. Customer Service for part numbers, pricing & availability
- Coil will operate at the following voltages:
 - (1) 115/208-230 VAC 50 or 60 Hz, 133/265 VAC 60 Hz, 110-125 VDC
 - (2) 208-230/460 VAC 50 or 60 Hz, 240/480 VAC 60 Hz, 220/440 VAC 50 Hz, 230 VDC
 - (3) 287/575 VAC 60 Hz, 300/600 VAC 60 Hz

Dimensions

E-Z KLEEN Single C- Face (Fan End Mounting)

Unit Size	Inertia Friction Disc & Hub (Lb-In ²)	Input Bore	Key	A Max	A1 Nom	AJ	AK Pilot Dia.	B Dia. Max	B1 Radius Max.	C Mounting Bolts	G	Shipping Weight (Lbs)
56DBEC-3 56DBEC-6 56DBEC-10 56DBEC-15 56DBEC-20 56DBEC-25	1.52	5/8"	3/16 x 3/32	3.74	3.36	5.88	4.5	6.63	3.46	3/8 -16 UNC-2A (4) Equally Spaced on 5.875" Dia. Bolt Circle	2.57	14.4
140DBEC-3 140DBEC-6 140DBEC-10 140DBEC-15 140DBEC-20 140DBEC-25	1.51	7/8"	3/16 x 3/32	3.74	3.36	5.88	4.5	6.63	3.46		2.57	14.5

FEATURES/BENEFITS PAGE PT2-2	SPECIFICATION/HOW TO ORDER PAGE PT2-3	MODIFICATION/ACCESSORIES PAGE PT2-10	ENGINEERING/TECHNICAL PAGE PT2-38
---------------------------------	--	---	--------------------------------------

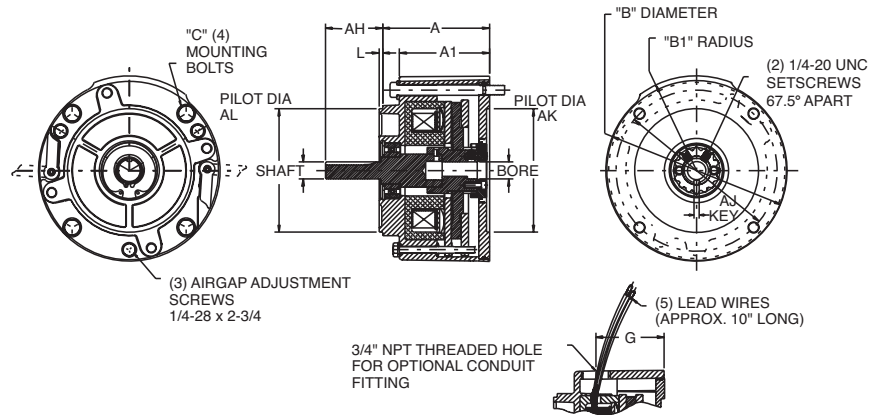
SELECTION/DIMENSIONS



Motor Brakes



DBES Model



Complete Unit Part Numbers

	E-Z KLEEN Enclosure	Unit Size-Static Torque					
		3 Ft- Lbs	6 Ft- Lbs	10 Ft- Lbs	15 Ft- Lbs	20 Ft- Lbs	25 Ft- Lbs
DOUBLE C-FACE	DBES Complete Units						
	56 Frame, 5/8" Bore						
	115/230 VAC 60 Hz (1)	030381	030384	030387	030390	030393	030396
	230/460 VAC 60 HZ (2)	030382	030385	030388	030391	030394	030397
	287/575 VAC 60 Hz (3)	030383	030386	030389	030392	030395	030398
	DBES Complete Units						
140 Frame, 7/8" Bore							
115/230 VAC 60 Hz (1)	029400	029403	029406	029409	029412	029415	
230/460 VAC 60 HZ (2)	029401	029404	029407	029410	029413	029416	
287/575 VAC 60 Hz (3)	029402	029405	029408	029411	029414	029417	

NOTES:

* All torque ratings and voltages not listed here are available as standard non-stock units. Please contact DODGE Customer Service for part numbers, pricing & availability.

● Coil will operate at the following voltages:

- (1) 115/208-230 VAC 50 or 60 Hz, 133/265 VAC 60 Hz, 110-125 VDC
- (2) 208-230/460 VAC 50 or 60 HZ, 240/480 VAC 60 Hz, 220/440 VAC 50 Hz, 230 VDC
- (3) 287/575 VAC 60 Hz, 275/550 VAC 60 HZ, 300/600 VAC 60 Hz

Dimensions

E-Z KLEEN Double C-Face Coupler

Unit Size	Inertia Friction Disc & Hub (Lb-In ²)	Input Bore & Output Shaft Dia.	Output Keyway & Input Key	A Max	A1 Nom	AK Pilot Dia.	AL Pilot Dia.	AH	AJ	B Dia Max.	B1 Radius Max	C Mounting Bolts	G	L	Shipping Weight (Lbs)
56DBES-3	1.73	5/8"	3/16 x 3/32	3.97	3.36	4.5	4.5	2.12	5.88	6.63	3.46	3/8-16 UNC-2A (4) Equally Spaced on 5.875" Dia. Bolt Circle	2.57	0.13	14.4
56DBES-6															
56DBES-10															
56DBES-15															
56DBES-20															
56DBES-25															
140DBES-3	1.74	7/8"	3/16 x 3/32	3.97	3.36	4.5	4.5	2.12	5.88	6.63	3.46	3/8-16 UNC-2A (4) Equally Spaced on 5.875" Dia. Bolt Circle	2.57	0.13	14.5
140DBES-6															
140DBES-10															
140DBES-15															
140DBES-20															
140DBES-25															

FEATURES/BENEFITS PAGE PT-2	SPECIFICATION/HOW TO ORDER PAGE PT-3	MODIFICATION/ACCESSORIES PAGE PT-10	ENGINEERING/TECHNICAL PAGE PT-38
--------------------------------	---	--	-------------------------------------



Motor Brakes

Fast Response Kits

In positioning applications, use of a fast response kit allows you to obtain stop times equivalent to AC voltage brakes while continuing to get all of the benefits associated with DC voltage brakes:

- Low power draw = less energy consumption
- Constant current creates smooth operation
- Lower coil temperature during cycling applications
- Quieter operation

The kit has two wiring configurations:

- Wired to brake and motor
- Wired to brake and isolated AC line

Part Number

Description	Part Number
Fast Response Kit 115/230V	031386
Fast Response Kit 230/460V	031389
FRK w/ Conduit Cover 115/230V	031424
FRK w/ Conduit Cover 230/460V	031425
Fast Response Kit 190/380V	032552
Fast Response Kit 287/575V	032525
Fast Response Kit 575V	032531

Replacement Rectifier Kit

DODGE D-Series Motor Brakes come with an internal rectifier allowing operation on either AC or DC voltage. A “one size fits all” replacement rectifier is available, in the event a new rectifier is needed. The kit wires external to the brake housing.

Part Number

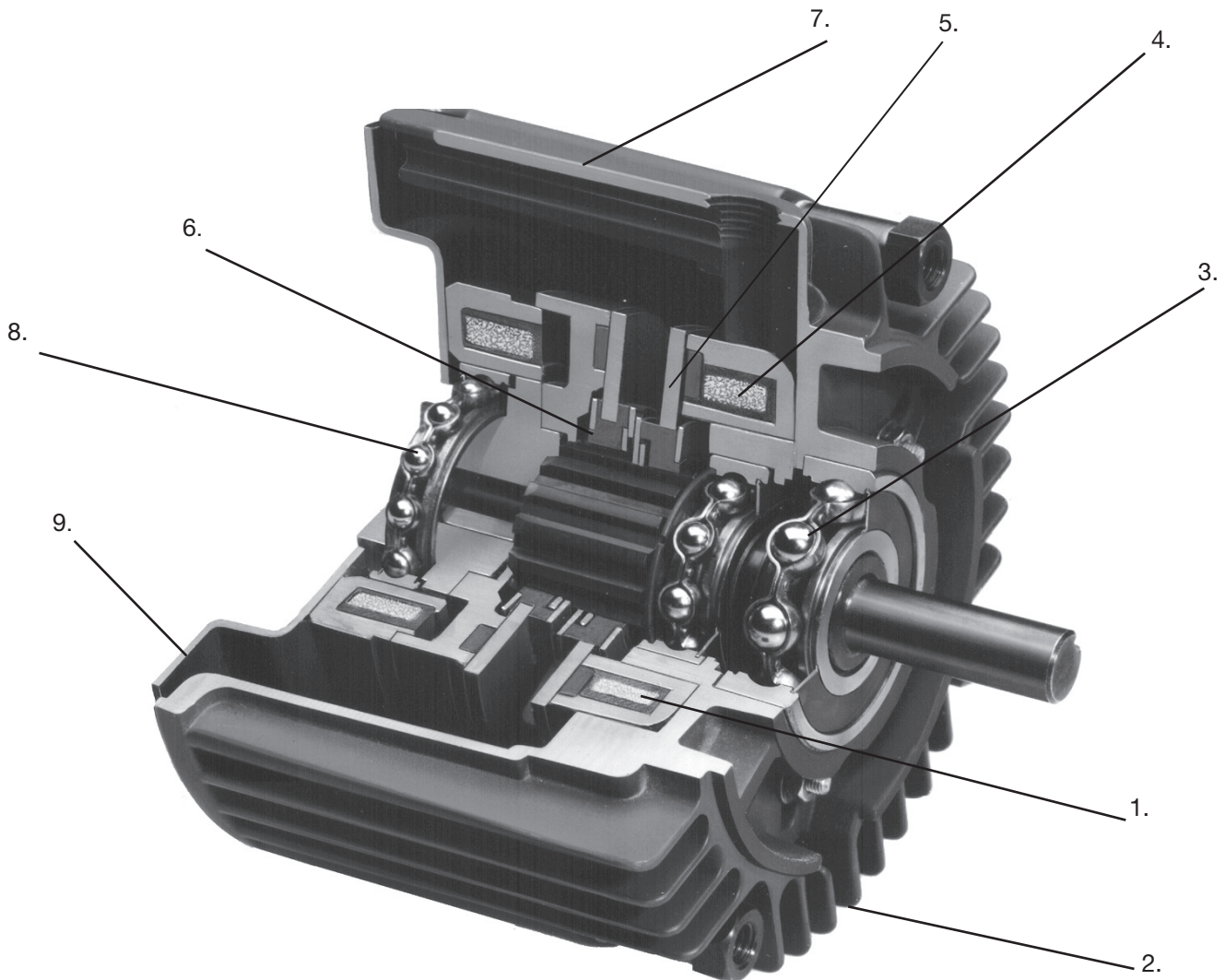
Description	Part Number
DBSC/DBSS Replacement Rectifier	024018



FEATURES/BENEFITS

Clutch/Brakes Modules

1. Conforms to UL and C-UL requirements.
2. One-piece, die-cast housing simplifies mounting. Housing is finned for maximum heat dissipation.
3. Pre-lubricated and sealed ball bearings have higher B10 life rating than competitive modules.
4. High torque, non-asbestos friction material assures long life and environmental safety.
5. Armatures incorporate a high impact, high temp molded spline for heavy torque and high cycle capabilities. (Patent # 4,760,898)
6. DYNA-GAP automatic air gap mechanism automatically compensates for friction surface wear.
7. Modules are factory assembled, adjusted and burnished for easy installation and out-of-the-box operation.
8. Rotor incorporates ball bearing and Driv-Lok key for foolproof installation.
9. Standard NEMA C-face and Base Mounted, Shaft-in/ Shaft-out mounting configurations.



SPECIFICATION/HOW TO ORDER/NOMENCLATURE



CLUTCH/BRAKE MODULES

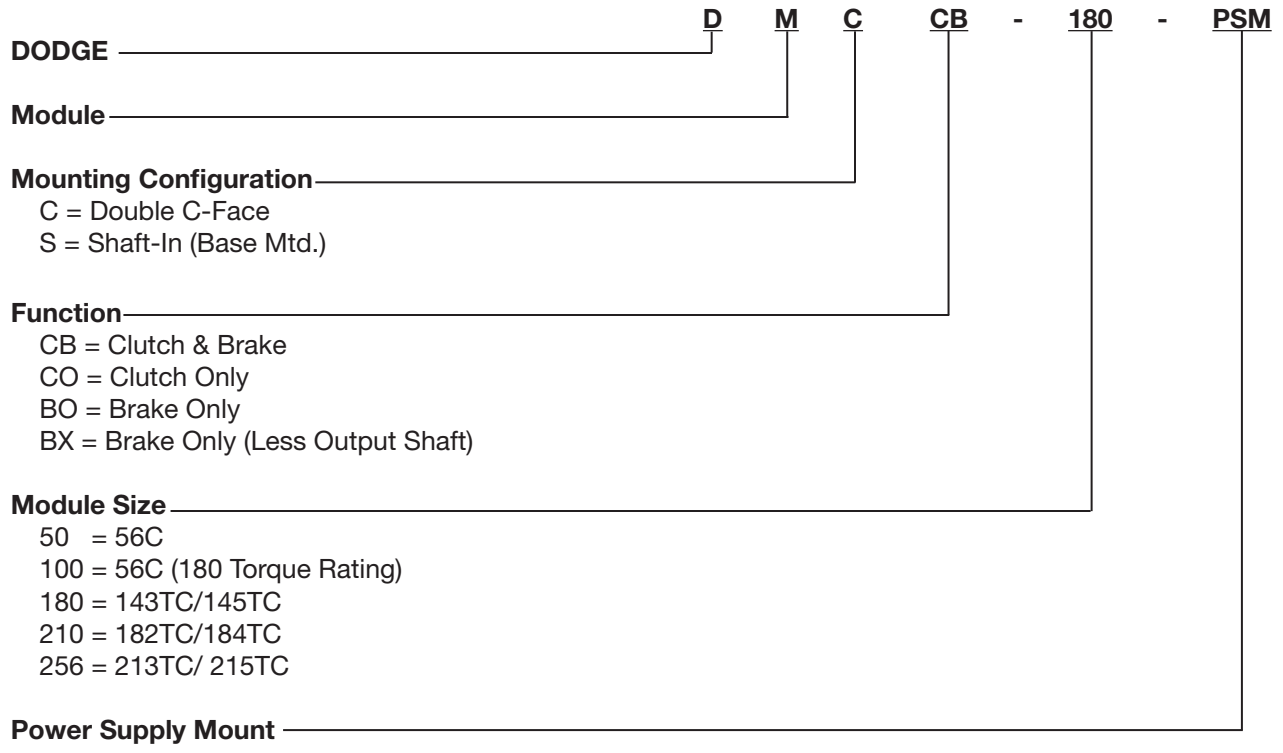
SPECIFICATION

Clutch/Brake Modules mount directly to NEMA C-face motors and reducers or can be used with separate base mount frames. These modules are completely factory assembled, tested, and pre-burnished for easy installation and long maintenance free operation. The units are designed with large ball-bearings to provide greater over-hung load capacity and longer life. They use larger armatures for high torque transmission.

HOW TO ORDER

Clutch/Brake Modules are ordered by specifying the type of unit, size and voltage. Part numbers are found on the selection pages for each type of unit. Refer to the part number when ordering.

NOMENCLATURE



FEATURES/BENEFITS PAGE PT2-11	SPECIFICATION/HOW TO ORDER PAGE PT2-12	SELECTION/DIMENSIONS PAGE PT2-13	ENGINEERING/TECHNICAL PAGE PT2-38
----------------------------------	---	-------------------------------------	--------------------------------------



Clutch/Brake Modules SELECTION

DMC Selection by NEMA Frame Size

Frame Size	Module Size
56C	DMC-50, 100 ♦
143TC/145TC	DMC-180
182TC/184TC	DMC-210
213TC/215TC	DMC-256

♦ DMC 100 module has rating of 180 module with 56C (5/8") shafts

Selection Procedure

- (1) Determine the frame size, horsepower and speed at the module location (motor speed for DMC Series).
- (2) Choose proper module size based on motor frame size for DMC Series or motor HP and operating speed for DMS Series.
- (3) Check to ensure the max allowable cycles per minute rating is not exceeded by consulting charts in the engineering/technical section. Consult DODGE Engineering when allowable cycle rate is exceeded.

DMS Series Selection

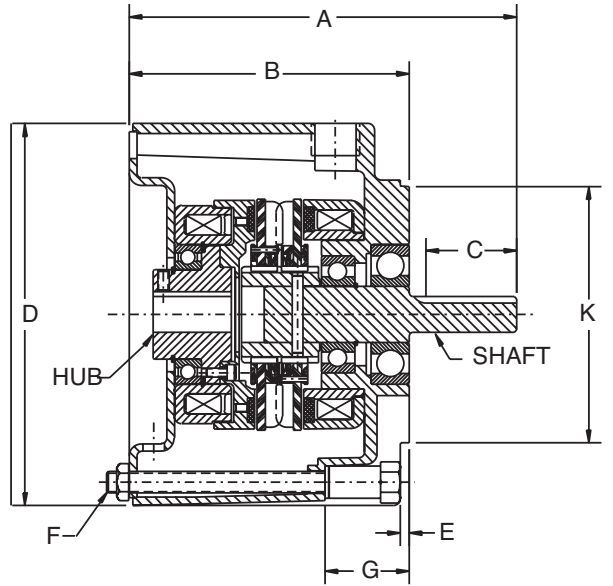
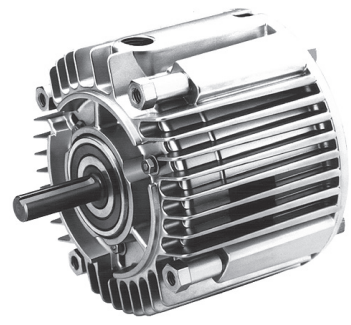
HP	Shaft Speed at Module (RPM)																		
	100	200	300	400	500	600	700	800	900	1000	1100	1200	1500	1800	2000	2400	3000	3600	
1/4	210	180	180	180	50	50	50	50	50	50	50	50	50	50	50	50	50	50	50
1/2	210	210	180	180	180	180	180	180	50	50	50	50	50	50	50	50	50	50	50
3/4		210	210	210	180	180	180	180	180	180	180	50	50	50	50	50	50	50	50
1		210	210	210	210	210	180	180	180	180	180	180	180	50	50	50	50	50	50
1-1/2			210	210	210	210	210	210	210	210	180	180	180	180	180	180	180	180	180
2				210	210	210	210	210	210	210	210	210	210	180	180	180	180	180	180
3					210	210	210	210	210	210	210	210	210	210	210	210	180	180	180
5									256	256	256	210	210	210	210	210	210	210	210
7-1/2													256	210	210	210	210	210	210
10														256	256	256	256	256	256
15																	256	256	256

NOTE: 256 modules may be selected as an alternate to the 210 size. Check shaft diameter for proper drive components

SELECTION/DIMENSIONS



Clutch/Brake Modules



**Clutch/Brake Module
(Clutch Only - Same Dimensions)**

DMCCB & DMCCO

DMCCB modules are ideal for rapid cycling applications. They can be mounted directly between a C-face motor and reducer. Five standard sizes are available in 90, 24 or 6 VDC input voltage. The brake is power on. The DMCCO mounts and operates in a manner similar to DMCCB, but as a clutch only. The clutch ratings and external dimensions of both units are the same and are completely factory preassembled, adjusted, burnished and dynamically tested.

Part Numbers		Static Torque (Lb. - Ft.)	Coil Voltage		
			90 VDC	24 VDC	6 VDC
C-Face Clutch & Brake	DMCCB-50	22	028765	028763	028761
	DMCCB-100	34	028770	028768	028766
	DMCCB-180	34	028775	028773	028771
	DMCCB-210	100	028780	028778	028776
	DMCCB-256	100	028785	028783	028781
C-Face Clutch Only	DMCCO-50	22	028855	028853	028851
	DMCCO-100	34	028860	028858	028856
	DMCCO-180	34	028865	028863	028861
	DMCCO-210	100	028870	028868	028866
	DMCCO-256	100	028875	028873	028871

Size	Static Torque (Lb.-Ft.)	C-Face Frame	Input Hub Dia	Output Shaft Dia	Keyway	A Max	B	C	D Max	E Max	F	G*	K
50	22	56C	5/8	5/8	3/16 x 3/32	6.75	4.84	1.59	6.75	.16	4 Equally Spaced 3/8-16 UNC on 5.875" Dia. B.C.	1.30	4.50
100	34	56C	5/8	5/8	3/16 x 3/32	6.75	4.84	1.59	6.75	.16		1.30	4.50
180	34	143TC and 145TC	7/8	7/8	3/16 x 3/32	6.75	4.84	1.59	6.75	.16	4 Equally Spaced 1/2-13 UNC on 7.25" Dia. B.C.	1.30	4.50
210	100	182TC and 184TC	1-1/8	1-1/8	1/4 x 1/8	8.83	6.20	2.00	9.05	.27		1.57	8.50
256	100	213TC and 215TC	1-3/8	1-3/8	5/16 x 5/32	9.32	6.20	2.50	9.05	.27	1.57	8.50	

* G Dimension = Electrical Connection

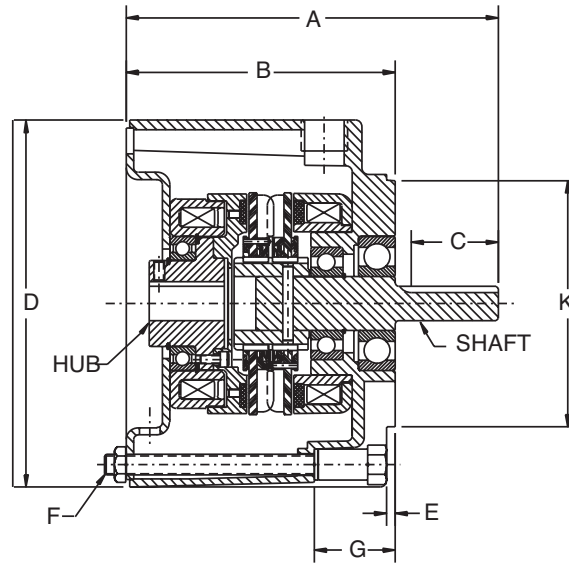
FEATURES/BENEFITS PAGE PT2-11	SPECIFICATION/HOW TO ORDER PAGE PT2-12	SELECTION/DIMENSIONS PAGE PT2-13	ENGINEERING/TECHNICAL PAGE PT2-38
----------------------------------	---	-------------------------------------	--------------------------------------



Clutch/Brake Modules



DMCCB-PSM
Power Supply Mounted †
Clutch Brake Motor



Part Number		Static Torque (Lb-Ft)	Coil Voltage	
			90 VDC	
C-Face	DMCCB-50-PSM	22	028977	
Clutch &	DMCCB-180-PSM	34	028979	
Brake	DMCCB-210-PSM	100	028981	

Size	Static Torque (Lb.-Ft.)	C-Face Frame	Input Hub Dia	Output Shaft Dia	Keyway	A Max	B	C	D Max	E Max	F	G*	K
50	22	56C	5/8	5/8	3/16 x 3/32	6.75	4.84	1.59	6.75	.16	4 Equally Spaced 3/8-16 UNC on 5.875" Dia. B.C.	1.30	4.50
180	34	143TC and 145TC	7/8	7/8	3/16 x 3/32	6.75	4.84	1.59	6.75	.16		1.30	4.50
210	100	182TC and 184TC	1-1/8	1-1/8	1/4 x 1/8	8.83	6.20	2.00	9.05	.27	4 Equally Spaced 1/2-13 UNC on 7.25" Dia. B.C.	1.570	8.50

* G Dimension = Electrical Connection

† **NOTE:** Unit includes two model 50 power supplies (120 VAC input) part number **032408**

FEATURES/BENEFITS PAGE PT2-11	SPECIFICATION/HOW TO ORDER PAGE PT2-12	SELECTION/DIMENSIONS PAGE PT2-13	ENGINEERING/TECHNICAL PAGE PT2-38
----------------------------------	---	-------------------------------------	--------------------------------------



SELECTION/DIMENSIONS

Clutch/Brake Modules

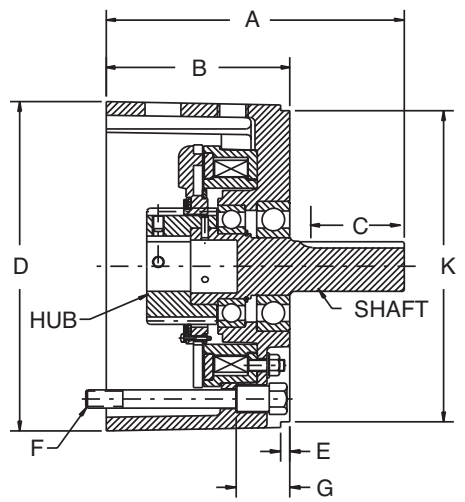


DMCBO



DMCBX

The DMCBO mounts and operates in a manner similar to DMCCB, but as a power-on brake only. Brake ratings are the same as the DMCCB. Dimensionally, the DMCBO is shorter axially from C-face to output shaft. The DMCBX power-on brake is designed to be mounted on a double shafted C-face motor. It is shorter axially than comparable power-off brakes and provides the advantages of C-face mounting in space restricted applications. Sizes and ratings are the same as the DMCBO brakes.



**Brake Only Module
(Style without Shaft Not Shown)**

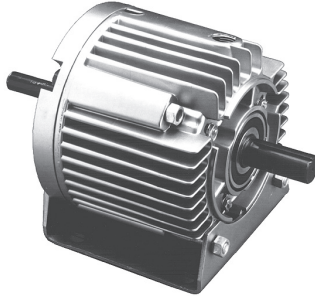
Part Numbers		Static Torque (Lb.-Ft.)	Coil Voltage		
			90 VDC	24 VDC	6 VDC
C-Face Brake Only	DMCBO-50	22	028120	028123	028121
	DMCBO-100	34	028920	028923	028921
	DMCBO-180	34	028220	028223	028221
	DMCBO-210	100	028320	028323	028321
	DMCBO-256	100	028820	028823	028821
C-Face Brake Only (No Shaft)	DMCBX-50	22	028125	028128	028126
	DMCBX-180	34	028225	028228	028226
	DMCBX-210	100	028325	028328	028326
	DMCBX-256	100	028825	028828	028826

Size	Static Torque (Lb.-Ft.)	C-Face Frame Size	Hub Dia.	Output Shaft Dia.	Keyway	A Max	B	C	D Max	E Max	F	G*	K	
DMCBO-50	22	56C	5/8	5/8	3/16x3/32	5.18	3.28	1.59	6.75	.16	4 Equally Spaced 3/8-16 UNC on 5.875" Dia. B.C.	1.30	4.50	
DMCBX-50	22	56C	5/8	-	3/16x3/32	3.30	3.28	-	6.75	.16		1.30	4.50	
DMCBO-100	34	56C	5/8	5/8	3/16x3/32	5.18	3.28	1.59	6.75	.16	4 Equally Spaced 3/8-16 UNC on 5.875" Dia. B.C.	1.30	4.50	
DMCBO-180		143TC and 145TC	7/8	7/8	3/16x3/32	5.18		1.59						
DMCBX-180	-	-	-	-	3.30	-								
DMCBO-210	100	182TC and 184TC	1-1/8	1-1/8	1/4x1/8	7.65	5.02	2.00	9.00	.27		4 Equally Spaced 1/2-13UNC on 7.25" Dia. B.C.	1.57	8.50
DMCBX-210		-		-		5.17		-						
DMCBO-256	100	213TC and 215TC	1-3/8	1-3/8	3/16x5/32	8.04	5.02	2.50	9.00	.27	4 Equally Spaced 1/2-13UNC on 7.25" Dia. B.C.		1.57	8.50
DMCBX-256		-		-		4.92		-						

* G Dimension = Electrical Connection

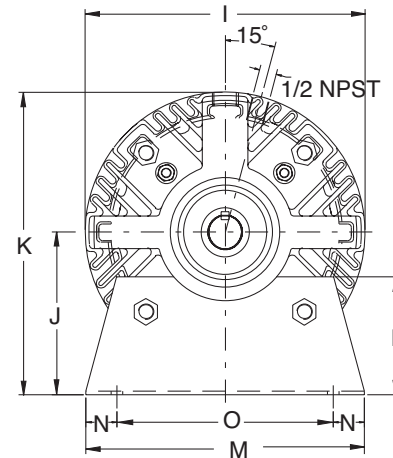
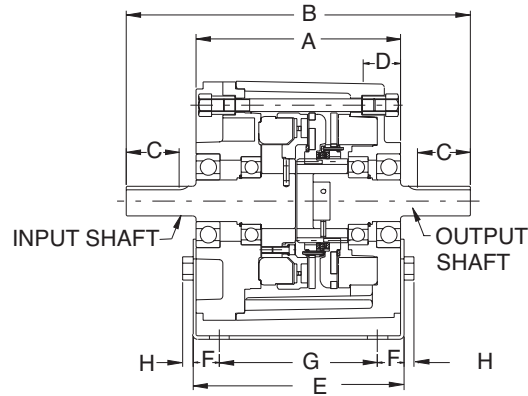


Clutch/Brake Modules



DMSCB & DMSCO

The DMSCB clutch/brake module is rated identically to the C-face version, but is mounted on a base with standard shaft input and output. It can be direct coupled or linked by belt drive to motor and driven equipment. The DMSCO mounts and operates in a manner similar to the DMSCB, but as a clutch only. Clutch ratings and dimensions of both units are identical.



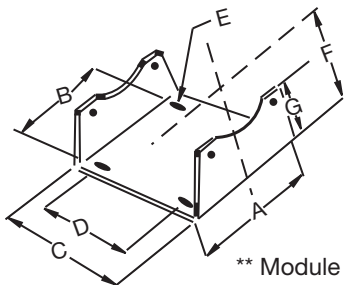
Part Numbers		Static Torque (Lb.-Ft.)	Coil Voltage		
			90 VDC	24 VDC	6 VDC
Base Mount	DMSCB-50	22	028130	028133	028131
Clutch & Brake	DMSCB-180	34	028230	028233	028231
	DMSCB-210	100	028330	028333	028331
Base Mount	DMSCO-50	22	028140	028143	028141
Clutch Only	DMSCO-180	34	028240	028243	028241
	DMSCO-210	100	028340	028343	028341

Size	Static Torque (Lb.-Ft.)	Shaft Dia.	Keyway	A	B	C Min	D*	E	F	G	H	I Max	J	K	L	M	N	O
50	22	5/8	3/16 x 3/32	5.72	9.49	1.59	1.30	5.70	0.85	4	0.34	6.75	3.50	6.87	2.00	6	0.50	5.00
180	34	7/8			9.49	1.59							4.50	7.87	3.00			
210	100	1-1/8	1/4 x 1/8	7.71	12.97	2.00	1.57	8.20	1.09	6	0.44	9.05	5.25	9.78	3.37	9	0.62	7.75

* D Dimension - Electrical Connection

DMS Series Module Bases

Style	Size	Base Part Number
Module Base	DM-50-B	028180
	DM-180-B	028280
	DM-210-B	028380



** Module base sold separately

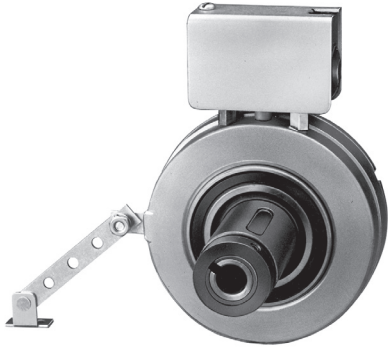
Size	A	B	C	D Nom	E (Slot)	F	G
DM-50-B	6.00	5.00	5.70	4.00	.75 x.40	3.50	2.00
DM-180-B	6.00	5.00	5.70	4.00	.75 x.40	4.50	3.00
DM-210-B	9.00	7.75	8.20	6.00	.75 x.53	5.25	3.80

FEATURES/BENEFITS PAGE PT2-11	SPECIFICATION/HOW TO ORDER PAGE PT2-12	SELECTION/DIMENSIONS PAGE PT2-13	ENGINEERING/TECHNICAL PAGE PT2-38
----------------------------------	---	-------------------------------------	--------------------------------------



Shaft Mounted Clutches & Brakes

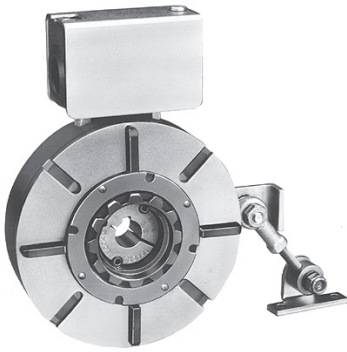
IEC SERIES - Shaft Mounted Clutches



DODGE IEC Electric Clutches are engineered to mount on standard motor shafts or thru shafts. These clutches are designed to accept standard sheaves, sprockets & gears. The product features include:

- **Mounting Flexibility**-Offered in bore sizes from 1/2" to 1-3/8"
- **Torque Range**-Rating from 22 lb-ft. to 175 lb-ft. handling from 1/50 to 7-1/2 HP @ 1800 RPM. Units are pre-burnished at the factory.
- **Easy Installation**-Sheaves, sprockets, gears or other standard power transmission components mount directly to the clutch hub.
- **Conduit Box** meets Industry Standards-C-UL-UL.
- **Long Life**-Minimal Maintenance-Integral splined armature and fan designed for maximum cooling.
- **DYNA-GAP**-Automatic Wear Compensation.
- **Maintenance**- Friction surfaces easily replaced.

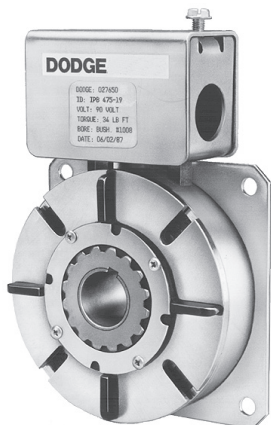
IEB SERIES - Shaft Mounted Power-On Brakes



DODGE IEB Electric Brakes are engineered to mount on standard motor shafts or thru shafts.

- **Mounting Flexibility**-Offered in bore sizes from 1/2" to 1-11/16"
- **Torque Range**-Rating from 22 lb-ft. to 175 lb-ft. handling from 3/4 to 20 HP @1800 RPM. Units are pre-assembled at the factory.
- **Conduit Box** meets Industry Standards-C-UL-UL.
- **Long Life**-Minimal Maintenance-Integral splined armature and fan designed for maximum cooling.
- **DYNA-GAP**-Automatic Wear Compensation

IPB SERIES - Flange Mounted Brakes



DODGE IPB Electric Brakes are equipped with flange for ease of mounting to any suitable mounting surface.

- **Mounting Flexibility**-Offered in bore sizes from 1/2" to 1-3/8"
- **Torque Range**-Rating from 22 lb-ft. to 100 lb-ft. handling from 3/4 HP to 10 HP@ 1800 RPM.
- **Conduit Box** meets Industry Standards-CUL-UL.
- **Long Life**-Minimal maintenance-Integral splined armature and fan designed for maximum cooling.
- **DYNA-GAP**-Automatic wear compensation.



Shaft Mounted Clutches & Brakes

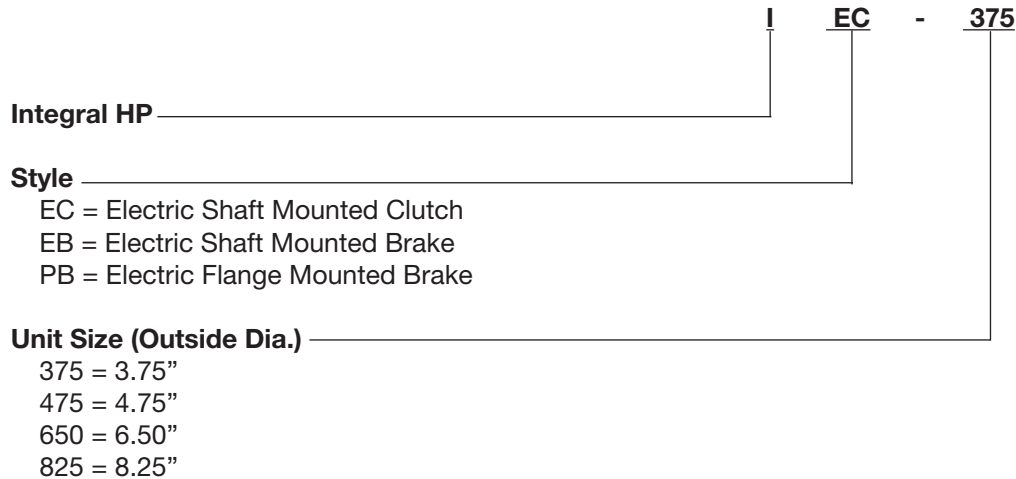
SPECIFICATION

The Shaft Mounted Series of Clutches and Brakes are factory assembled, tested, and pre-burnished. They are engineered and ready to mount on standard motor shafts or thru shafts. The IPB brake is flange mounted on a bulkhead, suitable frame, or on the motor. They are long life and minimal maintenance with an integral splined armature with fan designed for maximum cooling.

HOW TO ORDER

Shaft Mounted Clutches & Brakes are ordered by specifying the unit size, bore size (or bushing size if Taper-Lock), and voltage. Part numbers are found on the selection pages for each type of unit. Refer to the part number when ordering.

NOMENCLATURE





SELECTION/DIMENSIONS

Shaft Mounted Clutches & Brakes

1. Determine the horsepower and the speed at the clutch or brake.
2. Choose proper size based on motor HP and operating speed.
3. Check to ensure the maximum allowable cycles per minute rating is not exceeded by consulting the charts in the Engineering/Technical section.

IEC Series/RPM

HP	100	200	300	400	500	600	700	800	900	1000	1100	1200	1500	1800	2000	2400	3000	3600	4000	4500	5000	
1/50																						
1/20																						
1/12										IEC-375												
1/8																						
1/6																						
1/4																						
1/2																						
3/4										IEC-475												
1																						
1-1/2																						
2										IEC-650												
3																						
5										IEC-825												
7-1/2																						

IEB and IPB* Series/RPM

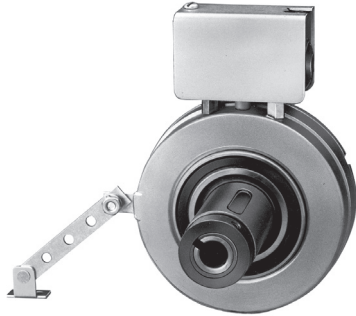
HP	100	200	300	400	500	600	700	800	900	1000	1100	1200	1500	1800	2000	2400	3000	3600	4000	4500	5000	
1/12																						
1/8																						
1/6																						
1/4										IEB-375/IPB-375												
1/3																						
1/2																						
3/4																						
1																						
1-1/2										IEB-475/IPB-475												
2																						
3										IEB-650/IPB-650												
5																						
7-1/2										IEB-825*												
10																						
15																						
20																						
25																						
30																						
40																						

* IPB selection through size 650



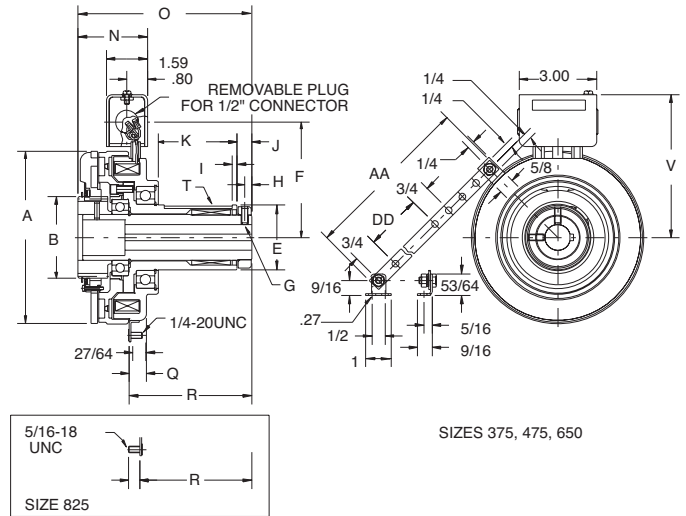
SELECTION/DIMENSIONS

Shaft Mounted Clutches & Brakes



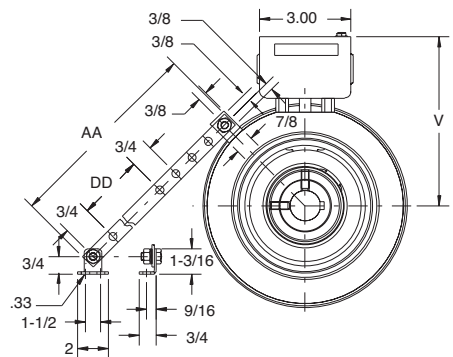
IEC SERIES

IEC Series Shaft Mounted Clutches are factory assembled, tested, preburnished and ready to mount on standard motor shafts. Sheaves, sprockets, gears or other power transmission components can be mounted directly on the clutch hub extension with standard DODGE TAPER-LOCK® bushings.



Part Numbers

Unit Size	Voltage	Bore Size							
		1/2"	5/8"	3/4"	7/8"	1	1- 1/8"	1- 1/4"	1 -3/8"
IEC-375	90 VDC	027500	027501						
	24 VDC	027506	027507						
	6 VDC	027502	027503						
IEC-475	90 VDC		027600	027601	027602				
	24 VDC		027609	027610	027611				
	6 VDC		027603	027604	027605				
IEC-650	90 VDC					027700	027701	027702	027703
	24 VDC					027712	027713	027714	027715
	6 VDC					027704	027705	027706	027707
IEC-825	90 VDC					027806	027800	027801	027802
	24 VDC					027812	027813	027814	027815
	6 VDC					027807	027803	027804	027805



IEC Series Dimensions

Size	Bore ±.001	Keyway	Static Torque Lb-Ft	A Max	B Max	E Dia	F	G Set Screw	H	I	J	K	N Max	O Max	Q	R	T Keyway	V Max	W	AA	DD
IEC-375	1/2	1/8 x 1/16	22	4.08	1.70	1.375	3.20	#10-24	.18	.22	.35	2.10	2	4.65	.60	3	5/16x3/16*	4.23	2.44	5	1.50
	5/8	3/16 x 1/16*				1.3735															
IEC-475	5/8	3/16 x 3/32	34	5.17	2.20	1.625	3.78	1/4-20	.28	.20	.58	2.39	2.10	5.30	.60	3.53	3/8x1/16*	4.98	2.98	5	1.50
	3/4	3/16 x 3/32				1.6235															
IEC-650	1	1/4 x 1/8	100	6.68	3.17	2.500	4.47	1/4-20	.27	.19	.56	3.08	2.69	6.72	.52	4.61	5/8x3/32*	5.66	3.73	10♦	6.50
	1-1/8	1/4 x 1/8				2.4985															
	1-1/4	1/4 x 1/8																			
	1-3/8	5/6 x 3/32*																			
IEC-825	1	1/4 x 1/8	175	8.43	3.17	2.500	5.35	1/4-20	.27	.19	.56	3.08	2.81	7.01	-	4.19	5/8x3/32*	6.54	5.06	17♦	2.88
	1-1/8	1/4 x 1/8				2.4985															
	1-1/4	1/4 x 1/8																			
	1-3/8	5/16x3/32*																			

♦ Tab location on IEC-650 45° counterclockwise from top; tab location on IC-825 45° clockwise from top

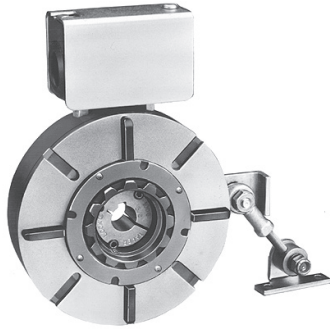
* Non-standard keyway - keys furnished with clutch

FEATURES/BENEFITS PAGE PT2-18	SPECIFICATION/HOW TO ORDER PAGE PT2-19	SELECTION/DIMENSIONS PAGE PT2-20	ENGINEERING/TECHNICAL PAGE PT2-38
----------------------------------	---	-------------------------------------	--------------------------------------



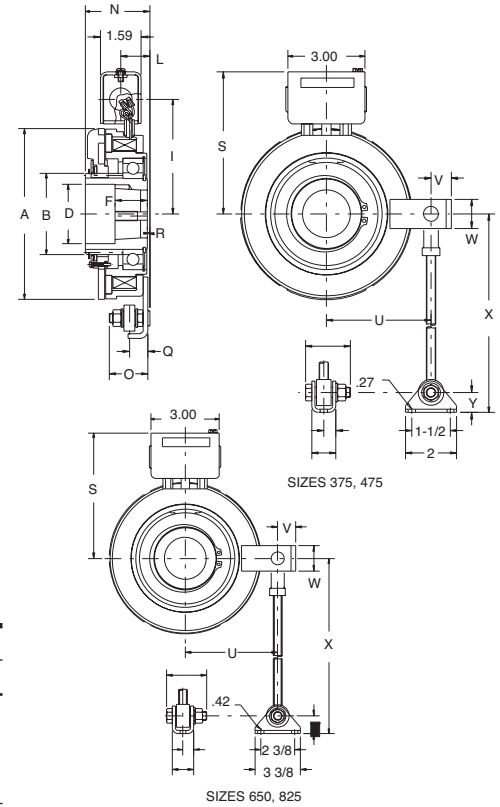
SELECTION/DIMENSIONS

Shaft Mounted Clutches & Brakes



IEB SERIES

IEB Series Shaft Mounted Power-On Brakes offer a wide selection of bore sizes with the use of the DODGE TAPER-LOCK bushings. The anti-rotation torque arm can be mounted in any location around the shaft for further application flexibility.



Part Numbers

Unit Size	Voltage	Bore Size		
		1/2"	5/8"	TAPER-LOCK
IEB-375	90 VDC	027550	027551	
IEB-375	24 VDC	027556	027557	
IEB-375	6 VDC	027552	027553	
IEB-475	90 VDC			027650 TAPER-LOCK
IEB-475	24 VDC			027653 #1008
IEB-475	6 VDC			027651 1" Max.
IEB-650	90 VDC			027750 TAPER-LOCK
IEB-650	24 VDC			027753 #1310
IEB-650	6 VDC			027751 1-7/16" Max.
IEB-825	90 VDC			027850 TAPER-LOCK
IEB-825	24 VDC			#1615
IEB-825	6 VDC			027851 1-11/16" Max.

* TL Bushing sold separately

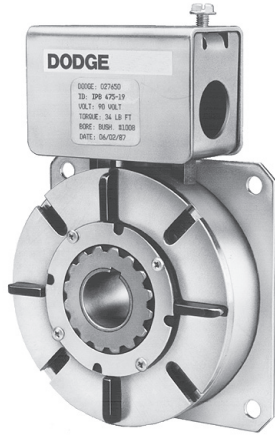
Size	Bore	Keyway	Static Torque Lb-Ft.	A Max.	B	D	F	I	L	N Max.	O	Q	R Max.	S	U	V	W	X Max.	Y
IEB-375	1/2 5/8	1/8 x 1/16 3/16 x 3/32	22	4.08	1.70	.98	1.66	3.34	.90	2.25	1.00	.33	.15	4.45	2.52	.66	1.00	8	.69
IEB-475		TAPER-LOCK Bushing #1008 1" Max.	34	5.17	2.20	1.45	1.00	3.88	.75	1.88	1.00	.33	.15	4.98	3.05	.78	1.00	10	.69
IEB-650		TAPER-LOCK Bushing #1310 1-7/16" Max.	100	6.65	3.17	2.30	1.27	4.55	1.13	2.51	1.31	.80	.09	5.74	4.06	.78	1.13	11.78	.78
IEB-825		TAPER-LOCK Bushing #1615 1-11/16" Max.	175	8.39	3.17	2.25	1.63	5.42	1.18	2.72	1.31	.80	-	6.61	4.81	.84	1.13	11.78	.78

FEATURES/BENEFITS PAGE PT2-18	SPECIFICATION/HOW TO ORDER PAGE PT2-19	SELECTION/DIMENSIONS PAGE PT2-20	ENGINEERING/TECHNICAL PAGE PT2-38
----------------------------------	---	-------------------------------------	--------------------------------------



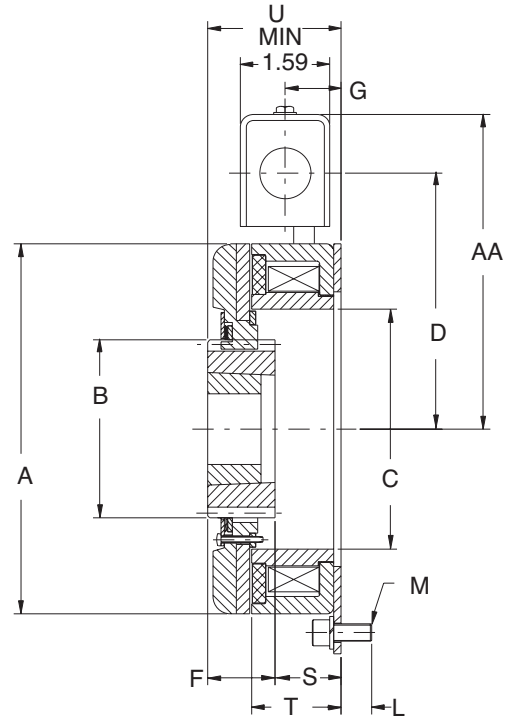
SELECTION/DIMENSIONS

Shaft Mounted Clutches & Brakes



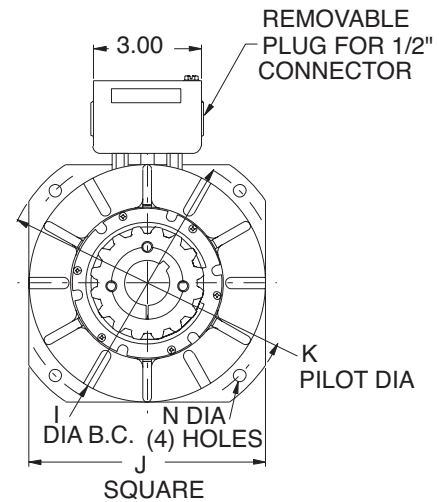
IPB SERIES

IPB Series Flange Mounted Power-On Brakes operate similar to the FB Series brake. The brake magnet/flange can be mounted to any suitable mounting surface. Armature mounts to load shaft using DODGE TAPER-LOCK bushings.



Unit	Voltage Size	Bore Size				TAPER-LOCK
		1/2"	5/8"	3/4"	7/8"	
IPB-375	90 VDC	029900	029901	029902	029903	
	24 VDC	029918	029919	029920	029921	
	6 VDC	029909	029910	029911	029912	
IPB-475	90 VDC					029904 TAPER-LOCK
	24 VDC					029922 #1008
	6 VDC					029913 1" Max.
IPB-650	90 VDC					029905 TAPER-LOCK
	24 VDC					029923 #1610
	6 VDC					029914 1-11/16" Max.

* TL Bushing sold separately



Size	Bore	Keyway	Static Torque (Lb.-Ft.)	A Max	B	C	D	F	G	I	J Sq.	K	S	T	U Min.	M	L Max.	AA*	N	P
IPB-375	1/2	1/8x1/16	22	4.08	1.70	2.62	3.34	1.66	.78	5.00	4.25	5.625	1.04	1.15	2.36	4.45	.61	1/4-20 UNC	.280	4.00
	5/8	3/16x3/32																		
	3/4	3/16 x 3/32																		
	7/8	3/16 x 3/32																		
IPB-475	Bushing 1008-1 1" Max.		34	5.17	2.20	3.15	3.88	1.00	.88	5.88	5.00	6.500	.97	1.31	2.23	4.98	.52	3/8-16 UNC	0.389	4.00
	6.498	0.409																		
IPB-650	Bushing 1610 1-3/8" Max.		100	6.65	3.17	4.27	4.55	1.20	.99	7.25	6.50	8.000	1.17	1.59	2.37	5.74	.55	5/16-18 UNC	0.338	4.00
	7.998	0.358																		

* Screw not included

FEATURES/BENEFITS PAGE PT2-18	SPECIFICATION/HOW TO ORDER PAGE PT2-19	SELECTION/DIMENSIONS PAGE PT2-20	ENGINEERING/TECHNICAL PAGE PT2-38
----------------------------------	---	-------------------------------------	--------------------------------------



FEATURES/BENEFITS

Fractional HP Clutches & Brakes

PT Component
Quick References

Couplings

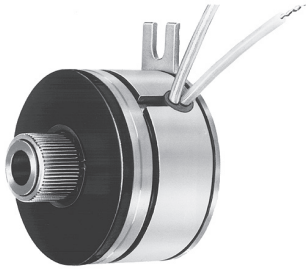
Clutches and Brakes

FLEXIDYNE

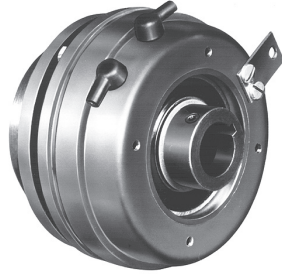
Fluid Couplings

TORQUE-TAMER

Bushings



SL SERIES



BSL SERIES

SL & BSL SERIES ELECTRIC CLUTCHES

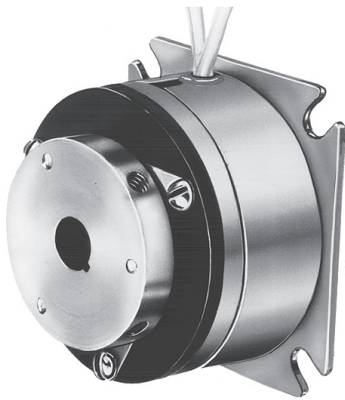
- Bearing Mounted
- Couples 2 Parallel Shafts
- Sl Has 9 Sizes For Shaft Diameters 3/16-3/4"
- Bsl Has 2 Sizes For Shaft Diameters 1/2-1"
- Protective Zinc Chromate Plating



SO SERIES

SO SERIES ELECTRIC CLUTCH-COUPPLINGS

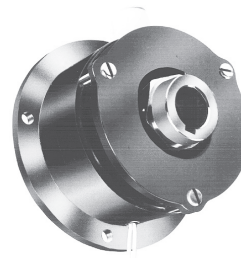
- Couples In-Line Shafts
- Zinc Chromate Plating For Corrosion Resistance
- 9 Sizes For Shaft Diameters 3/16-1"



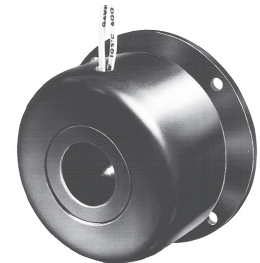
FB SERIES

FB SERIES POWER ON BRAKES

- Power-On Brake, Engages When Voltage Is Applied, Releases When Voltage Is Turned Off
- 9 Sizes For Shaft Diameters 3/16-1"



FSB SERIES



FSBR SERIES

FSB AND FSBR SERIES POWER OFF BRAKES

FSB

- Flange Mounted
- Engages When Voltage Is Removed
- 7 Sizes For Shaft Diameters 3/16-3/4"
- Non-Asbestos, Non-Lead Friction Material For Long-Life And Quiet Operation

FSBR

- Designed For Applications Requiring Minimal Space
- 5 Sizes For Shaft Diameters 5/16-3/4"
- Non-Asbestos, Non-Lead Friction Material For Long-Life And Quiet Operation



SELECTION

Fractional Hp Clutches & Brakes

Power-On Clutch & Brake Selection

1. Determine the motor horsepower required (or torque required for sizes 08-15) and speed at the clutch location. For optimum performance, the clutch should be mounted on the highest speed shaft.
2. Using the Selection Chart, identify the proper clutch size-where the shaft speed intersects the HP (or torque) required.
3. Where rapid cycling occurs, check the Allowable Cycles Chart below. If the allowable cycle rate is exceeded, consult DODGE Engineering.
4. Specify the voltage and shaft size when ordering.
5. For optimum performance, use a properly sized control.

Allowable Cycles/Minute*

Unit Size	RPM	Inertia (Lb-In ²)				Unit Size	RPM	Inertia (Lb-In ²)			
		5	10	50	100			50	100	500	1000
08	225	300	200	30	12	19	225	200	120	20	8
	900	30	12	2	1		900	9	5	1	-
11	225	-	300	60	30	22	225	250	150	25	10
	900	45	20	3	2		900	12	6	1	-
15	225	-	350	120	60	26	225	300	200	30	12
	900	60	30	6	3		900	20	9	2	1
17	225	-	-	150	100	30	225	350	250	40	20
	900	80	40	7	4		900	25	12	3	1
						42	225	-	300	60	30
							900	30	20	4	2

* Chart intended as a guide. For other speeds and inertias, consult DODGE

For SL, BSL, SO Series

Torque Lb-In★	Shaft Speed At Clutch (Rpm)																				
	100	200	300	400	500	600	700	800	900	1000	1100	1200	1500	1800	2000	2400	3000	3600	4000	5000	
0.50								08													
1.00																					
1.50																					
2.00																					
2.50										11											
3.00																					
3.50																					
4.00																					
4.50																					
5.00										15											
5.50																					
6.00																					
6.50																					
7.00																					

★ Slightly higher torque ratings may be allowable for some speeds. Consult DODGE

SELECTION



PT Component
Quick References

Couplings

Clutches and Brakes

FLEXIDYNE

Fluid Couplings

TORQUE-TAMER

Bushings

HP vs. RPM (Sizes 17 thru 42) - Selection Chart

HP	Shaft Speed At Clutch (RPM)																			
	100	200	300	400	500	600	700	800	900	1000	1100	1200	1500	1800	2000	2400	3000	3600	4000	5000
1/50																				
1/20													17							
1/12																				
1/8												19								
1/6											22									
1/4										26										
1/3																				
1/2											30									
3/4											42									
1																				
1 1/2																				
2																				
3																				
5																				
7-1/2																				
10																				

For FB Series:

Torque Rating vs. RPM (Sizes 08 thru 15)- Selection Chart

Torque Lb-In ★	Shaft Speed At Clutch (RPM)																			
	100	200	300	400	500	600	700	800	900	1000	1100	1200	1500	1800	2000	2400	3000	3600	4000	5000
0.5								08												
1.0																				
1.5																				
2.0																				
2.5										11										
3.0																				
3.5																				
4.0																				
4.5																				
5.0										15										
5.5																				
6.0																				
6.5																				
7.0																				

★ Slightly higher torque ratings may be allowable for some speeds. Consult DODGE.

HP vs. RPM (Sizes 17 thru 42)-Selection Chart

HP	Shaft Speed At Clutch (RPM)																			
	100	200	300	400	500	600	700	800	900	1000	1100	1200	1500	1800	2000	2400	3000	3600	4000	5000
1/50																				
1/20																				
1/12												17								
1/8																				
1/6																				
1/4											19									
1/3																				
1/2											22									
3/4											26									
1																				
1 1/2											30									
2											42									
3																				
5																				
7 1/2																				
10																				



SELECTION

Fractional HP Clutches & Brakes

1. Determine the motor horsepower required and speed at the brake location. For optimum performance, the brake should be mounted on the highest speed shaft.
2. Using the Selection Chart, identify the proper brake size-where the shaft speed intersects the HP required.
3. Where rapid cycling occurs, check the Allowable Cycles Chart below. If the allowable cycle rate is exceeded, consult DODGE Engineering.
4. Specify the voltage and shaft size when ordering.
5. For optimum performance, use a properly sized control.

FSB Allowable Cycles/Minutes*

Unit Size	RPM	Inertia (Lb-In ²)				Unit Size	RPM	Inertia (Lb-In ²)			
		1	5	10	50			10	50	100	500
01	1800	60	12	6	1	35	1800	25	5	2.50	0.50
	3600	15	3	1.50	-		3600	5	1	0.50	-
03	1800	80	16	8	2	50	1800	25	5	2.50	0.50
	3600	20	4	2	-		3600	5	1	0.50	-
07	1800	150	30	15	3	100	1800	50	10	5	1
	3600	40	8	4	3		3600	12	2.50	1.20	-
15	1800	150	30	15	3						
	3600	40	8	4	0.80						

* Chart intended as guide. For other speed and inertias, consult DODGE

For FSB Series:

Torque Rating vs. RPM (Sizes 001 thru 007) - Selection

Torque Lb-In	Shaft Speed At Brake (RPM)																			
	100	200	300	400	500	600	700	800	900	1000	1100	1200	1500	1800	2000	2400	3000	3600	4000	5000
0.50											1									
0.75																				
1.00																				
2.00											3									
2.50																				
2.75																				
3.00																				
5.00																				
6.25											7									
6.50																				
6.75																				
7.00																				

HP vs. RPM (Sizes 17 thru 42) - Selection

HP	Shaft Speed At Brake (RPM)																			
	100	200	300	400	500	600	700	800	900	1000	1100	1200	1500	1800	2000	2400	3000	3600	4000	5000
1/50																				
1/20																				
1/12											15									
1/8																				
1/6																				
1/4																				
1/3											35									
1/2																				
3/4											50									
1																				
1-1/2											100									
2																				
3																				
5																				
7-1/2																				
10																				



SELECTION

Fractional HP Clutches & Brakes

For FSBR Series

HP	Shaft Speed At Brake (RPM)																			
	100	200	300	400	500	600	700	800	900	1000	1100	1200	1500	1800	2000	2400	3000	3600	4000	5000
1/50																				
1/20																				
1/12										7										
1/8																				
1/6										15										
1/4																				
1/3																				
1/2										35										
3/4										50										
1																				
1-1/2										100										
2																				
3																				
5																				
7-1/2																				
10																				

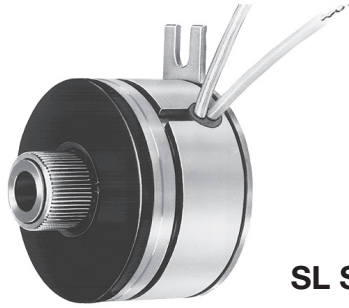
FSBR Allowable Cycles/Minutes ★

Unit Size	RPM	Inertia (Lb.- in.2)			
		5	10	50	100
07	1800	30	15	3	-
	3600	8	4	0.8	-
15	1800	30	15	3	-
	3600	8	4	0.8	-
35	1800	50	25	5	2.5
	3600	10	5	1	0.5
50	1800	50	25	5	2.5
	3600	10	5	1	0.5
100	1800	100	50	10	5
	3600	25	12	2.5	1.2

★ Chart intended as a guide. For other speeds and inertias, consult DODGE.

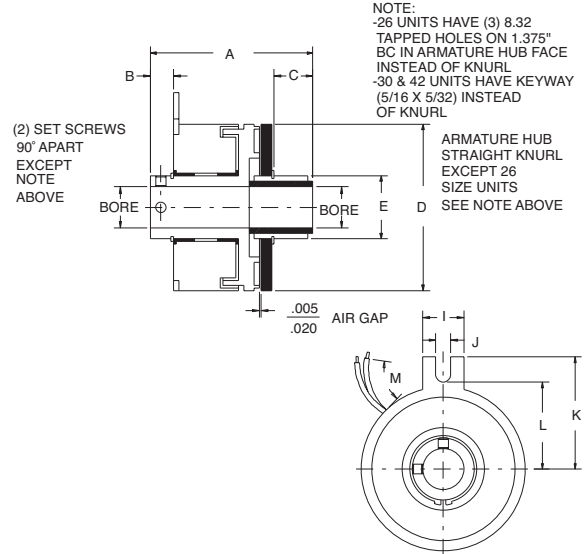


SELECTION/DIMENSIONS



SL Series

The Shaft Mounted SL SERIES clutches are engineered for easy installation. Nine sizes are available for shaft diameters from 3/16" to 3/4". The SL Armature Hub will accept sheaves, sprockets, gears or other typical power transmission drive components. SL Clutches are plated for protection from the environment. The SL units have a zero backlash armature hub assembly.



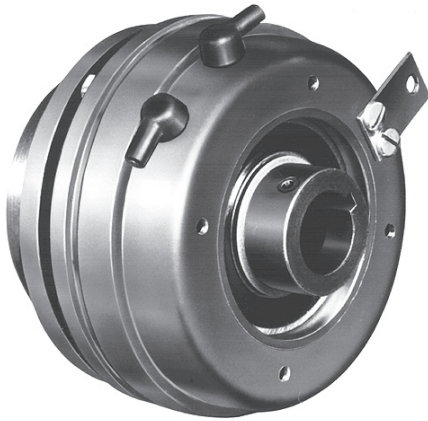
SL Series Dimensions

Size	Part No.	Volts DC	Bore In. ★	Rotor Keyway	Static Torque (Lb.-In.)	A Max	B Nom	C Max	D Max	E ±.002	I Max	J Min	K Nom	L Nom	M ±.500
SL-08	024000	90	3/16	set screws	2.5	1.370	.191	.410	.903	.507	.305	.094	0.625	.445	12.00
	024001		1/4												
	024002	24	3/16												
	024003		1/4												
SL-11	024100	90	1/4	set screws	6	1.409	.147	.396	1.160	.506	.380	.122	0.875	.585	12.00
	024101		5/16												
	024102	24	1/4												
	024103		5/16												
SL-15	024200	90	5/16	set screws	10	1.695	.275	.303	1.500	.630	.520	.180	1.120	.750	12.00
	024201		3/8												
	024202	24	5/16												
	024203		3/8												
SL-17	024300	90	5/16	set screws	15	1.823	.279	.380	1.780	.630	.505	.184	1.325	.975	12.00
	024301		3/8												
	024302	24	5/16												
	024303		3/8												
SL-19	024400	90	3/8	3/32x3/64	25	1.948	.279	.465	2.000	.756	.505	.184	1.325	.975	12.00
	024401		1/2	set screws											
	024402	24	3/8	3/32x3/64											
	024403		1/2	set screws											
SL-22	024500	90	3/8	3/32x3/64	50	2.160	.281	.432	2.260	.756	.442	.170	1.515	1.160	18.00
	024501		1/2	1/8x1/16											
	024502	24	3/8	3/32x3/64											
	024503		1/2	1/8x1/16											
SL-26	024600	90	1/2	1/8x1/16	80	2.464	.277	.472	2.645	.999	.510	.190	1.750	1.465	18.00
	024602	24	1/2	1/8x1/16											
SL-30	024700	90	1/2	1/8x1/16	125	2.800	.250	.830	3.268	1.374	.442	.170	2.050	1.695	terminals
	024701		5/8	3/16x3/32											
	024702	24	1/2	1/8x1/16											
	024703		5/8	3/16x3/32											
SL-42	024800	90	1/2	1/8x1/16	250	3.820	.320	1.560	4.270	1.374	.645	.190	2.500	2.312	terminals
	024801		5/8	3/16x3/32											
	024802		3/4	3/16x3/32											
	024803	24	1/2	1/8x1/16											
	024804		5/8	3/16x3/32											
	024805		3/4	3/16x3/32											

★ Consult DODGE for other bore sizes

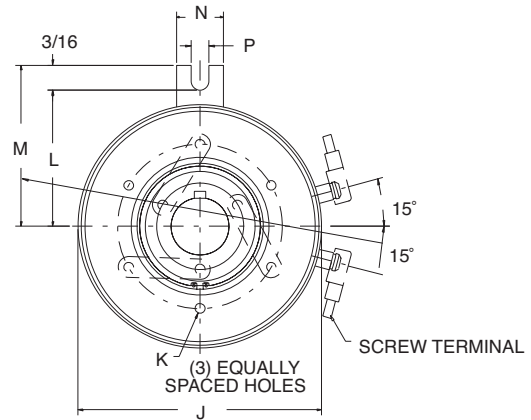
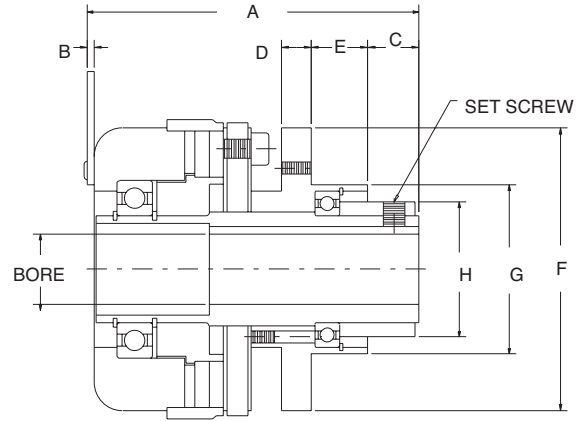
FEATURES/BENEFITS PAGE PT2-24	SPECIFICATION PAGE PT2-25	SELECTION PAGE PT2-26	ENGINEERING/TECHNICAL PAGE PT2-38
----------------------------------	------------------------------	--------------------------	--------------------------------------

SELECTION/DIMENSIONS



BSL Series

The Shaft Mounted BSL SERIES clutches are engineered for easy installation. Two sizes are available for shaft diameters from 1/2" to 1". The BSL Armature Hub will accept sheaves, sprockets, gears or other typical power transmission drive components. BSL Clutches are plated for protection from the environment. The BSL units have a zero backlash armature hub assembly.



BSL Series Dimensions

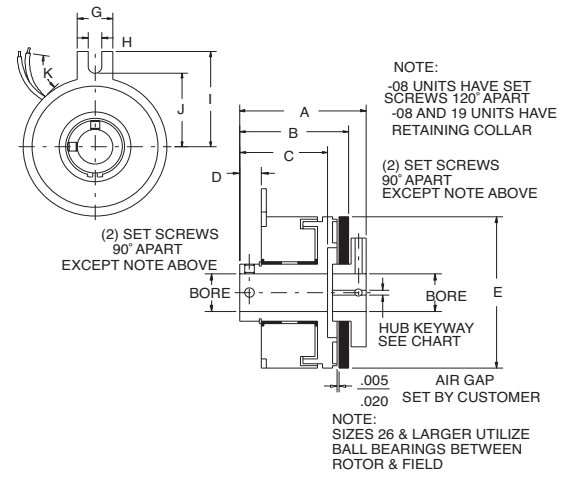
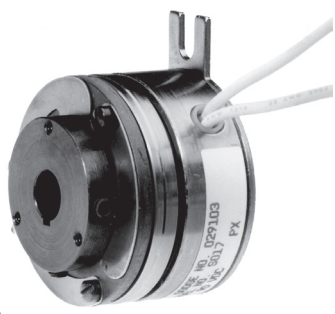
Size	Part No.	Volts	★ Bore	Rotor Keyway	Set Screw	Static Torque (Lb.-In.)	A Max	B Nom	C Max	D Max
BSL-26	024900	90	1/2	1/8x1/16	#10-32	80	2.93	.06	.45	.265
	024901	90	5/8	3/16x3/32						
	024902	24	1/2	1/8x1/16						
	024903	24	5/8	3/16x3/32						
BSL-42	025100	90	7/8	3/16x3/32	1/4-28	250	3.35	.06	.41	.282
	025101	90	1	1/4x1/8						
	025102	24	7/8	3/16x3/32						
	025103	24	1	1/4x1/8						

Size	E ±.005	F Max	G Pilot Dia.	H Max	J Max	K	L Max	M ±.015	N Max	P Min.
BSL-26	.50	2.505	1.499 1.497	1.195	2.65	(3) 6-32 on 1.790 B.C.	1.482	1.750	.510	.190
BSL-42	.673	4.015	3.000 2.998	1.82	4.27	(3) 1/4-20 on 3.500 B.C.	2.223	2.500	.545	.190

★ Consult DODGE for other bore sizes

FEATURES/BENEFITS PAGE PT2-24	SPECIFICATION PAGE PT2-25	SELECTION PAGE PT2-26	ENGINEERING/TECHNICAL PAGE PT2-38
----------------------------------	------------------------------	--------------------------	--------------------------------------

SELECTION/DIMENSIONS



SO Series

The Shaft Mounted SO SERIES Clutches are engineered for easy installation. Nine sizes are available for shaft diameters from 3/16" to 1". SO Clutches are plated for protection from the environment and have a zero backlash armature hub assembly.

SO Series Dimensions

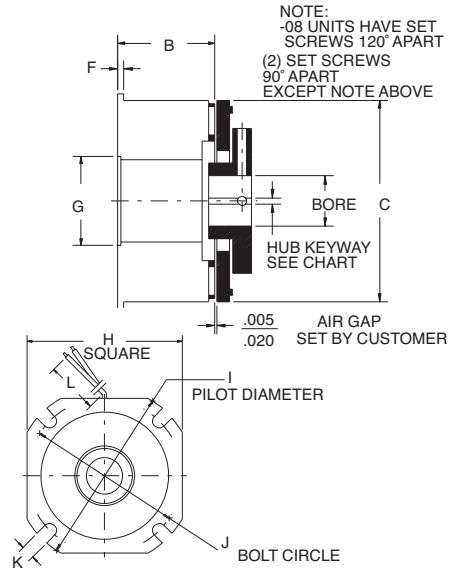
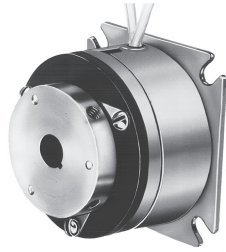
Size	Part No.	Volts DC	Bore In. ★	Rotor Keyway	Static Torque (Lb.-In.)	A Max	B Max	C Max	D Max	E Max	G Max	H Min	I Nom	J Nom	K ±.500
SO-08	029000	90	3/16	set screws	2.5	1.059	.875	.763	.200	.903	.305	.094	.625	.445	12.0
	029001		1/4												
	029002	24	3/16												
	029003		1/4												
SO-11	029004	90	1/4	set screws	6	1.168	.933	.777	.164	1.160	.380	.122	.875	.585	12.0
	029005		5/16												
	029006	24	1/4												
	029007		5/16												
SO-15	029008	90	5/16	set screws	10	1.575	1.255	1.075	.295	1.500	.520	.180	1.120	.750	12.0
	029009		3/8												
	029010	24	5/16												
	029011		3/8												
SO-17	029012	90	5/16	1/16x1/32	15	1.605	1.311	1.060	.301	1.780	.505	.184	1.325	.975	12.0
	029013		3/8	3/32x3/64											
	029014	24	5/16	1/16x1/32											
	029015		3/8	3/32x3/64											
SO-19	029016	90	3/8	3/32x3/64	25	1.609	1.314	1.060	.301	2.000	.505	.184	1.325	.975	12.0
	029017		1/2	1/8x1/16											
	029018	24	3/8	3/32x3/64											
	029019		1/2	1/8x1/16											
SO-22	029020	90	3/8	3/32x3/64	50	1.989	1.578	1.273	.316	2.260	.442	.170	1.515	1.160	18.0
	029021		1/2	1/8x1/16											
	029022	24	3/8	3/32x3/64											
	029023		1/2	1/8x1/16											
SO-26	029024	90	1/2	1/8x1/16	80	2.115	1.754	1.444	.302	2.645	.510	.190	1.750	1.465	18.0
	029025		5/8	3/16x3/32											
	029026	24	1/2	1/8x1/16											
	029027		5/8	3/16x3/32											
SO-30	029028	90	1/2	1/8x1/16	125	2.130	1.795	1.390	.270	3.268	.442	.170	2.050	1.695	screw terminals
	029029		5/8	3/16x3/32											
	029031	24	1/2	1/8x1/16											
	029032		5/8	3/16x3/32											
SO-42	029034	90	1/2	1/8x1/16	250	2.570	2.050	1.625	.340	4.270	.645	.190	2.500	2.312	screw terminals
	029035		5/8	3/16x3/32											
	029036		3/4	3/16x3/32											
	029037		7/8	3/16x3/32											
	029038	1	1/4x1/8												
	029039	24	1/2	1/8x1/16											
	029040		5/8	3/16x3/32											
	029041		3/4	3/16x3/32											
029042	7/8		3/16x3/32												
029043	1	1/4x1/8													

● Other voltages available on request

★ Consult DODGE for other bore sizes

FEATURES/BENEFITS PAGE PT2-24	SPECIFICATION PAGE PT2-25	SELECTION PAGE PT2-26	ENGINEERING/TECHNICAL PAGE PT2-38
----------------------------------	------------------------------	--------------------------	--------------------------------------

SELECTION/DIMENSIONS



FB Series

The FB Flange Mounted Electric Brakes are designed for easy installation. These power on brakes engage when voltage is applied and release when the voltage is turned off. FB Brakes are available in nine sizes in shaft diameters from 3/16" to 1". These brakes can be used to accurately and repetitively decelerate inertial loads or to control web tension. (Contact application engineering for application assistance.) They incorporate zero backlash style armature assembly.

FB Series Dimensions

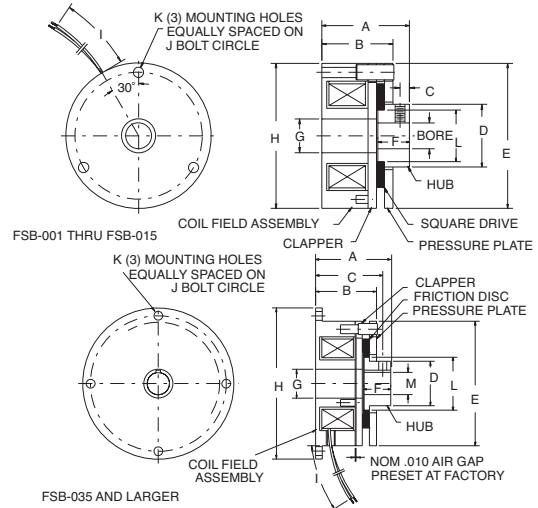
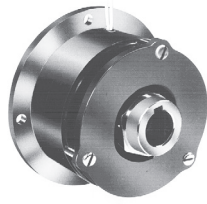
Size	Part No.	Volts DC	Bore In. ★	Nominal Keyway	Static Torque (Lb.-In.)	A Max	B Nom	C Max	F Max	G ±.001	H Max	I ±.001	J Nom	K Min	L ±.500	
FB-08	025200	90	3/16	set screws	2.5	.885	.634	.905	.034	N.A.	.980	1.1995	1.030	.094	12.00	
	025201		1/4													
	025202	24	3/16													
	025203		1/4													
FB-11	025300	90	1/4	set screws	6	.974	.650	1.160	.052	N.A.	1.230	1.498	1.312	.123	12.00	
	025301		5/16													
	025302	24	1/4													
	025303		5/16													
FB-15	025400	90	5/16	set screws	10	1.304	.867	1.500	.063	N.A.	1.567	1.999	1.750	.156	12.00	
	025401		3/8													
	025402	24	5/16													
	025403		3/8													
FB-17	025500	90	5/16	1/16x1/32	15	1.269	.848	1.780	.064	0.751	1.943	2.436	2.125	.186	12.00	
	025501		3/8	3/32x3/64												
	025502	24	5/16	1/16x1/32												
	025503		3/8	3/32x3/64												
FB-19	025600	90	3/8	3/32x3/64	25	1.33	.901	2.00	.062	0.751	1.943	2.436	2.125	0.186	12.00	
	025601		1/2	1/8x1/16												
	025602	24	3/8	3/32x3/64												
	025603		1/2	1/8x1/16												
FB-22	025700	90	3/8	3/32x3/64	50	1.757	1.173	2.260	.096	1.001	2.322	2.873	2.500	0.160	18.00	
	025701		1/2	1/8x1/16												
	025702	24	3/8	3/32x3/64												
	025703		1/2	1/8x1/16												
FB-26	025800	90	1/2	1/8x1/16	80	1.815	1.300	2.645	.064	1.062	2.630	3.499	3.125	0.182	18.00	
	025801		5/8	3/16x3/32												
	025802	24	1/2	1/8x1/16												
	025803		5/8	3/16x3/32												
FB-30	025900	90	5/8	3/16x3/32	125	1.9	1.310	3.268	.097	1.751	3.200	4.186	3.750	0.182	terminals	
	025901		3/4													
	025902	24	5/8													
	025903		3/4													
FB-42	026000	90	5/8	3/16x3/32	250	2.28	1.490	4.270	.097	1.875	4.255	5.624	5.000	0.276	terminals	
	026001			3/4												3/16x3/32
	026004			7/8												3/16x3/32
	026005	24	1	1/4x1/8												
	026002		5/8	3/16x3/32												
	026003		3/4	3/16x3/32												
	026006		7/8	3/16x3/32												
	026007		1	1/4x1/8												

★ Consult DODGE for other bore sizes

FEATURES/BENEFITS PAGE PT2-24	SPECIFICATION PAGE PT2-25	SELECTION PAGE PT2-26	ENGINEERING/TECHNICAL PAGE PT2-38
----------------------------------	------------------------------	--------------------------	--------------------------------------



SELECTION/DIMENSIONS



FSB Series

FSB SERIES Power Off Brakes are designed to decelerate or park inertial loads when the voltage is turned off, either intentionally or accidentally (as in the case of a power failure). These units can be bulkhead or motor mounted and are available in seven torque ranges and shaft sizes 3/16" to 3/4". These units employ unique friction material for long life and quiet operation.

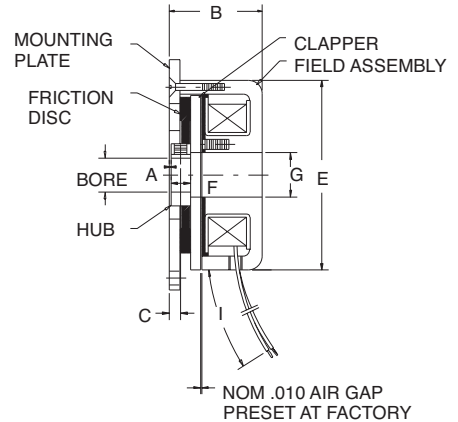
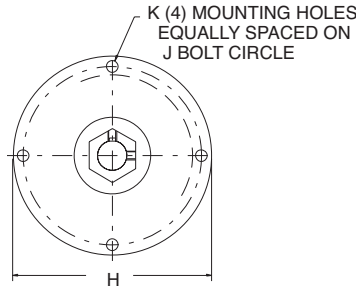
FSB Series Dimensions

Size	Part No.	Volts	Bore In.★	Nominal Keyway	Static Torque (Lb.-In.)	A Max	B Nom	C Nom	D Max	E Max	F Min	G Nom	H Max	I ±.500	J Nom	K Min	
FSB-001	026100	90 DC	3/16	set screws	1	0.890	.710	.072	.510	1.485	.320	.280	1.375	12.0	1.180	.124	
	026101	90 DC	1/4														
	026102	24 DC	3/16														
	026103	24 DC	1/4														
	026104	120 AC	3/16														
026105	120 AC	1/4															
FSB-003	026200	90 DC	1/4	set screws	3	1.060	.870	.115	0.755	1.910	.380	.410	1.752	12.0	1.545	.124	
	026201	90 DC	5/16														
	026202	24 DC	1/4														
	026203	24 DC	5/16														
	026204	120 AC	1/4														
026205	120 AC	5/16															
FSB-007	026300	90 DC	5/16	1/16x1/32	7	1.400	1.200	1.255	0.722	2.465	.605	.781	2.436	12.0	2.125	.172	
	026301	90 DC	3/8														3/32x3/64
	026302	24 DC	5/16														1/16x1/32
	026303	24 DC	3/8														3/32x3/64
	026304	120 AC	5/16														1/16x1/32
026305	120 AC	3/8	3/32x3/64														
FSB-015	026400	90 DC	5/16	1/16x1/32	15	1.400	1.200	1.255	0.722	2.465	.605	.781	2.436	12.0	2.125	0.172	
	026401	90 DC	3/8														3/32x3/64
	026402	24 DC	5/16														1/16x1/32
	026403	24 DC	3/8														3/32x3/64
	026404	120 AC	5/16														1/16x1/32
026405	120 AC	3/8	3/32x3/64														
FSB-035	026500	90 DC	1/2	1/8x1/16	35	2.090	1.920	1.960	1.000	3.010	.580	.891	3.500	18.0	3.125	0.200	
	026501	90 DC	5/8														3/16x3/32
	026502	24 DC	1/2														1/8x1/16
	026503	24 DC	5/8														3/16x3/32
	026504	120 AC	1/2														1/8x1/16
026505	120 AC	5/8	3/16x3/32														
FSB-050	026600	90 DC	1/2	1/8x1/16	50	2.090	1.920	1.960	1.000	3.010	.580	.891	3.500	18.0	3.125	0.200	
	026601	90 DC	5/8														3/16x3/32
	026602	24 DC	1/2														1/8x1/16
	026603	24 DC	5/8														3/16x3/32
	026604	120 AC	1/2														1/8x1/16
026605	120 AC	5/8	3/16x3/32														
FSB-100	026800	90 DC	5/8	3/16x3/32	100	2.320	2.080	2.100	.975	4.000	.555	1.188	5.250	18.0	4.750	0.216	
	026801	90 DC	3/4														
	026802	24 DC	5/8														
	026803	24 DC	3/4														
	026804	120 AC	5/8														
026805	120 AC	3/4															

★ Consult DODGE for other bore sizes

FEATURES/BENEFITS PAGE PT2-24	SPECIFICATION PAGE PT2-25	SELECTION PAGE PT2-26	ENGINEERING/TECHNICAL PAGE PT2-38
----------------------------------	------------------------------	--------------------------	--------------------------------------

SELECTION/DIMENSIONS



FSBR SERIES

FSBR Series

FSBR SERIES Power Off Brakes are designed for applications requiring minimum space or on motors with short shaft extensions. When mounted, the armature hub on these units is not exposed like the FSB series. These units are available in five torque ranges and shaft sizes from 5/16" thru 3/4". Unique friction material is employed for long wear life and quiet operation.

FSBR Series Dimensions

Size	Part No.	Volts	Bore In. ★	Nominal Keyway	Static Torque (Lb.-In.)	A ● Max	B Nom	C Nom	E Max	F Min	G Nom	H Max	I .500	J Nom	K Min
FSBR-007	026900	90 DC	5/16	1/16x1/32	7	.062	.960	.115	2.260	.605	.781	3.235	12.0	2.844	.172
	026901	90 DC	3/8	3/32x3/64											
	026902	24 DC	5/16	1/16x1/32											
	026903	24 DC	3/8	3/32x3/64											
	026904	120 AC	5/16	1/16x1/32											
026905	120 AC	3/8	3/32x3/64												
FSBR-015	027000	90 DC	5/16	1/16x1/32	15	.062	1.200	.115	2.400	.605	.945	3.235	12.0	2.844	.172
	027001	90 DC	3/8	3/32x3/64											
	027002	24 DC	5/16	1/16x1/32											
	027003	24 DC	3/8	3/32x3/64											
	027004	120 AC	5/16	1/16x1/32											
	027005	120 AC	3/8	3/16x3/32											
FSBR-035	027100	90 DC	1/2	1/8x1/16	35	.094	1.905	.239	2.810	.280	.891	3.500	18.0	3.125	.200
	027101	90 DC	5/8	3/16x3/32											
	027102	24 DC	1/2	1/8x1/16											
	027103	24 DC	5/8	3/16x3/32											
	027104	120 AC	1/2	1/8x1/16											
027105	120 AC	5/8	3/16x3/32												
FSBR-050	027200	90 DC	1/2	1/8x1/16	50	.094	1.905	.239	2.810	.280	.891	3.500	18.0	3.125	.200
	027201	90 DC	5/8	3/16x3/32											
	027202	24 DC	1/2	1/8x1/16											
	027203	24 DC	5/8	3/16x3/32											
	027204	120 AC	1/2	1/8x1/16											
027205	120 AC	5/8	3/16x3/32												
FSBR-100	027400	90 DC	5/8	3/16x3/32	100	.140	1.870	.610	4.000	.575	1.188	5.250	18.0	4.750	.216
	027401	90 DC	3/4												
	027402	24 DC	5/8												
	027403	24 DC	3/4												
	027404	120 AC	5/8												
027405	120 AC	3/4													

● Required distance between Hub & Mounting surface

★ Consult DODGE for other bore sizes

FEATURES/BENEFITS PAGE PT2-24	SPECIFICATION PAGE PT2-25	SELECTION PAGE PT2-26	ENGINEERING/TECHNICAL PAGE PT2-38
----------------------------------	------------------------------	--------------------------	--------------------------------------



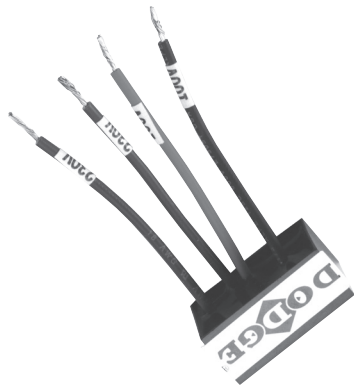
MODIFICATIONS/ ACCESSORIES

Power Supplies



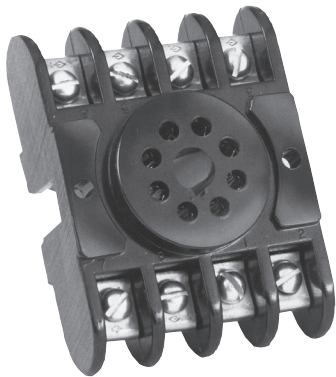
Model 50 - Conduit box Supply

- Controls one Brake or Clutch
- Input: 120 VAC; 50/60 Hz
- Output: 90 VDC
- Rating: 0.8 amps
- Full wave rectifier
- Dimensions: 5/8" H, 2" W, 1-3/8" D
- Part Number **032408**



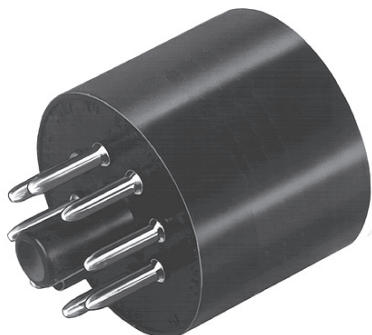
Model 75 - Conduit Box Supply

- Controls one Brake or Clutch
- Input: 230 VAC; 50/60 Hz, 1 Phase
- Output: 90 VDC Nominal
- Rating: 0.4 amp Maximum
- Dimensions: 0.62" H, 1.40" W, 0.90" D
- Part Number: **030336**



Octal Socket

- Socket used with Model 100, 200 and 250 power supplies
- Prewired
- U. L. approved
- Industry Standard design
- Dimensions: 3/4" H, 2 1/2" W, 2" D
- Part Number: **032401**



Model 100-Octal Base Mount

- Controls one brake or clutch
- Used with octal socket
- Full wave rectifier
- Input: 120 VAC; 50/60 Hz
- Output: 90 VDC
- Rating: 1.5 amps
- Dimensions: 2" H, 2" W, 2" D
- Part Number: **032400**



Power Supplies



Model 200-Octal Base Mount w/Fuse

- Controls one brake and clutch, or two clutches or two brakes
- Input: 120 VAC; 50/60 Hz fused
- Output: 90 VDC
- Used with octal socket
- Full wave rectifier
- Rating: 1.5 amps
- Fused for overload protection
- Dimensions: 2 1/2, H, 2, W, 2, D
- Part Number: **032402**



Model 250 - Octal Base Mount

- Controls one Brake and Clutch; or two Clutches or two Brakes
- Used with Octal Socket
- Input: 115 VAC; 50/60 Hz
- Output: 15-90 VDC Nominal one unit, 90 VDC for the other unit
- Rating: 0.5 amp Maximum
- Dimensions: 2.88" H, 2.38" W, 1.75" D
- Part Number: **030337**

FEATURES/BENEFITS PAGE PT2-24	SPECIFICATION PAGE PT2-25	SELECTION PAGE PT2-26	ENGINEERING/TECHNICAL PAGE PT2-38
----------------------------------	------------------------------	--------------------------	--------------------------------------



Motor Brakes

Motor Brake Coil Data

DODGE D-Series motor brakes are equipped with DC voltage coils which are capable of a variety of nameplate voltage possibilities. Please consult Voltage Notes below the chart for these capabilities.

Coil Voltage	3 and 6 Ft.-Lb		10 thru 50 Ft.-Lb	
	Current Draw (Amps)	Resistance (Ohms)	Current Draw (Amps)	Resistance (Ohms)
115/230 VAC 60 Hz (1)	0.19	562	0.28	387
230/460 VAC 60 Hz (2)	0.10	2078	0.14	1550
287/575 VAC 60 Hz (3)	0.09	2987	0.12	2245
104/208 VAC 60 Hz (4)	0.24	384	0.31	290
190/380 VAC 50 Hz (5)	0.13	1341	0.19	923
250/500 VAC 50 Hz	0.10	2336	0.13	1793
48 VDC	0.48	100	0.58	82
24 VDC	0.97	24.70	1.14	21.70
12 VDC	1.95	6.16	2.24	5.40

Voltage News:

- 115/208-230 VAC 50 or 60 Hz, 133/265 VAC 60 Hz, 110-125 VDC
- 208-230/460 VAC 50 or 60 Hz, 240/480 VAC 60 Hz, 220/440 VAC 50 Hz, 230 VDC
- 287/575 VAC 60 Hz, 275/550 VAC 60 Hz, 300/600 VAC 60 Hz
- 104/208 VAC 50 or 60 Hz, 100/200 VAC 60 Hz 90-95 VDC
- 190/380 VAC 50 Hz, 260/400 VAC 60 Hz, 208/416 VAC 50 Hz

General Notes:

- Current and Resistance values are approximate only.
- Current and Resistance for other nameplate voltages may vary slightly. Consult DODGE Engineering for actual values
- Coil Resistance is measured between leads B4 and B5.

ELECTRICAL CONNECTIONS

Standard DODGE D-Series motor brakes operate on single phase, dual voltage AC.

Connections should be made per Chart 1 (similar chart is also included in a label on the brake). To change the operating voltage, simply change the wiring connections per Chart 1.

When changing brake wiring connections for operation at another voltage, be sure to verify the brake's compatibility with the voltage desired.

Consult Instruction Manual #499765 for complete details on Electrical Connections of DODGE D-Series motor brakes.

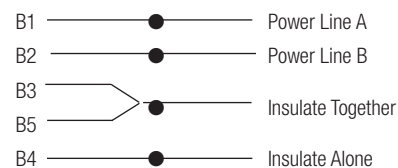
Chart 1

Voltage	Power Line A	Power Line B	Insulate Together	Insulate Alone
AC Voltage-Low (1)	B1	B2	B3 & B5	B4
AC Voltage-High (1)	B1 B5	B2	-	B3 B4
DC Voltage-Low	B1	B2	B3 & B5	B4

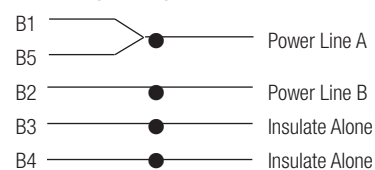
Notes:

- Unless specified, all brakes have dual voltage coils. For example, with a 230/460 VAC brake, low voltage = 230 VAC and high voltage = 460 VAC.

AC Voltage - Low and DC Voltage



AC Voltage - High





Clutch/Brake Modules

Technical Data

Module Size	Static Torque (Lb-Ft.)	Inertia (Lb-Ft.(2))		Unit Weight (Lbs.)	90 VDC				24 VDC				6 VDC			
					Clutch		Brake		Clutch		Brake		Clutch		Brake	
		Rotor & Hub	Armature & Shaft		Amps	Ohms	Amps	Ohms	Amps	Ohms	Amps	Ohms	Amps	Ohms	Amps	Ohms
DMCCB-50	22	.022	.017	11.8	.207	434	.196	460	.797	30.1	.800	30	3.23	.186	3.05	1.97
DMCCO-50		.022	.010	9.9	.207	434	---	---	.797	30.1	---	---	3.23	---	---	---
DMCBO-50		---	.009	6.1	---	---	.196	460	---	---	.800	30	---	---	3.05	1.97
DMCBX-50		---	.009	6.1	---	---	.196	460	---	---	.800	30	---	---	3.05	1.97
DMSCB-50		.023	.017	16.2	.207	434	.196	460	.797	30.1	.800	30	3.23	.186	3.05	1.97
DMSCO-50		.023	.010	14.3	.207	434	---	---	.797	30.1	---	---	3.23	.186	---	---
DMCCB-100	34	.050	.049	11.9	.208	432	.189	476	.805	29.8	.743	32.3	3.23	.186	2.91	2.06
DMCCO-100		.050	.027	10	.208	432	---	---	.805	29.8	---	---	3.23	.186	---	---
DMCBO-100		---	.026	6.2	---	---	.189	476	---	---	.743	32.3	---	---	2.91	2.06
DMCBX-100		---	.026	6.2	---	---	.189	476	---	---	.743	32.3	---	---	2.91	2.06
DMCCB-180	34	.051	.050	15.9	.208	432	.189	476	.805	29.8	.743	32.3	3.23	.186	2.91	2.06
DMCCO-180		.051	.028	12.5	.208	432	---	---	.805	29.8	---	---	3.23	.186	---	---
DMCBO-180		---	.027	7.2	---	---	.189	476	---	---	.743	32.3	---	---	2.91	2.06
DMCBX-180		---	.027	7.2	---	---	.189	476	---	---	.743	32.3	---	---	2.91	2.06
DMSCB-180		.049	.050	19.6	.208	432	.189	476	.805	29.8	.743	32.3	3.23	.186	2.91	2.06
DMSCO-180		.049	.028	16.2	.208	432	---	---	.805	29.8	---	---	3.23	.186	---	---
DMCCB-210	100	.233	.196	44.2	.390	231	.360	250	1.61	14.9	1.480	16.2	6.67	.900	6.59	0.91
DMCCO-210		.233	.113	38.2	.390	231	---	---	1.61	14.9	---	16.2	6.67	.900	---	---
DMCBO-210		---	.100	28	---	---	.360	250	---	---	1.480	---	---	---	6.59	0.91
DMCBX-210		---	.100	28	---	---	.360	250	---	---	1.480	---	---	---	6.59	0.91
DMSCB-210		.240	.190	59.5	.390	231	.360	250	1.61	14.9	1.480	16.2	6.67	.900	6.59	0.91
DMSCO-210		.240	.190	53.5	.390	231	---	---	1.61	14.9	---	16.2	6.67	.900	---	---
DMCCB-256	100	.230	.200	44.4	.390	231	.360	250	1.61	14.9	1.480	16.2	6.67	.900	6.59	0.91
DMCCO-256		.230	.110	38.4	.390	231	---	---	1.61	14.9	---	---	6.67	.900	---	---
DMCBO-256		---	.110	28.2	---	---	.360	250	---	---	1.480	16.2	---	---	6.59	0.91
DMCBX-256		---	.110	28.2	---	---	.360	250	---	---	1.480	16.2	---	---	6.59	0.91

Consult DODGE for other voltages



Shaft Mounted Clutches & Brakes

IEC Series Shaft Mounted Clutches

Unit Size	Static Torque (Lb-Ft.)	Max RPM	Inertia (Lb-Ft.2)		90 VDC		24 VDC		6 VDC		Wt.(Lbs.)
			Rotor & Sleeve	Armature & Sleeve	Amps	Ohms	Amps	Ohms	Amps	Ohms	
IEC-375	22	5000	0.022	0.01	0.207	434	0.797	30.1	3.23	1.86	5.5
IEC-475	34	4500	0.052	0.027	0.208	432	0.805	29.8	3.23	1.86	9
IEC-650	100	3600	0.214	0.107	0.39	231	1.61	14.9	6.67	0.9	19.5
IEC-825	175	3600	0.417	0.268	0.405	222	1.66	14.5	5.41	1.11	29

Consult DODGE for other voltages.

IEB Series Shaft Mounted Brakes/IPB Series Flange Mounted Brakes

Unit Size	Static Torque (Lb-Ft.)	Max Speed RPM	Inertia (Lb-Ft2) Armature & Hub	90 VDC		24 VDC		6 VDC		Brake Wt. (Lbs.)	Bore Range (In.)	DODGE TAPER LOCK BUSHING
				Amps	Ohms	Amps	Ohms	Amps	Ohms			
IEB/IPB-375	22	5000	.010	.196	460	.800	30.00	3.05	1.97	4	1/2" & 5/8"	N/A
IEB/IPB-475	34	4500	.029	.189	476	.743	32.30	2.91	2.06	6	1/2" to 1"	1008
IEB/IPB-650	100	3600	0.11	.360	250	1.48	16.20	6.59	0.91	11	1/2" to 1-7/16"	1310
IEB-825	175	3600	0.33	.405	222	1.66	14.50	5.41	1.11	19	1/2" to 1-11/16"	1615

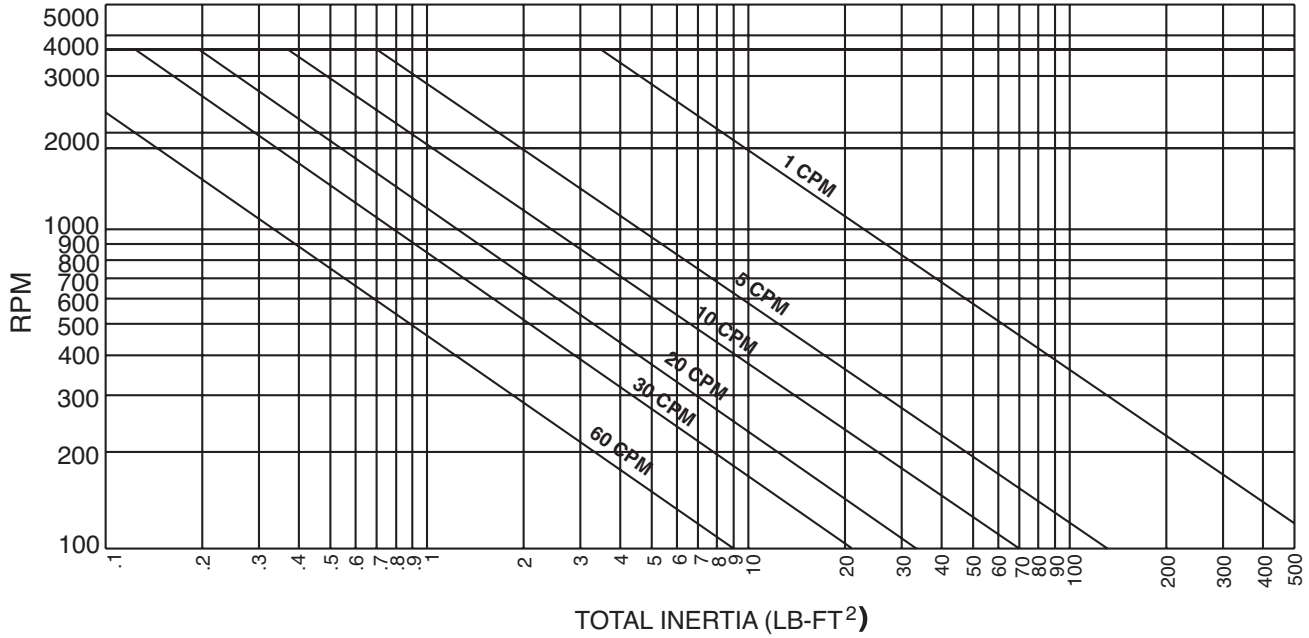
Consult DODGE for other voltages.

* See page CB-53 (1-1R)

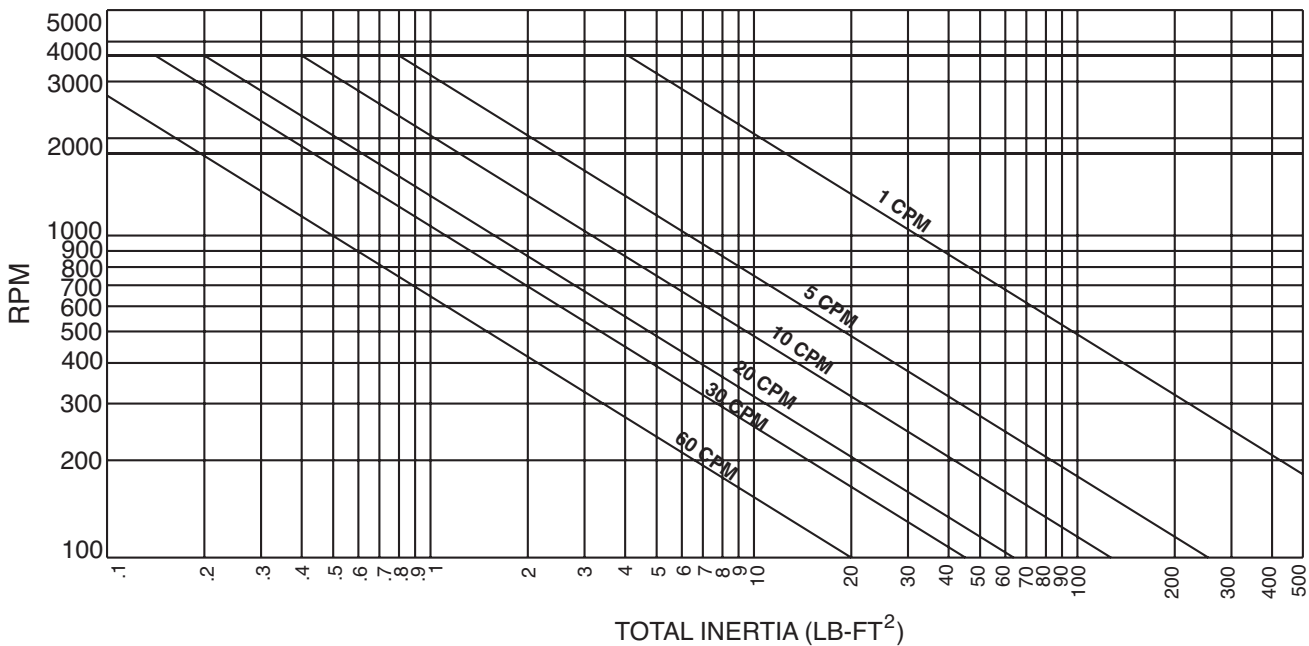


**Clutch/Brake Modules
ALLOWABLE CYCLE RATES**

DMCCB-50



DMCCB-100



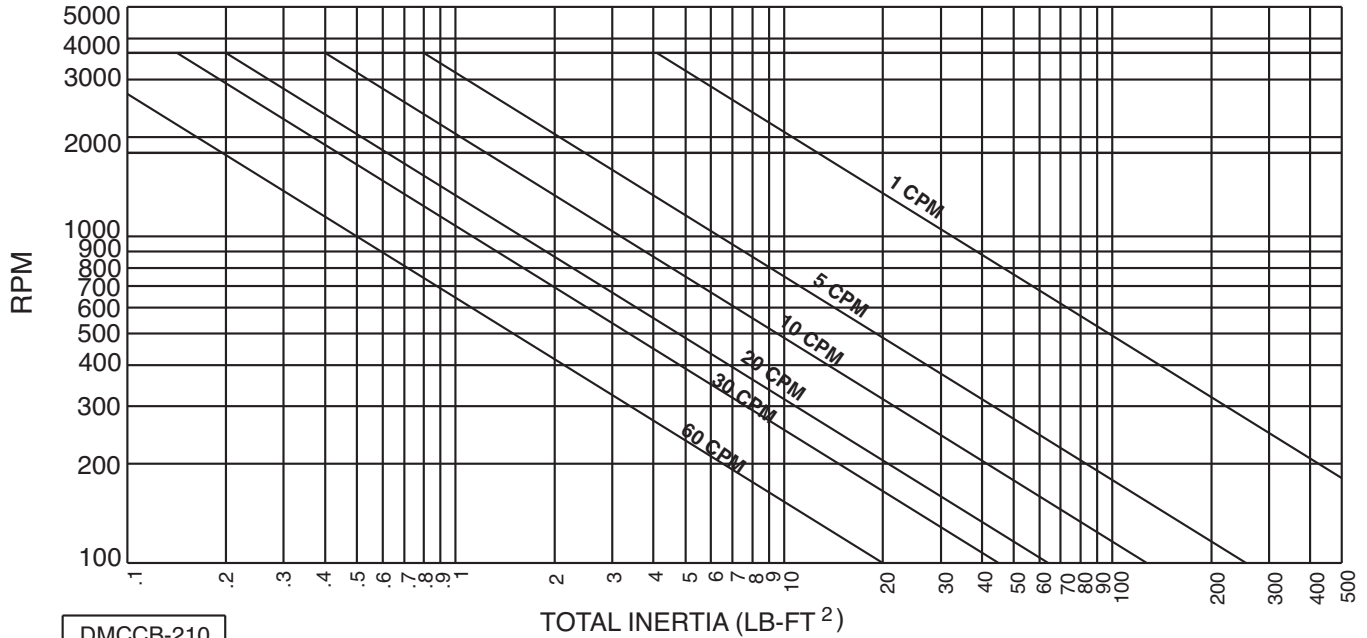
NOTES:

1. Consult DODGE for cycle rates that exceed chart.
2. Max. coil temperature 250°F
3. Motor fan cooled
4. 100% current

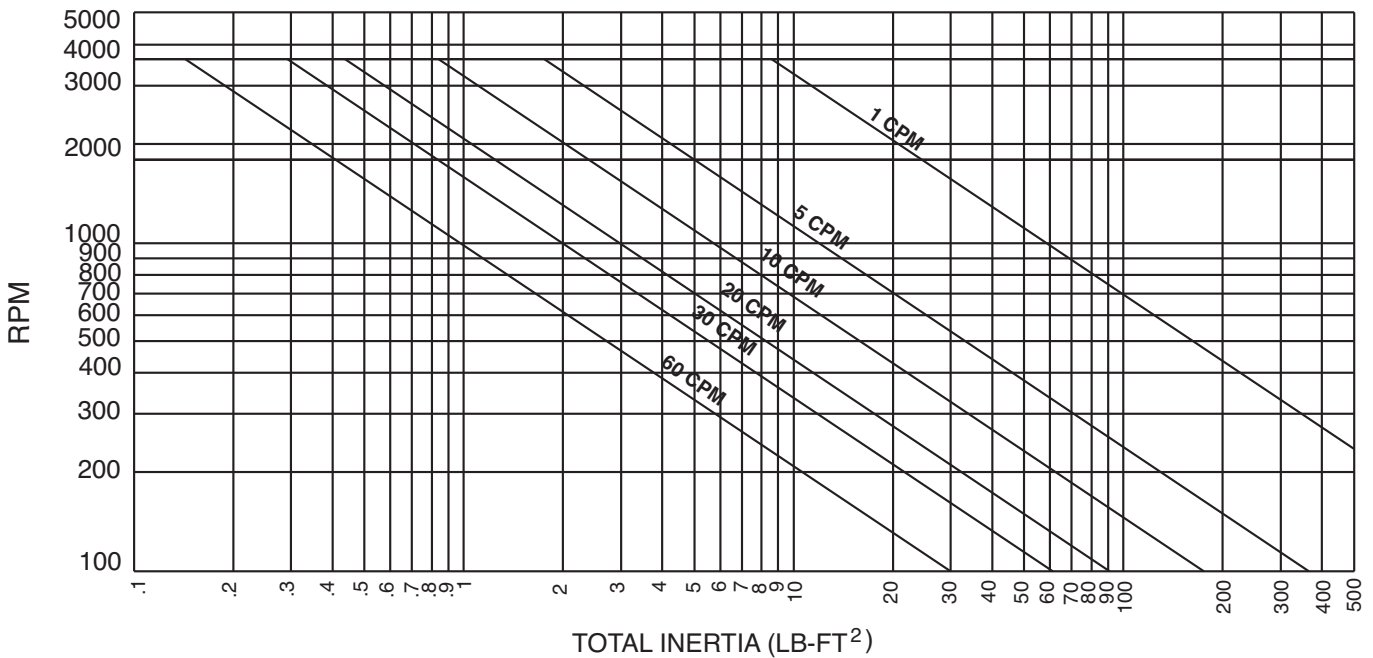


Clutch/Brake Modules ALLOWABLE CYCLE RATES

DMCCB-180



DMCCB-210



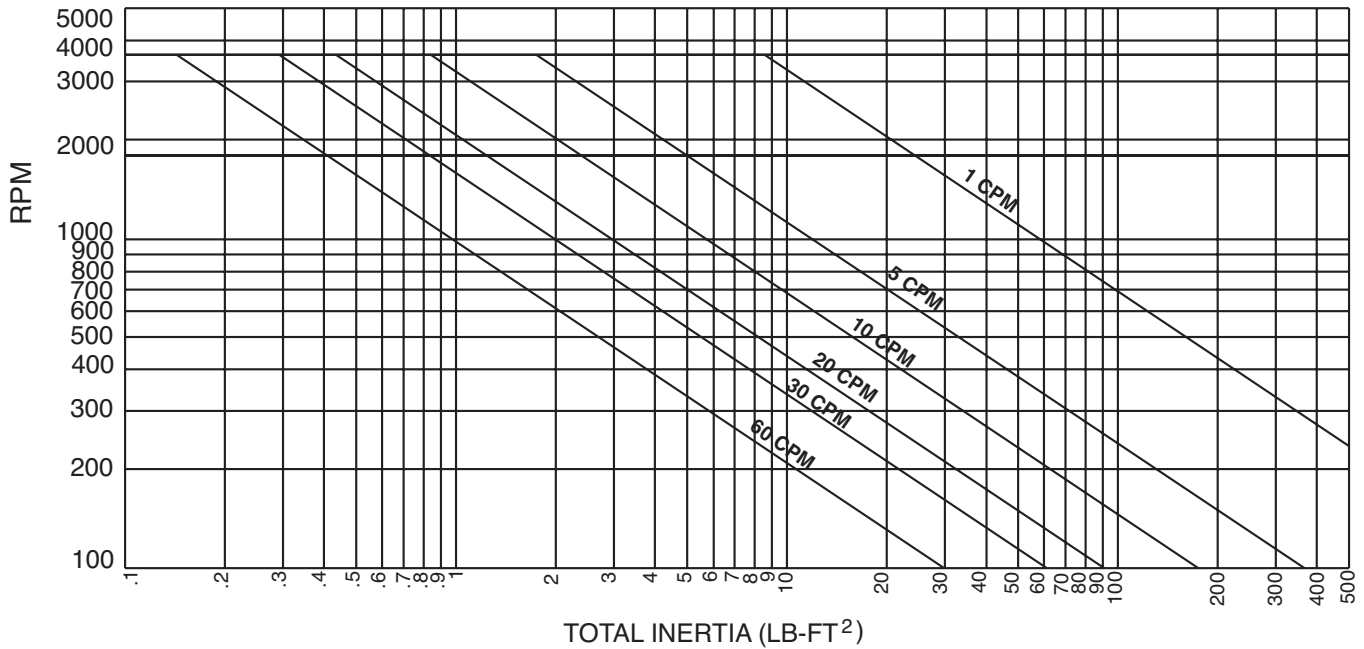
NOTES:

1. Consult DODGE for cycle rates that exceed chart.
2. Max. coil temperature 250°F
3. Motor fan cooled
4. 100% current



Clutch/Brake Modules ALLOWABLE CYCLE RATES

DMCCB-256



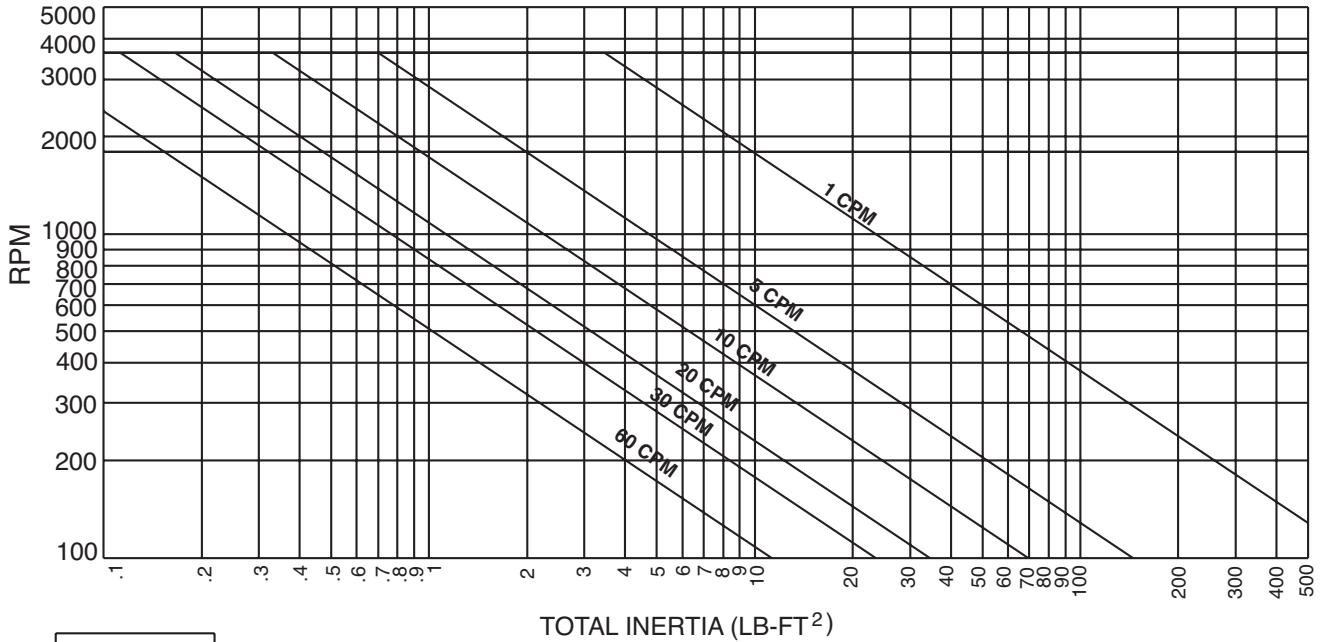
NOTES:

1. Consult DODGE for cycle rates that exceed chart.
2. Max. coil temperature 250°F
3. Motor fan cooled
4. 100% current

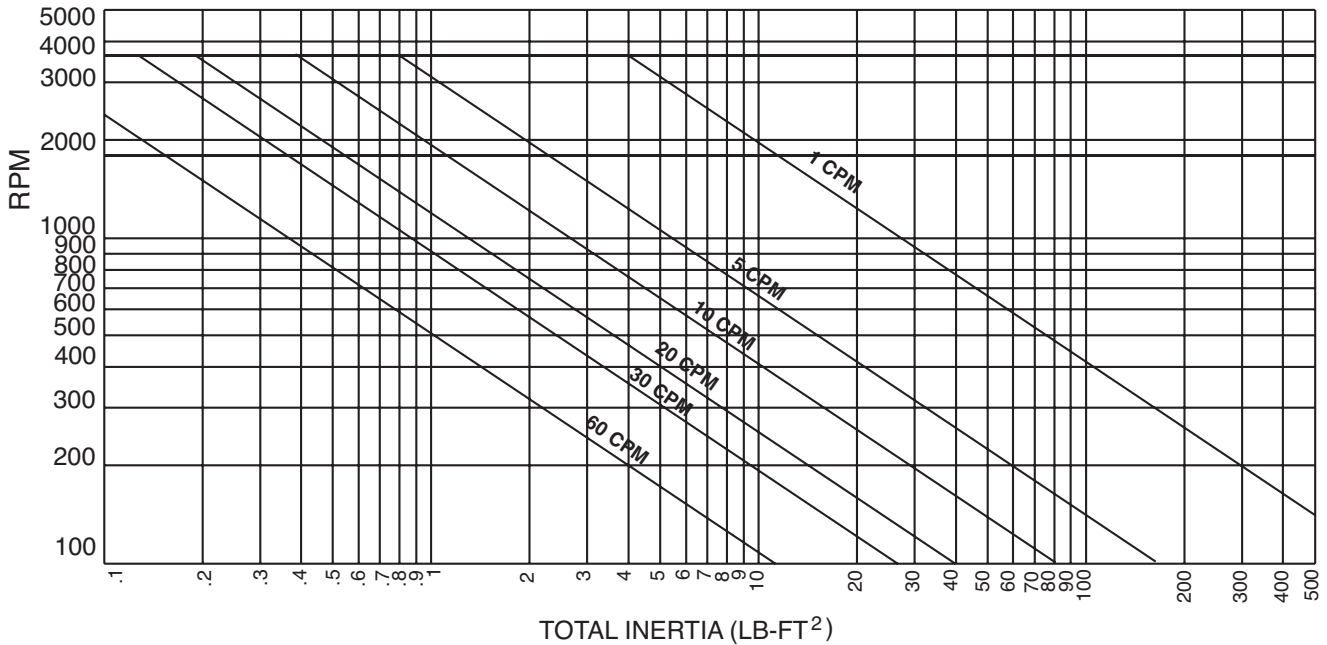


**Clutch/Brake Modules
ALLOWABLE CYCLE RATES**

DMCCO-50



DMCCO-100



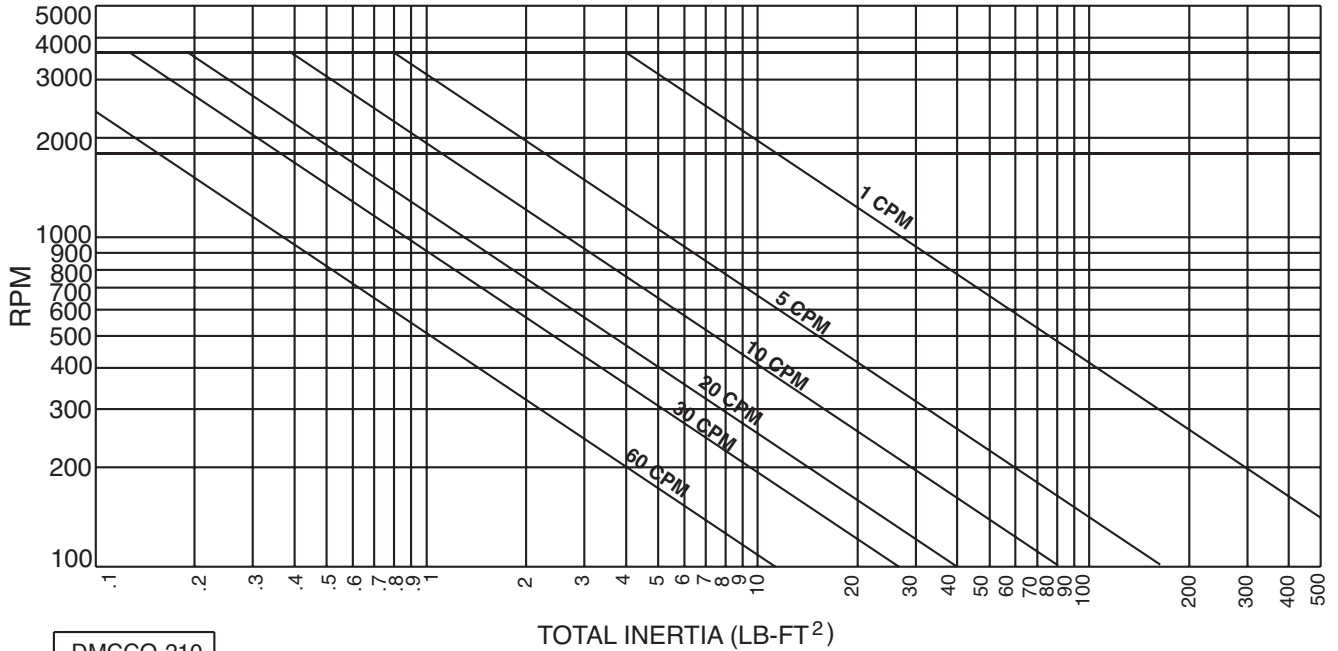
NOTES:

1. Consult DODGE for cycle rates that exceed chart.
2. Max. coil temperature 250°F
3. Motor fan cooled
4. 100% current

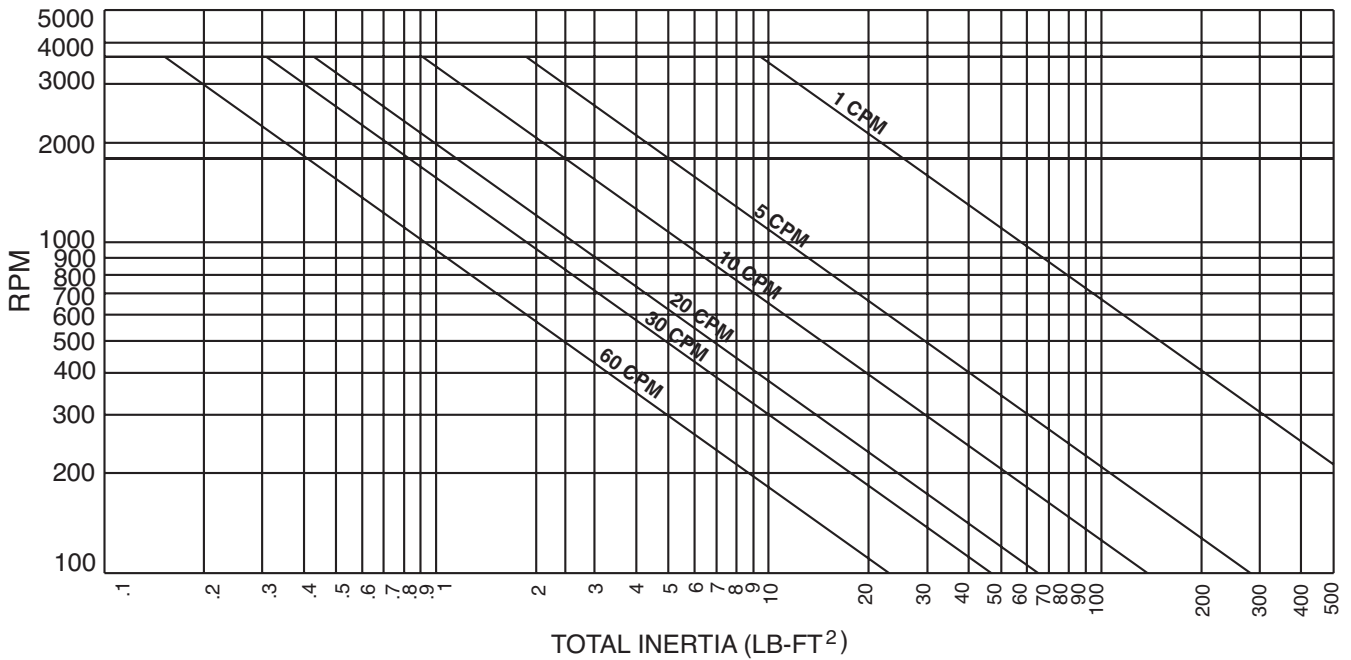


Clutch/Brake Modules ALLOWABLE CYCLE RATES

DMCCO-180



DMCCO-210

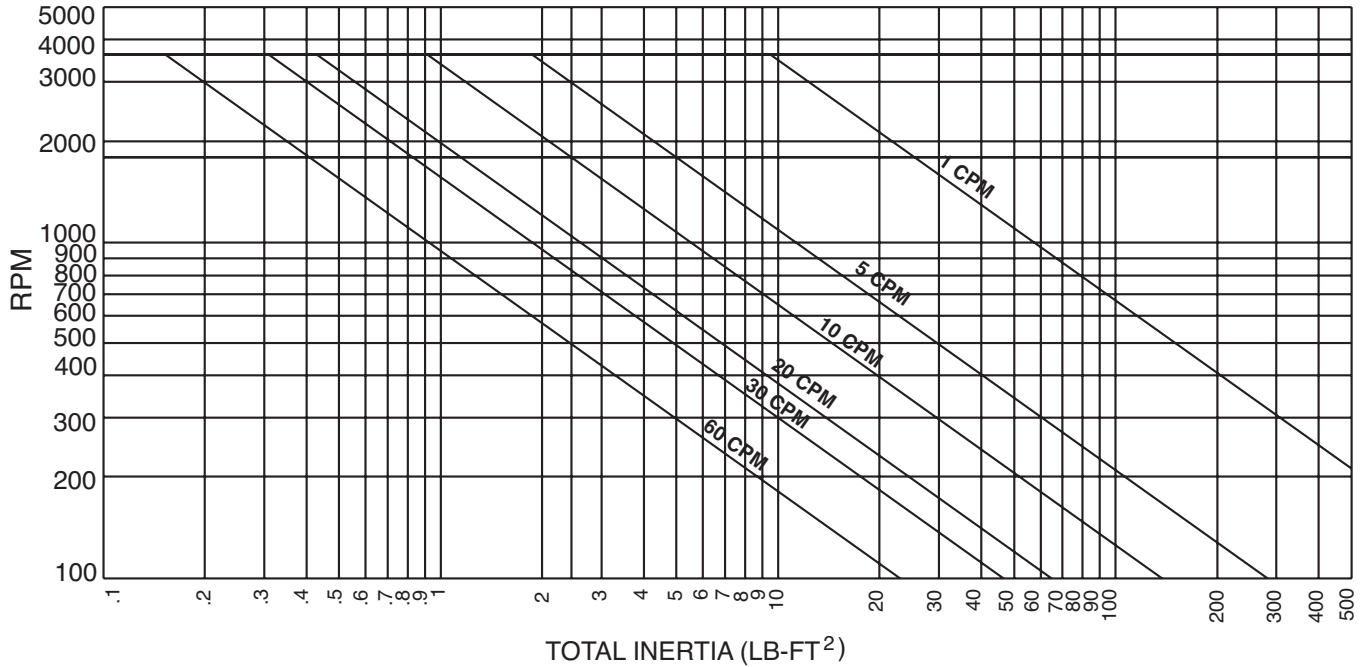


- NOTES:
1. Consult DODGE for cycle rates that exceed chart.
 2. Max. coil temperature 250°F
 3. Motor fan cooled
 4. 100% current



**Clutch/Brake Modules
ALLOWABLE CYCLE RATES**

DMCCO-256



- NOTES:**
1. Consult DODGE for cycle rates that exceed chart.
 2. Max. coil temperature 250°F
 3. Motor fan cooled
 4. 100% current

PT Component
Quick References

Couplings

Clutches and Brakes

FLEXIDYNE

Fluid Couplings

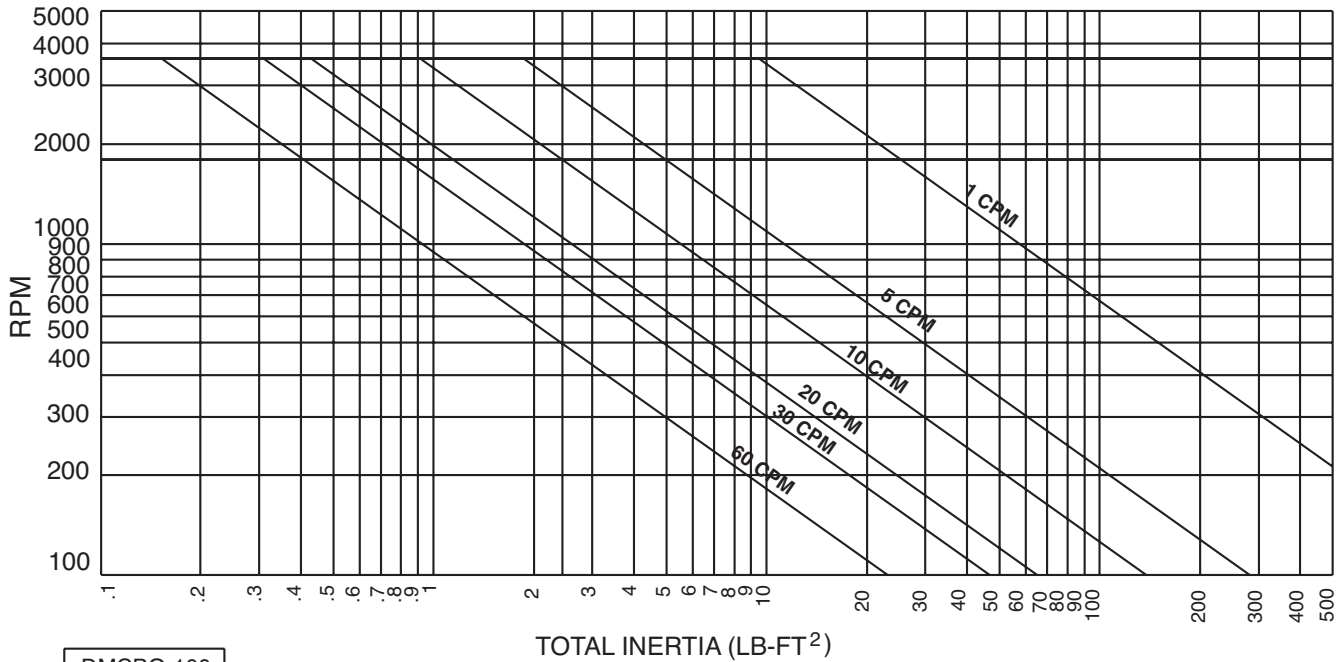
TORQUE-TAMER

Bushings

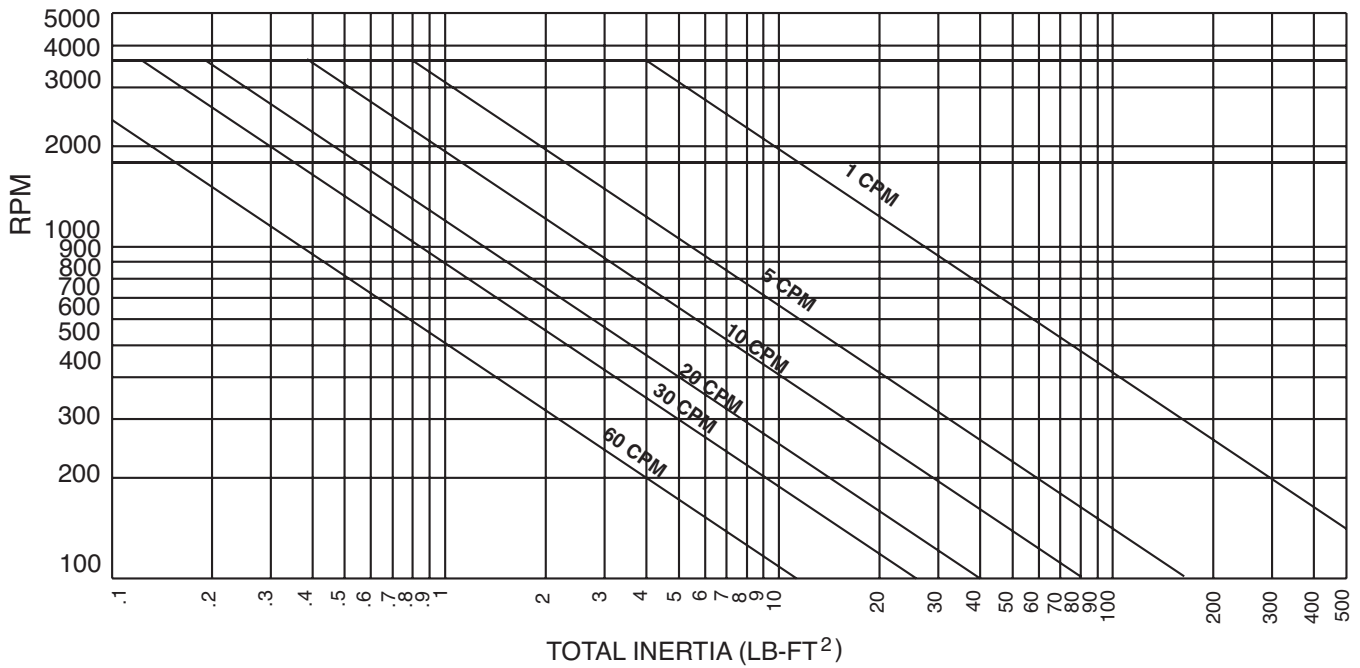


Clutch/Brake Modules ALLOWABLE CYCLE RATES

DMCBO-50



DMCBO-100



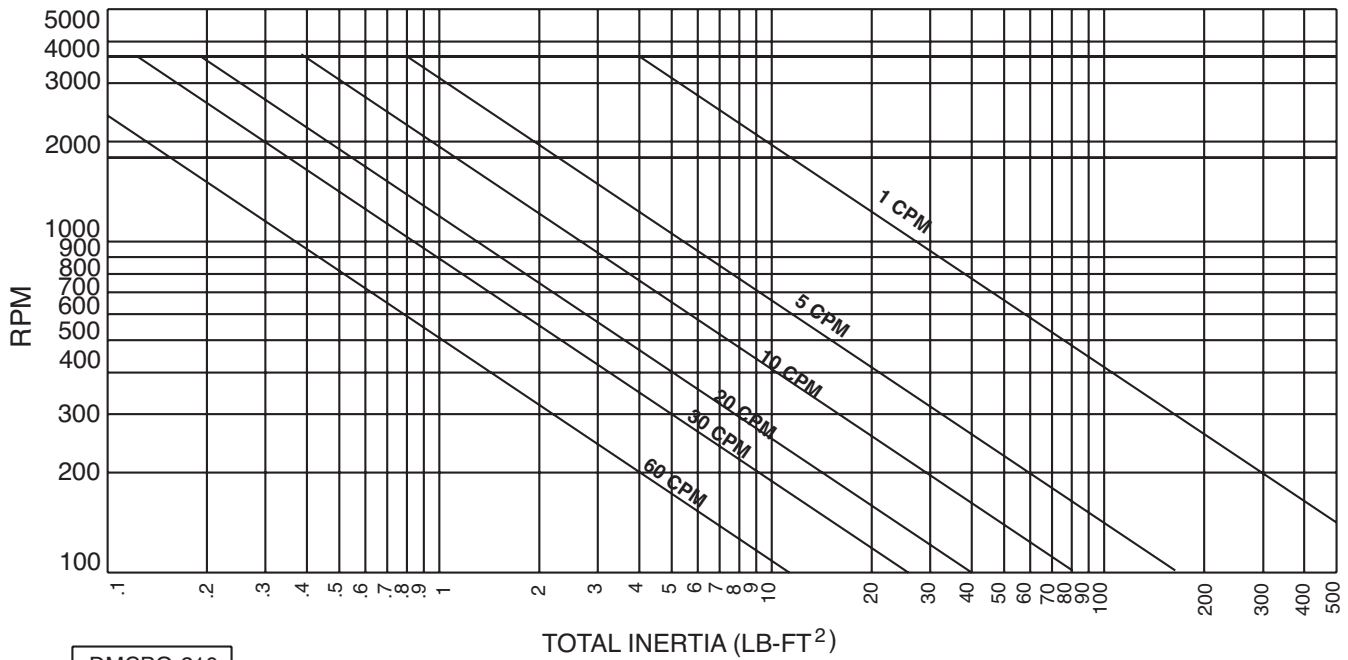
NOTES:

1. Consult DODGE for cycle rates that exceed chart.
2. Max. coil temperature 250°F
3. Motor fan cooled
4. 100% current

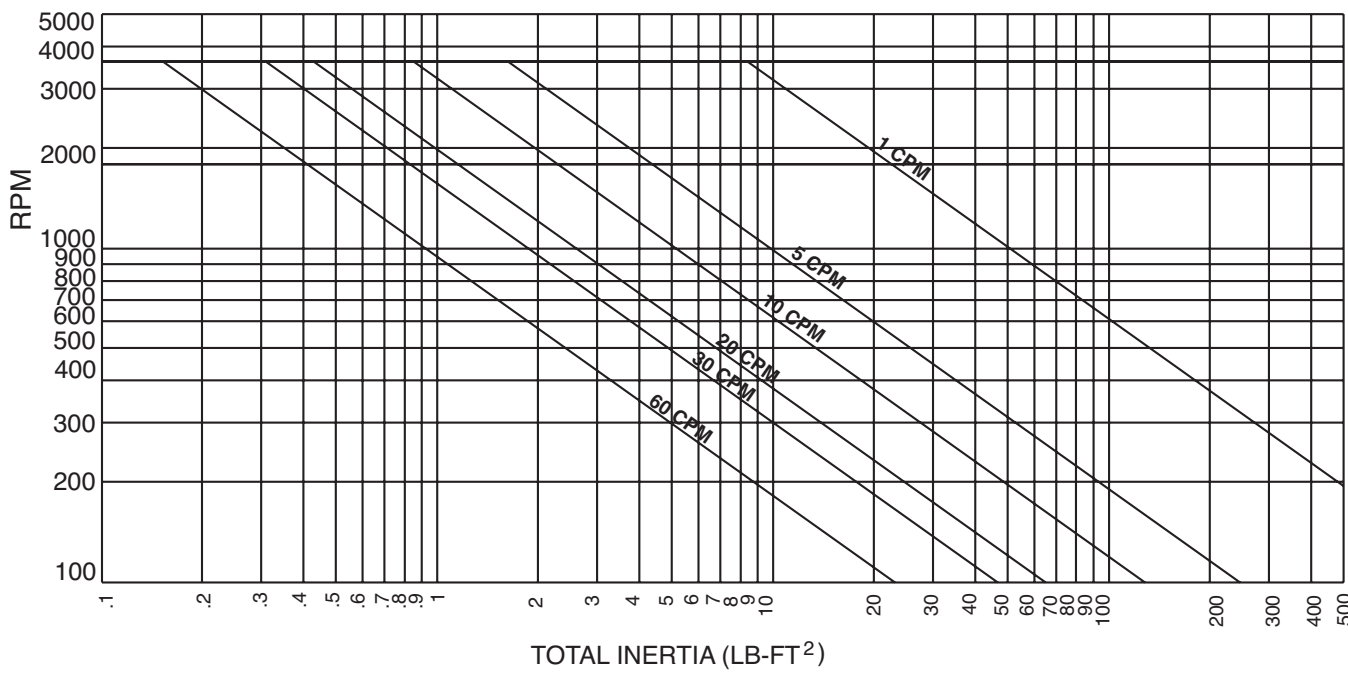


Clutch/Brake Modules ALLOWABLE CYCLE RATES

DMCBO-180



DMCBO-210

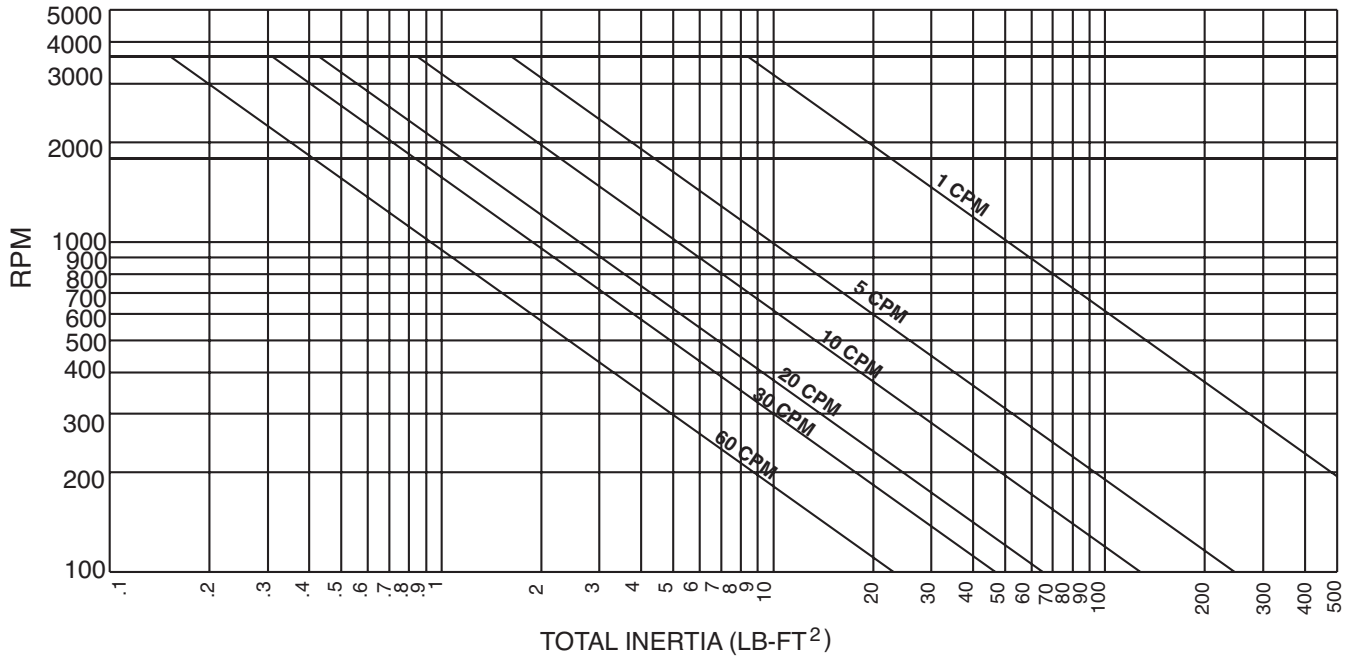


- NOTES:
1. Consult DODGE for cycle rates that exceed chart.
 2. Max. coil temperature 250°F
 3. Motor fan cooled
 4. 100% current



Clutch/Brake Modules ALLOWABLE CYCLE RATES

DMCBO-256

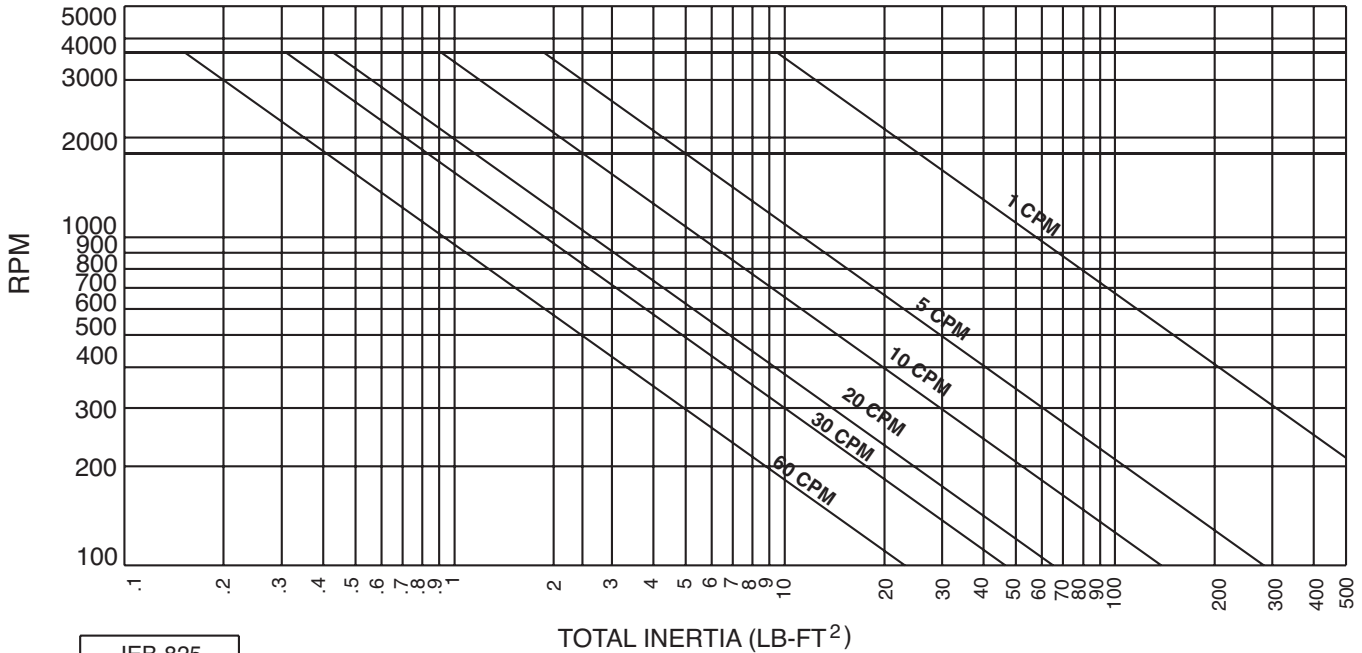


- NOTES:
1. Consult DODGE for cycle rates that exceed chart.
 2. Max. coil temperature 250°F
 3. Motor fan cooled
 4. 100% current

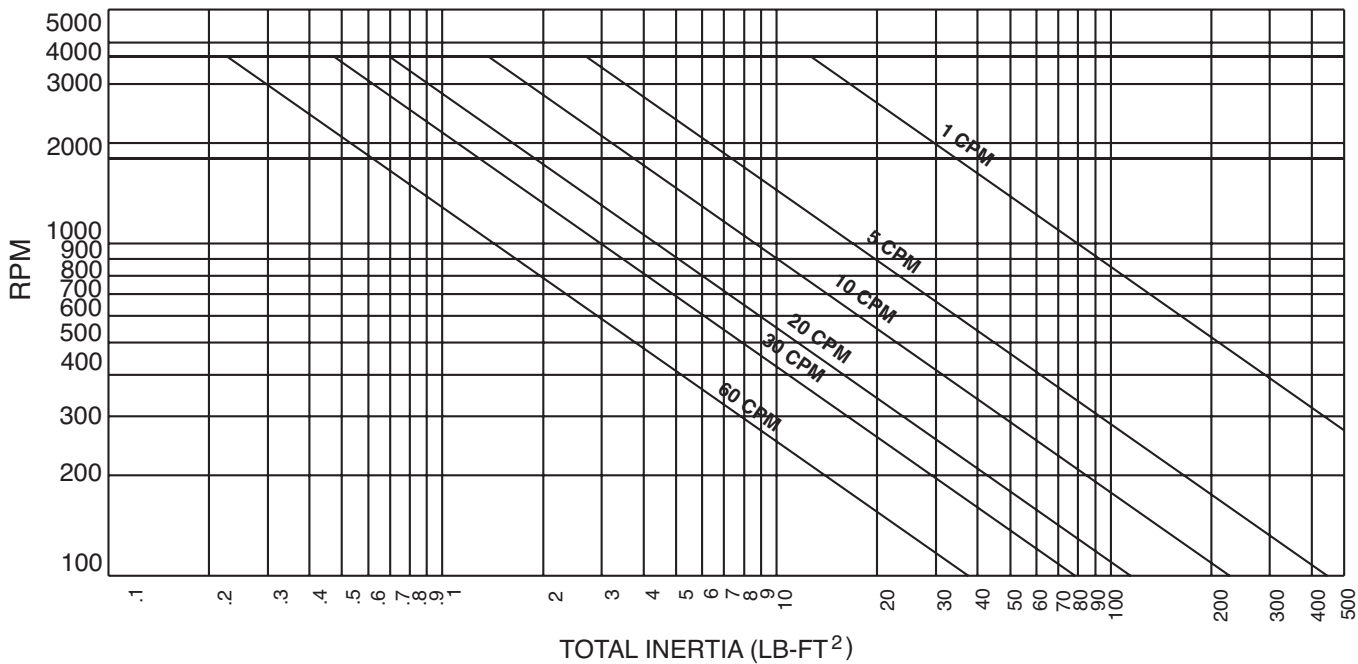


Clutch/Brake Modules ALLOWABLE CYCLE RATES

IEC-825



IEB-825



NOTES:

1. Consult DODGE for cycle rates that exceed chart.
2. Max. coil temperature 250°F
3. Motor fan cooled
4. 100% current

PT Component
Quick References

Couplings

Clutches and Brakes

FLEXIDYNE

Fluid Couplings

TORQUE-TAMER

Bushings



CLUTCHES

SL Series Technical Data

Unit Size	Static Torque Lb.-In.	Inertia Lb.-In. ²		Wgt. Oz.	90 v DC		24 v DC	
		Rotor	Arm & Hub		Amps	Ohms	Amps	Ohms
SL-08	2.5	.002	.0015	2	.046	1977	.117	205
SL-11	6	.0058	.0029	3.2	.047	1930	.198	121
SL-15	10	.060	.0031	3.8	.042	2150	.183	132
SL-17	15	.061	.036	11	.066	1369	.289	83
SL-19	25	.082	.047	12	.074	1213	.294	81.6
SL-22	50	.215	.079	20	.079	1140	.322	74.6
SL-26	80	.362	.292	28	.088	1024	.358	67.1
SL-30	125	.610	.561	50	.091	988	.378	65.3
SL-42	250	2.50	2.30	85	.124	722	.468	51.2

BSL Series Technical Data

Unit Size	Static Torque Lb.-In.	Inertia Lb.-In. ²		Wgt. Oz.	90 v DC		24 v DC	
		Rotor	Arm & Hub		Amps	Ohms	Amps	Ohms
BSL-26	80	.29	.53	38	.088	1024	.358	67.1
BSL-42	250	2.25	4.99	94	.124	722	.468	51.2

SO Series Technical Data

Unit Size	Static Torque Lb.-In.	Inertia Lb.-In. ²		Wgt. Oz.	90 v DC		24 v DC	
		Rotor	Arm & Hub		Amps	Ohms	Amps	Ohms
SO-08	2.5	.002	.0011	2	.046	1977	.117	205
SO-11	6	.0058	.0024	3.2	.047	1930	.198	121
SO-15	10	.06	.026	3.8	.042	2150	.183	132
SO-17	15	.061	.031	11	.066	1369	.289	83
SO-19	25	.082	.042	12	.074	1213	.294	81.3
SO-22	50	.215	.070	20	.079	1140	.322	74.6
SO-26	80	.362	.320	28	.088	1024	.358	67.1
SO-30	125	.61	.561	45	.091	988	.378	65.3
SO-42	250	2.50	2.30	80	.124	722	.468	51.2



Fractional HP

BRAKES

FB Series Technical Data

Unit Size	Static Torque Lb-In.	Inertia Lb.-In. ² Arm & Hub	Wgt. Oz.	90 v DC		24 v DC	
				Amps	Ohms	Amps	Ohms
FB-08	2.5	.0011	2	.046	1977	.117	205
FB-11	6	.0024	3.2	.047	1930	.198	121
FB-15	10	.026	3.8	.042	2150	.183	132
FB-17	15	.031	11	.066	1369	.289	83
FB-19	25	.042	12	.074	1213	.294	81.6
FB-22	50	.070	20	.079	1140	.322	74.6
FB-26	10	.320	26	.088	1024	.358	67.1
FB-30	125	.561	35	.091	988	.378	65.3
FB-42	250	2.30	60	.124	722	.468	51.2

FSB Series Technical Data

Unit Size	Static Torque Lb-In.	Inertia Lb.-In. ² Arm & Hub	Wgt. Oz.	90 v DC		24 v DC		120 v AC	
				Amps	Ohms	Amps	Ohms	Amps	Ohms
FSB-001	1	.0004	2	.051	1880	.220	117	.041	N.A.
FSB-002	3	.0017	3	.064	2177	.190	132	.050	N.A.
FSB-007	7	.0133	15	.059	1520	.247	97.3	.045	N.A.
FSB-015	15	.0133	16	.098	922	.369	65.1	.077	N.A.
FSB-035	35	.084	33	.093	964	.394	61	.073	N.A.
FSB-050	50	.084	36	.194	465	.717	35.5	.140	N.A.
FSB-100	100	.205	64	.180	501	.707	34	.142	N.A.

FSBR Series Technical Data

UNIT SIZE	Static Torque Lb-In.	Inertia Lb.-In. ² Arm & Hub	Wgt. Oz.	90 v DC		24 v DC		120 v AC	
				Amps	Ohms	Amps	Ohms	Amps	Ohms
FSB-001	7	.0133	11	.059	1520	.247	97.3	.045	N.A.
FSB-002	15	.0133	12	.098	922	.369	65.1	.077	N.A.
FSB-007	35	.084	24	.093	964	.394	61	.073	N.A.
FSB-015	50	.084	27	.194	465	.717	35.5	.140	N.A.
FSB-035	100	.205	56	.180	501	.707	34	.142	N.A.

Consult DODGE for other voltages.

PT Component
Quick References

Couplings

Clutches and Brakes

FLEXIDYNE

Fluid Couplings

TORQUE-TAMER

Bushings

CONTENTS



FLEXIDYNE®

Features/Benefits	PT3-2
Specification	PT3-3
How To Order	PT3-3
Nomenclature	PT3-3
Selection	PT3-4
Selection/Dimensions	
FLEXIDYNE Drives	PT3-8
FLEXIDYNE Couplings	PT3-9
PH Couplings	PT3-11
C-FLEX Modules	PT3-13
Modifications/Accessories	PT3-15
Engineering/Technical	PT3-25
Part Number Index	INDEX-1
Keyword Index	INDEX-67

PT Component
Reference Guide

Couplings

Clutches and Brakes

FLEXIDYNE

Fluid Couplings

TORQUE-TAMER

Bushings



FEATURES/BENEFITS

FLEXIDYNE

- **Smoother, Faster Acceleration**

- Smaller motors may be used
- Motor starts under no load conditions
- Smoother starts
- Starting torque can be easily customized

- **More Efficient Design**

- Permits use of standard NEMA Design B motors
- High torque or high slip motors not needed
- Reduced voltage starters not needed
- Wound rotor motors not needed

- **More Efficient Running**

- No slip at running speed means no wear, no heat, no power loss

- **Overload Protection**

- Provides overload protection at overloads somewhat greater than starting torque
- Protection devices to prevent damage to FLEXIDYNE are available

- **Low Current Draw**

- Less than twice the nameplate amperage during both starting and overload periods
- Many electric utilities recommend FLEXIDYNE

- **Increased Productivity**

- Eliminates product spillage and machine damage due to harsh starts or jammed loads



FLEXIDYNE

SPECIFICATION

FLEXIDYNE is available in three designs: Drives, Couplings, and C-Flex Modules to meet most system needs. The Drive style is designed to mount directly on the motor shaft to provide an extremely compact unit for belted service. The Coupling style provides a versatile solution for transmitting torque between in-line shafts. The C-Flex Module style provides all of the benefits of regular FLEXIDYNE in a compact package that readily mounts between C-Face motors and reducers.

HOW TO ORDER

DRIVE STYLE

Specify mechanism size and bore size. Select a sheave from the selection tables found in the Modifications/Accessories section. Refer to the part number when ordering.

COUPLING STYLE

On size 5C - specify bore size. A complete coupling consists of (1) output hub and (1) mechanism.

On larger sizes - specify coupling size, and bore size. A complete coupling consists of (1) mechanism, including flexible disc, (1) Poly-Disc flange, and (2) bushings.

Type PH Couplings - specify coupling size, bore size of the driven end and the motor end. A complete coupling consists of (1) mechanism, (1) Taper-Lock or Bored-To-Size flange assembly, and (1) element.

Refer to the part numbers when ordering.

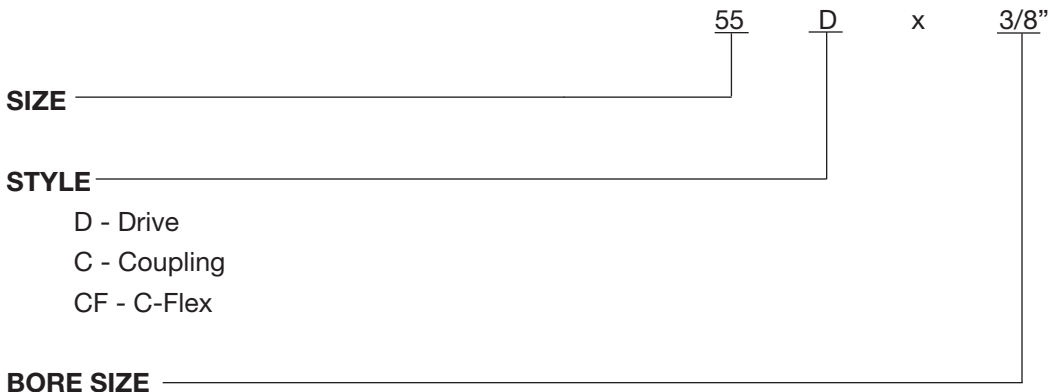
C-FLEX MODULE STYLE

Specify the C-Flex unit size and the FLEXIDYNE mechanism. Refer to the part numbers when ordering.

FLOW CHARGE

Determine the amount of flow charge to be ordered by referring to the Flow Charge tables in the Modifications/Accessories section. Choose between cast steel and stainless. Refer to the part number when ordering.

NOMENCLATURE





SELECTION

FLEXIDYNE

SIMPLIFIED SELECTION PROCEDURE

The tables on pages PT3-6 -PT3-7 give FLEXIDYNE mechanism size and amount of flow charge to provide starting capacities from 100-200% of motor nameplate HP of a NEMA Design B squirrel cage induction motor. This starting capacity is satisfactory for most ordinary industrial applications.

The FLEXIDYNE unit sizes shown in the simplified selection tables suggest the most economical FLEXIDYNE mechanism for a given RPM and HP. In some cases, under the same conditions, there may be other sizes of FLEXIDYNE which may be utilized.

STEP 1

Determine the approximate starting torque percentage for the application. As a guide, suggested percentages are listed in the table below.

STEP 2

Determine motor speed and HP to be used. Refer to tables on pages PT3-6 -PT3-7 based on 1760, 1175, or 875 RPM NEMA Design B motors.

STEP 3

Check maximum bore from Selection/Dimensions pages.

FLEXIDYNE Mechanism Starting Torque

Application	Range	Application	Range	Application	Range
Air Conditioning	130-175%	Cranes (Bridge Draw)	150-200%	Mixers	130-150%
Agitators	130-175%	Crushers	150-200%	Oven Drivers	150-175%
Belt Conveyors	130-150%	Dryers	130-175%	Paper Mills	
Blenders	130-175%	Fans	150-175%	Agitator	130-175%
Blowers	150-175%	Lumber Chippers	150-200%	Hydropulper	130-175%
Bucket Elevators	130-175%	Sawdust Conv.	130-175%	Chipper	150-200%
Can Filling Machine	125-150%	Matl. Handling Equip.	130-150%	Drier	130-150%
Compressors	150-175%	Mills (Ball, Pebble)	150-175%	Pumps	125-150%

NOTE: Since FLEXIDYNE Drives and Couplings are selected primarily as torque limiting devices by using the starting torque percentages shown above, the use of a service factor is not necessary.



FLEXIDYNE OTHER APPLICATIONS

The information on the previous page provides a simple method of selecting the FLEXIDYNE mechanism size when used with NEMA Design B motors under general operating conditions. Selection for any other application is based on the specific conditions and requirements of the installation. The power transmitting characteristics of the FLEXIDYNE unit vary with input speed and amount of flow charge used. A FLEXIDYNE unit can be adapted to the specific conditions and requirements of the individual application by using the proper amount of flow charge.

FLEXIDYNE units are not recommended for variable speed applications, engines or speeds below 700 RPM.

DODGE engineers welcome inquiries on FLEXIDYNE mechanism selection for applications not previously covered. It is suggested that their experience be called upon to recommend the best installation. To contact Dodge engineering please call 864-284-5700.

Please provide the following information with your request:

- Type, HP, RPM, shaft size of motor
- Type, RPM, shaft size of driven machine
- Frequency of starts, reversals, and overloads
- Time required to accelerate
- For high inertia loads, WR^2
- Starting HP and Overload Breakaway HP desired
- Functions the FLEXIDYNE unit must perform

FEATURES/BENEFITS PAGE PT3-2	SPECIFICATION PAGE PT3-3	SELECTION/DIMENSIONS PAGE PT3-8	ENGINEERING/TECHNICAL PAGE PT3-26
---------------------------------	-----------------------------	------------------------------------	--------------------------------------



SELECTION

FLEXIDYNE

SELECTION OF FLEXIDYNE MECHANISM SIZE (BASED ON % OF STARTING TORQUE FOR NEMA DESIGN B MOTORS)

1760 RPM

Rated Motor HP	FLEXIDYNE Mech Size	100% @ 1760 rpm			125% @ 1750 RPM			150% @ 1740 RPM			175% @ 1700 RPM			200% @ 1650 RPM		
		Start -ing HP	Flow Charge		Start -ing HP	Flow Charge		Start -ing HP	Flow Charge		Start -ing HP	Flow Charge		Start -ing HP	Flow Charge	
			Lbs.	Oz.		Lbs.	Oz.		Lbs.	Oz.		Lbs.	Oz.		Lbs.	Oz.
1/2	5D, 5C	.5	0	8	.62	0	9	.75	0	9.5	.85	0	10	.94	0	10.5
3/4	5D, 5C	.75	0	9	.94	0	10.5	1.1	0	11	1.3	0	11.5	1.4	*	*
1	55D, 55C	1.0	0	9	1.2	0	10	1.5	0	11	1.7	0	12	1.9	0	13
1-1/2	55D, 55C	1.5	0	10	1.9	0	12	2.2	0	13.5	2.5	0	14	2.8	0	16
2	55D, 55C	2.0	0	12	2.5	0	13.5	3.0	0	15	3.4	0	17	3.8	0	18
3	70D, 70C	3.0	1	11	3.7	1	13	4.5	1	14	5.1	2	0	5.7	2	2
5	70D, 70C	5.0	1	14	6.2	2	1	7.5	2	4	8.5	2	8	9.4	2	10
7-1/2	75D, 75	7.5	1	11	9.4	1	14	11.2	2	1	12.7	2	4	14.1	2	9
10	75D, 75C	10	1	15	12.5	2	3	14.9	2	6	17.0	2	9	18.8	2	12
15	9D, 9C	15	2	9	18.8	3	0	22.3	3	7	25.5	3	13	28.3	4	2
20	9D, 9C	20	3	2	25	3	10	30	4	0	34	4	8	38	5	3
25	11D, 11C	25	4	3	31	4	12	37	5	0	42	5	8	47	6	2
30	11D, 11C	30	4	10	37	5	0	45	5	12	51	6	3	57	6	12
40	11D, 11C	40	5	5	50	6	0	60	6	8	68	7	3	75	8	0
50	11D, 11C	50	5	13	62	6	10	74	7	6	85	8	2	94	8	11
60	15D, 15116	60	7	3	75	8	3	89	9	1	102	10	1	113	10	14
75	15D, 15116	75	8	3	94	9	3	111	10	3	127	11	0	141	12	0
100	15D, 15116	100	9	7	125	10	10	149	11	9	170	12	8	188	13	5
125	D15131 ▲	125	7	3	156	8	6	186	9	4	212	10	4	236	11	1
150	D15131 ▲	150	8	3	187	9	3	224	10	3	255	11	1	283	12	1

1175 RPM

Rated Motor HP	FLEXIDYNE Mech Size	100% @ 1175 rpm			125% @ 1160 RPM			150% @ 1150 RPM			175% @ 1130 RPM			200% @ 1100 RPM		
		Start -ing HP	Flow Charge		Start -ing HP	Flow Charge		Start -ing HP	Flow Charge		Start -ing HP	Flow Charge		Start -ing HP	Flow Charge	
			Lbs.	Oz.		Lbs.	Oz.		Lbs.	Oz.		Lbs.	Oz.		Lbs.	Oz.
1/4	5D, 5C	.25	0	8.546	0	10.5
1/2	55D, 55C	.5	0	11	.62	0	15	.75	0	13	.85	0	15	.94	0	16
3/4	55D, 55C	.75	0	12	.94	0	15	1.1	0	16	1.3	0	17	1.4	0	18
1	70D, 70C	1.0	1	10	1.2	1	12	1.5	1	14	1.7	2	1	1.9	2	4
1-1/2	70D, 70C	1.5	1	13	1.9	2	1	2.2	2	3	2.5	2	6	2.8	2	9
2	75D, 75C	2.0	1	10	2.5	1	13	3.0	2	0	3.4	2	2	3.8	2	6
3	75D, 75C	3.0	1	15	3.7	2	3	4.5	2	7	5.1	2	10	5.7	2	12
5	9D, 9C	5.0	2	4	6.2	2	11	7.4	3	1	8.5	3	8	9.4	3	12
7-1/2	9D, 9C	7.5	3	0	9.3	3	9	11.1	3	14	12.7	4	4	14.1	4	12
10	11D, 11C	10	5	0	12.4	5	5	14.8	5	10	17	6	3	19	7	0
15	11D, 11C	15	5	14	18	6	5	22	7	0	25	7	14	28	9	0
20	11D, 11C	20	6	8	25	7	14	30	8	4	34	8	13	38	9	10
25	15D, 15116	25	8	8	31	9	13	37	10	12	42	11	13	47	12	10
30	15D, 15116	30	9	7	37	10	10	44	11	11	51	12	9	57	13	8
40	15D, 15116	40	10	14	50	12	14	59	13	0	68	14	0	75	15	3
50	15D	50	12	0	62	13	1	74	14	2	85	15	8
	D15116 ▲	50	8	8	62	9	13	74	10	12	85	11	8	94	12	0
	18D	94	15	11
60	15D	60	12	11	75	14	1	89	15	6
	D15116 ▲	60	9	7	75	10	10	89	11	11	102	12	9	113	13	8
	18D	102	17	4	113	19	6
75	15D	75	13	14	93	15	8
	D15116 ▲	75	10	9	93	11	13	111	12	11	127	13	10	141	14	12
	18D	111	17	10	127	19	10	141	21	14
100	18D, 18172	100	15	12	124	18	7	148	20	9	170	22	13	189	24	13
125	18D, 18172	125	18	7	155	21	1	185	23	3	212	25	3	236	27	3
150	18D, 18172	150	20	5	186	22	15	222	25	0	254	27	0	283	29	4
200	D18172 ▲	200	15	12	249	18	10	285	20	5	340	22	13	377	24	13
250	D18172 ▲	250	18	9	312	21	0	370	23	2	424	25	3	470	27	0

* Use a Size 55 FLEXIDYNE unit. Fill with 11 oz. of Flow Charge for 1.5 Starting HP

▲ Flow charge is listed for one cavity. For duplex (double cavity) units, numbered with prefix "D", the amount listed is would have to be doubled.

FEATURES/BENEFITS PAGE PT3-2	SPECIFICATION PAGE PT3-3	SELECTION/DIMENSIONS PAGE PT3-8	ENGINEERING/TECHNICAL PAGE PT3-26
---------------------------------	-----------------------------	------------------------------------	--------------------------------------

SELECTION



FLEXIDYNE

SELECTION OF FLEXIDYNE MECHANISM SIZE (BASED ON % OF STARTING TORQUE FOR NEMA DESIGN B MOTORS)

875 RPM

Rated Motor HP	FLEXIDYNE Mech Size	100% @ 875 rpm			125% @ 870 RPM			150% @ 850 RPM			175% @ 840 RPM			200% @ 820 RPM		
		Start-ing HP	Flow Charge		Start-ing HP	Flow Charge		Start-ing HP	Flow Charge		Start-ing HP	Flow Charge		Start-ing HP	Flow Charge	
			Lbs.	Oz.		Lbs.	Oz.		Lbs.	Oz.		Lbs.	Oz.		Lbs.	Oz.
1/2	70D, 70C	.5	1	12	.62	1	15	.75	2	1	.85	2	4	.94	2	6
3/4	70D, 70C	.75	2	0	.94	2	3	1.1	2	6	1.3	2	8	1.4	2	12
1	75D, 75C	1.0	1	13	1.2	2	0	1.5	2	3	1.7	2	7	1.9	2	8
1-1/2	75D, 75C	1.5	2	2	1.9	2	7	2.2	2	10	2.5	2	11	2.8	2	12
2	9D, 9C	2.0	2	6	2.5	2	12	2.9	3	0	3.4	3	8	3.7	3	12
3	9D, 9C	3.0	3	0	3.7	3	8	4.4	4	0	5.0	4	6	5.6	4	14
5	11D, 11C	5.0	5	6	6.2	5	14	7.3	6	10	8.4	7	0	9.4	7	8
7-1/2	11D, 11C	7.5	6	8	9.3	7	2	10.9	8	0	12.6	8	8	14.0	9	5
10	15D, 15116	10	8	6	12.4	9	8	14.6	10	9	16.8	11	7	18.7	12	5
15	15D, 15116	15	10	5	19	11	7	22	12	8	25	13	5	28	14	6
20	15D, 15116	20	11	12	25	12	13	29	13	14	34	15	1	38	15	8
25	D15116	25	9	7	31	10	9	36	11	11	42	12	8	47	13	5
30	D15116	30	10	5	37	11	7	44	12	8	50	13	5	56	14	6
40	18D, 18172	40	15	3	50	18	0	58	20	6	67	22	8	75	24	7
50	18D, 18172	50	17	14	62	20	4	73	22	14	84	24	14	94	26	14
60	18D, 18172	60	19	13	75	22	6	87	24	15	101	26	1	112	28	12
75	D18172 ▲	75	14	8	93	17	2	109	19	11	126	21	13	141	23	12
100	D18172 ▲	100	17	14	124	20	4	146	22	14	168	24	14	187	26	14
125	D18172 ▲	125	20	2	155	22	13	182	25	7	210	27	4	234	29	4

▲ Flow charge is listed for one cavity. For duplex (double cavity) units, numbered with prefix "D", the amount listed would have to be doubled.

PT Component Reference Guide

Couplings

Clutches and Brakes

FLEXIDYNE

Fluid Couplings

TORQUE-TAMER

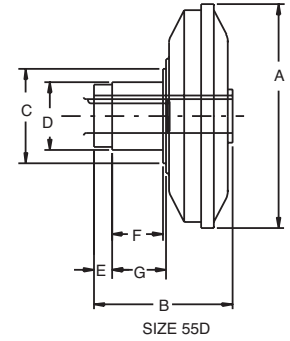
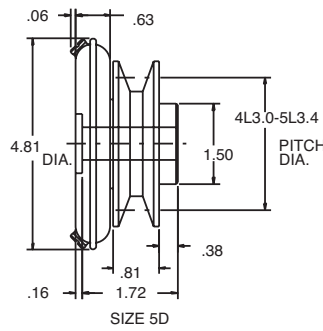
Bushings

FEATURES/BENEFITS PAGE PT3-2	SPECIFICATION PAGE PT3-3	SELECTION/DIMENSIONS PAGE PT3-8	ENGINEERING/TECHNICAL PAGE PT3-26
---------------------------------	-----------------------------	------------------------------------	--------------------------------------

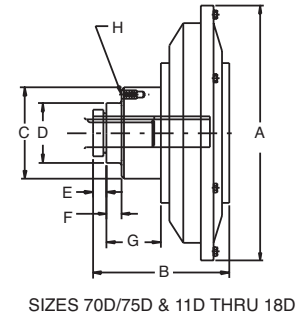
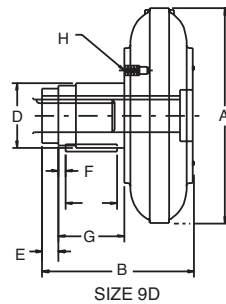


SELECTION/DIMENSIONS

FLEXIDYNE Drives



Each FLEXIDYNE, including a container of flow charge, is individually packaged. Cutout features and a cross section drawing are shown in the Modifications/ Accessories section.



NOTE: Drawings are for dimensional purpose only and do not necessarily represent construction

5D FLEXIDYNE Drive

Nom. Stock Bores ▲	w/Integral Sheave P.D.	Part Number	Wt. Lbs.	Keyseat	Key Req'd.
5/8	4L2.2-5L2.6	305106	3.4	3/16 X 3/32 X 1-11/16	3/16 X 3/16 X 1-3/8
	4L3.0-5L3.4	305101	2.4		
	4L3.6-5L4.0	305102	3.6		
3/4 (Max.)	4L3.0-5L3.4	305103	2.7	3/16 X 3/32 X 1-11/16	3/16 X 3/16 X 1-7/8

▲ +.0005" +.0025" over nominal. Bores not listed will be quoted on application.

FEATURES/BENEFITS PAGE PT3-2	SPECIFICATION PAGE PT3-3	SELECTION PAGE PT3-4	ENGINEERING/TECHNICAL PAGE PT3-26
---------------------------------	-----------------------------	-------------------------	--------------------------------------



SELECTION/DIMENSIONS

FLEXIDYNE

55D Thru 18D FLEXIDYNE Drive

DRIVE SIZE	MAX. RPM	NOM STOCK BORES *	Part Number	Wt Lbs	Keyseat ▼	Key Req'd
55D	3600	5/8	305015	3.0	3/16 x 3/32 x 3-1/16	3/16 x 3/16 x 1-3/8
		7/8 (Max)	305016	2.8		
70D	3300	7/8	305021	9.5	3/16 x 3/32 x 3-5/16	3/16 x 3/16 x 1-3/8
		1-1/8 (Max.)	305022	9.7	1/4 x 1/8 x 3-5/16	1/4 x 1/4 x 1-3/4
75D	3300	1	305085	10.0	1/4 x 1/8 x 4	1/4 x 1/4 x 1-3/4
		1-3/8 (Max.)	305057		10.2	5/16 x 3/32 x 4
9D	2300	1-1/8	309070	23.0	1/4 x 1/8 x 6	1/4 x 1/4 x 2
		1-1/4	309071	24.0	1/4 x 1/8 x 6	1/4 x 1/4 x 2-3/4
		1-3/8	309072	23.5	5/16 x 5/32 x 6	5/16 x 5/16 x 2-3/4
		1-5/8 (Max.)	309073	23.0	3/8 x 1/8 x 6	3/8 x 5/16 x 3-3/4
11D	2400	1-3/8	311070	45.0	5/16 x 5/32 x 7-5/16	5/16 x 5/16 x 2-3/4
		1-5/8	311071	46.0	3/8 x 3/16 x 7-5/16	3/8 x 3/8 x 3-3/4
11DL	2400	1-7/8 (Max.)	311072	45.0	1/2 x 1/8 x 7-5/16	1/2 x 3/8 x 5-1/2 ◆
		2-1/8 (Max.)	311073	44.0	1/2 x 1/8 x 7-5/16	1/2 x 3/8 x 5-1/2 ◆
15D	1800	1-7/8	315070	100.0	1/2 x 1/4 x 10-3/16	1/2 x 1/2 x 5
		2-1/8	315071	92.0	1/2 x 1/4 x 10-3/16	1/2 x 1/2 x 5
		2-3/8 (Max.)	315072	96.0	5/8 x 1/8 x 10-3/16	5/8 x 7/16 x 5-1/2 ◆
18D	1500	2-7/8	318060	154.0	3/4 x 3/8 x 10-3/16	3/4 x 3/4 x 9-3/4
		3-3/8 (Max.)	318065	154.0	7/8 x 1/4 x 10-3/16	7/8 x 11/16 x 9-3/4 ◆

Size	A	B	C -.000 +.002	D	E	F	G **	H	
								No. of Holes	Thd's
55D	5.38	3.07	2.752	1.69	0.47	1.38	1.41
70D	8.13	3.56	3.755/3.753	2.81	0.63	0.63	1.03	4	††
75D	8.13	4.25	3.755/3.753	2.81	0.63	0.63	1.72	4	††
9D	9.50	6.75	3.00{	0.69	0.56	3.38	4	♣
11D	11.25	8.28	5.082/5.080	3.610/3.605	0.75	2.50	4.38	4	§
11DL									
15D	14.50	11.19	6.625/6.623	4.63	1.00	3.25	6.31	6	▲
18D	18.00	14.75	9.189/9.187	6.00	1.13	1.50	9.25	6	♣

Note: To facilitate order processing specify part numbers

Setscrews: One furnished over keyway, one @ 120°

* **All sizes:** +.0005" +.0025" over nominal. Bores not listed will be quoted on application

† Key provided

** Provide 3/32 min. clearance between sheave and FLEXIDYNE drive

◆ Key is furnished for these sizes only

▼ Keyseat begins at left end of FLEXIDYNE drive as viewed in drawings on page PT3-8

♣ 1/4-20x1/2" deep on 3-1/2" Dia. B.C. (1/4x2-1/2" Soc. Hd. Cap Screws w/1-3/8" thd., not furnished).

§ 3/8-16x1-1/8" deep on 4-3/8" Dia. B.C. (3/8x1-3/4" Soc. Hd. Cap Screws w/1-1/4" thd., furnished).

▲ 1/2-13x1-1/4" deep on 5-3/4" Dia. B.C. (1/2x2" Soc. Hd. Cap Screws w/1-1/2" thd., furnished).

♣ 1/2-13x1-5/16" deep on 8-3/16 Dia. B.C. (1/2x2-1/4" Soc. Hd. Cap Screws w/1-1/2" thd., furnished)."

†† 1/4-20x5/8" deep on 3-1/4" Dia. B.C. (1/4x1-1/4" for 70 & 1/4x1-1/4" for 75 furnished).



SELECTION/DIMENSIONS

FLEXIDYNE

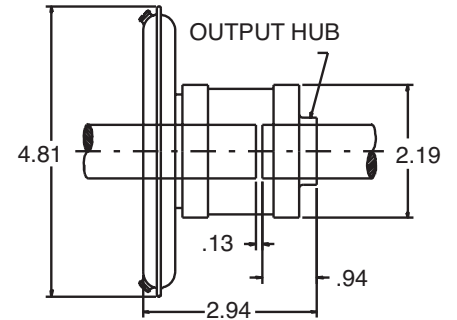
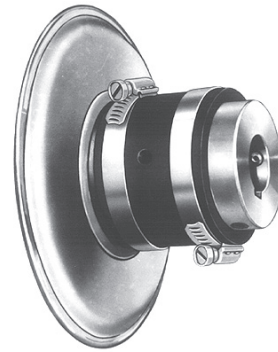
5C FLEXIDYNE COUPLING

The 5C FLEXIDYNE Coupling uses a formed steel housing and tubular flexible element. See ordering instructions in table below.

5C FLEXIDYNE Couplings

Available Bores	Keyway	Part Numbers	
		MECHANISM for Motor Shaft (Avg. Wt. 2.2 Lbs.)	OUTPUT HUB for Driven Shaft (Avg. Wt. .55 Lbs.)
1/2"	1/8 x 1/16	305120
5/8"	3/16 x 3/32	305115	305121
3/4"	3/16 x 3/32	305118	305122
7/8"	3/16 x 3/32	305037	305123

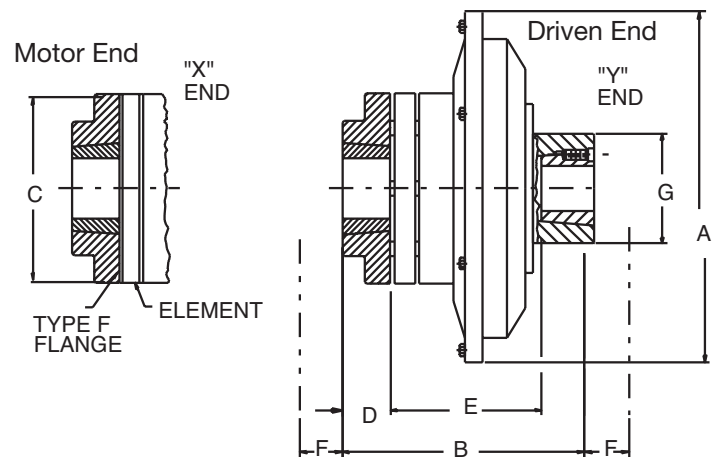
Note: Total coupling consists of (1) output hub and (1) mechanism. Order by description x bore. To facilitate order processing, order these items by part number. Max bore of mechanism = 3/4"; output hub = 1".



55C thru 11C FLEXIDYNE Couplings

The 55C thru 11C size FLEXIDYNE Coupling uses the same flexible disc used in DODGE POLY-DISC Couplings. The molded polyurethane disc offers longer life and smoother, quieter operation. Disc has excellent physical properties yet remains pliable to cushion shock loads and accommodate misalignment.

H and F Flanges, carried in stock, can be arranged in the position which best suits the application. In H type the bushing installs from the Hub side of the flange; in F type from the Face side. Sufficient flow charge is furnished with each unit.





SELECTION/DIMENSIONS

FLEXIDYNE

55C Thru 11C FLEXIDYNE Couplings

Cplg. Size	Bore Range of Bushing		Max. RPM	Cplg. Less Bushings	Items required for Complete Coupling †									
					Mechanism (Includes disc)			Poly-Disc Flange w/o Bush.			Bushings			
	Min.	Max.		Wt. Lbs.	Part No.	Wt. Lbs.	Size	TYPE H		Wt. Lbs.	Motor End		Driven End	
								Part No.	Part No.		Bush No.	Avg. Wt. Lbs.	Bush No.	Avg. Wt. Lbs.
55C	1/2	1	1800	5.0	305019	4.0	2-5/8	008057	008058	1.0	1008	.2	1008	.2
70C	*	*	1800	15.6	305025	13.6	4	008041	008040	2.0	1215	.7	1610	.7
75C	1/2	1-11/16	1800	18.6	305058	14.1	5-1/4	008043	008042	4.5	1615	1.0	1610	.7
9C	1/2	2-11/16	1800	40.6	309074	30.6	7	008045	008044	10.0	2517	2.8	2517	2.8
11C	1/2	2-11/16	1800	57.2	311074	44.2	8	008047	008046	13.0	2517	2.8	2517	2.8

Complete coupling consists of (1) Mechanism, including flexible disc, (1) POLY-DISC Flange, and two bushings.

TAPER-LOCK bushings sold separately.

† To facilitate order processing specify part numbers.

Determine whether H or F Flange is required and order accordingly.

* Motor End: 1/2" - 1-1/4" (Min./Max.); Driven End: 1/2" - 1-5/8"

◆ Normal dimension. Shaft end float which increases or decreases "E" by slight amounts is permissible.

★ 1" on driven end, 1-1/2" on motor end.

▲ Space required to loosen bushing with shortened hex key using screws as jack screws-no puller required.

Keyways-See tables below for standard keyways and shallow keyways.

Standard Keyways

Bore Range	Keyway
1/2 - 9/16 Incl.	1/8 x 1/16
over 9/16 - 7/8 Incl.	3/16 x 3/32
over 7/8 - 1-1/4 Incl.	1/4 x 1/8
over 1-1/4 - 1-3/8 Incl.	5/16 x 5/32
over 1-3/8 - 1-3/4 Incl.	3/8 x 3/16
over 1-3/4 - 2-1/4 Incl.	1/2 x 1/4
over 2-1/4 - 2-3/4 Incl.	5/8 x 5/16
over 2-3/4 - 3-1/4 Incl.	3/4 x 3/8
over 3-1/4 - 3-3/4 Incl.	7/8 x 7/16
over 3-3/4 - 4-1/2 Incl.	1 x 1/2
over 4-1/2 - 5-1/2 Incl.	1-1/4 x 5/8
over 5-1/2 - 6-1/2 Incl.	1-1/2 x 3/4

Shallow Keyways

Bush No.	Bore Range	
1008	15/16 - 1	Note: Key furnished for these exceptions only.
1610	1-9/16 - 11-1/16	
1615		
2517	2-5/16 - 2-11/16	Note: Key furnished for these exceptions only.



SELECTION/DIMENSIONS

FLEXIDYNE

TYPE PH FLEXIDYNE COUPLINGS



This unique combination of PARA-FLEX coupling and FLEXIDYNE mechanism offers maximum protection for motors and driven machines. The FLEXIDYNE unit allows the motor to accelerate quickly and start the load smoothly while the Para-Flex coupling permits up to 1° angular misalignment, up to 1/16" parallel misalignment and 3/32" end float. Consequently, starting torque can be tailored to the driven load requirements while torsional and lateral vibration and shock loads are being absorbed or cushioned.

The driven end of the couplings uses TAPER-LOCK bushings only. However, the motor end is available as bushed or bored-to-size. Bored-to-size flanges accommodate larger shafts than possible with bushed flanges. Smaller size flanges are reversible offering the H and F position from the same flange. A choice of H or F flanges is offered for size PX140.

TAPER-LOCK Bushings

Cplg. Size	For Mechanism		For Flange Assy.	
	No	Avg. Wt Lbs.	No.	Avg. Wt. Lbs.
987	2517	2.8	1610	0.7
1196	2517	2.8	2012	1.4
15116	3030	7.4	2517	2.8
D15116	3030	7.4	2517	2.8
D15131	3030	7.4	2517	2.8
18172	3535	11.5	3535	11.5
D18172	3535	11.5	3535	11.5

Note: For Keyway information, see footnote next page

Type PH FLEXIDYNE Couplings W/ TAPER-LOCK Flanges

Cplg. Size	Cplg. Less Bushings	Items Req'd. for Complete Coupling ▲													
		Mechanism				TAPER-LOCK FLG. ASSY						ELEMENT			
		Driven End Bore Range		Part No.	Wt. Lbs.	Motor End Bore Range		Size	Part Nos. for Respective Types			Wt. Lbs.	Size	Part No.	Wt. lbs.
		Min.	Max.			Min.	Max.		St'd. (Reversible)	Type H	Type F				
987	46.7	1/2	2-11/16	309077†	40	1/2	1-11/16	PX70	010603	5.1	PH87	011227	1.6
1196	65.5	1/2	2-11/16	311077	56	1/2	2-1/8	PX80	010604	7.4	PH96	011228	2.1
15116	137.5	1-5/16	3-1/4	315073	120	1/2	2-11/16	PX100	010606	15.0	PH116	011230	2.5
D15116	184.5	1-5/16	3-1/4	315074	167	1/2	2-11/16	PX100	010606	15.0	PH116	011230	2.5
D15131	175.7	1-5/16	3-1/4	315075	150	1/2	2-11/16	PX110	010607	21.6	PH131	011231	4.1
18172	314.2	1-3/16	3-15/16	318110	242	1-3/16	3-15/16	PX140	011134	011154	64.0	PH172	011234	8.2
D18172	320.2	1-3/16	3-15/16	318400	248	1-3/16	3-15/16	PX140	011134	011154	64.0	PH172	011234	8.2

◆ When ordering bushings, specify bore and part number.

† Assembled-to-order. Consult DODGE for delivery.

▲ To facilitate order processing specify part numbers. In sizes 18172 and D18172, determine whether H or F Flange is required and order accordingly. Complete Coupling consists of (1) Mechanism, (1) Taper-LOCK Flange Assembly, (1) Element and (2) Bushings.

Cplg. Size	Coupling Less Bushings		BBS FLANGE ASSEMBLY						
	Rgh. Bored	Fin. Bored	Size	Rough Stock Bore			Fin. Bored w St'd. K. W.		
				Min. Bore *	Part Number	Wt. Lbs.	Motor End Bore Range	Wt. Lbs.	Set Screw
987	49.5	47.3	PX70BBS		010301	7.9	1/2 - 2-1/8	5.7	
1196	69.1	66.3	PX80BBS		010302	11	1/2 - 2-9/16	8.2	
15116	147.5	139.5	PX100BBS	0	010304	25	1/2 - 3-1/4	17	⊕
D15116	194.5	186.5	PX100BBS		010304	25	1/2 - 3-1/4	17	
D15131	189.1	176.1	PX110BBS		010305	35	1/2 - 3-15/16	22	
18172	336.2	311.2	PX140BBS	2-1/4	010530	86	2-3/4 - 4-1/2	61	⊕
D18172	342.2	317.2	PX140BBS	2-1/4	010530	86	2-3/4 - 4-1/2	61	⊕

Note: Complete Coupling consists of (1) Mechanism, (1) BBS Flange Assembly, (1) Element and (1) Bushing.

♥ Bored per order-Sizes PX70 thru PX110 are furnished with a clearance fit from nominal bores (up to 2" +.000-.000. over 2" +.0015 -.0000). In PX140 size, tolerance will be applied to custom bores (up to 3" +.000 -.001. over 3" thru 6" +.0000 -.0015; over 6" +.000 -.002). Largest Bore listed should be considered as maximum.

⊕ One furnished over keyway.

⊕ Not furnished unless specified on order.

* Standard keyway is the same as shown on page. For shallow keyway exceptions, see table at right:

NOTE: Taper-LOCK bushings sold separately

◆ Approximate weight with maximum bore

* -.010 to -.015" no keyway

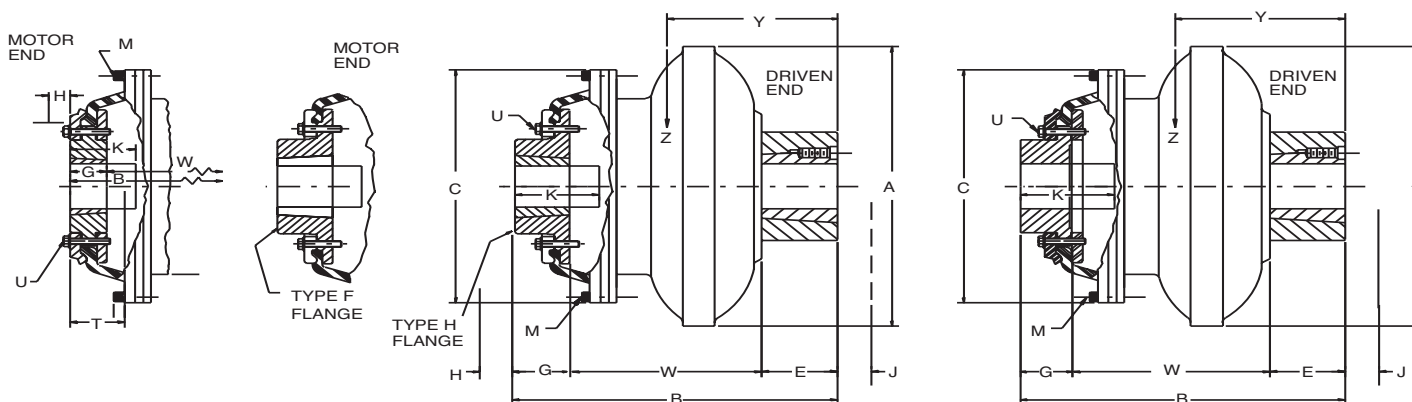
BS Flg. Size	Bore Range	Keyway	NOTE-Key furnished for these exceptions only
PX70	2 - 2-1/8	1/2 x 1/8	
PX80	2-3/8 - 2-9/16	5/8 x 3/16	
PX100	3-1/16 - 3-1/4	3/4 x 3/16	
PX110	3-11/16 - 3-3/4	7/8 x 1/4	
	3-13/16 - 3-15/16	1 x 1/4	

FEATURES/BENEFITS PAGE PT3-2	SPECIFICATION PAGE PT3-3	SELECTION PAGE PT3-4	ENGINEERING/TECHNICAL PAGE PT3-26
---------------------------------	-----------------------------	-------------------------	--------------------------------------



SELECTION/DIMENSIONS

FLEXIDYNE TYPE PH FLEXIDYNE COUPLINGS (cont.)



Coupling Size	Max. RPM	A	B		C	E ♣	G		H †	J †	K ▲		M ◆ (No.) & Size of Screws
			TAPER-LOCK Flange	Bored-to-Size Flange			TAPER-LOCK Flange	Bored-to-Size Flange			TAPER-LOCK Flange	Bored-to-Size Flange	
987	1800	9.5	8.75	9.75	9.44	1.75	1	1.75	1.06	1.63	3.19	4.19	(8) 5/16-18 x 1-1/4
1196	1800	11.25	10.06	11.19	10.31	1.75	1.25	2	1.38	1.38	4.38	5.5	(6) 3/8-16 x 1-1/2
15116	1800	14.5	12.31	13.81	12.31	3	1.75	2.63	1.63	2.06	4.44	5.94	(8) 3/8-16 x 1-1/2
D15116	1800	14.5	13.88	15.31	12.31	3	1.75	2.63	1.63	2.06	4.44	5.94	(8) 3/8-16 x 1-1/2
D15131	1800	14.5	14.63	16.38	13.81	3	1.75	3	1.63	2.06	5.19	6.94	(8) 3/8-16 x 2
18172	1500	18	16.31	17.44	18.31	3.5	3.5	3.88	2.63	2.63	7.5	8.5	(8) 1/2-13 x 2
D18172	1500	18	17.81	18.94	18.31	3.5	3.5	3.88	2.63	2.63	7.31	8.5	(8) 1/2-13 x 2

Coupling Size	T		U **		W ■		X	Y ▼	Z ♣ (Lbs.)		
	TAPER-LOCK Flange	Bored-to-Size Flange	No. and Size of Screws		TAPER-LOCK Flange	Bored-to-Size Flange					
			TAPER-LOCK Flange	Bored-to-Size Flange							
987	1.59	1.59	(5) 5/16-18 x 1-1/2		(5) 5/16-18 x 1-1/2		5.94	6.25	..	3.88	43
1196	1.91	1.91	(6) 5/16-18 x 1-1/2		(6) 5/16-18 x 1-1/2		7.06	7.44	..	4.13	66
15116	2.09	2.09	(6) 3/8-16 x 1-3/4		(6) 3/8-16 x 1-3/4		7.56	8.19	..	5.5	107
D15116	2.09	2.09	(6) 3/8-16 x 1-3/4		(6) 3/8-16 x 1-3/4		9.13	9.69	..	6.5	153
D15131	2.56	2.56	(6) 3/8-16 x 2		(6) 3/8-16 x 2		9.88	1.38	..	6.5	153
18172	3.63	3	(8) 1/2-13 x 2-1/2		(8) 1/2-13 x 2-1/4		9.31	10.06	0.19	6.75	209
D18172	3.63	3	(8) 1/2-13 x 2-1/2		(8) 1/2-13 x 2-1/4		10.81	11.56	0.19	6.69	284

- ♣ Driven shaft should not extend into coupling beyond dimension E.
- † Space required to loosen bushing with shortened hex key using screws as jackscrew no puller required
- ▲ Motor shaft may extend into coupling beyond dimension G but not beyond dimension K.
- * Reversible flanges permit Type H or F from the same flange.
- Normal distance between shafts. End float which increases or decreases W by slight amounts is permissible.
- ▼ Distance from driven end to center of gravity of driven section of coupling.
- ♣ Weight of driven section with maximum bore and flow charge.

- ◆ Socket head cap screw.
- ** Hex head cap screw, SAE Grade 8; Optional: Nickel plated Grade 8 screws

Keyways-Standard Keyways are shown on page PT3-11. For Shallow keyway exceptions see table below.

Bush No	Bore Range	NOTE - Key furnished for these exceptions only. See TAPER-LOCK section for Keyway information
1610	1-9/16 - 1-5/8	
2012	1-15/16 - 2-1/8	
2517	2-5/16 - 2-11/16	
3030	2-13/16 - 3-1/4	
3535	3-5/16 - 3-15/16	



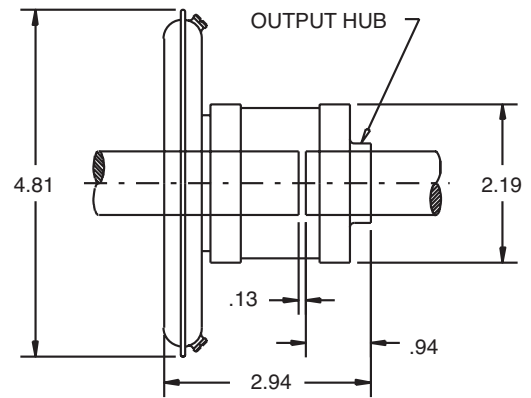
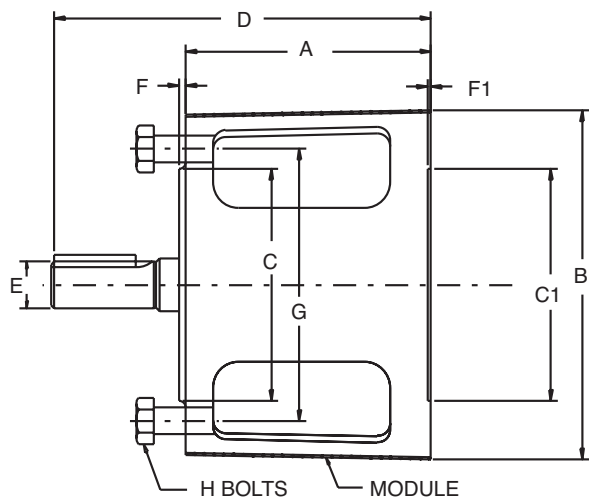
SELECTION/DIMENSIONS

FLEXIDYNE C-FLEX MODULE

C-Flex is a system for easily adapting stock FLEXIDYNE couplings to conventional AC motor/C-Face reducer drive combinations. The advantages of this low cost arrangement include soft start and intermittent overload protection utilizing popular NEMA-B motors and across-the-line switching. Costly reduced voltage starters or specially wound motors are not required. FLEXIDYNE unit operates bi-directionally

(reversing) and allows starting of heavy inertial loads without oversized motors.

C-Flex fits all standard NEMA C-Face mountings of 56C, 140TC, 180TC and 210TC frame utilized on 1/2 thru 10 HP, 1750 ROM AC motors. The C-Flex output bearing provides support for single-bearing reducer types, but is equally suitable for reducers having two input shaft bearings.



C-Flex Modules

HP Rating @ 1750 RPM	For NEMA C-Face Frame	C-Flex Unit ▲			FLEXIDYNE Mechanism			A	B	C Dia.	C1 Dia.	D	Nom. E. Dia.	F	F1	G Dia. B.C.	H Bolts	
		Model No.	Part No.	Wt. (Lbs.)	Size	Part No.	Wt. (Lbs.)										No.	Size
1/2	56C	150	305026	14.5	5CF x 5/8 ■	305117	2.2	4.75	6.63	4.500	4.501	6.69	5/8	.100	0.19	5.88	4	★
3/4										4.497	4.503			.160				
1	140TC	200	305027	14.5	5CF x 7/8 ■	305037	2	4.75	6.63	4.500	4.501	6.81	7/8	.100	0.19	5.88	4	★
1-1/2										4.497	4.503			.160				
2	180TC	500	305028	54.5	70C	305025	13.6	12.5	10	8.499	8.500	15.31	1-1/8	.200	0.22	7.25	4	*
3										8.497	8.502			.250				
5	210TC	1000	305029	58.2	75C	305058	14.1	12.5	10	8.499	8.500	15.84	1-3/8	.200	0.22	7.25	4	*
7-1/2										8.497	8.502			.250				
10																		

SELECTION DATA-For 1/2 thru 2 HP rating, see table below.
For 3 thru 10 HP rating, see tables on page PT3-6 and PT3-7
■ For 5C FLEXIDYNES see page PT3-10.

▲ Includes all necessary parts except mechanism.
★ 3/8 -16 x 1-1/4 Hex Hd. Cap Screw.
* 1/2 -13 x 1-1/2 Soc. Hd. Cap Screw.

Selection Of 5CF FLEXIDYNE Mechanism Used In C-Flex Module

Rated Motor HP	100% @ 1760 RPM			125% @ 1750 RPM			150% @ 1740 RPM			175% @ 1700 RPM			200% @ 1650 RPM		
	Start ing HP	Flow Charge		Start ing HP	Flow Charge		Start ing HP	Flow Charge		Start ing HP	Flow Charge		Start ing HP	Flow Charge	
		Lbs.	Oz.		Lbs.	Oz.		Lbs.	Oz.		Lbs.	Oz.		Lbs.	Oz.
1/2	.50	0	4	.62	0	5	.75	0	5	.85	0	6	.94	0	7
3/4	.75	0	5	1.00	0	6	1.10	0	6	1.30	0	7	1.40	0	8
1	1.00	0	6	1.20	0	7	1.50	0	7	1.70	0	8	1.90	0	9
1-1/2	1.50	0	7	1.90	0	8	2.20	0	8	2.50	0	9	2.80	0	10
2	2.00	0	8	2.50	0	9	3.00	0	9	3.40	0	10	3.60	0	11

FEATURES/BENEFITS PAGE PT3-2	SPECIFICATION PAGE PT3-3	SELECTION PAGE PT3-4	ENGINEERING/TECHNICAL PAGE PT3-26
---------------------------------	-----------------------------	-------------------------	--------------------------------------



FLEXIDYNE

FLEXIDYNE Flow Charge



Cast steel flow charge is furnished unless otherwise specified. Sufficient amounts for all applications are furnished and included in the price of each FLEXIDYNE unit. The part numbers listed here apply only when extra flow charge is ordered or the application requires stainless steel flow charge.

Flow charge is packaged in a tough transparent plastic bottle which is graduated and has a handy pour spout. This makes handling of flow charge easy whether pouring into the unit or removing flow charge if a change in torque is desired.

Stainless steel flow charge is recommended for applications subject to excessive moisture, humidity or wide temperature variations that may cause internal condensation. It may be ordered to replace that in an existing unit or in place of the cast steel flow charge when ordering a FLEXIDYNE unit.

Sizes 5, 5CF, and 55 FLEXIDYNE mechanisms use SAE S110 (.0234, maximum diameter) steel shot. In sizes 70 and up, SAE S170 (.0331" maximum diameter) steel shot is used.

Flow Charge for Individual FLEXIDYNE Mechanism Applications

FLEXIDYNE Mech. Size ▲	Cast Steel		Stainless Steel	
	Part No.	Wt.	Part No.	Wt.
5, 5CF	311124	1 lb.-2 oz.	311116	11 oz.
55, 6*	311124	1 lb.-2 oz.	311122	1 lb. - 2oz.
7*	311125	3 lb.-5 oz.	311118	1 lb. -14 oz.
8*	311125	3 lb.-5 oz.	311119	3 lb. -5 oz.
70, 75"	311125	3 lb.-5 oz.	311123	2 lb. -13 oz.
9	309111	5 lb.-3 oz.	311120	5 lb. -3 oz.
11	311111	10 lb.	311121	10 lb.
15	315111	20 lb.	(2) 311121	20 lb.
D15, 18	(1) 315111 (1) 311111	30 lb.	(3) 311121	30 lb.
D18	(3) 315111	60 lb.	(2) 311113 (1) 311121	60 lb.

▲ Units with "D" prefix have duplex cavities.

* Old style FLEXIDYNE sizes.

Bulk FLEXIDYNE Flow Charge Size 70 and Up

Wt. (Lbs.)	Cast Steel Part No.	Stainless Part No.
15	311112
20	315111
25	311113



FLEXIDYNE

Stock Sheaves For FLEXIDYNE Drives (Refer To Information On Page PT3-18)

For FLEXIDYNE Size	Fig. No. (page PT3-18)	No. of Grvs.	Datum Dia.			Outside Dia.		Bolt-On Part No.	TAPER LOCK Part No.	QD Part No.	Wt. (Lbs) ▲	See Drwg's on Page PT3-18			
			Using A Belts ★	Using B Belts ★	Using C Belts ★	Using 3V Belts	Using 5V Belts					E	F	L	M
5D Sheaves are integral - included in price & wt. of assembled unit															
55D	1 or 2	1	3.35	112175	1.1	0.69	0.31
		1	3.65	112176	455108	1.5	0.56	0.69	0.31
		1	4.12	112177	144109	2.2	0.56	0.69	0.31
		1	4.5	112178	144110	2.4	0.56	0.69	0.31
		1	5.0	112180	455112	2.9	0.56	0.69	0.31
		1	5.3	112181	455113	3.4	0.56	0.69	0.31
		1	5.6	112182	455114	3.8	0.56	0.69	0.31
		1	6.0	112183	455115	4.1	0.56	0.69	0.31
	1	6.5	112184	455116	4.5	0.56	0.69	0.31	
	1	6.9	112185	455117	5.1	0.56	0.69	0.31	
	1	3.0	3.4 ■	118283	118283	1.2	0.50	0.88	0.00
	1	3.2	3.6 ■	118284	118284	1.3	0.50	0.88	0.00	0.00
	1	3.4	3.8 ■	118301	118285	1.6	0.50	0.88	0.00	0.00
	1	3.6	4.0 ■	118302	118286	1.8	0.25	0.88	0.19	0.00
	1	3.8	4.2 ■	118194	455550	2.2	0.25	0.88	0.19	0.13
	1	4.0	4.4 ■	118195	455551	2.6	0.25	0.88	0.19	0.13
1	4.2	4.6	118196	2.1	0.88	0.13	
1	4.4	4.8	118197	2.4	0.88	0.13	
1	4.6	5.0	118198	3.6	0.88	0.13	
1	4.8	5.2	118199	3.8	0.88	0.13	
1	5.0	5.4	118200	...	3.1	0.88	0.13	
1	5.2	5.6	118201	...	4.3	0.88	0.13	
1	5.4	5.8	118202	...	4.1	0.88	0.13	
1	5.6	6.0	118203	...	4.1	0.88	0.13	
1	5.8	6.2	118204	...	4.3	...	0.88	0.13	
1	6.0	6.4	118205	...	4.1	0.88	0.13	
1	6.2	6.6	118206	...	4.9	0.88	0.13	
1	6.4	6.8	118207	...	4.8	...	0.88	0.13	
70D	4	1	4.75	112250	...	2.2	0.13	0.69	0.44	0.13
		1	5.0	112251	...	2.5	0.13	0.69	0.44	0.13
		1	5.3	112252	...	3.1	0.13	0.69	0.44	0.13
		1	5.6	112253	...	3.3	0.13	0.69	0.44	0.13
		1	6.0	112254	...	3.8	0.00	0.69	0.56	0.13
		1	6.5	112255	...	4.6	0.00	0.69	0.56	0.13
		1	6.9	112256	...	5.4	0.00	0.69	0.56	0.13
	1	4.8	5.2	118275	...	2.7	0.19	0.88	0.44	0.25	
	1	5.0	5.4	118276	...	3.2	0.19	0.88	0.44	0.25	
	1	5.2	5.6	118277	...	3.7	0.19	0.88	0.44	0.25	
	1	5.6	6.0	118278	...	4.5	0.19	0.88	0.44	0.25	
	1	6.0	6.4	118279	...	5.3	0.28	0.88	0.22	0.38	
	1	6.4	6.8	118280	...	6.2	0.28	0.88	0.22	0.38	
	1	7.0 ◆	7.4 ◆	118281	...	10.9	0.25	1.00	0.50	0.25	

★ Composite groove to accommodate either A or B belts

† These sizes also fit 70D

◆ Made to order sheaves, price on application

▲ Use "B" Dyna-Cog Belt, not standard "B"

■ Weight does not include bushing. Order from page PT3-18

FEATURES/BENEFITS PAGE PT3-2	SPECIFICATION PAGE PT3-3	SELECTION PAGE PT3-4	ENGINEERING/TECHNICAL PAGE PT3-26
---------------------------------	-----------------------------	-------------------------	--------------------------------------



FLEXIDYNE

Stock Sheaves For FLEXIDYNE Drives (Refer To Information On Page PT3-18)

For FLEXIDYNE Size	Drwg. Ref Fig. No.	No. of Grvs.	Datum Dia.			Outside Dia.		Bolt-On Part No.	TAPER LOCK Part No.	QD Part No.	Wt. (Lbs) ▲	See Drwg's on Page PT3-18			
			Using A Belts ★	Using B Belts ★	Using C Belts ★	Using 3V Belts	Using 5V Belts					E	F	L	M
75D	4	2	4.75	...	112265	2.2	0.13	1.09	0.69	0.28
		2	5.0†	...	112266	2.7	0.13	1.09	0.69	0.28
		2	5.3	...	112267	3.6	0.13	1.09	0.69	0.28
		2	5.6†	...	112268	4.0	0.13	1.09	0.69	0.28
		2	6.0†	...	112269	4.9	0.00	1.09	0.81	0.28
		2	6.5	...	112270	6.1	0.00	1.09	0.81	0.28
		2	6.9	...	112271	7.5	0.00	1.09	0.81	0.28
	4	2	4.8	5.2	118290	4.6	0.06	1.75	0.75	0.94
		2	5.0	5.4	118291	5.5	0.06	1.75	0.75	0.94
		2	5.2	5.6	118292	6.5	0.06	1.75	0.75	0.94
		2	5.6	6.0	118293	7.0	0.06	1.75	0.75	0.94
		2	6.0	6.4	118294	7.9	0.06	1.75	0.75	0.94
		2	6.4	6.8	118295	8.9	0.06	1.75	0.75	0.94
		2	7.0◆	7.4◆	118296	13.3	0.00	1.75	0.81	0.94
9D	3	4	4.75	...	310077	4.5	0.00	1.91	2.13	0.22
		4	5.3	...	310078	5.6	0.00	1.91	2.13	0.22
		4	6.0	...	310079	8.6	0.00	1.91	2.13	0.22
	3	4	5.6	6.0	310060	13.2	1.25	3.25	2.25	0.25
		4	6.0	6.4	310061	15.0	1.25	3.25	2.25	0.25
		5	5.0	5.4	310062	11.4	2.00	4.00	2.25	0.25
		5	5.2	5.6	310063	12.3	2.00	4.00	2.25	0.25
		5	310082	10.7	0.63	2.38	0.75	1.00
11D, 11DL	4	5	6.5	...	310080	7.6	0.56	2.31	0.75	1.00
		5	6.9	...	310081	8.7	0.56	2.31	0.75	1.00
		5	6.2	6.6	310064	13.7	1.63	4.00	0.75	1.63
	4	5	6.4	6.8	310065	14.0	1.63	4.00	0.75	1.63
		5	7.0	7.4	310066	18.0	1.63	4.00	0.75	1.63
		5	8.2	8.6	310067	23.0	1.63	4.00	0.75	1.63
		5	310085	19.8	0.56	3.06	0.75	1.75
15D	4	5	9.75	310085	19.8	0.56	3.06	0.75	1.75
		5	8.5	310083	16.4	1.25	3.75	0.75	1.75
		5	9.0	310084	18.6	1.25	3.75	0.75	1.75
	4	5	10.5	310068	37.0	2.75	5.38	0.75	1.88
		6	9.0	310069	31.0	2.75	6.38	0.75	2.88
		6	9.5	310070	33.8	2.75	6.38	0.75	2.88
		6	10.0	310071	40.0	2.75	6.38	0.75	2.88
		6
18D	Not Stocked, See Made-To-Order Sheaves on Next Page														

★ Composite groove to accommodate either A or B belts.

◆ Made to order sheaves, price on application.

† These sizes also fit 70D.

▲ Weight does not include bushing. Order from next page.

FEATURES/BENEFITS PAGE PT3-2	SPECIFICATION PAGE PT3-3	SELECTION PAGE PT3-4	ENGINEERING/TECHNICAL PAGE PT3-26
---------------------------------	-----------------------------	-------------------------	--------------------------------------



FLEXIDYNE

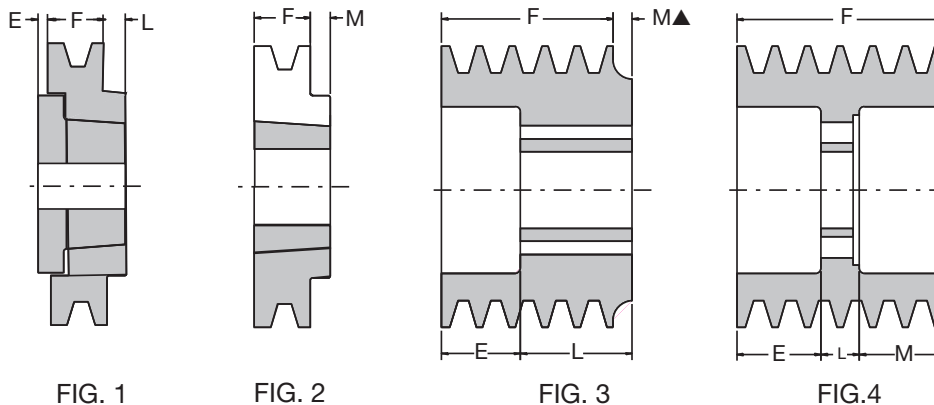
The tables on the previous pages list stock sheaves available for use on FLEXIDYNE Drives from size 55D thru 15D. The size 5D uses integral sheaves which are shown on page PT3-8. The 18D sheaves are made-to-order.

Avoid the use of bored-to-size sheaves which use setscrews which may distort sleeve or damage bearings. Order sheaves by part number listed in tables on previous pages PT3-16 - PT3-17. Refer to V-Drive tables on Pages PT3-18 - PT3-24. Information on made-to-order sheaves is shown below

FLEXIDYNE Sheave Bushings

Dwg. Ref.	Bush. Type	Part Number	Wt. (Lbs.)	Size
Fig. 1	QD	* 120580	.6	SH x 1-11/16
Fig. 2	TAPER-LOCK	* 117071	.5	1610 x 1-11/16

* These bushings used with 55D FLEXIDYNE. Must be used without key



▲ Locate right side of M dimension shown here @ right end of G dimension as shown in drawing for size 9D on page PT3-8

Made-To-Order FLEXIDYNE Sheaves

For FLEXIDYNE Mech. Size	Separate Sheaves				
	Max. No. Grvs	Belt Size	Min. Dia.* TAPER-LOCK	QD	Bolt-On
55D	1	3V	3.85
		A	3.8	3.0	...
		B	4.2	3.4	...
70D	1	3V	5.3
		A	4.8
		B	5.2
75D	2	3V	5.3
		A	4.8
		B	5.2
9D	7	3V	6.4	...	4.75★
		B	6.6	...	5.4◆
11D, 11DL	10	3V	6.6
	6	5V	7.5
	7	B	6.7
15D	15	3V	8.0
	9	5V	9.0
	9	B	8.0
	7	C	8.5
18D	13	5V	11.8
	10	C	11.0

* For 3V, 5V groove sheaves outside diameter is shown. For A, B and C groove sheaves, pitch diameter is shown."

★ TAPER-LOCK furnished for 6.4 and larger O.D.

◆ TAPER-LOCK furnished for 6.6 and larger P.D.

Stock FLEXIDYNE sheaves should be used whenever possible. However Made-to-Order sheaves which conform to diameter and groove limitations listed in table at left, can be furnished. Consult DODGE if sheave required does not fall within these limits.

Made-to-order sheaves will be priced on application. Consult DODGE for price and delivery. The following should be included with your inquiry:

1. Style of Sheave (Bolt-on, Integral, TAPER-LOCK, etc.)
2. No. of Grooves.
3. Belt Size.
4. Sheave Dia. (State whether O.D. or P.D.)
5. Quantity Req'd.

FEATURES/BENEFITS PAGE PT3-2	SPECIFICATION PAGE PT3-3	SELECTION PAGE PT3-4	ENGINEERING/TECHNICAL PAGE PT3-26
---------------------------------	-----------------------------	-------------------------	--------------------------------------



FLEXIDYNE DS

These are typical drives for average service conditions

Driven by 1750 RPM Motors					Driven by 1750 RPM Motors				
Driven RPM	V-Belt Drive Ratio	Sheave		Quan. & Belt Size ◆	Driven RPM	V-Belt Drive Ratio	Sheave		Quan. & Belt Size ◆
		Driver ▲	Driven *				Driver ▲	Driven *	
2250	1.29	3.6	AK30H	1-4L	1122	1.56	3.6	5.6	**
2122	1.22	3.4	AK30H	1-4L	1117	1.57	3.0	AK51H	1-4L
2100	1.20	3.6	AK32H	1-4L	1105	1.58	3.6	AK61H	1-4L
1970	1.13	3.6	AK34H	1-4L	1048	1.67	3.0	AK54H	1-4L
1970	1.13	3.4	AK32H	1-4L	1012	1.73	3.0	AK56H	1-4L
1875	1.07	3.0	AK30H	1-4L	1008	1.74	3.4	BK65H	1-5L
1850	1.06	3.6	3.4	**	983	1.78	3.6	6.4	**
1850	1.06	3.4	AK34H	1-4L	955	1.83	3.0	AK59H	1-4L
1750	1.00	3.0	AK32H	1-4L	936	1.87	3.0	5.6	**
1707	1.03	4.0	BK47H	1-5L	930	1.88	3.4	BK70H	1-5L
1703	1.03	3.6	AK41H	1-4L	921	1.90	3.0	AK61H	1-4L
1651	1.06	3.6	3.8	**	900	1.94	3.6	AK74H	1-4L
1651	1.06	3.4	BK40H	1-5L	875	2.00	3.0	AK64H	1-4L
1640	1.07	3.0	AK34H	1-4L	833	2.10	4.0	BK90H	1-5L
1577	1.11	3.6	AK44H	1-4L	804	2.18	3.4	BK80H	1-5L
1572	1.11	4.0	BK50H	1-5L	788	2.22	3.6	AK84H	1-4L
1615	1.08	3.6	BK45H	1-5L	768	2.28	3.6	8.2	**
1544	1.13	3.0	3.4	**	751	2.33	3.0	AK74H	1-4L
1525	1.15	3.4	BK45H	1-5L	708	2.47	3.4	BK90H	1-5L
1496	1.17	3.6	AK46H	1-4L	700	2.50	3.6	AK94H	1-4L
1522	1.15	4.0	BK52H	1-5L	673	2.60	4.0	BK110H	1-5L
1458	1.20	3.0	3.6	**	656	2.67	3.0	AK84H	1-4L
1451	1.21	3.4	BK47H	1-5L	641	2.73	3.0	8.2	**
1429	1.23	4.0	BK55H	1-5L	630	2.78	3.6	AK104H	1-4L
1400	1.25	3.6	AK49H	1-4L	614	2.85	4.0	BK120H	1-5L
1423	1.23	3.0	AK41H	1-4L	595	2.94	3.6	10.6	**
1378	1.27	3.0	3.8	**	583	3.00	3.0	AK94H	1-4L
1376	1.28	3.6	4.6	**	572	3.06	3.4	BK110H	1-5L
1372	1.28	4.0	BK57H	1-5L	525	3.33	3.0	AK104H	1-4L
1316	1.33	3.6	4.8	**	496	3.53	3.0	10.6	**
1340	1.31	3.6	AK51H	1-4L	455	3.85	4.0	BK160H	1-5L
1313	1.33	3.0	AK44H	1-4L	450	3.89	3.6	AK144H	1-4L
1296	1.35	4.0	BK60H	1-5L	444	3.94	3.4	BK140H	1-5L
1293	1.35	3.4	BK52H	1-5L	438	4.00	3.0	AK124H	1-4L
1259	1.39	3.6	AK54H	1-4L	420	4.17	3.6	AK154H	1-4L
1250	1.40	3.0	AK46H	1-4L	386	4.53	3.4	BK160H	1-5L
1215	1.44	3.6	AK56H	1-4L	375	4.67	3.0	AK144H	1-4L
1214	1.44	3.4	BK55H	1-5L	350	5.00	3.0	AK154H	1-4L
1186	1.48	4.0	BK65H	1-5L	323	5.41	3.4	BK190H	1-5L
1167	1.50	3.0	AK49H	1-4L	292	6.00	3.0	AK184H	1-4L
1167	1.50	3.4	BK57H	1-5L					
1145	1.58	3.6	AK59H	1-4L					

** Use one belt, either A or 4L.

▲ Pitch diameter of integral sheaves supplied with stock 5D-FLEXIDYNE.

◆ "A" Belts may be used in place of 4L belts on 3.0 P.D. sheaves or larger.

"AX" Belts may be used in place of 4L belts on 2.2 P.D. sheaves or larger.

"B" Belts are not recommended in place of 5L belts.

"BX" Belts may be used in place of 5L belts on 4.0 P.D. sheaves or larger.

* All Sheaves are DODGE stock sheaves. Size numbers are shown for FHP 4L and 5L sheaves; datum diameters for Dual Duty sheaves.

FEATURES/BENEFITS PAGE PT3-2	SPECIFICATION PAGE PT3-3	SELECTION PAGE PT3-4	ENGINEERING/TECHNICAL PAGE PT3-26
---------------------------------	-----------------------------	-------------------------	--------------------------------------



FLEXIDYNE V-Belt Drives For 55D FLEXIDYNE Drives

These are typical drives for average service conditions

Driven by 1750 RPM Motors					Driven by 1750 RPM Motors				
Driven RPM	V-Belt Drive Ratio	Diameter ★		Quan. & Belt Size ◆	Driven RPM	V-Belt Drive Ratio	Diameter ★		Quan. & Belt Size ◆
		Driver *	Driven ▲				Driver *	Driven ▲	
1750	1.00	3.6	3.6	1-A	1160	1.00	3.0	3.0	1-A
1750	1.00	3.4	3.4	1-3V	1160	1.00	3.4	3.4	1-3V
1670	1.05	4.2	4.4	1-A	1112	1.04	4.6	4.8	1-B
1657	1.06	4.5	4.8	1-3V	1098	1.06	4.5	4.8	1-3V
1598	1.10	4.2	4.6	1-A	1059	1.10	4.2	4.6	1-A
1573	1.11	4.5	5.0	1-3V	1061	1.09	4.1	4.5	1-3V
1522	1.15	4.0	4.6	1-A	1036	1.12	5.0	5.6	1-B
1515	1.15	4.1	4.8	1-3V	1026	1.13	3.7	4.1	1-3V
1483	1.18	4.5	5.3	1-3V	1005	1.15	4.1	4.8	1-3V
1470	1.19	4.2	5.0	1-A	1002	1.16	3.8	4.4	1-A
1439	1.22	4.1	5.0	1-3V	958	1.21	3.8	4.6	1-A
1411	1.24	5.0	6.2	1-B	954	1.22	4.1	5.0	1-3V
1403	1.25	4.5	5.6	1-3V	928	1.25	3.2	4.0	1-A
1357	1.29	4.1	5.3	1-3V	930	1.25	4.5	5.6	1-3V
1342	1.30	4.6	6.0	1-B	899	1.29	4.1	5.3	1-3V
1309	1.34	4.5	6.0	1-3V	892	1.30	4.0	5.2	1-A
1298	1.35	4.6	6.2	1-B	868	1.34	4.5	6.0	1-3V
1273	1.37	3.7	5.0	1-3V	859	1.35	4.0	5.4	1-A
1250	1.40	4.0	5.6	1-A	844	1.37	3.7	5.0	1-3V
1229	1.42	3.4	4.8	1-3V	840	1.38	4.2	5.8	1-A
1207	1.45	4.0	5.8	1-A	816	1.42	3.8	5.4	1-A
1197	1.46	4.1	6.0	1-3V	814	1.42	3.4	4.8	1-3V
1182	1.48	5.0	7.4	1-B	800	1.45	4.5	6.5	1-3V
1167	1.50	3.4	5.0	1-3V	791	1.47	3.0	4.4	1-A
1135	1.54	3.7	5.6	1-3V	773	1.50	3.2	4.8	1-A
1129	1.55	4.0	6.2	1-A	773	1.50	3.4	5.0	1-3V
1100	1.59	3.4	5.3	1-3V	757	1.53	3.0	4.6	1-A
1094	1.60	4.0	6.4	1-A	754	1.54	4.5	6.9	1-3V
1073	1.63	3.8	6.2	1-A	746	1.56	3.6	5.6	1-A
1059	1.65	3.7	6.0	1-3V	730	1.59	3.4	5.4	1-A
1041	1.68	3.4	5.6	1-3V	729	1.59	3.4	5.3	1-3V
1026	1.71	3.4	5.8	1-A	711	1.63	3.8	6.2	1-A
1000	1.75	4.0	7.0	1-A	702	1.65	3.7	6.0	1-3V
980	1.79	4.5	8.0	1-3V	696	1.67	3.0	5.0	1-A
960	1.82	3.4	6.2	1-A	690	1.68	3.4	5.6	1-3V
936	1.87	4.6	8.6	1-B	680	1.71	3.4	5.8	1-A
920	1.90	3.7	6.9	1-3V	649	1.79	4.5	8.0	1-3V
900	1.94	3.6	7.0	1-A	644	1.80	3.0	5.4	1-A
895	1.95	3.4	6.5	1-3V	616	1.88	3.4	6.4	1-A
850	2.06	3.4	7.0	1-A	610	1.90	3.7	6.9	1-3V
843	2.08	3.4	6.9	1-3V	593	1.95	3.4	6.5	1-3V
795	2.20	5.0	11.0	1-B	580	2.00	3.0	6.0	1-A
792	2.21	3.7	8.0	1-3V	559	2.08	3.4	6.9	1-3V
759	2.30	4.6	10.6	1-A	544	2.13	3.0	6.4	1-A
726	2.41	3.4	8.2	1-A	527	2.20	5.0	11.0	1-B
726	2.41	3.4	8.0	1-3V	525	2.21	3.7	8.0	1-3V
693	2.52	4.2	10.6	1-A	503	2.30	4.6	10.6	1-A
675	2.59	4.1	10.6	1-3V	489	2.37	4.5	10.6	1-3V
671	2.61	4.6	12.0	1-A	481	2.41	3.4	8.2	1-A
627	2.79	3.8	10.6	1-A	482	2.41	3.4	8.0	1-3V
597	2.93	3.7	10.6	1-3V	448	2.59	4.1	10.6	1-3V
583	3.00	4.0	12.0	1-A	445	2.61	4.6	12.0	1-A
558	3.13	4.5	14.0	1-3V	406	2.86	4.2	12.0	1-A
537	3.26	4.6	15.0	1-A	396	2.93	3.7	10.6	1-3V
511	3.43	4.1	14.0	1-3V	372	3.12	3.4	10.6	1-A
496	3.53	3.4	12.0	1-A	370	3.13	4.5	14.0	1-3V
476	3.68	5.0	18.4	1-B	346	3.35	4.6	15.4	1-B
452	3.87	3.7	14.0	1-3V	338	3.43	4.1	14.0	1-3V
443	3.95	3.8	15.0	1-A	309	3.75	3.2	12.0	1-A
420	4.17	3.6	15.0	1-A	299	3.87	3.7	14.0	1-3V
411	4.26	4.5	19.0	1-3V	278	4.17	3.6	15.0	1-A
397	4.41	3.4	15.0	1-A	274	4.23	3.4	14.0	1-3V
376	4.66	4.1	19.0	1-3V	258	4.50	4.0	18.0	1-A
369	4.74	3.8	18.0	1-A	249	4.66	4.1	19.0	1-3V
350	5.00	3.6	18.0	1-A	219	5.29	3.4	18.0	1-A
331	5.29	3.4	18.0	1-A	220	5.26	3.7	19.0	1-3V
332	5.26	3.7	19.0	1-3V	202	5.74	3.4	19.0	1-3V
305	5.74	3.4	19.0	1-3V	193	6.00	3.0	18.0	1-A

* Stock FLEXIDYNE sheaves listed on page PT3-16 - PT3-17.

★ Outside diameter of 3V DYNA-V sheaves. Datum diameter of A and B sheaves. All ratios are based on P.D. for DYNA-V Sheaves and Datum diameter for A and B Sheaves.

* Stock TAPER-LOCK sheaves in V-drives section.

FEATURES/BENEFITS PAGE PT3-2	SPECIFICATION PAGE PT3-3	SELECTION PAGE PT3-4	ENGINEERING/TECHNICAL PAGE PT3-26
---------------------------------	-----------------------------	-------------------------	--------------------------------------



FLEXIDYNE V-Belts Drive For 70D FLEXIDYNE Drives

These are typical drives for average service conditions

Driven by 1750 RPM Motors					Driven by 1750 RPM Motors				
Driven RPM	V-Belt Drive Ratio	Diameter ★		Quan. & Belt Size ◆	Driven RPM	V-Belt Drive Ratio	Diameter ★		Quan. & Belt Size ◆
		Driver *	Driven ▲				Driver *	Driven ▲	
1750	1.00	5.6	5.6	1-B	1160	1.00	4.8	4.8	1-A
1694	1.03	6.0	6.2	1-B	1123	1.03	6.0	6.2	1-B
1690	1.04	5.6	5.8	1-B	1119	1.04	5.4	5.6	1-B
1641	1.07	6.0	6.4	1-B	1094	1.06	5.0	5.3	1-3V
1633	1.07	5.6	6.0	1-B	1083	1.07	5.6	6.0	1-B
1632	1.07	5.6	6.0	1-3V	1082	1.07	5.6	6.0	1-3V
1614	1.08	6.0	6.5	1-3V	1070	1.08	6.0	6.5	1-3V
1591	1.10	6.0	6.6	1-B	1055	1.10	6.0	6.6	1-B
1581	1.11	5.6	6.2	1-B	1040	1.12	5.2	5.8	1-B
1575	1.11	5.4	6.0	1-B	1035	1.12	5.0	5.6	1-3V
1544	1.13	6.0	6.8	1-B	1015	1.14	5.6	6.4	1-B
1531	1.14	5.6	6.4	1-B	1008	1.15	6.0	6.9	1-3V
1524	1.15	5.4	6.2	1-B	998	1.16	5.6	6.5	1-3V
1520	1.15	6.0	6.9	1-3V	994	1.17	4.8	5.6	1-A
1506	1.16	5.6	6.5	1-3V	967	1.20	5.0	6.0	1-A
1485	1.18	5.6	6.6	1-B	965	1.20	5.0	6.0	1-3V
1477	1.19	5.4	6.4	1-B	949	1.22	5.4	6.6	1-B
1441	1.21	5.6	6.8	1-B	940	1.23	5.6	6.9	1-3V
1432	1.22	5.4	6.6	1-B	928	1.25	4.8	6.0	1-A
1419	1.23	6.0	7.4	1-B	914	1.27	5.2	6.6	1-B
1418	1.23	5.6	6.9	1-3V	898	1.29	4.8	6.2	1-A
1390	1.26	5.4	6.8	1-B	890	1.30	5.0	6.5	1-3V
1324	1.32	5.6	7.4	1-B	878	1.32	5.6	7.4	1-B
1310	1.34	6.0	8.0	1-3V	868	1.34	6.0	8.0	1-3V
1265	1.38	5.0	6.9	1-3V	862	1.35	5.2	7.0	1-A
1221	1.43	6.0	8.6	1-B	846	1.37	5.4	7.4	1-B
1222	1.43	5.6	8.0	1-3V	838	1.38	5.0	6.9	1-3V
1140	1.54	5.6	8.6	1-B	829	1.40	5.0	7.0	1-A
1117	1.57	6.0	9.4	1-B	809	1.43	6.0	8.6	1-B
1099	1.59	5.4	8.6	1-B	810	1.43	5.6	8.0	1-3V
1090	1.61	5.0	8.0	1-3V	792	1.46	5.6	8.2	1-A
1058	1.65	5.2	8.6	1-B	755	1.54	5.6	8.6	1-B
1043	1.68	5.6	9.4	1-B	740	1.57	6.0	9.4	1-B
1005	1.74	5.4	9.4	1-B	722	1.61	5.6	9.0	1-A
987	1.77	6.0	10.6	1-3V	722	1.61	5.0	8.0	1-3V
968	1.81	5.2	9.4	1-B	701	1.65	5.2	8.6	1-B
955	1.83	6.0	11.0	1-B	679	1.71	4.8	8.2	1-A
921	1.90	5.6	10.6	1-3V	666	1.74	5.4	9.4	1-B
891	1.96	5.6	11.0	1-B	654	1.77	6.0	10.6	1-3V
859	2.04	5.4	11.0	1-B	644	1.80	5.0	9.0	1-A
847	2.07	6.0	12.4	1-B	613	1.89	5.6	10.6	1-A
827	2.12	5.2	11.0	1-B	610	1.90	5.6	10.6	1-3V
821	2.13	5.0	10.6	1-3V	591	1.96	5.6	11.0	1-B
790	2.21	5.6	12.4	1-B	569	2.04	5.4	11.0	1-B
762	2.30	5.4	12.4	1-B	548	2.12	5.2	11.0	1-B
746	2.34	6.0	14.0	1-3V	544	2.13	5.0	10.6	1-3V
734	2.38	5.2	12.4	1-B	525	2.21	4.8	10.6	1-A
696	2.51	5.6	14.0	1-3V	505	2.30	5.4	12.4	1-B
682	2.57	6.0	15.4	1-B	495	2.34	6.0	14.0	1-3V
636	2.75	5.6	15.4	1-B	486	2.38	5.2	12.4	1-B
621	2.82	5.0	14.0	1-3V	464	2.50	4.8	12.0	1-A
614	2.85	5.4	15.4	1-B	462	2.51	5.6	14.0	1-3V
609	2.87	6.4	18.4	1-B	452	2.57	6.0	15.4	1-B
591	2.96	5.2	15.4	1-B	433	2.68	5.6	15.0	1-A
571	3.07	6.0	18.4	1-B	422	2.75	5.6	15.4	1-B
549	3.18	6.0	19.0	1-3V	412	2.82	5.0	14.0	1-3V
533	3.29	5.6	18.4	1-B	402	2.88	5.2	15.0	1-A
514	3.41	5.4	18.4	1-B	392	2.96	5.2	15.4	1-B
513	3.41	5.6	19.0	1-3V	387	3.00	5.0	15.0	1-A
495	3.54	5.2	18.4	1-B	371	3.12	4.8	15.0	1-A
457	3.83	5.0	19.0	1-3V	364	3.18	6.0	19.0	1-3V
.....	361	3.21	5.6	18.0	1-A
.....	353	3.29	5.6	18.4	1-B
.....	340	3.41	5.6	19.0	1-3V
.....	335	3.46	5.2	18.0	1-A
.....	322	3.60	5.0	18.0	1-A
.....	309	3.75	4.8	18.0	1-A
.....	303	3.83	5.0	19.0	1-3V

* Stock FLEXIDYNE sheaves listed on page PT3-16 - PT3-17.

★ Outside diameter of 3V DYNA-V sheaves. Datum diameter of A and B sheaves. All ratios are based on P.D. for DYNA-V Sheaves and Datum diameter for A and B Sheaves.

* Stock TAPER-LOCK sheaves in V-drives section.

FEATURES/BENEFITS PAGE PT3-2	SPECIFICATION PAGE PT3-3	SELECTION PAGE PT3-4	ENGINEERING/TECHNICAL PAGE PT3-26
---------------------------------	-----------------------------	-------------------------	--------------------------------------



FLEXIDYNE

V-Belt Drives For 75D FLEXIDYNE Drives

These are typical drives for average service conditions

Driven by 1750 RPM Motors					Driven by 1750 RPM Motors				
Driven RPM	V-Belt Drive Ratio	Diameter ★		Quan. & Belt Size ◆	Driven RPM	V-Belt Drive Ratio	Diameter ★		Quan. & Belt Size ◆
		Driver *	Driven ⬆				Driver *	Driven ⬆	
1750	1.00	5.6	5.6	2-B	1160	1.00	4.8	4.8	2-A
1694	1.03	6.0	6.2	2-B	1114	1.04	4.8	5.0	2-A
1690	1.04	5.6	5.8	2-B	1094	1.06	5.0	5.3	2-3V
1641	1.07	6.0	6.4	2-B	1082	1.07	5.6	6.0	2-3V
1632	1.07	5.6	6.0	2-3V	1071	1.08	4.8	5.2	2-A
1614	1.08	6.0	6.5	2-3V	1072	1.08	6.0	6.5	2-3V
1591	1.10	6.0	6.6	2-B	1055	1.10	6.0	6.6	2-B
1544	1.13	6.0	6.8	2-B	1036	1.12	5.0	5.6	2-A
1524	1.15	5.4	6.2	2-B	1035	1.12	5.0	5.6	2-3V
1520	1.15	6.0	6.9	2-3V	1015	1.14	5.6	6.4	2-B
1506	1.16	5.6	6.5	2-3V	1008	1.15	6.0	6.9	2-3V
1485	1.18	5.6	6.6	2-B	1000	1.16	5.0	5.8	2-A
1441	1.21	5.6	6.8	2-B	998	1.16	5.6	6.5	2-3V
1419	1.23	6.0	7.4	2-B	994	1.17	4.8	5.6	2-A
1418	1.23	5.6	6.9	2-3V	984	1.18	5.6	6.6	2-B
1390	1.26	5.4	6.8	2-B	967	1.20	5.0	6.0	2-A
1324	1.32	5.6	7.4	2-B	965	1.20	5.0	6.0	2-3V
1310	1.34	6.0	8.0	2-3V	960	1.21	4.8	5.8	2-A
1277	1.37	5.4	7.4	2-B	941	1.23	6.0	7.4	2-B
1265	1.38	5.0	6.9	2-3V	940	1.23	5.6	6.9	2-3V
1221	1.43	6.0	8.6	2-B	935	1.24	5.0	6.2	2-A
1222	1.43	5.6	8.0	2-3V	928	1.25	4.8	6.0	2-A
1140	1.54	5.6	8.6	2-B	906	1.28	5.0	6.4	2-A
1117	1.57	6.0	9.4	2-B	898	1.29	4.8	6.2	2-A
1099	1.59	5.4	8.6	2-B	890	1.30	5.0	6.5	2-3V
1090	1.61	5.0	8.0	2-3V	887	1.31	5.2	6.8	2-B
1043	1.68	5.6	9.4	2-B	870	1.33	4.8	6.4	2-A
1005	1.74	5.4	9.4	2-B	868	1.34	6.0	8.0	2-3V
987	1.77	6.0	10.6	2-3V	862	1.35	5.2	7.0	2-A
968	1.81	5.2	9.4	2-B	846	1.37	5.4	7.4	2-B
955	1.83	6.0	11.0	2-B	838	1.38	5.0	6.9	2-3V
921	1.90	5.6	10.6	2-3V	829	1.40	5.0	7.0	2-A
891	1.96	5.6	11.0	2-B	809	1.43	6.0	8.6	2-B
859	2.04	5.4	11.0	2-B	810	1.43	5.6	8.0	2-3V
847	2.07	6.0	12.4	2-B	795	1.46	4.8	7.0	2-A
827	2.12	5.2	11.0	2-B	755	1.54	5.6	8.6	2-B
821	2.13	5.0	10.6	2-3V	736	1.58	5.2	8.2	2-A
790	2.21	5.6	12.4	2-B	722	1.61	5.0	8.0	2-3V
762	2.30	5.4	12.4	2-B	707	1.64	5.0	8.2	2-A
746	2.34	6.0	14.0	2-3V	679	1.71	4.8	8.2	2-A
734	2.38	5.2	12.4	2-B	670	1.73	5.2	9.0	2-A
696	2.51	5.6	14.0	2-3V	654	1.77	6.0	10.6	2-3V
682	2.57	6.0	15.4	2-B	644	1.80	5.0	9.0	2-A
636	2.75	5.6	15.4	2-B	619	1.87	4.8	9.0	2-A
621	2.82	5.0	14.0	2-3V	610	1.90	5.6	10.6	2-3V
614	2.85	5.4	15.4	2-B	591	1.96	5.6	11.0	2-B
591	2.96	5.2	15.4	2-B	569	2.04	5.4	11.0	2-B
571	3.07	6.0	18.4	2-B	547	2.12	5.0	10.6	2-A
549	3.18	6.0	19.0	2-3V	544	2.13	5.0	10.6	2-3V
525	3.33	6.0	20.0	2-B	525	2.21	4.8	10.6	2-A
514	3.41	5.4	18.4	2-B	495	2.34	6.0	14.0	2-3V
513	3.41	5.6	19.0	2-3V	486	2.38	5.2	12.4	2-B
490	3.57	5.6	20.0	2-B	464	2.50	4.8	12.0	2-A
455	3.85	5.2	20.0	2-B	462	2.51	5.6	14.0	2-3V
457	3.83	5.0	19.0	2-3V	422	2.75	5.6	15.4	2-B
420	4.17	6.0	25.0	2-B	412	2.82	5.0	14.0	2-3V
417	4.19	6.0	25.0	2-3V	402	2.88	5.2	15.0	2-A
392	4.46	5.6	25.0	2-B	387	3.00	5.0	15.0	2-A
389	4.50	5.6	25.0	2-3V	371	3.12	4.8	15.0	2-A
378	4.63	5.4	25.0	2-B	364	3.18	6.0	19.0	2-3V
364	4.81	5.2	25.0	2-B	340	3.41	5.6	19.0	2-3V
350	5.00	6.0	30.0	2-B	322	3.60	5.0	18.0	2-A
347	5.04	5.0	25.0	2-3V	309	3.75	4.8	18.0	2-A
327	5.36	5.6	30.0	2-B	303	3.83	5.0	19.0	2-3V
303	5.77	5.2	30.0	2-B	278	4.17	6.0	25.0	2-B
276	6.33	6.0	38.0	2-B	277	4.19	6.0	25.0	2-3V
258	6.79	5.6	38.0	2-B	258	4.50	5.6	25.0	2-3V
249	7.04	5.4	38.0	2-B	230	5.04	5.0	25.0	2-3V

* Stock FLEXIDYNE sheaves listed on page PT3-16 - PT3-17.

* Stock TAPER-LOCK sheaves in V-drives section.

★ Outside diameter of 3V DYNA-V sheaves. Datum diameter of A and B sheaves. All ratios are based on P.D. for DYNA-V Sheaves and Datum diameter for A and B Sheaves.

FEATURES/BENEFITS PAGE PT3-2	SPECIFICATION PAGE PT3-3	SELECTION PAGE PT3-4	ENGINEERING/TECHNICAL PAGE PT3-26
---------------------------------	-----------------------------	-------------------------	--------------------------------------



FLEXIDYNE

V-Belt Drives For 9D FLEXIDYNE Drives

These are typical drives for average service conditions

Driven by 1750 RPM Motors					Driven by 1750 RPM Motors				
Driven RPM	V-Belt Drive Ratio	Diameter ★		Quan. & Belt Size ◆	Driven RPM	V-Belt Drive Ratio	Diameter ★		Quan. & Belt Size ◆
		Driver *	Driven ▲				Driver *	Driven ▲	
1750	1.00	4.75	4.75	4-3V	1160	1.00	4.75	4.75	4-3V
1683	1.04	5.0	5.2	5-A	1115	1.04	5.0	5.2	5-A
1667	1.05	4.75	5.0	4-3V	1105	1.05	4.75	5.0	4-3V
1636	1.07	5.6	6.0	4-A	1084	1.07	5.6	6.0	4-A
1620	1.08	5.2	5.6	5-A	1074	1.08	5.2	5.6	5-A
1577	1.11	5.4	6.0	5-B	1045	1.11	5.4	6.0	5-B
1563	1.12	4.75	5.3	4-3V	1036	1.12	4.75	5.3	4-3V
1549	1.13	5.3	6.0	4-3V	1027	1.13	5.3	6.0	4-3V
1535	1.14	5.6	6.4	4-A	1018	1.14	5.6	6.4	4-A
1522	1.15	6.0	6.9	4-3V	1009	1.15	6.0	6.9	4-3V
1496	1.17	6.0	7.0	4-A	991	1.17	6.0	7.0	4-A
1483	1.18	4.75	5.6	4-3V	983	1.18	4.75	5.6	4-3V
1458	1.20	5.0	6.0	5-A	967	1.20	5.0	6.0	5-A
1423	1.23	5.3	6.5	4-3V	943	1.23	5.3	6.5	4-3V
1400	1.25	5.6	7.0	4-A	928	1.25	5.6	7.0	4-A
1378	1.27	4.75	6.0	4-3V	913	1.27	4.75	6.0	4-3V
1367	1.28	5.0	6.4	5-A	906	1.28	5.0	6.4	5-A
1346	1.30	5.3	6.9	4-3V	892	1.30	5.3	6.9	4-3V
1326	1.32	5.6	7.4	5-B	879	1.32	5.6	7.4	5-B
1306	1.34	6.0	8.0	4-3V	866	1.34	6.0	8.0	4-3V
1296	1.35	5.2	7.0	5-A	859	1.35	5.2	7.0	5-A
1277	1.37	4.75	6.5	4-3V	847	1.37	4.75	6.5	4-3V
1250	1.40	5.0	7.0	5-A	829	1.40	5.0	7.0	5-A
1224	1.43	6.0	8.6	4-B	811	1.43	6.0	8.6	4-B
1199	1.46	4.75	6.9	4-3V	795	1.46	4.75	6.9	4-3V
1159	1.51	5.3	8.0	4-3V	768	1.51	5.3	8.0	4-3V
1136	1.54	5.6	8.6	5-B	753	1.54	5.6	8.6	5-B
1108	1.58	5.2	8.2	5-A	734	1.58	5.2	8.2	5-A
1087	1.61	5.6	9.0	4-A	720	1.61	5.6	9.0	4-A
1067	1.64	5.0	8.2	5-A	707	1.64	5.0	8.2	5-A
1036	1.69	4.75	8.0	4-3V	686	1.69	4.75	8.0	4-3V
1012	1.73	5.2	9.0	5-A	671	1.73	5.2	9.0	5-A
989	1.77	6.0	10.6	4-3V	655	1.77	6.0	10.6	4-3V
972	1.80	5.0	9.0	5-A	644	1.80	5.0	9.0	5-A
956	1.83	6.0	11.0	4-B	634	1.83	6.0	11.0	4-B
926	1.89	5.6	10.6	4-A	614	1.89	5.6	10.6	4-A
902	1.94	6.4	12.4	4-B	598	1.94	6.4	12.4	4-B
871	2.01	5.3	10.6	4-3V	577	2.01	5.3	10.6	4-3V
858	2.04	5.2	10.6	5-A	569	2.04	5.2	10.6	5-A
818	2.14	5.6	12.0	4-A	542	2.14	5.6	12.0	4-A
792	2.21	5.6	12.4	5-B	525	2.21	5.6	12.4	5-B
781	2.24	4.75	10.6	4-3V	518	2.24	4.75	10.6	4-3V
748	2.34	6.0	14.0	4-3V	496	2.34	6.0	14.0	4-3V
729	2.40	5.0	12.0	5-A	483	2.40	5.0	12.0	5-A
700	2.50	6.0	12.0	4-A	464	2.50	6.0	12.0	4-A
681	2.57	6.0	15.4	4-B	451	2.57	6.0	15.4	4-B
658	2.66	5.3	14.0	4-3V	436	2.66	5.3	14.0	4-3V
636	2.75	5.6	15.4	5-B	422	2.75	5.6	15.4	5-B
608	2.88	5.2	15.0	5-A	403	2.88	5.2	15.0	5-A
589	2.97	4.75	14.0	4-3V	391	2.97	4.75	14.0	4-3A
570	3.07	6.0	18.4	4-B	378	3.07	6.0	18.4	4-B
545	3.21	5.6	18.0	4-A	361	3.21	5.6	18.0	4-A
532	3.29	5.6	18.4	5-B	353	3.29	5.6	18.4	5-B
506	3.46	5.2	18.0	5-A	335	3.46	5.2	18.0	5-A
485	3.61	5.3	19.0	4-3V	321	3.61	5.3	19.0	4-3V
473	3.70	5.4	20.0	5-B	314	3.70	5.4	20.0	5-B
448	3.91	6.4	25.0	4-B	297	3.91	6.4	25.0	4-B
434	4.03	4.75	19.0	4-3V	288	4.03	4.75	19.0	4-3V
420	4.17	6.0	25.0	4-B	278	4.17	6.0	25.0	4-B
392	4.46	5.6	25.0	5-B	260	4.46	5.6	25.0	5-B
368	4.75	5.3	25.0	4-3V	244	4.75	5.3	25.0	4-3V
350	5.00	6.0	30.0	4-B	232	5.00	6.0	30.0	4-B
330	5.31	4.75	25.0	4-3V	218	5.31	4.75	25.0	4-3V
311	5.62	6.0	33.5	4-3V	206	5.62	6.0	33.5	4-3V
295	5.94	6.4	38.0	4-B	195	5.94	6.4	38.0	4-B
275	6.37	5.3	33.5	4-3V	182	6.37	5.3	33.5	4-3V
258	6.79	5.6	38.0	5-B	171	6.79	5.6	38.0	5-B
246	7.12	4.75	33.5	4-3V	163	7.12	4.75	33.5	4-3V

* Stock FLEXIDYNE sheaves listed on page PT3-16 - PT3-17.

* Stock TAPER-LOCK sheaves in V-drives section.

★ Outside diameter of 3V DYNA-V sheaves. Datum diameter of A and B sheaves. All ratios are based on P.D. for DYNA-V Sheaves and Datum diameter for A and B Sheaves.

FEATURES/BENEFITS PAGE PT3-2	SPECIFICATION PAGE PT3-3	SELECTION PAGE PT3-4	ENGINEERING/TECHNICAL PAGE PT3-26
---------------------------------	-----------------------------	-------------------------	--------------------------------------



FLEXIDYNE

V-Belt Drives For 11D, 11DL FLEXIDYNE Drives

These are typical drives for average service conditions

Driven by 1750 RPM Motors					Driven by 1750 RPM Motors				
Driven RPM	V-Belt Drive Ratio	Diameter ★		Quan. & Belt Size ◆	Driven RPM	V-Belt Drive Ratio	Diameter ★		Quan. & Belt Size ◆
		Driver *	Driven ▲				Driver *	Driven ▲	
1750	1.00	6.5	6.5	5-3V	1160	1.00	6.5	6.5	5-3V
1750	1.00	6.8	6.8	5-B	1160	1.00	6.8	6.8	5-B
1699	1.03	6.6	6.8	5-B	1126	1.03	6.6	6.8	5-B
1651	1.06	6.5	6.9	5-3V	1094	1.06	6.5	6.9	5-3V
1636	1.07	7.5	8.0	3-5V	1084	1.07	7.5	8.0	3-5V
1606	1.09	6.8	7.4	5-B	1064	1.09	6.8	7.4	5-B
1563	1.12	6.6	7.4	5-B	1036	1.12	6.6	7.4	5-B
1535	1.14	7.5	8.5	3-5V	1022	1.14	7.5	8.5	3-5V
1509	1.16	7.4	8.6	5-B	1000	1.16	7.4	8.6	5-B
1509	1.16	6.9	8.0	5-3V	1000	1.16	6.9	8.0	5-3V
1458	1.20	7.5	9.0	3-5V	967	1.20	7.5	9.0	3-5V
1423	1.23	6.5	8.0	5-3V	943	1.23	6.5	8.0	5-3V
1411	1.24	7.5	9.25	3-5V	935	1.24	7.5	9.25	3-5V
1389	1.26	6.8	8.6	5-B	921	1.26	6.8	8.6	5-B
1378	1.27	7.4	9.4	5-B	913	1.27	7.4	9.4	5-B
1367	1.28	8.6	11.0	5-B	906	1.28	8.6	11.0	5-B
1346	1.30	7.5	9.75	3-5V	892	1.30	7.5	9.75	3-5V
1346	1.30	6.6	8.6	5-B	892	1.30	6.6	8.6	5-B
1268	1.38	7.5	10.3	3-5V	841	1.38	7.5	10.3	3-5V
1268	1.38	6.8	9.4	5-B	841	1.38	6.8	9.4	5-B
1232	1.42	6.6	9.4	5-B	817	1.42	6.6	9.4	5-B
1215	1.44	8.6	12.4	5-B	806	1.44	8.6	12.4	5-B
1199	1.46	7.5	10.9	3-5V	795	1.46	7.5	10.9	3-5V
1174	1.49	7.4	11.0	5-B	779	1.49	7.4	11.0	5-B
1136	1.54	6.9	10.6	5-3V	753	1.54	6.9	10.6	5-3V
1108	1.58	7.5	11.8	3-5V	734	1.58	7.5	11.8	3-5V
1080	1.62	6.8	11.0	5-B	716	1.62	6.8	11.0	5-B
1067	1.64	6.5	10.6	5-3V	707	1.64	6.5	10.6	5-3V
1048	1.67	6.6	11.0	5-B	695	1.67	6.6	11.0	5-B
1042	1.68	7.5	12.5	3-5V	690	1.68	7.5	12.5	3-5V
1042	1.68	7.4	12.4	5-B	690	1.68	7.4	12.4	5-B
989	1.77	7.5	13.2	3-5V	655	1.77	7.5	13.2	3-5V
978	1.79	8.6	15.4	5-B	648	1.79	8.6	15.4	5-B
962	1.82	6.8	12.4	5-B	637	1.82	6.8	12.4	5-B
931	1.88	7.5	14.0	3-5V	617	1.88	7.5	14.0	3-5V
931	1.88	6.6	12.4	5-B	617	1.88	6.6	12.4	5-B
871	2.01	7.5	15.0	3-5V	577	2.01	7.5	15.0	3-5V
858	2.04	6.9	14.0	5-3V	569	2.04	6.9	14.0	5-3V
841	2.08	7.4	15.4	5-B	558	2.08	7.4	15.4	5-B
818	2.14	8.6	18.4	5-B	542	2.14	8.6	18.4	5-B
814	2.15	7.5	16.0	3-5V	540	2.15	7.5	16.0	3-5V
810	2.16	6.5	14.0	5-3V	537	2.16	6.5	14.0	5-3V
774	2.26	6.8	15.4	5-B	513	2.26	6.8	15.4	5-B
751	2.33	6.6	15.4	5-B	498	2.33	6.6	15.4	5-B
703	2.49	7.4	18.4	5-B	466	2.49	7.4	18.4	5-B
646	2.71	6.8	18.4	5-B	428	2.71	6.8	18.4	5-B
632	2.77	6.9	19.0	5-3V	419	2.77	6.9	19.0	5-3V
627	2.79	6.6	18.4	5-B	416	2.79	6.6	18.4	5-B
614	2.85	7.5	21.2	3-5V	407	2.85	7.5	21.2	3-5V
601	2.91	8.6	25.0	5-B	399	2.91	8.6	25.0	5-B
595	2.94	6.5	19.0	5-3V	395	2.94	6.5	19.0	5-3V
578	3.03	6.6	20.0	5-B	383	3.03	6.6	20.0	5-B
518	3.38	7.4	25.0	5-B	343	3.38	7.4	25.0	5-B
501	3.49	8.6	30.0	5-B	332	3.49	8.6	30.0	5-B
481	3.64	6.9	25.0	5-3V	319	3.64	6.9	25.0	5-3V
476	3.68	6.8	25.0	5-B	315	3.68	6.8	25.0	5-B
464	3.77	7.5	28.0	3-5V	308	3.77	7.5	28.0	3-5V
462	3.79	6.6	25.0	5-B	306	3.79	6.6	25.0	5-B
452	3.87	6.5	25.0	5-3V	300	3.87	6.5	25.0	5-3V
432	4.05	7.4	30.0	5-B	286	4.05	7.4	30.0	5-B
397	4.41	6.8	30.0	5-B	263	4.41	6.8	30.0	5-B
385	4.55	6.6	30.0	5-B	255	4.55	6.6	30.0	5-B
359	4.88	6.9	33.5	5-3V	238	4.88	6.9	35.5	5-3V
347	5.05	7.5	37.5	3-5V	230	5.05	7.5	37.5	3-5V
340	5.14	7.4	38.0	5-B	226	5.14	7.4	38.0	5-B
337	5.19	6.5	33.5	5-3V	224	5.19	6.5	33.5	5-3V
313	5.59	6.8	38.0	5-B	208	5.59	6.8	38.0	5-B
304	5.76	6.6	38.0	5-B	201	5.76	6.6	38.0	5-B

* Stock FLEXIDYNE sheaves listed on page PT3-16 - PT3-17.

★ Outside diameter of 3V DYNA-V sheaves. Datum diameter of A and B sheaves. All ratios are based on P.D. for DYNA-V Sheaves and Datum diameter for A and B Sheaves.

* Stock TAPER-LOCK sheaves in V-drives section.

FEATURES/BENEFITS PAGE PT3-2	SPECIFICATION PAGE PT3-3	SELECTION PAGE PT3-4	ENGINEERING/TECHNICAL PAGE PT3-26
---------------------------------	-----------------------------	-------------------------	--------------------------------------



FLEXIDYNE

V-Belt Drives For 15D FLEXIDYNE Drives

These are typical drives for average service conditions

Driven by 1750 RPM Motors					Driven by 1750 RPM Motors				
Driven RPM	V-Belt Drive Ratio	Diameter ★		Quan. & Belt Size ◆	Driven RPM	V-Belt Drive Ratio	Diameter ★		Quan. & Belt Size ◆
		Driver *	Driven ▲				Driver *	Driven ▲	
1750	1.00	9.75	9.75	4-5V	1160	1.00	9.75	9.75	4-5V
1699	1.03	9.0	9.25	5-5V	1126	1.03	9.0	9.25	5-5V
1663	1.05	9.5	10.0	6-C	1102	1.05	9.5	10.0	6-C
1651	1.06	9.75	10.3	4-5V	1094	1.06	9.75	10.3	4-5V
1620	1.08	9.0	9.75	5-5V	1074	1.08	9.0	9.75	5-5V
1606	1.09	8.5	9.25	5-5V	1064	1.09	8.5	9.25	5-5V
1591	1.10	10.0	11.0	6-C	1055	1.10	10.0	11.0	6-C
1575	1.11	9.0	10.0	6-C	1044	1.11	9.0	10.0	6-C
1563	1.12	9.75	10.9	4-5V	1036	1.12	9.75	10.9	4-5V
1531	1.14	10.5	12.0	5-C	1015	1.14	10.5	12.0	5-C
1522	1.15	8.5	9.75	5-5V	1009	1.15	8.5	9.75	5-5V
1496	1.17	9.0	10.5	6-C	994	1.17	9.0	10.5	6-C
1458	1.20	10.0	12.0	6-C	966	1.20	10.0	12.0	6-C
1446	1.21	9.75	11.8	4-5V	959	1.21	9.75	11.8	4-5V
1432	1.22	9.0	11.0	6-C	949	1.22	9.0	11.0	6-C
1413	1.24	10.5	13.0	5-C	937	1.24	10.5	13.0	5-C
1385	1.26	9.5	12.0	6-C	918	1.26	9.5	12.0	6-C
1367	1.28	9.75	12.5	4-3V	906	1.28	9.75	12.5	4-3V
1357	1.29	8.5	10.9	5-5V	899	1.29	8.5	10.9	5-5V
1346	1.30	10.0	13.0	6-C	892	1.30	10.0	13.0	6-C
1336	1.31	9.0	11.8	5-5V	885	1.31	9.0	11.8	5-5V
1313	1.33	10.5	14.0	5-C	870	1.33	10.5	14.0	5-C
1287	1.36	9.75	13.2	4-5V	853	1.36	9.75	13.2	4-5V
1279	1.37	9.5	13.0	6-C	848	1.37	9.5	13.0	6-C
1259	1.39	8.5	11.8	5-5V	835	1.39	8.5	11.8	5-5V
1250	1.40	10.0	14.0	6-C	829	1.40	10.0	14.0	6-C
1215	1.44	9.75	14.0	4-5V	806	1.44	9.75	14.0	4-5V
1190	1.47	9.0	13.2	5-5V	789	1.47	9.0	13.2	5-5V
1182	1.48	8.5	12.5	5-5V	784	1.48	8.5	12.5	5-5V
1148	1.52	10.5	16.0	5-C	761	1.52	10.5	16.0	5-C
1136	1.54	9.75	15.0	4-5V	753	1.54	9.75	15.0	4-5V
1122	1.56	8.5	13.2	5-5V	744	1.56	8.5	13.2	5-5V
1094	1.60	10.0	16.0	6-C	725	1.60	10.0	16.0	6-C
1061	1.65	9.75	16.0	4-5V	703	1.65	9.75	16.0	4-5V
1048	1.67	9.0	15.0	5-5V	695	1.67	9.0	15.0	5-5V
1039	1.68	9.5	16.0	6-C	689	1.68	9.5	16.0	6-C
989	1.77	8.5	15.0	5-5V	655	1.77	8.5	15.0	5-5V
978	1.79	9.0	16.0	5-5V	648	1.79	9.0	16.0	5-5V
926	1.89	8.5	16.0	5-5V	614	1.89	8.5	16.0	5-5V
919	1.91	10.5	20.0	5-C	609	1.91	10.5	20.0	5-C
875	2.00	10.0	20.0	6-C	580	2.00	10.0	20.0	6-C
831	2.10	9.5	20.0	6-C	551	2.10	9.5	20.0	6-C
799	2.19	9.75	21.2	4-5V	530	2.19	9.75	21.2	4-5V
788	2.22	9.0	20.0	6-C	522	2.22	9.0	20.0	6-C
766	2.28	10.5	24.0	5-C	508	2.28	10.5	24.0	5-C
738	2.37	9.0	21.2	5-5V	489	2.37	9.0	21.2	5-5V
729	2.40	10.0	24.0	6-C	483	2.40	10.0	24.0	6-C
697	2.51	8.5	21.2	5-5V	462	2.51	8.5	21.2	5-5V
656	2.67	9.0	24.0	6-C	435	2.67	9.0	24.0	6-C
612	2.86	10.5	30.0	5-C	406	2.86	10.5	30.0	5-C
606	2.89	9.75	28.0	4-5V	401	2.89	9.75	28.0	4-5V
583	3.00	10.0	30.0	6-C	386	3.00	10.0	30.0	6-C
559	3.13	9.0	28.0	5-5V	371	3.13	9.0	28.0	5-5V
527	3.32	8.5	28.0	5-5V	349	3.32	8.5	28.0	5-5V
510	3.43	10.5	36.0	5-C	338	3.43	10.5	36.0	5-C
486	3.60	10.0	36.0	6-C	322	3.60	10.0	36.0	6-C
462	3.79	9.5	36.0	6-C	306	3.79	9.5	36.0	6-C
451	3.88	9.75	37.5	4-5V	299	3.88	9.75	37.5	4-5V
438	4.00	9.0	36.0	6-C	290	4.00	9.0	36.0	6-C
417	4.20	9.0	37.5	5-5V	276	4.20	9.0	37.5	5-5V
393	4.45	8.5	37.5	5-5V	261	4.45	8.5	37.5	5-5V
378	4.64	9.5	44.0	6-C	251	4.64	9.5	44.0	6-C
368	4.76	10.5	50.0	5-C	244	4.76	10.5	50.0	5-C
358	4.89	9.0	44.0	6-C	237	4.89	9.0	44.0	6-C
350	5.00	10.0	50.0	6-C	232	5.00	10.0	50.0	6-C
338	5.17	9.75	50.0	4-5V	224	5.17	9.75	50.0	4-5V
312	5.61	9.0	50.0	5-5V	207	5.61	9.0	50.0	5-5V
295	5.94	8.5	50.0	5-5V	195	5.94	8.5	50.0	5-5V

* Stock FLEXIDYNE sheaves listed on page PT3-16 - PT3-17.

* Stock TAPER-LOCK sheaves in V-drives section.

★ Outside diameter of 3V DYNA-V sheaves. Datum diameter of A and B sheaves. All ratios are based on P.D. for DYNA-V Sheaves and Datum diameter for A and B Sheaves.

FEATURES/BENEFITS PAGE PT3-2	SPECIFICATION PAGE PT3-3	SELECTION PAGE PT3-4	ENGINEERING/TECHNICAL PAGE PT3-26
---------------------------------	-----------------------------	-------------------------	--------------------------------------



ENGINEERING/TECHNICAL

FLEXIDYNE

SCF FLEXIDYNE Mechanism Used In A C-Flex Module

Maximum Allowable Acceleration Time (seconds)

Frequency of Starts	RPM	Starting Horsepower*						
		0.50	1.00	1.50	2.00	2.50	3.00	3.60
2 Hours	1750	140	90	70	56	50	44	37
1 Hour	1750	140	90	70	56	50	44	37
30 Min.	1750	140	90	70	56	50	44	37
15 Min.	1750	140	90	70	56	50	44	37
10 Min.	1750	125	80	60	48	42	39	32
5 Min.	1750	74	46	46	29	26	23	20
2 Min.	1750	30	19	15	12	10	8	5
1 Min.	1750	15	10	5	3

Table may be interpolated for HP and cycle times between those figures listed.

Thermal Capacities

FLEXIDYNE Mechanism Size 5

Maximum Allowable Acceleration Time (seconds)

Frequency of Starts	RPM	Starting Horsepower*					
		0.30	0.50	0.70	0.90	1.10	1.30
2 Hours	1750	330	220	170	128	116	104
	1160
	870
1 Hour	1750	330	220	170	128	116	104
	1160
	870
30 Min.	1750	330	220	170	128	116	104
	1160
	870
15 Min.	1750	330	220	170	128	116	104
	1160
	870
10 Min.	1750	300	200	150	116	105	94
	1160
	870
5 Min.	1750	170	116	88	68	62	55
	1160
	870
2 Min.	1750	70	47	35	27	25	22
	1160
	870
1 Min.	1750	35	23	18	14	12	11
	1160
	870

Table may be interpolated for HP and cycle times between those figures listed.

* Starting HP is dependent on the amount of flow charge used.



FLEXIDYNE

FLEXIDYNE Mechanism Size 55

Maximum Allowable Acceleration Time (seconds)

Frequency of Starts	RPM	Starting Horsepower*								
		0.50	0.75	1.00	1.50	2.00	2.50	3.00	3.50	4.00
2 Hours	1750	125	92	76	67	60	55	50
	1160	250	175	148	110
	870
1 Hour	1750	125	92	76	67	60	55	50
	1160	250	175	148	110
	870
30 Min.	1750	125	92	76	67	60	55	50
	1160	250	175	148	110
	870
15 Min.	1750	125	92	76	67	60	55	50
	1160	250	175	148	110
	870
10 Min.	1750	96	67	60	52	47	43	40
	1160	190	130	110	82
	870
5 Min.	1750	58	41	37	32	29	25	20
	1160	110	80	68	50
	870
2 Min.	1750	30	23	20	17	15	13	10
	1160	60	40	35	28
	870
1 Min.	1750	19	15	13	11	9	8	6
	1160	33	26	22	18
	870

FLEXIDYNE Mechanism Size 70

Maximum Allowable Acceleration Time (seconds)

Frequency of Starts	RPM	Starting Horsepower*									
		0.50	0.75	1.00	2.00	2.50	3.00	4.00	6.00	8.00	10.00
2 Hours	1750	210	180	150	110	80	63	53
	1160	500	260	190	170	130
	870	900	800	550
1 Hour	1750	210	180	150	110	80	63	53
	1160	500	260	190	170	130
	870	900	800	550
30 Min.	1750	210	180	150	110	80	63	53
	1160	500	260	190	170	130
	870	900	800	550
15 Min.	1750	190	160	140	100	72	56	46
	1160	450	230	165	155	118
	870	800	700	500
10 Min.	1750	170	140	120	83	60	41	36
	1160	320	190	143	133	90
	870	500	400	330
5 Min.	1750	105	85	74	54	38	29	23
	1160	200	120	88	80	60
	870	250	230	210
2 Min.	1750	58	45	39	30	21	16	13
	1160	80	60	49	45	36
	870	100	100	100
1 Min.	1750	36	29	25	19	13	10	8
	1160	45	38	33	28	23
	870	50	50	50

Table may be interpolated for HP and cycle times between those figures listed.

* Starting HP is dependent on the amount of flow charge used

FEATURES/BENEFITS PAGE PT3-2	SPECIFICATION PAGE PT3-3	SELECTION PAGE PT3-4	SELECTION/DIMENSIONS PAGE PT3-8
---------------------------------	-----------------------------	-------------------------	------------------------------------



ENGINEERING/TECHNICAL

FLEXIDYNE

FLEXIDYNE Mechanism Size 75

Maximum Allowable Acceleration Time (seconds)

Frequency of Starts	RPM	Starting Horsepower*									
		1.00	2.00	3.00	4.00	5.00	7.00	8.00	10.00	15.00	20.00
2 Hours	1750	85	73	70	58	48	40
	1160	250	150	110	90	75	
	870	520	300	200	
1 Hour	1750	85	73	70	58	48	40
	1160	250	150	110	90	75	
	870	520	300	200	
30 Min.	1750	85	73	70	58	48	40
	1160	250	150	110	90	75	
	870	520	300	200	
15 Min.	1750	80	68	64	53	43	35
	1160	220	130	100	85	70	
	870	520	300	200	
10 Min.	1750	65	57	54	45	34	27
	1160	180	110	82	70	60	
	870	420	210	150	
5 Min.	1750	40	37	35	30	21	17
	1160	110	65	50	45	38	
	870	260	130	100	
2 Min.	1750	22	20	18	16	11	8
	1160	60	40	28	24	21	
	870	100	80	52	
1 Min.	1750	15	13	11	10	8	5
	1160	40	22	18	16	14	
	870	50	40	30	

FLEXIDYNE MECHANISM SIZE 9

Maximum Allowable Acceleration Time (seconds)

Frequency of Starts	RPM	Starting Horsepower*									
		2.50	5	10.00	15.00	17.50	20.00	25.00	30.00	35.00	38.00
2 Hours	1750	135	76	64	52	40	26	21	16
	1160	230	150	120	110	
	870	1000	310	
1 Hour	1750	135	76	64	52	40	26	21	16
	1160	230	150	120	110	
	870	1000	310	
30 Min.	1750	135	76	64	52	40	26	21	16
	1160	230	150	120	110	
	870	820	260	
15 Min.	1750	118	66	55	45	35	22	18	15
	1160	190	120	100	92	
	870	600	180	
10 Min.	1750	100	58	48	38	30	18	15	13
	1160	160	100	85	78	
	870	425	140	
5 Min.	1750	70	38	31	25	20	12	10	9
	1160	100	65	50	47	
	870	225	70	
2 Min.	1750	28	15	12	10	8	5	4	3
	1160	42	26	21	19	
	870	90	27	
1 Min.	1750	14	7	6	5	4
	1160	22	13	11	9	
	870	45	13	

Table may be interpolated for HP and cycle times between those figures listed.

* Starting HP is dependent on the amount of flow charge used



FLEXIDYNE

FLEXIDYNE Mechanism Size 11

Maximum Allowable Acceleration Time (seconds)

Frequency of Starts	RPM	Starting Horsepower*										
		5	10	20	30	40	50	60	70	80	90	100
2 Hours	1750	116	80	44	34	24	21	18	16	14
	1160	480	308	136	107	78
	870	1000	600	320
1 Hour	1750	116	80	44	34	24	21	18	16	14
	1160	480	308	136	107	78
	870	950	560	300
30 Min.	1750	116	80	44	34	24	21	18	16	14
	1160	400	257	115	89	64
	870	700	440	230
15 Min.	1750	96	67	37	28	20	17	15	13	12
	1160	270	175	80	63	46
	870	450	280	150
10 Min.	1750	80	56	32	24	17	14	12	11	10
	1160	200	130	60	47	35
	870	290	180	90
5 Min.	1750	50	35	20	15	10	9	8	7	6
	1160	100	65	30	23	17
	870	130	80	42
2 Min.	1750	21	14	8	6	4	3
	1160	40	26	12	9	6
	870	46	30	15
1 Min.	1750	11	7	4	3
	1160	20	13	6	4	3
	870	21	13	6

Table may be interpolated for HP and cycle times between those figures listed.

* Starting HP is dependent on the amount of flow charge used

FEATURES/BENEFITS PAGE PT3-2	SPECIFICATION PAGE PT3-3	SELECTION PAGE PT3-4	SELECTION/DIMENSIONS PAGE PT3-8
---------------------------------	-----------------------------	-------------------------	------------------------------------



ENGINEERING/TECHNICAL

FLEXIDYNE

FLEXIDYNE Mechanism Size 15

Maximum Allowable Acceleration Time (seconds)

Frequency of Starts	RPM	Starting Horsepower*									
		10	20	30	40	50	60	70	80	90	100
2 Hours	1750	35	31	27	23	20	16
	1160	...	230	167	105	81	56	47	39	33	28
	870	560	300	200	145
1 Hour	1750	35	31	27	23	20	16
	1160	...	230	167	105	81	56	47	39	33	28
	870	560	300	200	145
30 Min.	1750	34	30	26	22	18	15
	1160	...	230	167	105	81	56	47	39	33	28
	870	460	240	160	120
15 Min.	1750	30	27	23	20	16	13
	1160	...	190	140	90	68	47	40	33	28	24
	870	350	170	125	90
10 Min.	1750	28	25	21	17	15	13
	1160	...	160	117	74	57	40	34	28	24	20
	870	260	130	95	68
5 Min.	1750	19	16	14	12	10	9
	1160	...	100	73	46	35	25	21	17	14	12
	870	160	80	60	42
2 Min.	1750	12	10	9	7	6	5
	1160	...	44	32	20	15	11	9	7	6	5
	870	85	42	32	22
1 Min.	1750	8	7	6	5	4	3
	1160	...	23	17	10	7	5	5	4	3	3
	870	53	25	19	14

Frequency of Starts	RPM	Starting Horsepower*									
		110	120	130	140	150	160	170	180	190	200
2 Hours	1750	15	14	13	12	11	10	9	9	8	8
	1160
	870
1 Hour	1750	15	14	13	12	11	10	9	9	8	8
	1160
	870
30 Min.	1750	14	13	12	11	10	10	9	9	8	7
	1160
	870
15 Min.	1750	12	11	10	10	9	8	8	7	7	6
	1160
	870
10 Min.	1750	12	11	10	9	8	8	7	7	6	6
	1160
	870
5 Min.	1750	8	7	7	6	6	6	5	5	4	4
	1160
	870
2 Min.	1750	5	4	4	3	3
	1160
	870
1 Min.	1750	3
	1160
	870

Table may be interpolated for HP and cycle times between those figures listed

* Starting HP is dependent on the amount of flow charge used.

Thermal capacities are shown for single cavity units. For duplex cavities, starting horsepower = (HP * Starting Torque%)/2

Caution: At these capacities, the housing temperature may reach 250 degrees F.

FEATURES/BENEFITS PAGE PT3-2	SPECIFICATION PAGE PT3-3	SELECTION PAGE PT3-4	SELECTION/DIMENSIONS PAGE PT3-8
---------------------------------	-----------------------------	-------------------------	------------------------------------



FLEXIDYNE

FLEXIDYNE Mechanism Size 18

Maximum Allowable Acceleration Time (seconds)

Frequency of Starts	RPM	Starting Horsepower*							
		20	40	60	80	100	120	140	160
2 Hours	1160	60	49	38	33
	870	200	160	120	96	72	62	52
	720	600	370	220	160
1 Hour	1160	60	49	38	33
	870	200	160	120	96	72	62	52
	720	560	350	200	150
30 Min.	1160	56	45	35	30
	870	160	130	100	80	60	52	44
	720	450	280	160	120
15 Min.	1160	44	35	26	23
	870	115	94	72	58	45	38	32
	720	300	180	100	74
10 Min.	1160	32	26	20	17
	870	90	72	54	43	32	27	22
	720	200	120	66	48
5 Min.	1160	17	13	10	9
	870	44	35	27	21	16	13	11
	720	90	54	32	23
2 Min.	1160	7	5	4	4
	870	17	13	10	8	6	5	4
	720	35	21	12	8
1 Min.	1160
	870	8	6	5	4	3
	720	16	10	5	4

Frequency of Starts	RPM	Starting Horsepower*						
		180	200	220	240	260	280	300
2 Hours	1160	28	25	22	20	18	16	14
	870
	720
1 Hour	1160	28	25	22	20	18	16	14
	870
	720
30 Min.	1160	26	23	20	18	17	15	13
	870
	720
15 Min.	1160	20	18	16	14	13	11	10
	870
	720
10 Min.	1160	15	13	12	10	9	8	7
	870
	720
5 Min.	1160	8	7	6	5	5	4	4
	870
	720
2 Min.	1160
	870
	720
1 Min.	1160
	870
	720

Table may be interpolated for HP and cycle times between those figures listed.

* Starting HP is dependent on the amount of flow charge used.

Thermal capacities are shown for single cavity units.

Caution: At these capacities, the housing temperature may reach 250 degrees F.

For duplex cavities, starting horsepower = (HP * Starting Torque%)/2

FEATURES/BENEFITS PAGE PT3-2	SPECIFICATION PAGE PT3-3	SELECTION PAGE PT3-4	SELECTION/DIMENSIONS PAGE PT3-8
---------------------------------	-----------------------------	-------------------------	------------------------------------

NOTES

PT Component
Reference Guide

Couplings

Clutches and Brakes

FLEXIDYNE

Fluid Couplings

TORQUE-TAMER

Bushings

CONTENTS



Fluid Coupling

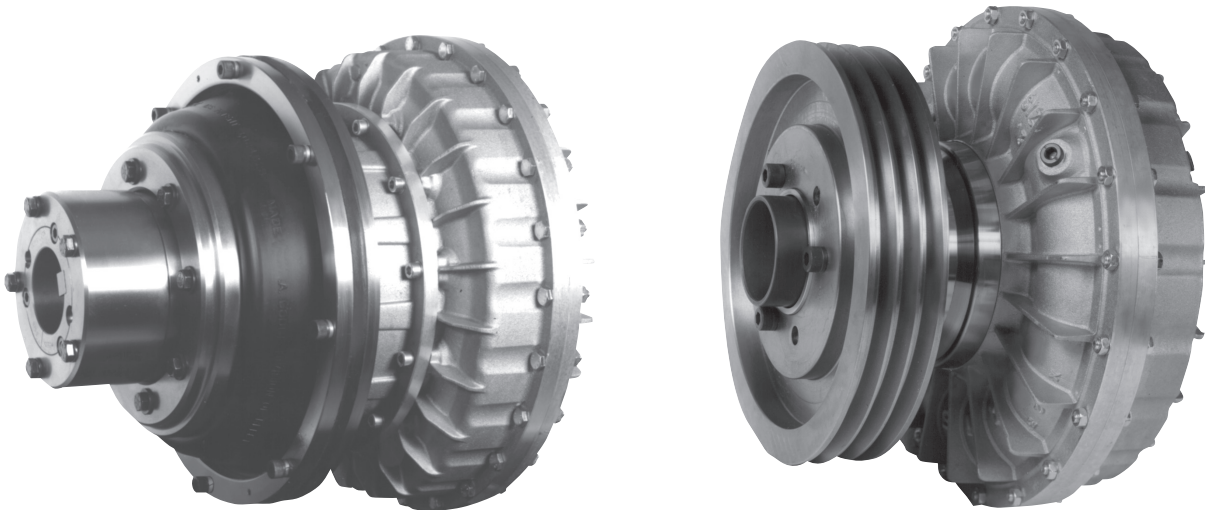
Features/Benefits	PT4-2
Nomenclature	PT4-3
Selection	PT4-3
Selection/Dimensions	
Fluid Coupling Drives - KSD	PT4-4
Fluid Coupling Drives - KCM	PT4-6
Fluid Coupling Drives - KCP	PT4-8
Part Number Index	INDEX-1
Keyword Index	INDEX-67



FEATURES/BENEFITS

Fluid Coupling

- **Smoother and Shock Free Operation**
 - Motor starts under no load conditions
 - Smoother starts
- **More Efficient Design**
 - Permits use of standard NEMA Design B motors
 - Eliminate need for motors with special winding
 - Wound rotor motors not needed
- **Overload Protection**
 - Provides overload protection at overloads somewhat greater than starting torque
 - Protection devices to prevent damage to Fluid Couplings are available
- **Low Current Draw**
 - Less than twice the nameplate amperage during both starting and overload periods
 - Many electric utilities recommend Fluid Couplings
- **Increased Productivity**
 - Eliminates product spillage and machine damage due to harsh starts or jammed loads

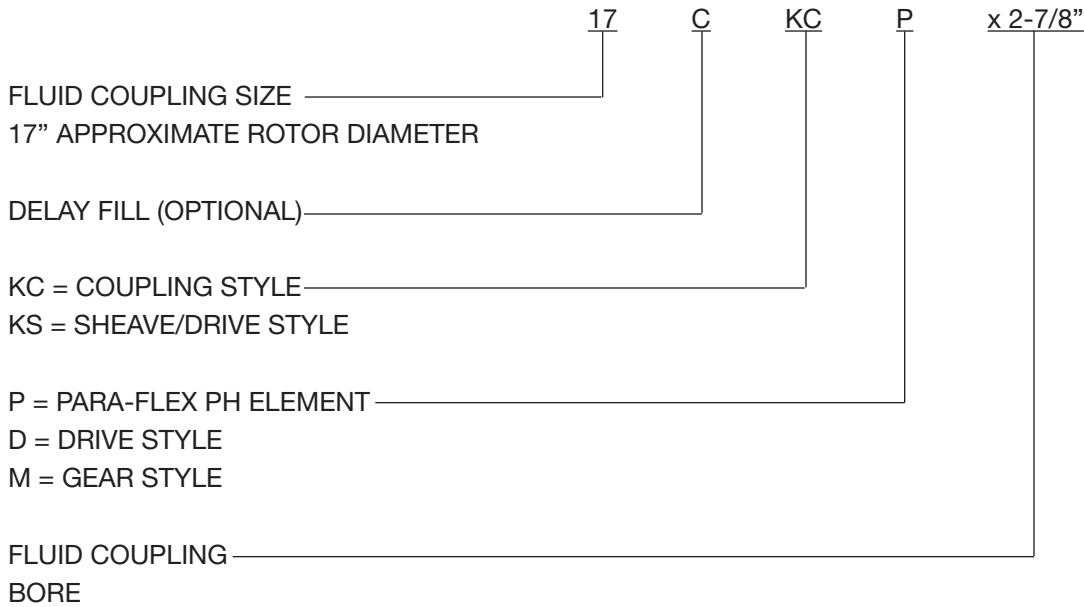




NOMENCLATURE

Fluid Coupling

NOMENCLATURE



SELECTION

Fluid Coupling

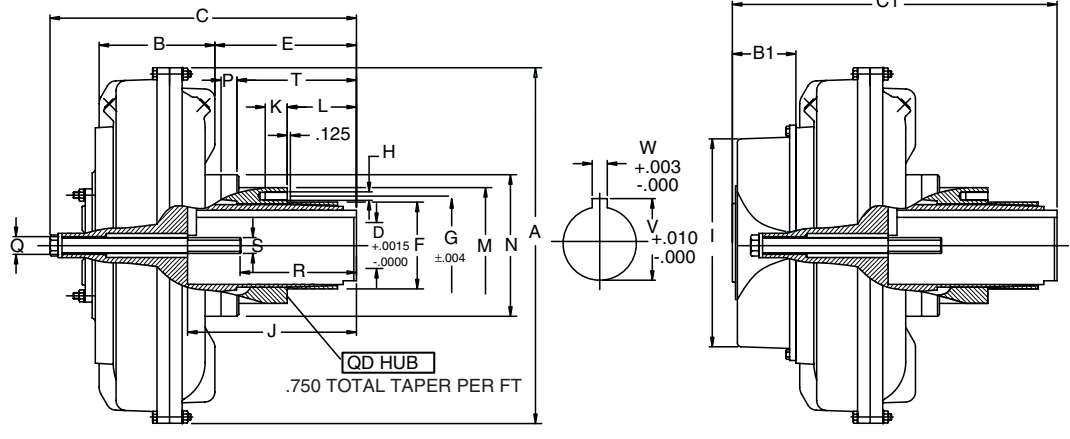
Fluid Coupling Selection

HP	RPM		
	1800	1500	1200
5	8	8	9
7.50	8	9	11
10	8	9	12
15	9	11	12
20	11	12	13
25	11	12	13
30	11	12	15
40	12	13	15
50	13	15	17
60	13	15	17
75	15	15	17
100	15	17	19
125	17	19	21
150	17	19	21
200	19	21	24
250	21	21	24
300	21	24	27
350	21	24	27
400	24	24	27
500	24	27	29



SELECTION/DIMENSIONS

Fluid Coupling



KSD-QD

CKSD-QD

Dimensional Data Sheet - KSD & CKSD

Size	D Bore	A	KSD		CKSD		E	F	G	H		J	K	L	M	N	P	Q	R	S	T	QD Hub Size	Weight (lb) Less Oil		Oil U.S. Gal. max.	
			B	B1	C Max	C1 Max				#	Dia												KSD-QD	CKSD-QD	KSD-QD	CKSD-QD
			7	1.375• 1.125 0.875	8.98	3.03					7.09												-	2.77	2.19	2.69
8	1.375• 1.125	10.08	3.58		7.33	-	2.61	2.19	2.69	3	1/4-20	2.40	0.6	1.2	3.1	4.5	0.6	1/2-13 UNC			1.94	SDS	14.8		0.40	
9	1.625• 1.375	11.61	3.78		9.80	-	3.98	2.81	3.31	3	5/16-18	3.31	0.7	1.5	3.9	5.0	1.0	3/4-10 UNC			2.48	SK	28.7		0.52	
11	1.875• 1.625	12.80	4.21		10.20	11.39	3.86	3.13	3.88	3	3/8-16	4.00	0.8	1.5	4.6	5.5	0.8	3/4-10 UNC			2.76	SF	34.2		0.73	
12	2.125• 1.875 1.625	14.57	4.80	3.15	11.56	13.05	5.10	3.83	5.00	3	1/2-13	4.25	1.1	1.9	6.0	6.1	0.9	3/4-10 UNC			3.98	E	50.7	57.2	1.08	1.27
13	2.375• 2.125 1.875	15.67	5.39	3.15	13.90	14.96	6.42	3.83	5.00	3	1/2-13	4.25	1.1	2.8	6.0	7.0	1.1	3/4-10 UNC			5.22	E	73.9	80.5	1.37	1.53
15	2.875• 2.375	18.11	5.95	3.62	15.60	16.70	7.13	4.44	5.63	3	9/16-12	7.00 5.63	1.2	3.9	6.6	8.0	1.38	7/8-9 UNC	5.35 3.90	3/4-10 UNC	5.43	F	107	115.8	2.02	2.27
17	3.375• 2.875	20.47	6.69	3.98	19.11	20.32	9.65	5.15	6.25	3	5/8-11	8.25 7.00	1.4	4.3	7.24	8.3	2.8	1 1/4-7 UNC	6.30 5.00	7/8-9 UNC	6.69	J	156	169.2	3.09	3.59
19	3.375• 2.875	22.24	7.48	3.98	18.17	20.32	8.86	5.15	6.25	3	5/8-11	8.25 7.00	1.4	4.3	7.24	8.98	1.77	1 1/8-7 UNC	6.30 5.00	7/8-9 UNC	6.69	J	174	187.2	3.75	4.36
21	3.875• 3.375	24.41	8.07	4.53	21.46 19.88	24.41 22.84	11.81 10.24	6.50	7.88	4	3/4-10	1.00 0.88	1.6	7.1 5.5	9.02	10.38	2.2	1 1/4-7 UNC	6.56 6.51	7/8-9 UNC	11.02 9.45	M	270	292	5.02	6.08
24	3.875•	27.95	9.02	4.53	21.46	24.41	10.87	6.50	7.88	4	3/4-10	1.00	1.6	7.1	9.02	10.38	1.4	1 1/4-7 UNC	6.56	7/8-9 UNC	11.02	M	307	329	7.50	8.24

• Max Bore



SELECTION/DIMENSIONS

Fluid Coupling

Part Numbers

KSD Drive Accepts "Q" Style Sheave	
Part #	Part Description
118780	7 KSD-QD SDS W/ 1-1/8 COLLET
118781	8 KSD-QD SDS W/ 1-1/8 COLLET
118782	9 KSD-QD SK W/ 1-3/8 COLLET
118783	11 KSD-QD SF W/ 1-7/8 COLLET
118784	12 KSD-QD E W/ 2-1/8 COLLET
118785	13 KSD-QD E W/ 2-1/8 COLLET
118786	13 KSD-QD E W/ 2-3/8 COLLET
118648	15 KSD-QD F W/ 2-3/8 COLLET
118649	15 KSD-QD F W/ 2-7/8 COLLET
118650	17 KSD-QD J W/ 3-3/8 COLLET
118651	19 KSD-QD J W/ 3-3/8 COLLET
118652	21 KSD-QD M W/ 3-3/8 FINISH BORE
118653	24 KSD-QD M W/ 3-3/8 FINISH BORE

Delay Fill

CKSD Drive Accepts "Qd" Style Sheave	
Part #	Part Description
118654	11 CKSD-QD SF W/ 1-7/8 COLLET
118655	12 CKSD-QD E W/ 2-1/8 COLLET
118656	13 CKSD-QD E W/ 2-1/8 COLLET
118657	13 CKSD-QD E W/ 2-3/8 COLLET
118658	15 CKSD-QD F W/ 2-3/8 COLLET
118659	15 CKSD-QD F W/ 2-7/8 COLLET
118660	17 CKSD-QD J W/ 3-3/8 COLLET
118661	19 CKSD-QD J W/ 3-3/8 COLLET
118662	21 CKSD-QD M W/ 3-3/8 FINISH BORE
118663	24 CKSD-QD M W/ 3-3/8 FINISH BORE

KSD Drive Accepts Bolt-On Style Sheave	
Part #	Part Description
118787	15 KSD FLUID CPLG W/ 2-3/8 F.B.
118788	15 KSD FLUID CPLG W/ 2-7/8 F.B.
118789	15 KSD FLUID CPLG 2-3/8 COLLET
118790	15 KSD FLUID CPLG 2-7/8 COLLET
118792	17 KSD FLUID CPLG W/ 3-3/8 F.B.
118793	17 KSD FLUID CPLG 3-3/8 COLLET
118794	17 KSD FLUID CPLG 2-3/8 COLLET
118795	19 KSD FLUID CPLG W/ 3-3/8 F.B.
118796	19 KSD FLUID CPLG 3-3/8 COLLET
118797	21 KSD FLUID CPLG W/ 3-3/8 F.B.
118798	24 KSD FLUID CPLG W/ 3-3/8 F.B.

The motor shaft for sizes 15 KSD F.B. style and up must be tapped.

* For non-standard sheaves contact DODGE Drive Components.



Collet Mount: Available on most sizes for ease of installation.

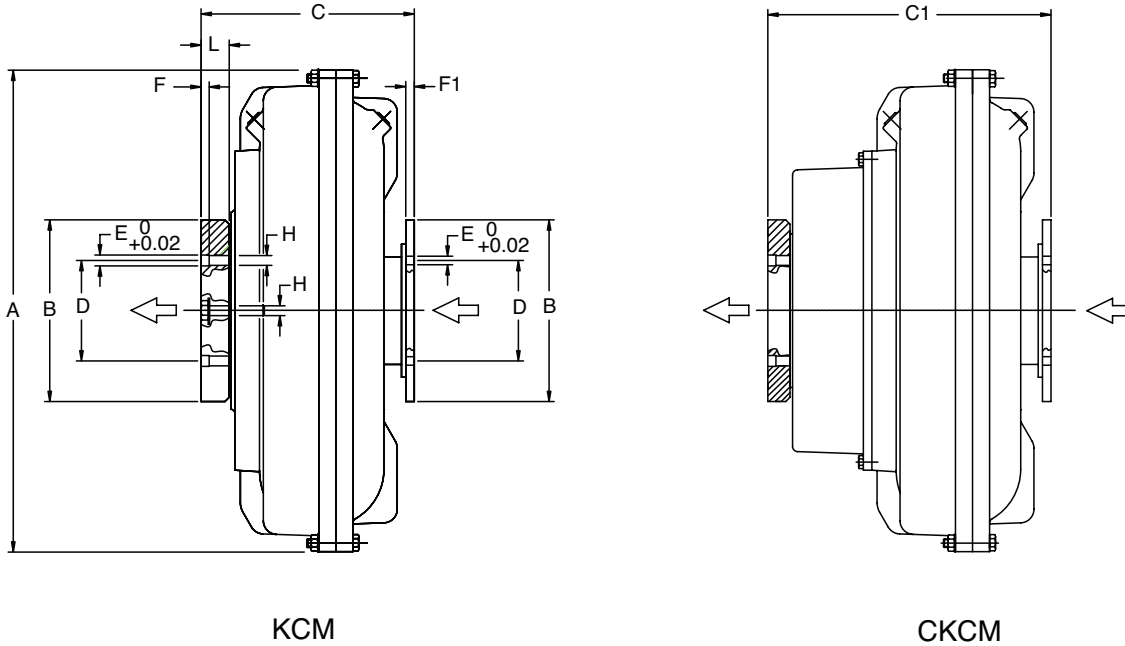
KSD Bolt-On Sheaves *		
Part Number	KSD#	Description
118740	15	3GR 5V 12.5
118743	15	4GR 5V 9.75
118744	15	4GR 5V 10.3
118745	15	4GR 5V 10.9
118746	15	4GR 5V 11.3
118747	15	4GR 5V 11.8

KSD Bolt-On Sheaves *		
Part Number	KSD#	Description
118750	17	4GR 5V 12.5
118755	17	5GR 5V 10.9
118746	17	5GR 5V 11.3
118757	17	5GR 5V 11.8
118758	17	5GR 5V 12.5
118759	17	5GR 5V 13.2
118762	17	6GR 5V 10.9
118763	17	6GR 5V 11.3
118749	17	4GR 5V 11.8
118764	19	6GR 5V 12.5
118765	19	6GR 5V 13.2
118769	19	8GR 5V 10.9
118770	19	8GR 5V 11.3
118771	19	8GR 5V 11.8
118772	21	5GR 8V 14.0
118774	21	6GR 8V 13.2
118775	21	6GR 8V 14.0
118776	21	8GR 8V 13.2
118777	21	8GR 8V 14.0
118778	24	8GR 8V 14.0
118779	24	10GR 8V 13.2



SELECTION/DIMENSIONS

Fluid Coupling



KCM

CKCM

Dimensional Data Sheet - KCM & CKCM

Size	A	B	C		D	E		H	Gear Coupling Size	Weight (lb) Less Oil		Oil U.S. Gal. max.	
			KCM	CKCM		#	DIA			KCM	CKCM	KCM	CKCM
7	8.98	4.57	5.51	-	3.75	6	0.25	1/4-28 UNF	1	16	-	0.24	-
8	10.08	4.57	5.71	-	3.75	6	0.25	1/4-28 UNF	1	18	-	0.34	-
9	11.61	6.00	7.44	-	4.81	8	0.38	3/8-24 UNF	1.5	31	-	0.52	-
11	12.80	6.00	7.80	9.61	4.81	8	0.38	3/8-24 UNF	1.5	35	-	0.73	-
12	14.65	6.00	7.80	10.43	4.81	8	0.38	3/8-24 UNF	1.5	46	53	1.08	1.27
13	15.67	6.00	8.80	11.14	4.81	8	0.38	3/8-24 UNF	1.5	62	68	1.37	1.53
15	18.11	8.39	9.88	12.56	7.13	6	0.62	5/8-11 UNC	2.5	104	112	2.02	2.27
17	20.47	8.39	10.83	13.98	7.13	6	0.62	5/8-11 UNC	2.5	146	159	3.09	3.59
19	22.24	8.39	10.83	13.98	7.13	6	0.62	5/8-11 UNC	2.5	165	178	3.75	4.36
21	24.41	9.45	12.44	16.38	8.13	8	0.62	5/8-11 UNC	2.3	240	262	5.02	6.08
24	28.11	9.45	12.44	16.38	8.13	8	0.62	5/8-11 UNC	2.3	285	306	7.50	8.24
27	30.71	11.02	16.06	20.71	9.50	8	0.75	3/4-10 UNC	3.5	454	505	11.09	13.21
29	33.86	11.02	17.2	21.85	9.50	8	0.75	3/4-10 UNC	3.5	562	613	14.53	16.65
34	39.37	12.52	19.8	24.96	11.00	8	0.75	3/4-10 UNC	4	960	978	21.80	24.44
46	52.36	18.0	-	-	15.75	14	0.88	7/8-11 UNC	6	-	-	-	-



SELECTION/DIMENSIONS

Fluid Coupling PART NUMBERS

Fluid Couplings

Part #	Part Description
118625	7 KCM - LESS 1.0SB GEAR COUPLING
118626	8 KCM - LESS 1.0SB GEAR COUPLING
118627	9 KCM - LESS 1.5SB GEAR COUPLING
118628	11 KCM - LESS 1.5SB GEAR COUPLING
118629	12 KCM - LESS 1.5SB GEAR COUPLING
118630	13 KCM - LESS 1.5SB GEAR COUPLING
118631	15 KCM - LESS 2.5SB GEAR COUPLING
118632	17 KCM - LESS 2.5SB GEAR COUPLING
118633	19 KCM - LESS 2.5SB GEAR COUPLING
118634	21 KCM - LESS 2.5SB GEAR COUPLING
118635	24 KCM - LESS 2.5SB GEAR COUPLING
118636	27 KCM - LESS 3.5EB GEAR COUPLING
118637	29 KCM - LESS 3.5EB GEAR COUPLING

Delay Fill Fluid Couplings

Part #	Part Description
118638	11 CKCM - LESS 1.5SB GEAR COUPLING
118639	12 CKCM - LESS 1.5SB GEAR COUPLING
118640	13 CKCM - LESS 1.5SB GEAR COUPLING
118641	15 CKCM - LESS 2.5SB GEAR COUPLING
118642	17 CKCM - LESS 2.5SB GEAR COUPLING
118643	19 CKCM - LESS 2.5SB GEAR COUPLING
118644	21 CKCM - LESS 2.5SB GEAR COUPLING
118645	24 CKCM - LESS 2.5SB GEAR COUPLING
118646	27 CKCM - LESS 3.5EB GEAR COUPLING
118647	29 CKCM - LESS 3.5EB GEAR COUPLING

* Gear Coupling Kit ordered separately (See below)

Gear Couplings for KCM Fluid Coupling

Fluid Coupling Size 7 - 8	
Part Numbers	Description
013110	DGF 1.0 FLEX HUB
012975	DGF 1.0 SLEEVE SB
012987	KCM/CKCM 7 - 8 HARDWARE KIT
Fluid Coupling Size 9 - 13	
Part Numbers	Description
013114	DGF 1.5 FLEX HUB
012976	DGF 1.5 SLEEVE SB
012988	KCM/CKCM 9 - 13 HARDWARE KIT
Fluid Coupling Size 15 - 24	
Part Numbers	Description
013122	DGF 2.5 FLEX HUB
012978	DGF 2.5 SLEEVE SB
012989	KCM/CKCM 15 - 24 HARDWARE KIT
Fluid Coupling Size 27 - 34	
Part Numbers	Description
013130	DGF 3.5 FLEX HUB
013131	DGF 3.5 SLEEVE EB
012990	KCM/CKCM 27 - 29 HARDWARE KIT

Gear couplings are required for shaft attachment. For a complete gear coupling attachment kit, please order - (2) flex hubs (reborable), (2) sleeves (includes seal), and (1) hardware kit.

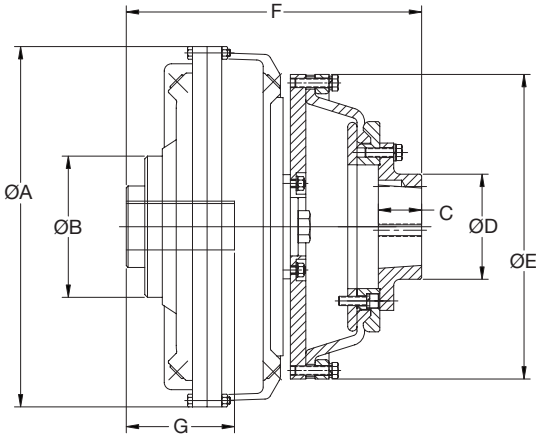
Size	Outside	Flange	Flange	Hub	Undercut	Undercut	Hole	Bolt	Number of Bolts	Max Bore
	Diameter	Width	Thickness	Diameter	Depth	Diameter	Diameter	Circle		
	A	J	T	F	I	H	U	B.C.		
All Dimensions in Inches										
1 SB	4-9/16	1-21/32	9/16	3	3/32	2 -7/8	1/4	3-3/4	6	1.625"
1.5 SB	6	1-7/8	3/4	3-7/8	3/32	3-11/16	3/8	4-13/16	8	2.375"
2.5 SB	8-3/8	2-7/8	15/16	5-13/16	3/32	5-7/16	1/2	7	10	3.750"
3.5 EB	11	3-13/16	1-1/8	7-27/32	3/32	7-3/8	3/4	9-1/2	8	4.750"

FEATURES/BENEFITS PAGE PT4-2	NOMENCLATURE PAGE PT4-3	SELECTION PAGE PT4-3	SELECTION/DIMENSIONS PAGE PT4-5
---------------------------------	----------------------------	-------------------------	------------------------------------

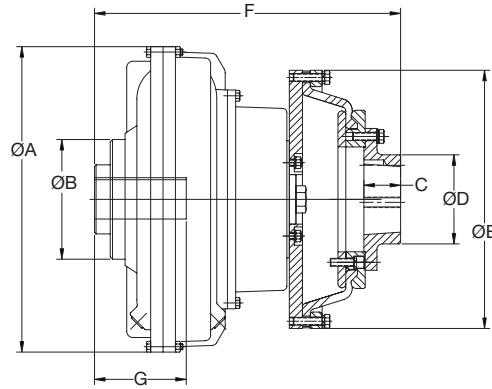


SELECTION/DIMENSIONS

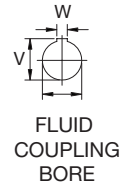
Fluid Coupling



KCP-CONSTANT FILL



CKCP-DELAY FILL



Dimensional Data Sheet - KCP & CKCP

Size	Fluid Coupling Bore	A	B	C	D	E	F		G	V		W	PH Element	PH Max Bore	TL Bushing	Max Torque (in-lb)	Max RPM
							KCP	CKCP		+0.010 / -0.000							
11	1.625	12.80	5.04	1.75	4.25	10.31	11.76		3.75	1.796	0.375	PH96	2 11/16	2517	2300	3300	
	1.875								4.38	1.972	0.5						
12	1.625	14.57	5.71	1.75	4.25	12.31	11.71	14.37	3.75	1.796	0.375	PH116	2 11/16	2517	3150	3200	
	1.875								4.38	1.972	0.5						
13	1.875	15.67	7.06	1.75	4.25	13.81	13.58	15.94	4.38	2.093	0.5	PH131	2 11/16	2517	4700	3000	
	2.125								5.00	2.350	0.5						
	2.375								5.63	2.480	0.625						
15	2.125	18.11	8.00	3.50	7.69	18.31	18.36	21.04	5.00	2.350	0.5	PH172	3 15/16	3535	6600	2600	
	2.375								5.63	2.651	0.625						
	2.875								7.00	2.992	0.75						
17	2.375	20.47	8.86	3.50	7.69	18.31	19.23	22.38	5.63	2.651	0.625	PH172	3 15/16	3535	9200	2400	
	2.875								7.00	3.205	0.75						
	3.375								7.63	3.635	0.875						
19	2.375	22.24	8.86	3.50	7.69	18.31	19.23	22.38	5.63	2.651	0.625	PH172	3 15/16	3535	12900	2200	
	2.875								7.00	3.205	0.75						
	3.375								7.63	3.635	0.875						
21	2.375	24.41	9.84	4.00	8.63	20.31	22.79	26.73	7.00	3.205	0.75	PH192	4 7/16	4040	17300	2000	
	3.375								8.25	3.635	0.875						
24	2.875	27.95	9.84	4.00	8.63	20.31	22.79	26.73	7.00	3.205	0.75	PH192	4 7/16	4040	24500	1800	
	3.375								8.25	3.760	0.875						
	3.875								8.50	4.106	1						

SELECTION/DIMENSIONS



Fluid Coupling PART NUMBERS

PX STYLE FLUID CPLG - INCLUDES ELEMENT *

Part #	Part Description
000423	11KCP X 1-5/8" FLUID CPLG-2517
000424	11KCP X 1-7/8" FLUID CPLG-2517
000426	12KCP X 1-5/8" FLUID CPLG-2517
000427	12KCP X 1-7/8" FLUID CPLG-2517
000429	13KCP X 1-7/8" FLUID CPLG-2517
000430	13KCP X 2-1/8" FLUID CPLG-2517
000431	13KCP X 2-3/8" FLUID CPLG-2517
000432	15KCP X 2-1/8" FLUID CPLG-3535
000433	15KCP X 2-3/8" FLUID CPLG-3535
000434	15KCP X 2-7/8" FLUID CPLG-3535
000435	17KCP X 2-3/8" FLUID CPLG-3535
000436	17KCP X 2-7/8" FLUID CPLG-3535
000437	17KCP X 3-3/8" FLUID CPLG-3535
000438	19KCP X 2-3/8" FLUID CPLG-3535
000439	19KCP X 2-7/8" FLUID CPLG-3535
000440	19KCP X 3-3/8" FLUID CPLG-3535
000441	21KCP X 2-3/8" FLUID CPLG-4040
000442	21KCP X 3-3/8" FLUID CPLG-4040
000443	24KCP X 2-3/8" FLUID CPLG-4040
000444	24KCP X 3-3/8" FLUID CPLG-4040
000445	24KCP X 3-7/8" FLUID CPLG-4040

Delay Fill

Part #	Part Description
000454	11CKCP X 1-5/8" FLUID CPLG-2517
000455	11CKCP X 1-7/8" FLUID CPLG-2517
000457	12CKCP X 1-5/8" FLUID CPLG-2517
000458	12CKCP X 1-7/8" FLUID CPLG-2517
000460	13CKCP X 1-7/8" FLUID CPLG-2517
000461	13CKCP X 2-1/8" FLUID CPLG-2517
000462	13CKCP X 2-3/8" FLUID CPLG-2517
000463	15CKCP X 2-1/8" FLUID CPLG-3535
000464	15CKCP X 2-3/8" FLUID CPLG-3535
000465	15CKCP X 2-7/8" FLUID CPLG-3535
000466	17CKCP X 2-3/8" FLUID CPLG-3535
000467	17CKCP X 2-7/8" FLUID CPLG-3535
000468	17CKCP X 3-3/8" FLUID CPLG-3535
000469	19CKCP X 2-3/8" FLUID CPLG-3535
000470	19CKCP X 2-7/8" FLUID CPLG-3535
000471	19CKCP X 3-3/8" FLUID CPLG-3535
000472	21CKCP X 2-3/8" FLUID CPLG-4040
000473	21CKCP X 3-3/8" FLUID CPLG-4040
000474	24CKCP X 2-3/8" FLUID CPLG-4040
000475	24CKCP X 3-3/8" FLUID CPLG-4040
000476	24CKCP X 3-7/8" FLUID CPLG-4040

Mounting of KCP and CKCP may require the motor shaft to be tapped.

Part #s include mechanism, element and coupling assembly.

* TAPER-LOCK bushing ordered separately.

FEATURES/BENEFITS PAGE PT4-2	NOMENCLATURE PAGE PT4-3	SELECTION PAGE PT4-3	SELECTION/DIMENSIONS PAGE PT4-5
---------------------------------	----------------------------	-------------------------	------------------------------------



SELECTION/DIMENSIONS

Replacement Fuse Plugs

Fluid Coupling Size (Range)	Part Number	Temperature
6	019161	290°F
6	019162	350°F
7 - 12	019163	290°F
7 - 12	019164	350°F
13 - 24	019165	290°F
13 - 24	019166	350°F
27 - 34	019167	290°F
27 - 34	019168	350°F

FEATURES/BENEFITS PAGE PT4-2	NOMENCLATURE PAGE PT4-3	SELECTION PAGE PT4-3	SELECTION/DIMENSIONS PAGE PT4-5
---------------------------------	----------------------------	-------------------------	------------------------------------

CONTENTS

TORQUE-TAMER™

Features / Benefits	PT5-2
Specification	PT5-3
How To Order	PT5-3
Nomenclature	PT5-3
Selection/Dimensions	PT5-4
Part Number Index	INDEX-1
Keyword Index	INDEX-67

FEATURES/BENEFITS

TORQUE-TAMER

DODGE TORQUE-TAMER Clutches

Low cost overload protection that's a cinch to adjust.

Intermittent shock loads or drive overload conditions can stress reducers to a point of premature failure. DODGE TORQUE-TAMER clutches provide a simple, economical solution. When an overload occurs, the TORQUE-TAMER clutch is designed to slip, protecting the valuable reducer and other components in the drive train. Once the overload is cleared, the TORQUE-TAMER clutch automatically picks up the load.

A DODGE TORQUE-TAMER clutch is easily set to the required slip-protection torque level, using standard wrenches.

QUALITY FEATURES

- Non-asbestos friction discs
- Long-life bushing

New keyed bushing will not slip on the hub. Provides improved bearing surface for sprocket to ride on during overload slip. NOTE: Because of the possibility of excessive heat build-up, the TORQUE-TAMER clutch is not recommended for continuous slip duty.

EXCLUSIVE "EASY SET" ADJUSTMENT

Torque adjustment is a simple matter, accomplished quickly! The need for hammer and block, brute strength and spanner wrenches is eliminated. No sweat. No wasted time.

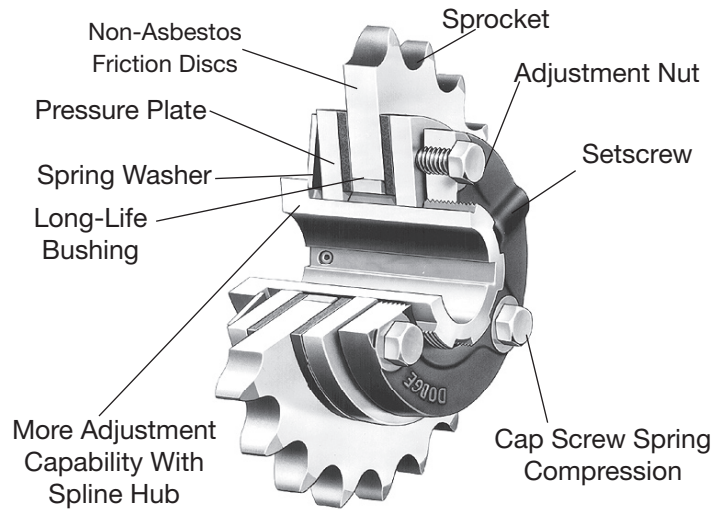
For maximum torque, tighten the adjusting nut to finger tight and use a small wrench to tighten the three cap screws until the heads bottom out. For less torque, loosen the cap screws and set screws. Then back off the adjusting nut from one to seven spline notches, depending on the torque desired. Then retighten set screw and cap screws. Please consult Instruction Manual (MN4038) for complete details. This Instruction Manual is available on www.dodge-pt.com.

AUTOMATIC RESET

The DODGE TORQUE-TAMER clutch gives machinery permanent protection against overloads during starting, reversing or driving-by slipping at the desired load.

When an overload occurs, the driven member slips between long-life, clutch-type friction discs. After slipping has started, it will continue at approximately 90% of the torque setting, due to the lower coefficient of friction when slipping, until the overload condition has been corrected. It resumes driving without resetting when the overload is relieved.

For speeds above 500 rpm please consult Dodge Engineering at 864-284-5700



HIGHER TORQUE RATINGS

Spring design provides higher torque ratings for No. 35 and No. 50 TORQUE-TAMER clutches. This results in more uniform coverage between minimum and maximum torque range of the TORQUE-TAMER clutch.

APPLICATION VERSATILITY

DODGE TORQUE-TAMER clutches may be used with stock or special sprockets, gears, sheaves, flange or other driven members. It is recommended that the rubbing sides of the driven member be ground to provide a smooth rubbing surface of 65 to 125 micro-inches.

Higher torque ratings can be obtained by the use of a second spring nested within the original spring. (See torque rating table on page PT5-4.)

MINIMUM MAINTENANCE

The DODGE TORQUE-TAMER clutch is simple in design, compact, efficient, and built for long life. It provides low cost torque limiting service for a wide variety of applications. No lubrication. . . minimum maintenance.

TORQUE-TAMER clutches are supplied complete with friction discs and one spring. The following are ordered separately:

SPROCKET-Stock sizes shown on page PT5-6. Non-stock sizes can be furnished as reworked A-Plate sprockets listed in the sprocket section of the DODGE Engineering Catalog.

BUSHINGS-Specify size and width and/or part no. as tabulated.

EXTRA SPRING-Provides higher torque rating as tabulated. Second spring is nested into first spring.

TORQUE-TAMER

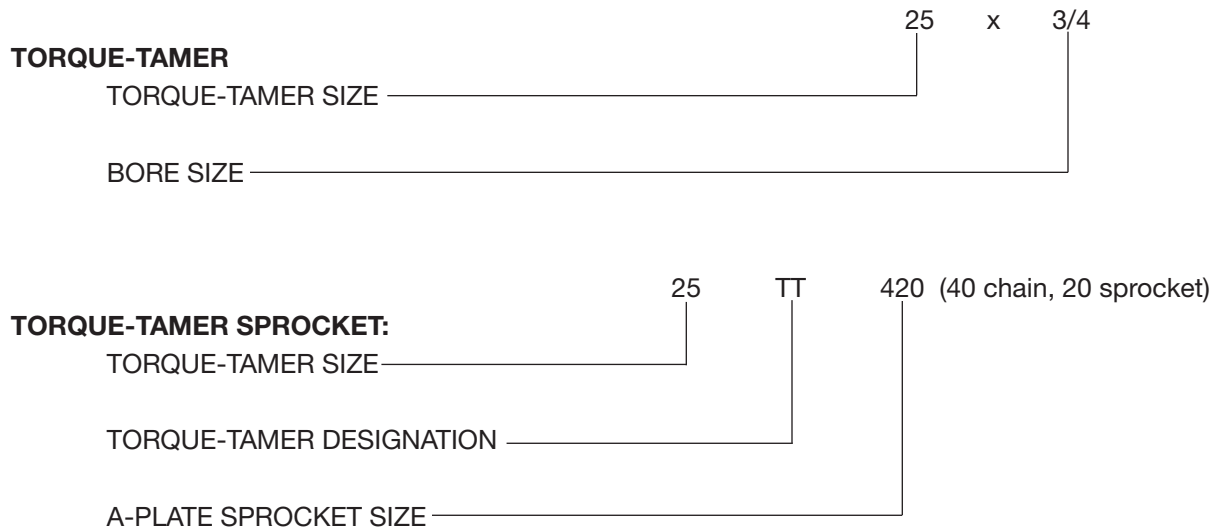
SPECIFICATION

The DODGE TORQUE-TAMER is a protective device that is designed to slip when overloaded, thus protecting the valuable reducer and other components in the drive train. Once the overload is cleared, the TORQUE-TAMER clutch will automatically re-engage. No resetting is required.

HOW TO ORDER

TORQUE-TAMER clutches are ordered by the size of the TORQUE-TAMER, the bore size of the unit, and the sprocket and bushing width required. The DODGE TORQUE-TAMER is supplied with the friction discs and one spring. The sprocket, bushings, and additional spring (if needed) must be ordered separately.

NOMENCLATURE





SELECTION/DIMENSIONS

TORQUE-TAMER

STEP 1: Determine torque at which clutch should limit or slip.

$$T = \frac{HP \times 63025}{RPM} \times \text{Limit Factor}$$

Limit factor determines point at which TORQUE-TAMER should slip above nominal load.

STEP 2: Refer to Chart 1. Select the TORQUE-TAMER size that falls within the min./max torque range. Verify the max bore for the TORQUE-TAMER is within specification. This chart will also determine the number of springs required and the spline setting for the TORQUE-TAMER.

STEP 3: Refer to Chart 2 to verify the minimum number of sprocket teeth required for the TORQUE-TAMER sprocket. From Chart 2, also determine the bushing width required.

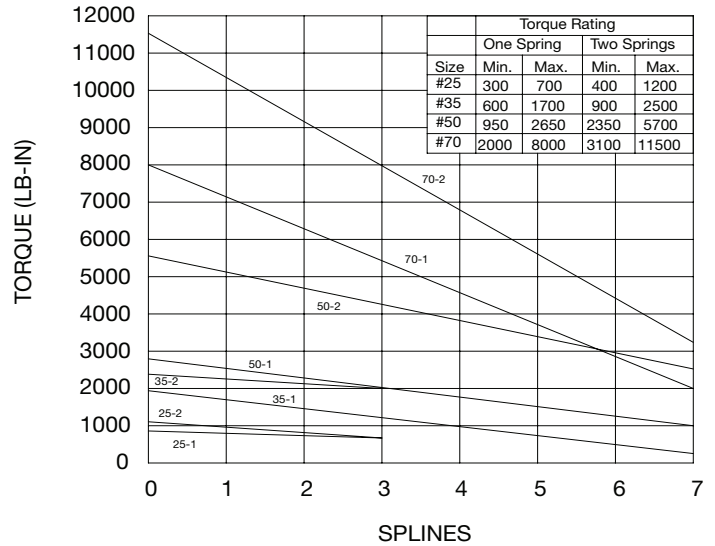
EXAMPLE: 3HP, RPM at TORQUE-TAMER 175, Needs TORQUE-TAMER to limit or slip at 150% of nominal torque.

- Limit factor is 150%/100%=1.5

$$T = \frac{3HP \times 63025}{175 \text{ RPM}} \times 1.5 = 1,620 \text{ lb-in}$$

- Select size from Chart 1. Minimum size is #35 TORQUE-TAMER. One spring will be sufficient, however, a second spring can be added for increased torque capability (should parameters of application required additional torque).

Chart 1 -



Note

Graph indicates approximate rated torque vs. number of splines adjusting nut is backed off from finger tight.

Numbers on calibration lines indicate TORQUE-TAMER model and quantity of compression springs. Example: 35-2 is a model 35 TORQUE-TAMER with 2 springs.

- Check Chart 2 for maximum bore and minimum sprocket teeth and bushing requirements.

CHART 2 - Minimum Allowable Sprocket Teeth* & Width of Bushing Required & Maximum Bore Capability

TORQUE-TAMER Size	Data:	Chain SizeŽ										Max Bore	
		#35 Chain	#41 Chain	#40 Chain	#50 Chain	#60 Chain	#80 Chain	#100 Chain	#120 Chain	#140 Chain	#160 Chain	Std. KW†	Shallow KW†
25	Minimum # Teeth	25	19 ▲	19 ▲	16 ▲	7/8	1
	Bushing Width Req'd	1/8	1/8	1/4	1/4		
35	Minimum # Teeth	34	26	26	21	18	15	1-3/16	1-1/4
	Bushing Width Req'd	1/8	1/8	1/4	1/4	3/8	3/8		
50	Minimum # Teeth	48	35	35	30	25	19	17	1-3/16	2
	Bushing Width Req'd	1/8	1/8	1/4	1/4	3/8	3/8	1/2***		
70	Minimum # Teeth	48	40	34	26	21	18	16	14	2-3/4	3
	Bushing Width Req'd	1/4	1/4	3/8	3/8	1/2	3/4*	3/4*	1**		

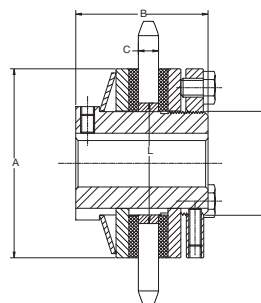
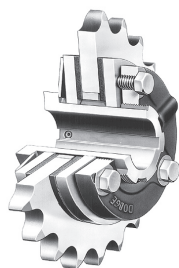
- Minimum number of teeth on sprocket which will permit chain to clear friction disc
- ▲ 20 teeth minimum recommended. Minimal clearance of 19 teeth may shorten life

- * Use two 3/8" wide bushings
- ** Use two 1/2" wide bushings
- † Keyway to be cut central with threaded spline. For standard KW sizes refer to page PT1-74.
- *** Use two 1/4" wide bushings

FEATURES/BENEFITS PAGE PT5-2	SPECIFICATION/HOW TO ORDER PAGE PT5-3		
---------------------------------	--	--	--

SELECTION/DIMENSIONS

TORQUE-TAMER



TORQUE-TAMER Clutch Dimensions

TORQUE-TAMER Size	Avg. Wt.	A	B	C		K	L	Max. Bore	
				Min.	Max.			Std. Key*	Shallow Key*
25	1	2-1/2	1-3/4	1/8	11/32	1.368	1.628	7/8	1
35	2.5	3-1/2	2-7/16	1/8	5/8	1.675	2.003	1-3/16	1-1/4
50	6	5	2-7/8	1/8	5/8	2.625	3.005	1-3/4	2
70	18	7	3-7/8	1/4	1-1/4	3.811	4.194	2-3/4	3

* Keyway to be cut central with threaded spline.

Stock TORQUE-TAMER Clutches: Finished Bores & Reborable

Stock TORQUE-TAMER Clutches w/Finished Bore & Keyway

Reborable TORQUE-TAMER Clutches

TORQUE-TAMER Size	Finished Bore		Reborable		
	Bore	Part Number	Bore (No KW & 1 ▲)	Part Number	Max Bore
					Standard KW* Shallow KW*
25	1/2	096034	1/2	096033	7/8 1
	5/8	096035			
	3/4	096036			
	7/8	096037			
35	3/4	096008	3/4	096010	1-3/16 1-1/4
	7/8	096009			
	1	096011			
50	1	096014	1	096017	1-3/4 2
	1-1/8	096015			
	1-3/16	096018			
	1-1/4	096019			
	1-3/8	096020			
	1-7/16	096021			
	1-1/2	096022			
1-5/8	096023				
70	1-7/16	096028	1-3/8	096027	2-3/4 3
	1-1/2	096029			
	1-3/4	096030			
	1-15/16	096031			
	2	096032			
	2-3/16	096038			
2-7/16	096016				

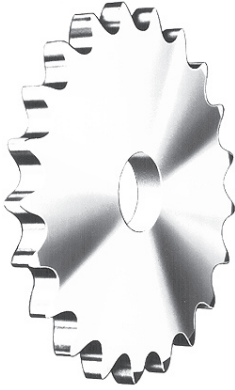
▲ With standard Keyway and (1) Setscrew.

* Keyway to be cut central with threaded spline. For standard KW sizes refer to page PT1-74.

FEATURES/BENEFITS PAGE PT5-2	SPECIFICATION/HOW TO ORDER PAGE PT5-3		
---------------------------------	--	--	--

SELECTION/DIMENSIONS

TORQUE-TAMER TORQUE-TAMER Sprocket



Stock TORQUE-TAMER sprockets are bored to fit TORQUE-TAMER clutches. Sprocket faces are machined smooth and parallel to provide proper interface with friction discs. Rubbing sides are micro ground to 65 to 125 micro-inches.

Standard A-Plate sprockets can also be reworked for use with TORQUE-TAMER clutches. Refer to DODGE List price Book for modifications charges.

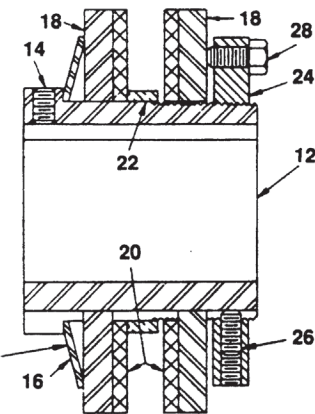
Stock TORQUE-TAMER Sprockets Bored and Micro Ground

#25 TORQUE-TAMER					#35 TORQUE-TAMER				
Chain Size	No. Teeth	Descrip.	Part No	Bushing Part No *	Chain Size	No. Teeth	Descrip.	Part No	Bushing Part No *
40	19	25TT419	096135	096051	40	26	35TT426	096150	096056
40	20	25TT420	096136	096051	50	21	35TT521	096151	096056
40	21	25TT421	096137	096051	50	22	35TT522	096152	096056
40	23	25TT423	096138	096051	50	23	35TT523	096153	096056
50	16	25TT516	096139	096051	50	25	35TT525	096154	096056
50	17	25TT517	096140	096051	60	18	35TT618	096155	096057
50	18	25TT518	096141	096051	60	19	35TT619	096156	096057
50	19	25TT519	096142	096051	60	20	35TT620	096157	096057
50	21	25TT521	096143	096051	60	21	35TT621	096158	096057
50	23	25TT523	096144	096051	60	23	35TT623	096159	096057
#50 TORQUE-TAMER					#70 TORQUE-TAMER				
Chain Size	No. Teeth	Descrip.	Part No	Bushing Part No *	Chain Size	No. Teeth	Descrip.	Part No	Bushing Part No *
50	30	50TT530	096165	096063	60	35	70TT635	096175	096071
60	25	50TT625	096166	096064	80	26	70TT826	096176	096071
60	26	50TT626	096167	096064	80	27	70TT827	096177	096071
80	19	50TT819	096168	096064	100	21	70TT1021	096178	096072
80	20	50TT820	096169	096064	100	22	70TT1022	096179	096072
80	21	50TT821	096170	096064					
80	23	50TT823	096171	096064					

* Bushing Ordered Separately

TORQUE-TAMER Clutch Extra Items

TORQUE-TAMER Size	Part Number for Bushing Width of:				Part Number for Extra Spring
	1/8"	1/4"	3/8"	1/2"	
25	096050	096051	096039
35	096055	096056	096057	096041
50	096062	096063	096064	096042
70	096070	096071	096072	096043
Reference#	22				16



WHEN 2 SPRINGS ARE TO BE USED, INSTALL BOTH HERE

TORQUE-TAMER Replacement Parts

Reference#	No. Req'd	Name of Part	Part Numbers			
			Size 25	Size 35	Size 50	Size 70
12	1	Hub Assembly	N/A	N/A	N/A	N/A
14	1	Hub Set Screw	N/A	N/A	N/A	N/A
18	2	Pressure Plate	391371	391375	391379	391383
20	1	• Friction Discs	096065	096066	096067	096068
24	1	Adjusting Nut Assembly	391372	391376	391380	391384
26	1	▲ Adjusting Nut Set Screws
28	3	▲ Tension Screw	391373	391377	391381	391385

• Sold in packs of 2 only

▲ Included in preceding assembly

CONTENTS

Bushings and Hubs

TAPER-LOCK® Bushings

Features/Benefits	PT6-2
Nomenclature.....	PT6-2
Specification:	
Dimensions	PT6-3
Stock Bore.....	PT6-5
Reborable.....	PT6-11
Metric Bores.....	PT6-12
Related Products:	
TAPER-LOCK Hubs.....	PT6-13
TAPER-LOCK Adapters.....	PT6-15

QD Bushings

Features/Benefits	PT6-16
Specifications	
Dimensions	PT6-17
Stock Bore	PT6-18
Metric Bore	PT6-25
Related Products	
QD Hubs	PT6-26

GRIP TIGHT™ Bushings

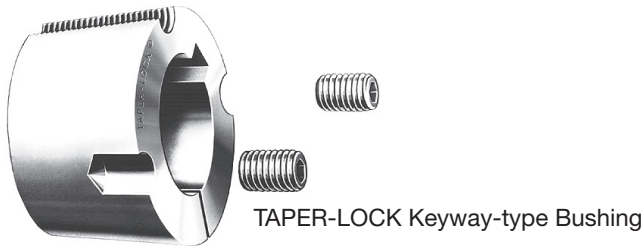
Features/Benefits	PT6-28
Specification:	
Dimensions	PT6-29

Part Index	INDEX-1
Keyword Index	INDEX-63

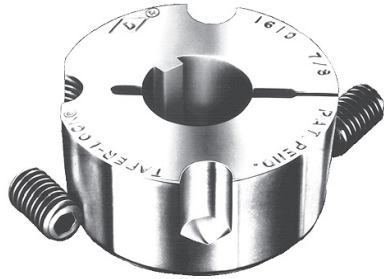


FEATURES/BENEFITS

TAPER-LOCK Bushings



TAPER-LOCK Keyway-type Bushing



TAPER-LOCK Integral Key Bushing

- Clean, Compact Design
- An Industry Standard for over 40 years
- Easy-on, Easy-off
- 8° Taper-Grips Tight, Holds Tight, Runs True, No Wobble
- Total System Concept: Bushings, Hubs, Adapters and Products
- World-Wide Acceptance and Availability
- Flush Mounting-No Protruding Parts
- Diamond **D**® Integral Key for Added Value and Convenience

DODGE TAPER-LOCK BUSHING WITH INTEGRAL KEY

- Popular bore sizes, 1008 thru 2517
- Capitalizes on proven DODGE sintered steel technology
- Convenience: No more fumbling with a separate key and setscrew over the key. Integral key cannot work loose or fall out.
- More Secure fit: Clearances between key and bushing are automatically eliminated, providing a more precise fit. Provides full key even in maximum bore sizes. . . No more "shallow keyseat" compromise.
- Cost Reduction: Eliminates labor cost associated with installing key and separate key, and associated inventory expense.
- Engineered and Tested Design: Integral key concept thoroughly analyzed, including computerized Finite Element Analysis (FEA), for stress evaluation. Extensive laboratory testing included static and dynamic loading on customized machinery. Results demonstrated in successful field applications.

Simple Mounting



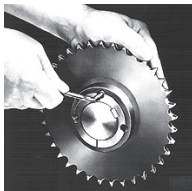
Easy On

- Insert bushing into sprocket
- Match holes (not threads).
- Put screws into holes that are farthest apart
- Slip entire unit onto shaft
- Set drive alignment and tighten screws



Easy Off

- Take both screws out entirely
- Insert one screw into hole that is threaded in the bushing only
- Use as jackscrew to disengage bushing

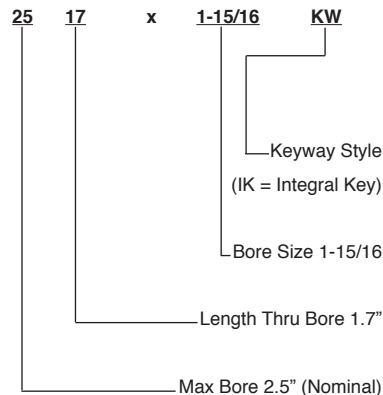


IMPORTANT!

Do not use lubricants or anti-seize compounds on tapered bore, bushing suitcase, shaft or screws. Complete installation instructions are available on www.dodge-pt.com.

Example Nomenclature

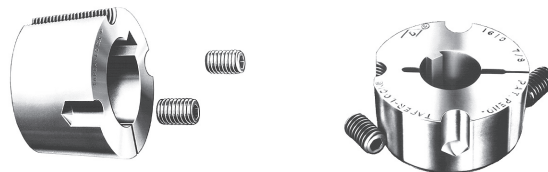
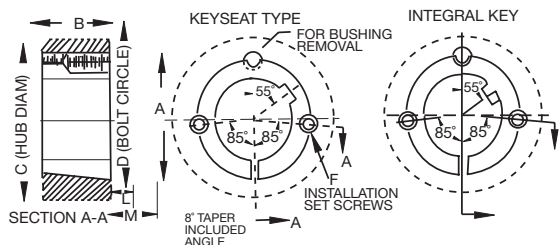
TAPER-LOCK Bushing





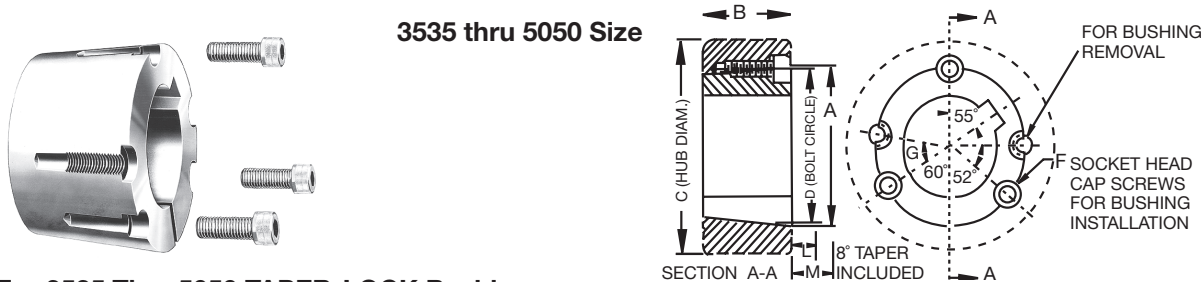
SPECIFICATION

TAPER-LOCK Bushings - Dimensions



Dimensions For 1008 Thru 3030 TAPER-LOCK Bushings

Bush No.	Ratings (LB-IN)		A	B	C Hub Dia ■		D	F †		L ●		M ★	
	Torque Capacity ◆	Wrench Torque Install Screws			CL 30	Steel		Qty	Size	Std Hex Key	Short Key ▲	Std. Hex Key	Short Key ▲
1008	1200	55	1.39	0.87	2.19	1.94	1.33	2	1/4 X 1/2	1.13	0.63	1.25	0.75
1108	1300	55	1.51	0.87	2.31	2.06	1.45	2	1/4 X 1/2	1.13	0.63	1.25	0.75
1210	3600	175	1.87	1.00	3.25	2.88	1.75	2	3/8 X 5/8	1.38	0.81	1.63	1.10
1215	3550	175	1.87	1.50	2.88	2.63	1.75	2	3/8 X 5/8	1.38	0.81	1.63	1.10
1310	3850	175	2.00	1.00	3.38	3.00	1.88	2	3/8 X 5/8	1.38	0.81	1.63	1.10
1610	4300	175	2.25	1.00	3.63	3.25	2.13	2	3/8 X 5/8	1.38	0.81	1.63	1.10
1615	4300	175	2.25	1.50	3.25	3.00	2.13	2	3/8 X 5/8	1.38	0.81	1.63	1.10
2012	7150	280	2.75	1.25	4.38	3.88	2.63	2	7/16 X 7/8	1.56	0.94	2.00	1.38
2517	11600	430	3.38	1.75	4.88	4.38	3.25	2	1/2 X 1	1.63	1.00	2.25	1.63
2525	11300	430	3.38	2.50	4.50	4.25	3.25	2	1/2 X 1	1.63	1.00	2.25	1.63
3020	24000	800	4.25	2.00	6.25	5.63	4.00	2	5/8 X 1-1/4	1.81	1.19	2.69	2.10
3030	24000	800	4.25	3.00	5.75	5.38	4.00	2	5/8 X 1-1/4	1.81	1.19	2.69	2.10



Dimensions For 3525 Thru 5050 TAPER-LOCK Bushings

Bush No.	Ratings (LB-IN)		A	B	C Hub Dia ■		D	F †		G	L ●		M ★	
	Torque Capacity ◆	Wrench Torque Install Screws			CL 30	Steel		Qty	Size		Std Hex Key	Short Key ▲	Std. Hex Key	Short Key ▲
3525	44800	1000	5.00	2.50	7.00	6.50	4.83	3	1/2 X 1-1/2	39	2.00	1.31	3.38	2.69
3535	44800	1000	5.00	3.50	7.00	6.50	4.83	3	1/2 X 1-1/2	39	2.00	1.31	3.38	2.69
4030	77300	1700	5.75	3.00	8.50	7.75	5.54	3	5/8 X 1-3/4	39	2.39	1.63	4.13	3.38
4040	77300	1700	5.75	4.00	8.50	7.75	5.54	3	5/8 X 1-3/4	40	2.39	1.63	4.13	3.38
4535	110000	2450	6.38	3.50	9.50	8.75	6.13	3	3/4 X 2	40	2.63	1.94	4.75	4.10
4545	110000	2450	6.38	4.50	9.50	8.75	6.13	3	3/4 X 2	40	2.63	1.94	4.75	4.10
5040	126000	3100	7.00	4.00	10.50	9.50	6.72	3	7/8 X 2-1/4	37	2.81	2.31	5.25	4.81
5050	126000	3100	7.00	5.00	10.50	9.50	6.72	3	7/8 X 2-1/4	37	2.81	2.31	5.25	4.81

Note: For dimensions required for machining hubs, consult factory.

- Hub diameter required depends on the application. Hub diameter shown is based on 30,000 P.S.I. minimum ultimate tensile strength.
- ◆ Important: refer to service factor information on page PT6-4.
- Space required to tighten bushing. Also space required to loosen screws to permit removal of hub by puller.

- ★ Space required to remove bushing using jackscrews-no puller required
- ▲ Standard hex key cut to minimum usable length.
- † Use in position shown in drawing above for tightening bushing on shaft. When loosening bushing remove screws and use all except one in the other holes.

NOTE: Installation and maintenance instructions for Dodge products available at www.dodge-pt.com

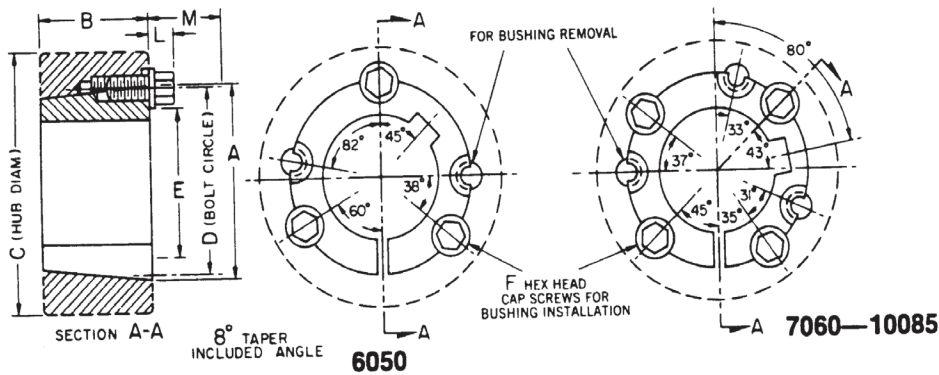
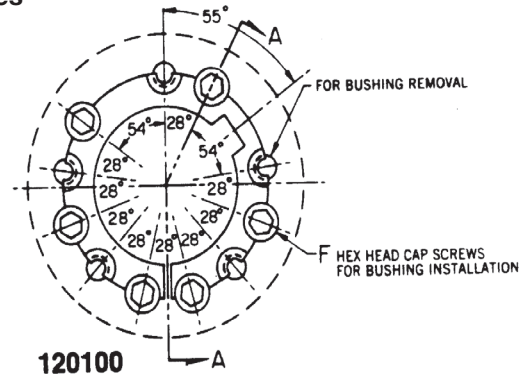
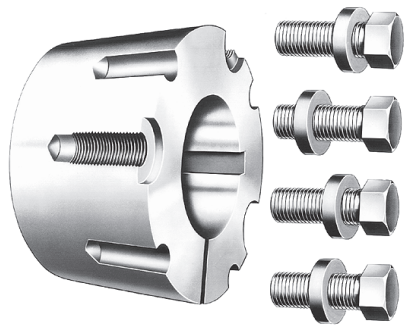
T-L FEATURES/BENEFITS PAGE PT6-2	T-L SPECIFICATION PAGE PT6-3	QD BUSHINGS PAGE PT6-17	GT BUSHINGS PAGE PT6-29
-------------------------------------	---------------------------------	----------------------------	----------------------------



SPECIFICATION

TAPER-LOCK Bushings - Dimensions

6050 thru 120100 Sizes



Dimensions For 6050 Thru 120100 TAPER-LOCK Bushings

Bush No.	Ratings (LB-IN)		A	B	C Hub Dia		D	E	F		L	M
	Torque Capacity ◆	Wrench Torque Install Screws			CL 30	Steel			Qty	Size		
6050	282000	7820	9.25	5.00	15.50	13.50	9.00	6.75	3	1-1/4 X 3-1/2	1.63	4.38
7060	416000	7820	10.25	6.00	17.00	14.80	10.00	7.75	4	1-1/4 X 3-1/2	1.63	4.38
8065	456000	7820	11.25	6.50	17.50	15.50	11.00	8.75	4	1-1/4 X 3-1/2	1.63	4.38
10085	869000	13700	14.75	8.50	22.00	19.50	14.50	11.75	4	1-1/2 X 4-1/4	2.00	5.38
120100	1520000	13700	17.25	10.00	26.00	23.00	17.00	14.25	6	1-1/2 X 4-1/4	2.00	5.38

Note: For dimensions required for machining hubs, consult factory.

- Hub diameter required depends on the application. Hub diameter shown is based on 30,000 P.S.I. minimum ultimate tensile strength.
- † Use in position shown in drawing above for tightening bushing on shaft. When loosening bushing remove screws and use all except one in the other holes.
- Space required to tighten bushing. Also space required to loosen screws to permit removal of hub by puller.
- ★ Space required to loosen bushing using screws as jackscrews - no puller required.
- ◆ Peak torque loads must not exceed torque capacity rating shown. Capacity values shown are for light starting and steady running conditions. For more severe duty, divide torque capacity by service factor suggested in following table.

Service Factor	Type of Loading
1.00	Light Starting & Steady Running
1.50	Light Starting & Uneven Running
2.00	Fairly Heavy Starting & Steady Or Uneven Running
2.50	Light or Heavy Starting & Moderate Shock Running
3.00	Light or Heavy Starting & Severe Shock Running, or Reversing Loads



SPECIFICATION

TAPER-LOCK Bushings - Stock Bore

TL Bush Size	Bore	P/N Integral Key	P/N Keyway	WT.	Bushing Keyway	Shaft Keyway REF	Key Size REF
1008	1/2"		119176	0.3	1/8 x 1/16	1/8 x 1/16	1/8 x 1/8
	9/16"		119177	0.3			
	5/8"	119180	117073	0.3	3/16 x 3/32	3/16 x 3/32	3/16 x 3/16
	11/16"		119179	0.2			
	3/4"		117150	0.2			
	13/16"		119181	0.2			
	7/8"		117074	0.2			
	15/16" #	119184	119183	0.2	1/4 x 1/16	1/4 x 1/8	1/4 x 3/16 Δ
	1" #		117151	0.2			
	14MM		119565	0.3	5 x 2.3MM	5 x 5.3MM	5 x 5MM
	16MM		119566	0.3			
	18MM		119575	0.3	6 x 2.8MM	6 x 3.5MM	6 x 6MM
	19MM		119569	0.3			
	20MM		119576	0.3			
22MM		119577	0.2				
24MM		119567	0.2				
25MM		119568	0.2	8 x 1.3MM	8 x 4MM	8 X 7MM	
1108	1/2"		119365	0.3	1/8 x 1/4	1/8 x 1/4	1/8 x 1/8
	9/16"		119366	0.3			
	5/8"	119367	117075	0.3	3/16 x 3/32	3/16 x 3/32	3/16 x 3/16
	11/16"		119368	0.2			
	3/4"		117152	0.2			
	13/16"		119370	0.2			
	7/8"		117076	0.2			
	15/16"	119371	119372	0.2	1/4 x 1/8	1/4 x 1/8	1/4 x 1/4
	1"		117153	0.2			
	1-1/16" #		119374	0.2	1/4 x 1/16	1/4 x 1/8	1/4 x 3/16 Δ
	1-1/8" #		117077	0.1			
	14MM		119651	0.3	5 x 2.3MM	5 x 5.3MM	5 x 5MM
	16MM		119652	0.3			
	18MM		119653	0.3	6 x 2.8MM	6 x 3.5MM	6 x 6MM
19MM		119570	0.3				
20MM		119579	0.3				
22MM		119580	0.3				
24MM		119581	0.2				
25MM		119582	0.2	8 X 3.3MM	8 X 4MM	8 X 7MM	
1210	1/2"		119191	0.6	1/8 x 1/16	1/8 x 1/16	1/8 x 1/8
	9/16"		119192	0.6			
	5/8"	119195	117078	0.6	3/16 x 3/32	3/16 x 3/32	3/16 x 3/16
	11/16"		119194	0.5			
	3/4"		117154	0.5			
	13/16"		119196	0.5			
	7/8"		117079	0.5			
	15/16"	119199	119198	0.5	1/4 x 1/8	1/4 x 1/8	1/4 x 1/4
	1"		117155	0.5			
	1-1/16"	119201	119200	0.4			
	1-1/8"		117080	0.4			
	1-3/16"		117156	0.4			
	1-1/4"		117157	0.4			
	14MM		119583	0.6	5 x 2.3MM	5 x 5.3MM	5 x 5MM
16MM		119654	0.6				
18MM		119584	0.5	6 x 2.8MM	6 x 3.5MM	6 x 6MM	
19MM		119571	0.5				
20MM		119585	0.5				
22MM		119655	0.5				
24MM		119586	0.5				
25MM		119587	0.4	8 X 3.3MM	8 X 4MM	8 X 7MM	
28MM		119588	0.4				
30MM		119589	0.4				
32MM		119590	0.4	10 X 3.3MM	10 X 5MM	10 X 8MM	

Δ Key furnished for these sizes ONLY

+ These sizes are STEEL

Refer to torque capacity ratings on page PT6-3. If service factor of 2.0 or greater is required consult DODGE

TL Bush Size	Bore	P/N Integral Key	P/N Keyway	WT.	Bushing Keyway	Shaft Keyway REF	Key Size REF
1215	1/2"		119001	0.9	1/8 x 1/16	1/8 x 1/16	1/8 x 1/8
	9/16"		119002	0.9			
	5/8"		119003	0.8	3/16 x 3/32	3/16 x 3/32	3/16 x 3/16
	11/16"		119004	0.8			
	3/4"		119005	0.8			
	13/16"		119006	0.8			
	7/8"		119007	0.8			
	15/16"		119008	0.8	1/4 x 1/8	1/4 x 1/8	1/4 x 1/4
	1"		119009	0.7			
	1-1/16"		119010	0.6			
	1-1/8"		119011	0.6			
	1-3/16"		119012	0.5			
	1-1/4"		119013	0.5			
	1310	1/2"		119390	0.7	1/8 x 1/16	1/8 x 1/16
9/16"			119391	0.7			
5/8"			119392	0.7	3/16 x 3/32	3/16 x 3/32	3/16 x 3/16
11/16"			119393	0.7			
3/4"			119394	0.7			
13/16"			119395	0.7			
7/8"			119396	0.7			
15/16"			119397	0.6	1/4 x 1/8	1/4 x 1/8	1/4 x 1/4
1"			119398	0.6			
1-1/16"			119399	0.6			
1-1/8"			119400	0.6			
1-3/16"			119401	0.6			
1-1/4"			119402	0.6			
1-5/16" #			119403	0.6	5/16 x 5/32	5/16 x 5/32	5/16 x 5/16
1-3/8" #		119404	0.6				
1-7/16" +		119438	0.6	3/8 x 1/8	3/8 x 3/16	3/8 x 5/16 Δ	
14MM		119656	0.7	5 x 2.3MM	5 x 5.3MM	5 x 5MM	
16MM		119657	0.7				
18MM		119658	0.7	6 x 2.8MM	6 x 3.5MM	6 x 6MM	
19MM		119572	0.7				
20MM		119659	0.6				
22MM		119660	0.6				
24MM		119591	0.6				
25MM		119592	0.5	8 X 3.3MM	8 X 4MM	8 X 7MM	
28MM		119593	0.5				
30MM		119594	0.5				
32MM		119595	0.4	10 X 3.3MM	10 X 5MM	10 X 8MM	
35MM		119596	0.4				
1610	1/2"		119211	0.9	1/8 x 1/16	1/8 x 1/16	1/8 x 1/8
	9/16"		119212	0.9			
	5/8"	119213	117081	0.9	3/16 x 3/32	3/16 x 3/32	3/16 x 3/16
	11/16"		119214	0.9			
	3/4"		119215	0.9			
	13/16"		119216	0.9			
	7/8"		119217	0.8			
	15/16"	119219	117083	0.8	1/4 x 1/8	1/4 x 1/8	1/4 x 1/4
	1"		117159	0.8			
	1-1/16"		119220	0.8			
	1-1/8"	119221	117084	0.7			
	1-3/16"		117160	0.7			
	1-1/4"	119223	117161	0.7			
	1-5/16"		119224	0.6	5/16 x 5/32	5/16 x 5/32	5/16 x 5/16
1-3/8"	119225	117085	0.6	3/8 x 3/16	3/8 x 3/16	3/8 x 3/8	
1-7/16"		117162	0.6				
1-1/2"	119227	117163	0.5				
1-9/16" #		119228	0.5	3/8 x 1/8	3/8 x 3/16	3/8 x 5/16 Δ	
1-5/8" #	119229	117086	0.5				
1-11/16" +		117071	0.5				
14MM		119661	0.9	5 x 2.3MM	5 x 5.3MM	5 x 5MM	
16MM		119662	0.9				

T-L FEATURES/BENEFITS PAGE PT6-2	T-L SPECIFICATION PAGE PT6-3	QD BUSHINGS PAGE PT6-17	GT BUSHINGS PAGE PT6-29
-------------------------------------	---------------------------------	----------------------------	----------------------------



SPECIFICATION

TAPER-LOCK Bushings - Stock Bore

TL Bush Size	Bore	P/N Integral Key	P/N Keyway	WT.	Bushing Keyway	Shaft Keyway REF	Key Size REF			
1610 (cont)	18MM		119663	0.9	6 x 2.8MM	6 x 3.5MM	6 x 6MM			
	19MM		119573	0.8						
	20MM		119598	0.8						
	22MM		119236	0.8						
	24MM		119599	0.8	8 X 3.3MM	8 X 4MM	8 X 7MM			
	25MM		119600	0.7						
	28MM		119601	0.7						
	30MM		119602	0.7						
	32MM		119603	0.6	10 X 3.3MM	10 X 5MM	10 X 8MM			
	35MM		119604	0.6						
38MM		119605	0.5							
40MM		119606	0.5	12 X 3.3MM	12 X 5MM	12 X 8MM				
42MM +		393002	0.5							
1615	1/2"		119040	1.3	1/8 x 1/16	1/8 x 1/16	1/8 x 1/8			
	9/16"		119041	1.3						
	5/8"		119042	1.3	3/16 x 3/32	3/16 x 3/32	3/16 x 3/16			
	11/16"		119043	1.2						
	3/4"		119044	1.2						
	13/16"		119045	1.2						
	7/8"		119046	1.1						
	15/16"		119047	1.1						
	1"		119048	1.1	1/4 x 1/8	1/4 x 1/8	1/4 x 1/4			
	1-1/16"		119049	1						
	1-1/8"		119050	1						
	1-3/16"		119051	1						
	1-1/4"		119052	0.9	5/16 x 5/32	5/16 x 5/32	5/16 x 5/16			
	1-5/16"		119053	0.8						
	1-3/8"		119054	0.8						
	1-7/16"		119055	0.7				3/8 x 3/16	3/8 x 3/16	3/8 x 3/8
	1-1/2"		119056	0.7						
	1-9/16" #		119057	0.7				3/8 x 1/8	3/8 x 3/16	3/8 x 5/16 Δ
1-5/8" #		119058	0.6							
1-11/16" +		119068	0.6							
25MM		119039	0.7	8 X 3.3MM						
35MM		119038	0.7	10 X 3.3MM				10 X 5MM	10 X 8MM	
2012	1/2"		119241	1.7	1/8 x 1/16	1/8 x 1/16	1/8 x 1/8			
	9/16"		119242	1.7						
	5/8"		117087	1.7	3/16 x 3/32	3/16 x 3/32	3/16 x 3/16			
	11/16"		119244	1.7						
	3/4"		117088	1.7						
	13/16"		119246	1.7						
	7/8"		117089	1.6						
	15/16"		119248	1.6	1/4 x 1/8	1/4 x 1/8	1/4 x 1/4			
	1"		117164	1.6						
	1-1/16"	119249	119250	1.6						
	1-1/8"		117090	1.5						
	1-3/16"	119252	117165	1.5						
	1-1/4"	119253	117166	1.4						
	1-5/16"		119254	1.3	5/16 x 5/32	5/16 x 5/32	5/16 x 5/16			
	1-3/8"		117091	1.2						
	1-7/16"	119256	117167	1.2	3/8 x 3/16	3/8 x 3/16	3/8 x 3/8			
	1-1/2"	119257	117168	1.2						
	1-9/16"		119258	1.2						
1-5/8"		117092	1.2							
1-11/16"		117093	1.1							
1-3/4"		117094	1							
1-13/16"		119262	1	1/2 x 1/4				1/2 x 1/4	1/2 x 1/2	
1-7/8"		117095	0.9							

TL Bush Size	Bore	P/N Integral Key	P/N Keyway	WT.	Bushing Keyway	Shaft Keyway REF	Key Size REF
2012 (cont)	1-15/16" #		117169	0.9	1/2 x 3/16	1/2 x 1/4	1/2 x 7/16 Δ
	2" #		117170	0.9			
	2-1/8" +		117177	0.9			
	14MM		119664	1.7	5 x 2.3MM	5 x 5.3MM	5 x 5MM
	16MM		119665	1.7			
	18MM		119666	1.6	6 x 2.8MM	6 x 3.5MM	6 x 6MM
	19MM		119574	1.6			
	20MM		119607	1.6			
	22MM		119667	1.6			
	24MM		119608	1.5			
25MM		119609	1.5	8 X 3.3MM	8 X 4MM	8 X 7MM	
28MM		119610	1.5				
30MM		119611	1.4				
32MM		119612	1.4				
35MM		119613	1.3				
38MM		119614	1.3	10 X 3.3MM	10 X 5MM	10 X 8MM	
40MM		119615	1.2				
42MM		119616	1.1				
45MM		119617	1	14 X 3.8MM	14 X 5.5MM	14 X 9MM	
48MM		119668	0.9				
2517	1/2"		119100	3.7	1/8 x 1/16	1/8 x 1/16	1/8 x 1/8
	5/8"		119102	3.6			
	11/16"		119103	3.5	3/16 x 3/32	3/16 x 3/32	3/16 x 3/16
	3/4"		119104	3.4			
	13/16"		119105	3.4			
	7/8"		119106	3.3			
	15/16"		119107	3.3			
	1"		119108	3.3	1/4 x 1/8	1/4 x 1/8	1/4 x 1/4
	1-1/16"		119109	3.2			
	1-1/8"		119110	3.2			
	1-3/16"		119111	3.2			
	1-1/4"		119112	3.2			
	1-5/16"		119113	3.1	5/16 x 5/32	5/16 x 5/32	5/16 x 5/16
	1-3/8"		119114	3.1			
	1-7/16"		119115	3	3/8 x 3/16	3/8 x 3/16	3/8 x 3/8
	1-1/2"		119116	2.9			
	1-9/16"		119117	2.9			
	1-5/8"	119144	119118	2.8			
1-11/16"		119119	2.8				
1-3/4"		119120	2.7	1/2 x 1/4	1/2 x 1/4	1/2 x 1/2	
1-13/16"		119121	2.6				
1-7/8"		119122	2.5				
1-15/16"		117173	2.4				
2"		117174	2.3				
2-1/16"		119125	2.3	5/8 x 3/16	5/8 x 5/16	5/8 x 1/2 Δ	
2-1/8"		117096	2.2				
2-3/16"		117175	2.1				
2-1/4"		117097	2				
2-5/16"		119129	1.9				
2-3/8"		117098	1.9	5 x 2.3MM	5 x 5.3MM	5 x 5MM	
2-7/16" #		117176	1.8				
2-1/2" #		117099	1.8				
2-5/8" +		117111	1.8				
2-11/16" +		117115	1.8				
14MM		119669	3.6	6 x 2.8MM	6 x 3.5MM	6 x 6MM	
16MM		119670	3.6				
18MM		119671	3.5	8 X 3.3MM	8 X 4MM	8 X 7MM	
19MM		119672	3.4				
20MM		119618	3.4				
22MM		119619	3.3				
24MM		119620	3.3				
25MM		119621	3.2				
28MM		119622	3.1				
30MM		119623	3.1				

Δ Key furnished for these sizes ONLY
 + These sizes are STEEL
 # Refer to torque capacity ratings on page PT6-3. If service factor of 2.0 or greater is required consult DODGE



SPECIFICATION

TAPER-LOCK Bushings - Stock Bore

TL Bush Size	Bore	P/N Integral Key	P/N Keyway	WT.	Bushing Keyway	Shaft Keyway REF	Key Size REF
2517 (cont)	32MM		119624	3	10 X 3.3MM	10 X 5MM	10 X 8MM
	35MM		119625	2.9			
	38MM		119626	2.9			
	40MM		119627	2.8	12 X 3.3MM	12 X 5MM	12 X 8MM
	42MM		119628	2.6			
	45MM		119629	2.5	14 X 3.8MM	14 X 5.5MM	14 X 9MM
	48MM		119630	2.4			
	50MM		119640	2.3			
	55MM		119641	2	16 X 4.3MM	16 X 6MM	16 X 10MM
	60MM		119642	1.7	18 X 4.4MM	18 X 7MM	18 X 11MM
65MM		119643	1.4				

TL Bush Size	Bore	P/N Keyway	WT.	Bushing Keyway	Shaft Keyway REF	Key Size REF			
2525	3/4"	119304	4.9	3/16 x 3/32	3/16 x 3/32	3/16 x 3/16			
	7/8"	119306	4.8						
	15/16"	119307	4.8	1/4 x 1/8	1/4 x 1/8	1/4 x 1/4			
	1"	119308	4.8						
	1-1/8"	119310	4.6						
	1-3/16"	119311	4.5						
	1-1/4"	119312	4.4						
	1-3/8"	119314	4.2						
	1-7/16"	119315	4.2	3/8 x 3/16	3/8 x 3/16	3/8 x 3/8			
	1-1/2"	119316	4						
	1-5/8"	119318	3.8						
	1-11/16"	119319	3.8						
	1-3/4"	119320	3.7						
	1-13/16"	119321	3.2				1/2 x 1/4	1/2 x 1/4	1/2 x 1/2
	1-7/8"	119322	3.4						
	1-15/16"	119323	3.2						
	2"	119324	3.1						
	2-1/8"	119326	2.9						
	2-3/16"	119327	2.5						
	2-1/4"	119328	2.3	5/8 x 3/16	5/8 x 5/16	5/8 x 1/2 Δ			
	2-5/16"	119329	2						
	2-3/8"	119330	2						
	2-7/16"	119331	2						
	2-1/2"	119332	2						
	7/8"	117103	6.5				3/16 x 3/32	3/16 x 3/32	3/16 x 3/16
	3020	15/16"	117101	6.5	1/4 x 1/8	1/4 x 1/8	1/4 x 1/4		
		1"	117102	6.5					
		1-1/8"	117104	6.4					
		1-3/16"	117105	6.4					
		1-1/4"	117106	6.3					
1-5/16"		117107	6.1	5/16 x 5/32				5/16 x 5/32	5/16 x 5/16
1-3/8"		117108	6						
1-7/16"		117109	6						
1-1/2"		117110	5.9						
1-9/16"		117135	5.9	3/8 x 3/16	3/8 x 3/16	3/8 x 3/8			
1-5/8"		117112	5.9						
1-11/16"		117113	5.7						
1-3/4"		117114	5.6						
1-13/16"		117136	5.5				1/2 x 1/4	1/2 x 1/4	1/2 x 1/2
1-7/8"		117116	5.4						
1-15/16"		117117	5.3						
2"		117118	5.2						
2-1/16"		117119	5						
2-1/8"		117120	5						
2-3/16"		117121	4.9						
2-1/4"	117122	4.8							

TL Bush Size	Bore	P/N Keyway	WT.	Bushing Keyway	Shaft Keyway REF	Key Size REF			
3020 (cont)	2-5/16"	117137	4.6	5/8 x 5/16	5/8 x 5/16	5/8 x 5/8			
	2-3/8"	117124	4.5						
	2-7/16"	117125	4.4						
	2-1/2"	117126	4.3						
	2-5/8"	117128	4						
	2-11/16"	117129	3.9						
	2-3/4"	117130	3.7	3/4 x 1/4	3/4 x 3/8	3/4 x 5/8 Δ			
	2-13/16"	117139	3.7						
	2-7/8"	117132	3.6						
	2-15/16" # 3" #	117133	3.6						
	3-1/8" +	117178	3.3						
	3-3/16" +	117179	3.3						
	3-1/4" +	117180	3.3						
	24MM	119673	6.5				8 X 3.3MM	8 X 4MM	8 X 7MM
	25MM	119674	6.5						
	28MM	119675	6.4						
	30MM	119676	6.4						
	32MM	119677	6.3	10 X 3.3MM	10 X 5MM	10 X 8MM			
	35MM	119678	6						
	38MM	119679	5.9						
40MM	119680	5.9							
42MM	119681	5.8	12 X 3.3MM	12 X 5MM	12 X 8MM				
45MM	119682	5.6							
48MM	119644	5.5							
50MM	119645	5.2							
55MM	119646	5	16 X 4.3MM	16 X 6MM	16 X 10MM				
60MM	119647	4.9							
65MM	119648	4.3							
70MM	119649	3.7				20 X 4.9MM	20 X 7.5MM	20 X 12MM	
75MM	119650	3.5							
80MM +	119895	4							
15/16"	117004	10	1/4 x 1/8	1/4 x 1/8	1/4 x 1/4				
1"	117005	9.4							
1-1/8"	117007	9.4							
1-3/16"	117008	9.2							
1-1/4"	117009	9							
1-5/16"	117010	8.9				5/16 x 5/32	5/16 x 5/32	5/16 x 5/16	
1-3/8"	117011	8.8							
1-7/16"	117012	8.6							
1-1/2"	117013	8.5							
1-9/16"	117014	8.4							
1-5/8"	117015	8.2							
1-11/16"	117016	8	3/8 x 3/16	3/8 x 3/16	3/8 x 3/8				
1-3/4"	117017	7.8							
1-13/16"	117018	7.6				1/2 x 1/4	1/2 x 1/4	1/2 x 1/2	
1-7/8"	117019	7.5							
1-15/16"	117020	7.4							
2"	117021	7.3							
2-1/16"	117022	7.2							
2-1/8"	117023	7.1							
2-3/16"	117024	6.9	5/8 x 5/16	5/8 x 5/16	5/8 x 5/8				
2-1/4"	117025	6.7							
2-5/16"	117026	6.6							
2-3/8"	117027	6.4							
2-7/16"	117028	6.2							
2-1/2"	117029	6.1							
2-5/8"	117031	6	3/4 x 1/8	3/4 x 3/8	3/4 x 1/2 Δ				
2-11/16"	117032	5.9							
2-3/4"	117033	5.6							
2-7/8"	117035	5.3							
2-15/16" # 3" #	117036	5							
3-1/8" +	117181	4.7							
3-3/16" +	117182	4.7	3/4 x 1/4	3/4 x 3/8	3/4 x 5/8 Δ				
3-1/4" +	117183	4.7							
28MM	119808	9.4							
32MM	119809	9							
38MM	119810	8.4	10 X 3.3MM	10 X 5MM	10 X 8MM				
48MM	119811	7.6				14 X 3.8MM	14 X 5.5MM	14 X 9MM	

Δ Key furnished for these sizes ONLY

+ These sizes are STEEL

Refer to torque capacity ratings on page PT6-3. If service factor of 2.0 or greater is required consult DODGE

T-L FEATURES/BENEFITS PAGE PT6-2	T-L SPECIFICATION PAGE PT6-3	QD BUSHINGS PAGE PT6-17	GT BUSHINGS PAGE PT6-29
-------------------------------------	---------------------------------	----------------------------	----------------------------

SPECIFICATION



TAPER-LOCK Bushings - Stock Bore

TL Bush Size	Bore	P/N Keyway	WT.	Bushing Keyway	Shaft Keyway REF	Key Size REF		
3030 (cont)	55MM	119812	6.9	16 X 4.3MM	16 X 6MM	16 X 10MM		
	60MM	119813	6.4	18 X 4.4MM	18 X 7MM	18 X 11MM		
	80MM +	119895	4	22 X 5.4MM	22 X 9MM	22 X 14MM		
3525	1-3/16"	119702	16	1/4 x 1/8	1/4 x 1/8	1/4 x 1/4		
	1-1/4"	119703	14.6					
	1-5/16"	119791	14.6	5/16 x 5/32	5/16 x 5/32	5/16 x 5/16		
	1-3/8"	119704	14.3					
	1-7/16"	119734	14.2	3/8 x 3/16	3/8 x 3/16	3/8 x 3/8		
	1-1/2"	119705	14					
	1-9/16"	119792	14					
	1-5/8"	119735	14					
	1-11/16"	119706	13.9					
	1-3/4"	119707	13.4					
1-13/16"	119793	13.3	1/2 x 1/4	1/2 x 1/4	1/2 x 1/2			
1-7/8"	119708	13.2						
1-15/16"	119709	13						
2"	119710	13						
2-1/8"	119711	12.6						
2-3/16"	119712	12.4						
2-1/4"	119713	12.3						
2-5/16"	119736	12.2				5/8 x 5/16	5/8 x 5/16	5/8 x 5/8
2-3/8"	119714	12						
2-7/16"	119715	11.7						
2-1/2"	119716	11.5						
2-9/16"	119795	11.4						
2-5/8"	119717	11.1						
2-11/16"	119718	10.7	3/4 x 3/8	3/4 x 3/8	3/4 x 3/4			
2-3/4"	119719	10.4						
2-13/16"	119796	10.3						
2-7/8"	119720	10.1						
2-15/16"	119721	10.5						
3"	119722	9.5						
3-1/16"	119797	9.4						
3-1/8"	119723	9.3						
3-3/16"	119724	8.6						
3-1/4"	119725	8.8						
3-5/16"	119737	8.6	7/8 x 3/16	7/8 x 7/16	7/8 x 5/8 Δ			
3-3/8"	119726	8.5						
3-7/16"	119727	8.2						
3-1/2"	119728	8						
3-9/16"	119798	8						
3-5/8" #	119729	7.9						
3-11/16" #	119730	7.9						
3-3/4" #	119731	7.9						
3-13/16" #	119799	7.9						
3-7/8" #	119732	7.9						
3-15/16" #	119733	7.9						
3535	1-3/16"	117207	15.2	1/4 x 1/8	1/4 x 1/8	1/4 x 1/4		
	1-1/4"	117208	14.9					
	1-3/8"	117209	14.8	5/16 x 5/32	5/16 x 5/32	5/16 x 5/16		
	1-7/16"	117210	14.6					
	1-1/2"	117211	14.4					
	1-5/8"	117212	14.1					
	1-11/16"	117213	14					
	1-3/4"	117214	14					
	1-7/8"	117215	13.6	1/2 x 1/4	1/2 x 1/4	1/2 x 1/2		
	1-15/16"	117216	13.4					
2"	117217	13.1						
2-1/8"	117218	12.6						
2-3/16"	117219	12.4						
2-1/4"	117220	12.2						

TL Bush Size	Bore	P/N Keyway	WT.	Bushing Keyway	Shaft Keyway REF	Key Size REF					
3535 (cont)	2-5/16"	117237	12	5/8 x 5/16	5/8 x 5/16	5/8 x 5/8					
	2-3/8"	117221	11.7								
	2-7/16"	117222	11.7								
	2-1/2"	117223	11								
	2-5/8"	117224	10.9								
	2-11/16"	117225	10.7								
	2-3/4"	117226	10								
	2-7/8"	117227	9.8				3/4 x 3/8	3/4 x 3/8	3/4 x 3/4		
	2-15/16"	117228	9.7								
	3"	117229	9.2								
	3-1/8"	117230	9.2								
	3-3/16"	117231	8.8								
	3-1/4"	117232	8.7								
	3-5/16"	117236	8.6								
	3-3/8"	117233	8.7								
	3-7/16"	117234	8.3								
	3-1/2"	117235	8								
	3-5/8" #	117707	7.1	7/8 x 1/8	7/8 x 7/16	7/8 x 9/16 Δ					
	3-11/16" #	117708	6.8								
	3-3/4" #	117709	6.4								
3-7/8" #	117710	6									
3-15/16" #	117703	5.6									
32MM	119814	14.6	7/8 x 3/16				7/8 x 7/16	7/8 x 5/8 Δ			
38MM	119815	14									
48MM	119816	13.2									
50MM	117738	13									
55MM	119817	11.1									
60MM	119683	11.1									
65MM	117737	11									
75MM	117722	10									
80MM	117297	10									
85MM	393170	10									
90MM	426013	10	7/8 x 1/4	7/8 x 7/16	7/8 x 11/16 Δ						
95MM	426013	10									
1-7/16"	119738	24				1 x 1/4	1 x 1/2	1 x 3/4 Δ			
1-1/2"	119739	22									
1-9/16"	119770	21.9									
1-5/8"	119740	21.8									
1-11/16"	119771	21.5									
1-3/4"	119772	21.2									
1-13/16"	119773	21							10 X 3.3MM	10 X 5MM	10 X 8MM
1-7/8"	119774	20.9									
1-15/16"	119775	20.7									
2"	119741	20.6									
2-1/16"	119776	20.6									
2-1/8"	119742	20.7									
2-3/16"	119743	20.4									
2-1/4"	119744	20.1									
2-5/16"	119777	20	14 X 3.8MM	14 X 5.5MM	14 X 9MM						
2-3/8"	119745	19.5									
2-7/16"	119746	19.3									
2-1/2"	119778	19.2									
2-9/16"	119779	19.1									
2-5/8"	119747	19									
2-11/16"	119780	18.4									
2-3/4"	119748	17.7									
2-13/16"	119781	17.5				16 X 4.3MM	16 X 6MM	16 X 10MM			
2-7/8"	119749	17.2									
2-15/16"	119750	17.2									
3"	119751	17									
3-1/16"	119782	16.8									
3-1/8"	119752	16.5									
3-3/16"	119783	15.9									
3-1/4"	119753	15.4									
4030	2-5/16"	119777	20	16 X 4.3MM	16 X 6MM				16 X 10MM		
	2-3/8"	119745	19.5								
	2-7/16"	119746	19.3								
	2-1/2"	119778	19.2								
	2-9/16"	119779	19.1								
	2-5/8"	119747	19								
	2-11/16"	119780	18.4								
	2-3/4"	119748	17.7								
	2-13/16"	119781	17.5			18 X 4.4MM	18 X 7MM	18 X 11MM			
	2-7/8"	119749	17.2								
2-15/16"	119750	17.2									
3"	119751	17									
3-1/16"	119782	16.8									
3-1/8"	119752	16.5									
3-3/16"	119783	15.9									
3-1/4"	119753	15.4									

Δ Key furnished for these sizes ONLY
 + These sizes are STEEL
 # Refer to torque capacity ratings on page PT6-3. If service factor of 2.0 or greater is required consult DODGE

T-L FEATURES/BENEFITS PAGE PT6-2	T-L SPECIFICATION PAGE PT6-3	QD BUSHINGS PAGE PT6-17	GT BUSHINGS PAGE PT6-29
-------------------------------------	---------------------------------	----------------------------	----------------------------



SPECIFICATION

TAPER-LOCK Bushings - Stock Bore

TL Bush Size	Bore	P/N Keyway	WT.	Bushing Keyway	Shaft Keyway REF	Key Size REF	
4030 (cont)	3-5/16"	119784	14.9	7/8 x 7/16	7/8 x 7/16	7/8 x 7/8	
	3-3/8"	119754	14.6				
	3-7/16"	119755	14.1				
	3-1/2"	119756	13.4				
	3-9/16"	119785	13.3				
	3-5/8"	119757	13.2				
	3-11/16"	119786	13	7/8 x 3/16	7/8 x 7/16	7/8 x 5/8 Δ	
	3-3/4"	119758	12.7				
	3-13/16"	119787	12.7				
	3-7/8"	119759	12.6				
	3-15/16"	119760	12.6				
	4"	119761	12.6				
	4040	4-1/8" #	119788	12.6	1 x 1/4	1 x 1/2	1 x 3/4 Δ
		4-3/16" #	119762	12.6			
		4-1/4" #	119763	12.6			
		4-3/8" #	119764	12.6			
		4-7/16" #	119765	11.8			
		1-7/16"	117310	24			
1-1/2"		117311	22				
1-5/8"		117312	22				
1-11/16"		117313	21.9				
1-3/4"		117314	21.9				
1-7/8"		117315	21	1/2 x 1/4	1/2 x 1/4	1/2 x 1/2	
1-15/16"		117316	21.2				
2"		117317	21.1				
2-1/8"		117318	20.6				
2-3/16"		117319	20.3				
2-1/4"		117320	20.2				
4040		2-3/8"	117321	19.6	5/8 x 5/16	5/8 x 5/16	5/8 x 5/8
		2-7/16"	117322	19.3			
	2-1/2"	117323	18.8				
	2-5/8"	117324	18.7				
	2-11/16"	117325	18.3				
	2-3/4"	117326	18.2				
	4040	2-13/16"	117267	17.8	3/4 x 3/8	3/4 x 3/8	3/4 x 3/4
		2-7/8"	117327	17.5			
		2-15/16"	117328	17.2			
		3"	117329	16.8			
		3-1/8"	117330	16.2			
		3-1/16"	117331	15.8			
		3-1/4"	117332	15.5	7/8 x 7/16	7/8 x 7/16	7/8 x 7/8
		3-3/8"	117333	14.8			
		3-7/16"	117334	14.4			
		3-1/2"	117335	14			
		3-5/8"	117337	13.5			
		3-11/16"	117340	13.5			
3-3/4"		117336	13.5	7/8 x 3/16	7/8 x 7/16	7/8 x 5/8 Δ	
3-7/8"		117341	12.9				
3-15/16"		117338	12.5				
4"		117352	12				
4-1/8" #		117714	11.2				
4-3/16" #		117715	10.7				
4040	4-1/4" #	117716	10.3	25 X 5.4MM	25 X 9MM	25 X 14MM	
	4-3/8" #	117717	9.5				
	4-7/16" #	117704	8.9				
	48MM	119818	21				
	55MM	119819	20.4				
	60MM	119820	19.5				
	75MM	117723	10				
	80MM	117724	10				
	90MM	117726	10				
	95MM	117725	10				
100MM	117729	10	28 X 6.4MM	28 X 10MM	28 X 16MM		

TL Bush Size	Bore	P/N Keyway	WT.	Bushing Keyway	Shaft Keyway REF	Key Size REF
4535	1-15/16"	114765	31	1/2 x 1/4	1/2 x 1/4	1/2 x 1/2
	2"	114766	29.7			
	2-1/16"	114767	29.5			
	2-1/8"	114768	29.3			
	2-3/16"	114769	29			
	2-1/4"	114770	28.8			
	2-5/16"	114771	28.6			
	2-3/8"	114772	27.4			
	2-7/16"	114773	28			
	2-1/2"	114774	26.7			
	2-9/16"	114775	26.4			
	2-5/8"	114776	25.9			
	2-11/16"	114777	25.4			
	2-3/4"	114778	25	3/4 x 3/8	3/4 x 3/8	3/4 x 3/4
	2-13/16"	114779	24.9			
	2-7/8"	114780	24.8			
	2-15/16"	114781	24.2			
	3"	114782	24.2			
	3-1/16"	114783	24.2			
	3-1/8"	114784	24.1			
	3-3/16"	114785	23.8			
	3-1/4"	114786	23.1	7/8 x 7/16	7/8 x 7/16	7/8 x 7/8
	3-5/16"	114787	22.7			
	3-3/8"	114788	22.4			
	3-7/16"	114789	21.5			
	3-1/2"	114790	21.3			
	3-9/16"	114791	21.1			
	3-5/8"	114792	21			
	3-11/16"	114793	20.3			
	3-3/4"	114794	19.9			
3-13/16"	114795	19.6				
3-7/8"	114796	19.3				
3-15/16"	114797	18.9				
4"	114798	18.7				
4-1/8"	114799	18.6				
4-3/16"	114800	18.5				
4-1/4"	114801	17.8				
4-3/8"	114802	16.8				
4-7/16"	114803	15.4				
4-1/2"	114804	15.3				
4-3/4" #	114805	15.2				
4-7/8" #	114806	15.1				
4-15/16" #	114807	14.9	1-1/4 x 1/4	1-1/4 x 5/8	1-1/4 x 7/8 Δ	
1-15/16"	117416	29.9				
2"	117417	29.8				
2-1/8"	117849	29.8				
2-3/16"	117419	29				
2-3/8"	117421	28.2				
2-7/16"	117422	27.9				
2-1/2"	117850	27.5				
2-5/8"	117424	27				
2-3/4"	117426	26.5	5/8 x 5/16	5/8 x 5/16	5/8 x 5/8	
2-7/8"	117427	25.7				
2-15/16"	117428	25.3				
3"	117429	25.2				
3-1/8"	117430	24.3				
3-3/16"	117431	24.2				
3-1/4"	117432	23.9				
3-3/8"	117433	22.8				
3-7/16"	117434	22.6				
3-1/2"	117435	22.1				
3-5/8"	117413	21.2				
3-3/4"	117436	20.3	7/8 x 7/16	7/8 x 7/16	7/8 x 7/8	
3-7/8"	117437	19.5				
3-15/16"	117438	19				
4"	117439	18.6				
4-1/8"	117444	17.5				
4-3/16"	117443	17.1				
4-1/4"	117441	17				
4-3/8"	117442	16.9				

Δ Key furnished for these sizes ONLY

+ These sizes are STEEL

Refer to torque capacity ratings on page PT6-3. If service factor of 2.0 or greater is required consult DODGE

T-L FEATURES/BENEFITS PAGE PT6-2	T-L SPECIFICATION PAGE PT6-3	QD BUSHINGS PAGE PT6-17	GT BUSHINGS PAGE PT6-29
-------------------------------------	---------------------------------	----------------------------	----------------------------



SPECIFICATION

TAPER-LOCK Bushings - Stock Bore

TL Bush Size	Bore	P/N Keyway	WT.	Bushing Keyway	Shaft Keyway REF	Key Size REF
4545 (cont)	4-7/16"	117440	16.5	1 x 1/4	1 x 1/2	1 x 3/4 Δ
	4-1/2"	117447	15.9			
	4-3/4" #	117718	13.9	1-1/4 x 1/4	1-1/4 x 5/8	1-1/4 x 7/8 Δ
	4-7/8" #	117719	12.9			
	4-15/16" #	117705	12.5			
5040	2-7/16"	114865	39.5	5/8 x 5/16	5/8 x 5/16	5/8 x 5/8
	2-1/2"	114866	38.3			
	2-9/16"	114867	37.7			
	2-5/8"	114868	37.1			
	2-11/16"	114869	36.9			
	2-3/4"	114870	36.6			
	2-13/16"	114871	36.5	3/4 x 3/8	3/4 x 3/8	3/4 x 3/4
	2-7/8"	114872	36.4			
	2-15/16"	114873	36.2			
	3"	114874	35.6			
	3-1/16"	114875	35.2			
	3-1/8"	114876	34.8			
	3-3/16"	114877	33.9			
	3-1/4"	114878	33.2			
	3-5/16"	114879	33	7/8 x 7/16	7/8 x 7/16	7/8 x 7/8
	3-3/8"	114880	32.7			
	3-7/16"	114881	32			
	3-1/2"	114882	31.7			
	3-9/16"	114883	31.4			
	3-5/8"	114884	31.1			
3-11/16"	114885	30.4				
3-3/4"	114886	29.7				
3-13/16"	114887	29.4				
3-7/8"	114888	29				
3-15/16"	114889	28.7	1 x 1/2	1 x 1/2	1 x 1	
4"	114890	27.8				
4-1/8"	114891	27.5				
4-3/16"	114892	27.2				
4-1/4"	114893	27				
4-3/8"	114894	26				
4-7/16"	114895	25.1				
4-1/2"	114896	23.6				
4-3/4"	114897	22.9	1-1/4 x 1/4	1-1/4 x 5/8	1-1/4 x 7/8 Δ	
4-7/8"	114898	22.2				
4-15/16"	114899	20.6				
5"	114900	20.5				
5050	2-7/16"	117458	39	5/8 x 5/16	5/8 x 5/16	5/8 x 5/8
	2-11/16"	117450	37.4			
	2-15/16"	117459	36			
	3-3/8"	117452	33	3/4 x 3/8	3/4 x 3/8	3/4 x 3/4
	3-7/16"	117460	32.6			
	3-5/8"	117453	31.2	1 x 1/2	1 x 1/2	1 x 1
	3-7/8"	117454	29.3			
	3-15/16"	117461	28.6			
	4"	117466	28.3			
	4-1/4"	117465	26.2			
	4-3/8"	117469	25			
	4-7/16"	117462	24.4			
	4-1/2"	117467	23.9			
	4-5/8"	117734	23	1-1/4 x 1/4	1-1/4 x 5/8	1-1/4 x 7/8 Δ
	4-7/8"	117468	22.3			
4-15/16"	117463	21.4				
5"	117464	20.9				
110MM	117736	26.2	28 X 6.4MM	28 X 10MM	28 X 16MM	
6050	4-7/16"	117474	63.6	1 x 1/2	1 x 1/2	1 x 1
	4-15/16"	117473	58.2	1-1/4 x 5/8	1-1/4 x 5/8	1-1/4 x 1-1/4
	5-7/16"	117475	52.3			
	5-15/16"	117476	57.2	1-1/2 x 3/4	1-1/2 x 3/4	1-1/2 x 1-1/2
	6"	117477	46.4			

TL Bush Size	Bore	P/N Keyway	WT.	Bushing Keyway	Shaft Keyway REF	Key Size REF
7060	4-15/16"	117490	92	1-1/4 x 5/8	1-1/4 x 5/8	1-1/4 x 1-1/4
	5-7/16"	117491	84.5			
	5-15/16"	117492	78.2	1-1/2 x 3/4	1-1/2 x 3/4	1-1/2 x 1-1/2
	6"	117493	76.6			
	6-7/16"	117494	68.1			
	6-1/2"	117495	68.7			
6-15/16"	117496	62.1	1-3/4 x 3/4	1-3/4 x 3/4	1-3/4 x 1-1/2	
7" #	117497	60.6				
8065	5-7/16"	117479	98.6	1-1/4 x 5/8	1-1/4 x 5/8	1-1/4 x 1-1/4
	5-15/16"	117480	105.7			
	6-7/16"	117481	102.3	1-1/2 x 3/4	1-1/2 x 3/4	1-1/2 x 1-1/2
	6-1/2"	117482	101.8			
	6-15/16"	117488	92			
	7"	117483	91.1	1-3/4 x 3/4	1-3/4 x 3/4	1-3/4 x 1-1/2
	7-1/2"	117503	89.9			
8" #	117484	89.9	2 x 3/4	2 x 3/4	2 x 1-1/2	
10085	7"	117486	245	1-3/4 x 3/4	1-3/4 x 3/4	1-3/4 x 1-1/2
	8"	117485	219			
	8-1/4"	117411	210	2 x 3/4	2 x 3/4	2 x 1-1/2
	9"	117487	190			
	10"	117510	157.5	2-1/2 x 7/8	2-1/2 x 7/8	2-1/2 x 1-3/4
120100	8"	117522	410	2 x 3/4	2 x 3/4	2 x 1-1/2
	8-1/2"	117523	395			
	9"	117520	380			
	9-1/2"	117524	365	2-1/2 x 7/8	2-1/2 x 7/8	2-1/2 x 1-3/4
	10"	117521	350			
	10-1/2"	117525	335			
	11"	117526	320			
	11-1/2"	117527	305			
12" #	117508	290	3 x 1	3 x 1	3 x 2	

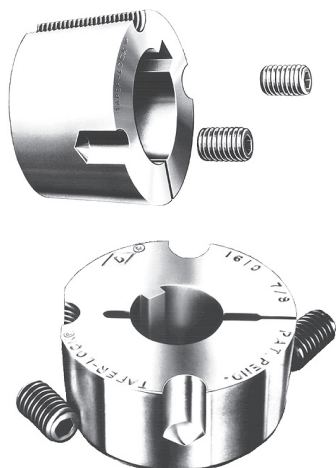
Δ Key furnished for these sizes ONLY
 + These sizes are STEEL
 # Refer to torque capacity ratings on page PT6-3. If service factor of 2.0 or greater is required consult DODGE

T-L FEATURES/BENEFITS PAGE PT6-2	T-L SPECIFICATION PAGE PT6-3	QD BUSHINGS PAGE PT6-17	GT BUSHINGS PAGE PT6-29
-------------------------------------	---------------------------------	----------------------------	----------------------------



SPECIFICATION

TAPER-LOCK Bushings - Reborable



NOTE:

All reborable bushings are stocked without sawsplit to facilitate re-machining. Sawsplit must be made in bushing to allow it to compress for proper gripping of the shaft. Factory rebores and keyseat service as listed in MLP price book includes sawsplit

TL Bush Size	Sintered Steel		Cast Iron		Ductile Iron		Steel		Stainless Steel	
	Bore	P/N	Bore	P/N	Bore	P/N	Bore	P/N	Bore	P/N
1008	1/2"	119187					1/2"	119432	1/2"	119410
1108	1/2"	119361					1/2"	119433	1/2"	119411
1210	1/2"	119206					1/2"	119434	1/2"	119412
1215	1/2"	119023					1/2"	119435	1/2"	119413
1310	1/2"	119386					1/2"	119436	1/2"	119414
1610	1/2"	119209					1/2"	119421	1/2"	119415
1615	1/2"	119067					1/2"	119437	1/2"	119416
2012	1/2"	119272					1/2"	119422	1/2"	119417
2517	1/2"	119141					1"	119423	5/8"	119418
2525							1-7/16"	119429		
3020	7/8"	117147					1-7/16"	119430	7/8"	119419
3020	1-11/16"	117149								
3030			15/16"	117045			1-7/16"	119431		
3525			1-3/16"	119700	1-3/16"	119701				
3535			1-3/16"	117250	1-7/16"	117205				
4030			1-7/16"	119789	1-15/16"	119790				
4040			1-7/16"	117345	1-15/16"	117307				
4535			1-15/16"	119766	2-7/16"	119767				
4545			1-15/16"	117448	2-7/16"	117414				
5040			2-7/16"	119768	2-15/16"	119769				
5050			2-7/16"	117451	2-15/16"	117455				
6050			3-7/16"	117472	3-7/16"	117471				
7060			3-15/16"	117498	3-15/16"	117505				
8065			4-7/16"	117502	4-7/16"	117506				
10085			7"	117489						
120100			8"	117504						

TAPER-LOCK Bushings - Maximum Bore Capacities (Inches)

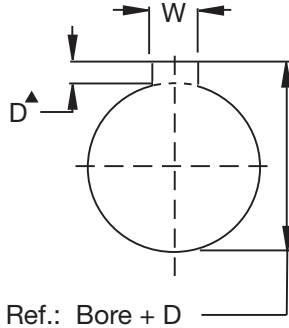
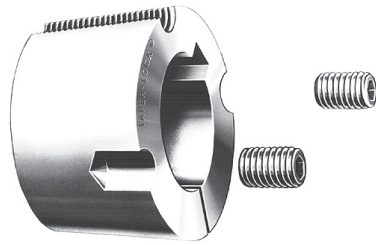
TL Bush Size	Sintered Steel			Cast Iron			Ductile Iron			Steel		
	Full Key	Shallow Key	No * Key	Full Key	Shallow Key	No * Key	Full Key	Shallow Key	No * Key	Full Key	Shallow Key	No * Key
1008	7/8"	1"	1"							7/8"	1"	1"
1108	1"	1-1/8"	1-1/8"							1"	1-1/8"	1-1/8"
1210	1-1/4"	1-1/4"	1-1/4"							1-1/4"	1-1/4"	1-1/4"
1215	1-1/4"	1-1/4"	1-1/4"							1-1/4"	1-1/4"	1-1/4"
1310	1-3/8"	1-3/8"	1-3/8"							1-3/8"	1-7/16"	1-7/16"
1610	1-1/2"	1-5/8"	1-5/8"							1-5/8"	1-11/16"	1-11/16"
1615	1-1/2"	1-5/8"	1-5/8"							1-5/8"	1-11/16"	1-11/16"
2012	1-7/8"	2"	2"							2"	2-1/8"	2-1/8"
2517	2-1/4"	2-1/2"	2-1/2"							2-7/16"	2-11/16"	2-11/16"
2525				2-1/4"	2-1/2"	2-1/2"				2-3/8"	2-11/16"	2-11/16"
3020	2-3/4"	3"	3"	2-3/4"	3"	3"				3"	3-1/4"	3-1/4"
3030				2-3/4"	3"	3"				3"	3-1/4"	3-1/4"
3525				3-1/4"	3-1/2"	3-1/2"	3-1/2"	3-15/16"	3-15/16"			
3535				3-1/4"	3-1/2"	3-1/2"	3-1/2"	3-15/16"	3-15/16"			
4030				3-5/8"	4"	4"	4"	4-7/16"	4-7/16"			
4040				3-5/8"	4"	4"	4"	4-7/16"	4-7/16"			
4535				4-1/2"	4-1/2"	4-1/2"	4-1/2"	4-15/16"	4-15/16"			
4545				4-1/2"	4-1/2"	4-1/2"	4-1/2"	4-15/16"	4-15/16"			
5040				4-1/2"	5"	5"	5"	5-5/16"	5-5/16"			
5050				4-1/2"	5"	5"	5"	5-5/16"	5-5/16"			
6050				6"	6"	6"	6"	6"	6"			
7060				7"	7"	7"	7"	7"	7"			
8065				8"	8"	8"	8"	8"	8"			
10085				10"	10"	10"	10"	10"	10"			
120100				12"	12"	12"	12"	12"	12"			

* Verify torque capacity: Contact Application Engineering for assistance



SPECIFICATION

TAPER-LOCK Bushings - Reborable



ISO STANDARD METHOD FOR MEASURING KEYSEAT DEPTH.

▲ Depth measured at centerline

TAPER-LOCK Bushings - Maximum Bore Capacities (Metric)

TL Bush Size	Min Bore	Sintered Steel			Cast Iron			Ductile Iron			Steel		
		Full Key	Shallow Key	No Key*	Full Key	Shallow Key	No Key*	Full Key	Shallow Key	No Key*	Full Key	Shallow Key	No Key*
1008	13	22	25	25							22	22	26
1108	13	25	25	29							25	28	29
1210	13	32	32	32							32	32	32
1215	13	32	32	32							32	32	32
1310	13	35	35	35							35	35	36
1610	13	40	40	40							42	42	44
1615	13	40	40	40							42	42	44
2012	13	50	50	51							50	50	55
2517	13	60	60	64							65	65	68
2525	20				60	60	64				65	65	68
3020	24	75	75	76							80	80	82
3030	24				75	75	76				80	80	82
3525	31				90	90	90	95	100	100			
3535	31				90	90	90	95	95	100			
4030	37				100	100	102	110	115	115			
4040	37				100	100	102	105	105	113			
4535	50				110	110	114	125	125	125			
4545	50				110	110	114	115	115	125			
5040	61				125	125	127	127	127	134			
5050	61				125	125	127	127	127	134			
6050	88				152	152	152	152	152	152			
7060	100				177	177	177	180	180	180			
8065	117				203	203	203	203	203	203			
10085	178				254	254	254	254	254	254			
120100	204				304	304	304	304	304	304			

NOTE: ISO STANDARD METHOD FOR MEASURING KEYSEAT DEPTH
 MM Bore and Keyway dimensions conform to ISO standard recommendation R773, for "Free" fit
 * Verify torque capability. Contact Application Engineering for assistance.

REFERENCE:
 1 inch = 25.4 millimeters
 1 millimeter = 0.03937 inches

T-L FEATURES/BENEFITS PAGE PT6-2	T-L SPECIFICATION PAGE PT6-3	QD BUSHINGS PAGE PT6-17	GT BUSHINGS PAGE PT6-29
-------------------------------------	---------------------------------	----------------------------	----------------------------



SPECIFICATION

TAPER-LOCK Weld-On Hubs



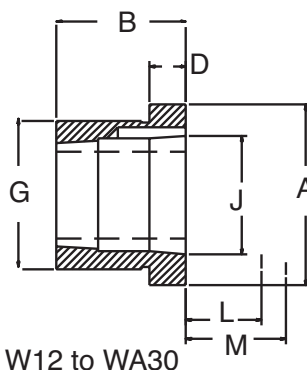
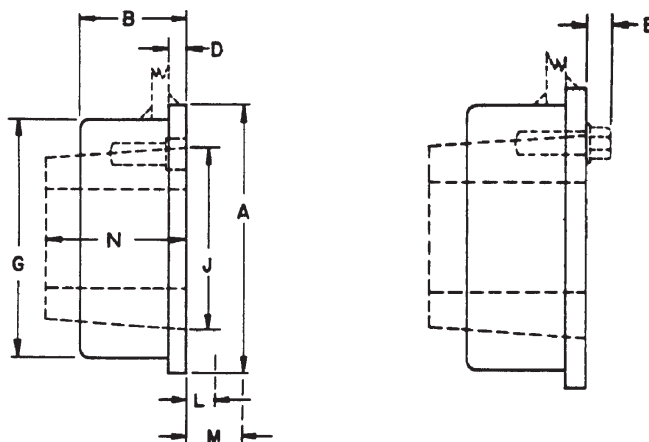
DODGE Weld-On hubs are made of 1015-1025 steel, drilled, tapped, and taper bored to receive TAPER-LOCK bushings. They are useful for welding into fan rotors, pulleys, plate sprockets, impellers, agitators, etc. which must be firmly mounted onto shafting. Four types of hubs are available from stock:

TYPE W/WA: Rugged, full length size for single-hub heavy-duty applications.

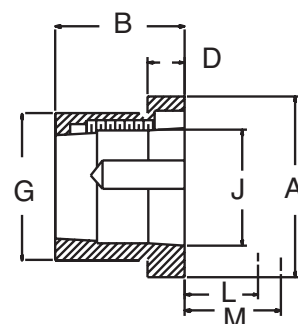
TYPE K: More compact design, especially useful for two-hub construction such as conveyor pulleys.

TYPE S: Originally designed for use in smaller sprockets using up to Taper-Lock size 3535 bushings. Suitable for many other lighter-duty applications.

TYPE F: Features a larger flange diameter that can be welded into standard steel tubing to fabricate conveyor pulleys or process rolls.



W12 to WA30



WA35 to WA100

TAPER-LOCK Type K And Type W/WA Weld-On Hubs

Hub No.	Part No.	Uses Bush.	Max. Bore	Wt. lbs.	Dimensions										Tolerances	
					A	B+	D	E	G	J Ref.	L++	M**	N	G Dimension		
W12	228010	1215	1-1/4	1.2	2.88	1.50	0.63	...	2.500*	1.88	1.38	1.63	1.50	*	+0.000/-0.002	
W16	228011	1615	1-11/16	1.3	3.25	1.50	0.63	...	2.875*	2.25	1.38	1.63	1.50	@	+0.000/-0.003	
W25	228012	2517	2-11/16	3.9	4.88	1.75	0.75	...	4.375*	3.38	1.63	2.25	1.75	~	+0.000/-0.004	
WA30	228087	3030	3-1/4	8.6	5.50	3.00	0.75	...	5.125*	4.25	1.81	2.69	3.00			
WA35	228088	3535	3-15/16	15	6.75	3.50	1.00	...	6.250*	5.00	2.00	3.33	3.50	B Dimension		
WA40	228089	4040	4-7/16	29	7.75	4.00	1.00	...	7.250*	5.75	2.38	4.13	4.00	W/WA Hubs Only		
WA45	228090	4545	4-15/16	42	8.75	4.50	1.00	...	8.000*	6.38	2.63	4.75	4.50	+	+0.001/-0.125	
WA50	228091	5050	5	57	9.50	5.00	1.00	...	8.750@	7.00	2.19	5.25	5.00			
WA60	228092	6050	6	115	13.25	5.00	1.25	1.44	12.250~	9.25	1.63	4.33	5.00			
WA70	228093	7060	7	158	14.5	6.00	1.25	1.44	13.500~	10.25	1.63	4.33	6.00			
WA80	228094	8065	8	180	15.25	6.50	1.25	1.44	14.125~	11.25	1.63	4.33	6.50			
WA100	228095	10085	10	340	19.75	8.50	1.50	1.75	18.750~	14.75	2.00	5.33	8.50			
K25	207156	2517	2-11/16	3.6	4.88	1.50	0.38	...	4.375*	3.38	1.63	2.25	1.75			
K30	207157	3020	3-1/4	7.8	5.50	1.63	0.75	...	5.125*	4.25	1.81	2.69	2.00			
K35	228080	3535	3-15/16	9.8	6.75	1.63	0.75	...	6.250*	5.00	2.00	3.33	3.50			
K40	228081	4040	4-7/16	10.8	7.75	2.13	0.50	...	7.250*	5.75	2.63	4.13	4.00			
K45	228082	4545	4-15/16	15.2	8.50	2.63	0.63	...	8.000*	6.83	2.63	4.75	4.50			
K50	228083	5050	5	29	9.25	2.88	0.63	...	8.750@	7.00	2.81	5.25	5.00			
K60	228084	6050	6	44	12.75	2.88	0.63	1.44	12.250~	9.25	1.63	4.33	5.00			
K70	228085	7060	7	60	14.00	3.38	0.75	1.44	13.500~	10.25	1.63	4.33	6.00			
K80	228086	8065	8	65	14.75	3.63	0.75	1.44	14.125~	11.25	1.63	4.33	6.5			
K100	228079	10085	10	128	19.25	4.13	1.00	1.75	18.750~	14.75	2.00	5.33	8.50			
K120	228058	120100	12	225	22.25	5.38	1.00	1.75	21.750~	17.25	2.00	5.33	10.00			

++ Wrench clearance required to install bushing.

** Wrench clearance required to remove bushing.

T-L FEATURES/BENEFITS PAGE PT6-2	T-L SPECIFICATION PAGE PT6-3	QD BUSHINGS PAGE PT6-17	GT BUSHINGS PAGE PT6-29
-------------------------------------	---------------------------------	----------------------------	----------------------------



SPECIFICATION

TAPER-LOCK Weld-On Hubs

Type S Weld-On Hubs

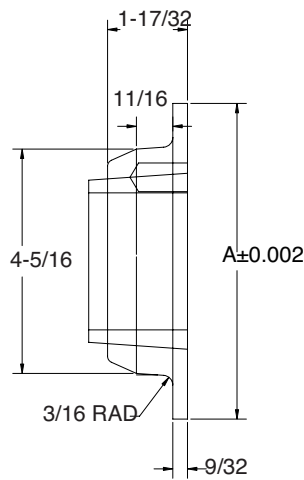
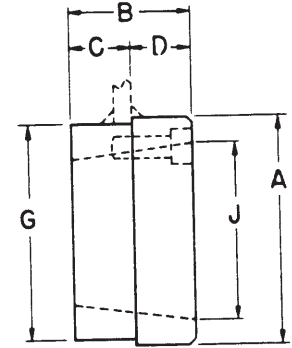
Hub No.	Part No.	Uses Bush.	Bore Range	Wt.	Dimensions						
					A	B	C	D	G	G Toler.	J Ref.
S16-4	097023	1610	1/2 to 1-11/16"	.90	3.00	1.00	0.275	.73	2.875	+0.000/-0.002	2.25
S16-6	097024	1610	1/2 to 1-11/16"	.90	3.00	1.00	0.45	.55	2.875	+0.000/-0.002	2.25
S20-6	097025	2012	1/2 to 2-1/8"	1.80	3.56	1.25	0.45	.80	3.438	+0.000/-0.002	2.75
S20-8	097015	2012	1/2 to 2-1/8"	1.40	3.56	1.25	0.57	.68	3.438	+0.000/-0.002	2.75
S25-6	097016	2517	1/2 to 2-11/16"	2.60	4.25	1.75	0.45	1.3	4.125	+0.000/-0.002	3.33
S25-8	097017	2517	1/2 to 2-11/16"	2.60	4.25	1.75	0.565	1.19	4.125	+0.000/-0.002	3.33
S25-10	097018	2517	1/2 to 2-11/16"	2.50	4.25	1.75	0.685	1.07	4.125	+0.000/-0.002	3.33
S25-16	097019	2517	1/2 to 2-11/16"	2.40	4.25	1.75	1.09	.66	4.125	+0.000/-0.002	3.33
S30-10	097020	3020	15/16 to 3-1/4"	4.30	5.25	2.00	0.675	1.33	5.125	+0.000/-0.002	4.25
S30-16	097021	3020	15/16 to 3-1/4"	4.20	5.25	2.00	1.09	.91	5.125	+0.000/-0.002	4.25
S35	097022	3535	1-3/16 to 3-15/16"	12.80	6.50	3.50	1.16	2.34	6.375	+0.000/-0.002	5.00

TAPER-LOCK Type F Weld-On Hubs

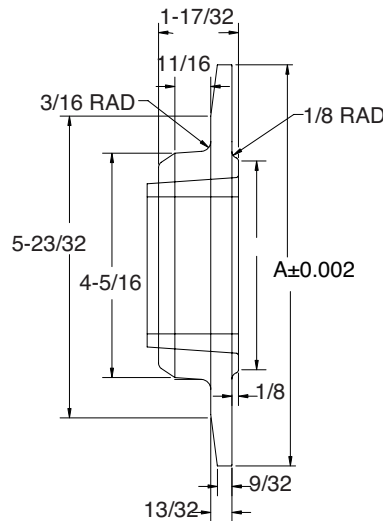
Hub No.	Part No.	Uses Bush.	Bore Range	Wt.	A
6F25P	226091	2517	1/2 to 2-11/16"	3.9	6.048
6F25A	226026	2517	1/2 to 2-11/16"	3.8	5.685
6F25B	226027	2517	1/2 to 2-11/16"	3.8	5.664
6F25C	226028	2517	1/2 to 2-11/16"	3.8	5.625
6F25D	226029	2517	1/2 to 2-11/16"	3.8	5.579
6F25E	226030	2517	1/2 to 2-11/16"	3.8	5.537
8F25P	226093	2517	1/2 to 2-11/16"	6.3	7.962
8F25A	226031	2517	1/2 to 2-11/16"	6.2	7.685
8F25B	226032	2517	1/2 to 2-11/16"	6.2	7.664
8F25C	226033	2517	1/2 to 2-11/16"	6.2	7.625
8F25D	226034	2517	1/2 to 2-11/16"	6.2	7.579
8F25E	226007	2517	1/2 to 2-11/16"	6.2	7.537
F30	226101	3020	15/16 to 3-1/4"	5.3	5.75



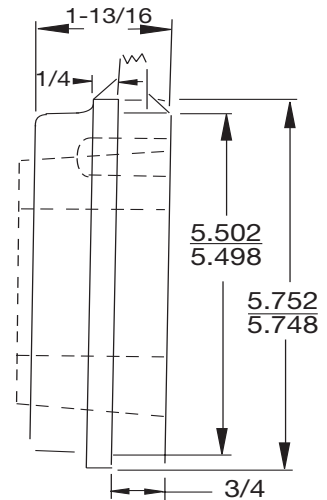
Type S



6F25



8F25



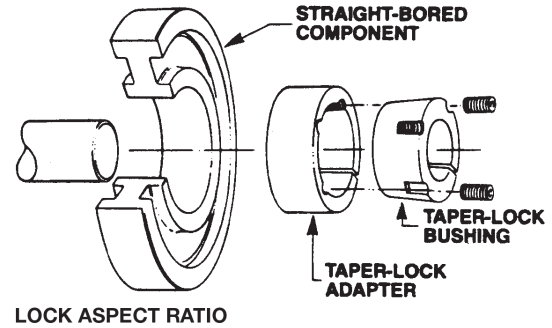
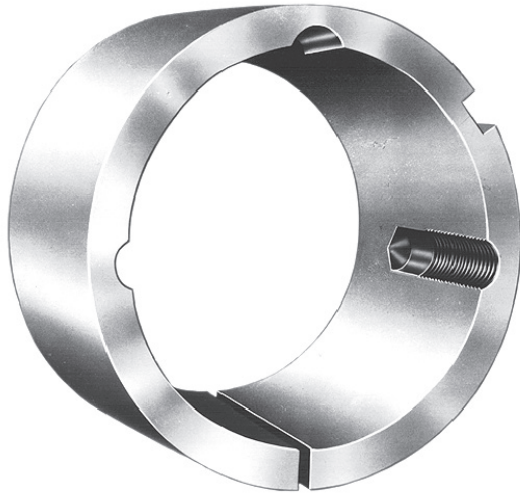
F30

T-L FEATURES/BENEFITS PAGE PT6-2	T-L SPECIFICATION PAGE PT6-3	QD BUSHINGS PAGE PT6-17	GT BUSHINGS PAGE PT6-29
-------------------------------------	---------------------------------	----------------------------	----------------------------

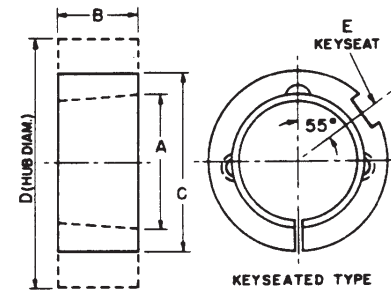


SPECIFICATION

TAPER-LOCK Adapters



LOCK ASPECT RATIO



Adapters for TAPER-LOCK bushings are recommended for use where it is more convenient to straight bore than to drill, tap and taper bore hubs to accommodate bushings.

The adapter is a gray iron, taper-bored sleeve which fits into the straight bore of a hub. The bushing simply fits inside the adapter which is tapped for the bushing screws. When tightening the locking screws, adapter is expanded against the hub bore contracting the bushing tightly upon the shaft. See page PT6-3 for bushing data and wrench space required.

TAPER-LOCK Adapters

Adapter No.	Type	For Use With Bush. No.	Adapter Part No.	Adapter Wt.	A Ref.	B	C*	D: Req'd Hub Dia. †		E
								Class 30 Gray Iron	Steel	Keyseat
1215B	Keyseated	1215	120011	.7	1.88	1.50	2-3/8	3.38	3.25	1/4 x 1/8
1615B	Keyseated	1615	120012	.9	2.25	1.50	2-3/4	3.75	3.50	3/8 x 1/8
2517B	Keyseated	2517	120013	2.2	3.38	1.75	4-1/8	5.50	5.00	5/8 x 1/8
2525B	Keyseated	2525	120014	3.2	3.38	2.50	4-1/8	5.25	5.00	5/8 x 1/8
3030B	Keyseated	3030	120015	5.8	4.25	3.00	5-1/8	6.88	6.25	3/4 x 3/16
3535B	Keyseated	3535	120016	11.3	5.00	3.50	6-1/4	8.38	7.88	7/8 x 3/16
4040B	Keyseated	4040	120017	17.3	5.75	4.00	7-1/4	10.13	9.38	1 x 3/16
4545B	Keyseated	4545	120018	21.9	6.38	4.50	7-7/8	11.00	10.25	1 x 3/16

* .001 to +.003 tolerance recommended for bore of hub.

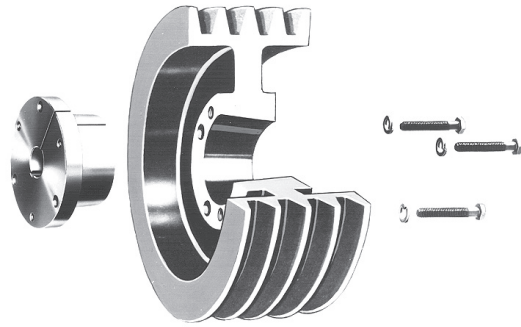
† For reference. Severe conditions may require larger hub. Heavy well located web may permit smaller hub. Hub diameter required depends on the application. Consult factory giving full information on the proposed design. Hub diameters shown are based on 30,000 and 50,000 P.S.I. minimum ultimate tensile strength respectively for Class 30 gray iron and steel hubs.

T-L FEATURES/BENEFITS PAGE PT6-2	T-L SPECIFICATION PAGE PT6-3	QD BUSHINGS PAGE PT6-17	GT BUSHINGS PAGE PT6-29
-------------------------------------	---------------------------------	----------------------------	----------------------------

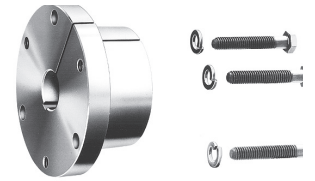


FEATURES/BENEFITS

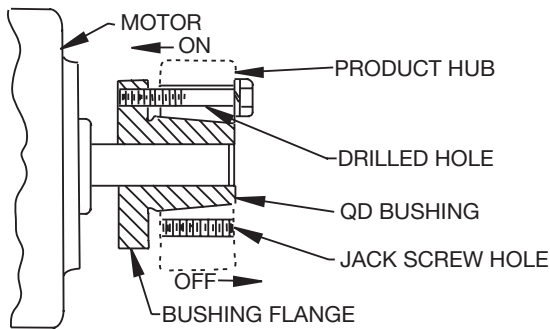
QD Bushings



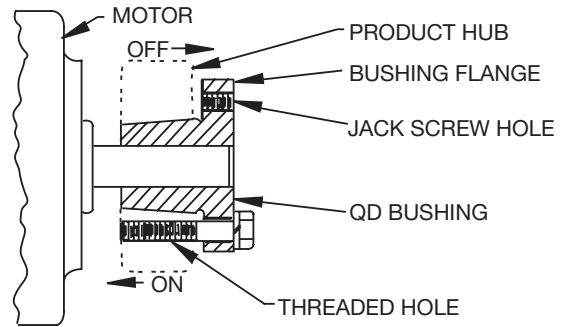
- 4 Degree Taper
- Easy on/Easy off
- Manufactured precisely to industry standards
- Conventional or Reverse Mounting, Including sizes M thru W - DODGE exclusive!
- QD is a registered trademark of Emerson Electric.



CONVENTIONAL



REVERSE



Conventional Mounting

Easy On

- Place bushing in product
- Align clearance holes in product with threaded holes in bushing
- Install screws and lockwashers thru clearance holes, finger tight
- Slide assembly onto shaft, flange first
- Locate assembly on shaft for proper drive alignment
- Tighten cap screws alternately and evenly to specified torque

Easy Off

- Remove cap screws and install in product threaded holes
- Alternately and evenly tighten screws until bushing grip is released
- Flanged Design

Reverse Mounting

Easy On

- Place bushing in product
- Align clearance holes in product with threaded holes in bushing
- Install screws and lockwashers thru clearance holes, finger tight
- Slide assembly onto shaft, flange outward
- Locate assembly on shaft for proper drive alignment
- Tighten cap screws alternately and evenly to specified torque

Easy Off

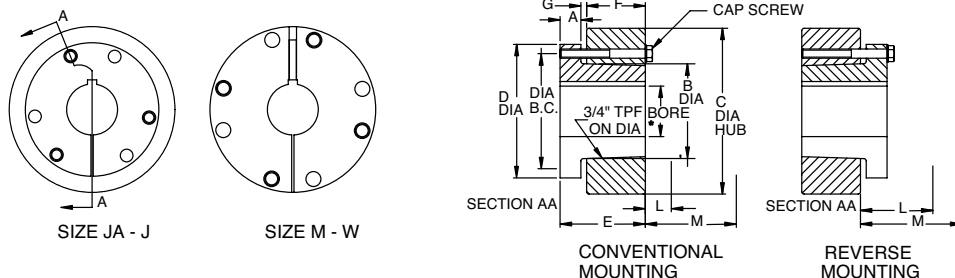
- Remove cap screws and reinstall in flange threaded holes
- Alternately and evenly tighten screws until bushing grip is released

IMPORTANT! Do not use lubricants or anti-seize compounds on tapered bore or bushing surfaces. Complete installation instructions are available at www.dodge-pt.com.



SPECIFICATION

QD Bushings - Dimensions



QD Bushing Ratings And Dimensions

Bush. Symb.	Ratings (Lb-in) Bush. Torque Cap.*	Bore Range				Dimensions							
		Min.	Max. Bore for:			A	B Dia.	C Hub Dia.		D Dia.	E	F	G
			Full KW	Shallow KW	No KW			Cl 30 Iron	Steel				
QT / (L)	1000	3/8	1-1/4	1-1/2	1-9/16	0.35	1.63	3.00	2.375	2.50	1.35	0.94	0.12
JA	1000	1/2	1	1-3/16	1-1/4	0.31	1.38	3.93	2.25	2.00	1.00	0.56	0.12
SH	3500	1/2	1-3/8	1-5/8	1-11/16	0.38	1.88	4.75	3.00	2.63	1.25	0.81	0.12
SDS	5000	1/2	1-5/8	1-15/16	2	0.43	2.18	4.75	3.50	3.18	1.31	0.75	0.12
SD	5000	1/2	1-5/8	1-15/16	2	0.43	2.18	3.81	3.50	3.18	1.81	1.25	0.12
SK	7000	1/2	2-1/8	2-1/2	2-5/8	0.50	2.81	4.75	4.50	3.88	1.88	1.25	0.22
SF	11000	1/2	2-5/16	2-15/16	...	0.50	3.13	6.38	5.50	4.63	2.00	1.25	0.22
E	20000	7/8	2-7/8	3-1/2	...	0.75	3.83	7.50	6.50	6.00	2.63	1.63	0.25
F	30000	1	3-1/4	3-15/16	4	0.81	4.43	7.75	7.25	6.63	3.63	2.50	0.34
J	45000	1-1/2	3-3/4	4-1/2	...	1.00	5.14	9.00	8.00	7.25	4.50	3.18	0.38
M	85000	2	4-3/4	5-1/2	...	1.25	6.50	11.38	10.00	9.00	6.75	5.18	0.41
N	150000	2-7/16	5	6	...	1.50	7.00	12.00	...	10.00	8.12	6.25	0.56
P	250000	2-15/16	5-15/16	7	...	1.75	8.25	14.00	...	11.75	9.38	7.25	0.63
W	375000	4	7-1/2	8-1/2	...	2.00	10.42	17.00	...	15.00	11.38	9.00	0.50
S	625000	5-1/2	9	10	...	3.25	12.13	19.00	...	17.75	15.75	12.00	0.75

* Torque ratings apply when bushing installation screws are tightened to listed torque. Important: Do not over-torque screws. This can lead to hub damage

Installation Information

Bush. Sym.	Installation Screws				Required Wrench Clearance							
	B. C. Dia.	Qty.	Size	Screw Torque (Lb - in)	Conventional Mounting				Reverse Mounting			
					L-Install		M-Remove		L-Install		M-Remove	
					#	@	#	@	#	@	#	@
QT / (L)	2	2	1/4-20 x 7/8	90	0.41	2.53	1.13	3.25	1.13	3.25	1.56	3.68
JA	1.65	3	10-24 x 1	60	0.41	2.53	1.13	3.25	1.13	3.25	1.56	3.68
SH	2.25	3	1/4-20x 1-3/8	108	0.54	2.61	1.51	3.58	1.51	3.58	2.08	4.13
SDS	2.69	3	1/4-20 x 1-3/8	108	0.59	2.66	1.56	3.63	1.56	3.63	2.13	4.18
SD	2.69	3	1/4-20 x 1-7/8	108	0.66	2.72	2.06	4.13	2.06	4.13	2.63	4.68
SK	3.31	3	5/16-18 x 2	180	0.72	2.66	2.19	4.19	2.25	4.25	2.32	4.94
SF	3.88	3	3/8-16 x 2	360	0.78	2.78	2.25	4.23	2.30	4.30	3.19	5.18
E	5.00	3	1/2 -13 x 2-3/4	720	1.12	3.06	3.00	4.93	3.05	5.00	4.30	6.25
F	5.63	3	9/16-12 x 3-5/8	900	1.09	2.91	3.94	5.75	3.99	5.81	5.31	7.12
J	6.25	3	5/8-11 x 4-1/2	1620	1.28	3.09	4.81	6.62	3.80	5.62	5.37	7.18
M	7.88	4	3/4-10 x 6-3/4	2700	2.16	4.03	7.69	9.56
N	8.50	4	7/8-9 x 8	3600	2.28	...	9.25
P	10.00	4	1-8 x 9-1/2	5400	3.13	...	10.88
W	12.75	4	1-1/8-7 x 11-1/2	7200	3.88	...	13.38
S	15.00	5	1-1/4 -7x 15	9000	3.75	...	16.50

Using Open-End Wrench
@ Using Socket Wrench

NOTE: Installation and maintenance instructions for Dodge products available at www.dodge-pt.com

T-L FEATURES/BENEFITS PAGE PT6-2	T-L SPECIFICATION PAGE PT6-3	QD BUSHINGS PAGE PT6-17	GT BUSHINGS PAGE PT6-29
-------------------------------------	---------------------------------	----------------------------	----------------------------



SPECIFICATION

Bushings For Bushed FHP Sheave - Stock Bore

QD Bushings - Stock Bore

QD Bush Size	BORE	P/N Keyway	WT.	Bushing Keyway	Shaft Keyway REF	Key Size REF
QT / (L)	3/8"	121129	0.85	None		
	7/16"	121130	0.82			
	1/2"	121131	0.81	1/8 x 1/16	1/8 x 1/16	1/8 x 1/8
	9/16"	121133	0.80			
	5/8"	122050	0.78	3/16 x 3/32	3/16 x 3/32	3/16 x 3/16
	11/16"	121134	0.76			
	3/4"	121162 +	0.74			
	3/4"	122051	0.74			
	13/16"	121136	0.70			
	7/8"	121163 +	0.68			
	7/8"	122052	0.68			
	15/16"	121138	0.66			
	1"	121164 +	0.62			
	1"	122053	0.62			
	1-1/16"	121140	0.59			
	1-1/8"	121186 +	0.56			
	1-1/8"	122054	0.56			
	1-3/16"	121187 +	0.52			
	1-3/16"	122055	0.52			
	1-1/4"	122056	0.49			
1-5/16"	121144	0.44	5/16 x 1/16	5/16 x 5/32	5/16 x 7/32 *	
1-3/8"	121145	0.43				
1-7/16"	121146	0.38	3/8 x 1/16	3/8 x 3/16	3/8 x 1/4 *	
1-1/2"	121147	0.34				
14MM	121148	0.79	5 x 2.3MM	5 x 3MM	5 x 5MM	
19MM	121149	0.74	6 x 2.8MM	6 x 3.5MM	6 x 6MM	
20MM	121467	0.73				
25MM	121151	0.63	8 X 3.3MM	8 X 4MM	8 X 7MM	
28MM	151152	0.57				
30MM	121153	0.53				
32MM	121154	0.50				10 x 3.3MM

QD Bush Size	Bore	P/N	WT.	Bushing Keyway	Shaft Keyway REF	Key Size REF			
JA	1/2"	120332	0.46	1/8 x 1/16	1/8 x 1/16	1/8 x 1/8			
	9/16"	120333	0.46						
	5/8"	120334	0.45	3/16 x 3/32	3/16 x 3/32	3/16 x 3/16			
	11/16"	120335	0.43						
	3/4"	120336	0.41						
	13/16"	120337	0.40						
	7/8"	120338	0.37						
	15/16"	120339	0.35	1/4 x 1/8	1/4 x 1/8	1/4 x 1/4			
	1"	120340	0.33						
	1-1/16"	120341	0.34	1/4 x 1/16	1/4 x 1/8	1/4 x 3/16 *			
	1-1/8"	120342	0.31						
	1-3/16"	120343	0.29						
	1-1/4"	120344	0.25	None					
	19MM	117049	0.42	6 x 2.8MM	6 x 3.5MM	6 x 6MM			
	20MM	120329	0.41						
	22MM	117043	0.40						
	SH	1/2"	120345	1.16	1/8 x 1/16	1/8 x 1/16	1/8 x 1/8		
		9/16"	120346	1.14					
		5/8"	120347	1.14	3/16 x 3/32	3/16 x 3/32	3/16 x 3/16		
		11/16"	120348	1.14					
3/4"		120349	1.10						
13/16"		120350	1.07						
7/8"		120351	1.04						
15/16"		120352	1.00	1/4 x 1/8	1/4 x 1/8	1/4 x 1/4			
1"		120353	0.98						
1-1/16"		120354	0.94						
1-1/8"		120355	0.91						
1-3/16"		120356	0.88						
1-1/4"		120357	0.84						
1-5/16"		120358	0.82				5/16 x 5/32	5/16 x 5/32	5/16 x 5/16
1-3/8"		120359	0.80						
1-7/16"		120360	0.79	3/8 x 1/16	3/8 x 3/16	3/8 x 1/4 *			
1-1/2"		120361	0.75						
1-9/16"		120362	0.90						
1-5/8"		120363	0.64						
1-11/16"		120580	0.55				None		
24MM	120088	1.00	8 X 3.3MM	8 X 4MM	8 X 7MM				
25MM	120089	0.99							
28MM	120090	0.93							
30MM	120091	0.87							
32MM	120092	0.82	10 X 3.3MM	10 X 5MM	10 X 8MM				
35MM	120093	0.74							
SDS	1/2"	120388	1.65	1/8 x 1/16	1/8 x 1/16	1/8 x 1/8			
	9/16"	120389	1.65						
	5/8"	120390	1.61	3/16 x 3/32	3/16 x 3/32	3/16 x 3/16			
	11/16"	120391	1.60						
	3/4"	120392	1.58						
	13/16"	120393	1.54						
	7/8"	120394	1.54						
	15/16"	120395	1.50	1/4 x 1/8	1/4 x 1/8	1/4 x 1/4			
	1"	120396	1.46						
	1-1/16"	120397	1.43						
	1-1/8"	120398	1.38						
	1-3/16"	120399	1.36						
	1-1/4"	120400	1.32						
	1-5/16"	120401	1.26				5/16 x 5/32	5/16 x 5/32	5/16 x 5/16
	1-3/8"	120402	1.24						

P/N's marked (+) are Integral Key Bushings
 Bore sizes marked (#) will be supplied with 1/2" wide keyway unless the 5/8" wide keyway is specified when ordering
 * Key furnished for these sizes ONLY
 ** Key not furnished for MM bores sizes

SPECIFICATION



QD Bushings - Stock Bore

QD Bush Size	Bore	P/N	WT.	Bushing Keyway	Shaft Keyway REF	Key Size REF
SDS (cont)	1-7/16"	120403	1.19	3/8 x 3/16	3/8 x 3/16	3/8 x 3/8
	1-1/2"	120404	1.15			
	1-9/16"	120405	1.11			
	1-5/8"	120406	1.08			
	1-11/16"	120407	1.08	3/8 x 1/8	3/8 x 3/16	3/8 x 5/16 *
	1-3/4"	120408	1.02			
	1-13/16"	120409	0.98	1/2 x 1/16	1/2 x 1/4	1/2 x 5/16 *
	1-7/8"	120410	0.92			
	1-15/16"	120411	0.87			
	2"	120412	0.77	None		
	24MM	120094	1.47	8 X 3.3MM	8 X 4MM	8 X 7MM
	25MM	120095	1.47			
	28MM	120096	1.41			
	30MM	120097	1.36			
	32MM	120098	1.31	10 X 3.3MM	10 X 5MM	10 X 8MM
	35MM	120099	1.22			
	38MM	120100	1.00			
	40MM	120101	1.01	12 X 3.3MM	12 X 5MM	12 X 8MM
42MM	120102	1.02				
SD	1/2"	120364	2.07	1/8 x 1/16	1/8 x 1/16	1/8 x 1/8
	9/16"	120365	2.05			
	5/8"	120366	2.03	3/16 x 3/32	3/16 x 3/32	3/16 x 3/16
	11/16"	120367	2.00			
	3/4"	120368	2.00			
	13/16"	120369	2.00			
	7/8"	120370	1.88			
	15/16"	120371	1.85	1/4 x 1/8	1/4 x 1/8	1/4 x 1/4
	1"	120372	1.80			
	1-1/16"	120373	1.79			
	1-1/8"	120374	1.72			
	1-3/16"	120375	1.67			
	1-1/4"	120376	1.62			
	1-5/16"	120377	1.55	5/16 x 5/32	5/16 x 5/32	5/16 x 5/16
	1-3/8"	120378	1.50			
	1-7/16"	120379	1.44	3/8 x 3/16	3/8 x 3/16	3/8 x 3/8
	1-1/2"	120380	1.36			
	1-9/16"	120381	1.29			
	1-5/8"	120382	1.29			
	1-11/16"	120383	1.20			
	1-3/4"	120384	1.19			
	1-13/16"	120385	1.15			
	1-7/8"	120386	1.07			
	1-15/16"	120387	1.00			
	2"	120581	0.84			
	24MM	120103	1.84	8 X 3.3MM	8 X 4MM	8 X 7MM
	25MM	120104	1.82			
	28MM	120105	1.72			
	30MM	120106	1.66			
	32MM	120107	1.58			
	35MM	120108	1.49	10 X 3.3MM	10 X 5MM	10 X 8MM
	38MM	120109	1.37			
40MM	120110	1.28	12 X 3.3MM	12 X 5MM	12 X 8MM	
42MM	120111	1.18				

QD Bush Size	Bore	P/N	WT.	Bushing Keyway	Shaft Keyway REF	Key Size REF
SK	1/2"	120413	3.77	1/8 x 1/16	1/8 x 1/16	1/8 x 1/8
	9/16"	120414	3.74			
	5/8"	120415	3.72	3/16 x 3/32	3/16 x 3/32	3/16 x 3/16
	11/16"	120416	3.70			
	3/4"	120417	3.61			
	13/16"	120418	3.53			
	7/8"	120419	3.58			
	15/16"	120420	3.52	1/4 x 1/8	1/4 x 1/8	1/4 x 1/4
	1"	120421	3.45			
	1-1/16"	120422	3.41			
	1-1/8"	120423	3.37			
	1-3/16"	120424	3.31			
	1-1/4"	120425	3.31			
	1-5/16"	120426	3.18			
	1-3/8"	120427	3.12			
	1-7/16"	120428	3.08			
	1-1/2"	120429	3.00			
	1-9/16"	120430	2.95	3/8 x 3/16	3/8 x 3/16	3/8 x 3/8
	1-5/8"	120431	2.86			
	1-11/16"	120432	2.79			
	1-3/4"	120433	2.88			
	1-13/16"	120434	2.62			
	1-7/8"	120435	2.50	1/2 x 1/4	1/2 x 1/4	1/2 x 1/2
	1-15/16"	120436	2.42			
	2"	120437	2.32			
	2-1/16"	120438	2.26			
	2-1/8"	120439	2.17			
	2-3/16"	120440	2.21			
	2-1/4"	120441	2.09			
	2-5/16"	120442	2.00			
	2-3/8"	120443	1.91	5/8 x 1/16	5/8 x 5/16	5/8 x 3/8 *
	2-7/16"	120444	1.81			
	2-1/2"	120445	1.72			
	2-5/8"	120447	1.32			
	24MM	120112	3.52	8 X 3.3MM	8 X 4MM	8 X 7MM
	25MM	120113	3.50			
	28MM	120114	3.41			
	30MM	120115	3.31			
	32MM	120116	3.31			
	35MM	120117	3.12	10 X 3.3MM	10 X 5MM	10 X 8MM
	38MM	120118	2.98			
	40MM	120119	2.95			
42MM	120120	2.86	12 X 3.3MM	12 X 5MM	12 X 8MM	
45MM	120070	2.69				
48MM	120121	2.50	14 X 3.8MM	14 X 5.5MM	14 X 9MM	
50MM	120122	2.40				
55MM	120123	2.17				
SF	1/2"	120448	5.27	1/8 x 1/4	1/8 x 1/4	1/8 x 1/8
	9/16"	120449	5.27			
	5/8"	120450	5.22	3/16 x 3/32	3/16 x 3/32	3/16 x 3/16
	11/16"	120451	5.20			
	3/4"	120452	5.17			
	13/16"	120453	5.32			
	7/8"	120454	5.08			
	15/16"	120455	5.05	1/4 x 1/8	1/4 x 1/8	1/4 x 1/4
	1"	120456	5.00			
	1-1/16"	120457	4.95			
	1-1/8"	120458	4.90			
	1-3/16"	120459	4.83			
	1-1/4"	120460	4.77			

P/N's marked (+) are Integral Key Bushings
 Bore sizes marked (#) will be supplied with 1/2" wide keyway unless the 5/8" wide keyway is specified when ordering
 * Key furnished for these sizes ONLY
 ** Key not furnished for MM bores sizes

PT Component
Quick References

Couplings

Clutches and Brakes

FLEXIDYNE

Fluid Couplings

TORQUE-TAMER

Bushings



SPECIFICATION

QD Bushings - Stock Bore

QD Bush Size	Bore	P/N	WT.	Bushing Keyway	Shaft Keyway REF	Key Size REF						
SF (cont)	1-5/16"	120461	4.71	3/8 x 3/16	3/8 x 3/16	3/8 x 3/8						
	1-3/8"	120462	4.61									
	1-7/16"	120463	4.57									
	1-1/2"	120464	4.48									
	1-9/16"	120465	4.42									
	1-5/8"	120466	4.32									
	1-11/16"	120467	4.31									
	1-3/4"	120468	4.16									
	1-13/16"	120469	4.06				1/2 x 1/4	1/2 x 1/4	1/2 x 1/2			
	1-7/8"	120470	4.00									
	1-15/16"	120471	3.87									
	2"	120472	3.78									
	2-1/16"	120473	3.70									
	2-1/8"	120474	3.57									
	2-3/16"	120475	3.45									
	2-1/4"	120476	3.38									
	2-5/16"	120477	3.32							5/8 x 5/16	5/8 x 5/16	5/8 x 5/8
	2-3/8"	120478	3.39									
	2-7/16"	120479	3.26				5/8 x 3/16	5/8 x 5/16	5/8 x 1/2 *			
	2-1/2"	120592	3.16									
2-5/8"	120482	2.91	5/8 x 1/16	5/8 x 5/16	5/8 x 3/8 *							
2-11/16"	120483	2.80										
2-3/4"	120484	2.59										
2-13/16"	120485	2.50	3/4 x 1/16	3/4 x 3/8	3/4 x 7/16 *							
2-7/8"	120486	2.35	3/4 x 1/32	3/4 x 3/8	3/4 x 13/32 *							
2-15/16"	120487	2.22										
28MM	120124	5.00	8 X 3.3MM	8 X 4MM	8 X 7MM							
30MM	120125	4.90										
32MM	120126	4.77	10 X 3.3MM	10 X 5MM	10 X 8MM							
35MM	120127	4.61										
38MM	120128	4.48										
40MM	120129	4.42				12 X 3.3MM	12 X 5MM	12 X 8MM				
42MM	120130	4.32										
45MM	120071	4.16	14 X 3.8MM	14 X 5.5MM	14 X 9MM							
48MM	120131	4.00										
50MM	120132	3.87										
55MM	120133	3.57				16 X 4.3MM	16 X 6MM	16 X 10MM				
60MM	120134	3.39	18 X 4.4MM	18 X 7MM	18 X 11MM							
E	7/8"	120488	11.80	3/16 x 3/32	3/16 x 3/32	3/16 x 3/16						
	1"	120490	11.65	1/4 x 1/8	1/4 x 1/8	1/4 x 1/4						
	1-1/8"	120492	11.46									
	1-3/16"	120493	11.40									
	1-1/4"	120494	11.33									
	1-5/16"	120495	11.26	5/16 x 5/32	5/16 x 5/32	5/16 x 5/16						
	1-3/8"	120496	11.20									
	1-7/16"	120497	11.13	3/8 x 3/16	3/8 x 3/16	3/8 x 3/8						
	1-1/2"	120498	10.86									
	1-9/16"	120499	10.82									
	1-5/8"	120500	10.69									
	1-11/16"	120501	10.56									
	1-3/4"	120502	10.46									

QD Bush Size	Bore	P/N	WT.	Bushing Keyway	Shaft Keyway REF	Key Size REF			
E (cont)	1-13/16"	120503	10.16	1/2 x 1/4	1/2 x 1/4	1/2 x 1/2			
	1-7/8"	120504	10.16						
	1-15/16"	120505	10.16						
	2"	120506	10.01						
	2-1/16"	120507	9.85						
	2-1/8"	120508	9.73						
	2-3/16"	120509	9.42						
	2-1/4"	120510	9.42						
	2-5/16"	120511	9.07				5/8 x 5/16	5/8 x 5/16	5/8 x 5/8
	2-3/8"	120512	8.95						
	2-7/16"	120513	8.77						
	2-1/2"	120514	8.72						
	2-5/8"	120516	8.37						
	2-11/16"	120517	8.05						
	2-3/4"	120518	7.90						
	2-13/16"	120519	7.70	3/4 x 3/8	3/4 x 3/8	3/4 x 3/4			
	2-7/8"	120520	7.32						
	2-15/16"	120521	7.53	3/4 x 1/8	3/4 x 3/8	3/4 x 1/2 *			
	3"	120522	7.31						
	3-1/8"	120524	6.90						
	3-3/16"	120525	6.69						
	3-1/4"	120526	6.48						
	3-5/16"	120527	6.10	7/8 x 1/8	7/8 x 7/16	7/8 x 9/16 *			
	3-3/8"	120528	6.21	7/8 x 1/16	7/8 x 7/16	7/8 x 1/2 *			
	3-7/16"	120529	5.86						
	3-1/2"	120530	5.73						
	28MM	120073	10.20				8 X 3.3MM	8 X 4MM	8 X 7MM
	30MM	120074	10.20						
	32MM	120075	10.20	10 X 3.3MM	10 X 5MM	10 X 8MM			
	35MM	120135	10.20						
38MM	120136	10.00							
40MM	120137	10.88	12 X 3.3MM				12 X 5MM	12 X 8MM	
42MM	120138	9.80							
45MM	120141	9.60	14 X 3.8MM	14 X 5.5MM	14 X 9MM				
48MM	120139	10.26							
50MM	120140	10.06							
55MM	120142	9.56				16 X 4.3MM	16 X 6MM	16 X 10MM	
60MM	120143	9.10	18 X 4.4MM	18 X 7MM	18 X 11MM				
65MM	120144	9.60							
70MM	120145	7.87				20 X 4.9MM	20 X 7.5MM	20 X 12MM	
75MM	120146	7.28							
F	1"	120531	19.41	1/4 x 1/8	1/4 x 1/8	1/4 x 1/4			
	1-1/8"	120533	19.15						
	1-3/16"	120534	18.00						
	1-1/4"	120535	18.99						
	1-3/8"	120537	18.68				5/16 x 5/32	5/16 x 5/32	5/16 x 5/16
	1-7/16"	120538	18.56	3/8 x 3/16	3/8 x 3/16	3/8 x 3/8			
	1-1/2"	120539	18.48						
	1-9/16"	120540	18.40						
	1-5/8"	120541	18.15						
	1-11/16"	120542	17.91						
	1-3/4"	120543	16.77						
	1-13/16"	120544	17.62				1/2 x 1/4	1/2 x 1/4	1/2 x 1/2
	1-7/8"	120545	16.41						
	1-15/16"	120546	16.00						
	2"	120547	16.00						
2-1/16"	120548	16.00							
2-1/8"	120549	15.95							
2-3/16"	120550	15.95							
2-1/4"	120551	15.95							

P/N's marked (+) are Integral Key Bushings
 Bore sizes marked (#) will be supplied with 1/2" wide keyway unless the 5/8" wide keyway is specified when ordering
 * Key furnished for these sizes ONLY
 ** Key not furnished for MM bores sizes

SPECIFICATION



QD Bushings - Stock Bore

QD Bush Size	Bore	P/N	WT.	Bushing Keyway	Shaft Keyway REF	Key Size REF
F (cont)	2-5/16"	120552	15.95	5/8 x 5/16	5/8 x 5/16	5/8 x 5/8
	2-3/8"	120553	15.50			
	2-7/16"	120554	15.50			
	2-1/2"	120555	15.37			
	2-5/8"	120557	14.86			
	2-11/16"	120558	14.50			
	2-3/4"	120559	14.37			
	2-13/16"	120560	14.00			
	2-7/8"	120561	14.02			
	2-15/16"	120562	13.47			
	3"	120563	13.20			
	3-1/8"	120565	12.67			
	3-3/16"	120566	12.50			
	3-1/4"	120567	12.00			
	3-3/8"	120569	12.00	7/8 x 3/16	7/8 x 7/16	7/8 x 5/8 *
	3-7/16"	120570	11.88			
	3-1/2"	120571	11.40			
	3-5/8"	120573	10.53			
	3-11/16"	120574	14.00			
	3-3/4"	120575	9.89			
	3-7/8"	120577	9.26			
	3-15/16"	120578	9.23			
	4"	120579	7.96	None		
	45MM	120076	16.20	14 X 3.8MM	14 X 5.5MM	14 X 9MM
	48MM	120147	16.00			
	50MM	120148	15.80			
	55MM	120149	15.80	16 X 4.3MM	16 X 6MM	16 X 10MM
	60MM	120150	15.80	18 X 4.4MM	18 X 7MM	18 X 11MM
65MM	120151	14.30				
70MM	120152	14.30	20 X 4.9MM	20 x 7.5MM	20 X 12MM	
75MM	120153	13.50				
80MM	120154	12.55	22 X 5.4MM	22 X 9MM	22 X 14MM	
85MM	120155	10.60				
90MM	120077	10.50	25 X 5.4MM	25 X 9MM	25 X 14MM	
J	1-1/2"	120600	28.97	3/8 x 3/16	3/8 x 3/16	3/8 x 3/8
	1-5/8"	120601	28.61			
	1-3/4"	120603	28.28			
	1-7/8"	120604	27.79	1/2 x 1/4	1/2 x 1/4	1/2 x 1/2
	1-15/16"	120605	27.53			
	2"	120606	27.33			
	2-1/8"	120607	26.74			
	2-3/16"	120608	26.37			
	2-1/4"	120609	26.32	5/8 x 5/16	5/8 x 5/16	5/8 x 5/8
	2-3/8"	120610	25.65			
	2-7/16"	120611	25.52			
	2-1/2"	120612	25.05			
	2-5/8"	120613	24.50			
	2-11/16"	120614	24.18			
	2-3/4"	120615	23.86			

QD Bush Size	Bore	P/N	WT.	Bushing Keyway	Shaft Keyway REF	Key Size REF			
J (cont)	2-7/8"	120617	23.15	3/4 x 3/8	3/4 x 3/8	3/4 x 3/4			
	2-15/16"	120618	23.07						
	3"	120619	22.43						
	3-1/8"	120620	21.68						
	3-3/16"	120621	21.35						
	3-1/4"	120622	20.98						
	3-3/8"	120623	20.33				7/8 x 7/16	7/8 x 7/16	7/8 x 7/8
	3-7/16"	120624	21.13						
	3-1/2"	120625	19.58						
	3-5/8"	120626	18.44						
	3-11/16"	120627	18.04						
	3-3/4"	120628	17.62						
	3-7/8"	120629	17.94	1 x 1/8	1 x 1/2	1 x 5/8 *			
	3-15/16"	120630	17.38						
	4"	120631	16.62						
	4-1/8"	120632	15.69						
	4-3/16"	120633	14.55						
	4-1/4"	120634	14.68						
	4-3/8"	120635	14.00						
	4-7/16"	120636	13.49	14 X 3.8MM	14 X 5.5MM	14 X 9MM			
	4-1/2"	120637	12.67						
	50MM	120157	26.50	16 X 4.3MM	16 X 6MM	16 X 10MM			
	55MM	120158	25.60	18 X 4.4MM	18 X 7MM	18 X 11MM			
	60MM	120159	25.82	20 X 4.9MM	20 x 7.5MM	20 X 12MM			
	65MM	120160	25.25						
	70MM	120161	24.04	22 X 5.4MM	22 X 9MM	22 X 14MM			
	75MM	120162	21.90						
	80MM	120163	20.90	25 X 5.4MM	25 X 9MM	25 X 14MM			
85MM	120164	20.52							
90MM	120165	18.10	26 X 6.4MM	28 X 10MM	28 X 16MM				
95MM	120166	16.80							
100MM	120167	16.50	5/8 x 5/16	5/8 x 5/16	5/8 x 5/8				
2"	119900	62.65							
2-1/8"	119901	62.65							
2-3/16"	119902	61.58							
2-1/4"	119903	61.14							
2-3/8"	119904	59.50							
2-7/16"	119905	59.35							
2-1/2"	119906	59.21							
2-5/8"	119907	58.69							
2-3/4"	119908	57.86							
2-7/8"	119909	56.57							
2-15/16"	119910	56.17							
3"	119911	56.10							
3-1/8"	119912	55.82							
3-3/16"	119913	53.84							
3-1/4"	119914	53.42							
3-3/8"	119915	52.06							
3-7/16"	119916	52.04							
3-1/2"	119917	51.12							
3-5/8"	119918	50.08							
3-11/16"	119919	49.00							
3-3/4"	119920	48.47							
3-7/8"	119921	47.03							
3-15/16"	119922	46.26							
4"	119923	46.09							
4-1/8"	119924	44.31							
4-3/16"	119925	43.64							
4-1/4"	119926	42.81							

P/N's marked (+) are Integral Key Bushings
 Bore sizes marked (#) will be supplied with 1/2" wide keyway unless the 5/8" wide keyway is specified when ordering
 * Key furnished for these sizes ONLY
 ** Key not furnished for MM bores sizes

T-L FEATURES/BENEFITS PAGE PT6-2	T-L SPECIFICATION PAGE PT6-3	QD BUSHINGS PAGE PT6-17	GT BUSHINGS PAGE PT6-29
-------------------------------------	---------------------------------	----------------------------	----------------------------



SPECIFICATION

QD Bushings - Stock Bore

QD Bush Size	Bore	P/N	WT.	Bushing Keyway	Shaft Keyway REF	Key Size REF
M (cont)	4-3/8"	119927	41.46			
	4-7/16"	119928	40.60	1 x 1/2	1 x 1/2	1 x 1
	4-1/2"	119929	40.27			
	4-11/16"	119930	37.12	1-1/4 x 5/8	1-1/4 x 5/8	1-1/4 x 1-1/4
	4-3/4"	119931	37.00			
	4-7/8"	119932	36.89			
	4-15/16"	119933	36.13			
	5"	119934	35.66			
	5-1/8"	119899	35.00	1-1/4 x 1/4	1-1/4 x 5/8	1-1/4 x 7/8 *
	5-3/16"	119894	35.00			
	5-1/4"	119935	30.00			
	5-7/16"	119936	30.00			
	5-1/2"	119937	29.00			
	N	2-7/16"	119940	87.57	5/8 x 5/16	5/8 x 5/16
2-15/16"		119941	83.00	3/4 x 3/8	3/4 x 3/8	3/4 x 3/4
3-7/16"		119942	80.00			
3-1/2"		119980	80.00	7/8 x 7/16	7/8 x 7/16	7/8 x 7/8
3-3/4"		119943	80.00			
3-7/8"		119944	80.00			
3-15/16"		119945	80.00			
4"		119946	80.00			
4-3/16"		119947	80.00	1 x 1/2	1 x 1/2	1 x 1
4-1/4"		119948	80.00			
4-3/8"		119982	79.00			
4-7/16"		119949	78.00			
4-1/2"		119950	77.00			
4-11/16"		119983	76.00			
4-3/4"		119951	75.00			
4-7/8"		119952	74.00	1-1/4 x 5/8	1-1/4 x 5/8	1-1/4 x 1-1/4
4-15/16"		119953	73.00			
5"		119954	72.00			
5-1/8"	119955	71.00				
5-3/16"	119986	70.50				
5-1/4"	119956	70.00	1-1/4 x 1/4	1-1/4 x 5/8	1-1/4 x 7/8 *	
5-7/16"	119957	52.19				
5-1/2"	119958	49.02				
5-3/4"	119959	49.00				
5-7/8"	119960	44.00	1-1/2 x 1/8	1-1/2 x 3/4	1-1/2 x 7/8 *	
5-15/16"	119961	43.00				
6"	119962	42.00				

QD Bush Size	Bore	P/N	WT.	Bushing Keyway	Shaft Keyway REF	Key Size REF
P	3-7/16"	119965	134.00	7/8 x 7/16	7/8 x 7/16	7/8 x 7/8
	3-15/16"	119966	122.00			
	4"	119987	122.00			
	4-7/16"	119967	122.40	1 x 1/2	1 x 1/2	1 x 1
	4-1/2"	119968	121.00			
	4-3/4"	119969	120.00			
	4-7/8"	119985	120.00			
	4-15/16"	119970	119.00			
	5"	119971	115.00	1-1/4 x 5/8	1-1/4 x 5/8	1-1/4 x 1-1/4
	5-3/16"	119984	114.00			
	5-7/16"	119972	113.00			
	5-1/2"	119973	100.00			
	5-15/16"	119974	94.00			
	6"	119975	93.70			
6-7/16"	119976	83.50	1-1/2 x 1/4	1-1/2 x 3/4	1-1/2 x 1 *	
6-1/2"	119977	80.50				
7"	119978	68.00	1-3/4 x 1/8	1-3/4 x 3/4	1-3/4 x 7/8 *	
W	4-1/4"	120180	260.00			
	4-7/16"	120181	256.60	1 x 1/2	1 x 1/2	1 x 1
	4-1/2"	120182	255.40			
	4-3/4"	120183	250.00			
	5"	120186	244.30	1-1/4 x 5/8	1-1/4 x 5/8	1-1/4 x 1-1/4
	5-3/8"	120188	235.30			
	5-1/2"	120189	232.20			
	5-3/4"	120190	225.70			
	5-7/8"	120191	222.30			
	5-15/16"	120192	220.00	1-1/2 x 3/4	1-1/2 x 3/4	1-1/2 x 1-1/2
	6"	120193	218.90			
	6-1/2"	120194	215.00			
	6-3/4"	120328	210.00			
	7"	120196	184.90	1-3/4 x 3/4	1-3/4 x 3/4	1-3/4 x 1-1/2
	7-1/4"	120197	184.40			
	7-1/2"	120198	175.80			
7-3/4"	120199	172.00				
8"	120200	159.70	2 x 1/4	2 x 3/4	2 x 1 *	

S ▼ Bushings size available please call Dodge for information

P/N's marked (+) are Integral Key Bushings
 Bore sizes marked (#) will be supplied with 1/2" wide keyway unless the 5/8" wide keyway is specified when ordering

* Key furnished for these sizes ONLY
 ** Key not furnished for MM bores sizes

T-L FEATURES/BENEFITS PAGE PT6-2	T-L SPECIFICATION PAGE PT6-3	QD BUSHINGS PAGE PT6-17	GT BUSHINGS PAGE PT6-29
-------------------------------------	---------------------------------	----------------------------	----------------------------



SPECIFICATION

QD Reborable

QD Bush Size	Sintered Steel		Cast Iron		Ductile Iron	
	Bore	P/N	Bore	P/N	Bore	P/N
QT (L)	3/8"	120595				
JA	1/2"	120050				
SH	1/2"	120051			1/2"	119876
SDS	1/2"	120052			1-7/16"	119877
SD	1/2"	120053			1-9/16"	119878
SK	1/2"	120054			2"	119879
SF	1/2"	120055			2-5/16"	119880
E			7/8"	120056	7/8"	119881
F			1"	120057	1"	119882
J			1-1/2"	120058	1-1/2"	119883
M			2"	119938	2"	119884
N			2-7/16"	119963	2-7/16"	119885
P			3-7/16"	119979	3-7/16"	119886
W			4"	120276		
S			5"	394059		

NOTE: All reborable bushings are stocked without sawsplit to facilitate re-machining. Sawsplit must be made in bushing to allow it to compress for proper gripping of the shaft. Factory rebores and keyseat service as listed in MLP price book includes sawsplit.

QD - Maximum Bore Capacities

QD Bush Size	Sintered Steel			Cast Iron			Ductile Iron			
	Full Key	Shallow Key	Metric	Full Key	Shallow Key	Metric	Full Key	Shallow Key	No Key*	Metric
QT (L)										
JA	1"	1-1/16"	25				1"	1-3/16"	1-1/4"	25
SH	1-1/4"	1-1/4"	30				1-3/8"	1-5/8"	1-11/16"	35
SDS	1-9/16"	1-5/8"	40				1-5/8"	1-15/16"	2"	42
SD	1-9/16"	1-9/16"	40				1-11/16"	1-15/16"	2"	42
SK	2"	2-1/16"	50				2-1/2"	2-1/2"	2-5/8"	55
SF	2-1/4"	2-3/8"	55				2-5/16"	2-15/16"	2-15/16"	65
E				2-3/4"	3"	70	2-7/8"	3-1/2"	3-1/2"	89
F				3-1/4"	3-7/16"	90	3-1/4"	3-15/16"	4"	101
J				3-3/4"	3-7/8"	100	3-3/4"	4-1/2"	4-1/2"	114
M				4-3/4"	5"	120	4-3/4"	5-1/2"	5-1/2"	139
N				5"	5-1/4"	130	5"	6"	6"	149
P				5-1/2"	7"	160	5-1/2"	7"	7"	177
W				6-1/2"	7"	165	6-1/2"	8-1/2"	8-1/2"	216
S				8-1/4"	8-1/4"	209	8-1/4"	10"	10"	250

NOTE: ISO STANDARD METHOD FOR MEASURING KEYSEAT DEPTH
MM Bore and Keyway dimensions conform to ISO standard recommendation R773, for "Free" fit

REFERENCE:

1 inch = 25.4 millimeters
1 millimeter = .03937 inches

* Verify torque capacity: Contact Application Engineering for assistance

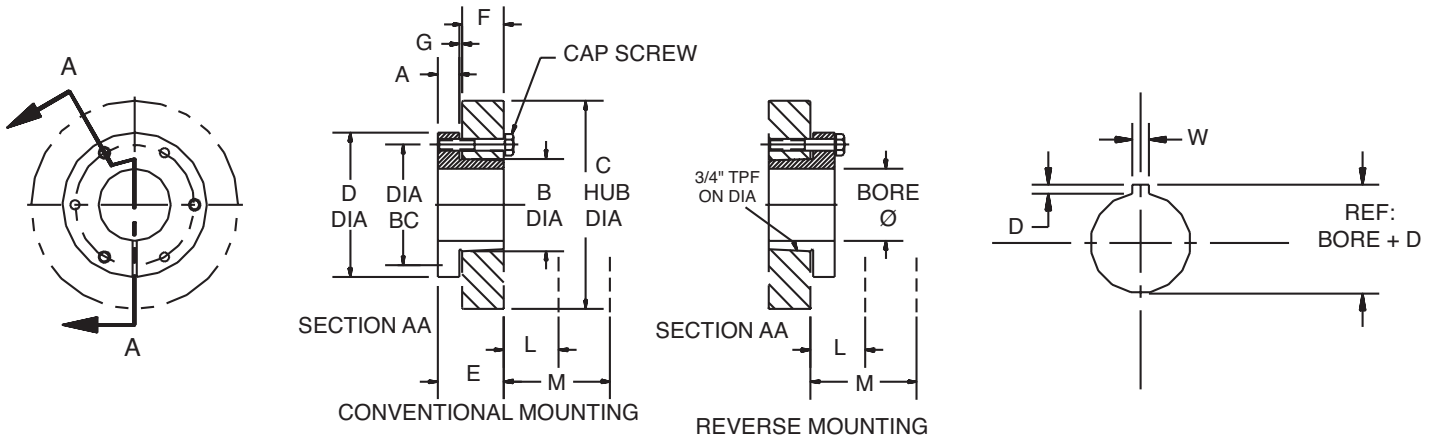
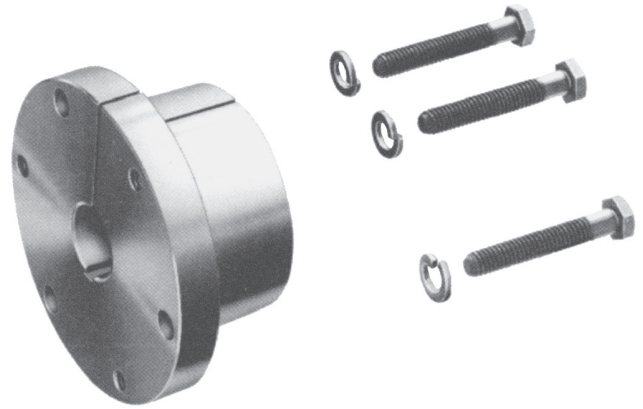


SPECIFICATION

QD Bushing - Metric Bore/Metric Hardware

FEATURES

- ◆ DODGE QD-style bushings stocked in popular finish bore sizes and minimum plain bore, for custom reboring
- ◆ DODGE Metric QD bushings supplied with metric hex-head cap screws and lock washers
- ◆ Stock reborable bushings available for custom reboring
- ◆ Reboring and sawsplit available from DODGE for nominal extra charge
NOTE: Rebore by others must be sawsplit after rebore
- ◆ Can be used with DODGE HTD sprockets for conventional mounting only (*English thread hardware required for demounting.*)



T-L FEATURES/BENEFITS PAGE PT6-2	T-L SPECIFICATION PAGE PT6-3	QD BUSHINGS PAGE PT6-17	GT BUSHINGS PAGE PT6-29
-------------------------------------	---------------------------------	----------------------------	----------------------------



SPECIFICATION

QD Bushing - Metric Bore/Metric Hardware

Stock Reborable Bushings & Specifications

Bush Sym	Ductile Iron			Dimensions (MM)							
	Part No.	Max Bore	Stock Bore	A MM	B MM	C Hub Dia		D MM	E MM	F MM	G MM
						Iron	Steel				
QT / (L)	119861	35	10.00	6.40	41.40	76.20	69.90	63.50	33.30	22.20	4.80
JA	119860	25	12.70	7.90	35.10	99.80	57.20	50.80	25.40	14.20	3.10
SH	119862	36	12.70	10.90	47.80	120.70	76.20	66.80	33.30	20.60	3.10
SDS	119863	42	36.51	10.90	55.40	120.70	88.90	80.80	33.30	19.10	3.10
SD	119864	42	39.69	10.90	55.40	96.80	88.90	80.80	46.00	31.80	3.10
SK	119865	55	50.80	14.20	71.40	120.70	114.30	98.60	49.00	31.80	5.60
SF	119866	60	58.74	16.00	79.50	162.10	139.70	117.60	52.30	31.80	5.60
E	119867	82	22.20	22.40	97.30	190.50	165.10	152.40	69.90	41.40	6.40
F	119868	92	25.40	25.40	115.50	196.90	184.20	168.40	95.30	63.50	8.60
J	119869	104	38.10	28.70	130.60	228.60	203.20	184.20	117.60	80.80	9.70
M	119870	130	50.80	31.80	165.10	289.10	254.00	228.60	171.50	131.60	10.40

Bushing			Bolt			
Type	Torque Capacity (Nm)	Center Dia (mm)	Qty	Length (mm)	Size	Bolt Torque (Nm)
QT / (L)	113	50.8	2	22	M6 x 1	9.6
JA	113	42.3	3	25	M5 x 0.8	5.6
SH	395	57.2	3	35	M6 x 1	11.5
SDS	565	68.3	3	35	M6 x 1	11.5
SD	565	68.3	3	50	M6 x 1	11.5
SK	781	84.1	3	50	M8 x 1.25	20.5
SF	1243	98.4	3	50	M10 x 1.5	34.0
E	2260	127.0	3	70	M12 x 1.75	77.0
F	3390	142.9	3	100	M14 x 2	100.0
J	5085	158.8	3	120	M16 x 2	194.5
M	9600	200.0	4	180	M20 x 2.5	256.0

QD Bushing - Metric Series

Metric QD Bushing - Metric Hardware

MM Bore	Bushing No.									MM Keyway	
	QT / (L)	JA	SH	SDS	SD	SK	SF	E	F	W	D
14	----	117377	----	----	----	----	----	----	----	5	2.30
19	----	117371	----	----	----	----	----	----	----	6	2.80
20	----	117372	117378	117385	----	----	----	----	----	6	2.80
24	----	117373	117379	117386	117531	117540	----	----	----	8	3.30
25	117356	117374*	117380	117387	117532	117541	117553	----	----	8	3.30
28	----	----	117381	117388	117533	117542	117554	----	----	8	3.30
30	117357	----	117382	117389	117534	117543	117555	----	----	8	3.30
32	117358*	----	117383*	117390	117535	117544	117556	----	----	10	3.30
35	----	----	117384*	117391	117536	117545	117557	----	----	10	3.30
38	----	----	----	117392	117537	117546	117558	----	----	10	3.30
40	----	----	----	117393	117538	117547	117559	117571*	117583*	12	3.30
42	----	----	----	117394*	117539*	117548	117560	----	117584*	12	3.30
45	----	----	----	----	----	117549	117561	----	----	14	3.80
48	----	----	----	----	----	117550	117562	----	----	14	3.80
50	----	----	----	----	----	117551	117563	117575*	117587*	14	3.80
55	----	----	----	----	----	117552*	117564	117576*	117588*	16	4.30
60	----	----	----	----	----	----	117565*	----	117589*	18	4.40

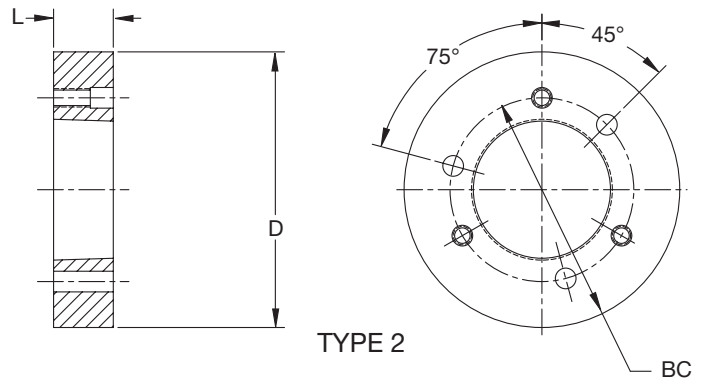
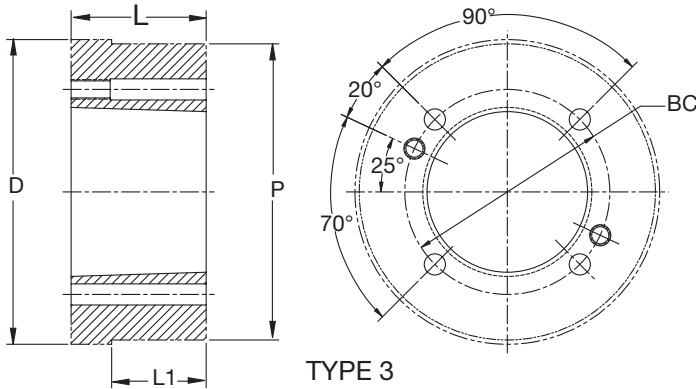
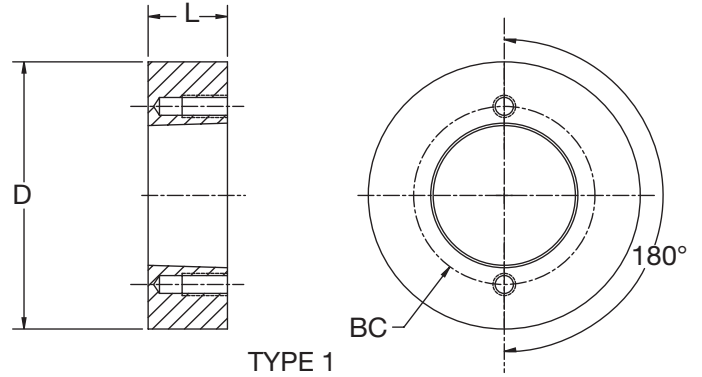
Part Numbers marked (*) are Ductile Iron



SPECIFICATION

QD Hubs

DODGE QD Weld-On hubs are useful for welding into fan rotors, pulleys, plate sprockets, impellers, agitators, etc. which require secure mounting to the shaft. These hubs are made of low carbon steel for good welding compatibility. The data tabulation shows the standard QD bushings that are used with these hubs.



Hub No.	Part No.	For Bush	Bore Range	Wt. Lbs.	Type	Dimensions					
						D*	L	BC	P	L1	Thread Size
QT-A	228465	QT	3/8 to 1-1/2"	0.6	1	2.375	0.88	2.00	2.50	0.17	1/4-20 NC x 3/4
JA-A	228466	JA	1/2 to 1-1/4"	0.4	2	2.250	0.56	1.66	10-24 NC x 1
SH-A	228467	SH	1/2 to 1-11/16"	1.0	2	3.000	0.81	2.25	1/4-20 NC x 1-3/8
SDS-A	228468	SDS	1/2 to 2"	1.3	2	3.500	0.75	2.6	1/4-20 NC x 1-3/8
SK-A	228469	SK	1/2 to 2-5/8"	3.0	2	4.375	1.25	3.31	5/16-18 NC x 2
SF-A	228470	SF	1/2 to 2-15/16"	4.0	2	5.000	1.25	3.88	3/8-16 NC x 2
E-A	228471	E	7/8 to 3-1/2"	9.0	2	6.250	1.63	5.00	1/2-13 NC x 2-3/4
F-A	228472	F	1 to 4"	16.0	2	7.000	2.50	5.63	9/16-12 NC x 3-5/8
J-A	228473	J	1-1/2 to 4-1/2"	22.5	2	7.750	3.19	6.25	5/8-11 NC x 4-1/2
M-A	228474	M	2 to 5-1/2"	50.0	3	9.250	5.19	7.88	9.50	3.56	3/4-10 NC x 6-3/4
N-A	228475	N	2-7/16 to 5-7/8"	75.0	3	10.250	6.25	8.50	10.50	4.50	7/8-9 NC x 8
P-A	228476	P	2-15/16 to 7"	155.0	2	13.000	7.25	10.00	1-8 NC x 9-1/2
W-A	228477	W	4 to 8-1/2"	300.0	2	15.500	9.00	12.75	1-1/16-7 NC x 11/12

Mounting: Type 1: Reverse only
 Type 2: Conventional or Reverse
 Type 3: Conventional Only

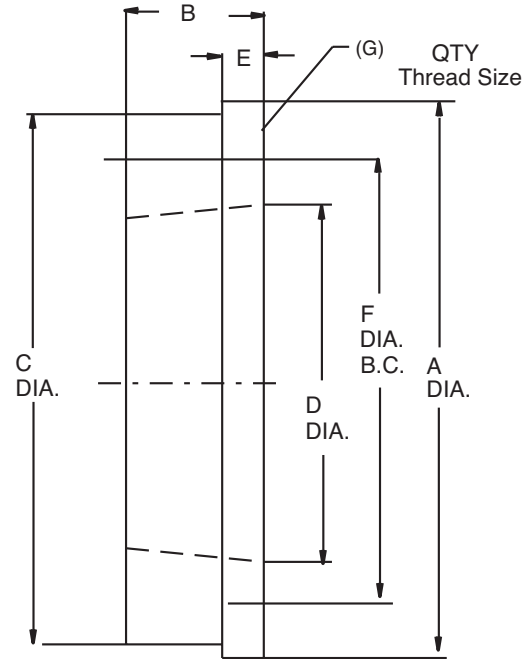
*Tolerance: QT-A Thru J-A = (+0.000"/-0.002")
 M-A Thru W-A = (+0.000"/-0.003")

T-L FEATURES/BENEFITS PAGE PT6-2	T-L SPECIFICATION PAGE PT6-3	QD BUSHINGS PAGE PT6-17	GT BUSHINGS PAGE PT6-29
-------------------------------------	---------------------------------	----------------------------	----------------------------



SPECIFICATION

QD Weld-On Hubs For Conveyor Pulleys



DODGE QD Weld-On Hubs for conveyor pulleys are specifically designed for use in the end disc of a conveyor pulley. Their short length through bore provides more

forgiveness under the operating stresses of the pulley. These hubs are manufactured from low Carbon steel for good welding compatibility

QD Weld-On Hubs For Conveyor Pulleys

Hub No.	Part No.	For Bush.	Bore Range	Wt. Lbs.	Dimensions						Installation Screws	
					A	B	C #	D (ref)	E	F	Qty	Thread Size
SF	228110	SF	1/2 to 2-15/16"	3.9	5.00	1.00	4.750	3.13	0.44	3.88	3	3/8-16 NC x 2
E	228111	E	7/8 to 3-1/2"	6.6	6.25	1.13	6.000	3.52	0.50	5.00	3	1/2-13 NC x 2-1/4
F	228112	F	1 to 4"	9.3	7.00	1.25	6.750	4.44	0.56	5.63	3	9/16-12 NC x 3-5/8
JS	228113	J	1-1/2 to 4-1/2"	17	8.25	1.63	8.000	5.14	0.63	6.25	3	5/8-11 NC x 2-1/2
MS	228114	M	2 to 5-1/2"	22	9.50	2.38	9.250	6.50	0.75	7.88	4	3/4-10 NC-10 x 3
NS	228115	N	2-7/16 to 5-7/8"	29	10.25	2.38	10.000	7.00	0.81	8.50	4	7/8-9 NC x 3-1/2
PS	228116	P	2-15/16 to 7"	75	12.25	2.88	12.000	8.25	0.88	10.00	4	1-8 NC x 4-1/2
WS	228117	W	4 to 8-1/2"	85	15.25	3.33	14.875	10.42	0.94	12.75	4	1-1/8-7 NC x 5
SS	228118	S	5-1/2 to 10"	139	17.50	3.88	17.000	12.13	1.13	15.00	5	1-1/4-7 NC x 5
ZS	228119	Z	7 to 12"	236	22.00	4.88	21.500	15.98	1.25	19.00	5	1-1/8-7 NC x 5

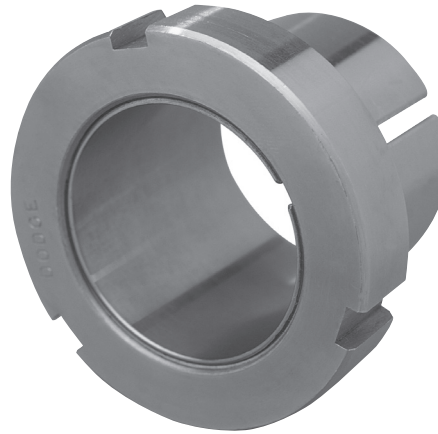
+.000/- .010" Tolerance



FEATURES/BENEFITS

GRIP-TIGHT Bushings

GRIP-TIGHT is a revolutionary bushing system that will decrease maintenance costs and increase productivity and uptime. The 360° contact provides a secure fit onto the shaft, reduces vibration, eliminates shaft damage and makes the use of keys obsolete.



PT Component
Quick References

Couplings

Clutches and Brakes

FLEXIDYNE

Fluid Couplings

TORQUE-TAMER

Bushings

Features and Benefits:

- Concentric contact on shaft for better grip
- Less vibration
- Superior balanced system
- No keyways required
- No fretting corrosion
- Can be used with commercial shafting
- Reduction in material cost
- Easy on, reliable mounting
- Same bushing concept used in bearings, fan hubs, and sheaves

Possible Application:

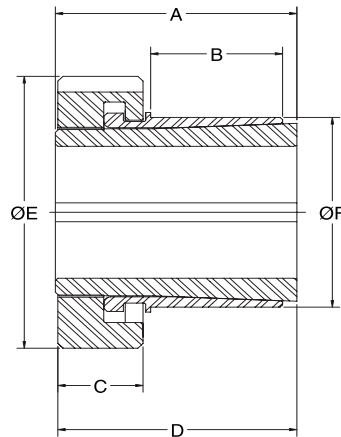
- Fan hub
- Sheaves and sprockets
- Couplings

NOTE: Installation and maintenance instructions for Dodge products are available on www.dodge-pt.com



SPECIFICATION

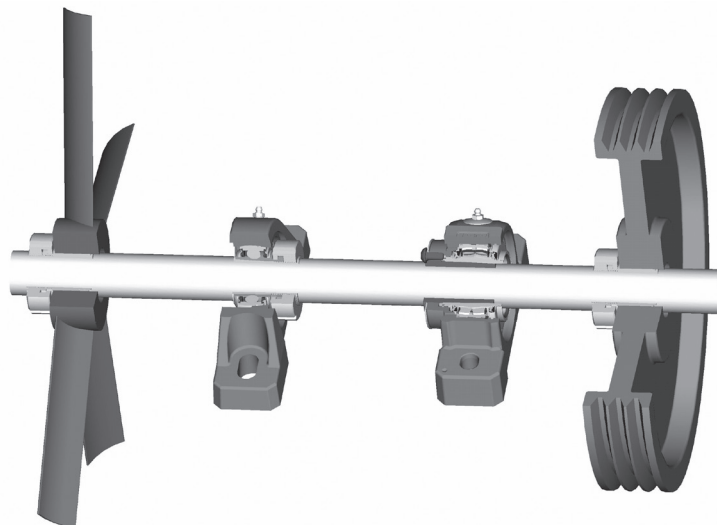
GRIP-TIGHT Bushings - Dimensions



Shaft Size*	Series	Part Number	A	B	C	D	E	F +.002/-0.000	Recommended Housing Bore Tolerance	Locknut Rotation From Zero
1	205	111940	1.46	0.80	0.52	1.43	1.80	1.256	+0.0040" - 0	2/3 Turn
1-3/16	206	111941	1.61	0.94	0.53	1.58	2.00	1.445	+0.0040" - 0	2/3 Turn
1-7/16	207	111942	1.62	0.98	0.53	1.59	2.30	1.693	+0.0040" - 0	2/3 Turn
1-1/2	208	111943	1.84	1.12	0.53	1.81	2.50	1.932	+0.0040" - 0	2/3 Turn
1-11/16	209	111944	1.85	1.15	0.53	1.82	2.67	2.080	+0.0047" - 0	2/3 Turn
1-15/16	210	111945	1.86	1.16	0.53	1.83	2.94	2.312	+0.0047" - 0	1 Turn
2-3/16	211	111946	1.93	1.23	0.53	1.90	3.25	2.564	+0.0047" - 0	1 Turn
2-7/16	212	111947	2.12	1.33	0.60	2.09	3.50	2.782	+0.0047" - 0	1 Turn
2-11/16	214	111948	2.39	1.59	0.62	2.36	3.81	3.083	+0.0047" - 0	1 Turn
2-15/16	215	111949	2.56	1.66	0.75	2.53	4.25	3.410	+0.0055" - 0	1 Turn
3-7/16	218	111950	2.77	1.83	0.75	2.94	4.50	3.962	+0.0055" - 0	1 Turn

* Other shaft sizes available upon request

NOTE: Installation and maintenance instructions for Dodge products available at www.dodge-pt.com

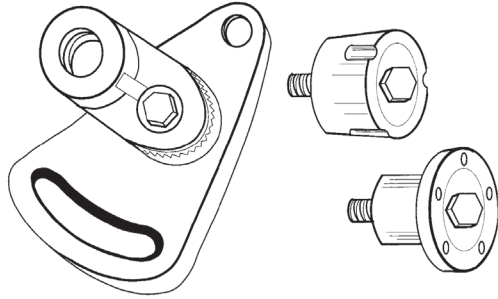


T-L FEATURES/BENEFITS PAGE PT6-2	T-L SPECIFICATION PAGE PT6-3	QD BUSHINGS PAGE PT6-17	GT BUSHINGS PAGE PT6-29
-------------------------------------	---------------------------------	----------------------------	----------------------------



SPECIFICATION

Idler Brackets and Bushings

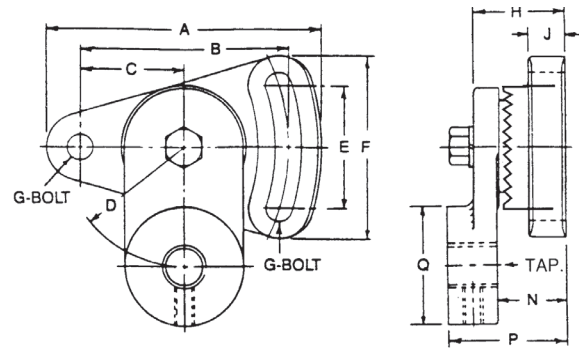


- Double Adjustable Bracket for Maximum Flexibility
 - Positive Ratchet Locking Between Base and Arm
 - Idler Bushings in TAPER-LOCK[®] and QD^{*} Style
 - Use with Stock Products, such as: Sheaves, Roller Chain Sprockets, HTD Sprockets · Compatible with Products Machined for: TAPER-LOCK 1610, 2012 and 2517 Bushings; QD SK, SF and E Bushings
- * QD is a registered trademark of Emerson Electric.

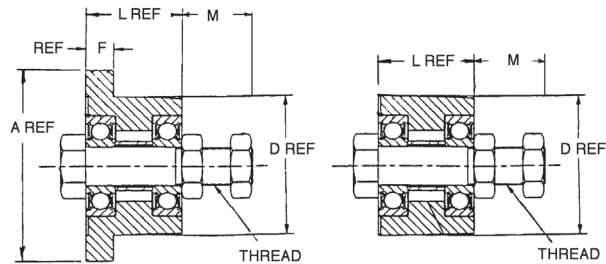
Bracket Specs

		Model No.		
		5	10	20
Part Number		115982	115986	115987
WT.		3.40	3.40	13.50
DIM.	A	4.62	4.63	6.94
	B	3.50	3.50	5.25
	C	1.75	1.75	2.62
	D	2.00	2.00	5.00
DIM.	E	2.06	2.06	3.00
	F	3.06	3.06	4.56
	G	3/8	3/8	5/8
	H	1.63	1.63	2.38
DIM.	J	0.62	0.62	0.88
	N	1.16	1.16	1.63
	P	2.01	2.01	2.94
	Q	2.00	2.00	3.00
	THD	5/8-18	3/4-16	1-14

IDLER BRACKETS



IDLER BUSHINGS



Bushing Specs

Taper-Lock		1610-IDL	2012-IDL	2517-IDL
Part Number		115985	115983	115984
For Brkt No.		5	10	10
DIM.	D	2.25	2.75	3.38
	L	1.00	1.25	1.75
	M	1.38	1.56	1.56
	THD	5/8-18	3/4-16	3/4-16
	WT.	1.0	1.6	3.0
Bearings		6003	6204	6304

QD		SH-IDL	SD-IDL	SK-IDL	SK-IDL - Large	SF-IDL	E-IDL	E-IDL - Large
Part Number		115978	115979	115988	115980	115989	115990	424063
For Brkt No.		-	-	10	-	20	20	-
DIM.	A	2.63	3.18	3.88	3.88	4.63	6.00	6.00
	D	1.88	2.18	2.81	2.81	3.13	3.83	3.83
	F	0.43	0.43	0.56	0.56	0.63	0.88	0.88
	L	1.31	1.81	1.94	1.94	2.08	2.75	2.75
	M	1.69	1.69	1.44	1.44	2.13	2.19	2.19
	Thd.	3/4-10	3/4-10	3/4-16	1-8	1-14	1-14	1-1/4 - 12
	Wt.	2.10	2.50	2.80	2.80	5.00	8.60	12.50
Bearings		6004	6204	6304	6206	6206	6306	6307

T-L FEATURES/BENEFITS PAGE PT6-2	T-L SPECIFICATION PAGE PT6-3	QD BUSHINGS PAGE PT6-17	GT BUSHINGS PAGE PT6-29
-------------------------------------	---------------------------------	----------------------------	----------------------------

CONTENTS



V-Drives

Sheaves

Features/Benefits	PT7-2
Selection/Dimensions, TAPER-LOCK	
Wedge (3V-5V-8V)	PT7-4
Classical (A-B-C)	PT7-11
Selection/Dimensions, QD Heavy Duty	
Wedge (3V-5V-8V)	PT7-16
Classical (A-B-C)	PT7-22
Selection/Dimensions, QD Standard Duty	
Wedge (3V-5V-8V)	PT7-29
Classical (A-B-C)	PT7-36
Selection/How To Order Custom Sheaves	PT7-44

V-Belts

Features/Benefits	PT7-45
Selection:	
D-V Wedge	PT7-46
Polyband Wedge	PT7-47
S-L Classic	PT7-50
Polyband S-L Classic	PT7-52
Classic Cog	PT7-56
Double-V	PT7-57
FLEXLINK	PT7-58
FHP Fractional Horsepower	PT7-59

Selection

D-V Wedge

Selection Procedure	PT7-60
Stock Selection Tables	PT7-64
Basic Horsepower Rating	PT7-96

S-L Classic Drives

Selection Procedure	PT7-102
Stock Selection Tables	PT7-106
Basic Horsepower Rating	PT7-135

Related Products

Idler Brackets & Busings	PT7-140
Groove Belt Gages	PT7-141

Software

VIA-VISA	PT7-141
----------------	---------

Engineering/Technical

Installation and Maintenance	PT7-143
------------------------------------	---------

Part Number Index	INDEX-1
-------------------------	---------

Keyword Index	INDEX-67
---------------------	----------

V-Drives

FHP Drives

Drive Component
Accessories

DYNA-SYNC

HT200/HTD
Synchronous Drives

HTR
Synchronous Drives

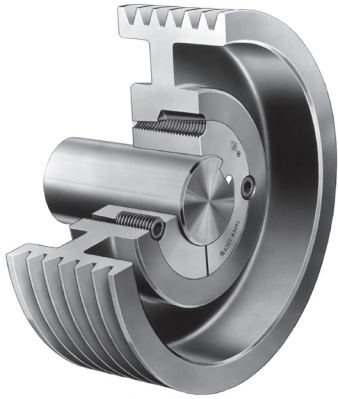
HTRC
Synchronous Drives



FEATURES/BENEFITS

TAPER-LOCK and QD Sheaves

TAPER-LOCK Sheaves



QD Sheaves

Great for Harsh duty applications, such as Rock Crushers and Wood Chippers.

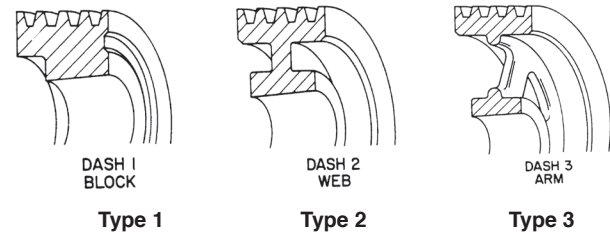
Dodge Taper-Lock Sheave Line offers:

- A premium solution
- A Bushing system that pound for pound carries more torque, than the QD system.
- A Bushing system that reduces overhung load increasing the life of the other power transmission products in the system.
- An easy on and easy off bushing system with fewer components to install.
- Quality materials
- Manufacturing to Industry recognized tolerances

Great for Standard and Harsh duty applications, suitable for all applications.

Sheaves are manufactured in DODGE plants under strict quality control assurances. Precision machining meets or exceeds joint RMA/MPTA industry standards for smooth operation plus extended belt life. DODGE manufactures all sheaves in plants certified to ISO 9002 Quality Standards.

Sheave Construction



DODGE stock sheaves are manufactured from high quality gray iron. They are given a corrosion-resistant finish before packaging and shipping. Sheave construction follows the general format illustrated above: smaller sheaves are of the block construction, intermediate sizes of the web type, and large sheaves of the arm- type construction.

DODGE Branded Sheaves come in two bushing styles, QD and Taper-Lock®. In addition to these bushing choices, DODGE now offers choices within our QD Sheaves line. Our QD Sheave line comes in a Standard Duty (SD) and a Heavy Duty (HD) offering.

Dodge QD SD Sheave Line offers:

- Economical Solution for everyday V-Belt power transmission applications
- Quality materials
- Manufacturing to Industry recognized tolerances
- Power transmission applications standard sheave loads and torque

Great for standard applications, such as air handling and fluid pumping.

Dodge QD HD Sheave Line offers:

- High strength solution for higher torque and heavy load applications
- Rigid Hubs and High strength arms
- Quality materials
- Manufacturing to Industry recognized tolerances

V-Drives

FHP Drives

Drive Component Accessories

DYNA-SYNC

HT200/HTD Synchronous Drives

HTR Synchronous Drives

HTRC Synchronous Drives



FEATURES/BENEFITS

TAPER-LOCK and QD Sheaves

Sheave Balance

Static balance of stock sheaves is suitable for most applications up to a rim speed of 6500 FPM. Dynamic (two-plane) balance is available at extra charge for applications that are more sensitive to vibration. Dynamic balance is recommended for operation above 6500 FPM.

V-Drive Advantages

- Isolates shock loads and vibration.
- Misalignment capability.
- Drive ratios of 6:1 or more possible.
- Stock drive selections up to:
 - 1100 design HP at 1180 RPM
 - 800 design HP at 1770 RPM
- Low maintenance.
- No lubrication required.
- Quiet operation: Motors, etc. are normally at a higher db level than V-Drives.
- Efficiency of 93% is typical.

Computer Selection

For fast, accurate evaluation of viable V-Drive alternatives, use the DODGE VIA-VISA software program which is available on the website www.dodge-pt.com. Just type the required information on the user-friendly input screen and let the software do the rest. All the significant data on the drive combinations is presented: Cost, RPM, shaft loading, installation tension, face width and diameter, etc. This is shown in a format that allows you to select the best drive for the application. See page PT7-123 for complete information on VIA-VISA.

WARNING

Stock sheaves are manufactured from gray iron, which is suitable for operation up to 6500 feet per minute rim speed (e.g. 14, max. dia. on a 1750 RPM motor). Operation above this rim speed may cause sheave failure resulting in personnel and/or equipment damage. Refer to the Made-To-Order sheave section for constructions that are suitable for operation at higher rim speeds.

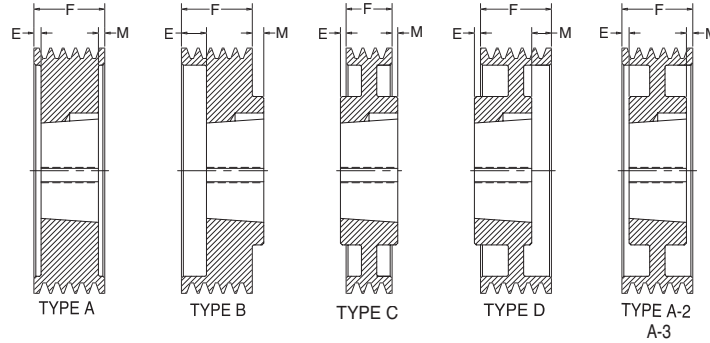
ARAMIDE CORD BELTS WARNING:

Because of the high horsepower rating of Aramide (Kevlar) cord belts, stock sheaves can not be used. Contact DODGE for made to order high capacity sheaves at 864-234-5700.



SELECTION/DIMENSIONS

3V TAPER-LOCK SHEAVES



1-Groove							F = **
O.D.Δ	Part No.	Description	Wt.	Type‡	E	M	
2.65	112124	1/3V2.65-1108	.75	A1	.06	0	
2.8	112125	1/3V2.8-1108	.85	A1	.06	0	
3.0	112126	1/3V3.0-1108	1.0	A1	.06	0	
3.15	112127	1/3V3.15-1108	1.0	A1	.06	0	
3.35	112175	1/3V3.35-1610	1.1	A1	.11	.05	
3.65	112176	1/3V3.65-1610	1.3	A1	.11	.05	
4.12	112177	1/3V4.12-1610	2.0	A1	.11	.05	
4.5	112178	1/3V4.5-1610	2.3	A1	.11	.05	
4.75	112179	1/3V4.75-1610	2.6	A1	.11	.05	
5.0	112180	1/3V5.0-1610	2.9	A1	.11	.05	
5.3	112181	1/3V5.3-1610	3.3	A1	.11	.05	
5.6	112182	1/3V5.6-1610	3.7	A1	.11	.05	
6.0	112183	1/3V6.0-1610	4.2	B1	0	.31	
6.5	112184	1/3V6.5-1610	5.0	B1	0	.31	
6.9	112185	1/3V6.9-1610	5.6	B1	0	.31	
8.0	112008	1/3V8.0-2517	8.5	B1	0	1.06	
10.6	112009	1/3V10.6-2517	14.0	B1	0	1.06	
14.0	112010	1/3V14.0-2517	20.0	C3	0	.94	
19.0	112011	1/3V19.0-3020	20.0	C3	0	.91	

2-Groove							F = 1.09
O.D.Δ	Part No.	Description	Wt.	Type‡	E	M	
2.65	112128	2/3V2.65-1108	0.75	A1	.06	.13	
2.8	112129	2/3V2.8-1108	0.90	A1	.06	.13	
3.0	112186	2/3V3.0-1210	1.4	A1	.11	.05	
3.15	112187	2/3V3.15-1210	1.0	A1	.11	.05	
3.35	112188	2/3V3.35-1610	1.5	A1	.11	.05	
3.65	112189	2/3V3.65-1610	1.6	A1	.11	.05	
4.12	112190	2/3V4.12-1610	2.1	A1	.11	.05	
4.5	112191	2/3V4.5-1610	2.7	A1	.11	.05	
4.75	112192	2/3V4.75-1610	3.1	A1	.11	.05	
5.0	112193	2/3V5.0-1610	3.6	A1	.11	.05	
5.3	112194	2/3V5.3-1610	4.2	A1	0	.05	
5.6	112195	2/3V5.6-1610	4.8	A1	0	.05	
6.0	112196	2/3V6.0-1610	5.8	A1	.09	0	
6.5	112197	2/3V6.5-1610	7.0	A1	.09	0	
6.9	112198	2/3V6.9-1610	8.0	A1	0	.09	
8.0	112023	2/3V8.0-2517	11.0	B1	0	.66	
10.6	112024	2/3V10.6-2517	15.0	B1	0	.66	
14.0	112025	2/3V14.0-2517	22.0	C3	0	.66	
19.0	112026	2/3V19.0-3020	22.0	C3	0	.91	
25.0	112027	2/3V25.0-3020	30.0	C3	.125	.78	

** 2.65-3.15=0.94, 3.35-5.6=1.06, 6.0-10.6=0.69, 14.0=0.81, 19.0=1.09

3-Groove							F = 1.50
O.D.Δ	Part No.	Description	Wt.	Type‡	E	M	
2.65	112130	3/3V2.65-1108	1.0	A1	.06	.56	
2.8	112131	3/3V2.8-1108	1.1	A1	.06	.56	
3.0	112199	3/3V3.0-1210	1.8	A1	.11	.40	
3.15	112200	3/3V3.15-1210	1.5	A1	.11	.40	
3.35	112201	3/3V3.35-1610	1.8	A1	.11	.40	
3.65	112202	3/3V3.65-1610	2.0	A1	.11	.40	
4.12	112203	3/3V4.12-1610	2.6	A1	0	.50	
4.5	112204	3/3V4.5-1610	3.2	A1	0	.50	
4.75	112205	3/3V4.75-1610	3.7	A1	0	.50	
5.0	112206	3/3V5.0-1610	4.2	A1	0	.50	
5.3	112207	3/3V5.3-1610	4.8	A1	0	.50	
5.6	112208	3/3V5.6-1610	5.5	A1	0	.50	
6.0	112038	3/3V6.0-2517	7.4	B1	0	.25	
6.5	112144	3/3V6.5-2517	9.1	B1	0	.25	
6.9	112145	3/3V6.9-2517	10.0	B1	0	.25	
8.0	112039	3/3V8.0-2517	15.0	B1	0	.25	
10.6	112040	3/3V10.6-2517	18.0	C2	0	.25	
14.0	112041	3/3V14.0-2517	25.0	C3	0	.25	
19.0	112042	3/3V19.0-3020	34.0	C3	0	.50	
25.0	112043	3/3V25.0-3020	36.0	C3	0	.50	
33.5	112044	3/3V33.5-3020	53.0	C3	.25	.25	

4-Groove							F = 1.90
O.D.Δ	Part No.	Description	Wt.	Type‡	E	M	
2.65	112132	4/3V2.65-1108	1.2	A1	.06	.97	
2.8	112133	4/3V2.8-1108	1.3	A1	.06	.97	
3.0	112209	4/3V3.0-1210	2.1	A1	.11	.80	
3.15	112210	4/3V3.15-1210	1.9	A1	.11	.80	
3.35	112211	4/3V3.35-1610	2.2	A1	.11	.80	
3.65	112212	4/3V3.65-1610	2.0	A1	.11	.80	
4.12	112213	4/3V4.12-1610	3.0	A1	0	.91	
4.5	112214	4/3V4.5-1610	3.7	A1	0	.91	
4.75	112215	4/3V4.75-1610	4.2	A1	0	.91	
5.0	112216	4/3V5.0-1610	4.8	A1	0	.91	
5.3	112217	4/3V5.3-1610	5.5	A1	0	.91	
5.6	112218	4/3V5.6-1610	6.2	A1	0	.91	
6.0	112053	4/3V6.0-2517	8.0	A1	0	.16	
6.5	112150	4/3V6.5-2517	10.0	A1	0	.16	
6.9	112151	4/3V6.9-2517	12.0	A1	0	.16	
8.0	112054	4/3V8.0-2517	18.0	A1	0	.16	
10.6	112055	4/3V10.6-2517	20.0	A2	0	.16	
14.0	112056	4/3V14.0-2517	29.0	A3	0	.16	
19.0	112275	4/3V19.0-3020	45.0	C3	0	.09	
25.0	112276	4/3V25.0-3020	42.0	D3	.19	.09	
33.5	112059	4/3V33.5-3030	73.0	C3	.55	.55	

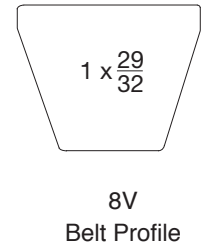
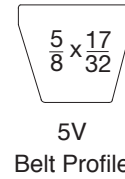
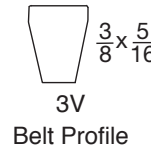
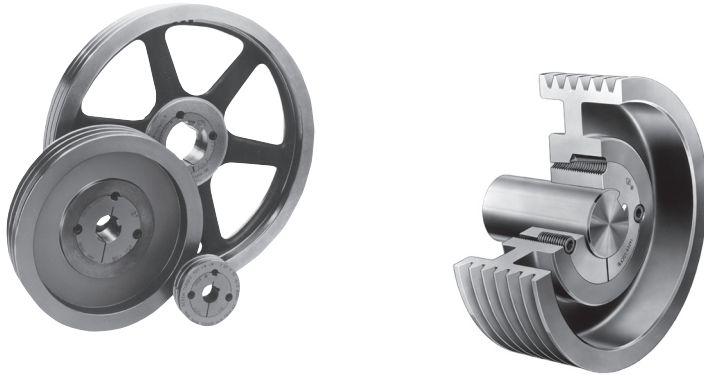
Δ Pitch diameter = O.D. - .05"

‡ Type 1 = Block Type, 2 = Web, 3 = Arm - See page PT7-2.

SELECTION/DIMENSIONS



3V TAPER-LOCK SHEAVES



5-Groove							F = 2.31	
O.D.Δ	Part No.	Description	Wt.	Type‡	E	M		
4.5	112102	5/3V4.5-1615	4.0	A1	0	.81		
4.75	112103	5/3V4.75-2517	3.9	A1	.56	0		
5.0	112061	5/3V5.0-2517	5.4	A1	.56	0		
5.30	112062	5/3V5.3-2517	6.7	A1	.56	0		
5.6	112063	5/3V5.6-2517	7.6	A1	.56	0		
6.0	112064	5/3V6.0-2517	11.0	A1	.56	0		
6.5	112152	5/3V6.5-2517	11.0	A1	0	.56		
6.9	112153	5/3V6.9-2517	14.0	A1	0	.56		
8.0	112065	5/3V8.0-2517	20.0	A1	0	.56		
10.6	112066	5/3V10.6-2517	27.0	A1	0	.56		
14.0	112067	5/3V14.0-2517	29.0	A3	0	.56		
19.0	112277	5/3V19.0-3020	51.0	A3	0	.31		
25.0	112069	5/3V25.0-3030	58.0	C3	0	.69		
33.5	112070	5/3V33.5-3030	82.0	C3	.34	.34		

6-Groove							F = 2.71	
O.D.Δ	Part No.	Description	Wt.	Type‡	E	M		
4.75	112071	6/3V4.75-2517	4.4	A1	.97	0		
5.0	112072	6/3V5.0-2517	5.4	A1	.97	0		
5.3	112073	6/3V5.3-2517	6.5	A1	.97	0		
5.6	112074	6/3V5.6-2517	7.7	A1	.97	0		
6.0	112075	6/3V6.0-2517	9.5	A1	0	.97		
6.5	112154	6/3V6.5-2517	12.0	A1	0	.97		
6.9	112155	6/3V6.9-2517	13.0	A1	0	.97		
8.0	112076	6/3V8.0-2517	20.0	A1	0	.97		
10.6	112077	6/3V10.6-2517	29.0	A2	0	.97		
14.0	112078	6/3V14.0-2517	41.0	A3	.22	.75		
19.0	112278	6/3V19.0-3020	51.0	A3	0	.72		
25.0	112080	6/3V25.0-3030	72.0	C3	0	.28		
33.5	112081	6/3V33.5-3030	92.0	C3	.14	.14		

8-Groove							F = 3.53	
O.D.Δ	Part No.	Description	Wt.	Type‡	E	M		
4.75	112082	8/3V4.75-2517	5.8	A1	1.78	0		
5.0	112083	8/3V5.0-2517	6.4	A1	1.78	0		
5.3	112084	8/3V5.3-2517	7.8	A1	1.03	.75		
5.6	112085	8/3V5.6-2517	9.2	A1	.25	1.53		
6.0	112086	8/3V6.0-2517	11.0	A1	.25	1.53		
6.5	112156	8/3V6.5-2517	14.0	A1	.25	1.53		
6.9	112157	8/3V6.9-2517	16.0	A1	.25	1.53		
8.0	112087	8/3V8.0-3020	22.0	A1	.50	1.03		
10.6	112088	8/3V10.6-3020	28.0	A2	.50	1.03		
14.0	112279	8/3V14.0-3020	52.0	A3	.65	.87		
19.0	112090	8/3V19.0-3535	67.0	A3	0	.03		
25.0	112091	8/3V25.0-3535	75.0	A3	0	.03		
33.5	112092	8/3V33.5-4040	111.0	C3	.23	.23		

10-Groove							F = 4.34	
O.D.Δ	Part No.	Description	Wt.	Type‡	E	M		
4.75	112093	10/3V4.75-2517	7.1	A1	2.59	0		
5.0	112094	10/3V5.0-2517	8.2	A1	2.59	0		
5.3	112158	10/3V5.3-2517	9.3	A1	1.84	.75		
5.6	112159	10/3V5.6-2517	10.0	A1	.50	2.09		
6.0	112095	10/3V6.0-2517	13.0	A1	.50	2.09		
6.5	112160	10/3V6.5-2517	15.0	A1	.50	2.09		
6.9	112161	10/3V6.9-2517	18.0	A1	.81	1.78		
8.0	112096	10/3V8.0-3020	25.0	A1	.25	2.09		
10.6	112097	10/3V10.6-3020	39.0	A1	.84	1.50		
14.0	112098	10/3V14.0-3535	57.0	A3	0	.84		
19.0	112099	10/3V19.0-3535	81.0	A3	0	.84		
25.0	112100	10/3V25.0-4040	88.0	A3	0	.34		
33.5	112101	10/3V33.5-4040	128.0	A3	.17	.17		

Δ Pitch diameter = O.D. - .05"

‡ Type 1 = Block Type, 2 = Web, 3 = Arm - See page PT7-2.



SELECTION/DIMENSIONS

5V TAPER-LOCK SHEAVES

2-Groove		F = 1.68				
O.D.Δ	Part No.	Description	Wt.	Type‡	E	M
4.4++	111200	2/5V4.4-1610	3.0	A1	.06	.62
4.65++	111201	2/5V4.65-1610	3.0	A1	.06	.62
4.9++	111202	2/5V4.9-1610	4.0	A1	.06	.62
5.2++	111203	2/5V5.2-1610	4.0	A1	.06	.62
5.5++	111255	2/5V5.5-1610	5.0	A1	.06	.62
5.9++	111204	2/5V5.9-1610	6.0	A1	.06	.62
6.3++	111205	2/5V6.3-1610	7.0	A1	0	.68
6.7++	111206	2/5V6.7-1610	9.0	A1	0	.68
7.1	111132	2/5V7.1-2517	10.0	B1	0	.06
7.5	111133	2/5V7.5-2517	12.0	B1	0	.06
8.0	111134	2/5V8.0-2517	14.0	B1	0	.06
8.5	111135	2/5V8.5-2517	13.0	C2	0	.06
9.0	111136	2/5V9.0-2517	16.0	C2	0	.06
9.25	111137	2/5V9.25-3020	17.0	B1	0	.31
9.75	111138	2/5V9.75-3020	19.0	B1	0	.31
10.3	111139	2/5V10.3-3020	22.0	C2	0	.31
10.9	111140	2/5V10.9-3020	24.0	C2	0	.31
11.3	111207	2/5V11.3-3020	25.0	C2	0	.31
11.8	111141	2/5V11.8-3020	26.0	C2	0	.31
12.5	111142	2/5V12.5-3020	28.0	C2	0	.31
13.2	111143	2/5V13.2-3020	21.0	C3	0	.31
14.0	111144	2/5V14.0-3020	23.0	C3	0	.31
15.0	111145	2/5V15.0-3020	26.0	C3	0	.31
16.0	111146	2/5V16.0-3020	28.0	C3	0	.31
18.7	111208	2/5V18.7-3020	40.0	C3	0	.31
21.2	111147	2/5V21.2-3535	45.0	C3	.37	1.44
23.6	111209	2/5V23.6-3535	56.0	C3	.25	1.56
28.0	111148	2/5V28.0-3535	68.0	C3	.37	1.43

3-Groove		F = 2.37				
O.D.Δ	Part No.	Description	Wt.	Type‡	E	M
4.4++	111210	3/5V4.4-1610	4.0	A1	1.38	0
4.65++	111211	3/5V4.65-1610	5.0	A1	.06	1.31
4.9++	111212	3/5V4.9-1610	5.0	A1	.06	1.31
5.2++	111213	3/5V5.2-1610	6.0	A1	.06	1.31
5.5++	111256	3/5V5.5-1610	6.0	A1	.06	1.31
5.9++	111214	3/5V5.9-2517	7.0	A1	0	.62
6.3++	111215	3/5V6.3-2517	9.0	A1	0	.62
6.7++	111216	3/5V6.7-2517	10.0	A1	0	.62
7.1	111001	3/5V7.1-2517	13.0	A1	0	.62
7.5	111002	3/5V7.5-2517	15.0	A1	0	.62
8.0	111003	3/5V8.0-2517	18.0	A1	0	.62
8.5	111004	3/5V8.5-2517	20.0	A1	0	.62
9.0	111005	3/5V9.0-2517	20.0	A1	0	.62
9.25	111099	3/5V9.25-3020	21.0	A1	0	.37
9.75	111100	3/5V9.75-3020	24.0	A2	0	.37
10.3	111101	3/5V10.3-3020	25.0	A2	0	.37
10.9	111102	3/5V10.9-3020	27.0	A2	0	.37
11.3	111217	3/5V11.3-3020	28.0	A2	0	.37
11.8	111006	3/5V11.8-3020	29.0	A2	0	.37
12.5	111103	3/5V12.5-3020	32.0	A2	0	.37
13.2	111007	3/5V13.2-3020	34.0	A3	0	.37
14.0	111008	3/5V14.0-3020	36.0	A3	0	.37
15.0	111009	3/5V15.0-3020	36.0	A3	0	.37
16.0	111010	3/5V16.0-3020	38.0	A3	0	.37
18.7	111218	3/5V18.7-3020	52.0	A3	0	.37
21.2	111011	3/5V21.2-3535	60.0	C3	0	1.12
23.6	111219	3/5V23.6-3535	68.0	C3	0	1.12
28.0	111012	3/5V28.0-3535	83.0	C3	0	1.12
31.5	111220	3/5V31.5-3535	96.0	C3	.34	.78
37.5	111013	3/5V37.5-4040	124.0	C3	.50	1.12
50.0	111014	3/5V50.0-4040	186.0	C3	.50	1.12

Δ Pitch diameter = O.D. - .10"

‡ Type 1 = Block Type, 2 = Web, 3 = Arm - See drawings page PT7-2.

++ 5VX Belts only on these sizes.

V-Drives

FHP Drives

Drive Component Accessories

DYNA-SYNC

HT200/HTD Synchronous Drives

HTR Synchronous Drives

HTRC Synchronous Drives

SELECTION/DIMENSIONS



5V TAPER-LOCK SHEAVES

4-Groove					F = 3.06	
O.D.Δ	Part No.	Description	Wt.	Type‡	E	M
4.4++	111221	4/5V4.4-1610	6.0	A1	2.06	0
4.65++	111222	4/5V4.65-1610	6.0	A1	2.06	0
4.9++	111223	4/5V4.9-1610	6.0	A1	2.06	0
5.2++	111224	4/5V5.2-1610	7.0	A1	2.06	0
5.5++	111225	4/5V5.5-2517	8.0	A1	1.31	0
5.9++	111226	4/5V5.9-2517	10.0	A1	1.31	0
6.3++	111227	4/5V6.3-2517	11.0	A1	0	1.31
6.7++	111228	4/5V6.7-2517	12.0	A1	0	1.31
7.1	111020	4/5V7.1-2517	15.0	A1	0	1.31
7.5	111021	4/5V7.5-2517	18.0	A1	0	1.31
8.0	111022	4/5V8.0-2517	21.0	A1	0	1.31
8.5	111023	4/5V8.5-2517	20.0	A1	0	1.31
9.0	111035	4/5V9.0-2517	22.0	A1	0	1.31
9.25	111104	4/5V9.25-3020	27.0	A1	0	1.06
9.75	111105	4/5V9.75-3020	31.0	A1	0	1.06
10.3	111106	4/5V10.3-3020	28.0	A1	0	1.06
10.9	111107	4/5V10.9-3020	31.0	A1	0	1.06
11.3	111229	4/5V11.3-3020	32.0	A1	0	1.06
11.8	111025	4/5V11.8-3020	34.0	A2	0	1.06
12.5	112280	4/5V12.5-3020	40.0	A2	0	1.06
13.2	112281	4/5V13.2-3020	42.0	A3	0	1.06
14.0	111028	4/5V14.0-3535	48.0	C2	.43	0
15.0	111029	4/5V15.0-3535	52.0	C3	.43	0
16.0	111030	4/5V16.0-3535	53.0	C3	.43	0
18.7	111230	4/5V18.7-3535	63.0	C3	.43	0
21.2	111031	4/5V21.2-3535	70.0	C3	0	.43
23.6	111231	4/5V23.6-3535	79.0	C3	0	.43
28.0	111032	4/5V28.0-3535	98.0	C3	0	.43
31.5	111232	4/5V31.5-3535	114.0	C3	0	.43
37.5	111033	4/5V37.5-4040	148.0	C3	0	.93
50.0	111034	4/5V50.0-4040	243.0	C3	0	.93

5-Groove					F = 3.75	
O.D.Δ	Part No.	Description	Wt.	Type‡	E	M
5.9++	111233	5/5V5.9-2517	11.0	A1	.56	1.43
6.3++	111234	5/5V6.3-2517	12.0	A1	.56	1.43
6.7++	111235	5/5V6.7-2517	13.0	A1	.56	1.43
7.1	111038	5/5V7.1-3020	16.0	A1	.50	1.25
7.5	111039	5/5V7.5-3020	19.0	A1	.50	1.25
8.0	111040	5/5V8.0-3020	22.0	A1	.50	1.25
8.5	111041	5/5V8.5-3020	26.0	A1	.50	1.25
9.0	111042	5/5V9.0-3020	30.0	A1	.50	1.25
9.25	111108	5/5V9.25-3020	31.0	A1	.50	1.25
9.75	111109	5/5V9.75-3020	36.0	A1	.50	1.25
10.3	111110	5/5V10.3-3020	33.0	A1	.50	1.25
10.9	111111	5/5V10.9-3020	36.0	A1	.50	1.25
11.3	111236	5/5V11.3-3020	38.0	A1	.50	1.25
11.8	111043	5/5V11.8-3020	40.0	A2	.50	1.25
12.5	111044	5/5V12.5-3535	54.0	A2	0	.25
13.2	111045	5/5V13.2-3535	57.0	A2	0	.25
14.0	111046	5/5V14.0-3535	57.0	A3	0	.25
15.0	111047	5/5V15.0-3535	65.0	A3	0	.25
16.0	111048	5/5V16.0-3535	70.0	A3	0	.25
18.7	111237	5/5V18.7-3535	84.0	A3	0	.25
21.2	111049	5/5V21.2-4040	81.0	C3	0	.25
23.6	111238	5/5V23.6-4040	92.0	C3	0	.25
28.0	111050	5/5V28.0-4040	115.0	C3	0	.25
31.5	111239	5/5V31.5-4040	155.0	C3	0	.25
37.5	111051	5/5V37.5-4040	190.0	C3	0	.25
50.0	111052	5/5V50.0-4545	280.0	C3	0	.75

Δ Pitch diameter = O.D. - .10"

‡ Type 1 = Block Type, 2 = Web, 3 = Arm - See drawings page PT7-2.

++ 5VX Belts only on these sizes.

V-Drives

FHP Drives

Drive Component Accessories

DYNA-SYNC

HT200/HTD Synchronous Drives

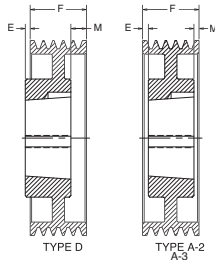
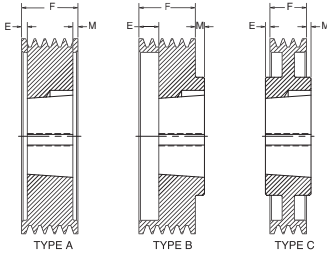
HTR Synchronous Drives

HTRC Synchronous Drives



SELECTION/DIMENSIONS

5V TAPER-LOCK SHEAVES



6-Groove				F = 4.43		
O.D.Δ	Part No.	Description	Wt.	Type‡	E	M
5.9++	111240	6/5V5.9-2517	13.0	A1	1.12	1.56
6.3++	111241	6/5V6.3-2517	13.0	A1	.81	1.87
6.7++	111242	6/5V6.7-2517	15.0	A1	.81	1.87
7.1	111056	6/5V7.1-3020	18.0	A1	.75	1.68
7.5	111057	6/5V7.5-3020	21.0	A1	.75	1.68
8.0	111058	6/5V8.0-3020	24.0	A1	.75	1.68
8.5	111059	6/5V8.5-3020	28.0	A1	.75	1.68
9.0	111060	6/5V9.0-3020	32.0	A1	.75	1.68
9.25	111112	6/5V9.25-3535	41.0	A1	0	.93
9.75	111113	6/5V9.75-3535	48.0	A1	0	.93
10.3	111114	6/5V10.3-3535	56.0	A1	0	.93
10.9	111115	6/5V10.9-3535	65.0	A1	0	.93
11.3	111243	6/5V11.3-3535	53.0	A1	0	.93
11.8	111061	6/5V11.8-3535	59.0	A2	0	.93
12.5	111062	6/5V12.5-3535	59.0	A2	0	.93
13.2	111063	6/5V13.2-3535	67.0	A2	0	.93
14.0	111064	6/5V14.0-3535	67.0	A2	0	.93
15.0	111065	6/5V15.0-4040	82.0	A2	0	.43
16.0	111066	6/5V16.0-4040	84.0	A2	0	.43
18.7	111244	6/5V18.7-4040	97.0	A2	0	.43
21.2	111067	6/5V21.2-4040	91.0	A3	0	.43
23.6	111245	6/5V23.6-4040	124.0	A3	0	.43
28.0	111068	6/5V28.0-4040	149.0	A3	0	.43
31.5	111246	6/5V31.5-4040	171.0	A3	0	.43
37.5	111069	6/5V37.5-4545	214.0	C3	0	.06
50.0	111070	6/5V50.0-4545	336.0	D3	.50	.56

8-Groove		F = 5.81				
O.D.Δ	Part No.	Description	Wt.	Type‡	E	M
7.1	111075	8/5V7.1-3030	24.0	A1	1.00	1.81
7.5	111076	8/5V7.5-3030	28.0	A1	1.00	1.81
8.0	111077	8/5V8.0-3030	33.0	A1	1.00	1.81
8.5	111078	8/5V8.5-3030	38.0	A1	1.00	1.81
9.0	111079	8/5V9.0-3535	44.0	A1	1.00	1.31
9.25	111116	8/5V9.25-3535	45.0	A1	1.00	1.31
9.75	111117	8/5V9.75-3535	51.0	A1	1.00	1.31
10.3	111118	8/5V10.3-3535	60.0	A1	1.00	1.31
10.9	111119	8/5V10.9-3535	68.0	A1	1.00	1.31
11.3	111247	8/5V11.3-3535	57.0	A1	1.00	1.31
11.8	111080	8/5V11.8-3535	63.0	A1	1.00	1.31
12.5	111081	8/5V12.5-4040	102.0	A1	.25	1.56
13.2	111082	8/5V13.2-4040	82.0	A1	.25	1.56
14.0	111083	8/5V14.0-4040	87.0	A1	.25	1.56
15.0	111084	8/5V15.0-4040	97.0	A2	.25	1.56
16.0	111085	8/5V16.0-4040	102.0	A2	.25	1.56
18.7	111248	8/5V18.7-4040	112.0	A3	.25	1.56
21.2	111086	8/5V21.2-4040	129.0	A3	.25	1.56
23.6	111249	8/5V23.6-4040	145.0	A3	.25	1.56
28.0	111087	8/5V28.0-4545	178.0	A3	.25	1.06
31.5	111250	8/5V31.5-4545	228.0	A3	.25	1.06
37.5	111088	8/5V37.5-4545	279.0	A3	.25	1.06
50.0	111089	8/5V50.0-4545	403.0	A3	.25	1.06

10-Groove				F = 7.18		
O.D.Δ	Part No.	Description	Wt.	Type‡	E	M
8.0	111120	10/5V8.0-3030	36.0	A1	1.00	3.18
8.5	111121	10/5V8.5-3030	42.0	A1	1.00	3.18
9.0	111122	10/5V9.0-3535	47.0	A1	1.00	2.68
9.25	111123	10/5V9.25-4040	46.0	A1	1.00	2.18
9.75	111124	10/5V9.75-4040	54.0	A1	1.00	2.18
10.3	111125	10/5V10.3-4040	64.0	A1	1.00	2.18
10.9	111126	10/5V10.9-4040	73.0	A1	1.00	2.18
11.3	111251	10/5V11.3-4040	80.0	A1	1.00	2.18
11.8	111127	10/5V11.8-4040	92.0	A1	1.00	2.18
12.5	111090	10/5V12.5-4040	107.0	A1	.38	2.81
13.2	111091	10/5V13.2-4040	107.0	A1	.38	2.81
14.0	111092	10/5V14.0-4545	106.0	A1	.75	1.93
15.0	111093	10/5V15.0-4545	116.0	A1	.69	2.00
16.0	111094	10/5V16.0-4545	126.0	A2	0	2.68
18.7	111252	10/5V18.7-4545	116.0	A2	.50	2.18
21.2	111095	10/5V21.2-4545	149.0	D3	.50	3.18
23.6	111253	10/5V23.6-4545	191.0	A3	.50	2.18
28.0	111096	10/5V28.0-4545	227.0	A3	.75	1.93
31.5	111254	10/5V31.5-4545	259.0	A3	.75	1.93
37.5	111097	10/5V37.5-4545	320.0	A3	.75	1.93
50.0	111098	10/5V50.0-5050	471.0	A3	.75	1.43

Δ Pitch diameter = O.D. - .10"

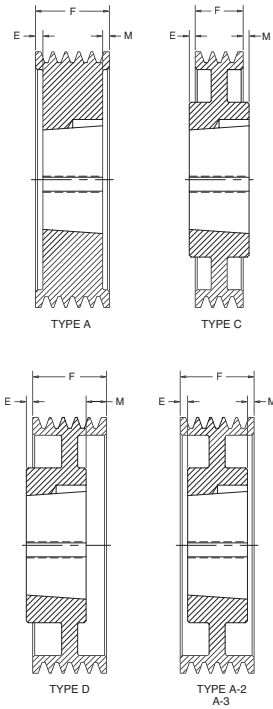
‡ Type 1 = Block Type, 2 = Web, 3 = Arm - See page PT7-2.

++ 5VX Belts only on these sizes.

SELECTION/DIMENSIONS



8V TAPER-LOCK SHEAVES



4-Groove				F = 4.87		
O.D.Δ	Part No.	Description	Wt.	Type‡	E	M
12.5	110003	4/8V12.5-4040	83.0	A1	0	.87
13.2	110008	4/8V13.2-4040	125.0	A2	0	.87
14.0	110950	4/8V14.0-4040	88.0	A2	0	.87
15.0	110951	4/8V15.0-4040	111.0	A2	.50	.37
16.0	110952	4/8V16.0-4040	105.0	A2	.44	.44
17.0	110953	4/8V17.0-4040	150.0	A2	0	.87
18.0	110954	4/8V18.0-4040	150.0	A2	0	.87
19.0	110955	4/8V19.0-4040	146.0	A2	0	.87
20.0	110015	4/8V20.0-4545	145.0	A2	0	.37
21.2	110016	4/8V21.2-4545	138.0	A2	0	.37
22.4	110004	4/8V22.4-4545	147.0	A2	0	.37
24.8	110681	4/8V24.8-5050	191.0	D3	.94	.81
30.0	110957	4/8V30.0-5050	233.0	D3	1.12	1.00
35.5	110900	4/8V35.5-5050	278.0	D3	1.12	1.00
40.0	110006	4/8V40.0-5050	324.0	D3	1.12	1.00
44.5	110002	4/8V44.5-5050	367.0	D3	.25	.12
53.0	110007	4/8V53.0-5050	469.0	B3	1.12	1.25

5-Groove				F = 6.00		
O.D.Δ	Part No.	Description	Wt.	Type‡	E	M
12.5	110958	5/8V12.5-4040	96.0	A2	.18	1.81
13.2	110959	5/8V13.2-4040	100.0	A2	.18	1.81
14.0	110960	5/8V14.0-4040	107.0	A2	.18	1.81
15.0	110961	5/8V15.0-4040	106.0	A2	.18	1.81
16.0	110962	5/8V16.0-4040	110.0	A2	.50	1.50
17.0	110023	5/8V17.0-4545	120.0	A3	0	1.50
18.0	110024	5/8V18.0-4545	180.0	A3	0	1.50
19.0	110025	5/8V19.0-4545	200.0	A3	0	1.50
20.0	110026	5/8V20.0-4545	145.0	A3	0	1.50
21.2	110027	5/8V21.2-4545	185.0	A3	0	1.50
22.4	110028	5/8V22.4-4545	176.0	A3	0	1.50
24.8	110682	5/8V24.8-5050	206.0	A3	0	1.50
30.0	110029	5/8V30.0-5050	319.0	D3	.62	1.62
35.5	110046	5/8V35.5-5050	399.0	A3	0	1.00
40.0	110017	5/8V40.0-5050	350.0	A3	0	1.00
44.5	110047	5/8V44.5-5050	572.0	A3	0	1.00
53.0	110018	5/8V53.0-5050	565.0	A3	0	1.00

6-Groove				F = 7.12		
O.D.Δ	Part No.	Description	Wt.	Type‡	E	M
12.5	110964	6/8V12.5-4040	98.0	A1	1.00	2.12
13.2	110965	6/8V13.2-4040	114.0	A2	1.00	2.12
14.0	110966	6/8V14.0-4040	134.0	A2	1.00	2.12
15.0	110033	6/8V15.0-4545	146.0	A2	.50	2.12
16.0	110034	6/8V16.0-4545	140.0	A2	.12	2.50
17.0	110035	6/8V17.0-4545	143.0	A2	.50	2.12
18.0	110036	6/8V18.0-4545	164.0	A2	.50	2.12
19.0	110037	6/8V19.0-4545	166.0	A3	.50	2.12
20.0	110967	6/8V20.0-5050	144.0	D3	1.31	3.43
21.2	110968	6/8V21.2-5050	201.0	A3	.19	1.94
22.4	110969	6/8V22.4-5050	212.0	D3	1.13	3.25
24.8	110683	6/8V24.8-5050	236.0	D3	.13	2.25
30.0	110041	6/8V30.0-5050	292.0	A3	.06	2.06
35.5	110049	6/8V35.5-5050	363.0	A3	.50	1.62
40.0	110042	6/8V40.0-5050	423.0	A3	.50	1.62
44.5	110064	6/8V44.5-5050	485.0	A3	.50	1.62
53.0	110043	6/8V53.0-5050	621.0	A3	.50	1.62

Δ Pitch diameter = O.D. - .20"

‡ Type 1 = Block Type, 2 = Web, 3 = Arm - See drawings page PT7-2.

V-Drives

FHP Drives

Drive Component Accessories

DYNA-SYNC

HT200/HTD Synchronous Drives

HTR Synchronous Drives

HTRC Synchronous Drives



SELECTION/DIMENSIONS

8V TAPER-LOCK SHEAVES

8-Groove					F = 9.37	
O.D.Δ	Part No.	Description	Wt.	Type‡	E	M
12.5	110050	8/8V12.5-4545	150.0	A1	1.50	3.37
13.2	110051	8/8V13.2-4545	141.0	A2	1.50	3.37
14.0	110052	8/8V14.0-4545	160.0	A2	1.50	3.37
15.0	110053	8/8V15.0-4545	185.0	A2	1.50	3.37
16.0	110054	8/8V16.0-4545	168.0	A2	1.50	3.37
17.0	110971	8/8V17.0-5050	179.0	A2	.18	4.18
18.0	110056	8/8V18.0-5050	204.0	A2	.18	4.18
19.0	110057	8/8V19.0-5050	223.0	A2	.18	4.18
20.0	110058	8/8V20.0-5050	178.0	A2	.18	4.18
21.2	110059	8/8V21.2-5050	192.0	A3	.18	4.18
22.4	110060	8/8V22.4-5050	249.0	A3	.18	4.18
24.8	110065	8/8V24.8-5050	285.0	A3	2.12	2.25
30.0	110061	8/8V30.0-5050	356.0	A3	1.18	3.18
35.5	110066	8/8V35.5-5050	441.0	A3	1.00	3.37
40.0	110062	8/8V40.0-5050	517.0	A3	1.00	3.37
44.5	110973	8/8V44.5-6050	596.0	A3	1.00	3.37
53.0	110974	8/8V53.0-6050	759.0	A3	1.00	3.37

10-Groove							F = 11.62	
O.D.Δ	Part No.	Description	Wt.	Type‡	E	M		
12.5	- - -	10/8V12.5-4545	- - -	A1	2.06	5.06		
13.2	110071	10/8V13.2-4545	150.0	A1	2.06	5.06		
14.0	110072	10/8V14.0-4545	175.0	A2	2.06	5.06		
15.0	110073	10/8V15.0-5050	175.0	A2	1.31	4.68		
16.0	110074	10/8V16.0-5050	200.0	A2	2.18	4.43		
17.0	110075	10/8V17.0-5050	210.0	A2	2.25	4.37		
18.0	110076	10/8V18.0-5050	220.0	A2	2.25	4.37		
19.0	110077	10/8V19.0-5050	240.0	A3	2.25	4.37		
20.0	110078	10/8V20.0-5050	211.0	A3	2.25	4.37		
21.2	110079	10/8V21.2-5050	270.0	A3	2.50	4.12		
22.4	110080	10/8V22.4-5050	291.0	A3	2.25	4.37		
24.8	110068	10/8V24.8-5050	328.0	A3	2.37	4.25		
30.0	110081	10/8V30.0-5050	416.0	A3	2.25	4.37		
35.5	110976	10/8V35.5-6050	517.0	A3	2.25	4.37		
40.0	110977	10/8V40.0-6050	606.0	A3	2.25	4.37		
44.5	110978	10/8V44.5-6050	701.0	A3	2.25	4.37		
53.0	110979	10/8V53.0-6050	898.0	A3	2.25	4.37		

12-Groove												F = 13.87	
O.D.Δ	Part No.	Description	Wt.	Type‡	E	M							
12.5	110980	12/8V12.5-5050	153.0	A1	3.18	5.68							
13.2	110981	12/8V13.2-5050	180.0	A1	3.00	5.87							
14.0	110982	12/8V14.0-5050	186.0	A1	3.18	5.68							
15.0	110983	12/8V15.0-5050	221.0	A2	1.88	7.00							
16.0	110984	12/8V16.0-5050	247.0	A2	1.88	7.00							
17.0	110985	12/8V17.0-5050	267.0	A2	3.50	5.38							
18.0	110986	12/8V18.0-5050	274.0	A2	3.53	5.34							
19.0	110987	12/8V19.0-5050	306.0	A2	2.25	6.62							
20.0	110988	12/8V20.0-5050	249.0	A3	2.25	6.62							
21.2	110989	12/8V21.2-5050	294.0	A3	2.25	6.62							
22.4	110990	12/8V22.4-5050	337.0	A3	2.25	6.62							
24.8	110991	12/8V24.8-5050	380.0	A3	5.37	3.50							
30.0	110992	12/8V30.0-6050	482.0	A3	4.00	4.87							
35.5	110993	12/8V35.5-6050	597.0	A3	4.00	4.87							
40.0	110994	12/8V40.0-6050	702.0	A3	4.00	4.87							
44.5	110995	12/8V44.5-6050	814.0	A3	4.00	4.87							
53.0	110996	12/8V53.0-7060	1077.0	A3	5.00	2.87							

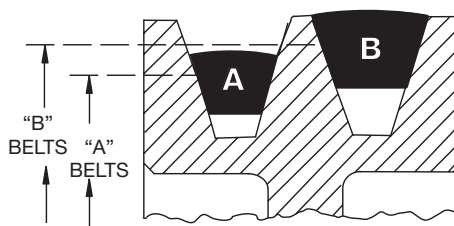
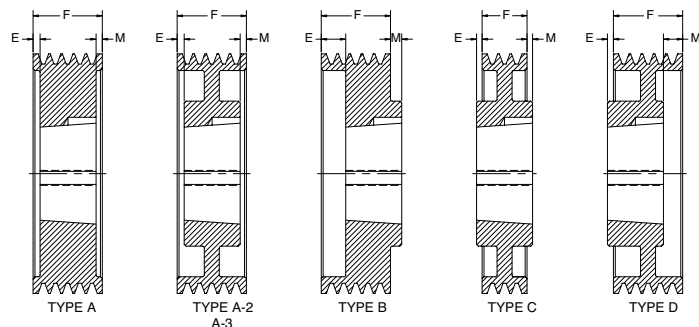
Δ Pitch diameter = O.D. - .20"

‡ Type 1 = Block Type, 2 = Web, 3 = Arm - See drawings page PT7-2.



SELECTION/DIMENSIONS

A/B TAPER-LOCK SHEAVES



Drawing illustrates how either A or B belts may be used with Dual Duty groove sheaves.

1-Groove						F = **	
O.D.Δ	Part No.	Description	Wt.	Type‡	E	M	
3.75	118190	1A3.0B3.4-1210	1.5	A1	.11	.04	
3.95	118191	1A3.2B3.6-1210	1.7	A1	.11	.04	
4.15	118301	1A3.4B3.8-1610	1.5	A1	.11	.04	
4.35	118302	1A3.6B4.0-1610	1.9	A1	.11	.04	
4.55	118194	1A3.8B4.2-1610	2.2	A1	.11	.04	
4.75	118195	1A4.0B4.4-1610	2.5	A1	.11	.04	
4.95	118196	1A4.2B4.6-1610	2.9	A1	.11	.04	
5.15	118197	1A4.4B4.8-1610	3.3	A1	.11	.04	
5.35	118198	1A4.6B5.0-1610	3.6	A1	.11	.04	
5.55	118199	1A4.8B5.2-1610	4.1	A1	.11	.04	
5.75	118200	1A5.0B5.4-1610	4.5	A1	.11	.04	
5.95	118201	1A5.2B5.6-1610	4.9	A1	0	0	
6.15	118202	1A5.4B5.8-1610	5.3	A1	0	0	
6.35	118203	1A5.6B6.0-1610	5.8	A1	0	0	
6.55	118204	1A5.8B6.2-1610	6.3	A1	0	0	
6.75	118205	1A6.0B6.4-1610	6.8	A1	0	0	
6.95	118206	1A6.2B6.6-1610	7.5	A1	0	0	
7.15	118207	1A6.4B6.8-1610	7.8	A1	0	0	
7.35	118340	1A6.6B7.0-2517	8.5	B1	0	.75	
7.75	118303	1A7.0B7.4-2517	9.4	B1	0	.75	
8.35	118341	1A7.6B8.0-2517	11.0	B1	0	.75	
8.95	118304	1A8.2B8.6-2517	12.0	B1	0	.75	
9.75	118305	1A9.0B9.4-2517	14.0	B1	0	.75	
11.35	118022	1A10.6B11.0-2517	15.0	B1	0	.75	
12.75	118023	1A12.0B12.4-2517	114.0	C3	.25	.50	
13.95	118342	1A13.2B13.6-2517	16.0	C3	.25	.50	
15.75	118024	1A15.0B15.4-2517	18.0	C3	.38	.38	
16.35	118343	1A15.6B16.0-2517	22.0	C3	.38	.38	
18.75	118025	1A18.0B18.4-2517	27.0	C3	.18	.43	

2-Groove						F = 1.75	
O.D.Δ	Part No.	Description	Wt.	Type‡	E	M	
3.75	118211	2A3.0B3.4-1210	2.2	A1	.10	.65	
3.95	118212	2A3.2B3.6-1210	2.6	A1	.10	.65	
4.15	118306	2A3.4B3.8-1610	2.5	A1	0	.75	
4.35	118307	2A3.6B4.0-1610	2.9	A1	0	.75	
4.55	118215	2A3.8B4.2-1610	3.3	A1	0	.75	
4.75	118216	2A4.0B4.4-1610	3.7	A1	0	.75	
4.95	118217	2A4.2B4.6-1610	4.2	A1	0	.75	
5.15	118218	2A4.4B4.8-1610	4.1	A1	0	.75	
5.35	118219	2A4.6B5.0-1610	5.0	A1	0	.75	
5.55	118220	2A4.8B5.2-1610	5.5	A1	0	.75	
5.75	118221	2A5.0B5.4-1610	5.9	A1	0	.75	
5.95	118222	2A5.2B5.6-1610	6.5	A1	0	.75	
6.15	118223	2A5.4B5.8-1610	6.9	A1	0	.75	
6.35	118224	2A5.6B6.0-1610	7.6	A1	0	.75	
6.55	118225	2A5.8B6.2-1610	8.2	A1	0	.75	
6.75	118226	2A6.0B6.4-1610	8.6	A1	0	.75	
6.95	118227	2A6.2B6.6-1610	9.5	A1	0	.75	
7.15	118228	2A6.4B6.8-1610	9.8	A1	0	.75	
7.35	118344	2A6.6B7.0-2517	14.0	A1	0	0	
7.75	118044	2A7.0B7.4-2517	14.0	A1	0	0	
8.35	118345	2A7.6B8.0-2517	15.0	C2	0	0	
8.95	118045	2A8.2B8.6-2517	15.0	C2	0	0	
9.75	118046	2A9.0B9.4-2517	18.0	C2	0	0	
11.35	118047	2A10.6B11.0-2517	25.0	C2	0	0	
12.75	118048	2A12.0B12.4-2517	18.0	C3	0	0	
13.95	118346	2A13.2B13.6-2517	24.0	C3	0	0	
15.75	118049	2A15.0B15.4-2517	24.0	C3	0	0	
16.35	118347	2A15.6B16.0-2517	26.0	C3	0	0	
18.75	118050	2A18.0B18.4-2517	33.0	C3	0	0	
20.35	114068	2B20.0-3020	31.0	C3	0	.25	
25.35	114069	2B25.0-3020	41.0	C3	0	.25	
30.35	114070	2B30.0-3020	52.0	C3	0	.25	
38.35	114071	2B38.0-3020	71.0	C3	0	.25	

Δ P.D. for "A" Belts = O.D. - .37"

P.D. for "B" Belts = O.D. + .01"

‡ Type 1 = Block Type, 2 = Web, 3 = Arm - See page PT7-2.

** 1.16" for 1A3.0B3.4 thru 1A4.4B4.8

1.05" for 1A4.6B5.0 thru 1A5.0B15.4

1.13" for 1A15.6B16.0 thru 1A18.0B18.4



SELECTION/DIMENSIONS

A/B TAPER-LOCK SHEAVES

3-Groove							F = 2.50	
O.D.Δ	Part No.	Description	Wt.	Type‡	E	M		
3.75	118229	3A3.0B3.4-1210	3.0	A1	0	1.50		
3.95	118230	3A3.2B3.6-1210	3.5	A1	0	1.50		
4.15	118308	3A3.4B3.8-1610	3.4	A1	0	1.50		
4.35	118309	3A3.6B4.0-1610	4.0	A1	0	1.50		
4.55	118233	3A3.8B4.2-1610	4.6	A1	0	1.50		
4.75	118234	3A4.0B4.4-1610	4.9	A1	0	1.50		
4.95	118235	3A4.2B4.6-1610	5.4	A1	0	1.50		
5.15	118310	3A4.4B4.8-1610	5.9	A1	0	1.50		
5.35	118311	3A4.6B5.0-1610	6.4	A1	0	1.50		
5.55	118312	3A4.8B5.2-1610	7.0	A1	0	1.50		
5.75	118313	3A5.0B5.4-2517	7.8	A1	.75	0		
5.95	118314	3A5.2B5.6-2517	8.2	A1	.75	0		
6.15	118315	3A5.4B5.8-2517	8.9	A1	.75	0		
6.35	118316	3A5.6B6.0-2517	9.8	A1	.75	0		
6.55	118317	3A5.8B6.2-2517	11.0	A1	0	.75		
6.75	118318	3A6.0B6.4-2517	12.0	A1	0	.75		
6.95	118319	3A6.2B6.6-2517	13.0	A1	0	.75		
7.15	118320	3A6.4B6.8-2517	14.0	A1	0	.75		
7.35	118348	3A6.6B7.0-2517	15.0	A1	0	.75		
7.75	118069	3A7.0B7.4-2517	17.0	A1	.0	.75		
8.35	118349	3A7.6B8.0-2517	19.0	A1	0	.75		
8.95	118070	3A8.2B8.6-2517	19.0	A1	0	.75		
9.75	118071	3A9.0B9.4-2517	21.0	A2	0	.75		
11.35	118072	3A10.6B11.0-2517	28.0	A2	0	.75		
12.75	118073	3A12.0B12.4-2517	22.0	A3	0	.75		
13.95	118350	3A13.2B13.6-2517	25.0	A3	0	.75		
15.75	118074	3A15.0B15.4-2517	30.0	A3	0	.75		
16.35	118351	3A15.6B16.0-2517	32.0	A3	0	.75		
18.75	118075	3A18.0B18.4-2517	39.0	A3	0	.75		
20.35	114072	3B20.0-3020	39.0	A3	0	.50		
25.35	114073	3B25.0-3020	52.0	A3	0	.50		
30.35	114074	3B30.0-3020	66.0	A3	0	.50		
38.35	114033	3B38.0-3020	103.0	A3	0	.50		

4-Groove							F = 3.25	
O.D.Δ	Part No.	Description	Wt.	Type‡	E	M		
3.75	118247	4A3.0B3.4-1210	3.7	A1	2.25	0		
3.95	118248	4A3.2B3.6-1210	4.4	A1	2.25	0		
4.15	118321	4A3.4B3.8-1610	4.3	A1	2.25	0		
4.35	118322	4A3.6B4.0-1610	5.1	A1	2.25	0		
4.55	118251	4A3.8B4.2-1610	5.5	A1	2.25	0		
4.75	118252	4A4.0B4.4-1610	6.0	A1	2.25	0		
4.95	118253	4A4.2B4.6-1610	6.7	A1	2.25	0		
5.15	118323	4A4.4B4.8-1610	7.2	A1	2.25	0		
5.35	118324	4A4.6B5.0-2517	6.7	A1	1.50	0		
5.55	118325	4A4.8B5.2-2517	8.0	A1	1.50	0		
5.75	118326	4A5.0B5.4-2517	8.7	A1	1.50	0		
5.95	118327	4A5.2B5.6-2517	9.8	A1	1.50	0		
6.15	118328	4A5.4B5.8-2517	10.0	A1	1.50	0		
6.35	118329	4A5.6B6.0-2517	12.0	A1	1.50	0		
6.55	118090	4A5.8B6.2-2517	13.0	A1	0	1.50		
6.75	118091	4A6.0B6.4-2517	13.0	A1	0	1.50		
6.95	118092	4A6.2B6.6-2517	15.0	A1	0	1.50		
7.15	118093	4A6.4B6.8-2517	15.0	A1	0	1.50		
7.35	118352	4A6.6B7.0-2517	16.0	A1	0	1.50		
7.75	118094	4A7.0B7.4-2517	19.0	A1	0	1.50		
8.35	118353	4A7.6B8.0-2517	21.0	A1	0	1.50		
8.95	118095	4A8.2B8.6-2517	21.0	A1	0	1.50		
9.75	118096	4A9.0B9.4-2517	24.0	A1	0	1.50		
11.35	118097	4A10.6B11.0-2517	31.0	A1	0	1.50		
12.75	118098	4A12.0B12.4-2517	30.0	A3	.37	1.12		
13.95	118354	4A13.2B13.6-2517	34.0	A3	.37	1.12		
15.75	118099	4A15.0B15.4-2517	41.0	A3	.37	1.12		
16.35	118355	4A15.6B16.0-2517	32.0	A3	.37	1.12		
18.75	118100	4A18.0B18.4-2517	45.0	A3	.48	1.01		
20.35	114075	4B20.0-3020	47.0	A3	.50	.75		
25.35	114041	4B25.0-3030	73.0	A3	0	.25		
30.35	114042	4B30.0-3030	91.0	A3	0	.25		
38.35	114043	4B38.0-3030	123.0	A3	0	.25		

P.D. for "A" Belts = O.D. - .37"

P.D. for "B" Belts = O.D. +.01"

‡ Type 1 = Block Type, 2 = Web, 3 = Arm - See page PT7-2.

V-Drives

FHP Drives

Drive Component Accessories

DYNA-SYNC

HT200/HTD Synchronous Drives

HTR Synchronous Drives

HTRC Synchronous Drives

SELECTION/DIMENSIONS



A/B TAPER-LOCK SHEAVES

5-Groove						F = 4.00	
O.D.Δ	Part No.	Description	Wt.	Type‡	E	M	
3.75	118101	5A3.0B3.4-1215	4.9	A1	.87	1.62	
3.95	118102	5A3.2B3.6-1215	5.4	A1	.87	1.62	
4.15	118103	5A3.4B3.8-1215	5.1	A1	.87	1.62	
4.35	118104	5A3.6B4.0-1215	6.1	A1	.87	1.62	
4.55	118105	5A3.8B4.2-1615	6.6	A1	.87	1.62	
4.75	118106	5A4.0B4.4-1615	6.9	A1	.87	1.62	
4.95	118107	5A4.2B4.6-1615	8.6	A1	.87	1.62	
5.15	118356	5A4.4B4.8-1615	9.4	A1	.87	1.62	
5.35	118109	5A4.6B5.0-1615	9.2	A1	.87	1.62	
5.55	118110	5A4.8B5.2-1615	9.9	A1	.87	1.62	
5.75	118111	5A5.0B5.4-2517	11.0	A1	.81	1.43	
5.95	118112	5A5.2B5.6-2517	11.0	A1	.81	1.43	
6.15	118357	5A5.4B5.8-2517	13.0	A1	.81	1.43	
6.35	118114	5A5.6B6.0-2517	13.0	A1	.81	1.43	
6.55	118358	5A5.8B6.2-2517	14.0	A1	.81	1.43	
6.75	118116	5A6.0B6.4-2517	15.0	A1	.81	1.43	
6.95	118359	5A6.2B6.6-2517	16.0	A1	.81	1.43	
7.15	118118	5A6.4B6.8-2517	18.0	A1	.81	1.43	
7.35	118360	5A6.6B7.0-2517	18.0	A1	.75	1.50	
7.75	118119	5A7.0B7.4-2517	22.0	A1	.75	1.50	
8.35	118361	5A7.6B8.0-2517	23.0	A1	.50	1.75	
8.95	118120	5A8.2B8.6-2517	24.0	A1	.75	1.50	
9.75	118121	5A9.0B9.4-2517	26.0	A1	.75	1.50	
11.35	118122	5A10.6B11.0-2517	32.0	A2	.75	1.50	
12.75	118123	5A12.0B12.4-2517	35.0	A3	.75	1.50	
13.95	118362	5A13.2B13.6-2517	38.0	A3	1.00	1.25	
15.75	118124	5A15.0B15.4-2517	43.0	A3	.75	1.50	
16.35	118363	5A15.6B16.0-2517	67.0	A3	.75	1.50	
18.75	118125	5A18.0B18.4-2517	70.0	A3	.81	1.44	
20.35	114050	5B20.0-3030	65.0	A3	.25	.75	
25.35	114051	5B25.0-3030	84.0	A3	.25	.75	
30.35	114052	5B30.0-3030	105.0	A3	.38	.63	
38.35	114053	5B38.0-3030	144.0	A3	.25	.75	

6-Groove						F = 4.75	
O.D.Δ	Part No.	Description	Wt.	Type‡	E	M	
4.55	118130	6A3.8B4.2-1615	7.9	A1	1.25	2.00	
4.75	118131	6A4.0B4.4-1615	9.3	A1	1.25	2.00	
4.95	118132	6A4.2B4.6-1615	9.7	A1	1.25	2.00	
5.15	118364	6A4.4B4.8-1615	11.0	A1	1.25	2.00	
5.35	118134	6A4.6B5.0-1615	10.0	A1	1.25	2.00	
5.55	118135	6A4.8B5.2-1615	11.0	A1	1.25	2.00	
5.75	118136	6A5.0B5.4-2517	12.0	A1	1.12	1.87	
5.95	118137	6A5.2B5.6-2517	13.0	A1	1.12	1.87	
6.15	118365	6A5.4B5.8-2517	14.0	A1	1.12	1.87	
6.35	118139	6A5.6B6.0-2517	15.0	A1	1.12	1.87	
6.55	118366	6A5.8B6.2-2517	16.0	A1	1.12	1.87	
6.75	118141	6A6.0B6.4-2517	19.0	A1	1.12	1.87	
6.95	118367	6A6.2B6.6-2517	20.0	A1	1.12	1.87	
7.15	118143	6A6.4B6.8-2517	20.0	A1	1.12	1.87	
7.35	118368	6A6.6B7.0-2517	21.0	A1	1.50	1.50	
7.75	118144	6A7.0B7.4-2517	24.0	A1	1.12	1.87	
8.35	118369	6A7.6B8.0-2517	26.0	A1	1.50	1.50	
8.95	118145	6A8.2B8.6-2517	30.0	A2	1.50	1.50	
9.75	118146	6A9.0B9.4-2517	30.0	A2	1.12	1.87	
11.35	118147	6A10.6B11.0-2517	33.0	A2	1.12	1.87	
12.75	118148	6A12.0B12.4-2517	37.0	A3	1.50	1.50	
13.95	118370	6A13.2B13.6-2517	42.0	A3	1.50	1.50	
15.75	118149	6A15.0B15.4-2517	47.0	A3	1.50	1.50	
16.35	118371	6A15.6B16.0-2517	53.0	A3	1.50	1.50	
18.75	118150	6A18.0B18.4-2517	68.0	A3	1.50	1.50	
20.35	114060	6B20.0-3030	73.0	A3	.50	1.25	
25.35	114061	6B25.0-3030	95.0	A3	.50	1.25	
30.35	114062	6B30.0-3030	119.0	A3	.50	1.25	
38.35	114063	6B38.0-3030	164.0	A3	.50	1.25	

Δ P.D. for "A" Belts = O.D. - .37"

P.D. for "B" Belts = O.D. +.01"

‡ Type 1 = Block Type, 2 = Web, 3 = Arm - See page PT7-2.

V-Drives

FHP Drives

Drive Component
Accessories

DYNA-SYNC

HT200/HTD
Synchronous Drives

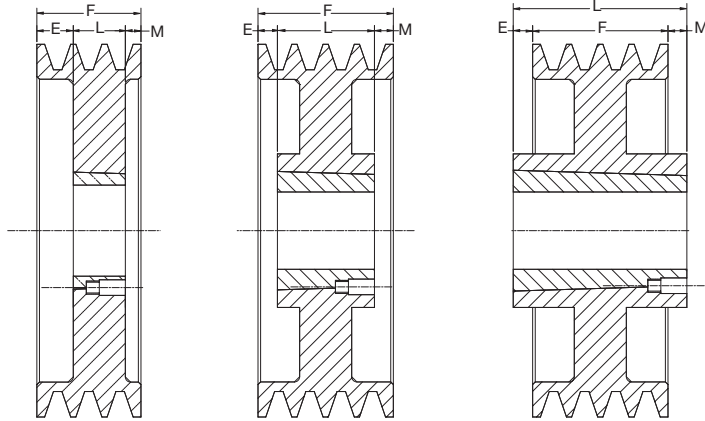
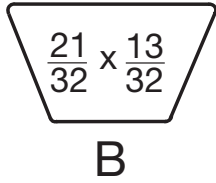
HTR
Synchronous Drives

HTRC
Synchronous Drives



SELECTION/DIMENSIONS

B TAPER-LOCK SHEAVES



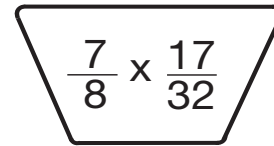
TYPE A

TYPE A-2
A-3

TYPE C

8-Groove		F = 6.25				
O.D.Δ	Part No.	Description	Wt.	Type‡	E	M
5.75	114114	8B5.4-2517	15.0	A1	1.87	2.62
5.95	114115	8B5.6-2517	17.0	A1	1.87	2.62
6.35	114116	8B6.0-2517	19.0	A1	1.87	2.62
6.75	114117	8B6.4-2517	22.0	A1	1.87	2.62
7.15	114118	8B6.8-2517	26.0	A1	1.87	2.62
7.75	114119	8B7.4-2517	34.0	A1	1.87	2.62
8.95	114130	8B8.6-3030	37.0	A1	1.00	2.25
9.75	114131	8B9.4-3030	37.0	A1	1.00	2.25
11.35	114132	8B11.0-3030	46.0	A1	1.13	2.13
12.75	114133	8B12.4-3030	46.0	A2	1.00	2.25
15.75	114134	8B15.4-3030	66.0	A2	1.00	2.25
18.75	114135	8B18.4-3030	81.0	A3	1.00	2.25
20.35	114136	8B20.0-3030	87.0	A3	1.00	2.25
25.35	114137	8B25.0-3535	115.0	A3	.75	2.00
30.35	114138	8B30.0-3535	146.0	A3	.75	2.00
38.35	114139	8B38.0-4040	204.0	A3	1.12	1.12

10-Groove		F = 7.75				
O.D.Δ	Part No.	Description	Wt.	Type‡	E	M
5.75	114150	10B5.4-2517	18.0	A1	3.00	3.00
5.95	114151	10B5.6-2517	20.0	A1	3.00	3.00
6.35	114152	10B6.0-2517	22.0	A1	3.00	3.00
6.75	114153	10B6.4-2517	26.0	A1	3.00	3.00
7.15	114154	10B6.8-2517	29.0	A1	3.00	3.00
7.75	114155	10B7.4-2517	35.0	A1	3.00	3.00
8.95	114170	10B8.6-3030	43.0	A1	2.00	2.75
9.75	114171	10B9.4-3030	47.0	A1	2.00	2.75
11.35	114172	10B11.0-3030	58.0	A1	2.00	2.75



C TAPER-LOCK SHEAVES

2-Groove		F = 2.37				
O.D.Δ	Part No.	Description	Wt.	Type‡	E	M
7.4	115162	2C7.0-2517	15.0	A1	0	.62
7.9	115163	2C7.5-2517	18.0	A1	0	.62
8.4	115164	2C8.0-2517	20.0	A1	0	.62
8.9	115165	2C8.5-2517	22.0	A1	0	.62
9.4	115166	2C9.0-2517	21.0	A1	0	.62
9.9	115186	2C9.5-2517	24.0	A1	0	.62
10.4	115171	2C10.0-2517	25.0	A2	0	.62
10.9	115187	2C10.5-2517	26.0	A2	0	.62
11.4	115174	2C11.0-2517	27.0	A2	0	.62
12.4	115175	2C12.0-2517	28.0	A2	0	.62
13.4	115176	2C13.0-2517	33.0	A3	0	.62
14.4	115177	2C14.0-2517	35.0	A3	0	.62
16.4	115178	2C16.0-2517	38.0	A3	0	.62
18.4	115325	2C18.0-3020	42.0	A3	0	.37
20.4	115326	2C20.0-3020	44.0	A3	0	.37
24.4	115327	2C24.0-3020	56.0	A3	0	.37
30.4	115000	2C30.0-3535	85.0	C3	.50	.63

3-Groove		F = 3.37				
O.D.Δ	Part No.	Description	Wt.	Type‡	E	M
7.4	115130	3C7.0-2517	18.0	A1	.25	1.37
7.9	115131	3C7.5-2517	19.0	A1	.25	1.37
8.4	115132	3C8.0-2517	21.0	A1	0	1.62
8.9	115133	3C8.5-2517	23.0	A1	.25	1.37
9.4	115001	3C9.0-2517	24.0	A1	.25	1.37
9.9	115188	3C9.5-2517	25.0	A1	.25	1.37
10.4	115016	3C10.0-2517	27.0	A1	.25	1.37
10.9	115189	3C10.5-2517	28.0	A1	.25	1.37
11.4	115006	3C11.0-2517	29.0	A1	.25	1.37
12.4	115328	3C12.0-3020	44.0	A2	0	1.37
13.4	115329	3C13.0-3020	49.0	A3	0	1.37
14.4	115330	3C14.0-3020	50.0	A3	0	1.37
16.4	115331	3C16.0-3020	64.0	A3	.06	1.31
18.4	115014	3C18.0-3030	72.0	A3	0	.37
20.4	115009	3C20.0-3030	79.0	A3	0	.37
24.4	115010	3C24.0-3030	90.0	A3	0	.37
30.4	115011	3C30.0-3535	135.0	C3	0	.12
36.4	115012	3C36.0-3535	175.0	C3	0	.12

Δ P.D. for "B" Belts = O.D. + .01"

P.D. for "C" Belts = O.D.

‡ Type 1 = Block Type, 2 = Web, 3 = Arm - See page PT7-2.

SELECTION/DIMENSIONS



C TAPER-LOCK SHEAVES

4-Groove							F = 4.37	
O.D.Δ	Part No.	Description	Wt.	Type‡	E	M		
7.4	115135	4C7.0-2517	20.0	A1	1.12	1.50		
7.9	115136	4C7.5-2517	21.0	A1	1.13	1.50		
8.4	115137	4C8.0-2517	24.0	A1	.50	2.13		
8.9	115138	4C8.5-2517	25.0	A1	.50	2.13		
9.4	115017	4C9.0-2517	26.0	A1	.50	2.13		
9.9	115190	4C9.5-2517	29.0	A1	.50	2.13		
10.4	115032	4C10.0-2517	31.0	A1	.50	2.13		
10.9	115191	4C10.5-2517	32.0	A1	.50	2.13		
11.4	115022	4C11.0-2517	34.0	A1	.50	2.13		
12.4	115151	4C12.0-3030	52.0	A2	0	1.37		
13.4	115023	4C13.0-3030	56.0	A3	0	1.37		
14.4	115155	4C14.0-3030	63.0	A3	0	1.37		
16.4	115024	4C16.0-3030	71.0	A3	0	1.37		
18.4	115030	4C18.0-3030	81.0	A3	.18	1.18		
20.4	115025	4C20.0-3030	80.0	A3	0	1.37		
24.4	115026	4C24.0-3030	98.0	A3	0	1.37		
30.4	115027	4C30.0-3535	130.0	A3	.31	.56		
36.4	115028	4C36.0-3535	165.0	A3	0	.87		
44.4	115029	4C44.0-4040	240.0	A3	0	.37		

6-Groove							F = 6.37	
O.D.Δ	Part No.	Description	Wt.	Type‡	E	M		
7.4	115145	6C7.0-3030	33.0	A1	1.00	2.37		
7.9	115146	6C7.5-3030	38.0	A1	1.00	2.37		
8.4	115147	6C8.0-3030	43.0	A1	1.00	2.37		
8.9	115148	6C8.5-3030	49.0	A1	1.00	2.37		
9.4	115049	6C9.0-3030	54.0	A1	1.00	2.37		
9.9	115194	6C9.5-3030	57.0	A1	1.00	2.37		
10.4	115064	6C10.0-3030	61.0	A1	1.00	2.37		
10.9	115195	6C10.5-3030	56.0	A1	1.00	2.37		
11.4	115054	6C11.0-3030	58.0	A1	1.00	2.37		
12.4	115153	6C12.0-3030	66.0	A1	1.00	2.37		
13.4	115055	6C13.0-3030	69.0	A2	1.00	2.37		
14.4	115157	6C14.0-3535	85.0	A2	.50	2.37		
16.4	115056	6C16.0-3535	100.0	A3	.50	2.37		
18.4	115062	6C18.0-3535	115.0	A3	.75	2.12		
20.4	115057	6C20.0-3535	103.0	A3	.87	2.00		
24.4	115058	6C24.0-3535	129.0	A3	.87	2.00		
30.4	115059	6C30.0-4040	195.0	A3	1.00	1.37		
36.4	115060	6C36.0-4040	243.0	A3	1.00	1.37		
44.4	115061	6C44.0-4040	315.0	A3	1.00	1.37		

10-Groove							F = 10.37	
O.D.Δ	Part No.	Description	Wt.	Type‡	E	M		
9.4	115351	10C9.0-4545	84.0	A1	1.50	4.37		
9.9	115352	10C9.5-4545	101.0	A1	1.50	4.37		
10.4	115353	10C10.0-4545	104.0	A1	1.50	4.37		
10.9	115354	10C10.5-4545	108.0	A1	1.50	4.37		
11.4	115355	10C11.0-4545	128.0	A1	1.50	4.37		
12.4	115356	10C12.0-4545	148.0	A1	1.50	4.37		
13.4	115349	10C13.0-4545	168.0	A1	2.00	3.87		
14.4	115357	10C14.0-4545	205.0	A1	2.00	3.87		
16.4	115358	10C16.0-4545	237.0	A1	2.00	3.87		
18.4	115359	10C18.0-4545	270.0	A3	2.00	3.87		
20.4	115360	10C20.0-4545	176.0	A3	2.00	3.87		
24.4	115361	10C24.0-5050	242.0	A3	1.50	3.87		
30.4	115123	10C30.0-4545	303.0	A3	2.00	3.87		
36.4	115124	10C36.0-4545	375.0	A3	2.00	3.87		
44.4	115125	10C44.0-4545	484.0	A3	2.00	3.87		

5-Groove							F = 5.37	
O.D.Δ	Part No.	Description	Wt.	Type‡	E	M		
7.4	115140	5C7.0-2517	23.0	A1	1.50	2.12		
7.9	115141	5C7.5-2517	25.0	A1	1.50	2.12		
8.4	115142	5C8.0-2517	30.0	A1	1.50	2.12		
8.9	115143	5C8.5-2517	32.0	A1	1.50	2.12		
9.4	115033	5C9.0-2517	35.0	A1	1.50	2.12		
9.9	115192	5C9.5-2517	36.0	A1	1.50	2.12		
10.4	115048	5C10.0-2517	39.0	A1	1.50	2.12		
10.9	115193	5C10.5-2517	42.0	A1	1.50	2.12		
11.4	115038	5C11.0-2517	43.0	A1	1.50	2.12		
12.4	115152	5C12.0-3030	58.0	A1	.69	1.69		
13.4	115039	5C13.0-3030	63.0	A2	.50	1.87		
14.4	115156	5C14.0-3030	65.0	A2	.50	1.87		
16.4	115040	5C16.0-3030	86.0	A3	.50	1.87		
18.4	115036	5C18.0-3030	105.0	A3	.69	1.69		
20.4	115041	5C20.0-3535	91.0	A3	0	1.87		
24.4	115042	5C24.0-3535	114.0	A3	.37	1.50		
30.4	115043	5C30.0-3535	152.0	A3	.38	1.50		
36.4	115044	5C36.0-4040	216.0	A3	.25	1.12		
44.4	115045	5C44.0-4040	278.0	A3	.25	1.12		

8-Groove							F = 8.37	
O.D.Δ	Part No.	Description	Wt.	Type‡	E	M		
8.4	115160	8C8.0-3030	59.0	A1	2.00	3.37		
8.9	115161	8C8.5-3030	62.0	A1	2.00	3.37		
9.4	115081	8C9.0-3535	64.0	A1	1.50	3.37		
9.9	115196	8C9.5-3535	73.0	A1	1.50	3.37		
10.4	115096	8C10.0-3535	81.0	A1	1.50	3.37		
10.9	115197	8C10.5-3535	85.0	A1	1.50	3.37		
11.4	115086	8C11.0-3535	87.0	A1	1.50	3.37		
12.4	115185	8C12.0-3535	90.0	A1	1.50	3.37		
13.4	115087	8C13.0-3535	97.0	A1	1.50	3.37		
14.4	115097	8C14.0-3535	105.0	A1	1.50	3.37		
16.4	115088	8C16.0-3535	125.0	A3	1.50	3.37		
18.4	115098	8C18.0-4040	155.0	A3	1.50	2.87		
20.4	115089	8C20.0-4040	151.0	A3	1.50	2.87		
24.4	115090	8C24.0-4040	183.0	A3	1.50	2.87		
30.4	115091	8C30.0-4040	237.0	A3	1.50	2.87		
36.4	115092	8C36.0-4545	322.0	A3	1.25	2.62		
44.4	115093	8C44.0-4545	411.0	A3	1.25	2.62		

12-Groove							F = 12.37	
O.D.Δ	Part No.	Description	Wt.	Type‡	E	M		
9.4	115065	12C9.0-4040	87.0	A1	3.50	4.87		
9.9	115066	12C9.5-4040	90.0	A1	3.50	4.87		
10.4	115067	12C10.0-4040	95.0	A1	3.50	4.87		
10.9	115068	12C10.5-4040	104.0	A1	3.50	4.87		
11.4	115069	12C11.0-4040	125.0	A1	3.50	4.87		
12.4	115070	12C12.0-4040	140.0	A1	3.50	4.87		
13.4	115071	12C13.0-4545	173.0	A1	3.00	4.87		
14.4	115072	12C14.0-4545	177.0	A1	3.00	4.87		

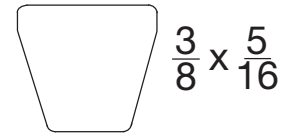
Δ P.D. for "C" Belts = O.D.

‡ Type 1 = Block Type, 2 = Web, 3 = Arm - See page PT7-2.



SELECTION/DIMENSIONS

3V QD SHEAVES - Heavy Duty



1-Groove							F = *
O.D.Δ	Part No.	Description	Wt.	Type‡	M	K	
2.2	455100	1/3V2.2-JA	0.93				
2.35	455101	1/3V2.35-JA	1.1				
2.5	455102	1/3V2.5-JA	1.2				
2.65	455103	1/3V2.65-JA	1.4				
2.8	455104	1/3V2.8-JA	1.5				
3.0	455105	1/3V3.00-JA	1.6				
3.15	455106	1/3V3.15-JA	1.7				
3.35	455107	1/3V3.35-JA	1.8				
3.65	455108	1/3V3.65-SH	2.2				
4.12	455109	1/3V4.12-SH	2.7				
4.5	455110	1/3V4.5-SH	3.1				
4.75	455111	1/3V4.75-SH	3.4				
5.0	455112	1/3V5.0-SH	3.7				
5.3	455113	1/3V5.3-SH	3.9				
5.6	455114	1/3V5.6-SH	4.4				
6.0	455115	1/3V6.0-SH	4.5				
6.5	455116	1/3V6.5-SH	4.6				
6.9	455117	1/3V6.9-SH	4.8				
8.0	455118	1/3V8.0-SDS	6.6				
10.6	455119	1/3V10.6-SDS	8.5				
14.0	455120	1/3V14.0-SK	14.0	C3	0.44	1.33	
19.0	455121	1/3V19.0-SK	20.0	C3	0.16	1.05	

* F=1.19 2.2 - 2.5, F=1.09 2.65 - 3.65 & 14.0 - 19.0,
F=0.93 4.12 - 4.75, F=0.81 5.0 - 6

2-Groove							F = 1.09
O.D.Δ	Part No.	Description	Wt.	Type‡	M	K	
2.2	455122	2/3V2.2-JA	1.2				
2.35	455123	2/3V2.35-JA	1.3				
2.5	455124	2/3V2.5-JA	1.5				
2.65	455125	2/3V2.65-JA	1.6				
2.8	455126	2/3V2.8-JA	1.7				
3.0	455127	2/3V3.0-JA	2.0				
3.15	455128	2/3V3.15-JA	2.1				
3.35	455129	2/3V3.35-SH	2.2				
3.65	455130	2/3V3.65-SH	2.6				
4.12	455131	2/3V4.12-SH	3.2				
4.5	455132	2/3V4.5-SH	3.8				
4.75	455133	2/3V4.75-SH	4.1				
5.0	455134	2/3V5.0-SH	4.6				
5.3	455135	2/3V5.3-SH	5.1				
5.6	455136	2/3V5.6-SH	5.6				
6.0	455137	2/3V6.0-SH	5.8				
6.5	455138	2/3V6.5-SDS	6.0				
6.9	455139	2/3V6.9-SDS	6.6				
8.0	455140	2/3V8.0-SDS	7.8				
10.6	455141	2/3V10.6-SK	14.0				
14.0	455142	2/3V14.0-SK	17.0	D3	0.25	0.64	
19.0	455143	2/3V19.0-SK	24.0	D3	0	0.89	
25.0	455144	2/3V25.0-SF	29.0	D3	0.18	0.76	

3-Groove							F = 1.50
O.D.Δ	Part No.	Description	Wt.	Type‡	M	K	
2.5	455145	3/3V2.50-JA	1.9				
2.65	455146	3/3V2.65-JA	1.9				
2.8	455147	3/3V2.80-JA	2.2				
3.0	455148	3/3V3.00-SH	2.6				
3.15	455149	3/3V3.15-SH	2.8				
3.35	455150	3/3V3.35-SH	3.0				
3.65	455151	3/3V3.65-SH	3.2				
4.12	455152	3/3V4.12-SH	3.6				
4.5	455153	3/3V4.50-SDS	4.3				
4.75	455154	3/3V4.75-SDS	4.8				
5.0	455155	3/3V5.0-SDS	5.1				
5.3	455156	3/3V5.3-SDS	5.8				
5.6	455157	3/3V5.6-SDS	6.5				
6.0	455158	3/3V6.0-SDS	7.5				
6.5	455159	3/3V6.5-SDS	7.8				
6.9	455160	3/3V6.9-SDS	8.0				
8.0	455161	3/3V8.0-SK	12.0				
10.6	455162	3/3V10.6-SK	15.0				
14.0	455163	3/3V14.0-SK	21.0	C3	0.25	0.64	
19.0	455164	3/3V19.0-SF	36.0	C3	0.25	0.69	
25.0	455165	3/3V25.0-SF	35.0	C3	0.25	0.69	
33.5	455166	3/3V33.5-SF	52.0	C3	0.25	0.69	

4-Groove							F = 1.90
O.D.Δ	Part No.	Description	Wt.	Type‡	M	K	
2.65	455167	4/3V2.65-JA	2.2				
2.8	455168	4/3V2.8-JA	2.4				
3.0	455169	4/3V3.0-SH	2.8				
3.15	455170	4/3V3.15-SH	3.1				
3.35	455171	4/3V3.35-SH	3.3				
3.65	455172	4/3V3.65-SH	3.8				
4.12	455173	4/3V4.12-SH	4.1				
4.5	455174	4/3V4.5-SDS	4.6				
4.75	455175	4/3V4.75-SDS	5.3				
5.0	455176	4/3V5.0-SDS	5.6				
5.3	455177	4/3V5.3-SDS	6.4				
5.6	455178	4/3V5.6-SDS	6.9				
6.0	455179	4/3V6.0-SK	9.4				
6.5	455180	4/3V6.5-SK	9.5				
6.9	455181	4/3V6.9-SK	11.0				
8.0	455182	4/3V8.0-SK	13.0				
10.6	455183	4/3V10.6-SK	18.0				
14.0	455184	4/3V14.0-SK	24.0	D3	0.63	0.27	
19.0	455185	4/3V19.0-SF	40.0	D3	0.50	0.44	
25.0	455186	4/3V25.0-SF	41.0	D3	0.63	0.31	
33.5	455187	4/3V33.5-E	65.0	C3	0.34	0.86	

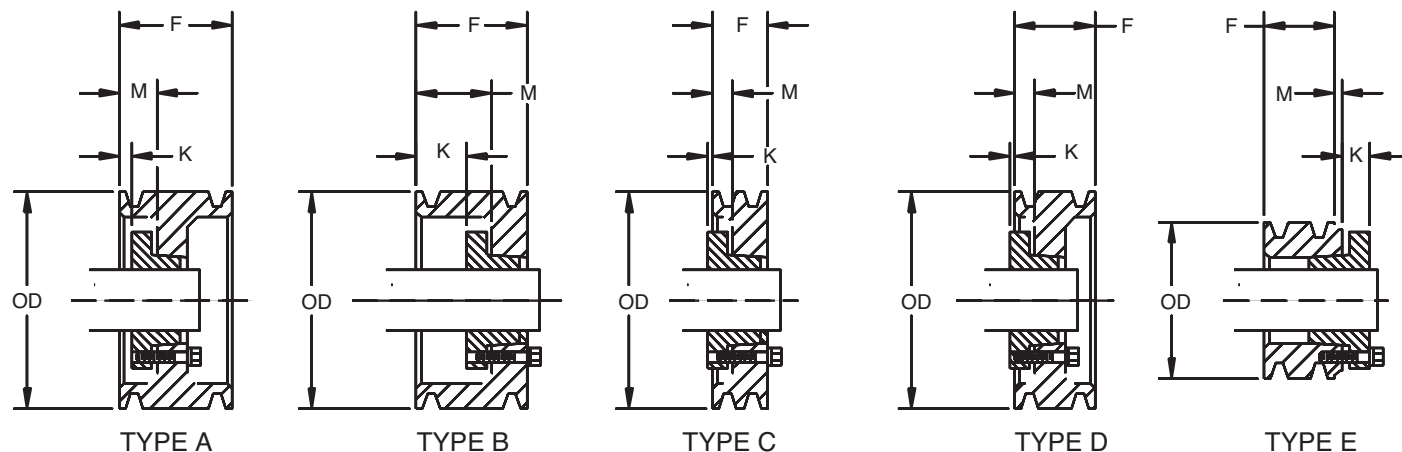
Δ Pitch Diameter = O.D. - .05"

‡ Type 1 = Block Type, 2 = Web, 3 = Arm - See page PT7-2.



SELECTION/DIMENSIONS

3V QD SHEAVES - Heavy Duty



5-Groove							F = 2.31	
O.D.Δ	Part No.	Description	Wt.	Type‡	M	K		
4.75	455188	5/3V4.75-SDS	5.9					
5.0	455189	5/3V5.0-SDS	6.3					
5.3	455190	5/3B5.3-SK	8.0					
5.6	455191	5/3V5.6-SK	9.0					
6.0	455192	5/3V6.0-SK	11.0					
6.5	455193	5/3V6.5-SK	11.0					
6.9	455194	5/3V6.9-SK	12.0					
8.0	455195	5/3V8.0-SK	15.0					
10.6	455196	5/3V10.6-SK	20.0					
14.0	455197	5/3V14.0-SF	31.0	D3	0.63	0.32		
19.0	455198	5/3V19.0-SF	46.0	D3	0.63	0.31		
25.0	455199	5/3V25.0-E	50.0	C3	0.63	0.57		
33.5	455200	5/3V33.5-E	74.0	C3	0.63	0.57		

6-Groove							F = 2.72	
O.D.Δ	Part No.	Description	Wt.	Type‡	M	K		
4.75	455201	6/3V4.75-SK	7.1					
5.0	455202	6/3V5.0-SK	7.8					
5.3	455203	6/3V5.3-SK	8.6					
5.6	455204	6/3V5.6-SK	8.8					
6.0	455205	6/3V6.0-SK	11.0					
6.5	455206	6/3V6.5-SK	12.0					
6.9	455207	6/3V6.9-SK	13.0					
8.0	455208	6/3V8.0-SK	17.0					
10.6	455209	6/3V10.6-SF	23.0					
14.0	455210	6/3V14.0-SF	33.0	D3	0.88	0.06		
19.0	455211	6/3V19.0-E	62.0	D3	0.88	0.32		
25.0	455212	6/3V25.0-E	56.0	D3	1.00	0.20		
33.5	455213	6/3V33.5-E	83.0	D3	1.00	0.20		

8-Groove							F = 3.53	
O.D.Δ	Part No.	Description	Wt.	Type‡	M	K		
4.75	455214	8/3V4.75-SK	8.4					
5.0	455215	8/3V5.0-SK	8.6					
5.3	455216	8/3V5.3-SK	10.0					
5.6	455217	8/3V5.6-SK	11.0					
6.0	455218	8/3V6.0-SK	13.0					
6.5	455219	8/3V6.5-SK	15.0					
6.9	455220	8/3V6.9-SK	15.0					
8.0	455221	8/3V8.0-SF	20.0					
10.6	455222	8/3V10.6-SF	29.0					
14.0	455223	8/3V14.0-E	51.0	A3	1.25	0.05		
19.0	455224	8/3V19.0-E	70.0	D3	1.12	0.08		
25.0	455225	8/3V25.0-E	67.0	A3	1.25	0.05		
33.5	455226	8/3V33.5-F	98.0	D3	1.06	0.36		

10-Groove							F = 4.34	
O.D.Δ	Part No.	Description	Wt.	Type‡	M	K		
4.75	455227	10/3V4.75-SK	9.7					
5.0	455228	10/3V5.0-SK	11.0					
5.3	455229	10/3V5.3-SK	12.0					
5.6	455230	10/3V5.6-SK	13.0					
6.0	455231	10/3V6.0-SK	15.0					
6.5	455232	10/3V6.5-SK	16.0					
6.9	455233	10/3V6.9-SK	18.0					
8.0	455234	10/3V8.0-SF	22.0					
10.6	455235	10/3V10.6-E	41.0					
14.0	455236	10/3V14.0-E	55.0	A2	1.25	0.05		
19.0	455237	10/3V19.0-E	80.0	A3	1.25	0.05		
25.0	455238	10/3V25.0-F	83.0	D3	1.31	0.11		
33.5	455239	10/3V33.5-F	124.0	D3	1.31	0.11		

Δ Pitch Diameter = O.D. - .05"

‡ Type 1 = Block Type, 2 = Web, 3 = Arm - See page PT7-2.



SELECTION/DIMENSIONS

5V QD SHEAVES - Heavy Duty

V-Drives

FHP Drives

Drive Component Accessories

DYNA-SYNC

HT200/HTD Synchronous Drives

HTR Synchronous Drives

HTRC Synchronous Drives

2-Groove							F = 1.69
O.D.Δ	Part No.	Description	Wt.	Type‡	M	K	
++4.4	455240	2/5V4.4-SH	4.0	D1	0.19	0.49	
++4.65	455241	2/5V4.65-SDS	4.4	E1	0.19	0.70	
++4.9	455242	2/5V4.9-SDS	5.1	E1	0.19	0.51	
++5.2	455243	2/5V5.2-SDS	5.7	D1	0.69	0.01	
++5.5	455244	2/5V5.5-SDS	5.9	D1	0.69	0.01	
++5.9	455245	2/5V5.9-SDS	6.8	D1	0.69	0.01	
++6.3	455246	2/5V6.3-SK	10.0	C1	0.44	0.45	
++6.7	455247	2/5V6.7-SK	13.0	C1	0.44	0.45	
7.1	455248	2/5V7.1-SK	10.0	C1	0.44	0.45	
7.5	455249	2/5V7.5-SK	12.0	C1	0.44	0.45	
8.0	455250	2/5V8.0-SK	10.0	C1	0.44	0.45	
8.5	455251	2/5V8.5-SK	11.0	C2	0.44	0.45	
9.0	455252	2/5V9.0-SK	12.0	C2	0.44	0.45	
9.25	455253	2/5V9.25-SK	13.0	C1	0.44	0.45	
9.75	455254	2/5V9.75-SK	13.0	C1	0.44	0.45	
10.3	455255	2/5V10.3-SK	15.0	C2	0.44	0.45	
10.9	455256	2/5V10.9-SK	16.0	C2	0.44	0.45	
11.3	455257	2/5V11.3-SK	19.0	C2	0.44	0.45	
11.8	455258	2/5V11.8-SK	18.0	C2	0.44	0.45	
12.5	455259	2/5V12.5-SF	20.0	C2	0.44	0.50	
13.2	455260	2/5V13.2-SF	21.0	D3	0.31	0.63	
14.0	455261	2/5V14.0-SF	23.0	D3	0.31	0.63	
15.0	455262	2/5V15.0-SF	26.0	D3	0.31	0.63	
16.0	455263	2/5V16.0-SF	29.0	D3	0.31	0.63	
18.7	455264	2/5V18.7-SF	39.0	D3	0.31	0.63	
21.2	455265	2/5V21.2-SF	39.0	C3	0.44	0.50	
23.6	455266	2/5V23.6-E	48.0	D3	0.25	0.95	
28.0	455267	2/5V28.0-E	60.0	D3	0.25	0.95	
31.5	---	---	---	---	---	---	
37.5	---	---	---	---	---	---	
50.0	---	---	---	---	---	---	

4-Groove							F = 3.06
O.D.Δ	Part No.	Description	Wt.	Type‡	M	K	
++4.4	455300	4/5V4.40-SD	6.8	E1	0.00	0.70	
++4.65	455301	4/5V4.65-SD	7.7	E1	0.00	0.70	
++4.9	455302	4/5V4.90-SD	8.0	A1	1.31	0.61	
++5.2	455303	4/5V5.20-SD	8.7	A1	1.31	0.61	
++5.5	455304	4/5V5.50-SD	9.7	A1	1.31	0.61	
++5.9	455305	4/5V5.90-SD	11.0	A1	1.31	0.61	
++6.3	455306	4/5V6.30-SK	13.0	A1	1.31	0.42	
++6.7	455307	4/5V6.70-SK	14.0	A1	1.31	0.42	
7.1	455308	4/5V7.1-SF	17.0	A1	1.31	0.37	
7.5	455309	4/5V7.5-SF	20.0	A1	1.06	0.12	
8.0	455310	4/5V8.0-E	28.0	B1	1.44	0.24	
8.5	455311	4/5V8.5-E	30.0	B1	1.44	0.24	
9.0	455312	4/5V9.0-E	33.0	B1	1.44	0.24	
9.25	455313	4/5V9.25-E	36.0	B1	1.44	0.24	
9.75	455314	4/5V9.75-E	36.0	B1	1.44	0.24	
10.3	455315	4/5V10.3-E	37.0	B1	1.44	0.24	
10.9	455316	4/5V10.9-E	40.0	B1	1.44	0.24	
11.3	455317	4/5V11.3-E	39.0	B1	1.44	0.24	
11.8	455318	4/5V11.8-E	42.0	B2	1.44	0.24	
12.5	455319	4/5V12.5-E	43.0	B2	1.44	0.24	
13.2	455320	4/5V13.2-E	44.0	A3	1.06	0.14	
14.0	455321	4/5V14.0-E	47.0	A3	1.31	0.11	
15.0	455322	4/5V15.0-E	50.0	A3	1.31	0.11	
16.0	455323	4/5V16.0-E	51.0	A3	1.31	0.11	
18.7	455324	4/5V18.7-E	63.0	A3	1.31	0.11	
21.2	455325	4/5V21.2-E	62.0	D3	0.88	0.32	
23.6	455326	4/5V23.6-F	75.0	D3	0.88	0.54	
28.0	455327	4/5V28.0-F	94.0	D3	0.88	0.54	
31.5	455328	4/5V31.5-F	111.0	D3	0.88	0.54	
37.5	455329	4/5V37.5-F	144.0	D3	0.88	0.54	
50.0	455330	4/5V50.0-J	267.0	D3	0.69	0.91	

3-Groove							F = 2.38
O.D.Δ	Part No.	Description	Wt.	Type‡	M	K	
++4.4	455268	3/5V4.4-SDS	5.7	E1	0.00	0.70	
++4.65	455269	3/5V4.65-SDS	6.2	E1	0.00	0.70	
++4.9	455270	3/5V4.9-SDS	6.3	A1	1.06	0.36	
++5.2	455271	3/5V5.2-SDS	6.8	A1	1.06	0.36	
++5.5	455272	3/5V5.5-SDS	7.7	A1	1.06	0.36	
++5.9	455273	3/5V5.9-SDS	8.3	A1	1.06	0.36	
++6.3	455274	3/5V6.3-SK	12.0	B1	1.13	0.24	
++6.7	455275	3/5V6.7-SK	13.0	B1	1.13	0.24	
7.1	455276	3/5V7.1-SF	15.0	A1	1.00	0.06	
7.5	455277	3/5V7.5-SF	17.0	A1	1.00	0.06	
8.0	455278	3/5V8.0-SF	19.0	A1	1.00	0.06	
8.5	455279	3/5V8.5-SF	21.0	D1	0.81	0.13	
9.0	455280	3/5V9.0-SF	22.0	D1	0.81	0.13	
9.25	455281	3/5V9.25-SF	23.0	A1	1.00	0.06	
9.75	455282	3/5V9.75-SF	23.0	A2	1.13	0.19	
10.3	455284	3/5V10.3-SF	25.0	A2	1.00	0.06	
10.9	455285	3/5V10.9-SF	27.0	D2	0.81	0.13	
11.3	455286	3/5V11.3-SF	25.0	D2	0.81	0.13	
11.8	455287	3/5V11.8-SF	28.0	A2	1.00	0.06	
12.5	455288	3/5V12.5-E	36.0	D2	0.56	0.64	
13.2	455289	3/5V13.2-E	38.0	C2	0.75	0.45	
14.0	455290	3/5V14.0-E	46.0	D3	0.56	0.64	
15.0	455291	3/5V15.0-E	48.0	D3	0.63	0.57	
16.0	455292	3/5V16.0-E	50.0	D3	0.63	0.57	
18.7	455293	3/5V18.7-E	54.0	D3	0.50	0.70	
21.2	455294	3/5V21.2-E	62.0	C3	0.75	0.45	
23.6	455295	3/5V23.6-E	79.0	C3	0.75	0.45	
28.0	455296	3/5V28.0-E	85.0	C3	0.75	0.45	
31.5	455297	3/5V31.5-F	124.0	D3	0.56	0.86	
37.5	455298	3/5V37.5-F	143.0	D3	0.56	0.86	
50.0	455299	3/5V50.0-F	218.0	D3	0.31	1.11	

5-Groove							F = 3.75
O.D.Δ	Part No.	Description	Wt.	Type‡	M	K	
++4.4	455331	5/5V4.4-SD	8.0	E1	0.00	0.70	
++4.65	455332	5/5V4.65-SD	8.5	E1	0.00	0.70	
++4.9	455333	5/5V4.9-SD	10.0	E1	0.00	0.70	
++5.2	455334	5/5V5.2-SD	11.0	A1	1.31	0.61	
++5.5	455335	5/5V5.5-SD	11.0	A1	1.31	0.61	
++5.9	455336	5/5V5.9-SK	13.0	A1	1.31	0.42	
++6.3	455337	5/5V6.3-SK	15.0	A1	1.31	0.42	
++6.7	455338	5/5V6.7-SF	16.0	A1	1.19	0.25	
7.1	455339	5/5V7.1-SF	19.0	A1	1.19	0.25	
7.5	455340	5/5V7.5-SF	21.0	A1	1.19	0.25	
8.0	455341	5/5V8.0-E	30.0	A1	1.38	0.18	
8.5	455342	5/5V8.5-E	33.0	A1	1.38	0.18	
9.0	455343	5/5V9.0-E	36.0	A1	1.38	0.18	
9.25	455344	5/5V9.25-E	38.0	A1	1.38	0.18	
9.75	455345	5/5V9.75-E	38.0	A1	1.38	0.18	
10.3	455346	5/5V10.3-E	41.0	A1	1.38	0.18	
10.9	455347	5/5V10.9-E	45.0	A1	1.38	0.18	
11.3	455348	5/5V11.3-E	42.0	A1	1.38	0.18	
11.8	455349	5/5V11.8-E	45.0	A2	1.38	0.18	
12.5	455350	5/5V12.5-E	55.0	A2	1.38	0.18	
13.2	455351	5/5V13.2-E	58.0	A2	1.38	0.18	
14.0	455352	5/5V14.0-E	60.0	A2	1.38	0.18	
15.0	455353	5/5V15.0-E	61.0	A3	1.31	0.11	
16.0	455354	5/5V16.0-E	67.0	A3	1.25	0.05	
18.7	455355	5/5V18.7-F	92.0	C3	1.31	0.11	
21.2	455356	5/5V21.2-F	77.0	C3	1.31	0.11	
23.6	455357	5/5V23.6-F	88.0	C3	1.31	0.11	
28.0	455358	5/5V28.0-F	111.0	D3	1.08	0.34	
31.5	455359	5/5V31.5-J	150.0	D3	1.00	0.60	
37.5	455360	5/5V37.5-J	186.0	D3	0.81	0.79	
50.0	455361	5/5V50.0-J	273.0	D3	1.00	0.60	

Δ Pitch diameter = O.D. - .10" . . . >.000

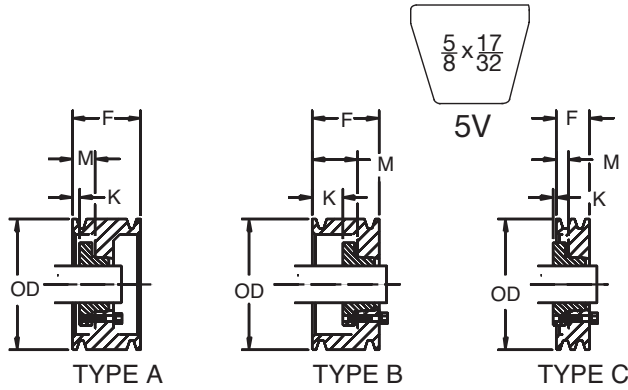
‡ Type 1 = Block Type, 2 = Web, 3 = Arm - See page PT7-2.

++ 5VX Belts only on these sizes.

SELECTION/DIMENSIONS



5V QD SHEAVES - Heavy Duty



8-Groove							F = 5.81	
O.D.Δ	Part No.	Description	Wt.	Type‡	M	K		
7.1	455393	8/5V7.1-SF	24.0					
7.5	455394	8/5V7.5-SF	28.0					
8.0	455395	8/5V8.0-E	36.0					
8.5	455396	8/5V8.5-E	39.0					
9.0	455397	8/5V9.0-E	43.0					
9.25	455398	8/5V9.25-F	55.0					
9.75	455399	8/5V9.75-F	56.0					
10.3	455400	8/5V10.3-F	60.0					
10.9	455401	8/5V10.9-F	65.0					
11.3	455402	8/5V11.3-F	70.0					
11.8	455403	8/5V11.8-F	67.0					
12.5	455404	8/5V12.5-F	76.0					
13.2	455405	8/5V13.2-F	77.0					
14.0	455406	8/5V14.0-F	77.0	A1	2.44	1.02		
15.0	455407	8/5V15.0-F	85.0	A2	2.44	1.02		
16.0	455408	8/5V16.0-F	90.0	A3	2.38	0.96		
18.7	455409	8/5V18.7-J	138.0	A3	2.91	1.31		
21.2	455410	8/5V21.2-J	126.0	D3	1.56	0.04		
23.6	455411	8/5V23.6-J	141.0	D3	1.56	0.04		
28.0	455412	8/5V28.0-J	172.0	D3	1.56	0.04		
31.5	455413	8/5V31.5-M	246.0	A3	1.94	0.20		
37.5	455414	8/5V37.5-M	296.0	A3	1.94	0.20		
50.0	455415	8/5V50.0-M	419.0	A3	1.94	0.20		

Δ Pitch diameter = O.D. - .10"

‡ Type 1 = Block Type, 2 = Web, 3 = Arm - See drawings page PT7-2.

++ 5VX Belts only on these sizes.

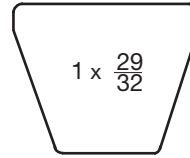
6-Groove							F = 4.44	
O.D.Δ	Part No.	Description	Wt.	Type‡	M	K		
++4.4	455362	6/5V4.40-SD	9.0					
++4.65	455363	6/5V4.65-SD	10.0					
++4.90	455364	6/5V4.90-SD	11.0					
++5.20	455365	6/5V5.20-SD	12.0					
++5.50	455366	6/5V5.50-SD	13.0					
++5.90	455367	6/5V5.90-SK	14.0					
++6.30	455368	6/5V6.30-SK	16.0					
++6.70	455369	6/5V6.70-SF	19.0					
7.1	455370	6/5V7.1-SF	21.0					
7.5	455371	6/5V7.5-SF	24.0					
8.0	455372	6/5V8.0-E	32.0					
8.5	455373	6/5V8.5-E	34.0					
9.0	455374	6/5V9.0-E	38.0					
9.25	455375	6/5V9.25-E	40.0					
9.75	455376	6/5V9.75-E	41.0					
10.3	455377	6/5V10.3-E	44.0					
10.9	455378	6/5V10.9-E	49.0					
11.3	455379	6/5V11.3-E	47.0					
11.8	455380	6/5V11.8E	49.0					
12.5	455381	6/5V12.5-F	63.0					
13.2	455382	6/5V13.2-F	64.0					
14.0	455383	6/5V14.0-F	73.0	B2	2.06	0.64		
15.0	455384	6/5V15.0-F	75.0	D2	1.31	0.11		
16.0	455385	6/5V16.0-F	91.0	B3	1.88	0.46		
18.7	455386	6/5V18.7-F	99.0	A3	1.44	0.02		
21.2	455387	6/5V21.2-F	86.0	D3	1.31	0.11		
23.6	455388	6/5V23.6-J	121.0	B3	1.31	0.11		
28.0	455389	6/5V28.0-J	145.0	B3	1.31	0.11		
31.5	455390	6/5V31.5-J	167.0	B3	1.31	0.11		
37.5	455391	6/5V37.5-J	208.0	B3	1.31	0.11		
50.0	455392	6/5V50.0-M	353.0	B3	0	1.74		

10-Groove							F = 7.19	
O.D.Δ	Part No.	Description	Wt.	Type‡	M	K		
8.0	456062	10/5V8.0-E	42.0					
8.5	456063	10/5V8.5-E	44.0					
9.0	456064	10/5V9.0-F	57.0					
9.25	456065	10/5V9.25-F	60.0					
9.75	456066	10/5V9.75-F	61.0					
10.3	456067	10/5V10.3-F	66.0					
10.9	456066	10/5V10.9-F	72.0					
11.3	456069	10/5V11.3-F	78.0					
11.8	456070	10/5V11.8-F	80.0					
12.5	456071	10/5V12.5-J	111.0					
13.2	456072	10/5V13.2-J	115.0					
14.0	456073	10/5V14.0-J	118.0	A1	3.44	1.84		
15.0	456074	10/5V15.0-J	120.0	A1	3.31	1.71		
16.0	456075	10/5V16.0-J	160.0	A1	3.56	1.96		
18.7	456076	10/5V18.7-J	151.0	D2	1.56	0.04		
21.2	456077	10/5V21.2-J	143.0	D2	1.56	0.04		
23.6	456078	10/5V23.6-M	209.0	B3	1.94	0.20		
28.0	456079	10/5V28.0-M	245.0	B3	1.94	0.20		
31.5	456080	10/5V31.5-M	277.0	B3	1.94	0.20		
37.5	456081	10/5V37.5-M	337.0	B3	1.94	0.20		
50.0	456082	10/5V50.0-M	484.0	B3	1.94	0.20		



SELECTION/DIMENSIONS

8V QD SHEAVES - Heavy Duty



4-Groove							F = 4.88
O.D.Δ	Part No.	Description	Wt.	Type‡	M	K	
12.5	455416	4/8V12.5-F	83.0				
13.2	455417	4/8V13.2-F	88.0				
14.0	455418	4/8V14.0-F	88.0	D2	1.19	0.23	
15.0	455419	4/8V15.0-F	111.0	D2	1.19	0.23	
16.0	455420	4/8V16.0-F	105.0	D2	1.19	0.23	
17.0	455521	4/8V17.0-F	150.0	D3	1.19	0.23	
18.0	455422	4/8V18.0-F	150.0	D3	1.19	0.23	
19.0	455423	4/8V19.0-F	146.0	D3	1.19	0.23	
20.0	455424	4/8V20.0-J	145.0	D3	1.44	0.16	
21.2	455425	4/8V21.2-J	181.0	D3	1.44	0.16	
22.4	455426	4/8V22.4-J	199.0	D3	1.44	0.16	
24.8	456654	4/8V24.8-M	211.0	C3	1.44	0.93	
30.0	455427	4/8V30.0-M	292.0	C3	0.81	0.93	
35.5	456655	4/8V35.5-M	367.0	C3	0.81	0.93	
40.0	455428	4/8V40.0-M	434.0	C3	0.81	0.93	
44.5	456656	4/8V44.5-M	371.0	C3	0.81	0.93	
53.0	455429	4/8V53.0-M	818.0	C3	0.81	0.93	

5-Groove							F = 6.00
O.D.Δ	Part No.	Description	Wt.	Type‡	M	K	
12.5	455430	5/8V12.5-F	69.0				
13.2	455431	5/8V13.2-F	75.0				
14.0	455432	5/8V14.0-F	83.0	A2	2.31	0.89	
15.0	455433	5/8V15.0-F	94.0	A2	2.31	0.89	
16.0	455434	5/8V16.0-F	106.0	A2	2.31	0.89	
17.0	455435	5/8V17.0-J	133.0	A2	2.00	0.40	
18.0	455436	5/8V18.0-J	147.0	A3	2.00	0.40	
19.0	455437	5/8V19.0-J	161.0	A3	2.00	0.40	
20.0	455438	5/8V20.0-J	141.0	A3	2.00	0.40	
21.2	455439	5/8V21.2-J	151.0	A3	2.00	0.40	
22.4	456402	5/8V22.4-M	208.0	D3	1.94	0.20	
24.8	456657	5/8V24.8-M	229.0	D3	1.94	0.20	
30.0	455441	5/8V30.0-M	276.0	D3	1.94	0.20	
35.5	456658	5/8V35.5-M	334.0	D3	1.94	0.20	
40.0	455442	5/8V40.0-M	385.0	D3	1.94	0.20	
44.5	456659	5/8V44.5-N	459.0	C3	0.94	1.11	
53.0	455443	5/8V53.0-N	574.0	C3	0.94	1.11	

6-Groove							F = 7.13
O.D.Δ	Part No.	Description	Wt.	Type‡	M	K	
12.5	455444	6/8V12.5-F	78.0				
13.2	455445	6/8V13.2-F	85.0				
14.0	455446	6/8V14.0-F	94.0	A2	2.31	0.89	
15.0	455447	6/8V15.0-J	122.0	A2	2.56	0.96	
16.0	455448	6/8V16.0-J	134.0	A2	2.56	0.96	
17.0	455449	6/8V17.0-J	147.0	A2	2.56	0.96	
18.0	455450	6/8V18.0-J	161.0	A2	2.56	0.96	
19.0	455451	6/8V19.0-J	177.0	A3	2.56	0.96	
20.0	455452	6/8V20.0-M	232.0	B3	2.94	1.20	
21.2	455453	6/8V21.2-M	216.0	B3	2.94	1.20	
22.4	455454	6/8V22.4-M	227.0	B3	2.94	1.20	
24.8	456660	6/8V24.8-M	251.0	B3	1.94	0.20	
30.0	455455	6/8V30.0-M	306.0	B3	2.06	0.32	
35.5	456661	6/8V35.5-N	391.0	C3	1.13	0.92	
40.0	455456	6/8V40.0-N	450.0	C3	1.13	0.92	
44.5	456662	6/8V44.5-N	511.0	C3	1.13	0.92	
53.0	455457	6/8V53.0-N	646.0	C3	1.13	0.92	
63.0	456663	6/8V63.0-P	856.0	C3	2.00	0.30	
71.0	456690	6/8V71.0-P	1016.0	C3	2.00	0.30	

8-Groove							F = 9.38
O.D.Δ	Part No.	Description	Wt.	Type‡	M	K	
12.5	455458	8/8V12.5-J	115.0				
13.2	455459	8/8V13.2-J	129.0				
14.0	455460	8/8V14.0-J	146.0	A2	3.56	1.96	
15.0	455461	8/8V15.0-J	144.0	A2	3.56	1.96	
16.0	455462	8/8V16.0-J	158.0	A2	3.56	1.96	
17.0	455463	8/8V17.0-M	214.0	A1	3.94	2.20	
18.0	455464	8/8V18.0-M	230.0	A2	4.19	2.45	
19.0	455465	8/8V19.0-M	247.0	A2	3.94	2.20	
20.0	455466	8/8V20.0-M	266.0	A2	3.94	2.20	
21.2	455467	8/8V21.2-M	245.0	A3	3.94	2.20	
22.4	455468	8/8V22.4-M	264.0	A3	2.25	0.51	
24.8	456664	8/8V24.8-N	315.0	A3	2.25	0.20	
30.0	455469	8/8V30.0-N	384.0	A3	2.25	0.20	
35.5	456665	8/8V35.5-N	468.0	A3	2.25	0.20	
40.0	455470	8/8V40.0-N	543.0	B3	2.63	0.58	
44.5	456666	8/8V44.5-P	670.0	B3	2.63	0.33	
53.0	455471	8/8V53.0-P	833.0	B3	2.63	0.33	
63.0	456667	8/8V63.0-P	1049.0	B3	2.63	0.33	
71.0	456691	8/8V71.0-W	1266.0	C3	0.19	2.37	

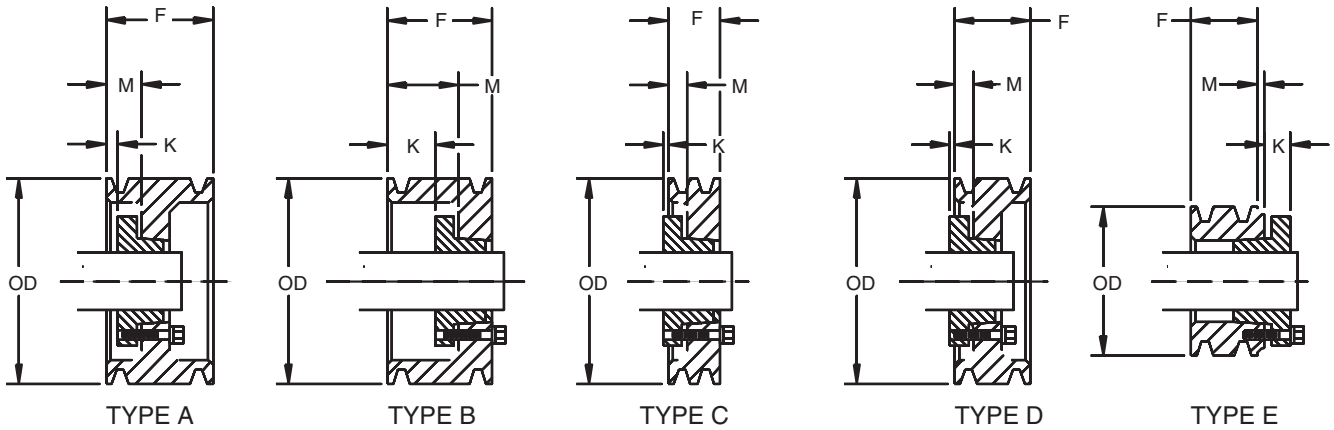
Δ Pitch diameter = O.D. - .20"

‡ Type 1 = Block Type, 2 = Web, 3 = Arm - See page PT7-2.

SELECTION/DIMENSIONS



8V QD SHEAVES - Heavy Duty



10-Groove			F = 11.63			
O.D.Δ	Part No.	Description	Wt.	Type‡	M	K
12.5	455472	10/8V12.5-J	133			
13.2	455473	10/8V13.2-J	148			
14.0	455474	10/8V14.0-J	166	A2	3.56	1.96
15.0	455475	10/8V15.0-M	224	A2	3.94	2.20
16.0	455476	10/8V16.0-M	260	A2	3.94	2.20
17.0	455477	10/8V17.0-M	241	A1	3.94	2.20
18.0	455478	10/8V18.0-M	259	A2	3.94	2.20
19.0	455479	10/8V19.0-M	279	A2	3.94	2.20
20.0	455480	10/8V20.0-M	300	A2	3.94	2.20
21.2	455481	10/8V21.2-M	286	A3	3.94	2.20
22.4	455482	10/8V22.4-N	321	A3	2.25	0.20
24.8	456668	10/8V24.8-N	357	A3	2.25	0.20
30.0	455483	10/8V30.0-N	444	A3	2.25	0.20
35.5	456669	10/8V35.5-P	591	A3	2.63	0.33
40.0	455484	10/8V40.0-P	680	A3	2.63	0.33
44.5	456670	10/8V44.5-P	775	A3	2.63	0.33
53.0	455485	10/8V53.0-P	971	A3	2.63	0.33
63.0	456671	10/8V63.0-W	1256	D3	1.31	1.25
71.0	456692	10/8V71.0-W	1482	D3	1.31	1.25

12-Groove			F = 13.88			
O.D.Δ	Part No.	Description	Wt.	Type‡	M	K
12.5	456672	12/8V12.5-M	164			
13.2	456673	12/8V13.2-M	186			
14.0	456674	12/8V14.0-M	213	A1	3.94	2.20
15.0	456675	12/8V15.0-M	248	A2	3.94	2.20
16.0	456676	12/8V16.0-M	285	A1	3.94	2.20
17.0	456677	12/8V17.0-M	270	A1	3.94	2.20
18.0	456678	12/8V18.0-M	292	A2	3.94	2.20
19.0	456679	12/8V19.0-N	330	A2	2.25	0.20
20.0	456680	12/8V20.0-N	354	A2	2.25	0.20
21.2	456681	12/8V21.2-N	365	A3	2.25	0.20
22.4	456682	12/8V22.4-N	367	A3	2.25	0.20
24.8	456683	12/8V24.8-N	408	A3	2.25	0.20
30.0	456684	12/8V30.0-P	557	A3	2.63	0.32
35.5	456685	12/8V35.5-P	671	A3	2.63	0.32
40.0	456686	12/8V40.0-P	776	A3	2.63	0.32
44.5	456687	12/8V44.5-P	887	A3	2.63	0.32
53.0	456688	12/8V53.0-W	1150	A3	2.88	0.32
63.0	456689	12/8V63.0-W	1445	D3	2.44	0.12
71.0	456693	12/8V71.0-W	1706	D3	2.44	0.12

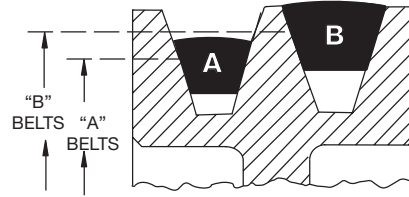
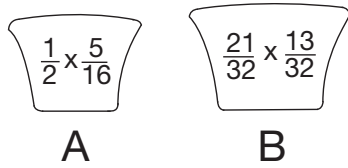
Δ Pitch diameter = O.D. - .20"

‡ Type 1 = Block Type, 2 = Web, 3 = Arm - See page PT7-2.

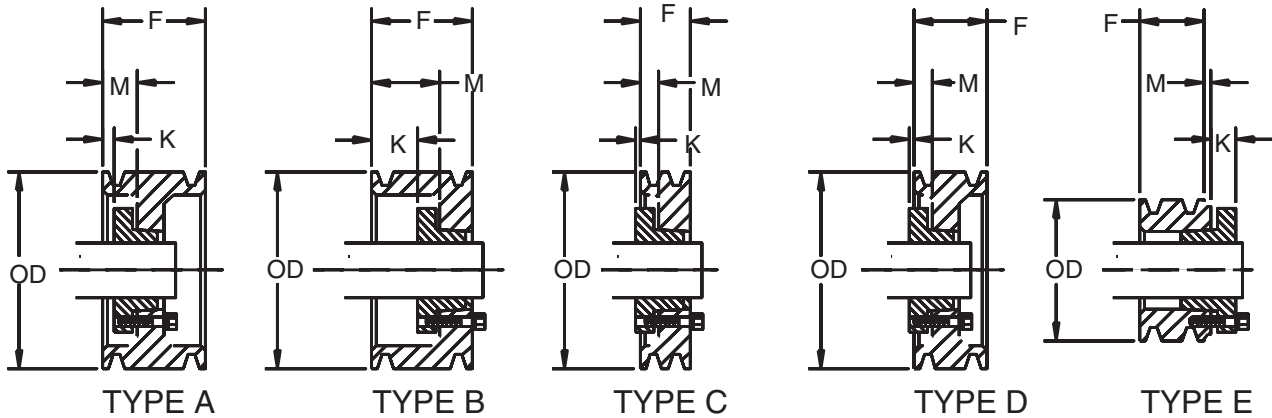


SELECTION/DIMENSIONS

A/B QD SHEAVES - Heavy Duty



Drawing illustrates how either A or B belts may be used with combination groove sheaves.



1-Groove				F = .84 A3.2 thru A4.0 B4.4				2-Groove				F = 1.75								
				Balance F = 1																
O.D.Δ	Part No.	Description	Wt.	Type‡	M	K	O.D.Δ	Part No.	Description	Wt.	Type‡	M	K	O.D.Δ	Part No.	Description	Wt.	Type‡	M	K
3.75	118283	1A3.0B3.4-SH	2.0				3.75	455576	2A3.0B3.4-SH	3.2				3.75	455576	2A3.0B3.4-SH	3.2			
3.95	118284	1A3.2B3.6-SH	2.2				3.95	455577	2A3.2B3.6-SH	3.4				3.95	455577	2A3.2B3.6-SH	3.4			
4.15	118285	1A3.4B3.8-SH	2.4				4.15	455578	2A3.4B3.8-SH	3.9				4.15	455578	2A3.4B3.8-SH	3.9			
4.35	118286	1A3.6B4.0-SH	2.7				4.35	455579	2A3.6B4.0-SH	3.8				4.35	455579	2A3.6B4.0-SH	3.8			
4.55	455550	1A3.8B4.2-SH	2.9				4.55	455580	2A3.8B4.2-SH	4.4				4.55	455580	2A3.8B4.2-SH	4.4			
4.75	455551	1A4.0B4.4-SH	3.4				4.75	455581	2A4.0B4.4-SH	4.6				4.75	455581	2A4.0B4.4-SH	4.6			
4.95	455552	1A4.2B4.6-SDS	4.0				4.95	455582	2A4.2B4.6-SDS	5.0				4.95	455582	2A4.2B4.6-SDS	5.0			
5.15	455553	1A4.4B4.8-SDS	4.0				5.15	455583	2A4.4B4.8-SDS	4.1				5.15	455583	2A4.4B4.8-SDS	4.1			
5.35	455554	1A4.6B5.0-SDS	4.0				5.35	455584	2A4.6B5.0-SDS	6.0				5.35	455584	2A4.6B5.0-SDS	6.0			
5.55	455555	1A4.8B5.2-SDS	5.0				5.55	455585	2A4.8B5.2-SDS	7.0				5.55	455585	2A4.8B5.2-SDS	7.0			
5.75	455556	1A5.0B5.4-SDS	5.0				5.75	455586	2A5.0B5.4-SDS	7.0				5.75	455586	2A5.0B5.4-SDS	7.0			
5.95	455557	1A5.2B5.6-SDS	6.0				5.95	455587	2A5.2B5.6-SDS	7.0				5.95	455587	2A5.2B5.6-SDS	7.0			
6.15	455558	1A5.4B5.8-SDS	6.0				6.15	455588	2A5.4B5.8-SDS	7.0				6.15	455588	2A5.4B5.8-SDS	7.0			
6.35	455559	1A5.6B6.0-SDS	6.0				6.35	455589	2A5.6B6.0-SDS	7.0				6.35	455589	2A5.6B6.0-SDS	7.0			
6.55	455560	1A5.8B6.2-SDS	6.0				6.55	455590	2A5.8B6.2-SDS	6.3				6.55	455590	2A5.8B6.2-SDS	6.3			
6.75	455561	1A6.0B6.4-SDS	6.0				6.75	455591	2A6.0B6.4-SDS	8.0				6.75	455591	2A6.0B6.4-SDS	8.0			
6.95	455562	1A6.2B6.6-SDS	7.0				6.95	455592	2A6.2B6.6-SDS	8.2				6.95	455592	2A6.2B6.6-SDS	8.2			
7.15	455563	1A6.4B6.8-SDS	7.0				7.15	455593	2A6.4B6.8-SDS	9.0				7.15	455593	2A6.4B6.8-SDS	9.0			
7.35	455564	1A6.6B7.0-SDS	7.5				7.35	455594	2A6.6B7.0-SK	10.0				7.35	455594	2A6.6B7.0-SK	10.0			
7.55	455565	1A7.0B7.4-SDS	8.0				7.55	455595	2A7.0B7.4-SK	11.0				7.55	455595	2A7.0B7.4-SK	11.0			
7.75	455565	1A7.0B7.4-SDS	8.0				7.75	455596	2A7.6B8.0-SK	11.0				7.75	455596	2A7.6B8.0-SK	11.0			
8.35	455566	1A7.6B8.0-SDS	8.0				8.35	455597	2A8.2B8.6-SK	12.0				8.35	455597	2A8.2B8.6-SK	12.0			
8.95	455567	1A8.2B8.6-SDS	8.0				8.95	455598	2A9.0B9.4-SK	12.0				8.95	455598	2A9.0B9.4-SK	12.0			
9.75	455568	1A9.0B9.4-SDS	8.0				9.75	455599	2A10.6B11.0-SK	14.0				9.75	455599	2A10.6B11.0-SK	14.0			
11.35	455569	1A10.6B11.0-SDS	10.0				11.35	455600	2A12.0B12.4-SK	18.0				11.35	455600	2A12.0B12.4-SK	18.0			
12.75	455570	1A12.0B12.4-SDS	11.0				12.75	455601	2A13.2B13.6-SK	19.0				12.75	455601	2A13.2B13.6-SK	19.0			
13.95	455571	1A13.2B13.6-SDS	13.0				13.95	455602	2A15.0B15.4-SK	24.0	D3	0.44	0.46	13.95	455602	2A15.0B15.4-SK	24.0	D3	0.44	0.46
15.75	455572	1A15.0B15.4-SK	16.0	C3	0.06	0.83	15.75	455603	2A15.6B16.0-SK	22.0	D3	0.44	0.46	15.75	455603	2A15.6B16.0-SK	22.0	D3	0.44	0.46
16.35	455573	1A15.6B16.0-SK	17.0	C3	0	0.89	16.35	455604	2A18.0B18.4-SK	29.0	D3	0.31	0.58	16.35	455604	2A18.0B18.4-SK	29.0	D3	0.31	0.58
18.75	455574	1A18.0B18.4-SK	18.0	C3	0	0.89	18.75	455605	2B20.0-SF	30.0	D3	0.38	0.57	18.75	455605	2B20.0-SF	30.0	D3	0.38	0.57
20.35	455575	1B20.0-SK	18.0	C3	0	0.89	20.35	455606	2B25.0-SF	40.0	D3	0.38	0.57	20.35	455606	2B25.0-SF	40.0	D3	0.38	0.57
							25.35	455607	2B30.0-SF	50.0	D3	0.38	0.57	25.35	455607	2B30.0-SF	50.0	D3	0.38	0.57
							30.35	455608	2B38.0-SF	70.0	D3	0.34	0.60	30.35	455608	2B38.0-SF	70.0	D3	0.34	0.60

Δ P.D. for "A" Belts = O.D. - .37"

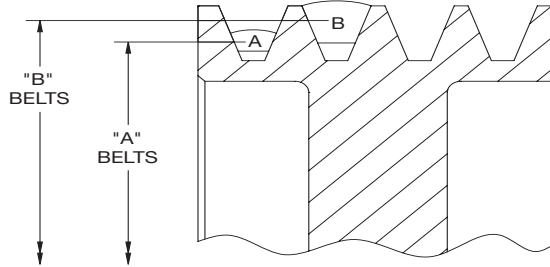
P.D. for "B" Belts = O.D. + .01"

‡ Type 1 = Block Type, 2 = Web, 3 = Arm - See page PT7-2.

SELECTION/DIMENSIONS



A/B QD SHEAVES - Heavy Duty



Drawing illustrates how either A or B belts may be used with combination groove sheaves.

3-Groove						F = 2.50	
O.D.Δ	Part No.	Description	Wt.	Type‡	M	K	
3.75	455609	3A3.0B3.4-SH	4.2				
3.95	455610	3A3.2B3.6-SH	4.7				
4.15	455611	3A3.4B3.8-SH	5.4				
4.35	455612	3A3.6B4.0-SH	4.8				
4.55	455613	3A3.8B4.2-SH	5.4				
4.75	455614	3A4.0B4.4-SH	5.6				
4.95	455615	3A4.2B4.6-SD	8.0				
5.15	455616	3A4.4B4.8-SD	8.5				
5.35	455617	3A4.6B5.0-SD	9.0				
5.55	455618	3A4.8B5.2-SD	9.0				
5.75	455619	3A5.0B5.4-SD	10.0				
5.95	455620	3A5.2B5.6-SD	11.0				
6.15	455621	3A5.4B5.8-SD	9.1				
6.35	455622	3A5.6B6.0-SD	10.0				
6.55	455623	3A5.8B6.2-SD	11.0				
6.75	455624	3A6.0B6.4-SD	11.0				
6.95	455625	3A6.2B6.6-SD	12.0				
7.15	455626	3A6.4B6.8-SD	13.0				
7.35	455627	3A6.6B7.0-SK	13.0				
7.75	455628	3A7.0B7.4-SK	13.0				
8.35	455629	3A7.6B8.0-SK	14.0				
8.95	455630	3A8.2B8.6-SK	13.0				
9.75	455631	3A9.0B9.4-SK	16.0				
11.35	455632	3A10.6B11.0-SK	19.0				
12.75	455633	3A12.0B12.4-SK	24.0				
13.95	455634	3A13.2B13.6-SK	24.0				
15.75	455635	3A15.0B15.4-SK	30.0	D3	0.75	0.14	
16.35	455636	3A15.6B16.0-SK	27.0	D3	0.75	0.14	
18.75	455637	3A18.0B18.4-SK	38.0	D3	0.75	0.14	
20.35	455638	3B20.0-SF	38.0	D3	0.63	0.32	
25.35	455639	3B25.0-SF	51.0	D3	0.63	0.32	
30.35	455640	3B30.0-SF	65.0	D3	0.63	0.32	
38.35	455641	3B38.0-E	95.0	D3	0.63	0.57	

4-Groove						F = 3.25	
O.D.Δ	Part No.	Description	Wt.	Type‡	M	K	
3.75	455642	4A3.0B3.4-SD	5.5				
3.95	455643	4A3.2B3.6-SD	5.8				
4.15	455644	4A3.4B3.8-SD	6.2				
4.35	455645	4A3.6B4.0-SD	6.6				
4.55	455646	4A3.8B4.2-SD	6.9				
4.75	455647	4A4.0B4.4-SD	7.5				
4.95	455648	4A4.2B4.6-SD	7.5				
5.15	455649	4A4.4B4.8-SD	7.3				
5.35	455650	4A4.6B5.0-SD	10.0				
5.55	455651	4A4.8B5.2-SD	11.0				
5.75	455652	4A5.0B5.4-SD	11.0				
5.95	455653	4A5.2B5.6-SD	12.0				
6.15	455654	4A5.4B5.8-SD	11.0				
6.35	455655	4A5.6B6.0-SD	11.0				
6.55	455656	4A5.8B6.2-SD	14.0				
6.75	455657	4A6.0B6.4-SD	14.0				
6.95	455658	4A6.2B6.6-SD	14.0				
7.15	455659	4A6.4B6.8-SD	14.0				
7.35	455660	4A6.6B7.0-SK	14.0				
7.75	455661	4A7.0B7.4-SK	15.0				
8.35	455662	4A7.6B8.0-SK	15.0				
8.95	455663	4A8.2B8.6-SK	17.0				
9.75	455664	4A9.0B9.4-SK	19.0				
11.35	455665	4A10.6B11.0-SK	22.0				
12.75	455666	4A12.0B12.4-SK	29.0				
13.95	455667	4A13.2B13.6-SK	29.0				
15.75	455668	4A15.0B15.4-SF	39.0	A3	1.13	0.18	
16.35	455669	4A15.6B16.0-SF	34.0	A3	1.00	0.06	
18.75	455670	4A18.0B18.4-SF	47.0	A3	1.00	0.06	
20.35	455671	4B20.0-SF	46.0	A3	1.00	0.06	
25.35	455672	4B25.0-E	66.0	D3	1.00	0.20	
30.35	455673	4B30.0-E	83.0	D3	0.63	0.57	
38.35	455674	4B38.0-E	115.0	D3	1.00	0.20	

Δ P.D. for "A" Belts = O.D. - .37"

P.D. for "B" Belts = O.D. + .01"

‡ Type 1 = Block Type, 2 = Web, 3 = Arm - See page PT7-2.



SELECTION/DIMENSIONS

A/B QD SHEAVES - Heavy Duty

5-Groove						F = 4.00	
O.D.Δ	Part No.	Description	Wt.	Type‡	M	K	
3.75	455675	5A3.0B3.4-SD	5.9				
3.95	455676	5A3.2B3.6-SD	6.5				
4.15	455677	5A3.4B3.8-SD	7.2				
4.35	455678	5A3.6B4.0-SD	7.3				
4.55	455679	5A3.8B4.2-SD	8.0				
4.75	455680	5A4.0B4.4-SD	8.8				
4.95	455681	5A4.2B4.6-SD	9.0				
5.15	455682	5A4.4B4.8-SD	8.5				
5.35	455683	5A4.6B5.0-SD	11.0				
5.55	455684	5A4.8B5.2-SD	12.0				
5.75	455685	5A5.0B5.4-SK	12.0				
5.95	455686	5A5.2B5.6-SK	12.0				
6.15	455687	5A5.4B5.8-SK	13.0				
6.35	455688	5A5.6B6.0-SK	14.0				
6.55	455689	5A5.8B6.2-SK	13.0				
6.75	455690	5A6.0B6.4-SK	16.0				
6.95	455691	5A6.2B6.6-SK	15.0				
7.15	455692	5A6.4B6.8-SK	17.0				
7.35	455693	5A6.6B7.0-SF	16.0				
7.75	455694	5A7.0B7.4-SF	20.0				
8.35	455695	5A7.6B8.0-SF	17.0				
8.95	455696	5A8.2B8.6-SF	24.0				
9.75	455697	5A9.0B9.4-SF	24.0				
11.35	455698	5A10.6B11.0-SF	29.0				
12.75	455699	5A12.0B12.4-SF	34.0				
13.95	455700	5A13.2B13.6-SF	33.0				
15.75	455701	5A15.0B15.4-SF	46.0	A3	1.31	0.37	
16.35	455702	5A15.6B16.0-SF	38.0	A2	1.25	0.31	
18.75	455703	5A18.0B18.4-SF	55.0	A3	1.31	0.37	
20.35	455704	5B20.0-E	58.0	A3	1.25	0.05	
25.35	455705	5B25.0-E	76.0	A3	1.25	0.05	
30.35	455706	5B30.0-E	97.0	A3	1.25	0.05	
38.35	455707	5B38.0-E	135.0	A3	1.25	0.05	

6-Groove						F = 4.75	
O.D.Δ	Part No.	Description	Wt.	Type‡	M	K	
3.75	455708	6A3.0B3.4-SD	6.7				
3.95	455709	6A3.2B3.6-SD	7.4				
4.15	455710	6A3.4B3.8-SD	8.0				
4.35	455711	6A3.6B4.0-SD	8.4				
4.55	455712	6A3.8B4.2-SD	9.0				
4.75	455713	6A4.0B4.4-SD	10.0				
4.95	455714	6A4.2B4.6-SD	10.0				
5.15	455715	6A4.4B4.8-SD	10.0				
5.35	455716	6A4.6B5.0-SD	12.0				
5.55	455717	6A4.8B5.2-SD	13.0				
5.75	455718	6A5.0B5.4-SK	13.0				
5.95	455719	6A5.2B5.6-SK	14.0				
6.15	455720	6A5.4B5.8-SK	12.0				
6.35	455721	6A5.6B6.0-SK	15.0				
6.55	455722	6A5.8B6.2-SK	15.0				
6.75	455723	6A6.0B6.4-SK	17.0				
6.95	455724	6A6.2B6.6-SK	17.0				
7.15	455725	6A6.4B6.8-SK	19.0				
7.35	455726	6A6.6B7.0-SF	18.0				
7.75	455727	6A7.0B7.4-SF	22.0				
8.35	455728	6A7.6B8.0-SF	23.0				
8.95	455729	6A8.2B8.6-SF	26.0				
9.75	455730	6A9.0B9.4-SF	27.0				
11.35	455731	6A10.6B11.0-SF	32.0				
12.75	455732	6A12.0B12.4-SF	39.0				
13.95	455733	6A13.2B13.6-SF	38.0				
15.75	455734	6A15.0B15.4-SF	50.0	A2	1.81	0.87	
16.35	455735	6A15.6B16.0-SF	44.0	A2	1.81	0.87	
18.75	455736	6A18.0B18.4-SF	62.0	A3	1.75	0.81	
20.35	455737	6B20.0-E	65.0	A3	1.38	0.18	
25.35	455738	6B25.0-E	87.0	A3	1.38	0.18	
30.35	455739	6B30.0-E	111.0	A3	1.38	0.18	
38.35	455740	6B38.0-E	155.0	A3	1.38	0.18	

8-Groove						F = 6.25	
O.D.Δ	Part No.	Description	Wt.	Type‡	M	K	
5.8	455741	8B5.4-SK	15.0				
6.0	455742	8B5.6-SK	16.0				
6.4	455743	8B6.0-SF	21.0				
6.8	455744	8B6.4-SF	23.0				
7.2	455745	8B6.8-SF	25.0				
7.8	455746	8B7.4-SF	28.0				
9.0	455747	8B8.6-E	40.0				
9.8	455748	8B9.4-E	43.0				
11.4	455749	8B11.0-E	49.0				
12.8	455750	8B12.4-E	56.0				
15.8	455751	8B15.4-E	69.0	A2	2.38	1.18	
18.8	455752	8B18.4-F	91.0	D3	1.31	0.11	
20.4	455753	8B20.0-F	84.0	D3	1.31	0.11	
25.4	455754	8B25.0-F	111.0	D3	1.31	0.11	
30.4	455755	8B30.0-F	142.0	D3	1.31	0.11	
38.4	455756	8B38.0-F	200.0	D3	1.31	0.11	

10-Groove						F = 7.75	
O.D.Δ	Part No.	Description	Wt.	Type‡	M	K	
5.8	455757	10B5.4-SK	18.0				
6.0	455758	10B5.6-SK	19.0				
6.4	455759	10B6.0-SF	24.0				
6.8	455760	10B6.4-SF	26.0				
7.2	455761	10B6.8-SF	28.0				
7.8	455762	10B7.4-SF	32.0				
9.0	455763	10B8.6-E	47.0				
9.8	455764	10B9.4-E	48.0				
11.4	455765	10B11.0-E	56.0				
12.8	455766	10B12.4-F	64.0				
15.8	455767	10B15.4-F	88.0	A2	2.06	0.64	
18.8	455768	10B18.4-F	103.0	A3	2.06	0.64	
20.4	455769	10B20.0-F	99.0	A3	2.06	0.64	
25.4	455770	10B25.0-F	132.0	A3	2.06	0.64	
30.4	455771	10B30.0-F	169.0	A3	2.06	0.64	
38.4	455772	10B38.0-J	257.0	D3	1.44	0.16	

Δ P.D. for "A" Belts = O.D. - .37"

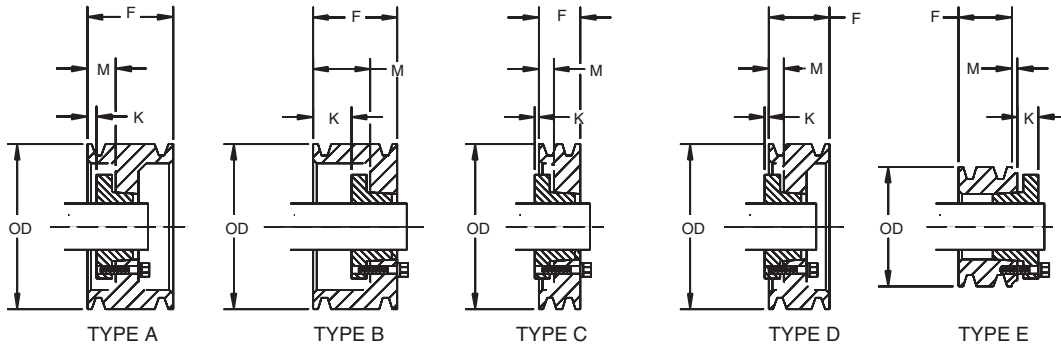
P.D. for "B" Belts = O.D. + .01"

‡ Type 1 = Block Type, 2 = Web, 3 = Arm - See page PT7-2.



SELECTION/DIMENSIONS

C QD SHEAVES - Heavy Duty



1-Groove							F = 1.38	
O.D.Δ	Part No.	Description	Wt.	Type‡	M	K		
7.4	455773	1C7.0-SF	9.0					
7.9	455774	1C7.5-SF	11.0					
8.4	455775	1C8.0-SF	11.0					
8.9	455776	1C8.5-SF	12.0					
9.4	455777	1C9.0-SF	12.0					
9.9	455778	1C9.5-SF	13.0					
10.4	455779	1C10.0-SF	14.0					
10.9	455780	1C10.5-SF	14.0					
11.4	455781	1C11.0-SF	16.0					
12.4	455782	1C12.0-SF	17.0					
13.4	455783	1C13.0-SF	19.0					
14.4	455784	1C14.0-SF	21.0	C3	0.13	0.82		
16.4	455785	1C16.0-SF	24.0	C3	0.13	0.82		
18.4	455786	1C18.0-SF	27.0	C3	0.13	0.82		
20.4	455787	1C20.0-SF	31.0	C3	0.13	0.82		
24.4	455788	1C24.0-SF	38.0	C3	0.13	0.82		

2-Groove							F = 2.37	
O.D.Δ	Part No.	Description	Wt.	Type‡	M	K		
7.4	455789	2C7.0-SF	18.0					
7.9	455790	2C7.5-SF	20.0					
8.4	455791	2C8.0-SF	19.0					
8.9	455792	2C8.5-SF	20.0					
9.4	455793	2C9.0-SF	21.0					
9.9	455794	2C9.5-SF	22.0					
10.4	455795	2C10.0-SF	23.0					
10.9	455796	2C10.5-SF	23.0					
11.4	455797	2C11.0-SF	25.0					
12.4	455798	2C12.0-SF	27.0					
13.4	455799	2C13.0-SF	29.0					
14.4	455800	2C14.0-SF	34.0	D3	0.56	0.38		
16.4	455801	2C16.0-SF	39.0	D3	0.63	0.32		
18.4	455802	2C18.0-SF	39.0	D2	0.63	0.32		
20.4	455803	2C20.0-SF	43.0	D3	0.56	0.38		
24.4	455804	2C24.0-SF	55.0	D3	0.56	0.38		
27.4	456012	2C27.0-F	72.0	C3	0.56	0.86		
30.4	456805	2C30.0-F	82.0	C3	0.56	0.86		

3-Groove							F = 3.38	
O.D.Δ	Part No.	Description	Wt.	Type‡	M	K		
5.4	455806	+3C5.0-SD	9.0					
5.9	455807	+3C5.5-SD	10.0					
6.4	455808	+3C6.0-SF	10.0					
7.4	455809	3C7.0-SF	20.0					
7.9	455810	3C7.5-SF	23.0					
8.4	455811	3C8.0-E	33.0					
8.9	455812	3C8.5-E	35.0					
9.4	455813	3C9.0-E	36.0					
9.9	455814	3C9.5-E	37.0					
10.4	455815	3C10.0-E	39.0					
10.9	455816	3C10.5-E	39.0					
11.4	455817	3C11.0-E	40.0					
12.4	455818	3C12.0-E	43.0					
13.4	455819	3C13.0-E	45.0					
14.4	455820	3C14.0-E	51.0	B3	1.75	0.55		
16.4	455821	3C16.0-E	59.0	A3	1.31	0.12		
18.4	455822	3C18.0-E	55.0	D3	0.81	0.38		
20.4	455823	3C20.0-E	60.0	D3	1.00	0.20		
24.4	455824	3C24.0-E	75.0	D3	1.00	0.20		
27.4	456013	3C27.0-F	91.0	D3	0.81	0.61		
30.4	455825	3C30.0-F	104.0	D3	0.81	0.61		
36.4	455826	3C36.0-F	133.0	D3	0.81	0.61		
44.4	455827	3C44.0-F	176.0	D3	0.81	0.61		
50.4	455828	3C50.0-F	211.0	D3	0.81	0.61		

4-Groove							F = 4.37	
O.D.Δ	Part No.	Description	Wt.	Type‡	M	K		
5.4	455829	+4C5.0-SD	11.0					
5.9	455830	+4C5.5-SD	12.0					
6.4	455831	+4C6.0-SF	11.0					
7.4	455832	4C7.0-SF	23.0					
7.9	455833	4C7.5-SF	25.0					
8.4	455834	4C8.0-E	36.0					
8.9	455835	4C8.5-E	39.0					
9.4	455836	4C9.0-E	39.0					
9.9	455837	4C9.5-E	41.0					
10.4	455838	4C10.0-E	43.0					
10.9	455839	4C10.5-E	44.0					
11.4	455840	4C11.0-E	46.0					
12.4	455841	4C12.0-E	50.0					
13.4	455842	4C13.0-E	53.0					
14.4	455843	4C14.0-E	59.0	A2	1.81	0.62		
16.4	455844	4C16.0-E	69.0	A3	1.94	0.74		
18.4	455845	4C18.0-E	66.0	A3	1.88	0.68		
20.4	455846	4C20.0-E	72.0	A3	1.50	0.30		
24.4	455847	4C24.0-F	95.0	D3	1.31	0.11		
27.4	456014	4C27.0-F	110.0	D3	1.31	0.11		
30.4	455848	4C30.0-F	126.0	D3	1.31	0.11		
36.4	455849	4C36.0-F	162.0	D3	1.31	0.11		
44.4	455850	4C44.0-F	236.0	D3	1.19	0.41		
50.4	455851	4C50.0-J	279.0	D3	1.56	0.04		

Δ Pitch Diameter = O.D.

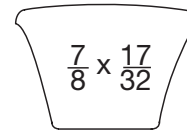
‡ Type 1 = Block Type, 2 = Web, 3 = Arm - See page PT7-2.

+ Recommended CX Belt only



SELECTION/DIMENSIONS

C QD SHEAVES - Heavy Duty



5-Groove							F = 5.37
O.D.Δ	Part No.	Description	Wt.	Type‡	M	K	
6.4	455852	+5C6.0-SF	13.0				
7.4	455853	5C7.0-SF	26.0				
7.9	455854	5C7.5-SF	28.0				
8.4	455855	5C8.0-E	39.0				
8.9	455856	5C8.5-E	42.0				
9.4	455857	5C9.0-E	43.0				
9.9	455858	5C9.5-E	45.0				
10.4	455859	5C10.0-E	48.0				
10.9	455860	5C10.5-E	50.0				
11.4	455861	5C11.0-E	52.0				
12.4	455862	5C12.0-E	57.0				
13.4	455863	5C13.0-E	61.0				
14.4	455864	5C14.0-E	69.0	A2	2.00	0.80	
16.4	455865	5C16.0-E	79.0	A3	2.00	0.80	
18.4	455866	5C18.0-E	74.0	A3	2.38	1.18	
20.4	455867	5C20.0-F	88.0	D3	1.31	0.11	
24.4	455868	5C24.0-F	110.0	D3	1.31	0.11	
27.4	456083	5C27.0-F	128.0	D3	1.31	0.11	
30.4	455869	5C30.0-F	148.0	D3	1.31	0.11	
36.4	455870	5C36.0-J	212.0	D3	1.31	0.29	
44.4	455871	5C44.0-J	274.0	D3	1.31	0.29	
50.0	455872	5C50.0-J	325.0	D3	1.56	0.04	

8-Groove							F = 8.37
O.D.Δ	Part No.	Description	Wt.	Type‡	M	K	
7.4	455894	8C7.0-SF	32.0				
8.4	455895	8C8.0-E	49.0				
8.9	455896	8C8.5-E	53.0				
9.4	455897	8C9.0-F	68.0				
9.9	455898	8C9.5-F	74.0				
10.4	455899	8C10.0-F	73.0				
10.9	455900	8C10.5-F	74.0				
11.4	455901	8C11.0-F	78.0				
12.4	455902	8C12.0-F	86.0				
13.4	455903	8C13.0-F	93.0				
14.4	455904	8C14.0-F	102.0	A1	3.38	1.95	
16.4	455905	8C16.0-F	116.0	A3	3.38	1.95	
18.4	455906	8C18.0-F	133.0	A3	3.63	2.20	
20.4	455907	8C20.0-J	147.0	D3	1.56	0.04	
24.4	455908	8C24.0-J	179.0	D3	1.56	0.04	
27.4	456085	8C27.0-J	205.0	D3	1.56	0.04	
30.4	455909	8C30.0-J	233.0	D3	1.56	0.04	
36.4	455910	8C36.0-M	339.0	A3	1.94	0.20	
44.4	455911	8C44.0-M	428.0	A3	1.94	0.20	
50.4	455912	8C50.0-M	502.0	A3	1.94	0.20	

12-Groove							F = 12.37
O.D.Δ	Part No.	Description	Wt.	Type‡	M	K	
9.4	455930	12C9.0-J	92.0				
9.9	455931	12C9.5-J	100.0				
10.4	455932	33'12C10.0-J	108.0				
10.9	455933	12C10.5-J	115.0				
11.4	455934	12C11.0-J	125.0				
12.4	455935	12C12.0-J	127.0				
13.4	455936	12C13.0-J	135.0				
14.4	455937	12C14.0-J	145.0	A1	4.06	2.46	
16.4	455938	12C16.0-J	165.0	A2	4.06	2.46	
18.4	455939	12C18.0-J	198.0	A3	4.06	2.46	
20.4	455940	12C20.0-M	277.0	A3	1.94	0.20	
24.4	455941	12C24.0-M	287.0	A3	1.94	0.20	
30.4	455942	12C30.0-M	362.0	A3	1.94	0.20	
36.4	455943	12C36.0-M	446.0	A3	1.94	0.20	
44.4	455944	12C44.0-M	572.0	A3	1.94	0.20	
50.4	455945	12C50.0-M	676.0	A3	1.94	0.20	

6-Groove							F = 6.37
O.D.Δ	Part No.	Description	Wt.	Type‡	M	K	
6.4	455873	+6C6.0-SF	15.0				
7.4	455874	6C7.0-SF	29.0				
7.9	455875	6C7.5-SF	31.0				
8.4	455876	6C8.0-E	42.0				
8.9	455877	6C8.5-E	46.0				
9.4	455878	6C9.0-F	60.0				
9.9	455879	6C9.5-F	66.0				
10.4	455880	6C10.0-F	64.0				
10.9	455881	6C10.5-F	65.0				
11.4	455882	6C11.0-F	68.0				
12.4	455883	6C12.0-F	73.0				
13.4	455884	6C13.0-F	76.0				
14.4	455885	6C14.0-F	85.0	A2	2.44	1.02	
16.4	455886	6C16.0-F	96.0	A3	2.44	1.02	
18.4	455887	6C18.0-F	90.0	A3	2.63	1.20	
20.4	455888	6C20.0-F	100.0	A3	1.94	0.52	
24.4	455889	6C24.0-F	126.0	A3	1.94	0.52	
27.4	456084	6C27.0-J	169.0	D3	0.56	0.04	
30.4	455890	6C30.0-J	191.0	D3	1.56	0.04	
36.4	455891	6C36.0-J	239.0	D3	1.56	0.04	
44.4	455892	6C44.0-J	310.0	D3	1.56	0.04	
50.4	455893	6C50.0-J	415.0	B3	1.94	0.34	

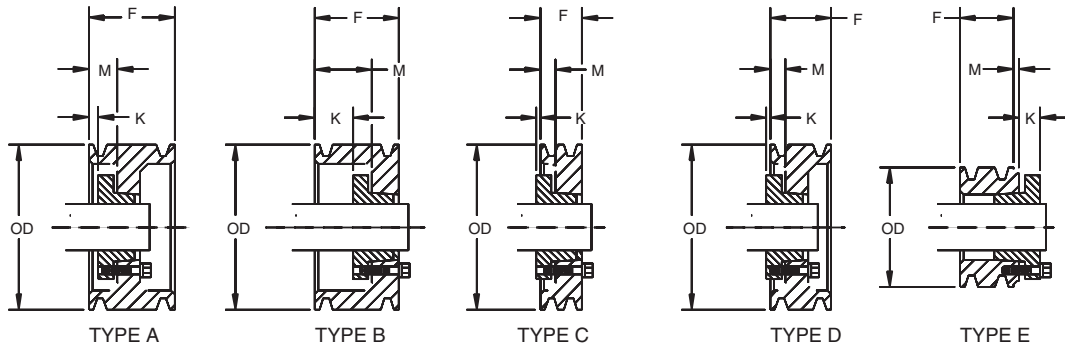
10-Groove							F = 10.37
O.D.Δ	Part No.	Description	Wt.	Type‡	M	K	
8.4	455913	10C8.0-E	76.0				
8.9	455914	10C8.5-E	80.0				
9.4	455915	10C9.0-J	84.0				
9.9	455916	10C9.5-J	91.0				
10.4	455917	10C10.0-J	99.0				
10.9	455918	10C10.5-J	106.0				
11.4	455919	10C11.0-J	115.0				
12.4	455920	10C12.0-J	114.0				
13.4	456061	10C13.0-J	119.0				
14.4	455921	10C14.0-J	128.0	A1	3.63	2.02	
16.4	455922	10C16.0-J	147.0	A1	3.56	1.96	
18.4	455923	10C18.0-J	156.0	A3	3.56	1.96	
20.4	455924	10C20.0-J	171.0	A3	3.56	1.96	
24.4	455925	10C24.0-M	257.0	A3	1.94	0.20	
30.4	455926	10C30.0-M	321.0	A3	1.94	0.20	
36.4	455927	10C36.0-M	393.0	A3	1.94	0.20	
44.4	455928	10C44.0-M	500.0	A3	1.94	0.20	
50.4	455929	10C50.0-M	589.0	A3	1.94	0.20	

Δ Pitch Diameter = O.D.
 ‡ Type 1 = Block Type, 2 = Web, 3 = Arm - See page PT7-2.
 + Recommended CX Belt only

SELECTION/DIMENSIONS



D QD SHEAVES - Heavy Duty



3-Groove							F = 4.62	
O.D.Δ	Part No.	Description	Wt.	Type‡	M	K		
12.6	455946	3D 12.0-F	83.0					
13.6	455947	3D 13.0-F	88.0					
14.1	455948	3D 13.5-F	88.0	A1	1.50	0.08		
14.6	455949	3D 14.0-F	111.0	A1	1.50	0.08		
15.1	455950	3D 14.5-F	111.0	A1	1.50	0.08		
15.6	455951	3D 15.0-F	105.0	A2	1.50	0.08		
16.1	455952	3D 15.5-F	105.0	A2	1.50	0.08		
16.6	455953	3D 16.0-F	150.0	A2	1.50	0.08		
18.6	455954	3D 18.0-J	146.0	D2	1.19	0.41		
20.6	455955	3D 20.0-J	117.0	D2	1.19	0.41		
22.6	455956	3D 22.0-J	128.0	D2	1.19	0.41		
27.6	455957	3D 27.0-J	129.0	D3	1.19	0.41		
33.6	455958	3D 33.0-J	200.0	D3	1.19	0.41		

4-Groove							F = 6.06	
O.D.Δ	Part No.	Description	Wt.	Type‡	M	K		
12.6	455960	4D 12.0-F	85.0					
13.6	455961	4D 13.0-F	76.0					
14.1	455962	4D 13.5-F	107.0	A1	2.31	0.89		
14.6	455983	4D 14.0-F	106.0	A2	2.31	0.89		
15.1	455964	4D 14.5-F	106.0	A2	2.31	0.89		
15.6	455965	4D 15.0-F	110.0	A2	2.31	0.89		
16.1	455966	4D 15.5-F	110.0	A2	2.31	0.89		
16.6	455967	4D 16.0-F	150.0	A2	2.31	0.89		
18.6	455968	4D 18.0-J	146.0	D2	1.56	0.04		
20.6	455969	4D 20.0-J	137.0	D2	1.56	0.04		
22.6	455970	4D 22.0-J	151.0	D2	1.56	0.04		
27.6	455971	4D 27.0-J	190.0	D3	1.56	0.04		
33.6	455972	4D 33.0-M	288.0	C3	1.06	0.68		
40.6	455973	4D 40.0-M	354.0	C3	1.06	0.68		
48.6	455974	4D 48.0-M	439.0	C3	1.06	0.68		

5-Groove							F = 7.50	
O.D.Δ	Part No.	Description	Wt.	Type‡	M	K		
12.6	455976	5D 12.0-F	98.0					
13.6	455977	5D 13.0-F	114.0					
14.1	455978	5D 13.5-F	134.0	A1	3.06	1.64		
14.6	455979	5D 14.0-F	140.0	A1	3.06	1.64		
15.1	455980	5D 14.5-F	140.0	A1	3.06	1.64		
15.6	455981	5D 15.0-F	146.0	A2	3.06	1.64		
16.1	455982	5D 15.5-F	146.0	A2	3.06	1.64		
16.6	455983	5D 16.0-F	143.0	A2	3.06	1.64		
18.6	455984	5D 18.0-J	164.0	D2	1.56	0.04		
20.6	455985	5D 20.0-J	157.0	D2	0.69	0.91		
22.6	455986	5D 22.0-J	174.0	D3	1.56	0.04		
27.6	455987	5D 27.0-M	268.0	A3	1.94	0.20		
33.6	455988	5D 33.0-M	329.0	A3	1.94	0.20		
40.6	455989	5D 40.0-M	408.0	A3	1.94	0.20		
48.6	455990	5D 48.0-M	510.0	A3	1.94	0.20		

6-Groove							F = 8.93	
O.D.Δ	Part No.	Description	Wt.	Type‡	M	K		
12.6	455992	6D 12.0-J	126.0					
13.6	455993	6D 13.0-J	140.0					
14.1	455994	6D 13.5-J	140.0	A1	3.31	1.71		
14.6	455995	6D 14.0-J	159.0	A1	3.31	1.71		
15.1	455996	6D 14.5-J	162.0	A1	3.31	1.71		
15.6	455997	6D 15.0-J	162.0	A2	3.31	1.71		
16.1	455998	6D 15.5-J	162.0	A2	3.31	1.71		
16.6	456000	6D 16.0-M	199.0	A1	3.88	2.27		
18.6	456001	6D 18.0-J	223.0	A2	3.88	2.27		
20.6	456002	6D 20.0-J	178.0	A2	3.88	2.27		
22.6	456003	6D 22.0-M	246.0	A2	3.16	1.42		
27.6	456004	6D 27.0-M	298.0	A3	1.94	0.20		
33.6	456005	6D 33.0-M	369.0	A3	1.94	0.20		
40.6	456006	6D 40.0-M	462.0	A3	1.94	0.20		
48.6	456007	6D 48.0-M	581.0	A3	1.94	0.20		
58.6	456008	6D 58.0-N	764.0	D3	1.34	0.71		

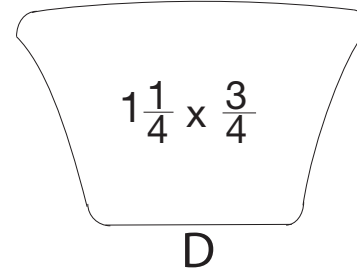
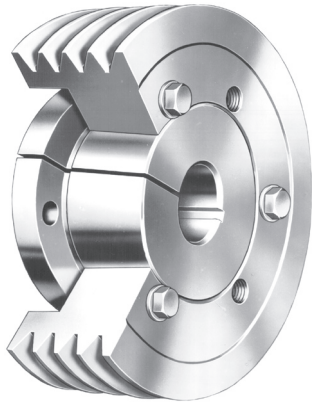
Δ Pitch Diameter = O.D.

‡ Type 1 = Block Type, 2 = Web, 3 = Arm - See page PT7-2.



SELECTION/DIMENSIONS

D QD SHEAVES - Heavy Duty



8-Groove			F = 11.81			
O.D.Δ	Part No.	Description	Wt.	Type‡	M	K
12.6	456009	8D 12.0-J	151.0			
13.6	456010	8D 13.0-J	168.0			
14.1	456011	8D 13.5-J	168.0	A1	3.56	1.96
14.6	456015	8D 14.0-J	181.0	A1	3.56	1.96
15.1	456016	8D 14.5-J	181.0	A1	3.56	1.96
15.6	456017	8D 15.0-J	216.0	A1	3.56	1.96
16.1	456018	8D 15.5-J	216.0	A1	3.56	1.96
16.6	456019	8D 16.0-J	237.0	A1	3.56	1.96
18.6	456020	8D 18.0-M	249.0	A2	4.19	2.45
20.6	456021	8D 20.0-M	299.0	A2	4.38	2.64
22.6	456022	8D 22.0-M	292.0	A2	2.34	0.60
27.6	456023	8D 27.0-M	360.0	A3	2.19	0.45
33.6	456024	8D 33.0-M	451.0	A3	1.94	0.20
40.6	456025	8D 40.0-N	588.0	A3	2.25	0.20
48.6	456026	8D 48.0-N	739.0	A3	2.25	0.20
58.6	456027	8D 58.0-N	950.0	D3	2.78	0.73

10-Groove			F = 14.68			
O.D.Δ	Part No.	Description	Wt.	Type‡	M	K
12.6	456028	10D 12.0-M	153.0			
13.6	456029	10D 13.0-M	180.0			
14.1	456030	10D 13.5-M	186.0	A1	3.94	2.20
14.6	456031	10D 14.0-M	221.0	A1	3.81	2.07
15.1	456032	10D 14.5-M	221.0	A1	3.81	2.07
15.6	456033	10D 15.0-M	247.0	A1	3.94	2.20
16.1	456034	10D 15.5-M	270.0	A1	3.94	2.20
16.6	456035	10D 16.0-M	267.0	A1	1.88	0.14
18.6	456036	10D 18.0-M	274.0	A1	3.88	2.14
20.6	456037	10D 20.0-M	341.0	A2	3.50	1.76
22.6	456038	10D 22.0-M	339.0	A2	2.94	1.20
27.6	456039	10D 27.0-M	422.0	A3	2.94	1.20
33.6	456040	10D 33.0-N	552.0	A3	3.25	1.20
40.6	456041	10D 40.0-N	696.0	A3	3.38	1.33
48.6	456042	10D 48.0-P	926.0	A3	2.63	0.32
58.6	456043	10D 58-P	1179.0	D3	3.72	1.42

Δ Pitch Diameter = O.D.

‡ Type 1 = Block Type, 2 = Web, 3 = Arm - See page PT7-2.

WARNING: The sheaves listed in this catalog must not be used with the high modulus belts unless approved by factory. Do not use with belt speeds exceeding 6500 fpm. May cause sheaves to fragment resulting in personal injury or property damage.

12-Groove			F = 17.56			
O.D.Δ	Part No.	Description	Wt.	Type‡	M	K
12.6	456044	12D12.0--M	180.0	A-1	7.31	4.94
12.6	456045	12D13.0--M	230.0	A-1	7.31	4.94
14.6	456047	12D14.0--M	256.0	A-1	7.31	4.94
15.1	456048	12D14.5-M	270.0	A-1	7.31	4.94
15.6	456049	12D15.0--M	285.0	A-1	7.31	4.94
16.1	456050	12D15.5--M	285.0	A-1	7.31	4.94
16.6	456051	12D16.0--M	300.0	A-2	7.31	4.94
18.6	456052	12D18.0-M	320.0	A-2	7.31	4.94
22.6	456054	12D22.0--M	376.0	A-3	8.31	3.94
27.6	456055	12D27.0--N	500.0	A-3	6.94	4.25
33.6	456056	12D33.0--N	662.0	A-3	6.94	4.25
40.6	456057	12D40.0-P	850.0	A-3	7.56	2.63
48.6	456059	12D48.0-P	1100.0	A-3	7.56	2.63
58.6	456060	12D58.0-P	1158.0	A-3	7.56	2.63

Pitch Diameter = O.D.

‡ Type 1 = Block Type, 2 = Web, 3 = Arm - See page PT7-2

SELECTION/DIMENSIONS



3V QD SHEAVES - Standard Duty

1-Groove		F = .69 up to and including 10.60 O.D. Balance .81				
O.D.Δ	Part No.	Description	Wt.	Type‡	M	K
# 2.20	D1-3V22	1/3V2.2-JA	0.8	E1	0.00	1.02
# 2.35	D1-3V235	1/3V2.35-JA	0.85	E1	0.00	1.02
# 2.50	D1-3V25	1/3V2.5-JA	0.92	E1	0.00	1.02
2.65	D1-3V265	1/3V2.65-JA	0.5	D1	0.06	0.45
2.80	D1-3V28	1/3V2.8-JA	0.7	D1	0.06	0.45
3.00	D1-3V30	1/3V3.0-JA	0.7	D1	0.06	0.45
3.15	D1-3V315	1/3V3.15-JA	0.7	D1	0.06	0.45
3.35	D1-3V335	1/3V3.35-JA	1.1	D1	0.06	0.45
3.65	D1-3V365	1/3V3.65-SH	1.3	E1	0.00	0.63
4.12	D1-3V412	1/3V4.12-SH	1.8	E1	0.00	0.63
4.50	D1-3V45	1/3V4.5-SH	2.2	E1	0.00	0.63
4.75	D1-3V475	1/3V4.75-SH	2.2	E1	0.00	0.63
5.00	D1-3V50	1/3V5.0-SH	2.9	E1	0.00	0.63
5.30	D1-3V53	1/3V5.3-SH	3.3	E1	0.00	0.63
5.60	D1-3V56	1/3V5.6-SH	3.7	E1	0.00	0.63
6.00	D1-3V60	1/3V6.0-SH	3.9	E2	0.00	0.63
6.50	D1-3V65	1/3V6.5-SH	4.9	E2	0.00	0.63
6.90	D1-3V69	1/3V6.9-SH	5.5	E2	0.00	0.63
8.00	D1-3V80	1/3V8.0-SDS	5.1	E3	0.00	0.69
10.60	D1-3V106	1/3V10.6-SDS	8.6	E3	0.00	0.69
14.00	D1-3V140	1/3V14.0-SK	15.3	C3	0.00	0.81
19.00	D1-3V190	1/3V19.0-SK	18.3	C3	0.00	0.91

2-Groove		F = 1.09				
O.D.Δ	Part No.	Description	Wt.	Type‡	M	K
# 2.20	D2-3V22	2/3V2.2-JA	0.9	E1	0.00	1.02
# 2.35	D2-3V235	2/3V2.35-JA	1.0	E1	0.00	1.02
# 2.50	D2-3V25	2/3V2.5-JA	1.1	E1	0.00	1.02
## 2.65	D2-3V265	2/3V2.65-JA	0.8	D1	0.13	0.39
## 2.80	D2-3V28	2/3V2.8-JA	1.0	D1	0.13	0.39
## 3.00	D2-3V30	2/3V3.0-JA	1.2	D1	0.13	0.39
## 3.15	D2-3V315	2/3V3.15-JA	1.4	D1	0.13	0.39
## 3.35	D2-3V335	2/3V3.35-SH	1.2	D1	0.13	0.50
## 3.65	D2-3V365	2/3V3.65-SH	1.6	D1	0.13	0.50
4.12	D2-3V412	2/3V4.12-SH	2.2	D1	0.34	0.28
4.50	D2-3V45	2/3V4.5-SH	2.7	D1	0.34	0.28
4.75	D2-3V475	2/3V4.75-SH	3.2	D1	0.34	0.28
5.00	D2-3V50	2/3V5.0-SH	3.7	D1	0.34	0.28
5.30	D2-3V53	2/3V5.3-SH	4.2	D1	0.34	0.28
5.60	D2-3V56	2/3V5.6-SH	4.6	D1	0.34	0.28
6.00	D2-3V60	2/3V6.0-SH	5.0	D2	0.34	0.28
6.50	D2-3V65	2/3V6.5-SDS	5.8	D2	0.31	0.38
6.90	D2-3V69	2/3V6.9-SDS	6.4	D2	0.31	0.38
8.00	D2-3V80	2/3V8.0-SDS	6.6	D3	0.31	0.38
10.60	D2-3V106	2/3V10.6-SK	11.7	C3	0.19	0.63
14.00	D2-3V140	2/3V14.0-SK	17.9	C3	0.19	0.63
19.00	D2-3V190	2/3V19.0-SK	26.6	E3	0.00	0.81
25.00	D2-3V250	2/3V25.0-SF	33.4	C3	0.00	0.81

3-Groove		F = 1.50				
O.D.Δ	Part No.	Description	Wt.	Type‡	M	K
## 2.65	D3-3V265	3/3V2.65-JA	1.1	D1	0.13	0.39
## 2.80	D3-3V28	3-3V2.8-JA	1.3	D1	0.13	0.39
* 3.00	D3-3V30	3/3V3.0-SH	1.6	E1	0.00	1.03
* 3.15	D3-3V315	3/3V3.15-SH	2.0	E1	0.00	1.00
## 3.35	D3-3V3.35	3/3V3.35-SH	1.8	D1	0.06	0.56
## 3.65	D3-3V365	3/3V3.65-SH	2.4	D1	0.06	0.56
4.12	D3-3V412	3/3V4.12-SH	2.7	D1	0.63	0.00
4.50	D3-3V450	3/3V4.50-SDS	3.0	D1	0.69	0.00
4.75	D3-3V475	3/3V4.75-SDS	3.7	D1	0.69	0.00
5.00	D3-3V50	3/3V5.0-SDS	4.2	D1	0.69	0.00
5.30	D3-3V53	3/3V5.3-SDS	4.7	D1	0.69	0.00
5.60	D3-3V56	3/3V5.6-SDS	5.2	D1	0.69	0.00
6.00	D3-3V60	3/3V6.0-SDS	6.2	D1	0.69	0.00
6.50	D3-3V65	3/3V6.5-SDS	6.7	D2	0.69	0.00
6.90	D3-3V69	3/3V6.9-SDS	7.5	D2	0.69	0.00
8.00	D3-3V80	3/3V8.0-SK	9.8	D3	0.19	0.63
10.60	D3-3V106	3/3V10.6-SK	14.0	D3	0.19	0.63
14.00	D3-3V140	3/3V14.0-SK	19.4	D3	0.19	0.63
19.00	D3-3V190	3/3V19.0-SF	32.1	E3	0.00	0.81
25.00	D3-3V250	3/3V25.0-SF	38.5	E3	0.00	0.81
33.50	D3-3V335	3/3V33.5-SF	79.3	D3	0.10	0.72

4-Groove		F = 1.90				
O.D.Δ	Part No.	Description	Wt.	Type‡	M	K
## 2.65	D4-3V2.65	4/3V2.65-JA	1.4	D1	0.13	0.39
## 2.80	D4-3V28	4/3V2.8-JA	1.6	D1	0.13	0.39
# 3.00	D4-3V30	4/3V3.0-SH	2.3	E1	0.00	1.03
# 3.15	D4-3V315	4/3V3.15-SH	2.7	E1	0.00	1.00
## 3.35	D4-3V3.35	4/3V3.35-SH	2.3	D1	0.13	0.50
## 3.65	D4-3V365	4/3V3.65-SH	3.1	D1	0.13	0.50
4.12	D4-3V412	4/3V4.12-SH	3.2	A1	0.81	0.19
4.50	D4-3V45	4/3V4.5-SDS	3.4	A1	0.88	0.19
4.75	D4-3V475	4/3V4.75-SDS	4.4	A1	0.81	0.13
5.00	D4-3V50	4/3V5.0-SDS	5.0	A1	0.81	0.13
5.30	D4-3V53	4/3V5.3-SDS	6.0	A1	0.75	0.13
5.60	D4-3V56	4/3V5.6-SDS	6.2	A1	0.81	0.13
6.00	D4-3V60	4/3V6.0-SK	7.8	D1	0.56	0.25
6.50	D4-3V65	4/3V6.5-SK	9.5	D1	0.56	0.25
6.90	D4-3V69	4/3V6.9-SK	11.1	D1	0.56	0.25
8.00	D4-3V80	4/3V8.0-SK	11.2	D3	0.56	0.25
10.60	D4-3V106	4/3V10.6-SK	16.0	D3	0.56	0.25
14.00	D4-3V140	4/3V14.0-SK	25.0	D3	0.56	0.25
19.00	D4-3V190	4/3V19.0-SF	39.8	C3	0.75	0.06
25.00	D4-3V250	4/3V25.0-SF	51.1	D3	0.38	0.44
33.50	D4-3V335	4/3V33.5-E	94.1	D3	0.28	0.78

* For 3-3V3.00; F=1.912", For 3-3V3.15; F=1 7/8

P.D. for "3V" Belts = O.D.

‡ Type 1 = Block Type, 2 = Web, 3 = Arm - See page PT7-2

Reverse Mount Only

This sheave can only be reverse mounted with standard bushing bolts. Special bolts required for conventional mounting.



SELECTION/DIMENSIONS

5V QD SHEAVES - Standard Duty

5-Groove		F = 2.31				
O.D.Δ	Part No.	Description	Wt.	Type‡	M	K
4.75	D5-3V475	5/3V4.75-SDS	4.7	A1	0.81	0.13
5.00	D5-3V50	5/3V5.0-SDS	6	A1	0.81	0.13
5.30	D5-3V53	5/3V5.3-SK	6.2	A1	0.88	0.06
5.60	D5-3V56	5/3V5.6-SK	7.4	A1	0.84	0.03
6.00	D5-3V60	5/3V6.0-SK	8.8	A1	0.88	0.06
6.50	D5-3V65	5/3V6.5-SK	9.9	A1	0.88	0.06
6.90	D5-3V69	5/3V6.9-SK	11.5	A1	0.84	0.03
8.00	D5-3V80	5/3V8.0-SK	14.5	A2	0.88	0.06
10.60	D5-3V106	5/3V10.6-SK	19.3	A3	0.97	0.16
14.00	D5-3V140	5/3V14.0-SF	26.5	D3	0.72	0.09
19.00	D5-3V190	5/3V19.0-SF	33.9	A3	0.91	0.09
25.00	D5-3V250	5/3V25.0-E	60.7	D3	0.63	0.44
33.50	D5-3V335	5/3V33.5-E	107	D3	0.69	0.38

6-Groove		F = 2.72				
O.D.Δ	Part No.	Description	Wt.	Type‡	M	K
# 4.75	D6-3V475	6/3V4.75-SK	5.8	E1	0.00	0.81
# 5.00	D6-3V50	6/3V5.0-SK	7.1	E1	0.00	0.81
5.30	D6-3V53	6/3V5.3-SK	6.8	A1	1.28	0.47
5.60	D6-3V56	6/3V5.6-SK	8.2	A1	1.25	0.44
6.00	D6-3V60	6/3V6.0-SK	9.7	A1	1.25	0.44
6.50	D6-3V65	6/3V6.5-SK	10.8	A1	0.88	0.06
6.90	D6-3V69	6/3V6.9-SK	12.2	A1	1.25	0.44
8.00	D6-3V80	6/3V8.0-SK	16	A2	0.88	0.06
10.60	D6-3V106	6/3V10.6-SF	18.7	A3	0.97	0.16
14.00	D6-3V140	6-3V14.0-SF	30.5	A3	0.90	0.09
19.00	D6-3V190	6/3V19.0-E	47.6	D3	1.03	0.03
25.00	D6-3V250	6/3V25.0-E	66.9	D3	1.03	0.03
33.50	D6-3V335	6/3V33.5-E	121.6	A3	1.09	0.03

8-Groove		F = 3.53				
O.D.Δ	Part No.	Description	Wt.	Type‡	M	K
# 4.75	D8-3V475	8/3V4.75-SK	7.2	E1	0.00	0.81
# 5.00	D8-3V50	8/3V5.0-SK	8.9	E1	0.00	0.81
5.30	D8-3V53	8/3V5.3-SK	8.3	A1	1.25	0.44
5.60	D8-3V56	8/3V5.6-SK	9.5	A1	1.25	0.44
6.00	D8-3V60	8/3V6.0-SK	11.7	A1	1.25	0.44
6.50	D8-3V65	8/3V6.5-SK	13.6	A1	1.25	0.44
6.90	D8-3V69	8/3V6.9-SK	15.4	A1	1.25	0.44
8.00	D8-3V80	8/3V8.0-SF	19.2	A2	1.13	0.31
10.60	D8-3V106	8/3V10.6-SF	22.5	A3	0.97	0.16
14.00	D8-3V140	8/3V14.0-E	42.9	D3	0.94	0.13
19.00	D8-3V190	8/3V19.0-E	66.6	D3	0.94	0.13
25.00	D8-3V250	8/3V25.0-E	92.2	D3	0.88	0.19
33.50	D8-3V335	8/3V33.5-F	153	D3	0.75	0.47

10-Groove		F = 4.34				
O.D.Δ	Part No.	Description	Wt.	Type‡	M	K
# 4.75	D10-3V475	10/3V4.75-SK	8.6	E1	0.00	0.81
# 5.00	D10-3V50	10/3V5.0-SK	10.7	E1	0.00	0.81
5.30	D10-3V53	10/3V5.3-SK	9.6	A1	1.38	0.56
5.60	D10-3V56	10-3V5.6-SK	11.9	A1	1.38	0.56
6.00	D10-3V60	10/3V6.0-SK	13.45	A1	1.38	0.56
6.50	D10-3V65	10/3V6.5-SK	14.1	A1	1.38	0.56
6.90	D10-3V69	10/3V6.9-SK	17.5	A1	1.38	0.56
8.00	D10-3V80	10/3V8.0-SF	21.55	A2	1.50	0.69
10.60	D10-3V106	10/3V10.6-E	31.6	D2	1.06	0.00
14.00	D10-3V140	10/3V14.0-E	41.6	D3	1.06	0.00
19.00	D10-3V190	10/3V19.0-E	74	D3	1.06	0.00
25.00	D10-3V250	10/3V25.0-F	105	D3	1.16	0.06
33.50	D10-3V335	10/3V33.5-F	180	D3	1.16	0.06

Reverse Mount Only

P.D. for "3V" Belts = O.D.

‡ Type 1 = Block Type, 2 = Web, 3 = Arm – See page PT7-2

V-Drives

FHP Drives

Drive Component Accessories

DYNA-SYNC

HT200/HTD Synchronous Drives

HTR Synchronous Drives

HTRC Synchronous Drives



SELECTION/DIMENSIONS

5V QD SHEAVES - Standard Duty

2-Groove		F = 1.69				
O.D.Δ	Part No.	Description	Wt.	Type‡	M	K
# + 4.40	D2-5V44	2/5V4.4-SH	3.4	D1	0.16	0.47
## + 4.65	D2-5V465	2/5V4.65-SDS	3.6	E1	0.00	0.69
+ 4.90	D2-5V49	2/5V4.9-SDS	3.9	D1	0.69	0.22
+ 5.20	D2-5V52	2/5V5.2-SDS	4.8	D1	0.47	0.22
+ 5.50	D2-5V55	2/5V5.5-SDS	5.5	D1	0.47	0.22
+ 5.90	D2-5V59	2/5V5.9-SDS	6.5	D1	0.47	0.22
+ 6.30	D2-5V63	2/5V6.3-SK	9.6	D1	0.38	0.44
+ 6.70	D2-5V67	2/5V6.7-SK	9.3	D1	0.38	0.44
7.10	D2-5V71	2/5V7.1-SK	10.6	D1	0.44	0.38
7.50	D2-5V75	2/5V7.5-SK	12.1	D1	0.44	0.38
8.00	D2-5V80	2/5V8.0-SK	14.3	D1	0.44	0.38
8.50	D2-5V85	2/5V8.5-SK	16.2	D1	0.44	0.38
9.00	D2-5V90	2/5V9.0-SK	18.5	D1	0.44	0.38
9.25	D2-5V925	2/5V9.25-SK	17	D2	0.44	0.38
9.75	D2-5V975	2/5V9.75-SK	18.2	D2	0.44	0.38
10.30	D2-5V103	2/5V10.3-SK	18	D2	0.44	0.38
10.90	D2-5V109	2/5V10.9-SK	20.8	D2	0.44	0.38
11.30	D2-5V113	2/5V11.3-SK	16.9	D3	0.44	0.38
11.80	D2-5V118	2/5V11.8-SK	18.6	D3	0.44	0.38
12.50	D2-5V125	2/5V12.5-SF	20.8	D3	0.44	0.38
13.20	D2-5V132	2/5V13.2-SF	22	D3	0.44	0.38
14.00	D2-5V140	2/5V14.0-SF	24.8	D3	0.44	0.38
15.00	D2-5V150	2/5V15.0-SF	26.6	D3	0.44	0.38
16.00	D2-5V160	2/5V16.0-SF	34.9	D3	0.44	0.38
18.70	D2-5V187	2/5V18.7-SF	43.8	D3	0.44	0.38
21.20	D2-5V212	2/5V21.2--SF	43.8	D3	0.44	0.38
23.60	D2-5V236	2/5V23.6--E	61.7	C3	0.75	0.31
28.00	D2-5V280	2/5V28.0-E	73	C3	0.75	0.31
31.50	---	---	---	---	---	---
37.50	---	---	---	---	---	---
50.00	---	---	---	---	---	---

3-Groove		F = 2.38				
O.D.Δ	Part No.	Description	Wt.	Type‡	M	K
# + 4.40	D3-5V44	3/5V4.4-SDS	4.3	E1	0.00	0.69
# + 4.65	D3-5V465	3/5V4.65-SDS	5.2	E1	0.00	0.69
+ 4.90	D3-5V49	3/5V4.9-SDS	4.9	A1	1.06	0.38
+ 5.20	D3-5V52	3/5V5.2-SDS	6.1	A1	1.06	0.38
+ 5.50	D3-5V55	3/5V5.5-SDS	6.4	A1	1.00	0.31
+ 5.90	D3-5V59	3/5V5.9-SDS	8.2	A1	1.00	0.31
+ 6.30	D3-5V63	3/5V6.3-SK	9	A1	1.25	0.25
+ 6.70	D3-5V67	3/5V6.7-SK	12.7	A1	1.06	0.25
7.10	D3-5V71	3/5V7.1-SF	12.3	D1	0.75	0.06
7.50	D3-5V75	3/5V7.5-SF	13.8	D1	0.75	0.06
8.00	D3-5V80	3/5V8.0-SF	16.2	D1	0.75	0.06
8.50	D3-5V85	3/5V8.5-SF	18.3	D1	0.75	0.06
9.00	D3-5V90	3/5V9.0-SF	20.6	D1	0.75	0.06
9.25	D3-5V925	3/5V9.25-SF	20.2	D2	0.75	0.06
9.75	D3-5V975	3/5V9.75-SF	20.8	D2	0.75	0.06
10.30	D3-5V103	3/5V10.3-SF	20.5	D2	1.00	0.06
10.90	D3-5V109	3/5V10.9-SF	23.4	D2	0.75	0.06
11.30	D3-5V113	3/5V11.3-SF	22.7	D3	0.75	0.06
11.80	D3-5V118	3/5V11.8-SF	24.4	D3	0.75	0.06
12.50	D3-5V125	3/5V12.5-E	31.1	D3	0.38	0.69
13.20	D3-5V132	3/5V13.2-E	32.2	D3	0.38	0.69
14.00	D3-5V140	3/5V14.0-E	35.5	D3	0.75	0.69
15.00	D3-5V150	3/5V15.0-E	38.3	D3	0.38	0.69
16.00	D3-5V160	3/5V16.0-E	40.1	D3	0.38	0.69
18.70	D3-5V187	3/5V18.7-E	46.6	D3	0.75	0.31
21.20	D3-5V212	3/5V21.2-E	57.2	D3	0.38	0.69
23.60	D3-5V236	3/5V23.6-E	73	D3	0.72	0.34
28.00	D3-5V280	3/5V28.0-E	97	D3	0.75	0.31
31.50	D3-5V315	3/5V31.5--F	128	C3	0.25	0.97
37.50	D3-5V375	3/5V37.5--F	158	C3	0.25	0.97
50.00	D3-5V500	3/5V50.0-F	218	C3	0.25	0.97

+ 5VX Belts only on these sizes.

Reverse Mount Only

This sheave can only be reverse mounted with standard bushing bolts. Special bolts required for conventional mounting.

P.D. for "5V" Belts = O.D.

‡ Type 1 = Block Type, 2 = Web, 3 = Arm – See page PT7-2.



SELECTION/DIMENSIONS

5V QD SHEAVES - Standard Duty

4-Groove							5-Groove						
F = 3.06							F = 3.75						
O.D.Δ	Part No.	Description	Wt.	Type‡	M	K	O.D.Δ	Part No.	Description	Wt.	Type‡	M	K
# + 4.40	D4-5V44	4/5V4.4-SD	5.4	E1	0.00	0.69	# + 4.40	D5-5V44	5/5V4.4-SD	6.3	E1	0.00	0.69
# + 4.65	D4-5V465	4/5V4.65-SD	6.1	E1	0.00	0.69	# + 4.65	D5-5V465	5-5V4.65-SD	7	E1	0.00	0.69
+ 4.90	D4-5V49	4/5V4.9-SD	6.5	A1	1.31	0.63	+ 4.90	D5-5V49	5/5V4.9-SD	7.9	A1	1.31	0.63
+ 5.20	D4-5V52	4/5V5.2-SD	8.2	A1	1.31	0.63	+ 5.20	D5-5V52	5/5V5.2-SD	9.7	A1	1.31	0.63
+ 5.50	D4-5V55	4/5V5.5-SD	9.4	A1	1.31	0.63	+ 5.50	D5-5V55	5/5V5.5-SD	10.9	A1	1.31	0.63
+ 5.90	D4-5V59	4/5V5.9-SD	10	A1	1.31	0.63	+ 5.90	D5-5V59	5/5V5.9-SK	11.2	A1	1.31	0.50
+ 6.30	D4-5V63	4/5V6.3-SK	11.7	A1	1.31	0.50	+ 6.30	D5-5V63	5/5V6.3-SK	12.2	A1	1.31	0.50
+ 6.70	D4-5V67	4/5V6.7-SK	13.4	A1	1.31	0.50	+ 6.70	D5-5V67	5/5V6.7-SF	13.2	A1	1.31	0.50
7.10	D4-5V71	4/5V7.1-SF	14.5	D1	0.81	0.00	7.10	D5-5V71	5/5V7.1-SF	16.7	A1	1.13	0.31
7.50	D4-5V75	4/5V7.5-SF	16.3	D1	0.81	0.00	7.50	D5-5V75	5/5V7.5-SF	18.5	A1	1.13	0.31
8.00	D4-5V80	4/5V8.0-E	17.9	D1	1.06	0.00	8.00	D5-5V80	5/5V8.0-E	20	A1	1.38	0.31
8.50	D4-5V85	4/5V8.5-E	21.7	D1	1.06	0.00	8.50	D5-5V85	5/5V8.5-E	24.4	A1	1.38	0.31
9.00	D4-5V90	4/5V9.0-E	24.4	D1	1.06	0.00	9.00	D5-5V90	5/5V9.0-E	27.4	A1	1.38	0.31
9.25	D4-5V925	4/5V9.25-E	26.2	D1	1.06	0.00	9.25	D5-5V925	5/5V9.25-E	29.2	A1	1.38	0.31
9.75	D4-5V975	4/5V9.75-E	29.4	A1	1.44	0.38	9.75	D5-5V975	5/5V9.75-E	32.8	A1	1.38	0.31
10.30	D4-5V103	4/5V10.3-E	28.6	D2	1.06	0.00	10.30	D5-5V103	5/5V10.3-E	31.1	A2	1.38	0.31
10.90	D4-5V109	4/5V10.9-E	30.3	D2	1.06	0.00	10.90	D5-5V109	5/5V10.9-E	33	A2	1.38	0.31
11.30	D4-5V113	4/5V11.3-E	30.9	A2	1.44	0.38	11.30	D5-5V113	5/5V11.3-E	35	A2	1.38	0.31
11.80	D4-5V118	4/5V11.8-E	32.5	D2	1.06	0.00	11.80	D5-5V118	5/5V11.8-E	37.3	A2	1.38	0.31
12.50	D4-5V125	4/5V12.5-E	35	A3	1.44	0.38	12.50	D5-5V125	5/5V12.5-E	38.9	A2	1.38	0.31
13.20	D4-5V132	4/5V13.2-E	37.4	D3	1.06	0.00	13.20	D5-5V132	5/5V13.2-E	41.8	A2	1.38	0.31
14.00	D4-5V140	4/5V14.0-E	41.1	D3	1.06	0.00	14.00	D5-5V140	5/5V14.0-E	45.3	A3	1.38	0.31
15.00	D4-5V150	4/5V15.0-E	43.7	D3	1.06	0.00	15.00	D5-5V150	5/5V15.0-E	49.1	A3	1.38	0.31
16.00	D4-5V160	4/5V16.0-E	46.9	D3	1.06	0.00	16.00	D5-5V160	5/5V16.0-E	51.9	A3	1.38	0.31
18.70	D4-5V187	4/5V18.7-E	58.5	A3	1.25	0.19	18.70	D5-5V187	5/5V18.7-F	86	D3	0.94	0.28
21.20	D4-5V212	4/5V21.2-E	77	A3	1.25	0.19	21.20	D5-5V212	5/5V21.2-F	84.7	D3	1.00	0.22
23.60	D4-5V236	4/5V23.6-F	98	D3	0.56	0.66	23.60	D5-5V236	5/5V23.6-F	111	D3	1.00	0.22
28.00	D4-5V280	4/5V28.0--F	118	D3	0.56	0.66	28.00	D5-5V280	5/5V28.0-F	128	D3	1.00	0.22
31.50	D4-5V315	4/5V31.5-F	141	C3	0.88	0.34	31.50	D5-5V315	5/5V31.5--J	174	D3	0.27	0.30
37.50	D4-5V375	4/5V37.5-F	178	D3	0.56	0.66	37.50	D5-5V375	5/5V37.5-J	199	D3	0.53	0.88
50.00	D4-5V500	4/5V50.0-J	269	C3	0.69	0.94	50.00	D5-5V500	5/5V50.0-J	319	D3	0.53	0.88

+ 5VX Belts only on these sizes.

Reverse Mount Only

This sheave can only be reverse mounted with standard bushing bolts. Special bolts required for conventional mounting.

P.D. for "5V" Belts = O.D.

‡ Type 1 = Block Type, 2 = Web, 3 = Arm – See page PT7-2.

SELECTION/DIMENSIONS



5V QD SHEAVES - Standard Duty

8-Groove							6-Groove						
F = 5.81							F = 4.44						
O.D.Δ	Part No.	Description	Wt.	Type‡	M	K	O.D.Δ	Part No.	Description	Wt.	Type‡	M	K
7.10	D8-5V71	8/5V7.1-SF	23	A1	1.88	1.06	# ++4.40	D6-5V44	6/5V4.4-SD	8.4	E1	0.00	0.69
7.50	D8-5V75	8/5V7.5-SF	25.4	A1	1.88	1.06	# ++4.65	D6-5V465	6/5V4.65-SD	9.3	E1	0.00	0.69
8.00	D8-5V80	8/5V8.0-E	26	A1	2.13	1.06	++4.90	D6-5V49	6/5V4.9-SD	8.9	A1	1.31	0.63
8.50	D8-5V85	8/5V8.5-E	33	A1	2.13	1.06	++5.20	D6-5V52	6/5V5.2-SD	10.9	A1	1.31	0.63
9.00	D8-5V90	8/5V9.0-E	36	A1	2.13	1.06	++5.50	D6-5V55	6/5V5.5-SD	13.4	A1	1.31	0.63
9.25	D8-5V925	8/5V9.25-F	42	A1	2.25	1.03	++5.90	D6-5V59	6/5V5.9-SK	12.8	A1	1.31	0.50
9.75	D8-5V975	8/5V9.75-F	47	A1	2.25	1.03	++6.30	D6-5V63	6/5V6.3-SK	15.3	A1	1.31	0.50
10.30	D8-5V103	8/5V10.3-F	54	A1	2.25	1.03	++6.70	D6-5V67	6/5V6.7-SF	16.1	A1	1.63	0.81
10.90	D8-5V109	8/5V10.9-F	61	A1	2.25	1.03	7.10	D6-5V71	6/5V7.1-SF	18.8	A1	1.38	0.56
11.30	D8-5V113	8/5V11.3-F	57	A2	2.25	1.03	7.50	D6-5V75	6/5V7.5-SF	20.8	A1	1.38	0.56
11.80	D8-5V118	8/5V11.8-F	59	A2	2.25	1.03	8.00	D6-5V80	6/5V8.0-E	22.3	A1	1.63	0.56
12.50	D8-5V125	8/5V12.5-F	63	A2	2.25	1.03	8.50	D6-5V85	6/5V8.5-E	27.1	A1	1.63	0.56
13.20	D8-5V132	8/5V13.2-F	67	A2	2.25	1.03	9.00	D6-5V90	6/5V9.0-E	30.5	A1	1.63	0.56
14.00	D8-5V140	8/5V14.0-F	77	A2	2.25	1.03	9.25	D6-5V925	6/5V9.25-E	32.2	A1	1.63	0.56
15.00	D8-5V150	8/5V15.0-F	79	A3	2.25	1.03	9.75	D6-5V975	6/5V9.75-E	36.2	A1	1.63	0.56
16.00	D8-5V160	8/5V16.0-F	85	A3	2.25	1.03	10.30	D6-5V103	6/5V10.3-E	34.4	A2	1.63	0.56
18.70	D8-5V187	8/5V18.7-J	112	A3	1.56	0.16	10.90	D6-5V109	6/5V10.9-E	36.4	A2	1.63	0.56
21.20	D8-5V212	8/5V21.2-J	119	D3	1.19	0.22	11.30	D6-5V113	6/5V11.3-E	39.3	A2	1.63	0.56
23.60	D8-5V236	8/5V23.6--J	154	A3	1.56	0.16	11.80	D6-5V118	6/5V11.8-E	40.2	A2	1.63	0.56
28.00	D8-5V280	8/5V28.0-J	179	D3	1.19	0.22	12.50	D6-5V125	6/5V12.5-F	54.2	A2	1.75	0.53
31.50	D8-5V315	8/5V31.5-M**	295	B3	1.88	0.22	13.20	D6-5V132	6/5V13.2-F	58	A2	1.75	0.53
37.50	D8-5V375	8/5V37.5-M**	326	C3	1.38	0.28	14.00	D6-5V140	6/5V14.0-F	59.9	A2	1.75	0.53
50.00	D8-5V500	8/5V50.0-M**	466	C3	1.44	0.22	15.00	D6-5V150	6/5V15.0-F	60	A3	1.75	0.53
							16.00	D6-5V160	6/5V16.0-F	64.7	A3	1.75	0.53
							18.70	D6-5V187	6/5V18.7--F	80.5	A3	1.31	0.09
							21.20	D6-5V212	6/5V21.2-F	96.3	D3	1.00	0.22
							23.60	D6-5V236	6/5V23.6--J	133	D3	0.94	0.47
							28.00	D6-5V280	6/5V28.0-J	179	D3	0.94	0.47
							31.50	D6-5V315	6/5V31.5--J	198	D3	0.94	0.47
							37.50	D6-5V375	6/5V37.5-J	239	D3	0.94	0.47
							50.00	D6-5V500	6/5V50.0-M**	386	C3	0.25	1.41

+ 5VX Belts only on these sizes.

Reverse Mount Only

10-Groove						
F = 7.19						
O.D.Δ	Part No.	Description	Wt.	Type‡	M	K
8.00	D10-5V80	10/5V8.0-E	32	A1	2.88	1.81
8.50	D10-5V85	10/5V8.5-E	38	A1	2.88	1.81
9.00	D10-5V90	10/5V9.0-F	46	A1	2.94	1.72
9.25	D10-5V925	10/5V9.25-F	48	A1	2.94	1.72
9.75	D10-5V975	10/5V9.75-F	54	A1	2.94	1.72
10.30	D10-5V103	10/5V10.3-F	61	A1	2.94	1.72
10.90	D10-5V109	10/5V10.9-F	69	A1	2.94	1.72
11.30	D10-5V113	10/5V11.3-F	73	A1	2.94	1.72
11.80	D10-5V118	10/5V11.8-F	77	A2	2.94	1.72
12.50	D10-5V125	10/5V12.5-J	93	A2	3.19	1.78
13.20	D10-5V132	10/5V13.2-J	100	A2	3.19	1.78
14.00	D10-5V140	10/5V14.0-J	90	A2	3.56	2.16
15.00	D10-5V150	10/5V15.0-J	98	A2	3.56	2.16
16.00	D10-5V160	10/5V16.0-J	99	A3	3.56	2.16
18.70	D10-5V187	10/5V18.7-J	123	A3	3.56	2.16
21.20	D10-5V212	10/5V21.2-J	139	A3	2.56	1.16
23.60	D10-5V236	10/5V23.6-M**	245	A3	1.88	0.22
28.00	D10-5V280	10/5V28.0-M**	256	A3	1.88	0.22
31.50	D10-5V315	10/5V31.5-M**	329	A3	1.88	0.22
37.50	D10-5V375	10/5V37.5-M**	356	A3	1.88	0.22
50.00	D10-5V500	10/5V50.0-M**	556	A3	1.94	0.28

P.D. for "5V" Belts = O.D.

** M-N-P-W are standard mounting only for these parts

‡ Type 1 = Block Type, 2 = Web, 3 = Arm - See page PT7-2



SELECTION/DIMENSIONS

8V QD SHEAVES - Standard Duty

4-Groove							F = 4.88
O.D.Δ	Part No.	Description	Wt.	Type‡	M	K	
12.5	D4-8V125	4/8V12.5--F	56	D2	1.19	0.03	
13.2	D4-8V132	4/8V13.2--F	63	D2	1.19	0.03	
14.0	D4-8V140	4/8V14.0--F	65	D2	1.19	0.03	
15.0	D4-8V150	4/8V15.0--F	72	D2	1.69	0.03	
16.0	D4-8V160	4-8V16.0-F	80	D3	1.19	0.03	
17.0	D4-8V170	4/8V17.0--F	93	A3	1.25	0.03	
18.0	D4-8V180	4/8V18.0-F	105	A3	1.25	0.03	
19.0	D4-8V190	4/8V19.0--F	113	D3	1.19	0.03	
20.0	D4-8V200	4/8V20.0--J	125	A3	1.50	0.09	
21.2	D4-8V212	4/8V21.2--J	131	A3	1.50	0.09	
22.4	D4-8V224	4/8V22.4--J	150	A3	1.50	0.09	
24.8	D4-8V248	4/8V24.8-M**	247	C3	0.81	0.84	
30.0	D4-8V300	4/8V30.0-M**	230	C3	0.81	0.84	
35.5	D4-8V355	4/8V35.5-M**	329	C3	0.81	0.84	
40.0	D4-8V400	4/8V40.0-M**	325	C3	0.81	0.84	
44.5	D4-8V445	4/8V44.5-M**	434	C3	0.81	0.84	
53.0	D4-8V530	4/8V53.0-M**	425	C3	0.81	0.84	

5-Groove							F = 6.00
O.D.Δ	Part No.	Description	Wt.	Type‡	M	K	
12.5	D5-8V125	5/8V12.5-F	64	A2	2.28	1.06	
13.2	D5-8V132	5/8V13.2-F	75	A2	2.28	1.06	
14.0	D5-8V140	5/8V14.0-F	77	A2	2.28	1.06	
15.0	D5-8V150	5/8V15.0-F	87	A2	2.31	1.09	
16.0	D5-8V160	5/8V16.0-F	93	A3	2.31	1.09	
17.0	D5-8V170	5/8V17.0-J	105	A3	2.00	0.59	
18.0	D5-8V180	5/8V18.0--J	117	A3	2.00	0.59	
19.0	D5-8V190	5/8V19.0-J	126	A3	2.00	0.59	
20.0	D5-8V200	5/8V20.0-J	135	A3	2.00	0.59	
21.2	D5-8V212	5/8V21.2-J	160	A3	2.00	0.59	
22.4	D5-8V224	5/8V22.4-M**	188	B3	1.94	0.28	
24.8	D5-8V248	5/8V24.8-M**	266	B3	1.97	0.31	
30.0	D5-8V300	5/8V30.0-M**	255	B3	1.97	0.31	
35.5	D5-8V355	5/8V35.5-M**	391	B3	1.97	0.31	
40.0	D5-8V400	5/8V40.0-M**	355	B3	1.97	0.31	
44.5	D5-8V445	5/8V44.5-N**	538	C3	0.75	1.31	
53.0	D5-8V530	5/8V53.0-N**	500	C3	0.75	1.31	

6-Groove							F = 7.13
O.D.Δ	Part No.	Description	Wt.	Type‡	M	K	
12.5	D6-8V125	6/8V12.5-F	79	A1	3.31	2.09	
13.2	D6-8V132	6/8V13.2-F	86	A2	2.28	1.06	
14.0	D6-8V140	6/8V14.0-F	92	A2	2.28	1.06	
15.0	D6-8V150	6/8V15.0--J	99	A2	2.56	1.16	
16.0	D6-8V160	6/8V16.0-J	119	A2	2.56	1.16	
17.0	D6-8V170	6/8V17.0-J	125	A3	2.56	1.16	
18.0	D6-8V180	6/8V18.0-J	131	A3	2.56	1.16	
19.0	D6-8V190	6/8V19.0-J	146	A3	2.56	1.16	
20.0	D6-8V200	6/8V20.0-M**	153	B3	2.94	1.28	
21.2	D6-8V212	6/8V21.2-M**	170	B2	2.94	1.28	
22.4	D6-8V224	6/8V22.4-M**	205	B3	2.94	1.28	
24.8	D6-8V248	6/8V24.8-M**	285	A3	1.94	0.28	
30.0	D6-8V300	6/8V30.0-M**	291	A3	1.94	0.28	
35.5	D6-8V355	6/8V35.5-N**	467	C3	1.88	0.19	
40.0	D6-8V400	6/8V40.0-N**	401	B3	1.13	0.19	
44.5	D6-8V445	6/8V44.5-N**	573	C3	1.88	0.19	
53.0	D6-8V530	6/8V53.0-N**	520	C3	1.88	0.19	
63.0	D6-8V630	6/8V63.0-P**	890	C3	1.63	0.75	
71.0	D6-8V710	6/8V71.0-P**	1131	C3	1.63	0.75	

8-Groove							F = 9.38
O.D.Δ	Part No.	Description	Wt.	Type‡	M	K	
12.5	D8-8V125	8/8V12.5--J	100	A1	3.44	2.03	
13.2	D8-8V132	8/8V13.2--J	126	A1	3.44	2.03	
14.0	D8-8V140	8/8V14.0--J	124	A2	3.44	2.03	
15.0	D8-8V150	8/8V15.0-J	134	A2	3.44	2.03	
16.0	D8-8V160	8/8V16.0--J	145	A2	3.56	2.16	
17.0	D8-8V170	8/8V17.0-M**	213	A2	3.94	2.28	
18.0	D8-8V180	8/8V18.0-M**	213	A2	3.94	2.28	
19.0	D8-8V190	8/8V19.0-M**	221	A2	3.94	2.28	
20.0	D8-8V200	8/8V20.0-M**	217	A2	3.94	2.28	
21.2	D8-8V212	8/8V21.2-M**	239	A2	3.94	2.28	
22.4	D8-8V224	8/8V22.4-M**	260	A3	3.94	2.28	
24.8	D8-8V248	8/8V24.8-N**	417	A3	2.25	0.19	
30.0	D8-8V300	8/8V30.0-N**	352	A3	2.25	0.19	
35.5	D8-8V355	8/8V35.5-N**	575	A3	2.25	0.19	
40.0	D8-8V400	8/8V40.0-N**	496	A3	2.25	0.19	
44.5	D8-8V445	8/8V44.5-P**	783	B3	2.63	0.25	
53.0	D8-8V530	8/8V53.0-P**	760	B3	2.63	0.25	
63.0	D8-8V630	8/8V63.0-P**	1116	B3	2.63	0.25	
71.0	D8-8V710	8/8V71.0-W**	1632	C3	2.63	0	

P.D. for "8V" Belts = O.D.

** M-N-P-W are standard mounting only for these parts

‡ Type 1 = Block Type, 2 = Web, 3 = Arm - See page PT7-2



SELECTION/DIMENSIONS

8V QD SHEAVES - Standard Duty

10-Groove							12-Groove						
F = 11.63							F = 13.88						
O.D.Δ	Part No.	Description	Wt.	Type‡	M	K	O.D.Δ	Part No.	Description	Wt.	Type‡	M	K
12.5	D10-8V125	10/8V12.5-J	148	A1	3.56	2.16	12.5	D12-8V125	12/8V12.5-M**	197	A1	3.94	2.28
13.2	D10-8V132	10/8V13.2-J	148	A1	3.56	2.16	13.2	D12-8V132	12/8V13.2-M**	219	A1	3.94	2.28
14.0	D10-8V140	10/8V14.0-J	160	A1	3.56	2.16	14.0	D12-8V140	12/8V14.0-M**	245	A1	3.94	2.28
15.0	D10-8V150	10/8V15.0-M**	259	A1	3.94	2.28	15.0	D12-8V150	12/8V15.0-M**	280	A1	3.94	2.28
16.0	D10-8V160	10/8V16.0-M**	296	A1	3.94	2.28	16.0	D12-8V160	12/8V16.0-M**	319	A1	3.94	2.28
17.0	D10-8V170	10/8V17.0-M**	269	A2	3.94	2.28	17.0	D12-8V170	12/8V17.0-M**	321	A1	3.94	2.28
18.0	D10-8V180	10/8V18.0-M**	282	A2	3.94	2.28	18.0	D12-8V180	12/8V18.0-M**	337	A1	3.94	2.28
19.0	D10-8V190	10/8V19.0-M**	300	A2	3.94	2.28	19.0	D12-8V190	12/8V19.0-N**	380	A1	2.25	0.19
20.0	D10-8V200	10/8V20.0-M**	318	A2	3.94	2.28	20.0	D12-8V200	12/8V20.0-N**	402	A2	2.25	0.19
21.2	D10-8V212	10/8V21.2-M**	340	A2	3.94	2.28	21.2	D12-8V212	12/8V21.2-N**	420	A2	2.25	0.19
22.4	D10-8V224	10/8V22.4-N**	410	A3	2.25	0.19	22.4	D12-8V224	12/8V22.4-N**	458	A3	2.25	0.19
24.8	D10-8V248	10/8V24.8-N**	463	A3	2.25	0.19	24.8	D12-8V248	12/8V24.8--N**	516	A3	2.25	0.19
30.0	D10-8V300	10/8V30.0--N**	557	A3	2.25	0.19	30.0	D12-8V300	12/8V30.0-P**	671	A3	2.63	0.25
35.5	D10-8V355	10/8V35.5-P**	706	A3	2.63	0.25	35.5	D12-8V355	12/8V35.5-P**	798	A3	2.63	0.25
40.0	D10-8V400	10/8V40.0-P**	817	A3	2.63	0.25	40.0	D12-8V400	12/8V40.0-P**	909	A3	2.63	0.25
44.5	D10-8V445	10/8V44.5-P**	854	A3	2.63	0.25	44.5	D12-8V445	12/8V44.5-P**	982	A3	2.63	0.25
53.0	D10-8V530	10/8V53.0-P**	1198	A3	2.63	0.25	53.0	D12-8V530	12/8V53.0-W**	1456	A3	3.25	0.63
58.0	D10-8V580	10/8V58.0-W**	1300	B3	3.00	0.38	58.0	D12-8V580	12/8V58.0-W**	1500	A3	3.25	0.63
63.0	D10-8V630	10/8V63.0-W**	1412	B3	3.00	0.38	63.0	D12-8V630	12/8V63.0-W**	1540	A3	3.25	0.63
71.0	D10-8V710	10/8V71.0-W**	1771	B3	3.00	0.38	71.0	D12-8V710	12/8V71.0-W**	1912	A3	3.25	0.63

P.D. for "8V" Belts = O.D.

** M-N-P-W are standard mounting only for these parts

‡ Type 1 = Block Type, 2 = Web, 3 = Arm – See page PT7-2

V-Drives

FHP Drives

Drive Component
Accessories

DYNA-SYNC

HT200/HTD
Synchronous Drives

HTR
Synchronous Drives

HTRC
Synchronous Drives



SELECTION/DIMENSIONS

A/B QD SHEAVES - Standard Duty

1-Groove						
F = .88 A3.0 thru A6.4 B6.8						
Balance F = 1						
O.D.Δ	Part No.	Description	Wt.	Type‡	M	K
# 3.75	D1B34	1A3.0B3.4-SH	1	E1	0.13	0.63
3.95	D1B36	1A3.2B3.6-SH	1	D1	0.13	0.50
4.15	D1B38	1A3.4B3.8-SH	2	D1	0.13	0.50
4.35	D1B40	1A3.6B4.0-SH	2	D1	0.13	0.50
4.55	D1B42	1A3.8B4.2-SH	2	D1	0.13	0.50
4.75	D1B44	1A4.0B4.4-SH	2	D1	0.13	0.50
4.95	D1B46	1A4.2B4.6-SDS	2	C1	0.25	0.44
5.15	D1B48	1A4.4B4.8-SDS	3	C1	0.25	0.44
5.35	D1B50	1A4.6B5.0-SDS	3	C1	0.25	0.44
5.55	D1B52	1A4.8B5.2-SDS	3	C1	0.25	0.44
5.75	D1B54	1A5.0B5.4-SDS	4	C1	0.25	0.44
5.95	D1B56	1A5.2B5.6-SDS	4	C1	0.25	0.44
6.15	D1B58	1A5.4B5.8-SDS	4	C1	0.25	0.44
6.35	D1B60	1A5.6B6.0-SDS	5	C1	0.25	0.44
6.55	D1B62	1A5.8B6.2-SDS	5	C1	0.25	0.44
6.75	D1B64	1A6.0B6.4-SDS	6	C1	0.25	0.44
6.95	D1B66	1A6.2B6.6-SDS	6	C1	0.25	0.44
7.15	D1B68	1A6.4B6.8-SDS	6	C1	0.25	0.44
7.35	D1B70	1A6.6B7.0-SDS	6	D3	0.13	0.56
7.75	D1B74	1A7.0B7.4-SDS	6	D3	0.13	0.56
8.35	D1B80	1A7.6B8.0-SDS	7	D3	0.13	0.56
8.95	D1B86	1A8.2B8.6-SDS	8	D3	0.13	0.56
9.35	D1B90	1A8.6B9.0-SDS	9	D3	0.13	0.56
9.75	D1B94	1A9.0B9.4-SDS	9	D3	0.13	0.56
11.35	D1B110	1A10.6B11.0-SDS	11	D3	0.13	0.56
12.75	D1B124	1A12.0B12.4-SDS	12	D3	0.13	0.56
13.95	D1B136	1A13.2B13.6-SDS	13	D3	0.13	0.56
15.75	D1B154	1A15.0B15.4-SK	20	C3	0.11	0.69
16.35	D1B160	1A15.6B16.0--SK	22	C3	0.09	0.88
18.75	D1B184	1A18.0B18.4-SK	28	E3	0.12	0.94
20.35	D1B200	1B20.0--SK	30	C3	0.00	0.81
25.35	D1B250	1B25.0--SK	40	E3	0.12	0.94

P.D. for "A" (4L) Belts = Datum Dia. + 0.35" = O.D. - 0.40

P.D. for "B" (5L) Belts = O.D.

‡ Type 1 = Block Type, 2 = Web, 3 = Arm – See page PT7-2

2-Groove						
F = 1.75						
O.D.Δ	Part No.	Description	Wt.	Type‡	M	K
# 3.75	D2B34	2A3.0B3.4-SH	2	E1	0.00	0.63
## 3.95	D2B36	2A3.2B3.6-SH	3	D1	0.16	0.47
## 4.15	D2B38	2A3.4B3.8-SH	3	D1	0.16	0.47
## 4.35	D2B40	2A3.6B4.0-SH	3	D1	0.16	0.47
4.55	D2B42	2A3.8B4.2-SH	3	A1	0.69	0.06
4.75	D2B44	2A4.0B4.4-SH	4	A1	0.69	0.06
4.95	D2B46	2A4.2B4.6-SDS	4	D1	0.69	0.00
5.15	D2B48	2A4.4B4.8-SDS	4	D1	0.69	0.00
5.35	D2B50	2A4.6B5.0-SDS	5	D1	0.69	0.00
5.55	D2B52	2A4.8B5.2-SDS	5	D1	0.69	0.00
5.75	D2B54	2A5.0B5.4-SDS	6	D1	0.69	0.00
5.95	D2B56	2A5.2B5.6-SDS	6	D1	0.69	0.00
6.15	D2B58	2A5.4B5.8-SDS	6	D2	0.69	0.00
6.35	D2B60	2A5.6B6.0-SDS	6	D2	0.69	0.00
6.55	D2B62	2A5.8B6.2-SDS	7	D2	0.69	0.00
6.75	D2B64	2A6.0B6.4-SDS	7	D2	0.69	0.00
6.95	D2B66	2A6.2B6.6-SDS	8	D2	0.69	0.00
7.15	D2B68	2A6.4B6.8-SDS	8	D2	0.69	0.00
7.35	D2B70	2A6.6B7.0-SK	9	D2	0.44	0.38
7.75	D2B74	2A7.0B7.4-SK	10	D2	0.44	0.38
8.35	D2B80	2A7.6B8.0-SK	11	D2	0.44	0.38
8.95	D2B86	2A8.2B8.6-SK	12	D3	0.44	0.38
9.35	D2B90	2A8.6B8.6-SK	12	D3	0.44	0.38
9.75	D2B94	2A9.0B9.4-SK	13	D3	0.44	0.38
11.35	D2B110	2A10.6B11.0-SK	15	D3	0.44	0.38
12.75	D2B124	2A12.0B12.4-SK	18	D3	0.25	0.56
13.95	D2B136	2A13.2B13.6-SK	24	D3	0.44	0.38
15.75	D2B154	2A15.0B15.4-SK	25	D3	0.44	0.38
16.35	D2B160	2A15.6B16.0-SK	27.4	D3	0.44	0.38
18.75	D2B184	2A18.0B18.4-SK	38	D3	0.44	0.38
20.35	D2B200	2B20.0--SF	47	D3	0.13	0.69
25.35	D2B250	2B25.0-SF	60	D3	0.44	0.38
30.35	D2B300	2B30.0--SF	75	D3	0.38	0.44
38.35	D2B380	2B38.0--SF	100	D3	0.47	0.34

Reverse Mount Only

This sheave can only be reverse mounted with standard bushing bolts. Special bolts required for conventional mounting.

V-Drives

FHP Drives

Drive Component Accessories

DYNA-SYNC

HT200/HTD Synchronous Drives

HTR Synchronous Drives

HTRC Synchronous Drives

SELECTION/DIMENSIONS



A/B QD SHEAVES - Standard Duty

3-Groove							4-Groove						
F = 2.50							F = 3.25						
O.D.Δ	Part No.	Description	Wt.	Type‡	M	K	O.D.Δ	Part No.	Description	Wt.	Type‡	M	K
# 3.75	D3B34	3A3.0B3.4-SH	3	E1	0.00	0.63	# 3.75	D4B34	4A3.0B3.4-SD	4	E1	0.00	1.00
# 3.95	D3B36	3A3.2B3.6-SH	4	D1	0.13	0.50	# 3.95	D4B36	4A3.2B3.6-SD	5	E1	0.00	1.00
# 4.15	D3B38	3A3.4B3.8-SH	4	D1	0.13	0.50	# 4.15	D4B38	4A3.4B3.8-SD	6	E1	0.00	1.00
# 4.35	D3B40	3A3.6B4.0-SH	4	E1	0.00	0.63	# 4.35	D4B40	4A3.6B4.0-SD	5	E1	0.00	0.69
4.55	D3B42	3A3.8B4.2-SH	4	A1	1.06	0.44	# 4.55	D4B42	4A3.8B4.2-SD	6	E1	0.00	0.69
4.75	D3B44	3A4.0B4.4-SH	5	A1	1.06	0.44	4.75	D4B44	4A4.0B4.4-SD	6	E1	0.00	0.69
4.95	D3B46	3A4.2B4.6-SD	5	A1	1.06	0.38	4.95	D4B46	4A4.2B4.6-SD	7	A1	1.31	0.63
5.15	D3B48	3A4.4B4.8-SD	6	A1	1.06	0.38	5.15	D4B48	4A4.4B4.8-SD	8	A1	1.31	0.63
5.35	D3B50	3A4.6B5.0-SD	7	A1	1.06	0.38	5.35	D4B50	4A4.6B5.0-SD	8	A1	1.31	0.63
5.55	D3B52	3A4.8B5.2-SD	7	A1	1.06	0.38	5.55	D4B52	4A4.8B5.2-SD	9	A1	1.31	0.63
5.75	D3B54	3A5.0B5.4-SD	8	A1	1.06	0.38	5.75	D4B54	4A5.0B5.4-SD	10	A1	1.31	0.63
5.95	D3B56	3A5.2B5.6-SD	9	A1	1.06	0.38	5.95	D4B56	4A5.2B5.6-SD	10	A1	1.31	0.63
6.15	D3B58	3A5.4B5.8-SD	9	A2	1.06	0.38	6.15	D4B58	4A5.4B5.8-SD	11	A2	1.31	0.63
6.35	D3B60	3A5.6B6.0-SD	10	A2	1.06	0.38	6.35	D4B60	4A5.6B6.0-SD	11	A2	1.31	0.63
6.55	D3B62	3A5.8B6.2-SD	10	A2	1.06	0.38	6.55	D4B62	4A5.8B6.2-SD	12	A2	1.31	0.63
6.75	D3B64	3A6.0B6.4-SD	10	A2	1.06	0.38	6.75	D4B64	4A6.0B6.4-SD	11	A2	1.31	0.63
6.95	D3B66	3A6.2B6.6-SD	10	A2	1.06	0.38	6.95	D4B66	4A6.2B6.6-SD	11	A2	1.31	0.63
7.15	D3B68	3A6.4B6.8-SD	11	A2	1.06	0.38	7.15	D4B68	4A6.4B6.8-SD	12	A2	1.31	0.63
7.35	D3B70	3A6.6B7.0-SK	12	D2	0.69	0.13	7.35	D4B70	4A6.6B7.0-SK	13	A2	1.00	0.19
7.75	D3B74	3A7.0B7.4-SK	12	D2	0.69	0.13	7.75	D4B74	4A7.0B7.4-SK	15	A2	1.00	0.19
8.35	D3B80	3A7.6B8.0-SK	13	D2	0.69	0.13	8.35	D4B80	4A7.6B8.0-SK	15	A2	1.00	0.19
8.95	D3B86	3A8.2B8.6-SK	14	D3	0.69	0.13	8.95	D4B86	4A8.2B8.6-SK	17	A3	1.00	0.19
9.35	D3B90	3A8.6B9.0-SK	15	D3	0.69	0.13	9.35	D4B90	4A8.6B9.0-SK	17	A3	1.00	0.19
9.75	D3B94	3A9.0B9.4-SK	17	D3	0.69	0.13	9.75	D4B94	4A9.0B9.4-SK	19	A3	1.00	0.19
11.35	D3B110	3A10.6B11.0-SK	21	D3	0.69	0.13	11.35	D4B110	4A10.6B11.0-SK	25	A3	1.00	0.19
12.75	D3B124	3A12.0B12.4-SK	25	D3	0.69	0.13	12.75	D4B124	4A12.0B12.4-SK	28	A3	1.00	0.19
13.95	D3B136	3A13.2B13.6-SK	28	D3	0.69	0.13	13.95	D4B136	4A13.2B13.6-SK	32	A3	1.00	0.19
15.75	D3B154	3A15.0B15.4-SK	30	D3	0.69	0.13	15.75	D4B154	4A15.0B15.4-SF	38	A3	1.00	0.19
16.35	D3B160	3A15.6B16.0-SK	32	D3	0.69	0.13	16.35	D4B160	4A15.6B16.0-SF	41	A3	1.00	0.19
18.75	D3B184	3A18.0B18.4-SK	41	D3	0.69	0.13	18.75	D4B184	4A18.0B18.4-SF	48	A3	1.00	0.19
20.35	D3B200	3B20.0-SF	55.6	D3	0.63	0.19	20.35	D4B200	4B20.0-SF	60	A3	1.00	0.19
25.35	D3B250	3B25.0--SF	76.1	D3	0.63	0.19	25.35	D4B250	4B25.0-E	93	D3	1.00	0.06
30.35	D3B300	3B30.0--SF	96	D3	0.63	0.19	30.35	D4B300	4B30.0--E	120	D3	1.00	0.06
38.35	D3B380	3B38.0-E	145	D3	0.69	0.38	38.35	D4B380	4B38.0--E	162	D3	1.00	0.00

P.D. for "A" (4L) Belts = Datum Dia. + 0.35" = O.D. - 0.40

P.D. for "B" (5L) Belts = O.D.

Reverse Mount Only

‡ Type 1 = Block Type, 2 = Web, 3 = Arm - See page PT7-2



SELECTION/DIMENSIONS

A/B QD SHEAVES - Standard Duty

5-Groove						F = 4.00	
O.D.Δ	Part No.	Description	Wt.	Type‡	M	K	
# 3.75	D5B34	5A3.0B3.4-SD	5	E1	0.00	1.00	
# 3.95	D5B36	5A3.2B3.6-SD	6	E1	0.00	1.00	
# 4.15	D5B38	5A3.4B3.8-SD	6	E1	0.00	1.00	
# 4.35	D5B40	5A3.6B4.0-SD	6	E1	0.00	0.69	
# 4.55	D5B42	5A3.8B4.2-SD	7	E1	0.00	0.69	
# 4.75	D5B44	5A4.0B4.4-SD	7	E1	0.00	0.69	
4.95	D5B46	5A4.2B4.6-SD	7	A1	1.31	0.63	
5.15	D5B48	5A4.4B4.8-SD	9	A1	1.31	0.63	
5.35	D5B50	5A4.6B5.0-SD	10	A1	1.31	0.63	
5.55	D5B52	5A4.8B5.2-SD	10	A1	1.31	0.63	
5.75	D5B54	5A5.0B5.4-SK	10	A1	1.31	0.50	
5.95	D5B56	5A5.2B5.6-SK	11	A1	1.31	0.50	
6.15	D5B58	5A5.4B5.8-SK	12	A1	1.31	0.50	
6.35	D5B60	5A5.6B6.0-SK	12	A1	1.31	0.50	
6.55	D5B62	5A5.8B6.2-SK	14	A1	1.31	0.50	
6.75	D5B64	5A6.0B6.4-SK	14	A1	1.31	0.50	
6.95	D5B66	5A6.2B6.6-SK	15	A1	1.31	0.50	
7.15	D5B68	5A6.4B6.8-SK	16	A1	1.31	0.50	
7.35	D5B70	5A6.6B7.0-SF	16	A1	1.31	0.50	
7.75	D5B74	5A7.0B7.4-SF	18	A1	1.31	0.50	
8.35	D5B80	5A7.6B8.0-SF	19	A2	1.31	0.50	
8.95	D5B86	5A8.2B8.6-SF	21	A2	1.31	0.50	
9.35	D5B90	5A8.6B9.0-SF	21	A3	1.31	0.50	
9.75	D5B94	5A9.0B9.4-SF	22	A3	1.31	0.50	
11.35	D5B110	5A10.6B11.0-SF	29	A3	1.31	0.50	
12.75	D5B124	5A12.0B12.4-SF	33	A3	1.31	0.50	
13.95	D5B136	5A13.2B13.6-SF	39	A3	1.31	0.50	
15.75	D5B154	5A15.0B15.4-SF	43	A3	1.31	0.50	
16.35	D5B160	5A15.6B16.0-SF	46	A3	1.31	0.50	
18.75	D5B184	5A18.0B18.4-SF	54	A3	1.31	0.50	
20.35	D5B200	5B20.0-E	77.5	A3	1.25	0.19	
25.35	D5B250	5B25.0-E	108	A3	1.25	0.19	
30.35	D5B300	5B30.0-E	131	A3	1.25	0.19	
38.35	D5B380	5B38.0-E	169	A3	1.25	0.19	

6-Groove						F = 4.75	
O.D.Δ	Part No.	Description	Wt.	Type‡	M	K	
# 3.75	D6B34	6A3.0B3.4-SD	6	E1	0.00	1.09	
# 3.95	D6B36	6A3.2B3.6-SD	7	E1	0.00	1.09	
# 4.15	D6B38	6A3.4B3.8-SD	7	E1	0.00	1.09	
# 4.35	D6B40	6A3.6B4.0-SD	7	E1	0.00	0.69	
# 4.55	D6B42	6A3.8B4.2-SD	8	E1	0.00	0.69	
# 4.75	D6B44	6A4.0B4.4-SD	9	E1	0.00	0.69	
4.95	D6B46	6A4.2B4.6-SD	9	A1	1.31	0.63	
5.15	D6B48	6A4.4B4.8-SD	10	A1	1.31	0.63	
5.35	D6B50	6A4.6B5.0-SD	11	A1	1.31	0.63	
5.55	D6B52	6A4.8B5.2-SD	11	A1	1.31	0.63	
5.75	D6B54	6A5.0B5.4-SK	11	A1	1.31	0.50	
5.95	D6B56	6A5.2B5.6-SK	13.4	A1	1.31	0.50	
6.15	D6B58	6A5.4B5.8-SK	15.5	A1	1.31	0.50	
6.35	D6B60	6A5.6B6.0-SK	15	A1	1.31	0.50	
6.55	D6B62	6A5.8B6.2-SK	15	A1	1.31	0.50	
6.75	D6B64	6A6.0B6.4-SK	16	A1	1.31	0.50	
6.95	D6B66	6A6.2B6.6-SK	17	A1	1.31	0.50	
7.15	D6B68	6A6.4B6.8-SK	18	A1	1.31	0.50	
7.35	D6B70	6A6.6B7.0-SF	19	A1	1.69	0.88	
7.75	D6B74	6A7.0B7.4-SF	20	A1	1.69	0.88	
8.35	D6B80	6A7.6B8.0-SF	24	A2	1.69	0.88	
8.95	D6B86	6A8.2B8.6-SF	26	A2	1.69	0.88	
9.75	D6B94	6A9.0B9.4-SF	30	A2	1.69	0.88	
11.35	D6B110	6A10.6B11.0-SF	30	A3	1.69	0.88	
12.75	D6B124	6A12.0B12.4-SF	37	A3	1.67	0.88	
13.95	D6B136	6A13.2B13.6-SF	39	A3	1.91	1.09	
15.75	D6B154	6A15.0B15.4--SF	51.4	A3	1.91	1.09	
16.35	D6B160	6A15.6B16.0--SF	54.6	A3	1.69	0.88	
18.75	D6B184	6A18.0B18.4--SF	59	A3	1.91	1.09	
20.35	D6B200	6B20.0-E	96.9	A3	1.25	0.19	
25.35	D6B250	6B25.0-E	120	A3	1.38	0.31	
30.35	D6B300	6B30.0--E	151	A3	1.38	0.31	
38.35	D6B380	6B38.0--E	157	A3	1.38	0.31	

P.D. for "A" (4L) Belts = Datum Dia. + 0.35" = O.D. - 0.40

P.D. for "B" (5L) Belts = O.D.

Reverse Mount Only

‡ Type 1 = Block Type, 2 = Web, 3 = Arm – See page PT7-2

V-Drives

FHP Drives

Drive Component Accessories

DYNA-SYNC

HT200/HTT Synchronous Drives

HTR Synchronous Drives

HTRC Synchronous Drives



SELECTION/DIMENSIONS

A/B QD SHEAVES - Standard Duty

8-Groove							10-Groove						
F = 6.25							F = 7.75						
O.D.Δ	Part No.	Description	Wt.	Type‡	M	K	O.D.Δ	Part No.	Description	Wt.	Type‡	M	K
5.75	D8B54	8B5.4-SK	15	A1	1.81	1.00	5.75	D10B54	10B5.4-SK	16	A1	2.56	1.75
5.95	D8B56	8B5.6-SK	17	A1	1.81	1.00	5.95	D10B56	10B5.6-SK	17	A1	2.56	1.75
6.15	D8B58	8B5.8-SK	16	A1	1.81	1.00	6.15	D10B58	10B5.8-SK	18	A1	2.56	1.75
6.35	D8B60	8B6.0-SF	16	A1	1.81	1.00	6.35	D10B60	10B6.0-SF	19	A1	2.56	1.75
6.55	D8B62	8B6.2-SF	18	A1	1.81	1.00	6.55	D10B62	10B6.2-SF	20	A1	2.56	1.75
6.75	D8B64	8B6.4-SF	19	A1	1.81	1.00	6.75	D10B64	10B6.4-SF	21	A1	2.56	1.75
6.95	D8B66	8B6.6-SF	20	A1	1.81	1.00	6.95	D10B66	10B6.6-SF	21	A1	2.56	1.75
7.15	D8B68	8B6.8-SF	21	A1	1.81	1.00	7.15	D10B68	10B6.8-SF	22	A1	2.56	1.75
7.35	D8B70	8B7.0-SF	22	A1	1.81	1.00	7.35	D10B70	10B7.0-SF	23	A1	2.56	1.75
7.75	D8B74	8B7.4-SF	25	A1	1.81	1.00	7.75	D10B74	10B7.4-SF	24	A1	2.56	1.75
8.35	D8B80	8B8.0-E	29	A1	2.38	1.31	-	-	-	-	-	-	-
8.95	D8B86	8B8.6-E	33	A1	2.38	1.31	8.95	D10B86	10B8.6-E	39.6	A1	3.13	2.06
9.75	D8B94	8B9.4-E	36	A1	2.38	1.31	9.75	D10B94	10B9.4-E	40	A1	3.13	2.06
11.35	D8B110	8B11.0-E	46	A1	2.38	1.31	11.35	D10B110	10B11.0-E	52	A1	3.13	2.06
12.75	D8B124	8B12.4-E	53	A2	2.38	1.31	12.75	D10B124	10B12.4-F	58	A2	3.13	2.06
13.95	D8B136	8B13.6-E	59	A3	2.44	1.38	13.95	D10B136	10B13.6-F	73	A3	2.06	0.84
15.75	D8B154	8B15.4-E	69	A3	2.44	1.38	15.75	D10B154	10B15.4-F	87	A3	2.06	0.84
16.35	D8B160	8B16.0-E	71	A3	#N/A!	1.31	16.35	D10B160	10B16.0-F	100	A3	2.06	0.84
18.75	D8B184	8B18.4--F	108	A3	1.31	0.09	18.75	D10B184	10B18.4--F	110	A3	2.06	0.84
20.35	D8B200	8B20.0--F	114	A3	1.31	0.09	20.35	D10B200	10B20.0--F	120	A3	2.06	0.84
25.35	D8B250	8B25.0-F	152	A3	1.31	0.09	25.35	D10B250	10B25.0--F	148	A3	2.06	0.84
30.35	D8B300	8B30.0--F	186	A3	1.31	0.09	30.35	D10B300	10B30.0--F	190	A3	2.06	0.84
38.35	D8B380	8B38.0-F	220	A3	1.31	0.09	38.35	D10B380	10B38.0-J	260	A3	1.63	0.22

P.D. for "A" (4L) Belts = Datum Dia. + 0.35" = O.D. - 0.40

P.D. for "B" (5L) Belts = O.D.

Reverse Mount Only

‡ Type 1 = Block Type, 2 = Web, 3 = Arm – See page PT7-2

V-Drives

FHP Drives

Drive Component Accessories

DYNA-SYNC

HT200/HTD Synchronous Drives

HTR Synchronous Drives

HTRC Synchronous Drives



SELECTION/DIMENSIONS

C QD SHEAVES - Standard Duty

1-Groove							F = 1.38	
O.D.Δ	Part No.	Description	Wt.	Type‡	M	K		
7.4	D1C70	1C7.0-SF	10	C1	0.25	0.56		
7.9	D1C75	1C7.5-SF	11	C1	0.25	0.56		
8.4	D1C80	1C8.0-SF	13.2	C1	0.25	0.56		
8.9	D1C85	1C8.5-SF	15.6	C1	0.25	0.56		
9.4	D1C90	1C9.0-SF	13	C2	0.22	0.59		
9.9	D1C95	1C9.5-SF	18	C2	0.22	0.59		
10.4	D1C100	1C10.0-SF	14	D2	0.13	0.69		
10.9	D1C105	1C10.5-SF	20	D2	0.13	0.69		
11.4	D1C110	1C11.0-SF	15	C2	0.13	0.53		
12.4	D1C120	1C12.0-SF	16	D2	0.13	0.69		
13.4	D1C130	1C13.0-SF	18	D3	0.13	0.69		
14.4	D1C140	1C14.0-SF	20	D3	0.13	0.69		
16.4	D1C160	1C16.0-SF	24	D3	0.13	0.69		
18.4	D1C180	1C18.0-SF	32	D3	0.13	0.69		
20.4	D1C200	1C20.0--SF	35	D3	0.13	0.69		
24.4	D1C240	1C24.0--SF	46.9	D3	0.13	0.69		

3-Groove							F = 3.38	
O.D.Δ	Part No.	Description	Wt.	Type‡	M	K		
+ 5.4	D3C50	3C5.0-SD	9	A1	1.00	0.31		
# + 5.4	D3C50SK	3C5.0-SK	10.5	E1	#N/A!	0.83		
+ 6.0	D3C56	3C5.6-SF	10	A1	0.00	0.63		
+ 6.4	D3C60	3C6.0-SF	11.3	A1	0.75	0.06		
7.4	D3C70	3C7.0-SF	16	A1	1.31	0.50		
7.9	D3C75	3C7.5-SF	18	A1	1.31	0.50		
8.4	D3C80	3C8.0-E	21	A1	1.75	0.69		
8.9	D3C85	3C8.5-E	24	A1	1.75	0.69		
9.4	D3C90	3C9.0-E	26	A1	1.75	0.69		
9.9	D3C95	3C9.5-E	29.8	A2	1.75	0.69		
10.4	D3C100	3C10.0-E	34	A2	1.75	0.69		
10.9	D3C105	3C10.5-E	37	A2	1.75	0.69		
11.4	D3C110	3C11.0-E	39	A2	1.75	0.69		
12.4	D3C120	3C12.0-E	43.4	A2	1.75	0.69		
13.4	D3C130	3C13.0-E	45	A3	1.75	0.69		
14.4	D3C140	3C14.0-E	50	A3	1.75	0.69		
16.4	D3C160	3C16.0-E	60	A3	1.75	0.69		
18.4	D3C180	3C18.0-E	63	A3	1.75	0.69		
20.4	D3C200	3C20.0--E	81	D3	1.00	0.06		
24.4	D3C240	3C24.0-E	94.7	D3	1.00	0.06		
27.4	D3C270	3C27.0--F	116	D3	0.81	0.41		
30.4	D3C300	3C30.0--F	134.4	D3	0.81	0.41		
36.4	D3C360	3C36.0--F	159	D3	0.81	0.41		
44.4	D3C440	3C44.0-F	190	D3	0.81	0.41		
50.4	D3C500	3C50.0--F	250	D3	0.81	0.41		

P.D. for "C" Belts = O.D.

Reverse Mount Only

‡ Type 1 = Block Type, 2 = Web, 3 = Arm – See page PT7-2

+ Recommended CX Belt only

2-Groove							F = 2.38	
O.D.Δ	Part No.	Description	Wt.	Type‡	M	K		
7.4	D2C70	2C7.0-SF	13	A1	0.81	0.00		
7.9	D2C75	2C7.5-SF	15	A1	0.81	0.00		
8.4	D2C80	2C8.0-SF	17	A1	0.81	0.00		
8.9	D2C85	2C8.5-SF	19	A1	0.81	0.00		
9.4	D2C90	2C9.0-SF	21	A2	0.81	0.00		
9.9	D2C95	2C9.5-SF	22	A2	0.81	0.00		
10.4	D2C100	2C10.0-SF	21.8	A2	0.81	0.00		
10.9	D2C105	2C10.5-SF	23	A2	0.81	0.00		
11.4	D2C110	2C11.0-SF	26	A2	0.81	0.00		
12.4	D2C120	2C12.0-SF	37	D2	0.56	0.25		
13.4	D2C130	2C13.0-SF	35	D3	0.56	0.25		
14.4	D2C140	2C14.0-SF	40	D3	0.56	0.25		
16.4	D2C160	2C16.0-SF	40	D3	0.56	0.25		
18.4	D2C180	2C18.0-SF	50	D3	0.56	0.25		
20.4	D2C200	2C20.0--SF	55	D3	0.56	0.25		
24.4	D2C240	2C24.0--SF	73.1	D3	0.56	0.25		
27.4	D2C270	2C27.0--F	94	C3	#N/A!	0.91		
30.4	D2C300	2C30.0--F	104	C3	#N/A!	0.91		

4-Groove							F = 4.38	
O.D.Δ	Part No.	Description	Wt.	Type‡	M	K		
+ 5.4	D4C50	4C5.0-SD	10.2	A1	1.31	0.63		
# + 5.4	D4C50SK	4C5.0-SK	12.0	E1	#N/A!	0.81		
+ 6.0	D4C56	4C5.6-SF	13.0	A1	0.00	0.88		
+ 6.4	D4C60	4C6.0-SF	15.0	A1	0.88	0.06		
7.4	D4C70	4C7.0-SF	19.0	A1	1.56	0.75		
7.9	D4C75	4C7.5-SF	22.0	A1	1.56	0.75		
8.4	D4C80	4C8.0-E	24.0	A1	2.00	0.94		
8.9	D4C85	4C8.5-E	28.0	A1	2.00	0.94		
9.4	D4C90	4C9.0-E	31.0	A1	2.00	0.94		
9.9	D4C95	4C9.5-E	34.8	A1	2.00	0.94		
10.4	D4C100	4C10.0-E	40.0	A1	2.00	0.94		
10.9	D4C105	4C10.5-E	43.0	A2	2.00	0.94		
11.4	D4C110	4C11.0-E	44.0	A2	2.00	0.94		
12.4	D4C120	4C12.0-E	50.0	A2	2.00	0.94		
13.4	D4C130	4C13.0-E	52.0	A3	2.00	0.94		
14.4	D4C140	4C14.0-E	57.0	A3	2.00	0.94		
16.4	D4C160	4C16.0--E	67.0	A3	2.00	0.94		
18.4	D4C180	4C18.0-E	72.0	A3	2.00	0.94		
20.4	D4C200	4C20.0--E	86.0	A3	1.50	0.44		
24.4	D4C240	4C24.0-F	113.0	A3	1.31	0.09		
27.4	D4C270	4C27.0--F	140.0	A3	1.31	0.09		
30.4	D4C300	4C30.0--F	149.0	A3	1.31	0.09		
36.4	D4C360	4C36.0--F	185.0	A3	1.38	0.16		
44.4	D4C440	4C44.0-J	225.0	B3	1.63	0.22		
50.4	D4C500	4C50.0-J	275.0	B3	1.63	0.22		

SELECTION/DIMENSIONS



C QD SHEAVES - Standard Duty

5-Groove			F = 5.38			
O.D.Δ	Part No.	Description	Wt.	Type‡	M	K
+ 6.4	D5C60	5C6.0-SF	16	A1	0.88	0.06
7.4	D5C70	5C7.0-SF	23	A1	1.94	1.13
7.9	D5C75	5C7.5-SF	25	A1	1.94	1.13
8.4	D5C80	5C8.0-E	28	A1	2.38	1.31
8.9	D5C85	5C8.5-E	32	A1	2.38	1.31
9.4	D5C90	5C9.0-E	36	A1	2.38	1.31
9.9	D5C95	5C9.5-E	40	A1	2.38	1.31
10.4	D5C100	5C10.0-E	41	A2	2.38	1.31
10.9	D5C105	5C10.5-E	44	A2	2.38	1.31
11.4	D5C110	5C11.0-E	47	A2	2.38	1.31
12.4	D5C120	5C12.0-E	55	A2	2.38	1.31
13.4	D5C130	5C13.0-E	55	A3	2.38	1.31
14.4	D5C140	5C14.0-E	62	A3	2.38	1.31
16.4	D5C160	5C16.0-E	73	A3	2.38	1.31
18.4	D5C180	5C18.0-E	83	A3	2.38	1.31
20.4	D5C200	5C20.0-F	109	A3	2.38	0.09
24.4	D5C240	5C24.0-F	129	A3	1.31	0.09
27.4	D5C270	5C27.0-F	149	A3	1.31	0.09
30.4	D5C300	5C30.0-F	172	A3	1.31	0.09
36.4	D5C360	5C36.0-J	205	A3	1.63	0.22
44.4	D5C440	5C44.0-J	285	A3	1.63	0.22
50.4	D5C500	5C50.0-J	325	A3	1.63	0.22

8-Groove			F = 8.38			
O.D.Δ	Part No.	Description	Wt.	Type‡	M	K
7.4	D8C70	8C7.0-SF	34	A1	3.22	2.41
8.4	D8C80	8C8.0-E	38.7	A1	3.25	2.19
8.9	D8C85	8C8.5-E	44	A1	3.25	2.19
9.4	D8C90	8C9.0-F	52.7	A1	3.31	2.09
9.9	D8C95	8C9.5-F	56	A1	3.31	2.09
10.4	D8C100	8C10.0-F	62	A1	3.31	2.09
10.9	D8C105	8C10.5-F	72	A1	3.31	2.09
11.4	D8C110	8C11.0-F	80	A1	3.31	2.09
12.4	D8C120	8C12.0-F	94	A1	3.31	2.09
13.4	D8C130	8C13.0-F	97	A2	3.31	2.09
14.4	D8C140	8C14.0-F	96	A3	3.31	2.09
16.4	D8C160	8C16.0-F	111	A3	3.94	2.09
18.4	D8C180	8C18.0-F	129	A3	3.94	2.09
20.4	D8C200	8C20.0-J	158	A3	1.56	0.16
24.4	D8C240	8C24.0-J	173	A3	1.56	0.16
30.4	D8C300	8C30.0-J	272	A3	1.56	0.16
36.4	D8C360	8C36.0-M**	370	A3	1.94	0.28
44.4	D8C440	8C44.0-M**	479	A3	1.94	0.28
50.4	D8C500	8C50.0-M**	570	A3	1.94	0.28

12-Groove			F = 12.38			
O.D.Δ	Part No.	Description	Wt.	Type‡	M	K
9.4	D12C90	12C9.0-J	68	A1	4.06	2.66
9.9	D12C95	12C9.5-J	75	A1	4.06	2.66
10.4	D12C100	12C10.0-J	86	A1	4.06	2.66
10.9	D12C105	12C10.5-J	96	A1	4.06	2.66
11.4	D12C110	12C11.0-J	104	A1	4.06	2.66
12.4	D12C120	12C12.0-J	118.7	A1	4.06	2.66
13.4	D12C130	12C13.0-J	138	A2	4.06	2.66
14.4	D12C140	12C14.0-J	153	A2	4.06	2.66
16.4	D12C160	12C16.0-J	175	A3	4.06	2.66
18.4	D12C180	12C18.0-J	198	A3	4.06	2.66
20.4	D12C200	12C20.0-M**	237	A3	1.94	0.28
24.4	D12C240	12C24.0-M**	277	A3	1.94	0.28
30.4	D12C300	12C30.0-M**	357	A3	1.94	0.28
36.4	D12C360	12C36.0-M**	430	A3	1.94	0.28
44.4	D12C440	12C44.0-M**	520	A3	1.94	0.28
50.4	D12C500	12C50.0-M**	595	A3	1.94	0.28

6-Groove			F = 6.38			
O.D.Δ	Part No.	Description	Wt.	Type‡	M	K
+ 6.4	D6C60	6C6.0-SF	24	A1	1.88	1.06
7.4	D6C70	6C7.0-SF	26	A1	1.94	1.13
7.9	D6C75	6C7.5-SF	29	A1	1.94	1.13
8.4	D6C80	6C8.0-E	31	A1	2.38	1.31
8.9	D6C85	6C8.5-E	35	A1	2.38	1.31
9.4	D6C90	6C9.0-F	44	A1	2.44	1.22
9.9	D6C95	6C9.5-F	49	A1	2.44	1.22
10.4	D6C100	6C10.0-F	56	A1	2.44	1.22
10.9	D6C105	6C10.5-F	56	A1	2.44	1.22
11.4	D6C110	6C11.0-F	59	A2	2.44	1.22
12.4	D6C120	6C12.0-F	66	A2	2.44	1.22
13.4	D6C130	6C13.0-F	66	A3	2.44	1.22
14.4	D6C140	6C14.0-F	75	A3	2.44	1.22
16.4	D6C160	6C16.0-F	86	A3	2.44	1.22
18.4	D6C180	6C18.0-F	100	A3	2.44	1.22
20.4	D6C200	6C20.0-F	119	A3	1.94	0.72
24.4	D6C240	6C24.0-F	141	A3	1.94	0.72
27.4	D6C270	6C27.0-J	173	A3	#N/A!	0.16
30.4	D6C300	6C30.0-J	189	A3	1.56	0.16
36.4	D6C360	6C36.0-J	240	A3	1.63	0.22
44.4	D6C440	6C44.0-J	290	A3	1.63	0.22
50.4	D6C500	6C50.0-M**	430	B3	2.00	0.34

10-Groove			F = 10.38			
O.D.Δ	Part No.	Description	Wt.	Type‡	M	K
8.9	D10C85	10C8.5-E	52	A1	3.25	2.19
9.4	D10C90	10C9.0-J	54	A1	3.56	2.16
9.9	D10C95	10C9.5-J	67.4	A1	3.56	2.16
10.4	D10C100	10C10.0-J	77	A1	3.56	2.16
10.9	D10C105	10C10.5-J	85.7	A1	3.56	2.16
11.4	D10C110	10C11.0-J	93.5	A1	3.56	2.16
12.4	D10C120	10C12.0-J	111.8	A1	3.56	2.16
13.4	D10C130	10C13.0-J	105	A2	#N/A!	2.16
14.4	D10C140	10C14.0-J	114	A2	3.56	2.16
16.4	D10C160	10C16.0-J	140	A3	3.56	2.16
18.4	D10C180	10C18.0-J	160	A3	3.56	2.16
20.4	D10C200	10C20.0-J	165	A3	3.56	2.16
24.4	D10C240	10C24.0-M**	225	A3	1.94	0.28
30.4	D10C300	10C30.0-M**	275	A3	1.94	0.28
36.4	D10C360	10C36.0-M**	340	A3	1.94	0.28
44.40	D10C440	10C44.0-M**	460	A3	1.94	0.28
50.40	D10C500	10C50.0-M**	550	A3	1.94	0.28

P.D. for "C" Belts = O.D.

‡ Type 1 = Block Type, 2 = Web, 3 = Arm – See page PT7-2

+ Recommended CX Belt only

** M-N-P-W are standard mounting only for these parts



SELECTION/DIMENSIONS

D QD SHEAVES - Standard Duty

3-Groove			F = 4.62			
O.D.Δ	Part No.	Description	Wt.	Type‡	M	K
12.6	D3D120	3D12.0-F	64	A2	1.50	0.28
13.6	D3D130	3D13.0-F	72	A2	1.50	0.28
14.1	D3D135	3D13.5--F	76	A2	1.50	0.28
14.6	D3D140	3D14.0--F	79	A2	1.50	0.28
15.1	D3D145	3D14.5-F	84	A2	1.50	0.28
15.6	D3D150	3D15.0-F	89	A2	1.50	0.28
16.1	D3D155	3D15.5-F	94	A2	1.50	0.28
16.6	D3D160	3D16.0--F	95	A3	1.50	0.28
18.6	D3D180	3D18.0--J	115	D3	1.19	0.22
22.6	D3D220	3D22.0--J	135	D3	1.19	0.22
27.6	D3D270	3D27.0--J	170	D3	1.19	0.22
33.6	D3D330	3D33.0--J	215	D3	1.19	0.22
40.6	D3D400	3D40.0--J	275	D3	1.19	0.22

4-Groove			F = 6.06			
O.D.Δ	Part No.	Description	Wt.	Type‡	M	K
12.6	D4D120	4D12.0--F	77	A2	2.31	1.09
13.6	D4D130	4D13.0--F	85	A2	2.31	1.09
14.1	D4D135	4D13.5-F	90	A2	2.31	1.09
14.6	D4D140	4D14.0--F	95	A2	2.31	1.09
15.1	D4D145	4D14.5-F	100	A2	2.31	1.09
15.6	D4D150	4D15.0--F	107	A2	2.31	1.09
16.1	D4D155	4D15.5--F	112	A2	2.31	1.09
16.6	D4D160	4D16.0-F	110	A3	2.31	1.09
17.6	D4D170	4D17.0-J	127	A3	2.56	1.16
18.6	D4D180	4D18.0-J	131	A3	2.56	1.16
20.6	D4D200	4D20.0-J	145	A3	2.56	1.16
22.6	D4D220	4D22.0--J	160	A3	1.56	0.16
27.6	D4D270	4D27.0--J	200	A3	1.56	0.16
33.6	D4D330	4D33.0-M**	285	B3	1.94	0.28
40.6	D4D400	4D40.0-M**	375	B3	1.94	0.28

5-Groove			F = 7.50			
O.D.Δ	Part No.	Description	Wt.	Type‡	M	K
12.6	D5D120	5D12.0-F	89	A2	3.06	1.84
13.6	D5D130	5D13.0-F	100	A2	3.06	1.84
14.1	D5D135	5D13.5--F	105	A2	3.06	1.84
14.6	D5D140	5D14.0-F	111	A2	3.06	1.84
15.1	D5D145	5D14.5-F	118	A2	3.06	1.84
15.6	D5D150	5D15.0-F	125	A2	3.06	1.84
16.1	D5D155	5D15.5-F	131	A2	3.06	1.84
16.6	D5D160	5D16.0-F	110	A3	3.06	1.84
17.6	D5D170	5D17.0-J	148	A3	1.56	1.91
18.6	D5D180	5D18.0-J	131	A3	1.56	1.91
20.6	D5D200	5D20.0-J	148	A3	1.56	0.16
22.6	D5D220	5D22.0-J	152	A3	0.16	0.16
27.6	D5D270	5D27.0-M**	250	A3	1.94	0.28
33.6	D5D330	5D33.0-M**	321	A3	1.94	0.28
40.6	D5D400	5D40.0--M**	424	A3	1.94	0.28
48.6	D5D480	5D48.0-M**	550	A3	1.94	0.28
58.6	D5D580	5D58.0--M**	600	A3	1.94	0.28

6-Groove			F = 8.94			
O.D.Δ	Part No.	Description	Wt.	Type‡	M	K
12.6	D6D120	6D12.0-J	116	A1	3.31	1.91
13.6	D6D130	6D13.0-J	137	A1	3.31	1.91
14.1	D6D135	6D13.5-J	147	A1	3.31	1.91
14.6	D6D140	6D14.0--J	158	A1	3.31	1.91
15.1	D6D145	6D14.5-J	170	A1	3.31	1.91
15.6	D6D150	6D15.0-J	147	A2	3.31	1.91
16.1	D6D155	6D15.5-J	153	A2	3.31	1.91
16.6	D6D160	6D16.0-J	137	A3	3.31	1.91
17.6	D6D170	6D17.0-J	175	A3	3.31	1.91
18.6	D6D180	6D18.0--J	159	A3	3.31	1.91
20.6	D6D200	6D20.0-J	185	A3	3.31	1.91
22.6	D6D220	6D22.0-M**	225	A3	1.94	0.28
27.6	D6D270	6D27.0-M**	300	A3	1.94	0.28
33.6	D6D330	6D33.0-M**	350	A3	1.94	0.28
40.6	D6D400	6D40.0--M**	460	A3	1.94	0.28
48.6	D6D480	6D48.0-M**	600	A3	1.94	0.28
58.6	D6D580	6D58.0--N**	760	A3	1.94	0.19

P.D. for "D" Belts = O.D.

‡ Type 1 = Block Type, 2 = Web, 3 = Arm – See page PT7-2

** M-N-P-W are standard mounting only for these parts

V-Drives

FHP Drives

Drive Component Accessories

DYNA-SYNC

HT200/HTD Synchronous Drives

HTR Synchronous Drives

HTRC Synchronous Drives

SELECTION/DIMENSIONS



D QD SHEAVES - Standard Duty

8-Groove						F = 11.81	
O.D.Δ	Part No.	Description	Wt.	Type‡	M	K	
12.6	D8D120	8D12.0-J	141	A1	3.56	2.16	
13.6	D8D130	8D13.0-J	163	A1	3.56	2.16	
14.1	D8D135	8D13.5-J	175	A1	3.56	2.16	
14.6	D8D140	8D14.0-J	187	A1	3.56	2.16	
15.1	D8D145	8D14.5-J	200	A1	3.56	2.16	
15.6	D8D150	8D15.0-J	183	A2	3.56	2.16	
16.1	D8D155	8D15.5-J	189	A2	3.56	2.16	
16.6	D8D160	8D16.0-J	197	A2	3.56	2.16	
17.6	D8D170	8D17.0-J	213	A2	3.56	2.16	
18.6	D8D180	8D18.0-M**	255	A2	3.94	2.28	
20.6	D8D200	8D20.0-M**	258	A2	3.94	2.28	
22.6	D8D220	8D22.0-M**	266	A3	1.94	0.28	
27.6	D8D270	8D27.0-M**	320	A3	1.94	0.28	
33.6	D8D330	8D33.0-M**	420	A3	1.94	0.28	
40.6	D8D400	8D40.0-N**	600	A3	2.19	0.13	
48.6	D8D480	8D48.0-N**	750	A3	2.19	0.13	
58.6	D8D580	8D58.0-N**	1000	A3	2.19	0.13	

10-Groove						F = 14.69	
O.D.Δ	Part No.	Description	Wt.	Type‡	M	K	
12.6	D10D120	10D12.0-M**	166	A1	3.94	2.28	
13.6	D10D130	10D13.0-M**	207	A1	3.94	2.28	
14.1	D10D135	10D13.5-M**	224	A1	3.94	2.28	
14.6	D10D140	10D14.0-M**	242	A1	3.94	2.28	
15.1	D10D145	10D14.5-M**	260	A1	3.94	2.28	
15.6	D10D150	10D15.0-M**	279	A1	3.94	2.28	
16.1	D10D155	10D15.5-M**	298	A1	3.94	2.28	
16.6	D10D160	10D16.0-M**	318	A1	3.94	2.28	
17.6	D10D170	10D17.0-M**	307	A2	3.94	2.28	
18.6	D10D180	10D18.0-M**	293	A2	3.94	2.28	
20.6	D10D200	10D20.0-M**	351	A2	3.94	2.28	
22.6	D10D220	10D22.0-M**	342	A3	2.94	1.28	
27.6	D10D270	10D27.0-M**	415	A3	2.94	1.28	
33.6	D10D330	10D33.0-N**	575	A3	3.40	1.34	
40.6	D10D400	10D40.0-N**	680	A3	3.40	1.34	
48.6	D10D480	10D48.0-P**	975	A3	2.57	0.19	
58.6	D10D580	10D58.0-P**	1250	A3	2.57	0.19	

12-Groove						F = 17.56	
O.D.Δ	Part No.	Description	Wt.	Type‡	M	K	
12.6	D12D120	12D12.0--M**	187	A1	#N/A!	3.28	
13.6	D12D130	12D13.0--M**	234	A1	#N/A!	3.28	
14.1	D12D135	12D13.5--M**	252	A1	#N/A!	3.28	
14.6	D12D140	12D14.0--M**	271	A1	#N/A!	3.28	
15.1	D12D145	12D14.5-M**	290	A1	#N/A!	3.28	
15.6	D12D150	12D15.0--M**	310	A1	#N/A!	3.28	
16.1	D12D155	12D15.5--M**	330	A1	#N/A!	3.28	
16.6	D12D160	12D16.0--M**	352	A1	#N/A!	3.28	
17.6	D12D170	12D17.0--M**	365	A2	#N/A!	3.47	
18.6	D12D180	12D18.0-M**	391	A2	#N/A!	3.47	
20.6	D12D200	12D20.0-M**	401	A2	#N/A!	2.28	
22.6	D12D220	12D22.0--M**	365	A3	#N/A!	2.28	
27.6	D12D270	12D27.0--N**	505	A3	#N/A!	2.13	
33.6	D12D330	12D33.0--N**	590	A3	#N/A!	2.13	
40.6	D12D400	12D40.0--P**	925	A3	#N/A!	0.19	
48.6	D12D480	12D48.0--P**	1150	A3	#N/A!	0.19	
58.6	D12D580	12D58.0-P**	1500	A3	#N/A!	0.19	

P.D. for "D" Belts = 0.D.

‡ Type 1 = Block Type, 2 = Web, 3 = Arm – See page PT7-2

** M-N-P-W are standard mounting only for these parts

V-Drives

FHP Drives

Drive Component Accessories

DYNA-SYNC

HT200/HTD Synchronous Drives

HTR Synchronous Drives

HTRC Synchronous Drives



SELECTION

Custom-Made Sheaves & Sprockets

V-Belt Sheaves & Synchronous Sprockets

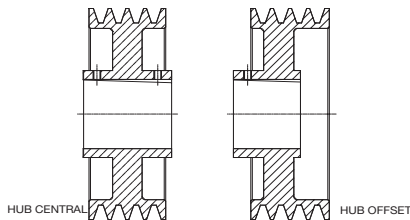
Standard stock products offer the best value for most power transmission operations. But, for requirements that cannot be served with stock products, DODGE manufactures custom-made sheaves and synchronous belt sprockets.

Custom Construction Options

- Non-stock pitch diameter
- Non-stock number of teeth
- Alternate hub location
- Special material: ductile, steel, aluminum, stainless steel etc.
- Alternate bushing or bore configuration for mounting product onto shaft
- Other non-standard requirements

Hub Locations

- Hub central
- Typical for larger diameter products
- Hub offset
- This location is preferred for wider face widths. It is positioned to accommodate the shaft and provides centralized sheave support
- Hub projection
- Required for access to setscrews on smaller bored-to-size products
- Special coating and plating



Materials

Stock sheaves, as well as synchronous sprockets, are manufactured typically from high quality gray iron. Frequently specified alternate materials are shown below.

Alternate Materials

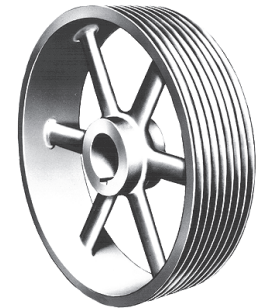
Material	Grade	Max. Rim Speed (Fpm)
GRAY IRON:	-	6,500
DUCTILE IRON:	65-45-12	8,000
STEEL:	80-55-06	10,000
	-	10,000

Dynamic (two-plane) balance normally required for rim speeds above 6,500 feet per minute (FPM).

Drives that exceed 8,000 FPM should be reviewed by DODGE Engineering.



Synchronous Sprockets



V-Belt Sheaves

Mounting Styles

Bored-to-size

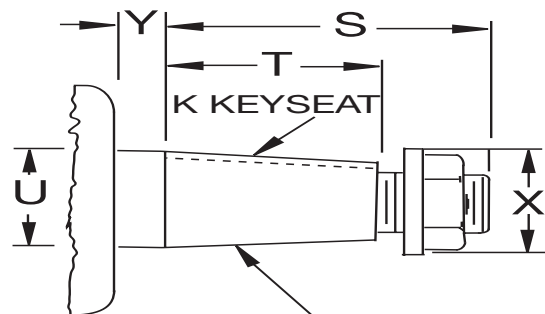
Required when rim diameter cannot accommodate the bushing that is required for the bore size. One keyseat, as well as one or two setscrews are usually specified.

Taper bushed

Specify TAPER-LOCK or QD bushing for required bore size. Verify that hub diameter accommodates bushing. Taper bushed mounting is preferred because this mounting compensates for variations in shaft diameter; provides tight, secure fit; and removes easily for servicing.

Taper bore

For use on taper shafts (sketch below). If hub is not central with face, specify which hub end takes large end of bore. Hub at small end will extend 1/8" beyond the "T" dimension. Keyways are standard size, as well as parallel with the taper, unless specified otherwise.



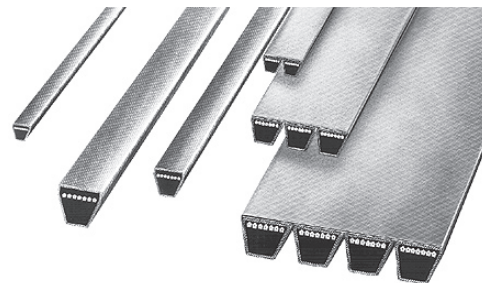


FEATURES/BENEFITS

V-Belts

V-drives have been the mainstay of industrial power transmission for over 60 years. During this time, DODGE has been a major influence, designing and developing innovative concepts in V-belt sheaves and supplying the highest quality belts.

Today's V-drives offer quiet, efficient mechanical power transmission. They provide many thousands of hours of performance, even under conditions of shock load and normal drive misalignment. All of these benefits come at an economic value that is unsurpassed.



V-Drives

FHP Drives

Drive Component Accessories

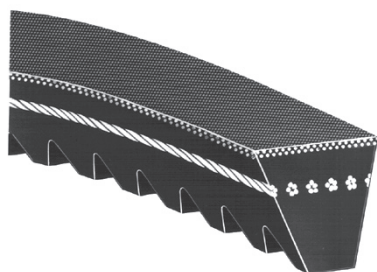
DYNA-SYNC

HT200/HTD Synchronous Drives

HTR Synchronous Drives

HTRC Synchronous Drives

D-V WEDGE BELTS 3VX-5VX-8V



- Oil resistant and static conducting
- Permits compact, lighter weight drives flexibility
- High-strength tension member delivers maximum power with minimum stretch
- Built for long-term dimensional stability
- Molded cog construction under 200-inch belt length is reduced

S-L CLASSIC V-BELTS A-B-C-D-E



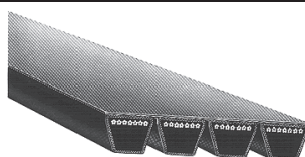
- Cable cord envelope construction
- Cool running and flexible
- Strong tensile cords minimize stretch
- Static conducting and heat and oil resistant
- More tolerant of shock loads

CLASSIC COG V-BELTS AX-BX-CX-DX

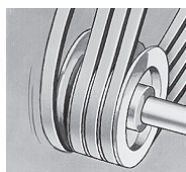


- Deliver more horsepower and last longer than conventional belts...
- Fully notched cogs for maximum
 - High coefficient rubber edge
 - Oil resistant and static conducting
 - Proven energy-saving design
 - Outlasts conventional belts
 - Fewer belts required - drive weight

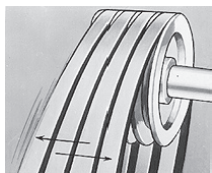
POLYBAND CLASSIC POLYBAND WEDGE V-BELTS



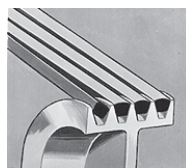
POLYBAND banded V-belts are engineered to handle those problem drives where vibration, sudden shock loads or misalignment causes belts to turn over, whip or jump off sheave. Two or more belts are inseparable joined together as one single unit. POLYBAND belts may be used without changing sheaves or altering the drive.



• NO JUMP OFF

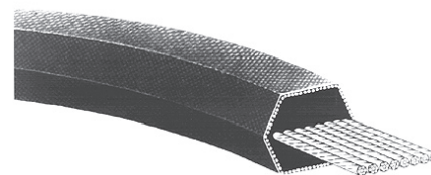


• NO WHIP



• NO TURN OVER

DOUBLE-V SEALED-LIFE (HEX)



For serpentine drives

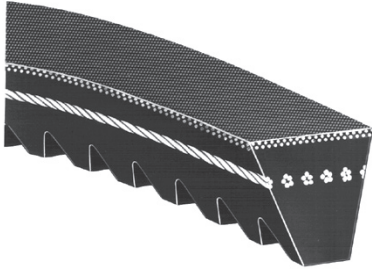
- Transmits power from both sides of belt
- Standard AA, BB, CC cross sections
- Runs in standard classical sheaves
- Oil resistant and static conducting



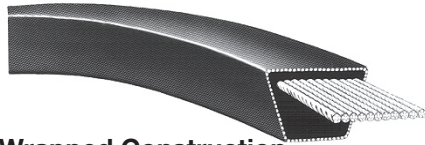
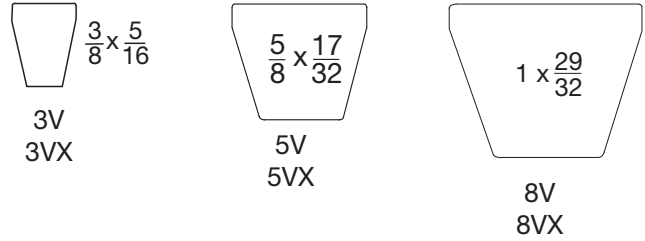
SELECTION

D-V Wedge Narrow Belts

- Oil Resistant and Static Conducting
- Permits Compact, Lighter Weight Drives
- Hi-Strength Tension Member Delivers Maximum Power with Minimum Stretch
- Built for Long-Term Dimensional Stability.
- Matched to MPTA/RMA Standards. No additional matching or Matching Codes required.



Raw-Edge Molded Cog Construction



Wrapped Construction

3VX				5VX, 5V								8VX, 8V			
Belt No.	Part No.	Wt.	Lgth. Δ	Belt No.	Part No.	Wt.	Lgth. Δ	Belt No.	Part No.	Wt.	Lgth. Δ	Belt No.	Part No.	Wt.	Lgth. Δ
3VX250	107150	0.11	25	5VX450		0.51	45	5VX900	107180	1.04	90	8VX1000	107200	2.97	100
3VX265	107220	0.11	27	5VX470		0.54	47	5VX930		1.07	93	8VX1060	107219	3.50	106
3VX280	107151	0.12	28	5VX490		0.56	49	5VX950	107195	1.10	95	8VX1120	107201	3.35	112
3VX300	107229	0.12	30	5VX500	107175	0.57	50	5VX960		1.11	96	8VX1180	107240	3.65	118
3VX315	107152	0.14	31.5	5VX510		0.59	51	5VX1000	107181	1.16	100	8VX1250	107202	3.98	125
3VX335	107230	0.14	33.5	5VX530	107233	0.61	53	5VX1030		1.18	103	8VX1320	107241	4.05	132
3VX355	107153	0.16	35.5	5VX540		0.63	54	5VX1060	107196	1.23	106	8VX1400	107203	4.16	140
3VX375	107166	0.16	37.5	5VX550		0.63	55	5VX1080		1.24	108	8VX1500	107242	4.69	150
3VX400	107154	0.16	40	5VX560	107176	0.64	56	5VX1120	107182	1.30	112	8VX1600	107204	5.30	160
3VX425	107167	0.17	42.5	5VX570		0.66	57	5VX1150		1.33	115	8VX1700	107243	5.27	170
3VX450	107155	0.54	45	5VX580		0.67	58	5VX1160		1.34	116	8VX1800	107205	5.73	180
3VX475	107221	0.20	47.5	5VX590		0.68	59	5VX1180	107197	1.37	118	8VX1900	107244	5.81	190
3VX500	107156	0.22	50	5VX600	107234	0.69	60	5VX1230		1.42	123	8VX2000	107206	6.05	200
3VX530	107222	0.21	53	5VX610		0.70	61	5VX1250	107183	1.45	125	8V2120	107245	6.80	212
3VX560	107157	0.22	56	5VX630	107177	0.73	63	5VX1320	107224	1.53	132	8V2240	107207	7.25	224
3VX600	107168	0.24	60	5VX650		0.75	65	5VX1400	107184	1.62	140	8V2360	107215	7.65	236
3VX630	107158	0.27	63	5VX660		0.75	66	5VX1500	107225	1.74	150	8V2500	107208	7.97	250
3VX670	107169	0.29	67	5VX670	107235	0.77	67	5VX1600	107185	1.86	160	8V2650	107246	8.52	265
3VX710	107159	0.31	71	5VX680		0.78	68	5VX1700	107226	1.97	170	8V2800	107209	8.95	280
3VX750	107170	0.30	75	5VX690		0.80	69	5VX1800	107186	2.10	180	8V3000	107216	10.05	300
3VX800	107160	0.33	80	5VX710	107178	0.82	71	5VX1900	107227	2.20	190	8V3150	107210	10.50	315
3VX850	107171	0.39	85	5VX730		0.84	73	5VX2000	107187	2.30	200	8V3350	107247	11.20	335
3VX900	107161	0.38	90	5VX740		0.85	74	5V2120	107228	2.50	212	8V3550	107211	11.90	355
3VX950	107172	0.40	95	5VX750	107193	0.87	75	5V2240	107188	2.60	224	8V3750	107218	12.60	375
3VX1000	107162	0.44	100	5VX780		0.90	78	5V2360	107236	2.74	236	8V4000	107212	13.40	400
3VX1060	107223	0.44	106	5VX800	107179	0.92	80	5V2500	107189	2.84	250	8V4250	107248	14.20	425
3VX1120	107163	0.46	112	5VX810		0.93	81	5V2650	107237	2.99	265	8V4500	107213	15.10	425
3VX1180	107231	0.50	118	5VX830		0.96	83	5V2800	107190	3.10	280	8V4750	107217	15.50	475
3VX1250	107164	0.54	125	5VX840		0.97	84	5V3000	107238	3.60	300	8V5000	107214	16.00	500
3VX1320	107232	0.57	132	5VX850	107194	0.98	85	5V3150	107191	3.80	315	----	----	----	----
3VX1400	107165	0.62	140	5VX860		0.99	86	5V3350	107239	4.00	335	----	----	----	----
3VX1500	107173	0.56	150	5VX880		1.02	88	5V3550	107192	4.30	355	----	----	----	----

Δ Outside circumference in inches



D-V Wedge Banded Belts



3VX POLYBAND Narrow Belts (2, 3, 4, 5, and 6 Bands)

Lgth. Δ	Belt No.	Wgt. Per Band	2-BAND P/N	3-BAND P/N	4-BAND P/N	5-BAND P/N	6-BAND P/N
25	R3VX250 Δ	0.10					
26.5	R3VX265 Δ	0.10					
28	R3VX280 Δ	0.10	108208	108209	108210	108211	
30	R3VX300 Δ	0.15	108212	108213	108214	108215	
31.5	R3VX315 Δ	0.15	108216	108217	108218	108219	
33.5	R3VX335 Δ	0.15	108220	108221	108222	108228	
35.5	R3VX355 Δ	0.15	108224	108225	108226	108227	
37.5	R3VX375 Δ	0.15	108228	108229	108230	108231	
40	R3VX400 Δ	0.20	108232	108233	108234	108235	
42.5	R3VX425 Δ	0.20	108236	108237	108238	108239	
45	R3VX450 Δ	0.20	108240	108241	108242	108243	
47.5	R3VX475 Δ	0.20	108244	108245	108246	108247	
50	R3VX500 Δ	0.20	108248	108249	108250	108251	
53	R3VX530 Δ	2.50	108252	108253	108254	108255	
56	R3VX560 Δ	2.50	108256	108257	108258	108259	
60	R3VX600 Δ	2.50	108260	108261	108262	108263	
63	R3VX630 Δ	0.30	108264	108265	108266	108267	
67	R3VX670 Δ	0.30	108268	108269	108270	108271	
71	R3VX710 Δ	0.30	108272	108273	108274	108275	
75	R3VX750 Δ	0.35	108276	108277	108278	108279	
80	R3VX800 Δ	0.35	108280	108281	108282	108283	
85	R3VX850 Δ	0.40	108284	108285	108286	108287	
90	R3VX900 Δ	0.40	108288	108289	108290	108291	
95	R3VX950 Δ	0.45	108292	108293	108294	108295	
100	R3VX1000 Δ	0.45	108296	108297	108298	108299	
106	R3VX1060 Δ	0.50	108300	108301	108302	108303	
112	R3VX1120 Δ	0.50	108304	108305	108306	108307	
118	R3VX1180 Δ	0.55	108308	108309	108310	108311	
125	R3VX1250 Δ	0.55	108312	108313	108314	108315	
132	R3VX1320 Δ	0.60	108316	108317	108318	108319	
140	R3VX1400 Δ	0.65	108320	108321	108322	108323	

Δ Outside circumference in inches

V-Drives

FHP Drives

Drive Component
Accessories

DYNA-SYNC

HT200/HTD
Synchronous Drives

HTR
Synchronous Drives

HTRC
Synchronous Drives



SELECTION

5VX, 5V POLYBAND Narrow Belts (2, 3, 4, 5, and 6 Bands)

Lgth. Δ	Belt No.	Wgt. Per Band	2-BAND P/N	3-BAND P/N	4-BAND P/N	5-BAND P/N	6-BAND P/N
50	R5VX500 Δ	0.65	108330				
53	R5VX530 Δ	0.65					
56	R5VX560 Δ	0.70	108338	108339	108340	108341	
60	R5VX600 Δ	0.75	108342	108343	108344	108345	
63	R5VX630 Δ	0.80	108346	108347	108348	108349	
67	R5VX670 Δ	0.85	108350	108351	108352	108353	
71	R5VX710 Δ	0.90	108354	108355	108356	108357	
75	R5VX750 Δ	0.95	108358	108359	108360	108361	
80	R5VX800 Δ	1.00	108362	108363	108364	108365	
85	R5VX850 Δ	1.10	108366	108367	108368	108369	
90	R5VX900 Δ	1.15	108370	108371	108372	108373	
95	R5VX950 Δ	1.20	108374	108375	108376	108377	
100	R5VX1000 Δ	1.30	108378	108379	108380	108381	
106	R5VX1060 Δ	1.35	108382	108383	108384	108385	
112	R5VX1120 Δ	1.45	108386	108387	108388	108389	
118	R5VX1180 Δ	1.50	108390	108391	108392	108393	
125	R5VX1250 Δ	1.60	108394	108395	108396	108397	
132	R5VX1320 Δ	1.70	108398	108399	108400	108401	
140	R5VX1400 Δ	1.80	108402	108403	108404	108405	108329
150	R5VX1500 Δ	1.90	108406	108407	108408	108409	
160	R5VX1600 Δ	2.05	108410	108411	108412	108413	
170	R5VX1700 Δ	2.20	108414	108415	108416	108417	
180	R5VX1800 Δ	2.30	108418	108419	108420	108421	
190	R5VX1900 Δ	2.45	108422	108423	108424	108425	
200	R5VX2000 Δ	2.55	108426	108427	108428	108429	
212	R5V2120 Δ	2.75	108430	108431	108432	108433	
224	R5V2240 Δ	2.90	108434	108435	108436	108437	
236	R5V2360 Δ	3.00	108438	108439	108440	108441	
250	R5V2500 Δ	3.20	108442	108443	108444	108445	
265	R5V2650 Δ	3.40	108446	108447	108448	108449	
280	R5V2800 Δ	3.60	108450	108451	108452	108453	
300	R5V3000 Δ	3.85	108454	108455	108456	108457	
315	R5V3150 Δ	4.05	108458	108459	108460	108461	
335	R5V3350 Δ	4.35	108462	108463	108464	108465	
355	R5V3550 Δ	4.70	108466	108467	108468	108469	

FOR 8V BELTS SEE NEXT PAGE

Δ Outside circumference in inches

SELECTION



8V POLYBAND Narrow Belts (2, 3, 4, 5, and 6 Bands)

Lgth. Δ	Belt No.	Wgt. Per Band	2-BAND P/N	3-BAND P/N	4-BAND P/N	5-BAND P/N	6-BAND P/N
100	R8V1000 Δ	3.3					
106	R8V1060 Δ	3.50	108486				
112	R8V1120 Δ	3.70	108489	108490	108491	108492	
118	R8V1180 Δ	3.80	108493	108494	108495	108496	
125	R8V1250 Δ	4.15	108498	108499	108500	108501	
132	R8V1320 Δ	4.35	108502	108503	108504	108505	
140	R8V1400 Δ	4.65	108507	108508	108509	108510	
150	R8V1500 Δ	5.00	108511	108512	108513	108514	
160	R8V1600 Δ	5.35	108515	108516	108517	108518	
170	R8V1700 Δ	5.70	108519	108520	108521	108522	
180	R8V1800 Δ	6.00	108524	108525	108526	108527	
190	R8V1900 Δ	6.35	108528	108529	108530	108531	
200	R8V2000 Δ	6.70	108533	108534	108535	108536	
212	R8V2120 Δ	7.10	108537	108538	108539	108540	108326
224	R8V2240 Δ	7.50	108542	108543	108544	108545	
236	R8V2360 Δ	7.90	108546	108547	108548	108549	
250	R8V2500 Δ	8.40	108550	108551	108552	108553	
265	R8V2650 Δ	8.90	108554	108555	108556	108557	
280	R8V2800 Δ	9.14	108559	108560	108561	108562	
300	R8V3000 Δ	10.10	108563	108564	108565	108566	108558
315	R8V3150 Δ	10.60	108567	108568	108569	108570	
335	R8V3350 Δ	11.30	108571	108572	108573	108574	
355	R8V3550 Δ	12.00	108576	108577	108578	108579	
375	R8V3750 Δ	12.65	108580	108581	108582	108583	
400	R8V4000 Δ	13.50	108585	108586	108587	108588	
425	R8V4250 Δ	14.35	108589	108590	108591	108592	
450	R8V4500 Δ	15.20	108594	108595	108596	108597	
475	R8V4750 Δ	16.05	108470	108471	108472	108473	
500	R8V5000 Δ	16.90	108474	108475	108476	108477	
560	R8V5600 Δ	18.90	108478	108479	108484	108488	
600	R8V6000 Δ	20.25					

Δ Outside circumference in inches

V-Drives

FHP Drives

Drive Component
Accessories

DYNA-SYNC

HT200/HTD
Synchronous Drives

HTR
Synchronous Drives

HTRC
Synchronous Drives

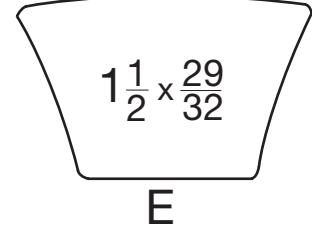
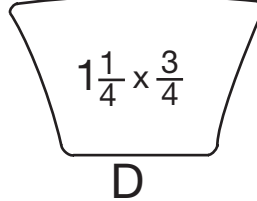
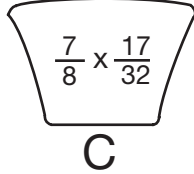
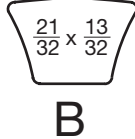
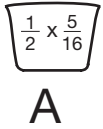


SELECTION

S-L Classic Belts



- Premium Performance at Standard Prices.
- Cool Running and Flexible.
- Strong Tensile Cords Remove Excess Stretch.
- Static Conducting and Heat and Oil Resistant.
- Matched to MPTA/RMA Standards - No additional matching or Match Codes required.



Belt No.	Part No.	Wt.	Datum Lgth. Δ	Belt No.	Part No.	Wt.	Datum Lgth. Δ	Belt No.	Part No.	Wt.	Datum Lgth. Δ	Belt No.	Part No.	Wt.	Datum Lgth. Δ
AP21		0.14	22.3	AP44	107324	0.30	45.3	AP67	107388	0.44	68.3	AP89	107922	0.57	90.3
AP22	107908	0.15	23.3	AP45	107329	0.32	46.3	AP68	107016	0.80	69.3	AP90	107022	0.57	91.3
AP23		0.16	24.3	AP46	107007	0.31	47.3	AP69	107913	0.44	70.3	AP91	107923	0.57	92.3
AP24	107910	0.17	25.3	AP47	107330	0.34	48.3	AP70	107252	0.46	71.3	AP92	107277	0.58	93.3
AP25		0.18	26.3	AP48	107008	0.34	49.3	AP71	107017	0.46	72.3	AP93	107430	0.58	94.3
AP26	107001	0.20	27.9	AP49	107272	0.34	50.3	AP72	107914	0.48	73.3	AP94	107924	0.60	95.3
AP27	107417	0.19	28.3	AP50	107331	0.35	51.3	AP73	107915	0.48	74.3	AP95	107925	0.62	96.3
AP28	107320	0.21	29.3	AP51	107009	0.36	52.3	AP74	107343	0.48	75.3	AP96	107023	0.65	97.3
AP29	107418	0.21	30.3	AP52	107332	0.38	53.3	AP75	107018	0.48	76.3	AP97	107926	0.65	98.3
AP30	107321	0.23	31.3	AP53	107010	0.37	54.3	AP76	107420	0.47	77.3	AP98	107431	0.70	99.3
AP31	107002	0.24	32.3	AP54	107250	0.38	55.3	AP77	107916	0.50	78.3	AP100	107346	0.67	101.3
AP32	107322	0.24	33.3	AP55	107011	0.38	56.3	AP78	107019	0.51	79.3	AP103		0.68	104.3
AP33	107003	0.25	34.3	AP56	107251	0.37	57.3	AP79	107917	0.52	80.3	AP105	107024	0.68	106.3
AP34	107278	0.26	35.3	AP57	107273	0.40	58.3	AP80	107020	0.51	81.3	AP110	107253	0.70	111.3
AP35	107004	0.26	36.3	AP58	107274	0.40	59.3	AP81	107276	0.52	82.3	AP112	107025	0.74	113.3
AP36	107270	0.27	37.3	AP59	107912	0.40	60.3	AP82	107918	0.55	83.3	AP120	107026	0.75	121.3
AP37	107129	0.27	38.3	AP60	107012	0.41	61.3	AP83	107344	0.50	84.3	AP128	107027	0.85	129.3
AP38	107005	0.26	39.3	AP61	107333	0.41	62.3	AP84	107919	0.53	85.3	AP136	107028	0.84	137.3
AP39	107323	0.29	40.3	AP62	107013	0.66	63.3	AP85	107021	0.55	86.3	AP144	107029	1.00	145.3
AP40	107271	0.29	41.3	AP63	107387	0.40	64.3	AP86	107920	0.56	87.3	AP158	107254	1.10	159.3
AP41	107419	0.29	42.3	AP64	107014	0.41	65.3	AP87	107921	0.58	88.3	AP173	107255	1.20	174.3
AP42	107006	0.27	43.3	AP65	107122	0.42	66.3	AP88	107345	0.60	89.3	AP180	107256	1.20	181.3
AP43	107249	0.31	44.3	AP66	107015	0.43	67.3								

Δ Datum Length in inches

SELECTION



S-L Classic Belts B, C, D, E S-L Classic Belts

Belt No.	Part No.	Wt.	Datum Lgth. Δ	Belt No.	Part No.	Wt.	Datum Lgth. Δ	Belt No.	Part No.	Wt.	Datum Lgth. Δ	Belt No.	Part No.	Wt.	Datum Lgth. Δ
B-Belts				B-Belts (Con't)				B-Belts (Con't)				C-Belts (Con't)			
BP25		0.28	26.8	BP78	107046	0.74	79.8	BP205	107353	2.00	206.8	CP330	107096	6.00	330.9
BP26		0.29	27.8	BP79	107257	0.80	80.8	BP210	107065	2.07	211.8	CP345	107097	6.30	345.9
BP28	107932	0.30	29.8	BP80	107047	0.85	81.8	BP225	107262	2.21	225.3	CP360	107098	7.40	360.9
BP29	107933	0.29	30.8	BP81	107048	0.82	82.8	BP240	107066	2.39	240.3	CP390	107099	7.10	390.9
BP30		0.30	31.8	BP82	107258	0.84	83.8	BP255	107263	2.56	255.3	CP420	107269	8.03	420.9
BP31		0.32	32.8	BP83	107049	0.79	84.8	BP270	107067	2.75	270.3	D-BELTS			
BP32	107389	0.36	33.8	BP84	107411	0.81	85.8	BP285	107264	2.70	285.3	DP120	107100	4.30	123.3
BP33		0.34	34.8	BP85	107050	0.87	86.8	BP300	107068	3.40	300.3	DP128	107101	4.60	131.3
BP34	107390	0.34	35.8	BP86	107434	0.84	87.8	BP315	107265	3.20	315.3	DP144	107102	5.10	147.3
BP35	107030	0.39	36.8	BP87	107296	0.87	88.8	C-BELTS				DP158	107103	5.58	161.3
BP36	107391	0.39	37.8	BP88	107297	0.87	89.8	CP51	107072	0.99	53.9	DP162	107104	5.65	165.3
BP37	107936	0.41	38.8	BP89	107938	0.90	90.8	CP55	107354	1.07	57.9	DP173	107105	11.00	176.3
BP38	107031	0.44	39.8	BP90	107051	0.94	91.8	CP60	107073	1.15	62.9	DP180	107106	6.35	183.3
BP39	107937	0.43	40.8	BP91	107939	0.87	92.8	CP68	107074	1.30	70.9	DP195	107107	6.90	198.3
BP40	107279	0.44	41.8	BP92	107940	0.90	93.8	CP71		1.34	73.9	DP210	107108	7.40	213.3
BP41	107280	0.45	42.8	BP93	107052	0.91	94.8	CP72	107699	1.36	74.9	DP225	107146	7.90	225.8
BP42	107032	0.44	43.8	BP94	107941	0.93	95.8	CP75	107075	1.42	77.9	DP240	107109	8.49	240.8
BP43	107349	0.46	44.8	BP95	107259	0.95	96.8	CP78	107124	1.49	80.9	DP255	107148	8.90	255.8
BP44	107281	0.50	45.8	BP96	107260	0.96	97.8	CP81	107076	1.50	83.9	DP270	107110	8.90	270.8
BP45	107433	0.48	46.8	BP97	107053	0.95	98.8	CP85	107077	1.65	87.9	DP285	107149	9.90	285.8
BP46	107033	0.49	47.8	BP98		0.96	99.8	CP90	107078	1.64	92.9	DP300	107111	10.30	300.8
BP47	107408	0.52	48.8	BP99	107128	0.99	100.8	CP96	107079	1.82	98.9	DP315	107112	11.00	315.8
BP48	107034	0.51	49.8	BP100	107069	1.02	101.8	CP97	107356	1.83	99.9	DP330	107113	11.50	330.8
BP49	107350	0.53	50.8	BP101		1.06	102.8	CP99	107361	1.86	101.9	DP345	107114	12.00	345.8
BP50	107282	0.54	51.8	BP103	107054	1.07	104.8	CP100	107126	1.88	102.9	DP360	107115	12.76	360.8
BP51	107035	0.51	52.8	BP105	107055	1.07	106.8	CP101		1.89	103.9	DP390	107116	13.60	390.8
BP52	107283	0.55	53.8	BP106		1.08	107.8	CP105	107080	1.90	107.9	DP420	107117	14.70	420.8
BP53	107036	0.57	54.8	BP108	107298	1.08	109.8	CP108	107363	1.90	110.9	DP450	107373	15.70	450.8
BP54	107284	0.59	55.8	BP111		1.15	112.8	CP109	107123	2.02	111.9	DP480	107118	16.80	480.8
BP55	107037	0.59	56.8	BP112	107056	1.14	113.8	CP111	107365	2.10	113.9	DP540	107119	18.90	540.8
BP56	107285	0.59	57.8	BP116	107412	1.18	117.8	CP112	107081	2.13	114.9	DP600	107120	20.90	600.8
BP57	107286	0.59	58.8	BP118		1.18	119.8	CP115	107364	2.26	117.9	DP660	107070	23.00	660.8
BP58	107287	0.61	59.8	BP120	107057	1.18	121.8	CP120	107082	2.22	122.9	E-BELTS			
BP59	107288	0.59	60.8	BP123		1.25	124.8	CP124	107127	2.42	126.9	EP144		8.00	148.5
BP60	107038	0.60	61.8	BP124	107299	1.26	125.8	CP128	107083	2.35	130.9	EP180	107131	9.40	184.5
BP61	107289	0.61	62.8	BP126		1.25	127.8	CP136	107084	2.56	138.9	EP195	107132	10.10	199.5
BP62	107039	0.62	63.8	BP128	107058	1.28	129.8	CP144	107085	2.64	146.9	EP210	107133	10.90	214.5
BP63	107290	0.63	64.8	BP130		1.35	131.8	CP148		2.80	150.9	EP225		12.10	229.5
BP64	107040	0.64	65.8	BP133	107261	1.38	134.8	CP150	107957	2.82	152.9	EP240	107135	12.20	241.5
BP65	107041	0.65	66.8	BP136	107059	1.34	137.8	CP158	107086	3.01	160.9	EP270		14.50	271.5
BP66	107042	0.66	67.8	BP140		1.43	141.8	CP162	107087	3.09	164.9	EP300	107137	15.30	301.0
BP67	107291	0.69	68.8	BP144	107060	1.45	145.8	CP173	107088	3.39	175.9	EP330	107138	16.80	331.0
BP68	107043	0.67	69.8	BP148	107351	1.39	149.8	CP180	107089	3.47	182.9	EP360	107139	18.30	361.0
BP69	107409	0.70	70.8	BP150	107000	1.49	151.8	CP195	107090	3.65	197.9	EP390	107140	19.80	391.0
BP70	107275	0.72	71.8	BP154		1.54	155.8	CP210	107091	8.03	212.9	EP420	107141	21.40	421.0
BP71	107044	0.69	72.8	BP158	107061	1.55	159.8	CP225	107266	4.16	225.9	EP480	107142	27.00	481.0
BP72	107292	0.73	73.8	BP162	107125	1.58	163.8	CP240	107092	4.31	240.9	EP540	107143	30.00	541.0
BP73	107293	0.73	74.8	BP173	107062	1.69	174.8	CP255	107267	4.70	255.9	EP600	107144	34.00	601.0
BP74	107294	0.73	75.8	BP180	107063	1.72	181.8	CP270	107093	5.03	270.9	EP660	107174	36.00	661.0
BP75	107045	0.78	76.8	BP190	107352	1.85	191.8	CP285	107268	5.20	285.9	Δ Datum Length in inches			
BP76	107410	0.76	77.8	BP191		1.95	192.8	CP300	107094	5.50	300.9				
BP77	107295	0.76	78.8	BP195	107064	2.00	196.8	CP315	107095	5.80	315.9				

◇ E-BELTS: Recommended for Replacement Only - Not for New Drives (Use 8V Belts)



SELECTION

S-L Classic Banded Belts B POLYBAND Classic Belts (2, 3, 4 and 5 Bands)

Datum Lgth. Δ	Belt. No.	Wgt. per Band	2-Band P/N	3-Band P/N	4-Band P/N	5-Band P/N
36.8	RBP35 Δ	0.50				
39.8	RBP38 Δ	0.55				
41.8	RBP40 Δ	0.55				
42.8	RBP41 Δ	0.55				
43.8	RBP42 Δ	0.60	107308	107309	107310	107311
44.8	RBP43 Δ	0.60	107421	107451	107452	107453
45.8	RBP44 Δ	0.60				
47.8	RBP46 Δ	0.65	107312	107313	107314	107315
49.8	RBP48 Δ	0.65	107316	107317	107318	107319
50.8	RBP49 Δ	0.70				
51.8	RBP50 Δ	0.70	107454	107455	107464	107465
52.8	RBP51 Δ	0.70	107325	107326	107327	107328
53.8	RBP52 Δ	0.70	107466	107467	107468	107481
54.8	RBP53 Δ	0.75	107334	107335	107336	107337
55.8	RBP54 Δ	0.75	107482	107483	107484	107485
56.8	RBP55 Δ	0.75	107338	107339	107340	107341
57.8	RBP56 Δ	0.75	107494	107495	107496	107497
58.8	RBP57 Δ	0.80	107498	107503	107504	107505
59.8	RBP58 Δ	0.80	107506	107507	107520	107521
60.8	RBP59 Δ	0.80	107522	107523	107524	107541
61.8	RBP60 Δ	0.85	107357	107358	107359	107360
62.8	RBP61 Δ	0.85	107542	107543	107544	107545
63.8	RBP62 Δ	0.85	107366	107367	107368	107369
64.8	RBP63 Δ	0.85	107550	107551	107552	107553
65.8	RBP64 Δ	0.90	107375	107376	107377	107378
66.8	RBP65 Δ	0.90	107379	107380	107381	107382
67.8	RBP66 Δ	0.90	107383	107384	107385	107386
68.8	RBP67 Δ	0.90	107554	107563	107564	107565
69.8	RBP68 Δ	0.90	107392	107393	107394	107395
71.8	RBP70 Δ	0.95	107396	107397	107398	107399
72.8	RBP71 Δ	0.95	107400	107401	107402	107403
73.8	RBP72 Δ	1.00	107566	107567	107568	107569
74.8	RBP73 Δ	1.00	107660	107651	107652	107653
75.8	RBP74 Δ	1.00	107654	107659	107660	107661
75.8	RBP75 Δ	1.00	107404	107405	107406	107407
78.8	RBP77 Δ	1.05	107662	107663	107668	107669
79.8	RBP78 Δ	1.05	107413	107414	107415	107416
80.8	RBP79 Δ	1.10	107670	107671	107672	107677
81.8	RBP80 Δ	1.10	107422	107423	107424	107425
82.8	RBP81 Δ	1.10	107426	107427	107428	107429
83.8	RBP82 Δ	1.10	107678	107894	107895	107896
84.8	RBP83 Δ	1.15	107435	107436	107437	107438
86.8	RBP85 Δ	1.15	107439	107440	107441	107442
88.8	RBP87 Δ	1.20	107897	107898	107899	107942
89.8	RBP88 Δ	1.20	107943	107944	107948	107949
91.8	RBP90 Δ	1.20	107443	107444	107445	107446
94.8	RBP93 Δ	1.25	107447	107448	107449	107450
96.8	RBP95 Δ	1.30	107950	107951	107952	107953
97.8	RBP96 Δ	1.30	107456	107457	107458	107459
98.8	RBP97 Δ	1.30	107460	107461	107462	107463

Δ Datum Length in inches

SELECTION



S-L Classic Banded Belts B POLYBAND Classic Belts (2, 3, 4 and 5 Bands) (Cont'd)

Datum Lgth. Δ	Belt. No.	Wgt. per Band	2-Band P/N	3-Band P/N	4-Band P/N	5-Band P/N
100.8	RBP99 Δ	1.35	107954	107955	107956	107979
101.8	RBP100 Δ	1.35	107469	107470	107471	107472
104.8	RBP103 Δ	1.40	107473	107474	107475	107476
106.8	RBP105 Δ	1.45	107477	107478	107479	107480
109.8	RBP108 Δ	1.45	107980	107981	107982	107983
113.8	RBP112 Δ	1.50	107486	107487	107488	107489
121.8	RBP120 Δ	1.65	107490	107491	107492	107493
125.8	RBP124 Δ	1.70	107984	107985	107986	107987
129.8	RBP128 Δ	1.75	107499	107500	107501	107502
134.8	RBP133 Δ	1.80	107988	107989	107990	107991
137.8	RBP136 Δ	1.85	107508	107509	107510	107511
145.8	RBP144 Δ	1.95	107512	107513	107514	107515
149.8	RBP148 Δ	2.00	107992	107993	107994	107995
159.8	RBP158 Δ	2.15	107516	107517	107518	107519
163.8	RBP162 Δ	2.20	107996	107997	107998	108765
174.8	RBP173 Δ	2.35	107525	107526	107527	107528
181.8	RBP180 Δ	2.45	107529	107530	107531	107532
196.8	RBP195 Δ	2.65	107533	107534	107535	107536
211.8	RBP210 Δ	2.85	107537	107538	107539	107540
225.3	RBP225 Δ	3.00	108766	108767	108768	108769
240.3	RBP240 Δ	3.20	107546	107547	107548	107549
255.3	RBP255 Δ	3.40	108770	108771	108772	108773
270.3	RBP270 Δ	3.60	107555	107556	107557	107558
285.3	RBP285 Δ	3.80				
300.3	RBP300 Δ	4.00	107559	107560	107561	107562
315.3	RBP315 Δ	4.20	108774	108775	108776	108777

V-Drives

FHP Drives

Drive Component Accessories

DYNA-SYNC

HT200/HTD Synchronous Drives

HTR Synchronous Drives

HTRC Synchronous Drives



SELECTION

S-L Classic Banded Belts C POLYBAND Classic Belts (2, 3, 4 and 5 Bands)

Datum Lgth. Δ	Belt. No.	Wgt. per Band	2-Band P/N	3-Band P/N	4-Band P/N	5-Band P/N
53.9	RCP51 Δ	1.20				
57.9	RCP55 Δ	1.30				
62.9	RCP60 Δ	1.40	107574	107575	107576	107577
70.9	RCP68 Δ	1.55	107578	107579	107580	107581
73.9	RCP71 Δ	1.65				
77.9	RCP75 Δ	1.70	107582	107583	107584	107585
83.9	RCP81 Δ	1.85	107586	107587	107588	107589
87.9	RCP85 Δ	1.95	107590	107591	107592	107593
92.9	RCP90 Δ	2.05	107594	107595	107596	107597
98.9	RCP96 Δ	2.20	107598	107599	107600	107601
99.9	RCP97 Δ	2.20				
101.9	RCP99 Δ	2.25	108778	108779	108780	108781
102.9	RCP100 Δ	2.30				
107.9	RCP105 Δ	2.40	107602	107603	107604	107605
110.9	RCP108 Δ	2.45	108782	108783	108784	108785
111.9	RCP109 Δ	2.50	108786	108787	108788	108789
114.9	RCP112 Δ	2.55	107606	107607	107608	107609
122.9	RCP120 Δ	2.70	107610	107611	107612	107613
126.9	RCP124 Δ	2.80	108790	108791	108792	108793
130.9	RCP128 Δ	2.80	107614	107615	107616	107617
138.9	RCP136 Δ	3.05	107618	107619	107620	107621
146.9	RCP144 Δ	3.25	107622	107623	107624	107625
160.9	RCP158 Δ	3.55	107626	107627	107628	107629
164.9	RCP162 Δ	3.65	107630	107631	107632	107633
175.9	RCP173 Δ	3.90	107634	107635	107636	107637
182.9	RCP180 Δ	4.05	107638	107639	107640	107641
197.9	RCP195 Δ	4.40	107642	107643	107644	107645
212.9	RCP210 Δ	4.70	107646	107647	107648	107649
225.9	RCP225 Δ	5.00	107679	107680	107681	107682
240.9	RCP240 Δ	5.35	107655	107656	107657	107658
255.9	RCP255 Δ	5.65	107684	107685	107686	107687
270.9	RCP270 Δ	6.00	107664	107665	107666	107667
285.9	RCP285 Δ	6.35	107689	107690	107691	107692
300.9	RCP300 Δ	6.65	107673	107674	107675	107676
315.9	RCP315 Δ	7.00	108794	108795	108796	108797
330.9	RCP330 Δ	7.35	108798	108799	108876	108877
345.9	RCP345 Δ	7.65	108878	108879	108880	108881
360.9	RCP360 Δ	8.00	108882	108883	108884	108885
390.9	RCP390 Δ	8.65	108886	108887	108888	108889
420.9	RCP420 Δ	9.35	108890	108891	108892	108893

Δ Datum Length in inches

SELECTION



S-L Classic Banded Belts D POLYBAND Classic Belts (2, 3, 4 and 5 Bands)

Datum Lgth. Δ	Belt. No.	Wgt. per Band	2-Band P/N	3-Band P/N	4-Band P/N	5-Band P/N
123.3	RDP120 Δ	5.05	107700	107701	107702	107703
131.3	RDP128 Δ	5.40				
147.3	RDP144 Δ	6.05	107708	107709	107710	107711
161.3	RDP158 Δ	6.65	107712	107713	107714	107715
165.3	RDP162 Δ	6.80	107716	107717	107718	107719
176.3	RDP173 Δ	7.25	107720	107721	107722	107723
183.3	RDP180 Δ	7.50	107724	107725	107726	107727
198.3	RDP195 Δ	8.15	107728	107729	107730	107731
213.3	RDP210 Δ	8.75	107732	107733	107734	107735
225.8	RDP225 Δ	9.30	107736	107737	107738	107739
240.8	RDP240 Δ	9.90	107741	107742	107743	107744
255.8	RDP255 Δ	10.50	107745	107746	107747	107748
270.8	RDP270 Δ	11.15	107750	107751	107752	107753
285.8	RDP285 Δ	11.75	107754	107755	107756	107757
300.8	RDP300 Δ	12.35	107759	107760	107761	107762
315.8	RDP315 Δ	13.00	107777	107778	107779	107780
330.8	RDP330 Δ	13.60	107781	107782	107783	107784
345.8	RDP345 Δ	14.20	107695	107696	107697	107698
360.8	RDP360 Δ	14.85	107960	107961	107962	107963
390.8	RDP390 Δ	16.10	107764	107765	107766	107767
420.8	RDP420 Δ	17.30	107769	107770	107771	107772
450.8	RDP450 Δ	18.55	107964	107965	107966	107967
480.8	RDP480 Δ	19.80	107773	107774	107775	107776
540.8	RDP540 Δ	22.25		107968	107969	107970
600.8	RDP600 Δ	24.70	107971	107972	107973	107974
660.8	RDP660 Δ	27.15	107975	107976	107977	107978

Δ Datum Length in inches

V-Drives

FHP Drives

Drive Component Accessories

DYNA-SYNC

HT200/HTD Synchronous Drives

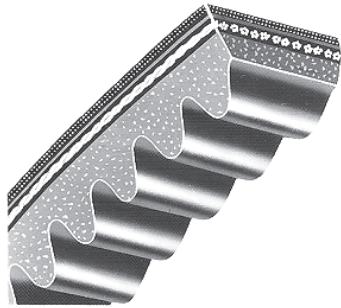
HTR Synchronous Drives

HTRC Synchronous Drives



SELECTION

Classic Cog Belts



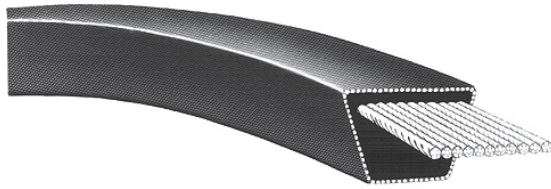
Deliver more horsepower and last longer than conventional belts

- Fully notched cogs for maximum flexibility.
- High coefficient, energy-efficient rubber edge.
- Proven energy-saving design.
- Outlast conventional belts.
- Fewer belts required - drive weight is reduced.
- Matched to MPTA/RMA Standards - No Additional matching or Match Codes Required

Belt No.	Part No.	Wt.	Datum Lgth.	Belt No.	Part No.	Wt.	Datum Lgth.	Belt No.	Part No.	Wt.	Datum Lgth.	Belt No.	Part No.	Wt.	Datum Lgth.
AX BELTS				AX BELTS (CON'T)				BX-BELTS (CON'T)				BX BELTS (CON'T)			
AX25	108867	.17	26.3	AX105	108670	.68	106.3	BX78	108702	.86	79.8	BX270	108735	2.65	270.3
AX26	108640	.18	27.3	AX110	108671	.71	111.3	BX79	108703	.87	80.8	BX300	108637	3.0	300.3
AX27	108868	.19	28.3	AX112	108672	.73	113.3	BX80	108704	.88	81.8	CX-BELTS			
AX31	108641	.21	32.3	AX120	108673	.74	121.3	BX81	108705	.89	82.8	CX51	108736	1.07	53.9
AX32	108869	.21	33.3	AX128	108674	.78	129.3	BX82	108706	.90	83.8	CX60	108737	1.24	62.9
AX33	108642	.22	34.3	AX136	108675	.98	137.3	BX83	108707	.91	84.8	CX68	108738	1.39	70.9
AX34	108643	.23	35.3	BX-BELTS				BX85	108708	.93	86.8	CX75	108739	1.53	77.9
AX35	108644	.24	36.3	BX35	108676	.40	36.8	BX90	108709	.98	91.8	CX81	108740	1.64	83.9
AX36	108645	.24	37.3	BX38	108677	.43	39.8	BX93	108710	1.01	94.8	CX85	108741	1.72	87.9
AX37	108646	.25	38.3	BX42	108678	.48	43.8	BX95	108711	1.03	96.8	CX90	108742	1.81	92.9
AX38	108647	.26	39.3	BX46	108679	.52	47.8	BX96	108712	1.05	97.8	CX96	108743	1.93	98.9
AX42	108648	.28	43.3	BX48	108680	.54	49.8	BX97	108713	1.06	98.8	CX105	108744	2.10	107.9
AX43	108649	.29	44.3	BX50	108681	.56	51.8	BX99	108714	1.08	100.8	CX109	108745	2.18	111.9
AX46	108650	.31	47.3	BX51	108682	.57	52.8	BX100	108715	1.09	101.8	CX112	108746	2.24	114.9
AX48	108651	.32	49.3	BX52	108683	.58	53.8	BX103	108716	1.12	104.8	CX115	108747	2.29	117.9
AX51	108652	.34	52.3	BX53	108684	.59	54.8	BX105	108717	1.14	106.8	CX120	108748	2.39	122.9
AX53	108653	.35	54.3	BX54	108685	.60	55.8	BX112	108718	1.21	113.8	CX128	108749	2.42	130.9
AX54	108654	.36	55.3	BX55	108686	.61	56.8	BX113	108719	1.22	114.8	CX136	108750	2.49	138.9
AX55	108655	.36	56.3	BX56	108687	.62	57.8	BX116	108720	1.26	117.8	CX144	108751	2.63	146.9
AX56	108656	.37	57.3	BX59	108688	.66	60.8	BX120	108721	1.30	121.8	CX150	108752	2.74	152.9
AX60	108657	.40	61.3	BX60	108689	.67	61.8	BX124	108722	1.26	125.8	CX158	108753	2.88	160.9
AX62	108658	.41	63.3	BX61	108690	.68	62.8	BX128	108723	1.30	129.8	CX162	108754	2.95	164.9
AX64	108659	.42	65.3	BX62	108691	.69	63.8	BX133	108724	1.34	134.8	CX173	108755	3.15	175.9
AX66	108660	.43	67.3	BX63	108692	.70	64.8	BX136	108725	1.37	137.8	CX180	108756	3.27	182.9
AX68	108661	.45	69.3	BX64	108693	.71	65.8	BX144	108726	1.45	145.8	CX195	108757	3.54	197.9
AX70	108662	.46	71.3	BX65	108694	.72	66.8	BX150	108727	1.51	151.8	CX210	108758	3.77	212.9
AX71	108663	.47	72.3	BX66	108695	.73	67.8	BX158	108728	1.59	159.8	CX225	108896	4.0	227.9
AX75	108664	.49	76.3	BX67	108696	.74	68.8	BX162	108729	1.63	163.8	CX240	108759	4.30	240.9
AX78	108665	.51	79.3	BX68	108697	.75	69.8	BX173	108730	1.74	174.8	CX270	108760	4.83	270.9
AX80	108666	.52	81.3	BX70	108698	.77	71.8	BX180	108731	1.81	181.8	CX285	108638	4.7	285.9
AX85	108667	.55	86.3	BX71	108699	.78	72.8	BX195	108732	1.96	196.8	CX300	108639	4.9	300.9
AX90	108668	.59	91.3	BX75	108700	.82	76.8	BX210	108733	2.09	211.8	CX330	108762	5.3	330.9
AX96	108669	.62	97.3	BX77	108701	.85	78.8	BX240	108734	2.36	240.3	CX360	108764	5.8	360.9



Double-V (Hex) Belts



- For Serpentine Drives
- Static Conducting
- Oil Resistant

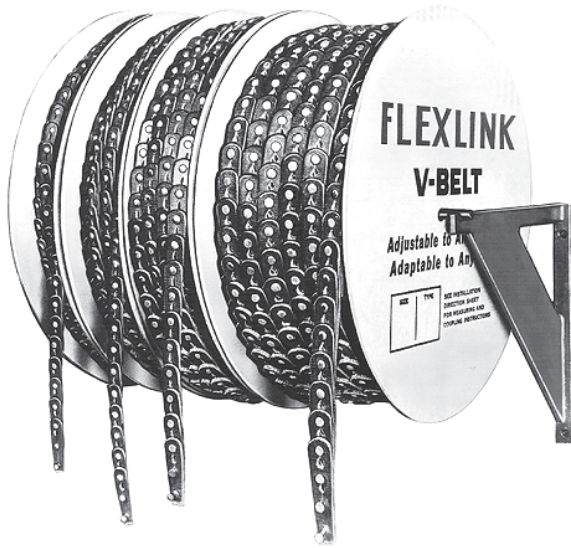
AA, BB, CC, Double-V (Hex) Belts

Belt No.	Part No.	Wt.	Datum Lgth.	Belt No.	Part No.	Wt.	Datum Lgth.	Belt No.	Part No.	Wt.	Datum Lgth.	Belt No.	Part No.	Wt.	Datum Lgth.
AA BELTS				BB BELTS (CON'T.)				BB BELTS (CON'T.)				CC BELTS			
AA51	109125	0.50	53.1	BB73	109209	3.30	75.9	BB140	109223	2.00	142.9	CC75	109235	1.72	79.2
AA55	109087	0.60	57.1	BB74	109210	1.20	76.9	BB144	109091	2.00	146.9	CC81	109153	1.80	85.2
AA60	109126	0.50	62.1	BB75	109138	1.00	77.9	BB155	109202	2.00	157.9	CC85	109154	1.90	89.5
AA62		0.50	64.1	BB76		1.00	78.9	BB157		2.10	159.9	CC90	109155	2.00	94.2
AA64	109120	0.70	66.1	BB77		1.10	79.9	BB158	109092	2.10	160.9	CC96	109156	2.20	100.2
AA66	109121	0.70	68.1	BB81	109139	1.10	83.9	BB160		2.20	162.9	CC105	109157	2.40	109.2
AA68	109127	0.50	70.1	BB83	109211	1.10	85.9	BB162		2.20	164.9	CC112	109158	2.50	116.2
AA70	109122	0.70	72.1	BB85	109140	1.20	87.9	BB168		2.30	170.9	CC119		2.60	123.2
AA75	109128	0.60	77.1	BB89		1.20	91.9	BB169		2.30	171.9	CC120	109159	2.70	124.2
AA78	109123	0.90	80.1	BB90	109141	1.20	92.9	BB170		2.30	172.9	CC128	109160	2.90	132.2
AA80	109129	0.60	82.1	BB92	109197	1.20	94.9	BB173	109093	2.30	175.9	CC136	109236	3.26	140.2
AA85	109130	0.71	87.1	BB93	109198	1.20	95.9	BB180	109094	2.40	182.9	CC144	109161	3.20	148.2
AA90	109131	0.80	92.1	BB94	109199	1.20	96.9	BB182		2.40	184.9	CC148	109237	3.54	152.2
AA92		0.80	94.1	BB96		1.30	98.9	BB190		2.60	192.9	CC158	109162	3.50	162.2
AA96	109132	0.80	98.1	BB97	109142	1.30	99.9	BB195	109148	2.60	197.9	CC162	109163	3.80	166.2
AA105	109133	0.90	107.1	BB103	109213	1.66	105.9	BB210	109149	2.60	212.9	CC173	109164	3.80	177.2
AA112	109134	0.80	114.1	BB105	109143	1.40	107.9	BB225		3.00	226.4	CC180	109165	4.00	184.2
AA120	109135	0.90	122.1	BB107	109214	1.71	109.9	BB226	109203	3.00	227.4	CC195	109166	4.30	199.2
AA128	109136	0.90	130.1	BB108	109215	1.74	110.9	BB228	109204	3.00	229.4	CC210	109167	4.70	214.2
BB-BELTS				BB111	109200	1.40	113.9	BB230	109205	3.10	231.4	CC225		5.20	229.2
BB42	109192	0.60	44.9	BB112	109144	1.60	114.9	BB240	109150	3.20	241.4	CC240	109168	5.20	242.2
BB43	109193	0.60	45.9	BB116	109216	1.60	118.9	BB250		3.20	251.4	CC255		5.90	259.2
BB45	109206	0.60	47.9	BB117		1.60	119.9	BB267		3.20	268.4	CC270	109169	5.90	272.2
BB51	109088	0.80	53.9	BB118	109218	1.90	120.9	BB270	109151	3.60	271.4	CC300	109170	6.50	302.2
BB53		0.80	55.9	BB120	109145	1.60	122.9	BB273		3.60	274.4	CC330	109171	7.20	332.2
BB54		0.80	56.9	BB122		1.70	124.9	BB277		3.60	278.4	CC360	109172	7.80	362.2
BB55	109089	0.80	57.9	BB123	109219	1.70	125.9	BB278		3.70	279.4	CC390	109189	8.50	392.2
BB60	109090	0.90	62.9	BB124	109220	1.70	126.9	BB285		3.90	286.4	CC420	109188	9.10	422.2
BB64		0.90	66.9	BB128	109146	1.80	130.9	BB300		4.00	301.4				
BB68	109137	0.90	70.9	BB129	109221	1.80	131.9	BB360		4.50	361.4				
BB71	109196	1.00	73.9	BB130	109222	1.80	132.9								
BB72	109208	1.17	74.9	BB136	109201	1.80	138.9								



SELECTION

FLEXLINK Belting



Belt Selection	Belt Width	Min. Recommended Sheave Pitch Dia.	Part No. Per Foot*	Wt. Per Ft.
0/3L	3/8	2"	109076	.14
A/4L	1/2	2"	109084	.15
B/5L	21/32	4"	109085	.19
C	7/8	6"	109086	.35

* 100 Ft reel available

FLEXLINK BELT APPLICATION GUIDELINES

1. To obtain link belt length, multiply desired pitch length by .916. This provides correct belt length for initial run-in and seating of belt.
2. For matched sets of link belts, use the same number of links on each belt.
3. Do not use link belting above 5000 FPM belt speed.
Belt speed = .262 x RPM x pitch diameter of sheave.
4. **Note:** Link belting is not static conducting.
Important -
For matched sets of link belts use same number of links on each belt.

- Fast installation, installs in a snap
- Adjustable to any length, adaptable to any drive
- Reduces vibration
- Long-lasting construction
- Reduces inventory - one reel can replace many sizes of standard belting
- Oil proof construction
- Order by the foot or by the reel.

V-Drives

FHP Drives

Drive Component Accessories

DYNA-SYNC

HT200/HTD Synchronous Drives

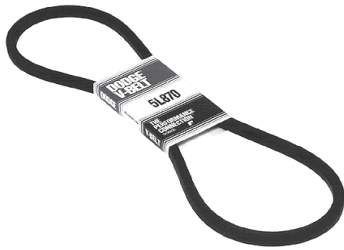
HTR Synchronous Drives

HTRC Synchronous Drives

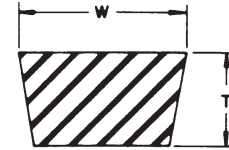
SELECTION



FHP Belts



- Oil Resistant
- Static Conducting
- For Fractional HP Single Drive Belts
- Belt Number Indicates Pi8tch Length (eg 4L270 = 27")



Belt Sect.	W	T
3L	3/8	7/32
4L	1/2	5/16
5L	21/32	3/8

3L, 4L, 5L FHP Belts

Belt No.	Part No.	Wt.	Belt No.	Part No.	Wt.	Belt No.	Part No.	Wt.	Belt No.	Part No.	Wt.
3L BELTS			3L BELTS (CON'T)			4L BELTS (CON'T.)			5L BELTS (CON'T.)		
3L150	108150	.05	3L620	108604	.19	4L590	108043	.32	5L400	108096	.38
3L160	108151	.05	3L630	108805	.19	4L600	108044	.33	5L410	108097	.38
3L170	108152	.05	4L BELTS			4L610	108045	.33	5L420	108098	.40
3L180	108153	.06	4L170	108614	.09	4L620	108046	.34	5L430	108099	.41
3L190	108154	.06	4L180	108001	.09	4L630	108047	.35	5L440	108100	.42
3L200	108155	.06	4L188	108836	.09	4L640	108048	.35	5L450	108101	.43
3L210	108156	.06	4L190	108002	.10	4L650	108049	.36	5L460	108102	.44
3L220	108157	.07	4L200	108003	.10	4L660	108050	.36	5L470	108103	.45
3L230	108158	.07	4L210	108004	.11	4L670	108051	.37	5L480	108104	.46
3L240	108159	.07	4I220	108005	.11	4L680	108052	.37	5L490	108105	.47
3L250	108160	.08	4L230	108006	.12	4L690	108053	.38	5L500	108106	.48
3L260	108161	.08	4L240	108007	.12	4L700	108054	.38	5L510	108107	.49
3L270	108162	.08	4L250	108008	.13	4L710	108055	.39	5L520	108108	.50
3L280	108163	.09	4L260	108009	.13	4L720	108056	.40	5L530	108109	.51
3L290	108164	.09	4L270	108010	.14	4L730	108057	.40	5L540	108110	.52
3L300	108165	.09	4L275	108841	.14	4L740	108058	.41	5L550	108111	.53
3L310	108166	.10	4L280	108011	.15	4L750	108059	.41	5L560	108112	.54
3L320	108167	.10	4L290	108012	.16	4L760	108060	.42	5L570	108113	.55
3L330	108168	.10	4L300	108013	.16	4L770	108061	.42	5L575	108873	.55
3L340	108169	.10	4L310	108014	.17	4L780	108062	.43	5L580	108114	.56
3L350	108170	.11	4L320	108015	.18	4L790	108063	.43	5L590	108115	.57
3L360	108171	.11	4L330	108016	.18	4L800	108064	.44	5L600	108116	.58
3L370	108172	.11	4L340	108018	.19	4L810	108615	.44	5L610	108117	.59
3L380	108173	.12	4L350	108019	.19	4L820	108065	.45	5L620	108118	.60
3L390	108174	.12	4L360	108020	.20	4L830	108616	.46	5L630	108119	.61
3L400	108175	.12	4L370	108021	.20	4L840	108066	.46	5L640	108120	.61
3L410	108176	.13	4L380	108022	.21	4L850	108617	.47	5L650	108121	.62
3L420	108177	.13	4L390	108023	.21	5L BELTS			5L660	108122	.63
3L430	108178	.13	4L400	108024	.22	5L230	108625	.21	5L670	108123	.64
3L440	108179	.14	4L410	108025	.23	5L240	108080	.20	5L680	108124	.65
3L450	108180	.14	4L420	108026	.23	5L250	108081	.20	5L690	108125	.66
3L460	108181	.14	4L430	108027	.24	5L260	108082	.20	5L700	108126	.67
3L470	108182	.15	4L440	108028	.24	5L265	108070	.21	5L710	108127	.68
3L480	108183	.15	4L450	108029	.25	5L270	108083	.21	5L720	108128	.69
3L490	108184	.15	4L460	108030	.25	5L280	108084	.22	5L730	108129	.70
3L500	108185	.15	4L470	108031	.26	5L290	108085	.23	5L740	108130	.71
3L510	108186	.16	4L480	108032	.26	5L300	108086	.24	5L750	108131	.72
3L520	108187	.16	4L490	108033	.27	5L310	108087	.24	5L760	108132	.73
3L530	108188	.16	4L500	108034	.27	5L320	108088	.25	5L770	108133	.74
3L540	108189	.17	4L510	108035	.28	5L330	108089	.26	5L780	108134	.75
3L550	108190	.17	4L520	108036	.29	5L340	108090	.27	5L790	108826	.76
3L560	108191	.17	4L530	108037	.29	5L350	108091	.28	5L800	108135	.77
3L570	108192	.18	4L540	108038	.30	5L360	108092	.28	5L810	108827	.78
3L580	108193	.18	4L550	108039	.30	5L365	108872	.29	5L820	108136	.79
3L590	108194	.18	4L560	108040	.31	5L370	108093	.29	5L830	108328	.80
3L600	108195	.19	4L570	108041	.31	5L380	108094	.37	5L840	108137	.81
3L610	108196	.19	4L580	108042	.32	5L390	108095	.37	5L850	108629	.82



SELECTION

Stock D-V Wedge Drives: Standard Motor Speeds

Step 1 - Determine Service Factor. Refer to Typical Service Factors, Table 2. Locate type of Driven and Driver equipment. (If an idler is used, increase the factor by value indicated.) Correct factor is determined by: 1. The extent and frequency of peak loads. 2. Number of operating hours/year (broken down in average hours/day of continuous service). 3. Proper service category (Intermittent, Normal or Continuous). Select the one closest to the application conditions.

Step 2 - Compute Design HP. Multiply normal running HP required or nameplate rating by service factor obtained in Step 1.

Step 3 - Choose Belt Section. Using Table 1, below, read up from design hp figure obtained in Step 2 and over from the rpm of faster shaft. This intersection indicates belt section.

Step 4 - Select the Drive. a). Using belt section from Step 3, refer to Stock Drive Selection Tables beginning on page PT7-48. b). Under appropriate driver speed column find Driven RPM nearest to the desired speed. To the right note HP per Belt. Read left for Driver/Driven Sheave information. (If driver is an electric motor be sure motor sheave diameter is not less than shown in Table 3.) c). Read onto opposite page and find figure nearest the required center distance. Note Arc-Length Correction Factor in the shaded row below the C.D. figure. d). Read to the top of the table for the belt size. e). To determine number of belts, multiply the HP per Belt value by the ArcLength Correction Factor. This is the corrected HP/belt. Divide design HP by corrected HP figure to determine number of belts required.

EXAMPLE OF SELECTION

Select a D-V Wedge drive for a positive blower, with a 2-15/16" shaft, to run @ 290 rpm, driven by a 30 hp, 1160 squirrel cage electric motor with a 2-1/8" shaft. Desired center distance is 26". Service is continuous.

Step 1 - Service factor from Table 2 is 1.4.

Step 2 - Design HP = 1.4x30 = 42 HP.

Step 3 - A 5V belt section is shown in Table 1 when reading to the right of 1160 rpm and up from 42 design HP.

Step 4 - Turn to 5V Stock Drive Selection Tables. On page PT7-86, under 1160 RPM Driver, read down to find 290 rpm. The nearest appears as 291.

Note HP/belt as 12.8 for all D-V and Polyband belts over 200" and 15.4 for Polyband belts under 200". Also note sheaves listed as 7.1 Driver, 28.0 Driven. Table 3 shows driver is not undersize. Reading toward the right the C.D. figure nearest 26, is 26.4. The correction factor below the C.D. figure is .92. Top of table shows belt size as 5VX 1120.

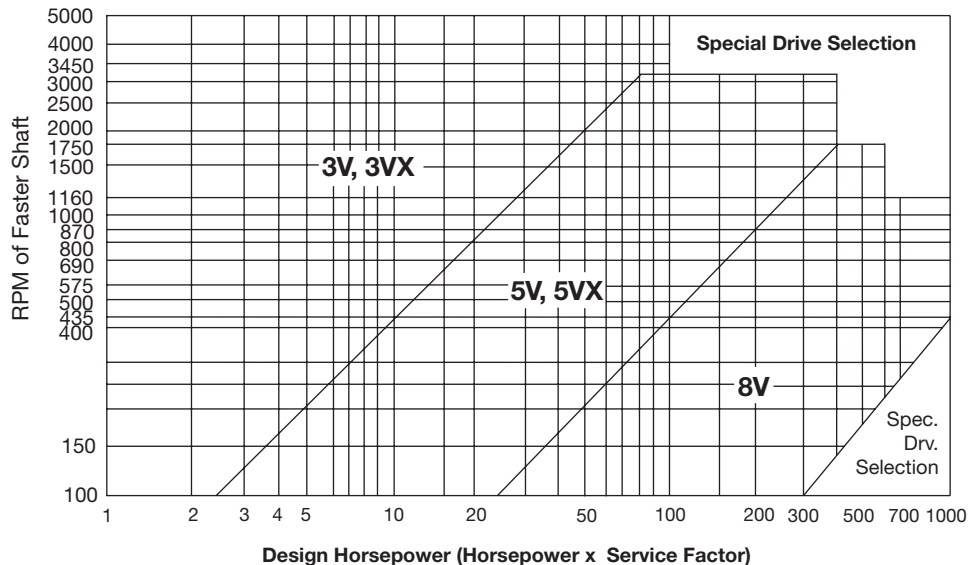
The HP/belt for D-V is 15.4. This value x the .92 factor = 14.2 corrected hp/belt. 42 HP ÷ 14.20 = 2.96. Going to the next whole number, drive requires 3 belts. (Center to center operating distance is 26.4 nominal.)

Order: 1. 3-5VX 1120 D-V belts. **2.** 1 - 3/5V7.1-2517

TAPER-LOCK Sheave. **3.** 1 - 2-1/8, bore 2517 bushing.

4. 1 - 3/5V28.0-3535 TAPER-LOCK Sheave. **5.** 1 - 2-15/16, bore 3535 bushing.

Table 1 - Narrow Cross Section Selection Chart



NOTE: Selection program VIA-VISA available at www.ptwizard.com.

SELECTION



Service Factor

Table 2 - Typical Service Factors

Driven Machine Types Note: Certain machines may require flywheel sheaves or special construction to withstand heavy shock loads. Consult Mfg'r.	Driver: Normal Torque NEMA Des. A or B Motors DC Shunt Wound Motors Multi-Cylinder Engines			Driver: High Torque NEMA Des. C or D Motors DC Series Wound Motors Single Cylinder Engines			
	Service*			Service*			
	Intermit.	Normal	Contin.	Intermit.	Normal	Cont.	
Agitators for Liquids Blowers and Exhausters Centrif. Pumps, Compressors Fans up to 10HP Light Duty Conveyors	1.0	1.1	1.2	1.1	1.2	1.3	* Note: Intermittent: Up to 6 Hrs./Day Normal: 6-16 Hrs./Day Continuous: 16-24 Hrs./Day Adder for Idlers: Outside on slack side 0.1 Inside on tight side 0.1 Outside on tight side 0.2
Belt Conveyors, Bulk Mat'l Dough Mixers Fans over 10 HP Generators Line Shafts Laundry Machinery Machine Tools Punches, Presses, Shears Printing Machinery Positive Displ. Rotary Pumps Revolving & Vibrating Screens	1.1	1.2	1.3	1.2	1.3	1.4	
Brick Machinery Bucket Elevators Exciters Piston Compressors Conveyors: Drag, Pan, Screw Paper Mill Beaters Piston Pumps Pos. Displacement Blowers Pulverizers Saw Mill, Woodworking Mach'y Textile Machinery	1.2	1.3	1.4	1.4	1.5	1.6	
Crushers: Gyratory, Jaw, Roll Mills: Ball, Rod, Tube Hoists Rubber Calendars, Extruders, Mills Chokable Equipment, Fire Hazard	1.3	1.4	1.5	1.6	1.7	1.8	
	2.0	2.0	2.0	2.0	2.0	2.0	

Table 3 - NEMA Min. Sheave Dia. for D-V Wedge Drives

Motor		Motor Horsepower																								
RPM	Sheave	1/2	3/4	1	1-1/2	2	3	5	7-1/2	10	15	20	25	30	40	50	60	75	100	125	150	200	250	300	350	400
870	Min O.D.	2.2	2.4	2.4	2.4	3.0	3.0	3.8	4.4	5.2	6.0	6.8	6.8	6.8	8.2	8.4	10.0	9.5	12.0	12.5	13.2	13.2	15.0
	Max F.W.	2.3	2.3	2.8	2.8	3.4	3.4	4.0	4.0	4.7	4.7	5.3	5.3	5.9	5.9	7.3	7.3	8.5	8.5	8.5	11.6	11.6	11.6
1160	Min O.D.	...	2.2	2.4	2.4	2.4	3.0	3.0	3.8	4.4	4.4	5.2	6.0	6.8	6.8	8.2	9.0	10.0	10.0	12.0	13.2	13.2	13.2	15.0	14.1	...
	Max F.W.	...	2.3	2.3	2.8	2.8	3.4	3.4	4.0	4.0	4.7	4.7	5.3	5.3	5.9	5.9	7.3	7.3	8.5	8.5	8.5	11.6	11.6	11.6	11.6	...
1750	Min O.D.	2.2	2.4	2.4	2.4	3.0	3.0	3.8	4.4	4.4	4.4	5.2	6.0	6.8	7.4	8.6	8.6	10.5	10.5	13.2	13.2	13.2	13.2	14.1
	Max F.W.	2.3	2.3	2.3	2.8	2.8	3.4	3.4	4.0	4.0	4.7	4.7	5.3	5.3	5.9	5.9	7.3	7.3	8.5	9.4	9.4	11.6	11.6	11.6
3500	Min O.D.	2.2	2.4	2.4	3.0	3.8	4.4	4.4
	Max F.W.	2.3	2.3	2.8	2.8	3.4	4.0	4.0

Data in unshaded area is per NEMA Standard MG1-14.42

Data in shaded area subject to approval of motor manufacturer

F.W. = Face Width of sheave

NOTE: Selection program VIA-VISA available at www.ptwizard.com.



SELECTION

Stock D-V Wedge Drives: Non-Standard Motor Speeds & Speed-Up Drives.

For Speeds Other Than Standard Motor Speeds:

Step 1 - Determine Speed Ratio = $\left(\frac{\text{Driver RPM}}{\text{Driven RPM}} \right)$

Step 2 - Compute Design HP. Multiply normal running HP required or nameplate rating by service factor from Table 2.

Step 3 - Determine Maximum Diameter of Driver Sheave

@ 6500 FPM : O.D. = $\frac{6500 \text{ FPM}}{0.262 \times \text{RPM}}$

Step 4 - Select Belt Cross Section. Using Table 1, read up from design HP figure obtained in Step 2 and over from the RPM of faster shaft. This intersection indicates belt section.

Step 5 - Select Drive. Using the belt section from Step 4, make a tentative sheave selection from **stock drive tables**. (Note that several choices are available in the ratio obtained from Step 1. Other choices close to this ratio may also produce a functional drive.) Read onto opposite page and find figure nearest the required center distance. The Arc-Length correction factor is listed in the shaded row below the C.D. figure. Read to the top of the table for the belt size.

Step 6 - Size the Drive. From basic horsepower tables locate HP rating at intersection of RPM of faster shaft row and small sheave column. To this, add the "additional HP" figure based on drive ratio. This becomes the rated HP. Multiply this sum by the arc-length correction factor noted in Step 5. This becomes the corrected HP per belt. To find

Required number of belts : $\frac{\text{Design HP}}{\text{Correction HP/Belt}}$

EXAMPLE OF SELECTION

A V-drive is needed for a 30 HP 2200 RPM gasoline engine, with a 2-1/4" dia. shaft, driving a generator, with a 2-7/16" dia. shaft, @ 1800 RPM. It runs 8 hrs. a day. Center distance is 31".

Step 1 - Speed Ratio = $\frac{2200}{1785} = 1.23$

Step 2 - Service Factor = 1.2 Design HP = 30 x 1.2 = 36

Step 3 - Driver Sheave Max. Dia. = $\frac{6500}{.262 \times 2200} = 11.3$

Step 4 - Belt Cross Section = Table 1 indicates 3VX.

Step 5 - In 3VX Stock Drive Selection Tables on pages PT7-66 and PT7-67, find the 1.23 ratio obtained in the Step 1 calculation. At the top of page PT7-64, the most economical drive is shown as 6.5 Driver, 8.0 Driven. The C.D. nearest 31" is 31.1. The correction factor below the C.D. figure is 1.05. Top of the column shows a 3VX850 belt. Refer to Basic HP Tables on page PT7-80 and PT7-81. From the 2200 RPM of faster shaft row and down from the 6.5 smaller sheave heading: 10.2 HP/belt plus an additional hp of .23 in the 1.19 thru 1.26 ratio column. The sum = 10.43 HP/belt x 1.05 arc length correction factor = 10.95 HP/belt.

Number of belts = $\frac{36}{10.95} = 3.28$ or 4 belts

Order: 1- 4 groove 3V 6.5 TAPER-LOCK Sheave, 1-2517 2-1/4" bore bushing, 1-4 groove 8.0 TAPER-LOCK Sheave, 1-2517 2-7/16" bore bushing, 4-3VX850 D-V Wedge Belts.

Example of a 3V Speed-Up Drive

A 20 HP 1750 RPM AC motor, with a 1-5/8" dia. shaft, is to drive a blower, with a 1-7/16" shaft, @ 2500 RPM. The center distance = 26". Equipment runs 24 hrs./day.

1. Service Factor from Table 2 is 1.2.
2. Design HP=20x1.2=24 HP
3. Speed Ratio = $\frac{2500}{1750} = 1.43$
4. In Stock Drive Table, under 1.43 ratio, sheaves are listed as 5.6 Driver/8.0 Driven. (In a speed-up drive, the 5.6 sheave becomes the Driven, the 8.0 the Driver.) The opposite page of the table shows the closest center distance as 26.8 with an arc correction factor of 1.03. Belt shown at top of column is 3VX750.
5. From Basic Horsepower Tables a 5.6 sheave @ 2500 RPM = (9.46 + .37) = 9.83. 9.83 X 1.03 arc length correction factor = 10.12 corrected HP/belt.
6. Number of Belts = $\frac{\text{Design HP}}{\text{Corrected HP}} = \frac{24}{10.12} = 2.37$ or 3 belts.
7. Order: 1-3 groove 3V 8.0 TAPER-LOCK Sheave, 1-15/8" bore 2517 bushing, 1-3 groove 3V 5.6 TAPER-LOCK Sheave, 1-17/16" bore 1610 bushing, 3-3VX750 D-V belts.

NOTE: Selection program VIA-VISA available at www.ptwizard.com.

SELECTION



Table 4 - Narrow Belt Length Correction Factors

Belt Lgth. *	Factor for Belts:			Belt Lgth.	Factor for Belts:		
	3VX	5V, 5VX	8V, 8VX		3VX	5V, 5VX	8V, 8VX
25	.83	118	1.12	.99	.89
26.5	.84	125	1.13	1.00	.90
28	.85	132	1.14	1.01	.91
30	.86	140	1.15	1.02	.92
31.5	.87	150	1.16	1.03	.93
33.5	.88	160	...	1.04	.94
35.5	.89	170	...	1.05	.94
37.5	.90	180	...	1.06	.95
40	.92	190	...	1.07	.96
42.5	.93	200	...	1.08	.97
45	.94	212	...	1.09	.98
47.5	.95	224	...	1.09	.98
50	.96	.85	...	236	...	1.10	.99
53	.97	.86	...	250	...	1.11	1.00
56	.98	.87	...	265	...	1.12	1.01
60	.99	.88	...	280	...	1.13	1.02
63	1.00	.89	...	300	...	1.14	1.03
67	1.01	.90	...	315	...	1.15	1.03
71	1.02	.91	...	335	...	1.16	1.04
75	1.03	.92	...	355	...	1.17	1.05
80	1.04	.93	...	375	1.06
85	1.06	.94	...	400	1.07
90	1.07	.95	...	425	1.08
95	1.08	.96	...	450	1.09
100	1.09	.96	.87	475	1.09
106	1.10	.97	.88	500	1.10
112	1.11	.98	.88	560	1.11

* Outside circumference in inches

Table 5 - Arc Correction Factors

D-d ÷ C	Approx. Arc of Contact on Small Shv.	Factor
.00	180°	1.00
.10	174°	.99
.20	169°	.97
.30	163°	.96
.40	157°	.94
.50	151°	.93
.60	145°	.91
.70	139°	.89
.80	133°	.87
.90	127°	.85
1.00	120°	.82
1.10	113°	.80
1.20	106°	.77
1.30	99°	.73
1.40	91°	.70
1.50	83°	.65

‡ D = Dia. of large sheave

d = Dia. of small sheave

C = Center distance

NOTE: To determine required belt length when center distance and sheave diameters are known, use the following formula.

$$L = 2C + 1.57(D + d) + \frac{(D - d)^2}{4C}$$

NOTE: Selection program VIA-VISA available at www.ptwizard.com.



SELECTION

3VX STOCK DRIVE SELECTIONS

Speed Ratio	Stock Sheaves		3500 RPM Driver		1750 RPM Driver		1160 RPM Driver		Belt Number and Approx. Center Distance							
	Diameter		Driven	HP/Belt	Driven	HP/Belt	Driven	HP/Belt	3VX	3VX	3VX	3VX	3VX	3VX	3VX	3VX
	Driver	Driven	RPM	3VX	RPM	3VX	RPM	3VX	250	265	280	300	315	335	355	375
1.00	2.65	2.65	3500	3.78	1750	2.15	1160	1.52	8.3	9.1	9.8	10.8	11.6	12.6	13.6	14.6
	2.80	2.80	3500	4.25	1750	2.41	1160	1.69	8.1	8.9	9.6	10.6	11.4	12.4	13.4	14.4
	3.00	3.00	3500	4.88	1750	2.75	1160	1.93	7.8	8.5	9.3	10.3	11.0	12.0	13.0	14.0
	3.15	3.15	3500	5.34	1750	3.01	1160	2.10	7.6	8.3	9.1	10.1	10.8	11.8	12.8	13.8
	3.35	3.35	3500	5.96	1750	3.34	1160	2.34	7.2	8.0	8.7	9.7	10.5	11.5	12.5	13.5
	3.65	3.65	3500	6.86	1750	3.85	1160	2.68	6.8	7.5	8.3	9.3	10.0	11.0	12.0	13.0
	4.12	4.12	3500	8.24	1750	4.63	1160	3.22	6.0	6.8	7.5	8.5	9.3	10.3	11.3	12.3
	4.50	4.50	3500	9.32	1750	5.25	1160	3.65	...	6.2	6.9	7.9	8.7	9.7	10.7	11.7
	4.75	4.75	3500	10.01	1750	5.65	1160	3.93	...	5.8	6.5	7.5	8.3	9.3	10.3	11.3
	5.00	5.00	3500	10.68	1750	6.06	1160	4.21	6.2	7.2	7.9	8.9	9.9	10.9
	5.30	5.30	3500	11.48	1750	6.53	1160	4.55	6.7	7.4	8.4	9.4	10.4
	5.60	5.60	3500	12.25	1750	7.01	1160	4.88	7.0	8.0	9.0	10.0
	6.00	6.00	3500	13.24	1750	7.63	1160	5.32	7.3	8.3	9.3
	6.50	6.50	3500	14.41	1750	8.40	1160	5.87	7.5	8.5
	6.90	6.90	3500	15.30	1750	9.01	1160	6.30	7.9
	8.00	8.00	3500	17.48	1750	10.64	1160	7.47
10.60	10.60	3500	20.91	1750	14.22	1160	10.13	
1.05	3.00	3.15	3331	5.00	1665	2.81	1104	1.97	7.7	8.4	9.2	10.2	10.9	11.9	12.9	13.9
	4.75	5.00	3323	10.13	1662	5.72	1101	3.97	6.3	7.3	8.1	9.1	10.1	11.1
1.06	2.65	2.80	3309	3.91	1655	2.22	1097	1.56	8.2	9.0	9.7	10.7	11.5	12.5	13.5	14.5
	3.15	3.35	3288	5.49	1644	3.08	1090	2.15	7.4	8.1	8.9	9.9	10.6	11.6	12.6	13.6
	4.50	4.75	3314	9.45	1657	5.31	1098	3.70	...	6.0	6.7	7.7	8.5	9.5	10.5	11.5
	5.00	5.30	3300	10.82	1650	6.13	1094	4.26	6.9	7.7	8.7	9.7	10.7
	5.30	5.60	3311	11.61	1655	6.60	1097	4.59	7.2	8.2	9.2	10.2
	6.50	6.90	3296	14.55	1648	8.48	1092	5.91	8.2
1.07	2.80	3.00	3263	4.42	1631	2.49	1081	1.75	7.9	8.7	9.4	10.4	11.2	12.2	13.2	14.2
	5.60	6.00	3265	12.41	1632	7.09	1082	4.93	7.6	8.6	9.6
1.08	6.00	6.50	3229	13.42	1614	7.73	1070	5.38	7.9	8.9
1.09	3.35	3.65	3208	6.15	1604	3.44	1063	2.40	7.0	7.8	8.5	9.5	10.3	11.3	12.3	13.3
	4.12	4.50	3201	8.44	1601	4.73	1061	3.29	5.7	6.5	7.2	8.2	9.0	10.0	11.0	12.0
ARC-LENGTH CORRECTION FACTOR →									.83	.84	.85	.86	.87	.88	.89	.90
1.11	4.50	5.00	3146	9.55	1573	5.36	1043	3.73	...	5.8	6.5	7.5	8.3	9.3	10.3	11.3
	3.00	3.35	3129	5.12	1564	2.87	1037	2.01	7.5	8.3	9.0	10.0	10.8	11.8	12.8	13.8
	4.75	5.30	3133	10.24	1567	5.77	1038	4.01	6.1	7.1	7.9	8.9	9.9	10.9
1.12	5.00	5.60	3122	10.93	1561	6.18	1035	4.29	6.7	7.4	8.4	9.4	10.4
	2.65	3.00	3085	4.04	1542	2.28	1022	1.60	8.1	8.8	9.6	10.6	11.3	12.3	13.3	14.3
	2.80	3.15	3105	4.50	1552	2.53	1029	1.78	7.8	8.6	9.3	10.3	11.1	12.1	13.1	14.1
	3.65	4.12	3096	7.12	1548	3.98	1026	2.77	6.4	7.1	7.9	8.9	9.6	10.6	11.6	12.6
1.13	5.30	6.00	3088	11.74	1544	6.66	1024	4.63	6.9	7.9	8.9	9.9	...
	4.12	4.75	3031	8.53	1515	4.77	1005	3.32	...	6.3	7.0	8.0	8.8	9.8	10.8	11.8
	6.00	6.90	3040	13.52	1520	7.78	1008	5.41	7.6	8.6
1.15	3.15	3.65	3014	5.64	1507	3.15	999	2.20	7.2	7.9	8.7	9.7	10.4	11.4	12.4	13.4
	5.60	6.50	3012	12.54	1506	7.16	998	4.98	7.2	8.2	9.2
	6.90	8.00	3016	15.59	1508	9.16	999	6.40
1.16	4.50	5.30	2967	9.63	1483	5.41	983	3.76	6.3	7.3	8.0	9.0	10.0	11.0
	4.75	5.60	2964	10.33	1482	5.81	982	4.04	6.9	7.6	8.6	9.6	10.6
1.18	2.65	3.15	2935	4.11	1468	2.32	973	1.63	7.9	8.7	9.4	10.4	11.2	12.2	13.2	14.2
1.19	2.80	3.35	2917	4.59	1458	2.58	967	1.81	7.7	8.4	9.2	10.2	10.9	11.9	12.9	13.9
	5.00	6.00	2912	11.03	1456	6.23	965	4.33	7.1	8.1	9.1	10.1
1.20	3.00	3.65	2868	5.24	1434	2.93	951	2.05	7.3	8.0	8.8	9.8	10.5	11.5	12.5	13.5
	4.12	5.00	2878	8.59	1439	4.80	954	3.34	...	6.1	6.8	7.8	8.6	9.6	10.6	11.6

Arc & Length Factors are approximate values
 Refer to Selection Procedure for more precise values

NOTE: Selection program VIA-VISA available at www.ptwizard.com.

SELECTION



3VX STOCK DRIVE SELECTIONS

Speed Ratio	Belt Number and Approx. Center Distance																							
	3VX 400	3VX 425	3VX 450	3VX 475	3VX 500	3VX 530	3VX 560	3VX 600	3VX 630	3VX 670	3VX 710	3VX 750	3VX 800	3VX 850	3VX 900	3VX 950	3VX 1000	3VX 1060	3VX 1120	3VX 1180	3VX 1250	3VX 1320	3VX 1400	3VX 1500
1.00	15.8	17.1	18.3	19.6	20.8	22.3	23.8	25.8	27.3	29.3	31.3	33.3	35.8	38.3	40.8	43.3	45.8	48.8	51.8	55	58	62	66	71
	15.6	16.9	18.1	19.4	20.6	22.1	23.6	25.6	27.1	29.1	31.1	33.1	35.6	38.1	40.6	43.1	45.6	48.6	51.6	55	58	62	66	71
	15.3	16.5	17.8	19.0	20.3	21.8	23.3	25.3	26.8	28.8	30.8	32.8	35.3	37.8	40.3	42.8	45.3	48.3	51.3	54	58	61	65	70
	15.1	16.3	17.6	18.8	20.1	21.6	23.1	25.1	26.6	28.6	30.6	32.6	35.1	37.6	40.1	42.6	45.1	48.1	51.1	54	58	61	65	70
	14.7	16.0	17.2	18.5	19.7	21.2	22.7	24.7	26.2	28.2	30.2	32.2	34.7	37.2	39.7	42.2	44.7	47.7	50.7	54	57	61	65	70
	14.3	15.5	16.8	18.0	19.3	20.8	22.3	24.3	25.8	27.8	29.8	31.8	34.3	36.8	39.3	41.8	44.3	47.3	50.3	53	57	60	64	69
	13.5	14.8	16.0	17.3	18.5	20.0	21.5	23.5	25.0	27.0	29.0	31.0	33.5	36.0	38.5	41.0	43.5	46.5	49.5	53	56	60	64	69
	12.9	14.2	15.4	16.7	17.9	19.4	20.9	22.9	24.4	26.4	28.4	30.4	32.9	35.4	37.9	40.4	42.9	45.9	48.9	52	55	59	63	68
	12.5	13.8	15.0	16.3	17.5	19.0	20.5	22.5	24.0	26.0	28.0	30.0	32.5	35.0	37.5	40.0	42.5	45.5	48.5	52	55	59	63	68
	12.2	13.4	14.7	15.9	17.2	18.7	20.2	22.2	23.7	25.7	27.7	29.7	32.2	34.7	37.2	39.7	42.2	45.2	48.2	51	55	58	62	67
	11.7	12.9	14.2	15.4	16.7	18.2	19.7	21.7	23.2	25.2	27.2	29.2	31.7	34.2	36.7	39.2	41.7	44.7	47.7	51	54	58	62	67
	11.2	12.5	13.7	15.0	16.2	17.7	19.2	21.2	22.7	24.7	26.7	28.7	31.2	33.7	36.2	38.7	41.2	44.2	47.2	50	54	57	61	66
	10.6	11.8	13.1	14.3	15.6	17.1	18.6	20.6	22.1	24.1	26.1	28.1	30.6	33.1	35.6	38.1	40.6	43.6	46.6	50	53	57	61	66
	9.8	11.0	12.3	13.5	14.8	16.3	17.8	19.8	21.3	23.3	25.3	27.3	29.8	32.3	34.8	37.3	39.8	42.8	45.8	49	52	56	60	65
9.2	10.4	11.7	12.9	14.2	15.7	17.2	19.2	20.7	22.7	24.7	26.7	29.2	31.7	34.2	36.7	39.2	42.2	45.2	48	52	55	59	64	
...	...	9.9	11.2	12.4	13.9	15.4	17.4	18.9	20.9	22.9	24.9	27.4	29.9	32.4	34.9	37.4	40.4	43.4	46	50	53	57	62	
...	13.4	14.9	16.9	18.9	20.9	23.4	25.9	28.4	30.9	33.4	36.4	39.4	42	46	49	53	58	
1.05	15.2	16.4	17.7	18.9	20.2	21.7	23.2	25.2	26.7	28.7	30.7	32.7	35.2	37.7	40.2	42.7	45.2	48.2	51.2	54	58	61	65	70
	12.3	13.6	14.8	16.1	17.3	18.8	20.3	22.3	23.8	25.8	27.8	29.8	32.3	34.8	37.3	39.8	42.3	45.3	48.3	51	55	58	62	67
1.06	15.7	17.0	18.2	19.5	20.7	22.2	23.7	25.7	27.2	29.2	31.2	33.2	35.7	38.2	40.7	43.2	45.7	48.7	51.7	55	58	62	66	71
	14.9	16.1	17.4	18.6	19.9	21.4	22.9	24.9	26.4	28.4	30.4	32.4	34.9	37.4	39.9	42.4	44.9	47.9	50.9	54	57	61	65	70
	12.7	14.0	15.2	16.5	17.7	19.2	20.7	22.7	24.2	26.2	28.2	30.2	32.7	35.2	37.7	40.2	42.7	45.7	48.7	52	55	59	63	68
	11.9	13.2	14.4	15.7	16.9	18.4	19.9	21.9	23.4	25.4	27.4	29.4	31.9	34.4	36.9	39.4	41.9	44.9	47.9	51	54	58	62	67
	11.4	12.7	13.9	15.2	16.4	17.9	19.4	21.4	22.9	24.9	26.9	28.9	31.4	33.9	36.4	38.9	41.4	44.4	47.4	50	54	57	61	66
9.5	10.7	12.0	13.2	14.5	16.0	17.5	19.5	2.10	23.0	25.0	27.0	29.5	32.0	34.5	37.0	39.5	42.5	45.5	48	52	55	59	64	
1.07	15.4	16.7	17.9	19.2	20.4	21.9	23.4	25.4	26.9	28.9	30.9	32.9	35.4	37.9	40.4	42.9	45.5	48.4	51.4	54	58	61	65	70
	10.9	12.1	13.4	14.6	15.9	17.4	18.9	20.9	22.4	24.4	26.4	28.4	30.9	33.4	35.9	38.4	40.9	43.9	46.9	50	53	57	61	66
1.08	10.2	11.4	12.7	13.9	15.2	16.7	18.2	20.2	21.7	23.7	25.7	27.7	30.2	32.7	35.2	37.7	40.2	43.2	46.2	49	53	56	60	65
1.09	14.5	15.8	17.0	18.3	19.5	21.0	22.5	24.5	26.0	28.0	30.0	32.0	34.5	37.0	39.5	42.0	44.5	47.5	50.5	54	57	61	65	70
	13.2	14.5	15.7	17.0	18.2	19.7	21.2	23.2	24.7	26.7	28.7	30.7	33.2	35.7	38.2	40.7	43.2	46.2	49.2	52	56	59	63	68
.92	.93	.94	.95	.96	.97	.98	.99	1.00	1.01	1.02	1.03	1.04	1.05	1.06	1.07	1.08	1.09	1.10	1.11	1.12	1.13	1.14	1.16	
1.10	12.5	13.8	15.0	16.3	17.5	19.0	20.5	22.5	24.0	26.0	28.0	30.0	32.5	35.0	37.5	40.0	42.5	45.5	48.5	52	55	59	63	68
1.12	15.0	16.3	17.5	18.8	20.0	21.5	23.0	25.0	26.5	28.5	30.5	32.5	35.0	37.5	40.0	42.5	45.0	48.0	51.0	54	58	61	65	70
	12.1	13.4	14.6	15.9	17.1	18.6	20.1	22.1	23.6	25.6	27.6	29.6	32.1	34.6	37.1	39.6	42.1	45.1	48.1	51	54	58	62	67
	11.7	12.9	14.2	15.4	16.7	18.2	19.7	21.7	23.2	25.2	27.2	29.2	31.7	34.2	36.7	39.2	41.7	44.7	47.7	51	55	58	62	67
1.13	15.6	16.8	18.1	19.3	20.6	22.1	23.6	25.6	27.1	29.1	31.1	33.1	35.6	38.1	40.6	43.1	45.6	48.6	51.6	55	58	62	66	71
	15.3	16.6	17.8	19.1	20.3	21.8	23.3	25.3	26.8	28.8	30.8	32.8	35.3	37.8	40.3	42.8	45.3	48.3	51.3	54	58	61	65	70
	13.9	15.1	16.4	17.6	18.9	20.4	21.9	23.9	25.4	27.4	29.4	31.4	33.9	36.4	38.9	41.4	43.9	46.9	49.9	53	56	60	64	69
	11.1	12.4	13.6	14.9	16.1	17.6	19.1	21.1	22.6	24.6	26.6	28.6	31.1	33.6	36.1	38.6	41.1	44.1	47.1	50	54	57	61	66
1.15	13.0	14.3	15.5	16.8	18.0	19.5	21.0	23.0	24.5	26.5	28.5	30.5	33.0	35.5	38.0	40.5	43.0	46.0	49.0	52	56	59	63	68
	9.9	11.1	12.4	13.6	14.9	16.4	17.9	19.9	21.4	23.4	25.4	27.4	29.9	32.4	34.9	37.4	39.9	42.9	45.9	49	52	56	60	65
1.16	14.7	15.9	17.2	18.4	19.7	21.2	22.7	24.7	26.2	28.2	30.2	32.2	34.7	37.2	39.7	42.2	44.7	47.7	50.7	54	57	61	65	70
	10.5	11.7	13.0	14.2	15.5	17.0	18.5	20.5	22.0	24.0	26.0	28.0	30.5	33.0	35.5	38.0	40.5	43.5	46.5	49	53	56	60	65
	...	9.5	10.8	12.0	13.3	14.8	16.3	18.3	19.8	21.8	23.8	25.8	28.3	30.8	33.3	35.8	38.3	41.3	44.3	47	51	54	58	63
1.18	12.3	13.6	14.8	16.1	17.3	18.8	20.3	22.3	23.8	25.8	27.8	29.8	32.3	34.8	37.3	39.8	42.3	45.3	48.3	51	55	58	62	67
	11.9	13.1	14.4	15.6	16.9	18.4	19.9	21.9	23.4	25.4	27.4	29.4	31.9	34.4	36.9	39.4	41.9	44.9	47.9	51	54	58	62	67
1.19	15.4	16.7	17.9	19.2	20.4	21.9	23.4	25.4	26.9	28.9	30.9	32.9	35.4	37.9	40.4	42.9	45.4	48.4	51.4	54	58	61	65	70
1.20	15.2	16.4	17.7	18.9	20.2	21.7	23.2	25.2	26.7	28.7	30.7	32.7	35.2	37.7	40.2	42.7	45.2	48.2	51.2	54	58	61	65	70
	11.4	12.6	13.9	15.1	16.4	17.9	19.4	21.4	22.9	24.9	26.9	28.9	31.4	33.9	36.4	38.9	41.4	44.4	47.4	50	54	58	61	66
1.22	14.8	16.0	17.3	18.5	19.8	21.3	22.8	24.8	26.3	28.3	30.3	32.3	34.8	37.3	39.8	42.3	44.8	47.8	50.8	54	57	61	65	70
	12.8	14.1	15.3	16.6	17.8	19.3	20.8	22.8	24.3	26.3	28.3	30.3	32.8	35.3	37.8	40.3	42.8	45.8	48.8	52	55	59	63	68

Arc & Length Factors are approximate values
Refer to Selection Procedure for more precise values

NOTE: Selection program VIA-VISA available at www.ptwizard.com.



SELECTION

3VX STOCK DRIVE SELECTIONS

Speed Ratio	Stock Sheaves		3500 RPM Driver		1750 RPM Driver		1160 RPM Driver		Belt Number and Approx. Center Distance							
	Diameter		Driven RPM	HP/Belt 3VX	Driven RPM	HP/Belt 3VX	Driven RPM	HP/Belt 3VX	3VX 250	3VX 265	3VX 280	3VX 300	3VX 315	3VX 335	3VX 355	3VX 375
	Driver	Driven														
1.23	3.35	4.12	2838	6.33	1419	3.53	941	2.46	6.6	7.4	8.1	9.1	9.9	10.9	11.9	12.9
	5.30	6.5	2849	11.84	1424	6.72	944	4.67	7.5	8.5	9.5
	5.60	6.9	2836	12.62	1418	7.19	940	5.00	7.9	8.9
	6.50	8.0	2840	14.78	1420	8.59	941	5.99
1.24	3.65	4.5	2831	7.23	1416	4.03	938	2.81	6.1	6.8	7.6	8.6	9.3	10.3	11.3	12.3
ARC-LENGTH CORRECTION FACTOR →									.82	.83	.84	.86	.86	.88	.89	.90
1.25	4.50	5.6	2806	9.70	1403	5.44	930	3.78	7.1	7.8	8.8	9.8	10.8
1.27	2.65	3.35	2758	4.18	1379	2.35	914	1.65	7.8	8.5	9.3	10.3	11.0	12.0	13.0	14.0
	4.75	6.0	2765	10.40	1382	5.85	916	4.07	6.5	7.3	8.3	9.3	10.3
1.29	4.12	5.3	2713	8.65	1357	4.83	899	3.36	...	5.8	6.6	7.6	8.3	9.3	10.3	11.3
1.30	5.00	6.5	2686	11.11	1343	6.27	890	4.35	7.7	8.7	9.7
	5.30	6.9	2682	11.90	1341	6.74	889	4.69	7.1	8.1	9.1
1.31	2.80	3.65	2674	4.68	1337	2.62	886	1.83	7.4	8.2	8.9	9.9	10.7	11.7	12.7	13.7
	3.15	4.12	2666	5.77	1333	3.22	884	2.25	6.8	7.5	8.3	9.3	10.0	11.0	12.0	13.0
	3.65	4.75	2681	7.29	1340	4.06	889	2.82	5.9	6.6	7.4	8.4	9.1	10.1	11.1	12.1
1.32	10.6	14.0	2647	21.34	1323	14.43	877	10.27
1.33	8.00	10.6	2637	17.92	1319	10.86	874	7.61
1.34	4.50	6.0	2618	9.76	1309	5.47	868	3.80	6.7	7.5	8.5	9.5	10.5
	6.00	8.0	2619	13.68	1310	7.86	868	5.47
1.35	3.35	4.5	2596	6.40	1298	3.57	860	2.48	6.3	7.1	7.8	8.8	9.6	10.6	11.6	12.6
1.36	4.12	5.6	2567	8.69	1283	4.85	851	3.37	6.3	7.3	8.1	9.1	10.1	11.1
ARC-LENGTH CORRECTION FACTOR →									.82	.83	.84	.86	.86	.88	.89	.90
1.37	3.65	5.0	2545	7.32	1273	4.08	844	2.84	5.7	6.4	7.2	8.2	8.9	9.9	10.9	11.9
	4.75	6.5	2550	10.47	1275	5.88	845	4.09	6.9	7.9	8.9	9.9
1.38	2.65	3.65	2528	4.24	1264	2.38	838	1.67	7.5	8.3	9.0	10.0	10.8	11.8	12.8	13.8
	3.00	4.12	2537	5.34	1268	2.98	841	2.08	6.9	7.6	8.4	9.4	10.1	11.1	12.1	13.1
	5.00	6.9	2529	11.15	1265	6.29	838	4.37	7.3	8.3	9.4
1.42	3.35	4.75	2457	6.44	1229	3.58	814	2.50	6.1	6.9	7.6	8.6	9.4	10.4	11.4	12.4
1.43	5.60	8.0	2443	12.73	1222	7.25	810	5.04
1.44	3.15	4.5	2438	5.83	1219	3.25	808	2.26	6.5	7.2	8.0	9.0	9.7	10.7	11.7	12.7
1.45	4.50	6.5	2415	9.81	1207	5.49	800	3.81	7.0	8.0	9.1	10.1
1.46	3.65	5.3	2400	7.35	1200	4.09	795	2.85	...	6.2	6.9	7.9	8.7	9.7	10.7	11.7
	4.12	6.0	2394	8.73	1197	4.87	793	3.39	7.0	7.7	8.8	9.8	10.8
	4.75	6.9	2401	10.50	1201	5.90	796	4.10	7.5	8.5	9.5
1.48	2.80	4.12	2365	4.75	1182	2.66	784	1.86	7.0	7.8	8.5	9.5	10.3	11.3	12.3	13.3
1.50	3.35	5.0	2333	6.46	1167	3.60	773	2.50	5.9	6.6	7.4	8.4	9.2	10.2	11.2	12.2
1.51	3.00	4.5	2320	5.39	1160	3.00	769	2.10	6.6	7.3	8.1	9.1	9.8	10.8	11.8	12.8
	5.30	8.0	2311	11.99	1156	6.79	766	4.72	8.2
1.52	3.15	4.75	2309	5.85	1154	3.26	765	2.27	6.2	7.0	7.8	8.8	9.5	10.5	11.5	12.5
	3.65	5.6	2270	7.38	1135	4.11	752	2.85	6.7	7.7	8.4	9.4	10.4	11.4
	4.50	6.9	2274	9.83	1137	5.51	754	3.82	7.7	8.7	9.7
1.54	6.90	10.6	2273	15.81	1136	9.27	753	6.47
	1.57	2.65	4.12	2236	4.30	1118	2.41	741	1.69	7.1	7.9	8.7	9.7	10.4	11.4	12.4
1.58	4.12	6.5	2209	8.76	1104	4.89	732	3.40	6.6	7.3	8.3	9.3	10.3
1.59	3.00	4.75	2197	5.41	1098	3.01	728	2.10	6.4	7.1	7.9	8.9	9.6	10.6	11.6	12.6
	3.35	5.3	2200	6.48	1100	3.61	729	2.51	5.6	6.4	7.1	8.1	8.9	9.9	10.9	11.9
1.60	3.15	5.0	2192	5.87	1096	3.27	726	2.28	6.0	6.8	7.5	8.6	9.3	10.3	11.3	12.3
ARC-LENGTH CORRECTION FACTOR →									.81	.82	.83	.85	.86	.87	.89	.89
1.61	5.00	8.0	2179	11.22	1090	6.32	722	4.39	8.4
1.62	2.80	4.5	2163	4.79	1081	2.68	717	1.87	6.7	7.5	8.2	9.2	10.0	11.0	12.0	13.0
1.64	6.50	10.6	2140	14.95	1070	8.67	709	6.04
1.65	3.65	6.0	2118	7.40	1059	4.12	702	2.86	6.3	7.3	8.1	9.1	10.1	11.1
1.68	3.00	5.0	2086	5.42	1043	3.02	691	2.11	6.1	6.9	7.7	8.7	9.4	10.4	11.4	12.4
	3.35	5.6	2081	6.50	1041	3.62	690	2.52	...	6.1	6.9	7.9	8.6	9.7	10.7	11.7
	4.12	6.9	2080	8.78	1040	4.90	689	3.40	7.0	8.0	9.0	10.0
1.69	3.15	5.3	2067	5.89	1033	3.28	685	2.28	5.8	6.5	7.3	8.3	9.0	10.1	11.1	12.1
	4.75	8.0	2069	10.55	1035	5.93	686	4.11	7.6	8.6
1.71	2.65	4.5	2045	4.33	1022	2.42	678	1.70	6.8	7.6	8.3	9.3	10.1	11.1	12.1	13.1
1.71	2.80	4.75	2048	4.80	1024	2.68	679	1.88	6.5	7.3	8.0	9.0	9.8	10.8	11.8	12.8
1.75	8.00	14.0	19.95	18.04	997	10.92	661	7.65
1.77	6.00	10.6	1974	13.79	987	7.91	654	5.51
1.78	3.00	5.3	1967	5.44	983	3.03	652	2.11	5.9	6.6	7.4	8.4	9.2	10.2	11.2	12.2
ARC-LENGTH CORRECTION FACTOR →									.80	.81	.82	.84	.85	.86	.88	.89

NOTE: Selection program VIA-VISA available at www.ptwizard.com.

SELECTION



3VX STOCK DRIVE SELECTIONS

Speed Ratio	Belt Number and Approx. Center Distance																							
	3VX 400	3VX 425	3VX 450	3VX 475	3VX 500	3VX 530	3VX 560	3VX 600	3VX 630	3VX 670	3VX 710	3VX 750	3VX 800	3VX 850	3VX 900	3VX 950	3VX 1000	3VX 1060	3VX 1120	3VX 1180	3VX 1250	3VX 1320	3VX 1400	3VX 1500
1.23	14.1	15.4	16.6	17.9	19.1	20.6	22.1	24.1	25.6	27.6	29.6	31.6	34.1	36.6	39.1	41.6	44.1	47.1	50.1	53	57	60	64	69
	10.7	12.0	13.2	14.5	15.7	17.2	18.7	20.7	22.2	24.2	26.2	28.2	30.7	33.2	35.7	38.2	40.7	43.7	46.7	50	53	57	61	66
	10.2	11.4	12.7	13.9	15.2	16.7	18.2	20.2	21.7	23.7	25.7	27.7	30.2	32.7	35.2	37.7	40.2	43.2	46.2	49	53	56	60	65
	8.6	9.8	11.1	12.3	13.6	15.1	16.6	18.6	20.1	22.1	24.1	26.1	28.6	31.1	33.6	36.1	38.6	41.6	44.6	48	51	55	59	64
1.24	13.6	14.8	16.1	17.3	18.6	20.1	21.6	23.6	25.1	27.1	29.1	31.1	33.6	36.1	38.6	41.1	43.6	46.6	49.6	53	56	61	64	69
	.91	.92	.93	.94	.95	.96	.97	.99	1.00	1.01	1.02	1.03	1.04	1.05	1.06	1.07	1.08	1.09	1.10	1.11	1.12	1.13	1.14	1.15
1.25	12.1	13.3	14.6	15.8	17.1	18.6	20.1	22.1	23.6	25.6	27.6	29.6	32.1	34.6	37.1	39.6	42.1	45.1	48.1	51	55	58	62	67
1.27	15.3	16.5	17.8	19.0	20.3	21.8	23.3	25.3	26.8	28.8	30.8	32.8	35.3	37.8	40.3	42.1	45.3	48.3	51.3	54	58	61	65	70
	11.5	12.8	14.0	15.3	16.5	18.1	19.6	21.6	23.1	25.1	27.1	29.1	31.6	34.1	36.6	39.1	41.6	44.6	47.6	51	54	58	62	67
1.29	12.6	13.8	15.1	16.3	17.6	19.1	20.6	22.6	24.1	26.1	28.1	30.1	32.6	35.1	37.6	40.1	42.6	45.6	48.6	52	55	59	63	68
1.30	10.9	12.2	13.5	14.7	16.0	17.5	19.0	21.0	22.5	24.5	26.5	28.5	31.0	33.5	36.0	38.5	41.0	44.0	47.0	50	53	57	61	66
	10.4	11.6	12.9	14.2	15.4	16.9	18.4	20.4	21.9	23.9	25.9	27.9	30.4	32.9	35.4	37.9	40.4	43.4	46.4	49	53	56	60	65
1.31	14.9	16.2	17.4	18.7	19.9	21.4	22.9	24.9	26.4	28.4	30.4	32.4	34.9	37.4	39.9	42.4	44.9	47.9	50.9	54	57	61	65	70
	14.3	15.5	16.8	18.0	19.3	20.8	22.3	24.3	25.8	27.8	29.8	31.8	34.3	36.8	39.3	41.8	44.3	47.3	50.3	53	57	60	64	69
	13.4	14.6	15.9	17.1	18.4	19.9	21.4	23.4	24.9	26.9	28.9	30.9	33.4	35.9	38.4	40.9	43.4	46.4	49.4	52	56	59	63	68
1.32	14.1	16.1	18.1	20.6	23.1	25.6	28.1	30.6	33.6	36.6	40	43	47	51	56
1.33	11.8	13.3	15.3	16.8	18.9	20.9	22.9	25.4	27.9	30.4	32.9	35.4	38.4	41.4	44	48	51	55	60
1.34	11.7	13.0	14.2	15.5	16.7	18.2	19.7	21.7	23.2	25.2	27.2	29.2	31.7	34.2	36.7	39.3	41.8	44.8	47.8	51	54	58	62	67
	9.0	10.2	11.5	12.7	14.0	15.5	17.0	19.0	20.5	22.5	24.5	26.5	29.0	31.5	34.0	36.5	39.0	42.0	45.0	48	52	55	59	64
1.35	13.8	15.1	16.3	17.6	18.8	20.3	21.8	23.8	25.3	27.3	29.3	31.3	33.8	36.3	38.8	41.3	43.8	46.8	49.8	53	56	60	64	69
1.36	12.3	13.6	14.9	16.1	17.4	18.9	20.4	22.4	23.9	25.9	27.9	29.9	32.4	34.9	37.4	39.9	42.4	45.4	48.4	51	55	58	62	67
1.37	.91	.92	.93	.94	.95	.96	.97	.99	1.00	1.01	1.02	1.03	1.04	1.05	1.06	1.07	1.08	1.09	1.10	1.11	1.12	1.13	1.14	1.15
	13.2	14.4	15.7	16.9	18.2	19.7	21.2	23.2	24.7	26.7	28.7	30.7	33.2	35.7	38.2	40.7	43.2	46.2	49.2	52	56	59	63	68
1.38	11.1	12.4	13.6	14.9	16.1	17.6	19.1	21.2	22.7	24.7	26.7	28.7	31.2	33.7	36.2	38.7	41.2	44.2	47.2	50	54	57	61	66
	15.0	16.3	17.5	18.8	20.0	21.5	23.0	25.0	26.5	28.6	30.6	32.6	35.1	37.6	40.1	42.6	45.1	48.1	51.1	54	58	61	65	70
	14.4	15.7	16.9	18.2	19.4	20.9	22.4	24.4	25.9	27.9	29.9	31.9	34.4	36.9	39.4	41.9	44.4	47.4	50.4	53	57	60	64	69
1.42	10.6	11.9	13.1	14.4	15.6	17.1	18.6	20.6	22.1	24.1	26.1	28.1	30.6	33.1	35.6	38.1	40.6	43.6	46.6	49.6	53	57	61	66
	13.6	14.9	16.1	17.4	18.6	20.1	21.6	23.6	25.1	27.1	29.1	31.1	33.6	36.1	38.6	41.1	43.6	46.6	49.6	53	56	60	64	69
1.43	9.2	10.5	11.8	13.0	14.3	15.8	17.3	19.3	20.8	22.8	24.8	26.8	29.3	31.8	34.3	36.8	39.3	42.3	45.3	48	52	55	59	64
1.44	14.0	15.2	16.5	17.7	19.0	20.5	22.0	24.0	25.5	27.5	29.5	31.5	34.0	36.5	39.0	41.5	44.0	47.0	50.0	53	56	60	64	69
1.45	11.3	12.6	13.8	15.1	16.3	17.8	19.3	21.3	22.8	24.8	26.8	28.8	31.3	33.9	36.4	38.9	41.4	44.4	47.4	50	54	57	61	66
1.46	12.9	14.2	15.5	16.7	18.0	19.5	21.0	23.0	24.5	26.5	28.5	30.5	33.0	35.5	38.0	40.5	43.0	46.0	49.0	52	55	59	63	68
	12.0	13.3	14.5	15.8	17.0	18.5	20.0	22.0	23.5	25.5	27.5	29.5	32.0	34.5	37.0	39.5	42.0	45.0	48.0	51	55	58	62	67
	10.8	12.1	13.3	14.6	15.8	17.3	18.8	20.8	22.3	24.3	26.3	28.3	30.8	33.3	35.8	38.3	40.8	43.8	46.8	50	53	57	61	66
1.48	14.6	15.8	17.1	18.3	19.6	21.1	22.6	24.6	26.1	28.1	30.1	32.1	34.6	37.1	39.6	42.1	44.6	47.6	50.6	54	57	61	65	70
1.50	13.4	14.7	15.9	17.2	18.4	19.9	21.4	23.4	24.9	26.9	28.9	30.9	33.4	35.9	38.4	40.9	43.4	46.4	49.4	52	56	59	63	68
1.51	14.1	15.3	16.6	17.8	19.1	20.6	22.1	24.1	25.6	27.6	29.6	31.6	34.1	36.6	39.1	41.6	44.1	47.1	50.1	53	57	60	64	69
	9.5	10.7	12.0	13.2	14.5	16.0	17.5	19.5	21.0	23.0	25.0	27.0	29.5	32.0	34.5	37.0	39.5	42.5	45.5	49	52	56	60	65
1.52	13.8	15.0	16.3	17.5	18.8	20.3	21.8	23.8	25.3	27.3	29.3	31.3	33.8	36.3	38.8	41.3	43.8	46.8	49.8	53	56	60	64	69
1.54	12.7	14.0	15.2	16.5	17.7	19.2	20.7	22.7	24.2	26.2	28.2	30.2	32.7	35.2	37.7	40.2	42.7	45.7	48.7	52	55	59	63	68
	11.0	12.2	13.5	14.8	16.0	17.5	19.0	21.0	22.5	24.5	26.5	28.5	31.0	33.5	36.0	38.5	41.0	44.0	47.0	50	54	57	61	66
1.57	11.1	12.6	14.1	16.2	17.7	19.7	21.7	23.7	26.2	28.7	31.2	33.7	36.2	39.2	42.2	45	49	52	56	61
1.58	14.7	15.9	17.2	18.4	19.7	21.2	22.7	24.7	26.2	28.2	30.2	32.2	34.7	37.2	39.7	42.2	44.7	47.7	50.7	54	57	61	65	70
1.59	11.6	12.9	14.1	15.4	16.6	18.1	19.6	21.6	23.1	25.1	27.1	29.1	31.6	34.1	36.6	39.1	41.6	44.6	47.6	51	54	58	62	67
1.59	13.9	15.1	16.4	17.6	18.9	20.4	21.9	23.9	25.4	27.4	29.4	31.4	33.9	36.4	38.9	41.4	43.9	46.9	49.9	53	56	60	64	69
	13.2	14.4	15.7	16.9	18.2	19.7	21.2	23.2	24.7	26.7	28.7	30.7	33.2	35.7	38.2	40.7	43.2	46.2	49.2	52	56	59	63	68
1.60	13.6	14.8	16.1	17.3	18.6	20.1	21.6	23.6	25.1	27.1	29.1	31.1	33.6	36.1	38.6	41.1	43.6	46.6	49.6	53	56	60	64	69
1.61	.90	.92	.93	.94	.95	.96	.97	.98	.99	1.01	1.02	1.03	1.04	1.05	1.06	1.07	1.08	1.09	1.10	1.11	1.12	1.13	1.14	1.15
	9.7	10.9	12.2	13.5	14.7	16.2	17.7	19.7	21.2	23.2	25.3	27.3	29.8	32.3	34.8	37.3	39.8	42.8	45.8	49	52	56	60	65
1.62	14.2	15.5	16.7	18.0	19.3	20.8	22.3	24.3	25.8	27.8	29.8	31.8	34.3	36.8	39.3	41.8	44.3	47.3	50.3	53	57	60	64	69
1.64	10.1	11.4	12.9	14.4	16.4	18.0	20.0	22.0	24.0	26.5	29.0	31.5	34.0	36.5	39.5	42.5	46	49	53	57	62
1.65	12.4	13.6	14.9	16.1	17.4	18.9	20.4	22.4	23.9	25.9	27.9	29.9	32.4	34.9	37.4	39.9	42.4	45.4	48.4	51	55	58	62	67
1.68	13.7	14.9	16.2	17.4	18.7	20.2	21.7	23.7	25.2	27.2	29.2	31.2	33.7</											



SELECTION

3VX STOCK DRIVE SELECTIONS

Speed Ratio	Stock Sheaves		3500 RPM Driver		1750 RPM Driver		1160 RPM Driver		Belt Number and Approx. Center Distance						
	Diameter		Driven RPM	HP/Belt 3VX	Driven RPM	HP/Belt 3VX	Driven RPM	HP/Belt 3VX	3VX 265	3VX 280	3VX 300	3VX 315	3VX 335	3VX 355	3VX 375
	Driver	Driven													
1.79	3.65	6.50	1953	7.42	977	4.13	647	2.87	6.9	7.6	8.7	9.7	10.7
	4.50	8.00	1959	9.87	980	5.53	649	3.84	7.7	8.8
1.80	2.80	5.00	1944	4.81	972	2.69	644	1.88	7.0	7.8	8.8	9.6	10.6	11.6	12.6
	3.35	6.00	1941	6.52	971	3.62	643	2.52	5.8	6.5	7.5	8.3	9.3	10.3	11.3
	10.60	19.00	1949	21.47	974	14.50	646	10.31
1.81	2.65	4.75	1936	4.34	968	2.43	642	1.70	7.4	8.1	9.1	9.9	10.9	11.9	12.9
1.88	3.00	5.60	1860	5.45	930	3.03	617	2.12	6.4	7.1	8.1	8.9	9.9	10.9	11.9
1.90	2.65	5.00	1838	4.35	919	2.44	609	1.71	7.1	7.9	8.9	9.7	10.7	11.7	12.7
	3.65	6.90	1839	7.43	920	4.13	610	2.87	6.5	7.3	8.3	9.3	10.3
	5.60	10.60	1841	12.81	921	7.29	610	5.07
1.91	2.80	5.30	1833	4.82	917	2.69	608	1.88	6.8	7.5	8.5	9.3	10.3	11.3	12.3
1.92	3.15	6.00	1824	5.91	912	3.29	604	2.29	5.9	6.7	7.7	8.4	9.5	10.5	11.5
1.95	3.35	6.50	1791	6.53	895	3.63	593	2.53	7.1	7.9	8.9	9.9	10.9
	4.12	8.00	1792	8.81	896	4.91	594	3.41	8.0	9.0
2.01	5.30	10.60	1742	12.05	871	6.82	577	4.74
2.02	2.65	5.30	1733	4.36	367	2.44	574	1.71	6.9	7.6	8.7	9.4	10.4	11.4	12.4
	2.80	5.60	1734	4.83	867	2.70	575	1.89	6.5	7.3	8.3	9.0	10.1	11.1	12.1
	3.00	6.00	1735	5.46	868	3.04	575	2.12	6.0	6.8	7.8	8.5	9.6	10.6	11.6
2.04	6.90	14.00	1719	15.88	859	9.30	570	6.49
2.08	3.15	6.50	1682	5.93	841	3.30	558	2.30	...	6.2	7.2	8.0	9.0	10.0	11.0
	3.35	6.90	1686	6.54	843	3.63	559	2.53	6.7	7.5	8.5	9.5	10.6
ARC-LENGTH CORRECTION FACTOR →									.81	.82	.84	.85	.86	.87	.88
2.13	2.65	5.60	1640	4.36	820	2.44	543	1.71	6.6	7.4	8.4	9.2	10.2	11.2	12.2
	5.00	10.60	1642	11.27	821	6.35	544	4.41
2.16	2.80	6.00	1618	4.84	809	2.70	536	1.89	6.1	6.9	7.9	8.7	9.7	10.7	11.7
	6.50	14.00	1618	14.99	809	8.70	536	6.06
2.19	3.00	6.50	1601	5.47	800	3.04	531	2.12	...	6.3	7.3	8.1	9.1	10.1	11.2
2.21	3.15	6.90	1584	5.93	792	3.30	525	2.30	6.9	7.6	8.7	9.7	10.7
	3.65	8.00	1585	7.45	792	4.14	525	2.88	7.3	8.3	9.3
2.24	4.75	10.60	1559	10.60	780	5.95	517	4.13
2.29	2.65	6.00	1529	4.37	765	2.45	507	1.71	6.2	7.0	8.0	8.8	9.8	10.8	11.8
2.32	3.00	6.90	1507	5.47	754	3.05	500	2.12	7.0	7.7	8.8	9.8	10.8
2.34	6.00	14.00	1493	13.83	746	7.93	495	5.52
2.35	2.80	6.50	1492	4.84	746	2.70	495	1.89	...	6.4	7.5	8.2	9.3	10.3	11.3
2.36	10.6	25.00	1480	21.5	740	14.51	491	10.33
2.37	4.50	10.60	1476	9.91	738	5.54	489	3.85
2.38	8.00	19.00	1468	18.07	734	10.94	487	7.66
2.41	3.35	8.00	1453	6.55	726	3.64	482	2.53	7.5	8.5	9.6
2.48	2.65	6.50	1411	4.37	705	2.45	468	1.71	5.7	6.5	7.6	8.3	9.4	10.4	11.4
2.49	2.80	6.90	1405	4.85	703	2.71	466	1.89	...	6.0	7.1	7.9	8.9	9.9	10.9
2.51	5.60	14.00	1392	12.84	696	7.31	462	5.08
ARC-LENGTH CORRECTION FACTOR →									.78	.80	.82	.83	.84	.86	.87
2.56	3.15	8.00	1365	5.94	682	3.30	452	2.30	7.6	8.7	9.7
2.59	4.12	10.60	1350	8.84	675	4.92	448	3.42
2.63	2.65	6.90	1328	4.38	664	2.45	440	1.72	...	6.1	7.2	8.0	9.0	10.0	11.0
2.66	5.30	14.00	1317	12.08	659	6.83	437	4.75
2.69	3.00	8.00	1299	5.48	649	3.05	430	2.13	6.6	7.7	8.8	9.8
2.77	6.90	19.00	1265	15.90	633	9.31	419	6.50
2.82	5.00	14.00	1242	11.29	621	6.36	412	4.41
2.89	2.80	8.00	1211	4.86	605	2.71	401	1.89	6.8	7.8	8.9	9.9
2.93	3.65	10.60	1194	7.46	597	4.15	396	2.88
2.94	6.50	19.00	1191	15.01	596	8.71	395	6.07
2.97	4.75	14.00	1179	10.61	590	5.95	391	4.13
3.06	2.65	8.00	1145	4.38	572	2.45	379	1.72	6.9	7.9	9.0	10.0
3.13	4.50	14.00	1116	9.92	558	5.55	370	3.85
ARC-LENGTH CORRECTION FACTOR →								75	.78	.80	.82	.84	.85

* NOTE: Stock belt size 3VX250 not shown

NOTE: Selection program VIA-VISA available at www.ptwizard.com.

SELECTION



3VX STOCK DRIVE SELECTIONS

Speed Ratio	Belt Number and Approx. Center Distance																								
	3VX 400	3VX 425	3VX 450	3VX 475	3VX 500	3VX 530	3VX 560	3VX 600	3VX 630	3VX 670	3VX 710	3VX 750	3VX 800	3VX 850	3VX 900	3VX 950	3VX 1000	3VX 1060	3VX 1120	3VX 1180	3VX 1250	3VX 1320	3VX 1400	3VX 1500	
1.79	11.9	13.2	15.5	15.7	17.0	18.5	20.0	22.0	23.5	25.5	27.5	29.5	32.0	34.5	37.0	39.5	42.0	45.0	48.0	51	55	58	62	67	V-Drives
	10.0	11.3	12.6	13.8	15.1	16.6	18.1	20.1	21.6	23.6	25.6	27.6	30.1	32.6	35.1	37.6	40.1	43.2	46.2	49	53	56	60	65	
1.80	13.8	15.1	16.3	17.6	18.8	20.3	21.8	23.9	25.4	27.4	29.4	31.4	33.9	36.4	38.9	41.4	43.9	46.9	49.9	53	56	60	64	69	FHP Drives
	12.6	13.8	15.1	16.4	17.6	19.1	20.6	22.6	24.1	26.1	28.1	30.1	32.6	35.1	37.6	40.1	42.6	45.6	48.6	52	55	59	63	68	
1.81	14.2	15.4	16.7	17.9	19.2	20.7	22.2	24.2	25.7	27.7	29.7	31.7	34.2	36.7	39.2	41.7	44.2	47.2	50.2	53	57	60	64	69	
1.88	13.2	14.4	15.7	16.9	18.2	19.7	21.2	23.2	24.7	26.7	28.7	30.7	33.2	35.7	38.2	40.7	43.2	46.2	49.2	52	56	59	63	68	
1.90	13.9	15.2	16.5	17.7	19.0	20.5	22.0	24.0	25.5	27.5	29.5	31.5	34.0	36.5	39.0	41.5	44.0	47.0	50.0	53	56	60	64	69	Drive Component Accessories
	11.6	12.9	14.1	15.4	16.6	18.1	19.7	21.7	23.2	25.2	27.2	29.2	31.7	34.2	36.7	39.2	41.7	44.7	47.7	51	54	58	62	67	
1.91	13.6	14.8	16.1	17.3	18.6	20.1	21.6	23.6	25.1	27.1	29.1	31.1	33.6	36.1	38.6	41.1	43.6	46.6	49.6	53	56	60	64	69	
1.92	12.7	14.0	15.3	16.5	17.8	19.3	20.8	22.8	24.3	26.3	28.3	30.3	32.8	35.3	37.8	40.3	42.8	45.8	48.8	52	55	59	63	68	
1.95	12.2	13.4	14.7	15.9	17.2	18.7	20.2	22.2	23.7	25.7	27.7	29.7	32.2	34.7	37.2	39.7	42.2	45.2	48.2	51	55	58	62	67	DYNA-SYNC
	10.3	11.6	12.8	14.1	15.4	16.9	18.4	20.4	21.9	23.9	25.9	27.9	30.4	32.9	35.4	37.9	40.4	43.4	46.4	49	53	56	60	65	
2.01	9.7	10.9	12.2	13.8	15.3	17.3	18.8	20.9	22.9	24.9	27.4	29.9	32.4	34.9	37.4	40.4	43.4	46	50	53	58	62	
2.02	13.7	15.0	16.2	17.5	18.7	20.2	21.7	23.7	25.2	27.2	29.2	31.2	33.7	36.2	38.7	41.2	43.7	46.7	49.7	53	56	60	64	69	HT200/HTD Synchronous Drives
	13.3	14.6	15.8	17.1	18.4	19.9	21.4	23.4	24.9	26.9	28.9	30.9	33.4	35.9	38.4	40.9	43.4	46.4	49.4	52	56	59	63	68	
2.04	13.1	14.7	16.7	18.8	20.8	23.3	25.8	28.4	30.9	33.4	36.4	39.4	42	46	49	53	58	
2.08	12.3	13.6	14.8	16.1	17.3	18.9	20.4	22.4	23.9	25.9	27.9	29.9	32.4	34.9	37.4	39.9	42.4	45.4	48.4	51	55	58	62	67	HTR Synchronous Drives
	11.8	13.1	14.3	15.6	16.9	18.4	19.9	21.9	23.4	25.4	27.4	29.4	31.9	34.4	36.9	39.4	41.9	44.9	47.9	51	54	58	64	67	
2.13	13.4	14.7	16.0	17.2	18.5	20.0	21.5	23.5	25.0	27.0	29.0	31.0	33.5	36.0	38.5	41.0	43.5	46.5	49.5	53	56	60	63	69	HTRC Synchronous Drives
	9.9	11.2	12.4	14.0	15.5	17.5	19.0	21.1	23.1	25.1	27.6	30.1	32.6	35.1	37.6	40.7	43.7	47	50	54	58	63	
2.16	13.0	14.3	15.5	16.8	18.0	19.5	21.0	23.0	24.5	26.5	28.5	30.6	33.1	35.6	38.1	40.6	43.1	46.1	49.1	52	56	59	63	68	
2.19	13.4	14.9	17.0	19.0	21.1	23.6	26.1	28.7	31.2	33.7	36.7	39.7	43	46	50	54	59	
2.21	12.4	13.7	14.9	16.2	17.5	19.0	20.5	22.5	24.0	26.0	28.0	30.0	32.5	35.0	37.5	40.0	42.5	45.5	48.5	52	55	59	63	68	HTRC Synchronous Drives
	12.0	13.2	14.5	15.7	17.0	18.5	20.0	22.0	23.5	25.5	27.5	29.6	32.1	34.6	37.1	39.6	42.1	45.1	48.1	50	55	58	61	67	
2.24	10.6	11.9	13.2	14.4	15.7	17.2	18.7	20.7	22.2	24.3	26.3	28.3	30.8	33.3	35.8	38.3	40.8	43.8	46.8	50	53	57	61	66	
2.29	10.0	11.3	12.6	14.1	15.7	17.7	19.2	21.2	23.3	25.3	27.8	30.3	32.8	35.3	37.8	40.8	43.9	47	50	54	58	63	
2.32	13.1	14.4	15.6	16.9	18.1	19.6	21.1	23.1	24.7	26.7	28.7	30.7	33.2	35.7	38.2	40.7	43.2	46.2	49.2	52	56	59	63	68	
2.33	12.1	13.3	14.6	15.9	17.1	18.6	20.1	22.1	23.6	25.7	27.7	29.7	32.2	34.7	37.2	39.7	42.2	45.2	48.2	51	55	58	62	67	
2.34	11.6	13.7	15.3	17.3	19.4	21.4	24.0	26.5	29.0	31.5	34.1	37.1	40.1	43	47	50	54	59	
2.35	12.6	13.8	15.1	16.3	17.6	19.1	20.6	22.6	24.1	26.1	28.1	30.1	32.6	35.2	37.7	40.2	42.7	45.7	48.7	52	55	59	63	68	
2.36	20.8	24.0	27.1	30	34	37	41	46	
2.37	...	8.9	10.2	11.5	12.8	14.3	15.9	17.9	19.4	21.4	23.4	25.5	28.0	30.5	33.0	35.5	38.0	41.0	44.0	47	51	54	58	63	
2.38	15.3	18.0	20.6	23.2	25.7	28.3	31.3	34.4	37	41	44	48	54	
2.41	10.8	12.1	13.4	14.7	15.9	17.4	18.9	21.0	22.5	24.5	26.5	28.5	31.0	33.5	36.0	38.5	41.0	44.0	47.0	50	54	57	61	66	
2.48	12.7	13.9	15.2	16.5	17.7	19.2	20.7	22.7	24.2	26.2	28.3	30.3	32.8	35.3	37.8	40.3	42.8	45.8	48.8	52	55	59	63	68	
2.49	12.2	13.5	14.7	16.0	17.3	18.8	20.3	22.3	23.8	25.8	27.8	29.8	32.3	34.8	37.3	39.8	42.3	45.3	48.3	51	55	58	62	67	
2.51	11.9	14.0	15.5	17.6	19.7	21.7	24.3	26.8	29.3	31.8	34.4	37.4	40.4	43	47	50	54	59	
2.56	
2.59	...	9.1	10.4	11.7	13.0	14.6	16.1	18.2	19.7	21.7	23.7	25.7	28.3	30.8	33.3	35.8	38.3	41.3	44.3	47	51	54	58	63	
2.63	12.3	13.6	14.9	16.1	17.4	18.9	20.4	22.4	23.9	25.9	27.9	29.9	32.4	34.9	37.4	39.9	42.5	45.5	48.5	51	55	58	62	67	
2.66	12.1	14.2	15.7	17.8	19.9	21.9	24.5	27.0	29.5	32.1	34.6	37.6	40.6	44	47	51	55	60	
2.69	11.1	12.4	13.6	14.9	16.2	17.7	19.2	21.2	22.7	24.7	26.7	28.8	31.3	33.8	36.3	38.8	41.3	44.3	47.3	50	54	57	61	66	
2.77	16.0	18.7	21.3	23.9	26.5	29.0	32.1	35.1	38	42	45	49	54	
2.82	12.3	14.4	16.0	18.0	20.1	22.1	24.7	27.2	29.7	32.3	34.8	37.8	40.8	44	47	51	55	60	
2.89	11.2	12.5	13.8	15.0	16.3	17.8	19.3	21.4	22.9	24.9	26.9	28.9	31.4	33.9	36.4	38.9	41.4	44.4	47.5	50	54	57	61	66	
2.93	...	9.4	10.8	12.1	13.4	14.9	16.4	18.5	20.0	22.0	24.1	26.1	28.6	31.1	33.6	36.1	38.7	41.7	44.7	48	51	55	59	64	
2.94	16.3	19.0	21.6	24.2	26.8	29.3	32.4	35.4	38	42	46	50	55	
2.97	12.4	14.5	16.1	18.2	20.3	22.3	24.9	27.4	29.9	32.5	35.0	38.0	41.0	44	48	51	55	60	
3.06	11.3	12.6	13.9	15.1	16.4	17.9	19.5	21.5	23.0	25.0	27.0	29.0	31.5	34.0	36.5	39.0	41.6	44.6	47.6	51	54	58	62	67	
3.13	10.9	12.6	14.7	16.3	18.4	20.4	22.5	25.0	27.6	30.1	32.6	35.2	38.2	41.2	44	48	51	55	60	
	.87	.89	.90	.91	.92	.94	.95	.96	.97	.99	1.00	1.01	1.02	1.04	1.05	1.06	1.07	1.08	1.09	1.10	1.11	1.12	1.14	1.15	

Arc & Length Factors are approximate values
Refer to Selection Procedure for more precise values

NOTE: Selection program VIA-VISA available at www.ptwizard.com.



SELECTION

3VX STOCK DRIVE SELECTIONS

Speed Ratio	Stock Sheaves		3500 RPM Driver		1750 RPM Driver		1160 RPM Driver		Belt Number and Approx. Center Distance			
	Outside Diam.		Driven RPM	HP/Belt 3VX	Driven RPM	HP/Belt 3VX	Driven RPM	HP/Belt 3VX	3VX 425	3VX 450	3VX 475	3VX 500
	Driver	Driven										
3.14	8.00	25.00	1115	18.09	558	10.94	370	7.67
3.17	10.60	33.50	1104	21.52	552	14.52	366	10.33
3.18	6.00	19.00	1099	13.84	549	7.94	364	5.52
3.20	3.35	10.60	1095	6.56	547	3.65	363	2.54	9.6	10.9	12.3	13.6
3.40	3.15	10.60	1028	5.95	514	3.31	341	2.31	9.7	11.1	12.4	13.7
3.41	5.60	19.00	1025	12.85	513	7.31	340	5.08
3.43	4.12	14.00	1021	8.85	511	4.93	338	3.42
3.58	3.00	10.60	979	5.49	489	3.05	324	2.13	9.8	11.2	12.5	13.8
3.61	5.30	19.00	970	12.09	485	6.84	321	4.75
3.64	6.90	25.00	961	15.91	480	9.32	318	6.50
3.83	5.00	19.00	914	11.29	457	6.36	303	4.42
3.84	2.80	10.60	912	4.86	456	2.71	302	1.90	10.0	11.3	12.6	13.9
ARC-LENGTH CORRECTION FACTOR →									.88	.89	.91	.92
3.87	6.50	25.00	905	15.02	452	8.71	300	6.07
3.88	3.65	14.00	903	7.47	452	4.15	299	2.89
4.03	4.75	19.00	868	10.62	434	5.96	288	4.14
4.06	2.65	10.60	863	4.39	431	2.46	286	1.72	10.1	11.4	12.7	14.0
4.19	6.00	25.00	835	13.85	417	7.94	277	5.52
4.21	8.00	33.50	832	18.09	416	10.95	276	7.67
4.23	3.35	14.00	828	6.57	414	3.65	274	2.54	10.0
4.26	4.50	19.00	822	9.93	411	5.55	272	3.86
4.50	3.15	14.00	778	5.96	389	3.31	258	2.31	10.1
	5.60	25.00	779	12.86	389	7.31	258	5.08
4.66	4.12	19.00	752	8.85	376	4.93	249	3.42
4.73	3.00	14.00	740	5.49	370	3.06	245	2.13	10.2
4.75	5.30	25.00	736	12.09	368	6.84	244	4.75
4.88	6.90	33.50	717	15.91	358	9.32	238	6.50
5.04	5.00	25.00	694	11.30	347	6.36	230	4.42
5.07	2.80	14.00	690	4.87	345	2.72	229	1.90	10.3
5.19	6.50	33.50	675	15.02	337	8.71	224	6.07
5.26	3.65	19.00	665	7.47	332	4.15	220	2.89
5.31	4.75	25.00	659	10.62	330	5.96	219	4.14
5.37	2.65	14.00	652	4.39	326	2.46	216	1.72	10.4
ARC-LENGTH CORRECTION FACTOR →									.80	.83	.85	.87
5.61	4.50	25.00	624	9.93	312	5.55	207	3.86
5.62	6.00	33.50	623	13.85	311	7.94	206	5.52
5.74	3.35	19.00	609	6.57	305	3.65	202	2.54
6.03	5.60	33.50	581	12.86	290	7.32	192	5.08
6.11	3.15	19.00	573	4.91	286	2.84	190	2.31
6.13	4.12	25.00	571	8.85	285	4.93	189	3.43
6.37	5.30	33.50	549	12.09	275	6.84	182	4.75
6.42	3.00	19.00	545	5.49	272	3.06	181	2.13
6.76	5.00	33.50	518	11.30	259	6.36	172	4.42
6.89	2.80	19.00	508	4.87	254	2.72	168	1.90
6.93	3.65	25.00	505	7.48	253	4.15	167	2.89
7.12	4.75	33.50	492	10.62	246	5.96	163	4.14
7.29	2.65	19.00	480	4.39	240	2.46	159	1.72
7.52	4.50	33.50	466	9.93	233	5.56	154	3.86
7.56	3.35	25.00	463	6.57	231	3.65	153	2.54
8.05	3.15	25.00	435	5.96	217	3.31	144	2.31
8.22	4.12	33.50	426	8.85	213	4.93	141	3.43
8.46	3.00	25.00	414	5.50	207	3.06	137	2.13
9.07	2.80	25.00	386	4.87	193	2.72	128	1.90
9.29	3.65	33.50	377	7.48	188	4.15	125	2.89
ARC-LENGTH CORRECTION FACTOR →								
9.60	2.65	25.00	365	4.39	182	2.46	121	1.72
10.14	3.35	33.50	345	6.57	173	3.65	114	2.54
10.79	3.15	33.50	324	5.96	162	3.31	108	2.31
11.34	3.00	33.50	309	5.50	154	3.06	102	2.13
12.16	2.80	33.50	288	4.87	144	2.72	95	1.90
12.87	2.65	33.50	272	4.39	136	2.46	90	1.72
ARC-LENGTH CORRECTION FACTOR →								

* Note: Stock belt sizes 3VX250 thru 3VX400 not shown

NOTE: Selection program VIA-VISA available at www.ptwizard.com.

SELECTION



3VX STOCK DRIVE SELECTIONS

Speed Ratio	Belt Number and Approx. Center Distance																		
	3VX 530	3VX 560	3VX 600	3VX 630	3VX 670	3VX 710	3VX 750	3VX 800	3VX 850	3VX 900	3VX 950	3VX 1000	3VX 1060	3VX 1120	3VX 1180	3VX 1250	3VX 1320	3VX 1400	3VX 1500
3.14	19.8	22.5	25.7	28.8	32.0	35.6	39	43	48
3.17	25.3	29	33	39
3.18	14.4	16.6	19.3	21.9	24.5	27.1	29.7	32.7	35.8	38.8	42.4	46	50	55
3.20	15.1	16.7	18.7	20.2	22.3	24.3	26.3	28.8	31.3	33.9	36.4	38.9	41.9	44.9	47.9	51.4	55	59	64
3.40	15.2	16.8	18.8	20.4	22.4	24.4	26.4	29.0	31.5	34.0	36.5	39.0	42.0	45.1	48.1	51.6	55	59	64
3.41	14.7	16.9	19.5	22.2	24.8	27.4	29.9	33.0	36.1	39.1	42.7	46	50	55
3.43	11.2	12.8	15.0	16.5	18.6	20.7	22.7	25.3	27.8	30.4	32.9	35.4	38.5	41.5	44.5	48.0	52	56	61
3.58	15.3	16.9	18.9	20.5	22.5	24.5	26.6	29.1	31.6	34.1	36.6	39.1	42.2	45.2	48.2	51.7	55	59	64
3.61	14.8	17.0	19.7	22.4	25.0	27.6	30.1	33.2	36.3	39.3	42.9	46	50	56
3.64	17.6	20.5	23.2	26.4	29.6	32.7	36.3	40	44	49
3.83	15.0	17.2	19.9	22.6	25.2	27.8	30.4	33.4	36.5	39.5	43.1	47	51	56
3.84	15.5	17.0	19.1	20.6	22.6	24.7	26.7	29.2	31.7	34.3	36.8	39.3	42.3	45.3	48.3	51.8	55	59	64
	.93	.94	.95	.97	.98	.99	1.00	1.02	1.03	1.04	1.05	1.06	1.08	1.09	1.10	1.11	1.12	1.13	1.14
3.87	17.9	20.7	23.4	26.7	29.8	33.0	36.6	40	44	49
3.88	11.5	13.1	15.3	16.9	18.9	21.0	23.1	25.6	28.2	30.7	33.2	35.8	38.8	41.8	44.8	48.4	52	56	61
4.03	15.2	17.4	20.1	22.7	25.4	27.9	30.5	33.6	36.7	39.7	43.3	47	51	56
4.06	15.6	17.1	19.2	20.7	22.8	24.8	26.8	29.3	31.9	34.4	36.9	39.4	42.4	45.4	48.4	51.9	55	59	64
4.19	18.2	21.0	23.8	27.0	30.2	33.3	36.9	41	45	50
4.21	22.9	26.9	31	35	44
4.23	11.7	13.3	15.5	17.0	19.1	21.2	23.3	25.8	28.4	30.9	33.5	36.0	39.0	42.0	45.1	48.6	52	56	61
4.26	15.3	17.6	20.3	22.9	25.5	28.1	30.7	33.8	36.8	39.9	43.4	47	51	56
4.50	11.8	13.4	15.6	17.2	19.3	21.3	23.4	26.0	28.5	31.1	33.6	36.1	39.2	42.2	45.2	48.7	52	46	61
4.66	13.3	15.6	17.8	20.5	23.2	25.8	28.4	31.0	34.0	37.1	40.2	43.7	47	51	56
4.73	...	13.5	15.7	17.3	19.4	21.4	23.5	26.1	28.6	31.2	33.7	36.2	39.3	42.3	45.3	48.8	52	56	61
4.75	18.6	21.5	24.2	27.4	30.6	33.8	37.4	41	45	50
4.88	23.5	27.6	31	36	41
5.04	18.8	21.6	24.4	27.6	30.8	34.0	37.6	41	45	50
5.07	12.0	13.7	15.8	17.4	19.5	21.6	23.6	26.2	28.8	31.3	33.8	36.4	39.4	42.4	45.5	49.0	53	57	62
5.19	23.8	27.8	32	36	41
5.26	13.5	15.9	18.1	20.8	23.5	26.1	28.7	31.3	34.4	37.4	40.5	44.1	48	52	57
5.31	18.9	21.8	24.6	27.8	31.0	34.1	37.8	41	46	51
5.37	12.1	13.8	15.9	17.5	19.6	21.7	23.8	26.3	28.9	31.4	34.0	36.5	39.5	42.6	45.6	49.1	53	57	62
	.89	.91	.93	.94	.96	.97	.99	1.00	1.02	1.03	1.04	1.05	1.07	1.08	1.09	1.10	1.11	1.12	1.13
5.61	19.1	21.9	24.7	28.0	31.2	34.3	38.0	42	46	51
5.62	24.1	28.1	32	36	42
5.74	13.7	16.0	18.3	21.0	23.7	26.3	28.9	31.5	34.6	37.6	40.7	44.3	48	52	57
6.03	24.3	28.4	32	37	42
6.11	13.8	16.2	18.4	21.1	23.8	26.4	29.0	31.6	34.7	37.8	40.8	44.4	48	52	57
6.13	16.3	19.3	22.2	25.0	28.2	31.4	34.6	38.2	42	46	41
6.37	24.5	28.6	32	39	42
6.42	13.9	16.3	18.5	21.2	23.9	26.5	29.1	31.7	34.8	37.9	40.9	44.5	48	52	57
6.76	20.9	24.7	28.7	33	37	42
6.89	14.1	16.4	18.6	21.4	24.0	26.7	29.3	31.9	34.9	38.0	41.1	44.7	48	52	57
6.93	16.6	19.6	22.5	25.3	28.5	31.7	34.9	38.5	42	46	51
7.12	21.1	24.8	28.9	33	37	43
7.29	14.1	16.5	18.7	21.4	24.1	26.8	29.4	32.0	35.1	38.1	41.2	44.8	48	52	57
7.52	21.2	25.0	29.1	33	37	43
7.56	16.7	19.8	22.7	25.4	28.7	31.9	35.1	38.7	42	46	52
8.05	16.9	19.9	22.8	25.6	28.8	32.0	35.2	38.9	42	47	52
8.22	21.4	25.2	29.3	33	38	43
8.46	17.0	20.0	22.9	25.7	28.9	32.1	35.3	39.0	43	47	52
9.07	17.1	20.1	23.0	25.8	29.1	32.3	35.4	39.1	43	47	52
9.29	21.7	25.5	29.6	34	38	43
	.79	.84	.88	.91	.94	.96	.98	1.00	1.02	1.04	1.05	1.07	1.08	1.09	1.10	1.11	1.12	1.13	1.14
9.60	17.2	20.2	23.1	25.9	29.2	32.4	35.5	39.2	43	47	52
10.14	21.9	25.6	29.8	34	38	43
10.79	22.0	25.8	29.9	34	38	44
11.34	22.1	25.8	30.0	34	38	44
12.16	22.2	26.0	30.1	34	38	44
12.87	22.3	26.1	30.2	34	39	4
	.78	.86	.92	.96	1.00	1.01	1.02	1.03	1.04	1.05	1.06	1.07	1.08	1.09	1.10	1.11	1.12	1.13	1.14

Arc & Length Factors are approximate values
Refer to Selection Procedure for more precise values
NOTE: Selection program VIA-VISA available at www.ptwizard.com.



SELECTION

5VX D-V Wedge
Single Belts to 200"
POLYBAND to 200"

5V D-V Wedge
Single Belts over 200"
POLYBAND over 200"

STOCK DRIVE SELECTION

Ratio	Stock Sheaves		1750 RPM Driver			1160 RPM Driver			870 RPM Driver			Belt Number and Approx. Center Distance**							
	Diameter		Driven	HP/Belt		Driven	HP/Belt		Driven	HP/Belt		5VX	5VX	5VX	5VX	5VX	5VX	5VX	5VX
	Driver	Driven	RPM	5VX	5V	RPM	5VX	5V	RPM	5VX	5V	500	560	600	630	670	710	750	800
1.00	4.40	4.40	1750	8.2	3.9	1160	5.9	3.1	870	5.6	2.6	18.1	21.1	23.1	24.6	26.6	28.6	30.6	33.1
	4.65	4.65	1750	9.4	5.0	1160	6.1	3.9	870	5.3	3.2	17.7	20.7	22.7	24.2	26.2	28.2	30.2	32.7
	4.90	4.90	1750	10.6	6.2	1160	7.5	4.7	870	5.9	3.8	17.3	20.3	22.3	23.8	25.8	27.8	29.8	32.3
	5.20	5.20	1750	11.9	7.5	1160	8.5	5.6	870	6.6	4.5	16.8	19.8	21.8	23.3	25.3	27.3	29.3	31.8
	5.50	5.50	1750	13.3	8.8	1160	9.4	6.6	870	7.3	5.2	16.4	19.4	21.4	22.9	24.9	26.9	28.9	31.4
	5.90	5.90	1750	15.1	10.6	1160	10.7	7.8	870	8.3	6.2	15.7	18.7	20.7	22.2	24.2	26.2	28.2	30.7
	6.30	6.30	1750	16.9	12.6	1160	11.9	9.0	870	9.3	7.1	15.1	18.1	20.1	21.6	23.6	25.6	27.6	30.1
	6.70	6.70	1750	18.7	13.9	1160	13.2	10.2	870	10.4	8.1	14.5	17.5	19.5	21.0	23.0	25.0	27.0	29.5
	7.10	7.10	1750	20.4	15.6	1160	14.4	11.4	870	11.0	9.0	13.9	16.8	18.8	20.3	22.3	24.3	26.3	28.8
	7.50	7.50	1750	22.1	17.2	1160	15.6	12.6	870	12.2	9.9	13.2	16.2	18.2	19.7	21.7	23.7	25.7	28.2
	8.00	8.00	1750	24.3	19.2	1160	17.0	14.1	870	13.3	11.1	12.4	15.4	17.4	18.9	20.9	22.9	24.9	27.4
	8.50	8.50	1750	26.4	21.2	1160	18.7	15.5	870	14.0	12.2	11.7	14.6	16.6	18.1	20.1	22.1	24.1	26.6
	9.00	9.00	1750	28.4	23.0	1160	20.1	17.0	870	15.7	13.4	10.9	13.9	15.9	17.4	19.4	21.4	23.4	25.9
	9.25	9.25	1750	29.4	24.0	1160	20.9	17.7	870	16.4	13.9	10.5	13.5	15.5	17.0	19.0	21.0	23.0	25.5
	9.75	9.75	1750	31.4	25.8	1160	22.4	19.1	870	17.4	15.1	...	12.7	14.7	16.2	18.2	20.2	22.2	24.7
	10.30	10.30	1750	33.6	27.7	1160	24.0	20.6	870	18.6	16.3	...	11.8	13.8	15.3	17.3	19.3	21.3	23.8
	10.90	10.90	1750	35.9	29.7	1160	25.7	22.2	870	20.2	17.6	12.9	14.4	16.4	18.4	20.4	22.9
11.30	11.30	1750	37.4	31.0	1160	26.8	23.3	870	20.9	18.5	13.8	15.8	17.8	19.8	22.3	
11.80	11.80	1750	39.3	32.6	1160	28.2	24.6	870	22.0	19.5	15.0	17.0	19.0	21.5	
12.50	12.50	1750	41.8	34.7	1160	30.2	26.4	870	23.6	21.0	15.9	17.9	20.4	
13.20	13.20	1750	44.2	38.7	1160	31.1	28.2	870	25.1	22.5	16.8	19.3	
14.00	14.00	1750	46.9	38.8	1160	34.3	30.2	870	26.9	24.1	18.0	
15.00	15.00	1750	1160	870	29.0	26.2	
16.00	16.00	1750	1160	870	31.1	28.1	
1.03	9.00	9.25	1702	28.6	23.3	1128	20.3	17.1	845	15.7	13.5	1.07	13.7	15.7	17.2	19.2	21.2	23.2	25.7
1.04	10.90	11.30	1688	36.1	30.1	1119	25.8	22.4	837	20.1	17.7	12.6	14.1	16.1	18.1	20.1	22.6
	11.30	11.80	1675	37.7	31.4	1110	27.0	23.5	837	21.0	18.6	15.4	17.4	19.4	21.9
1.05	4.65	4.90	1659	9.7	5.4	1100	6.9	4.2	829	5.4	3.4	17.5	20.5	22.5	24.0	26.0	28.0	30.0	32.5
	9.25	9.75	1659	29.8	24.4	1100	21.1	17.9	829	16.4	14.1	...	13.1	15.1	16.6	18.6	20.6	22.6	25.1
1.06	4.40	4.65	1654	8.6	4.3	1096	6.1	3.4	821	4.8	2.8	17.9	20.9	22.9	24.4	26.4	28.4	30.4	32.9
	4.90	5.20	1654	10.9	6.6	1096	7.7	5.0	821	6.1	4.0	17.1	20.1	22.1	23.6	25.6	27.6	29.6	32.1
	5.20	5.50	1653	12.3	7.9	1092	8.7	5.9	821	6.8	4.7	16.6	19.6	21.6	23.1	25.1	27.1	29.1	31.6
	6.30	6.70	1644	17.3	12.8	1090	12.2	9.3	821	9.5	7.4	14.8	17.8	19.8	21.3	23.3	25.3	27.3	29.8
	6.70	7.10	1650	19.0	14.4	1094	13.4	10.5	821	10.4	8.3	14.2	17.2	19.2	20.7	22.7	24.7	26.7	29.2
	7.10	7.50	1655	20.7	16.0	1097	14.6	11.7	821	11.4	9.3	13.5	16.5	18.5	20.0	22.0	24.0	26.0	28.5
	8.00	8.50	1646	24.6	19.7	1091	17.4	14.4	821	13.5	11.3	12.0	15.0	17.0	18.5	20.5	22.5	24.5	27.0
	8.50	9.00	1652	26.7	21.6	1095	18.9	15.8	821	14.7	12.5	11.3	14.3	16.3	17.8	19.8	21.8	23.8	26.3
	9.75	10.30	1656	31.8	26.2	1097	22.6	19.4	821	17.6	15.3	...	12.2	14.3	15.8	17.8	19.8	21.8	24.3
	10.30	10.90	1653	33.9	28.2	1096	24.2	20.9	821	18.8	16.5	13.3	14.8	16.8	18.8	20.8	23.3
	11.80	12.50	1651	39.6	33.1	1095	28.5	24.9	821	22.2	19.8	14.4	16.4	18.4	20.9
	12.50	13.20	1656	42.1	35.1	1098	30.4	26.7	821	23.8	21.3	15.3	17.3	19.8
	13.20	14.00	1649	44.6	37.1	1093	32.4	28.5	821	25.3	22.7	16.1	18.6
ARC-LENGTH CORRECTION FACTOR →												.85	.87	.88	.89	.90	.91	.92	.93
1.07	5.50	5.90	3259	13.7	9.4	1080	9.7	6.9	813	7.6	5.5	16.0	19.0	21.0	22.5	24.5	26.5	28.5	31.0
	5.90	6.30	1629	15.5	11.1	1085	10.9	8.1	813	8.5	6.4	15.4	18.4	20.4	21.9	23.9	25.9	27.9	30.4
	7.50	8.00	1637	22.5	17.7	1087	15.9	12.9	813	12.3	10.2	12.8	15.8	17.8	19.3	21.3	23.3	25.3	27.8
	14.00	15.00	1639	47.0	39.3	1082	34.6	30.5	813	27.1	24.4	17.2
	15.00	16.00	1633	1087	37.2	32.9	813	29.2	26.4
1.08	9.00	9.75	1640	28.9	23.6	1070	20.5	17.3	806	15.9	13.7	...	13.3	15.3	16.8	18.8	20.8	22.8	25.3
	10.90	11.80	1614	36.4	30.3	1071	26.0	22.6	806	20.3	17.9	13.7	15.7	17.7	19.7	22.2
1.09	8.50	9.25	1615	26.8	21.8	1065	19.0	16.0	798	14.7	12.6	11.1	14.1	16.1	17.6	19.6	21.6	23.6	26.1
1.10	10.30	11.30	1607	34.1	28.4	1056	24.3	21.1	791	18.9	16.6	13.0	14.5	16.5	18.5	20.5	23.0
1.11	9.25	10.30	1594	30.3	24.7	1041	21.3	18.2	784	16.5	14.3	...	12.6	14.6	16.1	18.1	20.1	22.1	24.6
	11.30	12.50	1570	38.0	31.8	1048	27.2	23.8	784	21.2	18.8	14.8	16.8	18.8	21.3
1.12	4.40	4.90	1581	8.8	4.7	1039	6.3	3.6	777	4.9	3.0	17.7	20.7	22.7	24.2	26.2	28.2	30.2	32.7
	4.65	5.20	1568	10.0	5.8	1035	7.1	4.4	777	5.6	3.6	17.3	20.3	22.3	23.8	25.8	27.8	29.8	32.3
	6.70	7.50	1561	19.3	14.7	1035	13.6	10.7	777	10.6	8.5	13.8	16.8	18.8	20.3	22.3	24.3	26.3	28.9
	9.75	10.90	1561	32.0	26.6	1036	22.8	19.6	777	17.7	15.4	13.8	15.3	17.3	19.3	21.3	23.8
	11.80	13.20	1564	39.9	33.4	1036	28.6	25.1	777	22.3	19.9	13.9	15.8	17.9	20.4
12.50	14.00	1563	42.4	35.5	1035	30.6	27.0	777	23.9	21.4	14.7	16.7	19.2	

NOTE: * 5VX = Single and Polyband belts to 200" length
5V = Single and Polyband belts over 200" long

** Stock belt size 5VX530 not shown

NOTE: Selection program VIA-VISA available at www.ptwizard.com.

SELECTION



5VX D-V Wedge
Single Belts to 200"
POLYBAND to 200"

5V D-V Wedge
Single Belts over 200"
POLYBAND over 200"

STOCK DRIVE SELECTION

Ratio	Belt Number and Approx. Center Distance**																						
	5VX 850	5VX 900	5VX 950	5VX 1000	5VX 1060	5VX 1120	5VX 1180	5VX 1250	5VX 1320	5VX 1400	5VX 1500	5VX 1600	5VX 1700	5VX 1800	5VX 1900	5V 2000	5V 2120	5V 2240	5V 2360	5V 2500	5V 2800	5V 3150	5V 3550
1.00	35.6	38.1	40.6	43.1	46.1	49.1	52.1	55.6	59.1	63.1	68	73	78	83	88	93	99	105	111	118	133	151	171
	35.2	37.7	40.2	42.7	45.7	48.7	51.7	55.2	58.7	62.7	68	73	78	83	88	93	99	105	111	118	133	150	170
	34.8	37.3	39.8	42.3	45.3	48.3	51.3	54.8	58.3	62.3	67	72	77	82	87	92	98	104	110	117	132	1550	170
	34.3	36.8	39.3	41.8	44.8	47.8	50.8	54.3	57.8	61.8	67	72	7	82	87	92	98	104	110	117	132	149	169
	33.9	36.4	38.9	41.4	44.4	47.4	50.4	53.9	57.4	61.4	66	71	76	81	86	91	97	103	109	116	131	149	169
	33.2	35.7	38.2	40.7	43.7	46.7	49.7	53.2	56.7	60.7	66	71	76	81	86	91	97	103	109	116	131	148	168
	32.6	35.1	37.6	40.1	43.1	46.1	49.1	52.6	56.1	60.1	65	70	75	80	85	90	96	102	108	115	130	148	168
	32.0	34.5	37.0	39.5	42.5	45.5	48.5	52.0	55.5	59.5	64	69	74	79	84	89	95	101	107	115	129	147	167
	31.3	33.8	36.3	38.8	41.8	44.8	47.8	51.3	54.8	58.8	64	69	74	79	84	89	95	101	107	114	129	146	168
	30.7	33.2	35.7	38.2	41.2	44.2	47.2	50.7	54.2	58.2	63	68	73	78	83	88	94	100	106	113	128	146	166
	29.9	32.4	34.9	37.4	40.4	43.4	46.4	49.9	53.4	57.4	62	67	72	77	82	87	93	99	105	112	127	150	165
	29.1	31.6	34.1	36.6	39.6	42.6	45.6	49.1	52.6	56.6	62	67	72	77	82	89	93	99	105	112	127	144	164
	28.4	30.9	33.4	35.9	38.9	41.9	44.9	48.4	51.9	55.9	61	66	71	76	81	86	92	98	104	111	126	143	163
	28.0	30.5	33.0	35.5	38.5	41.5	44.5	48.0	51.5	55.5	60	65	71	75	80	85	91	97	103	111	125	143	163
	27.2	29.7	32.2	34.7	37.7	40.7	43.7	47.2	50.7	54.7	60	65	70	75	80	85	91	97	102	110	124	143	162
	26.3	28.8	31.3	33.8	36.8	39.8	42.8	46.3	49.8	53.8	59	64	69	74	79	84	90	96	102	109	124	141	161
	25.4	27.9	30.4	32.9	35.9	38.9	41.9	45.4	48.9	52.9	58	63	68	73	78	83	89	95	1010	107	123	140	160
	24.8	27.3	29.8	32.3	35.3	38.3	41.3	44.8	48.3	52.3	57	62	67	72	77	82	88	94	100	107	122	140	160
	24.0	26.5	29.0	31.5	34.5	37.5	40.5	44.0	47.5	51.5	56	61	66	72	76	81	87	93	99	106	121	139	159
	22.9	25.4	27.9	30.4	33.4	36.4	39.4	42.9	46.4	50.4	55	60	65	70	75	80	86	92	98	105	120	138	158
	21.8	24.3	26.8	29.3	32.3	35.3	38.3	41.8	45.3	49.3	54	59	64	69	74	79	85	91	97	104	119	137	157
20.5	23.0	25.5	28.0	31.0	34.0	37.0	40.5	44.0	48.0	53	58	63	68	73	78	84	90	96	103	118	136	155	
19.0	21.4	23.9	26.4	29.4	32.4	35.4	38.9	42.4	46.4	51	56	61	66	71	76	82	88	94	101	116	134	154	
...	19.9	22.4	24.9	27.9	30.9	33.9	37.4	40.9	44.9	50	55	60	645	70	75	81	87	93	100	115	132	152	
1.03	28.2	30.7	33.2	35.7	38.7	41.7	44.7	48.2	51.7	55.7	61	66	71	76	81	86	92	98	104	111	126	143	163
1.04	25.1	27.6	30.1	32.6	35.6	38.6	41.6	45.1	48.6	52.6	58	63	68	73	78	83	89	95	101	108	123	140	160
	24.4	26.9	29.4	31.9	34.9	37.9	40.9	44.4	47.9	51.9	57	62	67	72	77	81	88	94	100	107	122	139	159
1.05	35.0	37.5	40.0	42.5	45.5	48.5	51.5	55.0	58.5	62.5	68	72	77	82	87	92	98	104	110	117	132	150	170
	27.6	30.1	32.6	35.1	38.1	41.1	44.1	47.6	51.1	55.1	60	65	70	75	80	85	91	97	103	110	125	143	163
1.06	35.4	37.9	40.4	42.9	45.9	48.9	51.9	55.4	58.9	62.9	68	73	78	83	88	93	99	105	111	118	133	150	170
	34.6	3438	37.3	39.8	42.8	45.8	48.8	52.3	55.8	59.5	65	70	75	80	85	90	96	102	108	115	130	147	167
	34.1	36.6	39.1	41.6	44.6	47.6	50.6	54.1	57.6	61.6	67	72	77	82	87	92	98	104	110	117	132	149	169
	32.3	37.1	39.6	42.1	45.1	4811	51.1	54.6	58.1	62.1	67	72	77	82	87	92	98	104	110	117	132	150	170
	31.7	34.2	36.7	39.2	42.2	45.2	48.2	51.7	55.2	59.2	64	69	74	79	84	89	95	101	107	114	129	147	167
	31.0	33.5	36.0	38.5	41.5	44.5	47.5	51.0	54.5	58.5	64	68	74	78	83	88	94	100	106	113	128	146	166
	29.5	32.0	34.5	37.0	40.0	43.0	46.0	49.5	53.0	57.0	62	67	72	77	82	87	93	99	105	112	127	144	164
	28.8	31.3	33.8	36.3	39.3	42.3	45.3	46.8	52.3	56.3	61	66	71	76	81	86	92	98	104	111	126	144	164
	26.8	29.3	31.8	34.3	37.3	40.3	43.3	46.8	50.3	54.3	59	64	69	74	79	84	90	96	102	109	124	142	162
	25.9	28.3	30.8	33.3	35.3	39.3	42.3	45.8	49.3	53.3	58	63	68	73	78	83	89	95	101	108	123	141	161
	23.4	25.9	28.4	30.9	33.9	36.9	39.9	43.4	46.9	50.9	56	61	66	71	76	81	87	93	99	106	121	138	158
	22.3	24.8	27.3	29.8	32.8	35.8	38.8	42.3	45.8	49.8	55	60	65	70	75	80	86	92	98	105	120	137	157
	21.1	23.6	26.1	28.6	31.6	34.6	37.6	41.1	44.6	48.6	54	59	64	69	74	79	85	91	97	104	119	136	156
	.94	.95	.95	.96	.97	.98	.99	1.00	1.01	1.02	1.03	1.04	1.05	1.06	1.07	1.08	1.09	1.09	1.10	1.11	1.13	1.15	1.17
1.07	33.6	36.0	38.5	41.0	44.0	47.0	50.0	53.5	57.0	61.0	66	71	76	81	86	91	97	103	109	116	131	147	169
	32.9	35.4	37.9	40.4	43.4	46.4	49.4	52.9	56.4	60.4	65	70	75	80	85	90	96	102	108	115	130	148	168
	30.3	32.8	35.3	37.8	40.8	43.8	46.8	50.3	53.8	57.8	63	68	73	78	83	88	94	100	106	113	128	145	165
	19.7	22.2	24.7	27.2	30.2	33.2	36.2	39.7	43.2	47.2	52	57	62	67	72	77	83	89	95	102	117	135	155
	18.2	20.6	23.1	25.6	28.6	31.6	34.6	38.1	41.6	45.6	51	56	61	66	71	76	82	88	94	101	116	133	153
1.08	27.8	30.3	32.8	35.3	38.3	41.3	44.3	47.8	51.3	55.3	60	65	70	75	80	85	91	97	103	110	125	143	163
	24.7	27.2	29.7	32.2	35.2	38.2	41.2	44.7	48.2	52.2	57	62	67	72	77	82	88	94	100	107	122	140	160
1.09	28.6	31.1	33.6	36.1	39.1	42.1	45.1	48.6	52.1	56.1	61	66	71	76	81	86	92	98	104	111	126	144	164
1.10	25.5	28.0	30.5	33.0	36.0	39.0	42.0	45.5	49.0	53.0	58	63	68	73	78	83	89	95	101	108	123	140	160
1.11	27.1	29.6	32.1	34.6	37.6	40.6	43.6	47.1	50.6	54.6	60	65	70	75	80	85	91	97	103	110	125	142	162
	23.8	26.3	28.8	31.3	34.3	37.3	40.3	43.8	47.3	51.3	56	61	66	71	76	81	87	93	99	106	121	139	159
1.12	35.2	37.7	40.2	42.7	45.7	48.7	51.7	55.2	58.7	62.7	68	73	78	83	88	93	99	105	111	118	133	150	170
	34.8	37.3	39.8	42.3	45.3	48.3	51.3	54.8	58.3	62.3	67	72	77	82	87	92	98	104	110	117	132	150	170
	31.4	33.9	36.4	38.9	41.9	44.9	47.9	51.4	54.9	58.9	64	69	74	79	84	89	95	101	107	114	129	146	166
	26.3	28.8	31.3	33.8	36.8	39.8	42.8	46.3	49.8	53.8	59	64	69	74	79	84	90	96	102	109	124	141	161
	22.9	25.4	27.9	30.4	33.4	36.4	39.4	42.9	46.4	50.4	55	60	65	70	75	80	86	92	98	105	120	138	



SELECTION

5VX D-V Wedge
Single Belts to 200"
POLYBAND to 200"

5V D-V Wedge
Single Belts over 200"
POLYBAND over 200"

STOCK DRIVE SELECTION

Ratio	Stock Sheaves		1750 RPM Driver			1160 RPM Driver			870 RPM Driver			Belt Number and Approx. Center Distance**									
	Diameter		Driven	HP/Belt		Driven	HP/Belt		Driven	HP/Belt		5VX 500	5VX 560	5VX 600	5VX 630	5VX 670	5VX 710	5VX 750	5VX 800		
	Driver	Driven	RPM	5VX	5V	RPM	5VX	5V	RPM	5VX	5V										
1.13	4.90	5.50	1556	11.2	7.0	1031	7.9	5.2	770	6.2	4.2	16.8	19.8	21.8	23.3	25.3	27.3	29.3	31.8		
	6.30	7.10	1550	17.5	13.1	1027	12.4	9.6	770	9.6	7.6	14.5	17.5	19.5	21.0	23.0	25.2	27.2	29.5		
	7.10	8.00	1551	21.1	16.4	1028	14.8	12.0	770	11.5	9.4	13.1	16.1	18.1	19.6	21.6	23.6	25.6	28.1		
	8.00	9.00	1553	24.9	20.2	1030	17.6	14.6	770	13.6	11.5	11.6	14.6	16.6	18.1	20.1	22.1	24.1	26.6		
1.14	5.20	5.90	1539	12.6	8.4	1020	8.9	6.2	763	6.9	4.9	16.3	19.3	21.3	22.8	24.8	26.8	28.8	31.3		
	5.90	6.70	1538	15.8	11.4	1019	11.1	8.4	763	8.7	6.6	15.1	18.1	20.1	21.6	23.6	25.6	27.6	30.1		
	7.50	8.50	1542	22.8	18.1	1022	16.1	13.2	763	12.5	10.4	12.4	15.4	17.4	18.9	20.9	22.9	24.9	27.4		
	13.20	15.00	1539	44.9	37.6	1020	32.6	28.8	763	25.5	22.9	17.8		
	14.00	16.00	1530	47.6	39.6	1014	34.7	30.8	763	27.2	24.6		
ARC-LENGTH CORRECTION FACTOR →												.85	.87	.86	.89	.90	.91	.91	.92		
1.15	5.50	6.30	1524	14.0	9.7	1010	9.9	7.2	757	7.7	5.7	15.7	18.7	20.7	22.2	24.2	26.2	28.2	30.7		
	8.50	9.75	1523	27.1	22.4	1010	19.1	16.1	757	14.9	12.7	...	13.7	15.7	17.2	19.2	21.2	23.2	25.7		
	9.00	10.30	1527	29.1	24.0	1012	20.6	17.6	757	16.0	13.8	...	12.8	14.8	16.3	18.3	20.3	22.3	24.8		
	10.30	11.80	1526	34.3	28.6	1011	24.4	21.2	757	19.0	16.7	1.26	14.1	16.1	18.1	20.1	22.6		
	10.90	12.50	1524	38.6	30.7	1010	26.2	22.8	757	20.4	18.1	1.31	15.1	17.1	19.1	21.6		
1.16	8.00	9.25	1511	25.0	20.2	1002	17.6	14.7	750	13.7	11.6	11.4	14.4	16.4	17.9	19.9	21.9	23.9	26.4		
	9.75	11.30	1508	32.2	26.7	999	22.8	19.7	750	17.8	15.5	13.5	14.9	16.9	19.0	21.0	23.5		
1.17	11.30	13.20	1496	38.2	32.0	992	27.3	24.0	744	21.3	19.0	16.2	18.2	20.7		
	16.00	18.70	1496	992	40.0	35.5	744	31.5	28.6		
1.18	9.25	10.90	1483	30.2	25.0	983	21.4	18.4	737	16.6	14.4	...	12.2	14.2	15.7	17.7	19.7	21.7	24.2		
ARC-LENGTH CORRECTION FACTOR →												.85	.87	.86	.89	.90	.91	.91	.92		
1.19	4.40	5.20	1475	9.1	5.0	978	6.4	3.8	731	5.1	3.1	17.5	20.5	22.5	24.0	26.0	28.0	30.0	32.5		
	4.65	5.50	1475	10.2	6.1	977	7.3	4.6	731	5.7	3.7	17.0	20.0	22.0	23.5	25.5	27.5	29.5	32.0		
	6.30	7.50	1466	17.7	13.4	972	12.5	9.7	731	9.7	7.7	14.1	17.2	19.2	20.7	22.7	24.7	26.7	29.2		
	11.80	14.00	1473	40.1	33.7	976	28.8	25.3	731	22.4	20.1	15.2	17.2	19.7		
1.20	6.70	8.00	1462	19.5	15.1	969	13.7	11.0	725	10.7	8.6	13.4	16.4	18.4	19.9	22.0	24.0	26.0	28.5		
	7.10	8.50	1458	21.3	16.7	967	15.0	12.2	725	11.6	9.6	12.7	15.7	17.7	19.2	21.2	23.2	25.2	27.7		
	7.50	9.00	1455	23.0	18.4	964	16.2	13.4	725	12.6	10.5	12.0	15.0	17.0	18.5	20.5	22.5	24.5	27.0		
	12.50	15.00	1456	42.6	35.8	965	30.8	27.2	725	24.0	21.6	15.9	18.4		
1.21	4.90	5.90	1448	11.4	7.3	960	8.1	5.4	719	6.3	4.4	16.5	19.5	21.5	23.0	25.0	27.0	29.0	31.5		
	5.90	7.10	1450	16.0	11.7	961	11.3	8.5	719	8.8	6.8	14.8	17.8	19.8	21.3	23.3	25.3	27.3	29.8		
	8.50	10.30	1441	27.2	22.3	955	19.2	16.3	719	14.9	12.8	...	13.2	15.2	16.7	18.7	20.7	22.7	25.2		
	9.00	10.90	442	29.3	24.2	956	20.7	17.7	719	16.1	14.0	...	12.3	14.3	15.8	17.8	19.8	21.9	24.4		
	9.75	11.80	1443	32.3	26.9	957	22.9	19.8	719	17.8	15.6	13.0	14.5	16.5	18.5	20.5	23.1		
	10.90	13.20	1443	38.8	30.9	956	26.3	23.0	719	20.5	18.2	14.5	16.5	18.5	21.0		
13.20	16.00	1442	45.1	37.8	956	32.7	29.0	719	25.6	23.1	17.0			
1.22	5.20	6.30	1440	12.8	8.7	954	9.1	6.4	713	7.1	5.1	16.0	19.0	21.0	22.5	24.5	26.5	28.5	31.0		
	5.50	6.70	1432	14.2	10.0	949	10.0	7.3	713	7.8	5.8	15.4	18.4	20.4	21.9	23.9	25.9	27.9	30.4		
	8.00	9.75	1433	25.2	20.4	950	17.7	14.9	713	13.8	11.7	...	14.0	16.0	17.5	19.5	21.5	23.5	26.0		
	9.25	11.30	1430	30.3	25.2	948	21.5	18.5	713	16.7	14.5	13.8	15.3	17.3	19.3	21.3	23.8		
	10.30	12.50	1440	34.5	28.9	954	24.6	21.4	713	19.1	16.9	13.6	15.6	17.6	19.6	22.1		
1.24	7.50	9.25	1415	23.1	18.5	938	16.3	13.4	702	12.6	10.5	11.8	14.8	16.8	18.3	20.3	22.3	24.3	26.8		
	11.30	14.00	1410	38.4	32.3	935	27.5	24.1	702	21.4	19.0	15.6	17.6	20.1		
1.25	15.00	18.70	1402	929	37.6	33.4	696	29.5	26.8		
1.26	4.40	5.50	1394	9.2	5.2	924	6.6	3.9	690	5.1	3.2	17.2	20.2	22.2	23.7	25.7	27.7	29.7	32.2		
	9.00	11.30	1391	29.4	24.3	922	20.8	17.8	690	16.1	14.0	...	12.0	14.0	15.5	17.5	19.5	21.5	24.0		
1.27	4.65	5.90	1373	10.4	6.4	910	7.4	4.9	685	5.8	3.8	16.7	19.7	21.7	23.2	25.2	27.2	29.2	31.7		
	6.30	8.00	1373	17.9	13.6	910	12.6	9.9	685	9.8	7.8	13.7	16.7	18.7	20.3	22.3	24.3	26.3	28.8		
	6.70	8.50	1375	19.7	15.3	911	13.8	11.1	685	10.7	8.7	13.0	16.0	18.0	19.5	21.5	23.6	25.6	28.1		
	7.10	9.00	1376	21.4	16.9	912	15.1	12.3	685	11.7	9.7	12.3	15.3	17.3	18.8	20.8	22.8	24.8	27.3		
	11.80	15.00	1374	40.3	33.9	911	28.9	25.5	685	22.5	20.2	16.4	18.9	
1.28	5.90	7.50	1372	16.1	11.9	909	11.4	8.7	680	8.8	6.9	14.5	17.5	19.5	21.0	23.0	25.0	27.0	29.5		
	9.25	11.80	1369	30.5	25.3	907	21.6	18.6	680	16.8	14.6	13.4	14.9	16.9	18.9	20.9	23.4		
	9.75	12.50	1362	32.5	27.1	903	23.0	20.0	680	17.9	15.7	14.0	16.0	18.0	20.0	22.5		
	10.30	13.20	1363	34.6	29.1	903	24.6	21.5	680	19.2	16.9	15.0	17.0	19.0	21.5		
	12.50	16.00	1365	42.8	36.0	905	30.9	27.3	680	24.1	21.7	17.5		
1.29	4.90	6.30	1355	11.6	7.5	898	8.2	5.6	674	6.4	4.5	16.2	19.2	21.2	22.7	24.7	26.7	28.7	31.2		
	5.20	6.70	1352	13.0	8.9	896	9.2	6.5	674	7.1	5.2	15.6	18.6	20.6	22.1	24.1	26.4	28.1	30.6		
	8.00	10.30	1355	25.3	20.6	898	17.8	15.0	674	13.9	11.8	...	13.6	15.6	17.1	19.1	21.1	23.1	25.6		
	8.50	10.90	1361	27.4	22.5	902	19.3	16.4	674	15.0	12.9	...	12.7	14.7	16.2	18.2	20.2	22.2	24.7		
	10.90	14.00	1360	37.0	31.1	901	26.4	23.1	674	20.5	18.3	13.9	15.9	17.9	20.4		

NOTE: * 5VX = Single and Polyband belts to 200" length
5V = Single and Polyband belts over 200" long

** Stock belt size 5VX530 not shown

NOTE: Selection program VIA-VISA available at www.ptwizard.com.

SELECTION



5VX D-V Wedge
Single Belts to 200"
POLYBAND to 200"

5V D-V Wedge
Single Belts over 200"
POLYBAND over 200"

STOCK DRIVE SELECTION

Ratio	Belt Number and Approx. Center Distance**																					
	5VX 850	5VX 900	5VX 950	5VX 1000	5VX 1060	5VX 1120	5VX 1180	5VX 1250	5VX 1320	5VX 1400	5VX 1500	5VX 1600	5VX 1700	5VX 1800	5VX 1900	5V 2000	5V 2120	5V 2240	5V 2500	5V 2800	5V 3150	5V 3550
1.13	34.3	36.8	39.3	41.8	44.8	47.8	50.8	54.3	57.8	61.8	67	72	77	82	87	92	98	104	117	132	149	169
	32.0	34.5	37.0	39.5	42.5	45.5	48.5	52.0	55.5	59.5	64	69	74	79	84	89	95	101	114	129	147	167
	30.6	33.1	35.6	38.1	41.1	44.1	47.1	50.6	54.1	58.1	63	68	73	78	83	88	94	100	113	128	146	166
	29.1	31.6	34.1	36.6	39.6	42.6	45.6	49.1	52.6	56.6	62	67	72	77	82	87	93	99	112	127	144	164
1.14	33.8	36.3	38.8	41.3	44.3	47.3	50.3	53.8	57.3	61.3	66	71	76	81	86	91	97	103	116	131	147	169
	32.6	35.1	37.6	41.1	43.1	46.1	49.1	52.6	56.1	60.1	65	70	75	80	85	90	96	102	115	130	148	168
	29.9	32.4	34.9	37.4	40.4	43.4	46.4	49.9	53.4	57.4	62	67	72	77	82	87	93	99	112	127	145	165
	20.3	22.8	25.3	27.8	30.8	33.8	36.8	40.3	43.8	47.8	53	58	63	68	73	78	84	90	103	118	135	155
	18.9	21.4	23.9	26.4	29.4	32.4	35.4	38.9	42.4	46.4	51	56.	61	66	71	76	82	88	101	116	134	154
	.93	.94	.95	.96	.97	.98	.99	1.00	1.01	1.02	1.03	1.04	1.05	1.06	1.07	1.08	1.08	1.09	1.11	1.13	1.15	1.17
1.15	33.2	35.7	38.2	40.7	43.7	46.7	49.7	53.2	56.7	60.7	66	71	76	81	86	91	97	103	116	131	146	168
	28.2	30.7	33.2	35.7	38.7	41.7	44.7	48.2	51.7	55.7	61	66	71	76	81	86	92	98	111	126	148	163
	27.3	29.8	32.3	34.8	37.8	40.8	43.8	47.3	50.8	54.8	60	65	70	75	80	85	91	97	110	125	142	162
	25.1	27.6	30.1	32.6	35.6	38.6	41.6	45.1	48.6	52.6	58	63	68	73	78	83	89	95	108	123	140	160
1.16	28.9	31.4	33.9	36.4	39.4	42.4	45.4	46.9	52.4	56.4	61	66	71	76	81	86	92	98	111	126	144	164
	26.0	28.5	31.0	33.5	36.5	39.5	42.5	46.0	49.5	53.5	58	63	68	73	78	83	89	95	108	123	141	161
1.17	23.2	25.7	28.3	30.8	33.8	36.8	39.8	43.3	46.8	50.8	56	61	66	71	76	81	89	93	106	121	138	158
	20.2	22.7	25.7	28.7	31.7	35.2	38.7	42.7	47	53	58	63	68	73	79	85	98	113	130	150
1.18	26.7	29.2	31.7	34.2	37.2	40.2	43.2	46.7	50.2	54.2	59	64	69	74	79	84	90	96	109	124	142	162
	.93	.94	.95	.96	.97	.98	.99	1.00	1.01	1.02	1.03	1.04	1.05	1.06	1.07	1.08	1.08	1.09	1.11	1.13	1.15	1.17
1.19	35.0	37.5	40.0	42.5	45.5	48.5	51.5	55.0	58.5	62.5	67	72	77	82	87	92	98	104	117	132	150	170
	34.5	37.0	39.5	42.0	45.0	48.0	51.0	54.5	59.0	62.0	67	72	77	82	87	92	98	104	117	132	150	170
	31.7	34.2	36.7	39.2	42.2	45.2	48.2	51.7	55.2	59.2	64	69	74	79	84	89	95	101	114	129	147	167
	22.2	24.7	27.2	29.7	32.7	35.7	38.7	42.2	45.7	49.7	54	60	65	70	75	80	86	92	105	132	137	157
1.20	31.0	33.5	36.0	38.5	41.5	44.5	47.5	51.0	54.5	58.5	63	68	73	78	83	88	94	100	113	128	146	166
	30.2	32.7	35.2	37.7	40.7	43.7	46.7	50.2	53.7	57.7	63	68	73	77	83	88	94	100	113	129	145	165
	29.5	32.0	34.5	37.0	40.0	43.0	46.0	49.5	53.0	57.0	62	67	72	77	82	87	93	99	112	127	145	165
	20.9	23.4	25.9	28.4	31.4	34.4	37.4	40.9	44.4	48.4	53	58	63	68	73	78	84	90	103	118	136	156
1.21	34.0	36.5	39.0	41.5	44.5	47.5	50.5	54.0	57.5	61.5	66	71	76	81	86	91	97	103	117	132	149	169
	32.3	34.8	37.3	39.8	42.8	45.8	48.8	52.3	55.8	59.8	65	70	75	80	85	90	96	102	115	130	147	167
	27.7	30.2	32.7	35.2	38.2	41.2	44.2	47.7	51.2	55.2	60	65	70	75	80	85	91	97	110	125	143	163
	26.9	29.4	31.9	34.4	37.4	40.4	43.4	46.9	50.4	54.4	59	64	69	74	79	84	90	96	109	124	142	162
	25.6	28.1	30.6	33.1	36.1	39.1	42.1	45.6	49.1	53.1	58	63	68	73	78	83	89	95	108	123	141	161
	23.5	26.0	28.5	31.1	34.1	37.1	40.1	43.6	47.1	51.1	56	61	66	71	76	81	87	93	106	121	139	159
	19.5	22.0	24.5	27.0	30.0	33.0	36.0	39.5	43.0	47.0	52	57	62	67	72	77	83	89	102	117	135	155
1.22	33.5	36.0	38.5	41.0	44.0	47.0	50.0	53.5	57.0	61.0	66	71	76	81	86	91	97	103	116	131	149	169
	32.9	35.4	37.9	40.4	43.4	46.4	49.4	52.9	56.4	60.4	65	70	75	80	85	90	96	102	115	130	148	168
	28.5	31.0	33.5	36.0	39.0	42.1	45.1	48.6	52.1	56.1	61	66	71	76	81	86	92	98	111	125	144	164
	26.3	28.8	31.3	33.8	36.8	39.8	42.8	46.3	49.8	53.9	59	63	68	73	78	83	89	95	109	124	141	161
	24.6	27.1	29.6	32.1	35.1	38.1	41.1	44.6	48.1	52.1	57	62	67	72	77	82	88	94	107	122	140	160
1.24	29.3	31.8	34.3	36.8	39.8	42.8	45.8	49.3	52.8	56.8	62	67	72	77	82	87	93	99	112	127	144	164
	22.6	25.1	27.6	30.1	33.1	36.1	39.1	42.6	46.1	50.1	55	60	65	70	75	80	86	92	105	120	138	158
1.25	21.0	23.5	26.5	29.5	32.5	36.0	39.5	43.5	49	54	59	64	69	74	80	86	99	114	131	151
1.26	34.7	37.2	39.7	42.2	45.2	48.2	51.2	54.7	58.2	62.2	67	72	77	82	87	92	98	104	117	132	150	170
	26.5	29.0	31.5	34.0	37.0	40.0	43.0	46.5	50.0	54.0	59	64	69	74	79	84	90	96	109	124	142	162
	34.2	36.7	39.2	41.7	44.7	47.7	50.7	54.2	57.7	61.7	67	72	77	82	87	92	98	104	117	132	149	169
	31.3	33.8	36.3	38.8	41.8	44.8	47.8	51.3	54.8	58.8	64	69	74	79	83	89	95	101	114	129	146	166
1.27	30.6	32.3	34.8	37.3	40.3	43.3	46.3	49.8	53.3	57.3	62	67	72	77	82	87	93	99	112	127	145	165
	29.8	32.3	34.8	37.3	40.3	43.3	46.3	49.8	53.3	57.3	62	67	72	77	82	87	93	99	112	127	145	165
	21.4	23.9	26.4	28.9	31.9	34.9	37.9	41.4	44.9	48.9	54	59	64	70	74	79	85	91	104	119	136	156
1.28	32.0	34.5	37.0	39.5	42.5	45.5	48.5	52.0	55.5	59.5	64	69	74	79	84	89	95	101	114	129	147	167
	25.9	28.4	30.9	33.4	36.4	39.4	42.4	45.9	49.5	53.5	58	63	68	73	78	83	89	95	108	123	141	161
	25.0	27.5	30.0	32.5	35.5	38.5	41.5	45.0	48.5	52.5	57	62	67	72	77	82	88	94	108	123	140	160
	24.0	26.5	29.0	31.5	34.5	37.5	40.5	44.0	47.5	51.5	56	61	66	71	75	81	87	93	107	122	139	159
	20.0	22.5	25.1	27.6	30.6	33.6	36.6	40.1	43.6	47.6	52	58	63	68	73	78	84	90	103	118	135	155
1.29	33.7	36.2	38.7	41.2	44.2	47.2	50.2	53.7	57.2	61.2	66	71	76	81	86	91	97	103	116	131	149	169
	32.2	35.7	38.2	40.7	43.7	46.7	49.7	53.2	56.7	60.7	66	71	76	81	86	91	97	103	116	131	148	168
	28.1	30.6	33.1	35.6	38.6	41.6	44.6	48.1	51.6	55.6	61	66	71	76	81	86	92	98	111	126	143	163
	27.2	29.7	32.2	34.7	37.7	40.7	43.7	47.2	50.7	54.8	60	65	70	75	80	85	91	97	110	125	142	162
	22.9	25.4	27.9	30.4	33.4	36.4	39.4	42.9	46.4	50.4	55	60	65	70	75	80	86	92	105	120	138	158

NOTES: ** Stock belt size 5V2650 & 5V3350 not shown
Arc & Length Factors are approximate values
Refer to Selection Procedure for more precise values

NOTE:



SELECTION

5VX D-V Wedge
Single Belts to 200"
POLYBAND to 200"

5V D-V Wedge
Single Belts over 200"
POLYBAND over 200"

STOCK DRIVE SELECTION

Ratio	Stock Sheaves		1750 RPM Driver			1160 RPM Driver			870 RPM Driver			Belt Number and Approx. Center Distance**										
	Diameter		Driven RPM	HP/Belt		Driven RPM	HP/Belt		Driven RPM	HP/Belt		5VX	5VX	5VX	5VX	5VX	5VX	5VX	5VX			
	Driver	Driven		5VX	5V		5VX	5V		5VX	5V	5VX	5VX	5VX	5VX	5VX	5VX	5VX	5VX	5VX	5VX	
1.30	5.50	7.10	1350	14.4	10.2	895	10.1	7.5	669	7.9	5.9	15.1	18.1	20.1	21.6	23.6	25.6	27.6	30.1			
	7.50	9.75	1342	23.2	18.6	890	16.3	13.5	669	12.7	10.6	11.4	14.4	16.4	17.9	19.9	21.9	23.9	26.4			
ARC-LENGTH CORRECTION FACTOR →												.84	.86	.87	.88	.89	.90	.91	.92			
1.31	7.10	9.25	1339	21.5	17.0	887	15.1	12.3	664	11.7	9.7	12.1	15.1	17.1	18.6	20.6	22.6	24.6	27.1			
	9.00	11.80	1331	29.5	24.5	882	20.9	17.9	664	16.2	14.1	13.6	15.1	17.1	19.1	21.1	23.6			
1.33	8.50	11.30	1313	27.5	22.6	870	19.4	16.5	654	15.1	13.0	...	12.4	14.4	15.9	17.9	19.9	21.9	24.4			
	11.30	15.00	1315	38.5	32.5	872	27.6	24.2	654	21.5	19.2	14.7	16.8	19.3			
	16.00	21.20	1319	874	654	31.7	28.9			
1.34	14.00	18.70	1308	48.0	40.2	867	35.0	31.1	649	27.4	24.9			
1.35	4.40	5.90	1297	9.4	5.4	860	6.7	4.1	644	5.2	3.3	16.9	19.9	21.9	23.4	25.4	27.4	29.4	31.9			
	6.30	8.50	1292	18.0	13.7	856	12.7	10.2	644	9.9	7.9	13.3	16.3	18.3	19.9	21.8	23.9	25.9	28.4			
	6.70	9.00	1298	19.8	15.4	860	13.9	11.2	644	10.8	8.8	12.6	15.6	17.6	19.1	21.1	23.1	25.1	27.7			
1.36	4.65	6.30	1284	10.6	6.5	851	7.5	4.9	640	5.8	3.9	16.4	19.4	21.4	22.9	24.9	26.9	28.9	31.4			
	5.90	8.00	1285	16.3	12.1	852	11.4	8.8	640	8.9	6.9	14.2	17.1	19.1	20.6	22.6	24.6	26.6	29.1			
	9.25	12.50	1291	30.5	25.5	856	21.6	18.7	640	16.8	14.7	12.8	14.3	16.3	18.3	20.4	22.9			
	9.75	13.20	1289	32.6	27.3	855	23.1	20.1	640	18.0	15.8	13.4	15.4	17.4	19.4	21.9			
	10.30	14.00	1284	34.8	29.2	851	24.7	21.5	640	19.2	17.0	14.3	16.3	18.3	20.8			
11.80	16.00	1288	4.04	34.1	854	29.0	25.6	640	22.6	20.3	15.5	18.0			
ARC-LENGTH CORRECTION FACTOR →												.82	.84	.85	.86	.87	.88	.90	.91			
1.37	5.20	7.10	1275	13.1	9.0	845	9.2	6.6	635	7.2	5.3	15.3	18.3	20.3	21.8	23.8	25.8	27.8	30.3			
	5.50	7.50	1277	14.5	10.3	846	10.2	7.5	635	7.9	5.60	14.8	17.8	19.8	21.3	23.3	25.3	27.3	29.8			
	8.00	10.90	1280	25.4	20.7	849	17.9	15.1	635	13.9	11.8	...	13.1	15.1	16.6	18.6	20.6	22.6	25.1			
1.38	4.90	6.70	1273	11.7	7.7	844	8.3	5.7	630	6.5	4.5	15.9	18.9	20.9	22.4	24.4	26.4	28.4	30.9			
	7.10	9.75	1269	21.6	17.1	841	15.2	12.4	630	11.8	9.8	11.7	14.7	16.7	18.2	20.2	22.2	24.2	26.7			
	7.50	10.30	1270	23.3	18.7	842	16.4	13.6	630	12.7	10.7	...	13.9	16.0	17.5	19.5	21.5	23.5	26.0			
	10.90	15.00	1268	37.1	31.3	841	26.5	23.2	630	20.6	18.3	17.0	19.6		
1.39	6.70	9.25	1262	19.8	15.5	837	14.0	11.2	626	10.8	8.8	12.4	15.4	17.4	18.9	20.9	22.9	24.9	27.4			
	8.50	11.80	1256	27.5	22.7	833	19.4	16.5	626	15.1	13.0	14.0	15.5	17.5	19.5	21.5	24.0			
	9.00	12.50	1256	29.6	24.6	833	20.9	18.0	626	16.2	14.1	13.0	14.5	16.5	18.5	20.5	23.0			
1.42	8.00	11.30	1234	25.5	20.8	818	18.0	15.1	613	13.9	11.9	...	12.7	14.7	16.3	18.3	20.3	22.3	24.8			
	11.30	16.00	1233	38.6	32.6	817	27.6	24.3	613	21.5	19.2	15.9	18.4		
	13.20	18.70	1233	45.4	38.3	817	32.9	29.2	613	25.7	23.2		
	15.00	21.20	1236	819	613	29.6	26.9		
1.43	9.25	13.20	1222	30.7	25.6	810	21.7	18.7	608	16.8	14.7	13.7	15.7	17.8	19.8	22.3			
1.44	4.40	6.30	1214	9.5	5.5	805	6.7	4.2	604	5.3	3.4	16.6	19.6	21.6	23.1	25.1	27.1	29.1	31.6			
	6.30	9.00	1219	18.1	13.9	808	12.7	10.1	604	9.9	7.9	12.9	15.9	17.9	19.4	21.4	23.4	25.4	28.0			
	9.75	14.00	1215	32.7	27.4	805	23.2	20.1	604	18.0	15.9	14.7	16.7	18.7	21.2			
1.45	4.65	6.70	1206	10.6	6.7	800	7.5	5.0	600	5.9	4.0	16.1	19.1	21.1	22.6	24.6	26.6	28.6	31.1			
	5.20	7.50	1206	13.2	9.1	799	9.3	6.7	600	7.2	5.3	15.0	18.0	20.0	21.5	2.5	25.5	27.5	30.0			
	5.90	8.50	1208	16.4	12.2	801	11.5	8.9	600	8.9	7.0	13.6	16.6	18.6	20.1	22.2	24.2	26.2	28.7			
	4.90	7.10	1200	11.8	7.8	795	8.3	5.8	596	6.5	4.6	15.5	18.5	20.5	22.0	24.1	26.1	28.1	30.6			
1.46	5.50	8.00	1196	14.6	10.5	793	10.2	7.6	596	8.0	6.0	14.3	17.4	19.4	20.9	22.9	24.9	26.9	29.4			
	6.70	9.75	1197	19.9	15.6	793	14.0	11.3	596	10.9	8.9	12.0	15.0	17.0	18.5	20.5	22.5	24.5	27.0			
	7.10	10.30	1201	21.7	17.2	796	15.2	12.5	596	11.8	9.8	11.2	14.2	16.3	17.8	19.8	21.8	23.8	26.3			
	7.50	10.90	1199	23.4	18.8	795	16.5	13.7	596	12.8	10.8	...	13.4	15.5	17.0	19.0	21.0	23.0	25.5			
	10.30	15.00	1198	34.9	29.3	794	24.8	21.7	596	19.3	17.1	15.5	17.5	20.0			
1.47	9.00	13.20	1189	29.7	24.7	788	21.0	18.0	592	16.3	14.2	13.9	15.9	17.9	20.0	22.5			
	10.90	16.00	1189	37.2	31.4	788	26.5	23.3	592	20.6	18.4	16.2	18.7			
ARC-LENGTH CORRECTION FACTOR →												.82	.84	.85	.86	.87	.88	.90	.91			
1.48	6.30	9.25	1186	18.2	13.9	590	12.8	10.1	588	9.9	8.	12.7	15.7	17.7	19.2	21.2	23.2	25.2	27.8			
	8.00	11.80	1182	25.5	20.9	587	18.0	15.2	588	14.0	11.9	...	12.3	14.3	15.8	17.8	19.9	21.9	24.4			
	8.50	12.50	1185	27.6	22.8	589	19.5	16.6	588	15.1	13.1	13.4	14.9	16.9	18.9	20.9	23.4			
	16.00	23.60	1184	589	40.3	35.9	588	31.8	29.0			
1.50	12.50	18.70	1167	43.1	36.4	580	31.0	27.5	580	24.2	21.8			
1.51	7.50	11.30	1156	23.4	18.9	575	16.5	13.7	576	12.8	10.8	...	13.1	15.1	16.6	18.6	20.6	22.7	25.2			
	9.25	14.00	1152	30.7	25.7	573	21.7	18.8	572	16.9	14.8	15.1	17.1	19.1	21.6			
1.52	14.00	21.20	1153	46.2	40.0	573	35.1	31.3	572	27.5	25.0			
1.53	4.40	6.70	1140	9.5	5.6	567	6.8	4.2	569	5.3	3.4	16.2	19.2	21.3	22.8	24.8	26.8	28.8	31.3			
	5.90	9.00	1140	16.4	12.3	567	11.5	8.9	569	9.0	7.0	13.2	16.2	18.2	19.7	21.7	23.7	25.8	28.3			

NOTE: * 5VX = Single and Polyband belts to 200" length
5V = Single and Polyband belts over 200" long

** Stock belt size 5VX530 not shown

NOTE: Selection program VIA-VISA available at www.ptwizard.com.

SELECTION



5VX D-V Wedge
Single Belts to 200"
POLYBAND to 200"

5V D-V Wedge
Single Belts over 200"
POLYBAND over 200"

STOCK DRIVE SELECTION

Ratio	Belt Number and Approx. Center Distance**																						
	5VX 850	5VX 900	5VX 950	5VX 1000	5VX 1060	5VX 1120	5VX 1180	5VX 1250	5VX 1320	5VX 1400	5VX 1500	5VX 1600	5VX 1700	5VX 1800	5VX 1900	5VX 2000	5V 2120	5V 2240	5V 2360	5V 2500	5V 2800	5V 3150	5V 3550
1.30	32.6	35.1	37.6	40.1	43.1	46.1	49.1	52.6	56.1	60.1	65	70	75	80	85	90	96	102	108	115	130	148	168
	28.9	31.4	33.9	36.4	39.4	42.4	45.4	48.9	52.4	56.4	61	66	71	76	81	86	92	98	104	111	126	144	164
	.93	.94	.95	.96	.97	.99	.99	1.00	1.01	1.02	1.03	1.04	1.05	1.06	1.07	1.07	1.08	1.09	1.10	1.11	1.13	1.15	1.17
1.31	29.6	32.1	34.6	37.1	40.1	43.1	46.1	49.6	53.1	57.1	62	67	72	77	82	87	93	99	105	112	127	145	165
	26.1	28.6	31.1	33.6	36.6	39.6	42.6	46.1	49.6	53.6	59	64	69	74	79	84	90	96	102	109	124	141	161
1.33	26.9	29.4	31.9	34.4	37.4	40.4	43.4	46.9	50.4	54.4	59	64	69	74	79	84	90	96	102	109	124	142	162
	21.8	24.3	26.8	29.3	32.3	35.3	38.3	41.8	45.3	49.3	54	59	64	69	74	79	85	91	97	104	119	137	157
	23.6	26.7	29.7	33.2	36.7	40.7	46	51	56	61	66	71	77	83	89	96	111	128	146
1.34	...	19.2	21.7	24.2	27.2	30.2	33.2	36.7	40.2	44.3	49	54	59	64	69	74	80	86	92	99	114	132	152
1.35	34.4	36.9	39.4	41.9	44.9	47.9	50.9	54.4	57.9	61.9	67	73	77	82	87	92	98	104	110	117	132	149	169
	30.9	33.4	35.9	38.4	41.4	44.4	47.4	50.9	54.4	58.4	63	68	73	78	83	88	94	100	106	113	128	146	166
	30.1	32.6	35.2	37.7	40.7	43.7	46.7	50.2	53.7	57.7	63	68	73	78	83	88	94	100	106	113	128	145	165
1.36	33.9	36.4	38.9	41.4	44.4	47.4	50.4	53.9	57.4	61.4	66	71	76	81	86	91	97	103	109	116	131	149	169
	31.6	34.1	36.6	39.1	42.1	45.1	48.1	51.6	55.1	59.1	64	69	74	79	84	89	95	101	107	114	129	147	167
	25.4	27.9	30.4	32.9	35.9	38.9	41.9	45.4	48.9	52.9	58	63	68	73	78	83	89	95	101	108	123	140	160
	24.4	26.9	29.4	31.9	34.9	37.9	40.9	44.4	47.9	51.9	57	62	67	72	77	82	88	94	100	107	122	139	159
	23.3	25.8	28.4	30.9	33.9	36.9	39.9	43.4	46.9	50.9	56	61	66	71	76	81	87	93	99	106	121	138	158
	20.6	23.1	25.6	28.1	31.1	34.1	37.1	40.6	44.1	48.4	53	58	63	68	73	78	84	90	96	103	118	136	156
	.92	.93	.94	.95	.96	.97	.98	.99	1.00	1.01	1.02	1.03	1.04	1.05	1.06	1.07	1.08	1.09	1.10	1.11	1.13	1.15	1.17
1.37	32.8	35.9	38.4	40.9	43.9	46.9	49.9	53.4	56.9	60.9	66	71	76	81	86	91	97	103	108	116	131	148	168
	32.3	34.8	37.3	39.8	42.8	45.8	48.8	52.3	55.8	59.8	65	70	75	80	84	90	96	102	108	115	130	147	167
	27.6	30.1	32.6	35.1	38.1	41.1	44.1	47.5	51.1	55.1	60	65	70	75	80	85	91	97	103	110	125	143	162
1.38	33.4	35.9	38.4	40.9	43.9+	46.9	49.9	53.4	56.9	60.9	66	71	76	81	86	91	97	103	109	116	131	148	168
	29.2	31.7	34.2	36.7	39.7	42.7	45.7	49.2	52.7	56.8	62	67	72	77	82	87	93	99	105	112	127	144	164
	28.5	31.0	33.5	36.0	39.0	42.0	45.0	48.5	52.0	56.0	61	66	71	76	81	86	92	98	104	111	126	143	163
	22.1	24.6	27.1	29.6	32.6	35.6	38.6	42.1	45.6	49.6	55	60	65	70	75	80	85	91	98	105	120	137	157
1.39	29.9	32.4	34.9	37.5	40.5	43.5	46.5	50.0	53.5	57.5	62	67	72	77	82	87	93	99	105	112	127	145	165
	26.5	29.0	31.5	34.0	37.0	40.0	43.0	46.5	50.0	54.0	59	64	69	74	79	84	90	96	102	109	124	141	161
	25.6	28.1	30.6	33.1	36.1	39.1	42.1	45.6	49.1	53.1	58	63	68	73	78	83	89	95	101	108	123	141	161
1.42	27.3	29.8	32.3	34.8	37.8	40.8	43.8	47.3	50.8	54.8	60	65	70	75	80	85	91	97	103	110	125	142	162
	20.9	23.4	26.0	28.5	31.5	34.5	37.5	41.0	44.5	48.5	53	58	63	68	73	78	84	90	97	103	118	136	156
	...	19.8	22.3	24.8	27.8	30.8	33.8	37.3	40.9	44.9	50	55	60	65	70	75	81	87	92	100	115	132	154
	21.3	24.4	27.4	30.4	33.9	37.4	41.5	46	51	56	61	66	71	77	83	90	96	111	129	149
1.43	24.8	27.3	29.8	32.3	35.3	38.3	41.3	44.8	48.3	52.3	57	62	67	72	77	82	88	94	100	107	122	140	160
1.44	34.1	36.6	39.1	41.6	44.6	47.6	50.6	54.1	57.6	61.6	67	72	77	82	87	92	98	104	110	117	132	149	169
	30.5	33.0	35.5	38.0	41.0	44.0	47.0	50.5	54.0	58.0	63	68	73	78	83	88	94	100	106	113	128	145	165
	24.8	26.3	28.8	31.3	34.3	37.3	40.3	43.8	47.3	51.3	56	61	66	71	76	81	87	93	99	106	121	139	159
1.45	33.6	36.1	38.6	41.1	44.1	47.1	50.1	53.6	57.1	61.1	66	71	76	81	86	91	97	103	109	116	131	147	169
	32.5	35.0	37.5	40.0	43.0	46.0	49.0	52.5	56.0	60.0	65	70	75	80	85	90	96	102	108	115	130	148	168
	31.2	33.7	36.2	38.7	41.7	44.7	47.7	51.2	54.7	58.7	64	69	74	79	84	89	95	101	107	114	129	146	166
1.46	33.1	35.6	38.1	40.6	43.6	46.6	49.6	53.1	56.6	60.6	66	70	76	81	86	91	97	103	109	116	131	146	168
	31.9	34.4	36.9	39.4	42.4	45.4	48.4	51.9	55.4	59.4	64	69	74	79	84	89	95	101	107	114	129	147	167
	29.5	32.1	34.6	37.1	40.1	43.1	46.1	49.6	53.1	57.1	62	67	72	77	82	87	93	99	105	112	127	145	165
	28.8	31.3	33.8	36.3	39.3	42.3	45.3	48.8	52.3	56.3	61	66	71	76	81	86	92	98	104	111	126	144	164
	28.0	30.5	33.0	35.5	38.5	41.5	44.5	48.0	51.5	55.5	60	65	70	75	80	85	91	97	104	110	125	143	163
	22.5	25.0	27.5	30.0	33.0	36.1	39.1	42.6	46.1	50.1	55	60	65	70	75	80	86	92	98	105	120	138	158
1.47	25.0	27.5	30.0	32.5	35.5	38.5	41.5	45.0	48.5	52.5	57	62	67	72	77	82	88	94	101	107	122	140	160
	2.12	23.7	26.2	28.8	31.8	34.8	37.8	41.3	44.8	48.8	54	59	64	69	74	79	85	91	97	104	119	136	156
	.92	.93	.94	.95	.96	.97	.98	.99	1.00	1.01	1.02	1.03	1.04	1.05	1.06	1.07	1.08	1.09	1.10	1.11	1.13	1.15	1.17
1.48	30.3	32.8	35.3	37.8	40.8	43.8	46.8	50.3	53.8	57.8	63	68	73	78	83	88	94	100	100	113	128	145	165
	26.9	29.4	31.9	34.4	37.4	40.4	43.4	46.9	50.4	54.4	59	64	69	74	79	84	90	96	96	109	124	142	162
	25.9	28.8	30.4	33.4	36.5	39.5	42.5	46.0	49.5	53.5	58	63	68	73	78	83	89	95	95	108	123	141	161
	24.6	27.6	31.2	34.7	38.7	44	49	54	59	64	69	75	81	81	94	109	126	146
1.50	...	20.3	22.8	25.3	28.3	31.3	34.4	37.9	41.4	45.4	50	55	60	65	70	75	81	87	87	100	115	133	153
1.51	27.7	30.2	32.7	35.2	38.2	41.2	44.2	47.7	51.2	55.2	60	65	70	75	80	85	91	97	97	110	125	143	163
1.52	24.1	26.6	29.1	31.7	34.7	37.7	40.7	44.2	47.7	51.7	57	62	67	72	77	82	88	94	94	107	122	139	159
	22.1	25.1	28.1	31.1	34.7	38.2	42.2	47	52	57	62	67	72	78	84	84	97	112	130	150
1.53	33.8	36.3	38.8	41.3	44.3	47.3	50.3	53.8	57.3	61.3	66	71	76	81	86	91	97	103	103	116	131	146	169
	30.8	33.3	35.8	38.3	41.3	44.3	47.3	50.8	54.3	58.3	63	68	73	78	83								



SELECTION

5VX D-V Wedge
Single Belts to 200"
POLYBAND to 200"

5V D-V Wedge
Single Belts over 200"
POLYBAND over 200"

STOCK DRIVE SELECTION

Ratio	Stock Sheaves		1750 RPM Driver		1160 RPM Driver			870 RPM Driver			Belt Number and Approx. Center Distance**									
	Diameter		Driven	HP/Belt	Driven	HP/Belt	Driven	HP/Belt	Driven	HP/Belt	5VX 500	5VX 560	5VX 600	5VX 630	5VX 670	5VX 710	5VX 750	5VX 800		
	Driver	Driven	RPM	5VX	5V	RPM	5VX	5V	RPM	5VX	5V	5VX	5VX	5VX	5VX	5VX	5VX	5VX		
1.54	4.65	7.10	1138	10.7	6.7	765	7.6	5.0	565	5.9	4.0	15.7	18.7	20.7	22.2	24.2	26.2	28.2	30.8	
	4.90	7.50	1135	11.9	7.9	752	8.4	5.8	565	6.53	4.6	15.2	18.2	20.2	21.7	23.7	25.7	27.7	30.2	
	7.10	10.90	1134	21.7	17.3	752	15.3	12.5	565	11.9	10.0	10.7	13.7	15.8	17.3	19.3	21.3	23.3	25.8	
	9.75	15.00	1133	32.8	27.5	751	23.2	20.2	565	18.0	15.9	13.8	15.9	17.9	20.4	
1.55	5.20	8.00	1130	13.3	9.2	749	9.3	6.8	561	7.3	5.4	14.6	17.6	19.6	21.1	23.1	25.1	27.1	29.6	
	6.70	10.30	1132	20.0	15.7	751	14.0	11.4	561	11.0	8.9	11.5	14.5	16.6	18.1	20.1	22.1	24.1	26.6	
1.56	5.50	8.50	1125	14.6	10.5	746	10.3	7.7	558	8.0	6.1	13.9	16.9	19.0	20.4	22.5	24.5	26.5	29.0	
	6.30	9.75	1124	18.2	14.0	745	12.8	10.1	558	9.9	8.0	12.3	15.3	17.3	18.8	20.8	22.8	24.8	27.3	
	8.50	13.20	1122	27.7	22.9	744	19.5	16.7	558	15.1	13.1	12.7	14.3	16.3	18.3	20.3	22.8	
	9.00	14.00	1121	29.7	24.8	743	21.0	18.1	558	16.3	14.2	13.2	15.2	17.3	19.3	21.8	
1.57	10.30	16.00	1123	34.9	29.4	744	24.8	21.7	558	19.3	17.1	14.6	16.6	19.1	
	8.00	12.50	1115	25.6	20.9	739	18.0	15.2	554	14.0	12.0	13.7	15.2	17.3	19.3	21.3	23.8	
	5.90	9.25	1109	16.4	12.3	735	11.6	8.9	551	9.0	7.1	13.0	16.0	18.0	19.5	21.5	23.5	25.5	28.1	
1.58	7.50	11.80	1107	23.5	19.0	734	16.5	13.8	551	12.8	10.8	...	12.7	14.7	16.2	18.2	20.2	22.2	24.7	
	15.00	23.60	1110	735	37.8	33.7	551	29.7	27.0	
1.59	11.80	18.70	1101	40.6	34.3	730	29.1	25.8	547	22.7	20.4	
1.60	7.10	11.30	1094	21.8	17.4	725	15.3	12.6	544	11.9	10.0	...	13.4	15.4	16.9	18.9	20.9	23.0	25.5	
ARC-LENGTH CORRECTION FACTOR →											.82	.83	.85	.86	.87	.88	.89	.91		
1.61	13.20	21.20	1086	45.6	38.4	720	33.0	29.4	540	25.8	23.4	
1.63	4.40	7.10	1075	9.3	5.7	713	6.8	4.3	534	5.3	3.4	15.9	18.9	20.9	22.4	24.4	26.4	28.4	30.9	
	4.65	7.50	1076	10.8	6.8	713	7.6	5.1	534	5.9	4.1	15.4	18.4	20.4	21.9	23.9	25.9	27.9	30.4	
1.64	9.25	15.00	1076	30.8	25.7	712	21.8	18.8	534	16.9	14.8	14.2	16.2	18.2	20.8	
	6.70	10.90	1069	20.2	15.7	709	14.1	11.4	530	10.9	9.0	11.0	14.0	16.0	17.6	19.6	21.6	23.6	26.1	
1.65	4.90	8.00	1063	11.9	7.9	705	8.4	5.9	527	6.6	4.7	14.8	17.8	19.8	21.3	23.3	25.3	27.3	29.8	
	5.20	8.50	1063	13.3	9.3	704	9.4	6.8	527	7.3	5.4	14.1	17.2	19.2	20.7	22.7	24.7	26.7	29.2	
	5.50	9.00	1062	14.7	10.6	704	10.3	7.7	527	8.3	6.1	13.5	16.5	18.5	20.0	22.0	24.0	26.1	28.6	
	6.30	10.30	1064	18.3	14.0	705	12.8	10.2	527	10.0	8.0	11.8	14.8	16.9	18.4	20.4	22.4	24.4	26.9	
	8.50	14.00	1058	27.7	22.9	701	19.6	16.7	527	15.2	13.1	13.5	15.6	17.6	19.6	22.2	
1.66	9.75	16.00	1062	32.8	27.6	704	23.2	20.2	527	18.1	15.9	17.0	19.5	
	5.90	9.75	1052	16.5	12.3	697	11.6	9.0	524	9.0	7.1	12.6	15.6	17.6	19.1	21.1	23.1	25.1	27.6	
	8.00	13.20	1055	25.6	21.0	700	18.1	15.3	524	14.0	12.0	13.1	14.6	16.6	18.7	20.7	23.2	
1.67	11.30	18.70	1054	38.8	32.8	698	27.7	24.4	524	21.6	19.3	
	7.10	11.80	1047	21.8	17.4	694	15.3	12.6	521	11.9	9.9	...	12.9	15.0	16.5	18.5	20.5	22.5	25.0	
1.68	9.00	15.00	1045	29.8	24.8	693	21.1	18.1	521	16.3	14.3	14.3	16.4	18.4	20.9	
	7.50	12.50	1044	23.5	19.0	692	16.5	13.8	518	12.8	10.8	14.1	15.6	17.6	19.6	21.6	24.2	
1.69	5.50	9.25	1033	14.7	10.6	685	10.3	7.7	515	8.0	6.1	13.3	16.3	18.3	19.8	21.8	23.8	25.8	28.4	
	14.00	23.60	1035	48.3	40.6	686	35.2	31.4	515	27.6	25.0	
1.70	6.70	11.30	1028	20.1	15.8	684	14.1	11.4	512	10.9	9.0	10.6	13.7	15.7	17.2	19.2	21.2	23.3	25.8	
	12.50	21.20	1031	43.2	36.5	682	31.1	27.6	512	24.3	21.9	
1.72	4.40	7.50	1017	9.6	5.72	674	6.8	4.3	506	5.3	3.5	15.6	18.6	20.6	22.1	24.1	26.1	28.1	30.6	
	10.90	18.70	1016	37.3	31.5	674	26.6	23.4	506	20.7	18.5	
1.74	4.65	8.00	1008	10.6	6.9	668	7.6	5.1	500	6.0	4.1	15.0	18.0	20.0	21.5	23.5	25.5	27.5	30.0	
	6.30	10.90	1005	18.3	14.1	666	12.9	10.2	500	10.0	8.1	11.3	14.3	16.3	17.8	19.9	21.9	23.9	26.4	
	9.25	16.00	1007	30.8	25.8	668	21.8	18.9	500	16.9	14.8	15.3	17.3	19.9	
1.75	4.90	8.50	1000	12.0	8.0	663	8.4	5.9	497	6.6	4.7	14.4	17.4	19.4	20.9	22.9	24.9	26.9	29.4	
	5.20	9.00	1003	13.3	9.3	665	9.4	6.8	497	7.3	5.4	13.7	16.7	18.8	20.3	22.3	24.3	26.3	28.8	
	16.00	28.00	997	661	40.4	36.0	497	31.8	29.0	
ARC-LENGTH CORRECTION FACTOR →											.83	.85	.86	.87	.88	.89	.91			
1.76	5.90	10.30	995	16.5	12.4	660	11.6	9.0	494	9.0	7.1	...	15.1	17.1	18.6	20.7	22.7	24.7	27.2	
	8.00	14.00	995	25.7	21.0	659	18.1	15.3	494	14.0	12.0	12.4	13.9	15.9	18.0	20.0	22.5	
1.77	6.70	11.80	987	20.1	15.5	654	14.1	11.4	492	10.9	9.0	...	13.2	15.3	16.8	18.8	20.8	22.8	25.3	
	7.10	12.50	977	21.8	17.4	655	15.3	12.6	492	11.9	9.9	...	12.3	14.4	15.9	17.9	19.9	21.9	24.5	
	7.50	13.20	979	23.5	19.1	655	16.6	13.8	492	12.8	10.9	13.4	15.0	17.0	19.0	21.0	23.6	
	8.50	15.00	987	27.8	23.0	654	19.6	16.7	492	15.2	13.2	14.7	16.7	18.8	21.3	
1.79	5.20	9.25	975	13.3	9.3	647	9.4	6.8	486	7.3	5.4	...	16.5	18.5	20.0	22.1	24.1	26.1	28.6	
	5.50	9.75	979	14.7	10.7	649	10.4	7.8	486	8.1	6.1	...	15.9	17.9	19.4	21.4	23.4	25.4	27.9	
	9.00	16.00	980	29.8	24.9	649	21.1	18.2	486	16.4	14.3	15.5	17.5	20.1	
	13.20	23.60	976	45.6	38.5	647	33.1	29.4	486	25.8	23.4	

NOTE: * 5VX = Single and Polyband belts to 200" length
5V = Single and Polyband belts over 200" long

** Stock belt size 5VX530 not shown

NOTE: Selection program VIA-VISA available at www.ptwizard.com.

SELECTION



5VX D-V Wedge
Single Belts to 200"
POLYBAND to 200"

5V D-V Wedge
Single Belts over 200"
POLYBAND over 200"

STOCK DRIVE SELECTION

Ratio	Belt Number and Approx. Center Distance**																								
	5VX 850	5VX 900	5VX 950	5VX 1000	5VX 1060	5VX 1120	5VX 1180	5VX 1250	5VX 1320	5VX 1400	5VX 1500	5VX 1600	5VX 1700	5VX 1800	5VX 1900	5VX 2000	5V 2120	5V 2240	5V 2360	5V 2500	5V 2650	5V 2800	5V 3150	5V 3550	
1.54	33.3	35.8	38.3	40.7	43.8	46.8	49.8	53.3	56.8	60.7	66	71	76	81	86	91	97	103	109	116	...	131	148	168	
	32.7	35.2	37.7	40.2	43.2	46.2	49.2	52.7	56.2	60.2	65	70	75	80	85	90	96	102	108	115	...	130	148	168	
	28.3	30.8	33.3	35.8	38.8	41.8	44.8	48.3	51.8	55.8	61	66	71	76	81	86	92	98	104	110	...	126	143	163	
	22.9	25.4	27.9	30.4	33.5	36.5	39.5	43.0	46.5	50.5	56	61	66	71	76	81	86	92	99	105	...	120	138	158	
	32.1	34.6	37.1	39.6	42.6	45.6	48.6	52.1	55.6	59.6	65	70	75	80	85	90	96	102	108	114	...	130	147	167	
1.55	29.1	31.6	34.1	36.6	39.6	42.6	45.6	49.1	52.6	56.6	62	67	72	77	82	87	93	99	105	112	...	127	144	164	
	31.5	34.0	36.5	39.0	42.0	45.0	48.0	51.5	55.0	59.0	64	69	74	79	84	89	95	101	107	114	...	129	146	166	
	29.9	32.3	34.9	37.4	40.4	43.4	46.4	49.9	53.4	57.4	62	67	72	77	82	87	93	99	105	112	...	127	145	165	
	25.4	27.9	30.4	32.9	35.9	38.9	41.9	45.4	48.9	52.9	58	63	68	73	78	83	89	94	101	108	...	123	140	160	
	24.3	26.8	29.3	31.8	34.8	37.9	40.9	44.4	47.9	51.9	57	62	67	72	77	82	88	94	100	107	...	122	139	159	
1.56	21.7	24.2	26.7	29.2	32.2	35.2	38.2	41.7	45.3	49.3	54	59	64	69	74	79	85	91	97	104	...	119	137	157	
	26.3	28.8	31.3	33.8	36.8	39.8	42.8	46.3	49.8	53.9	59	64	69	74	79	84	90	96	102	109	...	124	141	161	
	30.6	33.1	35.6	38.1	41.1	44.1	47.1	50.6	54.1	58.1	63	68	73	78	83	88	94	100	106	113	...	128	146	166	
	27.3	29.8	32.3	34.8	37.8	40.8	43.8	47.3	50.8	54.8	60	65	70	75	80	85	91	97	103	110	...	125	142	162	
	22.3	25.3	28.4	31.9	35.4	39.4	44	50	55	60	64	70	76	82	88	95	...	110	127	147	
1.57	18.2	20.8	23.3	25.8	28.8	31.9	34.9	38.4	41.9	45.9	51	56	61	66	71	76	82	88	94	101	...	116	133	153	
	28.0	30.5	33.0	35.5	38.5	41.5	44.5	48.0	51.5	55.5	61	66	71	76	81	85	91	97	104	110	...	125	143	163	
	.92	.93	.94	.95	.96	.97	.98	.99	1.00	1.01	1.02	1.03	1.04	1.05	1.06	1.07	1.08	1.09	1.10	1.11	1.12	1.13	1.15	1.17	
	1.61	20.1	22.6	25.7	28.7	31.7	35.3	38.8	42.8	48	53	58	63	68	73	79	85	91	98	...	113	130	150
	1.63	33.4	35.9	38.4	40.9	43.9	46.9	49.9	53.5	57.0	61.0	66	71	76	81	86	91	97	103	109	116	...	131	148	168
32.9		35.4	37.9	40.4	43.4	46.4	49.4	52.9	56.4	60.6	65	70	75	80	85	90	96	102	108	115	...	130	148	168	
23.3		25.8	28.3	30.8	33.8	36.8	39.9	43.4	46.9	50.9	56	61	66	71	76	81	87	93	99	106	...	121	138	158	
28.6		31.1	33.6	36.1	39.1	42.1	45.1	48.6	52.1	56.1	61	66	71	76	81	86	92	98	104	111	...	126	144	164	
1.64		32.3	34.8	37.3	39.8	42.8	45.8	48.8	52.3	55.8	59.8	65	70	75	80	84	90	96	102	108	114	...	130	147	167
	31.7	34.2	36.7	39.2	42.2	45.2	48.2	51.7	55.2	59.2	64	69	74	79	84	89	95	101	107	114	...	129	147	167	
	31.1	33.6	36.1	38.6	41.6	44.6	47.6	51.1	54.6	58.6	64	69	74	79	84	89	95	101	107	114	...	129	146	166	
	29.4	31.9	34.4	36.9	39.9	42.9	45.9	49.4	52.9	56.9	62	67	72	77	82	87	93	99	105	112	...	127	144	164	
	24.7	27.2	29.7	32.2	35.2	38.2	41.2	44.7	48.3	52.3	57	62	67	72	77	82	88	94	100	107	...	122	140	160	
1.65	22.1	24.6	27.1	29.6	32.6	35.6	38.6	42.2	45.7	49.7	55	60	65	70	75	80	86	92	98	105	...	120	137	157	
	30.2	32.7	35.2	37.7	40.7	43.7	46.7	50.2	53.7	57.7	62	68	73	78	83	88	94	100	106	113	...	128	145	165	
	25.7	28.2	30.7	33.2	36.3	39.3	42.3	45.8	49.3	53.3	58	63	68	73	78	83	89	95	101	108	...	123	141	161	
	18.6	21.1	23.6	26.2	29.2	32.2	35.2	38.8	42.3	46.3	51	56	61	66	71	76	82	88	94	101	...	116	134	154	
	1.66	27.6	30.1	32.6	35.1	38.1	41.1	44.1	47.6	51.1	55.1	60	65	70	75	80	85	91	97	103	110	...	125	143	163
23.5		26.0	28.5	31.0	34.0	37.0	40.0	43.5	47.1	51.1	56	61	66	71	76	81	87	93	99	106	...	121	139	159	
26.7		29.2	31.7	34.2	37.2	40.2	43.2	46.7	50.2	54.2	59	64	69	74	79	84	90	96	102	109	...	124	142	162	
30.9		33.4	35.9	38.4	41.4	44.4	47.4	50.9	54.4	58.4	63	68	73	78	83	88	94	100	106	113	...	128	146	166	
...		23.0	26.0	29.1	32.6	36.2	40.2	45	50	55	60	65	70	76	82	88	95	...	110	127	148	
1.67	28.3	30.8	33.3	35.8	38.8	41.8	44.8	48.3	51.8	55.8	61	66	71	76	81	86	92	98	104	111	...	126	143	163	
	20.6	23.1	26.2	29.2	32.2	35.8	39.3	43.3	48	53	58	63	68	73	79	85	91	98	...	113	131	151	
	33.1	35.6	38.1	40.6	43.6	46.6	49.6	53.1	56.6	60.6	66	71	76	81	86	91	97	103	109	116	...	131	148	168	
	18.9	21.4	23.9	26.5	29.5	32.5	35.5	39.1	42.6	46.6	52	57	62	67	72	77	83	89	95	102	...	117	134	154	
	1.72	32.5	35.0	37.5	40.0	43.0	46.0	49.0	52.5	56.0	60.0	65	70	75	80	85	90	96	102	108	115	...	130	148	168
28.9		31.4	33.9	36.4	39.4	42.4	45.4	48.9	52.4	56.4	61	66	71	76	81	86	92	98	105	111	...	126	144	164	
22.4		24.9	27.5	30.0	33.0	36.0	39.0	42.5	46.0	50.1	55	60	65	70	75	80	86	92	98	105	...	120	138	158	
31.9		34.4	36.9	39.4	42.4	45.4	48.4	51.9	55.4	59.4	65	69	74	79	84	89	95	101	107	114	...	129	147	167	
31.3		33.8	36.3	38.8	41.8	44.8	47.8	51.3	54.8	58.8	64	67	74	79	84	89	94	101	107	114	...	129	146	166	
1.75	27.3	30.9	34.9	40	45	50	55	60	65	71	77	83	90	...	105	123	143	
	1.76	29.7	32.2	34.7	37.2	40.2	43.2	46.2	49.7	53.2	57.2	62	67	72	77	82	87	93	99	105	112	120	127	145	165
	1.77	25.1	27.6	30.1	32.6	35.6	38.6	41.6	45.1	48.6	52.6	58	63	68	73	78	83	89	95	101	108	115	123	140	160
		27.9	30.4	32.9	35.4	38.4	41.4	44.4	47.9	51.4	55.4	60	65	70	75	80	85	91	97	103	110	118	125	143	163
		27.0	29.5	32.0	34.5	37.5	40.5	43.5	47.0	50.5	54.5	60	65	70	75	80	84	91	97	103	110	117	125	142	162
26.1		28.6	31.1	33.6	36.6	39.6	42.6	46.2	49.7	53.7	59	64	69	74	79	84	90	96	102	109	116	124	141	161	
23.8		26.3	28.9	31.4	34.4	37.4	40.4	43.9	47.4	51.4	56	61	66	71	76	81	87	93	99	106	114	121	139	159	
1.79	31.1	33.6	36.1	38.6	41.6	44.6	47.6	51.1	54.6	58.6	64	69	74	79	84	89	95	101	107	114	121	129	146	166	
	30.5	33.0	35.5	38.0	41.0	44.0	47.0	50.5	54.0	58.0	63	68	73	78	83	88	94	100	106	113	121	128	146	166	
	22.6	25.1	27.6	30.2	33.2	36.2	39.2	42.7	46.2	50.2	55	60	65	70	75	80	86	92.3	98	105	113	120	138	158	
	23.5	26.6	29.6	33.2	36.7	40.8	46	51	56	61	66	71	77	83	89	96.0	103	111	128	149	

NOTE: ** Stock belt size 5V2650 & 5V3350 not shown
Arc & Length Factors are approximate values
Refer to Selection Procedure for more precise values

NOTE: Selection program VIA-VISA available at www.ptwizard.com.



SELECTION

5VX D-V Wedge
Single Belts to 200"
POLYBAND to 200"

5V D-V Wedge
Single Belts over 200"
POLYBAND over 200"

STOCK DRIVE SELECTION

Ratio	Stock Sheaves		1750 RPM Driver			1160 RPM Driver			870 RPM Driver			Belt Number and Approx. Center Distance**																
	Diameter		Driven	HP/Belt		Driven	HP/Belt		Driven	HP/Belt		5VX 500	5VX 560	5VX 600	5VX 630	5VX 670	5VX 710	5VX 750	5VX 800									
	Driver	Driven	RPM	5VX	5V	RPM	5VX	5V	RPM	5VX	5V																	
1.80	11.80	21.20	653	40.7	34.5	643	29.2	25.8	483	22.7	20.5									
1.81	6.30	11.30	652	18.3	14.1	642	12.9	10.2	481	10.0	8.1	14.0	16.0	17.5	19.5	21.5	23.6	26.1	28.6									
1.82	10.30	18.70	636	35.0	29.6	636	24.9	21.8	478	19.4	17.2	16.7	19.3									
1.84	4.40	8.00	631	9.7	5.8	631	6.8	4.3	473	5.3	35.0	18.2	20.2	21.7	23.7	25.7	27.7	30.2	32.7									
1.85	4.65	8.50	628	10.8	6.9	628	7.7	5.1	470	6.0	4.1	17.6	19.6	21.1	23.1	25.1	27.1	29.6	32.1									
	4.90	9.00	626	12.0	8.0	626	8.5	5.9	470	6.6	4.7	17.0	19.0	20.5	22.5	24.5	26.5	29.0	31.5									
1.86	5.90	10.90	623	16.5	12.4	623	11.6	9.0	468	9.0	7.1	14.6	16.6	18.1	20.2	22.2	24.2	26.7	29.2									
1.87	7.10	13.20	620	21.8	17.5	620	15.4	12.7	465	11.9	10.0	11.7	13.7	15.3	17.3	19.3	21.3	23.9	26.4									
	15.00	28.00	619	619	37.9	33.7	465	29.7	27.1									
1.88	6.70	12.50	617	20.1	15.8	617	14.1	11.5	463	11.0	9.0	12.6	14.6	16.2	18.2	20.2	22.2	24.8	27.3									
	7.50	14.00	618	23.6	19.1	618	16.6	13.8	463	12.9	10.9	...	12.7	14.3	16.3	18.3	20.4	22.9	25.4									
	11.30	21.20	616	38.9	32.9	616	27.8	24.5	463	21.6	19.4									
1.89	5.20	9.75	613	13.4	9.4	613	9.4	6.9	460	7.3	5.4	16.1	18.1	19.6	21.6	23.7	25.7	28.2	30.7									
	5.50	10.30	614	14.7	10.7	614	10.4	7.8	460	8.1	6.2	15.4	17.4	18.9	21.0	23.0	25.0	27.5	30.0									
	6.30	11.80	615	18.3	14.1	615	12.9	10.2	460	10.0	8.1	13.5	15.5	17.1	19.1	21.1	23.1	25.6	28.2									
	8.00	15.00	615	25.7	21.1	615	18.1	15.3	460	14.0	12.0	13.0	15.0	17.1	19.1	21.7	24.2									
	8.50	16.00	613	27.8	23.0	613	19.6	16.8	460	15.2	13.2	13.8	15.8	17.9	20.4	23.0									
1.90	12.50	23.60	612	43.2	36.6	612	31.1	27.7	458	24.3	22.0									
1.91	4.90	9.250	609	12.0	8.0	609	8.5	5.9	455	6.6	4.7	16.7	18.8	20.3	22.3	24.3	26.3	28.8	31.3									
1.93	5.90	11.30	601	16.6	12.4	601	11.6	9.0	451	9.0	7.1	14.2	16.3	17.8	19.8	21.8	23.8	26.4	28.9									
	9.75	18.70	602	32.9	27.7	602	23.3	20.3	451	18.1	16.0	17.1	19.7									
1.95	4.40	8.50	594	9.7	5.8	594	6.9	4.3	446	5.4	3.5	17.8	19.8	21.3	23.3	25.3	27.3	29.8	32.3									
	10.90	21.20	594	37.4	31.6	594	26.7	23.5	446	20.7	18.5									
1.96	4.65	9.00	593	10.9	6.9	593	7.7	5.1	444	6.0	4.1	17.1	19.2	20.7	22.7	24.7	26.7	29.2	31.7									
1.97	16.00	31.50	587	587	40.5	36.1	442	31.9	29.1									
1.98	6.70	13.20	584	20.1	15.8	584	14.1	11.5	439	11.0	9.0	11.9	14.0	15.5	17.6	19.6	21.6	24.2	26.7									
1.99	7.10	14.00	584	21.9	17.5	584	15.4	12.7	437	11.9	10.0	...	13.0	14.5	16.6	18.6	20.6	23.2	25.7									
ARC-LENGTH CORRECTION FACTOR →												.83	.85	.86	.87	.88	.89	.91	.92									
2.00	5.20	10.30	875	13.4	9.4	580	9.4	6.9	435	7.3	5.5	15.6	17.6	19.2	21.2	23.2	25.2	27.7	30.2									
	5.50	10.90	875	14.8	10.7	580	10.4	7.8	435	8.1	6.2	14.9	16.9	18.4	20.4	22.5	24.5	27.0	29.5									
	6.30	12.50	875	18.4	14.2	580	12.9	10.3	435	10.0	8.1	12.9	14.9	16.4	18.5	20.5	22.5	25.1	27.6									
2.01	4.65	9.25	870	10.9	6.9	577	7.7	5.1	433	6.0	4.1	16.9	18.9	20.5	22.5	24.5	26.5	29.0	31.5									
	4.90	9.75	870	12.0	8.1	577	8.5	5.9	433	6.6	4.7	16.3	18.3	19.9	21.9	23.9	25.9	28.4	30.9									
	7.50	15.00	869	23.6	19.1	576	16.6	13.9	433	12.9	10.9	13.3	15.4	17.4	19.5	22.0	24.5									
	8.00	16.00	869	25.7	21.1	576	18.1	15.3	433	14.1	12.1	14.1	16.2	18.2	20.8	23.3									
	11.80	23.60	870	40.7	34.5	578	29.2	25.9	433	22.8	20.5									
14.00	28.00	872	48.4	40.7	578	35.2	31.4	433	27.6	25.1									
2.02	5.90	11.80	868	16.6	12.5	575	11.6	9.0	431	9.0	7.1	13.8	15.8	17.4	19.4	21.4	23.4	25.9	28.4									
2.03	9.25	18.70	861	30.9	25.9	571	21.9	18.9	429	17.0	14.9	17.4	20.0									
2.07	4.40	9.00	846	9.7	5.8	560	6.9	4.4	420	5.4	3.5	17.3	19.3	20.9	22.9	24.9	26.9	29.4	31.9									
	5.50	11.30	844	14.8	10.7	559	10.4	7.8	420	8.1	6.2	14.5	16.6	18.1	20.1	22.1	24.1	26.7	29.2									
	10.30	21.20	846	35.1	29.6	561	24.9	21.9	420	19.4	17.2									
2.09	9.00	18.70	837	29.9	25.0	555	21.1	18.2	416	16.4	14.3	17.6	20.2									
2.10	11.30	23.60	834	38.9	32.9	553	27.8	24.6	414	21.6	19.4									
2.11	6.30	13.20	828	18.4	14.2	549	12.9	10.3	412	10.0	8.1	...	14.3	15.8	17.9	19.9	21.9	24.4	27.0									
	6.70	14.00	831	20.1	15.9	551	14.2	11.5	412	11.0	9.0	...	13.2	14.8	16.9	18.9	20.9	23.5	26.0									
	15.0	31.50	830	550	37.9	33.8	412	29.7	27.1									
2.12	46.50	9.75	825	10.9	7.0	547	7.7	5.2	410	6.0	4.1	...	18.5	20.0	22.0	24.1	26.1	28.6	31.1									
	5.20	10.90	826	13.4	9.4	548	9.4	6.9	410	7.3	5.5	...	17.1	18.6	20.7	22.7	24.7	27.2	29.7									
2.13	4.40	9.25	822	9.7	5.8	545	6.9	4.4	408	5.4	3.5	...	19.1	20.6	22.7	24.7	26.7	29.2	31.7									
	4.90	10.30	824	12.0	8.1	546	8.5	6.0	408	6.6	4.7	...	17.9	19.4	21.4	23.4	25.4	27.9	30.4									
	7.10	15.00	822	21.9	17.5	545	15.4	12.7	408	11.9	10.0	13.6	15.6	17.7	19.8	22.3	24.8									
	13.20	28.00	822	45.7	38.6	545	33.1	29.5	408	25.9	23.4									
2.14	5.90	12.50	819	16.6	12.5	543	11.7	9.1	407	9.1	7.1	...	15.2	16.7	18.8	20.8	22.8	25.3	27.9									
2.15	7.50	16.00	814	23.6	19.2	540	16.6	13.9	405	12.9	10.9	14.4	16.5	18.6	21.1	23.7									
2.17	5.50	11.80	808	14.8	10.7	535	10.4	7.8	401	8.1	6.2	...	16.1	17.6	19.7	21.7	23.7	26.2	28.7									
2.18	10.90	23.60	804	37.4	31.7	533	26.7	23.5	399	20.7	18.6									

NOTE: * 5VX = Single and Polyband belts to 200" length
5V = Single and Polyband belts over 200" long

** Stock belt size 5VX530 not shown

NOTE: Selection program VIA-VISA available at www.ptwizard.com.

V-Drives

FHP Drives

Drive Component Accessories

DYNA-SYNC

HT200/HTD Synchronous Drives

HTR Synchronous Drives

HTRC Synchronous Drives

SELECTION



5VX D-V Wedge
Single Belts to 200"
POLYBAND to 200"

5V D-V Wedge
Single Belts over 200"
POLYBAND over 200"

STOCK DRIVE SELECTION

Speed Ratio	Belt Number and Approx. Center Distance**																								
	5VX 900	5VX 950	5VX 1000	5VX 1060	5VX 1120	5VX 1180	5VX 1250	5VX 1320	5VX 1400	5VX 1500	5VX 1600	5VX 1700	5VX 1800	5VX 1900	5VX 2000	5V 2120	5V 2240	5V 2360	5V 2500	5V 2650	5V 2800	5V 3000	5V 3150	5V 3550	
1.80	18.5	21.1	23.6	26.7	29.7	32.6	36.3	39.8	43.8	49	54	59	64	69	74	80	86	92	99	106	114	...	132	152	
1.81	31.1	33.6	36.1	39.1	42.1	45.1	48.6	52.1	56.1	61	66	71	76	81	86	92	98	104	111	119	126	...	144	164	
1.82	21.8	24.4	26.9	29.9	33.0	36.0	39.5	43.0	47.0	52	57	62	67	72	77	83	89	95	102	110	117	...	135	155	
1.84	35.2	37.7	40.2	43.2	46.2	49.2	52.7	56.2	60.2	65	70	75	80	85	90	96	102	108	115	123	130	...	148	168	
1.85	34.6	37.1	39.6	42.6	45.6	48.6	52.1	55.6	59.6	65	70	75	80	85	90	96	102	108	115	122	130	...	147	167	
1.86	34.0	36.5	39.0	42.0	45.0	48.0	51.5	55.0	59.0	64	69	74	79	84	89	95	101	107	114	122	129	...	147	167	
1.87	31.7	34.2	36.7	39.7	42.7	45.7	49.2	52.7	56.8	62	67	72	77	82	87	93	99	105	112	119	127	...	144	164	
1.88	28.9	31.4	33.9	36.9	39.9	42.9	46.5	50.0	54.0	59	64	69	74	79	84	90	96	102	109	117	124	...	142	162	
1.89	24.4	28.0	31.6	35.6	41	46	51	56	61	66	72	78	84	91	99	106	...	124	144	
1.90	29.8	32.3	34.8	37.8	40.8	43.8	47.3	50.8	54.9	60	65	70	75	80	85	91	97	103	110	117	125	...	142	162	
1.91	27.9	30.4	33.0	36.0	39.0	42.0	45.5	49.0	53.0	58	63	68	73	78	83	89	95	101	108	116	123	...	141	161	
1.92	18.8	21.4	24.0	27.0	30.1	33.1	36.6	40.2	44.2	49	54	59	64	69	74	80	86	92	99	107	114	...	132	152	
1.93	33.2	35.7	38.2	41.2	44.2	47.2	50.7	54.2	58.2	63	68	73	78	83	88	94	100	106	113	121	128	...	146	166	
1.94	32.5	35.0	37.5	40.5	43.5	46.5	50.0	53.5	57.5	63	68	73	78	83	88	94	100	106	113	120	128	...	145	165	
1.95	30.7	33.2	35.7	38.7	41.7	44.7	48.2	51.7	55.7	61	66	71	76	81	86	92	98	104	111	118	126	...	143	163	
1.96	26.7	29.2	31.7	34.8	37.8	40.8	44.3	47.8	51.8	57	62	67	72	77	82	88	94	100	107	114	122	...	139	159	
1.97	25.5	28.0	30.5	33.5	36.6	39.6	43.1	46.6	50.6	56	61	66	71	76	81	87	93	99	105	113	121	...	138	158	
1.98	20.9	24.0	27.1	30.1	33.7	37.2	41.3	46	51	56	61	66	71	77	83	89	97	104	112	...	129	149	
1.99	33.8	36.3	38.8	41.8	44.8	47.8	51.3	54.8	58.8	64	69	74	79	84	89	95	101	107	114	121	129	...	146	166	
2.00	31.4	33.9	36.4	39.4	42.4	45.4	48.9	52.4	56.4	61	66	71	76	81	86	92	98	104	111	119	126	...	144	164	
2.01	22.2	24.8	27.3	30.3	33.4	36.4	39.9	43.4	47.4	52	57	62	67	73	78	84	90	96	103	110	118	...	135	155	
2.02	34.8	37.3	39.8	42.8	45.8	48.8	52.3	55.8	59.8	65	70	75	80	85	90	96	102	108	114	122	130	...	147	167	
2.03	19.1	21.7	24.2	27.3	30.4	33.4	36.9	40.5	44.5	50	55	60	65	70	74	81	87	93	100	107	115	...	132	152	
2.04	34.2	36.7	39.2	42.2	45.2	48.2	51.7	55.2	59.2	64	69	74	79	84	89	95	101	107	114	122	129	...	147	167	
2.05	27.6	31.7	37	42	47	52	57	62	68	74	80	87	95	102	...	120	140	
2.06	29.2	31.7	34.2	37.2	40.2	43.2	46.8	50.3	54.3	59	64	69	74	79	84	90	96	102	109	117	124	...	142	162	
2.07	28.2	30.7	33.2	36.3	39.3	42.3	45.8	49.3	53.3	58	63	68	73	78	83	89	95	101	108	116	123	...	141	161	
2.08	.93	.94	.95	.96	.97	.98	.99	1.00	1.01	1.02	1.03	1.04	1.05	1.06	1.07	1.08	1.09	1.10	1.11	1.12	1.13	...	1.14	1.16	
2.09	32.7	35.2	37.7	40.8	43.8	46.8	50.3	53.8	57.8	63	68	73	78	83	88	94	100	106	113	120	128	...	145	165	
2.10	32.0	34.5	37.0	40.0	43.0	46.0	49.5	53.1	57.1	62	67	72	77	82	87	93	99	105	112	120	127	...	147	165	
2.11	30.1	32.6	35.1	38.1	41.1	44.1	47.6	51.1	55.2	60	65	70	75	80	85	91	97	103	110	118	125	...	143	163	
2.12	34.0	36.5	39.0	42.0	45.0	48.0	51.5	55.0	59.0	64	69	74	79	84	89	95	101	107	114	122	129	...	147	167	
2.13	33.4	35.9	38.4	41.4	44.4	47.4	50.9	54.4	58.4	63	68	73	78	83	88	94	100	106	113	121	128	...	146	166	
2.14	27.1	29.6	32.1	35.1	38.1	41.2	44.7	48.2	52.2	57	62	67	72	77	82	88	94	100	107	115	122	...	140	160	
2.15	25.9	28.4	30.9	33.9	36.9	40.0	43.5	47.0	51.0	56	61	66	71	76	81	87	93	99	106	114	121	...	139	159	
2.16	21.4	24.5	27.6	30.6	34.2	37.7	41.8	47	52	57	62	67	72	78	84	90	97	105	112	...	130	150	
2.17	25.0	28.7	32.3	36.3	41	47	51	57	62	67	73	79	85	92	99	107	...	124	144	
2.18	31.0	35.5	36.0	39.0	42.0	45.0	48.5	52.0	56.0	61	66	71	76	81	86	92	98	104	111	119	126	...	144	164	
2.19	22.6	25.1	27.6	30.7	33.7	36.7	40.3	43.8	47.8	53	58	63	68	73	78	84	90	96	103	110	118	...	135	155	
2.20	34.4	36.9	39.4	42.4	45.4	48.4	51.9	55.4	59.4	64	69	74	79	84	89	95	101	107	114	122	129	...	147	167	
2.21	31.7	34.2	36.7	39.7	42.7	45.7	49.2	52.7	56.7	62	67	72	77	82	87	93	99	105	112	119	127	...	144	164	
2.22	19.5	22.1	24.7	27.7	30.8	33.8	37.4	40.9	44.9	50	55	60	65	70	75	81	87	93	100	108	115	...	133	153	
2.23	22.7	25.3	27.8	30.9	33.9	36.9	40.5	44.0	48.0	53	58	63	68	73	78	84	90	96	103	111	118	...	136	156	
2.24	21.7	24.8	27.9	31.0	34.5	38.1	42.1	47	52	57	62	67	72	78	84	90	97	105	112	...	130	150	
2.25	29.5	32.0	34.5	37.5	40.5	43.5	47.1	50.6	54.6	60	65	70	75	80	85	91	97	103	110	117	125	135	...	142	162
2.26	28.5	31.0	33.6	36.6	39.6	42.6	46.1	49.6	53.6	59	64	69	74	79	84	90	96	102	109	116	124	...	141	161	
2.27	28.3	32.4	38	43	48	53	58	63	69	75	81	88	96	103	...	121	141	
2.28	33.6	36.1	38.6	41.6	44.6	47.6	51.1	54.6	58.6	64	69	74	79	84	89	95	101	107	114	121	129	137	...	146	166
2.29	32.2	34.7	37.2	40.3	43.3	46.3	49.8	53.3	57.3	62	67	72	77	82	87	93	99	105	112	120	127	139	...	145	165
2.30	34.2	36.7	39.2	42.2	45.2	48.2	51.7	55.2	59.2	64	69	74	79	84	89	95	101	107	114	122	129	139	...	147	167
2.31	33.0	35.5	38.0	41.0	44.0	47.0	50.5	54.0	58.0	63	68	73	78	83	88	94	100	106	113	121	128	138	...	146	166
2.32	27.4	29.9	32.4	35.4	38.4	41.5	45.0	48.5	52.5	58	63	68	73	78	83	89	95	101	108	115	123	133	...	140	160
2.33	25.6	29.2	32.8	36.9	42	47	52	57	62	67	73	79	85	92	100	107	117	...	125	145
2.34	30.4	32.9	35.4	38.4	41.4	44.4	47.9	51.4	55.5	60	65	70	75	80	85	91	98	104	111	118	126	136	...	143	163
2.35	26.2	28.7	31.3	34.3	37.3	40.3	43.8	47.4	51.4	56	61	66	71	76	81	87	93	99	106	114	121	131	...	139	159
2.36	31.3	33.8	36.3	39.3	42.3	45.3	48.8	52.3	56.3	61	66	71	76	81	86	92	98	104	111	119	126	136	...	144	164
2.37	22.0	25.1	28.2	31.3	34.8	38.4	42.4	47	53	58	63	68	73	79	85	91	98	105	113	123	...	130	150

NOTES: ** Stock belt size 5V2650 & 5V3350 not shown
Arc & Length Factors are approximate values
Refer to Selection Procedure for more precise values

NOTE: Selection program VIA-VISA available at



SELECTION

5VX D-V Wedge
Single Belts to 200"
POLYBAND to 200"

5V D-V Wedge
Single Belts over 200"
POLYBAND over 200"

STOCK DRIVE SELECTION

Ratio	Stock Sheaves		1750 RPM Driver			1160 RPM Driver			870 RPM Driver			Belt Number and Approx. Center Distance**						
	Diameter		Driven RPM	HP/Belt		Driven RPM	HP/Belt		Driven RPM	HP/Belt		5VX 600	5VX 630	5VX 670	5VX 710	5VX 750	5VX 800	5VX 850
	Driver	Driven		5VX	5VX		5VX	5VX		5VX	5VX							
2.19	9.75	21.20	800	32.9	27.7	531	23.3	20.4	397	18.1	16.0	17.3
2.20	5.20	11.30	797	13.4	9.4	528	9.5	6.9	395	7.4	5.5	16.8	18.3	20.3	22.3	24.4	26.9	29.4
2.21	8.50	18.70	790	27.8	23.1	524	19.6	16.8	394	15.2	13.2	15.3	17.9	20.5
2.24	4.40	9.75	780	9.7	5.8	517	6.9	4.4	388	5.4	3.5	18.7	20.2	22.2	24.2	26.3	28.8	31.3
	4.65	10.30	781	10.9	7.0	517	7.7	5.2	388	6.0	4.1	18.0	19.6	21.6	23.6	25.6	28.1	30.6
	6.30	14.00	781	18.4	14.2	517	12.9	10.3	388	10.0	8.1	13.5	15.1	17.1	19.2	21.2	23.8	26.3
2.25	4.90	10.90	778	12.1	8.1	516	8.5	6.0	387	6.6	4.7	17.3	18.9	20.9	22.9	24.9	27.4	29.9
	12.50	28.00	778	43.3	36.6	516	31.2	27.7	387	24.3	22.0
2.26	5.90	13.20	775	16.6	12.5	516	11.7	9.1	385	9.1	7.2	14.5	16.1	18.1	20.2	22.2	24.7	27.3
	6.70	15.00	775	20.2	15.9	514	14.2	11.5	385	11.0	9.1	12.3	13.8	15.9	18.0	20.0	22.6	25.1
	14.00	31.50	775	48.4	40.7	514	35.3	31.5	385	27.6	25.1
2.27	7.10	16.00	770	21.9	17.55	511	15.4	12.7	383	11.9	10.0	14.7	16.8	18.8	21.4	23.9
2.29	5.20	11.80	763	13.4	9.4	506	9.5	6.9	380	7.4	5.5	16.3	17.8	19.9	21.9	23.9	26.4	29.0
2.30	5.50	12.50	762	14.8	10.8	505	10.4	7.8	378	8.1	6.2	15.5	17.0	19.0	21.1	23.1	25.6	28.1
	10.30	23.60	760	35.1	29.7	503	25.0	21.9	378	19.4	17.2
2.31	9.25	21.20	729	30.9	25.9	503	21.9	19.0	377	17.0	14.9	17.6
2.33	4.90	11.30	750	12.1	8.1	497	8.5	6.0	373	6.6	4.8	17.0	18.5	20.5	22.5	24.6	27.1	29.6
2.35	8.00	18.70	713	25.8	21.2	493	18.1	15.4	370	14.1	12.1	15.6	18.2	20.8
	16.00	37.50	744	493	40.5	36.1	370	31.9	29.1
2.37	4.40	10.30	738	9.7	5.9	489	6.9	4.4	367	5.4	3.5	18.2	19.7	21.8	23.8	25.8	28.3	30.8
	4.65	10.90	737	10.9	7.0	489	7.7	5.2	367	6.0	4.1	17.5	19.0	21.1	23.1	25.1	27.6	30.1
	9.00	21.20	738	29.9	25.0	489	21.1	18.3	367	16.4	14.4	17.7
2.38	11.80	28.00	734	40.8	34.6	486	29.2	25.9	366	22.8	20.5
2.40	5.90	14.00	730	16.6	12.5	484	11.7	9.1	363	9.1	7.2	13.8	15.3	17.4	19.4	21.5	24.0	26.6
	6.30	15.00	728	18.4	14.2	483	12.9	10.3	363	10.0	8.1	12.5	14.1	16.2	18.3	20.3	22.9	25.4
	13.20	31.50	730	45.7	38.6	484	33.1	29.5	363	25.9	23.5
2.41	6.70	16.00	726	20.2	15.9	482	14.2	11.5	361	11.0	9.1	12.8	15.0	17.0	19.1	21.7	24.2
2.43	5.20	12.50	720	13.5	9.5	477	9.5	6.9	358	7.4	5.5	15.7	17.2	19.3	21.3	23.3	25.8	28.4
	5.50	13.20	721	14.8	10.8	478	10.4	7.9	358	8.1	6.2	14.8	16.4	18.4	20.5	22.5	25.0	27.6
2.44	4.90	11.80	718	12.1	8.1	476	8.5	6.0	357	6.6	4.78	16.5	18.1	20.1	22.1	24.1	26.7	29.2
	9.75	23.60	719	32.9	27.7	476	23.4	20.4	357	18.1	16.1
2.48	4.65	11.30	711	10.9	7.0	471	7.71	5.2	351	6.0	4.2	17.2	18.7	20.7	22.7	24.7	27.3	29.8
2.49	11.30	28.00	703	38.9	33.0	466	27.8	24.6	349	21.7	19.4
ARC-LENGTH CORRECTION FACTOR →												.84	.84	.86	.87	.88	.89	.91
2.51	4.40	10.90	697	9.7	5.9	462	6.9	4.4	347	5.4	3.5	17.7	19.2	21.2	23.3	25.3	27.8	30.3
	7.50	18.70	696	23.6	19.2	462	16.6	13.9	347	12.9	10.9	15.9	18.6	21.2
	8.50	21.20	697	27.9	23.1	462	19.7	16.8	347	15.2	13.2	18.1
	15.00	37.50	697	462	37.9	33.9	347	29.8	27.1
2.53	12.50	31.50	691	43.3	36.7	458	31.2	27.7	344	24.3	22.0
2.56	6.30	16.00	682	18.4	14.2	452	12.9	10.3	340	10.0	8.1	...	13.1	15.2	17.3	19.4	22.0	24.5
2.57	4.65	11.80	681	10.9	7.0	451	7.7	5.2	339	6.0	4.2	16.7	18.2	20.3	22.3	24.3	26.8	29.4
	5.20	13.20	681	13.5	9.5	452	9.5	6.9	339	7.4	5.5	15.0	16.6	18.6	20.7	22.7	25.2	27.8
	5.50	14.00	680	14.8	10.8	451	10.4	7.9	339	8.1	6.2	14.0	15.6	17.7	19.7	21.8	24.3	26.8
	5.90	15.00	681	16.6	12.5	452	11.7	9.1	339	9.1	7.2	12.8	14.4	16.5	18.5	20.6	23.1	25.7
2.58	9.25	23.60	681	30.9	25.9	452	21.9	19.0	339	17.0	14.9
	4.90	12.50	677	12.1	8.1	449	8.5	6.0	337	6.6	4.8	...	17.4	19.5	21.5	23.5	26.1	28.6
2.60	10.90	28.00	677	37.4	31.7	449	26.7	23.5	337	20.8	18.6
2.64	4.40	11.30	672	9.8	5.9	445	6.9	4.4	335	5.4	3.5	...	18.9	20.9	22.9	24.9	27.9	30.0
2.66	9.00	23.60	663	29.9	25.0	439	21.2	18.3	330	16.4	14.4
2.67	7.10	18.70	659	21.9	17.6	437	15.4	12.7	327	12.0	10.0	16.2	15.8	26.5
2.68	8.00	21.20	655	25.8	21.2	434	18.2	15.4	326	14.1	12.1	18.4
2.69	11.80	31.50	652	40.8	34.6	432	29.2	25.9	325	22.8	20.5
2.69	14.00	37.50	650	48.4	40.7	431	35.3	31.5	323	27.6	25.1
2.72	4.40	11.80	643	9.8	5.9	426	6.9	4.4	320	5.4	3.5	...	18.4	20.4	22.5	24.5	27.0	29.5
2.73	4.65	12.50	642	10.9	7.0	426	7.7	5.2	319	6.0	4.2	...	17.6	19.6	21.7	23.7	26.2	28.8
	4.90	13.20	641	12.1	8.1	425	8.5	6.0	319	6.6	4.8	...	16.8	18.8	20.9	22.9	25.5	28.0
	5.20	14.00	642	13.5	9.5	426	9.5	6.9	319	7.4	5.5	...	15.8	17.9	19.9	22.0	24.5	27.1

NOTE: * 5VX = Single and Polyband belts to 200" length
5V = Single and Polyband belts over 200" long

** Stock belt size 5VX530 not shown

NOTE: Selection program VIA-VISA available at www.ptwizard.com.

SELECTION



5VX D-V Wedge
Single Belts to 200"
POLYBAND to 200"

5V D-V Wedge
Single Belts over 200"
POLYBAND over 200"

STOCK DRIVE SELECTION

Ratio	Belt Number and Approx. Center Distance																								
	5VX 900	5VX 950	5VX 1000	5VX 1060	5VX 1120	5VX 1180	5VX 1250	5VX 1320	5VX 1400	5VX 1500	5VX 1600	5VX 1700	5VX 1800	5VX 1900	5VX 2000	5V 2120	5V 2240	5V 2360	5V 2500	5V 2650	5V 2800	5V 3000	5V 3150	5V 3350	5V 3550
2.19	19.9	22.5	25.0	28.1	31.2	34.2	37.8	41.3	45.3	50	55	60	65	70	75	82	88	94	101	108	116	126	133	...	153
2.20	31.9	34.4	36.9	39.9	42.9	45.9	49.4	53.0	57.0	62	67	72	77	82	87	93	99	105	112	120	127	137	145	...	165
2.21	23.1	25.6	28.2	31.2	34.3	37.3	40.8	44.3	48.4	53	58	63	68	73	78	84	90	96	103	111	118	129	136	...	156
2.24	33.8	36.3	38.8	41.8	44.8	47.8	51.3	54.8	58.8	64	69	74	79	84	89	95	101	107	114	121	129	139	146	...	166
	33.1	35.6	38.2	41.2	44.2	47.2	50.7	54.2	58.2	63	68	73	78	83	88	94	100	106	113	121	128	138	146	...	166
	28.8	31.3	33.8	36.9	39.9	42.9	46.4	49.9	53.9	59	64	69	74	79	84	90	96	102	109	117	124	134	142	...	162
2.25	32.5	35.0	37.5	40.5	43.5	46.5	50.0	53.5	57.5	62	68	73	78	83	88	94	100	106	113	120	128	138	145	...	165
	22.9	26.0	29.7	33.3	37.4	43	48	53	58	63	68	74	80	86	93	100	108	118	125	...	145
2.26	29.8	32.3	34.8	37.8	40.8	43.8	47.4	50.9	54.9	60	65	70	75	80	85	91	97	103	110	117	125	135	142	...	162
	27.7	30.2	32.7	35.7	38.7	41.7	45.3	48.8	52.8	58	63	68	73	78	83	89	95	101	108	115	123	133	140	...	160
...	25.2	28.9	33.1	38	43	48	54	59	64	70	76	82	89	96	104	114	121	...	141
2.27	26.5	29.0	31.5	34.6	37.6	40.6	44.1	47.6	51.7	57	62	67	72	77	82	88	94	100	107	114	122	132	139	...	159
2.29	31.5	34.0	36.5	39.5	42.5	45.5	49.0	52.6	56.6	62	67	72	77	82	87	93	99	105	112	119	127	137	144	...	164
2.30	30.7	33.2	35.7	38.7	41.7	44.7	48.2	51.7	55.8	61	66	71	76	81	86	92	98	104	111	118	126	136	143	...	163
	...	19.8	22.4	25.5	28.6	31.7	35.2	38.8	42.9	48	53	58	63	68	73	79	85	91	98	106	113	123	131	...	151
2.31	20.2	22.8	25.4	28.5	31.5	34.6	38.1	41.7	45.7	51	56	61	66	71	76	82	88	94	101	108	116	126	133	...	153
2.33	32.1	34.6	37.1	40.1	43.2	46.2	49.7	53.2	57.2	62	67	72	77	82	87	93	99	105	112	120	127	137	145	...	165
2.35	23.4	26.0	28.5	31.6	34.6	37.6	41.2	44.7	48.7	54	59	64	69	74	79	85	91	97	104	111	119	129	136	...	156
	31	36	42	47	52	57	63	69	75	82	120	97	107	115	...	135
2.37	33.3	35.8	38.3	41.3	44.4	47.4	50.9	54.4	58.4	63	68	73	78	83	88	94	100	106	113	121	128	138	146	...	166
	32.6	35.2	37.7	41.7	43.7	46.7	50.2	53.7	57.7	63	68	3	78	83	88	94	100	106	113	120	128	138	145	...	165
	20.4	23.0	25.6	28.6	31.7	34.7	38.3	41.8	45.9	51	56	61	66	71	76	82	88	94	101	109	116	125	134	...	154
2.38	23.3	26.5	30.2	33.8	37.9	43	48	53	58	63	68	74	80	86	93	101	108	118	126	...	146
2.40	29.1	31.6	34.1	37.1	40.2	43.2	46.7	50.2	54.2	59	64	69	74	79	84	90	96	102	109	117	124	134	142	...	162
	27.9	30.5	33.0	36.0	39.0	42.1	45.6	49.1	53.1	58	63	68	73	78	83	89	95	101	108	116	123	133	141	...	161
...	25.8	29.5	33.6	39	44	49	54	59	64	70	76	82	89	97	105	115	122	...	142
2.41	26.8	29.3	31.8	34.9	37.9	40.9	44.4	48.0	52.0	57	62	67	72	77	82	88	94	100	107	115	122	132	140	...	160
2.43	30.9	33.4	35.9	38.9	41.9	45.0	48.5	52.0	56.0	61	66	71	76	81	86	92	98	104	111	119	126	136	144	...	164
	30.1	32.6	35.1	38.1	41.1	44.2	47.7	51.2	55.2	60	65	70	75	80	85	91	97	103	110	118	125	135	143	...	163
2.44	31.7	34.2	36.7	39.7	42.7	45.8	49.3	52.8	56.8	62	67	72	77	82	87	93	99	105	112	119	127	137	144	...	164
	...	20.1	22.8	25.9	29.0	32.1	35.6	39.2	43.3	48	53	58	63	68	73	80	86	92	99	106	114	125	131	...	151
2.46	32.3	34.8	37.3	40.3	43.3	46.4	49.9	53.4	57.4	62	67	72	77	82	87	93	99	105	112	120	127	137	145	...	165
2.49	23.7	26.8	30.5	34.1	38.2	43	48	53	59	64	69	75	81	87	94	101	109	119	126	...	146
2.51	.92	.93	.94	.95	.96	.97	.98	.99	1.00	1.01	1.03	1.04	1.05	1.06	1.07	1.08	1.08	1.09	1.10	1.10	1.12	1.13	1.14	1.15	1.16
	32.8	35.3	37.8	40.9	43.9	46.9	50.4	53.9	57.9	63	68	73	78	83	88	94	100	106	113	120	128	138	145	...	165
	23.8	26.3	28.9	31.9	35.0	38.0	41.5	45.1	49.1	54	59	64	69	74	79	85	91	97	104	112	119	129	137	...	157
2.53	20.7	23.3	25.9	29.0	32.0	35.1	38.7	42.2	46.2	51	56	61	66	71	76	82	88	94	101	109	117	127	134	...	154
	32	37	42	47	53	58	64	70	76	83	91	98	108	116	...	136
2.56	27.1	29.6	32.1	35.2	38.2	41.2	44.7	48.3	52.3	57	62	67	72	77	82	88	94	100	107	115	122	132	140	...	160
2.57	31.9	34.4	36.9	39.9	42.9	45.9	49.5	53.0	57.0	62	67	72	77	82	87	93	99	105	112	120	127	137	115	...	165
	30.3	32.8	35.3	38.3	41.4	44.4	47.9	51.4	55.4	60	65	70	75	80	85	91	97	103	110	118	125	135	143	...	163
	29.4	31.9	34.4	37.4	40.5	43.5	47.0	50.5	54.5	59	64	70	75	80	85	91	97	103	110	117	125	135	142	...	162
	28.2	30.8	33.3	36.3	39.3	42.3	45.9	49.4	5.4	58	63	68	73	78	83	89	95	101	108	116	124	134	141	...	161
...	20.4	23.1	26.2	29.3	32.4	36.0	39.5	43.6	49	54	58	64	67	74	80	86	92	99	106	114	124	132	...	152	
2.58	31.1	33.6	36.1	39.2	42.2	45.2	48.7	52.2	56.2	61	66	71	76	81	86	92	98	104	111	119	126	136	144	154	164
...	23.9	27.1	30.8	34.4	38.5	44	49	54	57	64	69	75	81	87	94	102	109	119	127	137	147	
2.60	32.5	35.0	37.5	40.5	43.5	46.5	50.1	53.6	57.6	63	68	73	78	83	88	94	100	106	113	120	128	138	145	155	165
2.64	...	20.6	23.3	26.4	29.5	32.6	36.2	39.7	43.8	49	54	59	64	69	74	80	86	92	99	107	114	124	132	142	152
2.66	24.0	26.6	29.2	32.2	35.3	38.3	41.8	45.4	49.4	54	59	64	69	74	79	86	92	98	105	112	120	130	137	147	157
2.67	21.0	23.6	26.2	29.3	32.4	35.5	39.0	42.6	46.6	52	57	62	67	72	77	83	89	95	102	109	117	127	134	144	154
2.68	26.7	30.4	34.6	40	45	50	55	60	65	71	77	83	90	98	106	116	123	133	143
2.69	32	38	43	48	53	58	65	71	77	84	91	99	109	116	127	136
2.72	32.1	34.6	37.1	40.1	43.1	46.1	49.6	53.1	57.2	62	67	72	77	82	87	93	99	105	112	120	127	137	145	155	165
2.73	31.3	33.8	36.3	39.3	42.4	45.4	48.9	52.4	56.4	61	66	71	76	81	86	92	98	101	111	119	126	136	144	154	164
	30.5	33.0	35.5	38.6	41.6	44.6	48.1	51.6	55.6	61	66	71	76	81	86	92	98	104	111	118	126	136	143	153	163
	29.6	32.1	34.6	37.7	40.7	43.7	47.2	50.7	54.7	60	65	70	75	80	85	91	97	103	110	117	125	135	142	152	162

NOTES: ** Stock belt size 5V2650 & 5V3350 not shown
Arc & Length Factors are approximate values

Refer to Selection Procedure for more precise values

NOTE: Selection program VIA-VISA available at www.ptwizard.com.



SELECTION

5VX D-V Wedge
Single Belts to 200"
POLYBAND to 200"

5V D-V Wedge
Single Belts over 200"
POLYBAND over 200"

STOCK DRIVE SELECTION

Ratio	Stock Sheaves		1750 RPM Driver			1160 RPM Driver			870 RPM Driver			Belt Number and Approx. Center Distance**						
	Diameter		Driven RPM	HP/Belt		Driven RPM	HP/Belt		Driven RPM	HP/Belt		5VX 600	5VX 630	5VX 670	5VX 710	5VX 750	5VX 800	5VX 850
	Driver	Driven		5VX	5VX		5VX	5VX		5VX	5VX							
2.74	5.90	16.00	638	16.6	12.5	423	11.7	9.1	318	9.1	7.2	...	13.3	15.5	17.6	19.7	22.2	24.8
	10.30	28.00	640	35.1	29.7	424	25.0	21.9	318	19.4	17.3
2.76	5.50	15.00	634	14.8	10.8	420	10.4	7.9	315	8.1	6.2	...	14.6	16.7	18.8	20.9	23.4	26.0
	8.50	23.60	626	27.9	23.1	415	19.7	16.8	311	15.3	13.2
2.80	11.30	31.50	624	38.9	33.0	414	27.8	24.6	311	21.7	19.4
	6.70	18.70	621	20.2	15.9	412	14.2	11.5	309	11.0	9.1	16.5	19.1	21.7
2.85	7.50	21.20	614	23.7	19.2	407	16.6	13.9	305	12.9	10.9	16.0	18.7
	13.20	37.50	613	45.7	38.7	406	33.1	29.5	305	25.9	23.5
2.88	4.40	12.50	607	9.8	5.9	402	6.9	4.4	302	5.4	3.5	...	17.8	19.8	21.9	23.9	26.4	28.9
	4.65	13.20	608	11.0	7.0	403	7.7	5.2	302	6.0	4.2	...	16.9	19.0	21.1	23.1	25.6	28.3
2.89	9.75	28.00	605	33.0	27.8	401	23.4	20.4	301	18.1	16.0
	4.90	14.00	604	12.1	8.2	401	8.5	6.0	300	6.6	4.8	...	16.0	18.1	20.1	22.2	24.7	27.3
2.91	10.90	31.50	602	37.4	31.7	399	26.7	23.5	299	20.7	18.6
	5.20	15.00	599	13.5	9.5	397	9.5	6.9	298	7.4	5.5	...	14.8	16.9	19.0	21.1	23.6	26.2
2.92	5.50	16.00	594	14.8	10.8	394	10.4	7.9	296	8.1	6.2	...	13.6	15.7	17.9	19.9	22.5	25.1
	8.00	23.60	588	25.8	21.2	390	18.2	15.4	293	14.1	12.1
3.00	6.30	18.70	583	18.4	14.3	387	12.9	10.3	290	10.0	8.1	14.6	16.7	19.4	22.0
	7.10	21.20	581	21.9	17.6	385	15.4	12.7	289	12.0	10.0	16.3	19.0
3.01	12.50	37.50	580	43.3	36.7	385	31.2	27.7	288	24.3	22.0
	4.40	13.20	574	9.8	5.9	381	6.9	4.4	285	5.4	3.6	...	17.1	19.2	21.2	23.3	25.8	28.3
3.05	4.65	14.00	573	10.9	7.0	380	7.7	5.2	285	6.0	4.2	...	16.2	18.3	20.3	22.4	24.9	27.5
	9.25	28.00	574	31.0	26.0	380	21.9	19.0	285	17.0	14.9
3.08	10.30	31.50	568	35.1	29.7	377	25.0	21.9	282	19.4	17.3
	ARC-LENGTH CORRECTION FACTOR →										82	.84	.86	.87	.88	.90
3.10	4.90	15.00	564	12.1	8.2	374	8.5	6.0	281	6.6	4.8	...	15.0	17.1	19.2	21.3	23.8	26.4
	5.20	16.00	561	13.5	9.50	372	9.5	6.9	279	7.4	5.5	...	13.8	15.9	18.1	20.1	22.7	25.3
3.12	9.00	28.00	558	30.0	25.0	370	21.2	18.3	278	16.4	14.4
	16.00	50.00	558	370	40.5	36.2	277	31.9	29.1
3.14	7.50	23.60	551	23.7	19.2	365	16.6	13.9	274	12.9	10.9
	11.80	37.50	547	40.8	34.6	363	29.3	25.9	272	22.8	20.5
3.18	6.70	21.20	547	20.2	15.9	363	14.2	11.5	272	11.0	9.1	16.5	19.2
	5.90	18.70	546	16.6	12.6	362	11.7	9.1	271	9.1	7.2	14.8	17.0	19.6	22.3
3.20	4.40	14.00	541	9.8	5.9	359	6.9	4.4	269	5.4	3.6	...	16.4	18.4	20.5	22.5	25.1	27.6
	9.75	31.50	538	33.0	27.8	356	23.4	20.4	268	18.2	16.1
3.21	4.65	15.00	534	10.9	7.0	354	7.7	5.2	266	6.0	4.2	...	15.2	17.3	19.4	21.5	24.0	26.6
	4.90	16.00	528	12.1	8.2	350	8.5	6.0	263	6.6	4.8	...	14.0	16.1	18.2	20.3	22.9	25.5
3.23	8.50	28.00	527	27.9	23.2	349	19.7	16.9	262	15.3	13.2
	11.30	37.50	524	39.0	33.0	347	27.8	24.6	260	21.7	19.5
3.25	15.00	50.00	523	346	37.9	33.9	260	29.8	27.2
	7.10	23.60	521	22.0	17.6	346	15.4	12.7	259	12.0	10.0
3.27	6.30	21.20	514	18.4	14.3	341	13.0	10.3	256	10.0	8.1	16.8	19.5
	9.25	31.50	510	31.0	26.0	338	21.9	19.0	254	17.0	14.9
3.29	5.50	18.70	508	14.8	10.8	337	10.4	7.9	253	8.1	6.2	15.1	17.2	19.9	22.5
	10.90	37.50	505	37.5	31.7	335	26.7	23.5	251	20.8	18.6
ARC-LENGTH CORRECTION FACTOR →											0.79	0.81	0.83	0.85	0.86	0.87	0.89	
3.47	4.40	15.00	505	9.8	5.9	335	6.9	4.4	251	5.4	3.6	19.6	21.6	24.2	26.7
	4.65	16.00	501	10.9	7.0	332	7.7	5.2	249	6.0	4.2	18.4	20.5	23.1	25.7
3.49	8.00	28.00	496	25.8	21.2	328	18.2	15.4	246	14.1	12.1
	9.00	31.50	496	30.0	25.0	329	21.2	18.2	246	16.4	14.4
3.53	6.70	23.60	491	20.2	16.0	326	14.2	11.5	244	11.0	9.1
	14.00	50.00	487	48.4	40.8	323	35.3	31.5	242	27.6	25.1
3.56	5.90	21.20	481	16.7	12.6	319	11.7	9.1	239	9.1	7.2	17.0	19.7
	5.20	18.70	480	13.5	9.5	318	9.5	6.9	238	7.4	5.5	15.2	17.4	20.1	22.7
3.64	10.30	37.50	477	35.5	29.7	316	25.0	21.9	237	19.4	17.3
	4.40	16.00	473	9.8	5.9	314	6.93	4.4	235	5.4	3.56	18.6	20.7	23.3	25.8
ARC-LENGTH CORRECTION FACTOR →											0.81	0.83	0.85	0.87	

NOTE: * 5VX = Single and Polyband belts to 200" length
5V = Single and Polyband belts over 200" long

** Stock belt size 5VX530 not shown

NOTE: Selection program VIA-VISA available at www.ptwizard.com.

SELECTION



5VX D-V Wedge
Single Belts to 200"
POLYBAND to 200"

5V D-V Wedge
Single Belts over 200"
POLYBAND over 200"

STOCK DRIVE SELECTION

Ratio	Belt Number and Approx. Center Distance																									
	5VX 900	5VX 950	5VX 100	5VX 1060	5VX 1120	5VX 1180	5VX 1250	5VX 1320	5VX 1400	5VX 1500	5VX 1600	5VX 1700	5VX 1800	5VX 1900	5VX 2000	5V 2120	5V 2240	5V 2360	5V 2500	5V 2650	5V 2800	5V 3000	5V 3150	5V 3350	5V 3550	
2.74	27.3	29.9	32.4	35.4	38.5	41.5	45.0	48.5	52.6	58	63	68	73	78	83	89	95	101	108	115	123	133	140	150	160	
...	24.3	27.5	31.2	34.8	38.9	44	49	54	59	64	69	75	81	87	95	102	110	120	127	137	147	
2.76	28.5	31.0	33.6	36.6	39.6	42.6	46.2	49.7	53.7	59	64	69	74	79	84	90	96	102	109	116	124	134	141	151	161	
2.80	18.2	20.9	23.6	26.7	29.8	32.9	36.5	40.1	44.1	49	54	59	64	69	74	80	86	92	99	107	115	125	132	142	152	
...	27.0	30.7	34.9	40	45	50	55	60	66	72	78	84	91	98	106	116	123	134	144	
2.82	24.3	26.9	29.4	32.5	35.5	38.6	42.1	45.7	49.7	55	60	65	70	75	80	86	92	98	105	112	120	130	137	147	157	
2.85	21.4	24.0	26.6	29.7	32.7	35.8	39.4	42.9	47.0	52	57	62	67	72	77	83	89	95	102	110	117	127	135	145	155	
...	33	38	44	49	54	59	65	71	77	84	92	99	110	117	127	137	
2.88	31.5	34.0	36.5	39.5	42.5	45.5	49.1	52.6	56.6	62	67	72	77	82	87	93	99	105	112	119	127	137	144	154	164	
...	38.8	41.8	44.8	48.3	51.8	55.8	61	66	71	76	81	86	92	98	104	111	118	126	136	143	153	163
2.89	21.4	24.7	27.9	31.5	35.2	39.3	44	50	55	60	65	70	76	82	88	95	102	110	120	128	138	148	
2.90	29.8	32.3	34.9	37.9	40.9	43.9	47.4	51.0	55.0	60	65	70	75	80	85	91	97	103	110	118	125	135	143	153	163	
2.91	27.3	31.0	35.2	40	46	51	56	61	66	72	78	84	91	99	106	116	124	134	144	
2.92	28.7	31.3	33.8	36.8	39.8	42.9	46.4	49.9	53.9	59	64	69	74	79	84	90	96	102	109	117	124	134	142	152	162	
2.94	27.6	30.2	32.7	35.7	38.8	41.8	45.3	48.8	52.9	58	63	68	73	78	83	89	95	101	108	116	123	133	141	151	161	
2.97	18.5	21.3	23.9	27.1	30.2	33.3	36.9	40.4	44.5	50	55	60	65	70	75	81	87	93	100	107	115	125	132	142	152	
3.00	24.6	27.2	29.7	32.8	35.8	38.9	42.4	46.0	50.0	55	60	65	70	75	80	86	92	98	105	113	120	130	138	148	158	
3.01	21.6	24.2	26.8	29.9	33.0	36.1	39.6	43.2	47.2	52	57	62	67	72	77	83	90	96	103	110	118	128	135	145	155	
3.02	27.9	33	39	44	49	54	59	66	72	78	85	92	100	110	118	128	138	
...	30.9	33.4	35.9	38.9	41.9	45.0	48.5	52.0	56.0	61	66	71	76	81	86	92	98	104	111	119	126	136	144	154	164	
3.05	30.0	32.5	35.0	38.1	41.1	44.1	47.6	51.1	55.2	60	65	70	75	80	85	91	97	103	110	118	125	135	143	143	163	
...	21.7	25.0	28.2	31.9	35.5	39.6	45	50	55	60	65	70	76	82	88	95	103	110	120	128	138	148	
3.08	23.8	27.6	31.4	35.6	41	46	51	56	61	66	72	78	85	92	99	107	117	124	134	144	
...	.91	.92	.93	.94	.95	.96	.98	.99	1.00	1.01	1.02	1.03	1.04	1.05	1.06	1.07	1.08	1.09	1.10	1.10	1.12	1.13	1.14	1.15	1.16	
3.10	28.9	31.5	34.0	37.0	40.1	43.1	46.6	50.1	54.1	59	64	69	74	79	84	90	96	102	109	117	124	134	142	152	162	
3.12	27.8	30.4	32.9	36.0	39.0	42.0	45.5	49.1	53.1	58	63	68	73	78	83	89	95	101	108	116	123	133	141	151	161	
3.13	21.9	25.2	28.4	32.0	35.7	39.8	45	50	55	60	65	70	76	82	88	95	103	110	121	128	138	148	
3.14	40	45	51	58	64	71	79	87	97	104	114	125
3.18	18.9	21.6	24.3	27.4	30.5	33.6	37.2	40.8	44.9	50	55	60	65	70	75	81	87	93	100	108	115	125	133	143	153	
3.20	21.9	24.5	27.1	30.2	33.3	36.4	28.4	34	39	44	50	55	60	66	72	78	85	110	100	128	118	128	138	
...	39.9	43.5	47.5	53	58	63	68	73	78	84	90	96	103	93	118	111	135	145	155		
3.21	24.9	27.4	30.0	33.1	36.1	39.2	42.7	46.2	50.3	55	60	65	70	75	80	86	92	98	105	113	121	131	138	148	158	
3.23	30.2	32.7	35.2	38.3	41.6	44.3	47.8	51.3	55.3	60	65	70	75	80	85	91	97	103	110	118	125	135	143	153	163	
3.25	24.2	28.0	31.7	36.0	41	46	51	57	62	67	73	79	85	92	100	107	117	125	135	145	
3.27	29.1	31.7	34.2	37.2	41.2	43.3	46.8	50.3	54.3	59	64	69	74	79	84	90	96	102	109	117	124	134	142	152	162	
3.31	28.0	30.6	33.1	36.2	39.2	42.2	45.7	49.3	53.3	58	63	68	73	78	83	89	95	101	108	116	123	133	141	151	161	
3.32	22.2	25.5	28.7	32.4	36.0	40.1	45	50	55	60	66	71	77	83	89	96	103	111	121	128	139	148	
3.34	28.7	34	40	45	50	55	60	66	73	79	86	93	101	111	118	129	139	
3.35	40	46	52	58	65	72	80	87	97	105	115	125	
3.36	19.1	21.8	24.5	27.7	30.8	33.9	37.5	41.1	45.1	50	55	60	65	70	75	81	88	94	101	108	116	126	133	143	153	
3.40	22.2	24.8	27.4	30.5	33.6	36.7	40.2	43.8	47.8	53	58	63	68	73	78	84	90	96	103	11	118	128	136	146	156	
3.43	24.5	28.3	32.1	36.3	41	47	52	57	62	67	73	79	85	92	100	107	117	125	135	145	
3.44	25.1	27.7	30.3	33.3	36.4	39.5	43.0	46.5	50.6	56	61	66	71	76	81	87	93	99	106	113	121	131	138	148	158	
3.46	28.9	34	40	45	50	55	61	67	73	79	86	94	101	111	119	129	139	
...	.91	.92	.93	.94	.95	.96	.98	.99	1.00	1.01	1.02	1.03	1.04	1.05	1.06	1.07	1.08	1.09	1.10	1.10	1.12	1.13	1.14	1.15	1.16	
3.47	29.3	31.8	34.4	37.4	40.4	43.4	47	50	54	59	64	70	75	80	85	91	97	103	110	...	125	...	142	...	162	
3.49	28.2	30.8	33.3	36.3	39.4	42.4	46	49	53	58	63	68	74	79	84	90	96	102	109	...	124	...	141	...	161	
...	333	22.5	25.8	29.0	33	36	40	46	51	56	61	66	71	77	83	89	96	...	111	...	129	...	149	
3.53	333	24.6	28	32	36	42	47	52	57	62	67	73	79	85	92	...	108	...	125	...	145	
3.56	19.4	22.1	24.8	27.9	31.1	34.2	38	41	45	50	56	61	66	71	76	82	88	94	110	...	116	...	133	...	153	
3.59	35	41	46	53	59	65	72	...	88	...	106	...	126	
3.64	22.4	25.1	27.7	30.8	33.9	36.9	40	44	48	53	58	63	68	73	78	84	90	96	103	...	118	...	136	...	156	
3.65	25.3	27.9	30.5	33.6	36.6	39.7	43	47	51	56	61	66	71	76	81	87	93	99	106	...	121	...	139	...	159	
3.67	29	35	40	45	51	56	61	67	73	79	86	...	101	...	119	...	139	
3.70	28.4	30.9	33.5	36.5	39.6	42.6	46	50	54	59	64	69	74	79	84	90	96	102	109	...	124	...	141	...	161	
...	.91	.92	.93	.94	.95	.96	.98	.99	1.00	1.01	1.02	1.03	1.04	1.05	1.06	1.07	1.08	1.09	1.10	1.10	1.12	1.13	1.14	1.15	1.16	

NOTES: ** Stock belt size 5V2650 & 5V3350 not shown
Arc & Length Factors are approximate values
Refer to Selection Procedure for more precise values

NOTE: Selection program VIA-VISA available at www.ptwizard.com.



SELECTION

STOCK DRIVE SELECTION

5VX D-V Wedge
Single Belts to 200"
POLYBAND to 200"

5V D-V Wedge
Single Belts over 200"
POLYBAND over 200"

Ratio	Stock Sheaves		1750 RPM Driver			1160 RPM Driver			870 RPM Driver			Belt Number and Approx. Center Distance**						
	Diameter		Driven RPM	HP/Belt		Driven RPM	HP/Belt		Driven RPM	HP/Belt		5VX 600	5VX 630	5VX 670	5VX 710	5VX 750	5VX 800	5VX 850
	Driver	Driven		5VX	5VX		5VX	5VX		5VX	5VX							
ARC-LENGTH CORRECTION FACTOR →																		
3.74	8.50	31.50	468	27.9	23.2	310	19.7	16.9	233	15.3	13.2	0.81	0.83	0.85	0.87
3.77	7.50	28.00	464	23.7	19.2	308	16.7	13.9	231	12.9	11.0
3.79	6.30	23.60	462	18.4	14.3	306	13.0	10.3	230	10.1	8.1	16.8
3.81	13.20	50.00	459	45.8	38.7	305	33.1	29.5	228	25.9	23.5
3.87	4.90	18.70	452	12.1	8.2	299	8.5	6.0	225	6.6	4.8	15.4	1.76	20.3	22.9
3.88	9.75	37.50	452	33.0	27.8	299	23.4	20.4	224	18.2	16.1
3.91	5.50	21.20	448	14.9	10.8	297	10.4	7.9	223	8.1	6.2	1.73	20.0
3.97	8.00	31.50	440	25.8	21.2	292	18.2	15.4	219	14.1	12.1
3.99	7.10	28.00	439	22.0	17.6	291	15.4	12.8	218	12.0	10.0
4.02	12.50	50.00	435	43.3	36.7	288	31.2	27.8	216	24.4	22.0
ARC-LENGTH CORRECTION FACTOR →																		
4.05	5.90	23.60	432	16.7	12.6	286	11.7	9.1	215	9.1	7.2	0.77	0.79	0.81	0.83
4.09	4.65	18.70	428	10.9	7.1	284	7.7	5.2	213	6.0	4.2	15.6	17.8	20.5	23.1
	9.25	37.50	428	31.0	26.0	284	21.9	19.0	213	17.0	14.9
4.14	5.20	21.20	423	13.5	9.5	280	9.5	7.0	210	7.4	5.5	17.4	20.2
4.20	9.00	37.50	416	30.0	25.1	276	21.2	18.3	207	16.4	14.4
4.23	6.70	28.00	414	20.2	16.0	274	14.2	11.6	206	11.0	9.1
4.24	7.50	31.50	412	23.7	19.2	273	16.7	13.9	205	12.9	11.0
4.26	11.80	50.00	410	40.8	34.6	272	29.3	26.0	204	22.8	20.5
4.33	4.40	18.70	405	9.8	5.9	201	6.9	4.4	201	5.4	3.6	15.7	17.9	20.6	23.3
4.35	5.50	23.60	402	14.9	10.8	267	10.4	7.9	200	8.1	6.2	17.3
ARC-LENGTH CORRECTION FACTOR →																		
4.40	4.90	21.20	398	12.1	8.2	264	8.5	6.0	198	6.6	4.8	0.76	0.78	0.80	0.83
4.45	8.50	37.50	393	27.9	23.2	261	19.7	16.9	196	15.3	13.2	14.8	17.6	20.4
4.46	11.30	50.00	393	39.0	33.1	260	27.9	24.6	195	21.7	19.5
4.49	7.10	31.50	390	22.0	17.6	259	15.4	12.8	194	12.0	10.0
4.50	6.30	28.00	389	18.4	14.3	258	13.0	10.3	193	10.1	8.1
4.61	5.20	23.60	380	13.5	9.5	252	9.6	7.0	189	7.4	5.5	17.5
4.62	10.90	50.00	379	37.5	31.8	251	26.7	23.6	188	20.8	18.6
4.64	4.65	21.20	377	11.0	7.1	250	7.7	5.2	188	6.0	4.2	14.9	17.8	20.5
4.73	8.00	37.50	370	25.8	21.2	245	18.2	15.4	184	14.1	12.1
4.76	6.70	31.50	368	20.2	16.0	244	14.2	11.6	183	11.0	9.1
ARC-LENGTH CORRECTION FACTOR →																		
4.81	5.90	28.0	364	16.7	12.6	241	11.7	9.1	181	9.1	7.2	0.73	0.76	0.78	0.80
4.89	10.30	50.0	358	35.2	29.7	237	25.0	21.9	178	19.4	17.3
4.90	4.90	23.60	357	12.1	8.2	237	8.5	6.0	178	6.7	4.8	1.77
4.91	4.40	21.20	357	9.8	5.9	236	6.9	4.4	177	5.4	3.6	15.1	17.9	20.7
5.05	7.50	37.50	346	23.7	19.2	230	16.7	13.9	172	12.9	11.0
5.06	6.30	31.50	346	18.5	14.3	229	13.0	10.3	172	10.0	8.1
5.16	4.65	23.60	339	11.0	7.1	225	7.74	5.2	169	6.0	4.2	17.8
5.17	5.50	28.00	339	14.5	10.8	225	10.4	7.9	168	8.1	6.2
	9.75	50.00	338	33.0	27.8	224	23.4	20.4	168	18.2	16.1
5.34	7.10	37.50	328	22.0	17.6	217	15.4	12.8	163	12.0	10.0
5.41	5.90	31.5	323	16.7	12.5	214	11.7	9.1	161	9.1	7.2
5.45	9.25	50.00	321	31.0	26.0	213	21.9	19.0	160	17.0	15.0
5.47	4.40	23.60	320	9.8	5.9	212	6.9	4.4	159	5.4	3.6	18.0
	5.20	28.00	320	13.5	9.5	212	9.5	7.0	159	7.4	5.5
5.61	9.00	50.00	312	29.8	25.1	207	21.2	18.3	155	16.4	14.4
ARC-LENGTH CORRECTION FACTOR →																		
											80	.83	.85	.87	.89	.93

NOTE: * 5VX = Single and Polyband belts to 200" length
5V = Single and Polyband belts over 200" long

** Stock belt size 5VX530 not shown

NOTE: Selection program VIA-VISA available at www.ptwizard.com.

V-Drives

FHP Drives

Drive Component Accessories

DYNA-SYNC

HT200/HTD Synchronous Drives

Synchronous Drives HTR

Synchronous Drives HTRC

SELECTION



5VX D-V Wedge
Single Belts to 200"
POLYBAND to 200"

5V D-V Wedge
Single Belts over 200"
POLYBAND over 200"

STOCK DRIVE SELECTION

Ratio	Belt Number and Approx. Center Distance																									
	5VX 900	5VX 950	5VX 100	5VX 1060	5VX 1120	5VX 1180	5VX 1250	5VX 1320	5VX 1400	5VX 1500	5VX 1600	5VX 1700	5VX 1800	5VX 1900	5VX 2000	5V 2120	5V 2240	5V 2360	5V 2500	5V 2650	5V 2800	5V 3000	5V 3150	5V 3350	5V 3550	
	.88	.90	.92	.93	.94	.95	.97	.96	.99	1.00	1.01	1.03	1.04	1.05	1.06	1.07	1.08	1.09	1.10	1.10	1.12	1.13	1.14	1.15	1.16	
3.74	28.8	32.6	36.8	42	47	52	57	63	68	74	80	86	93	100	108	118	126	136	146	
3.77	19.4	22.8	26.1	29.3	33.0	36.7	40.8	46	51	56	61	66	71	77	83	89	97	104	112	122	129	139	149	
3.79	19.6	22.4	25.0	28.2	31.3	34.4	38.0	41.6	45.7	51	56	61	66	71	76	82	88	91	101	109	116	126	134	144	154	
3.81	36	41	47	53	59	66	73	81	88	99	106	116	126	
3.87	25.5	28.1	30.7	33.8	36.8	39.9	43.4	47.0	51.0	56	61	66	71	76	81	87	93	99	106	114	121	131	139	149	159	
3.88	30	35	40	46	51	56	61	67	74	80	87	94	102	112	120	130	140	
3.91	22.7	25.3	27.9	31.0	34.1	37.2	40.8	44.3	48.4	53	58	63	69	74	79	85	91	97	104	111	119	129	136	146	156	
3.97	21.8	25.3	29.1	32.9	37.1	42	47	53	58	63	68	74	80	86	93	101	108	118	126	136	146	
3.99	19.7	23.1	26.4	29.6	33.3	37.0	41.1	46	51	56	61	67	72	78	84	90	97	104	112	122	129	150	150	
4.02	36	42	47	54	60	66	73	81	89	99	10	117	127	
	.85	.87	.88	.90	.92	.93	.95	.96	.97	.99	1.00	1.01	1.03	1.04	1.05	1.06	1.07	1.08	1.09	1.10	1.11	1.12	1.13	1.14	1.15	
4.05	19.9	22.6	25.3	28.5	31.6	34.7	38.3	41.9	46.0	51	56	61	66	71	76	82	88	94	101	109	116	127	134	144	154	
4.09	25.7	28.3	30.9	33.9	37.0	40.0	43.6	47.1	51.2	56	61	66	71	76	81	87	93	99	106	114	121	131	139	149	159	
	30.0	35	41	46	51	56	62	68	74	80	87	95	102	112	120	130	140	
4.14	22.9	25.5	28.1	31.3	34.3	37.4	41.0	44.6	49	54	59	64	69	74	79	85	91	97	104	111	119	129	136	147	157	
4.20	25.5	30	36	41	46	51	57	62	68	74	80	87	95	102	113	120	130	140	
4.23	19.9	23.3	26.6	29.9	33.6	37.2	41	46	52	57	62	67	72	78	84	90	97	105	112	122	130	140	150	
4.24	22.1	25.6	29.4	33.2	37	43	48	53	58	63	68	74	80	86	94	101	109	119	126	136	146	
4.26	36	42	48	54	60	67	74	82	89	100	107	117	127	
4.33	25.9	28.5	31.0	34.1	37.2	40.2	43.8	47.3	51.4	56	61	66	72	77	81	88	94	100	107	114	122	132	139	149	159	
4.35	20.1	22.9	25.6	28.7	31.9	35.0	38.6	42.2	46.3	51	56	61	67	72	77	83	89	95	102	109	117	127	134	144	154	
	0.87	0.89	0.91	0.92	0.93	0.94	.95	.97	.98	.99	1.01	1.02	1.03	1.04	1.05	1.06	1.07	1.08	1.09	1.10	1.11	1.12	1.13	1.14	1.15	
4.40	23.1	25.7	28.3	31.5	34.6	37.6	41.2	44.8	48.8	54	59	64	69	74	79	85	91	97	104	112	119	129	137	147	157	
4.45	25.8	30.4	36	41	47	52	57	62	68	74	81	88	95	103	113	120	131	141	
4.46	37	42	48	54	61	67	74	82	90	100	108	118	128	
4.49	22.4	25.8	29.7	33.5	37.7	43	48	53	58	63	69	75	81	87	94	101	109	119	127	137	147	
4.50	20.2	23.6	26.9	30.1	33.8	37.5	41.7	47	52	57	62	67	72	78	84	90	97	105	113	123	130	140	150	
4.61	20.3	23.1	25.7	28.9	32.1	35.2	38.8	42.4	46.5	52	57	62	67	72	77	83	89	95	102	110	117	127	135	145	155	
4.62	37	43	48	55	61	67	75	82	90	100	108	118	128	
4.64	23.2	25.9	28.5	31.6	34.7	37.8	41.4	44.9	49.0	54	59	64	69	74	79	85	91	97	104	112	119	129	137	147	157	
4.73	26.1	30.7	36	42	47	52	57	62	69	75	81	88	93	103	113	121	131	141	
4.76	22.6	26.1	29.9	33.7	38.0	43	48	54	59	64	69	75	81	87	94	102	109	119	127	137	147	
	0.83	0.84	0.85	0.86	0.87	0.88	0.89	0.91	0.93	0.96	0.97	0.98	1.00	1.01	1.02	1.036	1.04	1.06	1.07	1.08	1.09	1.10	1.12	1.13	1.14	
4.81	20.4	23.8	27.1	30.4	34.1	37.8	41.9	47	52	57	62	67	73	79	85	91	98	105	113	123	130	140	150	
4.89	37	43	49	55	61	68	75	83	90	101	108	119	129	
4.90	20.5	23.2	25.9	29.1	32.3	35.4	39.0	42.6	46.7	52	57	62	67	72	77	83	89	95	102	110	117	127	135	145	155	
4.91	23.4	26.0	28.7	31.8	34.9	38.0	41.6	45.1	49.2	54	59	64	69	74	79	85	91	97	105	112	120	130	137	147	157	
5.05	26.4	31.0	37	42	47	52	58	63	69	75	81	88	96	104	114	121	131	141	
5.06	22.9	26.3	30.2	34.0	38.3	44	49	54	59	64	69	75	81	87	94	102	110	120	127	137	147	
5.16	20.6	23.4	26.1	29.3	32.4	35.5	39.2	42.8	46.9	52	57	62	67	72	77	83	89	95	102	110	117	127	135	145	155	
5.17	20.6	24.1	27.4	30.6	34.4	38.0	42.2	47	52	58	63	68	73	79	85	91	98	106	113	123	134	141	151	
	38	43	49	55	62	68	75	83	91	101	109	119	129	
5.34	26.6	31.3	37	42	47	53	58	63	69	75	82	89	96	104	114	121	132	142	
5.41	23.1	26.6	30.5	34.2	38.5	44	49	54	59	64	69	76	82	88	95	102	110	120	127	138	148	
5.45	38	44	49	56	62	68	76	84	91	101	109	119	129	
5.47	20.8	23.6	26.3	29.5	32.6	35.7	39.3	42.9	47.0	52	57	62	67	72	77	83	90	96	103	110	118	128	135	145	155	
	20.8	24.3	27.6	30.8	34.5	38.2	42.4	48	53	58	63	68	73	79	85	91	98	106	113	123	131	141	151	
5.61	32	38	44	49	56	62	69	76	84	91	102	109	119	130
	0.80	0.83	0.84	0.85			.93	.94	.96	.98	.99	1.00	1.02	1.03	1.04	1.05	1.06	1.07	1.08	1.06	1.11	1.09	1.13	1.12	1.15	

NOTES: ** Stock belt size 5V2650 & 5V3350 not shown
Arc & Length Factors are approximate values
Refer to Selection Procedure for more precise values

NOTE: Selection program VIA-VISA available at www.ptwizard.com.

V-Drives

FHP Drives

Drive Component
Accessories

DYNA-SYNC

HT200/HTD
Synchronous Drives

HTR
Synchronous Drives

HTRC
Synchronous Drives



SELECTION

5VX D-V Wedge
Single Belts to 200"
POLYBAND to 200"

5V D-V Wedge
Single Belts over 200"
POLYBAND over 200"

STOCK DRIVE SELECTION

Ratio	Stock Sheaves		1750 RPM Driver		1160 RPM Driver		870 RPM Driver		Belt Number and Approx. Center Distance**										
	Diameter		Driven RPM	HP/Belt		Driven RPM	HP/Belt		Driven RPM	HP/Belt		5VX 600	5VX 630	5VX 670	5VX 710	5VX 750	5VX 800	5VX 850	
	Driver	Driven		5VX	5VX		5VX	5VX		5VX	5VX								
5.67	6.70	37.50	309	20.2	16.0	205	14.2	11.6	153	11.0	9.1	
5.81	4.90	28.00	301	12.1	8.2	200	8.5	6.0	150	6.7	4.8	
	5.50	31.50	301	14.9	10.8	199	10.5	7.9	150	8.1	6.2	
5.94	8.50	50.00	295	27.9	23.2	195	19.7	16.9	146	15.3	13.3	
6.03	6.30	37.50	290	18.5	14.3	192	13.0	10.3	144	10.1	8.1	
6.13	4.65	28.00	285	11.0	7.1	189	7.7	5.2	142	6.0	4.2	
6.16	5.20	31.50	284	13.5	9.5	188	9.5	7.0	141	7.4	5.5	
6.32	8.00	50.00	277	25.8	21.2	184	18.2	15.4	138	14.1	12.1	
6.45	5.90	37.50	271	16.7	12.6	180	11.7	9.1	135	9.1	7.2	
6.49	4.40	28.00	270	9.8	5.9	179	6.9	4.4	134	5.4	3.6	
6.54	4.90	31.50	268	12.1	8.2	177	8.5	6.0	133	6.7	4.8	
6.74	7.50	50.00	260	23.7	19.3	172	16.7	14.0	129	12.9	11.0	
6.90	4.65	31.50	254	11.0	7.1	168	7.7	5.2	126	6.0	4.2	
6.93	5.50	37.50	253	14.9	10.7	167	10.5	7.9	126	8.1	6.2	
7.13	7.10	50.00	245	22.0	17.6	163	15.4	12.8	122	12.0	10.0	
ARC-LENGTH CORRECTION FACTOR →											
7.30	4.40	31.50	240	9.8	5.9	159	6.9	4.4	119	5.4	3.6	
7.33	5.20	37.50	239	13.5	9.5	158	9.5	7.0	119	7.4	5.5	
7.56	6.70	50.00	231	20.2	16.0	153	14.2	11.6	115	11.0	9.1	
7.79	4.90	37.50	225	12.1	8.2	149	8.5	6.0	112	6.7	4.8	
8.05	6.30	50.00	217	18.5	14.3	144	13.0	10.4	108	10.1	8.2	
ARC-LENGTH CORRECTION FACTOR →											
8.22	4.65	37.50	213	11.0	7.1	141	7.7	5.2	106	6.0	4.2	
8.60	5.90	50.00	203	16.7	12.6	135	11.7	9.1	101	9.1	7.2	
8.70	4.40	37.50	201	9.8	5.9	133	6.9	4.4	100	5.4	3.6	
9.24	5.50	50.00	189	14.9	10.9	126	10.5	7.9	94	8.1	6.2	
9.78	5.20	50.00	179	13.5	9.5	119	9.5	7.0	89	7.4	5.5	
10.40	4.90	50.00	168	12.1	8.2	112	8.5	6.0	84	6.7	4.8	
10.97	4.65	50.00	160	11.0	7.1	106	7.7	5.2	79	6.0	4.2	
11.60	4.40	50.00	151	9.8	5.9	100	6.9	4.4	75	5.4	3.6	
ARC-LENGTH CORRECTION FACTOR →											

NOTE: * 5VX = Single and Polyband belts to 200" length
5V = Single and Polyband belts over 200" long

** Stock belt size 5VX530 not shown

NOTE: Selection program VIA-VISA available at www.ptwizard.com.

SELECTION



5VX D-V Wedge
Single Belts to 200"
POLYBAND to 200"

5V D-V Wedge
Single Belts over 200"
POLYBAND over 200"

STOCK DRIVE SELECTION

Ratio	Belt Number and Approx. Center Distance																											
	5VX 900	5VX 950	5VX 100	5VX 1060	5VX 1120	5VX 1180	5VX 1250	5VX 1320	5VX 1400	5VX 1500	5VX 1600	5VX 1700	5VX 1800	5VX 1900	5VX 2000	5V 2120	5V 2240	5V 2360	5V 2500	5V 2650	5V 2800	5V 3000	5V 3150	5V 3350	5V 3550			
5.67	26.9	31.5	37	40	48	53	58	63	70	76	82	89	97	104	114	122	132	142				
5.81	...	18.0	21.0	24.4	27.8	31.0	34.7	38.4	42.6	48	53	58	63	68	73	79	85	91	98	106	114	124	131	141	151			
5.94	32	38	44	50	56	63	69	76	84	92	102	110	120	130			
6.03	27.1	31.8	37	43	48	53	58	64	70	76	82	89	97	104	115	122	132	142				
6.13	...	18.1	21.1	24.6	27.9	31.2	34.9	38.6	42.8	48	53	58	63	68	73	79	86	92	99	106	114	124	131	141	151			
6.16	23.5	27.0	30.9	34.7	39.0	44	49	55	60	65	70	76	82	88	95	103	110	120	128	138	148			
6.32	33	39	44	50	56	63	69	76.6	84	92	102	110	120	130			
6.45	27.4	32.0	38	43	48	54	59	64	70	76	82	89	97	105	115	122	132	142				
6.49	...	18.3	21.3	24.7	28.1	31.3	35.1	38.8	42.9	48	53	58	63	68	74	80	86	92	99	106	114	124	131	142	152			
6.54	20.0	23.7	27.2	31.1	34.9	39.2	44	50	55	60	65	70	76	82	88	95	103	111	121	128	138	148			
6.74	33	39	45	50	57	63	70	77	85	92	103	110	120	131			
6.90	20.2	23.8	27.3	31.2	35.1	39.3	45	50	55	60	65	70	76	83	89	96	103	111	121	127	138	149			
6.93	27.6	32.3	38	43	49	54	59	64	70	71	83	90	97	105	115	123	133	143				
7.13	33	39	45	51	57	64	70	77	85	93	103	111	121	131			
	...	0.75	0.77	0.81	0.84	0.87	0.88	0.89	0.91	0.93	0.94	0.95	0.97	0.99	1.00	4.02	1.04	1.06	10.9	1.09	1.10	1.11	1.12	1.13	1.14			
7.30	20.3	24.0	27.5	31.4	35.2	39.5	45	50	55	60	65	71	77	83	86	96	103	111	121	129	139	149			
7.33	27.8	32.4	38	43	49	54	59	64	71	77	83	90	98	105	115	123	133	143.1				
7.56	33	39	45	51	57	64	70	77	85	93	103	111	121	131.2				
7.79	23.6	28.0	32.6	38	44	49	54	59	65	71	77	83	90	98	105	116	123	133	143.3				
8.05	34	40	45	51	58	64	70	78	86	93	103	111	121	131				
	0.79	0.82	0.84	0.86	0.88	0.89	0.90	0.93	0.94	0.96	0.97	0.98	1.00	1.02	1.04	10.5	10.7	10.8	1.10	1.11	1.12	1.14			
8.22	23.7	28.1	32.8	38	44	49	54	60	65	71	77	83	90	98	106	116	123	133	143				
8.60	34	40	46	51	59	64	71	78	86	94	104	111	122	132				
8.70	23.9	28.3	33.0	39	44	49	55	60	65	71	77	83	91	98	106	116	123	134	144				
9.24	34	40	46	52	58	64	71	78	86	94	104	112	122	132				
9.78	34	40	46	52	58	64	71	78	86	94	104	112	122	132				
10.40	35	41	46	52	59	65	71	79	86	91	104	112	122	132				
10.97	35	41	47	52	59	65	72	79	87	94	105	112	123	133				
11.60	35	41	47	52	59	65	72	79	87	95	101	112	123	133				
	0.84	0.86	0.87	0.88	0.90	0.92	0.94	0.95	0.96	0.98	1.00	1.02	1.04	1.05	1.07	1.09	1.11	1.12	1.14			

NOTE: Arc & Length Factors are approximate values
Refer to Selection Procedure for more precise values

NOTE: Selection program VIA-VISA available at www.ptwizard.com.

V-Drives

FHP Drives

Drive Component
Accessories

DYNA-SYNC

HT200/HTD
Synchronous Drives

HTR
Synchronous Drives

HTRC
Synchronous Drives



SELECTION

STOCK DRIVE SELECTIONS

8V D-V Wedge & POLYBAND Belts

Ratio	Stock Sheaves		1750 RPM Driver		1160 RPM Driver		870 RPM Driver		Belt Number and Approx. Center Distance							
	Diameter		Driven RPM	HP Per Belt 8V	Driven RPM	HP Per Belt 8V	Driven RPM	HP Per Belt 8V	8VX 1000	8VX 1060	8VX 1120	8VX 1180	8VX 1250	8VX 1320	8VX 1400	8VX 1500
	Driver	Driven														
1.00	12.5	12.5	1750	50.9	1160	42.6	870	35.0	30.4	33.4	36.4	39.4	42.9	46.4	50.4	55.4
	13.2	13.2	1750	56.1	1160	47.3	870	38.9	29.3	32.3	35.3	38.3	41.8	45.3	49.3	54.3
	14.0	14.0	1750	61.7	1160	52.5	870	43.2	28.0	31.0	34.0	37.0	40.5	44.0	48.0	53.0
	15.0	15.0	1160	58.8	870	48.6	26.4	29.4	32.4	35.4	38.9	42.5	46.5	51.5
	16.0	16.0	1160	64.8	870	53.8	24.9	27.9	30.9	33.9	37.4	40.9	44.9	49.9
	17.0	17.0	1160	70.6	870	58.9	23.3	26.3	29.3	32.3	35.8	39.3	43.3	48.3
	18.0	18.0	1160	76.1	870	63.9	21.7	24.7	27.7	30.7	34.2	37.7	41.7	46.7
	19.0	19.0	1160	81.2	870	68.7	...	23.2	26.2	29.2	32.7	36.2	40.2	45.2
	20.0	20.0	1160	86.1	870	73.3	24.6	27.6	31.1	34.6	38.6	43.6
	21.2	21.2	1160	91.5	870	78.8	25.7	29.2	32.7	36.7	41.7
	22.4	22.4	870	84.0	27.3	30.8	34.8	39.8
24.8	24.8	870	93.8	31.0	36.0	
1.05	19.0	20.0	1101	82.5	826	69.6	25.4	28.4	31.9	...	39.4	44.4
1.06	12.5	13.2	1656	53.0	1098	44.1	823	36.1	29.8	32.8	35.8	38.8	42.3	45.8	49.8	54.8
	13.2	14.0	1649	58.4	1093	48.7	820	40.0	28.6	31.6	34.6	37.6	41.1	44.6	48.6	53.6
	16.0	17.0	1091	66.3	818	54.9	24.1	27.1	30.1	33.1	36.6	40.1	44.1	49.1
	17.0	18.0	1095	72.1	821	60.0	22.5	25.5	28.5	31.5	35.0	38.5	42.5	47.5
	18.0	19.0	1098	77.5	824	65.0	...	23.9	27.0	30.0	33.5	37.0	41.0	46.0
	20.0	21.2	1094	87.6	820	74.5	26.7	30.2	33.7	37.7	42.7
	21.2	22.4	1097	93.0	823	79.9	28.3	31.8	35.8	40.8
1.07	14.0	15.0	1632	64.2	1082	54.2	811	44.5	27.2	30.2	33.2	36.2	39.7	43.2	47.2	52.2
	15.0	16.0	1087	60.5	815	49.8	25.7	28.7	31.7	34.7	38.2	41.7	45.7	50.7
1.11	18.0	20.0	1043	78.5	782	65.7	...	23.1	26.2	29.2	32.7	36.2	40.2	45.2
	22.4	24.8	785	85.8	28.9	32.9	37.9
ARC-LENGTH CORRECTION FACTOR →									.86	.87	.86	.89	.90	.90	.91	.92
1.12	12.5	14.0	1560	54.8	1034	45.2	775	37.0	29.2	32.2	35.2	38.2	41.7	45.2	49.2	54.2
	17.0	19.0	1037	73.2	777	60.8	21.7	24.7	27.7	30.7	34.2	37.7	41.7	46.7
	19.0	21.2	1038	83.8	779	70.6	24.4	27.4	30.9	34.4	38.4	43.4
	20.0	22.4	1035	88.7	776	75.3	25.7	29.3	32.7	36.7	41.7
1.13	16.0	18.0	1030	67.5	772	55.9	23.3	26.3	29.3	32.3	35.8	39.3	43.3	48.3
1.14	13.2	15.0	1537	60.4	1019	50.1	764	41.0	27.8	30.8	33.9	36.9	40.4	43.9	47.9	52.9
	14.0	16.0	1528	66.1	1013	55.4	760	45.4	26.4	29.4	32.4	35.4	38.9	42.4	46.4	51.4
	15.0	17.0	1022	61.66	766	50.7	24.9	27.9	30.9	33.9	37.4	40.9	44.9	49.9
1.17	21.2	24.8	990	94.83	743	81.3	29.8	33.8	38.8
1.18	17.0	20.0	984	73.98	738	61.4	...	23.9	26.9	29.9	33.4	36.9	40.9	45.9
	18.0	21.2	983	79.46	737	66.4	25.2	28.2	31.7	35.2	39.2	44.2
	19.0	22.4	982	84.65	737	71.3	26.4	30.0	33.5	37.5	42.5
1.19	16.0	19.0	975	68.33	731	56.4	22.5	25.5	28.5	31.5	35.0	38.5	42.5	47.5
1.20	12.5	15.0	1454	56.4	964	46.20	723	37.7	28.4	31.4	34.4	37.4	40.9	44.4	48.4	53.4
	15.0	18.0	964	62.40	723	51.3	24.0	27.1	30.1	33.1	36.6	40.1	44.1	49.1
1.21	24.8	30.0	718	96.6	31.9
1.22	13.2	16.0	1440	61.8	954	51.09	716	41.7	27.0	30.0	33.0	36.1	39.6	43.1	47.1	52.1
	14.0	17.0	1438	67.4	953	56.31	715	46.1	25.6	28.6	31.6	34.6	38.1	41.6	45.6	50.6
1.24	20.0	24.8	934	90.14	700	76.4	27.2	30.7	34.7	39.7
1.25	16.0	20.0	926	68.92	694	56.9	21.6	24.7	27.7	30.7	34.2	37.7	41.7	46.7
	17.0	21.2	928	74.68	696	62.0	...	22.9	25.9	28.9	32.4	36.0	40.0	45.0
	18.0	22.4	930	80.16	698	66.9	24.2	27.2	30.7	34.2	38.2	43.2
1.27	15.0	19.0	913	63.04	685	51.8	23.2	26.2	29.2	32.2	35.8	39.3	43.3	48.3
1.28	12.5	16.0	1362	57.5	903	46.92	677	38.2	27.6	30.6	33.6	36.6	40.1	43.6	47.6	52.6
1.29	13.2	17.0	1354	62.8	898	51.68	673	42.2	26.2	29.2	32.2	35.2	38.7	42.3	46.3	51.3
	14.0	18.0	1357	68.3	899	56.89	674	46.5	24.8	27.8	30.8	33.8	37.3	40.8	44.8	49.8
1.31	19.0	24.8	887	85.80	665	72.1	27.9	31.5	35.5	40.5
1.32	17.0	22.4	878	75.19	658	62.4	24.9	27.9	31.5	35.0	39.0	44.0
1.33	16.0	21.2	873	69.49	655	57.3	...	23.7	26.7	29.7	33.2	36.7	40.7	45.7
1.34	15.0	20.0	867	63.51	650	52.1	22.4	25.4	28.4	31.4	34.9	38.4	42.5	47.5
	22.4	30.0	648	87.6	33.7
ARC-LENGTH CORRECTION FACTOR →									.84	.85	.86	.87	.88	.89	.90	.90

NOTE: Arc & Length Factors are approximate values
Refer to Selection Procedure for more precise values

NOTE: Selection program VIA-VISA available at www.ptwizard.com.

V-Drives

FHP Drives

Drive Component Accessories

DYNA-SYNC

HT200/HTD Synchronous Drives

HTR Synchronous Drives

HTRC Synchronous Drives

SELECTION



8V D-V Wedge & POLYBAND Belts

STOCK DRIVE SELECTIONS

Ratio	Belt Number and Approx. Center Distance																					
	8VX 1600	8VX 1700	8VX 1800	8VX 1900	8VX 2000	8V 2120	8V 2240	8V 2360	8V 2500	8V 2650	8V 2800	8V 3000	8V 3150	8V 3350	8V 3550	8V 3750	8V 4000	8V 4250	8V 4500	8V 4750	8V 5000	8V 5600
1.00	60.4	65.4	70.4	75.4	80.4	86.4	92.4	98.4	105	113	120	130	138	148	158	168	180	193	205	218	230	260
	59.3	64.3	69.3	74.3	79.3	85.3	91.3	97.3	104	112	119	129	137	147	157	167	179	192	204	217	229	259
	58.0	63.0	68.0	73.0	78.0	84.0	90.0	96.0	103	110	118	128	135	145	155	165	178	190	203	215	228	258
	56.5	61.5	66.5	71.5	76.5	82.5	88.5	94.5	101	109	116	126	134	144	154	164	176	189	201	214	226	256
	54.9	59.9	64.9	69.9	74.9	80.9	86.9	92.9	100	107	115	125	132	142	152	162	175	187	200	212	225	255
	53.3	58.3	63.3	68.3	73.3	79.3	85.3	91.3	98	106	113	123	131	141	151	161	173	186	198	211	223	253
	51.7	56.7	61.7	66.7	71.7	77.7	83.7	89.7	97	104	112	122	129	139	149	159	172	184	197	209	222	252
	50.2	55.2	60.2	65.2	70.2	76.2	82.2	88.2	95	103	110	120	127	138	148	158	170	183	195	208	220	250
	48.6	53.6	58.6	63.6	68.6	74.6	80.6	86.6	94	101	109	119	126	136	146	156	169	181	194	206	219	248
	46.7	51.7	56.7	61.7	66.7	72.7	78.7	84.7	92	99	107	117	124	134	144	154	167	179	192	204	217	247
44.8	49.8	54.8	59.8	64.8	70.8	76.8	82.8	90	97	105	115	122	132	142	152	165	177	190	202	215	245	
41.0	46.0	51.0	56.0	61.0	67.0	73.0	79.0	86	93	101	111	118	128	138	148	161	173	186	198	211	241	
1.05	49.4	54.4	59.4	64.4	69.4	75.4	81.4	87.4	94	102	109	119	127	137	147	157	169	182	194	207	219	249
	59.8	64.8	69.8	74.8	79.8	85.8	91.8	97.8	105	112	120	130	137	147	157	167	180	192	205	217	230	260
	58.6	63.6	68.6	73.6	78.6	84.6	90.6	96.6	104	111	119	129	136	146	156	166	179	191	204	216	229	259
	54.1	59.1	64.1	69.1	74.1	80.1	86.1	92.1	99	107	114	124	132	142	152	162	174	187	199	212	224	254
	52.5	57.5	62.5	67.5	72.5	78.5	84.5	90.5	97	105	112	122	130	140	150	160	172	185	197	210	222	252
1.06	51.0	56.0	61.0	66.0	71.0	77.0	83.0	89.0	96	103	111	121	128	138	148	158	171	183	196	208	221	251
	47.7	52.7	57.7	62.7	67.7	73.7	79.7	85.7	93	100	108	118	125	135	145	155	168	180	193	206	218	248
	45.8	50.8	55.8	60.8	65.8	71.8	77.8	83.8	91	98	106	116	123	133	143	153	166	178	191	203	216	246
	57.2	62.2	67.2	72.2	77.2	83.2	89.2	95.2	102	110	117	127	134	145	155	165	177	190	202	215	227	257
	55.2	60.2	65.2	70.2	75.2	81.2	87.2	93.2	101	108	116	126	133	143	153	163	176	188	201	213	226	256
1.11	50.2	55.2	60.2	65.2	70.2	76.2	82.2	88.2	95	103	110	120	128	138	148	158	170	183	195	208	220	250
	42.9	47.9	52.9	57.9	62.9	68.9	74.9	80.9	88	95	103	113	120	130	140	150	163	175	188	200	213	243
1.12	.93	.94	.95	.96	.97	.97	.98	.99	1.00	1.01	1.02	1.03	1.03	1.04	1.05	1.06	1.07	1.08	1.09	1.09	1.10	1.12
	59.2	64.2	69.2	74.2	79.2	85.2	91.2	97.2	104	112	119	129	137	147	157	167	179	192	204	217	229	259
	51.7	56.7	61.7	66.7	71.7	77.7	83.7	89.7	97	104	112	122	129	139	149	159	172	184	197	209	222	252
	48.4	53.4	58.4	63.4	68.4	74.4	80.4	86.4	93	101	108	118	126	136	146	156	168	181	193	206	218	248
	46.7	51.7	56.7	61.7	66.7	72.7	78.7	84.7	92	99	107	117	124	134	144	154	167	179	191	204	217	247
1.13	53.3	58.3	63.3	68.3	73.3	79.3	85.3	91.3	98	106	113	123	131	141	151	161	173	186	198	211	223	253
	57.9	62.9	67.9	72.9	77.9	83.9	89.9	95.9	103	110	118	128	135	145	155	165	178	190	203	215	228	258
1.14	56.4	61.4	66.4	71.4	76.4	82.4	88.4	94.4	101	109	116	126	134	144	154	164	177	189	201	214	226	256
	54.9	59.9	64.9	69.9	74.9	80.9	86.9	92.9	100	107	115	125	132	142	152	162	175	187	200	212	225	255
1.17	43.8	48.8	53.8	58.8	63.8	69.8	75.9	81.9	89	96	104	114	121	131	141	151	164	176	189	201	214	244
	50.9	55.9	60.9	65.9	70.9	76.9	82.9	88.9	96	103	111	121	128	138	148	158	171	183	196	208	221	251
	49.2	54.2	59.2	64.2	69.2	75.2	81.2	87.2	94	102	109	119	127	137	147	157	169	182	194	207	219	249
1.18	47.5	52.5	57.5	62.5	67.5	73.5	79.5	85.5	92	100	107	117	125	135	145	155	167	180	192	205	217	247
	52.5	57.5	62.5	67.5	72.5	78.5	84.5	90.5	97	105	112	122	130	140	150	160	172	185	197	210	222	252
1.20	58.4	63.4	68.4	73.4	78.4	84.4	90.4	96.4	103	111	118	128	136	146	156	166	178	191	203	216	228	258
	54.1	59.1	64.1	69.1	74.1	80.1	86.1	92.1	99	107	114	124	132	142	152	162	174	187	199	212	224	254
1.21	36.9	41.9	46.9	51.9	56.9	62.9	68.9	74.9	82	89	97	107	114	124	134	144	157	169	182	194	207	237
	57.1	62.1	67.1	72.1	77.1	83.1	89.1	95.1	102	110	117	127	135	145	155	165	177	190	202	215	227	257
1.22	55.6	60.6	65.6	70.6	75.6	81.6	87.6	93.6	101	108	116	126	133	143	153	163	176	186	201	213	226	256
	44.8	49.8	54.8	59.8	64.8	70.8	76.8	82.8	90	97	105	115	122	132	142	152	165	177	190	202	215	244
1.25	51.7	56.7	61.7	66.7	71.7	77.7	83.7	89.7	97	104	112	122	129	139	149	159	172	184	197	209	222	252
	50.0	55.0	60.0	65.0	70.0	76.0	82.0	88.0	95	102	110	120	127	137	147	157	170	182	195	207	220	250
	48.2	53.2	58.2	63.2	68.2	74.2	80.2	86.2	93	101	108	118	126	136	146	156	168	181	193	206	218	248
1.27	53.3	58.3	63.3	68.3	73.3	79.3	85.3	91.3	98	106	113	123	131	141	151	161	173	186	198	211	223	253
	57.6	62.6	67.6	72.6	77.6	83.6	89.6	95.6	103	110	118	128	135	145	155	165	178	190	203	215	228	258
1.29	56.3	61.3	66.3	71.3	76.3	82.3	88.3	94.3	101	109	116	126	134	144	154	164	176	189	201	214	226	256
	54.8	59.8	64.8	69.8	74.8	80.8	86.8	92.8	100	107	115	125	132	142	152	162	175	187	200	212	225	255
1.31	45.5	50.5	55.5	60.5	65.5	71.5	77.5	83.5	91	98	106	116	123	133	143	153	166	178	191	203	216	245
	49.0	54.0	59.0	64.0	69.0	75.0	81.0	87.0	94	101	109	119	126	135	146	156	169	182	194	207	219	249
1.33	50.7	55.7	60.7	65.7	70.7	76.7	82.7	88.7	96	103	111	121	128	138	148	158	171	183	196	208	221	251
	52.5	57.5	62.5	67.5	72.5	78.5	84.5	90.5	97	105	112	122	130	140	150	160	172	185	197	210	222	252
1.34	38.7	43.7	48.7	53.7	58.7	64.7	70.7	76.7	84	91	99	109	116	126	136	146	159	171	184	196	209	239
	.92	.93	.94	.95	.96	.97	.98	.98	.99	1.00	1.01	1.02	1.03	1.04	1.05	1.06	1.06	1.07	1.08	1.09	1.10	1.11

NOTE: Selection program VIA-VISA available at www.ptwizard.com.

V-Drives

FHP Drives

Drive Component Accessories

DYNA-SYNC

HT200/HTD Synchronous Drives

HTR Synchronous Drives

HTRC Synchronous Drives



SELECTION

STOCK DRIVE SELECTIONS

8V D-V Wedge & POLYBAND Belts

Ratio	Stock Sheaves		1750 RPM Driver		1160 RPM Driver		870 RPM Driver		Belt Number and Approx. Center Distance							
	Outside Diameter		Driven RPM	HP Per Belt	Driven RPM	HP Per Belt	Driven RPM	HP Per Belt	8VX 1000	8VX 1060	8VX 1120	8VX 1180	8VX 1250	8VX 1320	8VX 1400	8VX 1500
	Driver	Driven		8V		8V		8V								
1.36	14.0	19.0	1285	69.0	851	57.3	639	46.9	24.0	27.0	30.0	33.0	36.5	40.0	44.0	49.0
1.37	12.5	17.0	1281	58.3	849	47.5	637	38.7	26.7	29.8	32.8	35.8	39.3	42.8	46.8	51.8
	13.2	18.0	1278	63.5	847	52.2	635	42.5	25.4	28.4	31.4	34.4	37.9	41.4	45.4	50.5
1.38	18.0	24.8	839	81.0	630	67.6	25.2	28.7	32.2	36.2	41.2
1.41	16.0	22.4	826	69.9	619	57.6	25.7	28.7	32.2	35.7	39.7	44.7
1.42	15.0	21.2	818	63.9	613	52.4	...	24.4	27.4	30.4	33.9	37.5	41.5	46.5
	21.2	30.0	817	96.7	613	82.7	29.5	34.5
1.43	14.0	20.0	1220	69.5	808	57.7	606	47.1	23.1	26.1	29.2	32.2	35.7	39.2	43.2	48.2
	24.8	35.5	606	97.6
1.45	12.5	18.0	1209	58.8	802	47.8	601	38.9	25.9	28.9	31.9	34.9	38.5	42.0	46.0	51.0
	13.2	19.0	1210	64.0	802	52.5	602	42.8	24.6	27.6	30.6	33.6	37.1	40.6	44.6	49.6
1.46	17.0	24.8	792	75.9	594	62.9	25.9	29.4	32.9	37.0	42.0
1.50	15.0	22.4	773	64.2	580	52.6	...	23.3	26.4	29.4	32.9	36.5	40.5	45.5
1.51	20.0	30.0	771	91.5	578	77.5	30.3	35.4
1.52	13.2	20.0	1149	64.4	762	52.7	571	43.0	23.7	26.7	29.7	32.8	36.3	39.8	43.8	48.8
	14.0	21.2	1150	69.9	762	57.9	572	47.3	22.1	25.1	28.1	31.2	34.7	38.2	42.2	47.2
1.53	12.5	19.0	1145	59.2	759	48.2	569	39.1	25.1	28.1	31.1	34.1	37.6	41.1	45.2	50.2
1.56	16.0	24.8	745	70.4	559	58.0	26.6	30.1	33.7	37.7	42.7
	19.0	30.0	732	86.9	549	72.9	31.0	36.1
1.59	22.4	35.5	547	88.3
	12.5	20.0	1087	59.5	721	48.3	540	39.3	24.2	27.2	30.3	33.3	36.8	40.3	44.3	49.3
1.61	14.0	22.4	1088	70.2	721	58.2	541	47.5	...	24.1	27.1	30.1	33.7	37.2	41.2	46.2
	13.2	21.2	1083	64.7	718	53.0	539	43.2	22.6	25.7	28.7	31.7	35.3	38.8	42.8	47.8
1.62	24.8	40.0	538	98.0
	15.0	24.8	698	64.6	523	52.9	24.2	27.3	30.9	34.4	38.4	43.5
ARC-LENGTH CORRECTION FACTOR →									.83	.84	.85	.86	.87	.88	.89	.91
1.67	18.0	30.0	693	81.9	520	68.2	27.7	31.7	36.8
1.68	21.2	35.5	690	97.4	518	83.2
1.71	12.5	21.2	1025	59.7	679	48.4	510	39.4	23.1	26.2	29.2	32.3	35.8	39.3	43.3	48.3
	13.2	22.4	1025	65.0	679	53.1	509	43.3	21.6	24.6	27.7	30.7	34.2	37.8	41.8	46.8
1.77	17.0	30.0	654	76.5	490	63.4	28.4	32.5	37.5
1.78	14.0	24.8	982	70.6	651	58.4	488	47.7	24.9	28.0	31.6	35.1	39.2	44.2
	20.0	35.5	651	92.1	488	77.9
1.79	22.4	40.0	485	88.5
1.80	12.5	22.4	970	59.9	643	48.6	482	39.5	22.0	25.1	28.2	31.2	34.7	38.3	42.3	47.3
	24.8	44.5	483	98.3
1.88	19.0	35.5	618	87.3	463	73.2	31.1
1.89	13.2	24.8	925	65.3	613	53.3	460	43.4	25.5	28.6	32.1	35.7	39.7	44.8
	16.0	30.0	615	70.9	461	58.4	29.0	33.1	38.2
1.90	21.2	40.0	612	97.6	459	83.4
1.98	18.0	35.5	585	82.2	439	68.5	31.8
2.00	12.5	24.8	875	60.2	580	48.7	435	39.6	...	22.9	26.0	29.1	32.6	36.2	40.2	45.3
	22.4	44.5	436	88.7
2.01	15.0	30.0	576	64.9	432	53.2	26.1	29.7	33.8	38.9
	20.0	40.0	577	92.3	433	78.0
2.10	17.0	35.5	552	76.8	414	63.6	32.4
2.11	21.2	44.5	550	97.8	412	83.5
2.12	19.0	40.0	548	87.5	411	73.4
2.15	24.8	53.0	405	98.5
2.16	14.0	30.0	810	71.1	537	58.7	403	47.9	26.7	30.4	34.5	39.6
2.23	16.0	35.5	519	71.1	389	58.5	33.1
2.24	18.0	40.0	519	82.3	389	68.6
	20.0	44.5	518	92.4	389	78.1
2.29	13.2	30.0	763	65.6	506	53.6	380	43.6	27.3	30.9	35.1	40.2
2.36	19.0	44.5	492	87.6	369	73.4
2.37	17.0	40.9	490	76.9	367	63.6
ARC-LENGTH CORRECTION FACTOR →									.80	.80	.81	.81	.82	.83	.85	.87

NOTE: Arc & Length Factors are approximate values
Refer to Selection Procedure for more precise values
NOTE: Selection program VIA-VISA available at www.ptwizard.com.



8V D-V Wedge & POLYBAND Belts

STOCK DRIVE SELECTIONS

Speed Ratio	Belt Number and Approx. Center Distance																					
	8VX	8VX	8VX	8VX	8VX	8V	8V	8V	8V	8V	8V	8V	8V	8V	8V	8V	8V	8V	8V	8V	8V	
	160	1700	1800	1900	2000	2120	2240	2360	2500	2650	2800	3000	3150	3350	3550	3750	4000	4250	4500	4750	5000	5600
1.36	54.0	59.0	64.0	69.0	74.1	80.1	86.1	92.1	99	107	114	124	132	142	152	162	174	187	199	212	224	254
1.37	56.8	61.8	66.8	71.8	76.8	82.8	88.8	94.8	102	109	117	127	134	144	154	164	177	189	202	214	227	257
1.38	55.5	60.5	65.5	70.5	75.5	81.5	87.5	93.5	101	108	115	125	133	143	153	163	175	186	200	213	225	255
1.41	46.3	51.3	56.3	61.3	66.3	72.3	78.3	84.3	91	99	106	116	124	134	144	154	166	179	191	204	216	246
1.42	49.8	54.8	59.8	64.8	69.8	75.8	81.8	87.8	95	102	110	120	127	137	147	157	170	182	195	207	220	250
1.42	51.5	56.5	61.5	66.5	71.5	77.5	83.5	89.5	97	104	111	121	129	139	149	159	172	184	197	209	222	252
1.43	39.6	44.6	49.6	54.6	59.6	65.7	71.7	77.7	85	92	100	110	117	127	137	147	160	172	185	197	210	240
1.43	53.2	58.2	63.2	68.2	73.2	79.3	85.3	91.3	98	106	113	123	131	141	151	161	173	186	198	211	223	253
1.43	...	37.3	42.3	47.3	52.4	58.4	64.4	70.4	77	85	92	102	110	120	130	140	152	165	178	190	203	233
1.45	56.0	61.0	66.0	71.0	76.0	82.0	88.0	94.0	101	108	116	126	133	143	153	163	176	188	201	213	226	256
1.45	54.6	59.7	64.7	69.7	74.7	80.7	86.7	92.7	100	107	115	125	132	142	152	162	175	187	200	212	225	255
1.46	47.0	52.0	57.0	62.0	67.1	73.1	79.1	85.1	92	100	107	117	125	135	145	155	167	180	192	205	217	247
1.50	50.5	55.5	60.5	65.5	70.5	76.6	82.6	88.6	96	103	111	121	128	138	148	158	171	183	196	208	221	251
1.51	40.4	45.5	50.5	55.5	60.5	66.6	72.6	78.6	86	93	101	111	118	128	138	148	161	173	186	198	211	241
1.52	53.8	58.8	63.8	68.8	73.9	79.9	85.9	91.9	99	106	114	124	131	141	151	161	174	186	199	211	224	254
1.52	52.2	57.3	62.3	67.3	72.3	78.3	84.3	90.3	97	105	112	122	130	140	150	160	172	185	197	210	222	252
1.53	55.2	60.2	65.2	70.2	75.2	81.2	87.2	93.2	100	108	115	125	133	143	153	163	175	188	200	213	225	255
1.56	47.8	52.8	57.8	62.8	67.8	73.8	79.8	85.8	93	100	108	118	125	135	145	155	168	180	193	205	218	248
1.59	41.1	46.2	51.2	56.2	61.3	67.3	73.3	79.3	86	94	101	111	119	129	139	149	161	174	186	199	211	241
1.59	33.9	39.0	44.0	49.1	54.1	60.2	66.2	72.2	79	87	94	104	111	122	132	142	154	167	179	192	204	234
1.61	54.4	59.4	64.4	69.4	74.4	80.4	86.4	92.4	99	107	114	124	131	142	151	162	174	187	199	212	224	254
1.61	51.3	56.3	61.3	66.3	71.3	77.3	83.3	89.3	96	104	111	121	129	139	149	159	171	184	196	209	221	251
1.62	52.8	57.9	62.9	67.9	72.9	78.9	84.9	90.9	98	105	113	123	130	140	150	160	173	185	198	210	223	253
1.62	43.8	48.5	54.6	60.6	66.7	74	81	89	99	106	116	126	136	149	161	174	186	199	229
1.66	48.5	53.5	58.4	63.6	68.6	74.6	80.6	86.6	94	101	109	119	126	136	146	156	169	181	194	206	219	249
1.66	.92	.93	.94	.95	.95	.96	.97	.98	.99	1.00	1.01	1.02	1.03	1.04	1.04	1.05	1.06	1.07	1.08	1.09	1.10	1.11
1.67	41.9	46.9	52.0	57.0	62.0	68.0	74.1	80.1	87	95	102	112	120	130	140	150	162	175	187	200	212	242
1.68	34.7	39.8	44.9	50.0	55.0	61.0	67.1	73.1	80	88	95	105	113	123	133	143	155	168	180	193	205	235
1.71	...	58.4	63.4	68.4	73.4	79.4	85.4	91.4	98	106	113	123	131	141	151	161	173	186	198	211	223	253
1.71	51.8	56.9	61.9	66.9	71.9	77.9	83.9	89.9	97	104	112	122	129	139	149	159	172	184	197	209	222	252
1.77	42.6	47.7	52.7	57.7	62.8	68.8	74.8	80.8	88	95	103	113	120	130	140	150	163	175	188	200	213	243
1.78	49.2	54.3	59.3	64.3	69.3	75.3	81.3	87.4	94	102	109	119	127	137	147	157	169	182	194	207	219	249
1.78	35.6	40.7	45.8	50.8	55.9	61.9	68.0	74.0	81	89	96	106	114	124	134	144	156	169	181	194	206	236
1.79	...	34.9	40.0	45.1	50.2	56.3	62.4	68.4	76	83	91	101	108	118	128	138	151	163	176	186	201	231
1.80	52.4	57.4	62.4	67.4	72.4	78.4	84.4	90.5	97	105	112	122	130	140	150	160	172	185	197	210	225	252
1.80	39.3	44.5	50.6	56.7	62.8	70	77	85	95	103	113	123	133	145	158	170	183	195	225
1.88	36.3	41.4	46.5	51.5	56.6	62.7	68.7	74.7	82	89	97	107	114	124	134	144	157	169	182	194	207	237
1.89	49.8	54.8	59.9	64.9	69.9	75.9	81.9	88.0	95	102	110	120	127	137	147	157	170	183	195	208	220	250
1.89	43.3	48.4	53.4	58.5	63.5	69.5	75.5	81.6	89	96	104	114	121	131	141	151	164	176	189	201	214	244
1.90	...	35.7	40.9	46.0	51.1	57.2	63.2	69.3	76	84	91	101	109	119	129	139	152	164	177	189	202	232
1.98	36.9	42.1	47.2	52.2	57.3	63.4	69.4	75.5	82	90	98	108	115	125	135	145	158	170	183	195	208	238
2.00	50.3	55.4	60.4	65.4	70.4	76.5	82.5	88.5	95	103	111	120	128	138	148	158	171	183	196	208	221	251
2.00	41.0	46.1	52.3	58.4	64.5	72	79	87	97	104	114	124	134	147	160	172	185	197	227
2.01	44.0	49.1	54.1	59.2	64.2	70.3	76.3	82.3	89	97	104	114	122	132	142	152	164	177	189	202	214	244
2.01	...	36.5	41.7	46.8	51.9	58.0	64.1	70.2	77	85	92	102	110	120	130	140	152	165	178	190	203	233
2.10	37.6	42.8	47.9	53.0	58.0	64.1	70.2	76.2	83	91	98	108	116	126	136	146	158	171	183	196	209	237
2.11	36.5	41.8	47.0	53.1	59.3	65.4	72	80	88	98	105	115	125	135	148	160	173	185	198	228
2.12	...	37.2	42.4	47.5	52.6	58.7	64.8	70.9	78	85	93	103	111	121	131	141	153	166	178	191	203	233
2.15	42.6	48.9	55.1	62	70	78	88	95	105	115	126	138	151	163	176	188	218
2.16	44.7	44.8	54.9	59.9	64.9	71.0	77.0	83.1	90	98	105	115	123	133	143	153	165	178	190	203	215	245
2.23	38.3	43.5	48.6	53.7	58.7	64.8	70.9	76.9	84	91	99	109	117	127	137	147	159	172	184	197	209	239
2.24	...	37.8	43.0	48.2	53.3	59.4	65.5	71.6	79	86	94	104	111	121	131	141	154	167	179	192	204	234
2.24	37.3	42.6	47.8	54.0	60.1	66.2	73	81	89	99	106	116	126	136	149	161	174	186	199	229
2.29	45.3	50.4	55.4	60.5	65.5	71.6	77.6	83.6	91	98	106	116	123	133	143	153	166	178	191	203	216	246
2.36	38.0	43.2	48.4	54.6	60.8	66.9	74	82	89	99	107	117	127	137	150	162	175	187	120	230
2.37	33.2	38.5	43.7	48.9	54.0	60.1	66.2	72.3	79	87	95	105	112	122	132	142	155	167	180	192	205	235
2.37	.89	.90	.91	.92	.93	.94	.96	.96	.98	.99	1.00	1.01	1.02	1.03	1.04	1.04	1.05	1.06	1.07	1.08	1.09	1.11

NOTE: Selection program VIA-VISA available at www.ptwizard.com.



SELECTION

STOCK DRIVE SELECTIONS

8V

D-V Wedge & POLYBAND Belts

Speed Ratio	Stock Sheaves (4, 5, 6, 8, 10, 12 Grooves)		1750 RPM Driver		1160 RPM Driver		870 RPM Driver		Belt Number and Approx. Center Distance								
	Outside Diameter		Driven RPM	HP Per Belt 8V	Driven RPM	HP Per Belt 8V	Driven RPM	HP Per Belt 8V	8VX 1250	8VX 1320	8VX 1400	8VX 1500	8VX 1600	8VX 1700	8VX 1800	8VX 1900	
	Driver	Driven															
2.38	22.4	53.0	366	88.8	
2.39	15.0	35.5	486	65.1	365	53.	33.8	39.0	44.1	49.3	54.4	
2.42	12.5	30.0	722	60.5	479	48.9	359	39.8	27.7	31.4	35.5	40.7	45.8	50.9	55.9	61.0	
2.49	18.0	44.5	466	82.4	350	68.6	38.6	43.9	
2.51	21.2	53.0	461	97.9	346	83.6	
2.52	16.0	40.0	461	71.2	345	58.6	33.9	39.2	44.4	49.6	
2.55	24.8	63.0	341	98.6	
2.56	14.0	35.5	684	71.3	453	58.9	340	48.0	29.1	34.4	39.7	44.8	50.0	55.1	
2.64	17.0	44.5	440	77.0	330	63.7	39.3	44.6	
2.67	20.0	53.0	435	92.5	326	78.2	
2.69	15.0	40.0	431	65.2	324	53.4	34.5	39.8	45.1	50.2	
2.72	13.2	35.5	644	65.	427	53.7	320	43.7	29.7	35.0	40.2	45.4	50.5	55.6	
2.80	16.0	44.5	414	71.	310	58.6	34.5	39.9	45.2	
2.81	19.0	53.0	413	87.7	310	73.5	
2.83	22.4	63.0	308	88.9	
2.87	12.5	35.5	610	60.	404	49.	303	39.8	30.1	35.4	40.7	45.9	51.0	56.1	
2.88	14.0	40.0	607	71.4	402	58.	302	48.1	35.2	40.5	45.7	50.9	
2.88	24.8	71.0	302	98.6	
2.97	18.0	53.0	391	82.	293	68.7	
2.99	15.0	44.5	388	65.2	291	53.4	35.2	40.6	45.9	
ARC-LENGTH CORRECTION FACTOR →									.80	.81	.82	.83	.86	.87	.88	.90	
2.99	21.2	63.0	388	98.0	291	83.7	
3.06	13.2	40.0	572	65.9	379	53.7	284	43.7	30.2	35.7	41.0	46.3	51.5	
3.14	17.0	53.0	369	77.0	277	63.7	
3.17	20.0	63.0	366	92.6	274	78.2	
3.19	22.4	71.0	273	88.9	
3.21	14.0	44.5	545	71.4	361	58.9	271	48.1	35.8	41.2	46.6	
3.24	12.5	40.0	541	60.7	358	49.0	269	39.9	30.7	36.2	41.5	46.7	51.9	
3.34	16.0	53.0	347	71.3	260	58.7	
3.34	19.0	63.0	347	87.7	260	73.6	
3.37	21.2	71.0	344	98.0	258	83.7	
ARC-LENGTH CORRECTION FACTOR →								78	.82	.85	.87	.88	
3.41	13.2	44.5	514	65.9	340	53.8	255	43.7	36.3	41.7	47.1	
3.53	18.0	63.0	329	82.6	247	68.7	
3.57	15.0	53.0	325	65.3	244	53.5	
3.58	20.0	71.0	324	92.6	243	78.3	
3.60	12.5	44.5	486	60.7	322	49.1	242	39.9	36.7	42.2	47.5	
ARC-LENGTH CORRECTION FACTOR →								81	.84	.88
3.74	17.0	63.0	310	77.1	233	63.8	
3.77	19.0	71.0	308	87.8	231	73.6	
3.83	14.0	53.0	457	71.5	303	59.0	227	48.1	37.3	
3.97	16.0	63.0	292	71.3	219	58.7	
3.98	18.0	71.0	292	82.6	219	68.8	
4.06	13.2	53.0	431	66.0	286	53.8	214	43.8	
4.21	17.0	71.0	275	77.1	206	63.8	
4.24	15.0	63.0	273	65.1	205	53.5	
4.29	12.5	53.0	408	60.8	270	49.1	203	39.9	38.2	
4.48	16.0	71.0	259	71.3	194	58.7	
4.55	14.0	63.0	385	71.5	255	59.0	191	48.1	
4.78	15.0	71.0	242	65.3	182	53.5	
ARC-LENGTH CORRECTION FACTOR →								77	
4.83	13.2	63.0	362	66.0	240	53.8	180	43.8	
5.11	12.5	63.0	343	60.8	227	49.1	170	39.9	
5.13	14.0	71.0	341	71.5	226	59.0	170	48.1	
5.45	13.2	71.0	321	66.0	213	53.8	160	43.8	
5.76	12.5	71.0	304	60.8	202	49.1	151	39.9	
ARC-LENGTH CORRECTION FACTOR →									

NOTE: Arc & Length Factors are approximate values
Refer to Selection Procedure for more precise values

NOTE: Selection program VIA-VISA available at www.ptwizard.com.



8V D-V Wedge & POLYBAND Belts

STOCK DRIVE SELECTIONS

Speed Ratio	Belt Number and Approx. Center Distance																	
	8V 2000	8V 2120	8V 2240	8V 2360	8V 2500	8V 2650	8V 2800	8V 3000	8V 3150	8V 3350	8V 3550	8V 3750	8V 4000	8V 4250	8V 4500	8V 4750	8V 5000	8V 5600
2.38	...	44.1	50.5	56.7	64	72	79	89	97	107	117	127	140	152	165	178	190	220
2.39	59.5	65.5	71.6	77.7	85	92	100	110	117	127	137	147	160	172	185	197	210	240
2.42	66.0	72.1	78.1	84.2	91	99	106	116	124	134	144	154	166	179	191	204	216	246
2.49	49.1	55.3	61.5	67.6	75	82	90	100	108	118	128	138	150	163	175	188	200	230
2.51	...	44.9	51.3	57.5	65	72	80	90	98	108	118	128	141	153	166	178	191	221
2.52	54.7	60.8	66.9	73.0	80	88	95	105	113	123	133	143	156	168	181	193	206	236
2.55	53	60	68	79	86	97	107	117	130	142	156	167	180	210
2.56	60.2	66.3	72.3	78.4	85	93	100	111	118	128	138	148	161	173	186	198	211	241
2.64	49.8	56.0	62.2	68.3	75	83	91	101	108	118	128	138	151	164	176	189	201	231
2.67	...	45.7	52.1	58.3	66	73	81	91	99	109	119	129	142	154	167	179	192	222
2.69	55.4	61.5	67.6	73.7	81	88	96	106	114	124	134	144	156	168	181	194	206	236
2.72	60.7	66.8	72.9	79.0	86	94	101	111	119	129	139	149	161	174	186	199	211	241
2.80	50.5	56.7	62.9	69.0	76	84	91	101	109	119	129	139	152	164	177	189	202	232
2.81	39.8	46.3	52.7	59.0	66	74	82	92	99	110	120	130	142	155	168	180	193	223
2.83	46.5	54	62	70	80	88	98	108	119	131	144	157	169	182	212
2.87	61.2	67.3	73.4	79.5	86	94	102	112	119	129	139	149	162	174	187	199	212	242
2.88	56.1	62.2	68.4	74.5	82	89	97	107	114	124	134	144	157	170	182	195	207	237
2.97	40.5	47.0	53.4	59.7	67	75	82	93	100	110	120	131	143	156	168	181	193	224
2.99	51.1	57.4	63.6	69.7	77	84	92	102	110	120	130	140	153	165	178	190	203	233
2.99	.92	.93	.94	.95	.96	.97	.99	1.00	1.01	1.02	1.03	1.04	1.05	1.06	1.07	1.08	1.09	1.10
3.06	56.6	62.8	68.9	75.0	82	90	97	107	115	125	135	145	158	170	183	195	208	238
3.14	41.4	47.6	54.0	60.3	68	75	83	93	101	111	121	131	144	156	169	182	194	224
3.17	48.0	56	64	72	82	90	100	110	120	133	146	158	171	184	214
3.19	54	62	73	81	91	101	111	124	137	150	162	175	205
3.21	51.8	58.1	64.2	70.4	78	85	93	103	111	121	131	141	153	166	178	191	203	234
3.24	57.1	63.3	69.4	75.5	83	90	98	108	115	125	136	146	158	171	183	196	208	233
3.34	41.7	48.3	54.7	61.0	68	76	84	94	102	112	122	132	145	157	170	182	195	225
3.37	48.6	56	64	72	83	90	101	111	121	134	146	159	172	184	214
3.37	54	63	73	81	92	102	112	125	138	150	163	176	206
3.41	.90	.91	.93	.94	.95	.97	.96	.99	1.00	1.01	1.02	1.03	1.04	1.05	1.06	1.07	1.08	1.10
3.41	52.3	58.6	64.8	71.0	78	86	93	104	111	121	131	141	154	166	179	191	204	234
3.53	49.2	57	65	73	83	91	101	112	122	134	147	160	172	185	215
3.57	42.3	48.9	55.3	61.7	69	77	84	95	102	112	123	133	145	158	170	183	196	226
3.58	55	63	74	82	92	103	113	126	139	151	164	177	207
3.60	52.8	59.1	65.3	71.4	79	86	94	104	112	122	132	142	154	167	179	192	204	235
3.74	.88	.90	.91	.93	.94	.96	.97	.98	.99	1.01	1.02	1.03	1.04	1.05	1.06	1.07	1.08	1.10
3.74	49.9	58	66	74	84	92	102	112	122	135	148	160	173	186	216
3.77	56	64	75	83	93	104	114	127	139	152	165	177	208
3.83	43.0	49.5	56.0	62.3	70	77	85	95	103	113	123	133	146	159	171	184	196	226
3.97	43.6	50.5	58	66	74	85	92	103	113	123	135	149	161	174	186	217
3.98	56	65	75	83	94	104	114	127	140	153	165	178	208
4.06	43.4	50.1	56.5	62.9	70	78	86	96	104	114	124	134	147	159	172	184	197	227
4.21	48	57	65	76	84	94	105	115	128	141	153	166	179	209
4.24	44.2	51.1	59	67	75	85	93	103	114	124	137	149	162	175	187	217
4.29	43.9	50.5	57.0	63.3	71	78	86	96	104	114	124	134	147	160	172	185	197	228
4.48	49	58	66	77	85	95	106	116	129	141	154	167	180	210
4.55	44.8	51.7	59	68	76	86	94	104	114	125	137	150	163	175	188	218
4.78	49	58	67	77	85	96	106	117	129	142	155	168	180	211
4.83	.81	.85	.87	.89	.91	.93	.95	.96	.98	.99	1.00	1.01	1.03	1.04	1.05	1.06	1.07	1.09
4.83	45.3	52.2	60	68	76	87	94	105	115	125	138	151	163	176	188	219
5.11	45.7	52.6	60	69	76	87	95	105	115	126	138	151	164	176	189	219
5.13	50	59	67	78	86	96	107	117	130	143	156	168	181	211
5.45	51	59	68	79	86	97	107	118	131	143	156	169	182	2120
5.76	51	60	68	79	87	97	108	118	131	144	157	169	182	212
...79	.80	.82	.84	.87	.91	.93	.95	.97	.98	1.00	1.02	1.03	1.04	1.05	1.08

NOTE: Selection program VIA-VISA available at www.ptwizard.com.



SELECTION

3VX BASIC HORSEPOWER RATINGS Δ

Faster Shaft RPM	Rated HP per belt for Small Sheave O.D. of:										
	2.2 3VX	2.65 3VX	2.8 3VX	3.0 3VX	3.15 3VX	3.35 3VX	3.65 3VX	4.12 3VX	4.5 3VX	4.75 3VX	5.0 3VX
575	.55	.83	.92	1.04	1.13	1.25	1.43	1.72	1.94	2.09	2.24
690	.64	.97	1.08	1.22	1.33	1.48	1.69	2.02	2.29	2.47	2.64
725	.66	1.01	1.13	1.28	1.39	1.54	1.77	2.12	2.40	2.58	2.76
870	.77	1.18	1.32	1.50	1.63	1.81	2.08	2.49	2.82	3.04	3.26
950	.83	1.28	1.42	1.62	1.77	1.96	2.25	2.70	3.06	3.29	3.52
1160	.98	1.52	1.69	1.93	2.10	2.34	2.68	3.22	3.65	3.93	4.21
1425	1.16	1.81	2.02	2.31	2.52	2.80	3.22	3.86	4.38	4.72	5.06
1750	1.37	2.15	2.41	2.75	3.01	3.34	3.85	4.63	5.25	5.65	6.06
2850	2.00	3.21	3.61	4.14	4.53	5.05	5.82	6.99	7.92	8.53	9.12
3450	2.30	3.74	4.21	4.82	5.28	5.89	6.78	8.15	9.21	9.90	10.6
100	.12	.18	.19	.22	.23	.26	.29	.35	.39	.42	.45
200	.22	.33	.36	.41	.44	.48	.55	.66	.74	.80	.85
300	.31	.47	.52	.58	.63	.70	.80	.95	1.07	1.16	1.24
400	.40	.60	.67	.75	.82	.91	1.03	1.24	1.40	1.50	1.61
500	.49	.73	.81	.92	1.00	1.11	1.27	1.51	1.84	1.97	2.13
600	.57	.86	.95	1.08	1.18	1.30	1.49	1.78	2.02	2.17	2.33
700	.65	.98	1.09	1.24	1.35	1.49	1.71	2.05	2.32	2.50	2.68
800	.72	1.10	1.23	1.39	1.52	1.68	1.93	2.31	2.62	2.82	3.02
900	.80	1.22	1.36	1.54	1.68	1.87	2.14	2.57	2.91	3.13	3.36
1000	.87	1.34	1.49	1.69	1.85	2.05	2.35	2.82	3.20	3.45	3.69
1100	.94	1.45	1.62	1.84	2.01	2.23	2.56	3.07	3.48	3.75	4.02
1200	1.01	1.56	1.74	1.99	2.17	2.41	2.76	3.32	3.76	4.05	4.34
1300	1.08	1.67	1.87	2.13	2.32	2.58	2.97	3.56	4.04	4.35	4.66
1400	1.14	1.78	1.99	2.27	2.48	2.75	3.17	3.80	4.32	4.65	4.98
1500	1.21	1.89	2.11	2.41	2.63	2.93	3.36	4.04	4.59	4.94	5.29
1600	1.27	1.99	2.23	2.55	2.78	3.09	3.56	4.28	4.85	5.23	5.60
1700	1.34	2.10	2.35	2.68	2.93	3.26	3.75	4.51	5.12	5.51	5.90
1800	1.40	2.20	2.47	2.82	3.08	3.43	3.94	4.74	5.38	5.79	6.21
1900	1.46	2.30	2.58	2.95	3.22	3.59	4.13	4.97	5.64	6.07	6.50
2000	1.52	2.40	2.70	3.08	3.37	3.75	4.32	5.19	5.89	6.34	6.79
2100	1.58	2.50	2.81	3.21	3.51	3.91	4.50	5.41	6.14	6.61	7.08
2200	1.64	2.60	2.92	3.34	3.65	4.07	4.68	5.63	6.39	6.88	7.37
2300	1.70	2.70	3.03	3.47	3.79	4.22	4.86	5.85	6.63	7.14	7.65
2400	1.75	2.80	3.14	3.59	3.93	4.38	5.04	6.06	6.88	7.40	7.92
2500	1.81	2.89	3.25	3.72	4.07	4.53	5.22	6.28	7.12	7.66	8.20
2600	1.87	2.98	3.35	3.84	4.20	4.68	5.39	6.48	7.35	7.91	8.47
2700	1.92	3.08	3.46	3.96	4.33	4.83	5.56	6.69	7.58	8.16	8.73
2800	1.97	3.17	3.56	4.08	4.47	4.98	5.73	6.89	7.81	8.40	8.99
2900	2.03	3.26	3.66	4.20	4.60	5.12	5.90	7.09	8.04	8.65	9.25
3000	2.08	3.35	3.76	4.31	4.72	5.26	6.06	7.29	8.26	8.88	9.50
3200	2.18	3.52	3.96	4.54	4.98	5.55	6.39	7.68	8.69	9.34	9.99
3400	2.28	3.69	4.16	4.77	5.22	5.82	6.71	8.05	9.11	9.79	10.5
3600	2.37	3.86	4.35	4.99	5.46	6.09	7.01	8.42	9.52	10.2	10.9
3800	2.47	4.02	4.53	5.20	5.70	6.35	7.31	8.77	9.91	10.6	11.3
4000	2.56	4.18	4.71	5.41	5.92	6.60	7.60	9.11	10.3	11.0	11.7
4200	2.64	4.33	4.89	5.61	6.15	6.85	7.88	9.44	10.6	11.4	12.1
4400	2.73	4.48	5.06	5.81	6.36	7.09	8.15	9.75	11.0	11.7	12.5
4600	2.81	4.63	5.22	6.00	6.57	7.32	8.41	10.0	11.3	12.1	12.8
4800	2.89	4.77	5.38	6.18	6.77	7.54	8.66	10.3	11.6	12.4	13.2
5000	2.96	4.90	5.53	6.36	6.96	7.75	8.90	10.6	11.9	12.7	13.5
5200	3.03	5.04	5.68	6.53	7.15	7.96	9.13	10.9	12.2	13.0	13.7
5400	3.10	5.16	5.83	6.69	7.33	8.15	9.35	11.1	12.4	13.2	14.0
5600	3.17	5.28	5.96	6.85	7.50	8.34	9.56	11.3	12.7	13.5	14.2
5800	3.23	5.40	6.10	7.00	7.66	8.52	9.76	11.5	12.9	13.7	14.4
6000	3.29	5.51	6.22	7.15	7.82	8.69	9.94	11.7	13.1	13.8	14.6
6200	3.35	5.62	6.34	7.28	7.97	8.85	10.1	11.9	13.2	14.0	14.7
6400	3.40	5.72	6.46	7.41	8.11	9.00	10.3	12.1	13.4	14.1	14.8
6600	3.45	5.82	6.57	7.54	8.24	9.14	10.4	12.2	13.5	14.2	14.9
6800	3.50	5.91	6.67	7.65	8.36	9.27	10.5	12.4	13.6	14.3	14.9
7000	3.54	5.99	6.77	7.76	8.48	9.40	10.7	12.5	13.7	14.4	15.5

Shaded areas indicate rim speeds exceeding 6500 FPM which may require special sheaves.

TOTAL RATING = rated HP + "additional HP" listed on opposite page.

Δ Subject to Arc and Length Corrections Factors on page PT7-47.

NOTE: Selection program VIA-VISA available at www.ptwizard.com.



3VX BASIC HORSEPOWER RATINGS Δ

Faster Shaft RPM	Rated HP per Belt for Small Sheave O.D. of:							Additional HP per Belt for Speed Ratio of: ‡								
	5.3	5.6	6.0	6.5	6.9	8.0	10.6	1.02 to 1.05	1.06 to 1.11	1.12 to 1.18	1.19 to 1.26	1.27 to 1.38	1.39 to 1.57	1.58 to 1.94	1.95 to 3.38	3.39 and up
575	2.41	2.59	2.82	3.11	3.34	3.97	5.42	.01	.02	.04	.06	.07	.09	.10	.11	.11
690	2.85	3.06	3.33	3.67	3.95	4.69	6.39	.01	.03	.05	.07	.09	.10	.11	.12	.13
725	2.98	3.20	3.49	3.84	4.13	4.90	6.69	.01	.03	.05	.07	.09	.11	.12	.13	.14
870	3.51	3.77	4.11	4.53	4.87	5.78	7.87	.01	.03	.06	.09	.11	.13	.14	.16	.17
950	3.80	4.08	4.45	4.91	5.27	6.25	8.51	.01	.04	.07	.10	.12	.14	.16	.17	.18
1160	4.55	4.88	5.32	5.87	6.30	7.47	10.1	.02	.05	.09	.12	.14	.17	.19	.21	.22
1425	5.46	5.86	6.38	7.03	7.55	8.94	12.0	.02	.06	.11	.15	.18	.21	.24	.26	.28
1750	6.53	7.01	7.63	8.40	9.01	10.6	14.2	.03	.07	.13	.18	.22	.25	.29	.31	.33
2850	9.82	10.5	11.4	12.5	13.3	15.5	19.6	.04	.12	.22	.30	.36	.42	.48	.52	.55
3450	11.4	12.1	13.1	14.3	15.2	17.3	20.8	.05	.15	.27	.36	.44	.51	.58	.63	.67
100	.48	.52	.56	.62	.67	.79	1.08	.00	.00	.01	.01	.01	.01	.02	.02	.02
200	.92	.98	1.07	1.18	1.27	1.50	2.05	.00	.01	.01	.01	.02	.03	.03	.03	.03
300	1.33	1.43	1.56	1.71	1.84	2.18	2.99	.00	.01	.02	.03	.03	.04	.05	.05	.05
400	1.73	1.86	2.03	2.23	2.40	2.85	3.89	.01	.02	.03	.04	.05	.06	.06	.07	.08
500	2.13	2.28	2.48	2.74	2.94	3.49	4.77	.01	.02	.03	.05	.06	.07	.08	.09	.10
600	2.51	2.69	2.93	3.23	3.47	4.13	5.63	.01	.02	.04	.06	.08	.09	.10	.11	.11
700	2.89	3.10	3.38	3.72	4.00	4.75	6.48	.01	.03	.05	.07	.09	.10	.12	.12	.13
800	3.26	3.50	3.81	4.20	4.51	5.36	7.30	.01	.03	.06	.08	.10	.12	.13	.14	.15
900	3.62	3.89	4.24	4.67	5.02	5.96	8.11	.01	.04	.07	.09	.11	.13	.15	.16	.17
1000	3.98	4.27	4.66	5.14	5.52	6.55	8.90	.01	.04	.08	.10	.12	.15	.17	.18	.19
1100	4.34	4.65	5.07	5.59	6.01	7.13	9.68	.02	.04	.08	.11	.14	.16	.19	.20	.21
1200	4.69	5.03	5.48	6.04	6.49	7.69	10.4	.02	.05	.09	.12	.15	.18	.20	.22	.23
1300	5.03	5.40	5.89	6.49	6.97	8.25	11.2	.02	.05	.10	.13	.16	.19	.22	.23	.25
1400	5.37	5.77	6.29	6.93	7.43	8.80	11.9	.02	.06	.11	.14	.18	.21	.23	.26	.27
1500	5.71	6.13	6.68	7.36	7.89	9.34	12.6	.02	.06	.11	.16	.19	.22	.25	.28	.29
1600	6.04	6.48	7.06	7.78	8.35	9.87	13.3	.02	.07	.12	.17	.20	.24	.27	.29	.31
1700	6.37	6.83	7.45	8.20	8.79	10.4	14.0	.02	.07	.13	.18	.21	.25	.29	.31	.33
1800	6.70	7.18	7.82	8.61	9.23	10.9	14.5	.03	.08	.13	.19	.23	.27	.30	.33	.34
1900	7.01	7.52	8.19	9.01	9.66	11.4	15.1	.03	.08	.14	.20	.25	.28	.32	.35	.37
2000	7.33	7.86	8.55	9.41	10.1	11.9	15.7	.03	.09	.15	.21	.25	.30	.33	.37	.39
2100	7.64	8.19	8.91	9.80	10.5	12.3	16.3	.03	.09	.16	.22	.27	.31	.35	.38	.40
2200	7.94	8.51	9.26	10.2	11.0	12.8	16.8	.03	.10	.17	.23	.28	.33	.37	.40	.43
2300	8.25	8.84	9.61	10.5	11.3	13.2	17.3	.03	.10	.18	.24	.29	.34	.39	.42	.45
2400	8.54	9.15	9.95	10.9	11.7	13.7	17.8	.03	.11	.19	.25	.30	.36	.40	.44	.47
2500	8.83	9.46	10.3	11.3	12.1	14.1	18.2	.04	.11	.19	.26	.32	.37	.42	.46	.48
2600	9.12	9.77	10.6	11.6	12.4	14.5	18.6	.04	.11	.20	.27	.33	.39	.44	.48	.50
2700	9.40	10.1	10.9	12.0	12.8	14.9	19.0	.04	.12	.21	.29	.35	.40	.46	.49	.52
2800	9.68	10.4	11.2	12.3	13.1	15.3	19.4	.04	.13	.21	.29	.36	.42	.47	.51	.54
2900	9.95	10.6	11.6	12.6	13.5	15.6	19.7	.04	.13	.22	.30	.37	.43	.49	.53	.56
3000	10.2	10.9	11.8	13.0	13.8	16.0	20.0	.04	.13	.23	.31	.38	.45	.50	.55	.58
3200	10.7	11.5	12.4	13.6	14.4	16.6	20.5	.05	.14	.24	.33	.40	.48	.54	.58	.62
3400	11.2	12.0	13.0	14.1	15.0	17.2	20.8	.05	.15	.26	.36	.43	.50	.57	.62	.66
3600	11.7	12.5	13.5	14.7	15.6	17.7	21.0	.06	.16	.28	.38	.46	.54	.61	.66	.69
3800	12.2	12.9	14.0	15.2	16.1	18.206	.17	.29	.40	.48	.57	.64	.69	.74
4000	12.6	13.4	14.4	15.6	16.5	18.506	.18	.31	.42	.51	.59	.67	.73	.77
4200	13.0	13.8	14.8	16.0	16.9	18.807	.19	.32	.44	.54	.63	.71	.77	.82
4400	13.4	14.2	15.2	16.4	17.2	19.007	.21	.34	.46	.56	.66	.74	.81	.85
4600	13.7	14.5	15.6	16.7	17.5	19.107	.21	.36	.47	.58	.68	.77	.84	.89
4800	14.1	14.8	15.8	17.0	17.7	19.208	.21	.37	.50	.61	.72	.81	.88	.93
5000	14.3	15.1	16.1	17.2	17.908	.22	.39	.53	.64	.75	.83	.92	.97
5200	14.6	15.4	16.3	17.4	18.008	.23	.40	.55	.66	.77	.87	.95	1.01
5400	14.8	15.6	16.5	17.4	18.009	.24	.41	.57	.69	.81	.91	.99	1.05
5600	15.1	15.8	16.7	17.509	.25	.44	.61	.73	.85	.94	1.05	1.11
5800	15.2	15.9	16.7	17.509	.26	.45	.61	.74	.86	.97	1.06	1.13
6000	15.4	16.0	16.810	.27	.47	.64	.78	.91	1.03	1.12	1.19
6200	15.5	16.1	16.810	.28	.47	.66	.81	.94	1.06	1.16	1.21
6400	15.5	16.1	16.710	.28	.49	.67	.81	.94	1.08	1.17	1.24
6600	15.6	16.111	.29	.51	.69	.84	.99	1.11	1.18	1.29
6800	15.6	16.011	.30	.52	.72	.87	1.01	1.14	1.25	1.29
7000	15.511	.31	.52	.74	.89	1.04	1.18	1.29	1.36

Shaded areas indicate rim speeds exceeding 6500 FPM which may require higher strength sheaves.

TOTAL RATING = rated HP + "additional HP" from right hand column.

‡ Additional HP below 1.02 ratio equals zero.

Δ Subject to Arc and Length Corrections Factors on page PT7-47.

NOTE: Selection program VIA-VISA available at www.ptwizard.com.



SELECTION

5VX

5V

BASIC HORSEPOWER RATINGS Δ

Faster Shaft RPM	Rated HP per Belt for Small Sheave O.D. of:																					
	4.4	4.65	4.9	5.5	6.3	6.7	7.1		7.5		8.0		8.5		9.0		9.25		9.75		10.3	
	5VX						5VX	5V	5VX	5V	5VX	5V	5VX	5V	5VX	5V	5VX	5V	5VX	5V	5VX	5V
435	2.57	2.90	3.22	3.99	5.01	5.52	6.03	4.99	6.53	5.48	7.16	6.10	7.78	6.72	8.40	7.33	8.71	7.64	9.32	8.25	10.0	8.91
485	2.82	3.18	3.54	4.40	5.53	6.09	6.65	5.48	7.20	6.03	7.90	6.71	8.58	7.39	9.27	8.07	9.61	8.41	10.3	9.08	11.0	9.81
585	3.27	3.69	4.11	5.11	6.43	7.09	7.87	6.44	8.53	7.09	9.35	7.91	10.2	8.71	11.0	9.51	11.4	9.91	12.2	10.7	13.1	11.6
690	3.82	4.32	4.81	6.00	7.57	8.34	9.12	7.42	9.88	8.17	10.8	9.12	11.8	10.0	12.7	11.0	13.2	11.4	14.1	12.4	15.2	13.4
725	3.98	4.50	5.02	6.27	7.90	8.72	9.53	7.74	10.3	8.53	11.3	9.51	12.3	10.5	13.3	11.4	13.8	11.9	14.8	12.9	15.8	13.9
870	4.64	5.26	5.88	7.35	9.28	10.24	11.2	9.02	12.1	9.95	13.3	11.1	14.5	12.2	15.7	13.4	16.2	13.9	17.4	15.1	18.6	16.3
950	5.00	5.67	6.34	7.93	10.03	11.07	12.1	9.70	13.1	10.7	14.4	11.9	15.6	13.2	16.9	14.4	17.6	15.0	18.8	16.2	20.1	17.5
1160	5.90	6.71	7.51	9.42	11.93	13.17	14.4	11.4	15.6	12.6	17.1	14.1	18.6	15.5	20.1	16.9	20.9	17.7	22.3	19.0	23.9	20.6
1425	6.98	7.95	8.92	11.21	14.23	15.71	17.2	13.4	18.6	14.8	20.4	16.5	22.2	18.2	24.0	19.9	24.9	20.7	26.6	22.3	28.5	24.1
1750	8.23	9.40	10.55	13.30	16.89	18.66	20.4	15.6	22.1	17.2	24.3	19.2	26.3	21.1	28.4	23.0	29.4	23.9	31.4	25.8	33.6	27.7
2850	11.86	13.62	15.35	19.42	24.64	27.15	29.6	20.5	32.0	22.5	34.8	24.9	37.6	27.0	40.2	29.0	41.5	29.9	43.9	31.6	46.5	33.2
3450	13.45	15.47	17.46	22.09	27.93	30.69	33.3	21.3	35.9	23.2	38.9	25.3	41.7	27.1	44.3	28.6	45.5	29.2	47.7	30.1	49.9	30.7
100	0.71	0.79	0.87	1.07	1.33	1.45	1.58	1.36	1.71	1.48	1.87	1.64	2.02	1.80	2.18	1.96	2.26	2.04	2.42	2.19	2.59	2.36
200	1.31	1.47	1.62	2.00	2.49	2.73	2.98	2.52	3.2	2.76	3.53	3.06	3.83	3.36	4.13	3.66	4.28	3.81	4.58	4.11	4.91	4.44
300	1.86	2.09	2.32	2.87	3.59	3.95	4.31	3.60	4.6	3.96	5.11	4.40	5.55	4.83	5.99	5.27	6.21	5.49	6.64	5.92	7.12	6.39
400	2.39	2.69	2.99	3.71	4.65	5.12	5.59	4.63	6.0	5.10	6.63	5.67	7.21	6.24	7.78	6.81	8.07	7.09	8.64	7.65	9.26	8.27
500	2.90	3.27	3.64	4.52	5.68	6.26	6.83	5.63	7.4	6.19	8.12	6.90	8.82	7.59	9.53	8.29	9.88	8.64	10.6	9.33	11.3	10.1
600	3.39	3.83	4.26	5.31	6.68	7.37	8.05	6.58	8.7	7.25	9.56	8.08	10.4	8.91	11.2	9.72	11.6	10.1	12.5	10.9	13.4	11.8
700	3.86	4.37	4.87	6.08	7.66	8.45	9.23	7.51	10.0	8.28	11.0	9.23	11.9	10.2	12.9	11.1	13.4	11.6	14.3	12.5	15.4	13.5
800	4.33	4.90	5.47	6.83	8.62	9.51	10.4	8.41	11.3	9.27	12.4	10.3	13.4	11.4	14.5	12.5	15.1	13.0	16.1	14.0	17.3	15.2
900	4.78	5.41	6.05	7.57	9.56	10.55	11.5	9.28	12.5	10.2	13.7	11.4	14.9	12.6	16.1	13.8	16.7	14.3	17.9	15.5	19.2	16.7
1000	5.22	5.92	6.62	8.29	10.49	11.57	12.7	10.1	13.7	11.2	15.1	12.5	16.4	13.7	17.7	15.0	18.4	15.6	19.6	16.9	21.1	18.3
1100	5.65	6.41	7.18	9.00	11.39	12.58	13.7	10.9	14.9	12.1	16.4	13.5	17.8	14.9	19.2	16.2	19.9	16.9	21.3	18.3	22.9	19.7
1200	3.07	6.90	7.72	9.69	12.28	13.56	14.8	11.7	16.1	12.9	17.6	14.5	19.2	15.9	20.7	17.4	21.5	18.1	23.0	19.6	24.6	21.1
1300	6.48	7.37	8.26	10.36	13.16	14.53	15.9	12.5	17.2	13.8	18.9	15.4	20.6	17.0	22.2	18.5	23.0	19.3	24.6	20.8	26.4	22.5
1400	6.88	7.84	8.79	11.05	14.01	15.48	16.9	1.32	18.4	14.6	20.1	16.3	21.9	18.0	23.6	19.6	24.5	20.4	26.2	22.0	28.1	23.8
1500	7.28	8.29	9.30	11.71	14.86	16.41	17.9	13.9	19.5	15.4	21.3	17.2	23.2	18.9	25.1	20.7	25.9	21.5	27.7	23.2	29.7	25.0
1600	7.66	8.74	9.81	12.35	15.68	17.32	18.9	14.6	20.5	1.62	22.5	18.0	24.5	19.8	26.4	21.6	27.4	22.5	29.3	24.3	31.3	26.1
1700	8.04	9.18	10.31	12.99	16.50	18.22	19.9	15.3	21.6	16.9	23.7	18.8	25.7	20.7	27.7	22.6	28.7	23.5	30.7	25.3	32.8	27.2
1800	8.42	9.61	10.80	13.61	17.29	19.10	20.8	15.9	22.6	17.6	24.8	19.6	26.9	21.5	29.1	23.5	30.1	24.4	32.1	26.2	34.3	28.2
1900	8.78	10.03	11.28	14.22	18.07	19.96	21.8	16.5	23.6	1.82	25.9	20.3	28.1	22.3	30.3	24.3	31.4	25.3	33.5	27.1	35.8	29.1
2000	9.14	10.45	11.74	14.82	18.33	20.80	22.7	17.1	24.6	1.88	27.0	21.0	29.3	23.1	31.5	25.1	32.6	26.0	34.8	27.9	37.2	29.9
2100	9.48	10.85	12.20	15.41	19.58	21.62	23.6	17.6	25.6	1.94	28.0	21.6	30.4	23.7	32.7	25.8	33.9	26.8	36.1	28.7	38.5	30.7
2200	9.83	11.25	12.66	15.99	20.31	22.43	24.5	18.1	26.5	2.00	29.0	22.2	31.5	24.4	33.9	26.4	35.0	27.4	37.3	29.3	39.7	31.3
2300	10.16	11.64	13.10	16.55	21.03	23.21	25.3	18.6	27.5	2.05	30.0	22.8	32.5	24.9	35.0	27.0	36.2	28.0	36.5	29.9	30.9	31.9
2400	10.49	12.01	13.53	17.10	21.72	23.97	26.2	19.0	28.3	2.09	31.0	23.3	33.5	25.5	36.0	27.5	37.2	28.5	39.6	30.4	42.1	32.4
2500	10.81	12.39	13.95	17.64	22.40	24.72	27.0	19.4	29.2	2.14	31.9	23.7	34.5	25.9	37.0	28.0	38.3	29.0	40.7	30.9	43.2	32.7
2600	11.12	12.75	14.36	18.16	23.06	25.44	27.7	19.8	30.0	2.17	32.8	24.1	35.5	26.3	38.0	28.4	39.3	29.4	41.7	31.2	44.2	33.0
2700	11.42	13.10	14.77	18.68	23.71	26.14	28.5	20.1	30.8	2.21	33.6	24.5	36.4	26.7	39.0	28.7	40.2	29.7	42.6	31.4	45.2	33.2
2800	11.72	13.45	15.16	19.18	24.33	26.82	29.2	20.4	31.6	2.24	34.5	24.8	37.2	26.9	39.8	28.9	41.1	29.9	43.5	31.6	46.1	33.3
2900	12.00	13.78	15.54	19.66	24.94	27.48	29.9	20.6	32.3	2.26	35.2	25.0	38.0	27.2	40.6	29.1	41.9	30.0	44.4	31.6	46.9	33.2
3000	12.28	14.11	15.91	20.14	25.53	28.12	30.6	20.8	33.1	2.28	36.0	25.2	38.8	27.3	41.4	29.2	42.7	30.1	45.1	31.6	47.6	33.0
3100	12.56	14.43	16.28	20.60	26.10	28.73	31.3	21.0	33.7	2.30	36.7	25.3	39.5	27.4	42.1	29.2	43.4	30.0	45.8	31.5	48.3	32.7
3200	12.82	14.74	16.63	21.04	26.65	29.32	31.9	21.1	34.4	2.31	37.3	25.4	40.2	27.4	42.8	29.1	41.1	29.9	46.5	31.2	48.8	32.3
3300	13.08	15.04	16.97	21.47	27.17	29.88	32.5	21.2	35.0	2.32	38.0	25.4	40.8	27.3	43.4	29.0	44.7	29.7	47.1	30.9	49.4	31.8
3400	13.33	15.33	17.30	21.89	27.68	30.43	33.1	21.3	35.6	2.32	38.6	25.3	41.4	27.2	44.1	28.7	45.2	29.4	47.5	30.4	49.8	31.1
3500	13.57	15.61	17.62	22.29	28.17	30.94	33.6	21.3	36.1	2.32	39.1	25.2	41.9	27.0	44.5	28.4	45.7	28.9	47.9	29.8	50.1	30.3
3600	13.80	15.88	17.93	22.68	28.63	31.43	34.1	21.2	36.6	2.31	39.6	25.1	42.4	26.7	45.0	27.9	46.1	28.4	48.3	29.1	50.4	29.4
3700	14.02	16.14	18.23	23.05	29.07	31.90	34.6	21.1	37.1	2.30	40.1	24.8	42.8	26.3	45.3	27.4	46.5	27.8	48.5	29.3	50.5	28.3
3800	14.23	16.40	18.51	23.41	29.49	32.33	35.0	21.0	37.6	2.27	40.5	24.5	43.2	25.8	45.7	26.3	46.8	27.1	48.7	27.4
3900	14.44	16.64	18.79	23.75	29.89	32.74	35.4	20.7	38.0	2.24	40.9	24.1	43.5	25.3	45.9	26.1	47.0	26.3	48.9	26.3
4000	14.64	16.87	19.05	24.07	30.26	33.13	35.8	20.5	38.3	2.21	41.2	23.6	43.8	24.7	46.1	25.3	47.1	25.3

Shaded areas indicate rim speeds exceeding 6500 FPM which may require higher strength sheaves.

TOTAL RATING = rated HP + "additional HP" from right hand column.

‡ Additional HP below 1.02 ratio equals zero.

Δ Subject to Arc and Length Corrections Factors on page PT7-47.

NOTE: Selection program VIA-VISA available at www.ptwizard.com.

SELECTION



5VX 5V BASIC HORSEPOWER RATINGS Δ

Faster Shaft RPM	Rated HP per Belt for Small Sheave O.D. of:												Additional HP per Belt for Speed Ratio of: ‡										
	10.9		11.8		12.5		13.2		14.0		15.0		16.0		1.02 to 1.05	1.06 to 1.11	1.12 to 1.18	1.19 to 1.26	1.27 to 1.38	1.39 to 1.57	1.58 to 1.94	1.95 to 3.38	3.39 and up
	5VX	5V	5VX	5V	5VX	5V	5VX	5V	5VX	5V	5VX	5V	5VX	5V									
435	10.7	9.64	11.8	10.7	12.7	11.5	13.5	12.4	14.5	13.3	15.6	14.5	16.8	15.6	.03	.10	.17	.24	.29	.34	.38	.41	.44
485	11.8	10.6	13.1	11.8	14.0	12.7	14.9	13.6	16.0	14.6	17.3	15.9	18.6	17.2	.04	.11	.19	.26	.32	.38	.43	.46	.49
585	14.0	12.5	15.5	13.9	16.6	15.0	17.7	16.1	18.9	17.3	20.4	18.8	22.0	20.2	.05	.13	.24	.31	.39	.46	.51	.56	.59
690	16.3	14.4	17.9	16.0	19.2	17.3	20.5	18.5	21.9	19.9	23.7	21.6	25.4	23.3	.06	.16	.27	.38	.46	.54	.61	.66	.70
725	17.0	15.1	18.8	16.7	20.1	18.0	21.4	19.3	22.9	20.7	24.7	22.5	26.6	24.3	.06	.17	.29	.40	.48	.56	.63	.69	.72
870	20.0	17.6	22.0	19.5	23.6	21.0	25.1	22.5	26.9	24.1	29.0	26.2	31.1	28.1	.07	.20	.35	.46	.58	.67	.77	.83	.88
950	21.6	18.9	23.8	21.0	25.5	22.6	27.1	24.2	28.9	25.9	31.3	28.0	33.5	30.1	.08	.22	.38	.52	.63	.74	.83	.91	.96
1160	25.7	22.2	28.2	24.6	30.2	26.4	32.1	28.2	34.3	30.2	36.9	32.5	39.5	34.8	.10	.26	.47	.63	.77	.90	1.02	1.11	1.17
1425	30.5	25.9	33.5	28.6	35.7	30.6	37.9	32.6	40.4	34.7	43.4	37.2	46.2	39.5	.12	.33	.57	.78	.95	1.11	1.24	1.35	1.45
1750	35.9	29.7	39.3	32.6	41.8	34.7	44.2	36.7	46.9	38.7	50.1	41.1	53.0	43.1	.15	.40	.70	.96	1.17	1.37	1.50	1.68	1.77
2850	49.0	34.7	52.5	36.2	54.8	6.9	56.8	37.024	.66	1.15	1.56	1.80	2.22	2.50	2.73	2.89
3450	52.0	30.929	.80	1.39	1.90	2.20	2.69	3.03	3.30	3.50
100	2.77	2.55	3.05	2.83	3.27	3.04	3.48	3.26	3.73	3.50	4.03	3.80	4.33	4.11	.01	.02	.04	.05	.07	.08	.09	.10	.10
200	5.26	4.79	5.80	5.32	6.21	5.73	6.62	6.14	7.09	6.60	7.67	7.18	8.25	7.75	.01	.04	.08	.11	.13	.16	.17	.19	.20
300	7.64	6.91	8.42	7.68	9.02	8.27	9.62	8.86	10.3	9.54	11.1	10.37	12.0	11.2	.02	.07	.12	.16	.20	.23	.26	.29	.30
400	9.94	8.94	10.9	9.94	11.7	10.7	12.5	11.5	13.4	12.3	14.5	13.4	15.6	14.5	.03	.09	.16	.22	.26	.31	.35	.38	.40
500	12.2	10.9	13.4	12.1	14.4	13.0	15.3	14.0	16.4	15.0	17.7	16.3	19.1	17.7	.04	.11	.20	.27	.33	.39	.44	.46	.50
600	14.3	12.8	15.8	14.2	16.9	15.3	18.1	16.4	19.3	17.6	20.9	19.2	22.5	20.7	.05	.14	.24	.33	.40	.47	.53	.57	.61
700	16.5	14.6	18.2	16.2	19.5	17.5	20.7	18.7	22.2	20.1	24.0	21.8	25.8	23.6	.06	.16	.28	.38	.47	.55	.62	.67	.71
800	18.6	16.4	20.5	18.2	21.9	19.6	23.3	21.0	24.9	22.5	27.0	24.4	28.9	26.1	.07	.18	.32	.44	.53	.62	.70	.77	.81
900	20.6	18.1	22.7	20.1	24.3	21.6	25.9	23.1	27.7	24.8	29.9	26.9	32.0	28.9	.08	.21	.36	.49	.60	.70	.79	.86	.91
1000	22.6	19.7	24.9	21.9	26.6	23.5	28.3	25.2	30.3	27.0	32.7	29.2	35.0	31.3	.08	.23	.39	.55	.66	.78	.87	.95	1.01
1100	24.5	21.3	27.0	23.6	28.9	25.3	30.7	27.1	32.8	29.0	35.4	31.3	37.8	33.6	.09	.25	.44	.60	.73	.86	.96	1.05	1.11
1200	26.4	22.8	29.0	25.3	31.1	27.1	33.0	28.9	35.2	30.9	37.9	33.3	40.6	35.6	.10	.27	.48	.66	.80	.93	1.05	1.15	1.22
1300	28.3	24.2	31.1	26.8	33.2	28.7	35.3	30.6	37.6	32.7	40.4	35.2	43.2	37.5	.11	.30	.52	.71	.86	1.01	1.14	1.24	1.32
1400	30.1	25.6	33.0	28.3	35.2	30.3	37.4	32.2	39.8	34.3	42.8	36.8	45.6	39.2	.11	.32	.56	.77	.93	1.09	1.23	1.34	1.42
1500	31.8	26.9	34.9	29.6	37.2	31.7	39.5	33.6	42.0	35.8	45.0	38.3	47.9	40.6	.12	.34	.61	.82	1.00	1.18	1.32	1.44	1.52
1600	33.5	28.1	36.7	30.9	39.1	33.0	41.4	34.9	44.0	37.1	47.1	39.6	50.1	41.8	.13	.37	.64	.88	1.07	1.25	1.40	1.53	1.62
1700	35.1	29.2	38.4	32.1	40.9	34.1	43.3	36.1	46.0	38.2	49.1	40.6	52.1	42.7	.14	.39	.69	.93	1.13	1.32	1.49	1.61	1.72
1800	36.7	30.2	40.1	33.1	42.6	35.2	45.1	37.2	47.8	39.2	51.0	41.5	53.9	43.4	.15	.41	.72	.99	1.20	1.40	1.58	1.72	1.83
1900	38.2	31.2	41.7	34.0	44.3	36.1	46.8	38.0	49.5	40.0	52.7	42.1	55.6	43.9	.16	.44	.77	1.04	1.26	1.48	1.67	1.82	1.93
2000	39.6	32.0	43.2	34.8	45.8	36.9	48.3	38.7	51.1	40.6	54.2	42.5	57.1	44.0	.17	.46	.80	1.10	1.33	1.56	1.77	1.92	2.03
2100	41.0	32.7	44.6	35.5	47.3	37.5	49.8	39.2	52.5	40.9	55.6	42.7	58.3	43.8	.18	.48	.85	1.15	1.40	1.64	1.85	2.01	2.13
2200	42.3	33.4	46.0	36.1	48.6	38.0	51.1	39.6	53.8	41.1	56.8	42.5	59.4	43.4	.18	.51	.89	1.21	1.47	1.71	1.93	2.10	2.23
2300	43.6	33.9	47.2	36.5	49.9	38.3	52.4	39.7	55.0	41.1	57.8	42.1	60.3	42.6	.19	.52	.93	1.26	1.53	1.79	2.02	2.20	2.33
2400	44.7	34.3	48.4	36.8	51.0	38.4	53.5	39.7	56.0	40.8	58.7	41.5	61.0	41.4	.20	.55	.96	1.32	1.60	1.87	2.11	2.30	2.44
2500	45.8	34.6	49.5	36.9	52.1	38.4	54.4	39.5	56.8	40.3	59.4	40.521	.57	1.01	1.38	1.67	1.95	2.20	2.39	2.54
2600	46.8	34.8	50.5	36.9	53.0	38.2	55.3	39.0	57.6	39.522	.60	1.05	1.43	1.73	2.03	2.29	2.49	2.64
2700	47.8	34.9	51.3	36.8	53.8	37.8	56.0	38.4	58.1	38.523	.62	1.09	1.48	1.80	2.11	2.37	2.59	2.74
2800	48.6	34.8	52.1	36.4	54.5	37.2	56.5	37.524	.64	1.13	1.59	1.86	2.18	2.46	2.68	2.84
2900	49.4	34.6	52.8	35.9	55.0	36.4	56.9	36.424	.67	1.17	1.60	1.93	2.26	2.55	2.78	2.94
3000	50.1	34.2	53.4	35.3	55.5	35.525	.69	1.21	1.65	2.00	2.34	2.63	2.87	3.05
3100	50.7	33.7	53.8	34.526	.72	1.25	1.70	2.07	2.42	2.72	2.97	3.15
3200	51.2	33.1	54.1	33.427	.74	1.29	1.76	2.14	2.50	2.81	3.07	3.25
3300	51.6	32.328	.77	1.33	1.81	2.20	2.58	2.90	3.16	3.35
3400	51.9	31.429	.79	1.37	1.87	2.27	2.65	2.99	3.26	3.45
3500	52.1	30.330	.81	1.41	1.92	2.33	2.73	3.08	3.35	3.55
360031	.83	1.45	1.98	2.40	2.81	3.16	3.45	3.65
370032	.86	1.49	2.03	2.47	2.89	3.25	3.54	3.76
380032	.88	1.53	2.09	2.53	2.97	3.34	3.64	3.85
390033	.90	1.57	2.14	2.60	3.05	3.43	3.74	3.96
400034	.93	1.61	2.20	2.67	3.12	3.52	3.83	4.06

Shaded areas indicate rim speeds exceeding 6500 FPM which may require higher strength sheaves.

TOTAL RATING = rated HP + "additional HP" from right hand column.

‡ Additional HP below 1.02 ratio equals zero.

Δ Subject to Arc and Length Corrections Factors on page PT7-47.

NOTE: Selection program VIA-VISA available at www.ptwizard.com.



SELECTION

8V BASIC HORSEPOWER RATINGS Δ

Faster Shaft RPM	Rated HP per Belt for Small Sheave O.D. of:												Additional HP per Belt for Speed Ratio of: ‡								
	12.5	13.2	14.0	15.0	16.0	17.0	18.0	19.0	20.0	21.2	22.4	24.8	1.02 to 1.05	1.06 to 1.11	1.12 to 1.18	1.19 to 1.26	1.27 to 1.38	1.39 to 1.57	1.58 to 1.94	1.95 to 3.38	3.39 and up
435	20.1	22.3	24.8	27.8	30.9	33.9	36.8	39.8	42.7	46.2	49.7	56.4	.20	.56	.97	1.32	1.60	1.87	2.11	2.30	2.43
485	22.0	24.4	27.1	30.5	33.8	37.1	40.4	43.6	46.9	50.7	54.4	61.8	.23	.62	1.08	1.47	1.78	2.09	2.35	2.56	2.71
585	25.7	28.5	31.7	35.6	39.5	43.4	47.2	50.9	54.6	59.0	63.3	71.6	.27	.75	1.30	1.77	2.15	2.52	2.83	3.09	3.27
690	29.3	32.6	36.2	40.7	45.2	49.5	53.8	58.0	62.2	67.0	71.8	80.9	.32	.88	1.54	2.09	2.54	2.97	3.34	3.64	3.86
725	30.5	33.8	37.6	42.3	46.9	51.5	55.9	60.3	64.5	69.5	74.4	83.7	.34	.93	1.61	2.20	2.67	3.12	3.51	3.83	4.06
870	35.0	38.9	43.2	48.6	53.8	58.9	63.9	68.7	73.4	78.8	84.0	93.8	.41	1.11	1.94	2.64	3.20	3.74	4.22	4.59	4.87
950	37.3	41.4	46.0	51.7	57.2	62.6	67.7	72.8	77.6	83.1	88.4	98.1	.45	1.21	2.11	2.88	3.49	4.09	4.60	5.02	5.32
1160	42.6	47.3	52.5	58.8	64.8	70.6	76.1	81.2	86.1	91.5	96.5	104.8	.54	1.48	2.58	3.52	4.27	4.99	5.62	6.13	6.49
1425	47.6	52.7	58.4	65.0	71.2	76.9	82.1	86.8	90.9	95.0	98.3	102.1	.67	1.82	3.17	4.32	5.24	6.13	6.91	7.52	7.97
1750	50.9	56.1	61.7	67.9	73.3	77.8	81.5	84.2	85.8	86.582	2.24	3.90	5.30	6.44	7.53	8.48	9.24	9.79
50	3.01	3.31	3.64	4.06	4.47	4.88	5.30	5.70	6.11	6.60	7.09	8.0	.02	.06	.11	.15	.18	.22	.24	.26	.28
100	5.59	6.15	6.79	7.59	8.38	9.17	9.96	10.7	11.5	12.5	13.4	15.2	.05	.13	.22	.30	.37	.43	.48	.53	.56
150	8.00	8.82	9.76	10.9	12.1	13.2	14.4	15.5	16.6	18.0	19.4	22.0	.07	.19	.33	.45	.55	.65	.73	.79	.84
200	10.3	11.4	12.6	14.1	15.6	17.1	18.6	20.1	21.6	23.3	25.1	28.6	.09	.26	.45	.61	.74	.86	.97	1.06	1.12
250	12.5	13.8	15.3	17.2	19.0	20.9	22.7	24.5	26.3	28.5	30.7	34.9	.12	.32	.56	.76	.92	1.08	1.21	1.32	1.40
300	14.6	16.2	18.0	20.2	22.4	24.5	26.7	28.8	31.0	33.5	36.0	41.0	.14	.38	.67	.91	1.10	1.29	1.45	1.58	1.68
350	16.7	18.5	20.5	23.1	25.6	28.1	30.5	33.0	35.4	38.3	41.2	46.9	.16	.45	.78	1.06	1.29	1.51	1.70	1.85	1.96
400	18.7	20.7	23.0	25.9	28.7	31.5	34.3	37.0	39.8	43.0	46.3	52.6	.19	.51	.89	1.21	1.47	1.72	1.94	2.11	2.24
450	20.7	22.9	25.5	28.6	31.8	34.9	37.9	41.0	44.0	47.6	51.1	58.1	.21	.58	1.00	1.36	1.66	1.94	2.18	2.38	2.52
500	22.6	25.0	27.8	31.3	34.7	38.1	41.5	44.8	48.1	51.9	55.8	63.3	.23	.64	1.11	1.52	1.84	2.15	2.42	2.64	2.80
550	24.4	27.1	30.1	33.9	37.6	41.3	44.9	48.5	52.0	56.2	60.3	68.3	.26	.70	1.22	1.67	2.02	2.37	2.67	2.90	3.08
600	26.2	29.1	32.4	36.4	40.4	44.3	48.2	52.0	55.8	60.2	64.6	73.0	.28	.77	1.34	1.82	2.21	2.58	2.91	3.17	3.36
650	28.0	31.0	34.5	38.8	43.1	47.2	51.4	55.4	59.4	64.1	68.7	77.5	.31	.83	1.45	1.97	2.39	2.80	3.15	3.43	3.64
700	29.7	32.9	36.6	41.2	45.7	50.1	54.4	58.7	62.9	67.8	72.6	81.7	.33	.89	1.56	2.12	2.57	3.01	3.39	3.70	3.92
750	31.3	34.7	38.7	43.5	48.2	52.8	57.4	61.8	66.2	71.3	76.2	85.6	.35	.96	1.67	2.27	2.76	3.23	3.63	3.96	4.20
800	32.9	36.5	40.6	45.7	50.6	55.4	60.2	64.8	69.3	74.6	79.6	89.3	.38	1.02	1.78	2.43	2.94	3.44	3.88	4.22	4.48
850	34.4	38.2	42.5	47.8	52.9	57.9	62.8	67.6	72.3	77.6	82.8	92.5	.40	1.09	1.89	2.58	3.13	3.66	4.12	4.49	4.76
900	35.9	39.8	44.3	49.8	55.1	60.3	65.4	70.3	75.0	80.5	85.8	95.5	.42	1.15	2.00	2.73	3.31	3.87	4.36	4.75	5.04
950	37.3	41.4	46.0	51.7	57.2	62.6	67.7	72.8	77.6	83.1	88.4	98.1	.45	1.21	2.11	2.88	3.49	4.09	4.60	5.02	5.32
1000	38.7	42.9	47.7	53.5	59.2	64.7	70.0	75.1	80.0	85.6	90.8	100.3	.47	1.28	2.23	3.03	3.68	4.30	4.85	5.28	5.60
1050	39.9	44.4	49.3	55.3	61.1	66.7	72.1	77.2	82.1	87.7	92.9	102.2	.49	1.34	2.34	3.18	3.86	4.52	5.09	5.54	5.88
1100	41.2	45.7	50.8	56.9	62.9	68.5	74.0	79.2	84.1	89.6	94.7	103.6	.52	1.41	2.45	3.33	4.05	4.73	5.33	5.81	6.16
1150	42.3	47.0	52.2	58.5	64.5	70.2	75.7	80.9	85.9	91.2	96.2	104.6	.54	1.47	2.56	3.49	4.23	4.95	5.57	6.07	6.44
1200	43.5	48.2	53.5	59.9	65.0	71.8	77.3	82.5	87.3	92.6	97.4	105.2	.56	1.53	2.67	3.64	4.41	5.17	5.82	6.34	6.71
1250	44.5	49.4	54.8	61.2	67.4	73.2	78.7	83.8	88.5	93.7	98.2	105.4	.59	1.60	2.78	3.79	4.60	5.38	6.06	6.60	6.99
1300	45.5	50.4	55.9	62.5	68.7	74.5	79.9	84.9	89.5	94.5	98.7	105.1	.61	1.66	2.89	3.94	4.78	5.60	6.30	6.86	7.27
1350	46.4	51.4	57.0	63.6	69.8	75.6	80.9	85.8	90.3	94.9	98.8	104.3	.63	1.73	3.01	4.09	4.97	5.81	6.54	7.13	7.55
1400	47.2	52.3	57.9	64.5	70.8	76.5	81.7	86.5	90.7	95.1	98.6	102.9	.66	1.79	3.12	4.24	5.15	6.03	6.78	7.39	7.83
1450	48.0	53.1	58.8	65.4	71.6	77.2	82.4	86.9	90.9	94.9	98.0	101.1	.68	1.85	3.23	4.40	5.33	6.24	7.03	7.66	8.11
1500	48.7	53.9	59.5	66.2	72.3	77.8	82.8	87.1	90.8	94.4	97.0	98.8	.70	1.92	3.34	4.55	5.52	6.46	7.27	7.92	8.39
1550	49.3	54.5	60.2	66.8	72.8	78.2	83.0	87.1	90.5	93.6	95.5	95.9	.73	1.98	3.45	4.70	5.70	6.67	7.51	8.18	8.67
1600	49.8	55.1	60.7	67.2	73.2	78.4	82.9	86.7	89.8	92.3	93.775	2.05	3.56	4.85	5.88	6.89	7.75	8.45	8.95
1650	50.2	55.5	61.1	67.6	73.4	78.4	82.7	86.2	88.8	90.8	91.477	2.11	3.67	5.00	6.07	7.10	8.00	8.71	9.23
1700	50.6	55.9	61.5	67.8	73.4	78.2	82.2	85.3	87.5	88.8	88.780	2.17	3.78	5.15	6.25	7.32	8.24	8.98	9.51
1800	51.2	56.3	61.7	67.8	73.0	77.2	80.5	82.7	83.9	83.784	2.30	4.01	5.46	6.62	7.75	8.72	9.5	10.1
1900	51.2	56.3	61.5	67.2	71.8	75.4	77.8	79.0	78.989	2.43	4.23	5.76	6.99	8.18	9.21	10.0	10.6
2000	51.0	55.9	60.8	65.9	69.9	72.6	74.0	74.094	2.56	4.45	6.06	7.36	8.61	9.69	10.6	11.2
2200	49.4	53.7	57.7	61.5	63.7	64.2	1.03	2.81	4.90	6.67	8.09	9.47	10.7	11.6	12.3
2400	46.0	49.5	52.4	54.2	54.1	1.13	3.07	5.34	7.28	8.83	10.3	11.6	12.7	13.4
2600	40.9	43.2	44.5	1.22	3.32	5.79	7.88	9.56	11.2	12.6	13.7	14.5

Shaded areas indicate rim speeds exceeding 6500 FPM which may require higher strength sheaves.

TOTAL RATING = rated HP + "additional HP" from right hand column.

‡ Additional HP below 1.02 ratio equals zero.

Δ Subject to Arc and Length Corrections Factors on page PT7-47.

NOTE: Selection program VIA-VISA available at www.ptwizard.com.

SELECTION



5VF

BASIC HORSEPOWER RATINGS Δ Aramide Cord Belt

SEE CAUTION BELOW

Faster Shaft RPM	Rated HP per Belt for Small Sheave O.D. of:														Additional HP per Belt for Speed Ratio of \ddagger :				
	7.1	8.0	8.5	9.0	9.75	10.3	10.9	11.3	11.8	12.5	13.2	14.0	15.0	16.0	1.02 to 1.20	1.21 to 1.50	1.51 to 2.19	2.20 to 3.32	3.33 and up
	200	3.55	4.42	4.91	5.39	6.11	6.63	7.2	7.58	8.05	8.71	9.36	10.1	11.0	11.9	.10	.24	.33	.37
300	5.01	6.29	6.99	7.69	8.74	9.5	10.3	10.9	11.5	12.5	13.5	14.5	15.9	17.2	.15	.36	.50	.55	.57
400	6.39	8.05	8.97	9.88	11.2	12.2	13.3	14.0	14.9	16.1	17.4	18.8	20.5	22.2	.19	.47	.66	.74	.76
500	7.71	9.74	10.9	12.0	13.6	14.8	16.2	17.0	18.1	19.6	21.1	22.8	24.9	27.0	.24	.59	.83	.92	.94
600	8.96	11.4	12.7	14.0	15.9	17.4	18.9	19.9	21.2	23.0	24.8	26.7	29.2	31.7	.29	.71	.99	1.11	1.13
700	10.2	12.9	14.4	15.9	18.2	19.8	21.6	22.8	24.2	26.3	28.3	30.5	33.3	36.1	.34	.83	1.16	1.29	1.32
800	11.3	14.4	16.1	17.8	20.4	22.2	24.2	25.5	27.1	29.4	31.6	34.2	37.3	40.4	.39	.95	1.32	1.48	1.51
900	12.4	15.9	17.8	19.7	22.5	24.5	26.7	28.2	29.9	32.4	34.9	37.7	41.1	44.5	.44	1.07	1.49	1.66	1.70
1000	13.5	17.3	19.4	21.5	24.5	26.7	29.1	30.7	32.7	35.4	38.0	41.1	44.8	48.4	.49	1.18	1.65	1.85	1.89
1100	14.6	18.7	20.9	23.2	26.5	28.9	31.5	33.2	35.3	38.2	41.1	44.3	48.2	52.1	.53	1.30	1.82	2.03	2.08
1200	15.6	20.0	22.4	24.8	28.4	30.9	33.7	35.5	37.8	40.9	43.9	47.4	51.5	55.6	.58	1.42	1.99	2.22	2.27
1300	16.6	21.3	23.9	26.4	30.2	32.9	35.9	37.8	40.2	43.5	46.7	50.3	54.7	58.9	.63	1.54	2.15	2.40	2.45
1400	17.5	22.5	25.3	28.0	32.0	34.9	37.9	40.0	42.5	45.9	49.3	53.0	57.6	61.9	.68	1.66	2.32	2.59	2.64
1600	19.3	24.9	27.9	30.9	35.3	38.5	41.8	44.1	46.8	50.5	54.1	58.1	62.8	67.3	.78	1.89	2.65	2.96	3.02
1800	20.9	27.0	30.3	33.6	38.4	41.7	45.4	47.7	50.6	54.5	58.2	62.3	67.2	71.6	.88	2.13	2.98	3.32	3.40
2000	22.4	29.0	32.6	36.0	41.1	44.7	48.5	50.9	53.9	57.9	61.7	65.8	70.5	74.8	.97	2.37	3.31	3.69	3.78
2200	23.8	30.8	34.5	38.2	43.5	47.2	51.2	53.7	56.7	60.7	64.5	68.5	72.9	76.7	1.07	2.60	3.64	4.06	4.15
2400	24.9	32.4	36.3	40.1	45.6	49.4	53.4	55.9	58.9	62.8	65.5	70.2	74.1	77.3	1.17	2.84	3.97	4.43	4.53
2600	26.0	33.7	37.8	41.7	47.3	51.1	55.1	57.6	60.5	64.3	67.6	70.9	1.26	3.08	4.30	4.80	4.91
2800	26.9	34.8	39.0	43.0	48.6	52.4	56.3	58.7	61.4	64.9	67.8	1.36	3.31	4.63	5.17	5.29
3000	27.6	35.8	40.0	44.0	49.6	53.3	56.9	59.2	61.7	64.7	1.46	3.55	4.96	5.54	5.66
3200	28.1	36.4	40.7	44.6	50.1	53.6	57.0	59.0	61.2	1.56	3.79	5.30	5.91	6.04
3400	28.4	36.8	41.0	44.9	50.1	53.4	56.5	58.2	1.65	4.02	5.63	6.28	6.42
3600	28.6	36.9	41.1	44.8	49.7	52.7	1.75	4.26	5.96	6.65	6.80

8VF

SEE CAUTION BELOW

Faster Shaft RPM	Rated HP per Belt for Small Sheave O.D. of:												Additional HP per Belt for Speed Ratio of \ddagger :				
	12.5	13.2	14.0	15.0	16.0	17.0	18.0	19.0	20.0	21.2	22.4	24.8	1.02 to 1.20	1.21 to 1.50	1.51 to 2.19	2.20 to 3.32	3.33 and up
	200	12.6	14.5	16.6	19.3	21.9	24.6	27.2	29.8	32.433	35.5	38.6	44.7	.59	1.43	2.00	2.24
250	15.0	17.4	20.0	23.3	26.5	29.7	33.0	36.2	39.4	43.2	46.9	54.5	.74	1.79	2.51	2.80	2.86
300	17.4	20.1	23.2	27.1	30.9	34.7	38.5	42.3	46.1	50.5	55.0	63.8	.88	2.15	3.01	3.36	3.43
350	19.6	22.7	26.3	30.7	35.2	39.6	43.9	48.3	52.6	57.7	62.8	72.9	1.03	2.51	3.51	3.91	4.00
400	21.7	25.2	29.3	34.3	39.3	44.2	49.1	54.0	58.9	64.6	70.4	81.7	1.18	2.87	4.01	4.47	4.57
450	23.7	27.7	32.2	37.7	43.2	48.7	54.2	59.6	65.0	71.4	77.7	90.2	1.33	3.23	4.51	5.03	5.15
500	25.6	30.0	34.9	41.0	47.1	53.1	59.1	65.0	70.9	77.8	84.8	98.4	1.47	3.58	5.01	5.59	5.72
600	29.3	34.4	40.1	47.3	54.4	61.4	68.4	75.3	82.2	90.2	98.2	113.9	1.77	4.30	6.01	6.71	6.86
700	32.6	38.4	45.0	51.2	61.2	69.2	77.1	84.9	92.6	101.7	110.7	128.1	2.06	5.02	7.01	7.83	8.00
800	35.6	42.1	49.5	58.6	67.6	76.5	85.2	93.8	102.3	112.3	122.1	141.1	2.36	5.73	8.02	8.95	9.15
900	38.3	45.5	53.6	63.6	73.5	83.1	92.7	102.0	111.2	121.9	132.4	152.5	2.65	6.45	9.02	10.1	10.3
1000	40.7	48.5	57.4	68.2	78.8	89.2	99.4	109.4	119.1	130.5	141.5	162.4	2.95	7.17	10.0	11.2	11.4
1100	42.9	51.3	60.7	72.3	83.6	94.7	105.5	116.0	126.2	138.0	149.4	170.7	3.24	7.89	11.0	12.3	12.6
1200	44.7	53.7	63.7	75.9	87.9	99.5	110.8	121.7	132.2	144.4	155.9	177.3	3.53	8.60	12.0	13.4	13.7
1300	46.2	55.7	66.3	79.2	91.6	103.7	115.3	126.5	137.3	149.5	161.1	181.9	3.83	9.32	13.1	14.5	14.8
1400	47.4	57.3	68.4	81.8	94.7	107.1	119.0	130.4	141.2	153.4	164.7	184.5	4.12	10.1	14.1	15.7	16.0
1500	48.3	58.6	70.1	83.9	97.1	109.8	121.8	133.2	143.9	155.8	165.7	184.9	4.42	10.7	15.0	16.8	17.1
1600	48.8	59.5	71.3	85.4	98.9	111.7	123.7	135.0	145.4	156.8	167.0	...	4.71	11.5	16.0	17.9	18.3
1700	49.0	59.0	72.0	86.4	100.0	112.8	124.7	135.7	145.6	156.3	165.5	...	5.01	12.2	17.0	19.0	19.4
1800	48.8	60.0	72.2	86.8	100.4	113.0	124.6	135.1	144.5	154.2	5.30	12.9	18.0	20.1	20.6
1900	48.2	59.5	71.9	86.5	100.0	112.4	123.5	133.4	141.9	5.60	13.6	19.0	21.2	21.7
2000	47.2	58.7	71.1	85.6	98.8	110.7	121.3	130.3	5.89	14.3	20.0	22.3	22.8
2100	45.8	57.3	69.7	84.0	96.8	108.1	117.9	6.19	15.0	21.0	23.5	24.0
2200	43.9	55.5	67.7	81.7	94.0	104.5	6.48	15.8	22.0	24.6	25.1

Shaded areas indicate rim speeds exceeding 6500 FPM which may require higher strength sheaves.

TOTAL RATING = rated HP + "additional HP" from right hand column.

\ddagger Additional HP below 1.02 ratio equals zero.

Δ Subject to Arc and Length Corrections Factors on page PT7-47.

CAUTION: Belt horsepower ratings may exceed design capacity of stock sheaves. Consult factory for recommendations.

NOTE: Selection program VIA-VISA available at www.ptwizard.com.



SELECTION

Stock Classical Drives: Standard Motor Speeds

Step 1 - Determine Service Factor. Refer to Typical Service factors, Table 7. Locate type of Driven and Driver equipment. (If an idler is used, increase the factor by value indicated). Correct factor is determined by: 1. The extent and frequency of peak loads. 2. Number of operating hours/year, broken down in average hours/day of continuous service. 3. Proper service category: (Intermittent, Normal or Continuous). Select the one closest to the application conditions.

Step 2 - Compute Design HP. Multiply normal running HP required or nameplate rating by service factor obtained in Step 1.

Step 3 - Choose Belt Section. Using Table 6, below, read up from design HP figure obtained in Step 2 and over from the RPM of faster shaft. This intersection indicates belt sections.

Step 4 - Select the Drive. a). Using belt section from Step 3, refer to Stock Drive Selection Tables beginning on page PT7-90. b). Under appropriate driver speed column find Driven RPM nearest to the desired speed. To the right note HP per Belt. Read left for Driver/Driven Sheave information. (If driver is an electric motor be sure motor sheave diameter is not less than shown in Table 8.) c). Read onto opposite page and find figure nearest the required center distance. Note Arc-Length Correction Factor in the shaded row below the C.D. figure. d). Read to the top of the table for the belt size. e). **To determine number of belts**, multiply the HP per Belt value by the Arc Length Correction Factor. This is the corrected HP/ belt. Divide design HP by corrected HP figure to determine number of belts required.

EXAMPLE OF SELECTION

Select a classical drive for a continuous duty 3-piston compressor, with a 2-7/16, shaft, to run at about 284 RPM, driven by a 30 HP, 1160 RPM squirrel cage electric motor with a 2-1/8, shaft. Desired center distance is approximately 36".

Step 1 - Service factor from Table 7 is 1.4.

Step 2 - Design HP = 1.4 x 30 = 42 HP.

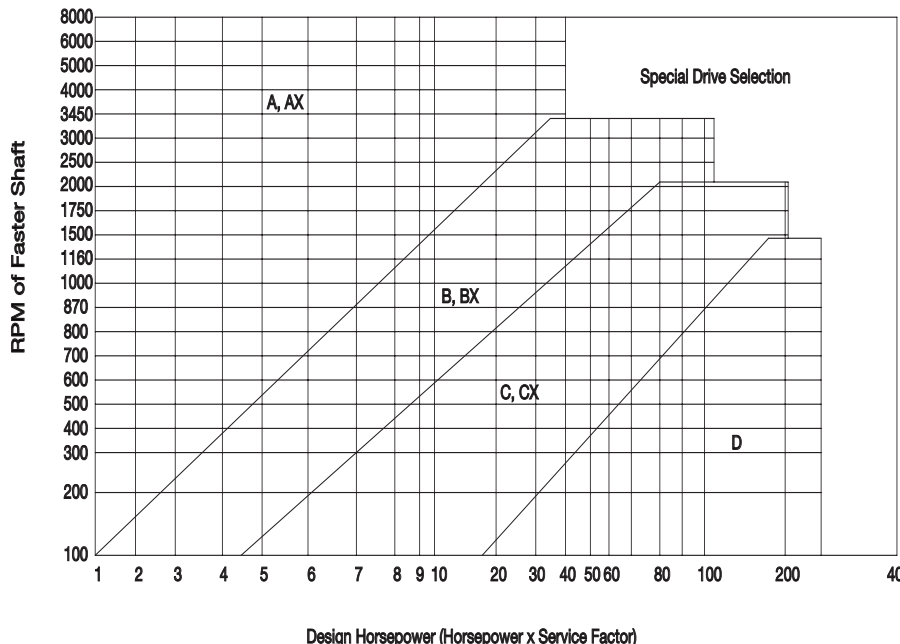
Step 3 - A C-section belt is shown in Table 11 when reading to the right of 1160 RPM and up from 42 design HP.

Step 4 - Turn to C-Stock Drive Selection Tables beginning on page PT7-124. Under 1160 RPM Driven, read down to find 285 RPM. One selection is 284 on page PT7-128. Note HP/belt as 15.47 for all SL Classic belts and Polyband belts over 116" and 19.34 for all Classic-Cog and Polyband under 116". Also note sheaves listed as a 8.5 Driver, 36.0 Driven. Table 8 shows driver is not undersize. Reading to opposite page the C.D. figure of 35.9 is closest to 36". Top of table shows belt size as C144.

The HP/belt for SL Classic is 15.47. This value x the .95 factor = 14.7 corrected HP/belt. 42 HP ÷ 14.7 = 2.85. Going to the next whole number the drive requires 3 SL Classic belts. (Center to center operating distance is 35.9 nominal.) **Order:** 1. 3 - C144 SL Classic Belts. 2. 1 - 3-groove C8.5 TAPER-LOCK Sheave. 3. 1 - 2-1/8, bore 2517 bushing. 4. 1 - 3-groove C36.0 TAPER-LOCK Sheave. 5. 1 - 2-7/16, bore 3535 bushing.

(The steps above may be used to figure a Classic-COG drive with higher HP ratings. This drive usually uses fewer grooves and will be more compact. The decision to use SL Classic, Classic-COG or POLYBAND belts involves economics, interchangeability, etc.).

Table 6 - Narrow Cross Section Selection Chart



NOTE: Selection program VIA-VISA available at www.ptwizard.com.

SELECTION



SERVICE FACTORS

Table 7 - Typical Service Factors

Driven Machine Types	Driver: Normal Torque NEMA Des. A or B Motors DC Shunt Wound Motors Multi-Cylinder Engines			Driver: High Torque NEMA Des. C or D Motors DC Series Wound Motors Single Cylinder Engines			
	Service*			Service*			
	Intermit.	Normal	Contin.	Intermit.	Normal	Cont.	
Note: Certain machines may require flywheel sheaves or special construction to withstand heavy shock loads. Consult Mfg'r. Agitators for Liquids Blowers and Exhausters Centrif. Pumps, Compressors Fans up to 10HP Light Duty Conveyors	1.0	1.1	1.2	1.1	1.2	1.3	* Note: Intermittent: Up to 6 Hrs./Day Normal: 6-16 Hrs./Day Continuous: 16-24 Hrs./Day Adder for Idlers: Outside on slack side 0.1 Inside on tight side 0.1 Outside on tight side 0.2
Belt Conveyors, Bulk Mat'l Dough Mixers Fans over 10 HP Generators Line Shafts Laundry Machinery Machine Tools Punches, Presses, Shears Printing Machinery Positive Displ. Rotary Pumps Revolving & Vibrating Screens	1.1	1.2	1.3	1.2	1.3	1.4	
Brick Machinery Bucket Elevators Exciters Piston Compressors Conveyors: Drag, Pan, Screw Hammer Mills Paper Mill Beaters Piston Pumps Pos. Displacement Blowers Pulverizers Saw Mill, Woodworking Mach'y Textile Machinery	1.2	1.3	1.4	1.4	1.5	1.6	
Crushers: Gyratory, Jaw, Roll Mills: Ball, Rod, Tube Hoists Rubber Calendars, Extruders, Mills Chokable Equipment, Fire Hazard	1.3	1.4	1.5	1.6	1.7	1.8	
Chokable Equipment, Fire Hazard	2.0	2.0	2.0	2.0	2.0	2.0	

Table 8 - Min. Recommended Classical Groove Sheave Dia. for Drives Using Electric Motors

Motor RPM	A, B, C, D, V-belt Sheave	Motor Horsepower																		
		1/2	3/4	1	1-1/2	2	3	5	7-1/2	10	15	20	25	30	40	50	60	75	100	125
870	Min. P.D.	2.2	2.4	2.4	2.4	3.0	3.0	3.8	4.4	4.6	5.4	6.0	6.8	6.8	8.2	9.0	10.0	10.5	12.5	...
	Max. Face Width	4.3	4.3	5.3	5.3	6.5	6.5	7.8	7.8	9.0	9.0	10.3	10.3	11.5	11.5	14.3	14.3	16.8	16.8	...
1160	Min. P.D.	...	2.2	2.4	2.4	2.4	3.0	3.0	3.8	4.4	4.6	5.4	6.0	6.8	6.8	8.2	9.0	10.0	11.0	12.5
	Max. Face Width	...	4.3	4.3	5.3	5.3	6.5	6.5	7.8	7.8	9.0	9.0	10.3	10.3	11.5	11.5	14.3	14.3	16.8	16.8
1750	Min. P.D.	2.2	2.4	2.4	2.4	3.0	3.0	3.8	4.4	4.6	5.0	5.4	6.0	6.8	7.4	9.0	10.0	11.5
	Max. Face Width	4.3	4.3	4.3	5.3	5.3	6.5	6.5	7.8	7.8	9.0	9.0	10.3	10.3	11.5	11.5	14.3	14.3
3500	Min. P.D.	2.2	2.4	2.4	3.0	3.8	3.0	3.8	4.4	4.4
	Max. Face Width	4.3	4.3	4.3	5.3	5.3	6.5	6.5	7.8	7.8

Data is per NEMA Standard MG1-14.42. In areas where sheaves are not listed, consult motor manufacturer

NOTE: Selection program VIA-VISA available at www.ptwizard.com.

V-Drives

FHP Drives

Drive Component Accessories

DYNA-SYNC

HT200/HTD Synchronous Drives

HTR Synchronous Drives

HTRC Synchronous Drives



SELECTION

Stock Classical Drives: Non Standard Motor Speeds & Speed-Up Drives

For Speeds Other Than Standard Motor Speeds:

Step 1 - Determine Speed Ratio: $\left(\frac{\text{Driver RPM}}{\text{Driven RPM}} \right)$

Step 2 - Compute Design HP. Multiply normal running HP required or nameplate rating by service factor from Table 2.

Step 3 - Determine Maximum Diameter of Driver

Sheave @ 6500 FPM: O.D. = $\left(\frac{6500 \text{ FPM}}{.262 \times \text{RPM}} \right)$

Step 4 - Select Belt Cross Section. Using Table 6, read up from design HP figure obtained in Step 2 and over from the RPM of faster shaft. This intersection indicates belt section.

Step 5 - Select Drive. Using the belt section from Step 4, make a tentative sheave selection from **Stock Drive Selection Tables**. (Note that several choices are available in the ratio obtained from Step 1.) Other choices close to this ratio may also produce a functional drive. Read onto opposite page and find figure nearest the required center distance. The Arc-Length Correction Factor is listed in the shaded row below the C.D. figure. Read to the top of the table for the belt size.

Step 6 - Size the Drive. From Basic HP Tables beginning on page PT7-118, locate HP rating at intersection of RPM row and small sheave column. To this, add the "additional HP" figure based on drive ratio. This becomes the rated HP. Multiply this sum by the arc-length correction factor noted in Step 5. This becomes the corrected HP per belt. To find

Required number of belts : $\frac{\text{Design HP}}{\text{Correction HP/Belt}}$

EXAMPLE OF SELECTION

A V-drive is needed for a 15 HP, 2200 RPM gasoline engine, with a 1-5/8" shaft, running a reducer on a belt conveyor. 2-5/16" reducer input shaft runs at 1490 RPM. Service is intermittent. Center distance is 36".

Step 1 - Speed Ratio = $\frac{2200}{1490} = 1.48$

Step 2 - Service Factor = 1.2 Design HP = 15 x 1.1 = 16.5

Step 3 - Driver Sheave Max. Dia. = $\frac{6500}{.262 \times 2200} = 11.3$

Step 4 - Belt Cross Section = Table 11 indicates A-AX.

Step 5 - Turn to A, AX Stock Drive Selection Tables beginning on page PT7-106. Find the 1.48 ratio obtained in the Step 1 calculations. The most economical drive shows a 4.6 Driver,

NOTE: Selection program VIA-VISA available at www.ptwizard.com.

7.0 Driven Sheave. The C.D. nearest 36" is 36.5. The correction factor below the C.D. figure is 1.07. Top of the table shows an A90 belt. Refer to Basic HP Tables on page PT7-134. From the 2200 RPM of the faster shaft row and down from the 4.6 smaller sheave:

5.80 HP/belt plus an additional HP of .44 in the 1.35 thru 1.99 ratio column. The sum = 6.24 HP/belt x 1.07 arc-length correction factor = 6.68 HP/belt.

Number of belts = $\frac{16.5}{6.68} = 2.47$ or 3 belts

Order: 1- 3 groove A4.6 TAPER-LOCK Sheave, 1 to 1-5/8" bore 1610 bushing, 1-3 groove A7.0 sheave, 1 to 2-5/16" bore 2517 bushing, 3-A90 SL Classic Belts.

Example of an "A" Speed-Up Drive

A 10 HP 1750 RPM AC motor, with a 1-3/8" shaft is to drive a high speed blower @ 4000 RPM. The blower shaft is 1-7/16", center distance 24" and equipment runs 24 hrs./day.

1. Service Factor from Table 12 is 1.2.
2. Design HP = 10 x 1.2 = 12 HP.

3. Speed Ratio = $\frac{4000}{1750} = 2.29$

4. In Stock Drive Table, under 2.29 ratio, sheaves are listed as 3.4 Driver/8.2 Driven. (In a speed-up drive, the 3.4 sheave becomes the Driven, the 8.2 the Driver.) The opposite page of the table shows the closest center distance as 24.4 with an arc length correction factor of .96. Belt shown at top of table is A66.

5. From **Basic Horsepower Tables** a 3.4 sheave @ 4000 RPM = (4.38 + 1.00) = 5.38.
5.38 x .96 = 5.16 corrected HP/belt.

6. **Number of Belts** = $\frac{\text{Design HP}}{\text{Corrected HP}} = \frac{12}{5.16} = 2.33$
or 3 belts.

7. **Order:** 1-3 groove A8.2 TAPER-LOCK Sheave, 1 to 1-3/8" bore 2517 bushing, 1-3 groove A3.4 TAPER-LOCK Sheave, 1 to 1-7/16" bore 1610 bushing, 3-A66 SL belts.

NOTE: To determine required belt length when center distance and sheave datum diameters are known, use the following formula.

$$L = 2C + 1.57(D + d) + \frac{(D - d)^2}{4C}$$

L = Belt Length In Inches

C = Center Distance

D = Datum Dia. of Large Sheave

d = Datum Dia. of Small Sheave

SELECTION



Belt Correction Factors

Table 9 - Classical Belt Length Correction Factors

Datum Length	Factor	Datum Length	Factor	Datum Length	Factor	Datum Length	Factor	Datum Length	Factor	Datum Length	Factor	Datum Length	Factor
A Belts		A Belts (Cont.)		A Belts (Cont.)		B Belts (Cont.)		B Belts (Cont.)		C Belts (Cont.)		D Belts (Cont.)	
15.3	0.68	58.3	0.96	113.3	1.11	57.8	0.90	101.8	1.03	107.9	0.94	213.3	0.96
16.3	0.69	59.3	0.97	121.3	1.13	58.8	0.90	102.8	1.03	108.9	0.94	225.8	0.99
17.3	0.71	60.3	0.97	129.3	1.14	59.8	0.91	104.8	1.04	110.9	0.94	240.8	1.00
18.3	0.72	61.3	0.98	134.3	1.14	60.8	0.91	106.8	1.04	111.9	0.94	255.8	1.01
19.3	0.73	62.3	0.98	137.3	1.15	61.8	0.92	109.8	1.04	113.9	0.94	270.8	1.03
20.3	0.74	63.3	0.98	145.3	1.17	62.8	0.92	112.8	1.05	114.9	0.95	285.8	1.04
21.3	0.75	64.3	0.98	159.3	1.19	63.8	0.92	113.8	1.05	117.9	0.95	300.8	1.05
22.3	0.76	65.3	0.99	174.3	1.21	64.8	0.92	117.8	1.06	122.9	0.97	315.8	1.06
23.3	0.77	67.3	0.99	181.3	1.22	65.8	0.93	121.8	1.07	126.9	0.97	330.8	1.07
24.3	0.78	68.3	0.99	B Belts		66.8	0.93	125.8	1.07	130.9	0.98	345.8	1.08
25.3	0.79	69.3	1.00	23.8	0.71	67.8	0.93	129.8	1.08	138.9	0.99	360.8	1.09
26.3	0.80	70.3	1.00	24.8	0.72	68.8	0.94	134.8	1.09	146.9	1.00	390.8	1.11
27.3	0.81	71.3	1.00	25.8	0.73	69.8	0.95	137.8	1.09	152.9	1.01	420.8	1.12
28.3	0.81	72.3	1.01	26.8	0.74	70.8	0.95	145.8	1.11	160.9	1.02	450.8	1.14
29.3	0.82	73.3	1.01	27.8	0.75	71.8	0.95	149.8	1.11	164.9	1.03	480.8	1.16
30.3	0.82	74.3	1.01	28.8	0.75	72.8	0.95	159.8	1.13	175.9	1.04	540.8	1.18
31.3	0.83	75.3	1.02	29.8	0.76	73.8	0.95	163.8	1.13	182.9	1.05	600.8	1.20
32.3	0.84	76.3	1.02	30.8	0.77	74.8	0.96	174.8	1.15	197.9	1.07	E Belts #	
33.3	0.84	77.3	1.02	31.8	0.77	75.8	0.96	181.8	1.16	212.9	1.08	184.5	0.91
34.3	0.85	78.3	1.02	32.8	0.78	76.8	0.97	191.8	1.16	225.9	1.10	199.5	0.92
35.3	0.86	79.3	1.03	33.8	0.79	77.8	0.97	196.8	1.18	240.9	1.11	214.5	0.94
36.3	0.87	80.3	1.03	34.8	0.79	78.8	0.97	206.8	1.19	255.9	1.12	241.0	0.96
37.3	0.87	81.3	1.04	35.8	0.80	79.8	0.97	211.8	1.19	270.9	1.14	271.0	0.99
38.3	0.87	82.3	1.04	36.8	0.81	80.8	0.97	225.3	1.21	285.9	1.15	301.0	1.01
39.3	0.88	83.3	1.04	37.8	0.81	81.8	0.97	240.3	1.22	300.9	1.16	331.0	1.03
40.3	0.89	84.3	1.04	38.8	0.82	82.8	0.98	255.3	1.24	315.9	1.18	361.0	1.05
41.3	0.89	85.3	1.05	39.8	0.83	83.8	0.98	270.3	1.25	330.9	1.19	391.0	1.07
42.3	0.90	86.3	1.05	40.8	0.83	84.8	0.98	285.3	1.26	345.9	1.20	421.0	1.09
42.3	0.90	87.3	1.05	41.8	0.83	85.8	0.99	300.3	1.27	360.9	1.21	481.0	1.12
43.3	0.91	88.3	1.05	42.8	0.84	86.8	0.99	315.3	1.29	390.9	1.23	541.0	1.14
44.3	0.91	89.3	1.06	43.8	0.85	87.8	0.99	C Belts		420.9	1.24	601.0	1.17
45.3	0.92	90.3	1.06	44.8	0.85	88.8	0.99	53.9	0.80	450.9	1.26
46.3	0.92	91.3	1.06	45.8	0.85	89.8	1.00	57.9	0.81	480.9	1.27
47.3	0.93	92.3	1.06	46.8	0.86	90.8	1.00	62.9	0.82	D Belts	
48.3	0.93	93.3	1.07	47.8	0.87	91.8	1.00	70.9	0.85	108.3	0.83
49.3	0.93	94.3	1.07	48.8	0.87	92.8	1.00	73.9	0.87	115.3	0.84
50.3	0.94	95.3	1.07	49.8	0.87	93.8	1.00	77.9	0.89	123.3	0.86
51.3	0.94	96.3	1.07	50.8	0.88	94.8	1.01	83.9	0.90	131.3	0.87
52.3	0.95	97.3	1.08	51.8	0.88	95.8	1.01	87.9	0.91	147.3	0.90
53.3	0.95	98.3	1.08	52.8	0.89	96.8	1.01	92.9	0.92	161.3	0.92
54.3	0.96	99.3	1.08	53.8	0.89	97.8	1.01	98.9	0.92	165.3	0.92
55.3	0.96	101.3	1.08	54.8	0.89	98.8	1.02	99.9	0.92	176.3	0.93
56.6	0.96	106.3	1.10	55.8	0.89	99.8	1.02	101.9	0.92	183.3	0.94
57.3	0.96	111.3	1.11	56.8	0.90	100.8	1.02	103.9	0.94	198.3	0.96

E Belts recommended for replacement only, not for new drive design

Table 10 - Arc Correction Factors

D-d‡	Approx. Arc of Contact on Small Shv.	Factor	D-d‡	Approx. Arc of Contact on Small Shv.	Factor
.00	180°	1.00	.80	133°	.87
.10	174°	.99	.90	127°	.85
.20	169°	.97	1.00	120°	.82
.30	163°	.96	1.10	113°	.80
.40	157°	.94	1.20	106°	.77
.50	151°	.93	1.30	99°	.73
.60	145°	.91	1.40	91°	.70
.70	139°	.89	1.50	83°	.65

‡ D = Dia. of large sheave.
d = Dia. of small sheave.
C = Center distance

NOTE: Selection program VIA-VISA available at www.ptwizard.com.



SELECTION

A S-L CLASSIC AX CLASSIC COG STOCK DRIVE SELECTIONS

Ratio	Stock Shv.		3500 RPM Driver			1750 RPM Driver			1160 RPM Driver			Belt Size/Center Distance						
	Datum Diam.		Driven RPM	HP Per Belt		Driven RPM	HP Per Belt		Driven RPM	HP Per Belt		A26 AX26	A31 AX31	A33 AX33	A35 AX35	A38 AX38	A42 AX42	A46 AX46
	Driver	Driven		A	AX		A	AX		A	AX							
1.00	3.0	3.0	3500	3.42	4.61	1750	2.37	3.08	1160	1.78	2.33	8.9	11.4	12.4	13.4	14.9	16.9	18.9
1.00	3.4	3.4	3500	4.60	5.68	1750	3.09	3.72	1160	2.29	2.79	8.3	10.8	11.8	12.8	14.3	16.3	18.3
1.00	3.8	3.8	3500	5.72	6.70	1750	3.80	4.35	1160	2.79	3.24	7.7	10.2	11.2	12.2	13.7	15.7	17.7
1.00	4.2	4.2	3500	6.77	7.68	1750	4.49	4.96	1160	3.29	3.69	7.1	9.6	10.6	11.6	13.1	15.1	17.1
1.00	4.6	4.6	3500	7.75	8.62	1750	5.16	5.56	1160	3.77	4.13	6.4	8.9	9.9	10.9	12.4	14.4	16.4
1.00	5.0	5.0	3500	8.66	9.52	1750	5.83	6.15	1160	4.25	4.56	---	8.3	9.3	10.3	11.8	13.8	15.8
1.00	5.2	5.2	3500	9.09	9.96	1750	6.15	6.44	1160	4.49	4.77	---	8.0	9.0	10.0	11.5	13.5	15.5
1.00	6.0	6.0	3500	10.60	11.59	1750	7.42	7.57	1160	5.43	5.60	---	---	7.7	8.7	10.2	12.2	14.2
1.00	7.0	7.0	3500	---	---	1750	8.92	8.92	1160	6.56	6.61	---	---	---	---	8.7	10.7	12.7
1.03	5.6	5.8	3387	10.02	10.93	1693	6.86	7.08	1122	5.01	5.23	---	7.2	8.2	9.2	10.7	12.7	14.7
1.04	5.0	5.2	3375	8.81	9.67	1687	5.90	6.23	1118	4.30	4.60	5.6	8.1	9.1	10.1	11.6	13.6	15.6
1.04	4.2	4.4	3354	6.94	7.85	1677	4.57	5.05	1111	3.34	3.75	6.9	9.4	10.4	11.4	12.9	14.9	16.9
1.05	3.6	3.8	3333	5.36	6.39	1666	3.54	4.13	1104	2.61	3.08	7.8	10.3	11.3	12.3	13.8	15.8	17.8
1.06	3.0	3.2	3304	3.64	4.83	1652	2.48	3.19	1095	1.86	2.40	8.8	11.3	12.3	13.3	14.8	16.8	18.8
1.06	6.0	6.4	3294	10.83	11.82	1647	7.54	7.69	1092	5.50	5.68	---	6.4	7.4	8.4	9.9	11.9	13.9
1.07	5.2	5.6	3266	9.35	10.22	1633	6.28	6.57	1082	4.58	4.85	---	7.7	8.7	9.7	11.2	13.2	15.2
1.08	4.6	5.0	3240	8.04	8.91	1620	5.31	5.71	1074	3.87	4.22	6.1	8.6	9.6	10.6	12.1	14.1	16.1
1.09	4.0	4.4	3207	6.57	7.51	1604	4.30	4.82	1063	3.14	3.57	7.1	9.6	10.6	11.6	13.1	15.1	17.1
1.09	6.0	6.6	3199	10.92	11.91	1600	7.58	7.73	1060	5.53	5.71	---	6.3	7.3	8.3	9.8	11.8	13.8
1.10	5.6	6.2	3181	10.23	11.13	1590	6.96	7.18	1054	5.07	5.30	---	6.9	7.9	8.9	10.4	12.4	14.4
1.10	3.6	4.0	3180	5.51	6.53	1590	3.61	4.21	1054	2.66	3.13	7.7	10.2	11.2	12.2	13.7	15.7	17.7
1.11	5.2	5.8	3160	9.45	10.31	1580	6.33	6.62	1047	4.61	4.89	---	7.5	8.5	9.5	11.0	13.0	15.0
1.11	3.2	3.6	3148	4.38	5.52	1574	2.92	3.59	1043	2.16	2.68	8.3	10.8	11.8	12.8	14.3	16.3	18.3
1.12	4.8	5.4	3137	8.60	9.46	1568	5.69	6.05	1040	4.14	4.47	5.6	8.1	9.1	10.1	11.6	13.6	15.6
1.12	3.0	3.4	3130	3.80	5.00	1565	2.56	3.27	1037	1.91	2.46	8.6	11.1	12.1	13.1	14.6	16.6	18.6
1.13	4.2	4.8	3095	7.18	8.10	1547	4.69	5.17	1026	3.42	3.83	6.6	9.1	10.1	11.1	12.6	14.6	16.6
1.13	5.6	6.4	3087	10.31	11.21	1544	7.00	7.22	1023	5.10	5.33	---	6.7	7.7	8.7	10.2	12.2	14.2
1.14	3.8	4.4	3061	6.16	7.14	1530	4.02	4.57	1014	2.94	3.39	7.2	9.7	10.7	11.7	13.2	15.2	17.2
1.15	5.0	5.8	3047	9.12	9.97	1523	6.05	6.38	1010	4.40	4.70	---	7.7	8.7	9.7	11.2	13.2	15.2
1.15	3.6	4.2	3041	5.62	6.65	1521	3.67	4.27	1008	2.69	3.17	7.5	10.0	11.0	12.0	13.5	15.5	17.5
ARC-LENGTH CORRECTION FACTOR →												0.74	0.79	0.81	0.82	0.84	0.87	0.89
1.16	6.0	7.0	3026	11.07	12.06	1513	7.65	7.80	1003	5.58	5.75	---	---	6.9	7.9	9.4	11.4	13.4
1.16	3.4	4.0	3021	5.07	6.15	1510	3.33	3.96	1001	2.45	2.95	7.8	10.3	11.3	12.3	13.8	15.8	17.8
1.16	4.6	5.4	3016	8.23	9.10	1508	5.40	5.80	999	3.93	4.28	5.8	8.3	9.3	10.3	11.8	13.8	15.8
1.17	3.2	3.8	2998	4.50	5.64	1499	2.98	3.65	993	2.20	2.72	8.1	10.7	11.7	12.7	14.2	16.2	18.2
1.18	3.0	3.6	2972	3.92	5.12	1486	2.62	3.34	985	1.95	2.50	8.5	11.0	12.0	13.0	14.5	16.5	18.5
1.18	4.0	4.8	2959	6.77	7.71	1480	4.40	4.92	981	3.21	3.64	6.7	9.2	10.2	11.2	12.7	14.7	16.7
1.19	5.0	6.0	2951	9.19	10.04	1476	6.09	6.41	978	4.43	4.73	---	7.5	8.5	9.5	11.0	13.0	15.0
1.19	3.8	4.6	2938	6.25	7.23	1469	4.06	4.62	974	2.97	3.42	7.0	9.5	10.5	11.5	13.0	15.1	17.1
1.21	3.4	4.2	2889	5.16	6.24	1444	3.37	4.01	957	2.48	2.98	7.7	10.2	11.2	12.2	13.7	15.7	17.7
1.22	5.2	6.4	2881	9.66	10.53	1440	6.44	6.73	955	4.68	4.96	---	7.0	8.0	9.0	10.5	12.5	14.5
1.23	4.0	5.0	2849	6.84	7.78	1425	4.44	4.95	944	3.23	3.66	6.6	9.1	10.1	11.1	12.6	14.6	16.6
1.23	5.6	7.0	2836	10.48	11.39	1418	7.09	7.31	940	5.16	5.38	---	6.2	7.2	8.2	9.7	11.7	13.7
1.24	3.0	3.8	2830	4.02	5.21	1415	2.67	3.38	938	1.98	2.53	8.3	10.8	11.8	12.8	14.3	16.3	18.3
1.24	3.8	4.8	2824	6.32	7.30	1412	4.10	4.65	936	2.99	3.44	6.9	9.4	10.4	11.4	12.9	14.9	16.9
1.24	4.6	5.8	2820	8.36	9.23	1410	5.47	5.87	935	3.97	4.33	5.5	8.0	9.0	10.0	11.5	13.5	15.5
1.25	5.2	6.6	2798	9.71	10.57	1399	6.46	6.75	927	4.70	4.97	---	6.9	7.9	8.9	10.4	12.4	14.4
1.26	4.2	5.4	2773	7.40	8.31	1387	4.80	5.28	919	3.50	3.90	6.1	8.6	9.6	10.6	12.1	14.1	16.1
1.27	6.4	8.2	2766	11.86	12.98	1383	8.35	8.44	917	6.10	6.22	---	---	---	---	8.1	10.1	12.2
1.27	4.8	6.2	2755	8.86	9.72	1378	5.82	6.18	913	4.23	4.55	---	7.5	8.5	9.5	11.0	13.0	15.0
1.28	4.6	6.0	2732	8.41	9.28	1366	5.49	5.89	905	3.99	4.34	5.3	7.8	8.8	9.8	11.3	13.3	15.3
1.29	3.8	5.0	2719	6.38	7.36	1360	4.13	4.68	901	3.01	3.46	6.7	9.2	10.2	11.2	12.7	14.7	16.7
1.30	3.0	4.0	2701	4.09	5.28	1350	2.71	3.42	895	2.01	2.55	8.1	10.6	11.6	12.6	14.1	16.1	18.1
1.30	3.6	4.8	2689	5.84	6.87	1345	3.78	4.38	891	2.77	3.24	7.0	9.5	10.5	11.5	13.0	15.0	17.0
1.31	4.8	6.4	2674	8.90	9.76	1337	5.84	6.20	886	4.24	4.57	---	7.3	8.3	9.3	10.8	12.8	14.8
1.32	4.0	5.4	2652	6.95	7.89	1326	4.49	5.01	879	3.27	3.70	6.2	8.7	9.7	10.7	12.3	14.3	16.3
1.32	5.2	7.0	2646	9.79	10.65	1323	6.50	6.79	877	4.72	5.00	---	6.5	7.5	8.5	10.0	12.0	14.0
1.33	5.6	7.6	2623	10.59	11.50	1311	7.15	7.36	869	5.20	5.42	---	---	6.7	7.7	9.2	11.2	13.3
1.34	3.2	4.4	2621	4.72	5.86	1311	3.09	3.76	869	2.27	2.80	7.7	10.2	11.2	12.2	13.7	15.7	17.7
1.34	6.0	8.2	2603	11.31	12.31	1301	7.78	7.93	863	5.66	5.84	---	---	---	6.9	8.4	10.4	12.5
1.35	4.2	5.8	2594	7.49	8.40	1297	4.85	5.32	860	3.52	3.93	5.7	8.3	9.3	10.3	11.8	13.8	15.8
ARC-LENGTH CORRECTION FACTOR →												0.74	0.78	0.80	0.82	0.84	0.87	0.89

NOTE: Selection program VIA-VISA available at www.ptwizard.com.

SELECTION



A S-L CLASSIC AX CLASSIC COG STOCK DRIVE SELECTIONS

Ratio	Belt Size/Center Distance																		
	A48 AX48	A51 AX51	A53 AX53	A55 AX55	A60 AX60	A64 AX64	A66 AX66	A68 AX68	A71 AX71	A75 AX75	A78 AX78	A80 AX80	A85 AX85	A90 AX90	A96 AX96	A105 AX105	A112 AX112	A120 AX120	A128 AX128
1.00	19.9	21.4	22.4	23.4	25.9	27.9	28.9	29.9	31.4	33.4	34.9	35.9	38.4	40.9	43.9	48.4	51.9	55.9	59.9
1.00	19.3	20.8	21.8	22.8	25.3	27.3	28.3	29.3	30.8	32.8	34.3	35.3	37.8	40.3	43.3	47.8	51.3	55.3	59.3
1.00	18.7	20.2	21.2	22.2	24.7	26.7	27.7	28.7	30.2	32.2	33.7	34.7	37.2	39.7	42.7	47.2	50.7	54.7	58.7
1.00	18.1	19.6	20.6	21.6	24.1	26.1	27.1	28.1	29.6	31.6	33.1	34.1	36.6	39.1	42.1	46.6	50.1	54.1	58.1
1.00	17.4	18.9	19.9	20.9	23.4	25.4	26.4	27.4	28.9	30.9	32.4	33.4	35.9	38.4	41.4	45.9	49.4	53.4	57.4
1.00	16.8	18.3	19.3	20.3	22.8	24.8	25.8	26.8	28.3	30.3	31.8	32.8	35.3	37.8	40.8	45.3	48.8	52.8	56.8
1.00	16.5	18.0	19.0	20.0	22.5	24.5	25.5	26.5	28.0	30.0	31.5	32.5	35.0	37.5	40.5	45.0	48.5	52.5	56.5
1.00	15.2	16.7	17.7	18.7	21.2	23.2	24.2	25.2	26.7	28.7	30.2	31.2	33.7	36.2	39.2	43.7	47.2	51.2	55.2
1.00	13.7	15.2	16.2	17.2	19.7	21.7	22.7	23.7	25.2	27.2	28.7	29.7	32.2	34.7	37.7	42.2	45.7	49.7	53.7
1.03	15.7	17.2	18.2	19.2	21.7	23.7	24.7	25.7	27.2	29.2	30.7	31.7	34.2	36.7	39.7	44.2	47.7	51.7	55.7
1.04	16.6	18.1	19.1	20.1	22.6	24.6	25.6	26.6	28.1	30.1	31.6	32.6	35.1	37.6	40.6	45.1	48.6	52.6	56.6
1.04	17.9	19.4	20.4	21.4	23.9	25.9	26.9	27.9	29.4	31.4	32.9	33.9	36.4	38.9	41.9	46.4	49.9	53.9	57.9
1.05	18.8	20.3	21.3	22.3	24.8	26.8	27.8	28.8	30.3	32.3	33.8	34.8	37.3	39.8	42.8	47.3	50.8	54.8	58.8
1.06	19.8	21.3	22.3	23.3	25.8	27.8	28.8	29.8	31.3	33.3	34.8	35.8	38.3	40.8	43.8	48.3	51.8	55.8	59.8
1.06	14.9	16.4	17.4	18.4	20.9	22.9	23.9	24.9	26.4	28.4	29.9	30.9	33.4	35.9	38.9	43.4	46.9	50.9	54.9
1.07	16.2	17.7	18.7	19.7	22.2	24.2	25.2	26.2	27.7	29.7	31.2	32.2	34.7	37.2	40.2	44.7	48.2	52.2	56.2
1.08	17.1	18.6	19.6	20.6	23.1	25.1	26.1	27.1	28.6	30.6	32.1	33.1	35.6	38.1	41.1	45.6	49.1	53.1	57.1
1.09	18.1	19.6	20.6	21.6	24.1	26.1	27.1	28.1	29.6	31.6	33.1	34.1	36.6	39.1	42.1	46.6	50.1	54.1	58.1
1.09	14.8	16.3	17.3	18.3	20.8	22.8	23.8	24.8	26.3	28.3	29.8	30.8	33.3	35.8	38.8	43.3	46.8	50.8	54.8
1.10	15.4	16.9	17.9	18.9	21.4	23.4	24.4	25.4	26.9	28.9	30.4	31.4	33.9	36.4	39.4	43.9	47.4	51.4	55.4
1.10	18.7	20.2	21.2	22.2	24.7	26.7	27.7	28.7	30.2	32.2	33.7	34.7	37.2	39.7	42.7	47.2	50.7	54.7	58.7
1.11	16.0	17.5	18.5	19.5	22.0	24.0	25.0	26.0	27.5	29.5	31.0	32.0	34.5	37.0	40.0	44.5	48.0	52.0	56.0
1.11	19.3	20.8	21.8	22.8	25.3	27.3	28.3	29.3	30.8	32.8	34.3	35.3	37.8	40.3	43.3	47.8	51.3	55.3	59.3
1.12	16.6	18.1	19.1	20.1	22.6	24.6	25.6	26.6	28.1	30.1	31.6	32.6	35.1	37.6	40.6	45.1	48.6	52.6	56.6
1.12	19.6	21.1	22.1	23.1	25.6	27.6	28.6	29.6	31.1	33.1	34.6	35.6	38.1	40.6	43.6	48.1	51.6	55.6	59.6
1.13	17.6	19.1	20.1	21.1	23.6	25.6	26.6	27.6	29.1	31.1	32.6	33.6	36.1	38.6	41.6	46.1	49.6	53.6	57.6
1.13	15.2	16.7	17.7	18.7	21.2	23.2	24.2	25.2	26.7	28.7	30.2	31.2	33.7	36.2	39.2	43.7	47.2	51.2	55.2
1.14	18.2	19.7	20.7	21.7	24.2	26.2	27.2	28.2	29.7	31.7	33.2	34.2	36.7	39.2	42.2	46.7	50.2	54.2	58.2
1.15	16.2	17.7	18.7	19.7	22.2	24.2	25.2	26.2	27.7	29.7	31.2	32.2	34.7	37.2	40.2	44.7	48.2	52.2	56.2
1.15	18.5	20.0	21.0	22.0	24.5	26.5	27.5	28.5	30.0	32.0	33.5	34.5	37.0	39.5	42.5	47.0	50.5	54.5	58.5
	0.90	0.92	0.93	0.94	0.96	0.97	0.99	1.00	1.01	1.02	1.03	1.04	1.06	1.07	1.09	1.12	1.13	1.15	1.17
1.16	14.4	15.9	16.9	17.9	20.4	22.4	23.4	24.4	25.9	27.9	29.4	30.4	32.9	35.4	38.4	42.9	46.4	50.4	54.4
1.16	18.8	20.3	21.3	22.3	24.8	26.8	27.8	28.8	30.3	32.3	33.8	34.8	37.3	39.8	42.8	47.3	50.8	54.8	58.8
1.16	16.8	18.3	19.3	20.3	22.8	24.8	25.8	26.8	28.3	30.3	31.8	32.8	35.3	37.8	40.8	45.3	48.8	52.8	56.8
1.17	19.2	20.7	21.7	22.7	25.2	27.2	28.2	29.2	30.7	32.7	34.2	35.2	37.7	40.2	43.2	47.7	51.2	55.2	59.2
1.18	19.5	21.0	22.0	23.0	25.5	27.5	28.5	29.5	31.0	33.0	34.5	35.5	38.0	40.5	43.5	48.0	51.5	55.5	59.5
1.18	17.7	19.2	20.2	21.2	23.7	25.7	26.7	27.7	29.2	31.2	32.7	33.7	36.2	38.7	41.7	46.2	49.7	53.7	57.7
1.19	16.0	17.5	18.5	19.5	22.0	24.0	25.0	26.0	27.5	29.5	31.0	32.0	34.5	37.0	40.0	44.5	48.0	52.0	56.0
1.19	18.1	19.6	20.6	21.6	24.1	26.1	27.1	28.1	29.6	31.6	33.1	34.1	36.6	39.1	42.1	46.6	50.1	54.1	58.1
1.21	18.7	20.2	21.2	22.2	24.7	26.7	27.7	28.7	30.2	32.2	33.7	34.7	37.2	39.7	42.7	47.2	50.7	54.7	58.7
1.22	15.5	17.0	18.0	19.0	21.5	23.5	24.5	25.5	27.0	29.0	30.5	31.5	34.0	36.5	39.5	44.0	47.5	51.5	55.5
1.23	17.6	19.1	20.1	21.1	23.6	25.6	26.6	27.6	29.1	31.1	32.6	33.6	36.1	38.6	41.6	46.1	49.6	53.6	57.6
1.23	14.7	16.2	17.2	18.2	20.7	22.7	23.7	24.7	26.2	28.2	29.7	30.7	33.2	35.7	38.7	43.2	46.7	50.7	54.7
1.24	19.3	20.8	21.8	22.8	25.3	27.3	28.3	29.3	30.8	32.8	34.3	35.3	37.8	40.3	43.3	47.8	51.3	55.3	59.3
1.24	17.9	19.4	20.4	21.4	23.9	25.9	26.9	27.9	29.4	31.4	32.9	33.9	36.4	38.9	41.9	46.4	49.9	53.9	57.9
1.24	16.5	18.0	19.0	20.0	22.5	24.5	25.5	26.5	28.0	30.0	31.5	32.5	35.0	37.5	40.5	45.0	48.5	52.5	56.5
1.25	15.4	16.9	17.9	18.9	21.4	23.4	24.4	25.4	26.9	28.9	30.4	31.4	33.9	36.4	39.4	43.9	47.4	51.4	55.4
1.26	17.1	18.6	19.6	20.6	23.1	25.1	26.1	27.1	28.6	30.6	32.1	33.1	35.6	38.1	41.1	45.6	49.1	53.1	57.1
1.27	13.2	14.7	15.7	16.7	19.2	21.2	22.2	23.2	24.7	26.7	28.2	29.2	31.7	34.2	37.2	41.7	45.2	49.2	53.2
1.27	16.0	17.5	18.5	19.5	22.0	24.0	25.0	26.0	27.5	29.5	31.0	32.0	34.5	37.0	40.0	44.5	48.0	52.0	56.0
1.28	16.3	17.8	18.8	19.8	22.3	24.3	25.3	26.3	27.8	29.8	31.3	32.3	34.8	37.3	40.3	44.8	48.3	52.3	56.3
1.29	17.7	19.2	20.2	21.2	23.7	25.7	26.7	27.7	29.2	31.2	32.7	33.7	36.2	38.7	41.7	46.2	49.7	53.7	57.7
1.30	19.1	20.6	21.6	22.6	25.1	27.1	28.1	29.1	30.6	32.6	34.1	35.1	37.6	40.1	43.1	47.6	51.1	55.1	59.1
1.30	18.0	19.5	20.5	21.5	24.0	26.0	27.0	28.0	29.5	31.5	33.0	34.0	36.5	39.0	42.0	46.5	50.0	54.0	58.0
1.31	15.8	17.3	18.3	19.3	21.8	23.8	24.8	25.8	27.3	29.3	30.8	31.8	34.3	36.8	39.8	44.3	47.8	51.8	55.8
1.32	17.3	18.8	19.8	20.8	23.3	25.3	26.3	27.3	28.8	30.8	32.3	33.3	35.8	38.3	41.3	45.8	49.3	53.3	57.3
1.32	15.0	16.5	17.5	18.5	21.0	23.0	24.0	25.0	26.5	28.5	30.0	31.0	33.5	36.0	39.0	43.5	47.0	51.0	55.0
1.33	14.3	15.8	16.8	17.8	20.3	22.3	23.3	24.3	25.8	27.8	29.3	30.3	32.8	35.3	38.3	42.8	46.3	50.3	54.3
1.34	18.7	20.2	21.2	22.2	24.7	26.7	27.7	28.7	30.2	32.2	33.7	34.7	37.2	39.7	42.7	47.2	50.7	54.7	58.7
1.34	13.5	15.0	16.0	17.0	19.5	21.5	22.5	23.5	25.0	27.0	28.5	29.5	32.0	34.5	37.5	42.0	45.5	49.5	53.5
1.35	16.8	18.3	19.3	20.3	22.8	24.8	25.8	26.8	28.3	30.3	31.8	32.8	35.3	37.8	40.8	45.3	48.8	52.8	56.8
	0.90	0.92	0.93	0.94	0.96	0.97	0.99	1.00	1.01	1.02	1.03	1.04	1.06	1.07	1.09	1.11	1.13	1.15	1.17

NOTE: Selection program VIA-VISA available at www.ptwizard.com.

SELECTION



A S-L CLASSIC AX CLASSIC COG STOCK DRIVE SELECTIONS

Ratio	Stock Shv.		3500 RPM Driver			1750 RPM Driver			1160 RPM Driver			Belt Size/Center Distance						
	Datum Diam.		Driven RPM	HP Per Belt		Driven RPM	HP Per Belt		Driven RPM	HP Per Belt		A26 AX26	A31 AX31	A33 AX33	A35 AX35	A38 AX38	A42 AX42	A46 AX46
	Driver	Driven		A	AX		A	AX		A	AX							
1.36	3.0	4.2	2583	4.14	5.34	1291	2.73	3.44	856	2.02	2.57	8.0	10.5	11.5	12.5	14.0	16.0	18.0
1.36	4.6	6.4	2571	8.48	9.35	1285	5.53	5.93	852	4.01	4.37	---	7.5	8.5	9.5	11.0	13.0	15.0
1.37	5.0	7.0	2551	9.40	10.26	1276	6.19	6.52	846	4.50	4.80	---	6.7	7.7	8.7	10.2	12.2	14.2
1.38	3.8	5.4	2531	6.46	7.45	1266	4.17	4.72	839	3.04	3.49	6.4	8.9	9.9	10.9	12.4	14.4	16.4
1.38	6.4	9.0	2530	11.97	13.09	1265	8.41	8.49	838	6.13	6.25	---	---	---	---	7.4	9.5	11.5
1.40	4.6	6.6	2497	8.51	9.38	1249	5.54	5.94	828	4.02	4.38	---	7.3	8.3	9.3	10.8	12.8	14.8
1.40	3.6	5.2	2496	5.92	6.95	1248	3.82	4.42	827	2.79	3.27	6.7	9.2	10.2	11.2	12.7	14.7	16.7
1.41	3.0	4.4	2475	4.18	5.38	1237	2.75	3.47	820	2.04	2.58	7.8	10.3	11.3	12.3	13.8	15.8	17.8
1.42	4.8	7.0	2457	8.99	9.85	1228	5.88	6.25	814	4.27	4.60	---	6.8	7.8	8.8	10.3	12.3	14.3
1.43	5.6	8.2	2439	10.66	11.57	1220	7.18	7.40	808	5.22	5.44	---	---	---	7.2	8.7	10.7	12.8
1.44	4.2	6.2	2436	7.55	8.46	1218	4.88	5.35	807	3.54	3.95	5.4	7.9	8.9	9.9	11.4	13.4	15.5
1.45	3.2	4.8	2419	4.80	5.94	1209	3.13	3.80	802	2.30	2.82	7.3	9.8	10.8	11.8	13.3	15.3	17.4
1.47	3.0	4.6	2376	4.22	5.41	1188	2.77	3.48	787	2.05	2.60	7.6	10.2	11.2	12.2	13.7	15.7	17.7
1.48	3.8	5.8	2367	6.52	7.50	1184	4.20	4.75	785	3.06	3.51	6.0	8.6	9.6	10.6	12.1	14.1	16.1
1.48	4.6	7.0	2362	8.56	9.43	1181	5.56	5.97	783	4.04	4.39	---	6.9	8.0	9.0	10.5	12.5	14.5
1.50	4.0	6.2	2330	7.07	8.01	1165	4.55	5.07	772	3.31	3.74	5.5	8.1	9.1	10.1	11.6	13.6	15.6
1.50	3.2	5.0	2329	4.83	5.97	1164	3.14	3.81	772	2.31	2.83	7.2	9.7	10.7	11.7	13.2	15.2	17.2
1.53	3.4	5.4	2289	5.42	6.50	1144	3.50	4.14	759	2.56	3.07	6.7	9.2	10.2	11.2	12.7	14.7	16.7
1.53	3.0	4.8	2284	4.24	5.44	1142	2.78	3.50	757	2.06	2.60	7.5	10.0	11.0	12.0	13.5	15.5	17.5
1.54	5.2	8.2	2276	9.92	10.79	1138	6.57	6.86	754	4.77	5.04	---	---	6.5	7.5	9.0	11.0	13.0
1.55	4.0	6.4	2261	7.08	8.03	1131	4.56	5.08	749	3.32	3.74	5.4	7.9	8.9	9.9	11.4	13.4	15.4
1.56	3.2	5.2	2246	4.85	5.99	1123	3.15	3.82	744	2.32	2.84	7.0	9.5	10.5	11.5	13.0	15.0	17.0
1.57	5.6	9.0	2231	10.73	11.64	1116	7.21	7.43	740	5.24	5.46	---	---	---	---	8.0	10.0	12.1
1.59	3.0	5.0	2199	4.27	5.46	1099	2.79	3.51	729	2.06	2.61	7.3	9.8	10.8	11.8	13.3	15.3	17.3
1.59	4.0	6.6	2196	7.10	8.05	1098	4.57	5.08	728	3.32	3.75	---	7.7	8.7	9.7	11.3	13.3	15.3
1.59	5.0	8.2	2195	9.51	10.37	1097	6.25	6.58	727	4.53	4.84	---	---	6.6	7.6	9.1	11.2	13.2
1.60	3.6	6.0	2183	6.02	7.05	1092	3.87	4.47	724	2.82	3.30	6.0	8.5	9.5	10.5	12.1	14.1	16.1
1.61	4.2	7.0	2172	7.62	8.54	1086	4.91	5.39	720	3.57	3.97	---	7.2	8.2	9.3	10.8	12.8	14.8
1.61	3.2	5.4	2168	4.87	6.01	1084	3.16	3.83	718	2.32	2.85	6.8	9.3	10.3	11.3	12.9	14.9	16.9
1.65	3.0	5.2	2120	4.28	5.48	1060	2.80	3.52	703	2.07	2.62	7.1	9.7	10.7	11.7	13.2	15.2	17.2
ARC-LENGTH CORRECTION FACTOR →												0.73	0.78	0.80	0.81	0.83	0.86	0.89
1.65	3.6	6.2	2117	6.03	7.06	1059	3.88	4.47	702	2.83	3.31	5.8	8.4	9.4	10.4	11.9	13.9	15.9
1.66	4.8	8.2	2113	9.09	9.95	1057	5.93	6.29	700	4.30	4.63	---	---	6.7	7.8	9.3	11.3	13.3
1.67	3.8	6.6	2096	6.59	7.57	1048	4.23	4.79	695	3.08	3.53	5.3	7.9	8.9	9.9	11.4	13.4	15.4
1.68	5.2	9.0	2082	9.97	10.83	1041	6.59	6.88	690	4.78	5.06	---	---	---	6.7	8.3	10.3	12.4
1.69	3.4	6.0	2074	5.47	6.55	1037	3.53	4.16	687	2.58	3.08	6.1	8.7	9.7	10.7	12.2	14.2	16.2
1.71	3.0	5.4	2047	4.30	5.49	1023	2.81	3.52	678	2.08	2.62	7.0	9.5	10.5	11.5	13.0	15.0	17.0
1.72	6.0	10.6	2034	11.48	12.47	1017	7.86	8.01	674	5.72	5.89	---	---	---	---	---	8.3	10.4
1.72	4.6	8.2	2031	8.64	9.51	1016	5.60	6.01	673	4.07	4.42	---	---	6.9	7.9	9.4	11.5	13.5
1.74	3.4	6.2	2011	5.49	6.57	1005	3.53	4.17	666	2.59	3.09	5.9	8.5	9.5	10.5	12.0	14.0	16.1
1.77	3.8	7.0	1982	6.61	7.59	991	4.24	4.80	657	3.09	3.54	---	7.5	8.5	9.5	11.1	13.1	15.1
1.77	3.0	5.6	1978	4.31	5.51	989	2.82	3.53	656	2.08	2.63	6.8	9.3	10.3	11.3	12.8	14.8	16.8
1.79	3.4	6.4	1951	5.50	6.58	976	3.54	4.17	647	2.59	3.09	5.8	8.3	9.3	10.3	11.9	13.9	15.9
1.81	4.8	9.0	1933	9.12	9.98	966	5.95	6.31	641	4.31	4.64	---	---	---	7.0	8.6	10.6	12.6
1.82	4.0	7.6	1921	7.15	8.10	961	4.59	5.11	637	3.34	3.77	---	6.8	7.8	8.9	10.4	12.4	14.4
1.83	3.0	5.8	1914	4.32	5.52	957	2.82	3.53	634	2.08	2.63	6.6	9.1	10.1	11.2	12.7	14.7	16.7
1.84	5.6	10.6	1906	10.79	11.70	953	7.25	7.46	632	5.26	5.49	---	---	---	---	---	8.6	10.6
1.85	3.4	6.6	1895	5.51	6.58	948	3.54	4.18	628	2.59	3.09	5.6	8.1	9.2	10.2	11.7	13.7	15.7
1.87	4.2	8.2	1868	7.68	8.59	934	4.94	5.42	619	3.59	3.99	---	6.1	7.1	8.2	9.7	11.7	13.8
1.88	4.6	9.0	1858	8.67	9.53	929	5.62	6.02	616	4.07	4.43	---	---	---	7.1	8.7	10.7	12.8
1.89	3.0	6.0	1854	4.33	5.53	927	2.83	3.54	615	2.09	2.63	6.4	9.0	10.0	11.0	12.5	14.5	16.5
1.91	3.8	7.6	1833	6.63	7.62	917	4.25	4.81	608	3.10	3.55	---	6.9	8.0	9.0	10.5	12.6	14.6
1.95	3.0	6.2	1798	4.34	5.53	899	2.83	3.54	596	2.09	2.64	6.2	8.8	9.8	10.8	12.3	14.3	16.3
1.95	3.4	7.0	1793	5.52	6.60	896	3.55	4.18	594	2.60	3.10	5.2	7.8	8.8	9.8	11.3	13.4	15.4
1.96	4.0	8.2	1787	7.17	8.12	893	4.60	5.12	592	3.35	3.77	---	6.2	7.3	8.3	9.8	11.9	13.9
1.97	5.2	10.6	1779	10.01	10.88	889	6.61	6.90	590	4.80	5.07	---	---	---	---	---	8.8	10.9
2.00	6.4	13.2	1747	12.15	13.27	874	8.50	8.58	579	6.19	6.31	---	---	---	---	---	---	---
2.01	3.6	7.6	1746	6.09	7.12	873	3.91	4.50	579	2.85	3.33	---	7.1	8.1	9.1	10.7	12.7	14.7
2.01	3.0	6.4	1745	4.34	5.54	872	2.83	3.55	578	2.09	2.64	6.0	8.6	9.6	10.6	12.2	14.2	16.2
2.04	5.0	10.6	1715	9.59	10.45	857	6.29	6.62	568	4.56	4.86	---	---	---	---	---	9.0	11.0
2.05	3.8	8.2	1705	6.65	7.63	853	4.26	4.82	565	3.10	3.55	---	6.3	7.4	8.4	10.0	12.0	14.1
ARC-LENGTH CORRECTION FACTOR →												0.73	0.78	0.80	0.81	0.83	0.86	0.89

NOTE: Selection program VIA-VISA available at www.ptwizard.com.

SELECTION



A S-L CLASSIC AX CLASSIC COG STOCK DRIVE SELECTIONS

Ratio	Belt Size/Center Distance																		
	A48 AX48	A51 AX51	A53 AX53	A55 AX55	A60 AX60	A64 AX64	A66 AX66	A68 AX68	A71 AX71	A75 AX75	A78 AX78	A80 AX80	A85 AX85	A90 AX90	A96 AX96	A105 AX105	A112 AX112	A120 AX120	A128 AX128
1.36	19.0	20.5	21.5	22.5	25.0	27.0	28.0	29.0	30.5	32.5	34.0	35.0	37.5	40.0	43.0	47.5	51.0	55.0	59.0
1.36	16.0	17.5	18.5	19.5	22.0	24.0	25.0	26.0	27.5	29.5	31.0	32.0	34.5	37.0	40.0	44.5	48.0	52.0	56.0
1.37	15.2	16.7	17.7	18.7	21.2	23.2	24.2	25.2	26.7	28.7	30.2	31.2	33.7	36.2	39.2	43.7	47.2	51.2	55.2
1.38	17.4	18.9	19.9	20.9	23.4	25.4	26.4	27.4	28.9	30.9	32.4	33.4	35.9	38.4	41.4	45.9	49.4	53.4	57.4
1.38	12.5	14.0	15.0	16.0	18.5	20.5	21.5	22.5	24.0	26.0	27.5	28.5	31.0	33.5	36.5	41.0	44.5	48.5	52.5
1.40	15.8	17.3	18.3	19.3	21.8	23.8	24.8	25.8	27.3	29.3	30.8	31.8	34.3	36.8	39.8	44.3	47.8	51.8	55.8
1.40	17.7	19.2	20.2	21.2	23.7	25.7	26.7	27.7	29.2	31.2	32.7	33.7	36.2	38.7	41.7	46.2	49.7	53.7	57.7
1.41	18.8	20.3	21.3	22.3	24.8	26.8	27.8	28.8	30.3	32.3	33.8	34.8	37.3	39.8	42.8	47.3	50.8	54.8	58.8
1.42	15.3	16.9	17.9	18.9	21.4	23.4	24.4	25.4	26.9	28.9	30.4	31.4	33.9	36.4	39.4	43.9	47.4	51.4	55.4
1.43	13.8	15.3	16.3	17.3	19.8	21.8	22.8	23.8	25.3	27.3	28.8	29.8	32.3	34.8	37.8	42.3	45.8	49.8	53.8
1.44	16.5	18.0	19.0	20.0	22.5	24.5	25.5	26.5	28.0	30.0	31.5	32.5	35.0	37.5	40.5	45.0	48.5	52.5	56.5
1.45	18.4	19.9	20.9	21.9	24.4	26.4	27.4	28.4	29.9	31.9	33.4	34.4	36.9	39.4	42.4	46.9	50.4	54.4	58.4
1.47	18.7	20.2	21.2	22.2	24.7	26.7	27.7	28.7	30.2	32.2	33.7	34.7	37.2	39.7	42.7	47.2	50.7	54.7	58.7
1.48	17.1	18.6	19.6	20.6	23.1	25.1	26.1	27.1	28.6	30.6	32.1	33.1	35.6	38.1	41.1	45.6	49.1	53.1	57.1
1.48	15.5	17.0	18.0	19.0	21.5	23.5	24.5	25.5	27.0	29.0	30.5	31.5	34.0	36.5	39.5	44.0	47.5	51.5	55.5
1.50	16.6	18.1	19.1	20.1	22.6	24.6	25.6	26.6	28.1	30.1	31.6	32.6	35.1	37.6	40.6	45.1	48.6	52.6	56.6
1.50	18.2	19.7	20.7	21.7	24.2	26.2	27.2	28.2	29.7	31.7	33.2	34.2	36.7	39.2	42.2	46.7	50.2	54.2	58.2
1.53	17.7	19.2	20.2	21.2	23.7	25.7	26.7	27.7	29.2	31.2	32.7	33.7	36.2	38.7	41.7	46.2	49.7	53.7	57.7
1.53	18.5	20.0	21.0	22.0	24.5	26.5	27.5	28.5	30.0	32.0	33.5	34.5	37.0	39.5	42.5	47.0	50.5	54.5	58.5
1.54	14.1	15.6	16.6	17.6	20.1	22.1	23.1	24.1	25.6	27.6	29.1	30.1	32.6	35.1	38.1	42.6	46.1	50.1	54.1
1.55	16.4	17.9	18.9	19.9	22.5	24.5	25.5	26.5	28.0	30.0	31.5	32.5	35.0	37.5	40.5	45.0	48.5	52.5	56.5
1.56	18.0	19.5	20.5	21.5	24.0	26.0	27.0	28.0	29.5	31.5	33.0	34.0	36.5	39.0	42.0	46.5	50.0	54.0	58.0
1.57	13.1	14.6	15.6	16.6	19.1	21.1	22.1	23.1	24.6	26.6	28.1	29.1	31.6	34.1	37.2	41.7	45.2	49.2	53.2
1.59	18.3	19.8	20.8	21.8	24.3	26.4	27.4	28.4	29.9	31.9	33.4	34.4	36.9	39.4	42.4	46.9	50.4	54.4	58.4
1.59	16.3	17.8	18.8	19.8	22.3	24.3	25.3	26.3	27.8	29.8	31.3	32.3	34.8	37.3	40.3	44.8	48.3	52.3	56.3
1.59	14.2	15.7	16.7	17.7	20.2	22.2	23.2	24.2	25.7	27.7	29.2	30.2	32.7	35.3	38.3	42.8	46.3	50.3	54.3
1.60	17.1	18.6	19.6	20.6	23.1	25.1	26.1	27.1	28.6	30.6	32.1	33.1	35.6	38.1	41.1	45.6	49.1	53.1	57.1
1.61	15.8	17.3	18.3	19.3	21.8	23.8	24.8	25.8	27.3	29.3	30.8	31.8	34.3	36.8	39.8	44.3	47.8	51.8	55.8
1.61	17.9	19.4	20.4	21.4	23.9	25.9	26.9	27.9	29.4	31.4	32.9	33.9	36.4	38.9	41.9	46.4	49.9	53.9	57.9
1.65	18.2	19.7	20.7	21.7	24.2	26.2	27.2	28.2	29.7	31.7	33.2	34.2	36.7	39.2	42.2	46.7	50.2	54.2	58.2
	0.90	0.91	0.93	0.94	0.96	0.97	0.98	0.99	1.00	1.02	1.03	1.04	1.05	1.07	1.09	1.11	1.13	1.15	1.17
1.65	16.9	18.4	19.4	20.4	22.9	24.9	25.9	26.9	28.4	30.4	31.9	32.9	35.4	37.9	40.9	45.4	48.9	52.9	56.9
1.66	14.3	15.9	16.9	17.9	20.4	22.4	23.4	24.4	25.9	27.9	29.4	30.4	32.9	35.4	38.4	42.9	46.4	50.4	54.4
1.67	16.4	17.9	18.9	19.9	22.4	24.4	25.4	26.4	28.0	30.0	31.5	32.5	35.0	37.5	40.5	45.0	48.5	52.5	56.5
1.68	13.4	14.9	15.9	16.9	19.4	21.4	22.4	23.4	24.9	26.9	28.4	29.4	31.9	34.5	37.5	42.0	45.5	49.5	53.5
1.69	17.2	18.7	19.7	20.7	23.2	25.2	26.2	27.2	28.7	30.7	32.2	33.2	35.7	38.2	41.3	45.8	49.3	53.3	57.3
1.71	18.0	19.5	20.5	21.5	24.0	26.0	27.0	28.0	29.5	31.5	33.0	34.0	36.5	39.0	42.0	46.5	50.0	54.0	58.0
1.72	11.4	12.9	13.9	14.9	17.5	19.5	20.5	21.5	23.0	25.0	26.5	27.5	30.0	32.5	35.5	40.1	43.6	47.6	51.6
1.72	14.5	16.0	17.0	18.0	20.5	22.5	23.5	24.5	26.0	28.0	29.5	30.5	33.1	35.6	38.6	43.1	46.6	50.6	54.6
1.74	17.1	18.6	19.6	20.6	23.1	25.1	26.1	27.1	28.6	30.6	32.1	33.1	35.6	38.1	41.1	45.6	49.1	53.1	57.1
1.77	16.1	17.6	18.6	19.6	22.1	24.1	25.1	26.1	27.6	29.6	31.1	32.1	34.6	37.1	40.1	44.6	48.1	52.1	56.1
1.77	17.9	19.4	20.4	21.4	23.9	25.9	26.9	27.9	29.4	31.4	32.9	33.9	36.4	38.9	41.9	46.4	49.9	53.9	57.9
1.79	16.9	18.4	19.4	20.4	22.9	24.9	25.9	26.9	28.4	30.4	31.9	32.9	35.4	37.9	40.9	45.4	48.9	52.9	56.9
1.81	13.7	15.2	16.2	17.2	19.7	21.7	22.7	23.7	25.2	27.2	28.7	29.7	32.2	34.8	37.8	42.3	45.8	49.8	53.8
1.82	15.4	16.9	18.0	19.0	21.5	23.5	24.5	25.5	27.0	29.0	30.5	31.5	34.0	36.5	39.5	44.0	47.5	51.5	55.5
1.83	17.7	19.2	20.2	21.2	23.7	25.7	26.7	27.7	29.2	31.2	32.7	33.7	36.2	38.7	41.7	46.2	49.7	53.7	57.7
1.84	11.7	13.2	14.2	15.2	17.8	19.8	20.8	21.8	23.3	25.3	26.8	27.8	30.3	32.8	35.8	40.4	43.9	47.9	51.9
1.85	16.7	18.2	19.2	20.2	22.7	24.7	25.7	26.7	28.3	30.3	31.8	32.8	35.3	37.8	40.8	45.3	48.8	52.8	56.8
1.87	14.8	16.3	17.3	18.3	20.8	22.8	23.8	24.8	26.3	28.3	29.8	30.9	33.4	35.9	38.9	43.4	46.9	50.9	54.9
1.88	13.8	15.3	16.3	17.3	19.9	21.9	22.9	23.9	25.4	27.4	28.9	29.9	32.4	34.9	37.9	42.4	45.9	49.9	53.9
1.89	17.5	19.0	20.0	21.0	23.5	25.5	26.5	27.5	29.0	31.0	32.6	33.6	36.1	38.6	41.6	46.1	49.6	53.6	57.6
1.91	15.6	17.1	18.1	19.1	21.6	23.6	24.6	25.6	27.1	29.1	30.6	31.6	34.1	36.7	39.7	44.2	47.7	51.7	55.7
1.95	17.4	18.9	19.9	20.9	23.4	25.4	26.4	27.4	28.9	30.9	32.4	33.4	35.9	38.4	41.4	45.9	49.4	53.4	57.4
1.95	16.4	17.9	18.9	19.9	22.4	24.4	25.4	26.4	27.9	29.9	31.4	32.4	34.9	37.4	40.4	44.9	48.5	52.5	56.5
1.96	14.9	16.4	17.4	18.5	21.0	23.0	24.0	25.0	26.5	28.5	30.0	31.0	33.5	36.0	39.0	43.5	47.0	51.0	55.0
1.97	11.9	13.5	14.5	15.5	18.0	20.1	21.1	22.1	23.6	25.6	27.1	28.1	30.6	33.1	36.1	40.7	44.2	48.2	52.2
2.00	---	10.2	11.3	12.3	14.9	16.9	17.9	19.0	20.5	22.5	24.0	25.0	27.6	30.1	33.1	37.6	41.1	45.1	49.1
2.01	15.7	17.2	18.2	19.3	21.8	23.8	24.8	25.8	27.3	29.3	30.8	31.8	34.3	36.8	39.8	44.3	47.8	51.8	55.8
2.01	17.2	18.7	19.7	20.7	23.2	25.2	26.2	27.2	28.7	30.7	32.2	33.2	35.7	38.2	41.2	45.7	49.2	53.2	57.2
2.04	12.1	13.6	14.6	15.7	18.2	20.2	21.2	22.2	23.7	25.8	27.3	28.3	30.8	33.3	36.3	40.8	44.3	48.3	52.3
2.05	15.1	16.6	17.6	18.6	21.1	23.1	24.1	25.1	26.6	28.6	30.1	31.2	33.7	36.2	39.2	43.7	47.2	51.2	55.2
	.89	0.90	0.92	0.93	0.95	0.97	0.98	0.99	1.00	1.01	1.02	1.03	1.05	1.06	1.08	1.11	1.13	1.14	1.16

NOTE: Selection program VIA-VISA available at www.ptwizard.com.



SELECTION

STOCK DRIVE SELECTIONS

A	S-L CLASSIC	AX	CLASSIC COG
----------	--------------------	-----------	--------------------

Ratio	Stock Shv.		3500 RPM Driver			1750 RPM Driver			1160 RPM Driver			Belt Size/Center Distance						
	Datum Diam.		Driven RPM	HP Per Belt		Driven RPM	HP Per Belt		Driven RPM	HP Per Belt		A26 AX26	A31 AX31	A33 AX33	A35 AX35	A38 AX38	A42 AX42	A46 AX46
	Driver	Driven		A	AX		A	AX		A	AX							
2.07	3.0	6.6	1695	4.35	5.55	847	2.84	3.55	562	2.09	2.64	5.8	8.4	9.4	10.5	12.0	14.0	16.0
2.07	5.6	12.0	1691	10.82	11.73	845	7.26	7.48	560	5.27	5.50	---	---	---	---	---	---	9.3
2.11	3.4	7.6	1658	5.53	6.61	829	3.56	4.19	549	2.60	3.10	---	7.2	8.2	9.3	10.8	12.8	14.9
2.12	4.8	10.6	1651	9.15	10.01	826	5.96	6.33	547	4.32	4.65	---	---	---	---	7.0	9.1	11.2
2.13	6.0	13.2	1644	11.53	12.53	822	7.89	8.04	545	5.74	5.91	---	---	---	---	---	---	---
2.14	4.0	9.0	1634	7.19	8.13	817	4.61	5.13	542	3.35	3.78	---	---	6.5	7.5	9.1	11.2	13.2
2.16	3.6	8.2	1624	6.11	7.13	812	3.91	4.51	538	2.85	3.33	---	6.5	7.5	8.6	10.1	12.2	14.2
2.18	3.0	7.0	1603	4.36	5.55	801	2.84	3.55	531	2.09	2.64	5.4	8.1	9.1	10.1	11.6	13.7	15.7
2.20	4.6	10.6	1587	8.70	9.56	794	5.63	6.04	526	4.08	4.44	---	---	---	---	7.1	9.2	11.3
2.22	5.2	12.0	1578	10.03	10.90	789	6.62	6.91	523	4.80	5.08	---	---	---	---	---	---	9.5
2.23	3.2	7.6	1570	4.96	6.10	785	3.20	3.88	520	2.35	2.88	---	7.3	8.4	9.4	11.0	13.0	15.0
2.27	3.4	8.2	1542	5.55	6.62	771	3.56	4.20	511	2.60	3.11	---	6.6	7.7	8.7	10.3	12.3	14.3
2.30	5.0	12.0	1521	9.61	10.47	761	6.30	6.63	504	4.57	4.87	---	---	---	---	---	---	9.7
2.36	3.6	9.0	1485	6.12	7.15	743	3.92	4.51	492	2.86	3.33	---	---	6.7	7.8	9.4	11.4	13.5
2.36	3.0	7.6	1482	4.37	5.56	741	2.85	3.56	491	2.10	2.65	---	7.5	8.5	9.6	11.1	13.1	15.2
2.39	4.8	12.0	1464	9.17	10.03	732	5.97	6.34	485	4.33	4.66	---	---	---	---	---	---	9.8
2.40	3.2	8.2	1460	4.97	6.10	730	3.21	3.88	484	2.35	2.88	---	6.7	7.8	8.8	10.4	12.4	14.5
2.40	4.2	10.6	1460	7.72	8.63	730	4.96	5.44	484	3.60	4.00	---	---	---	---	7.3	9.5	11.6
2.43	5.2	13.2	1438	10.05	10.91	719	6.63	6.92	477	4.81	5.08	---	---	---	---	---	---	---
2.48	3.4	9.0	1410	5.55	6.63	705	3.57	4.20	467	2.61	3.11	---	---	6.8	7.9	9.5	11.6	13.6
2.49	4.6	12.0	1408	8.71	9.58	704	5.64	6.04	467	4.09	4.44	---	---	---	---	---	7.7	9.9
2.51	4.0	10.6	1396	7.21	8.15	698	4.62	5.14	463	3.36	3.79	---	---	---	---	7.5	9.6	11.7
2.52	5.0	13.2	1387	9.62	10.48	693	6.30	6.63	460	4.57	4.87	---	---	---	---	---	---	---
2.54	3.0	8.2	1379	4.38	5.57	689	2.85	3.56	457	2.10	2.65	---	6.9	7.9	9.0	10.5	12.6	14.6
2.57	5.6	15.0	1361	10.85	11.75	680	7.27	7.49	451	5.28	5.50	---	---	---	---	---	---	---
2.62	3.2	9.0	1336	4.98	6.11	668	3.21	3.89	443	2.36	2.88	---	5.9	7.0	8.1	9.6	11.7	13.8
2.62	4.8	13.2	1335	9.18	10.04	668	5.98	6.34	442	4.33	4.66	---	---	---	---	---	---	8.5
2.63	3.8	10.6	1332	6.68	7.66	666	4.28	4.83	442	3.11	3.56	---	---	---	---	7.6	9.8	11.9
2.67	5.6	15.6	1310	10.85	11.76	655	7.27	7.49	434	5.28	5.51	---	---	---	---	---	---	---
2.70	4.2	12.0	1295	7.73	8.65	647	4.97	5.45	429	3.60	4.01	---	---	---	---	---	8.0	10.2
ARC-LENGTH CORRECTION FACTOR →												0.70	0.75	0.76	0.79	0.80	0.81	0.84
2.71	6.4	18.0	1291	12.19	13.31	646	8.51	8.60	428	6.20	6.33	---	---	---	---	---	---	---
2.73	4.6	13.2	1284	8.72	9.59	642	5.64	6.05	425	4.09	4.45	---	---	---	---	---	---	8.6
2.76	3.6	10.6	1269	6.13	7.16	634	3.93	4.52	420	2.86	3.34	---	---	---	---	7.7	9.9	12.0
2.78	3.0	9.0	1261	4.38	5.58	631	2.85	3.56	418	2.10	2.65	---	6.0	7.1	8.2	9.8	11.9	13.9
2.83	4.0	12.0	1238	7.22	8.16	619	4.63	5.14	410	3.36	3.79	---	---	---	---	---	8.1	10.3
2.86	5.0	15.0	1224	9.63	10.49	612	6.31	6.64	406	4.57	4.88	---	---	---	---	---	---	---
2.88	6.0	18.0	1215	11.57	12.56	607	7.90	8.05	403	5.75	5.92	---	---	---	---	---	---	---
2.90	3.4	10.6	1205	5.57	6.65	602	3.57	4.21	399	2.61	3.11	---	---	---	---	7.8	10.0	12.1
2.96	3.8	12.0	1182	6.69	7.67	591	4.28	4.84	392	3.11	3.57	---	---	---	---	---	8.2	10.4
2.97	4.8	15.0	1179	9.19	10.05	589	5.98	6.34	391	4.33	4.66	---	---	---	---	---	---	---
3.07	3.2	10.6	1141	4.99	6.12	571	3.22	3.89	378	2.36	2.88	---	---	---	6.2	8.0	10.1	12.3
3.09	4.6	15.0	1133	8.72	9.59	567	5.65	6.05	376	4.09	4.45	---	---	---	---	---	---	---
3.10	4.0	13.2	1129	7.22	8.17	564	4.63	5.14	374	3.36	3.79	---	---	---	---	---	---	9.0
3.11	3.6	12.0	1125	6.14	7.17	563	3.93	4.52	373	2.86	3.34	---	---	---	---	---	8.3	10.6
3.13	6.0	19.6	1118	11.57	12.56	559	7.91	8.06	370	5.75	5.92	---	---	---	---	---	---	---
3.21	4.6	15.6	1091	8.73	9.60	545	5.65	6.05	362	4.10	4.45	---	---	---	---	---	---	---
3.25	3.0	10.6	1077	4.39	5.59	539	2.86	3.57	357	2.11	2.65	---	---	---	6.3	8.1	10.3	12.4
3.25	3.8	13.2	1077	6.69	7.67	539	4.28	4.84	357	3.11	3.57	---	---	---	---	---	---	9.1
3.29	5.2	18.0	1063	10.07	10.93	531	6.64	6.93	352	4.81	5.09	---	---	---	---	---	---	---
3.36	4.2	15.0	1042	7.74	8.66	521	4.97	5.45	345	3.61	4.01	---	---	---	---	---	---	---
3.41	3.6	13.2	1026	6.14	7.17	513	3.93	4.53	340	2.87	3.34	---	---	---	---	---	---	9.2
3.42	5.0	18.0	1024	9.64	10.50	512	6.31	6.64	340	4.58	4.88	---	---	---	---	---	---	---
3.46	3.2	12.0	1012	4.99	6.13	506	3.22	3.89	335	2.36	2.89	---	---	---	---	---	8.6	10.8
3.49	4.2	15.6	1003	7.75	8.66	502	4.97	5.45	332	3.61	4.01	---	---	---	---	---	---	---
3.51	4.0	15.0	997	7.23	8.17	498	4.63	5.15	330	3.36	3.79	---	---	---	---	---	---	---
3.55	4.8	18.0	986	9.19	10.05	493	5.98	6.35	327	4.34	4.66	---	---	---	---	---	---	---
3.58	5.2	19.6	977	10.07	10.93	489	6.64	6.93	324	4.81	5.09	---	---	---	---	---	---	---
3.59	3.4	13.2	974	5.58	6.66	487	3.58	4.21	323	2.62	3.12	---	---	---	---	---	---	9.3
3.65	4.0	15.6	959	7.23	8.17	480	4.63	5.15	318	3.36	3.79	---	---	---	---	---	---	---
3.66	3.0	12.0	956	4.40	5.59	478	2.86	3.57	317	2.11	2.65	---	---	---	---	---	8.7	11.0
ARC-LENGTH CORRECTION FACTOR →												---	0.71	0.73	0.75	0.77	0.77	0.81

NOTE: Selection program VIA-VISA available at www.ptwizard.com.

SELECTION



A S-L CLASSIC AX CLASSIC COG STOCK DRIVE SELECTIONS

Ratio	Belt Size/Center Distance																		
	A48 AX48	A51 AX51	A53 AX53	A55 AX55	A60 AX60	A64 AX64	A66 AX66	A68 AX68	A71 AX71	A75 AX75	A78 AX78	A80 AX80	A85 AX85	A90 AX90	A96 AX96	A105 AX105	A112 AX112	A120 AX120	A128 AX128
2.07	17.0	18.5	19.5	20.5	23.0	25.0	26.1	27.1	28.6	30.6	32.1	33.1	35.6	38.1	41.1	45.6	49.1	53.1	57.1
2.07	10.3	11.9	12.9	14.0	16.5	18.6	19.6	20.6	22.1	24.1	25.6	26.6	29.2	31.7	34.7	39.2	42.7	46.7	50.7
2.11	15.9	17.4	18.4	19.4	21.9	23.9	24.9	25.9	27.4	29.4	30.9	31.9	34.5	37.0	40.0	44.5	48.0	52.0	56.0
2.12	12.2	13.8	14.8	15.8	18.3	20.4	21.4	22.4	23.9	25.9	27.4	28.4	30.9	33.4	36.4	41.0	44.5	48.5	52.5
2.13	---	10.5	11.5	12.6	15.2	17.2	18.2	19.2	20.8	22.8	24.3	25.3	27.8	30.4	33.4	37.9	41.4	45.4	49.4
2.14	14.2	15.7	16.8	17.8	20.3	22.3	23.3	24.3	25.8	27.8	29.3	30.3	32.8	35.4	38.4	42.9	46.4	50.4	54.4
2.16	15.2	16.7	17.7	18.7	21.3	23.3	24.3	25.3	26.8	28.8	30.3	31.3	33.8	36.3	39.3	43.8	47.3	51.3	55.3
2.18	16.7	18.2	19.2	20.2	22.7	24.7	25.7	26.7	28.2	30.2	31.7	32.7	35.2	37.7	40.8	45.3	48.8	52.8	56.8
2.20	12.4	13.9	14.9	15.9	18.5	20.5	21.5	22.5	24.0	26.0	27.6	28.6	31.1	33.6	36.6	41.1	44.6	48.6	52.6
2.22	10.6	12.2	13.2	14.2	16.8	18.8	19.9	20.9	22.4	24.4	25.9	26.9	29.5	32.0	35.0	39.5	43.0	47.0	51.0
2.23	16.0	17.5	18.5	19.5	22.1	24.1	25.1	26.1	27.6	29.6	31.1	32.1	34.6	37.1	40.1	44.6	48.1	52.1	56.1
2.27	15.4	16.9	17.9	18.9	21.4	23.4	24.4	25.4	26.9	28.9	30.4	31.5	34.0	36.5	39.5	44.0	47.5	51.5	55.5
2.30	10.7	12.3	13.3	14.4	16.9	19.0	20.0	21.0	22.5	24.6	26.1	27.1	29.6	32.1	35.1	39.7	43.2	47.2	51.2
2.36	14.5	16.0	17.0	18.1	20.6	22.6	23.6	24.6	26.1	28.1	29.6	30.6	33.1	35.7	38.7	43.2	46.7	50.7	54.7
2.36	16.2	17.7	18.7	19.7	22.2	24.2	25.2	26.2	27.7	29.7	31.2	32.2	34.8	37.3	40.3	44.8	48.3	52.3	56.3
2.39	10.9	12.4	13.5	14.5	17.1	19.1	20.1	21.2	22.7	24.7	26.2	27.2	29.7	32.3	35.3	39.8	43.3	47.3	51.3
2.40	15.5	17.0	18.0	19.0	21.6	23.6	24.6	25.6	27.1	29.1	30.6	31.6	34.1	36.6	39.6	44.1	47.6	51.6	55.6
2.40	12.6	14.2	15.2	16.2	18.8	20.8	21.8	22.8	24.3	26.3	27.8	28.9	31.4	33.9	36.9	41.4	44.9	48.9	52.9
2.43	9.4	11.0	12.0	13.1	15.7	17.8	18.8	19.8	21.3	23.4	24.9	25.9	28.4	30.9	34.0	38.5	42.0	46.0	50.0
2.48	14.6	16.2	17.2	18.2	20.7	22.7	23.8	24.8	26.3	28.3	29.8	30.8	33.3	35.8	38.8	43.3	46.8	50.8	54.8
2.49	11.0	12.6	13.6	14.7	17.2	19.3	20.3	21.3	22.8	24.8	26.4	27.4	29.9	32.4	35.4	39.9	43.5	47.5	51.5
2.51	12.8	14.3	15.3	16.4	18.9	20.9	21.9	23.0	24.5	26.5	28.0	29.0	31.5	34.0	37.0	41.6	45.1	49.1	53.1
2.52	9.5	11.1	12.2	13.2	15.8	17.9	18.9	19.9	21.5	23.5	25.0	26.0	28.6	31.1	34.1	38.6	42.2	46.2	50.2
2.54	15.6	17.2	18.2	19.2	21.7	23.7	24.7	25.7	27.2	29.2	30.7	31.8	34.3	36.8	39.8	44.3	47.8	51.8	55.8
2.57	---	---	9.9	11.0	13.7	15.8	16.8	17.9	19.4	21.5	23.0	24.0	26.6	29.1	32.1	36.7	40.2	44.2	48.3
2.62	14.8	16.3	17.3	18.3	20.9	22.9	23.9	24.9	26.4	28.4	29.9	30.9	33.4	36.0	39.0	43.5	47.0	51.0	55.0
2.62	9.6	11.2	12.3	13.4	16.0	18.0	19.1	20.1	21.6	23.6	25.2	26.2	28.7	31.2	34.3	38.8	42.3	46.3	50.3
2.63	12.9	14.4	15.5	16.5	19.0	21.1	22.1	23.1	24.6	26.6	28.1	29.1	31.7	34.2	37.2	41.7	45.2	49.2	53.2
2.67	---	---	---	---	13.1	15.2	16.2	17.3	18.8	20.9	22.5	23.5	26.0	28.6	31.6	36.2	39.7	43.7	47.7
2.70	11.3	12.8	13.9	14.9	17.5	19.5	20.6	21.6	23.1	25.1	26.6	27.7	30.2	32.7	35.7	40.2	43.8	47.8	51.8
	0.86	0.88	0.89	0.90	0.93	0.94	0.96	0.97	0.99	1.00	1.01	1.02	1.04	1.05	1.07	1.10	1.12	1.14	1.16
2.71	---	---	---	---	---	12.1	13.2	14.3	15.9	18.1	19.6	20.7	23.3	25.8	28.9	33.5	37.0	41.1	45.1
2.73	9.7	11.4	12.4	13.5	16.1	18.2	19.2	20.2	21.8	23.8	25.3	26.3	28.9	31.4	34.4	38.9	42.5	46.5	50.5
2.76	13.0	14.6	15.6	16.6	19.2	21.2	22.2	23.2	24.8	26.8	28.3	29.3	31.8	34.3	37.3	41.9	45.4	49.4	53.4
2.78	14.9	16.5	17.5	18.5	21.0	23.0	24.0	25.1	26.6	28.6	30.1	31.1	33.6	36.1	39.1	43.6	47.1	51.1	55.1
2.83	11.4	13.0	14.0	15.1	17.6	19.7	20.7	21.7	23.2	25.3	26.8	27.8	30.3	32.8	35.9	40.4	43.9	47.9	51.9
2.86	---	---	10.2	11.3	14.1	16.2	17.2	18.3	19.8	21.9	23.4	24.4	27.0	29.5	32.6	37.1	40.6	44.7	48.7
2.88	---	---	---	---	---	12.4	13.5	14.6	16.2	18.3	19.9	21.0	23.5	26.1	29.2	33.8	37.3	41.4	45.4
2.90	13.2	14.7	15.7	16.8	19.3	21.4	22.4	23.4	24.9	26.9	28.4	29.4	32.0	34.5	37.5	42.0	45.5	49.5	53.5
2.96	11.5	13.1	14.2	15.2	17.8	19.8	20.8	21.9	23.4	25.4	26.9	27.9	30.5	33.0	36.0	40.5	44.1	48.1	52.1
2.97	---	9.2	10.4	11.5	14.2	16.3	17.4	18.4	20.0	22.0	23.6	24.6	27.1	29.7	32.7	37.3	40.8	44.8	48.8
3.07	13.3	14.9	15.9	16.9	19.5	21.5	22.5	23.5	25.0	27.1	28.6	29.6	32.1	34.6	37.6	42.2	45.7	49.7	53.7
3.09	---	9.3	10.5	11.6	14.3	16.4	17.5	18.5	20.1	22.2	23.7	24.7	27.3	29.8	32.9	37.4	40.9	45.0	49.0
3.10	10.1	11.7	12.8	13.9	16.5	18.6	19.6	20.6	22.2	24.2	25.7	26.8	29.3	31.8	34.8	39.4	42.9	46.9	50.9
3.11	11.6	13.2	14.3	15.3	17.9	20.0	21.0	22.0	23.5	25.6	27.1	28.1	30.6	33.1	36.2	40.7	44.2	48.2	52.2
3.13	---	---	---	---	---	---	---	12.7	14.5	16.7	18.3	19.4	22.0	24.6	27.7	32.3	35.9	40.0	44.0
3.21	---	---	---	10.9	13.7	15.8	16.9	18.0	19.5	21.6	23.1	24.2	26.7	29.3	32.3	36.9	40.4	44.5	48.5
3.25	13.4	15.0	16.0	17.1	19.6	21.6	22.7	23.7	25.2	27.2	28.7	29.7	32.3	34.8	37.8	42.3	45.8	49.8	53.8
3.25	10.2	11.9	13.0	14.0	16.6	18.7	19.7	20.8	22.3	24.4	25.9	26.9	29.4	32.0	35.0	39.5	43.0	47.1	51.1
3.29	---	---	---	---	10.5	12.8	14.0	15.1	16.7	18.9	20.4	21.5	24.1	26.7	29.7	34.3	37.9	41.9	46.0
3.36	---	9.6	10.7	11.8	14.6	16.7	17.8	18.8	20.4	22.4	24.0	25.0	27.5	30.1	33.1	37.7	41.2	45.3	49.3
3.41	10.3	12.0	13.1	14.1	16.8	18.9	19.9	20.9	22.4	24.5	26.0	27.0	29.6	32.1	35.1	39.7	43.2	47.2	51.2
3.42	---	---	---	---	10.6	13.0	14.1	15.2	16.8	19.0	20.6	21.6	24.2	26.8	29.9	34.5	38.0	42.1	46.1
3.46	11.9	13.5	14.6	15.6	18.2	20.2	21.3	22.3	23.8	25.8	27.4	28.4	30.9	33.4	36.5	41.0	44.5	48.5	52.5
3.49	---	---	10.0	11.2	13.9	16.1	17.2	18.2	19.8	21.9	23.4	24.4	27.0	29.6	32.6	37.2	40.7	44.7	48.8
3.51	---	9.7	10.8	12.0	14.7	16.8	17.9	18.9	20.5	22.6	24.1	25.1	27.7	30.2	33.3	37.8	41.4	45.4	49.4
3.55	---	---	---	---	10.7	13.1	14.2	15.3	17.0	19.1	20.7	21.8	24.4	26.9	30.0	34.6	38.2	42.2	46.3
3.58	---	---	---	---	---	---	12.0	13.2	14.9	17.2	18.8	19.9	22.5	25.2	28.3	32.9	36.5	40.5	44.6
3.59	10.5	12.1	13.2	14.3	16.9	19.0	20.0	21.0	22.6	24.6	26.2	27.2	29.7	32.2	35.3	39.8	43.3	47.4	51.4
3.65	---	---	10.1	11.3	14.1	16.2	17.3	18.3	19.9	22.0	23.5	24.6	27.1	29.7	32.8	37.3	40.9	44.9	48.9
3.66	12.0	13.6	14.7	15.7	18.3	20.4	21.4	22.4	24.0	26.0	27.5	28.5	31.0	33.6	36.6	41.1	44.6	48.7	52.7
	0.83	0.86	0.87	0.88	0.91	0.92	0.94	0.96	0.97	0.99	1.00	1.01	1.03	1.04	1.06	1.09	1.11	1.13	1.15

NOTE: Selection program VIA-VISA available at www.ptwizard.com.



SELECTION

A S-L CLASSIC AX CLASSIC COG STOCK DRIVE SELECTIONS

Ratio	Stock Shv.		3500 RPM Driver			1750 RPM Driver			1160 RPM Driver			Belt Size/Center Distance							
	Datum Diam.		Driven RPM	HP Per Belt		Driven RPM	HP Per Belt		Driven RPM	HP Per Belt		A26 AX26	A31 AX31	A33 AX33	A35 AX35	A38 AX38	A42 AX42	A46 AX46	
	Driver	Driven		A	AX		A	AX		A	AX								
3.69	4.6	18.0	948	8.73	9.60	474	5.65	6.05	314	4.10	4.45	---	---	---	---	---	---		
3.71	5.0	19.6	942	9.64	10.50	471	6.31	6.64	312	4.58	4.88	---	---	---	---	---	---		
3.79	3.2	13.2	923	4.99	6.13	461	3.22	3.89	306	2.36	2.89	---	---	---	---	---	9.5		
3.82	3.8	15.6	916	6.70	7.68	458	4.28	4.84	303	3.12	3.57	---	---	---	---	---	---		
3.86	3.6	15.0	906	6.15	7.17	453	3.93	4.53	300	2.87	3.34	---	---	---	---	---	---		
3.92	6.0	24.6	894	11.58	12.57	447	7.91	8.06	296	5.75	5.92	---	---	---	---	---	---		
4.01	4.2	18.0	872	7.75	8.66	436	4.98	5.45	289	3.61	4.01	---	---	---	---	---	9.6		
4.02	3.0	13.2	871	4.40	5.59	436	2.86	3.57	289	2.11	2.66	---	---	---	---	---	---		
4.07	3.4	15.0	860	5.58	6.66	430	3.58	4.21	285	2.62	3.12	---	---	---	---	---	---		
4.20	4.0	18.0	834	7.23	8.18	417	4.63	5.15	276	3.36	3.79	---	---	---	---	---	---		
4.23	3.4	15.6	828	5.58	6.66	414	3.58	4.21	274	2.62	3.12	---	---	---	---	---	---		
4.30	3.2	15.0	815	5.00	6.13	407	3.22	3.90	270	2.36	2.89	---	---	---	---	---	---		
4.36	4.2	19.6	802	7.75	8.66	401	4.98	5.46	266	3.61	4.01	---	---	---	---	---	---		
4.40	3.8	18.0	796	6.70	7.68	398	4.29	4.84	264	3.12	3.57	---	---	---	---	---	---		
4.46	3.2	15.6	784	5.00	6.13	392	3.22	3.90	260	2.36	2.89	---	---	---	---	---	---		
ARC-LENGTH CORRECTION FACTOR →												---	---	---	---	---	---	---	0.76
4.48	5.2	24.6	782	10.07	10.94	391	6.64	6.93	259	4.82	5.09	---	---	---	---	---	---		
4.55	3.0	15.0	769	4.40	5.60	385	2.86	3.57	255	2.11	2.66	---	---	---	---	---	---		
4.56	4.0	19.6	767	7.23	8.18	384	4.63	5.15	254	3.37	3.79	---	---	---	---	---	---		
4.62	3.6	18.0	758	6.15	7.18	379	3.94	4.53	251	2.87	3.35	---	---	---	---	---	---		
4.64	5.0	24.6	754	9.65	10.51	377	6.32	6.64	250	4.58	4.88	---	---	---	---	---	---		
4.73	3.0	15.6	740	4.40	5.60	370	2.86	3.57	245	2.11	2.66	---	---	---	---	---	---		
4.78	3.8	19.6	732	6.70	7.68	366	4.29	4.84	243	3.12	3.57	---	---	---	---	---	---		
4.82	4.8	24.6	726	9.20	10.06	363	5.99	6.35	241	4.34	4.67	---	---	---	---	---	---		
4.86	3.4	18.0	720	5.58	6.66	360	3.58	4.22	239	2.62	3.12	---	---	---	---	---	---		
5.01	5.6	29.6	698	10.87	11.78	349	7.29	7.50	231	5.29	5.51	---	---	---	---	---	---		
5.02	3.6	19.6	697	6.15	7.18	349	3.94	4.53	231	2.87	3.35	---	---	---	---	---	---		
5.13	3.2	18.0	682	5.00	6.14	341	3.22	3.90	226	2.36	2.89	---	---	---	---	---	---		
5.29	3.4	19.6	662	5.58	6.66	331	3.58	4.22	219	2.62	3.12	---	---	---	---	---	---		
5.37	5.2	29.6	651	10.08	10.94	326	6.64	6.93	216	4.82	5.09	---	---	---	---	---	---		
5.44	3.0	18.0	644	4.40	5.60	322	2.86	3.57	213	2.11	2.66	---	---	---	---	---	---		
ARC-LENGTH CORRECTION FACTOR →												---	---	---	---	---	---	---	---
5.45	4.2	24.6	642	7.76	8.67	321	4.98	5.46	213	3.61	4.02	---	---	---	---	---	---		
5.57	5.0	29.6	628	9.65	10.51	314	6.32	6.64	208	4.58	4.88	---	---	---	---	---	---		
5.58	3.2	19.6	627	5.00	6.14	314	3.22	3.90	208	2.36	2.89	---	---	---	---	---	---		
5.70	4.0	24.6	614	7.24	8.18	307	4.64	5.15	203	3.37	3.79	---	---	---	---	---	---		
5.79	4.8	29.6	605	9.20	10.06	302	5.99	6.35	200	4.34	4.67	---	---	---	---	---	---		
5.91	3.0	19.6	592	4.40	5.60	296	2.86	3.57	196	2.11	2.66	---	---	---	---	---	---		
5.98	3.8	24.6	586	6.70	7.69	293	4.29	4.84	194	3.12	3.57	---	---	---	---	---	---		
6.02	4.6	29.6	581	8.74	9.61	291	5.66	6.06	193	4.10	4.45	---	---	---	---	---	---		
6.28	3.6	24.6	558	6.15	7.18	279	3.94	4.53	185	2.87	3.35	---	---	---	---	---	---		
6.35	5.6	37.6	551	10.87	11.78	276	7.29	7.50	183	5.29	5.51	---	---	---	---	---	---		
6.55	4.2	29.6	535	7.76	8.67	267	4.98	5.46	177	3.61	4.02	---	---	---	---	---	---		
6.61	3.4	24.6	530	5.59	6.67	265	3.58	4.22	176	2.62	3.12	---	---	---	---	---	---		
6.81	5.2	37.6	514	10.08	10.94	257	6.65	6.94	170	4.82	5.09	---	---	---	---	---	---		
6.84	4.0	29.6	511	7.24	8.18	256	4.64	5.15	169	3.37	3.80	---	---	---	---	---	---		
6.98	3.2	24.6	502	5.00	6.14	251	3.23	3.90	166	2.37	2.89	---	---	---	---	---	---		
ARC-LENGTH CORRECTION FACTOR →												---	---	---	---	---	---	---	---
7.06	5.0	37.6	496	9.65	10.51	248	6.32	6.65	164	4.58	4.88	---	---	---	---	---	---		
7.17	3.8	29.6	488	6.70	7.69	244	4.29	4.84	162	3.12	3.57	---	---	---	---	---	---		
7.33	4.8	37.6	477	9.21	10.07	239	5.99	6.35	158	4.34	4.67	---	---	---	---	---	---		
7.39	3.0	24.6	474	4.41	5.60	237	2.86	3.58	157	2.11	2.66	---	---	---	---	---	---		
7.53	3.6	29.6	465	6.15	7.18	232	3.94	4.53	154	2.87	3.35	---	---	---	---	---	---		
7.63	4.6	37.6	459	8.74	9.61	229	5.66	6.06	152	4.10	4.45	---	---	---	---	---	---		
7.93	3.4	29.6	441	5.59	6.67	221	3.58	4.22	146	2.62	3.12	---	---	---	---	---	---		
8.29	4.2	37.6	422	7.76	8.67	211	4.98	5.46	140	3.61	4.02	---	---	---	---	---	---		
8.37	3.2	29.6	418	5.00	6.14	209	3.23	3.90	139	2.37	2.89	---	---	---	---	---	---		
8.67	4.0	37.6	404	7.24	8.19	202	4.64	5.15	134	3.37	3.80	---	---	---	---	---	---		
8.87	3.0	29.6	395	4.41	5.60	197	2.87	3.58	131	2.11	2.66	---	---	---	---	---	---		
9.09	3.8	37.6	385	6.71	7.69	193	4.29	4.85	128	3.12	3.57	---	---	---	---	---	---		
9.54	3.6	37.6	367	6.16	7.18	183	3.94	4.53	122	2.87	3.35	---	---	---	---	---	---		
10.05	3.4	37.6	348	5.59	6.67	174	3.58	4.22	115	2.62	3.12	---	---	---	---	---	---		
10.61	3.2	37.6	330	5.01	6.14	165	3.23	3.90	109	2.37	2.89	---	---	---	---	---	---		
11.24	3.0	37.6	311	4.41	5.60	156	2.87	3.58	103	2.11	2.66	---	---	---	---	---	---		
ARC-LENGTH CORRECTION FACTOR →												---	---	---	---	---	---	---	---

NOTE: Selection program VIA-VISA available at www.ptwizard.com.

SELECTION



A	S-L CLASSIC	AX	CLASSIC COG	STOCK DRIVE SELECTIONS
----------	--------------------	-----------	--------------------	-------------------------------

Ratio	Belt Size/Center Distance																			
	A48 AX48	A51 AX51	A53 AX53	A55 AX55	A60 AX60	A64 AX64	A66 AX66	A68 AX68	A71 AX71	A75 AX75	A78 AX78	A80 AX80	A85 AX85	A90 AX90	A96 AX96	A105 AX105	A112 AX112	A120 AX120	A128 AX128	
3.69	---	---	---	---	10.8	13.2	14.3	15.5	17.1	19.2	20.8	21.9	24.5	27.1	30.2	34.8	38.3	42.4	46.4	
3.71	---	---	---	---	---	---	12.1	13.3	15.1	17.3	18.9	20.0	22.7	25.3	28.4	33.0	36.6	40.7	44.7	
3.79	10.6	12.3	13.3	14.4	17.0	19.1	20.2	21.2	22.7	24.8	26.3	27.3	29.9	32.4	35.4	40.0	43.5	47.5	51.5	
3.82	---	---	10.2	11.4	14.2	16.4	17.4	18.5	20.1	22.1	23.7	24.7	27.3	29.8	32.9	37.5	41.0	45.0	49.1	
3.86	---	9.9	11.1	12.2	15.0	17.1	18.2	19.2	20.8	22.8	24.4	25.4	28.0	30.5	33.6	38.1	41.7	45.7	49.7	
3.92	---	---	---	---	---	---	---	---	---	---	---	13.4	16.5	19.4	22.7	27.6	31.2	35.4	39.5	
4.01	---	---	---	---	11.1	13.5	14.6	15.7	17.4	19.5	21.1	22.1	24.8	27.4	30.4	35.0	38.6	42.7	46.7	
4.02	10.7	12.4	13.5	14.5	17.2	19.3	20.3	21.3	22.9	24.9	26.4	27.5	30.0	32.5	35.6	40.1	43.6	47.7	51.7	
4.07	---	10.0	11.2	12.3	15.1	17.2	18.3	19.3	20.9	23.0	24.5	25.5	28.1	30.7	33.7	38.3	41.8	45.8	49.9	
4.20	---	---	---	---	11.2	13.6	14.7	15.8	17.5	19.6	21.2	22.3	24.9	27.5	30.6	35.2	38.7	42.8	46.9	
4.23	---	9.2	10.5	11.6	14.4	16.6	17.7	18.7	20.3	22.4	24.0	25.0	27.6	30.1	33.2	37.7	41.3	45.3	49.4	
4.30	8.3	10.1	11.3	12.5	15.2	17.4	18.4	19.5	21.0	23.1	24.7	25.7	28.2	30.8	33.8	38.4	41.9	46.0	50.0	
4.36	---	---	---	---	---	11.4	12.6	13.8	15.6	17.8	19.4	20.5	23.2	25.8	28.9	33.6	37.2	41.2	45.3	
4.40	---	---	---	---	11.3	13.7	14.8	16.0	17.6	19.8	21.4	22.4	25.0	27.6	30.7	35.3	38.9	43.0	47.0	
4.46	---	9.3	10.6	11.8	14.6	16.7	17.8	18.9	20.5	22.5	24.1	25.1	27.7	30.3	33.3	37.9	41.4	45.5	49.5	
	0.78	0.79	0.80	0.81	0.82	0.83	0.85	0.85	0.87	0.91	0.92	0.94	0.97	0.99	1.02	1.05	1.07	1.10	1.12	
4.48	---	---	---	---	---	---	---	---	---	---	12.5	13.9	17.0	19.9	23.2	28.1	31.8	35.9	40.1	
4.55	8.4	10.3	11.4	12.6	15.3	17.5	18.5	19.6	21.2	23.2	24.8	25.8	28.4	30.9	34.0	38.6	42.1	46.1	50.2	
4.56	---	---	---	---	---	11.5	12.7	13.9	15.7	17.9	19.6	20.7	23.3	26.0	29.1	33.7	37.3	41.4	45.5	
4.62	---	---	---	---	11.4	13.8	15.0	16.1	17.7	19.9	21.5	22.5	25.2	27.8	30.9	35.5	39.0	43.1	47.1	
4.64	---	---	---	---	---	---	---	---	---	---	12.6	14.0	17.1	20.0	23.4	28.2	31.9	36.1	40.2	
4.73	---	9.4	10.7	11.9	14.7	16.9	17.9	19.0	20.6	22.7	24.2	25.3	27.8	30.4	33.5	38.0	41.6	45.6	49.6	
4.78	---	---	---	---	---	11.6	12.9	14.1	15.8	18.1	19.7	20.8	23.5	26.1	29.2	33.9	37.4	41.5	45.6	
4.82	---	---	---	---	---	---	---	---	---	---	12.7	14.1	17.2	20.1	23.5	28.3	32.0	36.2	40.4	
4.86	---	---	---	---	11.5	13.9	15.1	16.2	17.9	20.0	21.6	22.7	25.3	27.9	31.0	35.6	39.2	43.2	47.3	
5.01	---	---	---	---	---	---	---	---	---	---	---	---	---	---	16.7	22.3	26.3	30.7	35.0	
5.02	---	---	---	---	---	11.7	13.0	14.2	15.9	18.2	19.8	20.9	23.6	26.2	29.3	34.0	37.6	41.7	45.7	
5.13	---	---	---	---	11.7	14.1	15.2	16.3	18.0	20.1	21.7	22.8	25.4	28.0	31.1	35.7	39.3	43.4	47.4	
5.29	---	---	---	---	---	11.8	13.1	14.3	16.1	18.3	20.0	21.0	23.7	26.4	29.5	34.1	37.7	41.8	45.9	
5.37	---	---	---	---	---	---	---	---	---	---	---	---	---	---	16.9	22.5	26.5	30.9	35.2	
5.44	---	---	---	---	11.8	14.2	15.3	16.5	18.1	20.3	21.9	22.9	25.6	28.2	31.3	35.9	39.5	43.5	47.6	
	0.78	0.79	0.80	0.81	0.82	0.83	0.85	0.85	0.87	0.91	0.92	0.94	0.97	0.99	1.02	1.05	1.07	1.10	1.12	
5.45	---	---	---	---	---	---	---	---	---	---	13.1	14.4	17.6	20.5	23.9	28.7	32.4	36.6	40.8	
5.57	---	---	---	---	---	11.9	13.2	14.4	16.2	18.4	---	---	---	---	17.1	22.6	26.7	31.1	35.3	
5.58	---	---	---	---	---	---	---	---	---	---	---	20.1	21.2	23.8	26.5	29.6	34.3	37.9	42.0	46.0
5.70	---	---	---	---	---	---	---	---	---	---	13.2	14.6	17.7	20.6	24.0	28.9	32.6	36.8	40.9	
5.79	---	---	---	---	---	---	---	---	---	---	---	---	---	---	17.2	22.8	26.8	31.2	35.5	
5.91	---	---	---	---	---	12.1	13.3	14.5	16.3	18.6	20.2	21.3	24.0	26.6	29.8	34.4	38.0	42.1	46.2	
5.98	---	---	---	---	---	---	---	---	---	---	13.3	14.7	17.8	20.7	24.1	29.0	32.7	36.9	41.0	
6.02	---	---	---	---	---	---	---	---	---	---	---	---	---	---	17.3	22.9	26.9	31.3	35.6	
6.28	---	---	---	---	---	---	---	---	---	---	13.4	14.8	17.9	20.9	24.2	29.1	32.8	37.0	41.2	
6.35	---	---	---	---	---	---	---	---	---	---	---	---	---	---	---	---	---	20.5	25.8	
6.55	---	---	---	---	---	---	---	---	---	---	---	---	---	---	17.5	23.1	27.1	31.6	35.9	
6.61	---	---	---	---	---	---	---	---	---	---	13.5	14.9	18.1	21.0	24.4	29.2	33.0	37.2	41.3	
6.81	---	---	---	---	---	---	---	---	---	---	---	---	---	---	---	---	---	20.7	26.0	
6.84	---	---	---	---	---	---	---	---	---	---	---	---	---	---	17.6	23.3	27.3	31.7	36.0	
6.98	---	---	---	---	---	---	---	---	---	---	13.6	15.0	18.2	21.1	24.5	29.4	33.1	37.3	41.4	
	---	---	---	---	---	0.76	0.76	0.78	0.83	0.87	0.89	0.91	0.94	0.97	1.00	1.04	1.06	1.09	1.11	
7.06	---	---	---	---	---	---	---	---	---	---	---	---	---	---	---	---	---	20.8	26.1	
7.17	---	---	---	---	---	---	---	---	---	---	---	---	---	---	17.7	23.4	27.4	31.8	36.1	
7.33	---	---	---	---	---	---	---	---	---	---	---	---	---	---	---	---	---	20.9	26.2	
7.39	---	---	---	---	---	---	---	---	---	11.3	13.7	15.1	18.3	21.2	24.6	29.5	33.2	37.4	41.6	
7.53	---	---	---	---	---	---	---	---	---	---	---	---	---	---	17.9	23.5	27.5	31.9	36.3	
7.63	---	---	---	---	---	---	---	---	---	---	---	---	---	---	---	---	---	21.1	26.4	
7.93	---	---	---	---	---	---	---	---	---	---	---	---	---	---	18.0	23.6	27.6	32.1	36.4	
8.29	---	---	---	---	---	---	---	---	---	---	---	---	---	---	---	---	---	21.3	26.6	
8.37	---	---	---	---	---	---	---	---	---	---	---	---	---	---	18.1	23.7	27.8	32.2	36.5	
8.67	---	---	---	---	---	---	---	---	---	---	---	---	---	---	---	---	---	21.4	26.7	
8.87	---	---	---	---	---	---	---	---	---	---	---	---	---	---	18.2	23.9	27.9	32.3	36.6	
9.09	---	---	---	---	---	---	---	---	---	---	---	---	---	---	---	---	---	21.5	26.8	
9.54	---	---	---	---	---	---	---	---	---	---	---	---	---	---	---	---	---	21.6	26.9	
10.05	---	---	---	---	---	---	---	---	---	---	---	---	---	---	---	---	---	21.7	27.1	
10.61	---	---	---	---	---	---	---	---	---	---	---	---	---	---	---	---	---	21.9	27.2	
11.24	---	---	---	---	---	---	---	---	---	---	---	---	---	---	---	---	---	22.0	27.3	
	---	---	---	---	---	---	---	---	---	0.75	0.77	0.80	0.82	0.88	0.93	0.99	1.02	1.05	1.08	

NOTE: Selection program VIA-VISA available at www.ptwizard.com.

V-Drives

FHP Drives

Drive Component Accessories

DYNA-SYNC

HT200/HTD Synchronous Drives

HTR Synchronous Drives

HTRC Synchronous Drives



SELECTION

B S-L CLASSIC BX CLASSIC COG STOCK DRIVE SELECTIONS

Ratio	Stock Shv.		3500 RPM Driver			1750 RPM Driver			1160 RPM Driver			Belt Size/Center Distance									
	Datum Diam.		Driven RPM	HP Per Belt		Driven RPM	HP Per Belt		Driven RPM	HP Per Belt		B35	B38	B42	B46	B51	B55	B60	B64		
	Driver	Driven		B	BX		B	BX		B	BX	BX35	BX38	BX42	BX46	BX51	BX55	BX60	BX64		
1.00	3.40	3.40	3500	1.41	7.30	1750	1.95	4.99	1160	1.67	3.74	13.1	14.6	16.6	18.6	21.1	23.1	25.6	27.6		
1.00	3.80	3.80	3500	3.20	8.67	1750	3.07	5.90	1160	2.47	4.40	12.4	13.9	15.9	17.9	20.4	22.4	24.9	26.9		
1.00	4.20	4.20	3500	4.88	9.94	1750	4.18	6.78	1160	3.26	5.05	11.8	13.3	15.3	17.3	19.8	21.8	24.3	26.3		
1.00	4.60	4.60	3500	6.45	11.11	1750	5.26	7.65	1160	4.03	5.68	11.2	12.7	14.7	16.7	19.2	21.2	23.7	25.7		
1.00	5.00	5.00	3500	7.90	12.17	1750	6.32	8.49	1160	4.80	6.31	10.6	12.1	14.1	16.1	18.6	20.6	23.1	25.1		
1.00	5.20	5.20	3500	8.58	12.66	1750	6.84	8.90	1160	5.18	6.62	10.2	11.7	13.7	15.7	18.2	20.2	22.7	24.7		
1.00	5.40	5.40	3500	9.23	13.12	1750	7.36	9.31	1160	5.56	6.92	9.9	11.4	13.4	15.4	17.9	19.9	22.4	24.4		
1.00	5.60	5.60	3500	9.85	13.55	1750	7.87	9.71	1160	5.94	7.22	9.6	11.1	13.1	15.1	17.6	19.6	22.1	24.1		
1.00	6.00	6.00	3500	10.97	14.33	1750	8.87	10.49	1160	6.68	7.82	9.0	10.5	12.5	14.5	17.0	19.0	21.5	23.5		
1.00	6.40	6.40	3500	11.96	14.99	1750	9.85	11.26	1160	7.41	8.41	8.4	9.9	11.9	13.9	16.4	18.4	20.9	22.9		
1.00	6.80	6.80	3500	12.80	15.51	1750	10.81	11.99	1160	8.14	8.99	7.7	9.2	11.2	13.2	15.7	17.7	20.2	22.2		
1.00	7.40	7.40	3500	---	---	1750	12.19	13.06	1160	9.20	9.84	---	8.3	10.3	12.3	14.8	16.8	19.3	21.3		
1.00	8.60	8.60	3500	---	---	1750	14.79	15.03	1160	11.27	11.47	---	---	10.4	12.9	14.9	17.4	19.4	21.4		
1.00	9.40	9.40	3500	---	---	1750	16.38	16.22	1160	12.59	12.50	---	---	---	11.6	13.6	16.1	18.1	20.1		
1.03	6.80	7.00	3405	13.01	15.72	1702	10.91	12.10	1128	8.20	9.06	7.6	9.1	11.1	13.1	15.6	17.6	20.1	22.1		
1.03	6.00	6.20	3393	11.21	14.57	1697	8.99	10.61	1125	6.76	7.90	8.8	10.3	12.3	14.3	16.8	18.8	21.3	23.3		
1.03	5.40	5.60	3383	9.49	13.38	1691	7.49	9.43	1121	5.65	7.01	9.8	11.3	13.3	15.3	17.8	19.8	22.3	24.3		
1.04	5.20	5.40	3378	8.85	12.92	1689	6.98	9.03	1120	5.27	6.70	10.1	11.6	13.6	15.6	18.1	20.1	22.6	24.6		
1.04	4.60	4.80	3364	6.75	11.40	1682	5.41	7.79	1115	4.13	5.78	11.0	12.5	14.5	16.5	19.0	21.0	23.5	25.5		
1.04	4.20	4.40	3353	5.20	10.25	1676	4.34	6.94	1111	3.36	5.15	11.6	13.1	15.1	17.1	19.6	21.6	24.1	26.1		
1.05	4.00	4.20	3346	4.38	9.64	1673	3.79	6.51	1109	2.97	4.83	12.0	13.5	15.5	17.5	20.0	22.0	24.5	26.5		
1.05	3.60	3.80	3332	2.68	8.36	1666	2.69	5.62	1104	2.19	4.19	12.6	14.1	16.1	18.1	20.6	22.6	25.1	27.1		
1.05	3.40	3.60	3323	1.79	7.68	1662	2.13	5.18	1101	1.79	3.87	12.9	14.4	16.4	18.4	20.9	22.9	25.4	27.4		
1.06	6.40	6.80	3304	12.37	15.40	1652	10.06	11.46	1095	7.55	8.55	8.0	9.5	11.5	13.5	16.0	18.0	20.5	22.5		
1.06	6.00	6.40	3293	11.41	14.77	1646	9.09	10.71	1091	6.82	7.97	8.7	10.2	12.2	14.2	16.7	18.7	21.2	23.2		
1.07	5.60	6.00	3280	10.30	14.01	1640	8.10	9.94	1087	6.09	7.38	9.3	10.8	12.8	14.8	17.3	19.3	21.8	23.8		
1.07	5.00	5.40	3257	8.40	12.67	1628	6.57	8.74	1079	4.97	6.47	10.2	11.7	13.7	15.7	18.2	20.2	22.7	24.7		
1.08	7.40	8.00	3249	---	---	1624	12.45	13.32	1077	9.37	10.01	---	7.8	9.8	11.8	14.3	16.3	18.8	20.8		
1.08	4.60	5.00	3239	6.99	11.64	1619	5.53	7.91	1073	4.21	5.86	10.9	12.4	14.4	16.4	18.9	20.9	23.4	25.4		
1.09	8.60	9.40	3213	---	---	1607	15.08	15.32	1065	11.46	11.66	---	---	9.8	12.3	14.3	16.8	18.8	21.3		
1.09	4.00	4.40	3206	4.65	9.91	1603	3.92	6.64	1063	3.06	4.92	11.8	13.3	15.3	17.3	19.8	21.8	24.3	26.3		
1.09	6.00	6.60	3198	11.58	14.94	1599	9.17	10.79	1060	6.88	8.02	8.5	10.0	12.0	14.0	16.5	18.5	21.0	23.0		
1.10	5.60	6.20	3180	10.48	14.19	1590	8.19	10.03	1054	6.15	7.43	9.1	10.6	12.6	14.6	17.1	19.1	21.6	23.6		
1.10	3.60	4.00	3179	2.96	8.63	1589	2.83	5.76	1054	2.28	4.28	12.4	13.9	15.9	17.9	20.4	22.4	24.9	26.9		
1.11	3.40	3.80	3163	2.07	7.96	1582	2.28	5.32	1048	1.89	3.96	12.7	14.2	16.2	18.2	20.7	22.7	25.2	27.2		
ARC-LENGTH CORRECTION FACTOR →												0.76	0.78	0.81	0.83	0.86	0.88	0.90	0.92		
1.11	5.20	5.80	3159	9.25	13.33	1580	7.18	9.24	1047	5.41	6.84	9.8	11.3	13.3	15.3	17.8	19.8	22.3	24.3		
1.12	4.60	5.20	3122	7.18	11.84	1561	5.63	8.01	1035	4.28	5.93	10.7	12.2	14.2	16.2	18.7	20.7	23.2	25.2		
1.13	6.00	6.80	3109	11.72	15.08	1554	9.25	10.87	1030	6.93	8.07	8.3	9.8	11.8	13.8	16.3	18.3	20.8	22.8		
1.13	4.20	4.80	3093	5.66	10.71	1547	4.57	7.17	1025	3.51	5.30	11.3	12.8	14.8	16.8	19.3	21.3	23.8	25.8		
1.13	5.60	6.40	3086	10.63	14.34	1543	8.26	10.10	1023	6.20	7.48	9.0	10.5	12.5	14.5	17.0	19.0	21.5	23.5		
1.14	5.40	6.20	3073	10.04	13.93	1537	7.76	9.71	1019	5.83	7.19	9.3	10.8	12.8	14.8	17.3	19.3	21.8	23.8		
1.14	3.80	4.40	3059	4.03	9.49	1529	3.49	6.31	1014	2.74	4.67	12.0	13.5	15.5	17.5	20.0	22.0	24.5	26.5		
1.15	5.00	5.80	3045	8.75	13.01	1523	6.74	8.91	1009	5.08	6.59	9.9	11.4	13.4	15.4	17.9	19.9	22.4	24.4		
1.15	3.60	4.20	3039	3.17	8.85	1520	2.94	5.87	1007	2.35	4.36	12.3	13.8	15.8	17.8	20.3	22.3	24.8	26.8		
1.15	7.40	8.60	3031	---	---	1516	12.63	13.49	1005	9.49	10.12	---	---	9.3	11.3	13.8	15.8	18.3	20.3		
1.16	6.00	7.00	3024	11.85	15.21	1512	9.31	10.93	1002	6.97	8.11	8.2	9.7	11.7	13.7	16.2	18.2	20.7	22.7		
1.16	3.40	4.00	3018	2.30	8.19	1509	2.39	5.43	1000	1.96	4.03	12.6	14.1	16.1	18.1	20.6	22.6	25.1	27.1		
1.16	9.40	11.00	3007	---	---	1504	16.83	16.67	997	12.89	12.80	---	---	---	10.4	12.4	14.9	16.9	18.9		
1.17	6.80	8.00	2998	13.71	16.43	1499	11.26	12.45	993	8.44	9.29	---	8.3	10.3	12.3	14.8	16.8	19.3	21.3		
1.17	5.40	6.40	2982	10.17	14.06	1491	7.83	9.77	988	5.87	7.23	9.1	10.6	12.6	14.6	17.1	19.1	21.6	23.6		
1.18	5.20	6.20	2966	9.54	13.61	1483	7.32	9.38	983	5.50	6.93	9.4	10.9	12.9	14.9	17.4	19.4	21.9	23.9		
1.18	4.00	4.80	2957	5.02	10.28	1479	4.11	6.83	980	3.18	5.05	11.5	13.0	15.0	17.0	19.5	21.5	24.0	26.0		
1.19	5.00	6.00	2950	8.88	13.15	1475	6.81	8.98	978	5.13	6.63	9.8	11.3	13.3	15.3	17.8	19.8	22.3	24.3		
1.19	3.80	4.60	2935	4.19	9.66	1468	3.57	6.39	973	2.80	4.73	11.8	13.3	15.3	17.3	19.8	21.8	24.3	26.3		
1.20	5.60	6.80	2913	10.87	14.58	1457	8.38	10.22	966	6.27	7.56	8.6	10.1	12.2	14.2	16.7	18.7	21.2	23.2		
1.20	4.60	5.60	2913	7.48	12.13	1456	5.77	8.16	965	4.37	6.02	10.4	11.9	13.9	15.9	18.4	20.4	22.9	24.9		
1.20	3.60	4.40	2912	3.34	9.02	1456	3.02	5.96	965	2.41	4.41	12.1	13.6	15.6	17.6	20.1	22.1	24.6	26.6		
1.21	5.40	6.60	2897	10.27	14.16	1448	7.88	9.83	960	5.91	7.27	9.0	10.5	12.5	14.5	17.0	19.0	21.5	23.5		
1.21	3.40	4.20	2886	2.47	8.36	1443	2.47	5.52	956	2.02	4.09	12.4	13.9	15.9	17.9	20.4	22.4	24.9	26.9		
1.22	4.20	5.20	2871	5.96	11.01	1435	4.72	7.32	951	3.61	5.40	11.0	12.5	14.5	16.5	19.0	21.0	23.5	25.5		
ARC-LENGTH CORRECTION FACTOR →												0.75	0.77	0.80	0.82	0.85	0.87	0.89	0.90		

NOTE: Selection program VIA-VISA available at www.ptwizard.com.

SELECTION



B S-L CLASSIC

BX CLASSIC COG

STOCK DRIVE SELECTIONS

Ratio	Belt Size/Center Distance																	
	B68 BX68	B75 BX75	B81 BX81	B85 BX85	B90 BX90	B97 BX97	B105 BX105	B112 BX112	B120 BX120	B128 BX128	B144 BX144	B158 BX158	B173 BX173	B180 BX180	B195 BX195	B210 BX210	B240 BX240	B270 BX270
1.00	29.6	33.1	36.1	38.1	40.6	44.1	48.1	51.6	55.6	59.6	67.6	74.6	82.1	85.6	93.1	100.6	114.8	129.8
1.00	28.9	32.4	35.4	37.4	39.9	43.4	47.4	50.9	54.9	58.9	66.9	73.9	81.4	84.9	92.4	99.9	114.2	129.2
1.00	28.3	31.8	34.8	36.8	39.3	42.8	46.8	50.3	54.3	58.3	66.3	73.3	80.8	84.3	91.8	99.3	113.6	128.6
1.00	27.7	31.2	34.2	36.2	38.7	42.2	46.2	49.7	53.7	57.7	65.7	72.7	80.2	83.7	91.2	98.7	112.9	127.9
1.00	27.1	30.6	33.5	35.5	38.0	41.5	45.5	49.0	53.0	57.0	65.0	72.0	79.5	83.0	90.5	98.0	112.3	127.3
1.00	26.7	30.2	33.2	35.2	37.7	41.2	45.2	48.7	52.7	56.7	64.7	71.7	79.2	82.7	90.2	97.7	112.0	127.0
1.00	26.4	29.9	32.9	34.9	37.4	40.9	44.9	48.4	52.4	56.4	64.4	71.4	78.9	82.4	89.9	97.4	111.7	126.7
1.00	26.1	29.6	32.6	34.6	37.1	40.6	44.6	48.1	52.1	56.1	64.1	71.1	78.6	82.1	89.6	97.1	111.4	126.4
1.00	25.5	29.0	32.0	34.0	36.5	40.0	44.0	47.5	51.5	55.5	63.5	70.5	78.0	81.5	89.0	96.5	110.7	125.7
1.00	24.9	28.4	31.4	33.4	35.9	39.4	43.4	46.9	50.9	54.9	62.9	69.9	77.4	80.9	88.4	95.9	110.1	125.1
1.00	24.2	27.7	30.7	32.7	35.2	38.7	42.7	46.2	50.2	54.2	62.2	69.2	76.7	80.2	87.7	95.2	109.5	124.5
1.00	23.3	26.8	29.8	31.8	34.3	37.8	41.8	45.3	49.3	53.3	61.3	68.3	75.8	79.3	86.8	94.3	108.5	123.5
1.00	21.4	24.9	27.9	29.9	32.4	35.9	39.9	43.4	47.4	51.4	59.4	66.4	73.9	77.4	84.9	92.4	106.6	121.6
1.00	20.1	23.6	26.6	28.6	31.1	34.6	38.6	42.1	46.1	50.1	58.1	65.1	72.6	76.1	83.6	91.1	105.4	120.4
1.03	24.1	27.6	30.6	32.6	35.1	38.6	42.6	46.1	50.1	54.1	62.1	69.1	76.6	80.1	87.6	95.1	109.3	124.3
1.03	25.3	28.8	31.8	33.8	36.3	39.8	43.8	47.3	51.3	55.3	63.3	70.3	77.8	81.3	88.8	96.3	110.6	125.6
1.03	26.3	29.8	32.8	34.8	37.3	40.8	44.8	48.3	52.3	56.3	64.3	71.3	78.8	82.3	89.8	97.3	111.5	126.5
1.04	26.6	30.1	33.1	35.1	37.6	41.1	45.1	48.6	52.6	56.6	64.6	71.6	79.1	82.6	90.1	97.6	111.8	126.8
1.04	27.5	31.0	34.0	36.0	38.5	42.0	46.0	49.5	53.5	57.5	65.5	72.5	80.0	83.5	91.0	98.5	112.8	127.8
1.04	28.1	31.6	34.6	36.6	39.1	42.6	46.6	50.1	54.1	58.1	66.1	73.1	80.6	84.1	91.6	99.1	113.4	128.4
1.05	28.5	32.0	35.0	37.0	39.5	43.0	47.0	50.5	54.5	58.5	66.5	73.5	81.0	84.5	92.0	99.5	113.7	128.7
1.05	29.1	32.6	35.6	37.6	40.1	43.6	47.6	51.1	55.1	59.1	67.1	74.1	81.6	85.1	92.6	100.1	114.3	129.3
1.05	29.4	32.9	35.9	37.9	40.4	43.9	47.9	51.4	55.4	59.4	67.4	74.4	81.9	85.4	92.9	100.4	114.7	129.7
1.06	24.5	28.0	31.0	33.0	35.5	39.0	43.0	46.5	50.5	54.5	62.5	69.5	77.0	80.5	88.0	95.5	109.8	124.8
1.06	25.2	28.7	31.7	33.7	36.2	39.7	43.7	47.2	51.2	55.2	63.2	70.2	77.7	81.2	88.7	96.2	110.4	125.4
1.07	25.8	29.3	32.3	34.3	36.8	40.3	44.3	47.8	51.8	55.8	63.8	70.8	78.3	81.8	89.3	96.8	111.0	126.0
1.07	26.7	30.2	33.2	35.2	37.7	41.2	45.2	48.7	52.7	56.7	64.7	71.7	79.2	82.7	90.2	97.7	112.0	127.0
1.08	22.8	26.3	29.3	31.3	33.8	37.3	41.3	44.8	48.8	52.8	60.8	67.8	75.3	78.8	86.3	93.8	108.1	123.1
1.08	27.4	30.9	33.9	35.9	38.4	41.9	45.9	49.4	53.4	57.4	65.4	72.4	79.9	83.4	90.9	98.4	112.6	127.6
1.09	20.8	24.3	27.3	29.3	31.8	35.3	39.3	42.8	46.8	50.8	58.8	65.8	73.3	76.8	84.3	91.8	106.0	121.0
1.09	28.3	31.8	34.8	36.8	39.3	42.8	46.8	50.3	54.3	58.3	66.3	73.3	80.8	84.3	91.8	99.3	113.6	128.6
1.09	25.0	28.5	31.5	33.5	36.0	39.5	43.5	47.0	51.0	55.0	63.0	70.0	77.5	81.0	88.5	96.0	110.3	125.3
1.10	25.6	29.1	32.1	34.1	36.6	40.1	44.1	47.6	51.6	55.6	63.6	70.6	78.1	81.6	89.1	96.6	110.9	125.9
1.10	28.9	32.4	35.4	37.4	39.9	43.4	47.4	50.9	54.9	58.9	66.9	73.9	81.4	84.9	92.4	99.9	114.2	129.2
1.11	29.2	32.7	35.7	37.7	40.2	43.7	47.7	51.2	55.2	59.2	67.2	74.2	81.7	85.2	92.7	100.2	114.5	129.5
	0.93	0.95	0.97	0.98	1.00	1.02	1.04	1.05	1.07	1.09	1.12	1.14	1.16	1.17	1.19	1.21	1.24	1.27
1.11	26.3	29.8	32.8	34.8	37.3	40.8	44.8	48.3	52.3	56.3	64.3	71.3	78.8	82.3	89.8	97.3	111.5	126.5
1.12	27.2	30.7	33.7	35.7	38.2	41.7	45.7	49.2	53.2	57.2	65.2	72.2	79.7	83.2	90.7	98.2	112.5	127.5
1.13	24.8	28.3	31.3	33.3	35.8	39.3	43.3	46.8	50.8	54.8	62.8	69.8	77.3	80.8	88.3	95.8	110.1	125.1
1.13	27.8	31.3	34.3	36.3	38.8	42.3	46.3	49.8	53.8	57.8	65.8	72.8	80.3	83.8	91.3	98.8	113.1	128.1
1.13	25.5	29.0	32.0	34.0	36.5	40.0	44.0	47.5	51.5	55.5	63.5	70.5	78.0	81.5	89.0	96.5	110.7	125.7
1.14	25.8	29.3	32.3	34.3	36.8	40.3	44.3	47.8	51.8	55.8	63.8	70.8	78.3	81.8	89.3	96.8	111.0	126.0
1.14	28.5	32.0	35.0	37.0	39.5	43.0	47.0	50.5	54.5	58.5	66.5	73.5	81.0	84.5	92.0	99.5	113.7	128.7
1.15	26.4	29.9	32.9	34.9	37.4	40.9	44.9	48.4	52.4	56.4	64.4	71.4	78.9	82.4	89.9	97.4	111.7	126.7
1.15	28.8	32.3	35.3	37.3	39.8	43.3	47.3	50.8	54.8	58.8	66.8	73.8	81.3	84.8	92.3	99.8	114.0	129.0
1.15	22.3	25.8	28.8	30.8	33.3	36.8	40.8	44.3	48.3	52.3	60.3	67.3	74.8	78.3	85.8	93.3	107.6	122.6
1.16	24.7	28.2	31.2	33.2	35.7	39.2	43.2	46.7	50.7	54.7	62.7	69.7	77.2	80.7	88.2	95.7	109.9	124.9
1.16	29.1	32.6	35.6	37.6	40.1	43.6	47.6	51.1	55.1	59.1	67.1	74.1	81.6	85.1	92.6	100.1	114.3	129.3
1.16	18.9	22.4	25.4	27.4	29.9	33.4	37.4	40.9	44.9	48.9	56.9	63.9	71.4	74.9	82.4	89.9	104.1	119.1
1.17	23.3	26.8	29.8	31.8	34.3	37.8	41.8	45.3	49.3	53.3	61.3	68.3	75.8	79.3	86.8	94.3	108.5	123.5
1.17	25.6	29.1	32.1	34.1	36.6	40.1	44.1	47.6	51.6	55.6	63.6	70.6	78.1	81.6	89.1	96.6	110.9	125.9
1.18	25.9	29.4	32.4	34.4	36.9	40.4	44.4	47.9	51.9	55.9	63.9	70.9	78.4	81.9	89.4	96.9	111.2	126.2
1.18	28.0	31.5	34.5	36.5	39.0	42.5	46.5	50.0	54.0	58.0	66.0	73.0	80.5	84.0	91.5	99.0	113.2	128.2
1.19	26.3	29.8	32.8	34.8	37.3	40.8	44.8	48.3	52.3	56.3	64.3	71.3	78.8	82.3	89.8	97.3	111.5	126.5
1.19	28.3	31.8	34.8	36.8	39.3	42.8	46.8	50.3	54.3	58.3	66.3	73.3	80.8	84.3	91.8	99.3	113.6	128.6
1.20	25.2	28.7	31.7	33.7	36.2	39.7	43.7	47.2	51.2	55.2	63.2	70.2	77.7	81.2	88.7	96.2	110.4	125.4
1.20	26.9	30.4	33.4	35.4	37.9	41.4	45.4	48.9	52.9	56.9	64.9	71.9	79.4	82.9	90.4	97.9	112.1	127.1
1.20	28.6	32.1	35.1	37.1	39.6	43.1	47.1	50.6	54.6	58.6	66.6	73.6	81.1	84.6	92.1	99.6	113.9	128.9
1.21	25.5	29.0	32.0	34.0	36.5	40.0	44.0	47.5	51.5	55.5	63.5	70.5	78.0	81.5	89.0	96.5	110.7	125.7
1.21	28.9	32.4	35.4	37.4	39.9	43.4	47.4	50.9	54.9	58.9	66.9	73.9	81.4	84.9	92.4	99.9	114.2	129.2
1.22	27.5	31.0	34.0	36.0	38.5	42.0	46.0	49.5	53.5	57.5	65.5	72.5	80.0	83.5	91.0	98.5	112.8	127.8
	0.92	0.95	0.97	0.98	0.99	1.01	1.03	1.05	1.07	1.08	1.11	1.14	1.16	1.17	1.19	1.21	1.24	1.27

NOTE: Selection program VIA-VISA available at www.ptwizard.com.

V-Drives

FHP Drives

Drive Component Accessories

DYNA-SYNC

HT200/HTD Synchronous Drives

HTR Synchronous Drives

HTRC Synchronous Drives



SELECTION

B S-L CLASSIC BX CLASSIC COG STOCK DRIVE SELECTIONS

Ratio	Stock Shv.		3500 RPM Driver			1750 RPM Driver			1160 RPM Driver			Belt Size/Center Distance									
	Datum Diam.		Driven		HP Per Belt	Driven		HP Per Belt	Driven		HP Per Belt	B35	B38	B42	B46	B51	B55	B60	B64		
	Driver	Driven	RPM	B	BX	RPM	B	BX	RPM	B	BX	BX35	BX38	BX42	BX46	BX51	BX55	BX60	BX64		
1.22	6.00	7.40	2869	12.05	15.41	1434	9.41	11.03	951	7.04	8.18	7.8	9.4	11.4	13.4	15.9	17.9	20.4	22.4		
1.22	5.00	6.20	2860	8.99	13.26	1430	6.86	9.03	948	5.16	6.67	9.6	11.1	13.1	15.1	17.6	19.6	22.1	24.1		
1.23	4.00	5.00	2847	5.16	10.42	1424	4.18	6.89	944	3.23	5.09	11.3	12.8	14.8	16.8	19.3	21.3	23.8	25.8		
1.23	5.60	7.00	2834	10.96	14.67	1417	8.43	10.27	939	6.31	7.59	8.5	10.0	12.0	14.0	16.5	18.5	21.0	23.0		
1.24	6.40	8.00	2830	13.08	16.11	1415	10.41	11.81	938	7.78	8.78	---	8.6	10.6	12.6	15.1	17.1	19.6	21.6		
1.24	3.80	4.80	2822	4.33	9.80	1411	3.64	6.46	935	2.84	4.77	11.6	13.1	15.1	17.1	19.6	21.6	24.1	26.1		
1.24	4.60	5.80	2818	7.59	12.24	1409	5.83	8.21	934	4.41	6.06	10.2	11.7	13.7	15.7	18.2	20.2	22.7	24.7		
1.24	5.40	6.80	2816	10.37	14.26	1408	7.93	9.87	933	5.94	7.30	8.8	10.3	12.3	14.3	16.8	18.8	21.3	23.3		
1.25	6.80	8.60	2797	13.95	16.67	1398	11.38	12.57	927	8.52	9.37	---	7.8	9.8	11.8	14.3	16.3	18.8	20.8		
1.25	5.20	6.60	2796	9.74	13.82	1398	7.42	9.48	927	5.57	7.00	9.1	10.6	12.6	14.6	17.1	19.1	21.6	23.6		
1.25	3.60	4.60	2794	3.48	9.16	1397	3.09	6.02	926	2.45	4.46	12.0	13.5	15.5	17.5	20.0	22.0	24.5	26.5		
1.26	7.40	9.40	2783	---	---	1391	12.78	13.65	922	9.59	10.22	---	---	8.7	10.7	13.2	15.2	17.7	19.7		
1.26	5.00	6.40	2775	9.08	13.35	1388	6.91	9.08	920	5.19	6.70	9.4	10.9	12.9	14.9	17.4	19.4	21.9	23.9		
1.26	4.20	5.40	2771	6.07	11.12	1385	4.77	7.38	918	3.65	5.44	10.8	12.3	14.4	16.4	18.9	20.9	23.4	25.4		
1.27	8.60	11.00	2761	---	---	1380	15.39	15.63	915	11.66	11.86	---	---	---	---	10.9	13.0	15.5	17.5		
1.28	4.60	6.00	2730	7.68	12.33	1365	5.87	8.26	905	4.44	6.09	10.1	11.6	13.6	15.6	18.1	20.1	22.6	24.6		
1.29	5.20	6.80	2718	9.82	13.89	1359	7.46	9.52	901	5.59	7.03	8.9	10.4	12.5	14.5	17.0	19.0	21.5	23.5		
1.29	3.80	5.00	2716	4.44	9.91	1358	3.69	6.52	900	2.88	4.81	11.5	13.0	15.0	17.0	19.5	21.5	24.0	26.0		
1.30	5.60	7.40	2688	11.11	14.82	1344	8.50	10.34	891	6.35	7.64	8.1	9.7	11.7	13.7	16.2	18.2	20.7	22.7		
1.31	4.20	5.60	2678	6.15	11.21	1339	4.81	7.42	888	3.68	5.47	10.7	12.2	14.2	16.2	18.7	20.7	23.2	25.2		
1.31	9.40	12.40	2677	---	---	1339	17.02	16.86	887	13.01	12.93	---	---	---	---	11.2	13.7	15.7	17.7		
1.31	6.00	8.00	2663	12.26	15.62	1331	9.52	11.14	882	7.11	8.25	7.3	8.9	10.9	12.9	15.4	17.4	19.9	21.9		
1.32	3.40	4.60	2653	2.71	8.60	1327	2.59	5.64	879	2.10	4.17	12.1	13.6	15.6	17.6	20.1	22.1	24.6	26.6		
1.32	4.60	6.20	2646	7.75	12.41	1323	5.91	8.30	877	4.47	6.11	9.9	11.4	13.4	15.4	17.9	19.9	22.4	24.4		
1.33	6.40	8.60	2641	13.27	16.29	1320	10.50	11.91	875	7.84	8.84	---	8.0	10.1	12.1	14.6	16.6	19.1	21.1		
1.34	5.00	6.80	2620	9.23	13.49	1310	6.98	9.15	868	5.24	6.75	9.1	10.6	12.6	14.6	17.1	19.1	21.6	23.6		
1.35	5.40	7.40	2598	10.57	14.46	1299	8.03	9.98	861	6.01	7.37	8.3	9.8	11.8	13.8	16.3	18.3	20.8	22.8		
1.35	4.20	5.80	2591	6.23	11.28	1295	4.85	7.46	859	3.70	5.49	10.5	12.0	14.0	16.0	18.5	20.5	23.0	25.0		
1.36	4.60	6.40	2568	7.82	12.47	1284	5.94	8.33	851	4.49	6.14	9.7	11.2	13.2	15.2	17.7	19.7	22.2	24.2		
1.36	6.80	9.40	2568	14.16	16.88	1284	11.49	12.68	851	8.59	9.44	---	---	9.1	11.1	13.6	15.6	18.1	20.1		
1.37	3.40	4.80	2550	2.79	8.68	1275	2.63	5.68	845	2.12	4.20	11.9	13.4	15.4	17.4	20.0	22.0	24.5	26.5		
1.37	5.00	7.00	2549	9.28	13.55	1274	7.01	9.18	845	5.26	6.76	8.9	10.4	12.4	14.4	17.0	19.0	21.5	23.5		
1.39	4.20	6.00	2509	6.29	11.35	1255	4.88	7.49	832	3.72	5.51	10.4	11.9	13.9	15.9	18.4	20.4	22.9	24.9		
1.40	5.60	8.00	2495	11.26	14.97	1248	8.58	10.42	827	6.41	7.69	7.6	9.1	11.2	13.2	15.7	17.7	20.2	22.2		
1.40	4.60	6.60	2494	7.87	12.52	1247	5.97	8.36	827	4.51	6.15	9.6	11.1	13.1	15.1	17.6	19.6	22.1	24.1		
ARC-LENGTH CORRECTION FACTOR →												0.75	0.77	0.80	0.82	0.85	0.87	0.89	0.90		
1.40	3.60	5.20	2493	3.74	9.42	1246	3.22	6.16	826	2.54	4.54	11.5	13.0	15.0	17.0	19.5	21.5	24.0	26.0		
1.41	6.00	8.60	2484	12.40	15.76	1242	9.59	11.21	823	7.15	8.29	---	8.3	10.4	12.4	14.9	16.9	19.4	21.4		
1.42	8.60	12.40	2458	---	---	1229	15.51	15.75	815	11.75	11.94	---	---	---	---	---	11.8	14.3	16.3		
1.43	3.40	5.00	2455	2.86	8.75	1228	2.67	5.71	814	2.15	4.22	11.8	13.3	15.3	17.3	19.8	21.8	24.3	26.3		
1.43	9.40	13.60	2447	---	---	1223	17.11	16.95	811	13.07	12.98	---	---	---	---	---	---	12.7	14.7		
1.44	6.40	9.40	2424	13.43	16.45	1212	10.58	11.99	803	7.90	8.90	---	---	9.4	11.4	13.9	15.9	18.4	20.4		
1.45	5.40	8.00	2411	10.70	14.59	1206	8.10	10.04	799	6.05	7.41	7.8	9.3	11.3	13.3	15.8	17.8	20.3	22.3		
1.46	4.00	6.00	2399	5.54	10.80	1200	4.37	7.08	795	3.35	5.22	10.5	12.0	14.0	16.0	18.5	20.5	23.0	25.0		
1.46	7.40	11.00	2391	---	---	1195	12.94	13.80	792	9.69	10.33	---	---	---	9.3	11.8	13.8	16.4	18.4		
1.48	3.40	5.20	2367	2.91	8.80	1183	2.70	5.74	784	2.16	4.24	11.6	13.1	15.1	17.1	19.6	21.6	24.1	26.1		
1.48	4.20	6.40	2361	6.39	11.44	1180	4.93	7.54	782	3.75	5.55	10.0	11.5	13.5	15.5	18.0	20.0	22.6	24.6		
1.50	5.60	8.60	2328	11.37	15.08	1164	8.63	10.47	772	6.44	7.73	---	8.6	10.6	12.7	15.7	17.2	19.7	21.7		
1.51	3.60	5.60	2326	3.84	9.52	1163	3.27	6.21	771	2.57	4.58	11.1	12.6	14.6	16.6	19.2	21.2	23.7	25.7		
1.53	4.20	6.60	2293	6.42	11.48	1147	4.95	7.55	760	3.77	5.56	9.8	11.4	13.4	15.4	17.9	19.9	22.4	24.4		
1.53	6.00	9.40	2281	12.52	15.88	1140	9.65	11.27	756	7.19	8.33	---	---	9.7	11.7	14.2	16.2	18.7	20.7		
1.55	4.00	6.40	2257	5.61	10.87	1129	4.41	7.12	748	3.38	5.24	10.2	11.7	13.7	15.7	18.2	20.2	22.7	24.7		
1.56	3.60	5.80	2250	3.88	9.56	1125	3.29	6.23	746	2.59	4.59	11.0	12.5	14.5	16.5	19.0	21.0	23.5	25.5		
1.56	8.60	13.60	2246	---	---	1123	15.57	15.81	745	11.79	11.98	---	---	---	---	---	---	13.2	15.3		
1.56	4.60	7.40	2237	8.02	12.67	1119	6.05	8.43	741	4.55	6.20	8.9	10.4	12.4	14.4	16.9	18.9	21.4	23.4		
1.57	4.20	6.80	2229	6.45	11.51	1115	4.96	7.57	739	3.78	5.57	9.7	11.2	13.2	15.2	17.7	19.7	22.2	24.2		
1.59	3.40	5.60	2208	2.99	8.88	1104	2.74	5.78	732	2.19	4.27	11.3	12.8	14.8	16.8	19.3	21.3	23.8	25.8		
1.59	6.80	11.00	2206	14.38	17.10	1103	11.60	12.79	731	8.66	9.51	---	---	---	9.7	12.2	14.3	16.8	18.8		
1.60	4.00	6.60	2193	5.64	10.90	1096	4.42	7.14	727	3.39	5.25	10.0	11.5	13.5	15.5	18.0	20.0	22.5	24.5		
1.61	3.60	6.00	2179	3.91	9.59	1090	3.31	6.24	722	2.60	4.60	10.8	12.3	14.3	16.3	18.8	20.8	23.3	25.3		
1.61	5.20	8.60	2172	10.18	14.26	1086	7.64	9.70	720	5.71	7.15	7.4	8.9	10.9	13.0	15.5	17.5	20.0	22.0		
ARC-LENGTH CORRECTION FACTOR →												0.74	0.76	0.79	0.81	0.84	0.86	0.88	0.90		

NOTE: Selection program VIA-VISA available at www.ptwizard.com.

SELECTION



B **S-L CLASSIC** **BX** **CLASSIC COG** **STOCK DRIVE SELECTIONS**

Ratio	Belt Size/Center Distance																	
	B68 BX68	B75 BX75	B81 BX81	B85 BX85	B90 BX90	B97 BX97	B105 BX105	B112 BX112	B120 BX120	B128 BX128	B144 BX144	B158 BX158	B173 BX173	B180 BX180	B195 BX195	B210 BX210	B240 BX240	B270 BX270
1.22	24.4	27.9	30.9	32.9	35.4	38.9	42.9	46.4	50.4	54.4	62.4	69.4	76.9	80.4	87.9	95.4	109.6	124.6
1.22	26.1	29.6	32.6	34.6	37.1	40.6	44.6	48.1	52.1	56.1	64.1	71.1	78.6	82.1	89.6	97.1	111.4	126.4
1.23	27.8	31.3	34.3	36.3	38.8	42.3	46.3	49.8	53.8	57.8	65.8	72.8	80.3	83.8	91.3	98.8	113.1	128.1
1.23	25.0	28.5	31.5	33.5	36.0	39.5	43.5	47.0	51.0	55.0	63.0	70.0	77.5	81.0	88.5	96.0	110.3	125.3
1.24	23.6	27.1	30.1	32.1	34.6	38.1	42.1	45.6	49.6	53.6	61.6	68.6	76.1	79.6	87.1	94.6	108.8	123.8
1.24	28.1	31.6	34.6	36.6	39.1	42.6	46.6	50.1	54.1	58.1	66.1	73.1	80.6	84.1	91.6	99.1	113.4	128.4
1.24	26.7	30.2	33.2	35.2	37.7	41.2	45.2	48.7	52.7	56.7	64.7	71.7	79.2	82.7	90.2	97.7	112.0	127.0
1.24	25.3	28.8	31.8	33.8	36.3	39.8	43.8	47.3	51.3	55.3	63.3	70.3	77.8	81.3	88.8	96.3	110.6	125.6
1.25	22.8	26.3	29.3	31.3	33.8	37.3	41.3	44.8	48.8	52.8	60.8	67.8	75.3	78.8	86.3	93.8	108.1	123.1
1.25	25.6	29.1	32.1	34.1	36.6	40.1	44.1	47.6	51.6	55.6	63.6	70.6	78.1	81.6	89.1	96.6	110.9	125.9
1.25	28.5	32.0	35.0	37.0	39.5	43.0	47.0	50.5	54.5	58.5	66.5	73.5	81.0	84.5	92.0	99.5	113.7	128.7
1.26	21.7	25.2	28.2	30.2	32.7	36.2	40.2	43.7	47.7	51.7	59.7	66.7	74.2	77.7	85.2	92.7	107.0	122.0
1.26	25.9	29.4	32.4	34.4	36.9	40.4	44.4	47.9	51.9	55.9	63.9	70.9	78.4	81.9	89.4	96.9	111.2	126.2
1.26	27.4	30.9	33.9	35.9	38.4	41.9	45.9	49.4	53.4	57.4	65.4	72.4	79.9	83.4	90.9	98.4	112.6	127.6
1.27	19.5	23.0	26.0	28.0	30.5	34.0	38.0	41.5	45.5	49.5	57.5	64.5	72.0	75.5	83.0	90.5	104.8	119.8
1.28	26.6	30.1	33.1	35.1	37.6	41.1	45.1	48.6	52.6	56.6	64.6	71.6	79.1	82.6	90.1	97.6	111.8	126.8
1.29	25.5	29.0	32.0	34.0	36.5	40.0	44.0	47.5	51.5	55.5	63.5	70.5	78.0	81.5	89.0	96.5	110.7	125.7
1.29	28.0	31.5	34.5	36.5	39.0	42.5	46.5	50.0	54.0	58.0	66.0	73.0	80.5	84.0	91.5	99.0	113.2	128.2
1.30	24.7	28.2	31.2	33.2	35.7	39.2	43.2	46.7	50.7	54.7	62.7	69.7	77.2	80.7	88.2	95.7	109.9	124.9
1.31	27.2	30.7	33.7	35.7	38.2	41.7	45.7	49.2	53.2	57.2	65.2	72.2	79.7	83.2	90.7	98.2	112.5	127.5
1.31	17.7	21.2	24.2	26.2	28.7	32.3	36.3	39.8	43.8	47.8	55.8	62.8	70.3	73.8	81.3	88.8	103.0	118.0
1.31	23.9	27.4	30.4	32.4	34.9	38.4	42.4	45.9	49.9	53.9	61.9	68.9	76.4	79.9	87.4	94.9	109.2	124.2
1.32	28.6	32.1	35.1	37.1	39.6	43.1	47.1	50.6	54.6	58.6	66.6	73.6	81.1	84.6	92.1	99.6	113.9	128.9
1.32	26.4	29.9	32.9	34.9	37.4	40.9	44.9	48.4	52.4	56.4	64.4	71.4	78.9	82.4	89.9	97.4	111.7	126.7
1.33	23.1	26.6	29.6	31.6	34.1	37.6	41.6	45.1	49.1	53.1	61.1	68.1	75.6	79.1	86.6	94.1	108.4	123.4
1.34	25.6	29.1	32.1	34.1	36.6	40.1	44.1	47.6	51.6	55.6	63.6	70.6	78.1	81.6	89.1	96.6	110.9	125.9
1.35	24.8	28.3	31.3	33.3	35.8	39.3	43.3	46.8	50.8	54.8	62.8	69.8	77.3	80.8	88.3	95.8	110.1	125.1
1.35	27.0	30.5	33.5	35.5	38.0	41.5	45.5	49.0	53.0	57.0	65.0	72.0	79.5	83.0	90.5	98.0	112.3	127.3
1.36	26.2	29.8	32.8	34.8	37.3	40.8	44.8	48.3	52.3	56.3	64.3	71.3	78.8	82.3	89.8	97.3	111.5	126.5
1.36	22.1	25.7	28.7	30.7	33.2	36.7	40.7	44.2	48.2	52.2	60.2	67.2	74.7	78.2	85.7	93.2	107.4	122.4
1.37	28.5	32.0	35.0	37.0	39.5	43.0	47.0	50.5	54.5	58.5	66.5	73.5	81.0	84.5	92.0	99.5	113.7	128.7
1.37	25.5	29.0	32.0	34.0	36.5	40.0	44.0	47.5	51.5	55.5	63.5	70.5	78.0	81.5	89.0	96.5	110.7	125.7
1.39	26.9	30.4	33.4	35.4	37.9	41.4	45.4	48.9	52.9	56.9	64.9	71.9	79.4	82.9	90.4	97.9	112.1	127.1
1.40	24.2	27.7	30.7	32.7	35.2	38.7	42.7	46.2	50.2	54.2	62.2	69.2	76.7	80.2	87.7	95.2	109.5	124.5
1.40	26.1	29.6	32.6	34.6	37.1	40.6	44.6	48.1	52.1	56.1	64.1	71.1	78.6	82.1	89.6	97.1	111.4	126.4
	0.92	0.95	0.97	0.98	0.99	1.01	1.03	1.05	1.07	1.08	1.11	1.14	1.16	1.17	1.19	1.21	1.24	1.27
1.40	28.0	31.5	34.5	36.5	39.0	42.5	46.5	50.0	54.0	58.0	66.0	73.0	80.5	84.0	91.5	99.0	113.2	128.2
1.41	23.4	26.9	29.9	31.9	34.4	37.9	41.9	45.4	49.4	53.4	61.4	68.4	75.9	79.4	86.9	94.4	108.7	123.7
1.42	18.3	21.8	24.8	26.8	29.4	32.9	36.9	40.4	44.4	48.4	56.4	63.4	70.9	74.4	81.9	89.4	103.6	118.6
1.43	28.3	31.8	34.8	36.8	39.3	42.8	46.8	50.3	54.3	58.3	66.3	73.3	80.8	84.3	91.8	99.3	113.6	128.6
1.43	16.7	20.2	23.3	25.3	27.8	31.3	35.3	38.8	42.8	46.8	54.8	61.8	69.3	72.8	80.3	87.8	102.1	117.1
1.44	22.4	26.0	29.0	31.0	33.5	37.0	41.0	44.5	48.5	52.5	60.5	67.5	75.0	78.5	86.0	93.5	107.7	122.7
1.45	24.3	27.9	30.9	32.9	35.4	38.9	42.9	46.4	50.4	54.4	62.4	69.4	76.9	80.4	87.9	95.4	109.6	124.6
1.46	27.0	30.5	33.5	35.5	38.0	41.5	45.5	49.0	53.0	57.0	65.0	72.0	79.5	83.0	90.5	98.0	112.3	127.3
1.46	20.4	23.9	26.9	28.9	31.4	34.9	38.9	42.4	46.4	50.4	58.4	65.4	72.9	76.4	83.9	91.4	105.7	120.7
1.48	28.1	31.6	34.6	36.6	39.1	42.6	46.6	50.1	54.1	58.1	66.1	73.1	80.6	84.1	91.6	99.1	113.4	128.4
1.48	26.6	30.1	33.1	35.1	37.6	41.1	45.1	48.6	52.6	56.6	64.6	71.6	79.1	82.6	90.1	97.6	111.8	126.8
1.50	23.7	27.2	30.2	32.2	34.7	38.2	42.2	45.7	49.7	53.7	61.7	68.7	76.2	79.7	87.2	94.7	109.0	124.0
1.51	27.7	31.2	34.2	36.2	38.7	42.2	46.2	49.7	53.7	57.7	65.7	72.7	80.2	83.7	91.2	98.7	112.9	127.9
1.53	26.4	29.9	32.9	34.9	37.4	40.9	44.9	48.4	52.4	56.4	64.4	71.4	78.9	82.4	89.9	97.4	111.7	126.7
1.53	22.7	26.3	29.3	31.3	33.8	37.3	41.3	44.8	48.8	52.8	60.8	67.8	75.3	78.8	86.3	93.8	108.0	123.0
1.55	26.7	30.2	33.2	35.2	37.7	41.2	45.2	48.7	52.7	56.7	64.7	71.7	79.2	82.7	90.2	97.7	112.0	127.0
1.56	27.5	31.0	34.0	36.0	38.5	42.0	46.0	49.5	53.5	57.5	65.5	72.5	80.0	83.5	91.0	98.5	112.8	127.8
1.56	17.3	20.8	23.8	25.8	28.4	31.9	35.9	39.4	43.4	47.4	55.4	62.4	69.9	73.4	80.9	88.4	102.7	117.7
1.56	25.4	28.9	31.9	34.0	36.5	40.0	44.0	47.5	51.5	55.5	63.5	70.5	78.0	81.5	89.0	96.5	110.7	125.7
1.57	26.2	29.7	32.7	34.7	37.2	40.7	44.7	48.2	52.2	56.2	64.2	71.2	78.7	82.2	89.7	97.2	111.5	126.5
1.59	27.8	31.3	34.3	36.3	38.8	42.3	46.3	49.8	53.8	57.8	65.8	72.8	80.3	83.8	91.3	98.8	113.1	128.1
1.59	20.8	24.3	27.3	29.4	31.9	35.4	39.4	42.9	46.9	50.9	58.9	65.9	73.4	76.9	84.4	91.9	106.2	121.2
1.60	26.5	30.1	33.1	35.1	37.6	41.1	45.1	48.6	52.6	56.6	64.6	71.6	79.1	82.6	90.1	97.6	111.8	126.8
1.61	27.3	30.8	33.8	35.8	38.3	41.8	45.8	49.3	53.3	57.3	65.3	72.3	79.8	83.3	90.8	98.3	112.6	127.6
1.61	24.0	27.5	30.5	32.5	35.0	38.5	42.5	46.0	50.0	54.0	62.0	69.0	76.5	80.0	87.5	95.0	109.3	124.3
	0.92	0.94	0.96	0.98	0.99	1.01	1.03	1.05	1.06	1.08	1.11	1.13	1.16	1.17	1.19	1.21	1.24	1.27

NOTE: Selection program VIA-VISA available at www.ptwizard.com.



SELECTION

B S-L CLASSIC BX CLASSIC COG STOCK DRIVE SELECTIONS

Ratio	Stock Shv.		3500 RPM Driver			3500 RPM Driver			3500 RPM Driver			Belt Size/Center Distance							
	Datum	Diam.	Driven	HP Per Belt		Driven	HP Per Belt		Driven	HP Per Belt		B35	B38	B42	B46	B51	B55	B60	B64
	Driver	Driven	RPM	B	BX	RPM	B	BX	RPM	B	BX	BX35	BX38	BX42	BX46	BX51	BX55	BX60	BX64
1.61	9.40	15.40	2168	---	---	1084	17.18	17.02	718	13.12	13.03	---	---	---	---	---	---	---	13.1
1.64	5.60	9.40	2137	11.46	15.17	1069	8.68	10.51	708	6.47	7.76	---	7.9	9.9	12.0	14.5	16.5	19.0	21.0
1.64	3.40	5.80	2136	3.02	8.91	1068	2.75	5.79	708	2.20	4.28	11.1	12.6	14.6	16.6	19.1	21.1	23.6	25.6
1.64	7.40	12.40	2129	---	---	1064	13.00	13.87	705	9.74	10.37	---	---	---	---	10.6	12.6	15.2	17.2
1.67	5.00	8.60	2094	9.53	13.80	1047	7.14	9.30	694	5.34	6.85	7.5	9.0	11.1	13.1	15.6	17.6	20.1	22.2
1.67	3.80	6.60	2092	4.83	10.30	1046	3.89	6.71	693	3.01	4.94	10.1	11.7	13.7	15.7	18.2	20.2	22.7	24.7
1.68	9.40	16.00	2088	---	---	1044	17.20	17.04	692	13.13	13.04	---	---	---	---	---	---	---	---
1.68	6.40	11.00	2083	13.59	16.62	1041	10.67	12.07	690	7.95	8.95	---	---	---	10.0	12.5	14.6	17.1	19.1
1.69	4.60	8.00	2077	8.09	12.74	1038	6.08	8.46	688	4.58	6.23	8.3	9.9	11.9	13.9	16.4	18.4	20.9	22.9
1.69	3.40	6.00	2069	3.05	8.94	1035	2.76	5.81	686	2.21	4.28	10.9	12.5	14.5	16.5	19.0	21.0	23.5	25.5
1.69	5.40	9.40	2066	10.87	14.76	1033	8.18	10.13	685	6.10	7.46	---	8.0	10.1	12.1	14.6	16.7	19.2	21.2
1.70	4.20	7.40	2057	6.53	11.58	1028	5.00	7.60	682	3.80	5.59	9.2	10.7	12.7	14.7	17.2	19.2	21.7	23.7
1.72	3.80	6.80	2034	4.85	10.32	1017	3.90	6.72	674	3.01	4.95	10.0	11.5	13.5	15.5	18.0	20.0	22.5	24.5
1.74	3.40	6.20	2006	3.07	8.96	1003	2.78	5.82	665	2.22	4.29	10.8	12.3	14.3	16.3	18.8	20.8	23.3	25.3
1.76	5.20	9.40	1994	10.25	14.32	997	7.68	9.73	661	5.73	7.17	---	8.2	10.2	12.3	14.8	16.8	19.3	21.3
1.76	8.60	15.40	1990	---	---	995	15.62	15.86	659	11.82	12.02	---	---	---	---	---	---	---	13.6
1.77	3.80	7.00	1978	4.87	10.34	989	3.91	6.73	656	3.02	4.95	9.8	11.3	13.3	15.3	17.9	19.9	22.4	24.4
1.78	4.00	7.40	1966	5.73	10.99	983	4.47	7.18	652	3.42	5.28	9.3	10.8	12.8	14.9	17.4	19.4	21.9	23.9
1.78	6.80	12.40	1964	14.47	17.19	982	11.64	12.83	651	8.69	9.54	---	---	---	---	11.0	13.0	15.6	17.6
1.79	6.00	11.00	1960	12.65	16.01	980	9.71	11.33	649	7.23	8.38	---	---	---	10.3	12.8	14.8	17.4	19.4
1.80	3.40	6.40	1947	3.09	8.98	973	2.79	5.83	645	2.22	4.30	10.6	12.1	14.1	16.1	18.6	20.7	23.2	25.2
1.80	7.40	13.60	1946	---	---	973	13.03	13.90	645	9.76	10.39	---	---	---	---	---	11.5	14.1	16.1
1.81	4.60	8.60	1937	8.13	12.79	969	6.10	8.49	642	4.59	6.24	7.8	9.3	11.4	13.4	15.9	17.9	20.4	22.4
1.83	8.60	16.00	1917	---	---	958	15.63	15.87	635	11.83	12.03	---	---	---	---	---	---	---	13.1
1.83	4.20	8.00	1909	6.57	11.63	955	5.02	7.63	633	3.82	5.61	8.6	10.1	12.2	14.2	16.7	18.7	21.2	23.2
ARC-LENGTH CORRECTION FACTOR →												0.74	0.76	0.79	0.81	0.84	0.86	0.88	0.90
1.85	3.40	6.60	1891	3.11	9.00	945	2.79	5.84	627	2.23	4.30	10.4	11.9	14.0	16.0	18.5	20.5	23.0	25.0
1.87	3.80	7.40	1876	4.90	10.37	938	3.92	6.75	622	3.03	4.96	9.4	11.0	13.0	15.0	17.5	19.5	22.0	24.0
1.89	6.40	12.40	1854	13.67	16.69	927	10.70	12.11	615	7.98	8.98	---	---	---	---	11.2	13.3	15.9	17.9
1.90	3.40	6.80	1838	3.12	9.01	919	2.80	5.84	609	2.23	4.31	10.3	11.8	13.8	15.8	18.3	20.3	22.8	24.8
1.91	5.60	11.00	1836	11.56	15.26	918	8.72	10.56	609	6.50	7.79	---	---	8.4	10.5	13.1	15.1	17.7	19.7
1.92	4.00	8.00	1825	5.77	11.03	913	4.48	7.20	605	3.43	5.29	8.8	10.3	12.3	14.3	16.9	18.9	21.4	23.4
1.92	9.40	18.40	1821	---	---	910	17.24	17.08	603	13.16	13.07	---	---	---	---	---	---	---	---
1.95	6.80	13.60	1795	14.52	17.23	898	11.67	12.85	595	8.71	9.56	---	---	---	---	---	11.9	14.5	16.5
1.96	3.40	7.00	1788	3.13	9.02	894	2.81	5.85	593	2.24	4.31	10.1	11.6	13.6	15.6	18.1	20.2	22.7	24.7
1.96	4.20	8.60	1781	6.61	11.66	891	5.04	7.64	590	3.83	5.62	8.1	9.6	11.6	13.7	16.2	18.2	20.7	22.7
1.97	4.60	9.40	1779	8.18	12.83	889	6.12	8.51	590	4.61	6.25	---	8.6	10.6	12.7	15.2	17.2	19.8	21.8
1.97	5.40	11.00	1775	10.96	14.85	887	8.22	10.17	588	6.13	7.49	---	---	8.6	10.7	13.2	15.3	17.8	19.8
2.01	6.00	12.40	1745	12.71	16.06	872	9.74	11.36	578	7.25	8.40	---	---	---	---	11.5	13.6	16.1	18.2
2.01	3.80	8.00	1742	4.93	10.40	871	3.94	6.76	577	3.04	4.97	8.9	10.4	12.5	14.5	17.0	19.0	21.5	23.5
2.03	7.40	15.40	1723	---	---	862	13.06	13.93	571	9.78	10.41	---	---	---	---	---	---	12.4	14.4
2.04	5.20	11.00	1713	10.32	14.40	857	7.71	9.77	568	5.76	7.19	---	---	8.7	10.8	13.4	15.4	17.9	20.0
2.06	4.00	8.60	1703	5.79	11.06	852	4.50	7.21	564	3.44	5.30	8.2	9.7	11.8	13.8	16.3	18.4	20.9	22.9
2.07	6.40	13.60	1695	13.70	16.73	847	10.72	12.13	562	7.99	8.99	---	---	---	---	10.1	12.2	14.8	16.8
2.09	8.60	18.40	1672	---	---	836	15.66	15.90	554	11.85	12.04	---	---	---	---	---	---	---	---
2.11	7.40	16.00	1660	---	---	830	13.07	13.93	550	9.78	10.42	---	---	---	---	---	---	11.7	13.9
ARC-LENGTH CORRECTION FACTOR →												0.72	0.75	0.77	0.80	0.83	0.85	0.88	0.89
2.11	3.60	8.00	1658	4.07	9.75	829	3.39	6.32	549	2.65	4.65	9.0	10.6	12.6	14.6	17.2	19.2	21.7	23.7
2.12	5.00	11.00	1651	9.65	13.92	826	7.20	9.36	547	5.38	6.89	---	---	8.8	10.9	13.5	15.6	18.1	20.1
2.14	4.20	9.40	1635	6.64	11.69	818	5.05	7.66	542	3.84	5.63	7.3	8.8	10.9	13.0	15.5	17.5	20.1	22.1
2.14	5.60	12.40	1635	11.60	15.31	817	8.75	10.58	542	6.52	7.81	---	---	9.1	11.8	13.9	16.4	18.5	---
2.19	6.00	13.60	1595	12.73	16.09	797	9.75	11.37	528	7.26	8.41	---	---	---	---	10.3	12.4	15.0	17.1
2.20	6.80	15.40	1590	14.56	17.28	795	11.69	12.87	527	8.72	9.57	---	---	---	---	---	---	12.7	14.9
2.22	5.40	12.40	1580	10.99	14.88	790	8.24	10.19	524	6.14	7.51	---	---	---	9.3	11.9	14.0	16.6	18.6
2.22	3.40	8.00	1574	3.17	9.06	787	2.83	5.87	522	2.25	4.33	9.2	10.7	12.7	14.8	17.3	19.3	21.8	23.8
2.24	4.00	9.40	1564	5.82	11.08	782	4.51	7.23	518	3.45	5.31	7.4	9.0	11.1	13.1	15.6	17.7	20.2	22.2
2.27	8.60	20.00	1540	---	---	770	15.67	15.92	510	11.85	12.05	---	---	---	---	---	---	---	---
2.28	6.80	16.00	1532	14.57	17.28	766	11.69	12.88	508	8.72	9.57	---	---	---	---	---	---	12.1	14.3
2.29	4.60	11.00	1528	8.22	12.88	764	6.15	8.53	506	4.62	6.27	---	---	9.1	11.2	13.8	15.8	18.4	20.4
2.29	5.20	12.40	1525	10.35	14.43	763	7.73	9.79	505	5.77	7.20	---	---	---	9.4	12.0	14.1	16.7	18.7
2.33	6.40	15.40	1501	13.74	16.76	751	10.74	12.14	498	8.00	9.00	---	---	---	---	---	---	13.0	15.1
2.34	5.60	13.60	1494	11.62	15.33	747	8.76	10.60	495	6.52	7.81	---	---	---	---	10.6	12.7	15.3	17.4
ARC-LENGTH CORRECTION FACTOR →												0.71	0.73	0.75	0.76	0.80	0.82	0.85	0.87

NOTE: Selection program VIA-VISA available at www.ptwizard.com.

SELECTION



B	S-L CLASSIC	BX	CLASSIC COG	STOCK DRIVE SELECTIONS
---	-------------	----	-------------	------------------------

Ratio	Belt Size/Center Distance																	
	B68 BX68	B75 BX75	B81 BX81	B85 BX85	B90 BX90	B97 BX97	B105 BX105	B112 BX112	B120 BX120	B128 BX128	B144 BX144	B158 BX158	B173 BX173	B180 BX180	B195 BX195	B210 BX210	B240 BX240	B270 BX270
1.61	15.1	18.7	21.7	23.7	26.3	29.8	33.8	37.3	41.3	45.3	53.3	60.4	67.9	71.4	78.9	86.4	100.6	115.6
1.64	23.0	26.6	29.6	31.6	34.1	37.6	41.6	45.1	49.1	53.1	61.1	68.1	75.6	79.1	86.6	94.1	108.4	123.4
1.64	27.7	31.2	34.2	36.2	38.7	42.2	46.2	49.7	53.7	57.7	65.7	72.7	80.2	83.7	91.2	98.7	112.9	127.9
1.64	19.2	22.7	25.7	27.7	30.3	33.8	37.8	41.3	45.3	49.3	57.3	64.3	71.8	75.3	82.8	90.3	104.6	119.6
1.67	24.2	27.7	30.7	32.7	35.2	38.7	42.7	46.2	50.2	54.2	62.2	69.2	76.7	80.2	87.7	95.2	109.5	124.5
1.67	26.7	30.2	33.2	35.2	37.7	41.2	45.2	48.7	52.7	56.7	64.7	71.7	79.2	82.7	90.2	97.7	112.0	127.0
1.68	14.6	18.2	21.2	23.2	25.7	29.3	33.3	36.8	40.8	44.8	52.9	59.9	67.4	70.9	78.4	85.9	100.2	115.2
1.68	21.1	24.6	27.6	29.7	32.2	35.7	39.7	43.2	47.2	51.2	59.2	66.2	73.7	77.2	84.7	92.2	106.5	121.5
1.69	25.0	28.5	31.5	33.5	36.0	39.5	43.5	47.0	51.0	55.0	63.0	70.0	77.5	81.0	88.5	96.0	110.2	125.2
1.69	27.5	31.0	34.0	36.0	38.5	42.0	46.0	49.5	53.5	57.5	65.5	72.5	80.0	83.5	91.0	98.5	112.8	127.8
1.69	23.2	26.7	29.7	31.7	34.2	37.7	41.7	45.2	49.2	53.2	61.2	68.3	75.8	79.3	86.8	94.3	108.5	123.5
1.70	25.7	29.3	32.3	34.3	36.8	40.3	44.3	47.8	51.8	55.8	63.8	70.8	78.3	81.8	89.3	96.8	111.0	126.0
1.72	26.5	30.0	33.0	35.0	37.5	41.1	45.1	48.6	52.6	56.6	64.6	71.6	79.1	82.6	90.1	97.6	111.8	126.8
1.74	27.3	30.8	33.8	35.8	38.3	41.8	45.8	49.3	53.3	57.3	65.3	72.4	79.9	83.4	90.9	98.4	112.6	127.6
1.76	23.3	26.9	29.9	31.9	34.4	37.9	41.9	45.4	49.4	53.4	61.4	68.4	75.9	79.4	86.9	94.4	108.7	123.7
1.76	15.7	19.3	22.3	24.3	26.8	30.4	34.4	37.9	41.9	45.9	54.0	61.0	68.5	72.0	79.5	87.0	101.3	116.3
1.77	26.4	29.9	32.9	34.9	37.4	40.9	44.9	48.4	52.4	56.4	64.4	71.4	78.9	82.4	89.9	97.4	111.7	126.7
1.78	25.9	29.4	32.4	34.4	36.9	40.4	44.4	47.9	51.9	55.9	63.9	70.9	78.4	81.9	89.4	96.9	111.2	126.2
1.78	19.6	23.2	26.2	28.2	30.7	34.2	38.2	41.7	45.7	49.7	57.8	64.8	72.3	75.8	83.3	90.8	105.0	120.0
1.79	21.4	24.9	27.9	30.0	32.5	36.0	40.0	43.5	47.5	51.5	59.5	66.5	74.0	77.5	85.0	92.5	106.8	121.8
1.80	27.2	30.7	33.7	35.7	38.2	41.7	45.7	49.2	53.2	57.2	65.2	72.2	79.7	83.2	90.7	98.2	112.4	127.4
1.80	18.2	21.7	24.7	26.7	29.3	32.8	36.8	40.3	44.3	48.3	56.3	63.3	70.8	74.4	81.9	89.4	103.6	118.6
1.81	24.5	28.0	31.0	33.0	35.5	39.0	43.0	46.5	50.5	54.5	62.5	69.5	77.0	80.5	88.0	95.5	109.8	124.8
1.83	15.1	18.7	21.8	23.8	26.3	29.9	33.9	37.4	41.4	45.4	53.5	60.5	68.0	71.5	79.0	86.5	100.8	115.8
1.83	25.3	28.8	31.8	33.8	36.3	39.8	43.8	47.3	51.3	55.3	63.3	70.3	77.8	81.3	88.8	96.3	110.6	125.6
	0.92	0.94	0.96	0.98	0.99	1.01	1.03	1.05	1.06	1.08	1.11	1.13	1.16	1.17	1.19	1.21	1.24	1.27
1.85	27.0	30.5	33.5	35.5	38.0	41.5	45.5	49.0	53.0	57.0	65.0	72.0	79.5	83.0	90.5	98.0	112.3	127.3
1.87	26.0	29.6	32.6	34.6	37.1	40.6	44.6	48.1	52.1	56.1	64.1	71.1	78.6	82.1	89.6	97.1	111.3	126.3
1.89	19.9	23.5	26.5	28.5	31.0	34.5	38.5	42.0	46.0	50.1	58.1	65.1	72.6	76.1	83.6	91.1	105.3	120.4
1.90	26.8	30.3	33.3	35.4	37.9	41.4	45.4	48.9	52.9	56.9	64.9	71.9	79.4	82.9	90.4	97.9	112.1	127.1
1.91	21.7	25.2	28.2	30.2	32.8	36.3	40.3	43.8	47.8	51.8	59.8	66.8	74.3	77.8	85.3	92.8	107.1	122.1
1.92	25.4	28.9	31.9	33.9	36.4	39.9	43.9	47.4	51.4	55.4	63.4	70.4	77.9	81.4	88.9	96.4	110.7	125.7
1.92	---	15.9	19.0	21.1	23.6	27.2	31.3	34.8	38.8	42.8	50.9	57.9	65.4	68.9	76.4	84.0	98.2	113.2
1.95	18.6	22.1	25.2	27.2	29.7	33.2	37.2	40.7	44.8	48.8	56.8	63.8	71.3	74.8	82.3	89.8	104.1	119.1
1.96	26.7	30.2	33.2	35.2	37.7	41.2	45.2	48.7	52.7	56.7	64.7	71.7	79.2	82.7	90.2	97.7	112.0	127.0
1.96	24.8	28.3	31.3	33.3	35.8	39.3	43.3	46.8	50.8	54.8	62.8	69.8	77.3	80.8	88.3	95.8	110.1	125.1
1.97	23.8	27.3	30.3	32.3	34.8	38.3	42.3	45.8	49.9	53.9	61.9	68.9	76.4	79.9	87.4	94.9	109.1	124.1
1.97	21.8	25.4	28.4	30.4	32.9	36.4	40.4	43.9	47.9	52.0	60.0	67.0	74.5	78.0	85.5	93.0	107.2	122.2
2.01	20.2	23.7	26.8	28.8	31.3	34.8	38.8	42.3	46.3	50.4	58.4	65.4	72.9	76.4	83.9	91.4	105.7	120.7
2.01	25.6	29.1	32.1	34.1	36.6	40.1	44.1	47.6	51.6	55.6	63.6	70.6	78.1	81.6	89.1	96.6	110.9	125.9
2.03	16.5	20.1	23.2	25.2	27.7	31.2	35.3	38.8	42.8	46.8	54.9	61.9	69.4	72.9	80.4	87.9	102.2	117.2
2.04	22.0	25.5	28.5	30.5	33.1	36.6	40.6	44.1	48.1	52.1	60.1	67.1	74.6	78.1	85.6	93.1	107.4	122.4
2.06	24.9	28.4	31.4	33.4	35.9	39.4	43.4	47.0	51.0	55.0	63.0	70.0	77.5	81.0	88.5	96.0	110.2	125.2
2.07	18.9	22.4	25.4	27.5	30.0	33.5	37.5	41.0	45.1	49.1	57.1	64.1	71.6	75.1	82.6	90.1	104.4	119.4
2.09	---	16.5	19.6	21.7	24.2	27.8	31.8	35.4	39.4	43.4	51.5	58.5	66.0	69.5	77.0	84.6	98.8	113.8
2.11	16.0	19.6	22.6	24.7	27.2	30.7	34.8	38.3	42.3	46.3	54.4	61.4	68.9	72.4	79.9	87.4	101.7	116.7
	0.91	0.94	0.96	0.97	0.98	1.00	1.02	1.04	1.06	1.08	1.11	1.13	1.15	1.17	1.19	1.21	1.24	1.27
2.11	25.7	29.2	32.2	34.2	36.7	40.2	44.2	47.7	51.7	55.8	63.8	70.8	78.3	81.8	89.3	96.8	111.0	126.0
2.12	22.1	25.7	28.7	30.7	33.2	36.7	40.7	44.2	48.2	52.3	60.3	67.3	74.8	78.3	85.8	93.3	107.5	122.6
2.14	24.1	27.6	30.6	32.6	35.1	38.6	42.6	46.2	50.2	54.2	62.2	69.2	76.7	80.2	87.7	95.2	109.4	124.4
2.14	20.5	24.0	27.1	29.1	31.6	35.1	39.1	42.6	46.6	50.7	58.7	65.7	73.2	76.7	84.2	91.7	106.0	121.0
2.19	19.1	22.7	25.7	27.8	30.3	33.8	37.8	41.3	45.4	49.4	57.4	64.4	71.9	75.4	82.9	90.4	104.7	119.7
2.20	16.9	20.5	23.6	25.6	28.1	31.7	35.7	39.2	43.3	47.3	55.3	62.3	69.8	73.3	80.9	88.4	102.6	117.6
2.22	20.6	24.2	27.2	29.2	31.7	35.3	39.3	42.8	46.8	50.8	58.8	65.8	73.3	76.8	84.4	91.9	106.1	121.1
2.22	25.8	29.4	32.4	34.4	36.9	40.4	44.4	47.9	51.9	55.9	63.9	70.9	78.4	81.9	89.4	96.9	111.2	126.2
2.24	24.2	27.7	30.8	32.8	35.3	38.8	42.8	46.3	50.3	54.3	62.3	69.3	76.8	80.3	87.8	95.3	109.6	124.6
2.27	---	14.9	18.0	20.1	22.7	26.3	30.4	34.0	38.0	42.1	50.1	57.2	64.7	68.2	75.7	83.3	97.5	112.6
2.28	16.4	20.0	23.0	25.1	27.6	31.2	35.2	38.7	42.8	46.8	54.8	61.8	69.3	72.9	80.4	87.9	102.1	117.2
2.29	22.4	26.0	29.0	31.0	33.5	37.0	41.0	44.5	48.5	52.6	60.6	67.6	75.1	78.6	86.1	93.6	107.9	122.9
2.29	20.8	24.3	27.3	29.4	31.9	35.4	39.4	42.9	46.9	51.0	59.0	66.0	73.5	77.0	84.5	92.0	106.3	121.3
2.33	17.2	20.8	23.9	25.9	28.4	32.0	36.0	39.5	43.6	47.6	55.6	62.6	70.1	73.6	81.2	88.7	102.9	118.0
2.34	19.4	23.0	26.0	28.0	30.6	34.1	38.1	41.6	45.7	49.7	57.7	64.7	72.2	75.7	83.2	90.7	105.0	120.0
	0.89	0.92	0.94	0.96	0.97	.99	1.01	1.03	1.05	1.07	1.10	1.12	1.15	1.16	1.18	1.20	1.23	1.26

NOTE: Selection program VIA-VISA available at www.ptwizard.com.

V-Drives

FHP Drives

Drive Component Accessories



SELECTION

B S-L CLASSIC BX CLASSIC COG STOCK DRIVE SELECTIONS

Ratio	Stock Shv.		3500 RPM Driver			1750 RPM Driver			1160 RPM Driver			Belt Size/Center Distance							
	Datum Diam.		Driven RPM	HP Per Belt		Driven RPM	HP Per Belt		Driven RPM	HP Per Belt		B35 BX35	B38 BX38	B42 BX42	B46 BX46	B51 BX51	B55 BX55	B60 BX60	B64 BX64
	Driver	Driven		B	BX		B	BX		B	BX								
2.35	3.80	9.40	1492	4.98	10.44	746	3.96	6.79	494	3.06	4.99	7.5	9.1	11.2	13.2	15.8	17.8	20.3	22.4
2.38	5.00	12.40	1470	9.68	13.95	735	7.21	9.38	487	5.39	6.90	---	---	---	9.5	12.2	14.3	16.8	18.9
2.38	3.40	8.60	1469	3.19	9.08	734	2.84	5.88	487	2.26	4.33	8.6	10.1	12.2	14.2	16.8	18.8	21.3	23.3
2.42	7.40	18.40	1448	---	---	724	13.08	13.95	480	9.79	10.43	---	---	---	---	---	---	---	---
2.42	5.40	13.60	1444	11.01	14.90	722	8.25	10.20	479	6.15	7.51	---	---	---	---	10.7	12.8	15.4	17.5
2.46	3.60	9.40	1420	4.10	9.78	710	3.41	6.34	471	2.66	4.66	7.6	9.2	11.3	13.4	15.9	18.0	20.5	22.5
2.48	6.00	15.40	1412	12.76	16.12	706	9.77	11.39	468	7.27	8.41	---	---	---	---	---	---	13.3	15.4
2.49	4.20	11.00	1405	6.67	11.73	702	5.07	7.68	466	3.85	5.64	---	---	9.3	11.5	14.1	16.1	18.7	20.7
2.51	5.20	13.60	1394	10.37	14.45	697	7.74	9.79	462	5.78	7.21	---	---	---	---	10.8	13.0	15.6	17.6
2.57	6.00	16.00	1361	12.77	16.13	680	9.77	11.39	451	7.27	8.42	---	---	---	---	---	---	12.6	14.8
2.57	4.60	12.40	1361	8.25	12.90	680	6.16	8.54	451	4.63	6.28	---	---	---	9.8	12.4	14.5	17.1	19.2
2.60	3.40	9.40	1348	3.21	9.10	674	2.84	5.88	447	2.26	4.34	7.8	9.4	11.5	13.5	16.1	18.1	20.6	22.7
2.60	9.40	25.00	1347	---	---	674	17.28	17.12	446	13.19	13.10	---	---	---	---	---	---	---	---
2.61	4.00	11.00	1343	5.85	11.11	672	4.53	7.24	445	3.46	5.32	---	---	9.5	11.6	14.2	16.2	18.8	20.8
2.62	6.80	18.40	1336	14.59	17.31	668	11.70	12.89	443	8.73	9.58	---	---	---	---	---	---	---	---
2.62	7.40	20.00	1334	---	---	667	13.09	13.96	442	9.80	10.43	---	---	---	---	---	---	---	---
2.64	5.60	15.40	1324	11.64	15.35	662	8.77	10.61	439	6.53	7.82	---	---	---	---	10.8	13.5	15.6	17.6
2.73	3.80	11.00	1282	5.00	10.47	641	3.97	6.80	425	3.06	5.00	---	7.4	9.6	11.7	14.3	16.4	18.9	21.0
2.74	5.40	15.40	1279	11.03	14.92	640	8.26	10.21	424	6.16	7.52	---	---	---	---	---	10.9	13.7	15.8
2.78	6.40	18.40	1261	13.76	16.79	631	10.75	12.16	418	8.01	9.01	---	---	---	---	---	---	---	---
ARC-LENGTH CORRECTION FACTOR →												0.71	0.73	0.75	0.76	0.80	0.82	0.85	0.87
2.80	4.20	12.40	1251	6.69	11.74	625	5.08	7.69	415	3.85	5.65	---	---	---	10.0	12.7	14.8	17.4	19.4
2.81	4.60	13.60	1244	8.26	12.91	622	6.16	8.55	412	4.63	6.28	---	---	---	---	11.2	13.4	16.0	18.1
2.83	5.20	15.40	1235	10.39	14.46	617	7.75	9.80	409	5.78	7.21	---	---	---	---	---	11.1	13.8	15.9
2.84	5.40	16.00	1232	11.04	14.93	616	8.26	10.21	408	6.16	7.52	---	---	---	---	---	---	13.0	15.2
2.84	6.80	20.00	1231	14.60	17.32	615	11.71	12.90	408	8.73	9.59	---	---	---	---	---	---	---	---
2.87	3.60	11.00	1220	4.13	9.80	610	3.42	6.35	404	2.67	4.67	---	7.5	9.7	11.9	14.5	16.5	19.1	21.1
2.93	4.00	12.40	1196	5.86	11.12	598	4.53	7.25	396	3.46	5.33	---	---	---	10.2	12.8	14.9	17.5	19.6
2.94	5.00	15.40	1190	9.71	13.98	595	7.23	9.39	395	5.40	6.91	---	---	---	---	---	11.2	13.9	16.0
2.95	6.00	18.40	1187	12.78	16.14	593	9.78	11.40	393	7.28	8.42	---	---	---	---	---	---	---	---
3.01	6.40	20.00	1162	13.77	16.80	581	10.76	12.16	385	8.01	9.01	---	---	---	---	---	---	---	---
3.02	3.40	11.00	1158	3.22	9.11	579	2.85	5.89	384	2.27	4.34	---	7.7	9.9	12.0	14.6	16.7	19.2	21.3
3.05	5.00	16.00	1147	9.72	13.98	573	7.23	9.39	380	5.40	6.91	---	---	---	---	---	---	13.3	15.4
3.06	4.20	13.60	1143	6.70	11.75	572	5.09	7.69	379	3.86	5.65	---	---	---	---	11.5	13.6	16.2	18.3
3.07	3.80	12.40	1141	5.01	10.48	571	3.98	6.80	378	3.07	5.00	---	---	---	10.3	13.0	15.1	17.7	19.7
3.11	9.40	30.00	1125	---	---	563	17.29	17.13	373	13.19	13.11	---	---	---	---	---	---	---	---
3.15	5.60	18.40	1112	11.66	15.37	556	8.78	10.62	369	6.54	7.83	---	---	---	---	---	---	---	12.4
3.18	4.60	15.40	1102	8.27	12.92	551	6.17	8.56	365	4.64	6.29	---	---	---	---	---	11.4	14.2	16.3
3.20	6.00	20.00	1093	12.79	16.15	547	9.78	11.40	362	7.28	8.42	---	---	---	---	---	---	---	---
3.20	4.00	13.60	1093	5.87	11.13	547	4.54	7.25	362	3.47	5.33	---	---	---	---	11.6	13.7	16.4	18.5
3.22	3.60	12.40	1086	4.14	9.82	543	3.42	6.35	360	2.67	4.67	---	---	8.2	10.4	13.1	15.2	17.8	19.9
3.26	5.40	18.40	1075	11.05	14.94	537	8.27	10.22	356	6.16	7.52	---	---	---	---	---	---	---	12.5
3.27	7.40	25.00	1071	---	---	535	13.10	13.97	355	9.80	10.44	---	---	---	---	---	---	---	---
3.30	4.60	16.00	1061	8.27	12.93	531	6.17	8.56	352	4.64	6.29	---	---	---	---	---	10.7	13.5	15.7
3.36	3.80	13.60	1043	5.02	10.49	521	3.98	6.81	346	3.07	5.00	---	---	---	8.9	11.7	13.9	16.5	18.6
3.37	5.20	18.40	1037	10.41	14.48	519	7.75	9.81	344	5.79	7.22	---	---	---	---	---	---	---	12.7
ARC-LENGTH CORRECTION FACTOR →												---	0.70	0.72	0.74	0.77	0.80	0.83	0.86
3.39	3.40	12.40	1031	3.23	9.12	516	2.86	5.90	342	2.27	4.34	---	---	8.3	10.5	13.2	15.3	17.9	20.0
3.42	5.60	20.00	1025	11.67	15.38	512	8.78	10.62	340	6.54	7.83	---	---	---	---	---	---	---	---
3.46	4.20	15.40	1013	6.71	11.76	506	5.09	7.70	336	3.86	5.65	---	---	---	---	---	11.7	14.4	16.6
3.50	5.00	18.40	1000	9.73	13.99	500	7.23	9.40	331	5.41	6.91	---	---	---	---	---	---	---	12.8
3.53	3.60	13.60	993	4.14	9.82	496	3.42	6.36	329	2.67	4.68	---	---	---	9.0	11.8	14.0	16.6	18.7
3.53	5.40	20.00	990	11.06	14.95	495	8.27	10.22	328	6.17	7.53	---	---	---	---	---	---	---	---
3.54	6.80	25.00	988	14.62	17.34	494	11.72	12.91	328	8.74	9.59	---	---	---	---	---	---	---	---
3.61	4.00	15.40	968	5.88	11.14	484	4.54	7.26	321	3.47	5.33	---	---	---	---	---	11.8	14.6	16.7
3.66	5.20	20.00	956	10.41	14.49	478	7.76	9.81	317	5.79	7.22	---	---	---	---	---	---	---	---
3.71	3.40	13.60	943	3.24	9.13	471	2.86	5.90	312	2.27	4.35	---	---	---	9.1	12.0	14.1	16.8	18.9
3.75	6.40	25.00	933	13.79	16.82	466	10.77	12.17	309	8.02	9.02	---	---	---	---	---	---	---	---
3.75	4.00	16.00	933	5.88	11.14	466	4.54	7.26	309	3.47	5.33	---	---	---	---	---	11.1	13.9	16.1
3.78	4.60	18.40	925	8.28	12.93	463	6.18	8.56	307	4.64	6.29	---	---	---	---	---	---	---	13.0
3.79	3.80	15.40	924	5.03	10.50	462	3.99	6.81	306	3.07	5.01	---	---	---	---	---	11.9	14.7	16.8
3.80	5.00	20.00	921	9.73	14.00	461	7.24	9.40	305	5.41	6.91	---	---	---	---	---	---	---	---
ARC-LENGTH CORRECTION FACTOR →												---	---	0.70	0.72	0.75	0.78	0.81	0.83

NOTE: Selection program VIA-VISA available at www.ptwizard.com.

SELECTION



B	S-L CLASSIC	BX	CLASSIC COG	STOCK DRIVE SELECTIONS
----------	--------------------	-----------	--------------------	-------------------------------

Ratio	Belt Size/Center Distance																	
	B68 BX68	B75 BX75	B81 BX81	B85 BX85	B90 BX90	B97 BX97	B105 BX105	B112 BX112	B120 BX120	B128 BX128	B144 BX144	B158 BX158	B173 BX173	B180 BX180	B195 BX195	B210 BX210	B240 BX240	B270 BX270
2.35	24.4	27.9	30.9	32.9	35.4	38.9	42.9	46.5	50.5	54.5	62.5	69.5	77.0	80.5	88.0	95.5	109.8	124.8
2.38	20.9	24.5	27.5	29.5	32.0	35.5	39.6	43.1	47.1	51.1	59.1	66.1	73.6	77.2	84.7	92.2	106.4	121.4
2.38	25.3	28.9	31.9	33.9	36.4	39.9	43.9	47.4	51.4	55.4	63.4	70.4	77.9	81.4	88.9	96.4	110.7	125.7
2.42	13.5	17.3	20.4	22.5	25.0	28.6	32.7	36.2	40.3	44.3	52.4	59.4	66.9	70.4	78.0	85.5	99.7	114.8
2.42	19.6	23.1	26.2	28.2	30.7	34.2	38.3	41.8	45.8	49.8	57.8	64.9	72.4	75.9	83.4	90.9	105.2	120.2
2.46	24.5	28.0	31.1	33.1	35.6	39.1	43.1	46.6	50.6	54.6	62.6	69.6	77.1	80.6	88.1	95.7	109.9	124.9
2.48	17.5	21.1	24.1	26.2	28.7	32.3	36.3	39.8	43.8	47.9	55.9	62.9	70.4	74.0	81.5	89.0	103.2	118.3
2.49	22.7	26.2	29.3	31.3	33.8	37.3	41.3	44.8	48.8	52.9	60.9	67.9	75.4	78.9	86.4	93.9	108.2	123.2
2.51	19.7	23.3	26.3	28.3	30.9	34.4	38.4	41.9	46.0	50.0	58.0	65.0	72.5	76.0	83.5	91.0	105.3	120.3
2.57	16.9	20.5	23.6	25.6	28.2	31.7	35.8	39.3	43.3	47.4	55.4	62.4	70.0	73.5	81.0	88.5	102.8	117.8
2.57	21.2	24.7	27.8	29.8	32.3	35.8	39.9	43.4	47.4	51.4	59.4	66.4	74.0	77.5	85.0	92.5	106.7	121.7
2.60	24.7	28.2	31.2	33.2	35.7	39.2	43.2	46.8	50.8	54.8	62.8	69.8	77.3	80.8	88.3	95.8	110.1	125.1
2.60	---	---	---	---	---	20.9	25.2	28.8	33.0	37.1	45.2	52.3	59.9	63.4	71.0	78.5	92.8	107.9
2.61	22.9	26.4	29.4	31.4	33.9	37.5	41.5	45.0	49.0	53.0	61.0	68.0	75.5	79.0	86.6	94.1	108.3	123.3
2.62	13.9	17.7	20.8	22.9	25.5	29.0	33.1	36.7	40.7	44.7	52.8	59.8	67.4	70.9	78.4	85.9	100.2	115.2
2.62	---	15.6	18.8	20.9	23.5	27.2	31.3	34.8	38.9	42.9	51.0	58.0	65.6	69.1	76.6	84.2	98.4	113.5
2.64	17.7	21.4	24.4	26.5	29.0	32.5	36.6	40.1	44.1	48.2	56.2	63.2	70.7	74.3	81.8	89.3	103.5	118.6
2.73	23.0	26.5	29.6	31.6	34.1	37.6	41.6	45.1	49.2	53.2	61.2	68.2	75.7	79.2	86.7	94.2	108.5	123.5
2.74	17.9	21.5	24.6	26.6	29.1	32.7	36.7	40.3	44.3	48.3	56.4	63.4	70.9	74.4	81.9	89.4	103.7	118.7
2.78	14.2	17.9	21.1	23.2	25.7	29.3	33.4	36.9	41.0	45.0	53.1	60.1	67.7	71.2	78.7	86.2	100.5	115.5
	0.89	0.92	0.94	0.96	0.97	0.99	1.01	1.03	1.05	1.07	1.10	1.12	1.15	1.16	1.18	1.20	1.23	1.26
2.80	21.5	25.0	28.1	30.1	32.6	36.1	40.2	43.7	47.7	51.7	59.7	66.7	74.3	77.8	85.3	92.8	107.0	122.1
2.81	20.1	23.7	26.7	28.8	31.3	34.8	38.9	42.4	46.4	50.4	58.4	65.4	73.0	76.5	84.0	91.5	105.8	120.8
2.83	18.0	21.6	24.7	26.7	29.3	32.8	36.9	40.4	44.4	48.5	56.5	63.5	71.0	74.6	82.1	89.6	103.9	118.9
2.84	17.3	20.9	24.0	26.1	28.6	32.2	36.2	39.7	43.8	47.8	55.8	62.9	70.4	73.9	81.4	88.9	103.2	118.2
2.84	---	16.0	19.2	21.3	24.0	27.6	31.7	35.2	39.3	43.4	51.4	58.5	66.0	69.5	77.1	84.6	98.9	113.9
2.87	23.1	26.7	29.7	31.7	34.2	37.8	41.8	45.3	49.3	53.3	61.3	68.3	75.8	79.4	86.9	94.4	108.6	123.6
2.93	21.6	25.2	28.2	30.2	32.8	36.3	40.3	43.8	47.8	51.9	59.9	66.9	74.4	77.9	85.4	92.9	107.2	122.2
2.94	18.1	21.8	24.8	26.9	29.4	33.0	37.0	40.6	44.6	48.6	56.6	63.7	71.2	74.7	82.2	89.7	104.0	119.0
2.95	14.4	18.2	21.3	23.4	26.0	29.6	33.7	37.2	41.3	45.3	53.4	60.4	68.0	71.5	79.0	86.5	100.8	115.8
3.01	---	16.3	19.5	21.6	24.2	27.8	32.0	35.5	39.6	43.6	51.7	58.8	66.3	69.8	77.4	84.9	99.2	114.2
3.02	23.3	26.8	29.9	31.9	34.4	37.9	41.9	45.4	49.4	53.5	61.5	68.5	76.0	79.5	87.0	94.5	108.8	123.8
3.05	17.6	21.2	24.3	26.3	28.9	32.4	36.5	40.0	44.1	48.1	56.1	63.2	70.7	74.2	81.7	89.2	103.5	118.5
3.06	20.4	24.0	27.0	29.0	31.6	35.1	39.1	42.7	46.7	50.7	58.7	65.8	73.3	76.8	84.3	91.8	106.1	121.1
3.07	21.8	25.3	28.4	30.4	32.9	36.4	40.5	44.0	48.0	52.0	60.0	67.0	74.6	78.1	85.6	93.1	107.3	122.4
3.11	---	---	---	---	---	---	19.8	23.7	28.1	32.3	40.7	47.9	55.5	59.1	66.7	74.3	88.6	103.7
3.15	14.7	18.4	21.6	23.7	26.3	29.9	34.0	37.5	41.6	45.6	53.7	60.7	68.3	71.8	79.3	86.8	101.1	116.1
3.18	18.4	22.0	25.1	27.2	29.7	33.3	37.3	40.8	44.9	48.9	56.9	64.0	71.5	75.0	82.5	90.0	104.3	119.3
3.20	---	16.5	19.7	21.9	24.5	28.1	32.2	35.8	39.9	43.9	52.0	59.1	66.6	70.1	77.7	85.2	99.5	114.5
3.20	20.5	24.1	27.2	29.2	31.7	35.3	39.3	42.8	46.8	50.9	58.9	65.9	73.4	76.9	84.4	92.0	106.2	121.2
3.22	21.9	25.5	28.5	30.5	33.0	36.6	40.6	44.1	48.1	52.2	60.2	67.2	74.7	78.2	85.7	93.2	107.5	122.5
3.26	14.8	18.6	21.7	23.8	26.4	30.0	34.1	37.7	41.7	45.8	53.8	60.9	68.4	71.9	79.5	87.0	101.3	116.3
3.27	---	---	---	---	18.4	22.2	26.5	30.2	34.3	38.5	46.6	53.7	61.3	64.9	72.4	80.0	94.3	109.4
3.30	17.8	21.5	24.6	26.6	29.2	32.7	36.8	40.3	44.4	48.4	56.4	63.5	71.0	74.5	82.0	89.5	103.8	118.8
3.36	20.7	24.2	27.3	29.3	31.9	35.4	39.4	43.0	47.0	51.0	59.0	66.1	73.6	77.1	84.6	92.1	106.4	121.4
3.37	14.9	18.7	21.9	24.0	26.6	30.2	34.2	37.8	41.9	45.9	54.0	61.0	68.6	72.1	79.6	87.1	101.4	116.4
	0.88	0.90	0.93	0.95	0.97	0.99	1.01	1.03	1.05	1.07	1.10	1.12	1.15	1.16	1.18	1.20	1.23	1.26
3.39	22.0	25.6	28.6	30.7	33.2	36.7	40.7	44.3	48.3	52.3	60.3	67.3	74.9	78.4	85.9	93.4	107.7	122.7
3.42	---	16.8	20.0	22.1	24.8	28.4	32.5	36.1	40.2	44.2	52.3	59.4	66.9	70.4	78.0	85.5	99.8	114.8
3.46	18.7	22.3	25.4	27.4	30.0	33.5	37.6	41.1	45.2	49.2	57.2	64.3	71.8	75.3	82.8	90.3	104.6	119.6
3.50	15.0	18.8	22.0	24.1	26.7	30.3	34.4	37.9	42.0	46.0	54.1	61.2	68.7	72.2	79.7	87.3	101.6	116.6
3.53	20.8	24.4	27.4	29.5	32.0	35.5	39.6	43.1	47.1	51.2	59.2	66.2	73.7	77.2	84.8	92.3	106.5	121.5
3.53	12.9	16.9	20.1	22.3	24.9	28.5	32.6	36.2	40.3	44.4	52.5	59.5	67.1	70.6	78.1	85.6	99.9	114.9
3.54	---	---	---	---	18.7	22.6	26.9	30.6	34.7	38.9	47.1	54.2	61.8	65.3	72.9	80.4	94.8	109.8
3.61	18.8	22.4	25.5	27.6	30.1	33.7	37.7	41.3	45.3	49.3	57.4	64.4	71.9	75.5	83.0	90.5	104.8	119.8
3.66	13.0	17.0	20.3	22.4	25.0	28.7	32.8	36.4	40.4	44.5	52.6	59.7	67.2	70.7	78.3	85.8	100.1	115.1
3.71	20.9	24.5	27.6	29.6	32.2	35.7	39.7	43.3	47.3	51.3	59.3	66.4	73.9	77.4	84.9	92.4	106.7	121.7
3.75	---	---	---	16.1	19.0	22.9	27.2	30.8	35.0	39.1	47.3	54.5	62.1	65.6	73.2	80.7	95.0	110.1
3.75	18.2	21.9	25.0	27.0	29.6	33.2	37.2	40.8	44.8	48.8	56.9	63.9	71.4	75.0	82.5	90.0	104.3	119.3
3.78	15.3	19.1	22.3	24.4	27.0	30.6	34.7	38.2	42.3	46.3	54.4	61.5	69.0	72.5	80.0	87.6	101.9	116.9
3.79	18.9	22.6	25.7	27.7	30.3	33.8	37.9	41.4	45.5	49.5	57.5	64.6	72.1	75.6	83.1	90.6	104.9	119.9
3.80	13.1	17.1	20.4	22.5	25.2	28.8	32.9	36.5	40.6	44.6	52.7	59.8	67.4	70.9	78.4	85.9	100.2	115.3
	0.85	0.88	0.92	0.93	0.95	0.97	0.99	1.00	1.02	1.04	1.08	1.10	1.13	1.14	1.16	1.18	1.22	1.25

NOTE: Selection program VIA-VISA available at www.ptwizard.com.

V-Drives
 FHP Drives
 Drive Component Accessories
 DYNA-SYNC
 HT200/HTD Synchronous Drives
 HTR Synchronous Drives
 HTRC Synchronous Drives



SELECTION

B **S-L CLASSIC** **BX** **CLASSIC COG** STOCK DRIVE SELECTIONS

Ratio	Stock Shv.		3500 RPM Driver			1750 RPM Driver			1160 RPM Driver			Belt Size/Center Distance							
	Datum Diam.		Driven RPM	HP Per Belt		Driven RPM	HP Per Belt		Driven RPM	HP Per Belt		B35 BX35	B38 BX38	B42 BX42	B46 BX46	B51 BX51	B55 BX55	B60 BX60	B64 BX64
	Driver	Driven		B	BX		B	BX		B	BX								
3.91	7.40	30.00	895	---	---	447	13.11	13.98	296	9.81	10.44	---	---	---	---	---	---	---	
3.93	3.80	16.00	890	5.03	10.50	445	3.99	6.81	295	3.07	5.01	---	---	---	---	11.2	14.0	16.2	
3.98	3.60	15.40	879	4.15	9.83	440	3.43	6.36	291	2.68	4.68	---	---	---	9.7	12.0	14.8	17.0	
3.99	6.00	25.00	878	12.81	16.16	439	9.79	11.41	291	7.29	8.43	---	---	---	---	---	---	---	
4.10	4.60	20.00	853	8.28	12.94	426	6.18	8.56	283	4.64	6.29	---	---	---	---	---	---	---	
4.11	4.20	18.40	851	6.71	11.77	425	5.09	7.70	282	3.86	5.65	---	---	---	---	---	---	13.3	
4.13	3.60	16.00	847	4.15	9.83	424	3.43	6.36	281	2.68	4.68	---	---	---	---	11.3	14.2	16.3	
4.19	3.40	15.40	835	3.24	9.13	418	2.86	5.90	277	2.27	4.35	---	---	---	9.8	12.2	14.9	17.1	
4.24	6.80	30.00	825	14.63	17.35	413	11.72	12.91	274	8.74	9.60	---	---	---	---	---	---	---	
4.26	5.60	25.00	823	11.68	15.39	411	8.79	10.62	273	6.54	7.83	---	---	---	---	---	---	---	
4.28	8.60	38.00	818	---	---	409	15.71	15.95	271	11.87	12.07	---	---	---	---	---	---	---	
4.30	4.00	18.40	813	5.89	11.15	407	4.55	7.26	270	3.47	5.33	---	---	---	---	---	---	13.4	
4.35	3.40	16.00	804	3.25	9.14	402	2.86	5.91	267	2.28	4.35	---	---	---	---	11.4	14.3	16.5	
4.40	5.40	25.00	795	11.07	14.96	397	8.28	10.22	263	6.17	7.53	---	---	---	---	---	---	---	
4.46	4.20	20.00	784	6.72	11.77	392	5.10	7.70	260	3.86	5.66	---	---	---	---	---	---	---	
4.49	6.40	30.00	779	13.80	16.82	390	10.77	12.17	258	8.02	9.02	---	---	---	---	---	---	---	
4.51	3.80	18.40	776	5.04	10.50	388	3.99	6.82	257	3.08	5.01	---	---	---	---	---	---	13.5	
4.56	5.20	25.00	767	10.42	14.50	384	7.76	9.82	254	5.79	7.22	---	---	---	---	---	---	---	
4.67	4.00	20.00	750	5.89	11.15	375	4.55	7.26	248	3.47	5.33	---	---	---	---	---	---	---	
4.73	5.00	25.00	740	9.74	14.01	370	7.24	9.41	245	5.41	6.92	---	---	---	---	---	---	---	
4.74	3.60	18.40	739	4.16	9.83	369	3.43	6.36	245	2.68	4.68	---	---	---	---	---	11.2	13.6	
4.77	6.00	30.00	733	12.81	16.17	367	9.79	11.41	243	7.29	8.43	---	---	---	---	---	---	---	
4.89	3.80	20.00	715	5.04	10.51	358	3.99	6.82	237	3.08	5.01	---	---	---	---	---	---	---	
4.94	7.40	38.00	708	---	---	354	13.11	13.98	235	9.81	10.45	---	---	---	---	---	---	---	
4.99	3.40	18.40	701	3.25	9.14	351	2.87	5.91	232	2.28	4.35	---	---	---	---	---	11.3	13.7	
ARC-LENGTH CORRECTION FACTOR →												---	---	---	---	0.75	0.77	0.80	0.82
5.09	5.60	30.00	687	11.69	15.39	344	8.79	10.63	228	6.55	7.83	---	---	---	---	---	---	---	
5.11	4.60	25.00	685	8.29	12.95	342	6.18	8.57	227	4.64	6.29	---	---	---	---	---	---	---	
5.14	3.60	20.00	681	4.16	9.84	340	3.43	6.37	226	2.68	4.68	---	---	---	---	---	---	---	
5.27	5.40	30.00	664	11.07	14.96	332	8.28	10.23	220	6.17	7.53	---	---	---	---	---	---	---	
5.36	6.80	38.00	653	14.64	17.35	327	11.73	12.91	217	8.75	9.60	---	---	---	---	---	---	---	
5.41	3.40	20.00	646	3.25	9.14	323	2.87	5.91	214	2.28	4.35	---	---	---	---	---	---	---	
5.46	5.20	30.00	641	10.42	14.50	320	7.76	9.82	212	5.79	7.23	---	---	---	---	---	---	---	
5.56	4.20	25.00	629	6.72	11.78	315	5.10	7.70	209	3.87	5.66	---	---	---	---	---	---	---	
5.66	5.00	30.00	618	9.75	14.01	309	7.24	9.41	205	5.41	6.92	---	---	---	---	---	---	---	
5.67	6.40	38.00	617	13.80	16.83	308	10.77	12.18	204	8.02	9.02	---	---	---	---	---	---	---	
ARC-LENGTH CORRECTION FACTOR →												---	---	---	---	---	---	---	---
5.82	4.00	25.00	602	5.90	11.16	301	4.55	7.26	199	3.47	5.34	---	---	---	---	---	---	---	
6.03	6.00	38.00	580	12.82	16.18	290	9.79	11.41	192	7.29	8.43	---	---	---	---	---	---	---	
6.10	3.80	25.00	574	5.04	10.51	287	3.99	6.82	190	3.08	5.01	---	---	---	---	---	---	---	
6.12	4.60	30.00	572	8.30	12.95	286	6.18	8.57	190	4.65	6.29	---	---	---	---	---	---	---	
6.40	3.60	25.00	547	4.16	9.84	273	3.43	6.37	181	2.68	4.68	---	---	---	---	---	---	---	
6.44	5.60	38.00	544	11.69	15.40	272	8.79	10.63	180	6.55	7.84	---	---	---	---	---	---	---	
6.66	4.20	30.00	526	6.73	11.78	263	5.10	7.71	174	3.87	5.66	---	---	---	---	---	---	---	
6.74	3.40	25.00	519	3.26	9.15	259	2.87	5.91	172	2.28	4.35	---	---	---	---	---	---	---	
6.90	5.20	38.00	507	10.43	14.50	254	7.77	9.82	168	5.79	7.23	---	---	---	---	---	---	---	
6.96	4.00	30.00	503	5.90	11.16	251	4.55	7.27	167	3.47	5.34	---	---	---	---	---	---	---	
ARC-LENGTH CORRECTION FACTOR →												---	---	---	---	---	---	---	---
7.16	5.00	38.00	489	9.75	14.01	245	7.24	9.41	162	5.41	6.92	---	---	---	---	---	---	---	
7.30	3.80	30.00	480	5.05	10.51	240	4.00	6.82	159	3.08	5.01	---	---	---	---	---	---	---	
7.67	3.60	30.00	457	4.17	9.84	228	3.44	6.37	151	2.68	4.68	---	---	---	---	---	---	---	
7.73	4.60	38.00	453	8.30	12.95	226	6.18	8.57	150	4.65	6.30	---	---	---	---	---	---	---	
8.07	3.40	30.00	433	3.26	9.15	217	2.87	5.91	144	2.28	4.35	---	---	---	---	---	---	---	
8.41	4.20	38.00	416	6.73	11.79	208	5.10	7.71	138	3.87	5.66	---	---	---	---	---	---	---	
8.80	4.00	38.00	398	5.90	11.16	199	4.55	7.27	132	3.48	5.34	---	---	---	---	---	---	---	
9.22	3.80	38.00	380	5.05	10.52	190	4.00	6.82	126	3.08	5.01	---	---	---	---	---	---	---	
9.69	3.60	38.00	361	4.17	9.85	181	3.44	6.37	120	2.68	4.68	---	---	---	---	---	---	---	
10.20	3.40	38.00	343	3.26	9.15	172	2.87	5.91	114	2.28	4.35	---	---	---	---	---	---	---	
ARC-LENGTH CORRECTION FACTOR →												---	---	---	---	---	---	---	---

NOTE: Selection program VIA-VISA available at www.ptwizard.com.

SELECTION



B	S-L CLASSIC	BX	CLASSIC COG	STOCK DRIVE SELECTIONS
----------	--------------------	-----------	--------------------	-------------------------------

Ratio	Belt Size/Center Distance																	
	B68 BX68	B75 BX75	B81 BX81	B85 BX85	B90 BX90	B97 BX97	B105 BX105	B112 BX112	B120 BX120	B128 BX128	B144 BX144	B158 BX158	B173 BX173	B180 BX180	B195 BX195	B210 BX210	B240 BX240	B270 BX270
3.91	---	---	---	---	---	---	21.0	25.0	29.4	33.6	42.0	49.2	56.9	60.5	68.1	75.7	90.1	105.2
3.93	18.3	22.0	25.1	27.2	29.7	33.3	37.4	40.9	44.9	49.0	57.0	64.1	71.6	75.1	82.6	90.2	104.4	119.5
3.98	19.1	22.7	25.8	27.9	30.4	34.0	38.0	41.6	45.6	49.6	57.7	64.7	72.2	75.8	83.3	90.8	105.1	120.1
3.99	---	---	---	16.3	19.2	23.1	27.4	31.1	35.3	39.4	47.6	54.7	62.3	65.9	73.5	81.0	95.3	110.4
4.10	13.4	17.4	20.7	22.8	25.4	29.1	33.2	36.8	40.9	44.9	53.0	60.1	67.7	71.2	78.7	86.2	100.5	115.6
4.11	15.5	19.4	22.5	24.6	27.2	30.8	34.9	38.5	42.6	46.6	54.7	61.8	69.3	72.8	80.3	87.9	102.2	117.2
4.13	18.5	22.1	25.3	27.3	29.9	33.4	37.5	41.0	45.1	49.1	57.2	64.2	71.7	75.3	82.8	90.3	104.6	119.6
4.19	19.2	22.9	25.9	28.0	30.6	34.1	38.2	41.7	45.7	49.8	57.8	64.9	72.4	75.9	83.4	90.9	105.2	120.2
4.24	---	---	---	---	---	---	21.4	25.4	29.8	34.0	42.4	49.7	57.3	60.9	68.5	76.1	90.5	105.6
4.26	---	---	---	16.5	19.5	23.4	27.7	31.4	35.6	39.7	47.9	55.0	62.6	66.2	73.7	81.3	95.6	110.7
4.28	---	---	---	---	---	---	---	---	23.8	33.0	40.7	48.6	52.3	60.0	67.7	82.3	97.5	---
4.30	15.7	19.5	22.7	24.8	27.4	31.0	35.1	38.6	42.7	46.8	54.8	61.9	69.4	73.0	80.5	88.0	102.3	117.3
4.35	18.6	22.3	25.4	27.4	30.0	33.6	37.6	41.2	45.2	49.3	57.3	64.4	71.9	75.4	82.9	90.5	104.7	119.8
4.40	---	---	---	16.7	19.6	23.5	27.8	31.5	35.7	39.8	48.0	55.2	62.8	66.3	73.9	81.4	95.8	110.9
4.46	13.6	17.6	20.9	23.0	25.7	29.3	33.5	37.1	41.1	45.2	53.3	60.4	67.9	71.5	79.0	86.5	100.8	115.9
4.49	---	---	---	---	---	---	21.6	25.6	30.0	34.3	42.7	49.9	57.6	61.2	68.8	76.4	90.8	105.9
4.51	15.8	19.6	22.8	24.9	27.5	31.1	35.2	38.8	42.9	46.9	55.0	62.0	69.6	73.1	80.6	88.2	102.5	117.5
4.56	---	---	---	16.8	19.7	23.6	27.9	31.6	35.8	40.0	48.2	55.3	62.9	66.5	74.0	81.6	95.9	111.0
4.67	13.7	17.8	21.0	23.2	25.8	29.5	33.6	37.2	41.3	45.4	53.5	60.5	68.1	71.6	79.2	86.7	101.0	116.0
4.73	---	---	---	16.9	19.8	23.7	28.1	31.8	36.0	40.1	48.3	55.4	63.1	66.6	74.2	81.7	96.1	111.2
4.74	15.9	19.7	22.9	25.0	27.6	31.3	35.4	38.9	43.0	47.0	55.1	62.2	69.7	73.3	80.8	88.3	102.6	117.6
4.77	---	---	---	---	---	---	21.8	25.9	30.3	34.6	43.0	50.2	57.9	61.5	69.1	76.7	91.1	106.2
4.89	13.8	17.9	21.2	23.3	26.0	29.6	33.7	37.3	41.4	45.5	53.6	60.7	68.2	71.8	79.3	86.8	101.1	116.2
4.94	---	---	---	---	---	---	---	---	---	24.5	33.8	41.4	49.4	53.1	60.8	68.6	83.1	98.3
4.99	16.0	19.9	23.1	25.2	27.8	31.4	35.5	39.1	43.1	47.2	55.3	62.3	69.9	73.4	80.9	88.5	102.8	117.8
	0.85	0.88	0.89	0.90	0.92	0.95	0.98	1.00	1.02	1.04	1.08	1.10	1.13	1.14	1.16	1.18	1.22	1.25
5.09	---	---	---	---	---	---	22.1	26.1	30.5	34.8	43.2	50.5	58.2	61.7	69.4	77.0	91.4	106.5
5.11	14.0	18.0	21.3	17.1	20.1	24.0	28.3	32.0	36.2	40.4	48.6	55.7	63.3	66.9	74.5	82.0	96.4	111.4
5.14	---	---	---	23.4	26.1	29.7	33.9	37.5	41.6	45.6	53.7	60.8	68.4	71.9	79.5	87.0	101.3	116.3
5.27	---	---	---	---	---	---	22.2	26.2	30.6	34.9	43.4	50.6	58.3	61.9	69.5	77.1	91.5	106.7
5.36	---	---	---	---	---	---	---	---	---	24.8	34.2	41.8	49.8	53.5	61.2	69.0	83.5	98.7
5.41	14.1	18.1	21.4	23.6	26.2	29.9	34.0	37.6	41.7	45.8	53.9	61.0	68.5	72.1	79.6	87.1	101.4	116.5
5.46	---	---	---	---	---	---	22.3	26.4	30.8	35.1	43.5	50.8	58.5	62.0	69.7	77.3	91.7	106.8
5.56	---	---	14.8	17.4	20.3	24.2	28.6	32.3	36.5	40.6	48.9	56.0	63.6	67.2	74.8	82.3	96.7	111.7
5.66	---	---	---	---	---	---	22.4	26.5	30.9	35.2	43.6	50.9	58.6	62.2	69.8	77.4	91.8	106.9
5.67	---	---	---	---	---	---	---	---	---	25.1	34.4	42.1	50.1	53.7	61.5	69.2	83.8	99.0
	0.78	0.81	0.84	0.88	0.90	0.93	0.96	0.99	1.01	1.03	1.07	1.10	1.12	1.14	1.16	1.18	1.22	1.25
5.82	---	---	14.9	17.5	20.4	24.4	28.7	32.4	36.6	40.8	49.0	56.2	63.8	67.3	74.9	82.5	96.8	111.9
6.03	---	---	---	---	---	---	---	---	---	25.3	34.7	42.3	50.3	54.0	61.8	69.5	84.1	99.3
6.10	---	---	15.1	17.6	20.6	24.5	28.8	32.6	36.8	40.9	49.1	56.3	63.9	67.5	75.0	82.6	97.0	112.0
6.12	---	---	---	---	---	17.7	22.7	26.7	31.2	35.5	43.9	51.2	58.9	62.4	70.1	77.7	92.1	107.2
6.40	---	---	15.2	17.7	20.7	24.6	29.0	32.7	36.9	41.1	49.3	56.4	64.1	67.6	75.2	82.8	97.1	112.2
6.44	---	---	---	---	---	---	---	---	---	25.5	34.9	42.6	50.6	54.3	62.1	69.8	84.4	99.6
6.66	---	---	---	---	---	17.9	22.9	27.0	31.4	35.7	44.2	51.4	59.1	62.7	70.4	78.0	92.4	107.5
6.74	---	---	15.3	17.8	20.8	24.7	29.1	32.8	37.0	41.2	49.4	56.6	64.2	67.7	75.3	82.9	97.3	112.3
6.90	---	---	---	---	---	---	---	---	---	25.8	35.2	42.8	50.8	54.5	62.3	70.1	84.6	99.9
6.96	---	---	---	---	---	18.0	23.0	27.1	31.5	35.9	44.3	51.6	59.3	62.9	70.5	78.1	92.5	107.7
	---	---	0.70	0.75	0.81	0.87	0.91	0.95	0.98	1.00	1.05	1.08	1.11	1.12	1.15	1.17	1.21	1.24
7.16	---	---	---	---	---	---	---	---	---	25.9	35.3	43.0	51.0	54.7	62.5	70.2	84.8	100.0
7.30	---	---	---	---	---	18.1	23.2	27.2	31.7	36.0	44.4	51.7	59.4	63.0	70.7	78.3	92.7	107.8
7.67	---	---	---	---	---	18.3	23.3	27.3	31.8	36.1	44.6	51.8	59.6	63.1	70.8	78.4	92.8	108.0
7.73	---	---	---	---	---	---	---	---	---	26.1	35.5	43.2	51.2	54.9	62.7	70.5	85.1	100.3
8.07	---	---	---	---	---	18.4	23.4	27.5	31.9	36.2	44.7	52.0	59.7	63.3	70.9	78.6	93.0	108.1
8.41	---	---	---	---	---	---	---	---	---	26.4	35.8	43.5	51.5	55.2	63.0	70.8	85.3	100.6
8.80	---	---	---	---	---	---	---	---	21.1	26.5	35.9	43.6	51.6	55.3	63.1	70.9	85.5	100.7
9.22	---	---	---	---	---	---	---	---	21.2	26.6	36.0	43.7	51.8	55.5	63.3	71.0	85.6	100.9
9.69	---	---	---	---	---	---	---	---	21.3	26.7	36.2	43.9	51.9	55.6	63.4	71.2	85.8	101.0
10.20	---	---	---	---	---	---	---	---	21.4	26.8	36.3	44.0	52.0	55.7	63.5	71.3	85.9	101.2
	---	---	---	---	---	0.77	0.82	0.88	0.92	0.96	1.02	1.05	1.09	1.10	1.13	1.15	1.19	1.23

NOTE: Selection program VIA-VISA available at www.ptwizard.com.

V-Drives

FHP Drives

Drive Component
Accessories

DYNA-SYNC

HT200/HTD
Synchronous Drives

HTR
Synchronous Drives

HTRC
Synchronous Drives



SELECTION

C S-L CLASSIC CX CLASSIC COG STOCK DRIVE SELECTIONS

Ratio	Stock Shv.		1750 RPM Driver			1160 RPM Driver			870 RPM Driver			Belt Size/Center Distance								
	Datum Diam.		Driven	HP Per Belt		Driven	HP Per Belt		Driven	HP Per Belt		C51	C60	C68	C75	C81	C85	C90	C96	C105
	Driver	Driven	RPM	C	CX	RPM	C	CX	RPM	C	CX	CX51	CX60	CX68	CX75	CX81	CX85	CX90	CX96	CX105
1.00	7.0	7.0	1750	12.09	18.97	1160	9.69	14.22	870	7.98	11.39	16.0	20.5	24.5	28.0	31.0	33.0	35.5	38.5	43.0
1.00	7.5	7.5	1750	14.00	20.59	1160	11.17	15.48	870	9.16	12.40	15.2	19.7	23.7	27.2	30.2	32.2	34.7	37.7	42.2
1.00	8.0	8.0	1750	15.84	22.15	1160	12.62	16.71	870	10.33	13.40	14.4	18.9	22.9	26.4	29.4	31.4	33.9	36.9	41.4
1.00	8.5	8.5	1750	17.62	23.65	1160	14.05	17.93	870	11.48	14.39	13.6	18.1	22.1	25.6	28.6	30.6	33.1	36.1	40.6
1.00	9.0	9.0	1750	19.32	25.09	1160	15.45	19.11	870	12.62	15.36	12.8	17.3	21.3	24.8	27.8	29.8	32.3	35.3	39.8
1.00	9.5	9.5	1750	20.94	26.47	1160	16.82	20.28	870	13.74	16.32	12.0	16.5	20.5	24.0	27.0	29.0	31.5	34.5	39.0
1.00	10.0	10.0	1750	22.49	27.78	1160	18.17	21.42	870	14.85	17.26	11.3	15.8	19.7	23.3	26.3	28.3	30.8	33.8	38.3
1.00	10.5	10.5	1750	23.96	29.02	1160	19.49	22.54	870	15.95	18.20	---	15.0	19.0	22.5	25.5	27.5	30.0	33.0	37.5
1.00	11.0	11.0	1750	25.35	30.20	1160	20.78	23.63	870	17.03	19.12	---	14.2	18.2	21.7	24.7	26.7	29.2	32.2	36.7
1.00	12.0	12.0	1750	27.86	32.34	1160	23.27	25.74	870	19.15	20.92	---	12.6	16.6	20.1	23.1	25.1	27.6	30.6	35.1
1.00	13.0	13.0	1750	30.00	34.18	1160	25.64	27.75	870	21.21	22.66	---	---	15.0	18.5	21.5	23.5	26.0	29.0	33.5
1.00	14.0	14.0	1750	31.76	35.70	1160	27.88	29.64	870	23.20	24.36	---	---	---	17.0	20.0	22.0	24.5	27.5	32.0
1.00	16.0	16.0	1750	---	---	1160	31.96	33.10	870	27.00	27.57	---	---	---	---	16.8	18.8	21.3	24.3	28.8
1.05	10.5	11.0	1673	24.35	29.41	1109	19.74	22.79	832	16.14	18.39	---	14.6	18.6	22.1	25.1	27.1	29.6	32.6	37.1
1.05	10.0	10.5	1670	22.89	28.18	1107	18.44	21.69	830	15.05	17.45	10.9	15.4	19.4	22.9	25.9	27.9	30.4	33.4	37.9
1.05	9.5	10.0	1666	21.36	26.88	1104	17.10	20.56	828	13.95	16.53	11.6	16.1	20.1	23.6	26.6	28.6	31.1	34.1	38.6
1.05	9.0	9.5	1662	19.75	25.53	1101	15.74	19.40	826	12.83	15.58	12.4	16.9	20.9	24.4	27.4	29.4	31.9	34.9	39.4
1.06	8.5	9.0	1657	18.07	24.11	1098	14.36	18.23	824	11.71	14.61	13.2	17.7	21.7	25.2	28.2	30.2	32.7	35.7	40.2
1.06	8.0	8.5	1652	16.32	22.63	1095	12.94	17.03	821	10.57	13.64	14.0	18.5	22.5	26.0	29.0	31.0	33.5	36.5	41.0
1.06	7.5	8.0	1646	14.51	21.10	1091	11.51	15.81	818	9.41	12.65	14.8	19.3	23.3	26.8	29.8	31.8	34.3	37.3	41.8
1.07	7.0	7.5	1639	12.62	19.51	1087	10.05	14.57	815	8.24	11.65	15.6	20.1	24.1	27.6	30.6	32.6	35.1	38.1	42.6
1.07	13.0	14.0	1628	30.50	34.76	1079	26.03	28.13	810	21.50	22.95	---	---	14.2	17.7	20.7	22.7	25.3	28.3	32.8
1.08	12.0	13.0	1619	28.48	32.96	1073	23.68	26.15	805	19.46	21.23	---	---	15.8	19.3	22.3	24.3	26.8	29.8	34.3
1.09	11.0	12.0	1609	26.01	30.86	1066	21.22	24.07	800	17.36	19.45	---	---	13.4	17.4	20.9	23.9	25.9	28.4	31.4
1.10	10.0	11.0	1596	23.21	28.49	1058	18.65	21.90	794	15.21	17.62	---	---	15.0	19.0	22.5	25.5	30.0	33.0	37.5
ARC-LENGTH CORRECTION FACTOR -->												0.77	0.81	0.83	0.85	0.87	0.88	0.89	0.91	0.93
1.10	9.5	10.5	1589	21.69	27.21	1054	17.32	20.77	790	14.11	16.69	11.2	15.7	19.7	23.2	26.2	28.2	30.7	33.7	38.2
1.11	9.0	10.0	1582	20.09	25.86	1048	15.96	19.63	786	13.00	15.74	12.0	16.5	20.5	24.0	27.0	29.0	31.5	34.5	39.0
1.11	8.5	9.5	1573	18.42	24.46	1043	14.58	18.46	782	11.88	14.79	12.8	17.3	21.3	24.8	27.8	29.8	32.3	35.3	39.8
1.12	8.0	9.0	1564	16.66	22.99	1037	13.18	17.27	777	10.74	13.82	13.6	18.1	22.1	25.6	28.6	30.6	33.1	36.1	40.6
1.12	16.0	18.0	1560	---	---	1034	32.53	33.67	775	27.43	28.00	---	---	---	---	---	17.2	19.7	22.7	27.2
1.13	7.5	8.5	1553	14.86	21.47	1030	11.75	16.06	772	9.59	12.84	14.4	18.9	22.9	26.4	29.4	31.4	33.9	36.9	41.4
1.14	7.0	8.0	1542	13.01	19.89	1022	10.30	14.83	766	8.43	11.84	15.2	19.7	23.7	27.2	30.2	32.2	34.7	37.7	42.2
1.14	10.5	12.0	1538	24.89	29.96	1020	20.11	23.16	765	16.41	18.66	---	13.8	17.8	21.3	24.3	26.3	28.8	31.8	36.3
1.14	14.0	16.0	1537	32.70	36.64	1019	28.51	30.26	764	23.67	24.82	---	---	---	15.4	18.4	20.4	22.9	25.9	30.4
1.15	9.5	11.0	1520	21.94	27.46	1007	17.49	20.94	756	14.24	16.81	10.8	15.3	19.3	22.8	25.8	27.8	30.3	33.3	37.9
1.16	9.0	10.5	1509	20.35	26.12	1000	16.13	19.80	750	13.13	15.87	11.6	16.1	20.1	23.6	26.6	28.6	31.1	34.1	38.6
1.16	12.0	14.0	1507	28.90	33.38	999	23.96	26.43	749	19.66	21.43	---	---	15.0	18.5	21.5	23.5	26.0	29.0	33.5
1.17	8.5	10.0	1498	18.68	24.72	993	14.76	18.63	745	12.01	14.92	12.4	16.9	20.9	24.4	27.4	29.4	31.9	34.9	39.4
1.18	11.0	13.0	1489	26.44	31.30	987	21.51	24.36	740	17.57	19.66	---	12.6	16.6	20.1	23.1	25.1	27.6	30.6	35.1
1.18	8.0	9.5	1486	16.95	23.26	984	13.36	17.45	738	10.88	13.95	13.2	17.7	21.7	25.2	28.2	30.2	32.7	35.7	40.2
1.19	7.5	9.0	1471	15.15	21.74	975	11.93	16.24	731	9.73	12.97	14.0	18.5	22.5	26.0	29.0	31.0	33.5	36.5	41.0
1.19	10.0	12.0	1468	23.65	28.94	973	18.94	22.19	730	15.43	17.84	---	14.1	18.2	21.7	24.7	26.7	29.2	32.2	36.7
1.20	7.0	8.5	1455	13.28	20.17	964	10.49	15.01	723	8.57	11.98	14.8	19.3	23.3	26.8	29.8	31.8	34.3	37.3	41.8
1.21	9.0	11.0	1443	20.65	26.32	956	16.27	19.93	717	13.23	15.97	11.2	15.7	19.7	23.2	26.2	28.2	30.7	33.7	38.2
1.22	13.0	16.0	1430	31.27	35.45	948	26.48	28.58	711	21.84	23.29	---	---	---	16.1	19.1	21.1	23.6	26.6	31.1
1.22	8.5	10.5	1429	18.89	24.92	947	14.89	18.77	710	12.11	15.02	12.0	16.5	20.5	24.0	27.0	29.0	31.5	34.5	39.0
1.23	10.5	13.0	1424	25.24	30.31	944	20.34	23.39	708	16.59	18.84	---	12.9	17.0	20.5	23.5	25.5	28.0	31.0	35.5
1.24	8.0	10.0	1413	17.15	23.48	937	13.49	17.58	703	10.98	14.05	12.8	17.3	21.3	24.8	27.8	29.8	32.3	35.3	39.8
1.24	16.0	20.0	1407	---	---	933	32.84	33.98	699	27.66	28.23	---	---	---	---	---	---	18.1	21.1	25.6
1.25	9.5	12.0	1397	22.29	27.82	926	17.72	21.18	695	14.41	16.99	---	14.5	18.5	22.0	25.0	27.0	29.5	32.5	37.1
1.25	7.5	9.5	1396	15.35	21.94	926	12.07	16.37	694	9.83	13.07	13.6	18.1	22.1	25.6	28.6	30.6	33.1	36.1	40.6
1.26	11.0	14.0	1385	26.73	31.58	918	21.69	24.55	689	17.72	19.80	---	---	15.8	19.3	22.3	24.3	26.8	29.8	34.3
1.27	7.0	9.0	1378	13.48	20.37	913	10.62	15.14	685	8.67	12.08	14.4	18.9	22.9	26.4	29.4	31.4	33.9	36.9	41.4
1.28	14.0	18.0	1370	33.18	37.12	908	28.82	30.58	681	23.91	25.06	---	---	---	---	16.7	18.7	21.2	24.2	28.8
1.28	8.5	11.0	1366	19.04	25.07	906	14.99	18.87	679	12.19	15.09	11.6	16.1	20.1	23.6	26.6	28.6	31.1	34.1	38.6
1.29	10.0	13.0	1358	23.93	29.22	900	19.13	22.38	675	15.57	17.98	---	13.3	17.3	20.8	23.8	25.9	28.4	31.4	35.9
1.30	8.0	10.5	1349	17.31	23.61	894	13.59	17.68	670	11.05	14.13	12.4	16.9	20.9	24.4	27.4	29.4	31.9	34.9	39.4
1.32	7.5	10.0	1329	15.50	22.09	881	12.17	16.47	661	9.91	13.15	13.2	17.7	21.7	25.2	28.2	30.2	32.7	35.7	40.2
1.32	9.0	12.0	1327	20.83	26.60	879	16.45	20.12	660	13.37	16.11	---	14.9	18.9	22.4	25.4	27.4	29.9	32.9	37.4
1.32	10.5	14.0	1325	25.47	30.54	878	20.49	23.54	659	16.70	18.95	---	---	16.1	19.6	22.6	24.7	27.2	30.2	34.7
1.32	12.0	16.0	1323	29.37	33.85	877	24.28</													

SELECTION



C S-L CLASSIC

CX CLASSIC COG

STOCK DRIVE SELECTIONS

Ratio	Belt Size/Center Distance																	
	C112 CX112	C120 CX120	C128 CX128	C136 CX136	C144 CX144	C158 CX158	C162 CX162	C173 CX173	C180 CX180	C195 CX195	C210 CX210	C240 CX240	C270 CX270	C300 CX300	C330 CX330	C360 CX360	C390 CX390	C420 CX420
1.00	46.5	50.5	54.5	58.5	62.5	69.5	71.5	77.0	80.5	88.0	95.5	109.5	124.5	139.5	154.5	169.5	184.5	199.5
1.00	45.7	49.7	53.7	57.7	61.7	68.7	70.7	76.2	79.7	87.2	94.7	108.7	123.7	138.7	153.7	168.7	183.7	198.7
1.00	44.9	48.9	52.9	56.9	60.9	67.9	69.9	75.4	78.9	86.4	93.9	107.9	122.9	137.9	152.9	167.9	182.9	197.9
1.00	44.1	48.1	52.1	56.1	60.1	67.1	69.1	74.6	78.1	85.6	93.1	107.1	122.1	137.1	152.1	167.1	182.1	197.1
1.00	43.3	47.3	51.3	55.3	59.3	66.3	68.3	73.8	77.3	84.8	92.3	106.3	121.3	136.3	151.3	166.3	181.3	196.3
1.00	42.5	46.5	50.5	54.5	58.5	65.5	67.5	73.0	76.5	84.0	91.5	105.5	120.5	135.5	150.5	165.5	180.5	195.5
1.00	41.8	45.8	49.7	53.7	57.7	64.8	66.8	72.3	75.8	83.3	90.8	104.8	119.7	134.8	149.7	164.8	179.8	194.7
1.00	41.0	45.0	49.0	53.0	57.0	64.0	66.0	71.5	75.0	82.5	90.0	104.0	119.0	134.0	149.0	164.0	179.0	194.0
1.00	40.2	44.2	48.2	52.2	56.2	63.2	65.2	70.7	74.2	81.7	89.2	103.2	118.2	133.2	148.2	163.2	178.2	193.2
1.00	38.6	42.6	46.6	50.6	54.6	61.6	63.6	69.1	72.6	80.1	87.6	101.6	116.6	131.6	146.6	161.6	176.6	191.6
1.00	37.0	41.0	45.0	49.0	53.0	60.0	62.0	67.5	71.0	78.5	86.0	100.0	115.0	130.0	145.0	160.0	175.0	190.0
1.00	35.5	39.5	43.5	47.5	51.5	58.5	60.5	66.0	69.5	77.0	84.5	98.5	113.5	128.5	143.5	158.5	173.5	188.5
1.00	32.3	35.3	40.3	44.3	48.3	55.3	57.3	62.8	66.3	73.8	81.3	95.3	110.3	125.3	140.3	155.3	170.3	185.3
1.05	40.6	44.6	48.6	52.6	56.6	63.6	65.6	71.1	74.6	82.1	89.6	103.6	118.6	133.6	148.6	163.6	178.6	193.6
1.05	41.4	45.4	49.4	53.4	57.4	64.4	66.4	71.9	75.4	82.9	90.4	104.4	119.4	134.4	149.4	164.4	179.4	194.4
1.05	42.1	48.1	50.1	54.1	58.1	65.1	67.1	72.6	76.1	83.6	91.1	105.1	120.1	135.1	150.1	165.1	180.1	195.1
1.05	42.9	46.9	50.9	54.9	58.9	65.9	67.9	73.4	76.9	84.4	91.9	105.9	120.9	135.9	150.9	165.9	180.9	195.9
1.06	43.7	47.7	51.7	55.7	59.7	66.7	68.7	74.2	77.7	85.2	92.7	106.7	121.7	136.7	151.7	166.7	181.7	196.7
1.06	44.5	48.5	52.5	56.5	60.5	67.5	69.5	75.0	78.5	86.0	93.5	107.5	122.5	137.5	152.5	167.5	182.5	197.5
1.06	45.3	49.3	53.3	57.3	61.3	68.3	70.3	75.8	79.3	86.8	94.3	108.3	123.3	138.3	153.3	168.3	183.3	198.3
1.07	48.1	50.1	54.1	58.1	62.1	69.1	71.1	76.6	80.1	87.6	95.1	109.1	124.1	139.1	154.1	169.1	184.1	199.1
1.07	36.3	40.3	44.3	48.3	52.3	59.3	61.3	66.8	70.3	77.8	85.3	99.3	114.3	129.3	144.3	159.3	174.3	189.3
1.08	37.8	41.8	45.8	49.8	53.8	60.8	62.8	68.3	71.8	79.3	86.8	100.8	115.8	130.8	145.8	160.8	175.8	190.8
1.09	39.4	43.4	47.4	51.4	55.4	62.4	64.4	69.9	73.4	80.9	88.4	102.4	117.4	132.4	147.4	162.4	177.4	192.4
1.10	41.0	45.0	49.0	53.0	57.0	64.0	66.0	71.5	75.0	82.5	90.0	104.0	119.0	134.0	149.0	164.0	179.0	194.0
0.94	0.96	0.97	0.99	1.00	1.02	1.03	1.04	1.05	1.07	1.08	1.11	1.14	1.16	1.18	1.20	1.22	1.24	
1.10	41.7	45.7	49.7	53.7	57.7	64.7	66.7	72.2	75.7	83.2	90.7	104.7	119.7	134.7	149.7	164.7	179.7	194.7
1.11	42.5	46.5	50.5	54.5	58.5	65.5	67.5	73.0	76.5	84.0	91.5	105.5	120.5	135.5	150.5	165.5	180.5	195.5
1.11	43.3	47.3	51.3	55.3	59.3	66.3	68.3	73.8	77.3	84.8	92.3	106.3	121.3	136.3	151.3	166.3	181.3	196.3
1.12	44.1	48.1	52.1	56.1	60.1	67.1	69.1	74.6	78.1	85.6	93.1	107.1	122.1	137.1	152.1	167.1	182.1	197.1
1.12	30.7	34.7	38.7	42.7	46.7	53.8	55.8	61.3	64.8	72.3	79.8	93.8	108.8	123.8	138.8	153.8	168.8	183.8
1.13	44.9	48.9	52.9	56.9	60.9	67.9	69.9	75.4	78.9	86.4	93.9	107.9	122.9	137.9	152.9	167.9	182.9	197.9
1.14	45.7	49.7	53.7	57.7	61.7	68.7	70.7	76.2	79.7	87.2	94.7	108.7	123.7	138.7	153.7	168.7	183.7	198.7
1.14	39.8	43.8	47.8	51.8	55.8	62.8	64.8	70.3	73.8	81.3	88.8	102.8	117.8	132.8	147.8	162.8	177.8	192.8
1.14	33.9	37.9	41.9	45.9	49.9	56.9	58.9	64.4	67.9	75.4	82.9	96.9	111.9	126.9	141.9	156.9	171.9	186.9
1.15	41.4	45.4	49.4	53.4	57.4	64.4	66.4	71.9	75.4	82.9	90.4	104.4	119.4	134.4	149.4	164.4	179.4	194.4
1.16	42.1	46.1	50.1	54.1	58.1	65.1	67.1	72.6	76.1	83.6	91.1	105.1	120.1	135.1	150.1	165.1	180.1	195.1
1.16	37.0	41.0	45.0	49.0	53.0	60.0	62.0	67.5	71.0	78.5	86.0	100.0	115.0	130.0	145.0	160.0	175.0	190.0
1.17	42.9	46.9	50.9	54.9	58.9	65.9	67.9	73.4	76.9	84.4	91.9	105.9	120.9	135.9	150.9	165.9	180.9	195.9
1.18	38.6	42.6	46.6	50.6	54.6	61.6	63.6	69.1	72.6	80.1	87.6	101.6	116.6	131.6	146.6	161.6	176.6	191.6
1.18	43.7	47.7	51.7	55.7	59.7	66.7	68.7	74.2	77.7	85.2	92.7	106.7	121.7	136.7	151.7	166.7	181.7	196.7
1.19	44.5	48.5	52.5	56.5	60.5	67.5	69.5	75.0	78.5	86.0	93.5	107.5	122.5	137.5	152.5	167.5	182.5	197.5
1.19	40.2	44.2	48.2	52.2	56.2	63.2	65.2	70.7	74.2	81.7	89.2	103.2	118.2	133.2	148.2	163.2	178.2	193.2
1.20	45.3	49.3	53.3	57.3	61.3	68.3	70.3	75.8	79.3	86.8	94.3	108.3	123.3	138.3	153.3	168.3	183.3	198.3
1.21	41.7	45.7	49.7	53.7	57.7	64.7	66.7	72.2	75.7	83.2	90.7	104.7	119.7	134.7	149.7	164.7	179.7	194.7
1.22	34.7	38.7	42.7	46.7	50.7	57.7	59.7	65.2	68.7	76.2	83.7	97.7	112.7	127.7	142.7	157.7	172.7	187.7
1.22	42.5	46.5	50.5	54.5	58.5	65.5	67.5	73.0	76.5	84.0	91.5	105.5	120.5	135.5	150.5	165.5	180.5	195.5
1.23	39.0	43.0	47.0	51.0	55.0	62.0	64.0	69.5	73.0	80.5	88.0	102.0	117.0	132.0	147.0	162.0	177.0	192.0
1.24	43.3	47.3	51.3	55.3	59.3	66.3	68.3	73.8	77.3	84.8	92.3	106.3	121.3	136.3	151.3	166.3	181.3	196.3
1.24	29.1	33.1	37.1	41.1	45.1	52.2	54.2	59.7	63.2	70.7	78.2	92.2	107.2	122.2	137.2	152.2	167.2	182.2
1.25	40.6	44.6	48.6	52.6	56.6	63.6	65.6	71.1	74.6	82.1	89.6	103.6	118.6	133.6	148.6	163.6	178.6	193.6
1.25	44.1	48.1	52.1	56.1	60.1	67.1	69.1	74.6	78.1	85.6	93.1	107.1	122.1	137.1	152.1	167.1	182.1	197.1
1.26	37.8	41.8	45.8	49.8	53.8	60.8	62.8	68.3	71.8	79.3	86.8	100.8	115.8	130.8	145.8	160.8	175.8	190.8
1.27	44.9	48.9	52.9	56.9	60.9	67.9	69.9	75.4	78.9	86.4	93.9	107.9	122.9	137.9	152.9	167.9	182.9	197.9
1.28	32.3	36.3	40.3	44.3	48.3	55.3	57.3	62.8	66.3	73.8	81.3	95.3	110.3	125.3	140.3	155.3	170.3	185.3
1.28	42.1	46.1	50.1	54.1	58.1	65.1	67.1	72.6	76.1	83.6	91.1	105.1	120.1	135.1	150.1	165.1	180.1	195.1
1.29	39.4	43.4	47.4	51.4	55.4	62.4	64.4	69.9	73.4	80.9	88.4	102.4	117.4	132.4	147.4	162.4	177.4	192.4
1.30	42.9	46.9	50.9	54.9	58.9	65.9	67.9	73.4	76.9	84.4	91.9	105.9	120.9	135.9	150.9	165.9	180.9	195.9
1.32	43.7	47.7	51.7	55.7	59.7	66.7	68.7	74.2	77.7	85.2	92.7	106.7	121.7	136.7	151.7	166.7	181.7	196.7
1.32	40.9	44.9	48.9	52.9	56.9	63.9	65.9	71.4	74.9	82.4	89.9	103.9	118.9	133.9	148.9	163.9	178.9	193.9
1.32	38.2	42.2	46.2	50.2	54.2	61.2	63.2	68.7	72.2	79.7	87.2	101.2	116.2	131.2	146.2	161.2	176.2	191.2
1.32	35.4	39.4	43.4	47.4	51.4	58.4	60.4	65.9	69.4	76.9	84.4	98.4	113.4	128.4	143.4	158.4	173.4	188.4
1.34	44.5	48.5	52.5	56.5	60.5	67.5	69.5	75.0	78.5	86.0	93.5	107.5	122.5	137.5	152.5	167.5	182.5	197.5
1.35	39.7	43.7	47.7	51.7	55.7	62.7	64.7	70.2	73.7	81.2	88.7	102.7	117.7	132.7	147.7	162.7	177.7	192.7
1.36																		



SELECTION

C S-L CLASSIC CX CLASSIC COG STOCK DRIVE SELECTIONS

Ratio	Stock Shv. Datum Diam.		1750 RPM Driver			1160 RPM Driver			870 RPM Driver			Belt Size/Center Distance										
	Driver	Driven	RPM	HP Per Belt		RPM	HP Per Belt		RPM	HP Per Belt		C51	C60	C68	C75	C81	C85	C90	C96	C105		
				C	CX		C	CX		C	CX										CX51	CX60
1.38	10.0	14.0	1264	24.12	29.40	838	19.25	22.50	628	15.66	18.07	---	12.4	16.5	20.0	23.0	25.0	27.5	30.5	35.1		
1.39	8.5	12.0	1256	19.26	25.29	833	15.14	19.01	624	12.29	15.20	10.7	15.3	19.3	22.8	25.8	27.8	30.3	33.3	37.8		
1.41	7.0	10.0	1245	13.74	20.63	825	10.79	15.31	619	8.80	12.21	13.5	18.0	22.1	25.6	28.6	30.6	33.1	36.1	40.6		
1.42	14.0	20.0	1235	33.44	37.38	819	28.99	30.75	614	24.03	25.19	---	---	---	---	---	---	19.5	22.6	27.1		
1.43	9.0	13.0	1228	21.00	26.77	814	16.57	20.23	610	13.46	16.20	---	14.0	18.1	21.6	24.6	26.6	29.1	32.1	36.6		
1.44	11.0	16.0	1216	27.05	31.90	806	21.91	24.76	605	17.88	19.96	---	---	14.0	17.6	20.6	22.6	25.1	28.1	32.7		
1.44	7.5	11.0	1213	15.71	22.30	804	12.30	16.61	603	10.01	13.25	12.3	16.8	20.9	24.4	27.4	29.4	31.9	34.9	39.4		
1.45	9.5	14.0	1203	22.67	28.19	797	17.97	21.42	598	14.60	17.17	---	12.8	16.9	20.4	23.4	25.4	27.9	30.9	35.4		
1.47	7.0	10.5	1188	13.83	20.71	788	10.85	15.37	591	8.84	12.25	13.1	17.6	21.6	25.2	28.2	30.2	32.7	35.7	40.2		
1.48	8.0	12.0	1185	17.59	23.90	786	13.78	17.87	589	11.19	14.27	11.1	15.6	19.6	23.2	26.2	28.2	30.7	33.7	38.2		
1.48	12.0	18.0	1179	29.61	34.09	782	24.43	26.90	596	20.02	21.79	---	---	---	15.1	18.2	20.2	22.7	25.7	30.3		
1.49	16.0	24.0	1176	---	---	780	33.13	34.26	585	27.88	28.45	---	---	---	---	---	---	---	---	22.2		
1.50	10.5	16.0	1163	25.74	30.80	771	20.67	23.72	578	16.83	19.08	---	---	14.4	17.9	21.0	23.0	25.5	28.5	33.0		
1.51	8.5	13.0	1162	19.39	25.43	770	15.23	19.10	578	12.36	15.27	---	14.4	18.4	22.0	25.0	27.0	29.5	32.5	37.0		
1.52	13.0	20.0	1150	31.80	35.97	762	26.83	28.93	571	22.10	23.55	---	---	---	---	---	17.7	20.2	23.3	27.8		
1.53	9.0	14.0	1142	21.12	26.89	757	16.65	20.31	568	13.51	16.25	---	13.2	17.2	20.7	23.8	25.8	28.3	31.3	35.8		
1.54	7.0	11.0	1136	13.90	20.78	753	10.89	15.41	565	8.87	12.28	12.7	17.2	21.2	24.7	27.7	29.8	32.3	35.3	39.8		
1.57	7.5	12.0	1115	15.83	22.42	739	12.39	16.69	554	10.07	13.31	11.4	16.0	20.0	23.5	26.5	28.6	31.1	34.1	38.6		
1.58	10.0	16.0	1110	24.33	29.62	735	19.39	22.64	552	15.77	18.18	---	---	14.7	18.3	21.3	23.3	25.9	28.9	33.4		
1.60	8.0	13.0	1097	17.69	24.00	727	13.85	17.94	545	11.25	14.32	---	14.8	18.8	22.3	25.3	27.4	29.9	32.9	37.4		
1.61	11.0	18.0	1084	27.21	32.06	719	22.01	24.87	539	17.96	20.04	---	---	---	15.8	18.9	20.9	23.4	26.5	31.0		
1.62	8.5	14.0	1082	19.48	25.52	717	15.29	19.16	538	12.41	15.31	---	13.5	17.6	21.1	24.1	26.1	28.7	31.7	36.2		
1.65	12.0	20.0	1064	29.74	34.22	705	24.52	26.99	529	20.08	21.85	---	---	---	---	16.3	18.4	20.9	24.0	28.5		
1.66	9.5	16.0	1056	22.83	28.36	700	18.08	21.53	525	14.68	17.26	---	---	15.1	18.6	21.7	23.7	26.2	29.3	33.8		
1.67	16.0	27.0	1047	---	---	694	33.22	34.36	521	27.95	28.52	---	---	---	---	---	---	---	---	---		
ARC-LENGTH CORRECTION FACTOR -->												0.75	0.79	0.82	0.84	0.86	0.87	0.88	0.90	0.92		
1.68	7.0	12.0	1044	13.99	20.87	692	10.95	15.48	519	8.92	12.33	11.8	16.3	20.4	23.9	26.9	28.9	31.4	34.4	39.0		
1.69	10.5	18.0	1037	25.87	30.93	687	20.75	23.80	515	16.90	19.15	---	---	---	16.1	19.2	21.2	23.8	26.8	31.4		
1.69	14.0	24.0	1033	33.67	37.62	685	29.15	30.91	513	24.15	25.31	---	---	---	---	---	---	---	---	23.6		
1.70	7.5	13.0	1032	15.91	22.50	684	12.44	16.74	513	10.11	13.35	10.5	15.1	19.2	22.7	25.7	27.7	30.2	33.2	37.8		
1.71	8.0	14.0	1021	17.76	24.07	677	13.90	17.99	507	11.28	14.35	---	13.9	17.9	21.5	24.5	26.5	29.0	32.0	36.6		
1.74	9.0	16.0	1003	21.25	27.02	665	16.73	20.40	499	13.56	16.32	---	---	15.4	19.0	22.0	24.1	26.6	29.6	34.1		
1.77	10.0	18.0	989	24.44	29.72	656	19.46	22.71	492	15.82	18.23	---	---	16.5	19.6	21.6	24.1	27.2	31.7			
1.79	11.0	20.0	978	27.30	32.15	648	22.07	24.93	486	18.00	20.09	---	---	---	17.0	19.1	21.6	24.7	29.3			
1.81	7.0	13.0	966	14.05	20.93	641	10.99	15.52	480	8.95	12.36	10.8	15.5	19.5	23.1	26.1	28.1	30.6	33.6	38.1		
1.82	13.0	24.0	961	31.97	36.15	637	26.94	29.05	478	22.18	23.64	---	---	---	---	---	---	19.6	24.3			
1.82	7.5	14.0	960	15.97	22.56	636	12.47	16.78	477	10.14	13.38	---	14.2	18.3	21.8	24.9	26.9	29.4	32.4	36.9		
1.84	8.5	16.0	950	19.59	25.62	630	15.36	19.23	472	12.46	15.37	---	---	15.8	19.4	22.4	24.4	27.0	30.0	34.5		
1.85	16.0	30.0	944	---	---	626	33.27	34.41	469	27.98	28.56	---	---	---	---	---	---	---	---	---		
1.86	9.5	18.0	942	22.92	28.44	624	18.14	21.59	468	14.73	17.30	---	---	---	16.8	19.9	22.0	24.5	27.5	32.1		
1.87	10.5	20.0	935	25.94	31.01	620	20.80	23.85	465	16.93	19.18	---	---	---	17.4	19.4	22.0	25.1	29.6			
1.90	14.0	27.0	920	33.75	37.70	610	29.20	30.96	457	24.19	25.35	---	---	---	---	---	---	---	---	20.7		
1.95	7.0	14.0	899	14.09	20.97	596	11.02	15.54	447	8.97	12.38	---	14.5	18.6	22.2	25.2	27.2	29.8	32.8	37.3		
1.95	8.0	16.0	896	17.85	24.15	594	13.95	18.04	446	11.32	14.40	---	---	16.1	19.7	22.8	24.8	27.3	30.3	34.9		
1.96	9.0	18.0	894	21.32	27.10	593	16.78	20.44	444	13.61	16.36	---	---	13.5	17.2	20.3	22.3	24.8	27.9	32.4		
1.96	10.0	20.0	892	24.60	29.79	591	19.50	22.75	444	15.85	18.26	---	---	---	17.7	19.8	22.3	25.4	30.0			
1.97	12.0	24.0	889	29.87	34.35	590	24.60	27.07	442	20.15	21.92	---	---	---	---	---	---	---	20.3	25.0		
2.04	13.0	27.0	856	32.03	36.21	567	26.98	29.09	425	22.21	23.67	---	---	---	---	---	---	---	---	21.4		
2.06	9.5	20.0	849	22.97	28.50	563	18.17	21.63	422	14.75	17.33	---	---	---	14.9	18.0	20.1	22.7	25.8	30.3		
2.07	8.5	18.0	846	19.65	25.68	561	15.40	19.27	421	12.49	15.39	---	---	13.8	17.5	20.6	22.6	25.2	28.2	32.8		
2.08	7.5	16.0	843	16.03	22.62	559	12.52	16.82	419	10.17	13.41	---	12.3	16.5	20.1	23.1	25.1	27.7	30.7	35.2		
2.11	14.0	30.0	829	33.80	37.74	549	29.24	30.99	412	24.22	25.37	---	---	---	---	---	---	---	---	---		
2.14	11.0	24.0	818	27.39	32.24	542	22.13	24.99	406	18.05	20.13	---	---	---	---	---	---	17.8	21.0	25.7		
2.17	9.0	20.0	806	21.37	27.14	535	16.81	20.47	401	13.64	16.38	---	---	---	15.2	18.4	20.4	23.0	26.1	30.7		
2.19	8.0	18.0	799	17.89	24.20	530	13.98	18.07	397	11.34	14.42	---	---	---	14.2	17.8	20.9	23.0	25.6	28.6	33.2	
2.21	12.0	27.0	792	29.91	34.39	525	24.63	27.10	394	20.17	21.94	---	---	---	---	---	---	---	---	22.1		
2.22	7.0	16.0	790	14.14	21.03	523	11.05	15.58	393	9.00	12.41	---	---	---	12.6	16.8	20.4	23.5	25.5	28.0	31.1	35.6
2.22	16.0	36.0	788	---	---	523	33.33	34.46	392	28.02	28.59	---	---	---	---	---	---	---	---	---	---	
2.24	10.5	24.0	782	26.02	31.08	518	20.85	23.90	389	16.97	19.22	---	---	---	---	---	---	18.1	21.3	26.0		
2.27	13.0	30.0	771	32.07	36.24	511	27.01	29.11	383	22.23	23.69	---	---	---	---	---	---	---	---	---		
ARC-LENGTH CORRECTION FACTOR -->												0.74	0.78	0.81	0.83	0.85	0.86	0.88	0.89	0.91		

NOTE: Selection program VIA-VISA available at www.ptwizard.com.

SELECTION



C S-L CLASSIC CX CLASSIC COG STOCK DRIVE SELECTIONS

Ratio	Belt Size/Center Distance																	
	C112 CX112	C120 CX120	C128 CX128	C136 CX136	C144 CX144	C158 CX158	C162 CX162	C173 CX173	C180 CX180	C195 CX195	C210 CX210	C240 CX240	C270 CX270	C300 CX300	C330 CX330	C360 CX360	C390 CX390	C420 CX420
1.38	38.6	42.6	46.6	50.6	54.6	61.6	63.6	69.1	72.6	80.1	87.6	101.6	116.6	131.6	146.6	161.6	176.6	191.6
1.39	41.3	45.3	49.3	53.3	57.3	64.3	66.3	71.8	75.3	82.8	90.3	104.3	119.3	134.3	149.3	164.3	179.3	194.3
1.41	44.1	48.1	52.1	56.1	60.1	67.1	69.1	74.6	78.1	85.6	93.1	107.1	122.1	137.1	152.1	167.1	182.1	197.1
1.42	30.6	34.6	38.6	42.7	46.7	53.7	55.7	61.2	64.7	72.2	79.7	93.7	108.7	123.7	138.7	153.7	168.7	183.7
1.43	40.1	44.1	48.1	52.1	56.1	63.1	65.1	70.7	74.2	81.7	89.2	103.2	118.2	133.2	148.2	163.2	178.2	193.2
1.44	36.2	40.2	44.2	48.2	52.2	59.2	61.2	66.7	70.2	77.7	85.2	99.2	114.2	129.2	144.2	159.2	174.2	189.2
1.44	42.9	46.9	50.9	54.9	58.9	65.9	67.9	73.4	76.9	84.4	91.9	105.9	120.9	135.9	150.9	165.9	180.9	195.9
1.45	38.9	42.9	46.9	51.0	55.0	62.0	64.0	69.5	73.0	80.5	88.0	102.0	117.0	132.0	147.0	162.0	177.0	192.0
1.47	43.7	47.7	51.7	56.7	59.7	66.7	68.7	74.2	77.7	85.2	92.7	106.7	121.7	136.7	151.7	166.7	181.7	196.7
1.48	41.7	45.7	49.7	53.7	57.7	64.7	66.7	72.2	75.7	83.2	90.7	104.7	119.7	134.7	149.7	164.7	179.7	194.7
1.48	33.8	37.8	41.8	45.8	49.8	56.8	58.8	64.3	67.8	75.3	82.8	96.9	111.9	126.9	141.9	156.9	171.9	185.9
1.49	25.7	29.8	33.8	37.8	41.9	48.9	50.9	56.4	59.9	67.4	74.9	89.0	104.0	119.0	134.0	149.0	164.0	179.0
1.50	36.5	40.6	44.6	48.6	52.6	59.6	61.6	67.1	70.6	78.1	85.6	99.6	114.6	129.6	144.6	159.6	174.6	189.6
1.51	40.5	44.5	48.5	52.5	56.5	63.5	65.5	71.0	74.5	82.0	89.5	103.5	118.6	133.6	148.6	163.6	178.6	193.6
1.52	31.3	35.4	39.4	43.4	47.4	54.4	56.4	61.9	65.5	73.0	80.5	94.5	109.5	124.5	139.5	154.5	169.5	184.5
1.53	39.3	43.3	47.3	51.3	55.3	62.3	64.3	69.9	73.4	80.9	88.4	102.4	117.4	132.4	147.4	162.4	177.4	192.4
1.54	43.3	47.3	51.3	55.3	59.3	66.3	68.3	73.8	77.3	84.8	92.3	106.3	121.3	136.3	151.3	166.3	181.3	196.3
1.57	42.1	46.1	50.1	54.1	58.1	65.1	67.1	72.6	76.1	83.6	91.1	105.1	120.1	135.1	150.1	165.1	180.1	195.1
1.58	36.9	40.9	44.9	48.9	53.0	60.0	62.0	67.5	71.0	78.5	86.0	100.0	115.0	130.0	145.0	160.0	175.0	190.0
1.60	40.9	44.9	48.9	52.9	56.9	63.9	65.9	71.4	74.9	82.4	89.9	103.9	118.9	133.9	148.9	163.9	178.9	193.9
1.61	34.5	38.5	42.5	46.6	50.6	57.6	59.6	65.1	68.6	76.1	83.6	97.6	112.6	127.6	142.6	157.6	172.6	187.7
1.62	39.7	43.7	47.7	51.7	55.7	62.7	64.7	70.2	73.7	81.2	88.7	102.7	117.7	132.7	147.7	162.7	177.7	192.8
1.65	32.1	36.1	40.1	44.1	48.2	55.2	57.2	62.7	66.2	73.7	81.2	95.2	110.3	125.3	140.3	155.3	170.3	185.3
1.66	37.3	41.3	45.3	49.3	53.3	60.3	62.3	67.9	71.4	78.9	86.4	100.4	115.4	130.4	145.4	160.4	175.4	190.4
1.67	23.0	27.1	31.2	35.3	39.3	46.4	48.4	53.9	57.4	65.0	72.5	86.5	101.5	116.6	131.6	146.6	161.6	176.6
0.94	0.95	0.97	0.98	0.99	1.01	1.02	1.03	1.04	1.06	1.08	1.11	1.03	1.16	1.18	1.20	1.22	1.24	
1.66	42.5	46.5	50.5	54.5	58.5	65.5	67.5	73.0	76.5	84.0	91.5	105.5	120.5	135.5	150.5	165.5	180.5	195.5
1.69	34.9	38.9	42.9	46.9	50.9	58.0	60.0	65.5	69.0	76.5	84.0	98.0	113.0	128.0	143.0	158.0	173.0	188.0
1.69	27.2	31.2	35.3	39.3	43.3	50.4	52.4	57.9	61.4	68.9	76.5	90.5	105.5	120.5	135.5	150.5	165.5	180.6
1.70	41.3	45.3	49.3	53.3	57.3	64.3	66.3	71.8	75.3	82.8	90.3	104.3	119.3	134.3	149.3	164.3	179.3	194.3
1.71	40.1	44.1	48.1	52.1	56.1	63.1	65.1	70.6	74.1	81.6	89.1	103.1	118.1	133.1	148.1	163.2	178.2	193.2
1.74	37.7	41.7	45.7	49.7	53.7	60.7	62.7	68.2	71.7	79.2	86.8	100.8	115.8	130.8	145.8	160.8	175.8	190.8
1.77	35.2	39.3	43.3	47.3	51.3	58.3	60.3	65.8	69.4	76.9	84.4	98.4	113.4	128.4	143.4	158.4	173.4	188.4
1.79	32.8	36.8	40.9	44.9	48.9	55.9	57.9	63.5	67.0	74.5	82.0	96.0	111.0	126.0	141.0	156.1	171.1	186.1
1.81	41.6	45.7	49.7	53.7	57.7	64.7	66.7	72.2	75.7	83.2	90.7	104.7	119.7	134.7	149.7	164.7	179.7	194.7
1.82	27.9	31.9	36.0	40.0	44.1	51.1	53.1	58.6	62.2	69.7	77.2	91.2	106.3	121.3	136.3	151.3	166.3	181.3
1.82	40.4	44.5	48.5	52.5	56.5	63.5	65.5	71.0	74.5	82.0	89.5	103.5	118.5	133.5	148.5	163.5	178.5	193.5
1.84	38.0	42.1	46.1	50.1	54.1	61.1	63.1	68.6	72.1	79.6	87.1	101.1	116.2	131.2	146.2	161.2	176.2	191.2
1.85	---	24.3	28.5	32.6	36.7	43.8	45.8	51.4	54.9	62.4	70.0	84.0	99.1	114.1	129.2	144.2	159.2	174.2
1.86	35.6	39.6	43.7	47.7	51.7	58.7	60.7	66.2	69.7	77.2	84.8	98.8	113.8	128.8	143.8	158.8	173.8	188.8
1.87	33.2	37.2	41.2	45.3	49.3	56.3	58.3	63.8	67.3	74.9	82.4	96.4	111.4	126.4	141.4	156.4	171.4	186.4
1.90	24.4	28.5	32.6	36.7	40.7	47.8	49.8	55.4	58.9	66.4	74.0	88.0	103.1	118.1	133.1	148.1	163.1	178.1
1.95	40.8	44.8	48.8	52.8	56.9	63.9	65.9	71.4	74.9	82.4	89.9	103.9	118.9	133.9	148.9	163.9	178.9	193.9
1.95	38.4	42.4	46.4	50.5	54.5	61.5	63.5	69.0	72.5	80.0	87.5	101.5	116.5	131.5	146.6	161.6	176.6	191.6
1.96	36.0	40.0	44.0	48.0	52.1	59.1	61.1	66.6	70.1	77.6	85.1	99.2	114.2	129.2	144.2	159.2	174.2	189.2
1.96	33.5	37.6	41.6	45.6	49.6	56.7	58.7	64.2	67.7	75.2	82.7	96.8	111.8	126.8	141.8	156.8	171.8	186.8
1.97	28.6	32.6	36.7	40.7	44.8	51.8	53.9	59.4	62.9	70.4	78.0	92.0	107.0	122.0	137.1	152.1	167.1	182.1
2.04	25.1	29.2	33.3	37.4	41.5	48.5	50.6	56.1	59.6	67.2	74.7	88.8	103.8	118.8	133.9	148.9	163.9	178.9
2.06	32.9	37.9	42.0	46.0	50.0	57.1	59.1	64.6	68.1	75.6	83.1	97.2	112.2	127.2	142.2	157.2	172.2	187.2
2.07	36.3	40.4	44.4	48.4	52.4	59.5	61.5	67.0	70.5	78.0	85.5	99.5	114.5	129.5	144.5	159.5	174.5	189.5
2.06	38.8	42.8	46.8	50.8	54.8	61.9	63.9	69.4	72.9	80.4	87.9	101.9	116.9	131.9	146.9	161.9	176.9	191.9
2.11	---	25.7	29.8	34.0	38.1	45.2	47.2	52.8	56.3	63.9	71.5	85.5	100.6	115.6	130.7	145.7	160.7	175.7
2.14	29.3	33.3	37.4	41.5	45.5	52.6	54.6	60.1	63.6	71.2	78.7	92.7	107.8	122.8	137.8	152.8	167.8	182.9
2.17	34.2	38.3	42.3	46.4	50.4	57.4	59.4	65.0	68.5	76.0	83.5	97.5	112.6	127.6	142.6	157.6	172.6	187.6
2.19	36.7	40.7	44.8	48.8	52.8	59.8	61.8	67.4	70.9	78.4	85.9	99.9	114.9	129.9	144.9	159.9	174.9	189.9
2.21	25.7	29.9	34.0	38.1	42.2	49.3	51.3	56.8	60.4	67.9	75.5	89.5	104.6	119.6	134.6	149.6	164.7	179.7
2.22	39.1	43.2	47.2	51.2	55.2	62.2	64.2	69.7	73.3	80.8	88.3	102.3	117.3	132.3	147.3	162.3	177.3	192.3
2.22	---	---	---	26.8	31.0	38.3	40.4	46.0	49.6	57.3	64.9	79.0	94.1	109.2	124.2	139.3	154.3	169.3
2.24	29.6	33.7	37.8	41.8	45.9	52.9	55.0	60.5	64.0	71.5	79.1	93.1	108.2	123.2	138.2	153.2	168.2	183.2
2.27	22.1	26.3	30.5	34.7	38.8	45.9	47.9	53.5	57.1	64.6	72.2	86.3	101.3	116.4	131.4	146.4	161.5	176.5
0.93	0.95	0.96	0.97	0.99	1.01	1.02	1.03	1.04	1.06	1.08	1.10	1.13	1.16	1.18	1.20	1.22	1.23	

NOTE: Selection program VIA-VISA available at www.ptwizard.com.

V-Drives

FHP Drives

Drive Component Accessories

DYNA-SYNC

HT200/HTD Synchronous Drives

HTR Synchronous Drives

HTRC Synchronous Drives



SELECTION

C S-L CLASSIC CX CLASSIC COG STOCK DRIVE SELECTIONS

Ratio	Stock Shv.		1750 RPM Driver			1160 RPM Driver			870 RPM Driver			Belt Size/Center Distance									
	Datum Diam.		Driven RPM	HP Per Belt		Driven RPM	HP Per Belt		Driven RPM	HP Per Belt		C51 CX51	C60 CX60	C68 CX68	C75 CX75	C81 CX81	C85 CX85	C90 CX90	C96 CX96	C105 CX105	
	Driver	Driven		C	CX		C	CX		C	CX										
2.29	8.5	20.0	763	19.68	25.71	506	15.42	19.29	380	12.50	15.41	---	---	---	15.5	18.7	20.8	23.4	26.5	31.0	
2.33	7.5	18.0	751	16.07	22.66	498	12.54	16.85	374	10.19	13.43	---	---	14.5	18.2	21.3	23.3	25.9	29.0	33.5	
2.35	10.0	24.0	746	24.56	29.85	494	19.54	22.79	371	15.88	18.29	---	---	---	---	---	---	18.4	21.6	26.3	
2.40	11.0	27.0	728	27.42	32.28	483	22.16	25.01	362	18.06	20.15	---	---	---	---	---	---	---	---	22.7	
2.43	8.0	20.0	721	17.92	24.23	478	14.00	18.09	358	11.36	14.43	---	---	---	15.8	19.0	21.1	23.7	26.8	31.4	
2.45	12.0	30.0	714	29.94	34.42	473	24.65	27.12	355	20.18	21.95	---	---	---	---	---	---	---	---	---	
2.48	9.5	24.0	710	23.03	28.55	471	18.20	21.66	353	14.78	17.35	---	---	---	---	---	18.8	22.0	26.7	---	
2.49	7.0	18.0	704	14.17	21.05	467	11.07	15.60	350	9.01	12.42	---	---	14.8	18.5	21.6	23.7	26.2	29.3	33.9	
2.51	10.5	27.0	696	26.05	31.11	461	20.87	23.92	346	16.99	19.23	---	---	---	---	---	---	---	---	23.0	
2.53	14.0	36.0	692	33.85	37.79	459	29.27	31.03	344	24.24	25.39	---	---	---	---	---	---	---	---	---	
2.58	7.5	20.0	678	16.09	22.68	449	12.56	16.86	337	10.20	13.44	---	---	---	16.2	19.4	21.5	24.1	27.1	31.7	
2.60	9.0	24.0	674	21.41	27.18	447	16.84	20.50	335	13.66	16.40	---	---	---	---	---	19.1	22.3	27.0	---	
2.63	10.0	27.0	664	24.59	29.87	440	19.56	22.81	330	15.89	18.31	---	---	---	---	---	---	---	---	23.4	
2.67	11.0	30.0	656	27.44	32.30	435	22.17	25.02	326	18.07	20.16	---	---	---	---	---	---	---	---	---	
2.71	16.0	44.0	646	---	---	428	33.36	34.49	321	28.05	28.62	---	---	---	---	---	---	---	---	---	
2.72	13.0	36.0	644	32.10	36.28	427	27.03	29.14	320	22.25	23.71	---	---	---	---	---	---	---	---	---	
2.74	8.5	24.0	638	19.72	25.75	423	15.44	19.32	317	12.52	15.43	---	---	---	---	16.6	19.4	22.6	27.3	---	
2.76	7.0	20.0	635	14.19	21.07	421	11.09	15.61	316	9.02	12.43	---	---	---	16.5	19.7	21.8	24.4	27.5	32.1	
2.77	9.5	27.0	632	23.05	28.57	419	18.22	21.67	314	14.79	17.36	---	---	---	---	---	---	---	18.8	23.7	
2.79	10.5	30.0	627	26.06	31.13	416	20.88	23.93	312	16.99	19.24	---	---	---	---	---	---	---	---	---	
2.90	8.0	24.0	602	17.95	24.26	399	14.02	18.11	300	11.37	14.45	---	---	---	---	16.9	19.7	22.9	27.7	---	
2.91	9.0	27.0	600	21.43	27.20	398	16.85	20.51	298	13.67	16.41	---	---	---	---	---	---	19.1	24.0	---	
2.92	10.0	30.0	599	24.60	29.89	397	19.57	22.82	298	15.90	18.31	---	---	---	---	---	---	---	---	20.1	
2.94	12.0	36.0	596	29.97	34.45	395	24.67	27.14	296	20.20	21.97	---	---	---	---	---	---	---	---	---	
3.07	9.5	30.0	570	23.06	28.58	378	18.23	21.68	283	14.79	17.37	---	---	---	---	---	---	---	---	20.4	
ARC-LENGTH CORRECTION FACTOR -->												---	---	0.76	0.79	0.82	0.83	0.85	0.87	0.89	---
3.08	8.5	27.0	568	19.73	25.77	377	15.45	19.33	283	12.53	15.44	---	---	---	---	---	---	19.4	24.3	---	
3.08	14.0	44.0	568	33.88	37.82	376	29.29	31.05	282	24.25	25.41	---	---	---	---	---	---	---	---	---	
3.09	7.5	24.0	567	16.11	22.70	376	12.57	16.88	282	10.21	13.45	---	---	---	---	17.2	20.0	23.3	28.0	---	
3.19	11.0	36.0	648	27.47	32.32	363	22.18	25.04	272	18.08	20.17	---	---	---	---	---	---	---	---	---	
3.23	9.0	30.0	541	21.44	27.21	359	16.86	20.52	269	13.67	16.41	---	---	---	---	---	---	---	---	20.7	
3.26	8.0	27.0	536	17.96	24.27	356	14.03	18.12	267	11.38	14.45	---	---	---	---	---	---	19.7	24.6	---	
3.30	7.0	24.0	531	14.21	21.09	352	11.10	15.62	264	9.03	12.44	---	---	---	---	17.6	20.3	23.6	28.3	---	
3.31	13.0	44.0	528	32.13	36.30	350	27.05	29.15	263	22.26	23.72	---	---	---	---	---	---	---	---	---	
3.34	10.5	36.0	524	26.08	31.15	347	20.90	23.95	261	17.00	19.25	---	---	---	---	---	---	---	---	---	
3.42	8.5	30.0	512	19.74	25.77	340	15.46	19.33	255	12.53	15.44	---	---	---	---	---	---	---	---	21.0	
3.47	7.5	27.0	505	16.12	22.71	334	12.58	16.88	251	10.21	13.46	---	---	---	---	---	---	20.0	25.0	---	
3.50	10.0	36.0	500	24.62	29.90	331	19.58	22.83	249	15.91	18.32	---	---	---	---	---	---	---	---	---	
3.58	12.0	44.0	489	29.99	34.47	324	24.68	27.15	243	20.21	21.98	---	---	---	---	---	---	---	---	---	
3.62	8.0	30.0	484	17.97	24.28	321	14.04	18.12	240	11.38	14.46	---	---	---	---	---	---	---	---	21.3	
3.68	9.5	36.0	476	23.07	28.60	315	18.24	21.69	237	14.80	17.38	---	---	---	---	---	---	---	---	---	
3.70	7.0	27.0	473	14.22	21.10	313	11.10	15.63	235	9.04	12.44	---	---	---	---	---	---	20.3	25.3	---	
3.85	7.5	30.0	455	16.13	22.72	301	12.58	16.89	226	10.22	13.46	---	---	---	---	---	---	---	---	21.6	
3.87	9.0	36.0	452	21.45	27.22	300	16.87	20.53	225	13.68	16.42	---	---	---	---	---	---	---	---	---	
3.89	11.0	44.0	449	27.48	32.33	298	22.19	25.05	223	18.09	20.18	---	---	---	---	---	---	---	---	---	
4.07	10.5	44.0	430	26.10	31.16	285	20.91	23.95	214	17.01	19.26	---	---	---	---	---	---	---	---	---	
ARC-LENGTH CORRECTION FACTOR -->												---	---	---	---	---	0.74	0.77	0.80	0.84	---
4.09	8.5	36.0	428	19.75	25.79	284	15.47	19.34	213	12.54	15.45	---	---	---	---	---	---	---	---	---	
4.11	7.0	30.0	426	14.22	21.11	282	11.11	15.63	212	9.04	12.45	---	---	---	---	---	---	---	---	21.9	
4.27	10.0	44.0	410	24.63	29.92	272	19.59	22.84	204	15.92	18.33	---	---	---	---	---	---	---	---	---	
4.33	8.0	36.0	404	17.98	24.29	268	14.04	18.13	201	11.39	14.46	---	---	---	---	---	---	---	---	---	
4.48	9.5	44.0	390	23.08	28.61	259	18.24	21.70	194	14.81	17.38	---	---	---	---	---	---	---	---	---	
4.61	7.5	36.0	380	16.14	22.73	252	12.59	16.90	189	10.22	13.46	---	---	---	---	---	---	---	---	---	
4.72	9.0	44.0	370	21.46	27.23	246	16.87	20.53	184	13.68	16.42	---	---	---	---	---	---	---	---	---	
4.92	7.0	36.0	356	14.23	21.11	236	11.11	15.64	177	9.04	12.45	---	---	---	---	---	---	---	---	---	
4.99	8.5	44.0	351	19.76	25.79	233	15.47	19.35	174	12.54	15.45	---	---	---	---	---	---	---	---	---	
5.29	8.0	44.0	331	17.99	24.29	219	14.05	18.13	165	11.39	14.47	---	---	---	---	---	---	---	---	---	
5.62	7.5	44.0	311	16.15	22.74	206	12.59	16.90	155	10.23	13.47	---	---	---	---	---	---	---	---	---	
6.00	7.0	44.0	292	14.24	21.12	193	11.12	15.64	145	9.04	12.45	---	---	---	---	---	---	---	---	---	
ARC-LENGTH CORRECTION FACTOR -->												---	---	---	---	---	---	---	---	0.79	---

NOTE: Selection program VIA-VISA available at www.ptwizard.com.

SELECTION



C S-L CLASSIC CX CLASSIC COG STOCK DRIVE SELECTIONS

Ratio	Belt Size/Center Distance																	
	C112 CX112	C120 CX120	C128 CX128	C136 CX136	C144 CX144	C158 CX158	C162 CX162	C173 CX173	C180 CX180	C195 CX195	C210 CX210	C240 CX240	C270 CX270	C300 CX300	C330 CX330	C360 CX360	C390 CX390	C420 CX420
2.29	34.6	38.6	42.7	46.7	50.8	57.8	59.8	65.3	68.8	76.4	83.9	97.9	112.9	127.9	143.0	158.0	173.0	188.0
2.33	37.1	41.1	45.1	49.2	53.2	60.2	62.2	67.7	71.2	78.8	86.3	100.3	115.3	130.3	145.3	160.3	175.4	190.4
2.35	29.9	34.0	38.1	42.2	46.2	53.3	55.3	60.9	64.4	71.9	79.5	93.5	108.5	123.6	138.6	153.6	168.6	183.6
2.40	26.4	30.6	34.7	38.8	42.9	50.0	52.0	57.6	61.1	68.7	76.2	90.3	105.3	120.4	135.4	150.4	165.4	180.4
2.43	35.0	39.0	43.1	47.1	51.1	58.2	60.2	65.7	69.2	76.7	84.3	98.3	113.3	128.3	143.3	158.4	173.4	188.4
2.45	22.7	27.0	31.2	35.3	39.5	46.6	48.6	54.2	57.8	65.4	72.9	87.0	102.1	117.1	132.2	147.2	162.2	177.3
2.48	30.3	34.4	38.5	42.5	46.6	53.7	55.7	61.2	64.7	72.3	79.8	93.9	108.9	123.9	139.0	154.0	169.0	184.0
2.49	37.4	41.5	45.5	49.5	53.5	60.6	62.6	68.1	71.6	79.1	86.7	100.7	115.7	130.7	145.7	160.7	175.7	190.7
2.51	26.7	30.9	35.0	39.1	43.2	50.3	52.4	57.9	61.5	69.0	76.6	90.6	105.7	120.7	135.8	150.8	165.8	180.8
2.53	---	---	---	28.0	32.3	39.7	41.8	47.4	51.0	58.7	66.3	80.4	95.6	110.7	125.7	140.8	155.8	170.8
2.58	35.3	39.4	43.4	47.5	51.5	58.5	60.5	66.1	69.6	77.1	84.6	98.7	113.7	128.7	143.7	158.7	173.8	188.8
2.60	30.6	34.7	38.8	42.9	46.9	54.0	56.0	61.6	65.1	72.7	80.2	94.2	109.3	124.3	139.3	154.4	169.4	184.4
2.63	27.1	31.2	35.4	39.5	43.6	50.7	52.7	58.3	61.8	69.4	76.9	91.0	106.1	121.1	136.1	151.2	166.2	181.2
2.67	23.3	27.6	31.8	36.0	40.1	47.3	49.4	54.9	58.5	66.1	73.7	87.8	102.8	117.9	132.9	148.0	163.0	178.0
2.71	---	---	---	---	---	30.1	32.3	38.3	42.0	49.9	57.7	72.0	87.2	102.4	117.5	132.6	147.7	162.7
2.72	---	---	---	28.7	33.0	40.3	42.4	48.1	51.7	59.4	67.0	81.2	96.3	111.4	126.5	141.5	156.6	171.6
2.74	31.0	35.1	39.2	43.2	47.3	54.4	56.4	62.0	65.5	73.0	80.6	94.6	109.7	124.7	139.7	154.7	169.8	184.8
2.76	35.7	39.7	43.8	47.8	51.8	58.9	60.9	66.4	70.0	77.5	85.0	99.0	114.1	129.1	144.1	159.1	174.1	189.1
2.77	27.4	31.6	35.7	39.8	43.9	51.0	53.1	58.6	62.2	69.7	77.3	91.4	106.4	121.5	136.5	151.5	166.6	181.6
2.79	23.6	28.0	32.2	36.3	40.5	47.7	49.7	55.3	58.8	66.4	74.0	88.1	103.2	118.3	133.3	148.3	163.4	178.4
2.90	31.3	35.4	39.5	43.6	47.7	54.7	56.8	62.3	65.8	73.4	80.9	95.0	110.0	125.1	140.1	155.1	170.1	185.2
2.91	27.7	31.9	36.1	40.2	44.3	51.4	53.4	59.0	62.5	70.1	77.7	91.7	106.8	121.9	136.9	151.9	166.9	182.0
2.92	24.0	28.3	32.5	36.7	40.8	48.0	50.1	55.7	59.2	66.8	74.4	88.5	103.6	118.6	133.7	148.7	163.7	178.8
2.94	---	---	24.9	29.3	33.6	41.0	43.1	48.8	52.4	60.1	67.7	81.9	97.0	112.1	127.2	142.3	157.3	172.4
3.07	24.3	28.6	32.8	37.0	41.2	48.4	50.4	56.0	59.6	67.2	74.7	88.9	103.9	119.0	134.1	149.1	164.1	179.1
	0.91	0.93	0.94	0.95	0.97	1.00	1.01	1.02	1.03	1.05	1.07	1.10	1.12	1.15	1.17	1.19	1.21	1.23
3.08	28.1	32.3	36.4	40.5	44.6	51.8	53.8	59.4	62.9	70.5	78.0	92.1	107.2	122.2	137.3	152.3	167.3	182.3
3.08	---	---	---	---	---	31.3	33.6	39.6	43.3	51.2	59.0	73.4	88.7	103.8	119.0	134.1	149.2	164.2
3.09	31.6	35.8	39.9	43.9	48.0	55.1	57.1	62.7	66.2	73.8	81.3	95.4	110.4	125.5	140.5	155.5	170.5	185.5
3.19	---	---	25.5	29.9	34.3	41.7	43.8	49.5	53.1	60.8	68.4	82.6	97.8	112.9	127.9	143.0	158.1	173.1
3.23	24.6	28.9	33.2	37.4	41.5	48.7	50.7	56.4	59.9	67.5	75.1	89.2	104.3	119.4	134.4	149.5	164.5	179.5
3.26	28.4	32.6	36.7	40.9	45.0	52.1	54.1	59.7	63.3	70.8	78.4	92.5	107.6	122.6	137.6	152.7	167.7	182.7
3.30	32.0	36.1	40.2	44.3	48.4	55.5	57.5	63.0	66.6	74.1	81.7	95.7	110.8	125.8	140.9	155.9	170.9	185.9
3.31	---	---	---	---	---	31.9	34.2	40.2	44.0	51.9	59.7	74.1	89.4	104.6	119.7	134.8	149.9	165.0
3.34	---	---	25.8	30.3	34.6	42.0	44.1	49.8	53.4	61.1	68.8	83.0	98.1	113.2	128.3	143.4	158.4	173.5
3.42	24.9	29.3	33.5	37.7	41.8	49.0	51.1	56.7	60.3	67.9	75.5	89.6	104.7	119.7	134.8	149.8	164.9	179.9
3.47	28.7	32.9	37.1	41.2	45.3	52.5	54.5	60.1	63.6	71.2	78.8	92.9	107.9	123.0	138.0	153.1	168.1	183.1
3.50	---	---	26.1	30.6	34.9	42.3	44.4	50.2	53.8	61.5	69.1	83.3	98.5	113.6	128.7	143.8	158.8	173.9
3.58	---	---	---	---	---	32.6	34.8	40.9	44.6	52.6	60.4	74.8	90.1	105.3	120.4	135.5	150.6	165.7
3.62	25.2	29.6	33.8	38.0	42.2	49.4	51.4	57.1	60.6	68.2	75.8	89.9	105.0	120.1	135.2	150.2	165.3	180.3
3.68	---	---	26.4	30.9	35.2	42.7	44.8	50.5	54.1	61.8	69.5	83.7	98.8	114.0	129.1	144.1	159.2	174.2
3.70	29.0	33.3	37.4	41.6	45.7	52.8	54.8	60.4	64.0	71.6	79.1	93.2	108.3	123.4	138.4	153.4	168.5	183.5
3.85	25.5	29.9	34.2	38.4	42.5	49.7	51.8	57.4	61.0	68.6	76.2	90.3	105.4	120.5	135.5	150.6	165.6	180.7
3.87	---	---	26.7	31.2	35.6	43.0	45.1	50.8	54.5	62.2	69.8	84.0	99.2	114.3	129.4	144.5	159.6	174.6
3.89	---	---	---	---	---	33.2	35.4	41.5	45.3	53.2	61.0	75.5	90.8	106.0	121.2	136.3	151.4	166.5
4.07	---	---	---	---	---	33.5	35.7	41.8	45.6	53.5	61.4	75.8	91.1	106.3	121.5	136.6	151.7	166.8
	0.86	0.89	0.91	0.93	0.95	0.97	0.98	1.00	1.01	1.03	1.05	1.08	1.11	1.14	1.16	1.19	1.20	1.22
4.09	---	22.3	27.0	31.5	35.9	43.3	45.4	51.2	54.8	62.5	70.2	84.4	99.6	114.7	129.8	144.9	159.9	175.0
4.11	25.8	30.2	34.5	38.7	42.9	50.1	52.1	57.8	61.3	68.9	76.5	90.7	105.8	120.9	135.9	151.0	166.0	181.0
4.27	---	---	---	---	---	33.8	36.1	42.1	45.9	53.9	61.7	76.2	91.5	106.7	121.9	137.0	152.1	167.2
4.33	---	22.6	27.3	31.8	36.2	43.7	45.8	51.5	55.1	62.9	70.5	84.8	99.9	115.1	130.2	145.2	160.3	175.4
4.48	---	---	---	---	---	34.1	36.4	42.4	46.2	54.2	62.1	76.5	91.8	107.1	122.2	137.4	152.5	167.6
4.61	---	22.9	27.6	32.1	36.5	44.0	46.1	51.8	55.5	63.2	70.9	85.1	100.3	115.4	130.5	145.6	160.7	175.7
4.72	---	---	---	---	---	34.4	36.7	42.8	46.6	54.5	62.4	76.9	92.2	107.4	122.6	137.7	152.8	167.9
4.92	---	23.2	27.9	32.5	36.8	44.3	46.4	52.2	55.8	63.5	71.2	85.5	100.7	115.8	130.9	146.0	161.0	176.1
4.99	---	---	---	---	---	34.7	37.0	43.1	46.9	54.9	62.7	77.2	92.5	107.8	123.0	138.1	153.2	168.3
5.29	---	---	---	---	26.5	35.0	37.3	43.4	47.2	55.2	63.1	77.5	92.9	108.1	123.3	138.5	153.6	168.7
5.62	---	---	---	---	26.8	35.3	37.6	43.7	47.5	55.5	63.4	77.9	93.2	108.5	123.7	138.8	153.9	169.0
6.00	---	---	---	---	27.1	35.6	37.9	44.0	47.8	55.9	63.7	78.2	93.6	108.8	124.0	139.2	154.3	169.4
	0.82	0.85	0.87	0.89	0.91	0.95	0.96	0.98	0.99	1.01	1.04	1.07	1.10	1.13	1.16	1.18	1.20	1.22

NOTE: Selection program VIA-VISA available at www.ptwizard.com.

V-Drives

FHP Drives

Drive Component Accessories

DYNA-SYNC

HT200/HTD Synchronous Drives

HTR Synchronous Drives

HTRC Synchronous Drives



SELECTION

STOCK DRIVE SELECTIONS

D S-L CLASSIC

Ratio	Stock Shv. Datum Diam.		1160 RPM Driver		870 RPM Driver		690 RPM Driver		Belt Size/Center Distance					
	Driver	Driven	Driven RPM	HP/Belt D	Driven RPM	HP/Belt D	Driven RPM	HP/Belt D	D120	D128	D144	D158	D162	D173
	1.00	12.00	12.00	1160	28.43	870	24.56	690	21.13	42.8	46.8	54.8	61.8	63.8
1.00	13.00	13.00	1160	32.81	870	28.39	690	24.40	41.2	45.2	53.2	60.2	62.2	67.7
1.00	13.50	13.50	1160	34.92	870	30.26	690	26.02	40.5	44.5	52.5	59.5	61.5	67.0
1.00	14.00	14.00	1160	36.96	870	32.10	690	27.61	39.7	43.7	51.7	58.7	60.7	66.2
1.00	14.50	14.50	1160	38.93	870	33.92	690	29.19	38.9	42.9	50.9	57.9	59.9	65.4
1.00	15.00	15.00	1160	40.84	870	35.70	690	30.75	38.1	42.1	50.1	57.1	59.1	64.6
1.00	15.50	15.50	1160	42.68	870	37.45	690	32.30	37.3	41.3	49.3	56.3	58.3	63.8
1.00	16.00	16.00	1160	44.46	870	39.16	690	33.82	36.5	40.5	48.5	55.5	57.5	63.0
1.00	18.00	18.00	1160	50.84	870	45.70	690	39.74	33.4	37.4	45.4	52.4	54.4	59.9
1.00	22.00	22.00	1160	---	870	57.07	690	50.64	27.1	31.1	39.1	46.1	48.1	53.6
1.03	15.50	16.00	1125	43.34	844	37.94	669	32.69	36.9	40.9	48.9	55.9	57.9	63.4
1.03	15.00	15.50	1124	41.52	843	36.20	669	31.16	37.7	41.7	49.7	56.7	58.7	64.2
1.03	14.50	15.00	1123	39.63	842	34.44	668	29.61	38.5	42.5	50.5	57.5	59.5	65.0
1.03	14.00	14.50	1122	37.67	841	32.64	667	28.04	39.3	43.3	51.3	58.3	60.3	65.8
1.04	13.50	14.00	1120	35.66	840	30.82	666	26.46	40.1	44.1	52.1	59.1	61.1	66.6
1.04	13.00	13.50	1119	33.58	839	28.96	666	24.86	40.8	44.8	52.8	59.8	61.8	67.3
1.06	15.00	16.00	1090	42.09	818	36.64	648	31.50	37.3	41.3	49.3	46.3	58.3	63.8
1.07	14.50	15.50	1088	40.22	816	34.88	647	29.96	38.1	42.1	50.1	57.1	59.1	64.6
1.07	14.00	15.00	1086	38.28	814	33.10	646	28.40	38.9	42.9	50.9	57.9	59.9	65.4
1.07	13.50	14.50	1083	36.28	812	31.28	644	26.83	39.7	43.7	51.7	58.7	60.7	66.2
1.07	13.00	14.00	1081	34.22	810	29.44	643	25.24	40.5	44.5	52.5	59.5	61.5	67.0
1.08	12.00	13.00	1075	29.93	806	25.68	639	22.02	42.0	46.0	54.0	61.0	63.0	68.5
1.10	14.50	16.00	1055	40.72	791	35.26	628	30.26	37.7	41.7	49.7	56.7	58.7	64.2
1.10	14.00	15.50	1052	38.79	789	33.48	626	28.70	38.5	42.5	50.5	57.5	59.5	65.0
1.11	13.50	15.00	1048	36.80	786	31.67	624	27.14	39.3	43.3	51.3	58.3	60.3	65.8
ARC-LENGTH CORRECTION FACTOR -->									0.86	0.87	0.90	0.92	0.92	0.93
1.11	18.00	20.00	1047	52.74	786	47.13	623	40.87	31.8	35.8	43.8	50.8	52.8	58.3
1.11	13.00	14.50	1045	34.85	784	29.84	621	25.55	40.1	44.1	52.1	59.1	61.1	66.6
1.12	12.00	13.50	1037	30.48	777	26.09	617	22.34	41.6	45.6	53.6	60.6	62.6	68.1
1.12	16.00	18.00	1035	46.53	776	40.71	616	35.05	34.9	38.9	46.9	54.0	56.0	61.5
1.14	14.00	16.00	1020	39.22	765	33.80	607	28.96	38.1	42.1	50.1	57.1	59.1	64.6
1.14	13.50	15.50	1016	37.24	762	32.00	604	27.40	38.9	42.9	50.9	57.1	59.9	65.4
1.15	13.00	15.00	1011	35.19	758	30.17	602	25.82	39.7	43.7	51.7	58.7	60.7	66.2
1.16	15.50	18.00	1004	45.15	753	39.30	597	33.76	35.3	39.3	47.3	54.3	56.3	61.2
1.16	12.00	14.00	1001	30.93	751	26.44	595	22.61	41.2	45.2	53.2	60.2	62.2	67.7
1.18	13.50	16.00	985	37.60	739	32.28	586	27.62	38.5	42.5	50.5	57.5	59.5	65.0
1.18	13.00	15.50	980	35.56	735	30.45	583	26.04	39.3	43.3	51.3	58.3	60.3	65.8
1.19	15.00	18.00	973	43.67	730	37.82	579	32.43	35.7	39.7	47.7	54.7	56.7	62.2
1.20	12.00	14.50	968	31.31	726	26.72	576	22.84	40.8	44.8	52.8	59.8	61.8	67.3
1.22	18.00	22.00	955	53.86	716	47.97	568	41.53	30.2	34.2	42.2	49.2	51.2	56.7
1.22	13.00	16.00	950	35.87	713	30.68	565	26.22	38.9	42.9	50.9	57.9	59.9	65.4
1.22	22.00	27.00	950	---	712	59.37	565	52.46	---	27.1	35.1	42.1	44.1	49.6
1.23	14.50	18.00	942	42.08	706	36.27	560	31.06	36.1	40.1	48.1	55.1	57.1	62.6
1.24	12.00	15.00	937	31.62	703	26.95	557	23.02	40.4	44.4	52.4	59.4	61.4	66.9
1.24	16.00	20.00	935	47.67	701	41.57	556	35.73	33.3	37.3	45.3	52.4	54.4	59.9
1.27	14.00	18.00	911	40.38	683	34.67	542	29.65	36.5	40.5	48.5	55.5	57.5	63.0
1.28	12.00	15.50	908	31.88	681	27.15	540	23.18	40.0	44.0	52.0	59.0	61.0	66.5
1.28	15.50	20.00	907	46.14	680	40.04	539	34.36	33.7	37.7	45.7	52.7	54.7	60.2
1.32	12.00	16.00	880	32.10	660	27.31	524	23.31	39.6	43.6	51.6	58.6	60.6	66.1
1.32	13.50	18.00	879	38.59	660	33.02	523	28.20	36.9	40.9	48.9	55.9	57.9	63.4
1.32	15.00	20.00	878	44.52	659	38.46	523	32.94	34.1	38.1	46.1	53.1	55.1	60.6
1.36	16.00	22.00	852	48.33	639	42.07	507	36.12	31.7	35.7	43.7	50.7	52.7	58.2
1.36	14.50	20.00	850	42.81	638	36.83	506	31.50	34.5	38.5	46.5	53.5	55.5	61.0
1.37	13.00	18.00	848	36.71	636	31.31	505	26.72	37.2	41.2	49.2	56.2	58.2	63.7
1.40	15.50	22.00	826	46.72	620	40.47	492	34.69	32.0	36.1	44.1	51.1	53.1	58.6
1.41	14.00	20.00	822	41.01	617	35.15	489	30.03	34.8	38.8	46.8	53.8	55.8	61.3
1.45	15.00	22.00	801	45.02	601	38.83	476	33.24	32.4	36.4	44.4	51.4	53.4	58.9
1.46	13.50	20.00	794	39.13	595	33.42	472	28.52	35.2	39.2	47.2	54.2	56.2	61.7
1.48	12.00	18.00	786	32.68	589	27.75	467	23.66	38.0	42.0	50.0	57.0	59.0	64.5
1.48	18.00	27.00	782	55.12	586	48.91	465	42.28	25.9	30.0	38.1	45.1	47.1	52.6
1.49	22.00	33.00	780	---	585	60.28	464	53.18	---	---	30.0	37.1	39.1	44.6
ARC-LENGTH CORRECTION FACTOR -->									0.84	0.86	0.88	0.90	0.91	0.92

NOTE: Selection program VIA-VISA available at www.ptwizard.com.

SELECTION



D S-L CLASSIC

STOCK DRIVE SELECTIONS

Ratio	Belt Size/Center Distance																
	D180	D195	D210	D225	D240	D255	D270	D300	D315	D330	D360	D390	D420	D480	D540	D600	D660
1.00	72.8	80.3	87.8	94.1	101.6	109.1	116.6	131.6	139.1	146.6	161.6	176.6	191.6	221.6	251.6	281.6	311.6
1.00	71.2	78.7	86.2	92.5	100.0	107.5	115.0	130.0	137.5	145.0	160.0	175.0	190.0	220.0	250.0	280.0	310.0
1.00	70.5	78.0	85.5	91.7	99.2	106.7	114.2	129.2	136.7	144.2	159.2	174.2	189.2	219.2	249.2	279.2	309.2
1.00	69.7	77.2	84.7	90.9	98.4	105.9	113.4	128.4	135.9	143.4	158.4	173.4	188.4	218.4	248.4	278.4	308.4
1.00	68.9	76.4	83.4	90.1	97.6	105.1	112.6	127.6	135.1	142.6	157.6	172.6	187.6	217.6	247.6	277.6	307.6
1.00	68.1	75.6	83.1	89.4	96.8	104.4	111.9	126.9	134.4	141.8	156.8	171.8	186.9	216.9	246.8	276.9	306.9
1.00	67.3	74.8	82.3	88.6	96.1	103.6	111.1	126.1	133.6	141.1	156.1	171.1	186.1	216.1	246.1	276.1	306.1
1.00	66.5	74.0	81.5	87.8	95.3	102.8	110.3	125.3	132.8	140.3	155.3	170.3	185.3	215.3	245.3	275.3	305.3
1.00	63.4	70.9	78.4	84.6	92.1	99.6	107.1	122.1	129.6	137.1	152.1	167.1	182.1	212.1	242.1	272.1	302.1
1.00	57.1	64.6	72.1	78.4	85.9	93.4	100.9	115.9	123.4	130.9	145.9	160.9	175.9	205.9	235.9	265.9	295.9
1.03	66.9	74.4	81.9	88.2	95.7	103.2	110.7	125.7	133.2	140.7	155.7	170.7	185.7	215.7	245.7	275.7	305.7
1.03	67.7	75.2	82.7	89.0	96.5	104.0	111.5	126.5	134.0	141.5	156.5	171.5	186.5	216.5	246.5	276.5	306.5
1.03	68.5	76.0	83.5	89.7	97.2	104.7	112.2	127.2	134.7	142.2	157.2	172.2	187.2	217.2	247.2	277.2	307.2
1.03	69.3	76.8	84.3	90.5	98.0	105.5	113.0	128.0	135.5	143.0	158.0	173.0	188.0	218.0	248.0	278.0	308.0
1.04	70.1	77.6	85.1	91.3	98.8	106.3	113.8	128.8	136.3	143.8	158.8	173.8	188.8	218.8	248.8	278.8	308.8
1.04	70.8	78.3	85.8	92.1	99.6	107.1	114.6	129.6	137.1	144.6	159.6	174.6	189.6	219.6	249.6	279.6	309.6
1.06	67.3	74.8	82.3	88.6	96.1	103.6	111.1	126.1	133.6	141.1	156.1	171.1	186.1	216.1	246.1	276.1	306.1
1.07	68.1	75.6	83.1	89.3	96.8	104.3	111.8	126.8	134.3	141.8	156.8	171.8	186.8	216.8	246.8	276.8	306.8
1.07	68.9	76.4	83.9	90.1	97.6	105.1	112.6	127.6	135.1	142.6	157.6	172.6	187.6	217.6	247.6	277.6	307.6
1.07	69.7	77.2	84.7	90.9	98.4	105.9	113.4	128.4	135.9	143.4	158.4	173.4	188.4	218.4	248.4	278.4	308.4
1.07	70.5	78.0	85.5	91.5	99.2	106.7	114.2	129.2	136.7	144.2	159.2	174.2	189.2	219.2	249.2	279.2	309.2
1.08	72.0	79.5	87.0	93.3	100.8	108.3	115.8	130.8	138.3	145.8	160.8	175.8	190.8	220.8	250.8	280.8	310.8
1.10	67.7	75.2	82.7	89.0	96.5	104.0	111.5	126.5	134.0	141.5	156.5	171.5	186.5	216.5	246.5	276.5	306.5
1.10	68.5	76.0	83.5	89.7	97.2	104.7	112.2	127.2	134.7	142.2	157.2	172.2	187.2	217.2	247.2	277.2	307.2
1.11	69.3	76.8	84.3	90.5	98.0	105.5	113.0	128.0	135.5	143.0	158.0	173.0	188.0	218.0	248.0	278.0	308.0
	0.94	0.96	0.97	0.99	1.00	1.01	1.02	1.04	1.05	1.05	1.08	1.10	1.11	1.14	1.16	1.19	1.20
1.11	61.8	69.3	76.8	83.1	90.6	98.1	105.6	120.6	128.1	135.6	150.6	165.6	180.6	210.6	240.6	270.6	300.6
1.11	70.1	77.6	85.1	91.3	98.8	106.3	113.8	128.8	136.3	143.8	158.8	173.8	188.8	218.8	248.8	278.8	308.8
1.12	71.6	79.1	86.6	92.9	100.4	107.9	115.4	130.4	137.9	145.4	160.4	175.4	190.4	220.4	250.4	280.4	310.4
1.12	65.0	72.5	80.0	86.2	93.7	101.2	108.7	123.7	131.2	138.7	153.7	168.7	183.7	213.7	243.7	273.7	303.7
1.14	68.1	75.6	83.1	89.3	96.8	104.3	111.8	126.8	134.3	141.8	156.8	171.8	186.8	216.8	246.8	276.8	306.8
1.14	68.9	76.4	83.9	90.1	97.6	105.1	112.6	127.6	135.1	142.6	157.6	172.6	187.6	217.6	247.6	277.6	307.6
1.15	69.7	77.2	84.7	90.9	98.4	105.9	113.4	128.4	135.9	143.4	158.4	173.4	188.4	218.4	248.4	278.4	308.4
1.16	65.3	72.8	80.3	86.6	94.1	101.6	109.1	124.1	131.6	139.1	154.1	169.1	184.1	214.1	244.1	274.1	304.1
1.16	71.2	78.7	86.2	92.5	100.0	107.5	115.0	130.0	137.5	145.0	160.0	175.0	190.0	220.0	250.0	280.0	310.0
1.18	68.5	76.0	83.5	89.7	97.2	104.7	112.2	127.2	134.7	142.2	157.2	172.2	187.2	217.2	247.2	277.2	307.2
1.18	69.3	76.8	84.3	90.5	98.0	105.5	113.0	128.0	135.5	143.0	158.0	173.0	188.0	218.0	248.0	278.0	308.0
1.19	65.7	73.2	80.7	87.0	94.5	102.0	109.5	124.5	132.0	139.5	154.5	169.5	184.5	214.5	244.5	274.5	304.5
1.20	70.8	78.3	85.8	92.1	99.6	107.1	114.6	129.6	137.1	144.6	159.6	174.6	189.6	219.6	249.6	279.6	309.6
1.22	60.2	67.7	75.2	81.5	89.0	96.5	104.0	119.0	126.5	134.0	149.0	164.0	179.0	209.0	239.0	269.0	299.0
1.22	68.9	76.4	83.9	90.1	97.6	105.1	112.6	127.6	135.1	142.6	157.6	172.6	187.6	217.6	247.6	277.6	307.6
1.22	53.1	60.6	68.1	74.4	81.9	89.4	96.9	111.9	119.4	126.9	141.9	156.9	171.9	201.9	231.9	261.9	291.9
1.23	66.1	73.6	81.1	87.4	94.9	102.4	109.9	124.9	132.4	139.9	154.9	169.9	184.9	214.9	244.9	274.9	304.9
1.24	70.4	77.9	85.4	91.7	99.2	106.7	114.2	129.2	136.7	144.2	159.2	174.2	189.2	219.2	249.2	279.2	309.2
1.24	63.4	70.9	78.4	84.6	92.1	99.6	107.1	122.1	129.6	137.1	152.1	167.1	182.1	212.1	242.1	272.1	302.1
1.27	66.5	74.0	81.5	87.8	95.3	102.8	110.3	125.3	132.8	140.3	155.3	170.3	185.3	215.3	245.3	275.3	305.3
1.28	70.0	77.5	85.0	91.3	98.8	106.3	113.8	128.8	136.3	143.8	158.8	173.8	188.8	218.8	248.8	278.8	308.8
1.28	63.7	71.2	78.7	85.0	92.5	100.0	107.5	122.5	130.0	137.5	152.5	167.5	182.5	212.5	242.5	272.5	302.5
1.32	69.6	77.1	84.6	90.9	98.4	105.9	113.4	128.4	135.9	143.4	158.4	173.4	188.4	218.4	248.4	278.4	308.4
1.32	66.9	74.4	81.9	88.1	95.6	103.1	110.6	125.6	133.1	140.6	155.6	170.6	185.6	215.6	245.6	275.6	305.6
1.32	64.1	71.6	79.1	85.4	92.9	100.4	107.9	122.9	130.4	137.9	152.9	167.9	182.9	212.9	242.9	272.9	302.9
1.36	61.7	69.3	76.8	83.0	90.5	98.0	105.5	120.5	128.0	135.5	150.5	165.5	180.5	210.5	240.5	270.5	300.5
1.36	64.5	72.0	79.5	85.8	93.3	100.8	108.3	123.3	130.8	138.3	153.3	168.3	183.3	213.3	243.3	273.3	303.3
1.37	67.3	74.8	82.3	88.5	96.0	103.5	111.0	126.0	133.5	141.0	156.0	171.0	186.0	216.0	246.0	276.0	306.0
1.40	62.1	69.6	77.1	83.4	90.9	98.4	105.9	120.9	128.4	135.9	150.9	165.9	180.9	210.9	240.9	270.9	300.9
1.41	64.9	72.4	79.9	86.2	93.7	101.2	108.7	123.7	131.2	138.7	153.7	168.7	183.7	213.7	243.7	273.7	303.7
1.45	62.5	70.0	77.5	83.8	91.3	98.8	106.3	121.3	128.8	136.3	151.3	166.3	181.3	211.3	241.3	271.3	301.3
1.46	65.3	72.8	80.3	86.5	94.0	101.6	109.1	124.1	131.6	139.1	154.1	169.1	184.1	214.1	244.1	274.1	304.1
1.48	68.0	75.5	83.0	89.3	96.8	104.3	111.8	126.8	134.3	141.8	156.8	171.8	186.8	216.8	246.8	276.8	306.8
1.48	56.1	63.7	71.2	77.4	85.0	92.5	100.0	115.0	122.5	130.0	145.0	160.0	175.0	205.0	235.0	265.0	295.0
1.49	48.2	55.7	63.2	69.5	77.0	84.5	92.1	107.1	114.6	122.1	137.1	152.1	167.1	197.1	227.2	257.2	287.2
	0.93	0.95	0.97	0.98	0.99	1.00	1.02	1.04	1.05	1.06	1.08	1.09	1.11	1.14	1.16	1.18	1.19

NOTE: Selection program VIA-VISA available at www.ptwizard.com.



SELECTION

STOCK DRIVE SELECTIONS

D S-L CLASSIC

Ratio	Stock Shv. Datum Diam.		1160 RPM Driver		870 RPM Driver		690 RPM Driver		Belt Size/Center Distance					
	Driver	Driven	Driven	HP/Belt	Driven	HP/Belt	Driven	HP/Belt	D120	D128	D144	D158	D162	D173
			RPM	D	RPM	D	RPM	D						
1.50	14.50	22.00	775	43.24	581	37.14	461	31.75	32.8	36.8	44.8	51.9	53.9	59.4
1.51	13.00	20.00	766	37.16	574	31.65	456	26.99	35.6	39.6	47.6	54.6	56.6	62.1
1.55	14.00	22.00	749	41.38	562	35.42	446	30.24	33.1	37.2	45.2	52.2	54.2	59.8
1.60	13.50	22.00	724	39.44	543	33.65	430	28.71	33.5	37.5	45.6	52.6	54.6	60.1
1.63	12.00	20.00	710	33.00	532	27.99	422	23.85	36.3	40.3	48.4	55.4	57.4	62.9
ARC-LENGTH CORRECTION FACTOR -->									0.84	0.85	0.88	0.90	0.91	0.92
1.66	13.00	22.00	698	37.43	524	31.85	415	27.15	33.9	37.9	46.0	53.0	55.0	60.5
1.66	16.00	27.00	698	49.07	523	42.62	415	36.57	27.3	31.4	39.5	46.6	48.6	54.1
1.71	15.50	27.00	677	47.37	507	40.96	403	35.08	27.7	31.8	39.9	46.9	48.9	54.5
1.77	15.00	27.00	656	45.58	492	39.25	390	33.57	28.0	32.1	40.2	47.3	49.3	54.9
1.79	12.00	22.00	647	33.19	485	28.13	385	23.96	34.6	38.6	46.7	53.7	55.7	61.3
1.80	22.00	40.00	646	---	484	60.65	384	53.47	---	---	---	---	32.7	38.4
1.81	18.00	33.00	642	55.62	482	49.29	382	42.58	---	---	32.8	39.9	41.9	47.5
1.83	14.50	27.00	635	43.73	476	37.51	378	32.04	28.4	32.5	40.6	47.7	49.7	55.2
1.89	14.00	27.00	614	41.80	460	35.74	365	30.49	28.7	32.8	40.9	48.0	50.0	55.6
1.96	13.50	27.00	593	39.80	444	33.93	353	28.92	29.1	33.2	41.3	48.4	50.4	56.0
2.02	16.00	33.00	573	49.38	430	42.86	341	36.75	---	25.8	34.1	41.3	43.4	48.9
2.03	13.00	27.00	572	37.74	429	32.09	340	27.34	29.4	33.5	41.7	48.7	50.8	56.3
2.09	15.50	33.00	556	47.64	417	41.16	331	35.24	---	26.1	34.5	41.7	43.7	49.3
2.15	22.00	48.00	539	---	405	60.81	321	53.60	---	---	---	---	---	---
2.15	15.00	33.00	539	45.82	404	39.43	320	33.72	---	26.4	34.8	42.0	44.1	49.7
2.18	18.00	40.00	531	55.84	399	49.45	316	42.71	---	---	---	33.3	35.4	41.1
2.19	12.00	27.00	530	33.43	397	28.31	315	24.10	30.1	34.2	42.4	49.5	51.5	57.0
2.23	14.50	33.00	521	43.94	391	37.67	310	32.17	---	26.8	35.1	42.4	44.4	50.0
2.30	14.00	33.00	504	41.99	378	35.88	300	30.61	---	27.1	35.5	42.7	44.7	50.4
2.38	13.50	33.00	487	39.97	365	34.05	290	29.02	---	27.4	35.8	43.0	45.1	50.7
ARC-LENGTH CORRECTION FACTOR -->									0.80	0.82	0.86	0.88	0.89	0.90
2.45	16.00	40.00	474	49.53	356	42.96	282	36.84	---	---	---	34.6	36.7	42.5
2.47	13.00	33.00	470	37.89	352	32.19	279	27.42	23.4	27.7	36.2	43.4	45.4	51.1
2.52	15.50	40.00	460	47.77	345	41.26	274	35.32	---	---	---	34.9	37.1	42.8
2.59	22.00	58.00	447	---	336	60.89	266	53.67	---	---	---	---	---	---
2.60	15.00	40.00	446	45.94	334	39.52	265	33.78	---	---	27.6	35.3	37.4	43.2
2.61	18.00	48.00	444	55.94	333	49.53	264	42.77	---	---	---	---	---	---
2.67	12.00	33.00	435	33.54	326	28.39	259	24.16	24.0	28.4	36.8	44.1	46.1	51.8
2.69	14.50	40.00	431	44.04	324	37.75	257	32.23	---	---	28.0	35.6	37.7	43.5
2.78	14.00	40.00	417	42.08	313	35.95	248	30.66	---	---	28.3	35.9	38.0	43.8
2.88	13.50	40.00	403	40.05	302	34.11	240	29.07	---	---	28.6	36.2	38.4	44.2
ARC-LENGTH CORRECTION FACTOR -->									0.79	0.82	0.86	0.88	0.89	0.90
2.93	16.00	48.00	396	49.60	297	43.02	236	36.88	---	---	---	---	---	34.2
2.99	13.00	40.00	389	37.96	291	32.25	231	27.46	---	---	28.9	36.6	38.7	44.5
3.02	15.50	48.00	384	47.83	288	41.31	229	35.36	---	---	---	---	---	34.5
3.12	15.00	48.00	372	46.00	279	39.56	221	33.82	---	---	---	---	---	34.8
3.15	18.00	58.00	368	56.00	276	49.57	219	42.81	---	---	---	---	---	---
3.22	14.50	48.00	360	44.09	270	37.79	214	32.26	---	---	---	---	---	35.1
3.22	12.00	40.00	360	33.59	270	28.43	214	24.20	---	---	29.5	37.2	39.3	45.2
3.33	14.00	48.00	348	42.13	261	35.98	207	30.69	---	---	---	---	---	35.4
3.45	13.50	48.00	337	40.09	252	34.14	200	29.10	---	---	---	---	---	35.7
3.53	16.00	58.00	329	49.64	246	43.05	195	36.90	---	---	---	---	---	---
ARC-LENGTH CORRECTION FACTOR -->									---	---	0.75	0.81	0.82	0.85
3.57	13.00	48.00	325	38.00	243	32.28	193	27.49	---	---	---	---	---	36.0
3.64	15.50	58.00	319	47.87	239	41.34	190	35.38	---	---	---	---	---	---
3.76	15.00	58.00	309	46.03	232	39.59	184	33.84	---	---	---	---	---	---
3.86	12.00	48.00	301	33.63	226	28.45	179	24.22	---	---	---	---	30.2	36.6
3.88	14.50	58.00	299	44.13	224	37.81	178	32.28	---	---	---	---	---	---
4.01	14.00	58.00	289	42.16	217	36.00	172	30.71	---	---	---	---	---	---
4.16	13.50	58.00	279	40.12	209	34.17	166	29.11	---	---	---	---	---	---
4.31	13.00	58.00	269	38.02	202	32.30	160	27.50	---	---	---	---	---	---
4.65	12.00	58.00	249	33.65	187	28.47	148	24.23	---	---	---	---	---	---
ARC-LENGTH CORRECTION FACTOR -->									---	---	---	---	0.74	0.77

NOTE: Selection program VIA-VISA available at www.ptwizard.com.

SELECTION



D S-L CLASSIC

STOCK DRIVE SELECTIONS

Ratio	Belt Size/Center Distance																
	D180	D195	D210	D225	D240	D255	D270	D300	D315	D330	D360	D390	D420	D480	D540	D600	D660
1.50	62.9	70.4	77.9	84.9	91.7	99.2	106.7	121.7	129.2	136.7	151.7	166.7	181.7	211.7	241.7	271.7	301.7
1.51	65.7	73.2	80.7	86.9	94.4	101.9	109.4	124.4	131.9	139.5	154.5	169.5	184.5	214.5	244.5	274.5	304.5
1.55	63.3	70.8	78.3	84.5	92.1	99.6	107.1	122.1	129.6	137.1	152.1	167.1	182.1	212.1	242.1	272.1	302.1
1.60	63.6	71.2	78.7	84.9	92.4	99.9	107.4	122.5	130.0	137.5	152.5	167.5	182.5	212.5	242.5	272.5	302.5
1.63	66.4	73.9	81.4	87.7	95.2	102.7	110.2	125.2	132.7	140.2	155.2	170.2	185.2	215.2	245.2	275.3	305.3
	0.93	0.95	0.96	0.98	0.99	1.00	1.02	1.04	1.05	1.06	1.08	1.09	1.11	1.14	1.16	1.18	1.19
1.66	64.0	71.5	79.0	85.3	92.8	100.3	107.8	122.8	130.3	137.9	152.9	167.9	182.9	212.9	242.9	272.9	302.9
1.66	57.6	65.2	72.7	79.0	86.5	94.0	101.5	116.5	124.0	131.5	146.5	161.6	176.6	206.6	236.6	266.6	296.6
1.71	58.0	65.5	73.1	79.3	86.8	94.4	101.9	116.9	124.4	131.9	146.9	161.9	176.9	207.0	237.0	267.0	297.0
1.77	58.4	65.9	73.4	79.7	87.2	94.7	102.3	117.3	124.8	132.3	147.3	162.3	177.3	207.3	237.4	267.4	297.4
1.79	64.8	72.3	79.8	86.1	93.6	101.1	108.6	123.6	131.1	138.6	153.6	168.6	183.6	213.7	243.7	273.7	303.7
1.80	42.0	49.7	57.3	63.6	71.2	78.7	86.3	101.3	108.9	116.4	131.4	146.5	161.5	191.5	221.5	251.6	281.6
1.81	51.1	58.6	66.2	72.5	80.0	87.5	95.1	110.1	117.6	125.1	140.2	155.2	170.2	200.2	230.2	260.3	290.3
1.83	58.7	66.3	73.8	80.1	87.6	95.1	102.6	117.7	125.2	132.7	147.7	162.7	177.7	207.7	237.7	267.7	297.8
1.89	59.1	66.6	74.2	80.5	88.0	95.5	103.0	118.0	125.5	133.1	148.1	163.1	178.1	208.1	238.1	268.1	298.1
1.96	59.5	67.0	74.6	80.8	88.3	95.9	103.4	118.4	125.9	133.4	148.5	163.5	178.5	208.5	238.5	268.5	298.5
2.02	52.5	60.1	67.7	73.9	81.5	89.0	96.6	111.6	119.1	126.6	141.7	156.7	171.7	201.8	231.8	261.8	291.8
2.03	59.8	67.4	74.9	81.2	88.7	96.2	103.8	118.8	126.3	133.8	148.8	163.9	178.9	208.9	238.9	268.9	298.9
2.09	52.9	60.4	68.0	74.3	81.9	89.4	96.9	112.0	119.5	127.0	142.1	157.1	172.1	202.1	232.2	262.2	292.2
2.15	---	42.2	50.0	56.5	64.1	71.8	79.4	94.6	102.1	109.7	124.8	139.8	154.9	185.0	215.1	245.1	275.1
2.15	53.2	60.8	68.4	74.7	82.2	89.8	97.3	112.4	119.9	127.4	142.4	157.5	172.5	202.5	232.5	262.6	292.6
2.18	44.8	52.5	60.1	66.5	74.1	81.6	89.2	104.3	111.8	119.4	134.4	149.5	164.5	194.6	224.6	254.6	284.7
2.19	60.6	68.1	75.7	81.9	89.5	97.0	104.5	119.5	127.1	134.6	149.6	164.6	179.6	209.7	239.7	269.7	299.7
2.23	53.6	61.2	68.7	75.0	82.6	90.1	97.7	112.7	120.3	127.8	142.8	157.8	172.9	202.9	232.9	262.9	293.0
2.30	53.9	61.5	69.1	75.4	83.0	90.5	98.0	113.1	120.6	128.2	143.2	158.2	173.2	203.3	233.3	263.3	293.4
2.38	54.3	61.9	69.5	75.8	83.3	90.9	98.4	113.5	121.0	128.5	143.6	158.6	173.6	203.7	233.7	263.7	293.7
	0.91	0.93	0.95	0.96	0.98	0.99	1.00	1.03	1.04	1.05	1.07	1.09	1.10	1.13	1.16	1.18	1.19
2.45	46.1	53.9	61.5	67.9	75.5	83.1	90.6	105.8	113.3	120.8	135.9	151.0	166.0	196.1	226.1	256.2	286.2
2.47	54.6	62.2	69.8	76.1	83.7	91.2	98.8	113.9	121.4	128.9	143.9	159.0	174.0	204.0	234.1	264.1	294.1
2.52	46.5	54.2	61.9	68.2	75.8	83.4	91.0	106.1	113.7	121.2	136.3	151.3	166.4	196.5	226.5	256.5	286.6
2.59	---	---	---	46.6	54.6	62.5	70.3	85.7	93.4	101.0	116.2	131.4	146.5	176.7	206.8	236.9	267.0
2.60	46.8	54.5	62.2	68.6	76.2	83.8	91.4	106.5	114.0	121.6	136.7	151.7	166.8	196.8	226.9	256.9	287.0
2.61	36.8	44.8	52.7	59.2	66.9	74.6	82.2	97.4	105.0	112.6	127.7	142.8	157.9	188.0	218.1	248.1	278.2
2.67	55.3	62.9	70.5	76.9	84.4	92.0	99.5	114.6	122.1	129.6	144.7	159.7	174.8	204.8	234.8	264.9	294.9
2.69	47.1	54.9	62.6	68.9	76.6	84.2	91.7	106.9	114.4	122.0	137.0	152.1	167.1	197.2	227.3	257.3	287.3
2.78	47.5	55.2	62.9	69.3	76.9	84.5	92.1	107.2	114.8	122.3	137.4	152.5	167.5	197.6	227.6	257.7	287.7
2.88	47.8	55.6	63.3	69.6	77.3	84.9	92.5	107.6	115.1	122.7	137.8	152.8	167.9	198.0	228.0	258.1	288.1
	0.91	0.93	0.95	0.96	0.98	0.99	1.00	1.03	1.04	1.05	1.07	1.09	1.10	1.13	1.16	1.18	1.19
2.93	38.0	46.1	54.0	60.5	68.3	76.0	83.6	98.9	106.5	114.0	129.2	144.3	159.4	189.5	219.6	249.6	279.7
2.99	48.2	55.9	63.6	70.0	77.6	85.2	92.8	108.0	115.5	123.1	138.1	153.2	168.3	198.3	228.4	258.4	288.5
3.02	38.4	46.5	54.4	60.9	68.6	76.3	84.0	99.2	106.8	114.4	129.5	144.6	159.7	189.7	219.8	249.8	279.9
3.12	38.7	46.8	54.7	61.2	69.0	76.7	84.3	99.6	107.2	114.8	129.9	145.0	160.1	190.2	220.3	250.3	280.5
3.15	---	---	42.3	49.2	57.2	65.2	73.0	88.5	96.2	103.8	119.1	134.3	149.4	179.6	209.8	239.9	270.0
3.22	39.0	47.1	55.0	61.6	69.3	77.0	84.7	99.9	107.5	115.1	130.3	145.4	160.5	190.6	220.7	250.8	280.8
3.22	48.8	56.6	64.3	70.7	78.3	85.9	93.5	108.7	116.2	123.8	138.9	153.9	169.0	199.1	229.2	259.2	289.2
3.33	39.3	47.4	55.4	61.9	69.7	77.4	85.0	100.3	107.9	115.5	130.6	145.7	160.8	190.9	221.1	251.2	281.2
3.45	39.6	47.8	55.7	62.2	70.0	77.7	85.4	100.6	108.2	115.8	131.0	146.1	161.2	191.3	221.5	251.5	281.6
3.53	---	---	43.5	50.4	58.5	66.5	74.3	89.9	97.5	105.2	120.5	135.7	150.8	181.1	211.3	241.4	271.5
	0.86	0.89	0.91	0.93	0.95	0.97	0.98	1.01	1.02	1.03	1.05	1.07	1.09	1.12	1.15	1.17	1.18
3.57	39.9	48.1	56.0	62.6	70.3	78.1	85.7	101.0	108.6	116.2	131.3	146.5	161.6	191.7	221.8	251.9	282.0
3.64	---	---	43.8	50.8	58.9	66.8	74.7	90.2	97.9	105.6	120.8	136.0	151.2	181.5	211.6	241.8	271.9
3.76	---	---	44.1	51.1	59.2	67.2	75.0	90.5	98.2	105.9	121.2	136.4	151.6	181.8	212.0	242.1	272.2
3.86	40.6	48.7	56.7	63.2	71.0	78.7	86.4	101.7	109.3	116.9	132.1	147.2	162.3	192.5	222.6	252.7	282.7
3.88	---	---	44.4	51.4	59.5	67.5	75.3	90.9	98.6	106.3	121.5	136.8	151.9	182.2	212.4	242.5	272.6
4.01	---	---	44.7	51.7	59.8	67.8	75.7	91.2	98.9	106.6	121.9	137.1	152.3	182.6	212.7	242.9	273.0
4.16	---	36.2	45.0	52.0	60.2	68.1	76.0	91.6	99.3	107.0	122.2	137.5	152.7	182.9	213.1	243.3	273.4
4.31	---	36.5	45.3	52.3	60.5	68.5	76.3	91.9	99.6	107.3	122.6	137.8	153.0	183.3	213.5	243.6	273.7
4.65	---	37.1	45.9	53.0	61.1	69.1	77.0	92.6	100.3	108.0	123.3	138.5	153.7	184.0	214.2	244.4	274.5
	0.80	0.85	0.88	0.90	0.93	0.95	0.96	0.99	1.00	1.02	1.04	1.06	1.08	1.11	1.14	1.16	1.17

NOTE: Selection program VIA-VISA available at www.ptwizord.com.



SELECTION

A	S-L CLASSIC	AX	CLASSIC COG
----------	--------------------	-----------	--------------------

Basic Horsepower Ratings

Faster Shaft RPM	Rated HP per Belt for Small Sheave Datum Dia.																							
	2.2		2.6		3.0		3.2		3.4		3.6		3.8		4.0		4.2		4.6		4.8		5.0	
	AX	AX	A	AX	A	AX	A	AX	A	AX	A	AX	A	AX	A	AX	A	AX	A	AX	A	AX		
870	1.02	1.40	1.31	1.78	1.51	1.96	1.71	2.14	1.91	2.32	2.10	2.50	2.30	2.68	2.49	2.86	2.87	3.20	3.06	3.38	3.25	3.55		
1160	1.22	1.70	1.62	2.18	1.87	2.41	2.13	2.64	2.38	2.87	2.63	3.10	2.88	3.32	3.13	3.55	3.62	3.98	3.85	4.20	4.10	4.42		
1750	1.52	2.21	2.13	2.87	2.50	3.20	2.86	3.52	3.21	3.83	3.57	4.15	3.92	4.46	4.26	4.77	4.94	5.37	5.28	5.67	5.61	5.96		
3500	1.97	3.14	3.02	4.26	3.63	4.80	4.22	5.34	4.80	5.86	5.36	6.37	5.91	6.88	6.44	7.37	7.44	8.32	7.92	8.78	8.38	9.23		
100	0.21	0.27	0.23	0.33	0.26	0.36	0.29	0.38	0.32	0.41	0.35	0.44	0.37	0.47	0.40	0.50	0.46	0.55	0.46	0.58	0.51	0.61		
200	0.36	0.47	0.42	0.57	0.47	0.63	0.52	0.68	0.57	0.73	0.63	0.78	0.68	0.83	0.73	0.88	0.83	0.99	0.88	1.04	0.93	1.09		
300	0.49	0.64	0.58	0.79	0.65	0.87	0.73	0.94	0.81	1.02	0.88	1.09	0.96	1.16	1.03	1.23	1.18	1.38	1.25	1.45	1.33	1.52		
400	0.60	0.80	0.72	0.99	0.82	1.09	0.92	1.18	1.02	1.28	1.12	1.37	1.22	1.46	1.31	1.56	1.50	1.74	1.60	1.83	1.70	1.92		
500	0.70	0.94	0.86	1.18	0.98	1.29	1.10	1.41	1.22	1.52	1.34	1.63	1.46	1.75	1.58	1.86	1.82	2.08	1.93	2.19	2.05	2.29		
600	0.80	1.08	0.99	1.35	1.14	1.49	1.28	1.62	1.42	1.75	1.56	1.88	1.70	2.01	1.84	2.14	2.11	2.40	2.25	2.53	2.39	2.65		
700	0.88	1.20	1.12	1.52	1.28	1.67	1.44	1.82	1.61	1.97	1.77	2.12	1.93	2.27	2.09	2.42	2.40	2.71	2.56	2.85	2.72	3.00		
800	0.97	1.32	1.23	1.67	1.42	1.84	1.60	2.01	1.78	2.18	1.97	2.35	2.15	2.52	2.33	2.68	2.68	3.00	2.86	3.17	3.03	3.32		
900	1.04	1.44	1.35	1.82	1.55	2.01	1.75	2.20	1.96	2.38	2.16	2.57	2.36	2.75	2.56	2.93	2.95	3.29	3.15	3.47	3.34	3.64		
1000	1.11	1.54	1.45	1.96	1.68	2.17	1.90	2.37	2.12	2.58	2.34	2.78	2.56	2.98	2.78	3.17	3.21	3.56	3.43	3.76	3.64	3.95		
1100	1.18	1.64	1.56	2.10	1.80	2.32	2.04	2.54	2.29	2.76	2.52	2.98	2.76	3.20	3.00	3.41	3.47	3.83	3.70	4.04	3.93	4.24		
1200	1.24	1.74	1.66	2.23	1.92	2.47	2.18	2.71	2.44	2.94	2.70	3.18	2.96	3.41	3.21	3.64	3.71	4.09	3.96	4.31	4.21	4.53		
1300	1.30	1.83	1.75	2.36	2.03	2.61	2.31	2.87	2.59	3.12	2.87	3.37	3.14	3.61	3.41	3.86	3.95	4.34	4.22	4.57	4.48	4.81		
1400	1.35	1.92	1.84	2.46	2.14	2.75	2.44	3.02	2.74	3.29	3.03	3.55	3.32	3.81	3.61	4.07	4.18	4.58	4.47	4.83	4.75	5.08		
1500	1.41	2.01	1.93	2.59	2.25	2.88	2.57	3.17	2.88	3.45	3.19	3.73	3.50	4.00	3.81	4.28	4.41	4.81	4.71	5.08	5.00	5.34		
1600	1.46	2.09	2.01	2.71	2.35	3.01	2.69	3.31	3.02	3.61	3.35	3.90	3.67	4.19	3.99	4.48	4.63	5.04	4.94	5.32	5.25	5.59		
1700	1.50	2.17	2.09	2.82	2.45	3.13	2.80	3.45	3.15	3.76	3.49	4.07	3.84	4.37	4.17	4.67	4.84	5.26	5.17	5.55	5.49	5.84		
1800	1.55	2.24	2.17	2.92	2.54	3.26	2.91	3.58	3.28	3.91	3.64	4.23	4.00	4.55	4.35	4.86	5.05	5.46	5.39	5.78	5.73	6.08		
1900	1.59	2.32	2.25	3.02	2.64	3.37	3.02	3.71	3.40	4.05	3.78	4.39	4.15	4.72	4.52	5.05	5.24	5.69	5.60	6.00	5.95	6.32		
2000	1.63	2.38	2.32	3.12	2.72	3.48	3.13	3.84	3.52	4.19	3.91	4.54	4.30	4.88	4.68	5.22	5.44	5.89	5.81	6.22	6.17	6.54		
2100	1.66	2.45	2.39	3.22	2.81	3.59	3.23	3.96	3.64	4.33	4.04	4.69	4.45	5.05	4.84	5.40	5.62	6.09	6.00	6.43	6.38	6.76		
2200	1.70	2.52	2.45	3.31	2.89	3.70	3.32	4.08	3.75	4.46	4.17	4.84	4.59	5.20	5.00	5.57	5.80	6.28	6.19	6.63	6.58	6.98		
2300	1.73	2.58	2.51	3.40	2.97	3.80	3.41	4.20	3.86	4.59	4.29	4.98	4.72	5.36	5.14	5.73	5.97	6.47	6.37	6.83	6.77	7.19		
2400	1.76	2.64	2.57	3.49	3.04	3.90	3.50	4.31	3.96	4.71	4.41	5.11	4.85	5.51	5.28	5.89	6.13	6.65	6.55	7.02	6.96	7.39		
2500	1.79	2.69	2.63	3.57	3.11	4.00	3.59	4.42	4.06	4.84	4.52	5.25	4.97	5.65	5.42	6.05	6.29	6.83	6.72	7.21	7.13	7.59		
2600	1.81	2.75	2.68	3.65	3.18	4.09	3.67	4.53	4.15	4.95	4.63	5.38	5.09	5.79	5.55	6.20	6.44	7.00	6.87	7.39	7.30	7.78		
2700	1.84	2.80	2.73	3.73	3.24	4.18	3.75	4.63	4.24	5.07	4.73	5.50	5.20	5.93	5.67	6.35	6.58	7.17	7.02	7.57	7.46	7.96		
2800	1.86	2.85	2.78	3.80	3.30	4.27	3.82	4.73	4.33	5.18	4.82	5.62	5.31	6.06	5.79	6.49	6.72	7.33	7.17	7.74	7.61	8.14		
2900	1.88	2.90	2.82	3.88	3.36	4.35	3.89	4.82	4.41	5.29	4.92	5.74	5.41	6.19	5.90	6.63	6.85	7.49	7.30	7.90	7.74	8.32		
3000	1.90	2.94	2.86	3.95	3.41	4.44	3.95	4.92	4.48	5.39	5.00	5.85	5.51	6.31	6.01	6.76	6.97	7.64	7.43	8.06	7.87	8.48		
3100	1.92	2.98	2.90	4.01	3.46	4.51	4.02	5.01	4.56	5.49	5.09	5.97	5.60	6.43	6.11	6.89	7.08	7.78	7.54	8.22	8.00	8.64		
3200	1.93	3.03	2.94	4.08	3.51	4.59	4.07	5.09	4.62	5.59	5.16	6.07	5.69	6.55	6.20	7.02	7.18	7.93	7.65	8.37	8.11	8.80		
3300	1.95	3.06	2.97	4.14	3.55	4.66	4.13	5.18	4.69	5.68	5.23	6.18	5.77	6.66	6.28	7.14	7.28	8.06	7.75	8.51	8.21	8.95		
3400	1.96	3.10	3.00	4.20	3.59	4.74	4.18	5.26	4.75	5.77	5.30	6.28	5.84	6.77	6.36	7.25	7.36	8.19	7.84	8.65	8.30	9.10		
3500	1.97	3.14	3.02	4.26	3.63	4.80	4.22	5.34	4.80	5.86	5.36	6.37	5.91	6.88	6.44	7.37	7.44	8.32	7.92	8.78	8.38	9.23		
3600	1.98	3.17	3.04	4.31	3.56	4.87	4.26	5.41	4.85	5.94	5.42	6.47	5.97	6.98	6.50	7.48	7.51	8.44	7.99	8.91	8.45	9.37		
3700	1.99	3.20	3.06	4.37	3.69	4.93	4.30	5.49	4.89	6.03	5.47	6.56	6.02	7.07	6.56	7.58	7.57	8.56	8.05	9.03	8.50	9.50		
3800	1.99	3.23	3.08	4.42	3.71	4.99	4.33	5.55	4.93	6.10	5.51	6.64	6.07	7.17	6.61	7.68	7.63	8.67	8.10	9.15	8.55	9.62		
3900	2.00	3.26	3.09	4.47	3.74	5.05	4.36	5.62	4.97	6.18	5.55	6.73	6.11	7.26	6.65	7.78	7.67	8.78	8.14	9.26	8.59	9.73		
4000	2.00	3.29	3.10	4.51	3.75	5.11	4.38	5.69	4.99	6.25	5.58	6.81	6.15	7.34	6.69	7.87	7.70	8.88	8.17	9.37	8.61	9.84		

NOTE: Selection program VIA-VISA available at www.ptwizard.com.

SELECTION



A S-L CLASSIC

AX CLASSIC COG

Basic Horsepower Ratings

Faster Shaft RPM	Rated HP per Belt for Small Sheave Datum Dia.												Add'l HP/Belt for Speed Ratio of:										
	5.2		5.6		5.8		6.0		6.4		6.6		7.0		1.02	1.05	1.09	1.13	1.19	1.25	1.35	1.52	2.00
	A	AX	A	AX	A	AX	A	AX	A	AX	A	AX	A	AX	1.04	1.08	1.12	1.18	1.24	1.34	1.51	1.99	& up
870	3.44	3.72	3.81	4.05	3.99	4.22	4.18	4.38	4.54	4.71	4.72	4.87	5.08	5.19	0.03	0.05	0.08	0.10	0.13	0.15	0.16	0.20	0.23
1160	4.34	4.63	4.81	5.05	5.04	5.26	5.28	5.47	5.74	5.87	5.96	6.08	6.42	6.48	0.03	0.06	0.10	0.13	0.17	0.20	0.21	0.26	0.29
1750	5.94	6.25	6.59	6.83	6.90	7.11	7.22	7.39	7.84	7.94	8.14	8.21	8.73	8.75	0.04	0.09	0.15	0.20	0.26	0.30	0.35	0.40	0.44
3500	8.82	9.68	9.64	10.53	10.02	10.94	10.38	11.34	11.03	12.10	11.32	12.47	---	---	0.08	0.19	0.31	0.41	0.52	0.60	0.70	0.79	0.87
100	0.54	0.63	0.59	0.69	0.62	0.71	0.64	0.74	0.70	0.79	0.72	0.82	0.78	0.87	0.00	0.01	0.01	0.01	0.01	0.02	0.02	0.02	0.02
200	0.98	1.13	1.09	1.23	1.14	1.28	1.19	1.33	1.29	1.43	1.34	1.47	1.43	1.57	0.00	0.01	0.02	0.02	0.03	0.03	0.04	0.04	0.05
300	1.40	1.59	1.54	1.73	1.62	1.79	1.69	1.86	1.83	2.00	1.90	2.07	2.05	2.20	0.01	0.02	0.03	0.03	0.04	0.05	0.05	0.06	0.06
400	1.79	2.01	1.98	2.18	2.07	2.27	2.17	2.36	2.35	2.53	2.44	2.62	2.63	2.79	0.01	0.02	0.03	0.04	0.06	0.07	0.08	0.09	0.09
500	2.16	2.40	2.39	2.62	2.51	2.72	2.62	2.83	2.85	3.03	2.96	3.14	3.18	3.34	0.01	0.03	0.04	0.06	0.07	0.08	0.10	0.11	0.12
600	2.52	2.78	2.79	3.03	2.93	3.15	3.06	3.27	3.33	3.51	3.46	3.63	3.72	3.87	0.01	0.03	0.05	0.07	0.09	0.10	0.12	0.13	0.15
700	2.87	3.14	3.18	3.42	3.33	3.56	3.49	3.70	3.79	3.97	3.94	4.11	4.24	4.38	0.02	0.04	0.06	0.08	0.10	0.12	0.14	0.16	0.17
800	3.21	3.48	3.55	3.80	3.73	3.95	3.90	4.11	4.24	4.41	4.41	4.56	4.74	4.86	0.02	0.04	0.07	0.09	0.12	0.14	0.16	0.18	0.20
900	3.53	3.82	3.92	4.16	4.11	4.33	4.30	4.50	4.67	4.84	4.86	5.00	5.23	5.33	0.02	0.05	0.08	0.10	0.13	0.15	0.18	0.20	0.22
1000	3.85	4.14	4.27	4.51	4.48	4.70	4.68	4.88	5.09	5.25	5.29	5.43	5.70	5.78	0.02	0.05	0.09	0.11	0.15	0.17	0.20	0.22	0.25
1100	4.16	4.45	4.61	4.85	4.83	5.05	5.06	5.25	5.50	5.64	5.72	5.84	6.15	6.22	0.02	0.06	0.09	0.13	0.16	0.19	0.22	0.25	0.27
1200	4.45	4.75	4.94	5.18	5.18	5.40	5.42	5.61	5.89	6.03	6.13	6.23	6.59	6.64	0.03	0.06	0.10	0.14	0.18	0.21	0.24	0.27	0.29
1300	4.74	5.04	5.26	5.50	5.52	5.73	5.77	5.95	6.27	6.40	6.52	6.62	7.01	7.05	0.03	0.07	0.11	0.15	0.19	0.22	0.26	0.29	0.32
1400	5.02	5.32	5.57	5.81	5.84	6.05	6.11	6.29	6.64	6.76	6.91	6.99	7.42	7.45	0.03	0.07	0.12	0.16	0.21	0.24	0.28	0.31	0.35
1500	5.30	5.60	5.88	6.11	6.16	6.37	6.44	6.62	7.00	7.11	7.28	7.35	7.82	7.84	0.03	0.08	0.13	0.17	0.22	0.26	0.30	0.33	0.37
1600	5.56	5.87	6.17	6.40	6.47	6.67	6.76	6.93	7.34	7.45	7.63	7.71	8.20	8.21	0.04	0.08	0.14	0.19	0.24	0.27	0.32	0.36	0.40
1700	5.82	6.13	6.45	6.69	6.76	6.97	7.07	7.24	7.68	7.78	7.97	8.05	8.56	8.57	0.04	0.09	0.15	0.20	0.25	0.29	0.34	0.38	0.42
1800	6.06	6.38	6.72	6.96	7.04	7.25	7.36	7.54	7.99	8.10	8.30	8.38	8.90	8.92	0.04	0.09	0.16	0.21	0.27	0.31	0.36	0.41	0.45
1900	6.30	6.62	6.98	7.23	7.32	7.53	7.65	7.83	8.30	8.41	8.61	8.70	9.23	9.26	0.04	0.10	0.17	0.22	0.28	0.32	0.38	0.43	0.47
2000	6.53	6.86	7.23	7.49	7.58	7.80	7.92	8.11	8.59	8.71	8.91	9.01	9.55	9.59	0.05	0.11	0.18	0.23	0.29	0.34	0.40	0.45	0.49
2100	6.75	7.10	7.48	7.75	7.83	8.07	8.18	8.38	8.86	9.00	9.19	9.31	9.84	9.90	0.05	0.11	0.19	0.24	0.31	0.36	0.42	0.47	0.52
2200	6.96	7.32	7.71	7.99	8.07	8.32	8.43	8.65	9.12	9.28	9.46	9.60	10.12	10.21	0.05	0.12	0.20	0.26	0.32	0.38	0.44	0.49	0.55
2300	7.16	7.54	7.93	8.23	8.30	8.57	8.66	8.90	9.37	9.56	9.71	9.88	10.38	10.50	0.05	0.12	0.21	0.27	0.34	0.40	0.46	0.51	0.57
2400	7.36	7.75	8.14	8.46	8.51	8.81	8.88	9.15	9.60	9.82	9.95	10.15	10.62	10.79	0.05	0.13	0.21	0.28	0.36	0.42	0.46	0.54	0.60
2500	7.54	7.96	8.33	8.68	8.72	9.04	9.09	9.39	9.82	10.07	10.17	10.41	10.83	11.06	0.05	0.13	0.22	0.29	0.37	0.43	0.49	0.56	0.62
2600	7.71	8.16	8.52	8.90	8.91	9.26	9.29	9.62	10.02	10.32	10.37	10.56	11.03	11.32	0.06	0.14	0.23	0.30	0.39	0.45	0.51	0.58	0.65
2700	7.88	8.35	8.69	9.11	9.09	9.48	9.47	9.84	10.20	10.55	10.55	10.90	11.21	11.57	0.06	0.14	0.24	0.31	0.40	0.46	0.53	0.61	0.67
2800	8.03	8.54	8.86	9.31	9.25	9.69	9.63	10.06	10.37	10.78	10.71	11.13	11.37	11.81	0.06	0.15	0.25	0.32	0.42	0.46	0.56	0.63	0.69
2900	8.18	8.72	9.01	9.51	9.40	9.89	9.79	10.27	10.52	11.00	10.86	11.35	11.51	12.04	0.06	0.16	0.26	0.33	0.43	0.48	0.58	0.65	0.71
3000	8.31	8.89	9.14	9.69	9.54	10.08	9.92	10.47	10.65	11.21	10.99	11.57	11.62	12.26	0.07	0.16	0.27	0.35	0.45	0.51	0.60	0.67	0.74
3100	8.43	9.06	9.27	9.88	9.67	10.27	10.05	10.66	10.76	11.40	11.10	11.77	11.71	12.47	0.07	0.17	0.27	0.36	0.47	0.53	0.62	0.69	0.77
3200	8.55	9.23	9.38	10.05	9.78	10.45	10.15	10.84	10.86	11.59	11.18	11.96	11.78	12.66	0.07	0.17	0.28	0.37	0.48	0.55	0.64	0.72	0.80
3300	8.65	9.38	9.38	10.22	9.87	10.62	10.24	11.01	10.93	11.77	11.25	12.14	11.83	12.84	0.07	0.18	0.27	0.38	0.49	0.57	0.66	0.74	0.82
3400	8.74	9.53	9.57	10.38	9.95	10.78	10.32	11.18	10.99	10.94	11.30	12.31	11.85	13.02	0.08	0.19	0.30	0.40	0.50	0.59	0.68	0.76	0.84
3500	8.82	9.68	9.64	10.53	10.02	10.94	10.38	11.34	11.03	12.10	11.32	12.47	---	---	0.08	0.20	0.31	0.41	0.51	0.60	0.70	0.79	0.86
3600	8.88	9.81	9.69	10.67	10.07	11.08	10.42	11.49	11.05	12.26	11.33	12.62	---	---	0.08	0.20	0.32	0.42	0.53	0.62	0.72	0.81	0.89
3700	8.94	9.94	9.74	10.81	10.10	11.22	10.44	11.63	11.04	12.40	---	---	---	---	0.08	0.21	0.33	0.43	0.55	0.64	0.74	0.83	0.91
3800	8.98	10.07	9.76	10.94	10.12	11.36	10.45	11.76	---	---	---	---	---	---	0.09	0.21	0.34	0.44	0.56	0.66	0.76	0.85	0.94
3900	9.01	10.19	9.78	11.06	10.12	11.48	10.43	11.88	---	---	---	---	---	---	0.09	0.22	0.35	0.45	0.58	0.67	0.78	0.87	0.97
4000	9.03	10.30	9.77	11.18	10.10	11.60	---	---	---	---	---	---	---	---	0.09	0.22	0.35	0.47	0.60	0.69	0.80	0.90	1.00



Note: Shaded area indicates operation above 6500 FPM rim speed. Special sheave construction required.

NOTE: Selection program VIA-VISA available at www.ptwizard.com.



SELECTION

B	S-L CLASSIC	BX	CLASSIC COG
----------	--------------------	-----------	--------------------

Basic Horsepower Ratings

Faster Shaft RPM	Rated HP per Belt for Small Sheave Datum Dia.																			
	3.4		3.6		3.8		4.0		4.2		4.4		4.6		5.0		5.4		5.6	
	B	BX	B	BX	B	BX	B	BX	B	BX	B	BX	B	BX	B	BX	B	BX	B	BX
870	1.42	3.01	1.73	3.27	2.04	3.53	2.35	3.79	2.66	4.04	2.96	4.30	3.27	4.55	3.87	5.04	4.47	5.53	4.76	5.78
1160	1.65	3.72	2.05	4.06	2.45	4.38	2.84	4.71	3.24	5.03	3.63	5.35	4.02	5.67	4.78	6.29	5.54	6.91	5.92	7.21
1750	1.92	4.96	2.48	5.42	3.05	5.87	3.60	6.32	4.15	6.76	4.70	7.20	5.23	7.63	6.30	8.47	7.33	9.29	7.84	9.69
3500	1.37	7.27	2.27	7.96	3.16	8.64	4.01	9.28	4.84	9.91	5.64	10.51	6.41	11.08	7.87	12.14	92.0	13.10	9.82	13.53
100	0.31	0.53	0.36	0.56	0.40	0.60	0.44	0.64	0.49	0.68	0.53	0.72	0.57	0.76	0.56	0.84	0.75	0.91	0.79	0.95
200	0.53	0.94	0.61	1.01	0.70	1.08	0.78	1.16	0.86	1.23	0.94	1.30	1.02	1.37	1.19	1.51	1.35	1.65	1.43	1.72
300	0.71	1.30	0.83	1.41	0.95	1.51	1.07	1.62	1.19	1.72	1.31	1.82	1.43	1.92	1.66	2.13	1.89	2.33	2.01	2.42
400	0.87	1.64	1.03	1.78	1.18	1.91	1.34	2.05	1.49	2.18	1.64	2.31	1.80	2.44	2.10	2.70	2.40	2.95	2.55	3.08
500	1.01	1.96	1.20	2.13	1.39	2.29	1.58	2.45	1.77	2.61	1.96	2.77	2.14	2.93	2.51	3.24	2.88	3.55	3.06	3.70
600	1.14	2.26	1.36	2.45	1.59	2.64	1.81	2.83	2.03	3.02	2.25	3.20	2.47	3.39	2.90	3.75	3.33	4.11	3.55	4.29
700	1.25	2.55	1.51	2.77	1.76	2.98	2.02	3.20	2.27	3.41	2.53	3.62	2.78	3.83	3.28	4.25	3.77	4.66	4.01	4.86
800	1.35	2.82	1.64	3.07	1.93	3.31	2.22	3.55	2.50	3.79	2.79	4.02	3.07	4.26	3.63	4.72	4.18	5.18	4.46	5.41
900	1.45	3.09	1.77	3.36	2.09	3.62	2.41	3.89	2.72	4.15	3.04	4.41	3.35	4.67	3.97	5.18	4.58	5.68	4.89	5.93
1000	1.53	3.34	1.88	3.63	2.23	3.92	2.58	4.21	2.93	4.50	3.27	4.78	3.62	5.06	4.29	5.62	4.96	6.17	5.30	6.44
1100	1.61	3.58	1.99	3.90	2.37	4.21	2.75	4.53	3.12	4.84	3.50	5.14	3.87	5.44	4.60	6.04	5.33	6.63	5.69	6.92
1200	1.67	3.82	2.09	4.16	2.50	4.50	2.90	4.83	3.31	5.16	3.71	5.49	4.11	5.81	4.90	6.45	5.68	7.08	6.07	7.40
1300	1.73	4.04	2.18	4.41	2.62	4.77	3.05	5.12	3.48	5.47	3.91	5.82	4.34	6.17	5.18	6.85	6.02	7.52	6.43	7.85
1400	1.79	4.26	2.26	4.65	2.73	5.03	3.19	5.40	3.65	5.78	4.11	6.15	4.56	6.51	5.45	7.23	6.33	7.94	6.77	8.29
1500	1.83	4.47	2.33	4.88	2.83	5.28	3.32	5.68	3.80	6.07	4.29	6.46	4.77	6.85	5.71	7.60	6.64	8.34	7.10	8.71
1600	1.87	4.67	2.40	5.10	2.92	5.52	3.44	5.94	3.95	6.35	4.46	6.76	4.96	7.17	5.95	7.96	6.93	8.73	7.41	9.11
1700	1.90	4.87	2.46	5.32	3.01	5.76	3.55	6.20	4.09	6.63	4.62	7.05	5.15	7.48	6.19	8.30	7.20	9.11	7.70	9.50
1800	1.93	5.06	2.51	5.53	3.08	5.99	3.65	6.44	4.21	6.89	4.77	7.34	5.32	7.77	6.40	8.63	7.46	9.46	7.98	9.87
1900	1.95	5.24	2.55	5.73	3.15	6.21	3.74	6.68	4.33	7.15	4.91	7.61	5.48	8.06	6.61	8.95	7.70	9.81	8.24	10.23
2000	1.96	5.42	2.59	5.92	3.21	6.42	3.83	6.91	4.44	7.39	5.04	7.87	5.63	8.34	6.80	9.25	7.93	10.14	8.49	10.57
2100	1.97	5.58	2.62	6.11	3.27	6.62	3.91	7.13	4.54	7.63	5.16	8.12	5.77	8.60	6.97	9.54	8.14	10.45	8.71	10.89
2200	1.97	5.75	2.65	6.29	3.31	6.82	3.97	7.34	4.63	7.85	5.27	8.36	5.90	8.85	7.14	9.82	8.34	10.75	8.92	11.20
2300	1.96	5.90	2.66	6.46	3.35	7.00	4.03	7.54	4.70	8.07	5.36	8.59	6.02	9.09	7.29	10.08	8.51	11.03	9.11	11.49
2400	1.95	6.05	2.67	6.62	3.38	7.18	4.08	7.74	4.77	8.28	5.45	8.81	6.12	9.33	7.42	10.33	8.67	11.29	9.28	11.76
2500	1.93	6.19	2.67	6.78	3.40	7.36	4.12	7.92	4.83	8.47	5.53	9.02	6.21	9.54	7.54	10.57	8.82	11.54	9.44	12.01
2600	1.90	6.33	2.67	6.93	3.42	7.52	4.16	8.10	4.88	8.66	5.59	9.21	6.29	9.75	7.65	10.79	8.94	11.78	9.57	12.25
2700	1.87	6.46	2.65	7.08	3.42	7.68	4.18	8.27	4.92	8.84	5.65	9.40	6.36	9.95	7.74	11.00	9.05	11.99	9.68	12.47
2800	1.83	6.58	2.63	7.21	3.42	7.83	4.19	8.42	4.95	9.01	5.69	9.58	6.41	10.13	7.81	11.20	9.14	12.19	9.78	12.67
2900	1.78	6.70	2.60	7.34	3.41	7.97	4.20	8.57	4.97	9.17	5.72	9.74	6.45	10.30	7.87	11.38	9.21	12.38	9.85	12.85
3000	1.73	6.81	2.57	7.46	3.39	8.10	4.19	8.72	4.97	9.32	5.74	9.90	6.48	10.46	7.91	11.54	9.26	12.54	9.90	13.02
3100	1.67	6.92	2.53	7.58	3.36	8.22	4.17	8.85	4.97	9.45	5.74	10.04	6.50	10.61	7.94	11.69	9.29	12.69	9.93	13.16
3200	1.61	7.01	2.47	7.68	3.32	8.34	4.15	8.97	4.95	9.58	5.74	10.18	6.50	10.75	7.95	11.83	9.30	12.82	9.93	13.28
3300	1.53	7.10	2.42	7.78	3.28	8.45	4.11	9.08	4.93	9.70	5.72	10.30	6.48	10.87	7.94	11.95	9.29	12.93	9.92	13.39
3400	1.45	7.19	2.35	7.88	3.22	8.54	4.07	9.19	4.89	9.81	5.69	10.41	6.46	10.98	7.91	12.05	9.25	13.03	9.88	13.47
3500	1.37	7.27	2.27	7.96	3.16	8.64	4.01	9.28	4.84	9.91	5.64	10.51	6.41	11.08	7.87	12.14	9.20	13.10	9.82	13.53
3600	1.27	7.34	2.19	8.04	3.08	8.72	3.95	9.37	4.78	9.99	5.58	10.59	6.36	11.16	7.81	12.22	9.12	13.15	9.73	13.58
3700	1.17	7.40	2.10	8.11	3.00	8.79	3.87	9.44	4.71	10.07	5.51	10.67	6.29	11.23	7.73	12.27	9.03	13.19	9.62	13.59
3800	1.06	7.46	2.00	8.17	2.91	8.86	3.78	9.51	4.62	10.13	5.43	10.73	6.20	11.29	7.63	12.31	8.90	13.20	9.46	13.59
3900	0.94	7.51	1.89	8.23	2.80	8.91	3.68	9.57	4.52	10.19	5.33	10.78	6.10	11.33	7.51	12.34	8.76	13.20	9.32	13.57
4000	0.82	7.55	1.77	8.27	2.69	8.96	3.57	9.61	4.41	10.23	5.22	10.81	5.98	11.36	7.37	12.34	8.59	13.17	9.13	13.52

NOTE: Selection program VIA-VISA available at www.ptwizard.com.

SELECTION



B S-L CLASSIC

BX CLASSIC COG

Basic Horsepower Ratings

Faster Shaft RPM	Rated HP per Belt for Small Sheave Datum Dia.														Add'l HP/Belt for Speed Ratio of:									
	6.0		6.4		6.8		7.4		8.0		8.6		9.4		1.02	1.05	1.09	1.13	1.19	1.25	1.35	1.52	2.00	
	B	BX	B	BX	B	BX	B	BX	B	BX	B	BX	B	BX	1.04	1.08	1.12	1.18	1.24	1.34	1.51	1.99	& up	
870	5.35	6.26	5.93	6.73	6.50	7.20	7.36	7.89	8.19	8.56	9.02	9.23	10.10	10.09	0.04	0.01	0.17	0.22	0.28	0.32	0.38	0.42	0.47	
1160	6.66	7.81	7.39	8.40	8.12	8.97	9.18	9.82	10.23	10.65	11.25	11.45	12.58	12.49	0.06	0.14	0.22	0.29	0.38	0.43	0.50	0.56	0.63	
1750	8.85	10.47	9.83	11.24	10.78	11.98	12.17	13.04	13.50	14.06	14.77	15.02	16.36	16.21	0.09	0.20	0.34	0.44	0.66	0.56	0.70	0.79	0.88	
3500	10.95	14.31	11.94	14.97	---	---	---	---	---	---	---	---	---	---	0.18	0.42	0.68	0.89	1.13	1.32	1.52	1.71	1.89	
100	0.87	1.03	0.96	1.10	1.04	1.18	1.17	1.29	1.29	1.40	1.42	1.51	1.58	1.65	0.00	0.01	0.02	0.02	0.03	0.03	0.04	0.05	0.05	
200	1.59	1.86	1.75	2.09	1.90	2.14	2.14	2.34	2.37	2.54	2.60	2.74	2.91	3.09	0.01	0.02	0.04	0.05	0.06	0.07	0.08	0.09	0.10	
300	2.24	2.62	2.47	2.82	2.69	3.01	3.03	3.30	3.37	3.58	3.70	3.86	4.14	4.23	0.01	0.03	0.05	0.07	0.09	0.11	0.13	0.15	0.16	
400	2.85	3.33	3.14	3.58	3.44	3.83	3.87	4.20	4.31	4.56	4.74	4.92	5.30	5.39	0.02	0.04	0.07	0.10	0.11	0.15	0.17	0.19	0.21	
500	3.42	4.01	3.79	4.31	4.14	4.61	4.67	5.05	5.20	5.49	5.72	5.92	6.41	6.48	0.02	0.06	0.09	0.12	0.16	0.19	0.21	0.24	0.27	
600	3.98	4.65	4.40	5.09	4.82	5.35	5.44	5.86	6.06	6.37	6.67	6.87	7.47	7.52	0.03	0.07	0.12	0.15	0.19	0.22	0.26	0.29	0.32	
700	4.50	5.26	4.98	5.66	5.46	6.06	6.17	6.64	6.88	7.21	7.57	7.77	8.48	8.51	0.03	0.08	0.14	0.17	0.22	0.26	0.30	0.34	0.38	
800	5.01	5.86	5.55	6.30	6.08	6.74	6.88	7.38	7.66	8.02	8.44	8.64	9.45	9.46	0.04	0.09	0.16	0.20	0.26	0.30	0.34	0.39	0.43	
900	5.49	6.42	6.09	6.91	6.68	7.39	7.56	8.10	8.42	8.79	9.27	9.47	10.38	10.36	0.04	0.11	0.17	0.23	0.29	0.33	0.39	0.44	0.49	
1000	5.96	6.97	6.61	7.50	7.25	8.02	8.20	8.78	9.14	9.53	10.06	10.26	11.26	11.21	0.05	0.12	0.19	0.25	0.32	0.37	0.43	0.49	0.54	
1100	6.40	7.50	7.11	8.07	7.80	8.62	8.82	9.44	9.83	10.24	10.81	11.02	12.10	12.02	0.05	0.11	0.21	0.28	0.35	0.41	0.47	0.54	0.59	
1200	6.83	8.01	7.58	8.61	8.32	9.20	9.42	10.07	10.49	10.92	11.53	11.74	12.89	12.79	0.06	0.14	0.23	0.30	0.39	0.45	0.52	0.58	0.65	
1300	7.24	8.50	8.04	9.14	8.83	9.76	9.98	10.67	11.11	11.56	12.21	12.42	13.63	13.52	0.06	0.15	0.25	0.33	0.42	0.49	0.56	0.64	0.70	
1400	7.63	8.97	8.47	9.64	9.30	10.29	10.52	11.25	11.70	12.17	12.85	13.06	14.33	14.20	0.07	0.16	0.27	0.35	0.45	0.53	0.60	0.68	0.76	
1500	8.00	9.42	8.89	10.12	9.76	10.80	11.03	11.80	12.26	12.75	13.45	13.67	14.98	14.83	0.07	0.18	0.29	0.38	0.48	0.56	0.65	0.73	0.81	
1600	8.35	9.85	9.28	10.58	10.19	11.29	11.51	12.32	12.78	13.30	14.01	14.24	15.57	15.42	0.08	0.19	0.31	0.41	0.52	0.60	0.69	0.78	0.86	
1700	8.69	10.27	9.65	11.02	10.59	11.75	11.96	12.81	13.27	13.81	14.53	14.77	16.11	15.96	0.08	0.20	0.33	0.43	0.55	0.64	0.74	0.83	0.92	
1800	9.00	10.67	10.09	11.44	10.97	12.19	12.37	13.27	13.72	14.29	15.00	15.25	16.60	16.44	0.09	0.21	0.35	0.45	0.58	0.68	0.78	0.88	0.97	
1900	9.30	11.05	10.32	11.84	11.32	12.61	12.76	13.70	14.13	14.74	15.42	15.70	17.03	16.88	0.10	0.22	0.37	0.48	0.61	0.71	0.82	0.93	1.03	
2000	9.57	11.41	10.63	12.22	11.65	13.00	13.11	14.11	14.50	15.14	15.80	16.10	17.39	17.26	0.10	0.24	0.39	0.51	0.65	0.75	0.87	0.97	1.08	
2100	9.83	11.75	10.91	12.57	11.95	13.36	13.43	14.48	14.83	15.52	16.13	16.47	17.70	17.59	0.11	0.25	0.41	0.53	0.68	0.79	0.91	1.03	1.14	
2200	10.06	12.07	11.16	12.91	12.22	13.70	13.72	14.82	15.11	15.85	16.40	16.78	17.94	17.85	0.11	0.26	0.42	0.56	0.71	0.82	0.95	1.08	1.19	
2300	10.27	12.37	11.39	13.21	12.46	14.02	13.97	15.13	15.36	16.14	16.63	17.05	18.12	18.08	0.12	0.27	0.44	0.58	0.74	0.86	1.09	1.12	1.24	
2400	10.46	12.65	11.59	13.50	12.67	14.30	14.18	15.41	15.56	16.40	16.80	17.27	18.22	18.23	0.12	0.28	0.46	0.61	0.78	0.90	1.02	1.18	1.30	
2500	10.63	12.91	11.77	13.76	12.85	14.56	14.35	15.65	15.71	16.61	16.91	17.44	18.26	18.32	0.12	0.29	0.48	0.63	0.83	0.93	1.08	1.22	1.35	
2600	10.78	13.15	11.92	14.00	13.00	14.79	14.49	15.86	15.81	16.79	16.96	17.56	---	---	0.13	0.31	0.50	0.56	0.84	0.97	1.13	1.27	1.41	
2700	10.90	13.37	12.04	14.22	13.11	14.99	14.58	16.03	15.86	16.92	16.96	17.63	---	---	0.13	0.32	0.52	0.68	0.87	1.01	1.17	1.32	1.46	
2800	10.99	13.57	12.14	14.40	13.20	15.17	14.63	16.17	15.87	17.00	16.42	17.74	---	---	0.14	0.33	0.54	0.71	0.91	1.05	1.21	1.37	1.51	
2900	11.07	13.75	12.20	14.57	13.25	15.31	14.64	16.27	15.82	17.04	---	---	---	---	0.14	0.34	0.56	0.73	0.94	1.09	1.25	1.42	1.56	
3000	11.11	13.90	12.24	14.70	13.26	15.42	14.61	16.33	15.81	17.09	---	---	---	---	0.15	0.36	0.58	0.76	0.97	1.12	1.30	1.47	1.62	
3100	11.13	14.06	12.24	14.81	13.24	15.50	14.53	16.36	---	---	---	---	---	---	0.15	0.37	0.60	0.78	0.99	1.14	1.34	1.51	1.67	
3200	11.13	14.14	12.21	14.90	13.18	15.55	14.41	16.34	---	---	---	---	---	---	0.16	0.38	0.62	0.81	1.02	1.19	1.39	1.56	1.73	
3300	11.10	14.22	12.15	14.95	13.09	15.57	---	---	---	---	---	---	---	---	0.16	0.39	0.64	0.83	1.06	1.23	1.43	1.61	1.77	
3400	11.04	14.28	12.06	14.98	12.95	15.55	---	---	---	---	---	---	---	---	0.17	0.40	0.66	0.85	1.10	1.28	1.47	1.56	1.84	
3500	10.95	15.31	11.94	14.97	---	---	---	---	---	---	---	---	---	---	0.17	0.41	0.68	0.89	1.12	1.31	1.51	1.71	1.89	
3600	10.83	14.32	11.78	14.94	---	---	---	---	---	---	---	---	---	---	0.18	0.43	0.70	0.92	1.15	1.35	1.56	1.76	1.95	
3700	10.68	14.31	---	---	---	---	---	---	---	---	---	---	---	---	0.18	0.44	0.71	0.94	1.19	1.39	1.61	1.81	2.01	
3800	10.50	14.26	---	---	---	---	---	---	---	---	---	---	---	---	0.19	0.45	0.73	0.96	1.23	1.43	1.66	1.86	2.06	
3900	10.30	14.19	---	---	---	---	---	---	---	---	---	---	---	---	0.19	0.46	0.74	0.99	1.27	1.47	1.70	1.91	2.11	
4000	---	---	---	---	---	---	---	---	---	---	---	---	---	---	0.20	0.47	0.76	1.02	1.30	1.50	1.74	1.96	2.16	



Note: Shaded area indicates operation above 6500 FPM rim speed. Special sheave construction required.

NOTE: Selection program VIA-VISA available at www.ptwizard.com.



SELECTION

C	S-L CLASSIC	CX	CLASSIC COG
----------	--------------------	-----------	--------------------

Basic Horsepower Ratings

Faster Shaft RPM	Rated HP per Belt for Small Sheave Datum Dia.																			
	6.0		6.5		7.0		7.5		8.0		8.5		9.0		9.5		10.0		10.5	
	C	CX	C	CX	C	CX	C	CX	C	CX	C	CX	C	CX	C	CX	C	CX	C	CX
870	5.57	9.32	6.78	10.36	7.98	11.39	9.16	12.40	10.33	13.40	11.48	14.39	12.62	15.36	13.74	16.32	14.85	17.26	15.95	18.20
1160	6.66	11.62	8.19	12.93	9.69	14.22	11.17	15.48	12.62	16.71	14.05	17.93	15.45	19.11	16.82	20.28	18.17	21.42	19.49	22.54
1750	8.07	15.57	10.11	17.30	12.09	18.97	14.00	20.59	15.84	22.15	17.62	23.65	19.32	25.09	20.94	26.47	22.49	27.78	23.96	29.02
3500	4.78	20.81	6.77	22.53	---	---	---	---	---	---	---	---	---	---	---	---	---	---	---	---
100	1.06	1.53	1.23	1.68	1.41	1.84	1.58	1.99	1.75	2.15	1.92	2.30	2.09	2.45	2.26	2.61	2.43	2.76	2.60	2.91
200	1.86	2.77	2.19	3.06	2.51	3.35	2.84	3.64	3.16	3.92	3.48	4.21	3.80	4.49	4.12	4.77	4.43	5.05	4.75	5.33
300	2.56	3.90	3.03	4.32	3.50	4.73	3.97	5.14	4.44	5.55	4.90	5.96	5.36	6.36	5.81	6.76	6.27	7.16	6.72	7.55
400	3.19	4.96	3.80	5.50	4.41	6.03	5.02	6.56	5.62	7.08	6.22	7.60	6.81	8.12	7.40	8.63	7.99	9.14	8.57	9.65
500	3.77	5.96	4.52	6.62	5.26	7.26	6.00	7.90	6.73	8.54	7.46	9.17	8.18	9.79	8.89	10.41	9.60	11.02	10.31	11.63
600	4.31	6.92	5.19	7.68	6.06	8.44	6.92	9.19	7.78	9.93	8.63	10.56	9.47	11.39	10.31	12.11	11.13	12.82	11.96	13.52
700	4.80	7.84	5.81	8.71	6.81	9.57	7.79	10.42	8.77	11.26	9.74	12.09	10.69	12.91	11.64	13.73	12.58	14.53	13.51	15.33
800	5.27	8.72	6.39	9.69	7.51	10.65	8.61	11.60	9.70	12.54	10.78	13.46	11.85	14.37	12.90	15.27	13.95	16.17	14.98	17.04
900	5.69	9.57	6.94	10.64	8.17	11.69	9.38	12.73	10.58	13.76	11.77	14.77	12.94	15.77	14.09	16.75	15.23	17.72	16.35	18.68
1000	6.09	10.38	7.45	11.55	8.79	12.69	10.11	13.82	11.41	14.94	12.69	16.03	13.96	17.11	15.20	18.17	16.43	19.21	17.63	20.23
1100	6.46	11.17	7.92	12.42	9.37	13.66	10.79	14.87	12.19	16.06	13.56	17.23	14.91	18.38	16.24	19.51	17.54	20.61	18.82	21.70
1200	6.79	11.92	8.36	13.26	9.90	14.58	11.42	15.87	12.91	17.14	14.37	18.38	15.80	19.59	17.20	20.78	18.57	21.94	19.91	23.08
1300	7.09	12.65	8.76	14.07	10.40	15.47	12.00	16.83	13.57	18.16	15.11	19.47	16.61	20.74	18.08	21.98	19.51	23.19	20.90	24.37
1400	7.36	13.35	9.13	14.85	10.85	16.31	12.53	17.74	14.18	19.14	15.78	20.50	17.35	21.82	18.87	23.11	20.35	24.36	21.78	25.58
1500	7.61	14.02	9.45	15.59	11.26	17.12	13.02	18.61	14.73	20.06	16.40	21.48	18.01	22.84	19.58	24.17	21.09	25.45	22.55	26.69
1600	7.82	14.66	9.75	16.30	11.62	17.89	13.45	19.44	15.22	20.94	16.94	22.39	18.60	23.79	20.19	25.15	21.73	26.45	23.21	27.70
1700	7.99	15.27	10.00	16.97	11.94	18.62	13.83	20.22	15.65	21.76	17.41	23.25	19.10	24.68	20.72	26.05	22.27	27.36	23.74	28.61
1800	8.14	15.85	10.21	17.61	12.22	19.31	14.15	20.95	16.02	22.53	17.81	24.04	19.52	25.49	21.14	26.86	22.69	28.17	24.15	29.41
1900	8.25	16.41	10.39	18.22	12.44	19.96	14.42	21.63	16.32	23.24	18.13	24.77	19.84	26.22	21.47	27.60	23.00	28.90	24.42	30.11
2000	8.33	16.93	10.52	18.79	12.62	20.57	14.63	22.27	16.55	23.89	18.37	25.43	20.08	26.88	21.69	28.25	23.18	29.52	24.56	30.69
2100	8.37	17.42	10.61	19.32	12.75	21.13	14.79	22.85	16.71	24.49	18.53	26.02	20.22	27.46	21.80	28.80	23.25	30.04	24.56	31.16
2200	8.38	17.89	10.56	19.82	12.82	21.65	14.88	23.39	16.80	25.02	18.60	26.55	20.27	27.96	21.80	29.27	23.18	30.45	24.41	31.51
2300	8.35	18.32	10.66	20.28	12.85	22.13	14.90	23.87	16.82	25.49	18.59	27.00	20.21	28.38	21.68	29.63	22.98	30.75	---	---
2400	8.28	18.72	10.62	20.70	12.81	22.56	14.86	24.29	16.76	25.90	18.49	27.38	20.05	28.71	21.44	29.90	---	---	---	---
2500	8.17	19.08	10.53	21.08	12.73	22.94	14.76	24.66	16.62	26.25	18.29	27.68	19.78	28.95	21.07	30.07	---	---	---	---
2600	8.03	19.42	10.39	21.42	12.58	25.27	14.25	24.98	16.39	23.52	18.00	27.90	19.40	29.11	---	---	---	---	---	---
2700	7.84	19.72	10.20	21.72	12.37	23.56	14.34	25.23	16.09	26.73	17.61	28.04	---	---	---	---	---	---	---	---
2800	7.61	19.98	9.97	21.98	12.10	23.80	14.02	25.43	15.69	26.87	---	---	---	---	---	---	---	---	---	---
2900	7.34	20.21	9.68	22.19	11.77	23.98	13.62	25.56	15.21	26.93	---	---	---	---	---	---	---	---	---	---
3000	7.03	20.41	9.33	22.37	11.38	24.11	13.15	25.63	---	---	---	---	---	---	---	---	---	---	---	---
3100	6.67	20.57	8.94	22.49	10.91	24.19	12.59	25.64	---	---	---	---	---	---	---	---	---	---	---	---
3200	6.27	20.69	8.48	22.57	10.38	24.21	---	---	---	---	---	---	---	---	---	---	---	---	---	---
3300	5.82	20.77	7.97	22.61	9.78	24.17	---	---	---	---	---	---	---	---	---	---	---	---	---	---
3400	5.32	20.81	7.40	22.59	---	---	---	---	---	---	---	---	---	---	---	---	---	---	---	---
3500	4.78	20.81	6.77	22.53	---	---	---	---	---	---	---	---	---	---	---	---	---	---	---	---
3600	4.18	20.77	---	---	---	---	---	---	---	---	---	---	---	---	---	---	---	---	---	---
3700	3.53	20.69	---	---	---	---	---	---	---	---	---	---	---	---	---	---	---	---	---	---
3800	2.83	20.57	---	---	---	---	---	---	---	---	---	---	---	---	---	---	---	---	---	---

Note: Shaded area indicates operation above 6500 FPM rim speed. Special sheave construction required.

NOTE: Selection program VIA-VISA available at www.ptwizard.com.

SELECTION



C S-L CLASSIC

CX CLASSIC COG

Basic Horsepower Ratings

Faster Shaft RPM	Rated HP per Belt for Small Sheave Datum Dia.										Add'l HP/Belt for Speed Ratio of:					
	11.0		12.0		13.0		14.0		16.0		1.03	1.10	1.20	1.40	1.80	3.00
	C	CX	C	CX	C	CX	C	CX	C	CX	1.09	1.19	1.39	1.79	2.99	& up
870	17.03	19.12	19.15	20.92	21.21	22.66	23.20	24.36	27.00	27.57	0.13	0.37	0.59	0.82	0.97	1.05
1160	20.78	23.63	23.27	25.74	25.64	27.75	27.88	29.64	31.96	33.10	0.17	0.49	0.79	1.09	1.30	1.40
1750	25.35	30.20	27.86	32.34	30.00	34.18	---	---	---	---	0.26	0.74	1.19	1.65	1.96	2.11
3500	---	---	---	---	---	---	---	---	---	---	0.52	1.47	2.37	3.30	3.92	4.22
100	2.76	3.06	3.10	3.35	3.43	3.65	3.75	3.94	4.40	4.51	0.01	0.04	0.07	0.09	0.11	0.12
200	5.06	5.60	5.68	6.15	6.30	6.69	6.91	7.22	8.12	8.28	0.03	0.08	0.14	0.19	0.22	0.24
300	7.17	7.94	8.06	8.72	8.95	9.49	9.82	10.25	11.55	11.74	0.04	0.13	0.20	0.28	0.34	0.36
400	9.15	10.15	10.29	11.14	11.43	12.12	12.55	13.08	14.75	14.98	0.06	0.17	0.27	0.38	0.45	0.48
500	11.01	12.23	12.39	13.43	13.76	14.60	15.11	15.75	17.75	18.01	0.07	0.21	0.34	0.47	0.56	0.60
600	12.77	14.22	14.38	15.60	15.96	16.95	17.51	18.27	20.54	20.85	0.09	0.25	0.41	0.57	0.67	0.72
700	14.43	16.11	16.24	17.66	18.02	19.17	19.76	20.65	23.12	23.51	0.10	0.29	0.47	0.66	0.78	0.84
800	15.99	17.91	17.99	19.61	19.94	21.27	21.84	22.88	25.48	25.97	0.12	0.34	0.54	0.75	0.90	0.97
900	17.46	19.62	19.62	21.46	21.73	23.24	23.76	24.96	27.62	28.23	0.13	0.38	0.61	0.85	1.01	1.09
1000	18.82	21.24	21.13	23.20	23.36	25.08	25.50	26.89	29.50	30.28	0.15	0.42	0.68	0.94	1.12	1.21
1100	20.08	22.76	22.51	24.82	24.83	26.79	27.05	28.66	31.12	32.11	0.16	0.46	0.75	1.04	1.23	1.33
1200	21.22	24.19	23.75	26.33	26.15	28.35	28.40	30.26	32.47	33.71	0.18	0.51	0.81	1.13	1.34	1.45
1300	22.26	25.52	24.85	27.72	27.28	29.77	29.54	31.69	33.51	35.06	0.19	0.55	0.88	1.23	1.45	1.57
1400	23.17	26.75	25.80	28.98	28.24	31.04	30.46	32.93	34.24	36.16	0.21	0.59	0.95	1.32	1.57	1.69
1500	23.96	27.88	26.60	30.11	29.00	32.15	31.15	33.98	34.63	36.98	0.22	0.63	1.02	1.41	1.68	1.81
1600	24.62	28.89	27.23	31.11	29.56	33.09	31.59	34.83	---	---	0.24	0.67	1.09	1.51	1.79	1.93
1700	25.14	29.79	27.69	31.97	29.91	33.86	31.77	35.47	---	---	0.25	0.72	1.15	1.60	1.90	2.05
1800	25.52	30.58	27.98	32.67	30.04	34.45	---	---	---	---	0.27	0.76	1.22	1.70	2.01	2.17
1900	25.75	31.24	28.07	33.23	---	---	---	---	---	---	0.28	0.80	1.29	1.79	2.13	2.29
2000	25.82	31.77	27.97	33.63	---	---	---	---	---	---	0.30	0.84	1.36	1.89	2.24	2.41
2100	25.74	32.18	---	---	---	---	---	---	---	---	0.31	0.88	1.42	1.98	2.35	2.53
2200	---	---	---	---	---	---	---	---	---	---	0.33	0.93	1.49	2.07	2.46	2.66
2300	---	---	---	---	---	---	---	---	---	---	0.34	0.97	1.56	2.17	2.57	2.78
2400	---	---	---	---	---	---	---	---	---	---	0.36	1.01	1.63	2.26	2.69	2.90
2500	---	---	---	---	---	---	---	---	---	---	0.37	1.05	1.70	2.36	2.80	3.02
2600	---	---	---	---	---	---	---	---	---	---	0.39	1.10	1.76	2.45	2.91	3.14
2700	---	---	---	---	---	---	---	---	---	---	0.40	1.14	1.83	2.54	3.02	3.26
2800	---	---	---	---	---	---	---	---	---	---	0.42	1.18	1.90	2.64	3.13	3.38
2900	---	---	---	---	---	---	---	---	---	---	0.43	1.22	1.97	2.73	3.25	3.50
3000	---	---	---	---	---	---	---	---	---	---	0.45	1.26	2.04	2.83	3.36	3.62
3100	---	---	---	---	---	---	---	---	---	---	0.46	1.31	2.10	2.92	3.47	3.74
3200	---	---	---	---	---	---	---	---	---	---	0.48	1.35	2.17	3.02	3.58	3.86
3300	---	---	---	---	---	---	---	---	---	---	0.49	1.39	2.24	3.11	3.69	3.98
3400	---	---	---	---	---	---	---	---	---	---	0.51	1.43	2.31	3.20	3.80	4.10
3500	---	---	---	---	---	---	---	---	---	---	0.52	1.47	2.37	3.30	3.92	4.22
3600	---	---	---	---	---	---	---	---	---	---	0.54	1.52	2.44	3.39	4.03	4.35
3700	---	---	---	---	---	---	---	---	---	---	0.55	1.56	2.51	3.49	4.14	4.47
3800	---	---	---	---	---	---	---	---	---	---	0.57	1.60	2.58	3.58	4.25	4.59

Note: Shaded area indicates operation above 6500 FPM rim speed. Special sheave construction required.

NOTE: Selection program VIA-VISA available at www.ptwizard.com.

V-Drives
FHP Drives
Drive Component Accessories
DYNA-SYNC
HT200/HTD Synchronous Drives
HTR Synchronous Drives
HTRC Synchronous Drives



SELECTION

D S-L CLASSIC

Basic Horsepower Ratings

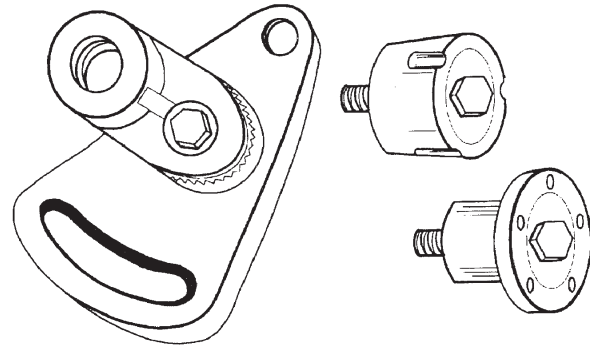
Faster Shaft RPM	Rated HP per Belt for Small Sheave Datum Dia.											Additional HP/Belt for Speed Ratio of:									
	12.0	13.0	13.5	14.0	14.5	15.0	15.5	16.0	18.0	20.0	22.0	1.02 thru 1.04	1.05 thru 1.08	1.09 thru 1.12	1.13 thru 1.18	1.19 thru 1.24	1.25 thru 1.34	1.35 thru 1.51	1.52 thru 1.99	2.00 and Up	
700	19.3	22.7	24.3	25.9	27.6	29.2	30.7	32.3	38.4	44.1	49.5	.26	.60	.98	1.29	1.65	1.91	2.20	2.48	2.75	
870	22.2	26.1	28.0	29.9	31.7	33.5	35.3	37.1	43.8	50.0	55.5	.32	.75	1.22	1.61	2.05	2.37	2.74	3.09	3.42	
1150	25.7	30.2	32.4	34.5	36.5	38.5	40.5	42.3	49.1	54.6	58.8	.43	1.00	1.63	2.14	2.73	3.16	3.65	4.11	4.56	
50	2.26	2.59	2.75	2.91	3.07	3.24	3.40	3.56	4.19	4.82	5.44	.02	.04	.07	.09	.12	.14	.16	.18	.20	
100	4.10	4.71	5.02	5.32	5.63	5.93	6.23	6.53	7.73	8.91	10.1	.04	.09	.14	.18	.24	.27	.31	.35	.39	
150	5.76	6.65	7.09	7.53	7.97	8.41	8.85	9.28	11.0	12.7	14.4	.06	.13	.21	.28	.35	.41	.47	.53	.59	
200	7.32	8.47	9.04	9.61	10.2	10.7	11.3	11.9	14.1	16.3	18.5	.07	.17	.28	.37	.47	.54	.63	.71	.79	
300	10.2	11.8	12.7	13.5	14.3	15.1	15.9	16.7	19.9	23.0	26.1	.11	.26	.42	.55	.71	.82	.94	1.06	1.18	
400	12.8	14.9	16.0	17.0	18.1	19.1	20.1	21.1	25.2	29.2	33.0	.15	.35	.56	.74	.94	1.09	1.26	1.42	1.57	
500	15.1	17.7	19.0	20.3	21.5	22.8	24.0	25.2	30.0	34.7	39.3	.19	.43	.70	.92	1.18	1.36	1.57	1.77	1.96	
600	17.3	20.3	21.8	23.2	24.7	26.1	27.5	28.9	34.4	39.7	44.8	.22	.52	.84	1.11	1.41	1.63	1.89	2.13	2.36	
700	19.3	22.7	24.3	25.9	27.6	29.2	30.7	32.3	38.3	44.1	49.5	.26	.60	.98	1.29	1.65	1.91	2.20	2.48	2.75	
800	21.1	24.8	26.6	28.4	30.1	31.9	33.6	35.3	41.7	47.8	53.4	.30	.69	1.13	1.48	1.88	2.18	2.52	2.84	3.14	
900	22.6	26.6	28.6	30.5	32.4	34.2	36.0	37.8	44.6	50.7	56.3	.34	.78	1.27	1.66	2.12	2.45	2.83	3.19	3.53	
1000	24.0	28.2	30.3	32.3	34.3	36.2	38.1	39.9	46.8	52.9	58.2	.37	.86	1.41	1.85	2.35	2.72	3.15	3.55	3.93	
1100	25.1	29.5	31.7	33.8	35.8	37.8	39.7	41.6	48.4	54.2	58.9	.41	.95	1.55	2.03	2.59	3.00	3.46	3.90	4.32	
1200	26.0	30.6	32.8	34.9	36.9	38.9	40.9	42.7	49.3	54.6	58.5	.45	1.04	1.69	2.21	2.82	3.27	3.78	4.26	4.71	
1300	26.7	31.3	33.5	35.7	37.7	39.7	41.5	43.3	49.5	54.0	56.8	.49	1.12	1.83	2.40	3.06	3.54	4.09	4.61	5.11	
1400	27.0	31.7	33.9	36.0	38.0	39.9	41.7	43.4	48.9	52.4	53.6	.52	1.21	1.97	2.58	3.29	3.81	4.41	4.97	5.50	
1500	27.1	31.8	33.9	36.0	37.9	39.7	41.3	42.8	47.4	49.6	49.1	.56	1.30	2.11	2.77	3.53	4.09	4.72	5.32	5.89	
1600	27.0	31.5	33.6	35.5	37.3	38.9	40.3	41.6	45.1	45.6	42.9	.60	1.38	2.25	2.95	3.76	4.36	5.04	5.68	6.28	
1700	26.5	30.9	32.8	34.6	36.1	37.5	38.8	39.8	41.8	40.4	35.0	.63	1.47	2.39	3.14	4.00	4.63	5.35	6.03	6.68	
1800	25.7	29.8	31.6	33.1	34.5	35.6	36.5	37.2	37.6	33.8	---	.67	1.55	2.53	3.32	4.23	4.90	5.67	6.38	7.07	

Shaded areas indicate rim speed exceeding 6500 FPM which may require special sheaves

IDLER

Brackets and Bushings

- Double Adjustable Bracket for Maximum Flexibility
- Positive Ratchet Locking Between Base and Arm
- Idler Bushings in TAPER-LOCK and QD Style
- Use with Stock Products, such as: Sheaves, Roller Chain Sprockets, HTD Sprockets
- Compatible with Products Machined for:
TAPER-LOCK 1610, 2012 and 2517 Bushings QD SK, SF and E Bushings
- Also, NEMA - Motor Bases Shaft Collars



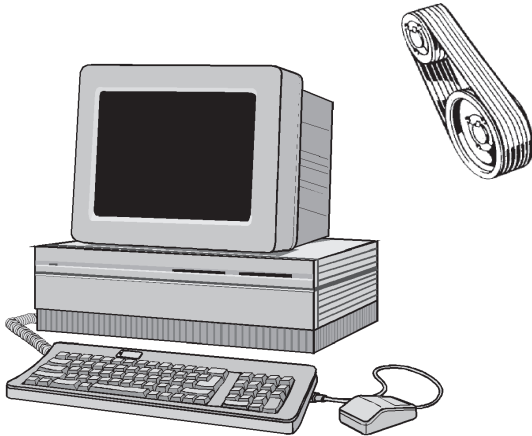
Refer to Related Products (page PT12-40) for complete data.

NOTE: Selection program VIA-VISA available at www.ptwizard.com.

RELATED PRODUCTS



Computer Drive Selection Program



For any given set of drive conditions, there are many different drives that will satisfy the requirements. What is a “best drive”? It could be the drive with lowest initial cost, or the drive with the lowest bearing load, or the drive which minimizes the number of parts required.

Finding the best drive is a time-consuming and frustrating task for the design engineer. Manual drive selection, pricing, and organizing of data for analysis can be a long, drawn-out process, prone to errors and oversights. VIA-VISA Software handles such problems with ease and displays drive selection alternatives in an organized format that makes analysis a simple process.

Here's what you get with VIA-VISA Software selection:

- Belt size, type, quantity, part number.
- Sheave sizes, part number.
- Bushing type, part number.
- Drive face width.
- Actual center distance.
- Installation force/deflection values for drive tensioning.
- Belt pull, dynamic shaft load for bearing and shafting calculations.
- Net price (if discount multipliers entered). Default to total list price.
- Belt speed in feet per minute.
- Calculated driven RPM
- Calculated actual service factor.

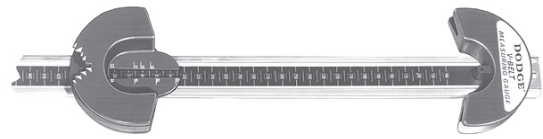
Ask your DODGE Sales Engineer for a demonstration and instruction on how you can obtain your personal VIA-VISA package.

V-Drive Accessories

V-Belt Measuring Gage

This gage allows you to measure belts that may have lost their identification. This is easily done by slipping belt in “sheave” grooves and moving bottom sheave until belts is taut. Notched portion of bottom sheave indicates belt width. Belt length is then read opposite corresponding width on scale. Gage is made of aluminum and plastic – rust proof and durable.

Part No. 450966
Wt - 1 Lb.



V-Belt Groove and Belt Gage

When V-belt sections or sheave groove need to be identified this set of molded plastic gages can be the handiest thing in your tool box. Includes 8 gages for grooves and 2 for belts covering Classical A thru E, A/B Combination grooves and Narrow 3V, 5V and 8V. They are pinned together so that the individual gages will not become lost.

Part No. 121294
Wt. - 0.12 Lb.



NOTE: Selection program VIA-VISA available at www.ptwizard.com.



RELATED PRODUCTS

V-Drive Accessories

V-Belt Tension Tester

This convenient tool facilitates easy checking of belt tension on drives having two or more belts. Scales are provided for reading both the required force and the distance of belt deflection which are used in properly tensioning belts. Force range is 0 - 35 lbs.



Part No. 109082
Wt. - 0.5 Lb.

Precision Laser Alignment Device

Identifies common types of pulley misalignment.



Part No. 109993
Wt. - 30 Lb

Double Barrel Tension Tester

Maximum deflection force: 66 lbs. For use with all multiple V-belts and large synchronous belts.



Part No. 109991
Wt. - 0.5 Lb

Five Barrel Tension Tester

Maximum deflection force: 165 lbs. For use with multiple V-belts and large synchronous belts.

Part No. 109992
Wt. - 1 Lb.



Sonic Tension Meter - Model 507C



The Sonic Tension Meter is an electronic device that measures the natural frequency of a free stationary belt span and instantly computes the static belt tensions based upon the belt span length, belt width, and belt type. The Sonic Tension Meter can accurately measure belt tensions for both synchronous and v-belts. Other features include:

- Output readings can be switched between pounds, kilograms, newtons and hertz
- Auto gain control automatically adjusts meter sensitivity
- Auto frequency range filters for background noise
- Frequency range from 10 - 5,000 Hz

Sonic Tension Meter - Model 507C
Part No. 109994 Wt. - 1.0 Lb.
(Comes with meter)

★ Flexible Sensor **Part No. 109995** Wt. - 0.2 Lb.

Cord Sensor **Part No. 109996** Wt. - 0.2 Lb.

★ Inductive Sensor **Part No. 109997** Wt. - 0.2 Lb.
(magnets included)

★ Optional accesories

NOTE: Selection program VIA-VISA available at www.ptwizard.com.



INSTALLING/TENSIONING V-DRIVES INSTALLING A DRIVE

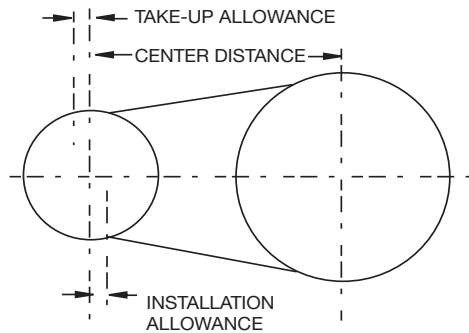
Check Condition of Sheaves—Before a new set of V-belts are installed, check the condition of the sheaves. Dirty or rusty sheaves impair the drive’s efficiency and abrade the belts, which result in premature failure.

Worn sheaves shorten belt life as much as 50%. If the grooves are worn to where the belt bottoms, slippage may result and burn the belts. If the sidewalls are “dished out,” the bottom shoulder ruins the belts prematurely by wearing off the bottom corners.

Check Sheave Alignment—Sheave adjustment should be checked by placing a straight edge or tight cord across the sheave faces so that it touches all four points of contact. Ordinarily, a misalignment of more than one-half of one degree (one-eighth inch in one foot) will adversely affect belt life. Improper sheave alignment produces uneven wear on one side of the belt, causes the belt to roll over in the sheaves or throws all the load on one side of the belt, stretching or breaking the cords on that side.

INSTALLATION AND TAKE-UP ALLOWANCES

After calculating a center distance from a standard pitch length, make provision for adjusting the center distance as in sketch



below, to allow for installation of the belts without injury, for tensioning, and for maintenance of proper tension throughout the life of the belt. (Refer to Tables 11 or 12 for values).

Placing Belts on Sheaves—Shorten the center distance of the drive until the belts can be put on the sheaves without forcing. Forcing the belts can cause internal injury to the belts.

Belt Selection—For maximum service, replace V-belt drives with a complete new matched set of belts or use the new Matchmaker belts.

Never employ a used belt as a replacement for a unit of a set. Used belts, normally, are worn in cross-section and stretched. A new belt so applied will ride higher in the sheave, travel faster and operate at a much higher tension than the used belts. The cord center may be ruptured, allowing the new belt to elongate. Shortly after this occurs it will cease to accept its full share of the load, leaving the drive under-belted. Thus, the new belt is wasted. Belts of different manufacturers should not be mixed for the same reasons.

Table 11 - Center Distance Allowance for Narrow Belt Installation and Take-Up

Nom. Belt Lgth. in Inches	Min. Installation Allowance (in inches) (Below Center)						Min. Take-up Allowance (Above Center)
	3V Dyna-V	3V Poly-band	5V Dyna-V	5V Poly-band	8V Dyna-V	8V Poly-band	
Up to & incl. 47.5	.05	1.2	1.0"
50-71	0.8	1.4	1.0	2.1	1.2
75-106	0.8	1.4	1.0	2.1	1.5	3.4	1.5
112-125	0.8	1.4	1.0	2.1	1.5	3.4	1.8
132-170	0.8	1.4	1.0	2.1	1.5	3.4	2.2
180-200	1.0	2.1	1.8	3.6	2.5
212-236	1.2	2.4	1.8	3.6	3.0
250 & 265	1.2	2.4	1.8	3.6	3.2
280 & 300	1.2	2.4	1.8	3.6	3.5
315-355	1.2	2.4	2.0	4.0	4.0
375	2.0	4.0	4.5
400-560	2.0	4.0	5.5

NOTE: Selection program VIA-VISA available at www.ptwizard.com.



TECHNICAL

INSTALLING/TENSIONING V-DRIVES

Table 12 - Center Distance Allowance for Classical Belt Installation and Take-Up

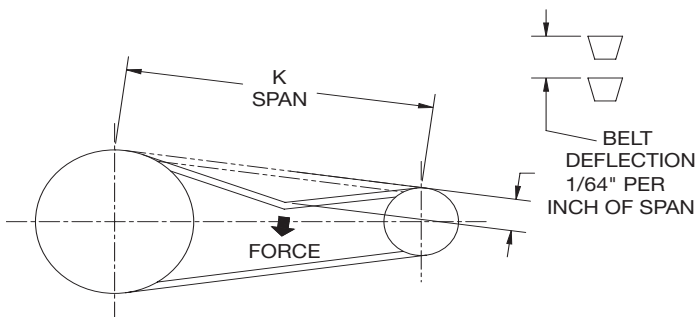
Nom. Belt Lgth. in Inches	Min. Installation Allowance (in inches) (Below Center)							Min. Take-up Allowance (Above Center)
	A	B	B Poly-band	C	C Poly-band	D	D Poly-band	
26-37	0.75	1.00	1.50	1.50	1.00"
38-59	0.75	1.00	1.50	1.50	2.00	1.50
60-89	0.75	1.25	1.61	1.50	2.00	2.00
90-119	1.00	1.25	1.61	1.50	2.00	2.50
120-157	1.00	1.25	1.81	1.50	2.11	2.0	2.00	3.00
158-194	...	1.25	1.81	2.00	2.20	2.00	3.00	3.50
195-239	...	1.50	1.81	2.00	2.31	2.00	3.20	4.00
240-269	...	1.50	2.00	2.00	2.50	2.50	3.20	4.50
270-329	...	1.50	2.20	2.00	2.50	2.50	3.50	5.00
330-419	2.00	2.70	2.50	3.60	6.00
420 & Over	2.50	2.90	3.00	4.10	1-1/2% of belt lgth.

TENSIONING A DRIVE
General Rules of Tensioning-

1. Ideal tension is the lowest tension at which the belt will not slip under peak load conditions.
2. Check tension frequently during the first 24-48 hours of run-in operation.
3. Over tensioning shortens belt and bearing life.
4. Keep belts free from foreign material which may cause slip.
5. Make V-Drive inspection on a periodic basis. Tension when slipping. Never apply belt dressing as this will damage the belt and cause early failure.

SIMPLE TENSIONING PROCEDURE

1. Measure the span length, K.
2. At the center of the span (K) apply a force (perpendicular to the span) large enough to deflect the 1/64, for every inch of span length. For example, one deflection of a 100 inch span would be 100/64 or 1-9/16 inches.



NOTE: Selection program VIA-VISA available at www.ptwizard.com.

3. Compare the force you have applied with the values given in Tables 13 or 14. If the force is between the values for normal tension, and 1-1/2 times normal tension, the drive tension should be satisfactory. A force below the value for normal tension indicates an under-tensioned drive. If the force exceeds the value for 1-1/2 times normal tension, the drive is tighter than it needs to be.

For V-Belt Tension Testers, See Page PT7-142.

After the proper operating tension has been applied to the belts, a double-check should be made of the following:

- a. Parallel position of the sheave shafts.
- b. Correct alignment of sheave grooves.



INSTALLING/TENSIONING V-DRIVES

Table 13 - Belt Deflection Force (Check Factory For Conditions Not Covered In This Table)

V-Belt Section	Small Sheave		Deflection Force In Lbs. For Drive Speed Ratio of:			
	Speed Range	Diameter	1.0	1.5	2.0	4.0 +
A (AP)	1800-3600	3.0	2.0	2.3	2.4	2.6
	1800-3600	4.0	2.6	2.8	3.0	3.3
	1800-3600	5.0	3.0	3.3	3.4	3.7
	1800-3600	7.0	3.5	3.7	3.8	4.3
B (BP)	1200-1800	4.6	3.7	4.3	4.5	5.0
	1200-1800	5.0	4.1	4.6	4.8	5.6
	1200-1800	6.0	4.8	5.3	5.5	6.3
C (CP)	1200-1800	8.0	5.7	6.2	6.4	7.2
	900-1800	7.0	6.5	7.0	8.0	9.0
	900-1800	9.0	8.0	9.0	10.0	11.0
	900-1800	12.0	10.0	11.0	12.0	13.0
D (DP)	700-1500	16.0	12.0	13.0	13.0	14.0
	900-1500	12.0	13.0	15.0	16.0	17.0
	900-1500	15.0	16.0	18.0	19.0	21.0
	700-1200	18.0	19.0	21.0	22.0	24.0
AX	700-1200	22.0	22.0	23.0	24.0	26.0
	1800-3600	3.0	2.5	2.8	3.0	3.3
	1800-3600	4.0	3.3	3.6	3.8	4.2
	1800-3600	5.0	3.7	4.1	4.3	4.6
BX	1800-3600	7.0	4.3	4.6	4.8	5.3
	1200-1800	4.6	5.2	5.8	6.0	6.9
	1200-1800	5.0	5.4	6.0	6.3	7.1
	1200-1800	6.0	6.0	6.4	6.7	7.7
CX	1200-1800	8.0	6.6	7.1	7.5	8.2
	900-1800	7.0	10.0	11.0	12.0	13.0
	900-1800	9.0	11.0	12.0	13.0	14.0
	900-1800	12.0	12.0	13.0	13.0	14.0
DX	700-1500	16.0	13.0	14.0	14.0	15.0
	900-1500	12.0	16.0	18.0	19.0	20.0
	900-1500	15.0	19.0	21.0	22.0	24.0
	700-1200	18.0	22.0	24.0	25.0	27.0
700-1200	22.0	25.0	27.0	28.0	30.0	

V-Belt Section	Small Sheave		Deflection Force in Lbs. for Drive Speed Ratio of:			
	Speed Range	Diameter	1.0	1.5	2.0	4.0+
3VX	1200-3600	2.2	2.2	2.5	2.7	3.0
	1200-3600	2.5	2.6	2.9	3.1	3.6
	1200-3600	3.0	3.1	3.5	3.7	4.2
	1200-3600	4.1	3.9	4.3	4.5	5.1
	1200-3600	5.3	4.6	4.9	5.1	5.7
	1200-3600	6.9	5.0	5.4	5.6	6.2
5VX	1200-3600	4.4	6.5	7.5	8.0	9.0
	1200-3600	5.2	8.0	9.0	9.5	10.0
	1200-3600	6.3	9.5	10.0	11.0	12.0
	1200-3600	7.1	10.0	11.0	12.0	13.0
	900-1800	9.0	12.0	13.0	14.0	15.0
	900-1800	14	14.0	15.0	16.0	17.0
8VX	900-1800	12.5	18.0	21.0	23.0	25.0
	900-1800	14.0	21.0	23.0	24.0	28.0
	700-1500	17.0	24.0	26.0	28.0	30.0
	700-1500	21.2	28.0	30.0	32.0	34.0
	400-1000	24.8	31.0	32.0	34.0	36.0
5V	900-1800	7.1	8.5	9.5	10.0	11.0
	900-1800	9.0	10.0	11.0	12.0	13.0
	900-1800	14	12.0	13.0	14.0	15.0
	700-1200	21.2	14.0	15.0	16.0	17.0
8V	900-1800	12.5	18.0	21.0	23.0	25.0
	900-1800	14.0	21.0	23.0	24.0	28.0
	700-1500	17.0	24.0	26.0	28.0	30.0
	700-1200	21.2	28.0	30.0	32.0	34.0
400-1000	24.8	31.0	32.0	32.0	36.0	

Notes: 1. Use approximately 130% of above values to tension a new set of belts
 2. Use closest sheave diameter for sizes not shown.

NOTE: Selection program VIA-VISA available at www.ptwizard.com.



ENGINEERING/TECHNICAL

INSTALLING/TENSIONING V-DRIVES

Table 14 - POLYBAND Plus Belt Deflection Force (Lbs.)
(Force is pounds for one belt only)

Cross Section	Small Sheave Diameter Range	RPM Range	Belt Deflection Force*	
			Normal	New Belt
5VF	7.1-10.9	200-700	21.1	30.9
		701-1250	18.0	26.3
		1251-1900	16.7	23.4
		1901-3000	15.8	23.0
5VF	11.8-16.0	200-700	26.8	39.5
		701-1250	23.5	34.7
		1251-2100	22.7	33.3
8VF	12.5-20.0	200-500	44.7	65.8
		501-850	38.5	56.6
		851-1150	35.2	51.6
8VF	21.2-25.0	1151-1650	33.5	49.0
		200-500	65.9	97.6
		501-850	61.2	90.6
		851-1200	57.0	84.3

* Multiply the force required for one belt by the number of belts in the Polyband Plus unit to get total force to apply.

Example: New 8VF drive with a small sheave dia. equal to 20".

The rpm of the sheave is 1000.

The belt to be installed is 8/8VF4000.

Total deflection force = table value x 8 = 51.6 x 8 = 413 lbs.

Belt Pull and Bearing Loads

Belt Pull Calculations—The following method of calculating belt pull is found to be the most convenient and accurate for drives operating at design loads and tensions:

$$T1 + T2 = 33,000 (2.5-G) \left(\frac{HP}{GV} \right)$$

WHERE:

T1 = Tight side tension, pounds

T2 = Slack side tension, pounds

HP = Design horsepower

V = Belt speed, feet per minute = (PD) (RPM) (.262)

G = Arc of contact correction factor

D-d	Arc of Contact	Factor G	D-d	Arc of Contact	Factor G
C			C		
.00	180°	1.00	.80	133°	.87
.10	174°	.99	.90	127°	.85
.20	169°	.97	1.00	120°	.82
.30	163°	.96	1.10	113°	.80
.40	157°	.94	1.20	106°	.77
.50	151°	.93	1.30	99°	.73
.60	145°	.91	1.40	91°	.70
.70	139°	.89	1.50	83°	.65

Arc of contact is on small sheave

d = Dia. of small sheave

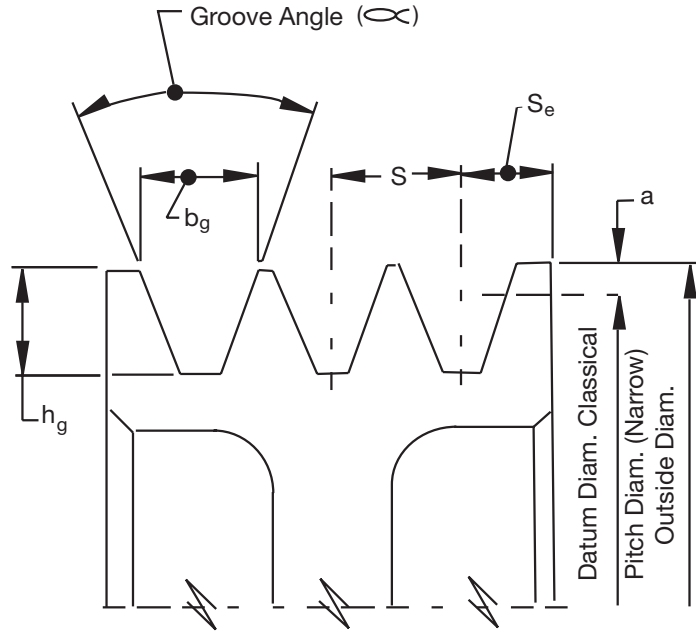
D = Diam. of large sheave

C = Center distance

NOTE: Selection program VIAVISA available at www.ptwizard.com.



V-Belt Sheave Groove Dimensions



Narrow

Belt Section	Outside Diameter Range	α ± 0.25	bg $\pm .005$	hg Min.	a	S $\pm .015$	Se	
3VX, 3V	LESS THAN 3.50	36°						
	3.50 TO 6.00	38°						
	6.01 to 12.00	40°	.350	0.340	0.025	0.406	0.344	+0.094 -0.000
5VX, 5V	Less than 10.00	38°						
	10.00 to 16.00	40°	.600	0.590	.050	0.688	0.500	+0.125 -0.000
	Over 16.00	42°						
8VX, 8V	Less than 16.00	38°						
	16.00 to 22.40	40°	1.000	0.990	.100	1.125	0.750	+0.250 -0.000
	Over 22.40	42°						

Classical

Belt Section	Pitch Diameter		m $+ 0.33$	bg	hg Min.	$2a$ ref *	S $\pm .025$	Se		
	Min. Recom.	Range								
AX, A	3.0	2.6 to 5.4	34°	.494	.460	.125	.625	.375	+0.090 -0.062	
		Over 5.4	38°	.504						$\pm .005$
BX, B	5.4	4.6 to 7.0	34°	.637	.550	.175	.750	.500	+0.120 -0.065	
		Over 7.0	38°	.650						$\pm .006$
A, B AX, BX	-	To 7.0	34°	.612	.612	A (.634/.602) B (.333/.334)	.750	.500	+0.120 -0.065	
		Over 7.0	38°	.625						$\pm .006$
CX, C	9.0	7.0 to 7.99	34°	.879	.750	.200	1.000	.688	+0.160 -0.070	
		8.0 to 12.0	36°	.887						$\pm .007$
		Over 12.0	38°	.895						
DX, D	13.0	12.0 to 12.9	34°	1.259	1.020	.300	1.438	.875	+0.220 -0.080	
		13.0 to 17.0	36°	1.271						$\pm .008$
		Over 17.0	38°	1.283						
E	21.0	18.0 to 24.0	36°	1.527	1.300	.400	1.750	1.125	+0.250 -0.000	
		Over 24.0	38°	1.542						$\pm .010$

Note—For complete manufacturing tolerances – see RMA, MPTA, Narrow/Classical V-belt Standards.


* Datum diameter, not pitch diameter.

NOTE: Selection program VIA-VISA available at www.ptwizard.com.



ENGINEERING/TECHNICAL

More Power and Life From V-Drives

Trouble Area And Observation	Cause	Remedy
<p>Belt Stretch Beyond Take-Up Belt stretch unequally.</p> <p>All belts stretch about equally.</p>	<p>Mis-aligned drive, unequal work done by belts.</p> <p>Belt tensile member broken from improper installation. Insufficient take-up allowance.</p> <p>Greatly overloaded or underdesigned drive.</p>	<p>Realign and re-tension drive.</p> <p>Replace all belts with new matched set properly installed. Check take-up and follow allowance on page .</p> <p>Redesign.</p>
<p>Short Belt Life Relatively rapid failure; no visible reason.</p> <p>Sidewalls soft and sticky. Low adhesion between cover plies. Cross-section swollen.</p> <p>Sidewalls dry and hard. Low adhesion between cover plies. Bottom belt cracked.</p>	<p>Tensile members damaged through improper installation. Worn sheave grooves (check with groove gauge)</p> <p>Under-designed drive.</p> <p>Oil or grease on belts or sheaves.</p> <p>High temperatures.</p>	<p>Replace with all new matched set, properly installed.</p> <p>Replace sheaves.</p> <p>Redesign.</p> <p>Remove source of oil or grease. Clean belts and grooves with cloth moistened with alcohol.</p> <p>Remove source of heat. Ventilate drive better.</p>
<p>BELT TURN OVER</p> 	<p>Excess lateral belt whip. Foreign material in grooves. Mis-aligned sheaves. Worn sheave grooves (check with groove gauge).</p> <p>Tensile member broken through improper installation. Incorrectly placed flat idler pulley.</p>	<p>Use Banded belt. Remove material—shield drive. Realign the drive. Replace sheave.</p> <p>Replace with new matched set properly installed.</p> <p>Carefully align flat idler on slack side of drive as close as possible to driver sheave.</p>
<p>DETERIORATION OF RUBBER COMPOUNDS USED IN BELT</p> <p>Extreme cover wear.</p> <p>Spin burns on belt.</p> <p>Bottom of belt cracked. Broken belts.</p>	<p>Belt dressing.</p> <p>Belts rub against belt guard or other obstruction.</p> <p>Belts slip under starting or stalling load.</p> <p>Too small sheaves. Object falling into or hitting drive.</p>	<p>Never use dressing on V-belts. Clean with cloth moistened with alcohol. Tension drive properly to prevent slip.</p> <p>Remove obstruction or align drive to give needed clearance. Tighten drive until slipping stops.</p> <p>Redesign for larger sheaves. Replace with new matched set of belts. Provide shield for drive.</p>
<p>IMPROPER DRIVEN SPEED Incorrect driveR-driveN ratio. Spin burns on belt.</p>	<p>Design error.</p> <p>Belt slip.</p>	<p>Use correct sheave sizes.</p> <p>Re-tension drive until belt stops slipping.</p>
<p>BELT NOISE HOT BEARINGS</p> <p>Drive over-tensioned.</p> <p>Sheaves too small.</p> <p>Poor bearing condition.</p> <p>Sheaves out too far on shaft.</p> <p>Drive under-tensioned.</p>	<p>Belt slip.</p> <p>Worn grooves-belts bottoming and will not transmit power until over-tensioned. Improper tensioning. Motor manufacturers sheave diameters not followed.</p> <p>Underdesigned bearing or poor bearing maintenance.</p> <p>Error or obstruction problem.</p> <p>Belts slipping and causing heat build-up.</p>	<p>Re-tension drive until it stops slipping.</p> <p>Replace sheaves. Tension drive properly.</p> <p>Re-tension drive. Redesign drive.</p> <p>Observe recommended bearing design and maintenance. Place sheaves as close as possible to bearings. Remove any obstruction preventing this.</p> <p>Re-tension drive.</p>

NOTE: Selection program VIAVISA available at www.ptwizard.com.



CONTENTS

FHP Drives

Features / Benefits	
Fixed Pitch Drives	PT8-2
Variable Pitch Drives	PT8-2
Selection/Dimensions	
Light Duty Fixed Bore Sheaves	PT8-3
Bushed FHP Sheave	PT8-7
Adjustable Pitch VP Sheave	PT8-9
Selection	
Fixed Pitch FHP Drives	PT8-10
Variable Pitch Drives	PT8-15
Part Number Index	INDEX-1
Keyword Index	INDEX-67

V-Drives

FHP Drives

Drive Component
Accessories

DYNA-SYNC

HT200/HTD
Synchronous Drives

HTR
Synchronous Drives

HTRC
Synchronous Drives



FEATURES/BENEFITS

V-Drives

FHP Light Duty V-Drives

The Economical Option For Smaller Drives

- Fractional thru 10 HP at 1750 RPM
- One or Two Groove
- Fixed Pitched or Variable Pitch
- Use Standard Belts
FHP: 3L-4L-5L
SL Classic: A or B Section
Classic Cog: AX or BX



QT-Bushed Sheave

- Sizes AKQT, 2AKQT, BKQT, 2BKQT
- Durable Cast Iron Construction
- Industry Standard H-Style Bushing
- Interchangeable with QT and D Bushing
- Secure Clamp Fit to Shaft
- Bore Range 3/8 to 1-1/2"
- Integral Key Bushing Available in Select Bores
- Inch and Metric Bores
- Static Balance
- Suitable for Higher Capacity AX or BX Classic Cog Belts

FHP Drives

Drive Component Accessories



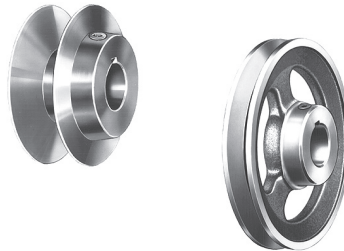
DYNA-SYNC

Variable Pitch Sheaves

- One and Two Grooves
- Selections Available up to 30HP, 1750 RPM
- Durable Cast Iron Construction
- Static Balance

HT200/HTD Synchronous Drives

- Driven Sheave Options:
FHP Bored-to-Size
FHP QT-Bushed
Taper-Lock Dual Duty
QD Combination Duty



HTR Synchronous Drives

- Belt Options Include FHP, Classical
- Adjustment Range 1.3:1 (Approx.)
- Positive Locking of Adjustment Setting
- New Easy Selection Procedure
- Applications Include: Conveyors, Pumps, Fans, Mixers, Ventilators, etc.

Finish Bore Sheaves

- Sizes AK, 2AK, BK, 2BK
- Bored-to-Size
- Keyway and Setscrew
- Durable Cast Iron Construction
- Static Balance
- Stocked in Popular Sizes
- Not Recommended for Classic Cog Belts



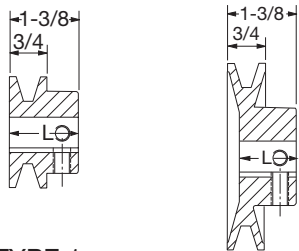
HTRC Synchronous Drives

NOTE: Selection tools available online at www.dodge-pt.com

SELECTION/DIMENSIONS

LIGHT DUTY FIXED BORE SHEAVES

AK (A & 3L - 4L V-BELTS)



TYPE 1

TYPE 2

A = Arms

B = Block

W = Web



- Finished Bore
- Keyway and (2) Setscrew
- Cast Iron, max speed 6500 FPM

Shaft Dia.	Keyseat
1/2	none
5/8 - 7/8"	3/16 X 3/32
15/16 - 1-1/4"	1/4 X 1/8
1-5/16 - 1-3/8"	5/16 X 5/32
1-7/16"	3/8 X 3/16

1 GROOVE

O.D.	Datum Dia.		SHV NO	Type	L	Bore/Part Number											Approx Wgt
	3L (O)	4L(A)				1/2	5/8	3/4	7/8	15/16	1	1-1/8	1-3/16	1-1/4	1-3/8	1-7/16	
1.55	---	1.30	AK15 / MA15	1B	1.25	121626	121627										.40
1.75	---	1.50	AK17 / MA18	1B	1.38	121631	121632	121633									.40
2.00	1.41	1.75	AK20 / MA20	1B	1.38	121636	121637	121638									.70
2.10	1.51	1.85	AK21 / MA21	1B	1.38	127100	127101	127102									.70
2.20	1.61	1.95	AK22 / MA22	1B	1.38	127436	127437	127438									.80
2.30	1.71	2.05	AK23 / MA23	1B	1.38	121642	121643	121644	121645								.80
2.50	1.91	2.25	AK25 / MA25	2B	1.25	121649	121650	121651	121652								.90
2.60	2.01	2.35	AK26 / MA26	2B	1.25	127103	127104	127105									.90
2.70	2.11	2.45	AK27 / MA27	2B	1.25	127107	121503	127108									.90
2.80	2.21	2.55	AK28 / MA28	2B	1.25	121655	121656	121657	121658	121659							.90
3.05	2.46	2.80	AK30 / MA30	2B	1.25	121662	121663	121664	121665	121666							1.20
3.25	2.66	3.00	AK32 / MA33	2B	1.25	121669	121670	121671	121672	121673	121674						1.50
3.45	2.86	3.20	AK34 / MA35	2B	1.25	121676	121677	121678	121679	121680	121681						1.40
3.75	3.16	3.50	AK39 / MA38	2W	1.13	121530	121531	121532	121533	121534	121535						1.50
3.95	3.36	3.70	AK41 / MA40	2W	1.13	121536	121537	121538	121539	127111	121540	121541					2.00
4.25	3.66	4.00	AK44 / MA43	2W	1.13	121542	121543	121544	121545	127112	121546	121547					2.00
4.45	3.86	4.20	AK46 / MA45	2W	1.13	121548	121549	121550	121551	127113	121552	121553					2.00
4.75	4.16	4.50	AK49 / MA48	1A	1.38	121554	121555	121556	121557	127114	121558	121559					2.00
4.95	4.36	4.70	AK51 / MA50	1A	1.38	121560	121561	121562	121563		121564	121565					2.00
5.25	4.66	5.00	AK54 / MA53	1A	1.38	121566	121567	121568	121569	127115	121570	121571	121572				2.50
5.45	4.86	5.20	AK56 / MA55	1A	1.38	121573	121574	121575	121576	127116	121577	121578	121579				2.50
5.75	5.16	5.50	AK59 / MA58	1A	1.38	127117	127118	127119	127120	127121	127122	127123	127124				2.50
5.95	5.36	5.70	AK61 / MA60	1A	1.38	121580	121581	121582	121583	127125	121584	121585	121586				3.00
6.25	5.66	6.00	AK64 / MA63	1A	1.38	121587	121588	121589	121590	127126	121591	121592	121593				3.00
6.45	5.86	6.20	AK66 / MA65	1A	1.38		127209	121594			121595	127128					3.00
6.75	6.16	6.50	AK69 / MA68	1A	1.38			127129			127130	127131					3.00
6.95	6.36	6.70	AK71 / MA70	1A	1.38			127132	121596		121597	127133					3.50
7.25	6.66	7.00	AK74 / MA73	1A	1.38	121598	121599	121600		127134	121601	121602	127135	127136			3.50
7.75	7.16	7.50	AK79 / MA78	1A	1.38			127138			127139	127140					3.50
8.25	7.66	8.00	AK84 / MA83	1A	1.38	127142	121609	121610		127143	121611		121612				4.40
8.75	8.16	8.50	AK89 / MA88	1A	1.38			127145			127146	127147					4.50
9.25	8.66	9.00	AK94 / MA93	1A	1.38	127210	127211	121800		127212	127213		127214	121803			5.40
9.75	9.16	9.50	AK99 / MA98	1A	1.38			127149			127150						5.50
10.25	9.66	10.00	AK104 / MA103	1A	1.38		121809	121810			121811		127216	127217	127218	127219	6.00
10.75	10.16	10.50	AK109 / MA108	1A	1.38			127152			127153				127220	127154	6.00
11.25	10.66	11.00	AK114 / MA113	1A	1.38			127155			127156		127222			127223	6.50
12.25	11.66	12.00	AK124 / MA123	1A	1.38		121820	121821			121823		127224	127226		127227	7.00
13.25	12.66	13.00	AK134 / MA133	1A	1.38			121620			121621		121622		127106	127109	8.50
14.25	13.66	14.00	AK144 / MA143	1A	1.38			121623			121624		121628			121629	9.00
15.25	14.66	15.00	AK154 / MA153	1A	1.38			121634			121639		121640		127228	121646	9.00
18.25	17.66	18.00	AK184 / MA183	1A	1.38			121647			121653		121654			121660	14.00

P.D. for "3L Belt = D.D. + .25" = O.D. - .34"

P.D. for "A" (4L) Belt = O.D.

DO NOT use 3L belts with AK15 and AK17 sheaves

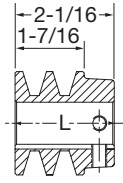
Bore sizes marked X are available - POA

FEATURES/BENEFITS PAGE PT8-2	SELECTION/DIMENSIONS PAGE PT8-3	SELECTION PAGE PT8-10	
---------------------------------	------------------------------------	--------------------------	--

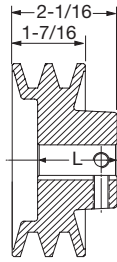


SELECTION/DIMENSIONS

LIGHT DUTY FIXED BORE SHEAVES 2AK (A V-BELTS)



TYPE 3



TYPE 4

A = Arms

B = Block

W = Web

- Finished Bore
- Keyway and (2) Setscrew
- Cast Iron, max speed 6500 FPM

Shaft Dia.	Keyseat
1/2	none
5/8 - 7/8"	3/16 X 3/32
15/16 - 1-1/4"	1/4 X 1/8
1-5/16 - 1-3/8"	5/16 X 5/32
1-7/16"	3/8 X 3/16

2 GROOVES

O.D	D.D. A Belt	SHV NO	Type	L	Bore/Part Number										Approx Wgt	
					1/2	5/8	3/4	7/8	15/16	1	1-1/8	1-3/16	1-3/8	1-7/16		
2.00	1.75	2AK20 / 2MA20	3B	2.06	121835	121836	121837	121838								1.00
2.15	1.90	2AK21 / 2MA22	3B	2.06	127158	127159	127160									1.00
2.25	2.00	2AK22 / 2MA23	3B	2.06	121839	121840	121841	121842		121843						1.00
2.35	2.10	2AK23 / 2MA24	4B	1.88		127161	127162	127163		127229						1.00
2.55	2.30	2AK25 / 2MA25	4B	1.69	121844	121845	121846	121847		121848	121849					1.50
2.65	2.40	2AK26 / 2MA27	4B	1.88		127164	127165	127166								1.50
2.75	2.50	2AK27 / 2MA28	4B	1.69	121850	121851	121852	121853		121854	121855					1.50
2.85	2.60	2AK28 / 2MA29	4B	1.69		127169	127170	127171		127172						1.50
3.05	2.80	2AK30 / 2MA30	4B	1.69	121856	121857	121858	121859		121860	121861					2.00
3.25	3.00	2AK32 / 2MA33	4B	1.63	121862	121863	121864	121865		121866	121867					2.00
3.45	3.20	2AK34 / 2MA35	4B	1.63	121868	121869	121870	121871		121872	121873					2.50
3.75	3.50	2AK39 / 2MA38	4B	1.63	121874	121875	121876	121877		121878	121879					3.00
3.95	3.70	2AK41 / 2MA40	4W	1.56		121959	121880	121881		121882	121883					3.00
4.25	4.00	2AK44 / 2MA43	4W	1.56		121884	121885	121886		121887	121888					3.00
4.45	4.20	2AK46 / 2MA45	4W	1.69				121891		121892	121893					4.00
4.75	4.50	2AK49 / 2MA48	4W	1.56			121895	121896		121897	127230		127231			3.50
4.95	4.70	2AK51 / 2MA50	4W	1.56			121899	121900		121901	127439		127232			4.00
5.25	5.00	2AK54 / 2MA53	4W	1.56		121902	121903	121904		121905	127233		127234			4.00
5.45	5.20	2AK56 / 2MA55	4W	1.56		121906	121907			121909	127440		127235			5.00
5.75	5.50	2AK59 / 2MA58	4W	1.56						121910	127236		127237			5.00
5.95	5.70	2AK61 / 2MA60	4W	1.69			121911	121912		121913	127238		127240			6.00
6.25	6.00	2AK64 / 2MA63	4A	1.56			121914			121916	127241	121917	127242	121918		5.50
7.25	7.00	2AK74 / 2MA73	4A	1.56			121919			121920	127243	121921	127244	121922		6.00
8.25	8.00	2AK84 / 2MA83	4A	1.56			121923		121924	121925	127245	121926	127246	121927		8.00
9.25	9.00	2AK94 / 2MA93	4A	1.56			121928			121930	127248	121931	127249	121932		9.00
10.25	10.00	2AK104 / 2MA103	4A	1.56			121933		121934	121935				121937		10.00
11.25	11.00	2AK114 / 2MA113	4A	1.56						121939		121940	127250	121941		11.00
12.25	12.00	2AK124 / 2MA123	4A	1.59						121943		121944		121945		12.00
13.25	13.00	2AK134 / 2MA133	4A	1.59								121947		121948		14.00
14.25	14.00	2AK144 / 2MA143	4A	1.56						121949				121951		15.00
15.25	15.00	2AK154 / 2MA153	4A	1.56								121953		121954		17.00
18.25	18.00	2AK184 / 2MA183	4A	1.53								121957		121958		19.00

PD for "A" Belts = O.D.

Bore sizes marked X are available - POA



FEATURES/BENEFITS
PAGE PT8-2

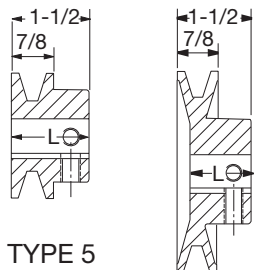
SELECTION/DIMENSIONS
PAGE PT8-3

SELECTION
PAGE PT8-10

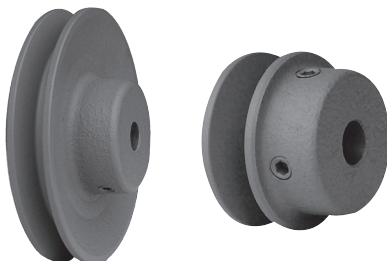
SELECTION/DIMENSIONS

LIGHT DUTY FIXED BORE SHEAVES BK (A & 4L - B & 5L V-BELTS)

- Finished Bore
- Keyway and (2) Setscrew
- Cast Iron, max speed 6500 FPM



A = Arms
B = Block
W = Web



TYPE 5

TYPE 6

Shaft Dia.	Keyseat
1/2	none
5/8 - 7/8"	3/16 X 3/32
15/16 - 1-1/4"	1/4 X 1/8
1-5/16 - 1-3/8"	5/16 X 5/32
1-7/16"	3/8 X 3/16

1 GROOVE

O.D.	Datum Dia.		SHV NO	Type	L	Bore/Part Number										Approx Wgt		
	A (4L)	B (5L)				1/2	5/8	3/4	7/8	15/16	1	1-1/8	1-3/16	1-1/4	1-3/8		1-7/16	
2.00	* 1.25	1.65	BK20 / MB20	5B	1.50	121682 *	121683 *	121684 *										.50
2.25	* 1.50	1.90	BK23 / MB23	6B	1.34	121685	121686	121687	121688		121689 *						1.00	
2.40	1.65	2.05	BK24 / MB24	6B	1.50	127173	127174	127175									1.00	
2.50	* 1.75	2.15	BK25 / MB25	5B	1.50	121691	121692	121693	121694		121695 *	*					1.00	
2.60	1.85	2.25	BK26 / MB26	5B	1.50	127176	127177	127178	127179								1.00	
2.70	1.95	2.35	BK27 / MB28	6B	1.38	121697	121698	121699	121700		121701						1.00	
2.95	2.20	2.60	BK28 / MB30	6B	1.38	121706	121707	121708	121709		121710	121711					1.00	
3.15	2.40	2.80	BK30 / MB31	6B	1.38	127180	127181	127182	127183								1.00	
3.25	2.50	2.90	BK31 / MB33	6B	1.38	121714	121715	121716	121717		121718	121719					1.00	
3.35	2.60	3.00	BK32 / MB34	6B	1.38	127184	127185	127186	127187								1.00	
3.55	2.80	3.20	BK34 / MB35	6B	1.38	121722	121723	121724	121725		121726	121727					1.50	
3.75	3.00	3.40	BK36 / MB38	6B	1.25	120850	120851	120852	120853		120854	120855					1.50	
3.95	3.20	3.60	BK40 / MB40	6B	1.25	120856	120857	120858	120859		120860	120861					2.00	
4.25	3.50	3.90	BK45 / MB43	6W	1.25	120862	120863	120864	120865		120866	120867					2.00	
4.45	3.70	4.10	BK47 / MB45	6W	1.25	120874	120875	120876	120877		120878	127201					2.00	
4.75	4.00	4.40	BK50 / MB48	5W	1.50	121010	121011	121012	121013	127206	121014	121015					2.50	
4.95	4.20	4.60	BK52 / MB50	5W	1.50	120885	120886	120887	120888		120889	120890					2.50	
5.25	4.50	4.90	BK55 / MB53	6W	1.31	120892	120893	120894	120895		120896	120897	127221				3.00	
5.45	4.70	5.10	BK57 / MB55	5A	1.50		120899	120900	120901	127225	120902	120903					2.50	
5.75	5.00	5.40	BK60 / MB58	5A	1.50	120910	120911	120912	120913		120914	120915	120916				2.50	
5.95	5.20	5.60	BK62 / MB60	5A	1.50	120917	120918	120919	120920	127239	120921	120922	120923				2.50	
6.25	5.50	5.90	BK65 / MB63	5A	1.50		120924	120925			120926	120927					3.00	
6.45	5.70	6.10	BK67 / MB65	5A	1.50		120929	120930			120932	120933					3.00	
6.75	6.00	6.40	BK70 / MB68	5A	1.50		120942	120943		127247	120945	120946	120947			120949	4.00	
6.95	6.20	6.60	BK72 / MB70	5A	1.50			120950			120951	127301			127252		3.50	
7.25	6.50	6.90	BK75 / MB73	5A	1.50			120952			120953	127302					3.50	
7.45	6.70	7.10	BK77 / MB75	5A	1.50			127254			127255	127256			127257		4.00	
7.75	7.00	7.40	BK80 / MB78	5A	1.50		120954	120955	120956		120957	120958	120959	120960	127303	120961	4.00	
8.25	7.50	7.90	BK85 / MB83	5A	1.50			121661			121668	127304			127258	127259	4.50	
8.75	8.00	8.40	BK90 / MB88	5A	1.50			127260	120962	127261	120963	120847	127262		127263	127264	5.00	
9.25	8.50	8.90	BK95 / MB93	5A	1.50			127265			127266	127267			127268	127269	5.50	
9.75	9.00	9.40	BK100 / MB98	5A	1.50			120972	120973	127270	120974	120975	120976	120977	127305	120978	6.00	
10.25	9.50	9.90	BK105 / MB103	5A	1.50						127271			127272	127273		6.50	
10.75	10.00	10.40	BK110 / MB108	5A	1.50						120981	120848	120982		127274	127275	7.00	
11.25	10.50	10.90	BK115 / MB113	5A	1.50						120985				127442	120989	8.00	
11.75	11.00	11.40	BK120 / MB118	5A	1.50			120990			120991		120992		127443	120994	8.00	
12.75	12.00	12.40	BK130 / MB128	5A	1.50			120995			120996	120997	120998	121000		121001	9.00	
13.75	13.00	13.40	BK140 / MB138	5A	1.50			127276			127277	127157	127278			127279	10.00	
15.75	15.00	15.40	BK160 / MB158	5A	1.50						121690	127280	121696	121833		121834	12.00	
18.75	18.00	18.40	BK190 / MB188	5A	1.50								121521	121527		121528	14.00	

P.D. for A (4L) Belts = Datum Dia. + .35 = O.D. -.40

P.D. for B (5L) Belts = O.D.

(*) DO NOT use "A" or "4L" belts with these specific bores

Bore sizes marked X are available - POA

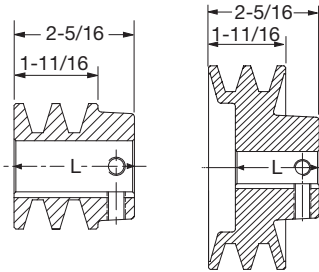
FEATURES/BENEFITS PAGE PT8-2	SELECTION/DIMENSIONS PAGE PT8-3	SELECTION PAGE PT8-10	
---------------------------------	------------------------------------	--------------------------	--



SELECTION/DIMENSIONS

LIGHT DUTY FIXED BORE SHEAVES 2BK (A & B V-BELTS)

- Finished Boe
- Keyway and (2) Setscrew
- Cast Iron, max speed 6500 FPM



TYPE 7

TYPE 8

A = Arms

B = Block

W = Web

Shaft Dia.	Keyseat
1/2	none
5/8 - 7/8"	3/16 X 3/32
15/16 - 1-1/4"	1/4 X 1/8
1-5/16 - 1-3/8"	5/16 X 5/32
1-7/16"	3/8 X 3/16

2 GROOVES

O.D	D.D. A(4L) Belt	D.D. B(5L) Belt	SHV NO	Type	L	Bore/Part Number										Wgt
						1/2	5/8	3/4	7/8	1	1-1/8	1-3/16	1-3/8	1-7/16		
2.50	* 1.90	2.30	2BK25 / 2MB25	7B	2.31	121730	121731	121732	121733	121734 *	*					1.50
1.70	2.10	2.50	2BK27 / 2MB28	8B	1.94	121736	121737	121738	121739	121740	121741					1.50
2.95	2.20	2.60	2BK28 / 2MB30	8B	1.94	121742	121743	121744	121745	121746	121747					2.00
3.15	2.40	2.80	2BK30 / 2MB32	8B	1.88	127281	127282	127283	127284	127285	127286					2.00
3.35	2.60	3.00	2BK32 / 2MB34	8B	1.94		121748	121749	121750	121751	121752					3.00
3.55	2.80	3.20	2BK34 / 2MB35	8B	1.88		121753	121754	121755	121756	121757					2.50
3.75	3.00	3.40	2BK36 / 2MB38	8B	1.88			121759	121760	121761	121762		127287			3.00
3.95	3.20	3.60	2BK40 / 2MB40	8B	1.69		121763	121764	121765	121766	121767		121768			3.00
4.25	3.50	3.90	2BK45 / 2MB43	8W	1.81				121766	121766	121767		121774			4.00
4.45	3.70	4.10	2BK47 / 2MB45	8W	1.81				121776	121777	121778					4.00
4.75	4.00	4.40	2BK50 / 2MB48	8W	1.81			121780		121782	121783		121784			4.00
4.95	4.20	4.60	2BK52 / 2MB50	8W	1.69				121786	121787	121788		121789			4.50
5.25	4.50	4.90	2BK55 / 2MB53	8W	1.81						121793		127288			5.00
5.45	4.70	5.10	2BK57 / 2MB55	8W	1.81					121796	121797		127289			5.00
5.75	5.00	5.40	2BK60 / 2MB58	8W	1.81			121798	121799	121960	121961		127290			5.00
5.95	5.20	5.60	2BK62 / 2MB60	8W	1.81					121963	121964		127291			6.00
6.25	5.50	5.90	2BK65 / 2MB63	8A	1.81					121966	121967		127292			6.00
6.45	5.70	6.10	2BK67 / 2MB65	8A	1.69					121969	121970		127293			6.00
6.75	6.00	6.40	2BK70 / 2MB68	8A	1.81			121971		121972	127294	121973	127295	121974		6.00
7.75	7.00	7.40	2BK80 / 2MB78	8A	1.81			121975		121977	127296	121978	127297	121979		7.00
8.75	8.00	8.40	2BK90 / 2MB88	8A	1.81			121980		121981	127298	121982	127299	121983		8.00
9.75	9.00	9.40	2BK100 / 2MB98	8A	1.81			121984		121986		121987	127300	121988		10.00
10.75	10.00	10.40	2BK110 / 2MB108	8A	1.81					121989		121990		121991		13.00
11.75	11.00	11.40	2BK120 / 2MB118	8A	1.81					121993		121994		121995		10.00
12.75	12.00	12.40	2BK130 / 2MB128	8A	1.81					121996		121997		121998		15.00
13.75	13.00	13.40	2BK140 / 2MB138	8A	1.81					121703		121704		121705		17.00
15.75	15.00	15.40	2BK160 / 2MB158	8A	1.81					121712		121713		121720		18.00
18.75	18.00	18.40	2BK190 / 2MB188	8A	1.81							121728		121729		26.00

P.D. for A (4L) Belts = Datum Dia. + .35 = O.D. -.40

P.D. for B (5L) Belts = O.D.

(*) DO NOT use A belts with these specific bores

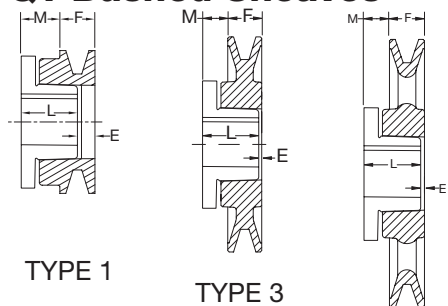
Bore sizes marked X are available - POA



FEATURES/BENEFITS PAGE PT8-2	SELECTION/DIMENSIONS PAGE PT8-3	SELECTION PAGE PT8-10	
---------------------------------	------------------------------------	--------------------------	--

SELECTION/DIMENSIONS

QT-Bushed Sheaves



QT-Bushed Sheaves

- Sizes AKQT, 2AKQT, BKQT, 2BKQT
- Uses QT(L)-Style Bushing
- Secure Clamp Fit to Shaft
- Bore Range 3/8 to 1-1/2"
- Integral Key Bushing — Available in Select Bores
- Inch and Metric Bores
- Suitable for Higher Capacity AX or BX Classic Cog Belts



AK (A & 3L - 4L V-BELTS) 1 GROOVE

O.D.	Datum Dia.		SHV NO	P/N	Type	Dimensions				Approx Wgt
	3L	A (4L)				E	F	L	M	
3.05	2.46	2.80	AK30QT / MAL30	121017	1B	0.38	0.75	1.69	0.97	1.15
3.25	2.66	3.00	AK32QT / MAL32	121018	1B	0.38	0.75	1.69	0.97	1.30
3.45	2.86	3.20	AK34QT / MAL34	121019	1B	0.09	0.75	1.69	0.69	1.20
3.75	3.16	3.50	AK39QT / MAL37	121020	1B	0.09	0.75	1.69	0.69	1.50
3.95	3.36	3.70	AK41QT / MAL39	121021	1B	0.09	0.75	1.69	0.69	1.75
4.25	3.66	4.00	AK44QT / MAL42	121022	1B	0.09	0.75	1.69	0.69	2.05
4.45	3.86	4.20	AK46QT / MAL44	121023	1B	0.09	0.75	1.69	0.69	2.25
4.75	4.16	4.50	AK49QT / MAL47	121024	3W	0.09	0.75	1.69	0.69	2.10
4.95	4.36	4.70	AK51QT / MAL49	121025	3W	0.09	0.75	1.69	0.69	2.35
5.25	4.66	5.00	AK54QT / MAL52	121026	3W	0.09	0.75	1.69	0.69	2.65
5.45	4.86	5.20	AK56QT / MAL54	121027	3W	0.09	0.75	1.69	0.69	2.75
5.75	5.16	5.50	AK59QT / MAL57	121028	5A	0.09	0.75	1.69	0.69	2.60
5.95	5.36	5.70	AK61QT / MAL59	121029	5A	0.09	0.75	1.69	0.69	2.50
6.25	5.66	6.00	AK64QT / MAL62	121030	5A	0.09	0.75	1.69	0.69	2.60
6.45	5.86	6.20	AK66QT / MAL64	121031	5A	0.09	0.75	1.69	0.69	2.70
6.75	6.16	6.50	AK69QT / MAL67	121032	5A	0.09	0.75	1.69	0.69	2.85
6.95	6.36	6.70	AK71QT / MAL69	121033	5A	0.09	0.75	1.69	0.69	2.90
7.25	6.66	7.00	AK74QT / MAL72	121034	5A	0.09	0.75	1.69	0.69	3.10
7.75	7.16	7.50	AK79QT / MAL77	121035	5A	0.09	0.75	1.69	0.69	3.35
8.25	7.66	8.00	AK84QT / MAL82	121036	5A	0.13	0.75	1.69	0.72	3.85
8.75	8.16	8.50	AK89QT / MAL87	121037	5A	0.09	0.75	1.69	0.69	4.10
9.25	8.66	9.00	AK94QT / MAL92	121038	5A	0.09	0.75	1.69	0.69	4.40
9.75	9.16	9.50	AK99QT / MAL97	121039	5A	0.09	0.75	1.69	0.69	4.60
10.25	9.66	10.00	AK104QT / MAL102	121040	5A	0.09	0.75	1.69	0.69	4.90
10.75	10.16	10.50	AK109QT / MAL107	121041	5A	0.09	0.75	1.69	0.69	5.20
11.25	10.66	11.00	AK114QT / MAL112	121042	5A	0.09	0.75	1.69	0.34	5.55
12.25	11.66	12.00	AK124QT / MAL122	121043	5A	0.09	0.75	1.69	0.69	5.90
13.25	12.66	13.00	AK134QT / MAL132	121044	5A	0.09	0.75	1.69	0.69	6.55
14.25	13.66	14.00	AK144QT / MAL142	121045	5A	0.09	0.75	1.69	0.69	7.30
15.25	14.66	15.00	AK154QT / MAL152	121046	5A	0.09	0.75	1.69	0.69	9.80
18.25	17.66	18.00	AK184QT / MAL182	121529	5A	0.09	0.75	1.69	0.69	9.95

P.D. for "3L Belt = D.D. + .25" = O.D. - .34"

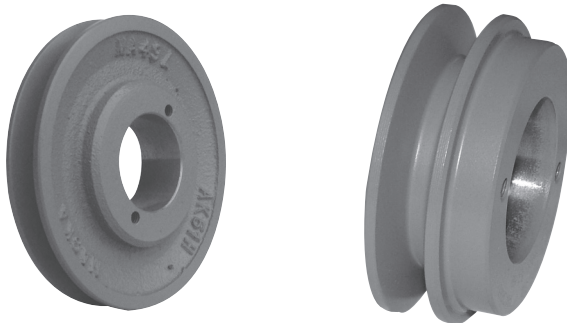
P.D. for "A (4L)" is same as O.D

NOTE: See Bushing section for bores/part numbers of QT Bushings used with these Sheaves

QT(L)-Bushings

Size	Part No.	Size	Part No.
Bore/Keyway		Integral Key	
QT x 3/8-NKS	121129	QT x 3/4-IK	121162
QT x 7/16-NKS	121130	QT x 7/8-IK	121163
QT x 1/2-KW	121131	QT x 1-IK	121164
QT x 9/16-KW	121133	QT x 1-1/8-IK	121186
QT x 5/8-KW	122050	QT x 1-3/16-IK	121187
Metric		Reborable	
QT x 11/16-KW	121134	QT x 3/8-NKS	120595
QT x 3/4-KW	122051		
QT x 13/16-KW	121136		
QT x 7/8-KW	122052		
QT x 15/16-KW	121138		
QT x 1-KW	122053		
QT x 1-1/16-KW	121140		
QT x 1-1/8-KW	122054		
QT x 13/16-KW	122055		
QT x 1-1/4-KW	122056		
QT x 15/16-KW	121144		
QT x 1-3/8-KW	121145		
QT x 17/16-KW	121146		
QT x 1-1/2-KW	121147		

NOTE: INSTALLATION SCREW SIZE=1/4-20X7/8
TORQUE=55 LB-IN



2AK (A V-BELTS) 2 GROOVE

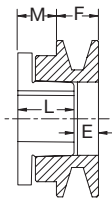
O.D.	D.D. A Belts	SHV NO	P/N	Type	Dimensions				Approx Wgt
					E	F	L	M	
3.05	2.80	2AK30QT / 2MAL30	121048	2B	1.00	1.38	1.34	.97	1.70
3.25	3.00	2AK32QT / 2MAL32	121049	2B	1.00	1.38	1.34	.97	1.90
3.45	3.20	2AK34QT / 2MAL34	121050	2B	.72	1.38	1.34	.69	1.90
3.75	3.50	2AK39QT / 2MAL37	121051	2B	.72	1.38	1.34	.69	2.15
3.95	3.70	2AK41QT / 2MAL39	121052	4B	.09	1.38	1.34	0.06	2.30
4.25	4.00	2AK44QT / 2MAL42	121053	4B	.09	1.38	1.34	0.06	2.75
4.45	4.20	2AK46QT / 2MAL44	121054	4W	.09	1.38	1.34	0.06	2.85
4.75	4.50	2AK49QT / 2MAL47	121055	4W	.09	1.38	1.34	0.06	3.50
4.95	4.70	2AK51QT / 2MAL49	121056	4W	.09	1.38	1.34	0.06	3.70
5.25	5.00	2AK54QT / 2MAL52	121057	4W	.09	1.38	1.34	0.06	4.05
5.45	5.20	2AK56QT / 2MAL54	121058	4W	.09	1.38	1.34	0.06	4.20
5.75	5.50	2AK59QT / 2MAL57	121059	6A	.09	1.38	1.34	0.06	3.90
5.95	5.70	2AK61QT / 2MAL59	121060	6A	.09	1.38	1.34	0.06	4.05
6.25	6.00	2AK64QT / 2MAL62	121061	6A	.09	1.38	1.34	0.06	4.50
7.25	7.00	2AK74QT / 2MAL72	121062	6A	.09	1.38	1.34	0.06	5.70
8.25	8.00	2AK84QT / 2MAL82	121063	6A	.09	1.38	1.34	0.06	6.50
9.25	9.00	2AK94QT / 2MAL92	121064	6A	.09	1.38	1.34	0.06	7.80
10.25	10.00	2AK104QT / 2MAL102	121065	6A	.09	1.38	1.34	0.06	8.80
11.25	11.00	2AK114QT / 2MAL112	121066	6A	.09	1.38	1.34	0.06	9.50
12.25	12.00	2AK124QT / 2MAL122	121067	6A	.09	1.38	1.34	0.06	10.60
13.25	13.00	2AK134QT / 2MAL132	121068	6A	.09	1.38	1.34	0.06	11.90
14.25	14.00	2AK144QT / 2MAL142	121069	6A	.09	1.38	1.34	0.06	12.45
15.25	15.00	2AK154QT / 2MAL152	121070	6A	.09	1.38	1.34	0.06	14.00
18.25	18.00	2AK184QT / 2MAL182	121008	6A	.09	1.38	1.25	0.06	17.95

FEATURES/BENEFITS PAGE PT8-2	SELECTION/DIMENSIONS PAGE PT8-3	SELECTION PAGE PT8-10	
---------------------------------	------------------------------------	--------------------------	--

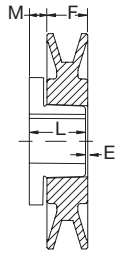


SELECTION/DIMENSIONS

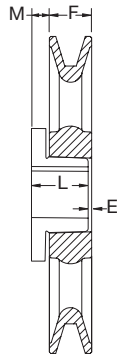
QT-Bushed Sheaves



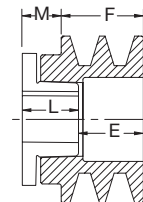
TYPE 1



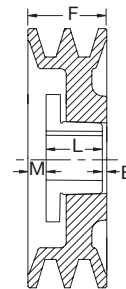
TYPE 3



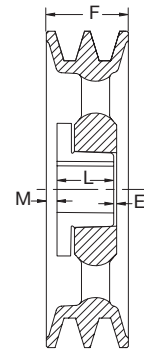
TYPE 5



TYPE 2



TYPE 4



TYPE 6

BK (A (3L) & B (4L) V-BELTS) 1 GROOVE

O.D.	Datum Dia.		SHV NO	P/N	Type	Dimensions				Approx Wgt
	3L	A (4L)				E	F	L	M	
3.15	2.40	2.80	BK30QT / MBL31	121072	1B	.53	.91	1.34	.98	1.25
3.35	2.60	3.00	BK32QT / MBL33	121073	1B	.53	.91	1.34	.98	1.40
3.55	2.80	3.20	BK34QT / MBL35	121074	1B	.53	.91	1.34	.98	1.65
3.75	3.00	3.40	BK36QT / MBL37	121075	1B	.09	.91	1.34	.53	1.40
3.95	3.20	3.60	BK40QT / MBL39	121076	1B	.09	.91	1.34	.53	1.70
4.25	3.50	3.90	BK45QT / MBL42	121077	1B	.09	.91	1.34	.53	2.05
4.45	3.70	4.10	BK47QT / MBL44	121078	1B	.09	.91	1.34	.53	2.35
4.75	4.00	4.40	BK50QT / MBL47	121079	3W	.09	.91	1.34	.53	1.95
4.95	4.20	4.60	BK52QT / MBL49	121080	3W	.09	.91	1.34	.53	2.40
5.25	4.50	4.90	BK55QT / MBL52	121081	3W	.09	.91	1.34	.53	2.35
5.45	4.70	5.10	BK57QT / MBL54	121082	3W	.09	.91	1.34	.53	2.90
5.75	5.00	5.40	BK60QT / MBL57	121083	3W	.09	.91	1.34	.53	2.45
5.95	5.20	5.60	BK62QT / MBL59	121084	5A	.09	.91	1.34	.53	2.80
6.25	5.50	5.90	BK65QT / MBL62	121085	5A	.09	.91	1.34	.53	2.70
6.45	5.70	6.10	BK67QT / MBL64	121086	5A	.09	.91	1.34	.53	2.80
6.75	6.00	6.40	BK70QT / MBL67	121087	5A	.09	.91	1.34	.53	3.00
6.95	6.20	6.60	BK72QT / MBL69	121088	5A	.09	.91	1.34	.53	3.60
7.25	6.50	6.90	BK75QT / MBL72	121089	5A	.09	.91	1.34	.53	3.45
7.45	6.70	7.10	BK77QT / MBL74	121090	5A	.09	.91	1.34	.53	3.65
7.75	7.00	7.40	BK80QT / MBL77	121091	5A	.09	.91	1.34	.53	3.80
8.25	7.50	7.90	BK85QT / MBL82	121092	5A	.09	.91	1.34	.53	4.55
8.75	8.00	8.40	BK90QT / MBL87	121093	5A	.09	.91	1.34	.53	5.10
9.25	8.50	8.90	BK95QT / MBL92	121094	5A	.09	.91	1.34	.53	5.30
9.75	9.00	9.40	BK100QT / MBL97	121095	5A	.09	.91	1.34	.53	5.80
10.25	9.50	9.90	BK105QT / MBL102	121096	5A	.09	.91	1.34	.53	5.50
10.75	10.00	10.40	BK110QT / MBL107	121097	5A	.09	.91	1.34	.53	5.85
11.25	10.50	10.90	BK115QT / MBL112	121098	5A	.09	.91	1.34	.53	7.20
11.75	11.00	11.40	BK120QT / MBL117	121099	5A	.09	.91	1.34	.53	6.59
12.75	12.00	12.40	BK130QT / MBL127	121100	5A	.09	.91	1.34	.53	7.90
13.75	13.00	13.40	BK140QT / MBL137	121101	5A	.09	.91	1.34	.53	10.15
14.75	14.00	14.40	BK150QT / MBL147	121102	5A	.09	.91	1.34	.53	13.25
15.75	15.00	15.40	BK160QT / MBL157	121103	5A	.09	.91	1.34	.53	16.05
18.75	18.00	18.40	BK190QT / MBL187	121009	5A	.09	.91	1.34	.53	12.45

P.D. for "A (4L)" Belts = D.D. + .35" = O.D. -.40"

P.D. for "B (5L)" is same as O.D

NOTE: See Bushing section for bores/part numbers of QT Bushings used with these Sheaves

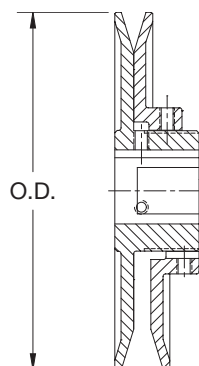
2BK (A & B V-BELTS) 2 GROOVE

O.D.	Datum Dia.		SHV NO	P/N	Type	Dimensions				Approx Wgt
	A	B				E	F	L	M	
3.35	2.60	3.00	2BK32QT / 22MBL33	121105	2B	1.38	1.75	1.34	.97	2.35
3.55	2.80	3.20	2BK34QT / 2MBL35	121106	2B	1.38	1.75	1.34	.97	2.55
3.75	3.00	3.40	2BK36QT / 2MBL37	121107	2B	1.38	1.75	1.34	.97	3.00
3.95	3.20	3.60	2BK40QT / 2MBL39	121108	2B	.94	1.75	1.34	.53	2.80
4.25	3.50	3.90	2BK45QT / 2MBL42	121109	2B	.94	1.75	1.34	.53	3.25
4.45	3.70	4.10	2BK47QT / 2MBL44	121110	2B	.94	1.75	1.34	.53	3.35
4.75	4.00	4.40	2BK50QT / 2MBL47	121111	2B	.09	1.75	1.34	.31	3.85
4.95	4.20	4.60	2BK52QT / 2MBL49	121112	4W	.09	1.75	1.34	.31	4.00
5.25	4.50	4.90	2BK55QT / 2MBL52	121113	4W	.09	1.75	1.34	.31	4.40
5.45	4.70	5.10	2BK57QT / 2MBL54	121114	4W	.09	1.75	1.34	.31	4.95
5.75	5.00	5.40	2BK60QT / 2MBL57	121115	4W	.09	1.75	1.34	.31	5.30
5.95	5.20	5.60	2BK62QT / 2MBL59	121116	4W	.09	1.75	1.34	.31	5.80
6.25	5.50	5.90	2BK65QT / 2MBL62	121117	4W	.06	1.75	1.34	.34	5.40
6.45	5.70	6.10	2BK67QT / 2MBL64	121118	6A	.06	1.75	1.34	.34	5.85
6.75	6.00	6.40	2BK70QT / 2MBL67	121119	6A	.06	1.75	1.34	.34	5.55
6.95	6.20	6.60	2BK72QT / 2MBL69		6A	.06	1.75	1.34	.34	6.65
7.75	7.00	7.40	2BK80QT / 2MBL77	121120	6A	.06	1.75	1.34	.34	6.85
8.75	8.00	8.40	2BK90QT / 2MBL87	121121	6A	.06	1.75	1.34	.34	9.65
9.75	9.00	9.40	2BK100QT / 2MBL97	121122	6A	.06	1.75	1.34	.34	9.20
10.75	10.00	10.40	2BK110QT / 2MBL107	121123	6A	.06	1.75	1.34	.34	12.80
11.75	11.00	11.40	2BK120QT / 2MBL117	121124	6A	.06	1.75	1.34	.34	14.65
12.75	12.00	12.40	2BK130QT / 2MBL127	121125	6A	.06	1.75	1.34	.34	14.15
13.75	13.00	13.40	2BK140QT / 2MBL137	121126	6A	.06	1.75	1.34	.34	14.95
15.75	15.00	15.40	2BK160QT / 2MBL157	121127	6A	.06	1.75	1.34	.34	18.70
18.75	18.00	18.40	2BK190QT / 2MBL187	121016	6A	.06	1.75	1.34	.34	24.20



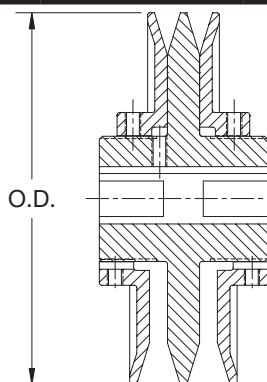
SELECTION/DIMENSIONS

Variable Pitch Sheaves



ONE GROOVE

SHV NO.	O.D.	Overall Length	WT LBS	Stock Bores									MAX BORE		
				1/2	5/8	3/4	7/8	1	1-1/8	1-1/4	1-3/8	1-5/8			
1VP25	2.58	1.59	0.7	127400											0.75
1VP30	2.87	1.66	1.1	121203	121207	127401									0.75
1VP34	3.15	1.88	1.4	121208	121209	121210	121211								1.13
1VP40	3.75	1.88	1.9	121212	121213	121214	121215								1.13
1VP44	4.15	1.88	2.4	121216	121217	121218	121219	121220	121221						1.13
1VP50	4.75	1.88	3.6	121222	121223	121224	121225	121226	121227						1.13
1VP56	5.35	1.88	4.4	121228	121229	121230	121231	121232	121233						1.13
1VP60	6.00	1.66	6.5			127402	127403		127404						1.63
1VP62	5.95	1.91	6.7		127405	121234	121235	121236	121237	121239	121240				1.63
1VP65	6.50	1.66	6.8			127406	127407		127441						1.63
1VP68	6.55	1.91	7.3		127408	121241	121242	121243	121244	121246	121247				1.63
1VP71	7.10	1.66	8.5			127409	127410		127411						1.63
1VP75	7.50	1.66	9.2			121248	121249		121251						1.63



TWO GROOVE

SHV NO.	O.D.	Overall Length	WT LBS	Stock Bores									MAX BORE		
				1/2	5/8	3/4	7/8	1	1-1/8	1-1/4	1-3/8	1-5/8			
2VP36	3.35	3.00	3.4	127412	127413	127414	127415	127416							1.13
2VP42	3.95	3.00	4.4		127417	127418	127419	127420	127421						1.13
2VP50	4.75	3.00	6.3		121266	121267	121268	121269	121270						1.13
2VP56	5.35	3.00	7.8		121271	121272	121273	121274	121275						1.63
2VP60	6.00	3.25	10.6			127431	127432		127434		127435	127444			1.63
2VP62	5.95	3.00	11.0			121276	121277	121278	121279	127422	121295				1.63
2VP65	6.50	3.25	12.3			127423	127424		127425		127426	127445			1.63
2VP68	6.55	3.00	12.7				121281	121282	121283	121285	121286				1.63
2VP71	7.10	3.25	14.6			127427	127428		127429		127430	127446			1.63
2VP75	7.50	3.25	16.5			121287	121288		121290		121293	127447			1.63

Bore	Keyseat
1/2	None
5/8 to 7/8	3/16 x 3/32
15/16 to 1-1/4	1/4 x 1/8
1-5/16 - 1-3/8	5/16 x 5/32

FEATURES/BENEFITS PAGE PT8-2	SELECTION/DIMENSIONS PAGE PT8-3	SELECTION PAGE PT8-10	
---------------------------------	------------------------------------	--------------------------	--



SELECTION

FHP Fixed Speed Drives

PROCEDURE

- 1. Calculate the Drive Ratio:** DriveR RPM divided by DriveN RPM.
- 2. Calculate the Design Horsepower:** Multiply motor HP by the “combined Correction Factor” listed below. If the exact type of machine is not listed, use the one that most nearly matches the application.
- 3. Select DriveR Sheave:** In the HP Rating Tables, scan the RPM column for the HP rating that is equal to or greater than the Design HP calculated in Step 2. The DriveR sheave size is listed in the left-hand column. Normally the smallest diameter sheave alternative that covers the Design HP will result in the most economical drive.
- 4. Select the DriveN Sheave:** Refer to the appropriate “Ratio Table”. Choose the DriveN Sheave at the intersection of the calculated ratio and the DriveR Sheave.
- 5. Select Belt Length:** Add DriveR and DriveN sheave diameters. Locate this number on the top row of the Center Distance Table. Trace down to the desired center distance in this column. The appropriate belt length will be listed in the left hand column. Belt length is indicated by the belt nomenclature: e.g., 4L350 is 35.0” long, 5L530 is 53.0” long, B36 is 36” long, etc.

NOTE: This procedure will provide approximate center distance. For more accurate results, refer to the “Non-Standard Drive Selection Procedure” for S-L Classic V-Drives.

6. Two Belt Drives: If the Design Horsepower is greater than the belt listed belt rating, divide the DHP by two, and proceed as though it were a single belt drive. **CAUTION:** FHP belts are not matched, and are therefore not normally recommended for two-belt drives. A, B, AX, or BX belts are matched and may be substituted. Also, these classical belts may have a significantly higher HP rating, which could allow for a more economical single belt drive.

Driven Machine	Speed Ratio	
	Under 1.5	1.5 and Over
Fans & Blowers	1.0	0.9
Domestic Laundry Mach.	1.1	1.0
Centrifugal Pumps	1.1	1.0
Generators	1.2	1.1
Rotary Compressors	1.3	1.1
Machine Tools	1.3	1.2
Reciprocating Pumps	1.4	1.3
Recip. Compressors	1.4	1.3
Woodworking Machy.	1.4	1.3

Horsepower Ratings

Small Shv.	Belt Horsepower Rating for RPM of Faster Shaft **											
	1160	1750	3450	1000	1500	2000	2500	3000	3500	4000	4500	5000
1.50	0.07	0.09	0.11	0.07	0.09	0.10	0.11	0.11	0.11	0.11	0.10	0.09
1.75	0.13	0.17	0.25	0.12	0.15	0.19	0.21	0.23	0.25	0.26	0.26	0.26
2.00	0.18	0.25	0.38	0.16	0.22	0.27	0.31	0.35	0.38	0.40	0.42	0.42
2.25	0.23	0.32	0.50	0.21	0.29	0.35	0.41	0.46	0.50	0.54	0.56	0.57
2.50	0.28	0.39	0.62	0.25	0.35	0.43	0.51	0.57	0.62	0.66	0.68	0.69
2.75	0.34	0.46	0.73	0.30	0.41	0.51	0.60	0.68	0.74	0.78	0.80	0.80
3.00	0.39	0.54	0.83	0.34	0.47	0.59	0.69	0.78	0.84	0.88	0.90	0.89

**Synchronous belt drives are suggested for lower RPM's.

(continued next page)

FEATURES/BENEFITS PAGE PT8-2	SELECTION/DIMENSIONS PAGE PT8-3	SELECTION PAGE PT8-10	
---------------------------------	------------------------------------	--------------------------	--



SELECTION

Horsepower Ratings

4L, A, AX Section Belts

Small Shv. O.D.	Belt Section	Belt Horsepower Rating for RPM of Faster Shaft **											
		1160	1750	3450	1000	1500	2000	2500	3000	3500	4000	4500	5000
2.00*	4L	0.12	0.12	0.02	0.11	0.12	0.11	0.09	0.06	0.02	-	-	-
	A	-	-	-	-	-	-	-	-	-	-	-	-
	AX	-	1.24	1.40	-	-	1.30	1.38	1.42	1.40	1.35	1.25	1.08
2.25*	4L	0.23	0.28	0.30	0.21	0.26	0.30	0.31	0.31	0.30	0.27	0.22	0.15
	A	-	1.17	1.60	-	-	1.26	1.40	1.52	1.60	1.64	1.65	1.62
	AX	-	1.58	1.98	-	1.23	1.68	1.83	1.94	1.98	1.98	1.92	1.82
2.50	4L	0.34	0.44	0.57	0.31	0.40	0.47	0.53	0.56	0.57	0.56	0.54	0.47
	A	-	1.55	2.26	-	1.40	1.60	1.91	2.11	2.31	2.42	2.50	2.48
	AX	-	2.05	2.73	-	1.87	2.19	2.52	2.69	2.74	2.83	2.85	2.83
2.75	4L	0.45	0.60	0.83	0.41	0.54	0.65	0.73	0.79	0.83	0.83	0.81	0.78
	A	-	1.92	2.61	-	1.74	2.21	2.39	2.68	2.89	3.03	3.12	3.18
	AX	-	2.50	3.53	-	2.31	2.72	3.13	3.40	3.57	3.70	3.84	3.91
3.00	4L	0.56	0.75	1.07	0.50	0.67	0.82	0.94	1.02	1.07	1.09	1.07	1.01
	A	1.68	2.23	3.34	-	1.97	2.42	2.78	3.09	3.41	3.52	3.64	3.67
	AX	2.22	2.90	4.14	-	2.63	3.14	3.58	3.89	4.01	4.40	4.59	4.71
3.25	4L	0.67	0.90	1.30	0.60	0.81	0.99	1.13	1.24	1.31	1.33	1.30	1.23
	A	1.97	2.61	3.79	-	2.37	2.85	3.24	3.57	3.78	3.95	4.08	4.11
	AX	2.45	3.25	4.81	-	2.88	3.57	3.94	4.41	4.78	5.12	5.31	5.47
3.5	4L	0.77	1.05	1.52	0.69	0.94	1.15	1.32	1.45	1.53	1.55	1.51	1.41
	A	2.32	3.13	4.66	2.07	2.81	3.42	3.93	4.35	4.65	4.84	4.90	4.83
	AX	2.79	3.68	5.68	2.51	3.31	4.01	4.61	5.19	5.64	6.08	6.37	6.54
3.75	4L	0.86	1.20	1.73	0.78	1.07	1.31	1.51	1.65	1.73	1.75	1.69	1.55
	A	2.63	3.58	5.35	-	3.17	3.90	4.51	4.98	5.31	5.56	5.67	5.63
	AX	3.05	4.06	6.43	-	3.66	4.44	5.20	5.87	6.41	6.87	7.09	7.40
4.00	4L	0.98	1.34	1.92	0.87	1.20	1.47	1.69	1.84	1.92	1.92	1.84	1.65
	A	2.94	4.01	6.02	2.62	3.58	4.40	4.10	5.64	6.04	6.29	6.37	6.28
	AX	3.34	4.46	7.14	3.00	3.95	4.93	5.78	6.52	7.13	7.64	7.98	8.19

5L, B, BX Section Belts

Small Shv. O.D.	Belt Section	Belt Horsepower Rating for RPM of Faster Shaft **											
		1160	1750	3450	1000	1500	2000	2500	3000	3500	4000	4500	5000
3.00*	5L	0.28	0.27	-	0.27	0.28	0.24	0.16	0.04	-	-	-	-
	B	1.35	1.58	1.28	-	1.51	1.62	1.61	1.50	1.27	0.95	0.45	-
	BX	2.90	3.72	5.16	-	3.38	4.02	4.51	4.90	5.15	5.31	5.33	5.25
3.25*	5L	0.46	0.52	0.28	0.43	0.50	1.52	0.49	0.41	0.26	0.04	-	-
	B	1.72	2.03	2.00	-	1.89	2.18	2.22	2.17	1.98	1.75	1.25	0.75
	BX	3.29	4.20	5.92	-	3.81	4.50	5.15	5.59	5.85	6.12	6.18	6.15
3.50	5L	0.63	0.77	0.65	0.58	0.72	0.80	0.82	0.76	0.63	0.42	0.12	-
	B	2.20	2.67	3.05	1.80	2.45	2.80	3.05	3.12	3.14	3.84	2.36	1.82
	BX	3.76	4.77	6.87	2.87	4.37	5.20	5.91	6.51	6.92	7.15	7.26	7.16
3.75	5L	0.81	1.01	1.00	0.74	0.94	1.07	1.13	1.10	0.99	0.77	0.44	-
	B	2.61	3.31	4.01	2.33	2.98	3.52	3.87	4.02	4.03	3.81	3.38	2.75
	BX	4.22	5.45	7.85	3.70	4.83	5.87	6.60	7.40	7.92	8.12	8.35	8.20
4.00	5L	0.98	1.25	1.33	0.89	1.15	1.33	1.43	1.43	1.31	1.08	0.71	0.19
	B	3.00	3.77	4.70	2.66	3.40	4.04	4.45	4.68	4.70	4.43	4.03	3.39
	BX	4.58	5.93	8.57	4.02	5.32	6.46	7.35	8.07	8.53	8.88	8.97	8.92
4.25	5L	1.15	1.49	1.63	1.04	1.36	1.59	1.72	1.73	1.62	1.35	0.93	0.33
	B	3.35	4.19	5.32	2.95	3.81	4.53	5.05	5.31	5.35	5.18	5.65	3.95
	BX	4.98	6.39	9.23	4.42	5.74	7.06	7.91	8.71	9.19	9.61	9.60	9.58
4.50	5L	1.32	1.72	1.91	1.19	1.57	1.84	2.00	2.02	1.89	1.59	1.10	0.39
	B	3.81	4.87	5.31	3.81	4.41	5.26	5.73	6.12	6.23	5.98	5.41	4.52
	BX	5.37	6.99	10.12	4.71	6.28	7.61	8.66	9.52	10.12	10.52	10.62	10.45
4.75	5L	1.49	1.95	2.16	1.34	1.77	2.09	2.27	2.29	2.14	1.79	1.21	0.38
	B	4.38	5.61	7.00	3.82	5.14	6.01	6.70	7.01	7.00	6.71	6.04	5.04
	BX	5.80	7.54	12.02	5.06	6.82	8.20	9.51	10.50	11.41	11.75	11.90	11.46
5.00	5L	1.66	2.17	2.39	1.49	1.98	2.33	2.53	2.55	2.36	1.94	1.26	0.28
	B	4.75	6.16	7.69	4.21	5.57	6.65	7.35	7.74	7.69	7.25	6.54	-
	BX	6.15	8.08	12.28	5.38	7.29	8.90	10.59	11.47	12.30	12.73	12.76	-

NOTES: * These sizes are below min. recommended diameter

** Synchronous belt drives are suggested for lower RPM's.

FEATURES/BENEFITS PAGE PT8-2	SELECTION/DIMENSIONS PAGE PT8-3	SELECTION PAGE PT8-10	
---------------------------------	------------------------------------	--------------------------	--



SELECTION

Ratio Table

AK, 2AK, AKQT, 2AKQT Sheave SERIES

Driven Shv.	Driver Sheave																	
	AK20	AK21	AK22	AK23	AK25	AK26	AK27	AK28	AK30	AK32	AK34	AK39	AK41	AK44	AK46	AK49	AK51	AK54
AK20	1.00	0.95	0.90	0.86	0.78	0.75	0.72	0.69	0.64	0.60	0.56	0.51	0.49	0.45	0.43	0.40	0.38	0.36
AK21	1.06	1.00	0.95	0.90	0.83	0.79	0.76	0.73	0.68	0.63	0.59	0.54	0.51	0.48	0.45	0.42	0.40	0.38
AK22	1.11	1.05	1.00	0.95	0.87	0.83	0.80	0.77	0.71	0.67	0.63	0.57	0.54	0.50	0.48	0.44	0.43	0.40
AK23	1.17	1.11	1.05	1.00	0.91	0.88	0.84	0.81	0.75	0.70	0.66	0.60	0.57	0.53	0.50	0.47	0.45	0.42
AK25	1.28	1.21	1.15	1.10	1.00	0.96	0.92	0.88	0.82	0.77	0.72	0.66	0.62	0.58	0.55	0.51	0.49	0.46
AK26	1.33	1.26	1.20	1.14	1.04	1.00	0.96	0.92	0.86	0.80	0.75	0.69	0.65	0.60	0.57	0.53	0.51	0.48
AK27	1.39	1.32	1.25	1.19	1.09	1.04	1.00	0.96	0.89	0.83	0.78	0.71	0.68	0.63	0.60	0.56	0.53	0.50
AK28	1.44	1.37	1.30	1.24	1.13	1.08	1.04	1.00	0.93	0.87	0.81	0.74	0.70	0.65	0.62	0.58	0.55	0.52
AK30	1.56	1.47	1.40	1.33	1.22	1.17	1.12	1.08	1.00	0.93	0.88	0.80	0.76	0.70	0.67	0.62	0.60	0.56
AK32	1.67	1.58	1.50	1.43	1.30	1.25	1.20	1.15	1.07	1.00	0.94	0.86	0.81	0.75	0.71	0.67	0.64	0.60
AK34	1.78	1.68	1.60	1.52	1.39	1.33	1.28	1.23	1.14	1.07	1.00	0.91	0.86	0.80	0.76	0.71	0.68	0.64
AK39	1.94	1.84	1.75	1.67	1.52	1.46	1.40	1.35	1.25	1.17	1.09	1.00	0.95	0.88	0.83	0.78	0.74	0.70
AK41	2.06	1.95	1.85	1.76	1.61	1.54	1.48	1.42	1.32	1.23	1.16	1.06	1.00	0.93	0.88	0.82	0.79	0.74
AK44	2.22	2.11	2.00	1.90	1.74	1.67	1.60	1.54	1.43	1.33	1.25	1.14	1.08	1.00	0.95	0.89	0.85	0.80
AK46	2.33	2.21	2.10	2.00	1.83	1.75	1.68	1.62	1.50	1.40	1.31	1.20	1.14	1.05	1.00	0.93	0.89	0.84
AK49	2.50	2.37	2.25	2.14	1.96	1.88	1.80	1.73	1.61	1.50	1.41	1.29	1.22	1.13	1.07	1.00	0.96	0.90
AK51	2.61	2.47	2.35	2.24	2.04	1.96	1.88	1.81	1.68	1.57	1.47	1.34	1.27	1.18	1.12	1.04	1.00	0.94
AK54	2.72	2.58	2.45	2.33	2.13	2.04	1.96	1.88	1.75	1.63	1.53	1.40	1.32	1.23	1.17	1.09	1.04	0.98
AK56	2.89	2.74	2.60	2.48	2.26	2.17	2.08	2.00	1.86	1.73	1.63	1.49	1.41	1.30	1.24	1.16	1.11	1.04
AK59	3.06	2.89	2.75	2.62	2.39	2.29	2.20	2.12	1.96	1.83	1.72	1.57	1.49	1.38	1.31	1.22	1.17	1.10
AK61	3.17	3.00	2.85	2.71	2.48	2.37	2.28	2.19	2.04	1.90	1.78	1.63	1.54	1.43	1.36	1.27	1.21	1.14
AK64	3.33	3.16	3.00	2.86	2.61	2.50	2.40	2.31	2.14	2.00	1.88	1.71	1.62	1.50	1.43	1.33	1.28	1.20
AK66	3.44	3.26	3.10	2.95	2.70	2.58	2.48	2.38	2.21	2.07	1.94	1.77	1.68	1.55	1.48	1.38	1.32	1.24
AK69	3.61	3.42	3.25	3.10	2.83	2.71	2.60	2.50	2.32	2.17	2.03	1.86	1.76	1.63	1.55	1.44	1.38	1.30
AK71	3.72	3.53	3.35	3.19	2.91	2.79	2.68	2.58	2.39	2.23	2.09	1.91	1.81	1.68	1.60	1.49	1.43	1.34
AK74	3.89	3.68	3.50	3.33	3.04	2.92	2.80	2.69	2.50	2.33	2.19	2.00	1.89	1.75	1.67	1.56	1.49	1.40
AK79	4.17	3.95	3.75	3.57	3.26	3.13	3.00	2.88	2.68	2.50	2.34	2.14	2.03	1.88	1.79	1.67	1.60	1.50
AK84	4.44	4.21	4.00	3.81	3.48	3.33	3.20	3.08	2.86	2.67	2.50	2.29	2.16	2.00	1.90	1.78	1.70	1.60
AK89	4.72	4.47	4.25	4.05	3.70	3.54	3.40	3.27	3.04	2.83	2.66	2.43	2.30	2.13	2.02	1.89	1.81	1.70
AK94	5.00	4.74	4.50	4.29	3.91	3.75	3.60	3.46	3.21	3.00	2.81	2.57	2.43	2.25	2.14	2.00	1.91	1.80
AK99	5.28	5.00	4.75	4.52	4.13	3.96	3.80	3.65	3.39	3.17	2.97	2.71	2.57	2.38	2.26	2.11	2.02	1.90
AK104	5.56	5.26	5.00	4.76	4.35	4.17	4.00	3.85	3.57	3.33	3.13	2.86	2.70	2.50	2.38	2.22	2.13	2.00
AK109	5.89	5.58	5.30	5.05	4.61	4.42	4.24	4.08	3.79	3.53	3.31	3.03	2.86	2.65	2.52	2.36	2.26	2.12
AK114	6.11	5.79	5.50	5.24	4.78	4.58	4.40	4.23	3.93	3.67	3.44	3.14	2.97	2.75	2.62	2.44	2.34	2.20
AK124	6.67	6.32	6.00	5.71	5.22	5.00	4.80	4.62	4.29	4.00	3.75	3.43	3.24	3.00	2.86	2.67	2.55	2.40
AK134	7.22	6.84	6.50	6.19	5.65	5.42	5.20	5.00	4.64	4.33	4.06	3.71	3.51	3.25	3.10	2.89	2.77	2.60
AK144	7.78	7.37	7.00	6.67	6.09	5.83	5.60	5.38	5.00	4.67	4.38	4.00	3.78	3.50	3.33	3.11	2.98	2.80
AK154	8.33	7.89	7.50	7.14	6.52	6.25	6.00	5.77	5.36	5.00	4.69	4.29	4.05	3.75	3.57	3.33	3.19	3.00
AK184	10.0	9.47	9.00	8.57	7.83	7.50	7.20	6.92	6.43	6.00	5.63	5.14	4.86	4.50	4.29	4.00	3.83	3.60



SELECTION

Ratio Table

BK, 2BK, BKQT, 2BKQT SERIES

Driven Shv.	Driver Sheave																				
	BK23	BK24	BK25	BK26	BK27	BK28	BK30	BK31	BK32	BK34	BK36	BK40	BK45	BK47	BK50	BK52	BK55	BK57	BK60	BK62	BK65
BK23	1.00	0.95	0.91	0.88	0.84	0.81	0.75	0.72	0.70	0.66	0.62	0.58	0.54	0.51	0.48	0.46	0.43	0.41	0.39	0.38	0.36
BK24	1.05	1.00	0.96	0.92	0.88	0.85	0.79	0.76	0.73	0.69	0.65	0.61	0.56	0.54	0.50	0.48	0.45	0.43	0.41	0.39	0.37
BK25	1.10	1.05	1.00	0.96	0.92	0.88	0.82	0.79	0.77	0.72	0.68	0.64	0.59	0.56	0.52	0.50	0.47	0.45	0.43	0.41	0.39
BK26	1.14	1.09	1.04	1.00	0.96	0.92	0.86	0.83	0.80	0.75	0.71	0.67	0.62	0.59	0.55	0.52	0.49	0.47	0.44	0.43	0.41
BK27	1.19	1.14	1.09	1.04	1.00	0.96	0.89	0.86	0.83	0.78	0.74	0.69	0.64	0.61	0.57	0.54	0.51	0.49	0.46	0.45	0.42
BK28	1.24	1.18	1.13	1.08	1.04	1.00	0.93	0.90	0.87	0.81	0.76	0.72	0.67	0.63	0.59	0.57	0.53	0.51	0.48	0.46	0.44
BK30	1.33	1.27	1.22	1.17	1.12	1.08	1.00	0.97	0.93	0.88	0.82	0.78	0.72	0.68	0.64	0.61	0.57	0.55	0.52	0.50	0.47
BK31	1.38	1.32	1.26	1.21	1.16	1.12	1.04	1.00	0.97	0.91	0.85	0.81	0.74	0.71	0.66	0.63	0.59	0.57	0.54	0.52	0.49
BK32	1.43	1.36	1.30	1.25	1.20	1.15	1.07	1.03	1.00	0.94	0.88	0.83	0.77	0.73	0.68	0.65	0.61	0.59	0.56	0.54	0.51
BK34	1.52	1.45	1.39	1.33	1.28	1.23	1.14	1.10	1.07	1.00	0.94	0.89	0.82	0.78	0.73	0.70	0.65	0.63	0.59	0.57	0.54
BK36	1.62	1.55	1.48	1.42	1.36	1.31	1.21	1.17	1.13	1.06	1.00	0.94	0.87	0.83	0.77	0.74	0.69	0.67	0.63	0.61	0.58
BK40	1.71	1.64	1.57	1.50	1.44	1.38	1.29	1.24	1.20	1.13	1.06	1.00	0.92	0.88	0.82	0.78	0.73	0.71	0.67	0.64	0.61
BK45	1.86	1.77	1.70	1.63	1.56	1.50	1.39	1.34	1.30	1.22	1.15	1.08	1.00	0.95	0.89	0.85	0.80	0.76	0.72	0.70	0.66
BK47	1.95	1.86	1.78	1.71	1.64	1.58	1.46	1.41	1.37	1.28	1.21	1.14	1.05	1.00	0.93	0.89	0.84	0.80	0.76	0.73	0.69
BK50	2.10	2.00	1.91	1.83	1.76	1.69	1.57	1.52	1.47	1.38	1.29	1.22	1.13	1.07	1.00	0.96	0.90	0.86	0.81	0.79	0.75
BK52	2.19	2.09	2.00	1.92	1.84	1.77	1.64	1.59	1.53	1.44	1.35	1.28	1.18	1.12	1.05	1.00	0.94	0.90	0.85	0.82	0.78
BK55	2.33	2.23	2.13	2.04	1.96	1.88	1.75	1.69	1.63	1.53	1.44	1.36	1.26	1.20	1.11	1.07	1.00	0.96	0.91	0.88	0.83
BK57	2.43	2.32	2.22	2.12	2.04	1.96	1.82	1.76	1.70	1.59	1.50	1.42	1.31	1.24	1.16	1.11	1.04	1.00	0.94	0.91	0.86
BK60	2.57	2.45	2.35	2.25	2.16	2.08	1.93	1.86	1.80	1.69	1.59	1.50	1.38	1.32	1.23	1.17	1.10	1.06	1.00	0.96	0.92
BK62	2.67	2.55	2.43	2.33	2.24	2.15	2.00	1.93	1.87	1.75	1.65	1.56	1.44	1.37	1.27	1.22	1.14	1.10	1.04	1.00	0.95
BK65	2.81	2.68	2.57	2.46	2.36	2.27	2.11	2.03	1.97	1.84	1.74	1.64	1.51	1.44	1.34	1.28	1.20	1.16	1.09	1.05	1.00
BK67	2.90	2.77	2.65	2.54	2.44	2.35	2.18	2.10	2.03	1.91	1.79	1.69	1.56	1.49	1.39	1.33	1.24	1.20	1.13	1.09	1.03
BK70	3.05	2.91	2.78	2.67	2.56	2.46	2.29	2.21	2.13	2.00	1.88	1.78	1.64	1.56	1.45	1.39	1.31	1.25	1.19	1.14	1.08
BK72	3.14	3.00	2.87	2.75	2.64	2.54	2.36	2.28	2.20	2.06	1.94	1.83	1.69	1.61	1.50	1.43	1.35	1.29	1.22	1.18	1.12
BK75	3.29	3.14	3.00	2.88	2.76	2.65	2.46	2.38	2.30	2.16	2.03	1.92	1.77	1.68	1.57	1.50	1.41	1.35	1.28	1.23	1.17
BK77	3.38	3.23	3.09	2.96	2.84	2.73	2.54	2.45	2.37	2.22	2.09	1.97	1.82	1.73	1.61	1.54	1.45	1.39	1.31	1.27	1.20
BK80	3.52	3.36	3.22	3.08	2.96	2.85	2.64	2.55	2.47	2.31	2.18	2.06	1.90	1.80	1.68	1.61	1.51	1.45	1.37	1.32	1.25
BK85	3.76	3.59	3.43	3.29	3.16	3.04	2.82	2.72	2.63	2.47	2.32	2.19	2.03	1.93	1.80	1.72	1.61	1.55	1.46	1.41	1.34
BK90	4.00	3.82	3.65	3.50	3.36	3.23	3.00	2.90	2.80	2.63	2.47	2.33	2.15	2.05	1.91	1.83	1.71	1.65	1.56	1.50	1.42
BK95	4.24	4.05	3.87	3.71	3.56	3.42	3.18	3.07	2.97	2.78	2.62	2.47	2.28	2.17	2.02	1.93	1.82	1.75	1.65	1.59	1.51
BK100	4.48	4.27	4.09	3.92	3.76	3.62	3.36	3.24	3.13	2.94	2.76	2.61	2.41	2.29	2.14	2.04	1.92	1.84	1.74	1.68	1.59
BK105	4.71	4.50	4.30	4.12	3.96	3.81	3.54	3.41	3.30	3.09	2.91	2.75	2.54	2.41	2.25	2.15	2.02	1.94	1.83	1.77	1.68
BK110	4.95	4.73	4.52	4.33	4.16	4.00	3.71	3.59	3.47	3.25	3.06	2.89	2.67	2.54	2.36	2.26	2.12	2.04	1.93	1.86	1.76
BK115	5.19	4.95	4.74	4.54	4.36	4.19	3.89	3.76	3.63	3.41	3.21	3.03	2.79	2.66	2.48	2.37	2.22	2.14	2.02	1.95	1.85
BK120	5.43	5.18	4.96	4.75	4.56	4.38	4.07	3.93	3.80	3.56	3.35	3.17	2.92	2.78	2.59	2.48	2.33	2.24	2.11	2.04	1.93
BK130	5.90	5.64	5.39	5.17	4.96	4.77	4.43	4.28	4.13	3.88	3.65	3.44	3.18	3.02	2.82	2.70	2.53	2.43	2.30	2.21	2.10
BK140	6.38	6.09	5.83	5.58	5.36	5.15	4.79	4.62	4.47	4.19	3.94	3.72	3.44	3.27	3.05	2.91	2.73	2.63	2.48	2.39	2.27
BK160	7.33	7.00	6.70	6.42	6.16	5.92	5.50	5.31	5.13	4.81	4.53	4.28	3.95	3.76	3.50	3.35	3.14	3.02	2.85	2.75	2.61
BK190	8.76	8.36	8.00	7.67	7.36	7.08	6.57	6.34	6.13	5.75	5.41	5.11	4.72	4.49	4.18	4.00	3.76	3.61	3.41	3.29	3.12

V-Drives

FHP Drives

Drive Component Accessories

DYNA-SYNC

HT200/HTD Synchronous Drives

HTR Synchronous Drives

HTRC Synchronous Drives

FEATURES/BENEFITS PAGE PT8-2	SELECTION/DIMENSIONS PAGE PT8-3	SELECTION PAGE PT8-10	
---------------------------------	------------------------------------	--------------------------	--



SELECTION

Center Distance/Belt Length

This table provides approximate center distance for the majority of V-Drives up to 3:1 ratio. Data is useful for higher ratios, but if more accurate results are required, use the belt length formula found in the "Special Drives" selection section for S-L Classic drives.

Belt Lgth.	Sum of Both V-Belt Sheave Diameters																	
	4	5	6	7	8	9	10	11	12	13	14	15	16	17	18	19	20	21
16	4.9	4.1																
18	5.9	5.1																
20	6.9	6.1	5.2															
22	7.9	7.1	6.2															
24	8.9	8.1	7.2	6.3														
26	9.9	9.1	8.2	7.3	6.5													
28	10.9	10.1	9.2	8.4	7.6	6.6												
30	11.9	11.1	10.2	9.4	8.6	7.7												
32	12.9	12.1	11.2	10.4	9.6	8.7	8											
34	13.9	13.1	12.2	11.4	10.6	9.7	9											
36	14.9	14.1	13.2	12.4	11.6	10.7	10	9										
38	15.9	15.1	14.2	13.4	12.6	11.8	11	10	9.1									
40	16.9	16.1	15.3	14.4	13.6	12.8	12	11.1	10.1									
42	17.9	17.1	16.3	15.4	14.6	13.8	13.1	12.1	11.2	10.2								
44	18.9	18.1	17.3	16.4	15.6	14.8	14.1	13.1	12.2	11.2								
46	19.9	19.1	18.3	17.4	16.6	15.8	15.1	14.1	13.2	12.3	10.9							
48	20.9	20.1	19.3	18.4	17.7	16.8	16.1	15.1	14.3	13.3	12	11.3						
50	21.9	21.1	20.3	19.4	18.7	17.8	17.1	16.2	15.3	14.4	13.1	12.4	11.7					
52	22.9	22.1	21.3	20.4	19.7	18.8	18.1	17.2	16.3	15.4	14.1	13.5	12.8					
54	23.9	23.1	22.3	21.4	20.7	19.8	19.1	18.2	17.3	16.4	15.2	14.5	13.8	13.2				
56	24.9	24.1	23.3	22.4	21.7	20.8	20.1	19.2	18.3	17.4	16.2	15.6	14.9	14.2				
58	25.9	25.1	24.3	23.4	22.7	21.8	21.1	20.2	19.3	18.5	17.3	16.6	15.9	15.2	13.5			
60	26.9	26.1	25.3	24.5	23.7	22.8	22.1	21.2	20.4	19.5	18.3	17.6	17	16.3	14.6	14		
62	27.9	27.1	26.3	25.5	24.7	23.8	23.1	22.2	21.4	20.5	19.4	18.7	18	17.3	15.7	15.1		
64	28.9	28.1	27.3	26.5	25.7	24.8	24.1	23.2	22.4	21.5	20.4	19.7	19	18.3	16.8	16.1	15.5	
66	29.9	29.1	28.3	27.5	26.7	25.9	25.1	24.2	23.4	22.5	21.4	20.7	20	19.3	17.8	17.2	16.5	14.9
68	30.9	30.1	29.3	28.5	27.7	26.9	26.1	25.2	24.4	23.5	22.4	21.7	21	20.3	18.9	18.2	17.6	16
70	31.9	31.1	30.3	29.5	28.7	27.9	27.1	26.2	25.4	24.5	23.5	22.8	22.1	21.4	20	19.3	18.6	17.1
72	32.9	32.1	31.3	30.5	29.7	28.9	28.1	27.2	26.4	25.5	24.5	23.8	23.1	22.4	21	20.3	19.6	18.2
74	33.9	33.1	32.3	31.5	30.7	29.9	29.1	28.2	27.4	26.5	25.5	24.8	24.1	23.4	22	21.3	20.6	19.2
76	34.9	34.1	33.3	32.5	31.7	30.9	30.1	29.2	28.4	27.6	26.5	25.8	25.1	24.4	23.1	22.4	21.7	20.3
78	35.9	35.1	34.2	33.5	32.7	31.9	31.1	30.2	29.4	28.6	27.5	26.8	26.1	25.4	24.1	23.4	22.7	21.3
80	36.9	36.1	35.3	34.5	33.7	32.9	32.1	31.3	30.4	29.6	28.6	27.9	27.1	26.4	25.1	24.5	23.8	22.4
82	37.6	36.7	35.9	35.1	34.3	33.5	32.7	31.9	31	30.2	29.2	28.5	27.8	27	25.8	25.1	24.4	23.1
84	38.9	38.1	37.3	36.5	35.7	34.9	34.1	33.3	32.4	31.6	30.6	29.9	29.2	28.4	27.2	26.5	25.8	24.5
86	39.6	38.7	37.9	37.1	36.3	35.5	34.7	33.9	33	32.2	31.2	30.5	29.8	29	27.8	27.1	26.4	25.2
88	40.9	40.1	39.3	38.5	37.7	36.9	36.1	35.3	34.4	33.6	32.6	31.9	31.2	30.4	29.2	28.5	27.8	26.6
90	41.9	41.1	40.3	39.5	38.7	37.9	37.1	36.3	35.5	34.6	33.6	32.9	32.2	31.4	30.2	29.5	28.8	27.6
92	42.9	42.1	41.3	40.5	39.7	38.9	38.1	37.3	36.5	35.6	34.6	33.9	33.2	32.5	31.3	30.6	29.9	28.7
94	43.9	43.1	42.3	41.5	40.7	39.9	39.1	38.3	37.5	36.6	35.6	34.9	34.2	33.5	32.3	31.6	30.9	29.7
96	44.9	44.1	43.3	42.5	41.7	40.9	40.1	39.3	38.5	37.6	36.7	35.9	35.2	34.5	33.3	32.6	31.9	30.7
98	45.9	45.1	44.3	43.5	42.7	41.9	41.1	40.3	39.5	38.6	37.7	36.9	36.2	35.5	34.3	33.6	32.9	31.7
100	46.9	46.1	45.3	44.5	43.7	42.9	42.1	41.3	40.5	39.6	38.7	37.9	37.2	36.5	35.3	34.6	33.9	32.8

The centers shown in this shaded area are below the recommended minimum.

SELECTION

Variable Pitch Selection Procedure 1750 RPM Motors, Fractional Thru 30 HP

PROCEDURE

1. Calculate design HP: Motor HP x Service Factor
2. Determine motor shaft size from NEMA B MOTOR chart.
3. Scan Tables 1 & 2 for VP sheave and belt profile combination that will accommodate motor shaft size and design HP.
4. Go to associated VP SHEAVE-BELT table. Trace down the column headed by the selected VP Sheave size until the desired driven speed range is reached. The Driven Sheave size will be listed in the "Driven Sheave" column.
5. Calculate belt length as follows:

If CD/D is greater than 1.5:

FORMULA A: $L=2CD + 1.57(D+d)$

CD = Center Distance

D = Large Sheave diameter

d = small sheave diameter

If CD/D is less than 1.5:

FORMULA B:

$L = 2 CD + 1.57 (D + d) + \frac{(D - d)^2}{4 CD}$

NOTE: "L" Belt length is Outside Length for FHP belts, Pitch Length for Classical Belts (A, B, AX, BX)

EXAMPLE

A fan is to be driven at a speed in the range of 1400 to 1200 RPM by a 10 HP, 1750 RPM motor. Center Distance is 26". Desired Service Factor is 1.3.

SOLUTION

1. Calculate Design HP: $10 \times 1.3 = 13$ DHP.
2. Check NEMA B Motor shaft size: 1-3/8", from Table 3.
3. Scan Tables 1 & 2 for VP sheave size that covers 13 DHP and has 1-3/8" shaft capacity. Choose 2VP65 with AX belt (Other larger sizes are also suitable).
4. Check Selection Table for 2-Groove A-Section Belts. Locate column headed by "2VP65". Trace down to the "1425/1175" RPM range, which covers the 1400/1200 requirement. Trace over to the left hand column for the Driven Sheave size: Find Driven Sheave "2AK74".
5. Calculate belt length: Note that CD/D is $26/7.0 = 3.5$. This is greater than 1.5, so "Formula A" can be used. $L=2 \times 26 + 1.57(7.0+5.7)$, $L = 72.0$, Use Belt Size AX71 which has a pitch length of 72.3".

NOTE: Calculated center distance is for maximum driven RPM. Center distance at minimum RPM will be approx. 1" longer.

Variable Pitch Sheave Selection Tables

One Groove VP Sheaves

Table 1.

Size	Max./Min. Pitch Dia.			Max. Bore	O.D.	Basic HP Rating At 1750 RPM *					
	4L/A	5L/B	5V			4L	A	AX	5L	B	BX
1VP25	--	--	--	1/2	2.32
1VP30	--	--	--	3/4	2.87
1VP34	2.9/1.9	3.2/2.4	--	7/8	3.15	0.75	1.50	2.00	0.63	0.34	3.45
1VP40	3.4/2.4	3.7/2.7	--	7/8	3.75	1.00	2.41	2.84	1.12	1.70	3.87
1VP44	3.8/2.9	4.1/3.1	--	1-1/8	4.15	1.30	3.13	3.57	1.48	2.87	4.66
1VP50	4.4/3.4	4.7/3.7	--	1-1/8	4.75	1.50	4.20	4.63	1.95	4.50	6.50
1VP56	5.0/4.0	5.3/4.3	--	1-1/8	5.35	...	5.20	5.67	2.20	5.15	8.10
1VP60	5.2/4.2	5.5/4.3	--	1-1/8	6.00	...	5.53	6.01	2.60	6.68	8.67
1VP62	5.6/4.6	5.9/4.9	6.3/5.3	1-1/4	5.95	...	6.18	6.68	3.00	7.70	9.80
1VP65	5.7/4.7	6.0/4.8	6.4/5.2	1-1/8	6.50	...	6.40	6.85	...	7.97	10.00
1VP68	6.2/5.2	6.5/5.5	6.9/5.9	1-3/8	6.55	...	7.10	7.60	...	9.30	11.30
1VP71	6.3/5.3	6.6/5.4	7.0/5.8	1-1/8	7.10	...	7.30	7.70	...	9.40	11.60
1VP75	6.7/5.7	7.0/5.8	7.4/6.2	1-1/8	7.50	...	8.00	8.50	...	10.40	12.60

(Cont. next page)

* For 3L Belts Only:

1VP25 2.2/1.4 P.D.

1VP30 2.7/1.8 P.D.

Ac Motors

NEMA B

Table 3.

1750RPM HP	Shaft Dia.
1/4, 1/3	...
1/2, 3/4	5/8
1, 1.5, 2	7/8
3, 5	1-1/8
7-1/2, 10	1-3/8
15, 20	1-5/8
25, 30	1-7/8

Selection program available online at ptwizard.com

FEATURES/BENEFITS PAGE PT8-2	SELECTION/DIMENSIONS PAGE PT8-3	SELECTION PAGE PT8-10	
---------------------------------	------------------------------------	--------------------------	--



SELECTION

Variable Pitch Sheave Selection Tables

Two Groove VP Sheaves

Table 2

Size	Max./Min. Pitch Dia.			Max. Bore	O.D.	Two-Belt Basic HP Rating At 1750 RPM *						
	4L/A	5L/B	5V			4L	A	AX	5L	B	BX	5VX
2VP36	3.0/2.0	3.3/2.5	--	1	3.35	1.6	3.34	4.20	1.40	...	4.40	...
2VP42	3.6/2.6	3.9/2.9	--	1-1/8	3.95	2.4	5.54	6.42	2.60	2.98	6.34	...
2VP50	4.4/3.4	4.7/3.7	--	1-1/8	4.75	2.8	6.20	9.26	4.00	7.48	11.06	...
2VP56	5.0/4.0	5.3/4.3	--	1-1/8	5.35	...	10.40	11.34	4.40	9.40	11.76	...
2VP60	5.2/4.2	5.5/4.3	--	1-3/8	6.00	...	11.06	12.02	4.80	11.80	15.60	...
2VP62	5.6/4.6	5.9/4.9	6.3/5.3	1-3/8	5.95	...	12.36	13.36	6.00	13.90	17.82	34.00
2VP65	5.7/4.7	6.0/4.8	6.4/5.2	1-3/8	6.50	...	12.60	13.66	...	14.20	18.20	34.60
2VP68	6.2/5.2	6.5/5.5	6.9/5.9	1-3/8	6.55	...	14.20	15.20	...	17.00	21.00	38.00
2VP71	6.3/5.3	6.5/5.4	7.0/5.8	1-3/8	7.10	...	14.60	15.60	...	17.60	21.60	40.00
2VP75	6.7/5.7	7.0/5.8	7.4/6.2	1-3/8	7.50	...	15.80	17.00	...	19.00	23.80	44.00
2VP60A	5.2/4.2	5.5/4.3	--	1-5/8	6.00	...	11.06	12.02	4.80	11.80	15.60	...
2VP65A	5.7/4.7	6.0/4.8	6.4/5.2	1-5/8	6.50	...	12.60	13.66	...	14.20	18.20	34.60
2VP71A	6.3/5.3	6.5/5.4	7.0/5.8	1-5/8	7.10	...	14.60	15.60	...	17.60	21.60	40.00
2VP75A	6.7/5.7	7.0/5.8	7.4/6.2	1-5/8	7.50	...	15.80	17.00	...	19.00	23.80	44.00
2V56B70	6.7/5.7	7.0/5.8	7.4/6.2	1-7/8	7.50	...	15.80	17.00	...	19.00	23.80	44.00
2V68B80	7.7/6.7	7.7/6.8	8.4/7.2	1-7/8	8.50	...	18.00	18.80	...	23.40	28.20	52.00

* Rating is at Max. Pitch Dia. Apply Arc and Length correction factors for greater accuracy.

1VP Sheave Using A Or Ax Belt Driven RPM For 1750 RPM Motor

Driven SHV.	1VP34		1VP40		1VP44		1VP50		1VP56		1VP60		1VP62		1VP65	
	Size	P.D.	Max.	Min.	Max.	Min.	Max.	Min.	Max.	Min.	Max.	Min.	Max.	Min.	Max.	Min.
AK20	1.80	2819	1847	3306	2333	3694	2722	4278	3306	4861	3889	--	--	--	--	--
AK21	1.90	2671	1750	3132	2211	3500	2579	4053	3132	4605	3684	4789	3868	--	--	--
AK22	2.00	2538	1663	2975	2100	3325	2450	3850	2975	4375	3500	4550	3675	4900	4025	4988
AK23	2.10	2417	1583	2833	2000	3167	2333	3667	2833	4167	3333	4333	3500	4667	3833	4750
AK25	2.30	2207	1446	2587	1826	2891	2130	3348	2587	3804	3043	3957	3196	4261	3500	4337
AK26	2.40	2115	1385	2479	1750	2771	2042	3208	2479	3646	2917	3792	3062	4083	3354	4156
AK27	2.50	2030	1330	2380	1680	2660	1960	3080	2380	3500	2800	3640	2940	3920	3220	3990
AK28	2.60	1952	1279	2288	1615	2558	1885	2962	2288	3365	2692	3500	2827	3769	3096	3837
AK30	2.80	1813	1188	2125	1500	2375	1750	2750	2125	3125	2500	3250	2625	3500	2875	3563
AK32	3.00	1692	1108	1983	1400	2217	1633	2567	1983	2917	2333	3033	2450	3267	2683	3325
AK34	3.20	1586	1039	1859	1313	2078	1531	2406	1859	2734	2188	2844	2297	3063	2516	3117
AK39	3.50	1450	950	1700	1200	1900	1400	2200	1700	2500	2000	2600	2100	2800	2300	2850
AK41	3.70	1372	899	1608	1135	1797	1324	2081	1608	2365	1892	2459	1986	2649	2176	2696
AK44	4.00	1269	831	1488	1050	1663	1225	1925	1488	2188	1750	2275	1838	2450	2013	2494
AK46	4.20	1208	792	1417	1000	1583	1167	1833	1417	2083	1667	2167	1750	2333	1917	2375
AK49	4.50	1128	739	1322	933	1478	1089	1711	1322	1944	1556	2022	1633	2178	1789	2217
AK51	4.70	1080	707	1266	894	1415	1043	1638	1266	1862	1489	1936	1564	2085	1713	2122
AK54	4.90	1036	679	1214	857	1357	1000	1571	1214	1786	1429	1857	1500	2000	1643	2036

(Cont. next page)

Note: For drive selections below the bold line, use HP ratings on TABLE 1 or TABLE 2. For drive selections above the bold line, use BASIC HP RATING TABLES from DODGE engineering catalog for Driven Sheave size.

FEATURES/BENEFITS PAGE PT8-2	SELECTION/DIMENSIONS PAGE PT8-3	SELECTION PAGE PT8-10	
---------------------------------	------------------------------------	--------------------------	--



SELECTION

1 VP Sheave Using A or AX Belt

Driven RPM For 1750 RPM Motor

Driven SHV.		1VP34		1VP40		1VP44		1VP50		1VP56		1VP60		1VP62		1VP65	
Size	P.D.	Max.	Min.	Max.	Min.	Max.	Min.	Max.	Min.	Max.	Min.	Max.	Min.	Max.	Min.	Max.	Min.
AK56	5.20	976	639	1144	808	1279	942	1481	1144	1683	1346	1750	1413	1885	1548	1918	1582
AK59	5.50	923	605	1082	764	1209	891	1400	1082	1591	1273	1655	1336	1782	1464	1814	1495
AK61	5.70	890	583	1044	737	1167	860	1351	1044	1535	1228	1596	1289	1719	1412	1750	1443
AK64	6.00	846	554	992	700	1108	817	1283	992	1458	1167	1517	1225	1633	1342	1663	1371
AK66	6.20	819	536	960	677	1073	790	1242	960	1411	1129	1468	1185	1581	1298	1609	1327
AK69	6.50	781	512	915	646	1023	754	1185	915	1346	1077	1400	1131	1508	1238	1535	1265
AK71	6.70	757	496	888	627	993	731	1149	888	1306	1045	1358	1097	1463	1201	1489	1228
AK74	7.00	725	475	850	600	950	700	1100	850	1250	1000	1300	1050	1400	1150	1425	1175
AK79	7.50	677	443	793	560	887	653	1027	793	1167	933	1213	980	1307	1073	1330	1097
AK84	8.00	634	416	744	525	831	613	963	744	1094	875	1138	919	1225	1006	1247	1028
AK89	8.50	597	391	700	494	782	576	906	700	1029	824	1071	865	1153	947	1174	968
AK94	9.00	564	369	661	467	739	544	856	661	972	778	1011	817	1089	894	1108	914
AK99	9.50	534	350	626	442	700	516	811	626	921	737	958	774	1032	847	1050	866
AK104	10.00	508	333	595	420	665	490	770	595	875	700	910	735	980	805	998	823
AK109	10.60	479	314	561	396	627	462	726	561	825	660	858	693	925	759	941	776
AK114	11.00	461	302	541	382	605	445	700	541	795	636	827	668	891	732	907	748
AK124	12.00	423	277	496	350	554	408	642	496	729	583	758	613	817	671	831	685
AK134	13.00	390	256	458	323	512	377	592	458	673	538	700	565	754	619	767	633
AK144	14.00	363	238	425	300	475	350	550	425	625	500	650	525	700	575	713	588
AK154	15.00	338	222	397	280	443	327	513	397	583	467	607	490	653	537	665	548
AK184	18.00	282	185	331	233	369	272	428	331	486	389	506	408	544	447	554	457

Driven RPM For 1750 RPM Motor

Driven SHV		1VP68		1VP71		1VP75	
Size	P.D.	Max.	Min.	Max.	Min.	Max.	Min.
AK30	2.80	3875	3250	3938	3313	4188	3563
AK32	3.00	3617	3033	3675	3092	3908	3325
AK34	3.20	3391	2844	3445	2898	3664	3117
AK39	3.50	3100	2600	3150	2650	3350	2850
AK41	3.70	2932	2459	2980	2507	3169	2696
AK44	4.00	2713	2275	2756	2319	2931	2494
AK46	4.20	2583	2167	2625	2208	2792	2375
AK49	4.50	2411	2022	2450	2061	2606	2217
AK51	4.70	2309	1936	2346	1973	2495	2122
AK54	4.90	2214	1857	2250	1893	2393	2036
AK56	5.20	2087	1750	2120	1784	2255	1918
AK59	5.50	1973	1655	2005	1686	2132	1814
AK61	5.70	1904	1596	1934	1627	2057	1750
AK64	6.00	1808	1517	1838	1546	1954	1663
AK66	6.20	1750	1468	1778	1496	1891	1609
AK69	6.50	1669	1400	1696	1427	1804	1535
AK71	6.70	1619	1358	1646	1384	1750	1489
AK74	7.00	1550	1300	1575	1325	1675	1425
AK79	7.50	1447	1213	1470	1237	1563	1330
AK84	8.00	1356	1138	1378	1159	1466	1247
AK89	8.50	1276	1071	1297	1091	1379	1174
AK94	9.00	1206	1011	1225	1031	1303	1108
AK99	9.50	1142	958	1161	976	1234	1050
AK104	10.00	1085	910	1103	928	1173	998
AK109	10.60	1024	858	1040	875	1106	941
AK114	11.00	986	827	1002	843	1066	907
AK124	12.00	904	758	919	773	977	831
AK134	13.00	835	700	848	713	902	767
AK144	14.00	775	650	788	663	838	713
AK154	15.00	723	607	735	618	782	665
AK184	18.00	603	506	613	515	651	554

NOTE: For drive selections below the bold line, use HP ratings on TABLE 1 or TABLE 2. For drive selections above the bold line, use BASIC HP RATING TABLES from DODGE engineering catalog for Driven Sheave size.

FEATURES/BENEFITS PAGE PT8-2	SELECTION/DIMENSIONS PAGE PT8-3	SELECTION PAGE PT8-10	
---------------------------------	------------------------------------	--------------------------	--



SELECTION

1 VP Sheave Using B or BX Belt

Driven RPM For 1750 RPM Motor

Driven SHV.		1VP34		1VP40		1VP44		1VP50		1VP56		1VP60		1VP62		1VP65	
Size	P.D.	Max.	Min.	Max.	Min.	Max.	Min.	Max.	Min.	Max.	Min.	Max.	Min.	Max.	Min.	Max.	Min.
BK23	2.10	2667	2000	3083	2250	3417	2583	3917	3083	4417	3583	4583	3583	4917	4083	5000	4000
BK24	2.20	2545	1909	2943	2148	3261	2466	3739	2943	4216	3420	4375	3420	4693	3898	4773	3818
BK25	2.30	2435	1826	2815	2054	3120	2359	3576	2815	4033	3272	4185	3272	4489	3728	4565	3652
BK26	2.40	2333	1750	2698	1969	2990	2260	3427	2698	3865	3135	4010	3135	4302	3573	4375	3500
BK28	2.60	2154	1615	2490	1817	2760	2087	3163	2490	3567	2894	3702	2894	3971	3298	4038	3231
BK30	2.80	2000	1500	2313	1688	2563	1938	2938	2313	3313	2688	3438	2688	3688	3063	3750	3000
BK31	2.90	1931	1448	2233	1629	2474	1871	2836	2233	3198	2595	3319	2595	3560	2957	3621	2897
BK32	3.00	1867	1400	2158	1575	2392	1808	2742	2158	3092	2508	3208	2508	3442	2858	3500	2800
BK34	3.20	1750	1313	2023	1477	2242	1695	2570	2023	2898	2352	3008	2352	3227	2680	3281	2625
BK36	3.40	1647	1235	1904	1390	2110	1596	2419	1904	2728	2213	2831	2213	3037	2522	3088	2471
BK40	3.60	1556	1167	1799	1312	1993	1507	2285	1799	2576	2090	2674	2090	2868	2382	2917	2333
BK45	3.90	1436	1077	1660	1212	1840	1391	2109	1660	2378	1929	2468	1929	2647	2199	2692	2154
BK47	4.10	1366	1024	1579	1152	1750	1323	2006	1579	2262	1835	2348	1835	2518	2091	2561	2049
BK50	4.40	1273	955	1472	1074	1631	1233	1869	1472	2108	1710	2188	1710	2347	1949	2386	1909
BK52	4.60	1217	913	1408	1027	1560	1179	1788	1408	2016	1636	2092	1636	2245	1864	2283	1826
BK55	4.90	1143	857	1321	964	1464	1107	1679	1321	1893	1536	1964	1536	2107	1750	2143	1714
BK57	5.10	1098	824	1270	926	1407	1064	1613	1270	1819	1475	1887	1475	2025	1681	2059	1647
BK60	5.40	1037	778	1199	875	1329	1005	1523	1199	1718	1394	1782	1394	1912	1588	1944	1556
BK62	5.60	1000	750	1156	844	1281	969	1469	1156	1656	1344	1719	1344	1844	1531	1875	1500
BK65	5.90	949	712	1097	801	1216	919	1394	1097	1572	1275	1631	1275	1750	1453	1780	1424
BK67	6.10	918	689	1061	775	1176	889	1348	1061	1520	1234	1578	1234	1693	1406	1721	1377
BK70	6.40	875	656	1012	738	1121	848	1285	1012	1449	1176	1504	1176	1613	1340	1641	1313
BK72	6.60	848	636	981	716	1087	822	1246	981	1405	1140	1458	1140	1564	1299	1591	1273
BK75	6.90	812	609	938	685	1040	786	1192	938	1344	1091	1395	1091	1496	1243	1522	1217
BK77	7.10	789	592	912	665	1011	764	1158	912	1306	1060	1356	1060	1454	1208	1479	1183
BK80	7.40	757	568	875	639	970	733	1111	875	1253	1017	1301	1017	1395	1159	1419	1135
BK85	7.90	709	532	820	598	908	687	1041	820	1174	953	1218	953	1307	1085	1329	1063
BK90	8.40	667	500	771	563	854	646	979	771	1104	896	1146	896	1229	1021	1250	1000
BK95	8.90	629	472	728	531	806	610	924	728	1042	846	1081	846	1160	963	1180	944
BK100	9.40	596	447	689	503	763	577	875	689	987	801	1024	801	1098	912	1117	894
BK105	9.90	566	424	654	477	725	548	831	654	937	760	972	760	1043	866	1061	848
BK110	10.40	538	404	623	454	690	522	791	623	892	724	925	724	993	825	1010	808
BK115	10.90	514	385	594	433	658	498	755	594	851	690	883	690	947	787	963	771
BK120	11.40	491	368	568	414	629	476	721	568	814	660	844	660	906	752	921	737
BK130	12.40	452	339	522	381	579	438	663	522	748	607	776	607	833	692	847	677
BK140	13.40	418	313	483	353	535	405	614	483	692	562	718	562	771	640	784	627
BK160	15.40	364	273	420	307	466	352	534	420	602	489	625	489	670	557	682	545
BK190	18.40	304	228	352	257	390	295	447	352	504	409	523	409	561	466	571	457

(Cont. next page)

NOTE: For drive selections below the bold line, use HP ratings on TABLE 1 or TABLE 2. For drive selections above the bold line, use BASIC HORSEPOWER RATING TABLES from DODGE engineering catalog for Driven Sheave size.

FEATURES/BENEFITS PAGE PT8-2	SELECTION/DIMENSIONS PAGE PT8-3	SELECTION PAGE PT8-10	
---------------------------------	------------------------------------	--------------------------	--

V-Drives
 FHP Drives
 Drive Component Accessories
 DYNA-SYNC
 HT200/HTD Synchronous Drives
 HTR Synchronous Drives
 HTRC Synchronous Drives



SELECTION

1 VP Sheave Using B or BX Belt

Driven RPM For 1750 RPM Motor

Driven SHV.		1VP68		1VP71		1VP75	
Size	P.D.	Max.	Min.	Max.	Min.	Max.	Min.
BK28	2.60	4375	3702	4442	3635	4712	3904
BK30	2.80	4063	3438	4125	3375	4375	3625
BK31	2.90	3922	3319	3983	3259	4224	3500
BK34	3.20	3555	3008	3609	2953	3828	3172
BK36	3.40	3346	2831	3397	2779	3603	2985
BK40	3.60	3160	2674	3208	2625	3403	2819
BK45	3.90	2917	2468	2962	2423	3141	2603
BK47	4.10	2774	2348	2817	2305	2988	2476
BK50	4.40	2585	2188	2625	2148	2784	2307
BK52	4.60	2473	2092	2511	2054	2663	2207
BK55	4.90	2321	1964	2357	1929	2500	2071
BK57	5.10	2230	1887	2265	1853	2402	1990
BK60	5.40	2106	1782	2139	1750	2269	1880
BK62	5.60	2031	1719	2063	1688	2188	1813
BK65	5.90	1928	1631	1958	1602	2076	1720
BK67	6.10	1865	1578	1893	1549	2008	1664
BK70	6.40	1777	1504	1805	1477	1914	1586
BK72	6.60	1723	1458	1750	1432	1856	1538
BK75	6.90	1649	1395	1674	1370	1775	1471
BK77	7.10	1602	1356	1627	1331	1725	1430
BK80	7.40	1537	1301	1561	1277	1655	1372
BK85	7.90	1440	1218	1462	1196	1551	1285
BK90	8.40	1354	1146	1375	1125	1458	1208
BK95	8.90	1278	1081	1298	1062	1376	1140
BK100	9.40	1210	1024	1229	1005	1303	1080
BK105	9.90	1149	972	1167	955	1237	1025
BK110	10.40	1094	925	1111	909	1178	976
BK115	10.90	1044	883	1060	867	1124	931
BK120	11.40	998	844	1013	829	1075	890
BK130	12.40	917	776	931	762	988	819
BK140	13.40	849	718	862	705	914	757
BK160	15.40	739	625	750	614	795	659
BK190	18.40	618	523	628	514	666	552

NOTE: For drive selections below the bold line, use HP ratings on TABLE 1 or TABLE 2. For drive selections above the bold line, refer to the BASIC HORSEPOWER Rating Tables in the DODGE Engineering Catalog for Driven Sheave size.

V-Drives

FHP Drives

Drive Component Accessories

DYNA-SYNC

HT200/HTD Synchronous Drives

HTR Synchronous Drives

HTRC Synchronous Drives



SELECTION

2 VP Sheave Using A or AX Belt

Driven RPM For 1750 RPM Motor

Driven SHV.		2VP36		2VP42		2VP50		2VP56		2VP60		2VP62		2VP65	
Size	P.D.	Max.	Min.	Max.	Min.	Max.	Min.	Max.	Min.	Max.	Min.	Max.	Min.	Max.	Min.
2AK20	1.80	2917	1944	3500	2528	4278	3306	4861	3889	--	--	--	--	--	--
2AK21	1.90	2763	1842	3316	2395	4053	3132	4605	3684	4789	3868	--	--	--	--
2AK22	2.00	2625	1750	3150	2275	3850	2975	4375	3500	4550	3675	4900	4025	4988	4113
2AK23	2.10	2500	1667	3000	2167	3667	2833	4167	3333	4333	3500	4667	3833	4750	3917
2AK25	2.30	2283	1522	2739	1978	3348	2587	3804	3043	3957	3196	4261	3500	4337	3576
2AK26	2.40	2188	1458	2625	1896	3208	2479	3646	2917	3792	3062	4083	3354	4156	3427
2AK27	2.50	2100	1400	2520	1820	3080	2380	3500	2800	3640	2940	3920	3220	3990	3290
2AK28	2.60	2019	1346	2423	1750	2962	2288	3365	2692	3500	2827	3769	3096	3837	3163
2AK30	2.80	1875	1250	2250	1625	2750	2125	3125	2500	3250	2625	3500	2875	3563	2938
2AK32	3.00	1750	1167	2100	1517	2567	1983	2917	2333	3033	2450	3267	2683	3325	2742
2AK34	3.20	1641	1094	1969	1422	2406	1859	2734	2188	2844	2297	3063	2516	3117	2570
2AK39	3.50	1500	1000	1800	1300	2200	1700	2500	2000	2600	2100	2800	2300	2850	2350
2AK41	3.70	1419	946	1703	1230	2081	1608	2365	1892	2459	1986	2649	2176	2696	2223
2AK44	4.00	1313	875	1575	1138	1925	1488	2188	1750	2275	1838	2450	2013	2494	2056
2AK46	4.20	1250	833	1500	1083	1833	1417	2083	1667	2167	1750	2333	1917	2375	1958
2AK49	4.50	1167	778	1400	1011	1711	1322	1944	1556	2022	1633	2178	1789	2217	1828
2AK51	4.70	1117	745	1340	968	1638	1266	1862	1489	1936	1564	2085	1713	2122	1750
2AK54	5.00	1050	700	1260	910	1540	1190	1750	1400	1820	1470	1960	1610	1995	1645
2AK56	5.20	1010	673	1212	875	1481	1144	1683	1346	1750	1413	1885	1548	1918	1582
2AK59	5.50	955	636	1145	827	1400	1082	1591	1273	1655	1336	1782	1464	1814	1495
2AK61	5.70	921	614	1105	798	1351	1044	1535	1228	1596	1289	1719	1412	1750	1443
2AK64	6.00	875	583	1050	758	1283	992	1458	1167	1517	1225	1633	1342	1663	1371
2AK74	7.00	750	500	900	650	1100	850	1250	1000	1300	1050	1400	1150	1425	1175
2AK84	8.00	656	438	788	569	963	744	1094	875	1137	919	1225	1006	1247	1028
2AK94	9.00	583	389	700	506	856	661	972	778	1011	817	1089	894	1108	914
2AK104	10.00	525	350	630	455	770	595	875	700	910	735	980	805	998	823
2AK114	11.00	477	318	573	414	700	541	795	636	827	668	891	732	907	748
2AK124	12.00	438	292	525	379	642	496	729	583	758	613	817	671	831	685
2AK134	13.00	404	269	485	350	592	458	673	538	700	565	754	619	767	633
2AK144	14.00	375	250	450	325	550	425	625	500	650	525	700	575	713	588
2AK154	15.00	350	233	420	303	513	397	583	467	607	490	653	537	665	548
2AK184	18.00	292	194	350	253	428	331	486	389	506	408	544	447	554	457

Driven RPM For 1750 RPM Motor

Driven SHV.		2VP68		2VP71		2VP75	
Size	P.D.	Max.	Min.	Max.	Min.	Max.	Min.
2AK27	2.50	4340	3640	4410	3710	4690	3990
2AK28	2.60	4173	3500	4240	3567	4510	3837
2AK30	2.80	3875	3250	3938	3313	4188	3563
2AK32	3.00	3617	3033	3675	3092	3908	3325
2AK34	3.20	3391	2844	3445	2898	3664	3117
2AK39	3.50	3100	2600	3150	2650	3350	2850
2AK41	3.70	2932	2459	2980	2507	3169	2696
2AK44	4.00	2713	2275	2756	2319	2931	2494
2AK46	4.20	2583	2167	2625	2208	2792	2375
2AK49	4.50	2411	2022	2450	2061	2606	2217
2AK51	4.70	2309	1936	2346	1973	2495	2122
2AK54	5.00	2170	1820	2205	1855	2345	1995
2AK56	5.20	2087	1750	2120	1784	2255	1918
2AK59	5.50	1973	1655	2005	1686	2132	1814
2AK61	5.70	1904	1596	1934	1627	2057	1750

Driven RPM For 1750 RPM Motor

Driven SHV.		2VP68		2VP71		2VP75	
Size	P.D.	Max.	Min.	Max.	Min.	Max.	Min.
2AK64	6.00	1808	1517	1838	1546	1954	1663
2AK74	7.00	1550	1300	1575	1325	1675	1425
2AK84	8.00	1356	1138	1378	1159	1466	1247
2AK94	9.00	1206	1011	1225	1031	1303	1108
2AK104	10.00	1085	910	1103	928	1173	998
2AK114	11.00	986	827	1002	843	1066	907
2AK124	12.00	904	758	919	773	977	831
2AK134	13.00	835	700	848	713	902	767
2AK144	14.00	775	650	788	663	838	713
2AK154	15.00	723	607	735	618	782	665
2AK184	18.00	603	506	613	515	651	554

NOTE: For drive selections below the bold line, use HP ratings on TABLE 1 or TABLE 2. For drive selections above the bold line, refer to the BASIC HORSEPOWER Rating Tables in the DODGE Engineering Catalog for Driven Sheave size.



SELECTION

2 VP Sheave Using B or BX Belt

Driven RPM For 1750 RPM Motor

Dia.	Driven Sheave	P.D.	2VP36		2VP42		2VP50		2VP56		2VP60		2VP62		2VP65	
			Max.	Min.	Max.	Min.	Max.	Min.	Max.	Min.	Max.	Min.	Max.	Min.	Max.	Min.
2.5	2BK25	2.30	2511	1902	2967	2207	3576	2815	4033	3272	--	--	--	--	--	--
2.7	2BK27	2.50	2310	1750	2730	2030	3290	2590	3710	3010	3850	3010	4130	3430	4200	3360
2.95	2BK28	2.60	2221	1683	2625	1952	3163	2490	3567	2894	3702	2894	3971	3298	4038	3231
3.15	2BK30	2.80	2062	1563	2437	1813	2937	2312	3312	2687	3438	2687	3688	3063	3750	3000
3.35	2BK32	3.00	1925	1458	2275	1692	2742	2158	3092	2508	3208	2508	3442	2858	3500	2800
3.55	2BK34	3.20	1805	1367	2133	1586	2570	2023	2898	2352	3008	2352	3227	2680	3281	2625
3.75	2BK36	3.40	1699	1287	2007	1493	2419	1904	2728	2213	2831	2213	3037	2522	3088	2471
3.95	2BK40	3.60	1604	1215	1896	1410	2285	1799	2576	2090	2674	2090	2868	2382	2917	2333
4.25	2BK45	3.90	1481	1122	1750	1301	2109	1660	2378	1929	2468	1929	2647	2199	2692	2154
4.45	2BK47	4.10	1409	1067	1665	1238	2006	1579	2262	1835	2348	1835	2518	2091	2561	2049
4.75	2BK50	4.40	1312	994	1551	1153	1869	1472	2108	1710	2188	1710	2347	1949	2386	1909
4.95	2BK52	4.60	1255	951	1484	1103	1788	1408	2016	1636	2092	1636	2245	1864	2283	1826
5.25	2BK55	4.90	1179	893	1393	1036	1679	1321	1893	1536	1964	1536	2107	1750	2143	1714
5.45	2BK57	5.10	1132	858	1338	995	1613	1270	1819	1475	1887	1475	2025	1681	2059	1647
5.75	2BK60	5.40	1069	810	1264	940	1523	1199	1718	1394	1782	1394	1912	1588	1944	1556
5.95	2BK62	5.60	1031	781	1219	906	1469	1156	1656	1344	1719	1344	1844	1531	1875	1500
6.25	2BK65	5.90	979	742	1157	860	1394	1097	1572	1275	1631	1275	1750	1453	1780	1424
6.45	2BK67	6.10	947	717	1119	832	1348	1061	1520	1234	1578	1234	1693	1406	1721	1377
6.75	2BK70	6.40	902	684	1066	793	1285	1012	1449	1176	1504	1176	1613	1340	1641	1312
7.75	2BK80	7.40	780	591	922	686	1111	875	1253	1017	1301	1017	1395	1159	1419	1135
8.75	2BK90	8.40	688	521	813	604	979	771	1104	896	1146	896	1229	1021	1250	1000
9.75	2BK100	9.40	614	465	726	540	875	689	987	801	1024	801	1098	912	1117	894
11.75	2BK120	11.40	507	384	599	445	721	568	814	660	844	660	906	752	921	737
12.75	2BK130	12.40	466	353	550	409	663	522	748	607	776	607	833	692	847	677
13.75	2BK140	13.40	431	326	509	379	614	483	692	562	718	562	771	640	784	627
15.75	2BK160	15.40	375	284	443	330	534	420	602	489	625	489	670	557	682	545
18.75	2BK190	18.40	314	238	371	276	447	352	504	409	523	409	561	466	571	457

Driven RPM For 1750 RPM Motor

Dia.	Driven Sheave	P.D.	2VP68		2VP71		2VP75		2V58B70		2V68B80	
			Max.	Min.	Max.	Min.	Max.	Min.	Max.	Min.	Max.	Min.
3.55	2BK34	3.20	3555	3008	3555	2953	3828	3172	3828	3172	--	--
3.75	2BK36	3.40	3346	2831	3346	2779	3603	2985	3603	2985	3963	3500
3.95	2BK40	3.60	3160	2674	3160	2625	3403	2819	3403	2819	3743	3306
4.25	2BK45	3.90	2917	2468	2917	2423	3141	2603	3141	2603	3455	3051
4.45	2BK47	4.10	2774	2348	2774	2305	2988	2476	2988	2476	3287	2902
4.75	2BK50	4.40	2585	2188	2585	2148	2784	2307	2784	2307	3062	2705
4.95	2BK52	4.60	2473	2092	2473	2054	2663	2207	2663	2207	2929	2587
5.25	2BK55	4.90	2321	1964	2321	1929	2500	2071	2500	2071	2750	2429
5.45	2BK57	5.10	2230	1887	2230	1853	2402	1990	2402	1990	2642	2333
5.75	2BK60	5.40	2106	1782	2106	1750	2269	1880	2269	1880	2495	2204
5.95	2BK62	5.60	2031	1719	2031	1687	2188	1813	2188	1813	2406	2125
6.25	2BK65	5.90	1928	1631	1928	1602	2076	1720	2076	1720	2284	2017
6.45	2BK67	6.10	1865	1578	1865	1549	2008	1664	2008	1664	2209	1951
6.75	2BK70	6.40	1777	1504	1777	1477	1914	1586	1914	1586	2105	1859
7.75	2BK80	7.40	1537	1301	1537	1277	1655	1372	1655	1372	1821	1608
8.75	2BK90	8.40	1354	1146	1354	1125	1458	1208	1458	1208	1604	1417
9.75	2BK100	9.40	1210	1024	1210	1005	1303	1080	1303	1080	1434	1266
11.75	2BK120	11.40	998	844	998	829	1075	890	1075	890	1182	1044
12.75	2BK130	12.40	917	776	917	762	988	819	988	819	1087	960
13.75	2BK140	13.40	849	718	849	705	914	757	914	757	1006	888
15.75	2BK160	15.40	739	625	739	614	795	659	795	659	875	773
18.75	2BK190	18.40	618	523	618	514	666	552	666	552	732	647

NOTE: For drive selections below the bold line, use HP ratings on TABLE 1 or TABLE 2. For drive selections above the bold line, refer to the BASIC HORSEPOWER Rating Tables in the DODGE Engineering Catalog for Driven Sheave size.

FEATURES/BENEFITS PAGE PT8-2	SELECTION/DIMENSIONS PAGE PT8-3	SELECTION PAGE PT8-10	
---------------------------------	------------------------------------	--------------------------	--



SELECTION

2VP Sheave Using 5VX Belt

Driven RPM For 1750 RPM Motor

Driven Sheave	2VP62		2VP65		2VP68		2VP71		2VP75		2V58B70		2V68B80	
	Max.	Min.	Max.	Min.	Max.	Min.	Max.	Min.	Max.	Min.	Max.	Min.	Max.	Min.
2/5V4.4	2564	2157	2605	2116	2808	2401	2849	2360	3012	2523	3012	2442	3419	2930
2/5V4.65	2423	2038	2462	2000	2654	2269	2692	2231	2846	2385	2846	2308	3231	2769
2/5V4.9	2297	1932	2333	1896	2516	2151	2552	2115	2698	2260	2698	2188	3063	2625
2/5V5.2	2201	1851	2236	1816	2410	2061	2445	2026	2585	2166	2585	2096	2934	2515
2/5V5.5	2042	1718	2074	1685	2236	1912	2269	1880	2398	2009	2398	1944	2722	2333
2/5V5.9	1901	1599	1931	1569	2082	1780	2112	1750	2233	1871	2233	1810	2534	2172
2/5V6.3	1778	1496	1806	1468	1948	1665	1976	1637	2089	1750	2089	1694	2371	2032
2/5V6.7	1670	1405	1697	1379	1830	1564	1856	1538	1962	1644	1962	1591	2227	1909
2/5V7.1	1575	1325	1600	1300	1725	1475	1750	1450	1850	1550	1850	1500	2100	1800
2/5V7.5	1490	1253	1514	1230	1632	1395	1655	1372	1750	1466	1750	1419	1986	1703
2/5V8.0	1396	1174	1418	1152	1528	1307	1551	1285	1639	1373	1639	1329	1861	1595
2/5V8.5	1313	1104	1333	1083	1438	1229	1458	1208	1542	1292	1542	1250	1750	1500
2/5V9.0	1239	1042	1258	1022	1357	1160	1376	1140	1455	1219	1455	1180	1652	1416
2/5V9.25	1205	1014	1224	995	1320	1128	1339	1109	1415	1186	1415	1148	1607	1377
2/5V9.75	1142	961	1161	943	1251	1070	1269	1052	1342	1124	1342	1088	1523	1306
2/5V10.3	1081	909	1098	892	1184	1012	1201	995	1270	1064	1270	1029	1441	1235
2/5V10.9	1021	859	1037	843	1118	956	1134	940	1199	1005	1199	972	1361	1167
2/5V11.3	984	828	1000	813	1078	922	1094	906	1156	969	1156	938	1313	1125
2/5V11.8	942	793	957	778	1032	882	1047	868	1107	927	1107	897	1256	1077
2/5V12.5	889	748	903	734	974	833	988	819	1044	875	1044	847	1185	1016
2/5V13.2	842	708	855	695	922	788	935	775	989	828	989	802	1122	962
2/5V14.0	793	667	806	655	869	743	881	730	932	781	932	755	1058	906
2/5V15.0	740	622	752	611	810	693	822	681	869	728	869	705	987	846
2/5V16.0	693	583	704	572	759	649	770	638	814	682	814	660	925	792
2/5V18.7	593	499	602	489	649	555	659	546	696	583	696	565	790	677
2/5V21.2	523	440	531	431	572	489	581	481	614	514	614	498	697	597
2/5V23.6	469	395	477	387	514	439	521	432	551	462	551	447	626	536
2/5V28.0	395	332	401	326	433	370	439	364	464	389	464	376	527	452

NOTE: For drive selections below the bold line, use HP ratings on TABLE 1. or TABLE 2.
 For drive selections above the bold line, use BASIC HP RATING TABLES from DODGE ENGINEERING Catalog for driven sheave size.

V-Drives

FHP Drives

Drive Component Accessories

DYNA-SYNC

HT200/HTD Synchronous Drives

HTR Synchronous Drives

HTRC Synchronous Drives



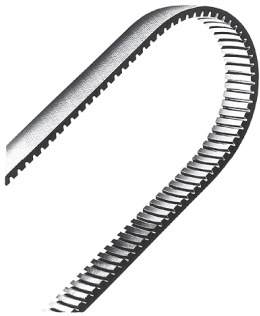
CONTENTS

Drive Component Accessories

Drive Component Accessories	
Wide Range Belts - REEVES	PT9-2
Wide Range Belts	PT9-3
TAPER-LOCK Flat-Face Pulleys	PT9-4
DODGE Motor Bases	PT9-5
Shaft Collars	PT9-7
Adjustable NEMA Motor Bases	PT9-8
Part Number Index	INDEX-1
Keyword Index	INDEX-63



Wide Range Belts - REEVES



Belt Series	For Pulley Numbers
1422	95, 5675, 406
1922	96, 97, 7202, 408
2322	98, 409
2926	98-1/2, 9205, 411
3236	910, 410, 410/8
4430	912, 912-15, 1110, 412
	412/15, 1320, 1330
4830	414, 414/25

WIDE RANGE BELTS FOR REEVES PULLEYS

For Adjustable Speed Drive Applications
 Oil And Heat Resistant
 Static Conducting
 Industry Standard Belt Numbers

1st Two Digits - Belt Width in Sixteenth Inch
 2nd Two Digits - Sheave Groove Angle
 Remaining Digits - Pitch Length in Tenths of an inch.

Belt Size	DODGE P/N	REEVES P/N
1422V SERIES		
1422V270	109407	8H95450
1422V300	109409	8H95123
1422V330	109411	8H95451
1422V360	109011	8H95124
1422V400	109414	8H95452
1422V420	109012	8H95125
1422V466	109418	8H95453
1422V480	109013	8H95126
1422V540	109014	8H95127
1422V600	109422	8H95128
1422V660	109423	8H95454
1422V720	109424	8H95455
1422V780	109425	8H95456
1922V SERIES		
1922V256	109493	8H95457
1922V321	109498	8H95133
1922V338	109500	8H95458
1922V363	109501	8H95134
1922V386	109020	8H95135
1922V403	109504	8H95459
1922V417	109505	8H95460
1922V426	109021	8H95137
1922V443	109507	8H95461
1922V454	109508	8H95139
1922V484	109022	8H95140
1922V544	109023	8H95142
1922V604	109024	8H95143
1922V646	109515	8H95462
1922V666	109516	8H95145
1922V726	109520	8H95148
1922V751	109521	8H95463
1922V756	109522	8H95464
1922V806	109523	8H95149
2322V SERIES		
2322V364	109599	8H95465
2322V396	109601	8H95466

Belt Size	DODGE P/N	REEVES P/N
2322V421	109602	8H95153
2322V443	-	8H95154
2322V486	-	8H95155
2322V521	109031	8H95156
2322V541	109607	8H95157
2322V601	109601	8H95466
2322V661	109033	8H95159
2322V681	109611	8H95467
2322V721	109034	8H95162
2322V801	109614	8H95163
2322V886	109617	8H95468
2322V1001	109619	8H95469
2926V SERIES		
2926V471	109713	8H95477
2926V486	109715	8H95170
2926V521	109717	8H95171
2926V546	109719	8H95172
2926V574	109720	8H95173
2926V586	109721	8H95174
2926V606	109722	8H95175
2926V636	109740	8H95177
2926V646	109724	8H95178
2926V686	109726	8H95180
2926V726	109728	8H95182
2926V776	109729	8H95183
2926V834	109731	8H95184
2926V856	109732	8H95185
2926V906	109734	8H95187
2926V966	109735	8H95478
3226V SERIES		
3226V433	109749	8H95470
3226V465	109750	8H95471
3226V505	109751	8H95472
3226V545	109753	8H95473
3226V585	109754	8H95474
3226V603	109040	8H95192
3226V663	109041	8H95193

Belt Size	DODGE P/N	REEVES P/N
3226V723	109042	8H95194
3226V783	109043	8H95195
3226V843	109044	8H95196
3226V903	109760	8H95197
3226V963	109761	8H95198
3226V1023	109762	8H95475
3226V1083	109763	8H95476
4430V SERIES		
4430V548	109848	8H95479
4430V555	109849	8H95480
4430V578	109852	8H95481
4430V610	109705	8H95482
4430V630	109855	8H95483
4430V660	109856	8H95484
4430V670	109705	8H95705
4430V690	109858	8H95485
4430V700	109050	8H95486
4430V730	109862	8H95204
4430V740	109863	8H95740
4430V790	109837	8H95205
4430V850	109052	8H95206
4430V910	109053	8H95207
4430V970	109845	8H95208
4430V1030	109893	8H95209
4430V1090	109877	8H95210
4430V1150	109879	8H95488
4430V1320	109882	8H95489
4480V SERIES		
4830V614	109907	8H95490
4830V653	109908	8H95491
4830V692	109909	8H95492
4830V699	109910	8H95493
4830V730	109911	8H95494
4830V850	109912	8H95495
4830V970	109913	8H95496
4830V1070	109914	8H95497



Wide Range Belts

Part No.	Descr.	Wt.	Part No.	Descr.	Wt.	Part No.	Descr.	Wt.	Part No.	Descr.	Wt.
1200 SERIES			109022	1922V484	1.20	109620	2322V1061	2.80	109723	2926V616	2.30
109400	1228V255	.26	109511	1922V526	.96	109623	2326V310	.74	109740	2926V636	2.30
1400 SERIES			109023	1922V544	1.20	109242	2326V359	.92	109724	2926V724	2.40
109407	1422V270	.30	109024	1922V604	1.40	109625	2330V273	.56	109725	2926V666	2.40
109408	1422V290	.33	109514	1922V630	1.10	2400 SERIES			109726	2926V726	2.40
109409	1422V300	.30	109515	1922V646	1.20	109631	2426V343	.82	109727	2926V706	2.60
109411	1422V330	.37	109516	1922V516	1.20	109637	2430V297	.71	109728	2926V726	2.80
109412	1422V340	.40	109517	1922V686	1.20	109639	2436V331	.77	109729	2926V776	2.80
109011	1422V360	.50	109517	1922V706	1.30	2500 SERIES			109730	2926V786	2.90
109414	1422V400	.45	109520	1922V726	1.30	109641	2526V314	.92	109731	2926V834	2.90
109012	1422V420	.50	109522	1922V756	1.40	109644	2530V470	1.80	109732	2926V856	3.10
109416	1422V440	.50	109523	1922V806	1.50	109647	2530V530	1.90	109733	2926V891	3.52
109417	1422V460	.52	109524	1922V846	1.50	109648	2530V550	1.90	109734	2926V906	3.30
109418	1422V466	.52	109525	1922V891	1.60	109650	2530V575	2.20	109735	2926V966	3.50
109419	1422V470	.53	109533	1926V250	.50	109100	2530V595	2.50	109736	2926V1006	3.70
109013	1422V480	.60	109068	1926V275	.53	109652	2530V600	2.30	109745	3226V392	1.50
109014	1422V540	.70	109542	1930V366	.80	109653	2530V610	2.50	109262	3226V439	1.99
109422	1422V600	.68	109543	1930V375	.81	109101	2530V630	2.70	109764	3226V450	2.00
109423	1422V660	.74	109544	1930V400	.87	109109	2530V660	2.60	109750	3226V465	2.00
109425	1422V780	.87	109545	1930V425	.90	109102	2530V670	2.60	109751	3226V505	2.20
109424	1430V215	.31	109546	1930V431	.93	109658	2530V690	2.60	3200 SERIES		
1600 SERIES			109549	1930V491	1.10	109104	2530V730	3.00	109752	3226V514	2.20
109459	1626V262	.42	109552	1930V541	1.10	109662	2530V740	2.80	109753	3226V545	2.30
109461	1626V293	.47	109554	1930V591	1.30	109664	2530V790	3.00	109754	3226V585	2.50
109462	1626V304	.40	109555	1930V600	1.30	109107	2530V840	3.30	109040	3226V603	2.40
109463	1626V330	.50	109557	1930V641	1.30	109672	2530V990	3.70	109263	3226V650	2.93
109464	1626V339	.60	109559	1930V691	1.50	109675	2530V1090	4.10	109041	3226V663	2.80
109466	1626V384	.70	109561	1930V750	1.60	2600 SERIES			109042	3226V723	3.10
109469	1626V428	.68	109562	1930V791	1.70	109688	2626V369	1.20	109043	3226V783	3.40
109470	1626V440	.70	109565	1930V891	1.90	109689	2626V388	1.20	109044	3226V843	3.60
109472	1626V513	.81	109568	1930V991	2.10	109692	2630V345	1.00	109760	3226V903	3.90
109473	1626V517	.82	109571	1930V1091	2.30	109694	2636V332	1.10	109761	3226V963	4.10
109475	1626V604	.95	2100 SERIES			2800 SERIES			109763	3226V1083	4.60
109477	1626V700	1.10	109585	2126V309	.60	109696	2822V778	3.40	109766	3230V419	2.10
109480	1628V315	.51	2200 SERIES			109698	2826V412	1.50	109772	3230V670	3.40
109479	1628V210	.29	109590	2226V307	.58	109699	2826V452	1.60	109774	3230V710	3.60
109482	1632V210	.40	109592	2230V266	.49	109250	2830V337	1.13	109803	3236V369	1.60
1800 SERIES			109594	2230V275	.60	109701	2830V363	1.00	109805	3236V432	1.90
109485	1822V328	.57	109596	2230V326	.69	109700	2830V366	1.03	109807	3326V478	2.40
109487	1828V368	.73	2300 SERIES			109251	2830V367	1.23	3400 SERIES		
1900 SERIES			109599	2322V364	.90	109702	2830V393	.99	109822	3432V450	2.13
109493	1922V256	.50	109601	2322V601	1.10	109703	2830V422	1.50	109809	3432V456	2.10
109494	1922V277	.51	109602	2322V421	1.00	109706	2836V343	1.20	109808	3432V480	2.27
109495	1922V282	.60	109604	2322V441	1.20	109708	2836V380	1.30	109810	3432V484	2.20
109496	1922V289	.55	109030	2322V481	1.50	2900 SERIES			109269	3432V534	2.52
109497	1922V302	.56	109031	2322V521	1.60	109710	2926V366	1.40	3600 SERIES		
109498	1922V321	.60	109607	2322V541	1.40	109711	2926V400	1.50	109817	3636V479	2.50
109499	1922V332	.61	109032	2322V601	1.80	109712	2926V426	1.60	3700 SERIES		
109501	1922V363	.60	109609	2322V621	1.60	109713	2926V471	1.80	109821	3726V558	3.40
109502	1922V381	.70	109033	2322V661	1.90	109714	2926V477	1.60	3800 SERIES		
109020	1922V386	.80	109611	2322V681	1.80	109715	2926V486	1.80	109824	3826V465	2.60
109504	1922V403	.70	109612	2322V701	1.80	109716	2926V491	1.80	109826	3830V510	3.10
109505	1922V417	.76	109034	2322V721	2.30	109717	2926V521	2.00	109827	3830V517	3.20
109021	1922V426	.90	109614	2322V801	2.10	109719	2926V546	1.90	109835	3830V580	6.60
109507	1922V443	.81	109615	2322V826	2.30	109720	2926V574	2.10	109828	3830V587	3.30
109508	1922V454	.70	109617	2322V886	2.30	109721	2926V721	2.20	109830	3836V418	2.00
109509	1922V460	.84	109618	2322V921	2.40	109722	2926V606	2.10	109831	3836V426	2.10

V-Drives
FHP Drives
Drive Component Accessories
DYNA-SYNC
HT200/HTD Synchronous Drives
HTR Synchronous Drives
HTRC Synchronous Drives



Wide Range Belts (cont)

Part No.	Descr.	Wt.
3800 Series (Continued)		
109832	3836V654	3.50
109833	3836V734	3.90
109834	3836V794	4.40
4000 SERIES		
109836	4030V538	3.40
109840	4036V541	3.50
109841	4036V547	3.60
4200 SERIES		
109843	4230V556	3.30
109844	4230V605	3.60
4400 SERIES		
109846	4430V510	3.70
109847	4430V530	3.80
109848	4430V548	3.90
109849	4430V555	4.00
109851	4430V570	4.10
109852	4430V578	4.20
109854	4430V610	4.30
109855	4430V630	4.40
109856	4430V660	4.50

Part No.	Descr.	Wt.
109857	4430V670	4.70
109858	4430V690	4.90
109050	4430V700	4.80
109861	4430V710	5.10
109862	4430V730	5.40
109863	4430V740	5.30
4430 SERIES		
109865	4430V760	5.40
109051	4430V790	6.00
109052	4430V850	6.30
109053	4430V910	6.90
109054	4430V970	6.70
109875	4430V1030	7.50
109877	4430V877	8.40
109879	4430V1150	8.10
109882	4430V1320	9.30
109885	4430V1610	11.40
109886	4436V525	3.70
109887	4436V551	3.90
109889	4436V561	4.00
109890	4436V576	4.10

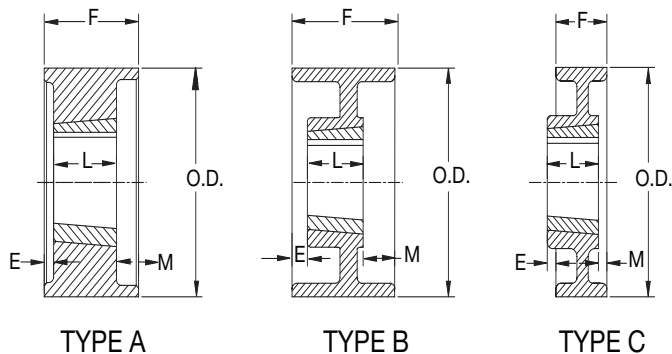
Part No.	Descr.	Wt.
109892	4436V646	4.70
4600 SERIES		
109894	4626V596	4.90
109896	4630V650	5.90
109897	4630V663	6.00
109901	4630V733	7.39
109904	4636V613	5.60
4800 SERIES		
109906	4830V602	4.70
109908	4830V653	5.10
109910	4830V699	5.50
109916	4836V588	4.60
109918	4836V618	4.90
109920	4836V655	5.20
109057	4836V670	5.99
109927	4836V850	6.70
109066	4836V1180	11.52
5100 SERIES		
109825	5130V732	8.44
109935	5228V930	9.70
109936	5230V734	7.80

Part No.	Descr.	Wt.
109829	5230V867	10.16
5600 SERIES		
109939	5636V750	8.20
109940	5636V774	8.40
3230HV SERIES		
109789	3230HV528	2.60
109790	3230HV553	2.80
109791	3230HV570	2.90
109792	3230HV585	2.90
109793	3230HV603	3.20
109794	3230HV613	3.10
109795	3230HV620	3.10
109796	3230HV626	3.10
109797	3230HV644	3.20
109802	3230HV656	3.88
109798	3230HV670	3.40
109799	3230HV685	3.50
109800	3230HV702	3.50
109801	3230HV723	3.60
109806	3230HV821	4.85
109814	3230HV856	5.05
109816	3230HV931	5.49

TAPER-LOCK FLAT FACE PULLEYS

The TAPER-LOCK flat face pulley was designed primarily to be used with adjustable speed drives using wide range belts. They are made of quality gray iron and are carefully static balanced.

TAPER-LOCK bushings grip the shaft but can be easily removed. One of the outstanding features is that they go from "shelf-to-shaft" without costly reboring, keyseating or machining.



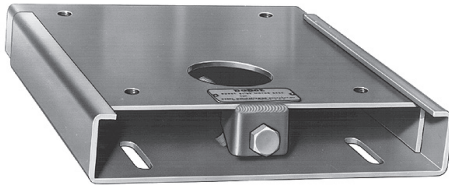
O.D.	Part No.	Description	Wt.	* Type	DIMENSIONS		
					L	E	M
2.5" FACE WIDTH							
5	330250	5 X 2.5-2012	4.6	A-1	1.25	0.25	1.0
6	330251	6 X 2.5-2012	8.1	A-1	1.25	0.25	1.0
7	330252	7 X 2.5-2012	8.0	B-2	1.25	0.38	0.88
8	330253	8 X 2.5-2012	9.0	B-2	1.25	0.38	0.88
9	330254	9 X 2.5-2012	13.5	B-2	1.25	0.44	0.81
10	330255	10 X 2.5-2012	16.3	B-2	1.25	0.44	0.81
11	330256	11 X 2.5-2012	17.9	B-3	1.25	0.44	0.81
12	330257	12 X 2.5-2012	19.6	B-3	1.25	0.44	0.81
14	330258	14 X 2.5-3020	23.4	C-3	2.0	0.38	0.88
16	330259	16 X 2.5-3020	30.8	C-3	2.0	0.38	0.88
18	330260	18 X 2.5-3020	35.3	C-3	2.0	0.38	0.88
20	330261	20 X 2.5-3020	44.8	C-3	2.0	0.44	0.94
3.25" FACE WIDTH							
10	330262	10 X 3.25-2012	18.2	B-3	1.25	0.81	1.19
11	330263	11 X 3.25-2012	20.5	B-3	1.25	0.81	1.19
12	330264	12 X 3.25-2012	22.4	B-3	1.25	0.81	1.19
14	330265	14 X 3.25-3020	28.4	B-3	2.00	0.06	1.19
16	330266	16 X 3.25-3020	39.4	B-3	2.00	0.06	1.19
18	330267	18 X 3.25-3020	38.5	B-3	2.00	0.13	1.13
20	330268	20 X 3.25-3020	48.8	B-3	2.00	0.13	1.13
22	330269	22 X 3.25-3020	51.8	B-3	2.00	0.06	1.19
24	330270	24 X 3.25-3020	58.3	B-3	2.00	0.13	1.13
4.25" FACE WIDTH							
12	330271	12 x 4.25-3020	26.2	B-3	2.0	0.06	2.19
14	330272	14 x 4.25-3020	26.2	B-3	2.0	0.13	2.13
16	330273	16 x 4.25-3020	36.0	B-3	2.0	0.13	2.13
18	330274	18 x 4.25-3020	41.7	B-3	2.0	0.13	2.13
20	330279	20 x 4.25-3020	44.3	B-3	2.0	0.13	2.13
22	330275	22 x 4.25-3020	55.8	B-3	2.0	0.13	2.13
24	330276	24 x 4.25-3020	59.3	B-3	2.0	0.13	2.13

* Sheave Type: -1 = Block, -2 = Web, -3 = Arm

DRIVE COMPONENT ACCESSORIES

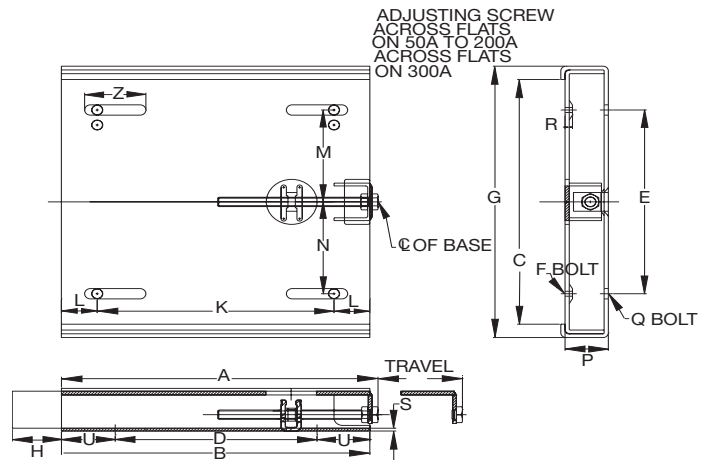


DODGE Motor Bases TYPE A SLIDE MOTOR BASES



Type A Motor Bases are fabricated of steel which offers a base of rugged design, compact and smooth in appearance. These bases, which are designed to provide adequate travel, are fully adjustable by the use of a single adjusting screw and have elongated mounting holes in the base plate.

Order by base number. Bases are tapped to receive popular NEMA frames and can be tapped on order for others by specifying the frame size required. See table below.



Base No. Part No.	NEMA Motor Frame No.		Travel	A	B	C	D	E	F *	G	H	K	L
	1750 RPM	1160 RPM											
50A 122120	213	213, 213T	4.75	11.25	10.75	9.38	7.44	7	3/8	10.25	2.06	8.5	1.13
	215	215							3/8			8.5	1.13
	182T*	182T*							3/8			7.5	1.63
	184T*	184T*							3/8			7.5	1.63
100A 122121	254, 254U	254, 254U, 254T	4.75	13.5	13	12.81	8.25	10	1/2	14.25	2.38	10	1.5
	256U	256U							1/2			10	1.5
	213T*							3/8			8.5	2.25
	215T*	215T*							3/8			5.5	2.25
200A 122122	284, 284U, 284T	284, 284U, 284T	6.88	16.75	16.25	15.81	11.50	12	1/2	17.25	3.38	11	2.63
	286U, 286T	286U, 286T							1/2			11	2.63
	324, 324U	324, 324U							5/8			12.5	1.88
	326, 326U	326, 326U							5/8			12.5	1.88
	254T*							1/2			10	3.13
	256T*	256T*							1/2			10	3.13
300A 122123	364, 364U	364, 364U	6.25	18.88	18.25	16.31	11.88	12.25	5/8	18.13	3.25	14	2.13
	365	365							5/8			14	2.13
	324T*	324T*							5/8			12.5	2.88

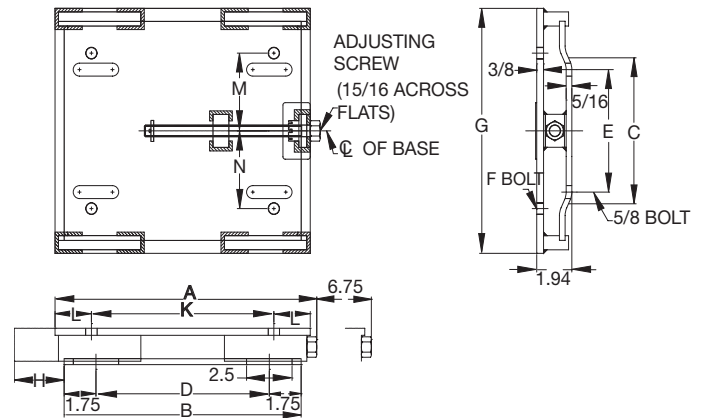
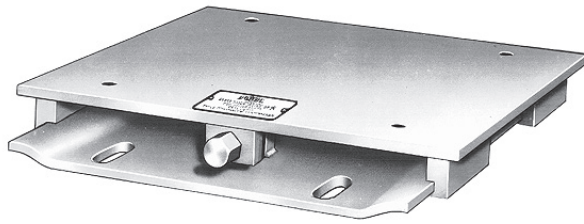
Base No. Part No.	M	N	P	Q	S	U	Z
50A 122120	2.0	3.5	1.75	.38	.13	1.66	1.69
	3.5	3.5					
	2.75	1.75					
	2.75	2.75					
100A 122121	3.25	5.0	2	.68	.19	2.38	2.5
	5.0	5.0					
	2.75	2.75					
	3.5	3.5					
200A 122122	5.25	4.25	2.25	.68	.19	2.38	2.5
	5.25	5.75					
	4.5	6.0					
	6.0	6.0					
	4.75	3.5					
300A 122123	5.13	6.13	2.5	.68	.25	3.19	3.63
	6.13	6.13					
	5.63	4.83					

* Bases are tapped with national coarse threads for those motor frames not marked with an asterisk. Bases for motor frames marked with an asterisk will be drilled and tapped on order at an extra charge and will require "F" diameter bolts and nuts – when ordering specify NEMA motor frame size.

DRIVE COMPONENT ACCESSORIES



DODGE Motor Bases TYPE B SLIDE MOTOR BASES



Type B Motor Bases are made of fabricated steel and include all of the same quality features as the Type A bases. Type B bases were primarily designed to be used where a base of heavier construction is required.

Order by base number. Bases are tapped to receive popular NEMA frames and can be tapped on order for others by specifying the frame size required. See table below.

Base No. Part No.	NEMA Motor Frame No.		Wt.	A	B	C	D	E	F*	G	H	K	L	M	N
	1750 RPM	1160 RPM													
11B 122114	254, 254U	254, 254U	37	14.38	13	9.25	9.5	6.5	1/2	13	3.88	10.0	2.0	4.13	4.13
	215*	215*, 215T*							3/8			8.5	2.75	3.5	3.5
	184T*	184T*							3/8			7.5	3.25	2.75	2.75
	213T*	213T*							3/8			8.5	2.75	2.75	2.75
22B 122115	284, 284U	284, 284U	37	14.38	13	9.25	9.5	6.5	1/2	13	3.88	11.0	1.5	4.75	4.75
	256U*	256U*, 265T*							1/2			10.0	2.0	5.0	5.0
	215T*							3/8			8.5	2.75	3.5	3.5
	254T*	254T*							1/2			10.0	2.0	4.13	4.13
33B 122116	324, 324U	324, 324U	48	16.38	14	11.5	10.5	7.75	5/8	15.75	4.38	12.5	1.75	5.25	5.25
	326, 326U	326, 326U							5/8			12.5	1.75	6.0	6.0
	286U*, 286T*	286U*, 286T*							1/2			11.0	2.5	5.5	5.5
	256T*							1/2			10.0	3.0	5.0	5.0
45B 122118	364, 364U	364, 364U	56	18.38	16	12.25	12.5	8	5/8	16.5	4.38	14.0	2.0	5.13	6.13
	365	365							5/8			14.0	2.0	6.13	6.13
	324T*	324T*							5/8			12.5	2.75	5.75	4.75

* Bases are tapped with national coarse threads for those motor frames not marked with an asterisk. Bases for motor frames marked with an asterisk will be drilled and tapped on order at an extra charge and will require "F" diameter bolts and nuts – when ordering specify NEMA motor frame size.



Shaft Collars



Solid Steel Shaft Collars						
Shaft Size	Part Number		Dimensions			
	Steel	Stainless	O.D.	Width	Screw	Wt.
1/8	-	456225	3/8	1/4	#6	0.01
3/16	040001	456226	7/16	1/4	#8	0.01
1/4	040002	456227	1/2	5/16	#10	0.01
5/16	040003	456228	5/8	5/16	#10	0.02
3/8	040004	456229	3/4	3/8	1/4	0.03
7/16	040005		7/8	7/16	1/4	0.05
1/2	040006	456230	1	7/16	1/4	0.07
9/16	040007		1	7/16	1/4	0.06
5/8	040008	456231	1-1/8	1/2	5/16	0.09
11/16	040009		1-1/4	9/16	5/16	0.13
3/4	040010	456232	1-1/4	9/16	5/16	0.12
13/16	040011		1-1/4	9/16	5/16	0.11
7/8	040012	456233	1-1/2	9/16	5/16	0.18
15/16	040013		1-1/2	9/16	5/16	0.17
1	040014	456234	1-1/2	5/8	5/16	0.17
1-1/16	040015		1-3/4	5/8	5/16	0.26
1-1/8	040016	456235	1-3/4	5/8	5/16	0.24
1-3/16	040017		2	11/16	3/8	0.38
1-1/4	040018	456236	2	11/16	3/8	0.36
1-5/16	010019		2-1/8	11/16	3/8	0.41
1-3/8	040020		2-1/8	3/4	3/8	0.42
1-7/16	040021		2-1/4	3/4	3/8	0.48
1-1/2	040022	456237	2-1/4	3/4	3/8	0.45
1-9/16	040023		2-1/2	13/16	3/8	0.67
1-5/8	040024		2-1/2	13/16	3/8	0.63
1-11/16	040025		2-1/2	13/16	3/8	0.59
1-3/4	040026	456238	2-5/8	7/8	1/2	0.71
1-7/8	040027		2-3/4	7/8	1/2	0.76
1-15/16	040028		3	7/8	1/2	0.98
2	040029	456239	3	7/8	1/2	0.93
2-3/16	040030		3-1/4	15/16	1/2	1.16
2-1/4	040031		3-1/4	15/16	1/2	1.11
2-7/16	040032		3-1/2	1	1/2	1.36
2-1/2	040033		3-1/2	1	1/2	1.30
2-15/16	040034		4	1-1/8	1/2	1.83

Bore Tolerance	
Bore	Tolerance
1/8 - 1/2	+0.0005/+0.0025
9/16 - 2	+0.0005/+0.0030
>2	+0.0010/+0.0040

Solid Iron Shaft Collars				
Shaft Size	Part Number	Dimensions		
		O.D.	Width	Wt.
1-15/16	010020	3-3/8	1-3/8	1.75
2	010021	3-3/8	1-3/8	1.75
2-3/16	010024	3-3/4	1-3/8	3
2-7/16	010028	4-1/4	1-1/2	3
2-1/2	010029	4-1/4	1-1/2	3
2-11/16	010032	4-3/4	1-1/2	5
2-15/16	010036	5	1-5/8	5
3-3/16	010039	5-1/2	1-5/8	7
3-7/16	010043	5-3/4	1-3/4	8
3-15/16	010048	6-1/2	1-7/8	10.5
4-7/16	010051	7-1/4	2	13.5
4-15/16	010054	8	2-1/8	17
5-7/16	010055	8-3/4	2-1/8	20
5-15/16	010056	9-1/4	2-1/4	22
6	010057	9-1/4	2-1/4	22
6-1/2	010058	10	2-1/4	25
7	010059	10-1/2	2-3/8	30
7-1/2	010060	11-3/8	2-1/2	35
8	010061	12-1/8	2-7/8	45

Bore Tolerance	
Bore	Tolerance
<1-1/2	+0.002/+0.004
1-9/16 - 2-1/2	+0.003/+0.005
2-9/16 - 4	+0.003/+0.006
4-1/16 - 6	+0.003/+0.007
6-1/16 - 8	+0.004/+0.008

Split Iron Shaft Collars				
Shaft Size	Part Number	Dimensions		
		O.D.	Width	Wt.
1-1/8	010075	3-1/8	1-1/4	1.3
1-3/16	010076	3-1/8	1-1/4	1.3
1-1/4	010077	3-1/8	1-1/4	1.3
1-5/16	010078	3-3/8	1-7/16	1.5
1-7/16	010080	3-3/8	1-7/16	1.5
1-1/2	010081	3-3/8	1-7/16	1.5
1-11/16	010084	3-3/4	1-9/16	2.3
1-3/4	010085	3-3/4	1-9/16	2.3
1-15/16	010088	4-1/16	1-3/4	2.8
2	010089	4-1/16	1-3/4	2.8
2-3/16	010092	4-1/2	1-7/8	3.0
2-1/4	010093	4-1/2	1-7/8	3.0
2-7/16	010096	4-7/8	2	4.0
2-1/2	010097	4-7/8	2	4.0
2-11/16	010100	5-5/16	2-1/16	5.0
2-15/16	010104	5-5/8	2-5/16	5.8
3	010105	5-5/8	2-5/16	5.8
3-3/16	010107	6-1/16	2-3/8	8.5
3-7/16	010110	6-7/8	2-9/16	9.8
3-11/16	010112	6-13/16	2-5/8	10.0
3-15/16	010114	7-3/16	2-3/4	11.0
4-7/16	010117	8-1/8	3-5/16	16.5
4-15/16	010120	8-3/4	3-1/2	20.5
5-7/16	010123	9-5/8	3-3/4	28.0
5-15/16	010126	10-1/8	4-1/16	30.0
6	010127	10-1/8	4-1/16	30.0
6-1/2	010128	11	4-1/4	41.0
7	010129	12	4-1/2	46.0
7-1/2	010130	12-15/16	4-11/16	56.0
8	010131	13-5/8	5-1/16	69.0

Bore Tolerance	
Bore	Tolerance
<1-1/2	+0.002/+0.004
1-9/16 - 2-1/2	+0.003/+0.005
2-9/16 - 4	+0.003/+0.006
4-1/16 - 6	+0.003/+0.007
6-1/16 - 8	+0.004/+0.008

V-Drives

FHP Drives

Drive Component Accessories

DYNA-SYNC

HT200/HTD Synchronous Drives

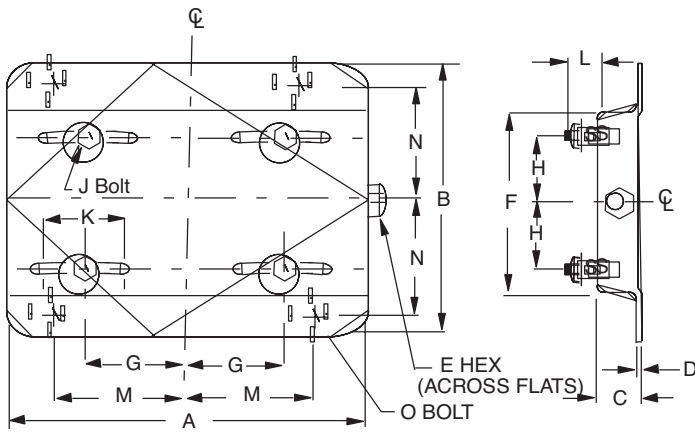
HTR Synchronous Drives

HTRC Synchronous Drives



Adjustable NEMA Motor Bases

DODGE Adjustable motor bases provide a convenient method for mounting standard NEMA-frame motors. Hex- screw "E" is used to adjust the drive center distance over range "K" for tensioning V-Belt and Synchronous belt drives. Once the drive is tensioned, bolts "J" are tightened for a secure, stable mounting of the motor.



Style A



Style B

Base No.	Part No.	Wt.	Style	Dimensions												Bolt Dimensions			
				A	B	C	D	F	G	H	K	L	M	N	Adj.	Hex	J	O	
56	122090	3.0	A	10.63	6.50	1.13	0.08	4.50	2.44	1.50	3.00	0.87	3.81	2.88	3/8	9/16	5/16	3/8	
143	122091	5.0	A	10.50	7.50	1.13	0.12	5.50	2.75	2.00	3.00	0.81	3.75	3.38	3/8	9/16	5/16	3/8	
145	122092	6.0	A	10.50	8.50	1.13	0.12	6.50	2.75	2.50	3.00	0.81	3.75	3.88	3/8	9/16	5/16	3/8	
182	122093	9.0	A	12.75	9.50	1.50	0.13	6.50	3.75	2.25	3.00	1.25	4.50	4.25	1/2	3/4	3/8	1/2	
184	122094	9.5	A	12.75	10.50	1.50	0.13	7.50	3.75	2.75	3.00	1.25	4.50	4.75	1/2	3/4	3/8	1/2	
213	122095	13.5	A	15.00	11.00	1.75	0.16	7.50	4.25	2.75	3.50	1.25	5.25	4.75	1/2	3/4	3/8	1/2	
215	122096	15.5	A	15.00	12.50	1.75	0.16	9.00	4.25	3.50	3.50	1.25	5.25	5.50	1/2	3/4	3/8	1/2	
254	122097	17.5	B	17.75	15.13	2.00	0.19	10.75	5.00	4.13	4.00	1.44	6.25	6.63	5/8	15/16	1/2	5/8	
256	122098	18.5	B	17.75	16.88	2.00	0.19	12.50	5.00	5.00	4.00	1.44	6.25	7.50	5/8	15/16	1/2	5/8	
284	122099	21.0	B	19.75	16.88	2.00	0.19	12.50	5.50	4.75	4.50	1.69	7.00	7.50	5/8	15/16	1/2	5/8	
286	122100	22.0	B	19.75	18.38	2.00	0.19	14.00	5.50	5.50	4.50	1.69	7.00	8.25	5/8	15/16	1/2	5/8	
324	122101	31.0	B	22.75	19.25	2.50	0.19	14.00	6.25	5.25	5.25	2.19	8.00	8.25	3/4	1-1/8	5/8	3/4	
326	122102	32.0	B	22.75	20.75	2.50	0.19	15.50	6.25	6.00	5.25	2.19	8.00	9.25	3/4	1-1/8	5/8	3/4	
364	122103	44.0	B	25.50	20.50	2.50	0.25	15.50	7.00	5.63	6.00	2.06	9.00	9.13	3/4	1-1/8	5/8	3/4	
365	122104	45.0	B	25.50	21.50	2.50	0.25	16.50	7.00	6.13	6.00	2.06	9.00	9.63	3/4	1-1/8	5/8	3/4	

CONTENTS



DYNA-SYNC® Drives

Features/Benefits	PT10-2
Specification: Pulleys	
XL Pitch	PT10-3
L Pitch	PT10-4
H Pitch	PT10-6
XH Pitch	PT10-7
Reborable	PT10-9
Specification: Belts	
Dual DYNA-SYNC	PT10-11
XL Pitch	PT10-12
L Pitch	PT10-12
H Pitch	PT10-13
XH Pitch	PT10-13
XXH Pitch	PT10-13
Selection	PT10-14
XL Pitch	PT10-18
L Pitch	PT10-24
H Pitch	PT10-30
XH Pitch	PT10-36
Basic HP Ratings	PT10-43
Engineering/Technical	
Dimensions, Tolerances	PT10-44
Installation	PT10-45
Tensioning	PT10-45
Belt Working Tension	PT10-45
Part Number Index	INDEX-1
Keyword Index	INDEX-63

V-Drives

FHP Drives

Drive Component
Accessories

DYNA-SYNC

HT200/HTD
Synchronous Drives

HTR
Synchronous Drives

HTRC
Synchronous Drives



FEATURES/BENEFITS

DYNA-SYNC Drives

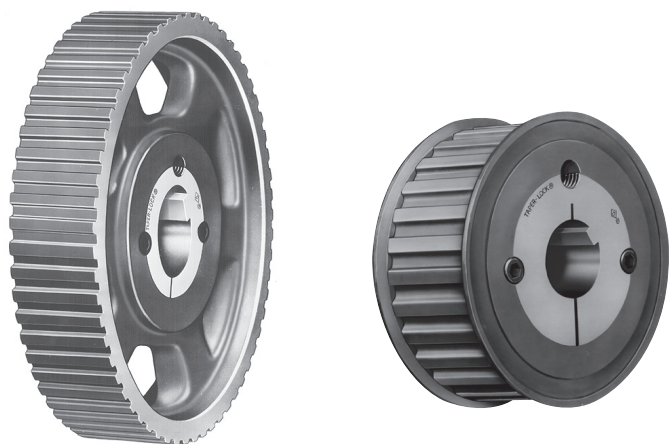


The Original Timing Drive

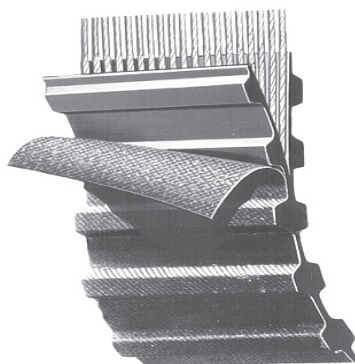
- Synchronized No-Slip Transmission
- No Lubrication Required
- Efficiency: Approximately 98%
- Low Maintenance
- Virtually No Backlash
- Constant Linear Velocity
- Drive Ratios to 8.5:1
- Pitches: XL, L, H, and XH



DYNA-SYNC Pulley

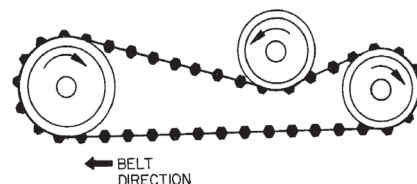


- Tough, Tensile Cords, No-Stretch Fiberglass
- Durable Neoprene Rubber Body
- Long-Wearing Nylon Duck Facing
- Oil, Heat, and Ozone Resistant



- Dual-Sided Teeth Available for Serpentine Drives

- Clean, Compact TAPER-LOCK Design
- Easy-on/Easy-off
- Precision Manufactured in ISO9000 Certified Plant
- Flanged Design Standard on Driver Sizes



V-Drives

FHP Drives

Drive Component
Accessories

DYNA-SYNC

HT200/HTD
Synchronous Drives

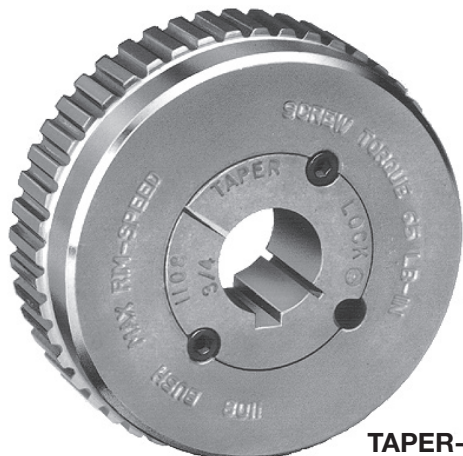
HTR
Synchronous Drives

HTRC
Synchronous Drives

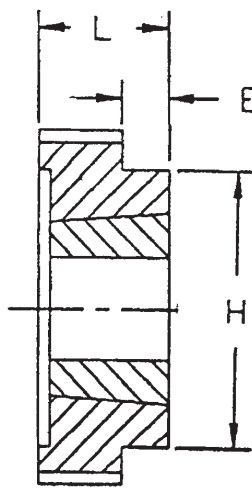


SPECIFICATIONS

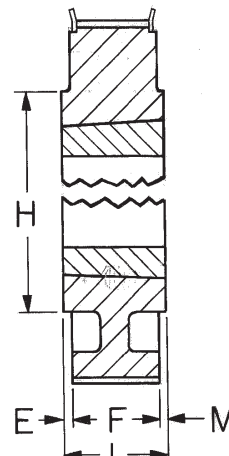
DYNA-SYNC Pulleys - XL, L PITCH



TAPER-LOCK



TAPER-LOCK



TYPE C

XL037 - 1/5" Pitch (.375" Wide Belt)

F = 0.56"

No. of Teeth	Description ◇	Part No.	Wt	Pitch Dia. (P.D.)	Max. Fig. O.D.	Type †	Brushed		Dimensions			
							Bore Range		E	H	L	M
							Min.	Max.				
32	TL32XL037-1108	113021	.22	2.037	None	TL-1	1/2	1-1/8	-	2.02	0.88	0
36	TL36XL037-1108	113022	.30	2.292		TL-1	1/2	1-1/8	0.32	2.13	0.88	0
40	TL40XL037-1108	113023	.31	2.546		TL-1	1/2	1-1/8	0.32	2.25	0.88	0
42	TL42XL037-1108	113024	.31	2.674		TL-1	1/2	1-1/8	0.32	2.37	0.88	0
44	TL44XL037-1108	113046	.31	2.801		TL-1	1/2	1-1/8	0.32	2.63	0.88	0
48	TL48XL037-1108	113047	.38	3.056		TL-1	1/2	1-1/8	0.32	2.88	0.88	0
60	TL60XL037-1210	113048	.38	3.820		TL-1	1/2	1-1/4	0.44	3.50	1.00	0
72	TL72XL037-1610	113049	.50	4.584	TL-1	1/2	1-11/16	0.44	4.00	1.00	0	

L050 - 3/8" Pitch (.5" Wide Belt)

F = 0.75"

No. of Teeth	Description ◇	Part No.	Wt	Pitch Dia. (P.D.)	Max. Fig. O.D.	Type †	Brushed		Dimensions			
							Bore Range		E	H	L	M
							Min.	Max.				
18	TL18L050-1108	113575	.45	2.149	2.39	CF-1	1/2	1-1/8	.13	1.63	.88	0
20	TL20L050-1108	113581	.68	2.387	2.63	CF-1	1/2	1-1/8	.13	1.81	.88	0
21	TL21L050-1108	113399	.80	2.507	2.87	CF-1	1/2	1-1/8	.13	2.00	.88	0
22	TL22L050-1108	113588	.90	2.626	2.87	CF-1	1/2	1-1/8	.13	2.06	.88	0
24	TL24L050-1210	113464	1.0	2.865	3.11	CF-1	1/2	1-1/4	.25	2.25	1.00	0
26	TL26L050-1210	113466	1.2	3.104	3.34	CF-1	1/2	1-1/4	.25	2.56	1.00	0
28	TL28L050-1210	113468	1.4	3.342	3.58	CF-1	1/2	1-1/4	.25	2.75	1.00	0
30	TL30L050-1610	113470	1.5	3.581	3.83	CF-1	1/2	1-11/16	.25	2.88	1.00	0
32	TL32L050-1610	113472	1.9	3.820	4.06	CF-1	1/2	1-11/16	.25	3.06	1.00	0
40	TL40L050-2012	113478	2.4	4.775	5.02	CF-1	1/2	2-1/8	.50	3.94	1.25	0
48	TL48L050-2012	113484	3.2	5.730	6.02	CF-1	1/2	2-1/8	.50	3.94	1.25	0
60	TL60L050-2012	113485	4.9	7.162	None	C-2	1/2	2-1/8	.25	4.38	1.25	.25
72	TL72L050-2012	113486	6.5	8.594		C-2	1/2	2-1/8	.25	4.38	1.25	.25
84	TL84L050-2517	113487	7.8	10.027		C-2	1/2	2-11/16	.50	4.38	1.75	.50

† Dash 1 = Block, 2 = Web, 3 = Arm. (See page PT10-3,

◇ See page PT10-8 - PT10-10 for MPB sizes.

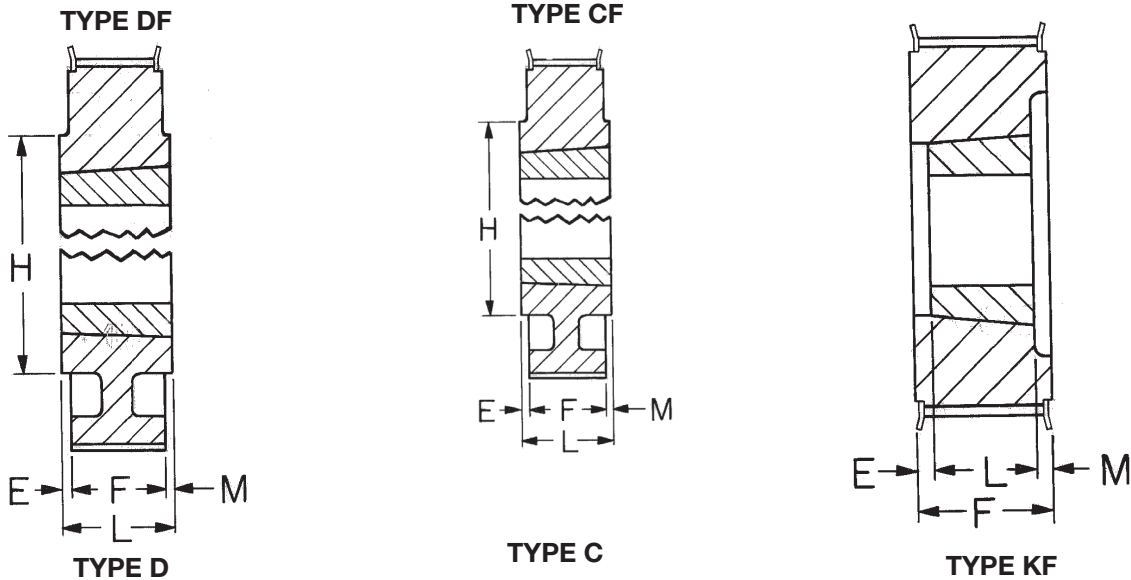
V-Drives Section) Letter "F" indicates pulley is flanged.

FEATURES/BENEFITS PAGE PT10-2	SPECIFICATIONS PAGE PT10-3	SELECTION PAGE PT10-14	ENGINEERING/TECHNICAL PAGE PT10-44
----------------------------------	-------------------------------	---------------------------	---------------------------------------



SPECIFICATIONS

DYNA-SYNC Pulleys - L PITCH



L075 - 3/8" Pitch (.75" Wide Belt)

F=1.00"

No. of Teeth	Description ◇	Part No.	Wt	Pitch Dia. (P.D.)	Max. Fig. O.D.	Type †	Brushed Bore Range		Dimensions			
							Min.	Max.	E	H	L	M
18	TL18L075-1108	113589	.45	2.149	2.39	KF-1	1/2	1-1/8	.0688	.06
20	TL20L075-1108	113594	.68	2.387	2.63	KF-1	1/2	1-1/8	.0688	.06
22	TL22L075-1108	113595	.90	2.626	2.87	KF-1	1/2	1-1/8	.0688	.06
24	TL24L075-1210	113513	1.0	2.865	3.11	KF-1	1/2	1-1/4	0	1.00
26	TL26L075-1210	113515	1.2	3.104	3.34	KF-1	1/2	1-1/4	0	1.00
28	TL28L075-1610	113517	1.2	3.342	3.58	KF-1	1/2	1-11/16	0	1.00
30	TL30L075-1610	113519	1.5	3.581	3.83	KF-1	1/2	1-11/16	0	1.00
32	TL32L075-1610	113521	1.9	3.820	4.06	KF-1	1/2	1-11/16	0	1.00
40	TL40L075-2012	113527	2.4	4.775	5.02	CF-1	1/2	2-1/8	.25	3.94	1.25	0
48	TL48L075-2012	113533	3.2	5.730	6.02	CF-1	1/2	2-1/8	.25	3.94	1.25	0
60	TL60L075-2012	113534	4.9	7.162	None	C-2	1/2	2-1/8	.13	4.38	1.25	.13
72	TL72L075-2012	113535	6.5	8.594		C-1	1/2	2-1/8	.13	4.38	1.25	.13
84	TL84L075-2517	113536	7.8	10.027	C-1	1/2	2-11/16	.25	4.88	1.75	.50	

L100 - 3/8" Pitch (1" Wide Belt)

F=1.25"

No. of Teeth	Description ◇	Part No.	Wt	Pitch Dia. (P.D.)	Max. Fig. O.D.	Type †	Brushed Bore Range		Dimensions			
							Min.	Max.	E	H	L	M
18	TL18L100-1108	113599	.7	2.149	2.39	KF-1	1/2	1-1/8	.0687	.31
20	TL20L100-1108	113641	1.0	2.387	2.63	KF-1	1/2	1-1/8	.0687	.31
22	TL22L100-1108	113669	1.3	2.626	2.87	KF-1	1/2	1-1/8	.0687	.31
24	TL24L100-1210	113562	1.3	2.865	3.11	KF-1	1/2	1-1/4	.06	...	1	.19
26	TL26L100-1210	113564	1.7	3.104	3.34	KF-1	1/2	1-1/4	.06	...	1	.19
28	TL28L100-1610	113566	1.7	3.342	3.58	KF-1	1/2	1-11/16	.11	...	1	.15
30	TL30L100-1610	113568	2.2	3.581	3.83	KF-1	1/2	1-11/16	.11	...	1	.15
32	TL32L100-1610	113570	2.7	3.820	4.06	KF-1	1/2	1-11/16	.25	...	1	0
40	TL40L100-2012	113576	3.6	4.775	5.02	KF-1	1/2	2-1/8	0	...	1.25
48	TL48L100-2012	113582	5.1	5.730	6.02	KF-1	1/2	2-1/8	0	...	1.25
60	TL60L100-2012	113583	6.0	7.162	None	C-2	1/2	2-1/8	0	4.38	1.25
72	TL72L100-2012	113584	8.0	8.594		C-2	1/2	2-1/8	0	4.38	1.25
84	TL84L100-2517	113585	9.2	10.027	C-1	1/2	2-11/16	.55	4.88	1.75	

† Dash 1 = Block, 2 = Web, 3 = Arm.. (See page PT10-3, V-Drives Section) Letter "F" indicates pulley is flanged.

◇ See page PT10-8 - PT10-10 for MPB sizes.

FEATURES/BENEFITS PAGE PT10-2	SPECIFICATIONS PAGE PT10-3	SELECTION PAGE PT10-14	ENGINEERING/TECHNICAL PAGE PT10-44
----------------------------------	-------------------------------	---------------------------	---------------------------------------

SPECIFICATIONS



DYNA-SYNC Pulleys - L, H



- † Dash 1 = Block, 2 = Web, 3 = Arm
Letter "F" indicates pulley is flanged
- + Available from stock in Min. Plain Bore (MPB) only
Max. bore is without keyway. (If keyway is used, reduce max bore listed by twice the keyway depth.)
- ◇ See page PT10-9 for additional MPB sizes

H100 - 1/2" Pitch (1" Wide Belt) (for H075 & H100 Belts)

F=1.32"

No. of Teeth	Description ◇	Part No.	Wt.	Pitch Dia. (P.D.)	Max. Fig. O.D.	Type †	Bore Range		Dimensions			
							Min.	Max.	E	H	L	M
14	TL14H100-1108	113678	.8	2.228	2.48	KF-1	1/2	1-1/8	.0688	.42
16	TL16H100-1108	113684	1.3	2.546	2.80	KF-1	1/2	1-1/8	.0688	.42
18	TL18H100-1210	113605	1.2	2.865	3.11	KF-1	1/2	1-1/4	.06	1	.25
20	TL20H100-1210	113608	1.7	3.183	3.44	KF-1	1/2	1-1/4	.11	1	.25
22	TL22H100-1610	113611	1.8	3.501	3.75	KF-1	1/2	1-11/16	.11	1	.25
24	TL24H100-1610	113642	2.3	3.820	4.02	KF-1	1/2	1-11/16	.11	1	.25
26	TL26H100-2012	113615	2.2	4.138	4.39	KF-1	1/2	2-1/8	.06	1.25	0
28	TL28H100-2012	113617	2.8	4.456	4.70	KF-1	1/2	2-1/8	.06	1.25	0
30	TL30H100-2012	113620	4.2	4.775	5.02	KF-1	1/2	2-1/8	.06	1.25	0
32	TL32H100-2517	113623	4.1	5.093	5.33	CF-1	1/2	2-11/16	.44	4.44	1.75	0
40	TL40H100-2517	113629	7.8	6.366	6.58	CF-1	1/2	2-11/16	.44	4.44	1.75	0
48	TL48H100-2517	113635	12.1	7.639	8.02	CF-1	1/2	2-11/16	.44	4.44	1.75	0
60	TL60H100-3020	113636	10.3	9.549		C-2	7/8	3-1/4	.34	6.25	2	.34
72	TL72H100-3020	113637	14	11.459		C-1	7/8	3-1/4	.34	6.25	2	.34
84	TL84H100-3020	113638	20	13.369	None	C-2	7/8	3-1/4	.34	6.25	2	.34
96	TL96H100-3020	113639	27	15.279		C-2	7/8	3-1/4	.34	6.25	2	.34
120	TL120H100-3020	113640	38	19.099		C-3	7/8	3-1/4	0	6.25	2	.59

H150 - 1/2" Pitch (1.5" Wide Belt)

F=1.86"

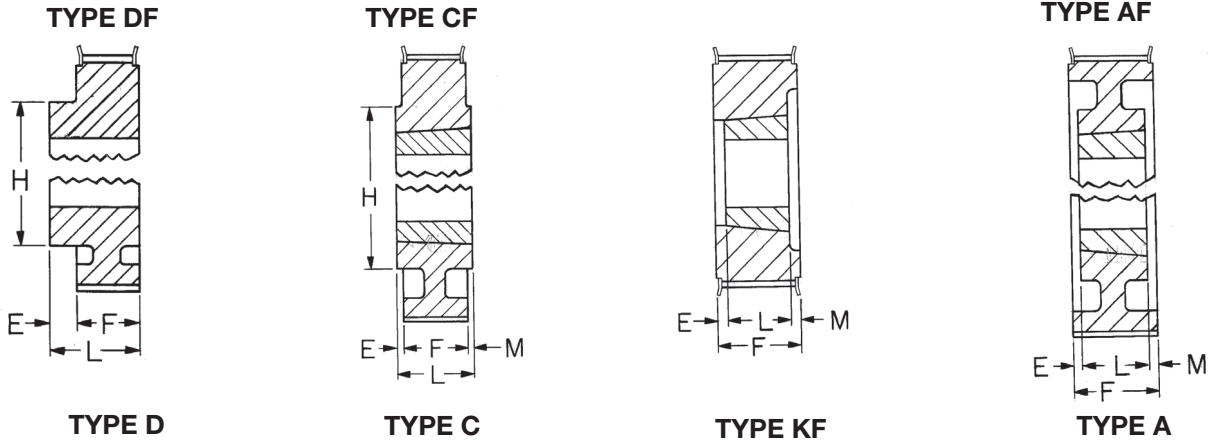
No. of Teeth	Description ◇	Part No.	Wt.	Pitch Dia. (P.D.)	Max. Fig. O.D.	Type †	Bore Range		Dimensions			
							Min.	Max.	E	H	L	M
14	TL14H150-1108	113691	1.0	2.228	2.48	KF-1	1/2	1	.4788	.88
16	TL16H150-1108	113692	1.5	2.546	2.80	KF-1	1/2	1	.4788	.88
18	TL18H150-1210	113693	1.6	2.865	3.11	KF-1	1/2	1-1/4	.11	1	.75
20	TL20H150-1210	113694	2.2	3.183	3.44	KF-1	1/2	1-1/4	.11	1	.75
22	TL22H150-1610	113695	2.5	3.501	3.75	KF-1	1/2	1-11/16	.11	1	.75
24	TL24H150-2012	113663	2.2	3.820	4.06	KF-1	1/2	2-1/8	.56	1.25	0
26	TL26H150-2012	113665	3.2	4.138	4.78	KF-1	1/2	2-1/8	.56	1.25	0
28	TL28H150-2012	113667	4.1	4.456	4.70	KF-1	1/2	2-1/8	.56	1.25	0
30	TL30H150-2012	113670	5.1	4.775	5.02	KF-1	1/2	2-1/8	.56	1.25	0
32	TL32H150-2517	113673	4.6	5.093	5.33	KF-1	1/2	2-11/16	.11	1.75	0
40	TL40H150-2517	113679	8.6	6.366	6.58	KF-1	1/2	2-11/16	.11	1.75	0
48	TL48H150-2517	113685	13.6	7.639	8.02	AF-2	1/2	2-11/16	0	1.75	.06
60	TL60H150-3020	113686	12.3	9.549		C-2	7/8	3-1/4	.09	6.25	2	.09
72	TL72H150-3020	113687	17.0	11.459		C-2	7/8	3-1/4	.09	6.25	2	.09
84	TL84H150-3020	113688	21.5	13.369	None	C-3	7/8	3-1/4	.09	6.25	2	.09
96	TL96H150-3020	113689	31	15.279		C-3	7/8	3-15/16	.09	6.25	2	.09
120	TL120H150-3020	113690	40	19.099		C-3	7/8	3-1/4	.09	6.25	2	.09

FEATURES/BENEFITS PAGE PT10-2	SPECIFICATIONS PAGE PT10-3	SELECTION PAGE PT10-14	ENGINEERING/TECHNICAL PAGE PT10-44
----------------------------------	-------------------------------	---------------------------	---------------------------------------



SPECIFICATIONS

DYNA-SYNC Pulleys - H



H200 - 1/2" Pitch (2" Wide Belt)

F=2.34"

No. of Teeth	Description	Part No.	Wt.	Pitch Dia. (P.D.)	Max. Fig. O.D.	Type †	Bore Range		Dimensions			
							Min.	Max.	E	H	L	M
16	TL16H200-1108	113072	1.9	2.546	2.80	KF-1	1/2	1-1/8	.75	0	.88	.72
18	TL18H200-1215	113704	1.8	2.865	3.11	KF-1	1/2	1-1/4	.44	0	1.5	.41
20	TL20H200-1215	113707	2.6	3.183	3.44	KF-1	1/2	1-1/4	.42	0	1.5	.42
22	TL22H200-1615	113710	28	3.501	3.75	KF-1	1/2	1-5/8	.42	0	1.5	.42
24	TL24H200-2012	113712	2.6	3.820	4.06	KF-1	1/2	2	.55	0	1.25	.55
26	TL26H200-2012	113714	3.6	4.138	4.78	KF-1	1/2	2	.55	0	1.25	.55
28	TL28H200-2012	113716	5.1	4.456	4.70	KF-1	1/2	2	.55	0	1.25	.55
30	TL30H200-2012	113719	7.0	4.775	5.02	KF-1	1/2	2	1.09	0	1.25	0
32	TL32H200-2517	113722	5.5	5.093	5.33	KF-1	1/2	2-1/2	.59	0	1.75	0
40	TL40H200-2517	113728	9.9	6.366	6.58	KF-1	1/2	2-1/2	.59	0	1.75	0
48	TL48H200-3020	113734	14.3	7.639	8.02	KF-1	7/8	3	.41	0	2	0
60	TL60H200-3020	113735	15.3	9.549		A-2	7/8	3	.17	0	2	.17
72	TL72H200-3020	113736	21	11.459		A-2	7/8	3-1/4	0	0	2	.34
84	TL84H200-3020	113737	23	13.369	None	A-3	7/8	3-1/4	0	0	2	.34
96	TL96H200-3535	113738	34	15.279		C-3	1-3/16	3-15/16	.40	7.0	3.5	.75
120	TL120H200-3020	113739	42	19.099		A-3	7/8	3-1/4	0	0	2	.34

H300 - 1/2" Pitch (3" Wide Belt)

F=3.38"

No. of Teeth	Description	Part No.	Wt	Pitch Dia. (P.D.)	Max. Fig. O.D.	Type †	Brushed Bore Range		Dimensions			
							Min.	Max.	E	H	L	M
16	TL16H300-1108	113073	2.5	2.546	2.80	KF-1	1/2	1-1/8	1.28	0	.87	1.23
18	TL18H300-1215	113752	2.6	2.865	3.11	KF-1	1/2	1-1/4	.94	0	1.5	.94
20	TL20H300-1215	113755	3.9	3.183	3.44	KF-1	1/2	1-1/4	.94	0	1.5	.94
22	TL22H300-1615	113758	4.0	3.501	3.75	KF-1	1/2	1-11/16	.94	0	1.5	.94
24	TL24H300-2012	113760	4.3	3.820	4.06	KF-1	1/2	2-1/8	1.06	0	1.25	1.06
26	TL26H300-2012	113762	5.4	4.138	4.78	KF-1	1/2	2-1/8	1.06	0	1.25	1.06
28	TL28H300-2012	113764	6.8	4.456	4.70	KF-1	1/2	2-1/8	1.06	0	1.25	1.06
30	TL30H300-2012	113767	7.5	4.775	5.02	KF-1	1/2	2-1/8	1.06	0	1.25	1.06
32	TL32H300-2517	113770	7.4	5.093	5.33	KF-1	1/2	2-11/16	.81	0	1.75	.81
40	TL40H300-2517	113776	12.1	6.366	6.58	KF-1	1/2	2-11/16	.81	0	1.75	.81
48	TL48H300-3020	113782	16.3	7.639	8.02	KF-1	7/8	3-1/4	.69	0	2	.69
60	TL60H300-3020	113783	17.3	9.549		A-2	7/8	3-1/4	.69	0	2	.69
72	TL72H300-3020	113784	23	11.459		A-2	7/8	3-1/4	.31	0	2	1.06
84	TL84H300-3020	113785	30	13.369	None	A-3	7/8	3-1/4	.69	0	2	.69
96	TL96H300-3535	113786	38	15.279		C-3	1-3/16	3-15/16	.06	0	3.5	.06
120	TL120H300-3535	113787	51	19.099		C-3	1-3/16	3-15/16	.125	7.0	3.5	0

† Dash 1 = Block, 2 = Web, 3 = Arm. Letter "F" indicates pulley is flanged.

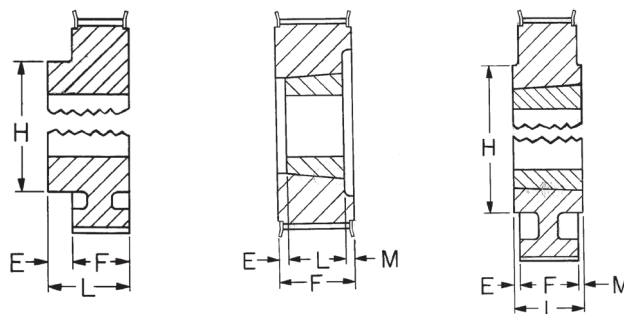
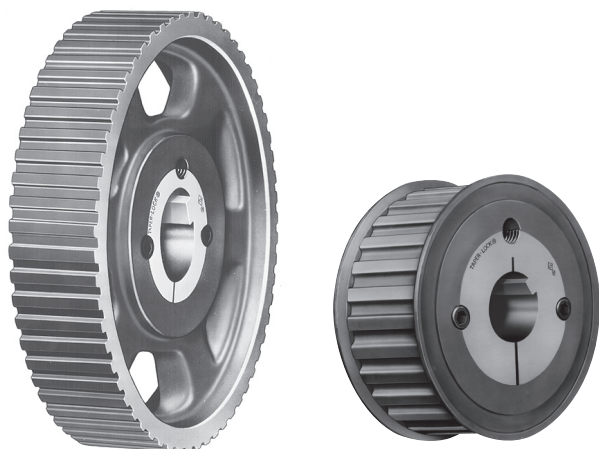
◊ See page PT10-8 - PT10-10 for MPB sizes.

FEATURES/BENEFITS PAGE PT10-2	SPECIFICATIONS PAGE PT10-3	SELECTION PAGE PT10-14	ENGINEERING/TECHNICAL PAGE PT10-44
----------------------------------	-------------------------------	---------------------------	---------------------------------------



SPECIFICATIONS

DYNA-SYNC Pulleys - XH



XH200 - 7/8" Pitch (2" Wide Belt)

F=2.56"

No. of Teeth	Description ◇	Part No.	Wt.	Pitch Dia. (P.D.)	Max. Flg. O.D.	Type †	Bore Range		Dimensions			
							Min.	Max.	E	H	L	M
18	TL18XH200-2012	113074	12	5.013	5.58	KF-1	1/2	2-1/8	.84	...	1.25	.47
20	TL20XH200-2012	113120	16	5.570	6.11	KF-1	1/2	2-1/8	.84	...	1.25	.47
22	TL22XH200-2517	113804	10.6	6.127	6.59	KF-1	1/2	2-11/16	.81	1.75	0
24	TL24XH200-3020	113807	11.3	6.685	7.28	KF-1	7/8	3-1/4	.56	2.0	0
26	TL26XH200-3020	113810	13.3	7.241	7.78	KF-1	7/8	3-1/4	.56	2.0	0
28	TL28XH200-3535	113813	13.5	7.799	8.27	CF-1	1-3/16	3-15/16	.94	6.50	3.5	0
30	TL30XH200-3535	113816	18.5	8.356	9.31	CF-1	1-3/16	3-15/16	.94	6.50	3.5	0
32	TL32XH200-3535	113819	21.5	8.913	9.52	CF-1	1-3/16	3-15/16	.94	6.50	3.5	0
40	TL40XH200-4040	113822	37.5	11.141	11.80	CF-1	1-7/16	4-7/16	1.44	8.50	4.0	0
48	TL48XH200-4040	113823	44.5	13.369	None	C-2	1-7/16	4-7/16	.72	8.50	4.0	.72
60	TL60XH200-4040	113824	47	16.711		C-3	1-7/16	4-7/16	.72	8.50	4.0	.72

XH300 - 7/8" Pitch (3" Wide Belt)

F=3.63"

No. of Teeth	Description ◇	Part No.	Wt.	Pitch Dia. (P.D.)	Max. Flg. O.D.	Type †	Bore Range		Dimensions			
							Min.	Max.	E	H	L	M
18	TL18XH300-2012	113121	15	5.013	5.58	KF-1	1/2	2-1/8	1.38	...	1.25	1.0
20	TL20XH300-2012	113122	19	5.570	6.11	KF-1	1/2	2-1/8	1.38	...	1.25	1.0
22	TL22XH300-2517	113854	13.6	6.127	6.59	KF-1	1/2	2-11/16	.94	1.75	.94
24	TL24XH300-3020	113857	15.3	6.685	7.28	KF-1	7/8	3-1/4	.81	2.0	.81
26	TL26XH300-3020	113860	17.3	7.241	7.78	KF-1	7/8	3-1/4	.81	2.0	.81
28	TL28XH300-3535	113863	17.3	7.799	8.27	KF-1	1-3/16	3-15/16	.13	3.5
30	TL30XH300-3535	113866	22.5	8.356	9.31	KF-1	1-3/16	3-15/16	.13	3.5
32	TL32XH300-3535	113869	26.5	8.913	9.52	KF-1	1-3/16	3-15/16	.13	3.5
40	TL40XH300-4040	113872	43.5	11.141	11.80	CF-1	1-7/16	4-7/16	.38	7.50	4.0
48	TL48XH300-4040	113873	51.5	13.369	None	C-1	1-7/16	4-7/16	.19	8.50	4.0	.19
60	TL60XH300-4040	113874	55.5	16.711		C-3	1-7/16	4-7/16	.19	8.50	4.0	.19

† Dash 1 = Block, 2 = Web, 3 = Arm. (See page PT10-3, V-Drives Section) Letter "F" indicates pulley is flanged.

XXH Pulley Note: Discontinued Product. Recommend that drive be redesigned to HT100 or HT150. Refer to HT section of this catalog.

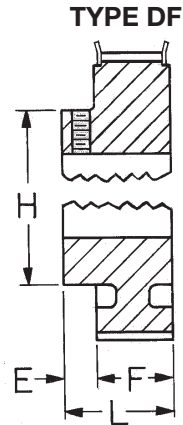


SPECIFICATIONS

DYNA-SYNC Pulleys - XL037



Minimum Plain Bore



TYPE DF
Minimum Plain Bore

XL037 - 1/5" Pitch (.375" Wide Belt) - Minimum Plain Bore

F = 0.56"

No of Teeth	Description	Part Number	Approx. Weight	Pitch Dia (PD)	Fig O.D.	Type	Stock Bore *	Max Bore *	Dimension		
									H	L	E
10	10XL037-MPB	113400	.08	0.637	.88	DF-1	3/16	3/16	.44	.81	.25
11	11XL037-MPB	113401	.09	0.700	.94	DF-1	3/16	3/16	.50	.81	.25
12	12XL037-MPB	113402	.10	0.764	1.00	DF-1	3/16	1/2	.50	.81	.25
14	14XL037-MPB	113403	.13	0.891	1.03	DF-1	1/4	1/4	.56	.81	.25
15	15XL037-MPB	113404	.14	0.955	1.19	DF-1	1/4	5/16	.63	.81	.25
16	16XL037-MPB	113405	.17	1.019	1.25	DF-1	1/4	3/8	.69	.81	.25
18	18XL037-MPB	113406	.20	1.146	1.38	DF-1	1/4	1/2	.81	.81	.25
20	20XL037-MPB	113407	.25	1.273	1.50	DF-1	1/4	9/16	.94	.88	.32
21	21XL037-MPB	113408	.26	1.337	1.56	DF-1	1/4	9/16	1.00	.88	.32
22	22XL037-MPB	113409	.30	1.401	1.63	DF-1	1/4	5/8	1.00	.88	.32
24	24XL037-MPB	113410	.35	1.528	1.75	DF-1	1/4	11/16	1.06	.91	.35
28	28XL037-MPB	113411	.46	1.783	2.00	DF-1	1/4	13/16	1.19	.91	.35
30	30XL037-MPB	113412	.55	1.910	2.13	DF-1	5/16	15/16	1.31	.91	.35
32	32XL037-MPB	• 113413	.71	2.037	---	D-1	5/16	1-3/16	1.50	1.00	.44
36	36XL037-MPB	• 113414	.85	2.292	---	D-1	5/16	1-3/16	1.50	1.00	.44
40	40XL037-MPB	• 113415	.99	2.546	---	D-1	5/16	1-3/16	1.50	1.00	.44
42	42XL037-MPB	• 113416	1.09	2.674	---	D-1	5/16	1-3/16	1.50	1.00	.44
44	44XL037-MPB	• 113417	1.17	2.801	---	D-1	5/16	1-3/16	1.50	1.00	.44
48	48XL037-MPB	• 113418	1.19	3.056	---	D-1	5/16	1-3/16	1.50	1.00	.44
60	60XL037-MPB	• 113419	2.02	3.820	---	D-2	3/8	1-3/16	1.50	1.00	.44
72	72XL037-MPB	• 113420	2.81	4.584	---	D-2	3/8	1-3/16	1.50	1.00	.44

NOTE: Above pulleys are supplied with two (2) set screws at 90 deg.
Max. bore is without keyway. (if keyway is used, reduce max bore by twice the keyway depth.)

* Standard keyways are listed on page PT1-83

• Aluminum



SPECIFICATIONS

DYNA-SYNC Pulleys - Reborable Minimum Plain Bore

L050 - 3/8" Pitch (.5" Wide Belt) - Minimum Plain Bore

F = 0.75"

No of Teeth	Description	Part Number	Approx. Weight	Pitch Dia (PD)	Flg O.D.	Type	Stock Bore	Max Bore	Dimension		
									H	L	E
10	10L050-MPB	113450	.26	1.194	1.44	DF-1	3/8	1/2	.81	1.25	.50
12	12L050-MPB	113451	.38	1.432	1.66	DF-1	3/8	3/4	1.00	1.25	.50
13	13L050-MPB	114441	.50	1.552	1.78	DF-1	3/8	3/4	1.13	1.25	.50
14	14L050-MPB	113452	.55	1.671	1.91	DF-1	3/8	3/4	1.13	1.25	.50
15	15L050-MPB	114442	.66	2.030	2.03	DF-1	3/8	7/8	1.34	1.25	.50
16	16L050-MPB	113453	.69	1.790	2.13	DF-1	1/2	1	1.44	1.25	.50
17	17L050-MPB	114301	.84	1.910	2.25	DF-1	1/2	1	1.44	1.25	.50
18	18L050-MPB	114302	.87	2.149	2.38	DF-1	1/2	1	1.56	1.25	.50
19	19L050-MPB	114303	1.11	2.268	2.50	DF-1	1/2	1	1.69	1.25	.50
20	20L050-MPB	114304	1.20	2.378	2.63	DF-1	1/2	1	1.69	1.25	.50
21	21L050-MPB	114305	1.41	2.507	2.75	DF-1	1/2	1-1/4	2.00	1.25	.50
22	22L050-MPB	114306	1.50	2.626	2.88	DF-1	1/2	1-1/4	2.00	1.25	.50
24	24L050-MPB	114307	1.80	2.865	3.09	DF-1	1/2	1-3/8	2.25	1.25	.50
26	26L050-MPB	114308	2.07	3.104	3.33	DF-1	1/2	1-3/8	2.25	1.25	.50
28	28L050-MPB	114309	2.33	3.342	3.57	DF-1	1/2	1-3/8	2.25	1.25	.50
30	30L050-MPB	114310	2.58	3.581	3.80	DF-1	1/2	1-3/8	2.25	1.25	.50
32	32L050-MPB	114311	3.13	3.820	4.04	DF-1	1/2	1-5/8	2.63	1.25	.50
36	36L050-MPB	114443	4.39	4.297	4.52	DF-1	1/2	2-5/16	3.50	1.25	.50
40	40L050-MPB	114444	5.16	4.775	5.00	DF-1	1/2	2-3/8	3.63	1.25	.50

L075 - 3/8" Pitch (.75" Wide Belt) - Minimum Plain Bore

F = 1.00"

12	12L075-MPB	113500	.46	1.432	1.66	DF-1	3/8	1/2	1.00	1.50	.50
13	13L075-MPB	114445	.62	1.552	1.78	DF-1	3/8	3/4	1.13	1.50	.50
14	14L075-MPB	113501	.69	1.671	1.91	DF-1	3/8	3/4	1.13	1.50	.50
15	15L075-MPB	114446	.81	1.790	2.03	DF-1	1/2	7/8	1.34	1.50	.50
16	16L075-MPB	113502	.84	1.910	2.13	DF-1	1/2	1	1.44	1.50	.50
17	17L075-MPB	114312	1.03	2.029	2.25	DF-1	1/2	1	1.44	1.50	.50
18	18L075-MPB	114313	1.17	2.149	2.38	DF-1	1/2	1	1.56	1.50	.50
19	19L075-MPB	114314	1.32	2.268	2.50	DF-1	1/2	1	1.69	1.50	.50
20	20L075-MPB	114315	1.44	2.387	2.63	DF-1	1/2	1-1/4	1.69	1.50	.50
21	21L075-MPB	114316	1.68	2.507	2.75	DF-1	5/8	1-1/4	2.00	1.50	.50
22	22L075-MPB	114317	1.79	2.626	2.88	DF-1	5/8	1-3/8	2.00	1.50	.50
24	24L075-MPB	114318	2.22	2.865	3.09	DF-1	5/8	1-3/8	2.25	1.50	.50
26	26L075-MPB	114319	2.48	3.104	3.33	DF-1	5/8	1-3/8	2.25	1.50	.50
28	28L075-MPB	114320	2.84	3.342	3.57	DF-1	5/8	1-3/8	2.25	1.50	.50
30	30L075-MPB	114321	3.24	3.581	3.80	DF-1	5/8	1-3/8	2.25	1.50	.50
32	32L075-MPB	114322	3.77	3.820	4.04	DF-1	5/8	1-5/8	2.63	1.50	.50
36	36L075-MPB	114447	5.33	4.297	4.52	DF-1	5/8	2-5/16	3.50	1.50	.50
40	40L075-MPB	114448	6.31	4.775	5.00	DF-1	5/8	2-3/8	3.63	1.50	.50

L100 - 3/8" Pitch (1" Wide Belt) - Minimum Plain Bore

F = 1.25"

13	13L100-MPB	114449	.72	1.552	1.78	DF-1	3/8	3/4	1.13	1.75	.50
14	14L100-MPB	113550	.82	1.671	1.91	DF-1	3/8	3/4	1.13	1.75	.50
15	15L100-MPB	114450	.96	1.790	2.03	DF-1	1/2	7/8	1.34	1.75	.50
16	16L100-MPB	113551	.98	1.910	2.13	DF-1	1/2	1	1.44	1.75	.50
17	17L100-MPB	114323	1.23	2.029	2.25	DF-1	1/2	1	1.44	1.75	.50
18	18L100-MPB	114324	1.38	2.149	2.38	DF-1	1/2	1	1.56	1.75	.50
19	19L100-MPB	114325	1.56	2.268	2.50	DF-1	1/2	1	1.69	1.75	.50
20	20L100-MPB	114326	1.71	2.387	2.63	DF-1	1/2	1	1.69	1.75	.50
21	21L100-MPB	114327	1.97	2.507	2.75	DF-1	5/8	1-1/4	2.00	1.75	.50
22	22L100-MPB	114328	2.13	2.626	2.88	DF-1	5/8	1-1/4	2.00	1.75	.50
24	24L100-MPB	114329	2.60	2.865	3.09	DF-1	5/8	1-3/8	2.25	1.75	.50
26	26L100-MPB	114330	3.12	3.104	3.33	DF-1	5/8	1-5/8	2.44	1.75	.50
28	28L100-MPB	114331	3.65	3.342	3.57	DF-1	5/8	1-3/4	2.69	1.75	.50
30	30L100-MPB	114332	4.19	3.581	3.80	DF-1	5/8	1-7/8	2.81	1.75	.50
32	32L100-MPB	114333	4.86	3.820	4.04	DF-1	5/8	2	3.13	1.75	.50
36	36L100-MPB	114451	6.24	4.297	4.52	DF-1	5/8	2-5/16	3.50	1.75	.50
40	40L100-MPB	114452	7.52	4.775	5.00	DF-1	5/8	2-5/16	3.63	1.75	.50

NOTE: Available from stock in Min. Plain Bore (MPB) only.
Max. bore is without keyway. (if keyway is used, reduce max bore by twice the keyway depth.)

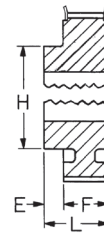
FEATURES/BENEFITS PAGE PT10-2	SPECIFICATIONS PAGE PT10-3	SELECTION PAGE PT10-14	ENGINEERING/TECHNICAL PAGE PT10-44
----------------------------------	-------------------------------	---------------------------	---------------------------------------



SPECIFICATIONS

DYNA-SYNC Pulleys - Reborable Minimum Plain Bore

TYPE DF



TYPE D

H100 - 1/2" Pitch (1" Wide Belt) - Minimum Plain Bore

F = 1.25"

No of Teeth	Description	Part Number	Approx Weight	Pitch Dia (PD)	Flg O.D.	Type	Stock Bore	Max Bore	Dimension		
									H	L	E
14	14H100-MPB	114334	1.48	2.228	2.46	DF-1	5/8	7/8	1.63	1.88	.63
16	16H100-MPB	114335	2.12	2.546	2.78	DF-1	5/8	1-1/8	1.88	2.00	.75
17	17H100-MPB	114453	2.42	2.706	2.94	DF-1	5/8	1-1/4	2.00	2.00	.75
18	18H100-MPB	114336	2.86	2.865	3.10	DF-1	5/8	1-3/8	2.25	2.00	.75
19	19H100-MPB	114337	3.21	3.024	3.26	DF-1	5/8	1-1/2	2.38	2.00	.75
20	20H100-MPB	114338	3.68	3.183	3.42	DF-1	5/8	1-5/8	2.50	2.13	.88
21	21H100-MPB	114339	4.08	3.342	3.57	DF-1	3/4	1-11/16	2.63	2.13	.88
22	22H100-MPB	114340	4.67	3.501	3.74	DF-1	3/4	1-3/4	2.75	2.25	1.00
24	24H100-MPB	114341	5.60	3.820	4.05	DF-1	3/4	1-7/8	3.00	2.25	1.00
26	26H100-MPB	114342	7.16	4.138	4.37	DF-1	3/4	2-1/4	3.38	2.38	1.13
28	28H100-MPB	114343	8.15	4.456	4.69	DF-1	3/4	2-5/16	3.50	2.38	1.13
30	30H100-MPB	114454	9.15	4.775	5.01	DF-1	3/4	2-3/8	3.63	2.38	1.13

H150 - 1/2" Pitch (1.5" Wide Belt) - Minimum Plain Bore

F = 1.75"

14	14H150-MPB	114344	1.85	2.228	2.46	DF-1	3/4	7/8	1.63	2.38	.63
16	16H150-MPB	114345	2.63	2.546	2.78	DF-1	3/4	1-1/8	1.88	2.50	.75
17	17H150-MPB	114455	3.06	2.706	2.94	DF-1	3/4	1-1/4	2.00	2.50	.75
18	18H150-MPB	114346	3.55	2.865	3.10	DF-1	3/4	1-3/8	2.25	2.50	.75
19	19H150-MPB	114347	4.01	3.024	3.26	DF-1	3/4	1-1/2	2.38	2.50	.75
20	20H150-MPB	114348	4.62	3.183	3.42	DF-1	3/4	1-5/8	2.50	2.63	.88
21	21H150-MPB	114349	5.15	3.342	3.57	DF-1	3/4	1-11/16	2.63	2.63	.88
22	22H150-MPB	114350	5.89	3.501	3.74	DF-1	3/4	1-3/4	2.75	2.75	1.00
24	24H150-MPB	114351	7.09	3.820	4.05	DF-1	3/4	1-7/8	3.00	2.75	1.00
26	26H150-MPB	114352	8.62	4.138	4.37	DF-1	3/4	2-1/4	3.38	2.75	1.00
28	28H150-MPB	114353	10.09	4.456	4.69	DF-1	3/4	2-5/16	3.50	2.88	1.13
30	30H150-MPB	114456	11.52	4.775	5.01	DF-1	3/4	2-3/8	3.63	2.88	1.13

H200 - 1/2" Pitch (2" Wide Belt) - Minimum Plain Bore

F = 2.28"

14	14H200-MPB	114354	2.35	2.228	2.44	DF-1	3/4	7/8	1.63	2.91	.63
16	16H200-MPB	114355	3.29	2.546	2.88	DF-1	3/4	1-1/8	1.88	3.03	.75
17	17H200-MPB	114457	3.77	2.706	3.00	DF-1	3/4	1-1/4	2.00	3.03	.75
18	18H200-MPB	114356	3.90	2.865	3.13	DF-1	3/4	1-3/8	2.25	3.03	.75
19	19H200-MPB	114357	3.90	3.024	3.38	DF-1	3/4	1-1/2	2.38	3.03	.75
20	20H200-MPB	114358	5.34	3.183	3.38	DF-1	3/4	1-5/8	2.50	3.16	.88
21	21H200-MPB	114359	6.10	3.342	3.63	DF-1	1	1-11/16	2.63	3.16	.88
22	22H200-MPB	114360	6.30	3.501	3.81	DF-1	1	1-3/4	2.75	3.28	1.00
24	24H200-MPB	114361	8.35	3.820	4.06	DF-1	1	1-7/8	3.00	3.28	1.00
26	26H200-MPB	114362	10.44	4.138	4.38	DF-1	1	2-1/4	3.38	3.41	1.13
28	28H200-MPB	114363	12.01	4.456	4.69	DF-1	1	2-5/16	3.50	4.44	2.16
30	30H200-MPB	114458	13.80	4.775	5.00	DF-1	1	2-3/8	3.63	4.44	2.16

H300 - 1/2" Pitch (3" Wide Belt) - Minimum Plain Bore

F = 3.31"

16	16H300-MPB	114364	4.54	2.546	2.88	DF-1	3/4	1-1/8	1.88	4.06	.75
17	17H300-MPB	114459	5.23	2.706	3.00	DF-1	3/4	1-1/4	2.00	4.06	.75
18	18H300-MPB	114365	6.00	2.865	3.13	DF-1	3/4	1-3/8	2.25	4.06	.75
19	19H300-MPB	114366	6.80	3.024	3.38	DF-1	3/4	1-1/2	2.35	4.06	.75
20	20H300-MPB	114367	7.69	3.183	3.38	DF-1	3/4	1-5/8	2.50	4.19	.88
21	21H300-MPB	114368	8.59	3.342	3.63	DF-1	1	1-11/16	2.66	4.19	.88
22	22H300-MPB	114369	9.00	3.501	3.81	DF-1	1	1-3/4	2.75	4.31	1.00
24	24H300-MPB	114370	11.01	3.820	4.06	DF-1	1-1/8	1-7/8	3.00	4.31	1.00
26	26H300-MPB	114371	13.60	4.138	4.38	DF-1	1-1/8	2-1/4	3.38	4.44	1.13
28	28H300-MPB	114372	15.60	4.456	4.69	DF-1	1-1/8	2-5/16	3.50	4.44	1.13
30	30H300-MPB	114460	18.11	4.775	5.00	DF-1	1-1/8	2-3/8	3.63	4.44	1.13

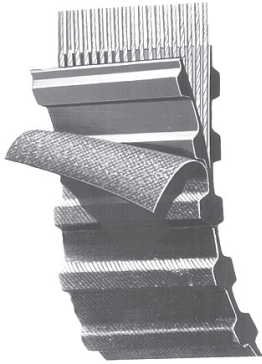
NOTE: Available from stock in Min. Plain Bore (MPB) only.
Max. bore is without keyway. (if keyway is used, reduce max bore by twice the keyway depth.)

FEATURES/BENEFITS PAGE PT10-2	SPECIFICATIONS PAGE PT10-3	SELECTION PAGE PT10-14	ENGINEERING/TECHNICAL PAGE PT10-44
----------------------------------	-------------------------------	---------------------------	---------------------------------------

SPECIFICATIONS

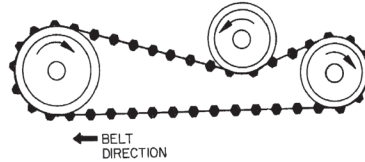


Dual DYNA-SYNC Belts



For Serpentine Drives

DXL Series Dual DYNA-SYNC Belts					DL Series Dual DYNA-SYNC Belts								
Belt Lgth.	1/5" Pitch (XL)				Belt Lgth.	3/8" Pitch (L)							
	XL025 (1/4" Wide)		XL037 (3/8" Wide)			L050 (1/2" Wide)		L075 (3/4" Wide)		L100 (1" Wide)			
	Belt No.	Part No.	Belt No.	Part No.		Belt No.	Part No.	Belt No.	Part No.	Belt No.	Part No.		
12.0	D120XL025	110132	D120XL037	110133	15.0	D150L050	110187	D150L075	110158	D150L100	110189		
13.0	D130XL025	110134	D130XL037	110135	18.7	D187L050	110190	D187L075	110191	D187L100	110192		
14.0	D140XL025	110136	D140XL037	110137	21.0	D210L050	110193	D210L075	110194	D210L100	110195		
15.0	D150XL025	110138	D150XL037	110139	22.5	D225L050	110196	D225L075	110197	D255L100	110198		
16.0	D160XL025	110140	D160XL037	110141	24.0	D240L050	110199	D240L075	110200	D240L100	110201		
17.0	D170XL025	110142	D170XL037	110143	25.5	D255L050	110202	D255L075	110203	D255L100	110204		
18.0	D180XL025	110144	D180XL037	110145	27.0	D270L050	110205	D270L075	110206	D270L100	110207		
19.0	D190XL025	110146	D190XL037	110147	28.5	D285L050	110208	D285L075	110209	D285L100	110210		
20.0	D200XL025	110148	D200XL037	110149	30.0	D300L050	110211	D300L075	110212	D300L100	110213		
21.0	D210XL025	110150	D210XL037	110151	32.2	D322L050	110214	D322L075	110215	D322L100	110216		
22.0	D220XL025	110152	D220XL037	110153	34.5	D345L050	110217	D345L075	110218	D345L100	110219		
23.0	D230XL025	110154	D230XL037	110155	36.7	D367L050	110220	D367L075	110221	D367L100	110222		
24.0	D240XL025	110156	D240XL037	110157	39.0	D390L050	110223	D390L075	110224	D390L100	110225		
25.0	D250XL025	110158	D250XL037	110159	42.0	D420L050	110226	D420L075	110227	D420L100	110228		
26.0	D260XL025	110160	D260XL037	110161	45.0	D450L050	110229	D450L075	110230	D450L100	110231		
28.0	D280XL025	110162	D280XL037	110163	48.0	D480L050	110232	D460L075	110233	D480L100	110234		
29.0	D290XL025	110164	D290XL037	110165	51.0	D510L050	110235	D510L075	110236	D510L100	110237		
30.0	D300XL025	110166	D300XL037	110167	54.0	D540L050	110238	D540L075	110239	D540L100	110240		
31.0	D310XL025	110168	D310XL037	110169	60.0	D600L050	110241	D600L075	110242	D600L100	110243		
33.0	D330XL025	110170	D330XL037	110171	66.0	D660L050	110244	D660L075	110245	D660L100	110246		
		Avg. Wt. .03Lb.		Avg. Wt. 0.5Lb.				Avg. Wt. .14Lb.		Avg. Wt. .21Lb.		Avg. Wt. .26Lb.	



DH Series Dual DYNA-SYNC Belts

Belt Lgth.	1/2" Pitch (H)										
	H075 (3/4" Wide)		H100 (1" Wide)		H150 (1-1/2" Wide)		H200 (2" Wide)		H300 (3" Wide)		
	Belt No.	Part No.	Belt No.	Part No.	Belt No.	Part No.	Belt No.	Part No.	Belt No.	Part No.	
24.0	D240H075	110247	D240H100	110248	D240H150	110249	D240H200	110250	D240H300	110251	
27.0	D270H075	110252	D270H100	110253	D270H150	110254	D270H200	110255	D270H300	110256	
30.0	D300H075	110257	D300H100	110258	D300H150	110259	D300H200	110260	D300H300	110261	
33.0	D330H075	110262	D330H100	110263	D330H150	110264	D330H200	110265	D330H300	110266	
36.0	D360H075	110267	D360H100	110268	D360H150	110269	D360H200	110270	D360H300	110271	
39.0	D390H075	110272	D390H100	110273	D390H150	110274	D390H200	110275	D390H300	110276	
42.0	D420H075	110277	D420H100	110278	D420H150	110279	D420H200	110280	D420H300	110281	
45.0	D450H075	110282	D450H100	110283	D450H150	110284	D450H200	110285	D450H300	110286	
48.0	D480H075	110287	D480H100	110288	D480H150	110289	D480H200	110290	D480H300	110291	
51.0	D510H075	110292	D510H100	110293	D510H150	110294	D510H200	110295	D510H300	110296	
54.0	D540H075	110297	D540H100	110298	D540H150	110299	D540H200	110300	D540H300	110301	
57.0	D570H075	110302	D570H100	110303	D570H150	110304	D570H200	110305	D570H300	110306	
60.0	D600H075	110307	D600H100	110308	D600H150	110309	D600H200	110310	D600H300	110311	
63.0	D630H075	110312	D630H100	110313	D630H150	110314	D630H200	110315	D630H300	110316	
66.0	D660H075	110317	D660H100	110318	D660H150	110319	D660H200	110320	D660H300	110321	
70.0	D700H075	110322	D700H100	110323	D700H150	110324	D700H200	110325	D700H300	110326	
75.0	D750H075	110327	D750H100	110328	D750H150	110329	D750H200	110330	D750H300	110331	
80.0	D800H075	110332	D800H100	110333	D800H150	110334	D800H200	110335	D800H300	110336	
85.0	D850H075	110337	D850H100	110338	D850H150	110339	D850H200	110340	D850H300	110341	
90.0	D900H075	110342	D900H100	110343	D900H150	110344	D900H200	110345	D900H300	110346	
100.0	D1000H075	110347	D1000H100	110348	D1000H150	110349	D1000H200	110350	D1000H300	110351	
110.0	D1100H075	110352	D1100H100	110353	D1100H150	110354	D1100H200	110355	D1100H300	110356	
125.0	D1250H075	110357	D1250H100	110358	D1250H150	110359	D1250H200	110360	D1250H300	110361	
140.0	D1400H075	110362	D1400H100	110363	D1400H150	110364	D1400H200	110365	D1400H300	110366	
170.0	D1700H075	110367	D1700H100	110368	D1700H150	110369	D1700H200	110370	D1700H300	110371	
		Avg. Wt. .35Lb.		Avg. Wt. .47Lb.		Avg. Wt. .70Lb.		Avg. Wt. .94Lb.		Avg. Wt. 1.41Lb.	

FEATURES/BENEFITS PAGE PT10-2	SPECIFICATIONS PAGE PT10-3	SELECTION PAGE PT10-14	ENGINEERING/TECHNICAL PAGE PT10-44
----------------------------------	-------------------------------	---------------------------	---------------------------------------



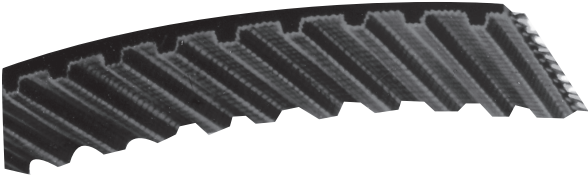
SPECIFICATIONS

DYNA-SYNC - Belts

XL Series DYNA-SYNC Belts

1/5" Pitch (XL)

Belt Length	XL025 (1/4" Wide) Belt No.	Part No.	Wt.	XL037 (3/8" Wide) Belt No.	Part No.	Wt.
6.0	60XL025	465335	...	60XL037	464521	...
7.0	70XL025	464501	...	70XL037	464522	...
8.0	80XL025	464502	...	80XL037	464523	...
9.0	90XL025	464503	...	90XL037	464524	.01
10.0	100XL025	464504	...	100XL037	464525	.01
11.0	110XL025	464505	...	110XL037	464526	.01
12.0	120XL025	464506	...	120XL037	464527	.01
13.0	130XL025	464507	.01	130XL037	464528	.01
14.0	140XL025	464508	.01	140XL037	464529	.01
15.0	150XL025	464509	.01	150XL037	464530	.01
16.0	160XL025	464510	.01	160XL037	464531	.01
17.0	170XL025	464511	.01	170XL037	464532	.01
18.0	180XL025	464512	.01	180XL037	464533	.02
19.0	190XL025	464513	.01	190XL037	464534	.02
20.0	200XL025	464514	.01	200XL037	464535	.02
21.0	210XL025	464515	.01	210XL037	464536	.02
22.0	220XL025	464516	.01	220XL037	464537	.02
23.0	230XL025	464517	.01	230XL037	464538	.02
24.0	240XL025	464518	.01	240XL037	464539	.02
25.0	250XL025	464519	.01	250XL037	464540	.02
26.0	260XL025	464520	.02	260XL037	464541	.02



L Series DYNA-SYNC Belts

3/8" Pitch (L)

Belt Length	L050 (1/2" Wide)			L075 (3/4" Wide)			L100 (1" Wide)		
	Belt No.	Part No.	Wt.	Belt No.	Part No.	Wt.	Belt No.	Part No.	Wt.
12.4	124L050	464542	.03	124L075	464562	.05	124L100	464582	.06
15.0	150L050	464543	.04	150L075	464563	.06	150L100	464583	.08
18.7	187L050	464544	.05	187L075	464564	.07	187L100	464534	.10
21.0	210L050	464545	.05	210L075	464565	.08	210L100	464585	.09
22.5	225L050	464546	.06	225L075	464566	.09	225L100	464586	.11
24.0	240L050	464547	.06	240L075	464567	.09	240L100	464587	.11
25.5	255L050	464548	.06	255L075	464568	.10	255L100	464588	.13
27.0	270L050	464549	.07	270L075	464569	.10	270L100	464589	.14
28.5	285L050	464550	.07	285L075	464570	.11	285L100	464590	.14
30.0	300L050	464551	.08	300L075	464571	.11	300L100	464591	.15
32.2	322L050	464552	.08	322L075	464572	.12	322L100	464592	.16
34.5	345L050	464553	.09	345L075	464573	.13	345L100	464593	.17
36.7	367L050	464554	.09	367L075	464574	.14	367L100	464594	.19
39.0	390L050	464555	.10	390L075	464575	.15	390L100	464595	.20
42.0	420L050	464556	.11	420L075	464576	.16	420L100	464596	.21
45.0	450L050	464557	.11	450L075	464577	.17	450L100	464597	.23
48.0	480L050	464558	.12	480L075	464578	.18	480L100	464598	.24
51.0	510L050	464559	.13	510L075	464579	.19	510L100	464599	.26
54.0	540L050	464560	.14	540L075	464580	.21	540L100	464600	.27
60.0	600L050	464561	.15	600L075	464581	.23	600L100	464601	.30



SPECIFICATIONS

DYNA-SYNC - Belts

H Series DYNA-SYNC Belts

Belt Length	1/2" Pitch (H)														
	H075 (3/4" Wide)			H100 (1" Wide)			H150 (1-1/2" Wide)			H200 (2" Wide)			H300 (3" Wide)		
	Belt No.	Part No.	Wt.	Belt No.	Part No.	Wt.	Belt No.	Part No.	Wt.	Belt No.	Part No.	Wt.	Belt No.	Part No.	Wt.
24.0	240H075	464602	.11	240H100	464621	.14	240H150	464645	.22	240H200	464772	.29	240H300	464778	.43
27.0	270H075	464603	.12	270H100	464622	.16	270H150	464646	.24	270H200	464773	.33	270H300	464779	.49
30.0	300H075	464604	.14	300H100	464623	.18	300H150	464647	.27	300H200	464774	.36	300H300	464780	.54
33.0	330H075	464605	.14	330H100	464624	.20	330H150	464648	.30	330H200	464775	.40	330H300	464781	.60
36.0	360H075	464606	.15	360H100	464625	.22	360H150	464649	.33	360H200	464664	.43	360H300	464736	.65
39.0	390H075	464607	.18	390H100	464626	.24	390H150	464650	.35	390H200	464665	.47	390H300	464737	.71
42.0	420H075	464608	.19	420H100	464627	.25	420H150	464651	.38	420H200	464666	.51	420H300	464738	.76
45.0	450H075	464609	.20	450H100	464628	.27	450H150	464652	.41	450H200	464667	.54	450H300	464739	.81
48.0	480H075	464610	.23	480H100	464629	.31	480H150	464653	.46	480H200	464668	.62	480H300	464740	.92
51.0	510H075	464611	.23	510H100	464630	.31	510H150	464654	.46	510H200	464669	.62	510H300	464741	.92
54.0	540H075	464612	.24	540H100	464631	.33	540H150	464655	.49	540H200	464670	.65	540H300	464683	.98
57.0	570H075	464613	.26	570H100	464632	.34	570H150	464656	.52	570H200	464671	.69	570H300	464684	1.03
60.0	600H075	464614	.27	600H100	464633	.36	600H150	464657	.54	600H200	464672	.72	600H300	464685	1.09
63.0	630H075	464615	.29	630H100	464634	.38	630H150	464658	.57	630H200	464673	.76	630H300	464686	1.14
66.0	660H075	464616	.30	660H100	464635	.40	660H150	464659	.60	660H200	464674	.80	660H300	464687	1.20
70.0	700H075	464617	.32	700H100	464636	.42	700H150	464660	.63	700H200	464675	.85	700H300	464688	1.27
75.0	750H075	464618	.34	750H100	464637	.45	750H150	464661	.68	750H200	464676	.91	750H300	464689	1.36
80.0	800H075	464619	.36	800H100	464638	.48	800H150	464662	.72	800H200	464677	.97	800H300	464742	1.45
85.0	850H075	464620	.38	850H100	464639	.51	850H150	464663	.77	850H200	464678	1.03	850H300	464743	1.54
90.0	900H075	464759	.41	900H100	464640	.54	900H150	464766	.82	900H200	464679	1.09	900H300	464744	1.63
100.0	1000H075	464760	.45	1000H100	464641	.60	1000H150	464767	.91	1000H200	464680	1.21	1000H300	464745	1.81
110.0	1100H075	464761	.50	1100H100	464642	.66	1100H150	464768	1.00	1100H200	464681	1.33	1100H300	464746	1.99
125.0	1250H075	464762	.57	1250H100	464643	.75	1250H150	464769	1.13	1250H200	464682	1.51	1250H300	464747	2.26
140.0	1400H075	464763	.63	1400H100	464644	.85	1400H150	464770	1.27	1400H200	464776	1.69	1400H300	464748	2.54
170.0	1700H075	464764	.77	1700H100	464765	1.03	1700H150	464771	1.54	1700H200	464777	2.05	1700H300	464749	3.08

XH Series DYNA-SYNC Belts

Belt Length	7/8" Pitch (XH)								
	XH200 (2" Wide)			XH300 (3" Wide)			XH400 (4" Wide)		
	Belt No.	Part No.	Wt.	Belt No.	Part No.	Wt.	Belt No.	Part No.	Wt.
50.7	507XH200	464690	1.77	507XH300	464702	2.66	507XH400	464750	3.54
56.0	560XH200	464691	1.95	560XH300	464703	2.93	560XH400	464751	3.91
63.0	630XH200	464692	2.20	630XH300	464704	3.30	630XH400	464752	4.40
70.0	700XH200	464693	2.33	700XH300	464705	3.49	700XH400	464753	4.65
77.0	770XH200	464694	2.69	770XH300	464706	3.49	770XH400	464754	4.65
84.0	840XH200	464695	2.79	840XH300	464707	4.19	840XH400	464755	5.58
98.0	980XH200	464696	3.42	980XH300	464708	5.13	980XH400	464756	6.84
112.0	1120XH200	464697	3.72	1120XH300	464709	5.58	1120XH400	464757	7.45
126.0	1260XH200	464698	4.19	1260XH300	464710	6.28	1260XH400	464758	8.38
140.0	1400XH200	464699	4.65	1400XH300	464711	6.98	1400XH400	464782	9.31
154.0	1540XH200	464700	5.12	1540XH300	464712	7.68	1540XH400	464783	10.2
175.0	1750XH200	464701	5.82	1750XH300	464713	8.73	1750XH400	464784	10.6

XXH Series DYNA-SYNC Belts

Belt Length	1-1/4" Pitch (XXH)											
	XXH200 (2" Wide)			XXH300 (3" Wide)			XXH400 (4" Wide)			XXH500 (5" Wide)		
	Belt No.	Part No.	Wt.	Belt No.	Part No.	Wt.	Belt No.	Part No.	Wt.	Belt No.	Part No.	Wt.
70.0	700XXH200	465301	3.23	700XXH300	465302	4.85	700XXH400	465303	6.47	700XXH500	465304	8.09
80.0	800XXH200	465305	3.70	800XXH300	465306	5.54	800XXH400	465307	7.39	800XXH500	465308	9.24
90.0	900XXH200	465309	4.38	900XXH300	465310	6.58	900XXH400	465311	8.77	900XXH500	465312	11.0
100.0	1000XXH200	465313	4.87	1000XXH300	465314	7.31	1000XXH400	465315	9.74	1000XXH500	465316	12.2
120.0	1200XXH200	465337	5.54	1200XXH300	465317	8.32	1200XXH400	465318	11.1	1200XXH500	465319	13.9
140.0	1400XXH200	465323	6.47	1400XXH300	465320	9.70	1400XXH400	465321	12.9	1400XXH500	465322	16.2
160.0	1600XXH200	465324	7.39	1600XXH300	465325	11.1	1600XXH400	465326	14.8	1600XXH500	465327	18.5
180.0	1800XXH200	465338	8.32	1800XXH300	465329	12.5	1800XXH400	465330	16.6	1800XXH500	465331	20.8

FEATURES/BENEFITS PAGE PT10-2	SPECIFICATIONS PAGE PT10-3	SELECTION PAGE PT10-14	ENGINEERING/TECHNICAL PAGE PT10-44
----------------------------------	-------------------------------	---------------------------	---------------------------------------

V-Drives

FHP Drives

Drive Component
Accessories

DYNA-SYNC

HT200/HTD
Synchronous Drives

HTR
Synchronous Drives

HTRC
Synchronous Drives



SELECTION

DYNA-SYNC Drives

USING STANDARD MOTOR SPEEDS

Step 1—Determine Service Factor from steps on page PT10-16.

Step 2—Compute Design HP. Multiply normal running HP required or nameplate rating by service factor obtained in Step 1.

Step 3—Choose Belt Section. Using Table 1, read up from design HP figure obtained in Step 2 and over from the RPM of faster shaft. This intersection indicates belt section.

Step 4—Select the Drive, a). Using the belt section from Step 3, refer to Selection Tables beginning on page PT10-18. **b).** Under appropriate standard full-load motor RPM, find the driven RPM nearest to the desired speed. Trace right to columns headed “Pulley Combination.” If more than one is listed, the combination with the largest pulleys usually will offer the best belt life. (Note that one pulley must be flanged on all drives. If center distance exceeds 8 times P.D. of small pulley or shafts are vertical

or inclined, both must be flanged.) **c).** On same line trace right to the figure nearest the desired center distance and at top of column note belt number. **d).** Trace back on same line to appropriate column under heading “HP for a 1” Belt...” Divide the design HP obtained in Step 2 by the HP thus found in table. (Divide this value by Teeth in Mesh (T.I.M.) factor when applicable.) The result is the Belt Width Factor. Refer to table below right hand selection table to determine belt width required. If width shown is not stock go to next stock width listed. Add belt code, from table, to belt number found in Step 4c. (If wider stock belt is not shown in table, redesign drive to next larger pitch.) To check drive calculation: HP for a 1” Wide Belt x Belt Width factor x Teeth in Mesh factor = Actual HP rating of the drive. If actual rating is equal to or greater than Design HP, selection is O.K.

NOTE: Good practice dictates that shaft and bushing system (or alternate shaft mounting method) be verified for adequate rating.

V-Drives
FHP Drives
Drive Component Accessories
DYNA-SYNC
HT200/HTD Synchronous Drives
HTR Synchronous Drives
HTRC Synchronous Drives

FEATURES/BENEFITS PAGE PT10-2	SPECIFICATIONS PAGE PT10-3	SELECTION PAGE PT10-14	ENGINEERING/TECHNICAL PAGE PT10-44
----------------------------------	-------------------------------	---------------------------	---------------------------------------



DYNA-SYNC Drives

USING STANDARD MOTOR SPEEDS

EXAMPLE OF SELECTION

Select a drive for a 3 cylinder reciprocating compressor to run 8 hours a day at about 270 RPM and to be driven by a 5 HP, 1160 RPM Design B squirrel cage motor. Centers are about 25”.

Step 1–Service Factor from page PT10-16 is 2.2.

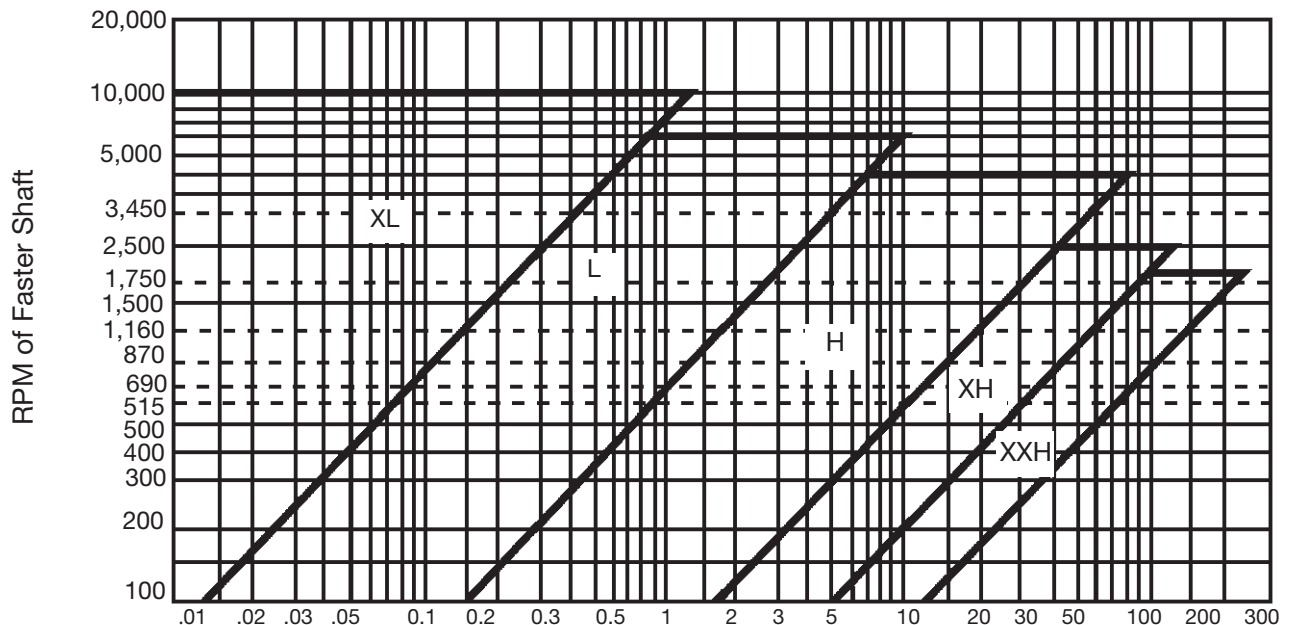
Step 2–Design HP = 5 x 2.2 = 11 HP.

Step 3–An “H” Cross Section is shown in Table 1 when reading to the right of 1160 RPM of faster shaft and up from 11 design HP.

Step 4–The H-Section drive tables begin on page PT10-30. On page PT10-34, the nearest driven speed for

a 1160 RPM motor is 271 RPM. Two possible pulley combinations are listed. The 28H driver/120H driven is preferred. On the same line the nearest center distance to 25” is 25.45”. Note the 900 H belt at top of column. Tracing back on the same line, under 1160 RPM, the “HP for a 1” Belt” is 5.68. 11 design HP 5.68 = 1.937 Belt Width Factor. Belt Width Table indicates a 2” wide belt is required. Add code number 200 to belt and pulley number and order the following: (1) TL28H200 DYNA-SYNC Pulley, (1) 2012 Taper-Lock (1) TL120H200 pulley. (1) TAPER-LOCK 3020 bushing. (1) 900H200 DYNA-SYNC Belt. To facilitate delivery, order by part numbers listed in Pulley, Bushing and Belt sections of this catalog.

Table 1 - Synchronous Cross Section Selection Chart





SELECTION

Service Factor

To determine the service factor for a DYNA-SYNC drive follow the three steps below.

Step 1. Determine the class of Driver from Table 2 below.

Step 2. Use Class of Driver and Type of Application in Table 4 at right to find the tentative service factor.

Step 3. Add the Additional Service Factor, when applicable, from Table 3 at bottom of page to the tentative service factor from Step 2 to determine the service factor for the application.

Table 2 - Class of Driver

Driver	Class I	Class II	Class III
A-C Electric Motors, Single Phase.....	All
Squirrel Cage, NEMA Design A,			
3500 RPM	40 HP up	30 HP or less
1750 RPM	100 HP up	5 to 75 HP	3 HP or less
1160 RPM	15 HP up	10 HP or less
870 RPM	5 HP up	3 HP or less
NEMA Design B,			
3500 RPM	5 HP up	3 HP or less
1750 RPM	5 HP up	3 HP or less
1160 RPM	5 HP up	3 HP or less
870 RPM	2 HP up	1-1/2 HP or less
NEMA Design C,			
1750 RPM	15 HP up	10 HP or less
1160 RPM	7-1/2 HP up	5 HP or less
870 RPM	All
NEMA Design D	All
NEMA Design F .	All
Wound Rotor,		
1750 RPM	20 HP	15 HP or less
1160 RPM	15 HP	10 HP or less
870 RPM	7-1/2 HP	5 HP or less
Synchronous	Norm. Torque	High Torque
D-C Electric Motors	Shunt	Compound	Series
Engines-Int. Comb	8 Cyl. up	6 Cyl	4 Cyl. or less
Hydraulic Motors	All
Line Shafts.....	All

Table 3 - Additional Service Factors †

Condition	Additional Factor
24 hour continuous operation	0.2
Use of an idler	0.2
Intermittent or seasonal operation	◊
Speed up drive:	
1 to 1.24 ratio	0.0
1.25 to 1.74 ratio	0.1
1.75 to 2.49 ratio	0.2
2.50 to 3.49 ratio	0.3
Over 3.49 ratio	0.4

† Additional service factors other than listed here are required for unusual condition such as torque reversal, heavy shock, when current to motor is reversed to either stop the motor rapidly or to run it in opposite direction, or when a brake is to be used. For such applications consult factory.

◊ Subtract 0.2 from tentative service factor.

Table 4 - Service Factors*

Application	Class		
	I	II	III
AGITATORS, MIXERS (Paddle or Propeller)			
Liquid	1.4	1.6	1.8
Semi-liquid	1.5	1.7	1.9
BAKERY MACHINERY DOUGH MIXERS	1.4	1.6	1.8
BRICK AND CLAY MACHINERY			
Augers, Mixers, Granulators	1.5	1.7	1.9
Pug Mills	1.8	2.0	2.2
CENTRIFUGES	1.8	1.9	...
COMPRESSORS			
Reciprocating	2.0	2.2	2.4
Centrifugal	1.8	1.7	1.8
CONVEYORS			
Light-Package Belt, oven	1.3	1.5	1.7
Belt, Ore, Coal, Sand	1.8	1.7	1.8
Apron, Bucket, Elevator, Pan	1.7	1.8	1.9
Flight, Screw	1.7	1.9	2.0
FANS, BLOWERS			
Centrifugal, Induced Draft Exhausters	1.8	1.8	2.0
Propeller, Mine fans, Positive Blowers	1.8	2.0	2.2
GENERATORS AND EXCITERS	1.6	1.8	2.0
HAMMER MILLS	1.7	1.9	2.1
LAUNDRY MACHINERY			
General	1.5	1.6	1.7
Extractors, Washers	1.6	1.8	2.0
LINE SHAFTS	1.5	1.7	1.9
MACHINE TOOLS			
Drill Presses, Lathes, Screw Machines	1.4	1.6	1.8
Boring Mills, Grinders	1.5	1.7	1.9
Milling Machines, Shapers	1.5	1.7	1.9
MILLS			
Ball, Rod, Pebble, etc.	2.2	2.5
PAPER MACHINERY			
Agitators, Calenders, Dryers	1.4	1.6	1.8
Beaters, Jordans, Nash Pumps, Pulpers	1.7	1.9	2.1
PRINTING MACHINERY			
Presses: Newspaper, Rotary, Embossing, Flat Bed, Magazine; Linotype Machines; Cutters; Folders	1.4	1.6	1.8
PUMPS			
Centrifugal, Gear, Rotary, Pipeline	1.5	1.7	1.9
Reciprocating	2.0	2.2	2.4
RUBBER PLANT MACHINERY	1.6	1.8	2.0
SAW MILL MACHINERY	1.6	1.8	2.0
SCREENS			
Vibrating (Shakers)	1.5	1.7	...
Drum, Conical	1.4	1.5	...
TEXTILE MACHINERY			
Looms, Spinning Frames, Twisters	1.6	1.8	2.0
Wrappers, Reels	1.5	1.7	...
WOODWORKING MACHINERY			
Lathes, Band Saws	1.3	1.4	...
Jointers, Circular Saws, Planers	1.4	1.6	...



SELECTION

DYNA-SYNC Drives

FOR SPEEDS OTHER THAN STANDARD MOTOR SPEEDS AND SPEED-UP DRIVES

For Speeds Other Than Standard Motor Speeds

Step 1–Calculate Speed Ratio = $\frac{\text{Driver RPM}}{\text{Driven RPM}}$

Step 2–Determine Service Factor from steps on page PT10-16.

Step 3–Calculate Design HP. Multiply normal running HP required or nameplate rating by service factor obtained in Step 2.

Step 4–Using Table 1 on page PT10-15 read up from design HP obtained in Step 3 and over from RPM of faster shaft. This intersection indicates belt section.

Step 5–Select the Drive. a.) Using the belt section obtained in Step 4, refer to Selection Tables beginning on PT10-18. **b.)** Read down ratio column to the value nearest to one calculated in Step 1. Trace right to columns headed “Pulley Combinations.” If more than one is listed, the combination with the largest pulleys usually will offer the best belt life. (Note that one pulley must be flanged on all drives. If center distance exceeds 8 times P.D. of small pulley or shafts are vertical or inclined, both must be flanged.) **c.)** On the same line trace right to figure nearest the desired center distance and at top of column note belt number. **d.)** Now go to the HP Table for the appropriate belt section. Reading to the right of the speed of the faster pulley and down from the pulley size, the HP figure for a 1” belt will appear. Divide the design HP from Step 3 by the HP thus found in table. (Divide this value by Teeth in Mesh factor, when applicable.) The result is the Belt Width Factor. Refer to table below the HP Table to determine belt width factor required. If width shown is not in stock go to next stock width listed. Add belt code, from table, to belt number found in Step 5c. (If wider stock belt is not shown in table, redesign drive to next larger pitch).

EXAMPLE OF SELECTION

A printing machine embossing roll runs at 426 RPM, powered from an 800 RPM line shaft. The roll required 7 HP. Machine runs 8-10 hrs. a day. Center distance is approx. 20”.

Step 1–Speed Ratio = 1.88

Step 2–Service Factor = 1.8

Step 3–Design HP = 7 x 1.8 = 12.6

Step 4–Belt Selection from Table 1 = H

Step 5–The H Section Drive Tables begin on page PT10-30. The ratio of 1.88 obtained in Step 1 is found on page PT10-32. Two pulley combinations are listed. The 32H driver /60H driven is preferred. On the same line the nearest center distance to 20” is 19.88. Note the 630H belt at top of column. Refer to H section HP Tables on page PT10-42. Opposite 800 RPM of faster shaft and under 32H pulley, the HP 4.50 = 2.8. This is the belt width factor. Referring to the H belt width table a 3” wide belt is stock. Add the 300 Code Width to the pulley and belt numbers and order the following:

(1) TL32H300 DYNA-SYNC Pulley, (1) 2517 TAPER-LOCK bushing (Check to see if bushing will fit equipment shafts). (1) TL60H300 Pulley.

(1) 3020 bushing

(1) 630H300 DYNA-SYNC Belt.

To facilitate delivery, use part numbers listed in Pulley, Bushing and Belt sections of this catalog.

Example of a Speed-Up Drive

Select a drive for a continuous duty liquid agitator to run at about 2000 RPM and to be driven by a 10 HP, 1750 RPM squirrel cage motor Centers are about 10”.

Step 1–Speed ratio is $2000 \div 1750 = 1.14$.

Step 2 –Service factor from page PT10-3 is 1.8

Step 3–Design HP= $10 \times 1.8 = 18$ HP.

Step 4–An “H” Cross Section is shown in Table 1 when reading to the right of 2000 RPM and up from 18 design HP.

Step 5–Speed ratio calculated in Step 1 appears in Selection Table on page PT10-30. Two possible pulley combinations are listed. The 28H driver/32H driven is preferred. In a Speed-Up Drive, the 28H becomes the driven, the 32H, the driver. On the same line the nearest center distance to 10” is 10.5. Note the 360H belt at top of column. Referring to HP table on page PT10-42, the rating for a 1” wide belt is shown as 9.60 for a 28H pulley at 2000 RPM. $18 \text{ design HP} \div 9.60 = 1.875$ Belt Width Factor Belt Width Table indicates a 2” wide belt is required. Add code number 200 to belt and pulley number and order the following: (1) TL32H200 DYNA-SYNC Pulley, (1) 2517 TAPER-LOCK Bushing. (Check to see if bushings will fit equipment shafts).

(1) TL28H200 Pulley, (1) 2012 bushing (with 2, max. bore). (1) 360H200 DYNA-SYNC belt.

* Selection program available online at ptwizard.com.

FEATURES/BENEFITS PAGE PT10-2	SPECIFICATIONS PAGE PT10-3	SELECTION PAGE PT10-14	ENGINEERING/TECHNICAL PAGE PT10-44
----------------------------------	-------------------------------	---------------------------	---------------------------------------



SELECTION

XL Stock Drive Selections

Driven Speeds for Motor Speeds of	Speed Ratio	Pulley Combination				HP for a 1 Wide Belt for Motor Speeds of Δ			Nominal C.D. Using DYNA-SYNC Belts								
		Driver		Driven		3500	1750	1160	60XL	70XL	80XL	90XL	100XL	110XL			
		No. of Teeth	Pitch Diam.	No. of Teeth	Pitch Diam.												
3500	1750	1160	1.00	30XL	1.910	30XL	1.910	2.11	1.07	.71	2.50	
3500	1750	1160	1.00	28XL	1.783	28XL	1.783	1.98	1.00	.66	2.20	2.70
3500	1750	1160	1.00	24XL	1.528	24XL	1.528	1.71	.86	.56	2.10	2.60	3.10	
3500	1750	1160	1.00	22XL	1.401	22XL	1.401	1.57	.79	.52	1.80	2.30	2.80	3.30	
3500	1750	1160	1.00	21XL	1.337	21XL	1.337	1.49	.75	.50	1.90	2.40	2.90	3.40	
3500	1750	1160	1.00	20XL	1.273	20XL	1.273	1.42	.72	.46	2.00	2.50	3.00	3.50	
3500	1750	1160	1.00	18XL	1.146	18XL	1.146	1.28	.64	.42	1.70	2.20	2.70	3.20	3.70	
3500	1750	1160	1.00	16XL	1.019	16XL	1.019	1.15	.58	.38	1.40	1.90	2.40	2.90	3.40	3.90	
3500	1750	1160	1.00	15XL	.955	15XL	.955	1.07	.53	.36	1.50	2.00	2.50	3.00	3.50	4.00	
3500	1750	1160	1.00	14XL	.891	14XL	.891	1.00	.50	.33	1.60	2.10	2.60	3.10	3.60	4.10	
3500	1750	1160	1.00	12XL	.764	12XL	.764	.86	.43	.28	1.80	2.30	2.80	3.30	3.80	4.30	
3500	1750	1160	1.00	11XL	.700	11XL	.700	.79 ◊	.39	.26	1.90†	2.40†	2.90†	3.40†	3.90†	4.40†	
3341	1675	1107	1.05	21XL	1.337	22XL	1.401	1.49	.75	.50	1.85	2.35	2.85	3.35	
3333	1667	1105	1.05	20XL	1.273	21XL	1.337	1.42	.72	.46	1.95	2.45	2.95	3.45	
3281	1641	1088	1.07	30XL	1.910	32XL	2.037	2.11	1.07	.71	2.39	
3281	1641	1088	1.07	15XL	.955	16XL	1.019	1.07	.53	.36	1.45	1.95	2.45	2.95	3.45	3.95	
3267	1634	1083	1.07	28XL	1.783	30XL	1.910	1.98	1.00	.66	2.09	2.59	
3267	1634	1083	1.07	14XL	.891	15XL	.955	1.00	.50	.33	1.55	2.05	2.55	3.05	3.55	4.05	
3208	1604	1063	1.09	22XL	1.401	24XL	1.528	1.57	.79	.52	2.19	2.69	3.19	
3208	1604	1063	1.09	11XL	.700	12XL	.764	.79 ◊	.39	.26	1.85†	2.35†	2.85†	3.35†	3.85†	4.35†	
3182	1591	1055	1.10	20XL	1.273	22XL	1.401	1.42	.72	.46	1.89	2.39	2.89	3.39	
3150	1575	1044	1.11	18XL	1.146	20XL	1.273	1.28	.64	.42	1.59	2.09	2.59	3.09	3.59	
3111	1556	1031	1.13	16XL	1.019	18XL	1.146	1.15	.58	.38	1.79	2.29	2.79	3.29	3.79	
3063	1532	1015	1.14	28XL	1.783	32XL	2.037	1.98	1.00	.66	2.49	
3063	1532	1015	1.14	21XL	1.337	24XL	1.528	1.49	.75	.50	1.74	2.24	2.74	3.24	
3063	1532	1015	1.14	14XL	.891	16XL	1.019	1.00	.50	.33	1.49	1.99	2.49	2.99	3.49	4.00	
3000	1500	994	1.17	24XL	1.528	28XL	1.783	1.71	.86	.56	2.39	2.89	
3000	1500	994	1.17	18XL	1.146	21XL	1.337	1.28	.64	.42	1.54	2.04	2.54	3.04	3.54	
3000	1500	994	1.17	12XL	.764	14XL	.891	.86	.43	.28	1.69†	2.19†	2.69†	3.19†	3.69†	4.20†	
2917	1458	967	1.20	30XL	1.910	36XL	2.292	2.11	1.07	.71	
2917	1458	967	1.20	20XL	1.273	24XL	1.528	1.42	.72	.46	1.79	2.29	2.79	3.29	
2917	1458	967	1.20	15XL	.955	18XL	1.146	1.07	.53	.36	1.34	1.84	2.34	2.84	3.34	3.84	
2864	1432	949	1.22	18XL	1.146	22XL	1.401	1.28	.64	.42	1.99	2.49	2.99	3.49	
2800	1400	928	1.25	24XL	1.528	30XL	1.910	1.71	.86	.56	2.29	2.79	
2800	1400	928	1.25	16XL	1.019	20XL	1.273	1.15	.58	.38	1.69	2.19	2.69	3.19	3.69	
2800	1400	928	1.25	12XL	.764	15XL	.955	.86	.43	.28	1.6†	2.14†	2.64†	3.14†	3.64†	4.14†	
2750	1375	911	1.27	22XL	1.401	28XL	1.783	1.57	.79	.52	1.99	2.49	2.99	
2750	1375	911	1.27	11XL	.700	14XL	.891	.79 ◊	.39	.26	1.7†	2.24†	2.74†	3.24†	3.74†	4.24†	
2722	1361	902	1.29	28XL	1.783	36XL	2.292	1.98	1.00	.66	2.28	
2722	1361	902	1.29	14XL	.891	18XL	1.146	1.00	.50	.33	1.39	1.89	2.39	2.89	3.39	3.89	
2667	1333	884	1.31	16XL	1.019	21XL	1.337	1.15	.58	.38	1.64	2.14	2.64	3.14	3.64	
2625	1313	870	1.33	30XL	1.910	40XL	2.546	2.11	1.07	.71	
2625	1313	870	1.33	24XL	1.528	32XL	2.037	1.71	.86	.56	1.89	2.18	2.68	
2625	1313	870	1.33	21XL	1.337	28XL	1.783	1.49	.75	.50	2.03	2.54	3.04	
2625	1313	870	1.33	18XL	1.146	24XL	1.528	1.28	.64	.42	2.39	2.89	3.39	
2625	1313	870	1.33	15XL	.955	20XL	1.273	1.07	.53	.36	1.74	2.24	2.74	3.24	3.74	
2625	1313	870	1.33	12XL	.764	16XL	1.019	.86	.43	.28	1.59†	2.09†	2.59†	3.09†	3.59†	4.09†	
2567	1283	851	1.36	22XL	1.401	30XL	1.910	1.57	.79	.52	2.38	2.88	
2567	1283	851	1.36	11XL	.700	15XL	.955	.79 ◊	.38	.26	1.69†	2.19†	2.69†	3.19†	3.69†	4.19†	
2545	1273	844	1.38	16XL	1.019	22XL	1.401	1.15	.58	.38	1.58	2.09	2.59	3.09	3.59	
2500	1250	829	1.40	30XL	1.910	42XL	2.674	2.11	1.07	.71	1.68	
2500	1250	829	1.40	20XL	1.273	28XL	1.783	1.42	.72	.46	2.08	2.58	3.09	
2500	1250	829	1.40	15XL	.955	21XL	1.337	1.07	.53	.36	2.19	2.69	3.19	3.69	
2450	1225	812	1.43	28XL	1.783	40XL	2.546	1.98	1.00	.66	
2450	1225	812	1.43	21XL	1.337	30XL	1.910	1.49	.75	.50	1.92	2.43	2.93	
2450	1225	812	1.43	14XL	.891	20XL	1.273	1.00	.50	.33	1.79	2.29	2.79	3.29	3.79	
2406	1203	798	1.45	22XL	1.401	32XL	2.037	1.57	.79	.52	2.27	2.78	
2406	1203	798	1.45	11XL	.700	16XL	1.019	.79 ◊	.39	.26	1.64†	2.14†	2.64†	3.14†	3.64†	4.14†	

Δ HP ratings are for conventional speed-reduction drives.

† See Teeth in Mesh table on opposite page

For Speed-Up Drives refer to page PT10-17.

◊ Pulley Diameter is below recommended minimum. A reduction in belt life should be expected. Suggest alternate drive selection, whenever possible.

FEATURES/BENEFITS PAGE PT10-2	SPECIFICATIONS PAGE PT10-3	SELECTION PAGE PT10-14	ENGINEERING/TECHNICAL PAGE PT10-44
----------------------------------	-------------------------------	---------------------------	---------------------------------------

SELECTION



XL Stock Drive Selections

Nominal Center Distance Using DYNA-SYNC Belts															
120XL	130XL	140XL	150XL	160XL	170XL	180XL	190XL	200XL	210XL	220XL	230XL	240XL	250XL	260XL	
3.00	3.50	4.00	4.50	5.00	5.50	6.00	6.50	7.00	7.50	8.00	8.50	9.00	9.50	10.00	
3.20	3.70	4.20	4.70	5.20	5.70	6.20	6.70	7.20	7.70	8.20	8.70	9.20	9.70	10.20	
3.60	4.10	4.60	5.10	5.60	6.10	6.60	7.10	7.60	8.10	8.60	9.10	9.60	10.10	10.60	
3.80	4.30	4.80	5.30	5.80	6.30	6.80	7.30	7.80	8.30	8.80	9.30	9.80	10.30	10.80	
3.90	4.40	4.90	5.40	5.90	6.40	6.90	7.40	7.90	8.40	8.90	9.40	9.90	10.40	10.90	
4.00	4.50	5.00	5.50	6.00	6.50	7.00	7.50	8.00	8.50	9.00	9.50	10.00	10.50	11.00	
4.20	4.70	5.20	5.70	6.20	6.70	7.20	7.70	8.20	8.70	9.20	9.70	10.20	10.70	11.20	
4.40	4.90	5.40	5.90	6.40	6.90	7.40	7.90	8.40	8.90	9.40	9.90	10.40	10.90	11.40	
4.50	5.00	5.50	6.00	6.50	7.00	7.50	8.00	8.50	9.00	9.50	10.00	10.50	11.00	11.50	
4.60	5.10	5.60	6.10	6.60	7.10	7.60	8.10	8.60	9.10	9.60	10.10	10.60	11.10	11.60	
4.80	5.30	5.80	6.30	6.80	7.30	7.80	8.30	8.60	9.30	9.80	10.30	10.80	11.30	11.80	
4.90†	5.40†	5.90†	6.40†	6.90†	7.40†	7.90†	8.40†	8.90†	9.40†	9.90†	10.40†	10.90†	11.40†	11.90†	
3.85	4.35	4.85	5.35	5.85	6.35	6.85	7.35	7.85	8.35	8.85	9.35	9.85	10.35	10.85	
3.95	4.45	4.95	5.45	5.95	6.45	6.95	7.45	7.95	8.45	8.95	9.45	9.95	10.45	10.95	
2.89	3.39	3.89	4.40	4.90	5.40	5.90	6.40	6.90	7.40	7.90	8.40	8.99	9.40	9.90	
4.45	4.95	5.45	5.95	6.45	6.95	7.45	7.95	8.45	8.95	9.45	9.95	10.45	10.95	11.45	
3.09	3.59	4.10	4.60	5.10	5.60	6.10	6.60	7.10	7.60	8.10	8.60	9.10	9.80	10.10	
4.55	5.05	5.55	6.05	6.55	7.05	7.55	8.05	8.55	9.05	9.55	10.05	10.55	11.05	11.55	
3.69	4.20	4.70	5.20	5.70	6.20	6.70	7.20	7.70	8.20	8.70	9.20	9.70	10.20	10.70	
4.85†	5.35†	5.85†	6.35†	6.85†	7.35†	7.85†	8.35†	8.85†	9.35†	9.85†	10.35†	10.85†	11.35†	11.85†	
3.89	4.40	4.90	5.40	5.90	6.40	6.90	7.40	7.90	8.40	8.90	9.40	9.90	10.40	10.90	
4.10	4.60	5.10	5.60	6.10	6.60	7.10	7.60	8.10	8.60	9.10	9.60	10.10	10.60	11.10	
4.30	4.80	5.30	5.80	6.30	6.80	7.30	7.80	8.30	8.80	9.30	9.80	10.30	10.80	11.30	
2.99	3.49	3.99	4.49	4.99	5.49	5.99	6.49	6.99	7.49	7.99	8.49	8.99	9.49	9.99	
3.74	4.24	4.74	5.24	5.74	6.24	6.74	7.24	7.74	8.24	8.74	9.24	9.74	10.24	10.74	
4.50	5.00	5.50	6.00	6.50	7.00	7.50	8.00	8.50	9.00	9.50	10.00	10.50	11.00	11.50	
3.39	3.89	4.39	4.89	5.39	5.89	6.39	6.89	7.39	7.89	8.39	8.89	9.39	9.89	10.39	
4.04	4.54	5.04	5.54	6.04	6.54	7.04	7.54	8.04	8.54	9.04	9.54	10.04	10.54	11.04	
4.70†	5.20†	5.70†	6.20†	6.70†	7.20†	7.70†	8.20†	8.70†	9.20†	9.70†	10.20†	10.70†	11.20†	11.70†	
2.69	3.19	3.69	4.19	4.69	5.19	5.69	6.19	6.69	7.19	7.69	8.19	8.69	9.19	9.69	
3.79	4.29	4.79	5.29	5.79	6.29	6.79	7.29	7.79	8.29	8.79	9.29	9.79	10.29	10.79	
4.34	4.84	5.34	5.84	6.34	6.84	7.34	7.84	8.34	8.84	9.34	9.84	10.34	10.84	11.34	
3.99	4.49	4.99	5.49	5.99	6.49	6.99	7.49	7.99	8.49	8.99	9.49	9.99	10.49	10.99	
3.29	3.79	4.29	4.79	5.29	5.79	6.29	6.79	7.29	7.79	8.29	8.79	9.29	9.79	10.29	
4.19	4.69	5.19	5.69	6.19	6.69	7.19	7.69	8.19	8.69	9.19	9.69	10.19	10.69	11.19	
4.64†	5.14†	5.64†	6.14†	6.64†	7.14†	7.64†	8.14†	8.64†	9.14†	9.64†	10.14†	10.64†	11.14†	11.64†	
3.49	3.99	4.49	4.99	5.49	5.99	6.49	6.99	7.49	7.99	8.49	8.99	9.49	9.99	10.49	
4.74†	5.24†	5.74†	6.24†	6.74†	7.24†	7.74†	8.24†	8.74†	9.24†	9.74†	10.24†	10.74†	11.24†	11.74†	
2.78	3.29	3.79	4.29	4.79	5.29	5.79	6.29	6.79	7.29	7.79	8.29	8.79	9.29	9.79	
4.39	4.89	5.39	5.89	6.39	6.89	7.39	7.89	8.39	8.89	9.39	9.89	10.39	10.89	11.39	
4.14	4.64	5.14	5.64	6.14	6.64	7.14	7.64	8.14	8.64	9.14	9.64	10.14	10.64	11.14	
2.48	2.98	3.48	3.98	4.48	4.98	5.48	5.98	6.48	6.98	7.48	7.98	8.48	8.98	9.48	
3.19	3.69	4.19	4.69	5.19	5.69	6.19	6.69	7.19	7.69	8.19	8.69	9.19	9.69	10.19	
3.54	4.04	4.54	5.04	5.54	6.04	6.54	7.04	7.54	8.04	8.54	9.04	9.54	10.04	10.54	
3.89	4.39	4.89	5.39	5.89	6.39	6.89	7.39	7.89	8.39	8.89	9.39	9.89	10.39	10.89	
4.24	4.74	5.24	5.74	6.24	6.74	7.24	7.74	8.24	8.74	9.24	9.74	10.24	10.74	11.24	
4.59†	5.09†	5.59†	6.09†	6.59†	7.09†	7.59†	8.09†	8.59†	9.09†	9.59†	10.09†	10.59†	11.09†	11.59†	
3.39	3.89	4.39	4.89	5.39	5.89	6.39	6.89	7.39	7.89	8.39	8.89	9.39	9.89	10.39	
4.69†	5.19†	5.69†	6.19†	6.69†	7.19†	7.69†	8.19†	8.69†	9.19†	9.69†	10.19†	10.69†	11.19†	11.69†	
4.09	4.59	5.09	5.59	6.09	6.59	7.09	7.59	8.09	8.59	9.09	9.59	10.09	10.59	11.09	
....	2.87	3.37	3.88	4.38	4.88	5.38	5.88	6.38	6.88	7.39	7.89	8.39	8.69	9.39	
3.59	4.09	4.59	5.09	5.59	6.09	6.59	7.09	7.59	8.09	8.59	9.09	9.59	10.09	10.59	
4.19	4.69	5.19	5.69	6.19	6.69	7.19	7.69	8.19	8.69	9.19	9.69	10.19	10.69	11.19	
2.57	3.07	3.58	4.08	4.58	5.08	5.58	6.08	6.58	7.09	7.59	8.09	8.59	9.09	9.59	
3.43	3.84	4.44	4.94	5.44	5.94	6.44	6.94	7.44	7.94	8.44	8.94	9.44	9.94	10.44	
4.29	4.79	5.29	5.79	6.29	6.79	7.29	7.79	8.29	8.79	9.29	9.79	10.29	10.79	11.29	
3.28	3.78	4.28	4.78	5.29	5.79	6.29	6.79	7.29	7.79	8.29	8.79	9.29	9.79	10.29	
4.64†	5.14†	5.64†	6.14†	6.64†	7.14†	7.64†	8.14†	8.64†	9.14†	9.64†	10.14†	10.64†	11.14†	11.64†	

XL Belt Width Table

Belt Width Factor	.15	.28	.35	.42	.57	.71	.86	1.00	1.29	1.56
Belt Width	1/4	3/8	7/16	1/2	5/8	3/4	7/8	1	1-1/4	1-1/2
Belt Width Code	025	037	043	050	062	075	087	100	125	150

Teeth in Mesh Factor (T.I.M.)

Table Symbol	No. of Teeth in Mesh in Small Pulley	Factor
None	6 or More	1.00
†	5	.80

Shaded area indicates stock belt widths

FEATURES/BENEFITS PAGE PT10-2	SPECIFICATIONS PAGE PT10-3	SELECTION PAGE PT10-14	ENGINEERING/TECHNICAL PAGE PT10-44
----------------------------------	-------------------------------	---------------------------	---------------------------------------



SELECTION

XL Stock Drive Selections

	Driven Speeds for Motor Speeds of			Speed Ratio	Pulley Combination				HP for a 1 Wide Belt for Motor Speeds of Δ			Nominal C.D. Using DYNA-SYNC Belts					
	3500	1750	1160		Driver		Driven		3500	1750	1160	60XL	70XL	80XL	90XL	100XL	110XL
					No. of Teeth	Pitch Diam.	No. of Teeth	Pitch Diam.									
V-Drives	2386	1193	791	1.47	15XL	1.901	44XL	2.801	2.11	1.07	.71	
	2386	1193	791	1.47	30XL	.955	22XL	1.401	1.07	.53	.36	1.63	2.13	2.64	3.14	3.64
	2334	1167	773	1.50	28XL	1.783	42XL	2.674	1.98	1.00	.66	
	2334	1167	773	1.50	24XL	1.528	36XL	2.292	1.71	.86	.56	2.47	
	2334	1167	773	1.50	20XL	1.273	30XL	1.910	1.42	.72	.46	1.97	2.48	2.98
FHP Drives	2334	1167	773	1.50	16XL	1.019	24XL	1.528	1.15	.58	.38	1.98	2.48	2.98	3.49
	2334	1167	773	1.50	14XL	.891	21XL	1.337	1.00	.50	.33	1.73	2.23	2.74	3.24	3.74
	2334	1167	773	1.50	12XL	.764	18XL	1.146	.86	.43	.28	1.48†	1.99†	2.49†	2.99†	3.49†	3.99†
	2297	1148	761	1.52	21XL	1.337	32XL	2.037	1.49	.75	.50	2.32	2.82
	2250	1125	746	1.56	18XL	1.146	28XL	1.783	1.28	.64	.42	2.17	2.68	3.18
	2227	1114	738	1.57	28XL	1.783	44XL	2.801	1.98	1.00	.66
	2227	1114	738	1.57	14XL	.891	22XL	1.401	1.00	.50	.33	1.68	2.18	2.68	3.19	3.69
	2188	1094	725	1.60	30XL	1.910	48XL	3.056	2.11	1.07	.71
	2188	1094	725	1.60	20XL	1.273	32XL	2.037	1.42	.72	.46	1.86	2.36	2.87
	2188	1094	725	1.60	15XL	.955	24XL	1.528	1.07	.53	.36	1.52	2.02	2.53	3.03	3.53
Drive Component Accessories	2139	1059	709	1.64	22XL	1.401	36XL	2.292	1.57	.79	.52	2.56
	2139	1069	709	1.64	11XL	.700	18XL	1.146	.79 ◊	.39	.26	1.53†	2.03†	2.54†	3.64†	3.54†	4.04†
	2100	1050	696	1.67	24XL	1.528	40XL	2.546	1.71	.86	.56
	2100	1050	696	1.67	18XL	1.146	30XL	1.910	1.28	.64	.42	2.06	2.57	3.07
	2100	1050	696	1.67	12XL	.764	20XL	1.273	.86	.43	.28	1.37†	1.88†	2.38†	2.88†	3.39†	3.89†
	2042	1021	677	1.71	28XL	1.783	48XL	3.056	1.98	1.00	.66
	2042	1021	677	1.71	21XL	1.337	36XL	2.292	1.49	.75	.50	2.09	2.60
	2042	1021	677	1.71	14XL	.891	24XL	1.528	1.00	.50	.33	1.56	2.07	2.58	3.08	3.58
	2000	1000	663	1.75	24XL	1.528	42XL	2.674	1.71	.86	.56
	2000	1000	683	1.75	16XL	1.019	28XL	1.783	1.15	.58	.38	1.75	2.26	2.77	3.27
DYNA-SYNC	2000	1000	663	1.75	12XL	.764	21XL	1.337	.86	.43	.28	1.31†	1.82†	2.33†	2.83†	3.33†	3.83†
	1969	984	653	1.78	18XL	1.146	32XL	2.037	1.28	.64	.42	1.94	2.46	2.96
	1944	972	644	1.80	20XL	1.273	36XL	2.292	1.42	.72	.46	2.13	2.65
	1925	963	637	1.82	22XL	1.401	40XL	2.546	1.57	.79	.52	2.32
	1925	963	637	1.82	11XL	.700	20XL	1.273	.79 ◊	.39	.26	1.42†	1.92†	2.43†	2.93†	3.43†	3.94†
	1909	955	633	1.83	24XL	1.528	44XL	2.801	1.71	.86	.56
	1909	955	633	1.83	12XL	.764	22XL	1.401	.86	.43	.28	1.77†	2.27†	2.78†	3.28†	3.78†
	1875	937	621	1.87	15XL	.955	28XL	1.783	1.07	.53	.36	1.80	2.31	2.82	3.32
	1867	933	619	1.88	16XL	1.019	30XL	1.910	1.15	.58	.38	2.15	2.66	3.16
	1838	919	609	1.90	21XL	1.337	40XL	2.546	1.49	.75	.50	2.37
HT200/HTD Synchronous Drives	1833	917	607	1.91	22XL	1.401	42XL	2.674	1.57	.79	.52
	1833	917	607	1.91	11XL	.700	21XL	1.337	.79 ◊	.39	.26	1.36†	1.87†	2.37†	2.88†	3.38†	3.88†
	1750	875	580	2.00	30XL	1.910	60XL	3.820	2.11	1.07	.71
	1750	875	580	2.00	24XL	1.528	48XL	3.056	1.71	.86	.56
	1750	875	580	2.00	22XL	1.401	44XL	2.801	1.57	.79	.52
	1750	875	580	2.00	21XL	1.337	42XL	2.674	1.49	.75	.50	2.25
	1750	875	580	2.00	20XL	1.273	40XL	2.546	1.42	.72	.46	2.41
	1750	875	580	2.00	18XL	1.146	36XL	2.292	1.28	.64	.42	2.22	2.74
	1750	875	580	2.00	16XL	1.019	32XL	2.037	1.15	.58	.38	2.03	2.54	3.05
	1750	875	580	2.00	15XL	.955	30XL	1.910	1.07	.53	.36	1.68	2.19	2.70	3.21
Synchronous Drives	1750	875	580	2.00	14XL	.891	28XL	1.783	1.00	.50	.33	1.84†	2.35	2.86	3.37
	1750	875	580	2.00	12XL	.764	24XL	1.528	.86	.43	.28	1.65†	2.16†	2.67†	3.17†	3.68†
	1750	875	580	2.00	11XL	.700	22XL	1.401	.79 ◊	.39	.26	1.30†	1.81†	2.32†	2.82†	3.33†	3.83†
	1670	835	554	2.10	21XL	1.337	44XL	2.801	1.49	.75	.50
	1666	833	552	2.10	20XL	1.273	42XL	2.674	1.42	.72	.46	2.29
HTR Synchronous Drives	1641	820	544	2.13	15XL	.955	32XL	2.037	1.07	.53	.36	2.07	2.59	3.10
	1833	817	542	2.14	28XL	1.783	60XL	3.820	1.98	1.00	.66
	1833	817	542	2.14	14XL	.891	30XL	1.910	1.08	.50	.33	1.72†	2.24†	2.75	3.26
	1604	802	532	2.18	22XL	1.401	48XL	3.056	1.57	.79	.52
	1604	802	532	2.18	11XL	.700	24XL	1.528	.79 ◊	.39	.26	1.69†	2.21†	2.71†	3.22†	3.72†
	1591	795	527	2.20	20XL	1.273	44XL	2.801	1.42	.72	.46
	1575	788	523	2.22	18XL	1.146	40XL	2.546	1.28	.64	.42	2.50
	1556	778	516	2.25	16XL	1.019	36XL	2.292	1.15	.58	.38	2.31	2.82

Δ HP ratings are for conventional speed-reduction drives.

For Speed-Up Drives refer to page PT10-17.

◊ Pulley Diameter is below recommended minimum. A reduction in belt life should be expected. Suggest alternate drive selection, whenever possible.

† † See Teeth in Mesh table on opposite page.

♥ Flanges Required on both pulleys.

FEATURES/BENEFITS PAGE PT10-2	SPECIFICATIONS PAGE PT10-3	SELECTION PAGE PT10-14	ENGINEERING/TECHNICAL PAGE PT10-44
----------------------------------	-------------------------------	---------------------------	---------------------------------------

SELECTION



XL Stock Drive Selections

Nominal Center Distance Using DYNA-SYNC Belts

120XL	130XL	140XL	150XL	160XL	170XL	180XL	190XL	200XL	210XL	220XL	230XL	240XL	250XL	260XL
.....	2.76	3.27	3.77	4.27	4.77	5.28	5.78	6.28	6.78	7.28	7.78	8.28	8.78	9.28
4.14	4.64	5.14	5.64	6.14	6.64	7.14	7.64	8.14	8.64	9.14	9.64	10.14	10.64	11.14
2.46	2.96	3.47	3.97	4.47	4.98	5.48	5.98	6.48	6.98	7.48	7.98	8.48	8.98	9.49
2.97	3.47	3.98	4.48	4.98	5.48	5.98	6.48	6.99	7.49	7.99	8.49	8.99	9.49	9.99
3.48	3.98	4.48	4.99	5.49	5.99	6.49	6.99	7.49	7.99	8.49	8.99	9.49	9.99	10.49
3.99	4.49	4.99	5.49	5.99	6.49	6.99	7.49	7.99	8.49	8.99	9.49	9.99	10.49	10.99
4.24	4.74	5.24	5.74	6.24	6.74	7.24	7.74	8.24	8.74	9.24	9.74	10.24	10.74	11.24
4.49†	4.99†	5.49†	5.99†	6.49†	6.99†	7.49†	7.99†	8.49†	8.99†	9.49†	9.99†	10.49†	10.99†	11.49†
3.33	3.83	4.33	4.83	5.33	5.84	6.34	6.84	7.34	7.84	8.34	8.84	9.34	9.84	10.34
3.68	4.18	4.68	5.19	5.69	6.19	6.69	7.19	7.69	8.19	8.69	9.19	9.69	10.19	10.69
.....	2.85	3.36	3.86	4.37	4.87	5.37	5.87	6.38	6.88	7.38	7.88	8.38	8.88	9.38
4.19	4.69	5.19	5.69	6.19	6.69	7.19	7.69	8.19	8.69	9.19	9.69	10.19	10.69	11.19
.....	3.04	3.55	4.06	4.56	5.06	5.57	6.07	6.57	7.07	7.57	8.08	8.58	9.08
3.37	3.88	4.38	4.88	5.38	5.88	6.38	6.88	7.39	7.89	8.39	8.89	9.39	9.89	10.39♥
4.04	4.54	5.04	5.54	6.04	6.54	7.04	7.54	8.04	8.54	9.04	9.54	10.04	10.54	11.04
3.06	3.57	4.07	4.57	5.08	5.58	6.08	6.58	7.08	7.58	8.08	8.58	9.08	9.59	10.09
4.54†	5.04†	5.54†	6.04†	6.54†	7.04†	7.54†	8.04†	8.54†	9.04†	9.54†	10.04†	10.54†	11.04†	11.54†
2.75	3.26	3.76	4.27	4.77	5.27	5.77	6.27	6.78	7.28	7.78	8.28	8.78	9.28	9.78
3.58	4.08	4.58	5.08	5.58	6.08	6.58	7.09	7.59	8.09	8.59	9.09	9.59	10.09	10.59
4.39†	4.89†	5.39†	5.89†	6.39†	6.89†	7.39†	7.89†	8.39†	8.89†	9.39†	9.89†	10.39†	10.89†	11.39†
.....	3.13	3.64	4.15	4.65	5.16	5.66	6.16	6.67	7.17	7.67	8.17	8.67	9.17
3.11	3.61	4.12	4.62	5.12	5.63	6.13	6.63	7.13	7.63	8.13	8.63	9.13	9.63	10.13
4.08	4.58	5.09	5.59	6.09	6.59	7.09	7.59	8.09	8.59	9.09	9.59	10.09	10.59	11.09
2.63	3.14	3.65	4.16	4.66	5.17	5.67	6.17	6.67	7.17	7.67	8.18	8.68	9.18	9.68
3.78	4.28	4.78	5.28	5.78	6.28	6.78	7.29	7.79	8.29	8.79	9.29	9.79	10.29	10.79
4.34†	4.84†	5.34†	5.84†	6.34†	6.84†	7.34†	7.84†	8.34†	8.84†	9.34†	9.84†	10.34†	10.84†	11.34†
3.47	3.97	4.47	4.98	5.48	5.98	6.48	6.98	7.48	7.98	8.48	8.98	9.49♥	9.99♥	10.49♥
3.15	3.66	4.16	4.67	5.17	5.67	6.18	6.68	7.18	7.68	8.18	8.68	9.18	9.68	10.18
2.84	3.35	3.85	4.36	4.86	5.36	5.87	6.37	6.87	7.37	7.87	8.38	8.88	9.38	9.88
4.44†	4.94†	5.44†	5.94†	6.44†	6.94†	7.44†	7.94†	8.44†	8.94†	9.44†	9.94†	10.44†	10.94†	11.44†
2.51	3.03	3.54	4.05	4.55	5.06	5.56	6.06	6.56	7.07	7.57	8.07	8.57	9.07	9.57
4.28†	4.78†	5.29†	5.79†	6.29†	6.79†	7.29†	7.79†	8.29†	8.79†	9.29†	9.79†	10.29†	10.79†	11.29†
3.82	4.33	4.83	5.33	5.83	6.33	6.83	7.33	7.83	8.34	8.84	9.34	9.84	10.34	10.84
3.67	4.17	4.67	5.18	5.68	6.18	6.68	7.18	7.68	8.18	8.68	9.18	9.69	10.19	10.69
2.88	3.39	3.90	4.40	4.91	5.41	5.91	6.42	6.92	7.42	7.92	8.42	8.93	9.43	9.93
2.72	3.23	3.74	4.25	4.75	5.26	5.76	6.26	6.77	7.27	7.77	8.27	8.77	9.27	9.77
4.38†	4.89†	5.39†	5.89†	6.39†	6.89†	7.39†	7.89†	8.39†	8.89†	9.39†	9.89†	10.39†	10.89†	11.39†
.....	3.36	3.88	4.39	4.90	5.41	5.92	6.42	6.93	7.43	7.94	8.44
.....	2.79	3.31	3.82	4.33	4.84	5.34	5.85	6.35	6.85	7.36	7.86	8.38	8.86	9.36
2.60	3.12	3.63	4.14	4.64	5.15	5.65	6.16	6.66	7.16	7.66	8.17	8.67	9.17	9.67
2.76	3.28	3.79	4.29	4.80	5.30	5.81	6.31	6.81	7.31	7.82	8.32	8.82	9.32	9.82
2.93	3.44	3.94	4.45	4.95	5.46	5.96	6.46	6.97	7.47	7.97	8.47	8.97	9.47	9.98
3.24	3.75	4.26	4.76	5.26	5.77	6.27	6.77	7.27	7.77	8.28	8.78	9.28♥	9.78♥	10.28♥
3.56	4.06	4.57	5.07	5.57	6.07	6.58	7.08	7.58	8.08	8.58♥	9.08♥	9.58♥	10.08♥	10.58♥
3.71	4.22	4.72	5.22	5.73	6.23	6.73	7.23	7.73	8.23	8.73	9.23	9.73	10.23	10.73
3.87	4.37	4.88	5.38	5.88	6.38	6.88	7.38	7.88	8.38	8.88	9.38	9.89	10.39	10.89
4.18†	4.68†	5.18†	5.68†	6.18†	6.68†	7.19†	7.69†	8.19†	8.69†	9.19†	9.69†	10.19†	10.69†	11.19†
4.33†	4.83†	5.33†	5.84†	6.34†	6.84†	7.34†	7.84†	8.34†	8.84†	9.34†	9.84†	10.34†	10.84†	11.34†
2.64	3.16	3.67	4.18	4.69	5.19	5.70	6.20	6.71	7.21	7.71	8.21	8.71	9.22	9.72
2.81	3.32	3.83	4.34	4.84	5.35	5.85	6.36	6.86	7.36	7.86	8.37	8.87	9.37	9.87
3.60	4.11	4.61	5.12	5.62	6.12	6.62	7.12	7.63	8.13♥	8.63♥	9.13♥	9.63♥	10.13♥	10.63♥
.....	3.44	3.96	4.48	4.99	5.50	6.01	6.52	7.02	7.53	8.03	8.53
3.76	4.27	4.77	5.27	5.77	6.27	6.78	7.28	7.78	8.28	8.78	9.28	9.78	10.28	10.78
.....	2.88	3.39	3.91	4.42	4.93	5.43	5.94	6.44	6.95	7.45	7.95	8.45	8.96	9.46
4.23†	4.73†	5.23†	5.73†	6.23†	6.73†	7.23†	7.73†	8.24†	8.74†	9.24†	9.74†	10.24†	10.74†	11.24†
2.69	3.20	3.72	4.23	4.73	5.24	5.74	6.25	6.75	7.26	7.76	8.26	8.76	9.26	9.77
3.01	3.53	4.03	4.54	5.05	5.55	6.05	6.56	7.06	7.56	8.07	8.57	9.07	9.57♥	10.07♥
3.33	3.84	4.35	4.85	5.36	5.86	6.36	6.87	7.37	7.87	8.37♥	8.87♥	9.37♥	9.87♥	10.38♥

XL Belt Width Table

Belt Width Factor	.15	.28	.35	.42	.57	.71	.86	1.00	1.29	1.56
Belt Width	1/4	3/8	7/16	1/2	5/8	3/4	7/8	1	1-1/4	1-1/2
Belt Width Code	025	037	043	050	062	075	087	100	125	150

Teeth in Mesh Factor (T.I.M)

Table Symbol	No. of Teeth in Mesh in Small Pulley	Factor
None	6 or More	1.00
†	5	.80
‡	4	.60

Shaded area indicates stock belt widths

FEATURES/BENEFITS PAGE PT10-2	SPECIFICATIONS PAGE PT10-3	SELECTION PAGE PT10-14	ENGINEERING/TECHNICAL PAGE PT10-44
----------------------------------	-------------------------------	---------------------------	---------------------------------------



SELECTION

XL Stock Drive Selections

Driven Speeds for Motor Speeds of	Speed Ratio	Pulley Combination				HP for a 1 Wide Belt for Motor Speeds of Δ			Nominal C.D. Using DYNA-SYNC Belts							
		Driver		Driven		3500	1750	1160	60XL	70XL	80XL	90XL	100XL	110XL		
		No. of Teeth	Pitch Diam.	No. of Teeth	Pitch Diam.											
1531	766	508	2.29	21XL	1.337	48XL	3.056	1.49	.75	.50	
1531	766	508	2.29	14XL	.891	32XL	2.037	1.00	.50	.33	2.12†	2.63†	3.14†
1500	750	498	2.33	18XL	1.146	42XL	2.674	1.28	.64	.42	2.37†
1500	750	498	2.33	12XL	.764	28XL	1.783	.86	.43	.28	1.93‡	2.44†	2.95†	3.46†
1458	729	483	2.40	30XL	1.910	72XL	4.584	2.11	1.07	.71
1458	729	483	2.40	20XL	1.273	48XL	3.056	1.42	.72	.46
1458	729	483	2.40	15XL	.955	36XL	2.292	1.07	.53	.36	2.35†	2.87†
1432	716	475	2.44	18XL	1.146	44XL	2.801	1.28	.64	.42	2.24†
1400	700	464	2.50	24XL	1.528	60XL	3.820	1.71	.86	.56
1400	700	464	2.50	16XL	1.019	40XL	2.546	1.15	.58	.38	2.05†	2.58†
1400	700	464	2.50	12XL	.764	30XL	1.910	.86	.43	.28	1.80‡	2.32‡	...	3.35†
1375	688	456	2.55	11XL	.700	28XL	1.783	.79 ◊	.39	.26	1.97‡	2.49‡	2.84†	3.50†
1361	681	451	2.57	28XL	1.783	72XL	4.584	1.98	1.00	.66	1.86‡	3.00‡	2.91†
1361	681	451	2.57	14XL	.891	36XL	2.292	1.00	.50	.33	2.39†	2.45†
1333	666	442	2.63	16XL	1.019	42XL	2.674	1.15	.58	.38
1312	656	435	2.67	18XL	1.146	48XL	3.056	1.28	.64	.42
1312	656	435	2.67	15XL	.955	40XL	2.546	1.07	.53	.36	2.09†	2.62†
1312	656	435	2.67	12XL	.764	32XL	2.037	.86	.43	.28	1.67‡	2.20‡	2.72†	3.23†
1283	642	425	2.73	22XL	1.401	60XL	3.820	1.57	.79	.52
1283	642	425	2.73	11XL	.700	30XL	1.910	.79 ◊	.39	.26	1.85‡	2.37‡	2.88‡	3.39‡
1273	638	422	2.75	16XL	1.019	44XL	2.801	1.15	.58	.38	2.32†
1250	625	414	2.80	15XL	.955	42XL	2.674	1.07	.53	.36	2.50†
1225	613	406	2.86	21XL	1.337	60XL	3.820	1.49	.75	.50
1225	613	406	2.86	14XL	.891	40XL	2.546	1.00	.50	.33	2.13†	2.67†
1203	601	399	2.91	11XL	.700	32XL	2.037	.79 ◊	.39	.26	1.71§	2.25‡	2.78‡	3.28‡
1193	597	396	2.93	15XL	.955	44XL	2.801	1.07	.53	.36	2.36†
1167	583	387	3.00	24XL	1.528	72XL	4.584	1.71	.86	.56
1167	583	387	3.00	20XL	1.273	60XL	3.820	1.42	.72	.46
1167	583	387	3.00	16XL	1.019	48XL	3.056	1.15	.58	.38
1167	583	387	3.00	14XL	.891	42XL	2.874	1.00	.50	.33	1.99‡	2.54†
1167	583	387	3.00	12XL	.764	36XL	2.292	.86	.43	.28	1.94‡	2.48‡	3.00‡
1114	557	370	3.14	14XL	.891	44XL	2.801	1.00	.50	.33	2.40‡
1094	547	363	3.20	15XL	.955	48XL	3.056	1.07	.53	.36
1089	535	355	3.27	22XL	1.401	72XL	4.584	1.57	.79	.52
1089	535	355	3.27	11XL	.700	36XL	2.292	.79 ◊	.39	.26	1.98§	2.52‡	3.04‡
1050	525	348	3.33	18XL	1.146	60XL	3.820	1.28	.64	.42
1050	525	348	3.33	12XL	.764	40XL	2.546	.86	.43	.28	2.21‡	2.75‡
1021	510	338	3.43	21XL	1.337	72XL	4.584	1.49	.75	.50
1021	510	338	3.43	14XL	.891	48XL	3.056	1.00	.50	.33
1000	500	331	3.50	12XL	.764	42XL	2.874	.86	.43	.28	2.07‡	2.82‡
972	486	322	3.60	20XL	1.273	72XL	4.584	1.42	.72	.46
963	481	319	3.64	11XL	.700	40XL	2.546	.79 ◊	.39	.26	2.25§	2.79‡
955	477	316	3.67	12XL	.784	44XL	2.801	.86	.43	.28	2.48‡
933	467	309	3.75	16XL	1.019	60XL	3.820	1.15	.58	.38
917	458	304	3.82	11XL	.700	42XL	2.674	.79	.39	.26	2.11§	2.66‡
875	438	290	4.00	18XL	1.146	72XL	4.584	1.28	.64	.42
875	438	290	4.00	15XL	.955	60XL	3.820	1.07	.53	.36
875	438	290	4.00	12XL	.764	48XL	3.056	.86	.43	.28	2.19§
875	438	290	4.00	11XL	.700	44XL	2.801	.79 ◊	.39	.26	1.96§	2.52§
817	408	270	4.29	14XL	.891	60XL	3.820	1.00	.50	.33
802	401	266	4.36	11XL	.700	48XL	3.056	.79 ◊	.39	.26	2.23§
778	389	258	4.50	16XL	1.019	72XL	4.584	1.15	.58	.38
730	365	242	4.80	15XL	.955	72XL	4.584	1.07	.53	.36
700	350	232	5.00	12XL	.764	60XL	3.820	.86	.43	.28
681	340	226	5.14	14XL	.891	72XL	4.584	1.00	.50	.33
642	321	213	5.45	11XL	.700	60XL	3.820	.79 ◊	.39	.26
584	292	193	6.00	12XL	.764	72XL	4.584	.86	.43	.28
535	267	177	6.55	11XL	.700	72XL	4.584	.79 ◊	.39	.26

Δ HP ratings are for conventional speed-reduction drives.

† ‡ § See Teeth in Mesh table on opposite page.

For Speed-Up Drives refer to page PT10-17.

♥ Flanges Required on both pulleys.

◊ Pulley Diameter is below recommended minimum. A reduction in belt life should be expected. Suggest alternate drive selection, whenever possible.

FEATURES/BENEFITS PAGE PT10-2	SPECIFICATIONS PAGE PT10-3	SELECTION PAGE PT10-14	ENGINEERING/TECHNICAL PAGE PT10-44
----------------------------------	-------------------------------	---------------------------	---------------------------------------

SELECTION



XL Stock Drive Selections

Nominal Center Distance Using DYNA-SYNC Belts

120XL	130XL	140XL	150XL	160XL	170XL	180XL	190XL	200XL	210XL	220XL	230XL	240XL	250XL	260XL
2.39	2.92	3.44	3.95	4.46	4.97	5.48	5.98	6.49	6.99	7.50	8.00	8.50	9.00	9.51
3.65	4.16	4.66	5.16	5.67	6.17	6.67	7.17♥	7.67♥	8.18♥	8.68♥	9.18♥	9.68♥	10.18♥	10.68♥
2.89	3.41	3.92	4.43	4.94	5.44	5.95	6.45	6.95	7.46	7.96	8.46	8.96	9.46♥	9.97v
3.96†	4.47†	4.97†	5.47†	5.97†	6.48†	6.98†	7.48†	7.98†	8.48†	8.98†	9.48†	9.98†	10.48†	10.98†
....	3.65	4.18	4.70	5.22	5.74	6.25	6.76	7.27	7.78
2.43	2.96	3.48	4.00	4.51	5.02	5.52	6.03	6.53	7.00	7.54	8.05	8.55	9.05	9.55
3.38	3.89	4.39	4.90	5.40	5.91	6.41	6.91	7.42	7.92♥	8.42♥	8.92♥	9.42♥	9.92♥	10.42♥
2.77	3.29	3.81	4.32	4.82	5.33	5.84	6.34	6.85	7.35	7.85	8.35	8.86	9.36♥	9.86♥
3.10	3.08	3.61	4.14	4.65	5.17	5.68	6.19	6.70	7.20	7.71	8.22	8.72
....	3.61	4.12	4.63	5.14	5.64	6.15	6.65	7.15	7.66	8.16♥	8.66♥	9.16♥	9.67♥	10.17♥
3.85†	4.36†	4.86†	5.36†	5.87†	6.37†	6.87†	7.37†	7.87†	8.38†	8.88†	9.38†	9.88†	10.38†	10.88†
4.01†	4.51†	5.02†	5.52†	6.02†	6.52†	7.02†	7.53†	8.03†	8.53†	9.03†	9.53†	10.03†	10.53†	11.03†
....	3.73	4.26	4.79	5.31	5.83	6.34	6.85	7.36	7.87
3.42	3.93	4.44	4.95	5.45	5.95	6.46	6.96	7.46♥	7.96♥	8.47♥	8.97♥	9.47♥	9.97♥	10.47♥
2.98	3.50	4.01	4.52	5.03	5.53	6.04	6.54	7.05	7.55	8.05	8.56©	9.06©	9.56♥	10.06♥
2.51	3.04	3.57	4.08	4.60	5.11	5.61	6.12	6.63	7.13	7.64	8.14	8.64	9.15	9.65♥
3.14	3.66	4.17	4.68	5.18	5.69	6.19	6.70	7.20♥	7.70♥	8.21♥	8.71♥	9.21♥	9.71♥	10.21♥
3.74†	4.25†	4.75†	5.26†	5.76†	6.26†♥	6.77†♥	7.27†♥	7.77†♥	8.27†♥	8.77†♥	9.27†♥	9.77†♥	10.28†♥	10.78†♥
....	3.16	3.70	4.22	4.74	5.26	5.77	6.28	6.79	7.30	7.80	8.31	8.81
3.90‡	4.40‡	4.91‡	5.41‡	5.91‡	6.42‡	6.92‡	7.42‡	7.92‡	8.42‡	8.93‡	9.43‡	9.93‡	10.43‡	10.93‡
2.86	3.38	3.89	4.41	4.91	5.42	5.93	6.43	6.94	7.44	7.95	8.45♥	8.95♥	9.45♥	9.96♥
3.02	3.54	4.05	4.56	5.07	5.58	6.06	6.59	7.09	7.60	8.10♥	8.60♥	9.11♥	9.61♥	10.11♥
....	3.20	3.74	4.26	4.78	5.30	5.81	6.32	6.83	7.34	7.85	8.35	8.86
3.19†	3.70†	4.21	4.72	5.23	5.74	6.24	6.74	7.25♥	7.75♥	8.25♥	8.76♥	9.26♥	9.76♥	10.26♥
3.79‡	4.29‡	4.80‡	5.30‡	5.81†♥	6.31†♥	6.81†♥	7.31†♥	7.82†♥	8.32†♥	8.82†♥	9.32†♥	9.82†♥	10.32†♥	10.82†♥
2.90	3.42	3.94	4.45	4.96	5.47	5.97	6.48	6.98	7.49	7.99♥	8.50♥	9.00♥	9.50♥	10.00♥
....	3.34	3.89	4.43	4.96	5.48	6.00	6.52	7.03	7.54	8.05
....	3.24	3.78	4.31	4.83	5.34	5.86	6.37	6.88	7.39	7.89	8.40	8.90
2.59‡	3.13	3.65	4.17	4.68	5.20	5.70	6.21	6.72	7.22	7.73	8.23♥	8.74♥	9.24♥	9.74♥
3.07‡	3.58‡	4.10‡	4.61	5.12	5.62	6.13	6.64	7.14♥	7.64♥	8.15♥	8.65♥	9.15♥	9.65♥	10.16♥
3.51‡	4.02‡	4.53‡	5.04‡	5.54‡	6.05‡	6.55†♥	7.05†♥	7.56†♥	8.06†♥	8.56†♥	9.06†♥	9.57†♥	10.07†♥	10.57†♥
2.94†	3.46†	3.98†	4.49	5.00	5.51	6.02	6.53	7.03	7.53♥	8.04♥	8.54♥	9.05♥	9.55♥	10.05♥
2.63†	3.17†	3.70	4.21	4.73	5.24	5.75	6.26	6.76	7.27	7.77♥	8.26♥	8.78♥	9.29♥	9.79♥
....	3.42	3.97	4.51	5.04	5.57	6.09	6.60	7.12	7.63	8.14
3.56‡	4.07‡	4.58‡	5.08‡	5.59‡	6.09†♥	6.60†♥	7.10†♥	7.60†♥	8.11†♥	8.61†♥	9.11†♥	9.61†♥	10.11†♥	10.62†♥
....	2.77	3.32	3.86	4.39	4.91	5.43	5.94	6.46	6.97	7.48	7.98	8.49	9.00
3.27‡	3.79‡	4.30‡	4.81‡	5.32‡	5.83‡	6.33†♥	6.84†♥	7.34†♥	7.84†♥	8.35†♥	8.85†♥	9.35†♥	9.86†♥	10.36†♥
....	3.46	4.01	4.55	5.08	5.61	6.13	6.65	7.16	7.67	8.18
2.67‡	3.21†	3.74†	4.26†	4.77†	5.28	5.79	6.30	6.81	7.32†	7.82†	8.33†	8.83†	9.33†	9.84†
3.15‡	3.67‡	4.19†	4.70†	5.21†	5.72†	6.22†♥	6.73†♥	7.23†♥	7.74†♥	8.24†♥	8.74†♥	9.25†♥	9.75†♥	10.25†♥
....	3.50	4.05	4.59	5.13	5.65	6.17	6.69	7.20	7.72	8.23
3.32‡	3.83‡	4.35‡	4.86‡	5.37‡	5.87†♥	6.38†♥	6.88†♥	7.39†♥	7.89†♥	8.39†♥	8.90†♥	9.40†♥	9.90†♥	10.40†♥
3.02‡	3.55‡	4.07‡	4.58†	5.09†	5.60†	6.11‡	6.62†	7.12†	7.63†	8.13†	8.64†	9.14†	9.64†	10.14†
....	2.84†	3.40†	3.94	4.47	5.00	5.52	6.03	6.55	7.06	7.57	8.07	8.55♥	9.09♥
3.19‡	3.71‡	4.23‡	4.74‡	5.25‡	5.76‡	6.27♥	6.77†	7.28†	7.78†	8.29†	8.79†	9.29†	9.80†	10.30†
....	3.57	4.13	4.68	5.21	5.74	6.26	6.78	7.29	7.81	8.32
....	2.88‡	3.44‡	3.99‡	4.52‡	5.04	5.56	6.08	6.59	7.10	7.61	8.12♥	8.63♥	9.13♥
2.75‡	3.29‡	3.82‡	4.34‡	4.86‡	5.37‡	5.88‡	6.39†♥	6.90†♥	7.41†♥	7.91†♥	8.42†♥	8.92†♥	9.43†♥	9.93‡
3.06‡	3.59‡	4.11‡	4.63‡	5.14‡	5.65†♥	6.16†♥	6.66†♥	7.17†♥	7.67†♥	8.18†♥	8.68†♥	9.19†♥	9.69†♥	10.19†♥
....	2.92‡	3.48‡	4.03‡	4.56†	5.08†	5.60†	6.12†	6.63†	7.15†	7.66†	8.16†	8.67†	9.18†
2.79§	3.34‡	3.86‡	4.39†	4.90†	5.42†	5.93†♥	6.44†♥	6.95†♥	7.45†♥	7.96†♥	8.46†	8.97†	9.47†	9.98†
....	3.06‡	3.65†	4.21†	4.76†	5.29	5.82	6.34	6.86	7.37	7.89
....	3.10‡	3.69†	4.25†	4.80†	5.33†	5.86†	6.39	6.91	7.42	7.94♥
....	3.00	3.56‡	4.11‡	4.64‡	5.17‡	5.69‡	6.21†♥	6.72†♥	7.23†♥	7.74†♥	8.25†♥	8.76†♥	9.27†♥
....	3.14‡	3.73‡	4.29‡	4.84‡	5.38‡	5.90‡	6.43‡	6.95‡	7.47‡	7.98‡	8.49‡
....	3.04§	3.60§	4.15‡	4.68‡	5.21‡	5.73†♥	6.25†♥	6.77†♥	7.28†♥	7.79†♥	8.30†♥	8.81†♥	9.31†♥
....	3.21§	3.81§	4.37‡	4.92‡	5.46‡	5.99‡	6.51†♥	7.03†♥	7.55†♥	8.07†♥	8.58†♥
....	3.25§	3.84§	4.41§	4.96§	5.50‡	6.03†♥	6.56†♥	7.08†♥	7.60†♥	8.11†♥	8.63†♥

XL Belt Width Table

Belt Width Factor	.15	.28	.35	.42	.57	.71	.86	1.00	1.29	1.56
Belt Width	1/4	3/8	7/16	1/2	5/8	3/4	7/8	1	1-1/4	1-1/2
Belt Width Code	025	037	043	050	062	075	087	100	125	150

Teeth in Mesh Factor (T.I.M)

Table Symbol	No. of Teeth In Mesh In Small Pulley	Factor
None	6 or More	1.00
†	5	.80

Table Symbol	No. of Teeth In Mesh In Small Pulley	Factor
‡	4	.60
§	3	.40

FEATURES/BENEFITS PAGE PT10-2	SPECIFICATIONS PAGE PT10-3	SELECTION PAGE PT10-14	ENGINEERING/TECHNICAL PAGE PT10-44
----------------------------------	-------------------------------	---------------------------	---------------------------------------

V-Drives

FHP Drives

Drive Component
Accessories

DYNA-SYNC

HT200/HTD
Synchronous Drives

HTR
Synchronous Drives

HTRC
Synchronous Drives



SELECTION

L Stock Drive Selections

	Driven Speeds for Motor Speeds of			Speed Ratio	Pulley Combination				HP for a 1 Wide Belt for Motor Speeds of Δ			Nominal C.D. Using DYNA-SYNC Belts					
					Driver		Driven										
	3500	1750	1160		No. of Teeth	Pitch Diam.	No. of Teeth	Pitch Diam.	3500	1750	1160	124L	150L	187L	210L	225L	240L
FHP Drives	3500	1750	1160	1.00	48L	5.730	48L	5.730	6.27	4.06	2.81	
	3500	1750	1160	1.00	40L	4.775	40L	4.775	5.87	3.47	2.36	
	3500	1750	1160	1.00	32L	3.820	32L	3.820	5.10	2.83	1.91	4.51	5.26	6.01
	3500	1750	1160	1.00	30L	3.581	30L	3.581	4.86	2.66	1.79	4.88	5.63	6.38
	3500	1750	1160	1.00	28L	3.342	28L	3.342	4.71	2.49	1.67	4.13	5.26	6.01	6.76
	3500	1750	1160	1.00	26L	3.104	26L	3.104	4.35	2.32	1.56	4.51	5.83	6.38	7.13
	3500	1750	1160	1.00	24L	2.865	24L	2.865	4.06	2.15	1.44	4.88	6.01	6.76	7.51
	3500	1750	1160	1.00	22L	2.626	22L	2.626	3.77	1.98	1.32	3.38	5.26	6.39	7.13	7.89
	3500	1750	1160	1.00	20L	2.387	20L	2.387	3.46	1.80	1.20	3.76	5.63	6.76	7.51	8.26
	3500	1750	1160	1.00	18L	2.149	18L	2.149	3.15	1.62	1.08	2.82	4.13	6.01	7.14	7.89	8.64
Drive Component Accessories	3500	1750	1160	1.00	16L	1.910	16L	1.910	2.83	1.45	.97	3.20	4.51	6.39	7.51	8.26	9.01
	3500	1750	1160	1.00	14L	1.671	14L	1.671	2.49◇	1.27	.85	3.57	4.89	6.76	7.89	8.64	9.39
	1750	1160	1.00	12L	1.432	12L	1.432	1.09◇	.72	3.95	5.26	7.14	8.26	9.01	9.76
	1750	1160	1.00	10L	1.194	10L	1.19491◇	.60◇	4.32†	5.64†	7.51◇	8.64†	9.39†	10.14†
	3281	1641	1087	1.07	30L	3.581	32L	3.820	4.86	2.66	1.79	4.69	5.44	6.19
	3267	1633	1083	1.07	28L	3.342	30L	3.581	4.61	2.49	1.67	3.94	5.07	5.82	6.57
	3250	1625	1077	1.08	26L	3.104	28L	3.342	4.35	2.32	1.56	4.32	5.44	6.19	6.95
	3231	1615	1071	1.08	24L	2.865	26L	3.104	4.06	2.15	1.44	4.69	5.82	6.57	7.32
	3208	1604	1063	1.09	22L	2.626	24L	2.865	3.77	1.98	1.32	5.07	6.20	6.95	7.70
	3182	1591	1055	1.10	20L	2.387	22L	2.626	3.46	1.80	1.20	3.57	5.45	6.57	7.32	8.07
DYNA-SYNC	3150	1575	1044	1.11	18L	2.149	20L	2.387	3.15	1.62	1.08	3.94	5.82	6.95	7.70	8.45
	3111	1556	1031	1.13	16L	1.910	18L	2.149	2.83	1.45	.97	4.32	6.20	7.32	8.07	8.82
	3063	1531	1015	1.14	28L	3.342	32L	3.820	4.61	2.49	1.67	4.88	5.63	6.38
	3036	1531	1015	1.14	14L	1.671	16L	1.910	2.49◇	1.27	.85	3.38	4.70	6.57	7.70	8.45	9.20
	3033	1517	1005	1.15	26L	3.104	30L	3.581	4.35	2.32	1.56	4.12	5.25	6.00	6.75
	3000	1500	994	1.17	24L	2.865	28L	3.342	4.06	2.15	1.44	4.50	5.63	6.38	7.13
	1500	994	1.17	12L	1.432	14L	1.671	1.09◇	.72	3.76†	5.07†	6.95†	8.07†	8.83†	9.57◇
	2962	1481	982	1.18	22L	2.626	26L	3.104	3.77	1.62	1.32	4.88	6.00	6.76	7.51
	2917	1458	967	1.20	40L	4.775	48L	5.730	5.87	3.47	2.36
	2917	1458	967	1.20	20L	2.387	24L	2.865	3.46	1.80	1.20	3.37	5.25	6.38	7.13	7.88
	1458	967	1.20	10L	1.194	12L	1.43291◇	.60◇	4.13‡	5.45‡	7.32‡	8.45‡	9.20‡	9.95‡
	2864	1432	949	1.22	18L	2.149	22L	2.626	3.15	1.62	1.08	3.75	5.63	6.76	7.51	8.26
	2844	1422	943	1.23	26L	3.104	32L	3.820	4.35	2.32	1.56	5.06	5.81	6.56
	2800	1400	928	1.25	48L	5.730	60L	7.162	6.27	4.06	2.81
	2800	1400	928	1.25	32L	3.820	40L	4.775	5.10	2.83	1.91	5.29
	2800	1400	928	1.25	24L	2.865	30L	3.581	4.06	2.15	1.44	4.31	5.43	6.19	6.94
	2800	1400	928	1.25	16L	1.910	20L	2.387	2.83	1.45	.97	2.81	4.13	6.01	7.13	7.88	8.63
	2750	1375	911	1.27	22L	2.626	28L	3.342	3.77	1.98	1.32	5.81	6.56	7.31
	2722	1361	902	1.29	14L	1.671	18L	2.149	2.49◇	1.27	.85	3.19	4.50	6.38	7.51	8.26	9.01
	2692	1346	892	1.30	20L	2.387	26L	3.104	3.46	1.80	1.20	5.06	6.19	6.94	7.69
	2625	1313	870	1.33	30L	3.581	40L	4.775	4.86	2.66	1.79	4.66	5.41
	2625	1313	870	1.33	24L	2.865	32L	3.820	4.06	2.15	1.44	4.10	5.24	5.99	6.74
	2625	1313	870	1.33	18L	2.149	24L	2.865	3.15	1.62	1.08	3.56†	3.55	5.44	6.56	7.31	8.06
	1313	870	1.33	12L	1.432	16L	1.910	1.09◇	.72	4.88†	6.76†	7.88†	8.63†	9.38†
	2567	1283	851	1.36	22L	2.626	30L	3.581	3.77	1.98	1.32	4.48	5.61	6.37	7.12
HTR	2545	1273	844	1.38	16L	1.910	22L	2.626	2.83	1.45	.97	2.61	3.93	5.81	6.94	7.69	8.44
	2500	1250	829	1.40	20L	2.387	28L	3.342	3.46	1.80	1.20	4.86	5.99	6.74	7.49
	1250	829	1.40	10L	1.194	14L	1.67191◇	.60◇	3.94‡	5.26‡	7.13‡	8.26‡	9.01‡	9.76‡
	2450	1225	812	1.43	28L	3.342	40L	4.775	4.61	2.49	1.67	4.83	5.59
	2450	1225	812	1.43	14L	1.671	20L	2.387	2.49◇	1.27	.85	2.99	4.31	6.19	7.32	8.07	8.82

Δ HP ratings are for conventional speed-reduction drives.

† ‡ § See Teeth in Mesh table on opposite page.

For Speed-Up Drives refer to page PT10-17.

◇ Pulley Diameter is below recommended minimum. A reduction in belt life should be expected. Suggest alternate drive selection, whenever possible.

FEATURES/BENEFITS PAGE PT10-2	SPECIFICATIONS PAGE PT10-3	SELECTION PAGE PT10-14	ENGINEERING/TECHNICAL PAGE PT10-44
----------------------------------	-------------------------------	---------------------------	---------------------------------------



L Stock Drive Selections

Nominal Center Distance Using DYNA-SYNC Belts

255L	270L	285L	300L	322L	345L	367L	390L	420L	450L	480L	510L	540L	600L
....	7.13	8.26	9.38	10.51	12.01	13.51	15.01	16.51	18.01	21.01
5.26	6.01	6.76	7.51	8.63	9.76	10.88	12.01	13.51	15.01	16.51	18.01	19.51	22.51
6.76	7.51	8.26	9.01	10.14	11.26	12.39	13.51	15.01	16.51	18.01	19.51	21.01	24.01
7.13	7.88	8.63	9.39	10.51	11.64	12.76	13.89	15.39	16.89	18.39	19.89	21.39	24.39
7.51	8.26	9.01	9.76	10.89	12.01	13.14	14.26	15.76	17.26	18.76	20.26	21.76	24.76
7.88	8.63	9.39	10.14	11.26	12.39	13.51	14.64	16.14	17.64	19.14	20.64	22.14	25.14
8.26	9.01	9.76	10.51	11.64	12.76	13.89	15.01	16.51	18.01	19.51	21.01	22.51	25.50
8.64	9.39	10.14	10.89	12.01	13.14	14.26	15.39	16.89	18.39	19.89	21.39	22.89	25.89
9.01	9.76	10.51	11.26	12.39	13.51	14.64	15.76	17.26	18.76	20.26	21.76	23.26	26.26
9.39	10.14	10.89	11.64	12.76	13.89	15.01	16.14	17.64	19.14	20.64	22.14	23.64	26.64
9.76	10.51	11.26	12.01	13.14	14.26	15.39	16.51	18.01	19.51	21.01	22.51	24.01	27.01
10.14	10.89	11.64	12.39	13.51	14.64	15.76	16.89	19.89	19.89	21.39	22.89	24.39	27.39
10.51	11.26	12.01	12.76	13.89	15.01	16.14	17.26	18.40	20.26	21.76	23.26	24.76	27.76
10.89†	11.64†	12.39†	13.14†	14.26†	15.39†	16.51†	17.64†	19.14†	20.64†	22.14†	23.64†	25.14†	28.14†
6.94	7.69	8.45	9.20	10.32	11.47	12.57	13.70	15.20	16.70	18.20	19.70	21.20	24.20
7.32	8.07	8.82	9.57	10.70	11.82	12.95	14.07	15.57	17.07	18.57	20.07	21.57	24.57
7.70	8.45	9.20	9.95	11.07	12.20	13.32	14.45	15.95	17.45	18.95	20.45	21.95	24.95
8.07	8.82	9.57	10.32	11.45	12.57	13.70	14.82	16.33	17.82	19.32	20.82	22.33	25.33
8.45	9.20	9.95	10.70	11.82	12.95	14.07	15.20	16.70	18.20	19.70	21.20	22.70	25.70
8.82	9.57	10.32	11.07	12.20	13.33	14.45	15.58	17.07	18.57	20.08	21.58	23.08	26.08
9.20	9.95	10.70	11.45	12.57	13.70	14.82	15.95	17.45	18.95	20.45	21.95	23.45	26.45
9.57	10.32	11.07	11.83	12.95	14.07	15.20	16.33	17.83	19.32	20.82	22.33	23.83	26.83
7.13	7.88	8.63	9.38	10.51	11.63	12.76	13.88	15.38	16.89	18.39	19.89	21.39	24.39
9.95	10.70	11.45	12.20	13.33	14.45	15.58	16.70	18.20	19.70	21.20	22.70	24.20	27.20
7.51	8.26	9.01	9.76	10.88	12.01	13.14	14.26	15.76	17.26	18.76	20.26	21.76	24.76
7.88	8.63	9.38	10.13	11.26	12.38	13.51	14.64	16.13	17.64	19.13	20.64	22.14	25.14
10.32†	11.07†	11.83†	12.58†	13.70†	14.83†	15.95†	17.08†	18.57†	20.08†	21.58†	23.08†	24.58†	27.58
8.26	9.01	9.76	10.51	11.63	12.76	13.88	15.01	16.51	18.01	19.51	21.01	22.51	25.51
....	5.99	6.74	7.87	9.00	10.12	11.25	12.75	14.25	15.75	17.25	18.76	21.76
8.63	9.38	10.13	10.88	12.01	13.13	14.26	15.38	16.89	18.39	19.89	21.39	22.89	25.89
10.70‡	11.45‡	12.20‡	12.95‡	14.08‡	15.20‡	16.33‡	17.45‡	18.95‡	20.45‡	21.95‡	23.45‡	24.95‡	27.95‡
9.01	9.76	10.51	11.26	12.39	13.51	14.64	15.76	17.26	18.76	20.26	21.76	23.36	26.26
7.31	8.06	8.81	9.57	10.69	11.82	12.94	14.11	15.57	17.07	18.57	20.07	21.57	24.57
....	7.45	8.58	9.36	10.86	12.36	13.87	15.37	16.87	19.87
5.99	6.74	7.49	8.25	9.37	10.50	11.62	12.75	14.25	15.75	17.26	18.76	20.26	23.26
7.69	8.44	9.19	9.04	11.07	12.19	13.32	14.44	15.94	17.45	18.95	20.45	21.95	24.95
9.38	10.13	10.88	11.64	12.76	13.89	15.01	16.13	17.64	19.14	20.64	22.14	23.64	26.64
8.06	8.81	9.57	10.32	11.44	12.57	13.69	14.82	16.32	17.82	19.32	20.82	22.32	25.32
9.76	10.51	11.26	12.01	13.14	14.26	15.39	16.51	18.01	19.51	21.01	22.51	24.01	27.01
8.44	9.19	9.94	10.69	11.82	12.94	14.11	15.20	16.70	18.20	19.70	21.20	22.70	25.70
6.17	6.92	7.67	8.43	9.55	10.68	11.81	12.93	14.44	15.94	17.44	18.94	20.44	23.44
7.49	8.25	9.00	9.75	10.88	12.00	13.13	14.25	15.75	17.26	18.76	20.26	21.76	24.76
8.82	9.57	10.32	11.07	12.19	13.32	14.45	15.57	17.07	18.57	20.07	21.57	23.07	26.07
10.13†	10.88†	11.64†	12.39†	13.51†	14.64†	15.76†	16.89†	18.39†	19.89†	21.39†	22.89†	24.39†	27.39†
7.87	8.62	9.37	10.13	11.25	12.38	13.50	14.63	16.13	17.63	19.13	20.63	22.13	25.13
9.19	9.94	10.69	11.44	12.57	13.70	14.82	15.95	17.45	18.95	20.45	21.95	23.45	26.45
8.25	9.00	9.75	10.50	11.63	12.75	13.88	15.00	16.51	18.01	19.51	21.01	22.51	25.51
10.51‡	11.26‡	12.01‡	12.76‡	13.89‡	15.01‡	16.14‡	17.26‡	18.76‡	20.26‡	21.77‡	23.36‡	24.76‡	27.76‡
6.34	7.10	7.85	8.60	9.73	10.86	11.99	13.12	14.62	16.12	17.62	19.12	20.63	23.63
9.57	10.32	11.07	11.82	12.95	14.11	15.20	16.32	17.82	19.32	20.82	22.32	23.82	26.82

L Belt Width Table

Belt Width Factor	.28	.35	.45	.57	.71	.86	1.00	1.29	1.56	1.84	2.14	2.72	3.36
Belt Width	3/8	7/16	1/2	5/8	3/4	7/8	1	1-1/4	1-1/2	1-3/4	2	2-1/2	3
Belt Width Code	037	043	050	062	075	087	100	125	150	175	200	250	300

Teeth in Mesh Factor (T.I.M)

Table Symbol	No. of Teeth In Mesh In Small Pulley	Factor
None	6 or More	1.00
†	5	.80

Table Symbol	No. of Teeth In Mesh In Small Pulley	Factor
‡	4	.60

FEATURES/BENEFITS PAGE PT10-2	SPECIFICATIONS PAGE PT10-3	SELECTION PAGE PT10-14	ENGINEERING/TECHNICAL PAGE PT10-44
----------------------------------	-------------------------------	---------------------------	---------------------------------------



SELECTION

L Stock Drive Selections

Driven Speeds for Motor Speeds of			Speed Ratio	Pulley Combination				HP for a 1 Wide Belt for Motor Speeds of Δ			Nominal C.D. Using DYNA-SYNC Belts					
				Driver		Driven										
3500	1750	1160		No. of Teeth	Pitch Diam.	No. of Teeth	Pitch Diam.	3500	1750	1160	124L	150L	187L	210L	225L	240L
2423	1212	803	1.44	18L	2.149	26L	3.104	3.15	1.62	1.08	5.24	6.37	7.12	7.87
2406	1203	798	1.45	22L	2.626	32L	3.820	3.77	1.98	1.32	4.28	5.41	6.17	6.92
2333	1167	733	1.50	48L	5.730	72L	8.594	6.27	4.06	2.81
2333	1167	733	1.50	40L	4.775	60L	7.162	5.87	3.47	2.36
2333	1167	733	1.50	32L	3.820	48L	5.730	5.10	2.83	1.91
2333	1167	733	1.50	20L	2.387	30L	3.581	3.46	1.80	1.20	4.66	5.79	6.54	7.30
2333	1167	733	1.50	16L	1.910	24L	2.865	2.83	1.45	.97	3.73	5.61	6.74	7.50	8.25
....	1167	733	1.50	12L	1.432	18L	2.149	1.09◇	.72	3.36†	4.68†	6.56†	7.69†	8.44†	9.19†
2275	1138	754	1.54	26L	3.104	40L	4.775	4.35	2.32	1.56	4.24	5.00	5.76
2250	1125	746	1.56	18L	2.149	28L	3.342	3.15	1.62	1.08	5.04	6.07	6.92	7.67
2227	1114	738	1.57	14L	1.671	22L	2.626	2.49◇	1.27	.85	2.78	4.11	5.99	7.12	7.87	8.62
2188	1094	725	1.60	30L	3.581	48L	5.730	4.86	2.66	1.79
2188	1094	725	1.60	20L	2.387	32L	3.820	3.46	1.80	1.20	4.45	5.59	6.34	7.10
....	1094	725	1.60	10L	1.194	16L	1.91091◇	.60◇	3.74†	5.06†	6.94†	8.07†	8.82†	9.57†
2154	1077	714	1.63	16L	1.910	26L	3.104	2.83	1.45	.97	3.52	5.41	6.55	7.30	8.05
2100	1050	696	1.67	24L	2.865	40L	4.775	4.06	2.15	1.44	4.40	5.17	5.93
2100	1050	696	1.67	18L	2.149	30L	3.581	3.15	1.62	1.08	2.92	4.83	5.97	6.72	7.48
....	1050	696	1.67	12L	1.432	20L	2.387	1.09◇	.72	3.16†	4.48†	6.37†	7.50†	8.25†	9.00†
2042	1021	677	1.71	28L	3.342	48L	5.730	4.61	2.49	1.67	4.73
2042	1021	677	1.71	14L	1.671	24L	2.865	2.49◇	1.27	.85	3.90	5.79	6.92	7.67	8.43
2000	1000	663	1.75	48L	5.730	84L	10.027	6.27	4.06	2.81
2000	1000	663	1.75	16L	1.910	28L	3.342	2.83	1.45	.97	5.21	6.34	7.10	7.85
1969	985	652	1.78	18L	2.149	32L	3.820	3.15	1.62	1.08	4.62	5.76	6.52	7.27
1944	972	644	1.80	40L	4.775	72L	8.594	5.87	3.47	2.36
....	972	644	1.80	10L	1.194	18L	2.14991◇	.60◇	3.54†	4.86†	6.74†	7.87†	8.62†	9.38†
1925	963	638	1.82	22L	2.626	40L	4.775	3.77	1.98	1.32	4.57	5.34	6.10
....	955	633	1.83	12L	1.432	22L	2.626	1.09◇	.72	2.95†	4.28†	6.17†	7.50†	8.05†	8.80†
1896	948	628	1.85	26L	3.104	48L	5.730	4.35	2.32	1.56	4.89
1885	942	625	1.86	14L	1.671	26L	3.104	2.49◇	1.27	.85	3.69	5.59	6.72	7.48	8.23
1867	933	619	1.88	32L	3.820	60L	7.162	5.10	2.83	1.91
1867	933	619	1.88	16L	1.910	30L	3.581	2.83	1.45	.97	5.00	6.14	6.90	7.65
1750	875	580	2.00	30L	3.581	60L	7.162	4.86	2.66	1.79
1750	875	580	2.00	24L	2.865	48L	5.730	4.06	2.15	1.44	5.05
1750	875	580	2.00	20L	2.387	40L	4.775	3.46	1.80	1.20	4.73	5.50	6.27
1750	875	580	2.00	16L	1.910	32L	3.820	2.83	1.45	.97	4.79	5.93	6.69	7.45
1750	875	580	2.00	14L	1.671	28L	3.342	2.49	1.27	.85	3.47	5.38	6.52	7.27	8.03
....	875	580	2.00	12L	1.432	24L	2.865	1.09◇	.72	2.72†	4.07†	5.97†	7.10†	7.85†	8.61†
....	875	580	2.00	10L	1.194	20L	2.38791◇	.60◇	3.33†	4.66†	6.55†	7.68†	8.43†	9.18†
1667	833	552	2.10	40L	4.775	84L	10.027	5.87	3.47	2.36
1633	817	541	2.14	28L	3.342	60L	7.162	4.61	2.49	1.67
1633	817	541	2.14	14L	1.671	30L	3.581	2.49◇	1.27	.85	3.24†	5.17	6.31	7.07	7.83
....	808	535	2.17	12L	1.432	26L	3.104	1.09◇	.72	3.85†	5.76†	6.90†	7.65†	8.41†
1604	802	532	2.18	22L	2.626	48L	5.730	3.77	1.98	1.32	5.21
....	795	527	2.20	10L	1.194	22L	2.62691◇	.60◇	3.11†	4.45†	6.35†	7.48†	8.23†	8.98†
1575	788	522	2.22	18L	2.149	40L	4.775	3.15	1.62	1.08	4.89	5.67	6.44
1556	778	516	2.25	32L	3.820	72L	8.594	5.10	2.83	1.91
1531	766	507	2.29	14L	1.671	32L	3.820	2.49◇	1.27	.85	4.95†	6.10	6.86	7.62
1517	758	503	2.31	26L	3.104	60L	7.162	4.35	2.32	1.56

Δ HP ratings are for conventional speed-reduction drives.

† † See Teeth in Mesh table on opposite page.

For Speed-Up Drives refer to page PT10-17.

◇ Pulley Diameter is below recommended minimum. A reduction in belt life should be expected. Suggest alternate drive selection, whenever possible.

FEATURES/BENEFITS PAGE PT10-2	SPECIFICATIONS PAGE PT10-3	SELECTION PAGE PT10-14	ENGINEERING/TECHNICAL PAGE PT10-44
----------------------------------	-------------------------------	---------------------------	---------------------------------------



L Stock Drive Selections

Nominal Center Distance Using DYNA-SYNC Belts

255L	270L	285L	300L	322L	345L	367L	390L	420L	450L	480L	510L	540L	600L
8.62	9.37	10.13	10.88	12.00	13.13	14.25	15.38	16.88	18.38	19.88	21.38	22.88	25.88
7.67	8.43	9.18	9.93	11.06	12.18	13.31	14.44	15.94	17.44	18.94	20.44	21.94	24.94
....	8.13	9.65	11.17	12.68	14.19	15.69	18.70
....	6.65	7.79	8.93	10.06	11.57	13.08	14.59	16.09	17.60	20.60
5.17	5.93	6.69	7.45	8.58	9.71	10.84	11.97	13.48	14.98	16.48	17.99	19.49	22.49
8.05	8.80	9.55	10.31	11.43	12.56	13.69	14.81	16.31	17.81	19.32	20.82	22.32	25.32
9.00	9.75	10.50	11.24	12.38	13.50	14.63	15.76	17.26	18.76	20.26	21.76	23.26	26.26
9.94†	10.69†	11.44†	12.20†	13.32†	14.45†	15.57†	16.70†	18.20†	19.70†	21.20†	22.70†	24.20†	27.20†
6.52	7.27	8.03	8.78	9.91	11.04	12.17	13.30	14.80	16.30	17.80	19.31	20.81	23.81
8.43	9.18	9.93	10.68	11.81	12.94	14.06	15.19	16.69	18.19	19.69	21.19	22.69	25.69
9.37	10.13	10.88	11.63	12.75	13.88	15.00	16.13	17.63	19.13	20.63	22.13	23.63	26.63
5.34	6.10	6.86	7.62	8.75	9.89	11.02	12.15	13.66	15.16	16.66	18.17	19.67	22.67
7.85	8.60	9.36	10.11	11.24	12.37	13.49	14.62	16.12	17.62	19.12	20.63	22.13	25.13
10.32‡	11.07‡	11.82‡	12.57‡	13.70‡	14.82‡	15.95‡	17.07‡	18.57‡	20.07‡	21.57‡	23.07‡	24.57‡	27.57‡
8.80	9.55	10.31	11.06	12.19	13.31	14.44	15.56	17.06	18.56	20.07	21.57	23.07	26.07
6.69	7.45	8.20	8.96	10.09	11.22	12.35	13.48	14.98	16.48	17.99	19.49	20.99	23.99
8.23	8.98	9.73	10.49	11.61	12.74	13.87	14.99	16.50	18.00	19.50	21.00	22.50	25.50
9.75†	10.50†	11.25†	12.00†	13.13†	14.25†	15.38†	16.51†	18.01†	19.51†	21.01†	22.51†	24.01†	27.01†
5.50	6.27	7.03	7.79	8.93	10.06	11.20	12.33	13.83	15.34	16.84	18.35	19.85	22.86
9.18	9.93	10.68	11.43	12.56	13.69	14.81	15.94	17.44	18.94	20.44	21.94	23.44	26.44
....	8.35	9.90	11.43	12.96	14.47	15.98	18.98
8.61	9.36	10.11	10.86	11.99	13.12	14.24	15.37	16.87	18.37	19.88	21.38	22.88	25.88
8.03	8.78	9.53	10.29	11.42	12.55	13.67	14.80	16.30	17.80	19.31	20.81	22.31	25.31
....	7.64	8.80	10.33	11.85	13.37	14.89	16.40	19.42
10.13‡	10.88‡	11.63‡	12.38‡	13.51‡	14.63‡	15.76‡	16.88‡	18.38‡	19.88‡	21.38‡	22.88‡	24.38‡	27.39‡
6.86	7.62	8.38	9.13	10.27	11.40	12.53	13.66	15.16	16.66	18.17	19.67	21.17	24.18
9.56†	10.13†	11.06†	11.81†	12.94†	14.06†	15.19†	16.32†	17.82†	19.32†	20.82†	22.32†	23.82†	26.82†
5.67	6.43	7.20	7.96	9.10	10.24	11.37	12.50	14.01	15.52	17.02	18.53	20.03	23.04
8.98	9.73	10.49	11.24	12.37	13.49	14.62	15.75	17.25	18.75	20.25	21.75	23.25	26.25
....	6.15	7.32	8.47	9.61	10.75	12.27	13.78	15.29	16.80	18.31	21.32
8.41	9.16	9.91	10.67	11.80	12.92	14.05	15.18	16.68	18.18	19.68	21.18	22.68	25.69
....	6.31	7.48	8.63	9.78	10.92	12.44	13.96	15.47	16.98	18.49	21.50
5.83	6.60	7.37	8.13	9.27	10.41	11.55	12.68	14.19	15.70	17.20	18.71	20.21	23.22
7.03	7.79	8.55	9.31	10.44	11.57	12.70	13.83	15.34	16.84	18.35	19.85	21.35	24.36
8.20	8.96	9.71	10.47	11.60	12.73	13.85	14.98	16.48	17.99	19.49	20.99	22.49	25.50
8.78	9.54	10.29	11.04	12.17	13.30	14.43	15.55	17.05	18.56	20.06	21.56	23.06	26.06
9.36†	10.11†	10.86†	11.62†	12.74†	13.87†	15.00†	16.12†	17.62†	19.13†	20.63†	22.13†	23.62†	26.63†
9.93‡	10.68‡	11.43‡	12.19‡	13.31‡	14.44‡	15.56‡	16.69‡	18.19‡	19.69‡	21.19‡	22.69‡	24.19‡	27.20‡
....	9.00	10.55	12.10	13.63	15.16	16.69	19.70
....	5.68	6.47	7.64	8.80	9.95	11.69	12.61	14.13	15.64	17.15	18.66	21.68
8.58	9.34	10.09	10.85	11.97	13.10	14.23	15.36	16.86	18.36	19.86	21.37	22.87	25.87
9.16†	9.91†	10.67†	11.42†	12.55†	13.67†	14.80†	15.93†	17.43†	18.93†	20.43†	21.94†	23.44†	26.44†
5.99	6.77	7.54	8.30	9.44	10.58	11.72	12.85	14.36	15.87	17.38	18.89	20.39	23.40
9.74‡	10.49‡	11.24‡	11.99‡	13.12‡	14.24‡	15.37‡	16.50‡	18.00‡	19.50‡	21.00‡	22.50‡	24.00‡	27.01‡
7.20	7.96	8.72	9.48	10.62	11.75	12.88	14.01	15.52	17.02	18.53	20.03	21.53	24.54
....	7.10	8.29	9.45	11.00	12.53	14.06	15.58	17.09	20.12
8.38	9.13	9.89	10.64	11.77	12.90	14.03	15.16	16.67	18.17	19.67	21.17	22.68	25.68
....	5.84	6.63	7.80	8.97	10.12	11.26	12.79	14.30	15.82	17.33	18.84	21.85

L Belt Width Table

Belt Width Factor	.28	.35	.45	.57	.71	.86	1.00	1.29	1.56	1.84	2.14	2.72	3.36
Belt Width	3/8	7/16	1/2	5/8	3/4	7/8	1	1-1/4	1-1/2	1-3/4	2	2-1/2	3
Belt Width Code	037	043	050	062	075	087	100	125	150	175	200	250	300

Teeth in Mesh Factor (T.I.M)

Table Symbol	No. of Teeth In Mesh In Small Pulley	Factor
None	6 or More	1.00
†	5	.80

Table Symbol	No. of Teeth In Mesh In Small Pulley	Factor
‡	4	.60

FEATURES/BENEFITS PAGE PT10-2	SPECIFICATIONS PAGE PT10-3	SELECTION PAGE PT10-14	ENGINEERING/TECHNICAL PAGE PT10-44
----------------------------------	-------------------------------	---------------------------	---------------------------------------



SELECTION

L Stock Drive Selections

	Driven Speeds for Motor Speeds of			Speed Ratio	Pulley Combination				HP for a 1 Wide Belt for Motor Speeds of Δ			Nominal C.D. Using DYNA-SYNC Belts					
	3500	1750	1160		Driver		Driven		3500	1750	1160	124L	150L	187L	210L	225L	240L
					No. of Teeth	Pitch Diam.	No. of Teeth	Pitch Diam.									
V-Drives	...	750	497	2.33	12L	1.432	28L	3.342	...	1.09◇	.72	...	3.63	5.55	6.69	7.45†	8.20†
FHP Drives	1458	729	483	2.40	30L	3.581	72L	8.594	4.86	2.66	1.79
	1458	729	483	2.40	20L	2.387	48L	5.730	3.46	1.80	1.20	4.57	5.37	
	...	729	483	2.40	10L	1.194	24L	2.86591◇	.60◇	2.89‡	4.24‡	6.14‡	7.28‡	8.03‡	8.78‡
	1400	700	464	2.50	24L	2.865	60L	7.162	4.06	2.15	1.44
	1400	700	464	2.50	16L	1.910	40L	4.775	2.83	1.45	.97	5.05	5.83	6.60
	...	700	464	2.50	12L	1.432	30L	3.581	...	1.09◇	.72	...	3.40‡	5.34‡	6.43‡	7.24‡	8.00‡
	1361	681	451	2.57	28L	3.342	72L	8.594	4.61	2.49	1.67
	...	673	446	2.60	10L	1.194	26L	3.10491◇	.60◇	2.64§	4.02‡	5.93‡	7.07‡	7.83‡	8.58‡
	1333	667	442	2.63	32L	3.820	84L	10.027	5.10	2.83	1.91
	Drive Component Accessories	1312	656	435	2.67	18L	2.149	48L	5.730	3.15	1.62	1.08	4.73
...		656	435	2.67	12L	1.432	32L	3.820	...	1.09◇	.72	...	3.15†	5.12†	6.27†	7.03†	7.79†
1283		642	425	2.73	22L	2.626	60L	7.162	3.77	1.98	1.32
1264		632	419	2.77	26L	3.104	72L	8.594	4.35	2.32	1.56
1250		625	414	2.80	30L	3.581	84L	10.027	4.86	2.66	1.79
...		625	414	2.80	10L	1.194	28L	3.34291◇	.60◇	...	3.79‡	5.72‡	6.86‡	7.62‡	8.38‡
1225		613	406	2.86	14L	1.671	40L	4.775	2.49◇	1.27	.85	5.21	5.99	6.77
1167		583	387	3.00	28L	3.342	84L	10.027	4.61	2.49	1.67
1167		583	387	3.00	24L	2.865	72L	8.594	4.06	2.15	1.44
1167		583	387	3.00	20L	2.387	60L	7.162	3.46	1.80	1.20
DYNA-SYNC	1167	583	387	3.00	16L	1.910	48L	5.730	2.83	1.45	.97	4.88	5.68
	...	583	387	3.00	10L	1.194	30L	3.58191◇	.60◇	...	3.56§	5.50‡	6.65‡	7.41‡	8.17‡
	...	547	363	3.20	10L	1.194	32L	3.82091◇	.60◇	...	3.30§	5.28‡	6.44‡	7.20‡	7.96‡
	1684	542	359	3.23	26L	3.104	84L	10.027	4.35	2.32	1.56
	1069	535	354	3.27	22L	2.626	72L	8.594	3.77	1.98	1.32
	1050	525	348	3.33	18L	2.149	60L	7.162	3.15	1.62	1.08
	...	525	348	3.33	12L	1.432	40L	4.775	...	1.09◇	.72	4.17‡	5.37‡	6.15‡	6.93‡
	1021	510	338	3.43	14L	1.671	48L	5.730	2.49◇	1.27	.85	4.19‡	5.03‡	5.84‡
	1000	500	331	3.50	24L	2.865	84L	10.027	4.06	2.15	1.44
	972	486	322	3.60	20L	2.387	72L	8.594	3.46	1.80	1.20
HT200/HTD Synchronous Drives	933	467	309	3.75	16L	1.910	60L	7.162	2.83	1.45	.97
	916	458	304	3.82	22L	2.626	84L	10.027	3.77	1.98	1.32
	875	438	290	4.00	18L	2.149	72L	8.594	3.15	1.62	1.08
	...	438	290	4.00	12L	1.432	48L	5.730	...	1.09◇	.72	4.34‡	5.18‡	5.99‡
	...	438	290	4.00	10L	1.194	40L	4.77591◇	.60◇	4.33§	5.53§	6.32‡	7.09‡
	833	417	276	4.20	20L	2.387	84L	10.027	3.46	1.80	1.20
	817	408	271	4.29	14L	1.671	60L	7.162	2.49◇	1.27	.85
	778	389	258	4.50	16L	1.910	72L	8.594	2.83	1.45	.97
	749	375	248	4.67	18L	2.149	84L	10.027	3.15	1.62	1.08
	...	365	242	4.80	10L	1.194	48L	5.73091◇	.60◇	4.48§	5.33§	6.15§
Synchronous Drives	...	350	232	5.00	12L	1.432	60L	7.162	...	1.09◇	.72
	681	340	226	5.14	14L	1.671	72L	8.594	2.49◇	1.27	.85
	667	333	221	5.25	16L	1.671	84L	10.027	2.83	1.45	.97
	583	292	193	6.00	14L	1.671	84L	10.027	2.49◇	1.27	.85
	...	292	193	6.00	12L	1.432	72L	8.594	...	1.09◇	.72
	...	292	193	6.00	10L	1.194	60L	7.16291◇	.60◇	4.38♣
	...	250	166	7.00	12L	1.432	84L	10.027	...	1.09◇	.72
	...	243	161	7.20	10L	1.194	72L	8.59491◇	.60◇
	...	208	138	8.40	10L	1.194	84L	10.02791◇	.60◇

Δ HP ratings are for conventional speed-reduction drives. † ‡ § ♣ See Teeth in Mesh table on opposite page.

For Speed-Up Drives refer to page PT10-17. ♥ Flanges Required on both pulleys.

◇ Pulley Diameter is below recommended minimum. A reduction in belt life should be expected. Suggest alternate drive selection, whenever possible.

FEATURES/BENEFITS PAGE PT10-2	SPECIFICATIONS PAGE PT10-3	SELECTION PAGE PT10-14	ENGINEERING/TECHNICAL PAGE PT10-44
----------------------------------	-------------------------------	---------------------------	---------------------------------------

V-Drives

FHP Drives

Drive Component Accessories

DYNA-SYNC

HT200/HTD Synchronous Drives

Synchronous Drives

HTRC Synchronous Drives



L Stock Drive Selections

Nominal Center Distance Using DYNA-SYNC Belts

255L	270L	285L	300L	322L	345L	367L	390L	420L	450L	480L	510L	540L	600L
8.96†	9.71†	10.47†	11.22†	12.35†	13.48†	14.61†	15.73†	17.24†	18.74†	20.24†	21.74†	23.24†	26.25†
....	7.26	8.44	9.62	11.16	12.70	14.23	15.75	17.27	20.29
6.15	6.93	7.70	8.47	9.61	10.75	11.89	13.03	14.54	16.05	17.56	19.06	20.57	23.58
9.54‡	10.29‡	11.04‡	11.80‡	12.92‡	14.05‡	15.18‡	16.30‡	17.81‡	19.31‡	20.81‡	22.31‡	23.81‡	26.81‡
....	5.99	6.79	7.97	9.13	10.28	11.43	12.96	14.48	15.99	17.50	19.01	22.03
7.37	8.13	8.89	9.65	10.79	11.92	13.06	14.19	15.70	17.20	18.71	20.21	21.72	24.72
8.76†	9.51†	10.27†	11.02†	12.15†	13.28†	14.41†	15.54†	17.04†	18.54†	20.05†	21.55†	23.05†	26.05†
....	6.19	7.41	8.60	9.78	11.33	12.86	14.39	15.92	17.44	20.47
9.34‡	10.09‡	10.85‡	11.60‡	12.73‡	13.85‡	14.98‡	16.11‡	17.61‡	19.11‡	20.62‡	22.12‡	23.62‡	26.62‡
....	8.02	9.63	11.20	12.75	14.30	15.83	18.88
6.31	7.09	7.87	8.64	9.78	10.92	12.06	13.20	14.72	16.23	17.73	19.24	20.75	23.76
8.55†	9.31†	10.07†	10.82†	11.95†	13.08†	14.21†	15.34†	16.85†	18.35†	19.85†	21.36†	22.86†	25.86†
....	5.33	6.15	6.95	8.13	9.29	10.45	11.60	13.18	14.65	16.16	17.68	19.19	22.21♥
....	6.34	7.56	8.76	9.94	11.49	13.03	14.56	16.09	17.61	20.64
....	8.17	9.78	11.36	12.92	14.46	16.00	19.05
9.14‡	9.89‡	10.65‡	11.40‡	12.53‡	13.66‡	14.79‡	15.91‡	17.42‡	18.92‡	20.42‡	21.92‡	23.43‡	26.43‡
7.54	8.30	9.06	9.83	10.96	12.10	13.23	14.36	15.87	17.38	18.89	20.39	21.89	24.90
....	7.08	8.33	9.94	11.52	13.08	14.63	16.16	19.22
....	6.49	7.72	8.92	10.10	11.65	13.20	14.73	16.26	17.78	20.81
....	5.48	6.30	7.10	8.29	9.46	10.61	11.77	13.29	14.82	16.34	17.85	19.36♥	22.38♥
6.47	7.26	8.03	8.80	9.95	11.10	12.24	13.37	14.89	16.40	17.91	19.42	20.93	23.94
8.93‡	9.69‡	10.44‡	11.20‡	12.33‡	13.46‡	14.59‡	15.72‡	17.22‡	18.73‡	20.23‡	21.73‡	23.23‡	26.24‡
8.72‡	9.48‡	10.24‡	11.00‡	12.13‡	13.26‡	14.39‡	15.52‡	17.02‡	18.53‡	20.03‡	21.54‡	23.04‡	26.04‡
....	7.22	8.48	10.10	11.68	13.24	14.79	16.33	19.39
....	6.64	7.87	9.07	10.26	11.82	13.36	14.90	16.43	17.95	20.99
....	5.62	6.45	7.26	8.45	9.62	10.78	11.93	13.46	14.99	16.51	18.02♥	19.54♥	22.56♥
7.70†	8.47†	9.23†	10.00†	11.14†	12.27†	13.40†	14.54†	16.05†	17.56†	19.06†	20.57†	22.08†	25.08†
6.63†	7.42†	8.19†	8.97†	10.12	11.26	12.41	13.55	15.06	16.57	18.08	19.59	21.10	24.11
....	7.37	8.63	10.25	11.84	13.40	14.95	16.49	19.56
....	6.78	8.02	9.23	10.42	11.98	13.53	15.06	16.59	18.12	21.16
4.91	5.77	6.60	7.41	8.60	9.78	10.94	12.10	13.63	15.16	16.68♥	18.20♥	19.71♥	22.73♥
....	7.51	8.78	10.40	12.00	13.56	15.12	16.66	19.18
....	5.61†	6.93	8.18	9.39	10.58	12.14	13.69	15.23	16.76	18.29♥	21.33♥
6.79‡	7.58‡	8.36‡	9.13‡	10.28‡	11.43‡	12.58‡	13.72‡	15.23‡	16.75‡	18.25‡	19.77‡	21.28‡	24.29‡
7.87‡	8.64‡	9.40‡	10.17‡	11.31‡	12.44‡	13.58‡	14.72‡	16.23‡	17.73‡	19.24‡	20.75‡	22.25‡	25.26‡
....	7.66	8.93	10.56	12.15	13.72	15.28	16.82	19.89♥
5.05‡	5.92‡	6.75‡	7.57‡	8.76‡	9.94‡	11.11‡	12.26‡	13.80♥	15.33♥	16.85♥	18.37♥	19.83♥	22.91♥
....	5.75‡	7.08‡	8.33‡	9.54	10.73	12.30	13.85	15.40♥	16.93♥	18.46♥	21.50♥
....	6.45‡	7.80‡	9.08	10.71	12.31	13.88	15.44	16.99	20.06♥
6.95	7.74‡	8.52‡	9.29‡	10.45‡	11.60‡	12.75‡	13.89‡	15.41‡	16.92‡	18.44‡	19.95‡	21.46‡	24.47‡
5.19§	6.07‡	6.90‡	7.72‡	8.92‡	10.10‡	11.274	12.43†♥	13.97†♥	15.49†♥	17.02†♥	18.54†♥	20.06†♥	23.08†♥
....	5.89‡	7.22‡	8.48‡	9.70‡	10.89‡	12.46‡	14.02†♥	15.56†♥	17.10♥	18.63♥	21.67♥
....	6.58‡	7.94‡	9.22‡	10.87	12.47	14.04	15.60♥	17.15♥	20.23♥
....	6.72‡	8.09‡	9.37‡	11.02‡	12.62‡	14.20†♥	15.76†♥	17.32†♥	20.39♥
....	6.03§	7.37	8.63‡	9.85‡	11.05‡	12.62†♥	14.18†♥	15.73†♥	17.26†♥	18.79†♥	21.84†♥
5.33§	6.21§	7.05§	7.87§	9.08§	10.26†♥	11.43†♥	12.59†♥	14.13†♥	15.66†♥	17.19†♥	18.71†♥	20.23†♥	23.26†♥
....	6.86§	8.23§	9.52‡	11.17‡	12.78‡	14.36‡	15.93‡	17.48‡	20.56†♥
....	6.17♥	7.51§	8.78§	10.00§♥	11.20§♥	12.78‡♥	14.34‡♥	15.89‡♥	17.43‡♥	18.96‡♥	22.01†♥
....	7.00§	8.37§	9.67§♥	11.32§♥	12.93§♥	14.52‡♥	16.09‡♥	17.64‡♥	20.73‡♥

L Belt Width Table

Belt Width Factor	.28	.35	.45	.57	.71	.86	1.00	1.29	1.56	1.84	2.14	2.72	3.36
Belt Width	3/8	7/16	1/2	5/8	3/4	7/8	1	1-1/4	1-1/2	1-3/4	2	2-1/2	3
Belt Width Code	037	043	050	062	075	087	100	125	150	175	200	250	300

Teeth in Mesh factor (T.I.M)

Table Symbol	No. of Teeth In Mesh In Small Pulley	Factor
None	6 or More	1.00
†	5	.80
‡	4	.60

Table Symbol	No. of Teeth In Mesh In Small Pulley	Factor
§	3	.40
β	2	.20

FEATURES/BENEFITS PAGE PT10-2	SPECIFICATIONS PAGE PT10-3	SELECTION PAGE PT10-14	ENGINEERING/TECHNICAL PAGE PT10-44
----------------------------------	-------------------------------	---------------------------	---------------------------------------



SELECTION

H Stock Drive Selections

Driven Speeds for Motor Speeds of			Speed Ratio	Pulley Combination				HP for a 1 Wide Belt for Motor Speeds of Δ			Nominal C.D. Using DYNA-SYNC Belts						
				Driver		Driven											
				3500	1750	1160	No. of Teeth	Pitch Diam.	No. of Teeth	Pitch Diam.	3500	1750	1160	240H	270H	300H	330H
....	1750	1160	1.00	48H	7.839	48H	7.639	13.84	9.55	9.01
3500	1750	1160	1.00	40H	6.366	40H	6.366	20.08	11.79	8.03	8.01	9.51	11.01
3500	1750	1160	1.00	32H	5.093	32H	5.093	17.40	9.60	6.48	5.51	7.01	8.51	10.01	11.51	13.01
3500	1750	1160	1.00	30H	4.775	30H	4.775	16.59	9.03	6.08	6.01	7.51	9.01	10.51	12.01	13.51
3500	1750	1160	1.00	28H	4.456	28H	4.456	15.74	8.46	5.68	5.01	6.51	8.01	9.51	11.01	12.51	14.01
3500	1750	1160	1.00	26H	4.138	26H	4.138	14.80	7.88	5.28	5.51	7.01	8.51	10.01	11.51	13.01	14.51
3500	1750	1160	1.00	24H	3.820	24H	3.820	13.82	7.30	4.89	6.01	7.51	9.01	10.51	12.01	13.51	15.01
3500	1750	1160	1.00	22H	3.501	22H	3.501	12.84	6.71	4.48	6.51	8.01	9.51	11.01	12.51	14.01	15.51
3500	1750	1160	1.00	20H	3.183	20H	3.183	11.77◇	6.11	4.08	7.01	8.51	10.01	11.51	13.01	14.51	16.01
3500	1750	1160	1.00	18H	2.865	18H	2.865	10.71◇	5.52◇	3.68	7.51	9.01	10.51	12.01	13.51	15.01	16.51
....	1750	1160	1.00	16H	2.546	16H	2.546	4.91◇	3.27◇	8.01	9.51	11.01	12.51	14.01	15.51	17.01
....	1160	1.00	14H	2.228	14H	2.228	2.86◇	8.51	10.01	11.51	13.01	14.51	16.01	17.51
3281	1641	1087	1.07	30H	4.775	32H	5.093	16.59	9.03	6.08	5.75	7.25	8.76	10.26	11.76	13.26
3267	1633	1083	1.07	28H	4.456	30H	4.775	15.74	8.46	5.68	6.25	7.26	8.26	9.26	10.26	11.26
3250	1625	1077	1.08	26H	4.138	28H	4.456	14.80	7.88	5.28	5.25	6.75	8.26	9.76	11.26	12.76	14.26
3231	1615	1071	1.08	24H	3.820	26H	4.138	13.82	7.30	4.89	5.76	7.26	8.76	10.26	11.76	13.26	14.76
3208	1604	1063	1.09	22H	3.501	24H	3.820	12.84	6.71	4.48	6.26	7.76	9.26	10.76	12.26	13.76	15.26
3182	1591	1055	1.10	20H	3.183	22H	3.501	11.77◇	6.11	4.08	6.76	8.26	9.76	11.26	12.76	14.26	15.76
3150	1575	1044	1.11	18H	2.865	20H	3.183	10.71◇	5.52◇	3.68	7.26	8.76	10.26	11.76	13.26	14.76	16.26
....	1556	1031	1.13	16H	2.546	18H	2.865	4.91◇	3.27◇	7.76	9.26	10.76	12.26	13.76	15.26	16.76
3063	1531	1015	1.14	28H	4.456	32H	5.093	15.74	8.46	5.68	6.00	7.50	9.00	10.50	12.01	13.51
....	1015	1.14	14H	2.228	16H	2.546	2.86◇	8.26	9.76	11.26	12.76	14.26	15.76	17.26
3033	1517	1005	1.15	26H	4.138	30H	4.775	14.80	7.88	5.28	5.00	6.50	8.00	9.50	11.00	12.51	14.01
3000	1500	994	1.17	24H	3.820	28H	4.456	13.82	7.30	4.89	5.50	7.00	8.50	10.00	11.50	13.01	14.51
2962	1481	982	1.18	22H	3.501	26H	4.138	12.84	6.71	4.48	6.00	7.50	9.00	10.50	12.01	13.50	15.01
2917	1458	967	1.20	40H	6.366	48H	7.639	20.08	11.79	8.03	8.48	9.99
2917	1458	967	1.20	20H	3.183	24H	3.820	11.77◇	6.11	4.08	6.50	8.00	9.50	11.00	12.51	14.01	15.51
2864	1432	949	1.22	18H	2.865	22H	3.501	10.71◇	5.52◇	3.68	7.01	8.50	10.00	11.51	13.01	14.51	16.01
2844	1422	943	1.23	26H	4.138	32H	5.093	14.80	7.88	5.28	6.24	7.74	9.24	10.75	12.25	13.75
....	1400	928	1.25	48H	7.639	60H	9.549	13.84	9.55
2800	1400	928	1.25	32H	5.093	40H	6.366	17.40	9.60	6.48	7.43	8.98	10.49	11.99
2800	1400	928	1.25	24H	3.820	30H	4.775	13.82	7.30	4.89	5.24	6.40	8.24	9.75	11.25	12.75	14.25
....	1400	928	1.25	16H	2.546	20H	3.183	4.91◇	3.27◇	7.50	9.00	10.50	12.01	13.51	15.01	16.51
2750	1375	911	1.27	22H	3.501	28H	4.456	12.84	6.71	4.48	5.74	7.24	8.74	10.25	11.75	13.25	14.75
....	902	1.29	14H	2.228	18H	2.865	2.86◇	8.00	9.50	11.01	12.51	14.01	15.51	17.02
2692	1346	892	1.30	20H	3.183	26H	4.138	11.77◇	6.11	4.08	6.24	7.74	9.25	10.75	12.25	13.75	15.26
2625	1313	870	1.33	30H	4.775	40H	6.366	16.59	9.03	6.08	6.20	7.72	9.22	10.73	12.24
2625	1313	870	1.33	24H	3.820	32H	5.093	13.82	7.30	4.89	4.97	6.48	7.98	9.49	10.99	12.49	14.00
2625	1313	870	1.33	18H	2.865	24H	3.820	10.71◇	5.52◇	3.68	6.74	8.24	9.75	11.25	12.75	14.25	15.76
2567	1283	851	1.36	22H	3.501	30H	4.775	12.84	6.71	4.48	5.47	6.98	8.48	9.99	11.49	12.99	14.50
....	1273	844	1.38	16H	2.546	22H	3.501	4.91◇	3.27◇	7.24	8.75	10.25	11.75	13.25	14.75	16.25
2500	1250	829	1.40	20H	3.183	28H	4.456	11.77◇	6.11	4.08	5.97	7.48	8.99	10.49	11.99	13.49	15.00
2450	1225	812	1.43	28H	4.456	40H	6.366	15.74	8.46	5.68	6.50	7.95	9.46	10.97	12.47
....	812	1.43	14H	2.228	20H	3.183	2.86◇	7.75	9.25	10.75	12.25	13.75	15.25	16.75
2423	1212	803	1.44	18H	2.865	26H	4.138	10.71◇	5.52◇	3.68	6.48	7.98	9.49	10.99	12.49	14.00	15.50
2406	1203	798	1.45	22H	3.501	32H	5.093	12.84	6.71	4.48	5.20	6.71	8.22	9.73	11.23	12.73	14.24

Δ HP ratings are for conventional speed-reduction drives.

▼ Flanges Required on both pulleys.

For Speed-Up Drives refer to page PT10-17.

◇ Pulley Diameter is below recommended minimum. A reduction in belt life should be expected. Suggest alternate drive selection, whenever possible.

FEATURES/BENEFITS PAGE PT10-2	SPECIFICATIONS PAGE PT10-3	SELECTION PAGE PT10-14	ENGINEERING/TECHNICAL PAGE PT10-44
----------------------------------	-------------------------------	---------------------------	---------------------------------------



H Stock Drive Selections

Nominal Center Distance Using DYNA-SYNC Belts

450H	480H	510H	540H	570H	600H	630H	660H	700H	750H	800H	850H	900H	1000H	1100H	1250H	1400H	1700H
10.51	12.01	13.51	15.01	16.51	18.01	19.51	21.01	23.01	25.51	28.01	30.51	33.01	38.01	43.01	50.51	58.01	73.01
12.51	14.01	15.51	17.01	18.51	20.01	21.51	23.01	25.01	27.51	30.01	32.51	35.01	40.01	45.01	52.51	60.01	75.01
14.51	16.01	17.51	19.01	20.51	22.01	23.51	25.01	27.01	29.51	32.01	34.51	37.01	42.01	47.01	54.51	62.01	77.01
15.01	16.51	18.01	19.51	21.01	22.51	24.01	25.51	27.51	30.01	32.51	35.01	37.51	42.51	47.51	55.01	62.51	77.51
15.51	17.01	18.51	20.01	21.51	23.01	24.51	26.01	28.01	30.51	33.01	35.51	38.01	43.01	48.01	55.51	63.01	78.01
16.01	17.51	19.01	20.51	22.01	23.51	25.01	26.51	28.51	31.01	33.51	36.01	38.51	43.51	48.51	56.01	63.51	78.51
16.51	18.01	19.51	21.01	22.51	24.01	25.51	27.01	29.01	31.51	34.01	36.51	39.01	44.01	49.01	56.51	64.01	79.01
17.01	18.51	20.01	21.51	23.01	24.51	26.01	27.51	29.51	32.01	34.51	37.01	39.51	44.51	49.51	57.01	64.51	79.51
17.51	19.01	20.51	22.01	23.51	25.01	26.51	28.01	30.01	32.51	35.01	37.51	40.01	45.01	50.01	57.51	65.01	80.01
18.01	19.51	21.01	22.51	24.01	25.51	27.01	28.51	30.51	33.01	35.51	38.01	40.51	45.51	50.51	58.01	65.51	80.51
18.51	20.01	21.51	23.01	24.51	26.01	27.51	29.01	31.01	33.51	36.01	38.51	41.01	46.01	51.01	58.51	66.01	81.01
19.01	20.51	22.01	23.51	25.01	26.51	28.01	29.51	31.51	34.01	36.51	39.01	41.51	46.51	51.51	59.01	66.51	81.51
14.76	16.26	17.76	19.26	20.76	22.26	23.76	25.26	27.26	29.76	32.26	34.76	37.26	42.26	47.26	54.76	62.26	77.26
15.26	16.76	18.26	19.76	21.26	22.76	24.26	25.76	27.76	30.26	32.76	35.26	37.76	42.76	47.76	55.26	62.76	77.76
15.76	17.26	18.76	20.26	21.76	23.26	24.76	26.26	28.26	30.76	33.26	35.76	38.26	43.26	48.26	55.76	63.26	78.26
16.26	17.76	19.26	20.76	22.26	23.76	25.26	26.76	28.76	31.26	33.76	36.26	38.76	43.76	48.76	56.26	63.76	78.76
16.76	18.26	19.76	21.26	22.76	24.26	25.76	27.26	29.26	31.76	34.26	36.76	39.26	44.26	49.26	56.76	64.26	79.26
17.26	18.75	20.36	21.76	23.26	24.76	26.26	27.76	29.76	32.26	34.76	37.26	39.76	44.76	49.76	57.26	64.76	79.76
17.76	19.26	20.76	22.26	23.76	25.26	26.76	28.26	30.26	32.76	35.26	37.76	40.26	45.26	50.26	57.76	62.26	80.26
18.26	19.76	21.26	22.76	24.26	25.76	27.26	28.76	30.76	33.26	35.76	38.26	40.76	45.76	50.76	58.26	65.76	80.76
15.01	16.51	18.01	19.51	21.01	22.51	24.01	25.51	27.51	30.01	32.51	35.01	37.51	42.51	47.51	55.01	62.51	77.51
18.76	20.26	21.76	23.36	24.76	26.26	27.76	29.26	31.26	33.76	36.26	38.76	41.26	46.26	51.26	58.76	66.26	81.26
15.51	17.01	18.51	20.01	21.51	23.01	24.51	26.01	28.01	30.51	33.01	35.51	38.01	43.01	48.01	55.51	63.01	78.01
16.01	17.51	19.01	20.51	22.01	23.51	25.01	26.51	28.51	31.01	33.51	36.01	38.51	43.51	48.51	56.01	63.51	78.51
16.51	18.01	19.51	21.01	22.51	24.01	25.51	27.01	29.01	31.51	34.01	36.51	39.01	44.01	49.01	56.51	64.01	79.01
11.49	12.99	14.49	16.00	17.50	19.00	20.50	22.00	24.00	26.51	29.00	31.50	34.00	39.01	44.00	51.51	59.01	74.01
17.01	18.51	20.01	21.51	23.01	24.51	26.01	27.51	29.51	32.01	34.51	37.01	39.51	44.51	49.51	57.01	64.51	79.51
17.51	19.01	20.51	22.01	23.51	25.01	26.51	28.01	30.01	32.51	35.01	37.50	40.01	45.01	50.01	57.51	65.01	80.01
15.24	16.75	18.25	19.76	21.25	22.76	24.26	25.76	27.76	30.25	32.76	36.26	37.76	42.76	47.76	55.26	62.76	77.76
8.95	10.46	11.97	13.47	14.98	16.48	17.98	19.48	21.49	23.99	26.49	28.99	31.50	36.50	41.50	49.00	56.50	71.50♥
13.49	15.00	16.50	18.00	19.50	21.00	22.50	24.00	26.00	28.50	31.00	33.50	36.01	41.00	46.01	53.51	61.01	76.01
15.75	17.25	18.80	20.25	21.76	23.26	24.76	26.25	28.26	30.76	33.26	35.75	38.26	43.26	48.26	55.76	63.26	78.26
18.01	19.51	21.01	22.51	24.01	25.51	27.01	28.51	30.51	33.01	35.51	38.01	40.51	45.51	50.51	58.01	65.51	80.51
16.25	17.75	19.25	20.76	22.26	23.76	25.26	26.76	28.76	31.26	33.76	36.26	38.76	43.76	48.76	56.26	63.76	78.76
18.51	20.01	21.51	23.01	24.51	26.01	27.51	29.01	31.01	33.51	36.01	38.51	41.01	46.01	51.01	58.51	66.01	81.01
16.75	18.25	19.76	21.26	22.76	24.26	25.76	27.26	29.26	31.29	34.26	36.76	39.25	44.26	49.26	56.76	64.26	79.26
13.74	15.24	16.74	18.24	19.74	21.25	22.75	24.25	26.25	28.75	31.25	33.75	36.25	41.25	46.25	53.75	61.26	76.26
15.50	17.00	18.50	20.00	21.50	23.00	24.50	26.00	28.00	30.50	33.00	35.51	38.01	43.00	48.01	55.51	63.01	78.01
17.25	18.80	20.26	21.76	23.26	24.76	26.25	27.76	29.76	32.25	34.76	37.26	39.76	44.76	49.76	57.26	64.76	79.76
16.00	17.50	19.00	20.50	22.00	23.50	25.00	26.50	28.50	31.00	33.51	36.01	38.50	43.51	48.51	56.01	63.51	78.52
17.76	19.26	20.76	22.26	23.76	25.26	26.76	28.26	30.26	32.76	35.26	37.76	40.26	45.26	50.26	57.76	65.26	80.26
16.50	18.00	19.50	21.00	22.50	24.00	25.50	27.00	29.01	31.50	34.01	36.50	39.01	44.00	49.01	56.51	64.01	79.01
13.98	15.48	16.98	18.48	19.99	21.49	22.99	24.49	26.49	29.00	31.50	34.00	36.50	41.50	46.50	54.00	61.50	76.50
18.26	19.76	21.26	22.76	24.26	25.76	27.26	28.75	30.76	33.26	35.76	38.26	40.77	45.76	50.76	58.26	65.76	80.76
17.00	18.50	20.00	21.50	23.00	24.50	26.01	27.50	29.51	32.01	34.51	37.01	39.51	44.51	49.51	57.01	64.51	79.51
15.74	17.24	18.74	20.24	21.75	23.18	24.75	26.25	28.25	30.75	33.25	35.75	38.25	43.25	48.25	55.76	63.25	78.26

H Belt Width Table

Belt Width Factor	.42	.57	.71	.86	1.00	1.29	1.56	1.84	2.14	2.72	3.36	4.06	4.76	6.15	7.50	8.89	10.32
Belt Width	1/2	5/8	3/4	7/8	1	1-1/4	1-1/2	1-3/4	2	2-1/2	3	3-1/2	4	5	6	7	8
Belt Width Code	050	062	075	087	100	125	150	175	200	250	300	350	400	500	600	700	800

Shaded area indicates stock belt widths.

FEATURES/BENEFITS PAGE PT10-2	SPECIFICATIONS PAGE PT10-3	SELECTION PAGE PT10-14	ENGINEERING/TECHNICAL PAGE PT10-44
----------------------------------	-------------------------------	---------------------------	---------------------------------------



SELECTION

H Stock Drive Selections

Driven Speeds for Motor Speeds of	Speed Ratio	Pulley Combination				HP for a 1 Wide Belt for Motor Speeds of Δ			Nominal C.D. Using DYNA-SYNC Belts						
		Driver		Driven		3500	1750	1160	240H	270H	300H	330H	360H	390H	420H
		No. of Teeth	Pitch Diam.	No. of Teeth	Pitch Diam.										
3500	1750	1160													
....	1167	773	1.50	48H	7.639	72H	11.459	13.84	9.55
2333	1167	773	1.50	40H	6.366	60H	9.549	20.08	11.79	8.03	8.35
2333	1167	773	1.50	32H	5.093	48H	7.639	17.40	9.60	6.48	7.90	9.42
2333	1167	773	1.50	20H	3.183	30H	4.775	11.77◇	6.11	4.08	5.70	7.21	8.72	10.23	11.73
....	1167	773	1.50	16H	2.546	24H	3.820	4.91◇	3.27◇	6.98	8.48	9.99	11.49	12.99
2275	1138	754	1.54	26H	4.138	40H	6.366	14.80	7.88	5.28	6.66	8.18	9.69
2250	1125	746	1.56	18H	2.865	28H	4.456	10.71◇	5.52◇	3.68	6.21	7.72	9.22	10.73	12.23
....	738	1.57	14H	2.228	22H	3.501	2.86◇	7.48	8.99	10.49	11.99	13.50
2188	1094	725	1.60	30H	4.775	48H	7.639	16.59	9.03	6.08	6.60	8.13
2188	1094	725	1.60	20H	3.183	32H	5.093	11.77◇	6.11	4.08	5.42	6.94	8.45	9.96	11.47
....	1077	714	1.63	16H	2.546	26H	4.138	4.91◇	3.27◇	6.71	8.22	9.73	11.23	12.73
2100	1050	696	1.67	24H	3.820	40H	6.366	13.82	7.30	4.89	6.89	8.41	9.93
2100	1050	696	1.67	18H	2.865	30H	4.775	10.71◇	5.52◇	3.68	5.93	7.45	8.96	10.46	11.97
2042	1021	677	1.71	28H	4.456	48H	7.639	15.74	8.46	5.68	6.82	8.35
....	677	1.71	14H	2.228	24H	3.820	2.86◇	7.22	8.72	10.23	11.74	13.24
....	1000	663	1.75	48H	7.639	84H	13.369	13.84	9.55
....	1000	663	1.75	16H	2.546	28H	4.456	4.91◇	3.27◇	6.44	7.95	9.46	10.97	12.47
1969	985	652	1.78	18H	2.865	32H	5.093	10.71◇	5.52◇	3.68	5.65	7.17	8.69	10.20	11.71
1944	972	644	1.80	40H	6.366	72H	11.459	20.08	11.79	8.03
1925	963	638	1.82	22H	3.501	40H	6.366	12.84	6.71	4.48	5.57	7.11	8.64	10.16
1896	948	628	1.85	26H	4.138	48H	7.639	14.80	7.88	5.28	7.04	8.58
....	625	1.86	14H	2.226	26H	4.138	2.86◇	6.94	8.45	9.96	11.47	12.97
1867	933	619	1.88	32H	5.093	60H	9.549	17.40	9.60	6.48	7.68
....	933	619	1.88	16H	2.546	30H	4.775	4.91◇	3.27◇	6.16	7.68	9.19	10.70	12.21
....	875	580	2.00	48H	7.639	96H	15.279	13.84	9.55
1750	875	580	2.00	30H	4.775	60H	9.549	16.59	9.03	6.08	7.89
1750	875	580	2.00	24H	3.820	48H	7.639	13.82	7.30	4.89	7.25	8.80
1750	875	580	2.00	20H	3.183	40H	6.366	11.77◇	6.11	4.08	5.78	7.33	8.86	10.39
....	875	580	2.00	16H	2.546	32H	5.093	4.91◇	3.27◇	5.87	7.40	8.92	10.43	11.94
....	580	2.00	14H	2.228	28H	4.456	2.66◇	6.67	8.18	9.69	11.20	12.71
1667	833	552	2.10	40H	6.366	84H	13.369	20.08	11.79	8.03
1633	817	541	2.14	28H	4.456	60H	9.549	15.74	8.46	5.68	8.10
....	541	2.14	14H	2.228	30H	4.775	2.86◇	6.38	7.90	9.42	10.94	12.44
1604	802	532	2.18	22H	3.501	48H	7.639	12.84	6.71	4.48	7.47	9.02
1575	788	522	2.22	18H	2.865	40H	6.366	10.71◇	5.52◇	3.68	6.00	7.55	9.09	10.61
1556	778	516	2.25	32H	5.093	72H	11.459	17.40	9.60	6.48
....	507	2.29	14H	2.228	32H	5.093	2.86◇	6.09	7.62	9.15	10.66	12.18
1517	758	503	2.31	26H	4.138	60H	9.549	14.80	7.88	5.28	8.31
1458	729	483	2.40	40H	6.366	96H	15.279	20.08	11.79	8.03
1458	729	483	2.40	30H	4.775	72H	11.459	16.59	9.03	6.08
1458	729	483	2.40	20H	3.183	48H	7.639	11.77◇	6.11	4.08	6.09	7.68	9.24
....	700	464	2.50	48H	7.639	120H	19.099	13.84	9.55
1400	700	464	2.50	24H	3.820	60H	9.549	13.82	7.30	4.89	8.52
....	700	464	2.50	16H	2.546	40H	6.366	4.91◇	3.27◇	6.21	7.77	9.31	10.84
1361	681	451	2.57	28H	4.456	72H	11.459	15.74	8.46	5.68
1333	667	442	2.63	32H	5.093	84H	13.369	17.40	9.60	6.48

Δ HP ratings are for conventional speed-reduction drives.

▼ Flanges Required on both pulleys.

For Speed-Up Drives refer to page PT10-17.

◇ Pulley Diameter is below recommended minimum. A reduction in belt life should be expected. Suggest alternate drive selection, whenever possible.

FEATURES/BENEFITS PAGE PT10-2	SPECIFICATIONS PAGE PT10-3	SELECTION PAGE PT10-14	ENGINEERING/TECHNICAL PAGE PT10-44
----------------------------------	-------------------------------	---------------------------	---------------------------------------



H Stock Drive Selections

Nominal Center Distance Using DYNA-SYNC Belts

450H	480H	510H	540H	570H	600H	630H	660H	700H	750H	800H	850H	900H	1000H	1100H	1250H	1400H	1700H
....	10.33	11.85	13.37	14.88	16.40	17.91	19.92	22.43	24.94	27.44	29.95	34.96	39.96	47.47	54.98	69.99♥
9.88	11.40	12.91	14.42	15.93	17.44	18.94	20.45	22.45	24.96	27.46	29.97	32.47	37.48	42.48	49.98	57.49♥	72.49♥
12.44	13.95	15.46	16.97	18.47	19.97	21.47	22.97	24.98	27.48	29.98	32.49	34.99	39.99	44.99	52.50	60.00	74.99
16.24	17.74	19.24	20.75	22.25	23.75	25.25	26.75	28.75	31.25	33.75	36.25	38.75	43.76	48.76	56.27	63.75	78.76
17.50	19.00	20.50	22.00	23.50	25.00	26.50	28.00	30.01	32.51	35.01	37.50	40.01	45.02	50.01	57.51	65.01	80.01
14.21	15.72	17.22	18.73	20.23	21.73	23.23	24.74	26.74	29.24	31.74	34.24	36.75	41.75	46.75	54.25	61.75	76.75
16.74	18.24	19.75	21.25	22.75	24.25	25.75	27.25	29.25	31.75	34.25	36.49	39.25	44.26	49.25	56.75	64.26	79.26
18.00	19.50	21.00	22.50	24.00	25.50	27.01	28.50	30.51	33.01	35.51	38.01	40.51	45.51	50.50	58.02	65.51	80.51
12.68	14.19	15.69	17.20	18.70	20.21	21.71	23.22	25.22	27.72	30.23	32.13	35.23	40.24	45.24	52.74	60.25	75.25
15.98	17.48	18.99	20.49	21.99	23.49	24.99	26.49	28.50	31.00	33.50	36.00	38.50	43.50	48.50	56.00	63.52	78.51
17.24	18.74	20.25	21.75	23.18	24.75	26.25	27.75	29.75	32.25	34.75	37.25	39.76	44.76	49.76	57.25	64.76	79.77
14.45	15.96	17.46	18.97	20.47	21.97	23.48	24.98	26.98	29.48	31.99	34.49	36.99	41.99	47.00	54.50	62.00	77.01
16.48	17.96	19.49	20.99	22.49	23.99	25.49	26.99	29.00	31.50	34.00	36.50	39.00	44.00	49.00	56.51	64.01	79.01
12.91	14.42	15.93	17.44	18.94	20.45	21.95	23.46	25.46	27.97	30.47	32.97	35.48	40.48	45.48	52.99	60.49	75.49
17.74	19.24	20.75	22.25	23.75	25.25	26.75	28.25	30.25	32.75	35.25	37.75	40.25	45.26	50.27	57.76	65.25	80.26
....	11.65	13.19	14.73	16.25	18.28	20.81	23.33	25.85	28.34	33.39	38.40	45.92	53.43	68.45♥
16.98	18.49	19.99	21.49	22.99	24.49	26.00	27.49	29.50	32.00	34.50	37.00	39.50	44.50	49.50	57.01	64.50	79.51
16.22	17.73	19.23	20.73	22.23	23.73	25.24	26.74	28.74	31.24	33.74	36.24	38.75	43.75	48.75	56.25	63.75	78.77
....	9.67	11.22	12.75	14.28	25.81	17.32	18.84	20.85	23.37	25.88	28.40	30.90	35.92	40.93	48.44	55.95♥	70.97♥
14.69	16.20	17.70	19.21	20.71	22.21	23.72	25.22	27.22	29.73	32.23	34.73	37.23	42.24	47.24	54.74	62.25	77.25
13.14	14.65	16.16	17.67	19.18	20.68	22.19	23.69	25.70	28.21	30.71	33.21	35.72	40.72	45.73	53.24	60.74	75.74
17.49	18.99	20.49	21.99	23.49	24.99	26.49	27.99	30.00	32.50	35.00	37.50	40.00	45.00	50.00	57.50	65.00	80.01
10.78	12.31	13.83	15.35	16.86	18.37	19.88	21.39	23.40	25.91	28.42	30.93	33.44	38.45	43.45♥	50.96♥♥	58.47♥	73.48♥
16.72	18.23	19.73	21.23	22.73	24.24	25.74	27.24	29.24	31.74	34.24	36.75	39.25	44.25	49.25	56.15	64.14	79.25
....	12.94	14.50	16.56	19.12	21.67	24.21	26.74	31.78	36.81	44.35	51.87	66.90
11.00	12.53	14.06	15.58	17.09	18.61	20.35	21.63	23.64	26.15	28.66	31.17	33.68	38.69♥	43.70♥	51.21♥	58.71♥	73.73♥
13.37	14.89	16.40	17.91	19.42	20.92	22.43	23.93	25.94	28.45	30.95	33.46	35.96	40.97	45.97	53.48	60.98	75.99
14.92	16.43	17.94	19.45	20.95	22.45	23.96	25.46	27.47	29.97	32.47	34.97	37.48	42.48	47.48	54.99	62.49	77.50
16.46	17.97	19.47	20.87	22.48	23.98	25.48	26.98	28.99	31.48	33.99	36.49	38.99	43.99	49.00	56.50	64.00	79.01
17.22	18.73	20.23	21.73	23.23	24.74	26.24	27.74	29.74	32.24	34.74	37.25	39.75	44.75	49.75	57.25	64.75	79.75
....	10.94	12.51	14.07	15.61	17.15	19.19	21.73	24.26	26.78	29.30	34.33	39.35	46.88	54.40♥	69.42♥
11.21	12.75	14.28	15.80	17.32	16.64	20.35	21.86	23.87	26.39	28.90	31.41	33.91	38.93♥	43.94♥	51.45♥	58.95♥	73.97♥
16.96	18.47	19.97	21.47	22.98	24.46	25.98	27.48	29.48	31.99	34.49	36.99	39.49	44.49	49.50	57.01	64.50	79.50
13.60	15.12	16.66	18.14	19.65	21.16	22.67	24.17	26.18	28.69	31.19	33.70	36.20	41.21	46.22	53.72	61.23	76.24
15.16	16.67	18.18	19.68	21.19	22.69	24.20	25.70	27.71	30.21	32.71	35.22	37.72	42.73	47.73	55.23	62.74	77.74
8.93	10.52	12.08	13.63	15.17	16.70	18.23	19.75	21.78	24.30	26.82	29.34	31.85	36.87	41.89♥	49.41♥	56.92♥	71.94♥
16.70	18.20	19.70	21.21	22.72	24.22	25.72	27.22	29.23	31.73	34.23	36.73	39.24	44.24	49.24	56.75	64.25	79.25
11.44	12.97	14.51	16.03	17.55	19.07	20.58	22.09	24.11	26.62	29.13	31.64	34.15♥	39.17♥	44.18♥	51.69♥	59.20♥	74.21♥
....	12.18	13.78	15.35	17.43	20.01	22.57	25.11	27.65	32.71	37.75	45.29	52.82♥	67.87♥
9.14	10.76	12.30	13.85	15.39	16.93	18.45	19.98	22.01	24.53	27.05	29.57	32.09	37.11	42.13♥	49.65♥	57.16♥	72.19♥
13.83	15.35	16.86	18.37	19.89	21.39	22.90	24.41	26.42	28.92	31.43	33.94	36.44	41.45	46.46	53.97	61.47	76.48
....	15.43	18.09	20.71	23.30	28.43	33.52	41.11	48.67	63.75♥
11.65	13.20	14.73	16.25	17.77	19.30	20.81	22.33	24.34	26.86	29.37	31.88♥	34.39♥	39.41♥	44.42♥	51.93♥	59.44♥	74.46♥
15.39	16.90	18.41	19.92	21.43	22.93	24.44	25.94	27.95	30.45	32.96	35.46	37.97	42.97	47.97	55.48	62.98	77.99
9.34	10.94	12.51	14.07	15.61	17.15	18.68	20.20	22.23	24.76	27.28	29.80	32.32	37.35♥	42.37♥	49.89♥	57.40♥	72.43♥
....	10.15	11.77	13.36	14.93	16.49	18.03	20.08	22.63	25.17	27.70	30.23	35.22	40.30	47.83♥	55.36♥	70.39♥

H Belt Width Table

Belt Width Factor	.42	.57	.71	.86	1.00	1.29	1.56	1.84	2.14	2.72	3.36	4.06	4.76	6.15	7.50	8.89	10.32
Belt Width	1/2	5/8	3/4	7/8	1	1-1/4	1-1/2	1-3/4	2	2-1/2	3	3-1/2	4	5	6	7	8
Belt Width Code	050	062	075	087	100	125	150	175	200	250	300	350	400	500	600	700	800

Shaded area indicates stock belt widths.

FEATURES/BENEFITS PAGE PT10-2	SPECIFICATIONS PAGE PT10-3	SELECTION PAGE PT10-14	ENGINEERING/TECHNICAL PAGE PT10-44
----------------------------------	-------------------------------	---------------------------	---------------------------------------



SELECTION

H Stock Drive Selections

Driven Speeds for Motor Speeds of			Speed Ratio	Pulley Combination				HP for a 1 Wide Belt for Motor Speeds of Δ			Nominal C.D. Using DYNA-SYNC Belts						
				Driver		Driven											
				3500	1750	1160	No. of Teeth	Pitch Diam.	No. of Teeth	Pitch Diam.	3500	1750	1160	240H	270H	300H	330H
1312	656	435	2.67	18H	2.865	48H	7.639	10.71◇	5.52◇	3.68	6.30	7.89	9.45	11.00	12.53
1283	642	425	2.73	22H	3.501	60H	9.549	12.84	6.71	4.48	7.10	8.73	10.31
1264	632	419	2.77	26H	4.138	72H	11.459	14.80	7.88	5.28
1250	625	414	2.80	30H	4.775	84H	13.369	16.59	9.03	6.08
....	406	2.86	14H	2.228	40H	6.366	2.86◇	4.80†	6.42†	7.99†	9.53	11.06	12.59	14.11
1167	583	387	3.00	40H	6.366	120H	19.099	20.08	11.79	8.03
1167	583	387	3.00	32H	5.093	96H	15.279	17.40	9.60	6.48
1167	583	387	3.00	28H	4.456	84H	13.369	15.74	8.46	5.68
1167	583	387	3.00	24H	3.820	72H	11.459	13.82	7.30	4.89	8.08
1167	583	387	3.00	20H	3.183	60H	9.549	11.77◇	6.11	4.08	7.30	8.93	10.52
....	583	387	3.00	16H	2.546	48H	7.639	4.91◇	3.27◇	6.50	8.10	9.67	11.22	12.75
1094	547	363	3.20	30H	4.775	96H	15.279	16.59	9.03	6.08
1084	542	359	3.23	26H	4.138	84H	13.369	14.80	7.88	5.28
1069	535	354	3.27	22H	3.501	72H	11.459	12.84	6.71	4.48	8.28
1050	525	348	3.33	18H	2.865	60H	9.549	10.71◇	5.52◇	3.68	7.50	9.14	10.77
1021	510	338	3.43	28H	4.456	96H	15.279	15.74	8.46	5.68
....	338	3.43	14H	2.228	48H	7.639	2.86◇	6.70†	8.95†	9.88†	11.44†	12.98
1000	500	331	3.50	24H	3.820	84H	13.369	13.82	7.30	4.89
972	486	322	3.60	20H	3.183	72H	11.459	11.77◇	6.11	4.08	8.47
948	474	314	3.69	26H	4.138	96H	15.279	14.80	7.88	5.28
933	467	309	3.75	32H	5.093	120H	19.099	17.40	9.60	6.48
....	467	309	3.75	16H	2.546	60H	9.549	4.91◇	3.27◇	7.69†	9.34†	10.94
916	458	304	3.82	22H	3.501	84H	13.369	12.84	6.71	4.48
875	438	290	4.00	30H	4.775	120H	19.099	16.59	9.03	6.08
875	438	290	4.00	24H	3.820	96H	15.279	13.82	7.30	4.89
875	438	290	4.00	18H	2.865	72H	11.459	10.71◇	5.52◇	3.68	8.67
833	417	276	4.20	20H	3.183	84H	13.369	11.77◇	6.11	4.08
817	408	271	4.29	28H	4.456	120H	19.099	15.74	8.46	5.68
....	271	4.29	14H	2.228	60H	9.549	2.86◇	6.12‡	7.89‡	9.55‡	11.15‡
802	401	266	4.36	22H	3.501	96H	15.279	12.84	6.71	4.48
....	389	258	4.50	16H	2.546	72H	11.459	4.91◇	3.27◇	8.86†
758	379	251	4.62	26H	4.138	120H	19.099	14.80	7.88	5.28
749	375	248	4.67	18H	2.865	84H	13.369	10.71◇	5.52	3.68
729	365	242	4.80	20H	3.183	96H	15.279	11.77◇	6.11	4.08
700	350	232	5.00	24H	3.820	120H	19.099	13.82	7.30	4.89
....	226	5.14	14H	2.228	72H	11.459	2.86◇	7.22§	9.05‡
....	333	221	5.25	16H	2.546	84H	13.369	4.91◇	3.27◇
656	323	217	5.33	18H	2.865	96H	15.279	10.71◇	5.52◇	3.68
642	321	213	5.45	22H	3.501	120H	19.099	12.84	6.71	4.48
583	294	193	6.00	20H	3.183	120H	19.099	11.77◇	6.11	4.08
....	292	193	6.00	16H	2.546	96H	15.219	4.91◇	3.27◇
....	193	6.00	14H	2.228	84H	13.369	2.86◇
525	262	174	6.67	18H	2.865	120H	19.099	10.71◇	5.52◇	3.68◇
....	169	6.86	14H	2.228	96H	15.279	3.27◇
....	233	155	7.50	16H	2.546	120H	19.099	4.91◇	2.86◇
....	135	8.57	14H	2.228	120H	19.099

Δ HP ratings are for conventional speed-reduction drives.

† ‡ § See Teeth in Mesh table on opposite page.

For Speed-Up Drives refer to page PT10-17.

♥ Flanges Required on both pulleys.

◇ Pulley Diameter is below recommended minimum. A reduction in belt life should be expected. Suggest alternate drive selection, whenever possible.

FEATURES/BENEFITS PAGE PT10-2	SPECIFICATIONS PAGE PT10-3	SELECTION PAGE PT10-14	ENGINEERING/TECHNICAL PAGE PT10-44
----------------------------------	-------------------------------	---------------------------	---------------------------------------



H Stock Drive Selections

Nominal Center Distance Using DYNA-SYNC Belts

450H	480H	510H	540H	570H	600H	630H	660H	700H	750H	800H	850H	900H	1000H	1100H	1250H	1400H	1700H
14.06	15.58	17.09	18.61	20.35	21.63	23.14	24.64	26.65	29.16	31.67	34.18	36.68	41.69	46.70	54.21	61.71	76.73
11.87	13.42	14.95	16.48	18.00	19.52	21.04	22.56	24.58	27.09	29.61♥	32.12♥	34.63♥	39.65♥	44.66♥	52.17♥	56.69♥	74.70♥
9.55	11.15	12.73	14.29	15.83	17.37	18.90	20.43	22.46	24.99	27.52	30.04	32.55	37.58♥	42.60♥	50.13♥	57.64♥	72.67♥
....	10.35	11.98	13.57	15.14	16.70	18.25	20.30	22.85	25.39	27.95	30.46	35.50	40.53♥	48.07♥	55.59♥	70.63♥
15.62	17.13	18.65	20.15	21.66	23.17	23.67	26.18	28.19	30.69	33.20	35.70	38.21	43.21	48.22	55.72	63.23	78.24
....	13.47	16.24	18.92	21.56	24.16	29.31	34.42	42.03	49.60	64.70♥
....	11.34	12.99	14.81	16.20	18.29	20.88	23.45	26.01	28.55	33.62	38.67	46.23♥	53.77♥	68.62♥
....	10.55	12.18	13.78	15.36	16.92	18.47	20.52	23.08	25.62	28.16	30.69	35.73♥	40.77♥	48.31♥	55.83♥	70.87♥
9.75	11.36	12.94	14.50	16.05	17.59	19.13	20.65	22.69	26.22	27.75	30.27	32.79♥	37.82♥	42.84♥	50.37♥	57.88♥	72.91♥
12.09	13.63	15.17	16.70	18.23	19.75	21.27	22.79	24.81	27.32♥	29.84♥	32.35♥	38.87♥	39.88♥	44.90♥	52.42♥	59.93♥	94.95♥
14.28	15.80	17.32	18.84	20.35	21.86	23.37	24.88	26.89	29.40	31.91	34.42	36.92	41.93	46.94	54.45	81.96	76.97
....	11.54	13.20	14.81	16.41	18.51	21.10	23.67	26.23	28.79	33.85	38.90♥	46.46♥	54.00♥	69.06♥
....	9.05	10.75	12.39	13.99	15.57	17.13	18.68	20.74	23.30	25.85	28.38	30.91	35.96♥	41.00♥	48.54♥	56.07♥	71.11♥
9.95	11.56	13.15	14.72	16.27	17.81	19.35	20.88	22.91	25.45	27.98	30.50♥	33.02♥	38.05♥	43.08♥	50.61♥	58.12♥	73.15♥
12.30	13.85	15.39	16.93	18.46	19.98	21.50	23.02♥	25.04♥	27.56♥	30.07♥	32.59♥	35.10♥	40.12♥	45.14♥	52.66♥	60.17♥	75.19♥
....	11.73	13.40	15.02	16.62	18.72	21.32	23.89	26.45	29.00	34.08	39.13♥	46.70♥	54.24♥	69.30♥
14.51	16.03	17.55	19.07	20.58	22.09	23.61	25.11	27.13	29.64	32.15	34.68	37.16	42.17	47.18	54.70	62.20	77.22♥
....	9.24	10.95	12.59	14.20	15.78	17.35	18.90	20.96	23.52	26.07	28.61	31.14♥	36.20♥	41.23♥	48.78♥	56.35♥	71.35♥
10.15	11.77	13.36	14.93	16.49	18.03	19.57	21.10	23.14	25.68♥	28.21♥	30.73♥	33.25♥	38.29♥	43.31♥	50.84♥	58.36♥	73.40♥
....	10.19	11.93	13.60	15.23	16.83	18.93	21.53	24.11	26.67	29.23	34.31♥	39.36♥	46.93♥	54.48♥	69.54♥
....	14.25	17.05	19.75	22.40	25.02	30.19	35.31	42.94♥	50.52♥	65.64♥
12.51	14.07	15.61	17.15	18.66	21.20	21.73♥	23.26♥	25.27♥	27.79♥	30.31♥	32.82♥	35.34♥	40.36♥	45.38♥	52.90♥	60.41♥	75.43♥
....	9.43	11.14	12.79	14.40	15.99	17.56	19.12	21.18	23.74	26.30	28.84♥	31.37♥	36.43♥	41.47♥	49.01♥	56.54♥	71.59♥
....	14.44	17.25	19.96	22.61	25.23	30.41	35.53	43.16♥	50.75♥	65.87♥
....	10.38	12.12	13.80	15.43	17.03	19.14	21.75	24.33	27.00	29.45	34.53♥	39.59♥	47.16♥	54.71♥	69.78♥
10.35	11.98	13.57	15.14	16.70	18.25	19.79	21.32	23.36♥	25.90♥	28.44♥	30.96♥	33.48♥	38.52♥	43.55♥	51.08♥	58.60♥	73.64♥
....	9.62	11.34	12.99	14.61	16.20	17.77	19.33	21.40	23.97	26.52♥	29.06♥	31.60♥	36.66♥	41.70♥	49.25♥	56.78♥	71.83♥
....	14.63	17.45	20.16	22.82	25.45	30.63	35.76	43.39♥	50.98♥	66.11♥
12.73†	14.29†	15.83†	17.37	21.95♥	18.90♥	20.43♥	23.47♥	25.50♥	28.02♥	30.54♥	33.06♥	35.57♥	40.60♥	45.61♥	53.14♥	60.65♥	75.67♥
....	10.57	12.32	14.00	15.63	17.24	19.36	21.96	24.55	27.12	29.67♥	34.76♥	39.82♥	47.39♥	54.94♥	70.01♥
10.55†	12.1†	13.78	15.36	16.92	18.47	20.01	21.55♥	23.59♥	26.13♥	28.66♥	31.19♥	33.72♥	38.75♥	43.78♥	51.32♥	58.84♥	73.88♥
....	12.43	14.82	17.65	20.37	23.03	25.66	30.85	35.98♥	43.62♥	51.21♥	66.34♥
....	9.81†	11.54	13.20	14.82	15.41	17.99	19.55	21.62	24.19♥	26.74♥	29.29♥	31.83♥	36.89♥	41.93♥	49.48♥	57.02♥	72.07♥
....	10.75	12.51	14.20	15.84	17.45	19.57	22.18	24.77	27.34♥	29.90♥	34.99♥	40.05♥	47.63♥	55.18♥	70.25♥
....	15.02	17.84	20.57	23.24	25.87	31.06♥	36.20♥	43.84♥	51.44♥	66.57♥
10.75†	12.39†	13.99†	15.57†	17.13†	18.69†♥	20.23†♥	21.77♥	23.81♥	26.35♥	28.89♥	31.42♥	33.95♥	38.99♥	44.02♥	51.55♥	59.08♥	74.12♥
....	10.00†	11.73†	13.40	15.02	16.62	18.20	19.76	21.84♥	24.39♥	26.96♥	29.51♥	32.08♥	37.12♥	42.16♥	49.72♥	57.25♥	72.31♥
....	10.94†	12.71†	14.40	16.04	17.65	19.78	22.39	24.98♥	27.56♥	30.12♥	35.21♥	40.28♥	47.86♥	55.41♥	70.49♥
....	12.79	15.21	18.04	20.78	23.45	26.08	31.28♥	36.42♥	44.07♥	51.6♥	66.81♥
....	12.98†	15.40	18.24	20.98	23.66	26.29♥	31.50♥	36.64♥	44.29♥	51.90♥	67.04♥
....	9.20§	11.13‡	12.90	14.59†	16.24†	17.86	19.99	22.61♥	25.20♥	27.78♥	30.34♥	35.44♥	40.51♥	48.09♥	55.65♥	70.73♥
8.30§	10.19‡	11.93‡	13.60†	15.23†	16.83†	18.41†♥	19.98†	22.05†♥	24.63†♥	27.19♥	29.74♥	32.28♥	37.34♥	42.39♥	49.95♥	57.49♥	72.55♥
....	9.37§	11.31‡	13.09‡	13.16†	15.59†	18.44	21.18	23.86♥	26.51♥	31.71♥	36.86♥	44.52♥	52.13♥	67.27♥
....	14.79‡	16.44†	18.07†♥	20.19†♥	22.82†♥	25.42†♥	27.99†♥	30.56†♥	35.66♥	40.74♥	48.32♥	55.88♥	70.96♥
....	13.64‡	15.78†	18.64†	21.38†♥	24.07♥	26.72†	31.93♥	37.08♥	44.74♥	52.35♥	67.50♥
....	11.49§	13.53§	15.97‡	18.83‡♥	21.59†♥	24.28†♥	26.93†♥	32.14†♥	37.30♥	44.97♥	52.58♥	67.74♥

H Belt Width Table

Belt Width Factor	.42	.57	.71	.86	1.00	1.29	1.56	1.84	2.14	2.72	3.36	4.06	4.76	6.15	7.50	8.89	10.32
Belt Width	1/2	5/8	3/4	7/8	1	1-1/4	1-1/2	1-3/4	2	2-1/2	3	3-1/2	4	5	6	7	8
Belt Width Code	050	062	075	087	100	125	150	175	200	250	300	350	400	500	600	700	800

Teeth in Mesh factor (T.I.M)

Table Symbol	No. of Teeth In Mesh In Small Pulley	Factor
None	6 or More	1
†	5	0.8

Shaded area indicates stock belt widths.

Table Symbol	No. of Teeth In Mesh In Small Pulley	Factor
‡	4	0.6
§	3	0.4



SELECTION

XH Stock Drive Selections

	Driven Speeds for Motor Speeds of			Speed Ratio	Pulley Combination				HP for a 1 Wide Belt for Motor Speeds of Δ		
					Driver		Driven				
	1750	1160	870		No. of Teeth	Pitch Diam.	No. of Teeth	Pitch Diam.	1750	1160	870
FHP Drives	1750	1160	870	1.00	40XH	11.141	40XH	11.141	22.22	17.44	13.79
	1750	1160	870	1.00	32XH	8.913	32XH	8.913	19.87	14.57	11.29
	1750	1160	870	1.00	30XH	8.356	30XH	8.356	19.06	13.79	10.63
	1750	1160	870	1.00	28XH	7.799	28XH	7.799	18.16	12.97	9.97
	1750	1160	870	1.00	26XH	7.241	26XH	7.241	17.17	12.13	9.29
Drive Component Accessories	1750	1160	870	1.00	24XH	6.685	24XH	6.685	16.14◇	11.29	8.61
	1750	1160	870	1.00	22XH	6.127	22XH	6.127	15.03◇	10.41◇	7.92
	1750	1160	870	1.00	20XH	5.570	20XH	5.570	13.85◇	9.51◇	7.23◇
	1750	1160	870	1.00	18XH	5.013	18XH	5.013	8.61	6.52◇
	1641	1088	816	1.07	30XH	8.356	32XH	8.913	19.06	13.79	10.63
DYNA-SYNC	1633	1083	812	1.07	28XH	7.799	30XH	8.356	18.16	12.97	9.97
	1625	1077	808	1.08	26XH	7.241	28XH	7.799	17.17	12.13	9.29
	1615	1071	803	1.08	24XH	6.685	26XH	7.241	16.14◇	11.29	8.61
	1604	1063	798	1.09	22XH	6.127	24XH	6.685	15.03◇	10.41◇	7.92
	1591	1055	791	1.10	20XH	5.570	22XH	6.127	13.85◇	9.51◇	7.23◇
HT200/HTD Synchronous Drives	1531	1044	783	1.11	18XH	5.013	20XH	5.570	8.61◇	6.52◇
	1517	1015	761	1.14	28XH	7.799	32XH	8.913	18.16	12.97	9.97
	1500	1005	754	1.15	26XH	7.241	30XH	8.356	17.17	12.13	9.29
	1500	994	746	1.17	24XH	6.685	28XH	7.799	16.14◇	11.29	8.61
	1481	982	736	1.18	22XH	6.127	26XH	7.241	15.03◇	10.41◇	7.92
HTR Synchronous Drives	1458	967	725	1.20	40XH	11.141	48XH	13.369	22.22	17.44	13.79
	1458	967	725	1.20	20XH	5.570	24XH	6.685	13.85	9.51◇	7.23◇
	1422	949	712	1.22	18XH	5.013	22XH	6.127	8.61◇	6.52◇
	1400	943	707	1.23	26XH	7.241	32XH	8.913	17.17	12.13	9.29
	1400	928	696	1.25	32XH	8.913	40XH	11.141	19.87	14.57	11.29
HTRC Synchronous Drives	1400	928	696	1.25	24XH	6.685	30XH	8.356	16.14◇	11.29	8.61
	1375	911	684	1.27	22XH	6.127	28XH	7.799	15.03◇	10.41◇	7.92
	1346	892	669	1.30	20XH	5.570	26XH	7.241	13.85◇	9.51◇	7.23◇
	1313	870	653	1.33	30XH	8.356	40XH	11.141	19.06	13.79	10.63
	1313	870	653	1.33	24XH	6.685	32XH	8.913	16.14◇	11.29	8.61
HT200/HTD Synchronous Drives	1283	870	653	1.33	18XH	5.013	24XH	6.685	8.61◇	6.52◇
	1283	851	638	1.36	22XH	6.127	30XH	8.356	15.03◇	10.41◇	7.92
	1250	829	621	1.40	20XH	5.570	28XH	7.799	13.85◇	9.51◇	7.23◇
	1225	812	609	1.43	28XH	7.799	40XH	11.141	18.16	12.97	9.97
	1225	803	602	1.44	18XH	5.013	26XH	7.241	8.61◇	6.52◇
HTR Synchronous Drives	1203	798	598	1.45	22XH	6.127	32XH	8.913	15.03◇	10.41◇	7.92
	1167	773	580	1.50	40XH	11.141	60XH	16.711	22.22	17.44	13.79
	1167	773	580	1.50	32XH	8.913	48XH	13.369	19.87	14.57	11.29
	1167	773	580	1.50	20XH	5.570	30XH	8.356	13.85◇	9.51◇	7.23◇
	1138	754	566	1.54	26XH	7.241	40XH	11.141	17.17	12.13	9.29
HTRC Synchronous Drives	1094	746	559	1.56	18XH	5.013	28XH	7.799	8.61◇	6.52◇
	1094	725	544	1.60	30XH	8.356	48XH	13.369	19.06	13.79	10.63◇
	1094	725	544	1.60	20XH	5.570	32XH	8.913	13.85◇	9.51◇	7.23◇
	1050	696	522	1.67	24XH	6.685	40XH	11.141	16.14◇	11.29	8.61
	1050	696	522	1.67	18XH	5.013	30XH	8.356	8.61◇	6.52◇
HTRC Synchronous Drives	1021	677	508	1.71	28XH	7.799	48XH	13.369	18.16	12.97	9.97
	972	653	489	1.78	18XH	5.013	32XH	8.913	8.61◇	6.52◇
	972	644	483	1.80	40XH	11.141	72XH	20.054	22.22	17.44	13.79
	963	638	479	1.82	22XH	6.127	40XH	11.141	15.03◇	10.41◇	7.92

Δ HP ratings are for conventional speed-reduction drives.

♥ Flanges Required on both pulleys.

For Speed-Up Drives refer to page PT10-17.

◇ Pulley Diameter is below recommended minimum. A reduction in belt life should be expected. Suggest alternate drive selection, whenever possible.

FEATURES/BENEFITS PAGE PT10-2	SPECIFICATIONS PAGE PT10-3	SELECTION PAGE PT10-14	ENGINEERING/TECHNICAL PAGE PT10-44
----------------------------------	-------------------------------	---------------------------	---------------------------------------

SELECTION



XH Stock Drive Selections

Nominal Center Distance Using DYNA-SYNC Belts

507XH	560XH	630XH	700XH	770XH	840XH	980XH	1120XH	1260XH	1400XH	1540XH	1750XH
....	14.00	17.50	21.00	24.50	31.50	38.50	45.50	52.50	59.50	70.00
11.37	14.00	17.50	21.00	24.50	28.00	35.00	42.00	49.00	56.00	63.00	73.50
12.25	14.87	18.37	21.87	25.37	28.87	35.87	42.87	49.87	56.87	63.87	74.37
13.12	15.75	19.25	22.75	26.25	29.75	36.75	43.75	50.75	57.75	64.75	75.25
14.00	16.62	20.12	23.62	27.12	30.62	37.62	44.62	51.62	58.62	65.62	76.12
14.87	17.50	21.00	24.50	28.00	31.50	38.50	45.50	52.50	59.50	66.50	77.00
15.75	18.37	21.87	25.37	28.87	32.37	39.37	46.37	53.37	60.37	67.37	77.87
16.62	19.25	22.75	26.25	29.75	33.25	40.25	47.25	54.25	61.25	68.25	78.75
17.50	20.12	23.62	27.12	30.62	34.12	41.12	48.12	55.12	62.12	69.12	79.62
11.80	14.43	17.93	21.43	24.93	28.43	35.43	42.43	49.43	56.43	63.43	73.93
12.68	15.31	18.81	22.31	25.81	29.31	36.31	43.31	50.31	57.31	64.31	74.81
13.56	16.18	19.68	23.18	26.68	30.18	37.18	44.18	51.18	58.18	65.18	75.68
14.43	17.06	20.56	24.06	27.56	31.06	38.06	45.06	52.06	59.06	66.06	76.56
15.31	17.93	21.43	24.93	28.43	31.93	38.93	45.93	52.93	59.93	66.93	77.43
16.18	18.81	22.31	25.81	29.31	32.81	39.81	46.81	53.81	60.81	67.81	78.31
17.06	19.68	23.18	26.68	30.18	33.68	40.68	47.68	54.68	61.68	68.68	79.18
12.23	14.86	18.36	21.86	25.36	28.87	35.87	42.87	49.87	56.87	63.87	74.37
13.11	15.74	19.24	22.74	26.24	29.74	36.74	43.74	50.74	57.74	64.74	75.24
13.98	16.61	20.11	23.61	27.12	30.62	37.62	44.62	51.62	58.62	65.62	76.12
14.66	17.49	20.99	24.49	27.99	31.49	38.49	45.49	52.49	59.49	66.49	76.99
....	15.71	19.21	22.72	29.72	36.73	43.73	50.73	57.74	68.24
15.74	18.36	21.86	25.36	28.87	32.37	39.37	46.37	53.37	60.37	67.37	77.87
16.61	19.24	22.74	26.24	29.74	33.24	40.24	47.24	54.24	61.24	68.24	78.74
12.66	15.29	18.79	22.29	25.79	29.30	36.30	43.30	50.30	57.30	64.30	74.80
....	12.19	15.71	19.21	22.72	26.22	33.23	40.23	47.23	54.23
13.53	16.16	19.67	23.17	26.67	30.17	37.17	44.18	51.18	58.18	65.18	75.68
14.41	17.04	20.54	24.04	27.55	31.05	38.05	45.05	52.05	59.05	66.05	76.55
15.29	17.91	21.42	24.92	28.42	31.92	38.92	45.93	52.93	59.93	66.93	77.43
....	12.61	16.12	19.63	23.14	26.65	33.65	40.66	47.66	54.67
13.07	15.71	19.21	22.72	26.22	29.72	36.73	43.73	50.73	57.74	64.74	75.24
16.16	18.79	22.29	25.79	29.30	32.80	39.80	46.80	53.80	60.80	67.80	78.30
13.95	16.58	20.09	23.59	27.10	30.60	37.60	44.61	51.61	58.61	65.61	76.11
14.83	17.46	20.97	24.47	27.97	31.48	38.48	45.48	52.48	59.49	66.49	76.99
10.36	13.01	16.54	20.05	23.56	27.07	34.08	41.09	48.09	55.10	62.10	72.60
15.71	18.34	21.84	25.35	28.85	32.35	39.35	46.36	53.36	60.36	67.36	77.86
13.49	16.12	19.63	23.14	26.65	30.15	37.16	44.16	51.16	58.17	65.17	75.67
....	16.38	19.93	26.98	34.01	41.03	48.04	55.05	65.56
....	13.82	17.35	20.88	24.39	31.42	38.43	45.44	52.45	59.45	69.96
14.37	17.00	20.51	24.02	27.52	31.03	38.03	45.04	52.04	59.04	66.04	76.55
10.76	13.42	16.95	20.47	23.98	27.49	34.50	41.50	48.52	55.52	62.53	73.03
15.24	17.88	21.39	24.89	28.40	31.90	38.91	45.91	52.91	59.92	66.92	77.42
....	14.21	17.76	21.29	24.81	31.83	38.85	45.86	52.87	59.88	70.39♥
13.89	16.54	20.05	23.56	27.07	30.58	37.58	44.59	51.59	58.60	65.60	76.10
11.15	13.82	17.35	20.88	24.39	27.91	34.92	41.94	48.94	55.95	62.96	73.46
14.78	17.42	20.93	24.44	27.95	31.45	38.45	45.46	52.47	59.47	66.47	76.98
....	11.02	14.60	18.16	21.69	25.22	32.25	39.27	46.29	53.30	60.31	70.82♥
14.30	16.95	20.47	23.98	27.49	31.00	38.01	45.02	52.02	59.03	66.03	76.53
....	16.90	24.08	31.18	38.24	45.28	52.31	62.84
11.54	14.21	17.76	21.29	24.81	28.32	35.34	42.36	49.37	56.38	63.38	73.89

XH Belt Width Table

Belt Width Factor	1.00	1.29	1.56	1.84	2.14	2.72	3.36	4.06	4.76	6.15	7.50	8.89	10.32	11.70	13.10	14.41	15.84	17.16	18.62
Belt Width	1	1-1/4	1-1/2	1-3/4	2	2-1/2	3	3-1/2	4	5	6	7	8	9	10	11	12	13	14
Belt Width Code	100	125	150	175	200	250	300	350	400	500	600	700	800	900	1000	1100	1200	1300	1400

Shaded area indicates stock belt widths

FEATURES/BENEFITS PAGE PT10-2	SPECIFICATIONS PAGE PT10-3	SELECTION PAGE PT10-14	ENGINEERING/TECHNICAL PAGE PT10-44
----------------------------------	-------------------------------	---------------------------	---------------------------------------



SELECTION

XH Stock Drive Selections

	Driven Speeds for Motor Speeds of			Speed Ratio	Pulley Combination				HP for a 1 Wide Belt for Motor Speeds of Δ		
					Driver		Driven				
	1750	1160	870		No. of Teeth	Pitch Diam.	No. of Teeth	Pitch Diam.	1750	1160	870
	948	628	471	1.85	26XH	7.241	48XH	13.369	17.17	12.13	9.29
	933	618	464	1.88	32XH	8.913	60XH	16.711	19.87	14.57	11.29
	875	580	435	2.00	30XH	8.356	60XH	16.711	19.06	13.79	10.63
	875	580	435	2.00	24XH	6.685	48XH	13.369	16.14◇	11.29	8.61
	875	580	435	2.00	20XH	5.570	40XH	11.141	13.85◇	9.51◇	7.23◇
	833	552	414	2.10	40XH	11.141	84XH	23.396	22.22	17.44	13.79
	817	541	407	2.14	28XH	7.799	60XH	16.711	18.16	12.97	9.97
	802	531	399	2.18	22XH	6.127	48XH	13.369	15.03◇	10.41◇	7.92
	523	392	2.22	18XH	5.013	40XH	11.141	8.61◇	6.52◇
	778	516	387	2.25	32XH	8.913	72XH	20.054	19.87	14.57	11.29
	758	502	377	2.31	26XH	7.241	60XH	16.711	17.17	12.13	9.29
	729	483	363	2.40	40XH	11.141	96XH	26.738	22.22	17.44	13.79
	729	483	363	2.40	30XH	8.356	72XH	20.054	19.06	13.79	10.63
	729	483	363	2.40	20XH	5.570	48XH	13.369	13.85◇	9.51◇	7.23◇
	700	464	348	2.50	24XH	6.685	60XH	16.711	16.14◇	11.29	8.61
	681	451	339	2.57	28XH	7.799	72XH	20.054	18.16	12.97	9.97
	667	442	331	2.63	32XH	8.913	84XH	23.396	19.87	14.57	11.29
	434	326	2.67	18XH	5.013	48XH	13.369	8.61◇	6.52◇
	642	425	319	2.73	22XH	6.127	60XH	16.711	15.03◇	10.41◇	7.92
	632	419	314	2.77	26XH	7.241	72XH	20.054	17.17	12.13	9.29
	625	414	311	2.80	30XH	8.356	84XH	23.396	19.06	13.79	10.63
	583	387	290	3.00	40XH	11.141	120XH	33.423	22.22	17.44	13.79
	583	387	290	3.00	32XH	8.913	96XH	26.738	19.87	14.57	11.29
	583	387	290	3.00	28XH	7.799	84XH	23.396	18.16	12.97	9.97
	583	387	290	3.00	24XH	6.685	72XH	20.054	16.14◇	11.29	8.61
	583	387	290	3.00	20XH	5.570	60XH	16.711	13.85◇	9.51◇	7.23◇
	547	363	272	3.20	30XH	8.356	96XH	26.738	19.06	13.79	10.63
	542	359	269	3.23	26XH	7.241	84XH	23.396	17.17	12.13	9.29
	535	355	266	3.27	22XH	6.127	72XH	20.054	15.03◇	10.41◇	7.92
	348	261	3.33	18XH	5.013	60XH	16.711	8.61◇	6.52◇
	510	338	254	3.43	28XH	7.799	96XH	26.738	18.16	12.97	9.97
	500	331	249	3.50	24XH	6.685	84XH	23.396	16.14◇	11.29	8.61
	486	322	242	3.60	20XH	5.570	72XH	20.054	13.85◇	9.51◇	7.23◇
	474	314	236	3.69	26XH	7.241	96XH	26.738	17.17	12.13	9.29
	467	309	232	3.75	32XH	8.913	120XH	33.423	19.87	14.57	11.29
	458	304	228	3.82	22XH	6.127	84XH	23.396	15.03◇	10.41	7.92
	438	290	218	4.00	30XH	8.356	120XH	33.423	19.06	13.79◇	10.63
	438	290	218	4.00	24XH	6.685	98XH	26.738	16.14◇	11.29	8.61
	290	218	4.00	18XH	5.013	72XH	20.054	8.61◇	6.52◇
	416	276	207	4.20	20XH	5.570	84XH	23.396	13.85◇	9.51◇	7.23◇
	408	270	203	4.29	28XH	7.799	120XH	33.423	18.16	12.97	9.97
	401	266	200	4.36	22XH	6.127	96XH	26.738	15.03◇	10.41◇	7.92
	379	251	188	4.62	26XH	7.241	120XH	33.423	17.17	12.13	9.29
	249	186	4.67	18XH	5.013	84XH	23.396	8.61◇	6.52◇
	365	242	181	4.80	20XH	5.570	96XH	26.738	13.85◇	9.51◇	7.23◇
	350	232	174	5.00	24XH	6.685	120XH	33.423	16.14◇	11.29	8.61
	217	162	5.33	18XH	5.013	96XH	26.738	8.61◇	6.52◇
	321	212	159	5.45	22XH	6.127	120XH	33.423	15.03	10.41◇	7.92
	292	193	145	6.00	20XH	5.570	120XH	33.423	13.85◇	9.51◇	7.23◇
	174	130	6.67	18XH	5.013	120XH	33.423	8.61◇	6.52◇

Δ HP ratings are for conventional speed-reduction drives.

† † See Teeth in Mesh table on opposite page.

For Speed-Up Drives refer to page PT10-17.

♥ Flanges Required on both pulleys.

◇ Pulley Diameter is below recommended minimum. A reduction in belt life should be expected. Suggest alternate drive selection, whenever possible.

FEATURES/BENEFITS PAGE PT10-2	SPECIFICATIONS PAGE PT10-3	SELECTION PAGE PT10-14	ENGINEERING/TECHNICAL PAGE PT10-44
----------------------------------	-------------------------------	---------------------------	---------------------------------------

SELECTION



XH Stock Drive Selections

Nominal Center Distance Using DYNA-SYNC Belts

507XH	560XH	630XH	700XH	770XH	840XH	980XH	1120XH	1260XH	1400XH	1540XH	1750XH
....	11.39	14.99	18.55	22.10	25.63	32.66	39.69	46.71	53.72	60.73	71.24
....	14.34	17.95	21.52	28.60	35.66	42.69	49.72	56.74	67.26
....	14.71	18.33	21.91	29.01	36.07	43.11	50.13	57.15	67.68♥
....	11.77	15.38	18.95	22.50	26.03	33.08	40.11	47.13	54.14♥	61.15♥	71.67♥
11.92	14.60	18.16	21.69	25.22	28.74	35.76	42.78	49.79	56.80	63.81	74.32
....	20.97	28.20	35.34	42.43	49.49	60.06
....	15.08	18.71	22.30	29.41	36.47	43.52	50.55	57.57	68.10♥
....	12.14	15.77	19.34	22.90	26.43	33.49	40.52	47.54	54.56♥	61.58♥	72.09♥
12.30	14.99	18.55	22.10	25.83	29.15	36.18	43.20	50.21	57.23	64.24	74.75
....	18.40	25.64	32.77	39.86	46.91	53.96	64.50
....	15.45	19.09	22.69	29.81	36.88	43.93	50.96	57.99♥	68.52♥
....	25.02	32.30	39.47	46.59	57.21
....	15.03	18.76	26.02	33.17	40.26	47.32	54.37	64.92
....	12.51	16.15	19.73	23.29	26.84	33.90	40.94	47.96♥	54.98♥	62.00♥	72.52♥
....	15.82	19.47	23.07	30.20	37.28	44.34	51.38	58.41♥	68.94♥
....	15.38	19.13	26.41	33.56	40.66	47.73	54.78	65.33♥
....	22.44	29.73	36.91	44.02	51.11	61.70
10.05	12.87	16.53	20.12	23.69	27.24	34.30	41.35♥	48.38♥	55.40♥	62.42♥	72.94♥
....	12.41	16.19	19.85	23.46	30.60	37.69	44.74	51.79♥	58.82♥	69.36♥
....	15.74	19.50	26.79	33.95	41.06	48.13	55.19	65.75♥
....	22.81	30.11	37.30	44.42	51.51	62.10
....	25.52	33.10	40.45	51.28
....	18.85	26.48	33.81	41.02	48.17	58.82
....	23.17	30.49	37.69	44.82	51.91	62.51♥
....	16.09	19.86	27.17	34.34	41.46	48.53	55.59♥	66.16♥
....	12.76	16.55	20.22	23.84	30.99	38.09	45.15♥	52.20♥	59.23♥	69.77♥
....	19.19	26.84	34.19	41.41	48.56	59.22
....	15.82	27.55	34.73	38.07	48.94	52.31	62.91♥
....	16.44	20.22	23.53	30.87	41.85	45.21	56.00♥	66.57♥
....	13.11	16.91	20.60	24.22	31.39	38.49	45.56♥	52.61♥	59.65♥	70.19♥
....	19.53	27.21	34.57	41.79	48.95	59.62
....	16.16	23.89	31.25	38.46	45.60	52.71	63.32♥
....	16.78	20.58	27.93	35.12	42.25	49.34♥	56.41♥	66.98♥
....	19.87	27.57	34.94	42.18	49.34	60.01♥
....	26.90	34.55	41.94	52.82
....	16.49	24.25	31.62	38.84	46.00	53.10♥	63.72♥
....	27.25	34.91	42.31	53.20
....	20.20	27.93	35.31	42.56	49.73	60.41♥
....	13.08†	17.13	20.94	28.30	35.51	42.64♥	49.74♥	56.81♥	67.39♥
....	16.83	24.61	32.00	39.23	46.39♥	53.50♥	64.13♥
....	27.59	35.27	42.68	53.58
....	20.54	28.28	35.69	42.94	50.12♥	60.81♥
....	27.93	35.83	43.05	53.96
....	17.16†	24.97	32.37	39.61	46.78♥	53.90♥	64.53♥
....	20.88	28.64	36.06	43.32	50.51♥	61.20♥
....	28.27	35.98	43.42	54.34♥
....	21.21	29.00	36.43	43.70♥	50.89♥	61.60♥
....	28.61	36.34	43.79	54.72♥
....	20.40†	28.95	36.69	44.16	55.10♥
....	20.71‡	29.29	37.05	44.52♥	55.48♥

XH Belt Width Table

Belt Width Factor	1.00	1.29	1.56	1.84	2.14	2.72	3.36	4.06	4.76	6.15	7.50	8.89	10.32	11.70	13.10	14.41	15.84	17.16	18.62
Belt Width	1	1-1/4	1-1/2	1-3/4	2	2-1/2	3	3-1/2	4	5	6	7	8	9	10	11	12	13	14
Belt Width Code	100	125	150	175	200	250	300	350	400	500	600	700	800	900	1000	1100	1200	1300	1400

Teeth in Mesh factor (T.I.M)

Table Symbol	No. of Teeth in Mesh In Small Pulley	Factor
None	6 or More	1.00
†	5	.80

Shaded area indicates stock belt widths.

Table Symbol	No. of Teeth in Mesh In Small Pulley	Factor
‡	4	.60

FEATURES/BENEFITS PAGE PT10-2	SPECIFICATIONS PAGE PT10-3	SELECTION PAGE PT10-14	ENGINEERING/TECHNICAL PAGE PT10-44
----------------------------------	-------------------------------	---------------------------	---------------------------------------



SELECTION

XL Stock Drive Selections

RPM of Faster Shaft	HP for a 1" Wide Belt for Various Pulleys												
	10XL .637 P.D.	11XL .700 P.D.	12XL .764 P.D.	14XL .891 P.D.	15XL .955 P.D.	16XL 1.019 P.D.	18XL 1.146 P.D.	20XL 1.273 P.D.	21XL 1.337 P.D.	22XL 1.401 P.D.	24XL 1.528 P.D.	28XL 1.783 P.D.	30XL 1.910 P.D.
100	.02	.02	.02	.03	.03	.03	.04	.04	.04	.04	.05	.06	.06
200	.04	.04	.05	.06	.06	.07	.07	.08	.08	.09	.10	.11	.12
300	.06	.07	.07	.09	.09	.10	.11	.12	.13	.13	.14	.17	.18
400	.08	.09	.10	.11	.12	.13	.14	.16	.17	.17	.19	.23	.24
500	.10	.11	.12	.14	.15	.16	.18	.20	.21	.22	.24	.29	.30
600	.12	.13	.14	.17	.18	.19	.22	.24	.26	.27	.29	.34	.37
700	.14	.15	.17	.20	.21	.23	.26	.28	.30	.31	.34	.40	.43
800	.16	.17	.19	.23	.24	.26	.30	.33	.34	.36	.40	.48	.49
900	.18	.20	.22	.26	.27	.30	.33	.37	.39	.40	.44	.51	.55
1000	.20	.22	.24	.29	.31	.33	.37	.41	.43	.45	.49	.57	.62
1100	.22	.25	.26	.31	.34	.36	.40	.45	.47	.49	.54	.63	.68
1160	.23	.26	.28	.33	.36	.38	.42	.46	.50	.52	.56	.66	.71
1200	.24	.27	.29	.34	.37	.39	.44	.49	.52	.54	.59	.68	.74
1300	.26	.29	.31	.37	.40	.42	.48	.53	.56	.58	.64	.74	.80
1400	.28	.31	.34	.40	.43	.46	.52	.57	.60	.63	.69	.80	.86
1500	.30	.34	.36	.43	.46	.49	.55	.61	.64	.67	.74	.86	.92
1600	.33	.36	.40	.46	.49	.53	.59	.65	.69	.72	.79	.91	.98
1700	.35	.38	.42	.49	.52	.56	.63	.67	.73	.77	.83	.97	1.04
1750	.36	.39	.43	.50	.53	.58	.64	.72	.75	.79	.86	1.00	1.07
1800	.37	.40	.44	.51	.55	.59	.66	.74	.77	.81	.88	1.03	1.10
2000	.41	.45	.49	.57	.62	.65	.74	.82	.86	.90	.98	1.15	1.23
2200	.45	.49	.54	.63	.68	.72	.81	.90	.94	.99	1.08	1.25	1.34
2400	.49	.54	.59	.68	.74	.79	.88	.98	1.03	1.07	1.18	1.37	1.46
2600	.53	.58	.64	.74	.80	.85	.96	1.06	1.12	1.17	1.25	1.48	1.58
2800	.57	.63	.69	.80	.86	.92	1.03	1.15	1.20	1.26	1.37	1.59	1.71
3000	.61	.67	.74	.86	.92	.98	1.10	1.23	1.28	1.34	1.46	1.71	1.82
3200	.65	.72	.79	.91	.98	1.05	1.18	1.30	1.37	1.43	1.56	1.81	1.94
3400	.69	.77	.83	.97	1.04	1.11	1.25	1.38	1.45	1.52	1.66	1.92	2.05
3500	.72	.79	.86	1.00	1.07	1.15	1.28	1.42	1.49	1.57	1.71	1.98	2.11
3600	.74	.81	.88	1.03	1.10	1.18	1.32	1.46	1.54	1.61	1.75	2.03	2.16
3800	.78	.83	.93	1.09	1.17	1.24	1.39	1.54	1.62	1.70	1.84	2.13	2.27
4000	.82	.90	.98	1.15	1.23	1.30	1.46	1.63	1.71	1.78	1.94	2.24	2.39
4200	.86	.94	1.03	1.20	1.28	1.37	1.53	1.71	1.76	1.86	2.03	2.35	2.50
4400	.90	.99	1.08	1.25	1.34	1.43	1.61	1.78	1.86	1.95	2.12	2.45	2.61
4600	.94	1.03	1.13	1.31	1.40	1.50	1.68	1.86	1.95	2.04	2.21	2.55	2.71
4800	.98	1.07	1.18	1.37	1.46	1.56	1.75	1.94	2.03	2.13	2.30	2.65	2.82
5000	1.02	1.12	1.23	1.42	1.52	1.63	1.82	2.01	2.11	2.20	2.39	2.75	2.92
5500	1.67	1.78	2.00	2.20	2.30	2.41	2.61	2.99	3.18
6000	1.82	1.94	2.16	2.39	2.50	2.61	2.82	3.23	3.41
6500	1.96	2.09	2.34	2.57	2.69	2.80	3.03	3.42	3.64
7000	2.11	2.24	2.50	2.75	2.87	2.99	3.23	3.65	3.84
7500	2.25	2.39	2.66	2.92	3.05	3.18	3.41	3.84	4.03
8000	2.82	3.10	3.23	3.34	3.59	4.02	4.21
8500	2.97	3.26	3.39	3.52	3.76	4.19	4.37
9000	3.13	3.41	3.55	3.68	3.92	4.34	4.51
9500	3.28	3.56	3.70	3.83	4.07	4.47	4.63
10000	3.41	3.71	3.84	3.97	4.21	4.59	4.72

XL Belt Width Table

Belt Width Factor	.15	.28	.35	.42	.57	.71	.86	1.00	1.29	1.56
Belt Width	1/4	3/8	7/16	1/2	5/8	3/4	7/8	1	1-1/4	1-1/2
Belt Width Code	025	037	043	050	062	075	087	100	125	150

Shaded area indicates stock belt widths.

◇ Pulley diameter is below recommended minimum.

A reduction in belt life should be expected. Suggest alternate drive, when ever possible.

FEATURES/BENEFITS PAGE PT10-2	SPECIFICATIONS PAGE PT10-3	SELECTION PAGE PT10-14	ENGINEERING/TECHNICAL PAGE PT10-44
----------------------------------	-------------------------------	---------------------------	---------------------------------------

SELECTION



L Stock Drive Selections

RPM of Faster Shaft	HP for a 1" Wide Belt for Various Pulleys																		
	10L 1.194 P.D.	12L 1.432 P.D.	13L Δ 1552 P.D.	14L 1.671 P.D.	15L Δ 1.790 P.D.	16L 1.910 P.D.	17L 2.029 P.D.	18L 2.149 P.D.	19L 2.268 P.D.	20L 2.387 P.D.	21L 2.507 P.D.	22L 2.626 P.D.	24L 2.865 P.D.	26L 3.104 P.D.	28L 3.342 P.D.	30L 3.581 P.D.	32L 3.820 P.D.	40L 4.775 P.D.	48L 5.730 P.D.
100	.050	.06	.07	.07	.08	.08	.09	.09	.10	.10	.11	.12	.13	.14	.15	.16	.17	.21	.25
200	.100	.13	.14	.15	.16	.17	.18	.19	.20	.21	.22	.23	.25	.27	.29	.31	.33	.42	.50
300	.160	.19	.20	.22	.23	.25	.27	.28	.30	.31	.33	.34	.38	.41	.44	.47	.50	.63	.75
400	.210	.25	.27	.29	.31	.33	.35	.38	.40	.42	.44	.46	.50	.54	.58	.62	.67	.83	1.00
500	.260	.31	.34	.37	.39	.42	.44	.47	.50	.52	.55	.57	.63	.68	.73	.78	.83	1.04	1.24
600	.310	.37	.41	.44	.47	.50	.53	.56	.59	.63	.66	.69	.75	.81	.87	.94	1.00	1.24	1.49
700	.370	.44	.47	.51	.55	.58	.62	.66	.69	.73	.77	.80	.87	.95	1.02	1.09	1.16	1.45	1.73
800	.420	.50	.54	.58	.62	.67	.71	.75	.79	.83	.87	.92	1.00	1.08	1.16	1.24	1.32	1.85	1.97
870	.450	.54	.59	.63	.68	.73	.77	.82	.86	.91	.95	1.00	1.08	1.17	1.26	1.35	1.44	1.79	2.14
900	.470	.56	.61	.66	.70	.75	.80	.84	.89	.94	.98	1.03	1.12	1.21	1.30	1.40	1.49	1.65	2.21
1000	.520	.62	.68	.73	.78	.83	.89	.94	.99	1.04	1.09	1.14	1.24	1.34	1.45	1.55	1.65	2.05	2.44
1100	.570	.69	.75	.80	.86	.92	.97	1.03	1.08	1.14	1.20	1.25	1.36	1.48	1.59	1.70	1.81	2.25	2.67
1160	.600	.72	.79	.85	.91	.97	1.03	1.08	1.14	1.20	1.26	1.32	1.44	1.56	1.67	1.79	1.91	2.36	2.81
1200	.630	.750	.81	.88	.94	1.00	1.06	1.12	1.18	1.24	1.30	1.36	1.49	1.61	1.73	1.85	1.97	2.44	2.90
1300	.680	.810	.88	.95	1.01	1.08	1.15	1.21	1.28	1.34	1.41	1.48	1.61	1.74	1.87	2.00	2.13	2.63	3.12
1400	.730	.870	.95	1.02	1.09	1.16	1.23	1.30	1.38	1.45	1.52	1.59	1.73	1.87	2.01	2.15	2.29	2.82	3.34
1500	.780	.940	1.020	1.09	1.16	1.24	1.32	1.40	1.47	1.55	1.62	1.70	1.85	2.00	2.15	2.30	2.44	3.01	3.55
1600	.830	1.000	1.080	1.16	1.24	1.32	1.41	1.49	1.57	1.65	1.73	1.81	1.97	2.13	2.28	2.44	2.60	3.20	3.76
1700	.890	1.060	1.150	1.23	1.32	1.41	1.49	1.58	1.66	1.75	1.83	1.92	2.09	2.26	2.42	2.59	2.75	3.38	3.97
1750	.910	1.090	1.170	1.27	1.36	1.45	1.54	1.62	1.71	1.80	1.89	1.98	2.15	2.32	2.49	2.66	2.83	3.47	4.06
1800	1.120	1.210	1.300	1.39	1.49	1.58	1.67	1.76	1.85	1.94	2.03	2.21	2.38	2.56	2.73	2.90	3.55	4.16
1900	1.180	1.270	1.380	1.47	1.57	1.66	1.76	1.85	1.95	2.04	2.14	2.32	2.51	2.69	2.87	3.05	3.73	4.35
2000	1.240	1.350	1.450	1.55	1.65	1.75	1.85	1.95	2.05	2.15	2.25	2.44	2.63	2.82	3.01	3.19	3.89	4.54
2200	1.360	1.480	1.590	1.70	1.81	1.92	2.03	2.14	2.25	2.35	2.46	2.67	2.88	3.08	3.28	3.49	4.23	4.89
2400	1.490	1.610	1.730	1.85	1.97	2.09	2.21	2.32	2.44	2.56	2.67	2.90	3.12	3.34	3.56	3.76	4.54	5.21
2500	1.550	1.680	1.800	1.920	2.05	2.17	2.30	2.42	2.54	2.66	2.78	3.01	3.24	3.47	3.68	3.90	4.69	5.35
2600	1.610	1.740	1.870	2.000	2.13	2.26	2.38	2.51	2.63	2.76	2.88	3.12	3.36	3.59	3.81	4.03	4.83	5.48
2800	1.730	1.870	2.010	2.140	2.29	2.42	2.56	2.69	2.82	2.96	3.09	3.34	3.59	3.83	4.06	4.29	5.10	5.73
3000	1.850	2.000	2.150	2.290	2.44	2.59	2.73	2.87	3.01	3.15	3.29	3.55	3.81	4.06	4.30	4.54	5.35	5.94
3200	2.130	2.280	2.440	2.60	2.74	2.90	3.04	3.19	3.34	3.48	3.76	4.03	4.29	4.54	4.77	5.57	6.11
3400	2.260	2.420	2.580	2.75	2.91	3.07	3.22	3.37	3.53	3.67	3.97	4.24	4.50	4.76	4.99	5.78	6.23
3500	2.320	2.490	2.650	2.83	2.99	3.15	3.31	3.46	3.62	3.77	4.06	4.35	4.61	4.86	5.10	5.87	6.27
3600	2.550	2.730	2.900	3.070	3.23	3.39	3.55	3.71	3.86	4.16	4.45	4.72	4.97	5.21	5.95	6.31
3800	2.690	2.860	3.030	3.220	3.40	3.56	3.73	3.89	4.05	4.35	4.64	4.91	5.16	5.40	6.09	6.33
4000	2.830	3.000	3.200	3.370	3.56	3.73	3.89	4.06	4.23	4.54	4.83	5.10	5.34	5.57	6.21	6.31
4200	3.150	3.340	3.530	3.72	3.88	4.06	4.23	4.40	4.72	5.01	5.28	5.52	5.74	6.28	6.23
4400	3.280	3.490	3.670	3.86	4.04	4.22	4.40	4.57	4.89	5.19	5.44	5.68	5.88	6.33	6.09†
4600	3.410	3.630	3.820	4.01	4.20	4.38	4.56	4.73	5.05	5.34	5.59	5.82	6.01	6.35	5.89†
4800	3.540	3.770	3.960	4.17	4.35	4.54	4.72	4.89	5.20	5.48	5.73	5.94	6.12	6.32	5.63†
5000	3.670	3.910	4.100	4.310	4.500	4.68	4.86	5.04	5.35	5.63	5.86	6.06	6.20	6.26	5.30†
5200	3.810	4.030	4.230	4.450	4.630	4.82	5.01	5.18	5.48	5.76	5.98	6.15	6.27	6.16†	4.91†
5400	3.930	4.170	4.370	4.590	4.770	4.96	5.14	5.31	5.61	5.88	6.07	6.23	6.32	6.01†	4.44†
5600	4.050	4.290	4.500	4.720	4.910	5.09	5.28	5.44	5.73	5.98	6.16	6.28	6.34	5.83†	3.89†
5800	4.170	4.420	4.620	4.840	5.040	5.22	5.40	5.57	5.84	6.07	6.23	6.32	6.34	5.60†	3.27†
6000	4.290	4.50	4.750	4.970	5.150	5.34	5.52	5.68	5.93	6.15	6.28	6.35	6.33	5.32†	2.57†

L Belt Width Table

Belt Width Factor	.28	.35	.45	.57	.71	.86	1.00	1.29	1.56	1.84	2.14	2.72	3.36
Belt Width	3/8	7/16	1/2	5/8	3/4	7/8	1	1-1/4	1-1/2	1-3/4	2	2-1/2	3
Belt Width Code	037	043	050	062	075	087	100	125	150	175	200	250	300

Shaded area indicates stock belt widths.

Δ Special non-stock sizes.

† Belt Speed exceeds 6500 FPM – consult Dodge.

◇ Pulley diameter is below recommended minimum.

A reduction in belt life should be expected. Suggest alternate drive, when ever possible.

FEATURES/BENEFITS PAGE PT10-2	SPECIFICATIONS PAGE PT10-3	SELECTION PAGE PT10-14	ENGINEERING/TECHNICAL PAGE PT10-44
----------------------------------	-------------------------------	---------------------------	---------------------------------------



SELECTION

H Stock Drive Selections

RPM of Faster Shaft	HP for a 1" Wide Belt for Various Pulleys																
	14H 2.228 P.D.	16H 2.546 P.D.	17H 2.706 P.D.	18H 2.865 P.D.	19H 3.024 P.D.	20H 3.183 P.D.	21H 3.342 P.D.	22H 3.501 P.D.	24H 3.820 P.D.	26H 4.138 P.D.	28H 4.456 P.D.	30H 4.775 P.D.	32H 5.039 P.D.	36H Δ 5.730 P.D.	40H 6.366 P.D.	44H Δ 7.003 P.D.	48H 7.639 P.D.
100	.25	.28	.30	.32	.34	.35	.37	.39	.42	.46	.50	.53	.57	.64	.71	.78	.85
200	.50	.57	.60	.64	.67	.71	.74	.78	.85	.92	.99	1.06	1.13	1.27	1.41	1.56	1.70
300	.74	.85	.90	.96	1.01	1.06	1.11	1.17	1.27	1.38	1.49	1.59	1.70	1.91	2.12	2.33	2.54
400	.99	1.13	1.20	1.27	1.34	1.41	1.49	1.56	1.70	1.84	1.98	2.12	2.26	2.54	2.82	3.10	3.38
500	1.24	1.41	1.50	1.59	1.68	1.77	1.86	1.94	2.12	2.30	2.47	2.65	2.82	3.17	3.52	3.87	4.22
600	1.49	1.70	1.80	1.91	2.02	2.12	2.23	2.33	2.54	2.75	2.96	3.17	3.38	3.80	4.22	4.64	5.05
700	1.73	1.98	2.10	2.23	2.35	2.47	2.59	2.72	2.96	3.21	3.45	3.70	3.94	4.43	4.91	5.40	5.88
800	1.98	2.26	2.40	2.54	2.68	2.82	2.96	3.10	3.38	3.66	3.94	4.22	4.50	5.05	5.60	6.15	6.69
870	2.15	2.46	2.61	2.76	2.91	3.07	3.22	3.37	3.68	3.98	4.28	4.58	4.89	5.49	6.08	6.67	7.26
900	2.23◇	2.54	2.70	2.86	3.01	3.17	3.33	3.49	3.80	4.11	4.43	4.74	5.05	5.67	6.29	6.89	7.50
1000	2.47◇	2.82	3.00	3.17	3.35	3.52	3.70	3.87	4.22	4.57	4.91	5.26	5.60	6.29	6.96	7.63	8.30
1100	2.72◇	3.10	3.30	3.49	3.68	3.87	4.06	4.26	4.64	5.02	5.40	5.77	6.15	6.90	7.63	8.36	9.08
1160	2.86◇	3.27	3.47	3.68	3.88	4.08	4.28	4.48	4.89	5.28	5.68	6.08	6.48	7.26	8.03	8.80	9.55
1200	3.38◇	3.59	3.80	4.01	4.22	4.43	4.64	5.05	5.46	5.88	6.29	6.69	7.50	8.30	9.08	9.86
1300	3.66◇	3.89	4.12	4.34	4.57	4.79	5.01	5.46	5.91	6.35	6.79	7.23	8.10	8.95	9.79	10.62
1400	3.94◇	4.19	4.43	4.67	4.91	5.15	5.39	5.87	6.35	6.83	7.30	7.77	8.69	9.60	10.49	11.36
1500	4.22◇	4.48◇	4.74	5.00	5.26	5.51	5.77	6.28	6.79	7.30	7.80	8.30	9.28	10.24	11.18	12.09
1600	4.50◇	4.78◇	5.05	5.33	5.60	5.87	6.15	6.69	7.23	7.77	8.30	8.82	9.86	10.87	11.85	12.80
1700	4.77◇	5.07◇	5.36	5.65	5.94	6.23	6.52	7.10	7.67	8.23	8.79	9.34	10.43	11.49	12.51	13.50
1750	4.91◇	5.22◇	5.52	5.81	6.11	6.41	6.71	7.30	7.88	8.46	9.03	9.60	10.71	11.79	12.84	13.84
1800	5.05◇	5.36◇	5.67◇	5.98	6.28	6.59	6.89	7.50	8.10	8.69	9.28	9.86	10.99	12.09	13.15	14.18
1900	5.42◇	5.66◇	5.98◇	6.30	6.62	6.94	7.26	7.90	8.53	9.15	9.76	10.36	11.55	12.69	13.78	14.83
2000	5.60	5.95◇	6.28◇	6.62	6.96	7.30	7.63	8.29	8.95	9.60	10.24	10.87	12.10	13.27	14.40	15.46
2100	6.59◇	6.94	7.29	7.65	8.00	8.69	9.37	10.05	10.71	11.36	12.63	13.84	14.99	16.08
2200	6.89◇	7.26	7.63	8.00	8.36	9.08	9.79	10.49	11.18	11.85	13.16	14.40	15.57	16.66
2300	7.20◇	7.58	7.96	8.34	8.72	9.47	10.21	10.93	11.64	12.33	13.68	14.94	16.13	17.23
2400	7.50◇	7.90	8.29	8.69	9.08	9.85	10.62	11.37	12.09	12.80	14.18	15.46	16.66	17.76
2500	7.80◇	8.21◇	8.62	9.03	9.44	10.23	11.02	11.80	12.54	13.27	14.68	15.98	17.18	18.27
2600	8.10◇	8.52◇	8.95	9.37	9.79	10.61	11.42	12.22	12.98	13.72	15.16	16.47	17.67	18.75
2800	8.69◇	9.14◇	9.59	10.04	10.49	11.35	12.21	13.05	13.84	14.61	16.09	17.41	18.60	19.63
3000	9.28◇	9.75◇	10.23	10.70	11.18	12.08	12.98	13.85	14.67	15.46	16.96	18.27	19.42	20.38
3200	9.85◇	10.36◇	10.85	11.35	11.85	12.79	13.72	14.63	15.46	16.27	17.78	19.06	20.14	20.99
3400	10.43◇	10.95◇	11.47	11.99	12.51	13.48	14.45	15.37	16.22	17.03	18.53	19.76	20.75	21.46†
3500	10.71◇	11.24◇	11.77	12.31	12.84	13.82	14.80	15.74	16.59	17.40	18.89	20.08	21.01	21.63†
3600	12.07◇	12.62	13.16	14.16	15.15	16.09	16.95	17.75	19.22	20.37	21.24†	21.77†
3800	12.67◇	13.23	13.79	14.81	15.82	16.78	17.63	18.42	19.85	20.89	21.60†	21.92†
4000	13.24◇	13.82	14.40	15.44	16.46	17.43	18.27	19.04	20.40	21.31†	21.83†	21.90†
4200	13.81◇	14.41	15.00	16.04	17.08	18.05	18.87	19.61	20.88	21.62†	21.93†	21.70†
4400	14.36◇	14.97	15.57	16.63	17.67	18.62	19.42	20.12	21.27†	21.83†	21.87†	21.32†
4600	14.90◇	15.52◇	16.13	17.18	18.22	19.16	19.90	20.57	21.58†	21.82†	21.67†	20.73†
4800	15.42◇	16.05◇	16.67	17.71	18.74	19.66	20.37	20.96	21.81†	21.89†	21.30†	19.93†
5000	15.93◇	16.56◇	17.19	18.22	19.23	20.12	20.77	21.29†	21.95†	21.73†	20.77†
5200	16.41◇	17.05◇	17.69	18.69	19.68	20.53	21.11†	21.54†	21.99†	21.44†	20.06†
5400	18.89◇	17.53◇	18.16◇	19.13	20.09	20.90	21.39†	21.73†	21.93†	21.02†
5600	17.34◇	17.98◇	18.61◇	19.55	20.47	21.22†	21.62†	21.85†	21.76†	20.45†
5800	17.77◇	18.41◇	19.04◇	19.93	20.80	21.49†	21.78†	21.89†	21.50†	19.75†
6000	18.19◇	18.82◇	19.41◇	20.27	21.10†	21.70†	21.88†	21.85†	21.12†

H Belt Width Table

Belt Width Factor	.42	.57	.71	.86	1.00	1.29	1.56	1.84	2.14	2.72	3.36	4.06	4.76	6.15	7.50	8.89	10.32
Belt Width	1/2	5/8	3/4	7/8	1	1-1/4	1-1/2	1-3/4	2	2-1/2	3	3-1/2	4	5	6	7	8
Belt Width Code	050	062	075	087	100	125	150	175	200	250	300	350	400	500	600	700	800

Shaded area indicates stock belt widths.

Δ Special non-stock sizes.

† Belt Speed exceeds 6500 FPM – consult Dodge.

◇ Pulley diameter is below recommended minimum.

A reduction in belt life should be expected. Suggest alternate drive, when ever possible.

FEATURES/BENEFITS PAGE PT10-2	SPECIFICATIONS PAGE PT10-3	SELECTION PAGE PT10-14	ENGINEERING/TECHNICAL PAGE PT10-44
----------------------------------	-------------------------------	---------------------------	---------------------------------------

V-Drives

FHP Drives

Drive Component Accessories

DYNA-SYNC

HT200/HTD Synchronous Drives

HTR Synchronous Drives

HTRC Synchronous Drives



XH Basic Horsepower Ratings

XXH Basic Horsepower Ratings

RPM of Faster Shaft	HP for a 1" Wide Belt for Various Pulleys										RPM of Faster Shaft	HP for a 1" Wide Belt for Various Pulleys									
	18 XH	20 XH	22 XH	24 XH	26 XH	28 XH	30 XH	32 XH	40 XH	18 XXH		20 XXH	22 XXH	24 XXH	26 XXH	30 XXH	32 XXH	40 XXH			
	5.013 P.D.	5.570 P.D.	6.127 P.D.	6.685 P.D.	7.241 P.D.	7.799 P.D.	8.356 P.D.	8.913 P.D.	11.141 P.D.	7.162 P.D.		7.958 P.D.	8.753 P.D.	9.549 P.D.	10.345 P.D.	11.937 P.D.	13.528 P.D.	15.915 P.D.			
100	0.76◇	0.84	0.93	1.01	1.11	1.18	1.26	1.34	1.68	100	1.33◇	1.48	1.83	1.77	1.92	2.21	2.51	2.95			
200	1.51◇	1.68	1.85	2.02	2.19	2.36	2.52	2.69	3.37	200	2.66◇	2.95	3.24	3.54	3.84	4.42	5.00	5.87			
300	2.28◇	2.52	2.78	3.03	3.28	3.54	3.78	4.03	5.02	300	3.98◇	4.42	4.85	5.29	5.72	6.58	7.45	8.73			
400	3.03◇	3.37	3.70	4.03	4.37	4.70	5.02	5.36	6.66	400	5.29◇	5.87	6.44	7.02	7.60	8.73	9.85	11.49			
480	3.63◇	4.03	4.43	4.82	5.22	5.62	6.00	6.40	7.95	480	6.33◇	7.02	7.70	8.39	9.06	10.40	11.71	13.61			
500	3.78◇	4.20◇	4.61	5.02	5.44	5.85	6.26	6.71	8.26	500	6.63◇	7.31◇	8.02	8.73	9.43	10.81	12.17	14.13			
510	3.86◇	4.29◇	4.71	5.12	5.54	5.97	6.37	6.80	8.42	510	6.72◇	7.45◇	8.17	8.89	9.61	11.02	12.39	14.39			
570	4.30◇	4.77◇	5.25	5.72	6.17	6.65	7.10	7.56	9.36	570	7.50◇	8.31◇	9.11	9.90	10.68	12.23	13.73	15.89			
600	4.53◇	5.02◇	5.52	6.00	6.50	6.98	7.47	7.95	9.82	600	7.88◇	8.73◇	9.57	10.40	11.22	12.83	14.39	16.62			
680	5.12◇	5.68◇	6.24	6.80	7.34	7.88	8.42	8.96	11.04	680	8.89◇	9.85◇	10.78	11.71	12.62	14.39	16.09	18.49			
700	5.27◇	5.84◇	6.42	6.98	7.54	8.10	8.66	9.21	11.35	700	9.15◇	10.13◇	11.09	12.03	12.96	14.77	16.51	18.93			
800	6.00◇	6.66◇	7.31	7.95	8.59	9.21	9.83	10.44	12.80	800	10.40◇	11.49◇	12.56	13.62	14.64	16.62	18.49	21.02			
870	6.52◇	7.23◇	7.92	8.61	9.29	9.97	10.63	11.29	13.79	870	10.85◇	12.43◇	13.56	14.70	15.79	17.88	19.78	22.34			
900	6.74◇	7.46◇	8.19◇	8.90	9.59	10.29	10.97	11.64	14.18	900	11.69◇	12.83◇	14.00◇	15.15	16.23	18.37	20.31	22.86			
1000	7.47◇	8.26◇	9.05◇	9.82	10.59	11.35	12.08	12.80	15.51	1000	12.83◇	14.14◇	15.40◇	16.62	17.80	20.01	21.98	24.44			
1100	8.19◇	9.05◇	9.91◇	10.75	11.56	12.38	13.15	13.92	16.74	1100	14.00◇	15.40◇	16.94◇	18.00	19.26	21.50	23.45	25.70			
1160	8.61◇	9.51◇	10.41◇	11.29	12.13	12.97	13.79	14.57	17.44	1160	14.70◇	16.14◇	17.52◇	18.84	20.01	22.34	24.23	26.29			
1200	9.83◇	10.75◇	11.64◇	12.51	13.37	14.29	14.99	17.89	1200	16.62◇	18.03◇	19.37◇	20.62	22.88	24.71	26.62			
1300	10.59◇	11.57◇	12.51◇	13.44	14.32	15.18	16.01	18.94	1300	17.80◇	19.26◇	19.88◇	21.88	24.07	26.75	27.18			
1400	11.35◇	12.37◇	13.37◇	14.32	15.25	16.14	16.98	19.87	1400	18.93◇	20.41◇	21.79◇	23.03	26.10	26.54	27.33			
1500	12.08◇	13.15◇	14.19◇	15.18	16.14	17.03	17.89	20.71	1500	19.19◇	21.50◇	22.88◇	24.07	26.95	27.06	27.05			
1600	12.80◇	13.92◇	14.99◇	16.01	16.98	17.14	18.82	21.42	1600	21.02◇	22.52◇	23.84◇	24.98	26.62	27.32	26.33†			
1700	13.50◇	14.66◇	15.76◇	16.80	17.78	18.68	19.51	21.99	1700	21.99◇	23.45◇	24.71◇	25.75	27.07	27.27	25.11†			
1750	13.85◇	15.03◇	16.14◇	17.17	18.16	19.06	19.87	22.22	1750	22.43◇	23.88◇	25.11◇	26.08	27.22	27.12	24.31†			
1800	15.37◇	16.51◇	17.56◇	18.53	19.42	20.22	22.35	1800	22.87◇	24.29◇	26.47◇	26.38◇	27.31	26.89	23.36†			
1900	16.07◇	17.22◇	18.65◇	19.23	20.69	20.86	22.70	1900	23.69◇	25.04◇	26.11◇	26.86◇	27.31	26.18†			
2000	16.74◇	17.89◇	18.94◇	19.87	20.71	21.42	22.84	2000	24.44◇	25.70◇	26.62◇	27.18◇	27.08	26.11†			
2100	17.39◇	18.53◇	19.56◇	20.48	21.25	21.88	22.81	2100	25.11◇	26.24◇	27.00◇	27.33◇	26.56†	23.66†			
2200	18.00◇	19.43◇	20.14◇	21.01	21.72	22.27	22.61	2200	25.70◇	26.69◇	27.24◇	27.31◇	26.79†			
2300	18.58◇	19.70◇	20.67◇	21.47	22.11	22.55	22.30†	2300	26.21◇	27.03◇	27.33◇	27.09◇	24.74†			
2400	19.13◇	20.22◇	21.14◇	21.88	22.42	22.75	21.65†	2400	26.62◇	27.24◇	27.28◇	26.69†	23.36†			
2500	20.71◇	21.57◇	22.22◇	22.64	22.84	20.89†	2500	29.95◇	27.33◇	27.06◇	26.07†			
2600	21.14◇	21.94◇	22.49◇	22.80	22.82	19.92†	2600	27.18◇	27.30◇	26.69†	25.25†			
2800	21.89◇	22.49◇	22.81◇	22.81	22.47†	2800	27.34◇	26.83◇	25.40†	22.95†			
3000	22.42◇	22.80◇	22.81◇	22.44†	21.65†	3000	27.07◇	26.79	23.36†			
3200	22.75◇	22.82◇	22.47†	21.65†	20.33†	3200			
3400	22.84◇	22.58◇	21.78†	20.42†	18.48†	3400			
3500	22.81◇	22.34†	21.29†	19.64†	3500			
3600	22.71◇	22.02†	20.72†	18.73†	3600			
3800	22.31†	21.41†	19.22†	3800			
4000	21.65†	19.92†	4000			
4200	20.71†	18.33†	4200			
4400	19.47†	4400			

XH, XXH Belt Width Table

Belt Width Factor	1.00	1.29	1.56	1.84	2.14	2.72	3.36	4.06	4.76	6.15	7.50	8.89	10.32	11.70	13.10	14.41	15.84	17.16	18.62
Belt Width	1	1-1/4	1-1/2	1-3/4	2	2-1/2	3	3-1/2	4	5	6	7	8	9	10	11	12	13	14
Belt Width Code	100	125	150	175	200	250	300	350	400	500	600	700	800	900	1000	1100	1200	1300	1400

Shaded area indicates stock belt widths.

† Belt Speed exceeds 6500 FPM – consult Dodge.

◇ Pulley diameter is below recommended minimum.

A reduction in belt life should be expected. Suggest alternate drive, when ever possible.

△ Stock with XXH Series only.

FEATURES/BENEFITS PAGE PT10-2	SPECIFICATIONS PAGE PT10-3	SELECTION PAGE PT10-14	ENGINEERING/TECHNICAL PAGE PT10-44
----------------------------------	-------------------------------	---------------------------	---------------------------------------



ENGINEERING/TECHNICAL

Dimensions, Tolerances, etc.

Warning - Do not use DYNA-SYNC Pulleys with belt speed exceeding 6500 fpm. May cause pulleys to fragment resulting in personal injury or property damage.

Concentricity and Face Run-Out Tolerances

Runout (T.I.R. ϕ)	O.D.	Tol.
Radial	8" & under	.005"
	For each add'l. inch of O.D. add .0005"	
Axial	1" & Under	.001"
	For each add'l. inch of O.D. thru 10" add .001"	
	For each add'l. inch of O.D. over 10" add .0005"	

ϕ Total Indicator Reading

Reborable Pulley Bore Tolerances

Bore Size	Tol.
15/16" & Under	.0010" - .0000"
1" to 1-15/16"	.0015" - .0000"
2" to 2-15/16"	.0020" - .0000"
3" & Over	.0025" - .0000"

Rebore Charges—Reborable pulley alteration charges are shown in MLP Price Book. TAPER-LOCK pulleys accommodate all common tolerance variations found in commercial shafting.

Balancing—All DYNA-SYNC Pulleys have been given a careful static balance for operation up to 6500 FPM. When vibration is a problem, dynamic balancing is recommended – Consult price book MLP. (See Warning above)

Special Pulleys—In 1/5 thru 1-1/4" pitches, pulleys can be made to suit customer's specifications and may be furnished in sizes not listed on previous pages. Send us your inquiry.

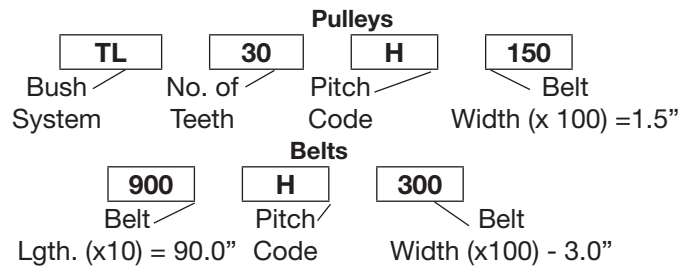
Standard Keyways

Bore Range	Keyway
5/16 - 7/16 Incl.	3/32 x 3/64
Over 7/16 - 9/16 Incl.	1/8 x 1/16
Over 9/16 - 7/8 Incl.	3/16 x 3/32
Over 7/8 - 1-1/4 Inc.	1/4 x 1/8
Over 1-1/4 - 1-3/8 Inc.	5/16 x 5/32
Over 1-3/8 - 1-3/4 Incl.	3/8 x 3/16
Over 1-3/4 - 2-1/4 Inc.	1/2 x 1/4
Over 2-1/4 - 2-3/4 Incl.	5/8 x 5/16
Over 2-3/4 - 3-1/4 Incl.	3/4 x 3/8

Pulley Outside Diameter/Diameter Over Belt

Pitch	Pulley O.D.	Diameter Over Belt
XL	P.D. - 0.02"	P.D. +0.08"
L	P.D. - 0.03"	P.D. +0.11"
H	P.D. - 0.054"	P.D. +0.11"
XH	P.D. - 0.11"	P.D. +0.27"
XXH	P.D. - 0.12"

NOMENCLATURE



1/5" pitch (XL)	3/8" pitch (L)	1/2" pitch (H)	7/8" pitch (XH)	1-1/4" pitch (XXH)
Typical uses are shown below the Tooth Dimensions Sketches				
Business machines, instrumentation, sound equipment	FHP applications such as home appliances, small tools, pumps, blowers.	Machine tools, pumps, fans presses, motor-generator sets.	Medium-torque applications - such as heavy industrial equipment.	High torque applications - such as heavy industrial equipment

FEATURES/BENEFITS PAGE PT10-2	SPECIFICATIONS PAGE PT10-3	SELECTION PAGE PT10-14	ENGINEERING/TECHNICAL PAGE PT10-44
----------------------------------	-------------------------------	---------------------------	---------------------------------------



Installing / Tensioning DYNA-SYNC Drives

Alignment

Use straight edge to check parallel and offset alignment. Align pulleys within 1/4° or 1/16" per foot center distance. Supporting framework must be rigid.

Pulley Flanges

At least one pulley must have flanges. If center distance is more than 8 times the diameter of the smallest pulley, both pulleys should be flanged. Vertical shaft drives may require flanges on both pulleys.

Installation

Reduce center distance so that belt can be slipped into place without forcing. Do not pry belt onto pulleys. Increase center distance to tighten belt. Belt should be snug, but not excessively tight. If belt has a tendency to "jump teeth" during operation, increase belt tension.

Idlers

Adjustable center distance is preferred over idlers to tension belt. Idlers should be positioned on the slack side of the drive. Inside idlers are preferred over outside idlers. Idler diameter should be at least as large as the smallest pulley.

TENSIONING THE DRIVE –

Simple Tensioning Procedure:

Step 1 – Calculate the value of the deflection force "f" from the following formula, referring to drawing below.

$$\text{Force of Deflection } f = \frac{T + (S/L) K}{16}$$

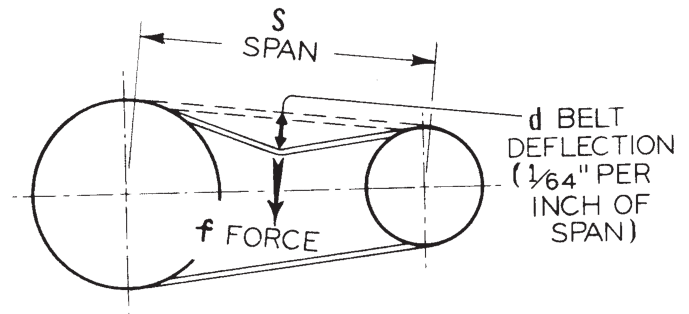
Where S = Span distance in inches

T = Tension in Lbs. from Table below

K = Constant from Table

L = Length of Belt

Step 2 – Using a straight edge as a reference, apply enough force to deflect belt 1/64" for every inch of center span. If this force is less than the calculated "f", increase center distance of pulleys. If more than "f", decrease center distance of pulleys.



Belt Deflection Force T and K Values

Belt Pitch	Values	Belt Width															
		#	1/4	3/8	1/2	5/8	3/4	1	1-1/2	2	2-1/2	3	4	5	6	8	10
XL 1/5"	T	6.7	10	15	20	24.2	34.2
	K	.85	1.7	2.7	3.6	4.7	6.7
L 3/8"	T	...	11.4	17.1	22.1	27.9	39.3	61.4
	K	...	8.5	9.9	14	17	24	37
H 1/2"	T	39.3	53.3	66	93.3	145.3	200	254	313	444	574	700	
	K	17	22	32	46	71	95	125	152	210	265	320	
XH 7/8"	T	227	288	356	504	652	795	1094	1388	
	K	190	250	305	440	568	700	1080	1330	
XXH 1-1/4"	T	556	707	873	1238	1599	1950	2683	3406	
	K	310	410	500	710	920	1100	1500	...	

#T = Tension in Pounds; K = constant for above formula.

Allowable Working Tension (Ta) Lbs.

Belt Pitch	Belt Width	Belt Width															
		1/4	3/8	1/2	5/8	3/4	1	1-1/2	2	2-1/2	3	4	5	6	8	10	12
XL 1/5"	8	12	18	24	29	41
L 3/8"	...	16	24	31	39	55	86	118	150	185
H 1/2"	59	80	99	140	218	300	381	470	666	861	1050
XH 7/8"	409	519	641	908	1175	1431	1969	2499	3022	3552
XXH 1-1/4"	500	636	786	1114	1439	1755	2415	3065	3706	4357

Note: These values have not been corrected for centrifugal force loss.

FEATURES/BENEFITS PAGE PT10-2	SPECIFICATIONS PAGE PT10-3	SELECTION PAGE PT10-14	ENGINEERING/TECHNICAL PAGE PT10-44
----------------------------------	-------------------------------	---------------------------	---------------------------------------



NOTES

V-Drives

FHP Drives

Drive Component
Accessories

DYNA-SYNC

HT200/HTD
Synchronous Drives

HTR
Synchronous Drives

HTRC
Synchronous Drives



CONTENTS

HT200/HTD Synchronous Belt Drives

Features/Benefits	PT11-2
Specification	
HT TAPER-LOCK Sprockets	PT11-4
MPB & BTS Sprockets	PT11-9
Fin-Fan Sprockets	PT11-9
QD HTD Sprockets	PT11-10
HT200 Belts	PT11-17
Selection	
Procedure	PT11-19
HT200 Basic HP Rating	PT11-22
HTD/HT100 Basic HP Ratings	PT11-27
5MM Ratio/Center Distance Tables	PT11-35
8MM Ratio/Center Distance Tables	PT11-38
14MM Ratio/Center Distance Tables	PT11-48
20MM Ratio/Center Distance Tables	PT11-60
Engineering/Technical	
Please see Page PT13-96 - PT13-101	
Part Number Index	INDEX-1
Keyword Index	INDEX-67



FEATURES/BENEFITS

DODGE HT200 Drives

High Torque Synchronous Belt Drives

- 200% Rating of HTD
- Quieter Operation
- More Compact
- 8MM & 14MM Pitch

Plus all the benefits of standard HTD Drives:

- Positive, non-slip drive
- No lubrication required
- Non-stretch
- Corrosion resistant
- Abrasion resistant
- Virtually no backlash
- Clean operation
- Long life
- Low maintenance



THE TECHNOLOGY OF HT200 PERFORMANCE

Advanced Tooth Profile Design

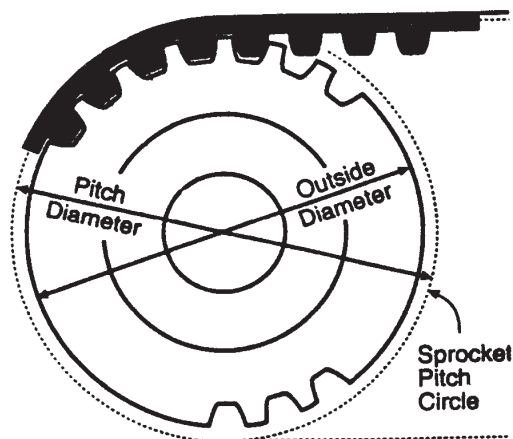
- Optimizes distribution of load forces between belt and sprocket.
- Improves dynamic efficiency between sprocket and belt.
- Increases torque capacity.
- Allows more compact, narrower drive.
- Operates more quietly.

Belt Construction

- Tougher Chloroprene rubber resists tooth shear, increases load capacity.
- Strong, stretch-resistant tensile cords.
- Tough, wear-resistant nylon tooth facing keeps friction low, protects from wear.

HT200

- Compact Design
- Uses HT TAPER-LOCK Sprockets
- Competitively Priced



V-Drives

FHP Drives

Drive Component Accessories

DYNA-SYNC

HT200/HTD Synchronous Drives

HTR Synchronous Drives

HTRC Synchronous Drives



FEATURES/BENEFITS

DODGE HT200 Drives



HT TAPER-LOCK Sprockets

- **Torque Rated:** Shaft gripping strength to meet the higher demands of the 200% rating of HT200 Belts.
- **Compatible:** Accepts HT200 or standard HTD belts.
- **Compact:** Save shaft space with compact TAPER-LOCK design.
- **Reduce Overhung Load:** Compact design allows closer mounting to motor or reducer bearings. Improves bearing life, reduces maintenance costs.

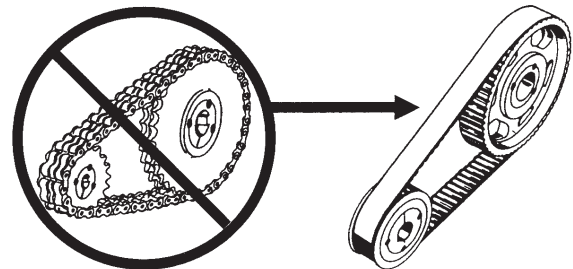


DODGE QD HTD Sprockets

- Rated for capacity of standard HTD belts.
- Compatible for standard HTD belts.
- Can run HT200 belts at HTD rating.
- Use HT200 belts for quieter operation than with HTD belts.

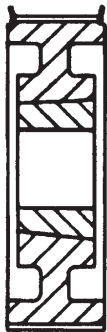
Caution: Standard QD style HTD sprockets manufactured by DODGE or by others may not have the torque capacity for the higher rated HT200 belts. HT TAPER-LOCK sprockets from DODGE are designed to handle the higher loads.

Upgrade Roller Chain Drives to DODGE HT200

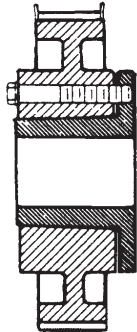


- **Clean:** No lubrication required. No messy oil drips or spills.
- **Quiet:** No metal-to-metal contact.
- **Smooth Operation:** No chordal action of chain drive that results in vibration and speed variation.
- **Economical Drive Guard:** Basic enclosed or ventilated guard will suffice. Oil seals, filler and drain plugs not required.

TAPER-LOCK THE Compact Synchronous Drive



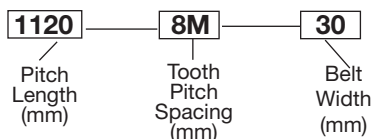
TAPER-LOCK HT



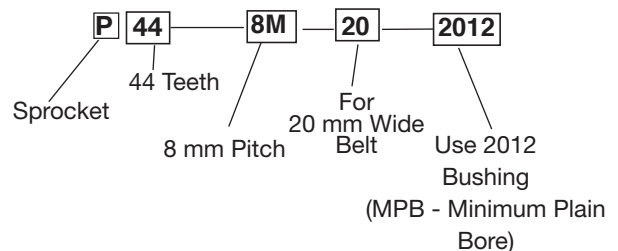
FLANGE-BUSHED SPROCKET

Compact TAPER-LOCK design takes up less shaft space than narrow width belts or products using flanged style bushing. The result is a more compact, economical synchronous drive.

BELT NOMENCLATURE



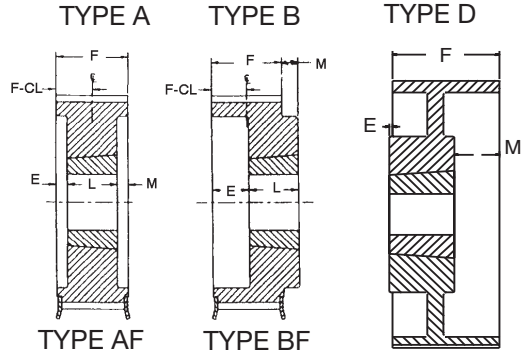
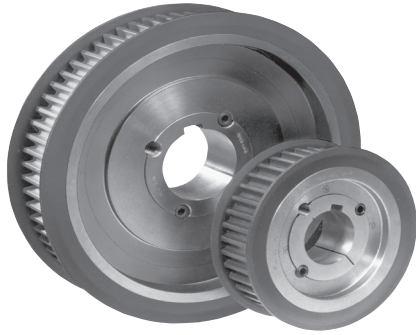
SPROCKET NOMENCLATURE





SPECIFICATION

HT TAPER-LOCK Sprockets



The figure following the sketch reference letter in the "Type" column, indicates the construction of the sprocket (1 = Solid, 2 = Web, and 3 = Arms) and the letter "F" indicates that the sprocket has flanges.

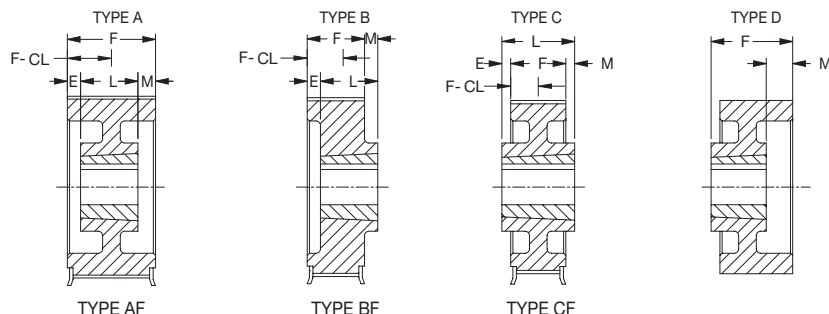
5MM Sprockets

Sprocket Number	Part No.	No. Of Teeth	Diameters			Type	Dimensions (In.)		Bore Sizes		Approx. Weight (Lbs.)	Approx. W _r ² (Lb-Ft ²)
			P.D.	O.D.	Flange		E	M	Min.	Max		
5M-15 F = 0.89"												
P32-5M-15-MPB	112465	32	2.005	1.960	2.125		0.50	0	1/2	7/8	0.8	0.0016
P34-5M-15-MPB	112466	34	2.130	2.085	2.375		0.50	0	1/2	1	0.9	0.0021
P36-5M-15-MPB	114640	36	2.256	2.211	2.375		0.50	0	1/2	1-1/8	1.1	0.0028
P36-5M-15-1108	112467	36	2.256	2.211	2.375	A1F	0	0	1/2	1-1/8	0.47	0.0028
P38-5M-15-1108	112468	38	2.381	2.336	2.613	A1F	0	0	1/2	1-1/8	0.57	0.0036
P40-5M-15-1108	112469	40	2.506	2.461	2.733	A1F	0	0	1/2	1-1/8	0.68	0.0047
P44-5M-15-1108	112470	44	2.757	2.712	3.090	A1F	0	0	1/2	1-1/8	0.91	0.0072
P48-5M-15-1210	112471	48	3.008	2.963	3.328	B1F	0	0.11	1/2	1-1/4	1.0	0.0105
P52-5M-15-1210	112472	52	3.258	3.213	3.566	B1F	0	0.11	1/2	1-1/4	1.3	0.0153
P56-5M-15-1610	112473	56	3.509	3.464	3.805	B1F	0	0.11	1/2	1-11/16	1.4	0.0192
P60-5M-15-1610	112474	60	3.760	3.715	4.044	B1F	0	0.11	1/2	1-11/16	1.7	0.0267
P64-5M-15-1610	112475	64	4.010	3.965	4.170	B1F	0	0.11	1/2	1-11/16	2.1	0.0353
P68-5M-15-1610	112476	68	4.261	4.216	4.520	B1F	0	0.11	1/2	1-11/16	2.4	0.0458
P72-5M-15-1610	112477	72	4.511	4.466	4.670	B1F	0	0.11	1/2	1-11/16	2.8	0.0583
P80-5M-15-1610	112478	80	5.013	4.968	...	B1	0	0.11	1/2	1-11/16	3.7	0.0906
P90-5M-15-1610	112479	90	5.639	5.594	...	B1	0	0.11	1/2	1-11/16	4.9	0.1474
P112-5M-15-2012	112480	112	7.018	6.973	...	B1	0	0.36	1/2	2-1/8	8.3	0.3750
5M-25 F = 1.28"												
P32-5M-25-MPB	112481	32	2.005	1.960	2.125		0.50	0	1/2	7/8	1.1	0.0024
P34-5M-25-MPB	112482	34	2.130	2.085	2.375		0.50	0	1/2	1	1.2	0.0031
P36-5M-25-1108	112483	36	2.256	2.211	2.375	A1F	0	0.41	1/2	1-1/8	0.65	0.0039
P38-5M-25-1108	112484	38	2.381	2.336	2.613	A1F	0	0.41	1/2	1-1/8	0.73	0.0048
P40-5M-25-1108	112485	40	2.506	2.461	2.733	A1F	0	0.41	1/2	1-1/8	0.85	0.0061
P44-5M-25-1108	112486	44	2.757	2.712	3.090	A1F	0	0.41	1/2	1-1/8	1.1	0.0091
P48-5M-25-1210	112487	48	3.008	2.963	3.328	A1F	0	0.28	1/2	1-1/4	1.2	0.0130
P52-5M-25-1210	112488	52	3.258	3.213	3.566	A1F	0	0.28	1/2	1-1/4	1.6	0.0185
P56-5M-25-1610	112489	56	3.509	3.464	3.805	A1F	0	0.28	1/2	1-11/16	1.6	0.0240
P60-5M-25-1610	112490	60	3.760	3.715	4.044	A1F	0	0.28	1/2	1-11/16	2.1	0.0335
P64-5M-25-1610	112491	64	4.010	3.965	4.170	A1F	0	0.28	1/2	1-11/16	2.4	0.0430
P68-5M-25-2012	112492	68	4.261	4.216	4.520	A1F	0.03	0.00	1/2	2-1/8	2.7	0.0571
P72-5M-25-2012	112493	72	4.511	4.466	4.670	A1F	0.03	0.00	1/2	2-1/8	3.3	0.0751
P80-5M-25-2012	112494	80	5.013	4.968	...	A1	0.03	0.00	1/2	2-1/8	4.5	0.1215
P90-5M-25-2012	112495	90	5.639	5.594	...	A1	0.03	0.00	1/2	2-1/8	6.2	0.2032
P112-5M-25-2012	112496	112	7.018	6.973	...	A1	0.03	0.00	1/2	2-1/8	10.7	0.5102



SPECIFICATION

HT TAPER-LOCK Sprockets



The figure following the sketch reference letter in the "Type" column, indicates the construction of the sprocket (1 = Solid, 2 = Web, and 3 = Arms) and the letter "F" indicates that the sprocket has flanges.

8MM Sprockets

Sprocket Number	Part No.	No. Of Teeth	Diameters			Type	Dimensions (In.)		Bore Sizes		Approx. Weight (Lbs.)	Approx. Wr ² (Lb-Ft ²)
			P.D.	O.D.	Flange		E	M	Min.	Max		
8M-20			F = 1.13"									
P22-8M-20-1108*	112850	22	2.206	2.152	2.559	A1F	0.00	0.26	1/2	1-1/8	0.5	0.0027
P24-8M-20-1108	112851	24	2.406	2.352	2.756	A1F	0.00	0.26	1/2	1-1/8	0.7	0.0044
P26-8M-20-1108	112852	26	2.607	2.553	2.953	A1F	0.00	0.26	1/2	1-1/8	0.9	0.0065
P28-8M-20-1108	112853	28	2.807	2.753	3.150	A1F	0.26	0.00	1/2	1-1/8	1.2	0.0093
P30-8M-20-1210	112854	30	3.008	2.954	3.346	A1F	0.13	0.00	1/2	1-1/4	1.2	0.0116
P32-8M-20-1210	112855	32	3.208	3.154	3.543	A1F	0.00	0.13	1/2	1-1/4	1.4	0.0157
P34-8M-20-1610	112856	34	3.409	3.355	3.819	A1F	0.13	0.00	1/2	1-11/16	1.4	0.0185
P36-8M-20-1610	112857	36	3.609	3.555	3.937	A1F	0.13	0.00	1/2	1-11/16	1.7	0.0246
P38-8M-20-1610	112858	38	3.810	3.756	4.134	A1F	0.13	0.00	1/2	1-11/16	2.0	0.0320
P40-8M-20-1610	112859	40	4.010	3.956	4.331	A1F	0.13	0.00	1/2	1-11/16	2.4	0.0406
P44-8M-20-2012	112860	44	4.411	4.357	4.764	B1F	0.00	0.12	1/2	2-1/8	2.7	0.0585
P48-8M-20-2012	112861	48	4.812	4.758	5.157	B1F	0.00	0.12	1/2	2-1/8	3.7	0.0916
P56-8M-20-2012	112862	56	5.614	5.560	5.945	B1F	0.00	0.12	1/2	2-1/8	5.6	0.1768
P64-8M-20-2012	112863	64	6.416	6.362	6.772	B1F	0.00	0.12	1/2	2-1/8	7.7	0.3075
P72-8M-20-2012	112864	72	7.218	7.164	7.598	B1F	0.00	0.12	1/2	2-1/8	10	0.4991
P80-8M-20-2517	112865	80	8.020	7.966	8.386	B1F	0.00	0.62	1/2	2-11/16	13	0.7725
P90-8M-20-2517	112866	90	9.023	8.969	...	C2	0.31	0.31	1/2	2-11/16	12	0.9037
8M-30			F = 1.5"									
P22-8M-30-1108*	112867	22	2.206	2.152	2.559	A1F	0.00	0.63	1/2	1-1/8	0.64	0.0036
P24-8M-30-1108	112868	24	2.406	2.352	2.756	A1F	0.00	0.63	1/2	1-1/8	0.90	0.0058
P26-8M-30-1108	112869	26	2.607	2.553	2.953	A1F	0.00	0.63	1/2	1-1/8	1.1	0.0082
P28-8M-30-1108	112870	28	2.807	2.753	3.150	A1F	0.00	0.63	1/2	1-1/8	1.5	0.0124
P30-8M-30-1210	112871	30	3.008	2.954	3.346	A1F	0.00	0.50	1/2	1-1/4	1.5	0.0152
P32-8M-30-1210	112872	32	3.208	3.154	3.543	A1F	0.00	0.50	1/2	1-1/4	1.7	0.0199
P34-8M-30-1610	112873	34	3.409	3.355	3.819	A1F	0.00	0.50	1/2	1-11/16	1.8	0.0241
P36-8M-30-1610	112874	36	3.609	3.555	3.937	A1F	0.00	0.50	1/2	1-11/16	2.2	0.0323
P38-8M-30-1610	112875	38	3.810	3.756	4.134	A1F	0.00	0.50	1/2	1-11/16	2.5	0.0409
P40-8M-30-2012	112876	40	4.010	3.956	4.331	A1F	0.00	0.25	1/2	2-1/8	2.3	0.0453
P44-8M-30-2012	112877	44	4.411	4.357	4.764	A1F	0.00	0.25	1/2	2-1/8	3.2	0.0712
P48-8M-30-2012	112878	48	4.812	4.758	5.157	A1F	0.00	0.25	1/2	2-1/8	4.2	0.1069
P56-8M-30-2012	112879	56	5.614	5.560	5.945	A1F	0.00	0.25	1/2	2-1/8	6.3	0.2087
P64-8M-30-2517	112880	64	6.416	6.362	6.772	B1F	0.00	0.25	1/2	2-11/16	9.5	0.4044
P72-8M-30-2517	112881	72	7.218	7.164	7.598	B1F	0.00	0.25	1/2	2-11/16	13	0.6599
P80-8M-30-2517	112882	80	8.020	7.966	8.386	B1F	0.00	0.25	1/2	2-11/16	16	1.019
P90-8M-30-2517	112883	90	9.023	8.969	...	C2	0.13	0.13	1/2	2-11/16	22	1.650
P112-8M-30-2517	112884	112	11.229	11.175	...	C2	0.13	0.13	1/2	2-11/16	24	1.764
P144-8M-30-2517	112849	114	14.437	14.383	...	D3	0.38	0.13	1/2	2-11/16	31	6.014

TAPER-LOCK sprockets limited to torque capacity of bushing.

FEATURES/BENEFITS PAGE PT11-2	SELECTION PAGE PT11-19	ENGINEERING/TECHNICAL PAGE PT11-64	
----------------------------------	---------------------------	---------------------------------------	--



SPECIFICATION

HT TAPER-LOCK Sprockets

8 MM Sprocket

Sprocket Number	Part No.	No. Of Teeth	Diameters			Type	Dimensions (In.)		Bore Sizes		Approx. Weight (Lbs.)	Approx. Wr ² (Lb-Ft ²)
			P.D.	O.D.	Flange		E	M	Min.	Max		
8M-50 F = 2.38"												
P28-8M-50-1108*	112885	28	2.807	2.753	3.150	A1F	0.00	1.50	1/2	1-1/8	2.1	0.0182
P30-8M-50-1210	112886	30	3.008	2.954	3.346	A1F	0.00	1.38	1/2	1-1/4	2.2	0.0231
P32-8M-50-1210	114821	32	3.208	3.154	3.543	A1F	0.00	1.38	1/2	1-1/4	2.3	0.0281
P34-8M-50-1610	114822	34	3.409	3.355	3.819	A1F	0.00	1.38	1/2	1-11/16	4.0	0.0457
P36-8M-50-1610	112889	36	3.609	3.555	3.937	A1F	0.00	1.38	1/2	1-11/16	2.7	0.0431
P38-8M-50-1610	112890	38	3.810	3.756	4.134	A1F	0.00	1.38	1/2	1-11/16	3.1	0.0540
P40-8M-50-2012	112891	40	4.010	3.956	4.331	A1F	0.00	1.13	1/2	2-1/8	3.5	0.0685
P44-8M-50-2012	112892	44	4.411	4.357	4.764	A1F	0.00	1.13	1/2	2-1/8	4.3	0.0999
P48-8M-50-2012	112893	48	4.812	4.758	5.157	A1F	0.00	1.13	1/2	2-1/8	5.5	0.1491
P56-8M-50-2517	112894	56	5.614	5.560	5.945	A1F	0.00	0.63	1/2	2-11/16	8.1	0.2957
P64-8M-50-2517	112895	64	6.416	6.362	6.772	A1F	0.00	0.63	1/2	2-11/16	12	0.5272
P72-8M-50-2517	112896	72	7.218	7.164	7.598	A1F	0.00	0.63	1/2	2-11/16	16	0.8625
P80-8M-50-2517	112897	80	8.020	7.966	8.386	A1F	0.00	0.63	1/2	2-11/16	20	1.343
P90-8M-50-3020	112898	90	9.023	8.969	...	A1	0.00	0.38	7/8	3-1/4	27	2.277
P112-8M-50-3020	112899	112	11.229	11.175	...	A2	0.00	0.38	7/8	3-1/4	30	3.746
P144-8M-50-3020	114833	144	14.437	14.383	...	A3	0.00	0.38	7/8	3-1/4	49	8.988
P192-8M-50-3020	112901	192	19.249	19.195	...	A3	0.00	0.38	7/8	3-1/4	108	32.21
8M-85 F = 3.75"												
P34-8M-85-1615	114823	34	3.409	3.355	3.810	A1F	0.75	1.50	1/2	1-11/16	3.9	0.0547
P36-8M-85-1615	114825	36	3.609	3.555	4.009	A1F	0.75	1.50	1/2	1-11/16	4.4	0.0694
P40-8M-85-2012	114828	40	4.010	3.956	4.410	A1F	1.25	1.25	1/2	2-1/8	4.7	0.0970
P44-8M-85-2012	114504	44	4.411	4.357	4.764	A1F	1.25	1.25	1/2	2-1/8	5.9	0.1447
P48-8M-85-2012	114505	48	4.812	4.758	5.212	A1F	1.25	1.25	1/2	2-1/8	7.6	0.2146
P56-8M-85-2517	114506	56	5.614	5.560	6.014	A1F	0.81	1.19	1/2	2-11/16	11	0.4058
P64-8M-85-2517	114507	64	6.416	6.362	6.716	A1F	0.59	1.41	1/2	2-11/16	15	0.6987
P72-8M-85-3020	114508	72	7.218	7.164	7.500	A1F	0.88	0.88	7/8	3-1/4	18	1.121
P80-8M-85-3020	114509	80	8.020	7.966	8.420	A1F	0.50	1.25	7/8	3-1/4	22	1.642
P90-8M-85-3020	114510	90	9.023	8.969	...	A1	0.50	1.25	7/8	3-1/4	32	2.846
P112-8M-85-3020	114511	112	11.229	11.175	...	A2	0.50	1.25	7/8	3-1/4	33	4.621
P144-8M-85-3535	114834	144	14.437	14.383	...	A3	0.00	0.25	1-3/16	3-15/16	54	11.06
P192-8M-85-3535	114513	192	19.249	19.195	...	A3	0.13	0.13	1-3/16	3-15/16	125	39.63

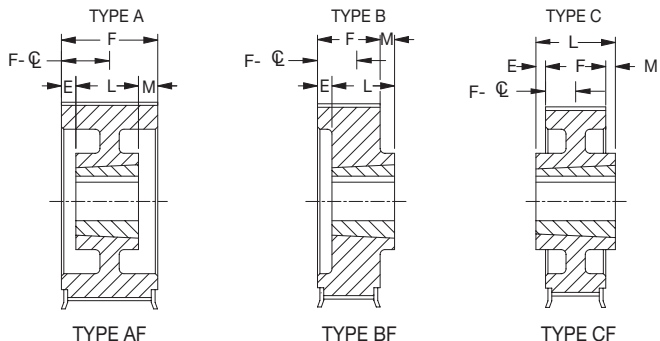
14 MM Sprockets

Sprocket Number	Part No.	No. Of Teeth	Diameters			Type	Dimensions (In.)		Bore Sizes		Approx. Weight (Lbs.)	Approx. Wr ² (Lb-Ft ²)
			P.D.	O.D.	Flange		E	M	Min.	Max		
14M-40 F = 2.13"												
P28-14M-40-2012*	112902	28	4.912	4.802	5.560	A1F	0.00	0.88	1/2	2-1/8	5.9	0.1531
P29-14M-40-2012	112903	29	5.088	4.978	5.560	A1F	0.00	0.88	1/2	2-1/8	6.6	0.1810
P30-14M-40-2012	112904	30	5.263	5.153	6.125	A1F	0.00	0.88	1/2	2-1/8	6.5	0.1935
P32-14M-40-2012	112905	32	5.614	5.504	6.125	A1F	0.00	0.88	1/2	2-1/8	8.0	0.2651
P34-14M-40-2012	112906	34	5.965	5.855	6.500	A1F	0.00	0.88	1/2	2-1/8	9.4	0.3498
P36-14M-40-2517	112907	36	6.316	6.206	6.875	A1F	0.00	0.38	1/2	2-11/16	11	0.4443
P38-14M-40-2517	112908	38	6.667	6.557	7.219	A1F	0.00	0.38	1/2	2-11/16	12	0.5658
P40-14M-40-2517	112909	40	7.018	6.908	7.500	A1F	0.00	0.38	1/2	2-11/16	14	0.7134
P44-14M-40-2517	112910	44	7.720	7.610	8.343	A1F	0.00	0.38	1/2	2-11/16	18	1.046
P48-14M-40-2517	112911	48	8.421	8.311	8.937	A1F	0.00	0.38	1/2	2-11/16	22	1.527
P52-14M-40-2517	112912	52	9.123	9.013	9.687	A1F	0.00	0.38	1/2	2-11/16	26	2.126
P56-14M-40-2517	112913	56	9.825	9.715	10.375	A1F	0.00	0.38	1/2	2-11/16	31	2.878
P60-14M-40-3020	112914	60	10.527	10.417	11.062	A2F	0.00	0.13	7/8	3-1/4	29	3.177
P64-14M-40-3020	112915	64	11.229	11.119	11.750	A2F	0.00	0.13	7/8	3-1/4	31	3.872
P68-14M-40-3020	112916	68	11.930	11.820	12.500	A2F	0.00	0.13	7/8	3-1/4	31	4.446
P72-14M-40-3020	112917	72	12.632	12.522	13.187	A2F	0.00	0.13	7/8	3-1/4	34	5.410
P80-14M-40-3020	114840	80	14.036	13.926	14.625	A3F	0.00	0.13	7/8	3-1/4	34	7.474
P90-14M-40-3020	114851	90	15.790	15.680	...	A3	0.00	0.13	7/8	3-1/4	40	9.396
P112-14M-40-3020	114470	112	19.650	19.540	...	A3	0.00	0.13	7/8	3-1/4	101	29.66
P144-14M-40-3020	114471	144	25.264	25.154	...	A3	0.00	0.13	7/8	3-1/4	154	75.16
P168-14M-40-3020	114852	168	29.475	29.265	...	A3	0.00	0.13	7/8	3-1/4	133	113.3
P192-14M-40-3020	114853	192	33.686	33.576	...	A3	0.00	0.13	7/8	3-1/4	168	189.8



SPECIFICATION

HT TAPER-LOCK Sprockets



The figure following the sketch reference letter in the "Type" column indicates the construction of the sprocket (1 = Solid, 2 = Web and 3 = Arms), and the letter "F" indicates that the sprocket has flanges.

14MM Sprockets

Sprocket Number	Part No.	No. Of Teeth	Diameters			Type	Dimensions (In.)		Bore Sizes		Approx. Weight (Lbs.)	Approx. Wr ² (Lb-Ft ²)
			P.D.	O.D.	Flange		E	M	Min.	Max		
14M-55			F = 2.75"									
P28-14M-55-2012	112922	28	4.912	4.802	5.560	A1F	0.00	1.50	1/2	2-1/8	7.4	0.1948
P29-14M-55-2012	112923	29	5.088	4.978	5.560	A1F	0.00	1.50	1/2	2-1/8	8.4	0.2314
P30-14M-55-2517	114836	30	5.263	5.153	6.125	A1F	0.00	1.00	1/2	2-11/16	7.4	0.2371
P32-14M-55-2517	112925	32	5.614	5.504	6.125	A1F	0.00	1.00	1/2	2-11/16	9.3	0.3276
P34-14M-55-2517	112926	34	5.965	5.855	6.500	A1F	0.00	1.00	1/2	2-11/16	11	0.4379
P36-14M-55-2517	112927	36	6.316	6.206	6.875	A1F	0.00	1.00	1/2	2-11/16	12	0.5400
P38-14M-55-2517	112928	38	6.667	6.557	7.219	A1F	0.00	1.00	1/2	2-11/16	14	0.6868
P40-14M-55-2517	112929	40	7.018	6.908	7.500	A1F	0.00	1.00	1/2	2-11/16	17	0.8719
P44-14M-55-2517	112930	44	7.720	7.610	8.343	A1F	0.00	1.00	1/2	2-11/16	20	1.234
P48-14M-55-3020	112931	48	8.421	8.311	8.937	A1F	0.00	0.75	7/8	3-1/4	24	1.840
P52-14M-55-3020	112932	52	9.123	9.013	9.687	A1F	0.00	0.75	7/8	3-1/4	30	2.573
P56-14M-55-3020	112933	56	9.825	9.715	10.375	A1F	0.00	0.75	7/8	3-1/4	35	3.489
P60-14M-55-3020	112934	60	10.527	10.417	11.062	A1F	0.00	0.75	7/8	3-1/4	42	4.647
P64-14M-55-3020	112935	64	11.229	11.119	11.750	A1F	0.00	0.75	7/8	3-1/4	48	6.012
P68-14M-55-3020	112936	68	11.930	11.820	12.500	A2F	0.00	0.75	7/8	3-1/4	40	5.909
P72-14M-55-3020	112937	72	12.632	12.522	13.187	A2F	0.00	0.75	7/8	3-1/4	45	7.387
P80-14M-55-3020	114841	80	14.036	13.926	14.625	A3F	0.00	0.75	7/8	3-1/4	42	9.021
P90-14M-55-3020	114859	90	15.790	15.680	...	A3	0.00	0.75	7/8	3-1/4	45	12.36
P112-14M-55-3020	114472	112	19.650	19.540	...	A3	0.00	0.75	7/8	3-1/4	117	36.86
P144-14M-55-3020	114854	144	25.264	25.154	...	A3	0.00	0.75	7/8	3-1/4	98	65.38
P168-14M-55-3020	114860	168	29.475	29.265	...	A3	0.19	0.56	7/8	3-1/4	146	150.2
P192-14M-55-3535	114755	192	33.686	33.576	...	C3	0.00	0.75	1-3/16	3-15/16	432	404.3
14M-85			F = 4"									
P28-14M-85-2012*	112944	28	4.912	4.802	5.560	A1F	1.31	1.44	1/2	2-1/8	10	0.2787
P29-14M-85-2012*	112945	29	5.088	4.978	5.560	A1F	1.31	1.44	1/2	2-1/8	12	0.3321
P30-14M-85-2517	114837	30	5.263	5.153	6.125	A1F	0.50	1.75	1/2	2-11/16	10	0.3326
P32-14M-85-2517	112947	32	5.614	5.504	6.125	A1F	0.81	1.44	1/2	2-11/16	13	0.4590
P34-14M-85-2517	112948	34	5.965	5.855	6.500	A1F	0.81	1.44	1/2	2-11/16	15	0.6143
P36-14M-85-3020	112949	36	6.316	6.206	6.875	A1F	0.53	1.47	7/8	3-1/4	14	0.6948
P38-14M-85-3020	112950	38	6.667	6.557	7.219	A1F	0.53	1.47	7/8	3-1/4	17	0.8975
P40-14M-85-3020	112951	40	7.018	6.908	7.500	A1F	0.53	1.47	7/8	3-1/4	20	1.161
P44-14M-85-3020	112952	44	7.720	7.610	8.343	A1F	0.53	1.47	7/8	3-1/4	24	1.615
P48-14M-85-3020	112953	48	8.421	8.311	8.937	A1F	0.53	1.47	7/8	3-1/4	31	2.432
P52-14M-85-3535	112954	52	9.123	9.013	9.687	A1F	0.00	0.50	1-3/16	3-15/16	37	3.356
P56-14M-85-3535	112955	56	9.825	9.715	10.375	A1F	0.00	0.50	1-3/16	3-15/16	52	5.300
P60-14M-85-3535	112956	60	10.527	10.417	11.062	A1F	0.00	0.50	1-3/16	3-15/16	63	7.128
P64-14M-85-3535	112957	64	11.229	11.119	11.750	A1F	0.00	0.50	1-3/16	3-15/16	74	9.334
P68-14M-85-3535	112958	68	11.930	11.820	12.500	A2F	0.00	0.50	1-3/16	3-15/16	63	9.169
P72-14M-85-3535	112959	72	12.632	12.522	13.187	A1F	0.00	0.50	1-3/16	3-15/16	97	15.19
P80-14M-85-3535	112960	80	14.036	13.926	14.625	A2F	0.00	0.50	1-3/16	3-15/16	63	13.04
P90-14M-85-3535	114474	90	15.790	15.680	...	A2	0.00	0.50	1-3/16	3-15/16	72	18.14
P112-14M-85-3535	114844	112	19.650	19.540	...	A3	0.00	0.50	1-3/16	3-15/16	131	44.18
P144-14M-85-4040	114855	144	25.264	25.154	...	A3	0.00	0.00	1-7/16	4-7/16	137	92.10
P168-14M-85-4040	114489	168	29.475	29.265	...	A3	0.00	0.00	1-7/16	4-7/16	192	194.5
P192-14M-85-4040	114850	192	33.686	33.576	...	A3	0.00	0.00	1-7/16	4-7/16	448	444.6

TAPER-LOCK Sprockets limited to torque capacity of bushing.

FEATURES/BENEFITS PAGE PT11-2	SELECTION PAGE PT11-19	ENGINEERING/TECHNICAL PAGE PT11-64	
----------------------------------	---------------------------	---------------------------------------	--



SPECIFICATION

HT TAPER-LOCK Sprockets



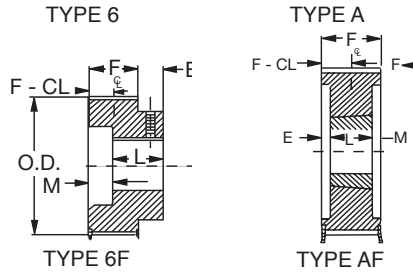
14MM Sprockets

Sprocket Number	Part No.	No. Of Teeth	Diameters			Type	Dimensions (In.)		Bore Sizes		Approx. Weight (Lbs.)	Approx. Wr ² (Lb-Ft ²)
			P.D.	O.D.	Flange		E	M	Min.	Max		
14M-115 F = 5.25"												
P30-14M-115-2517	114838	30	5.263	5.153	5.763	A1F	1.75	1.75	1/2	2-11/16	13	0.4386
P32-14M-115-2517	114517	32	5.614	5.504	6.114	A1F	1.75	1.75	1/2	2-11/16	16	0.5873
P34-14M-115-2517	114518	34	5.965	5.855	6.465	A1F	1.75	1.75	1/2	2-11/16	19	0.7908
P36-14M-115-3020	114519	36	6.316	6.206	6.816	A1F	1.63	1.63	7/8	3-1/4	18	0.8766
P38-14M-115-3020	114494	38	6.667	6.557	7.167	A1F	1.63	1.63	7/8	3-1/4	20	1.100
P40-14M-115-3020	114475	40	7.018	6.908	7.518	A1F	1.63	1.63	7/8	3-1/4	23	1.357
P44-14M-115-3535	114522	44	7.720	7.610	8.395	A1F	0.88	0.88	1-3/16	3-15/16	30	2.144
P48-14M-115-3535	114523	48	8.421	8.311	8.941	A1F	0.88	0.88	1-3/16	3-15/16	40	3.277
P52-14M-115-4040	114524	52	9.123	9.013	9.687	A1F	0.63	0.63	1-7/16	4-7/16	47	4.545
P56-14M-115-4040	114525	56	9.825	9.715	10.355	A1F	0.63	0.63	1-7/16	4-7/16	58	6.335
P60-14M-115-4040	114526	60	10.527	10.417	11.067	A1F	0.63	0.63	1-7/16	4-7/16	70	8.589
P64-14M-115-4545	114527	64	11.229	11.119	11.750	A1F	0.38	0.38	1-15/16	4-15/16	82	11.47
P68-14M-115-4545	114528	68	11.930	11.820	12.500	A1F	0.38	0.38	1-15/16	4-15/16	97	14.91
P72-14M-115-4545	114529	72	12.632	12.522	13.066	A1F	0.00	0.75	1-15/16	4-15/16	113	19.06
P80-14M-115-4545	114530	80	14.036	13.926	14.620	A2F	0.38	0.38	1-15/16	4-15/16	148	29.66
P90-14M-115-4545	114476	90	15.790	15.680	...	A2	0.38	0.38	1-15/16	4-15/16	117	28.30
P112-14M-115-4545	114477	112	19.650	19.540	...	A2	0.00	0.75	1-15/16	4-15/16	173	64.72
P144-14M-115-4545	114856	144	25.264	25.154	...	A3	0.38	0.38	1-15/16	4-15/16	120	172.2
P168-14M-115-4545	114848	168	29.475	29.265	...	A3	0.38	0.38	1-15/16	4-15/16	223	243.3
P192-14M-115-4545	114482	192	33.686	33.576	...	A3	0.38	0.38	1-15/16	4-15/16	475	496.5
P216-14M-115-6050	114857	216	37.896	37.786	...	A3	0.00	0.25	4-7/16	6	686	378.0
14M-170 F = 7.38"												
P40-14M-170-3535*	114539	40	7.018	6.908	7.518	A1F	1.94	1.94	1-3/16	3-15/16	29	1.780
P44-14M-170-3535	114540	44	7.720	7.610	8.395	A1F	1.94	1.94	1-3/16	3-15/16	39	2.828
P48-14M-170-3535	114541	48	8.421	8.311	8.941	A1F	1.94	1.94	1-3/16	3-15/16	51	4.283
P52-14M-170-4040	114542	52	9.123	9.013	9.687	A1F	1.13	2.25	1-7/16	4-7/16	59	5.877
P56-14M-170-4040	114543	56	9.825	9.715	10.355	A1F	1.13	2.25	1-7/16	4-7/16	71	8.051
P60-14M-170-4545	114544	60	10.527	10.417	11.067	A1F	0.75	2.13	1-15/16	4-15/16	83	10.85
P64-14M-170-4545	114545	64	11.229	11.119	11.750	A1F	0.63	2.25	1-15/16	4-15/16	94	13.71
P68-14M-170-4545	114546	68	11.930	11.820	12.500	A1F	0.63	2.25	1-15/16	4-15/16	113	18.15
P72-14M-170-4545	114547	72	12.632	12.522	13.066	A1F	0.63	2.25	1-15/16	4-15/16	130	23.00
P80-14M-170-4545	114548	80	14.036	13.926	14.625	A1F	1.03	1.84	1-15/16	4-15/16	166	35.12
P90-14M-170-4545	114478	90	15.790	15.680	...	A2	0.63	2.25	1-15/16	4-15/16	159	42.03
P112-14M-170-4545	114479	112	19.650	19.540	...	D2	0.25	3.12	1-15/16	4-15/16	215	81.30
P144-14M-170-6050	114858	144	25.264	25.154	...	A3	1.19	1.19	4-7/16	6	264	207.9
P168-14M-170-6050	114499	168	29.475	29.265	...	A3	1.19	1.19	4-7/16	6	462	384.2
P192-14M-170-6050	117846	192	33.686	33.576	...	A3	1.19	1.19	4-7/16	6	616	655.7
P216-14M-170-6050	117848	216	37.896	37.786	...	A2	1.19	1.19	4-7/16	6	563	851.7

FEATURES/BENEFITS PAGE PT11-2	SELECTION PAGE PT11-19	ENGINEERING/TECHNICAL PAGE PT11-64	
----------------------------------	---------------------------	---------------------------------------	--



HT Sprockets



Plain Bore HT Sprockets

Sprocket Number	Part No.	No. Of Teeth	Diameters			Dimensions (Inches)			Bore Range		Approx. Weight (Lbs.)	Approx. Wr ² (Lb-Ft ²)
			Pitch	O.D.	Flange	E	L	M	Min.	Max		
			8 MM Pitch			Type 6F						
P22-8M-20-MPB	110700	22	2.206	2.152	2.606	0.60	1.80	0.00	1/2	1-3/16	1.3	0.0048
P22-8M-30-MPB	110720	22	2.206	2.152	2.606	0.60	2.10	0.00	1/2	1-3/16	1.6	0.0060
P24-8M-30-MPB	110721	24	2.406	2.352	2.756	0.60	2.10	0.00	1/2	1-1/4	1.9	0.0061
P26-8M-30-MPB	110722	26	2.607	2.553	2.906	0.80	2.30	0.00	1/2	1-1/4	2.4	0.0087
P28-8M-50-MPB	114484	28	2.807	2.753	3.207	0.60	2.50	0.50	1/2	1-1/2	3.7	0.0240
P30-8M-50-MPB	110741	30	3.008	2.954	3.346	0.60	2.50	0.50	1/2	1-1/2	4.3	0.0319
P38-8M-85-MPB	114827	38	3.810	3.756	4.201	0.60	3.30	1.10	1/2	1-7/8	9.7	0.1204
			14 MM Pitch			Type 6F						
P28-14M-85-MPB	110830	28	4.912	4.802	5.562	1.00	4.00	1.00	1-1/4	2-11/16	17	0.3128
P29-14M-85-MPB	110831	29	5.088	4.978	5.562	1.00	4.00	1.00	1-1/4	2-11/16	19	0.3654
P28-14M-115-MPB	110855	28	4.912	4.802	5.562	1.30	5.00	1.50	1-1/4	2-11/16	22	0.4077
P29-14M-115-MPB	110856	29	5.088	4.978	5.562	1.30	5.00	1.50	1-1/4	2-11/16	24	0.4768
P36-14M-170-MPB	110880	36	6.316	6.206	6.816	1.30	6.00	2.60	1-1/2	3-3/8	47	1.593
P38-14M-170-MPB	110881	38	6.667	6.557	7.167	1.30	6.00	2.60	1-1/2	3-3/8	54	1.987
P40-14M-170-MPB	110882	40	7.018	6.908	7.518	1.30	6.00	2.60	1-1/2	3-3/4	60	2.479

Fin-Fan Sprockets

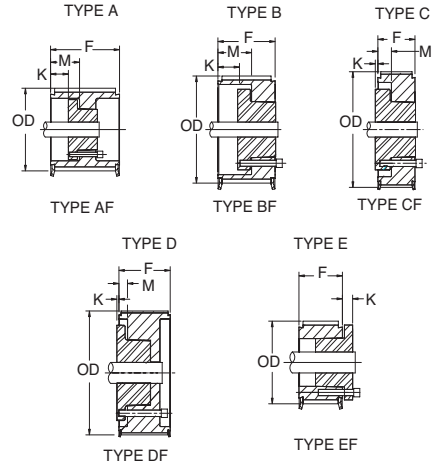
For Cooling Tower Drives

TAPER-LOCK			14 MM Pitch			Type A						
P168-14M-40-3020	114852	168	29.475	29.265	...	0.00	2.00	0.10	7/8	3-1/4	133	113.3
P192-14M-40-3020	114853	192	33.686	33.576	...	0.00	2.00	0.10	7/8	3-1/4	168	189.8
P168-14M-55-3020	114860	168	29.475	29.265	...	0.00	2.00	0.80	7/8	3-1/4	146	150.2
F192-14M-55-3020	114993	192	33.686	33.576	...	0.00	2.00	0.80	7/8	3-1/4	162	170.9
F216-14M-55-3020	114994	216	37.896	37.786	...	0.00	2.00	0.80	7/8	3-1/4	195	254.6
QD			14 MM Pitch			Type A						
F168-14M-55-E	114375	168	29.475	29.265	...	0.60	1.60	0.60	7/8	3-1/2	151.7	102.6
F192-14M-55-E	114376	192	33.686	33.576	...	0.60	1.60	0.60	7/8	3-1/2	127.8	143.5
F144-14M-85-E	114377	144	25.262	25.154	...	0.60	1.60	1.20	7/8	3-1/2	140.3	77.97
F168-14M-85-E	114378	168	29.475	29.265	...	0.00	1.60	1.20	7/8	3-1/2	175.1	129.5
F192-14M-85-E	114379	192	33.686	33.576	...	0.00	1.60	1.20	7/8	3-1/2	183.0	210.5
F216-14M-85-E	114380	216	37.896	37.786	...	0.00	1.60	1.20	7/8	3-1/2	218.1	288.9



SPECIFICATION

QD HTD Sprockets



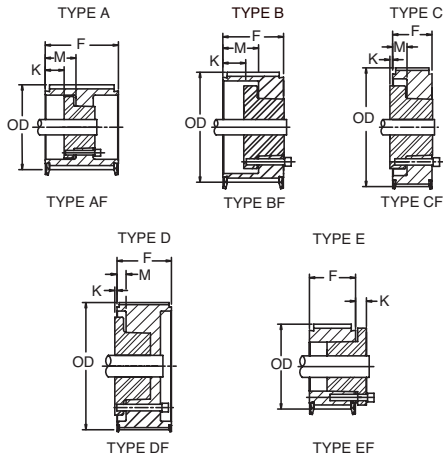
The figure following the sketch reference letter in the "Type" column indicates the construction of the sprocket (1 = Solid, 2 = Web, and 3 = Arms), and the letter "F" indicates that the sprocket has flanges.

5MM QD HTD Sprockets

Sprocket Number	Part No.	No. Of Teeth	Diameters			Type	Dimensions (In.)		Bore Sizes		Approx. Weight (Lbs.)	Approx. W _r ² (Lb-Ft ²)
			P.D.	O.D.	Flange		M	K	Min.	Max.		
5M-15			F=0.89"									
P38-5M-15-JA	114641	38	2.381	2.336	2.613	E1F	0.00	0.51	1/2	1-1/4	0.6	0.0030
P40-5M-15-JA	114642	40	2.506	2.461	2.733	E1F	0.00	0.51	1/2	1-1/4	0.7	0.0039
P44-5M-15-JA	114643	44	2.757	2.712	3.090	E1F	0.00	0.51	1/2	1-1/4	0.9	0.0061
P48-5M-15-JA	114644	48	3.008	2.963	3.328	D1F	0.31	0.20	1/2	1-1/4	0.9	0.0076
P52-5M-15-JA	114645	52	3.258	3.213	3.566	D1F	0.31	0.20	1/2	1-1/4	1.1	0.0106
P56-5M-15-SH	114646	56	3.509	3.464	3.805	E1F	0.00	0.68	1/2	1-11/16	1.5	0.0169
P60-5M-15-SH	114647	60	3.760	3.715	4.044	E1F	0.00	0.68	1/2	1-11/16	1.8	0.0233
P64-5M-15-SH	114648	64	4.010	3.965	4.170	E1F	0.00	0.68	1/2	1-11/16	2.1	0.0312
P68-5M-15-SDS	114649	68	4.261	4.216	4.520	D1F	0.14	0.56	1/2	2	2.1	0.0369
P72-5M-15-SDS	114650	72	4.511	4.466	4.670	D1F	0.14	0.56	1/2	2	2.4	0.0463
P80-5M-15-SDS	114651	80	5.013	4.968	...	C1	0.14	0.56	1/2	2	3.1	0.0732
P90-5M-15-SDS	114652	90	5.639	5.594	...	C1	0.14	0.56	1/2	2	4.1	0.1204
P112-5M-15-SDS	114653	112	7.018	6.973	...	C1	0.14	0.56	1/2	2	6.9	0.3033
5M-25			F=1.28"									
P38-5M-25-JA	114655	38	2.381	2.336	2.613	E1F	0.00	0.51	1/2	1-1/4	0.9	0.0043
P40-5M-25-JA	114656	40	2.506	2.461	2.733	E1F	0.00	0.51	1/2	1-1/4	1.0	0.0056
P44-5M-25-JA	114657	44	2.757	2.712	3.090	E1F	0.00	0.51	1/2	1-1/4	1.3	0.0088
P48-5M-25-JA	114658	48	3.008	2.963	3.328	B1F	0.72	0.21	1/2	1-1/4	1.1	0.0097
P52-5M-25-JA	114659	52	3.258	3.213	3.566	B1F	0.72	0.21	1/2	1-1/4	1.3	0.0133
P56-5M-25-SH	114660	56	3.509	3.464	3.805	C1F	0.47	0.21	1/2	1-11/16	1.7	0.0206
P60-5M-25-SH	114661	60	3.760	3.715	4.044	C1F	0.47	0.21	1/2	1-11/16	2.1	0.0285
P64-5M-25-SH	114662	64	4.010	3.965	4.170	C1F	0.47	0.21	1/2	1-11/16	2.4	0.0379
P68-5M-25-SDS	114663	68	4.261	4.216	4.520	C1F	0.53	0.17	1/2	2	2.6	0.0479
P72-5M-25-SDS	114664	72	4.511	4.466	4.670	C1F	0.53	0.17	1/2	2	2.8	0.0564
P80-5M-25-SDS	114665	80	5.013	4.968	...	C1	0.53	0.17	1/2	2	3.6	0.0875
P90-5M-25-SDS	114666	90	5.639	5.594	...	C1	0.53	0.17	1/2	2	4.7	0.1414
P112-5M-25-SDS	114667	112	7.018	6.973	...	C1	0.53	0.17	1/2	2	7.7	0.3595



QD HTD Sprockets



The figure following the sketch reference letter in the "Type" column indicates the construction of the sprocket (1 = Solid, 2 = Web, and 3 = Arms), and the letter "F" indicates that the sprocket has flanges.

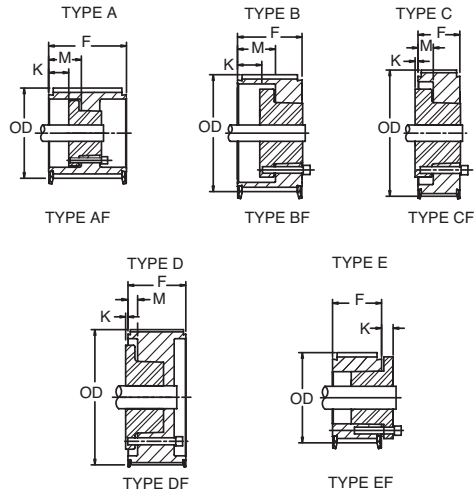
8MM QD HTD Sprockets

Sprocket Number	Part No.	No. Of Teeth	Diameters			Type	Dimensions (In.)		Bore Sizes		Approx. Weight (Lbs.)	Approx. Wr ² (Lb-Ft ²)
			P.D.	O.D.	Flange		M	K	Min.	Max		
8M-20			F = 1.125"									
P24-8M-20-JA	110701	24	2.406	2.352	2.756	E1F	0.00	0.51	1/2	1-1/4	0.8	0.0039
P26-8M-20-JA	110702	26	2.607	2.553	2.906	E1F	0.00	0.51	1/2	1-1/4	1.0	0.0059
P28-8M-20-QT	110703	28	2.807	2.759	3.207	E1F	0.00	1.42	3/8	1-1/2	1.1	0.0078
P30-8M-20-QT	110704	30	3.008	2.958	3.408	E1F	0.00	1.42	3/8	1-1/2	1.3	0.0110
P32-8M-20-QT	110705	32	3.208	3.156	3.608	E1F	0.00	1.42	3/8	1-1/2	1.6	0.0148
P34-8M-20-SH	110706	34	3.409	3.355	3.810	E1F	0.00	0.68	1/2	1-11/16	1.6	0.0181
P36-8M-20-SH	110707	36	3.609	3.555	4.009	C1F	0.31	0.37	1/2	1-11/16	1.7	0.0213
P38-8M-20-SH	110708	38	3.810	3.756	4.210	C1F	0.31	0.37	1/2	2	2.0	0.0272
P40-8M-20-SH	111709	40	4.010	3.956	4.410	C1F	0.31	0.37	1/2	2	2.3	0.0353
P44-8M-20-SDS	110710	44	4.411	4.357	4.764	C1F	0.38	0.32	1/2	2	2.6	0.0490
P48-8M-20-SDS	110711	48	4.812	4.758	5.212	C1F	0.38	0.32	1/2	2	3.4	0.0771
P56-8M-20-SDS	110712	56	5.614	5.560	6.014	C1F	0.38	0.32	1/2	2	4.6	0.1370
P64-8M-20-SDS	110713	64	6.416	6.362	6.716	C1F	0.38	0.32	1/2	2	6.8	0.2639
P72-8M-20-SDS	110714	72	7.218	7.164	7.500	C1F	0.38	0.32	1/2	2	8.8	0.4298
P80-8M-20-SDS	110715	80	8.020	7.966	8.420	C1F	0.38	0.32	1/2	2	11	0.6433
P90-8M-20-SDS	110716	90	9.023	8.969	...	C2	0.38	0.32	1/2	2	12	0.9369
8M-30			F = 1.5"									
P28-8M-30-QT	110723	28	2.807	2.759	3.207	E1F	0.00	0.37	1/2	1-1/2	1.4	0.0104
P30-8M-30-QT	110724	30	3.008	2.958	3.408	E1F	0.00	0.37	3/8	1-1/2	1.8	0.0146
P32-8M-30-QT	110725	32	3.208	3.156	3.608	E1F	0.00	0.37	3/8	1-1/2	2.1	0.0197
P34-8M-30-SH	110726	34	3.409	3.355	3.810	B1F	0.69	0.01	1/2	1-11/16	1.6	0.0186
P36-8M-30-SH	110727	36	3.609	3.555	4.009	B1F	0.69	0.01	1/2	1-11/16	2.0	0.0259
P38-8M-30-SH	110728	38	3.810	3.756	4.210	B1F	0.69	0.01	1/2	1-11/16	2.3	0.0328
P40-8M-30-SH	110729	40	4.010	3.956	4.410	B1F	0.69	0.01	1/2	1-11/16	2.8	0.0435
P44-8M-30-SDS	110730	44	4.411	4.357	4.764	B1F	0.75	0.05	1/2	2	3.0	0.0595
P48-8M-30-SDS	110731	48	4.812	4.758	5.212	B1F	0.75	0.05	1/2	2	3.8	0.0880
P56-8M-30-SDS	110732	56	5.614	5.560	6.014	B1F	0.75	0.05	1/2	2	5.2	0.1633
P64-8M-30-SK	110733	64	6.416	6.362	6.716	C1F	0.25	0.64	1/2	2-5/8	8.6	0.3421
P72-8M-30-SK	110734	72	7.218	7.164	7.500	C1F	0.25	0.64	1/2	2-5/8	12	0.5710
P80-8M-30-SK	110735	80	8.020	7.966	8.420	C2	0.25	0.64	1/2	2-5/8	11	0.6487
P90-8M-30-SK	110736	90	9.023	8.969	...	C2	0.25	0.64	1/2	2-5/8	16	1.2862
P112-8M-30-SK	110737	112	11.229	11.175	...	C2	0.25	0.64	1/2	2-5/8	22	2.703



SPECIFICATION

QD HTD Sprockets



The figure following the sketch reference letter in the "Type" column indicates the construction of the sprocket (1 = Solid, 2 = Web, and 3 = Arms), and the letter "F" indicates that the sprocket has flanges.

8MM QD HTD Sprockets

Sprocket Number	Part No.	No. Of Teeth	Diameters			Type	Dimensions (In.)		Bore Sizes		Approx. Weight (Lbs.)	Approx. Wr ² (Lb-Ft ²)
			P.D.	O.D.	Flange		M	K	Min.	Max.		
8M-50			F = 2.38"									
P28-8M-50-JA	110738	28	2.807	2.759	3.207	A1F	0.81	0.30	1/2	1-1/4	1.7	0.0127
P30-8M-50-JA	110739	30	3.008	2.958	3.408	A1F	0.81	0.30	1/2	1-1/4	1.9	0.0172
P32-8M-50-QT	110742	32	3.208	3.156	3.608	A1F	0.81	0.30	3/8	1-1/2	2.1	0.0214
P34-8M-50-SH	110743	34	3.409	3.355	3.810	D1F	0.50	0.18	1/2	1-11/16	2.2	0.0263
P36-8M-50-SH	110744	36	3.609	3.555	4.009	D1F	0.50	0.18	1/2	1-11/16	2.8	0.0367
P38-8M-50-SH	110745	38	3.810	3.756	4.210	D1F	0.50	0.18	1/2	1-11/16	3.1	0.0462
P40-8M-50-SH	110746	40	4.010	3.956	4.410	D1F	0.50	0.18	1/2	1-11/16	3.9	0.0632
P44-8M-50-SD	110747	44	4.411	4.357	4.764	D1F	0.56	1.74	1/2	2	5.5	0.1068
P48-8M-50-SD	110748	48	4.812	4.758	5.212	D1F	0.56	1.74	1/2	2	7.2	0.1644
P56-8M-50-SK	110749	56	5.614	5.560	6.014	D1F	0.56	0.33	1/2	2-15/16	11	0.3314
P64-8M-50-SK	110750	64	6.416	6.362	6.716	D1F	0.56	0.33	1/2	2-15/16	10	0.4400
P72-8M-50-SK	110751	72	7.218	7.164	7.500	D1F	0.56	0.33	1/2	2-15/16	16	0.8488
P80-8M-50-SF	110752	80	8.020	7.966	8.420	D1F	0.56	0.38	1/2	2-15/16	20	1.335
P90-8M-50-SF	110753	90	9.023	8.969	...	D1	0.56	0.38	1/2	2-15/16	25	2.102c
P112-8M-50-SF	110754	112	11.229	11.175	...	D2	0.75	0.19	1/2	2-15/16	32	4.152
P144-8M-50-E	110755	144	14.437	14.383	...	D3	0.38	0.82	7/8	3-1/2	45	9.391
P192-8M-50-E	110756	192	19.249	19.195	...	D3	0.38	0.82	7/8	3-1/2	65	20.42
8M-85			F = 3.75"									
P34-8M-85-SH	110760	34	3.409	3.355	3.810	A1F	1.50	0.82	1/2	1-11/16	3.1	0.0376
P36-8M-85-SH	110761	36	3.609	3.555	4.009	A1F	1.50	0.82	1/2	1-11/16	3.9	0.0535
P38-8M-85-SH	110762	38	3.810	3.756	4.210	A1F	1.50	0.82	1/2	1-11/16	4.4	0.0671
P40-8M-85-SD	110763	40	4.010	3.956	4.410	A1F	1.25	0.55	1/2	2	4.9	0.0836
P44-8M-85-SD	110764	44	4.411	4.357	4.764	A1F	1.25	0.55	1/2	2	7.8	0.1589
P48-8M-85-SD	110765	48	4.812	4.758	5.212	A1F	1.25	0.55	1/2	2	11	0.2496
P56-8M-85-SK	110766	56	5.614	5.560	6.014	A1F	1.25	0.36	1/2	2-5/8	12	0.4191
P64-8M-85-SK	110767	64	6.42	6.362	6.716	A1F	1.25	0.36	1/2	2-5/8	17	0.7664
P72-8M-85-SF	110768	72	7.218	7.164	7.500	A1F	1.25	0.31	1/2	2-15/16	19	1.114
P80-8M-85-SF	110769	80	8.020	7.966	8.420	A1F	1.25	0.31	1/2	2-15/16	29	1.982
P90-8M-85-SF	110770	90	9.023	8.969	...	A1	1.25	0.31	1/2	2-15/16	26	2.253
P112-8M-85-SF	110771	112	11.229	11.175	...	A2	1.25	0.31	1/2	2-15/16	38	5.286
P144-8M-85-E	110772	144	14.437	14.383	...	D3	1.06	0.14	7/8	3-1/2	61	14.031
P192-8M-85-E	110773	192	19.249	19.195	...	D3	1.06	0.14	7/8	3-1/2	76	26.80

SPECIFICATION



14MM QD HTD Sprockets

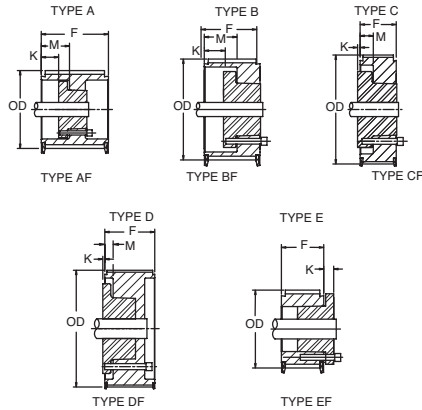
Sprocket Number	Part No.	No. Of Teeth	Diameters			Type	Dimensions (In.)		Bore Sizes		Approx. Weight (Lbs.)	Approx. Wr ² (Lb-Ft ²)
			P.D.	O.D.	Flange		M	K	Min.	Max		
14M-40												
F = 2.13"												
P28-14M-40-SK	110780	28	4.912	4.808	5.562	E1F	0.00	0.89	0.5	2-5/8	5.8	0.1301
P29-14M-40-SK	110781	29	5.088	4.983	5.562	E1F	0.00	0.89	0.5	2-5/8	6.5	0.1561
P30-14M-40-SK	110782	30	5.263	5.157	5.763	D1F	0.44	0.45	0.5	2-5/8	6.2	0.1629
P32-14M-40-SK	110783	32	5.614	5.507	6.114	D1F	0.44	0.45	0.5	2-5/8	7.8	0.2310
P34-14M-40-SK	110784	34	5.965	5.858	6.465	D1F	0.44	0.45	0.5	2-5/8	9.4	0.3113
P36-14M-40-SF	110785	36	6.316	6.208	6.816	D1F	0.44	0.50	0.5	2-15/16	9.6	0.3693
P38-14M-40-SF	110786	38	6.667	6.559	7.167	D1F	0.44	0.50	0.5	2-15/16	12	0.5080
P40-14M-40-SF	110787	40	7.018	6.909	7.518	D1F	0.44	0.50	0.5	2-15/16	13	0.6096
P44-14M-40-E	110788	44	7.720	7.610	8.395	D1F	0.38	0.82	0.875	3-1/2	16	0.9305
P48-14M-40-E	110789	48	8.421	8.311	8.941	D1F	0.38	0.82	0.875	3-1/2	20	1.360
P52-14M-40-E	110790	52	9.123	9.013	9.687	D1F	0.25	0.95	0.875	3-1/2	25	1.991
P56-14M-40-E	110791	56	9.825	9.715	10.355	D1F	0.25	0.95	0.875	3-1/2	29	2.583
P60-14M-40-E	110792	60	10.527	10.417	11.067	D1F	0.44	0.76	0.875	3-1/2	34	3.494
P64-14M-40-E	110793	64	11.229	11.119	11.750	D1F	0.44	0.76	0.875	3-1/2	39	4.489
P68-14M-40-E	110794	68	11.930	11.820	12.500	D2F	0.44	0.76	0.875	3-1/2	34	4.368
P72-14M-40-E	110795	72	12.632	12.522	13.066	D2F	0.31	0.89	0.875	3-1/2	40	5.811
P80-14M-40-E	110796	80	14.036	13.926	14.620	D3F	0.44	0.76	0.875	3-1/2	39	7.005
P90-14M-40-E	110797	90	15.790	15.680	...	D3	0.25	0.95	0.875	3-1/2	40	8.633
P112-14M-40-E	110798	112	19.650	19.540	...	D3	0.25	0.95	0.875	3-1/2	67	21.62
P144-14M-40-E	110799	144	25.264	25.154	...	D3	0.25	0.95	0.875	3-1/2	66	38.99
P168-14M-40-F	110759	168	29.475	29.265	...	C3	0.37	1.79	1	4	91	74.83
P192-14M-40-F	110774	192	33.686	33.576	...	C3	0.37	1.79	1	4	108	117.1
14M-55												
F = 2.75"												
P28-14M-55-SK	110805	28	4.912	4.808	5.562	E1F	0.00	0.89	0.5	2-5/8	7.3	0.1657
P29-14M-55-SK	110806	29	5.088	4.983	5.562	E1F	0.00	0.89	0.5	2-5/8	8.2	0.1991
P30-14M-55-SK	110807	30	5.263	5.157	5.763	D1F	0.75	0.14	0.5	2-5/8	7.5	0.1989
P32-14M-55-SK	110808	32	5.614	5.507	6.114	D1F	0.75	0.14	0.5	2-5/8	9.5	0.2868
P34-14M-55-SK	110809	34	5.965	5.858	6.465	D1F	0.75	0.14	0.5	2-5/8	11	0.3851
P36-14M-55-SF	110810	36	6.316	6.208	6.816	D1F	0.75	0.19	0.5	2-15/16	11	0.4515
P38-14M-55-SF	110811	38	6.667	6.559	7.167	D1F	0.75	0.19	0.5	2-15/16	14	0.6139
P40-14M-55-SF	110812	40	7.018	6.909	7.518	D1F	0.75	0.19	0.5	2-15/16	15	0.7440
P44-14M-55-E	110813	44	7.720	7.610	8.395	D1F	0.56	0.64	0.875	3-1/2	19	1.136
P48-14M-55-E	110814	48	8.421	8.311	8.941	D1F	0.56	0.64	0.875	3-1/2	23	1.641
P52-14M-55-E	110815	52	9.123	9.013	9.687	D1F	0.56	0.64	0.875	3-1/2	30	2.454
P56-14M-55-E	110816	56	9.825	9.715	10.355	D1F	0.56	0.64	0.875	3-1/2	32	3.030
P60-14M-55-E	110817	60	10.527	10.417	11.067	D1F	0.56	0.64	0.875	3-1/2	38	4.038
P64-14M-55-F	110818	64	11.229	11.119	11.750	D1F	0.13	1.29	1	4	54	6.267
P68-14M-55-F	110819	68	11.930	11.820	12.500	D1F	0.13	1.29	1	4	62	8.029
P72-14M-55-F	110820	72	12.632	12.522	13.066	D1F	0.13	1.29	1	4	71	10.32
P80-14M-55-F	110821	80	14.036	13.926	14.620	D1F	0.13	1.29	1	4	89	15.76
P90-14M-55-F	110822	90	15.790	15.680	...	D2	0.13	1.29	1	4	61	12.67
P112-14M-55-F	110823	112	19.650	19.540	...	D3	0.13	1.29	1	4	80	25.72
P144-14M-55-F	110824	144	25.264	25.154	...	D3	0.13	1.29	1	4	90	55.45
P168-14M-55-F	110825	168	29.475	29.265	...	D3	0.13	1.29	1	4	111	95.26
P192-14M-55-F	110826	192	33.686	33.576	...	D3	0.13	1.29	1	4	134	149.7
P216-14M-55-F	110827	216	37.896	37.786	...	D3	0.13	1.29	1	4	159	223.9
14M-85												
F = 4"												
P30-14M-85-SK	110832	30	5.263	5.157	5.763	A1F	1.38	0.49	1/2	2-11/16	10	0.2715
P32-14M-85-SK	110833	32	5.614	5.507	6.114	A1F	1.38	0.49	1/2	2-5/8	13	0.3993
P34-14M-85-SK	110834	34	5.965	5.858	6.465	A1F	1.38	0.49	1/2	2-5/8	15	0.5387
P36-14M-85-SF	110835	36	6.316	6.208	6.816	A1F	1.5	0.56	1/2	2-15/16	15	0.6171
P38-14M-85-SF	110836	38	6.667	6.559	7.167	A1F	1.38	0.44	1/2	2-15/16	19	0.8559
P40-14M-85-SF	110837	40	7.018	6.909	7.518	A1F	1.38	0.44	1/2	2-15/16	22	1.097
P44-14M-85-E	110838	44	7.720	7.610	8.395	D1F	1.19	0.01	7/8	3-1/2	23	1.390
P48-14M-85-E	110839	48	8.421	8.311	8.941	D1F	1.19	0.01	7/8	3-1/2	29	2.133
P52-14M-85-E	110840	52	9.123	9.013	9.687	D1F	1.19	0.01	7/8	3-1/2	35	2.972
P56-14M-85-F	110841	56	9.825	9.715	10.355	D1F	0.75	0.67	1	4	46	4.426
P60-14M-85-F	110842	60	10.527	10.417	11.067	D1F	0.75	0.67	1	4	57	6.259
P64-14M-85-F	110843	64	11.229	11.119	11.750	D1F	0.75	0.67	1	4	64	7.866
P68-14M-85-F	110852	68	11.930	11.820	12.500	D1F	0.75	0.67	1	4	75	10.40
P72-14M-85-F	110844	72	12.632	12.522	13.066	D1F	0.75	0.67	1	4	89	13.74
P80-14M-85-F	110845	80	14.036	13.926	14.620	D1F	0.75	0.67	1	4	100	18.65
P90-14M-85-F	110846	90	15.790	15.680	...	D3	0.75	0.67	1	4	57	12.19
P112-14M-85-F	110847	112	19.650	19.540	...	D3	0.75	0.67	1	4	94	32.92
P144-14M-85-F	110848	144	25.264	25.154	...	D3	0.75	0.67	1	4	129	73.66
P168-14M-85-F	110849	168	29.475	29.265	...	D3	0.69	0.73	1	4	144	126.7
P192-14M-85-F	110850	192	33.686	33.576	...	D3	0.69	0.73	1	4	178	203.8
P216-14M-85-F	110851	216	37.896	37.786	...	D3	0.69	0.73	1	4	216	315.6

FEATURES/BENEFITS PAGE PT11-2	SELECTION PAGE PT11-19	ENGINEERING/TECHNICAL PAGE PT11-64	
----------------------------------	---------------------------	---------------------------------------	--



SPECIFICATION

QD HTD Sprockets



The figure following the sketch reference letter in the "Type" column indicates the construction of the sprocket (1 = Solid, 2 = Web, and 3 = Arms), and the letter "F" indicates that the sprocket has flanges.

14MM QD HTD Sprockets

Sprocket Number	Part No.	No. Of Teeth	Diameters			Type	Dimensions (In.)		Bore Sizes		Approx. Weight (Lbs.)	Approx. Wr ² (Lb-Ft ²)
			P.D.	O.D.	Flange		M	K	Min.	Max		
14M-115			F = 5.25"									
P30-14M-115-SK	110857	30	5.263	5.157	5.763	A1F	2.00	1.11	1/2	2-5/8	12	0.3441
P32-14M-115-SK	110858	32	5.614	5.507	6.114	A1F	2.00	1.11	1/2	2-5/8	16	0.5084
P34-14M-115-SK	110859	34	5.965	5.858	6.465	A1F	2.00	1.11	1/2	2-5/8	20	0.7035
P36-14M-115-SF	110860	36	6.316	6.208	6.816	A1F	2.00	1.06	1/2	2-15/16	19	0.7834
P38-14M-115-SF	110861	38	6.667	6.559	7.167	A1F	2.00	1.06	1/2	2-15/16	22	1.000
P40-14M-115-SF	110862	40	7.018	6.909	7.518	A1F	2.00	1.06	1/2	2-15/16	26	1.306
P44-14M-115-E	110863	44	7.720	7.610	8.395	A1F	2.00	0.80	7/8	3-1/2	27	1.717
P48-14M-115-E	110864	48	8.421	8.311	8.941	A1F	1.94	0.74	7/8	3-1/2	36	2.657
P52-14M-115-F	110865	52	9.123	9.013	9.687	D1F	1.38	0.05	1	4	48	4.133
P56-14M-115-F	110866	56	9.825	9.715	10.355	D1F	1.38	0.05	1	4	54	5.326
P60-14M-115-F	110867	60	10.527	10.417	11.067	D1F	1.38	0.05	1	4	63	7.105
P64-14M-115-J	110868	64	11.229	11.119	11.750	D1F	1.00	0.20	1-1/2	4-1/2	81	10.377
P68-14M-115-J	110869	68	11.930	11.820	12.500	D1F	1.00	0.20	1-1/2	4-1/2	90	12.89
P72-14M-115-J	110870	72	12.632	12.522	13.066	D1F	1.00	0.20	1-1/2	4-1/2	101	16.06
P80-14M-115-J	110871	80	14.036	13.926	14.620	D2F	1.00	0.20	1-1/2	4-1/2	108	21.04
P90-14M-115-J	110872	90	15.790	15.680	...	D2	1.00	0.20	1-1/2	4-1/2	121	29.10
P112-14M-115-J	110873	112	19.650	19.540	...	D3	1.00	0.20	1-1/2	4-1/2	117	46.65
P144-14M-115-J	110874	144	25.264	25.154	...	D3	1.06	0.14	1-1/2	4-1/2	157	113.9
P168-14M-115-J	110875	168	29.475	29.265	...	D3	1.06	0.14	1-1/2	4-1/2	198	209.1
P192-14M-115-J	110876	192	33.686	33.576	...	D3	1.06	0.14	1-1/2	4-1/2	240	265.8
P216-14M-115-J	110877	216	37.896	37.786	...	D3	1.06	0.14	1-1/2	4-1/2	284	401.7
14M-170			F = 7.38"									
P44-14M-170-E	110883	44	7.720	7.610	8.395	A1F	2.88	1.68	7/8	3-1/2	35	2.273
P48-14M-170-E	110884	48	8.421	8.311	8.941	A1F	2.88	1.68	7/8	3-1/2	46	3.550
P52-14M-170-F	110885	52	9.123	9.013	9.687	A1F	2.44	1.02	1	4	61	5.430
P56-14M-170-F	110886	56	9.825	9.715	10.355	A1F	2.44	1.02	1	4	67	6.860
P60-14M-170-J	110887	60	10.527	10.417	11.067	A1F	2.28	1.08	1-1/2	4-1/2	81	9.546
P64-14M-170-J	110888	64	11.229	11.119	11.750	A1F	2.13	0.93	1-1/2	4-1/2	100	13.31
P68-14M-170-J	110897	68	11.930	11.820	12.500	A1F	2.13	0.93	1-1/2	4-1/2	108	16.08
P72-14M-170-J	110889	72	12.632	12.522	13.066	A1F	2.13	0.93	1-1/2	4-1/2	119	19.72
P80-14M-170-J	110890	80	14.036	13.926	14.620	A2F	2.13	0.93	1-1/2	4-1/2	129	26.66
P90-14M-170-J	110891	90	15.790	15.680	...	A2	2.13	0.93	1-1/2	4-1/2	163	41.42
P112-14M-170-M	110892	112	19.650	19.540	...	D3	1.44	0.30	2	5-1/2	188	63.86
P144-14M-170-M	110893	144	25.264	25.154	...	D3	1.44	0.30	2	5-1/2	240	146.9
P168-14M-170-M	110894	168	29.475	29.265	...	D3	1.44	0.30	2	5-1/2	279	247.5
P192-14M-170-M	110895	192	33.686	33.576	...	D3	1.44	0.30	2	5-1/2	541	746.7
P216-14M-170-M	110896	216	37.896	37.786	...	D3	1.44	0.30	2	5-1/2	443	774.6

SPECIFICATION



QD HTD Sprockets

20MM QD HTD Sprockets

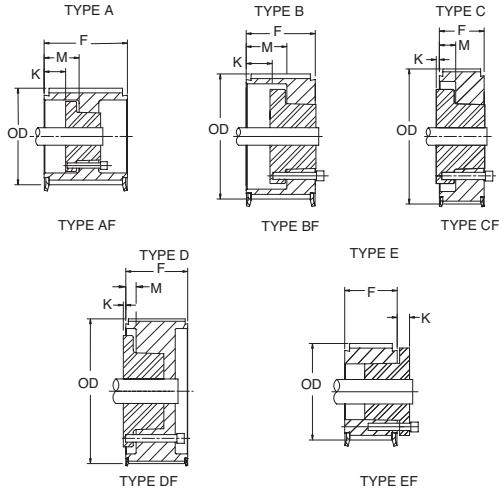
SPROCKET NUMBER	PART NO.	NO. OF TEETH	DIAMETERS			TYPE	DIMENSIONS (IN.)		Bore Sizes		Approx. Weight (LBS.)
			P.D.	O.D.	FLANGE		M	K	Min.	Max	
20M-115					F = 5.38"						
P34-20M-115-F	114668	34	8.522	8.352	9.449	A1F	1.44	0.02	1	4	42
P36-20M-115-F	114669	36	9.023	8.853	9.843	A1F	1.44	0.02	1	4	50
P38-20M-115-F	114670	38	9.524	9.354	10.443	A1F	1.44	0.02	1	4	55
P40-20M-115-F	114671	40	10.026	9.855	10.827	A1F	1.44	0.02	1	4	61
P44-20M-115-F	114672		11.028	10.858	11.811	A1F	1.44	0.02	1	4	74
P48-20M-115-J	114673	48	12.031	11.861	12.795	D1F	1.19	0.01	1-1/2	4-1/2	100
P52-20M-115-J	114674	52	13.033	12.863	13.764	D2F	1.19	0.01	1-1/2	4-1/2	96
P56-20M-115-J	114675	56	14.036	13.856	14.764	D2F	1.19	0.01	1-1/2	4-1/2	103
P60-20M-115-J	114676	60	15.038	14.868	15.927	D2F	1.19	0.01	1-1/2	4-1/2	110
P64-20M-115-J	114677	64	16.041	15.871	16.929	D2F	1.19	0.01	1-1/2	4-1/2	119
P68-20M-115-J	114678	68	17.032	16.873	17.927	D2F	1.19	0.01	1-1/2	4-1/2	125
P72-20M-115-J	114679	72	18.046	17.876	18.898	D2F	1.19	0.01	1-1/2	4-1/2	135
P80-20M-115-M	114680	80	20.051	19.881	20.866	D2F	0.19	1.55	2	5-1/2	216
P90-20M-115-M	114681	90	22.557	22.387	23.425	D2F	0.19	1.55	2	5-1/2	247
P112-20M-115-M	114682	112	28.071	27.901	...	D3	0.19	1.55	2	5-1/2	273
P144-20M-115-N	114683	144	36.092	35.922	...	C3	0.00	2.05	2-7/16	5-7/8	392
P168-20M-115-N	114684	168	42.107	41.937	...	C3	0.00	2.05	2-7/16	5-7/8	469
P192-20M-115-N	114685	192	48.122	47.952	...	C3	0.00	2.05	2-7/16	5-7/8	552
P216-20M-115-N	114686	216	54.136	53.958	...	C3	0.00	2.05	2-7/16	5-7/8	618
20M-170					F = 7.5"						
P34-20M-170-MPB	114687	34	8.522	8.352	9.449	6F	2.25	1.25	2-1/8	4-3/8	81
P36-20M-170-MPB	114688	36	9.023	8.853	9.843	6F	2.25	1.25	2-1/8	4-1/2	93
P38-20M-170-J	114689	38	9.524	9.354	10.443	A1F	2.19	0.99	1-1/2	4-1/2	72
P40-20M-170-J	114690	40	10.026	9.855	10.827	A1F	2.19	0.99	1-1/2	4-1/2	80
P44-20M-170-J	114691	44	11.028	10.858	11.811	A1F	2.19	0.99	1-1/2	4-1/2	97
P48-20M-170-M	114692	48	12.031	11.861	12.795	D1F	1.50	0.24	2	5-1/2	148
P52-20M-170-M	114693	52	13.033	12.863	13.764	D1F	1.50	0.24	2	5-1/2	175
P56-20M-170-M	114694	56	14.036	13.856	14.764	D1F	1.50	0.24	2	5-1/2	204
P60-20M-170-M	114695	60	15.038	14.868	15.927	D1F	1.50	0.24	2	5-1/2	233
P64-20M-170-M	114696	64	16.041	15.871	16.929	D2F	1.50	0.24	2	5-1/2	210
P68-20M-170-M	114697	68	17.032	16.873	17.927	D2F	1.50	0.24	2	5-1/2	222
P72-20M-170-M	114698	72	18.046	17.876	18.898	D2F	1.50	0.24	2	5-1/2	230
P80-20M-170-M	114699	80	20.051	19.881	20.866	D2F	1.50	0.24	2	5-1/2	249
P90-20M-170-M	114700	90	22.557	22.387	23.425	D2F	1.50	0.24	2	5-1/2	285
P112-20M-170-N	114701	112	28.071	27.901	...	D3	1.25	0.80	2-7/16	5-7/8	361
P144-20M-170-N	114702	144	36.092	35.922	...	D3	1.25	0.80	2-7/16	5-7/8	478
P168-20M-170-P	114703	168	42.107	41.937	...	C3	1.06	1.24	2-7/16	7	658
P192-20M-170-P	114704	192	48.122	47.952	...	C3	1.06	1.24	2-7/16	7	739
P216-20M-170-P	114705	216	54.136	53.958	...	C3	1.06	1.24	2-7/16	7	901
20M-230					F = 9.88"						
P38-20M-230-MPB	114706	38	9.524	9.354	10.443	6F	2.63	1.25	2-7/8	5-1/4	120
P40-20M-230-MPB	114707	40	10.026	9.855	10.827	6F	2.63	1.25	2-7/8	5-7/8	147
P44-20M-230-MPB	114708	44	11.028	10.858	11.811	6F	2.63	1.25	2-7/8	6	180
P48-20M-230-M	114709	48	12.031	11.861	12.795	A1F	2.00	0.26	2	5-1/2	164
P52-20M-230-M	114710	52	13.033	12.863	13.764	A1F	2.00	0.26	2	5-1/2	193
P56-20M-230-M	114711		14.036	13.856	14.764	A1F	2.00	0.26	2	5-1/2	224
P60-20M-230-M	114712	60	15.038	14.868	15.927	A1F	2.00	0.26	2	5-1/2	252
P64-20M-230-M	114713	64	16.041	15.871	16.929	A2F	2.00	0.26	2	5-1/2	233
P68-20M-230-N	114714	68	17.032	16.873	17.927	D1F	1.81	0.24	2-7/16	5-7/8	375
P72-20M-230-N	114715	72	18.046	17.876	18.898	D2F	1.81	0.24	2-7/16	5-7/8	339
P80-20M-230-N	114716	80	20.051	19.881	20.866	D2F	1.81	0.24	2-7/16	5-7/8	331
P90-20M-230-N	114717	90	22.557	22.387	23.425	D2F	1.81	0.24	2-7/16	5-7/8	370
P112-20M-230-N	114718	112	28.071	27.901	...	D3	1.81	0.24	2-7/16	5-7/8	409
P144-20M-230-P	114719	144	36.092	35.922	...	D3	1.31	0.99	2-15/16	7	622
P168-20M-230-P	114720	168	42.107	41.937	...	D3	1.31	0.99	2-15/16	7	742
P192-20M-230-W	114721	192	48.122	47.952	...	C3	1.50	1.06	4	8-1/2	1111
P216-20M-230-W	114722	216	54.136	53.958	...	C3	1.50	1.06	4	8-1/2	1238

FEATURES/BENEFITS PAGE PT11-2	SELECTION PAGE PT11-19	ENGINEERING/TECHNICAL PAGE PT11-64	
----------------------------------	---------------------------	---------------------------------------	--



SPECIFICATION

QD HTD Sprockets



The figure following the sketch reference letter in the "Type" column indicates the construction of the sprocket (1 = Solid, 2 = Web, and 3 = Arms), and the letter "F" indicates that the sprocket has flanges.

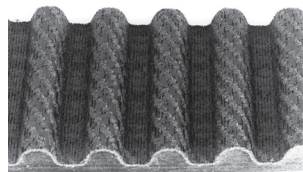
20MM QD HTD Sprockets

Sprocket Number	Part No.	No. Of Teeth	Diameters (Inches)			Type	Dimensions Inches		Bore Sizes		Wt. (Lbs)
			Pitch	O.D.	Flange		M	K	Min.	Max.	
20M-290											
F = 12.25"											
P52-20M-290-N	114723	52	13.033	12.863	13.764	A1F	2.50	0.50	2-7/16	5-7/8	202.7
P56-20M-290-N	114724	56	14.036	13.856	14.764	A1F	2.50	0.50	2-7/16	5-7/8	238.8
P60-20M-290-N	114725	60	15.038	14.868	15.927	A1F	2.50	0.50	2-7/16	5-7/8	276.5
P64-20M-290-N	114726	64	16.041	15.871	16.929	A1F	2.50	0.50	2-7/16	5-7/8	319.8
P68-20M-290-N	114727	68	17.032	16.873	17.927	A1F	2.50	0.50	2-7/16	5-7/8	367.9
P72-20M-290-N	114728	72	18.046	17.876	18.898	A2F	2.50	0.50	2-7/16	5-7/8	364.0
P80-20M-290-N	114729	80	20.051	19.881	20.866	A2F	2.50	0.50	2-7/16	5-7/8	369.6
P90-20M-290-N	114730	90	22.557	22.387	23.425	A2F	2.50	0.50	2-7/16	5-7/8	424.3
P112-20M-290-P	114731	112	28.071	27.901	...	A2	2.50	0.25	2-15/16	7	614.6
P144-20M-290-P	114732	144	36.092	35.922	...	A3	2.50	0.25	2-15/16	7	679.8
P168-20M-290-W	114733	168	42.107	41.937	...	A3	2.69	0.19	4	8-1/2	1117.1
P192-20M-290-W	114734	192	48.122	47.952	...	A3	2.69	0.19	4	8-1/2	1281.0
P216-20M-290-W	114735	216	54.136	53.958	...	A3	2.69	0.19	4	8-1/2	1175.6
20M-340											
F = 14.25"											
P52-20M-340-N	114736	52	13.033	12.863	13.764	A1F	2.50	0.50	2-7/16	5-7/8	221.0
P56-20M-340-N	114737	56	14.036	13.856	14.764	A1F	2.50	0.50	2-7/16	5-7/8	258.0
P60-20M-340-N	114738	60	15.038	14.868	15.927	A1F	2.50	0.50	2-7/16	5-7/8	293.4
P64-20M-340-N	114739	64	16.041	15.871	16.929	A1F	2.50	0.50	2-7/16	5-7/8	337.9
P68-20M-340-N	114740	68	17.032	16.873	17.927	A1F	2.50	0.50	2-7/16	5-7/8	388.1
P72-20M-340-N	114741	72	18.046	17.876	18.898	A2F	2.50	0.50	2-7/16	5-7/8	393.1
P80-20M-340-P	114742	80	20.051	19.881	20.866	A1F	3.50	1.25	2-15/16	7	560.0
P90-20M-340-P	114743	90	22.557	22.387	23.425	A2F	3.50	1.25	2-15/16	7	497.3
P112-20M-340-P	114744	112	28.071	27.901	...	A2	3.50	1.25	2-15/16	7	653.3
P144-20M-340-W	114745	144	36.092	35.922	...	A3	2.63	0.13	4	8-1/2	851.0
P168-20M-340-W	114746	168	42.107	41.937	...	A3	2.63	0.13	4	8-1/2	1177.0
P192-20M-340-S	114747	192	48.122	47.952	...	D3	1.13	2.38	5-1/2	10	1519.4
P216-20M-340-S	114748	216	54.136	53.958	...	D3	1.13	2.38	5-1/2	10	1473.5



SPECIFICATION

DODGE H200 Belts



- 200% Rating of HTD Belts
- For Use on TAPER-LOCK HT Sprockets

Note: Belt length is in millimeters
To convert to inches, divide by 25.4

Example: 2600-8M-30 belt size
 $2600 \div 25.4 = 102.36$ inches belt length

5 MM Pitch HT200 Belts

15MM Wide			15MM Wide			25MM Wide			25MM Wide		
Description	Part No.	Wgt.	Description	Part No.	Wgt.	Description	Part No.	Wgt.	Description	Part No.	Wgt.
300-5M-15	142100	0.04	650-5M-15	142110	0.09	300-5M-25	142122	0.07	650-5M-25	142132	0.15
355-5M-15	142101	0.05	700-5M-15	142111	0.09	355-5M-25	142123	0.08	700-5M-25	142133	0.15
375-5M-15	142102	0.05	750-5M-15	142112	0.10	375-5M-25	142124	0.09	750-5M-25	142134	0.17
400-5M-15	142103	0.05	800-5M-15	142113	0.11	400-5M-25	142125	0.09	800-5M-25	142135	0.18
405-5M-15	142145	0.05	850-5M-15	142148	0.11	405-5M-25	142149	0.09	850-5M-25	142152	0.19
425-5M-15	142104	0.06	900-5M-15	142114	0.12	425-5M-25	142126	0.10	900-5M-25	142136	0.20
450-5M-15	142105	0.06	1000-5M-15	142115	0.14	450-5M-25	142127	0.10	1000-5M-25	142137	0.23
500-5M-15	142106	0.07	1150-5M-15	142116	0.16	500-5M-25	142128	0.11	1150-5M-25	142138	0.26
535-5M-15	142107	0.07	1300-5M-15	142117	0.18	535-5M-25	142129	0.12	1300-5M-25	142139	0.29
565-5M-15	142108	0.08	1450-5M-15	142118	0.20	565-5M-25	142130	0.13	1450-5M-25	142140	0.34
580-5M-15	142146	0.08	1600-5M-15	142119	0.22	580-5M-25	142150	0.13	1600-5M-25	142141	0.36
600-5M-15	142109	0.08	1720-5M-15	142120	0.23	600-5M-25	142131	0.14	1720-5M-25	142142	0.39
625-5M-15	142147	0.09	2100-5M-15	142121	0.29	625-5M-25	142151	0.14	2100-5M-25	142143	0.47

8 MM Pitch HT200 Belts

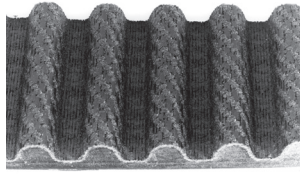
20MM Wide			30MM Wide			50MM Wide			85MM Wide		
Description	Part No.	Wt.	Description	Part No.	Wt.	Description	Part No.	Wt.	Description	Part No.	Wt.
384-8M-20	146400	0.12	384-8M-30	146433	0.19	384-8M-50	146466	0.33	384-8M-85	146499	0.55
480-8M-20	146401	0.13	480-8M-30	146434	0.20	480-8M-50	146467	0.34	480-8M-85	146500	0.57
560-8M-20	146402	0.16	560-8M-30	146435	0.23	560-8M-50	146468	0.39	560-8M-85	146501	0.66
600-8M-20	146403	0.17	600-8M-30	146436	0.25	600-8M-50	146469	0.42	600-8M-85	146502	0.71
640-8M-20	146404	0.18	640-8M-30	146437	0.27	640-8M-50	146470	0.45	640-8M-85	146503	0.76
720-8M-20	146405	0.20	720-8M-30	146438	0.30	720-8M-50	146471	0.50	720-8M-85	146504	0.85
800-8M-20	146406	0.22	800-8M-30	146439	0.33	800-8M-50	146472	0.56	800-8M-85	146505	0.95
840-8M-20	146407	0.23	840-8M-30	146440	0.35	840-8M-50	146473	0.59	840-8M-85	146505	1.00
880-8M-20	146408	0.25	880-8M-30	146441	0.37	880-8M-50	146474	0.61	880-8M-85	146507	1.04
920-8M-20	146409	0.26	920-8M-30	146442	0.39	920-8M-50	146475	0.64	920-8M-85	146508	1.09
960-8M-20	146410	0.27	960-8M-30	146443	0.40	960-8M-50	146476	0.67	960-8M-85	146509	1.14
1040-8M-20	146411	0.29	1040-8M-30	146444	0.43	1040-8M-50	146477	0.74	1040-8M-85	146510	1.23
1064-8M-20	146412	0.30	1064-8M-30	146445	0.45	1064-8M-50	146478	0.76	1064-8M-85	146511	1.27
1120-8M-20	146413	0.31	1120-8M-30	146446	0.47	1120-8M-50	146479	0.78	1120-8M-85	146512	1.33
1160-8M-20	146414	0.32	1160-8M-30	146447	0.48	1160-8M-50	146480	0.8	1160-8M-85	146513	1.28
1200-8M-20	146415	0.34	1200-8M-30	146448	0.50	1200-8M-50	146481	0.84	1200-8M-85	146514	1.42
1224-8M-20	146416	0.35	1224-8M-30	146449	0.51	1224-8M-50	146482	0.87	1224-8M-85	146515	1.47
1280-8M-20	146417	0.36	1280-8M-30	146450	0.53	1280-8M-50	146483	0.89	1280-8M-85	146516	1.52
1440-8M-20	146418	0.40	1440-8M-30	146451	0.60	1440-8M-50	146484	1.01	1440-8M-85	146517	1.71
1512-8M-20	146419	0.42	1512-8M-30	146452	0.62	1512-8M-50	146485	1.05	1512-8M-85	146518	1.79
1584-8M-20	146420	0.43	1584-8M-30	146453	0.65	1584-8M-50	146486	1.09	1584-8M-85	146519	1.82
1600-8M-20	146421	0.45	1600-8M-30	146454	0.67	1600-8M-50	146487	1.11	1600-8M-85	146520	1.90
1760-8M-20	146422	0.49	1760-8M-30	146455	0.73	1760-8M-50	146488	1.23	1760-8M-85	146521	2.08
1800-8M-20	146423	0.50	1800-8M-30	146456	0.75	1800-8M-50	146489	1.25	1800-8M-85	146522	2.13
2000-8M-20	146424	0.56	2000-8M-30	146457	0.83	2000-8M-50	146490	1.39	2000-8M-85	146523	2.37
2200-8M-20	146425	0.60	2200-8M-30	146458	0.90	2200-8M-50	146491	1.50	2200-8M-85	146524	2.55
2400-8M-20	146426	0.67	2400-8M-30	146459	1.00	2400-8M-50	146492	1.67	2400-8M-85	146525	2.84
2600-8M-20	146427	0.79	2600-8M-30	146460	1.09	2600-8M-50	146493	1.81	2600-8M-85	146526	3.09
2800-8M-20	146428	0.80	2800-8M-30	146461	1.17	2800-8M-50	146494	1.95	2800-8M-85	146527	3.32
3048-8M-20	146429	0.85	3040-8M-30	146462	1.27	3040-8M-50	146495	2.00	3040-8M-85	146528	3.62
3280-8M-20	146430	0.92	3280-8M-30	146463	1.37	3280-8M-50	146496	2.29	3280-8M-85	146529	3.89
3600-8M-20	146431	1.01	3600-8M-30	146464	1.51	3600-8M-50	146497	2.51	3600-8M-85	146530	4.27
4400-8M-20	146432	1.23	4400-8M-30	146465	1.84	4400-8M-50	146498	3.07	4400-8M-85	146531	5.22

FEATURES/BENEFITS PAGE PT11-2	SELECTION PAGE PT11-19	ENGINEERING/TECHNICAL PAGE PT11-64	
----------------------------------	---------------------------	---------------------------------------	--



SPECIFICATION

DODGE H200 Belts



- 200% Rating of HTD Belts
- For Use on TAPER-LOCK HT Sprockets

Note: Belt length is in millimeters
To convert to inches, divide by 25.4

Example: 2600-8M-30 belt size
 $2600 \div 25.4 = 102.36$ inches belt length

14 MM Pitch HT200 Belts

40MM Wide			55MM Wide			85MM Wide			115MM Wide			170MM Wide		
Description	Part No.	Wt.	Description	Part No.	Wt.	Description	Part No.	Wt.	Description	Part No.	Wt.	Description	Part No.	Wt.
966-14M-40	146532	0.84	966-14M-55	146554	1.15	966-14M-85	146576	1.78	966-14M-115	146598	2.41	966-14M-170	146620	3.56
1190-14M-40	146533	1.03	1190-14M-55	146555	1.42	1190-14M-85	146577	2.20	1190-14M-115	146599	2.98	1190-14M-170	146621	4.39
1400-14M-40	146534	1.21	1400-14M-55	146556	1.67	1400-14M-85	146578	2.58	1400-14M-115	146600	3.50	1400-14M-170	146622	5.16
1610-14M-40	146535	1.40	1610-14M-55	146557	1.92	1610-14M-85	146579	2.97	1610-14M-115	146601	4.02	1610-14M-170	146623	5.95
1778-14M-40	146536	1.54	1778-14M-55	146558	2.13	1778-14M-85	146580	3.28	1778-14M-115	146602	4.45	1778-14M-170	146624	6.56
1890-14M-40	146537	1.64	1890-14M-55	146559	2.26	1890-14M-85	146581	3.49	1890-14M-115	146603	4.73	1890-14M-170	146625	6.97
2100-14M-40	146538	1.82	2100-14M-55	146560	2.51	2100-14M-85	146582	3.88	2100-14M-115	146604	5.25	2100-14M-170	146626	7.75
2310-14M-40	146539	2.00	2310-14M-55	146561	2.76	2310-14M-85	146583	4.26	2310-14M-115	146605	5.77	2310-14M-170	146627	8.53
2450-14M-40	146540	2.13	2450-14M-55	146562	2.93	2450-14M-85	146584	4.52	2450-14M-115	146606	6.13	2450-14M-170	146628	9.04
2590-14M-40	146541	2.25	2590-14M-55	146563	3.10	2590-14M-85	146585	4.78	2590-14M-115	146607	6.47	2590-14M-170	146629	9.55
2800-14M-40	146542	2.43	2800-14M-55	146564	3.34	2800-14M-85	146586	5.17	2800-14M-115	146608	7.00	2800-14M-170	146630	10.33
3150-14M-40	146543	2.73	3150-14M-55	146565	3.77	3150-14M-85	146587	5.82	3150-14M-115	146609	7.87	3150-14M-170	146631	11.62
3360-14M-40	146544	2.91	3360-14M-55	146566	4.02	3360-14M-85	146588	6.20	3360-14M-115	146610	8.39	3360-14M-170	146631	12.39
3500-14M-40	146545	3.03	3500-14M-55	146567	4.19	3500-14M-85	146589	6.46	3500-14M-115	146611	8.75	3500-14M-170	146633	12.90
3850-14M-40	146546	3.33	3850-14M-55	146568	4.60	3850-14M-85	146590	7.10	3850-14M-115	146612	9.62	3850-14M-170	146634	14.20
4326-14M-40	146547	3.74	4326-14M-55	146569	5.17	4326-14M-85	146591	8.00	4326-14M-115	146613	10.80	4326-14M-170	146635	15.96
4578-14M-40	146548	3.96	4578-14M-55	146570	5.48	4578-14M-85	146592	8.45	4578-14M-115	146614	11.42	4578-14M-170	146636	16.90
4956-14M-40	146549	4.29	4956-14M-55	146571	5.90	4956-14M-85	146593	9.11	4956-14M-115	146615	12.33	4956-14M-170	146637	18.23
5320-14M-40	146550	4.61	5320-14M-55	146572	6.33	5320-14M-85	146594	9.28	5320-14M-115	146616	13.24	5320-14M-170	146638	19.57
5740-14M-40	146551	4.97	5740-14M-55	146573	6.83	5740-14M-85	146595	10.55	5740-14M-115	146617	14.29	5740-14M-170	146639	25.00
6160-14M-40	146552	5.33	6160-14M-55	146574	7.33	6160-14M-85	146596	11.32	6160-14M-115	146618	15.34	6160-14M-170	146640	22.67
6860-14M-40	146553	5.94	6860-14M-55	146575	8.16	6860-14M-85	146597	12.61	6860-14M-115	146619	17.08	6860-14M-170	146641	25.25

20MM Pitch HTD Belts

115MM Wide			170MM Wide			230MM Wide			290MM Wide			340MM Wide		
Size	Part No.	Wt.	Size	Part No.	Wt.	Size	Part No.	Wt.	Size	Part No.	Wt.	Size	Part No.	Wt.
2000-20M-115	142288	6	2000-20M-170	142303	9	2000-20M-230	142318	12	2000-20M-290	142333	16	2000-20M-340	142348	19
2500-20M-115	142289	8	2500-20M-170	142304	11	2500-20M-230	142319	15	2500-20M-290	142334	20	2500-20M-340	142349	24
3400-20M-115	142290	11	3400-20M-170	142305	16	3400-20M-230	142320	22	3400-20M-290	142335	27	3400-20M-340	142350	32
3800-20M-115	142291	12	3800-20M-170	142306	18	3800-20M-230	142321	24.5	3800-20M-290	142336	30.5	3800-20M-340	142351	35.5
4200-20M-115	142292	13	4200-20M-170	142307	20	4200-20M-230	142322	27	4200-20M-290	142337	34	4200-20M-340	142352	39
4600-20M-115	142293	14.5	4600-20M-170	142308	21.5	4600-20M-230	142323	29.5	4600-20M-290	142338	37	4600-20M-340	142353	43
5000-20M-115	142294	16	5000-20M-170	142309	23	5000-20M-230	142324	32	5000-20M-290	142339	40	5000-20M-340	142354	47
5200-20M-115	142295	16.5	5200-20M-170	142310	24	5200-20M-230	142325	33	5200-20M-290	142340	41.5	5200-20M-340	142355	49
5400-20M-115	142296	17	5400-20M-170	142311	25	5400-20M-230	142326	34	5400-20M-290	142341	43	5400-20M-340	142356	51
5600-20M-115	142297	17.5	5600-20M-170	142312	26	5600-20M-230	142327	35.5	5600-20M-290	142342	44.5	5600-20M-340	142357	52.5
5800-20M-115	142298	18.0	5800-20M-170	142313	27	5800-20M-230	142328	37	5800-20M-290	142343	46	5800-20M-340	142358	54
6000-20M-115	142299	19	6000-20M-170	142314	28	6000-20M-230	142329	38	6000-20M-290	142344	48	6000-20M-340	142359	56
6200-20M-115	142300	20.0	6200-20M-170	142315	29	6200-20M-230	142330	39	6200-20M-290	142345	50	6200-20M-340	142360	58
6400-20M-115	142301	21	6400-20M-170	142316	30	6400-20M-230	142331	40.5	6400-20M-290	142346	51.5	6400-20M-340	142361	60.0
6600-20M-115	142302	22.0	6600-20M-170	142317	31	6600-20M-230	142332	42	6600-20M-290	142347	53	6600-20M-340	142362	62



SELECTION

PROCEDURE

1. Obtain required information:

- Motor name plate HP
- Motor or DriveR RPM and Shaft size
- DriveN Machine RPM and Shaft size
- Approximate center distance
- Service factor information

2. Determine Service Factor: (Page PT11-20)

- Determine type of Driven Machine from Table 1
- Choose Basic Service Factor in appropriate column of the following S.F. Table
- Add additional service factor for slow speed drives, idlers or speed up drives were applicable

3. Calculate Design Horsepower:

- Multiply Motor HP or normal running HP times Service Factor from Step 2
- Note: Recommended Min. Sprocket Diameter, if applicable, from NEMA table on page PT11-21.

4. Determine Belt Pitch: (Page PT11-21)

- Choose belt pitch based upon Design HP and RPM of faster shaft

5. Select Smaller Sprocket:

- Look at Basic HP rating tables of belt Pitch selected in Step 4
- Scan HP rating at RPM of faster shaft. (Pg. PT11-22 thru PT11-26)
- Find sprocket size(s) that have HP rating at or above Design HP

6. Calculate Drive Speed Ratio:

- Divide Fast Shaft RPM by Slow Shaft RPM

7. Select Sprockets and Belt:

- Refer to "Ratio/Center Distance" Tables for Belt pitch chosen in Step 4. (Pg. PT11-35 - PT11-65)
- Trace down left hand column to approximate ratio calculated in Step 6
- Choose drive that has small sprocket at or above the number of teeth determined in Step 5
- On this same line, trace to the right until the number closest to the required center distance is reached
- Trace to the top of this column and note the belt size that gives this center distance
- Also note the "Belt Length Correction Factor" at the top or bottom of this same column

8. Finalize Selection:

- Multiply "Belt Length Correction Factor" times indicated rating obtained from HP table
- Verify that Design HP is equal to or less than this corrected HP value
- Note: If Correction Factor is greater than 1.0 corrected HP may allow selection of smaller less expensive drive

9. Specify Drive:

- DriveR Sprocket and Bushing
- DriveN Sprocket and Bushing
- Belt
- Verify that bushing bore has capacity for shaft size

Example

Step 1. Required Information: Select a HTR/HTRC drive to connect a 15HP APG gearmotor to a package conveyor headshaft. Reducer output is 125 RPM, shaft size is 2". Headshaft is 2-3/4" and is to run at 70 RPM. Center distance is 19-23", operation is 14 hrs/day.

Step 2: Service Factor: Package Conveyor requires 1.4 basic Service Factor. Add 0.3 for slow speed drive application (step 2 at left). Net S.F. = 1.7

Step 3. Design HP: $1.7 \times 15 = 25.5$ HP.

Step 4. Belt Pitch: Referring to page PT11-21, most probable belt pitch for 25.5 Des. HP at 125 RPM is 14MM.

Step 5. Select Small Sprocket: Scan 14MM HP Tables. Since there is no 125 RPM line, it will be necessary to interpolate. Start with the 100 RPM line. Observe that a 38 tooth sprocket for a 115MM wide belt gives 23.5 HP. Interpolation for 125 RPM gives 29.2 HP. Other alternatives are also available (see below)

Step 6. Drive Ratio: $125 / 70 \text{ RPM} = 1.79:1$

Step 7. Sprocket Selection: Refer to 14MM Ratio/Center Distance tables. For 1.79 ratio, note that there are 5 drive combinations in the 1.78 to 1.8 range. The 38 tooth DriveR and the 68 tooth DriveN combination appears to be good, however we need to account for the belt length correction factor of .95, which gives us a net design HP of 27.7. (Note 20.2" C.D. requires a 1778 length code belt)

Step 8. Finalize Selection: Select the 38 to 68 tooth combination with a 1778 length code belt for 20.2" C.D. From step 7, rated HP is 27.7

There are many optional drive selections. For drive verification or complete list of choices run ViaSync at www.ptwizard.com.

Step 9. Specify Drive:

Original Selection:

DriveR Sprocket: P38-14M-115-3020, P/N **114520** Bushing. 3020 x 2", P/N **117118**

DriveN Sprocket: P68-14M-115-4545, P/N **114528** Bushing. 4545 x 2-3/4", P/N **117426**

Belt: 1778-14M-115 HT200 Belt, P/N **146602** Shaft capacity is verified by availability of bore sizes.

Selection program available online at ptwizard.com

FEATURES/BENEFITS PAGE PT11-2	SPECIFICATIONS PAGE PT11-4	ENGINEERING/TECHNICAL PAGE PT11-64	
----------------------------------	-------------------------------	---------------------------------------	--



SELECTION

Service Factors

Table 1

DriveN Machine	DriveR					
	Intermittent Service	Normal Service	Continuous Service	Intermittent Service	Normal Service	Continuous Service
The driveN machines listed below are representative samples only. Select a driveN machine whose load characteristics most closely approximate those of the machine being considered.	Up to 8 hours Daily or Seasonal	8 - 16 hours Daily	16 - 24 hours Daily	Up to 8 hours Daily or Seasonal	8 - 16 hours Daily	16 - 24 hours Daily
Display, Dispensing Equipment, Instrumentation, Measuring Equipment, Medical Equipment, Office, Projection Equipment	1.0	1.2	1.4	1.2	1.4	1.6
Appliances, Sweepers, Sewing Machines Screens, Oven Screens, Drum, Conical Woodworking Equipment (Light): Band Saws, Drills, Lathes	1.1	1.3	1.5	1.3	1.5	1.7
Agitators for Liquids, Conveyors: Belt, Light Package, Drill Press, Lathes, Saws, Laundry Machinery, Wood Working Equipment (Heavy): Circular Saws, Jointers, Planers	1.2	1.4	1.6	1.6	1.8	2.0
Agitators for Semi-Liquids, Compressor: Centrifugal, Conveyor Belt: Ore, Coal, Sand Dough Mixers, Line Shafts, Machine Tools: Grinder, Shaper, Boring Mill, Milling Machines, Paper Machinery (except Pulpers): Presses, Punches, Shears, Printing Machinery, Pumps: Centrifugal, Gear, Screens: Revolving, Vibratory	1.3	1.5	1.7	1.6	1.8	2.0
Brick Machinery (except Pug Mills) Conveyor: Apron, Pan, Bucket, Elevator, Extractors, Washers, Fans, Centrifugal Blowers, Generators & Exciters, Hoists, Rubber Calender, Mills, Extruders	1.4	1.6	1.8	1.8	2.0	2.2
Centrifuges, Screw Conveyors Hammer Mill, Paper Pulpers, Textile Machinery	1.5	1.7	1.9	1.9	2.1	2.3
Blowers: Positive Displacement, Mine Fans, Pulverizers	1.6	1.8	2.0	2.0	2.2	2.4
Compressors: Reciprocating, Crushers: Gyrotory, Jaw, Roll, Mills: Ball, Rod, Pebble, etc., Pumps: Reciprocating Saw Mill Equipment	1.7	1.9	2.1	2.1	2.3	2.5

These service factors are adequate for most belt drive applications. Note that service factors cannot be substituted for good engineering judgment. Service factors may be adjusted based upon an understanding of the severity of actual drive operation conditions.

Additional Service Factors

Low Speed Drives

8mm, 14,, & 20mm Belts Only	
Smaller Sprocket Speed	
Up to 200 rpm	Add 0.3
201 to 400 rpm	Add 0.2
401 to 600 rpm	Add 0.1
Each Idler	Add 0.2

Speed-up Drives

For speed up drives, add the basic service factor to the additional factor given below.

Speed-up Ratio Range	Additional Factor	Speed-up Ratio Range	Additional Factor
1 to 1.24	none	2.5 to 3.49	0.3
1.25 to 1.74	0.1	3.5 & over	0.4
1.75 to 2.49	0.2		

Unusual Conditions

Additional service factors are required for unusual conditions such as a load reversal, heavy shock, plugged motor stop, electric brake. Consult factory or recommendation.

FEATURES/BENEFITS PAGE PT11-2	SPECIFICATIONS PAGE PT11-4	ENGINEERING/TECHNICAL PAGE PT11-64	
----------------------------------	-------------------------------	---------------------------------------	--

V-Drives

FHP Drives

Drive Component Accessories

DYNA-SYNC

HT200/HTD Synchronous Drives

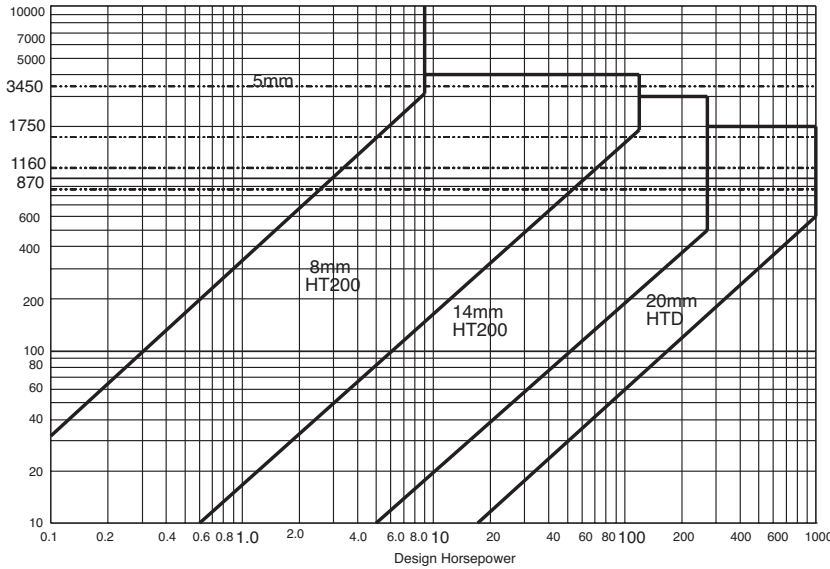
HTR Synchronous Drives

HTRC Synchronous Drives



SELECTION

Belt Pitch Selection Guide



Synchronous belt drive noise increases as a function of Design Horsepower and operating RPM. This is indicated on the chart at the left. Provisions should be made to design drive guards for sound absorption accordingly.

Recommended Minimum Sprocket Diameters & Face Width Synchronous Belt Drives Used On General Purpose Electric Motors

Motor Horsepower	Min. Sprocket Dia. (in.)				Maximum Face Width			
	870	1160	1750	3450	870	1160	1750	3450
1/2	2.0	-	-	-	2.25	-	-	-
3/4	2.16	2.0	-	-	2.25	2.25	-	-
1	2.16	2.16	2.0	-	2.75	2.25	2.25	-
1-1/2	2.16	2.16	2.16	2.0	2.75	2.75	2.25	2.25
2	2.7	2.16	2.16	2.16	3.38	2.75	2.25	2.25
3	2.7	2.7	2.16	2.16	3.38	3.38	2.75	2.25
5	3.42	2.7	2.7	2.16	4.0	3.38	2.75	2.75
7-1/2	4.0	3.42	2.7	2.7	4.0	4.0	3.38	2.75
10	4.0	4.0	3.42	2.7	4.63	4.0	3.38	3.38
15	4.7	4.0	4.0	3.42	4.63	4.63	4.0	3.38
20	5.4	4.7	4.0	4.0	5.25	4.63	4.0	4.0
25	6.12	5.4	4.0	4.0	5.25	5.25	4.63	4.0
30	6.12	6.12	4.7	-	5.87	5.25	4.63	-
40	7.4	6.12	5.4	-	5.88	5.88	5.25	-
50	7.6	7.4	6.12	-	7.25	5.88	5.25	-
60	9.0	8.1	6.7	-	7.25	7.25	5.88	-
75	8.6	9.0	7.8	-	8.5	7.25	5.88	-
100	10.8	9.0	7.8	-	8.5	8.5	7.25	-
125	11.3	10.8	9.5	-	8.5	8.5	7.25	-
150	11.88	11.88	9.5	-	11.63	8.5	8.5	-
200	11.88	11.88	11.88	-	11.63	11.63	11.63	-
250	13.5	11.88	11.88	-	11.63	11.63	9.38	-
300	-	-	11.88	-	-	11.63	11.63	-
350	-	-	11.88	-	-	11.63	11.63	-
400	-	-	12.69	-	-	-	11.63	-

NOTE: For a given motor horsepower and speed, the total belt pull is related to the motor sprocket size. As this size **decreases**, the total belt pull **increases**. Therefore, to limit the resultant load on motor shaft and bearings, NEMA lists minimum sprocket sizes for the various motors. The sprocket on the motor (DriveR Sprocket) should be at least this large.



SELECTION

HT200 Basic Horsepower Rating

NOTE: Multiply rating by Belt Length Correction Factor from Ratio/Center Distance Tables

8M-20	Rated Horsepower for Small Sprocket (Number of Teeth and Pitch Diameter, Inches)															
	RPM Small Shaft	22 2.21	24 2.41	26 2.61	28 2.81	30 3.01	32 3.21	34 3.41	36 3.61	38 3.81	40 4.01	44 4.44	48 4.81	56 5.61	64 6.42	72 7.22
10	0.1	0.1	0.1	0.1	0.1	0.1	0.1	0.1	0.14	0.2	0.2	0.2	0.2	0.3	0.3	0.3
20	0.1	0.1	0.2	0.2	0.2	0.2	0.2	0.3	0.27	0.3	0.3	0.4	0.4	0.5	0.6	0.6
40	0.2	0.3	0.3	0.3	0.4	0.4	0.4	0.5	0.51	0.5	0.6	0.7	0.8	0.9	1.1	1.2
60	0.4	0.4	0.5	0.5	0.6	0.6	0.7	0.7	0.74	0.8	0.9	1.0	1.0	1.4	1.6	1.8
100	0.6	0.6	0.7	0.8	0.9	1.0	1.0	1.1	1.2	1.3	1.4	1.6	1.9	2.3	2.5	2.8
200	1.0	1.2	1.4	1.5	1.7	1.8	2.0	2.1	2.3	2.5	2.8	3.1	3.7	4.3	4.9	5.5
300	1.5	1.7	2.0	2.2	2.4	2.7	2.9	3.1	3.4	3.6	4.0	4.5	5.4	6.2	7.1	8.0
400	2.0	2.3	2.6	2.9	3.2	3.5	3.8	4.1	4.37	4.7	5.3	5.9	7.0	8.4	9.3	10.5
500	2.4	2.8	3.2	3.5	3.9	4.3	4.6	5.0	5.38	5.7	6.5	7.2	8.6	10.1	11.5	12.9
600	2.8	3.1	3.7	4.2	4.6	5.1	5.5	6.0	6.37	6.8	7.7	8.5	10.2	11.9	13.6	15.3
700	3.3	3.8	4.3	4.8	5.3	5.8	6.3	6.9	7.35	7.9	8.9	9.9	11.8	13.8	15.7	17.6
800	3.7	4.3	4.9	5.4	6.0	6.6	7.2	7.8	8.31	8.9	10.0	11.1	13.4	15.6	17.8	20.0
870	4.0	4.6	5.2	5.9	6.5	7.1	7.7	8.4	8.98	9.6	10.8	12.0	14.5	16.9	19.2	21.6
1000	4.5	5.2	5.9	6.7	7.4	8.1	8.8	9.5	10.2	10.9	12.3	13.7	16.5	19.2	21.9	24.5
1160	5.1	6.0	6.8	7.6	8.5	9.3	10.1	10.9	11.7	12.5	14.1	15.7	18.9	22.0	25.1	28.1
1200	5.3	6.2	7.0	7.9	8.7	9.6	10.4	11.2	12.1	12.9	14.6	16.2	19.5	22.7	25.9	29.0
1400	6.1	7.1	8.1	9.0	10.0	11.0	12.0	12.9	13.9	14.9	16.8	18.7	22.4	26.1	29.8	33.4
1600	6.8	8.0	9.1	10.2	11.3	12.4	13.5	14.6	15.7	16.8	19.0	21.1	25.3	29.5	33.6	37.7
1750	7.4	8.6	9.9	11.1	12.3	13.5	14.7	15.9	17.1	18.2	20.6	22.9	27.5	32.0	36.5	40.8
2000	8.4	9.7	11.1	12.5	13.9	15.2	16.6	17.9	19.3	20.6	23.2	25.8	31.0	36.1	41.1	45.9
2400	9.8	11.4	13.1	14.7	16.3	17.9	19.5	21.1	22.7	24.3	27.4	30.5	36.5	42.4	48.2	53.8
2800	11.2	13.1	15.0	16.9	18.7	20.6	22.4	24.2	26.0	27.8	31.4	34.9	41.8	48.5	54.9	61.2
3200	12.6	14.8	16.9	19.0	21.1	23.2	25.2	27.3	29.3	31.3	35.3	39.2	46.9	54.2	61.3	
3450	13.5	15.8	18.0	20.3	22.5	24.8	27.0	29.1	31.3	33.5	37.7	41.9	50.0	57.7	65.1	
4000	15.3	17.9	20.5	23.1	25.6	28.2	30.7	33.1	35.6	38.0	42.8	47.4	56.4			
4500	16.9	19.8	22.7	25.5	28.4	31.1	33.9	36.6	39.3	42.0	47.2	52.2				
5000	18.5	21.7	24.8	27.9	31.0	34.0	37.0	40.0	42.9	45.7	51.3	56.7				
5500	20.0	23.5	26.9	30.2	33.6	36.8	40.0	43.2	46.3	49.3	55.3					

8M-30	Rated Horsepower for Small Sprocket (Number of Teeth and Pitch Diameter, Inches)																
	RPM Small Shaft	22 2.21	24 2.41	26 2.61	28 2.81	30 3.01	32 3.21	34 3.41	36 3.61	38 3.81	40 4.01	44 4.44	48 4.81	56 5.61	64 6.42	72 7.22	80 8.02
10	0.1	0.1	0.1	0.2	0.2	0.2	0.2	0.2	0.2	0.2	0.2	0.3	0.3	0.3	0.4	0.5	0.5
20	0.2	0.2	0.3	0.3	0.3	0.3	0.4	0.4	0.4	0.4	0.5	0.6	0.7	0.8	0.9	1.0	1.0
40	0.4	0.4	0.5	0.5	0.6	0.6	0.7	0.8	0.8	0.9	1.0	1.1	1.3	1.5	1.7	1.9	1.9
60	0.5	0.6	0.7	0.8	0.9	0.9	1.0	1.1	1.2	1.3	1.4	1.6	1.9	2.2	2.5	2.8	2.8
100	0.9	1.0	1.1	1.3	1.4	1.5	1.6	1.8	1.9	2.0	2.3	2.5	3.0	3.5	4.0	4.5	4.5
200	1.6	1.9	2.1	2.4	2.6	2.9	3.1	3.4	3.6	3.8	4.3	4.8	5.8	6.7	7.6	8.6	8.6
300	2.4	2.7	3.1	3.5	3.8	4.2	4.5	4.9	5.3	5.6	6.3	7.0	8.4	9.8	11.2	12.5	12.5
400	3.1	3.6	4.0	4.5	5.0	5.5	5.9	6.4	6.9	7.3	8.3	9.2	11.0	12.8	14.6	16.4	16.4
500	3.8	4.4	5.0	5.5	6.1	6.7	7.3	7.9	8.5	9.0	10.2	11.3	13.6	15.8	18.0	20.2	20.2
600	4.5	5.2	5.9	6.6	7.3	7.9	8.6	9.3	10.0	10.7	12.0	13.4	16.1	18.7	21.4	24.0	24.0
700	5.1	5.9	6.7	7.5	8.4	9.2	10.0	10.7	11.5	12.3	13.9	15.5	18.6	21.6	24.7	27.7	27.7
800	5.8	6.7	7.6	8.5	9.4	10.3	11.2	12.1	13.0	13.9	15.7	17.5	21.0	24.5	27.9	31.4	31.4
870	6.2	7.2	8.2	9.2	10.2	11.2	12.2	13.1	14.1	15.1	17.0	18.9	22.7	26.5	30.2	33.9	33.9
1000	7.1	8.2	9.3	10.5	11.6	12.7	13.8	14.9	16.0	17.1	19.3	21.5	25.8	30.1	34.3	38.5	38.5
1160	8.1	9.4	10.7	12.0	13.3	14.5	15.8	17.1	18.4	19.6	22.2	24.7	29.6	34.5	39.4	44.2	44.2
1200	8.3	9.7	11.0	12.3	13.7	15.0	16.3	17.6	19.0	20.3	22.9	25.4	30.6	35.6	40.6	45.6	45.6
1400	9.5	11.1	12.7	14.2	15.7	17.3	18.8	20.3	21.8	23.3	26.3	29.3	35.2	41.0	46.8	52.4	52.4
1600	10.8	12.5	14.3	16.0	17.8	19.5	21.2	23.0	24.7	26.4	29.8	33.1	39.8	46.3	52.8	59.1	59.1
1750	11.6	13.6	15.5	17.4	19.3	21.2	23.0	24.9	26.8	28.6	32.3	36.0	43.2	50.3	57.2	64.1	64.1
2000	13.1	15.3	17.5	19.6	21.8	23.9	26.0	28.1	30.2	32.3	36.5	40.6	48.7	56.7	64.5	72.1	72.1
2400	15.4	18.0	20.5	23.1	25.6	28.1	30.7	33.1	35.6	38.1	43.0	47.8	57.3	66.6	75.6	84.4	84.4
2800	17.6	20.6	23.6	26.5	29.4	32.3	35.2	38.0	40.9	43.7	49.3	54.8	65.6	76.1	86.2	96.0	96.0
3200	19.8	23.2	26.5	29.8	33.1	36.4	39.6	42.8	46.0	49.2	55.4	61.6	73.6	85.2	96.2		
3450	21.1	24.7	28.3	31.9	35.4	38.9	42.3	45.8	49.2	52.5	59.2	65.7	78.4	90.6	102.2		
4000	24.0	28.1	32.2	36.2	40.3	44.2	48.1	52.0	55.9	59.7	67.1	74.5	88.5				
4500	26.6	31.1	35.6	40.1	44.5	48.9	53.2	57.5	61.7	65.9	74.0	82.0					
5000	29.0	34.0	39.0	43.8	48.7	53.4	58.1	62.8	67.3	71.8	80.6	89.1					
5500	31.4	36.8	42.2	47.5	52.7	57.8	62.9	67.8	72.7	77.5	86.8						

Operation in shaded area will result in a reduction of belt life.

FEATURES/BENEFITS PAGE PT11-2	SPECIFICATIONS PAGE PT11-4	ENGINEERING/TECHNICAL PAGE PT11-64	
----------------------------------	-------------------------------	---------------------------------------	--



SELECTION

HT200 Basic Horsepower Rating

NOTE: Multiply rating by Belt Length Correction Factor from Ratio/Center Distance Tables

8M-50	Rated Horsepower for Small Sprocket (Number of Teeth and Pitch Diameter, Inches)															
	22 2.21	24 2.41	26 2.61	28 2.81	30 3.01	32 3.21	34 3.41	36 3.61	38 3.81	40 4.01	44 4.44	48 4.81	56 5.61	64 6.42	72 7.22	80 8.02
10	0.2	0.2	0.2	0.3	0.3	0.3	0.3	0.4	0.4	0.4	0.5	0.5	0.6	0.7	0.8	0.9
20	0.3	0.4	0.4	0.5	0.5	0.6	0.6	0.7	0.7	0.8	0.9	1.0	1.1	1.3	1.5	1.7
40	0.7	0.7	0.8	0.9	1.0	1.1	1.2	1.3	1.4	1.5	1.7	1.9	2.2	2.6	2.9	3.3
60	0.9	1.1	1.2	1.4	1.5	1.6	1.8	1.9	2.0	2.2	2.4	2.7	3.2	3.8	4.3	4.8
100	1.5	1.7	2.0	2.2	2.4	2.6	2.8	3.1	3.3	3.5	3.9	4.4	5.2	6.1	6.9	7.8
200	2.9	3.3	3.7	4.1	4.6	5.0	5.4	5.8	6.3	6.7	7.5	8.4	10.0	11.7	13.3	14.9
300	4.1	4.8	5.4	6.0	6.7	7.23	7.9	8.5	9.2	9.8	11.0	12.2	14.6	17.0	19.4	21.8
400	5.4	6.2	7.0	7.9	8.7	9.5	10.3	11.1	11.9	12.7	14.4	16.0	19.2	22.3	25.5	28.6
500	6.6	7.6	8.6	9.6	10.7	11.7	12.7	13.7	14.7	15.7	17.7	19.7	23.6	27.5	31.4	35.2
600	7.7	9.0	10.2	11.4	12.6	13.8	15.0	16.2	17.4	18.6	20.9	23.3	28.0	32.6	37.2	41.7
700	8.9	10.3	11.7	13.1	14.5	15.9	17.3	18.7	20.1	21.4	24.2	26.9	32.3	37.6	42.9	48.2
800	10.0	11.6	13.2	14.8	16.4	18.0	19.6	21.1	22.7	24.2	27.3	30.4	36.5	42.6	48.6	54.5
870	10.8	12.6	14.3	16.0	17.7	19.4	21.1	22.8	24.5	26.2	29.5	32.9	39.5	46.0	52.5	58.9
1000	12.3	14.2	16.2	18.2	20.1	22.1	24.0	25.9	27.9	29.8	33.6	37.4	44.9	52.4	59.7	67.0
1160	14.0	16.3	18.6	20.8	23.1	25.3	27.5	29.7	32.0	34.1	38.5	42.9	51.5	60.0	68.5	76.8
1200	14.4	16.8	19.1	21.5	23.8	26.1	28.4	30.7	33.0	35.2	39.8	44.2	53.1	61.9	70.6	79.2
1400	16.6	19.3	22.0	24.7	27.4	30.0	32.7	35.3	38.0	40.6	45.8	51.0	61.2	71.3	81.3	91.2
1600	18.7	21.8	24.8	27.9	30.9	33.9	36.9	39.9	42.9	45.9	51.8	57.6	69.2	80.6	91.8	102.9
1750	20.2	23.6	26.9	30.2	33.5	36.8	40.1	43.3	46.6	49.8	56.2	62.5	75.0	87.4	99.5	111.4
2000	22.8	26.6	30.3	34.1	37.8	41.5	45.2	48.9	52.6	56.2	63.4	70.6	84.7	98.5	112.1	125.4
2400	26.8	31.3	35.7	40.2	44.6	48.9	53.3	57.6	62.0	66.2	74.7	83.1	99.7	115.8	131.5	146.8
2800	30.7	35.8	41.0	46.1	51.2	56.2	61.2	66.2	71.1	76.0	85.7	95.3	114.1	132.3	149.9	166.9
3200	34.4	40.3	46.1	51.9	57.6	63.2	68.9	74.5	80.0	85.5	96.4	107.1	128.0	148.1	167.4	
3450	36.8	43.0	49.2	55.4	61.5	67.6	73.6	79.6	85.5	91.3	102.9	114.3	136.4	157.5	177.7	
4000	41.8	48.9	56.0	63.0	70.0	76.9	83.7	90.4	97.1	103.7	116.8	129.5	154.0			
4500	46.2	54.1	62.0	69.7	77.4	85.0	92.6	100.0	107.3	114.5	128.7	142.5				
5000	50.5	59.1	67.8	76.2	84.7	92.9	101.1	109.1	117.1	124.9	140.1	154.9				
5500	54.6	64.0	73.4	82.5	91.6	100.5	109.3	117.9	126.4	134.7	150.9					

8M-85	Rated Horsepower for Small Sprocket (Number of Teeth and Pitch Diameter, Inches)															
	22 2.21	24 2.41	26 2.61	28 2.81	30 3.01	32 3.21	34 3.41	36 3.61	38 3.81	40 4.01	44 4.44	48 4.81	56 5.61	64 6.42	72 7.22	80 8.02
10	0.3	0.4	0.4	0.4	0.5	0.5	0.6	0.6	0.7	0.7	0.8	0.9	1.0	1.2	1.4	1.5
20	0.6	0.7	0.8	0.8	0.9	1.0	1.1	1.2	1.3	1.3	1.5	1.7	2.0	2.3	2.6	3.0
40	1.1	1.3	1.5	1.6	1.8	1.9	2.1	2.3	2.4	2.6	2.9	3.2	3.8	4.5	5.1	5.7
60	1.6	1.9	2.1	2.4	2.6	2.8	3.1	3.3	3.5	3.8	4.2	4.7	5.6	6.5	7.4	8.3
100	2.6	3.0	3.4	3.8	4.2	4.6	4.9	5.3	5.7	6.1	6.8	7.6	9.1	10.6	12.0	13.5
200	5.0	5.7	6.5	7.2	8.0	8.7	9.4	10.2	10.9	11.6	13.1	14.5	17.4	20.3	23.1	25.9
300	7.2	8.3	9.4	10.5	11.6	12.7	13.7	14.8	15.9	17.0	19.1	21.2	25.5	29.7	33.8	38.0
400	9.3	10.8	12.2	13.7	15.1	16.5	17.9	19.4	20.8	22.2	25.0	27.8	33.3	38.8	44.3	49.7
500	11.4	13.2	15.0	16.8	18.5	20.3	22.1	23.8	25.6	27.3	30.8	34.2	41.0	47.8	54.6	61.2
600	13.5	15.6	17.7	19.8	21.9	24.0	26.1	28.2	30.3	32.3	36.4	40.5	48.6	56.7	64.7	72.6
700	15.5	17.9	20.4	22.8	25.3	27.7	30.1	32.5	34.9	37.3	42.0	46.8	56.1	65.4	74.7	83.8
800	17.5	20.2	23.0	25.8	28.6	31.3	34.0	36.8	39.5	42.2	47.6	52.9	63.6	74.1	84.5	94.9
870	18.8	21.8	24.9	27.8	30.8	33.8	36.8	39.7	42.7	45.6	51.4	57.2	68.7	80.1	91.4	102.5
1000	21.3	24.8	28.2	31.6	35.0	38.4	41.8	45.1	48.5	51.8	58.5	65.1	78.2	91.1	103.9	116.6
1160	24.4	28.3	32.3	36.2	40.1	44.0	47.9	51.7	55.6	59.4	67.0	74.6	89.6	104.5	119.1	133.6
1200	25.1	29.2	33.3	37.3	41.4	45.4	49.4	53.4	57.4	61.3	69.2	77.0	92.5	107.8	122.9	137.8
1400	28.9	33.6	38.3	43.0	47.6	52.3	56.9	61.5	66.1	70.6	79.7	88.7	106.5	124.1	141.5	158.6
1600	32.5	37.9	43.2	48.5	53.8	59.0	64.3	69.4	74.6	79.8	90.1	100.2	120.4	140.2	159.7	179.0
1750	35.2	41.0	46.8	52.6	58.3	64.0	69.7	75.4	81.0	86.6	97.7	108.8	130.6	152.0	173.1	193.9
2000	39.6	46.2	52.8	59.3	65.8	72.3	78.7	85.1	91.4	97.8	110.3	122.8	147.3	171.4	195.0	218.2
2400	46.6	54.4	62.2	69.9	77.6	85.2	92.8	100.3	107.8	115.2	130.0	144.6	173.4	201.4	228.8	255.4
2800	53.3	62.3	71.3	80.2	89.0	97.8	106.5	115.1	123.7	132.3	149.2	165.9	198.5	230.2	260.9	290.5
3200	59.9	70.1	80.2	90.2	100.2	110.0	119.9	129.6	139.3	148.8	167.7	186.4	222.7	256.6	291.2	
3450	64.0	74.9	85.7	96.4	107.0	117.6	128.1	138.4	148.7	158.9	179.1	198.8	237.3	274.1	309.1	
4000	72.7	85.1	97.5	109.6	121.8	133.7	145.6	157.4	169.0	180.5	203.1	225.3	267.9			
4500	80.3	94.1	107.8	121.3	134.7	147.9	161.0	173.9	186.7	199.3	224.0	248.0				
5000	87.8	102.9	117.9	132.7	147.3	161.7	175.9	189.9	203.7	217.3	243.8	269.4				
5500	95.0	111.4	127.7	143.6	159.4	174.9	190.2	205.2	220.0	234.4	262.5					

Operation in shaded area will result in a reduction of belt life.

FEATURES/BENEFITS PAGE PT11-2	SPECIFICATIONS PAGE PT11-4	ENGINEERING/TECHNICAL PAGE PT11-64	
----------------------------------	-------------------------------	---------------------------------------	--



SELECTION

HT200 Basic Horsepower Rating

NOTE: Multiply rating by Belt Length Correction Factor from Ratio/Center Distance Tables

RPM	Rated Horsepower for Small Sprocket (Number of Teeth and Pitch Diameter, Inches)																
	28	29	30	32	34	36	38	40	44	48	52	56	60	64	68	72	80
14M-40	4.91	5.09	5.26	5.61	5.97	6.32	6.67	7.02	7.72	8.42	9.12	9.83	10.53	11.23	11.93	12.63	14.04
Small Shaft	4.91	5.09	5.26	5.61	5.97	6.32	6.67	7.02	7.72	8.42	9.12	9.83	10.53	11.23	11.93	12.63	14.04
10	0.6	0.6	0.6	0.7	0.7	0.7	0.8	0.8	0.9	1.0	1.1	1.2	1.3	1.4	1.5	1.6	1.7
20	1.1	1.1	1.2	1.2	1.3	1.4	1.5	1.6	1.7	1.9	2.1	2.3	2.4	2.6	2.8	2.9	3.3
40	2.2	2.2	2.3	2.5	2.6	2.8	2.9	3.1	3.4	3.7	4.0	4.3	4.6	5.0	5.3	5.6	6.2
60	3.2	3.4	3.5	3.7	3.9	4.2	4.4	4.6	5.1	5.6	6.0	6.5	7.0	7.4	7.9	8.4	9.3
100	5.4	5.6	5.8	6.2	6.6	7.0	7.4	7.7	8.5	9.3	10.0	10.8	11.6	12.4	13.1	13.9	15.5
200	10.1	10.5	10.9	11.8	12.7	13.5	14.4	15.3	17.0	18.5	20.1	21.6	23.2	24.7	26.3	27.8	30.9
300	13.6	14.2	14.8	15.9	17.2	18.3	19.6	20.8	23.2	25.7	28.3	30.9	33.5	36.1	38.8	41.5	46.3
400	16.9	17.6	18.3	19.8	21.3	22.7	24.2	25.8	28.8	31.9	35.0	38.3	41.5	44.8	48.1	51.4	58.2
500	20.0	20.8	21.7	23.4	25.1	26.9	28.6	30.4	34.01	37.7	41.4	45.2	49.0	52.8	56.7	60.6	68.6
600	22.9	23.9	24.8	26.8	28.8	30.8	32.8	34.8	39.0	43.1	47.4	51.7	56.1	60.4	64.9	69.3	78.4
700	25.7	26.8	27.8	30.0	32.3	34.5	36.8	39.1	43.7	48.3	53.1	57.9	62.8	67.7	72.6	77.6	87.7
800	28.4	29.6	30.7	33.2	35.7	38.1	40.6	43.1	48.2	53.3	58.5	63.9	69.2	74.6	80.0	85.4	96.4
870	30.2	31.5	32.7	35.3	38.0	40.6	43.2	45.9	51.3	56.7	62.2	67.9	73.5	79.2	85.0	90.6	102.3
1000	33.5	34.9	36.3	39.3	42.3	45.3	48.3	51.2	57.1	62.8	68.8	75.0	81.2	87.4	94.0	99.9	112.6
1160	37.7	39.4	41.1	44.6	48.0	51.4	54.8	58.1	64.7	71.2	77.6	84.0	90.2	96.9	103.7	110.6	124.3
1200	38.7	40.6	42.3	45.9	49.4	52.9	56.4	59.8	66.6	73.3	79.9	86.4	92.8	99.2	106.1	113.1	127.1
1400	44.1	46.2	48.2	52.3	56.3	60.3	64.2	68.1	75.8	83.4	90.8	98.1	105.3	112.3	119.2	126.0	139.9
1600	49.3	51.6	53.9	58.4	62.9	67.3	71.7	76.1	84.7	93.1	101.3	109.4	117.2	125.0	132.5	139.8	154.0
1750	53.1	55.5	58.0	62.9	67.7	72.5	77.2	81.9	91.1	100.1	108.9	117.4	125.8	134.0	141.9	149.6	164.3
2000	59.2	61.9	64.7	70.1	75.5	80.8	86.1	91.3	101.4	111.3	120.9	130.2	139.3	148.0	156.5		
2400	68.5	71.7	74.9	81.2	87.3	93.4	99.4	105.3	116.8	127.9	138.6	148.8					
2800	77.3	80.9	84.4	91.5	98.4	105.2	111.8	118.3	130.9	142.9							
3200	85.5	89.5	93.4	101.1	108.6	116.0	123.2	130.1	143.5								
3600	93.2	97.5	101.7	110.0	118.1	125.9	133.5										
4000	100.4	105.0	109.5	118.2	126.7	134.8											

RPM	Rated Horsepower for Small Sprocket (Number of Teeth and Pitch Diameter, Inches)																
	28	29	30	32	34	36	38	40	44	48	52	56	60	64	68	72	80
14M-55	4.91	5.09	5.26	5.61	5.97	6.32	6.67	7.02	7.72	8.42	9.12	9.83	10.53	11.23	11.93	12.63	14.04
Small Shaft	4.91	5.09	5.26	5.61	5.97	6.32	6.67	7.02	7.72	8.42	9.12	9.83	10.53	11.23	11.93	12.63	14.04
10	0.8	0.9	0.9	1.0	1.0	1.1	1.2	1.3	1.4	1.5	1.7	1.8	1.9	2.1	2.2	2.3	2.6
20	1.6	1.6	1.7	1.8	2.0	2.1	2.2	2.4	2.6	2.9	3.1	3.4	3.6	3.9	4.1	4.4	4.9
40	3.1	3.2	3.3	3.6	3.8	4.0	4.2	4.5	4.9	5.4	5.9	6.4	6.8	7.3	7.8	8.2	9.2
60	4.7	4.8	5.0	5.3	5.7	6.0	6.4	6.7	7.4	8.0	8.7	9.4	10.0	10.7	11.4	12.0	13.4
100	7.8	8.1	8.3	8.9	9.5	10.0	10.6	11.1	12.3	13.4	14.5	15.6	16.7	17.8	18.9	20.0	22.3
200	14.5	15.1	15.7	17.0	18.2	19.5	20.8	22.1	24.5	26.7	28.9	31.2	33.4	35.6	37.8	40.1	44.5
300	19.6	20.5	21.3	23.0	24.7	26.4	28.2	29.9	33.5	37.1	40.7	44.5	48.2	52.0	55.9	59.7	66.7
400	24.3	25.4	26.4	28.4	30.6	32.8	34.9	37.1	41.5	46.0	50.5	55.4	59.8	64.5	69.2	74.0	83.8
500	28.8	30.0	31.2	33.7	36.2	38.7	41.3	43.8	49.0	54.3	59.6	65.1	70.6	76.1	81.7	87.3	98.9
600	33.0	34.4	35.8	38.6	41.5	44.4	47.3	50.2	56.2	62.2	68.3	74.5	80.8	87.1	93.5	99.9	113.0
700	37.0	38.6	40.1	43.3	46.5	49.8	53.0	56.3	62.9	69.7	76.5	83.5	90.5	97.5	104.6	111.8	126.4
800	41.2	43.1	45.0	48.7	52.4	56.1	59.8	63.5	70.7	77.8	84.8	92.1	99.7	107.5	115.2	123.1	139.0
870	44.2	46.3	48.3	52.4	56.4	60.3	64.3	68.2	76.0	83.6	91.2	98.7	106.0	114.2	122.4	130.7	147.5
1000	49.8	52.1	54.4	59.0	63.5	68.0	72.4	76.9	85.6	94.2	102.7	111.1	119.4	127.6	135.6	144.1	162.5
1160	56.5	59.1	61.7	66.9	72.0	77.1	82.2	87.2	97.1	106.9	116.5	125.9	135.3	144.5	153.5	162.4	179.8
1200	58.1	60.8	63.5	68.8	74.1	79.4	84.6	89.7	99.9	110.0	119.8	129.6	139.1	148.6	157.8	167.0	184.8
1400	66.1	69.2	72.3	78.4	84.4	90.4	96.3	102.2	113.7	125.1	136.2	147.2	158.0	168.5	178.9	189.0	208.7
1600	73.9	77.4	80.8	87.6	94.3	101.0	107.6	114.2	127.0	139.6	152.0	164.0	175.9	187.4	198.7	209.7	231.0
1750	79.6	83.3	87.0	94.3	101.6	108.8	115.9	122.9	136.7	150.1	163.3	176.2	188.7	200.9	212.8	224.4	246.5
2000	88.7	92.9	97.0	105.2	113.3	121.3	129.1	136.9	152.1	166.9	181.3	195.3	208.9				
2400	102.7	107.5	112.3	121.7	131.0	140.2	149.1	158.0	175.2	191.9	207.9	223.3					
2800	115.9	121.3	126.7	137.2	147.6	157.7	167.7	177.5	196.3	214.3							
3200	128.3	134.2	140.1	151.7	163.0	174.0	184.7	195.2	215.3								
3600	139.8	146.3	152.6	165.0	177.1	188.8	200.2										
4000	150.6	157.5	164.2	177.3	190.0	202.2											

Operation in shaded area will result in a reduction of belt life

FEATURES/BENEFITS PAGE PT11-2	SPECIFICATIONS PAGE PT11-4	ENGINEERING/TECHNICAL PAGE PT11-64	
----------------------------------	-------------------------------	---------------------------------------	--

V-Drives

FHP Drives

Drive Component Accessories

DYNA-SYNC

HT200/HTD Synchronous Drives

HTR Synchronous Drives

HTRC Synchronous Drives



SELECTION

HT200 Basic Horsepower Rating

14M-85	Rated Horsepower for Small Sprocket (Number of Teeth and Pitch Diameter, Inches)																
	RPM Small Shaft	28 4.91	29 5.09	30 5.26	32 5.61	34 5.97	36 6.32	38 6.67	40 7.02	44 7.72	48 8.42	52 9.12	56 9.82	60 10.53	64 11.23	68 11.93	72 12.63
10	1.4	1.5	1.5	1.6	1.7	1.9	2.0	2.1	2.3	2.5	2.8	3.0	3.2	3.4	3.6	3.9	4.3
20	2.6	2.7	2.8	3.1	3.3	3.5	3.7	3.9	4.4	4.8	5.2	5.6	6.1	6.5	6.9	7.3	8.1
40	4.9	5.1	5.3	5.7	6.1	6.6	7.0	7.4	8.2	9.0	9.8	10.6	11.4	12.2	13.0	13.7	15.1
60	7.0	7.3	7.6	8.3	8.9	9.5	10.0	10.6	11.8	13.0	14.1	15.3	16.4	17.6	18.7	19.8	22.1
100	11.1	11.6	12.1	13.0	14.0	15.0	15.9	16.8	18.7	20.6	22.4	24.3	26.1	27.9	29.7	31.5	35.0
200	20.5	21.5	22.4	24.2	26.0	27.8	29.5	31.3	34.8	38.3	41.7	45.2	48.6	51.9	55.3	58.6	65.2
300	29.3	30.7	32.0	34.6	37.2	39.7	42.3	44.8	49.9	54.9	59.9	64.8	69.7	74.5	79.3	84.1	93.6
400	37.7	39.4	41.1	44.5	47.8	51.2	54.5	57.8	64.3	70.8	77.2	83.6	89.9	96.1	102.3	108.5	120.7
500	45.8	47.9	49.9	54.1	58.2	62.2	66.3	70.3	78.3	86.1	93.9	101.7	109.3	116.9	124.5	131.9	146.7
600	53.6	56.1	58.5	63.3	68.2	72.9	77.7	82.4	91.8	101.0	110.2	119.2	128.2	137.1	145.9	154.7	171.9
800	68.6	71.8	74.9	81.2	87.4	93.6	99.7	105.8	117.8	129.6	141.4	153.0	164.5	175.8	187.1	198.2	220.1
870	73.7	77.2	80.5	87.3	93.9	100.6	107.1	113.7	126.6	139.4	152.0	164.4	176.7	188.9	200.9	212.8	236.2
1000	83.0	86.9	90.7	98.3	105.8	113.3	120.7	128.1	142.7	157.0	171.2	185.2	199.0	212.6	226.1	239.3	265.4
1160	94.1	98.5	102.9	111.5	120.1	128.6	137.0	145.3	161.9	178.1	194.1	209.9	225.4	240.8	255.8	270.7	299.7
1200	96.9	101.4	105.8	114.7	123.6	132.3	141.0	149.6	166.6	183.3	199.7	215.9	231.9	247.6	263.1	278.3	308.0
1400	110.2	115.4	120.5	130.6	140.7	150.6	160.5	170.3	189.6	208.5	227.1	245.3	263.3	280.9	298.1	315.1	347.9
1600	123.2	129.0	134.7	146.0	157.2	168.4	179.4	190.3	211.7	232.7	253.3	273.4	293.1	312.4	331.2	349.6	385.0
1750	132.6	138.8	145.0	157.2	169.3	181.3	193.1	204.8	227.8	250.2	272.2	293.6	314.5	334.9	354.7	374.0	410.8
2000	147.9	154.9	161.7	175.3	188.8	202.1	215.2	228.1	253.5	278.2	302.2	325.6	348.2	370.1	391.2		
2400	171.2	179.2	187.2	202.9	218.4	233.6	248.6	263.3	292.1	319.8	346.5	372.1					
2800	193.2	202.2	211.1	228.7	246.0	262.9	279.5	295.8	327.2	357.2							
3200	213.8	223.7	233.5	252.8	271.6	290.0	307.9	325.4	358.8								
3600	233.1	243.8	254.4	275.1	295.2	314.7	333.7										
4000	251.0	262.4	273.6	295.5	316.7	337.1											

14M-115	Rated Horsepower for Small Sprocket (Number of Teeth and Pitch Diameter, Inches)																
	RPM Small Shaft	28 4.91	29 5.09	30 5.26	32 5.61	34 5.97	36 6.32	38 6.67	40 7.02	44 7.72	48 8.42	52 9.12	56 9.82	60 10.53	64 11.23	68 11.93	72 12.63
10	1.9	2.0	2.1	2.3	2.4	2.6	2.8	2.9	3.2	3.6	3.9	4.2	4.5	4.8	5.1	5.4	6.0
20	3.7	3.8	4.0	4.3	4.6	4.9	5.2	5.5	6.1	6.7	7.3	7.9	8.5	9.1	9.6	10.2	11.4
40	6.8	7.1	7.4	8.0	8.6	9.2	9.8	10.3	11.5	12.6	13.7	14.8	15.9	17.0	18.1	19.2	21.4
60	9.9	10.3	10.7	11.5	12.4	13.2	14.1	14.9	16.5	18.2	19.8	21.4	23.0	24.6	26.2	27.8	30.9
100	15.5	16.2	16.9	18.3	19.6	20.9	22.3	23.6	26.2	28.8	31.4	34.0	36.5	39.1	41.6	44.1	49.0
200	28.8	30.0	31.3	33.8	36.4	38.9	41.3	43.8	48.7	53.6	58.4	63.2	68.0	72.7	77.4	82.1	91.3
300	41.1	42.9	44.7	48.4	52.0	55.6	59.2	62.8	69.9	76.9	83.8	90.7	97.5	104.3	111.1	117.8	131.0
400	52.8	55.2	57.6	62.3	67.0	71.7	76.3	80.9	90.1	99.1	108.1	117.0	125.8	134.6	143.2	151.8	168.9
500	64.1	67.0	69.9	75.7	81.4	87.1	92.8	98.4	109.6	120.6	131.5	142.3	153.1	163.7	174.2	184.7	205.4
600	75.1	78.5	81.9	88.7	95.4	102.1	108.8	115.4	128.5	141.4	154.2	166.9	179.5	192.0	204.3	216.5	240.7
800	96.1	100.5	104.9	113.7	122.4	131.0	139.5	148.1	164.9	181.5	197.9	214.2	230.3	246.2	261.9	277.4	308.1
870	103.2	108.0	112.7	122.2	131.5	140.8	150.0	159.1	177.3	195.1	212.8	230.2	247.4	264.5	281.3	298.0	330.7
1000	116.2	121.6	127.0	137.6	148.2	158.6	169.0	179.3	199.7	219.8	239.7	259.2	278.6	297.7	316.5	335.1	371.6
1160	131.8	137.9	144.0	156.1	168.1	180.0	191.8	203.5	226.6	249.3	271.8	293.8	315.6	337.1	358.1	379.0	419.6
1200	135.6	141.9	148.2	160.6	173.0	185.2	197.4	209.4	233.2	256.6	279.6	302.3	324.7	346.7	368.3	389.6	431.2
1400	154.3	161.5	168.7	182.9	197.0	210.9	224.7	238.4	265.4	291.9	317.9	343.5	368.6	393.2	417.4	441.1	487.1
1600	172.5	180.5	188.5	204.4	220.1	235.7	251.1	266.4	296.4	325.8	354.6	382.8	410.4	437.4	463.7	489.4	538.9
1750	185.7	194.4	203.0	220.1	237.0	253.8	270.3	286.7	318.9	350.3	381.0	411.0	440.3	468.8	496.6	523.5	575.1
2000	207.1	216.8	226.4	245.5	264.3	282.9	301.3	319.4	354.9	389.5	423.1	455.8	487.4	518.1	547.7		
2400	239.7	250.9	262.0	284.0	305.7	327.0	348.0	368.7	408.9	447.7	485.1	521.0					
2800	270.4	283.1	295.5	320.2	344.4	368.1	391.3	414.1	458.1	500.1							
3200	299.3	313.2	326.9	353.9	380.2	406.0	431.1	455.5	502.4								
3600	326.3	341.3	356.1	385.1	413.3	440.6	467.1										
4000	351.4	367.4	383.1	413.7	443.3	471.9											

Operation in shaded area will result in a reduction of belt life.

V-Drives
FHP Drives
Drive Component Accessories
DYNA-SYNC
HT200/HTD Synchronous Drives
HTR Synchronous Drives
HTRC Synchronous Drives



SELECTION

HT200 Basic Horsepower Rating

NOTE: Multiply rating by Belt Length Correction Factor from Ratio/Center Distance Tables

14M-170	Rated Horsepower for Small Sprocket (Number of Teeth and Pitch Diameter, Inches)																
	RPM Small Shaft	28 4.91	29 5.09	30 5.26	32 5.61	34 5.97	36 6.32	38 6.67	40 7.02	44 7.72	48 8.42	52 9.12	56 9.82	60 10.53	64 11.23	68 11.93	72 12.63
10	3.0	3.1	3.2	3.5	3.7	3.9	4.2	4.4	4.9	5.4	5.9	6.4	6.8	7.3	7.8	8.2	9.2
20	5.6	5.8	6.0	6.5	7.0	7.4	7.9	8.4	9.3	10.2	11.1	12.0	12.9	13.8	14.6	15.5	17.3
40	10.4	10.8	11.3	12.2	13.1	13.9	14.8	15.7	17.4	19.1	20.8	22.5	24.2	25.9	27.6	29.2	32.5
60	15.0	15.6	16.3	17.6	18.8	20.1	21.4	22.6	25.1	27.6	30.1	32.6	35.0	37.4	39.8	42.2	47.0
100	23.6	24.7	25.7	27.8	29.8	31.8	33.8	35.9	39.8	43.8	47.7	51.6	55.5	59.4	63.2	67.0	74.5
200	43.7	45.6	47.6	51.4	55.3	59.1	62.8	66.6	74.1	81.5	88.8	96.1	103.4	110.5	117.7	124.8	138.8
300	62.4	65.2	68.0	73.6	79.1	84.6	90.0	95.4	106.2	116.8	127.4	137.9	148.3	158.6	168.8	179.0	199.1
400	80.3	83.9	87.5	94.7	101.8	108.9	116.0	123.0	136.9	150.6	164.3	177.8	191.2	204.5	217.7	230.8	256.8
500	97.4	101.9	106.3	115.0	123.8	132.4	141.0	149.6	166.5	183.3	199.9	216.3	232.7	248.8	264.8	280.8	312.2
600	114.1	119.3	124.5	134.8	145.0	155.2	165.3	175.4	195.3	214.9	234.4	253.7	272.8	291.8	310.5	329.1	365.9
800	146.1	152.8	159.5	172.8	186.0	199.1	212.1	225.0	250.6	275.9	300.9	325.6	350.0	374.2	398.0	421.7	468.3
870	156.9	164.2	171.4	185.7	199.9	214.0	228.0	241.9	269.4	296.6	323.4	349.9	376.1	402.0	427.6	452.9	502.7
1000	176.7	184.9	193.0	209.2	225.2	241.1	256.9	272.6	303.6	334.1	364.3	394.1	423.4	452.4	481.0	509.3	564.8
1160	200.3	209.7	218.9	237.3	255.5	273.6	291.5	309.3	344.4	379.0	413.1	446.7	479.7	512.3	544.4	576.0	637.8
1200	206.1	215.7	225.2	244.2	262.9	281.6	300.0	318.3	354.4	390.0	425.0	459.5	493.5	526.9	559.8	592.2	655.5
1400	234.6	245.5	256.4	278.0	299.4	320.6	341.6	362.4	403.4	443.6	483.2	522.1	560.2	597.7	634.4	670.4	740.4
1600	262.1	274.4	286.6	310.7	334.6	358.3	381.7	404.9	450.5	495.2	539.0	581.8	623.8	664.8	704.8	743.9	819.2
1750	282.2	295.5	308.6	334.6	360.3	385.8	410.9	435.8	484.7	532.5	579.2	624.8	669.3	712.6	754.8	795.8	874.2
2000	314.7	329.5	344.1	373.1	401.8	430.0	457.9	485.5	539.5	592.0	643.1	692.8	740.9	787.5	832.4		
2400	364.3	381.4	398.3	431.7	464.7	497.1	529.0	560.3	621.5	680.5	737.3	791.9					
2800	411.0	430.3	449.2	486.7	523.4	559.5	594.8	629.4	696.3	760.1							
3200	454.9	476.1	496.9	537.9	578.0	617.1	655.2	692.4	763.6								
3600	496.0	518.8	541.3	585.3	628.2	669.7	710.0										
4000	534.2	558.5	582.3	628.9	673.9	717.3											

Operation in shaded area will result in a reduction of belt life.

FEATURES/BENEFITS
PAGE PT11-2

SPECIFICATIONS
PAGE PT11-4

ENGINEERING/TECHNICAL
PAGE PT11-64

V-Drives

FHP Drives

Drive Component
Accessories

DYNA-SYNC

HT200/HTD
Synchronous Drives

HTR
Synchronous Drives

HTRC
Synchronous Drives



SELECTION

HT100 Basic Horsepower Rating

NOTE: Multiply rating by Belt Length Correction Factor from Ratio/Center Distance Tables

5M-15	Rated Horsepower for Small Sprocket (Number of Grooves and Pitch Diameter, Inches)														
	RPM	32	34	36	38	40	44	45	48	50	52	56	60	64	68
	Small Shaft	2.0	2.1	2.3	2.38	2.5	2.8	2.8	3.0	3.1	3.3	3.5	3.8	4.0	4.2
10	0.03	0.03	0.03	0.04	0.04	0.04	0.04	0.04	0.1	0.1	0.1	0.1	0.1	0.1	0.1
20	0.1	0.1	0.1	0.1	0.1	0.1	0.1	0.1	0.1	0.1	0.1	0.1	0.1	0.1	0.1
40	0.1	0.1	0.1	0.1	0.1	0.1	0.2	0.2	0.2	0.2	0.2	0.2	0.2	0.2	0.3
60	0.2	0.2	0.2	0.2	0.2	0.2	0.2	0.2	0.3	0.3	0.3	0.3	0.3	0.4	0.4
100	0.2	0.3	0.3	0.3	0.3	0.3	0.4	0.4	0.4	0.4	0.4	0.5	0.5	0.6	0.6
200	0.4	0.5	0.5	0.6	0.6	0.7	0.7	0.7	0.8	0.8	0.8	0.6	1.0	1.0	1.1
300	0.6	0.7	0.8	0.8	0.9	1.0	1.0	1.1	1.1	1.2	1.3	1.4	1.5	1.6	1.6
400	0.8	0.9	1.0	1.0	1.1	1.3	1.3	1.4	1.5	1.5	1.7	1.8	1.9	2.1	2.1
500	1.0	1.1	1.2	1.3	1.4	1.5	1.6	1.7	1.8	1.9	2.0	2.2	2.2	2.4	2.5
600	1.2	1.3	1.4	1.5	1.6	1.8	1.8	2.0	2.1	2.2	2.4	2.6	2.8	3.0	3.0
800	1.5	1.6	1.8	1.9	2.1	2.3	2.4	2.6	2.7	2.8	3.1	3.4	3.6	3.9	3.9
1000	1.8	2.0	2.2	2.3	2.5	2.8	2.9	3.1	3.3	3.5	3.8	4.1	4.4	4.7	4.7
1200	2.1	2.3	2.5	2.7	2.9	3.3	3.4	3.7	3.9	4.1	4.4	4.8	5.2	5.6	5.6
1400	2.4	2.7	2.9	3.1	3.3	3.8	3.9	4.2	4.4	4.7	5.1	5.5	5.9	6.3	6.3
1600	2.7	3.0	3.3	3.5	3.8	4.3	4.4	4.7	5.0	5.2	5.7	6.2	6.7	7.1	7.1
1800	3.0	3.3	3.6	3.9	4.2	4.7	4.8	5.3	5.5	5.8	6.3	6.9	7.4	7.9	7.9
2000	3.3	3.6	3.9	4.2	4.6	5.2	5.3	5.8	6.1	6.3	6.9	7.5	8.1	8.6	8.6
2400	3.9	4.2	4.6	5.0	5.3	6.0	6.2	6.7	7.1	7.4	8.1	8.8	9.4	10.1	10.1
2800	4.4	4.8	5.2	5.6	6.0	6.9	7.1	7.6	8.0	8.4	9.2	10.0	10.7	11.4	11.4
3200	4.9	5.4	5.8	6.3	6.6	7.7	7.9	8.5	9.0	9.4	10.2	11.1	11.9	12.7	12.7
3600	5.4	5.9	6.4	6.9	7.4	8.4	8.7	9.4	10.0	10.3	11.3	12.2	13.0	13.9	13.9
4000	5.9	6.4	7.0	7.5	8.1	9.2	9.4	10.2	10.7	11.2	12.2	13.2	14.1	15.0	15.0
5000	7.0	7.7	8.3	9.0	9.6	10.9	11.2	12.1	12.6	13.2	14.3	15.4	16.4	17.4	17.4
6000	8.0	8.8	9.5	10.2	11.0	12.3	12.7	13.7	14.3	14.9	16.1	17.1	18.1		
8000	9.7	10.6	11.5	12.3	13.1	14.6	14.9	15.9	16.6						
10000	10.9	11.8	12.7	13.6	14.4										
12000	11.5														
14000															

5M-25	Rated Horsepower for Small Sprocket (Number of Grooves and Pitch Diameter, Inches)														
	RPM	32	34	36	38	40	44	45	48	50	52	56	60	64	68
	Small Shaft	2.0	2.1	2.3	2.38	2.5	2.8	2.8	3.0	3.1	3.3	3.5	3.8	4.0	4.2
10	0.1	0.1	0.1	0.1	0.1	0.1	0.1	0.1	0.1	0.1	0.1	0.1	0.1	0.1	0.1
20	0.1	0.1	0.1	0.1	0.1	0.1	0.1	0.1	0.2	0.2	0.2	0.2	0.2	0.2	0.22
40	0.2	0.2	0.2	0.2	0.2	0.2	0.3	0.3	0.3	0.3	0.4	0.4	0.4	0.4	0.42
60	0.3	0.3	0.3	0.3	0.3	0.3	0.4	0.4	0.4	0.4	0.5	0.5	0.6	0.6	0.62
100	0.4	0.4	0.5	0.5	0.5	0.5	0.6	0.6	0.7	0.7	0.7	0.8	0.9	0.9	0.98
200	0.7	0.8	0.9	0.9	1.0	1.1	1.2	1.2	1.3	1.4	1.5	1.6	1.7	1.85	1.85
300	1.1	1.2	1.2	1.3	1.4	1.6	1.7	1.8	1.9	2.0	2.2	2.3	2.5	2.67	2.67
400	1.4	1.5	1.6	1.7	1.8	2.1	2.1	2.3	2.4	2.6	2.8	3.0	3.2	3.47	3.47
500	1.7	1.8	2.0	2.1	2.3	2.5	2.6	2.8	3.0	3.1	3.4	3.7	4.0	4.24	4.24
600	2.0	2.1	2.3	2.5	2.6	3.0	3.1	3.3	3.5	3.7	4.0	4.3	4.7	4.99	4.99
800	2.5	2.7	3.0	3.2	3.4	3.9	4.0	4.3	4.5	4.7	5.2	5.6	6.0	6.46	6.46
1000	3.0	3.3	3.6	3.9	4.2	4.7	4.8	5.2	5.5	5.8	6.3	6.8	7.35	7.87	7.87
1200	3.6	3.9	4.2	4.6	4.9	5.5	5.7	6.2	6.5	6.8	7.4	8.0	8.64	9.25	9.25
1400	4.1	4.5	4.8	5.2	5.6	6.3	6.5	7.0	7.4	7.8	8.48	9.2	9.89	10.6	10.6
1600	4.6	5.0	5.4	5.8	6.3	7.1	7.3	7.9	8.3	8.7	9.5	10.3	11.1	11.9	11.9
1800	5.1	5.5	6.0	6.5	6.9	7.8	8.1	8.8	9.2	10.0	10.5	11.4	12.3	13.2	13.2
2000	5.5	6.0	6.6	7.1	7.6	8.6	8.8	9.6	10.0	10.6	11.5	12.5	13.5	14.4	14.4
2400	6.4	7.0	7.7	8.3	8.9	10.0	10.3	11.2	11.8	12.3	13.5	14.6	15.7	16.8	16.8
2800	7.3	8.0	8.7	9.4	10.1	11.4	11.8	12.7	13.4	14.0	15.3	16.6	17.8	19.0	19.0
3200	8.2	9.0	9.7	10.5	11.3	12.8	13.1	14.2	14.9	15.7	17.1	18.5	19.8	21.2	21.2
3600	9.0	10.0	10.7	11.6	12.4	14.0	14.4	15.6	16.4	17.2	18.8	20.3	21.7	23.1	23.1
4000	10.0	10.7	11.7	12.6	13.5	15.3	15.7	17.0	17.9	18.7	20.3	21.9	23.5	25.0	25.0
5000	11.6	12.8	13.9	15.0	16.0	18.1	18.6	20.1	21.1	22.0	23.9	25.7	27.3	28.9	28.9
6000	13.3	14.6	15.9	17.1	18.3	20.6	21.1	22.8	23.8	24.8	26.8	28.6	30.2		
8000	16.1	17.6	19.1	20.5	21.8	24.3	24.9	26.6	27.6						
10000	18.2	19.7	21.2	22.6	23.9										
12000	19.2														
14000															

Shaded area indicates sprocket and RPM which can be used only if a reduction in belt life is allowable.

FEATURES/BENEFITS PAGE PT11-2	SPECIFICATIONS PAGE PT11-4	ENGINEERING/TECHNICAL PAGE PT11-64	
----------------------------------	-------------------------------	---------------------------------------	--



SELECTION

HT100 Basic Horsepower Rating

NOTE: Multiply rating by Belt Length Correction Factor from Ratio/Center Distance Tables

8M-20		HT100 Horsepower Rating—20MM Wide Belt (.79 in.)															
RPM		No. Teeth															
Small Shaft		22	24	26	28	30	32	34	36	38	40	44	48	56	64	72	80
10	0.02	0.03	0.03	0.04	0.04	0.1	0.06	0.07	0.06	0.07	0.1	0.1	0.1	0.1	0.1	0.1	0.2
20	0.04	0.1	0.1	0.1	0.1	0.1	0.1	0.1	0.1	0.1	0.2	0.2	0.2	0.2	0.2	0.3	0.3
40	0.1	0.1	0.1	0.1	0.2	0.2	0.2	0.3	0.3	0.3	0.3	0.4	0.4	0.4	0.5	0.6	0.6
60	0.1	0.2	0.2	0.2	0.3	0.3	0.3	0.4	0.4	0.5	0.5	0.6	0.6	0.6	0.7	0.8	0.9
100	0.2	0.3	0.3	0.4	0.4	0.5	0.6	0.7	0.8	0.8	0.9	1.1	1.1	1.2	1.4	1.5	1.5
200	0.4	0.5	0.6	0.7	0.8	1.0	1.1	1.3	1.4	1.5	1.7	1.8	2.1	2.3	2.6	2.8	2.8
300	0.7	0.7	0.9	1.0	1.2	1.4	1.6	1.8	2.0	2.2	2.4	2.6	3.0	3.4	3.7	4.1	4.1
400	0.9	1.0	1.1	1.3	1.6	1.8	2.1	2.3	2.6	2.8	3.1	3.4	3.8	4.3	4.8	5.3	5.3
500	1.1	1.2	1.4	1.6	1.9	2.2	2.5	2.9	3.2	3.5	3.8	4.1	4.7	5.3	5.9	6.4	6.4
600	1.3	1.4	1.6	1.9	2.3	2.6	3.0	3.4	3.8	4.1	4.5	4.8	5.5	6.2	6.9	7.6	7.6
700	1.5	1.7	1.9	2.2	2.6	3.0	3.4	3.9	4.3	4.7	5.1	5.5	6.3	7.1	7.9	8.6	8.6
800	1.8	1.9	2.1	2.5	2.9	3.4	3.8	4.4	4.9	5.9	5.8	6.2	7.1	8.0	8.9	9.7	9.7
870	1.9	2.8	2.3	2.7	3.1	3.6	4.1	4.7	5.3	5.7	6.2	6.7	7.7	8.6	9.5	10.4	10.4
1000	2.2	2.4	2.6	3.0	3.5	4.1	4.7	5.3	6.0	6.4	7.0	7.6	8.6	9.7	10.7	11.7	11.7
1160	2.5	2.8	3.0	3.5	4.0	4.7	5.3	6.0	6.8	7.3	8.0	8.6	9.8	11.0	12.2	13.3	13.3
1200	2.6	2.9	3.1	3.6	4.2	4.8	5.5	6.2	7.0	7.6	8.2	8.9	10.1	11.3	12.5	13.6	13.6
1400	3.1	3.3	3.6	4.1	4.8	5.5	6.3	7.1	8.6	8.6	9.4	10.1	11.5	12.9	14.2	15.5	15.5
1600	3.5	3.8	4.1	4.6	5.4	6.2	7.1	8.0	9.0	9.7	10.5	11.3	12.9	14.4	15.8	17.2	17.2
1750	3.8	4.2	4.5	5.0	5.8	6.7	7.6	8.6	9.7	10.5	11.4	12.2	13.9	15.5	17.0	18.4	18.4
2000	4.3	4.7	5.1	5.6	6.5	7.5	8.6	9.7	10.9	11.7	12.7	13.6	15.5	17.2	18.8	20.2	20.2
2400	5.2	5.7	6.1	7.0	7.6	8.7	10.0	11.3	12.7	13.6	14.8	15.8	17.8	19.7	21.3	22.8	22.8
2800	6.0	6.6	7.1	7.8	8.6	9.9	11.3	12.8	14.4	15.5	16.7	17.8	19.9	21.8	23.4	24.8	24.8
3200			8.0	8.8	9.6	11.1	12.6	14.2	16.0	17.2	18.5	19.7	21.8	23.7	25.1		
3500					10.4	11.9	13.5	15.3	17.1	18.4	19.7	20.9	23.1	24.8			
4000						13.1	14.9	16.9	18.9	20.2	21.6	22.8	24.8				
4500							16.2	18.3	20.4	21.9	23.2	24.3					
5000								19.6	21.9	23.3	24.6	25.5					
5500									23.05	24.6	25.6						
PD: MM	56.0	61.1	66.2	71.3	76.4	81.5	86.6	91.7	96.8	101.9	112.0	122.2	142.6	163.0	183.3	203.7	203.7
Inches	2.21	2.41	2.61	2.81	3.01	3.21	3.41	3.61	3.81	4.01	4.41	4.81	5.61	6.42	7.22	8.02	8.02

8M-30		HT100 Horsepower Rating—30MM Wide Belt (1.18 in.)															
RPM Small Sprocket		No. Teeth															
		22	24	26	28	30	32	34	36	38	40	44	48	56	64	72	80
10	0.03	0.04	0.1	0.1	0.1	0.1	0.1	0.1	0.1	0.1	0.1	0.1	0.1	0.1	0.2	0.2	0.2
20	0.1	0.1	0.1	0.1	0.1	0.2	0.2	0.2	0.2	0.2	0.3	0.3	0.3	0.3	0.4	0.4	0.5
40	0.1	0.12	0.2	0.2	0.3	0.3	0.4	0.4	0.5	0.5	0.6	0.6	0.7	0.8	0.9	1.0	1.0
60	0.2	0.2	0.3	0.3	0.4	0.5	0.5	0.6	0.7	0.7	0.8	0.9	1.0	1.2	1.3	1.4	1.4
100	0.3	0.4	0.5	0.6	0.7	0.8	0.9	1.0	1.1	1.2	1.3	1.4	1.7	2.0	2.2	2.4	2.4
200	0.7	0.8	0.9	1.1	1.3	1.5	1.7	2.0	2.2	2.4	2.6	2.8	3.3	3.7	4.1	4.5	4.5
300	1.0	1.1	1.4	1.6	1.9	2.2	2.5	2.9	3.2	3.5	3.8	4.1	4.7	5.3	5.9	6.5	6.5
400	1.4	1.5	1.8	2.1	2.5	2.8	3.3	3.7	4.2	4.5	4.9	5.3	6.1	6.8	7.6	8.3	8.3
500	1.7	1.9	2.3	2.6	3.0	3.5	4.0	4.5	5.1	5.5	6.0	6.5	7.4	8.3	9.3	10.2	10.2
600	2.1	2.3	2.6	3.0	3.5	4.1	4.7	5.3	6.0	6.5	7.0	7.6	8.7	9.8	10.9	11.9	11.9
700	2.4	2.6	2.9	3.5	4.1	4.7	5.4	6.1	6.8	7.4	8.1	8.7	10.0	11.2	12.4	13.6	13.6
800	2.8	3.0	3.3	3.9	4.6	5.3	6.1	6.9	7.7	8.3	9.1	9.78	11.2	12.6	14.0	15.3	15.3
870	3.0	3.3	3.6	4.2	4.9	5.7	6.5	7.4	8.3	9.0	9.8	10.5	12.1	13.6	15.0	16.4	16.4
1000	3.4	3.8	4.1	4.8	5.6	6.5	7.4	8.4	9.4	10.2	11.0	11.9	13.6	15.3	16.9	18.5	18.5
1160	4.0	4.4	4.7	5.5	6.4	7.4	8.4	9.5	10.7	11.6	12.6	13.6	15.5	17.4	19.2	21.0	21.0
1200	4.1	4.5	4.9	5.6	6.6	7.6	8.7	9.8	11.0	11.9	12.9	14.0	16.0	17.9	19.7	21.6	21.6
1400	4.8	5.3	5.7	6.4	7.5	8.7	9.9	11.2	12.6	13.6	14.8	16.0	18.2	20.4	22.4	24.4	24.4
1600	5.5	6.0	6.5	7.2	8.5	9.8	11.1	12.6	14.2	15.3	16.6	18.0	20.4	22.7	25.0	27.1	27.1
1750	6.0	6.5	7.1	7.8	9.1	10.5	12.0	13.6	15.3	16.5	17.9	19.3	21.9	24.4	26.8	29.1	29.1
2000	6.9	7.5	8.1	8.9	10.3	11.8	13.5	15.3	17.2	18.5	20.0	21.6	24.4	27.1	29.7	32.0	32.0
2400	8.2	8.9	9.6	10.6	12.0	13.8	15.8	17.8	20.0	21.6	23.3	25.0	28.2	31.1	33.8	36.2	36.2
2800	9.5	10.4	11.2	12.2	13.6	15.7	17.9	20.2	22.7	24.4	26.3	28.12	31.6	34.6	37.2	39.4	39.4
3200			12.7	13.9	15.2	17.5	19.9	22.5	25.2	27.1	29.2	31.1	34.6	37.6	39.9		
3500					16.4	18.8	21.4	24.1	27.0	29.1	31.2	33.1	36.6	39.4			
4000						20.8	23.6	26.7	29.9	32.0	34.2	36.2	39.4				
4500							25.7	29.0	32.4	34.7	36.8	38.7					
5000								31.1	34.7	37.0	39.1	40.7					
5500									36.6	39.1	40.8						
PD: MM	56.0	61.1	66.2	71.3	76.4	81.5	86.6	91.7	96.8	101.9	112.0	122.2	142.6	163.0	183.3	203.7	203.7
Inches	2.21	2.41	2.61	2.81	3.01	3.21	3.41	3.61	3.81	4.01	4.41	4.81	5.61	6.42	7.22	8.02	8.02

Operation in shaded area will result in a reduction of belt life.

FEATURES/BENEFITS PAGE PT11-2	SPECIFICATIONS PAGE PT11-4	ENGINEERING/TECHNICAL PAGE PT11-64	
----------------------------------	-------------------------------	---------------------------------------	--



SELECTION

HT100 Basic Horsepower Rating

NOTE: Multiply rating by Belt Length Correction Factor from Ratio/Center Distance Tables

8M-50 RPM Small Sprocket	HT100 Horsepower Rating—50MM Wide Belt (1.97 in.) No. Teeth												
	28	30	32	34	36	38	40	44	48	56	64	72	80
10	0.1	0.1	0.1	0.16	0.2	0.2	0.2	0.2	0.3	0.3	0.3	0.4	0.4
20	0.2	0.2	0.3	0.3	0.3	0.4	0.4	0.5	0.5	0.6	0.7	0.7	0.8
40	0.4	0.5	0.5	0.6	0.7	0.8	0.8	0.9	1.0	1.2	1.3	1.5	1.7
60	0.6	0.7	0.8	0.9	1.0	1.2	1.2	1.4	1.5	1.7	2.0	2.2	2.5
100	1.0	1.2	1.3	1.5	1.7	2.0	2.1	2.3	2.5	2.9	3.3	3.7	4.1
200	1.9	2.3	2.6	3.0	3.4	3.8	4.1	4.5	4.9	5.6	6.4	7.1	7.8
300	2.8	3.3	3.8	4.4	4.9	5.5	6.0	6.5	7.1	8.1	9.2	10.2	11.2
400	3.6	4.3	4.9	5.6	6.4	7.2	7.8	8.5	9.2	10.5	11.8	13.1	14.4
500	4.5	5.2	6.0	6.9	7.8	8.8	9.5	10.3	11.2	12.8	14.4	16.0	17.6
600	5.3	7.1	7.1	8.1	9.2	10.3	11.2	12.2	13.1	15.1	17.0	18.8	20.6
700	6.0	7.0	8.1	9.3	10.5	11.9	12.8	14.0	15.1	17.3	19.4	21.5	23.6
800	6.8	7.9	9.2	10.5	11.9	13.4	14.4	15.7	17.0	19.4	21.8	24.2	26.5
870	7.3	8.6	10.0	11.3	12.8	14.4	15.5	16.9	18.3	20.9	23.5	26.0	28.5
1000	8.3	9.7	11.2	12.8	14.5	16.3	17.6	19.1	20.6	23.6	26.5	29.3	32.1
1160	9.4	11.0	12.8	14.6	16.5	18.5	20.0	21.8	23.5	26.8	30.1	33.3	36.3
1200	9.7	11.4	13.1	15.0	17.0	19.1	20.6	22.4	24.2	27.6	31.0	34.2	37.4
1400	11.1	13.0	15.0	17.2	19.5	21.9	23.6	25.6	27.6	31.5	35.3	38.9	42.4
1600	12.5	14.6	16.9	19.3	21.9	24.5	26.5	28.8	31.0	35.3	39.4	43.3	47.1
1750	13.5	15.8	18.3	20.9	23.6	26.5	28.6	31.0	33.4	38.0	42.4	46.5	50.4
2000	15.3	17.8	20.5	23.4	26.5	29.7	32.7	34.7	37.4	42.4	47.1	51.5	55.6
2400	18.3	20.7	23.9	27.3	30.9	34.6	37.4	40.4	43.3	48.9	54.0	58.7	62.9
2800	21.2	23.6	27.2	31.0	35.1	39.3	42.4	45.7	48.9	54.8	60.1	64.8	68.7
3200	24.1	26.3	30.3	34.5	39.0	43.8	47.1	50.7	54.0	60.2	65.4	69.7	
3500		28.4	32.5	37.1	41.9	46.9	50.4	54.1	57.6	63.7	68.6		
4000			36.0	41.0	46.3	51.8	55.6	59.4	62.9	68.7			
4500				44.7	50.4	56.3	60.3	64.1	67.4				
5000					54.0	60.3	64.5	68.0	71.0				
5500						63.8	68.0	71.3					
PD: MM	71.3	76.4	81.5	86.6	91.7	96.8	101.9	112	122.2	142.6	163	183.3	203.7
Inches	2.81	3.01	3.21	3.41	3.61	3.81	4.01	4.41	4.81	5.61	6.42	7.22	8.02

8M-85 RPM Small Sprocket	HT100 Horsepower Rating—85MM Wide Belt (3.35 in.) No. Teeth									
	34	36	38	40	44	48	56	64	72	80
10	0.3	0.3	0.3	0.4	0.4	0.4	0.5	0.6	0.7	0.7
20	0.5	0.6	0.7	0.7	0.8	0.9	1.0	1.2	1.3	1.4
40	1.1	1.2	1.4	1.4	1.6	1.7	2.0	2.3	2.6	2.9
60	1.6	1.8	2.1	2.2	2.4	2.6	3.0	3.5	3.9	4.3
100	2.6	3.0	3.4	3.6	4.0	4.3	5.4	5.8	6.5	7.2
200	5.2	5.9	6.7	7.2	7.9	8.5	9.8	11.1	12.3	13.5
300	7.6	8.6	9.6	10.4	11.4	12.3	14.1	15.9	17.7	19.4
400	9.8	11.1	12.5	13.5	14.7	15.9	18.3	20.6	22.9	25.1
500	12.0	13.6	15.3	16.5	18.0	19.4	22.3	25.1	27.9	30.6
600	14.1	16.0	18.0	19.4	21.2	22.9	26.2	29.5	32.7	35.9
700	16.12	18.3	20.6	22.3	24.3	26.2	30.0	33.8	37.5	41.0
800	18.2	20.7	23.2	25.1	27.3	29.5	33.8	38.0	42.1	46.1
870	19.7	22.3	25.0	27.0	29.4	31.8	36.4	40.9	45.3	49.5
1000	22.2	25.2	28.3	30.6	33.3	35.9	41.1	46.1	51.0	55.8
1160	25.3	28.7	32.3	34.8	37.9	40.9	46.7	52.4	57.9	63.2
1200	26.1	29.6	33.2	35.9	39.0	42.1	48.1	53.9	59.5	65.0
1400	29.9	33.8	38.0	41.1	44.6	48.1	54.8	61.4	67.7	73.7
1600	33.6	38.0	42.7	46.1	50.0	53.9	61.4	68.6	75.4	82.0
1750	36.3	41.1	46.1	49.8	54.0	58.1	66.1	73.7	81.0	87.8
2000	40.7	46.1	51.7	55.8	60.5	65.0	73.7	82.0	89.7	96.9
2400	47.5	53.7	60.3	65.0	70.3	75.4	85.1	94.1	102.3	109.7
2800	54.0	61.0	68.5	73.7	79.6	85.1	95.5	104.8	113.0	120.0
3200	60.1	68.0	76.2	82.0	88.2	94.1	104.8	114.1	121.6	
3500	64.6	72.9	81.7	87.8	94.3	100.3	111.1	119.9		
4000	71.5	80.7	90.3	96.9	103.6	109.7	119.9			
4500	77.8	87.8	98.1	105.2	111.8	117.6				
5000		94.2	105.2	112.5	118.8	124.0				
5500			111.3	118.8	124.5					
PD: MM	86.6	91.7	96.8	101.9	112.0	122.2	142.6	163.0	183.3	203.7
Inches	3.41	3.61	3.81	4.01	4.41	4.81	5.61	6.42	7.22	8.02

Operation in shaded area will result in a reduction of belt life.

FEATURES/BENEFITS PAGE PT11-2	SPECIFICATIONS PAGE PT11-4	ENGINEERING/TECHNICAL PAGE PT11-64	
----------------------------------	-------------------------------	---------------------------------------	--



SELECTION

HT100 Basic Horsepower Rating

NOTE: Multiply rating by Belt Length Correction Factor from Ratio/Center Distance Tables

14M-40		HT100 Horsepower Rating-40MM Wide Belt (1.57 in.)																
RPM Small Sprocket		No. Teeth																
		28	29	30	32	34	36	38	40	44	48	52	56	60	64	68	72	80
10		0.2	0.3	0.3	0.3	0.3	0.4	0.4	0.5	0.6	0.6	0.7	0.7	0.8	0.9	0.9	1.0	
20		0.5	0.5	0.5	0.6	0.6	0.7	0.9	1.0	1.1	1.2	1.3	1.4	1.5	1.6	1.7	1.8	2.1
40		1.0	1.0	1.0	1.2		1.4	1.7	2.0	2.2	2.4	2.6	2.8	3.0	3.2	3.4	3.6	4.2
60		1.5	1.5	1.6	1.7	1.8	2.2	2.5	3.0	3.3	3.6	3.9	4.2	4.5	4.8	5.1	5.4	6.3
100		2.4	2.5	2.6	2.8	3.1	3.6	4.2	5.0	5.5	6.0	6.5	7.0	7.5	8.0	8.5	9.0	10.4
200		4.9	5.0	5.2	5.2	6.1	7.2	8.4	9.8	10.8	12.0	13.0	14.0	15.0	16.0	17.0	18.0	20.9
300		6.7	7.0	7.4	7.3	9.2	10.8	12.2	13.2	14.4	17.1	19.5	21.0	22.5	24.0	25.5	27.0	30.5
400		8.2	8.7	9.2	9.3	11.4	14.4	14.0	16.1	17.5	20.6	25.9	25.8	28.6	29.7	31.3	32.9	36.1
500		9.6	10.2	10.9	11.1	13.5	16.9	17.5	18.8	20.4	23.7	29.4	29.5	32.5	33.7	35.3	37.1	40.7
600		10.9	11.7	12.5	12.9	15.5	19.2	19.8	21.3	23.0	26.4	32.5	32.8	35.8	37.0	38.8	40.8	44.6
700		12.1	13.1	14.0	14.5	17.4	21.2	21.9	23.5	25.3	28.9	35.2	35.6	38.7	39.9	41.8	43.8	47.8
800		13.3	14.2	15.4	16.1	19.1	23.2	23.98	25.6	27.5	31.2	37.6	38.2	41.2	42.4	44.4	46.4	50.5
870		14.1	15.2	16.4	17.2	20.3	24.4	25.3	27.0	29.0	32.7	39.1	39.8	42.7	43.9	45.9	48.0	52.1
1000		15.5	16.8	18.1	19.1	22.2	26.6	27.6	29.4	31.4	35.1	41.5	42.4	45.2	46.3	48.3	50.3	54.3
1160		17.1	18.6	20.0	21.4	24.7	29.1	30.2	32.1	34.2	37.8	44.0	45.0	47.6	48.6	50.4	52.3	56.0
1200		17.5	19.0	20.5	21.9	25.3	29.7	31.0	32.7	34.8	38.4	44.5	45.6	48.1	49.0	50.8	52.7	56.3
1400		19.4	21.1	22.7	24.5	27.9	32.5	33.6	35.6	47.7	41.1	46.8	47.9	50.0	50.5	52.0	53.7	56.4
1600		21.2	23.0	24.8	26.8	30.3	34.6	36.0	38.0	40.0	43.2	48.3	49.4	50.8	51.0	52.0	53.2	54.7
1750		22.5	24.4	26.2	28.5	31.9	36.2	37.6	39.6	41.5	44.4	48.9	49.9	50.9	50.6	51.2	51.9	
2000		24.5	26.5	28.4	30.9	34.3	38.3	39.8	41.8	43.4	45.8	49.2	49.8	49.8	48.6	48.3		
2400		27.8	29.5	31.4	34.2	37.2	40.9	42.3	44.0	45.0	46.2	47.6	46.9					
2800			32.2	33.8	36.6	39.2	42.0	43.3	44.7	44.8								
*3200					38.0	40.0	42.0	43.0	43.9									
*3500						40.0	41.3	41.9										
PD: MM		124.8	129.2	133.7	142.6	151.5	160.4	169.3	178.3	196.1	213.9	231.7	249.6	267.4	285.2	303.0	320.9	356.5
Inches		4.91	5.09	5.26	5.61	5.97	6.32	6.67	7.02	7.72	8.42	9.12	9.82	10.53	11.23	11.93	12.63	14.04

14M-55		HT100 Horsepower Rating-55MM Wide Belt (2.17 in.)																
RPM Small Sprocket		No. Teeth																
		28	29	30	32	34	36	38	40	44	48	52	56	60	64	68	72	80
10		0.4	0.4	0.4	0.4	0.4	0.5	0.6	0.7	0.8	0.9	0.9	1.0	1.1	1.2	1.2	1.3	1.5
20		0.7	0.7	0.8	0.8	0.9	1.0	1.2	1.4	1.6	1.7	1.9	2.0	2.2	2.3	2.5	2.6	3.0
40		1.4	1.5	1.5	1.6	1.8	2.1	2.4	2.9	3.2	3.5	3.8	4.0	4.3	4.6	4.9	5.2	6.0
60		2.1	2.2	2.3	2.4	2.6	3.1	3.6	4.3	4.8	5.2	5.6	6.1	6.5	6.9	7.4	7.8	9.0
100		3.5	3.6	3.8	4.0	4.4	5.2	6.1	7.2	7.9	8.7	9.4	10.1	10.8	11.5	12.3	13.0	15.0
200		7.0	7.3	7.5	7.5	8.8	10.4	12.1	14.1	15.5	17.3	18.7	20.2	21.6	23.0	24.5	25.9	30.0
300		9.6	10.1	10.6	10.5	13.2	15.6	17.5	18.9	20.7	24.6	28.1	30.2	32.4	34.5	36.7	38.8	44.0
400		11.8	12.5	13.3	13.3	16.5	20.7	21.5	23.2	25.2	29.6	37.3	37.2	41.2	42.8	45.0	47.3	51.9
500		13.8	14.7	15.7	16.0	19.5	24.3	25.2	27.1	29.3	34.1	42.4	42.5	46.8	48.5	50.9	53.4	58.6
600		15.7	16.8	18.0	18.5	22.3	27.6	28.5	30.6	33.0	38.0	46.8	47.2	51.5	53.3	55.9	58.6	64.1
700		17.5	18.8	20.1	20.9	25.0	30.5	31.6	33.9	36.5	41.6	50.6	51.3	55.7	57.5	60.2	63.1	68.8
800		19.1	20.7	22.2	23.2	27.5	33.3	34.5	36.9	39.6	44.9	54.1	54.9	59.3	61.0	63.8	66.8	72.7
870		20.2	21.9	23.6	24.8	29.2	35.1	36.4	38.9	41.7	47.0	56.2	57.2	61.5	63.2	66.0	69.0	74.9
1000		22.3	24.1	26.0	27.5	32.2	38.3	39.7	42.3	45.2	50.6	59.7	61.0	65.1	66.7	69.5	72.4	78.2
1160		24.6	26.7	28.8	30.8	35.6	41.8	43.5	46.2	49.2	54.4	63.3	64.8	68.5	69.9	72.5	75.4	80.7
1200		25.2	27.4	29.5	31.5	36.4	42.7	44.3	47.1	50.1	55.3	64.1	65.6	69.2	70.5	73.1	75.9	81.0
1400		27.9	30.3	32.7	35.2	40.2	46.5	48.3	51.2	54.2	59.1	67.3	69.0	71.9	72.7	74.9	77.2	81.2
1600		30.5	33.1	35.7	38.6	43.6	49.9	51.8	54.7	57.6	62.1	69.5	71.0	73.2	73.3	74.9	76.5	78.8
1750		32.3	35.1	37.8	41.0	45.9	52.0	54.1	57.0	59.7	63.9	70.4	71.8	73.2	72.8	73.7	74.6	
2000		35.3	38.1	40.9	44.5	49.3	55.1	57.3	60.2	62.5	65.9	70.8	71.6	71.6	70.0	69.6		
2400		34.0	42.4	45.2	49.2	53.6	58.7	60.8	63.4	64.8	66.5	68.4	67.5					
2800			46.3	48.6	52.6	56.3	60.4	62.4	64.4	64.4	63.9							
*3200					54.7	57.6	60.5	61.9	63.1									
*3500						57.5	59.4	60.3										
PD: MM		124.8	129.2	133.7	142.6	151.5	160.4	169.3	178.3	196.1	213.9	231.7	249.6	267.4	285.2	303.0	320.9	356.5
Inches		4.91	5.09	5.26	5.61	5.97	6.32	6.67	7.02	7.72	8.42	9.12	9.82	10.53	11.23	11.93	12.63	14.04

Operation in shaded area will result in a reduction of belt life.

* Operation in this speed range may require sound dampening guard.

FEATURES/BENEFITS PAGE PT11-2	SPECIFICATIONS PAGE PT11-4	ENGINEERING/TECHNICAL PAGE PT11-64	
----------------------------------	-------------------------------	---------------------------------------	--



SELECTION

HT100 Basic Horsepower Rating

NOTE: Multiply rating by Belt Length Correction Factor from Ratio/Center Distance Tables

14M-85 RPM Small Sprocket	HT100 Horsepower Rating—85MM Wide Belt (3.35 in.)																
	No. Teeth																
	28	29	30	32	34	36	38	40	44	48	52	56	60	64	68	72	80
10	0.6	0.6	0.6	0.7	0.7	0.9	1.0	1.2	1.3	1.4	1.5	1.7	1.8	1.9	2.0	2.1	2.5
20	1.2	1.2	1.2	1.3	1.5	1.7	2.0	2.4	2.6	2.8	3.1	3.3	3.6	3.8	4.0	4.3	5.0
40	2.3	2.4	2.5	2.6	2.9	3.4	4.0	4.7	5.2	5.7	6.2	6.6	7.1	7.6	8.1	8.5	9.9
60	3.5	3.6	3.7	4.0	4.3	5.1	6.0	7.1	7.8	8.5	9.2	10.0	10.7	11.4	12.1	12.8	14.8
100	5.8	6.0	6.2	6.6	7.2	8.5	10.0	11.9	13.0	14.2	15.4	16.6	17.8	19.0	20.1	21.3	24.7
200	11.5	11.9	12.3	12.3	14.5	17.1	19.9	23.2	25.4	28.4	30.8	33.2	35.5	37.9	40.2	42.6	49.4
300	15.8	16.6	17.5	17.3	21.7	25.6	28.8	31.2	34.0	40.4	46.2	49.7	53.2	56.8	60.3	63.8	72.3
400	19.4	20.6	21.8	21.9	27.1	34.1	35.4	38.2	41.5	48.7	61.3	61.1	67.8	70.4	74.0	77.8	85.4
500	22.7	24.2	25.8	26.3	32.1	40.0	41.4	44.5	48.2	56.0	69.7	69.9	76.9	79.7	83.7	87.9	96.3
600	25.8	27.7	29.6	30.4	36.7	45.3	46.9	50.3	54.3	62.6	76.9	77.6	84.8	87.7	91.9	96.5	105.5
700	28.7	30.9	33.1	34.4	41.1	50.2	52.0	55.7	60.0	68.5	83.3	84.3	91.6	94.5	99.0	103.7	113.2
800	31.4	34.0	36.5	38.1	45.3	54.8	56.8	60.7	65.1	73.8	88.9	90.3	97.5	100.4	105.0	109.9	119.5
870	33.3	36.0	38.8	40.7	48.0	57.8	59.9	64.0	68.5	77.3	92.4	94.1	101.2	104.0	108.6	113.6	123.2
1000	36.6	39.7	42.8	45.3	52.9	63.0	65.3	70.0	74.4	83.2	98.2	100.	107.0	109.7	114.2	119.1	128.6
1160	40.5	44.0	47.4	50.6	58.5	68.8	71.5	76.0	80.8	89.5	104.1	107.0	112.7	114.9	119.3	123.9	132.6
1200	41.4	45.0	48.5	51.9	59.9	70.2	72.9	77.5	82.3	90.9	105.4	108.0	113.9	116.0	120.2	124.8	133.2
1400	45.9	49.9	53.8	57.9	66.1	76.5	79.5	84.2	89.1	97.2	110.7	113.	118.2	119.6	123.2	127.0	133.5
1600	50.1	54.4	58.7	63.5	71.7	82.0	85.2	90.0	94.7	102.	114.2	117.0	120.3	120.6	123.2	125.8	129.5
1750	53.2	57.7	62.1	67.4	75.6	85.6	89.0	93.8	98.3	105.1	115.8	118.	120.4	119.7	121.2	122.8	
*2000	58.1	62.6	67.3	73.2	81.2	90.7	94.2	98.9	103.0	108.3	116.5	118.0	117.8	115.1	114.4		
*2400	65.7	69.7	74.3	81.0	88.1	96.5	100.0	104.2	107.0	109.3	112.5	111.0					
*2800		76.1	79.9	86.6	92.7	99.4	103.0	105.9	106.0	105.1							
*3200				90.0	94.7	99.4	101.8	103.9									
*3500					94.6	97.7	99.2										
PD: MM	124.8	129.2	133.7	142.6	151.5	160.4	169.3	178.3	196.1	213.9	231.7	249.6	267.4	285.2	303.0	320.9	356.5
Inches	4.91	5.09	5.26	5.61	5.97	6.32	6.67	7.02	7.72	8.42	9.12	9.82	10.53	11.23	11.93	12.63	14.04

14M-115 RPM Small Sprocket	HT100 Horsepower Rating—115MM Wide Belt (4.53 in.)																
	No. Teeth																
	28	29	30	32	34	36	38	40	44	48	52	56	60	64	68	72	80
10	0.8	0.8	0.9	0.9	1.0	1.2	1.4	1.7	1.8	2.0	2.2	2.4	2.5	2.7	2.9	3.0	3.5
20	1.6	1.7	1.7	1.9	2.0	2.4	2.8	3.4	3.7	4.0	4.4	4.7	5.0	5.4	5.7	6.0	7.0
40	3.3	3.4	3.5	3.7	4.1	4.8	5.6	6.7	7.4	8.0	8.7	9.4	10.1	10.7	11.4	12.1	14.0
60	4.9	5.1	5.2	5.6	6.1	7.2	8.4	10.1	11.1	12.1	13.1	14.1	15.1	16.1	17.1	18.1	21.0
100	8.1	8.4	8.7	9.3	10.2	12.1	14.1	16.7	18.4	20.1	21.8	23.4	25.1	26.8	28.5	30.1	34.9
200	16.3	16.9	17.4	17.4	20.4	24.1	28.1	32.8	35.9	40.2	43.5	46.9	50.2	53.5	56.9	60.2	69.8
300	22.3	23.5	24.7	24.4	30.6	36.2	40.7	44.0	48.0	57.1	65.2	70.2	75.2	80.2	85.1	90.1	102.1
400	27.4	29.1	30.8	31.0	38.3	48.2	50.0	53.9	58.6	68.8	86.7	86.4	95.8	99.5	104.5	110.0	120.6
500	32.1	34.2	36.5	37.1	45.3	56.6	58.5	62.9	68.1	79.2	98.4	98.7	108.6	112.6	118.2	124.2	136.1
600	36.4	39.1	41.8	43.0	51.9	64.0	66.3	71.1	76.8	88.4	108.7	109.6	119.7	123.8	129.8	136.3	149.0
700	40.5	43.6	46.8	48.5	58.1	70.9	73.5	78.7	84.7	96.7	117.6	119.1	129.4	133.5	139.8	146.5	159.9
800	44.4	48.0	51.5	53.9	64.0	77.4	80.2	85.8	92.0	104.3	125.6	127.6	137.7	141.8	148.3	155.2	168.8
870	47.0	50.9	54.7	57.5	67.9	81.6	84.6	90.4	96.8	109.2	130.6	133.0	142.9	146.9	153.4	160.4	174.1
1000	51.7	56.1	60.4	64.0	74.8	89.0	92.3	98.4	105.1	117.5	138.8	141.7	151.2	154.9	161.4	168.3	181.7
1160	57.12	62.1	67.0	71.5	82.7	97.2	101.0	107.3	114.2	126.4	147.1	150.6	159.2	162.4	168.5	175.1	187.4
1200	58.5	63.6	68.6	73.3	84.6	99.1	103.0	109.4	116.3	128.4	148.9	152.5	160.8	163.9	169.8	176.3	188.2
*1400	64.8	70.5	76.1	81.8	93.4	108.1	112.3	119.0	125.8	137.3	156.4	160.2	167.0	168.9	174.0	179.4	188.7
*1600	70.8	76.9	82.9	89.7	101.4	115.8	120.4	127.2	133.8	144.4	161.4	165.1	170.0	170.4	174.0	177.8	183.0
*1750	75.2	81.4	87.7	95.2	106.7	120.9	125.7	132.5	138.8	148.4	163.7	166.9	170.1	169.1	171.3	173.4	
*2000	82.1	88.5	95.0	104.0	114.6	128.1	133.1	139.8	145.2	153.0	164.6	166.4	166.4	162.6	161.6		
*2400	92.9	98.5	105.0	114.4	124.5	136.3	141.3	147.3	150.6	154.4	159.0	150.7					
*2800		107.6	113.0	122.3	130.9	140.4	144.9	149.6	149.7	148.5							
*3200				127.1	133.7	140.5	143.9	146.7									
*3500					133.6	138.0	140.1										
PD: MM	124.8	129.2	133.7	142.6	151.5	160.4	169.3	178.3	196.1	213.9	231.7	249.6	267.4	285.2	303.0	320.9	356.5
Inches	4.91	5.09	5.26	5.61	5.97	6.32	6.67	7.02	7.72	8.42	9.12	9.82	10.53	11.23	11.93	12.63	14.04

Operation in shaded area will result in a reduction of belt life.
 * Operation in this speed range may require sound dampening guard.

FEATURES/BENEFITS PAGE PT11-2	SPECIFICATIONS PAGE PT11-4	ENGINEERING/TECHNICAL PAGE PT11-64	
----------------------------------	-------------------------------	---------------------------------------	--



SELECTION

HT100 Basic Horsepower Rating

NOTE: Multiply rating by Belt Length Correction Factor from Ratio/Center Distance Tables

HT100 Horsepower Rating—170MM Wide Belt (6.69 in.)												
RPM Small Sprocket	No. Teeth											
	36	38	40	44	48	52	56	60	64	68	72	80
10	1.9	2.2	2.6	2.9	3.1	3.4	3.7	3.9	4.2	4.5	4.7	5.5
20	3.8	4.4	5.2	5.8	6.3	6.8	7.3	7.9	8.4	8.9	9.4	11.0
40	7.5	8.8	10.5	11.5	12.6	13.6	14.7	15.7	16.8	17.8	18.9	21.8
60	11.3	13.2	15.7	17.3	18.9	20.4	22.0	23.6	25.1	26.7	28.3	32.8
100	18.9	22.0	26.2	28.8	31.4	34.0	36.6	39.3	41.9	44.5	47.1	54.6
200	37.7	43.9	51.2	56.2	62.8	68.0	73.2	78.5	83.7	88.9	94.1	109.1
300	56.5	63.6	68.8	75.1	89.3	101.9	109.7	117.5	125.3	133.1	140.9	159.6
400	75.3	78.2	84.3	91.6	107.6	135.5	135.0	149.7	155.5	163.4	171.8	188.6
500	88.4	91.4	98.3	106.5	123.7	153.9	154.3	169.8	176.0	184.8	194.1	212.7
600	100.1	103.6	111.2	120.0	138.2	169.9	171.3	187.2	193.6	203.0	213.0	232.9
700	110.9	114.9	123.0	132.4	151.2	183.9	186.2	202.2	208.7	218.5	229.1	249.9
800	120.9	125.3	134.0	143.8	163.1	196.3	199.5	215.3	221.7	231.8	242.6	263.9
870	127.6	132.3	141.3	151.4	170.7	204.1	207.9	223.4	229.7	239.9	250.8	272.1
1000	139.1	144.3	153.8	164.3	183.7	216.9	221.5	236.4	242.2	252.3	263.1	284.0
1160	152.0	157.8	167.8	178.5	197.6	229.9	235.4	248.9	253.9	263.4	273.7	292.9
=1200	155.0	161.0	171.0	181.8	200.8	232.8	238.4	251.4	256.1	265.5	275.6	294.2
=1400	168.9	175.5	186.0	196.7	214.7	244.4	250.4	261.1	264.1	272.0	280.4	294.9
=1600	181.1	188.2	198.8	209.2	225.7	252.3	258.0	265.7	266.4	272.0	277.9	286.1
=1750	189.0	196.5	207.1	217.0	232.1	255.8	260.9	265.9	264.4	267.8	271.1	
=2000	200.3	208.1	218.5	227.0	239.2	257.3	260.2	260.1	254.2	252.7		
=2400	213.1	220.8	230.2	235.4	241.4	248.5	245.0					
=2800	219.5	226.5	233.9	234.0	232.1							
=3200	219.6	224.9	229.4									
=3500	215.8	219.0										
PD: MM	160.4	169.3	178.3	196.1	213.9	231.7	249.6	267.4	285.2	303.0	320.9	356.5
Inches	6.32	6.67	7.02	7.72	8.42	9.12	9.82	10.53	11.23	11.93	12.63	14.04

HT100 Horsepower Rating—115MM Wide Belt (4.53 in.)														
RPM Small Sprocket	No. Teeth													
	34	36	38	40	44	48	52	56	60	64	68	72	80	90
*10	2.7	2.9	3.1	3.3	3.6	4.0	4.3	4.6	4.9	5.1	5.4	5.6	6.1	6.7
*20	5.4	5.8	6.1	6.5	7.3	7.9	8.6	9.2	9.8	10.3	10.8	11.3	12.3	13.4
*30	8.1	8.7	9.2	9.8	10.9	11.9	12.9	13.8	14.7	15.4	16.2	16.9	18.4	20.2
*40	10.7	11.5	12.3	13.1	14.5	15.8	17.1	18.5	19.5	20.6	21.6	22.6	24.6	26.9
*50	13.4	14.4	15.3	16.3	18.1	19.8	21.4	23.1	24.4	25.7	27.0	28.2	30.7	33.6
*60	16.1	17.3	18.4	19.6	21.8	23.7	25.7	27.7	29.3	30.8	32.4	33.9	36.8	40.3
*80	21.5	23.1	24.5	26.1	29.0	31.6	34.3	36.9	39.1	41.1	43.1	45.1	49.0	53.7
*100	26.8	28.8	30.7	32.6	36.3	39.6	42.8	46.1	48.8	51.4	53.9	56.4	61.3	67.1
*150	40.3	43.2	46.0	48.9	54.4	59.3	64.2	69.2	73.2	77.0	80.8	84.5	91.8	100.5
*200	53.7	57.6	61.3	65.2	72.4	79.0	85.6	92.1	97.4	102.5	107.5	112.5	122.1	133.6
*300	77.7	83.5	88.7	94.3	105.8	117.7	125.4	132.9	140.3	147.5	154.5	161.4	174.8	190.8
*400	97.9	105.0	111.5	118.5	132.7	147.5	156.8	165.9	174.8	183.4	191.8	200.0	215.8	234.3
*500	116.7	125.0	132.7	140.9	157.6	174.8	185.5	195.9	206.0	215.8	225.2	234.3	251.6	271.5
*600	134.3	143.8	152.5	161.8	180.6	200.0	211.9	223.3	234.3	244.8	254.9	264.5	282.5	302.5
730	155.7	166.5	176.4	186.9	208.2	230.0	242.9	255.2	266.2	277.9	288.2	297.9	315.3	333.2
800	166.6	178.1	188.5	199.5	221.9	244.8	258.2	270.7	282.5	293.5	303.7	313.1	329.4	345.0
870	177.0	189.1	200.0	211.6	235.0	258.8	272.4	285.0	296.6	307.5	317.4	326.2	340.9	353.4
970	191.2	204.0	215.5	227.8	252.4	277.3	272.4	285.0	296.6	307.5	317.4	326.2	340.9	353.4
1170	217.0	231.0	243.4	256.6	282.8	309.0	321.8	332.8	342.0	349.3	354.7	358.0	358.5	
=1200	220.6	234.7	247.3	260.5	286.9	313.1	325.6	336.3	345.0	351.7	356.4	358.9	357.2	
=1460	248.6	263.5	276.4	289.9	316.3	341.8	350.6	356.5	356.2	358.6	354.5			
=1600	261.3	276.3	289.0	302.3	327.8	351.7	357.5	359.3	357.2					
=1750	273.0	287.8	300.0	312.7	336.5	357.9	359.2	355.7						
=2000	288.1	301.8	312.5	323.4	342.3	357.2								
PD: MM	216.45	229.18	241.92	254.65	280.11	305.58	331.04	356.51	381.97	407.44	432.90	458.37	509.30	572.96
Inches	8.522	9.023	9.524	10.026	11.028	12.031	13.033	14.036	15.038	16.041	17.043	18.046	20.051	22.557

Operation in shaded area will result in a reduction of belt life.

* Refer to page PT11-20 for additional Service Factors for speeds of 600 RPM or less.

= Drives within this speed range may generate an objectionable noise level. This can be reduced by using commercially available acoustical damping material in the belt guard.

FEATURES/BENEFITS PAGE PT11-2	SPECIFICATIONS PAGE PT11-4	ENGINEERING/TECHNICAL PAGE PT11-64	
----------------------------------	-------------------------------	---------------------------------------	--



SELECTION

HT100 Basic Horsepower Rating

NOTE: Multiply rating by Belt Length Correction Factor from Ratio/Center Distance Tables

20M-170 RPM Small Sprocket	HT100 Horsepower Rating-170MM Wide Belt (6.69 in.) No. Teeth													
	34	36	38	40	44	48	52	56	60	64	68	72	80	90
*10	4.2	4.5	4.8	5.1	5.6	6.1	6.7	7.2	7.6	8.0	8.4	8.8	9.5	10.4
*20	8.3	9.0	9.5	10.1	11.3	12.3	13.3	14.3	15.2	16.0	16.8	17.5	19.0	20.9
*30	12.5	13.4	14.3	15.2	16.9	18.4	20.0	21.5	22.8	23.9	25.1	26.3	28.6	31.3
*40	16.7	17.9	19.1	20.3	22.5	24.6	26.6	28.7	30.3	31.9	33.5	35.1	38.1	41.8
*50	20.8	22.4	23.8	25.3	28.2	30.7	33.3	35.8	37.9	39.9	41.9	43.8	47.6	52.2
*60	25.0	26.9	28.6	30.4	33.8	36.9	39.9	43.0	45.5	47.9	50.3	52.6	57.1	62.6
*80	33.4	35.8	38.1	40.5	45.1	49.1	53.2	57.3	60.7	63.8	67.0	70.1	76.1	83.5
*100	41.7	44.8	47.6	50.7	56.3	61.4	66.5	71.7	75.8	79.8	83.7	87.6	95.1	104.3
*150	62.5	67.2	71.4	76.0	84.4	92.1	99.7	107.4	113.6	119.6	125.4	131.2	142.5	156.1
*200	83.3	89.5	95.2	101.2	112.5	122.7	132.9	143.1	151.3	159.2	167.0	174.7	189.6	207.6
*300	120.7	129.6	137.8	146.5	164.4	182.4	194.8	206.5	217.9	229.1	240.0	250.7	271.5	296.5
*400	152.1	163.1	173.2	184.0	206.2	229.1	243.6	257.8	271.5	285.0	298.1	310.8	335.4	364.3
*500	181.2	194.3	206.2	218.8	244.8	271.5	288.3	304.5	320.2	335.4	350.1	364.3	391.4	422.6
*600	208.7	223.4	236.9	251.3	280.7	310.8	329.4	347.2	364.3	380.8	396.6	411.7	439.9	471.4
730	242.0	258.8	274.1	290.5	323.6	357.6	377.8	397.1	415.4	432.7	449.0	464.2	491.8	520.5
800	258.9	276.8	293.0	310.2	345.2	380.8	401.7	421.4	439.9	457.2	473.4	488.3	514.4	539.9
870	275.1	293.9	310.9	329.0	365.5	402.7	424.0	443.9	462.4	479.5	495.1	509.3	533.1	554.1
970	297.3	317.2	335.2	354.3	392.8	431.7	453.2	473.0	490.9	507.1	521.4	533.8	552.8	
1170	337.7	359.5	379.0	399.6	440.7	481.7	502.1	519.9	534.9	547.0	556.3	562.6	565.8	
=1200	343.3	365.4	385.0	405.8	447.1	488.3	508.3	525.6	539.9	551.2	559.4	564.4	564.5	
=1460	387.3	410.7	431.0	452.4	494.2	534.5	549.3	559.6	565.2	565.8	561.3			
=1600	407.5	431.1	451.2	472.3	512.9	551.2	561.5	566.0	564.5					
=1750	426.3	449.7	469.1	489.4	527.6	562.3	566.2	562.8						
=2000	450.8	472.8	490.1	507.8	539.1	564.5								
PD: MM	216.45	229.18	241.92	254.65	280.11	305.58	331.04	356.51	381.97	407.44	432.90	458.37	509.30	572.96
Inches	8.522	9.023	9.524	10.026	11.028	12.031	13.033	14.036	15.038	16.041	17.043	18.046	20.051	22.557

20M-230 RPM Small Sprocket	HT100 Horsepower Rating-230MM Wide Belt (9.06 in.) No. Teeth											
	38	40	44	48	52	56	60	64	68	72	80	90
*10	6.6	7.0	7.8	8.5	9.2	10.0	10.5	11.1	11.6	12.2	13.2	14.5
*20	13.2	14.1	15.6	17.1	18.5	19.9	21.1	22.2	23.3	24.3	26.4	29.0
*30	19.8	21.1	23.5	25.6	27.7	29.9	31.6	33.3	34.9	36.5	39.7	43.5
*40	26.5	28.1	31.3	34.1	37.0	39.8	42.1	44.3	46.5	48.7	52.9	58.0
*50	33.1	35.2	39.1	42.7	46.2	49.8	52.6	55.4	58.1	60.8	66.1	72.5
*60	39.7	42.2	46.9	51.2	55.4	59.7	63.2	66.5	69.8	73.0	79.3	87.0
*80	52.9	56.3	62.6	68.2	73.9	79.6	84.2	88.6	93.0	97.3	105.7	115.9
*100	66.1	70.3	78.2	85.3	92.4	99.5	105.2	110.8	116.2	121.6	132.1	144.8
*150	99.2	105.5	117.2	127.9	138.5	149.1	157.7	166.0	174.2	182.2	197.9	216.8
*200	132.1	140.6	156.2	170.4	184.5	198.7	210.1	221.1	231.9	242.5	263.3	288.3
*300	191.3	203.4	228.2	253.9	270.5	286.7	302.6	318.1	333.3	348.2	377.1	411.8
*400	240.5	255.5	286.3	318.1	338.3	358.0	377.1	395.8	414.0	431.8	465.9	506.2
*500	286.3	303.9	340.0	377.1	400.4	422.9	444.8	465.9	486.4	506.2	543.9	587.4
*600	329.1	349.1	389.8	431.8	457.4	482.4	506.2	529.1	551.1	572.2	611.6	655.7
730	380.8	403.5	449.6	496.8	525.0	551.9	577.4	601.5	624.3	645.7	684.4	724.9
800	406.9	430.9	479.5	529.1	558.3	585.8	611.6	635.9	658.5	679.4	716.2	752.5
870	432.0	457.1	508.0	559.7	589.4	617.2	643.1	667.1	689.0	709.0	742.8	773.0
=970	465.8	492.4	546.0	600.2	630.3	657.9	683.2	705.9	726.1	743.8	771.1	
=1170	526.9	555.6	612.9	670.2	698.9	724.0	745.3	762.8	776.3	785.7	791.9	
=1200	535.3	564.2	621.9	679.4	707.7	732.1	752.5	768.8	780.9	788.7	790.6	
=1460	599.8	629.7	688.1	744.8	766.1	781.2	789.9	791.9	787.0			
=1600	628.2	657.8	714.8	768.8	784.0	791.4	790.6					
=1750	653.6	682.2	736.0	785.4	791.9	788.7						
=2000	683.8	709.0	753.7	790.6								
PD: MM	241.92	254.65	280.11	305.58	331.04	356.51	381.97	407.44	432.90	458.37	509.30	572.96
Inches	9.524	10.026	11.028	12.031	13.033	14.036	15.038	16.041	17.043	18.046	20.051	22.557

Operation in shaded area will result in a reduction of belt life.

* Refer to page PT11-20 for additional Service Factors for speeds of 600 RPM or less.

= Drives within this speed range may generate an objectionable noise level. This can be reduced by using commercially available acoustical damping material in the belt guard.

FEATURES/BENEFITS PAGE PT11-2	SPECIFICATIONS PAGE PT11-4	ENGINEERING/TECHNICAL PAGE PT11-64	
----------------------------------	-------------------------------	---------------------------------------	--



SELECTION

HT100 Basic Horsepower Rating

NOTE: Multiply rating by Belt Length Correction Factor from Ratio/Center Distance Tables

20M-290 RPM Small Sprocket	HT100 Horsepower Rating—290MM Wide Belt (11.42 in.) No. Teeth							
	52	56	60	64	68	72	80	90
*10	11.8	12.7	13.5	14.2	14.9	15.6	16.9	18.6
*20	23.7	25.5	27.0	28.4	29.8	31.1	33.8	37.1
*30	35.5	38.2	40.4	42.6	44.7	46.7	50.8	55.7
*40	47.3	50.9	53.9	56.7	59.5	62.3	67.7	74.2
*50	59.1	63.7	67.4	70.9	74.4	77.9	84.6	92.7
*60	71.0	76.4	80.8	85.1	89.3	93.4	101.5	111.1
*80	94.6	101.9	107.8	113.4	119.0	124.5	135.3	148.3
*100	118.2	127.3	134.7	141.8	148.7	155.6	169.0	185.3
*150	177.2	190.8	201.9	212.4	222.9	233.2	253.2	277.4
*200	236.1	254.2	268.9	282.9	296.8	310.4	336.9	368.9
*300	346.2	366.9	387.2	407.1	426.6	445.6	482.7	527.1
*400	433.0	458.2	482.7	506.6	529.9	552.7	596.4	648.1
*500	512.5	541.4	569.4	596.4	622.7	648.1	696.4	752.3
*600	585.7	617.5	648.1	677.5	705.7	732.8	783.4	840.1
730	672.2	706.6	739.3	770.3	799.6	827.1	877.0	929.2
800	714.9	750.1	783.4	814.5	843.6	870.6	918.1	965.1
870	754.8	790.6	823.8	854.6	882.9	908.7	952.4	992.0
=970	807.3	842.9	875.4	904.7	930.9	953.8	989.4	
=1170	895.7	928.1	955.7	978.5	996.3	1008.9	1018.0	
=1200	907.0	938.5	965.1	986.4	1002.4	1012.9	1016.7	
=1460	982.9	1002.9	1014.7	1018.0				
=1600	1006.5	1016.8	1016.7					
=1750	1017.7	1014.6						
=2000								
PD: MM	331.04	356.51	381.97	407.44	432.90	458.37	509.30	572.96
Inches	13.033	14.036	15.038	16.041	17.043	18.046	20.051	22.557

20M-340 RPM Small Sprocket	HT100 Horsepower Rating—340MM Wide Belt (13.39 in.) No. Teeth							
	52	56	60	64	68	72	80	90
*10	14.0	15.1	15.9	16.8	17.6	18.4	20.0	21.9
*20	28.0	30.1	31.9	33.5	35.2	36.8	40.0	43.9
*30	41.9	45.2	47.8	50.3	52.8	55.2	60.0	65.8
*40	55.9	60.2	63.7	67.1	70.4	73.6	80.0	87.7
*50	69.9	75.3	79.6	83.8	88.0	92.0	100.0	109.6
*60	83.9	90.3	95.6	100.6	105.6	110.4	120.0	131.5
*80	111.8	120.4	127.4	134.1	140.7	147.2	159.9	175.3
*100	139.8	150.5	159.2	167.6	175.8	184.0	199.8	219.0
*150	209.5	225.6	238.7	251.2	263.5	275.6	299.3	328.0
*200	279.2	300.5	317.9	334.5	350.8	366.9	398.3	436.2
*300	409.3	433.8	457.8	481.3	504.3	526.9	570.7	623.1
*400	511.9	541.7	570.7	599.0	626.5	653.4	705.2	766.3
*500	605.9	640.1	673.2	705.2	736.3	766.3	823.5	889.7
*=600	692.5	730.1	766.3	801.1	834.5	866.5	926.5	993.7
=730	794.8	835.6	874.3	911.0	945.7	978.3	1037.4	1099.5
=800	845.3	887.1	926.5	963.4	997.8	1029.8	1086.3	1142.2
=870	892.7	935.0	974.4	1010.9	1044.5	1075.1	1127.2	1174.4
=970	954.8	997.0	1035.6	1070.4	1101.5	1128.7	1171.4	
=1170	1059.7	1098.2	1131.1	1158.3	1179.6	1194.8	1206.4	
=1200	1073.1	1110.6	1142.2	1167.7	1187.0	1199.8	1205.2	
=1460	1163.5	1187.5	1202.0	1206.5	1200.6			
=1600	1192.0	1204.6	1205.2					
=1750	1205.8	1202.8						
=2000								
PD: MM	331.04	356.51	381.97	407.44	432.90	458.37	509.30	572.96
Inches	13.033	14.036	15.038	16.041	17.043	18.046	20.051	22.557

Operation in shaded area will result in a reduction of belt life.

* Refer to page PT11-20 for additional Service Factors for speeds of 600 RPM or less.

= Drives within this speed range may generate an objectionable noise level. This can be reduced by using commercially available acoustical damping material in the belt guard.

FEATURES/BENEFITS PAGE PT11-2	SPECIFICATIONS PAGE PT11-4	ENGINEERING/TECHNICAL PAGE PT11-64	
----------------------------------	-------------------------------	---------------------------------------	--

SELECTION



5MM Pitch HT200 Belt Drive Selection Table

Speed Ratio	Sprocket Combinations				Center Distance, Inches																					
	Driver		Driven		300-5M	355-5M	375-5M	400-5M	425-5M	450-5M	550-5M	535-5M	565-5M	600-5M	650-5M	700-5M	750-5M	800-5M	900-5M	1000-5M	1150-5M	1300-5M	1450-5M	1600-5M	1720-5M	2100-5M
	No. of Teeth	Pitch Dia. In.	No. of Teeth	Pitch Dia. In.																						
	Length Factor*				0.77	0.81	0.83	0.84	0.86	0.88	0.90	0.92	0.94	0.95	0.98	1.00	1.01	1.03	1.06	1.09	1.13	1.16	1.19	1.22	1.24	1.29
1.00	32	2.005	32	2.005	2.76	3.84	4.23	4.73	5.22	5.71	6.69	7.38	7.97	8.66	9.65	10.63	11.62	12.60	14.57	16.54	19.49	22.44	25.40	28.35	30.71	38.19
1.00	34	2.130	34	2.130	2.56	3.64	4.03	4.53	5.02	5.51	6.49	7.18	7.77	8.46	9.45	10.43	11.42	12.40	14.37	16.34	19.29	22.24	25.20	28.15	30.51	37.99
1.00	36	2.256	36	2.256	...	3.45	3.84	4.33	4.82	5.32	6.30	6.99	7.58	8.27	9.25	10.24	11.22	12.21	14.17	16.14	19.10	22.05	25.00	27.95	30.32	37.80
1.00	38	2.381	38	2.381	...	3.25	3.64	4.13	4.62	5.12	6.10	6.79	7.38	8.07	9.05	10.04	11.02	12.01	13.97	15.94	18.90	21.85	24.80	27.75	30.12	37.60
1.00	40	2.506	40	2.506	...	3.05	3.44	3.94	4.43	4.92	5.90	6.59	7.18	7.87	8.86	9.84	10.83	11.81	13.78	15.75	18.70	21.65	24.61	27.56	29.92	37.40
1.00	44	2.757	44	2.757	3.54	4.03	4.53	5.51	6.20	6.79	7.48	8.46	9.45	10.43	11.42	13.38	15.35	18.31	21.26	24.21	27.16	29.53	37.01
1.00	48	3.008	48	3.008	3.64	4.14	5.12	5.81	6.40	7.09	8.07	9.06	10.04	11.03	12.99	14.96	17.92	20.87	23.82	26.77	29.14	36.62
1.00	52	3.258	52	3.258	3.74	4.72	5.41	6.00	6.69	7.68	8.66	9.65	10.63	12.60	14.57	17.52	20.47	23.43	26.38	28.74	36.22
1.00	56	3.509	56	3.509	4.33	5.02	5.61	6.30	7.28	8.27	9.25	10.24	12.20	14.17	17.13	20.08	23.03	25.98	28.35	35.83
1.00	60	3.760	60	3.760	4.62	5.21	5.90	6.59	7.58	8.57	9.56	10.54	12.51	14.48	17.43	20.38	23.33	25.69	28.06	35.54
1.00	64	4.010	64	4.010	4.82	5.51	6.20	7.18	8.17	9.16	10.14	12.11	14.08	17.03	19.98	22.93	25.29	27.66	35.14
1.00	68	4.261	68	4.261	5.12	6.10	7.09	8.07	9.06	10.04	11.02	12.99	14.96	17.92	20.87	23.82	26.77	29.14	36.62
1.04	50	3.133	52	3.258	3.84	4.82	5.51	6.10	6.79	7.78	8.76	9.75	10.73	12.70	14.67	17.62	20.57	23.53	26.48	28.84	36.32
1.05	38	2.381	40	2.506	...	3.15	3.54	4.04	4.53	5.02	6.00	6.69	7.28	7.97	8.96	9.94	10.93	11.91	13.88	15.85	18.80	21.75	24.71	27.66	30.02	37.50
1.06	36	2.256	38	2.381	...	3.35	3.74	4.23	4.72	5.22	6.20	6.89	7.48	8.17	9.15	10.14	11.12	12.11	14.07	16.04	19.00	21.95	24.90	27.85	30.22	37.70
1.06	34	2.130	36	2.256	...	3.54	3.93	4.43	4.92	5.41	6.39	7.08	7.67	8.37	9.35	10.34	11.32	12.31	14.27	16.24	19.20	22.15	25.10	28.05	30.42	37.90
1.06	68	4.261	72	4.511	4.92	5.90	6.89	7.87	8.86	9.84	11.81	13.78	16.73	19.68	22.64	25.59	27.95	35.43
1.06	32	2.005	34	2.130	2.66	3.74	4.13	4.63	5.12	5.61	6.59	7.28	7.87	8.56	9.55	10.53	11.52	12.50	14.47	16.44	19.39	22.34	25.30	28.25	30.61	38.09
1.06	64	4.010	68	4.261	4.62	5.31	6.30	7.28	8.27	9.25	11.22	13.19	16.14	19.09	22.05	25.00	27.95	30.32	37.80
1.07	60	3.760	64	4.010	4.43	5.02	5.71	6.69	7.68	8.66	9.65	11.61	13.58	16.54	19.49	22.44	25.39	27.76	35.24	
1.07	56	3.509	60	3.760	4.13	4.82	5.41	6.10	7.08	8.07	9.06	10.04	12.01	13.98	16.93	19.88	22.84	25.79	28.15	35.63	
1.08	52	3.258	56	3.509	4.52	5.21	5.80	6.49	7.48	8.46	9.45	10.43	12.40	14.37	17.32	20.27	23.23	26.18	28.54	36.02	
1.08	48	3.008	52	3.258	3.94	4.92	5.61	6.20	6.89	7.87	8.86	9.84	10.83	12.79	14.76	17.72	20.67	23.62	26.57	28.94	36.42
1.09	44	2.757	48	3.008	3.34	3.84	4.33	5.31	6.00	6.59	7.28	8.27	9.25	10.24	11.22	13.19	15.16	18.11	21.06	24.02	26.97	29.33	36.81
1.10	40	2.506	44	2.757	3.24	3.74	4.23	4.72	5.71	6.40	6.99	7.68	8.67	9.65	10.63	11.62	13.58	15.55	18.51	21.46	24.41	27.36	29.73	37.21
1.11	36	2.256	40	2.506	...	3.25	3.64	4.13	4.62	5.12	6.10	6.79	7.38	8.07	9.05	10.04	11.02	12.01	13.97	15.94	18.90	21.85	24.80	27.75	30.12	37.60
1.12	34	2.130	38	2.381	...	3.44	3.84	4.33	4.82	5.32	6.30	6.99	7.58	8.27	9.25	10.24	11.22	12.21	14.17	16.14	19.10	22.05	25.00	27.95	30.32	37.80
1.13	32	2.005	36	2.256	2.56	3.64	4.03	4.53	5.02	5.51	6.49	7.18	7.77	8.46	9.45	10.43	11.42	12.40	14.37	16.34	19.29	22.24	25.20	28.15	30.51	37.99
1.13	64	4.010	72	4.511	4.42	5.11	6.10	7.08	8.07	9.05	11.02	12.99	15.95	18.90	21.85	24.80	27.75	30.12	37.60
1.13	60	3.760	68	4.261	4.81	5.50	6.49	7.48	8.46	9.45	11.41	13.38	16.34	19.29	22.24	25.19	27.56	35.04	
1.14	56	3.509	64	4.010	4.62	5.21	5.90	6.89	7.87	8.86	9.84	11.81	13.78	16.73	19.68	22.64	25.59	27.95	35.43	
1.15	52	3.258	60	3.760	4.32	5.01	5.60	6.29	7.28	8.26	9.25	10.23	12.20	14.17	17.13	20.08	23.03	25.98	28.35	35.83	
1.16	38	2.381	44	2.757	...	2.95	3.34	3.84	4.33	4.82	5.80	6.49	7.08	7.77	8.76	9.74	10.73	11.71	13.68	15.65	18.60	21.55	24.51	27.46	29.82	37.30
1.17	48	3.008	56	3.509	3.73	4.71	5.41	6.00	6.69	7.67	8.66	9.64	10.63	12.59	14.56	17.52	20.47	23.43	26.38	28.74	36.22
1.18	34	2.130	40	2.506	...	3.34	3.73	4.23	4.72	5.22	6.20	6.89	7.48	8.17	9.15	10.14	11.12	12.11	14.07	16.04	19.00	21.95	24.90	27.85	30.22	37.70
1.18	68	4.261	80	5.013	5.50	6.49	7.47	8.46	10.42	12.40	15.35	18.30	21.26	24.21	26.57	28.94	36.42
1.18	44	2.757	52	3.258	3.63	4.13	5.11	5.80	6.39	7.08	8.07	9.05	10.04	11.02	12.99	14.96	17.91	20.86	23.82	26.77	29.13	36.61
1.19	32	2.005	38	2.381	...	3.54	3.93	4.43	4.92	5.41	6.39	7.08	7.67	8.36	9.35	10.33	11.32	12.30	14.27	16.24	19.19	22.14	25.10	28.05	30.41	37.89
1.20	40	2.506	48	3.008	3.54	4.03	4.52	5.50	6.19	6.78	7.48	8.46	9.45	10.43	11.42	13.38	15.35	18.31	21.26	24.21	27.16	29.53	37.01
1.20	60	3.760	72	4.511	4.61	5.30	6.29	7.27	8.26	9.25	11.21	13.18	16.14	19.09	22.05	25.00	27.95	30.32	37.80	
1.21	56	3.509	68	4.261	4.41	5.00	5.70	6.68	7.67	8.65	9.64	11.61	13.58	16.53	19.48	22.44	25.39	27.75	35.24	
1.22	36	2.256	44	2.757	...	3.04	3.43	3.93	4.42	4.92	5.90	6.59	7.18	7.87	8.85	9.84	10.82	11.81	13.78	15.75	18.70	21.65	24.61	27.56	29.92	37.40
1.23	52	3.258	64	4.010	4.11	4.81	5.40	6.09	7.08	8.06	9.05	10.03	12.00	13.97	16.93	19.88	22.83	25.78	28.15	35.63	
1.25	32	2.005	40	2.506	...	3.44	3.83	4.32	4.82	5.31	6.29	6.98	7.57	8.26	9.25	10.23	11.22	12.20	14.17	16.14	19.10	22.05	25.00	27.95	30.32	37.80
1.25	48	3.008	60	3.760	4.51	5.20	5.79	6.48	7.47	8.46	9.44	10.43	12.39	14.36	17.32	20.27	23.23	26.18	28.54	36.02	
1.25	64	4.010	80	5.013	4.70	5.69	6.67	7.66	8.65	10.62	12.59	15.55	18.50	21.45	24.40	26.77	29.13	36.61
1.26	38	2.381	48	3.008	3.13	3.63	4.12	4.62	5.60	6.29	6.88	7.57	8.56	9.										



SELECTION

5MM Pitch HT200 Belt Drive Selection Table

Speed Ratio	Sprocket Combinations				Center Distance, Inches																						
	Driver		Driven		300-5M	355-5M	375-5M	400-5M	425-5M	450-5M	550-5M	535-5M	565-5M	600-5M	650-5M	700-5M	750-5M	800-5M	900-5M	1000-5M	1150-5M	1300-5M	1450-5M	1600-5M	1720-5M	2100-5M	
	No. of Teeth	Pitch Dia. In.	No. of Teeth	Pitch Dia. In.																							
Length Factor*					0.77	0.81	0.83	0.84	0.86	0.88	0.90	0.92	0.94	0.95	0.98	1.00	1.01	1.03	1.06	1.09	1.13	1.16	1.19	1.22	1.24	1.29	
1.39	52	3.258	72	4.511	4.38	4.98	5.67	6.66	7.65	8.64	9.63	11.60	13.57	16.53	19.48	22.43	25.39	27.75	35.23		
1.40	40	2.506	56	3.509	3.61	4.11	5.09	5.78	6.38	7.07	8.06	9.04	10.03	11.01	12.98	14.95	17.91	20.86	23.82	26.77	29.13	36.61	
1.41	64	4.010	90	5.639	5.15	6.15	7.14	8.13	10.10	12.08	15.04	17.99	20.95	23.90	26.27	33.75		
1.41	34	2.130	48	3.008	...	2.92	3.32	3.81	4.31	4.80	5.79	6.48	7.07	7.76	8.75	9.73	10.72	11.71	13.67	15.64	18.60	21.55	24.51	27.46	29.82	37.30	
1.42	48	3.008	68	4.261	4.08	4.78	5.37	6.07	7.06	8.05	9.03	10.02	11.99	13.96	16.92	19.87	22.83	25.78	28.14	35.63	
1.43	56	3.509	80	5.013	5.06	6.06	7.05	8.04	9.03	11.00	12.97	15.93	18.88	21.84	24.79	27.16	34.64	
1.44	36	2.256	52	3.258	3.51	4.00	4.50	5.49	6.18	6.77	7.46	8.45	9.44	10.42	11.41	13.37	15.35	18.30	21.25	24.21	27.16	29.53	37.01	
1.46	44	2.757	64	4.010	4.48	5.18	5.77	6.46	7.45	8.44	9.43	10.42	12.38	14.36	17.31	20.27	23.22	26.17	28.54	36.02	
1.47	38	2.381	56	3.509	3.70	4.20	5.18	5.88	6.47	7.16	8.15	9.14	10.12	11.11	13.08	15.05	18.01	20.96	23.91	26.86	29.23	36.71	
1.50	32	2.005	48	3.008	...	3.01	3.41	3.91	4.40	4.90	5.88	6.57	7.17	7.86	8.84	9.83	10.82	11.80	13.77	15.75	18.70	21.65	24.60	27.55	29.92	37.40	
1.50	40	2.506	60	3.760	3.89	4.88	5.57	6.17	6.86	7.85	8.84	9.82	10.81	12.78	14.75	17.71	20.66	23.62	26.57	28.93	36.41	
1.50	48	3.008	72	4.511	4.56	5.16	5.86	6.85	7.84	8.83	9.82	11.79	13.76	16.72	19.67	22.63	25.58	27.94	35.43	
1.50	60	3.760	90	5.639	5.33	6.33	7.32	8.31	10.29	12.27	15.23	18.18	21.14	24.09	26.46	33.95	
1.53	34	2.130	52	3.258	3.10	3.60	4.09	4.59	5.58	6.27	6.87	7.56	8.54	9.53	10.52	11.50	13.47	15.44	18.40	21.35	24.31	27.26	29.62	37.10	
1.54	52	3.258	80	5.013	4.54	5.24	5.94	6.92	7.91	8.90	9.89	11.86	13.83	16.79	19.74	22.69	25.64	28.00	35.48	
1.55	44	2.757	68	4.261	4.26	4.96	5.56	6.25	7.24	8.23	9.22	10.21	12.18	14.15	17.11	20.06	23.02	25.97	28.34	35.82	
1.56	36	2.256	56	3.509	3.29	3.79	4.29	5.27	5.97	6.56	7.26	8.24	9.23	10.22	11.20	13.17	15.14	18.10	21.05	24.01	26.96	29.33	36.81	
1.58	38	2.381	60	3.760	3.47	3.98	4.97	5.66	6.26	6.95	7.94	8.93	9.92	10.91	12.87	14.85	17.80	20.76	23.71	26.66	29.03	36.51	
1.60	40	2.506	64	4.010	3.66	4.66	5.36	5.95	6.65	7.64	8.63	9.62	10.61	12.57	14.55	17.51	20.46	23.42	26.37	28.73	36.21	
1.61	56	3.509	90	5.639	5.51	6.51	7.50	8.50	10.48	12.45	15.42	18.37	21.33	24.29	26.65	34.14	
1.63	32	2.005	52	3.258	3.18	3.69	4.18	4.68	5.67	6.37	6.96	7.65	8.64	9.63	10.61	11.60	13.57	15.54	18.50	21.45	24.40	27.35	29.72	37.20	
1.64	44	2.757	72	4.511	4.04	4.74	5.34	6.04	7.03	8.02	9.01	10.00	11.97	13.95	16.91	19.86	22.82	25.77	28.14	35.62	
1.65	34	2.130	56	3.509	3.38	3.87	4.38	5.37	6.06	6.66	7.35	8.34	9.33	10.31	11.30	13.27	15.24	18.20	21.15	24.11	27.06	29.42	36.90	
1.65	68	4.261	112	7.018	6.75	7.75	8.75	10.74	13.71	16.67	19.64	22.59	24.96	32.45	
1.67	36	2.256	60	3.760	3.56	4.07	5.06	5.76	6.35	7.04	8.03	9.02	10.01	11.00	12.97	14.94	17.90	20.85	23.81	26.76	29.13	36.61	
1.67	48	3.008	80	5.013	4.71	5.42	6.12	7.11	8.10	9.09	10.08	12.05	14.02	17.00	20.00	23.00	26.00	28.40	35.88	
1.68	38	2.381	64	4.010	3.75	4.25	5.24	5.94	6.53	7.22	8.21	9.20	10.19	11.18	13.15	15.12	18.08	21.03	23.98	26.35	33.83		
1.70	40	2.506	68	4.261	4.44	5.44	6.14	6.84	7.53	8.52	9.51	10.50	12.47	14.44	17.40	20.35	23.30	26.25	28.62	36.10		
1.73	52	3.258	90	5.639	4.67	5.68	6.69	7.68	9.66	11.65	14.64	17.62	20.60	23.58	26.56	34.04	
1.75	32	2.005	56	3.509	3.46	3.96	4.47	5.46	6.15	6.75	7.44	8.43	9.42	10.41	11.39	13.36	15.34	18.29	21.25	24.20	27.15	29.52	37.00	
1.75	64	4.010	112	7.018	5.91	6.92	7.93	9.92	12.91	15.90	18.89	21.88	24.87	32.35	
1.77	34	2.130	60	3.760	3.65	4.15	5.15	5.85	6.44	7.14	8.13	9.12	10.11	11.09	13.06	15.04	18.00	20.95	23.91	26.86	29.22	36.70	
1.78	36	2.256	64	4.010	3.84	4.84	5.54	6.14	6.83	7.82	8.82	9.80	10.79	12.76	14.74	17.70	20.65	23.61	26.56	28.93	36.41	
1.79	38	2.381	68	4.261	4.53	5.23	5.83	6.53	7.52	8.51	9.50	10.49	12.46	14.44	17.40	20.35	23.31	26.26	28.63	36.11	
1.80	40	2.506	72	4.511	4.21	4.92	5.52	6.22	7.21	8.21	9.20	10.19	12.16	14.14	17.10	20.05	23.01	25.96	28.33	35.81	
1.80	50	3.133	90	5.639	4.75	5.77	6.77	7.77	9.77	11.75	14.73	17.70	20.66	23.62	26.57	28.93	36.41
1.82	44	2.757	80	5.013	4.28	4.89	5.59	6.60	7.59	8.59	9.58	11.56	13.54	16.50	19.45	22.41	25.37	27.73	35.22	
1.87	60	3.760	112	7.018	6.08	7.10	8.10	10.10	12.10	15.08	18.05	21.01	23.97	26.34	33.83
1.88	32	2.005	60	3.760	3.23	3.73	4.24	5.24	5.94	6.53	7.23	8.22	9.21	10.20	11.19	13.16	15.13	18.09	21.04	24.00	26.95	29.32	36.80	
1.88	48	3.008	90	5.639	4.84	5.86	6.86	7.86	9.86	11.84	14.82	17.79	20.75	23.71	26.67	29.04	36.52
1.88	34	2.130	64	4.010	3.41	3.92	4.93	5.63	6.23	6.92	7.92	8.91	9.90	10.89	12.86	14.83	17.79	20.75	23.70	26.66	29.02	36.51	
1.89	36	2.256	68	4.261	3.60	4.61	5.32	5.92	6.62	7.61	8.60	9.59	10.58	12.56	14.53	17.49	20.45	23.41	26.36	28.72	36.21	
1.90	38	2.381	72	4.511	4.29	5.00	5.61	6.31	7.30	8.30	9.29	10.28	12.26	14.23	17.19	20.15	23.11	26.06	28.43	35.91	
2.00	32	2.005	64	4.010	3.50	4.01	5.02	5.72	6.32	7.01	8.01	9.00	9.99	10.98	12.95	14.93	17.89	20.84	23.80	26.75	29.12	36.60	
2.00	34	2.130	68	4.261	4.70	5.41	6.01	6.71	7.70	8.70	9.69	10.68	12.65	14.63	17.59	20.54	23.50	26.45	28.82	36.30	
2.00	36	2.256	72	4.511	4.38	5.09	5.69	6.40	7.39	8.39	9.38	10.37	12.35	14.33	17.29	20.24	23.20	26.16	28.52	36.01	
2.00	40	2.506	80	5.013	4.45	5.06	5.77	6.77	7.77	8.77	9.76	11.74	13.72	16.69	19.64	22.60	25.56	27.93	35.41	
2.00	56	3.509	112	7.018	6.25	7.27	8.28	10.28	12.26	15.23	18.19	21.15	23.52	31.00	
2.05	44	2.757	90	5.639	5.01	6.03	7.04	8.04	9.04	11.03	13.01	15.98	18.94	21.90	24.86	2	



SELECTION

5MM Pitch HT200 Belt Drive Selection Table

Speed Ratio	Sprocket Combinations				Center Distance, Inches																					
	Driver		Driven		300-5M	355-5M	375-5M	400-5M	425-5M	450-5M	550-5M	535-5M	565-5M	600-5M	650-5M	700-5M	750-5M	800-5M	900-5M	1000-5M	1150-5M	1300-5M	1450-5M	1600-5M	1720-5M	2100-5M
	No. of Teeth	Pitch Dia. In.	No. of Teeth	Pitch Dia. In.																						
	Length Factor*				0.77	0.81	0.83	0.84	0.86	0.88	0.90	0.92	0.94	0.95	0.98	1.00	1.01	1.03	1.06	1.09	1.13	1.16	1.19	1.22	1.24	1.29
2.50	32	2.005	80	5.013	4.05	4.78	5.40	6.11	7.12	8.13	9.13	10.13	12.11	14.09	17.06	20.02	22.98	25.94	28.31	35.80
2.50	36	2.256	90	5.639	4.60	5.34	6.37	7.38	8.39	9.40	11.39	13.38	16.35	19.32	22.28	25.24	27.61	35.10
2.55	44	2.757	112	7.018	5.70	6.75	7.78	9.81	11.82	14.81	17.78	20.76	23.72	26.10	33.60
2.65	34	2.130	90	5.639	4.69	5.42	6.45	7.47	8.48	9.49	11.48	13.47	16.44	19.41	22.37	25.33	27.70	35.19
2.80	40	2.506	112	7.018	5.86	6.91	7.95	9.98	11.99	14.99	17.97	20.94	23.91	26.28	33.78
2.81	32	2.005	90	5.639	4.12	4.77	5.50	6.54	7.56	8.57	9.57	11.57	13.56	16.54	19.50	22.47	25.43	27.80	35.29
2.95	38	2.381	112	7.018	5.94	7.00	8.03	10.06	12.08	15.08	18.06	21.04	24.00	26.38	33.88
3.11	36	2.256	112	7.018	4.92	6.02	7.08	8.11	10.15	12.17	15.17	18.15	21.13	24.09	26.47	33.97
3.29	34	2.130	112	7.018	5.00	6.10	7.16	8.20	10.24	12.26	15.26	18.24	21.22	24.19	26.56	34.07
3.50	32	2.005	112	7.018	5.08	6.18	7.24	8.28	10.32	12.34	15.35	18.33	21.31	24.28	26.66	34.16
	Length Factor*				0.77	0.81	0.83	0.84	0.86	0.88	0.90	0.92	0.94	0.95	0.98	1.00	1.01	1.03	1.06	1.09	1.13	1.16	1.19	1.22	1.24	1.29

Center distance is greater than eight times the Small Sprocket and the Large Sprocket is not flanged.
 Large Sprocket should be ordered with flanges as a special.

V-Drives

FHP Drives

Drive Component Accessories

DYNA-SYNC

HT200/HTD Synchronous Drives

HTR Synchronous Drives

HTRC Synchronous Drives

FEATURES/BENEFITS PAGE PT11-2	SPECIFICATIONS PAGE PT11-4	ENGINEERING/TECHNICAL PAGE PT11-64	
----------------------------------	-------------------------------	---------------------------------------	--



SELECTION

8MM Pitch HT200 Belt Drive Selection Table

Speed Ratio	Sprocket Combinations				Center Distance, Inches																
	Driver		Driven		384-8M	480-8M	560-8M	600-8M	640-8M	720-8M	800-8M	840-8M	880-8M	920-8M	960-8M	1040-8M	1064-8M	1120-8M	1160-8M	1200-8M	
	No. of Teeth	Pitch Dia. Inches	No. of Teeth	Pitch Dia. Inches																	
Length Factor*					0.70	0.80	0.80	0.80	0.90	0.90	0.90	0.90	0.90	1.00	1.00	1.00	1.00	1.00	1.00	1.00	1.00
1.00	22	2.206	22	2.206	4.09	5.98	7.56	8.34	9.13	10.71	12.28	13.07	13.86	14.64	15.43	17.00	17.48	18.58	19.37	20.15	
1.00	24	2.406	24	2.406	3.78	5.67	7.25	8.03	8.82	10.40	11.97	12.76	13.55	14.33	15.12	16.69	17.17	18.27	19.06	19.84	
1.00	26	2.607	26	2.607	3.46	5.35	6.93	7.71	8.50	10.08	11.65	12.44	13.23	14.01	14.80	16.37	16.85	17.95	18.74	19.52	
1.00	28	2.807	28	2.807	...	5.04	6.62	7.40	8.19	9.77	11.34	12.13	12.92	13.70	14.49	16.06	16.54	17.64	18.43	19.21	
1.00	30	3.008	30	3.008	...	4.73	6.30	7.09	7.88	9.45	11.03	11.81	12.60	13.39	14.18	15.75	16.22	17.32	18.11	18.90	
1.00	32	3.208	32	3.208	...	4.41	5.99	6.77	7.56	9.14	10.71	11.50	12.29	13.07	13.86	15.43	15.91	17.01	17.80	18.58	
1.00	34	3.409	34	3.409	...	4.10	5.67	6.46	7.25	8.82	10.40	11.18	11.97	12.76	13.55	15.12	15.59	16.69	17.48	18.27	
1.00	36	3.609	36	3.609	5.36	6.14	6.93	8.51	10.08	10.87	11.66	12.44	13.23	14.80	15.28	16.38	17.17	17.95	
1.00	38	3.810	38	3.810	5.04	5.83	6.62	8.19	9.77	10.55	11.34	12.13	12.92	14.49	14.96	16.06	16.85	17.64	
1.00	40	4.010	40	4.010	4.73	5.51	6.30	7.88	9.45	10.24	11.03	11.81	12.60	14.17	14.65	15.75	16.54	17.32	
1.00	44	4.411	44	4.411	5.67	7.25	8.82	9.61	10.40	11.18	11.97	13.54	14.02	15.12	15.91	16.69	
1.00	48	4.812	48	4.812	6.62	8.19	8.98	9.77	10.55	11.34	12.91	13.39	14.49	15.28	16.06	
1.00	56	5.614	56	5.614	6.93	7.72	8.51	9.29	10.08	11.65	12.13	13.23	14.02	14.80	15.58	
1.00	64	6.416	64	6.416	7.25	8.03	8.82	10.39	10.87	11.97	12.76	13.54	
1.00	72	7.218	72	7.218	9.13	9.61	10.71	11.50	12.28	
1.00	80	8.020	80	8.020	9.45	10.24	11.02	
1.05	38	3.810	40	4.010	4.88	5.67	6.46	8.03	9.61	10.39	11.18	11.97	12.76	14.33	14.80	15.90	16.69	17.48	
1.06	36	3.609	38	3.810	5.20	5.98	6.77	8.35	9.92	10.71	11.50	12.28	13.07	14.64	15.12	16.22	17.01	17.79	
1.06	34	3.409	36	3.609	5.51	6.30	7.09	8.66	10.24	11.02	11.81	12.60	13.39	14.96	15.43	16.53	17.32	18.11	
1.06	32	3.208	34	3.409	4.25	5.83	6.61	7.40	8.98	10.55	11.34	12.13	12.91	13.70	15.27	15.75	16.85	17.64	
1.07	30	3.008	32	3.208	4.57	6.14	6.93	7.72	9.29	10.87	11.65	12.44	13.23	14.80	15.28	16.38	17.17	17.95	
1.07	28	2.807	30	3.008	4.88	6.46	7.24	8.83	9.61	11.18	11.97	12.76	13.54	15.11	15.59	16.69	17.48	18.27	
1.08	26	2.607	28	2.807	3.31	5.20	6.77	7.56	9.13	9.92	11.50	12.28	13.07	14.64	15.12	16.22	17.01	17.79	
1.08	24	2.406	26	2.607	3.62	5.51	7.09	7.87	8.66	10.24	11.81	12.60	13.39	14.96	15.43	16.53	17.32	18.11	
1.09	22	2.206	24	2.406	3.94	5.83	7.40	8.19	8.98	10.55	12.13	12.91	13.70	15.27	15.75	16.85	17.64	18.42	
1.09	44	4.411	48	4.812	5.35	6.93	8.50	9.29	10.08	10.86	11.65	13.22	13.70	14.80	15.59	16.38	
1.10	40	4.010	44	4.411	5.19	5.98	7.56	9.13	9.92	10.71	11.49	12.28	13.85	14.33	15.43	16.22	
1.11	36	3.609	40	4.010	5.04	5.82	6.61	8.19	9.76	10.55	11.34	12.12	12.91	14.48	14.96	16.06	16.85	17.63	
1.11	72	7.218	80	8.020	8.49	8.97	10.07	10.86	11.65	
1.12	34	3.409	38	3.810	5.35	6.14	6.93	8.50	10.08	10.86	11.65	12.44	14.01	14.49	15.59	16.38	17.16	
1.13	32	3.208	36	3.609	4.09	5.67	6.45	7.24	8.82	10.39	11.18	11.97	12.75	13.54	15.11	15.59	16.69	17.48	
1.13	64	6.416	72	7.218	7.39	8.18	9.75	10.23	11.33	12.12	
1.13	80	8.020	90	9.023	9.44	10.22	
1.13	30	3.008	34	3.409	4.41	5.98	6.77	7.56	9.13	10.71	11.49	12.28	13.07	14.64	15.12	16.22	17.01	17.79	
1.14	28	2.807	32	3.208	4.72	6.30	7.08	7.87	9.45	11.02	11.81	12.60	13.38	14.95	15.43	16.53	17.32	18.11	
1.14	56	5.614	64	6.416	7.08	7.87	8.65	9.44	11.01	11.49	12.59	13.38	
1.15	26	2.607	30	3.008	5.04	6.61	7.40	8.19	9.76	11.34	12.12	12.91	13.70	15.27	15.75	16.85	17.63	18.42	
1.16	38	3.810	44	4.411	5.34	6.14	7.71	9.29	10.07	10.86	11.65	12.44	14.01	14.49	15.59	16.38	17.16	
Length Factor*					0.70	0.80	0.80	0.80	0.90	0.90	0.90	0.90	0.90	0.90	1.00	1.00	1.00	1.00	1.00	1.00	1.00

Center distance is greater than eight times the Small Sprocket and the Large Sprocket is not flanged.
Large Sprocket should be ordered with flanges as a special.

* This length correction factor must be used to determine the proper belt width.



SELECTION

8MM Pitch HT200 Belt Drive Selection Table

Speed Ratio	Sprocket Combinations				Center Distance, Inches																	
	Driver		Driven		1224-8M	1280-8M	1440-8M	1512-8M	1584-8M	1600-8M	1760-8M	1800-8M	2000-8M	2200-8M	2400-8M	2600-8M	2800-8M	3048-8M	3280-8M	3600-8M	4400-8M	
	No. of Teeth	Pitch Dia. Inches	No. of Teeth	Pitch Dia. Inches																		
	Length Factor*				1.00	1.10	1.10	1.10	1.10	1.10	1.10	1.10	1.20	1.20	1.20	1.20	1.20	1.20	1.20	1.20	1.20	1.20
1.00	22	2.206	22	2.206	20.63	21.73	24.88	26.30	27.71	28.03	31.18	31.97	35.90	39.84	43.78	47.71	51.65	56.53	61.10	67.40	83.15	
1.00	24	2.406	24	2.406	20.32	21.42	24.57	25.99	27.40	27.72	30.87	31.66	35.59	39.53	43.47	47.40	51.34	56.22	60.79	67.09	82.84	
1.00	26	2.607	26	2.607	20.00	21.10	24.25	25.67	27.08	27.40	30.55	31.34	35.27	39.21	43.15	47.08	51.02	55.90	60.47	66.77	82.52	
1.00	28	2.807	28	2.807	19.69	20.79	23.94	25.36	26.77	27.09	30.24	31.03	34.96	38.90	42.84	46.77	50.71	55.59	60.16	66.46	82.21	
1.00	30	3.008	30	3.008	19.37	20.47	23.62	25.04	26.46	26.77	29.92	30.71	34.65	38.58	42.52	46.46	50.40	55.28	59.84	66.14	81.89	
1.00	32	3.208	32	3.208	19.06	20.16	23.31	24.73	26.14	26.46	29.61	30.40	34.33	38.27	42.21	46.14	50.08	54.96	59.53	65.83	81.58	
1.00	34	3.409	34	3.409	18.74	19.84	22.99	24.41	25.83	26.14	29.29	30.08	34.02	37.95	41.89	45.83	49.77	54.65	59.21	65.51	81.26	
1.00	36	3.609	36	3.609	18.43	19.53	22.68	24.10	25.51	25.83	28.98	29.77	33.70	37.64	41.58	45.51	49.45	54.33	58.90	65.20	80.95	
1.00	38	3.810	38	3.810	18.11	19.21	22.36	23.78	25.20	25.51	28.66	29.45	33.39	37.32	41.26	45.20	49.14	54.02	58.58	64.88	80.63	
1.00	40	4.010	40	4.010	17.80	18.90	22.05	23.47	24.88	25.20	28.35	29.14	33.07	37.01	40.95	44.88	48.82	53.70	58.27	64.57	80.32	
1.00	44	4.411	44	4.411	17.17	18.27	21.42	22.84	24.25	24.57	27.72	28.51	32.44	36.38	40.32	44.25	48.19	53.07	57.64	63.94	79.69	
1.00	48	4.812	48	4.812	16.54	17.64	20.79	22.21	23.62	23.94	27.09	27.88	31.81	35.75	39.69	43.62	47.56	52.44	57.01	63.31	79.06	
1.00	56	5.614	56	5.614	15.28	16.38	19.53	20.95	22.36	22.68	25.83	26.62	30.55	34.49	38.43	42.36	46.30	51.18	55.75	62.05	77.80	
1.00	64	6.416	64	6.416	14.02	15.12	18.27	19.69	21.10	21.42	24.57	25.36	29.29	33.23	37.17	41.10	45.04	49.92	54.49	60.79	76.54	
1.00	72	7.218	72	7.218	12.76	13.86	17.01	18.43	19.84	20.16	23.31	24.10	28.03	31.97	35.91	39.84	43.78	48.66	53.23	59.53	75.28	
1.00	80	8.020	80	8.020	11.50	12.60	15.75	17.17	18.58	18.90	22.05	22.84	26.77	30.71	34.65	38.58	42.52	47.40	51.97	58.27	74.02	
1.05	38	3.810	40	4.010	17.95	19.05	22.20	23.62	25.04	25.35	28.50	29.29	33.23	37.16	41.10	45.04	48.98	53.86	58.42	64.72	80.47	
1.06	36	3.609	38	3.810	18.27	19.37	22.52	23.94	25.35	25.67	28.82	29.61	33.54	37.48	41.42	45.35	49.29	54.17	58.74	65.04	80.79	
1.06	34	3.409	36	3.609	18.58	19.68	22.83	24.25	25.67	25.98	29.13	29.92	33.86	37.79	41.73	45.67	49.61	54.49	59.05	65.35	81.10	
1.06	32	3.208	34	3.409	18.90	20.00	23.15	24.57	25.98	26.30	29.45	30.24	34.17	38.11	42.05	45.98	49.92	54.80	59.37	65.67	81.42	
1.07	30	3.008	32	3.208	19.21	20.31	23.46	24.88	26.30	26.61	29.76	30.55	34.49	38.42	42.36	46.30	50.24	55.12	59.68	65.98	81.73	
1.07	28	2.807	30	3.008	19.53	20.63	23.78	25.20	26.61	26.93	30.08	30.87	34.80	38.74	42.68	46.61	50.55	55.43	60.00	66.30	82.05	
1.08	26	2.607	28	2.807	19.84	20.94	24.09	25.51	26.93	27.24	30.39	31.18	35.12	39.05	42.99	46.93	50.87	55.75	60.31	66.61	82.36	
1.08	24	2.406	26	2.607	20.16	21.26	24.41	25.83	27.24	27.56	30.71	31.50	35.43	39.37	43.31	47.24	51.18	56.06	60.63	66.93	82.68	
1.09	22	2.206	24	2.406	20.47	21.57	24.72	26.14	27.56	27.87	31.02	31.81	35.75	39.68	43.62	47.56	51.50	56.38	60.94	67.24	82.99	
1.09	44	4.411	48	4.812	16.85	17.95	21.10	22.52	23.94	24.25	27.40	28.19	32.13	36.06	40.00	43.94	47.88	52.76	57.32	63.62	79.37	
1.10	40	4.010	44	4.411	17.48	18.58	21.73	23.15	24.57	24.88	28.03	28.82	32.76	36.69	40.63	44.57	48.51	53.39	57.95	64.25	80.00	
1.11	36	3.609	40	4.010	18.11	19.21	22.36	23.78	25.20	25.51	28.66	29.45	33.39	37.32	41.26	45.20	49.14	54.02	58.58	64.88	80.63	
1.11	72	7.218	80	8.020	12.12	13.22	16.37	17.79	19.21	19.52	22.67	23.46	27.40	31.33	35.27	39.21	43.15	48.03	52.60	58.90	74.65	
1.12	34	3.409	38	3.810	18.42	19.52	22.67	24.09	25.51	25.82	28.97	29.76	33.70	37.63	41.57	45.51	49.45	54.33	58.89	65.19	80.94	
1.13	32	3.208	36	3.609	18.74	19.84	22.99	24.41	25.83	26.14	29.29	30.08	34.02	37.95	41.89	45.83	49.77	54.65	59.21	65.51	81.26	
1.13	64	6.416	72	7.218	13.38	14.48	17.63	19.05	20.47	20.78	23.93	24.72	28.66	32.59	36.53	40.47	44.41	49.29	53.86	60.16	75.91	
1.13	80	8.020	90	9.023	10.70	11.80	14.95	16.37	17.79	18.10	21.25	22.04	25.98	29.92	33.86	37.79	41.73	46.61	51.18	57.48	73.23	
1.13	30	3.008	34	3.409	19.05	20.15	23.30	24.72	26.14	26.45	29.60	30.39	34.33	38.26	42.20	46.14	50.08	54.96	59.52	65.82	81.57	
1.14	28	2.807	32	3.208	19.37	20.47	23.62	25.04	26.46	26.77	29.92	30.71	34.65	38.58	42.52	46.46	50.40	55.28	59.84	66.14	81.89	
1.14	56	5.614	64	6.416	14.64	15.74	18.89	20.31	21.73	22.04	25.19	25.98	29.92	33.85	37.79	41.73	45.67	50.55	55.12	61.42	77.17	
1.15	26	2.607	30	3.008	19.68	20.78	23.93	25.35	26.77	27.08	30.23	31.02	34.96	38.89	42.83	46.77	50.71	55.59	60.15	66.45	82.20	
1.16	38	3.810	44	4.411	17.64	18.74	21.89	23.31	24.72	25.04	28.19	28.98	32.91	36.85	40.79	44.72	48.66	53.54	58.11	64.41	80.16	
	Length Factor*				1.00	1.10	1.10	1.10	1.10	1.10	1.10	1.10	1.20	1.20	1.20	1.20	1.20	1.20	1.20	1.20	1.20	1.20

Center distance is greater than eight times the Small Sprocket and the Large Sprocket is not flanged. Large Sprocket should be ordered with flanges as a special.

* This length correction factor must be used to determine the proper belt width.

V-Drives

FHP Drives

Drive Component Accessories

DYNA-SYNC

HT200/HTD Synchronous Drives

HTR Synchronous Drives

HTRC Synchronous Drives

FEATURES/BENEFITS PAGE PT11-2	SPECIFICATIONS PAGE PT11-4	ENGINEERING/TECHNICAL PAGE PT11-64	
----------------------------------	-------------------------------	---------------------------------------	--



SELECTION

8MM Pitch HT200 Belt Drive Selection Table

Speed Ratio	Sprocket Combinations				Center Distance, Inches																
	Driver		Driven		384-8M	480-8M	560-8M	600-8M	640-8M	720-8M	800-8M	840-8M	880-8M	920-8M	960-8M	1040-8M	1064-8M	1120-8M	1160-8M	1200-8M	
	No. of Teeth	Pitch Dia. Inches	No. of Teeth	Pitch Dia. Inches																	
Length Factor*					0.70	0.80	0.80	0.80	0.90	0.90	0.90	0.90	0.90	1.00	1.00	1.00	1.00	1.00	1.00	1.00	1.00
1.17	24	2.406	28	2.807	3.46	5.35	6.93	7.71	8.50	10.08	11.65	12.44	13.23	14.01	14.80	16.37	16.85	17.95	18.74	19.52	
1.17	48	4.812	56	5.614	5.97	7.55	8.34	9.13	9.91	10.70	12.27	12.75	13.85	14.64	15.43	
1.18	34	3.409	40	4.010	5.19	5.98	6.77	8.34	9.92	10.70	11.49	12.28	13.07	14.64	15.12	16.22	17.01	17.79	
1.18	22	2.206	26	2.607	3.77	5.67	7.24	8.03	8.82	10.39	11.97	12.75	13.54	14.33	15.12	16.69	17.16	18.26	19.05	19.84	
1.19	32	3.208	38	3.810	5.50	6.29	7.08	8.66	10.23	11.02	11.81	12.59	13.38	14.96	15.43	16.53	17.32	18.11	
1.20	30	3.008	36	3.609	...	4.24	5.82	6.61	7.40	8.97	10.55	11.33	12.12	12.91	13.70	15.27	15.75	16.85	17.64	18.42	
1.20	40	4.010	48	4.812	5.66	7.24	8.81	9.60	10.39	11.17	11.96	13.54	14.01	15.11	15.90	16.69	
1.21	28	2.807	34	3.409	...	4.56	6.14	6.92	7.71	9.29	10.86	11.65	12.44	13.22	14.01	15.59	16.06	17.16	17.95	18.74	
1.22	36	3.609	44	4.411	4.71	5.50	6.29	7.87	9.44	10.23	11.02	11.80	12.59	14.17	14.64	15.74	16.53	17.32	
1.23	26	2.607	32	3.208	...	4.87	6.45	7.24	8.03	9.60	11.18	11.96	12.75	13.54	14.33	15.90	16.38	17.48	18.27	19.05	
1.25	24	2.406	30	3.008	3.29	5.19	6.77	7.55	8.34	9.92	11.49	12.28	13.07	13.85	14.64	16.22	16.69	17.79	18.58	19.37	
1.25	32	3.208	40	4.010	5.34	6.13	6.92	8.50	10.07	10.86	11.65	12.43	13.22	14.80	15.27	16.37	17.16	17.95	
1.25	64	6.416	80	8.020	9.10	9.57	10.68	11.47	12.26	
1.25	72	7.218	90	9.023	9.25	10.04	10.83	
1.26	38	3.810	48	4.812	5.01	5.81	7.39	8.96	9.75	10.54	11.33	12.12	13.69	14.16	15.27	16.06	16.84	
1.27	30	3.008	38	3.810	...	4.08	5.66	6.44	7.23	8.81	10.39	11.17	11.96	12.75	13.54	15.11	15.58	16.69	17.48	18.26	
1.27	22	2.206	28	2.807	3.61	5.50	7.08	7.87	8.66	10.23	11.81	12.59	13.38	14.17	14.96	16.53	17.01	18.11	18.90	19.68	
1.27	44	4.411	56	5.614	6.27	7.85	8.64	9.43	10.22	11.01	12.58	13.06	14.16	14.95	15.73	
1.29	28	2.807	36	3.609	...	4.39	5.97	6.76	7.55	9.13	10.70	11.49	12.28	13.06	13.86	15.43	15.90	17.00	17.79	18.58	
1.29	56	5.614	72	7.218	7.20	7.99	8.79	10.36	10.84	11.94	12.73	13.52	
1.29	34	3.409	44	4.411	4.86	5.65	6.44	8.02	9.60	10.38	11.17	11.96	12.75	14.32	14.79	15.90	16.69	17.47	
1.31	26	2.607	34	3.409	...	4.71	6.29	7.07	7.86	9.44	11.02	11.80	12.59	13.38	14.17	15.74	16.22	17.32	18.11	18.89	
1.33	24	2.406	32	3.208	...	5.02	6.60	7.39	8.18	9.76	11.33	12.12	12.91	13.69	14.49	16.06	16.53	17.63	18.42	19.21	
1.33	30	3.008	40	4.010	5.49	6.28	7.07	8.65	10.23	11.01	11.80	12.59	13.38	14.95	15.42	16.53	17.32	18.10	
1.33	36	3.609	48	4.812	5.16	5.96	7.54	9.12	9.90	10.69	11.48	12.27	13.84	14.32	15.42	16.21	17.00	
1.33	48	4.812	64	6.416	6.88	8.46	9.25	10.04	10.83	11.62	13.19	13.67	14.77	15.56	16.35	
1.36	28	2.807	38	3.810	...	4.22	5.81	6.59	7.39	8.96	10.54	11.33	12.12	12.90	13.69	15.26	15.74	16.84	17.63	18.42	
1.36	22	2.206	30	3.008	3.44	5.34	6.92	7.70	8.50	10.07	11.65	12.43	13.22	14.01	14.80	16.37	16.85	17.95	18.74	19.52	
1.38	32	3.208	44	4.411	5.00	5.79	6.59	8.17	9.75	10.53	11.33	12.11	12.90	14.47	14.95	16.05	16.84	17.63	
1.39	26	2.607	36	3.609	...	4.54	6.12	6.91	7.70	9.28	10.86	11.64	12.43	13.22	14.01	15.58	16.06	17.16	17.95	18.73	
1.40	40	4.010	56	5.614	6.57	8.15	8.94	9.73	10.52	11.31	12.89	13.36	14.46	15.26	16.04	
1.40	80	8.020	112	11.229	
1.41	64	6.416	90	9.023	8.24	8.72	9.83	10.63	11.42	
1.41	34	3.409	48	4.812	5.31	6.10	7.69	9.27	10.05	10.85	11.63	12.42	14.00	14.47	15.57	16.36	17.15	
1.42	24	2.406	34	3.409	...	4.86	6.44	7.23	8.02	9.59	11.17	11.96	12.75	13.53	14.32	15.89	16.37	17.47	18.26	19.05	
1.43	28	2.807	40	4.010	...	4.05	5.64	6.43	7.22	8.80	10.38	11.16	11.96	12.74	13.53	15.10	15.58	16.68	17.47	18.26	
1.43	56	5.614	80	8.020	8.10	9.69	10.17	11.27	12.07	12.86	
1.46	22	2.206	32	3.208	3.27	5.17	6.75	7.54	8.33	9.91	11.49	12.27	13.06	13.85	14.64	16.21	16.69	17.79	18.58	19.36	
Length Factor*					0.70	0.80	0.80	0.80	0.90	0.90	0.90	0.90	0.90	0.90	1.00	1.00	1.00	1.00	1.00	1.00	1.00

Center distance is greater than eight times the Small Sprocket and the Large Sprocket is not flanged.
Large Sprocket should be ordered with flanges as a special.

* This length correction factor must be used to determine the proper belt width.

FEATURES/BENEFITS PAGE PT11-2	SPECIFICATIONS PAGE PT11-4	ENGINEERING/TECHNICAL PAGE PT11-64	
----------------------------------	-------------------------------	---------------------------------------	--



SELECTION

8MM Pitch HT200 Belt Drive Selection Table

Speed Ratio	Sprocket Combinations				Center Distance, Inches																	
	Driver		Driven		1224-8M	1280-8M	1440-8M	1512-8M	1584-8M	1600-8M	1760-8M	1800-8M	2000-8M	2200-8M	2400-8M	2600-8M	2800-8M	3048-8M	3280-8M	3600-8M	4400-8M	
	No. of Teeth	Pitch Dia. Inches	No. of Teeth	Pitch Dia. Inches																		
Length Factor*					1.00	1.10	1.10	1.10	1.10	1.10	1.10	1.10	1.20	1.20	1.20	1.20	1.20	1.20	1.20	1.20	1.20	1.20
1.17	24	2.406	28	2.807	20.00	21.10	24.25	25.67	27.08	27.40	30.55	31.34	35.28	39.21	43.15	47.09	51.03	55.91	60.47	66.77	82.52	
1.17	48	4.812	56	5.614	15.90	17.00	20.15	21.57	22.99	23.30	26.45	27.24	31.18	35.11	39.05	42.99	46.93	51.81	56.38	62.68	78.43	
1.18	34	3.409	40	4.010	18.27	19.37	22.52	23.94	25.35	25.67	28.82	29.61	33.54	37.48	41.42	45.35	49.29	54.17	58.74	65.04	80.79	
1.18	22	2.206	26	2.607	20.31	21.41	24.56	25.98	27.40	27.71	30.86	31.65	35.59	39.52	43.46	47.40	51.34	56.22	60.78	67.08	82.83	
1.19	32	3.208	38	3.810	18.58	19.68	22.83	24.25	25.67	25.98	29.13	29.92	33.86	37.79	41.73	45.67	49.61	54.49	59.05	65.35	81.10	
1.20	30	3.008	36	3.609	18.90	20.00	23.15	24.57	25.98	26.30	29.45	30.24	34.17	38.11	42.05	45.98	49.92	54.80	59.37	65.67	81.42	
1.20	40	4.010	48	4.812	17.16	18.26	21.41	22.83	24.25	24.56	27.71	28.50	32.44	36.37	40.31	44.25	48.19	53.07	57.63	63.93	79.69	
1.21	28	2.807	34	3.409	19.21	20.31	23.46	24.88	26.30	26.61	29.76	30.55	34.49	38.42	42.36	46.30	x50.24	55.12	59.68	65.98	81.73	
1.22	36	3.609	44	4.411	17.79	18.89	22.04	23.46	24.88	25.19	28.34	29.13	33.07	37.00	40.94	44.88	48.82	53.70	58.26	64.56	80.32	
1.23	26	2.607	32	3.208	19.53	20.63	23.78	25.20	26.61	26.93	30.08	30.87	34.80	38.74	42.68	46.61	50.55	55.43	60.00	66.30	82.05	
1.25	24	2.406	30	3.008	19.84	20.94	24.09	25.51	26.93	27.24	30.39	31.18	35.12	39.05	42.99	46.93	50.87	55.75	60.31	66.61	82.36	
1.25	32	3.208	40	4.010	18.42	19.52	22.67	24.09	25.51	25.82	28.97	29.76	33.70	37.63	41.57	45.51	49.45	54.33	58.89	65.19	80.95	
1.25	64	6.416	80	8.020	12.73	13.83	16.99	18.41	19.83	20.14	23.29	24.08	28.02	31.96	35.90	39.83	43.77	48.66	53.22	59.52	75.27	
1.25	72	7.218	90	9.023	11.30	12.41	15.56	16.99	18.40	18.72	21.87	22.66	26.60	30.54	34.48	38.41	42.35	47.24	51.80	58.10	73.85	
1.26	38	3.810	48	4.812	17.32	18.42	21.57	22.99	24.40	24.72	27.87	28.66	32.59	36.53	40.47	44.41	48.35	53.23	57.79	64.09	79.84	
1.27	30	3.008	38	3.810	18.74	19.84	22.99	24.41	25.82	26.14	29.29	30.08	34.01	37.95	41.89	45.82	49.76	54.64	59.21	65.51	81.26	
1.27	22	2.206	28	2.807	20.16	21.26	24.41	25.83	27.24	27.56	30.71	31.50	35.43	39.37	43.31	47.24	51.18	56.06	60.63	66.93	82.68	
1.27	44	4.411	56	5.614	16.21	17.31	20.46	21.88	23.30	23.61	26.76	27.55	31.49	35.43	39.37	43.30	47.24	52.12	56.69	62.99	78.74	
1.29	28	2.807	36	3.609	19.05	20.15	23.30	24.72	26.14	26.45	29.60	30.39	34.33	38.26	42.20	46.14	50.08	54.96	59.52	65.82	81.57	
1.29	56	5.614	72	7.218	13.99	15.10	18.25	19.67	21.09	21.40	24.55	25.34	29.28	33.22	37.16	41.09	45.03	49.92	54.48	60.78	76.53	
1.29	34	3.409	44	4.411	17.95	19.05	22.20	23.62	25.03	25.35	28.50	29.29	33.22	37.16	41.10	45.04	48.98	53.86	58.42	64.72	80.47	
1.31	26	2.607	34	3.409	19.37	20.47	23.62	25.04	26.45	26.77	29.92	30.71	34.64	38.58	42.52	46.45	50.39	55.27	59.84	66.14	81.89	
1.33	24	2.406	32	3.208	19.68	20.78	23.93	25.35	26.77	27.08	30.23	31.02	34.96	38.89	42.83	46.77	50.71	55.59	60.15	66.45	82.20	
1.33	30	3.008	40	4.010	18.58	19.68	22.83	24.25	25.66	25.98	29.13	29.92	33.85	37.79	41.73	45.67	49.61	54.49	59.05	65.35	81.10	
1.33	36	3.609	48	4.812	17.47	18.57	21.72	23.14	24.56	24.87	28.02	28.81	32.75	36.69	40.63	44.56	48.50	53.38	57.95	64.25	80.00	
1.33	48	4.812	64	6.416	15.26	16.36	19.51	20.93	22.35	22.66	25.81	26.60	30.54	34.48	38.42	42.35	46.29	51.18	55.74	62.04	77.79	
1.36	28	2.807	38	3.810	18.89	19.99	23.14	24.56	25.98	26.29	29.44	30.23	34.17	38.10	42.05	45.98	49.92	54.80	59.37	65.67	81.42	
1.36	22	2.206	30	3.008	20.00	21.10	24.25	25.67	27.08	27.40	30.55	31.34	35.27	39.21	43.15	47.08	51.02	55.90	60.47	66.77	82.52	
1.38	32	3.208	44	4.411	18.10	19.20	22.35	23.77	25.19	25.50	28.65	29.44	33.38	37.32	41.26	45.19	49.13	54.01	58.58	64.88	80.63	
1.39	26	2.607	36	3.609	19.21	20.31	23.46	24.88	26.29	26.61	29.76	30.55	34.48	38.42	42.36	46.30	50.24	55.12	59.68	65.98	81.73	
1.40	40	4.010	56	5.614	16.52	17.62	20.77	22.19	23.61	23.92	27.07	27.86	31.80	35.74	39.68	43.61	47.55	52.44	57.00	63.30	79.05	
1.40	80	8.020	112	11.229	...	9.95	13.13	14.56	15.98	16.30	19.46	20.25	24.20	28.14	32.09	36.03	39.97	44.85	49.42	55.72	71.48	
1.41	64	6.416	90	9.023	11.90	13.00	16.17	17.59	19.01	19.33	22.48	23.27	27.21	31.15	35.10	39.03	42.97	47.86	52.42	58.72	74.48	
1.41	34	3.409	48	4.812	17.62	18.73	21.88	23.30	24.71	25.03	28.18	28.97	32.91	36.84	40.78	44.72	48.66	53.54	58.10	64.40	80.16	
1.42	24	2.406	34	3.409	19.52	20.62	23.77	25.19	26.61	26.92	30.07	30.86	34.80	38.73	42.67	46.61	50.55	55.43	60.00	66.30	82.05	
1.43	28	2.807	40	4.010	18.73	19.83	22.98	24.40	25.82	26.13	29.28	30.07	34.01	37.95	41.89	45.82	49.76	54.64	59.21	65.51	81.26	
1.43	56	5.614	80	8.020	13.33	14.44	17.60	19.02	20.44	20.75	23.91	24.70	28.64	32.57	36.52	40.45	44.40	49.28	53.84	60.14	75.90	
1.46	22	2.206	32	3.208	19.84	20.94	24.09	25.51	26.92	27.24	30.39	31.18	35.11	39.05	42.99	46.93	50.87	55.75	60.31	66.61	82.36	
Length Factor*					1.00	1.10	1.10	1.10	1.10	1.10	1.10	1.10	1.20	1.20	1.20	1.20	1.20	1.20	1.20	1.20	1.20	1.20

Center distance is greater than eight times the Small Sprocket and the Large Sprocket is not flanged.
Large Sprocket should be ordered with flanges as a special.

* This length correction factor must be used to determine the proper belt width.

V-Drives

FHP Drives

Drive Component Accessories

DYNA-SYNC

HT200/HTD Synchronous Drives

HTR Synchronous Drives

HTRC Synchronous Drives

FEATURES/BENEFITS PAGE PT11-2	SPECIFICATIONS PAGE PT11-4	ENGINEERING/TECHNICAL PAGE PT11-64	
----------------------------------	-------------------------------	---------------------------------------	--



SELECTION

8MM Pitch HT200 Belt Drive Selection Table

Speed Ratio	Sprocket Combinations				Center Distance, Inches															
	Driver		Driven		480-8M	560-8M	600-8M	640-8M	720-8M	800-8M	840-8M	880-8M	920-8M	960-8M	1040-8M	1064-8M	1120-8M	1160-8M	1200-8M	
	No. of Teeth	Pitch Dia. Inches	No. of Teeth	Pitch Dia. Inches																
Length Factor*					0.80	0.80	0.80	0.90	0.90	0.90	0.90	0.90	1.00	1.00	1.00	1.00	1.00	1.00	1.00	1.00
1.46	44	4.411	64	6.416	7.18	7.97	8.76	9.55	10.35	11.92	12.40	13.50	14.30	15.08	
1.46	26	2.607	38	3.810	4.37	5.95	6.74	7.54	9.12	10.69	11.48	12.27	13.06	13.85	15.42	15.89	16.99	17.78	18.57	
1.47	30	3.008	44	4.411	...	5.15	5.94	6.74	8.32	9.90	10.69	11.48	12.26	13.05	14.63	15.10	16.20	16.99	17.78	
1.47	38	3.810	56	5.614	6.71	8.30	9.09	9.88	10.67	11.46	13.04	13.51	14.62	15.41	16.19	
1.50	24	2.406	36	3.609	4.69	6.27	7.06	7.85	9.43	11.01	11.80	12.59	13.37	14.16	15.73	16.21	17.31	18.10	18.89	
1.50	32	3.208	48	4.812	...	4.66	5.45	6.25	7.84	9.42	10.20	11.00	11.78	12.58	14.15	14.62	15.73	16.52	17.30	
1.50	48	4.812	72	7.218	6.98	7.78	8.58	9.37	10.96	11.43	12.54	13.33	14.12	
1.54	26	2.607	40	4.010	4.19	5.79	6.58	7.37	8.95	10.53	11.32	12.11	12.89	13.69	15.26	15.73	16.83	17.62	18.41	
1.55	22	2.206	34	3.409	5.00	6.59	7.38	8.17	9.75	11.32	12.11	12.90	13.69	14.48	16.05	16.52	17.62	18.42	19.20	
1.56	36	3.609	56	5.614	5.26	6.86	8.45	9.24	10.03	10.82	11.61	13.19	13.66	14.77	15.56	16.35	
1.56	72	7.218	112	11.229	
1.57	28	2.807	44	4.411	...	5.30	6.09	6.88	8.47	10.05	10.84	11.63	12.42	13.21	14.78	15.25	16.36	17.15	17.93	
1.58	24	2.406	38	3.810	4.51	6.10	6.89	7.69	9.27	10.85	11.63	12.42	13.21	14.00	15.57	16.05	17.15	17.94	18.72	
1.60	30	3.008	48	4.812	...	4.80	5.60	6.39	7.98	9.57	10.35	11.15	11.93	12.73	14.30	14.78	15.88	16.67	17.45	
1.60	40	4.010	64	6.416	5.86	7.46	8.26	9.06	9.85	10.64	12.22	12.70	13.80	14.60	15.38	
1.61	56	5.614	90	9.023	8.81	9.29	10.41	11.21	12.00	
1.64	22	2.206	36	3.609	4.83	6.42	7.21	8.00	9.58	11.16	11.95	12.74	13.52	14.32	15.89	16.36	17.46	18.25	19.04	
1.64	44	4.411	72	7.218	6.46	7.27	8.07	8.87	9.66	11.25	11.73	12.83	13.63	14.42	
1.65	34	3.409	56	5.614	5.40	7.00	8.59	9.38	10.18	10.97	11.76	13.34	13.81	14.92	15.71	16.50	
1.67	24	2.406	40	4.010	4.34	5.93	6.72	7.52	9.10	10.68	11.47	12.26	13.05	13.84	15.41	15.89	16.99	17.78	18.56	
1.67	48	4.812	80	8.020	7.06	7.87	8.67	10.27	10.75	11.86	12.65	13.45	
1.68	38	3.810	64	6.416	6.00	7.61	8.40	9.20	9.99	10.79	12.37	12.85	13.95	14.75	15.53	
1.69	26	2.607	44	4.411	...	5.44	6.23	7.03	8.62	10.20	10.99	11.78	12.57	13.36	14.93	15.41	16.51	17.30	18.09	
1.71	28	2.807	48	4.812	...	4.94	5.74	6.54	8.13	9.71	10.50	11.30	12.08	12.88	14.45	14.93	16.03	16.82	17.61	
1.73	22	2.206	38	3.810	4.66	6.25	7.04	7.83	9.42	11.00	11.78	12.57	13.36	14.15	15.72	16.20	17.30	18.09	18.88	
1.75	32	3.208	56	5.614	5.54	7.14	8.74	9.53	10.33	11.12	11.91	13.49	13.96	15.07	15.86	16.65	
1.75	64	6.416	112	11.229	9.45	
1.78	36	3.609	64	6.416	6.14	7.75	8.55	9.35	10.14	10.94	12.52	13.00	14.10	14.90	15.68	
1.80	40	4.010	72	7.218	6.74	7.55	8.35	9.15	9.95	11.54	12.02	13.13	13.92	14.71	
1.80	80	8.020	144	14.437	
1.82	22	2.206	40	4.010	4.48	6.08	6.87	7.66	9.25	10.83	11.62	12.41	13.20	13.99	15.56	16.04	17.14	17.93	18.72	
1.82	44	4.411	80	8.020	7.34	8.15	8.95	10.55	11.03	12.15	12.95	13.74	
1.83	24	2.406	44	4.411	3.97	5.58	6.38	7.18	8.76	10.35	11.14	11.93	12.72	13.51	15.08	15.56	16.66	17.45	18.24	
1.85	26	2.607	48	4.812	...	5.08	5.88	6.68	8.27	9.86	10.65	11.44	12.23	13.03	14.60	15.08	16.18	16.97	17.76	
1.87	30	3.008	56	5.614	4.86	5.68	7.29	8.88	9.68	10.47	11.26	12.06	13.64	14.11	15.22	16.01	16.80	
1.88	48	4.812	90	9.023	7.75	9.37	9.85	10.98	11.78	12.58	
1.88	34	3.409	64	6.416	6.28	7.89	8.69	9.49	10.28	11.08	12.66	13.14	14.25	15.04	15.83	
1.90	38	3.810	72	7.218	6.88	7.68	8.49	9.29	10.09	11.68	12.16	13.27	14.07	14.86	
Length Factor*					0.80	0.80	0.80	0.90	0.90	0.90	0.90	0.90	1.00	1.00	1.00	1.00	1.00	1.00	1.00	1.00

Center distance is greater than eight times the Small Sprocket and the Large Sprocket is not flanged.
 Large Sprocket should be ordered with flanges as a special.

* This length correction factor must be used to determine the proper belt width.

FEATURES/BENEFITS PAGE PT11-2	SPECIFICATIONS PAGE PT11-4	ENGINEERING/TECHNICAL PAGE PT11-64	
----------------------------------	-------------------------------	---------------------------------------	--

V-Drives

FHP Drives

Drive Component Accessories

DYNA-SYNC

HT200/HTD Synchronous Drives

HTR Synchronous Drives

HTRC Synchronous Drives



SELECTION

8MM Pitch HT200 Belt Drive Selection Table

Speed Ratio	Sprocket Combinations				Center Distance, Inches																	
	Driver		Driven		1224-8M	1280-8M	1440-8M	1512-8M	1584-8M	1600-8M	1760-8M	1800-8M	2000-8M	2200-8M	2400-8M	2600-8M	2800-8M	3048-8M	3280-8M	3600-8M	4400-8M	
	No. of Teeth	Pitch Dia. Inches	No. of Teeth	Pitch Dia. Inches																		
	Length Factor*				1.00	1.10	1.10	1.10	1.10	1.10	1.10	1.10	1.20	1.20	1.20	1.20	1.20	1.20	1.20	1.20	1.20	1.20
1.46	44	4.411	64	6.416	15.56	16.66	19.82	21.24	22.65	22.97	26.12	26.91	30.85	34.79	38.73	42.66	46.61	51.49	56.05	62.35	78.11	
1.46	26	2.607	38	3.810	19.05	20.15	23.30	24.72	26.13	26.45	29.60	30.39	34.32	38.26	42.20	46.14	50.08	54.96	59.52	65.82	81.57	
1.47	30	3.008	44	4.411	18.25	19.36	22.51	23.93	25.34	25.66	28.81	29.60	33.54	37.47	41.41	45.35	49.29	54.17	58.73	65.03	80.79	
1.47	38	3.810	56	5.614	16.67	17.77	20.92	22.35	23.76	24.08	27.23	28.02	31.96	35.89	39.83	43.77	47.71	52.59	57.16	63.46	79.21	
1.50	24	2.406	36	3.609	19.36	20.46	23.61	25.03	26.45	26.76	29.91	30.70	34.64	38.58	42.52	46.45	50.39	55.27	59.84	66.14	81.89	
1.50	32	3.208	48	4.812	17.78	18.88	22.03	23.45	24.87	25.18	28.33	29.13	33.06	37.00	40.94	44.87	48.81	53.70	58.26	64.56	80.31	
1.50	48	4.812	72	7.218	14.60	15.70	18.86	20.28	21.70	22.01	25.17	25.96	29.90	33.84	37.78	41.71	45.66	50.54	55.10	61.40	77.16	
1.54	26	2.607	40	4.010	18.88	19.99	23.14	24.56	25.97	26.29	29.44	30.23	34.17	38.10	42.04	45.98	49.92	54.80	59.36	65.66	81.41	
1.55	22	2.206	34	3.409	19.68	20.78	23.93	25.35	26.76	27.08	30.23	31.02	34.95	38.89	42.83	46.77	50.71	55.59	60.15	66.45	82.20	
1.56	36	3.609	56	5.614	16.82	17.92	21.08	22.50	23.92	24.23	27.38	28.17	32.11	36.05	39.99	43.92	47.87	52.75	57.31	63.61	79.36	
1.56	72	7.218	112	11.229	...	10.51	13.71	15.14	16.57	16.89	20.06	20.85	24.80	28.75	32.70	36.64	40.58	45.47	50.04	56.34	72.10	
1.57	28	2.807	44	4.411	18.41	19.51	22.66	24.08	25.50	25.81	28.96	29.76	33.69	37.63	41.57	45.50	49.44	54.33	58.89	65.19	80.94	
1.58	24	2.406	38	3.810	19.20	20.30	23.45	24.87	26.29	26.60	29.75	30.54	34.48	38.42	42.36	46.29	50.23	55.11	59.68	65.98	81.73	
1.60	30	3.008	48	4.812	17.93	19.03	22.18	23.61	25.02	25.34	28.49	29.28	33.22	37.15	41.09	45.03	48.97	53.85	58.42	64.72	80.47	
1.60	40	4.010	64	6.416	15.86	16.96	20.12	21.54	22.96	23.28	26.43	27.22	31.16	35.10	39.04	42.97	46.92	51.80	56.36	62.66	78.42	
1.61	56	5.614	90	9.023	12.48	13.59	16.76	18.19	19.61	19.93	23.09	23.88	27.82	31.76	35.71	39.65	43.59	48.47	53.04	59.34	75.10	
1.64	22	2.206	36	3.609	19.52	20.62	23.77	25.19	26.60	26.92	30.07	30.86	34.80	38.73	42.67	46.61	50.55	55.43	59.99	66.29	82.04	
1.64	44	4.411	72	7.218	14.90	16.00	19.16	20.58	22.00	22.32	25.47	26.26	30.20	34.14	38.09	42.02	45.97	50.85	55.41	61.72	77.47	
1.65	34	3.409	56	5.614	16.97	18.07	21.23	22.65	24.07	24.38	27.54	28.33	32.26	36.20	40.14	44.08	48.02	52.90	57.47	63.77	79.52	
1.67	24	2.406	40	4.010	19.04	20.14	23.29	24.71	26.13	26.44	29.60	30.39	34.32	38.26	42.20	46.13	50.07	54.96	59.52	65.82	81.57	
1.67	48	4.812	80	8.020	13.92	15.03	18.20	19.62	21.04	21.36	24.51	25.31	29.25	33.19	37.13	41.07	45.01	49.90	54.46	60.77	76.52	
1.68	38	3.810	64	6.416	16.01	17.11	20.27	21.69	23.11	23.43	26.58	27.37	31.31	35.25	39.19	43.13	47.07	51.95	56.52	62.82	78.57	
1.69	26	2.607	44	4.411	18.56	19.66	22.82	24.24	25.65	25.97	29.12	29.91	33.85	37.78	41.72	45.66	49.60	54.48	59.05	65.35	81.10	
1.71	28	2.807	48	4.812	18.08	19.18	22.34	23.76	25.18	25.49	28.64	29.43	33.37	37.31	41.25	45.18	49.13	54.01	58.57	64.87	80.62	
1.73	22	2.206	38	3.810	19.35	20.45	23.61	25.03	26.44	26.76	29.91	30.70	34.64	38.57	42.51	46.45	50.39	55.27	59.83	66.14	81.89	
1.75	32	3.208	56	5.614	17.12	18.23	21.38	22.80	24.22	24.54	27.69	28.48	32.42	36.36	40.30	44.23	48.18	53.06	57.62	63.92	79.68	
1.75	64	6.416	112	11.229	9.94	11.07	14.28	15.72	17.15	17.47	20.65	21.44	25.40	29.35	33.30	37.24	41.19	46.08	50.65	56.96	72.72	
1.78	36	3.609	64	6.416	16.16	17.26	20.42	21.85	23.26	23.58	26.73	27.53	31.47	35.40	39.35	43.28	47.23	52.11	56.67	62.98	78.73	
1.80	40	4.010	72	7.218	15.19	16.30	19.46	20.88	22.30	22.62	25.78	26.57	30.51	34.45	38.39	42.33	46.27	51.16	55.72	62.03	77.78	
1.80	80	8.020	144	14.437	11.68	13.15	13.47	16.70	17.50	21.49	25.46	29.43	33.39	37.34	42.24	46.82	53.13	68.90	
1.82	22	2.206	40	4.010	19.19	20.29	23.45	24.87	26.28	26.60	29.75	30.54	34.48	38.41	42.35	46.29	50.23	55.11	59.68	65.98	81.73	
1.82	44	4.411	80	8.020	14.22	15.33	18.49	19.92	21.34	21.66	24.82	25.61	29.55	33.49	37.44	41.38	45.32	50.20	54.77	61.08	76.83	
1.83	24	2.406	44	4.411	18.71	19.82	22.97	24.39	25.81	26.12	29.27	30.06	34.00	37.94	41.88	45.81	49.76	54.64	59.20	65.50	81.25	
1.85	26	2.607	48	4.812	18.23	19.34	22.49	23.91	25.33	25.64	28.80	29.59	33.53	37.46	41.40	45.34	49.28	54.16	58.73	65.03	80.78	
1.87	30	3.008	56	5.614	17.27	18.38	21.53	22.96	24.37	24.69	27.84	28.63	32.57	36.51	40.45	44.39	48.33	53.21	57.78	64.08	79.83	
1.88	48	4.812	90	9.023	13.06	14.17	17.35	18.78	20.20	20.52	23.69	24.48	28.43	32.37	36.32	40.26	44.20	49.09	53.66	59.96	75.72	
1.88	34	3.409	64	6.416	16.31	17.41	20.57	22.00	23.42	23.73	26.89	27.68	31.62	35.56	39.50	43.44	47.38	52.26	56.83	63.13	78.88	
1.90	38	3.810	72	7.218	15.34	16.45	19.61	21.03	22.45	22.77	25.93	26.72	30.66	34.60	38.55	42.48	46.43	51.31	55.88	62.18	77.94	
	Length Factor*				1.00	1.10	1.10	1.10	1.10	1.10	1.10	1.10	1.20	1.20	1.20	1.20	1.20	1.20	1.20	1.20	1.20	1.20

Center distance is greater than eight times the Small Sprocket and the Large Sprocket is not flanged.
Large Sprocket should be ordered with flanges as a special.

* This length correction factor must be used to determine the proper belt width.



SELECTION

8MM Pitch HT200 Belt Drive Selection Table

Speed Ratio	Sprocket Combinations				Center Distance, Inches															
	Driver		Driven		560-8M	600-8M	640-8M	720-8M	800-8M	840-8M	880-8M	920-8M	960-8M	1040-8M	1064-8M	1120-8M	1160-8M	1200-8M		
	No. of Teeth	Pitch Dia. Inches	No. of Teeth	Pitch Dia. Inches																
	Length Factor*				0.80	0.80	0.90	0.90	0.90	0.90	0.90	1.00	1.00	1.00	1.00	1.00	1.00	1.00	1.00	
2.00	22	2.206	44	4.411	5.72	6.52	7.32	8.91	10.50	11.28	12.08	12.87	13.66	15.23	15.71	16.81	17.60	18.39		
2.00	24	2.406	48	4.812	5.22	6.02	6.82	8.42	10.01	10.80	11.59	12.38	13.18	14.75	15.23	16.33	17.12	17.91		
2.00	28	2.807	56	5.614	...	5.00	5.82	7.43	9.03	9.82	10.62	11.41	12.21	13.78	14.26	15.37	16.16	16.95		
2.00	32	3.208	64	6.416	6.41	8.03	8.83	9.63	10.43	11.23	12.81	13.29	14.40	15.19	15.98		
2.00	36	3.609	72	7.218	7.01	7.82	8.63	9.43	10.24	11.83	12.31	13.42	14.22	15.01		
2.00	40	4.010	80	8.020	6.79	7.61	8.42	9.23	10.84	11.32	12.43	13.23	14.03		
2.00	56	5.614	112	11.229	9.17	9.99		
2.00	72	7.218	144	14.437		
2.05	44	4.411	90	9.023	7.19	8.01	9.64	10.13	11.26	12.06	12.86		
2.11	38	3.810	80	8.020	6.92	7.75	8.56	9.37	10.98	11.46	12.58	13.38	14.17		
2.12	34	3.409	72	7.218	7.15	7.96	8.77	9.57	10.38	11.97	12.45	13.56	14.36	15.15		
2.13	30	3.008	64	6.416	6.55	8.17	8.97	9.77	10.57	11.37	12.96	13.44	14.54	15.34	16.13		
2.15	26	2.607	56	5.614	...	5.13	5.95	7.57	9.17	9.96	10.76	11.56	12.35	13.93	14.41	15.52	16.31	17.10		
2.18	22	2.206	48	4.812	5.35	6.16	6.97	8.56	10.15	10.95	11.74	12.53	13.32	14.90	15.38	16.48	17.27	18.06		
2.22	36	3.609	80	8.020	7.05	7.88	8.70	9.51	11.12	11.60	12.72	13.52	14.32		
2.25	32	3.208	72	7.218	7.28	8.10	8.91	9.71	10.52	12.12	12.60	13.71	14.51	15.30		
2.25	40	4.010	90	9.023	7.45	8.28	9.92	10.41	11.54	12.34	13.14		
2.25	64	6.416	144	14.437		
2.29	28	2.807	64	6.416	6.69	8.31	9.11	9.92	10.71	11.51	13.10	13.58	14.69	15.49	16.28		
2.33	24	2.406	56	5.614	5.26	6.09	7.71	9.31	10.11	10.91	11.70	12.50	14.08	14.56	15.66	16.46	17.25		
2.33	48	4.812	112	11.229	8.86	9.70	10.53		
2.35	34	3.409	80	8.020	6.35	7.19	8.01	8.83	9.65	11.26	11.74	12.86	13.66	14.46		
2.37	38	3.810	90	9.023	6.74	7.58	8.41	10.05	10.54	11.67	12.48	13.28		
2.40	30	3.008	72	7.218	5.75	7.42	8.23	9.05	9.85	10.66	12.26	12.74	13.85	14.65	15.44		
2.40	80	8.020	192	19.249		
2.46	26	2.607	64	6.416	5.16	6.82	8.45	9.25	10.06	10.86	11.66	13.25	13.73	14.84	15.63	16.42		
2.50	32	3.208	80	8.020	6.48	7.32	8.15	8.97	9.78	11.40	11.88	13.00	13.81	14.60		
2.50	36	3.609	90	9.023	6.86	7.71	8.55	10.19	10.68	11.81	12.62	13.43	
2.55	22	2.206	56	5.614	4.56	5.40	6.22	7.85	9.45	10.25	11.05	11.85	12.64	14.23	14.70	15.81	16.61	17.39		
2.55	44	4.411	112	11.229	9.12	9.96	10.79		
2.57	28	2.807	72	7.218	5.88	7.55	8.37	9.19	9.99	10.80	12.40	12.88	14.00	14.80	15.59		
2.57	56	5.614	144	14.437		
2.65	34	3.409	90	9.023	6.99	7.84	8.68	10.32	10.81	11.95	12.76	13.56		
2.67	24	2.406	64	6.416	5.29	6.96	8.59	9.39	10.20	11.00	11.80	13.39	13.87	14.98	15.78	16.57		
2.67	30	3.008	80	8.020	6.61	7.45	8.28	9.10	9.92	11.54	12.02	13.14	13.95	14.75		
2.67	72	7.218	192	19.249		
2.77	26	2.607	72	7.218	6.01	7.68	8.50	9.32	10.13	10.94	12.54	13.02	14.14	14.94	15.73		
2.80	40	4.010	112	11.229	8.16	9.37	10.22	11.06		
2.81	32	3.208	90	9.023	7.12	7.97	8.81	10.46	10.95	12.09	12.90	13.70		
2.86	28	2.807	80	8.020	6.74	7.58	8.41	9.24	10.06	11.67	12.16	13.28	14.09	14.89		
	Length Factor*				0.80	0.80	0.90	0.90	0.90	0.90	0.90	0.90	1.00	1.00	1.00	1.00	1.00	1.00	1.00	1.00

Center distance is greater than eight times the Small Sprocket and the Large Sprocket is not flanged.
Large Sprocket should be ordered with flanges as a special.

* This length correction factor must be used to determine the proper belt width.

V-Drives

FHP Drives

Drive Component Accessories

DYNA-SYNC

HT200/HTD Synchronous Drives

HTR Synchronous Drives

HTRC Synchronous Drives



SELECTION

8MM Pitch HT200 Belt Drive Selection Table

Speed Ratio	Sprocket Combinations				Center Distance, Inches																	
	Driver		Driven		1224-8M	1280-8M	1440-8M	1512-8M	1584-8M	1600-8M	1760-8M	1800-8M	2000-8M	2200-8M	2400-8M	2600-8M	2800-8M	3048-8M	3280-8M	3600-8M	4400-8M	
	No. of Teeth	Pitch Dia. Inches	No. of Teeth	Pitch Dia. Inches																		
Length Factor*					1.00	1.10	1.10	1.10	1.10	1.10	1.10	1.10	1.20	1.20	1.20	1.20	1.20	1.20	1.20	1.20	1.20	1.20
2.00	22	2.206	44	4.411	18.87	19.97	23.12	24.54	25.96	26.27	29.43	30.22	34.16	38.09	42.03	45.97	49.91	54.79	59.36	65.66	81.41	
2.00	24	2.406	48	4.812	18.39	19.49	22.64	24.07	25.48	25.80	28.95	29.74	33.68	37.62	41.56	45.50	49.44	54.32	58.88	65.18	80.94	
2.00	28	2.807	56	5.614	17.42	18.53	21.69	23.11	24.53	24.84	28.00	28.79	32.73	36.66	40.61	44.54	48.49	53.37	57.93	64.24	79.99	
2.00	32	3.208	64	6.416	16.46	17.56	20.72	22.15	23.57	23.88	27.04	27.83	31.77	35.71	39.65	43.59	47.53	52.42	56.98	63.29	79.04	
2.00	36	3.609	72	7.218	15.49	16.59	19.76	21.18	22.60	22.92	26.08	26.87	30.81	34.75	38.70	42.64	46.58	51.46	56.03	62.34	78.09	
2.00	40	4.010	80	8.020	14.51	15.62	18.79	20.22	21.64	21.96	25.12	25.91	29.85	33.80	37.74	41.68	45.63	50.51	55.08	61.38	77.14	
2.00	56	5.614	112	11.229	10.49	11.63	14.85	16.29	17.73	18.05	21.23	22.03	25.99	29.94	33.90	37.85	41.80	46.69	51.26	57.57	73.33	
2.00	72	7.218	144	14.437	12.22	13.69	14.02	17.26	18.07	22.07	26.05	30.02	33.98	37.94	42.84	47.42	53.74	69.51	
2.05	44	4.411	90	9.023	13.34	14.46	17.64	19.07	20.50	20.82	23.98	24.78	28.73	32.67	36.62	40.56	44.51	49.40	53.96	60.27	76.03	
2.11	38	3.810	80	8.020	14.65	15.76	18.94	20.36	21.79	22.10	25.27	26.06	30.00	33.95	37.90	41.84	45.78	50.67	55.23	61.54	77.30	
2.12	34	3.409	72	7.218	15.63	16.74	19.91	21.33	22.75	23.07	26.23	27.02	30.97	34.91	38.85	42.79	46.73	51.62	56.19	62.49	78.25	
2.13	30	3.008	64	6.416	16.61	17.71	20.87	22.30	23.72	24.03	27.19	27.98	31.92	35.86	39.81	43.75	47.69	52.57	57.14	63.44	79.20	
2.15	26	2.607	56	5.614	17.57	18.68	21.84	23.26	24.68	24.99	28.15	28.94	32.88	36.82	40.76	44.70	48.64	53.52	58.09	64.39	80.14	
2.18	22	2.206	48	4.812	18.54	19.64	22.80	24.22	25.63	25.95	29.10	29.89	33.83	37.77	41.71	45.65	49.59	54.47	59.04	65.34	81.09	
2.22	36	3.609	80	8.020	14.80	15.91	19.08	20.51	21.94	22.25	25.42	26.21	30.16	34.10	38.05	41.99	45.93	50.82	55.39	61.69	77.45	
2.25	32	3.208	72	7.218	15.78	16.89	20.06	21.48	22.90	23.22	26.38	27.17	31.12	35.06	39.00	42.94	46.89	51.77	56.34	62.64	78.40	
2.25	40	4.010	90	9.023	13.63	14.75	17.93	19.37	20.79	21.11	24.28	25.07	29.03	32.97	36.92	40.87	44.81	49.70	54.27	60.58	76.34	
2.25	64	6.416	144	14.437	11.24	12.75	14.23	14.56	17.81	18.62	22.64	26.62	30.60	34.57	38.53	43.44	48.02	54.34	70.12	
2.29	28	2.807	64	6.416	16.75	17.86	21.02	22.45	23.87	24.18	27.34	28.13	32.08	36.02	39.96	43.90	47.84	52.73	57.29	63.60	79.35	
2.33	24	2.406	56	5.614	17.72	18.83	21.99	23.41	24.83	25.14	28.30	29.09	33.03	36.97	40.91	44.85	48.79	53.68	58.24	64.55	80.30	
2.33	48	4.812	112	11.229	11.03	12.17	15.41	16.86	18.30	18.62	21.81	22.61	26.58	30.54	34.50	38.45	42.40	47.29	51.87	58.18	73.95	
2.35	34	3.409	80	8.020	14.94	16.05	19.23	20.66	22.08	22.40	25.56	26.36	30.31	34.25	38.20	42.14	46.09	50.97	55.54	61.85	77.60	
2.37	38	3.810	90	9.023	13.77	14.89	18.08	19.51	20.94	21.26	24.43	25.22	29.17	33.12	37.07	41.02	44.97	49.85	54.42	60.73	76.49	
2.40	30	3.008	72	7.218	15.92	17.03	20.20	21.63	23.05	23.37	26.53	27.32	31.27	35.21	39.16	43.10	47.04	51.93	56.49	62.80	78.56	
2.40	80	8.020	192	19.249	17.04	21.16	25.21	29.24	33.24	38.18	42.79	49.14	64.97	
2.46	26	2.607	64	6.416	16.90	18.01	21.17	22.60	24.02	24.33	27.49	28.28	32.23	36.17	40.11	44.05	48.00	52.88	57.45	63.75	79.51	
2.50	32	3.208	80	8.020	15.08	16.20	19.38	20.81	22.23	22.55	25.71	26.51	30.46	34.40	38.35	42.29	46.24	51.12	55.69	62.00	77.76	
2.50	36	3.609	90	9.023	13.91	15.03	18.22	19.66	21.08	21.40	24.57	25.37	29.32	33.27	37.23	41.17	45.12	50.01	54.58	60.88	76.65	
2.55	22	2.206	56	5.614	17.87	18.98	22.14	23.56	24.98	25.30	28.45	29.24	33.18	37.12	41.07	45.01	48.95	53.83	58.40	64.70	80.46	
2.55	44	4.411	112	11.229	11.29	12.44	15.69	17.14	18.58	18.90	22.10	22.90	26.87	30.83	34.79	38.75	42.70	47.59	52.17	58.48	74.25	
2.57	28	2.807	72	7.218	16.07	17.18	20.35	21.78	23.20	23.52	26.68	27.47	31.42	35.36	39.31	43.25	47.19	52.08	56.65	62.95	78.71	
2.57	56	5.614	144	14.437	11.76	13.28	14.77	15.10	18.36	19.18	23.20	27.20	31.18	35.15	39.12	44.03	48.62	54.94	70.73	
2.65	34	3.409	90	9.023	14.05	15.17	18.37	19.80	21.23	21.55	24.72	25.52	29.47	33.42	37.38	41.32	45.27	50.16	54.73	61.04	76.80	
2.67	24	2.406	64	6.416	17.05	18.16	21.32	22.75	24.17	24.48	27.64	28.44	32.38	36.32	40.27	44.21	48.15	53.03	57.60	63.90	79.66	
2.67	30	3.008	80	8.020	15.23	16.34	19.52	20.95	22.38	22.70	25.86	26.66	30.61	34.55	38.50	42.44	46.39	51.28	55.85	62.15	77.91	
2.67	72	7.218	192	19.249	17.56	21.70	25.77	29.80	33.81	38.76	43.37	49.73	65.56	
2.77	26	2.607	72	7.218	16.21	17.32	20.50	21.93	23.35	23.67	26.83	27.62	31.57	35.51	39.46	43.40	47.35	52.23	56.80	63.11	78.86	
2.80	40	4.010	112	11.229	11.56	12.71	15.97	17.42	18.86	19.19	22.38	23.18	27.16	31.13	35.09	39.04	43.00	47.90	52.47	58.79	74.56	
2.81	32	3.208	90	9.023	14.19	15.31	18.51	19.95	21.38	21.69	24.87	25.66	29.62	33.57	37.53	41.47	45.42	50.31	54.88	61.19	76.95	
2.86	28	2.807	80	8.020	15.37	16.49	19.67	21.10	22.53	22.84	26.01	26.80	30.76	34.70	38.65	42.60	46.54	51.43	56.00	62.31	78.07	
Length Factor*					1.00	1.10	1.10	1.10	1.10	1.10	1.10	1.10	1.20	1.20	1.20	1.20	1.20	1.20	1.20	1.20	1.20	1.20

Center distance is greater than eight times the Small Sprocket and the Large Sprocket is not flanged.
Large Sprocket should be ordered with flanges as a special.

* This length correction factor must be used to determine the proper belt width.



SELECTION

8MM Pitch HT200 Belt Drive Selection Table

Speed Ratio	Sprocket Combinations				Center Distance, Inches										
	Driver		Driven		720-8M	800-8M	840-8M	880-8M	920-8M	960-8M	1040-8M	1064-8M	1120-8M	1160-8M	1200-8M
	No. of Teeth	Pitch Dia. Inches	No. of Teeth	Pitch Dia. Inches											
Length Factor*					0.90	0.90	0.90	0.90	1.00	1.00	1.00	1.00	1.00	1.00	1.00
2.91	22	2.206	64	6.416	7.09	8.72	9.53	10.34	11.14	11.94	13.53	14.01	15.13	15.92	16.72
2.95	38	3.810	112	11.229	8.29	9.50	10.35	11.19
3.00	24	2.406	72	7.218	6.14	7.82	8.64	9.46	10.27	11.08	12.68	13.17	14.28	15.08	15.88
3.00	30	3.008	90	9.023	6.36	7.24	8.10	8.94	10.59	11.09	12.22	13.04	13.84
3.00	48	4.812	144	14.437
3.00	64	6.416	192	19.249
3.08	26	2.607	80	8.020	...	6.86	7.71	8.55	9.37	10.19	11.81	12.30	13.42	14.23	15.03
3.11	36	3.609	112	11.229	7.88	8.41	9.63	10.48	11.32
3.21	28	2.807	90	9.023	6.48	7.37	8.22	9.07	10.73	11.22	12.36	13.18	13.98
3.27	22	2.206	72	7.218	6.27	7.95	8.77	9.59	10.41	11.22	12.82	13.31	14.43	15.23	16.02
3.27	44	4.411	144	14.437
3.29	34	3.409	112	11.229	8.00	8.54	9.75	10.61	11.45
3.33	24	2.406	80	8.020	...	6.99	7.84	8.68	9.50	10.33	11.95	12.44	13.56	14.37	15.17
3.43	56	5.614	192	19.249
3.46	26	2.607	90	9.023	6.61	7.49	8.35	9.20	10.86	11.35	12.50	13.31	14.12
3.50	32	3.208	112	11.229	8.12	8.66	9.88	10.74	11.58
3.60	40	4.010	144	14.437
3.64	22	2.206	80	8.020	...	7.12	7.97	8.81	9.64	10.46	12.09	12.58	13.70	14.51	15.31
3.73	30	3.008	112	11.229	8.24	8.78	10.01	10.87	11.71
3.75	24	2.406	90	9.023	6.73	7.62	8.48	9.33	10.99	11.49	12.63	13.45	14.26
3.79	38	3.810	144	14.437
4.00	28	2.807	112	11.229	8.36	8.91	10.13	10.99	11.84
4.00	36	3.609	144	14.437
4.00	48	4.812	192	19.249
4.09	22	2.206	90	9.023	...	5.92	6.85	7.74	8.61	9.46	11.12	11.62	12.77	13.59	14.40
4.24	34	3.409	144	14.437
4.31	26	2.607	112	11.229	8.48	9.03	10.26	11.12	11.97
4.36	44	4.411	192	19.249
4.50	32	3.208	144	14.437
4.67	24	2.406	112	11.229	8.60	9.15	10.38	11.25	12.10
4.80	30	3.008	144	14.437
4.80	40	4.010	192	19.249
5.05	38	3.810	192	19.249
5.09	22	2.206	112	11.229	8.72	9.27	10.51	11.38	12.23
5.14	28	2.807	144	14.437
5.33	36	3.609	192	19.249
5.54	26	2.607	144	14.437
5.65	34	3.409	192	19.249
6.00	24	2.406	144	14.437
6.00	32	3.208	192	19.249
6.40	30	3.008	192	19.249
6.55	22	2.206	144	14.437
6.86	28	2.807	192	19.249
Length Factor*					0.90	0.90	0.90	0.90	1.00	1.00	1.00	1.00	1.00	1.00	1.00

Center distance is greater than eight times the Small Sprocket and the Large Sprocket is not flanged. Large Sprocket should be ordered with flanges as a special.

* This length correction factor must be used to determine the proper belt width.

FEATURES/BENEFITS PAGE PT11-2	SPECIFICATIONS PAGE PT11-4	ENGINEERING/TECHNICAL PAGE PT11-64	
----------------------------------	-------------------------------	---------------------------------------	--

V-Drives
 FHP Drives
 Drive Component Accessories
 DYNA-SYNC
 HT200/HTD Synchronous Drives
 Synchronous Drives
 HTR
 Synchronous Drives
 HTRC
 Synchronous Drives



SELECTION

8MM Pitch HT200 Belt Drive Selection Table

Speed Ratio	Sprocket Combinations				Center Distance, Inches																	
	Driver		Driven		1224-8M	1280-8M	1440-8M	1512-8M	1584-8M	1600-8M	1760-8M	1800-8M	2000-8M	2200-8M	2400-8M	2600-8M	2800-8M	3048-8M	3280-8M	3600-8M	4400-8M	
	No. of Teeth	Pitch Dia. Inches	No. of Teeth	Pitch Dia. Inches																		
Length Factor*					1.00	1.10	1.10	1.10	1.10	1.10	1.10	1.10	1.20	1.20	1.20	1.20	1.20	1.20	1.20	1.20	1.20	1.20
2.91	22	2.206	64	6.416	17.19	18.30	21.47	22.90	24.32	24.63	27.79	28.59	32.53	36.47	40.42	44.36	48.30	53.19	57.75	64.06	79.82	
2.95	38	3.810	112	11.229	11.69	12.84	16.10	17.56	19.01	19.33	22.53	23.33	27.31	31.27	35.24	39.19	43.15	48.05	52.62	58.94	74.71	
3.00	24	2.406	72	7.218	16.36	17.47	20.65	22.08	23.50	23.81	26.98	27.77	31.72	35.67	39.61	43.55	47.50	52.39	56.96	63.26	79.02	
3.00	30	3.008	90	9.023	14.33	15.45	18.65	20.09	21.52	21.84	25.01	25.81	29.77	33.72	37.68	41.62	45.57	50.46	55.03	61.34	77.11	
3.00	48	4.812	144	14.437	12.27	13.80	15.30	15.63	18.91	19.73	23.76	27.77	31.76	35.74	39.71	44.62	49.21	55.54	71.33	
3.00	64	6.416	192	19.249	18.08	22.23	26.31	30.36	34.37	39.33	43.95	50.31	66.16	
3.08	26	2.607	80	8.020	15.51	16.63	19.81	21.25	22.67	22.99	26.16	26.95	30.90	34.85	38.80	42.75	46.70	51.58	56.15	62.46	78.22	
3.11	36	3.609	112	11.229	11.82	12.98	16.24	17.70	19.15	19.47	22.67	23.47	27.45	31.42	35.39	39.34	43.30	48.20	52.77	59.09	74.86	
3.21	28	2.807	90	9.023	14.47	15.59	18.80	20.23	21.67	21.98	25.16	25.96	29.92	33.87	37.83	41.77	45.72	50.61	55.19	61.50	77.26	
3.27	22	2.206	72	7.218	16.50	17.61	20.79	22.22	23.65	23.96	27.13	27.92	31.87	35.82	39.76	43.71	47.65	52.54	57.11	63.41	79.17	
3.27	44	4.411	144	14.437	12.52	14.06	15.56	15.89	19.18	20.00	24.04	28.05	32.05	36.03	40.00	44.92	49.51	55.84	71.64	
3.29	34	3.409	112	11.229	11.95	13.11	16.38	17.84	19.29	19.61	22.81	23.61	27.60	31.57	35.53	39.49	43.45	48.35	52.92	59.24	75.02	
3.33	24	2.406	80	8.020	15.65	16.77	19.96	21.39	22.82	23.14	26.31	27.10	31.05	35.00	38.96	42.90	46.85	51.74	56.31	62.61	78.38	
3.43	56	5.614	192	19.249	13.39	14.29	18.60	22.77	26.86	30.91	34.94	39.90	44.53	50.89	66.75	
3.46	26	2.607	90	9.023	14.61	15.73	18.94	20.38	21.81	22.13	25.31	26.10	30.06	34.02	37.98	41.92	45.87	50.76	55.34	61.65	77.41	
3.50	32	3.208	112	11.229	12.08	13.24	16.52	17.98	19.43	19.75	22.95	23.76	27.74	31.71	35.68	39.64	43.60	48.50	53.07	59.39	75.17	
3.60	40	4.010	144	14.437	12.78	14.32	15.82	16.16	19.45	20.27	24.32	28.34	32.34	36.32	40.29	45.21	49.80	56.13	71.94	
3.64	22	2.206	80	8.020	15.80	16.91	20.10	21.54	22.96	23.28	26.45	27.25	31.20	35.15	39.11	43.05	47.00	51.89	56.46	62.77	78.53	
3.73	30	3.008	112	11.229	12.21	13.38	16.65	18.11	19.56	19.89	23.10	23.90	27.88	31.86	35.83	39.79	43.75	48.64	53.22	59.54	75.32	
3.75	24	2.406	90	9.023	14.75	15.87	19.08	20.52	21.95	22.27	25.45	26.25	30.21	34.17	38.13	42.07	46.02	50.92	55.49	61.80	77.57	
3.79	38	3.810	144	14.437	12.90	14.45	15.96	16.29	19.59	20.41	24.46	28.48	32.48	36.46	40.44	45.36	49.95	56.28	72.09	
4.00	28	2.807	112	11.229	12.35	13.51	16.79	18.25	19.70	20.03	23.24	24.04	28.03	32.00	35.97	39.93	43.89	48.79	53.37	59.69	75.47	
4.00	36	3.609	144	14.437	...	9.42	13.03	14.57	16.09	16.42	19.72	20.54	24.60	28.62	32.62	36.61	40.59	45.50	50.10	56.43	72.24	
4.00	48	4.812	192	19.249	13.88	14.78	19.12	23.30	27.41	31.47	35.50	40.47	45.10	51.47	67.34	
4.09	22	2.206	90	9.023	14.88	16.01	19.22	20.66	22.10	22.42	25.60	26.40	30.36	34.32	38.27	42.22	46.17	51.07	55.64	61.95	77.72	
4.24	34	3.409	144	14.437	...	9.53	13.16	14.70	16.22	16.55	19.86	20.68	24.74	28.76	32.76	36.75	40.73	45.65	50.25	56.58	72.39	
4.31	26	2.607	112	11.229	12.48	13.64	16.93	18.39	19.84	20.17	23.38	24.18	28.17	32.15	36.12	40.08	44.04	48.94	53.52	59.84	75.63	
4.36	44	4.411	192	19.249	4.12	15.03	19.38	25.57	27.68	31.74	35.78	40.75	45.39	51.76	67.63	
4.50	32	3.208	144	14.437	...	9.65	13.28	14.83	16.35	16.68	19.99	20.81	24.88	28.90	32.91	36.89	40.88	45.80	50.39	56.73	72.54	
4.67	24	2.406	112	11.229	12.61	13.77	17.06	18.53	19.98	20.30	23.52	24.32	28.32	32.29	36.27	40.23	44.19	49.09	53.67	59.99	75.78	
4.80	30	3.008	144	14.437	...	9.77	13.41	14.96	16.48	16.81	20.13	20.95	25.01	29.04	33.05	37.04	41.02	45.94	50.54	56.88	72.69	
4.80	40	4.010	192	19.249	14.37	15.27	19.63	23.83	27.95	32.02	36.05	41.03	45.67	52.05	67.93	
5.05	38	3.810	192	19.249	14.49	15.40	19.76	23.96	28.08	32.15	36.19	41.18	45.82	52.19	68.08	
5.09	22	2.206	112	11.229	12.74	13.90	17.20	18.67	20.12	20.44	23.66	24.47	28.46	32.44	36.41	40.38	44.34	49.24	53.82	60.14	75.93	
5.14	28	2.807	144	14.437	...	9.89	13.53	15.09	16.61	16.94	20.26	21.08	25.15	29.18	33.19	37.18	41.17	46.09	50.69	57.02	72.84	
5.33	36	3.609	192	19.249	14.61	15.52	19.89	24.09	28.22	32.29	36.33	41.32	45.96	52.34	68.22	
5.54	26	2.607	144	14.437	...	10.00	13.66	15.21	16.74	17.07	20.39	21.22	25.29	29.32	33.33	37.32	41.31	46.23	50.83	57.17	72.99	
5.65	34	3.409	192	19.249	14.73	15.64	20.02	24.23	28.35	32.43	36.47	41.46	46.10	52.48	68.37	
6.00	24	2.406	144	14.437	...	10.12	13.78	15.34	16.87	17.20	20.53	21.35	25.43	29.46	33.47	37.47	41.45	46.38	50.98	57.32	73.14	
6.00	32	3.208	192	19.249	14.85	15.76	20.14	24.36	28.49	32.56	36.61	41.60	46.24	52.63	68.52	
6.40	30	3.008	192	19.249	14.97	15.89	20.27	24.49	28.62	32.70	36.75	41.74	46.38	52.77	68.66	
6.55	22	2.206	144	14.437	8.80	10.24	13.91	15.47	17.00	17.33	20.66	21.49	25.56	29.60	33.62	37.61	41.60	46.53	51.13	57.47	73.29	
6.86	28	2.807	192	19.249	15.09	16.01	20.40	24.62	28.75	32.84	36.89	41.88	46.53	52.91	68.81	
Length Factor*					1.00	1.10	1.10	1.10	1.10	1.10	1.10	1.10	1.20	1.20	1.20	1.20	1.20	1.20	1.20	1.20	1.20	1.20

Center distance is greater than eight times the Small Sprocket and the Large Sprocket is not flanged.
Large Sprocket should be ordered with flanges as a special.

* This length correction factor must be used to determine the proper belt width.

V-Drives

FHP Drives

Drive Component Accessories

DYNA-SYNC

HT200/HTD Synchronous Drives

HTR Synchronous Drives

HTRC Synchronous Drives



SELECTION

14MM Pitch HT200 Belt Drive Selection Table

Speed Ratio	Sprocket Combinations				Center Distance, Inches										
	Driver		Driven		966-14M	1190-14M	1400-14M	1610-14M	1778-14M	1890-14M	2100-14M	2310-14M	2450-14M	2590-14M	2800-14M
	No. of Teeth	Pitch Dia. Inches	No. of Teeth	Pitch Dia. Inches											
Length Factor*					0.80	0.80	0.90	0.90	0.95	0.95	1.00	1.00	1.00	1.05	1.05
1.00	28	4.912	28	4.912	11.30	15.71	19.84	23.98	27.28	29.49	33.62	37.75	40.51	43.27	47.40
1.00	29	5.088	29	5.088	11.02	15.43	19.57	23.70	27.01	29.21	33.35	37.48	40.24	42.99	47.13
1.00	30	5.263	30	5.263	10.75	15.16	19.29	23.43	26.73	28.94	33.07	37.20	39.96	42.72	46.85
1.00	32	5.614	32	5.614	10.20	14.61	18.74	22.88	26.18	28.39	32.52	36.65	39.41	42.17	46.30
1.00	34	5.965	34	5.965	9.65	14.06	18.19	22.33	25.63	27.84	31.97	36.10	38.86	41.62	45.75
1.00	36	6.316	36	6.316	9.09	13.50	17.64	21.77	25.08	27.28	31.42	35.55	38.31	41.06	45.20
1.00	38	6.667	38	6.667	8.54	12.95	17.09	21.22	24.53	26.73	30.87	35.00	37.76	40.51	44.65
1.00	40	7.018	40	7.018	7.99	12.40	16.54	20.67	23.98	26.18	30.32	34.45	37.21	39.96	44.10
1.00	44	7.720	44	7.720	...	11.30	15.43	19.57	22.87	25.08	29.21	33.34	36.10	38.86	42.99
1.00	48	8.421	48	8.421	...	10.20	14.33	18.47	21.77	23.98	28.11	32.24	35.00	37.76	41.89
1.00	52	9.123	52	9.123	13.23	17.36	20.67	22.87	27.01	31.14	33.90	36.65	40.79
1.00	56	9.825	56	9.825	12.13	16.26	19.57	21.77	25.91	30.04	32.80	35.55	39.69
1.00	60	10.527	60	10.527	15.16	18.46	20.67	24.80	28.93	31.69	34.45	38.58
1.00	64	11.229	64	11.229	14.06	17.36	19.57	23.70	27.83	30.59	33.35	37.48
1.00	68	11.930	68	11.930	12.96	16.26	18.47	22.60	26.73	29.49	32.25	36.38
1.00	72	12.632	72	12.632	15.16	17.36	21.50	25.63	28.39	31.14	35.28
1.00	80	14.036	80	14.036	15.16	19.29	23.42	26.18	28.94	33.07
1.03	29	5.088	30	5.263	10.88	15.30	19.43	23.57	26.87	29.08	33.21	37.34	40.10	42.86	46.99
1.04	28	4.912	29	5.088	11.16	15.57	19.71	23.84	27.15	29.35	33.49	37.62	40.38	43.13	47.27
1.05	38	6.667	40	7.018	8.26	12.68	16.81	20.95	24.25	26.46	30.59	34.72	37.48	40.24	44.37
1.06	36	6.316	38	6.667	8.82	13.23	17.36	21.50	24.80	27.01	31.14	35.27	38.03	40.79	44.92
1.06	34	5.965	36	6.316	9.37	13.78	17.91	22.05	25.35	27.56	31.69	35.82	38.58	41.34	45.47
1.06	68	11.930	72	12.632	15.71	17.91	22.05	26.18	28.94	31.69	35.83
1.06	32	5.614	34	5.965	9.92	14.33	18.47	22.60	25.91	28.11	32.25	36.38	39.14	41.89	46.03
1.06	64	11.229	68	11.930	13.50	16.81	19.01	23.15	27.28	30.04	32.79	36.93
1.07	30	5.263	32	5.614	10.47	14.88	19.02	23.15	26.46	28.66	32.80	36.93	39.69	42.44	46.58
1.07	60	10.527	64	11.229	14.60	17.91	20.11	24.25	28.38	31.14	33.90	38.03
1.07	28	4.912	30	5.263	11.02	15.43	19.57	23.70	27.01	29.21	33.35	37.48	40.24	42.99	47.13
1.07	56	9.825	60	10.527	11.57	15.71	19.01	21.22	25.35	29.48	32.24	35.00	39.13
1.08	52	9.123	56	9.825	12.67	16.81	20.12	22.32	26.46	30.59	33.35	36.10	40.24
1.08	48	8.421	52	9.123	...	9.64	13.78	17.91	21.22	23.42	27.56	31.69	34.45	37.20	41.34
1.09	44	7.720	48	8.421	...	10.74	14.88	19.01	22.32	24.53	28.66	32.79	35.55	38.31	42.44
1.10	40	7.018	44	7.720	...	11.84	15.98	20.12	23.42	25.63	29.76	33.89	36.65	39.41	43.54
1.10	29	5.088	32	5.614	10.61	15.02	19.15	23.29	26.59	28.80	32.93	37.06	39.82	42.58	46.71
1.11	36	6.316	40	7.018	8.54	12.95	17.08	21.22	24.52	26.73	30.87	35.00	37.76	40.51	44.65
1.11	72	12.632	80	14.036	14.04	16.24	20.38	24.51	27.28	30.03	34.17
1.12	34	5.965	38	6.667	9.09	13.50	17.64	21.77	25.08	27.28	31.42	35.55	38.31	41.06	45.20
1.13	32	5.614	36	6.316	9.64	14.05	18.19	22.32	25.63	27.83	31.97	36.10	38.86	41.61	45.75
1.13	64	11.229	72	12.632	12.94	16.24	18.45	22.59	26.72	29.48	32.24	36.37
1.13	80	14.036	90	15.790	17.89	22.03	24.79	27.55	31.68
Length Factor*					0.80	0.80	0.90	0.90	0.95	0.95	1.00	1.00	1.00	1.05	1.05

Center distance is greater than eight times the Small Sprocket and the Large Sprocket is not flanged.
Large Sprocket should be ordered with flanges as a special.

* This length correction factor must be used to determine the proper belt width.

V-Drives

FHP Drives

Drive Component Accessories

DYNA-SYNC

HT200/HTD Synchronous Drives

HTR Synchronous Drives

HTRC Synchronous Drives



SELECTION

14MM Pitch HT200 Belt Drive Selection Table

Speed Ratio	Sprocket Combinations				Center Distance, Inches											
	Driver		Driven		3150-14M	3360-14M	3500-14M	3850-14M	4326-14M	4578-14M	4956-14M	5320-14M	5740-14M	6160-14M	6860-14M	
	No. of Teeth	Pitch Dia. Inches	No. of Teeth	Pitch Dia. Inches												
Length Factor*					1.05	1.10	1.10	1.10	1.10	1.10	1.10	1.10	1.10	1.10	1.10	1.10
1.00	28	4.912	28	4.912	54.29	58.42	61.18	68.07	77.44	82.40	89.84	97.01	105.27	113.54	127.32	
1.00	29	5.088	29	5.088	54.02	58.15	60.91	67.79	77.16	82.13	89.57	96.73	105.00	113.27	127.05	
1.00	30	5.263	30	5.263	53.74	57.87	60.63	67.52	76.89	81.85	89.29	96.46	104.72	112.99	126.77	
1.00	32	5.614	32	5.614	53.19	57.32	60.08	66.97	76.34	81.30	88.74	95.91	104.17	112.44	126.22	
1.00	34	5.965	34	5.965	52.64	56.77	59.53	66.42	75.79	80.75	88.19	95.36	103.62	111.89	125.67	
1.00	36	6.316	36	6.316	52.09	56.22	58.98	65.86	75.23	80.20	87.64	94.80	103.07	111.34	125.12	
1.00	38	6.667	38	6.667	51.54	55.67	58.43	65.31	74.68	79.65	87.09	94.25	102.52	110.79	124.57	
1.00	40	7.018	40	7.018	50.99	55.12	57.88	64.76	74.13	79.10	86.54	93.70	101.97	110.24	124.02	
1.00	44	7.720	44	7.720	49.88	54.01	56.77	63.66	73.03	77.99	85.43	92.60	100.86	109.13	122.91	
1.00	48	8.421	48	8.421	48.78	52.91	55.67	62.56	71.93	76.89	84.33	91.50	99.76	108.03	121.81	
1.00	52	9.123	52	9.123	47.68	51.81	54.57	61.45	70.82	75.79	83.23	90.39	98.66	106.93	120.71	
1.00	56	9.825	56	9.825	46.58	50.71	53.47	60.35	69.72	74.69	82.13	89.29	97.56	105.83	119.61	
1.00	60	10.527	60	10.527	45.47	49.60	52.36	59.25	68.62	73.58	81.02	88.19	96.45	104.72	118.50	
1.00	64	11.229	64	11.229	44.37	48.50	51.26	58.15	67.52	72.48	79.92	87.09	95.35	103.62	117.40	
1.00	68	11.930	68	11.930	43.27	47.40	50.16	57.05	66.42	71.38	78.82	85.99	94.25	102.52	116.30	
1.00	72	12.632	72	12.632	42.17	46.30	49.06	55.94	65.31	70.28	77.72	84.88	93.15	101.42	115.20	
1.00	80	14.036	80	14.036	39.96	44.09	46.85	53.74	63.11	68.07	75.51	82.68	90.94	99.21	112.99	
1.03	29	5.088	30	5.263	53.88	58.01	60.77	67.66	77.03	81.99	89.43	96.60	104.86	113.13	126.91	
1.04	28	4.912	29	5.088	54.16	58.29	61.05	67.93	77.30	82.27	89.71	96.87	105.14	113.41	127.19	
1.05	38	6.667	40	7.018	51.26	55.39	58.15	65.04	74.41	79.37	86.81	93.98	102.24	110.51	124.29	
1.06	36	6.316	38	6.667	51.81	55.94	58.70	65.59	74.96	79.92	87.36	94.53	102.79	111.06	124.84	
1.06	34	5.965	36	6.316	52.36	56.49	59.25	66.14	75.51	80.47	87.91	95.08	103.34	111.61	125.39	
1.06	68	11.930	72	12.632	42.72	46.85	49.61	56.49	65.86	70.83	78.27	85.43	93.70	101.97	115.75	
1.06	32	5.614	34	5.965	52.92	57.05	59.81	66.69	76.06	81.03	88.47	95.63	103.90	112.17	125.95	
1.06	64	11.229	68	11.930	43.82	47.95	50.71	57.59	66.97	71.93	79.37	86.54	94.80	103.07	116.85	
1.07	30	5.263	32	5.614	53.47	57.60	60.36	67.24	76.61	81.58	89.02	96.18	104.45	112.72	126.50	
1.07	60	10.527	64	11.229	44.92	49.05	51.81	58.70	68.07	73.03	80.47	87.64	95.90	104.17	117.95	
1.07	28	4.912	30	5.263	54.02	58.15	60.91	67.79	77.16	82.13	89.57	96.73	105.00	113.27	127.05	
1.07	56	9.825	60	10.527	46.02	50.15	52.91	59.80	69.17	74.13	81.57	88.74	97.00	105.27	119.06	
1.08	52	9.123	56	9.825	47.13	51.26	54.02	60.90	70.27	75.24	82.68	89.84	98.11	106.38	120.16	
1.08	48	8.421	52	9.123	48.23	52.36	55.12	62.00	71.38	76.34	83.78	90.95	99.21	107.48	121.26	
1.09	44	7.720	48	8.421	49.33	53.46	56.22	63.11	72.48	77.44	84.88	92.05	100.31	108.58	122.36	
1.10	40	7.018	44	7.720	50.43	54.56	57.32	64.21	73.58	78.54	85.98	93.15	101.41	109.68	123.46	
1.10	29	5.088	32	5.614	53.60	57.73	60.49	67.38	76.75	81.71	89.15	96.32	104.58	112.85	126.63	
1.11	36	6.316	40	7.018	51.54	55.67	58.43	65.31	74.68	79.65	87.09	94.25	102.52	110.79	124.57	
1.11	72	12.632	80	14.036	41.06	45.19	47.95	54.84	64.21	69.17	76.61	83.78	92.04	100.31	114.09	
1.12	34	5.965	38	6.667	52.09	56.22	58.98	65.86	75.23	80.20	87.64	94.80	103.07	111.34	125.12	
1.13	32	5.614	36	6.316	52.64	56.77	59.53	66.41	75.78	80.75	88.19	95.35	103.62	111.89	125.67	
1.13	64	11.229	72	12.632	43.26	47.39	50.15	57.04	66.41	71.38	78.82	85.98	94.25	102.52	116.30	
1.13	80	14.036	90	15.790	38.57	42.71	45.47	52.35	61.72	66.69	74.13	81.29	89.56	97.83	111.61	
Length Factor*					1.05	1.10	1.10	1.10	1.10	1.10	1.10	1.10	1.10	1.10	1.10	1.10

Center distance is greater than eight times the Small Sprocket and the Large Sprocket is not flanged. Large Sprocket should be ordered with flanges as a special.

* This length correction factor must be used to determine the proper belt width.



SELECTION

14MM Pitch HT200 Belt Drive Selection Table

Speed Ratio	Sprocket Combinations				Center Distance, Inches										
	Driver		Driven		966-14M	1190-14M	1400-14M	1610-14M	1778-14M	1890-14M	2100-14M	2310-14M	2450-14M	2590-14M	2800-14M
	No. of Teeth	Pitch Dia. Inches	No. of Teeth	Pitch Dia. Inches											
Length Factor*					0.80	0.80	0.90	0.90	0.95	0.95	1.00	1.00	1.00	1.05	1.05
1.13	30	5.263	34	5.965	10.19	14.60	18.74	22.87	26.18	28.38	32.52	36.65	39.41	42.17	46.30
1.13	60	10.527	68	11.930	14.04	17.35	19.55	23.69	27.82	30.58	33.34	37.48
1.14	28	4.912	32	5.614	10.74	15.15	19.29	23.43	26.73	28.94	33.07	37.20	39.96	42.72	46.85
1.14	56	9.825	64	11.229	15.14	18.45	20.66	24.79	28.93	31.69	34.44	38.58
1.15	52	9.123	60	10.527	12.11	16.25	19.55	21.76	25.90	30.03	32.79	35.54	39.68
1.16	38	6.667	44	7.720	...	12.11	16.25	20.39	23.69	25.90	30.04	34.17	36.93	39.68	43.82
1.17	48	8.421	56	9.825	13.21	17.35	20.66	22.86	27.00	31.13	33.89	36.65	40.78
1.17	29	5.088	34	5.965	10.32	14.74	18.87	23.01	26.32	28.52	32.66	36.79	39.55	42.30	46.44
1.18	34	5.965	40	7.018	8.80	13.22	17.36	21.49	24.80	27.00	31.14	35.27	38.03	40.78	44.92
1.18	68	11.930	80	14.036	14.57	16.78	20.92	25.05	27.82	30.57	34.71
1.18	44	7.720	52	9.123	...	10.17	14.31	18.45	21.76	23.97	28.10	32.23	34.99	37.75	41.89
1.19	32	5.614	38	6.667	9.35	13.77	17.91	22.04	25.35	27.55	31.69	35.82	38.58	41.34	45.47
1.20	30	5.263	36	6.316	9.91	14.32	18.46	22.59	25.90	28.11	32.24	36.37	39.13	41.89	46.02
1.20	40	7.018	48	8.421	...	11.28	15.42	19.56	22.86	25.07	29.21	33.34	36.10	38.85	42.99
1.20	60	10.527	72	12.632	13.46	16.78	18.99	23.13	27.26	30.02	32.78	36.92
1.21	28	4.912	34	5.965	10.46	14.87	19.01	23.15	26.45	28.66	32.79	36.92	39.68	42.44	46.57
1.21	56	9.825	68	11.930	14.57	17.88	20.09	24.23	28.36	31.13	33.88	38.02
1.22	36	6.316	44	7.720	7.96	12.38	16.52	20.66	23.97	26.17	30.31	34.44	37.20	39.95	44.09
1.23	52	9.123	64	11.229	11.53	15.68	18.99	21.19	25.33	29.47	32.23	34.98	39.12
1.24	29	5.088	36	6.316	10.04	14.46	18.59	22.73	26.04	28.24	32.38	36.51	39.27	42.02	46.16
1.25	32	5.614	40	7.018	9.07	13.49	17.62	21.76	25.07	27.27	31.41	35.54	38.30	41.06	45.19
1.25	48	8.421	60	10.527	12.63	16.78	20.09	22.30	26.44	30.57	33.33	36.09	40.22
1.25	64	11.229	80	14.036	15.09	17.30	21.45	25.59	28.35	31.11	35.25
1.25	72	12.632	90	15.790	14.80	18.95	23.09	25.86	28.62	32.76
1.26	38	6.667	48	8.421	...	11.54	15.69	19.83	23.13	25.34	29.48	33.61	36.37	39.13	43.26
1.27	30	5.263	38	6.667	9.62	14.04	18.18	22.31	25.62	27.83	31.96	36.09	38.85	41.61	45.74
1.27	44	7.720	56	9.825	...	9.59	13.74	17.88	21.19	23.40	27.54	31.67	34.43	37.19	41.33
1.29	28	4.912	36	6.316	10.17	14.59	18.73	22.87	26.17	28.38	32.51	36.64	39.41	42.16	46.30
1.29	56	9.825	72	12.632	13.99	17.31	19.52	23.66	27.80	30.56	33.32	37.46
1.29	34	5.965	44	7.720	8.22	12.65	16.79	20.93	24.24	26.44	30.58	34.71	37.47	40.23	44.36
1.30	40	7.018	52	9.123	...	10.70	14.85	18.99	22.30	24.51	28.64	32.78	35.54	38.29	42.43
1.31	52	9.123	68	11.930	15.09	18.41	20.62	24.77	28.90	31.66	34.42	38.56
1.31	29	5.088	38	6.667	9.75	14.17	18.31	22.45	25.76	27.96	32.10	36.23	38.99	41.75	45.88
1.32	68	11.930	90	15.790	15.31	19.47	23.62	26.39	29.15	33.29
1.33	30	5.263	40	7.018	9.33	13.75	17.89	22.03	25.34	27.55	31.68	35.81	38.57	41.33	45.47
1.33	36	6.316	48	8.421	...	11.80	15.95	20.09	23.40	25.61	29.75	33.88	36.64	39.40	43.53
1.33	48	8.421	64	11.229	12.05	16.20	19.52	21.73	25.87	30.00	32.77	35.52	39.66
1.33	60	10.527	80	14.036	15.61	17.83	21.98	26.12	28.88	31.64	35.79
1.36	28	4.912	38	6.667	9.88	14.30	18.45	22.58	25.89	28.10	32.23	36.37	39.13	41.88	46.02
1.36	44	7.720	60	10.527	13.15	17.31	20.62	22.83	26.97	31.11	33.87	36.63	40.76
Length Factor*					0.80	0.80	0.90	0.90	0.95	0.95	1.00	1.00	1.00	1.05	1.05

Center distance is greater than eight times the Small Sprocket and the Large Sprocket is not flanged.
Large Sprocket should be ordered with flanges as a special.

* This length correction factor must be used to determine the proper belt width.

FEATURES/BENEFITS PAGE PT11-2	SPECIFICATIONS PAGE PT11-4	ENGINEERING/TECHNICAL PAGE PT11-64	
----------------------------------	-------------------------------	---------------------------------------	--

V-Drives

FHP Drives

Drive Component
Accessories

DYNA-SYNC

HT200/HTD
Synchronous Drives

HTR
Synchronous Drives

HTRC
Synchronous Drives



SELECTION

14MM Pitch HT200 Belt Drive Selection Table

Speed Ratio	Sprocket Combinations				Center Distance, Inches										
	Driver		Driven		3150-14M	3360-14M	3500-14M	3850-14M	4326-14M	4578-14M	4956-14M	5320-14M	5740-14M	6160-14M	6860-14M
	No. of Teeth	Pitch Dia. Inches	No. of Teeth	Pitch Dia. Inches											
Length Factor*					1.05	1.10	1.10	1.10	1.10	1.10	1.10	1.10	1.10	1.10	1.10
1.13	30	5.263	34	5.965	53.19	57.32	60.08	66.97	76.34	81.30	88.74	95.91	104.17	112.44	126.22
1.13	60	10.527	68	11.930	44.37	48.50	51.26	58.14	67.51	72.48	79.92	87.08	95.35	103.62	117.40
1.14	28	4.912	32	5.614	53.74	57.87	60.63	67.52	76.89	81.85	89.29	96.46	104.72	112.99	126.77
1.14	56	9.825	64	11.229	45.47	49.60	52.36	59.25	68.62	73.58	81.02	88.19	96.45	104.72	118.50
1.15	52	9.123	60	10.527	46.57	50.70	53.46	60.35	69.72	74.68	82.12	89.29	97.55	105.82	119.60
1.16	38	6.667	44	7.720	50.71	54.84	57.60	64.48	73.85	78.82	86.26	93.42	101.69	109.96	123.74
1.17	48	8.421	56	9.825	47.67	51.80	54.57	61.45	70.82	75.79	83.23	90.39	98.66	106.93	120.71
1.17	29	5.088	34	5.965	53.33	57.46	60.22	67.10	76.47	81.44	88.88	96.04	104.31	112.58	126.36
1.18	34	5.965	40	7.018	51.81	55.94	58.70	65.59	74.96	79.92	87.36	94.53	102.79	111.06	124.84
1.18	68	11.930	80	14.036	41.60	45.73	48.49	55.38	64.75	69.72	77.16	84.32	92.59	100.86	114.64
1.18	44	7.720	52	9.123	48.78	52.91	55.67	62.55	71.92	76.89	84.33	91.49	99.76	108.03	121.81
1.19	32	5.614	38	6.667	52.36	56.49	59.25	66.14	75.51	80.47	87.91	95.08	103.34	111.61	125.39
1.20	30	5.263	36	6.316	52.91	57.04	59.80	66.69	76.06	81.02	88.46	95.63	103.89	112.16	125.94
1.20	40	7.018	48	8.421	49.88	54.01	56.77	63.66	73.03	77.99	85.43	92.60	100.86	109.13	122.91
1.20	60	10.527	72	12.632	43.81	47.94	50.70	57.59	66.96	71.92	79.36	86.53	94.80	103.07	116.85
1.21	28	4.912	34	5.965	53.46	57.59	60.35	67.24	76.61	81.58	89.02	96.18	104.45	112.72	126.50
1.21	56	9.825	68	11.930	44.91	49.04	51.80	58.69	68.06	73.03	80.47	87.63	95.90	104.17	117.95
1.22	36	6.316	44	7.720	50.98	55.11	57.87	64.76	74.13	79.09	86.53	93.70	101.96	110.23	124.01
1.23	52	9.123	64	11.229	46.01	50.14	52.91	59.79	69.16	74.13	81.57	88.73	97.00	105.27	119.05
1.24	29	5.088	36	6.316	53.05	57.18	59.94	66.83	76.20	81.16	88.60	95.77	104.03	112.30	126.08
1.25	32	5.614	40	7.018	52.08	56.21	58.97	65.86	75.23	80.20	87.64	94.80	103.07	111.34	125.12
1.25	48	8.421	60	10.527	47.12	51.25	54.01	60.89	70.27	75.23	82.67	89.84	98.10	106.37	120.15
1.25	64	11.229	80	14.036	42.14	46.28	49.04	55.92	65.30	70.26	77.70	84.87	93.14	101.41	115.19
1.25	72	12.632	90	15.790	39.66	43.79	46.55	53.44	62.81	67.78	75.22	82.39	90.65	98.92	112.71
1.26	38	6.667	48	8.421	50.15	54.28	57.04	63.93	73.30	78.26	85.71	92.87	101.14	109.41	123.19
1.27	30	5.263	38	6.667	52.64	56.77	59.53	66.41	75.78	80.75	88.19	95.35	103.62	111.89	125.67
1.27	44	7.720	56	9.825	48.22	52.35	55.11	62.00	71.37	76.33	83.77	90.94	99.20	107.48	121.26
1.29	28	4.912	36	6.316	53.19	57.32	60.08	66.96	76.33	81.30	88.74	95.90	104.17	112.44	126.22
1.29	56	9.825	72	12.632	44.35	48.48	51.24	58.13	67.50	72.47	79.91	87.08	95.34	103.61	117.39
1.29	34	5.965	44	7.720	51.25	55.38	58.15	65.03	74.40	79.37	86.81	93.97	102.24	110.51	124.29
1.30	40	7.018	52	9.123	49.32	53.45	56.21	63.10	72.47	77.44	84.88	92.04	100.31	108.58	122.36
1.31	52	9.123	68	11.930	45.45	49.59	52.35	59.23	68.61	73.57	81.01	88.18	96.44	104.72	118.50
1.31	29	5.088	38	6.667	52.77	56.90	59.66	66.55	75.92	80.88	88.32	95.49	103.75	112.02	125.81
1.32	68	11.930	90	15.790	40.19	44.33	47.09	53.98	63.35	68.32	75.76	82.93	91.20	99.47	113.25
1.33	30	5.263	40	7.018	52.36	56.49	59.25	66.13	75.50	80.47	87.91	95.08	103.34	111.61	125.39
1.33	36	6.316	48	8.421	50.42	54.56	57.32	64.20	73.57	78.54	85.98	93.14	101.41	109.68	123.46
1.33	48	8.421	64	11.229	46.56	50.69	53.45	60.34	69.71	74.67	82.11	89.28	97.55	105.82	119.60
1.33	60	10.527	80	14.036	42.68	46.82	49.58	56.47	65.84	70.81	78.25	85.42	93.68	101.95	115.73
1.36	28	4.912	38	6.667	52.91	57.04	59.80	66.69	76.06	81.02	88.46	95.63	103.89	112.16	125.94
1.36	44	7.720	60	10.527	47.66	51.79	54.55	61.44	70.81	75.78	83.22	90.38	98.65	106.92	120.70
Length Factor*					1.05	1.10	1.10	1.10	1.10	1.10	1.10	1.10	1.10	1.10	1.10

Center distance is greater than eight times the Small Sprocket and the Large Sprocket is not flanged.
Large Sprocket should be ordered with flanges as a special.

* This length correction factor must be used to determine the proper belt width.

FEATURES/BENEFITS PAGE PT11-2	SPECIFICATIONS PAGE PT11-4	ENGINEERING/TECHNICAL PAGE PT11-64	
----------------------------------	-------------------------------	---------------------------------------	--



SELECTION

14MM Pitch HT200 Belt Drive Selection Table

Speed Ratio	Sprocket Combinations				Center Distance, Inches										
	Driver		Driven		966-14M	1190-14M	1400-14M	1610-14M	1778-14M	1890-14M	2100-14M	2310-14M	2450-14M	2590-14M	2800-14M
	No. of Teeth	Pitch Dia. Inches	No. of Teeth	Pitch Dia. Inches											
Length Factor*					0.80	0.80	0.90	0.90	0.95	0.95	1.00	1.00	1.00	1.05	1.05
1.37	38	6.667	52	9.123	...	10.95	15.11	19.25	22.57	24.77	28.91	33.05	35.81	38.56	42.70
1.38	32	5.614	44	7.720	8.48	12.91	17.05	21.20	24.50	26.71	30.85	34.98	37.74	40.50	44.64
1.38	29	5.088	40	7.018	9.46	13.88	18.03	22.17	25.47	27.68	31.82	35.95	38.71	41.47	45.60
1.39	52	9.123	72	12.632	14.50	17.83	20.04	24.19	28.33	31.09	33.85	37.99
1.40	40	7.018	56	9.825	...	10.10	14.26	18.41	21.73	23.94	28.08	32.21	34.97	37.73	41.87
1.40	80	14.036	112	19.650	18.80	21.59	24.37	28.52	
1.41	64	11.229	90	15.790	15.82	19.99	24.14	26.91	29.68	33.82
1.41	34	5.965	48	8.421	...	12.06	16.21	20.36	23.67	25.88	30.02	34.15	36.91	39.67	43.80
1.42	48	8.421	68	11.930	11.44	15.61	18.94	21.15	25.30	29.43	32.20	34.96	39.10
1.43	28	4.912	40	7.018	9.59	14.02	18.16	22.30	25.61	27.82	31.95	36.08	38.85	41.60	45.74
1.43	56	9.825	80	14.036	12.78	16.12	18.34	22.50	26.65	29.41	32.18	36.32
1.44	36	6.316	52	9.123	...	11.21	15.37	19.52	22.83	25.04	29.18	33.31	36.08	38.83	42.97
1.46	44	7.720	64	11.229	12.55	16.72	20.04	22.25	26.40	30.54	33.30	36.06	40.20
1.47	30	5.263	44	7.720	8.73	13.17	17.32	21.46	24.77	26.98	31.12	35.25	38.01	40.77	44.91
1.47	38	6.667	56	9.825	...	10.35	14.52	18.68	21.99	24.20	28.34	32.48	35.24	38.00	42.14
1.50	32	5.614	48	8.421	7.87	12.32	16.48	20.62	23.94	26.14	30.28	34.42	37.18	39.94	44.07
1.50	40	7.018	60	10.527	...	9.48	13.67	17.83	21.15	23.36	27.50	31.64	34.41	37.16	41.30
1.50	48	8.421	72	12.632	15.01	18.34	20.56	24.72	28.86	31.62	34.39	38.53
1.50	60	10.527	90	15.790	14.08	16.32	20.50	24.66	27.43	30.20	34.35
1.52	29	5.088	44	7.720	8.86	13.30	17.45	21.60	24.91	27.11	31.25	35.39	38.15	40.90	45.04
1.53	34	5.965	52	9.123	...	11.47	15.63	19.78	23.10	25.31	29.45	33.58	36.35	39.10	43.24
1.54	52	9.123	80	14.036	13.28	16.63	18.86	23.02	27.17	29.94	32.70	36.85
1.55	44	7.720	68	11.930	11.94	16.12	19.45	21.67	25.82	29.96	32.73	35.49	39.63
1.56	36	6.316	56	9.825	...	10.60	14.78	18.94	22.25	24.46	28.61	32.75	35.51	38.27	42.41
1.56	72	12.632	112	19.650	19.80	22.60	25.39	29.56	
1.57	28	4.912	44	7.720	8.98	13.43	17.58	21.73	25.04	27.25	31.39	35.52	38.28	41.04	45.18
1.58	38	6.667	60	10.527	...	9.73	13.92	18.09	21.41	23.62	27.77	31.91	34.67	37.43	41.57
1.60	30	5.263	48	8.421	8.11	12.58	16.74	20.89	24.20	26.41	30.55	34.69	37.45	40.21	44.34
1.60	40	7.018	64	11.229	13.06	17.24	20.56	22.78	26.93	31.07	33.83	36.59	40.73
1.61	56	9.825	90	15.790	14.58	16.82	21.01	25.18	27.95	30.72	34.87
1.63	32	5.614	52	9.123	...	11.72	15.89	20.04	23.36	25.57	29.71	33.85	36.61	39.37	43.51
1.64	44	7.720	72	12.632	11.31	15.52	18.86	21.08	25.24	29.38	32.15	34.91	39.06
1.65	34	5.965	56	9.825	...	10.85	15.03	19.20	22.52	24.73	28.87	33.01	35.78	38.54	42.67
1.65	68	11.930	112	19.650	20.30	23.10	25.89	30.07	
1.66	29	5.088	48	8.421	8.24	12.71	16.87	21.02	24.33	26.54	30.68	34.82	37.58	40.34	44.48
1.67	36	6.316	60	10.527	...	9.97	14.17	18.35	21.67	23.88	28.03	32.17	34.94	37.70	41.84
1.67	48	8.421	80	14.036	13.77	17.13	19.36	23.53	27.69	30.46	33.23	37.38
1.68	38	6.667	64	11.229	13.31	17.49	20.82	23.04	27.19	31.33	34.10	36.86	41.00
1.70	40	7.018	68	11.930	12.43	16.63	19.97	22.19	26.34	30.49	33.26	36.02	40.16
1.71	28	4.912	48	8.421	8.36	12.83	17.00	21.15	24.47	26.68	30.82	34.95	37.72	40.48	44.61
Length Factor*					0.80	0.80	0.90	0.90	0.95	0.95	1.00	1.00	1.00	1.05	1.05

Center distance is greater than eight times the Small Sprocket and the Large Sprocket is not flanged.
Large Sprocket should be ordered with flanges as a special.

* This length correction factor must be used to determine the proper belt width.

FEATURES/BENEFITS PAGE PT11-2	SPECIFICATIONS PAGE PT11-4	ENGINEERING/TECHNICAL PAGE PT11-64	
----------------------------------	-------------------------------	---------------------------------------	--

V-Drives

FHP Drives

Drive Component Accessories

DYNA-SYNC

HT200/HTD Synchronous Drives

HTR Synchronous Drives

HTRC Synchronous Drives



SELECTION

14MM Pitch HT200 Belt Drive Selection Table

Speed Ratio	Sprocket Combinations				Center Distance, Inches										
	Driver		Driven		3150-14M	3360-14M	3500-14M	3850-14M	4326-14M	4578-14M	4956-14M	5320-14M	5740-14M	6160-14M	6860-14M
	No. of Teeth	Pitch Dia. Inches	No. of Teeth	Pitch Dia. Inches											
Length Factor*					1.05	1.10	1.10	1.10	1.10	1.10	1.10	1.10	1.10	1.10	1.10
1.37	38	6.667	52	9.123	49.59	53.72	56.49	63.37	72.74	77.71	85.15	92.32	100.58	108.85	122.63
1.38	32	5.614	44	7.720	51.53	55.66	58.42	65.30	74.68	79.64	87.08	94.25	102.51	110.78	124.56
1.38	29	5.088	40	7.018	52.49	56.62	59.38	66.27	75.64	80.61	88.05	95.21	103.48	111.75	125.53
1.39	52	9.123	72	12.632	44.89	49.02	51.78	58.67	68.05	73.01	80.45	87.62	95.89	104.16	117.94
1.40	40	7.018	56	9.825	48.76	52.89	55.65	62.54	71.91	76.88	84.32	91.49	99.75	108.02	121.80
1.40	80	14.036	112	19.650	35.44	39.58	42.35	49.25	58.63	63.60	71.05	78.22	86.49	94.76	108.55
1.41	64	11.229	90	15.790	40.73	44.86	47.62	54.52	63.89	68.86	76.31	83.47	91.74	100.01	113.80
1.41	34	5.965	48	8.421	50.70	54.83	57.59	64.47	73.85	78.81	86.25	93.42	101.68	109.95	123.74
1.42	48	8.421	68	11.930	45.99	50.13	52.89	59.78	69.15	74.12	81.56	88.72	96.99	105.26	119.04
1.43	28	4.912	40	7.018	52.63	56.76	59.52	66.41	75.78	80.74	88.18	95.35	103.61	111.89	125.67
1.43	56	9.825	80	14.036	43.22	47.35	50.12	57.01	66.38	71.35	78.79	85.96	94.23	102.50	116.28
1.44	36	6.316	52	9.123	49.86	54.00	56.76	63.64	73.02	77.98	85.42	92.59	100.85	109.13	122.91
1.46	44	7.720	64	11.229	47.09	51.23	53.99	60.88	70.25	75.22	82.66	89.83	98.09	106.36	120.14
1.47	30	5.263	44	7.720	51.80	55.93	58.69	65.58	74.95	79.91	87.35	94.52	102.79	111.06	124.84
1.47	38	6.667	56	9.825	49.03	53.16	55.92	62.81	72.18	77.15	84.59	91.76	100.02	108.30	122.08
1.50	32	5.614	48	8.421	50.97	55.10	57.86	64.75	74.12	79.08	86.53	93.69	101.96	110.23	124.01
1.50	40	7.018	60	10.527	48.20	52.33	55.09	61.98	71.35	76.32	83.76	90.93	99.19	107.47	121.25
1.50	48	8.421	72	12.632	45.43	49.56	52.32	59.21	68.59	73.55	81.00	88.16	96.43	104.70	118.49
1.50	60	10.527	90	15.790	41.26	45.39	48.16	55.05	64.43	69.40	76.85	84.01	92.28	100.56	114.34
1.52	29	5.088	44	7.720	51.93	56.07	58.83	65.71	75.08	80.05	87.49	94.66	102.92	111.19	124.97
1.53	34	5.965	52	9.123	50.14	54.27	57.03	63.92	73.29	78.25	85.70	92.86	101.13	109.40	123.18
1.54	52	9.123	80	14.036	43.75	47.89	50.65	57.54	66.92	71.89	79.33	86.50	94.77	103.04	116.83
1.55	44	7.720	68	11.930	46.53	50.66	53.43	60.32	69.69	74.66	82.10	89.27	97.53	105.81	119.59
1.56	36	6.316	56	9.825	49.30	53.43	56.20	63.08	72.46	77.42	84.86	92.03	100.30	108.57	122.35
1.56	72	12.632	112	19.650	36.49	40.63	43.40	50.31	59.70	64.67	72.12	79.29	87.57	95.84	109.63
1.57	28	4.912	44	7.720	52.07	56.20	58.96	65.85	75.22	80.19	87.63	94.79	103.06	111.33	125.11
1.58	38	6.667	60	10.527	48.47	52.60	55.36	62.25	71.62	76.59	84.03	91.20	99.47	107.74	121.52
1.60	30	5.263	48	8.421	51.24	55.37	58.13	65.02	74.39	79.36	86.80	93.96	102.23	110.50	124.28
1.60	40	7.018	64	11.229	47.63	51.77	54.53	61.42	70.79	75.76	83.20	90.37	98.64	106.91	120.69
1.61	56	9.825	90	15.790	41.79	45.93	48.69	55.59	64.97	69.94	77.38	84.55	92.82	101.10	114.88
1.63	32	5.614	52	9.123	50.41	54.54	57.30	64.19	73.56	78.53	85.97	93.13	101.40	109.67	123.45
1.64	44	7.720	72	12.632	45.96	50.10	52.86	59.75	69.13	74.09	81.54	88.71	96.97	105.25	119.03
1.65	34	5.965	56	9.825	49.57	53.70	56.47	63.35	72.73	77.69	85.14	92.30	100.57	108.84	122.62
1.65	68	11.930	112	19.650	37.01	41.16	43.93	50.84	60.23	65.20	72.65	79.83	88.10	96.38	110.17
1.66	29	5.088	48	8.421	51.37	55.51	58.27	65.15	74.53	79.49	86.93	94.10	102.37	110.64	124.42
1.67	36	6.316	60	10.527	48.74	52.87	55.63	62.52	71.90	76.86	84.31	91.47	99.74	108.01	121.79
1.67	48	8.421	80	14.036	44.28	48.42	51.19	58.08	67.46	72.43	79.87	87.04	95.31	103.58	117.37
1.68	38	6.667	64	11.229	47.90	52.03	54.80	61.69	71.06	76.03	83.47	90.64	98.91	107.18	120.96
1.70	40	7.018	68	11.930	47.06	51.20	53.96	60.85	70.23	75.20	82.64	89.81	98.08	106.35	120.13
1.71	28	4.912	48	8.421	51.51	55.64	58.40	65.29	74.66	79.63	87.07	94.24	102.50	110.77	124.56
Length Factor*					1.05	1.10	1.10	1.10	1.10	1.10	1.10	1.10	1.10	1.10	1.10

Center distance is greater than eight times the Small Sprocket and the Large Sprocket is not flanged. Large Sprocket should be ordered with flanges as a special.

* This length correction factor must be used to determine the proper belt width.

V-Drives

FHP Drives

Drive Component Accessories

DYNA-SYNC

HT200/HTD Synchronous Drives

HTR Synchronous Drives

HTRC Synchronous Drives

FEATURES/BENEFITS PAGE PT11-2	SPECIFICATIONS PAGE PT11-4	ENGINEERING/TECHNICAL PAGE PT11-64	
----------------------------------	-------------------------------	---------------------------------------	--



SELECTION

14MM Pitch HT200 Belt Drive Selection Table

Speed Ratio	Sprocket Combinations				Center Distance, Inches										
	Driver		Driven		966-14M	1190-14M	1400-14M	1610-14M	1778-14M	1890-14M	2100-14M	2310-14M	2450-14M	2590-14M	2800-14M
	No. of Teeth	Pitch Dia. Inches	No. of Teeth	Pitch Dia. Inches											
Length Factor*					0.80	0.80	0.90	0.90	0.95	0.95	1.00	1.00	1.00	1.05	1.05
1.73	52	9.123	90	15.790	15.06	17.32	21.51	25.69	28.47	31.24	35.40
1.73	30	5.263	52	9.123	...	11.97	16.15	20.30	23.62	25.83	29.98	34.12	36.88	39.64	43.78
1.75	32	5.614	56	9.825	...	11.10	15.29	19.46	22.78	24.99	29.14	33.28	36.04	38.80	42.94
1.75	64	11.229	112	19.650	16.55	20.79	23.60	26.40	30.58
1.77	34	5.965	60	10.527	...	10.22	14.43	18.60	21.93	24.14	28.30	32.44	35.20	37.96	42.11
1.78	36	6.316	64	11.229	13.56	17.74	21.08	23.30	27.45	31.59	34.36	37.12	41.27
1.79	38	6.667	68	11.930	12.68	16.88	20.22	22.44	26.60	30.75	33.52	36.28	40.43
1.79	29	5.088	52	9.123	...	12.10	16.27	20.43	23.75	25.97	30.11	34.25	37.01	39.77	43.91
1.80	40	7.018	72	12.632	11.79	16.02	19.36	21.59	25.75	29.91	32.68	35.44	39.59
1.80	80	14.036	144	25.264	23.58
1.82	44	7.720	80	14.036	14.26	17.63	19.87	24.05	28.21	30.98	33.75	37.90
1.86	28	4.912	52	9.123	7.70	12.22	16.40	20.56	23.88	26.10	30.24	34.38	37.15	39.91	44.05
1.87	30	5.263	56	9.825	...	11.34	15.54	19.71	23.04	25.25	29.40	33.54	36.31	39.07	43.21
1.87	60	10.527	112	19.650	17.02	21.28	24.10	26.90	31.08
1.88	32	5.614	60	10.527	...	10.46	14.68	18.86	22.19	24.40	28.56	32.70	35.47	38.23	42.37
1.88	48	8.421	90	15.790	15.55	17.81	22.02	26.20	28.98	31.76	35.92
1.88	34	5.965	64	11.229	...	9.56	13.80	18.00	21.33	23.55	27.71	31.86	34.63	37.39	41.53
1.89	36	6.316	68	11.930	12.92	17.13	20.48	22.70	26.86	31.01	33.78	36.55	40.69
1.90	38	6.667	72	12.632	12.03	16.26	19.62	21.84	26.01	30.17	32.94	35.70	39.85
1.93	29	5.088	56	9.825	...	11.47	15.67	19.84	23.17	25.38	29.53	33.67	36.44	39.20	43.34
2.00	28	4.912	56	9.825	...	11.59	15.79	19.97	23.30	25.51	29.66	33.81	36.57	39.33	43.48
2.00	30	5.263	60	10.527	...	10.70	14.93	19.11	22.44	24.66	28.82	32.96	35.73	38.49	42.64
2.00	32	5.614	64	11.229	...	9.79	14.05	18.25	21.59	23.81	27.97	32.12	34.89	37.65	41.80
2.00	34	5.965	68	11.930	13.17	17.38	20.73	22.96	27.12	31.27	34.04	36.81	40.96
2.00	36	6.316	72	12.632	12.27	16.51	19.87	22.10	26.27	30.42	33.20	35.96	40.11
2.00	40	7.018	80	14.036	14.74	18.12	20.37	24.55	28.72	31.50	34.27	38.42
2.00	56	9.825	112	19.650	17.50	21.76	24.59	27.39	31.59
2.00	72	12.632	144	25.264	20.23	24.54
2.05	44	7.720	90	15.790	12.58	16.02	18.29	22.51	26.70	29.49	32.27	36.43
2.07	29	5.088	60	10.527	...	10.82	15.05	19.24	22.57	24.79	28.95	33.09	35.86	38.63	42.77
2.10	80	14.036	168	29.475
2.11	38	6.667	80	14.036	14.98	18.37	20.61	24.81	28.98	31.76	34.53	38.68
2.12	34	5.965	72	12.632	12.51	16.76	20.12	22.35	26.52	30.68	33.46	36.23	40.38
2.12	68	11.930	144	25.264	20.69	25.01
2.13	32	5.614	68	11.930	13.41	17.63	20.98	23.21	27.38	31.53	34.31	37.07	41.22
2.13	30	5.263	64	11.229	...	10.03	14.29	18.50	21.84	24.07	28.23	32.38	35.15	37.91	42.06
2.14	28	4.912	60	10.527	...	10.94	15.17	19.37	22.70	24.92	29.08	33.23	35.99	38.76	42.90
2.15	52	9.123	112	19.650	17.97	22.25	25.08	27.89	32.09
2.21	29	5.088	64	11.229	...	10.14	14.42	18.63	21.97	24.19	28.36	32.51	35.28	38.05	42.19
2.22	36	6.316	80	14.036	10.88	15.22	18.61	20.86	25.06	29.23	32.01	34.79	38.94
Length Factor*					0.80	0.80	0.90	0.90	0.95	0.95	1.00	1.00	1.00	1.05	1.05

Center distance is greater than eight times the Small Sprocket and the Large Sprocket is not flanged. Large Sprocket should be ordered with flanges as a special.

* This length correction factor must be used to determine the proper belt width.

V-Drives

FHP Drives

Drive Component Accessories

DYNA-SYNC

HT200/HTD Synchronous Drives

HTR Synchronous Drives

HTRC Synchronous Drives



SELECTION

14MM Pitch HT200 Belt Drive Selection Table

Speed Ratio	Sprocket Combinations				Center Distance, Inches										
	Driver		Driven		3150-14M	3360-14M	3500-14M	3850-14M	4326-14M	4578-14M	4956-14M	5320-14M	5740-14M	6160-14M	6860-14M
	No. of Teeth	Pitch Dia. Inches	No. of Teeth	Pitch Dia. Inches											
Length Factor*					1.05	1.10	1.10	1.10	1.10	1.10	1.10	1.10	1.10	1.10	1.10
1.73	52	9.123	90	15.790	42.31	46.45	49.22	56.12	65.50	70.47	77.92	85.09	93.36	101.64	115.43
1.73	30	5.263	52	9.123	50.67	54.81	57.57	64.46	73.83	78.80	86.24	93.41	101.67	109.94	123.73
1.75	32	5.614	56	9.825	49.84	53.97	56.74	63.62	73.00	77.97	85.41	92.58	100.84	109.11	122.90
1.75	64	11.229	112	19.650	37.52	41.67	44.45	51.36	60.76	65.73	73.19	80.36	88.64	96.92	110.71
1.77	34	5.965	60	10.527	49.00	53.14	55.90	62.79	72.17	77.13	84.58	91.74	100.01	108.28	122.07
1.78	36	6.316	64	11.229	48.17	52.30	55.07	61.96	71.33	76.30	83.74	90.91	99.18	107.45	121.24
1.79	38	6.667	68	11.930	47.33	51.47	54.23	61.12	70.50	75.47	82.91	90.08	98.35	106.62	120.41
1.79	29	5.088	52	9.123	50.81	54.94	57.70	64.59	73.97	78.93	86.38	93.54	101.81	110.08	123.86
1.80	40	7.018	72	12.632	46.49	50.63	53.39	60.29	69.67	74.63	82.08	89.25	97.52	105.79	119.57
1.80	80	14.036	144	25.264	30.63	34.82	37.61	44.56	54.00	58.99	66.46	73.64	81.93	90.22	104.02
1.82	44	7.720	80	14.036	44.81	48.95	51.72	58.61	67.99	72.96	80.41	87.58	95.85	104.12	117.91
1.86	28	4.912	52	9.123	50.94	55.08	57.84	64.73	74.10	79.07	86.51	93.68	101.95	110.22	124.00
1.87	30	5.263	56	9.825	50.11	54.24	57.00	63.89	73.27	78.24	85.68	92.85	101.11	109.39	123.17
1.87	60	10.527	112	19.650	38.04	42.19	44.97	51.88	61.28	66.26	73.72	80.90	89.17	97.45	111.25
1.88	32	5.614	60	10.527	49.27	53.41	56.17	63.06	72.44	77.40	84.85	92.02	100.28	108.56	122.34
1.88	48	8.421	90	15.790	42.84	46.98	49.75	56.65	66.04	71.01	78.46	85.63	93.90	102.18	115.97
1.88	34	5.965	64	11.229	48.43	52.57	55.33	62.23	71.60	76.57	84.01	91.18	99.45	107.72	121.51
1.89	36	6.316	68	11.930	47.60	51.73	54.50	61.39	70.77	75.74	83.18	90.35	98.62	106.89	120.68
1.90	38	6.667	72	12.632	46.76	50.90	53.66	60.55	69.93	74.90	82.35	89.52	97.79	106.06	119.85
1.93	29	5.088	56	9.825	50.24	54.38	57.14	64.03	73.40	78.37	85.81	92.98	101.25	109.52	123.30
2.00	28	4.912	56	9.825	50.38	54.51	57.27	64.16	73.54	78.51	85.95	93.12	101.39	109.66	123.44
2.00	30	5.263	60	10.527	49.54	53.67	56.44	63.33	72.71	77.67	85.12	92.29	100.55	108.83	122.61
2.00	32	5.614	64	11.229	48.70	52.84	55.60	62.49	71.87	76.84	84.28	91.45	99.72	108.00	121.78
2.00	34	5.965	68	11.930	47.86	52.00	54.76	61.66	71.04	76.01	83.45	90.62	98.89	107.16	120.95
2.00	36	6.316	72	12.632	47.02	51.16	53.93	60.82	70.20	75.17	82.62	89.79	98.06	106.33	120.12
2.00	40	7.018	80	14.036	45.34	49.48	52.25	59.15	68.53	73.50	80.95	88.12	96.39	104.67	118.45
2.00	56	9.825	112	19.650	38.55	42.71	45.48	52.40	61.81	66.79	74.25	81.43	89.71	97.99	111.78
2.00	72	12.632	144	25.264	31.61	35.82	38.62	45.58	55.03	60.02	67.50	74.69	82.99	91.28	105.09
2.05	44	7.720	90	15.790	43.36	47.50	50.27	57.18	66.57	71.54	78.99	86.17	94.44	102.72	116.51
2.07	29	5.088	60	10.527	49.6C	53.81	56.57	63.46	72.84	77.81	85.25	92.42	100.69	108.96	122.75
2.10	80	14.036	168	29.475	26.71	31.00	33.84	40.88	50.39	55.41	62.91	70.13	78.44	86.74	100.57
2.11	38	6.667	80	14.036	45.60	49.74	52.51	59.41	68.80	73.77	81.22	88.39	96.66	104.94	118.72
2.12	34	5.965	72	12.632	47.29	51.43	54.19	61.09	70.47	75.44	82.89	90.06	98.33	106.60	120.39
2.12	68	11.930	144	25.264	32.10	36.31	39.12	46.09	55.54	60.54	68.02	75.22	83.51	91.81	105.62
2.13	32	5.614	68	11.930	48.13	52.27	55.03	61.93	71.31	76.28	83.72	90.89	99.16	107.43	121.22
2.13	30	5.263	64	11.229	48.97	53.10	55.87	62.76	72.14	77.11	84.55	91.72	99.99	108.27	122.05
2.14	28	4.912	60	10.527	49.81	53.94	56.70	63.60	72.98	77.94	85.39	92.56	100.83	109.10	122.88
2.15	52	9.123	112	19.650	39.06	43.22	46.00	52.92	62.33	67.32	74.78	81.96	90.24	98.52	112.32
2.21	29	5.088	64	11.229	49.10	53.24	56.00	62.89	72.27	77.24	84.69	91.86	100.13	108.40	122.19
2.22	36	6.316	80	14.036	45.86	50.01	52.77	59.68	69.06	74.03	81.48	88.66	96.93	105.20	118.99
Length Factor*					1.05	1.10	1.10	1.10	1.10	1.10	1.10	1.10	1.10	1.10	1.10

Center distance is greater than eight times the Small Sprocket and the Large Sprocket is not flanged. Large Sprocket should be ordered with flanges as a special.

* This length correction factor must be used to determine the proper belt width.



SELECTION

14MM Pitch HT200 Belt Drive Selection Table

Speed Ratio	Sprocket Combinations				Center Distance, Inches										
	Driver		Driven		966-14M	1190-14M	1400-14M	1610-14M	1778-14M	1890-14M	2100-14M	2310-14M	2450-14M	2590-14M	2800-14M
	No. of Teeth	Pitch Dia. Inches	No. of Teeth	Pitch Dia. Inches											
Length Factor*					0.80	0.80	0.90	0.90	0.95	0.95	1.00	1.00	1.00	1.05	1.05
2.25	32	5.614	72	12.632	12.74	17.00	20.37	22.60	26.78	30.94	33.72	36.49	40.64
2.25	40	7.018	90	15.790	13.04	16.50	18.78	23.01	27.20	30.00	32.78	36.95
2.25	64	11.229	144	25.264	21.15	25.49
2.27	30	5.263	68	11.930	...	9.32	13.65	17.88	21.23	23.46	27.64	31.79	34.57	37.33	41.48
2.29	28	4.912	64	11.229	...	10.26	14.54	18.75	22.10	24.32	28.49	32.64	35.41	38.18	42.32
2.33	48	8.421	112	19.650	18.43	22.73	25.56	28.38	32.59
2.33	72	12.632	168	29.475
2.35	29	5.088	68	11.930	...	9.43	13.77	18.00	21.36	23.59	27.76	31.92	34.70	37.46	41.61
2.35	34	5.965	80	14.036	11.11	15.46	18.86	21.11	25.31	29.48	32.27	35.04	39.20
2.37	38	6.667	90	15.790	13.27	16.74	19.02	23.25	27.45	30.25	33.03	37.20
2.40	30	5.263	72	12.632	12.98	17.25	20.62	22.85	27.03	31.20	33.98	36.75	40.90
2.40	60	10.527	144	25.264	18.64	21.61	25.96
2.40	80	14.036	192	33.686
2.43	28	4.912	68	11.930	...	9.54	13.89	18.13	21.49	23.72	27.89	32.05	34.83	37.59	41.74
2.47	68	11.930	168	29.475
2.48	29	5.088	72	12.632	13.10	17.37	20.74	22.98	27.16	31.33	34.10	36.87	41.03
2.50	32	5.614	80	14.036	11.34	15.69	19.10	21.36	25.56	29.74	32.52	35.30	39.46
2.50	36	6.316	90	15.790	13.49	16.97	19.26	23.50	27.70	30.50	33.29	37.46
2.55	44	7.720	112	19.650	14.46	18.89	23.20	26.05	28.87	33.08
2.57	28	4.912	72	12.632	13.21	17.49	20.86	23.10	27.29	31.45	34.23	37.00	41.16
2.57	56	9.825	144	25.264	19.09	22.06	26.43
2.63	64	11.229	168	29.475	21.15
2.65	34	5.965	90	15.790	13.72	17.21	19.50	23.74	27.95	30.75	33.54	37.71
2.67	30	5.263	80	14.036	11.56	15.93	19.34	21.60	25.81	29.99	32.78	35.56	39.72
2.67	72	12.632	192	33.686
2.70	80	14.036	216	37.896
2.76	29	5.088	80	14.036	11.67	16.05	19.46	21.72	25.93	30.12	32.91	35.68	39.85
2.77	52	9.123	144	25.264	19.53	22.51	26.89
2.80	40	7.018	112	19.650	14.90	19.36	23.68	26.53	29.36	33.58
2.80	60	10.527	168	29.475	21.59
2.81	32	5.614	90	15.790	13.95	17.44	19.73	23.99	28.20	31.00	33.79	37.97
2.82	68	11.930	192	33.686
2.86	28	4.912	80	14.036	11.78	16.17	19.58	21.85	26.06	30.24	33.03	35.81	39.98
2.95	38	6.667	112	19.650	15.12	19.58	23.91	26.77	29.60	33.83
3.00	30	5.263	90	15.790	14.17	17.68	19.97	24.23	28.45	31.25	34.04	38.22
3.00	48	8.421	144	25.264	19.97	22.97	27.36
3.00	56	9.825	168	29.475	22.02
3.00	64	11.229	192	33.686
3.00	72	12.632	216	37.896
3.10	29	5.088	90	15.790	14.28	17.79	20.09	24.35	28.57	31.38	34.17	38.35
3.11	36	6.316	112	19.650	15.34	19.81	24.15	27.01	29.84	34.07
3.20	60	10.527	192	33.686
Length Factor*					0.80	0.80	0.90	0.90	0.95	0.95	1.00	1.00	1.00	1.05	1.05

Center distance is greater than eight times the Small Sprocket and the Large Sprocket is not flanged.
Large Sprocket should be ordered with flanges as a special.

* This length correction factor must be used to determine the proper belt width.

FEATURES/BENEFITS PAGE PT11-2	SPECIFICATIONS PAGE PT11-4	ENGINEERING/TECHNICAL PAGE PT11-64	
----------------------------------	-------------------------------	---------------------------------------	--

V-Drives

FHP Drives

Drive Component Accessories

DYNA-SYNC

HT200/HTD Synchronous Drives

HTR Synchronous Drives

HTRC Synchronous Drives



SELECTION

14MM Pitch HT200 Belt Drive Selection Table

Speed Ratio	Sprocket Combinations				Center Distance, Inches										
	Driver		Driven		3150-14M	3360-14M	3500-14M	3850-14M	4326-14M	4578-14M	4956-14M	5320-14M	5740-14M	6160-14M	6860-14M
	No. of Teeth	Pitch Dia. Inches	No. of Teeth	Pitch Dia. Inches											
Length Factor*					1.05	1.10	1.10	1.10	1.10	1.10	1.10	1.10	1.10	1.10	1.10
2.25	32	5.614	72	12.632	47.55	51.69	54.46	61.35	70.74	75.71	83.16	90.33	98.60	106.87	120.66
2.25	40	7.018	90	15.790	43.88	48.03	50.80	57.70	67.10	72.07	79.53	86.70	94.98	103.25	117.04
2.25	64	11.229	144	25.264	32.59	36.81	39.62	46.59	56.05	61.05	68.54	75.74	84.04	92.33	106.15
2.27	30	5.263	68	11.930	48.39	52.53	55.30	62.19	71.57	76.54	83.99	91.16	99.43	107.71	121.49
2.29	28	4.912	64	11.229	49.23	53.37	56.13	63.03	72.41	77.38	84.82	91.99	100.26	108.54	122.32
2.33	48	8.421	112	19.650	39.56	43.73	46.51	53.44	62.86	67.84	75.30	82.49	90.77	99.05	112.85
2.33	72	12.632	168	29.475	27.65	31.95	34.81	41.86	51.39	56.42	63.93	71.16	79.47	87.78	101.62
2.35	29	5.088	68	11.930	48.52	52.66	55.43	62.33	71.71	76.68	84.12	91.29	99.57	107.84	121.63
2.35	34	5.965	80	14.036	46.12	50.27	53.04	59.94	69.33	74.30	81.75	88.92	97.20	105.47	119.26
2.37	38	6.667	90	15.790	44.14	48.29	51.06	57.97	67.36	72.34	79.79	86.97	95.24	103.52	117.31
2.40	30	5.263	72	12.632	47.81	51.95	54.72	61.62	71.00	75.98	83.42	90.60	98.87	107.14	120.93
2.40	60	10.527	144	25.264	33.08	37.30	40.11	47.10	56.56	61.57	69.06	76.26	84.56	92.86	106.68
2.40	80	14.036	192	33.686	---	26.89	29.82	37.02	46.66	51.72	59.28	66.54	74.89	83.22	97.08
2.43	28	4.912	68	11.930	48.66	52.80	55.56	62.46	71.84	76.81	84.26	91.43	99.70	107.98	121.76
2.47	68	11.930	168	29.475	28.11	32.43	35.28	42.35	51.89	56.92	64.44	71.67	79.99	88.30	102.14
2.48	29	5.088	72	12.632	47.94	52.09	54.85	61.75	71.14	76.11	83.56	90.73	99.00	107.28	121.06
2.50	32	5.614	80	14.036	46.39	50.53	53.30	60.20	69.59	74.57	82.02	89.19	97.47	105.74	119.53
2.50	36	6.316	90	15.790	44.40	48.55	51.32	58.23	67.63	72.60	80.06	87.23	95.51	103.79	117.58
2.55	44	7.720	112	19.650	40.07	44.24	47.02	53.96	63.38	68.36	75.83	83.01	91.30	99.58	113.39
2.57	28	4.912	72	12.632	48.08	52.22	54.99	61.89	71.27	76.24	83.69	90.86	99.14	107.41	121.20
2.57	56	9.825	144	25.264	33.56	37.79	40.61	47.60	57.07	62.08	69.57	76.78	85.08	93.38	107.20
2.63	64	11.229	168	29.475	28.57	32.90	35.76	42.84	52.39	57.42	64.95	72.18	80.50	88.82	102.67
2.65	34	5.965	90	15.790	44.65	48.81	51.58	58.49	67.89	72.87	80.32	87.50	95.78	104.06	117.85
2.67	30	5.263	80	14.036	46.65	50.79	53.56	60.47	69.86	74.83	82.29	89.46	97.73	106.01	119.80
2.67	72	12.632	192	33.686	---	27.79	30.74	37.97	47.63	52.71	60.28	67.54	75.90	84.24	98.12
2.70	80	14.036	216	37.896	---	22.16	25.32	32.85	42.73	47.86	55.51	62.82	72.23	79.60	93.51
2.76	29	5.088	80	14.036	46.78	50.92	53.69	60.60	69.99	74.97	82.42	89.59	97.87	106.15	119.94
2.77	52	9.123	144	25.264	34.04	38.28	41.10	48.10	57.58	62.59	70.09	77.30	85.60	93.91	107.73
2.80	40	7.018	112	19.650	40.57	44.75	47.53	54.47	63.90	68.89	76.35	83.54	91.83	100.12	113.92
2.80	60	10.527	168	29.475	29.03	33.37	36.24	43.33	52.89	57.93	65.46	72.69	81.02	89.34	103.19
2.81	32	5.614	90	15.790	44.91	49.07	51.84	58.75	68.15	73.13	80.59	87.77	96.04	104.33	118.12
2.82	68	11.930	192	33.686	23.63	28.19	31.15	38.41	48.09	53.18	60.76	68.03	76.39	84.73	98.61
2.86	28	4.912	80	14.036	46.91	51.05	53.82	60.73	70.12	75.10	82.55	89.73	98.00	106.28	120.07
2.95	38	6.667	112	19.650	40.82	45.00	47.79	54.73	64.16	69.15	76.62	83.80	92.09	100.38	114.19
3.00	30	5.263	90	15.790	45.17	49.32	52.10	59.02	68.42	73.40	80.85	88.03	96.31	104.59	118.39
3.00	48	8.421	144	25.264	34.52	38.77	41.59	48.60	58.09	63.10	70.60	77.81	86.12	94.43	108.26
3.00	56	9.825	168	29.475	29.49	33.84	36.71	43.81	53.38	58.43	65.96	73.20	81.53	89.86	103.71
3.00	64	11.229	192	33.686	24.14	28.69	31.65	38.91	48.60	53.69	61.27	68.55	76.91	85.26	99.15
3.00	72	12.632	216	37.896	---	23.01	26.19	33.76	43.67	48.82	56.48	63.81	72.22	80.61	94.53
3.10	29	5.088	90	15.790	45.30	49.45	52.23	59.15	68.55	73.53	80.99	88.17	96.44	104.73	118.52
3.11	36	6.316	112	19.650	41.07	45.25	48.04	54.99	64.42	69.41	76.88	84.07	92.36	100.65	114.45
3.20	60	10.527	192	33.686	24.49	29.08	32.06	39.34	49.06	54.15	61.75	69.03	77.40	85.75	99.64
Length Factor*					1.05	1.10	1.10	1.10	1.10	1.10	1.10	1.10	1.10	1.10	1.10

Center distance is greater than eight times the Small Sprocket and the Large Sprocket is not flanged.
Large Sprocket should be ordered with flanges as a special.

* This length correction factor must be used to determine the proper belt width.



SELECTION

14MM Pitch HT200 Belt Drive Selection Table

Speed Ratio	Sprocket Combinations				Center Distance, Inches										
	Driver		Driven		966-14M	1190-14M	1400-14M	1610-14M	1778-14M	1890-14M	2100-14M	2310-14M	2450-14M	2590-14M	2800-14M
	No. Of Teeth	Pitch Dia. Inches	No. Of Teeth	Pitch Dia. Inches											
Length Factor*					0.80	0.80	0.90	0.90	0.95	0.95	1.00	1.00	1.00	1.05	1.05
3.21	28	4.912	90	15.790	14.40	17.91	20.21	24.47	28.69	31.50	34.29	38.48
3.23	52	9.123	168	29.475	22.46
3.27	44	7.720	144	25.264	17.29	20.41	23.42	27.82
3.29	34	5.965	112	19.650	15.56	20.04	24.39	27.25	30.09	34.32
3.38	64	11.229	216	37.896
3.43	56	9.825	192	33.686
3.50	32	5.614	112	19.650	13.25	15.77	20.27	24.62	27.49	30.33	34.56
3.50	48	8.421	168	29.475	22.89
3.60	40	7.018	144	25.264	17.71	20.85	23.86	28.28
3.69	52	9.123	192	33.686
3.73	30	5.263	112	19.650	13.46	15.99	20.50	24.85	27.72	30.57	34.81
3.79	38	6.667	144	25.264	17.92	21.06	24.09	28.51
3.82	44	7.720	168	29.475	23.32
3.86	29	5.088	112	19.650	13.57	16.10	20.61	24.97	27.84	30.69	34.93
3.86	56	9.825	216	37.896
4.00	28	4.912	112	19.650	13.67	16.21	20.72	25.09	27.96	30.81	35.05
4.00	36	6.316	144	25.264	18.13	21.28	24.31	28.74
4.00	48	8.421	192	33.686
4.20	40	7.018	168	29.475	18.87	23.75
4.24	34	5.965	144	25.264	18.34	21.50	24.53	28.97
4.36	44	7.720	192	33.686
4.42	38	6.667	168	29.475	19.08	23.97
4.50	32	5.614	144	25.264	18.55	21.72	24.76	29.20
4.50	48	8.421	216	37.896
4.67	36	6.316	168	29.475	19.28	24.18
4.80	30	5.263	144	25.264	18.76	21.93	24.98	29.43
4.80	40	7.018	192	33.686
4.91	44	7.720	216	37.896
4.94	34	5.965	168	29.475	19.48	24.39
4.97	29	5.088	144	25.264	18.86	22.04	25.09	29.54
5.05	38	6.667	192	33.686
5.14	28	4.912	144	25.264	18.97	22.15	25.20	29.66
5.25	32	5.614	168	29.475	19.69	24.61
5.33	36	6.316	192	33.686
5.40	40	7.018	216	37.896
5.60	30	5.263	168	29.475	19.89	24.82
5.65	34	5.965	192	33.686
5.65	38	6.667	216	37.896
5.79	29	5.088	168	29.475	19.99	24.93
6.00	28	4.912	168	29.475	20.09	25.03
6.00	32	5.614	192	33.686
6.00	36	6.316	216	37.896
6.35	34	5.965	216	37.896
6.40	30	5.263	192	33.686
6.62	29	5.088	192	33.686
6.75	32	5.614	216	37.896
6.86	28	4.912	192	33.686
Length Factor*					0.80	0.80	0.90	0.90	0.95	0.95	1.00	1.00	1.00	1.05	1.05

Center distance is greater than eight times the Small Sprocket and the Large Sprocket is not flanged. Large Sprocket should be ordered with flanges as a special.

* This length correction factor must be used to determine the proper belt width.

FEATURES/BENEFITS PAGE PT11-2	SPECIFICATIONS PAGE PT11-4	ENGINEERING/TECHNICAL PAGE PT11-64	
----------------------------------	-------------------------------	---------------------------------------	--



SELECTION

14MM Pitch HT200 Belt Drive Selection Table

Speed Ratio	Sprocket Combinations				Center Distance, Inches										
	Driver		Driven		3150-14M	3360-14M	3500-14M	3850-14M	4326-14M	4578-14M	4956-14M	5320-14M	5740-14M	6160-14M	6860-14M
	No. of Teeth	Pitch Dia. Inches	No. of Teeth	Pitch Dia. Inches											
Length Factor*					1.05	1.10	1.10	1.10	1.10	1.10	1.10	1.10	1.10	1.10	1.10
3.21	28	4.912	90	15.790	45.42	49.58	52.36	59.28	68.68	73.66	81.12	88.30	96.58	104.86	118.66
3.23	52	9.123	168	29.475	29.95	34.30	37.18	44.30	53.88	58.92	66.46	73.71	82.04	90.37	104.23
3.27	44	7.720	144	25.264	35.00	39.25	42.08	49.09	58.59	63.61	71.11	78.33	86.64	94.95	108.78
3.29	34	5.965	112	19.650	41.32	45.51	48.30	55.24	64.67	69.67	77.14	84.33	92.62	100.91	114.72
3.38	64	11.229	216	37.896	---	23.85	27.05	34.66	44.60	49.77	57.45	64.79	73.21	81.61	95.55
3.43	56	9.825	192	33.686	25.01	29.58	32.56	39.85	49.57	54.66	62.26	69.55	77.92	86.28	100.17
3.50	32	5.614	112	19.650	41.57	45.76	48.55	55.50	64.93	69.93	77.40	84.59	92.88	101.17	114.98
3.50	48	8.421	168	29.475	30.41	34.77	37.66	44.78	54.37	59.42	66.97	74.21	82.55	90.89	104.75
3.60	40	7.018	144	25.264	35.48	39.73	42.56	49.59	59.10	64.12	71.62	78.84	87.16	95.47	109.30
3.69	52	9.123	192	33.686	25.35	29.96	32.96	40.28	50.02	55.12	62.73	70.02	78.40	86.77	100.67
3.73	30	5.263	112	19.650	41.82	46.01	48.80	55.75	65.19	70.18	77.66	84.85	93.15	101.44	115.25
3.79	38	6.667	144	25.264	35.71	39.98	42.81	49.84	59.35	64.37	71.88	79.10	87.42	95.73	109.57
3.82	44	7.720	168	29.475	30.86	35.23	38.12	45.26	54.86	59.92	67.47	74.72	83.06	91.40	105.26
3.86	29	5.088	112	19.650	41.95	46.14	48.93	55.88	65.32	70.31	77.79	84.98	93.28	101.57	115.38
3.86	56	9.825	216	37.896	---	24.69	27.91	35.56	45.53	50.71	58.41	65.77	74.20	82.61	96.56
4.00	28	4.912	112	19.650	42.07	46.26	49.05	56.01	65.45	70.44	77.92	85.11	93.41	101.70	115.51
4.00	36	6.316	144	25.264	35.95	40.22	43.05	50.08	59.60	64.62	72.13	79.36	87.67	95.99	109.83
4.00	48	8.421	192	33.686	25.87	30.47	33.46	40.78	50.52	55.63	63.24	70.54	78.93	87.29	101.20
4.20	40	7.018	168	29.475	31.31	35.70	38.59	45.74	55.35	60.41	67.97	75.22	83.57	91.91	105.78
4.24	34	5.965	144	25.264	36.19	40.46	43.29	50.33	59.85	64.87	72.39	79.61	87.93	96.25	110.09
4.36	44	7.720	192	33.686	26.30	30.91	33.91	41.24	51.00	56.11	63.73	71.03	79.43	87.80	101.71
4.42	38	6.667	168	29.475	31.54	35.93	38.83	45.98	55.60	60.66	68.22	75.48	83.83	92.17	106.04
4.50	32	5.614	144	25.264	36.43	40.70	43.54	50.58	60.10	65.13	72.64	79.87	88.19	96.51	110.35
4.50	48	8.421	216	37.896	---	25.53	28.76	36.45	46.46	51.66	59.37	66.74	75.19	83.60	97.57
4.67	36	6.316	168	29.475	31.76	36.16	39.06	46.22	55.84	60.91	68.47	75.73	84.08	92.42	106.30
4.80	30	5.263	144	25.264	36.66	40.94	43.78	50.82	60.35	65.38	72.90	80.12	88.45	96.77	110.61
4.80	40	7.018	192	33.686	26.73	31.35	34.36	41.70	51.48	56.60	64.22	71.53	79.93	88.30	102.22
4.91	44	7.720	216	37.896	---	25.95	29.19	36.89	46.92	52.13	59.85	67.22	75.68	84.10	98.07
4.94	34	5.965	168	29.475	31.99	36.39	39.29	46.46	56.08	61.15	68.72	75.98	84.33	92.68	106.56
4.97	29	5.088	144	25.264	36.78	41.06	43.90	50.94	60.47	65.50	73.02	80.25	88.58	96.90	110.74
5.05	38	6.667	192	33.686	26.94	31.57	34.58	41.93	51.72	56.84	64.47	71.78	80.18	88.55	102.47
5.14	28	4.912	144	25.264	36.90	41.18	44.02	51.07	60.60	65.63	73.15	80.38	88.71	97.03	110.87
5.25	32	5.614	168	29.475	32.22	36.62	39.53	46.69	56.33	61.40	68.97	76.23	84.59	92.93	106.81
5.33	36	6.316	192	33.686	27.16	31.80	34.81	42.17	51.95	57.08	64.71	72.02	80.43	88.80	102.73
5.40	40	7.018	216	37.896	---	26.36	29.62	37.34	47.38	52.59	60.33	67.71	76.17	84.59	98.57
5.60	30	5.263	168	29.475	32.44	36.85	39.76	46.93	56.57	61.64	69.22	76.48	84.84	93.19	107.07
5.65	34	5.965	192	33.686	27.26	31.94	34.97	42.35	52.16	57.29	64.93	72.25	80.65	89.04	102.96
5.65	38	6.667	216	37.896	---	26.57	29.83	37.56	47.61	52.83	60.56	67.95	76.41	84.84	98.82
5.79	29	5.088	168	29.475	32.55	36.96	39.87	47.05	56.69	61.77	69.34	76.61	84.97	93.32	107.20
6.00	28	4.912	168	29.475	32.67	37.08	39.99	47.17	56.81	61.89	69.46	76.73	85.09	93.44	107.33
6.00	32	5.614	192	33.686	27.59	32.24	35.25	42.63	52.43	57.56	65.20	72.52	80.92	89.31	103.23
6.00	36	6.316	216	37.896	---	26.78	30.04	37.78	47.85	53.06	60.80	68.19	76.66	85.09	99.07
6.35	34	5.965	216	37.896	---	26.99	30.25	38.00	48.08	53.30	61.04	68.43	76.90	85.33	99.32
6.40	30	5.263	192	33.686	27.80	32.46	35.48	42.86	52.67	57.80	65.44	72.76	81.17	89.56	103.49
6.62	29	5.088	192	33.686	27.79	32.49	35.53	42.93	52.75	57.89	65.54	72.86	81.28	89.66	103.60
6.75	32	5.614	216	37.896	---	27.20	30.47	38.22	48.30	53.53	61.28	68.67	77.15	85.58	99.58
6.86	28	4.912	192	33.686	28.01	32.67	35.70	43.09	52.90	58.04	65.68	73.01	81.42	89.81	103.74
Length Factor*					1.05	1.10	1.10	1.10	1.10	1.10	1.10	1.10	1.10	1.10	1.10

Center distance is greater than eight times the Small Sprocket and the Large Sprocket is not flanged.
 Large Sprocket should be ordered with flanges as a special.

* This length correction factor must be used to determine the proper belt width.



SELECTION

20MM Ratio/Center Distance Tables

Drive Ratio	Sprocket Combination				Nominal Center Distance										
	Driver		Driven		Belt Length Code Designation										
	No. Of Teeth	Pitch Dia.	No. Of Teeth	Pitch Dia.	2000	2500	3400	3800	4200	4600	5000	5400	5800	6200	6600
	Belt Length Factor →				0.8	0.9	0.95	1.0				1.05		1.1	
1.00	34	8.522	34	8.522	26.0	35.8	53.6	61.4	69.3	77.2	85.0	92.9	100.8	108.7	116.5
1.00	36	9.023	36	9.023	25.2	35.0	52.8	60.6	68.5	76.4	84.3	92.1	100.0	107.9	115.8
1.00	38	9.524	38	9.524	24.4	34.3	52.0	59.9	67.7	75.6	83.5	91.3	99.2	107.1	115.0
1.00	40	10.026	40	10.026	23.6	33.5	51.2	59.1	66.9	74.8	82.7	90.6	98.4	106.3	114.2
1.00	44	11.028	44	11.028	22.1	31.9	49.6	57.5	65.4	73.2	81.1	89.0	96.9	104.7	112.6
1.00	48	12.031	48	12.031	20.5	30.3	48.0	55.9	63.8	71.7	79.5	87.4	95.3	103.2	111.0
1.00	52	13.033	52	13.033	18.9	28.8	46.5	54.3	62.2	70.1	78.0	85.8	93.7	101.6	109.5
1.00	56	14.036	56	14.036	17.3	27.2	44.9	52.8	60.6	68.5	76.4	84.3	92.1	100.0	107.9
1.00	60	15.038	60	15.038	...	25.6	43.3	51.2	59.1	66.9	74.8	82.7	90.6	98.4	106.3
1.00	64	16.041	64	16.041	...	24.0	41.7	49.6	57.5	65.4	73.2	81.1	89.0	96.9	104.7
1.00	68	17.043	68	17.043	...	22.5	40.2	48.0	55.9	63.8	71.7	79.5	87.4	95.3	103.2
1.00	72	18.046	72	18.046	...	20.9	38.6	46.5	54.3	62.2	70.1	78.0	85.8	93.7	101.6
1.00	80	20.051	80	20.051	35.4	43.3	51.2	59.1	66.9	74.8	82.7	90.6	98.4
1.00	90	22.557	90	22.557	31.5	39.4	47.3	55.1	63.0	70.9	78.8	86.6	94.5
1.05	38	9.524	40	10.026	24.0	33.9	51.6	59.5	67.3	75.2	83.1	91.0	98.8	106.7	114.6
1.06	36	9.023	38	9.524	24.8	34.7	52.4	60.2	68.1	76.0	83.9	91.7	99.6	107.5	115.4
1.06	34	8.522	36	9.023	25.6	35.4	53.2	61.0	68.9	76.8	84.7	92.5	100.4	108.3	116.1
1.06	68	17.043	72	18.046	...	21.7	39.4	47.3	55.1	63.0	70.9	78.8	86.6	94.5	102.4
1.06	64	16.041	68	17.043	...	23.2	41.0	48.8	56.7	64.6	72.5	80.3	88.2	96.1	103.9
1.07	60	15.038	64	16.041	...	24.8	42.5	50.4	58.3	66.2	74.0	81.9	89.8	97.6	105.5
1.07	56	14.036	60	15.038	16.5	26.4	44.1	52.0	59.9	67.7	75.6	83.5	91.3	99.2	107.1
1.08	52	13.033	56	14.036	18.1	28.0	45.7	53.6	61.4	69.3	77.2	85.0	92.9	100.8	108.7
1.08	48	12.031	52	13.033	19.7	29.5	47.3	55.1	63.0	70.9	78.7	86.6	94.5	102.4	110.2
1.09	44	11.028	48	12.031	21.3	31.1	48.8	56.7	64.6	72.4	80.3	88.2	96.1	103.9	111.8
1.10	40	10.026	44	11.028	22.8	32.7	50.4	58.3	66.1	74.0	81.9	89.8	97.6	105.5	113.4
1.11	36	9.023	40	10.026	24.4	34.3	52.0	59.8	67.7	75.6	83.5	91.3	99.2	107.1	115.0
1.11	72	18.046	80	20.051	37.0	44.9	52.8	60.6	68.5	76.4	84.3	92.1	100.0
1.12	34	8.522	38	9.524	25.2	35.0	52.8	60.6	68.5	76.4	84.3	92.1	100.0	107.9	115.8
1.13	64	16.041	72	18.046	...	22.4	40.2	48.0	55.9	63.8	71.7	79.5	87.4	95.3	103.2
1.13	80	20.051	90	22.557	33.5	41.3	49.2	57.1	65.0	72.8	80.7	88.6	96.5
1.13	60	15.038	68	17.043	...	24.0	41.7	49.6	57.5	65.4	73.2	81.1	89.0	96.9	104.7
1.14	56	14.036	64	16.041	...	25.6	43.3	51.2	59.1	66.9	74.8	82.7	90.6	98.4	106.3
1.15	52	13.033	60	15.038	17.3	27.2	44.9	52.8	60.6	68.5	76.4	84.3	92.1	100.0	107.9
1.16	38	9.524	44	11.028	23.2	33.1	50.8	58.7	66.5	74.4	82.3	90.2	98.0	105.9	113.8
1.17	48	12.031	56	14.036	18.9	28.7	46.5	54.3	62.2	70.1	78.0	85.8	93.7	101.6	109.5
1.18	34	8.522	40	10.026	24.8	34.6	52.4	60.2	68.1	76.0	83.9	91.7	99.6	107.5	115.4
1.18	68	17.043	80	20.051	37.8	45.7	53.5	61.4	69.3	77.2	85.0	92.9	100.8
1.18	44	11.028	52	13.033	20.5	30.3	48.0	55.9	63.8	71.7	79.5	87.4	95.3	103.2	111.0
1.20	40	10.026	48	12.031	22.0	31.9	49.6	57.5	65.4	73.2	81.1	89.0	96.9	104.7	112.6
1.20	60	15.038	72	18.046	...	23.2	40.9	48.8	56.7	64.6	72.4	80.3	88.2	96.1	103.9
1.21	56	14.036	68	17.043	...	24.8	42.5	50.4	58.3	66.1	74.0	81.9	89.8	97.6	105.5
1.22	36	9.023	44	11.028	23.6	33.5	51.2	59.1	66.9	74.8	82.7	90.6	98.4	106.3	114.2
1.23	52	13.033	64	16.041	...	26.3	44.1	52.0	59.8	67.7	75.6	83.5	91.3	99.2	107.1
1.24	90	22.557	112	28.072	34.9	42.8	50.7	58.6	66.5	74.4	82.3	90.1
1.25	48	12.031	60	15.038	18.1	27.9	45.7	53.5	61.4	69.3	77.2	85.0	92.9	100.8	108.7
1.25	64	16.041	80	20.051	...	20.8	38.5	46.4	54.3	62.2	70.1	77.9	85.8	93.7	101.6
1.25	72	18.046	90	22.557	35.0	42.9	50.7	58.6	66.5	74.4	82.3	90.1	98.0
1.26	38	9.524	48	12.031	22.4	32.3	50.0	57.9	65.7	73.6	81.5	89.4	97.2	105.1	113.0
1.27	44	11.028	56	14.036	19.6	29.5	47.2	55.1	63.0	70.9	78.7	86.6	94.5	102.4	110.2
1.29	56	14.036	72	18.046	...	23.9	41.7	49.6	57.5	65.3	73.2	81.1	89.0	96.8	104.7
Belt Length Factor →					0.8	0.9	0.95	1.0				1.05		1.1	

NOTES: All 20MM HTD Drives operating above 1000 RPM may require a sound dampening guard.
 Belt lengths of 5200, 5600, 6000, and 6400 are also available. Interpolate center distance.

FEATURES/BENEFITS PAGE PT11-2	SPECIFICATIONS PAGE PT11-4	ENGINEERING/TECHNICAL PAGE PT11-64	
----------------------------------	-------------------------------	---------------------------------------	--



SELECTION

20MM Ratio/Center Distance Tables

Drive Ratio	Sprocket Combination				Nominal Center Distance										
	Driver		Driven		Belt Length Code Designation										
	No. Of Teeth	Pitch Dia.	No. Of Teeth	Pitch Dia.	2000	2500	3400	3800	4200	4600	5000	5400	5800	6200	6600
					0.8	0.9	0.95	1.0		1.05		1.1			
Belt Length Factor →				0.8	0.9	0.95	1.0		1.05		1.1				
1.29	34	8.522	44	11.028	24.0	33.8	51.6	59.4	67.3	75.2	83.1	90.9	98.8	106.7	114.6
1.30	40	10.026	52	13.033	21.2	31.1	48.8	56.7	64.6	72.4	80.3	88.2	96.1	103.9	111.8
1.31	52	13.033	68	17.043	...	25.5	43.3	51.2	59.0	66.9	74.8	82.7	90.5	98.4	106.3
1.32	68	17.043	90	22.557	35.7	43.6	51.5	59.4	67.3	75.2	83.0	90.9	98.8
1.33	36	9.023	48	12.031	22.8	32.6	50.4	58.3	66.1	74.0	81.9	89.8	97.6	105.5	113.4
1.33	48	12.031	64	16.041	17.2	27.1	44.8	52.7	60.6	68.5	76.4	84.2	92.1	100.0	107.9
1.33	60	15.038	80	20.051	...	21.5	39.3	47.2	55.1	63.0	70.8	78.7	86.6	94.5	102.3
1.36	44	11.028	60	15.038	18.8	28.7	46.4	54.3	62.2	70.1	77.9	85.8	93.7	101.6	109.4
1.37	38	9.524	52	13.033	21.6	31.5	49.2	57.1	64.9	72.8	80.7	88.6	96.4	104.3	112.2
1.38	52	13.033	72	18.046	...	24.7	42.5	50.3	58.2	66.1	74.0	81.9	89.7	97.6	105.5
1.40	40	10.026	56	14.036	20.4	30.3	48.0	55.9	63.8	71.6	79.5	87.4	95.3	103.1	111.0
1.40	80	20.051	112	28.072	28.9	36.8	44.7	52.6	60.5	68.4	76.3	84.2	92.1
1.41	64	16.041	90	22.557	36.5	44.4	52.3	60.2	68.0	75.9	83.8	91.7	99.6
1.41	34	8.522	48	12.031	23.2	33.0	50.8	58.6	66.5	74.4	82.3	90.1	98.0	105.9	113.8
1.42	48	12.031	68	17.043	...	26.3	44.0	51.9	59.8	67.7	75.6	83.4	91.3	99.2	107.1
1.43	56	14.036	80	20.051	...	22.2	40.0	47.9	55.8	63.7	71.6	79.5	87.4	95.2	103.1
1.44	36	9.023	52	13.033	22.0	31.8	49.6	57.5	65.3	73.2	81.1	89.0	96.8	104.7	112.6
1.45	44	11.028	64	16.041	17.9	27.8	45.6	53.5	61.4	69.3	77.1	85.0	92.9	100.8	108.6
1.47	38	9.524	56	14.036	20.7	30.6	48.4	56.3	64.1	72.0	79.9	87.8	95.6	103.5	111.4
1.50	40	10.026	60	15.038	19.5	29.4	47.2	55.1	62.9	70.8	78.7	86.6	94.5	102.3	110.2
1.50	48	12.031	72	18.046	...	25.4	43.2	51.1	59.0	66.9	74.7	82.6	90.5	98.4	106.3
1.50	60	15.038	90	22.557	37.2	45.1	53.0	60.9	68.8	76.7	84.6	92.5	100.3
1.53	34	8.522	52	13.033	22.3	32.2	50.0	57.8	65.7	73.6	81.5	89.3	97.2	105.1	113.0
1.54	52	13.033	80	20.051	...	23.0	40.8	48.7	56.6	64.5	72.4	80.2	88.1	96.0	103.9
1.55	44	11.028	68	17.043	17.0	27.0	44.8	52.7	60.6	68.4	76.3	84.2	92.1	100.0	107.8
1.56	36	9.023	56	14.036	21.1	31.0	48.8	56.6	64.5	72.4	80.3	88.2	96.0	103.9	111.8
1.56	72	18.046	112	28.072	30.3	38.2	46.2	54.1	62.0	69.9	77.8	85.7	93.6
1.58	38	9.524	60	15.038	19.9	29.8	47.6	55.4	63.3	71.2	79.1	87.0	94.8	102.7	110.6
1.60	40	10.026	64	16.041	18.6	28.6	46.4	54.3	62.1	70.0	77.9	85.8	93.7	101.5	109.4
1.60	90	22.557	144	36.092	36.0	44.0	51.9	59.8	67.8	75.7	83.6
1.61	56	14.036	90	22.557	37.9	45.9	53.8	61.7	69.6	77.4	85.3	93.2	101.1
1.64	44	11.028	72	18.046	...	26.1	44.0	51.9	59.7	67.6	75.5	83.4	91.3	99.2	107.0
1.65	34	8.522	56	14.036	21.5	31.4	49.1	57.0	64.9	72.8	80.7	88.5	96.4	104.3	112.2
1.65	68	17.043	112	28.072	31.0	39.0	46.9	54.8	62.7	70.7	78.5	86.4	94.3
1.67	36	9.023	60	15.038	20.2	30.2	47.9	55.8	63.7	71.6	79.5	87.4	95.2	103.1	111.0
1.67	48	12.031	80	20.051	...	23.7	41.5	49.4	57.3	65.2	73.1	81.0	88.9	96.8	104.7
1.68	38	9.524	64	16.041	19.0	28.9	46.7	54.6	62.5	70.4	78.3	86.2	94.0	101.9	109.8
1.70	40	10.026	68	17.043	17.8	27.7	45.5	53.4	61.3	69.2	77.1	85.0	92.9	100.7	108.6
1.73	52	13.033	90	22.557	...	20.7	38.7	46.6	54.5	62.4	70.3	78.2	86.1	94.0	101.9
1.75	64	16.041	112	2.072	31.7	39.7	47.6	55.6	63.5	71.4	79.3	87.2	95.1
1.76	34	9.023	60	15.038	20.6	30.5	48.3	56.2	64.1	72.0	79.9	87.7	95.6	103.5	111.4
1.78	36	9.023	64	16.041	19.4	29.3	47.1	55.0	62.9	70.8	78.7	86.5	94.4	102.3	110.2
1.79	38	9.524	68	17.043	18.1	28.1	45.9	53.8	61.7	69.6	77.5	85.4	93.2	101.1	109.0
1.80	40	10.026	72	18.046	16.8	26.9	44.7	52.6	60.5	68.4	76.3	84.2	92.0	99.9	107.8
1.80	80	20.051	144	36.092	37.7	45.7	53.7	61.7	69.6	77.5	85.4
1.82	44	11.028	80	20.051	...	24.4	42.3	50.2	58.1	66.0	73.9	81.8	89.7	97.5	105.4
1.87	60	15.038	112	28.072	32.4	40.4	48.4	56.3	64.2	72.1	80.0	87.9	95.8
1.87	90	22.557	168	42.108	38.5	46.6	54.6	62.6	70.6	78.5
1.88	48	12.031	90	22.557	...	21.4	39.4	47.3	55.3	63.2	71.1	79.0	86.8	94.7	102.6
1.88	34	8.522	64	16.041	19.7	29.7	47.5	55.4	63.3	71.2	79.0	86.9	94.8	102.7	110.6
Belt Length Factor →					0.8	0.9	0.95	1.0			1.05		1.1		

NOTES: All 20MM HTD Drives operating above 1000 RPM may require a sound dampening guard.
Belt lengths of 5200, 5600, 6000, and 6400 are also available. Interpolate center distance.

FEATURES/BENEFITS PAGE PT11-2	SPECIFICATIONS PAGE PT11-4	ENGINEERING/TECHNICAL PAGE PT11-64	
----------------------------------	-------------------------------	---------------------------------------	--



SELECTION

20MM Ratio/Center Distance Tables

Drive Ratio	Sprocket Combination				Nominal Center Distance											
	Driver		Driven		Belt Length Code Designation											
	No. Of Teeth	Pitch Dia.	No. Of Teeth	Pitch Dia.	2000	2500	3400	3800	4200	4600	5000	5400	5800	6200	6600	
	Belt Length Factor →				0.8	0.9	0.95	1.0					1.05		1.1	
1.89	36	9.023	68	17.043	18.4	28.4	46.3	54.2	62.1	70.0	77.9	85.7	93.6	101.5	109.4	
1.89	38	9.524	72	18.046	17.2	27.2	45.1	53.0	60.9	68.8	76.7	84.5	92.4	100.3	108.2	
2.00	34	8.522	68	17.043	18.8	28.8	46.6	54.6	62.5	70.3	78.2	86.1	94.0	101.9	109.8	
2.00	36	9.023	72	18.046	17.5	27.6	45.4	53.3	61.2	69.1	77.0	84.9	92.8	100.7	108.6	
2.00	40	10.026	80	20.051	...	25.1	43.0	50.9	58.8	66.7	74.6	82.5	90.4	98.3	106.2	
2.00	56	14.036	112	28.072	33.1	41.1	49.1	57.0	65.0	72.9	80.8	88.7	96.6	
2.00	72	18.046	144	36.092	30.9	39.1	47.1	55.1	63.1	71.1	79.0	86.9	
2.05	44	11.028	90	22.557	...	22.1	40.1	48.1	56.0	63.9	71.8	79.7	87.6	95.5	103.4	
2.10	80	20.051	168	42.108	40.2	48.3	56.4	64.4	72.3	80.3	
2.11	38	9.524	80	20.051	...	25.4	43.4	51.3	59.2	67.1	75.0	82.9	90.8	98.7	106.6	
2.12	34	8.522	72	18.046	17.8	27.9	45.8	53.7	61.6	69.5	77.4	85.3	93.2	101.1	109.0	
2.12	68	17.043	144	36.092	31.6	39.8	47.8	55.8	63.8	71.8	79.7	87.6	
2.13	90	22.557	192	48.123	40.9	49.1	57.2	65.2	73.2	81.1	
2.15	52	13.033	112	28.072	33.8	41.8	49.8	57.8	65.7	73.6	81.5	89.4	97.3	
2.22	36	9.023	80	20.051	...	25.8	43.7	51.7	59.6	67.5	75.4	83.3	91.2	99.1	107.0	
2.25	40	10.026	90	22.557	...	22.7	40.8	48.8	56.7	64.6	72.6	80.5	88.4	96.2	104.1	
2.25	64	16.041	144	36.092	32.3	40.4	48.5	56.5	64.5	72.5	80.4	88.4	
2.33	48	12.031	112	28.072	34.5	42.5	50.5	58.5	66.4	74.4	82.3	90.2	98.1	
2.33	72	18.046	168	42.108	33.2	41.5	49.7	57.7	65.8	73.8	81.7	
2.35	34	8.522	80	20.051	...	26.1	44.1	52.0	59.9	67.9	75.8	83.7	91.5	99.4	107.3	
2.37	38	9.524	90	22.557	...	23.1	41.2	49.2	57.1	65.0	72.9	80.8	88.7	96.6	104.5	
2.40	60	15.038	144	36.092	32.9	41.1	49.2	57.3	65.2	73.2	81.2	89.1	
2.40	80	20.051	192	48.123	42.5	50.7	58.9	67.0	75.0	
2.40	90	22.557	216	54.139	43.1	51.4	59.6	67.8	
2.47	68	17.043	168	42.108	33.9	42.2	50.3	58.4	66.5	74.5	82.5	
2.50	36	9.023	90	22.557	...	23.4	41.5	49.5	57.5	65.4	73.3	81.2	89.1	97.0	104.9	
2.55	44	11.028	112	28.072	35.1	43.2	51.2	59.2	67.1	75.1	83.0	90.9	98.8	
2.57	56	14.036	144	36.092	33.6	41.8	49.9	58.0	66.0	73.9	81.9	89.8	
2.63	64	16.041	168	42.108	34.5	42.8	51.0	59.1	67.2	75.2	83.2	
2.65	34	8.522	90	22.557	...	23.7	41.9	49.9	57.8	65.7	73.7	81.6	89.5	97.4	105.3	
2.67	72	18.046	192	48.123	35.4	43.8	52.1	60.3	68.3	76.4	
2.70	80	20.051	216	54.139	44.8	53.1	61.3	69.5	
2.77	52	13.033	144	36.092	34.2	42.5	50.6	58.7	66.7	74.7	82.6	90.6	
2.80	40	10.026	112	28.072	35.8	43.9	51.9	59.9	67.9	75.8	83.7	91.7	99.6	
2.80	60	15.038	168	42.108	35.2	43.5	51.7	59.8	67.9	75.9	83.9	
2.82	68	17.043	192	48.123	36.1	44.5	52.8	60.9	69.0	77.1	
2.95	38	9.524	112	28.072	36.2	44.3	52.3	60.3	68.2	76.2	84.1	92.0	99.9	
3.00	48	12.031	144	36.092	26.4	34.9	43.1	51.3	59.3	67.4	75.4	83.3	91.3	
3.00	56	14.036	168	42.108	35.8	44.2	52.4	60.5	68.6	76.6	84.6	
3.00	64	16.041	192	48.123	36.7	45.1	53.4	61.6	69.7	77.8	
3.00	72	18.046	216	54.139	46.1	54.4	62.7	70.8	
3.11	36	9.023	112	28.072	36.5	44.6	52.6	60.6	68.6	76.5	84.5	92.4	100.3	
3.18	68	17.043	216	54.139	38.1	46.7	55.1	63.3	71.5	
3.20	60	15.038	192	48.123	37.3	45.8	54.1	62.3	70.4	78.5	
3.23	52	13.033	168	42.108	36.5	44.8	53.1	61.2	69.3	77.3	85.3	
3.27	44	11.028	144	36.092	27.1	35.6	43.8	52.0	60.0	68.1	76.1	84.1	92.0	
3.29	34	8.522	112	28.072	36.8	44.9	53.0	61.0	69.0	76.9	84.8	92.8	100.7	
3.38	64	16.041	216	54.139	38.8	47.3	55.7	64.0	72.2	
3.43	56	14.036	192	48.123	38.0	46.4	54.8	63.0	71.1	79.2	
3.50	48	12.031	168	42.108	37.1	45.5	53.7	61.9	70.0	78.0	86.0	
Belt Length Factor →					0.8	0.9	0.95	1.0					1.05		1.1	

NOTES: All 20MM HTD Drives operating above 1000 RPM may require a sound dampening guard.
Belt lengths of 5200, 5600, 6000, and 6400 are also available. Interpolate center distance.

FEATURES/BENEFITS PAGE PT11-2	SPECIFICATIONS PAGE PT11-4	ENGINEERING/TECHNICAL PAGE PT11-64	
----------------------------------	-------------------------------	---------------------------------------	--



SELECTION

20MM Ratio/Center Distance Tables

Drive Ratio	Sprocket Combination				Nominal Center Distance											
	Driver		Driven		Belt Length Code Designation											
	No. Of Teeth	Pitch Dia.	No. Of Teeth	Pitch Dia.	2000	2500	3400	3800	4200	4600	5000	5400	5800	6200	6600	
	Belt Length Factor →				0.8	0.9	0.95	1.0			1.05			1.1		
3.60	40	10.026	144	36.092	27.7	36.2	44.5	52.6	60.7	68.8	76.8	84.8	92.7	
3.60	60	15.038	216	54.139	39.4	48.0	56.4	64.7	72.9	
3.69	52	13.033	192	48.123	38.6	47.1	55.4	63.6	71.8	79.9	
3.79	38	9.524	144	36.092	28.0	36.5	44.8	53.0	61.1	69.1	77.1	85.1	93.1	
3.82	44	11.028	168	42.108	29.1	37.8	46.1	54.4	62.6	70.6	78.7	86.7	
3.86	56	14.036	216	54.139	40.0	48.6	57.0	65.3	73.5	
4.00	36	9.023	144	36.092	28.3	36.9	45.1	53.3	61.4	69.5	77.5	85.5	93.4	
4.00	48	12.031	192	48.123	39.2	47.7	56.1	64.3	72.5	80.6	
4.15	52	13.033	216	54.139	40.7	49.3	57.7	66.0	74.2	
4.20	40	10.026	168	42.108	29.7	38.4	46.8	55.1	63.2	71.3	79.4	87.4	
4.24	34	8.522	144	36.092	28.7	37.2	45.5	53.7	61.8	69.8	77.8	85.8	93.8	
4.36	44	11.028	192	48.123	39.9	48.4	56.7	65.0	73.1	81.2	
4.42	38	9.524	168	42.108	30.1	38.7	47.1	55.4	63.6	71.7	79.7	87.8	
4.50	48	12.031	216	54.139	41.3	49.9	58.3	66.7	74.9	
4.67	36	9.023	168	42.108	30.4	39.0	47.5	55.7	63.9	72.0	80.1	88.1	
4.80	40	10.026	192	48.123	31.7	40.5	49.0	57.4	65.6	73.8	81.9	
4.91	44	11.028	216	54.139	41.9	50.6	59.0	67.3	75.6	
4.94	34	8.522	168	4.108	30.7	39.4	47.8	56.1	64.2	72.4	80.4	88.5	
5.05	38	9.524	192	48.123	32.0	40.8	49.4	57.7	66.0	74.2	82.3	
5.33	36	9.023	192	48.123	32.3	41.1	49.7	58.0	66.3	74.5	82.6	
5.40	40	10.026	216	54.139	42.5	51.2	59.6	68.0	76.2	
5.65	34	8.522	192	48.123	32.6	41.4	50.0	58.4	66.6	74.8	83.0	
5.68	38	9.524	216	54.139	33.9	42.9	51.5	60.0	68.3	76.6	
6.00	36	9.023	216	54.139	34.2	43.2	51.8	60.3	68.6	76.9	
6.35	34	8.522	216	54.139	34.5	43.5	52.1	60.6	69.0	77.2	
Belt Length Factor →					0.8	0.9	0.95	1.0			1.05			1.1		

NOTES: All 20MM HTD Drives operating above 1000 RPM may require a sound dampening guard.
Belt lengths of 5200, 5600, 6000, and 6400 are also available. Interpolate center distance.

V-Drives

FHP Drives

Drive Component Accessories

DYNA-SYNC

HT200/HTD Synchronous Drives

HTR Synchronous Drives

HTRC Synchronous Drives

FEATURES/BENEFITS PAGE PT11-2	SPECIFICATIONS PAGE PT11-4	ENGINEERING/TECHNICAL PAGE PT11-64	
----------------------------------	-------------------------------	---------------------------------------	--



Overhung Load Calculations

Overhung load is an important consideration for drive design. Motor and reducer bearings are rated for specific load capacities to achieve calculated life. If the drive design is such that bearing loads are exceeded, life will be proportionally reduced. Likewise, if the drive exerts a lesser load on the bearings, life will be extended. Needless to say, drive design that keeps bearing loads below ratings can pay big dividends.

BELT PULL: The basis for overhung load calculation is belt pull. Belt pull is the result of torque being transmitted when the belt exerts a pull on the sprocket diameter.

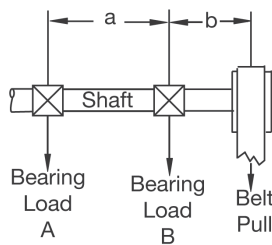
EXAMPLE: 5 horsepower at 200 RPM is 1,575 inch-pounds of torque. If a 6 inch diameter sprocket is used, (3 inch radius), $1,575/3 = 525$ pounds effective belt pull is required. Note that if a larger diameter sprocket is used, belt pull is reduced accordingly.

Belt pull can be calculated using the following formula:

$$\text{Belt Pull (lbs)} = \frac{126,000 \times \text{DHP} \times F}{\text{RPM} \times \text{PD}}$$

- Where: DHP = Design Horsepower
- F = Drive Factor (1.3 for sync. belt)
- RPM = Shaft RPM
- PD = Pitch Diameter of Sprocket

BEARING LOAD: Belt pull translates into bearing load and is greatly affected by the location of the sprocket on the shaft. Fig. 1 shows an example of what happens as the distance between the centerline of belt pull and the adjacent bearing is extended.



Overhung Sheave

$$\text{Load at B, lbs.} = \frac{\text{Belt Pull} \times (a + b)}{a}$$

Fig. 1

a	b	Belt Pull	Bearing Load "B"
10 in.	1 in.	500 lbs.	550 lbs.
10 in.	5 in.	500 lbs.	750 lbs.

Now consider the same situation for a motor or gearbox. Referring to Fig. 2, it should be obvious that the HT/HTD sprocket should be mounted as close as possible to the face of the gearbox.

As the distance between the gearbox face and HT/HTD sprocket increases, the bearing load is also increased, which leads to a reduction in bearing life.

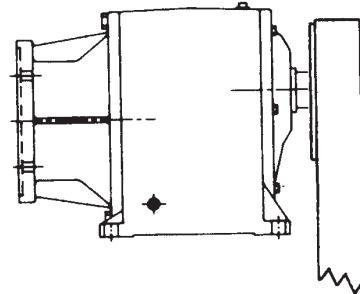


Fig. 2

Another warning from gearbox manufacturers is that the centerline of belt pull should not extend beyond the end of the shaft. Given a choice of a small diameter, wide face-width drive design, or a larger diameter, narrower face-width alternative, the latter would be preferable if bearing life is an important consideration.

DRIVE DESIGN CONSIDERATIONS

For any given application, there are usually several possible drive alternatives. In some cases, the selection with the smallest diameter sprockets might be the least expensive. As can be seen from the previous discussion, this alternative could be a bad choice. Smaller diameter sprockets lead to higher belt pull; their greater width is also more sensitive to misalignment.

V-Drives

FHP Drives

Drive Component Accessories

DYNA-SYNC

HT200/HTD Synchronous Drives

HTR Synchronous Drives

HTRC Synchronous Drives



HT/HTD Drive Installation

SPROCKET INSTALLATION

1. Thoroughly inspect the bore of the sprocket and the tapered surface of the bushing. Any paint, dirt, oil or grease must be removed.
2. Assemble bushing into sprocket. Loosely insert the screws into assembly. At least one sprocket must have flanges.
3. With key in keyseat of shaft, slide sprocket to its desired position with screw heads to the outside. If it is hard to slide the bushing onto the shaft, check shaft for burrs, etc.
4. Line up assembly so as not to misalign belts and tighten screws evenly and progressively. Apply the recommended torque to screws.

SPROCKET ALIGNMENT

HT/HTD sprocket alignment and parallelism of the shafts are very important. Proper alignment helps to equalize the load across the entire belt width, thereby reducing wear and extending belt life.

Place a straightedge against the outside edge of the sprockets and move sprockets until the straightedge touches the two outside and two inside edges of the sprockets. The straightedge should cross the sprockets as close to the shafts as possible. A string can be used if a straightedge is not available. Remember the string should contact at four points as explained above. (See illustration on page PT11-66.

After aligning the sprockets, check the rigidity of the supporting framework. Shafts should be well supported to prevent distortion and a resulting change in the center distance under load. Do not use spring-loaded or weighted idlers. Idler sprockets or pulleys must be locked into position after adjusting belt tension.

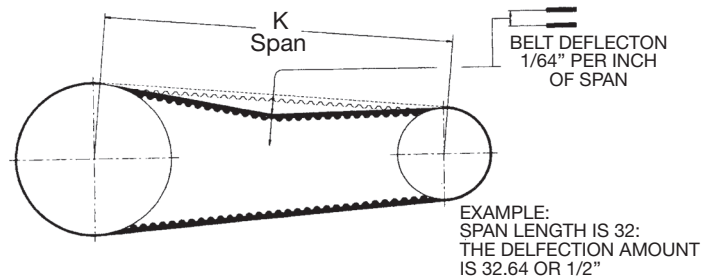
BELT INSTALLATION & TENSIONING

Do not pry or otherwise force the belt onto the sprockets, as this can result in permanent damage to the belt. Reduce the center distance between the pulleys so that the belt can be easily installed.

HT 200 drives must be properly tensioned. If the belt is too loose, it may jump teeth when heavier loads are applied. If the belt is too tight, belt life will suffer, and bearings will be unnecessarily overloaded. Improper tension can result in excessive drive noise.

Tensioning procedure: First, measure the span length and calculate the deflection distance of 1/64, per inch span (see illustration).

Use the formula method on page PT11-66 to calculate recommended deflection forces.

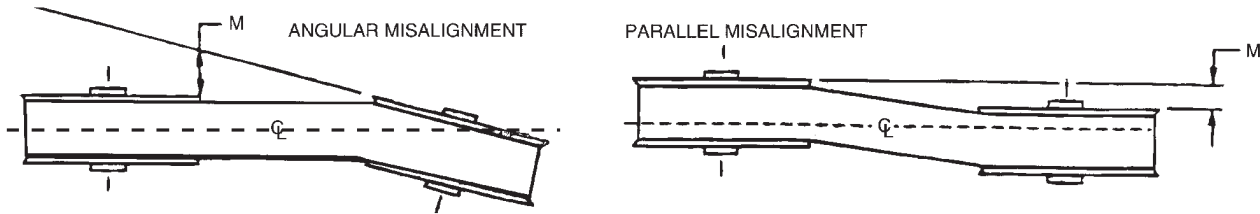


Apply a force (from the table) at the center of the span. Measure the deflection with this force applied. Move the center distance until the proper deflection is obtained.

FEATURES/BENEFITS PAGE PT11-2	SPECIFICATIONS PAGE PT11-4	SELECTION PAGE PT11-19	
----------------------------------	-------------------------------	---------------------------	--



Drive Alignment



Good tracking of synchronous belts on their sprockets depends upon alignment to within 1/4 degree. This translates to a maximum "M" dimension of 0.05" per foot center distance.

Drive Tensioning

Formula Method

The formula method for determining belt tension may be used for greater accuracy, or for applications that fall out of guidelines given for the Simplified Method on page PT11-65.

Step 1. Calculate Min. Installation Tension:

$$\text{Formula 1: } T = \frac{20 \text{ (HP)}}{V} + mV^2$$

Where: HP = Horsepower
 $V = \frac{\text{Belt Velocity (in FPM)}}{1000}$

m = Value in Table 1
 Belt Velocity = PD x RPM x .262
 (PD = Pitch Dia. in inches)

***Important!** If formula calculation for "T" is less than "Min T. Value" (Table 1) use the "Min T. Value" for T. Always use the greater T value: i.e. from T Formula 1 or Table 1.

Step 2. Calculate Deflection Forces:

$$\text{Formula 2: } \text{Min Force} = \frac{1.0T + (K/L)Y}{16} \text{ (lbs)}$$

$$\text{Formula 3: } \text{Max Force} = \frac{1.1T + (K/L)Y}{16} \text{ (lbs)}$$

Note: For used belt, use 0.7T to 0.8T instead of the 1.0T and 1.1T for new belts.

- T = Static tension, lbs
- K = Span length, inches
- L = Belt length, inches
- Y = Factor from Table 1

Step 3. Adjust tension per Simplified Method Procedure on page PT11-65 using deflection forces from Step 2.

Table 1

Belt		Factors		Min. T
Pitch	Width	m	Y	Value*
5MM	15MM	0.28	24.9	14.1
5MM	25MM	0.47	41.5	23.4
8MM	20MM	0.58	34.2	18.5
8MM	30MM	0.88	51.3	30.0
8MM	50MM	1.46	85.5	52.0
8MM	85MM	2.45	145.3	94.5
14MM	40MM	1.78	93.0	76.5
14MM	55MM	2.44	127.9	120.0
14MM	85MM	3.77	197.7	205.5
14MM	115MM	5.11	267.5	291.0
14MM	170MM	7.55	395.4	447.0
20MM	115MM	7.24	367.0	391.5
20MM	170MM	10.71	542.5	603.0
20MM	230MM	14.49	734.0	834.0
20MM	290MM	18.27	925.4	1065.0
20MM	340MM	21.42	1085.0	1257.5



DODGE Software

Computer Selection of DODGE Synchronous Belt Drives

VIA-SYNC® Synchronous Belt Drive Selection

For any given synchronous drive application, there may be several DODGE HT/HTD* or DODGE DYNA-SYNC® product combinations that could satisfy the requirements. Finding the best drive can be a time-consuming and frustrating task.

The DODGE VIA-SYNC program provides selections for DYNA-SYNC (timing) and HT/HTD drives and includes both TAPER-LOCK® and QD* type sprockets. All relevant data for up to ten alternative drive selections is presented in a format that allows quick and accurate analysis, whether based upon lowest price, minimum bearing load, highest service factor, etc.

VIA-SYNC calculates speed up drives or drives for nonstandard motor speeds. The most appropriate selection can then be specified using the computer printout, which contains sprocket, bushing and belt sizes and part numbers.

VIA-SYNC has the capability of sharing data with DODGE T-A DISCOVERY™ or DODGE SCD DISCOVERY™ programs.

DRIVE TROUBLESHOOTING

Problem	Cause	Remedy
Unusual Noise	Misaligned drive	Re-adjust alignment
	Hi or Low belt tension	Adjust to recommended value
	Backside idler	Use inside idler
	Worn sprocket	Replace sprocket
	Bent sprocket flange	Replace or repair
	Excessive belt speed	Redesign drive
	Incorrect belt profile	Replace with DODGE belt
	Subminimal spkt. dia.	Redesign with lager spkts.
	Excessive load Weak mntg. structure	Use higher capacity drive
Loss of Belt Tension	Weak mntg. structure	Reinforce mounting structure
	Excessive spkt. wear	Use wear-resistant sprockets
	Fixed center drive	Install inside idler
	Excessive debris	Install adequate drive guard.
	Excessive load	Use higher capacity drive
	Subminimal spkt. dia. Drive running hot Belt degradation	Redesign drive Use heat fingers on hot shaft Protect from excessive heat
Belt Edge Wear	Damaged flanges	Repair or replace sprocket
	Low belt tension	Adjust to recommended value
	Poor tracking	Correct alignment
	Guard interference	Remove obstruction, add idler
Pre-mature Tooth Wear	Improper tension	Correct drive tension
	Poor alignment	Correct drive alignment
	Wrong belt type	Use correct DODGE belt
	Worn sprocket	Replace
	Damaged sprocket	Replace
	Excessive load	Use higher capacity drive
	Dirt or debris Sprocket wobble	Install adequate drive guard Correct bushing installation

Problem	Cause	Remedy
Tooth Shear	Shock loads	Use higher capacity drive
	Few teeth in mesh	Redesign drive
	Worn sprocket	Replace
	Backside idler	Use inside idler
	Wrong belt profile	Use correct DODGE belt
	Low belt tension	Adjust to recommended value
Tensile Break	Shock load	Use higher capacity drive
	Subminimal spkt. dia.	Redesign with larger spkts.
	Debris in drive	Install adequate drive guard
	Improper belt handling, storage	Do not crimp belt or subject it to sharp bends
Belt Cracking	Subminimal spkt. dia.	Redesign with larger spkts.
	Backside idler	Install inside idler
	Start-up temp below 180 degrees F	Preheat drive before start-up
	Extended exposure to harsh chemicals	Protect drive
Bearing Failure	Excessive belt tension	Adjust to recommended value
	Drive misalignment	Re-adjust alignment
	Subminimal spkt. dia.	Redesign with larger spkts.
Vibration	Wrong belt profile	Install correct DODGE belt
	Hi or Low belt tension	Adjust to recommended value
	Loose key or bushing	Install per instructions
	Loose mounting structure	Reinforce or tighten
Belt not Tracking	Misalignment	Re-adjust alignment
	Long center distance	Carefully adjust alignment
	Mtg. structure bending	Reinforce mounting structure



NOTES

V-Drives

FHP Drive

Drive Component
Accessories

DYNA-SYNC

HT Synchronous Belts

Sprocket

Conveyor Components



CONTENTS

HTR/HTRC Synchronous Belt Drives

Features & Benefits	PT12-2
Nomenclature	PT12-3
Interchange Tables	PT12-4
 Specification	
HTR Taper-Lock Sprockets	PT12-5
HTR Metric Taper-Lock Sprockets	PT12-10
HTR MPB Sprockets	PT12-15
HTR Idler Sprockets	PT12-17
HTR Belts - 8mm	PT12-18
HTR Belts - 14mm	PT12-19
 Selection	PT12-20
HTR Service Factor	PT12-21
HTR Belt Pitch Selection Guide	PT12-22
HTR Basic HP Ratings - 8mm	PT12-23
HTR Basic HP Ratings - 14mm	PT12-25
HTR Speed Ratio-Center Distance Tables - 8mm	PT12-28
HTR Speed Ratio-Center Distance Tables - 14mm	PT12-38
 Specification	
HTRC TAPER-LOCK Sprockets	PT13-2
HTRC Metric TAPER-LOCK Sprockets	PT13-8
HTRC MPB Sprockets	PT13-14
HTRC TAPER-LOCK Nickel Plated Sprockets	PT13-16
HTRC TAPER-LOCK Stainless Steel Sprockets	PT13-20
HTRC TAPER-LOCK/QD ACHE Sprockets	PT13-23
HTRC Metric TAPER-LOCK/QD ACHE Sprockets	PT13-25
HTRC Idler Sprockets	PT13-27
HTRC Belts - 8mm	PT13-28
HTRC Belts - 14mm	PT13-29
 Selection	
HTRC Drive Selection Procedure	PT13-30
HTRC Service Factor	PT13-31
Belt Pitch Selection Guide	PT13-32
Basic HP Ratings - 8mm	PT13-33
Basic HP Ratings - 14mm	PT13-37
8M HTRC Selection Table	PT13-42
14M HTRC Selection Table	PT13-72
 Engineering/Technical	
Overhung Load Calculation	P13-96
Installation and Tensioning	P13-98
Drive Alignment	P13-99
Software: Via-SYNC	P13-101
Troubleshooting	P13-101
 Part Number Index	INDEX-1
Keyword Index	INDEX-67



FEATURES/BENEFITS

Dodge HTR and HTRC Drives - The TCO Drive Solution: Energy Efficient - Maintenance Free

Dodge HTR and HTRC synchronous drive system is the latest generation in the Dodge synchronous line of drive products. The HTR and HTRC use a Reinforced Parabolic Profile (RPP) tooth design that allows the belt teeth to sit deeper in the sprocket compared to standard belts. This drive system utilizes Dodge invented Taper-Lock® bushing system to deliver our most power dense synchronous drive.



Standard Features

Virtually maintenance free

- Requires no oil or grease to run efficiently
- No need to re-tension the belts
- Compact maintenance free design

Reinforced Parabolic Profile (RPP)

- Allows synchronous transmission of power eliminating slippage and speed variation on high torque application
- Low installation tension reducing loads on other power transmission components (i.e., bearings, gearing, motors, etc.)
- Delivers power up to speeds of 10,000 FPM (Standard hardware is rated for 6,500 FPM). Contact Dodge if speeds greater than 6500 FPM are required.
- Superior meshing characteristics with the sprocket
- Reduces sprocket wear due to friction
- Higher power ratings than comparable timing belts
- Quieter operation
- Wide speed range coverage

Dodge Belts utilize materials that achieve the highest standard of quality and performance in the industry allowing the superior torque capacity needed for high performance

- Belt backing is precision ground neoprene rubber designed for maximum resistance to environmental conditions, oil, and grease and flex fatigue
- The belt's fiberglass cord provides superior tension stability in static and dynamic conditions and does not absorb moisture preventing belt shrinkage and stretch
- Belt construction helps reduce the belt installation tension increasing the life of the other mechanical components
- Belt teeth are enclosed in a graphite nylon fabric delivering resistance to abrasion and tooth shear, increasing drive efficiency, belt and sprocket life
- Idlers can be used on the backside and front-side of the belt
- Easy to install, neoprene rubber provides flexibility during installation

What does the Sprocket bring to the Dodge Synchronous Drive System?

The synchronous sprockets are manufactured with high quality materials and machined to the highest quality standards to ensure a perfect match between the sprocket and belt maximizing the drive performance. Dodge sprockets are manufactured in Weaverville, N.C.; recently voted one of Industry Week's best Plants for 2008. It is also ISO certified.

Our design advantages:

- Positions belt center line closer to motor, reducer, and bearings
- Requires less shaft length than QD style products
- Offers more bore sizes per bushing size than QD style products
- Delivers more torque than QD style products
- Has no protruding flanges or bolt heads
- Minimizes overhung load
- New anti-corrosion coating

The Dodge sprocket offering has more teeth configurations than other synchronous products in the marketplace allowing for closer speed matching. Coupling our many tooth configurations with our extensive belt offering enables the drive system to achieve ratings up to 1,200 HP, while reducing overhung load with Dodge Taper-Lock bushing system.

Synchronizing these three components; RPP profile, high quality belt materials, and precision machined sprockets, together make the Dodge HTR and HTRC Tracker Synchronous Drive System the TCO solution for the marketplace.

V-Drives

FHP Drives

Drive Component Accessories

DYNA-SYNC

HT200/HTD Synchronous Drives

HTR Synchronous Drives

HTRC Synchronous Drives



FEATURES/BENEFITS

HTR & HTRC Sprocket Nomenclature

Sprocket Designation

D30-8M-30-1210 HTR SPKT

30 Teeth
 8MM Pitch
 For 30mm wide belt
 1210 Taper-Lock Bushing
 For HTR Belt

D32-8M-35-1210 HTRC SPKT

32 Teeth
 8MM Pitch
 For 35mm wide belt
 1210 Taper-Lock Bushing
 For HTRC Belt

Belt Designation

600-8M-30 HTR Belt (Tracker)

Pitch Length of 600mm
 8mm Pitch
 30mm wide

600-8M-35 HTRC Belt (Tracker)

Pitch Length of 600mm
 8mm Pitch
 35mm wide



FEATURES/BENEFITS

Dodge HTR and HTRC Drives - The TCO Drive Solution: Energy Efficient - Maintenance Free

Interchange Tables for DODGE HTR Tracker™

8M (8mm) Belt-Pitch

Company	Trade Name	Company's Nomenclature	Tooth Profile	Standard Belt Widths	Dodge Nomenclature
Browning	HPT®	B12008M20	RPP®	20mm, 30mm, 50mm, 85mm	1200-8M-20 HTR BELT
T.B. Wood's	Synchronous Plus	12008M20	RPP®	20mm, 30mm, 50mm, 85mm	1200-8M-20 HTR BELT
Carlisle	RPP® - RPP Plus®	1200-8M-20	RPP®	20mm, 30mm, 50mm, 85mm	1200-8M-20 HTR BELT
Goodyear	Hawk PdTM	1200-8M-20	RPP®	20mm, 30mm, 50mm, 85mm	1200-8M-20 HTR BELT

14M (14mm) Belt-Pitch

Company	Trade Name	Company's Nomenclature	Tooth Profile	Standard Belt Widths	Dodge Nomenclature
Browning	HPT®	B350014M85	RPP®	40mm, 55mm, 85mm, 115mm, 170mm	3500-14M-85 HTR BELT
T.B. Wood's	Synchronous Plus	350014M85	RPP®	40mm, 55mm, 85mm, 115mm, 170mm	3500-14M-85 HTR BELT
Carlisle	RPP® - RPP Plus®	3500-14M-85	RPP®	40mm, 55mm, 85mm, 115mm, 170mm	3500-14M-85 HTR BELT

Interchange Tables for DODGE HTRC Tracker™

8M (8mm) Belt-Pitch

Company	Trade Name	Company's Nomenclature	Tooth Profile	Standard Belt Widths	Dodge Nomenclature
Browning	Panther®	560PTH8M-35	RPP®	12mm, 22mm, 35mm, 60mm	560-8M-35 HTRC BELT
T.B. Wood's	QT Powerchain®	560-8M-35W	RPP®	12mm, 22mm, 35mm, 60mm	560-8M-35 HTRC BELT
Carlisle	Panther® Ultra®	560PTH 8M-35	RPP®	12mm, 22mm, 35mm, 60mm	560-8M-35 HTRC BELT
Goodyear	BlackHawk PdTM	560-8M-BH-35	RPP®	12mm, 22mm, 35mm, 60mm	560-8M-35 HTRC BELT

14M (14mm) Belt-Pitch

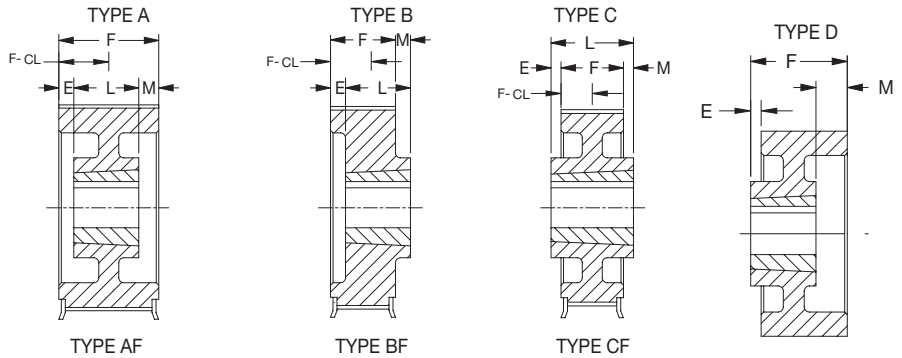
Company	Trade Name	Company's Nomenclature	Tooth Profile	Standard Belt Widths	Dodge Nomenclature
Browning	Panther®	2100PTH14M-20	RPP®	20mm, 42mm, 65mm, 90mm, 120mm	2100-14M-20 HTRC BELT
T.B. Wood's	QT Powerchain®	2100-14M-20W	RPP®	20mm, 42mm, 65mm, 90mm, 120mm	2100-14M-20 HTRC BELT
Carlisle	Panther® Ultra®	2100PTH 14M-20	RPP®	20mm, 42mm, 65mm, 90mm, 120mm	2100-14M-20 HTRC BELT
Goodyear	BlackHawk PdTM	2100-14M-BH-20	RPP®	20mm, 42mm, 65mm, 90mm, 120mm	2100-14M-20 HTRC BELT

HTR sprockets are designed and intended for use with HTR belts. HT200 belts are not recommended for interchange with HTR sprockets.



SPECIFICATION

HTR TAPER-LOCK Sprockets



The figure following the sketch reference letter in the "Type" Column indicates the construction of the sprocket (1 = Solid, 2 = Web, and 3 = Arms), and the letter "F" in AF, BF and CF indicates that the sprocket has flanges.

8M Sprockets

Sprocket Number	Part No.	No. Of Teeth	Diameters (In.)			Type	Dimensions (In.)			Bore Sizes		Approx. Weight (LBS.)	Approx. WR ² (Lb-Ft ²)
			P.D.	O.D.	Flange		E	L	M	Min.	Max.		
8M-20			F = 1.13 in										
D22-8M-20-1108	482251	22	2.206	2.152	2.559	A1F	0.00	0.88	0.26	1/2	1-1/8	0.5	0.003
D24-8M-20-1108	482252	24	2.406	2.352	2.756	A1F	0.00	0.88	0.26	1/2	1-1/8	0.7	0.004
D26-8M-20-1108	482253	26	2.607	2.553	2.953	A1F	0.00	0.88	0.26	1/2	1-1/8	0.9	0.007
D28-8M-20-1108	482254	28	2.807	2.753	3.150	A1F	0.26	0.88	0.00	1/2	1-1/8	1.2	0.009
D30-8M-20-1210	482255	30	3.008	2.954	3.346	A1F	0.13	1.00	0.00	1/2	1-1/4	1.2	0.012
D32-8M-20-1210	482256	32	3.208	3.154	3.543	A1F	0.00	1.00	0.13	1/2	1-1/4	1.4	0.016
D34-8M-20-1610	482257	34	3.409	3.355	3.819	A1F	0.13	1.00	0.00	1/2	1-11/16	1.4	0.019
D36-8M-20-1610	482258	36	3.609	3.555	3.937	A1F	0.13	1.00	0.00	1/2	1-11/16	1.7	0.025
D38-8M-20-1610	482259	38	3.810	3.756	4.134	A1F	0.13	1.00	0.00	1/2	1-11/16	2.0	0.032
D40-8M-20-1610	482260	40	4.010	3.956	4.331	A1F	0.13	1.00	0.00	1/2	1-11/16	2.4	0.041
D44-8M-20-2012	482261	44	4.411	4.357	4.764	B1F	0.00	1.25	0.12	1/2	2-1/8	2.7	0.059
D48-8M-20-2012	482262	48	4.812	4.758	5.157	B1F	0.00	1.25	0.12	1/2	2-1/8	3.7	0.092
D56-8M-20-2012	482263	56	5.614	5.560	5.945	B1F	0.00	1.25	0.12	1/2	2-1/8	5.6	0.177
D64-8M-20-2012	482264	64	6.416	6.362	6.772	B1F	0.00	1.25	0.12	1/2	2-1/8	7.7	0.308
D72-8M-20-2012	482265	72	7.218	7.164	7.598	B1F	0.00	1.25	0.12	1/2	2-1/8	10.0	0.499
D80-8M-20-2517	482266	80	8.020	7.966	8.386	B1F	0.00	1.75	0.62	1/2	2-11/16	12.0	0.773
D90-8M-20-2517	482267	90	9.023	8.969	---	C2	0.31	1.75	0.31	1/2	2-11/16	13.0	0.904
8M-30			F = 1.50 in										
D22-8M-30-1108	482271	22	2.206	2.152	2.559	A1F	0.00	0.88	0.63	1/2	1-1/8	0.6	0.004
D24-8M-30-1108	482272	24	2.406	2.352	2.756	A1F	0.00	0.88	0.63	1/2	1-1/8	0.9	0.006
D26-8M-30-1108	482273	26	2.607	2.553	2.953	A1F	0.00	0.88	0.63	1/2	1-1/8	1.1	0.008
D28-8M-30-1108	482274	28	2.807	2.753	3.150	A1F	0.00	0.88	0.63	1/2	1-1/8	1.5	0.012
D30-8M-30-1210	482275	30	3.008	2.954	3.346	A1F	0.00	1.00	0.50	1/2	1-1/4	1.5	0.015
D32-8M-30-1210	482276	32	3.208	3.154	3.543	A1F	0.00	1.00	0.50	1/2	1-1/4	1.7	0.020
D34-8M-30-1610	482277	34	3.409	3.355	3.819	A1F	0.00	1.00	0.50	1/2	1-11/16	1.8	0.024
D36-8M-30-1610	482278	36	3.609	3.555	3.937	A1F	0.00	1.00	0.50	1/2	1-11/16	2.2	0.032
D38-8M-30-1610	482279	38	3.810	3.756	4.134	A1F	0.00	1.00	0.50	1/2	1-11/16	2.5	0.041
D40-8M-30-2012	482280	40	4.010	3.956	4.331	A1F	0.00	1.25	0.25	1/2	2-1/8	2.3	0.045
D44-8M-30-2012	482281	44	4.411	4.357	4.764	A1F	0.00	1.25	0.25	1/2	2-1/8	3.2	0.071
D48-8M-30-2012	482282	48	4.812	4.758	5.157	A1F	0.00	1.25	0.25	1/2	2-1/8	4.2	0.107
D56-8M-30-2012	482283	56	5.614	5.560	5.945	A1F	0.00	1.25	0.25	1/2	2-1/8	6.3	0.209
D64-8M-30-2517	482284	64	6.416	6.362	6.772	B1F	0.00	1.75	0.25	1/2	2-11/16	9.5	0.404
D72-8M-30-2517	482287	72	7.218	7.164	7.598	B1F	0.00	1.75	0.25	1/2	2-11/16	13.0	0.660
D80-8M-30-2517	482288	80	8.020	7.966	8.386	B1F	0.00	1.75	0.25	1/2	2-11/16	16.0	1.019

FEATURES/BENEFITS PAGE PT12-2	SELECTION PAGE PT12-20	ENGINEERING/TECHNICAL PAGE PT13-96	
----------------------------------	---------------------------	---------------------------------------	--



SPECIFICATION

HTR TAPER-LOCK Sprockets

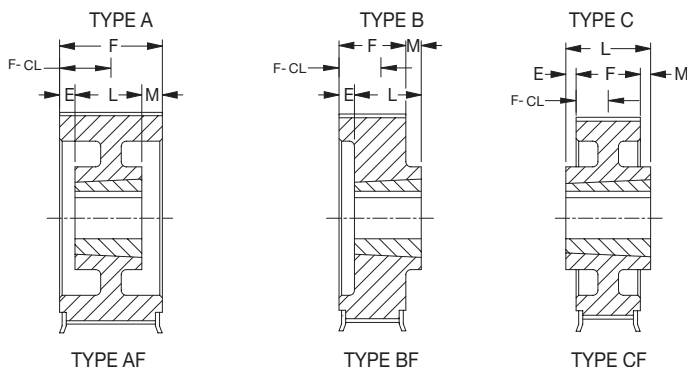
8M Sprockets

Sprocket Number	Part No.	No. Of Teeth	Diameters (In.)			Type	Dimensions (In.)			Bore Sizes		Approx. Weight (LBS.)	Approx. WR^2 (Lb-Ft^2)
			P.D.	O.D.	Flange		E	L	M	Min.	Max		
8M-30 F = 1.50 in													
D90-8M-30-2517	482289	90	9.023	8.969	---	C2	0.13	1.75	0.13	1/2	2-11/16	22.0	1.650
D112-8M-30-2517	482290	112	11.229	11.175	---	C2	0.13	1.75	0.13	1/2	2-11/16	24.0	1.764
D144-8M-30-2517	482291	144	14.437	14.383	---	D3	0.38	1.75	0.13	1/2	2-11/16	31.0	6.014
8M-50 F = 2.38 in													
D28-8M-50-1108	482294	28	2.807	2.753	3.150	A1F	0.00	0.88	1.50	1/2	1-1/8	2.1	0.019
D30-8M-50-1210	482295	30	3.008	2.954	3.346	A1F	0.00	1.00	1.38	1/2	1-1/4	2.2	0.023
D32-8M-50-1210	482296	32	3.208	3.154	3.543	A1F	0.00	1.00	1.38	1/2	1-1/4	2.3	0.028
D34-8M-50-1610	482297	34	3.409	3.355	3.819	A1F	0.00	1.00	1.38	1/2	1-11/16	2.5	0.046
D36-8M-50-1610	482298	36	3.609	3.555	3.937	A1F	0.00	1.00	1.38	1/2	1-11/16	2.7	0.043
D38-8M-50-1610	482299	38	3.810	3.756	4.134	A1F	0.00	1.00	1.38	1/2	1-11/16	3.1	0.054
D40-8M-50-2012	482300	40	4.010	3.956	4.331	A1F	0.00	1.25	1.13	1/2	2-1/8	3.5	0.069
D44-8M-50-2012	482301	44	4.411	4.357	4.764	A1F	0.00	1.25	1.13	1/2	2-1/8	4.3	0.100
D48-8M-50-2012	482302	48	4.812	4.758	5.157	A1F	0.00	1.25	1.13	1/2	2-1/8	5.5	0.149
D56-8M-50-2517	482303	56	5.614	5.560	5.945	A1F	0.00	1.75	0.63	1/2	2-11/16	8.1	0.296
D64-8M-50-2517	482304	64	6.416	6.362	6.772	A1F	0.00	1.75	0.63	1/2	2-11/16	12.0	0.527
D72-8M-50-2517	482305	72	7.218	7.164	7.598	A1F	0.00	1.75	0.63	1/2	2-11/16	16.0	0.863
D80-8M-50-2517	482306	80	8.020	7.966	8.386	A1F	0.00	1.75	0.63	1/2	2-11/16	20.0	1.343
D90-8M-50-3020	482307	90	9.023	8.969	---	A1	0.00	2.00	0.38	7/8	3-1/4	27.0	2.277
D112-8M-50-3020	482308	112	11.229	11.175	---	A2	0.00	2.00	0.38	7/8	3-1/4	30.0	3.748
D144-8M-50-3020	482309	144	14.437	14.383	---	A3	0.00	2.00	0.38	7/8	3-1/4	49.0	8.988
D192-8M-50-3020	482310	192	19.249	19.195	---	A3	0.00	2.00	0.38	7/8	3-1/4	108.0	32.210
8M-85 F = 3.75 in													
D34-8M-85-1615	482312	34	3.409	3.355	3.819	A1F	0.75	1.50	1.50	1/2	1-11/16	3.9	0.055
D36-8M-85-1615	482313	36	3.609	3.555	3.937	A1F	0.75	1.50	1.50	1/2	1-11/16	4.4	0.069
D38-8M-85-1610	482314	38	3.810	3.756	4.134	A1F		1.00		1/2	1-11/16	5.0	
D40-8M-85-2012	482315	40	4.010	3.956	4.331	A1F	1.25	1.25	1.25	1/2	2-1/8	5.9	0.097
D44-8M-85-2012	482316	44	4.411	4.357	4.764	A1F	1.25	1.25	1.25	1/2	2-1/8	7.6	0.145
D48-8M-85-2012	482317	48	4.812	4.758	5.157	A1F	1.25	1.25	1.25	1/2	2-1/8	11.0	0.215
D56-8M-85-2517	482318	56	5.614	5.560	5.945	A1F	0.81	1.75	1.19	1/2	2-11/16	15.0	0.406
D64-8M-85-2517	482319	64	6.416	6.362	6.772	A1F	0.59	1.75	1.41	1/2	2-11/16	18.0	0.699
D72-8M-85-3020	482320	72	7.218	7.164	7.598	A1F	0.88	2.00	0.88	7/8	3-1/4	22.0	1.121
D80-8M-85-3020	482321	80	8.020	7.966	8.386	A1F	0.50	2.00	1.25	7/8	3-1/4	22.0	1.642
D90-8M-85-3020	482322	90	9.023	8.969	---	A1	0.50	2.00	1.25	7/8	3-1/4	32.0	2.846
D112-8M-85-3020	482323	112	11.229	11.175	---	A2	0.50	2.00	1.25	7/8	3-1/4	33.0	4.621
D144-8M-85-3535	482324	144	14.437	14.383	---	A2	0.00	3.50	0.25	1-3/16	3-15/16	54.0	11.060
D192-8M-85-3535	482325	192	19.249	19.195	---	A3	0.13	3.50	0.13	1-3/16	3-15/16	125.0	39.630



SPECIFICATION

HTR TAPER-LOCK Sprockets



The figure following the sketch reference letter in the “Type” column indicates the construction of the sprocket (1 = Solid, 2 = Web, and 3 = Arms) and the letter “F” in AF, BF and CF indicates that the sprocket has flanges.

14M Sprockets

Sprocket Number	Part No.	No. Of Teeth	Diameters (In.)			Type	Dimensions (In.)			Bore Sizes		Approx. Weight (Lbs.)	Approx. WR ² (Lb-Ft ²)
			P.D.	O.D.	Flange		E	L	M	Min.	Max.		
14M-40 F = 2.13 in													
D28-14M-40-2012	482326	28	4.912	4.802	5.560	A1F	0.00	1.25	0.88	1/2	2-1/8	5.9	0.153
D29-14M-40-2012	482327	29	5.088	4.978	5.560	A1F	0.00	1.25	0.88	1/2	2-1/8	6.6	0.181
D30-14M-40-2012	482328	30	5.263	5.153	6.125	A1F	0.00	1.25	0.88	1/2	2-1/8	7.0	0.194
D32-14M-40-2012	482329	32	5.614	5.504	6.125	A1F	0.00	1.25	0.88	1/2	2-1/8	8.0	0.265
D34-14M-40-2012	482330	34	5.965	5.855	6.500	A1F	0.00	1.25	0.88	1/2	2-1/8	9.4	0.350
D36-14M-40-2517	482331	36	6.316	6.206	6.875	A1F	0.00	1.75	0.38	1/2	2-11/16	11.0	0.444
D38-14M-40-2517	482332	38	6.667	6.557	7.219	A1F	0.00	1.75	0.38	1/2	2-11/16	12.0	0.566
D40-14M-40-2517	482333	40	7.018	6.908	7.500	A1F	0.00	1.75	0.38	1/2	2-11/16	14.0	0.713
D44-14M-40-2517	482334	44	7.720	7.610	8.343	A1F	0.00	1.75	0.38	1/2	2-11/16	18.0	1.046
D48-14M-40-2517	482335	48	8.421	8.311	8.937	A1F	0.00	1.75	0.38	1/2	2-11/16	22.0	1.527
D52-14M-40-2517	482336	52	9.123	9.013	9.687	A1F	0.00	1.75	0.38	1/2	2-11/16	26.0	2.126
D56-14M-40-2517	482337	56	9.825	9.715	10.375	A1F	0.00	1.75	0.38	1/2	2-11/16	29.0	2.878
D60-14M-40-3020	482338	60	10.527	10.417	11.062	A2F	0.00	2.00	0.13	7/8	3-1/4	30.0	3.177
D64-14M-40-3020	482339	64	11.229	11.119	11.750	A2F	0.00	2.00	0.13	7/8	3-1/4	30.5	3.872
D68-14M-40-3020	482340	68	11.930	11.820	12.500	A2F	0.00	2.00	0.13	7/8	3-1/4	31.0	4.446
D72-14M-40-3020	482341	72	12.632	12.522	13.187	A2F	0.00	2.00	0.13	7/8	3-1/4	34.0	5.410
D80-14M-40-3020	482342	80	14.036	13.926	14.625	A3F	0.00	2.00	0.13	7/8	3-1/4	35.0	7.474
D90-14M-40-3020	482343	90	15.790	15.680	---	A3	0.00	2.00	0.13	7/8	3-1/4	40.0	9.396
D112-14M-40-3020	482344	112	19.650	19.540	---	A3	0.00	2.00	0.13	7/8	3-1/4	101.0	29.660
D144-14M-40-3020	482345	144	25.264	25.154	---	A3	0.00	2.00	0.13	7/8	3-1/4	154.0	75.160
D168-14M-40-3020	482346	168	29.475	29.365	---	A3	0.00	2.00	0.13	7/8	3-1/4	133.0	113.30
D192-14M-40-3020	482347	192	33.686	33.576	---	A3	0.00	2.00	0.13	7/8	3-1/4	168.0	189.80
14M-55 F = 2.75 in													
D28-14M-55-2012	482348	28	4.912	4.802	5.560	A1F	0.00	1.25	1.50	1/2	2-1/8	7.4	0.195
D29-14M-55-2012	482349	29	5.088	4.978	5.560	A1F	0.00	1.25	1.50	1/2	2-1/8	8.4	0.231
D30-14M-55-2517	482350	30	5.263	5.153	6.125	A1F	0.00	1.75	1.00	1/2	2-11/16	9.0	0.237
D32-14M-55-2517	482351	32	5.614	5.504	6.125	A1F	0.00	1.75	1.00	1/2	2-11/16	9.3	0.328
D34-14M-55-2517	482352	34	5.965	5.855	6.500	A1F	0.00	1.75	1.00	1/2	2-11/16	11.0	0.438
D36-14M-55-2517	482353	36	6.316	6.206	6.875	A1F	0.00	1.75	1.00	1/2	2-11/16	12.0	0.540
D38-14M-55-2517	482354	38	6.667	6.557	7.219	A1F	0.00	1.75	1.00	1/2	2-11/16	14.0	0.687
D40-14M-55-2517	482355	40	7.018	6.908	7.500	A1F	0.00	1.75	1.00	1/2	2-11/16	17.0	0.872
D44-14M-55-2517	482356	44	7.720	7.610	8.343	A1F	0.00	1.75	1.00	1/2	2-11/16	20.0	1.234
D48-14M-55-3020	482357	48	8.421	8.311	8.937	A1F	0.00	2.00	0.75	7/8	3-1/4	24.0	1.840
D52-14M-55-3020	482358	52	9.123	9.013	9.687	A1F	0.00	2.00	0.75	7/8	3-1/4	30.0	2.573
D56-14M-55-3020	482359	56	9.825	9.715	10.375	A1F	0.00	2.00	0.75	7/8	3-1/4	35.0	3.489

FEATURES/BENEFITS PAGE PT12-2	SELECTION PAGE PT12-20	ENGINEERING/TECHNICAL PAGE PT13-96	
----------------------------------	---------------------------	---------------------------------------	--



SPECIFICATION

HTR TAPER-LOCK Sprockets

14M Sprockets

Sprocket Number	Part No.	No. Of Teeth	Diameters (In.)			Type	Dimensions (In.)			Bore Sizes		Approx. Weight (Lbs.)	Approx. WR ² (Lb-Ft ²)
			P.D.	O.D.	Flange		E	L	M	Min.	Max		
14M-55 F = 2.75 in													
D60-14M-55-3020	482360	60	10.527	10.417	11.062	A1F	0.00	2.00	0.75	7/8	3-1/4	42.0	4.647
D64-14M-55-3020	482361	64	11.229	11.119	11.750	A1F	0.00	2.00	0.75	7/8	3-1/4	43.0	6.012
D68-14M-55-3020	482362	68	11.930	11.820	12.500	A2F	0.00	2.00	0.75	7/8	3-1/4	44.0	5.909
D72-14M-55-3020	482363	72	12.632	12.522	13.187	A2F	0.00	2.00	0.75	7/8	3-1/4	45.0	7.387
D80-14M-55-3020	482364	80	14.036	13.926	14.625	A3F	0.00	2.00	0.75	7/8	3-1/4	46.0	9.021
D90-14M-55-3020	482365	90	15.790	15.680	---	A3	0.00	2.00	0.75	7/8	3-1/4	47.0	12.360
D112-14M-55-3020	482366	112	19.650	19.540	---	A3	0.00	2.00	0.75	7/8	3-1/4	117.0	36.860
D144-14M-55-3020	482367	144	25.264	25.154	---	A3	0.00	2.00	0.75	7/8	3-1/4	120.0	65.380
D168-14M-55-3020	482368	168	29.475	29.265	---	A3	0.19	2.00	0.56	7/8	3-1/4	146.0	150.20
D192-14M-55-3535	482369	192	33.686	33.576	---	C3	0.00	3.50	0.75	1-3/16	3-15/16	432.0	404.30
14M-85 F = 4.00 in													
D28-14M-85-2012	482372	28	4.912	4.802	5.560	A1F	1.31	1.25	1.44	1/2	2-1/8	10.0	0.279
D29-14M-85-2012	482373	29	5.088	4.978	5.560	A1F	1.31	1.25	1.44	1/2	2-1/8	11.0	0.332
D30-14M-85-2517	482374	30	5.263	5.153	6.125	A1F	0.50	1.75	1.75	1/2	2-11/16	12.0	0.333
D32-14M-85-2517	482375	32	5.614	5.503	6.125	A1F	0.81	1.75	1.44	1/2	2-11/16	13.0	0.459
D34-14M-85-2517	482376	34	5.965	5.855	6.500	A1F	0.81	1.75	1.44	1/2	2-11/16	15.0	0.614
D36-14M-85-3020	482377	36	6.316	6.206	6.875	A1F	0.53	2.00	1.47	7/8	3-1/4	16.0	0.695
D38-14M-85-3020	482378	38	6.667	6.557	7.219	A1F	0.53	2.00	1.47	7/8	3-1/4	17.0	0.898
D40-14M-85-3020	482379	40	7.018	6.908	7.500	A1F	0.53	2.00	1.47	7/8	3-1/4	20.0	1.161
D44-14M-85-3020	482380	44	7.720	7.610	8.343	A1F	0.53	2.00	1.47	7/8	3-1/4	24.0	1.615
D48-14M-85-3020	482381	48	8.421	8.311	8.937	A1F	0.53	2.00	1.47	7/8	3-1/4	31.0	2.432
D52-14M-85-3535	482382	52	9.123	9.013	9.687	A1F	0.00	3.50	0.50	1-3/16	3-15/16	37.0	3.356
D56-14M-85-3535	482383	56	9.825	9.715	10.375	A1F	0.00	3.50	0.50	1-3/16	3-15/16	52.0	5.300
D60-14M-85-3535	482384	60	10.527	10.417	11.062	A1F	0.00	3.50	0.50	1-3/16	3-15/16	63.0	7.128
D64-14M-85-3535	482385	64	11.229	11.119	11.750	A1F	0.00	3.50	0.50	1-3/16	3-15/16	74.0	9.334
D68-14M-85-3535	482386	68	11.930	11.820	12.500	A2F	0.00	3.50	0.50	1-3/16	3-15/16	75.0	9.169
D72-14M-85-3535	482387	72	12.632	12.522	13.187	A1F	0.00	3.50	0.50	1-3/16	3-15/16	80.0	15.190
D80-14M-85-3535	482388	80	14.036	13.926	14.625	A2F	0.00	3.50	0.50	1-3/16	3-15/16	85.0	13.040
D90-14M-85-3535	482389	90	15.790	15.680	---	A2	0.00	3.50	0.50	1-3/16	3-15/16	90.0	18.140
D112-14M-85-3535	482390	112	19.650	19.540	---	A3	0.00	3.50	0.50	1-3/16	3-15/16	131.0	44.180
D144-14M-85-4040	482391	144	25.264	25.154	---	A3	0.00	4.00	0.00	1-7/16	4-7/16	137.0	92.100
D168-14M-85-4040	482392	168	29.475	29.365	---	A3	0.00	4.00	0.00	1-7/16	4-7/16	192.0	194.50
D192-14M-85-4040	482393	192	33.686	33.576	---	A3	0.00	4.00	0.00	1-7/16	4-7/16	448.0	444.60
14M-115 F = 5.25 in													
D30-14M-115-2517	482395	30	5.263	5.153	6.125	A1F	1.75	1.75	1.75	1/2	2-11/16	13.0	0.439
D32-14M-115-2517	482396	32	5.614	5.504	6.125	A1F	1.75	1.75	1.75	1/2	2-11/16	16.0	0.587
D34-14M-115-2517	482397	34	5.965	5.855	6.500	A1F	1.75	1.75	1.75	1/2	2-11/16	19.0	0.791
D36-14M-115-3020	482398	36	6.316	6.206	6.875	A1F	1.63	2.00	1.63	7/8	3-1/4	19.5	0.877
D38-14M-115-3020	482399	38	6.667	6.557	7.219	A1F	1.63	2.00	1.63	7/8	3-1/4	20.0	1.100
D40-14M-115-3020	482400	40	7.018	6.908	7.500	A1F	1.63	2.00	1.63	7/8	3-1/4	23.0	1.357
D44-14M-115-3535	482401	44	7.720	7.610	8.343	A1F	0.88	3.50	0.88	1-3/16	3-15/16	30.0	2.144
D48-14M-115-3535	482402	48	8.421	8.311	8.937	A1F	0.88	3.50	0.88	1-3/16	3-15/16	40.0	3.277
D52-14M-115-4040	482403	52	9.123	9.013	9.687	A1F	0.63	4.00	0.63	1-7/16	4-7/16	47.0	4.545
D56-14M-115-4040	482404	56	9.825	9.715	10.375	A1F	0.63	4.00	0.63	1-7/16	4-7/16	58.0	6.335
D60-14M-115-4040	482405	60	10.527	10.417	11.062	A1F	0.63	4.00	0.63	1-7/16	4-7/16	70.0	8.589
D64-14M-115-4545	482406	64	11.229	11.119	11.750	A1F	0.38	4.50	0.38	1-15/16	4-15/16	82.0	11.470



SPECIFICATION

HTR TAPER-LOCK Sprockets

14M Sprockets

Sprocket Number	Part No.	No. Of Teeth	Diameters (In.)			Type	Dimensions (In.)			Bore Sizes		Approx. Weight (Lbs.)	Approx. WR ² (Lb-Ft ²)
			P.D.	O.D.	Flange		E	L	M	Min.	Max		
14M-115			F = 5.25 in										
D68-14M-115-4545	482407	68	11.930	11.820	12.500	A1F	0.38	4.50	0.38	1-15/16	4-15/16	97.0	14.910
D72-14M-115-4545	482408	72	12.632	12.522	13.187	A1F	0.00	4.50	0.75	1-15/16	4-15/16	113.0	19.060
D80-14M-115-4545	482409	80	14.036	13.926	14.625	A2F	0.38	4.50	0.38	1-15/16	4-15/16	148.0	29.660
D90-14M-115-4545	482410	90	15.790	15.680	---	A2	0.38	4.50	0.38	1-15/16	4-15/16	150.0	28.300
D112-14M-115-4545	482411	112	19.650	19.540	---	A2	0.00	4.50	0.75	1-15/16	4-15/16	173.0	64.720
D144-14M-115-4545	482412	144	25.264	25.154	---	A3	0.38	4.50	0.38	1-15/16	4-15/16	180.0	172.20
D168-14M-115-4545	482413	168	29.475	29.365	---	A3	0.38	4.50	0.38	1-15/16	4-15/16	223.0	243.30
D192-14M-115-4545	482414	192	33.686	33.576	---	A3	0.38	4.50	0.38	1-15/16	4-15/16	475.0	496.50
D216-14M-115-6050	482415	216	37.896	37.786	---	A3	0.00	5.00	0.25	4-7/16	6	686.0	378.00
14M-170			F = 7.38 in										
D40-14M-170-3535	482416	40	7.018	6.908	7.500	A1F	1.94	3.50	1.94	1-3/16	3-15/16	29.0	1.780
D44-14M-170-3535	482417	44	7.720	7.610	8.343	A1F	1.94	3.50	1.94	1-3/16	3-15/16	39.0	2.828
D48-14M-170-3535	482418	48	8.421	8.311	8.937	A1F	1.94	3.50	1.94	1-3/16	3-15/16	51.0	4.283
D52-14M-170-4040	482419	52	9.123	9.013	9.687	A1F	1.13	4.00	2.25	1-7/16	4-7/16	59.0	5.877
D56-14M-170-4040	482420	56	9.825	9.715	10.375	A1F	1.13	4.00	2.25	1-7/16	4-7/16	71.0	8.051
D60-14M-170-4545	482421	60	10.527	10.417	11.062	A1F	0.75	4.50	2.13	1-15/16	4-15/16	83.0	10.850
D64-14M-170-4545	482422	64	11.229	11.119	11.750	A1F	0.63	4.50	2.25	1-15/16	4-15/16	94.0	13.710
D68-14M-170-4545	482423	68	11.930	11.820	12.500	A1F	0.63	4.50	2.25	1-15/16	4-15/16	113.0	18.150
D72-14M-170-4545	482424	72	12.632	12.522	13.187	A1F	0.63	4.50	2.25	1-15/16	4-15/16	130.0	23.000
D80-14M-170-4545	482425	80	14.036	13.926	14.625	A1F	1.03	4.50	1.84	1-15/16	4-15/16	166.0	35.120
D90-14M-170-4545	482426	90	15.790	15.680	---	A2	0.63	4.50	2.25	1-15/16	4-15/16	170.0	42.030
D112-14M-170-4545	482427	112	19.650	19.540	---	D2	0.25	4.50	3.12	1-15/16	4-15/16	215.0	81.300
D144-14M-170-6050	482428	144	25.264	25.154	---	A3	1.19	5.00	1.19	4-7/16	6	264.0	207.90
D168-14M-170-6050	482429	168	29.475	29.365	---	A3	1.19	5.00	1.19	4-7/16	6	462.0	384.20
D192-14M-170-6050	482430	192	33.686	33.576	---	A3	1.19	5.00	1.19	4-7/16	6	616.0	656.70
D216-14M-170-6050	482431	216	37.896	37.786	---	A2	1.19	5.00	1.19	4-7/16	6	700.0	851.70

V-Drives

FHP Drives

Drive Component Accessories

DYNA-SYNC

HT200/HTD Synchronous Drives

HTR Synchronous Drives

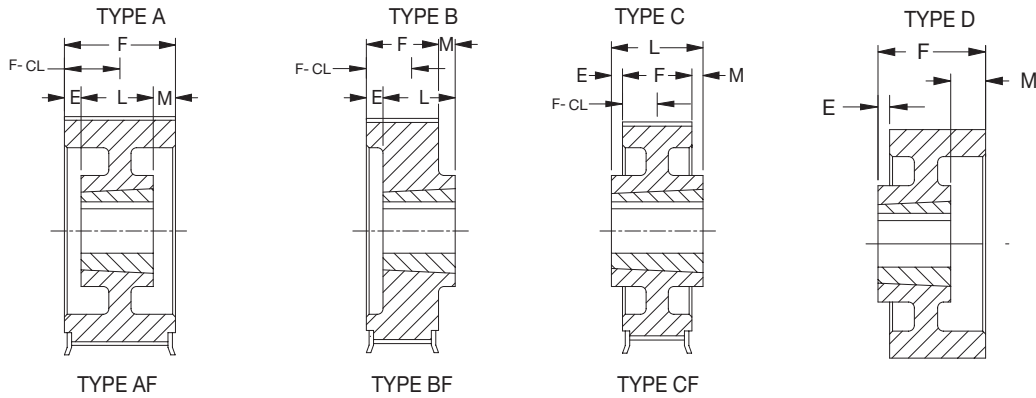
HTRC Synchronous Drives

FEATURES/BENEFITS PAGE PT12-2	SELECTION PAGE PT12-20	ENGINEERING/TECHNICAL PAGE PT13-96	
----------------------------------	---------------------------	---------------------------------------	--



SPECIFICATION

HTR Metric TAPER-LOCK Sprockets



8M Metric Sprockets

Sprocket Number	Part No. mm	No. Of Teeth	Diameters (mm)			Type	Dimensions (mm)			Bore Sizes		Approx. Weight (Kg.)	Approx. WR ² (Kg-M ²)
			P.D.	O.D.	Flange		E	L	M	Min.	Max		
8M-20 F = 28.6 mm													
D22-8M-20-1108	483371	22	56.0	54.7	65.0	A1F	0.0	22.1	6.6	13	25	0.23	0.000
D24-8M-20-1108	483372	24	61.1	59.7	70.0	A1F	0.0	22.1	6.6	13	25	0.32	0.000
D26-8M-20-1108	483373	26	66.2	64.8	75.0	A1F	0.0	22.1	6.6	13	25	0.41	0.000
D28-8M-20-1108	483374	28	71.3	69.9	80.0	A1F	6.6	22.1	0.0	13	25	0.54	0.000
D30-8M-20-1210	483375	30	76.4	75.0	85.0	A1F	3.3	25.4	0.0	13	32	0.54	0.001
D32-8M-20-1210	483376	32	81.5	80.1	90.0	A1F	0.0	25.4	3.3	13	32	0.64	0.001
D34-8M-20-1610	483377	34	86.6	85.2	97.0	A1F	3.3	25.4	0.0	13	42	0.64	0.001
D36-8M-20-1610	483378	36	91.7	90.3	100.0	A1F	3.3	25.4	0.0	13	42	0.77	0.001
D38-8M-20-1610	483379	38	96.8	95.4	105.0	A1F	3.3	25.4	0.0	13	42	0.91	0.001
D40-8M-20-1610	483380	40	101.9	100.5	110.0	A1F	3.3	25.4	0.0	13	42	1.09	0.002
D44-8M-20-2012	483381	44	112.0	110.7	121.0	B1F	0.0	31.8	3.1	13	50	1.22	0.002
D48-8M-20-2012	483382	48	122.2	120.9	131.0	B1F	0.0	31.8	3.1	13	50	1.68	0.004
D56-8M-20-2012	483383	56	142.6	141.2	151.0	B1F	0.0	31.8	3.1	13	50	2.54	0.007
D64-8M-20-2012	483384	64	163.0	161.6	172.0	B1F	0.0	31.8	3.1	13	50	3.49	0.013
D72-8M-20-2012	483385	72	183.3	182.0	193.0	B1F	0.0	31.8	3.1	13	50	4.54	0.021
D80-8M-20-2517 ★	483386	80	203.7	202.3	213.0	B1F	0.0	44.5	15.7	13	65	5.44	0.033
D90-8M-20-2517 ★	483387	90	229.2	227.8	---	C2	7.9	44.5	7.9	13	65	5.90	0.038
8M-30 F = 38.1 mm													
D22-8M-30-1108	483391	22	56.0	54.7	65.0	A1F	0.0	22.1	16.0	13	25	0.29	0.000
D24-8M-30-1108	483392	24	61.1	59.7	70.0	A1F	0.0	22.1	16.0	13	25	0.41	0.000
D26-8M-30-1108	483393	26	66.2	64.8	75.0	A1F	0.0	22.1	16.0	13	25	0.50	0.000
D28-8M-30-1108	483394	28	71.3	69.9	80.0	A1F	0.0	22.1	16.0	13	25	0.68	0.001
D30-8M-30-1210	483395	30	76.4	75.0	85.0	A1F	0.0	25.4	12.7	13	32	0.68	0.001
D32-8M-30-1210	483396	32	81.5	80.1	90.0	A1F	0.0	25.4	12.7	13	32	0.77	0.001
D34-8M-30-1610	483397	34	86.6	85.2	97.0	A1F	0.0	25.4	12.7	13	42	0.82	0.001
D36-8M-30-1610	483398	36	91.7	90.3	100.0	A1F	0.0	25.4	12.7	13	42	1.00	0.001
D38-8M-30-1610	483399	38	96.8	95.4	105.0	A1F	0.0	25.4	12.7	13	42	1.13	0.002
D40-8M-30-2012	483400	40	101.9	100.5	110.0	A1F	0.0	25.4	6.4	13	50	1.04	0.002
D44-8M-30-2012	483401	44	112.0	110.7	121.0	A1F	0.0	31.8	6.4	13	50	1.45	0.003
D48-8M-30-2012	483402	48	122.2	120.9	131.0	A1F	0.0	31.8	6.4	13	50	1.91	0.005
D56-8M-30-2012	483403	56	142.6	141.2	151.0	A1F	0.0	31.8	6.4	13	50	2.86	0.009
D64-8M-30-2517 ★	483404	64	163.0	161.6	172.0	B1F	0.0	44.5	6.4	13	65	4.31	0.017
D72-8M-30-2517 ★	483405	72	183.3	182.0	193.0	B1F	0.0	44.5	6.4	13	65	5.90	0.028
D80-8M-30-2517 ★	483406	80	203.7	202.3	213.0	B1F	0.0	44.5	6.4	13	65	7.26	0.043
D90-8M-30-2517 ★	483407	90	229.2	227.8	---	C2	3.3	44.5	3.3	13	65	9.98	0.070

★ Requires hard metric BSW bushing

FEATURES/BENEFITS PAGE PT12-2	SELECTION PAGE PT12-20	ENGINEERING/TECHNICAL PAGE PT13-96	
----------------------------------	---------------------------	---------------------------------------	--



SPECIFICATION

HTR Metric TAPER-LOCK Sprockets

8M Metric Sprockets

Sprocket Number	Part No. mm	No. Of Teeth	Diameters (mm)			Type	Dimensions (mm)			Bore Sizes		Approx. Weight (Kg.)	Approx. WR ² (Kg-M ²)
			P.D.	O.D.	Flange		E	L	M	Min.	Max		
8M-30			F = 38.1 mm										
D112-8M-30-2517 ★	483408	112	285.2	283.8	---	C2	3.3	44.5	3.3	13	65	10.89	0.074
D144-8M-30-2517 ★	483409	144	366.7	365.3	---	D3	9.7	44.5	3.3	13	65	14.06	0.253
8M-50			F = 60.3 mm										
D28-8M-50-1108	483412	28	71.3	69.9	80.0	A1F	0.0	22.1	38.1	13	25	0.95	0.001
D30-8M-50-1210	483413	30	76.4	75.0	85.0	A1F	0.0	25.4	35.1	13	32	1.00	0.001
D32-8M-50-1210	483414	32	81.5	80.1	90.0	A1F	0.0	25.4	35.1	13	32	1.04	0.001
D34-8M-50-1610	483415	34	86.6	85.2	97.0	A1F	0.0	25.4	35.1	13	42	1.13	0.002
D36-8M-50-1610	483416	36	91.7	90.3	100.0	A1F	0.0	25.4	35.1	13	42	1.22	0.002
D38-8M-50-1610	483417	38	96.8	95.4	105.0	A1F	0.0	25.4	35.1	13	42	1.41	0.002
D40-8M-50-2012	483418	40	101.9	100.5	110.0	A1F	0.0	31.8	28.7	13	50	1.59	0.003
D44-8M-50-2012	483419	44	112.0	110.7	121.0	A1F	0.0	31.8	28.7	13	50	1.95	0.004
D48-8M-50-2012	483420	48	122.2	120.9	131.0	A1F	0.0	31.8	28.7	13	50	2.49	0.006
D56-8M-50-2517 ★	483421	56	142.6	141.2	151.0	A1F	0.0	44.5	16.0	13	65	3.67	0.012
D64-8M-50-2517 ★	483422	64	163.0	161.6	172.0	A1F	0.0	44.5	16.0	13	65	5.44	0.022
D72-8M-50-2517 ★	483423	72	183.3	182.0	193.0	A1F	0.0	44.5	16.0	13	65	7.26	0.036
D80-8M-50-2517 ★	483424	80	203.7	202.3	213.0	A1F	0.0	44.5	16.0	13	65	9.07	0.057
D90-8M-50-3020	483425	90	229.2	227.8	---	A1	0.0	50.8	9.7	24	80	12.25	0.096
D112-8M-50-3020	483426	112	285.2	283.8	---	A2	0.0	50.8	9.7	24	80	13.61	0.158
D144-8M-50-3020	483427	144	366.7	365.3	---	A3	0.0	50.8	9.7	24	80	22.23	0.379
D192-8M-50-3020	483428	192	488.9	487.6	---	A3	0.0	50.8	9.7	24	80	48.99	1.357
8M-85			F = 95.3 mm										
D34-8M-85-1615	483430	34	86.6	85.2	97.0	A1F	19.1	38.1	38.1	13	42	1.77	0.002
D36-8M-85-1615	483431	36	91.7	90.3	100.0	A1F	19.1	38.1	38.1	13	42	2.00	0.003
D38-8M-85-1610	483432	38	96.8	95.4	105.0	A1F		25.4		13	42	2.27	0.000
D40-8M-85-2012	483433	40	101.9	100.5	110.0	A1F	31.8	31.8	31.8	13	50	2.68	0.004
D44-8M-85-2012	483434	44	112.0	110.7	121.0	A1F	31.8	31.8	31.8	13	50	3.45	0.006
D48-8M-85-2012	483435	48	122.2	120.9	131.0	A1F	31.8	31.8	31.8	13	50	4.99	0.009
D56-8M-85-2517 ★	483436	56	142.6	141.2	151.0	A1F	20.6	44.5	30.2	13	65	6.80	0.017
D64-8M-85-2517★	483437	64	163.0	161.6	172.0	A1F	15.0	44.5	35.8	13	65	8.16	0.029
D72-8M-85-3020	483438	72	183.3	182.0	193.0	A1F	22.4	50.8	22.4	24	80	9.98	0.047
D80-8M-85-3020	483439	80	203.7	202.3	213.0	A1F	12.7	50.8	31.8	24	80	9.98	0.069
D90-8M-85-3020	483440	90	229.2	227.8	---	A1	12.7	50.8	31.8	24	80	14.52	0.120
D112-8M-85-3020	483441	112	285.2	283.8	---	A2	12.7	50.8	31.8	24	80	14.97	0.195
D144-8M-85-3535★	483442	144	366.7	365.3	---	A3	0.0	88.9	6.4	31	95	24.49	0.466
D192-8M-85-3535 ★	483443	192	488.9	487.6	---	A3	3.3	88.9	3.3	31	95	56.70	1.670

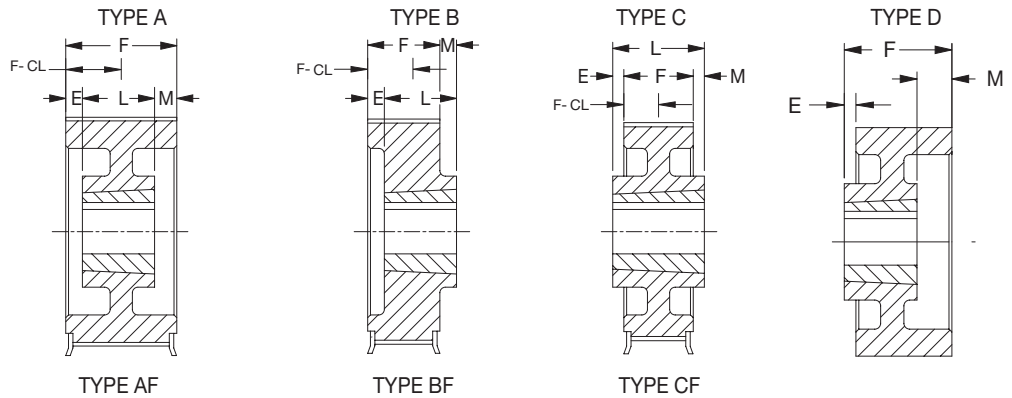
★ Requires hard metric BSW bushing

FEATURES/BENEFITS PAGE PT12-2	SELECTION PAGE PT12-20	ENGINEERING/TECHNICAL PAGE PT13-96	
----------------------------------	---------------------------	---------------------------------------	--



SPECIFICATION

HTR Metric TAPER-LOCK Sprockets



14M Metric Sprockets

Sprocket Number	Part No. mm	No. Of Teeth	Diameters (mm)			Type	Dimensions (mm)			Bore Sizes		Approx. Weight (Kg.)	Approx. WR ² (Kg-M ²)
			P.D.	O.D.	Flange		E	L	M	Min.	Max		
14M-40			F = 54.1 mm										
D28-14M-40-2012	483444	28	124.8	122.0	141.2	A1F	0.0	31.8	22.4	13	50	2.68	0.006
D29-14M-40-2012	483445	29	129.2	126.4	141.2	A1F	0.0	31.8	22.4	13	50	2.99	0.008
D30-14M-40-2012	483446	30	133.7	130.9	155.6	A1F	0.0	31.8	22.4	13	50	3.18	0.008
D32-14M-40-2012	483447	32	142.6	139.8	155.6	A1F	0.0	31.8	22.4	13	50	3.63	0.011
D34-14M-40-2012	483448	34	151.5	148.7	165.1	A1F	0.0	31.8	22.4	13	50	4.26	0.015
D36-14M-40-2517 ★	483449	36	160.4	157.6	174.6	A1F	0.0	44.5	9.7	13	65	4.99	0.019
D38-14M-40-2517 ★	483450	38	169.3	166.5	183.4	A1F	0.0	44.5	9.7	13	65	5.44	0.024
D40-14M-40-2517 ★	483451	40	178.3	175.5	190.5	A1F	0.0	44.5	9.7	13	65	6.35	0.030
D44-14M-40-2517 ★	483452	44	196.1	193.3	211.9	A1F	0.0	44.5	9.7	13	65	8.16	0.044
D48-14M-40-2517 ★	483453	48	213.9	211.1	227.0	A1F	0.0	44.5	9.7	13	65	9.98	0.064
D52-14M-40-2517 ★	483454	52	231.7	228.9	246.1	A1F	0.0	44.5	9.7	13	65	11.79	0.090
D56-14M-40-2517 ★	483455	56	249.6	246.8	263.5	A1F	0.0	44.5	9.7	13	65	13.15	0.121
D60-14M-40-3020	483456	60	267.4	264.6	281.0	A2F	0.0	50.8	3.3	24	75	13.61	0.134
D64-14M-40-3020	483457	64	285.2	282.4	298.5	A2F	0.0	50.8	3.3	24	80	13.83	0.163
D68-14M-40-3020	483458	68	303.0	300.2	317.5	A2F	0.0	50.8	3.3	24	80	14.06	0.187
D72-14M-40-3020	483459	72	320.9	318.1	334.9	A2F	0.0	50.8	3.3	24	80	15.42	0.228
D80-14M-40-3020	483460	80	356.5	353.7	371.5	A3F	0.0	50.8	3.3	24	80	15.88	0.315
D90-14M-40-3020	483461	90	401.1	398.3	---	A3	0.0	50.8	3.3	24	80	18.14	0.396
D112-14M-40-3020	483462	112	499.1	496.3	---	A3	0.0	50.8	3.3	24	80	45.81	1.250
D144-14M-40-3020	483463	144	641.7	638.9	---	A3	0.0	50.8	3.3	24	80	69.85	3.167
D168-14M-40-3020	483464	168	748.7	743.3	---	A3	0.0	50.8	3.3	24	80	60.33	4.774
D192-14M-40-3020	483465	192	855.6	852.8	---	A3	0.0	50.8	3.3	24	80	76.20	7.998
14M-55			F = 69.9 mm										
D28-14M-55-2012	483466	28	124.8	122.0	141.2	A1F	0.0	31.8	38.1	13	50	3.36	0.008
D29-14M-55-2012	483467	29	129.2	126.4	141.2	A1F	0.0	31.8	38.1	13	50	3.81	0.010

★ Requires hard metric BSW bushing



SPECIFICATION

HTR Metric TAPER-LOCK Sprockets

14M Metric Sprockets

Sprocket Number	Part No. mm	No. Of Teeth	Diameters (mm)			Type	Dimensions (mm)			Bore Sizes		Approx. Weight (Kg.)	Approx. WR ² (Kg-M ²)
			P.D.	O.D.	Flange		E	L	M	Min.	Max		
D30-14M-55-2517 ★	483468	30	133.7	130.9	155.6	A1F	0.0	44.5	25.4	13	65	4.08	0.010
D32-14M-55-2517 ★	483469	32	142.6	139.8	155.6	A1F	0.0	44.5	25.4	13	65	4.22	0.014
D34-14M-55-2517 ★	483470	34	151.5	148.7	165.1	A1F	0.0	44.5	25.4	13	65	4.99	0.018
D36-14M-55-2517 ★	483471	36	160.4	157.6	174.6	A1F	0.0	44.5	25.4	13	65	5.44	0.023
D38-14M-55-2517 ★	483472	38	169.3	166.5	183.4	A1F	0.0	44.5	25.4	13	65	6.35	0.029
D40-14M-55-2517 ★	483473	40	178.3	175.5	190.5	A1F	0.0	44.5	25.4	13	65	7.71	0.037
D44-14M-55-2517 ★	483474	44	196.1	193.3	211.9	A1F	0.0	44.5	25.4	13	65	9.07	0.052
D48-14M-55-3020	483475	48	213.9	211.1	227.0	A1F	0.0	50.8	19.1	24	80	10.89	0.078
D52-14M-55-3020	483476	52	231.7	228.9	246.1	A1F	0.0	50.8	19.1	24	80	13.61	0.108
D56-14M-55-3020	483477	56	249.6	246.8	263.5	A1F	0.0	50.8	19.1	24	80	15.88	0.147
D60-14M-55-3020	483478	60	267.4	264.6	281.0	A1F	0.0	50.8	19.1	24	80	19.05	0.196
14M-55			F = 69.9 mm										
D64-14M-55-3020	483479	64	285.2	282.4	298.5	A1F	0.0	50.8	19.1	24	80	19.50	0.253
D68-14M-55-3020	483480	68	303.0	300.2	317.5	A2F	0.0	50.8	19.1	24	80	19.96	0.249
D72-14M-55-3020	483481	72	320.9	318.1	334.9	A2F	0.0	50.8	19.1	24	80	20.41	0.311
D80-14M-55-3020	483482	80	356.5	353.7	371.5	A3F	0.0	50.8	19.1	24	80	20.87	0.380
D90-14M-55-3020	483483	90	401.1	398.3	---	A3	0.0	50.8	19.1	24	80	21.32	0.521
D112-14M-55-3020	483484	112	499.1	496.3	---	A3	0.0	50.8	19.1	24	80	53.07	1.553
D144-14M-55-3020	483485	144	641.7	638.9	---	A3	0.0	50.8	19.1	24	80	54.43	2.755
D168-14M-55-3020	483486	168	748.7	743.3	---	A3	4.8	50.8	14.2	24	80	66.23	6.329
D192-14M-55-3535	483487	192	855.6	852.8	---	C3	0.0	88.9	19.1	31	95	195.96	17.037
14M-85			F = 101.6 mm										
D28-14M-85-2012	483490	28	124.8	122.0	141.2	A1F	33.3	31.8	36.6	13	50	4.54	0.012
D29-14M-85-2012	483491	29	129.2	126.4	141.2	A1F	33.3	31.8	36.6	13	50	4.99	0.014
D30-14M-85-2517	483492	30	133.7	130.9	155.6	A1F	12.7	44.5	44.5	13	65	5.44	0.014
D32-14M-85-2517	483493	32	142.6	139.8	155.6	A1F	20.6	44.5	36.6	13	65	5.90	0.019
D34-14M-85-2517	483494	34	151.5	148.7	165.1	A1F	20.6	44.5	36.6	13	65	6.80	0.026
D36-14M-85-3020	483495	36	160.4	157.6	174.6	A1F	13.5	50.8	37.3	24	80	7.26	0.029
D38-14M-85-3020	483496	38	169.3	166.5	183.4	A1F	13.5	50.8	37.3	24	80	7.71	0.038
D40-14M-85-3020	483497	40	178.3	175.5	190.5	A1F	13.5	50.8	37.3	24	80	9.07	0.049
D44-14M-85-3020	483498	44	196.1	193.3	211.9	A1F	13.5	50.8	37.3	24	80	10.89	0.068
D48-14M-85-3020	483499	48	213.9	211.1	227.0	A1F	13.5	50.8	37.3	24	80	14.06	0.102
D52-14M-85-3535 ★	483500	52	231.7	228.9	246.1	A1F	0.0	88.9	12.7	31	95	16.78	0.141
D56-14M-85-3535 ★	483501	56	249.6	246.8	263.5	A1F	0.0	88.9	12.7	31	95	23.59	0.223
D60-14M-85-3535 ★	483502	60	267.4	264.6	281.0	A1F	0.0	88.9	12.7	31	95	28.58	0.300
D64-14M-85-3535 ★	483503	64	285.2	282.4	298.5	A1F	0.0	88.9	12.7	31	95	33.57	0.393
D68-14M-85-3535 ★	483504	68	303.0	300.2	317.5	A2F	0.0	88.9	12.7	31	95	34.02	0.386
D72-14M-85-3535 ★	483505	72	320.9	318.1	334.9	A1F	0.0	88.9	12.7	31	95	36.29	0.640
D80-14M-85-3535 ★	483506	80	356.5	353.7	371.5	A2F	0.0	88.9	12.7	31	95	38.56	0.550
D90-14M-85-3535 ★	483507	90	401.1	398.3	---	A2	0.0	88.9	12.7	31	95	40.82	0.764
D112-14M-85-3535 ★	483508	112	499.1	496.3	---	A3	0.0	88.9	12.7	31	95	59.42	1.862
D144-14M-85-4040	483509	144	641.7	638.9	---	A3	0.0	101.6	0.0	37	105	62.14	3.881
D168-14M-85-4040	483510	168	748.7	743.3	---	A3	0.0	101.6	0.0	37	105	87.09	8.196
D192-14M-85-4040	483511	192	855.6	852.8	---	A3	0.0	101.6	0.0	37	105	203.21	18.735
14M-115			F = 133.4 mm										
D30-14M-115-2517 ★	483513	30	133.7	130.9	155.6	A1F	44.5	44.5	44.5	13	65	5.90	0.018
D32-14M-115-2517 ★	483514	32	142.6	139.8	155.6	A1F	44.5	44.5	44.5	13	65	7.26	0.025
D34-14M-115-2517 ★	483515	34	151.5	148.7	165.1	A1F	44.5	44.5	44.5	13	65	8.62	0.033

★ Requires hard metric BSW bushing

FEATURES/BENEFITS PAGE PT12-2	SELECTION PAGE PT12-20	ENGINEERING/TECHNICAL PAGE PT13-96	
----------------------------------	---------------------------	---------------------------------------	--



SPECIFICATION

HTR Metric TAPER-LOCK Sprockets

14M Metric Sprockets

Sprocket Number	Part No. mm	No. Of Teeth	Diameters (mm)			Type	Dimensions (mm)			Bore Sizes		Approx. Weight (Kg.)	Approx. WR ² (Kg-M ²)
			P.D.	O.D.	Flange		E	L	M	Min.	Max		
D36-14M-115-3020	483516	36	160.4	157.6	174.6	A1F	41.4	50.8	41.4	24	80	8.85	0.037
D38-14M-115-3020	483517	38	169.3	166.5	183.4	A1F	41.4	50.8	41.4	24	80	9.07	0.046
D40-14M-115-3020	483518	40	178.3	175.5	190.5	A1F	41.4	50.8	41.4	24	80	10.43	0.057
D44-14M-115-3535 ★	483519	44	196.1	193.3	211.9	A1F	22.4	88.9	22.4	31	95	13.61	0.090
D48-14M-115-3535 ★	483520	48	213.9	211.1	227.0	A1F	22.4	88.9	22.4	31	95	18.14	0.138
D52-14M-115-4040	483521	52	231.7	228.9	246.1	A1F	16.0	101.6	16.0	37	105	21.32	0.192
D56-14M-115-4040	483522	56	249.6	246.8	263.5	A1F	16.0	101.6	16.0	37	105	26.31	0.267
D60-14M-115-4040	483523	60	267.4	264.6	281.0	A1F	16.0	101.6	16.0	37	105	31.75	0.362
D64-14M-115-4545	483524	64	285.2	282.4	298.5	A1F	9.7	114.3	9.7	50	115	37.20	0.483
D68-14M-115-4545	483525	68	303.0	300.2	317.5	A1F	9.7	114.3	9.7	50	115	44.00	0.628
D72-14M-115-4545	483526	72	320.9	318.1	334.9	A1F	0.0	114.3	19.1	50	115	51.26	0.803
14M-115 F = 133.4 mm													
D80-14M-115-4545	483527	80	356.5	353.7	371.5	A2F	9.7	114.3	9.7	50	115	67.13	1.250
D90-14M-115-4545	483528	90	401.1	398.3	---	A2	9.7	114.3	9.7	50	115	68.04	1.193
D112-14M-115-4545	483529	112	499.1	496.3	---	A2	0.0	114.3	19.1	50	115	78.47	2.727
D144-14M-115-4545	483530	144	641.7	638.9	---	A3	9.7	114.3	9.7	50	115	81.65	7.257
D168-14M-115-4545	483531	168	748.7	743.3	---	A3	9.7	114.3	9.7	50	115	101.15	10.253
D192-14M-115-4545	483532	192	855.6	852.8	---	A3	9.7	114.3	9.7	50	115	215.46	20.923
D216-14M-115-6050	483533	216	962.6	959.8	---	A3	0.0	127.0	6.4	88	152	311.17	15.929
14M-170 F = 187.3 mm													
D40-14M-170-3535 ★	483534	40	178.3	175.5	190.5	A1F	49.3	88.9	49.3	31	95	13.15	0.075
D44-14M-170-3535 ★	483535	44	196.1	193.3	211.9	A1F	49.3	88.9	49.3	31	95	17.69	0.119
D48-14M-170-3535 ★	483536	48	213.9	211.1	227.0	A1F	49.3	88.9	49.3	31	95	23.13	0.180
D52-14M-170-4040	483537	52	231.7	228.9	246.1	A1F	28.7	101.6	57.2	37	105	26.76	0.248
D56-14M-170-4040	483538	56	249.6	246.8	263.5	A1F	28.7	101.6	57.2	37	105	32.21	0.339
D60-14M-170-4545	483539	60	267.4	264.6	281.0	A1F	19.1	114.3	54.1	50	115	37.65	0.457
D64-14M-170-4545	483540	64	285.2	282.4	298.5	A1F	16.0	114.3	57.2	50	115	42.64	0.578
D68-14M-170-4545	483541	68	303.0	300.2	317.5	A1F	16.0	114.3	57.2	50	115	51.26	0.765
D72-14M-170-4545	483542	72	320.9	318.1	334.9	A1F	16.0	114.3	57.2	50	115	58.97	0.969
D80-14M-170-4545	483543	80	356.5	353.7	371.5	A1F	26.2	114.3	46.7	50	115	75.30	1.480
D90-14M-170-4545	483544	90	401.1	398.3	---	A2	16.0	114.3	57.2	50	115	77.11	1.771
D112-14M-170-4545	483545	112	499.1	496.3	---	D2	6.4	114.3	79.2	50	115	97.52	3.426
D144-14M-170-6050	483546	144	641.7	638.9	---	A3	30.2	127.0	30.2	88	152	119.75	8.761
D168-14M-170-6050	483547	168	748.7	743.3	---	A3	30.2	127.0	30.2	88	152	209.56	16.190
D192-14M-170-6050	483548	192	855.6	852.8	---	A3	30.2	127.0	30.2	88	152	279.42	27.673
D216-14M-170-6050	483549	216	962.6	959.8	---	A2	30.2	127.0	30.2	88	152	317.52	35.891

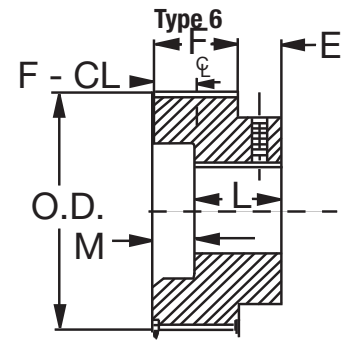
★ Requires hard metric BSW bushing

FEATURES/BENEFITS PAGE PT12-2	SELECTION PAGE PT12-20	ENGINEERING/TECHNICAL PAGE PT13-96	
----------------------------------	---------------------------	---------------------------------------	--



SPECIFICATION

HTR MPB Sprockets



Type 6F

The letter "F" indicates that Sprocket has flanges

8M Sprockets

Sprocket Number	Part No.	No. Of Teeth	Type	Face Width	Diameters (In.)			Dimensions (In.)			Bore Sizes		Approx. Weight (LBS.)	Approx. WR ² (Lb-Ft ²)
					P.D.	O.D.	Flange	E	L	M	Min.	Max		
D22-8M-20-MPB	482250	22	6F	1.13	2.206	2.143	2.606	0.60	1.80	0.00	1/2	1 3/16	1.3	0.005
D22-8M-30-MPB	482268	22	6F	1.50	2.206	2.143	2.606	0.60	2.10	0.00	1/2	1 3/16	1.6	0.006
D24-8M-30-MPB	482269	24	6F	1.50	2.406	2.352	2.756	0.60	2.10	0.00	1/2	1 1/4	1.9	0.006
D26-8M-30-MPB	482270	26	6F	1.50	2.607	2.553	2.906	0.80	2.30	0.00	1/2	1 1/4	2.4	0.009
D28-8M-50-MPB	482292	28	6F	2.38	2.807	2.753	3.207	0.60	2.50	0.50	1/2	1 1/2	3.7	0.024
D30-8M-50-MPB	482293	30	6F	2.38	3.008	2.945	3.346	0.60	2.50	0.50	1/2	1 1/2	4.3	0.032
D38-8M-85-MPB	482311	38	6F	3.75	3.810	3.756	4.201	0.60	3.30	1.10	1/2	1 7/8	9.7	0.120

14M Sprockets

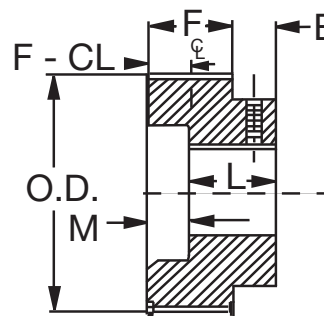
D28-14M-85-MPB	482370	28	6F	4.00	4.912	4.802	5.562	1.00	4.00	1.00	1 1/4	2 11/16	17.0	0.313
D29-14M-85-MPB	482371	29	6F	4.00	5.088	4.978	5.562	1.00	4.00	1.00	1 1/4	2 11/16	19.0	0.365
D28-14M-115-MPB	482394	28	6F	5.25	4.912	4.802	5.562	1.30	5.0	1.50	1 1/4	2 11/16	22.0	0.408



SPECIFICATION

HTR Metric MPB Sprockets

Type 6



Type 6F

The letter "F" indicates that Sprocket has flanges

8M Metric Sprockets

Sprocket Number	Part No. mm	No. Of Teeth	Type	Face Width	Diameters (mm)			Dimensions (mm)			Bore Sizes		Approx. Weight (Kg.)	Approx. WR ² Kg-M ²
					P.D.	O.D.	Flange	E	L	M	Min.	Max		
D22-8M-20-MPB	483370	22	6F	28.7	56.0	54.4	66.2	15.2	45.7	0.0	12.7	30.2	0.59	0.000
D22-8M-30-MPB	483388	22	6F	38.1	56.0	54.4	66.2	15.2	53.3	0.0	12.7	30.2	0.73	0.000
D24-8M-30-MPB	483389	24	6F	38.1	61.1	59.7	70.0	15.2	53.3	0.0	12.7	31.8	0.86	0.000
D26-8M-30-MPB	483390	26	6F	38.1	66.2	64.8	73.8	20.3	58.4	0.0	12.7	31.8	1.09	0.000
D28-8M-50-MPB	483410	28	6F	60.5	71.3	69.9	81.5	15.2	63.5	12.7	12.7	38.1	1.68	0.001
D30-8M-50-MPB	483411	30	6F	60.5	76.4	74.8	85.0	15.2	63.5	12.7	12.7	38.1	1.95	0.001
D38-8M-85-MPB	483429	38	6F	95.3	96.8	95.4	106.7	15.2	83.8	27.9	12.7	47.8	4.40	0.005

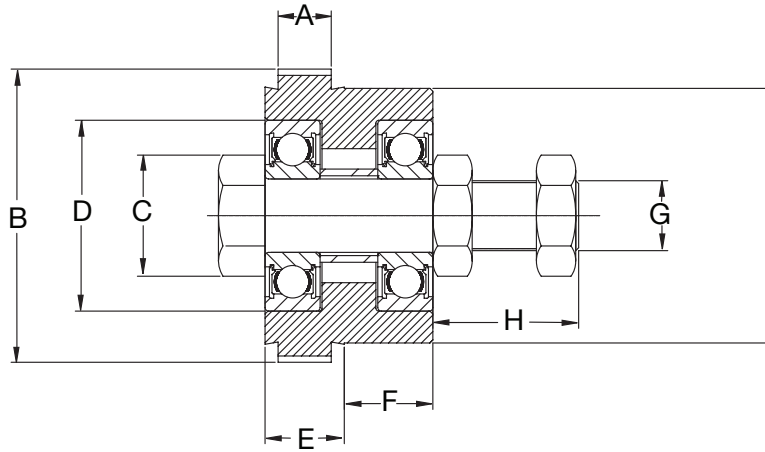
14M Metric Sprockets

D28-14M-85-MPB	483488	28	6F	101.6	101.6	124.8	122.0	141.3	25.4	101.6	25.4	31.8	7.71	0.013
D29-14M-85-MPB	483489	29	6F	101.63	101.6	129.2	126.4	141.3	25.4	101.6	25.4	31.8	8.62	0.015
D28-14M-115-MPB	483512	28	6F	133.4	133.4	124.8	122.0	141.3	33.0	127.0	38.1	31.8	9.98	0.017



SPECIFICATION

HTR Idler Sprocket



HTR Idler Sprocket

Idler Number	Part No.	No. Of Teeth	Belt Width mm	A (Ref) In	B In	C (Ref) In	D In	E (Ref) In	F In	G (Threads) In	H (Ref) In	I In	Approx. Weight (Lbs.)
D32-8M-20	122275	32	20	0.97	3.15	1.25	2.05	1.24	0.56	3/4-16UNF	1.58	2.73	1.10
D36-8M-30	122276	36	30	1.59	3.55	1.75	2.83	1.86	0.00	3/4-16UNF	1.77	0.00	2.00
D36-8M-50	122277	36	50	2.63	3.56	1.75	2.83	2.91	0.65	3/4-16UNF	1.83	3.13	2.10
D30-14M-40	122278	30	40	1.73	5.15	2.38	3.54	2.06	0.25	1-14NS-1B	2.38	4.35	12.00
D34-14M-55	122279	34	55	3.02	5.86	2.75	4.38	3.33	0.98	1-14NS-1B	2.38	4.89	15.60
D34-14M-85	122280	34	85	3.88	5.86	2.75	4.38	4.20	0.99	1-14NS-1B	2.25	4.89	16.70

V-Drives

FHP Drives

Drive Component Accessories

DYNA-SYNC

HT200/HTD Synchronous Drives

HTR Synchronous Drives

HTRC Synchronous Drives



SPECIFICATION

HTR Belts

HTR Belts are for use on Taper-Lock HTR Sprockets
 Belt length is in millimeters
 To convert to inches divide by 25.4

8mm Pitch HTR Belts

20mm Wide			30mm Wide			50mm Wide			85mm Wide		
Description	P/N	Wt.	Description	P/N	Wt.	Description	P/N	Wt.	Description	P/N	Wt.
320-8M-20	484016	0.10	320-8M-30	484038	0.15	320-8M-50	484060	0.30	320-8M-85	484082	0.52
352-8M-20	484017	0.10	352-8M-30	484039	0.16	352-8M-50	484061	0.31	352-8M-85	484083	0.53
360-8M-20	484018	0.10	360-8M-30	484040	0.16	360-8M-50	484062	0.32	360-8M-85	484084	0.54
384-8M-20	484019	0.11	384-8M-30	484041	0.17	384-8M-50	484063	0.33	384-8M-85	484085	0.55
408-8M-20	484020	0.11	408-8M-30	484042	0.17	408-8M-50	484064	0.33	408-8M-85	484086	0.56
456-8M-20	484021	0.11	456-8M-30	484043	0.18	456-8M-50	484065	0.34	456-8M-85	484087	0.58
480-8M-20	482780	0.12	480-8M-30	482804	0.18	480-8M-50	482830	0.34	480-8M-85	482854	0.60
536-8M-20	484022	0.12	536-8M-30	484044	0.19	536-8M-50	484066	0.36	536-8M-85	484088	0.62
544-8M-20	484023	0.13	544-8M-30	484045	0.20	544-8M-50	484067	0.38	544-8M-85	484089	0.64
560-8M-20	482781	0.14	560-8M-30	482805	0.22	560-8M-50	482831	0.39	560-8M-85	482855	0.66
600-8M-20	482782	0.16	600-8M-30	482806	0.22	600-8M-50	482832	0.40	600-8M-85	482856	0.66
608-8M-20	484024	0.16	608-8M-30	484046	0.23	608-8M-50	484068	0.40	608-8M-85	484090	0.68
632-8M-20	484025	0.16	632-8M-30	484047	0.23	632-8M-50	484069	0.41	632-8M-85	484091	0.70
640-8M-20	482783	0.16	640-8M-30	482807	0.24	640-8M-50	482833	0.42	640-8M-85	482857	0.74
680-8M-20	484026	0.17	680-8M-30	484048	0.26	680-8M-50	484070	0.44	680-8M-85	484092	0.75
720-8M-20	482784	0.18	720-8M-30	482808	0.28	720-8M-50	482834	0.46	720-8M-85	482858	0.76
800-8M-20	482785	0.20	800-8M-30	482809	0.30	800-8M-50	482835	0.48	800-8M-85	482859	0.84
840-8M-20	484027	0.21	840-8M-30	484049	0.32	840-8M-50	484071	0.52	840-8M-85	484093	0.88
880-8M-20	482786	0.22	880-8M-30	482810	0.34	880-8M-50	482836	0.56	880-8M-85	482860	0.92
896-8M-20	484028	0.25	896-8M-30	484050	0.36	896-8M-50	484072	0.57	896-8M-85	484094	0.98
920-8M-20	484029	0.23	920-8M-30	484051	0.38	920-8M-50	484073	0.58	920-8M-85	484095	1.04
960-8M-20	482787	0.24	960-8M-30	482811	0.40	960-8M-50	482837	0.60	960-8M-85	482861	1.10
1000-8M-20	484030	0.25	1000-8M-30	484052	0.40	1000-8M-50	484074	0.63	1000-8M-85	484096	1.12
1040-8M-20	482788	0.26	1040-8M-30	482812	0.41	1040-8M-50	482838	0.66	1040-8M-85	482862	1.14
1080-8M-20	484031	0.27	1000-8M-30	484053	0.42	1080-8M-50	484075	0.67	1080-8M-85	484097	1.18
1120-8M-20	482789	0.28	1120-8M-30	482815	0.42	1120-8M-50	482839	0.70	1120-8M-85	482863	1.22
1200-8M-20	482790	0.30	1200-8M-30	482816	0.44	1200-8M-50	482840	0.72	1200-8M-85	482864	1.24
1224-8M-20	484032	0.31	1224-8M-30	484054	0.45	1224-8M-50	484076	0.76	1224-8M-85	484098	1.29
1280-8M-20	482791	0.32	1280-8M-30	482817	0.46	1280-8M-50	482841	0.80	1280-8M-85	482865	1.33
1352-8M-20	484033	0.33	1352-8M-30	484055	0.50	1352-8M-50	484077	0.84	1352-8M-85	484099	1.45
1440-8M-20	482792	0.34	1440-8M-30	482818	0.54	1440-8M-50	482842	0.88	1440-8M-85	482866	1.56
1464-8M-20	484034	0.36	1464-8M-30	484056	0.59	1464-8M-50	484078	0.95	1464-8M-85	484100	1.61
1600-8M-20	482793	0.38	1600-8M-30	482819	0.64	1600-8M-50	482843	1.02	1600-8M-85	482867	1.66
1760-8M-20	482794	0.40	1760-8M-30	482820	0.72	1760-8M-50	482844	1.10	1760-8M-85	482868	1.92
1800-8M-20	482795	0.48	1800-8M-30	482821	0.66	1800-8M-50	482845	1.14	1800-8M-85	482869	1.96
2000-8M-20	482796	0.52	2000-8M-30	482822	0.74	2000-8M-50	482846	1.22	2000-8M-85	482870	2.12
2200-8M-20	484035	0.56	2200-8M-30	484057	0.85	2200-8M-50	484079	1.30	2200-8M-85	484101	2.40
2400-8M-20	482797	0.60	2400-8M-30	482823	0.92	2400-8M-50	482847	1.36	2400-8M-85	482871	2.76
2520-8M-20	484037	0.63	2520-8M-30	484058	0.95	2520-8M-50	484080	1.50	2520-8M-85	484102	2.80
2600-8M-20	482798	0.66	2600-8M-30	482824	0.98	2600-8M-50	482848	1.63	2600-8M-85	482872	2.84
2800-8M-20	482799	0.68	2800-8M-30	482825	1.06	2800-8M-50	482849	1.68	2800-8M-85	482873	3.16
3048-8M-20	482800	0.78	3048-8M-30	482826	1.18	3048-8M-50	482850	1.82	3048-8M-85	482874	3.60
3280-8M-20	482801	0.84	3280-8M-30	482827	1.18	3280-8M-50	482851	2.12	3280-8M-85	482875	3.80
3600-8M-20	482802	1.50	3600-8M-30	482828	1.38	3600-8M-50	482852	2.50	3600-8M-85	482876	4.26
4400-8M-20	482803	1.57	4400-8M-30	482829	1.58	4400-8M-50	482853	3.00	4400-8M-85	482877	5.04

V-Drives

FHP Drives

Drive Component
Accessories

DYNA-SYNC

HT200/HTD
Synchronous Drives

HTR
Synchronous Drives

HTRC
Synchronous Drives



SPECIFICATION

HTR Belts

HTR Belts are for use on Taper-Lock HTR Sprockets

Belt length is in millimeters

To convert to inched divide by 25.4

14mm Pitch HTR Belts

40mm Wide			55mm Wide			85mm Wide			115mm Wide			170mm Wide		
Description	P/N	Wgt.	Description	P/N	Wgt.	Description	P/N	Wgt.	Description	P/N	Wgt.	Description	P/N	Wgt.
966-14M-40	482878	0.86	966-14M-55	482902	1.22	966-14M-85	482924	2.14	966-14M-115	482946	2.41	966-14M-170	482968	3.56
994-14M-40	484103	0.91	994-14M-55	484113	1.30	994-14M-85	484123	2.16	994-14M-115	484133	2.53	994-14M-170	484143	3.70
1092-14M-40	484104	0.96	1092-14M-55	484114	1.38	1092-14M-85	484124	2.18	1092-14M-115	484134	2.65	1092-14M-170	484144	3.90
1106-14M-40	484105	1.01	1106-14M-55	484115	1.46	1106-14M-85	484125	2.20	1106-14M-115	484135	2.80	1106-14M-170	484145	4.10
1190-14M-40	482879	1.04	1190-14M-55	482903	1.52	1190-14M-85	482925	2.22	1190-14M-115	482947	2.90	1190-14M-170	482969	4.39
1260-14M-40	484106	1.10	1260-14M-55	484116	1.58	1260-14M-85	484126	2.35	1260-14M-115	484136	3.20	1260-14M-170	484146	4.50
1288-14M-40	484107	1.16	1288-14M-55	484117	1.64	1288-14M-85	484127	2.50	1288-14M-115	484137	3.40	1288-14M-170	484147	4.70
1344-14M-40	484108	1.22	1344-14M-55	484118	1.70	1344-14M-85	484128	2.65	1344-14M-115	484138	3.60	1344-14M-170	484148	4.90
1400-14M-40	482880	1.28	1400-14M-55	482904	1.76	1400-14M-85	482926	2.72	1400-14M-115	482948	4.02	1400-14M-170	482970	5.16
1442-14M-40	484109	1.32	1442-14M-55	484119	1.85	1442-14M-85	484129	2.90	1442-14M-115	484139	4.05	1442-14M-170	484149	5.40
1568-14M-40	484110	1.36	1568-14M-55	484120	1.95	1568-14M-85	484130	3.00	1568-14M-115	484140	4.00	1568-14M-170	484150	5.70
1610-14M-40	482881	1.40	1610-14M-55	482905	2.02	1610-14M-85	482927	3.14	1610-14M-115	482949	4.14	1610-14M-170	482971	5.95
1764-14M-40	484111	1.50	1764-14M-55	484121	2.08	1764-14M-85	484131	3.30	1764-14M-115	484141	4.35	1764-14M-170	484151	6.30
1778-14M-40	482882	1.62	1778-14M-55	482906	2.14	1778-14M-85	482928	3.40	1778-14M-115	482950	4.54	1778-14M-170	482972	6.56
1890-14M-40	482883	1.66	1890-14M-55	482907	2.28	1890-14M-85	482929	3.56	1890-14M-115	482951	4.80	1890-14M-170	482973	6.97
1960-14M-40	484112	1.75	1960-14M-55	484122	2.49	1960-14M-85	484132	3.76	1960-14M-115	484142	5.20	1960-14M-170	484152	7.40
2100-14M-40	482884	1.82	2100-14M-55	482908	2.68	2100-14M-85	482930	3.96	2100-14M-115	482952	5.50	2100-14M-170	482974	7.75
2240-14M-40	482885	1.90	2240-14M-55	482909	2.77	2240-14M-85	482931	4.06	2240-14M-115	482953	5.67	2240-14M-170	482975	8.14
2310-14M-40	482886	2.00	2310-14M-55	482910	2.86	2310-14M-85	482932	4.16	2310-14M-115	482954	5.84	2310-14M-170	482976	8.53
2380-14M-40	482887	2.07	2380-14M-55	482911	2.95	2380-14M-85	482933	4.46	2380-14M-115	482955	5.98	2380-14M-170	482977	8.97
2450-14M-40	482888	2.14	2450-14M-55	482912	3.04	2450-14M-85	482934	4.76	2450-14M-115	482956	6.12	2450-14M-170	482978	9.40
2590-14M-40	482889	2.30	2590-14M-55	482913	3.14	2590-14M-85	482935	4.94	2590-14M-115	482957	6.40	2590-14M-170	482979	9.55
2660-14M-40	482890	2.32	2660-14M-55	482914	3.22	2660-14M-85	482936	5.04	2660-14M-115	482958	6.78	2660-14M-170	482980	9.94
2800-14M-40	482891	2.34	2800-14M-55	482915	3.30	2800-14M-85	482937	5.14	2800-14M-115	482959	7.16	2800-14M-170	482981	10.33
3150-14M-40	482892	2.86	3150-14M-55	482916	3.78	3150-14M-85	482938	6.02	3150-14M-115	482960	7.87	3150-14M-170	482982	11.62
3360-14M-40	482893	2.92	3360-14M-55	482917	4.08	3360-14M-85	482939	6.96	3360-14M-115	482961	8.40	3360-14M-170	482983	26.86
3500-14M-40	482894	3.04	3500-14M-55	482918	4.26	3500-14M-85	482940	6.88	3500-14M-115	482962	8.75	3500-14M-170	482984	12.84
3850-14M-40	482897	3.38	3850-14M-55	482919	4.80	3850-14M-85	482941	7.46	3850-14M-115	482963	9.88	3850-14M-170	482985	15.04
3920-14M-40	482898	3.56	3920-14M-55	482920	5.24	3920-14M-85	482942	8.08	3920-14M-115	482964	10.34	3920-14M-170	482986	15.50
4326-14M-40	482899	3.74	4326-14M-55	482921	5.68	4326-14M-85	482943	8.70	4326-14M-115	482965	10.80	4326-14M-170	482987	15.96
4578-14M-40	482900	3.88	4578-14M-55	482922	5.92	4578-14M-85	482944	9.04	4578-14M-115	482966	11.42	4578-14M-170	482988	16.90
4956-14M-40	482901	4.29	4956-14M-55	482923	6.12	4956-14M-85	482945	9.17	4956-14M-115	482967	12.37	4956-14M-170	482989	18.26

V-Drives

FHP Drives

Drive Component
Accessories

DYNA-SYNC

HT200/HTD
Synchronous Drives

HTR
Synchronous Drives

HTRC
Synchronous Drives

FEATURES/BENEFITS PAGE PT12-2	SELECTION PAGE PT12-20	ENGINEERING/TECHNICAL PAGE PT13-96	
----------------------------------	---------------------------	---------------------------------------	--



SELECTION

HTR Drive Selection Procedure

PROCEDURE

1. **Obtain required information:**
 - Motor name plate HP
 - Motor or DriveR RPM and Shaft size
 - DriveN Machine RPM and Shaft size
 - Approximate center distance
 - Service factor information
2. **Determine Service Factor: (Page HTR-21)**
 - Determine type of Driven Machine from Table 1
 - Choose Basic Service Factor in appropriate column of Table 1
 - Add additional service factor for slow speed drives, idlers or speed up drives where applicable
3. **Calculate Design Horsepower:**
 - Multiply Motor HP or normal running HP times Service Factor from Step 2
 - Note: Recommended Min. Sprocket Diameter, if applicable, from Table 2 on page HTR-22
4. **Determine Belt Pitch: (Page HTR-22)**
 - Choose belt pitch based upon Design HP and RPM of faster shaft using Figure 1 on page HTR-22
5. **Select Smaller Sprocket:**
 - Look at Basic HP rating tables of belt Pitch selected in Step 4
 - Scan HP rating at RPM of faster shaft. (Pg. HTR-23 thru HTR-27)
 - Find sprocket size(s) that have HP rating at or above Design HP
6. **Calculate Drive Speed Ratio:**
 - Divide Fast Shaft RPM by Slow Shaft RPM
7. **Select Sprockets and Belt:**
 - Refer to "Ratio/Center Distance" Tables for Belt pitch chosen in Step 4. (Pg. HTR-28 - HTR-49)
 - Trace down left hand column to approximate ratio calculated in Step 6
 - Choose drive that has small sprocket at or above the number of teeth determined in Step 5
 - On this same line, trace to the right until the number closest to the required center distance is reached
 - Trace to the top of this column and note the belt size that gives this center distance
 - Also note the "Belt Length Correction Factor" at the top or bottom of this same column
8. **Finalize Selection:**
 - Multiply "Belt Length Correction Factor" times indicated rating obtained from HP table
 - Verify that Design HP is equal to or less than this corrected HP value
 - Note: If Correction Factor is greater than 1.0 corrected HP may allow selection of smaller less expensive drive
9. **Specify Drive:**
 - DriveR Sprocket and Bushing
 - DriveN Sprocket and Bushing
 - Belt
 - Verify that bushing bore has capacity for shaft size

Example

Step 1. Required Information: Select a HTR drive to connect a 15HP APG gearmotor to a package conveyor headshaft. Reducer output is 125 RPM, shaft size is 2". Headshaft is 2-3/4" and is to run at 70 RPM. Center distance is 19-23", operation is 14 hrs/day.

Step 2: Service Factor: Package Conveyor requires 1.4 basic Service Factor. Add 0.3 for slow speed drive application (step 2 at left). Net S. F. = 1.7

Step 3. Design HP: $1.7 \times 15 = 25.5$ HP

Step 4. Belt Pitch: Referring to page HTR-22, most probable belt pitch for 25.5 Des. HP at 125 RPM is 14MM

Step 5. Select Small Sprocket: Scan 14MM HP Tables. Since there is no 125 RPM line, it will be necessary to interpolate. Start with the 100 RPM line. Observe that a 38 tooth sprocket for a 115MM wide belt gives 23.52 HP. Interpolation for 125 RPM gives 29.2 HP.

Step 6. Drive Ratio: $125 / 70$ RPM = 1.79:1

Step 7. Sprocket Selection: Refer to 14MM Ratio/Center Distance tables. For 1.79 ratio, note that there are 5 drive combinations in the 1.79 to 1.82 range. The 38 tooth DriveR and the 68 tooth DriveN combination appears to be good, however we need to account for the belt length correction factor of 0.89, which gives us a net design HP of 26.2. (Note 19.95 C.D. requires a 1764 length code belt)

Step 8. Finalize Selection: Select the 38 to 68 tooth combination with a 1764 length code belt for 19.95" C.D. From step 7, rated HP is 26.2

There are many optional drive selections. For drive verification or complete list of choices run ViaSync at www.ptwizard.com.

Step 9. Specify Drive:

Original Selection:

DriveR Sprocket: D38-14M-115-3020, P/N **482399**; Bushing. 3020X2, P/N **117118**

DriveN Sprocket. D68-14M-115-4545, P/N **482407**; Bushing. 4545 x 2-3/4", P/N **117426**

Belt: 1764-14m-115 HTR Belt, P/N **484141**. Shaft capacity is verified by availability of bore sizes

♦ Selection program available online at ptwizard.com



SELECTION

Table 1: Service Factor

DriveN Machine	DriveR					
	Intermittent Service	Normal Service	Continuous Service	Intermittent Service	Normal Service	Continuous Service
The driveN machines listed below are representative samples only. Select a driveN machine whose load characteristics most closely approximate those of the machine being considered.	AC Motors: Normal Torque, Squirrel Cage, Synchronous, Split Phase, Inverter Controlled DC Motors: Shunt Wound Stepper Motors Engines: Multiple Cylinder Internal Combustion			AC Motors: High Torque, High Slip, Repulsion-Induction, Single Phase, Series Wound, Slip Ring DC Motors: Series Wound, Compound Wound Servo Motors Engines: Single Cylinder Internal Combustion Line Shafts Clutches		
	Up to 8 hours Daily or Seasonal	8 - 16 hours Daily	16 - 24 hours Daily	Up to 8 hours Daily or Seasonal	8 - 16 hours Daily	16 - 24 hours Daily
Display, Dispensing Equipment, Instrumentation, Measuring Equipment, Medical Equipment, Office, Projection Equipment	1.0	1.2	1.4	1.2	1.4	1.6
Appliances, Sweepers, Sewing Machines Screens, Oven Screens, Drum, Conical Woodworking Equipment (Light): Band Saws, Drills, Lathes	1.1	1.3	1.5	1.3	1.5	1.7
Agitators for Liquids, Conveyors: Belt, Light Package, Drill Press, Lathes, Saws, Laundry Machinery, Wood Working Equipment (Heavy): Circular Saws, Jointers, Planers	1.2	1.4	1.6	1.6	1.8	2.0
Agitators for Semi-Liquids, Compressor: Centrifugal, Conveyor Belt: Ore, Coal, Sand Dough Mixers, Line Shafts, Machine Tools: Grinder, Shaper, Boring Mill, Milling Machines, Paper Machinery (except Pulpers): Presses, Punches, Shears, Printing Machinery, Pumps: Centrifugal, Gear, Screens: Revolving, Vibratory	1.3	1.5	1.7	1.6	1.8	2.0
Brick Machinery (except Pug Mills) Conveyor: Apron, Pan, Bucket, Elevator, Extractors, Washers, Fans, Centrifugal Blowers, Generators & Exciters, Hoists, Rubber Calender, Mills, Extruders	1.4	1.6	1.8	1.8	2.0	2.2
Centrifuges, Screw Conveyors Hammer Mill, Paper Pulpers, Textile Machinery	1.5	1.7	1.9	1.9	2.1	2.3
Blowers: Positive Displacement, Mine Fans, Pulverizers	1.6	1.8	2.0	2.0	2.2	2.4
Compressors: Reciprocating, Crushers: Gyrotory, Jaw, Roll, Mills: Ball, Rod, Pebble, etc., Pumps: Reciprocating Saw Mill Equipment	1.7	1.9	2.1	2.1	2.3	2.5

These service factors are adequate for most belt drive applications. Note that service factors cannot be substituted for good engineering judgment. Service factors may be adjusted based upon an understanding of the severity of actual drive operation conditions.

Additional Service Factors

Low Speed Drives

8mm, 14,, & 20mm Belts Only	
Smaller Sprocket Speed	
Up to 200 rpm	Add 0.3
201 to 400 rpm	Add 0.2
401 to 600 rpm	Add 0.1
Each Idler	Add 0.2

Speed-up Drives

For speed up drives, add the basic service factor to the additional factor given below.

Speed-up Ratio Range	Additional Factor	Speed-up Ratio Range	Additional Factor
1 to 1.24	none	2.50 to 3.49	.30
1.25 to 1.74	.10	3.50 & over	.40
1.75 to 2.49	.20		



SELECTION

Figure 1: Belt Pitch Selection Guide

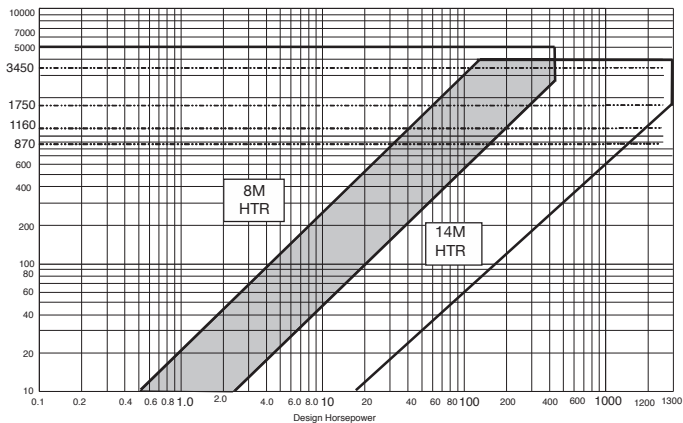


Table 2: Recommended Minimum Sprocket Diameters & Maximum Face Widths Synchronous Belt Drives Used On General Purpose Electric Motors

Motor Horsepower	Min. Sprocket Dia. (in.)				Maximum Face Width			
	870	1160	1750	3450	870	1160	1750	3450
1/2	2.0	-	-	-	2.25	-	-	-
3/4	2.16	2.0	-	-	2.25	2.25	-	-
1	2.16	2.16	2.0	-	2.75	2.25	2.25	-
1-1/2	2.16	2.16	2.16	2.0	2.75	2.75	2.25	2.25
2	2.7	2.16	2.16	2.16	3.38	2.75	2.25	2.25
3	2.7	2.7	2.16	2.16	3.38	3.38	2.75	2.25
5	3.42	2.7	2.7	2.16	4.0	3.38	2.75	2.75
7-1/2	4.0	3.42	2.7	2.7	4.0	4.0	3.38	2.75
10	4.0	4.0	3.42	2.7	4.63	4.0	3.38	3.38
15	4.7	4.0	4.0	3.42	4.63	4.63	4.0	3.38
20	5.4	4.7	4.0	4.0	5.25	4.63	4.0	4.0
25	6.12	5.4	4.0	4.0	5.25	5.25	4.63	4.0
30	6.12	6.12	4.7	-	5.87	5.25	4.63	-
40	7.4	6.12	5.4	-	5.88	5.88	5.25	-
50	7.6	7.4	6.12	-	7.25	5.88	5.25	-
60	9.0	8.1	6.7	-	7.25	7.25	5.88	-
75	8.6	9.0	7.8	-	8.5	7.25	5.88	-
100	10.8	9.0	7.8	-	8.5	8.5	7.25	-
125	11.3	10.8	9.5	-	8.5	8.5	7.25	-
150	11.88	11.88	9.5	-	11.63	8.5	8.5	-
200	11.88	11.88	11.88	-	11.63	11.63	11.63	-
250	13.5	11.88	11.88	-	11.63	11.63	9.38	-
300	-	-	11.88	-	-	11.63	11.63	-
350	-	-	11.88	-	-	11.63	11.63	-
400	-	-	12.69	-	-	-	11.63	-

NOTE: For a given motor horsepower and speed, the total belt pull is related to the motor sprocket size. As this size **decreases**, the total belt pull increases. Therefore, to limit the resultant load on motor shaft and bearings, NEMA lists minimum sprocket sizes for the various motors. The sprocket on the motor (DriveR Sprocket) should be at least this large.

V-Drives

FHP Drives

Drive Component Accessories

DYNA-SYNC

HT200/HTD Synchronous Drives

HTR Synchronous Drives

HTRC Synchronous Drives



SELECTION

HTR Basic HP Ratings - 8mm

8M-20	Rated Horsepower for Small Sprocket (Number of Teeth and Pitch Diameter, Inches)																
	RPM Small Shaft	22 2.21	24 2.41	26 2.61	28 2.81	30 3.01	32 3.21	34 3.41	36 3.61	38 3.81	40 4.01	44 4.41	48 4.81	56 5.61	64 6.42	72 7.22	80 8.02
10	0.2	0.1	0.1	0.1	0.1	0.1	0.1	0.1	0.2	0.2	0.2	0.2	0.2	0.2	0.3	0.3	0.3
20	0.3	0.2	0.2	0.2	0.3	0.3	0.3	0.3	0.3	0.3	0.3	0.4	0.4	0.5	0.5	0.6	0.7
40	0.4	0.4	0.4	0.5	0.5	0.5	0.6	0.6	0.6	0.7	0.7	0.7	0.8	0.9	1.1	1.2	1.4
60	0.6	0.6	0.7	0.7	0.8	0.8	0.9	0.9	1.0	1.0	1.1	1.2	1.4	1.6	1.8	2.0	2.0
100	0.9	1.0	1.1	1.2	1.3	1.4	1.4	1.5	1.6	1.7	1.9	2.0	2.4	2.7	3.0	3.4	3.4
200	1.5	1.7	1.9	2.0	2.2	2.3	2.5	2.7	2.8	3.0	3.3	3.7	4.4	5.1	5.8	6.5	6.5
300	2.1	2.3	2.5	2.7	2.9	3.2	3.4	3.6	3.8	4.1	4.5	5.0	5.9	6.9	7.8	8.8	8.8
400	2.6	2.9	3.1	3.4	3.7	3.9	4.2	4.5	4.7	5.0	5.6	6.2	7.3	8.5	9.7	10.9	10.9
500	3.1	3.4	3.7	4.0	4.3	4.6	5.0	5.3	5.6	6.0	6.6	7.3	8.7	10.1	11.5	12.9	12.9
600	3.5	3.9	4.2	4.6	5.0	5.3	5.7	6.1	6.4	6.8	7.7	8.5	10.2	11.9	13.6	15.3	15.3
700	3.9	4.3	4.7	5.1	5.6	6.0	6.4	6.8	7.4	7.9	8.9	9.8	11.8	13.8	15.7	17.6	17.6
800	4.3	4.8	5.2	5.7	6.1	6.6	7.2	7.7	8.3	8.9	10.0	11.1	13.4	15.6	17.8	20.0	20.0
870	4.6	5.1	5.6	6.2	6.5	7.1	7.7	8.4	9.0	9.6	10.8	12.0	14.5	16.9	19.2	21.6	21.6
1000	5.1	5.7	6.2	6.7	7.4	8.1	8.8	9.5	10.2	10.9	12.3	13.7	16.5	19.2	21.9	24.5	24.5
1160	5.7	6.3	6.9	7.6	8.5	9.3	10.1	10.9	11.7	12.5	14.1	15.7	18.9	22.0	25.1	28.1	28.1
1200	5.9	6.5	7.1	7.9	8.7	9.6	10.4	11.2	12.1	12.9	14.6	16.2	19.5	22.7	25.9	29.0	29.0
1400	6.6	7.3	8.1	9.0	10.0	11.0	12.0	12.9	13.9	14.9	16.8	18.7	22.4	26.1	29.8	33.4	33.4
1600	7.3	8.0	9.1	10.2	11.3	12.4	13.5	14.6	15.7	16.8	19.0	21.1	25.3	29.5	33.6	37.7	37.7
1750	7.8	8.6	9.9	11.1	12.3	13.5	14.7	15.9	17.1	18.2	20.6	22.9	27.5	32.0	36.5	40.8	40.8
2000	8.6	9.7	11.1	12.5	13.9	15.2	16.6	17.9	19.3	20.6	23.2	25.8	31.0	36.1	41.1	45.9	45.9
2400	9.9	11.4	13.1	14.7	16.3	17.9	19.5	21.1	22.7	24.3	27.4	30.5	36.5	42.4	48.2	53.8	53.8
2800	11.2	13.1	15.0	16.9	18.7	20.6	22.4	24.2	26.0	27.8	31.4	34.9	41.8	48.5	54.9	61.2	61.2
3200	12.6	14.8	16.9	19.0	21.1	23.2	25.2	27.3	29.3	31.3	35.3	39.2	46.9	54.2	61.3		
3450	13.5	15.8	18.0	20.3	22.5	24.8	27.0	29.1	31.3	33.5	37.7	41.9	50.0	57.7	65.1		
4000	15.3	17.9	20.5	23.1	25.6	28.2	30.7	33.1	35.6	38.0	42.8	47.4	56.4				
4500	16.9	19.8	22.7	25.5	28.4	31.1	33.9	36.6	39.3	42.0	47.2	52.2					
5000	18.5	21.7	24.8	27.9	31.0	34.0	37.0	40.0	42.9	45.7	51.3	56.7					
5500	20.0	23.5	26.9	30.2	33.6	36.8	40.0	43.2	46.3	49.3	55.3						

8M-30	Rated Horsepower for Small Sprocket (Number of Teeth and Pitch Diameter, Inches)																
	RPM Small Shaft	22 2.21	24 2.41	26 2.61	28 2.81	30 3.01	32 3.21	34 3.41	36 3.61	38 3.81	40 4.01	44 4.41	48 4.81	56 5.61	64 6.42	72 7.22	80 8.02
10	0.2	0.2	0.2	0.2	0.2	0.2	0.2	0.2	0.2	0.3	0.3	0.3	0.3	0.4	0.4	0.5	0.5
20	0.3	0.3	0.4	0.4	0.4	0.4	0.4	0.5	0.5	0.5	0.6	0.6	0.8	0.9	1.0	1.1	1.1
40	0.6	0.6	0.7	0.8	0.8	0.9	0.9	1.0	1.0	1.1	1.2	1.3	1.5	1.7	1.9	2.1	2.1
60	0.9	1.0	1.0	1.1	1.2	1.3	1.4	1.4	1.5	1.6	1.8	1.9	2.2	2.6	2.9	3.2	3.2
100	1.4	1.6	1.7	1.9	2.0	2.1	2.3	2.4	2.5	2.7	2.9	3.2	3.7	4.3	4.8	5.3	5.3
200	2.4	2.7	2.9	3.2	3.4	3.7	4.0	4.2	4.5	4.7	5.3	5.8	6.9	8.0	9.1	10.3	10.3
300	3.3	3.6	4.0	4.3	4.7	5.0	5.4	5.7	6.1	6.4	7.1	7.9	9.3	10.9	12.4	13.9	13.9
400	4.1	4.5	4.9	5.3	5.8	6.2	6.6	7.1	7.5	8.0	8.9	9.8	11.6	13.5	15.4	17.3	17.3
500	4.8	5.3	5.8	6.3	6.8	7.3	7.8	8.4	8.9	9.4	10.5	11.5	13.7	15.9	18.2	20.4	20.4
600	5.5	6.1	6.7	7.2	7.8	8.4	9.0	9.6	10.2	10.8	12.0	13.4	16.1	18.7	21.4	24.0	24.0
700	6.2	6.8	7.5	8.1	8.8	9.4	10.1	10.8	11.5	12.3	13.9	15.5	18.6	21.6	24.7	27.7	27.7
800	6.9	7.6	8.3	9.0	9.7	10.4	11.2	12.1	13.0	13.9	15.7	17.5	21.0	24.5	27.9	31.4	31.4
870	7.3	8.1	8.8	9.6	10.3	11.2	12.2	13.1	14.1	15.1	17.0	18.9	22.7	26.5	30.2	33.9	33.9
1000	8.1	8.9	9.8	10.6	11.6	12.7	13.8	14.9	16.0	17.1	19.3	21.5	25.8	30.1	34.3	38.5	38.5
1160	9.1	10.0	10.9	12.0	13.3	14.5	15.8	17.1	18.4	19.6	22.2	24.7	29.6	34.5	39.4	44.2	44.2
1200	9.3	10.3	11.2	12.3	13.7	15.0	16.3	17.6	19.0	20.3	22.9	25.4	30.6	35.6	40.6	45.6	45.6
1400	10.4	11.5	12.7	14.2	15.7	17.3	18.8	20.3	21.8	23.3	26.3	29.3	35.2	41.0	46.8	52.4	52.4
1600	11.5	12.7	14.3	16.0	17.8	19.5	21.2	23.0	24.7	26.4	29.8	33.1	39.8	46.3	52.8	59.1	59.1
1750	12.3	13.6	15.5	17.4	19.3	21.2	23.0	24.9	26.8	28.6	32.3	36.0	43.2	50.3	57.2	64.1	64.1
2000	13.6	15.3	17.5	19.6	21.8	23.9	26.0	28.1	30.2	32.3	36.5	40.6	48.7	56.7	64.5	72.1	72.1
2400	15.6	18.0	20.5	23.1	25.6	28.1	30.7	33.1	35.6	38.1	43.0	47.8	57.3	66.6	75.6	84.4	84.4
2800	17.6	20.6	23.6	26.5	29.4	32.3	35.2	38.0	40.9	43.7	49.3	54.8	65.6	76.1	86.2	96.0	96.0
3200	19.8	23.2	26.5	29.8	33.1	36.4	39.6	42.8	46.0	49.2	55.4	61.6	73.6	85.2	96.2		
3450	21.1	24.7	28.3	31.9	35.4	38.9	42.3	45.8	49.2	52.5	59.2	65.7	78.4	90.6	102.2		
4000	24.0	28.1	32.2	36.2	40.3	44.2	48.1	52.0	55.9	59.7	67.1	74.5	88.5				
4500	26.6	31.1	35.6	40.1	44.5	48.9	53.2	57.5	61.7	65.9	74.0	82.0					
5000	29.0	34.0	39.0	43.8	48.7	53.4	58.1	62.8	67.3	71.8	80.6	89.1					
5500	31.4	36.8	42.2	47.5	52.7	57.8	62.9	67.8	72.7	77.5	86.8						

V-Drives
FHP Drives
Drive Component Accessories
DYNA-SYNC
HT200/HTD Synchronous Drives
HTR Synchronous Drives
HTRC Synchronous Drives



SELECTION

HTR Basic HP Ratings - 8mm

8M-50	Rated Horsepower for Small Sprocket (Number of Teeth and Pitch Diameter, Inches)															
	RPM	22	24	26	28	30	32	34	36	38	40	44	48	56	64	72
Small Shaft	2.21	2.41	2.61	2.81	3.01	3.21	3.41	3.61	3.81	4.01	4.41	4.81	5.61	6.42	7.22	8.02
10	0.3	0.3	0.3	0.3	0.4	0.4	0.4	0.4	0.4	0.5	0.5	0.6	0.7	0.7	0.8	0.9
20	0.5	0.6	0.6	0.7	0.7	0.7	0.8	0.8	0.9	0.9	1.0	1.1	1.3	1.5	1.7	1.9
40	1.0	1.1	1.2	1.3	1.4	1.5	1.6	1.7	1.8	1.9	2.0	2.2	2.6	3.0	3.3	3.7
60	1.5	1.7	1.8	1.9	2.1	2.2	2.4	2.5	2.6	2.8	3.1	3.3	3.9	4.4	5.0	5.6
100	2.5	2.8	3.0	3.2	3.5	3.7	3.9	4.2	4.4	4.6	5.1	5.6	6.5	7.4	8.3	9.3
200	4.2	4.6	5.1	5.5	6.0	6.4	6.8	7.3	7.8	8.2	9.1	10.1	12.0	13.9	15.9	17.8
300	5.7	6.3	6.9	7.5	8.1	8.7	9.3	9.9	10.5	11.1	12.4	13.6	16.2	18.8	21.5	24.2
400	7.1	7.8	8.5	9.3	10.0	10.8	11.5	12.3	13.0	13.8	15.4	16.9	20.1	23.4	26.7	30.0
500	8.4	9.2	10.1	11.0	11.8	12.7	13.6	14.5	15.4	16.3	18.1	20.0	23.8	27.6	31.5	35.4
600	9.6	10.6	11.6	12.6	13.6	14.6	15.6	16.6	17.7	18.7	20.9	23.3	28.0	32.6	37.2	41.7
700	10.8	11.9	13.0	14.1	15.2	16.4	17.5	18.7	20.1	21.4	24.2	26.9	32.3	37.6	42.9	48.2
800	11.9	13.1	14.3	15.6	16.8	18.1	19.6	21.1	22.7	24.2	27.3	30.4	36.5	42.6	48.6	54.5
870	12.7	14.0	15.3	16.6	17.9	19.4	21.1	22.8	24.5	26.2	29.5	32.9	39.5	46.0	52.5	58.9
1000	14.1	15.5	17.0	18.4	20.1	22.1	24.0	25.9	27.9	29.8	33.6	37.4	44.9	52.4	59.7	67.0
1160	15.7	17.3	18.9	20.8	23.1	25.3	27.5	29.7	32.0	34.1	38.5	42.9	51.5	60.0	68.5	76.8
1200	16.1	17.8	19.4	21.5	23.8	26.1	28.4	30.7	33.0	35.2	39.8	44.2	53.1	61.9	70.6	79.2
1400	18.1	19.9	22.0	24.7	27.4	30.0	32.7	35.3	38.0	40.6	45.8	51.0	61.2	71.3	81.3	91.2
1600	20.0	22.0	24.8	27.9	30.9	33.9	36.9	39.9	42.9	45.9	51.8	57.6	69.2	80.6	91.8	102.9
1750	21.4	23.6	26.9	30.2	33.5	36.8	40.1	43.3	46.6	49.8	56.2	62.5	75.0	87.4	99.5	111.4
2000	23.6	26.6	30.3	34.1	37.8	41.5	45.2	48.9	52.6	56.2	63.4	70.6	84.7	98.5	112.1	125.4
2400	27.0	31.3	35.7	40.2	44.6	48.9	53.3	57.6	62.0	66.2	74.7	83.1	99.7	115.8	131.5	146.8
2800	30.7	35.8	41.0	46.1	51.2	56.2	61.2	66.2	71.1	76.0	85.7	95.3	114.1	132.3	149.9	166.9
3200	34.4	40.3	46.1	51.9	57.6	63.2	68.9	74.5	80.0	85.5	96.4	107.1	128.0	148.1	167.4	
3450	36.8	43.0	49.2	55.4	61.5	67.6	73.6	79.6	85.5	91.3	102.9	114.3	136.4	157.5	177.7	
4000	41.8	48.9	56.0	63.0	70.0	76.9	83.7	90.4	97.1	103.7	116.8	129.5	154.0			
4500	46.2	54.1	62.0	69.7	77.4	85.0	92.6	100.0	107.3	114.5	128.7	142.5				
5000	50.5	59.1	67.8	76.2	84.7	92.9	101.1	109.1	117.1	124.9	140.1	154.9				
5500	54.6	64.0	73.4	82.5	91.6	100.5	109.3	117.9	126.4	134.7	150.9					

8M-85	Rated Horsepower for Small Sprocket (Number of Teeth and Pitch Diameter, Inches)															
	RPM	22	24	26	28	30	32	34	36	38	40	44	48	56	64	72
Small Shaft	2.21	2.41	2.61	2.81	3.01	3.21	3.41	3.61	3.81	4.01	4.41	4.81	5.61	6.42	7.22	8.02
10	0.4	0.5	0.5	0.6	0.6	0.6	0.7	0.7	0.8	0.8	0.9	1.0	1.1	1.3	1.5	1.6
20	0.9	1.0	1.1	1.1	1.2	1.3	1.4	1.5	1.5	1.6	1.8	1.9	2.0	2.6	2.9	3.2
40	1.8	1.9	2.1	2.3	2.4	2.6	2.7	2.9	3.1	3.2	3.5	3.9	4.5	5.2	5.8	6.4
60	2.7	2.9	3.1	3.4	3.6	3.9	4.1	4.4	4.6	4.8	5.3	5.8	6.8	7.7	8.7	9.7
100	4.4	4.8	5.2	5.6	6.0	6.5	6.9	7.3	7.7	8.1	8.9	9.7	11.3	12.9	14.5	16.1
200	7.3	8.1	8.8	9.6	10.4	11.1	11.9	12.7	13.5	14.3	15.9	17.5	20.8	24.2	27.6	31.1
300	9.9	11.0	12.0	13.0	14.0	15.1	16.2	17.2	18.3	19.4	21.6	23.7	28.2	32.8	37.4	42.1
400	12.3	13.6	15.0	16.1	17.4	18.7	20.0	21.4	22.7	24.0	26.7	29.5	35.0	40.7	46.4	52.2
500	14.6	16.1	17.6	19.1	20.6	22.1	23.7	25.2	26.8	28.4	31.6	34.8	41.3	48.1	54.8	61.7
600	16.7	18.4	20.1	21.9	23.6	25.4	27.2	28.9	30.7	32.6	36.4	40.5	48.6	56.7	64.7	72.6
700	18.8	20.7	22.6	24.5	26.5	28.5	30.5	32.5	34.9	37.3	42.0	46.8	56.1	65.4	74.7	83.8
800	20.7	22.8	25.0	27.1	29.3	31.5	34.0	36.8	39.5	42.2	47.6	52.9	63.6	74.1	84.5	94.9
870	22.1	24.3	26.6	28.9	31.2	33.8	36.8	39.7	42.7	45.6	51.4	57.2	68.7	80.1	91.4	102.5
1000	24.5	27.0	29.5	32.1	35.0	38.4	41.8	45.1	48.5	51.8	58.5	65.1	78.2	91.1	103.9	116.6
1160	27.4	30.2	33.0	36.2	40.1	44.0	47.9	51.7	55.6	59.4	67.0	74.6	89.6	104.5	119.1	133.6
1200	28.1	30.9	33.8	37.3	41.4	45.4	49.4	53.4	57.4	61.3	69.2	77.0	92.5	107.8	122.9	137.8
1400	31.5	34.7	38.3	43.0	47.6	52.3	56.9	61.5	66.1	70.6	79.7	88.7	106.5	124.1	141.5	158.6
1600	34.8	38.4	43.2	48.5	53.8	59.0	64.3	69.4	74.6	79.8	90.1	100.2	120.4	140.2	159.7	179.0
1750	37.2	41.0	46.8	52.6	58.3	64.0	69.7	75.4	81.0	86.6	97.7	108.8	130.6	152.0	173.1	193.9
2000	41.1	46.2	52.8	59.3	65.8	72.3	78.7	85.1	91.4	97.8	110.3	122.8	147.3	171.4	195.0	218.2
2400	47.1	54.4	62.2	69.9	77.6	85.2	92.8	100.3	107.8	115.2	130.0	144.6	173.4	201.4	228.8	255.4
2800	53.3	62.3	71.3	80.2	89.0	97.8	106.5	115.1	123.7	132.3	149.2	165.9	198.5	230.2	260.9	290.5
3200	59.9	70.1	80.2	90.2	100.2	110.0	119.9	129.6	139.3	148.8	167.7	186.4	222.7	257.6	291.2	
3450	64.0	74.9	85.7	96.4	107.0	117.6	128.1	138.4	148.7	158.9	179.1	198.8	237.3	274.1	309.1	
4000	72.7	85.1	97.5	109.6	121.8	133.7	145.6	157.4	169.0	180.5	203.1	225.3	267.9			
4500	80.3	94.1	107.8	121.3	134.7	147.9	161.0	173.9	186.7	199.3	224.0	248.0				
5000	87.8	102.9	117.9	132.7	147.3	161.7	175.9	189.9	203.7	217.3	243.8	269.4				
5500	95.0	111.4	127.7	143.6	159.4	174.9	190.2	205.2	220.0	234.4	262.5					

FEATURES/BENEFITS
PAGE PT12-2

SPECIFICATIONS
PAGE PT12-5

ENGINEERING/TECHNICAL
PAGE PT13-96



SELECTION

HTR Basic HP Ratings - 14mm

14M-40	Rated Horsepower for Small Sprocket (Number of Teeth and Pitch Diameter, Inches)																
	RPM Small Shaft	28 4.91	29 5.09	30 5.26	32 5.61	34 5.97	36 6.32	38 6.67	40 7.0	44 7.72	48 8.42	52 9.12	56 9.83	60 10.53	64 11.23	68 11.93	72 12.63
10	0.6	0.6	0.6	0.7	0.7	0.8	0.8	0.8	0.9	1.0	1.1	1.2	1.3	1.4	1.5	1.6	1.7
20	1.1	1.1	1.2	1.2	1.3	1.4	1.5	1.6	1.7	1.9	2.1	2.3	2.4	2.6	2.8	2.9	3.3
40	2.2	2.2	2.3	2.5	2.6	2.8	2.9	3.1	3.4	3.7	4.0	4.3	4.6	5.0	5.3	5.6	6.2
60	3.2	3.4	3.5	3.7	3.9	4.2	4.4	4.6	5.1	5.6	6.0	6.5	7.0	7.4	7.9	8.4	9.3
100	5.41	5.6	5.8	6.2	6.6	7.0	7.4	7.7	8.5	9.3	10.0	10.8	11.6	12.4	13.1	13.9	15.5
200	10.1	10.5	10.9	11.8	12.7	13.5	14.4	15.3	17.0	18.5	20.1	21.6	23.2	24.7	26.3	27.8	30.9
300	13.6	14.2	14.8	15.9	17.2	18.3	19.6	20.8	23.2	25.7	28.3	30.9	33.5	36.1	38.8	41.5	46.3
400	16.9	17.6	18.3	19.8	21.3	22.8	24.2	25.8	28.8	31.9	35.0	38.2	41.5	44.8	48.1	51.4	58.2
500	20.0	20.8	21.7	23.4	25.1	26.9	28.6	30.4	34.0	37.7	41.4	45.2	49.0	52.8	56.7	60.6	68.6
600	22.9	23.9	24.8	26.8	28.8	30.8	32.8	34.84	39.0	43.1	47.4	51.7	56.1	60.4	64.9	69.3	78.4
700	25.7	26.8	27.8	30.0	32.3	34.5	36.8	39.1	43.7	48.3	53.2	57.9	62.8	67.7	72.6	77.6	87.7
800	28.4	29.6	30.7	33.2	35.7	38.1	40.6	43.1	48.2	53.3	58.5	63.9	69.2	74.6	80.0	85.4	96.4
870	30.2	31.5	32.7	35.3	38.0	40.6	43.2	45.9	51.3	56.7	62.2	67.9	73.5	79.2	84.9	90.6	102.3
1000	33.5	34.9	36.3	39.3	42.3	45.3	48.3	51.2	57.1	62.8	68.8	75.0	81.2	87.4	93.7	99.9	112.6
1160	37.7	39.4	41.1	44.6	48.0	51.4	54.8	58.1	64.7	71.2	77.6	84.0	90.2	96.9	103.7	110.6	124.3
1200	38.7	40.6	42.3	45.9	49.4	52.9	56.4	59.8	66.6	73.3	79.9	86.4	92.8	99.2	106.1	113.1	127.2
1400	44.1	46.2	48.2	52.3	56.3	60.3	64.2	68.1	75.8	83.4	90.8	98.1	105.3	112.3	119.2	126.0	139.9
1600	49.3	51.6	53.9	58.4	62.9	67.3	71.7	76.1	84.7	93.1	101.3	109.4	117.2	125.0	132.5	139.8	154.0
1750	53.1	55.5	58.0	62.9	67.7	72.5	77.2	81.9	91.1	100.1	108.9	117.4	125.8	134.0	141.9	149.6	164.3
2000	59.2	61.9	64.7	70.1	75.5	80.8	86.1	91.3	101.4	111.3	120.9	130.2	139.3	148.0	156.5		
2400	68.5	71.7	74.9	81.2	87.3	93.4	99.4	105.3	116.8	127.9	138.6	148.8					
2800	77.3	80.9	84.4	91.5	98.4	105.2	111.8	118.3	130.9	142.9							
3200	85.5	89.5	93.4	101.1	108.6	116.0	123.2	130.1	143.5								
3600	93.2	97.5	101.7	110.0	118.1	125.9	133.5										
4000	100.4	105.0	109.5	118.2	126.7	134.8											

14M-55	Rated Horsepower for Small Sprocket (Number of Teeth and Pitch Diameter, Inches)																
	RPM Small Shaft	28 4.91	29 5.09	30 5.26	32 5.61	34 5.97	36 6.32	38 6.67	40 7.0	44 7.72	48 8.42	52 9.12	56 9.83	60 10.53	64 11.23	68 11.93	72 12.63
10	0.8	0.9	0.9	1.0	1.0	1.1	1.2	1.3	1.4	1.5	1.7	1.8	1.9	2.1	2.2	2.3	2.6
20	1.6	1.6	1.7	1.8	2.0	2.1	2.2	2.4	2.6	2.8	3.1	3.4	3.6	3.9	4.1	4.4	4.9
40	3.1	3.2	3.3	3.6	3.8	4.0	4.2	4.5	4.9	5.4	5.9	6.4	6.8	7.3	7.8	8.2	9.2
60	4.7	4.8	5.0	5.3	5.7	6.0	6.4	6.7	7.4	8.0	8.7	9.4	10.0	10.7	11.4	12.0	13.4
100	7.8	8.1	8.3	8.9	9.5	10.0	10.6	11.1	12.2	13.4	14.5	15.6	16.7	17.8	18.9	20.0	22.3
200	14.5	15.1	15.7	16.9	18.2	19.5	20.8	22.1	24.5	26.7	28.9	31.2	33.4	35.6	37.8	40.1	44.5
300	19.6	20.5	21.3	23.0	24.7	26.4	28.2	29.9	33.5	37.1	40.7	44.5	48.2	52.0	55.9	59.7	66.7
400	24.3	25.4	26.4	28.5	30.6	32.8	34.9	37.1	41.5	46.0	50.5	55.1	59.8	64.5	69.2	74.0	83.8
500	28.8	30.0	31.2	33.7	36.2	38.7	41.3	43.8	49.0	54.3	59.6	65.1	70.6	76.1	81.7	87.3	98.8
600	33.0	34.4	35.7	38.6	41.5	44.4	47.3	50.2	56.1	62.2	68.3	74.51	80.8	87.1	93.5	99.9	112.99
700	37.0	38.6	40.1	43.3	46.5	49.8	53.0	56.3	62.9	69.7	76.5	83.5	90.5	97.5	104.6	111.8	126.35
800	41.2	43.1	45.0	48.7	52.4	56.1	59.8	63.5	70.7	77.8	84.8	92.1	99.7	107.5	115.3	123.0	139.0
870	44.2	46.3	48.3	52.4	56.4	60.3	64.3	68.2	76.0	83.6	91.2	98.7	106.0	114.2	122.4	130.7	147.51
1000	49.8	52.1	54.4	59.0	63.5	68.0	72.4	76.9	85.6	94.2	102.7	111.1	119.4	127.6	135.6	144.2	162.45
1160	56.5	59.1	61.7	66.9	72.0	77.1	82.2	87.2	97.1	106.9	116.5	125.9	135.3	144.5	153.5	162.4	179.8
1200	58.1	60.8	63.5	68.8	74.1	79.4	84.6	89.7	99.9	110.0	119.8	129.6	139.1	148.6	157.8	167.0	184.8
1400	66.1	69.2	72.3	78.4	84.4	90.4	96.3	102.2	113.7	125.1	136.2	147.2	158.0	168.5	178.9	189.0	208.7
1600	73.9	77.4	80.8	87.6	94.3	101.0	107.6	114.2	127.0	139.6	152.0	164.0	175.9	187.4	198.7	209.7	231.0
1750	79.6	83.3	87.0	94.3	101.6	108.8	115.9	122.9	136.7	150.1	163.3	176.2	188.7	200.9	212.8	224.4	246.5
2000	88.7	92.9	97.0	105.2	113.3	121.3	129.1	136.9	152.1	166.9	181.3	195.3	208.9	222.0	234.7		
2400	102.7	107.5	112.3	121.7	131.0	140.2	149.1	158.0	175.2	191.9	207.9	223.3					
2800	115.9	121.3	126.7	137.2	147.6	157.7	167.7	177.5	196.3	214.3							
3200	128.3	134.2	140.1	151.7	163.0	174.0	184.7	195.2	215.3								
3600	139.8	146.3	152.6	165.0	177.1	188.8	200.2										
4000	150.6	157.5	164.2	177.3	190.0	202.2											

V-Drives
FHP Drives
Drive Component Accessories
DYNA-SYNC
HT200/HTD Synchronous Drives
HTR Synchronous Drives
HTRC Synchronous Drives



SELECTION

HTR Basic HP Ratings - 14mm

V-Drives

FHP Drives

Drive Component Accessories

DYNA-SYNC

HT200/HTD Synchronous Drives

HTR Synchronous Drives

HTRC Synchronous Drives

14M-85	Rated Horsepower for Small Sprocket (Number of Teeth and Pitch Diameter, Inches)																
	RPM Small Shaft	28 4.91	29 5.09	30 5.26	32 5.61	34 5.97	36 6.32	38 6.67	40 7.0	44 7.72	48 8.42	52 9.12	56 9.83	60 10.53	64 11.23	68 11.93	72 12.63
10	1.4	1.5	1.5	1.6	1.7	1.9	2.0	2.1	2.3	2.5	2.8	3.0	3.2	3.4	3.6	3.9	4.3
20	2.6	2.7	2.8	3.1	3.3	3.5	3.7	3.9	4.4	4.8	5.2	5.6	6.1	6.5	6.9	7.3	8.1
40	5.0	5.2	5.4	5.7	6.1	6.6	7.0	7.4	8.2	9.0	9.8	10.6	11.4	12.2	13.0	13.7	15.3
60	7.5	7.8	8.1	8.6	9.2	9.7	10.2	10.8	11.8	13.0	14.1	15.3	16.4	17.6	18.7	19.8	22.1
100	12.6	13.0	13.5	14.3	15.3	16.2	17.1	18.0	19.7	21.5	23.3	25.1	26.9	28.7	30.5	32.3	35.9
200	23.3	24.3	25.3	27.3	29.4	31.4	33.5	35.6	39.5	43.0	46.6	50.3	53.8	57.4	61.0	64.5	71.7
300	31.6	33.0	34.3	37.0	39.8	42.6	45.4	48.2	53.9	59.7	65.6	71.7	77.7	83.9	90.0	96.3	107.5
400	39.2	40.9	42.5	45.9	49.4	52.8	56.3	59.8	66.9	74.1	81.4	88.9	96.4	103.9	111.6	119.3	135.1
500	46.4	48.4	50.3	54.2	58.4	62.4	66.5	70.6	79.0	87.5	96.1	104.9	113.8	122.7	131.7	140.8	159.4
600	53.6	56.1	58.5	63.3	68.2	72.9	77.7	82.4	91.8	101.0	110.2	120.1	130.2	140.4	150.7	161.0	182.2
700	59.6	62.2	64.6	69.7	75.0	80.2	85.5	90.7	101.4	112.3	123.3	134.6	145.8	157.2	168.7	180.2	203.7
800	68.6	71.8	74.9	81.2	87.4	93.6	99.7	105.8	117.8	129.6	141.4	153.0	164.5	175.8	187.1	198.5	224.2
870	73.7	77.2	80.5	87.3	93.9	100.6	107.1	113.7	126.6	139.4	152.0	164.4	176.7	188.9	200.9	212.8	238.0
1000	83.0	86.9	90.7	98.3	105.8	113.3	120.7	128.1	142.7	157.0	171.2	185.2	199.0	212.6	226.1	239.3	265.4
1160	94.1	98.5	102.9	111.5	120.1	128.6	137.0	145.3	161.9	178.1	194.1	209.9	225.4	240.8	255.8	270.7	299.7
1200	96.9	101.4	105.8	114.7	123.6	132.3	141.0	149.6	166.6	183.3	199.7	215.9	231.9	247.6	263.1	278.3	308.0
1400	110.2	115.4	120.5	130.6	140.7	150.6	160.5	170.3	189.6	208.5	227.1	245.3	263.3	280.9	298.1	315.1	347.9
1600	123.2	129.0	134.7	146.0	157.2	168.4	179.4	190.3	211.7	232.7	253.3	273.4	293.1	312.4	331.2	349.6	385.0
1750	132.6	138.8	145.0	157.2	169.3	181.3	193.1	204.8	227.8	250.2	272.2	293.6	314.5	334.9	354.7	374.0	410.8
2000	147.9	154.9	161.7	175.3	188.8	202.1	215.2	228.1	253.5	278.2	302.2	325.6	348.2	370.1	391.2		
2400	171.2	179.2	187.2	202.9	218.4	233.6	248.6	263.3	292.1	319.8	346.5	372.1					
2800	193.2	202.2	211.1	228.7	246.0	262.9	279.5	295.8	327.2	357.2							
3200	213.8	223.7	233.5	252.8	271.6	290.0	307.9	325.4	358.8								
3600	233.1	243.8	254.4	275.1	295.2	314.7	333.7										
4000	251.0	262.4	273.6	295.5	316.7	337.1											

14M-115	Rated Horsepower for Small Sprocket (Number of Teeth and Pitch Diameter, Inches)																
	RPM Small Shaft	28 4.91	29 5.09	30 5.26	32 5.61	34 5.97	36 6.32	38 6.67	40 7.0	44 7.72	48 8.42	52 9.12	56 9.83	60 10.53	64 11.23	68 11.93	72 12.63
10	2.0	2.0	2.1	2.3	2.4	2.6	2.8	2.9	3.2	3.6	3.9	4.2	4.5	4.8	5.1	5.4	6.0
20	3.7	3.8	4.0	4.3	4.6	4.9	5.2	5.5	6.1	6.7	7.3	7.9	8.5	9.1	9.6	10.2	11.4
40	6.9	7.2	7.4	8.0	8.6	9.2	9.8	10.3	11.5	12.6	13.7	14.8	15.9	17.0	18.1	19.2	21.4
60	10.4	10.8	11.1	11.9	12.6	13.4	14.1	14.9	16.5	18.2	19.8	21.4	23.0	24.6	26.2	27.8	30.9
100	17.3	18.0	18.6	19.8	21.1	22.3	23.5	24.8	27.2	29.7	32.2	34.7	37.2	39.6	42.1	44.5	49.51
200	32.2	33.6	34.9	37.7	40.5	43.4	46.2	49.1	54.4	59.4	64.3	69.3	74.3	79.2	84.1	89.0	99.0
300	43.6	45.5	47.3	51.0	54.9	58.8	62.6	66.5	74.4	82.4	90.5	98.9	107.2	115.7	124.2	132.8	148.3
400	54.1	56.5	58.7	63.3	68.1	72.9	77.6	82.5	92.2	102.2	112.2	122.6	132.9	143.4	153.9	164.6	186.4
500	64.1	67.0	69.9	75.7	81.4	87.1	92.8	98.4	109.6	120.7	132.6	144.8	156.9	169.2	181.7	194.2	219.9
600	75.1	78.5	81.9	88.7	95.4	102.1	108.8	115.4	128.5	141.4	154.2	166.9	179.6	193.7	207.9	222.2	251.3
700	82.2	85.8	89.2	96.2	103.5	110.6	117.9	125.2	139.9	154.9	170.1	185.7	201.2	216.9	232.7	248.7	281.1
800	96.1	100.5	104.9	113.7	122.4	131.0	139.5	148.1	164.9	181.5	197.9	214.2	230.3	246.2	261.9	277.4	309.4
870	103.2	108.0	112.7	122.2	131.5	140.8	150.0	159.1	177.3	195.1	212.8	230.2	247.4	264.5	281.3	298.0	330.7
1000	116.2	121.6	127.0	137.6	148.2	158.6	169.0	179.3	199.7	219.8	239.7	259.2	278.6	297.7	316.5	335.1	371.6
1160	131.8	137.9	144.0	156.1	168.1	180.0	191.8	203.5	226.6	249.3	271.8	293.8	315.6	337.1	358.1	379.0	419.6
1200	135.6	141.9	148.2	160.6	173.0	185.2	197.4	209.4	233.2	256.6	279.6	302.3	324.7	346.7	368.3	389.6	431.2
1400	154.3	161.5	168.7	182.9	197.0	210.9	224.7	238.4	265.4	291.9	317.9	343.5	368.6	393.2	417.4	441.1	487.1
1600	172.5	180.5	188.5	204.4	220.1	235.7	251.1	266.4	296.4	325.8	354.6	382.8	410.4	437.4	463.7	489.4	538.9
1750	185.7	194.4	203.0	220.1	237.0	253.8	270.3	286.7	318.9	350.3	381.0	411.0	440.3	468.8	496.6	523.5	575.1
2000	207.1	216.8	226.4	245.5	264.3	282.9	301.3	319.4	354.9	389.5	423.1	455.8	487.4	518.1	547.7		
2400	239.7	250.9	262.0	284.0	305.7	327.0	348.0	368.7	408.9	447.7	485.1	521.0					
2800	270.4	283.1	295.5	320.2	344.4	368.1	391.3	414.1	458.1	500.1							
3200	299.3	313.2	326.9	353.9	380.2	406.0	431.1	455.5	502.4								
3600	326.3	341.3	356.1	385.1	413.3	440.6	467.1										
4000	351.4	367.4	383.1	413.7	443.3	471.9											

FEATURES/BENEFITS PAGE PT12-2	SPECIFICATIONS PAGE PT12-5	ENGINEERING/TECHNICAL PAGE PT13-96	
----------------------------------	-------------------------------	---------------------------------------	--



SELECTION

HTR Basic HP Ratings - 14mm

14M-170	Rated Horsepower for Small Sprocket (Number of Teeth and Pitch Diameter, Inches)																
	RPM Small Shaft	28 4.91	29 5.1	30 5.26	32 5.61	34 5.97	36 6.32	38 6.67	40 7.0	44 7.72	48 8.42	52 9.12	56 9.83	60 10.53	64 11.23	68 11.93	72 12.63
10	3.0	3.1	3.2	3.5	3.7	3.9	4.2	4.4	4.9	5.4	5.9	6.4	6.8	7.3	7.8	8.2	9.2
20	5.6	5.8	6.0	6.5	7.0	7.4	7.9	8.4	9.3	10.2	11.1	12.0	12.9	13.8	14.6	15.5	17.3
40	10.4	10.8	11.3	12.2	13.1	13.9	14.8	15.7	17.4	19.1	20.8	22.5	24.2	25.9	27.6	29.2	32.5
60	15.6	16.2	16.8	17.9	19.0	20.1	21.4	22.6	25.1	27.6	30.1	32.6	35.0	37.4	39.8	42.2	47.0
100	26.1	27.0	27.9	29.8	31.7	33.5	35.4	37.3	41.0	44.7	48.39	52.2	55.9	59.58	63.3	67.0	74.5
200	48.4	50.5	52.5	56.7	61.0	65.2	69.5	73.8	81.9	89.3	96.8	104.3	111.7	119.1	126.5	133.9	148.9
300	65.6	68.5	71.2	76.8	83.0	88.4	94.2	100.0	111.9	124.0	136.2	148.8	161.3	174.0	186.9	199.8	223.1
400	81.4	84.9	88.3	95.3	102.5	109.6	116.8	124.1	138.8	153.7	168.9	184.4	200.0	215.7	231.6	247.6	280.4
500	97.4	101.9	106.3	115.0	123.8	132.4	141.0	149.6	166.5	183.3	199.9	217.8	236.1	254.6	273.3	292.2	330.8
600	114.1	119.3	124.5	134.8	145.0	155.2	165.3	175.4	195.3	214.9	234.4	253.7	272.8	291.8	312.7	334.3	378.2
700	123.7	129.1	134.1	144.7	155.7	166.5	177.3	188.3	210.5	233.1	255.91	279.4	302.7	326.3	350.1	374.1	423.0
800	146.1	152.8	159.5	172.8	186.0	199.1	212.1	225.0	250.6	275.9	300.9	325.6	350.0	374.2	398.0	421.7	468.3
870	156.9	164.2	171.4	185.7	199.9	214.0	228.0	241.9	269.4	296.6	323.4	349.9	376.1	402.0	427.6	452.9	502.7
1000	176.7	184.9	193.0	209.2	225.2	241.1	256.9	272.6	303.6	334.1	364.3	394.1	423.4	452.4	481.0	509.3	564.8
1160	200.3	209.7	218.9	237.3	255.5	273.6	291.5	309.3	344.4	379.0	413.1	446.7	479.7	512.3	544.4	576.0	637.8
1200	206.1	215.7	225.2	244.2	262.9	281.6	300.0	318.3	354.4	390.0	425.0	459.5	493.5	526.9	559.8	592.2	655.5
1400	234.6	245.5	256.4	278.0	299.4	320.6	341.6	362.4	403.4	443.6	483.2	522.1	560.2	597.7	634.4	670.4	740.4
1600	262.1	274.4	286.6	310.7	334.6	358.3	381.7	404.9	450.5	495.2	539.0	581.8	623.8	664.8	704.8	743.9	819.2
1750	282.2	295.5	308.6	334.6	360.3	385.8	410.9	435.8	484.7	532.5	579.2	624.8	669.3	712.6	754.8	795.8	874.2
2000	314.7	329.5	344.1	373.1	401.8	430.0	457.9	485.5	539.5	592.0	643.1	692.8	740.9	787.5	832.4		
2400	364.3	381.4	398.3	431.7	464.7	497.1	529.0	560.3	621.5	680.5	737.3	791.9					
2800	411.0	430.3	449.2	486.7	523.4	559.5	594.8	629.4	696.3	760.1							
3200	454.9	476.1	496.9	537.9	578.0	617.1	655.2	692.4	763.6								
3600	496.0	518.8	541.3	585.3	628.2	669.7	710.0										
4000	534.2	558.5	582.3	628.9	673.9	717.3											

V-Drives

FHP Drives

Drive Component
Accessories

DYNA-SYNC

HT200/HTD
Synchronous Drives

HTR
Synchronous Drives

HTRC
Synchronous Drives

FEATURES/BENEFITS PAGE PT12-2	SPECIFICATIONS PAGE PT12-5	ENGINEERING/TECHNICAL PAGE PT13-96	
----------------------------------	-------------------------------	---------------------------------------	--



SELECTION

8M HTR Selection Table

Speed Ratio	Sprocket Combinations				Center Distance, Inches																						
	Driver		Driven		320-8M	352-8M	360-8M	384-8M	408-8M	456-8M	480-8M	536-8M	544-8M	560-8M	600-8M	608-8M	632-8M	640-8M	680-8M	720-8M	800-8M	840-8M	880-8M	896-8M	920-8M	960-8M	
	No. of Teeth	Pitch Dia. Inches	No. of Teeth	Pitch Dia. Inches																							
Length Factor*					0.68	0.69	0.70	0.71	0.72	0.74	0.75	0.77	0.78	0.79	0.80	0.80	0.81	0.81	0.83	0.85	0.88	0.90	0.91	0.92	0.93	0.95	
1.00	22	2.206	22	2.206	2.84	3.47	3.62	4.10	4.57	5.51	5.99	7.09	7.25	7.56	8.35	8.51	8.98	9.14	9.92	10.71	12.29	13.07	13.86	14.17	14.65	15.43	
1.00	24	2.406	24	2.406	...	3.15	3.31	3.78	4.25	5.20	5.67	6.77	6.93	7.25	8.03	8.19	8.66	8.82	9.61	10.40	11.97	12.76	13.55	13.86	14.33	15.12	
1.00	26	2.607	26	2.607	2.99	3.47	3.94	4.88	5.36	6.46	6.62	6.93	7.72	7.88	8.35	8.51	9.29	10.08	11.66	12.44	13.23	13.55	14.02	14.81	
1.00	28	2.807	28	2.807	3.15	3.62	4.57	5.04	6.14	6.30	6.62	7.40	7.56	8.03	8.19	8.98	9.77	11.34	12.13	12.92	13.23	13.70	14.49	
1.00	30	3.008	30	3.008	4.25	4.73	5.83	5.99	6.30	7.09	7.25	7.72	7.88	8.66	9.45	11.03	11.81	12.60	12.92	13.39	14.18	
1.00	32	3.208	32	3.208	3.94	4.41	5.51	5.67	5.99	6.77	6.93	7.40	7.56	8.35	9.14	10.71	11.50	12.29	12.60	13.07	13.86	
1.00	34	3.409	34	3.409	4.10	5.20	5.36	5.67	6.46	6.62	7.09	7.25	8.03	8.82	10.40	11.18	11.97	12.29	12.76	13.55	
1.00	36	3.609	36	3.609	4.88	5.04	5.36	6.14	6.30	6.77	6.93	7.72	8.51	10.08	10.87	11.66	11.97	12.44	13.23	
1.00	38	3.810	38	3.810	4.57	4.73	5.04	5.83	5.99	6.46	6.62	7.40	8.19	9.77	10.55	11.34	11.66	12.13	12.92	
1.00	40	4.010	40	4.010	4.41	4.73	5.52	5.67	6.14	6.30	7.09	7.88	9.45	10.24	11.03	11.34	11.81	12.60	
1.00	44	4.411	44	4.411	4.89	5.04	5.52	5.67	6.46	7.25	8.82	9.61	10.40	10.71	11.18	11.65	12.44	
1.00	48	4.812	48	4.812	5.83	6.62	8.19	8.98	9.77	10.08	10.56	11.34	12.13	
1.00	56	5.614	56	5.614	6.93	7.72	8.51	8.82	9.30	10.08	10.87	
1.00	64	6.416	64	6.416	7.25	7.56	8.04	8.82	9.61	
1.00	72	7.218	72	7.218	
1.00	80	8.020	80	8.020	
1.05	38	3.810	40	4.010	4.41	4.57	4.88	5.67	5.83	6.30	6.46	7.25	8.03	9.61	10.40	11.18	11.50	11.97	12.76	
1.06	36	3.609	38	3.810	4.73	4.88	5.20	5.99	6.14	6.62	6.77	7.56	8.35	9.92	10.71	11.50	11.81	12.29	13.07	
1.06	34	3.409	36	3.609	3.94	5.04	5.20	5.51	6.30	6.46	6.93	7.09	7.88	8.66	10.24	11.03	11.81	12.13	12.60	13.39	
1.06	32	3.208	34	3.409	3.78	4.25	5.36	5.51	5.83	6.62	6.77	7.25	7.40	8.19	8.98	10.55	11.34	12.13	12.44	12.92	13.70	
1.07	30	3.008	32	3.208	4.10	4.57	5.67	5.83	6.14	6.93	7.09	7.56	7.72	8.51	9.29	10.87	11.66	12.44	12.76	13.23	14.02	
1.07	28	2.807	30	3.008	3.47	4.41	4.88	5.99	6.14	6.46	7.25	7.40	7.88	8.03	8.82	9.61	11.18	11.97	12.76	13.07	13.55	14.33	
1.08	26	2.607	28	2.807	3.31	3.78	4.73	5.20	6.30	6.46	6.77	7.56	7.72	8.19	8.35	9.14	9.92	11.50	12.29	13.07	13.39	13.86	14.65	
1.08	24	2.406	26	2.607	...	2.99	3.15	3.62	4.10	5.04	5.51	6.62	6.77	7.09	7.88	8.03	8.51	8.66	9.45	10.24	11.81	12.60	13.39	13.70	14.17	14.96	
1.09	22	2.206	24	2.406	...	3.31	3.46	3.94	4.41	5.36	5.83	6.93	7.09	7.40	8.19	8.35	8.82	8.98	9.77	10.55	12.13	12.91	13.70	14.02	14.49	15.28	
1.09	44	4.411	48	4.812	5.20	5.35	6.14	6.93	8.51	9.29	10.08	10.40	10.87	11.66	
1.10	40	4.010	44	4.411	5.20	5.35	5.83	5.98	6.77	7.56	9.14	9.92	10.71	11.03	11.50	12.29	
1.11	36	3.609	40	4.010	4.57	4.72	5.04	5.83	5.98	6.46	6.61	7.40	8.19	9.76	10.55	11.34	11.65	12.13	12.91	
1.11	72	7.218	80	8.020	
1.12	34	3.409	38	3.810	4.88	5.04	5.35	6.14	6.30	6.77	6.93	7.72	8.50	10.08	10.87	11.65	11.97	12.44	13.23	
1.13	32	3.208	36	3.609	4.09	5.20	5.35	5.67	6.46	6.61	7.09	7.24	8.03	8.82	10.39	11.18	11.97	12.28	12.76	13.54	
1.13	64	6.416	72	7.218	7.40	8.18	
1.13	80	8.020	90	9.023	
1.13	30	3.008	34	3.409	3.93	4.41	5.51	5.67	5.98	6.77	6.93	7.40	7.56	8.35	9.13	10.71	11.50	12.28	12.60	13.07	13.86	
1.14	28	2.807	32	3.208	4.25	4.72	5.83	5.98	6.30	7.09	7.24	7.72	7.87	8.66	9.45	11.02	11.81	12.60	12.91	13.39	14.17	
1.14	56	5.614	64	6.416	7.08	7.87	8.18	8.66	9.45
1.15	26	2.607	30	3.008	3.15	3.62	4.56	5.04	6.14	6.30	6.61	7.40	7.56	8.03	8.19	8.98	9.76	11.34	12.13	12.91	13.23	13.70	14.49	
1.16	38	3.810	44	4.411	4.56	5.35	5.51	5.98	6.14	6.93	7.71	9.29	10.08	10.87	11.18	11.65	12.44	
1.17	24	2.406	28	2.807	2.99	3.46	3.93	4.88	5.35	6.46	6.61	6.93	7.72	7.87	8.35	8.50	9.29	10.08	11.65	12.44	13.23	13.54	14.02	14.80	
1.17	48	4.812	56	5.614	5.97	7.55	8.34	9.13	9.44	9.92	10.71	11.49	
Length Factor*					0.68	0.69	0.70	0.71	0.72	0.74	0.75	0.77	0.78	0.79	0.80	0.80	0.81	0.81	0.83	0.85	0.88	0.90	0.91	0.92	0.93	0.95	

* The length correction factor must be used to determine the proper belt width.

V-Drives

FHP Drives

Drive Component Accessories

DYNA-SYNC

HT200/HTD Synchronous Drives

HTR Synchronous Drives

HTRC Synchronous Drives



SELECTION

8M HTR Selection Table

Speed Ratio	Sprocket Combinations				Center Distance, Inches																						
	Driver		Driven		1000-8M	1040-8M	1080-8M	1120-8M	1200-8M	1224-8M	1280-8M	1352-8M	1440-8M	1464-8M	1600-8M	1760-8M	1800-8M	2000-8M	2200-8M	2400-8M	2520-8M	2600-8M	2800-8M	3048-8M	3280-8M	3600-8M	4400-8M
	No. of Teeth	Pitch Dia. Inches	No. of Teeth	Pitch Dia. Inches																							
Length Factor*					0.96	0.97	0.99	1.00	1.03	1.04	1.05	1.07	1.10	1.11	1.14	1.17	1.18	1.22	1.26	1.29	1.31	1.32	1.35	1.38	1.41	1.45	1.52
1.00	22	2.206	22	2.206	16.22	17.01	17.80	18.58	20.16	20.63	21.73	23.15	24.88	25.36	28.03	31.18	31.97	35.91	39.84	43.78	46.14	47.72	51.66	56.54	61.10	67.40	83.15
1.00	24	2.406	24	2.406	15.91	16.69	17.48	18.27	19.84	20.32	21.42	22.84	24.57	25.04	27.72	30.87	31.66	35.59	39.53	43.47	45.83	47.40	51.34	56.22	60.79	67.09	82.84
1.00	26	2.607	26	2.607	15.59	16.38	17.17	17.95	19.53	20.00	21.10	22.52	24.25	24.73	27.40	30.55	31.34	35.28	39.21	43.15	45.51	47.09	51.03	55.91	60.47	66.77	82.52
1.00	28	2.807	28	2.807	15.28	16.07	16.85	17.64	19.21	19.69	20.79	22.21	23.94	24.41	27.09	30.24	31.03	34.96	38.90	42.84	45.20	46.77	50.71	55.59	60.16	66.46	82.21
1.00	30	3.008	30	3.008	14.96	15.75	16.54	17.33	18.90	19.37	20.47	21.89	23.62	24.10	26.77	29.92	30.71	34.65	38.59	42.52	44.88	46.46	50.40	55.28	59.84	66.14	81.89
1.00	32	3.208	32	3.208	14.65	15.44	16.22	17.01	18.59	19.06	20.16	21.58	23.31	23.78	26.46	29.61	30.40	34.33	38.27	42.21	44.57	46.14	50.08	54.96	59.53	65.83	81.58
1.00	34	3.409	34	3.409	14.33	15.12	15.91	16.70	18.27	18.74	19.85	21.26	22.99	23.47	26.14	29.29	30.08	34.02	37.96	41.89	44.25	45.83	49.77	54.65	59.22	65.51	81.26
1.00	36	3.609	36	3.609	14.02	14.81	15.59	16.38	17.96	18.43	19.53	20.95	22.68	23.15	25.83	28.98	29.77	33.70	37.64	41.58	43.94	45.51	49.45	54.33	58.90	65.20	80.95
1.00	38	3.810	38	3.810	13.70	14.49	15.28	16.07	17.64	18.11	19.22	20.63	22.37	22.84	25.51	28.66	29.45	33.39	37.33	41.26	43.63	45.20	49.14	54.02	58.59	64.88	80.63
1.00	40	4.010	40	4.010	13.39	14.18	14.96	15.75	17.33	17.80	18.90	20.32	22.05	22.52	25.20	28.35	29.14	33.07	37.01	40.95	43.31	44.89	48.82	53.70	58.27	64.57	80.32
1.00	44	4.411	44	4.411	12.76	13.55	14.33	15.12	16.70	17.17	18.27	19.69	21.42	21.89	24.57	27.72	28.51	32.44	36.38	40.32	42.68	44.26	48.19	53.07	57.64	63.94	79.69
1.00	48	4.812	48	4.812	12.13	12.92	13.70	14.49	16.07	16.54	17.64	19.06	20.79	21.26	23.94	27.09	27.88	31.81	35.75	39.69	42.05	43.63	47.56	52.44	57.01	63.31	79.06
1.00	56	5.614	56	5.614	10.87	11.66	12.45	13.23	14.81	15.28	16.38	17.80	19.53	20.00	22.68	25.83	26.62	30.56	34.49	38.43	40.79	42.37	46.30	51.19	55.75	62.05	77.80
1.00	64	6.416	64	6.416	9.61	10.40	11.19	11.97	13.55	14.02	15.12	16.54	18.27	18.75	21.42	24.57	25.36	29.30	33.23	37.17	39.53	41.11	45.04	49.93	54.49	60.79	76.54
1.00	72	7.218	72	7.218	8.35	9.14	9.93	10.71	12.29	12.76	13.86	15.28	17.01	17.49	20.16	23.31	24.10	28.04	31.97	35.91	38.27	39.85	43.79	48.67	53.23	59.53	75.28
1.00	80	8.020	80	8.020	8.67	9.46	11.03	11.50	12.60	14.02	15.75	16.23	18.90	22.05	22.84	26.78	30.72	34.65	37.01	38.59	42.53	47.41	51.97	58.27	74.02
1.05	38	3.810	40	4.010	13.55	14.33	15.12	15.91	17.48	17.96	19.06	20.48	22.21	22.68	25.36	28.51	29.29	33.23	37.17	41.11	43.47	45.04	48.98	53.86	58.43	64.73	80.48
1.06	36	3.609	38	3.810	13.86	14.65	15.44	16.22	17.80	18.27	19.37	20.79	22.52	22.99	25.67	28.82	29.61	33.55	37.48	41.42	43.78	45.36	49.29	54.18	58.74	65.04	80.79
1.06	34	3.409	36	3.609	14.18	14.96	15.75	16.54	18.11	18.59	19.69	21.10	22.84	23.31	25.99	29.14	29.92	33.86	37.80	41.73	44.10	45.67	49.61	54.49	59.06	65.36	81.11
1.06	32	3.208	34	3.409	14.49	15.28	16.07	16.85	18.43	18.90	20.00	21.42	23.15	23.62	26.30	29.45	30.24	34.18	38.11	42.05	44.41	45.99	49.92	54.81	59.37	65.67	81.42
1.07	30	3.008	32	3.208	14.81	15.59	16.38	17.17	18.74	19.21	20.32	21.73	23.47	23.94	26.62	29.77	30.55	34.49	38.43	42.36	44.73	46.30	50.24	55.12	59.69	65.99	81.73
1.07	28	2.807	30	3.008	15.12	15.91	16.69	17.48	19.06	19.53	20.63	22.05	23.78	24.25	26.93	30.08	30.87	34.81	38.74	42.68	45.04	46.62	50.55	55.44	60.00	66.30	82.05
1.08	26	2.607	28	2.807	15.43	16.22	17.01	17.80	19.37	19.84	20.95	22.36	24.10	24.57	27.25	30.40	31.18	35.12	39.06	42.99	45.36	46.93	50.87	55.75	60.32	66.62	82.36
1.08	24	2.406	26	2.607	15.75	16.54	17.33	18.11	19.69	20.16	21.26	22.68	24.41	24.88	27.56	30.71	31.50	35.43	39.37	43.31	45.67	47.25	51.18	56.06	60.63	66.93	82.68
1.09	22	2.206	24	2.406	16.06	16.85	17.64	18.43	20.00	20.47	21.58	22.99	24.73	25.20	27.88	31.03	31.81	35.75	39.69	43.62	45.99	47.56	51.50	56.38	60.95	67.25	82.99
1.09	44	4.411	48	4.812	12.44	13.23	14.02	14.81	16.38	16.85	17.96	19.37	21.11	21.58	24.25	27.40	28.19	32.13	36.07	40.00	42.37	43.94	47.88	52.76	57.33	63.63	79.37
1.10	40	4.010	44	4.411	13.07	13.86	14.65	15.44	17.01	17.48	18.58	20.00	21.73	22.21	24.88	28.03	28.82	32.76	36.70	40.63	43.00	44.57	48.51	53.39	57.96	64.26	80.00
1.11	36	3.609	40	4.010	13.70	14.49	15.28	16.06	17.64	18.11	19.21	20.63	22.36	22.84	25.51	28.66	29.45	33.39	37.33	41.26	43.62	45.20	49.14	54.02	58.59	64.88	80.63
1.11	72	7.218	80	8.020	...	8.50	9.29	10.08	11.65	12.13	13.23	14.65	16.38	16.85	19.53	22.68	23.47	27.40	31.34	35.28	37.64	39.22	43.15	48.04	52.60	58.90	74.65
1.12	34	3.409	38	3.810	14.02	14.80	15.59	16.38	17.95	18.43	19.53	20.95	22.68	23.15	25.83	28.98	29.77	33.70	37.64	41.58	43.94	45.51	49.45	54.33	58.90	65.20	80.95
1.13	32	3.208	36	3.609	14.33	15.12	15.91	16.69	18.27	18.74	19.84	21.26	22.99	23.47	26.14	29.29	30.08	34.02	37.96	41.89	44.25	45.83	49.77	54.65	59.21	65.51	81.26
1.13	64	6.416	72	7.218	8.97	9.76	10.55	11.34	12.91	13.39	14.49	15.91	17.64	18.11	20.79	23.94	24.73	28.66	32.60	36.54	38.90	40.48	44.41	49.30	53.86	60.16	75.91
1.13	80	8.020	90	9.023	10.23	10.70	11.81	13.23	14.96	15.43	18.11	21.26	22.05	25.99	29.92	33.86	36.22	37.80	41.74	46.62	51.19	57.48	73.23
1.13	30	3.008	34	3.409	14.65	15.43	16.22	17.01	18.58	19.06	20.16	21.58	23.31	23.78	26.46	29.61	30.40	34.33	38.27	42.21	44.57	46.14	50.08	54.96	59.53	65.83	81.58
1.14	28	2.807	32	3.208	14.96	15.75	16.54	17.33	18.90	19.37	20.47	21.89	23.62	24.10	26.77	29.92	30.71	34.65	38.58	42.52	44.88	46.46	50.40	55.28	59.84	66.14	81.89
1.14	56	5.614	64	6.416	10.23	11.02	11.81	12.60	14.17	14.64	15.75	17.17	18.90	19.37	22.05	25.20	25.99	29.92	33.86	37.80	40.16	41.74	45.67	50.55	55.12	61.42	77.17
1.15	26	2.607	30	3.008	15.28	16.06	16.85	17.64	19.21	19.69	20.79	22.21	23.94	24.41	27.09	30.24	31.03	34.96	38.90	42.84	45.20	46.77	50.71	55.59	60.16	66.46	82.21
1.16	38	3.810	44	4.411	13.23	14.02	14.80	15.59	17.17	17.64	18.74	20.16	21.89	22.36	25.04	28.19	28.98	32.92	36.85	40.79	43.15	44.73	48.66	53.55	58.11	64.41	80.16
1.17	24	2.406	28	2.807	15.59	16.38	17.17	17.95	19.53	20.00	21.10	22.52	24.25	24.73	27.40	30.55	31.34	35.28	39.21	43.15	45.51	47.09	51.03	55.91	60.47	66.77	82.52
1.17	48	4.812	56	5.614	11.49	12.28	13.07	13.86	15.43	15.90	17.01	18.42	20.16	20.63	23.31	26.46	27.25	31.18	35.12	39.06	41.42	42.99	46.93	51.81	56.38	62.68	78.43
Length Factor*					0.96	0.97	0.99	1.00	1.03	1.04	1.05	1.07	1.10	1.11	1.14	1.17	1.18	1.22	1.26	1.29	1.31	1.32	1.35	1.38	1.41		



SELECTION

8M HTR Selection Table

Speed Ratio	Sprocket Combinations				Center Distance, Inches																							
	Driver		Driven		352-8M	360-8M	384-8M	408-8M	456-8M	480-8M	536-8M	544-8M	560-8M	600-8M	608-8M	632-8M	640-8M	680-8M	720-8M	800-8M	840-8M	880-8M	896-8M	920-8M	960-8M	1000-8M		
	No. of Teeth	Pitch Dia. Inches	No. of Teeth	Pitch Dia. Inches	0.69	0.70	0.71	0.72	0.74	0.75	0.77	0.78	0.79	0.80	0.80	0.81	0.81	0.83	0.85	0.88	0.90	0.91	0.92	0.93	0.95	0.96		
	Length Factor*																											
1.18	34	3.409	40	4.010	4.72	4.88	5.19	5.98	6.14	6.61	6.77	7.56	8.34	9.92	10.71	11.50	11.81	12.28	13.07	13.86			
1.18	22	2.206	26	2.607	3.15	3.30	3.78	4.25	5.19	5.67	6.77	6.93	7.24	8.03	8.19	8.66	8.82	9.61	10.39	11.97	12.76	13.54	13.86	14.33	15.12	15.91		
1.19	32	3.208	38	3.810	3.93	5.03	5.19	5.51	6.29	6.45	6.93	7.08	7.87	8.66	10.23	11.02	11.81	12.13	12.60	13.39	14.17		
1.20	30	3.008	36	3.609	3.77	4.24	5.35	5.51	5.82	6.61	6.77	7.24	7.40	8.19	8.97	10.55	11.34	12.12	12.44	12.91	13.70	14.49		
1.20	40	4.010	48	4.812	4.87	5.03	5.50	5.66	6.45	7.24	8.81	9.60	10.39	10.70	11.18	11.97	12.75		
1.21	28	2.807	34	3.409	4.09	4.56	5.66	5.82	6.14	6.93	7.08	7.56	7.71	8.50	9.29	10.86	11.65	12.44	12.75	13.23	14.01	14.80		
1.22	36	3.609	44	4.411	4.39	4.71	5.50	5.66	6.13	6.29	7.08	7.87	9.44	10.23	11.02	11.33	11.81	12.60	13.38		
1.23	26	2.607	32	3.208	3.45	4.40	4.87	5.98	6.14	6.45	7.24	7.40	7.87	8.03	8.82	9.60	11.18	11.97	12.75	13.07	13.54	14.33	15.12		
1.25	24	2.406	30	3.008	3.30	3.77	4.72	5.19	6.29	6.45	6.77	7.56	7.71	8.19	8.34	9.13	9.92	11.49	12.28	13.07	13.38	13.86	14.64	15.43		
1.25	32	3.208	40	4.010	4.87	5.03	5.34	6.13	6.29	6.76	6.92	7.71	8.50	10.07	10.86	11.65	11.96	12.44	13.23	14.01		
1.25	64	6.416	80	8.020	8.31		
1.25	72	7.218	90	9.023		
1.26	38	3.810	48	4.812	5.02	5.18	5.65	5.81	6.60	7.39	8.97	9.75	10.54	10.86	11.33	12.12	12.91		
1.27	30	3.008	38	3.810	4.08	5.18	5.34	5.66	6.45	6.60	7.08	7.24	8.02	8.81	10.39	11.18	11.96	12.28	12.75	13.54	14.33		
1.27	22	2.206	28	2.807	2.98	3.14	3.61	4.09	5.03	5.51	6.61	6.77	7.08	7.87	8.03	8.50	8.66	9.45	10.23	11.81	12.60	13.38	13.70	14.17	14.96	15.75		
1.27	44	4.411	56	5.614	5.48	6.27	7.85	8.64	9.43	9.75	10.22	11.01	11.80		
1.29	28	2.807	36	3.609	3.92	4.39	5.50	5.66	5.97	6.76	6.92	7.39	7.55	8.34	9.13	10.70	11.49	12.28	12.59	13.07	13.86	14.64		
1.29	56	5.614	72	7.218	7.20	7.52	8.00	8.79	9.58	
1.29	34	3.409	44	4.411	4.38	4.54	4.86	5.65	5.81	6.28	6.44	7.23	8.02	9.60	10.38	11.17	11.49	11.96	12.75	13.54		
1.31	26	2.607	34	3.409	4.24	4.71	5.82	5.97	6.29	7.08	7.24	7.71	7.87	8.65	9.44	11.02	11.81	12.59	12.91	13.38	14.17	14.96		
1.33	24	2.406	32	3.208	3.60	4.55	5.03	6.13	6.29	6.60	7.39	7.55	8.02	8.18	8.97	9.76	11.33	12.12	12.91	13.22	13.70	14.48	15.27		
1.33	30	3.008	40	4.010	3.91	5.02	5.18	5.49	6.28	6.44	6.91	7.07	7.86	8.65	10.23	11.02	11.80	12.12	12.59	13.38	14.17		
1.33	36	3.609	48	4.812	5.17	5.32	5.80	5.96	6.75	7.54	9.12	9.91	10.70	11.01	11.48	12.27	13.06		
1.33	48	4.812	64	6.416	6.89	7.68	8.47	8.79	9.26	10.05	10.84		
1.36	28	2.807	38	3.810	3.75	4.22	5.33	5.49	5.81	6.60	6.76	7.23	7.39	8.18	8.96	10.54	11.33	12.12	12.43	12.91	13.69	14.48		
1.36	22	2.206	30	3.008	3.44	3.92	4.87	5.34	6.45	6.60	6.92	7.71	7.87	8.34	8.50	9.28	10.07	11.65	12.44	13.22	13.54	14.01	14.80	15.59		
1.38	32	3.208	44	4.411	4.53	4.69	5.01	5.80	5.96	6.43	6.59	7.38	8.17	9.75	10.54	11.33	11.64	12.11	12.90	13.69		
1.38	26	2.607	36	3.609	4.07	4.54	5.65	5.81	6.12	6.91	7.07	7.54	7.70	8.49	9.28	10.86	11.65	12.43	12.75	13.22	14.01	14.80		
1.40	40	4.010	56	5.614	5.77	6.57	8.15	8.94	9.73	10.05	10.52	11.31	12.10		
1.40	80	8.020	112	11.229		
1.41	64	6.416	90	9.023		
1.41	34	3.409	48	4.812	4.52	5.31	5.47	5.95	6.10	6.90	7.69	9.27	10.06	10.85	11.16	11.64	12.42	13.21		
1.42	24	2.406	34	3.409	3.43	4.38	4.86	5.97	6.12	6.44	7.23	7.39	7.86	8.02	8.81	9.60	11.17	11.96	12.75	13.06	13.54	14.32	15.11		
1.43	28	2.807	40	4.010	4.05	5.16	5.32	5.64	6.43	6.59	7.06	7.22	8.01	8.80	10.38	11.17	11.96	12.27	12.74	13.53	14.32		
1.43	56	5.614	80	8.020	7.31	8.11	8.90	
1.45	22	2.206	32	3.208	3.27	3.75	4.70	5.17	6.28	6.44	6.76	7.54	7.70	8.18	8.33	9.12	9.91	11.49	12.28	13.06	13.38	13.85	14.64	15.43		
1.45	44	4.411	64	6.416	7.18	7.97	8.77	9.08	9.56	10.35	11.14		
1.46	26	2.607	38	3.810	3.89	4.37	5.48	5.64	5.96	6.75	6.91	7.38	7.54	8.33	9.12	10.69	11.48	12.27	12.59	13.06	13.85	14.64		
1.47	30	3.008	44	4.411	4.67	4.83	5.15	5.95	6.10	6.58	6.74	7.53	8.32	9.90	10.69	11.48	11.79	12.27	13.05	13.84		
1.47	38	3.810	56	5.614	5.12	5.92	6.71	7.50	8.30	9.09	9.88	10.20	10.67	11.46	12.25
	Length Factor*				0.69	0.70	0.71	0.72	0.74	0.75	0.77	0.78	0.79	0.80	0.80	0.81	0.81	0.83	0.85	0.88	0.90	0.91	0.92	0.93	0.95	0.96		

* The length correction factor must be used to determine the proper belt width.

V-Drives
FHP Drives
Drive Component Accessories
DYNA-SYNC
Synchronous Drives
HT200/HTD
Synchronous Drives
HTR
Synchronous Drives
HTRC
Synchronous Drives



SELECTION

8M HTR Selection Table

Speed Ratio	Sprocket Combinations				Center Distance, Inches																					
	Driver		Driven		1040-8M	1080-8M	1120-8M	1200-8M	1224-8M	1280-8M	1352-8M	1440-8M	1464-8M	1600-8M	1760-8M	1800-8M	2000-8M	2200-8M	2400-8M	2520-8M	2600-8M	2800-8M	3048-8M	3280-8M	3600-8M	4400-8M
	No. of Teeth	Pitch Dia. Inches	No. of Teeth	Pitch Dia. Inches	0.97	0.99	1.00	1.03	1.04	1.05	1.07	1.10	1.11	1.14	1.17	1.18	1.22	1.26	1.29	1.31	1.32	1.35	1.38	1.41	1.45	1.52
	Length Factor*				0.97	0.99	1.00	1.03	1.04	1.05	1.07	1.10	1.11	1.14	1.17	1.18	1.22	1.26	1.29	1.31	1.32	1.35	1.38	1.41	1.45	1.52
1.18	34	3.409	40	4.010	14.65	15.43	16.22	17.80	18.27	19.37	20.79	22.52	22.99	25.67	28.82	29.61	33.54	37.48	41.42	43.78	45.36	49.29	54.18	58.74	65.04	80.79
1.18	22	2.206	26	2.607	16.69	17.48	18.27	19.84	20.32	21.42	22.84	24.57	25.04	27.72	30.87	31.65	35.59	39.53	43.47	45.83	47.40	51.34	56.22	60.79	67.09	82.84
1.19	32	3.208	38	3.810	14.96	15.75	16.54	18.11	18.58	19.69	21.10	22.84	23.31	25.99	29.14	29.92	33.86	37.80	41.73	44.10	45.67	49.61	54.49	59.06	65.36	81.10
1.20	30	3.008	36	3.609	15.28	16.06	16.85	18.43	18.90	20.00	21.42	23.15	23.62	26.30	29.45	30.24	34.17	38.11	42.05	44.41	45.99	49.92	54.80	59.37	65.67	81.42
1.20	40	4.010	48	4.812	13.54	14.33	15.12	16.69	17.16	18.27	19.68	21.42	21.89	24.57	27.72	28.50	32.44	36.38	40.32	42.68	44.25	48.19	53.07	57.64	63.94	79.69
1.21	28	2.807	34	3.409	15.59	16.38	17.17	18.74	19.21	20.32	21.73	23.47	23.94	26.61	29.76	30.55	34.49	38.43	42.36	44.73	46.30	50.24	55.12	59.69	65.99	81.73
1.22	36	3.609	44	4.411	14.17	14.96	15.75	17.32	17.79	18.90	20.31	22.05	22.52	25.20	28.35	29.13	33.07	37.01	40.95	43.31	44.88	48.82	53.70	58.27	64.57	80.32
1.23	26	2.607	32	3.208	15.90	16.69	17.48	19.06	19.53	20.63	22.05	23.78	24.25	26.93	30.08	30.87	34.80	38.74	42.68	45.04	46.62	50.55	55.43	60.00	66.30	82.05
1.25	24	2.406	30	3.008	16.22	17.01	17.79	19.37	19.84	20.94	22.36	24.09	24.57	27.24	30.39	31.18	35.12	39.06	42.99	45.36	46.93	50.87	55.75	60.32	66.62	82.36
1.25	32	3.208	40	4.010	14.80	15.59	16.38	17.95	18.42	19.53	20.94	22.68	23.15	25.83	28.98	29.76	33.70	37.64	41.58	43.94	45.51	49.45	54.33	58.90	65.20	80.95
1.25	64	6.416	80	8.020	9.10	9.89	10.68	12.26	12.74	13.84	15.26	16.99	17.47	20.15	23.30	24.09	28.03	31.96	35.90	38.27	39.84	43.78	48.66	53.23	59.53	75.28
1.25	72	7.218	90	9.023	...	8.46	9.25	10.84	11.31	12.41	13.84	15.57	16.04	18.72	21.88	22.67	26.61	30.54	34.48	36.85	38.42	42.36	47.24	51.81	58.11	73.86
1.26	38	3.810	48	4.812	13.70	14.48	15.27	16.85	17.32	18.42	19.84	21.57	22.04	24.72	27.87	28.66	32.60	36.54	40.47	42.84	44.41	48.35	53.23	57.80	64.10	79.84
1.27	30	3.008	38	3.810	15.12	15.90	16.69	18.27	18.74	19.84	21.26	22.99	23.46	26.14	29.29	30.08	34.02	37.95	41.89	44.25	45.83	49.76	54.65	59.21	65.51	81.26
1.27	22	2.206	28	2.807	16.53	17.32	18.11	19.68	20.16	21.26	22.68	24.41	24.88	27.56	30.71	31.50	35.43	39.37	43.31	45.67	47.25	51.18	56.06	60.63	66.93	82.68
1.27	44	4.411	56	5.614	12.59	13.38	14.16	15.74	16.21	17.32	18.73	20.47	20.94	23.62	26.77	27.56	31.49	35.43	39.37	41.73	43.31	47.24	52.13	56.69	62.99	78.74
1.29	28	2.807	36	3.609	15.43	16.22	17.01	18.58	19.05	20.16	21.57	23.31	23.78	26.46	29.61	30.39	34.33	38.27	42.21	44.57	46.14	50.08	54.96	59.53	65.83	81.58
1.29	56	5.614	72	7.218	10.37	11.16	11.95	13.52	14.00	15.10	16.52	18.26	18.73	21.41	24.56	25.35	29.29	33.22	37.16	39.52	41.10	45.04	49.92	54.49	60.79	76.54
1.29	34	3.409	44	4.411	14.33	15.11	15.90	17.48	17.95	19.05	20.47	22.20	22.67	25.35	28.50	29.29	33.23	37.17	41.10	43.46	45.04	48.98	53.86	58.43	64.73	80.47
1.31	26	2.607	34	3.409	15.75	16.53	17.32	18.90	19.37	20.47	21.89	23.62	24.09	26.77	29.92	30.71	34.65	38.58	42.52	44.88	46.46	50.39	55.28	59.84	66.14	81.89
1.33	24	2.406	32	3.208	16.06	16.85	17.64	19.21	19.68	20.79	22.20	23.94	24.41	27.09	30.24	31.02	34.96	38.90	42.84	45.20	46.77	50.71	55.59	60.16	66.46	82.21
1.33	30	3.008	40	4.010	14.96	15.74	16.53	18.11	18.58	19.68	21.10	22.83	23.30	25.98	29.13	29.92	33.86	37.79	41.73	44.09	45.67	49.61	54.49	59.06	65.36	81.10
1.33	36	3.609	48	4.812	13.85	14.64	15.42	17.00	17.47	18.58	19.99	21.73	22.20	24.88	28.03	28.82	32.75	36.69	40.63	42.99	44.57	48.50	53.39	57.95	64.25	80.00
1.33	48	4.812	64	6.416	11.63	12.42	13.21	14.79	15.26	16.36	17.78	19.52	19.99	22.67	25.82	26.61	30.55	34.48	38.42	40.78	42.36	46.30	51.18	55.75	62.05	77.80
1.36	28	2.807	38	3.810	15.27	16.06	16.85	18.42	18.89	20.00	21.41	23.15	23.62	26.30	29.45	30.23	34.17	38.11	42.05	44.41	45.98	49.92	54.80	59.37	65.67	81.42
1.36	22	2.206	30	3.008	16.38	17.16	17.95	19.53	20.00	21.10	22.52	24.25	24.72	27.40	30.55	31.34	35.28	39.21	43.15	45.51	47.09	51.02	55.91	60.47	66.77	82.52
1.38	32	3.208	44	4.411	14.48	15.27	16.05	17.63	18.10	19.21	20.62	22.36	22.83	25.51	28.66	29.45	33.38	37.32	41.26	43.62	45.20	49.13	54.02	58.58	64.88	80.63
1.38	26	2.607	36	3.609	15.58	16.37	17.16	18.74	19.21	20.31	21.73	23.46	23.93	26.61	29.76	30.55	34.49	38.42	42.36	44.72	46.30	50.24	55.12	59.69	65.99	81.73
1.40	40	4.010	56	5.614	12.89	13.68	14.47	16.05	16.52	17.62	19.04	20.78	21.25	23.93	27.08	27.87	31.80	35.74	39.68	42.04	43.62	47.56	52.44	57.01	63.31	79.05
1.40	80	8.020	112	11.229	9.96	11.39	13.14	13.61	16.31	19.47	20.26	24.21	28.15	32.09	34.46	36.03	39.98	44.86	49.43	55.73	71.49
1.41	64	6.416	90	9.023	8.25	9.05	9.84	11.43	11.90	13.01	14.44	16.17	16.65	19.33	22.49	23.28	27.22	31.16	35.10	37.46	39.04	42.98	47.86	52.43	58.73	74.48
1.41	34	3.409	48	4.812	14.00	14.79	15.58	17.15	17.63	18.73	20.15	21.88	22.35	25.03	28.18	28.97	32.91	36.85	40.78	43.15	44.72	48.66	53.54	58.11	64.41	80.16
1.42	24	2.406	34	3.409	15.90	16.69	17.48	19.05	19.52	20.63	22.04	23.78	24.25	26.93	30.08	30.86	34.80	38.74	42.68	45.04	46.61	50.55	55.43	60.00	66.30	82.05
1.43	28	2.807	40	4.010	15.11	15.90	16.68	18.26	18.73	19.84	21.25	22.99	23.46	26.14	29.29	30.08	34.01	37.95	41.89	44.25	45.83	49.76	54.65	59.21	65.51	81.26
1.43	56	5.614	80	8.020	9.69	10.49	11.28	12.86	13.34	14.44	15.87	17.60	18.08	20.76	23.91	24.70	28.64	32.58	36.52	38.88	40.46	44.40	49.28	53.85	60.15	75.90
1.45	22	2.206	32	3.208	16.21	17.00	17.79	19.37	19.84	20.94	22.36	24.09	24.56	27.24	30.39	31.18	35.12	39.06	42.99	45.35	46.93	50.87	55.75	60.32	66.62	82.36
1.45	44	4.411	64	6.416	11.93	12.72	13.51	15.09	15.56	16.67	18.09	19.82	20.29	22.97	26.13	26.91	30.85	34.79	38.73	41.09	42.67	46.61	51.49	56.06	62.36	78.11
1.46	26	2.607	38	3.810	15.42	16.21	17.00	18.58	19.05	20.15	21.57	23.30	23.77	26.45	29.60	30.39	34.33	38.27	42.20	44.57	46.14	50.08	54.96	59.53	65.83	81.58
1.47	30	3.008	44	4.411	14.63	15.42	16.21	17.78	18.26	19.36	20.78	22.51	22.98	25.66	28.81	29.60	33.54	37.48	41.41	43.78	45.35	49.29	54.17	58.74	65.04	80.79
1.47	38	3.810	56	5.614	13.04	13.83	14.62	16.20	16.67	17.78	19.20	20.93	21.40	24.08	27.23	28.02	31.96	35.90	39.84	42.20	43.77	47.71	52.59	57.16	63.46	79.21
	Length Factor*				0.97	0.99	1.00	1.03	1.04	1.05	1.07	1.10	1.11	1.14	1.17	1.18	1.22	1.26	1.29	1.31	1.32	1.35	1.38	1.41	1.45	1.52

* The length correction factor must be used to determine the proper belt width.

V-Drives

FHP Drives

Drive Component Accessories

DYNA-SYNC

HT200/HTD Synchronous Drives

HTR Synchronous Drives

HTRC Synchronous Drives



SELECTION

8M HTR Selection Table

Speed Ratio	Sprocket Combinations				Center Distance, Inches																					
	Driver		Driven		384-8M	408-8M	456-8M	480-8M	536-8M	544-8M	560-8M	600-8M	608-8M	632-8M	640-8M	680-8M	720-8M	800-8M	840-8M	880-8M	896-8M	920-8M	960-8M	1000-8M	1040-8M	
	No. of Teeth	Pitch Dia. Inches	No. of Teeth	Pitch Dia. Inches																						
Length Factor*					0.71	0.72	0.74	0.75	0.77	0.78	0.79	0.80	0.80	0.81	0.81	0.83	0.85	0.88	0.90	0.91	0.92	0.93	0.95	0.96	0.97	
1.50	24	2.406	36	3.609	4.21	4.69	5.80	5.96	6.27	7.06	7.22	7.70	7.85	8.64	9.43	11.01	11.80	12.59	12.90	13.37	14.16	14.95	15.74	
1.50	32	3.208	48	4.812	4.66	5.46	5.62	6.09	6.25	7.04	7.84	9.42	10.21	11.00	11.31	11.79	12.58	13.36	14.15	
1.50	48	4.812	72	7.218	6.99	7.79	8.10	8.58	9.38	10.17	10.96	...	
1.54	26	2.607	40	4.010	3.72	4.20	5.31	5.47	5.79	6.58	6.74	7.21	7.37	8.16	8.95	10.53	11.32	12.11	12.42	12.90	13.69	14.47	15.26	
1.55	22	2.206	34	3.409	...	3.57	4.53	5.01	6.11	6.27	6.59	7.38	7.54	8.01	8.17	8.96	9.75	11.32	12.11	12.90	13.22	13.69	14.48	15.27	16.05	
1.56	36	3.609	56	5.614	5.10	5.26	6.06	6.86	8.45	9.24	10.03	10.35	10.82	11.61	12.40	13.19	
1.56	72	7.218	112	11.229	
1.57	28	2.807	44	4.411	4.82	4.98	5.30	6.09	6.25	6.73	6.89	7.68	8.47	10.05	10.84	11.63	11.94	12.42	13.21	14.00	14.78	
1.58	24	2.406	38	3.810	4.04	4.51	5.63	5.79	6.10	6.90	7.05	7.53	7.69	8.48	9.27	10.85	11.63	12.42	12.74	13.21	14.00	14.79	15.58	
1.60	30	3.008	48	4.812	4.32	4.48	4.80	5.60	5.76	6.24	6.40	7.19	7.98	9.57	10.36	11.15	11.46	11.94	12.73	13.52	14.31	
1.60	40	4.010	64	6.416	5.87	7.47	8.26	9.06	9.38	9.85	10.64	11.44	12.23	...	
1.61	56	5.614	96	9.023	8.01	8.82
1.64	22	2.206	36	3.609	...	3.39	4.36	4.83	5.95	6.10	6.42	7.21	7.37	7.84	8.00	8.79	9.58	11.16	11.95	12.74	13.05	13.53	14.32	15.10	15.89	
1.64	44	4.411	72	7.218	6.47	7.27	8.07	8.39	8.87	9.67	10.46	11.26	
1.65	34	3.409	56	5.614	5.24	5.40	6.20	7.00	8.59	9.39	10.18	10.50	10.97	11.76	12.55	13.34	
1.67	24	2.406	40	4.010	3.86	4.34	5.46	5.61	5.93	6.73	6.88	7.36	7.52	8.31	9.10	10.68	11.47	12.26	12.58	13.05	13.84	14.63	15.41	
1.67	48	4.812	80	8.020	7.07	7.39	7.87	8.68	9.48	10.27	
1.68	38	3.810	64	6.416	6.00	7.61	8.41	9.20	9.52	10.00	10.79	11.58	12.38	
1.69	26	2.607	44	4.411	4.96	5.12	5.44	6.24	6.40	6.87	7.03	7.82	8.62	10.20	10.99	11.78	12.10	12.57	13.36	14.15	14.94	
1.71	28	2.807	48	4.812	4.46	4.62	4.94	5.74	5.90	6.38	6.54	7.34	8.13	9.72	10.51	11.30	11.61	12.09	12.88	13.67	14.46	
1.73	22	2.206	38	3.810	4.18	4.66	5.77	5.93	6.25	7.04	7.20	7.68	7.84	8.63	9.42	11.00	11.79	12.58	12.89	13.36	14.15	14.94	15.73	
1.75	32	3.208	56	5.614	4.90	5.38	5.54	6.35	7.15	8.74	9.53	10.33	10.64	11.12	11.91	12.70	13.49	
1.75	64	6.416	112	11.229	
1.78	36	3.609	64	6.416	6.14	7.75	8.55	9.35	9.67	10.14	10.94	11.73	12.52	
1.80	40	4.010	72	7.218	6.74	7.55	8.35	8.68	9.16	9.95	10.75	11.55	
1.80	80	8.020	144	14.437	
1.82	22	2.206	40	4.010	4.00	4.48	5.60	5.76	6.08	6.87	7.03	7.51	7.67	8.46	9.25	10.83	11.62	12.41	12.73	13.20	13.99	14.78	15.57	
1.82	44	4.411	80	8.020	7.34	7.67	8.15	8.96	9.76	10.56	
1.83	24	2.406	44	4.411	3.97	5.10	5.26	5.58	6.38	6.54	7.02	7.18	7.97	8.76	10.35	11.14	11.93	12.25	12.72	13.51	14.30	15.09	
1.85	26	2.607	48	4.812	4.60	4.76	5.08	5.88	6.04	6.52	6.68	7.48	8.28	9.86	10.65	11.45	11.76	12.24	13.03	13.82	14.61	
1.87	30	3.008	56	5.614	4.87	5.03	5.52	5.68	6.49	7.29	8.88	9.68	10.47	10.79	11.27	12.06	12.85	13.64	
1.88	48	4.812	90	9.023	7.75	8.57	9.38	
1.88	34	3.409	64	6.416	5.47	6.28	7.89	8.69	9.49	9.81	10.29	11.08	11.88	12.67		
1.89	38	3.810	72	7.218	6.88	7.69	8.49	8.82	9.30	10.10	10.89	11.69		
2.00	22	2.206	44	4.411	4.11	5.24	5.40	5.72	6.52	6.68	7.16	7.32	8.12	8.91	10.50	11.29	12.08	12.39	12.87	13.66	14.45	15.24	
2.00	24	2.406	48	4.812	4.73	4.89	5.22	6.02	6.19	6.67	6.83	7.62	8.42	10.01	10.80	11.59	11.91	12.39	13.18	13.97	14.76	
2.00	28	2.807	56	5.614	5.00	5.17	5.66	5.82	6.63	7.43	9.03	9.82	10.62	10.94	11.41	12.21	13.00	13.79	
2.00	32	3.208	64	6.416	5.60	6.42	8.03	8.83	9.63	9.95	10.43	11.23	12.02	12.82		
2.00	36	3.609	72	7.218	7.02	7.83	8.63	8.96	9.44	10.24	11.04	11.84		
2.00	40	4.010	80	8.020	6.80	7.61	7.94	8.43	9.24	10.04	10.84		
Length Factor*					0.71	0.72	0.74	0.75	0.77	0.78	0.79	0.80	0.80	0.81	0.81	0.83	0.85	0.88	0.90	0.91	0.92	0.93	0.95	0.96	0.97	

* The length correction factor must be used to determine the proper belt width.

V-Drives

FHP Drives

Drive Component Accessories

DYNA-SYNC

HT200/HTD Synchronous Drives

HTR Synchronous Drives

HTRC Synchronous Drives



SELECTION

8M HTR Selection Table

Speed Ratio	Sprocket Combinations				Center Distance, Inches																				
	Driver		Driven		1080-8M	1120-8M	1200-8M	1224-8M	1280-8M	1352-8M	1440-8M	1464-8M	1600-8M	1760-8M	1800-8M	2000-8M	2200-8M	2400-8M	2520-8M	2600-8M	2800-8M	3048-8M	3280-8M	3600-8M	4400-8M
	No. of Teeth	Pitch Dia. Inches	No. of Teeth	Pitch Dia. Inches	0.99	1.00	1.03	1.04	1.05	1.07	1.10	1.11	1.14	1.17	1.18	1.22	1.26	1.29	1.31	1.32	1.35	1.38	1.41	1.45	1.52
Length Factor*					0.99	1.00	1.03	1.04	1.05	1.07	1.10	1.11	1.14	1.17	1.18	1.22	1.26	1.29	1.31	1.32	1.35	1.38	1.41	1.45	1.52
1.50	24	2.406	36	3.609	16.53	17.31	18.89	19.36	20.47	21.88	23.62	24.09	26.77	29.92	30.71	34.64	38.58	42.52	44.88	46.46	50.39	55.27	59.84	66.14	81.89
1.50	32	3.208	48	4.812	14.94	15.73	17.31	17.78	18.88	20.30	22.04	22.51	25.19	28.34	29.13	33.06	37.00	40.94	43.30	44.88	48.82	53.70	58.27	64.57	80.31
1.50	48	4.812	72	7.218	11.75	12.55	14.13	14.60	15.71	17.13	18.86	19.34	22.02	25.17	25.96	29.90	33.84	37.78	40.14	41.72	45.66	50.54	55.11	61.41	77.16
1.54	26	2.607	40	4.010	16.05	16.84	18.41	18.89	19.99	21.41	23.14	23.61	26.29	29.44	30.23	34.17	38.11	42.04	44.41	45.98	49.92	54.80	59.37	65.67	81.42
1.55	22	2.206	34	3.409	16.84	17.63	19.21	19.68	20.78	22.20	23.93	24.40	27.08	30.23	31.02	34.96	38.90	42.83	45.20	46.77	50.71	55.59	60.16	66.46	82.20
1.56	36	3.609	56	5.614	13.98	14.77	16.35	16.82	17.93	19.35	21.08	21.56	24.23	27.39	28.17	32.11	36.05	39.99	42.35	43.93	47.87	52.75	57.32	63.62	79.37
1.56	72	7.218	112	11.229	9.40	10.53	11.97	13.72	14.20	16.90	20.06	20.86	24.81	28.76	32.70	35.07	36.65	40.59	45.47	50.05	56.35	72.11
1.57	28	2.807	44	4.411	15.57	16.36	17.94	18.41	19.51	20.93	22.67	23.14	25.82	28.97	29.76	33.69	37.63	41.57	43.93	45.51	49.45	54.33	58.90	65.19	80.94
1.58	24	2.406	38	3.810	16.37	17.15	18.73	19.20	20.31	21.72	23.46	23.93	26.61	29.76	30.55	34.48	38.42	42.36	44.72	46.30	50.23	55.12	59.68	65.98	81.73
1.60	30	3.008	48	4.812	15.09	15.88	17.46	17.93	19.04	20.46	22.19	22.66	25.34	28.49	29.28	33.22	37.16	41.10	43.46	45.03	48.97	53.85	58.42	64.72	80.47
1.60	40	4.010	64	6.416	13.02	13.81	15.39	15.86	16.97	18.39	20.13	20.60	23.28	26.43	27.22	31.16	35.10	39.04	41.40	42.98	46.92	51.80	56.37	62.67	78.42
1.61	56	5.614	90	9.023	9.62	10.42	12.01	12.49	13.60	15.03	16.77	17.24	19.93	23.09	23.88	27.83	31.77	35.71	38.08	39.65	43.59	48.48	53.05	59.35	75.10
1.64	22	2.206	36	3.609	16.68	17.47	19.04	19.52	20.62	22.04	23.77	24.24	26.92	30.07	30.86	34.80	38.74	42.67	45.04	46.61	50.55	55.43	60.00	66.30	82.05
1.64	44	4.411	72	7.218	12.05	12.84	14.42	14.90	16.01	17.43	19.17	19.64	22.32	25.48	26.27	30.21	34.15	38.09	40.45	42.03	45.97	50.85	55.42	61.72	77.47
1.65	34	3.409	56	5.614	14.13	14.92	16.50	16.98	18.08	19.50	21.23	21.71	24.39	27.54	28.33	32.27	36.21	40.15	42.51	44.08	48.02	52.91	57.47	63.77	79.52
1.67	24	2.406	40	4.010	16.20	16.99	18.57	19.04	20.14	21.56	23.30	23.77	26.45	29.60	30.39	34.32	38.26	42.20	44.56	46.14	50.07	54.96	59.52	65.82	81.57
1.67	48	4.812	80	8.020	11.07	11.87	13.45	13.93	15.04	16.46	18.20	18.68	21.36	24.52	25.31	29.25	33.19	37.14	39.50	41.08	45.02	49.90	54.47	60.77	76.52
1.68	38	3.810	64	6.416	13.17	13.96	15.54	16.01	17.12	18.54	20.28	20.75	23.43	26.59	27.37	31.32	35.26	39.20	41.56	43.13	47.07	51.96	56.52	62.83	78.58
1.69	26	2.607	44	4.411	15.72	16.51	18.09	18.56	19.67	21.09	22.82	23.29	25.97	29.12	29.91	33.85	37.79	41.73	44.09	45.66	49.60	54.48	59.05	65.35	81.10
1.71	28	2.807	48	4.812	15.25	16.03	17.61	18.09	19.19	20.61	22.34	22.82	25.50	28.65	29.43	33.37	37.31	41.25	43.61	45.19	49.13	54.01	58.58	64.88	80.63
1.73	22	2.206	38	3.810	16.52	17.31	18.88	19.36	20.46	21.88	23.61	24.08	26.76	29.91	30.70	34.64	38.58	42.51	44.88	46.46	50.39	55.27	59.84	66.14	81.89
1.75	32	3.208	56	5.614	14.28	15.07	16.65	17.13	18.23	19.65	21.39	21.86	24.54	27.69	28.48	32.42	36.36	40.30	42.66	44.24	48.18	53.06	57.63	63.93	79.68
1.75	64	6.416	112	11.229	9.46	9.95	11.08	12.53	14.29	14.77	17.48	20.65	21.45	25.40	29.36	33.31	35.67	37.25	41.20	46.09	50.66	56.96	72.72
1.78	36	3.609	64	6.416	13.32	14.11	15.69	16.16	17.27	18.69	20.43	20.90	23.58	26.74	27.53	31.47	35.41	39.35	41.71	43.29	47.23	52.11	56.68	62.98	78.73
1.80	40	4.010	72	7.218	12.34	13.13	14.72	15.20	16.30	17.73	19.47	19.94	22.62	25.78	26.57	30.51	34.46	38.40	40.76	42.34	46.28	51.16	55.73	62.03	77.78
1.80	80	8.020	144	14.437	13.49	16.71	17.51	21.50	25.48	29.44	31.82	33.40	37.35	42.25	46.83	53.14	68.91
1.82	22	2.206	40	4.010	16.36	17.14	18.72	19.19	20.30	21.72	23.45	23.92	26.60	29.75	30.54	34.48	38.42	42.36	44.72	46.29	50.23	55.11	59.68	65.98	81.73
1.82	44	4.411	80	8.020	11.36	12.15	13.74	14.22	15.33	16.76	18.50	18.97	21.66	24.82	25.61	29.56	33.50	37.44	39.81	41.38	45.32	50.21	54.78	61.08	76.83
1.83	24	2.406	44	4.411	15.88	16.67	18.24	18.72	19.82	21.24	22.97	23.45	26.13	29.28	30.06	34.00	37.94	41.88	44.24	45.82	49.76	54.64	59.21	65.51	81.26
1.85	26	2.607	48	4.812	15.40	16.19	17.76	18.24	19.34	20.76	22.50	22.97	25.65	28.80	29.59	33.53	37.47	41.41	43.77	45.34	49.28	54.16	58.73	65.03	80.78
1.87	30	3.008	56	5.614	14.43	15.22	16.80	17.28	18.38	19.80	21.54	22.01	24.69	27.85	28.64	32.58	36.52	40.45	42.82	44.39	48.33	53.22	57.78	64.08	79.84
1.88	48	4.812	90	9.023	10.18	10.98	12.59	13.06	14.18	15.61	17.36	17.83	20.53	23.69	24.48	28.43	32.38	36.32	38.69	40.27	44.21	49.09	53.66	59.97	75.72
1.88	34	3.409	64	6.416	13.46	14.26	15.84	16.31	17.42	18.84	20.58	21.05	23.74	26.89	27.68	31.62	35.56	39.50	41.87	43.44	47.38	52.27	56.83	63.14	78.89
1.89	38	3.810	72	7.218	12.49	13.28	14.87	15.34	16.45	17.88	19.62	20.09	22.78	25.93	26.72	30.67	34.61	38.55	40.91	42.49	46.43	51.31	55.88	62.19	77.94
2.00	22	2.206	44	4.411	16.03	16.82	18.39	18.87	19.97	21.39	23.13	23.60	26.28	29.43	30.22	34.16	38.10	42.04	44.40	45.97	49.91	54.79	59.36	65.66	81.41
2.00	24	2.406	48	4.812	15.55	16.34	17.92	18.39	19.49	20.91	22.65	23.12	25.80	28.95	29.74	33.68	37.62	41.56	43.92	45.50	49.44	54.32	58.89	65.19	80.94
2.00	28	2.807	56	5.614	14.58	15.37	16.95	17.43	18.53	19.95	21.69	22.16	24.85	28.00	28.79	32.73	36.67	40.61	42.97	44.55	48.49	53.37	57.94	64.24	79.99
2.00	32	3.208	64	6.416	13.61	14.40	15.99	16.46	17.57	18.99	20.73	21.20	23.89	27.04	27.83	31.77	35.72	39.66	42.02	43.60	47.54	52.42	56.99	63.29	79.04
2.00	36	3.609	72	7.218	12.63	13.43	15.01	15.49	16.60	18.02	19.76	20.24	22.93	26.08	26.87	30.82	34.76	38.70	41.07	42.64	46.58	51.47	56.04	62.34	78.09
2.00	40	4.010	80	8.020	11.64	12.44	14.03	14.51	15.62	17.05	18.80	19.27	21.96	25.12	25.91	29.86	33.80	37.75	40.11	41.69	45.63	50.52	55.09	61.39	77.14
Length Factor*					0.99	1.00	1.03	1.04	1.05	1.07	1.10	1.11	1.14	1.17	1.18	1.22	1.26	1.29	1.31	1.32	1.35	1.38	1.41	1.45	1.52

* The length correction factor must be used to determine the proper belt width.

V-Drives

FHP Drives

Drive Component Accessories

DYNA-SYNC

HT200/HTD Synchronous Drives

HTR Synchronous Drives

HTRC Synchronous Drives



SELECTION

8M HTR Selection Table

Speed Ratio	Sprocket Combinations				Center Distance, Inches																		
	Driver		Driven		536-8M	544-8M	560-8M	600-8M	608-8M	632-8M	640-8M	680-8M	720-8M	800-8M	840-8M	880-8M	896-8M	920-8M	960-8M	1000-8M	1040-8M	1080-8M	1120-8M
	No. of Teeth	Pitch Dia. Inches	No. of Teeth	Pitch Dia. Inches																			
Length Factor*					0.77	0.78	0.79	0.80	0.80	0.81	0.81	0.83	0.85	0.88	0.90	0.91	0.92	0.93	0.95	0.96	0.97	0.99	1.00
2.00	56	5.614	112	11.229
2.00	72	7.218	144	14.437
2.05	44	4.411	90	9.023	7.19	8.02	8.84	9.65	10.46	11.27	...
2.11	38	3.810	80	8.020	6.93	7.75	8.08	8.56	9.37	10.18	10.98	11.79	12.58
2.12	34	3.409	72	7.218	7.15	7.97	8.77	9.10	9.58	10.38	11.18	11.98	12.78	13.57
2.13	30	3.008	64	6.416	5.73	6.55	8.17	8.98	9.78	10.10	10.58	11.37	12.17	12.96	13.76	14.55	
2.15	26	2.607	56	5.614	5.14	5.30	5.79	5.96	6.77	7.57	9.17	9.97	10.76	11.08	11.56	12.35	13.15	13.94	14.73	15.52
2.18	22	2.206	48	4.812	4.87	5.03	5.36	6.16	6.33	6.81	6.97	7.77	8.57	10.16	10.95	11.74	12.06	12.53	13.32	14.12	14.91	15.70	16.49
2.22	36	3.609	80	8.020	6.23	7.06	7.89	8.21	8.70	9.51	10.32	11.12	11.93	12.73
2.25	32	3.208	72	7.218	5.63	7.29	8.10	8.91	9.24	9.72	10.52	11.32	12.12	12.92	13.72
2.25	40	4.010	90	9.023	6.96	7.46	8.29	9.11	9.92	10.74	11.54	11.54
2.25	64	6.416	144	14.437
2.29	28	2.807	64	6.416	5.03	5.87	6.69	8.31	9.12	9.92	10.24	10.72	11.52	12.31	13.11	13.90	14.70
2.33	24	2.406	56	5.614	4.44	5.27	5.44	5.93	6.09	6.90	7.71	9.31	10.11	10.91	11.23	11.70	12.50	13.29	14.09	14.88	15.67
2.33	48	4.812	112	11.229	8.88
2.35	34	3.409	80	8.020	6.36	7.19	8.02	8.35	8.84	9.65	10.46	11.26	12.07	12.87	...
2.37	38	3.810	90	9.023	6.75	7.08	7.59	8.42	9.24	10.06	10.87	11.68	...
2.40	30	3.008	72	7.218	5.76	7.42	8.24	9.05	9.37	9.86	10.66	11.46	12.26	13.06	13.86	...
2.40	80	8.020	192	19.249
2.46	26	2.607	64	6.416	4.99	5.16	6.00	6.82	8.45	9.26	10.06	10.38	10.86	11.66	12.46	13.25	14.05	14.84
2.50	32	3.208	80	8.020	6.49	7.33	8.15	8.48	8.97	9.79	10.60	11.40	12.21	13.01	...
2.50	36	3.609	90	9.023	6.87	7.21	7.72	8.55	9.38	10.20	11.01	11.82	...
2.55	22	2.206	56	5.614	4.57	5.40	5.57	6.06	6.23	7.04	7.85	9.46	10.26	11.05	11.37	11.85	12.64	13.44	14.23	15.02	15.82
2.55	44	4.411	112	11.229	8.28	9.13
2.57	28	2.807	72	7.218	5.89	7.56	8.37	9.19	9.51	10.00	10.80	11.61	12.41	13.21	14.00
2.57	56	5.614	144	14.437
2.65	34	3.409	90	9.023	7.00	7.34	7.85	8.69	9.51	10.33	11.15	11.96	...
2.67	24	2.406	64	6.416	5.12	5.29	6.13	6.96	8.59	9.40	10.20	10.52	11.00	11.80	12.60	13.40	14.19	14.99
2.67	30	3.008	80	8.020	6.62	7.46	8.29	8.62	9.11	9.92	10.74	11.54	12.35	13.15	...
2.67	72	7.218	192	19.249
2.77	26	2.607	72	7.218	6.02	7.69	8.51	9.33	9.65	10.14	10.94	11.75	12.55	13.35	14.15	...
2.80	40	4.010	112	11.229	8.53	9.39	...
2.81	32	3.208	90	9.023	6.26	7.13	7.47	7.98	8.82	9.65	10.47	11.28	12.10	...
2.86	28	2.807	80	8.020	6.74	7.59	8.42	8.75	9.24	10.06	10.87	11.68	12.49	13.29	...
2.91	22	2.206	64	6.416	4.73	5.25	5.42	6.26	7.09	8.73	9.53	10.34	10.66	11.14	11.94	12.74	13.54	14.34	15.13
2.95	38	3.810	112	11.229	7.78	8.66	9.52	...
3.00	24	2.406	72	7.218	5.28	6.15	7.82	8.65	9.46	9.79	10.27	11.08	11.89	12.69	13.49	14.29
3.00	30	3.008	90	9.023	6.38	7.26	7.60	8.11	8.95	9.78	10.60	11.42	12.23	...
3.00	48	4.812	144	14.437
3.00	64	6.416	192	19.249
Length Factor*					0.77	0.78	0.79	0.80	0.80	0.81	0.81	0.83	0.85	0.88	0.90	0.91	0.92	0.93	0.95	0.96	0.97	0.99	1.00

* The length correction factor must be used to determine the proper belt width.

V-Drives
FHP Drives
Drive Component Accessories
DYNA-SYNC
HT200/HTD Synchronous Drives
Synchronous Drives
HTR Synchronous Drives
HTRC Synchronous Drives



SELECTION

8M HTR Selection Table

Speed Ratio	Sprocket Combinations				Center Distance, Inches																		
	Driver		Driven		1200-8M	1224-8M	1280-8M	1352-8M	1440-8M	1464-8M	1600-8M	1760-8M	1800-8M	2000-8M	2200-8M	2400-8M	2520-8M	2600-8M	2800-8M	3048-8M	3280-8M	3600-M	4400-8M
	No. of Teeth	Pitch Dia. Inches	No. of Teeth	Pitch Dia. Inches																			
	Length Factor*				1.03	1.04	1.05	1.07	1.10	1.11	1.14	1.17	1.18	1.22	1.26	1.29	1.31	1.32	1.35	1.38	1.41	1.45	1.52
2.00	56	5.614	112	11.229	10.01	10.50	11.64	13.09	14.86	15.34	18.06	21.24	22.03	26.00	29.95	33.91	36.28	37.86	41.80	46.69	51.27	57.58	73.34
2.00	72	7.218	144	14.437	11.24	14.03	17.27	18.07	22.08	26.06	30.03	32.41	33.99	37.95	42.85	47.43	53.75	69.52
2.05	44	4.411	90	9.023	12.87	13.35	14.47	15.90	17.65	18.13	20.82	23.99	24.78	28.73	32.68	36.63	38.99	40.57	44.51	49.40	53.97	60.28	76.03
2.11	38	3.810	80	8.020	14.18	14.66	15.77	17.20	18.94	19.42	22.11	25.27	26.06	30.01	33.96	37.90	40.26	41.84	45.78	50.67	55.24	61.54	77.30
2.12	34	3.409	72	7.218	15.16	15.64	16.75	18.17	19.91	20.39	23.08	26.23	27.02	30.97	34.91	38.86	41.22	42.80	46.74	51.62	56.19	62.49	78.25
2.13	30	3.008	64	6.416	16.13	16.61	17.72	19.14	20.88	21.35	24.04	27.19	27.98	31.93	35.87	39.81	42.17	43.75	47.69	52.57	57.14	63.45	79.20
2.15	26	2.607	56	5.614	17.10	17.58	18.68	20.10	21.84	22.31	25.00	28.15	28.94	32.88	36.82	40.76	43.13	44.70	48.64	53.53	58.09	64.40	80.15
2.18	22	2.206	48	4.812	18.07	18.54	19.64	21.06	22.80	23.27	25.95	29.11	29.90	33.84	37.78	41.71	44.08	45.65	49.59	54.48	59.04	65.34	81.09
2.22	36	3.609	80	8.020	14.32	14.80	15.91	17.34	19.09	19.57	22.26	25.42	26.21	30.16	34.11	38.05	40.42	41.99	45.94	50.82	55.39	61.70	77.45
2.25	32	3.208	72	7.218	15.31	15.78	16.89	18.32	20.06	20.54	23.22	26.38	27.17	31.12	35.06	39.01	41.37	42.95	46.89	51.78	56.35	62.65	78.40
2.25	40	4.010	90	9.023	13.15	13.63	14.75	16.19	17.94	18.42	21.12	24.29	25.08	29.03	32.98	36.93	39.30	40.87	44.82	49.71	54.28	60.58	76.34
2.25	64	6.416	144	14.437	11.26	11.77	14.57	17.82	18.63	22.65	26.64	30.61	32.99	34.58	38.54	43.45	48.03	54.35	70.13
2.29	28	2.807	64	6.416	16.28	16.76	17.87	19.29	21.03	21.50	24.19	27.35	28.13	32.08	36.02	39.96	42.33	43.90	47.84	52.73	57.30	63.60	79.35
2.33	24	2.406	56	5.614	17.25	17.73	18.83	20.25	21.99	22.47	25.15	28.30	29.09	33.04	36.98	40.92	43.28	44.86	48.80	53.68	58.25	64.55	80.30
2.33	48	4.812	112	11.229	10.54	11.04	12.18	13.64	15.42	15.90	18.63	21.82	22.61	26.58	30.55	34.50	36.87	38.46	42.40	47.30	51.88	58.19	73.95
2.35	34	3.409	80	8.020	14.47	14.94	16.06	17.49	19.24	19.71	22.41	25.57	26.36	30.31	34.26	38.20	40.57	42.15	46.09	50.98	55.55	61.85	77.61
2.37	38	3.810	90	9.023	13.29	13.77	14.90	16.33	18.08	18.56	21.26	24.43	25.22	29.18	33.13	37.08	39.45	41.02	44.97	49.86	54.43	60.74	76.50
2.40	30	3.008	72	7.218	15.45	15.93	17.04	18.47	20.21	20.68	23.37	26.53	27.32	31.27	35.22	39.16	41.53	43.10	47.04	51.93	56.50	62.80	78.56
2.40	80	8.020	192	19.249	17.04	21.16	25.21	27.63	29.24	33.24	38.18	42.79	49.14	64.97
2.46	26	2.607	64	6.416	16.43	16.90	18.01	19.44	21.18	21.65	24.34	27.50	28.29	32.23	36.17	40.12	42.48	44.06	48.00	52.88	57.45	63.75	79.51
2.50	32	3.208	80	8.020	14.61	15.09	16.20	17.64	19.38	19.86	22.55	25.72	26.51	30.46	34.41	38.35	40.72	42.30	46.24	51.13	55.70	62.01	77.76
2.50	36	3.609	90	9.023	13.43	13.91	15.04	16.48	18.23	18.71	21.41	24.58	25.37	29.33	33.28	37.23	39.60	41.18	45.12	50.01	54.58	60.89	76.65
2.55	22	2.206	56	5.614	17.40	17.87	18.98	20.40	22.14	22.62	25.30	28.46	29.24	33.19	37.13	41.07	43.43	45.01	48.95	53.83	58.40	64.71	80.46
2.55	44	4.411	112	11.229	10.81	11.30	12.45	13.92	15.70	16.18	18.91	22.11	22.90	26.88	30.84	34.80	37.17	38.75	42.70	47.60	52.18	58.49	74.26
2.57	28	2.807	72	7.218	15.60	16.07	17.19	18.61	20.36	20.83	23.52	26.68	27.47	31.42	35.37	39.31	41.68	43.25	47.20	52.08	56.65	62.96	78.71
2.57	56	5.614	144	14.437	11.78	12.29	15.11	18.38	19.19	23.21	27.21	31.19	33.58	35.16	39.13	44.04	48.63	54.95	70.74
2.65	34	3.409	90	9.023	13.57	14.06	15.18	16.62	18.37	18.85	21.55	24.73	25.52	29.48	33.43	37.38	39.75	41.33	45.27	50.16	54.74	61.04	76.80
2.67	24	2.406	64	6.416	16.58	17.05	18.16	19.59	21.33	21.80	24.49	27.65	28.44	32.38	36.33	40.27	42.63	44.21	48.15	53.04	57.61	63.91	79.66
2.67	30	3.008	80	8.020	14.75	15.23	16.35	17.78	19.53	20.01	22.70	25.87	26.66	30.61	34.56	38.51	40.87	42.45	46.39	51.28	55.85	62.16	77.92
2.67	72	7.218	192	19.249	17.56	21.70	25.77	28.19	29.80	33.81	38.76	43.37	49.73	65.56
2.77	26	2.607	72	7.218	15.74	16.22	17.33	18.76	20.50	20.98	23.67	26.83	27.62	31.57	35.52	39.46	41.83	43.41	47.35	52.24	56.81	63.11	78.87
2.80	40	4.010	112	11.229	11.07	11.57	12.72	14.19	15.98	16.46	19.19	22.39	23.19	27.17	31.14	35.10	37.47	39.05	43.00	47.90	52.48	58.79	74.56
2.81	32	3.208	90	9.023	13.71	14.20	15.32	16.76	18.52	18.99	21.70	24.87	25.67	29.63	33.58	37.53	39.90	41.48	45.42	50.31	54.89	61.20	76.96
2.86	28	2.807	80	8.020	14.89	15.37	16.49	17.93	19.67	20.15	22.85	26.02	26.81	30.76	34.71	38.66	41.02	42.60	46.55	51.43	56.01	62.31	78.07
2.91	22	2.206	64	6.416	16.72	17.20	18.31	19.73	21.48	21.95	24.64	27.80	28.59	32.53	36.48	40.42	42.79	44.36	48.30	53.19	57.76	64.06	79.82
2.95	38	3.810	112	11.229	11.20	11.70	12.86	14.33	16.11	16.60	19.34	22.54	23.33	27.31	31.28	35.24	37.62	39.20	43.15	48.05	52.63	58.94	74.72
3.00	24	2.406	72	7.218	15.88	16.36	17.48	18.91	20.65	21.13	23.82	26.98	27.77	31.72	35.67	39.62	41.98	43.56	47.50	52.39	56.96	63.27	79.02
3.00	30	3.008	90	9.023	13.85	14.33	15.46	16.90	18.66	19.14	21.84	25.02	25.81	29.77	33.73	37.68	40.05	41.63	45.57	50.47	55.04	61.35	77.11
3.00	48	4.812	144	14.437	10.39	12.29	12.80	15.65	18.92	19.74	23.77	27.78	31.77	34.16	35.75	39.72	44.63	49.22	55.55	71.34
3.00	64	6.416	192	19.249	13.79	18.08	22.23	26.31	28.74	30.36	34.37	39.33	43.95	50.31	66.16
	Length Factor*				1.03	1.04	1.05	1.07	1.10	1.11	1.14	1.17	1.18	1.22	1.26	1.29	1.31	1.32	1.35	1.38	1.41	1.45	1.52

* The length correction factor must be used to determine the proper belt width.

V-Drives

FHP Drives

Drive Component Accessories

DYNA-SYNC

HT200/HTD Synchronous Drives

HTR Synchronous Drives

HTRC Synchronous Drives



SELECTION

8M HTR Selection Table

Speed Ratio	Sprocket Combinations				Center Distance, Inches															
	Driver		Driven		640-8M	680-8M	720-8M	800-8M	840-8M	880-8M	896-8M	920-8M	960-8M	1000-8M	1040-8M	1080-8M	1120-8M	1200-8M	1224-8M	1280-8M
	No. of Teeth	Pitch Dia. Inches	No. of Teeth	Pitch Dia. Inches																
Length Factor*					0.81	0.83	0.85	0.88	0.90	0.91	0.92	0.93	0.95	0.96	0.97	0.99	1.00	1.03	1.04	1.05
3.08	26	2.607	80	8.020	6.87	7.72	8.55	8.88	9.38	10.20	11.01	11.82	12.63	13.43	15.04	15.52	16.63
3.11	36	3.609	112	11.229	7.91	8.79	9.65	11.33	11.83	12.99
3.21	28	2.807	90	9.023	6.51	7.38	7.73	8.24	9.08	9.91	10.74	11.56	12.37	13.99	14.47	15.60
3.27	22	2.206	72	7.218	...	5.41	6.27	7.96	8.78	9.60	9.92	10.41	11.22	12.03	12.83	13.63	14.43	16.03	16.51	17.62
3.27	44	4.411	144	14.437
3.29	34	3.409	112	11.229	8.03	8.91	9.78	11.47	11.97	13.12
3.33	24	2.406	80	8.020	7.00	7.85	8.68	9.02	9.51	10.33	11.15	11.96	12.77	13.57	15.18	15.66	16.78
3.43	56	5.614	192	19.249
3.46	26	2.607	90	9.023	6.63	7.51	7.85	8.37	9.21	10.04	10.87	11.69	12.51	14.13	14.61	15.74
3.50	32	3.208	112	11.229	8.15	9.04	9.90	11.60	12.10	13.26
3.60	40	4.010	144	14.437
3.64	22	2.206	80	8.020	7.13	7.98	8.82	9.15	9.64	10.47	11.28	12.10	12.90	13.71	15.32	15.80	16.92
3.73	30	3.008	112	11.229	7.36	8.28	9.16	10.03	11.73	12.23	13.39
3.75	24	2.406	90	9.023	6.75	7.63	7.98	8.49	9.34	10.18	11.00	11.83	12.64	14.27	14.75	15.88
3.79	38	3.810	144	14.437	9.37
4.00	28	2.807	112	11.229	7.48	8.40	9.29	10.16	11.86	12.36	13.52
4.00	36	3.609	144	14.437	9.49
4.00	48	4.812	192	19.249
4.09	22	2.206	90	9.023	5.96	6.88	7.76	8.11	8.62	9.47	10.31	11.14	11.96	12.78	14.40	14.89	16.02
4.24	34	3.409	144	14.437	9.61
4.31	26	2.607	112	11.229	7.60	8.52	9.41	10.28	11.99	12.49	13.66
4.36	44	4.411	192	19.249
4.50	32	3.208	144	14.437	9.73
4.67	24	2.406	112	11.229	7.72	8.64	9.54	10.41	12.12	12.62	13.79
4.80	30	3.008	144	14.437	9.84
4.80	40	4.010	192	19.249
5.05	38	3.810	192	19.249
5.09	22	2.206	112	11.229	7.84	8.77	9.66	10.54	12.25	12.75	13.92
5.14	28	2.807	144	14.437	9.96
5.33	36	3.609	192	19.249
5.54	26	2.607	144	14.437	8.71	10.08
5.65	34	3.409	192	19.249
6.00	24	2.406	144	14.437	8.82	10.20
6.00	32	3.208	192	19.249
6.40	30	3.008	192	19.249
6.55	22	2.206	144	14.437	8.94	10.32
6.86	28	2.807	192	19.249
Length Factor*					0.81	0.83	0.85	0.88	0.90	0.91	0.92	0.93	0.95	0.96	0.97	0.99	1.00	1.03	1.04	1.05

* The length correction factor must be used to determine the proper belt width.

V-Drives
FHP Drives
Drive Component Accessories
DYNA-SYNC
HT200/HTD Synchronous Drives
HTR Synchronous Drives
HTRC Synchronous Drives



SELECTION

8M HTR Selection Table

Speed Ratio	Sprocket Combinations				Center Distance, Inches															
	Driver		Driven		1352-8M	1440-8M	1464-8M	1600-8M	1760-8M	1800-8M	2000-8M	2200-8M	2400-8M	2520-8M	2600-8M	2800-8M	3048-8M	3280-8M	3600-8M	4400-8M
	No. of Teeth	Pitch Dia. Inches	No. of Teeth	Pitch Dia. Inches																
Length Factor*					1.07	1.10	1.11	1.14	1.17	1.18	1.22	1.26	1.29	1.31	1.32	1.35	1.38	1.41	1.45	1.52
3.08	26	2.607	80	8.020	18.07	19.82	20.30	22.99	26.16	26.95	30.91	34.86	38.81	41.18	42.75	46.70	51.59	56.16	62.47	78.23
3.11	36	3.609	112	11.229	14.46	16.25	16.74	19.48	22.68	23.48	27.46	31.43	35.39	37.77	39.35	43.30	48.20	52.78	59.10	74.87
3.21	28	2.807	90	9.023	17.04	18.80	19.28	21.99	25.17	25.96	29.92	33.88	37.83	40.20	41.78	45.73	50.62	55.19	61.50	77.27
3.27	22	2.206	72	7.218	19.05	20.80	21.27	23.97	27.13	27.92	31.87	35.82	39.77	42.13	43.71	47.65	52.54	57.11	63.42	79.18
3.27	44	4.411	144	14.437	10.64	12.55	13.06	15.91	19.20	20.01	24.05	28.06	32.06	34.45	36.04	40.01	44.92	49.52	55.85	71.64
3.29	34	3.409	112	11.229	14.60	16.39	16.88	19.62	22.82	23.62	27.60	31.57	35.54	37.91	39.50	43.45	48.35	52.93	59.25	75.02
3.33	24	2.406	80	8.020	18.21	19.96	20.44	23.14	26.31	27.10	31.06	35.01	38.96	41.33	42.90	46.85	51.74	56.31	62.62	78.38
3.43	56	5.614	192	19.249	13.39	14.29	18.60	22.77	26.86	29.30	30.91	34.94	39.90	44.53	50.89	66.75
3.46	26	2.607	90	9.023	17.19	18.95	19.42	22.13	25.31	26.11	30.07	34.03	37.98	40.35	41.93	45.88	50.77	55.34	61.65	77.42
3.50	32	3.208	112	11.229	14.74	16.53	17.01	19.76	22.96	23.76	27.75	31.72	35.69	38.06	39.65	43.60	48.50	53.08	59.40	75.17
3.60	40	4.010	144	14.437	10.88	12.80	13.32	16.18	19.47	20.28	24.33	28.35	32.34	34.73	36.33	40.30	45.22	49.81	56.14	71.94
3.64	22	2.206	80	8.020	18.36	20.11	20.59	23.29	26.46	27.25	31.21	35.16	39.11	41.48	43.06	47.00	51.89	56.46	62.77	78.53
3.73	30	3.008	112	11.229	14.87	16.66	17.15	19.90	23.10	23.90	27.89	31.87	35.83	38.21	39.79	43.75	48.65	53.23	59.55	75.33
3.75	24	2.406	90	9.023	17.33	19.09	19.57	22.28	25.46	26.25	30.22	34.18	38.13	40.50	42.08	46.03	50.92	55.50	61.81	77.57
3.79	38	3.810	144	14.437	11.01	12.93	13.45	16.31	19.60	20.42	24.47	28.49	32.49	34.88	36.47	40.45	45.37	49.96	56.29	72.09
4.00	28	2.807	112	11.229	15.01	16.80	17.29	20.04	23.25	24.05	28.04	32.01	35.98	38.36	39.94	43.90	48.80	53.38	59.70	75.48
4.00	36	3.609	144	14.437	11.13	13.06	13.57	16.44	19.74	20.55	24.61	28.63	32.63	35.02	36.61	40.59	45.51	50.11	56.44	72.25
4.00	48	4.812	192	19.249	13.88	14.78	19.12	23.30	27.41	29.85	31.47	35.50	40.47	45.10	51.47	67.34
4.09	22	2.206	90	9.023	17.47	19.23	19.71	22.42	25.60	26.40	30.36	34.32	38.28	40.65	42.23	46.18	51.07	55.65	61.96	77.73
4.24	34	3.409	144	14.437	11.25	13.18	13.70	16.57	19.87	20.69	24.75	28.77	32.77	35.17	36.76	40.74	45.66	50.26	56.59	72.40
4.31	26	2.607	112	11.229	15.14	16.94	17.42	20.17	23.39	24.19	28.18	32.16	36.13	38.50	40.09	44.05	48.95	53.53	59.85	75.63
4.36	44	4.411	192	19.249	14.12	15.03	19.38	23.57	27.68	30.12	31.74	35.78	40.75	45.39	51.76	67.63
4.50	32	3.208	144	14.437	11.38	13.31	13.83	16.70	20.01	20.83	24.89	28.91	32.91	35.31	36.90	40.88	45.80	50.40	56.74	72.55
4.67	24	2.406	112	11.229	15.27	17.07	17.56	20.31	23.53	24.33	28.32	32.30	36.27	38.65	40.24	44.19	49.10	53.68	60.00	75.78
4.80	30	3.008	144	14.437	11.50	13.44	13.96	16.83	20.14	20.96	25.02	29.05	33.06	35.45	37.05	41.03	45.95	50.55	56.89	72.70
4.80	40	4.010	192	19.249	14.37	15.27	19.63	23.83	27.95	30.39	32.02	36.05	41.03	45.67	52.05	67.93
5.05	38	3.810	192	19.249	14.49	15.40	19.76	23.96	28.08	30.53	32.15	36.19	41.18	45.82	52.19	68.08
5.09	22	2.206	112	11.229	15.41	17.21	17.70	20.45	23.67	24.47	28.47	32.45	36.42	38.80	40.38	44.34	49.25	53.83	60.15	75.93
5.14	28	2.807	144	14.437	11.62	13.56	14.08	16.96	20.28	21.10	25.16	29.19	33.20	35.59	37.19	41.17	46.10	50.70	57.03	72.85
5.33	36	3.609	192	19.249	14.61	15.52	19.89	24.09	28.22	30.67	32.29	36.33	41.32	45.96	52.34	68.22
5.54	26	2.607	144	14.437	11.75	13.69	14.21	17.09	20.41	21.23	25.30	29.33	33.34	35.74	37.33	41.32	46.24	50.84	57.18	73.00
5.65	34	3.409	192	19.249	14.73	15.64	20.02	24.23	28.35	30.80	32.43	36.47	41.46	46.10	52.48	68.37
6.00	24	2.406	144	14.437	11.87	13.82	14.34	17.22	20.54	21.36	25.44	29.47	33.48	35.88	37.48	41.46	46.39	50.99	57.33	73.15
6.00	32	3.208	192	19.249	14.85	15.76	20.14	24.36	28.49	30.94	32.56	36.61	41.60	46.24	52.63	68.52
6.40	30	3.008	192	19.249	14.97	15.89	20.27	24.49	28.62	31.07	32.70	36.75	41.74	46.38	52.77	68.66
6.55	22	2.206	144	14.437	11.99	13.94	14.46	17.35	20.68	21.50	25.57	29.61	33.62	36.02	37.62	41.60	46.53	51.14	57.48	73.29
6.86	28	2.807	192	19.249	15.09	16.01	20.40	24.62	28.75	31.21	32.84	36.89	41.88	46.53	52.91	68.81
Length Factor*					1.07	1.10	1.11	1.14	1.17	1.18	1.22	1.26	1.29	1.31	1.32	1.35	1.38	1.41	1.45	1.52

* The length correction factor must be used to determine the proper belt width.



SELECTION

14M HTR Selection Table

Speed Ratio	Sprocket Combinations				Center Distance, Inches															
	Driver		Driven		966-14M	994-14M	1092-14M	1106-14M	1190-14M	1260-14M	1288-14M	1344-14M	1400-14M	1442-14M	1568-14M	1610-14M	1764-14M	1778-14M	1890-14M	1960-14M
	No. of Teeth	Pitch Dia. Inches	No. of Teeth	Pitch Dia. Inches																
Length Factor*					0.66	0.68	0.71	0.73	0.75	0.77	0.79	0.81	0.83	0.84	0.86	0.87	0.89	0.90	0.92	0.95
1.00	28	4.912	28	4.912	11.30	11.85	13.78	14.06	15.71	17.09	17.64	18.74	19.85	20.67	23.15	23.98	27.01	27.29	29.49	30.87
1.00	29	5.088	29	5.088	11.03	11.58	13.51	13.78	15.44	16.82	17.37	18.47	19.57	20.40	22.88	23.70	26.74	27.01	29.22	30.59
1.00	30	5.263	30	5.263	10.75	11.30	13.23	13.51	15.16	16.54	17.09	18.19	19.30	20.12	22.60	23.43	26.46	26.74	28.94	30.32
1.00	32	5.614	32	5.614	10.20	10.75	12.68	12.96	14.61	15.99	16.54	17.64	18.74	19.57	22.05	22.88	25.91	26.19	28.39	29.77
1.00	34	5.965	34	5.965	9.65	10.20	12.13	12.41	14.06	15.44	15.99	17.09	18.19	19.02	21.50	22.33	25.36	25.63	27.84	29.22
1.00	36	6.316	36	6.316	9.10	9.65	11.58	11.86	13.51	14.89	15.44	16.54	17.64	18.47	20.95	21.78	24.81	25.08	27.29	28.67
1.00	38	6.667	38	6.667	8.55	9.10	11.03	11.30	12.96	14.34	14.89	15.99	17.09	17.92	20.40	21.23	24.26	24.53	26.74	28.12
1.00	40	7.018	40	7.018	8.00	8.55	10.48	10.75	12.41	13.79	14.34	15.44	16.54	17.37	19.85	20.67	23.71	23.98	26.19	27.56
1.00	44	7.720	44	7.720	9.38	9.65	11.31	12.68	13.23	14.34	15.44	16.27	18.75	19.57	22.60	22.88	25.08	26.46
1.00	48	8.421	48	8.421	10.20	11.58	12.13	13.24	14.34	15.16	17.64	18.47	21.50	21.78	23.98	25.36
1.00	52	9.123	52	9.123	10.48	11.03	12.13	13.24	14.06	16.54	17.37	20.40	20.68	22.88	24.26
1.00	56	9.825	56	9.825	11.03	12.13	12.96	15.44	16.27	19.30	19.57	21.78	23.16
1.00	60	10.527	60	10.527	11.86	14.34	15.17	18.20	18.47	20.68	22.06
1.00	64	11.229	64	11.229	13.24	14.06	17.10	17.37	19.58	20.95
1.00	68	11.930	68	11.930	12.96	15.99	16.27	18.47	19.85
1.00	72	12.632	72	12.632	14.89	15.17	17.37	18.75
1.00	80	14.036	80	14.036	15.17	16.55
1.03	29	5.088	30	5.263	10.89	11.44	13.37	13.65	15.30	16.68	17.23	18.33	19.43	20.26	22.74	23.57	26.60	26.87	29.08	30.46
1.04	28	4.912	29	5.088	11.17	11.72	13.65	13.92	15.57	16.95	17.50	18.61	19.71	20.54	23.02	23.84	26.87	27.15	29.35	30.73
1.05	38	6.667	40	7.018	8.27	8.82	10.75	11.03	12.68	14.06	14.61	15.71	16.82	17.64	20.12	20.95	23.98	24.26	26.46	27.84
1.06	36	6.316	38	6.667	8.82	9.37	11.30	11.58	13.23	14.61	15.16	16.26	17.37	18.19	20.67	21.50	24.53	24.81	27.01	28.39
1.06	34	5.965	36	6.316	9.37	9.92	11.85	12.13	13.78	15.16	15.71	16.81	17.92	18.74	21.22	22.05	25.08	25.36	27.56	28.94
1.06	68	11.930	72	12.632	15.44	15.71	17.92	19.30
1.06	32	5.614	34	5.965	9.92	10.48	12.40	12.68	14.33	15.71	16.26	17.37	18.47	19.30	21.78	22.60	25.63	25.91	28.11	29.49
1.06	64	11.229	68	11.930	12.68	13.51	16.54	16.82	19.02	20.40
1.07	30	5.263	32	5.614	10.48	11.03	12.96	13.23	14.89	16.26	16.81	17.92	19.02	19.85	22.33	23.15	26.18	26.46	28.67	30.04
1.07	60	10.527	64	11.229	13.78	14.61	17.64	17.92	20.12	21.50
1.07	28	4.912	30	5.263	11.03	11.58	13.51	13.78	15.44	16.81	17.37	18.47	19.57	20.40	22.88	23.70	26.74	27.01	29.22	30.59
1.07	56	9.825	60	10.527	11.58	12.40	14.89	15.71	18.74	19.02	21.23	22.60
1.08	52	9.123	56	9.825	10.47	11.58	12.68	13.51	15.99	16.81	19.85	20.12	22.33	23.71
1.08	48	8.421	52	9.123	9.65	11.03	11.58	12.68	13.78	14.61	17.09	17.92	20.95	21.22	23.43	24.81
1.09	44	7.720	48	8.421	8.82	9.09	10.75	12.13	12.68	13.78	14.88	15.71	18.19	19.02	22.05	22.33	24.53	25.91
1.10	40	7.018	44	7.720	...	7.99	9.92	10.20	11.85	13.23	13.78	14.88	15.99	16.81	19.29	20.12	23.15	23.43	25.63	27.01
1.10	29	5.088	32	5.614	10.61	11.16	13.09	13.37	15.02	16.40	16.95	18.05	19.16	19.98	22.46	23.29	26.32	26.60	28.80	30.18
1.11	36	6.316	40	7.018	8.54	9.09	11.02	11.30	12.95	14.33	14.88	15.99	17.09	17.92	20.40	21.22	24.25	24.53	26.74	28.11
1.11	72	12.632	80	14.036	14.05	16.26	17.63
1.12	34	5.965	38	6.667	9.09	9.64	11.57	11.85	13.50	14.88	15.43	16.54	17.64	18.47	20.95	21.77	24.81	25.08	27.29	28.66
1.13	32	5.614	36	6.316	9.64	10.20	12.13	12.40	14.06	15.43	15.99	17.09	18.19	19.02	21.50	22.32	25.36	25.63	27.84	29.22
1.13	64	11.229	72	12.632	12.94	15.98	16.25	18.46	19.84
1.13	80	14.036	90	15.790
1.13	30	5.263	34	5.965	10.20	10.75	12.68	12.95	14.61	15.98	16.54	17.64	18.74	19.57	22.05	22.88	25.91	26.18	28.39	29.77
1.13	60	10.527	68	11.930	13.22	14.05	17.08	17.36	19.56	20.94
Length Factor*					0.66	0.68	0.71	0.73	0.75	0.77	0.79	0.81	0.83	0.84	0.86	0.87	0.89	0.90	0.92	0.95

* The belt length correction factor must be used to determine the proper belt width.

FEATURES/BENEFITS PAGE PT12-2	SPECIFICATIONS PAGE PT12-5	ENGINEERING/TECHNICAL PAGE PT13-96	
----------------------------------	-------------------------------	---------------------------------------	--

V-Drives

FHP Drives

Drive Component Accessories

DYNA-SYNC

HT200/HTD Synchronous Drives

HTR Synchronous Drives

HTRC Synchronous Drives



SELECTION

14M HTR Selection Table

Speed Ratio	Sprocket Combinations				Center Distance, Inches															
	Driver		Driven		2100-14M	2240-14M	2310-14M	2380-14M	2450-14M	2590-14M	2660-14M	2800-14M	3150-14M	3360-14M	3500-14M	3850-14M	3920-14M	4326-14M	4578-14M	4956-14M
	No. of Teeth	Pitch Dia. Inches	No. of Teeth	Pitch Dia. Inches																
Length Factor*					0.96	0.99	1.00	1.01	1.02	1.04	1.06	1.08	1.11	1.14	1.16	1.19	1.22	1.25	1.29	1.34
1.00	28	4.912	28	4.912	33.63	36.38	37.76	39.14	40.52	43.27	44.65	47.41	54.30	58.43	61.19	68.07	69.45	77.44	82.41	89.85
1.00	29	5.088	29	5.088	33.35	36.11	37.48	38.86	40.24	43.00	44.37	47.13	54.02	58.15	60.91	67.80	69.18	77.17	82.13	89.57
1.00	30	5.263	30	5.263	33.08	35.83	37.21	38.59	39.96	42.72	44.10	46.85	53.74	57.88	60.63	67.52	68.90	76.89	81.85	89.30
1.00	32	5.614	32	5.614	32.52	35.28	36.66	38.04	39.41	42.17	43.55	46.30	53.19	57.33	60.08	66.97	68.35	76.34	81.30	88.74
1.00	34	5.965	34	5.965	31.97	34.73	36.11	37.49	38.86	41.62	43.00	45.75	52.64	56.78	59.53	66.42	67.80	75.79	80.75	88.19
1.00	36	6.316	36	6.316	31.42	34.18	35.56	36.93	38.31	41.07	42.45	45.20	52.09	56.23	58.98	65.87	67.25	75.24	80.20	87.64
1.00	38	6.667	38	6.667	30.87	33.63	35.01	36.38	37.76	40.52	41.90	44.65	51.54	55.67	58.43	65.32	66.70	74.69	79.65	87.09
1.00	40	7.018	40	7.018	30.32	33.08	34.45	35.83	37.21	39.97	41.34	44.10	50.99	55.12	57.88	64.77	66.15	74.14	79.10	86.54
1.00	44	7.720	44	7.720	29.22	31.97	33.35	34.73	36.11	38.86	40.24	43.00	49.89	54.02	56.78	63.67	65.05	73.04	78.00	85.44
1.00	48	8.421	48	8.421	28.12	30.87	32.25	33.63	35.01	37.76	39.14	41.90	48.79	52.92	55.68	62.57	63.94	71.94	76.90	84.34
1.00	52	9.123	52	9.123	27.02	29.77	31.15	32.53	33.90	36.66	38.04	40.79	47.68	51.82	54.57	61.46	62.84	70.83	75.79	83.24
1.00	56	9.825	56	9.825	25.91	28.67	30.05	31.43	32.80	35.56	36.94	39.69	46.58	50.72	53.47	60.36	61.74	69.73	74.69	82.13
1.00	60	10.527	60	10.527	24.81	27.57	28.95	30.32	31.70	34.46	35.84	38.59	45.48	49.61	52.37	59.26	60.64	68.63	73.59	81.03
1.00	64	11.229	64	11.229	23.71	26.47	27.84	29.22	30.60	33.36	34.73	37.49	44.38	48.51	51.27	58.16	59.54	67.53	72.49	79.93
1.00	68	11.930	68	11.930	22.61	25.36	26.74	28.12	29.50	32.25	33.63	36.39	43.28	47.41	50.17	57.06	58.43	66.43	71.39	78.83
1.00	72	12.632	72	12.632	21.51	24.26	25.64	27.02	28.40	31.15	32.53	35.29	42.18	46.31	49.07	55.95	57.33	65.33	70.29	77.73
1.00	80	14.036	80	14.036	19.30	22.06	23.44	24.81	26.19	28.95	30.33	33.08	39.97	44.11	46.86	53.75	55.13	63.12	68.08	75.52
1.03	29	5.088	30	5.263	33.21	35.97	37.35	38.72	40.10	42.86	44.24	46.99	53.88	58.02	60.77	67.66	69.04	77.03	81.99	89.43
1.04	28	4.912	29	5.088	33.49	36.24	37.62	39.00	40.38	43.13	44.51	47.27	54.16	58.29	61.05	67.94	69.31	77.31	82.27	89.71
1.05	38	6.667	40	7.018	30.60	33.35	34.73	36.11	37.49	40.24	41.62	44.38	51.26	55.40	58.15	65.04	66.42	74.41	79.38	86.82
1.06	36	6.316	38	6.667	31.15	33.90	35.28	36.66	38.04	40.79	42.17	44.93	51.82	55.95	58.71	65.60	66.97	74.97	79.93	87.37
1.06	34	5.965	36	6.316	31.70	34.45	35.83	37.21	38.59	41.34	42.72	45.48	52.37	56.50	59.26	66.15	67.52	75.52	80.48	87.92
1.06	68	11.930	72	12.632	22.05	24.81	26.19	27.57	28.94	31.70	33.08	35.83	42.72	46.86	49.61	56.50	57.88	65.87	70.84	78.28
1.06	32	5.614	34	5.965	32.25	35.00	36.38	37.76	39.14	41.89	43.27	46.03	52.92	57.05	59.81	66.70	68.08	76.07	81.03	88.47
1.06	64	11.229	68	11.930	23.16	25.91	27.29	28.67	30.05	32.80	34.18	36.94	43.83	47.96	50.72	57.61	58.98	66.98	71.94	79.38
1.07	30	5.263	32	5.614	32.80	35.56	36.93	38.31	39.69	42.44	43.82	46.58	53.47	57.60	60.36	67.25	68.63	76.62	81.58	89.02
1.07	60	10.527	64	11.229	24.26	27.01	28.39	29.77	31.15	33.90	35.28	38.04	44.93	49.06	51.82	58.71	60.09	68.08	73.04	80.48
1.07	28	4.912	30	5.263	33.35	36.11	37.48	38.86	40.24	43.00	44.37	47.13	54.02	58.15	60.91	67.80	69.18	77.17	82.13	89.57
1.07	56	9.825	60	10.527	25.36	28.12	29.49	30.87	32.25	35.01	36.38	39.14	46.03	50.16	52.92	59.81	61.19	69.18	74.14	81.58
1.08	52	9.123	56	9.825	26.46	29.22	30.60	31.97	33.35	36.11	37.49	40.24	47.13	51.27	54.02	60.91	62.29	70.28	75.24	82.68
1.08	48	8.421	52	9.123	27.56	30.32	31.70	33.08	34.45	37.21	38.59	41.34	48.23	52.37	55.12	62.01	63.39	71.38	76.34	83.79
1.09	44	7.720	48	8.421	28.67	31.42	32.80	34.18	35.56	38.31	39.69	42.45	49.34	53.47	56.23	63.12	64.49	72.49	77.45	84.89
1.10	40	7.018	44	7.720	29.77	32.52	33.90	35.28	36.66	39.41	40.79	43.55	50.44	54.57	57.33	64.22	65.60	73.59	78.55	85.99
1.10	29	5.088	32	5.614	32.94	35.69	37.07	38.45	39.83	42.58	43.96	46.72	53.61	57.74	60.50	67.39	68.76	76.76	81.72	89.16
1.11	36	6.316	40	7.018	30.87	33.63	35.00	36.38	37.76	40.52	41.89	44.65	51.54	55.67	58.43	65.32	66.70	74.69	79.65	87.09
1.11	72	12.632	80	14.036	20.39	23.15	24.53	25.91	27.29	30.04	31.42	34.18	41.07	45.20	47.96	54.85	56.23	64.22	69.18	76.62
1.12	34	5.965	38	6.667	31.42	34.18	35.56	36.93	38.31	41.07	42.44	45.20	52.09	56.23	58.98	65.87	67.25	75.24	80.20	87.64
1.13	32	5.614	36	6.316	31.97	34.73	36.11	37.48	38.86	41.62	43.00	45.75	52.64	56.78	59.53	66.42	67.80	75.79	80.75	88.19
1.13	64	11.229	72	12.632	22.60	25.35	26.73	28.11	29.49	32.25	33.62	36.38	43.27	47.41	50.16	57.05	58.43	66.42	71.38	78.83
1.13	80	14.036	90	15.790	17.90	20.66	22.04	23.42	24.80	27.56	28.94	31.69	38.58	42.72	45.48	52.37	53.74	61.74	66.70	74.14
1.13	30	5.263	34	5.965	32.52	35.28	36.66	38.03	39.41	42.17	43.55	46.30	53.19	57.33	60.08	66.97	68.35	76.34	81.30	88.74
1.13	60	10.527	68	11.930	23.70	26.46	27.83	29.21	30.59	33.35	34.73	37.48	44.37	48.51	51.26	58.15	59.53	67.52	72.49	79.93
Length Factor*					0.96	0.99	1.00	1.01	1.02	1.04	1.06	1.08	1.11	1.14	1.16	1.19	1.22	1.25	1.29	1.34

* The belt length correction factor must be used to determine the proper belt width.



SELECTION

14M HTR Selection Table

Speed Ratio	Sprocket Combinations				Center Distance, Inches																
	Driver		Driven		966-14M	994-14M	1092-14M	1106-14M	1190-14M	1260-14M	1288-14M	1344-14M	1400-14M	1442-14M	1568-14M	1610-14M	1764-14M	1778-14M	1890-14M	1960-14M	
	No. of Teeth	Pitch Dia. Inches	No. of Teeth	Pitch Dia. Inches																	
Length Factor*					0.66	0.68	0.71	0.73	0.75	0.77	0.79	0.81	0.83	0.84	0.86	0.87	0.89	0.90	0.92	0.95	
1.14	28	4.912	32	5.614	10.75	11.30	13.23	13.50	15.16	16.54	17.09	18.19	19.29	20.12	22.60	23.43	26.46	26.73	28.94	30.32	
1.14	56	9.825	64	11.229	11.84	14.32	15.15	18.18	18.46	20.67	22.04	
1.15	52	9.123	60	10.527	11.01	12.11	12.94	15.42	16.25	19.29	19.56	21.77	23.15	
1.16	38	6.667	44	7.720	...	8.26	10.19	10.46	12.12	13.50	14.05	15.15	16.26	17.08	19.57	20.39	23.43	23.70	25.91	27.28	
1.17	48	8.421	56	9.825	10.46	11.01	12.11	13.22	14.04	16.53	17.36	20.39	20.66	22.87	24.25	
1.17	29	5.088	34	5.965	10.33	10.88	12.81	13.09	14.74	16.12	16.67	17.77	18.88	19.70	22.19	23.01	26.04	26.32	28.52	29.90	
1.18	34	5.965	40	7.018	8.81	9.36	11.29	11.57	13.22	14.60	15.15	16.26	17.36	18.19	20.67	21.49	24.53	24.80	27.01	28.39	
1.18	68	11.930	80	14.036	14.30	14.58	16.79	18.17	
1.18	44	7.720	52	9.123	10.18	11.56	12.11	13.22	14.32	15.15	17.63	18.46	21.49	21.77	23.97	25.35	
1.19	32	5.614	38	6.667	9.36	9.91	11.84	12.12	13.77	15.15	15.70	16.81	17.91	18.74	21.22	22.05	25.08	25.35	27.56	28.94	
1.20	30	5.263	36	6.316	9.91	10.46	12.40	12.67	14.33	15.70	16.26	17.36	18.46	19.29	21.77	22.60	25.63	25.90	28.11	29.49	
1.20	40	7.018	48	8.421	9.35	9.63	11.28	12.66	13.22	14.32	15.42	16.25	18.73	19.56	22.59	22.87	25.08	26.45	
1.20	60	10.527	72	12.632	12.64	13.47	16.51	16.79	19.00	20.38	
1.21	28	4.912	34	5.965	10.46	11.02	12.95	13.22	14.88	16.26	16.81	17.91	19.01	19.84	22.32	23.15	26.18	26.46	28.66	30.04	
1.21	56	9.825	68	11.930	13.75	14.58	17.62	17.89	20.10	21.48	
1.22	36	6.316	44	7.720	7.97	8.52	10.45	10.73	12.39	13.77	14.32	15.42	16.53	17.35	19.84	20.66	23.70	23.97	26.18	27.56	
1.23	52	9.123	64	11.229	11.53	12.36	14.85	15.68	18.72	18.99	21.20	22.58
1.24	29	5.088	36	6.316	10.04	10.60	12.53	12.80	14.46	15.84	16.39	17.49	18.60	19.42	21.91	22.73	25.76	26.04	28.25	29.62	
1.25	32	5.614	40	7.018	9.07	9.63	11.56	11.83	13.49	14.87	15.42	16.53	17.63	18.46	20.94	21.77	24.80	25.07	27.28	28.66	
1.25	48	8.421	60	10.527	10.43	11.53	12.64	13.47	15.96	16.79	19.82	20.10	22.31	23.68	
1.25	64	11.229	80	14.036	14.83	15.10	17.32	18.70	
1.25	72	12.632	90	15.790	14.81	16.19	
1.26	38	6.667	48	8.421	9.61	9.89	11.55	12.93	13.48	14.59	15.69	16.52	19.00	19.83	22.86	23.14	25.35	26.72	
1.27	30	5.263	38	6.667	9.62	10.18	12.11	12.39	14.04	15.42	15.97	17.08	18.18	19.01	21.49	22.32	25.35	25.63	27.83	29.21	
1.27	44	7.720	56	9.825	9.59	10.98	11.53	12.64	13.75	14.58	17.06	17.89	20.93	21.20	23.41	24.79	
1.29	28	4.912	36	6.316	10.18	10.73	12.66	12.94	14.59	15.97	16.53	17.63	18.73	19.56	22.04	22.87	25.90	26.18	28.38	29.76	
1.29	56	9.825	72	12.632	13.16	13.99	17.04	17.31	19.53	20.91	
1.29	34	5.965	44	7.720	8.23	8.78	10.72	10.99	12.65	14.03	14.59	15.69	16.79	17.62	20.10	20.93	23.97	24.24	26.45	27.83	
1.30	40	7.018	52	9.123	8.76	9.04	10.70	12.09	12.64	13.75	14.85	15.68	18.16	18.99	22.03	22.30	24.51	25.89	
1.31	52	9.123	68	11.930	11.78	12.61	15.10	15.37	17.58	18.96	
1.31	29	5.088	38	6.667	9.76	10.31	12.24	12.52	14.18	15.56	16.11	17.21	18.31	19.14	21.62	22.45	25.48	25.76	27.97	29.34	
1.32	68	11.930	90	15.790	15.32	16.71	
1.33	30	5.263	40	7.018	9.33	9.89	11.82	12.10	13.76	15.14	15.69	16.79	17.90	18.72	21.21	22.03	25.07	25.34	27.55	28.93	
1.33	36	6.316	48	8.421	...	7.93	9.87	10.15	11.81	13.19	13.75	14.85	15.96	16.78	19.27	20.10	23.13	23.41	25.61	26.99	
1.33	48	8.421	64	11.229	10.94	12.05	12.88	15.38	16.21	19.25	19.52	21.73	23.11	
1.33	60	10.527	80	14.036	15.34	15.62	17.84	19.22	
1.36	28	4.912	38	6.667	9.89	10.44	12.38	12.65	14.31	15.69	16.24	17.34	18.45	19.28	21.76	22.59	25.62	25.90	28.10	29.48	
1.36	44	7.720	60	10.527	10.38	10.94	12.05	13.16	13.99	16.48	17.31	20.35	20.63	22.84	24.22	
1.37	38	6.667	52	9.123	9.02	9.30	10.96	12.35	12.90	14.01	15.11	15.94	18.43	19.26	22.30	22.57	24.78	26.16	
1.38	32	5.614	44	7.720	8.48	9.04	10.98	11.26	12.92	14.30	14.85	15.95	17.06	17.89	20.37	21.20	24.23	24.51	26.72	28.10	
1.38	29	5.088	40	7.018	9.46	10.02	11.95	12.23	13.89	15.27	15.82	16.93	18.03	18.86	21.34	22.17	25.20	25.48	27.68	29.06	
1.38	52	9.123	72	12.632	13.68	14.51	17.56	17.84	20.05	21.43	
Length Factor*					0.66	0.68	0.71	0.73	0.75	0.77	0.79	0.81	0.83	0.84	0.86	0.87	0.89	0.90	0.92	0.95	

* The belt length correction factor must be used to determine the proper belt width.

FEATURES/BENEFITS PAGE PT12-2	SPECIFICATIONS PAGE PT12-5	ENGINEERING/TECHNICAL PAGE PT13-96	
----------------------------------	-------------------------------	---------------------------------------	--

V-Drives

FHP Drives

Drive Component
Accessories

DYNA-SYNC

HT200/HTD
Synchronous Drives

HTR
Synchronous Drives

HTRC
Synchronous Drives



SELECTION

14M HTR Selection Table

Speed Ratio	Sprocket Combinations				Center Distance, Inches															
	Driver		Driven		2100-14M	2240-14M	2310-14M	2380-14M	2450-14M	2590-14M	2660-14M	2800-14M	3150-14M	3360-14M	3500-14M	3850-14M	3920-14M	4326-14M	4578-14M	4956-14M
	No. of Teeth	Pitch Dia. Inches	No. of Teeth	Pitch Dia. Inches																
Length Factor*					0.96	0.99	1.00	1.01	1.02	1.04	1.06	1.08	1.11	1.14	1.16	1.19	1.22	1.25	1.29	1.34
1.14	28	4.912	32	5.614	33.07	35.83	37.21	38.59	39.96	42.72	44.10	46.85	53.74	57.88	60.63	67.52	68.90	76.89	81.85	89.29
1.14	56	9.825	64	11.229	24.80	27.56	28.94	30.32	31.69	34.45	35.83	38.58	45.48	49.61	52.37	59.26	60.63	68.63	73.59	81.03
1.15	52	9.123	60	10.527	25.90	28.66	30.04	31.42	32.80	35.55	36.93	39.69	46.58	50.71	53.47	60.36	61.74	69.73	74.69	82.13
1.16	38	6.667	44	7.720	30.04	32.80	34.17	35.55	36.93	39.69	41.07	43.82	50.71	54.85	57.60	64.49	65.87	73.86	78.82	86.26
1.17	48	8.421	56	9.825	27.01	29.76	31.14	32.52	33.90	36.65	38.03	40.79	47.68	51.81	54.57	61.46	62.84	70.83	75.79	83.23
1.17	29	5.088	34	5.965	32.66	35.42	36.79	38.17	39.55	42.31	43.68	46.44	53.33	57.46	60.22	67.11	68.49	76.48	81.44	88.88
1.18	34	5.965	40	7.018	31.14	33.90	35.28	36.65	38.03	40.79	42.17	44.92	51.81	55.95	58.70	65.59	66.97	74.96	79.92	87.37
1.18	68	11.930	80	14.036	20.93	23.69	25.07	26.45	27.83	30.58	31.96	34.72	41.61	45.75	48.50	55.39	56.77	64.77	69.73	77.17
1.18	44	7.720	52	9.123	28.11	30.86	32.24	33.62	35.00	37.76	39.13	41.89	48.78	52.92	55.67	62.56	63.94	71.93	76.89	84.33
1.19	32	5.614	38	6.667	31.69	34.45	35.83	37.21	38.58	41.34	42.72	45.47	52.36	56.50	59.25	66.14	67.52	75.51	80.48	87.92
1.20	30	5.263	36	6.316	32.24	35.00	36.38	37.76	39.13	41.89	43.27	46.03	52.92	57.05	59.81	66.70	68.07	76.07	81.03	88.47
1.20	40	7.018	48	8.421	29.21	31.97	33.35	34.72	36.10	38.86	40.24	42.99	49.88	54.02	56.77	63.66	65.04	73.03	78.00	85.44
1.20	60	10.527	72	12.632	23.13	25.89	27.27	28.65	30.03	32.79	34.17	36.92	43.82	47.95	50.71	57.60	58.98	66.97	71.93	79.37
1.21	28	4.912	34	5.965	32.80	35.55	36.93	38.31	39.69	42.44	43.82	46.58	53.47	57.60	60.36	67.25	68.62	76.62	81.58	89.02
1.21	56	9.825	68	11.930	24.24	27.00	28.37	29.75	31.13	33.89	35.27	38.03	44.92	49.05	51.81	58.70	60.08	68.07	73.03	80.47
1.22	36	6.316	44	7.720	30.31	33.07	34.45	35.83	37.20	39.96	41.34	44.09	50.99	55.12	57.88	64.77	66.14	74.14	79.10	86.54
1.23	52	9.123	64	11.229	25.34	28.10	29.48	30.86	32.24	34.99	36.37	39.13	46.02	50.15	52.91	59.80	61.18	69.17	74.13	81.58
1.24	29	5.088	36	6.316	32.38	35.14	36.52	37.89	39.27	42.03	43.41	46.16	53.05	57.19	59.94	66.83	68.21	76.20	81.16	88.60
1.25	32	5.614	40	7.018	31.41	34.17	35.55	36.93	38.31	41.06	42.44	45.20	52.09	56.22	58.98	65.87	67.25	75.24	80.20	87.64
1.25	48	8.421	60	10.527	26.44	29.20	30.58	31.96	33.34	36.09	37.47	40.23	47.12	51.26	54.01	60.90	62.28	70.28	75.24	82.68
1.25	64	11.229	80	14.036	21.46	24.22	25.60	26.98	28.36	31.12	32.50	35.26	42.15	46.29	49.05	55.94	57.32	65.31	70.27	77.71
1.25	72	12.632	90	15.790	18.96	21.73	23.11	24.49	25.87	28.63	30.01	32.77	39.66	43.80	46.56	53.45	54.83	62.83	67.79	75.23
1.26	38	6.667	48	8.421	29.48	32.24	33.62	35.00	36.37	39.13	40.51	43.26	50.16	54.29	57.05	63.94	65.32	73.31	78.27	85.71
1.27	30	5.263	38	6.667	31.97	34.72	36.10	37.48	38.86	41.61	42.99	45.75	52.64	56.77	59.53	66.42	67.80	75.79	80.75	88.19
1.27	44	7.720	56	9.825	27.55	30.30	31.68	33.06	34.44	37.20	38.58	41.33	48.22	52.36	55.12	62.01	63.38	71.38	76.34	83.78
1.29	28	4.912	36	6.316	32.52	35.27	36.65	38.03	39.41	42.16	43.54	46.30	53.19	57.32	60.08	66.97	68.35	76.34	81.30	88.74
1.29	56	9.825	72	12.632	23.67	26.43	27.81	29.19	30.57	33.33	34.70	37.46	44.36	48.49	51.25	58.14	59.52	67.51	72.48	79.92
1.29	34	5.965	44	7.720	30.58	33.34	34.72	36.10	37.48	40.23	41.61	44.37	51.26	55.39	58.15	65.04	66.42	74.41	79.37	86.81
1.30	40	7.018	52	9.123	28.65	31.41	32.78	34.16	35.54	38.30	39.68	42.43	49.33	53.46	56.22	63.11	64.49	72.48	77.44	84.88
1.31	52	9.123	68	11.930	24.77	27.53	28.91	30.29	31.67	34.43	35.81	38.57	45.46	49.59	52.35	59.24	60.62	68.62	73.58	81.02
1.31	29	5.088	38	6.667	32.10	34.86	36.24	37.61	38.99	41.75	43.13	45.88	52.77	56.91	59.66	66.56	67.93	75.93	80.89	88.33
1.32	68	11.930	90	15.790	19.48	22.25	23.63	25.02	26.40	29.16	30.54	33.30	40.20	44.34	47.10	53.99	55.37	63.37	68.33	75.77
1.33	30	5.263	40	7.018	31.69	34.44	35.82	37.20	38.58	41.33	42.71	45.47	52.36	56.49	59.25	66.14	67.52	75.51	80.47	87.91
1.33	36	6.316	48	8.421	29.75	32.51	33.89	35.27	36.64	39.40	40.78	43.54	50.43	54.56	57.32	64.21	65.59	73.58	78.54	85.98
1.33	48	8.421	64	11.229	25.88	28.63	30.01	31.39	32.77	35.53	36.91	39.67	46.56	50.70	53.45	60.35	61.72	69.72	74.68	82.12
1.33	60	10.527	80	14.036	21.99	24.75	26.13	27.51	28.89	31.65	33.03	35.79	42.69	46.83	49.59	56.48	57.86	65.85	70.81	78.26
1.36	28	4.912	38	6.667	32.24	34.99	36.37	37.75	39.13	41.89	43.26	46.02	52.91	57.05	59.80	66.69	68.07	76.06	81.02	88.46
1.36	44	7.720	60	10.527	26.98	29.74	31.12	32.50	33.88	36.63	38.01	40.77	47.66	51.80	54.56	61.45	62.83	70.82	75.78	83.22
1.37	38	6.667	52	9.123	28.92	31.68	33.05	34.43	35.81	38.57	39.95	42.71	49.60	53.73	56.49	63.38	64.76	72.75	77.71	85.15
1.38	32	5.614	44	7.720	30.85	33.61	34.99	36.37	37.75	40.50	41.88	44.64	51.53	55.66	58.42	65.31	66.69	74.68	79.64	87.09
1.38	29	5.088	40	7.018	31.82	34.58	35.96	37.33	38.71	41.47	42.85	45.60	52.50	56.63	59.39	66.28	67.66	75.65	80.61	88.05
1.38	52	9.123	72	12.632	24.20	26.96	28.34	29.72	31.10	33.86	35.24	38.00	44.90	49.03	51.79	58.68	60.06	68.06	73.02	80.46
Length Factor*					0.96	0.99	1.00	1.01	1.02	1.04	1.06	1.08	1.11	1.14	1.16	1.19	1.22	1.25	1.29	1.34

* The belt length correction factor must be used to determine the proper belt width.



SELECTION

14M HTR Selection Table

Speed Ratio	Sprocket Combinations				Center Distance, Inches															
	Driver		Driven		966-14M	994-14M	1092-14M	1106-14M	1190-14M	1260-14M	1288-14M	1344-14M	1400-14M	1442-14M	1568-14M	1610-14M	1764-14M	1778-14M	1890-14M	1960-14M
	No. of Teeth	Pitch Dia. Inches	No. of Teeth	Pitch Dia. Inches																
Length Factor*					0.66	0.68	0.71	0.73	0.75	0.77	0.79	0.81	0.83	0.84	0.86	0.87	0.89	0.90	0.92	0.95
1.40	40	7.018	56	9.825	10.11	11.50	12.05	13.16	14.27	15.10	17.59	18.42	21.46	21.73	23.94	25.32
1.40	80	14.036	112	19.650
1.41	64	11.229	90	15.790	15.83	17.22
1.41	34	5.965	48	8.421	...	8.18	10.13	10.41	12.07	13.45	14.01	15.11	16.22	17.05	19.53	20.36	23.40	23.67	25.88	27.26
1.42	48	8.421	68	11.930	11.45	12.28	14.79	15.62	18.67	18.94	21.16	22.54
1.43	28	4.912	40	7.018	9.59	10.15	12.08	12.36	14.02	15.40	15.95	17.06	18.16	18.99	21.48	22.30	25.34	25.61	27.82	29.20
1.43	56	9.825	80	14.036	12.79	15.85	16.13	18.35	19.74
1.44	36	6.316	52	9.123	9.27	9.55	11.22	12.61	13.16	14.27	15.38	16.21	18.69	19.52	22.56	22.84	25.05	26.43
1.45	44	7.720	64	11.229	10.33	11.45	12.56	13.40	15.89	16.73	19.77	20.05	22.26	23.64
1.47	30	5.263	44	7.720	8.74	9.29	11.24	11.51	13.18	14.56	15.11	16.22	17.32	18.15	20.64	21.47	24.50	24.78	26.99	28.36
1.47	38	6.667	56	9.825	10.36	11.75	12.31	13.42	14.53	15.36	17.85	18.68	21.72	22.00	24.21	25.59
1.50	32	5.614	48	8.421	7.87	8.43	10.38	10.66	12.33	13.71	14.27	15.37	16.48	17.31	19.80	20.63	23.66	23.94	26.15	27.53
1.50	40	7.018	60	10.527	9.49	10.89	11.45	12.56	13.67	14.51	17.00	17.83	20.88	21.15	23.37	24.75
1.50	48	8.421	72	12.632	11.67	14.18	15.02	18.07	18.35	20.57	21.95
1.50	60	10.527	90	15.790	13.81	14.10	16.33	17.73	...
1.52	29	5.088	44	7.720	8.86	9.42	11.37	11.64	13.31	14.69	15.24	16.35	17.46	18.28	20.77	21.60	24.64	24.91	27.12	28.50
1.53	34	5.965	52	9.123	9.52	9.80	11.47	12.86	13.42	14.53	15.63	16.47	18.96	19.79	22.83	23.10	25.31	26.69
1.54	52	9.123	80	14.036	12.44	13.29	16.36	16.64	18.87	20.25
1.55	44	7.720	68	11.930	10.83	11.95	12.79	15.30	16.13	19.18	19.46	21.68	23.06
1.56	36	6.316	56	9.825	8.65	8.93	10.61	12.00	12.56	13.67	14.78	15.62	18.11	18.94	21.98	22.26	24.47	25.85
1.56	72	12.632	112	19.650
1.57	28	4.912	44	7.720	8.99	9.55	11.49	11.77	13.44	14.82	15.37	16.48	17.59	18.42	20.90	21.73	24.77	25.04	27.25	28.63
1.58	38	6.667	60	10.527	9.74	11.14	11.70	12.81	13.93	14.76	17.26	18.09	21.14	21.42	23.63	25.01
1.60	30	5.263	48	8.421	8.12	8.68	10.64	10.91	12.58	13.97	14.53	15.63	16.74	17.57	20.06	20.89	23.93	24.21	26.41	27.80
1.60	40	7.018	64	11.229	10.26	10.83	11.95	13.07	13.90	16.41	17.24	20.29	20.57	22.78	24.17
1.61	56	9.825	90	15.790	14.31	14.59	16.83	18.23
1.63	32	5.614	52	9.123	9.77	10.05	11.72	13.12	13.67	14.78	15.89	16.72	19.22	20.05	23.09	23.37	25.58	26.96
1.64	44	7.720	72	12.632	11.32	12.16	14.68	15.52	18.59	18.86	21.09	22.47
1.65	34	5.965	56	9.825	8.89	9.17	10.86	12.26	12.81	13.93	15.04	15.87	18.37	19.20	22.25	22.52	24.73	26.12
1.65	68	11.930	112	19.650
1.66	29	5.088	48	8.421	8.24	8.80	10.76	11.04	12.71	14.10	14.65	15.76	16.87	17.70	20.19	21.02	24.06	24.34	26.55	27.93
1.67	36	6.316	60	10.527	9.98	11.39	11.95	13.07	14.18	15.02	17.52	18.35	21.40	21.68	23.89	25.27
1.67	48	8.421	80	14.036	12.93	13.78	16.86	17.14	19.37	20.76
1.68	38	6.667	64	11.229	10.51	11.07	12.20	13.32	14.15	16.66	17.50	20.55	20.83	23.04	24.43
1.70	40	7.018	68	11.930	10.18	11.32	12.44	13.28	15.80	16.64	19.70	19.97	22.19	23.58
1.71	28	4.912	48	8.421	8.36	8.93	10.89	11.17	12.84	14.23	14.78	15.89	17.00	17.83	20.32	21.15	24.19	24.47	26.68	28.06
1.73	52	9.123	90	15.790	14.79	15.07	17.33	18.73
1.73	30	5.263	52	9.123	...	8.04	10.02	10.30	11.98	13.37	13.93	15.04	16.15	16.98	19.48	20.31	23.35	23.63	25.84	27.22
1.75	32	5.614	56	9.825	9.13	9.42	11.11	12.51	13.06	14.18	15.29	16.13	18.63	19.46	22.51	22.78	25.00	26.38
1.75	64	11.229	112	19.650
1.76	34	5.965	60	10.527	10.22	11.63	12.19	13.32	14.43	15.27	17.77	18.61	21.66	21.94	24.15	25.53
1.78	36	6.316	64	11.229	9.33	10.75	11.32	12.44	13.56	14.40	16.92	17.75	20.81	21.08	23.30	24.69
Length Factor*					0.66	0.68	0.71	0.73	0.75	0.77	0.79	0.81	0.83	0.84	0.86	0.87	0.89	0.90	0.92	0.95

* The belt length correction factor must be used to determine the proper belt width.

V-Drives
FHP Drives
Drive Component Accessories
DYNA-SYNC
Synchronous Drives
HT200/HTD
Synchronous Drives
HTR
Synchronous Drives
HTRC
Synchronous Drives



SELECTION

14M HTR Selection Table

Speed Ratio	Sprocket Combinations				Center Distance, Inches															
	Driver		Driven		2100-14M	2240-14M	2310-14M	2380-14M	2450-14M	2590-14M	2660-14M	2800-14M	3150-14M	3360-14M	3500-14M	3850-14M	3920-14M	4326-14M	4578-14M	4956-14M
	No. of Teeth	Pitch Dia. Inches	No. of Teeth	Pitch Dia. Inches																
Length Factor*					0.96	0.99	1.00	1.01	1.02	1.04	1.06	1.08	1.11	1.14	1.16	1.19	1.22	1.25	1.29	1.34
1.40	40	7.018	56	9.825	28.08	30.84	32.22	33.60	34.98	37.74	39.12	41.87	48.77	52.90	55.66	62.55	63.93	71.92	76.88	84.33
1.40	80	14.036	112	19.650	· · ·	17.43	18.82	20.21	21.60	24.38	25.77	28.54	35.45	39.60	42.36	49.26	50.64	58.65	63.61	71.06
1.41	64	11.229	90	15.790	20.00	22.77	24.16	25.54	26.92	29.69	31.07	33.83	40.73	44.87	47.63	54.53	55.91	63.91	68.87	76.32
1.41	34	5.965	48	8.421	30.02	32.78	34.16	35.54	36.91	39.67	41.05	43.81	50.70	54.83	57.59	64.48	65.86	73.85	78.82	86.26
1.42	48	8.421	68	11.930	25.30	28.06	29.44	30.82	32.20	34.96	36.34	39.10	46.00	50.13	52.89	59.79	61.16	69.16	74.12	81.56
1.43	28	4.912	40	7.018	31.96	34.71	36.09	37.47	38.85	41.61	42.98	45.74	52.63	56.77	59.52	66.41	67.79	75.78	80.75	88.19
1.43	56	9.825	80	14.036	22.51	25.28	26.66	28.04	29.42	32.18	33.57	36.33	43.23	47.36	50.12	57.02	58.40	66.39	71.36	78.80
1.44	36	6.316	52	9.123	29.18	31.94	33.32	34.70	36.08	38.84	40.22	42.98	49.87	54.00	56.76	63.65	65.03	73.02	77.99	85.43
1.45	44	7.720	64	11.229	26.41	29.17	30.55	31.93	33.31	36.07	37.45	40.21	47.10	51.24	53.99	60.89	62.27	70.26	75.22	82.67
1.47	30	5.263	44	7.720	31.12	33.88	35.26	36.64	38.02	40.77	42.15	44.91	51.80	55.94	58.69	65.58	66.96	74.96	79.92	87.36
1.47	38	6.667	56	9.825	28.35	31.11	32.49	33.87	35.25	38.01	39.38	42.14	49.04	53.17	55.93	62.82	64.20	72.19	77.16	84.60
1.50	32	5.614	48	8.421	30.29	33.05	34.43	35.80	37.18	39.94	41.32	44.08	50.97	55.11	57.86	64.75	66.13	74.13	79.09	86.53
1.50	40	7.018	60	10.527	27.51	30.27	31.65	33.03	34.41	37.17	38.55	41.31	48.20	52.34	55.10	61.99	63.37	71.36	76.33	83.77
1.50	48	8.421	72	12.632	24.72	27.49	28.87	30.25	31.63	34.39	35.77	38.53	45.43	49.57	52.33	59.22	60.60	68.60	73.56	81.01
1.50	60	10.527	90	15.790	20.51	23.29	24.67	26.06	27.44	30.21	31.59	34.36	41.27	45.41	48.17	55.07	56.45	64.44	69.41	76.86
1.52	29	5.088	44	7.720	31.26	34.02	35.39	36.77	38.15	40.91	42.29	45.04	51.94	56.07	58.83	65.72	67.10	75.09	80.05	87.50
1.53	34	5.965	52	9.123	29.45	32.21	33.59	34.97	36.35	39.11	40.49	43.24	50.14	54.27	57.03	63.92	65.30	73.30	78.26	85.70
1.54	52	9.123	80	14.036	23.03	25.80	27.18	28.57	29.95	32.71	34.09	36.86	43.76	47.90	50.66	57.56	58.93	66.93	71.90	79.34
1.55	44	7.720	68	11.930	25.83	28.59	29.97	31.35	32.74	35.50	36.88	39.64	46.54	50.67	53.43	60.33	61.70	69.70	74.66	82.11
1.56	36	6.316	56	9.825	28.61	31.37	32.75	34.13	35.51	38.27	39.65	42.41	49.31	53.44	56.20	63.09	64.47	72.47	77.43	84.87
1.56	72	12.632	112	19.650	· · ·	18.42	19.82	21.22	22.61	25.40	26.79	29.57	36.50	40.65	43.41	50.32	51.70	59.71	64.68	72.13
1.57	28	4.912	44	7.720	31.39	34.15	35.53	36.91	38.29	41.04	42.42	45.18	52.07	56.21	58.96	65.86	67.23	75.23	80.19	87.63
1.58	38	6.667	60	10.527	27.77	30.54	31.92	33.30	34.68	37.44	38.82	41.58	48.47	52.61	55.37	62.26	63.64	71.63	76.60	84.04
1.60	30	5.263	48	8.421	30.56	33.31	34.69	36.07	37.45	40.21	41.59	44.35	51.24	55.38	58.13	65.03	66.40	74.40	79.36	86.80
1.60	40	7.018	64	11.229	26.93	29.70	31.08	32.46	33.84	36.60	37.98	40.74	47.64	51.78	54.53	61.43	62.81	70.80	75.77	83.21
1.61	56	9.825	90	15.790	21.02	23.80	25.19	26.58	27.96	30.73	32.12	34.88	41.79	45.94	48.70	55.60	56.98	64.98	69.95	77.39
1.63	32	5.614	52	9.123	29.72	32.48	33.86	35.24	36.62	39.38	40.76	43.51	50.41	54.54	57.30	64.19	65.57	73.57	78.53	85.97
1.64	44	7.720	72	12.632	25.24	28.01	29.39	30.78	32.16	34.92	36.30	39.06	45.97	50.11	52.86	59.76	61.14	69.14	74.10	81.55
1.65	34	5.965	56	9.825	28.88	31.64	33.02	34.40	35.78	38.54	39.92	42.68	49.58	53.71	56.47	63.36	64.74	72.74	77.70	85.14
1.65	68	11.930	112	19.650	16.08	18.91	20.32	21.72	23.12	25.91	27.30	30.08	37.02	41.17	43.94	50.85	52.23	60.24	65.21	72.67
1.66	29	5.088	48	8.421	30.69	33.45	34.83	36.21	37.59	40.34	41.72	44.48	51.38	55.51	58.27	65.16	66.54	74.53	79.50	86.94
1.67	36	6.316	60	10.527	28.04	30.80	32.18	33.56	34.94	37.70	39.08	41.84	48.74	52.88	55.64	62.53	63.91	71.91	76.87	84.31
1.67	48	8.421	80	14.036	23.54	26.32	27.70	29.09	30.47	33.24	34.62	37.38	44.29	48.43	51.19	58.09	59.47	67.47	72.43	79.88
1.68	38	6.667	64	11.229	27.19	29.96	31.34	32.72	34.10	36.87	38.25	41.01	47.91	52.04	54.80	61.70	63.08	71.07	76.04	83.48
1.70	40	7.018	68	11.930	26.35	29.12	30.50	31.88	33.26	36.03	37.41	40.17	47.07	51.21	53.97	60.86	62.24	70.24	75.20	82.65
1.71	28	4.912	48	8.421	30.82	33.58	34.96	36.34	37.72	40.48	41.86	44.62	51.51	55.65	58.40	65.30	66.68	74.67	79.63	87.07
1.73	52	9.123	90	15.790	21.52	24.31	25.70	27.09	28.48	31.25	32.63	35.40	42.32	46.47	49.23	56.13	57.51	65.52	70.48	77.93
1.73	30	5.263	52	9.123	29.98	32.74	34.12	35.50	36.88	39.64	41.02	43.78	50.68	54.81	57.57	64.47	65.84	73.84	78.80	86.24
1.75	32	5.614	56	9.825	29.14	31.91	33.29	34.67	36.05	38.81	40.19	42.95	49.84	53.98	56.74	63.63	65.01	73.01	77.97	85.41
1.75	64	11.229	112	19.650	16.56	19.40	20.81	22.21	23.61	26.41	27.80	30.59	37.53	41.69	44.46	51.38	52.76	60.77	65.74	73.20
1.76	34	5.965	60	10.527	28.30	31.06	32.45	33.83	35.21	37.97	39.35	42.11	49.01	53.15	55.90	62.80	64.18	72.18	77.14	84.58
1.78	36	6.316	64	11.229	27.46	30.22	31.60	32.99	34.37	37.13	38.51	41.27	48.17	52.31	55.07	61.97	63.35	71.34	76.31	83.75
Length Factor*					0.96	0.99	1.00	1.01	1.02	1.04	1.06	1.08	1.11	1.14	1.16	1.19	1.22	1.25	1.29	1.34

* The belt length correction factor must be used to determine the proper belt width.



SELECTION

14M HTR Selection Table

Speed Ratio	Sprocket Combinations				Center Distance, Inches															
	Driver		Driven		966-14M	994-14M	1092-14M	1106-14M	1190-14M	1260-14M	1288-14M	1344-14M	1400-14M	1442-14M	1568-14M	1610-14M	1764-14M	1778-14M	1890-14M	1960-14M
	No. of Teeth	Pitch Dia. Inches	No. of Teeth	Pitch Dia. Inches																
Length Factor*					0.66	0.68	0.71	0.73	0.75	0.77	0.79	0.81	0.83	0.84	0.86	0.87	0.89	0.90	0.92	0.95
1.79	38	6.667	68	11.930	10.42	11.56	12.69	13.53	16.05	16.89	19.95	20.23	22.45	23.84
1.79	29	5.088	52	9.123	...	8.16	10.14	10.42	12.10	13.50	14.05	15.17	16.28	17.11	19.61	20.44	23.48	23.76	25.97	27.35
1.80	40	7.018	72	12.632	10.66	11.80	12.65	15.18	16.02	19.09	19.37	21.60	22.99
1.80	80	14.036	144	25.264
1.82	44	7.720	80	14.036	13.42	14.27	17.36	17.64	19.88	21.27
1.86	28	4.912	52	9.123	...	8.28	10.26	10.54	12.23	13.62	14.18	15.29	16.41	17.24	19.74	20.57	23.61	23.89	26.10	27.48
1.87	30	5.263	56	9.825	9.37	9.66	11.35	12.75	13.31	14.43	15.55	16.38	18.88	19.72	22.77	23.04	25.26	26.64
1.87	60	10.527	112	19.650
1.88	32	5.614	60	10.527	8.76	10.47	11.88	12.44	13.56	14.68	15.52	18.03	18.86	21.92	22.19	24.41	25.79
1.88	48	8.421	90	15.790	15.27	15.56	17.82	19.22
1.88	34	5.965	64	11.229	9.57	10.99	11.56	12.69	13.81	14.65	17.17	18.00	21.06	21.34	23.56	24.95
1.89	36	6.316	68	11.930	10.09	10.66	11.80	12.93	13.78	16.30	17.14	20.21	20.48	22.71	24.10
1.89	38	6.667	72	12.632	10.90	12.04	12.89	15.43	16.27	19.34	19.62	21.85	23.24
1.93	29	5.088	56	9.825	9.49	9.78	11.47	12.88	13.44	14.56	15.67	16.51	19.01	19.84	22.90	23.17	25.39	26.77
2.00	28	4.912	56	9.825	9.61	9.90	11.60	13.00	13.56	14.68	15.80	16.64	19.14	19.97	23.02	23.30	25.52	26.90
2.00	30	5.263	60	10.527	8.70	8.99	10.71	12.12	12.69	13.81	14.93	15.77	18.28	19.12	22.17	22.45	24.67	26.05
2.00	32	5.614	64	11.229	9.80	11.23	11.80	12.93	14.06	14.90	17.42	18.26	21.32	21.60	23.82	25.20
2.00	34	5.965	68	11.930	10.32	10.90	12.04	13.17	14.02	16.55	17.39	20.46	20.74	22.96	24.35
2.00	36	6.316	72	12.632	11.13	12.28	13.13	15.67	16.52	19.60	19.87	22.10	23.50
2.00	40	7.018	80	14.036	11.31	13.90	14.75	17.85	18.13	20.38	21.77
2.00	56	9.825	112	19.650
2.00	72	12.632	144	25.264
2.05	44	7.720	90	15.790	12.59	15.75	16.04	18.30	19.71
2.07	29	5.088	60	10.527	8.82	9.11	10.83	12.24	12.81	13.93	15.06	15.90	18.41	19.24	22.30	22.58	24.80	26.18
2.10	80	14.036	168	29.475
2.11	38	6.667	80	14.036	11.55	14.13	14.99	18.10	18.38	20.62	22.02
2.12	34	5.965	72	12.632	10.21	11.37	12.52	13.37	15.92	16.76	19.85	20.13	22.36	23.75
2.12	68	11.930	144	25.264
2.13	32	5.614	68	11.930	10.56	11.13	12.28	13.41	14.26	16.80	17.64	20.71	20.99	23.22	24.61
2.13	30	5.263	64	11.229	10.04	11.47	12.04	13.17	14.30	15.15	17.67	18.51	21.57	21.85	24.07	25.46
2.14	28	4.912	60	10.527	8.94	9.22	10.95	12.36	12.93	14.06	15.18	16.02	18.53	19.37	22.43	22.71	24.93	26.31
2.15	52	9.123	112	19.650	15.08
2.21	29	5.088	64	11.229	10.15	11.59	12.16	13.29	14.42	15.27	17.79	18.63	21.70	21.98	24.20	25.59
2.22	36	6.316	80	14.036	10.90	11.78	14.37	15.23	18.34	18.62	20.87	22.27
2.25	32	5.614	72	12.632	9.86	10.44	11.60	12.75	13.61	16.16	17.01	20.09	20.37	22.61	24.00
2.25	40	7.018	90	15.790	12.17	13.05	16.23	16.51	18.79	20.20
2.25	64	11.229	144	25.264
2.27	30	5.263	68	11.930	9.33	10.79	11.37	12.52	13.66	14.51	17.04	17.89	20.96	21.24	23.47	24.86
2.29	28	4.912	64	11.229	10.27	11.71	12.28	13.41	14.55	15.39	17.92	18.76	21.83	22.10	24.33	25.72
2.33	48	8.421	112	19.650	15.53
2.33	72	12.632	168	29.475
2.34	29	5.088	68	11.930	9.45	10.91	11.49	12.63	13.77	14.63	17.17	18.01	21.09	21.37	23.60	24.99
Length Factor*					0.66	0.68	0.71	0.73	0.75	0.77	0.79	0.81	0.83	0.84	0.86	0.87	0.89	0.90	0.92	0.95

* The belt length correction factor must be used to determine the proper belt width.

FEATURES/BENEFITS PAGE PT12-2	SPECIFICATIONS PAGE PT12-5	ENGINEERING/TECHNICAL PAGE PT13-96	
----------------------------------	-------------------------------	---------------------------------------	--

V-Drives

FHP Drives

Drive Component Accessories

DYNA-SYNC

HT200/HTD Synchronous Drives

HTR Synchronous Drives

HTRC Synchronous Drives



SELECTION

14M HTR Selection Table

Speed Ratio	Sprocket Combinations				Center Distance, Inches																
	Driver		Driven		2100-14M	2240-14M	2310-14M	2380-14M	2450-14M	2590-14M	2660-14M	2800-14M	3150-14M	3360-14M	3500-14M	3850-14M	3920-14M	4326-14M	4578-14M	4956-14M	
	No. of Teeth	Pitch Dia. Inches	No. of Teeth	Pitch Dia. Inches																	
Length Factor*					0.96	0.99	1.00	1.01	1.02	1.04	1.06	1.08	1.11	1.14	1.16	1.19	1.22	1.25	1.29	1.34	
1.79	38	6.667	68	11.930	26.61	29.38	30.76	32.14	33.53	36.29	37.67	40.43	47.34	51.48	54.23	61.13	62.51	70.51	75.47	82.92	
1.79	29	5.088	52	9.123	30.12	32.88	34.26	35.64	37.02	39.78	41.16	43.92	50.81	54.95	57.71	64.60	65.98	73.97	78.94	86.38	
1.80	40	7.018	72	12.632	25.76	28.53	29.92	31.30	32.68	35.45	36.83	39.59	46.50	50.64	53.40	60.30	61.68	69.68	74.64	82.09	
1.80	80	14.036	144	25.264	20.75	23.60	30.64	34.84	37.63	44.58	45.97	54.02	59.00	66.47
1.82	44	7.720	80	14.036	24.05	26.83	28.22	29.60	30.99	33.76	35.14	37.91	44.82	48.96	51.72	58.62	60.00	68.01	72.97	80.42	
1.86	28	4.912	52	9.123	30.25	33.01	34.39	35.77	37.15	39.91	41.29	44.05	50.95	55.08	57.84	64.74	66.11	74.11	79.07	86.52	
1.87	30	5.263	56	9.825	29.41	32.17	33.55	34.93	36.31	39.07	40.45	43.21	50.11	54.25	57.01	63.90	65.28	73.28	78.24	85.68	
1.87	60	10.527	112	19.650	17.04	19.88	21.30	22.70	24.11	26.91	28.31	31.09	38.05	42.21	44.98	51.90	53.28	61.30	66.27	73.73	
1.88	32	5.614	60	10.527	28.56	31.33	32.71	34.09	35.47	38.23	39.62	42.38	49.28	53.41	56.17	63.07	64.45	72.45	77.41	84.85	
1.88	48	8.421	90	15.790	22.02	24.81	26.21	27.60	28.99	31.76	33.15	35.92	42.84	46.99	49.76	56.66	58.04	66.05	71.02	78.47	
1.88	34	5.965	64	11.229	27.72	30.48	31.87	33.25	34.63	37.39	38.78	41.54	48.44	52.58	55.34	62.23	63.61	71.61	76.58	84.02	
1.89	36	6.316	68	11.930	26.87	29.64	31.02	32.41	33.79	36.55	37.93	40.70	47.60	51.74	54.50	61.40	62.78	70.78	75.74	83.19	
1.89	38	6.667	72	12.632	26.02	28.79	30.18	31.56	32.94	35.71	37.09	39.86	46.76	50.90	53.66	60.56	61.94	69.94	74.91	82.36	
1.93	29	5.088	56	9.825	29.54	32.30	33.68	35.06	36.44	39.21	40.59	43.35	50.25	54.38	57.14	64.04	65.42	73.41	78.38	85.82	
2.00	28	4.912	56	9.825	29.67	32.43	33.81	35.20	36.58	39.34	40.72	43.48	50.38	54.52	57.28	64.17	65.55	73.55	78.51	85.96	
2.00	30	5.263	60	10.527	28.82	31.59	32.97	34.35	35.74	38.50	39.88	42.64	49.54	53.68	56.44	63.34	64.72	72.71	77.68	85.12	
2.00	32	5.614	64	11.229	27.98	30.74	32.13	33.51	34.89	37.66	39.04	41.80	48.71	52.85	55.61	62.50	63.88	71.88	76.85	84.29	
2.00	34	5.965	68	11.930	27.13	29.90	31.28	32.67	34.05	36.82	38.20	40.96	47.87	52.01	54.77	61.67	63.05	71.05	76.01	83.46	
2.00	36	6.316	72	12.632	26.27	29.05	30.43	31.82	33.20	35.97	37.35	40.12	47.03	51.17	53.93	60.83	62.21	70.21	75.18	82.62	
2.00	40	7.018	80	14.036	24.56	27.34	28.73	30.12	31.51	34.28	35.66	38.43	45.35	49.49	52.25	59.16	60.54	68.54	73.51	80.96	
2.00	56	9.825	112	19.650	17.51	20.36	21.78	23.19	24.60	27.41	28.81	31.60	38.56	42.72	45.49	52.42	53.80	61.82	66.80	74.26	
2.00	72	12.632	144	25.264	20.25	21.69	24.56	31.63	35.84	38.63	45.60	46.99	55.05	60.04	67.51	
2.05	44	7.720	90	15.790	22.52	25.32	26.71	28.11	29.50	32.28	33.67	36.44	43.36	47.52	50.28	57.19	58.57	66.58	71.55	79.00	
2.07	29	5.088	60	10.527	28.95	31.72	33.10	34.49	35.87	38.63	40.01	42.77	49.68	53.82	56.57	63.47	64.85	72.85	77.81	85.26	
2.10	80	14.036	168	29.475	26.74	31.03	33.86	40.90	42.31	50.41	55.42	62.93	
2.11	38	6.667	80	14.036	24.81	27.60	28.99	30.38	31.76	34.54	35.92	38.69	45.61	49.75	52.52	59.42	60.80	68.81	73.77	81.22	
2.12	34	5.965	72	12.632	26.53	29.31	30.69	32.08	33.46	36.23	37.62	40.38	47.29	51.43	54.20	61.10	62.48	70.48	75.45	82.89	
2.12	68	11.930	144	25.264	20.71	22.16	25.03	32.12	36.33	39.13	46.11	47.50	55.56	60.55	68.03	
2.13	32	5.614	68	11.930	27.38	30.16	31.54	32.93	34.31	37.08	38.46	41.22	48.13	52.27	55.03	61.93	63.31	71.32	76.28	83.73	
2.13	30	5.263	64	11.229	28.23	31.01	32.39	33.77	35.16	37.92	39.30	42.07	48.97	53.11	55.87	62.77	64.15	72.15	77.11	84.56	
2.14	28	4.912	60	10.527	29.08	31.85	33.23	34.62	36.00	38.76	40.14	42.91	49.81	53.95	56.71	63.61	64.98	72.98	77.95	85.39	
2.15	52	9.123	112	19.650	17.98	20.84	22.26	23.68	25.09	27.90	29.30	32.10	39.07	43.23	46.01	52.94	54.32	62.35	67.33	74.79	
2.21	29	5.088	64	11.229	28.36	31.13	32.52	33.90	35.29	38.05	39.43	42.20	49.10	53.24	56.01	62.90	64.28	72.28	77.25	84.69	
2.22	36	6.316	80	14.036	25.07	27.85	29.24	30.63	32.02	34.79	36.18	38.95	45.87	50.02	52.78	59.69	61.07	69.07	74.04	81.49	
2.25	32	5.614	72	12.632	26.79	29.56	30.95	32.34	33.72	36.49	37.88	40.64	47.55	51.70	54.46	61.36	62.74	70.75	75.71	83.16	
2.25	40	7.018	90	15.790	23.02	25.82	27.21	28.61	30.00	32.79	34.18	36.95	43.88	48.04	50.80	57.72	59.10	67.11	72.08	79.53	
2.25	64	11.229	144	25.264	21.17	22.63	25.51	32.61	36.83	39.63	46.61	48.01	56.07	61.07	68.55	
2.27	30	5.263	68	11.930	27.64	30.41	31.80	33.19	34.57	37.34	38.72	41.49	48.40	52.54	55.30	62.20	63.58	71.58	76.55	84.00	
2.29	28	4.912	64	11.229	28.49	31.26	32.65	34.03	35.42	38.18	39.57	42.33	49.24	53.38	56.14	63.04	64.42	72.42	77.38	84.83	
2.33	48	8.421	112	19.650	18.45	21.32	22.74	24.16	25.58	28.39	29.80	32.60	39.57	43.75	46.52	53.46	54.84	62.87	67.85	75.31	
2.33	72	12.632	168	29.475	27.67	31.98	34.83	41.89	43.29	51.41	56.44	63.95	
2.34	29	5.088	68	11.930	27.77	30.54	31.93	33.32	34.70	37.47	38.85	41.62	48.53	52.67	55.43	62.33	63.71	71.72	76.68	84.13	
Length Factor*					0.96	0.99	1.00	1.01	1.02	1.04	1.06	1.08	1.11	1.14	1.16	1.19	1.22	1.25	1.29	1.34	

* The belt length correction factor must be used to determine the proper belt width.

FEATURES/BENEFITS PAGE PT12-2	SPECIFICATIONS PAGE PT12-5	ENGINEERING/TECHNICAL PAGE PT13-96	
----------------------------------	-------------------------------	---------------------------------------	--



SELECTION

14M HTR Selection Table

Speed Ratio	Sprocket Combinations				Center Distance, Inches													
	Driver		Driven		1190-14M	1260-14M	1288-14M	1344-14M	1400-14M	1442-14M	1568-14M	1610-14M	1764-14M	1778-14M	1890-14M	1960-14M	2100-14M	2240-14M
	No. of Teeth	Pitch Dia. Inches	No. of Teeth	Pitch Dia. Inches														
Length Factor*					0.75	0.77	0.79	0.81	0.83	0.84	0.86	0.87	0.89	0.90	0.92	0.95	0.96	0.99
2.35	34	5.965	80	14.036	11.13	12.01	14.61	15.47	18.59	18.87	21.12	22.52	25.32	28.10
2.37	38	6.667	90	15.790	12.40	13.28	16.46	16.75	19.03	20.44	23.26	26.07
2.40	30	5.263	72	12.632	...	10.08	10.67	11.84	12.99	13.85	16.40	17.25	20.34	20.62	22.86	24.25	27.04	29.82
2.40	60	10.527	144	25.264
2.40	80	14.036	192	33.686
2.43	28	4.912	68	11.930	9.56	11.02	11.60	12.75	13.89	14.75	17.29	18.13	21.21	21.49	23.72	25.12	27.90	30.67
2.47	68	11.930	168	29.475
2.48	29	5.088	72	12.632	...	10.20	10.78	11.95	13.11	13.97	16.53	17.37	20.47	20.75	22.98	24.38	27.17	29.95
2.50	32	5.614	80	14.036	11.35	12.24	14.84	15.70	18.83	19.11	21.36	22.77	25.57	28.36
2.50	36	6.316	90	15.790	12.62	13.51	16.70	16.99	19.27	20.69	23.51	26.31
2.55	44	7.720	112	19.650	14.49	15.98	18.91	21.79
2.57	28	4.912	72	12.632	...	10.31	10.90	12.07	13.22	14.08	16.65	17.49	20.59	20.87	23.11	24.51	27.29	30.07
2.57	56	9.825	144	25.264
2.63	64	11.229	168	29.475
2.65	34	5.965	90	15.790	12.85	13.74	16.93	17.22	19.51	20.93	23.75	26.56
2.67	30	5.263	80	14.036	10.38	11.58	12.46	15.08	15.94	19.07	19.35	21.61	23.01	25.82	28.61
2.67	72	12.632	192	33.686
2.70	80	14.036	216	37.896
2.76	29	5.088	80	14.036	10.49	11.69	12.58	15.20	16.06	19.19	19.47	21.73	23.14	25.94	28.73
2.77	52	9.123	144	25.264
2.80	40	7.018	112	19.650	14.93	16.43	19.37	22.26
2.80	60	10.527	168	29.475
2.81	32	5.614	90	15.790	13.07	13.96	17.17	17.46	19.75	21.17	24.00	26.81
2.82	68	11.930	192	33.686
2.86	28	4.912	80	14.036	10.60	11.80	12.69	15.31	16.18	19.31	19.59	21.85	23.26	26.07	28.86
2.95	38	6.667	112	19.650	15.16	16.66	19.61	22.50
3.00	30	5.263	90	15.790	13.30	14.19	17.40	17.69	19.98	21.41	24.24	27.06
3.00	48	8.421	144	25.264
3.00	56	9.825	168	29.475
3.00	64	11.229	192	33.686
3.00	72	12.632	216	37.896
3.10	29	5.088	90	15.790	10.65	13.41	14.30	17.52	17.81	20.10	21.53	24.36	27.18
3.11	36	6.316	112	19.650	15.38	16.88	19.83	22.73
3.18	68	11.930	216	37.896
3.20	60	10.527	192	33.686
3.21	28	4.912	90	15.790	10.76	13.52	14.42	17.63	17.92	20.22	21.65	24.48	27.30
3.23	52	9.123	168	29.475
3.27	44	7.720	144	25.264
3.29	34	5.965	112	19.650	13.11	15.60	17.11	20.06	22.97
3.38	64	11.229	216	37.896
3.43	56	9.825	192	33.686
3.50	32	5.614	112	19.650	13.00	13.32	15.82	17.33	20.29	23.20
Length Factor*					0.75	0.77	0.79	0.81	0.83	0.84	0.86	0.87	0.89	0.90	0.92	0.95	0.96	0.99

* The belt length correction factor must be used to determine the proper belt width.

FEATURES/BENEFITS PAGE PT12-2	SPECIFICATIONS PAGE PT12-5	ENGINEERING/TECHNICAL PAGE PT13-96	
----------------------------------	-------------------------------	---------------------------------------	--



SELECTION

14M HTR Selection Table

Speed Ratio	Sprocket Combinations				Center Distance, Inches													
	Driver		Driven		2310-14M	2380-14M	2450-14M	2590-14M	2660-14M	2800-14M	3150-14M	3360-14M	3500-14M	3850-14M	3920-14M	4326-14M	4578-14M	4956-14M
	No. of Teeth	Pitch Dia. Inches	No. of Teeth	Pitch Dia. Inches														
Length Factor*					1.00	1.01	1.02	1.04	1.06	1.08	1.11	1.14	1.16	1.19	1.22	1.25	1.29	1.34
2.35	34	5.965	80	14.036	29.50	30.89	32.28	35.05	36.44	39.21	46.13	50.28	53.04	59.95	61.33	69.34	74.31	81.76
2.37	38	6.667	90	15.790	27.46	28.86	30.26	33.04	34.43	37.21	44.14	48.30	51.07	57.98	59.36	67.37	72.35	79.80
2.40	30	5.263	72	12.632	31.21	32.59	33.98	36.75	38.14	40.90	47.82	51.96	54.73	61.63	63.01	71.01	75.98	83.43
2.40	60	10.527	144	25.264	18.68	21.63	23.09	25.98	33.09	37.32	40.13	47.12	48.51	56.58	61.58	69.07
2.40	80	14.036	192	33.686	26.89	29.82	37.02	38.45	46.66	51.72	59.28
2.43	28	4.912	68	11.930	32.06	33.44	34.83	37.60	38.98	41.75	48.66	52.80	55.57	62.47	63.85	71.85	76.82	84.26
2.47	68	11.930	168	29.475	28.14	32.45	35.30	42.38	43.78	51.91	56.94	64.46
2.48	29	5.088	72	12.632	31.34	32.72	34.11	36.88	38.27	41.03	47.95	52.09	54.86	61.76	63.14	71.15	76.11	83.56
2.50	32	5.614	80	14.036	29.75	31.14	32.53	35.31	36.70	39.47	46.39	50.54	53.31	60.21	61.60	69.60	74.57	82.03
2.50	36	6.316	90	15.790	27.71	29.11	30.51	33.29	34.69	37.47	44.40	48.56	51.33	58.24	59.62	67.64	72.61	80.07
2.55	44	7.720	112	19.650	23.22	24.64	26.06	28.88	30.29	33.10	40.08	44.25	47.03	53.97	55.36	63.39	68.37	75.84
2.57	28	4.912	72	12.632	31.46	32.85	34.24	37.01	38.40	41.16	48.08	52.23	54.99	61.89	63.28	71.28	76.25	83.70
2.57	56	9.825	144	25.264	19.13	22.09	23.55	26.45	33.58	37.81	40.62	47.62	49.01	57.09	62.09	69.59
2.63	64	11.229	168	29.475	21.20	28.60	32.93	35.78	42.86	44.27	52.41	57.44	64.97
2.65	34	5.965	90	15.790	27.96	29.36	30.76	33.55	34.94	37.72	44.66	48.82	51.59	58.50	59.89	67.90	72.87	80.33
2.67	30	5.263	80	14.036	30.00	31.39	32.79	35.56	36.95	39.73	46.65	50.80	53.57	60.48	61.86	69.87	74.84	82.29
2.67	72	12.632	192	33.686	27.79	30.74	37.97	39.40	47.63	52.71	60.28
2.70	80	14.036	216	37.896	32.85	34.33	42.73	47.86	55.51
2.76	29	5.088	80	14.036	30.13	31.52	32.91	35.69	37.08	39.85	46.78	50.93	53.70	60.61	61.99	70.00	74.97	82.43
2.77	52	9.123	144	25.264	...	18.05	19.57	22.55	24.01	26.91	34.06	38.30	41.11	48.12	49.51	57.60	62.60	70.10
2.80	40	7.018	112	19.650	23.70	25.12	26.54	29.37	30.78	33.59	40.58	44.76	47.54	54.49	55.87	63.91	68.89	76.36
2.80	60	10.527	168	29.475	21.64	29.06	33.40	36.26	43.35	44.76	52.91	57.94	65.47
2.81	32	5.614	90	15.790	28.21	29.61	31.01	33.80	35.19	37.97	44.92	49.08	51.85	58.76	60.15	68.17	73.14	80.60
2.82	68	11.930	192	33.686	23.70	28.24	31.19	38.44	39.87	48.12	53.20	60.78
2.86	28	4.912	80	14.036	30.25	31.65	33.04	35.82	37.21	39.98	46.91	51.06	53.83	60.74	62.12	70.13	75.11	82.56
2.95	38	6.667	112	19.650	23.93	25.36	26.78	29.61	31.02	33.84	40.83	45.01	47.80	54.74	56.13	64.17	69.15	76.63
3.00	30	5.263	90	15.790	28.46	29.86	31.26	34.05	35.44	38.23	45.17	49.33	52.10	59.03	60.41	68.43	73.40	80.86
3.00	48	8.421	144	25.264	...	18.49	20.01	23.00	24.47	27.38	34.54	38.78	41.60	48.61	50.01	58.10	63.11	70.61
3.00	56	9.825	168	29.475	22.08	29.52	33.87	36.73	43.84	45.25	53.40	58.44	65.98
3.00	64	11.229	192	33.686	24.14	28.69	31.65	38.91	40.35	48.60	53.69	61.27
3.00	72	12.632	216	37.896	26.19	33.76	35.24	43.67	48.82	56.48
3.10	29	5.088	90	15.790	28.58	29.98	31.38	34.18	35.57	38.36	45.30	49.46	52.23	59.16	60.54	68.56	73.53	80.99
3.11	36	6.316	112	19.650	24.17	25.60	27.02	29.86	31.27	34.08	41.08	45.27	48.05	55.00	56.39	64.43	69.41	76.89
3.18	68	11.930	216	37.896	26.62	34.21	35.69	44.13	49.29	56.97
3.20	60	10.527	192	33.686	24.57	29.13	32.10	39.38	40.82	49.08	54.17	61.77
3.21	28	4.912	90	15.790	28.71	30.11	31.51	34.30	35.70	38.48	45.43	49.59	52.36	59.29	60.67	68.69	73.67	81.13
3.23	52	9.123	168	29.475	22.52	29.98	34.33	37.21	44.32	45.73	53.90	58.94	66.48
3.27	44	7.720	144	25.264	17.36	18.92	20.45	23.45	24.93	27.84	35.02	39.27	42.09	49.11	50.51	58.61	63.62	71.13
3.29	34	5.965	112	19.650	24.41	25.84	27.26	30.10	31.51	34.33	41.33	45.52	48.31	55.26	56.64	64.69	69.67	77.15
3.38	64	11.229	216	37.896	27.05	34.66	36.14	44.60	49.77	57.45
3.43	56	9.825	192	33.686	25.01	29.58	32.56	39.85	41.29	49.57	54.66	62.26
3.50	32	5.614	112	19.650	24.64	26.07	27.50	30.34	31.75	34.57	41.58	45.77	48.56	55.51	56.90	64.95	69.93	77.41
Length Factor*					1.00	1.01	1.02	1.04	1.06	1.08	1.11	1.14	1.16	1.19	1.22	1.25	1.29	1.34

* The belt length correction factor must be used to determine the proper belt width.



SELECTION

14M HTR Selection Table

Speed Ratio	Sprocket Combinations				Center Distance, Inches									
	Driver		Driven		1764-14M	1778-14M	1890-14M	1960-14M	2100-14M	2240-14M	2310-14M	2380-14M	2450-14M	2590-14M
	No. of Teeth	Pitch Dia. Inches	No. of Teeth	Pitch Dia. Inches										
Length Factor*					0.89	0.90	0.92	0.95	0.96	0.99	1.00	1.01	1.02	1.04
3.50	48	8.421	168	29.475
3.60	40	7.018	144	25.264	17.79	19.36	20.90	23.90
3.60	60	10.527	216	37.896
3.69	52	9.123	192	33.686
3.73	30	5.263	112	19.650	13.21	13.53	16.03	17.55	20.52	23.43	24.88	26.31	27.74	30.58
3.79	38	6.667	144	25.264	16.39	18.01	19.58	21.11	24.13
3.82	44	7.720	168	29.475
3.86	56	9.825	216	37.896
3.86	29	5.088	112	19.650	13.31	13.64	16.14	17.66	20.63	23.55	24.99	26.43	27.86	30.70
4.00	28	4.912	112	19.650	13.42	13.74	16.25	17.77	20.75	23.67	25.11	26.55	27.98	30.82
4.00	36	6.316	144	25.264	16.60	18.22	19.79	21.33	24.35
4.00	48	8.421	192	33.686
4.15	52	9.123	216	37.896
4.20	40	7.018	168	29.475	19.02
4.24	34	5.965	144	25.264	16.81	18.43	20.01	21.55	24.57
4.36	44	7.720	192	33.686
4.42	38	6.667	168	29.475	19.23
4.50	32	5.614	144	25.264	17.02	18.64	20.22	21.77	24.80
4.50	48	8.421	216	37.896
4.67	36	6.316	168	29.475	19.44
4.80	30	5.263	144	25.264	17.23	18.86	20.44	21.99	25.02
4.80	40	7.018	192	33.686
4.91	44	7.720	216	37.896
4.94	34	5.965	168	29.475	19.65
4.97	29	5.088	144	25.264	17.33	18.96	20.55	22.10	25.13
5.05	38	6.667	192	33.686
5.14	28	4.912	144	25.264	17.44	19.07	20.65	22.21	25.24
5.25	32	5.614	168	29.475	19.85
5.33	36	6.316	192	33.686
5.40	40	7.018	216	37.896
5.60	30	5.263	168	29.475	20.06
5.65	34	5.965	192	33.686
5.68	38	6.667	216	37.896
5.79	29	5.088	168	29.475	20.17
6.00	28	4.912	168	29.475	20.27
6.00	32	5.614	192	33.686
6.00	36	6.316	216	37.896
6.35	34	5.965	216	37.896
6.40	30	5.263	192	33.686
6.62	29	5.088	192	33.686
6.75	32	5.614	216	37.896
6.86	28	4.912	192	33.686
Length Factor*					0.89	0.90	0.92	0.95	0.96	0.99	1.00	1.01	1.02	1.04

* The belt length correction factor must be used to determine the proper belt width.

FEATURES/BENEFITS PAGE PT12-2	SPECIFICATIONS PAGE PT12-5	ENGINEERING/TECHNICAL PAGE PT13-96	
----------------------------------	-------------------------------	---------------------------------------	--

V-Drives

FHP Drives

Drive Component Accessories

DYNA-SYNC

HT200/HTD Synchronous Drives

HTR Synchronous Drives

HTRC Synchronous Drives



SELECTION

14M HTR Selection Table

Speed Ratio	Sprocket Combinations				Center Distance, Inches									
	Driver		Driven		2660-14M	2800-14M	3150-14M	3360-14M	3500-14M	3850-14M	3920-14M	4326-14M	4578-14M	4956-14M
	No. of Teeth	Pitch Dia. Inches	No. of Teeth	Pitch Dia. Inches										
Length Factor*					1.06	1.08	1.11	1.14	1.16	1.19	1.22	1.25	1.29	1.34
3.50	48	8.421	168	29.475	19.82	22.96	30.44	34.80	37.68	44.80	46.22	54.39	59.44	66.98
3.60	40	7.018	144	25.264	25.38	28.31	35.49	39.75	42.58	49.61	51.01	59.11	64.13	71.64
3.60	60	10.527	216	37.896	27.48	35.11	36.59	45.07	50.24	57.93
3.69	52	9.123	192	33.686	25.44	30.03	33.01	40.31	41.75	50.05	55.15	62.75
3.73	30	5.263	112	19.650	32.00	34.82	41.83	46.02	48.81	55.77	57.16	65.20	70.19	77.67
3.79	38	6.667	144	25.264	25.61	28.54	35.73	39.99	42.82	49.85	51.26	59.36	64.38	71.89
3.82	44	7.720	168	29.475	20.24	23.39	30.90	35.27	38.15	45.28	46.70	54.88	59.93	67.48
3.86	56	9.825	216	37.896	24.69	27.91	35.56	37.05	45.53	50.71	58.41
3.86	29	5.088	112	19.650	32.12	34.94	41.96	46.15	48.94	55.89	57.28	65.33	70.32	77.80
4.00	28	4.912	112	19.650	32.24	35.06	42.08	46.27	49.06	56.02	57.41	65.46	70.45	77.93
4.00	36	6.316	144	25.264	25.83	28.77	35.97	40.24	43.06	50.10	51.50	59.61	64.63	72.15
4.00	48	8.421	192	33.686	25.87	30.47	33.46	40.78	42.22	50.52	55.63	63.24
4.15	52	9.123	216	37.896	25.11	28.33	36.00	37.49	46.00	51.19	58.89
4.20	40	7.018	168	29.475	20.66	23.83	31.35	35.73	38.62	45.76	47.18	55.37	60.43	67.98
4.24	34	5.965	144	25.264	26.06	29.00	36.21	40.48	43.31	50.35	51.75	59.86	64.89	72.40
4.36	44	7.720	192	33.686	26.30	30.91	33.91	41.24	42.69	51.00	56.11	63.73
4.42	38	6.667	168	29.475	20.88	24.04	31.58	35.96	38.85	46.00	47.42	55.62	60.67	68.23
4.50	32	5.614	144	25.264	26.29	29.23	36.44	40.72	43.55	50.59	52.00	60.11	65.14	72.66
4.50	48	8.421	216	37.896	25.53	28.76	36.45	37.94	46.46	51.66	59.37
4.67	36	6.316	168	29.475	21.09	24.26	31.80	36.19	39.09	46.24	47.66	55.86	60.92	68.48
4.80	30	5.263	144	25.264	26.51	29.46	36.68	40.96	43.79	50.84	52.24	60.36	65.39	72.91
4.80	40	7.018	192	33.686	26.73	31.35	34.36	41.70	43.15	51.48	56.60	64.22
4.91	44	7.720	216	37.896	25.95	29.19	36.89	38.39	46.92	52.13	59.85
4.94	34	5.965	168	29.475	21.30	24.47	32.03	36.42	39.32	46.48	47.90	56.11	61.17	68.73
4.97	29	5.088	144	25.264	26.62	29.57	36.80	41.08	43.91	50.96	52.37	60.49	65.51	73.04
5.05	38	6.667	192	33.686	26.94	31.57	34.58	41.93	43.39	51.72	56.84	64.47
5.14	28	4.912	144	25.264	26.74	29.69	36.92	41.20	44.03	51.09	52.49	60.61	65.64	73.16
5.25	32	5.614	168	29.475	21.51	24.69	32.26	36.66	39.55	46.72	48.14	56.35	61.41	68.98
5.33	36	6.316	192	33.686	27.16	31.80	34.81	42.17	43.62	51.95	57.08	64.71
5.40	40	7.018	216	37.896	26.36	29.62	37.34	38.84	47.38	52.59	60.33
5.60	30	5.263	168	29.475	21.72	24.91	32.48	36.89	39.79	46.96	48.38	56.59	61.66	69.23
5.65	34	5.965	192	33.686	27.37	32.02	35.03	42.40	43.85	52.19	57.32	64.95
5.68	38	6.667	216	37.896	26.57	29.83	37.56	39.06	47.61	52.83	60.56
5.79	29	5.088	168	29.475	21.82	25.01	32.60	37.00	39.90	47.08	48.50	56.71	61.78	69.36
6.00	28	4.912	168	29.475	21.93	25.12	32.71	37.12	40.02	47.20	48.62	56.84	61.91	69.48
6.00	32	5.614	192	33.686	27.59	32.24	35.25	42.63	44.08	52.43	57.56	65.20
6.00	36	6.316	216	37.896	26.78	30.04	37.78	39.29	47.85	53.06	60.80
6.35	34	5.965	216	37.896	26.99	30.25	38.00	39.51	48.08	53.30	61.04
6.40	30	5.263	192	33.686	27.80	32.46	35.48	42.86	44.31	52.67	57.80	65.44
6.62	29	5.088	192	33.686	27.91	32.57	35.59	42.97	44.43	52.78	57.92	65.56
6.75	32	5.614	216	37.896	27.20	30.47	38.22	39.73	48.30	53.53	61.28
6.86	28	4.912	192	33.686	28.01	32.67	35.70	43.09	44.54	52.90	58.04	65.68
Length Factor*					1.06	1.08	1.11	1.14	1.16	1.19	1.22	1.25	1.29	1.34

* The belt length correction factor must be used to determine the proper belt width.

NOTES



V-Drives

FHP Drives

Drive Component
Accessories

DYNA-SYNC

HT200/HTD
Synchronous Drives

HTR
Synchronous Drives

HTRC
Synchronous Drives



CONTENTS

HTR/HTRC Synchronous Belt Drives

Specification

HTRC TAPER-LOCK Sprockets	PT13-2
HTRC Metric TAPER-LOCK Sprockets.	PT13-8
HTRC MPB Sprockets	PT13-14
HTRC TAPER-LOCK Nickel Plated Sprockets	PT13-16
HTRC TAPER-LOCK Stainless Steel Sprockes	PT13-20
HTRC TAPER-LOCK/QD ACHE Sprockets.	PT13-23
HTRC Metric TAPER-LOCK/QD ACHE Sprockets	PT13-25
HTRC Idler Sprockets.	PT13-27
HTRC Belts - 8mm	PT13-28
HTRC Belts - 14mm	PT13-29

Selection

HTRC Drive Selection Procedure	PT13-30
HTRC Service Factor	PT13-31
Belt Pitch Selection Guide	PT13-32
Basic HP Ratings - 8mm	PT13-33
Basic HP Ratings - 14mm	PT13-37
8M HTRC Selection Table.	PT13-42
14M HTRC Selection Table.	PT13-72

Engineering/Technical

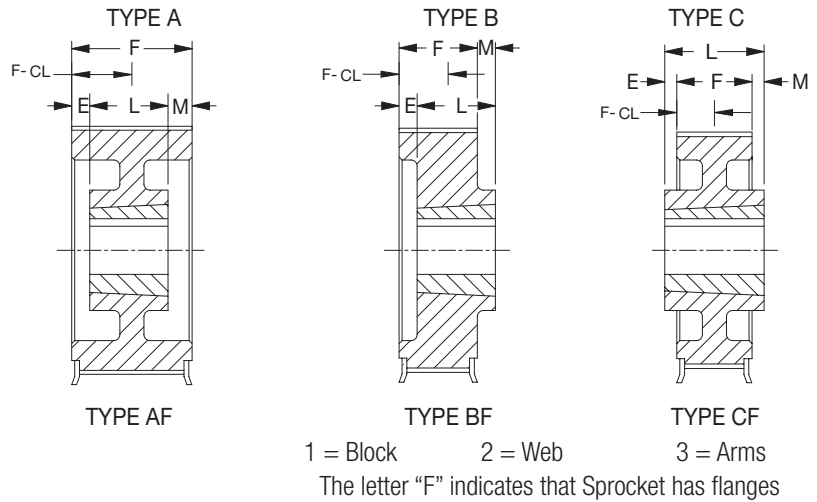
Overhung Load Calculation	P13-97
Installation and Tensioning	P13-99
Drive Alignment.	P13-100
Software: Via-SYNC	P13-102
Troubleshooting	P13-102

Part Number Index	INDEX-1
Keyword Index	INDEX-67



SPECIFICATION

HTRC TAPER-LOCK Sprockets



8M HTRC Sprocket

Sprocket Number	Part No.	No. Of Teeth	Diameters (In.)			Type	Dimensions (In.)			Bore Sizes		Approx. Weight (Lbs.)	Approx. WR ² (Lb-Ft ²)
			P.D.	O.D.	Flange		E	L	M	Min.	Max		
8M-12 F = 0.88 in													
D22-8M-12-1008	482463	22	2.206	2.152	2.610	A1F	0	0.88	0	1/2	1	0.40	0.0025
D25-8M-12-1108	482464	25	2.506	2.452	2.906	A1F	0	0.88	0	1/2	1	0.60	0.0040
D26-8M-12-1108	482465	26	2.607	2.553	2.906	A1F	0	0.88	0	1/2	1	0.60	0.0040
D27-8M-12-1108	482466	27	2.707	2.653	3.207	A1F	0	0.88	0	1/2	1-1/8	0.70	0.0044
D28-8M-12-1108	482467	28	2.807	2.753	3.207	A1F	0	0.88	0	1/2	1-1/8	0.90	0.0100
D29-8M-12-1108	482470	29	2.907	2.853	3.090	A1F	0	0.88	0	1/2	1-1/8	0.90	0.0100
D30-8M-12-1108	482471	30	3.008	2.954	3.408	A1F	0	0.88	0	1/2	1-1/8	1.00	0.0100
D31-8M-12-1210	482472	31	3.108	3.054	3.328	A1F	0	1.00	0	1/2	1-1/4	1.10	0.0100
D32-8M-12-1210	482473	32	3.208	3.154	3.608	A1F	0	1.00	0	1/2	1-1/4	1.10	0.0100
D33-8M-12-1610	482474	33	3.308	3.254	3.566	A1F	0	1.00	0	1/2	1-11/16	1.20	0.0100
D34-8M-12-1610	482475	34	3.409	3.355	3.810	A1F	0	1.00	0	1/2	1-11/16	1.20	0.0100
D35-8M-12-1610	482476	35	3.509	3.455	3.805	A1F	0	1.00	0	1/2	1-11/16	1.40	0.0200
D36-8M-12-1610	482477	36	3.609	3.555	4.009	A1F	0	1.00	0	1/2	1-11/16	1.40	0.0200
D37-8M-12-1610	482478	37	3.709	3.655	4.044	A1F	0	1.00	0	1/2	1-11/16	2.00	0.0300
D38-8M-12-1610	482479	38	3.810	3.756	4.210	A1F	0	1.00	0	1/2	1-11/16	2.30	0.0300
D39-8M-12-1610	482480	39	3.910	3.856	4.410	A1F	0	1.00	0	1/2	1-11/16	2.40	0.0300
D40-8M-12-2012	482481	40	4.010	3.956	4.410	B1F	0	1.25	0.40	1/2	2-1/8	2.50	0.0400
D41-8M-12-2012	482482	41	4.110	4.056	4.410	B1F	0	1.25	0.40	1/2	2-1/8	2.50	0.0400
D42-8M-12-2012	482483	42	4.211	4.157	4.911	B1F	0	1.25	0.40	1/2	2-1/8	2.70	0.0400
D45-8M-12-2012	482484	45	4.511	4.457	4.911	B1F	0	1.25	0.40	1/2	2-1/8	3.00	0.0500
D48-8M-12-2012	482485	48	4.812	4.758	5.212	B1F	0	1.25	0.40	1/2	2-1/8	3.50	0.0700
D50-8M-12-2012	482486	50	5.013	4.959	5.413	B1F	0	1.25	0.40	1/2	2-1/8	3.60	0.0900
D53-8M-12-2012	482487	53	5.314	5.259	5.500	B1F	0	1.25	0.40	1/2	2-1/8	4.20	0.1100
D56-8M-12-2012	482488	56	5.614	5.560	6.014	B1F	0	1.25	0.40	1/2	2-1/8	4.70	0.1300
D60-8M-12-2012	482489	60	6.015	5.961	6.415	B1F	0	1.25	0.40	1/2	2-1/8	5.48	0.1700
D63-8M-12-2012	482490	63	6.316	6.262	6.716	B2F	0	1.25	0.40	1/2	2-1/8	6.10	0.2100
D67-8M-12-2012	482491	67	6.717	6.663	6.875	B2F	0	1.25	0.40	1/2	2-1/8	6.30	0.2600
D71-8M-12-2012	482492	71	7.118	7.064	7.500	B2F	0	1.25	0.40	1/2	2-1/8	6.30	0.2600
D75-8M-12-2012	482493	75	7.519	7.465	7.919	B2F	0	1.25	0.40	1/2	2-1/8	6.90	0.3100
D80-8M-12-2012	482494	80	8.020	7.966	8.420	B2F	0	1.25	0.40	1/2	2-1/8	8.00	0.4200
D90-8M-12-2012	482495	90	9.023	8.969	---	B2	0	1.25	0.40	1/2	2-1/8	9.70	0.6500
D112-8M-12-2012	482496	112	11.229	11.175	---	B2	0	1.25	0.40	1/2	2-1/8	15.40	1.6700
D140-8M-12-2012	482497	140	14.036	13.982	---	B3	0	1.25	0.40	1/2	2-1/8	10.30	1.2000
D180-8M-12-2517	482498	180	18.046	17.992	---	B3	0	1.75	0.90	1/2	2-11/16	16.10	2.9300
D224-8M-12-2517	482499	224	22.457	22.4.3	---	B3	0	1.75	0.90	1/2	2-11/16	22.00	6.3100



SPECIFICATION

HTRC TAPER-LOCK Sprockets (Continued)

8M HTRC Sprockets

Sprocket Number	Part No.	No. Of Teeth	Diameters (In.)			Type	Dimensions (In.)			Bore Sizes		Approx. Weight (Lbs.)	Approx. WR ² (Lb-Ft ²)
			P.D.	O.D.	Flange		E	L	M	Min.	Max.		
8M-22 F = 1.25 in													
D22-8M-22-1008	482503	22	2.206	2.152	2.606	A1F	0	0.88	0.32	1/2	1	0.40	0.0025
D25-8M-22-1108	482504	25	2.506	2.452	2.906	A1F	0	0.88	0.32	1/2	1-1/8	0.60	0.0040
D26-8M-22-1108	482505	26	2.607	2.553	2.906	A1F	0	0.88	0.32	1/2	1-1/8	0.70	0.0044
D27-8M-22-1108	482506	27	2.707	2.653	3.207	A1F	0	0.88	0.32	1/2	1-1/8	0.80	0.0100
D28-8M-22-1108	482507	28	2.807	2.753	3.207	A1F	0	0.88	0.32	1/2	1-1/8	1.00	0.0100
D29-8M-22-1108	482508	29	2.907	2.853	3.207	A1F	0	0.88	0.32	1/2	1-1/8	1.10	0.0100
D30-8M-22-1108	482509	30	3.008	2.954	3.408	A1F	0	0.88	0.32	1/2	1-1/8	1.20	0.0100
D31-8M-22-1210	482510	31	3.108	3.054	3.328	A1F	0	1.00	0.20	1/2	1-1/4	1.20	0.0100
D32-8M-22-1210	482511	32	3.208	3.145	3.608	A1F	0	1.00	0.20	1/2	1-1/4	1.30	0.0100
D33-8M-22-1610	482512	33	3.308	3.254	3.566	A1F	0	1.00	0.20	1/2	1-11/16	1.30	0.0100
D34-8M-22-1610	482513	34	3.409	3.355	3.810	A1F	0	1.00	0.20	1/2	1-11/16	1.40	0.0100
D35-8M-22-1610	482514	35	3.509	3.455	3.805	A1F	0	1.00	0.20	1/2	1-11/16	1.40	0.0100
D36-8M-22-1610	482515	36	3.609	3.555	4.009	A1F	0	1.00	0.20	1/2	1-11/16	1.50	0.0200
D37-8M-22-1610	482516	37	3.709	3.655	4.044	A1F	0	1.00	0.20	1/2	1-11/16	1.60	0.0200
D38-8M-22-1610	482517	38	3.810	3.756	4.210	A1F	0	1.00	0.20	1/2	1-11/16	1.80	0.0300
D39-8M-22-1610	482518	39	3.910	3.856	4.410	A1F	0	1.00	0.20	1/2	1-11/16	1.90	0.0300
D40-8M-22-2012	482519	40	4.010	3.956	4.410	A1F	0	1.25	0	1/2	2-1/8	2.20	0.0300
D41-8M-22-2012	482520	41	4.110	4.056	4.520	A1F	0	1.25	0	1/2	2-1/8	2.30	0.0400
D42-8M-22-2012	482521	42	4.211	4.157	4.911	A1F	0	1.25	0	1/2	2-1/8	3.00	0.0500
D45-8M-22-2012	482522	45	4.511	4.457	4.911	A1F	0	1.25	0	1/2	2-1/8	3.40	0.0700
D48-8M-22-2012	482523	48	4.812	4.758	5.212	A1F	0	1.25	0	1/2	2-1/8	3.50	0.0800
D50-8M-22-2012	482524	50	5.013	4.959	5.413	A1F	0	1.25	0	1/2	2-1/8	3.90	0.1000
D53-8M-22-2012	482525	53	5.314	5.259	5.500	A1F	0	1.25	0	1/2	2-1/8	4.70	0.1300
D56-8M-22-2012	482526	56	5.614	5.560	6.014	A1F	0	1.25	0	1/2	2-1/8	5.50	0.1600
D60-8M-22-2012	482527	60	6.015	5.961	6.415	A1F	0	1.25	0	1/2	2-1/8	6.60	0.2200
D63-8M-22-2012	482528	63	6.316	6.262	6.716	B2F	0	1.25	0.05	1/2	2-1/8	7.50	0.2800
D67-8M-22-2517	482529	67	6.717	6.663	6.875	B2F	0	1.75	0.55	1/2	2-11/16	9.10	0.3900
D71-8M-22-2517	482530	71	7.118	7.064	7.500	B2F	0	1.75	0.55	1/2	2-11/16	10.50	0.4900
D75-8M-22-2517	482531	75	7.519	7.465	7.919	B2F	0	1.75	0.55	1/2	2-11/16	8.70	0.4200
D80-8M-22-2517	482532	80	8.020	7.966	8.420	B2F	0	1.75	0.55	1/2	2-11/16	9.60	0.5200
D90-8M-22-2517	482533	90	9.023	8.969	---	B2	0	1.75	0.55	1/2	2-11/16	11.40	0.7700
D112-8M-22-2517	482534	112	11.229	11.175	---	B2	0	1.75	0.55	1/2	2-11/16	16.30	1.6900
D140-8M-22-2517	482535	140	14.036	13.982	---	B3	0	1.75	0.55	1/2	2-11/16	22.90	4.1400
D180-8M-22-3020	482536	180	18.046	17.992	---	B3	0	2.00	0.80	7/8	3-1/4	33.80	10.3500
D224-8M-22-3020	482537	224	22.457	22.403	---	B3	0	2.00	0.80	7/8	3-1/4	46.00	21.7000
8M-35 F = 1.86 in													
D32-8M-35-1210	482542	32	3.208	3.154	3.608	A1F	0	1.00	0.86	1/2	1-1/4	1.60	0.0200
D33-8M-35-1610	482543	33	3.308	3.254	3.566	A1F	0	1.00	0.86	1/2	1-11/16	1.60	0.0200
D34-8M-35-1610	482544	34	3.409	3.355	3.810	A1F	0	1.00	0.86	1/2	1-11/16	1.60	0.0200
D35-8M-35-1610	482545	35	3.509	3.455	3.805	A1F	0	1.00	0.86	1/2	1-11/16	1.70	0.0200
D36-8M-35-1610	482546	36	3.609	3.546	4.009	A1F	0	1.00	0.86	1/2	1-11/16	1.90	0.0300
D37-8M-35-1610	482547	37	3.709	3.655	4.044	A1F	0	1.00	0.86	1/2	1-11/16	2.00	0.0300
D38-8M-35-1610	482548	38	3.810	3.756	4.210	A1F	0	1.00	0.86	1/2	1-11/16	2.20	0.0300
D39-8M-35-1610	482549	39	3.910	3.856	4.410	A1F	0	1.00	0.86	1/2	1-11/16	2.40	0.0400
D40-8M-35-2012	482550	40	4.010	3.956	4.410	A1F	0	1.25	0.61	1/2	2-1/8	3.00	0.0500
D41-8M-35-2012	482551	41	4.110	4.047	4.520	A1F	0	1.25	0.61	1/2	2-1/8	3.20	0.0600
D42-8M-35-2012	482552	42	4.211	4.148	4.911	A1F	0	1.25	0.61	1/2	2-1/8	3.30	0.0600
D45-8M-35-2012	482553	45	4.511	4.457	4.911	A1F	0	1.25	0.61	1/2	2-1/8	3.40	0.0700
D48-8M-35-2012	482554	48	4.812	4.758	5.212	A1F	0	1.25	0.61	1/2	2-1/8	4.00	0.1000

FEATURES/BENEFITS PAGE PT12-2	SELECTIONS PAGE PT13-30	ENGINEERING/TECHNICAL PAGE PT13-96	
----------------------------------	----------------------------	---------------------------------------	--



SPECIFICATION

HTRC TAPER-LOCK Sprockets (Continued)

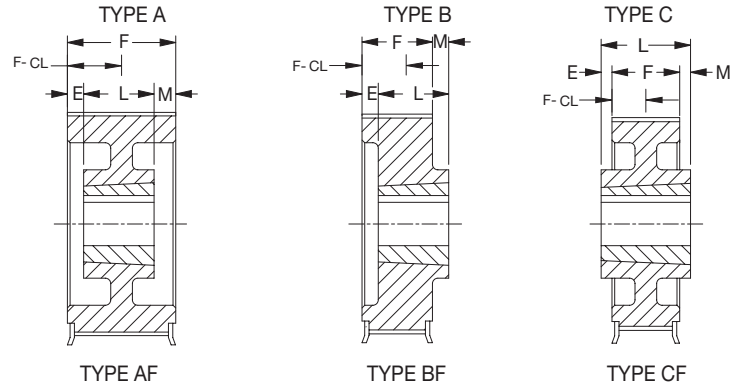
8M HTRC Sprockets

Sprocket Number	Part No.	No. Of Teeth	Diameters (In.)			Type	Dimensions (In.)			Bore Sizes		Approx. Weight (Lbs.)	Approx. WR ² (Lb-Ft ²)
			P.D.	O.D.	Flange		E	L	M	Min.	Max		
8M-35 F = 1.86 in													
D50-8M-35-2012	482555	50	5.013	4.959	5.413	A1F	0	1.25	0.61	1/2	2-1/8	4.50	0.1200
D53-8M-35-2012	482556	53	5.314	5.259	5.500	A1F	0	1.25	0.61	1/2	2-1/8	5.30	0.1500
D56-8M-35-2012	482557	56	5.614	5.560	6.014	A1F	0	1.25	0.61	1/2	2-1/8	6.10	0.1900
D60-8M-35-2517	482558	60	6.015	5.961	6.415	A1F	0	1.75	0.11	1/2	2-11/16	8.10	0.3000
D63-8M-35-2517	482559	63	6.316	6.262	6.716	A1F	0	1.75	0.11	1/2	2-11/16	9.30	0.3800
D67-8M-35-2517	482560	67	6.717	6.663	6.875	A2F	0	1.75	0.11	1/2	2-11/16	11.10	0.5000
D71-8M-35-2517	482561	71	7.118	7.064	7.500	A2F	0	1.75	0.11	1/2	2-11/16	13.00	0.6400
D75-8M-35-2517	482562	75	7.519	7.465	7.919	A2F	0	1.75	0.11	1/2	2-11/16	13.30	0.7000
D80-8M-35-3020	482563	80	8.020	7.966	8.420	B1F	0	2.00	0.14	7/8	3-1/4	16.50	1.0900
D90-8M-35-3020	482564	90	9.023	8.969	---	B2	0	2.00	0.14	7/8	3-1/4	17.10	1.2800
D112-8M-35-3020	482565	112	11.229	11.175	---	B2	0	2.00	0.14	7/8	3-1/4	22.00	2.6300
D140-8M-35-3020	482566	140	14.036	13.982	---	B3	0	2.00	0.14	7/8	3-1/4	33.90	6.2100
D180-8M-35-3020	482567	180	18.046	17.992	---	B3	0	2.00	0.14	7/8	3-1/4	50.40	15.9300
D224-8M-35-3525	482568	224	22.457	22.403	---	B3	0	2.25	0.64	1-3/16	3-15/16	82.50	35.0900
8M-60 F = 2.82 in													
D34-8M-60-1610	482576	34	3.409	3.346	3.810	A1F	0	1.00	1.91	1/2	1-11/16	5.00	0.03
D36-8M-60-1610	482577	36	3.609	3.546	4.009	A1F	0	1.00	1.91	1/2	1-11/16	5.30	0.03
D38-8M-60-1610	482578	28	3.812	3.747	4.210	A1F	0	1.00	1.91	1/2	1-11/16	5.60	0.04
D40-8M-60-2012	482579	40	4.010	3.947	4.410	A1F	0	1.25	1.66	1/2	2-1/8	5.90	0.05
D42-8M-60-2012	482580	42	4.211	4.148	4.911	A1F	0	1.25	1.66	1/2	2-1/8	6.14	0.06
D45-8M-60-2012	482581	45	4.511	4.448	4.911	A1F	0	1.25	1.66	1/2	2-1/8	6.50	0.10
D48-8M-60-2517	482582	48	4.812	4.749	5.212	A1F	0	1.75	1.16	1/2	2-11/16	6.60	0.13
D50-8M-60-2517	482583	50	5.013	4.950	5.413	A1F	0	1.75	1.16	1/2	2-11/16	6.70	0.16
D53-8M-60-2517	482584	53	5.314	5.251	5.500	A1F	0	1.75	1.16	1/2	2-11/16	6.90	0.24
D56-8M-60-2517	482585	56	5.614	5.551	6.014	A1F	0	1.75	1.16	1/2	2-11/16	7.20	0.27
D60-8M-60-3020	482586	60	6.015	5.952	6.415	A1F	0	2.00	0.91	7/8	3-1/4	8.90	0.34
D63-8M-60-3020	482587	63	6.316	6.253	6.716	A1F	0	2.00	0.91	7/8	3-1/4	10.30	0.43
D67-8M-60-3020	482588	67	6.717	6.654	6.875	A1F	0	2.00	0.91	7/8	3-1/4	11.00	0.65
D71-8M-60-3020	482589	71	7.118	7.055	7.500	A1F	0	2.00	0.91	7/8	3-1/4	13.50	0.76
D75-8M-60-3020	482590	75	7.519	7.456	7.919	A1F	0	2.00	0.91	7/8	3-1/4	15.40	0.94
D80-8M-60-3020	482591	80	8.020	7.957	8.420	A1F	0	2.00	0.91	7/8	3-1/4	23.00	1.33
D90-8M-60-3020	482592	90	9.023	8.960	---	A2	0	2.00	0.91	7/8	3-1/4	32.70	2.36
D112-8M-60-3020	482593	112	11.229	11.166	---	A2	0	2.00	0.91	7/8	3-1/4	38.90	3.95
D140-8M-60-3525	482594	140	14.036	13.973	---	A2	0	2.25	0.66	1-3/16	3-15/16	54.50	9.91
D180-8M-60-3525	482595	180	18.046	17.983	---	A3	0	2.25	0.66	1-3/16	3-15/16	68.20	25.63
D224-8M-60-3525	482596	224	22.457	22.394	---	A3	0	2.25	0.66	1-3/16	3-15/16	92.30	56.29

SPECIFICATION



HTRC TAPER-LOCK Sprockets



1 = Block 2 = Web 3 = Arms

14M HTRC Sprockets

The letter "F" indicates that Sprocket has flanges

Sprocket Number	Part No.	No. Of Teeth	Diameters (In.)			Type	Dimensions (In.)			Bore Sizes		Approx. Weight (Lbs.)	Approx. WR ² (Lb-Ft ²)
			P.D.	O.D.	Flange		E	L	M	Min.	Max.		
14M-20			F = 1.36 in										
D28-14M-20-2012	482597	28	4.912	4.802	5.402	A1F	0	1.25	0.11	1/2	2-1/8	3.90	0.07
D29-14M-20-2012	482598	29	5.088	4.978	5.763	A1F	0	1.25	0.11	1/2	2-1/8	4.50	0.09
D30-14M-20-2012	482599	30	5.263	5.153	5.763	A1F	0	1.25	0.11	1/2	2-1/8	4.80	0.10
D31-14M-20-2012	482600	31	5.439	5.329	6.114	A1F	0	1.25	0.11	1/2	2-1/8	5.50	0.12
D32-14M-20-2012	482601	32	5.614	5.504	6.114	A1F	0	1.25	0.11	1/2	2-1/8	5.90	0.14
D33-14M-20-2012	482602	33	5.790	5.680	6.465	A1F	0	1.25	0.11	1/2	2-1/8	6.30	0.16
D34-14M-20-2012	482603	34	5.965	5.855	6.465	A1F	0	1.25	0.11	1/2	2-1/8	6.90	0.19
D35-14M-20-2012	482604	35	6.141	6.031	6.816	A1F	0	1.25	0.11	1/2	2-1/8	7.30	0.22
D36-14M-20-2517	482605	36	6.316	6.206	6.816	B1F	0	1.75	0.39	1/2	2-11/16	7.60	0.27
D37-14M-20-2517	482606	37	6.492	6.382	7.167	B1F	0	1.75	0.39	1/2	2-11/16	8.20	0.31
D38-14M-20-2517	482607	38	6.667	6.557	7.167	B1F	0	1.75	0.39	1/2	2-11/16	8.82	0.34
D39-14M-20-2517	482608	39	6.842	6.732	7.518	B1F	0	1.75	0.39	1/2	2-11/16	9.80	0.39
D40-14M-20-2517	482609	40	7.018	6.908	7.518	B1F	0	1.75	0.39	1/2	2-11/16	10.11	0.43
D43-14M-20-2517	482610	43	7.544	7.434	8.044	B1F	0	1.75	0.39	1/2	2-11/16	11.67	0.58
D45-14M-20-3020	482611	45	7.895	7.785	8.395	B1F	0	2.00	0.64	7/8	3-1/4	13.50	0.78
D48-14M-20-3020	482612	48	8.421	8.311	8.941	B1F	0	2.00	0.64	7/8	3-1/4	16.44	1.01
D50-14M-20-3020	482613	50	8.772	8.662	9.292	B1F	0	2.00	0.64	7/8	3-1/4	18.25	1.18
D53-14M-20-3020	482614	53	9.299	9.189	9.688	B1F	0	2.00	0.64	7/8	3-1/4	20.50	1.49
D56-14M-20-3525	482615	56	9.825	9.715	10.355	B1F	0	2.50	1.14	1-3/16	3-15/16	23.15	2.75
D60-14M-20-3525	482616	60	10.527	10.417	11.067	B1F	0	2.50	1.14	1-3/16	3-15/16	27.45	3.36
D63-14M-20-3525	482617	63	11.053	10.943	11.593	B1F	0	2.50	1.14	1-3/16	3-15/16	30.19	3.90
D67-14M-20-3525	482618	67	11.755	11.645	12.500	B1F	0	2.50	1.14	1-3/16	3-15/16	31.25	4.76
D71-14M-20-3525	482619	71	12.457	12.347	13.066	B2F	0	2.50	1.14	1-3/16	3-15/16	32.51	4.45
D75-14M-20-3525	482620	75	13.158	13.048	13.731	B2F	0	2.50	1.14	1-3/16	3-15/16	36.15	5.13
D80-14M-20-3525	482621	80	14.036	13.926	14.620	B2F	0	2.50	1.14	1-3/16	3-15/16	38.72	6.06
D90-14M-20-3525	482622	90	15.790	15.680	---	B2	0	2.50	1.14	1-3/16	3-15/16	41.29	8.59
D112-14M-20-3525	482623	112	19.650	19.540	---	B3	0	2.50	1.14	1-3/16	3-15/16	59.60	22.67
D126-14M-20-3525	482624	126	22.106	21.996	---	B3	0	2.50	1.14	1-3/16	3-15/16	58.10	14.57
D140-14M-20-3525	482625	140	24.562	24.452	---	B3	0	2.50	1.00	1-3/16	3-15/16	94.80	39.93
D154-14M-20-3525	482626	154	27.019	26.909	---	B3	0	2.50	1.14	1-3/16	3-15/16	73.40	47.24
D168-14M-20-3525	482627	168	29.475	29.365	---	B3	0	2.50	1.00	1-3/16	3-15/16	99.50	73.33
D180-14M-20-3525	482628	180	31.580	31.470	---	B3	0	2.50	1.00	1-3/16	3-15/16	107.30	92.48
D200-14M-20-3525	482629	200	35.089	34.979	---	B3	0	2.50	1.00	1-3/16	3-15/16	119.00	131.99
D224-14M-20-4030	482630	224	39.300	39.190	---	B3	0	3.00	1.50	1-7/16	4-7/16	150.20	195.31
14M-42			F = 2.06 in										
D28-14M-42-2012	482631	28	4.912	4.802	5.402	A1F	0	1.25	0.81	1/2	2-1/8	4.80	0.11
D29-14M-42-2517	482632	29	5.088	4.978	5.763	A1F	0	1.75	0.31	1/2	2-11/16	4.70	0.12
D31-14M-42-2517	482634	31	5.439	5.329	6.114	A1F	0	1.75	0.31	1/2	2-11/16	6.10	0.17
D32-14M-42-2517	482635	32	5.614	5.504	6.114	A1F	0	1.75	0.31	1/2	2-11/16	6.70	0.20
D33-14M-42-2517	482636	33	5.790	5.680	6.465	A1F	0	1.75	0.31	1/2	2-11/16	7.40	0.24

FEATURES/BENEFITS PAGE PT12-2	SELECTIONS PAGE PT13-30	ENGINEERING/TECHNICAL PAGE PT13-96	
----------------------------------	----------------------------	---------------------------------------	--



SPECIFICATION

HTRC TAPER-LOCK Sprockets (Continued)

14M HTRC Sprockets

Sprocket Number	Part No.	No. Of Teeth	Diameters (In.)			Type	Dimensions (In.)			Bore Sizes		Approx. Weight (Lbs.)	Approx. WR^2 (Lb-Ft^2)
			P.D.	O.D.	Flange		E	L	M	Min.	Max		
14M-42 F = 2.06 in													
D31-14M-42-2517	482634	31	5.439	5.329	6.114	A1F	0	1.75	0.31	1/2	2-11/16	6.10	0.17
D32-14M-42-2517	482635	32	5.614	5.504	6.114	A1F	0	1.75	0.31	1/2	2-11/16	6.70	0.20
D33-14M-42-2517	482636	33	5.790	5.680	6.465	A1F	0	1.75	0.31	1/2	2-11/16	7.40	0.24
D34-14M-42-2517	482637	34	5.965	5.855	6.465	A1F	0	1.75	0.31	1/2	2-11/16	8.20	0.28
D35-14M-42-2517	482638	35	6.141	6.031	6.816	A1F	0	1.75	0.31	1/2	2-11/16	8.90	0.32
D36-14M-42-2517	482639	36	6.316	6.206	6.816	A1F	0	1.75	0.31	1/2	2-11/16	9.60	0.36
D37-14M-42-2517	482640	37	6.492	6.382	7.167	A1F	0	1.75	0.31	1/2	2-11/16	10.40	0.41
D38-14M-42-3020	482641	38	6.667	6.557	7.167	A1F	0	2.00	0.06	7/8	3-1/4	9.50	0.44
D39-14M-42-3020	482642	39	6.842	6.732	7.518	A1F	0	2.00	0.06	7/8	3-1/4	10.40	0.50
D40-14M-42-3020	482643	40	7.018	6.908	7.518	A1F	0	2.00	0.06	7/8	3-1/4	11.40	0.57
D43-14M-42-3020	482644	43	7.544	7.434	8.044	A1F	0	2.00	0.06	7/8	3-1/4	14.30	0.81
D45-14M-42-3020	482645	45	7.895	7.785	8.395	A1F	0	2.00	0.06	7/8	3-1/4	16.90	1.00
D48-14M-42-3020	482646	48	8.421	8.311	8.941	A1F	0	2.00	0.06	7/8	3-1/4	19.80	1.34
D50-14M-42-3020	482647	50	8.772	8.662	9.292	A1F	0	2.00	0.06	7/8	3-1/4	22.10	1.61
D53-14M-42-3020	482648	53	9.299	9.189	9.688	A1F	0	2.00	0.06	7/8	3-1/4	25.82	2.09
D56-14M-42-3525	482649	56	9.825	9.715	10.355	B1F	0	2.50	0.44	1-3/16	3-15/16	32.00	3.02
D60-14M-42-3525	482650	60	10.527	10.417	11.067	B1F	0	2.50	0.44	1-3/16	3-15/16	38.20	4.02
D63-14M-42-3525	482651	63	11.053	10.943	11.593	B1F	0	2.50	0.44	1-3/16	3-15/16	43.10	4.92
D67-14M-42-3525	482652	67	11.755	11.645	12.500	B1F	0	2.50	0.44	1-3/16	3-15/16	50.10	6.35
D71-14M-42-3525	482653	71	12.457	12.347	13.066	B2F	0	2.50	0.44	1-3/16	3-15/16	42.10	5.43
D75-14M-42-3525	482654	75	13.158	13.048	13.731	B2F	0	2.50	0.44	1-3/16	3-15/16	44.40	6.26
D80-14M-42-3525	482655	80	14.036	13.926	14.620	B2F	0	2.50	0.44	1-3/16	3-15/16	47.50	7.47
D90-14M-42-3525	482656	90	15.790	15.680	---	B2	0	2.50	0.44	1-3/16	3-15/16	54.10	10.62
D112-14M-42-3525	482657	112	19.650	19.540	---	B3	0	2.50	0.44	1-3/16	3-15/16	90.50	29.37
D126-14M-42-3525	482658	126	22.106	21.996	---	B3	0	2.50	0.44	1-3/16	3-15/16	79.60	24.70
D140-14M-42-3525	482659	140	24.562	24.452	---	B3	0	2.50	0.44	1-3/16	3-15/16	127.70	67.36
D154-14M-42-3525	482660	154	27.019	26.909	---	B3	0	2.50	0.44	1-3/16	3-15/16	105.80	48.94
D168-14M-42-4030	482661	168	29.475	29.365	---	B3	0	3.00	0.94	1-7/16	4-7/16	179.00	131.27
D180-14M-42-4030	482662	180	31.580	31.470	---	B3	0	3.00	0.94	1-7/16	4-7/16	196.20	165.50
D200-14M-42-4030	482663	200	35.089	34.979	---	B3	0	3.00	0.94	1-7/16	4-7/16	226.30	236.04
D224-14M-42-4030	482664	224	39.300	39.190	---	B3	0	3.00	0.94	1-7/16	4-7/16	265.10	346.24
14M-65 F = 3.33 in													
D28-14M-65-2517	482665	28	4.912	4.802	5.402	A1F	0	1.75	1.58	1/2	2-11/16	5.90	0.14
D29-14M-65-2517	482666	29	5.088	4.978	5.763	A1F	0	1.75	1.58	1/2	2-11/16	6.60	0.17
D30-14M-65-2517	482667	30	5.263	5.153	5.763	A1F	0	1.75	1.58	1/2	2-11/16	7.30	0.20
D31-14M-65-2517	482668	31	5.439	5.329	6.114	A1F	0	1.75	1.58	1/2	2-11/16	8.00	0.23
D32-14M-65-2517	482669	32	5.614	5.504	6.114	A1F	0	1.75	1.58	1/2	2-11/16	8.70	0.27
D33-14M-65-2517	482670	33	5.790	5.680	6.465	A1F	0	1.75	1.58	1/2	2-11/16	9.50	0.31
D34-14M-65-2517	482671	34	5.965	5.855	6.465	A1F	0	1.75	1.58	1/2	2-11/16	10.30	0.36
D35-14M-65-3020	482672	35	6.141	6.031	6.816	A1F	0	2.00	1.33	7/8	3-1/4	8.80	0.36
D36-14M-65-3020	482673	36	6.316	6.206	6.816	A1F	0	2.00	1.33	7/8	3-1/4	9.80	0.42
D37-14M-65-3020	482674	37	6.492	6.382	7.167	A1F	0	2.00	1.33	7/8	3-1/4	11.00	0.49
D38-14M-65-3020	482675	38	6.667	6.557	7.167	A1F	0	2.00	1.33	7/8	3-1/4	11.90	0.56
D39-14M-65-3020	482676	39	6.842	6.732	7.518	A1F	0	2.00	1.33	7/8	3-1/4	12.90	0.63
D40-14M-65-3020	482677	40	7.018	6.908	7.518	A1F	0	2.00	1.33	7/8	3-1/4	13.90	0.72
D43-14M-65-3020	482678	43	7.544	7.434	8.044	A1F	0	2.00	1.33	7/8	3-1/4	17.20	1.00
D45-14M-65-3020	482679	45	7.895	7.785	8.395	A1F	0	2.00	1.33	7/8	3-1/4	19.40	1.22
D48-14M-65-3525	482680	48	8.421	8.311	8.941	A1F	0	2.50	0.83	1-3/16	3-15/16	22.60	1.71
D50-14M-65-3525	482681	50	8.772	8.662	9.292	A1F	0	2.50	0.83	1-3/16	3-15/16	25.40	2.05
D53-14M-65-3525	482682	53	9.299	9.189	9.688	A1F	0	2.50	0.83	1-3/16	3-15/16	30.40	2.69
D56-14M-65-3525	482683	56	9.825	9.715	10.355	A1F	0	2.50	0.83	1-3/16	3-15/16	35.40	3.44
D60-14M-65-3525	482684	60	10.527	10.417	11.067	A1F	0	2.50	0.83	1-3/16	3-15/16	42.50	4.64
D63-14M-65-3525	482685	63	11.053	10.943	11.593	A1F	0	2.50	0.83	1-3/16	3-15/16	48.20	5.71

FEATURES/BENEFITS PAGE PT12-2	SELECTIONS PAGE PT13-30	ENGINEERING/TECHNICAL PAGE PT13-96	
----------------------------------	----------------------------	---------------------------------------	--

V-Drives

FHP Drives

Drive Component Accessories

DYNA-SYNC

HT200/HTD Synchronous Drives

HTR Synchronous Drives

HTRC Synchronous Drives



SPECIFICATION

HTRC TAPER-LOCK Sprockets (Continued)

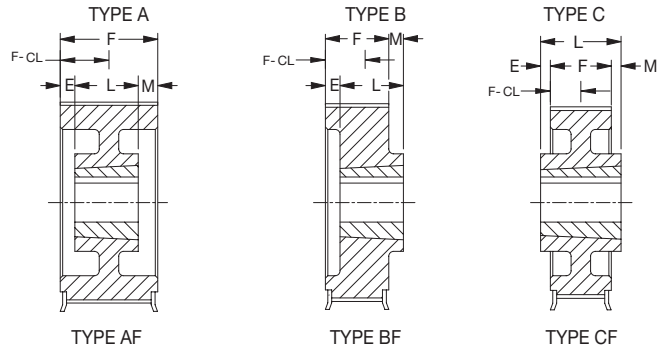
14M HTRC Sprockets

Sprocket Number	Part No.	No. Of Teeth	Diameters (In.)			Type	Dimensions (In.)			Bore Sizes		Approx. Weight (Lbs.)	Approx. WR ² (Lb-Ft ²)
			P.D.	O.D.	Flange		E	L	M	Min.	Max		
14M-65			F = 3.33 in										
D67-14M-65-3525	482686	67	11.755	11.645	12.500	A2F	0	2.50	0.83	1-3/16	3-15/16	56.20	7.42
D71-14M-65-3525	482687	71	12.457	12.347	13.066	A2F	0	2.50	0.83	1-3/16	3-15/16	64.70	9.47
D75-14M-65-3525	482688	75	13.158	13.048	13.731	A2F	0	2.50	0.83	1-3/16	3-15/16	73.60	11.91
D80-14M-65-3525	482689	80	14.036	13.926	14.620	A2F	0	2.50	0.83	1-3/16	3-15/16	55.00	9.42
D90-14M-65-4030	482690	90	15.790	15.680	---	A2	0	3.00	0.33	1-7/16	4-7/16	75.30	15.64
D112-14M-65-4030	482691	112	19.650	19.540	---	A3	0	3.00	0.33	1-7/16	4-7/16	127.50	42.74
D140-14M-65-4030	482692	140	24.562	24.452	---	A3	0	3.00	0.33	1-7/16	4-7/16	178.90	96.73
D168-14M-65-4535	482693	168	29.475	29.365	---	B3	0	3.50	0.17	1-15/16	4-15/16	246.3	193.73
D180-14M-65-4535	482694	180	31.580	31.470	---	B3	0	3.50	0.17	1-15/16	4-15/16	273.0	250.98
D200-14M-65	482695	200	35.089	34.979	---	B3	0	3.50	0.17	1-15/16	4-15/16	316.9	356.78
D224-14M-65-5040	482696	224	39.300	39.190	---	B3	0	4.00	0.67	2-7/16	5	378.20	529.62
14M-90			F = 4.20 in										
D35-14M-90-3020	482704	35	6.141	6.031	6.816	A1F	0	2.00	2.20	7/8	3-1/4	22.90	0.41
D36-14M-90-3020	482705	36	6.316	6.206	6.816	A1F	0	2.00	2.20	7/8	3-1/4	23.10	0.51
D37-14M-90-3020	482706	37	6.492	6.382	7.167	A1F	0	2.00	2.20	7/8	3-1/4	23.40	0.55
D38-14M-90-3020	482707	38	6.667	6.557	7.167	A1F	0	2.00	2.20	7/8	3-1/4	23.70	0.66
D39-14M-90-3020	482708	39	6.842	6.732	7.518	A1F	0	2.00	2.20	7/8	3-1/4	24.00	0.72
D40-14M-90-3020	482709	40	7.018	6.908	7.518	A1F	0	2.00	2.20	7/8	3-1/4	24.30	0.86
D43-14M-90-3525	482710	43	7.544	7.434	8.044	A1F	0	2.50	1.70	1-3/16	3-15/16	24.70	1.17
D45-14M-90-3525	482711	45	7.895	7.785	8.395	A1F	0	2.50	1.70	1-3/16	3-15/16	27.30	1.48
D48-14M-90-3525	482712	48	8.421	8.311	8.941	A1F	0	2.50	1.70	1-3/16	3-15/16	29.30	1.98
D50-14M-90-3525	482713	50	8.772	8.662	9.292	A1F	0	2.50	1.70	1-3/16	3-15/16	33.40	2.31
D53-14M-90-3525	482714	53	9.299	9.189	9.688	A1F	0	2.50	1.70	1-3/16	3-15/16	42.10	3.06
D56-14M-90-4030	482715	56	9.825	9.715	10.355	A1F	0	3.00	1.20	1-7/16	4-7/16	46.80	4.10
D60-14M-90-4030	482716	60	10.527	10.417	11.067	A1F	0	3.00	1.20	1-7/16	4-7/16	50.45	5.57
D63-14M-90-4030	482717	63	11.053	10.943	11.593	A1F	0	3.00	1.20	1-7/16	4-7/16	64.60	6.89
D67-14M-90-4030	482718	67	11.755	11.645	12.500	A1F	0	3.00	1.20	1-7/16	4-7/16	70.00	6.89
D71-14M-90-4030	482719	71	12.457	12.347	13.066	A1F	0	3.00	1.20	1-7/16	4-7/16	85.00	9.32
D75-14M-90-4030	482720	75	13.158	13.048	13.731	A2F	0	3.00	1.20	1-7/16	4-7/16	86.70	11.28
D80-14M-90-4030	482721	80	14.036	13.926	14.620	A2F	0	3.00	1.20	1-7/16	4-7/16	88.00	13.06
D90-14M-90-4030	482722	90	15.790	15.680	---	A2	0	3.00	1.20	1-7/16	4-7/16	124.20	18.56
D112-14M-90-4535	482726	112	19.650	19.540	---	A3	0	3.50	0.70	1-15/16	4-15/16	197.90	60.39
D140-14M-90-5040	482727	140	24.562	24.452	---	A3	0	4.00	0.20	2-7/16	5	240.00	128.68
D168-14M-90-6050	482728	168	29.475	29.365	---	B3	0	5.00	0.80	4-7/16	6	327.30	284.92
D180-14M-90-6050	482729	180	31.580	31.470	---	B3	0	5.00	0.80	4-7/16	6	335.90	358.33
D200-14M-90-6050	482730	200	35.089	34.979	---	B3	0	5.00	0.80	4-7/16	6	344.50	516.19
D224-14M-90-6050	482731	224	39.300	39.190	---	B3	0	5.00	0.80	4-7/16	6	589.00	742.51
14M-120			F = 5.61 in										
D50-14M-120-4535	482748	50	8.772	8.662	9.292	A1F	0	3.50	2.11	1-15/16	4-15/16	39.40	2.68
D52-14M-120-4535	482749	52	9.123	9.013	9.687	A1F	0	3.50	2.11	1-15/16	4-15/16	48.20	3.45
D53-14M-120-4535	482750	53	9.299	9.189	9.688	A1F	0	3.50	2.11	1-15/16	4-15/16	50.10	3.68
D56-14M-120-4535	482751	56	9.825	9.715	10.355	A1F	0	3.50	2.11	1-15/16	4-15/16	52.60	4.79
D60-14M-120-4535	482752	60	10.527	10.417	11.067	A1F	0	3.50	2.11	1-15/16	4-15/16	63.30	6.57
D63-14M-120-4535	482753	63	11.053	10.943	11.593	A1F	0	3.50	2.11	1-15/16	4-15/16	77.20	8.16
D67-14M-120-4535	482754	67	11.755	11.645	12.500	A1F	0	3.50	2.11	1-15/16	4-15/16	93.80	11.23
D71-14M-120-5040	482755	71	12.457	12.347	13.066	A1F	0	4.00	1.61	2-7/16	5	113.20	14.9
D75-14M-120-5040	482756	75	13.158	13.048	13.731	A1F	0	4.00	1.61	2-7/16	5	132.80	18.54
D80-14M-120-5040	482757	80	14.036	13.926	14.620	A1F	0	4.00	1.61	2-7/16	5	137.00	24.29
D90-14M-120-5040	482758	90	15.790	15.680	---	A2	0	4.00	1.61	2-7/16	5	141.80	25.99
D112-14M-120-6050	482759	112	19.650	19.540	---	A1	0	5.00	0.61	4-7/16	6	210.60	116.06
D140-14M-120-6050	482760	140	24.562	24.452	---	A2	0	5.00	0.61	4-7/16	6	270.30	207.23
D168-14M-120-7060	482761	168	29.475	29.365	---	B3	0	6.00	0.39	4-15/16	7	345.20	382.03
D180-14M-120-7060	482762	180	31.580	31.470	---	B3	0	6.00	0.39	4-15/16	7	365.20	475.37
D200-14M-120-7060	482763	200	35.089	34.979	---	B3	0	6.00	0.39	4-15/16	7	373.50	676.37
D224-14M-120-7060	482764	224	39.300	39.190	---	B3	0	6.00	0.39	4-15/16	7	482.30	1000.26



SPECIFICATION

HTRC Metric TAPER-LOCK Sprockets



1 = Block 2 = Web 3 = Arms

The letter "F" indicates that Sprocket has flanges

8M HTRC Metric Sprockets

Sprocket Number	Part No. mm	No. Of Teeth	Diameters (mm)			Type	Dimensions (mm)			Bore Sizes		Approx. Weight (Kg.)	Approx. WR^2 (Kg-M^2)
			P.D.	O.D.	Flange		E	L	M	Min.	Max		
8M-12			F = 21.6 mm										
D22-8M-12-1008	483558	22	56.0	54.4	66.2	A1F	0	22.4	0	13.0	22.0	0.18	0.000
D25-8M-12-1108	483559	25	63.7	62.1	73.8	A1F	0	22.4	0	13.0	25.0	0.27	0.000
D26-8M-12-1108	483560	26	66.2	64.6	73.8	A1F	0	22.4	0	13.0	25.0	0.27	0.000
D27-8M-12-1108	483561	27	68.8	67.2	81.5	A1F	0	22.4	0	13.0	25.0	0.32	0.000
D28-8M-12-1108	483562	28	71.3	69.7	81.5	A1F	0	22.4	0	13.0	25.0	0.41	0.000
D29-8M-12-1108	483563	29	73.8	72.2	78.5	A1F	0	22.4	0	13.0	25.0	0.41	0.000
D30-8M-12-1108	483564	30	76.4	74.8	86.6	A1F	0	22.4	0	13.0	25.0	0.45	0.000
D31-8M-12-1210	483565	31	78.9	77.3	84.5	A1F	0	25.4	0	13.0	32.0	0.50	0.000
D32-8M-12-1210	483566	32	81.5	79.9	91.6	A1F	0	25.4	0	13.0	32.0	0.50	0.000
D33-8M-12-1610	483567	33	84.0	82.4	90.6	A1F	0	25.4	0	13.0	42.0	0.54	0.000
D34-8M-12-1610	483568	34	86.6	85.0	96.8	A1F	0	25.4	0	13.0	42.0	0.54	0.000
D35-8M-12-1610	483569	35	89.1	87.5	96.6	A1F	0	25.4	0	13.0	42.0	0.64	0.001
D36-8M-12-1610	483570	36	91.7	90.1	101.8	A1F	0	25.4	0	13.0	42.0	0.64	0.001
D37-8M-12-1610	483571	37	94.2	92.6	102.7	A1F	0	25.4	0	13.0	42.0	0.91	0.001
D38-8M-12-1610	483572	38	96.8	95.2	106.9	A1F	0	25.4	0	13.0	42.0	1.04	0.001
D39-8M-12-1610	483573	39	99.3	97.7	112.0	A1F	0	25.4	0	13.0	42.0	1.09	0.001
D40-8M-12-2012	483574	40	101.9	100.3	112.0	B1F	0	31.8	10.2	13.0	50.0	1.13	0.002
D41-8M-12-2012	483575	41	104.4	102.8	114.8	B1F	0	31.8	10.2	13.0	50.0	1.13	0.002
D42-8M-12-2012	483576	42	107.0	105.4	124.7	B1F	0	31.8	10.2	13.0	50.0	1.22	0.002
D45-8M-12-2012	483577	45	114.6	113.0	124.7	B1F	0	31.8	10.2	13.0	50.0	1.36	0.002
D48-8M-12-2012	483578	48	122.2	120.6	132.4	B1F	0	31.8	10.2	13.0	50.0	1.59	0.003
D50-8M-12-2012	483579	50	127.3	125.7	137.5	B1F	0	31.8	10.2	13.0	50.0	1.63	0.004
D53-8M-12-2012	483580	53	135.0	133.4	139.7	B1F	0	31.8	10.2	13.0	50.0	1.91	0.005
D56-8M-12-2012	483581	56	142.6	141.0	152.8	B1F	0	31.8	10.2	13.0	50.0	2.13	0.005
D60-8M-12-2012	483582	60	152.8	151.2	162.9	B1F	0	31.8	10.2	13.0	50.0	2.49	0.007
D63-8M-12-2012	483583	63	160.4	158.8	170.6	B2F	0	31.8	10.2	13.0	50.0	2.77	0.009
D67-8M-12-2012	483584	67	170.6	169.0	174.6	B2F	0	31.8	10.2	13.0	50.0	2.86	0.011
D71-8M-12-2012	483585	71	180.8	179.2	190.5	B2F	0	31.8	10.2	13.0	50.0	2.86	0.011
D75-8M-12-2012	483586	75	191.0	189.4	201.1	B2F	0	31.8	10.2	13.0	50.0	3.13	0.013
D80-8M-12-2012	483587	80	203.7	202.1	213.9	B2F	0	31.8	10.2	13.0	50.0	3.63	0.018
D90-8M-12-2012	483588	90	229.2	227.6	---	B2	0	31.8	10.2	13.0	50.0	4.40	0.027
D112-8M-12-2012	483589	112	285.2	283.6	---	B2	0	31.8	10.2	13.0	50.0	6.99	0.070
D140-8M-12-2012	483590	140	356.5	354.9	---	B3	0	31.8	10.2	13.0	50.0	4.67	0.051
D180-8M-12-2517 ★	483591	180	458.4	456.8	---	B3	0	44.5	22.9	13.0	65.0	7.30	0.123
D224-8M-12-2517 ★	483592	224	570.4	568.8	---	B3	0	44.5	22.9	13.0	65.0	9.98	0.266

★ - Requires hard metric BSW bushing

FEATURES/BENEFITS PAGE PT12-2	SELECTIONS PAGE PT13-30	ENGINEERING/TECHNICAL PAGE PT13-96	
----------------------------------	----------------------------	---------------------------------------	--



SPECIFICATION

HTRC Metric TAPER-LOCK Sprockets (Continued)

8M HTRC Metric Sprockets

Sprocket Number	Part No. mm	No. Of Teeth	Diameters (mm)			Type	Dimensions (mm)			Bore Sizes		Approx. Weight (Kg.)	Approx. WR ² (Kg-M ²)
			P.D.	O.D.	Flange		E	L	M	Min.	Max		
8M-22			F = 31.8 mm										
D22-8M-22-1008	483596	22	56.0	54.4	66.2	A1F	0	22.4	8.1	13.0	22.0	0.18	0.000
D25-8M-22-1108	483597	25	63.7	62.1	73.8	A1F	0	22.4	8.1	13.0	25.0	0.27	0.000
D26-8M-22-1108	483598	26	66.2	64.6	73.8	A1F	0	22.4	8.1	13.0	25.0	0.32	0.000
D27-8M-22-1108	483599	27	68.8	67.2	81.5	A1F	0	22.4	8.1	13.0	25.0	0.36	0.000
D28-8M-22-1108	483600	28	71.3	69.7	81.5	A1F	0	22.4	8.1	13.0	25.0	0.45	0.000
D29-8M-22-1108	483601	29	73.8	72.2	78.5	A1F	0	22.4	8.1	13.0	25.0	0.50	0.000
D30-8M-22-1108	483603	30	76.4	74.8	86.6	A1F	0	22.4	8.1	13.0	25.0	0.54	0.000
D31-8M-22-1210	483604	31	78.9	77.3	84.5	A1F	0	25.4	5.1	13.0	32.0	0.54	0.000
D32-8M-22-1210	483605	32	81.5	79.9	91.6	A1F	0	25.4	5.1	13.0	32.0	0.59	0.000
D33-8M-22-1610	483606	33	84.0	82.4	90.6	A1F	0	25.4	5.1	13.0	42.0	0.59	0.000
D34-8M-22-1610	483607	34	86.6	85.0	96.8	A1F	0	25.4	5.1	13.0	42.0	0.64	0.000
D35-8M-22-1610	483608	35	89.1	87.5	96.6	A1F	0	25.4	5.1	13.0	42.0	0.64	0.000
D36-8M-22-1610	483609	36	91.7	90.1	101.8	A1F	0	25.4	5.1	13.0	42.0	0.68	0.001
D37-8M-22-1610	483610	37	94.2	92.6	102.7	A1F	0	25.4	5.1	13.0	42.0	0.73	0.001
D38-8M-22-1610	483611	38	96.8	95.2	106.9	A1F	0	25.4	5.1	13.0	42.0	0.82	0.001
D39-8M-22-1610	483612	39	99.3	97.7	112.0	A1F	0	25.4	5.1	13.0	42.0	0.86	0.001
D40-8M-22-2012	483613	40	101.9	100.3	112.0	A1F	0	31.8	0.0	13.0	50.0	1.00	0.001
D41-8M-22-2012	483614	41	104.4	102.8	114.8	A1F	0	31.8	0.0	13.0	50.0	1.04	0.002
D42-8M-22-2012	483615	42	107.0	105.4	124.7	A1F	0	31.8	0.0	13.0	50.0	1.36	0.002
D45-8M-22-2012	483616	45	114.6	113.0	124.7	A1F	0	31.8	0.0	13.0	50.0	1.54	0.003
D48-8M-22-2012	483617	48	122.2	120.6	132.4	A1F	0	31.8	0.0	13.0	50.0	1.59	0.003
D50-8M-22-2012	483618	50	127.3	125.7	137.5	A1F	0	31.8	0.0	13.0	50.0	1.77	0.004
D53-8M-22-2012	483619	53	135.0	133.4	139.7	A1F	0	31.8	0.0	13.0	50.0	2.13	0.005
D56-8M-22-2012	483620	56	142.6	141.0	152.8	A1F	0	31.8	0.0	13.0	50.0	2.49	0.007
D60-8M-22-2012	483621	60	152.8	151.2	162.9	A1F	0	31.8	0.0	13.0	50.0	2.99	0.009
D63-8M-22-2012	483622	63	160.4	158.8	170.6	B2F	0	31.8	1.3	13.0	50.0	3.40	0.012
D67-8M-22-2517 ★	483623	67	170.6	169.0	174.6	B2F	0	44.5	14.0	13.0	65.0	4.13	0.016
D71-8M-22-2517 ★	483624	71	180.8	179.2	190.5	B2F	0	44.5	14.0	13.0	65.0	4.76	0.021
D75-8M-22-2517 ★	483625	75	191.0	189.4	201.1	B2F	0	44.5	14.0	13.0	65.0	3.95	0.018
D80-8M-22-2517 ★	483626	80	203.7	202.1	213.9	B2F	0	44.5	14.0	13.0	65.0	4.35	0.022
D90-8M-22-2517 ★	483627	90	229.2	227.6	---	B2	0	44.5	14.0	13.0	65.0	5.17	0.032
D112-8M-22-2517 ★	483628	112	285.2	283.6	---	B2	0	44.5	14.0	13.0	65.0	7.39	0.071
D140-8M-22-2517 ★	483629	140	356.5	354.9	---	B3	0	44.5	14.0	13.0	65.0	10.39	0.174
D180-8M-22-3020	483630	180	458.4	456.8	---	B3	0	50.8	20.3	24.0	80.0	15.33	0.436
D224-8M-22-3020	483631	224	570.4	568.8	---	B3	0	50.8	20.3	24.0	80.0	20.87	0.914
8M-35			F = 47.2 mm										
D32-8M-35-1210	483636	32	81.5	79.9	91.6	A1F	0	25.4	21.8	13.0	32.0	0.73	0.001
D33-8M-35-1610	483637	33	84.0	82.4	90.6	A1F	0	25.4	21.8	13.0	42.0	0.73	0.001
D34-8M-35-1610	483638	34	86.6	85.0	96.8	A1F	0	25.4	21.8	13.0	42.0	0.73	0.001
D35-8M-35-1610	483639	35	89.1	87.5	96.6	A1F	0	25.4	21.8	13.0	42.0	0.77	0.001
D36-8M-35-1610	483640	36	91.7	90.1	101.8	A1F	0	25.4	21.8	13.0	42.0	0.86	0.001
D37-8M-35-1610	483641	37	94.2	92.6	102.7	A1F	0	25.4	21.8	13.0	42.0	0.91	0.001
D38-8M-35-1610	483642	38	96.8	95.2	106.9	A1F	0	25.4	21.8	13.0	42.0	1.00	0.001
D39-8M-35-1610	483643	39	99.3	97.7	112.0	A1F	0	25.4	21.8	13.0	42.0	1.09	0.002
D40-8M-35-2012	483644	40	101.9	100.3	112.0	A1F	0	31.8	15.5	13.0	50.0	1.36	0.002
D41-8M-35-2012	483645	41	104.4	102.8	114.8	A1F	0	31.8	15.5	13.0	50.0	1.45	0.003
D42-8M-35-2012	483646	42	107.0	105.4	124.7	A1F	0	31.8	15.5	13.0	50.0	1.50	0.003
D45-8M-35-2012	483647	45	114.6	113.0	124.7	A1F	0	31.8	15.5	13.0	50.0	1.54	0.003
D48-8M-35-2012	483648	48	122.2	120.6	132.4	A1F	0	31.8	15.5	13.0	50.0	1.81	0.004
D50-8M-35-2012	483649	50	127.3	125.7	137.5	A1F	0	31.8	15.5	13.0	50.0	2.04	0.005
D53-8M-35-2012	483650	53	135.0	133.4	139.7	A1F	0	31.8	15.5	13.0	50.0	2.40	0.006
D56-8M-35-2012	483651	56	142.6	141.0	152.8	A1F	0	31.8	15.5	13.0	50.0	2.77	0.008
D60-8M-35-2517 ★	483652	60	152.8	151.2	162.9	A1F	0	44.5	2.8	13.0	65.0	3.67	0.013
D63-8M-35-2517 ★	483653	63	160.4	158.8	170.6	A1F	0	44.5	2.8	13.0	65.0	4.22	0.016

★ - Requires hard metric BSW bushing

FEATURES/BENEFITS PAGE PT12-2	SELECTIONS PAGE PT13-30	ENGINEERING/TECHNICAL PAGE PT13-96	
----------------------------------	----------------------------	---------------------------------------	--



SPECIFICATION

HTRC Metric TAPER-LOCK Sprockets (Continued)

8M HTRC Metric Sprockets

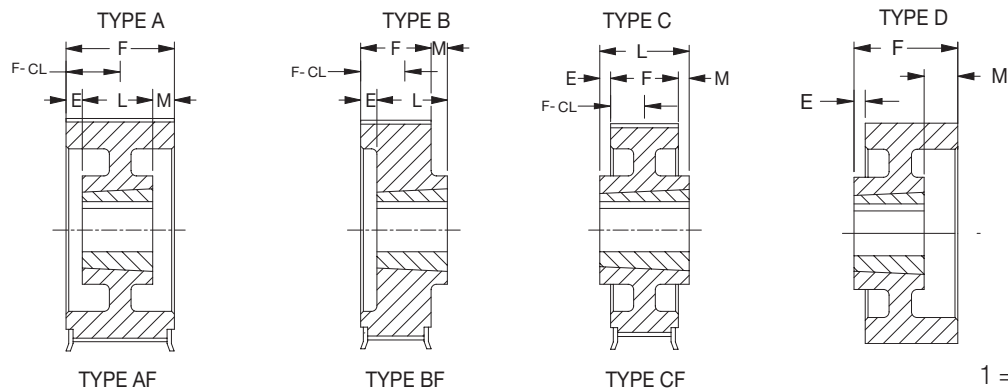
Sprocket Number	Part No. mm	No. Of Teeth	Diameters (mm)			Type	Dimensions (mm)			Bore Sizes		Approx. Weight (Kg.)	Approx. WR^2 (Kg-M^2)
			P.D.	O.D.	Flange		E	L	M	Min.	Max		
D67-8M-35-2517 ★	483654	67	170.6	169.0	174.6	A2F	0	44.5	2.8	13.0	65.0	5.03	0.021
8M-35			F = 47.2 mm										
D71-8M-35-2517 ★	483655	71	180.8	179.2	190.5	A2F	0	44.5	2.8	13.0	65.0	5.90	0.027
D75-8M-35-2517 ★	483656	75	191.0	189.4	201.1	A2F	0	44.5	2.8	13.0	65.0	6.03	0.029
D80-8M-35-3020	483657	80	203.7	202.1	213.9	B1F	0	50.8	3.6	24.0	80.0	7.48	0.046
D90-8M-35-3020	483658	90	229.2	227.6	---	B2	0	50.8	3.6	24.0	80.0	7.76	0.054
D112-8M-35-3020	483659	112	285.2	283.6	---	B2	0	50.8	3.6	24.0	80.0	9.98	0.111
D140-8M-35-3020	483660	140	356.5	354.9	---	B3	0	50.8	3.6	24.0	80.0	15.38	0.262
D180-8M-35-3020	483661	180	458.4	456.8	---	B3	0	50.8	3.6	24.0	80.0	22.86	0.671
D224-8M-35-3525	483662	224	570.4	568.8	---	B3	0	57.2	16.3	31.0	95.0	37.42	1.479
8M-60			F = 71.6 mm										
D34-8M-60-1610	483670	34	86.6	85.0	96.8	A1F	0	25.4	48.5	13.0	42.0	2.27	0.001
D36-8M-60-1610	483671	36	91.7	90.1	101.8	A1F	0	25.4	48.5	13.0	42.0	2.40	0.001
D38-8M-60-1610	483672	28	96.8	95.2	106.9	A1F	0	25.4	48.5	13.0	42.0	2.54	0.002
D40-8M-60-2012	483673	40	101.9	100.3	112.0	A1F	0	31.8	42.2	13.0	50.0	2.68	0.002
D42-8M-60-2012	483674	42	107.0	105.4	124.7	A1F	0	31.8	42.2	13.0	50.0	2.79	0.003
D45-8M-60-2012	483675	45	114.6	113.0	124.7	A1F	0	31.8	42.2	13.0	50.0	2.95	0.004
D48-8M-60-2517 ★	483676	48	122.2	120.6	132.4	A1F	0	44.5	29.5	13.0	65.0	2.99	0.005
D50-8M-60-2517 ★	483677	50	127.3	125.7	137.5	A1F	0	44.5	29.5	13.0	65.0	3.04	0.007
D53-8M-60-2517 ★	483678	53	135.0	133.4	139.7	A1F	0	44.5	29.5	13.0	65.0	3.13	0.010
D56-8M-60-2517 ★	483679	56	142.6	141.0	152.8	A1F	0	44.5	29.5	13.0	65.0	3.27	0.011
D60-8M-60-3020	483680	60	152.8	151.2	162.9	A1F	0	50.8	23.1	24.0	80.0	4.04	0.014
D63-8M-60-3020	483681	63	160.4	158.8	170.6	A1F	0	50.8	23.1	24.0	80.0	4.67	0.018
D67-8M-60-3020	483682	67	170.6	169.0	174.6	A1F	0	50.8	23.1	24.0	80.0	4.99	0.027
D71-8M-60-3020	483683	71	180.8	179.2	190.5	A1F	0	50.8	23.1	24.0	80.0	6.12	0.032
D75-8M-60-3020	483684	75	191.0	189.4	201.1	A1F	0	50.8	23.1	24.0	80.0	6.99	0.040
D80-8M-60-3020	483685	80	203.7	202.1	213.9	A1F	0	50.8	23.1	24.0	80.0	10.43	0.056
D90-8M-60-3020	483686	90	229.2	227.6	---	A2	0	50.8	23.1	24.0	80.0	14.83	0.099
D112-8M-60-3020	483687	112	285.2	283.6	---	A2	0	50.8	23.1	24.0	80.0	17.65	0.166
D140-8M-60-3525 ★	483688	140	356.5	354.9	---	A2	0	57.2	16.8	31.0	95.0	24.72	0.418
D180-8M-60-3525 ★	483689	180	458.4	456.8	---	A3	0	57.2	16.8	31.0	95.0	30.94	1.080
D224-8M-60-3525 ★	483690	224	570.4	568.8	---	A3	0	57.2	16.8	31.0	95.0	41.87	2.372

★ - Requires hard metric BSW bushing



SPECIFICATION

HTRC Metric TAPER-LOCK Sprockets



The letter "F" indicates that Sprocket has flanges

14M HTRC Metric Sprockets

Sprocket Number	Part No. mm	No. Of Teeth	Diameters (mm)			Type	Dimensions (mm)			Bore Sizes		Approx. Weight (Kg.)	Approx. WR ² (Kg-M ²)
			P.D.	O.D.	Flange		E	L	M	Min.	Max.		
14M-20 F = 34.5 mm													
D28-14M-20-2012	483691	28	124.8	122.0	137.2	A1F	0	31.8	2.8	13.0	50.0	1.77	0.003
D29-14M-20-2012	483692	29	129.2	126.4	146.4	A1F	0	31.8	2.8	13.0	50.0	2.04	0.004
D30-14M-20-2012	483693	30	133.7	130.9	146.4	A1F	0	31.8	2.8	13.0	50.0	2.18	0.004
D31-14M-20-2012	483694	31	138.2	135.4	155.3	A1F	0	31.8	2.8	13.0	50.0	2.49	0.005
D32-14M-20-2012	483695	32	142.6	139.8	155.3	A1F	0	31.8	2.8	13.0	50.0	2.68	0.006
D33-14M-20-2012	483696	33	147.1	144.3	164.2	A1F	0	31.8	2.8	13.0	50.0	2.86	0.007
D34-14M-20-2012	483697	34	151.5	148.7	164.2	A1F	0	31.8	2.8	13.0	50.0	3.13	0.008
D35-14M-20-2012	483698	35	156.0	153.2	173.1	A1F	0	31.8	2.8	13.0	50.0	3.31	0.009
D36-14M-20-2517 ★	483699	36	160.4	157.6	173.1	B1F	0	44.5	9.9	13.0	65.0	3.45	0.011
D37-14M-20-2517 ★	483700	37	164.9	162.1	182.0	B1F	0	44.5	9.9	13.0	65.0	3.72	0.013
D38-14M-20-2517 ★	483701	38	169.3	166.5	182.0	B1F	0	44.5	9.9	13.0	65.0	4.00	0.014
D39-14M-20-2517 ★	483702	39	173.8	171.0	191.0	B1F	0	44.5	9.9	13.0	65.0	4.45	0.016
D40-14M-20-2517 ★	483703	40	178.3	175.5	191.0	B1F	0	44.5	9.9	13.0	65.0	4.59	0.018
D43-14M-20-2517 ★	483704	43	191.6	188.8	204.3	B1F	0	44.5	9.9	13.0	65.0	5.29	0.024
D45-14M-20-3020	483705	45	200.5	197.7	213.2	B1F	0	50.8	16.3	24.0	80.0	6.12	0.033
D48-14M-20-3020	483706	48	213.9	211.1	227.1	B1F	0	50.8	16.3	24.0	80.0	7.46	0.043
D50-14M-20-3020	483707	50	222.8	220.0	236.0	B1F	0	50.8	16.3	24.0	80.0	8.28	0.050
D53-14M-20-3020	483708	53	236.2	233.4	246.1	B1F	0	50.8	16.3	24.0	80.0	9.30	0.063
D56-14M-20-3525 ★	483709	56	249.6	246.8	263.0	B1F	0	63.5	29.0	31.0	95.0	10.50	0.116
D60-14M-20-3525 ★	483710	60	267.4	264.6	281.1	B1F	0	63.5	29.0	31.0	95.0	12.45	0.142
D63-14M-20-3525 ★	483711	63	280.7	278.0	294.5	B1F	0	63.5	29.0	31.0	95.0	13.69	0.166
D67-14M-20-3525 ★	483712	67	298.6	295.8	317.5	B1F	0	63.5	29.0	31.0	95.0	14.18	0.201
D71-14M-20-3525 ★	483713	71	316.4	313.6	331.9	B2F	0	63.5	29.0	31.0	95.0	14.75	0.188
D75-14M-20-3525 ★	483714	75	334.2	331.4	348.8	B2F	0	63.5	29.0	31.0	95.0	16.40	0.216
14M-20 F = 34.5 mm													
D80-14M-20-3525 ★	483715	80	356.5	353.7	371.3	B2F	0	63.5	29.0	31.0	95.0	17.56	0.255
D90-14M-20-3525 ★	483716	90	401.1	398.3	---	B2	0	63.5	29.0	31.0	95.0	18.73	0.362
D112-14M-20-3525 ★	483717	112	499.1	496.3	---	B3	0	63.5	29.0	31.0	95.0	27.03	0.955
D126-14M-20-3525 ★	483718	126	561.5	558.7	---	B3	0	63.5	29.0	31.0	95.0	26.35	0.614
D140-14M-20-3525 ★	483719	140	623.9	621.1	---	B3	0	63.5	25.4	31.0	95.0	43.00	1.683
D154-14M-20-3525 ★	483720	154	686.3	683.5	---	B3	0	63.5	29.0	31.0	95.0	33.29	1.991
D168-14M-20-3525 ★	483721	168	748.7	745.9	---	B3	0	63.5	25.4	31.0	95.0	45.13	3.090
D180-14M-20-3525 ★	483722	180	802.1	799.3	---	B3	0	63.5	25.4	31.0	95.0	48.67	3.897
D200-14M-20-3525 ★	483723	200	891.3	888.5	---	B3	0	63.5	25.4	31.0	95.0	53.98	5.562
D224-14M-20-4030	483724	224	998.2	995.4	---	B3	0	76.2	38.1	37.0	110.0	68.13	8.230
14M-42 F = 52.3 mm													

★ - Requires hard metric BSW bushing

FEATURES/BENEFITS PAGE PT12-2	SELECTIONS PAGE PT13-30	ENGINEERING/TECHNICAL PAGE PT13-96	
----------------------------------	----------------------------	---------------------------------------	--



SPECIFICATION

HTRC Metric TAPER-LOCK Sprockets

14M HTRC Metric Sprockets

Sprocket Number	Part No. mm	No. Of Teeth	Diameters (mm)			Type	Dimensions (mm)			Bore Sizes		Approx. Weight (Kg.)	Approx. WR ² (Kg-M ²)
			P.D.	O.D.	Flange		E	L	M	Min.	Max		
D28-14M-42-2012	483725	28	124.8	122.0	137.2	A1F	0	31.8	20.6	13.0	50.0	2.18	0.005
D29-14M-42-2517 ★	483726	29	129.2	126.4	146.4	A1F	0	44.5	7.9	13.0	65.0	2.13	0.005
D30-14M-42-2517 ★	483727	30	133.7	130.9	146.4	A1F	0	44.5	7.9	13.0	65.0	2.45	0.006
D31-14M-42-2517 ★	483728	31	138.2	135.4	155.3	A1F	0	44.5	7.9	13.0	65.0	2.77	0.007
D32-14M-42-2517 ★	483729	32	142.6	139.8	155.3	A1F	0	44.5	7.9	13.0	65.0	3.04	0.008
D33-14M-42-2517 ★	483730	33	147.1	144.3	164.2	A1F	0	44.5	7.9	13.0	65.0	3.36	0.010
D34-14M-42-2517 ★	483731	34	151.5	148.7	164.2	A1F	0	44.5	7.9	13.0	65.0	3.72	0.012
D35-14M-42-2517 ★	483732	35	156.0	153.2	173.1	A1F	0	44.5	7.9	13.0	65.0	4.04	0.013
D36-14M-42-2517 ★	483733	36	160.4	157.6	173.1	A1F	0	44.5	7.9	13.0	65.0	4.35	0.015
D37-14M-42-2517 ★	483734	37	164.9	162.1	182.0	A1F	0	44.5	7.9	13.0	65.0	4.72	0.017
D38-14M-42-3020	483735	38	169.3	166.5	182.0	A1F	0	50.8	1.5	24.0	80.0	4.31	0.019
D39-14M-42-3020	483736	39	173.8	171.0	191.0	A1F	0	50.8	1.5	24.0	80.0	4.72	0.021
D40-14M-42-3020	483737	40	178.3	175.5	191.0	A1F	0	50.8	1.5	24.0	80.0	5.17	0.024
D43-14M-42-3020	483738	43	191.6	188.8	204.3	A1F	0	50.8	1.5	24.0	80.0	6.49	0.034
D45-14M-42-3020	483739	45	200.5	197.7	213.2	A1F	0	50.8	1.5	24.0	80.0	7.67	0.042
D48-14M-42-3020	483740	48	213.9	211.1	227.1	A1F	0	50.8	1.5	24.0	80.0	8.98	0.056
D50-14M-42-3020	483741	50	222.8	220.0	236.0	A1F	0	50.8	1.5	24.0	80.0	10.02	0.068
D53-14M-42-3020	483742	53	236.2	233.4	246.1	A1F	0	50.8	1.5	24.0	80.0	11.71	0.088
D56-14M-42-3525 ★	483743	56	249.6	246.8	263.0	B1F	0	63.5	11.2	31.0	95.0	14.52	0.127
D60-14M-42-3525 ★	483744	60	267.4	264.6	281.1	B1F	0	63.5	11.2	31.0	95.0	17.33	0.169
D63-14M-42-3525 ★	483745	63	280.7	278.0	294.5	B1F	0	63.5	11.2	31.0	95.0	19.55	0.207
D67-14M-42-3525 ★	483746	67	298.6	295.8	317.5	B1F	0	63.5	11.2	31.0	95.0	22.73	0.268
D71-14M-42-3525 ★	483747	71	316.4	313.6	331.9	B2F	0	63.5	11.2	31.0	95.0	19.10	0.229
D75-14M-42-3525 ★	483748	75	334.2	331.4	348.8	B2F	0	63.5	11.2	31.0	95.0	20.14	0.264
D80-14M-42-3525 ★	483749	80	356.5	353.7	371.3	B2F	0	63.5	11.2	31.0	95.0	21.55	0.315
D90-14M-42-3525 ★	483750	90	401.1	398.3	---	B2	0	63.5	11.2	31.0	95.0	24.54	0.448
D112-14M-42-3525 ★	483751	112	499.1	496.3	---	B3	0	63.5	11.2	31.0	95.0	41.05	1.238
D126-14M-42-3525 ★	483752	126	561.5	558.7	---	B3	0	63.5	11.2	31.0	95.0	36.11	1.041
D140-14M-42-3525 ★	483753	140	623.9	621.1	---	B3	0	63.5	11.2	31.0	95.0	57.92	2.839
D154-14M-42-3525 ★	483754	154	686.3	683.5	---	B3	0	63.5	11.2	31.0	95.0	47.99	2.062
D168-14M-42-4030	483755	168	748.7	745.9	---	B3	0	76.2	23.9	37.0	110.0	81.19	5.532
D180-14M-42-4030	483756	180	802.1	799.3	---	B3	0	76.2	23.9	37.0	110.0	89.00	6.974
D200-14M-42-4030	483757	200	891.3	888.5	---	B3	0	76.2	23.9	37.0	110.0	102.65	9.947
D224-14M-42-4030	483758	224	998.2	995.4	---	B3	0	76.2	23.9	37.0	110.0	120.25	14.591
14M-65 F = 84.6 mm													
D28-14M-65-2517 ★	483759	28	124.8	122.0	137.2	A1F	0	44.5	40.1	13.0	65.0	2.68	0.006
D29-14M-65-2517 ★	483760	29	129.2	126.4	146.4	A1F	0	44.5	40.1	13.0	65.0	2.99	0.007
D30-14M-65-2517 ★	483761	30	133.7	130.9	146.4	A1F	0	44.5	40.1	13.0	65.0	3.31	0.008
D31-14M-65-2517 ★	483762	31	138.2	135.4	155.3	A1F	0	44.5	40.1	13.0	65.0	3.63	0.010
D32-14M-65-2517 ★	483763	32	142.6	139.8	155.3	A1F	0	44.5	40.1	13.0	65.0	3.95	0.011
D33-14M-65-2517 ★	483764	33	147.1	144.3	164.2	A1F	0	44.5	40.1	13.0	65.0	4.31	0.013
D34-14M-65-2517 ★	483765	34	151.5	148.7	164.2	A1F	0	44.5	40.1	13.0	65.0	4.67	0.015
D35-14M-65-3020	483766	35	156.0	153.2	173.1	A1F	0	50.8	33.8	24.0	80.0	3.99	0.015
D36-14M-65-3020	483767	36	160.4	157.6	173.1	A1F	0	50.8	33.8	24.0	80.0	4.45	0.018
D37-14M-65-3020	483768	37	164.9	162.1	182.0	A1F	0	50.8	33.8	24.0	80.0	4.99	0.021
D38-14M-65-3020	483769	38	169.3	166.5	182.0	A1F	0	50.8	33.8	24.0	80.0	5.40	0.024
D39-14M-65-3020	483770	39	173.8	171.0	191.0	A1F	0	50.8	33.8	24.0	80.0	5.85	0.027
D40-14M-65-3020	483771	v40	178.3	175.5	191.0	A1F	0	50.8	33.8	24.0	80.0	6.31	0.030
D43-14M-65-3020	483772	43	191.6	188.8	204.3	A1F	0	50.8	33.8	24.0	80.0	7.80	0.042
D45-14M-65-3020	483773	45	200.5	197.7	213.2	A1F	0	50.8	33.8	24.0	80.0	8.80	0.051
D48-14M-65-3525 ★	483774	48	213.9	211.1	227.1	A1F	0	63.5	21.1	31.0	95.0	10.25	0.072
D50-14M-65-3525 ★	483775	50	222.8	220.0	236.0	A1F	0	63.5	21.1	31.0	95.0	11.52	0.086
D53-14M-65-3525 ★	483776	53	236.2	233.4	246.1	A1F	0	63.5	21.1	31.0	95.0	13.79	0.113
D56-14M-65-3525 ★	483777	56	249.6	246.8	263.0	A1F	0	63.5	21.1	31.0	95.0	16.06	0.145
D60-14M-65-3525 ★	483778	60	267.4	264.6	281.1	A1F	0	63.5	21.1	31.0	95.0	19.28	0.196
14M-65 F = 84.6 mm													

★ - Requires hard metric BSW bushing

FEATURES/BENEFITS PAGE PT12-2	SELECTIONS PAGE PT13-30	ENGINEERING/TECHNICAL PAGE PT13-96
----------------------------------	----------------------------	---------------------------------------



SPECIFICATION

HTRC Metric TAPER-LOCK Sprockets

14M HTRC Metric Sprockets

Sprocket Number	Part No. mm	No. Of Teeth	Diameters (mm)			Type	Dimensions (mm)			Bore Sizes		Approx. Weight (Kg.)	Approx. WR ² (Kg-M ²)
			P.D.	O.D.	Flange		E	L	M	Min.	Max		
D63-14M-65-3525 ★	483779	63	280.7	278.0	294.5	A1F	0	63.5	21.1	31.0	95.0	21.86	0.241
D67-14M-65-3525 ★	483780	67	298.6	295.8	317.5	A2F	0	63.5	21.1	31.0	95.0	25.49	0.313
D71-14M-65-3525 ★	483781	71	316.4	313.6	331.9	A2F	0	63.5	21.1	31.0	95.0	29.35	0.399
D75-14M-65-3525 ★	483782	75	334.2	331.4	348.8	A2F	0	63.5	21.1	31.0	95.0	33.38	0.502
D80-14M-65-3525 ★	483783	80	356.5	353.7	371.3	A2F	0	63.5	21.1	31.0	95.0	24.95	0.397
D90-14M-65-4030	483784	90	401.1	398.3	---	A2	0	76.2	8.4	37.0	110.0	34.16	0.659
D112-14M-65-4030	483785	112	499.1	496.3	---	A3	0	76.2	8.4	37.0	110.0	57.83	1.801
D140-14M-65-4030	483786	140	623.9	621.1	---	A3	0	76.2	8.4	37.0	110.0	81.15	4.076
D168-14M-65-4535	483787	168	748.7	745.9	---	B3	0	88.9	4.3	50.0	125.0	111.72	8.164
D180-14M-65-4535	483788	180	802.1	799.3	---	B3	0	88.9	4.3	50.0	125.0	123.83	10.576
D200-14M-65-4535	483789	200	891.3	888.5	---	B3	0	88.9	4.3	50.0	125.0	143.75	15.035
D224-14M-65-5040	483790	224	998.2	995.4	---	B3	0	101.6	17.0	61.0	127.0	171.55	22.318
14M-90 F = 106.7 mm													
D35-14M-90-3020	483798	35	156.0	153.2	173.1	A1F	0	50.8	55.9	24.0	80.0	10.39	0.017
D36-14M-90-3020	483799	36	160.4	157.6	173.1	A1F	0	50.8	55.9	24.0	80.0	10.48	0.021
D37-14M-90-3020	483800	37	164.9	162.1	182.0	A1F	0	50.8	55.9	24.0	80.0	10.61	0.023
D38-14M-90-3020	483801	38	169.3	166.5	182.0	A1F	0	50.8	55.9	24.0	80.0	10.75	0.028
D39-14M-90-3020	483802	39	173.8	171.0	191.0	A1F	0	50.8	55.9	24.0	80.0	10.89	0.030
D40-14M-90-3020	483803	40	178.3	175.5	191.0	A1F	0	50.8	55.9	24.0	80.0	11.02	0.036
D43-14M-90-3525 ★	483804	43	191.6	188.8	204.3	A1F	0	63.5	43.2	31.0	95.0	11.20	0.049
D45-14M-90-3525 ★	483805	45	200.5	197.7	213.2	A1F	0	63.5	43.2	31.0	95.0	12.38	0.062
D48-14M-90-3525 ★	483806	48	213.9	211.1	227.1	A1F	0	63.5	43.2	31.0	95.0	13.29	0.083
D50-14M-90-3525 ★	483807	50	222.8	220.0	236.0	A1F	0	63.5	43.2	31.0	95.0	15.15	0.097
D53-14M-90-3525 ★	483808	53	236.2	233.4	246.1	A1F	0	63.5	43.2	31.0	95.0	19.10	0.129
D56-14M-90-4030	483809	56	249.6	246.8	263.0	A1F	0	76.2	30.5	37.0	110.0	21.23	0.173
D60-14M-90-4030	483810	60	267.4	264.6	281.1	A1F	0	76.2	30.5	37.0	110.0	22.88	0.235
D63-14M-90-4030	483811	63	280.7	278.0	294.5	A1F	0	76.2	30.5	37.0	110.0	29.30	0.290
D67-14M-90-4030	483812	67	298.6	295.8	317.5	A1F	0	76.2	30.5	37.0	110.0	31.75	0.290
D71-14M-90-4030	483813	71	316.4	313.6	331.9	A1F	0	76.2	30.5	37.0	110.0	38.56	0.393
D75-14M-90-4030	483814	75	334.2	331.4	348.8	A2F	0	76.2	30.5	37.0	110.0	39.33	0.475
D80-14M-90-4030	483815	80	356.5	353.7	371.3	A2F	0	76.2	30.5	37.0	110.0	39.92	0.550
D90-14M-90-4030	483816	90	401.1	398.3	---	A2	0	76.2	30.5	37.0	110.0	56.34	0.782
D112-14M-90-4535	483817	112	499.1	496.3	---	A3	0	88.9	17.8	50.0	125.0	89.77	2.545
D140-14M-90-5040	483818	140	623.9	621.1	---	A3	0	101.6	5.1	61.0	127.0	108.86	5.423
D168-14M-90-6050	483819	168	748.7	745.9	---	B3	0	127.0	20.3	88.0	152.0	148.46	12.007
D180-14M-90-6050	483820	180	802.1	799.3	---	B3	0	127.0	20.3	88.0	152.0	152.36	15.100
D200-14M-90-6050	483821	200	891.3	888.5	---	B3	0	127.0	20.3	88.0	152.0	156.27	21.752
D224-14M-90-6050	483822	224	998.2	995.4	---	B3	0	127.0	20.3	88.0	152.0	267.17	31.289
14M-120 F = 142.5 mm													
D50-14M-120-4535	483839	50	222.8	220.0	236.0	A1F	0	88.9	53.6	50.0	125.0	17.87	0.113
D52-14M-120-4535	483840	52	231.7	228.9	246.1	A1F	0	88.9	53.6	50.0	125.0	21.86	0.141
D53-14M-120-4535	483841	53	236.2	233.4	246.1	A1F	0	88.9	53.6	50.0	125.0	22.73	0.155
D56-14M-120-4535	483842	56	249.6	246.8	263.0	A1F	0	88.9	53.6	50.0	125.0	23.86	0.202
D60-14M-120-4535	483843	60	267.4	264.6	281.1	A1F	0	88.9	53.6	50.0	125.0	28.71	0.277
D63-14M-120-4535	483844	63	280.7	278.0	294.5	A1F	0	88.9	53.6	50.0	125.0	35.02	0.344
D67-14M-120-4535	483845	67	298.6	295.8	317.5	A1F	0	88.9	53.6	50.0	125.0	42.55	0.473
D71-14M-120-5040	483846	71	316.4	313.6	331.9	A1F	0	101.6	40.9	61.0	127.0	51.35	0.628
D75-14M-120-5040	483847	75	334.2	331.4	348.8	A1F	0	101.6	40.9	61.0	127.0	60.24	0.781
D80-14M-120-5040	483848	80	356.5	353.7	371.3	A1F	0	101.6	40.9	61.0	127.0	62.14	1.024
D90-14M-120-5040	483849	90	401.1	398.3	---	A2	0	101.6	40.9	61.0	127.0	64.32	1.095
D112-14M-120-6050	483850	112	499.1	496.3	---	A1	0	127.0	15.5	88.0	152.0	95.53	4.891
D140-14M-120-6050	483851	140	623.9	621.1	---	A2	0	127.0	15.5	88.0	152.0	122.61	8.733
D168-14M-120-7060	483852	168	748.7	745.9	---	B3	0	152.4	9.9	100.0	180.0	156.58	16.099
D180-14M-120-7060	483853	180	802.1	799.3	---	B3	0	152.4	9.9	100.0	180.0	165.65	20.032
D200-14M-120-7060	483854	200	891.3	888.5	---	B3	0	152.4	9.9	100.0	180.0	169.42	28.502
D224-14M-120-7060	483855	224	998.2	995.4	---	B3	0	152.4	9.9	100.0	180.0	218.77	42.151

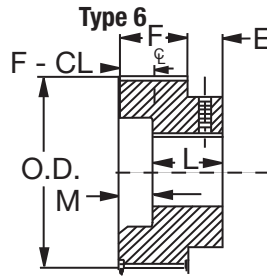
★ - Requires hard metric BSW bushing

FEATURES/BENEFITS PAGE PT12-2	SELECTIONS PAGE PT13-30	ENGINEERING/TECHNICAL PAGE PT13-96	
----------------------------------	----------------------------	---------------------------------------	--



SPECIFICATION

HTRC MPB Sprockets



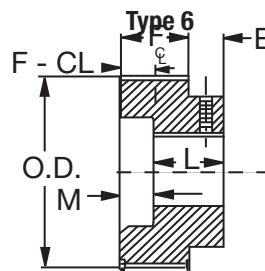
The letter "F" indicates that Sprocket has flanges

Sprocket Number	Part No.	No. Of Teeth	Type	Face Width	Diameters (In.)			Dimensions (In.)			Bore Sizes		Approx. Weight (Lbs.)	Approx. WR ² (Lb-Ft ²)
					P.D.	O.D.	Flange	E	L	M	Min.	Max.		
8M HTRC SPROCKETS														
D22-8M-12-MPB	482460	22	6F	0.85	2.206	2.143	2.606	0	1.31	0.46	1/2	1-16/85	0.4	0.002
D24-8M-12-MPB	482461	24	6F	0.85	2.406	2.352	2.756	0	1.31	0.46	1/2	1-16/85	1.1	0.004
D26-8M-12-MPB	482462	26	6F	0.85	2.607	2.544	2.906	0	1.31	0.46	1/2	1-1/2	1.1	0.005
D22-8M-22-MPB	482500	22	6F	1.25	2.206	2.143	2.606	0	1.65	0.45	1/2	1-16/85	0.6	0.002
D24-8M-22-MPB	482501	24	6F	1.25	2.406	2.352	2.756	0	1.65	0.45	1/2	1-16/85	0.7	0.003
D26-8M-22-MPB	482502	26	6F	1.25	2.607	2.544	2.906	0	1.65	0.45	1/2	1-1/2	0.7	0.005
D22-8M-35-MPB	482538	22	6F	1.86	2.206	2.143	2.606	0	2.44	0.58	1/2	1-16/85	2.0	0.008
D24-8M-35-MPB	482539	24	6F	1.86	2.406	2.352	2.756	0	2.44	0.58	1/2	1-16/85	2.5	0.012
D26-8M-35-MPB	482540	26	6F	1.86	2.607	2.544	2.906	0	2.44	0.58	1/2	1-1/2	2.7	0.013
D30-8M-35-MPB	482541	30	6F	1.86	3.008	2.945	3.408	0	2.44	0.58	1/2	1-74/91	3.9	0.030
D22-8M-60-MPB	482569	22	6F	2.82	2.206	2.143	2.606	0	3.56	0.65	1	1-16/85	2.5	0.011
D24-8M-60-MPB	482570	24	6F	2.82	2.406	2.352	2.756	0	3.56	0.65	1	1-16/85	3.3	0.019
D26-8M-60-MPB	482571	26	6F	2.82	2.607	2.544	2.906	0	3.56	0.65	1	1-1/2	3.4	0.200
D28-8M-60-MPB	482572	28	6F	2.82	2.807	2.744	3.207	0	3.56	0.65	1	1-3/4	4.5	0.032
D30-8M-60-MPB	482573	30	6F	2.82	3.008	2.945	3.408	0	3.50	0.59	1	1-74/91	5.2	0.042
D32-8M-60-MPB	482574	32	6F	2.82	3.208	3.145	3.608	0	3.50	0.59	1	2	6.1	0.055
D34-8M-60-MPB	482575	34	6F	2.82	3.409	3.346	3.81	0	3.50	0.59	1	2-1/8	6.9	0.070
14M HTRC SPROCKETS														
D28-14M-90-MPB	482697	28	6F	4.20	4.912	4.802	5.402	0	5.14	0.94	1-1/2	2-15/16	20.4	0.432
D29-14M-90-MPB	482698	29	6F	4.20	5.088	4.978	5.763	0	5.00	0.80	1-1/2	3-3/16	22.0	0.503
D30-14M-90-MPB	482699	30	6F	4.20	5.263	5.153	5.763	0	5.00	0.80	1-1/2	3-3/16	23.6	0.571
D31-14M-90-MPB	482700	31	6F	4.20	5.439	5.329	6.114	0	5.00	0.80	1-1/2	3-7/16	25.5	0.658
D32-14M-90-MPB	482701	32	6F	4.20	5.614	5.504	6.114	0	5.00	0.80	1-1/2	3-7/16	27.1	0.741
D33-14M-90-MPB	482702	33	6F	4.20	5.790	5.680	6.465	0	5.20	1.00	1-1/2	3-1/2	30.2	0.871
D34-14M-90-MPB	482703	34	6F	4.20	5.965	5.855	6.465	0	5.20	1.00	1-1/2	3-1/2	31.9	0.971
D28-14M-120-MPB	482732	28	6F	5.61	4.912	4.802	5.402	0	6.50	0.89	1-1/2	2.94	24.8	0.562
D29-14M-120-MPB	482733	29	6F	5.61	5.088	4.978	5.763	0	6.50	0.89	1-1/2	3-3/16	27.2	0.661
D30-14M-120-MPB	482734	30	6F	5.61	5.263	5.153	5.763	0	6.50	0.89	1-1/2	3-3/16	29.2	0.752
D31-14M-120-MPB	482735	31	6F	5.61	5.439	5.329	6.114	0	6.50	0.89	1-1/2	3-7/16	31.6	0.865
D32-14M-120-MPB	482736	32	6F	5.61	5.614	5.504	6.114	0	6.50	0.89	1-1/2	3-7/16	33.8	0.976
D33-14M-120-MPB	482737	33	6F	5.61	5.790	5.680	6.465	0	6.69	1.08	1-1/2	3-1/2	37.3	1.138
D34-14M-120-MPB	482738	34	6F	5.61	5.965	5.855	6.465	0	6.69	1.08	1-1/2	3-1/2	39.6	1.272
D35-14M-120-MPB	482739	35	6F	5.61	6.141	6.031	6.816	0	6.69	1.08	1-1/2	3-13/16	42.9	1.461
D36-14M-120-MPB	482740	36	6F	5.61	6.316	6.206	6.816	0	6.69	1.08	1-1/2	3-13/16	45.3	1.621
D37-14M-120-MPB	482741	37	6F	5.61	6.492	6.382	7.167	0	6.69	1.08	1-1/2	4-1/4	48.5	1.835
D38-14M-120-MPB	482742	38	6F	5.61	6.667	6.557	7.167	0	6.69	1.08	1-1/2	4-1/4	51.1	2.024
D39-14M-120-MPB	482743	39	6F	5.61	6.842	6.732	7.518	0	6.69	1.08	1-1/2	4-3/8	54.3	2.267
D40-14M-120-MPB	482744	40	6F	5.61	7.018	6.908	7.518	0	6.69	1.08	1-1/2	4-3/8	57.0	2.488
D43-14M-120-MPB	482745	43	6F	5.61	7.544	7.434	8.044	0	6.81	1.20	1-1/2	4-13/16	68.2	3.413
D45-14M-120-MPB	482746	45	6F	5.61	7.895	7.785	8.395	0	6.81	1.20	1-1/2	5	75.0	4.092
D48-14M-120-MPB	482747	48	6F	5.61	8.421	8.311	8.941	0	6.81	1.20	1-1/2	5-5/8	86.3	5.340



SPECIFICATION

HTRC Metric MPB Sprockets



Type 6F

The letter "F" indicates that Sprocket has flanges

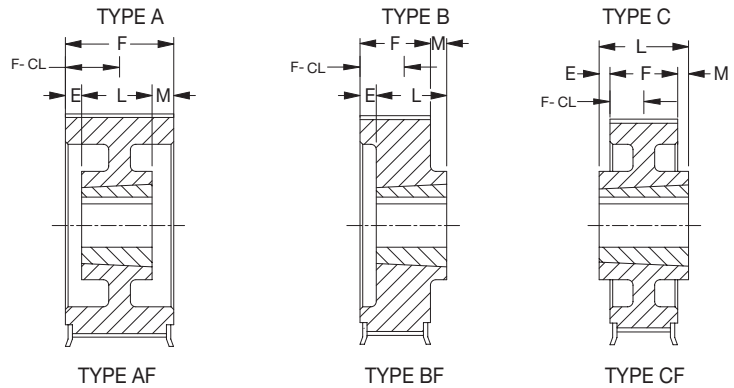
Sprocket Number	Part No. mm	No. Of Teeth	Type	Face Width	Diameters (mm)			Dimensions (mm)			Bore Sizes		Approx. Weight (Kg.)	Approx. WR ² (Kg-M ²)
					P.D.	O.D.	Flange	E	L	M	Min.	Max		
8M HTRC METRIC SPROCKETS														
D22-8M-12-MPB	483555	22	6F	21.6	56.0	54.4	66.2	0	33.3	11.7	13.0	22.0	0.18	0.000
D24-8M-12-MPB	482468	24	6F	21.6	0.0	0.0	0.0	0	33.3	11.7	13.0	22.0	0.50	0.000
D26-8M-12-MPB	482469	26	6F	21.6	66.2	64.6	73.8	0	33.3	11.7	13.0	25.0	0.50	0.000
D22-8M-22-MPB	483593	22	6F	31.8	56.0	54.4	66.2	0	41.9	11.4	13.0	22.0	0.27	0.000
D24-8M-22-MPB	482723	24	6F	31.8	0.0	0.0	0.0	0	41.9	11.4	13.0	25.0	0.29	0.000
D26-8M-22-MPB	482724	26	6F	31.8	66.2	64.6	73.8	0	41.9	11.4	13.0	25.0	0.32	0.000
D22-8M-35-MPB	483632	22	6F	47.2	56.0	54.4	66.2	0	62.0	14.7	13.0	22.0	0.91	0.000
D24-8M-35-MPB	483633	24	6F	47.2	0.0	0.0	0.0	0	62.0	14.7	13.0	25.0	1.13	0.001
D26-8M-35-MPB	483634	26	6F	47.2	66.2	64.6	73.8	0	62.0	14.7	13.0	25.0	1.22	0.001
D30-8M-35-MPB	483635	30	6F	47.2	76.4	74.8	86.6	0	62.0	14.7	13.0	25.0	1.77	0.001
D22-8M-60-MPB	483663	22	6F	71.6	56.0	54.4	66.2	0	90.4	16.5	25.0	22.0	1.13	0.001
D24-8M-60-MPB	482725	24	6F	71.6	0.0	0.0	0.0	0	90.4	16.5	25.0	25.0	1.50	0.001
D26-8M-60-MPB	483665	26	6F	71.6	66.2	64.6	73.8	0	90.4	16.5	25.0	25.0	1.55	0.008
D28-8M-60-MPB	483666	28	6F	71.6	71.3	69.7	81.5	0	90.4	16.5	25.0	25.0	2.04	0.001
D30-8M-60-MPB	483667	30	6F	71.6	76.4	74.8	86.6	0	88.9	15.0	25.0	32.0	2.36	0.002
D32-8M-60-MPB	483668	32	6F	71.6	81.5	79.9	91.6	0	88.9	15.0	25.0	39.0	2.77	0.002
D34-8M-60-MPB	483669	34	6F	71.6	86.6	85.0	96.8	0	88.9	15.0	25.0	39.0	3.13	0.003
14M HTRC METRIC SPROCKETS														
D28-14M-90-MPB	483791	28	6F	106.7	124.8	122.0	137.2	0	130.6	23.9	38.1	75.0	9.25	0.018
D29-14M-90-MPB	483792	29	6F	106.7	129.2	126.4	146.4	0	127.0	20.3	38.1	81.0	9.98	0.021
D30-14M-90-MPB	483793	30	6F	106.7	133.7	130.9	146.4	0	127.0	20.3	38.1	81.0	10.70	0.024
D31-14M-90-MPB	483794	31	6F	106.7	138.2	135.4	155.3	0	127.0	20.3	38.1	88.0	11.57	0.028
D32-14M-90-MPB	483795	32	6F	106.7	142.6	139.8	155.3	0	127.0	20.3	38.1	88.0	12.29	0.031
D33-14M-90-MPB	483796	33	6F	106.7	147.1	144.3	164.2	0	132.1	25.4	38.1	89.0	13.70	0.037
D34-14M-90-MPB	483797	34	6F	106.7	151.5	148.7	164.2	0	132.1	25.4	38.1	89.0	14.47	0.041
D28-14M-120-MPB	483823	28	6F	142.5	124.8	122.0	137.2	0	165.1	22.6	38.1	75.0	11.25	0.024
D29-14M-120-MPB	483824	29	6F	142.5	129.2	126.4	146.4	0	165.1	22.6	38.1	81.0	12.34	0.028
D30-14M-120-MPB	483825	30	6F	142.5	133.7	130.9	146.4	0	165.1	22.6	38.1	81.0	13.25	0.032
D31-14M-120-MPB	483826	31	6F	142.5	138.2	135.4	155.3	0	165.1	22.6	38.1	88.0	14.33	0.036
D32-14M-120-MPB	483827	32	6F	142.5	142.6	139.8	155.3	0	165.1	22.6	38.1	88.0	15.33	0.041
D33-14M-120-MPB	483828	33	6F	142.5	147.1	144.3	164.2	0	169.9	27.4	38.1	89.0	16.92	0.048
D34-14M-120-MPB	483829	34	6F	142.5	151.5	148.7	164.2	0	169.9	27.4	38.1	89.0	17.96	0.054
D35-14M-120-MPB	483830	35	6F	142.5	156.0	153.2	173.1	0	169.9	27.4	38.1	97.0	19.46	0.062
D36-14M-120-MPB	483831	36	6F	142.5	160.4	157.6	173.1	0	169.9	27.4	38.1	98.0	20.55	0.068
D37-14M-120-MPB	483832	37	6F	142.5	164.9	162.1	182.0	0	169.9	27.4	38.1	105.0	22.00	0.077
D38-14M-120-MPB	483833	38	6F	142.5	169.3	166.5	182.0	0	169.9	27.4	38.1	105.0	23.18	0.085
D39-14M-120-MPB	483834	39	6F	142.5	173.8	171.0	191.0	0	169.9	27.4	38.1	112.0	24.63	0.096
D40-14M-120-MPB	483835	40	6F	142.5	178.3	175.5	191.0	0	169.9	27.4	38.1	112.0	25.86	0.105
D43-14M-120-MPB	483836	43	6F	142.5	191.6	188.8	204.3	0	173.0	30.5	38.1	123.0	30.94	0.144
D45-14M-120-MPB	483837	45	6F	142.5	200.5	197.7	213.2	0	173.0	30.5	38.1	128.0	34.02	0.172
D48-14M-120-MPB	483838	48	6F	142.5	213.9	211.1	227.1	0	173.0	30.5	38.1	143.0	39.15	0.225

FEATURES/BENEFITS PAGE PT12-2	SELECTIONS PAGE PT13-30	ENGINEERING/TECHNICAL PAGE PT13-96	
----------------------------------	----------------------------	---------------------------------------	--



SPECIFICATION

HTRC TAPER-LOCK Sprockets (Nickel Plated)



1 = Block 2 = Web 3 = Arms
The letter "F" indicates that Sprocket has flanges

Sprocket Number	Part No.	No. Of Teeth	Diameters (In.)			Type	Face Width	Dimensions (In.)			Bore Sizes		Approx. Weight (Lbs.)	Approx. WR ² (Lb-Ft ²)
			P.D.	O.D.	Flange			E	L	M	Min.	Max.		
8M HTRC SPROCKETS - NICKEL PLATED														
D22-8M-22-1008	483200	22	2.206	2.152	2.606	A1F	1.25	0	0.88	0.32	1/2	1	0.4	0.003
D25-8M-22-1108	483201	25	2.506	2.452	2.906	A1F	1.25	0	0.88	0.32	1/2	1-1/8	0.6	0.004
D26-8M-22-1108	483202	26	2.607	2.553	2.906	A1F	1.25	0	0.88	0.32	1/2	1-1/8	0.7	0.004
D27-8M-22-1108	483203	27	2.707	2.653	3.207	A1F	1.25	0	0.88	0.32	1/2	1-1/8	0.8	0.010
D28-8M-22-1108	483204	28	2.807	2.753	3.207	A1F	1.25	0	0.88	0.32	1/2	1-1/8	1.0	0.010
D29-8M-22-1108	483205	29	2.907	2.853	3.207	A1F	1.25	0	0.88	0.32	1/2	1-1/8	1.1	0.010
D30-8M-22-1108	483206	30	3.008	2.954	3.408	A1F	1.25	0	0.88	0.32	1/2	1-1/8	1.2	0.010
D31-8M-22-1210	483207	31	3.108	3.054	3.328	A1F	1.25	0	1.00	0.20	1/2	1-1/4	1.2	0.010
D32-8M-22-1210	483208	32	3.208	3.145	3.608	A1F	1.25	0	1.00	0.20	1/2	1-1/4	1.3	0.010
D33-8M-22-1610	483209	33	3.308	3.254	3.566	A1F	1.25	0	1.00	0.20	1/2	1-11/16	1.3	0.010
D34-8M-22-1610	483210	34	3.409	3.355	3.810	A1F	1.25	0	1.00	0.20	1/2	1-11/16	1.4	0.010
D35-8M-22-1610	483211	35	3.509	3.455	3.805	A1F	1.25	0	1.00	0.20	1/2	1-11/16	1.4	0.010
D36-8M-22-1610	483212	36	3.609	3.555	4.009	A1F	1.25	0	1.00	0.20	1/2	1-11/16	1.5	0.020
D37-8M-22-1610	483213	37	3.709	3.655	4.044	A1F	1.25	0	1.00	0.20	1/2	1-11/16	1.6	0.020
D38-8M-22-1610	483214	38	3.810	3.756	4.210	A1F	1.25	0	1.00	0.20	1/2	1-11/16	1.8	0.030
D39-8M-22-1610	483215	39	3.910	3.856	4.410	A1F	1.25	0	1.00	0.20	1/2	1-11/16	1.9	0.030
D40-8M-22-2012	483216	40	4.010	3.956	4.410	A1F	1.25	0	1.25	0	1/2	2-1/8	2.2	0.030
D41-8M-22-2012	483217	41	4.110	4.056	4.520	A1F	1.25	0	1.25	0	1/2	2-1/8	2.3	0.040
D42-8M-22-2012	483218	42	4.211	4.157	4.911	A1F	1.25	0	1.25	0	1/2	2-1/8	3.0	0.050
D45-8M-22-2012	483219	45	4.511	4.457	4.911	A1F	1.25	0	1.25	0	1/2	2-1/8	3.4	0.070
D48-8M-22-2012	483220	48	4.812	4.758	5.212	A1F	1.25	0	1.25	0	1/2	2-1/8	3.5	0.080
D50-8M-22-2012	483221	50	5.013	4.959	5.413	A1F	1.25	0	1.25	0	1/2	2-1/8	3.9	0.100
D53-8M-22-2012	483222	53	5.314	5.259	5.500	A1F	1.25	0	1.25	0	1/2	2-1/8	4.7	0.130
D56-8M-22-2012	483223	56	5.614	5.560	6.014	A1F	1.25	0	1.25	0	1/2	2-1/8	5.5	0.160
D60-8M-22-2012	483224	60	6.015	5.961	6.415	A1F	1.25	0	1.25	0	1/2	2-1/8	6.6	0.220
D63-8M-22-2012	483225	63	6.316	6.262	6.716	B2F	1.25	0	1.25	0.05	1/2	2-1/8	7.5	0.280
D67-8M-22-2517	483226	67	6.717	6.663	6.875	B2F	1.25	0	1.75	0.55	1/2	2-11/16	9.1	0.390
D71-8M-22-2517	483227	71	7.118	7.064	7.500	B2F	1.25	0	1.75	0.55	1/2	2-11/16	10.5	0.490
D75-8M-22-2517	483228	75	7.519	7.465	7.919	B2F	1.25	0	1.75	0.55	1/2	2-11/16	8.7	0.420
D80-8M-22-2517	483229	80	8.020	7.966	8.420	B2F	1.25	0	1.75	0.55	1/2	2-11/16	9.6	0.520
D90-8M-22-2517	483230	90	9.023	8.969	---	B2	1.25	0	1.75	0.55	1/2	2-11/16	11.4	0.770
D112-8M-22-2517	483231	112	11.229	11.175	---	B2	1.25	0	1.75	0.55	1/2	2-11/16	16.3	1.690
D140-8M-22-2517	483232	140	14.036	13.982	---	B3	1.25	0	1.75	0.55	1/2	2-11/16	22.9	4.140
D180-8M-22-3020	483233	180	18.046	17.992	---	B3	1.25	0	2.00	0.80	7/8	3-1/4	33.8	10.350
D224-8M-22-3020	483234	224	22.457	22.403	---	B3	1.25	0	2.00	0.80	7/8	3-1/4	46.0	21.700
14M HTRC SPROCKETS - NICKEL PLATED														
D28-14M-20-2012	483235	28	4.912	4.802	5.402	A1F	1.36	0	1.25	0.11	1/2	2-1/8	3.9	0.070
D29-14M-20-2012	483236	29	5.088	4.978	5.763	A1F	1.36	0	1.25	0.11	1/2	2-1/8	4.5	0.090
D30-14M-20-2012	483237	30	5.263	5.153	5.763	A1F	1.36	0	1.25	0.11	1/2	2-1/8	4.8	0.100
D31-14M-20-2012	483238	31	5.439	5.329	6.114	A1F	1.36	0	1.25	0.11	1/2	2-1/8	5.5	0.120
D32-14M-20-2012	483239	32	5.614	5.504	6.114	A1F	1.36	0	1.25	0.11	1/2	2-1/8	5.9	0.140
D33-14M-20-2012	483240	33	5.790	5.680	6.465	A1F	1.36	0	1.25	0.11	1/2	2-1/8	6.3	0.160
D34-14M-20-2012	483241	34	5.965	5.855	6.465	A1F	1.36	0	1.25	0.11	1/2	2-1/8	6.9	0.190
D35-14M-20-2012	483242	35	6.141	6.031	6.816	A1F	1.36	0	1.25	0.11	1/2	2-1/8	7.3	0.220

FEATURES/BENEFITS PAGE PT12-2	SELECTIONS PAGE PT13-30	ENGINEERING/TECHNICAL PAGE PT13-96	
----------------------------------	----------------------------	---------------------------------------	--



SPECIFICATION

HTRC TAPER-LOCK Sprockets (Nickel Plated) (Continued)

Sprocket Number	Part No.	No. Of Teeth	Diameters (In.)			Type	Face Width	Dimensions (In.)			Bore Sizes		Approx. Weight (Lbs.)	Approx. WR ² (Lb-Ft ²)
			P.D.	O.D.	Flange			E	L	M	Min.	Max		
14M HTRC SPROCKETS - NICKEL PLATED														
D36-14M-20-2517	483243	36	6.316	6.206	6.816	B1F	1.36	0	1.75	0.39	1/2	2-11/16	7.6	0.270
D37-14M-20-2517	483244	37	6.492	6.382	7.167	B1F	1.36	0	1.75	0.39	1/2	2-11/16	8.2	0.310
D38-14M-20-2517	483245	38	6.667	6.557	7.167	B1F	1.36	0	1.75	0.39	1/2	2-11/16	8.8	0.340
D39-14M-20-2517	483246	39	6.842	6.732	7.518	B1F	1.36	0	1.75	0.39	1/2	2-11/16	9.8	0.390
D40-14M-20-2517	483247	40	7.018	6.908	7.518	B1F	1.36	0	1.75	0.39	1/2	2-11/16	10.1	0.430
D43-14M-20-2517	483248	43	7.544	7.434	8.044	B1F	1.36	0	1.75	0.39	1/2	2-11/16	11.7	0.580
D45-14M-20-3020	483249	45	7.895	7.785	8.395	B1F	1.36	0	2.00	0.64	7/8	3-1/4	13.5	0.780
D48-14M-20-3020	483250	48	8.421	8.311	8.941	B1F	1.36	0	2.00	0.64	7/8	3-1/4	16.4	1.010
D50-14M-20-3020	483251	50	8.772	8.662	9.292	B1F	1.36	0	2.00	0.64	7/8	3-1/4	18.3	1.180
D53-14M-20-3020	483252	53	9.299	9.189	9.688	B1F	1.36	0	2.00	0.64	7/8	3-1/4	20.5	1.490
D56-14M-20-3525	483253	56	9.825	9.715	10.355	B1F	1.36	0	2.50	1.14	1-3/16	3-15/16	23.2	2.750
D60-14M-20-3525	483254	60	10.527	10.417	11.067	B1F	1.36	0	2.50	1.14	1-3/16	3-15/16	27.5	3.360
D63-14M-20-3525	483255	63	11.053	10.943	11.593	B1F	1.36	0	2.50	1.14	1-3/16	3-15/16	30.2	4.100
D67-14M-20-3525	483256	67	11.755	11.645	12.500	B1F	1.36	0	2.50	1.14	1-3/16	3-15/16	31.3	4.760
D71-14M-20-3525	483257	71	12.457	12.347	13.066	B2F	1.36	0	2.50	1.14	1-3/16	3-15/16	32.5	4.450
D75-14M-20-3525	483258	75	13.158	13.048	13.731	B2F	1.36	0	2.50	1.14	1-3/16	3-15/16	36.2	5.130
D80-14M-20-3525	483259	80	14.036	13.926	14.620	B2F	1.36	0	2.50	1.14	1-3/16	3-15/16	38.7	6.060
D90-14M-20-3525	483260	90	15.790	15.680	---	B2F	1.36	0	2.50	1.14	1-3/16	3-15/16	41.3	8.590
D112-14M-20-3525	483261	112	19.650	19.540	---	B3F	1.36	0	2.50	1.14	1-3/16	3-15/16	59.6	22.670
D140-14M-20-3525	483262	140	24.562	24.452	---	B3F	1.36	0	2.50	1.00	1-3/16	3-15/16	94.8	39.930
D168-14M-20-3525	483263	168	29.475	29.365	---	B3F	1.36	0	2.50	1.00	1-3/16	3-15/16	99.5	73.330
D180-14M-20-3525	483264	180	31.580	31.470	---	B3F	1.36	0	2.50	1.00	1-3/16	3-15/16	107.3	92.480
D200-14M-20-3525	483265	200	35.089	34.979	---	B3F	1.36	0	2.50	1.00	1-3/16	3-15/16	119.0	131.990
D224-14M-20-4030	483266	224	39.300	39.190	---	B3F	1.36	0	3.00	1.50	1-7/16	4-7/16	150.2	195.310

V-Drives

FHP Drives

Drive Component
Accessories

DYNA-SYNC

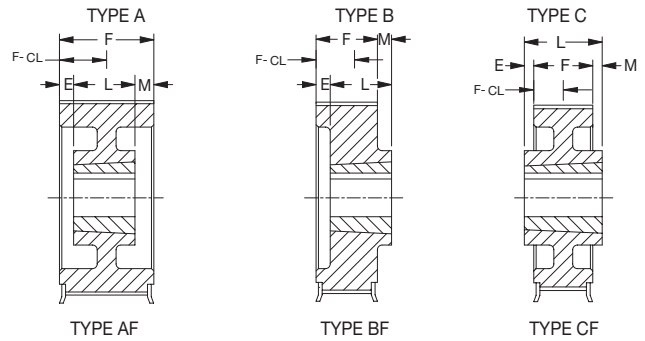
HT200/HTD
Synchronous DrivesHTR
Synchronous DrivesHTRC
Synchronous Drives

FEATURES/BENEFITS PAGE PT12-2	SELECTIONS PAGE PT13-30	ENGINEERING/TECHNICAL PAGE PT13-96	
----------------------------------	----------------------------	---------------------------------------	--



SPECIFICATION

HTRC Metric TAPER-LOCK Sprockets (Nickel Plated)



1 = Block 2 = Web 3 = Arms
The letter "F" indicates that Sprocket has flanges

Sprocket Number	Part No. mm	No. Of Teeth	Diameters (mm)			Type	Face Width	Dimensions (mm)			Bore Sizes		Approx. Weight (Kg.)	Approx. WR ² (Kg-M ²)
			P.D.	O.D.	Flange			E	L	M	Min.	Max.		
8M HTRC METRIC SPROCKETS - NICKEL PLATED														
D22-8M-22-1008	483860	22	56.0	54.4	66.2	A1F	31.8	0.0	22.4	8.1	13	25	0.2	0.000
D25-8M-22-1108	483861	25	63.7	62.1	73.8	A1F	31.8	0.0	22.4	8.1	13	29	0.3	0.000
D26-8M-22-1108	483862	26	66.2	64.6	73.8	A1F	31.8	0.0	22.4	8.1	13	29	0.3	0.000
D27-8M-22-1108	483863	27	68.8	67.2	81.5	A1F	31.8	0.0	22.4	8.1	13	29	0.4	0.000
D28-8M-22-1108	483864	28	71.3	69.7	81.5	A1F	31.8	0.0	22.4	8.1	13	29	0.5	0.000
D29-8M-22-1108	483865	29	73.8	72.2	78.5	A1F	31.8	0.0	22.4	8.1	13	29	0.5	0.000
D30-8M-22-1108	483866	30	76.4	74.8	86.6	A1F	31.8	0.0	22.4	8.1	13	29	0.5	0.000
D31-8M-22-1210	483867	31	78.9	77.3	84.5	A1F	31.8	0.0	25.4	5.1	13	32	0.5	0.000
D32-8M-22-1210	483868	32	81.5	79.9	91.6	A1F	31.8	0.0	25.4	5.1	13	32	0.6	0.000
D33-8M-22-1610	483869	33	84.0	82.4	90.6	A1F	31.8	0.0	25.4	5.1	13	43	0.6	0.000
D34-8M-22-1610	483870	34	86.6	85.0	96.8	A1F	31.8	0.0	25.4	5.1	13	43	0.6	0.000
D35-8M-22-1610	483871	35	89.1	87.5	96.6	A1F	31.8	0.0	25.4	5.1	13	43	0.6	0.000
D36-8M-22-1610	483872	36	91.7	90.1	101.8	A1F	31.8	0.0	25.4	5.1	13	43	0.7	0.001
D37-8M-22-1610	483873	37	94.2	92.6	102.7	A1F	31.8	0.0	25.4	5.1	13	43	0.7	0.001
D38-8M-22-1610	483874	38	96.8	95.2	106.9	A1F	31.8	0.0	25.4	5.1	13	43	0.8	0.001
D39-8M-22-1610	483875	39	99.3	97.7	112.0	A1F	31.8	0.0	25.4	5.1	13	43	0.9	0.001
D40-8M-22-2012	483876	40	101.9	100.3	112.0	A1F	31.8	0.0	31.8	0.0	13	54	1.0	0.001
D41-8M-22-2012	483877	41	104.4	102.8	114.8	A1F	31.8	0.0	31.8	0.0	13	54	1.0	0.002
D42-8M-22-2012	483878	42	107.0	105.4	124.7	A1F	31.8	0.0	31.8	0.0	13	54	1.4	0.002
D45-8M-22-2012	483879	45	114.6	113.0	124.7	A1F	31.8	0.0	31.8	0.0	13	54	1.5	0.003
D48-8M-22-2012	483880	48	122.2	120.6	132.4	A1F	31.8	0.0	31.8	0.0	13	54	1.6	0.003
D50-8M-22-2012	483881	50	127.3	125.7	137.5	A1F	31.8	0.0	31.8	0.0	13	54	1.8	0.004
D53-8M-22-2012	483882	53	135.0	133.4	139.7	A1F	31.8	0.0	31.8	0.0	13	54	2.1	0.005
D56-8M-22-2012	483883	56	142.6	141.0	152.8	A1F	31.8	0.0	31.8	0.0	13	54	2.5	0.007
D60-8M-22-2012	483884	60	152.8	151.2	162.9	A1F	31.8	0.0	31.8	0.0	13	54	3.0	0.009
D63-8M-22-2012	483885	63	160.4	158.8	170.6	B2F	31.8	0.0	31.8	1.3	13	54	3.4	0.012
D67-8M-22-2517 ★	483886	67	170.6	169.0	174.6	B2F	31.8	0.0	44.5	14.0	13	69	4.1	0.016
D71-8M-22-2517 ★	483887	71	180.8	179.2	190.5	B2F	31.8	0.0	44.5	14.0	13	69	4.8	0.021
D75-8M-22-2517 ★	483888	75	191.0	189.4	201.1	B2F	31.8	0.0	44.5	14.0	13	69	3.9	0.018
D80-8M-22-2517 ★	483889	80	203.7	202.1	213.9	B2F	31.8	0.0	44.5	14.0	13	69	4.4	0.022
D90-8M-22-2517 ★	483890	90	229.2	227.6	---	B2	31.8	0.0	44.5	14.0	13	69	5.2	0.032
D112-8M-22-2517 ★	483891	112	285.2	283.6	---	B2	31.8	0.0	44.5	14.0	13	69	7.4	0.071
D140-8M-22-2517 ★	483892	140	356.5	354.9	---	B3	31.8	0.0	44.5	14.0	13	69	10.4	0.174
D180-8M-22-3020	483893	180	458.4	456.8	---	B3	31.8	0.0	50.8	20.3	22	83	15.3	0.436
D224-8M-22-3020	483894	224	570.4	568.8	---	B3	31.8	0.0	50.8	20.3	22	83	20.9	0.914
14M HTRC METRIC SPROCKETS - NICKEL PLATED														
D28-14M-20-2012	483895	28	124.8	122.0	137.2	A1F	34.5	0.0	31.8	2.8	13	54	1.8	0.003
D29-14M-20-2012	483896	29	129.2	126.4	146.4	A1F	34.5	0.0	31.8	2.8	13	54	2.0	0.004
D30-14M-20-2012	483897	30	133.7	130.9	146.4	A1F	34.5	0.0	31.8	2.8	13	54	2.2	0.004
D31-14M-20-2012	483898	31	138.2	135.4	155.3	A1F	34.5	0.0	31.8	2.8	13	54	2.5	0.005
D32-14M-20-2012	483899	32	142.6	139.8	155.3	A1F	34.5	0.0	31.8	2.8	13	54	2.7	0.006
D33-14M-20-2012	483900	33	147.1	144.3	164.2	A1F	34.5	0.0	31.8	2.8	13	54	2.9	0.007
D34-14M-20-2012	483901	34	151.5	148.7	164.2	A1F	34.5	0.0	31.8	2.8	13	54	3.1	0.008
D35-14M-20-2012	483902	35	156.0	153.2	173.1	A1F	34.5	0.0	31.8	2.8	13	54	3.3	0.009

★ Requires hard metric TL busing

FEATURES/BENEFITS PAGE PT12-2	SELECTIONS PAGE PT13-30	ENGINEERING/TECHNICAL PAGE PT13-96	
----------------------------------	----------------------------	---------------------------------------	--



SPECIFICATION

HTRC Metric TAPER-LOCK Sprockets (Nickel Plated) (Continued)

Sprocket Number	Part No. mm	No. Of Teeth	Diameters (mm)			Type	Face Width	Dimensions (mm)			Bore Sizes		Approx. Weight (Kg.)	Approx. WR ² (Kg-M ²)
			P.D.	O.D.	Flange			E	L	M	Min.	Max		
14M HTRC METRIC SPROCKETS - NICKEL PLATED														
D36-14M-20-2517 ★	483903	36	160.4	157.6	173.1	B1F	34.5	0.0	44.5	9.9	13	68	3.4	0.011
D37-14M-20-2517 ★	483904	37	164.9	162.1	182.0	B1F	34.5	0.0	44.5	9.9	13	68	3.7	0.013
D38-14M-20-2517 ★	483905	38	169.3	166.5	182.0	B1F	34.5	0.0	44.5	9.9	13	68	4.0	0.014
D39-14M-20-2517 ★	483906	39	173.8	171.0	191.0	B1F	34.5	0.0	44.5	9.9	13	68	4.4	0.016
D40-14M-20-2517 ★	483907	40	178.3	175.5	191.0	B1F	34.5	0.0	44.5	9.9	13	68	4.6	0.018
D43-14M-20-2517 ★	483908	43	191.6	188.8	204.3	B1F	34.5	0.0	44.5	9.9	13	68	5.3	0.024
D45-14M-20-3020	483909	45	200.5	197.7	213.2	B1F	34.5	0.0	50.8	16.3	22	83	6.1	0.033
D48-14M-20-3020	483910	48	213.9	211.1	227.1	B1F	34.5	0.0	50.8	16.3	22	83	7.5	0.043
D50-14M-20-3020	483911	50	222.8	220.0	236.0	B1F	34.5	0.0	50.8	16.3	22	83	8.3	0.050
D53-14M-20-3020	483912	53	236.2	233.4	246.1	B1F	34.5	0.0	50.8	16.3	22	83	9.3	0.063
D56-14M-20-3525 ★	483913	56	249.6	246.8	263.0	B1F	34.5	0.0	63.5	29.0	30	100	10.5	0.116
D60-14M-20-3525 ★	483914	60	267.4	264.6	281.1	B1F	34.5	0.0	63.5	29.0	30	100	12.5	0.142
D63-14M-20-3525 ★	483915	63	280.7	278.0	294.5	B1F	34.5	0.0	63.5	29.0	30	100	13.7	0.169
D67-14M-20-3525 ★	483916	67	298.6	295.8	317.5	B1F	34.5	0.0	63.5	29.0	30	100	14.2	0.201
D71-14M-20-3525 ★	483917	71	316.4	313.6	331.9	B2F	34.5	0.0	63.5	29.0	30	100	14.7	0.188
D75-14M-20-3525 ★	483918	75	334.2	331.4	348.8	B2F	34.5	0.0	63.5	29.0	30	100	16.4	0.216
D80-14M-20-3525 ★	483919	80	356.5	353.7	371.3	B2F	34.5	0.0	63.5	29.0	30	100	17.6	0.255
D90-14M-20-3525 ★	483920	90	401.1	398.3	---	B2	34.5	0.0	63.5	29.0	30	100	18.7	0.362
D112-14M-20-3525 ★	483921	112	499.1	496.3	---	B3	34.5	0.0	63.5	29.0	30	100	27.0	0.955
D140-14M-20-3525 ★	483922	140	623.9	621.1	---	B3	34.5	0.0	63.5	25.4	30	100	43.0	1.683
D168-14M-20-3525 ★	483923	168	748.7	745.9	---	B3	34.5	0.0	63.5	25.4	30	100	45.1	3.090
D180-14M-20-3525 ★	483924	180	802.1	799.3	---	B3	34.5	0.0	63.5	25.4	30	100	48.7	3.897
D200-14M-20-3525 ★	483925	200	891.3	888.5	---	B3	34.5	0.0	63.5	25.4	30	100	54.0	5.562
D224-14M-20-4030	483926	224	998.2	995.4	---	B3	34.5	0.0	76.2	38.1	36	113	68.1	8.230

★ Requires hard metric TL bushing

V-Drives

FHP Drives

Drive Component Accessories

DYNA-SYNC

HT200/HTD Synchronous Drives

HTR Synchronous Drives

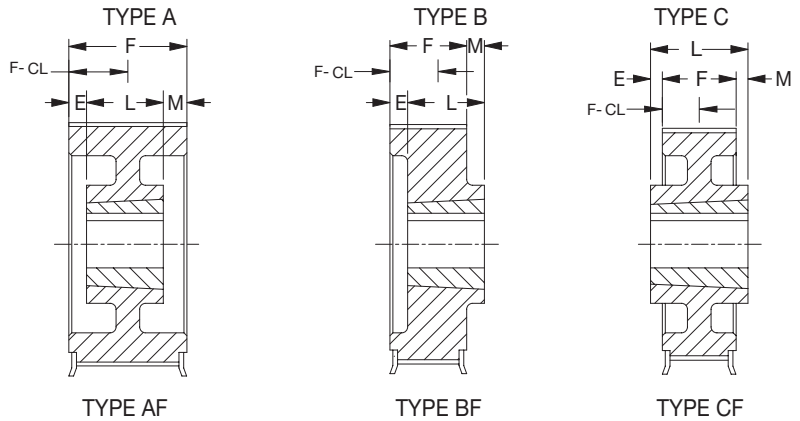
HTRC Synchronous Drives

FEATURES/BENEFITS PAGE PT12-2	SELECTIONS PAGE PT13-30	ENGINEERING/TECHNICAL PAGE PT13-96	
----------------------------------	----------------------------	---------------------------------------	--



SPECIFICATION

HTRC Metric TAPER-LOCK Sprockets (Stainless Steel)



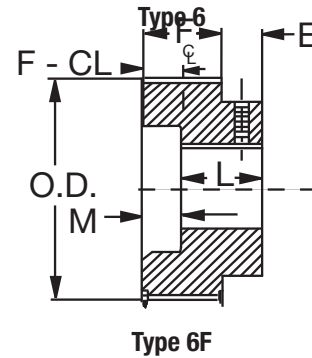
1 = Block 2 = Web 3 = Arms
The letter "F" indicates that Sprocket has flanges

Sprocket Number	Part No. mm	No. Of Teeth	Diameters (mm)			Type	Face Width	Dimensions (mm)			Bore Sizes		Approx. Weight (Kg.)	Approx. WR ² (Kg-M ²)
			P.D.	O.D.	Flange			E	L	M	Min.	Max.		
8M HTRC METRIC SPROCKETS - STAINLESS STEEL														
D28-8M-12-1108	483931	28	71.3	69.7	81.5	A1F	21.6	0.0	22.4	0.0	13.0	29.0	0.41	0.000
D29-8M-12-1108	483933	29	73.8	72.2	78.5	A1F	21.6	0.0	22.4	0.0	13.0	29.0	0.41	0.000
D30-8M-12-1108	483935	30	76.4	74.8	86.6	A1F	21.6	0.0	22.4	0.0	13.0	29.0	0.45	0.000
D32-8M-12-1210	483937	32	81.5	79.9	91.6	A1F	21.6	0.0	25.4	0.0	13.0	32.0	0.50	0.000
D34-8M-12-1610	483939	34	86.6	85.0	96.8	A1F	21.6	0.0	25.4	0.0	13.0	43.0	0.54	0.000
D36-8M-12-1610	483940	36	91.7	90.1	101.8	A1F	21.6	0.0	25.4	0.0	13.0	43.0	0.64	0.001
D38-8M-12-1610	483941	38	96.8	95.2	106.9	A1F	21.6	0.0	25.4	0.0	13.0	43.0	1.04	0.001
D40-8M-12-2012	483942	39	99.3	97.7	112.0	A1F	21.6	0.0	25.4	0.0	13.0	43.0	1.13	0.002
D42-8M-12-2012	483943	42	107.0	105.4	124.7	B1F	21.6	0.0	31.8	10.2	13.0	54.0	1.22	0.002
D45-8M-12-2012	483944	45	114.6	113.0	124.7	B1F	21.6	0.0	31.8	10.2	13.0	54.0	1.36	0.002
D48-8M-12-2012	483945	48	122.2	120.6	132.4	B1F	21.6	0.0	31.8	10.2	13.0	54.0	1.59	0.003
D50-8M-12-2012	483946	50	127.3	125.7	137.5	B1F	21.6	0.0	31.8	10.2	13.0	54.0	1.63	0.004
D53-8M-12-2012	483947	53	135.0	133.4	139.7	B1F	21.6	0.0	31.8	10.2	13.0	54.0	1.91	0.005
D56-8M-12-2012	483948	56	142.6	141.0	152.8	B1F	21.6	0.0	31.8	10.2	13.0	54.0	2.13	0.005
D60-8M-12-2012	483949	60	152.8	151.2	162.9	B1F	21.6	0.0	31.8	10.2	13.0	54.0	2.49	0.007
D28-8M-22-1108	483864	28	71.3	69.7	81.5	A1F	31.8	0.0	22.4	8.1	13.0	29.0	0.45	0.000
D29-8M-22-1108	483865	29	73.8	72.2	78.5	A1F	31.8	0.0	22.4	8.1	13.0	29.0	0.50	0.000
D30-8M-22-1108	483866	30	76.4	74.8	86.6	A1F	31.8	0.0	22.4	8.1	13.0	29.0	0.54	0.000
D32-8M-22-1210	483868	32	81.5	79.9	91.6	A1F	31.8	0.0	25.4	5.1	13.0	32.0	0.59	0.000
D34-8M-22-1610	483870	34	86.6	85.0	96.8	A1F	31.8	0.0	25.4	5.1	13.0	43.0	0.64	0.000
D36-8M-22-1610	483872	36	91.7	90.1	101.8	A1F	31.8	0.0	25.4	5.1	13.0	43.0	0.68	0.001
D38-8M-22-1610	483874	38	96.8	95.2	106.9	A1F	31.8	0.0	25.4	5.1	13.0	43.0	0.82	0.001
D40-8M-22-2012	483876	40	101.9	100.3	112.0	A1F	31.8	0.0	31.8	0.0	13.0	54.0	1.00	0.001
D42-8M-22-2012	483878	42	107.0	105.4	124.7	A1F	31.8	0.0	31.8	0.0	13.0	54.0	1.36	0.002
D45-8M-22-2012	483879	45	114.6	113.0	124.7	A1F	31.8	0.0	31.8	0.0	13.0	54.0	1.54	0.003
D48-8M-22-2012	483880	48	122.2	120.6	132.4	A1F	31.8	0.0	31.8	0.0	13.0	54.0	1.59	0.003
D50-8M-22-2012	483881	50	127.3	125.7	137.5	A1F	31.8	0.0	31.8	0.0	13.0	54.0	1.77	0.004
D53-8M-22-2012	483882	53	135.0	133.4	139.7	A1F	31.8	0.0	31.8	0.0	13.0	54.0	2.13	0.005
D56-8M-22-2012	483883	56	142.6	141.0	152.8	A1F	31.8	0.0	31.8	0.0	13.0	54.0	2.49	0.007
D60-8M-22-2012	483884	60	152.8	151.2	162.9	A1F	31.8	0.0	31.8	0.0	13.0	54.0	2.99	0.009



SPECIFICATION

HTRC MPB Sprockets (Stainless Steel)



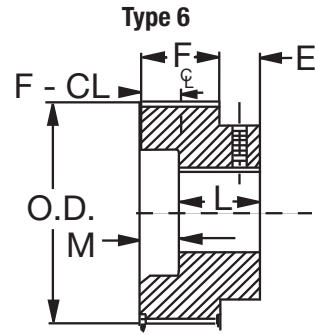
The letter "F" indicates that Sprocket has flanges

Sprocket Number	Part No.	No. Of Teeth	Type	Face Width	Diameters (In.)			Dimensions (In.)			Bore Sizes		Approx. Weight (Lbs.)	Approx. WR ² (Lb-Ft ²)
					P.D.	O.D.	Flange	E	L	M	Min.	Max.		
8M HTRC SPROCKETS - STAINLESS STEEL														
D28-8M-12-MPB	483270	28	6F	0.85	2.807	2.744	3.207	0	1.35	0	1/2	1	0.9	0.010
D29-8M-12-MPB	483272	29	6F	0.85	2.907	2.844	3.090	0	1.35	0	1/2	1	1.0	0.010
D30-8M-12-MPB	483274	30	6F	0.85	3.008	2.945	3.408	0	1.35	0	1/2	1	1.0	0.010
D32-8M-12-MPB	483276	32	6F	0.85	3.208	3.145	3.608	0	1.35	0	1/2	1	1.1	0.010
D34-8M-12-MPB	483278	34	6F	0.85	3.409	3.346	3.810	0	1.35	0	1/2	1	1.3	0.020
D28-8M-22-MPB	483291	28	6F	1.25	2.807	2.744	3.207	0	1.70	0	1/2	1-3/16	1.1	0.010
D29-8M-22-MPB	483293	29	6F	1.25	2.907	2.844	3.090	0	1.70	0	1/2	1-3/16	1.2	0.010
D30-8M-22-MPB	483295	30	6F	1.25	3.008	2.945	3.408	0	1.70	0	1/2	1-3/16	1.3	0.010
D32-8M-22-MPB	483297	32	6F	1.25	3.208	3.145	3.608	0	1.70	0.00	1/2	1-3/16	1.5	0.010
D34-8M-22-MPB	483299	34	6F	1.25	3.409	3.346	3.810	0	1.70	0.50	1/2	1-3/16	1.7	0.020



SPECIFICATION

HTRC Metric MPB Sprockets (Stainless Steel)



Type 6F

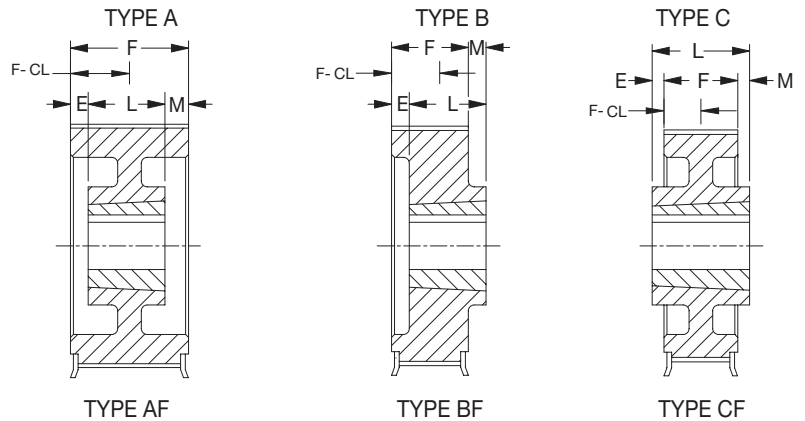
The letter "F" indicates that Sprocket has flanges

Sprocket Number	Part No. mm	No. Of Teeth	Type	Face Width	Diameters (mm)			Dimensions (mm)			Bore Sizes		Approx. Weight (Lbs.)	Approx. WR ² (Lb-Ft ²)
					P.D.	O.D.	Flange	E	L	M	Min.	Max.		
8M HTRC METRIC SPROCKETS - STAINLESS STEEL														
D28-8M-12-MPB	483930	28	6F	21.59	71.30	69.7	81.5	0.00	34.29	0.00	12.70	25.40	0.40	0.000
D29-8M-12-MPB	483932	29	6F	21.59	73.84	72.2	78.5	0.00	34.29	0.00	12.70	25.40	0.50	0.000
D30-8M-12-MPB	483934	30	6F	21.59	76.40	74.8	86.6	0.00	34.29	0.00	12.70	25.40	0.50	0.000
D32-8M-12-MPB	483936	32	6F	21.59	81.48	79.9	91.6	0.00	34.29	0.00	12.70	25.40	0.50	0.000
D34-8M-12-MPB	483938	34	6F	21.59	86.59	85.0	96.8	0.00	34.29	0.00	12.70	25.40	0.60	0.001
D28-8M-22-MPB	483950	28	6F	31.75	71.30	69.7	81.5	0.00	43.18	0.00	12.70	30.23	0.50	0.000
D29-8M-22-MPB	483952	29	6F	31.75	73.84	72.2	78.5	0.00	43.18	0.00	12.70	30.23	0.50	0.000
D30-8M-22-MPB	483954	30	6F	31.75	76.40	74.8	86.6	0.00	43.18	0.00	12.70	30.23	0.60	0.000
D32-8M-22-MPB	483956	32	6F	31.75	81.48	79.9	91.6	0.00	43.18	0.00	12.70	30.23	0.70	0.000
D34-8M-22-MPB	483958	34	6F	31.75	86.59	85.0	96.8	0.00	43.18	12.70	12.70	30.23	0.80	0.001



SPECIFICATION

HTRC Sprockets For ACHE Application Taper Lock



1 = Block 2 = Web 3 = Arms
The letter "F" indicates that Sprocket has flanges

FIN-FAN HTRC Sprockets For Cooling Tower Drives

Sprocket Number	Part No.	No. Of Teeth	Diameters (In.)			Type	Face Width	Dimensions (In.)			Bore Sizes		Approx. Weight (Lbs.)	Approx. WR ² (Lb-Ft ²)
			P.D.	O.D.	Flange			E	L	M	Min.	Max		
14M-SPROCKETS														
DF180-14M-42-3020	483320	180	31.580	31.470	---	B3	2.06	0	2.00	0.06	7/8	3-1/4	120.00	83.970
DF200-14M-42-3020	483321	200	35.086	34.979	---	B3	2.06	0	2.00	0.06	7/8	3-1/4	130.00	122.002
DF224-14M-42-3020	483322	224	39.296	39.190	---	B3	2.06	0	2.00	0.06	7/8	3-1/4	177.00	182.426

V-Drives

FHP Drives

Drive Component Accessories

DYNA-SYNC

HT200/HTD Synchronous Drives

HTR Synchronous Drives

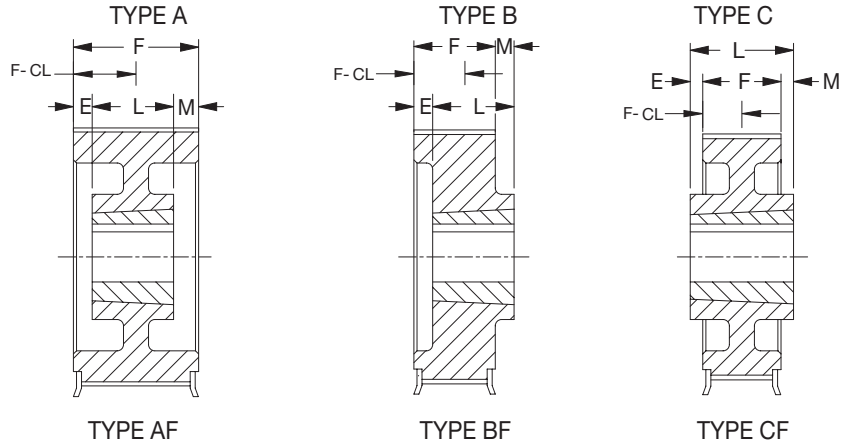
HTRC Synchronous Drives

FEATURES/BENEFITS PAGE PT12-2	SELECTIONS PAGE PT13-30	ENGINEERING/TECHNICAL PAGE PT13-96	
----------------------------------	----------------------------	---------------------------------------	--



SPECIFICATION

HTRC Sprockets For ACHE Application QD



1 = Block 2 = Web 3 = Arms

The letter "F" indicates that Sprocket has flanges

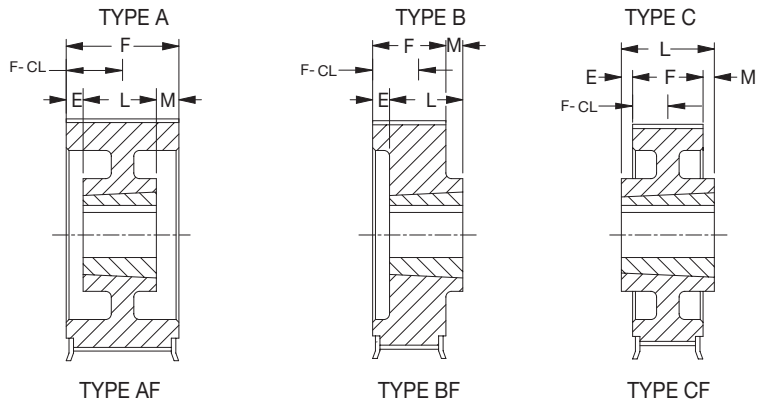
FIN-FAN HTRC Sprockets For Cooling Tower Drives

Sprocket Number	Part No.	No. Of Teeth	Diameters (In.)			Type	Face Width	Dimensions (In.)			Bore Sizes		Approx. Weight (Lbs.)	Approx. WR ² (Lb-Ft ²)
			P.D.	O.D.	Flange			E	L	M	Min.	Max.		
8M SPROCKETS														
DF36-8M-22-SH	483323	36	3.609	3.546	4.009	A1F	1.25	0	0.81	0.39	1/2	1 5/8	2.1	0.020
DF38-8M-22-SH	483324	38	3.810	3.747	4.210	A1F	1.25	0	0.81	0.39	1/2	1 5/8	2.1	0.030
DF40-8M-22-SH	483325	40	4.010	3.947	4.410	A1F	1.25	0	0.81	0.39	1/2	1 5/8	2.3	0.030
DF42-8M-22-SH	483326	42	4.211	4.148	4.911	A1F	1.25	0	0.81	0.39	1/2	1 5/8	2.5	0.040
DF140-8M-22-SF	483327	140	14.036	13.973	---	B2	1.25	0	1.25	0.05	1/2	2-13/16	25.0	4.060
DF168-8M-22-SF	483328	168	16.843	16.780	---	B3	1.25	0	1.25	0.05	1/2	2-13/16	33.8	7.600
DF180-8M-22-SF	483329	180	18.046	17.983	---	B3	1.25	0	1.25	0.05	1/2	2-13/16	36.6	9.700
DF224-8M-22-E	483330	224	22.457	22.394	---	B3	1.25	0	1.63	0.43	7/8	3-1/2	50.1	20.920
14M SPROCKETS														
DF28-14M-20-SK	483331	28	4.912	4.802	5.402	A1F	1.36	0	1.25	0.11	1/2	2-1/2	3.9	0.070
DF29-14M-20-SK	483332	29	5.088	4.978	5.763	A1F	1.36	0	1.25	0.11	1/2	2-1/2	4.5	0.090
DF30-14M-20-SK	483333	30	5.263	5.153	5.763	A1F	1.36	0	1.25	0.11	1/2	2-1/2	4.8	0.100
DF31-14M-20-SK	483334	31	5.439	5.329	6.114	A1F	1.36	0	1.25	0.11	1/2	2-1/2	5.5	0.120
DF32-14M-20-SK	483335	32	5.614	5.504	6.114	A1F	1.36	0	1.25	0.11	1/2	2-1/2	5.9	0.140
DF33-14M-20-SK	483336	33	5.790	5.680	6.465	A1F	1.36	0	1.25	0.11	1/2	2-1/2	6.3	0.160
DF34-14M-20-SK	483337	34	5.965	5.855	6.465	A1F	1.36	0	1.25	0.11	1/2	2-1/2	6.9	0.190
DF35-14M-20-SK	483338	35	6.141	6.031	6.816	A1F	1.36	0	1.25	0.11	1/2	2-1/2	7.3	0.210
DF36-14M-20-SF	483339	36	6.315	6.206	6.816	A1F	1.36	0	1.25	0.11	1/2	2-15/16	7.9	0.240
DF140-14M-20-E	483340	140	24.560	24.452	---	B3	1.36	0	1.63	0.27	7/8	3-1/2	66.1	32.100
DF168-14M-20-F	483341	168	29.472	29.365	---	C3	1.36	0.56	2.50	0.58	1	3-15/16	90.0	67.680
DF180-14M-20-F	483342	180	31.580	31.470	---	B3	1.36	0	2.50	1.14	1	3-15/16	107.3	88.130
DF200-14M-20-F	483343	200	35.086	34.979	---	C3	1.36	0.88	2.50	0.26	1	3-15/16	119.0	134.150
DF224-14M-20-F	483344	224	39.300	39.190	---	B3	1.36	0	2.50	1.14	1	3-15/16	125.0	207.840
DF28-14M-42-SK	483345	28	4.912	4.802	5.402	A1F	2.06	0.81	1.25	0	1/2	2-1/2	4.2	0.110
DF29-14M-42-SK	483346	29	5.088	4.978	5.763	A1F	2.06	0.81	1.25	0	1/2	2-1/2	4.7	0.130
DF30-14M-42-SK	483347	30	5.263	5.153	5.763	A1F	2.06	0.81	1.25	0	1/2	2-1/2	5.0	0.150
DF31-14M-42-SK	483348	31	5.439	5.329	6.114	A1F	2.06	0	1.25	0.81	1/2	2-1/2	6.0	0.170
DF32-14M-42-SK	483349	32	5.614	5.504	6.114	A1F	2.06	0	1.25	0.81	1/2	2-1/2	7.1	0.200
DF33-14M-42-SK	483350	33	5.790	5.680	6.465	A1F	2.06	0	1.25	0.81	1/2	2-1/2	7.5	0.230
DF34-14M-42-SK	483351	34	5.965	5.855	6.465	A1F	2.06	0	1.25	0.81	1/2	2-1/2	7.8	0.260
DF35-14M-42-SK	483352	35	6.141	6.031	6.816	A1F	2.06	0	1.25	0.81	1/2	2-1/2	8.3	0.290
DF36-14M-42-SF	483353	36	6.315	6.206	6.816	A1F	2.06	0.25	1.25	0.56	1/2	2-15/16	8.8	0.330
DF180-14M-42-E	483354	180	31.580	31.470	---	A3	2.06	0.19	1.63	0.21	7/8	3-1/2	120.0	140.460
DF200-14M-42-E	483355	200	35.089	34.979	---	A3	2.06	0.19	1.63	0.21	7/8	3-1/2	130.0	213.340
DF224-14M-42-E	483356	224	39.300	39.190	---	A3	2.06	0.19	1.63	0.21	7/8	3-1/2	177.0	329.850



SPECIFICATION

HTRC Metric Sprockets For ACHE Application QD



1 = Block 2 = Web 3 = Arms
The letter "F" indicates that Sprocket has flanges

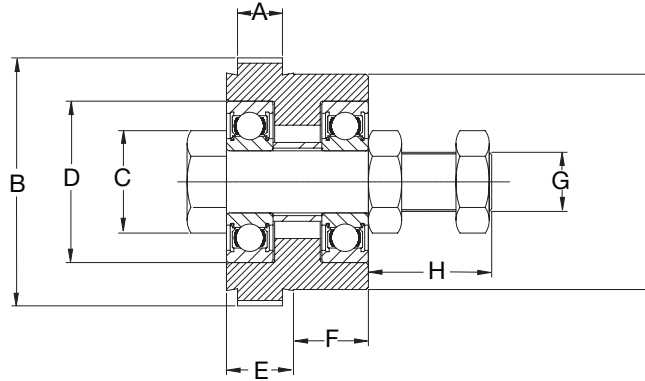
FIN-FAN HTRC Metric Sprockets For Cooling Tower Drives

Sprocket Number	Part No. mm	No. Of Teeth	Diameters (mm)			Type	Face Width	Dimensions (mm)			Bore Sizes		Approx. Weight (Kg)	Approx. WR ² (Kg-M ²)
			P.D.	O.D.	Flange			E	L	M	Min.	Max		
8M SPROCKETS														
DF36-8M-22-SH	483978	36	91.7	90.1	101.8	A1F	31.8	0	20.6	9.9	13.0	41.0	0.7	0.001
DF38-8M-22-SH	483979	38	96.8	95.2	106.9	A1F	31.8	0	20.6	9.9	13.0	41.0	0.8	0.001
DF40-8M-22-SH	483980	40	101.9	100.3	112.0	A1F	31.8	0	20.6	9.9	13.0	41.0	0.9	0.001
DF42-8M-22-SH	483981	42	107.0	105.4	124.7	A1F	31.8	0	20.6	9.9	13.0	41.0	1.0	0.002
DF140-8M-22-SF	483982	140	356.5	354.9	---	B2	31.8	0	31.8	1.3	13.0	71.0	11.3	0.171
DF168-8M-22-SF	483983	168	427.8	426.2	---	B3	31.8	0	31.8	1.3	13.0	71.0	14.5	0.320
DF180-8M-22-SF	483984	180	458.4	456.8	---	B3	31.8	0	31.8	1.3	13.0	71.0	15.9	0.409
DF224-8M-22-E	483985	224	570.4	568.8	---	B3	31.8	0	31.8	10.9	22.0	89.0	22.5	0.882
14M SPROCKETS														
DF28-14M-20-SK	483986	28	124.8	122.0	137.2	A1F	34.5	0	31.8	2.8	13.0	63.0	1.4	0.003
DF29-14M-20-SK	483987	29	129.2	126.4	146.4	A1F	34.5	0	31.8	2.8	13.0	63.0	1.6	0.004
DF30-14M-20-SK	483988	30	133.7	130.9	146.4	A1F	34.5	0	31.8	2.8	13.0	63.0	1.8	0.004
DF31-14M-20-SK	483989	31	138.2	135.4	155.3	A1F	34.5	0	31.8	2.8	13.0	63.0	2.0	0.005
DF32-14M-20-SK	483990	32	142.6	139.8	155.3	A1F	34.5	0	31.8	2.8	13.0	63.0	2.2	0.006
DF33-14M-20-SK	483991	33	147.1	144.3	164.2	A1F	34.5	0	31.8	2.8	13.0	63.0	2.4	0.007
DF34-14M-20-SK	483992	34	151.5	148.7	164.2	A1F	34.5	0	31.8	2.8	13.0	63.0	2.6	0.008
DF35-14M-20-SK	483993	35	156.0	153.2	173.1	A1F	34.5	0	31.8	2.8	13.0	63.0	2.9	0.009
DF36-14M-20-SF	483994	36	160.4	157.6	173.1	A1F	34.5	0	31.8	2.8	13.0	75.0	2.9	0.010
DF140-14M-20-E	483995	140	623.8	621.1	---	B3	34.5	0	41.4	6.9	22.0	89.0	28.3	1.353
DF168-14M-20-F	483996	168	748.6	745.9	---	C3	34.5	14.2	63.50	14.7	25.0	100.0	42.5	2.852
DF180-14M-20-F	483997	180	802.1	799.3	---	B3	34.5	0	63.50	29.0	25.0	100.0	49.8	3.714
DF200-14M-20-F	483998	200	891.2	888.5	---	C3	34.5	22.4	63.50	6.6	25.0	100.0	57.1	5.653
DF224-14M-20-F	483999	224	998.2	995.4	---	B3	34.5	0	63.50	29.0	25.0	100.0	68.6	8.758
DF28-14M-42-SK	484000	28	124.8	122.0	137.2	A1F	52.3	20.6	31.8	0	13.0	64.0	2.1	0.005
DF29-14M-42-SK	484001	29	129.2	126.4	146.4	A1F	52.3	20.6	31.8	0	13.0	64.0	2.3	0.005
DF30-14M-42-SK	484002	30	133.7	130.9	146.4	A1F	52.3	20.6	31.8	0	13.0	64.0	2.5	0.006
DF31-14M-42-SK	484003	31	138.2	135.4	155.3	A1F	52.3	0	31.8	20.6	13.0	64.0	2.8	0.007
DF32-14M-42-SK	484004	32	142.6	139.8	155.3	A1F	52.3	0	31.8	20.6	13.0	64.0	3.0	0.008
DF33-14M-42-SK	484006	33	147.1	144.3	164.2	A1F	52.3	0	31.8	20.6	13.0	64.0	3.3	0.010
DF34-14M-42-SK	484007	34	151.5	148.7	164.2	A1F	52.3	0	31.8	20.6	13.0	64.0	3.5	0.011
DF35-14M-42-SK	484008	35	156.0	153.2	173.1	A1F	52.3	0	31.8	20.6	13.0	64.0	3.8	0.012
DF36-14M-42-SF	484009	36	160.4	157.6	173.1	A1F	52.3	6.4	31.8	14.2	22.0	75.0	3.8	0.014
DF180-14M-42-E	484010	180	802.1	799.3	---	A3	52.3	4.8	41.4	5.3	22.0	89.0	66.7	5.919
DF200-14M-42-E	484011	200	891.3	888.5	---	A3	52.3	4.8	41.4	5.3	22.0	89.0	81.7	8.990
DF224-14M-42-E	484012	224	998.2	995.4	---	A3	52.3	4.8	41.4	5.3	22.0	89.0	99.4	13.900



SPECIFICATION

IDLER SPROCKET



Idler Number	Part No.	No. Of Teeth	Belt Width mm	A (Ref) In	B In	C (Ref) In	D In	E (Ref) In	F In	G (Threads) In	H (Ref) In	I In	Approx. Weight (Lbs.)
D32-8M-12	122480	32	12	0.56	3.15	1.13	2.05	0.85	0.96	3/4-16UNF	1.58	2.73	3.8
D32-8M-22	122481	32	22	0.97	3.15	1.25	2.05	1.24	0.57	3/4-16UNF	1.58	2.73	3.9
D36-8M-35	122482	36	35	1.59	3.55	1.75	2.83	1.86	0.00	3/4-16UNF	1.77	0.00	5.1
D36-8M-60	122483	36	60	2.63	3.55	1.75	2.83	2.91	0.65	3/4-16UNF	1.83	0.65	9.7
D30-14M-20	122484	30	20	1.05	5.15	2.38	3.54	1.36	0.97	1-14NS-1B	2.38	4.35	12.6
D30-14M-42	122485	30	42	1.73	5.15	2.38	3.54	2.06	0.25	1-14NS-1B	2.38	4.35	13.5
D34-14M-65	122486	34	65	3.02	5.86	2.75	4.38	3.33	0.98	1-14NS-1B	2.38	4.89	26.0
D34-14M-90	122487	34	90	3.88	5.86	2.75	4.38	4.20	0.99	1-14NS-1B	2.25	4.89	32.2
D34-14M-120	122488	34	120	5.28	5.86	2.75	4.38	5.61	1.08	1-14NS-1B	2.38	4.89	36.5

* Includes flanges

V-Drives

FHP Drives

Drive Component Accessories

DYNA-SYNC

HT200/HTD Synchronous Drives

HTR Synchronous Drives

HTRC Synchronous Drives

FEATURES/BENEFITS PAGE PT12-2	SELECTIONS PAGE PT13-30	ENGINEERING/TECHNICAL PAGE PT13-96	
----------------------------------	----------------------------	---------------------------------------	--



SPECIFICATION

HTRC Belts

HTRC Belts are for use on Taper-Lock HTRC Sprockets Belt length is in millimeters
To convert to inches, divide by 25.4

8MM Pitch HTRC Belts

12MM Wide			22MM Wide			35MM Wide			60MM Wide		
Description	P/N	Wt.	Description	P/N	Wt.	Description	P/N	Wt.	Description	P/N	Wt.
320-8M-12	484156	0.32	384-8M-22	484175	0.39	456-8M-35	484191	0.51	456-8M-60	484205	0.38
352-8M-12	484157	0.33	408-8M-22	484176	0.40	480-8M-35	483052	0.52	480-8M-60	483078	0.40
360-8M-12	484158	0.34	456-8M-22	484177	0.41	536-8M-35	484192	0.52	536-8M-60	484206	0.42
384-8M-12	484159	0.34	480-8M-22	483026	0.42	544-8M-35	484193	0.52	544-8M-60	484207	0.44
408-8M-12	484160	0.35	536-8M-22	484178	0.43	560-8M-35	483053	0.52	560-8M-60	483079	0.47
456-8M-12	484161	0.35	544-8M-22	484179	0.45	600-8M-35	483054	0.52	600-8M-60	483080	0.53
480-8M-12	483000	0.36	560-8M-22	483027	0.46	608-8M-35	484194	0.53	608-8M-60	484208	0.53
536-8M-12	484162	0.37	600-8M-22	483028	0.46	632-8M-35	484195	0.54	632-8M-60	484209	0.53
544-8M-12	484163	0.38	608-8M-22	484180	0.46	640-8M-35	483055	0.56	640-8M-60	483081	0.53
560-8M-12	483001	0.38	632-8M-22	484181	0.46	680-8M-35	484196	0.56	680-8M-60	484210	0.55
600-8M-12	483002	0.40	640-8M-22	483029	0.46	720-8M-35	483056	0.56	720-8M-60	483082	0.60
608-8M-12	484164	0.40	680-8M-22	484182	0.47	800-8M-35	483057	0.60	800-8M-60	483083	1.02
632-8M-12	484165	0.40	720-8M-22	483030	0.48	840-8M-35	484197	0.63	840-8M-60	484211	1.10
640-8M-12	483003	0.40	800-8M-22	483031	0.42	880-8M-35	483058	0.66	880-8M-60	483084	1.12
680-8M-12	484166	0.40	840-8M-22	484183	0.50	920-8M-35	484199	0.68	896-8M-60	484212	1.15
720-8M-12	483004	0.40	880-8M-22	483032	0.52	960-8M-35	483059	0.70	920-8M-60	484213	1.17
800-8M-12	483005	0.40	896-8M-22	484184	0.52	1000-8M-35	484200	0.70	960-8M-60	483085	1.20
840-8M-12	484167	0.42	920-8M-22	484185	0.52	1040-8M-35	483060	0.70	1000-8M-60	484214	1.20
880-8M-12	483006	0.42	960-8M-22	483033	0.52	1080-8M-35	484201	0.73	1040-8M-60	483086	1.20
896-8M-12	484168	0.44	1000-8M-22	484186	0.53	1120-8M-35	483061	0.76	1080-8M-60	484215	1.25
920-8M-12	484169	0.45	1040-8M-22	483034	0.54	1200-8M-35	483062	0.76	1120-8M-60	483087	1.28
960-8M-12	483007	0.46	1080-8M-22	484187	0.58	1224-8M-35	483063	0.78	1200-8M-60	483088	1.30
1000-8M-12	484170	0.46	1120-8M-22	483035	0.60	1280-8M-35	483064	0.82	1224-8M-60	483089	1.32
1040-8M-12	483008	0.46	1200-8M-22	483036	0.62	1352-8M-35	484202	0.87	1280-8M-60	483090	1.32
1080-8M-12	484171	0.46	1224-8M-22	483037	0.62	1440-8M-35	483065	0.92	1352-8M-60	484216	1.40
1120-8M-12	483009	0.46	1280-8M-22	483038	0.62	1464-8M-35	483066	0.96	1440-8M-60	483091	1.50
1200-8M-12	483010	0.46	1352-8M-22	484188	0.65	1600-8M-35	483067	1.00	1464-8M-60	484217	1.55
1224-8M-12	483011	0.48	1440-8M-22	483039	0.68	1760-8M-35	483068	1.00	1600-8M-60	483092	1.58
1280-8M-12	483012	0.48	1464-8M-22	484189	0.68	1800-8M-35	483069	1.00	1760-8M-60	483093	1.74
1352-8M-12	484172	0.49	1600-8M-22	483040	0.68	2000-8M-35	483070	1.12	1800-8M-60	483094	1.74
1440-8M-12	483013	0.50	1760-8M-22	483041	0.78	2200-8M-35	483071	1.16	2000-8M-60	483095	1.84
1464-8M-12	484173	0.51	1800-8M-22	483042	0.78	2400-8M-35	484203	1.35	2200-8M-60	483096	2.00
1600-8M-12	483014	0.52	2000-8M-22	483043	0.84	2520-8M-35	484204	1.45	2400-8M-60	483097	2.18
1760-8M-12	483015	0.54	2200-8M-22	483044	0.88	2600-8M-35	483072	1.55	2520-8M-60	484218	2.20
1800-8M-12	483016	0.55	2400-8M-22	483045	0.90	2800-8M-35	483073	1.35	2600-8M-60	483098	2.34
2000-8M-12	483017	0.55	2520-8M-22	484190	1.10	3048-8M-35	483074	1.78	2800-8M-60	483099	2.46
2200-8M-12	483018	0.60	2600-8M-22	483046	1.22	3280-8M-35	483075	1.82	3048-8M-60	483100	2.54
2400-8M-12	483019	0.64	2800-8M-22	483047	1.22	3600-8M-35	483076	2.04	3280-8M-60	483101	2.76
2520-8M-12	484174	0.64	3048-8M-22	483048	1.26	4400-8M-35	483077	2.14	3600-8M-60	483102	3.06
2600-8M-12	483020	0.65	3280-8M-22	483049	1.34				4400-8M-60	483103	3.67
2800-8M-12	483021	0.70	3600-8M-22	483050	1.34						
3048-8M-12	483022	0.72	4400-8M-22	483051	1.35						
3280-8M-12	483023	0.73									
3600-8M-12	483024	0.74									
4400-8M-12	483025	1.20									

FEATURES/BENEFITS PAGE PT12-2	SELECTIONS PAGE PT13-30	ENGINEERING/TECHNICAL PAGE PT13-96	
----------------------------------	----------------------------	---------------------------------------	--

V-Drives

FHP Drives

Drive Component Accessories

DYNA-SYNC

HT200/HTD Synchronous Drives

HTR Synchronous Drives

HTRC Synchronous Drives

SPECIFICATION



HTRC Belts

HTRC Belts are for use on Taper-Lock HTRC Sprockets
 Belt length is in millimeters
 To convert to inches, divide by 25.4

14MM Pitch HTRC Belts

20MM Wide			42MM Wide			65MM Wide			90MM Wide			120MM Wide		
Description	P/N	Wt.	Description	P/N	Wt.	Description	P/N	Wt.	Description	P/N	Wt.	Description	P/N	Wt.
966-14M-20	483104	0.42	966-14M-42	483122	0.90	966-14M-65	483140	1.90	966-14M-90	483158	1.89	966-14M-120	483176	2.52
994-14M-20	484219	0.60	994-14M-42	484233	1.10	994-14M-65	484247	2.10	994-14M-90	484261	2.15	994-14M-120	484275	2.70
1092-14M-20	484220	0.80	1092-14M-42	484234	1.35	1092-14M-65	484248	2.18	1092-14M-90	484262	2.40	1092-14M-120	484276	2.80
1106-14M-20	484221	1.00	1106-14M-42	484235	1.45	1106-14M-65	484249	2.12	1106-14M-90	484263	2.70	1106-14M-120	484277	2.97
1190-14M-20	483105	1.06	1190-14M-42	483123	1.60	1190-14M-65	483141	2.26	1190-14M-90	483159	2.92	1190-14M-120	483177	3.10
1260-14M-20	484222	1.08	1260-14M-42	484236	1.62	1260-14M-65	484250	2.32	1260-14M-90	484264	3.00	1260-14M-120	484278	3.50
1288-14M-20	484223	1.10	1288-14M-42	484237	1.64	1288-14M-65	484251	2.38	1288-14M-90	484265	3.06	1288-14M-120	484279	3.80
1344-14M-20	484224	1.12	1344-14M-42	484238	1.66	1344-14M-65	484252	2.45	1344-14M-90	484266	3.13	1344-14M-120	484280	4.21
1400-14M-20	483106	1.14	1400-14M-42	483124	1.68	1400-14M-65	483142	2.50	1400-14M-90	483160	3.20	1400-14M-120	483178	4.56
1442-14M-20	484225	1.17	1442-14M-42	484239	1.70	1442-14M-65	484253	2.60	1442-14M-90	484267	3.30	1442-14M-120	484281	4.80
1568-14M-20	484226	1.20	1568-14M-42	484240	1.80	1568-14M-65	484254	2.70	1568-14M-90	484268	3.50	1568-14M-120	484282	5.00
1610-14M-20	483107	1.24	1610-14M-4T	483125	1.90	1610-14M-65	483143	2.82	1610-14M-90	483161	3.70	1610-14M-120	483179	5.26
1764-14M-20	484227	1.28	1764-14M-42	484241	2.00	1764-14M-65	484255	3.20	1764-14M-90	484269	4.10	1764-14M-120	484283	5.50
1778-14M-20	483108	1.30	1778-14M-42	483126	2.10	1778-14M-65	483144	3.56	1778-14M-90	483162	4.36	1778-14M-120	483180	5.70
1890-14M-20	483109	1.34	1890-14M-42	483127	2.30	1890-14M-65	483145	3.74	1890-14M-90	483163	4.40	1890-14M-120	483181	5.74
1960-14M-20	484228	1.38	1960-14M-42	484242	2.31	1960-14M-65	484256	3.77	1960-14M-90	484270	4.70	1960-14M-120	484284	5.77
2100-14M-20	483110	1.40	2100-14M-42	483128	2.32	2100-14M-65	483146	3.80	2100-14M-90x	483164	5.06	2100-14M-120	483182	5.80
2240-14M-20	484229	1.48	2240-14M-42	484243	2.45	2240-14M-65	484257	3.81	2240-14M-90	484271	5.10	2240-14M-120	484285	6.40
2310-14M-20	483111	1.54	2310-14M-42	483129	2.60	2310-14M-65	483147	3.82	2310-14M-90	483165	5.16	2310-14M-120	483183	6.92
2380-14M-20	484230	1.55	2380-14M-42	484244	2.65	2380-14M-65	484258	3.90	2380-14M-90	484272	5.30	2380-14M-120	484286	7.00
2450-14M-20	483112	1.55	2450-14M-42	483130	2.70	2450-14M-65	483148	4.00	2450-14M-90	483166	5.46	2450-14M-120	483184	7.08
2590-14M-20	483113	1.60	2590-14M-42	483131	2.74	2590-14M-65	483149	4.08	2590-14M-90	483167	5.30	2590-14M-120	483185	7.32
2660-14M-20	484231	1.70	2660-14M-42	484245	2.90	2660-14M-65	484259	4.70	2660-14M-90	484273	5.90	2660-14M-120	484287	7.80
2800-14M-20	483114	1.78	2800-14M-42	483132	3.10	2800-14M-65	483150	5.24	2800-14M-90	483168	6.48	2800-14M-120	483186	8.28
3150-14M-20	483115	1.86	3150-14M-42	483133	3.76	3150-14M-65	483151	5.30	3150-14M-90	483169	7.28	3150-14M-120	483187	8.70
3360-14M-20	483116	1.90	3360-14M-42	483134	3.80	3360-14M-65	483152	5.50	3360-14M-90	483170	7.30	3360-14M-120	483188	8.80
3500-14M-20	483117	2.42	3500-14M-42	483135	3.98	3500-14M-65	483153	5.76	3500-14M-90	483171	7.54	3500-14M-120	483189	9.11
3850-14M-20	483118	2.58	3850-14M-42	483136	4.20	3850-14M-65	483154	6.28	3850-14M-90	483172	8.50	3850-14M-120	483190	10.20
3920-14M-20	484232	2.65	3920-14M-42	484246	4.30	3920-14M-65	484260	6.50	3920-14M-90	484274	8.80	3920-14M-120	484288	14.50
4326-14M-20	483119	2.75	4326-14M-42	483137	4.46	4326-14M-65	483155	7.00	4326-14M-90	483173	9.18	4326-14M-120	483191	10.90
4578-14M-20	483120	2.88	4578-14M-42	483138	4.98	4578-14M-65	483156	7.20	4578-14M-90	483174	9.58	4578-14M-120	483192	12.88
4956-14M-20	483121	2.99	4956-14M-42	483139	5.48	4956-14M-65	483157	7.88	4956-14M-90	483175	10.50	4956-14M-120	483193	12.90

V-Drives

FHP Drives

Drive Component
Accessories

DYNA-SYNC

HT200/HTD
Synchronous Drives

HTR
Synchronous Drives

HTRC
Synchronous Drives

FEATURES/BENEFITS PAGE PT12-2	SELECTIONS PAGE PT13-30	ENGINEERING/TECHNICAL PAGE PT13-96	
----------------------------------	----------------------------	---------------------------------------	--



V-Drives

FHP Drives

Drive Component Accessories

DYNA-SYNC

HT200/HTD Synchronous Drives

HTR Synchronous Drives

HTRC Synchronous Drives

HTRC Drive Selection Procedure

PROCEDURE

1. **Obtain required information:**
 - Motor name plate HP
 - Motor or DriveR RPM and Shaft size
 - DriveN Machine RPM and Shaft size
 - Approximate center distance
 - Service factor information
2. **Determine Service Factor: (Page HTRC-31)**
 - Determine type of Driven Machine from Table 1
 - Choose Basic Service Factor in appropriate column of Table 1
 - Add additional service factor for slow speed drives, idlers or speed up drives where applicable
3. **Calculate Design Horsepower:**
 - Multiply Motor HP or normal running HP times Service Factor from Step 2
 - Note: Recommended Min. Sprocket Diameter, if applicable, from Table 2 on page HTRC-32
4. **Determine Belt Pitch: (Page HTRC-32)**
 - Choose belt pitch based upon Design HP and RPM of faster shaft using Table 2 on page HTRC-32
5. **Select Smaller Sprocket:**
 - Look at Basic HP rating tables of belt Pitch selected in Step 4
 - Scan HP rating at RPM of faster shaft. (Pg. HTRC-33 thru HTRC-41)
 - Find sprocket size(s) that have HP rating at or above Design HP
6. **Calculate Drive Speed Ratio:**
 - Divide Fast Shaft RPM by Slow Shaft RPM
7. **Select Sprockets and Belt:**
 - Refer to "Ratio/Center Distance" Tables for Belt pitch chosen in Step 4
 - Trace down left hand column to approximate ratio calculated in Step 6
 - Choose drive that has small sprocket at or above the number of teeth determined in Step 5
 - On this same line, trace to the right until the number closest to the required center distance is reached
 - Trace to the top of this column and note the belt size that gives this center distance
 - Also note the "Belt Length Correction Factor" at the top or bottom of this same column
8. **Finalize Selection:**
 - Multiply "Belt Length Correction Factor" times indicated rating obtained from HP table
 - Verify that Design HP is equal to or less than this corrected HP value
 - Note: If Correction Factor is greater than 1.0 corrected HP may allow selection of smaller less expensive drive

9. **Specify Drive:**
 - DriveR Sprocket and Bushing
 - DriveN Sprocket and Bushing
 - Belt
 - Verify that bushing bore has capacity for shaft size

Example

Step 1. Required Information: Select a HTR/HTRC drive to connect a 15HP APG gearmotor to a package conveyor headshaft. Reducer output is 125 RPM, shaft size is 2". Headshaft is 2-3/4" and is to run at 70 RPM. Center distance is 19-23", operation is 14 hrs/day.

Step 2: Service Factor: Package Conveyor requires 1.4 basic Service Factor. Add 0.3 for slow speed drive application (step 2 at left). Net S. F. = 1.7

Step 3. Design HP: 1.7 x 15 = 25.5 HP.

Step 4. Belt Pitch: Referring to page HTRC-32, most probable belt pitch for 25.5 Des. HP at 125 RPM is 14MM.

Step 5. Select Small Sprocket: Scan 14MM HP Tables. Since there is no 125 RPM line, it will be necessary to interpolate. Start with the 100 RPM line. Observe that a 63 tooth sprocket for a 42MM wide belt gives 21.65 HP. Interpolation for 125 RPM gives 26.34 HP.

Step 6. Drive Ratio: 125 / 70 RPM = 1.786:1

Step 7. Sprocket Selection: Refer to 14MM Ratio/Center Distance tables. For 1.79 ratio, note that there are 10 drive combinations in the 1.77 to 1.81 range. The 63 tooth DriveR and the 112 tooth DriveN combination appears to be good, however we need to account for the belt length correction factor of 0.79, which gives us a net design HP of 25.76. (Note 19.52 C.D. requires a 2240 length code belt)

Step 8. Finalize Selection: Select the 63 to 112 tooth combination with a 2240 length code belt for 19.52" C.D. From step 7, rated HP is 25.76.

There are many optional drive selections. For drive verification or complete list of choices run ViaSync at www.ptwizard.com.

Step 9. Specify Drive:

Original Selection:

DriveR Sprocket: D63-14M-42-3525, P/N **482651** Bushing. 3525 2", P/N **119710**

DriveN Sprocket. D112-14M-42-3525, P/N **482657** Bushing. 3525 x 2-3/4", P/N **119719**

Belt: 2240-14M-42 HTRC Belt, P/N **484243** Shaft capacity is verified by availability of bore sizes.

Selection program available online at ptwizard.com

FEATURES/BENEFITS PAGE PT12-2	SPECIFICATIONS PAGE PT13-2	ENGINEERING/TECHNICAL PAGE PT13-96	
----------------------------------	-------------------------------	---------------------------------------	--



Table 1: Service Factor

DriveN Machine	DriveR					
The driveN machines listed below are representative samples only. Select a driveN machine whose load characteristics most closely approximate those of the machine being considered.	AC Motors: Normal Torque, Squirrel Cage, Synchronous, Split Phase, Inverter Controlled DC Motors: Shunt Wound Stepper Motors Engines: Multiple Cylinder Internal Combustion			AC Motors: High Torque, High Slip, Repulsion-Induction, Single Phase, Series Wound, Slip Ring DC Motors: Series Wound, Compound Wound Servo Motors Engines: Single Cylinder Internal Combustion Line Shafts Clutches		
	Intermittent Service	Normal Service	Continuous Service	Intermittent Service	Normal Service	Continuous Service
	Up to 8 hours Daily or Seasonal	8 - 16 hours Daily	16 - 24 hours Daily	Up to 8 hours Daily or Seasonal	8 - 16 hours Daily	16 - 24 hours Daily
Display, Dispensing Equipment, Instrumentation, Measuring Equipment, Medical Equipment, Office, Projection Equipment	1.0	1.2	1.4	1.2	1.4	1.6
Appliances, Sweepers, Sewing Machines Screens, Oven Screens, Drum, Conical Woodworking Equipment (Light): Band Saws, Drills, Lathes	1.1	1.3	1.5	1.3	1.5	1.7
Agitators for Liquids, Conveyors: Belt, Light Package, Drill Press, Lathes, Saws, Laundry Machinery, Wood Working Equipment (Heavy): Circular Saws, Jointers, Planers	1.2	1.4	1.6	1.6	1.8	2.0
Agitators for Semi-Liquids, Compressor: Centrifugal, Conveyor Belt: Ore, Coal, Sand Dough Mixers, Line Shafts, Machine Tools: Grinder, Shaper, Boring Mill, Milling Machines, Paper Machinery (except Pulpers): Presses, Punches, Shears, Printing Machinery, Pumps: Centrifugal, Gear, Screens: Revolving, Vibratory	1.3	1.5	1.7	1.6	1.8	2.0
Brick Machinery (except Pug Mills) Conveyor: Apron, Pan, Bucket, Elevator, Extractors, Washers, Fans, Centrifugal Blowers, Generators & Exciters, Hoists, Rubber Calender, Mills, Extruders	1.4	1.6	1.8	1.8	2.0	2.2
Centrifuges, Screw Conveyors Hammer Mill, Paper Pulpers, Textile Machinery	1.5	1.7	1.9	1.9	2.1	2.3
Blowers: Positive Displacement, Mine Fans, Pulverizers	1.6	1.8	2.0	2.0	2.2	2.4
Compressors: Reciprocating, Crushers: Gyrotory, Jaw, Roll, Mills: Ball, Rod, Pebble, etc., Pumps: Reciprocating Saw Mill Equipment	1.7	1.9	2.1	2.1	2.3	2.5

These service factors are adequate for most belt drive applications. Note that service factors cannot be substituted for good engineering judgment. Service factors may be adjusted based upon an understanding of the severity of actual drive operation conditions.

Additional Service Factors

Low Speed Drives

8mm, 14,, & 20mm Belts Only	
Smaller Sprocket Speed	
Up to 200 rpm	Add 0.3
201 to 400 rpm	Add 0.2
401 to 600 rpm	Add 0.1
Each Idler	Add 0.2

Speed-up Drives

For speed up drives, add the basic service factor to the additional factor given below.

Speed-up Ratio Range	Additional Factor	Speed-up Ratio Range	Additional Factor
1 to 1.24	none	2.50 to 3.49	.30
1.25 to 1.74	.10	3.50 & over	.40
1.75 to 2.49	.20		

Selection program available online at ptwizard.com

FEATURES/BENEFITS PAGE PT12-2	SPECIFICATIONS PAGE PT13-2	ENGINEERING/TECHNICAL PAGE PT13-96	
----------------------------------	-------------------------------	---------------------------------------	--



Figure 2: Belt Pitch Selection Guide

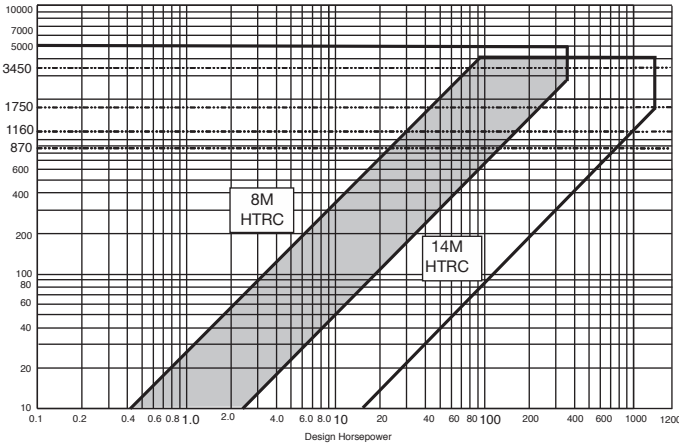


Table 2: NEMA Recommended Minimum Sprocket Diameters And Maximum Face Widths Synchronous Belt Drives Used On General Purpose Electric Motors

Motor Horsepower	Min. Sprocket Dia. (in.)				Maximum Face Width			
	870	1160	1750	3450	870	1160	1750	3450
1/2	2.0	-	-	-	2.25	-	-	-
3/4	2.16	2.0	-	-	2.25	2.25	-	-
1	2.16	2.16	2.0	-	2.75	2.25	2.25	-
1-1/2	2.16	2.16	2.16	2.0	2.75	2.75	2.25	2.25
2	2.7	2.16	2.16	2.16	3.38	2.75	2.25	2.25
3	2.7	2.7	2.16	2.16	3.38	3.38	2.75	2.25
5	3.42	2.7	2.7	2.16	4.0	3.38	2.75	2.75
7-1/2	4.0	3.42	2.7	2.7	4.0	4.0	3.38	2.75
10	4.0	4.0	3.42	2.7	4.63	4.0	3.38	3.38
15	4.7	4.0	4.0	3.42	4.63	4.63	4.0	3.38
20	5.4	4.7	4.0	4.0	5.25	4.63	4.0	4.0
25	6.12	5.4	4.0	4.0	5.25	5.25	4.63	4.0
30	6.12	6.12	4.7	-	5.87	5.25	4.63	-
40	7.4	6.12	5.4	-	5.88	5.88	5.25	-
50	7.6	7.4	6.12	-	7.25	5.88	5.25	-
60	9.0	8.1	6.7	-	7.25	7.25	5.88	-
75	8.6	9.0	7.8	-	8.5	7.25	5.88	-
100	10.8	9.0	7.8	-	8.5	8.5	7.25	-
125	11.3	10.8	9.5	-	8.5	8.5	7.25	-
150	11.88	11.88	9.5	-	11.63	8.5	8.5	-
200	11.88	11.88	11.88	-	11.63	11.63	11.63	-
250	13.5	11.88	11.88	-	11.63	11.63	9.38	-
300	-	-	11.88	-	-	11.63	11.63	-
350	-	-	11.88	-	-	11.63	11.63	-
400	-	-	12.69	-	-	-	11.63	-

NOTE: For a given motor horsepower and speed, the total belt pull is related to the motor sprocket size. As this size **decreases**, the total belt pull increases. Therefore, to limit the resultant load on motor shaft and bearings, NEMA lists minimum sprocket sizes for the various motors. The sprocket on the motor (DriveR Sprocket) should be at least this large.

Selection program available online at ptwizard.com

FEATURES/BENEFITS PAGE PT12-2	SPECIFICATIONS PAGE PT13-2	ENGINEERING/TECHNICAL PAGE PT13-96	
----------------------------------	-------------------------------	---------------------------------------	--



HTRC Basic HP Ratings - 8mm

8M-12 RPM Small Shaft	Rated Horsepower for Small Sprocket (Number of Teeth and Pitch Diameter, Inches)														
	22 2.206	25 2.506	26 2.607	27 2.707	28 2.807	29 2.907	30 3.008	31 3.108	32 3.208	33 3.308	34 3.409	35 3.509	36 3.609	37 3.709	38 3.810
10	0.08	0.09	0.09	0.10	0.10	0.11	0.11	0.11	0.12	0.12	0.13	0.13	0.14	0.14	0.14
20	0.14	0.17	0.17	0.18	0.19	0.20	0.20	0.21	0.22	0.23	0.24	0.24	0.25	0.26	0.27
40	0.27	0.31	0.32	0.34	0.35	0.36	0.38	0.39	0.41	0.42	0.44	0.45	0.46	0.48	0.49
60	0.38	0.44	0.46	0.48	0.50	0.52	0.54	0.56	0.58	0.60	0.62	0.64	0.66	0.69	0.71
100	0.60	0.69	0.72	0.76	0.79	0.82	0.85	0.88	0.91	0.95	0.98	1.01	1.04	1.08	1.11
200	1.11	1.28	1.34	1.39	1.45	1.51	1.57	1.63	1.69	1.75	1.81	1.87	1.93	1.99	2.05
300	1.59	1.83	1.91	2.00	2.08	2.16	2.25	2.33	2.42	2.50	2.59	2.67	2.76	2.85	2.93
400	2.05	2.36	2.47	2.58	2.68	2.79	2.90	3.01	3.12	3.23	3.34	3.45	3.56	3.67	3.78
500	2.49	2.88	3.01	3.14	3.27	3.40	3.53	3.67	3.80	3.93	4.07	4.20	4.34	4.47	4.61
600	2.93	3.38	3.53	3.69	3.84	4.00	4.15	4.31	4.46	4.62	4.78	4.94	5.10	5.25	5.42
700	3.36	3.87	4.05	4.23	4.40	4.58	4.76	4.94	5.11	5.29	5.48	5.66	5.84	6.02	6.21
800	3.78	4.36	4.56	4.76	4.95	5.15	5.35	5.55	5.76	5.96	6.16	6.37	6.57	6.78	6.98
870	4.07	4.70	4.91	5.12	5.33	5.55	5.77	5.98	6.20	6.42	6.64	6.86	7.08	7.30	7.52
1000	4.60	5.31	5.55	5.79	6.03	6.28	6.52	6.76	7.01	7.26	7.50	7.75	8.00	8.25	8.50
1160	5.25	6.06	6.33	6.60	6.88	7.15	7.43	7.71	7.99	8.27	8.55	8.84	9.12	9.40	9.69
1200	5.41	6.24	6.52	6.80	7.09	7.37	7.66	7.95	8.23	8.52	8.81	9.11	9.40	9.69	9.99
1400	6.20	7.15	7.47	7.80	8.12	8.44	8.77	9.10	9.43	9.76	10.10	10.43	10.76	11.10	11.44
1600	6.97	8.04	8.41	8.77	9.13	9.50	9.87	10.24	10.61	10.98	11.35	11.73	12.10	12.48	12.86
1750	7.54	8.70	9.10	9.49	9.88	10.28	10.68	11.08	11.48	11.88	12.28	12.69	13.09	13.50	13.91
2000	8.49	9.79	10.23	10.67	11.11	11.56	12.01	12.45	12.90	13.35	13.81	14.26	14.72	15.17	15.63
2400	9.96	11.49	12.01	12.52	13.04	13.56	14.09	14.61	15.13	15.66	16.19	16.72	17.25	17.78	18.32
2800	11.40	13.15	13.74	14.33	14.92	15.51	16.11	16.70	17.30	17.90	18.51	19.11	19.71	20.31	20.93
3200	12.82	14.77	15.43	16.09	16.75	17.41	18.08	18.75	19.42	20.09	20.76	21.43	22.10	22.78	23.46
3450	13.68	15.77	16.47	17.17	17.88	18.58	19.29	20.00	20.71	21.42	22.14	22.85	23.57	24.28	25.00
4000	15.56	17.92	18.71	19.50	20.30	21.09	21.90	22.69	23.49	24.29	25.10	25.90	26.69	27.49	28.30
4500	17.23	19.82	20.70	21.56	22.44	23.31	24.19	25.06	25.93	26.81	27.69	28.56	29.43	30.30	31.18
5000	18.85	21.67	22.63	23.57	24.51	25.46	26.41	27.35	28.30	29.24	30.19	31.13	32.06	33.00	33.94
5500	20.44	23.48	24.50	25.52	26.53	27.54	28.56	29.57	30.58	31.58	32.59	33.59	34.59	35.58	36.58

8M-12 RPM Small Shaft	Rated Horsepower for Small Sprocket (Number of Teeth and Pitch Diameter, Inches)														
	39 3.910	40 4.010	41 4.110	42 4.211	45 4.511	48 4.812	50 5.013	53 5.314	56 5.614	60 6.015	63 6.316	67 6.717	71 7.118	75 7.519	80 8.020
10	0.15	0.15	0.15	0.16	0.17	0.18	0.19	0.20	0.21	0.23	0.24	0.25	0.27	0.28	0.30
20	0.27	0.28	0.29	0.30	0.32	0.35	0.36	0.39	0.41	0.45	0.47	0.50	0.53	0.56	0.60
40	0.51	0.52	0.54	0.55	0.60	0.64	0.67	0.72	0.76	0.82	0.87	0.93	1.00	1.06	1.14
60	0.73	0.75	0.77	0.79	0.85	0.92	0.96	1.03	1.09	1.18	1.25	1.34	1.43	1.52	1.63
100	1.14	1.18	1.21	1.24	1.34	1.44	1.51	1.61	1.72	1.85	1.96	2.10	2.24	2.38	2.56
200	2.11	2.17	2.23	2.29	2.48	2.66	2.79	2.98	3.17	3.42	3.62	3.88	4.14	4.40	4.73
300	3.02	3.11	3.19	3.28	3.55	3.81	3.99	4.26	4.54	4.90	5.18	5.55	5.92	6.30	6.77
400	3.90	4.01	4.12	4.23	4.57	4.92	5.15	5.50	5.85	6.32	6.68	7.16	7.64	8.12	8.74
500	4.75	4.88	5.02	5.16	5.57	5.99	6.27	6.70	7.13	7.70	8.13	8.72	9.30	9.89	10.64
600	5.58	5.74	5.90	6.06	6.55	7.04	7.37	7.87	8.37	9.05	9.56	10.24	10.93	11.62	12.49
700	6.39	6.57	6.76	6.94	7.50	8.07	8.45	9.02	9.59	10.36	10.95	11.73	12.52	13.31	14.31
800	7.19	7.40	7.60	7.81	8.44	9.08	9.50	10.15	10.79	11.66	12.31	13.19	14.08	14.97	16.09
870	7.74	7.96	8.19	8.41	9.09	9.77	10.23	10.92	11.62	12.55	13.26	14.20	15.16	16.11	17.32
1000	8.75	9.01	9.26	9.51	10.28	11.05	11.57	12.35	13.13	14.19	14.98	16.05	17.12	18.20	19.56
1160	9.98	10.26	10.55	10.84	11.71	12.59	13.18	14.07	14.96	16.16	17.06	18.28	19.50	20.72	22.26
1200	10.28	10.57	10.87	11.17	12.07	12.97	13.58	14.49	15.41	16.65	17.58	18.83	20.08	21.34	22.93
1400	11.77	12.11	12.45	12.79	13.82	14.85	15.54	16.59	17.64	19.04	20.11	21.53	22.96	24.40	26.20
1600	13.24	13.62	14.00	14.38	15.53	16.69	17.47	18.64	19.81	21.39	22.58	24.17	25.76	27.37	29.38
1750	14.32	14.73	15.14	15.55	16.79	18.04	18.88	20.15	21.41	23.11	24.39	26.10	27.82	29.54	31.70
2000	16.09	16.55	17.01	17.47	18.86	20.26	21.20	22.61	24.03	25.92	27.35	29.25	31.16	33.08	35.47
2400	18.85	19.39	19.92	20.46	22.08	23.71	24.80	26.43	28.07	30.26	31.90	34.10	36.29	38.48	41.20
2800	21.53	22.14	22.75	23.36	25.19	27.03	28.26	30.11	31.95	34.40	36.25	38.69	41.13	43.56	46.57
3200	24.13	24.81	25.48	26.17	28.20	30.23	31.60	33.63	35.66	38.35	40.37	43.04	45.69	48.31	
3450	25.72	26.43	27.15	27.87	30.02	32.18	33.61	35.76	37.89	40.72	42.83	45.62	48.38		
4000	29.10	29.90	30.70	31.50	33.89	36.28	37.86	40.22	42.55	45.64					
4500	32.05	32.92	33.78	34.65	37.23	39.80	41.49	44.01							
5000	34.87	35.80	36.72	37.65	40.39	43.11									
5500	37.56	38.54	39.51	40.49											

Selection program available online at ptwizard.com

FEATURES/BENEFITS PAGE PT12-2	SPECIFICATIONS PAGE PT13-2	ENGINEERING/TECHNICAL PAGE PT13-96	
----------------------------------	-------------------------------	---------------------------------------	--



HTRC Basic HP Ratings - 8mm

8M-22	Rated Horsepower for Small Sprocket (Number of Teeth and Pitch Diameter, Inches)														
	RPM Small Shaft	22 2.206	25 2.506	26 2.607	27 2.707	28 2.807	29 2.907	30 3.008	31 3.108	32 3.208	33 3.308	34 3.409	35 3.509	36 3.609	37 3.709
10	0.14	0.17	0.17	0.18	0.19	0.20	0.20	0.21	0.22	0.23	0.23	0.24	0.25	0.25	0.26
20	0.26	0.31	0.32	0.33	0.35	0.36	0.38	0.39	0.40	0.42	0.43	0.45	0.46	0.48	0.49
40	0.49	0.56	0.59	0.62	0.64	0.67	0.69	0.72	0.75	0.77	0.80	0.82	0.85	0.88	0.90
60	0.70	0.81	0.85	0.88	0.92	0.96	0.99	1.03	1.07	1.10	1.14	1.18	1.22	1.26	1.30
100	1.10	1.27	1.33	1.39	1.44	1.50	1.56	1.62	1.68	1.74	1.80	1.86	1.92	1.98	2.04
200	2.03	2.35	2.45	2.56	2.67	2.77	2.88	2.99	3.10	3.21	3.32	3.43	3.54	3.65	3.76
300	2.91	3.36	3.51	3.66	3.82	3.97	4.13	4.28	4.44	4.59	4.75	4.91	5.06	5.22	5.38
400	3.75	4.33	4.53	4.73	4.92	5.12	5.32	5.52	5.72	5.92	6.13	6.33	6.53	6.74	6.94
500	4.57	5.28	5.52	5.76	6.00	6.24	6.48	6.73	6.97	7.21	7.46	7.71	7.96	8.20	8.46
600	5.37	6.20	6.49	6.77	7.05	7.33	7.62	7.90	8.19	8.48	8.77	9.06	9.35	9.64	9.94
700	6.16	7.11	7.43	7.75	8.08	8.40	8.73	9.06	9.38	9.71	10.05	10.38	10.71	11.05	11.39
800	6.93	8.00	8.36	8.73	9.09	9.45	9.82	10.19	10.56	10.93	11.31	11.68	12.05	12.43	12.81
870	7.47	8.62	9.01	9.40	9.79	10.18	10.58	10.98	11.37	11.77	12.18	12.58	12.98	13.39	13.80
1000	8.44	9.74	10.19	10.63	11.07	11.51	11.96	12.41	12.86	13.31	13.77	14.22	14.68	15.14	15.60
1160	9.63	11.11	11.61	12.12	12.62	13.13	13.64	14.15	14.66	15.17	15.70	16.21	16.73	17.25	17.78
1200	9.92	11.45	11.97	12.48	13.00	13.52	14.05	14.58	15.11	15.64	16.17	16.71	17.24	17.78	18.32
1400	11.37	13.12	13.71	14.30	14.90	15.49	16.10	16.70	17.30	17.91	18.52	19.13	19.75	20.36	20.98
1600	12.79	14.76	15.42	16.09	16.76	17.43	18.11	18.78	19.46	20.14	20.83	21.52	22.21	22.89	23.59
1750	13.84	15.97	16.69	17.41	18.13	18.86	19.59	20.32	21.06	21.79	22.54	23.28	24.02	24.77	25.52
2000	15.57	17.96	18.77	19.58	20.39	21.21	22.03	22.85	23.67	24.50	25.34	26.17	27.00	27.83	28.68
2400	18.28	21.08	22.03	22.97	23.92	24.88	25.84	26.80	27.76	28.73	29.71	30.68	31.65	32.62	33.61
2800	20.92	24.12	25.21	26.29	27.37	28.46	29.56	30.65	31.74	32.84	33.95	35.06	36.16	37.27	38.39
3200	23.51	27.10	28.32	29.52	30.73	31.95	33.18	34.40	35.62	36.85	38.09	39.32	40.56	41.79	43.04
3450	25.11	28.93	30.22	31.51	32.80	34.09	35.40	36.70	38.00	39.30	40.62	41.93	43.24	44.55	45.87
4000	28.55	32.87	34.33	35.79	37.24	38.70	40.17	41.64	43.10	44.56	46.04	47.51	48.98	50.45	51.93
4500	31.60	36.36	37.97	39.57	41.16	42.76	44.38	45.98	47.58	49.18	50.80	52.40	54.00	55.60	57.21
5000	34.59	39.77	41.51	43.24	44.98	46.71	48.46	50.19	51.92	53.64	55.39	57.11	58.83	60.54	62.27
5500	37.51	43.08	44.96	46.82	48.68	50.53	52.41	54.26	56.10	57.95	59.80	61.63	63.46	65.28	67.11

8M-22	Rated Horsepower for Small Sprocket (Number of Teeth and Pitch Diameter, Inches)														
	RPM Small Shaft	39 3.910	40 4.010	41 4.110	42 4.211	45 4.511	48 4.812	50 5.013	53 5.314	56 5.614	60 6.015	63 6.316	67 6.717	71 7.118	75 7.519
10	0.27	0.28	0.28	0.29	0.31	0.33	0.34	0.36	0.39	0.41	0.43	0.46	0.49	0.52	0.55
20	0.50	0.52	0.53	0.55	0.59	0.64	0.67	0.71	0.76	0.82	0.87	0.92	0.98	1.03	1.10
40	0.93	0.96	0.99	1.01	1.09	1.18	1.23	1.32	1.40	1.51	1.60	1.71	1.83	1.94	2.09
60	1.33	1.37	1.41	1.45	1.57	1.68	1.76	1.88	2.00	2.17	2.29	2.45	2.62	2.78	2.99
100	2.10	2.16	2.22	2.28	2.46	2.65	2.77	2.96	3.15	3.40	3.59	3.85	4.11	4.37	4.70
200	3.87	3.98	4.09	4.21	4.55	4.89	5.12	5.47	5.81	6.28	6.64	7.11	7.59	8.08	8.68
300	5.54	5.70	5.86	6.02	6.51	7.00	7.33	7.82	8.32	8.99	9.50	10.18	10.87	11.56	12.43
400	7.15	7.35	7.56	7.77	8.39	9.03	9.45	10.09	10.73	11.60	12.25	13.13	14.02	14.91	16.03
500	8.71	8.96	9.21	9.46	10.22	10.99	11.51	12.29	13.07	14.13	14.93	15.99	17.07	18.15	19.52
600	10.23	10.52	10.82	11.12	12.01	12.92	13.52	14.44	15.36	16.60	17.53	18.79	20.05	21.32	22.92
700	11.72	12.06	12.40	12.74	13.77	14.80	15.50	16.55	17.60	19.01	20.09	21.52	22.97	24.42	26.25
800	13.19	13.57	13.95	14.34	15.49	16.65	17.43	18.61	19.80	21.39	22.59	24.21	25.83	27.47	29.52
870	14.20	14.61	15.02	15.44	16.68	17.93	18.77	20.04	21.32	23.03	24.32	26.06	27.81	29.56	31.78
1000	16.06	16.52	16.99	17.45	18.86	20.27	21.22	22.66	24.09	26.03	27.49	29.45	31.42	33.40	35.89
1160	18.31	18.83	19.36	19.89	21.49	23.10	24.18	25.81	27.45	29.65	31.31	33.53	35.77	38.02	40.85
1200	18.86	19.40	19.95	20.50	22.14	23.80	24.91	26.59	28.28	30.54	32.25	34.54	36.84	39.16	42.07
1400	21.60	22.22	22.84	23.47	25.35	27.24	28.52	30.43	32.36	34.94	36.89	39.50	42.12	44.76	48.07
1600	24.29	24.98	25.68	26.38	28.49	30.62	32.05	34.20	36.35	39.24	41.42	44.34	47.27	50.21	53.90
1750	26.27	27.02	27.77	28.54	30.81	33.11	34.65	36.96	39.28	42.40	44.75	47.89	51.04	54.21	58.17
2000	29.52	30.36	31.21	32.06	34.61	37.18	38.90	41.49	44.08	47.56	50.17	53.67	57.18	60.69	65.07
2400	34.59	35.57	36.55	37.55	40.51	43.50	45.50	48.50	51.50	55.52	58.54	62.56	66.58	70.59	75.60
2800	39.50	40.62	41.73	42.86	46.22	49.60	51.85	55.24	58.61	63.12	66.50	71.00	75.47	79.92	85.44
3200	44.28	45.51	46.75	48.01	51.73	55.47	57.97	61.71	65.42	70.37	74.07	78.97	83.83	88.64	
3450	47.19	48.50	49.81	51.14	55.08	59.04	61.67	65.61	69.52	74.71	78.59	83.71	88.77		
4000	53.39	54.86	56.32	57.80	62.18	66.56	69.47	73.80	78.08						
4500	58.80	60.39	61.98	63.58	68.31	73.02	76.14	80.76							
5000	63.98	65.68	67.38	69.08	74.11	79.09									
5500	68.92	70.71	72.50	74.30											

Selection program available online at ptwizard.com

FEATURES/BENEFITS PAGE PT12-2	SPECIFICATIONS PAGE PT13-2	ENGINEERING/TECHNICAL PAGE PT13-96	
----------------------------------	-------------------------------	---------------------------------------	--



HTRC Basic HP Ratings - 8mm

8M-35 RPM Small Shaft	Rated Horsepower for Small Sprocket (Number of Teeth and Pitch Diameter, Inches)										
	22 2.206	25 2.506	26 2.607	30 3.008	32 3.208	33 3.308	34 3.409	35 3.509	36 3.609	37 3.709	38 3.810
10	0.23	0.26	0.28	0.32	0.34	0.35	0.37	0.38	0.39	0.40	0.42
20	0.42	0.49	0.51	0.59	0.63	0.65	0.68	0.70	0.72	0.75	0.77
40	0.78	0.90	0.94	1.09	1.17	1.21	1.25	1.29	1.33	1.38	1.42
60	1.11	1.29	1.35	1.56	1.67	1.73	1.79	1.85	1.91	1.97	2.03
100	1.75	2.02	2.11	2.45	2.63	2.72	2.81	2.91	3.00	3.10	3.20
200	3.24	3.73	3.90	4.53	4.85	5.02	5.20	5.37	5.55	5.72	5.90
300	4.63	5.35	5.59	6.48	6.94	7.19	7.44	7.69	7.94	8.19	8.45
400	5.97	6.90	7.21	8.36	8.95	9.27	9.60	9.92	10.24	10.57	10.89
500	7.28	8.40	8.78	10.18	10.91	11.30	11.69	12.08	12.48	12.87	13.27
600	8.55	9.87	10.32	11.96	12.82	13.27	13.74	14.20	14.66	15.12	15.59
700	9.80	11.31	11.83	13.71	14.69	15.21	15.74	16.27	16.80	17.33	17.87
800	11.03	12.73	13.31	15.43	16.53	17.12	17.71	18.31	18.90	19.50	20.11
870	11.88	13.71	14.34	16.62	17.80	18.43	19.08	19.72	20.36	21.00	21.65
1000	13.44	15.51	16.21	18.79	20.13	20.85	21.57	22.30	23.02	23.75	24.48
1160	15.32	17.68	18.48	21.42	22.95	23.76	24.59	25.41	26.24	27.07	27.91
1200	15.79	18.22	19.05	22.07	23.64	24.48	25.34	26.18	27.04	27.89	28.75
1400	18.09	20.87	21.82	25.29	27.08	28.05	29.02	29.99	30.97	31.94	32.93
1600	20.35	23.48	24.55	28.44	30.46	31.54	32.64	33.73	34.82	35.92	37.03
1750	22.03	25.41	26.56	30.77	32.95	34.12	35.31	36.49	37.67	38.85	40.05
2000	24.78	28.58	29.87	34.60	37.05	38.36	39.69	41.01	42.34	43.67	45.01
2400	29.09	33.54	35.06	40.59	43.45	44.98	46.54	48.08	49.62	51.17	52.74
2800	33.30	38.39	40.12	46.42	49.68	51.42	53.19	54.95	56.70	58.46	60.25
3200	37.42	43.13	45.06	52.11	55.75	57.70	59.67	61.63	63.59	65.55	67.53
3450	39.96	46.04	48.10	55.59	59.46	61.53	63.63	65.71	67.79	69.87	71.98
4000	45.43	52.31	54.64	63.08	67.43	69.76	72.12	74.45	76.78	79.11	81.47
4500	50.30	57.87	60.43	69.68	74.44	76.99	79.56	82.10	84.64	87.18	89.75
5000	55.05	63.28	66.07	76.08	81.21	83.96	86.73	89.47	92.20	94.93	97.68
5500	59.69	68.56	71.55	82.27	87.75	90.68	93.63	96.55	99.45	102.34	105.25

8M-35 RPM Small Shaft	Rated Horsepower for Small Sprocket (Number of Teeth and Pitch Diameter, Inches)														
	39 3.910	40 4.010	41 4.110	42 4.211	45 4.511	48 4.812	50 5.013	53 5.314	56 5.614	60 6.015	63 6.316	67 6.717	71 7.118	75 7.519	80 8.020
10	0.43	0.44	0.45	0.46	0.49	0.53	0.55	0.58	0.61	0.66	0.69	0.73	0.78	0.82	0.88
20	0.79	0.82	0.84	0.86	0.93	0.99	1.04	1.10	1.17	1.27	1.34	1.43	1.53	1.63	1.75
40	1.46	1.51	1.55	1.59	1.71	1.83	1.91	2.03	2.17	2.34	2.47	2.65	2.82	3.01	3.23
60	2.09	2.16	2.22	2.28	2.45	2.62	2.74	2.91	3.10	3.35	3.54	3.79	4.04	4.31	4.62
100	3.29	3.39	3.48	3.58	3.85	4.12	4.30	4.58	4.88	5.27	5.56	5.95	6.35	6.77	7.26
200	6.08	6.25	6.43	6.61	7.11	7.60	7.95	8.45	9.00	9.72	10.26	10.99	11.73	12.50	13.41
300	8.70	8.95	9.21	9.47	10.17	10.89	11.38	12.10	12.89	13.92	14.69	15.74	16.79	17.89	19.20
400	11.22	11.55	11.88	12.21	13.12	14.04	14.67	15.60	16.62	17.95	18.95	20.30	21.65	23.07	24.76
500	13.67	14.07	14.47	14.87	15.98	17.10	17.87	19.00	20.25	21.87	23.08	24.72	26.37	28.10	30.15
600	16.06	16.53	17.00	17.47	18.78	20.09	21.00	22.32	23.78	25.69	27.11	29.03	30.97	33.00	35.40
700	18.40	18.94	19.48	20.02	21.52	23.02	24.06	25.58	27.25	29.43	31.05	33.26	35.48	37.80	40.55
800	20.71	21.31	21.92	22.53	24.21	25.90	27.07	28.77	30.65	33.10	34.93	37.41	39.90	42.50	45.60
870	22.30	22.95	23.60	24.26	26.07	27.89	29.14	30.98	33.01	35.64	37.61	40.27	42.96	45.75	49.08
1000	25.22	25.95	26.69	27.43	29.48	31.53	32.95	35.02	37.31	40.28	42.50	45.51	48.53	51.69	55.43
1160	28.74	29.58	30.41	31.26	33.59	35.93	37.54	39.90	42.50	45.88	48.40	51.82	55.25	58.83	63.08
1200	29.61	30.47	31.34	32.21	34.61	37.02	38.67	41.10	43.78	47.26	49.86	53.37	56.91	60.59	64.97
1400	33.91	34.90	35.88	36.88	39.62	42.38	44.27	47.04	50.10	54.07	57.03	61.03	65.06	69.25	74.22
1600	38.13	39.23	40.34	41.47	44.53	47.62	49.74	52.85	56.27	60.72	64.02	68.51	73.00	77.68	83.22
1750	41.24	42.44	43.63	44.85	48.16	51.49	53.78	57.13	60.82	65.60	69.17	73.99	78.83	83.85	89.80
2000	46.34	47.68	49.02	50.38	54.09	57.82	60.37	64.11	68.24	73.57	77.54	82.91	88.28	93.86	100.44
2400	54.30	55.86	57.42	59.00	63.32	67.64	70.61	74.94	79.71	85.87	90.44	96.61	102.77	109.16	116.64
2800	62.01	63.78	65.56	67.35	72.23	77.12	80.46	85.33	90.70	97.62	102.73	109.61	116.46	123.54	131.78
3200	69.50	71.47	73.44	75.43	80.84	86.24	89.93	95.30	101.21	108.80	114.38	121.87	129.30	136.95	
3450	74.07	76.15	78.24	80.35	86.07	91.77	95.66	101.31	107.53	115.49	121.33	129.15	136.88		
4000	83.80	86.13	88.46	90.81	97.15	103.44	107.73	113.92	120.73	129.37					
4500	92.28	94.81	97.33	99.88	106.70	113.45	118.03	124.60							
5000	100.39	103.10	105.79	108.51	115.74	122.85									
5500	108.12	110.98	113.82	116.68											

Selection program available online at ptwizard.com

FEATURES/BENEFITS PAGE PT12-2	SPECIFICATIONS PAGE PT13-2	ENGINEERING/TECHNICAL PAGE PT13-96	
----------------------------------	-------------------------------	---------------------------------------	--



HTRC Basic HP Ratings - 8mm

8M-60	Rated Horsepower for Small Sprocket (Number of Teeth and Pitch Diameter, Inches)										
	RPM Small Shaft	25 2.506	26 2.607	28 2.807	30 3.008	32 3.208	34 3.409	36 3.609	38 3.810	40 4.010	42 4.211
10	0.45	0.47	0.51	0.55	0.59	0.63	0.67	0.71	0.75	0.79	0.85
20	0.83	0.87	0.94	1.02	1.09	1.16	1.23	1.31	1.38	1.46	1.57
40	1.54	1.61	1.74	1.88	2.01	2.14	2.28	2.42	2.55	2.69	2.89
60	2.21	2.31	2.50	2.69	2.88	3.07	3.26	3.46	3.66	3.85	4.14
100	3.47	3.63	3.92	4.22	4.52	4.83	5.13	5.44	5.74	6.06	6.51
200	6.40	6.69	7.24	7.80	8.35	8.91	9.47	10.04	10.61	11.18	12.02
300	9.17	9.58	10.37	11.16	11.96	12.76	13.56	14.37	15.19	16.01	17.21
400	11.83	12.36	13.37	14.40	15.42	16.46	17.49	18.54	19.59	20.65	22.20
500	14.41	15.06	16.29	17.54	18.79	20.05	21.31	22.59	23.86	25.15	27.04
600	16.93	17.70	19.14	20.61	22.07	23.55	25.04	26.54	28.03	29.55	31.77
700	19.40	20.28	21.94	23.62	25.30	26.99	28.69	30.41	32.13	33.86	36.40
800	21.83	22.82	24.69	26.57	28.46	30.37	32.29	34.22	36.15	38.10	40.95
870	23.51	24.58	26.59	28.62	30.65	32.71	34.77	36.85	38.93	41.03	44.10
1000	26.59	27.80	30.07	32.37	34.67	36.99	39.32	41.66	44.01	46.39	49.86
1160	30.32	31.69	34.28	36.90	39.52	42.17	44.81	47.49	50.16	52.87	56.82
1200	31.24	32.66	35.32	38.02	40.72	43.45	46.17	48.93	51.68	54.47	58.54
1400	35.79	37.42	40.47	43.55	46.64	49.76	52.89	56.04	59.19	62.37	67.02
1600	40.27	42.09	45.52	48.99	52.46	55.96	59.47	63.01	66.54	70.11	75.33
1750	43.57	45.55	49.26	53.01	56.76	60.55	64.33	68.15	71.97	75.83	81.46
2000	49.01	51.23	55.39	59.60	63.81	68.06	72.31	76.59	80.87	85.19	91.49
2400	57.52	60.11	64.99	69.91	74.83	79.79	84.75	89.75	94.73	99.76	107.09
2800	65.82	68.79	74.35	79.95	85.56	91.21	96.84	102.51	108.17	113.87	122.16
3200	73.95	77.27	83.49	89.76	96.01	102.31	108.59	114.91	121.20	127.53	136.71
3450	78.94	82.48	89.10	95.76	102.41	109.11	115.77	122.47	129.14	135.83	145.55
4000	89.70	93.69	101.16	108.67	116.15	123.66	131.12	138.61	146.05	153.50	164.26
4500	99.23	103.62	111.81	120.04	128.22	136.42	144.55	152.68	160.74	168.80	180.39
5000	108.51	113.28	122.16	131.06	139.89	148.72	157.45	166.17	174.77	183.35	195.63
5500	117.57	122.69	132.22	141.74	151.16	160.55	169.82	179.04	188.12	197.13	

8M-60	Rated Horsepower for Small Sprocket (Number of Teeth and Pitch Diameter, Inches)									
	RPM Small Shaft	48 4.812	50 5.013	53 5.314	56 5.614	60 6.015	63 6.316	67 6.717	71 7.118	75 7.519
10	0.90	0.94	1.00	1.05	1.13	1.18	1.26	1.33	1.41	1.50
20	1.68	1.75	1.86	1.98	2.12	2.24	2.39	2.55	2.72	2.91
40	3.10	3.24	3.44	3.65	3.92	4.13	4.41	4.71	5.02	5.38
60	4.43	4.64	4.93	5.23	5.62	5.92	6.31	6.74	7.18	7.70
100	6.97	7.28	7.75	8.21	8.83	9.30	9.92	10.60	11.29	12.10
200	12.87	13.45	14.31	15.16	16.30	17.17	18.31	19.57	20.84	22.35
300	18.42	19.26	20.48	21.71	23.33	24.57	26.21	28.02	29.83	31.98
400	23.76	24.84	26.42	28.00	30.09	31.69	33.80	36.13	38.47	41.24
500	28.94	30.25	32.18	34.10	36.65	38.60	41.17	44.00	46.85	50.22
600	34.00	35.54	37.80	40.06	43.05	45.34	48.36	51.68	55.02	58.97
700	38.96	40.72	43.31	45.90	49.32	51.94	55.39	59.19	63.02	67.54
800	43.83	45.82	48.72	51.63	55.48	58.42	62.30	66.57	70.87	75.95
870	47.20	49.33	52.46	55.59	59.73	62.90	67.07	71.66	76.28	81.74
1000	53.36	55.77	59.30	62.83	67.51	71.08	75.79	80.97	86.18	92.33
1160	60.80	63.54	67.56	71.58	76.89	80.95	86.29	92.17	98.09	105.06
1200	62.64	65.46	69.60	73.73	79.20	83.38	88.88	94.93	101.02	108.20
1400	71.71	74.93	79.65	84.37	90.60	95.37	101.63	108.52	115.45	123.60
1600	80.59	84.20	89.49	94.77	101.74	107.07	114.06	121.76	129.49	138.57
1750	87.13	91.03	96.73	102.42	109.93	115.66	123.18	131.46	139.76	149.51
2000	97.83	102.19	108.55	114.90	123.27	129.65	138.02	147.21	156.43	167.20
2400	114.45	119.50	126.87	134.21	143.86	151.19	160.79	171.33	181.86	194.11
2800	130.47	136.17	144.46	152.70	163.50	171.69	182.36	194.08	205.74	219.20
3200	145.90	152.19	161.32	170.37	182.18	191.11	202.69	215.40	227.98	
3450	155.24	161.87	171.48	180.99	193.35	202.68	214.74	227.96		
4000	174.96	182.26	192.78	203.13						
4500	191.85	199.65	210.82							
5000	207.70									
5500										

Selection program available online at ptwizard.com

FEATURES/BENEFITS PAGE PT12-2	SPECIFICATIONS PAGE PT13-2	ENGINEERING/TECHNICAL PAGE PT13-96	
----------------------------------	-------------------------------	---------------------------------------	--



HTRC Basic HP Ratings - 14mm

14M-20 RPM Small Shaft	Rated Horsepower for Small Sprocket (Number of Teeth and Pitch Diameter, Inches)												
	28 4.912	29 5.088	30 5.263	31 5.439	32 5.614	33 5.790	34 5.965	35 6.141	36 6.316	37 6.492	38 6.667	39 6.842	40 7.018
10	0.42	0.44	0.45	0.47	0.48	0.50	0.51	0.53	0.54	0.56	0.57	0.59	0.60
20	0.81	0.84	0.87	0.91	0.94	0.97	1.01	1.04	1.07	1.11	1.14	1.17	1.21
40	1.51	1.57	1.63	1.69	1.75	1.81	1.88	1.94	2.00	2.06	2.13	2.19	2.25
60	2.17	2.26	2.35	2.44	2.52	2.61	2.70	2.79	2.88	2.97	3.06	3.15	3.24
100	3.44	3.58	3.72	3.86	4.00	4.14	4.28	4.42	4.56	4.71	4.85	4.99	5.14
200	6.42	6.68	6.94	7.20	7.46	7.72	7.98	8.25	8.51	8.78	9.05	9.32	9.59
300	9.24	9.62	9.99	10.36	10.74	11.12	11.50	11.88	12.26	12.65	13.03	13.42	13.80
400	11.97	12.45	12.94	13.42	13.91	14.40	14.89	15.39	15.88	16.38	16.88	17.37	17.88
500	14.63	15.22	15.81	16.41	17.00	17.60	18.20	18.80	19.41	20.01	20.62	21.23	21.84
600	17.23	17.93	18.62	19.32	20.02	20.73	21.43	22.15	22.85	23.57	24.28	25.00	25.72
700	19.79	20.59	21.39	22.19	22.99	23.80	24.61	25.43	26.24	27.06	27.88	28.70	29.53
800	22.31	23.21	24.11	25.01	25.91	26.83	27.74	28.66	29.57	30.50	31.42	32.34	33.27
870	24.05	25.02	25.99	26.96	27.94	28.92	29.90	30.89	31.87	32.87	33.86	34.86	35.86
1000	27.24	28.34	29.43	30.54	31.64	32.75	33.86	34.97	36.09	37.21	38.33	39.46	40.59
1160	31.11	32.35	33.60	34.86	36.11	37.38	38.64	39.91	41.18	42.46	43.73	45.01	46.30
1200	32.06	33.35	34.63	35.92	37.22	38.52	39.82	41.13	42.44	43.75	45.07	46.38	47.71
1400	36.77	38.25	39.71	41.19	42.67	44.16	45.64	47.14	48.63	50.13	51.63	53.13	54.64
1600	41.39	43.05	44.69	46.35	48.01	49.67	51.33	53.01	54.68	56.36	58.03	59.71	61.40
1750	44.80	46.58	48.36	50.15	51.93	53.73	55.52	57.33	59.12	60.93	62.74	64.54	66.35
2000	50.38	52.37	54.35	56.35	58.34	60.35	62.35	64.36	66.36	68.37	70.38	72.38	74.40
2400	59.03	61.34	63.64	65.95	68.25	70.57	72.87	75.19	77.49	79.80	82.10	84.39	86.69
2800	67.35	69.96	72.54	75.14	77.73	80.32	82.89	85.48	88.04	90.62	93.17	95.71	98.26
3200	75.35	78.22	81.06	83.92	86.75	89.58	92.40	95.21	98.00	100.79	103.55	106.30	109.04
3600	83.00	86.10	89.18	92.25	95.30	98.34	101.35	104.35	107.32	110.28	113.20	116.10	
4000	90.30	93.60	96.87	100.13	103.34	106.55	109.71	112.85					

14M-20 (Continued) RPM Small Shaft	Rated Horsepower for Small Sprocket (Number of Teeth and Pitch Diameter, Inches)											
	43 7.544	45 7.895	48 8.421	50 8.772	53 9.299	56 9.825	60 10.527	63 11.053	67 11.755	71 12.457	75 13.158	80 14.036
10	0.65	0.68	0.72	0.75	0.80	0.84	0.90	0.95	1.01	1.07	1.13	1.21
20	1.30	1.36	1.45	1.51	1.60	1.69	1.81	1.90	2.02	2.14	2.26	2.41
40	2.44	2.57	2.76	2.89	3.09	3.29	3.55	3.75	4.02	4.28	4.52	4.82
60	3.52	3.70	3.98	4.17	4.45	4.74	5.12	5.41	5.80	6.19	6.58	7.08
100	5.57	5.87	6.31	6.60	7.05	7.50	8.11	8.56	9.18	9.80	10.42	11.20
200	10.40	10.94	11.77	12.32	13.15	13.99	15.12	15.98	17.12	18.27	19.43	20.90
300	14.97	15.76	16.94	17.74	18.94	20.15	21.77	23.00	24.64	26.30	27.97	30.07
400	19.39	20.41	21.94	22.97	24.52	26.08	28.19	29.77	31.90	34.04	36.19	38.91
500	23.69	24.93	26.80	28.06	29.95	31.86	34.42	36.35	38.94	41.55	44.18	47.48
600	27.89	29.35	31.55	33.03	35.26	37.50	40.51	42.77	45.82	48.88	51.95	55.83
700	32.02	33.69	36.21	37.90	40.46	43.02	46.46	49.06	52.54	56.04	59.55	63.97
800	36.07	37.96	40.79	42.69	45.56	48.44	52.30	55.21	59.12	63.04	66.97	71.92
870	38.87	40.90	43.95	45.99	49.08	52.17	56.33	59.45	63.64	67.85	72.07	77.37
1000	44.00	46.28	49.72	52.03	55.50	58.99	63.66	67.17	71.88	76.60	81.32	87.25
1160	50.17	52.76	56.67	59.28	63.22	67.16	72.44	76.41	81.72	87.03	92.34	98.98
1200	51.69	54.36	58.38	61.07	65.12	69.17	74.60	78.68	84.13	89.58	95.03	101.84
1400	59.18	62.21	66.78	69.83	74.42	79.01	85.14	89.73	95.86	101.98	108.07	115.66
1600	66.46	69.84	74.92	78.31	83.41	88.49	95.27	100.33	107.06	113.76	120.41	128.66
1750	71.79	75.42	80.86	84.50	89.94	95.37	102.58	107.97	115.11	122.19	129.19	137.85
2000	80.42	84.44	90.45	94.44	100.43	106.36	114.23	120.07	127.78			
2400	93.56	98.12	104.90	109.39	116.08	122.67						
2800	105.82	110.81	118.20	123.06								
3200	117.14											
3600												
4000												

Selection program available online at ptwizard.com

FEATURES/BENEFITS PAGE PT12-2	SPECIFICATIONS PAGE PT13-2	ENGINEERING/TECHNICAL PAGE PT13-96	
----------------------------------	-------------------------------	---------------------------------------	--



HTRC Basic HP Ratings - 14mm

14M-42	Rated Horsepower for Small Sprocket (Number of Teeth and Pitch Diameter, Inches)												
	RPM Small Shaft	28 4.912	29 5.088	30 5.263	31 5.439	32 5.614	33 5.790	34 5.965	35 6.141	36 6.316	37 6.492	38 6.667	39 6.842
10	1.07	1.10	1.14	1.18	1.22	1.26	1.29	1.33	1.37	1.41	1.45	1.48	1.52
20	2.04	2.12	2.21	2.29	2.37	2.46	2.54	2.63	2.71	2.80	2.88	2.97	3.05
40	3.81	3.97	4.12	4.27	4.43	4.59	4.74	4.90	5.06	5.22	5.37	5.53	5.69
60	5.49	5.71	5.93	6.16	6.38	6.61	6.83	7.06	7.28	7.51	7.74	7.97	8.20
100	8.69	9.04	9.40	9.75	10.10	10.46	10.82	11.18	11.54	11.90	12.26	12.62	12.99
200	16.22	16.88	17.53	18.19	18.85	19.52	20.18	20.85	21.52	22.20	22.87	23.55	24.23
300	23.36	24.31	25.25	26.20	27.15	28.11	29.07	30.03	31.00	31.97	32.94	33.91	34.90
400	30.26	31.49	32.71	33.94	35.17	36.41	37.65	38.90	40.15	41.41	42.66	43.92	45.20
500	36.99	38.48	39.97	41.48	42.98	44.50	46.01	47.54	49.06	50.60	52.13	53.67	55.23
600	43.57	45.33	47.08	48.86	50.63	52.41	54.19	55.99	57.79	59.60	61.40	63.22	65.04
700	50.04	52.06	54.07	56.11	58.14	60.19	62.23	64.30	66.35	68.43	70.50	72.58	74.68
800	56.41	58.68	60.95	63.25	65.53	67.84	70.14	72.47	74.79	77.13	79.46	81.80	84.16
870	60.82	63.27	65.71	68.18	70.65	73.13	75.61	78.12	80.61	83.13	85.65	88.17	90.71
1000	68.90	71.67	74.44	77.23	80.02	82.83	85.64	88.47	91.29	94.14	96.98	99.83	102.70
1160	78.68	81.84	84.99	88.18	91.36	94.56	97.76	100.98	104.20	107.44	110.68	113.92	117.19
1200	81.10	84.35	87.60	90.88	94.16	97.46	100.75	104.08	107.39	110.73	114.06	117.40	120.76
1400	93.05	96.77	100.49	104.25	107.99	111.77	115.53	119.33	123.11	126.93	130.73	134.54	138.38
1600	104.77	108.96	113.13	117.34	121.54	125.78	130.00	134.26	138.50	142.77	147.03	151.29	155.59
1750	113.42	117.94	122.45	127.00	131.53	136.10	140.66	145.25	149.82	154.43	159.01	163.61	168.23
2000	127.60	132.66	137.71	142.80	147.87	152.98	158.06	163.19	168.29	173.43	178.54	183.66	188.81
2400	149.65	155.54	161.41	167.31	173.19	179.11	185.00	190.93	196.82	202.74	208.64	214.53	220.45
2800	170.96	177.62	184.24	190.91	197.53	204.19	210.81	217.46	224.06	230.69	237.28	243.85	250.45
3200	191.52	198.89	206.21	213.56	220.86	228.18	235.45	242.74	249.97	257.22	264.40	271.55	278.72
3600	211.32	219.33	227.27	235.24	243.14	251.05	258.88	266.72	274.48	282.24	289.91	297.54	
4000	230.32	238.90	247.40	255.90	264.31	272.72	281.02	289.31					

14M-42 (Continued)	Rated Horsepower for Small Sprocket (Number of Teeth and Pitch Diameter, Inches)											
	RPM Small Shaft	43 7.544	45 7.895	48 8.421	50 8.772	53 9.299	56 9.825	60 10.527	63 11.053	67 11.755	71 12.457	75 13.158
10	1.64	1.71	1.83	1.90	2.02	2.13	2.28	2.40	2.55	2.70	2.86	3.05
20	3.27	3.43	3.66	3.81	4.04	4.26	4.57	4.80	5.10	5.41	5.71	6.09
40	6.18	6.50	6.99	7.32	7.81	8.31	8.98	9.49	10.17	10.81	11.42	12.18
60	8.90	9.36	10.07	10.54	11.26	11.97	12.94	13.67	14.65	15.64	16.63	17.89
100	14.09	14.83	15.94	16.69	17.82	18.96	20.49	21.65	23.20	24.77	26.34	28.32
200	26.28	27.66	29.74	31.14	33.25	35.38	38.23	40.39	43.28	46.20	49.13	52.83
300	37.85	39.84	42.83	44.84	47.88	50.94	55.04	58.14	62.31	66.50	70.72	76.04
400	49.02	51.59	55.47	58.07	62.00	65.95	71.27	75.27	80.66	86.08	91.53	98.40
500	59.90	63.03	67.77	70.94	75.74	80.56	87.04	91.93	98.50	105.10	111.74	120.11
600	70.54	74.23	79.80	83.53	89.17	94.84	102.46	108.20	115.91	123.67	131.46	141.28
700	80.98	85.21	91.59	95.88	102.34	108.84	117.56	124.13	132.95	141.83	150.74	161.95
800	91.25	96.01	103.19	108.01	115.28	122.58	132.37	139.76	149.66	159.62	169.60	182.17
870	98.34	103.47	111.20	116.38	124.20	132.05	142.59	150.52	161.17	171.86	182.58	196.06
1000	111.33	117.12	125.84	131.69	140.51	149.36	161.23	170.17	182.13	194.15	206.19	221.30
1160	127.00	133.58	143.49	150.14	160.15	170.18	183.62	193.73	207.25	220.81	234.38	251.38
1200	130.87	137.64	147.84	154.68	164.98	175.30	189.12	199.52	213.42	227.35	241.28	258.73
1400	149.91	157.63	169.24	177.01	188.72	200.42	216.09	227.84	243.53	259.22	274.87	294.43
1600	168.47	177.10	190.05	198.71	211.74	224.75	242.12	255.12	272.45	289.73	306.92	328.32
1750	182.09	191.36	205.28	214.57	228.53	242.46	261.02	274.89	293.33	311.69	329.89	
2000	204.22	214.51	229.93	240.21	255.61	270.94	291.29	306.45	326.54			
2400	238.11	249.87	267.42	279.07	296.46	313.67						
2800	270.06	283.06	302.36	315.11								
3200	299.94											
3600												
4000												

Selection program available online at ptwizard.com

FEATURES/BENEFITS PAGE PT12-2	SPECIFICATIONS PAGE PT13-2	ENGINEERING/TECHNICAL PAGE PT13-96	
----------------------------------	-------------------------------	---------------------------------------	--



HTRC Basic HP Ratings - 14mm

14M-65	Rated Horsepower for Small Sprocket (Number of Teeth and Pitch Diameter, Inches)												
	RPM Small Shaft	28 4.912	29 5.088	30 5.263	31 5.439	32 5.614	33 5.790	34 5.965	35 6.141	36 6.316	37 6.492	38 6.667	39 6.842
10	1.74	1.80	1.86	1.93	1.99	2.05	2.11	2.17	2.24	2.30	2.36	2.42	2.49
20	3.33	3.47	3.60	3.74	3.87	4.01	4.15	4.28	4.42	4.56	4.70	4.84	4.97
40	6.22	6.47	6.72	6.97	7.23	7.48	7.74	8.00	8.25	8.51	8.77	9.03	9.29
60	8.96	9.32	9.68	10.05	10.41	10.78	11.15	11.52	11.89	12.26	12.63	13.01	13.38
100	14.19	14.76	15.33	15.91	16.49	17.07	17.65	18.24	18.82	19.42	20.01	20.60	21.19
200	26.47	27.54	28.61	29.69	30.76	31.85	32.94	34.03	35.12	36.23	37.33	38.43	39.54
300	38.13	39.67	41.20	42.76	44.31	45.87	47.43	49.01	50.58	52.17	53.76	55.35	56.95
400	49.39	51.38	53.37	55.38	57.39	59.42	61.44	63.48	65.52	67.57	69.62	71.68	73.76
500	60.36	62.80	65.23	67.69	70.14	72.61	75.08	77.58	80.07	82.58	85.08	87.59	90.13
600	71.11	73.97	76.84	79.73	82.62	85.53	88.44	91.38	94.31	97.26	100.21	103.17	106.15
700	81.66	84.96	88.25	91.57	94.88	98.22	101.56	104.93	108.29	111.68	115.07	118.46	121.88
800	92.06	95.77	99.48	103.22	106.95	110.72	114.48	118.27	122.06	125.87	129.68	133.50	137.35
870	99.26	103.25	107.25	111.28	115.30	119.36	123.41	127.49	131.57	135.68	139.79	143.90	148.05
1000	112.45	116.97	121.49	126.05	130.60	135.19	139.77	144.40	149.01	153.66	158.30	162.95	167.64
1160	128.41	133.57	138.73	143.92	149.11	154.34	159.57	164.83	170.08	175.38	180.66	185.96	191.29
1200	132.36	137.68	142.99	148.34	153.69	159.08	164.46	169.88	175.29	180.75	186.19	191.64	197.14
1400	151.88	157.96	164.04	170.17	176.28	182.45	188.60	194.80	200.98	207.22	213.43	219.65	225.93
1600	171.02	177.86	184.68	191.56	198.42	205.34	212.24	219.19	226.12	233.11	240.07	247.04	254.06
1750	185.16	192.55	199.92	207.35	214.75	222.22	229.66	237.16	244.64	252.17	259.67	267.18	274.75
2000	208.33	216.60	224.86	233.17	241.46	249.81	258.13	266.51	274.86	283.26	291.63	300.00	308.43
2400	244.40	254.03	263.62	273.29	282.91	292.59	302.23	311.93	321.57	331.28	340.93	350.58	360.28
2800	279.28	290.18	301.02	311.93	322.78	333.69	344.54	355.44	366.26	377.14	387.94	398.72	409.55
3200	312.97	325.05	337.04	349.10	361.07	373.08	385.01	396.98	408.85	420.76	432.56	444.32	456.11
3600	345.46	358.61	371.65	384.73	397.70	410.69	423.57	436.47	449.24	462.02	474.66	487.23	
4000	376.71	390.81	404.78	418.76	432.60	446.44	460.12	473.79					

14M-65 (Continued)	Rated Horsepower for Small Sprocket (Number of Teeth and Pitch Diameter, Inches)											
	RPM Small Shaft	43 7.544	45 7.895	48 8.421	50 8.772	53 9.299	56 9.825	60 10.527	63 11.053	67 11.755	71 12.457	75 13.158
10	2.67	2.80	2.98	3.11	3.29	3.48	3.73	3.91	4.16	4.41	4.66	4.97
20	5.34	5.59	5.96	6.21	6.59	6.96	7.46	7.83	8.33	8.82	9.32	9.94
40	10.08	10.61	11.41	11.94	12.75	13.57	14.66	15.49	16.60	17.65	18.64	19.88
60	14.52	15.28	16.43	17.20	18.37	19.54	21.12	22.31	23.91	25.52	27.14	29.19
100	22.99	24.20	26.02	27.24	29.09	30.94	33.44	35.33	37.86	40.41	42.98	46.22
200	42.89	45.14	48.54	50.82	54.27	57.73	62.39	65.91	70.63	75.39	80.18	86.21
300	61.77	65.01	69.90	73.18	78.14	83.13	89.83	94.89	101.68	108.53	115.41	124.09
400	80.00	84.19	90.52	94.77	101.19	107.63	116.31	122.85	131.64	140.49	149.38	160.60
500	97.75	102.87	110.59	115.78	123.61	131.48	142.06	150.04	160.76	171.54	182.38	196.05
600	115.12	121.14	130.23	136.33	145.54	154.79	167.23	176.60	189.19	201.86	214.58	230.62
700	132.17	139.07	149.49	156.49	167.04	177.64	191.88	202.62	217.03	231.52	246.07	264.39
800	148.93	156.71	168.43	176.29	188.16	200.08	216.08	228.14	244.32	260.58	276.90	297.44
870	160.52	168.89	181.50	189.97	202.74	215.56	232.77	245.74	263.12	280.59	298.11	320.15
1000	181.72	191.18	205.43	214.98	229.39	243.85	263.24	277.84	297.40	317.04	336.72	361.45
1160	207.32	218.07	234.27	245.12	261.48	277.87	299.85	316.38	338.50	360.68	382.87	410.71
1200	213.64	224.71	241.38	252.55	269.38	286.25	308.85	325.85	348.59	371.38	394.17	422.76
1400	244.76	257.38	276.36	289.07	308.21	327.36	352.98	372.22	397.91	423.61	449.26	481.33
1600	275.12	289.22	310.41	324.58	345.90	367.20	395.64	416.95	445.35	473.69	501.90	537.05
1750	297.41	312.58	335.35	350.56	373.42	396.23	426.65	449.40	479.66	509.80	539.72	576.90
2000	333.65	350.50	375.75	392.59	417.84	442.99	476.40	501.31	534.34			
2400	389.24	408.52	437.32	456.45	485.03	513.34						
2800	441.77	463.13	494.89	515.89								
3200	491.05											
3600												
4000												

Selection program available online at ptwizard.com

FEATURES/BENEFITS PAGE PT12-2	SPECIFICATIONS PAGE PT13-2	ENGINEERING/TECHNICAL PAGE PT13-96	
----------------------------------	-------------------------------	---------------------------------------	--



HTRC Basic HP Ratings - 14mm

RPM Small Shaft	Rated Horsepower for Small Sprocket (Number of Teeth and Pitch Diameter, Inches)												
	28 4.912	29 5.088	30 5.263	31 5.439	32 5.614	33 5.790	34 5.965	35 6.141	36 6.316	37 6.492	38 6.667	39 6.842	40 7.018
10	2.47	2.56	2.65	2.74	2.83	2.91	3.00	3.09	3.18	3.27	3.35	3.44	3.53
20	4.74	4.93	5.12	5.31	5.50	5.70	5.89	6.09	6.28	6.48	6.68	6.88	7.06
40	8.84	9.19	9.55	9.91	10.27	10.63	11.00	11.36	11.73	12.09	12.46	12.83	13.20
60	12.73	13.24	13.76	14.28	14.79	15.32	15.84	16.36	16.89	17.42	17.95	18.48	19.02
100	20.16	20.97	21.79	22.61	23.43	24.25	25.08	25.91	26.75	27.59	28.42	29.27	30.11
200	37.61	39.13	40.65	42.18	43.71	45.26	46.80	48.35	49.91	51.47	53.04	54.61	56.19
300	54.17	56.36	58.55	60.75	62.96	65.18	67.40	69.64	71.87	74.13	76.38	78.64	80.92
400	70.17	73.01	75.84	78.69	81.55	84.42	87.30	90.20	93.09	96.01	98.93	101.85	104.80
500	85.76	89.23	92.68	96.17	99.66	103.18	106.69	110.23	113.77	117.33	120.89	124.46	128.06
600	101.03	105.11	109.18	113.29	117.39	121.54	125.67	129.84	134.00	138.20	142.39	146.59	150.83
700	116.04	120.72	125.39	130.11	134.82	139.57	144.31	149.10	153.88	158.69	163.50	168.32	173.19
800	130.81	136.09	141.35	146.66	151.97	157.32	162.67	168.06	173.44	178.86	184.27	189.70	195.18
870	141.04	146.72	152.39	158.12	163.83	169.60	175.36	181.16	186.96	192.80	198.63	204.48	210.38
1000	159.78	166.21	172.63	179.11	185.58	192.11	198.62	205.19	211.74	218.35	224.94	231.55	238.22
1160	182.47	189.81	197.13	204.52	211.89	219.33	226.75	234.23	241.70	249.23	256.73	264.26	271.85
1200	188.09	195.64	203.19	210.80	218.39	226.06	233.70	241.41	249.10	256.85	264.59	272.34	280.15
1400	215.82	224.47	233.11	241.82	250.51	259.28	268.02	276.83	285.62	294.48	303.32	312.17	321.09
1600	243.04	252.76	262.46	272.24	281.99	291.83	301.63	311.52	321.37	331.30	341.20	351.11	361.10
1750	263.14	273.64	284.12	294.68	305.21	315.83	326.41	337.07	347.70	358.41	369.07	379.76	390.52
2000	296.08	307.85	319.58	331.41	343.19	355.07	366.90	378.82	390.69	402.64	414.54	426.45	438.45
2400	347.38	361.08	374.73	388.47	402.16	415.94	429.65	443.45	457.18	470.99	484.73	498.46	512.27
2800	397.01	412.52	427.96	443.48	458.93	474.46	489.89	505.41	520.83	536.32	551.70	567.07	582.49
3200	444.99	462.18	479.26	496.42	513.46	530.58	547.58	564.63	581.55	598.52	615.34	632.12	648.93
3600	491.28	510.00	528.57	547.21	565.70	584.23	602.59	620.98	639.19	657.43	675.47	693.41	
4000	535.82	555.93	575.84	595.78	615.52	635.26	654.79	674.31					

RPM Small Shaft	Rated Horsepower for Small Sprocket (Number of Teeth and Pitch Diameter, Inches)											
	43 7.544	45 7.895	48 8.421	50 8.772	53 9.299	56 9.825	60 10.527	63 11.053	67 11.755	71 12.457	75 13.158	80 14.036
10	3.80	3.97	4.24	4.41	4.68	4.94	5.30	5.56	5.92	6.27	6.62	7.06
20	7.59	7.95	8.48	8.83	9.36	9.89	10.59	11.12	11.83	12.54	13.24	14.13
40	14.32	15.07	16.21	16.97	18.12	19.28	20.83	22.01	23.58	25.07	26.48	28.25
60	20.63	21.71	23.34	24.44	26.10	27.76	30.01	31.70	33.97	36.26	38.57	41.47
100	32.66	34.38	36.97	38.70	41.33	43.97	47.52	50.20	53.80	57.42	61.07	65.67
200	60.95	64.14	68.97	72.21	77.11	82.03	88.65	93.64	100.36	107.12	113.92	122.50
300	87.77	92.37	99.32	103.98	111.03	118.11	127.64	134.83	144.48	154.21	163.99	176.33
400	113.67	119.63	128.62	134.66	143.78	152.94	165.26	174.56	187.05	199.62	212.26	228.20
500	138.89	146.17	157.15	164.52	175.65	186.83	201.86	213.20	228.43	243.76	259.17	278.59
600	163.58	172.14	185.05	193.72	206.81	219.96	237.63	250.95	268.84	286.85	304.93	327.72
700	187.80	197.62	212.43	222.36	237.37	252.43	272.67	287.93	308.41	329.01	349.69	375.74
800	211.63	222.68	239.34	250.52	267.39	284.33	307.07	324.22	347.21	370.33	393.53	422.73
870	228.09	239.99	257.92	269.96	288.11	306.33	330.80	349.23	373.94	398.78	423.70	455.04
1000	258.24	271.68	291.93	305.51	326.00	346.55	374.12	394.88	422.69	450.62	478.61	513.79
1160	294.63	309.91	332.93	348.36	371.62	394.94	426.19	449.69	481.15	512.71	544.28	583.90
1200	303.61	319.35	343.05	358.93	382.86	406.85	438.99	463.16	495.51	527.93	560.37	601.04
1400	347.86	365.80	392.80	410.87	438.09	465.33	501.79	529.15	565.71	602.29	638.81	684.47
1600	391.05	411.10	441.24	461.40	491.72	522.03	562.51	592.84	633.29	673.65	713.84	763.94
1750	422.76	444.33	476.73	498.38	530.90	563.38	606.68	639.08	682.20	725.14	767.79	820.81
2000	474.34	498.31	534.26	558.23	594.19	630.00	677.61	713.11	760.20			
2400	553.51	580.97	621.99	649.26	690.00	730.38						
2800	628.40	658.86	704.16	734.13								
3200	698.78											
3600												
4000												

Selection program available online at ptwizard.com

FEATURES/BENEFITS PAGE PT12-2	SPECIFICATIONS PAGE PT13-2	ENGINEERING/TECHNICAL PAGE PT13-96	
----------------------------------	-------------------------------	---------------------------------------	--



HTRC Basic HP Ratings - 14mm

14M-120	Rated Horsepower for Small Sprocket (Number of Teeth and Pitch Diameter, Inches)												
	RPM Small Shaft	28 4.912	29 5.088	30 5.263	31 5.439	32 5.614	33 5.790	34 5.965	35 6.141	36 6.316	37 6.492	38 6.667	39 6.842
10	3.35	3.47	3.59	3.71	3.83	3.95	4.07	4.19	4.31	4.43	4.55	4.67	4.79
20	6.42	6.68	6.94	7.20	7.46	7.72	7.99	8.25	8.52	8.78	9.05	9.32	9.57
40	11.98	12.46	12.95	13.43	13.92	14.41	14.90	15.40	15.89	16.39	16.89	17.39	17.89
60	17.25	17.95	18.65	19.35	20.05	20.76	21.47	22.18	22.89	23.61	24.33	25.05	25.77
100	27.32	28.43	29.53	30.64	31.75	32.88	34.00	35.13	36.25	37.39	38.53	39.67	40.82
200	50.98	53.04	55.10	57.18	59.25	61.34	63.43	65.54	67.65	69.77	71.89	74.01	76.16
300	73.43	76.40	79.36	82.35	85.33	88.35	91.36	94.39	97.42	100.48	103.53	106.59	109.68
400	95.12	98.96	102.79	106.66	110.53	114.43	118.33	122.26	126.19	130.14	134.09	138.06	142.05
500	116.25	120.94	125.63	130.36	135.08	139.85	144.61	149.41	154.21	159.04	163.87	168.71	173.59
600	136.95	142.48	147.99	153.56	159.12	164.74	170.34	176.00	181.64	187.33	193.01	198.70	204.45
700	157.29	163.63	169.96	176.36	182.74	189.18	195.61	202.10	208.58	215.11	221.62	228.16	234.75
800	177.32	184.46	191.60	198.80	205.99	213.25	220.49	227.80	235.09	242.45	249.78	257.14	264.56
870	191.17	198.87	206.56	214.33	222.07	229.89	237.70	245.57	253.42	261.35	269.25	277.18	285.17
1000	216.58	225.30	234.00	242.79	251.56	260.40	269.23	278.14	287.02	295.98	304.92	313.88	322.91
1160	247.35	257.29	267.21	277.23	287.22	297.31	307.37	317.51	327.63	337.84	348.02	358.22	368.51
1200	254.96	265.20	275.42	285.74	296.04	306.43	316.79	327.25	337.67	348.18	358.66	369.17	379.77
1400	292.55	304.29	315.99	327.80	339.58	351.47	363.32	375.28	387.19	399.21	411.18	423.18	435.28
1600	329.46	342.64	355.78	369.05	382.27	395.61	408.90	422.31	435.67	449.14	462.55	476.00	489.54
1750	356.72	370.95	385.15	399.48	413.76	428.15	442.50	456.97	471.38	485.90	500.36	514.85	529.44
2000	401.38	417.34	433.25	449.29	465.27	481.38	497.42	513.59	529.69	545.90	562.04	578.20	594.47
2400	470.96	489.54	508.05	526.70	545.26	563.95	582.55	601.28	619.90	638.64	657.28	675.92	694.66
2800	538.30	559.34	580.28	601.34	622.30	643.37	664.32	685.38	706.31	727.34	748.22	769.07	790.02
3200	603.41	626.73	649.91	673.20	696.34	719.58	742.65	765.81	788.78	811.83	834.69	857.47	880.31
3600	666.25	691.67	716.89	742.20	767.30	792.46	817.40	842.39	867.14	891.92	916.44	940.84	
4000	726.76	754.06	781.11	808.20	835.02	861.86	888.40	914.93					

14M-120 (Continued)	Rated Horsepower for Small Sprocket (Number of Teeth and Pitch Diameter, Inches)											
	RPM Small Shaft	43 7.544	45 7.895	48 8.421	50 8.772	53 9.299	56 9.825	60 10.527	63 11.053	67 11.755	71 12.457	75 13.158
10	5.15	5.39	5.74	5.98	6.34	6.70	7.18	7.54	8.02	8.50	8.97	9.57
20	10.29	10.77	11.49	11.97	12.69	13.40	14.36	15.08	16.04	16.99	17.95	19.15
40	19.41	20.43	21.97	23.00	24.56	26.13	28.24	29.83	31.97	33.99	35.90	38.29
60	27.96	29.43	31.64	33.13	35.37	37.63	40.67	42.96	46.05	49.15	52.27	56.21
100	44.27	46.60	50.11	52.46	56.02	59.60	64.41	68.04	72.92	77.83	82.78	89.02
200	82.61	86.94	93.49	97.88	104.52	111.19	120.16	126.93	136.03	145.20	154.41	166.04
300	118.96	125.21	134.62	140.94	150.50	160.10	173.01	182.75	195.84	209.03	222.28	239.01
400	154.07	162.15	174.34	182.52	194.88	207.31	224.01	236.61	253.54	270.59	287.72	309.33
500	188.27	198.13	213.01	223.00	238.08	253.24	273.62	288.99	309.64	330.42	351.31	377.64
600	221.72	233.33	250.83	262.58	280.33	298.15	322.11	340.17	364.43	388.83	413.35	444.25
700	254.57	267.88	287.95	301.42	321.76	342.18	369.62	390.31	418.07	446.00	474.04	509.36
800	286.87	301.85	324.43	339.59	362.46	385.42	416.26	439.50	470.68	502.03	533.49	573.08
870	309.19	325.32	349.63	365.94	390.55	415.26	448.43	473.42	506.93	540.61	574.39	616.89
1000	350.06	368.28	395.73	414.15	441.92	469.79	507.18	535.32	573.04	610.92	648.88	696.59
1160	399.40	420.12	451.33	472.26	503.80	535.41	577.79	609.67	652.34	695.14	737.97	791.72
1200	411.58	432.92	465.05	486.58	519.04	551.57	595.16	627.94	671.81	715.80	759.80	814.99
1400	471.58	495.91	532.52	557.04	593.95	630.90	680.35	717.47	767.08	816.71	866.27	928.25
1600	530.16	557.36	598.24	625.58	666.71	707.83	762.76	803.92	858.81	913.60	968.16	1036.20
1750	573.18	602.44	646.39	675.75	719.89	763.95	822.73	866.70	925.24	983.54	1041.47	1113.51
2000	643.16	675.69	724.46	757.00	805.80	854.41	919.06	967.27	1031.24			
2400	750.63	787.90	843.60	880.63	935.97	990.82						
2800	852.37	893.74	955.29	996.02								
3200	948.06											
3600												
4000												

Selection program available online at ptwizard.com

FEATURES/BENEFITS PAGE PT12-2	SPECIFICATIONS PAGE PT13-2	ENGINEERING/TECHNICAL PAGE PT13-96	
----------------------------------	-------------------------------	---------------------------------------	--



8M HTRC Selection Table

Speed Ratio	Sprocket Combinations				Center Distance, Inches																									
	Driver		Driven		320-8M	352-8M	360-8M	384-8M	408-8M	456-8M	480-8M	536-8M	544-8M	560-8M	600-8M	608-8M	632-8M	640-8M	680-8M	720-8M	800-8M	840-8M	880-8M	896-8M	920-8M	960-8M				
	No. of Teeth	Pitch Dia. Inches	No. of Teeth	Pitch Dia. Inches																										
	Length Factor*				0.68	0.69	0.70	0.71	0.72	0.74	0.75	0.77	0.78	0.79	0.80	0.80	0.81	0.81	0.83	0.85	0.88	0.90	0.91	0.92	0.93	0.95				
1.00	22	2.206	22	2.206	2.84	3.47	3.62	4.10	4.57	5.51	5.99	7.09	7.25	7.56	8.35	8.51	8.98	9.14	9.92	10.71	12.29	13.07	13.86	14.17	14.65	15.43				
1.00	25	2.506	25	2.506	...	2.99	3.15	3.62	4.10	5.04	5.51	6.62	6.77	7.09	7.88	8.03	8.51	8.66	9.45	10.24	11.81	12.60	13.39	13.70	14.18	14.96				
1.00	26	2.607	26	2.607	2.99	3.47	3.94	4.88	5.36	6.46	6.62	6.93	7.72	7.88	8.35	8.51	9.29	10.08	11.66	12.44	13.23	13.55	14.02	14.81				
1.00	27	2.707	27	2.707	3.31	3.78	4.73	5.20	6.30	6.46	6.77	7.56	7.72	8.19	8.35	9.14	9.92	11.50	12.29	13.07	13.39	13.86	14.65				
1.00	28	2.807	28	2.807	3.62	4.57	5.04	6.14	6.30	6.62	7.40	7.56	8.03	8.19	8.98	9.77	11.34	12.13	12.92	13.23	13.70	14.49				
1.00	29	2.907	29	2.907	3.47	4.41	4.88	5.99	6.14	6.46	7.25	7.40	7.88	8.03	8.82	9.61	11.18	11.97	12.76	13.07	13.55	14.33				
1.00	30	3.008	30	3.008	4.25	4.73	5.83	5.99	6.30	7.09	7.25	7.72	7.88	8.66	9.45	11.03	11.81	12.60	12.92	13.39	14.18				
1.00	31	3.108	31	3.108	4.10	4.57	5.67	5.83	6.14	6.93	7.09	7.56	7.72	8.51	9.29	10.87	11.66	12.44	12.76	13.23	14.02				
1.00	32	3.208	32	3.208	3.94	4.41	5.51	5.67	5.99	6.77	6.93	7.40	7.56	8.35	9.14	10.71	11.50	12.29	12.60	13.07	13.86				
1.00	33	3.308	33	3.308	3.78	4.25	5.36	5.51	5.83	6.62	6.77	7.25	7.40	8.19	8.98	10.55	11.34	12.13	12.44	12.92	13.70				
1.00	34	3.409	34	3.409	4.10	5.20	5.36	5.67	6.46	6.62	7.09	7.25	8.03	8.82	10.40	11.18	11.97	12.29	12.76	13.55				
1.00	35	3.509	35	3.509	3.94	5.04	5.20	5.51	6.30	6.46	6.93	7.09	7.88	8.66	10.24	11.03	11.81	12.13	12.60	13.39				
1.00	36	3.609	36	3.609	4.88	5.04	5.36	6.14	6.30	6.77	6.93	7.72	8.51	10.08	10.87	11.66	11.97	12.44	13.23				
1.00	37	3.709	37	3.709	4.73	4.88	5.20	5.99	6.14	6.62	6.77	7.56	8.35	9.92	10.71	11.50	11.81	12.29	13.07				
1.00	38	3.810	38	3.810	4.57	4.73	5.04	5.83	5.99	6.46	6.62	7.40	8.19	9.77	10.55	11.34	11.66	12.13	12.92				
1.00	39	3.910	39	3.910	4.41	4.57	4.89	5.67	5.83	6.30	6.46	7.25	8.03	9.61	10.40	11.18	11.50	11.97	12.76				
1.00	40	4.010	40	4.010	4.41	4.73	5.52	5.67	6.14	6.30	7.09	7.88	9.45	10.24	11.03	11.34	11.81	12.60				
1.00	41	4.110	41	4.110	4.57	5.36	5.52	5.99	6.15	6.93	7.72	9.29	10.08	10.87	11.18	11.66	12.44				
1.00	42	4.211	42	4.211	5.20	5.36	5.83	5.99	6.78	7.56	9.14	9.92	10.71	11.03	11.50	12.29				
1.00	45	4.511	45	4.511	5.36	5.52	6.30	7.09	8.67	9.45	10.24	10.55	11.03	11.81				
1.00	48	4.812	48	4.812	5.83	6.62	8.19	8.98	9.77	10.08	10.56	11.34				
1.00	50	5.013	50	5.013	5.52	6.30	7.88	8.67	9.45	9.77	10.24	11.03			
1.00	53	5.314	53	5.314	5.83	7.41	8.19	8.98	9.30	9.77	10.56			
1.00	56	5.614	56	5.614	6.93	7.72	8.51	8.82	9.30	10.08			
1.00	60	6.015	60	6.015	7.09	7.88	8.19	8.67	9.45		
1.00	63	6.316	63	6.316	7.41	7.72	8.19	8.98			
1.00	67	6.717	67	6.717	7.09	7.56	8.35			
1.00	71	7.118	71	7.118	7.72			
1.00	75	7.519	75	7.519			
1.00	80	8.020	80	8.020			
1.02	41	4.110	42	4.211	5.28	5.44	5.91	6.07	6.85	7.64	9.22	10.00	10.79	11.11	11.58	12.37				
1.03	40	4.010	41	4.110	4.65	5.44	5.59	6.07	6.22	7.01	7.80	9.37	10.16	10.95	11.26	11.74	12.52			
1.03	39	3.910	40	4.010	4.49	4.81	5.59	5.75	6.22	6.38	7.17	7.96	9.53	10.32	11.11	11.42	11.89	12.68		
1.03	38	3.810	39	3.910	4.49	4.65	4.96	5.75	5.91	6.38	6.54	7.33	8.11	9.69	10.48	11.26	11.58	12.05	12.84	
1.03	37	3.709	38	3.810	4.65	4.81	5.12	5.91	6.07	6.54	6.70	7.48	8.27	9.85	10.63	11.42	11.74	12.21	13.00	
1.03	36	3.609	37	3.709	4.81	4.96	5.28	6.07	6.22	6.70	6.85	7.64	8.43	10.00	10.79	11.58	11.89	12.37	13.15	
1.03	35	3.509	36	3.609	4.96	5.12	5.44	6.22	6.38	6.85	7.01	7.80	8.59	10.16	10.95	11.74	12.05	12.52	13.31	
1.03	34	3.409	35	3.509	4.02	5.12	5.28	5.59	6.38	6.54	7.01	7.17	7.96	8.74	10.32	11.11	11.89	12.21	12.68	13.47
1.03	33	3.308	34	3.409	3.70	4.18	5.28	5.44	5.75	6.54	6.70	7.17	7.33	8.11	8.90	10.47	11.26	12.05	12.36	12.84	13.62			
1.03	32	3.208	33	3.308	3.86	4.33	5.44	5.59	5.91	6.70	6.85	7.33	7.48	8.27	9.06	10.63	11.42	12.21	12.52	12.99	13.78			
1.03	31	3.108	32	3.208	4.02	4.49	5.59	5.75	6.07	6.85	7.01	7.48	7.64	8.43	9.21	10.79	11.58	12.36	12.68	13.15	13.94			
	Length Factor*				0.68	0.69	0.70	0.71	0.72	0.74	0.75	0.77	0.78	0.79	0.80	0.80	0.81	0.81	0.83	0.85	0.88	0.90	0.91	0.92	0.93	0.95				

* The length correction factor must be used to determine the proper belt width.

Selection program available online at ptwizard.com

FEATURES/BENEFITS PAGE PT12-2	SPECIFICATIONS PAGE PT13-2	ENGINEERING/TECHNICAL PAGE PT13-96	
----------------------------------	-------------------------------	---------------------------------------	--

V-Drives
 FHP Drives
 Drive Component Accessories
 DYNA-SYNC
 HT200/HTD Synchronous Drives
 Synchronous Drives
 HTRC Synchronous Drives



8M HTRC Selection Table (Continued)

Speed Ratio	Sprocket Combinations				Center Distance, Inches																						
	Driver		Driven		1000-8M	1040-8M	1080-8M	1120-8M	1200-8M	1224-8M	1280-8M	1352-8M	1440-8M	1464-8M	1600-8M	1760-8M	1800-8M	2000-8M	2200-8M	2400-8M	2520-8M	2600-8M	2800-8M	3048-8M	3280-8M	3600-8M	4400-8M
	No. of Teeth	Pitch Dia. Inches	No. of Teeth	Pitch Dia. Inches	0.96	0.97	0.99	1.00	1.03	1.04	1.05	1.07	1.10	1.11	1.14	1.17	1.18	1.22	1.26	1.29	1.31	1.32	1.35	1.38	1.41	1.45	1.52
	Length Factor*				0.96	0.97	0.99	1.00	1.03	1.04	1.05	1.07	1.10	1.11	1.14	1.17	1.18	1.22	1.26	1.29	1.31	1.32	1.35	1.38	1.41	1.45	1.52
1.00	22	2.206	22	2.206	16.22	17.01	17.80	18.58	20.16	20.63	21.73	23.15	24.88	25.36	28.03	31.18	31.97	35.91	39.84	43.78	46.14	47.72	51.66	56.54	61.10	67.40	83.15
1.00	25	2.506	25	2.506	15.75	16.54	17.32	18.11	19.69	20.16	21.26	22.68	24.41	24.88	27.56	30.71	31.50	35.44	39.37	43.31	45.67	47.25	51.18	56.06	60.63	66.93	82.68
1.00	26	2.607	26	2.607	15.59	16.38	17.17	17.95	19.53	20.00	21.10	22.52	24.25	24.73	27.40	30.55	31.34	35.28	39.21	43.15	45.51	47.09	51.03	55.91	60.47	66.77	82.52
1.00	27	2.707	27	2.707	15.44	16.22	17.01	17.80	19.37	19.84	20.95	22.36	24.10	24.57	27.25	30.40	31.18	35.12	39.06	42.99	45.36	46.93	50.87	55.75	60.32	66.62	82.36
1.00	28	2.807	28	2.807	15.28	16.07	16.85	17.64	19.21	19.69	20.79	22.21	23.94	24.41	27.09	30.24	31.03	34.96	38.90	42.84	45.20	46.77	50.71	55.59	60.16	66.46	82.21
1.00	29	2.907	29	2.907	15.12	15.91	16.70	17.48	19.06	19.53	20.63	22.05	23.78	24.25	26.93	30.08	30.87	34.81	38.74	42.68	45.04	46.62	50.55	55.44	60.00	66.30	82.05
1.00	30	3.008	30	3.008	14.96	15.75	16.54	17.33	18.90	19.37	20.47	21.89	23.62	24.10	26.77	29.92	30.71	34.65	38.59	42.52	44.88	46.46	50.40	55.28	59.84	66.14	81.89
1.00	31	3.108	31	3.108	14.81	15.59	16.38	17.17	18.74	19.22	20.32	21.73	23.47	23.94	26.62	29.77	30.55	34.49	38.43	42.36	44.73	46.30	50.24	55.12	59.69	65.99	81.73
1.00	32	3.208	32	3.208	14.65	15.44	16.22	17.01	18.59	19.06	20.16	21.58	23.31	23.78	26.46	29.61	30.40	34.33	38.27	42.21	44.57	46.14	50.08	54.96	59.53	65.83	81.58
1.00	33	3.308	33	3.308	14.49	15.28	16.07	16.85	18.43	18.90	20.00	21.42	23.15	23.62	26.30	29.45	30.24	34.18	38.11	42.05	44.41	45.99	49.92	54.81	59.37	65.67	81.42
1.00	34	3.409	34	3.409	14.33	15.12	15.91	16.70	18.27	18.74	19.85	21.26	22.99	23.47	26.14	29.29	30.08	34.02	37.96	41.89	44.25	45.83	49.77	54.65	59.22	65.51	81.26
1.00	35	3.509	35	3.509	14.18	14.96	15.75	16.54	18.11	18.59	19.69	21.11	22.84	23.31	25.99	29.14	29.92	33.86	37.80	41.74	44.10	45.67	49.61	54.49	59.06	65.36	81.11
1.00	36	3.609	36	3.609	14.02	14.81	15.59	16.38	17.96	18.43	19.53	20.95	22.68	23.15	25.83	28.98	29.77	33.70	37.64	41.58	43.94	45.51	49.45	54.33	58.90	65.20	80.95
1.00	37	3.709	37	3.709	13.86	14.65	15.44	16.22	17.80	18.27	19.37	20.79	22.52	23.00	25.67	28.82	29.61	33.55	37.48	41.42	43.78	45.36	49.29	54.18	58.74	65.04	80.79
1.00	38	3.810	38	3.810	13.70	14.49	15.28	16.07	17.64	18.11	19.22	20.63	22.37	22.84	25.51	28.66	29.45	33.39	37.33	41.26	43.63	45.20	49.14	54.02	58.59	64.88	80.63
1.00	39	3.910	39	3.910	13.55	14.33	15.12	15.91	17.48	17.96	19.06	20.48	22.21	22.68	25.36	28.51	29.29	33.23	37.17	41.11	43.47	45.04	48.98	53.86	58.43	64.73	80.48
1.00	40	4.010	40	4.010	13.39	14.18	14.96	15.75	17.33	17.80	18.90	20.32	22.05	22.52	25.20	28.35	29.14	33.07	37.01	40.95	43.31	44.89	48.82	53.70	58.27	64.57	80.32
1.00	41	4.110	41	4.110	13.23	14.02	14.81	15.59	17.17	17.64	18.74	20.16	21.89	22.37	25.04	28.19	28.98	32.92	36.85	40.79	43.15	44.73	48.66	53.55	58.11	64.41	80.16
1.00	42	4.211	42	4.211	13.07	13.86	14.65	15.44	17.01	17.48	18.59	20.00	21.74	22.21	24.89	28.03	28.82	32.76	36.70	40.63	43.00	44.57	48.51	53.39	57.96	64.26	80.00
1.00	45	4.511	45	4.511	12.60	13.39	14.18	14.96	16.54	17.01	18.11	19.53	21.26	21.74	24.41	27.56	28.35	32.29	36.22	40.16	42.52	44.10	48.04	52.92	57.48	63.78	79.53
1.00	48	4.812	48	4.812	12.13	12.92	13.70	14.49	16.07	16.54	17.64	19.06	20.79	21.26	23.94	27.09	27.88	31.81	35.75	39.69	42.05	43.63	47.56	52.44	57.01	63.31	79.06
1.00	50	5.013	50	5.013	11.82	12.60	13.39	14.18	15.75	16.22	17.33	18.74	20.48	20.95	23.63	26.78	27.56	31.50	35.44	39.37	41.74	43.31	47.25	52.13	56.70	63.00	78.74
1.00	53	5.314	53	5.314	11.34	12.13	12.92	13.71	15.28	15.75	16.85	18.27	20.00	20.48	23.15	26.30	27.09	31.03	34.96	38.90	41.26	42.84	46.78	51.66	56.22	62.52	78.27
1.00	56	5.614	56	5.614	10.87	11.66	12.45	13.23	14.81	15.28	16.38	17.80	19.53	20.00	22.68	25.83	26.62	30.56	34.49	38.43	40.79	42.37	46.30	51.19	55.75	62.05	77.80
1.00	60	6.015	60	6.015	10.24	11.03	11.82	12.60	14.18	14.65	15.75	17.17	18.90	19.37	22.05	25.20	25.99	29.93	33.86	37.80	40.16	41.74	45.67	50.56	55.12	61.42	77.17
1.00	63	6.316	63	6.316	9.77	10.56	11.34	12.13	13.71	14.18	15.28	16.70	18.43	18.90	21.58	24.73	25.52	29.45	33.39	37.33	39.69	41.26	45.20	50.08	54.65	60.95	76.70
1.00	67	6.717	67	6.717	9.14	9.93	10.71	11.50	13.08	13.55	14.65	16.07	17.80	18.27	20.95	24.10	24.89	28.82	32.76	36.70	39.06	40.64	44.57	49.45	54.02	60.32	76.07
1.00	71	7.118	71	7.118	8.51	9.30	10.08	10.87	12.45	12.92	14.02	15.44	17.17	17.64	20.32	23.47	24.26	28.19	32.13	36.07	38.43	40.01	43.94	48.82	53.39	59.69	75.44
1.00	75	7.519	75	7.519	7.88	8.67	9.45	10.24	11.82	12.29	13.39	14.81	16.54	17.01	19.69	22.84	23.63	27.57	31.50	35.44	37.80	39.38	43.31	48.19	52.76	59.06	74.81
1.00	80	8.020	80	8.020	...	7.88	8.67	9.46	11.03	11.50	12.60	14.02	15.75	16.23	18.90	22.05	22.84	26.78	30.72	34.65	37.01	38.59	42.53	47.41	51.97	58.27	74.02
1.02	41	4.110	42	4.211	13.15	13.94	14.73	15.52	17.09	17.56	18.66	20.08	21.81	22.29	24.96	28.11	28.90	32.84	36.77	40.71	43.07	44.65	48.59	53.47	58.03	64.33	80.08
1.03	40	4.010	41	4.110	13.31	14.10	14.89	15.67	17.25	17.72	18.82	20.24	21.97	22.44	25.12	28.27	29.06	33.00	36.93	40.87	43.23	44.81	48.74	53.63	58.19	64.49	80.24
1.03	39	3.910	40	4.010	13.47	14.26	15.04	15.83	17.40	17.88	18.98	20.40	22.13	22.60	25.28	28.43	29.22	33.15	37.09	41.03	43.39	44.96	48.90	53.78	58.35	64.65	80.40
1.03	38	3.810	39	3.910	13.63	14.41	15.20	15.99	17.56	18.03	19.14	20.55	22.29	22.76	25.44	28.59	29.37	33.31	37.25	41.18	43.55	45.12	49.06	53.94	58.51	64.81	80.55
1.03	37	3.709	38	3.810	13.78	14.57	15.36	16.14	17.72	18.19	19.29	20.71	22.44	22.92	25.59	28.74	29.53	33.47	37.40	41.34	43.70	45.28	49.22	54.10	58.66	64.96	80.71
1.03	36	3.609	37	3.709	13.94	14.73	15.51	16.30	17.88	18.35	19.45	20.87	22.60	23.07	25.75	28.90	29.69	33.62	37.56	41.50	43.86	45.44	49.37	54.25	58.82	65.12	80.87
1.03	35	3.509	36	3.609	14.10	14.88	15.67	16.46	18.03	18.51	19.61	21.03	22.76	23.23	25.91	29.06	29.85	33.78	37.72	41.66	44.02	45.59	49.53	54.41	58.98	65.28	81.03
1.03	34	3.409	35	3.509	14.25	15.04	15.83	16.62	18.19	18.66	19.77	21.18	22.92	23.39	26.07	29.22	30.00	33.94	37.88	41.81	44.18	45.75	49.69	54.57	59.14	65.44	81.18
1.03	33	3.308	34	3.409	14.41	15.20	15.99	16.77	18.35	18.82	19.92	21.34	23.07	23.55	26.22	29.37	30.16	34.10	38.03	41.97	44.33	45.91	49.85	54.73	59.29	65.59	81.34
1.03	32	3.208	33	3.308	14.57	15.36	16.14	16.93	18.51	18.98	20.08	21.50	23.23	23.70	26.38	29.53	30.32	34.25	38.19	42.13	44.49	46.07	50.00	54.88	59.45	65.75	81.50
1.03	31	3.108	32	3.208	14.73	15.51	16.30	17.09	18.66	19.14	20.24	21.66	23.39	23.86	26.54	29.69	30.47	34.41	38.35	42.29	44.65	46.22	50.16</				



8M HTRC Selection Table

Speed Ratio	Sprocket Combinations				Center Distance, Inches																						
	Driver		Driven		352-8M	360-8M	384-8M	408-8M	456-8M	480-8M	536-8M	544-8M	560-8M	600-8M	608-8M	632-8M	640-8M	680-8M	720-8M	800-8M	840-8M	880-8M	896-8M	920-8M	960-8M	1000-8M	
	No. of Teeth	Pitch Dia. Inches	No. of Teeth	Pitch Dia. Inches																							
Length Factor*					0.69	0.70	0.71	0.72	0.74	0.75	0.77	0.78	0.79	0.80	0.80	0.81	0.81	0.83	0.85	0.88	0.90	0.91	0.92	0.93	0.95	0.96	
1.03	30	3.008	31	3.108	4.18	4.65	5.75	5.91	6.22	7.01	7.17	7.64	7.80	8.58	9.37	10.95	11.73	12.52	12.84	13.31	14.10	14.88	
1.03	29	2.907	30	3.008	3.39	4.33	4.81	5.91	6.07	6.38	7.17	7.33	7.80	7.95	8.74	9.53	11.10	11.89	12.68	12.99	13.47	14.25	15.04	
1.04	28	2.807	29	2.907	3.55	4.49	4.96	6.07	6.22	6.54	7.32	7.48	7.95	8.11	8.90	9.69	11.26	12.05	12.84	13.15	13.62	14.41	15.20	
1.04	27	2.707	28	2.807	3.23	3.70	4.65	5.12	6.22	6.38	6.69	7.48	7.64	8.11	8.27	9.06	9.84	11.42	12.21	12.99	13.31	13.78	14.57	15.36
1.04	26	2.607	27	2.707	3.39	3.86	4.81	5.28	6.38	6.54	6.85	7.64	7.80	8.27	8.43	9.21	10.00	11.58	12.36	13.15	13.47	13.94	14.73	15.51
1.04	25	2.506	26	2.607	2.91	3.07	3.54	4.02	4.96	5.43	6.54	6.69	7.01	7.80	7.95	8.43	8.58	9.37	10.16	11.73	12.52	13.31	13.62	14.10	14.88	15.67	
1.04	48	4.812	50	5.013	5.67	6.46	8.03	8.82	9.61	9.92	10.40	11.18	11.97	
1.05	40	4.010	42	4.211	5.36	5.51	5.99	6.14	6.93	7.72	9.29	10.08	10.87	11.18	11.66	12.44	13.23	
1.05	60	6.015	63	6.316	6.85	7.64	7.96	8.43	9.22	10.00
1.05	39	3.910	41	4.110	4.73	5.51	5.67	6.14	6.30	7.09	7.88	9.45	10.24	11.03	11.34	11.81	12.60	13.39	
1.05	38	3.810	40	4.010	4.41	4.57	4.88	5.67	5.83	6.30	6.46	7.25	8.03	9.61	10.40	11.18	11.50	11.97	12.76	13.55	
1.05	37	3.709	39	3.910	4.57	4.73	5.04	5.83	5.99	6.46	6.62	7.40	8.19	9.77	10.55	11.34	11.66	12.13	12.92	13.70	
1.06	36	3.609	38	3.810	4.73	4.88	5.20	5.99	6.14	6.62	6.77	7.56	8.35	9.92	10.71	11.50	11.81	12.29	13.07	13.86	
1.06	71	7.118	75	7.519	8.19
1.06	53	5.314	56	5.614	7.17	7.96	8.74	9.06	9.53	10.32	11.11
1.06	35	3.509	37	3.709	4.88	5.04	5.36	6.14	6.30	6.77	6.93	7.72	8.51	10.08	10.87	11.66	11.97	12.44	13.23	14.02	
1.06	34	3.409	36	3.609	3.94	5.04	5.20	5.51	6.30	6.46	6.93	7.09	7.88	8.66	10.24	11.03	11.81	12.13	12.60	13.39	14.18	
1.06	67	6.717	71	7.118	7.25	8.03	8.82	
1.06	50	5.013	53	5.314	6.07	7.64	8.43	9.22	9.53	10.00	10.79	11.58	
1.06	33	3.308	35	3.509	4.10	5.20	5.36	5.67	6.46	6.62	7.09	7.25	8.03	8.82	10.40	11.18	11.97	12.29	12.76	13.55	14.33	
1.06	32	3.208	34	3.409	3.78	4.25	5.36	5.51	5.83	6.62	6.77	7.25	7.40	8.19	8.98	10.55	11.34	12.13	12.44	12.92	13.70	14.49	
1.06	63	6.316	67	6.717	7.09	7.40	7.88	8.66	9.45	
1.06	31	3.108	33	3.308	3.94	4.41	5.51	5.67	5.99	6.77	6.93	7.40	7.56	8.35	9.14	10.71	11.50	12.29	12.60	13.07	13.86	14.65	
1.07	30	3.008	32	3.208	4.10	4.57	5.67	5.83	6.14	6.93	7.09	7.56	7.72	8.51	9.29	10.87	11.66	12.44	12.76	13.23	14.02	14.81	
1.07	45	4.511	48	4.812	5.12	5.28	6.06	6.85	8.43	9.22	10.00	10.32	10.79	11.58	12.37	
1.07	75	7.519	80	8.020
1.07	29	2.907	31	3.108	3.31	4.25	4.73	5.83	5.99	6.30	7.09	7.25	7.72	7.88	8.66	9.45	11.03	11.81	12.60	12.92	13.39	14.18	14.96	
1.07	28	2.807	30	3.008	3.47	4.41	4.88	5.99	6.14	6.46	7.25	7.40	7.88	8.03	8.82	9.61	11.18	11.97	12.76	13.07	13.55	14.33	15.12	
1.07	42	4.211	45	4.511	4.96	5.12	5.59	5.75	6.54	7.32	8.90	9.69	10.47	10.79	11.26	12.05	12.84	
1.07	56	5.614	60	6.015	6.62	7.40	8.19	8.51	8.98	9.77	10.55	
1.07	27	2.707	29	2.907	3.15	3.62	4.57	5.04	6.14	6.30	6.62	7.40	7.56	8.03	8.19	8.98	9.77	11.34	12.13	12.92	13.23	13.70	14.49	15.28	
1.08	26	2.607	28	2.807	3.31	3.78	4.73	5.20	6.30	6.46	6.77	7.56	7.72	8.19	8.35	9.14	9.92	11.50	12.29	13.07	13.39	13.86	14.65	15.43	
1.08	39	3.910	42	4.211	5.43	5.59	6.06	6.22	7.01	7.80	9.37	10.16	10.95	11.26	11.73	12.52	13.31	
1.08	38	3.810	41	4.110	4.49	4.80	5.59	5.75	6.22	6.38	7.17	7.95	9.53	10.32	11.10	11.42	11.89	12.68	13.47	
1.08	25	2.506	27	2.707	3.47	3.94	4.88	5.36	6.46	6.62	6.93	7.72	7.88	8.35	8.51	9.29	10.08	11.66	12.44	13.23	13.55	14.02	14.80	15.59	
1.08	37	3.709	40	4.010	4.49	4.65	4.96	5.75	5.91	6.38	6.54	7.32	8.11	9.69	10.47	11.26	11.58	12.05	12.84	13.62	
1.08	36	3.609	39	3.910	4.65	4.80	5.12	5.91	6.06	6.54	6.69	7.48	8.27	9.84	10.63	11.42	11.73	12.21	12.99	13.78	
1.09	35	3.509	38	3.810	4.80	4.96	5.28	6.06	6.22	6.69	6.85	7.64	8.43	10.00	10.79	11.58	11.89	12.36	13.15	13.94	
1.09	34	3.409	37	3.709	4.96	5.12	5.43	6.22	6.38	6.85	7.01	7.80	8.58	10.16	10.95	11.73	12.05	12.52	13.31	14.10	
1.09	33	3.308	36	3.609	4.02	5.12	5.28	5.59	6.38	6.54	7.01	7.17	7.95	8.74	10.32	11.10	11.89	12.21	12.68	13.47	14.25	
1.09	32	3.208	35	3.509	4.17	5.28	5.43	5.75	6.54	6.69	7.17	7.32	8.11	8.90	10.47	11.26	12.05	12.36	12.84	13.62	14.41	
Length Factor*					0.69	0.70	0.71	0.72	0.74	0.75	0.77	0.78	0.79	0.80	0.80	0.81	0.81	0.83	0.85	0.88	0.90	0.91	0.92	0.93	0.95	0.96	

* The length correction factor must be used to determine the proper belt width.

Selection program available online at ptwizard.com

FEATURES/BENEFITS PAGE PT12-2	SPECIFICATIONS PAGE PT13-2	ENGINEERING/TECHNICAL PAGE PT13-96	
----------------------------------	-------------------------------	---------------------------------------	--



8M HTRC Selection Table (Continued)

Speed Ratio	Sprocket Combinations				Center Distance, Inches										Center Distance, Inches											
	Driver		Driven		1040-8M	1080-8M	1120-8M	1200-8M	1224-8M	1280-8M	1352-8M	1440-8M	1464-8M	1600-8M	1760-8M	1800-8M	2000-8M	2200-8M	2400-8M	2520-8M	2600-8M	2800-8M	3048-8M	3280-8M	3600-8M	4400-8M
	No. of Teeth	Pitch Dia. Inches	No. of Teeth	Pitch Dia. Inches	0.97	0.99	1.00	1.03	1.04	1.05	1.07	1.10	1.11	1.14	1.17	1.18	1.22	1.26	1.29	1.31	1.32	1.35	1.38	1.41	1.45	1.52
Length Factor*					0.97	0.99	1.00	1.03	1.04	1.05	1.07	1.10	1.11	1.14	1.17	1.18	1.22	1.26	1.29	1.31	1.32	1.35	1.38	1.41	1.45	1.52
1.03	30	3.008	31	3.108	15.67	16.46	17.25	18.82	19.29	20.40	21.81	23.55	24.02	26.70	29.84	30.63	34.57	38.51	42.44	44.81	46.38	50.32	55.20	59.77	66.07	81.81
1.03	29	2.907	30	3.008	15.83	16.62	17.40	18.98	19.45	20.55	21.97	23.70	24.18	26.85	30.00	30.79	34.73	38.66	42.60	44.96	46.54	50.47	55.36	59.92	66.22	81.97
1.04	28	2.807	29	2.907	15.99	16.77	17.56	19.14	19.61	20.71	22.13	23.86	24.33	27.01	30.16	30.95	34.88	38.82	42.76	45.12	46.70	50.63	55.51	60.08	66.38	82.13
1.04	27	2.707	28	2.807	16.14	16.93	17.72	19.29	19.77	20.87	22.29	24.02	24.49	27.17	30.32	31.10	35.04	38.98	42.92	45.28	46.85	50.79	55.67	60.24	66.54	82.29
1.04	26	2.607	27	2.707	16.30	17.09	17.88	19.45	19.92	21.03	22.44	24.18	24.65	27.32	30.47	31.26	35.20	39.14	43.07	45.44	47.01	50.95	55.83	60.40	66.70	82.44
1.04	25	2.506	26	2.607	16.46	17.25	18.03	19.61	20.08	21.18	22.60	24.33	24.81	27.48	30.63	31.42	35.36	39.29	43.23	45.59	47.17	51.10	55.99	60.55	66.85	82.60
1.04	48	4.812	50	5.013	12.76	13.55	14.33	15.91	16.38	17.48	18.90	20.63	21.11	23.78	26.93	27.72	31.66	35.59	39.53	41.89	43.47	47.41	52.29	56.85	63.15	78.90
1.05	40	4.010	42	4.211	14.02	14.81	15.59	17.17	17.64	18.74	20.16	21.89	22.37	25.04	28.19	28.98	32.92	36.85	40.79	43.15	44.73	48.66	53.55	58.11	64.41	80.16
1.05	60	6.015	63	6.316	10.79	11.58	12.37	13.94	14.41	15.52	16.93	18.67	19.14	21.82	24.97	25.75	29.69	33.63	37.56	39.93	41.50	45.44	50.32	54.89	61.19	76.93
1.05	39	3.910	41	4.110	14.18	14.96	15.75	17.33	17.80	18.90	20.32	22.05	22.52	25.20	28.35	29.14	33.07	37.01	40.95	43.31	44.88	48.82	53.70	58.27	64.57	80.32
1.05	38	3.810	40	4.010	14.33	15.12	15.91	17.48	17.96	19.06	20.48	22.21	22.68	25.36	28.51	29.29	33.23	37.17	41.11	43.47	45.04	48.98	53.86	58.43	64.73	80.48
1.05	37	3.709	39	3.910	14.49	15.28	16.07	17.64	18.11	19.22	20.63	22.37	22.84	25.51	28.66	29.45	33.39	37.33	41.26	43.62	45.20	49.14	54.02	58.59	64.88	80.63
1.06	36	3.609	38	3.810	14.65	15.44	16.22	17.80	18.27	19.37	20.79	22.52	22.99	25.67	28.82	29.61	33.55	37.48	41.42	43.78	45.36	49.29	54.18	58.74	65.04	80.79
1.06	71	7.118	75	7.519	8.98	9.77	10.56	12.13	12.60	13.71	15.12	16.86	17.33	20.01	23.15	23.94	27.88	31.82	35.75	38.12	39.69	43.63	48.51	53.08	59.38	75.12
1.06	53	5.314	56	5.614	11.89	12.68	13.47	15.04	15.52	16.62	18.04	19.77	20.24	22.92	26.07	26.85	30.79	34.73	38.67	41.03	42.60	46.54	51.42	55.99	62.29	78.04
1.06	35	3.509	37	3.709	14.81	15.59	16.38	17.96	18.43	19.53	20.95	22.68	23.15	25.83	28.98	29.77	33.70	37.64	41.58	43.94	45.51	49.45	54.33	58.90	65.20	80.95
1.06	34	3.409	36	3.609	14.96	15.75	16.54	18.11	18.59	19.69	21.10	22.84	23.31	25.99	29.14	29.92	33.86	37.80	41.73	44.10	45.67	49.61	54.49	59.06	65.36	81.11
1.06	67	6.717	71	7.118	9.61	10.40	11.18	12.76	13.23	14.33	15.75	17.48	17.96	20.63	23.78	24.57	28.51	32.45	36.38	38.75	40.32	44.26	49.14	53.71	60.01	75.75
1.06	50	5.013	53	5.314	12.37	13.15	13.94	15.52	15.99	17.09	18.51	20.24	20.71	23.39	26.54	27.33	31.26	35.20	39.14	41.50	43.07	47.01	51.89	56.46	62.76	78.51
1.06	33	3.308	35	3.509	15.12	15.91	16.70	18.27	18.74	19.84	21.26	22.99	23.47	26.14	29.29	30.08	34.02	37.96	41.89	44.25	45.83	49.77	54.65	59.22	65.51	81.26
1.06	32	3.208	34	3.409	15.28	16.07	16.85	18.43	18.90	20.00	21.42	23.15	23.62	26.30	29.45	30.24	34.18	38.11	42.05	44.41	45.99	49.92	54.81	59.37	65.67	81.42
1.06	63	6.316	67	6.717	10.24	11.03	11.81	13.39	13.86	14.96	16.38	18.11	18.59	21.26	24.41	25.20	29.14	33.08	37.01	39.37	40.95	44.89	49.77	54.34	60.63	76.38
1.06	31	3.108	33	3.308	15.44	16.22	17.01	18.58	19.06	20.16	21.58	23.31	23.78	26.46	29.61	30.40	34.33	38.27	42.21	44.57	46.14	50.08	54.96	59.53	65.83	81.58
1.07	30	3.008	32	3.208	15.59	16.38	17.17	18.74	19.21	20.32	21.73	23.47	23.94	26.62	29.77	30.55	34.49	38.43	42.36	44.73	46.30	50.24	55.12	59.69	65.99	81.73
1.07	45	4.511	48	4.812	13.15	13.94	14.73	16.30	16.77	17.88	19.29	21.03	21.50	24.18	27.33	28.11	32.05	35.99	39.92	42.29	43.86	47.80	52.68	57.25	63.55	79.29
1.07	75	7.519	80	8.020	8.27	9.06	9.85	11.42	11.89	13.00	14.41	16.15	16.62	19.30	22.45	23.23	27.17	31.11	35.04	37.41	38.98	42.92	47.80	52.37	58.67	74.42
1.07	29	2.907	31	3.108	15.75	16.54	17.32	18.90	19.37	20.47	21.89	23.62	24.10	26.77	29.92	30.71	34.65	38.58	42.52	44.88	46.46	50.40	55.28	59.84	66.14	81.89
1.07	28	2.807	30	3.008	15.91	16.69	17.48	19.06	19.53	20.63	22.05	23.78	24.25	26.93	30.08	30.87	34.81	38.74	42.68	45.04	46.62	50.55	55.44	60.00	66.30	82.05
1.07	42	4.211	45	4.511	13.62	14.41	15.20	16.77	17.25	18.35	19.77	21.50	21.97	24.65	27.80	28.59	32.52	36.46	40.40	42.76	44.33	48.27	53.15	57.72	64.02	79.77
1.07	56	5.614	60	6.015	11.34	12.13	12.92	14.49	14.96	16.07	17.48	19.22	19.69	22.37	25.52	26.30	30.24	34.18	38.11	40.48	42.05	45.99	50.87	55.44	61.74	77.48
1.07	27	2.707	29	2.907	16.06	16.85	17.64	19.21	19.69	20.79	22.21	23.94	24.41	27.09	30.24	31.03	34.96	38.90	42.84	45.20	46.77	50.71	55.59	60.16	66.46	82.21
1.08	26	2.607	28	2.807	16.22	17.01	17.80	19.37	19.84	20.95	22.36	24.10	24.57	27.25	30.40	31.18	35.12	39.06	42.99	45.36	46.93	50.87	55.75	60.32	66.62	82.36
1.08	39	3.910	42	4.211	14.10	14.88	15.67	17.25	17.72	18.82	20.24	21.97	22.44	25.12	28.27	29.06	33.00	36.93	40.87	43.23	44.81	48.74	53.63	58.19	64.49	80.24
1.08	38	3.810	41	4.110	14.25	15.04	15.83	17.40	17.88	18.98	20.40	22.13	22.60	25.28	28.43	29.22	33.15	37.09	41.03	43.39	44.96	48.90	53.78	58.35	64.65	80.40
1.08	25	2.506	27	2.707	16.38	17.17	17.95	19.53	20.00	21.10	22.52	24.25	24.73	27.40	30.55	31.34	35.28	39.21	43.15	45.51	47.09	51.03	55.91	60.47	66.77	82.52
1.08	37	3.709	40	4.010	14.41	15.20	15.99	17.56	18.03	19.14	20.55	22.29	22.76	25.44	28.59	29.37	33.31	37.25	41.18	43.55	45.12	49.06	53.94	58.51	64.81	80.55
1.08	36	3.609	39	3.910	14.57	15.36	16.14	17.72	18.19	19.29	20.71	22.44	22.92	25.59	28.74	29.53	33.47	37.40	41.34	43.70	45.28	49.22	54.10	58.66	64.96	80.71
1.09	35	3.509	38	3.810	14.73	15.51	16.30	17.88	18.35	19.45	20.87	22.60	23.07	25.75	28.90	29.69	33.62	37.56	41.50	43.86	45.44	49.37	54.25	58.82	65.12	80.87
1.09	34	3.409	37	3.709	14.88	15.67	16.46	18.03	18.51	19.61	21.03	22.76	23.23	25.91	29.06	29.84	33.78	37.72	41.66	44.02	45.59	49.53	54.41	58.98	65.28	81.03
1.09	33	3.308	36	3.609	15.04	15.83	16.62	18.19	18.66	19.77	21.18	22.92	23.39	26.07	29.21	30.00	33.94	37.88	41.81	44.18	45.75	49.69	54.57	59.14	65.44	81.18
1.09	32	3.208	35	3.509	15.20	15.99	16.77	18.35	18.82	19.92	21.34	23.07	23.55	26.22	29.37	30.16	34.10	38.03	41.97	44.33	45.91	49.84	54.73	59.29	65.59	81.34
Length Factor*					0.97	0.99	1.00	1.03	1.04	1.05	1.07	1.10	1.11	1.14	1.17	1.18	1.22	1.26	1.29	1.31	1.32	<				



8M HTRC Selection Table

Speed Ratio	Sprocket Combinations				Center Distance, Inches										Center Distance, Inches												
	Driver		Driven		352-8M	360-8M	384-8M	408-8M	456-8M	480-8M	536-8M	544-8M	560-8M	600-8M	608-8M	632-8M	640-8M	680-8M	720-8M	800-8M	840-8M	880-8M	896-8M	920-8M	960-8M	1000-8M	
	No. of Teeth	Pitch Dia. Inches	No. of Teeth	Pitch Dia. Inches	0.69	0.70	0.71	0.72	0.74	0.75	0.77	0.78	0.79	0.80	0.80	0.81	0.81	0.83	0.85	0.88	0.90	0.91	0.92	0.93	0.95	0.96	
Length Factor*					0.69	0.70	0.71	0.72	0.74	0.75	0.77	0.78	0.79	0.80	0.80	0.81	0.81	0.83	0.85	0.88	0.90	0.91	0.92	0.93	0.95	0.96	
1.10	31	3.108	34	3.409	3.86	4.33	5.43	5.59	5.91	6.69	6.85	7.32	7.48	8.27	9.06	10.63	11.42	12.21	12.52	12.99	13.78	14.57	
1.10	41	4.110	45	4.511	5.04	5.20	5.67	5.83	6.61	7.40	8.98	9.77	10.55	10.87	11.34	12.13	12.92	
1.10	30	3.008	33	3.308	4.02	4.49	5.59	5.75	6.06	6.85	7.01	7.48	7.64	8.43	9.21	10.79	11.58	12.36	12.68	13.15	13.94	14.73	
1.10	29	2.907	32	3.208	4.17	4.65	5.75	5.91	6.22	7.01	7.17	7.64	7.80	8.58	9.37	10.95	11.73	12.52	12.84	13.31	14.10	14.88	
1.10	48	4.812	53	5.314	5.43	6.22	7.80	8.58	9.37	9.69	10.16	10.95	11.73		
1.11	38	3.810	42	4.211	4.72	5.51	5.67	6.14	6.30	7.09	7.87	9.45	10.24	11.02	11.34	11.81	12.60	13.39	
1.11	28	2.807	31	3.108	3.38	4.33	4.80	5.91	6.06	6.38	7.17	7.32	7.80	7.95	8.74	9.53	11.10	11.89	12.68	12.99	13.47	14.25	15.04	
1.11	37	3.709	41	4.110	4.41	4.57	4.88	5.67	5.83	6.30	6.46	7.24	8.03	9.61	10.39	11.18	11.50	11.97	12.76	13.54	
1.11	27	2.707	30	3.008	3.54	4.49	4.96	6.06	6.22	6.54	7.32	7.48	7.95	8.11	8.90	9.69	11.26	12.05	12.84	13.15	13.62	14.41	15.20	
1.11	36	3.609	40	4.010	4.57	4.72	5.04	5.83	5.98	6.46	6.61	7.40	8.19	9.76	10.55	11.34	11.65	12.13	12.91	13.70	
1.11	45	4.511	50	5.013	5.90	6.69	8.27	9.06	9.84	10.16	10.63	11.42	12.21		
1.11	35	3.509	39	3.910	4.72	4.88	5.20	5.98	6.14	6.61	6.77	7.56	8.35	9.92	10.71	11.50	11.81	12.28	13.07	13.86	
1.12	26	2.607	29	2.907	3.23	3.70	4.65	5.12	6.22	6.38	6.69	7.48	7.64	8.11	8.27	9.06	9.84	11.42	12.21	12.99	13.31	13.78	14.57	15.36	
1.12	60	6.015	67	6.717	7.32	7.63	8.11	8.90	9.68	10.47	
1.12	34	3.409	38	3.810	4.88	5.04	5.35	6.14	6.30	6.77	6.93	7.72	8.50	10.08	10.87	11.65	11.97	12.44	13.23	14.02	
1.12	67	6.717	75	7.519	7.71	8.50	
1.12	25	2.506	28	2.807	3.38	3.86	4.80	5.28	6.38	6.54	6.85	7.64	7.80	8.27	8.43	9.21	10.00	11.58	12.36	13.15	13.47	13.94	14.73	15.51	
1.12	50	5.013	56	5.614	5.82	7.40	8.19	8.98	9.29	9.76	10.55	11.34	
1.12	33	3.308	37	3.709	3.93	5.04	5.20	5.51	6.30	6.46	6.93	7.09	7.87	8.66	10.24	11.02	11.81	12.13	12.60	13.39	14.17
1.13	32	3.208	36	3.609	4.09	5.20	5.35	5.67	6.46	6.61	7.09	7.24	8.03	8.82	10.39	11.18	11.97	12.28	12.76	13.54	14.33
1.13	40	4.010	45	4.511	5.12	5.27	5.75	5.90	6.69	7.48	9.06	9.84	10.63	10.95	11.42	12.21	12.99	
1.13	56	5.614	63	6.316	6.37	7.16	7.95	8.27	8.74	9.53	10.31	
1.13	80	8.020	90	9.023	
1.13	71	7.118	80	8.020	
1.13	63	6.316	71	7.118	7.55	8.34	9.13
1.13	31	3.108	35	3.509	3.78	4.25	5.35	5.51	5.83	6.61	6.77	7.24	7.40	8.19	8.98	10.55	11.34	12.13	12.44	12.91	13.70	14.49	
1.13	53	5.314	60	6.015	6.85	7.63	8.42	8.74	9.21	10.00	10.79	
1.13	30	3.008	34	3.409	3.93	4.41	5.51	5.67	5.98	6.77	6.93	7.40	7.56	8.35	9.13	10.71	11.50	12.28	12.60	13.07	13.86	14.65	
1.14	37	3.709	42	4.211	4.48	4.80	5.59	5.75	6.22	6.38	7.16	7.95	9.53	10.32	11.10	11.42	11.89	12.68	13.47	14.25	
1.14	22	2.206	25	2.506	3.23	3.38	3.86	4.33	5.28	5.75	6.85	7.01	7.32	8.11	8.27	8.74	8.90	9.69	10.47	12.05	12.84	13.62	13.94	14.41	15.20	15.99	
1.14	29	2.907	33	3.308	4.09	4.57	5.67	5.83	6.14	6.93	7.09	7.56	7.72	8.50	9.29	10.87	11.65	12.44	12.76	13.23	14.02	14.80	
1.14	36	3.609	41	4.110	4.48	4.64	4.96	5.75	5.90	6.38	6.53	7.32	8.11	9.68	10.47	11.26	11.58	12.05	12.84	13.62	
1.14	28	2.807	32	3.208	4.25	4.72	5.83	5.98	6.30	7.09	7.24	7.72	7.87	8.66	9.45	11.02	11.81	12.60	12.91	13.39	14.17	14.96	
1.14	35	3.509	40	4.010	4.64	4.80	5.11	5.90	6.06	6.53	6.69	7.48	8.27	9.84	10.63	11.42	11.73	12.21	12.99	13.78	
1.14	42	4.211	48	4.812	5.35	5.51	6.30	7.08	8.66	9.45	10.24	10.55	11.02	11.81	12.60	
1.15	34	3.409	39	3.910	4.80	4.96	5.27	6.06	6.22	6.69	6.85	7.64	8.42	10.00	10.79	11.58	11.89	12.36	13.15	13.94	
1.15	27	2.707	31	3.108	3.46	4.41	4.88	5.98	6.14	6.46	7.24	7.40	7.87	8.03	8.82	9.61	11.18	11.97	12.76	13.07	13.54	14.33	15.12	
1.15	33	3.308	38	3.810	4.96	5.11	5.43	6.22	6.38	6.85	7.01	7.79	8.58	10.16	10.94	11.73	12.05	12.52	13.31	14.10	
1.15	26	2.607	30	3.008	3.62	4.56	5.04	6.14	6.30	6.61	7.40	7.56	8.03	8.19	8.98	9.76	11.34	12.13	12.91	13.23	13.70	14.49	15.28	
1.15	39	3.910	45	4.511	5.19	5.35	5.82	5.98	6.77	7.56	9.13	9.92	10.71	11.02	11.50	12.28	13.07	
1.16	32	3.208	37	3.709	4.01	5.11	5.27	5.59	6.38	6.53	7.01	7.16	7.95	8.74	10.31	11.10	11.89	12.20	12.68	13.46	14.25	
Length Factor*					0.69	0.70	0.71	0.72	0.74	0.75	0.77	0.78	0.79	0.80	0.80	0.81	0.81	0.83	0.85	0.88	0.90	0.91	0.92	0.93	0.95	0.96	

* The length correction factor must be used to determine the proper belt width.

Selection program available online at ptwizard.com

FEATURES/BENEFITS PAGE PT12-2	SPECIFICATIONS PAGE PT13-2	ENGINEERING/TECHNICAL PAGE PT13-96	
----------------------------------	-------------------------------	---------------------------------------	--



8M HTRC Selection Table (Continued)

Speed Ratio	Sprocket Combinations				Center Distance, Inches																					
	Driver		Driven		1040-8M	1080-8M	1120-8M	1200-8M	1224-8M	1280-8M	1352-8M	1440-8M	1464-8M	1600-8M	1760-8M	1800-8M	2000-8M	2200-8M	2400-8M	2520-8M	2600-8M	2800-8M	3048-8M	3280-8M	3600-8M	4400-8M
	No. of Teeth	Pitch Dia. Inches	No. of Teeth	Pitch Dia. Inches	0.97	0.99	1.00	1.03	1.04	1.05	1.07	1.10	1.11	1.14	1.17	1.18	1.22	1.26	1.29	1.31	1.32	1.35	1.38	1.41	1.45	1.52
Length Factor*					0.97	0.99	1.00	1.03	1.04	1.05	1.07	1.10	1.11	1.14	1.17	1.18	1.22	1.26	1.29	1.31	1.32	1.35	1.38	1.41	1.45	1.52
1.10	31	3.108	34	3.409	15.36	16.14	16.93	18.51	18.98	20.08	21.50	23.23	23.70	26.38	29.53	30.32	34.25	38.19	42.13	44.49	46.07	50.00	54.88	59.45	65.75	81.50
1.10	41	4.110	45	4.511	13.70	14.49	15.28	16.85	17.33	18.43	19.84	21.58	22.05	24.73	27.88	28.66	32.60	36.54	40.48	42.84	44.41	48.35	53.23	57.80	64.10	79.85
1.10	30	3.008	33	3.308	15.51	16.30	17.09	18.66	19.14	20.24	21.66	23.39	23.86	26.54	29.69	30.47	34.41	38.35	42.29	44.65	46.22	50.16	55.04	59.61	65.91	81.66
1.10	29	2.907	32	3.208	15.67	16.46	17.25	18.82	19.29	20.40	21.81	23.55	24.02	26.69	29.84	30.63	34.57	38.51	42.44	44.81	46.38	50.32	55.20	59.77	66.07	81.81
1.10	48	4.812	53	5.314	12.52	13.31	14.10	15.67	16.14	17.25	18.66	20.40	20.87	23.55	26.70	27.48	31.42	35.36	39.29	41.66	43.23	47.17	52.05	56.62	62.92	78.67
1.11	38	3.810	42	4.211	14.18	14.96	15.75	17.32	17.80	18.90	20.32	22.05	22.52	25.20	28.35	29.14	33.07	37.01	40.95	43.31	44.88	48.82	53.70	58.27	64.57	80.32
1.11	28	2.807	31	3.108	15.83	16.62	17.40	18.98	19.45	20.55	21.97	23.70	24.18	26.85	30.00	30.79	34.73	38.66	42.60	44.96	46.54	50.47	55.36	59.92	66.22	81.97
1.11	37	3.709	41	4.110	14.33	15.12	15.91	17.48	17.95	19.06	20.47	22.21	22.68	25.36	28.51	29.29	33.23	37.17	41.10	43.47	45.04	48.98	53.86	58.43	64.73	80.48
1.11	27	2.707	30	3.008	15.99	16.77	17.56	19.14	19.61	20.71	22.13	23.86	24.33	27.01	30.16	30.95	34.88	38.82	42.76	45.12	46.69	50.63	55.51	60.08	66.38	82.13
1.11	36	3.609	40	4.010	14.49	15.28	16.06	17.64	18.11	19.21	20.63	22.36	22.84	25.51	28.66	29.45	33.39	37.33	41.26	43.62	45.20	49.14	54.02	58.59	64.88	80.63
1.11	45	4.511	50	5.013	12.99	13.78	14.57	16.14	16.62	17.72	19.14	20.87	21.34	24.02	27.17	27.96	31.89	35.83	39.77	42.13	43.70	47.64	52.52	57.09	63.39	79.14
1.11	35	3.509	39	3.910	14.65	15.43	16.22	17.80	18.27	19.37	20.79	22.52	22.99	25.67	28.82	29.61	33.55	37.48	41.42	43.78	45.36	49.29	54.18	58.74	65.04	80.79
1.12	26	2.607	29	2.907	16.14	16.93	17.72	19.29	19.77	20.87	22.29	24.02	24.49	27.17	30.32	31.10	35.04	38.98	42.92	45.28	46.85	50.79	55.67	60.24	66.54	82.29
1.12	60	6.015	67	6.717	10.47	11.26	12.05	13.62	14.10	15.20	16.62	18.35	18.82	21.50	24.65	25.44	29.37	33.31	37.25	39.61	41.18	45.12	50.00	54.57	60.87	76.62
1.12	34	3.409	38	3.810	14.80	15.59	16.38	17.95	18.43	19.53	20.95	22.68	23.15	25.83	28.98	29.77	33.70	37.64	41.58	43.94	45.51	49.45	54.33	58.90	65.20	80.95
1.12	67	6.717	75	7.519	9.29	10.08	10.86	12.44	12.91	14.02	15.43	17.17	17.64	20.32	23.47	24.25	28.19	32.13	36.07	38.43	40.00	43.94	48.82	53.39	59.69	75.44
1.12	25	2.506	28	2.807	16.30	17.09	17.88	19.45	19.92	21.03	22.44	24.17	24.65	27.32	30.47	31.26	35.20	39.14	43.07	45.43	47.01	50.95	55.83	60.40	66.69	82.44
1.12	50	5.013	56	5.614	12.13	12.91	13.70	15.28	15.75	16.85	18.27	20.00	20.47	23.15	26.30	27.09	31.03	34.96	38.90	41.26	42.84	46.77	51.66	56.22	62.52	78.27
1.12	33	3.308	37	3.709	14.96	15.75	16.54	18.11	18.58	19.69	21.10	22.84	23.31	25.99	29.14	29.92	33.86	37.80	41.73	44.10	45.67	49.61	54.49	59.06	65.36	81.10
1.13	32	3.208	36	3.609	15.12	15.91	16.69	18.27	18.74	19.84	21.26	22.99	23.47	26.14	29.29	30.08	34.02	37.95	41.89	44.25	45.83	49.77	54.65	59.21	65.51	81.26
1.13	40	4.010	45	4.511	13.78	14.57	15.36	16.93	17.40	18.51	19.92	21.66	22.13	24.81	27.96	28.74	32.68	36.62	40.55	42.92	44.49	48.43	53.31	57.88	64.18	79.92
1.13	56	5.614	63	6.316	11.10	11.89	12.68	14.25	14.72	15.83	17.25	18.98	19.45	22.13	25.28	26.07	30.00	33.94	37.88	40.24	41.81	45.75	50.63	55.20	61.50	77.25
1.13	80	8.020	90	9.023	10.23	10.70	11.81	13.23	14.96	15.43	18.11	21.26	22.05	25.99	29.92	33.86	36.22	37.80	41.74	46.62	51.19	57.48	73.23
1.13	71	7.118	80	8.020	8.58	9.37	10.15	11.73	12.20	13.31	14.72	16.46	16.93	19.61	22.76	23.55	27.48	31.42	35.36	37.72	39.29	43.23	48.11	52.68	58.98	74.73
1.13	63	6.316	71	7.118	9.92	10.71	11.49	13.07	13.54	14.65	16.06	17.80	18.27	20.95	24.10	24.88	28.82	32.76	36.70	39.06	40.63	44.57	49.45	54.02	60.32	76.07
1.13	31	3.108	35	3.509	15.28	16.06	16.85	18.43	18.90	20.00	21.42	23.15	23.62	26.30	29.45	30.24	34.18	38.11	42.05	44.41	45.99	49.92	54.81	59.37	65.67	81.42
1.13	53	5.314	60	6.015	11.57	12.36	13.15	14.72	15.20	16.30	17.72	19.45	19.92	22.60	25.75	26.54	30.47	34.41	38.35	40.71	42.29	46.22	51.11	55.67	61.97	77.72
1.13	30	3.008	34	3.409	15.43	16.22	17.01	18.58	19.06	20.16	21.58	23.31	23.78	26.46	29.61	30.40	34.33	38.27	42.21	44.57	46.14	50.08	54.96	59.53	65.83	81.58
1.14	37	3.709	42	4.211	14.25	15.04	15.83	17.40	17.88	18.98	20.40	22.13	22.60	25.28	28.43	29.21	33.15	37.09	41.03	43.39	44.96	48.90	53.78	58.35	64.65	80.40
1.14	22	2.206	25	2.506	16.77	17.56	18.35	19.92	20.40	21.50	22.91	24.65	25.12	27.80	30.95	31.73	35.67	39.61	43.54	45.91	47.48	51.42	56.30	60.87	67.17	82.92
1.14	29	2.907	33	3.308	15.59	16.38	17.17	18.74	19.21	20.32	21.73	23.47	23.94	26.62	29.77	30.55	34.49	38.43	42.36	44.73	46.30	50.24	55.12	59.69	65.99	81.73
1.14	36	3.609	41	4.110	14.41	15.20	15.99	17.56	18.03	19.14	20.55	22.29	22.76	25.43	28.58	29.37	33.31	37.25	41.18	43.55	45.12	49.06	53.94	58.51	64.81	80.55
1.14	28	2.807	32	3.208	15.75	16.54	17.32	18.90	19.37	20.47	21.89	23.62	24.10	26.77	29.92	30.71	34.65	38.58	42.52	44.88	46.46	50.40	55.28	59.84	66.14	81.89
1.14	35	3.509	40	4.010	14.57	15.36	16.14	17.72	18.19	19.29	20.71	22.44	22.92	25.59	28.74	29.53	33.47	37.40	41.34	43.70	45.28	49.21	54.10	58.66	64.96	80.71
1.14	42	4.211	48	4.812	13.39	14.17	14.96	16.54	17.01	18.11	19.53	21.26	21.73	24.41	27.56	28.35	32.29	36.22	40.16	42.52	44.10	48.03	52.92	57.48	63.78	79.53
1.15	34	3.409	39	3.910	14.73	15.51	16.30	17.88	18.35	19.45	20.87	22.60	23.07	25.75	28.90	29.69	33.62	37.56	41.50	43.86	45.44	49.37	54.25	58.82	65.12	80.87
1.15	27	2.707	31	3.108	15.91	16.69	17.48	19.06	19.53	20.63	22.05	23.78	24.25	26.93	30.08	30.87	34.80	38.74	42.68	45.04	46.62	50.55	55.44	60.00	66.30	82.05
1.15	33	3.308	38	3.810	14.88	15.67	16.46	18.03	18.51	19.61	21.02	22.76	23.23	25.91	29.06	29.84	33.78	37.72	41.66	44.02	45.59	49.53	54.41	58.98	65.28	81.03
1.15	26	2.607	30	3.008	16.06	16.85	17.64	19.21	19.69	20.79	22.21	23.94	24.41	27.09	30.24	31.03	34.96	38.90	42.84	45.20	46.77	50.71	55.59	60.16	66.46	82.21
1.15	39	3.910	45	4.511	13.86	14.65	15.43	17.01	17.48	18.58	20.00	21.73	22.21	24.88	28.03	28.82	32.76	36.70	40.63	42.99	44.57	48.51	53.39	57.96	64.25	80.00
1.16	32	3.208	37	3.709	15.04	15.83	16.62	18.19	18.66	19.76	21.18	22.91	23.39	26.06	29.21	30.00	33.94	37.88	41.81	44.18	45.75	49.69	54.57	59.14	65.44	81.18
Length Factor*					0.97	0.99	1.00	1.03	1.04	1.05	1.07	1.10	1.11	1.14	1.17	1.18	1.22	1.26	1.29	1.31	1.32	1.35	1.38	1.41	1.45	1.52



8M HTRC Selection Table

Speed Ratio	Sprocket Combinations				Center Distance, Inches										Center Distance, Inches											
	Driver		Driven		352-8M	360-8M	384-8M	408-8M	456-8M	480-8M	536-8M	544-8M	560-8M	600-8M	608-8M	632-8M	640-8M	680-8M	720-8M	800-8M	840-8M	880-8M	896-8M	920-8M	960-8M	1000-8M
	No. of Teeth	Pitch Dia. Inches	No. of Teeth	Pitch Dia. Inches	0.69	0.70	0.71	0.72	0.74	0.75	0.77	0.78	0.79	0.80	0.80	0.81	0.81	0.83	0.85	0.88	0.90	0.91	0.92	0.93	0.95	0.96
Length Factor*					0.69	0.70	0.71	0.72	0.74	0.75	0.77	0.78	0.79	0.80	0.80	0.81	0.81	0.83	0.85	0.88	0.90	0.91	0.92	0.93	0.95	0.96
1.16	25	2.506	29	2.907	3.30	3.78	4.72	5.20	6.30	6.46	6.77	7.56	7.72	8.19	8.35	9.13	9.92	11.50	12.28	13.07	13.39	13.86	14.65	15.43
1.16	31	3.108	36	3.609	3.69	4.17	5.27	5.43	5.75	6.53	6.69	7.16	7.32	8.11	8.90	10.47	11.26	12.05	12.36	12.83	13.62	14.41
1.17	30	3.008	35	3.509	3.85	4.33	5.43	5.59	5.90	6.69	6.85	7.32	7.48	8.27	9.05	10.63	11.42	12.20	12.52	12.99	13.78	14.57
1.17	36	3.609	42	4.211	4.56	4.88	5.66	5.82	6.30	6.45	7.24	8.03	9.60	10.39	11.18	11.50	11.97	12.76	13.54
1.17	48	4.812	56	5.614	5.97	7.55	8.34	9.13	9.44	9.92	10.71	11.49	
1.17	41	4.110	48	4.812	4.95	5.43	5.58	6.37	7.16	8.74	9.52	10.31	10.63	11.10	11.89	12.68
1.17	35	3.509	41	4.110	4.56	4.72	5.03	5.82	5.98	6.45	6.61	7.40	8.19	9.76	10.55	11.34	11.65	12.13	12.91	13.70
1.17	29	2.907	34	3.409	4.01	4.48	5.59	5.75	6.06	6.85	7.01	7.48	7.64	8.42	9.21	10.79	11.57	12.36	12.68	13.15	13.94	14.72
1.18	34	3.409	40	4.010	4.72	4.88	5.19	5.98	6.14	6.61	6.77	7.56	8.34	9.92	10.71	11.50	11.81	12.28	13.07	13.86
1.18	45	4.511	53	5.314	5.66	6.45	8.03	8.81	9.60	9.92	10.39	11.18	11.97
1.18	28	2.807	33	3.308	4.17	4.64	5.74	5.90	6.22	7.01	7.16	7.64	7.79	8.58	9.37	10.94	11.73	12.52	12.83	13.31	14.09	14.88
1.18	22	2.206	26	2.607	3.15	3.30	3.78	4.25	5.19	5.67	6.77	6.93	7.24	8.03	8.19	8.66	8.82	9.61	10.39	11.97	12.76	13.54	13.86	14.33	15.12	15.91
1.18	33	3.308	39	3.910	4.88	5.03	5.35	6.14	6.29	6.77	6.93	7.71	8.50	10.08	10.86	11.65	11.97	12.44	13.23	14.02
1.18	60	6.015	71	7.118	6.99	7.31	7.78	8.57	9.36	
1.18	38	3.810	45	4.511	5.27	5.43	5.90	6.06	6.84	7.63	9.21	10.00	10.79	11.10	11.57	12.36	13.15
1.19	27	2.707	32	3.208	4.33	4.80	5.90	6.06	6.38	7.16	7.32	7.79	7.95	8.74	9.53	11.10	11.89	12.68	12.99	13.46	14.25	15.04
1.19	32	3.208	38	3.810	3.93	5.03	5.19	5.51	6.29	6.45	6.93	7.08	7.87	8.66	10.23	11.02	11.81	12.13	12.60	13.39	14.17
1.19	53	5.314	63	6.316	6.60	7.39	8.18	8.49	8.97	9.76	10.54
1.19	42	4.211	50	5.013	5.19	5.34	6.13	6.92	8.50	9.29	10.07	10.39	10.86	11.65	12.44
1.19	63	6.316	75	7.519	8.01	8.80
1.19	26	2.607	31	3.108	3.54	4.48	4.96	6.06	6.22	6.53	7.32	7.48	7.95	8.11	8.90	9.68	11.26	12.05	12.83	13.15	13.62	14.41	15.20
1.19	31	3.108	37	3.709	4.09	5.19	5.35	5.66	6.45	6.61	7.08	7.24	8.03	8.82	10.39	11.18	11.97	12.28	12.76	13.54	14.33
1.19	67	6.717	80	8.020	8.09
1.20	56	5.614	67	6.717	6.83	7.62	7.94	8.41	9.20	9.99
1.20	25	2.506	30	3.008	3.22	3.69	4.64	5.11	6.22	6.38	6.69	7.48	7.64	8.11	8.27	9.05	9.84	11.42	12.20	12.99	13.31	13.78	14.57	15.35
1.20	30	3.008	36	3.609	3.77	4.24	5.35	5.51	5.82	6.61	6.77	7.24	7.40	8.19	8.97	10.55	11.34	12.12	12.44	12.91	13.70	14.49
1.20	35	3.509	42	4.211	4.48	4.64	4.95	5.74	5.90	6.37	6.53	7.32	8.11	9.68	10.47	11.26	11.57	12.05	12.83	13.62
1.20	40	4.010	48	4.812	4.87	5.03	5.50	5.66	6.45	7.24	8.81	9.60	10.39	10.70	11.18	11.97	12.75
1.20	50	5.013	60	6.015	7.07	7.86	8.65	8.97	9.44	10.23	11.02
1.20	75	7.519	90	9.023
1.21	34	3.409	41	4.110	4.64	4.79	5.11	5.90	6.06	6.53	6.69	7.48	8.26	9.84	10.63	11.41	11.73	12.20	12.99	13.78
1.21	29	2.907	35	3.509	3.93	4.40	5.51	5.66	5.98	6.77	6.93	7.40	7.56	8.34	9.13	10.71	11.49	12.28	12.60	13.07	13.86	14.65
1.21	33	3.308	40	4.010	4.79	4.95	5.27	6.06	6.21	6.69	6.84	7.63	8.42	10.00	10.78	11.57	11.89	12.36	13.15	13.94
1.21	28	2.807	34	3.409	4.09	4.56	5.66	5.82	6.14	6.93	7.08	7.56	7.71	8.50	9.29	10.86	11.65	12.44	12.75	13.23	14.01	14.80
1.22	37	3.709	45	4.511	4.55	5.34	5.50	5.97	6.13	6.92	7.71	9.29	10.07	10.86	11.18	11.65	12.44	13.23
1.22	32	3.208	39	3.910	4.95	5.11	5.42	6.21	6.37	6.84	7.00	7.79	8.58	10.15	10.94	11.73	12.04	12.52	13.31	14.09
1.22	41	4.110	50	5.013	5.26	5.42	6.21	7.00	8.57	9.36	10.15	10.47	10.94	11.73	12.52
1.22	27	2.707	33	3.308	4.24	4.72	5.82	5.98	6.29	7.08	7.24	7.71	7.87	8.66	9.45	11.02	11.81	12.60	12.91	13.38	14.17	14.96
1.23	31	3.108	38	3.810	4.00	5.11	5.27	5.58	6.37	6.53	7.00	7.16	7.95	8.74	10.31	11.10	11.89	12.20	12.68	13.46	14.25
1.23	22	2.206	27	2.707	3.06	3.22	3.69	4.17	5.11	5.59	6.69	6.85	7.16	7.95	8.11	8.58	8.74	9.53	10.31	11.89	12.68	13.46	13.78	14.25	15.04	15.83
1.23	26	2.607	32	3.208	3.45	4.40	4.87	5.98	6.14	6.45	7.24	7.40	7.87	8.03	8.82	9.60	11.18	11.97	12.75	13.07	13.54	14.33	15.12
Length Factor*					0.69	0.70	0.71	0.72	0.74	0.75	0.77	0.78	0.79	0.80	0.80	0.81	0.81	0.83	0.85	0.88	0.90	0.91	0.92	0.93	0.95	0.96

* The length correction factor must be used to determine the proper belt width.

Selection program available online at ptwizard.com

FEATURES/BENEFITS PAGE PT12-2	SPECIFICATIONS PAGE PT13-2	ENGINEERING/TECHNICAL PAGE PT13-96	
----------------------------------	-------------------------------	---------------------------------------	--

V-Drives

FHP Drives

Drive Component Accessories

DYNA-SYNC

HT200/HTD Synchronous Drives

Synchronous Drives

HTRC Synchronous Drives



8M HTRC Selection Table (Continued)

Speed Ratio	Sprocket Combinations				Center Distance, Inches																					
	Driver		Driven		1040-8M	1080-8M	1120-8M	1200-8M	1224-8M	1280-8M	1352-8M	1440-8M	1464-8M	1600-8M	1760-8M	1800-8M	2000-8M	2200-8M	2400-8M	2520-8M	2600-8M	2800-8M	3048-8M	3280-8M	3600-8M	4400-8M
	No. of Teeth	Pitch Dia. Inches	No. of Teeth	Pitch Dia. Inches	0.97	0.99	1.00	1.03	1.04	1.05	1.07	1.10	1.11	1.14	1.17	1.18	1.22	1.26	1.29	1.31	1.32	1.35	1.38	1.41	1.45	1.52
Length Factor*					0.97	0.99	1.00	1.03	1.04	1.05	1.07	1.10	1.11	1.14	1.17	1.18	1.22	1.26	1.29	1.31	1.32	1.35	1.38	1.41	1.45	1.52
1.16	25	2.506	29	2.907	16.22	17.01	17.80	19.37	19.84	20.95	22.36	24.10	24.57	27.25	30.40	31.18	35.12	39.06	42.99	45.36	46.93	50.87	55.75	60.32	66.62	82.36
1.16	31	3.108	36	3.609	15.20	15.98	16.77	18.35	18.82	19.92	21.34	23.07	23.54	26.22	29.37	30.16	34.10	38.03	41.97	44.33	45.91	49.84	54.73	59.29	65.59	81.34
1.17	30	3.008	35	3.509	15.35	16.14	16.93	18.50	18.98	20.08	21.50	23.23	23.70	26.38	29.53	30.32	34.25	38.19	42.13	44.49	46.06	50.00	54.88	59.45	65.75	81.50
1.17	36	3.609	42	4.211	14.33	15.12	15.91	17.48	17.95	19.06	20.47	22.21	22.68	25.36	28.51	29.29	33.23	37.17	41.10	43.47	45.04	48.98	53.86	58.43	64.73	80.47
1.17	48	4.812	56	5.614	12.28	13.07	13.86	15.43	15.90	17.01	18.42	20.16	20.63	23.31	26.46	27.25	31.18	35.12	39.06	41.42	42.99	46.93	51.81	56.38	62.68	78.43
1.17	41	4.110	48	4.812	13.46	14.25	15.04	16.61	17.09	18.19	19.61	21.34	21.81	24.49	27.64	28.43	32.36	36.30	40.24	42.60	44.18	48.11	52.99	57.56	63.86	79.61
1.17	35	3.509	41	4.110	14.49	15.28	16.06	17.64	18.11	19.21	20.63	22.36	22.84	25.51	28.66	29.45	33.39	37.32	41.26	43.62	45.20	49.14	54.02	58.58	64.88	80.63
1.17	29	2.907	34	3.409	15.51	16.30	17.09	18.66	19.13	20.24	21.65	23.39	23.86	26.54	29.69	30.47	34.41	38.35	42.29	44.65	46.22	50.16	55.04	59.61	65.91	81.66
1.18	34	3.409	40	4.010	14.65	15.43	16.22	17.80	18.27	19.37	20.79	22.52	22.99	25.67	28.82	29.61	33.54	37.48	41.42	43.78	45.36	49.29	54.18	58.74	65.04	80.79
1.18	45	4.511	53	5.314	12.75	13.54	14.33	15.90	16.38	17.48	18.90	20.63	21.10	23.78	26.93	27.72	31.65	35.59	39.53	41.89	43.47	47.40	52.29	56.85	63.15	78.90
1.18	28	2.807	33	3.308	15.67	16.46	17.24	18.82	19.29	20.39	21.81	23.54	24.02	26.69	29.84	30.63	34.57	38.51	42.44	44.80	46.38	50.32	55.20	59.77	66.06	81.81
1.18	22	2.206	26	2.607	16.69	17.48	18.27	19.84	20.32	21.42	22.84	24.57	25.04	27.72	30.87	31.65	35.59	39.53	43.47	45.83	47.40	51.34	56.22	60.79	67.09	82.84
1.18	33	3.308	39	3.910	14.80	15.59	16.38	17.95	18.43	19.53	20.95	22.68	23.15	25.83	28.98	29.77	33.70	37.64	41.58	43.94	45.51	49.45	54.33	58.90	65.20	80.95
1.18	60	6.015	71	7.118	10.15	10.94	11.72	13.30	13.77	14.88	16.30	18.03	18.50	21.18	24.33	25.12	29.06	32.99	36.93	39.29	40.87	44.80	49.69	54.25	60.55	76.30
1.18	38	3.810	45	4.511	13.94	14.72	15.51	17.09	17.56	18.66	20.08	21.81	22.28	24.96	28.11	28.90	32.84	36.77	40.71	43.07	44.65	48.58	53.47	58.03	64.33	80.08
1.19	27	2.707	32	3.208	15.83	16.61	17.40	18.98	19.45	20.55	21.97	23.70	24.17	26.85	30.00	30.79	34.73	38.66	42.60	44.96	46.54	50.47	55.36	59.92	66.22	81.97
1.19	32	3.208	38	3.810	14.96	15.75	16.54	18.11	18.58	19.69	21.10	22.84	23.31	25.99	29.14	29.92	33.86	37.80	41.73	44.10	45.67	49.61	54.49	59.06	65.36	81.10
1.19	53	5.314	63	6.316	11.33	12.12	12.91	14.48	14.96	16.06	17.48	19.21	19.68	22.36	25.51	26.30	30.24	34.17	38.11	40.47	42.05	45.99	50.87	55.44	61.73	77.48
1.19	42	4.211	50	5.013	13.23	14.01	14.80	16.38	16.85	17.95	19.37	21.10	21.57	24.25	27.40	28.19	32.13	36.06	40.00	42.36	43.94	47.88	52.76	57.33	63.62	79.37
1.19	63	6.316	75	7.519	9.59	10.38	11.17	12.75	13.22	14.32	15.74	17.48	17.95	20.63	23.78	24.57	28.50	32.44	36.38	38.74	40.32	44.25	49.14	53.70	60.00	75.75
1.19	26	2.607	31	3.108	15.98	16.77	17.56	19.13	19.61	20.71	22.13	23.86	24.33	27.01	30.16	30.95	34.88	38.82	42.76	45.12	46.69	50.63	55.51	60.08	66.38	82.13
1.19	31	3.108	37	3.709	15.12	15.91	16.69	18.27	18.74	19.84	21.26	22.99	23.47	26.14	29.29	30.08	34.02	37.95	41.89	44.25	45.83	49.77	54.65	59.21	65.51	81.26
1.19	67	6.717	80	8.020	8.88	9.67	10.46	12.04	12.51	13.61	15.03	16.76	17.24	19.92	23.07	23.86	27.79	31.73	35.67	38.03	39.61	43.54	48.43	52.99	59.29	75.04
1.20	56	5.614	67	6.717	10.78	11.57	12.35	13.93	14.40	15.51	16.93	18.66	19.13	21.81	24.96	25.75	29.68	33.62	37.56	39.92	41.50	45.43	50.32	54.88	61.18	76.93
1.20	25	2.506	30	3.008	16.14	16.93	17.72	19.29	19.76	20.87	22.28	24.02	24.49	27.17	30.32	31.10	35.04	38.98	42.91	45.28	46.85	50.79	55.67	60.24	66.54	82.29
1.20	30	3.008	36	3.609	15.28	16.06	16.85	18.43	18.90	20.00	21.42	23.15	23.62	26.30	29.45	30.24	34.17	38.11	42.05	44.41	45.99	49.92	54.80	59.37	65.67	81.42
1.20	35	3.509	42	4.211	14.41	15.20	15.98	17.56	18.03	19.13	20.55	22.28	22.76	25.43	28.58	29.37	33.31	37.25	41.18	43.54	45.12	49.06	53.94	58.51	64.81	80.55
1.20	40	4.010	48	4.812	13.54	14.33	15.12	16.69	17.16	18.27	19.68	21.42	21.89	24.57	27.72	28.50	32.44	36.38	40.32	42.68	44.25	48.19	53.07	57.64	63.94	79.69
1.20	50	5.013	60	6.015	11.80	12.59	13.38	14.96	15.43	16.53	17.95	19.68	20.16	22.83	25.98	26.77	30.71	34.65	38.58	40.95	42.52	46.46	51.34	55.91	62.21	77.96
1.20	75	7.519	90	9.023	9.03	10.61	11.08	12.19	13.61	15.34	15.82	18.50	21.65	22.43	26.37	30.31	34.25	36.61	38.19	42.13	47.01	51.58	57.88	73.62
1.21	34	3.409	41	4.110	14.57	15.35	16.14	17.72	18.19	19.29	20.71	22.44	22.91	25.59	28.74	29.53	33.47	37.40	41.34	43.70	45.28	49.21	54.10	58.66	64.96	80.71
1.21	29	2.907	35	3.509	15.43	16.22	17.01	18.58	19.06	20.16	21.58	23.31	23.78	26.46	29.61	30.39	34.33	38.27	42.21	44.57	46.14	50.08	54.96	59.53	65.83	81.58
1.21	33	3.308	40	4.010	14.72	15.51	16.30	17.87	18.35	19.45	20.87	22.60	23.07	25.75	28.90	29.69	33.62	37.56	41.50	43.86	45.43	49.37	54.25	58.82	65.12	80.87
1.21	28	2.807	34	3.409	15.59	16.38	17.17	18.74	19.21	20.32	21.73	23.47	23.94	26.61	29.76	30.55	34.49	38.43	42.36	44.73	46.30	50.24	55.12	59.69	65.99	81.73
1.22	37	3.709	45	4.511	14.01	14.80	15.59	17.16	17.64	18.74	20.16	21.89	22.36	25.04	28.19	28.98	32.91	36.85	40.79	43.15	44.73	48.66	53.55	58.11	64.41	80.16
1.22	32	3.208	39	3.910	14.88	15.67	16.46	18.03	18.50	19.61	21.02	22.76	23.23	25.91	29.06	29.84	33.78	37.72	41.65	44.02	45.59	49.53	54.41	58.98	65.28	81.03
1.22	41	4.110	50	5.013	13.30	14.09	14.88	16.45	16.93	18.03	19.45	21.18	21.65	24.33	27.48	28.27	32.21	36.14	40.08	42.44	44.02	47.95	52.84	57.40	63.70	79.45
1.22	27	2.707	33	3.308	15.75	16.54	17.32	18.90	19.37	20.47	21.89	23.62	24.10	26.77	29.92	30.71	34.65	38.58	42.52	44.88	46.46	50.40	55.28	59.84	66.14	81.89
1.23	31	3.108	38	3.810	15.04	15.83	16.61	18.19	18.66	19.76	21.18	22.91	23.39	26.06	29.21	30.00	33.94	37.88	41.81	44.17	45.75	49.69	54.57	59.14	65.43	81.18
1.23	22	2.206	27	2.707	16.61	17.40	18.19	19.76	20.24	21.34	22.76	24.49	24.96	27.64	30.79	31.58	35.51	39.45	43.39	45.75	47.32	51.26	56.14	60.71	67.01	82.76
1.23	26	2.607	32	3.208	15.90	16.69	17.48	19.06	19.53	20.63	22.05	23.78	24.25	26.93	30.08	30.87	34.80	38.74	42.68	45.04	46.62	50.55	55.43	60.00	66.30	82.05
Length Factor*					0.97	0.99	1.00	1.03	1.04	1.05	1.07	1.10	1.11	1.14	1.17	1.18	1.22	1.26	1.29	1.31	1.32	1.35	1.38 </			



8M HTRC Selection Table

Sprocket Combinations					Center Distance, Inches																						
Speed Ratio	Driver		Driven		352-8M	360-8M	384-8M	408-8M	456-8M	480-8M	536-8M	544-8M	560-8M	600-8M	608-8M	632-8M	640-8M	680-8M	720-8M	800-8M	840-8M	880-8M	896-8M	920-8M	960-8M	1000-8M	
	No. of Teeth	Pitch Dia. Inches	No. of Teeth	Pitch Dia. Inches																							
Length Factor*					0.69	0.70	0.71	0.72	0.74	0.75	0.77	0.78	0.79	0.80	0.80	0.81	0.81	0.83	0.85	0.88	0.90	0.91	0.92	0.93	0.95	0.96	
1.23	39	3.910	48	4.812	4.94	5.10	5.58	5.73	6.52	7.31	8.89	9.68	10.47	10.78	11.25	12.04	12.83		
1.23	30	3.008	37	3.709	4.16	5.27	5.42	5.74	6.53	6.69	7.16	7.32	8.11	8.89	10.47	11.26	12.04	12.36	12.83	13.62	14.41	
1.24	34	3.409	42	4.211	4.55	4.71	5.03	5.82	5.97	6.45	6.61	7.39	8.18	9.76	10.55	11.33	11.65	12.12	12.91	13.70	
1.24	25	2.506	31	3.108	3.14	3.61	4.56	5.03	6.14	6.29	6.61	7.40	7.56	8.03	8.19	8.97	9.76	11.34	12.12	12.91	13.23	13.70	14.49	15.27	
1.24	29	2.907	36	3.609	3.84	4.32	5.42	5.58	5.90	6.69	6.84	7.32	7.47	8.26	9.05	10.63	11.41	12.20	12.52	12.99	13.78	14.57	
1.24	33	3.308	41	4.110	4.71	4.87	5.18	5.97	6.13	6.60	6.76	7.55	8.34	9.92	10.70	11.49	11.81	12.28	13.07	13.86		
1.24	45	4.511	56	5.614	6.20	7.78	8.57	9.36	9.67	10.15	10.94	11.72		
1.25	28	2.807	35	3.509	4.00	4.48	5.58	5.74	6.06	6.84	7.00	7.47	7.63	8.42	9.21	10.78	11.57	12.36	12.67	13.15	13.94	14.72	
1.25	32	3.208	40	4.010	4.87	5.03	5.34	6.13	6.29	6.76	6.92	7.71	8.50	10.07	10.86	11.65	11.96	12.44	13.23	14.01	
1.25	36	3.609	45	4.511	4.63	5.42	5.58	6.05	6.21	7.00	7.79	9.36	10.15	10.94	11.25	11.73	12.51	13.30	
1.25	40	4.010	50	5.013	5.33	5.49	6.28	7.07	8.65	9.44	10.23	10.54	11.02	11.80	12.59	
1.25	48	4.812	60	6.015	7.22	8.01	8.80	9.12	9.59	10.38	11.17		
1.25	60	6.015	75	7.519	6.66	6.97	7.45	8.24	9.03		
1.26	31	3.108	39	3.910	3.92	5.03	5.18	5.50	6.29	6.45	6.92	7.08	7.87	8.65	10.23	11.02	11.81	12.12	12.59	13.38	14.17	
1.26	27	2.707	34	3.409	4.16	4.63	5.74	5.90	6.21	7.00	7.16	7.63	7.79	8.58	9.37	10.94	11.73	12.52	12.83	13.30	14.09	14.88	
1.26	50	5.013	63	6.316	6.82	7.61	8.40	8.72	9.19	9.98	10.77		
1.26	42	4.211	53	5.314	5.88	6.67	8.25	9.04	9.83	10.15	10.62	11.41	12.20
1.26	38	3.810	48	4.812	5.02	5.18	5.65	5.81	6.60	7.39	8.97	9.75	10.54	10.86	11.33	12.12	12.91	
1.26	53	5.314	67	6.717	6.26	7.06	7.85	8.16	8.64	9.43	10.22	
1.27	30	3.008	38	3.810	4.08	5.18	5.34	5.66	6.45	6.60	7.08	7.24	8.02	8.81	10.39	11.18	11.96	12.28	12.75	13.54	14.33	
1.27	71	7.118	90	9.023	
1.27	56	5.614	71	7.118	6.50	7.29	7.61	8.08	8.87	9.66		
1.27	26	2.607	33	3.308	3.37	4.32	4.79	5.90	6.06	6.37	7.16	7.32	7.79	7.95	8.74	9.52	11.10	11.89	12.67	12.99	13.46	14.25	15.04	
1.27	63	6.316	80	8.020	6.80	7.60	8.39	
1.27	22	2.206	28	2.807	2.98	3.14	3.61	4.09	5.03	5.51	6.61	6.77	7.08	7.87	8.03	8.50	8.66	9.45	10.23	11.81	12.60	13.38	13.70	14.17	14.96	15.75	
1.27	33	3.308	42	4.211	4.63	4.78	5.10	5.89	6.05	6.52	6.68	7.47	8.26	9.84	10.62	11.41	11.73	12.20	12.99	13.78	
1.28	29	2.907	37	3.709	3.76	4.24	5.34	5.50	5.82	6.60	6.76	7.24	7.39	8.18	8.97	10.55	11.33	12.12	12.44	12.91	13.70	14.49	
1.28	25	2.506	32	3.208	3.53	4.48	4.95	6.06	6.21	6.53	7.32	7.47	7.95	8.10	8.89	9.68	11.26	12.04	12.83	13.15	13.62	14.41	15.20	
1.28	32	3.208	41	4.110	4.78	4.94	5.26	6.05	6.21	6.68	6.84	7.63	8.42	9.99	10.78	11.57	11.88	12.36	13.14	13.93	
1.28	39	3.910	50	5.013	4.93	5.41	5.57	6.36	7.15	8.73	9.52	10.30	10.62	11.09	11.88	12.67		
1.29	28	2.807	36	3.609	3.92	4.39	5.50	5.66	5.97	6.76	6.92	7.39	7.55	8.34	9.13	10.70	11.49	12.28	12.59	13.07	13.86	14.64	
1.29	35	3.509	45	4.511	4.38	4.70	5.49	5.65	6.12	6.28	7.07	7.86	9.44	10.23	11.02	11.33	11.80	12.59	13.38	
1.29	31	3.108	40	4.010	4.94	5.10	5.42	6.21	6.36	6.84	7.00	7.79	8.57	10.15	10.94	11.73	12.04	12.51	13.30	14.09	
1.29	41	4.110	53	5.314	5.17	5.96	6.75	8.33	9.12	9.91	10.22	10.70	11.48	12.27		
1.30	27	2.707	35	3.509	4.08	4.55	5.66	5.82	6.13	6.92	7.08	7.55	7.71	8.50	9.29	10.86	11.65	12.44	12.75	13.22	14.01	14.80	
1.30	37	3.709	48	4.812	5.09	5.25	5.72	5.88	6.67	7.46	9.04	9.83	10.62	10.93	11.41	12.20	12.98	
1.30	30	3.008	39	3.910	3.99	5.10	5.26	5.58	6.36	6.52	7.00	7.15	7.94	8.73	10.31	11.10	11.88	12.20	12.67	13.46	14.25		
1.31	26	2.607	34	3.409	4.24	4.71	5.82	5.97	6.29	7.08	7.24	7.71	7.87	8.65	9.44	11.02	11.81	12.59	12.91	13.38	14.17	14.96	
1.31	29	2.907	38	3.810	3.68	4.15	5.26	5.42	5.73	6.52	6.68	7.15	7.31	8.10	8.89	10.47	11.25	12.04	12.36	12.83	13.62	14.41	
1.31	32	3.208	42	4.211	4.70	4.86	5.18	5.97	6.12	6.60	6.76	7.55	8.33	9.91	10.70	11.49	11.80	12.28	13.06	13.85	
1.31	48	4.812	63	6.316	6.97	7.76	8.55	8.87	9.34	10.13	10.92		
Length Factor*					0.69	0.70	0.71	0.72	0.74	0.75	0.77	0.78	0.79	0.80	0.80	0.81	0.81	0.83	0.85	0.88	0.90	0.91	0.92	0.93	0.95	0.96	

* The length correction factor must be used to determine the proper belt width.

Selection program available online at ptwizard.com

FEATURES/BENEFITS PAGE PT12-2	SPECIFICATIONS PAGE PT13-2	ENGINEERING/TECHNICAL PAGE PT13-96	
----------------------------------	-------------------------------	---------------------------------------	--

V-Drives

FHP Drives

Drive Component Accessories

DYNA-SYNC

HT200/HTD Synchronous Drives

Synchronous Drives

HTRC Synchronous Drives



8M HTRC Selection Table (Continued)

Speed Ratio	Sprocket Combinations				Center Distance, Inches																					
	Driver		Driven		1040-8M	1080-8M	1120-8M	1200-8M	1224-8M	1280-8M	1352-8M	1440-8M	1464-8M	1600-8M	1760-8M	1800-8M	2000-8M	2200-8M	2400-8M	2520-8M	2600-8M	2800-8M	3048-8M	3280-8M	3600-8M	4400-8M
	No. of Teeth	Pitch Dia. Inches	No. of Teeth	Pitch Dia. Inches	0.97	0.99	1.00	1.03	1.04	1.05	1.07	1.10	1.11	1.14	1.17	1.18	1.22	1.26	1.29	1.31	1.32	1.35	1.38	1.41	1.45	1.52
Length Factor*					0.97	0.99	1.00	1.03	1.04	1.05	1.07	1.10	1.11	1.14	1.17	1.18	1.22	1.26	1.29	1.31	1.32	1.35	1.38	1.41	1.45	1.52
1.23	39	3.910	48	4.812	13.62	14.41	15.19	16.77	17.24	18.34	19.76	21.49	21.97	24.65	27.80	28.58	32.52	36.46	40.39	42.76	44.33	48.27	53.15	57.72	64.02	79.77
1.23	30	3.008	37	3.709	15.20	15.98	16.77	18.35	18.82	19.92	21.34	23.07	23.54	26.22	29.37	30.16	34.10	38.03	41.97	44.33	45.91	49.84	54.73	59.29	65.59	81.34
1.24	34	3.409	42	4.211	14.49	15.27	16.06	17.64	18.11	19.21	20.63	22.36	22.83	25.51	28.66	29.45	33.39	37.32	41.26	43.62	45.20	49.14	54.02	58.58	64.88	80.63
1.24	25	2.506	31	3.108	16.06	16.85	17.64	19.21	19.68	20.79	22.20	23.94	24.41	27.09	30.24	31.02	34.96	38.90	42.84	45.20	46.77	50.71	55.59	60.16	66.46	82.21
1.24	29	2.907	36	3.609	15.35	16.14	16.93	18.50	18.98	20.08	21.50	23.23	23.70	26.38	29.53	30.32	34.25	38.19	42.13	44.49	46.06	50.00	54.88	59.45	65.75	81.50
1.24	33	3.308	41	4.110	14.64	15.43	16.22	17.79	18.27	19.37	20.79	22.52	22.99	25.67	28.82	29.61	33.54	37.48	41.42	43.78	45.36	49.29	54.17	58.74	65.04	80.79
1.24	45	4.511	56	5.614	12.51	13.30	14.09	15.66	16.14	17.24	18.66	20.39	20.86	23.54	26.69	27.48	31.42	35.35	39.29	41.65	43.23	47.17	52.05	56.62	62.92	78.66
1.25	28	2.807	35	3.509	15.51	16.30	17.09	18.66	19.13	20.24	21.65	23.39	23.86	26.54	29.69	30.47	34.41	38.35	42.28	44.65	46.22	50.16	55.04	59.61	65.91	81.66
1.25	32	3.208	40	4.010	14.80	15.59	16.38	17.95	18.42	19.53	20.94	22.68	23.15	25.83	28.98	29.76	33.70	37.64	41.58	43.94	45.51	49.45	54.33	58.90	65.20	80.95
1.25	36	3.609	45	4.511	14.09	14.88	15.67	17.24	17.71	18.82	20.23	21.97	22.44	25.12	28.27	29.05	32.99	36.93	40.87	43.23	44.80	48.74	53.62	58.19	64.49	80.24
1.25	40	4.010	50	5.013	13.38	14.17	14.96	16.53	17.00	18.11	19.52	21.26	21.73	24.41	27.56	28.35	32.28	36.22	40.16	42.52	44.10	48.03	52.91	57.48	63.78	79.53
1.25	48	4.812	60	6.015	11.96	12.75	13.53	15.11	15.58	16.69	18.10	19.84	20.31	22.99	26.14	26.93	30.86	34.80	38.74	41.10	42.68	46.61	51.50	56.06	62.36	78.11
1.25	60	6.015	75	7.519	9.82	10.61	11.40	12.98	13.45	14.55	15.97	17.71	18.18	20.86	24.01	24.80	28.74	32.67	36.61	38.97	40.55	44.49	49.37	53.94	60.24	75.99
1.26	31	3.108	39	3.910	14.96	15.75	16.53	18.11	18.58	19.68	21.10	22.83	23.31	25.98	29.13	29.92	33.86	37.80	41.73	44.10	45.67	49.61	54.49	59.06	65.36	81.10
1.26	27	2.707	34	3.409	15.67	16.46	17.24	18.82	19.29	20.39	21.81	23.54	24.02	26.69	29.84	30.63	34.57	38.50	42.44	44.80	46.38	50.32	55.20	59.77	66.06	81.81
1.26	50	5.013	63	6.316	11.56	12.35	13.14	14.71	15.19	16.29	17.71	19.44	19.92	22.59	25.74	26.53	30.47	34.41	38.35	40.71	42.28	46.22	51.10	55.67	61.97	77.72
1.26	42	4.211	53	5.314	12.98	13.77	14.56	16.14	16.61	17.71	19.13	20.86	21.34	24.01	27.16	27.95	31.89	35.83	39.76	42.13	43.70	47.64	52.52	57.09	63.39	79.14
1.26	38	3.810	48	4.812	13.70	14.48	15.27	16.85	17.32	18.42	19.84	21.57	22.04	24.72	27.87	28.66	32.60	36.54	40.47	42.84	44.41	48.35	53.23	57.80	64.10	79.84
1.26	53	5.314	67	6.717	11.01	11.79	12.58	14.16	14.63	15.74	17.16	18.89	19.36	22.04	25.19	25.98	29.92	33.86	37.79	40.16	41.73	45.67	50.55	55.12	61.42	77.17
1.27	30	3.008	38	3.810	15.12	15.90	16.69	18.27	18.74	19.84	21.26	22.99	23.46	26.14	29.29	30.08	34.02	37.95	41.89	44.25	45.83	49.76	54.65	59.21	65.51	81.26
1.27	71	7.118	90	9.023	7.74	8.54	9.33	10.91	11.38	12.49	13.91	15.65	16.12	18.80	21.95	22.74	26.68	30.62	34.56	36.92	38.50	42.44	47.32	51.89	58.19	73.94
1.27	56	5.614	71	7.118	10.45	11.24	12.03	13.61	14.08	15.18	16.60	18.34	18.81	21.49	24.64	25.43	29.37	33.30	37.24	39.60	41.18	45.12	50.00	54.57	60.87	76.62
1.27	26	2.607	33	3.308	15.83	16.61	17.40	18.98	19.45	20.55	21.97	23.70	24.17	26.85	30.00	30.79	34.72	38.66	42.60	44.96	46.54	50.47	55.36	59.92	66.22	81.97
1.27	63	6.316	80	8.020	9.18	9.97	10.76	12.34	12.81	13.92	15.34	17.07	17.54	20.22	23.38	24.16	28.10	32.04	35.98	38.34	39.92	43.86	48.74	53.31	59.61	75.36
1.27	22	2.206	28	2.807	16.53	17.32	18.11	19.68	20.16	21.26	22.68	24.41	24.88	27.56	30.71	31.50	35.43	39.37	43.31	45.67	47.25	51.18	56.06	60.63	66.93	82.68
1.27	33	3.308	42	4.211	14.56	15.35	16.14	17.71	18.19	19.29	20.71	22.44	22.91	25.59	28.74	29.53	33.46	37.40	41.34	43.70	45.28	49.21	54.10	58.66	64.96	80.71
1.28	29	2.907	37	3.709	15.27	16.06	16.85	18.42	18.90	20.00	21.42	23.15	23.62	26.30	29.45	30.24	34.17	38.11	42.05	44.41	45.99	49.92	54.80	59.37	65.67	81.42
1.28	25	2.506	32	3.208	15.98	16.77	17.56	19.13	19.61	20.71	22.13	23.86	24.33	27.01	30.16	30.95	34.88	38.82	42.76	45.12	46.69	50.63	55.51	60.08	66.38	82.13
1.28	32	3.208	41	4.110	14.72	15.51	16.30	17.87	18.34	19.45	20.86	22.60	23.07	25.75	28.90	29.68	33.62	37.56	41.50	43.86	45.43	49.37	54.25	58.82	65.12	80.87
1.28	39	3.910	50	5.013	13.46	14.24	15.03	16.61	17.08	18.18	19.60	21.34	21.81	24.49	27.64	28.42	32.36	36.30	40.24	42.60	44.17	48.11	52.99	57.56	63.86	79.61
1.29	28	2.807	36	3.609	15.43	16.22	17.01	18.58	19.05	20.16	21.57	23.31	23.78	26.46	29.61	30.39	34.33	38.27	42.21	44.57	46.14	50.08	54.96	59.53	65.83	81.58
1.29	35	3.509	45	4.511	14.17	14.96	15.74	17.32	17.79	18.89	20.31	22.04	22.52	25.20	28.35	29.13	33.07	37.01	40.95	43.31	44.88	48.82	53.70	58.27	64.57	80.32
1.29	31	3.108	40	4.010	14.88	15.67	16.45	18.03	18.50	19.60	21.02	22.75	23.23	25.90	29.05	29.84	33.78	37.72	41.65	44.02	45.59	49.53	54.41	58.98	65.28	81.03
1.29	41	4.110	53	5.314	13.06	13.85	14.64	16.21	16.69	17.79	19.21	20.94	21.41	24.09	27.24	28.03	31.97	35.90	39.84	42.20	43.78	47.72	52.60	57.17	63.47	79.21
1.30	27	2.707	35	3.509	15.59	16.38	17.16	18.74	19.21	20.31	21.73	23.46	23.94	26.61	29.76	30.55	34.49	38.43	42.36	44.73	46.30	50.24	55.12	59.69	65.99	81.73
1.30	37	3.709	48	4.812	13.77	14.56	15.35	16.92	17.40	18.50	19.92	21.65	22.12	24.80	27.95	28.74	32.68	36.61	40.55	42.91	44.49	48.43	53.31	57.87	64.17	79.92
1.30	30	3.008	39	3.910	15.04	15.82	16.61	18.19	18.66	19.76	21.18	22.91	23.38	26.06	29.21	30.00	33.94	37.87	41.81	44.17	45.75	49.69	54.57	59.13	65.43	81.18
1.31	26	2.607	34	3.409	15.75	16.53	17.32	18.90	19.37	20.47	21.89	23.62	24.09	26.77	29.92	30.71	34.65	38.58	42.52	44.88	46.46	50.39	55.28	59.84	66.14	81.89
1.31	29	2.907	38	3.810	15.19	15.98	16.77	18.34	18.82	19.92	21.34	23.07	23.54	26.22	29.37	30.16	34.09	38.03	41.97	44.33	45.91	49.84	54.73	59.29	65.59	81.34
1.31	32	3.208	42	4.211	14.64	15.43	16.22	17.79	18.27	19.37	20.78	22.52	22.99	25.67	28.82	29.61	33.54	37.48	41.42	43.78	45.35	49.29	54.17	58.74	65.04	80.79
1.31	48	4.812	63	6.316	11.71	12.50	13.29	14.87	15.34	16.44	17.86	19.60	20.07	22.75	25.90	26.69	30.63	34.56	38.50	40.86	42.44	46.38	51.26	55.83	62.13	77.87
Length Factor*					0.97	0.99	1.00	1.03	1.04	1.05	1.07	1.10	1.11	1.14	1.17	1.18	1.22	1.26	1.29	1.31	1.32	1.35				



8M HTRC Selection Table

Speed Ratio	Sprocket Combinations				Center Distance, Inches																						
	Driver		Driven		352-8M	360-8M	384-8M	408-8M	456-8M	480-8M	536-8M	544-8M	560-8M	600-8M	608-8M	632-8M	640-8M	680-8M	720-8M	800-8M	840-8M	880-8M	896-8M	920-8M	960-8M	1000-8M	
	No. of Teeth	Pitch Dia. Inches	No. of Teeth	Pitch Dia. Inches																							
Length Factor*					0.69	0.70	0.71	0.72	0.74	0.75	0.77	0.78	0.79	0.80	0.80	0.81	0.81	0.83	0.85	0.88	0.90	0.91	0.92	0.93	0.95	0.96	
1.32	38	3.810	50	5.013	4.85	5.01	5.48	5.64	6.43	7.22	8.80	9.59	10.38	10.70	11.17	11.96	12.75	
1.32	22	2.206	29	2.907	2.89	3.05	3.53	4.00	4.95	5.42	6.53	6.69	7.00	7.79	7.95	8.42	8.58	9.37	10.15	11.73	12.52	13.30	13.62	14.09	14.88	15.67	
1.32	25	2.506	33	3.308	3.44	4.39	4.87	5.97	6.13	6.45	7.24	7.39	7.87	8.02	8.81	9.60	11.18	11.96	12.75	13.07	13.54	14.33	15.12	
1.32	28	2.807	37	3.709	3.83	4.31	5.42	5.57	5.89	6.68	6.84	7.31	7.47	8.26	9.05	10.62	11.41	12.20	12.51	12.99	13.77	14.56	
1.32	31	3.108	41	4.110	4.86	5.02	5.33	6.12	6.28	6.76	6.91	7.70	8.49	10.07	10.86	11.65	11.96	12.43	13.22	14.01	
1.32	34	3.409	45	4.511	4.46	4.77	5.57	5.72	6.20	6.36	7.15	7.94	9.51	10.30	11.09	11.41	11.88	12.67	13.46	
1.33	40	4.010	53	5.314	5.08	5.24	6.03	6.82	8.40	9.19	9.98	10.30	10.77	11.56	12.35	
1.33	27	2.707	36	3.609	3.99	4.47	5.57	5.73	6.05	6.84	7.00	7.47	7.63	8.42	9.20	10.78	11.57	12.36	12.67	13.14	13.93	14.72	
1.33	30	3.008	40	4.010	5.02	5.18	5.49	6.28	6.44	6.91	7.07	7.86	8.65	10.23	11.02	11.80	12.12	12.59	13.38	14.17	
1.33	36	3.609	48	4.812	5.17	5.32	5.80	5.96	6.75	7.54	9.12	9.91	10.70	11.01	11.48	12.27	13.06	
1.33	42	4.211	56	5.614	5.63	6.42	8.01	8.79	9.58	9.90	10.37	11.16	11.95	
1.33	45	4.511	60	6.015	5.86	7.45	8.24	9.03	9.34	9.82	10.61	11.40	
1.33	60	6.015	80	8.020	7.82	8.61	
1.34	56	5.614	75	7.519	7.27	7.74	8.53	9.33
1.34	53	5.314	71	7.118	6.72	7.51	7.83	8.30	9.09	9.89
1.34	50	5.013	67	6.717	6.48	7.28	8.07	8.39	8.86	9.65	10.44	
1.34	67	6.717	90	9.023	
1.34	29	2.907	39	3.910	4.07	5.18	5.33	5.65	6.44	6.60	7.07	7.23	8.02	8.81	10.38	11.17	11.96	12.28	12.75	13.54	14.32	
1.35	26	2.607	35	3.509	4.15	4.63	5.73	5.89	6.21	7.00	7.15	7.63	7.78	8.57	9.36	10.94	11.73	12.51	12.83	13.30	14.09	14.88	
1.35	37	3.709	50	5.013	4.92	5.08	5.56	5.71	6.51	7.30	8.88	9.67	10.46	10.77	11.24	12.03	12.82	
1.35	31	3.108	42	4.211	4.77	4.93	5.25	6.04	6.20	6.67	6.83	7.62	8.41	9.99	10.78	11.56	11.88	12.35	13.14	13.93	
1.36	28	2.807	38	3.810	3.75	4.22	5.33	5.49	5.81	6.60	6.76	7.23	7.39	8.18	8.96	10.54	11.33	12.12	12.43	12.91	13.69	14.48	
1.36	39	3.910	53	5.314	5.15	5.31	6.11	6.90	8.48	9.27	10.06	10.37	10.85	11.64	12.42	
1.36	25	2.506	34	3.409	4.31	4.78	5.89	6.05	6.36	7.15	7.31	7.78	7.94	8.73	9.52	11.10	11.88	12.67	12.99	13.46	14.25	15.03	
1.36	22	2.206	30	3.008	3.44	3.92	4.87	5.34	6.45	6.60	6.92	7.71	7.87	8.34	8.50	9.28	10.07	11.65	12.44	13.22	13.54	14.01	14.80	15.59	
1.36	33	3.308	45	4.511	4.37	4.53	4.85	5.64	5.80	6.27	6.43	7.22	8.01	9.59	10.38	11.17	11.48	11.96	12.74	13.53	
1.37	41	4.110	56	5.614	5.70	6.50	8.08	8.87	9.66	9.98	10.45	11.24	12.03	
1.37	30	3.008	41	4.110	4.93	5.09	5.41	6.20	6.36	6.83	6.99	7.78	8.57	10.15	10.93	11.72	12.04	12.51	13.30	14.09	
1.37	27	2.707	37	3.709	3.91	4.38	5.49	5.65	5.97	6.76	6.91	7.39	7.54	8.33	9.12	10.70	11.49	12.28	12.59	13.06	13.85	14.64	
1.37	35	3.509	48	4.812	5.24	5.40	5.87	6.03	6.82	7.61	9.19	9.98	10.77	11.09	11.56	12.35	13.14	
1.38	29	2.907	40	4.010	3.98	5.09	5.25	5.57	6.36	6.51	6.99	7.15	7.94	8.73	10.30	11.09	11.88	12.20	12.67	13.46	14.24	
1.38	26	2.607	36	3.609	4.07	4.54	5.65	5.81	6.12	6.91	7.07	7.54	7.70	8.49	9.28	10.86	11.65	12.43	12.75	13.22	14.01	14.80	
1.39	36	3.609	50	5.013	4.99	5.15	5.63	5.79	6.58	7.37	8.95	9.74	10.53	10.85	11.32	12.11	12.90	
1.39	28	2.807	39	3.910	4.14	5.25	5.41	5.72	6.51	6.67	7.15	7.30	8.09	8.88	10.46	11.25	12.04	12.35	12.83	13.61	14.40	
1.39	38	3.810	53	5.314	5.23	5.38	6.18	6.97	8.55	9.34	10.13	10.45	10.92	11.71	12.50	
1.40	48	4.812	67	6.717	6.63	7.42	8.22	8.53	9.01	9.80	10.59	
1.40	25	2.506	35	3.509	4.22	4.70	5.81	5.97	6.28	7.07	7.23	7.70	7.86	8.65	9.44	11.01	11.80	12.59	12.91	13.38	14.17	14.95	
1.40	30	3.008	42	4.211	4.85	5.01	5.32	6.12	6.27	6.75	6.91	7.70	8.49	10.06	10.85	11.64	11.96	12.43	13.22	14.01	
1.40	40	4.010	56	5.614	5.77	6.57	8.15	8.94	9.73	10.05	10.52	11.31	12.10	
1.40	45	4.511	63	6.316	7.19	7.98	8.78	9.09	9.57	10.36	11.15	
1.40	80	8.020	112	11.229	
Length Factor*					0.69	0.70	0.71	0.72	0.74	0.75	0.77	0.78	0.79	0.80	0.80	0.81	0.81	0.83	0.85	0.88	0.90	0.91	0.92	0.93	0.95	0.96	

* The length correction factor must be used to determine the proper belt width.

Selection program available online at ptwizard.com

FEATURES/BENEFITS PAGE PT12-2	SPECIFICATIONS PAGE PT13-2	ENGINEERING/TECHNICAL PAGE PT13-96	
----------------------------------	-------------------------------	---------------------------------------	--

V-Drives

FHP Drives

Drive Component Accessories

DYNA-SYNC

HT200/HTD Synchronous Drives

Synchronous Drives

HTRC Synchronous Drives



8M HTRC Selection Table (Continued)

Speed Ratio	Sprocket Combinations				Center Distance, Inches																					
	Driver		Driven		1040-8M	1080-8M	1120-8M	1200-8M	1224-8M	1280-8M	1352-8M	1440-8M	1464-8M	1600-8M	1760-8M	1800-8M	2000-8M	2200-8M	2400-8M	2520-8M	2600-8M	2800-8M	3048-8M	3280-8M	3600-8M	4400-8M
	No. of Teeth	Pitch Dia. Inches	No. of Teeth	Pitch Dia. Inches	0.97	0.99	1.00	1.03	1.04	1.05	1.07	1.10	1.11	1.14	1.17	1.18	1.22	1.26	1.29	1.31	1.32	1.35	1.38	1.41	1.45	1.52
Length Factor*					0.97	0.99	1.00	1.03	1.04	1.05	1.07	1.10	1.11	1.14	1.17	1.18	1.22	1.26	1.29	1.31	1.32	1.35	1.38	1.41	1.45	1.52
1.32	38	3.810	50	5.013	13.53	14.32	15.11	16.69	17.16	18.26	19.68	21.41	21.89	24.56	27.71	28.50	32.44	36.38	40.31	42.68	44.25	48.19	53.07	57.64	63.94	79.69
1.32	22	2.206	29	2.907	16.45	17.24	18.03	19.61	20.08	21.18	22.60	24.33	24.80	27.48	30.63	31.42	35.35	39.29	43.23	45.59	47.17	51.10	55.99	60.55	66.85	82.60
1.32	25	2.506	33	3.308	15.90	16.69	17.48	19.05	19.53	20.63	22.05	23.78	24.25	26.93	30.08	30.87	34.80	38.74	42.68	45.04	46.61	50.55	55.43	60.00	66.30	82.05
1.32	28	2.807	37	3.709	15.35	16.14	16.93	18.50	18.97	20.08	21.49	23.23	23.70	26.38	29.53	30.31	34.25	38.19	42.13	44.49	46.06	50.00	54.88	59.45	65.75	81.50
1.32	31	3.108	41	4.110	14.80	15.59	16.37	17.95	18.42	19.52	20.94	22.67	23.15	25.82	28.97	29.76	33.70	37.64	41.57	43.94	45.51	49.45	54.33	58.90	65.20	80.95
1.32	34	3.409	45	4.511	14.24	15.03	15.82	17.40	17.87	18.97	20.39	22.12	22.59	25.27	28.42	29.21	33.15	37.09	41.02	43.39	44.96	48.90	53.78	58.35	64.65	80.39
1.33	40	4.010	53	5.314	13.14	13.93	14.71	16.29	16.76	17.87	19.28	21.02	21.49	24.17	27.32	28.11	32.04	35.98	39.92	42.28	43.86	47.79	52.68	57.24	63.54	79.29
1.33	27	2.707	36	3.609	15.51	16.30	17.08	18.66	19.13	20.23	21.65	23.38	23.86	26.53	29.68	30.47	34.41	38.35	42.28	44.65	46.22	50.16	55.04	59.61	65.91	81.65
1.33	30	3.008	40	4.010	14.96	15.74	16.53	18.11	18.58	19.68	21.10	22.83	23.30	25.98	29.13	29.92	33.86	37.79	41.73	44.09	45.67	49.61	54.49	59.06	65.36	81.10
1.33	36	3.609	48	4.812	13.85	14.64	15.42	17.00	17.47	18.58	19.99	21.73	22.20	24.88	28.03	28.82	32.75	36.69	40.63	42.99	44.57	48.50	53.39	57.95	64.25	80.00
1.33	42	4.211	56	5.614	12.74	13.53	14.32	15.89	16.37	17.47	18.89	20.62	21.09	23.77	26.92	27.71	31.65	35.59	39.53	41.89	43.46	47.40	52.28	56.85	63.15	78.90
1.33	45	4.511	60	6.015	12.19	12.97	13.76	15.34	15.81	16.92	18.34	20.07	20.54	23.22	26.37	27.16	31.10	35.04	38.97	41.34	42.91	46.85	51.73	56.30	62.60	78.35
1.33	60	6.015	80	8.020	9.40	10.19	10.98	12.56	13.04	14.14	15.56	17.30	17.77	20.45	23.61	24.39	28.33	32.27	36.21	38.58	40.15	44.09	48.97	53.54	59.84	75.59
1.34	56	5.614	75	7.519	10.12	10.91	11.70	13.28	13.75	14.86	16.28	18.01	18.48	21.16	24.32	25.11	29.04	32.98	36.92	39.29	40.86	44.80	49.68	54.25	60.55	76.30
1.34	53	5.314	71	7.118	10.68	11.47	12.26	13.83	14.31	15.41	16.83	18.57	19.04	21.72	24.87	25.66	29.60	33.54	37.47	39.84	41.41	45.35	50.23	54.80	61.10	76.85
1.34	50	5.013	67	6.717	11.23	12.02	12.81	14.39	14.86	15.97	17.39	19.12	19.59	22.27	25.42	26.21	30.15	34.09	38.03	40.39	41.96	45.90	50.78	55.35	61.65	77.40
1.34	67	6.717	90	9.023	8.03	8.83	9.62	11.21	11.68	12.79	14.21	15.95	16.42	19.11	22.26	23.05	26.99	30.93	34.87	37.23	38.81	42.75	47.63	52.20	58.50	74.25
1.34	29	2.907	39	3.910	15.11	15.90	16.69	18.26	18.74	19.84	21.26	22.99	23.46	26.14	29.29	30.08	34.01	37.95	41.89	44.25	45.83	49.76	54.65	59.21	65.51	81.26
1.35	26	2.607	35	3.509	15.67	16.45	17.24	18.82	19.29	20.39	21.81	23.54	24.01	26.69	29.84	30.63	34.57	38.50	42.44	44.80	46.38	50.32	55.20	59.76	66.06	81.81
1.35	37	3.709	50	5.013	13.61	14.40	15.19	16.76	17.24	18.34	19.76	21.49	21.96	24.64	27.79	28.58	32.52	36.45	40.39	42.75	44.33	48.27	53.15	57.72	64.02	79.76
1.35	31	3.108	42	4.211	14.72	15.50	16.29	17.87	18.34	19.44	20.86	22.59	23.07	25.75	28.90	29.68	33.62	37.56	41.50	43.86	45.43	49.37	54.25	58.82	65.12	80.87
1.36	28	2.807	38	3.810	15.27	16.06	16.85	18.42	18.89	20.00	21.41	23.15	23.62	26.30	29.45	30.23	34.17	38.11	42.05	44.41	45.98	49.92	54.80	59.37	65.67	81.42
1.36	39	3.910	53	5.314	13.21	14.00	14.79	16.37	16.84	17.94	19.36	21.09	21.57	24.25	27.40	28.18	32.12	36.06	40.00	42.36	43.94	47.87	52.75	57.32	63.62	79.37
1.36	25	2.506	34	3.409	15.82	16.61	17.40	18.97	19.45	20.55	21.97	23.70	24.17	26.85	30.00	30.79	34.72	38.66	42.60	44.96	46.54	50.47	55.35	59.92	66.22	81.97
1.36	22	2.206	30	3.008	16.38	17.16	17.95	19.53	20.00	21.10	22.52	24.25	24.72	27.40	30.55	31.34	35.28	39.21	43.15	45.51	47.09	51.02	55.91	60.47	66.77	82.52
1.36	33	3.308	45	4.511	14.32	15.11	15.90	17.47	17.95	19.05	20.47	22.20	22.67	25.35	28.50	29.29	33.23	37.16	41.10	43.46	45.04	48.98	53.86	58.43	64.72	80.47
1.37	41	4.110	56	5.614	12.82	13.61	14.39	15.97	16.44	17.55	18.97	20.70	21.17	23.85	27.00	27.79	31.73	35.67	39.60	41.97	43.54	47.48	52.36	56.93	63.23	78.98
1.37	30	3.008	41	4.110	14.87	15.66	16.45	18.03	18.50	19.60	21.02	22.75	23.22	25.90	29.05	29.84	33.78	37.72	41.65	44.02	45.59	49.53	54.41	58.98	65.28	81.02
1.37	27	2.707	37	3.709	15.43	16.22	17.00	18.58	19.05	20.15	21.57	23.30	23.78	26.45	29.60	30.39	34.33	38.27	42.20	44.57	46.14	50.08	54.96	59.53	65.83	81.58
1.37	35	3.509	48	4.812	13.93	14.71	15.50	17.08	17.55	18.65	20.07	21.80	22.28	24.96	28.11	28.89	32.83	36.77	40.71	43.07	44.64	48.58	53.46	58.03	64.33	80.08
1.38	29	2.907	40	4.010	15.03	15.82	16.61	18.18	18.66	19.76	21.18	22.91	23.38	26.06	29.21	30.00	33.94	37.87	41.81	44.17	45.75	49.68	54.57	59.13	65.43	81.18
1.38	26	2.607	36	3.609	15.58	16.37	17.16	18.74	19.21	20.31	21.73	23.46	23.93	26.61	29.76	30.55	34.49	38.42	42.36	44.72	46.30	50.24	55.12	59.69	65.98	81.73
1.39	36	3.609	50	5.013	13.69	14.47	15.26	16.84	17.31	18.42	19.83	21.57	22.04	24.72	27.87	28.66	32.59	36.53	40.47	42.83	44.41	48.34	53.23	57.79	64.09	79.84
1.39	28	2.807	39	3.910	15.19	15.98	16.77	18.34	18.81	19.92	21.33	23.07	23.54	26.22	29.37	30.16	34.09	38.03	41.97	44.33	45.90	49.84	54.72	59.29	65.59	81.34
1.39	38	3.810	53	5.314	13.29	14.08	14.87	16.44	16.92	18.02	19.44	21.17	21.64	24.32	27.47	28.26	32.20	36.14	40.08	42.44	44.01	47.95	52.83	57.40	63.70	79.45
1.40	48	4.812	67	6.717	11.38	12.17	12.96	14.54	15.01	16.12	17.54	19.27	19.75	22.43	25.58	26.37	30.30	34.24	38.18	40.54	42.12	46.06	50.94	55.51	61.81	77.56
1.40	25	2.506	35	3.509	15.74	16.53	17.32	18.89	19.37	20.47	21.89	23.62	24.09	26.77	29.92	30.71	34.64	38.58	42.52	44.88	46.46	50.39	55.28	59.84	66.14	81.89
1.40	30	3.008	42	4.211	14.79	15.58	16.37	17.95	18.42	19.52	20.94	22.67	23.14	25.82	28.97	29.76	33.70	37.64	41.57	43.94	45.51	49.45	54.33	58.90	65.20	80.95
1.40	40	4.010	56	5.614	12.89	13.68	14.47	16.05	16.52	17.62	19.04	20.78	21.25	23.93	27.08	27.87	31.80	35.74	39.68	42.04	43.62	47.56	52.44	57.01	63.31	79.05
1.40	45	4.511	63	6.316	11.94	12.73	13.52	15.10	15.57	16.67	18.09	19.83	20.30	22.98	26.13	26.92	30.86	34.80	38.73	41.10	42.67	46.61	51.49	56.06	62.36	78.11
1.40	80	8.020	112	11.229	9.96	11.39	13.14	13.61	16.31	19.47	20.26	24.21	28.15	32.09	34.46	36.03	39.98	44.86	49.43	55.73	71.49
Length Factor*					0.97	0.99	1.00	1.03	1.04	1.05	1.07	1.10	1.11	1.14	1.17	1.18	1.22	1.26	1.29	1.31	1.32	1.35	1.38	1.41 </		



8M HTRC Selection Table

Speed Ratio	Sprocket Combinations				Center Distance, Inches										Center Distance, Inches											
	Driver		Driven		384-8M	408-8M	456-8M	480-8M	536-8M	544-8M	560-8M	600-8M	608-8M	632-8M	640-8M	680-8M	720-8M	800-8M	840-8M	880-8M	896-8M	920-8M	960-8M	1000-8M	1040-8M	
	No. of Teeth	Pitch Dia. Inches	No. of Teeth	Pitch Dia. Inches																						
Length Factor*					0.71	0.72	0.74	0.75	0.77	0.78	0.79	0.80	0.80	0.81	0.81	0.83	0.85	0.88	0.90	0.91	0.92	0.93	0.95	0.96	0.97	
1.41	32	3.208	45	4.511	4.44	4.60	4.92	5.71	5.87	6.35	6.51	7.30	8.09	9.67	10.46	11.24	11.56	12.03	12.82	13.61	14.40	
1.41	27	2.707	38	3.810	3.82	4.30	5.41	5.57	5.88	6.67	6.83	7.30	7.46	8.25	9.04	10.62	11.41	12.19	12.51	12.98	13.77	14.56	15.35	
1.41	22	2.206	31	3.108	3.36	3.83	4.78	5.26	6.36	6.52	6.84	7.63	7.78	8.26	8.42	9.20	9.99	11.57	12.36	13.14	13.46	13.93	14.72	15.51	16.30	
1.41	34	3.409	48	4.812	4.52	5.31	5.47	5.95	6.10	6.90	7.69	9.27	10.06	10.85	11.16	11.64	12.42	13.21	14.00	
1.41	29	2.907	41	4.110	3.89	5.01	5.16	5.48	6.27	6.43	6.91	7.06	7.85	8.64	10.22	11.01	11.80	12.11	12.59	13.38	14.16	14.95	
1.42	53	5.314	75	7.519	7.16	7.48	7.96	8.75	9.55	10.34	
1.42	50	5.013	71	7.118	6.93	7.73	8.05	8.52	9.32	10.11	10.90
1.42	26	2.607	37	3.709	3.98	4.46	5.57	5.72	6.04	6.83	6.99	7.46	7.62	8.41	9.20	10.78	11.56	12.35	12.67	13.14	13.93	14.72	15.50	
1.43	28	2.807	40	4.010	4.05	5.16	5.32	5.64	6.43	6.59	7.06	7.22	8.01	8.80	10.38	11.17	11.96	12.27	12.74	13.53	14.32	15.11	
1.43	35	3.509	50	5.013	5.07	5.22	5.70	5.86	6.65	7.45	9.03	9.82	10.61	10.92	11.40	12.18	12.97	13.76	
1.43	42	4.211	60	6.015	6.08	7.67	8.46	9.25	9.57	10.04	10.83	11.62	12.41	13.20	
1.43	56	5.614	80	8.020	7.31	8.11	8.90	9.69	
1.43	63	6.316	90	9.023	8.32	
1.43	37	3.709	53	5.314	4.82	5.30	5.46	6.25	7.04	8.63	9.42	10.21	10.52	11.00	11.79	12.58	13.37	
1.44	39	3.910	56	5.614	5.85	6.64	8.23	9.02	9.81	10.13	10.60	11.39	12.18	12.97	
1.44	25	2.506	36	3.609	4.14	4.62	5.72	5.88	6.20	6.99	7.15	7.62	7.78	8.57	9.36	10.93	11.72	12.51	12.83	13.30	14.09	14.87	15.66	
1.44	27	2.707	39	3.910	4.21	5.32	5.48	5.80	6.59	6.75	7.22	7.38	8.17	8.96	10.54	11.33	12.11	12.43	12.90	13.69	14.48	15.27	
1.45	29	2.907	42	4.211	4.92	5.08	5.40	6.19	6.35	6.82	6.98	7.77	8.56	10.14	10.93	11.72	12.03	12.51	13.29	14.08	14.87	
1.45	31	3.108	45	4.511	4.52	4.67	4.99	5.79	5.95	6.42	6.58	7.37	8.16	9.74	10.53	11.32	11.64	12.11	12.90	13.69	14.47	
1.45	22	2.206	32	3.208	3.27	3.75	4.70	5.17	6.28	6.44	6.76	7.54	7.70	8.18	8.33	9.12	9.91	11.49	12.28	13.06	13.38	13.85	14.64	15.43	16.21	
1.45	33	3.308	48	4.812	4.59	5.38	5.54	6.02	6.18	6.97	7.76	9.34	10.13	10.92	11.24	11.71	12.50	13.29	14.08	
1.46	26	2.607	38	3.810	3.89	4.37	5.48	5.64	5.96	6.75	6.91	7.38	7.54	8.33	9.12	10.69	11.48	12.27	12.59	13.06	13.85	14.64	15.42	
1.46	41	4.110	60	6.015	6.15	7.74	8.53	9.33	9.64	10.12	10.91	11.70	12.49	13.28	
1.46	28	2.807	41	4.110	3.96	5.08	5.24	5.56	6.35	6.51	6.98	7.14	7.93	8.72	10.30	11.09	11.87	12.19	12.66	13.45	14.24	15.03	
1.47	34	3.409	50	5.013	5.14	5.30	5.77	5.93	6.73	7.52	9.10	9.89	10.68	11.00	11.47	12.26	13.05	13.84	
1.47	36	3.609	53	5.314	4.89	5.37	5.53	6.32	7.12	8.70	9.49	10.28	10.60	11.07	11.86	12.65	13.44	
1.47	38	3.810	56	5.614	5.12	5.92	6.71	8.30	9.09	9.88	10.20	10.67	11.46	12.25	13.04	
1.48	48	4.812	71	7.118	7.08	7.87	8.19	8.67	9.46	10.25	11.05
1.48	25	2.506	37	3.709	4.05	4.53	5.64	5.80	6.11	6.91	7.06	7.54	7.70	8.49	9.27	10.85	11.64	12.43	12.74	13.22	14.01	14.79	15.58	
1.48	27	2.707	40	4.010	4.12	5.24	5.40	5.71	6.51	6.66	7.14	7.30	8.09	8.88	10.45	11.24	12.03	12.35	12.82	13.61	14.40	15.19	
1.49	45	4.511	67	6.717	6.84	7.64	8.44	8.75	9.23	10.02	10.81	11.61	12.40	
1.49	75	7.519	112	11.229	
1.50	22	2.206	33	3.308	3.18	3.66	4.61	5.09	6.20	6.36	6.67	7.46	7.62	8.09	8.25	9.04	9.83	11.41	12.19	12.98	13.30	13.77	14.56	15.35	16.13	
1.50	26	2.607	39	3.910	3.81	4.28	5.40	5.55	5.87	6.66	6.82	7.30	7.45	8.24	9.03	10.61	11.40	12.19	12.51	12.98	13.77	14.55	15.34	
1.50	28	2.807	42	4.211	4.99	5.15	5.47	6.26	6.42	6.90	7.05	7.85	8.64	10.21	11.00	11.79	12.11	12.58	13.37	14.16	14.95	
1.50	30	3.008	45	4.511	4.59	4.75	5.07	5.86	6.02	6.49	6.65	7.45	8.24	9.82	10.61	11.40	11.71	12.18	12.97	13.76	14.55	
1.50	32	3.208	48	4.812	4.66	5.46	5.62	6.09	6.25	7.04	7.84	9.42	10.21	11.00	11.31	11.79	12.58	13.36	14.15	
1.50	40	4.010	60	6.015	5.42	6.22	7.81	8.61	9.40	9.72	10.19	10.98	11.77	12.56	
1.50	42	4.211	63	6.316	5.81	7.41	8.20	9.00	9.31	9.79	10.58	11.37	12.16	
1.50	50	5.013	75	7.519	7.38	7.70	8.18	8.97	9.77	10.56	11.35
1.50	60	6.015	90	9.023	7.73	8.53	
Length Factor*					0.71	0.72	0.74	0.75	0.77	0.78	0.79	0.80	0.80	0.81	0.81	0.83	0.85	0.88	0.90	0.91	0.92	0.93	0.95	0.96	0.97	

* The length correction factor must be used to determine the proper belt width.

Selection program available online at ptwizard.com

FEATURES/BENEFITS PAGE PT12-2	SPECIFICATIONS PAGE PT13-2	ENGINEERING/TECHNICAL PAGE PT13-96	
----------------------------------	-------------------------------	---------------------------------------	--

V-Drives

FHP Drives

Drive Component Accessories

DYNA-SYNC

HT200/HTD Synchronous Drives

Synchronous Drives

HTRC Synchronous Drives



8M HTRC Selection Table (Continued)

Speed Ratio	Sprocket Combinations				Center Distance, Inches																				
	Driver		Driven		1080-8M	1120-8M	1200-8M	1224-8M	1280-8M	1352-8M	1440-8M	1464-8M	1600-8M	1760-8M	1800-8M	2000-8M	2200-8M	2400-8M	2520-8M	2600-8M	2800-8M	3048-8M	3280-8M	3600-8M	4400-8M
	No. of Teeth	Pitch Dia. Inches	No. of Teeth	Pitch Dia. Inches	0.99	1.00	1.03	1.04	1.05	1.07	1.10	1.11	1.14	1.17	1.18	1.22	1.26	1.29	1.31	1.32	1.35	1.38	1.41	1.45	1.52
	Length Factor*																								
1.41	32	3.208	45	4.511	15.19	15.97	17.55	18.02	19.13	20.54	22.28	22.75	25.43	28.58	29.37	33.30	37.24	41.18	43.54	45.12	49.05	53.94	58.50	64.80	80.55
1.41	27	2.707	38	3.810	16.13	16.92	18.50	18.97	20.07	21.49	23.22	23.70	26.37	29.53	30.31	34.25	38.19	42.12	44.49	46.06	50.00	54.88	59.45	65.75	81.50
1.41	22	2.206	31	3.108	17.08	17.87	19.45	19.92	21.02	22.44	24.17	24.64	27.32	30.47	31.26	35.20	39.13	43.07	45.43	47.01	50.94	55.83	60.39	66.69	82.44
1.41	34	3.409	48	4.812	14.79	15.58	17.15	17.63	18.73	20.15	21.88	22.35	25.03	28.18	28.97	32.91	36.85	40.78	43.15	44.72	48.66	53.54	58.11	64.41	80.16
1.41	29	2.907	41	4.110	15.74	16.53	18.10	18.58	19.68	21.10	22.83	23.30	25.98	29.13	29.92	33.86	37.79	41.73	44.09	45.67	49.61	54.49	59.05	65.35	81.10
1.42	53	5.314	75	7.519	11.13	11.92	13.50	13.98	15.08	16.50	18.24	18.71	21.39	24.55	25.34	29.28	33.22	37.15	39.52	41.09	45.03	49.91	54.48	60.78	76.53
1.42	50	5.013	71	7.118	11.69	12.48	14.06	14.53	15.64	17.06	18.79	19.27	21.95	25.10	25.89	29.83	33.77	37.71	40.07	41.65	45.58	50.47	55.03	61.33	77.08
1.42	26	2.607	37	3.709	16.29	17.08	18.66	19.13	20.23	21.65	23.38	23.85	26.53	29.68	30.47	34.41	38.35	42.28	44.64	46.22	50.16	55.04	59.61	65.91	81.65
1.43	28	2.807	40	4.010	15.90	16.68	18.26	18.73	19.84	21.25	22.99	23.46	26.14	29.29	30.08	34.01	37.95	41.89	44.25	45.83	49.76	54.65	59.21	65.51	81.26
1.43	35	3.509	50	5.013	14.55	15.34	16.92	17.39	18.49	19.91	21.64	22.12	24.80	27.95	28.73	32.67	36.61	40.55	42.91	44.49	48.42	53.31	57.87	64.17	79.92
1.43	42	4.211	60	6.015	13.20	13.99	15.57	16.04	17.15	18.56	20.30	20.77	23.45	26.60	27.39	31.33	35.27	39.21	41.57	43.14	47.08	51.96	56.53	62.83	78.58
1.43	56	5.614	80	8.020	10.49	11.28	12.86	13.34	14.44	15.87	17.60	18.08	20.76	23.91	24.70	28.64	32.58	36.52	38.88	40.46	44.40	49.28	53.85	60.15	75.90
1.43	63	6.316	90	9.023	9.12	9.91	11.50	11.98	13.09	14.51	16.25	16.72	19.41	22.56	23.35	27.30	31.24	35.18	37.54	39.12	43.06	47.94	52.51	58.81	74.56
1.43	37	3.709	53	5.314	14.15	14.94	16.52	16.99	18.10	19.51	21.25	21.72	24.40	27.55	28.34	32.28	36.22	40.15	42.52	44.09	48.03	52.91	57.48	63.78	79.53
1.44	39	3.910	56	5.614	13.76	14.55	16.12	16.60	17.70	19.12	20.85	21.33	24.00	27.16	27.94	31.88	35.82	39.76	42.12	43.70	47.63	52.52	57.08	63.38	79.13
1.44	25	2.506	36	3.609	16.45	17.24	18.81	19.29	20.39	21.81	23.54	24.01	26.69	29.84	30.63	34.56	38.50	42.44	44.80	46.38	50.31	55.20	59.76	66.06	81.81
1.44	27	2.707	39	3.910	16.05	16.84	18.42	18.89	19.99	21.41	23.14	23.62	26.29	29.45	30.23	34.17	38.11	42.05	44.41	45.98	49.92	54.80	59.37	65.67	81.42
1.45	29	2.907	42	4.211	15.66	16.45	18.02	18.50	19.60	21.02	22.75	23.22	25.90	29.05	29.84	33.78	37.71	41.65	44.01	45.59	49.53	54.41	58.98	65.28	81.02
1.45	31	3.108	45	4.511	15.26	16.05	17.63	18.10	19.20	20.62	22.35	22.83	25.51	28.66	29.44	33.38	37.32	41.26	43.62	45.19	49.13	54.01	58.58	64.88	80.63
1.45	22	2.206	32	3.208	17.00	17.79	19.37	19.84	20.94	22.36	24.09	24.56	27.24	30.39	31.18	35.12	39.05	42.99	45.35	46.93	50.87	55.75	60.32	66.61	82.36
1.45	33	3.308	48	4.812	14.87	15.65	17.23	17.70	18.81	20.23	21.96	22.43	25.11	28.26	29.05	32.99	36.92	40.86	43.23	44.80	48.74	53.62	58.19	64.49	80.24
1.46	26	2.607	38	3.810	16.21	17.00	18.58	19.05	20.15	21.57	23.30	23.77	26.45	29.60	30.39	34.33	38.27	42.20	44.57	46.14	50.08	54.96	59.53	65.83	81.58
1.46	41	4.110	60	6.015	13.28	14.07	15.64	16.12	17.22	18.64	20.38	20.85	23.53	26.68	27.47	31.41	35.35	39.28	41.65	43.22	47.16	52.04	56.61	62.91	78.66
1.46	28	2.807	41	4.110	15.82	16.60	18.18	18.65	19.76	21.17	22.91	23.38	26.06	29.21	30.00	33.93	37.87	41.81	44.17	45.75	49.68	54.57	59.13	65.43	81.18
1.47	34	3.409	50	5.013	14.63	15.42	16.99	17.47	18.57	19.99	21.72	22.19	24.87	28.02	28.81	32.75	36.69	40.63	42.99	44.56	48.50	53.38	57.95	64.25	80.00
1.47	36	3.609	53	5.314	14.23	15.02	16.60	17.07	18.17	19.59	21.33	21.80	24.48	27.63	28.42	32.35	36.29	40.23	42.59	44.17	48.11	52.99	57.56	63.86	79.61
1.47	38	3.810	56	5.614	13.83	14.62	16.20	16.67	17.78	19.20	20.93	21.40	24.08	27.23	28.02	31.96	35.90	39.84	42.20	43.77	47.71	52.59	57.16	63.46	79.21
1.48	48	4.812	71	7.118	11.84	12.63	14.21	14.68	15.79	17.21	18.95	19.42	22.10	25.25	26.04	29.98	33.92	37.86	40.22	41.80	45.74	50.62	55.19	61.49	77.24
1.48	25	2.506	37	3.709	16.37	17.16	18.73	19.21	20.31	21.73	23.46	23.93	26.61	29.76	30.55	34.49	38.42	42.36	44.72	46.30	50.24	55.12	59.68	65.98	81.73
1.48	27	2.707	40	4.010	15.97	16.76	18.34	18.81	19.91	21.33	23.06	23.54	26.22	29.37	30.15	34.09	38.03	41.97	44.33	45.90	49.84	54.72	59.29	65.59	81.34
1.49	45	4.511	67	6.717	12.40	13.19	14.77	15.24	16.35	17.77	19.50	19.97	22.65	25.81	26.60	30.54	34.48	38.41	40.78	42.35	46.29	51.17	55.74	62.04	77.79
1.49	75	7.519	112	11.229	10.31	11.75	13.50	13.98	16.68	19.84	20.63	24.58	28.53	32.47	34.84	36.42	40.36	45.25	49.82	56.12	71.87
1.50	22	2.206	33	3.308	16.92	17.71	19.29	19.76	20.86	22.28	24.01	24.48	27.16	30.31	31.10	35.04	38.97	42.91	45.27	46.85	50.79	55.67	60.24	66.54	82.28
1.50	26	2.607	39	3.910	16.13	16.92	18.50	18.97	20.07	21.49	23.22	23.69	26.37	29.52	30.31	34.25	38.19	42.12	44.49	46.06	50.00	54.88	59.45	65.75	81.50
1.50	28	2.807	42	4.211	15.74	16.52	18.10	18.57	19.68	21.09	22.83	23.30	25.98	29.13	29.92	33.85	37.79	41.73	44.09	45.67	49.61	54.49	59.05	65.35	81.10
1.50	30	3.008	45	4.511	15.34	16.13	17.70	18.18	19.28	20.70	22.43	22.90	25.58	28.73	29.52	33.46	37.40	41.33	43.70	45.27	49.21	54.09	58.66	64.96	80.71
1.50	32	3.208	48	4.812	14.94	15.73	17.31	17.78	18.88	20.30	22.04	22.51	25.19	28.34	29.13	33.06	37.00	40.94	43.30	44.88	48.82	53.70	58.27	64.57	80.31
1.50	40	4.010	60	6.015	13.35	14.14	15.72	16.19	17.30	18.72	20.45	20.92	23.60	26.76	27.54	31.48	35.42	39.36	41.72	43.30	47.24	52.12	56.69	62.99	78.74
1.50	42	4.211	63	6.316	12.95	13.74	15.32	15.80	16.90	18.32	20.06	20.53	23.21	26.36	27.15	31.09	35.03	38.97	41.33	42.90	46.84	51.73	56.29	62.59	78.34
1.50	50	5.013	75	7.519	11.35	12.15	13.73	14.20	15.31	16.73	18.47	18.94	21.62	24.78	25.56	29.51	33.45	37.39	39.75	41.32	45.26	50.15	54.72	61.02	76.77
1.50	60	6.015	90</																						



8M HTRC Selection Table

Speed Ratio	Sprocket Combinations				Center Distance, Inches																					
	Driver		Driven		384-8M	408-8M	456-8M	480-8M	536-8M	544-8M	560-8M	600-8M	608-8M	632-8M	640-8M	680-8M	720-8M	800-8M	840-8M	880-8M	896-8M	920-8M	960-8M	1000-8M	1040-8M	
	No. of Teeth	Pitch Dia. Inches	No. of Teeth	Pitch Dia. Inches																						
Length Factor*					0.71	0.72	0.74	0.75	0.77	0.78	0.79	0.80	0.80	0.81	0.81	0.83	0.85	0.88	0.90	0.91	0.92	0.93	0.95	0.96	0.97	
1.51	53	5.314	80	8.020	7.04	7.52	8.32	9.12	9.91	
1.51	37	3.709	56	5.614	5.03	5.19	5.99	6.79	8.37	9.17	9.96	10.27	10.75	11.54	12.33	13.12	
1.51	35	3.509	53	5.314	4.80	4.96	5.44	5.60	6.40	7.19	8.78	9.57	10.36	10.67	11.15	11.94	12.73	13.52	
1.52	33	3.308	50	5.013	5.21	5.37	5.85	6.01	6.80	7.59	9.18	9.97	10.76	11.07	11.55	12.34	13.13	13.91	
1.52	27	2.707	41	4.110	4.04	5.15	5.31	5.63	6.42	6.58	7.05	7.21	8.00	8.79	10.37	11.16	11.95	12.27	12.74	13.53	14.32	15.10	
1.52	25	2.506	38	3.810	3.96	4.44	5.55	5.71	6.03	6.82	6.98	7.45	7.61	8.40	9.19	10.77	11.56	12.35	12.66	13.14	13.92	14.71	15.50	
1.54	41	4.110	63	6.316	5.89	7.48	8.28	9.07	9.39	9.86	10.66	11.45	12.24	
1.54	26	2.607	40	4.010	3.72	4.20	5.31	5.47	5.79	6.58	6.74	7.21	7.37	8.16	8.95	10.53	11.32	12.11	12.42	12.90	13.69	14.47	15.26	
1.54	39	3.910	60	6.015	5.49	6.29	7.89	8.68	9.47	9.79	10.26	11.06	11.85	12.64	
1.55	22	2.206	34	3.409	...	3.57	4.53	5.01	6.11	6.27	6.59	7.38	7.54	8.01	8.17	8.96	9.75	11.32	12.11	12.90	13.22	13.69	14.48	15.27	16.05	
1.55	31	3.108	48	4.812	4.41	4.73	5.53	5.69	6.16	6.32	7.12	7.91	9.49	10.28	11.07	11.39	11.86	12.65	13.44	14.23	
1.55	29	2.907	45	4.511	4.66	4.82	5.14	5.93	6.09	6.57	6.73	7.52	8.31	9.89	10.68	11.47	11.79	12.26	13.05	13.84	14.63	
1.56	27	2.707	42	4.211	5.07	5.22	5.54	6.34	6.49	6.97	7.13	7.92	8.71	10.29	11.08	11.87	12.18	12.66	13.45	14.23	15.02	
1.56	36	3.609	56	5.614	5.10	5.26	6.06	6.86	8.45	9.24	10.03	10.35	10.82	11.61	12.40	13.19	
1.56	34	3.409	53	5.314	4.87	5.03	5.51	5.67	6.47	7.26	8.85	9.64	10.43	10.75	11.22	12.01	12.80	13.59	
1.56	25	2.506	39	3.910	3.88	4.36	5.47	5.63	5.95	6.74	6.90	7.37	7.53	8.32	9.11	10.69	11.48	12.27	12.58	13.05	13.84	14.63	15.42	
1.56	32	3.208	50	5.013	5.28	5.44	5.92	6.08	6.87	7.67	9.25	10.04	10.83	11.15	11.62	12.41	13.20	13.99	
1.56	48	4.812	75	7.519	6.72	7.52	7.84	8.32	9.12	9.91	10.71	
1.58	40	4.010	63	6.316	5.96	7.55	8.35	9.14	9.46	9.94	10.73	11.52	12.31	
1.58	26	2.607	41	4.110	4.11	5.22	5.38	5.70	6.49	6.65	7.13	7.29	8.08	8.87	10.45	11.24	12.03	12.34	12.82	13.60	14.39	15.18	
1.58	71	7.118	112	11.229
1.58	45	4.511	71	7.118	6.49	7.29	8.09	8.41	8.89	9.68	10.47	11.27	
1.58	38	3.810	60	6.015	5.56	6.37	7.96	8.75	9.55	9.86	10.34	11.13	11.92	12.71	
1.59	22	2.206	35	3.509	...	3.48	4.44	4.92	6.03	6.19	6.51	7.30	7.45	7.93	8.09	8.88	9.67	11.24	12.03	12.82	13.14	13.61	14.40	15.19	15.97	
1.60	42	4.211	67	6.717	7.06	7.86	8.65	8.97	9.45	10.24	11.04	11.83	
1.60	25	2.506	40	4.010	3.79	4.27	5.38	5.54	5.86	6.65	6.81	7.29	7.44	8.24	9.03	10.61	11.40	12.18	12.50	12.97	13.76	14.55	15.34	
1.60	30	3.008	48	4.812	4.32	4.48	4.80	5.60	5.76	6.24	6.40	7.19	7.98	9.57	10.36	11.15	11.46	11.94	12.73	13.52	14.31	
1.60	35	3.509	56	5.614	5.17	5.33	6.13	6.93	8.52	9.31	10.11	10.42	10.90	11.69	12.48	13.27	
1.60	50	5.013	80	8.020	6.93	7.25	7.73	8.53	9.33	10.13	
1.61	33	3.308	53	5.314	4.94	5.10	5.58	5.74	6.54	7.34	8.92	9.72	10.51	10.82	11.30	12.09	12.88	13.67	
1.61	28	2.807	45	4.511	4.73	4.89	5.21	6.01	6.16	6.64	6.80	7.59	8.38	9.97	10.76	11.55	11.86	12.34	13.12	13.91	14.70	
1.61	56	5.614	90	9.023	8.01	8.82
1.61	31	3.108	50	5.013	4.55	5.35	5.51	5.99	6.15	6.95	7.74	9.32	10.12	10.91	11.22	11.70	12.49	13.28	14.07	
1.62	26	2.607	42	4.211	4.02	5.14	5.30	5.61	6.41	6.57	7.04	7.20	7.99	8.79	10.37	11.15	11.94	12.26	12.73	13.52	14.31	15.10	
1.62	39	3.910	63	6.316	6.03	7.63	8.42	9.22	9.53	10.01	10.80	11.60	12.39	
1.62	37	3.709	60	6.015	5.63	6.44	8.03	8.83	9.62	9.94	10.41	11.20	12.00	12.79	
1.63	41	4.110	67	6.717	7.13	7.93	8.73	9.04	9.52	10.32	11.11	11.90	
1.64	22	2.206	36	3.609	...	3.39	4.36	4.83	5.95	6.10	6.42	7.21	7.37	7.84	8.00	8.79	9.58	11.16	11.95	12.74	13.05	13.53	14.32	15.10	15.89	
1.64	25	2.506	41	4.110	4.18	5.30	5.46	5.77	6.57	6.73	7.20	7.36	8.15	8.94	10.52	11.31	12.10	12.42	12.89	13.68	14.47	15.26	
1.65	34	3.409	56	5.614	5.24	5.40	6.20	7.00	8.59	9.39	10.18	10.50	10.97	11.76	12.55	13.34	
1.66	29	2.907	48	4.812	4.39	4.55	4.87	5.67	5.83	6.31	6.47	7.26	8.06	9.64	10.43	11.22	11.54	12.01	12.80	13.59	14.38	
Length Factor*					0.71	0.72	0.74	0.75	0.77	0.78	0.79	0.80	0.80	0.81	0.81	0.83	0.85	0.88	0.90	0.91	0.92	0.93	0.95	0.96	0.97	

* The length correction factor must be used to determine the proper belt width.

Selection program available online at ptwizard.com

FEATURES/BENEFITS PAGE PT12-2	SPECIFICATIONS PAGE PT13-2	ENGINEERING/TECHNICAL PAGE PT13-96	
----------------------------------	-------------------------------	---------------------------------------	--

V-Drives

FHP Drives

Drive Component Accessories

DYNA-SYNC

HT200/HTD Synchronous Drives

Synchronous Drives

HTRC Synchronous Drives



8M HTRC Selection Table (Continued)

Speed Ratio	Sprocket Combinations				Center Distance, Inches																				
	Driver		Driven		1080-8M	1120-8M	1200-8M	1224-8M	1280-8M	1352-8M	1440-8M	1464-8M	1600-8M	1760-8M	1800-8M	2000-8M	2200-8M	2400-8M	2520-8M	2600-8M	2800-8M	3048-8M	3280-8M	3600-8M	4400-8M
	No. of Teeth	Pitch Dia. Inches	No. of Teeth	Pitch Dia. Inches																					
Length Factor*					0.99	1.00	1.03	1.04	1.05	1.07	1.10	1.11	1.14	1.17	1.18	1.22	1.26	1.29	1.31	1.32	1.35	1.38	1.41	1.45	1.52
1.51	53	5.314	80	8.020	10.71	11.50	13.08	13.56	14.67	16.09	17.83	18.30	20.99	24.14	24.93	28.87	32.81	36.75	39.12	40.69	44.63	49.51	54.08	60.38	76.14
1.51	37	3.709	56	5.614	13.91	14.70	16.28	16.75	17.85	19.27	21.01	21.48	24.16	27.31	28.10	32.04	35.98	39.91	42.28	43.85	47.79	52.67	57.24	63.54	79.29
1.51	35	3.509	53	5.314	14.31	15.09	16.67	17.15	18.25	19.67	21.40	21.87	24.55	27.71	28.49	32.43	36.37	40.31	42.67	44.25	48.18	53.07	57.63	63.93	79.68
1.52	33	3.308	50	5.013	14.70	15.49	17.07	17.54	18.65	20.06	21.80	22.27	24.95	28.10	28.89	32.83	36.77	40.70	43.07	44.64	48.58	53.46	58.03	64.33	80.08
1.52	27	2.707	41	4.110	15.89	16.68	18.26	18.73	19.83	21.25	22.98	23.46	26.14	29.29	30.07	34.01	37.95	41.89	44.25	45.82	49.76	54.64	59.21	65.51	81.26
1.52	25	2.506	38	3.810	16.29	17.08	18.65	19.13	20.23	21.65	23.38	23.85	26.53	29.68	30.47	34.41	38.34	42.28	44.64	46.22	50.16	55.04	59.61	65.90	81.65
1.54	41	4.110	63	6.316	13.03	13.82	15.40	15.87	16.98	18.40	20.13	20.60	23.29	26.44	27.23	31.17	35.10	39.04	41.41	42.98	46.92	51.80	56.37	62.67	78.42
1.54	26	2.607	40	4.010	16.05	16.84	18.41	18.89	19.99	21.41	23.14	23.61	26.29	29.44	30.23	34.17	38.11	42.04	44.41	45.98	49.92	54.80	59.37	65.67	81.42
1.54	39	3.910	60	6.015	13.43	14.22	15.80	16.27	17.37	18.79	20.53	21.00	23.68	26.83	27.62	31.56	35.50	39.44	41.80	43.38	47.32	52.20	56.77	63.07	78.82
1.55	22	2.206	34	3.409	16.84	17.63	19.21	19.68	20.78	22.20	23.93	24.40	27.08	30.23	31.02	34.96	38.90	42.83	45.20	46.77	50.71	55.59	60.16	66.46	82.20
1.55	31	3.108	48	4.812	15.02	15.81	17.38	17.86	18.96	20.38	22.11	22.59	25.26	28.42	29.20	33.14	37.08	41.02	43.38	44.96	48.89	53.78	58.34	64.64	80.39
1.55	29	2.907	45	4.511	15.42	16.20	17.78	18.25	19.36	20.77	22.51	22.98	25.66	28.81	29.60	33.54	37.47	41.41	43.78	45.35	49.29	54.17	58.74	65.04	80.79
1.56	27	2.707	42	4.211	15.81	16.60	18.18	18.65	19.75	21.17	22.90	23.38	26.05	29.21	29.99	33.93	37.87	41.81	44.17	45.74	49.68	54.56	59.13	65.43	81.18
1.56	36	3.609	56	5.614	13.98	14.77	16.35	16.82	17.93	19.35	21.08	21.56	24.23	27.39	28.17	32.11	36.05	39.99	42.35	43.93	47.87	52.75	57.32	63.62	79.37
1.56	34	3.409	53	5.314	14.38	15.17	16.75	17.22	18.33	19.74	21.48	21.95	24.63	27.78	28.57	32.51	36.45	40.39	42.75	44.32	48.26	53.14	57.71	64.01	79.76
1.56	25	2.506	39	3.910	16.21	17.00	18.57	19.04	20.15	21.57	23.30	23.77	26.45	29.60	30.39	34.33	38.26	42.20	44.56	46.14	50.08	54.96	59.53	65.83	81.57
1.56	32	3.208	50	5.013	14.78	15.57	17.14	17.62	18.72	20.14	21.87	22.35	25.03	28.18	28.97	32.90	36.84	40.78	43.14	44.72	48.66	53.54	58.11	64.41	80.16
1.56	48	4.812	75	7.519	11.50	12.29	13.88	14.35	15.46	16.88	18.62	19.09	21.77	24.93	25.72	29.66	33.60	37.54	39.90	41.48	45.42	50.30	54.87	61.17	76.92
1.58	40	4.010	63	6.316	13.10	13.89	15.47	15.95	17.05	18.47	20.21	20.68	23.36	26.51	27.30	31.24	35.18	39.12	41.48	43.06	47.00	51.88	56.45	62.75	78.50
1.58	26	2.607	41	4.110	15.97	16.76	18.33	18.81	19.91	21.33	23.06	23.53	26.21	29.36	30.15	34.09	38.03	41.96	44.33	45.90	49.84	54.72	59.29	65.59	81.34
1.58	71	7.118	112	11.229	9.47	10.60	12.04	13.79	14.27	16.97	20.14	20.93	24.88	28.83	32.78	35.14	36.72	40.66	45.55	50.12	56.43	72.18
1.58	45	4.511	71	7.118	12.06	12.85	14.43	14.91	16.01	17.44	19.17	19.65	22.33	25.48	26.27	30.21	34.15	38.09	40.46	42.03	45.97	50.85	55.42	61.72	77.47
1.58	38	3.810	60	6.015	13.50	14.29	15.87	16.34	17.45	18.87	20.60	21.08	23.76	26.91	27.70	31.64	35.58	39.52	41.88	43.45	47.39	52.28	56.84	63.14	78.89
1.59	22	2.206	35	3.509	16.76	17.55	19.13	19.60	20.70	22.12	23.85	24.32	27.00	30.15	30.94	34.88	38.82	42.75	45.12	46.69	50.63	55.51	60.08	66.38	82.13
1.60	42	4.211	67	6.717	12.62	13.41	14.99	15.47	16.57	17.99	19.73	20.20	22.88	26.04	26.83	30.77	34.71	38.65	41.01	42.58	46.52	51.41	55.97	62.27	78.03
1.60	25	2.506	40	4.010	16.13	16.92	18.49	18.96	20.07	21.49	23.22	23.69	26.37	29.52	30.31	34.25	38.18	42.12	44.48	46.06	50.00	54.88	59.45	65.75	81.50
1.60	30	3.008	48	4.812	15.09	15.88	17.46	17.93	19.04	20.46	22.19	22.66	25.34	28.49	29.28	33.22	37.16	41.10	43.46	45.03	48.97	53.85	58.42	64.72	80.47
1.60	35	3.509	56	5.614	14.06	14.85	16.43	16.90	18.00	19.42	21.16	21.63	24.31	27.46	28.25	32.19	36.13	40.07	42.43	44.01	47.94	52.83	57.40	63.70	79.45
1.60	50	5.013	80	8.020	10.93	11.72	13.31	13.78	14.89	16.31	18.05	18.53	21.21	24.37	25.16	29.10	33.04	36.98	39.35	40.92	44.86	49.75	54.32	60.62	76.37
1.61	33	3.308	53	5.314	14.46	15.25	16.82	17.30	18.40	19.82	21.55	22.03	24.71	27.86	28.65	32.59	36.53	40.46	42.83	44.40	48.34	53.22	57.79	64.09	79.84
1.61	28	2.807	45	4.511	15.49	16.28	17.86	18.33	19.43	20.85	22.59	23.06	25.74	28.89	29.68	33.61	37.55	41.49	43.85	45.43	49.37	54.25	58.82	65.12	80.86
1.61	56	5.614	90	9.023	9.62	10.42	12.01	12.49	13.60	15.03	16.77	17.24	19.93	23.09	23.88	27.83	31.77	35.71	38.08	39.65	43.59	48.48	53.05	59.35	75.10
1.61	31	3.108	50	5.013	14.85	15.64	17.22	17.69	18.80	20.22	21.95	22.42	25.10	28.25	29.04	32.98	36.92	40.86	43.22	44.80	48.73	53.62	58.18	64.48	80.23
1.62	26	2.607	42	4.211	15.89	16.68	18.25	18.73	19.83	21.25	22.98	23.45	26.13	29.28	30.07	34.01	37.95	41.88	44.25	45.82	49.76	54.64	59.21	65.51	81.26
1.62	39	3.910	63	6.316	13.18	13.97	15.55	16.02	17.13	18.55	20.28	20.76	23.44	26.59	27.38	31.32	35.26	39.20	41.56	43.14	47.08	51.96	56.53	62.83	78.58
1.62	37	3.709	60	6.015	13.58	14.37	15.95	16.42	17.53	18.95	20.68	21.15	23.83	26.99	27.78	31.72	35.65	39.59	41.96	43.53	47.47	52.35	56.92	63.22	78.97
1.63	41	4.110	67	6.717	12.69	13.48	15.07	15.54	16.65	18.07	19.80	20.28	22.96	26.11	26.90	30.84	34.78	38.72	41.09	42.66	46.60	51.48	56.05	62.35	78.10
1.64	22	2.206	36	3.609	16.68	17.47	19.04	19.52	20.62	22.04	23.77	24.24	26.92	30.07	30.86	34.80	38.74	42.67	45.04	46.61	50.55	55.43	60.00	66.30	82.05
1.64	25	2.506	41	4.110	16.05	16.83	18.41	18.88	19.99	21.40	23.14	23.61	26.29	29.44	30.23	34.17	38.10	42.04	44.40	45.98	49.92	54.80	59.37	65.67	81.42
1.65	34	3.409	56	5.614	14.13	14.92	16.50	16.98	18.08	19.50	21.23	21.71	24.39	27.54	28.33	32.27	36.21	40.15	42.51	44.08	48.02	52.91	57.47	63.77	79.52
1.66	29	2.907	48	4.812	15.17	15.96	17.54	18.01	19.11	20.53	22.27	22.74	25.42	28.57	29.36	33.30	37.23	41.17	43.54	45.11	49.05	53.93	58.50	64.80	80.55
Length Factor*					0.99	1.00	1.03	1.04	1.05	1.07	1.10	1.11	1.14	1.17	1.18	1.22	1.26	1.29	1.31	1.32	1.35	1.38	1.41	1.45	1.52

* The length correction factor must be used to determine the proper belt width.

Selection program available online at ptwizard.com

FEATURES/BENEFITS PAGE PT12-2	SPECIFICATIONS PAGE PT13-2	ENGINEERING/TECHNICAL PAGE PT13-96	
----------------------------------	-------------------------------	---------------------------------------	--



8M HTRC Selection Table

Speed Ratio	Sprocket Combinations				Center Distance, Inches																			
	Driver		Driven		456-8M	480-8M	536-8M	544-8M	560-8M	600-8M	608-8M	632-8M	640-8M	680-8M	720-8M	800-8M	840-8M	880-8M	896-8M	920-8M	960-8M	1000-8M	1040-8M	1080-8M
	No. of Teeth	Pitch Dia. Inches	No. of Teeth	Pitch Dia. Inches																				
Length Factor*					0.74	0.75	0.77	0.78	0.79	0.80	0.80	0.81	0.81	0.83	0.85	0.88	0.90	0.91	0.92	0.93	0.95	0.96	0.97	0.99
1.66	32	3.208	53	5.314	5.01	5.17	5.65	5.81	6.61	7.41	9.00	9.79	10.58	10.90	11.37	12.16	12.95	13.74	14.53
1.66	38	3.810	63	6.316	6.10	7.70	8.49	9.29	9.61	10.08	10.88	11.67	12.46	13.25
1.67	27	2.707	45	4.511	4.80	4.96	5.28	6.08	6.24	6.71	6.87	7.67	8.46	10.04	10.83	11.62	11.94	12.41	13.20	13.99	14.78	15.57
1.67	30	3.008	50	5.013	4.62	5.42	5.58	6.06	6.22	7.02	7.81	9.40	10.19	10.98	11.30	11.77	12.56	13.35	14.14	14.93
1.67	36	3.609	60	6.015	5.70	6.51	8.10	8.90	9.69	10.01	10.49	11.28	12.07	12.86	13.65
1.67	45	4.511	75	7.519	6.93	7.73	8.05	8.53	9.33	10.13	10.92	11.72
1.67	48	4.812	80	8.020	7.07	7.39	7.87	8.68	9.48	10.27	11.07
1.67	67	6.717	112	11.229
1.68	40	4.010	67	6.717	7.20	8.00	8.80	9.12	9.59	10.39	11.18	11.98	12.77
1.68	25	2.506	42	4.211	...	4.09	5.21	5.37	5.69	6.48	6.64	7.12	7.28	8.07	8.86	10.44	11.23	12.02	12.34	12.81	13.60	14.39	15.18	15.96
1.68	22	2.206	37	3.709	4.27	4.75	5.86	6.02	6.34	7.13	7.29	7.76	7.92	8.71	9.50	11.08	11.87	12.66	12.97	13.45	14.23	15.02	15.81	16.60
1.69	42	4.211	71	7.118	6.70	7.50	8.30	8.62	9.10	9.90	10.69	11.49	12.28
1.70	33	3.308	56	5.614	4.83	5.31	5.47	6.28	7.07	8.67	9.46	10.25	10.57	11.05	11.84	12.63	13.42	14.21
1.70	53	5.314	90	9.023	7.41	8.22	9.03	9.83
1.70	37	3.709	63	6.316	6.17	7.77	8.57	9.36	9.68	10.16	10.95	11.74	12.53	13.33
1.71	31	3.108	53	5.314	5.08	5.24	5.72	5.88	6.68	7.48	9.07	9.86	10.65	10.97	11.45	12.24	13.03	13.82	14.61
1.71	28	2.807	48	4.812	4.46	4.62	4.94	5.74	5.90	6.38	6.54	7.34	8.13	9.72	10.51	11.30	11.61	12.09	12.88	13.67	14.46	15.25
1.71	35	3.509	60	6.015	5.77	6.58	8.18	8.97	9.77	10.08	10.56	11.35	12.14	12.94	13.73
1.72	39	3.910	67	6.717	5.66	7.27	8.07	8.87	9.19	9.67	10.46	11.26	12.05	12.84
1.72	29	2.907	50	5.013	4.36	4.69	5.49	5.65	6.13	6.29	7.09	7.89	9.47	10.26	11.06	11.37	11.85	12.64	13.43	14.22	15.01
1.73	22	2.206	38	3.810	4.18	4.66	5.77	5.93	6.25	7.04	7.20	7.68	7.84	8.63	9.42	11.00	11.79	12.58	12.89	13.36	14.15	14.94	15.73	16.52
1.73	26	2.607	45	4.511	4.87	5.03	5.35	6.15	6.31	6.79	6.95	7.74	8.53	10.12	10.91	11.70	12.01	12.49	13.28	14.07	14.85	15.64
1.73	41	4.110	71	7.118	6.77	7.57	8.37	8.69	9.17	9.97	10.77	11.56	12.35
1.75	32	3.208	56	5.614	4.90	5.38	5.54	6.35	7.15	8.74	9.53	10.33	10.64	11.12	11.91	12.70	13.49	14.28
1.75	36	3.609	63	6.316	5.43	6.24	7.84	8.64	9.43	9.75	10.23	11.02	11.82	12.61	13.40
1.75	80	8.020	140	14.036
1.76	38	3.810	67	6.717	5.73	7.34	8.14	8.94	9.26	9.74	10.53	11.33	12.12	12.91
1.76	34	3.409	60	6.015	5.84	6.65	8.25	9.04	9.84	10.16	10.63	11.43	12.22	13.01	13.80
1.77	30	3.008	53	5.314	5.15	5.31	5.79	5.95	6.76	7.55	9.14	9.94	10.73	11.05	11.52	12.31	13.10	13.89	14.68
1.77	22	2.206	39	3.910	4.09	4.57	5.69	5.85	6.16	6.96	7.12	7.59	7.75	8.54	9.33	10.91	11.70	12.49	12.81	13.28	14.07	14.86	15.65	16.44
1.78	40	4.010	71	7.118	6.84	7.64	8.44	8.76	9.24	10.04	10.84	11.63	12.43
1.78	27	2.707	48	4.812	4.53	4.69	5.01	5.81	5.97	6.45	6.61	7.41	8.20	9.79	10.58	11.37	11.69	12.16	12.95	13.74	14.53	15.32
1.78	45	4.511	80	8.020	7.27	7.60	8.08	8.89	9.69	10.49	11.29
1.78	63	6.316	112	11.229
1.79	28	2.807	50	5.013	4.43	4.76	5.56	5.72	6.20	6.36	7.16	7.96	9.55	10.34	11.13	11.45	11.92	12.71	13.50	14.29	15.08
1.79	42	4.211	75	7.519	7.14	7.94	8.26	8.75	9.55	10.34	11.14	11.94
1.80	25	2.506	45	4.511	4.94	5.10	5.42	6.22	6.38	6.86	7.02	7.81	8.61	10.19	10.98	11.77	12.09	12.56	13.35	14.14	14.93	15.72
1.80	35	3.509	63	6.316	5.49	6.30	7.91	8.71	9.51	9.82	10.30	11.10	11.89	12.68	13.47
1.80	50	5.013	90	9.023	7.62	8.43	9.24	10.04
1.81	31	3.108	56	5.614	4.80	4.96	5.45	5.61	6.42	7.22	8.81	9.61	10.40	10.72	11.19	11.99	12.78	13.57	14.36
1.81	37	3.709	67	6.717	5.79	7.41	8.21	9.01	9.33	9.81	10.61	11.40	12.19	12.99
Length Factor*					0.74	0.75	0.77	0.78	0.79	0.80	0.80	0.81	0.81	0.83	0.85	0.88	0.90	0.91	0.92	0.93	0.95	0.96	0.97	0.99

* The length correction factor must be used to determine the proper belt width.

Selection program available online at ptwizard.com

FEATURES/BENEFITS PAGE PT12-2	SPECIFICATIONS PAGE PT13-2	ENGINEERING/TECHNICAL PAGE PT13-96	
----------------------------------	-------------------------------	---------------------------------------	--

V-Drives

FHP Drives

Drive Component Accessories

DYNA-SYNC

HT200/HTD Synchronous Drives

HTR Synchronous Drives

HTRC Synchronous Drives



8M HTRC Selection Table (Continued)

Speed Ratio	Sprocket Combinations				Center Distance, Inches										Center Distance, Inches									
	Driver		Driven		1120-8M	1200-8M	1224-8M	1280-8M	1352-8M	1440-8M	1464-8M	1600-8M	1760-8M	1800-8M	2000-8M	2200-8M	2400-8M	2520-8M	2600-8M	2800-8M	3048-8M	3280-8M	3600-8M	4400-8M
	No. of Teeth	Pitch Dia. Inches	No. of Teeth	Pitch Dia. Inches	1.00	1.03	1.04	1.05	1.07	1.10	1.11	1.14	1.17	1.18	1.22	1.26	1.29	1.31	1.32	1.35	1.38	1.41	1.45	1.52
Length Factor*					1.00	1.03	1.04	1.05	1.07	1.10	1.11	1.14	1.17	1.18	1.22	1.26	1.29	1.31	1.32	1.35	1.38	1.41	1.45	1.52
1.66	32	3.208	53	5.314	15.32	16.90	17.37	18.48	19.90	21.63	22.10	24.78	27.94	28.72	32.66	36.60	40.54	42.90	44.48	48.42	53.30	57.87	64.17	79.92
1.66	38	3.810	63	6.316	14.04	15.62	16.10	17.20	18.62	20.36	20.83	23.51	26.67	27.46	31.40	35.34	39.28	41.64	43.21	47.15	52.04	56.60	62.90	78.66
1.67	27	2.707	45	4.511	16.36	17.93	18.41	19.51	20.93	22.66	23.13	25.81	28.97	29.75	33.69	37.63	41.57	43.93	45.51	49.44	54.33	58.89	65.19	80.94
1.67	30	3.008	50	5.013	15.72	17.30	17.77	18.87	20.29	22.03	22.50	25.18	28.33	29.12	33.06	37.00	40.94	43.30	44.87	48.81	53.69	58.26	64.56	80.31
1.67	36	3.609	60	6.015	14.44	16.02	16.50	17.60	19.02	20.76	21.23	23.91	27.06	27.85	31.79	35.73	39.67	42.03	43.61	47.55	52.43	57.00	63.30	79.05
1.67	45	4.511	75	7.519	12.51	14.10	14.57	15.68	17.10	18.84	19.32	22.00	25.16	25.95	29.89	33.83	37.77	40.13	41.71	45.65	50.53	55.10	61.40	77.16
1.67	48	4.812	80	8.020	11.87	13.45	13.93	15.04	16.46	18.20	18.68	21.36	24.52	25.31	29.25	33.19	37.14	39.50	41.08	45.02	49.90	54.47	60.77	76.52
1.67	67	6.717	112	11.229	...	9.26	9.75	10.88	12.32	14.08	14.56	17.26	20.43	21.23	25.18	29.13	33.08	35.45	37.03	40.97	45.86	50.43	56.73	72.49
1.68	40	4.010	67	6.717	13.56	15.14	15.61	16.72	18.14	19.88	20.35	23.04	26.19	26.98	30.92	34.86	38.80	41.16	42.74	46.68	51.56	56.13	62.43	78.18
1.68	25	2.506	42	4.211	16.75	18.33	18.80	19.91	21.32	23.06	23.53	26.21	29.36	30.15	34.09	38.02	41.96	44.33	45.90	49.84	54.72	59.29	65.59	81.34
1.68	22	2.206	37	3.709	17.39	18.96	19.44	20.54	21.96	23.69	24.16	26.84	29.99	30.78	34.72	38.66	42.59	44.96	46.53	50.47	55.35	59.92	66.22	81.97
1.69	42	4.211	71	7.118	13.07	14.66	15.13	16.24	17.66	19.40	19.87	22.56	25.71	26.50	30.44	34.38	38.32	40.69	42.26	46.20	51.09	55.65	61.96	77.71
1.70	33	3.308	56	5.614	15.00	16.58	17.05	18.16	19.58	21.31	21.78	24.46	27.62	28.41	32.35	36.28	40.22	42.59	44.16	48.10	52.98	57.55	63.85	79.60
1.70	53	5.314	90	9.023	10.63	12.23	12.70	13.82	15.25	16.99	17.47	20.16	23.32	24.11	28.05	32.00	35.94	38.31	39.88	43.82	48.71	53.28	59.58	75.34
1.70	37	3.709	63	6.316	14.12	15.70	16.17	17.28	18.70	20.43	20.91	23.59	26.74	27.53	31.47	35.41	39.35	41.72	43.29	47.23	52.11	56.68	62.98	78.73
1.71	31	3.108	53	5.314	15.40	16.98	17.45	18.55	19.97	21.71	22.18	24.86	28.01	28.80	32.74	36.68	40.62	42.98	44.56	48.49	53.38	57.95	64.25	80.00
1.71	28	2.807	48	4.812	16.03	17.61	18.09	19.19	20.61	22.34	22.82	25.50	28.65	29.43	33.37	37.31	41.25	43.61	45.19	49.13	54.01	58.58	64.88	80.63
1.71	35	3.509	60	6.015	14.52	16.10	16.57	17.68	19.10	20.83	21.31	23.99	27.14	27.93	31.87	35.81	39.75	42.11	43.69	47.63	52.51	57.08	63.38	79.13
1.72	39	3.910	67	6.717	13.63	15.22	15.69	16.80	18.22	19.95	20.43	23.11	26.27	27.05	31.00	34.94	38.88	41.24	42.82	46.75	51.64	56.21	62.51	78.26
1.72	29	2.907	50	5.013	15.79	17.37	17.85	18.95	20.37	22.10	22.58	25.26	28.41	29.20	33.14	37.07	41.01	43.38	44.95	48.89	53.77	58.34	64.64	80.39
1.73	22	2.206	38	3.810	17.31	18.88	19.36	20.46	21.88	23.61	24.08	26.76	29.91	30.70	34.64	38.58	42.51	44.88	46.45	50.39	55.27	59.84	66.14	81.89
1.73	26	2.607	45	4.511	16.43	18.01	18.48	19.59	21.01	22.74	23.21	25.89	29.04	29.83	33.77	37.71	41.65	44.01	45.58	49.52	54.40	58.97	65.27	81.02
1.73	41	4.110	71	7.118	13.15	14.73	15.21	16.31	17.74	19.47	19.95	22.63	25.79	26.58	30.52	34.46	38.40	40.76	42.34	46.28	51.16	55.73	62.03	77.79
1.75	32	3.208	56	5.614	15.07	16.65	17.13	18.23	19.65	21.39	21.86	24.54	27.69	28.48	32.42	36.36	40.30	42.66	44.24	48.18	53.06	57.63	63.93	79.68
1.75	36	3.609	63	6.316	14.19	15.77	16.25	17.35	18.77	20.51	20.98	23.67	26.82	27.61	31.55	35.49	39.43	41.79	43.37	47.31	52.19	56.76	63.06	78.81
1.75	80	8.020	140	14.036	13.86	17.07	17.87	21.85	25.82	29.78	32.15	33.73	37.68	42.58	47.16	53.47	69.23
1.76	38	3.810	67	6.717	13.71	15.29	15.76	16.87	18.29	20.03	20.50	23.19	26.34	27.13	31.07	35.01	38.95	41.32	42.89	46.83	51.72	56.28	62.59	78.34
1.76	34	3.409	60	6.015	14.59	16.17	16.65	17.75	19.17	20.91	21.38	24.06	27.22	28.01	31.95	35.89	39.82	42.19	43.76	47.70	52.59	57.15	63.45	79.21
1.77	30	3.008	53	5.314	15.47	17.05	17.52	18.63	20.05	21.78	22.26	24.94	28.09	28.88	32.82	36.76	40.70	43.06	44.63	48.57	53.46	58.02	64.32	80.07
1.77	22	2.206	39	3.910	17.23	18.80	19.27	20.38	21.80	23.53	24.00	26.68	29.83	30.62	34.56	38.50	42.43	44.80	46.37	50.31	55.19	59.76	66.06	81.81
1.78	40	4.010	71	7.118	13.22	14.80	15.28	16.39	17.81	19.55	20.02	22.71	25.86	26.65	30.59	34.54	38.48	40.84	42.42	46.36	51.24	55.81	62.11	77.86
1.78	27	2.707	48	4.812	16.11	17.69	18.16	19.27	20.68	22.42	22.89	25.57	28.72	29.51	33.45	37.39	41.33	43.69	45.27	49.20	54.09	58.65	64.96	80.70
1.78	45	4.511	80	8.020	12.08	13.67	14.15	15.26	16.68	18.43	18.90	21.59	24.75	25.54	29.48	33.42	37.37	39.73	41.31	45.25	50.13	54.70	61.00	76.76
1.78	63	6.316	112	11.229	...	9.53	10.02	11.15	12.60	14.36	14.84	17.55	20.73	21.52	25.48	29.43	33.38	35.75	37.33	41.27	46.16	50.73	57.04	72.80
1.79	28	2.807	50	5.013	15.87	17.45	17.92	19.03	20.45	22.18	22.65	25.33	28.49	29.27	33.21	37.15	41.09	43.45	45.03	48.97	53.85	58.42	64.72	80.47
1.79	42	4.211	75	7.519	12.73	14.32	14.79	15.90	17.33	19.07	19.54	22.23	25.38	26.17	30.12	34.06	38.00	40.36	41.94	45.88	50.77	55.33	61.64	77.39
1.80	25	2.506	45	4.511	16.51	18.09	18.56	19.66	21.08	22.82	23.29	25.97	29.12	29.91	33.85	37.78	41.72	44.09	45.66	49.60	54.48	59.05	65.35	81.10
1.80	35	3.509	63	6.316	14.27	15.85	16.32	17.43	18.85	20.59	21.06	23.74	26.90	27.68	31.63	35.57	39.51	41.87	43.45	47.38	52.27	56.84	63.14	78.89
1.80	50	5.013	90	9.023	10.84	12.44	12.92	14.04	15.47	17.21	17.69	20.38	23.54	24.33	28.28	32.23	36.17	38.54	40.11	44.05	48.94	53.51	59.81	75.57
1.81	31	3.108	56	5.614	15.15	16.73	17.20	18.31	19.73	21.46	21.94	24.62	27.77	28.56	32.50	36.44	40.38	42.74	44.32	48.25	53.14	57.71	64.01	79.76
1.81	37	3.709	67	6.717	13.78	15.36	15.84	16.95	18.37	20.11	20.58	23.26	26.42	27.21	31.15	35.09	39.03	41.39	42.97	46.91	51.79	56.36	62.66	78.41
Length Factor*					1.00	1.03	1.04	1.05	1.07	1.10	1.11	1.14	1.17	1.18	1.22	1.26	1.29	1.31	1.32	1.35	1.38	1.41	1.45	1.52

* The length correction factor must be used to determine the proper belt width.

Selection program available online at ptwizard.com

FEATURES/BENEFITS PAGE PT12-2	SPECIFICATIONS PAGE PT13-2	ENGINEERING/TECHNICAL PAGE PT13-96	
----------------------------------	-------------------------------	---------------------------------------	--



8M HTRC Selection Table

Speed Ratio	Sprocket Combinations				Center Distance, Inches																			
	Driver		Driven		456-8M	480-8M	536-8M	544-8M	560-8M	600-8M	608-8M	632-8M	640-8M	680-8M	720-8M	800-8M	840-8M	880-8M	896-8M	920-8M	960-8M	1000-8M	1040-8M	1080-8M
	No. of Teeth	Pitch Dia. Inches	No. of Teeth	Pitch Dia. Inches																				
Length Factor*					0.74	0.75	0.77	0.78	0.79	0.80	0.80	0.81	0.81	0.83	0.85	0.88	0.90	0.91	0.92	0.93	0.95	0.96	0.97	0.99
1.82	22	2.206	40	4.010	4.00	4.48	5.60	5.76	6.08	6.87	7.03	7.51	7.67	8.46	9.25	10.83	11.62	12.41	12.73	13.20	13.99	14.78	15.57	16.36
1.82	33	3.308	60	6.015	5.10	5.91	6.72	8.32	9.12	9.91	10.23	10.71	11.50	12.29	13.08	13.87
1.82	39	3.910	71	7.118	6.90	7.71	8.51	8.84	9.32	10.11	10.91	11.71	12.50	
1.83	29	2.907	53	5.314	4.41	5.22	5.38	5.86	6.02	6.83	7.62	9.22	10.01	10.80	11.12	11.59	12.39	13.18	13.97	14.76
1.83	41	4.110	75	7.519	6.39	7.20	8.01	8.33	8.82	9.62	10.42	11.21	12.01	
1.85	26	2.607	48	4.812	4.60	4.76	5.08	5.88	6.04	6.52	6.68	7.48	8.28	9.86	10.65	11.45	11.76	12.24	13.03	13.82	14.61	15.40
1.85	27	2.707	50	5.013	4.34	4.50	4.83	5.63	5.79	6.28	6.44	7.23	8.03	9.62	10.41	11.20	11.52	11.99	12.79	13.58	14.37	15.16
1.85	34	3.409	63	6.316	5.56	6.37	7.98	8.78	9.58	9.90	10.37	11.17	11.96	12.76	13.55
1.86	36	3.609	67	6.717	5.86	7.48	8.28	9.08	9.40	9.88	10.68	11.47	12.27	13.06
1.86	22	2.206	41	4.110	3.90	4.39	5.51	5.67	5.99	6.79	6.95	7.42	7.58	8.37	9.17	10.75	11.54	12.33	12.64	13.12	13.91	14.70	15.49	16.27
1.87	30	3.008	56	5.614	4.87	5.03	5.52	5.68	6.49	7.29	8.88	9.68	10.47	10.79	11.27	12.06	12.85	13.64	14.43
1.87	60	6.015	112	11.229
1.87	75	7.519	140	14.036
1.87	38	3.810	71	7.118	6.97	7.78	8.59	8.91	9.39	10.18	10.98	11.78	12.57
1.88	32	3.208	60	6.015	5.17	5.98	6.79	8.39	9.19	9.98	10.30	10.78	11.57	12.36	13.16	13.95
1.88	40	4.010	75	7.519	6.46	7.27	8.08	8.40	8.89	9.69	10.49	11.29	12.08	
1.88	48	4.812	90	9.023	7.75	8.57	9.38	10.18
1.89	28	2.807	53	5.314	4.47	5.29	5.45	5.93	6.09	6.90	7.70	9.29	10.08	10.88	11.19	11.67	12.46	13.25	14.04	14.83
1.90	42	4.211	80	8.020	7.48	7.80	8.29	9.10	9.90	10.70	11.50	
1.91	22	2.206	42	4.211	3.81	4.29	5.42	5.58	5.90	6.70	6.86	7.34	7.49	8.29	9.08	10.66	11.45	12.24	12.56	13.03	13.82	14.61	15.40	16.19
1.91	33	3.308	63	6.316	5.63	6.44	8.05	8.85	9.65	9.97	10.45	11.24	12.04	12.83	13.62
1.91	35	3.509	67	6.717	5.93	7.55	8.35	9.15	9.47	9.95	10.75	11.55	12.34	13.13
1.92	37	3.709	71	7.118	7.04	7.85	8.66	8.98	9.46	10.26	11.05	11.85	12.65
1.92	25	2.506	48	4.812	4.66	4.83	5.15	5.95	6.11	6.60	6.75	7.55	8.35	9.94	10.73	11.52	11.84	12.31	13.10	13.89	14.68	15.47
1.92	26	2.607	50	5.013	4.41	4.57	4.89	5.70	5.86	6.35	6.51	7.31	8.10	9.69	10.49	11.28	11.59	12.07	12.86	13.65	14.44	15.23
1.92	39	3.910	75	7.519	6.53	7.34	8.15	8.47	8.96	9.76	10.56	11.36	12.15	
1.93	29	2.907	56	5.614	4.94	5.10	5.59	5.75	6.56	7.36	8.96	9.75	10.55	10.86	11.34	12.13	12.92	13.72	14.51
1.94	31	3.108	60	6.015	6.86	8.46	9.26	10.06	10.37	10.85	11.65	12.44	13.23	14.02
1.95	41	4.110	80	8.020	6.73	7.55	7.87	8.36	9.17	9.97	10.77	11.57
1.96	27	2.707	53	5.314	4.54	5.36	5.52	6.00	6.16	6.97	7.77	9.36	10.16	10.95	11.27	11.74	12.53	13.33	14.12	14.91
1.97	32	3.208	63	6.316	5.70	6.51	8.12	8.92	9.72	10.04	10.52	11.31	12.11	12.90	13.70
1.97	34	3.409	67	6.717	6.00	7.62	8.42	9.23	9.55	10.03	10.82	11.62	12.41	13.21
1.97	71	7.118	140	14.036
1.97	36	3.609	71	7.118	7.11	7.92	8.73	9.05	9.53	10.33	11.13	11.92	12.72
1.97	38	3.810	75	7.519	6.59	7.41	8.22	8.54	9.03	9.83	10.63	11.43	12.23
2.00	25	2.506	50	5.013	4.47	4.64	4.96	5.77	5.93	6.42	6.58	7.38	8.17	9.77	10.56	11.35	11.67	12.14	12.93	13.73	14.52	15.31
2.00	28	2.807	56	5.614	5.00	5.17	5.66	5.82	6.63	7.43	9.03	9.82	10.62	10.94	11.41	12.21	13.00	13.79	14.58
2.00	30	3.008	60	6.015	5.14	5.30	6.12	6.93	8.53	9.33	10.13	10.45	10.92	11.72	12.51	13.30	14.10
2.00	40	4.010	80	8.020	6.80	7.61	7.94	8.43	9.24	10.04	10.84	11.64
2.00	45	4.511	90	9.023	7.13	7.95	8.77	9.58	10.39
2.00	56	5.614	112	11.229
Length Factor*					0.74	0.75	0.77	0.78	0.79	0.80	0.80	0.81	0.81	0.83	0.85	0.88	0.90	0.91	0.92	0.93	0.95	0.96	0.97	0.99

* The length correction factor must be used to determine the proper belt width.

Selection program available online at ptwizard.com

FEATURES/BENEFITS PAGE PT12-2	SPECIFICATIONS PAGE PT13-2	ENGINEERING/TECHNICAL PAGE PT13-96	
----------------------------------	-------------------------------	---------------------------------------	--



8M HTRC Selection Table (Continued)

Speed Ratio	Sprocket Combinations				Center Distance, Inches										Center Distance, Inches									
	Driver		Driven		1120-8M	1200-8M	1224-8M	1280-8M	1352-8M	1440-8M	1464-8M	1600-8M	1760-8M	1800-8M	2000-8M	2200-8M	2400-8M	2520-8M	2600-8M	2800-8M	3048-8M	3280-8M	3600-8M	4400-8M
	No. of Teeth	Pitch Dia. Inches	No. of Teeth	Pitch Dia. Inches	1.00	1.03	1.04	1.05	1.07	1.10	1.11	1.14	1.17	1.18	1.22	1.26	1.29	1.31	1.32	1.35	1.38	1.41	1.45	1.52
Length Factor*					1.00	1.03	1.04	1.05	1.07	1.10	1.11	1.14	1.17	1.18	1.22	1.26	1.29	1.31	1.32	1.35	1.38	1.41	1.45	1.52
1.82	22	2.206	40	4.010	17.14	18.72	19.19	20.30	21.72	23.45	23.92	26.60	29.75	30.54	34.48	38.42	42.36	44.72	46.29	50.23	55.11	59.68	65.98	81.73
1.82	33	3.308	60	6.015	14.67	16.25	16.72	17.83	19.25	20.98	21.46	24.14	27.29	28.08	32.02	35.96	39.90	42.27	43.84	47.78	52.66	57.23	63.53	79.28
1.82	39	3.910	71	7.118	13.29	14.88	15.35	16.46	17.89	19.62	20.10	22.78	25.94	26.73	30.67	34.61	38.55	40.92	42.49	46.43	51.32	55.89	62.19	77.94
1.83	29	2.907	53	5.314	15.55	17.13	17.60	18.70	20.12	21.86	22.33	25.01	28.17	28.95	32.89	36.83	40.77	43.14	44.71	48.65	53.53	58.10	64.40	80.15
1.83	41	4.110	75	7.519	12.80	14.39	14.87	15.98	17.40	19.14	19.62	22.30	25.46	26.25	30.19	34.14	38.08	40.44	42.02	45.96	50.84	55.41	61.71	77.47
1.85	26	2.607	48	4.812	16.19	17.76	18.24	19.34	20.76	22.50	22.97	25.65	28.80	29.59	33.53	37.47	41.41	43.77	45.34	49.28	54.16	58.73	65.03	80.78
1.85	27	2.707	50	5.013	15.95	17.52	18.00	19.10	20.52	22.26	22.73	25.41	28.56	29.35	33.29	37.23	41.17	43.53	45.11	49.04	53.93	58.50	64.80	80.55
1.85	34	3.409	63	6.316	14.34	15.92	16.40	17.50	18.92	20.66	21.13	23.82	26.97	27.76	31.70	35.64	39.58	41.95	43.52	47.46	52.35	56.91	63.22	78.97
1.86	36	3.609	67	6.717	13.85	15.44	15.91	17.02	18.44	20.18	20.65	23.34	26.49	27.28	31.23	35.17	39.11	41.47	43.05	46.99	51.87	56.44	62.74	78.49
1.86	22	2.206	41	4.110	17.06	18.64	19.11	20.22	21.64	23.37	23.84	26.52	29.67	30.46	34.40	38.34	42.28	44.64	46.21	50.15	55.03	59.60	65.90	81.65
1.87	30	3.008	56	5.614	15.22	16.80	17.28	18.38	19.80	21.54	22.01	24.69	27.85	28.64	32.58	36.52	40.45	42.82	44.39	48.33	53.22	57.78	64.08	79.84
1.87	60	6.015	112	11.229	...	9.74	10.23	11.36	12.81	14.58	15.06	17.77	20.95	21.74	25.70	29.66	33.61	35.98	37.55	41.50	46.39	50.96	57.27	73.03
1.87	75	7.519	140	14.036	11.43	14.20	17.42	18.22	22.21	26.18	30.15	32.52	34.10	38.06	42.96	47.53	53.85	69.62
1.87	38	3.810	71	7.118	13.37	14.95	15.43	16.54	17.96	19.70	20.17	22.86	26.01	26.80	30.75	34.69	38.63	40.99	42.57	46.51	51.40	55.96	62.27	78.02
1.88	32	3.208	60	6.015	14.74	16.32	16.80	17.90	19.32	21.06	21.53	24.21	27.37	28.16	32.10	36.04	39.98	42.34	43.92	47.86	52.74	57.31	63.61	79.36
1.88	40	4.010	75	7.519	12.88	14.47	14.94	16.05	17.48	19.22	19.69	22.38	25.53	26.32	30.27	34.21	38.15	40.52	42.09	46.03	50.92	55.49	61.79	77.54
1.88	48	4.812	90	9.023	10.98	12.59	13.06	14.18	15.61	17.36	17.83	20.53	23.69	24.48	28.43	32.38	36.32	38.69	40.27	44.21	49.09	53.66	59.97	75.72
1.89	28	2.807	53	5.314	15.62	17.20	17.68	18.78	20.20	21.94	22.41	25.09	28.24	29.03	32.97	36.91	40.85	43.21	44.79	48.73	53.61	58.18	64.48	80.23
1.90	42	4.211	80	8.020	12.30	13.89	14.37	15.48	16.91	18.65	19.12	21.81	24.97	25.76	29.71	33.65	37.59	39.96	41.54	45.48	50.36	54.93	61.24	76.99
1.91	22	2.206	42	4.211	16.98	18.56	19.03	20.14	21.55	23.29	23.76	26.44	29.59	30.38	34.32	38.26	42.20	44.56	46.13	50.07	54.95	59.52	65.82	81.57
1.91	33	3.308	63	6.316	14.41	16.00	16.47	17.58	19.00	20.74	21.21	23.89	27.05	27.84	31.78	35.72	39.66	42.02	43.60	47.54	52.42	56.99	63.29	79.04
1.91	35	3.509	67	6.717	13.93	15.51	15.99	17.09	18.52	20.26	20.73	23.41	26.57	27.36	31.30	35.24	39.18	41.55	43.12	47.06	51.95	56.52	62.82	78.57
1.92	37	3.709	71	7.118	13.44	15.03	15.50	16.61	18.03	19.77	20.25	22.93	26.09	26.88	30.82	34.77	38.71	41.07	42.65	46.59	51.47	56.04	62.34	78.10
1.92	25	2.506	48	4.812	16.26	17.84	18.31	19.42	20.84	22.57	23.04	25.73	28.88	29.67	33.61	37.54	41.48	43.85	45.42	49.36	54.24	58.81	65.11	80.86
1.92	26	2.607	50	5.013	16.02	17.60	18.07	19.18	20.60	22.33	22.81	25.49	28.64	29.43	33.37	37.31	41.25	43.61	45.18	49.12	54.01	58.57	64.87	80.62
1.92	39	3.910	75	7.519	12.95	14.54	15.01	16.12	17.55	19.29	19.76	22.45	25.61	26.40	30.34	34.29	38.23	40.59	42.17	46.11	51.00	55.57	61.87	77.62
1.93	29	2.907	56	5.614	15.30	16.88	17.35	18.46	19.88	21.61	22.09	24.77	27.92	28.71	32.65	36.59	40.53	42.90	44.47	48.41	53.29	57.86	64.16	79.91
1.94	31	3.108	60	6.015	14.81	16.40	16.87	17.98	19.40	21.13	21.61	24.29	27.45	28.23	32.18	36.12	40.06	42.42	44.00	47.93	52.82	57.39	63.69	79.44
1.95	41	4.110	80	8.020	12.37	13.96	14.44	15.55	16.98	18.72	19.20	21.89	25.05	25.84	29.78	33.73	37.67	40.04	41.61	45.55	50.44	55.01	61.31	77.07
1.96	27	2.707	53	5.314	15.70	17.28	17.75	18.86	20.28	22.01	22.49	25.17	28.32	29.11	33.05	36.99	40.93	43.29	44.87	48.80	53.69	58.26	64.56	80.31
1.97	32	3.208	63	6.316	14.49	16.07	16.54	17.65	19.07	20.81	21.29	23.97	27.12	27.91	31.86	35.80	39.74	42.10	43.68	47.62	52.50	57.07	63.37	79.12
1.97	34	3.409	67	6.717	14.00	15.59	16.06	17.17	18.59	20.33	20.80	23.49	26.65	27.43	31.38	35.32	39.26	41.62	43.20	47.14	52.02	56.59	62.90	78.65
1.97	71	7.118	140	14.036	11.21	11.70	14.48	17.70	18.50	22.50	26.48	30.44	32.82	34.40	38.36	43.26	47.84	54.15	69.92
1.97	36	3.609	71	7.118	13.51	15.10	15.57	16.68	18.11	19.85	20.32	23.01	26.17	26.96	30.90	34.84	38.78	41.15	42.72	46.66	51.55	56.12	62.42	78.17
1.97	38	3.810	75	7.519	13.02	14.61	15.09	16.20	17.62	19.36	19.84	22.53	25.69	26.47	30.42	34.36	38.31	40.67	42.25	46.19	51.07	55.64	61.95	77.70
2.00	25	2.506	50	5.013	16.10	17.68	18.15	19.25	20.67	22.41	22.88	25.56	28.72	29.50	33.44	37.38	41.32	43.69	45.26	49.20	54.08	58.65	64.95	80.70
2.00	28	2.807	56	5.614	15.37	16.95	17.43	18.53	19.95	21.69	22.16	24.85	28.00	28.79	32.73	36.67	40.61	42.97	44.55	48.49	53.37	57.94	64.24	79.99
2.00	30	3.008	60	6.015	14.89	16.47	16.94	18.05	19.47	21.21	21.68	24.37	27.52	28.31	32.25	36.19	40.13	42.50	44.07	48.01	52.90	57.46	63.77	79.52
2.00	40	4.010	80	8.020	12.44	14.03	14.51	15.62	17.05	18.80	19.27	21.96	25.12	25.91	29.86	33.80	37.75	40.11	41.69	45.63	50.52	55.09	61.39	77.14
2.00	45	4.511	90	9.023	11.20	12.80	13.28	14.40	15.83	17.58	18.05	20.75	23.91	24.71	28.66	32.60	36.55	38.92	40.49	44.44	49.32	53.90	60.20	75.96
2.00	56	5.614	112	11.229	...	10.01	10.50	11.64	13.09	14.86	15.34	18.06	21.24	22.03	26.00	29.95	33.91	36.28	37.86	41.80	46.69	51.27	57.58	73.34
Length Factor*					1.00	1.03	1.04	1.05	1.07	1.10	1.11	1.14	1.17	1.18	1.22	1.26	1.29	1.31	1.32	1.35	1.38	1.41	1.45	1.52

* The length correction factor must be used to determine the proper belt width.

Selection program available online at ptwizard.com

FEATURES/BENEFITS PAGE PT12-2	SPECIFICATIONS PAGE PT13-2	ENGINEERING/TECHNICAL PAGE PT13-96	
----------------------------------	-------------------------------	---------------------------------------	--



8M HTRC Selection Table

Speed Ratio	Sprocket Combinations				Center Distance, Inches																						
	Driver		Driven		456-8M	480-8M	536-8M	544-8M	560-8M	600-8M	608-8M	632-8M	640-8M	680-8M	720-8M	800-8M	840-8M	880-8M	896-8M	920-8M	960-8M	1000-8M	1040-8M	1080-8M			
	No. of Teeth	Pitch Dia. Inches	No. of Teeth	Pitch Dia. Inches																							
Length Factor*					0.74	0.75	0.77	0.78	0.79	0.80	0.80	0.81	0.81	0.83	0.85	0.88	0.90	0.91	0.92	0.93	0.95	0.96	0.97	0.99			
2.03	37	3.709	75	7.519	6.66	7.48	8.29	8.61	9.10	9.90	10.70	11.50	12.30			
2.03	35	3.509	71	7.118	7.18	7.99	8.80	9.12	9.60	10.40	11.20	11.99	12.79			
2.03	33	3.308	67	6.717	5.24	6.06	7.69	8.49	9.30	9.62	10.10	10.89	11.69	12.49	13.28			
2.03	31	3.108	63	6.316	5.76	6.58	8.19	8.99	9.79	10.11	10.59	11.39	12.18	12.98	13.77			
2.04	26	2.607	53	5.314	4.28	4.61	5.42	5.59	6.07	6.23	7.04	7.84	9.43	10.23	11.02	11.34	11.82	12.61	13.40	14.19	14.98			
2.05	22	2.206	45	4.511	...	4.01	5.15	5.31	5.63	6.43	6.59	7.07	7.23	8.03	8.83	10.41	11.20	11.99	12.31	12.79	13.58	14.37	15.16	15.95			
2.05	39	3.910	80	8.020	6.86	7.68	8.01	8.50	9.31	10.11	10.91	11.71			
2.07	29	2.907	60	6.015	5.20	5.37	6.19	7.00	8.60	9.40	10.20	10.52	11.00	11.79	12.58	13.38	14.17			
2.07	27	2.707	56	5.614	5.07	5.23	5.72	5.89	6.70	7.50	9.10	9.90	10.69	11.01	11.49	12.28	13.07	13.86	14.66			
2.08	36	3.609	75	7.519	6.73	7.55	8.36	8.68	9.17	9.97	10.77	11.57	12.37			
2.09	34	3.409	71	7.118	7.25	8.06	8.87	9.19	9.67	10.47	11.27	12.07	12.86			
2.09	67	6.717	140	14.036			
2.09	32	3.208	67	6.717	5.30	6.13	7.76	8.56	9.37	9.69	10.17	10.97	11.76	12.56	13.35			
2.10	30	3.008	63	6.316	5.83	6.65	8.26	9.07	9.87	10.18	10.66	11.46	12.25	13.05	13.84			
2.11	38	3.810	80	8.020	6.93	7.75	8.08	8.56	9.37	10.18	10.98	11.79			
2.11	53	5.314	112	11.229			
2.12	25	2.506	53	5.314	4.34	4.67	5.49	5.66	6.14	6.30	7.11	7.91	9.51	10.30	11.10	11.41	11.89	12.68	13.47	14.26	15.06			
2.14	28	2.807	60	6.015	5.27	5.44	6.25	7.07	8.67	9.47	10.27	10.59	11.07	11.86	12.66	13.45	14.24		
2.14	35	3.509	75	7.519	6.80	7.61	8.43	8.75	9.24	10.04	10.84	11.64	12.44			
2.14	42	4.211	90	9.023	7.33	8.15	8.97	9.79	10.60			
2.15	33	3.308	71	7.118	5.67	7.32	8.13	8.93	9.26	9.74	10.54	11.34	12.14	12.93			
2.15	26	2.607	56	5.614	5.14	5.30	5.79	5.96	6.77	7.57	9.17	9.97	10.76	11.08	11.56	12.35	13.15	13.94	14.73			
2.16	31	3.108	67	6.717	5.37	6.20	7.83	8.63	9.44	9.76	10.24	11.04	11.83	12.63	13.43			
2.16	37	3.709	80	8.020	7.00	7.82	8.14	8.63	9.44	10.25	11.05	11.86			
2.17	29	2.907	63	6.316	4.90	5.07	5.90	6.72	8.33	9.14	9.94	10.26	10.73	11.53	12.33	13.12	13.92		
2.18	22	2.206	48	4.812	4.87	5.03	5.36	6.16	6.33	6.81	6.97	7.77	8.57	10.16	10.95	11.74	12.06	12.53	13.32	14.12	14.91	15.70			
2.20	41	4.110	90	9.023	6.89	7.39	8.22	9.04	9.86	10.67	11.48			
2.21	34	3.409	75	7.519	6.86	7.68	8.50	8.82	9.30	10.11	10.91	11.71	12.51			
2.22	32	3.208	71	7.118	5.73	7.38	8.20	9.00	9.33	9.81	10.61	11.41	12.21	13.01			
2.22	27	2.707	60	6.015	4.84	5.34	5.50	6.32	7.13	8.74	9.55	10.34	10.66	11.14	11.94	12.73	13.52	14.32
2.22	36	3.609	80	8.020	6.23	7.06	7.89	8.21	8.70	9.51	10.32	11.12	11.93			
2.22	63	6.316	140	14.036			
2.23	30	3.008	67	6.717	5.44	6.26	7.90	8.70	9.51	9.83	10.31	11.11	11.91	12.70	13.50		
2.24	25	2.506	56	5.614	5.20	5.37	5.86	6.02	6.83	7.64	9.24	10.04	10.84	11.15	11.63	12.43	13.22	14.01	14.80			
2.24	50	5.013	112	11.229			
2.25	28	2.807	63	6.316	4.97	5.14	5.97	6.78	8.40	9.21	10.01	10.33	10.81	11.60	12.40	13.19	13.99		
2.25	40	4.010	90	9.023	6.96	7.46	8.29	9.11	9.92	10.74	11.55			
2.25	80	8.020	180	18.046			
2.27	22	2.206	50	5.013	4.67	4.84	5.17	5.98	6.14	6.63	6.79	7.59	8.39	9.98	10.78	11.57	11.89	12.36	13.16	13.95	14.74	15.53			
2.27	33	3.308	75	7.519	6.93	7.75	8.56	8.89	9.37	10.18	10.98	11.78	12.58			
2.29	35	3.509	80	8.020	6.29	7.13	7.95	8.28	8.77	9.58	10.39	11.19	12.00			
Length Factor*					0.74	0.75	0.77	0.78	0.79	0.80	0.80	0.81	0.81	0.83	0.85	0.88	0.90	0.91	0.92	0.93	0.95	0.96	0.97	0.99			

* The length correction factor must be used to determine the proper belt width.

Selection program available online at ptwizard.com

FEATURES/BENEFITS PAGE PT12-2	SPECIFICATIONS PAGE PT13-2	ENGINEERING/TECHNICAL PAGE PT13-96	
----------------------------------	-------------------------------	---------------------------------------	--

V-Drives

FHP Drives

Drive Component Accessories

DYNA-SYNC

HT200/HTD Synchronous Drives

HTR Synchronous Drives

HTRC Synchronous Drives



8M HTRC Selection Table (Continued)

Speed Ratio	Sprocket Combinations				Center Distance, Inches																			
	Driver		Driven		1120-	1200-	1224-	1280-	1352-	1440-	1464-	1600-	1760-	1800-	2000-	2200-	2400-	2520-	2600-	2800-	3048-	3280-	3600-	4400-
	No. of Teeth	Pitch Dia. Inches	No. of Teeth	Pitch Dia. Inches	8M	8M	8M	8M	8M	8M	8M	8M	8M	8M	8M	8M	8M	8M	8M	8M	8M	8M	8M	8M
Length Factor*				1.00	1.03	1.04	1.05	1.07	1.10	1.11	1.14	1.17	1.18	1.22	1.26	1.29	1.31	1.32	1.35	1.38	1.41	1.45	1.52	
2.03	37	3.709	75	7.519	13.09	14.68	15.16	16.27	17.70	19.44	19.91	22.60	25.76	26.55	30.50	34.44	38.38	40.75	42.32	46.26	51.15	55.72	62.02	77.78
2.03	35	3.509	71	7.118	13.59	15.17	15.65	16.76	18.18	19.92	20.40	23.08	26.24	27.03	30.98	34.92	38.86	41.22	42.80	46.74	51.63	56.20	62.50	78.25
2.03	33	3.308	67	6.717	14.07	15.66	16.13	17.24	18.67	20.41	20.88	23.56	26.72	27.51	31.45	35.40	39.34	41.70	43.28	47.22	52.10	56.67	62.97	78.73
2.03	31	3.108	63	6.316	14.56	16.14	16.62	17.73	19.15	20.89	21.36	24.04	27.20	27.99	31.93	35.87	39.81	42.18	43.75	47.69	52.58	57.15	63.45	79.20
2.04	26	2.607	53	5.314	15.77	17.35	17.83	18.93	20.35	22.09	22.56	25.24	28.40	29.18	33.13	37.07	41.00	43.37	44.94	48.88	53.77	58.33	64.63	80.39
2.05	22	2.206	45	4.511	16.73	18.31	18.79	19.89	21.31	23.04	23.52	26.20	29.35	30.14	34.08	38.02	41.96	44.32	45.89	49.83	54.71	59.28	65.58	81.33
2.05	39	3.910	80	8.020	12.51	14.11	14.58	15.70	17.13	18.87	19.34	22.03	25.20	25.99	29.93	33.88	37.82	40.19	41.77	45.71	50.59	55.16	61.47	77.22
2.07	29	2.907	60	6.015	14.96	16.54	17.02	18.13	19.55	21.29	21.76	24.44	27.60	28.39	32.33	36.27	40.21	42.57	44.15	48.09	52.97	57.54	63.84	79.59
2.07	27	2.707	56	5.614	15.45	17.03	17.50	18.61	20.03	21.77	22.24	24.92	28.08	28.86	32.81	36.75	40.69	43.05	44.63	48.56	53.45	58.02	64.32	80.07
2.08	36	3.609	75	7.519	13.17	14.76	15.23	16.34	17.77	19.51	19.99	22.68	25.84	26.63	30.57	34.52	38.46	40.82	42.40	46.34	51.23	55.80	62.10	77.85
2.09	34	3.409	71	7.118	13.66	15.25	15.72	16.83	18.26	20.00	20.47	23.16	26.32	27.11	31.05	34.99	38.94	41.30	42.88	46.82	51.70	56.27	62.58	78.33
2.09	67	6.717	140	14.036	11.47	11.97	14.75	17.98	18.79	22.79	26.77	30.74	33.11	34.70	38.65	43.56	48.14	54.45	70.23
2.09	32	3.208	67	6.717	14.15	15.73	16.21	17.32	18.74	20.48	20.95	23.64	26.80	27.59	31.53	35.47	39.41	41.78	43.35	47.29	52.18	56.75	63.05	78.80
2.10	30	3.008	63	6.316	14.63	16.22	16.69	17.80	19.22	20.96	21.44	24.12	27.28	28.07	32.01	35.95	39.89	42.25	43.83	47.77	52.65	57.22	63.53	79.28
2.11	38	3.810	80	8.020	12.58	14.18	14.66	15.77	17.20	18.94	19.42	22.11	25.27	26.06	30.01	33.96	37.90	40.26	41.84	45.78	50.67	55.24	61.54	77.30
2.11	53	5.314	112	11.229	8.55	10.21	10.70	11.84	13.30	15.07	15.55	18.27	21.46	22.25	26.22	30.18	34.13	36.50	38.08	42.03	46.92	51.50	57.80	73.57
2.12	25	2.506	53	5.314	15.85	17.43	17.90	19.01	20.43	22.16	22.64	25.32	28.47	29.26	33.20	37.14	41.08	43.45	45.02	48.96	53.84	58.41	64.71	80.46
2.14	28	2.807	60	6.015	15.04	16.62	17.09	18.20	19.62	21.36	21.83	24.52	27.67	28.46	32.40	36.35	40.29	42.65	44.23	48.17	53.05	57.62	63.92	79.67
2.14	35	3.509	75	7.519	13.24	14.83	15.31	16.42	17.84	19.59	20.06	22.75	25.91	26.70	30.65	34.59	38.53	40.90	42.48	46.42	51.30	55.87	62.18	77.93
2.14	42	4.211	90	9.023	11.41	13.01	13.49	14.61	16.05	17.80	18.27	20.97	24.14	24.93	28.88	32.83	36.78	39.14	40.72	44.66	49.55	54.13	60.43	76.19
2.15	33	3.308	71	7.118	13.73	15.32	15.79	16.90	18.33	20.07	20.55	23.23	26.39	27.18	31.13	35.07	39.01	41.38	42.95	46.89	51.78	56.35	62.65	78.41
2.15	26	2.607	56	5.614	15.52	17.10	17.58	18.68	20.10	21.84	22.31	25.00	28.15	28.94	32.88	36.82	40.76	43.13	44.70	48.64	53.53	58.09	64.40	80.15
2.16	31	3.108	67	6.717	14.22	15.81	16.28	17.39	18.82	20.55	21.03	23.71	26.87	27.66	31.61	35.55	39.49	41.85	43.43	47.37	52.26	56.83	63.13	78.88
2.16	37	3.709	80	8.020	12.66	14.25	14.73	15.84	17.27	19.02	19.49	22.18	25.35	26.14	30.08	34.03	37.97	40.34	41.92	45.86	50.75	55.32	61.62	77.38
2.17	29	2.907	63	6.316	14.71	16.29	16.77	17.88	19.30	21.04	21.51	24.20	27.35	28.14	32.08	36.03	39.97	42.33	43.91	47.85	52.73	57.30	63.60	79.36
2.18	22	2.206	48	4.812	16.49	18.07	18.54	19.64	21.06	22.80	23.27	25.95	29.11	29.90	33.84	37.78	41.71	44.08	45.65	49.59	54.48	59.04	65.34	81.09
2.20	41	4.110	90	9.023	11.47	13.08	13.56	14.68	16.12	17.87	18.34	21.04	24.21	25.00	28.96	32.91	36.85	39.22	40.80	44.74	49.63	54.20	60.51	76.26
2.21	34	3.409	75	7.519	13.31	14.90	15.38	16.49	17.92	19.66	20.14	22.83	25.99	26.78	30.72	34.67	38.61	40.98	42.55	46.49	51.38	55.95	62.25	78.01
2.22	32	3.208	71	7.118	13.80	15.39	15.87	16.98	18.40	20.15	20.62	23.31	26.47	27.26	31.20	35.15	39.09	41.45	43.03	46.97	51.86	56.43	62.73	78.48
2.22	27	2.707	60	6.015	15.11	16.69	17.17	18.28	19.70	21.44	21.91	24.59	27.75	28.54	32.48	36.42	40.36	42.73	44.30	48.24	53.13	57.70	64.00	79.75
2.22	36	3.609	80	8.020	12.73	14.32	14.80	15.91	17.34	19.09	19.57	22.26	25.42	26.21	30.16	34.11	38.05	40.42	41.99	45.94	50.82	55.39	61.70	77.45
2.22	63	6.316	140	14.036	11.74	12.23	15.02	18.26	19.07	23.07	27.06	31.03	33.41	34.99	38.95	43.85	48.44	54.75	70.53
2.23	30	3.008	67	6.717	14.29	15.88	16.36	17.46	18.89	20.63	21.10	23.79	26.95	27.74	31.68	35.62	39.57	41.93	43.51	47.45	52.33	56.90	63.21	78.96
2.24	25	2.506	56	5.614	15.60	17.18	17.65	18.76	20.18	21.92	22.39	25.07	28.23	29.02	32.96	36.90	40.84	43.20	44.78	48.72	53.60	58.17	64.47	80.22
2.24	50	5.013	112	11.229	8.75	10.41	10.90	12.05	13.51	15.28	15.76	18.49	21.67	22.47	26.44	30.40	34.35	36.73	38.31	42.25	47.15	51.72	58.03	73.80
2.25	28	2.807	63	6.316	14.78	16.37	16.84	17.95	19.37	21.11	21.59	24.27	27.43	28.22	32.16	36.10	40.04	42.41	43.98	47.92	52.81	57.38	63.68	79.43
2.25	40	4.010	90	9.023	11.54	13.15	13.63	14.75	16.19	17.94	18.42	21.12	24.29	25.08	29.03	32.98	36.93	39.30	40.87	44.82	49.71	54.28	60.58	76.34
2.25	80	8.020	180	18.046	13.23	14.08	18.22	22.28	26.30	28.71	30.30	34.29	39.22	43.82	50.15	65.96
2.27	22	2.206	50	5.013	16.32	17.90	18.37	19.48	20.90	22.64	23.11	25.79	28.95	29.73	33.67	37.61	41.55	43.92	45.49	49.43	54.32	58.88	65.18	80.94
2.27	33	3.308	75	7.519	13.38	14.97	15.45	16.56	17.99	19.73	20.21	22.90	26.06	26.85	30.80	34.74	38.69	41.05	42.63	46.57	51.46	56.03	62.33	78.09
2.29	35	3.509	80	8.020	12.80	14.39	14.87	15.99	17.42	19.16	19.64	22.33	25.50	26.29	30.24	34.18	38.13	40.49	42.07	46.01	50.90	55.47	61.77	77.53
Length Factor*				1.00	1.03	1.04	1.05	1.07	1.10	1.11	1.14	1.17	1.18	1.22	1.26	1.29	1.31	1.32	1.35	1.38	1.41	1.45	1.52	

* The length correction factor must be used to determine the proper belt width.

Selection program available online at ptwizard.com

FEATURES/BENEFITS PAGE PT12-2	SPECIFICATIONS PAGE PT13-2	ENGINEERING/TECHNICAL PAGE PT13-96	
----------------------------------	-------------------------------	---------------------------------------	--



8M HTRC Selection Table

Speed Ratio	Sprocket Combinations				Center Distance, Inches																			
	Driver		Driven		536-8M	544-8M	560-8M	600-8M	608-8M	632-8M	640-8M	680-8M	720-8M	800-8M	840-8M	880-8M	896-8M	920-8M	960-8M	1000-8M	1040-8M	1080-8M	1120-8M	
	No. of Teeth	Pitch Dia. Inches	No. of Teeth	Pitch Dia. Inches																				
Length Factor*					0.77	0.78	0.79	0.80	0.80	0.81	0.81	0.83	0.85	0.88	0.90	0.91	0.92	0.93	0.95	0.96	0.97	0.99	1.00	
2.29	31	3.108	71	7.118	5.80	7.45	8.26	9.07	9.40	9.88	10.68	11.48	12.28	13.08	13.87	
2.31	26	2.607	60	6.015	4.74	4.90	5.40	5.57	6.39	7.20	8.82	9.62	10.42	10.73	11.21	12.01	12.80	13.60	14.39	15.18	
2.31	39	3.910	90	9.023	7.02	7.52	8.35	9.18	9.99	10.81	11.61	
2.31	29	2.907	67	6.717	5.50	6.33	7.97	8.77	9.58	9.90	10.38	11.18	11.98	12.78	13.57	14.37	
2.33	27	2.707	63	6.316	5.03	5.20	6.03	6.85	8.47	9.28	10.08	10.40	10.88	11.68	12.47	13.27	14.06	14.85	
2.33	48	4.812	112	11.229	8.88	
2.33	60	6.015	140	14.036	
2.34	32	3.208	75	7.519	7.00	7.82	8.63	8.96	9.44	10.25	11.05	11.86	12.66	13.45	
2.35	34	3.409	80	8.020	6.36	7.19	8.02	8.35	8.84	9.65	10.46	11.26	12.07	12.87	
2.37	30	3.008	71	7.118	5.86	7.52	8.33	9.14	9.47	9.95	10.75	11.55	12.35	13.15	13.95	
2.37	38	3.810	90	9.023	6.75	7.08	7.59	8.42	9.24	10.06	10.87	11.68	...	
2.39	28	2.807	67	6.717	5.57	6.40	8.03	8.84	9.65	9.97	10.45	11.25	12.05	12.85	13.64	14.44	
2.40	25	2.506	60	6.015	4.80	4.97	5.47	5.64	6.46	7.27	8.89	9.69	10.49	10.81	11.28	12.08	12.88	13.67	14.46	15.26	
2.40	75	7.519	180	18.046	
2.41	22	2.206	53	5.314	4.37	4.54	4.87	5.70	5.86	6.35	6.51	7.32	8.12	9.72	10.52	11.31	11.63	12.11	12.90	13.69	14.49	15.28	16.07	
2.42	31	3.108	75	7.519	7.06	7.88	8.70	9.03	9.51	10.32	11.12	11.93	12.73	13.53	
2.42	26	2.607	63	6.316	5.10	5.27	6.10	6.92	8.54	9.35	10.15	10.47	10.95	11.75	12.54	13.34	14.13	14.93	
2.42	33	3.308	80	8.020	6.42	7.26	8.09	8.41	8.91	9.72	10.53	11.33	12.14	12.94	
2.43	37	3.709	90	9.023	6.81	7.15	7.65	8.49	9.31	10.13	10.94	11.75	
2.45	29	2.907	71	7.118	5.93	7.59	8.40	9.21	9.54	10.02	10.82	11.62	12.42	13.22	14.02	
2.48	27	2.707	67	6.717	5.63	6.46	8.10	8.91	9.72	10.04	10.52	11.32	12.12	12.92	13.72	14.51	
2.49	45	4.511	112	11.229	8.22	9.07	
2.50	30	3.008	75	7.519	7.13	7.95	8.77	9.09	9.58	10.39	11.19	12.00	12.80	13.60	
2.50	32	3.208	80	8.020	6.49	7.33	8.15	8.48	8.97	9.79	10.60	11.40	12.21	13.01	
2.50	36	3.609	90	9.023	6.87	7.21	7.72	8.55	9.38	10.20	11.01	11.82	
2.50	56	5.614	140	14.036	
2.52	25	2.506	63	6.316	5.16	5.33	6.17	6.99	8.61	9.42	10.22	10.54	11.02	11.82	12.62	13.41	14.21	15.00	
2.54	71	7.118	180	18.046	
2.54	28	2.807	71	7.118	5.99	7.65	8.47	9.28	9.60	10.09	10.89	11.70	12.50	13.29	14.09	
2.55	22	2.206	56	5.614	4.57	5.40	5.57	6.06	6.23	7.04	7.85	9.46	10.26	11.05	11.37	11.85	12.64	13.44	14.23	15.02	15.82	
2.57	35	3.509	90	9.023	6.94	7.28	7.78	8.62	9.45	10.26	11.08	11.89	
2.58	26	2.607	67	6.717	6.53	8.17	8.98	9.79	10.11	10.59	11.39	12.19	12.99	13.79	14.58	
2.58	31	3.108	80	8.020	6.55	7.39	8.22	8.55	9.04	9.86	10.67	11.47	12.28	13.08	
2.59	29	2.907	75	7.519	5.51	7.19	8.02	8.84	9.16	9.65	10.46	11.26	12.07	12.87	13.67
2.63	27	2.707	71	7.118	6.06	7.72	8.54	9.35	9.67	10.16	10.96	11.77	12.57	13.37	14.16	
2.64	53	5.314	140	14.036	
2.65	34	3.409	90	9.023	7.00	7.34	7.85	8.69	9.51	10.33	11.15	11.96	
2.67	30	3.008	80	8.020	6.62	7.46	8.29	8.62	9.11	9.92	10.74	11.54	12.35	13.15	
2.67	42	4.211	112	11.229	8.41	9.26	
2.68	28	2.807	75	7.519	5.57	7.26	8.09	8.91	9.23	9.72	10.53	11.33	12.14	12.94	13.74	
2.68	25	2.506	67	6.717	4.91	5.76	6.60	8.24	9.05	9.86	10.18	10.66	11.46	12.26	13.06	13.86	14.66	
Length Factor*					0.77	0.78	0.79	0.80	0.80	0.81	0.81	0.83	0.85	0.88	0.90	0.91	0.92	0.93	0.95	0.96	0.97	0.99	1.00	

* The length correction factor must be used to determine the proper belt width.

Selection program available online at ptwizard.com

FEATURES/BENEFITS PAGE PT12-2	SPECIFICATIONS PAGE PT13-2	ENGINEERING/TECHNICAL PAGE PT13-96	
----------------------------------	-------------------------------	---------------------------------------	--

V-Drives
 FHP Drives
 Drive Component Accessories
 DYNA-SYNC
 HT200/HTD Synchronous Drives
 HTR Synchronous Drives
 HTRC Synchronous Drives



8M HTRC Selection Table (Continued)

Speed Ratio	Sprocket Combinations				Center Distance, Inches																		
	Driver		Driven		1200-8M	1224-8M	1280-8M	1352-8M	1440-8M	1464-8M	1600-8M	1760-8M	1800-8M	2000-8M	2200-8M	2400-8M	2520-8M	2600-8M	2800-8M	3048-8M	3280-8M	3600-8M	4400-8M
	No. of Teeth	Pitch Dia. Inches	No. of Teeth	Pitch Dia. Inches																			
Length Factor*					1.03	1.04	1.05	1.07	1.10	1.11	1.14	1.17	1.18	1.22	1.26	1.29	1.31	1.32	1.35	1.38	1.41	1.45	1.52
2.29	31	3.108	71	7.118	15.46	15.94	17.05	18.48	20.22	20.69	23.38	26.54	27.33	31.28	35.22	39.17	41.53	43.11	47.05	51.93	56.50	62.81	78.56
2.31	26	2.607	60	6.015	16.77	17.24	18.35	19.77	21.51	21.98	24.67	27.83	28.61	32.56	36.50	40.44	42.80	44.38	48.32	53.20	57.77	64.08	79.83
2.31	39	3.910	90	9.023	13.22	13.70	14.82	16.26	18.01	18.49	21.19	24.36	25.15	29.11	33.06	37.00	39.37	40.95	44.89	49.78	54.35	60.66	76.42
2.31	29	2.907	67	6.717	15.95	16.43	17.54	18.96	20.70	21.18	23.86	27.02	27.81	31.76	35.70	39.64	42.01	43.58	47.52	52.41	56.98	63.28	79.04
2.33	27	2.707	63	6.316	16.44	16.92	18.02	19.45	21.19	21.66	24.35	27.50	28.29	32.24	36.18	40.12	42.48	44.06	48.00	52.89	57.46	63.76	79.51
2.33	48	4.812	112	11.229	10.54	11.04	12.18	13.64	15.42	15.90	18.63	21.82	22.61	26.58	30.55	34.50	36.87	38.46	42.40	47.30	51.88	58.19	73.95
2.33	60	6.015	140	14.036	11.93	12.43	15.23	18.47	19.28	23.28	27.27	31.25	33.63	35.21	39.17	44.08	48.66	54.98	70.76
2.34	32	3.208	75	7.519	15.05	15.52	16.64	18.06	19.81	20.28	22.97	26.14	26.93	30.87	34.82	38.76	41.13	42.71	46.65	51.53	56.10	62.41	78.16
2.35	34	3.409	80	8.020	14.47	14.94	16.06	17.49	19.24	19.71	22.41	25.57	26.36	30.31	34.26	38.20	40.57	42.15	46.09	50.98	55.55	61.85	77.61
2.37	30	3.008	71	7.118	15.54	16.01	17.12	18.55	20.29	20.77	23.46	26.62	27.41	31.35	35.30	39.24	41.61	43.18	47.12	52.01	56.58	62.88	78.64
2.37	38	3.810	90	9.023	13.29	13.77	14.90	16.33	18.08	18.56	21.26	24.43	25.22	29.18	33.13	37.08	39.45	41.02	44.97	49.86	54.43	60.74	76.50
2.39	28	2.807	67	6.717	16.03	16.50	17.61	19.04	20.78	21.25	23.94	27.10	27.89	31.83	35.78	39.72	42.08	43.66	47.60	52.49	57.06	63.36	79.11
2.40	25	2.506	60	6.015	16.84	17.32	18.42	19.85	21.59	22.06	24.74	27.90	28.69	32.63	36.58	40.52	42.88	44.46	48.40	53.28	57.85	64.15	79.91
2.40	75	7.519	180	18.046	13.56	14.40	18.55	22.63	26.66	29.06	30.66	34.65	39.58	44.18	50.52	66.34
2.41	22	2.206	53	5.314	17.65	18.13	19.23	20.65	22.39	22.86	25.55	28.70	29.49	33.43	37.37	41.31	43.68	45.25	49.19	54.08	58.64	64.95	80.70
2.42	31	3.108	75	7.519	15.12	15.60	16.71	18.14	19.88	20.36	23.05	26.21	27.00	30.95	34.90	38.84	41.21	42.78	46.72	51.61	56.18	62.48	78.24
2.42	26	2.607	63	6.316	16.51	16.99	18.10	19.52	21.26	21.74	24.42	27.58	28.37	32.31	36.26	40.20	42.56	44.14	48.08	52.96	57.53	63.83	79.59
2.42	33	3.308	80	8.020	14.54	15.02	16.13	17.56	19.31	19.79	22.48	25.64	26.43	30.39	34.33	38.28	40.64	42.22	46.16	51.05	55.62	61.93	77.69
2.43	37	3.709	90	9.023	13.36	13.84	14.97	16.40	18.16	18.63	21.34	24.51	25.30	29.25	33.21	37.15	39.52	41.10	45.04	49.93	54.51	60.81	76.57
2.45	29	2.907	71	7.118	15.61	16.09	17.20	18.63	20.37	20.84	23.53	26.69	27.48	31.43	35.37	39.32	41.68	43.26	47.20	52.09	56.66	62.96	78.72
2.48	27	2.707	67	6.717	16.10	16.58	17.69	19.11	20.85	21.33	24.01	27.17	27.96	31.91	35.85	39.80	42.16	43.74	47.68	52.56	57.13	63.44	79.19
2.49	45	4.511	112	11.229	10.74	11.24	12.39	13.85	15.63	16.11	18.84	22.03	22.83	26.80	30.77	34.73	37.10	38.68	42.63	47.53	52.10	58.41	74.18
2.50	30	3.008	75	7.519	15.19	15.67	16.78	18.21	19.96	20.43	23.12	26.29	27.08	31.02	34.97	38.92	41.28	42.86	46.80	51.69	56.26	62.56	78.32
2.50	32	3.208	80	8.020	14.61	15.09	16.20	17.64	19.38	19.86	22.55	25.72	26.51	30.46	34.41	38.35	40.72	42.30	46.24	51.13	55.70	62.01	77.76
2.50	36	3.609	90	9.023	13.43	13.91	15.04	16.48	18.23	18.71	21.41	24.58	25.37	29.33	33.28	37.23	39.60	41.18	45.12	50.01	54.58	60.89	76.65
2.50	56	5.614	140	14.036	10.33	12.19	12.70	15.50	18.75	19.55	23.57	27.56	31.54	33.92	35.51	39.47	44.37	48.96	55.28	71.06
2.52	25	2.506	63	6.316	16.59	17.06	18.17	19.60	21.34	21.81	24.50	27.65	28.44	32.39	36.33	40.27	42.64	44.21	48.15	53.04	57.61	63.91	79.67
2.54	71	7.118	180	18.046	13.81	14.66	18.82	22.90	26.94	29.34	30.94	34.94	39.87	44.48	50.82	66.64
2.54	28	2.807	71	7.118	15.68	16.16	17.27	18.70	20.44	20.92	23.61	26.77	27.56	31.51	35.45	39.39	41.76	43.34	47.28	52.16	56.73	63.04	78.79
2.55	22	2.206	56	5.614	17.40	17.87	18.98	20.40	22.14	22.62	25.30	28.46	29.24	33.19	37.13	41.07	43.43	45.01	48.95	53.83	58.40	64.71	80.46
2.57	35	3.509	90	9.023	13.50	13.99	15.11	16.55	18.30	18.78	21.48	24.65	25.45	29.40	33.36	37.30	39.67	41.25	45.20	50.09	54.66	60.97	76.73
2.58	26	2.607	67	6.717	16.17	16.65	17.76	19.18	20.93	21.40	24.09	27.25	28.04	31.98	35.93	39.87	42.24	43.81	47.75	52.64	57.21	63.51	79.27
2.58	31	3.108	80	8.020	14.68	15.16	16.28	17.71	19.46	19.93	22.63	25.79	26.58	30.54	34.48	38.43	40.80	42.37	46.32	51.21	55.78	62.08	77.84
2.59	29	2.907	75	7.519	15.26	15.74	16.85	18.28	20.03	20.50	23.20	26.36	27.15	31.10	35.05	38.99	41.36	42.93	46.88	51.76	56.33	62.64	78.40
2.63	27	2.707	71	7.118	15.76	16.23	17.34	18.77	20.52	20.99	23.68	26.84	27.63	31.58	35.53	39.47	41.84	43.41	47.35	52.24	56.81	63.11	78.87
2.64	53	5.314	140	14.036	10.52	12.39	12.89	15.70	18.95	19.76	23.78	27.78	31.76	34.14	35.73	39.69	44.60	49.18	55.51	71.29
2.65	34	3.409	90	9.023	13.57	14.06	15.18	16.62	18.37	18.85	21.55	24.73	25.52	29.48	33.43	37.38	39.75	41.33	45.27	50.16	54.74	61.04	76.80
2.67	30	3.008	80	8.020	14.75	15.23	16.35	17.78	19.53	20.01	22.70	25.87	26.66	30.61	34.56	38.51	40.87	42.45	46.39	51.28	55.85	62.16	77.92
2.67	42	4.211	112	11.229	10.94	11.44	12.59	14.06	15.84	16.32	19.05	22.25	23.05	27.02	30.99	34.95	37.32	38.90	42.85	47.75	52.33	58.64	74.41
2.68	28	2.807	75	7.519	15.33	15.81	16.93	18.36	20.10	20.58	23.27	26.43	27.23	31.17	35.12	39.07	41.43	43.01	46.95	51.84	56.41	62.72	78.47
2.68	25	2.506	67	6.717	16.25	16.72	17.83	19.26	21.00	21.48	24.16	27.32	28.11	32.06	36.01	39.95	42.31	43.89	47.83	52.72	57.29	63.59	79.35
Length Factor*					1.03	1.04	1.05	1.07	1.10	1.11	1.14	1.17	1.18	1.22	1.26	1.29	1.31	1.32	1.35	1.38	1.41	1.45	1.52

* The length correction factor must be used to determine the proper belt width.

Selection program available online at ptwizard.com

FEATURES/BENEFITS PAGE PT12-2	SPECIFICATIONS PAGE PT13-2	ENGINEERING/TECHNICAL PAGE PT13-96	
----------------------------------	-------------------------------	---------------------------------------	--



8M HTRC Selection Table

Speed Ratio	Sprocket Combinations				Center Distance, Inches																		
	Driver		Driven		560-8M	600-8M	608-8M	632-8M	640-8M	680-8M	720-8M	800-8M	840-8M	880-8M	896-8M	920-8M	960-8M	1000-8M	1040-8M	1080-8M	1120-8M	1200-8M	
	No. of Teeth	Pitch Dia. Inches	No. of Teeth	Pitch Dia. Inches																			
Length Factor*					0.79	0.80	0.80	0.81	0.81	0.83	0.85	0.88	0.90	0.91	0.92	0.93	0.95	0.96	0.97	0.99	1.00	1.03	
2.69	67	6.717	180	18.046
2.73	22	2.206	60	6.015	...	4.99	5.16	5.67	5.83	6.66	7.48	9.10	9.90	10.70	11.02	11.50	12.30	13.09	13.89	14.68	15.48	17.06	
2.73	33	3.308	90	9.023	7.06	7.41	7.91	8.75	9.58	10.40	11.22	12.03	13.64	
2.73	26	2.607	71	7.118	5.27	6.12	7.79	8.61	9.42	9.74	10.23	11.03	11.84	12.64	13.44	14.23	15.83	
2.73	41	4.110	112	11.229	8.47	9.33	11.01	
2.76	29	2.907	80	8.020	6.68	7.52	8.35	8.68	9.18	9.99	10.80	11.61	12.42	13.22	14.82	
2.78	27	2.707	75	7.519	5.63	7.33	8.15	8.97	9.30	9.79	10.60	11.40	12.21	13.01	13.81	15.41	
2.80	40	4.010	112	11.229	8.53	9.39	11.07	
2.80	50	5.013	140	14.036	
2.80	80	8.020	224	22.457	
2.81	32	3.208	90	9.023	7.13	7.47	7.98	8.82	9.65	10.47	11.28	12.10	13.71	
2.84	25	2.506	71	7.118	5.33	6.19	7.85	8.67	9.49	9.81	10.30	11.10	11.91	12.71	13.51	14.31	15.90	
2.86	28	2.807	80	8.020	6.74	7.59	8.42	8.75	9.24	10.06	10.87	11.68	12.49	13.29	14.89	
2.86	63	6.316	180	18.046	
2.86	22	2.206	63	6.316	...	4.67	4.84	5.36	5.53	6.36	7.19	8.82	9.63	10.43	10.75	11.23	12.03	12.83	13.63	14.42	15.22	16.81	
2.87	39	3.910	112	11.229	8.60	9.46	11.14	
2.88	26	2.607	75	7.519	5.69	7.39	8.22	9.04	9.37	9.86	10.67	11.47	12.28	13.08	13.88	15.48	
2.90	31	3.108	90	9.023	6.32	7.19	7.53	8.04	8.88	9.71	10.53	11.35	12.17	13.78	
2.92	48	4.812	140	14.036	
2.95	38	3.810	112	11.229	7.78	8.66	9.52	11.20	
2.96	27	2.707	80	8.020	6.81	7.65	8.49	8.82	9.31	10.13	10.94	11.75	12.56	13.36	14.97	
2.99	75	7.519	224	22.457	
3.00	25	2.506	75	7.519	5.76	7.46	8.29	9.11	9.43	9.92	10.74	11.54	12.35	13.15	13.95	15.55	
3.00	30	3.008	90	9.023	6.38	7.26	7.60	8.11	8.95	9.78	10.60	11.42	12.23	13.85	
3.00	60	6.015	180	18.046	
3.03	37	3.709	112	11.229	7.85	8.72	9.58	11.27
3.05	22	2.206	67	6.717	4.92	5.09	5.95	6.79	8.44	9.26	10.07	10.39	10.87	11.68	12.48	13.28	14.07	14.87	16.46	
3.08	26	2.607	80	8.020	6.87	7.72	8.55	8.88	9.38	10.20	11.01	11.82	12.63	13.43	15.04	
3.10	29	2.907	90	9.023	6.44	7.32	7.66	8.17	9.01	9.84	10.67	11.49	12.30	13.92	
3.11	36	3.609	112	11.229	7.91	8.79	9.65	11.33
3.11	45	4.511	140	14.036	
3.15	71	7.118	224	22.457	
3.20	25	2.506	80	8.020	6.94	7.78	8.62	8.95	9.44	10.26	11.08	11.89	12.70	13.50	15.11	
3.20	35	3.509	112	11.229	7.97	8.85	9.71	11.40
3.21	28	2.807	90	9.023	6.51	7.38	7.73	8.24	9.08	9.91	10.74	11.56	12.37	13.99	
3.21	56	5.614	180	18.046	
3.23	22	2.206	71	7.118	5.52	6.38	8.05	8.88	9.69	10.02	10.50	11.31	12.12	12.92	13.72	14.52	16.12	
3.29	34	3.409	112	11.229	8.03	8.91	9.78	11.47
3.33	27	2.707	90	9.023	6.57	7.45	7.79	8.30	9.14	9.98	10.80	11.62	12.44	14.06	
3.33	42	4.211	140	14.036	
3.34	67	6.717	224	22.457	
Length Factor*					0.79	0.80	0.80	0.81	0.81	0.83	0.85	0.88	0.90	0.91	0.92	0.93	0.95	0.96	0.97	0.99	1.00	1.03	

* The length correction factor must be used to determine the proper belt width.

Selection program available online at ptwizard.com

FEATURES/BENEFITS PAGE PT12-2	SPECIFICATIONS PAGE PT13-2	ENGINEERING/TECHNICAL PAGE PT13-96	
----------------------------------	-------------------------------	---------------------------------------	--

V-Drives
 FHP Drives
 Drive Component Accessories
 DYNA-SYNC
 HT200/HTD Synchronous Drives
 HTR Synchronous Drives
 HTRC Synchronous Drives



8M HTRC Selection Table (Continued)

Speed Ratio	Sprocket Combinations				Center Distance, Inches																	
	Driver		Driven		1224-8M	1280-8M	1352-8M	1440-8M	1464-8M	1600-8M	1760-8M	1800-8M	2000-8M	2200-8M	2400-8M	2520-8M	2600-8M	2800-8M	3048-8M	3280-8M	3600-8M	4400-8M
	No. of Teeth	Pitch Dia. Inches	No. of Teeth	Pitch Dia. Inches	1.04	1.05	1.07	1.10	1.11	1.14	1.17	1.18	1.22	1.26	1.29	1.31	1.32	1.35	1.38	1.41	1.45	1.52
	Length Factor*				1.04	1.05	1.07	1.10	1.11	1.14	1.17	1.18	1.22	1.26	1.29	1.31	1.32	1.35	1.38	1.41	1.45	1.52
2.69	67	6.717	180	18.046	14.07	14.92	19.09	23.18	27.22	29.63	31.23	35.22	40.16	44.77	51.11	66.94
2.73	22	2.206	60	6.015	17.54	18.65	20.07	21.81	22.28	24.97	28.13	28.92	32.86	36.80	40.75	43.11	44.69	48.63	53.51	58.08	64.38	80.14
2.73	33	3.308	90	9.023	14.13	15.25	16.69	18.45	18.92	21.63	24.80	25.59	29.55	33.51	37.45	39.82	41.40	45.35	50.24	54.81	61.12	76.88
2.73	26	2.607	71	7.118	16.30	17.42	18.85	20.59	21.06	23.76	26.92	27.71	31.66	35.60	39.55	41.91	43.49	47.43	52.32	56.89	63.19	78.95
2.73	41	4.110	112	11.229	11.50	12.66	14.12	15.91	16.39	19.12	22.32	23.12	27.10	31.06	35.02	37.40	38.98	42.93	47.83	52.40	58.72	74.49
2.76	29	2.907	80	8.020	15.30	16.42	17.85	19.60	20.08	22.77	25.94	26.73	30.69	34.63	38.58	40.95	42.53	46.47	51.36	55.93	62.24	77.99
2.78	27	2.707	75	7.519	15.88	17.00	18.43	20.18	20.65	23.34	26.51	27.30	31.25	35.20	39.14	41.51	43.09	47.03	51.92	56.49	62.79	78.55
2.80	40	4.010	112	11.229	11.57	12.72	14.19	15.98	16.46	19.19	22.39	23.19	27.17	31.14	35.10	37.47	39.05	43.00	47.90	52.48	58.79	74.56
2.80	50	5.013	140	14.036	10.71	12.58	13.09	15.90	19.16	19.97	23.99	27.99	31.97	34.36	35.94	39.91	44.82	49.41	55.73	71.52
2.80	80	8.020	224	22.457	17.93	22.14	24.62	26.26	30.33	35.34	39.99	46.38	62.27
2.81	32	3.208	90	9.023	14.20	15.32	16.76	18.52	18.99	21.70	24.87	25.67	29.63	33.58	37.53	39.90	41.48	45.42	50.31	54.89	61.20	76.96
2.84	25	2.506	71	7.118	16.38	17.49	18.92	20.66	21.14	23.83	26.99	27.78	31.73	35.68	39.62	41.99	43.56	47.51	52.39	56.97	63.27	79.03
2.86	28	2.807	80	8.020	15.37	16.49	17.93	19.67	20.15	22.85	26.02	26.81	30.76	34.71	38.66	41.02	42.60	46.55	51.43	56.01	62.31	78.07
2.86	63	6.316	180	18.046	14.32	15.18	19.36	23.45	27.49	29.91	31.51	35.51	40.45	45.06	51.41	67.23
2.86	22	2.206	63	6.316	17.28	18.39	19.82	21.56	22.03	24.72	27.88	28.67	32.62	36.56	40.50	42.87	44.44	48.38	53.27	57.84	64.14	79.90
2.87	39	3.910	112	11.229	11.64	12.79	14.26	16.05	16.53	19.26	22.46	23.26	27.24	31.21	35.17	37.54	39.13	43.08	47.98	52.56	58.87	74.64
2.88	26	2.607	75	7.519	15.96	17.07	18.50	20.25	20.72	23.42	26.58	27.37	31.33	35.27	39.22	41.59	43.16	47.11	51.99	56.56	62.87	78.63
2.90	31	3.108	90	9.023	14.27	15.39	16.83	18.59	19.07	21.77	24.95	25.74	29.70	33.65	37.61	39.97	41.55	45.50	50.39	54.96	61.27	77.03
2.92	48	4.812	140	14.036	10.84	12.71	13.22	16.04	19.30	20.11	24.13	28.13	32.12	34.50	36.09	40.06	44.97	49.56	55.88	71.67
2.95	38	3.810	112	11.229	11.70	12.86	14.33	16.11	16.60	19.34	22.54	23.33	27.31	31.28	35.24	37.62	39.20	43.15	48.05	52.63	58.94	74.72
2.96	27	2.707	80	8.020	15.45	16.56	18.00	19.75	20.22	22.92	26.09	26.88	30.83	34.78	38.73	41.10	42.68	46.62	51.51	56.08	62.39	78.15
2.99	75	7.519	224	22.457	18.25	22.47	24.96	26.60	30.68	35.69	40.34	46.74	62.64
3.00	25	2.506	75	7.519	16.03	17.14	18.58	20.32	20.80	23.49	26.66	27.45	31.40	35.35	39.29	41.66	43.24	47.18	52.07	56.64	62.95	78.70
3.00	30	3.008	90	9.023	14.33	15.46	16.90	18.66	19.14	21.84	25.02	25.81	29.77	33.73	37.68	40.05	41.63	45.57	50.47	55.04	61.35	77.11
3.00	60	6.015	180	18.046	14.51	15.37	19.56	23.65	27.70	30.12	31.72	35.72	40.67	45.28	51.63	67.46
3.03	37	3.709	112	11.229	11.77	12.92	14.40	16.18	16.67	19.41	22.61	23.40	27.39	31.36	35.32	37.69	39.27	43.23	48.13	52.71	59.02	74.79
3.05	22	2.206	67	6.717	16.94	18.05	19.48	21.22	21.70	24.39	27.55	28.34	32.29	36.23	40.18	42.54	44.12	48.06	52.95	57.52	63.82	79.58
3.08	26	2.607	80	8.020	15.52	16.63	18.07	19.82	20.30	22.99	26.16	26.95	30.91	34.86	38.81	41.18	42.75	46.70	51.59	56.16	62.47	78.23
3.10	29	2.907	90	9.023	14.40	15.53	16.97	18.73	19.21	21.92	25.09	25.89	29.85	33.80	37.75	40.12	41.70	45.65	50.54	55.12	61.42	77.19
3.11	36	3.609	112	11.229	11.83	12.99	14.46	16.25	16.74	19.48	22.68	23.48	27.46	31.43	35.39	37.77	39.35	43.30	48.20	52.78	59.10	74.87
3.11	45	4.511	140	14.036	11.03	12.91	13.41	16.24	19.50	20.32	24.34	28.35	32.33	34.72	36.31	40.28	45.19	49.78	56.10	71.90
3.15	71	7.118	224	22.457	18.50	22.73	25.22	26.87	30.95	35.97	40.63	47.02	62.93
3.20	25	2.506	80	8.020	15.59	16.71	18.14	19.89	20.37	23.07	26.24	27.03	30.98	34.93	38.88	41.25	42.83	46.77	51.66	56.24	62.54	78.30
3.20	35	3.509	112	11.229	11.90	13.06	14.53	16.32	16.81	19.55	22.75	23.55	27.53	31.50	35.47	37.84	39.42	43.38	48.28	52.86	59.17	74.95
3.21	28	2.807	90	9.023	14.47	15.60	17.04	18.80	19.28	21.99	25.17	25.96	29.92	33.88	37.83	40.20	41.78	45.73	50.62	55.19	61.50	77.27
3.21	56	5.614	180	18.046	14.76	15.62	19.82	23.93	27.98	30.40	32.00	36.01	40.96	45.57	51.92	67.76
3.23	22	2.206	71	7.118	16.59	17.71	19.14	20.88	21.36	24.05	27.22	28.01	31.96	35.90	39.85	42.22	43.79	47.74	52.62	57.20	63.50	79.26
3.29	34	3.409	112	11.229	11.97	13.12	14.60	16.39	16.88	19.62	22.82	23.62	27.60	31.57	35.54	37.91	39.50	43.45	48.35	52.93	59.25	75.02
3.33	27	2.707	90	9.023	14.54	15.67	17.11	18.87	19.35	22.06	25.24	26.03	30.00	33.95	37.90	40.27	41.85	45.80	50.69	55.27	61.58	77.34
3.33	42	4.211	140	14.036	...	9.62	11.21	13.10	13.61	16.44	19.71	20.52	24.56	28.56	32.55	34.94	36.53	40.50	45.41	50.00	56.33	72.12
3.34	67	6.717	224	22.457	18.75	23.00	25.49	27.14	31.22	36.24	40.91	47.31	63.22
	Length Factor*				1.04	1.05	1.07	1.10	1.11	1.14	1.17	1.18	1.22	1.26	1.29	1.31	1.32	1.35	1.38	1.41	1.45	1.52

* The length correction factor must be used to determine the proper belt width.

Selection program available online at ptwizard.com

FEATURES/BENEFITS PAGE PT12-2	SPECIFICATIONS PAGE PT13-2	ENGINEERING/TECHNICAL PAGE PT13-96	
----------------------------------	-------------------------------	---------------------------------------	--



8M HTRC Selection Table

Speed Ratio	Sprocket Combinations				Center Distance, Inches								Center Distance, Inches							
	Driver		Driven		720-8M	800-8M	840-8M	880-8M	896-8M	920-8M	960-8M	1000-8M	1040-8M	1080-8M	1120-8M	1200-8M	1224-8M	1280-8M	1352-8M	
	No. of Teeth	Pitch Dia. Inches	No. of Teeth	Pitch Dia. Inches																
Length Factor*					0.85	0.88	0.90	0.91	0.92	0.93	0.95	0.96	0.97	0.99	1.00	1.03	1.04	1.05	1.07	
3.39	33	3.308	112	11.229	8.09	8.97	9.84	11.53	12.03	13.19	14.67	
3.40	53	5.314	180	18.046	
3.41	22	2.206	75	7.519	5.95	7.65	8.49	9.31	9.64	10.13	10.94	11.75	12.56	13.36	14.16	15.76	16.24	17.36	18.79	
3.41	41	4.110	140	14.036	9.68	11.28	
3.46	26	2.607	90	9.023	6.63	7.51	7.85	8.37	9.21	10.04	10.87	11.69	12.51	14.13	14.61	15.74	17.19	
3.50	32	3.208	112	11.229	8.15	9.04	9.90	11.60	12.10	13.26	14.74	
3.50	40	4.010	140	14.036	9.74	11.34	
3.56	63	6.316	224	22.457	
3.59	39	3.910	140	14.036	9.80	11.40	
3.60	25	2.506	90	9.023	6.69	7.57	7.92	8.43	9.27	10.11	10.94	11.76	12.57	14.20	14.68	15.81	17.26	
3.60	50	5.013	180	18.046	
3.61	31	3.108	112	11.229	7.30	8.21	9.10	9.97	11.66	12.16	13.32	14.80	
3.64	22	2.206	80	8.020	...	7.13	7.98	8.82	9.15	9.64	10.47	11.28	12.10	12.90	13.71	15.32	15.80	16.92	18.36	
3.68	38	3.810	140	14.036	9.86	11.47	
3.73	30	3.008	112	11.229	7.36	8.28	9.16	10.03	11.73	12.23	13.39	14.87
3.73	60	6.015	224	22.457	
3.75	48	4.812	180	18.046	
3.78	37	3.709	140	14.036	9.92	11.53	
3.86	29	2.907	112	11.229	7.42	8.34	9.22	10.09	11.79	12.29	13.46	14.94
3.89	36	3.609	140	14.036	9.98	11.59	
4.00	28	2.807	112	11.229	7.48	8.40	9.29	10.16	11.86	12.36	13.52	15.01	
4.00	35	3.509	140	14.036	10.05	11.65	
4.00	45	4.511	180	18.046	
4.00	56	5.614	224	22.457	
4.09	22	2.206	90	9.023	...	5.96	6.88	7.76	8.11	8.62	9.47	10.31	11.14	11.96	12.78	14.40	14.89	16.02	17.47	
4.12	34	3.409	140	14.036	10.11	11.72	
4.15	27	2.707	112	11.229	7.54	8.46	9.35	10.22	11.92	12.42	13.59	15.07	
4.23	53	5.314	224	22.457	
4.24	33	3.308	140	14.036	8.85	10.17	11.78	
4.29	42	4.211	180	18.046	
4.31	26	2.607	112	11.229	7.60	8.52	9.41	10.28	11.99	12.49	13.66	15.14	
4.38	32	3.208	140	14.036	8.91	10.23	11.84	
4.39	41	4.110	180	18.046	
4.48	25	2.506	112	11.229	7.66	8.58	9.47	10.35	12.05	12.56	13.72	15.21	
4.48	50	5.013	224	22.457	
4.50	40	4.010	180	18.046	
4.52	31	3.108	140	14.036	8.97	10.29	11.90	
4.62	39	3.910	180	18.046	
4.67	30	3.008	140	14.036	9.03	10.35	11.96	
4.67	48	4.812	224	22.457	
4.74	38	3.810	180	18.046	
Length Factor*					0.85	0.88	0.90	0.91	0.92	0.93	0.95	0.96	0.97	0.99	1.00	1.03	1.04	1.05	1.07	

* The length correction factor must be used to determine the proper belt width.

Selection program available online at ptwizard.com

FEATURES/BENEFITS PAGE PT12-2	SPECIFICATIONS PAGE PT13-2	ENGINEERING/TECHNICAL PAGE PT13-96	
----------------------------------	-------------------------------	---------------------------------------	--

V-Drives

FHP Drives

Drive Component Accessories

DYNA-SYNC

HT200/HTD Synchronous Drives

HTR Synchronous Drives

HTRC Synchronous Drives



8M HTRC Selection Table (Continued)

Speed Ratio	Sprocket Combinations				Center Distance, Inches														
	Driver		Driven		1440-8M	1464-8M	1600-8M	1760-8M	1800-8M	2000-8M	2200-8M	2400-8M	2520-8M	2600-8M	2800-8M	3048-8M	3280-8M	3600-8M	4400-8M
	No. of Teeth	Pitch Dia. Inches	No. of Teeth	Pitch Dia. Inches															
Length Factor*					1.10	1.11	1.14	1.17	1.18	1.22	1.26	1.29	1.31	1.32	1.35	1.38	1.41	1.45	1.52
3.39	33	3.308	112	11.229	16.46	16.94	19.69	22.89	23.69	27.68	31.65	35.61	37.99	39.57	43.53	48.43	53.01	59.32	75.10
3.40	53	5.314	180	18.046	14.95	15.81	20.02	24.13	28.19	30.61	32.21	36.22	41.17	45.79	52.14	67.98
3.41	22	2.206	75	7.519	20.54	21.02	23.71	26.88	27.67	31.62	35.57	39.52	41.89	43.47	47.41	52.30	56.87	63.18	78.94
3.41	41	4.110	140	14.036	13.17	13.67	16.51	19.78	20.59	24.63	28.63	32.62	35.01	36.60	40.57	45.48	50.08	56.40	72.20
3.46	26	2.607	90	9.023	18.95	19.42	22.13	25.31	26.11	30.07	34.03	37.98	40.35	41.93	45.88	50.77	55.34	61.65	77.42
3.50	32	3.208	112	11.229	16.53	17.01	19.76	22.96	23.76	27.75	31.72	35.69	38.06	39.65	43.60	48.50	53.08	59.40	75.17
3.50	40	4.010	140	14.036	13.23	13.74	16.57	19.85	20.66	24.70	28.70	32.69	35.08	36.67	40.64	45.56	50.15	56.48	72.27
3.56	63	6.316	224	22.457	19.01	23.26	25.75	27.41	31.50	36.52	41.19	47.59	63.51
3.59	39	3.910	140	14.036	13.30	13.80	16.64	19.91	20.73	24.77	28.77	32.77	35.15	36.74	40.72	45.63	50.22	56.55	72.35
3.60	25	2.506	90	9.023	19.02	19.50	22.21	25.39	26.18	30.14	34.10	38.05	40.42	42.00	45.95	50.85	55.42	61.73	77.50
3.60	50	5.013	180	18.046	15.14	16.01	20.22	24.33	28.40	30.82	32.43	36.43	41.39	46.00	52.36	68.20
3.61	31	3.108	112	11.229	16.60	17.08	19.83	23.03	23.83	27.82	31.79	35.76	38.14	39.72	43.68	48.58	53.16	59.47	75.25
3.64	22	2.206	80	8.020	20.11	20.59	23.29	26.46	27.25	31.21	35.16	39.11	41.48	43.06	47.00	51.89	56.46	62.77	78.53
3.68	38	3.810	140	14.036	13.36	13.87	16.70	19.98	20.80	24.84	28.85	32.84	35.23	36.82	40.79	45.71	50.30	56.63	72.43
3.73	30	3.008	112	11.229	16.66	17.15	19.90	23.10	23.90	27.89	31.87	35.83	38.21	39.79	43.75	48.65	53.23	59.55	75.33
3.73	60	6.015	224	22.457	14.72	19.20	23.45	25.95	27.61	31.70	36.73	41.40	47.81	63.73
3.75	48	4.812	180	18.046	11.68	15.27	16.13	20.35	24.47	28.53	30.96	32.57	36.58	41.53	46.15	52.51	68.35
3.78	37	3.709	140	14.036	13.42	13.93	16.77	20.05	20.86	24.90	28.92	32.91	35.30	36.89	40.86	45.78	50.37	56.70	72.50
3.86	29	2.907	112	11.229	16.73	17.22	19.97	23.18	23.98	27.96	31.94	35.91	38.28	39.87	43.82	48.73	53.31	59.62	75.40
3.89	36	3.609	140	14.036	13.49	14.00	16.84	20.12	20.93	24.97	28.99	32.98	35.37	36.96	40.93	45.85	50.45	56.78	72.58
4.00	28	2.807	112	11.229	16.80	17.29	20.04	23.25	24.05	28.04	32.01	35.98	38.36	39.94	43.90	48.80	53.38	59.70	75.48
4.00	35	3.509	140	14.036	13.55	14.06	16.90	20.19	21.00	25.04	29.06	33.05	35.44	37.03	41.01	45.93	50.52	56.85	72.65
4.00	45	4.511	180	18.046	11.86	15.46	16.32	20.55	24.67	28.74	31.16	32.77	36.79	41.74	46.37	52.72	68.57
4.00	56	5.614	224	22.457	14.96	19.45	23.71	26.22	27.87	31.97	37.01	41.68	48.09	64.02
4.09	22	2.206	90	9.023	19.23	19.71	22.42	25.60	26.40	30.36	34.32	38.28	40.65	42.23	46.18	51.07	55.65	61.96	77.73
4.12	34	3.409	140	14.036	13.62	14.13	16.97	20.25	21.07	25.11	29.13	33.12	35.51	37.11	41.08	46.00	50.59	56.92	72.73
4.15	27	2.707	112	11.229	16.87	17.36	20.11	23.32	24.12	28.11	32.08	36.05	38.43	40.01	43.97	48.87	53.46	59.77	75.55
4.23	53	5.314	224	22.457	15.14	19.64	23.91	26.42	28.07	32.18	37.21	41.89	48.31	64.24
4.24	33	3.308	140	14.036	13.68	14.19	17.04	20.32	21.14	25.18	29.20	33.20	35.59	37.18	41.15	46.07	50.67	57.00	72.80
4.29	42	4.211	180	18.046	12.04	15.64	16.51	20.75	24.87	28.95	31.37	32.98	37.00	41.96	46.58	52.94	68.79
4.31	26	2.607	112	11.229	16.94	17.42	20.17	23.39	24.19	28.18	32.16	36.13	38.50	40.09	44.05	48.95	53.53	59.85	75.63
4.38	32	3.208	140	14.036	13.74	14.25	17.10	20.39	21.21	25.25	29.27	33.27	35.66	37.25	41.23	46.15	50.74	57.07	72.88
4.39	41	4.110	180	18.046	12.10	15.71	16.58	20.81	24.94	29.01	31.44	33.05	37.07	42.03	46.65	53.02	68.87
4.48	25	2.506	112	11.229	17.01	17.49	20.24	23.46	24.26	28.25	32.23	36.20	38.58	40.16	44.12	49.02	53.61	59.93	75.71
4.48	50	5.013	224	22.457	15.32	19.82	24.10	26.61	28.27	32.38	37.42	42.10	48.52	64.46
4.50	40	4.010	180	18.046	12.16	15.77	16.64	20.88	25.01	29.08	31.51	33.12	37.14	42.10	46.73	53.09	68.94
4.52	31	3.108	140	14.036	13.81	14.32	17.17	20.46	21.27	25.32	29.34	33.34	35.73	37.32	41.30	46.22	50.82	57.15	72.95
4.62	39	3.910	180	18.046	12.22	15.83	16.70	20.94	25.08	29.15	31.58	33.19	37.21	42.17	46.80	53.16	69.02
4.67	30	3.008	140	14.036	13.87	14.38	17.23	20.53	21.34	25.39	29.41	33.41	35.80	37.40	41.37	46.29	50.89	57.22	73.03
4.67	48	4.812	224	22.457	15.44	19.95	24.23	26.74	28.40	32.51	37.56	42.24	48.66	64.61
4.74	38	3.810	180	18.046	12.28	15.90	16.77	21.01	25.14	29.22	31.65	33.26	37.28	42.24	46.87	53.23	69.09
Length Factor*					1.10	1.11	1.14	1.17	1.18	1.22	1.26	1.29	1.31	1.32	1.35	1.38	1.41	1.45	1.52

* The length correction factor must be used to determine the proper belt width.

Selection program available online at ptwizard.com

FEATURES/BENEFITS PAGE PT12-2	SPECIFICATIONS PAGE PT13-2	ENGINEERING/TECHNICAL PAGE PT13-96	
----------------------------------	-------------------------------	---------------------------------------	--



8M HTRC Selection Table

Speed Ratio	Sprocket Combinations				Center Distance, Inches											
	Driver		Driven		1000-8M	1040-8M	1080-8M	1120-8M	1200-8M	1224-8M	1280-8M	1352-8M	1440-8M	1464-8M	1600-8M	1760-8M
	No. of Teeth	Pitch Dia. Inches	No. of Teeth	Pitch Dia. Inches												
Length Factor*					0.96	0.97	0.99	1.00	1.03	1.04	1.05	1.07	1.10	1.11	1.14	1.17
4.83	29	2.907	140	14.036	9.09	10.41	12.03	13.94	14.45	17.30	20.59
4.86	37	3.709	180	18.046	12.34	15.96
4.98	45	4.511	224	22.457
5.00	28	2.807	140	14.036	9.15	10.47	12.09	14.00	14.51	17.37	20.66
5.00	36	3.609	180	18.046	12.39	16.02
5.09	22	2.206	112	11.229	7.84	8.77	9.66	10.54	12.25	12.75	13.92	15.41	17.21	17.70	20.45	23.67
5.14	35	3.509	180	18.046	12.45	16.08
5.19	27	2.707	140	14.036	8.62	9.21	10.53	12.15	14.06	14.58	17.43	20.73
5.29	34	3.409	180	18.046	12.51	16.15
5.33	42	4.211	224	22.457
5.38	26	2.607	140	14.036	8.68	9.27	10.59	12.21	14.13	14.64	17.50	20.80
5.45	33	3.308	180	18.046	12.57	16.21
5.46	41	4.110	224	22.457
5.60	25	2.506	140	14.036	8.73	9.33	10.65	12.28	14.19	14.70	17.56	20.86
5.60	40	4.010	224	22.457
5.63	32	3.208	180	18.046	12.63	16.27
5.74	39	3.910	224	22.457
5.81	31	3.108	180	18.046	12.69	16.33
5.89	38	3.810	224	22.457
6.00	30	3.008	180	18.046	12.75	16.39
6.05	37	3.709	224	22.457
6.21	29	2.907	180	18.046	12.81	16.46
6.22	36	3.609	224	22.457
6.36	22	2.206	140	14.036	8.91	9.50	10.83	12.46	14.38	14.89	17.76	21.07
6.40	35	3.509	224	22.457
6.43	28	2.807	180	18.046	12.87	16.52
6.59	34	3.409	224	22.457
6.67	27	2.707	180	18.046	12.93	16.58
6.79	33	3.308	224	22.457
6.92	26	2.607	180	18.046	12.99	16.64
7.00	32	3.208	224	22.457
7.20	25	2.506	180	18.046	13.05	16.71
7.23	31	3.108	224	22.457
7.47	30	3.008	224	22.457
7.72	29	2.907	224	22.457
8.00	28	2.807	224	22.457
8.18	22	2.206	180	18.046	13.23	16.89
8.30	27	2.707	224	22.457
8.62	26	2.607	224	22.457
8.96	25	2.506	224	22.457
10.18	22	2.206	224	22.457
Length Factor*					0.96	0.97	0.99	1.00	1.03	1.04	1.05	1.07	1.10	1.11	1.14	1.17

* The length correction factor must be used to determine the proper belt width.

Selection program available online at ptwizard.com

FEATURES/BENEFITS PAGE PT12-2	SPECIFICATIONS PAGE PT13-2	ENGINEERING/TECHNICAL PAGE PT13-96	
----------------------------------	-------------------------------	---------------------------------------	--

V-Drives
FHP Drives
Drive Component Accessories
DYNA-SYNC
HT200/HTD Synchronous Drives
HTR Synchronous Drives
HTRC Synchronous Drives



8M HTRC Selection Table (Continued)

Speed Ratio	Sprocket Combinations				Center Distance, Inches										
	Driver		Driven		1800-8M	2000-8M	2200-8M	2400-8M	2520-8M	2600-8M	2800-8M	3048-8M	3280-8M	3600-8M	4400-8M
	No. of Teeth	Pitch Dia. Inches	No. of Teeth	Pitch Dia. Inches											
Length Factor*					1.18	1.22	1.26	1.29	1.31	1.32	1.35	1.38	1.41	1.45	1.52
4.83	29	2.907	140	14.036	21.41	25.46	29.48	33.48	35.87	37.47	41.44	46.37	50.96	57.30	73.10
4.86	37	3.709	180	18.046	16.83	21.07	25.21	29.29	31.72	33.33	37.35	42.31	46.94	53.31	69.16
4.98	45	4.511	224	22.457	...	15.62	20.14	24.43	26.94	28.60	32.72	37.76	42.45	48.87	64.82
5.00	28	2.807	140	14.036	21.48	25.53	29.55	33.55	35.95	37.54	41.52	46.44	51.04	57.37	73.18
5.00	36	3.609	180	18.046	16.89	21.14	25.28	29.36	31.79	33.40	37.42	42.39	47.01	53.38	69.24
5.09	22	2.206	112	11.229	24.47	28.47	32.45	36.42	38.80	40.38	44.34	49.25	53.83	60.15	75.93
5.14	35	3.509	180	18.046	16.95	21.20	25.34	29.43	31.86	33.47	37.49	42.46	47.09	53.45	69.31
5.19	27	2.707	140	14.036	21.55	25.60	29.62	33.62	36.02	37.61	41.59	46.51	51.11	57.44	73.25
5.29	34	3.409	180	18.046	17.02	21.27	25.41	29.49	31.93	33.54	37.56	42.53	47.16	53.52	69.39
5.33	42	4.211	224	22.457	...	15.80	20.33	24.62	27.14	28.80	32.92	37.97	42.66	49.08	65.04
5.38	26	2.607	140	14.036	21.61	25.67	29.69	33.70	36.09	37.68	41.66	46.59	51.18	57.52	73.33
5.45	33	3.308	180	18.046	17.08	21.33	25.48	29.56	31.99	33.61	37.63	42.60	47.23	53.60	69.46
5.46	41	4.110	224	22.457	...	15.86	20.39	24.68	27.20	28.87	32.99	38.04	42.73	49.15	65.11
5.60	25	2.506	140	14.036	21.68	25.74	29.76	33.77	36.16	37.76	41.73	46.66	51.26	57.59	73.40
5.60	40	4.010	224	22.457	...	15.92	20.45	24.75	27.27	28.93	33.05	38.11	42.80	49.23	65.18
5.63	32	3.208	180	18.046	17.14	21.40	25.55	29.63	32.06	33.68	37.70	42.67	47.30	53.67	69.53
5.74	39	3.910	224	22.457	...	15.98	20.51	24.81	27.34	29.00	33.12	38.18	42.87	49.30	65.26
5.81	31	3.108	180	18.046	17.21	21.46	25.61	29.70	32.13	33.75	37.77	42.74	47.37	53.74	69.61
5.89	38	3.810	224	22.457	...	16.04	20.58	24.88	27.40	29.07	33.19	38.24	42.94	49.37	65.33
6.00	30	3.008	180	18.046	17.27	21.53	25.68	29.77	32.20	33.82	37.84	42.81	47.44	53.81	69.68
6.05	37	3.709	224	22.457	...	16.10	20.64	24.94	27.47	29.13	33.26	38.31	43.01	49.44	65.40
6.21	29	2.907	180	18.046	17.33	21.60	25.75	29.84	32.27	33.89	37.91	42.88	47.52	53.89	69.76
6.22	36	3.609	224	22.457	...	16.16	20.70	25.01	27.53	29.20	33.32	38.38	43.07	49.51	65.47
6.36	22	2.206	140	14.036	21.88	25.95	29.97	33.98	36.38	37.97	41.95	46.88	51.48	57.81	73.63
6.40	35	3.509	224	22.457	...	16.22	20.76	25.07	27.60	29.26	33.39	38.45	43.14	49.58	65.55
6.43	28	2.807	180	18.046	17.39	21.66	25.81	29.90	32.34	33.96	37.98	42.95	47.59	53.96	69.83
6.59	34	3.409	224	22.457	...	16.28	20.82	25.13	27.66	29.33	33.46	38.52	43.21	49.65	65.62
6.67	27	2.707	180	18.046	17.46	21.73	25.88	29.97	32.41	34.03	38.05	43.03	47.66	54.03	69.90
6.79	33	3.308	224	22.457	...	16.34	20.89	25.20	27.73	29.40	33.52	38.59	43.28	49.72	65.69
6.92	26	2.607	180	18.046	17.52	21.79	25.95	30.04	32.48	34.09	38.12	43.10	47.73	54.10	69.98
7.00	32	3.208	224	22.457	...	16.40	20.95	25.26	27.79	29.46	33.59	38.65	43.35	49.79	65.76
7.20	25	2.506	180	18.046	17.58	21.86	26.01	30.11	32.55	34.16	38.19	43.17	47.80	54.18	70.05
7.23	31	3.108	224	22.457	...	16.46	21.01	25.33	27.86	29.53	33.66	38.72	43.42	49.86	65.83
7.47	30	3.008	224	22.457	...	16.52	21.07	25.39	27.92	29.59	33.73	38.79	43.49	49.93	65.91
7.72	29	2.907	224	22.457	...	16.58	21.14	25.46	27.99	29.66	33.79	38.86	43.56	50.00	65.98
8.00	28	2.807	224	22.457	...	16.64	21.20	25.52	28.05	29.72	33.86	38.93	43.63	50.07	66.05
8.18	22	2.206	180	18.046	17.77	22.05	26.21	30.31	32.75	34.37	38.40	43.38	48.02	54.39	70.27
8.30	27	2.707	224	22.457	...	16.70	21.26	25.58	28.12	29.79	33.93	39.00	43.70	50.14	66.12
8.62	26	2.607	224	22.457	...	16.76	21.32	25.65	28.18	29.86	33.99	39.06	43.77	50.21	66.20
8.96	25	2.506	224	22.457	...	16.81	21.38	25.71	28.25	29.92	34.06	39.13	43.84	50.28	66.27
10.18	22	2.206	224	22.457	...	16.99	21.57	25.90	28.44	30.12	34.26	39.34	44.04	50.49	66.48
Length Factor*					1.18	1.22	1.26	1.29	1.31	1.32	1.35	1.38	1.41	1.45	1.52

* The length correction factor must be used to determine the proper belt width.

Selection program available online at ptwizard.com

FEATURES/BENEFITS PAGE PT12-2	SPECIFICATIONS PAGE PT13-2	ENGINEERING/TECHNICAL PAGE PT13-96	
----------------------------------	-------------------------------	---------------------------------------	--



14M HTRC Selection Table

Speed Ratio	Sprocket Combinations				Center Distance, Inches																
	Driver		Driven		966-14M	994-14M	1092-14M	1106-14M	1190-14M	1260-14M	1288-14M	1344-14M	1400-14M	1442-14M	1568-14M	1610-14M	1764-14M	1778-14M	1890-14M	1960-14M	
	No. of Teeth	Pitch Dia. Inches	No. of Teeth	Pitch Dia. Inches																	
	Length Factor*				0.66	0.68	0.71	0.73	0.75	0.77	0.79	0.81	0.83	0.84	0.86	0.87	0.89	0.90	0.92	0.95	
1.00	28	4.912	28	4.912	11.30	11.85	13.78	14.06	15.71	17.09	17.64	18.74	19.85	20.67	23.15	23.98	27.01	27.29	29.49	30.87	
1.00	29	5.088	29	5.088	11.03	11.58	13.51	13.78	15.44	16.82	17.37	18.47	19.57	20.40	22.88	23.70	26.74	27.01	29.22	30.59	
1.00	30	5.263	30	5.263	10.75	11.30	13.23	13.51	15.16	16.54	17.09	18.19	19.30	20.12	22.60	23.43	26.46	26.74	28.94	30.32	
1.00	31	5.439	31	5.439	10.48	11.03	12.96	13.23	14.89	16.26	16.82	17.92	19.02	19.85	22.33	23.15	26.19	26.46	28.67	30.04	
1.00	32	5.614	32	5.614	10.20	10.75	12.68	12.96	14.61	15.99	16.54	17.64	18.74	19.57	22.05	22.88	25.91	26.19	28.39	29.77	
1.00	33	5.790	33	5.790	9.93	10.48	12.41	12.68	14.34	15.71	16.26	17.37	18.47	19.30	21.78	22.60	25.63	25.91	28.11	29.49	
1.00	34	5.965	34	5.965	9.65	10.20	12.13	12.41	14.06	15.44	15.99	17.09	18.19	19.02	21.50	22.33	25.36	25.63	27.84	29.22	
1.00	35	6.141	35	6.141	9.37	9.93	11.86	12.13	13.78	15.16	15.71	16.82	17.92	18.75	21.23	22.05	25.08	25.36	27.56	28.94	
1.00	36	6.316	36	6.316	9.10	9.65	11.58	11.86	13.51	14.89	15.44	16.54	17.64	18.47	20.95	21.78	24.81	25.08	27.29	28.67	
1.00	37	6.492	37	6.492	8.82	9.38	11.30	11.58	13.23	14.61	15.16	16.27	17.37	18.19	20.67	21.50	24.53	24.81	27.01	28.39	
1.00	38	6.667	38	6.667	8.55	9.10	11.03	11.30	12.96	14.34	14.89	15.99	17.09	17.92	20.40	21.23	24.26	24.53	26.74	28.12	
1.00	39	6.842	39	6.842	8.27	8.82	10.75	11.03	12.68	14.06	14.61	15.71	16.82	17.64	20.12	20.95	23.98	24.26	26.46	27.84	
1.00	40	7.018	40	7.018	8.00	8.55	10.48	10.75	12.41	13.79	14.34	15.44	16.54	17.37	19.85	20.67	23.71	23.98	26.19	27.56	
1.00	43	7.544	43	7.544	9.65	9.93	11.58	12.96	13.51	14.61	15.71	16.54	19.02	19.85	22.88	23.16	25.36	26.74	
1.00	45	7.895	45	7.895	9.10	9.38	11.03	12.41	12.96	14.06	15.16	15.99	18.47	19.30	22.33	22.60	24.81	26.19	
1.00	48	8.421	48	8.421	10.20	11.58	12.13	13.24	14.34	15.16	17.64	18.47	21.50	21.78	23.98	25.36	
1.00	50	8.772	50	8.772	9.65	11.03	11.58	12.68	13.79	14.61	17.09	17.92	20.95	21.23	23.43	24.81	
1.00	53	9.299	53	9.299	10.20	10.76	11.86	12.96	13.79	16.27	17.09	20.13	20.40	22.61	23.98	
1.00	56	9.825	56	9.825	11.03	12.13	12.96	15.44	16.27	19.30	19.57	21.78	23.16	
1.00	60	10.527	60	10.527	11.86	14.34	15.17	18.20	18.47	20.68	22.06	
1.00	63	11.053	63	11.053	13.51	14.34	17.37	17.65	19.85	21.23	
1.00	67	11.755	67	11.755	13.24	16.27	16.54	18.75	20.13	
1.00	71	12.457	71	12.457	15.17	15.44	17.65	19.03	
1.00	75	13.158	75	13.158	14.07	14.34	16.55	17.92	
1.00	80	14.036	80	14.036	15.17	16.55	
1.03	39	6.842	40	7.018	8.13	8.69	10.62	10.89	12.54	13.92	14.47	15.58	16.68	17.51	19.99	20.81	23.84	24.12	26.32	27.70	
1.03	38	6.667	39	6.842	8.41	8.96	10.89	11.17	12.82	14.20	14.75	15.85	16.95	17.78	20.26	21.09	24.12	24.39	26.60	27.98	
1.03	37	6.492	38	6.667	8.69	9.24	11.17	11.44	13.10	14.47	15.02	16.13	17.23	18.06	20.54	21.36	24.39	24.67	26.88	28.25	
1.03	36	6.316	37	6.492	8.96	9.51	11.44	11.72	13.37	14.75	15.30	16.40	17.50	18.33	20.81	21.64	24.67	24.95	27.15	28.53	
1.03	35	6.141	36	6.316	9.24	9.79	11.72	11.99	13.65	15.02	15.58	16.68	17.78	18.61	21.09	21.91	24.95	25.22	27.43	28.80	
1.03	34	5.965	35	6.141	9.51	10.06	11.99	12.27	13.92	15.30	15.85	16.95	18.06	18.88	21.36	22.19	25.22	25.50	27.70	29.08	
1.03	33	5.790	34	5.965	9.79	10.34	12.27	12.54	14.20	15.58	16.13	17.23	18.33	19.16	21.64	22.47	25.50	25.77	27.98	29.35	
1.03	32	5.614	33	5.790	10.06	10.61	12.54	12.82	14.47	15.85	16.40	17.50	18.61	19.43	21.91	22.74	25.77	26.05	28.25	29.63	
1.03	31	5.439	32	5.614	10.34	10.89	12.82	13.09	14.75	16.13	16.68	17.78	18.88	19.71	22.19	23.02	26.05	26.32	28.53	29.91	
1.03	30	5.263	31	5.439	10.61	11.17	13.09	13.37	15.02	16.40	16.95	18.06	19.16	19.98	22.46	23.29	26.32	26.60	28.80	30.18	
1.03	29	5.088	30	5.263	10.89	11.44	13.37	13.65	15.30	16.68	17.23	18.33	19.43	20.26	22.74	23.57	26.60	26.87	29.08	30.46	
1.04	28	4.912	29	5.088	11.17	11.72	13.65	13.92	15.57	16.95	17.50	18.61	19.71	20.54	23.02	23.84	26.87	27.15	29.35	30.73	
1.04	48	8.421	50	8.772	9.93	11.30	11.86	12.96	14.06	14.89	17.37	18.19	21.23	21.50	23.71	25.08	
1.05	43	7.544	45	7.895	9.37	9.65	11.30	12.68	13.23	14.34	15.44	16.27	18.75	19.57	22.60	22.88	25.08	26.46	
1.05	60	10.527	63	11.053	11.44	13.92	14.75	17.78	18.06	20.26	21.64
1.05	38	6.667	40	7.018	8.27	8.82	10.75	11.03	12.68	14.06	14.61	15.71	16.82	17.64	20.12	20.95	23.98	24.26	26.46	27.84	
1.05	37	6.492	39	6.842	8.55	9.10	11.03	11.30	12.96	14.33	14.89	15.99	17.09	17.92	20.40	21.23	24.26	24.53	26.74	28.11	
	Length Factor*				0.66	0.68	0.71	0.73	0.75	0.77	0.79	0.81	0.83	0.84	0.86	0.87	0.89	0.90	0.92	0.95	

* The length correction factor must be used to determine proper belt width.

Selection program available online at ptwizard.com

FEATURES/BENEFITS PAGE PT12-2	SPECIFICATIONS PAGE PT13-2	ENGINEERING/TECHNICAL PAGE PT13-96	
----------------------------------	-------------------------------	---------------------------------------	--

V-Drives

FHP Drives

Drive Component Accessories

DYNA-SYNC

HT200/HTD Synchronous Drives

HTR Synchronous Drives

HTRC Synchronous Drives



14M HTRC Selection Table (Continued)

Speed Ratio	Sprocket Combinations				Center Distance, Inches															
	Driver		Driven		2100-14M	2240-14M	2310-14M	2380-14M	2450-14M	2590-14M	2660-14M	2800-14M	3150-14M	3360-14M	3500-14M	3850-14M	3920-14M	4326-14M	4578-14M	4956-14M
	No. of Teeth	Pitch Dia. Inches	No. of Teeth	Pitch Dia. Inches																
Length Factor*					0.96	0.99	1.00	1.01	1.02	1.04	1.06	1.08	1.11	1.14	1.16	1.19	1.22	1.25	1.29	1.34
1.00	28	4.912	28	4.912	33.63	36.38	37.76	39.14	40.52	43.27	44.65	47.41	54.30	58.43	61.19	68.07	69.45	77.44	82.41	89.85
1.00	29	5.088	29	5.088	33.35	36.11	37.48	38.86	40.24	43.00	44.37	47.13	54.02	58.15	60.91	67.80	69.18	77.17	82.13	89.57
1.00	30	5.263	30	5.263	33.08	35.83	37.21	38.59	39.96	42.72	44.10	46.85	53.74	57.88	60.63	67.52	68.90	76.89	81.85	89.30
1.00	31	5.439	31	5.439	32.80	35.56	36.93	38.31	39.69	42.45	43.82	46.58	53.47	57.60	60.36	67.25	68.63	76.62	81.58	89.02
1.00	32	5.614	32	5.614	32.52	35.28	36.66	38.04	39.41	42.17	43.55	46.30	53.19	57.33	60.08	66.97	68.35	76.34	81.30	88.74
1.00	33	5.790	33	5.790	32.25	35.01	36.38	37.76	39.14	41.89	43.27	46.03	52.92	57.05	59.81	66.70	68.08	76.07	81.03	88.47
1.00	34	5.965	34	5.965	31.97	34.73	36.11	37.49	38.86	41.62	43.00	45.75	52.64	56.78	59.53	66.42	67.80	75.79	80.75	88.19
1.00	35	6.141	35	6.141	31.70	34.45	35.83	37.21	38.59	41.34	42.72	45.48	52.37	56.50	59.26	66.15	67.52	75.52	80.48	87.92
1.00	36	6.316	36	6.316	31.42	34.18	35.56	36.93	38.31	41.07	42.45	45.20	52.09	56.23	58.98	65.87	67.25	75.24	80.20	87.64
1.00	37	6.492	37	6.492	31.15	33.90	35.28	36.66	38.04	40.79	42.17	44.93	51.82	55.95	58.71	65.60	66.97	74.97	79.93	87.37
1.00	38	6.667	38	6.667	30.87	33.63	35.01	36.38	37.76	40.52	41.90	44.65	51.54	55.67	58.43	65.32	66.70	74.69	79.65	87.09
1.00	39	6.842	39	6.842	30.60	33.35	34.73	36.11	37.49	40.24	41.62	44.38	51.27	55.40	58.16	65.04	66.42	74.41	79.38	86.82
1.00	40	7.018	40	7.018	30.32	33.08	34.45	35.83	37.21	39.97	41.34	44.10	50.99	55.12	57.88	64.77	66.15	74.14	79.10	86.54
1.00	43	7.544	43	7.544	29.49	32.25	33.63	35.01	36.38	39.14	40.52	43.27	50.16	54.30	57.05	63.94	65.32	73.31	78.27	85.71
1.00	45	7.895	45	7.895	28.94	31.70	33.08	34.46	35.83	38.59	39.97	42.72	49.61	53.75	56.50	63.39	64.77	72.76	77.72	85.16
1.00	48	8.421	48	8.421	28.12	30.87	32.25	33.63	35.01	37.76	39.14	41.90	48.79	52.92	55.68	62.57	63.94	71.94	76.90	84.34
1.00	50	8.772	50	8.772	27.57	30.32	31.70	33.08	34.46	37.21	38.59	41.35	48.24	52.37	55.13	62.01	63.39	71.38	76.35	83.79
1.00	53	9.299	53	9.299	26.74	29.50	30.87	32.25	33.63	36.39	37.76	40.52	47.41	51.54	54.30	61.19	62.57	70.56	75.52	82.96
1.00	56	9.825	56	9.825	25.91	28.67	30.05	31.43	32.80	35.56	36.94	39.69	46.58	50.72	53.47	60.36	61.74	69.73	74.69	82.13
1.00	60	10.527	60	10.527	24.81	27.57	28.95	30.32	31.70	34.46	35.84	38.59	45.48	49.61	52.37	59.26	60.64	68.63	73.59	81.03
1.00	63	11.053	63	11.053	23.99	26.74	28.12	29.50	30.87	33.63	35.01	37.76	44.65	48.79	51.54	58.43	59.81	67.80	72.76	80.21
1.00	67	11.755	67	11.755	22.88	25.64	27.02	28.40	29.77	32.53	33.91	36.66	43.55	47.69	50.44	57.33	58.71	66.70	71.66	79.10
1.00	71	12.457	71	12.457	21.78	24.54	25.92	27.29	28.67	31.43	32.81	35.56	42.45	46.58	49.34	56.23	57.61	65.60	70.56	78.00
1.00	75	13.158	75	13.158	20.68	23.44	24.81	26.19	27.57	30.33	31.70	34.46	41.35	45.48	48.24	55.13	56.51	64.50	69.46	76.90
1.00	80	14.036	80	14.036	19.30	22.06	23.44	24.81	26.19	28.95	30.33	33.08	39.97	44.11	46.86	53.75	55.13	63.12	68.08	75.52
1.03	39	6.842	40	7.018	30.46	33.21	34.59	35.97	37.35	40.10	41.48	44.24	51.13	55.26	58.02	64.91	66.28	74.28	79.24	86.68
1.03	38	6.667	39	6.842	30.73	33.49	34.87	36.25	37.62	40.38	41.76	44.51	51.40	55.54	58.29	65.18	66.56	74.55	79.51	86.95
1.03	37	6.492	38	6.667	31.01	33.76	35.14	36.52	37.90	40.65	42.03	44.79	51.68	55.81	58.57	65.46	66.84	74.83	79.79	87.23
1.03	36	6.316	37	6.492	31.28	34.04	35.42	36.80	38.17	40.93	42.31	45.06	51.95	56.09	58.84	65.73	67.11	75.10	80.06	87.51
1.03	35	6.141	36	6.316	31.56	34.32	35.69	37.07	38.45	41.21	42.58	45.34	52.23	56.36	59.12	66.01	67.39	75.38	80.34	87.78
1.03	34	5.965	35	6.141	31.84	34.59	35.97	37.35	38.73	41.48	42.86	45.61	52.50	56.64	59.39	66.28	67.66	75.65	80.62	88.06
1.03	33	5.790	34	5.965	32.11	34.87	36.24	37.62	39.00	41.76	43.13	45.89	52.78	56.91	59.67	66.56	67.94	75.93	80.89	88.33
1.03	32	5.614	33	5.790	32.39	35.14	36.52	37.90	39.28	42.03	43.41	46.17	53.06	57.19	59.95	66.84	68.21	76.21	81.17	88.61
1.03	31	5.439	32	5.614	32.66	35.42	36.80	38.17	39.55	42.31	43.69	46.44	53.33	57.46	60.22	67.11	68.49	76.48	81.44	88.88
1.03	30	5.263	31	5.439	32.94	35.69	37.07	38.45	39.83	42.58	43.96	46.72	53.61	57.74	60.50	67.39	68.76	76.76	81.72	89.16
1.03	29	5.088	30	5.263	33.21	35.97	37.35	38.72	40.10	42.86	44.24	46.99	53.88	58.02	60.77	67.66	69.04	77.03	81.99	89.43
1.04	28	4.912	29	5.088	33.49	36.24	37.62	39.00	40.38	43.13	44.51	47.27	54.16	58.29	61.05	67.94	69.31	77.31	82.27	89.71
1.04	48	8.421	50	8.772	27.84	30.60	31.97	33.35	34.73	37.49	38.86	41.62	48.51	52.64	55.40	62.29	63.67	71.66	76.62	84.06
1.05	43	7.544	45	7.895	29.22	31.97	33.35	34.73	36.11	38.86	40.24	43.00	49.89	54.02	56.78	63.67	65.05	73.04	78.00	85.44
1.05	60	10.527	63	11.053	24.40	27.15	28.53	29.91	31.29	34.04	35.42	38.18	45.07	49.20	51.96	58.85	60.22	68.22	73.18	80.62
1.05	38	6.667	40	7.018	30.60	33.35	34.73	36.11	37.49	40.24	41.62	44.38	51.26	55.40	58.15	65.04	66.42	74.41	79.38	86.82
1.05	37	6.492	39	6.842	30.87	33.63	35.01	36.38	37.76	40.52	41.89	44.65	51.54	55.67	58.43	65.32	66.70	74.69	79.65	87.09
Length Factor*					0.96	0.99	1.00	1.01	1.02	1.04	1.06	1.08	1.11	1.14	1.16	1.19	1.22	1.25	1.29	1.34

* The length correction factor must be used to determine proper belt width.

Selection program available online at ptwizard.com

FEATURES/BENEFITS PAGE PT12-2	SPECIFICATIONS PAGE PT13-2	ENGINEERING/TECHNICAL PAGE PT13-96	
----------------------------------	-------------------------------	---------------------------------------	--



14M HTRC Selection Table (Continued)

Speed Ratio	Sprocket Combinations				Center Distance, Inches															
	Driver		Driven		966-14M	994-14M	1092-14M	1106-14M	1190-14M	1260-14M	1288-14M	1344-14M	1400-14M	1442-14M	1568-14M	1610-14M	1764-14M	1778-14M	1890-14M	1960-14M
	No. of Teeth	Pitch Dia. Inches	No. of Teeth	Pitch Dia. Inches																
Length Factor*					0.66	0.68	0.71	0.73	0.75	0.77	0.79	0.81	0.83	0.84	0.86	0.87	0.89	0.90	0.92	0.95
1.06	36	6.316	38	6.667	8.82	9.37	11.30	11.58	13.23	14.61	15.16	16.26	17.37	18.19	20.67	21.50	24.53	24.81	27.01	28.39
1.06	71	12.457	75	13.158	14.61	14.89	17.09	18.47
1.06	53	9.299	56	9.825	10.34	11.44	12.54	13.37	15.85	16.68	19.71	19.99	22.19	23.57
1.06	35	6.141	37	6.492	9.10	9.65	11.58	11.85	13.51	14.89	15.44	16.54	17.64	18.47	20.95	21.78	24.81	25.08	27.29	28.67
1.06	34	5.965	36	6.316	9.37	9.92	11.85	12.13	13.78	15.16	15.71	16.81	17.92	18.74	21.22	22.05	25.08	25.36	27.56	28.94
1.06	67	11.755	71	12.457	15.71	15.99	18.20	19.57
1.06	50	8.772	53	9.299	10.61	11.17	12.27	13.37	14.20	16.68	17.51	20.54	20.81	23.02	24.40
1.06	33	5.790	35	6.141	9.65	10.20	12.13	12.41	14.06	15.44	15.99	17.09	18.19	19.02	21.50	22.33	25.36	25.63	27.84	29.22
1.06	32	5.614	34	5.965	9.92	10.48	12.40	12.68	14.33	15.71	16.26	17.37	18.47	19.30	21.78	22.60	25.63	25.91	28.11	29.49
1.06	63	11.053	67	11.755	12.96	13.78	16.82	17.09	19.30	20.68
1.06	31	5.439	33	5.790	10.20	10.75	12.68	12.96	14.61	15.99	16.54	17.64	18.74	19.57	22.05	22.88	25.91	26.18	28.39	29.77
1.07	30	5.263	32	5.614	10.48	11.03	12.96	13.23	14.89	16.26	16.81	17.92	19.02	19.85	22.33	23.15	26.18	26.46	28.67	30.04
1.07	45	7.895	48	8.421	8.68	8.96	10.61	11.99	12.54	13.65	14.75	15.58	18.06	18.88	21.91	22.19	24.39	25.77
1.07	75	13.158	80	14.036	15.85	17.23
1.07	29	5.088	31	5.439	10.75	11.30	13.23	13.51	15.16	16.54	17.09	18.19	19.29	20.12	22.60	23.43	26.46	26.74	28.94	30.32
1.07	28	4.912	30	5.263	11.03	11.58	13.51	13.78	15.44	16.81	17.37	18.47	19.57	20.40	22.88	23.70	26.74	27.01	29.22	30.59
1.07	56	9.825	60	10.527	11.58	12.40	14.89	15.71	18.74	19.02	21.23	22.60
1.08	40	7.018	43	7.544	...	8.13	10.06	10.34	11.99	13.37	13.92	15.02	16.13	16.95	19.43	20.26	23.29	23.57	25.77	27.15
1.08	37	6.492	40	7.018	8.41	8.96	10.89	11.16	12.82	14.20	14.75	15.85	16.95	17.78	20.26	21.09	24.12	24.39	26.60	27.98
1.08	36	6.316	39	6.842	8.68	9.23	11.16	11.44	13.09	14.47	15.02	16.13	17.23	18.05	20.54	21.36	24.39	24.67	26.87	28.25
1.09	35	6.141	38	6.667	8.96	9.51	11.44	11.71	13.37	14.75	15.30	16.40	17.50	18.33	20.81	21.64	24.67	24.94	27.15	28.53
1.09	34	5.965	37	6.492	9.23	9.78	11.71	11.99	13.64	15.02	15.57	16.68	17.78	18.61	21.09	21.91	24.94	25.22	27.42	28.80
1.09	33	5.790	36	6.316	9.51	10.06	11.99	12.27	13.92	15.30	15.85	16.95	18.05	18.88	21.36	22.19	25.22	25.50	27.70	29.08
1.09	32	5.614	35	6.141	9.78	10.34	12.27	12.54	14.20	15.57	16.12	17.23	18.33	19.16	21.64	22.46	25.50	25.77	27.98	29.35
1.10	31	5.439	34	5.965	10.06	10.61	12.54	12.82	14.47	15.85	16.40	17.50	18.61	19.43	21.91	22.74	25.77	26.05	28.25	29.63
1.10	30	5.263	33	5.790	10.34	10.89	12.82	13.09	14.75	16.12	16.68	17.78	18.88	19.71	22.19	23.01	26.05	26.32	28.53	29.90
1.10	39	6.842	43	7.544	...	8.27	10.20	10.47	12.13	13.51	14.06	15.16	16.26	17.09	19.57	20.40	23.43	23.70	25.91	27.29
1.10	29	5.088	32	5.614	10.61	11.16	13.09	13.37	15.02	16.40	16.95	18.05	19.16	19.98	22.46	23.29	26.32	26.60	28.80	30.18
1.10	48	8.421	53	9.299	9.50	10.88	11.44	12.54	13.64	14.47	16.95	17.78	20.81	21.09	23.29	24.67
1.11	28	4.912	31	5.439	10.89	11.44	13.37	13.64	15.30	16.68	17.23	18.33	19.43	20.26	22.74	23.57	26.60	26.87	29.08	30.46
1.11	36	6.316	40	7.018	8.54	9.09	11.02	11.30	12.95	14.33	14.88	15.99	17.09	17.92	20.40	21.22	24.25	24.53	26.74	28.11
1.11	45	7.895	50	8.772	10.33	11.71	12.26	13.37	14.47	15.30	17.78	18.60	21.64	21.91	24.12	25.49
1.11	35	6.141	39	6.842	8.82	9.37	11.30	11.57	13.23	14.61	15.16	16.26	17.36	18.19	20.67	21.50	24.53	24.81	27.01	28.39
1.12	43	7.544	48	8.421	8.95	9.23	10.88	12.26	12.81	13.92	15.02	15.85	18.33	19.15	22.19	22.46	24.67	26.05
1.12	60	10.527	67	11.755	13.36	14.19	17.22	17.50	19.70	21.08
1.12	34	5.965	38	6.667	9.09	9.64	11.57	11.85	13.50	14.88	15.43	16.54	17.64	18.47	20.95	21.77	24.81	25.08	27.29	28.66
1.12	67	11.755	75	13.158	15.15	15.43	17.63	19.01
1.12	50	8.772	56	9.825	10.19	10.74	11.85	12.95	13.78	16.26	17.09	20.12	20.39	22.60	23.98
1.12	33	5.790	37	6.492	9.37	9.92	11.85	12.13	13.78	15.16	15.71	16.81	17.91	18.74	21.22	22.05	25.08	25.36	27.56	28.94
1.13	32	5.614	36	6.316	9.64	10.20	12.13	12.40	14.06	15.43	15.99	17.09	18.19	19.02	21.50	22.32	25.36	25.63	27.84	29.22
1.13	40	7.018	45	7.895	9.78	10.06	11.71	13.09	13.64	14.74	15.85	16.67	19.15	19.98	23.01	23.29	25.49	26.87
1.13	56	9.825	63	11.053	11.15	11.98	14.46	15.29	18.32	18.60	20.81	22.18
Length Factor*					0.66	0.68	0.71	0.73	0.75	0.77	0.79	0.81	0.83	0.84	0.86	0.87	0.89	0.90	0.92	0.95

* The length correction factor must be used to determine proper belt width.

Selection program available online at ptwizard.com

FEATURES/BENEFITS PAGE PT12-2	SPECIFICATIONS PAGE PT13-2	ENGINEERING/TECHNICAL PAGE PT13-96	
----------------------------------	-------------------------------	---------------------------------------	--

V-Drives

FHP Drives

Drive Component Accessories

DYNA-SYNC

HT200/HTD Synchronous Drives

HTR Synchronous Drives

HTRC Synchronous Drives



14M HTRC Selection Table (Continued)

Speed Ratio	Sprocket Combinations				Center Distance, Inches															
	Driver		Driven		2100-14M	2240-14M	2310-14M	2380-14M	2450-14M	2590-14M	2660-14M	2800-4M	3150-14M	3360-14M	3500-14M	3850-14M	3920-14M	4326-14M	4578-14M	4956-14M
	No. of Teeth	Pitch Dia. Inches	No. of Teeth	Pitch Dia. Inches																
Length Factor*					0.96	0.99	1.00	1.01	1.02	1.04	1.06	1.08	1.11	1.14	1.16	1.19	1.22	1.25	1.29	1.34
1.06	36	6.316	38	6.667	31.15	33.90	35.28	36.66	38.04	40.79	42.17	44.93	51.82	55.95	58.71	65.60	66.97	74.97	79.93	87.37
1.06	71	12.457	75	13.158	21.23	23.98	25.36	26.74	28.12	30.87	32.25	35.01	41.90	46.03	48.79	55.68	57.06	65.05	70.01	77.45
1.06	53	9.299	56	9.825	26.33	29.08	30.46	31.84	33.22	35.97	37.35	40.11	47.00	51.13	53.88	60.77	62.15	70.14	75.11	82.55
1.06	35	6.141	37	6.492	31.42	34.18	35.56	36.93	38.31	41.07	42.45	45.20	52.09	56.23	58.98	65.87	67.25	75.24	80.20	87.64
1.06	34	5.965	36	6.316	31.70	34.45	35.83	37.21	38.59	41.34	42.72	45.48	52.37	56.50	59.26	66.15	67.52	75.52	80.48	87.92
1.06	67	11.755	71	12.457	22.33	25.09	26.46	27.84	29.22	31.98	33.35	36.11	43.00	47.13	49.89	56.78	58.16	66.15	71.11	78.55
1.06	50	8.772	53	9.299	27.15	29.91	31.29	32.66	34.04	36.80	38.18	40.93	47.82	51.96	54.71	61.60	62.98	70.97	75.93	83.37
1.06	33	5.790	35	6.141	31.97	34.73	36.11	37.48	38.86	41.62	43.00	45.75	52.64	56.78	59.53	66.42	67.80	75.79	80.75	88.19
1.06	32	5.614	34	5.965	32.25	35.00	36.38	37.76	39.14	41.89	43.27	46.03	52.92	57.05	59.81	66.70	68.08	76.07	81.03	88.47
1.06	63	11.053	67	11.755	23.43	26.19	27.57	28.94	30.32	33.08	34.46	37.21	44.10	48.24	50.99	57.88	59.26	67.25	72.21	79.65
1.06	31	5.439	33	5.790	32.52	35.28	36.66	38.04	39.41	42.17	43.55	46.30	53.19	57.33	60.08	66.97	68.35	76.34	81.30	88.74
1.07	30	5.263	32	5.614	32.80	35.56	36.93	38.31	39.69	42.44	43.82	46.58	53.47	57.60	60.36	67.25	68.63	76.62	81.58	89.02
1.07	45	7.895	48	8.421	28.53	31.28	32.66	34.04	35.42	38.17	39.55	42.31	49.20	53.33	56.09	62.98	64.36	72.35	77.31	84.75
1.07	75	13.158	80	14.036	19.99	22.74	24.12	25.50	26.88	29.63	31.01	33.77	40.66	44.79	47.55	54.44	55.82	63.81	68.77	76.21
1.07	29	5.088	31	5.439	33.07	35.83	37.21	38.59	39.96	42.72	44.10	46.85	53.74	57.88	60.63	67.52	68.90	76.89	81.85	89.30
1.07	28	4.912	30	5.263	33.35	36.11	37.48	38.86	40.24	43.00	44.37	47.13	54.02	58.15	60.91	67.80	69.18	77.17	82.13	89.57
1.07	56	9.825	60	10.527	25.36	28.12	29.49	30.87	32.25	35.01	36.38	39.14	46.03	50.16	52.92	59.81	61.19	69.18	74.14	81.58
1.08	40	7.018	43	7.544	29.91	32.66	34.04	35.42	36.80	39.55	40.93	43.69	50.58	54.71	57.47	64.36	65.73	73.73	78.69	86.13
1.08	37	6.492	40	7.018	30.73	33.49	34.87	36.24	37.62	40.38	41.76	44.51	51.40	55.54	58.29	65.18	66.56	74.55	79.51	86.95
1.08	36	6.316	39	6.842	31.01	33.76	35.14	36.52	37.90	40.65	42.03	44.79	51.68	55.81	58.57	65.46	66.84	74.83	79.79	87.23
1.09	35	6.141	38	6.667	31.28	34.04	35.42	36.80	38.17	40.93	42.31	45.06	51.95	56.09	58.84	65.73	67.11	75.10	80.06	87.50
1.09	34	5.965	37	6.492	31.56	34.31	35.69	37.07	38.45	41.20	42.58	45.34	52.23	56.36	59.12	66.01	67.39	75.38	80.34	87.78
1.09	33	5.790	36	6.316	31.83	34.59	35.97	37.35	38.72	41.48	42.86	45.61	52.50	56.64	59.39	66.28	67.66	75.65	80.61	88.06
1.09	32	5.614	35	6.141	32.11	34.87	36.24	37.62	39.00	41.76	43.13	45.89	52.78	56.91	59.67	66.56	67.94	75.93	80.89	88.33
1.10	31	5.439	34	5.965	32.39	35.14	36.52	37.90	39.28	42.03	43.41	46.17	53.06	57.19	59.94	66.83	68.21	76.20	81.17	88.61
1.10	30	5.263	33	5.790	32.66	35.42	36.79	38.17	39.55	42.31	43.68	46.44	53.33	57.46	60.22	67.11	68.49	76.48	81.44	88.88
1.10	39	6.842	43	7.544	30.04	32.80	34.18	35.56	36.93	39.69	41.07	43.82	50.71	54.85	57.60	64.49	65.87	73.86	78.82	86.26
1.10	29	5.088	32	5.614	32.94	35.69	37.07	38.45	39.83	42.58	43.96	46.72	53.61	57.74	60.50	67.39	68.76	76.76	81.72	89.16
1.10	48	8.421	53	9.299	27.42	30.18	31.56	32.94	34.32	37.07	38.45	41.21	48.10	52.23	54.99	61.88	63.25	71.25	76.21	83.65
1.11	28	4.912	31	5.439	33.21	35.97	37.35	38.72	40.10	42.86	44.24	46.99	53.88	58.02	60.77	67.66	69.04	77.03	81.99	89.43
1.11	36	6.316	40	7.018	30.87	33.63	35.00	36.38	37.76	40.52	41.89	44.65	51.54	55.67	58.43	65.32	66.70	74.69	79.65	87.09
1.11	45	7.895	50	8.772	28.25	31.01	32.39	33.76	35.14	37.90	39.28	42.03	48.92	53.06	55.81	62.70	64.08	72.07	77.03	84.47
1.11	35	6.141	39	6.842	31.14	33.90	35.28	36.66	38.04	40.79	42.17	44.93	51.82	55.95	58.70	65.59	66.97	74.96	79.93	87.37
1.12	43	7.544	48	8.421	28.80	31.56	32.94	34.31	35.69	38.45	39.83	42.58	49.47	53.61	56.36	63.25	64.63	72.62	77.58	85.02
1.12	60	10.527	67	11.755	23.84	26.60	27.97	29.35	30.73	33.49	34.87	37.62	44.51	48.65	51.40	58.29	59.67	67.66	72.62	80.07
1.12	34	5.965	38	6.667	31.42	34.18	35.55	36.93	38.31	41.07	42.44	45.20	52.09	56.22	58.98	65.87	67.25	75.24	80.20	87.64
1.12	67	11.755	75	13.158	21.77	24.53	25.91	27.28	28.66	31.42	32.80	35.55	42.45	46.58	49.34	56.23	57.60	65.60	70.56	78.00
1.12	50	8.772	56	9.825	26.73	29.49	30.87	32.25	33.63	36.38	37.76	40.52	47.41	51.54	54.30	61.19	62.56	70.56	75.52	82.96
1.12	33	5.790	37	6.492	31.70	34.45	35.83	37.21	38.59	41.34	42.72	45.48	52.37	56.50	59.26	66.15	67.52	75.52	80.48	87.92
1.13	32	5.614	36	6.316	31.97	34.73	36.11	37.48	38.86	41.62	43.00	45.75	52.64	56.78	59.53	66.42	67.80	75.79	80.75	88.19
1.13	40	7.018	45	7.895	29.63	32.38	33.76	35.14	36.52	39.28	40.65	43.41	50.30	54.43	57.19	64.08	65.46	73.45	78.41	85.85
1.13	56	9.825	63	11.053	24.94	27.70	29.08	30.45	31.83	34.59	35.97	38.72	45.61	49.75	52.50	59.39	60.77	68.77	73.73	81.17
Length Factor*					0.96	0.99	1.00	1.01	1.02	1.04	1.06	1.08	1.11	1.14	1.16	1.19	1.22	1.25	1.29	1.34

* The length correction factor must be used to determine proper belt width.

Selection program available online at ptwizard.com

FEATURES/BENEFITS PAGE PT12-2	SPECIFICATIONS PAGE PT13-2	ENGINEERING/TECHNICAL PAGE PT13-96	
----------------------------------	-------------------------------	---------------------------------------	--



14M HTRC Selection Table

Speed Ratio	Sprocket Combinations				Center Distance, Inches															
	Driver		Driven		966-14M	994-14M	1092-14M	1106-14M	1190-14M	1260-14M	1288-14M	1344-14M	1400-14M	1442-14M	1568-14M	1610-14M	1764-14M	1778-14M	1890-14M	1960-14M
	No. of Teeth	Pitch Dia. Inches	No. of Teeth	Pitch Dia. Inches																
Length Factor*					0.66	0.68	0.71	0.73	0.75	0.77	0.79	0.81	0.83	0.84	0.86	0.87	0.89	0.90	0.92	0.95
1.13	80	14.036	90	15.790
1.13	71	12.457	80	14.036	13.91	14.18	16.39	17.77
1.13	63	11.053	71	12.457	12.39	13.22	16.25	16.53	18.74	20.12
1.13	31	5.439	35	6.141	9.92	10.47	12.40	12.68	14.33	15.71	16.26	17.36	18.47	19.29	21.77	22.60	25.63	25.91	28.11	29.49
1.13	38	6.667	43	7.544	7.85	8.40	10.33	10.61	12.26	13.64	14.19	15.29	16.40	17.22	19.71	20.53	23.56	23.84	26.05	27.42
1.13	53	9.299	60	10.527	10.88	11.98	12.81	15.29	16.12	19.15	19.43	21.63	23.01
1.13	30	5.263	34	5.965	10.20	10.75	12.68	12.95	14.61	15.98	16.54	17.64	18.74	19.57	22.05	22.88	25.91	26.18	28.39	29.77
1.14	29	5.088	33	5.790	10.47	11.02	12.95	13.23	14.88	16.26	16.81	17.91	19.02	19.84	22.32	23.15	26.18	26.46	28.66	30.04
1.14	28	4.912	32	5.614	10.75	11.30	13.23	13.50	15.16	16.54	17.09	18.19	19.29	20.12	22.60	23.43	26.46	26.73	28.94	30.32
1.14	35	6.141	40	7.018	8.68	9.23	11.16	11.43	13.09	14.47	15.02	16.12	17.22	18.05	20.53	21.36	24.39	24.67	26.87	28.25
1.15	34	5.965	39	6.842	8.95	9.50	11.43	11.71	13.36	14.74	15.29	16.40	17.50	18.33	20.81	21.63	24.67	24.94	27.15	28.53
1.15	33	5.790	38	6.667	9.23	9.78	11.71	11.99	13.64	15.02	15.57	16.67	17.78	18.60	21.08	21.91	24.94	25.22	27.42	28.80
1.15	39	6.842	45	7.895	...	7.98	9.91	10.19	11.84	13.22	13.78	14.88	15.98	16.81	19.29	20.12	23.15	23.43	25.63	27.01
1.16	32	5.614	37	6.492	9.50	10.05	11.98	12.26	13.92	15.29	15.85	16.95	18.05	18.88	21.36	22.19	25.22	25.49	27.70	29.08
1.16	31	5.439	36	6.316	9.78	10.33	12.26	12.54	14.19	15.57	16.12	17.22	18.33	19.15	21.63	22.46	25.49	25.77	27.97	29.35
1.16	37	6.492	43	7.544	7.98	8.53	10.46	10.74	12.40	13.78	14.33	15.43	16.53	17.36	19.84	20.67	23.70	23.98	26.18	27.56
1.16	43	7.544	50	8.772	8.94	10.60	11.98	12.53	13.63	14.74	15.57	18.05	18.87	21.91	22.18	24.39	25.77
1.17	30	5.263	35	6.141	10.05	10.61	12.54	12.81	14.47	15.84	16.40	17.50	18.60	19.43	21.91	22.74	25.77	26.04	28.25	29.63
1.17	48	8.421	56	9.825	10.46	11.01	12.11	13.22	14.04	16.53	17.36	20.39	20.66	22.87	24.25
1.17	29	5.088	34	5.965	10.33	10.88	12.81	13.09	14.74	16.12	16.67	17.77	18.88	19.70	22.19	23.01	26.04	26.32	28.52	29.90
1.18	34	5.965	40	7.018	8.81	9.36	11.29	11.57	13.22	14.60	15.15	16.26	17.36	18.19	20.67	21.49	24.53	24.80	27.01	28.39
1.18	45	7.895	53	9.299	9.90	11.28	11.84	12.94	14.04	14.87	17.35	18.18	21.22	21.49	23.70	25.08
1.18	28	4.912	33	5.790	10.61	11.16	13.09	13.36	15.02	16.40	16.95	18.05	19.15	19.98	22.46	23.29	26.32	26.60	28.80	30.18
1.18	33	5.790	39	6.842	9.08	9.64	11.57	11.84	13.50	14.88	15.43	16.53	17.63	18.46	20.94	21.77	24.80	25.08	27.28	28.66
1.18	60	10.527	71	12.457	12.79	13.62	16.65	16.93	19.14	20.52
1.18	38	6.667	45	7.895	...	8.11	10.05	10.32	11.98	13.36	13.91	15.01	16.12	16.94	19.43	20.25	23.29	23.56	25.77	27.14
1.19	32	5.614	38	6.667	9.36	9.91	11.84	12.12	13.77	15.15	15.70	16.81	17.91	18.74	21.22	22.05	25.08	25.35	27.56	28.94
1.19	53	9.299	63	11.053	11.55	12.38	14.86	15.69	18.73	19.00	21.21	22.59
1.19	63	11.053	75	13.158	15.68	15.96	18.17	19.55
1.19	31	5.439	37	6.492	9.64	10.19	12.12	12.40	14.05	15.43	15.98	17.08	18.19	19.01	21.49	22.32	25.35	25.63	27.83	29.21
1.19	67	11.755	80	14.036	14.43	14.71	16.92	18.30
1.19	36	6.316	43	7.544	8.11	8.66	10.60	10.87	12.53	13.91	14.46	15.56	16.67	17.49	19.98	20.80	23.84	24.11	26.32	27.70
1.20	56	9.825	67	11.755	13.89	14.72	17.76	18.03	20.24	21.62
1.20	30	5.263	36	6.316	9.91	10.46	12.40	12.67	14.33	15.70	16.26	17.36	18.46	19.29	21.77	22.60	25.63	25.90	28.11	29.49
1.20	40	7.018	48	8.421	9.35	9.63	11.28	12.66	13.22	14.32	15.42	16.25	18.73	19.56	22.59	22.87	25.08	26.45
1.20	50	8.772	60	10.527	11.27	12.38	13.21	15.69	16.52	19.55	19.83	22.04	23.42
1.20	75	13.158	90	15.790	15.80
1.21	29	5.088	35	6.141	10.19	10.74	12.67	12.95	14.60	15.98	16.53	17.63	18.74	19.56	22.05	22.87	25.90	26.18	28.39	29.76
1.21	33	5.790	40	7.018	8.94	9.49	11.43	11.70	13.36	14.74	15.29	16.39	17.49	18.32	20.80	21.63	24.66	24.94	27.14	28.52
1.21	28	4.912	34	5.965	10.46	11.02	12.95	13.22	14.88	16.26	16.81	17.91	19.01	19.84	22.32	23.15	26.18	26.46	28.66	30.04
1.22	37	6.492	45	7.895	...	8.24	10.18	10.45	12.11	13.49	14.04	15.15	16.25	17.08	19.56	20.39	23.42	23.70	25.90	27.28
1.22	32	5.614	39	6.842	9.22	9.77	11.70	11.98	13.63	15.01	15.56	16.67	17.77	18.60	21.08	21.91	24.94	25.21	27.42	28.80
Length Factor*					0.66	0.68	0.71	0.73	0.75	0.77	0.79	0.81	0.83	0.84	0.86	0.87	0.89	0.90	0.92	0.95

* The length correction factor must be used to determine proper belt width.

Selection program available online at ptwizard.com

FEATURES/BENEFITS PAGE PT12-2	SPECIFICATIONS PAGE PT13-2	ENGINEERING/TECHNICAL PAGE PT13-96	
----------------------------------	-------------------------------	---------------------------------------	--

V-Drives

FHP Drives

Drive Component Accessories

DYNA-SYNC

HT200/HTD Synchronous Drives

HTR Synchronous Drives

HTRC Synchronous Drives



14M HTRC Selection Table (Continued)

Speed Ratio	Sprocket Combinations				Center Distance, Inches															
	Driver		Driven		2100-14M	2240-14M	2310-14M	2380-14M	2450-14M	2590-14M	2660-14M	2800-14M	3150-14M	3360-14M	3500-14M	3850-14M	3920-14M	4326-14M	4578-14M	4956-14M
	No. of Teeth	Pitch Dia. Inches	No. of Teeth	Pitch Dia. Inches																
Length Factor*					0.96	0.99	1.00	1.01	1.02	1.04	1.06	1.08	1.11	1.14	1.16	1.19	1.22	1.25	1.29	1.34
1.13	80	14.036	90	15.790	17.90	20.66	22.04	23.42	24.80	27.56	28.94	31.69	38.58	42.72	45.48	52.37	53.74	61.74	66.70	74.14
1.13	71	12.457	80	14.036	20.53	23.28	24.66	26.04	27.42	30.18	31.56	34.31	41.20	45.34	48.09	54.99	56.36	64.36	69.32	76.76
1.13	63	11.053	71	12.457	22.87	25.63	27.01	28.39	29.76	32.52	33.90	36.66	43.55	47.68	50.44	57.33	58.71	66.70	71.66	79.10
1.13	31	5.439	35	6.141	32.25	35.00	36.38	37.76	39.14	41.89	43.27	46.03	52.92	57.05	59.81	66.70	68.07	76.07	81.03	88.47
1.13	38	6.667	43	7.544	30.18	32.94	34.31	35.69	37.07	39.83	41.20	43.96	50.85	54.98	57.74	64.63	66.01	74.00	78.96	86.40
1.13	53	9.299	60	10.527	25.77	28.52	29.90	31.28	32.66	35.42	36.79	39.55	46.44	50.58	53.33	60.22	61.60	69.59	74.55	81.99
1.13	30	5.263	34	5.965	32.52	35.28	36.66	38.03	39.41	42.17	43.55	46.30	53.19	57.33	60.08	66.97	68.35	76.34	81.30	88.74
1.14	29	5.088	33	5.790	32.80	35.55	36.93	38.31	39.69	42.44	43.82	46.58	53.47	57.60	60.36	67.25	68.63	76.62	81.58	89.02
1.14	28	4.912	32	5.614	33.07	35.83	37.21	38.59	39.96	42.72	44.10	46.85	53.74	57.88	60.63	67.52	68.90	76.89	81.85	89.29
1.14	35	6.141	40	7.018	31.01	33.76	35.14	36.52	37.90	40.65	42.03	44.79	51.68	55.81	58.57	65.46	66.83	74.83	79.79	87.23
1.15	34	5.965	39	6.842	31.28	34.04	35.42	36.79	38.17	40.93	42.31	45.06	51.95	56.09	58.84	65.73	67.11	75.10	80.06	87.50
1.15	33	5.790	38	6.667	31.56	34.31	35.69	37.07	38.45	41.20	42.58	45.34	52.23	56.36	59.12	66.01	67.39	75.38	80.34	87.78
1.15	39	6.842	45	7.895	29.76	32.52	33.90	35.28	36.66	39.41	40.79	43.55	50.44	54.57	57.33	64.22	65.59	73.59	78.55	85.99
1.16	32	5.614	37	6.492	31.83	34.59	35.97	37.34	38.72	41.48	42.86	45.61	52.50	56.64	59.39	66.28	67.66	75.65	80.61	88.05
1.16	31	5.439	36	6.316	32.11	34.86	36.24	37.62	39.00	41.75	43.13	45.89	52.78	56.91	59.67	66.56	67.94	75.93	80.89	88.33
1.16	37	6.492	43	7.544	30.32	33.07	34.45	35.83	37.21	39.96	41.34	44.10	50.99	55.12	57.88	64.77	66.15	74.14	79.10	86.54
1.16	43	7.544	50	8.772	28.52	31.28	32.66	34.04	35.41	38.17	39.55	42.31	49.20	53.33	56.09	62.98	64.35	72.35	77.31	84.75
1.17	30	5.263	35	6.141	32.38	35.14	36.52	37.90	39.27	42.03	43.41	46.16	53.05	57.19	59.94	66.83	68.21	76.20	81.16	88.61
1.17	48	8.421	56	9.825	27.01	29.76	31.14	32.52	33.90	36.65	38.03	40.79	47.68	51.81	54.57	61.46	62.84	70.83	75.79	83.23
1.17	29	5.088	34	5.965	32.66	35.42	36.79	38.17	39.55	42.31	43.68	46.44	53.33	57.46	60.22	67.11	68.49	76.48	81.44	88.88
1.18	34	5.965	40	7.018	31.14	33.90	35.28	36.65	38.03	40.79	42.17	44.92	51.81	55.95	58.70	65.59	66.97	74.96	79.92	87.37
1.18	45	7.895	53	9.299	27.83	30.59	31.97	33.35	34.72	37.48	38.86	41.62	48.51	52.64	55.40	62.29	63.66	71.66	76.62	84.06
1.18	28	4.912	33	5.790	32.93	35.69	37.07	38.45	39.82	42.58	43.96	46.71	53.60	57.74	60.49	67.38	68.76	76.75	81.72	89.16
1.18	33	5.790	39	6.842	31.42	34.17	35.55	36.93	38.31	41.06	42.44	45.20	52.09	56.22	58.98	65.87	67.25	75.24	80.20	87.64
1.18	60	10.527	71	12.457	23.28	26.03	27.41	28.79	30.17	32.93	34.31	37.06	43.96	48.09	50.85	57.74	59.12	67.11	72.07	79.51
1.18	38	6.667	45	7.895	29.90	32.66	34.04	35.41	36.79	39.55	40.93	43.68	50.57	54.71	57.46	64.35	65.73	73.72	78.68	86.13
1.19	32	5.614	38	6.667	31.69	34.45	35.83	37.21	38.58	41.34	42.72	45.47	52.36	56.50	59.25	66.14	67.52	75.51	80.48	87.92
1.19	53	9.299	63	11.053	25.35	28.10	29.48	30.86	32.24	35.00	36.38	39.13	46.02	50.16	52.91	59.80	61.18	69.18	74.14	81.58
1.19	63	11.053	75	13.158	22.31	25.07	26.45	27.82	29.20	31.96	33.34	36.10	42.99	47.12	49.88	56.77	58.15	66.14	71.10	78.55
1.19	31	5.439	37	6.492	31.97	34.73	36.10	37.48	38.86	41.62	42.99	45.75	52.64	56.77	59.53	66.42	67.80	75.79	80.75	88.19
1.19	67	11.755	80	14.036	21.06	23.82	25.20	26.58	27.96	30.72	32.10	34.85	41.75	45.88	48.64	55.53	56.91	64.90	69.86	77.31
1.19	36	6.316	43	7.544	30.45	33.21	34.59	35.96	37.34	40.10	41.48	44.23	51.12	55.26	58.01	64.90	66.28	74.27	79.24	86.68
1.20	56	9.825	67	11.755	24.38	27.14	28.52	29.89	31.27	34.03	35.41	38.17	45.06	49.19	51.95	58.84	60.22	68.21	73.17	80.61
1.20	30	5.263	36	6.316	32.24	35.00	36.38	37.76	39.13	41.89	43.27	46.03	52.92	57.05	59.81	66.70	68.07	76.07	81.03	88.47
1.20	40	7.018	48	8.421	29.21	31.97	33.35	34.72	36.10	38.86	40.24	42.99	49.88	54.02	56.77	63.66	65.04	73.03	78.00	85.44
1.20	50	8.772	60	10.527	26.17	28.93	30.31	31.69	33.07	35.82	37.20	39.96	46.85	50.98	53.74	60.63	62.01	70.00	74.96	82.40
1.20	75	13.158	90	15.790	18.57	21.33	22.71	24.09	25.47	28.23	29.61	32.37	39.26	43.40	46.15	53.05	54.42	62.42	67.38	74.82
1.21	29	5.088	35	6.141	32.52	35.28	36.65	38.03	39.41	42.17	43.54	46.30	53.19	57.32	60.08	66.97	68.35	76.34	81.30	88.74
1.21	33	5.790	40	7.018	31.28	34.03	35.41	36.79	38.17	40.93	42.30	45.06	51.95	56.08	58.84	65.73	67.11	75.10	80.06	87.50
1.21	28	4.912	34	5.965	32.80	35.55	36.93	38.31	39.69	42.44	43.82	46.58	53.47	57.60	60.36	67.25	68.62	76.62	81.58	89.02
1.22	37	6.492	45	7.895	30.04	32.79	34.17	35.55	36.93	39.68	41.06	43.82	50.71	54.84	57.60	64.49	65.87	73.86	78.82	86.26
1.22	32	5.614	39	6.842	31.55	34.31	35.69	37.07	38.44	41.20	42.58	45.34	52.23	56.36	59.12	66.01	67.38	75.38	80.34	87.78
Length Factor*					0.96	0.99	1.00	1.01	1.02	1.04	1.06	1.08	1.11	1.14	1.16	1.19	1.22	1.25	1.29	1.34

* The length correction factor must be used to determine proper belt width.

Selection program available online at ptwizard.com

FEATURES/BENEFITS PAGE PT12-2	SPECIFICATIONS PAGE PT13-2	ENGINEERING/TECHNICAL PAGE PT13-96	
----------------------------------	-------------------------------	---------------------------------------	--



14M HTRC Selection Table

Speed Ratio	Sprocket Combinations				Center Distance, Inches															
	Driver		Driven		966-14M	994-14M	1092-14M	1106-14M	1190-14M	1260-14M	1288-14M	1344-4M	1400-14M	1442-14M	1568-14M	1610-14M	1764-14M	1778-14M	1890-14M	1960-14M
	No. of Teeth	Pitch Dia. Inches	No. of Teeth	Pitch Dia. Inches																
	Length Factor*				0.66	0.68	0.71	0.73	0.75	0.77	0.79	0.81	0.83	0.84	0.86	0.87	0.89	0.90	0.92	0.95
1.23	31	5.439	38	6.667	9.49	10.05	11.98	12.25	13.91	15.29	15.84	16.94	18.05	18.87	21.35	22.18	25.21	25.49	27.69	29.07
1.23	35	6.141	43	7.544	8.24	8.80	10.73	11.01	12.66	14.04	14.59	15.70	16.80	17.63	20.11	20.94	23.97	24.25	26.45	27.83
1.23	39	6.842	48	8.421	9.48	9.76	11.42	12.80	13.35	14.45	15.56	16.38	18.87	19.69	22.73	23.00	25.21	26.59
1.23	43	7.544	53	9.299	10.17	11.55	12.10	13.21	14.31	15.14	17.62	18.45	21.48	21.76	23.97	25.35
1.23	30	5.263	37	6.492	9.77	10.32	12.25	12.53	14.18	15.56	16.12	17.22	18.32	19.15	21.63	22.46	25.49	25.77	27.97	29.35
1.24	29	5.088	36	6.316	10.04	10.60	12.53	12.80	14.46	15.84	16.39	17.49	18.60	19.42	21.91	22.73	25.76	26.04	28.25	29.62
1.24	45	7.895	56	9.825	9.47	10.85	11.40	12.51	13.61	14.44	16.93	17.76	20.79	21.07	23.27	24.65
1.25	28	4.912	35	6.141	10.32	10.87	12.80	13.08	14.74	16.11	16.67	17.77	18.87	19.70	22.18	23.01	26.04	26.32	28.52	29.90
1.25	32	5.614	40	7.018	9.07	9.63	11.56	11.83	13.49	14.87	15.42	16.53	17.63	18.46	20.94	21.77	24.80	25.07	27.28	28.66
1.25	36	6.316	45	7.895	7.82	8.37	10.31	10.59	12.24	13.62	14.18	15.28	16.38	17.21	19.69	20.52	23.56	23.83	26.04	27.42
1.25	40	7.018	50	8.772	9.06	9.34	10.99	12.38	12.93	14.03	15.14	15.97	18.45	19.28	22.31	22.59	24.79	26.17
1.25	48	8.421	60	10.527	10.43	11.53	12.64	13.47	15.96	16.79	19.82	20.10	22.31	23.68
1.25	60	10.527	75	13.158	13.03	16.08	16.35	18.57	19.95
1.26	31	5.439	39	6.842	11.83	12.11	13.77	15.15	15.70	16.80	17.90	18.73	21.21	22.04	25.07	25.35	27.56	28.93
1.26	50	8.772	63	11.053	10.83	11.94	12.77	15.26	16.09	19.13	19.40	21.61	22.99
1.26	38	6.667	48	8.421	9.61	9.89	11.55	12.93	13.48	14.59	15.69	16.52	19.00	19.83	22.86	23.14	25.35	26.72
1.26	53	9.299	67	11.755	11.79	14.29	15.12	18.16	18.43	20.64	22.02
1.26	34	5.965	43	7.544	8.37	8.93	10.86	11.14	12.80	14.18	14.73	15.83	16.94	17.76	20.25	21.07	24.11	24.38	26.59	27.97
1.27	30	5.263	38	6.667	9.62	10.18	12.11	12.39	14.04	15.42	15.97	17.08	18.18	19.01	21.49	22.32	25.35	25.63	27.83	29.21
1.27	71	12.457	90	15.790	14.94	16.32
1.27	56	9.825	71	12.457	13.31	14.14	17.18	17.46	19.67	21.05
1.27	63	11.053	80	14.036	14.96	15.23	17.45	18.83	...
1.28	29	5.088	37	6.492	9.90	10.45	12.39	12.66	14.32	15.70	16.25	17.35	18.46	19.28	21.76	22.59	25.62	25.90	28.11	29.48
1.28	39	6.842	50	8.772	9.19	9.46	11.13	12.51	13.06	14.17	15.27	16.10	18.58	19.41	22.45	22.72	24.93	26.31
1.29	28	4.912	36	6.316	10.18	10.73	12.66	12.94	14.59	15.97	16.53	17.63	18.73	19.56	22.04	22.87	25.90	26.18	28.38	29.76
1.29	35	6.141	45	7.895	7.95	8.50	10.44	10.72	12.38	13.76	14.31	15.41	16.52	17.35	19.83	20.66	23.69	23.97	26.17	27.55
1.29	31	5.439	40	7.018	9.20	9.76	11.69	11.97	13.62	15.00	15.56	16.66	17.76	18.59	21.07	21.90	24.93	25.21	27.41	28.79
1.30	37	6.492	48	8.421	9.74	10.02	11.68	13.06	13.61	14.72	15.82	16.65	19.14	19.96	23.00	23.27	25.48	26.86
1.30	30	5.263	39	6.842	9.48	10.03	11.97	12.24	13.90	15.28	15.83	16.94	18.04	18.87	21.35	22.18	25.21	25.48	27.69	29.07
1.30	43	7.544	56	9.825	9.72	11.11	11.66	12.77	13.88	14.71	17.19	18.02	21.06	21.33	23.54	24.92
1.30	33	5.790	43	7.544	8.50	9.06	10.99	11.27	12.93	14.31	14.86	15.97	17.07	17.90	20.38	21.21	24.24	24.52	26.72	28.10
1.31	29	5.088	38	6.667	9.76	10.31	12.24	12.52	14.18	15.56	16.11	17.21	18.31	19.14	21.62	22.45	25.48	25.76	27.97	29.34
1.31	48	8.421	63	11.053	11.09	12.20	13.03	15.52	16.35	19.39	19.67	21.88	23.26
1.32	38	6.667	50	8.772	9.32	9.59	11.26	12.64	13.19	14.30	15.40	16.23	18.72	19.54	22.58	22.86	25.06	26.44
1.32	28	4.912	37	6.492	10.03	10.59	12.52	12.80	14.45	15.83	16.38	17.49	18.59	19.42	21.90	22.73	25.76	26.04	28.24	29.62
1.32	34	5.965	45	7.895	8.08	8.63	10.57	10.85	12.51	13.89	14.44	15.55	16.65	17.48	19.96	20.79	23.82	24.10	26.31	27.69
1.33	40	7.018	53	9.299	8.61	8.89	10.56	11.94	12.49	13.60	14.71	15.54	18.02	18.85	21.89	22.16	24.37	25.75
1.33	30	5.263	40	7.018	9.33	9.89	11.82	12.10	13.76	15.14	15.69	16.79	17.90	18.72	21.21	22.03	25.07	25.34	27.55	28.93
1.33	36	6.316	48	8.421	...	7.93	9.87	10.15	11.81	13.19	13.75	14.85	15.96	16.78	19.27	20.10	23.13	23.41	25.61	26.99
1.33	45	7.895	60	10.527	10.26	10.81	11.92	13.03	13.86	16.35	17.18	20.22	20.50	22.71	24.09
1.33	60	10.527	80	14.036	15.34	15.62	17.84	19.22
1.34	56	9.825	75	13.158	12.71	13.55	16.60	16.88	19.09	20.47
	Length Factor*				0.66	0.68	0.71	0.73	0.75	0.77	0.79	0.81	0.83	0.84	0.86	0.87	0.89	0.90	0.92	0.95

* The length correction factor must be used to determine proper belt width.

Selection program available online at ptwizard.com

FEATURES/BENEFITS PAGE PT12-2	SPECIFICATIONS PAGE PT13-2	ENGINEERING/TECHNICAL PAGE PT13-96	
----------------------------------	-------------------------------	---------------------------------------	--

V-Drives

FHP Drives

Drive Component Accessories

DYNA-SYNC

HT200/HTD Synchronous Drives

HTR Synchronous Drives

HTRC Synchronous Drives



14M HTRC Selection Table (Continued)

Speed Ratio	Sprocket Combinations				Center Distance, Inches															
	Driver		Driven		2100-14M	2240-14M	2310-14M	2380-14M	2450-14M	2590-14M	2660-14M	2800-14M	3150-14M	3360-14M	3500-14M	3850-14M	3920-14M	4326-14M	4578-14M	4956-14M
	No. of Teeth	Pitch Dia. Inches	No. of Teeth	Pitch Dia. Inches																
Length Factor*					0.96	0.99	1.00	1.01	1.02	1.04	1.06	1.08	1.11	1.14	1.16	1.19	1.22	1.25	1.29	1.34
1.23	31	5.439	38	6.667	31.83	34.59	35.96	37.34	38.72	41.48	42.85	45.61	52.50	56.64	59.39	66.28	67.66	75.65	80.61	88.05
1.23	35	6.141	43	7.544	30.59	33.34	34.72	36.10	37.48	40.24	41.61	44.37	51.26	55.39	58.15	65.04	66.42	74.41	79.37	86.81
1.23	39	6.842	48	8.421	29.35	32.10	33.48	34.86	36.24	38.99	40.37	43.13	50.02	54.15	56.91	63.80	65.18	73.17	78.13	85.57
1.23	43	7.544	53	9.299	28.10	30.86	32.24	33.62	35.00	37.75	39.13	41.89	48.78	52.91	55.67	62.56	63.94	71.93	76.89	84.33
1.23	30	5.263	37	6.492	32.11	34.86	36.24	37.62	39.00	41.75	43.13	45.89	52.78	56.91	59.67	66.56	67.93	75.93	80.89	88.33
1.24	29	5.088	36	6.316	32.38	35.14	36.52	37.89	39.27	42.03	43.41	46.16	53.05	57.19	59.94	66.83	68.21	76.20	81.16	88.60
1.24	45	7.895	56	9.825	27.41	30.17	31.55	32.93	34.30	37.06	38.44	41.20	48.09	52.22	54.98	61.87	63.25	71.24	76.20	83.64
1.25	28	4.912	35	6.141	32.66	35.41	36.79	38.17	39.55	42.30	43.68	46.44	53.33	57.46	60.22	67.11	68.49	76.48	81.44	88.88
1.25	32	5.614	40	7.018	31.41	34.17	35.55	36.93	38.31	41.06	42.44	45.20	52.09	56.22	58.98	65.87	67.25	75.24	80.20	87.64
1.25	36	6.316	45	7.895	30.17	32.93	34.31	35.69	37.06	39.82	41.20	43.96	50.85	54.98	57.74	64.63	66.01	74.00	78.96	86.40
1.25	40	7.018	50	8.772	28.93	31.69	33.07	34.44	35.82	38.58	39.96	42.71	49.60	53.74	56.50	63.39	64.76	72.76	77.72	85.16
1.25	48	8.421	60	10.527	26.44	29.20	30.58	31.96	33.34	36.09	37.47	40.23	47.12	51.26	54.01	60.90	62.28	70.28	75.24	82.68
1.25	60	10.527	75	13.158	22.71	25.47	26.85	28.23	29.61	32.36	33.74	36.50	43.39	47.53	50.29	57.18	58.56	66.55	71.51	78.96
1.26	31	5.439	39	6.842	31.69	34.45	35.82	37.20	38.58	41.34	42.72	45.47	52.36	56.50	59.25	66.14	67.52	75.51	80.47	87.92
1.26	50	8.772	63	11.053	25.75	28.51	29.89	31.27	32.65	35.40	36.78	39.54	46.43	50.57	53.32	60.21	61.59	69.59	74.55	81.99
1.26	38	6.667	48	8.421	29.48	32.24	33.62	35.00	36.37	39.13	40.51	43.26	50.16	54.29	57.05	63.94	65.32	73.31	78.27	85.71
1.26	53	9.299	67	11.755	24.78	27.54	28.92	30.30	31.68	34.44	35.81	38.57	45.46	49.60	52.36	59.25	60.63	68.62	73.58	81.02
1.26	34	5.965	43	7.544	30.72	33.48	34.86	36.24	37.62	40.37	41.75	44.51	51.40	55.53	58.29	65.18	66.56	74.55	79.51	86.95
1.27	30	5.263	38	6.667	31.97	34.72	36.10	37.48	38.86	41.61	42.99	45.75	52.64	56.77	59.53	66.42	67.80	75.79	80.75	88.19
1.27	71	12.457	90	15.790	19.09	21.86	23.24	24.62	26.00	28.76	30.14	32.90	39.80	43.94	46.69	53.59	54.97	62.96	67.92	75.37
1.27	56	9.825	71	12.457	23.81	26.57	27.95	29.33	30.71	33.47	34.85	37.60	44.50	48.63	51.39	58.28	59.66	67.65	72.62	80.06
1.27	63	11.053	80	14.036	21.59	24.35	25.73	27.11	28.49	31.25	32.63	35.39	42.29	46.42	49.18	56.07	57.45	65.45	70.41	77.85
1.28	29	5.088	37	6.492	32.24	35.00	36.38	37.75	39.13	41.89	43.27	46.02	52.91	57.05	59.80	66.69	68.07	76.06	81.03	88.47
1.28	39	6.842	50	8.772	29.07	31.82	33.20	34.58	35.96	38.71	40.09	42.85	49.74	53.88	56.63	63.52	64.90	72.89	77.85	85.30
1.29	28	4.912	36	6.316	32.52	35.27	36.65	38.03	39.41	42.16	43.54	46.30	53.19	57.32	60.08	66.97	68.35	76.34	81.30	88.74
1.29	35	6.141	45	7.895	30.31	33.06	34.44	35.82	37.20	39.96	41.33	44.09	50.98	55.12	57.87	64.76	66.14	74.13	79.10	86.54
1.29	31	5.439	40	7.018	31.55	34.31	35.69	37.06	38.44	41.20	42.58	45.33	52.22	56.36	59.11	66.00	67.38	75.37	80.34	87.78
1.30	37	6.492	48	8.421	29.62	32.37	33.75	35.13	36.51	39.27	40.64	43.40	50.29	54.43	57.18	64.07	65.45	73.44	78.41	85.85
1.30	30	5.263	39	6.842	31.83	34.58	35.96	37.34	38.72	41.47	42.85	45.61	52.50	56.63	59.39	66.28	67.66	75.65	80.61	88.05
1.30	43	7.544	56	9.825	27.68	30.44	31.82	33.20	34.57	37.33	38.71	41.47	48.36	52.49	55.25	62.14	63.52	71.51	76.47	83.92
1.30	33	5.790	43	7.544	30.86	33.62	34.99	36.37	37.75	40.51	41.89	44.64	51.53	55.67	58.42	65.31	66.69	74.69	79.65	87.09
1.31	29	5.088	38	6.667	32.10	34.86	36.24	37.61	38.99	41.75	43.13	45.88	52.77	56.91	59.66	66.56	67.93	75.93	80.89	88.33
1.31	48	8.421	63	11.053	26.02	28.78	30.16	31.54	32.91	35.67	37.05	39.81	46.70	50.84	53.59	60.49	61.86	69.86	74.82	82.26
1.32	38	6.667	50	8.772	29.20	31.96	33.34	34.71	36.09	38.85	40.23	42.99	49.88	54.01	56.77	63.66	65.04	73.03	77.99	85.43
1.32	28	4.912	37	6.492	32.38	35.13	36.51	37.89	39.27	42.02	43.40	46.16	53.05	57.18	59.94	66.83	68.21	76.20	81.16	88.60
1.32	34	5.965	45	7.895	30.44	33.20	34.58	35.96	37.34	40.09	41.47	44.23	51.12	55.25	58.01	64.90	66.28	74.27	79.23	86.67
1.33	40	7.018	53	9.299	28.51	31.27	32.64	34.02	35.40	38.16	39.54	42.29	49.19	53.32	56.08	62.97	64.35	72.34	77.30	84.74
1.33	30	5.263	40	7.018	31.69	34.44	35.82	37.20	38.58	41.33	42.71	45.47	52.36	56.49	59.25	66.14	67.52	75.51	80.47	87.91
1.33	36	6.316	48	8.421	29.75	32.51	33.89	35.27	36.64	39.40	40.78	43.54	50.43	54.56	57.32	64.21	65.59	73.58	78.54	85.98
1.33	45	7.895	60	10.527	26.85	29.60	30.98	32.36	33.74	36.50	37.88	40.64	47.53	51.66	54.42	61.31	62.69	70.68	75.65	83.09
1.33	60	10.527	80	14.036	21.99	24.75	26.13	27.51	28.89	31.65	33.03	35.79	42.69	46.83	49.59	56.48	57.86	65.85	70.81	78.26
1.34	56	9.825	75	13.158	23.24	26.00	27.38	28.76	30.14	32.90	34.28	37.04	43.93	48.07	50.83	57.72	59.10	67.09	72.06	79.50
Length Factor*					0.96	0.99	1.00	1.01	1.02	1.04	1.06	1.08	1.11	1.14	1.16	1.19	1.22	1.25	1.29	1.34

* The length correction factor must be used to determine proper belt width.

Selection program available online at ptwizard.com

FEATURES/BENEFITS PAGE PT12-2	SPECIFICATIONS PAGE PT13-2	ENGINEERING/TECHNICAL PAGE PT13-96	
----------------------------------	-------------------------------	---------------------------------------	--



14M HTRC Selection Table

Speed Ratio	Sprocket Combinations				Center Distance, Inches															
	Driver		Driven		966-14M	994-14M	1092-14M	1106-14M	1190-14M	1260-14M	1288-14M	1344-14M	1400-14M	1442-14M	1568-14M	1610-14M	1764-14M	1778-14M	1890-14M	1960-14M
	No. of Teeth	Pitch Dia. Inches	No. of Teeth	Pitch Dia. Inches																
Length Factor*					0.66	0.68	0.71	0.73	0.75	0.77	0.79	0.81	0.83	0.84	0.86	0.87	0.89	0.90	0.92	0.95
1.34	53	9.299	71	12.457	13.70	14.53	17.58	17.85	20.06	21.45
1.34	50	8.772	67	11.755	11.35	12.18	14.68	15.51	18.55	18.83	21.04	22.42
1.34	67	11.755	90	15.790	15.45	16.84
1.34	32	5.614	43	7.544	8.63	9.19	11.12	11.40	13.06	14.44	14.99	16.10	17.20	18.03	20.51	21.34	24.38	24.65	26.86	28.24
1.34	29	5.088	39	6.842	9.61	10.16	12.10	12.38	14.03	15.41	15.96	17.07	18.17	19.00	21.48	22.31	25.34	25.62	27.83	29.20
1.35	37	6.492	50	8.772	9.45	9.72	11.39	12.77	13.32	14.43	15.54	16.36	18.85	19.68	22.71	22.99	25.20	26.58
1.36	28	4.912	38	6.667	9.89	10.44	12.38	12.65	14.31	15.69	16.24	17.34	18.45	19.28	21.76	22.59	25.62	25.90	28.10	29.48
1.36	39	6.842	53	9.299	8.74	9.02	10.68	12.07	12.62	13.73	14.84	15.67	18.15	18.98	22.02	22.30	24.50	25.88
1.36	33	5.790	45	7.895	8.21	8.76	10.70	10.98	12.64	14.02	14.57	15.68	16.78	17.61	20.10	20.92	23.96	24.23	26.44	27.82
1.37	35	6.141	48	8.421	...	8.05	10.00	10.28	11.94	13.32	13.88	14.98	16.09	16.92	19.40	20.23	23.27	23.54	25.75	27.13
1.38	29	5.088	40	7.018	9.46	10.02	11.95	12.23	13.89	15.27	15.82	16.93	18.03	18.86	21.34	22.17	25.20	25.48	27.68	29.06
1.39	31	5.439	43	7.544	8.76	9.32	11.26	11.53	13.19	14.57	15.13	16.23	17.34	18.16	20.65	21.48	24.51	24.79	26.99	28.37
1.39	36	6.316	50	8.772	9.57	9.85	11.52	12.90	13.45	14.56	15.67	16.50	18.98	19.81	22.85	23.12	25.33	26.71
1.39	28	4.912	39	6.842	9.74	10.29	12.23	12.51	14.16	15.55	16.10	17.20	18.31	19.13	21.62	22.44	25.48	25.75	27.96	29.34
1.39	38	6.667	53	9.299	8.87	9.14	10.81	12.20	12.75	13.86	14.97	15.80	18.29	19.11	22.15	22.43	24.64	26.02
1.40	43	7.544	60	10.527	10.51	11.07	12.18	13.29	14.12	16.61	17.44	20.48	20.76	22.97	24.35
1.40	48	8.421	67	11.755	11.60	12.44	14.93	15.77	18.81	19.09	21.30	22.68
1.40	40	7.018	56	9.825	10.11	11.50	12.05	13.16	14.27	15.10	17.59	18.42	21.46	21.73	23.94	25.32
1.40	45	7.895	63	11.053	10.36	11.47	12.59	13.42	15.91	16.74	19.79	20.06	22.27	23.66
1.40	80	14.036	112	19.650
1.41	32	5.614	45	7.895	8.33	8.89	10.83	11.11	12.77	14.15	14.71	15.81	16.92	17.74	20.23	21.06	24.09	24.37	26.58	27.95
1.41	34	5.965	48	8.421	...	8.18	10.13	10.41	12.07	13.45	14.01	15.11	16.22	17.05	19.53	20.36	23.40	23.67	25.88	27.26
1.42	53	9.299	75	13.158	13.10	13.93	16.99	17.26	19.48	20.86
1.42	50	8.772	71	12.457	11.57	14.08	14.91	17.97	18.24	20.46
1.43	28	4.912	40	7.018	9.59	10.15	12.08	12.36	14.02	15.40	15.95	17.06	18.16	18.99	21.48	22.30	25.34	25.61	27.82	29.20
1.43	35	6.141	50	8.772	9.70	9.98	11.64	13.03	13.58	14.69	15.80	16.63	19.11	19.94	22.98	23.26	25.46	26.84
1.43	56	9.825	80	14.036	12.79	15.85	16.13	18.35	19.74
1.43	63	11.053	90	15.790	13.72	15.96	17.35
1.43	37	6.492	53	9.299	8.99	9.27	10.94	12.33	12.88	13.99	15.10	15.93	18.42	19.25	22.28	22.56	24.77	26.15
1.43	30	5.263	43	7.544	8.89	9.44	11.38	11.66	13.32	14.70	15.26	16.36	17.47	18.30	20.78	21.61	24.64	24.92	27.13	28.51
1.44	39	6.842	56	9.825	10.23	11.62	12.18	13.29	14.40	15.23	17.72	18.55	21.59	21.87	24.07	25.46
1.45	31	5.439	45	7.895	8.46	9.02	10.96	11.24	12.90	14.28	14.84	15.94	17.05	17.88	20.36	21.19	24.23	24.50	26.71	28.09
1.45	33	5.790	48	8.421	7.75	8.31	10.26	10.53	12.20	13.58	14.14	15.24	16.35	17.18	19.67	20.49	23.53	23.81	26.02	27.40
1.47	43	7.544	63	11.053	10.05	10.61	11.73	12.84	13.67	16.17	17.00	20.05	20.33	22.54	23.92
1.47	34	5.965	50	8.772	9.83	10.11	11.77	13.16	13.71	14.82	15.93	16.76	19.25	20.07	23.11	23.39	25.60	26.98
1.47	36	6.316	53	9.299	9.12	9.40	11.07	12.46	13.01	14.12	15.23	16.06	18.55	19.38	22.42	22.69	24.90	26.28
1.47	38	6.667	56	9.825	10.36	11.75	12.31	13.42	14.53	15.36	17.85	18.68	21.72	22.00	24.21	25.59
1.48	48	8.421	71	12.457	11.82	14.33	15.17	18.22	18.50	20.72
1.48	29	5.088	43	7.544	9.02	9.57	11.51	11.79	13.45	14.84	15.39	16.49	17.60	18.43	20.91	21.74	24.78	25.05	27.26	28.64
1.49	45	7.895	67	11.755	10.86	11.98	12.82	15.32	16.15	19.20	19.48	21.69	23.08
1.49	75	13.158	112	19.650
1.50	30	5.263	45	7.895	8.59	9.14	11.09	11.37	13.03	14.41	14.97	16.07	17.18	18.01	20.49	21.32	24.36	24.64	26.84	28.22
Length Factor*					0.66	0.68	0.71	0.73	0.75	0.77	0.79	0.81	0.83	0.84	0.86	0.87	0.89	0.90	0.92	0.95

* The length correction factor must be used to determine proper belt width.

Selection program available online at ptwizard.com

FEATURES/BENEFITS PAGE PT12-2	SPECIFICATIONS PAGE PT13-2	ENGINEERING/TECHNICAL PAGE PT13-96	
----------------------------------	-------------------------------	---------------------------------------	--

V-Drives

FHP Drives

Drive Component Accessories

DYNA-SYNC

HT200/HTD Synchronous Drives

HTR Synchronous Drives

HTRC Synchronous Drives



14M HTRC Selection Table (Continued)

Speed Ratio	Sprocket Combinations				Center Distance, Inches															
	Driver		Driven		2100-14M	2240-14M	2310-14M	2380-14M	2450-14M	2590-14M	2660-14M	2800-14M	3150-14M	3360-14M	3500-14M	3850-14M	3920-14M	4326-14M	4578-14M	4956-14M
	No. of Teeth	Pitch Dia. Inches	No. of Teeth	Pitch Dia. Inches																
Length Factor*					0.96	0.99	1.00	1.01	1.02	1.04	1.06	1.08	1.11	1.14	1.16	1.19	1.22	1.25	1.29	1.34
1.34	53	9.299	71	12.457	24.21	26.97	28.35	29.73	31.11	33.87	35.25	38.01	44.90	49.04	51.80	58.69	60.07	68.06	73.02	80.47
1.34	50	8.772	67	11.755	25.18	27.94	29.32	30.70	32.08	34.84	36.22	38.98	45.87	50.01	52.76	59.65	61.03	69.03	73.99	81.43
1.34	67	11.755	90	15.790	19.61	22.38	23.76	25.15	26.53	29.29	30.67	33.43	40.33	44.47	47.23	54.13	55.51	63.50	68.47	75.91
1.34	32	5.614	43	7.544	30.99	33.75	35.13	36.51	37.89	40.64	42.02	44.78	51.67	55.80	58.56	65.45	66.83	74.82	79.78	87.22
1.34	29	5.088	39	6.842	31.96	34.72	36.10	37.47	38.85	41.61	42.99	45.74	52.64	56.77	59.53	66.42	67.79	75.79	80.75	88.19
1.35	37	6.492	50	8.772	29.33	32.09	33.47	34.85	36.23	38.99	40.36	43.12	50.01	54.15	56.90	63.80	65.17	73.17	78.13	85.57
1.36	28	4.912	38	6.667	32.24	34.99	36.37	37.75	39.13	41.89	43.26	46.02	52.91	57.05	59.80	66.69	68.07	76.06	81.02	88.46
1.36	39	6.842	53	9.299	28.64	31.40	32.78	34.16	35.54	38.29	39.67	42.43	49.32	53.46	56.21	63.10	64.48	72.48	77.44	84.88
1.36	33	5.790	45	7.895	30.58	33.34	34.71	36.09	37.47	40.23	41.61	44.36	51.25	55.39	58.15	65.04	66.41	74.41	79.37	86.81
1.37	35	6.141	48	8.421	29.89	32.64	34.02	35.40	36.78	39.54	40.92	43.67	50.56	54.70	57.46	64.35	65.72	73.72	78.68	86.12
1.38	29	5.088	40	7.018	31.82	34.58	35.96	37.33	38.71	41.47	42.85	45.60	52.50	56.63	59.39	66.28	67.66	75.65	80.61	88.05
1.39	31	5.439	43	7.544	31.13	33.89	35.27	36.64	38.02	40.78	42.16	44.91	51.81	55.94	58.70	65.59	66.97	74.96	79.92	87.36
1.39	36	6.316	50	8.772	29.47	32.23	33.61	34.98	36.36	39.12	40.50	43.26	50.15	54.28	57.04	63.93	65.31	73.30	78.26	85.71
1.39	28	4.912	39	6.842	32.10	34.85	36.23	37.61	38.99	41.75	43.12	45.88	52.77	56.91	59.66	66.55	67.93	75.92	80.88	88.33
1.39	38	6.667	53	9.299	28.78	31.53	32.91	34.29	35.67	38.43	39.81	42.56	49.46	53.59	56.35	63.24	64.62	72.61	77.57	85.02
1.40	43	7.544	60	10.527	27.11	29.87	31.25	32.63	34.01	36.77	38.15	40.91	47.80	51.93	54.69	61.58	62.96	70.96	75.92	83.36
1.40	48	8.421	67	11.755	25.45	28.21	29.59	30.97	32.35	35.11	36.49	39.24	46.14	50.28	53.03	59.93	61.30	69.30	74.26	81.70
1.40	40	7.018	56	9.825	28.08	30.84	32.22	33.60	34.98	37.74	39.12	41.87	48.77	52.90	55.66	62.55	63.93	71.92	76.88	84.33
1.40	45	7.895	63	11.053	26.42	29.18	30.56	31.94	33.32	36.08	37.45	40.21	47.11	51.24	54.00	60.89	62.27	70.27	75.23	82.67
1.40	80	14.036	112	19.650	···	17.43	18.82	20.21	21.60	24.38	25.77	28.54	35.45	39.60	42.36	49.26	50.64	58.65	63.61	71.06
1.41	32	5.614	45	7.895	30.71	33.47	34.85	36.23	37.61	40.36	41.74	44.50	51.39	55.53	58.28	65.17	66.55	74.54	79.51	86.95
1.41	34	5.965	48	8.421	30.02	32.78	34.16	35.54	36.91	39.67	41.05	43.81	50.70	54.83	57.59	64.48	65.86	73.85	78.82	86.26
1.42	53	9.299	75	13.158	23.63	26.40	27.78	29.16	30.54	33.30	34.68	37.44	44.34	48.47	51.23	58.13	59.51	67.50	72.46	79.91
1.42	50	8.772	71	12.457	24.60	27.37	28.75	30.13	31.51	34.27	35.65	38.41	45.31	49.44	52.20	59.09	60.47	68.47	73.43	80.87
1.43	28	4.912	40	7.018	31.96	34.71	36.09	37.47	38.85	41.61	42.98	45.74	52.63	56.77	59.52	66.41	67.79	75.78	80.75	88.19
1.43	35	6.141	50	8.772	29.60	32.36	33.74	35.12	36.50	39.26	40.63	43.39	50.28	54.42	57.18	64.07	65.45	73.44	78.40	85.84
1.43	56	9.825	80	14.036	22.51	25.28	26.66	28.04	29.42	32.18	33.57	36.33	43.23	47.36	50.12	57.02	58.40	66.39	71.36	78.80
1.43	63	11.053	90	15.790	20.13	22.90	24.28	25.67	27.05	29.82	31.20	33.96	40.87	45.01	47.77	54.66	56.04	64.04	69.01	76.45
1.43	37	6.492	53	9.299	28.91	31.67	33.05	34.43	35.81	38.56	39.94	42.70	49.59	53.73	56.48	63.38	64.75	72.75	77.71	85.15
1.43	30	5.263	43	7.544	31.26	34.02	35.40	36.78	38.16	40.91	42.29	45.05	51.94	56.08	58.83	65.72	67.10	75.09	80.06	87.50
1.44	39	6.842	56	9.825	28.22	30.97	32.35	33.73	35.11	37.87	39.25	42.01	48.90	53.04	55.79	62.69	64.06	72.06	77.02	84.46
1.45	31	5.439	45	7.895	30.85	33.60	34.98	36.36	37.74	40.50	41.88	44.63	51.53	55.66	58.42	65.31	66.69	74.68	79.64	87.08
1.45	33	5.790	48	8.421	30.15	32.91	34.29	35.67	37.05	39.81	41.19	43.94	50.84	54.97	57.73	64.62	66.00	73.99	78.95	86.39
1.47	43	7.544	63	11.053	26.68	29.44	30.82	32.20	33.58	36.34	37.72	40.48	47.38	51.51	54.27	61.16	62.54	70.54	75.50	82.94
1.47	34	5.965	50	8.772	29.74	32.50	33.87	35.25	36.63	39.39	40.77	43.53	50.42	54.55	57.31	64.20	65.58	73.58	78.54	85.98
1.47	36	6.316	53	9.299	29.04	31.80	33.18	34.56	35.94	38.70	40.08	42.83	49.73	53.86	56.62	63.51	64.89	72.88	77.85	85.29
1.47	38	6.667	56	9.825	28.35	31.11	32.49	33.87	35.25	38.01	39.38	42.14	49.04	53.17	55.93	62.82	64.20	72.19	77.16	84.60
1.48	48	8.421	71	12.457	24.87	27.63	29.01	30.39	31.77	34.54	35.92	38.68	45.57	49.71	52.47	59.36	60.74	68.74	73.70	81.14
1.48	29	5.088	43	7.544	31.40	34.16	35.53	36.91	38.29	41.05	42.43	45.19	52.08	56.21	58.97	65.86	67.24	75.23	80.19	87.63
1.49	45	7.895	67	11.755	25.84	28.60	29.99	31.37	32.75	35.51	36.89	39.65	46.54	50.68	53.44	60.33	61.71	69.71	74.67	82.11
1.49	75	13.158	112	19.650	···	18.05	19.45	20.84	22.24	25.02	26.41	29.18	36.11	40.26	43.02	49.93	51.31	59.31	64.28	71.73
1.50	30	5.263	45	7.895	30.98	33.74	35.12	36.50	37.88	40.63	42.01	44.77	51.66	55.80	58.55	65.44	66.82	74.82	79.78	87.22
Length Factor*					0.96	0.99	1.00	1.01	1.02	1.04	1.06	1.08	1.11	1.14	1.16	1.19	1.22	1.25	1.29	1.34

* The length correction factor must be used to determine proper belt width.

Selection program available online at ptwizard.com

FEATURES/BENEFITS PAGE PT12-2	SPECIFICATIONS PAGE PT13-2	ENGINEERING/TECHNICAL PAGE PT13-96	
----------------------------------	-------------------------------	---------------------------------------	--



14M HTRC Selection Table

Speed Ratio	Sprocket Combinations				Center Distance, Inches															
	Driver		Driven		966-14M	994-14M	1092-14M	1106-14M	1190-14M	1260-14M	1288-14M	1344-14M	1400-14M	1442-14M	1568-14M	1610-14M	1764-14M	1778-14M	1890-14M	1960-14M
	No. of Teeth	Pitch Dia. Inches	No. of Teeth	Pitch Dia. Inches																
Length Factor*					0.66	0.68	0.71	0.73	0.75	0.77	0.79	0.81	0.83	0.84	0.86	0.87	0.89	0.90	0.92	0.95
1.50	32	5.614	48	8.421	7.87	8.43	10.38	10.66	12.33	13.71	14.27	15.37	16.48	17.31	19.80	20.63	23.66	23.94	26.15	27.53
1.50	40	7.018	60	10.527	9.49	10.89	11.45	12.56	13.67	14.51	17.00	17.83	20.88	21.15	23.37	24.75
1.50	50	8.772	75	13.158	13.47	14.31	17.37	17.65	19.87	21.25
1.50	60	10.527	90	15.790	13.81	14.10	16.33	17.73
1.51	53	9.299	80	14.036	12.32	13.16	16.23	16.51	18.74	20.13
1.51	37	6.492	56	9.825	8.81	10.48	11.88	12.43	13.55	14.66	15.49	17.98	18.81	21.85	22.13	24.34	25.72
1.51	35	6.141	53	9.299	9.24	9.52	11.19	12.58	13.14	14.25	15.36	16.19	18.68	19.51	22.55	22.83	25.04	26.42
1.52	33	5.790	50	8.772	...	8.00	9.95	10.23	11.90	13.29	13.84	14.95	16.06	16.89	19.38	20.21	23.25	23.52	25.73	27.11
1.54	28	4.912	43	7.544	9.14	9.70	11.64	11.92	13.58	14.97	15.52	16.63	17.73	18.56	21.05	21.87	24.91	25.19	27.39	28.77
1.54	39	6.842	60	10.527	9.61	11.01	11.57	12.69	13.80	14.64	17.13	17.96	21.01	21.29	23.50	24.88
1.55	31	5.439	48	8.421	8.00	8.56	10.51	10.79	12.46	13.84	14.40	15.50	16.61	17.44	19.93	20.76	23.80	24.07	26.28	27.66
1.55	29	5.088	45	7.895	8.71	9.27	11.22	11.49	13.16	14.54	15.10	16.20	17.31	18.14	20.63	21.46	24.49	24.77	26.98	28.36
1.56	36	6.316	56	9.825	8.65	8.93	10.61	12.00	12.56	13.67	14.78	15.62	18.11	18.94	21.98	22.26	24.47	25.85
1.56	43	7.544	67	11.755	11.11	12.23	13.07	15.57	16.41	19.46	19.74	21.95	23.34
1.56	34	5.965	53	9.299	9.37	9.65	11.32	12.71	13.27	14.38	15.49	16.32	18.81	19.64	22.68	22.96	25.17	26.55
1.56	32	5.614	50	8.772	...	8.12	10.08	10.36	12.03	13.42	13.97	15.08	16.19	17.02	19.51	20.34	23.38	23.65	25.86	27.24
1.56	48	8.421	75	13.158	13.72	14.56	17.63	17.90	20.13	21.51
1.58	40	7.018	63	11.053	10.42	10.98	12.10	13.22	14.06	16.56	17.39	20.44	20.72	22.93	24.31
1.58	80	14.036	126	22.106
1.58	71	12.457	112	19.650
1.58	45	7.895	71	12.457	11.35	12.20	14.71	15.55	18.61	18.89	21.11	22.49
1.58	38	6.667	60	10.527	9.74	11.14	11.70	12.81	13.93	14.76	17.26	18.09	21.14	21.42	23.63	25.01
1.60	30	5.263	48	8.421	8.12	8.68	10.64	10.91	12.58	13.97	14.53	15.63	16.74	17.57	20.06	20.89	23.93	24.21	26.41	27.80
1.60	35	6.141	56	9.825	8.77	9.05	10.73	12.13	12.69	13.80	14.91	15.75	18.24	19.07	22.11	22.39	24.60	25.98
1.60	50	8.772	80	14.036	12.69	13.53	16.61	16.89	19.12	20.51
1.61	33	5.790	53	9.299	9.49	9.77	11.45	12.84	13.40	14.51	15.62	16.45	18.94	19.77	22.81	23.09	25.30	26.68
1.61	28	4.912	45	7.895	8.84	9.39	11.34	11.62	13.29	14.67	15.23	16.33	17.44	18.27	20.76	21.59	24.63	24.90	27.11	28.49
1.61	56	9.825	90	15.790	14.31	14.59	16.83	18.23
1.61	31	5.439	50	8.772	...	8.24	10.20	10.48	12.16	13.54	14.10	15.21	16.32	17.15	19.64	20.47	23.51	23.79	26.00	27.38
1.62	39	6.842	63	11.053	10.54	11.11	12.23	13.34	14.18	16.69	17.52	20.57	20.85	23.06	24.44
1.62	37	6.492	60	10.527	9.86	11.26	11.82	12.94	14.05	14.89	17.39	18.22	21.27	21.55	23.76	25.14
1.65	34	5.965	56	9.825	8.89	9.17	10.86	12.26	12.81	13.93	15.04	15.87	18.37	19.20	22.25	22.52	24.73	26.12
1.65	43	7.544	71	12.457	11.60	12.44	14.96	15.80	18.86	19.14	21.36	22.75
1.66	29	5.088	48	8.421	8.24	8.80	10.76	11.04	12.71	14.10	14.65	15.76	16.87	17.70	20.19	21.02	24.06	24.34	26.55	27.93
1.66	32	5.614	53	9.299	9.61	9.89	11.57	12.97	13.52	14.63	15.74	16.58	19.07	19.90	22.94	23.22	25.43	26.81
1.66	38	6.667	63	11.053	10.67	11.23	12.35	13.47	14.31	16.81	17.65	20.70	20.98	23.19	24.57
1.67	30	5.263	50	8.772	7.80	8.36	10.33	10.61	12.28	13.67	14.23	15.34	16.45	17.28	19.77	20.60	23.64	23.92	26.13	27.51
1.67	36	6.316	60	10.527	9.98	11.39	11.95	13.07	14.18	15.02	17.52	18.35	21.40	21.68	23.89	25.27
1.67	45	7.895	75	13.158	11.56	14.09	14.93	18.01	18.28	20.51	21.90
1.67	48	8.421	80	14.036	12.93	13.78	16.86	17.14	19.37	20.76
1.67	67	11.755	112	19.650
1.68	40	7.018	67	11.755	10.35	11.48	12.60	13.44	15.95	16.79	19.85	20.12	22.34	23.73
Length Factor*					0.66	0.68	0.71	0.73	0.75	0.77	0.79	0.81	0.83	0.84	0.86	0.87	0.89	0.90	0.92	0.95

* The length correction factor must be used to determine proper belt width.

Selection program available online at ptwizard.com

FEATURES/BENEFITS PAGE PT12-2	SPECIFICATIONS PAGE PT13-2	ENGINEERING/TECHNICAL PAGE PT13-96	
----------------------------------	-------------------------------	---------------------------------------	--

V-Drives

FHP Drives

Drive Component Accessories

DYNA-SYNC

HT200/HTD Synchronous Drives

HTR Synchronous Drives

HTRC Synchronous Drives



14M HTRC Selection Table (Continued)

Speed Ratio	Sprocket Combinations				Center Distance, Inches															
	Driver		Driven		2100-14M	2240-14M	2310-14M	2380-14M	2450-14M	2590-14M	2660-14M	2800-14M	3150-14M	3360-14M	3500-14M	3850-14M	3920-14M	4326-14M	4578-14M	4956-14M
	No. of Teeth	Pitch Dia. Inches	No. of Teeth	Pitch Dia. Inches																
Length Factor*					0.96	0.99	1.00	1.01	1.02	1.04	1.06	1.08	1.11	1.14	1.16	1.19	1.22	1.25	1.29	1.34
1.50	32	5.614	48	8.421	30.29	33.05	34.43	35.80	37.18	39.94	41.32	44.08	50.97	55.11	57.86	64.75	66.13	74.13	79.09	86.53
1.50	40	7.018	60	10.527	27.51	30.27	31.65	33.03	34.41	37.17	38.55	41.31	48.20	52.34	55.10	61.99	63.37	71.36	76.33	83.77
1.50	50	8.772	75	13.158	24.02	26.79	28.17	29.55	30.93	33.70	35.08	37.84	44.74	48.88	51.64	58.53	59.91	67.91	72.87	80.31
1.50	60	10.527	90	15.790	20.51	23.29	24.67	26.06	27.44	30.21	31.59	34.36	41.27	45.41	48.17	55.07	56.45	64.44	69.41	76.86
1.51	53	9.299	80	14.036	22.90	25.67	27.05	28.43	29.82	32.58	33.96	36.72	43.63	47.77	50.52	57.42	58.80	66.80	71.76	79.21
1.51	37	6.492	56	9.825	28.48	31.24	32.62	34.00	35.38	38.14	39.52	42.28	49.17	53.31	56.06	62.96	64.34	72.33	77.29	84.73
1.51	35	6.141	53	9.299	29.18	31.94	33.32	34.69	36.07	38.83	40.21	42.97	49.86	54.00	56.76	63.65	65.03	73.02	77.98	85.42
1.52	33	5.790	50	8.772	29.87	32.63	34.01	35.39	36.77	39.52	40.90	43.66	50.55	54.69	57.45	64.34	65.72	73.71	78.67	86.11
1.54	28	4.912	43	7.544	31.53	34.29	35.67	37.05	38.43	41.18	42.56	45.32	52.21	56.35	59.10	66.00	67.37	75.37	80.33	87.77
1.54	39	6.842	60	10.527	27.64	30.40	31.78	33.16	34.54	37.30	38.68	41.44	48.34	52.47	55.23	62.13	63.50	71.50	76.46	83.90
1.55	31	5.439	48	8.421	30.42	33.18	34.56	35.94	37.32	40.08	41.46	44.21	51.11	55.24	58.00	64.89	66.27	74.26	79.22	86.67
1.55	29	5.088	45	7.895	31.12	33.87	35.25	36.63	38.01	40.77	42.15	44.90	51.80	55.93	58.69	65.58	66.96	74.95	79.91	87.36
1.56	36	6.316	56	9.825	28.61	31.37	32.75	34.13	35.51	38.27	39.65	42.41	49.31	53.44	56.20	63.09	64.47	72.47	77.43	84.87
1.56	43	7.544	67	11.755	26.10	28.87	30.25	31.63	33.01	35.77	37.15	39.91	46.81	50.95	53.71	60.60	61.98	69.98	74.94	82.38
1.56	34	5.965	53	9.299	29.31	32.07	33.45	34.83	36.21	38.97	40.35	43.10	50.00	54.13	56.89	63.78	65.16	73.16	78.12	85.56
1.56	32	5.614	50	8.772	30.00	32.76	34.14	35.52	36.90	39.66	41.04	43.80	50.69	54.83	57.58	64.47	65.85	73.85	78.81	86.25
1.56	48	8.421	75	13.158	24.28	27.05	28.43	29.82	31.20	33.96	35.34	38.10	45.01	49.14	51.90	58.80	60.18	68.18	73.14	80.58
1.58	40	7.018	63	11.053	27.08	29.84	31.22	32.60	33.98	36.74	38.12	40.88	47.78	51.92	54.67	61.57	62.95	70.94	75.91	83.35
1.58	80	14.036	126	22.106	19.44	22.25	23.65	26.44	33.39	37.55	40.32	47.24	48.63	56.64	61.61	69.07
1.58	71	12.457	112	19.650	...	18.54	19.94	21.34	22.74	25.53	26.92	29.70	36.63	40.78	43.55	50.46	51.84	59.85	64.81	72.27
1.58	45	7.895	71	12.457	25.26	28.03	29.41	30.79	32.17	34.93	36.31	39.08	45.98	50.11	52.87	59.77	61.15	69.14	74.11	81.55
1.58	38	6.667	60	10.527	27.77	30.54	31.92	33.30	34.68	37.44	38.82	41.58	48.47	52.61	55.37	62.26	63.64	71.63	76.60	84.04
1.60	30	5.263	48	8.421	30.56	33.31	34.69	36.07	37.45	40.21	41.59	44.35	51.24	55.38	58.13	65.03	66.40	74.40	79.36	86.80
1.60	35	6.141	56	9.825	28.75	31.51	32.89	34.27	35.65	38.41	39.79	42.55	49.44	53.58	56.33	63.23	64.61	72.60	77.56	85.01
1.60	50	8.772	80	14.036	23.29	26.06	27.44	28.83	30.21	32.97	34.36	37.12	44.02	48.17	50.93	57.82	59.20	67.20	72.17	79.61
1.61	33	5.790	53	9.299	29.44	32.20	33.58	34.96	36.34	39.10	40.48	43.24	50.13	54.27	57.03	63.92	65.30	73.29	78.25	85.70
1.61	28	4.912	45	7.895	31.25	34.01	35.39	36.77	38.15	40.90	42.28	45.04	51.93	56.07	58.82	65.72	67.09	75.09	80.05	87.49
1.61	56	9.825	90	15.790	21.02	23.80	25.19	26.58	27.96	30.73	32.12	34.88	41.79	45.94	48.70	55.60	56.98	64.98	69.95	77.39
1.61	31	5.439	50	8.772	30.14	32.90	34.28	35.66	37.04	39.79	41.17	43.93	50.82	54.96	57.72	64.61	65.99	73.98	78.94	86.39
1.62	39	6.842	63	11.053	27.21	29.97	31.35	32.73	34.12	36.88	38.26	41.02	47.91	52.05	54.81	61.70	63.08	71.08	76.04	83.48
1.62	37	6.492	60	10.527	27.91	30.67	32.05	33.43	34.81	37.57	38.95	41.71	48.61	52.74	55.50	62.40	63.77	71.77	76.73	84.18
1.65	34	5.965	56	9.825	28.88	31.64	33.02	34.40	35.78	38.54	39.92	42.68	49.58	53.71	56.47	63.36	64.74	72.74	77.70	85.14
1.65	43	7.544	71	12.457	25.52	28.29	29.67	31.05	32.43	35.20	36.58	39.34	46.24	50.38	53.14	60.04	61.42	69.41	74.38	81.82
1.66	29	5.088	48	8.421	30.69	33.45	34.83	36.21	37.59	40.34	41.72	44.48	51.38	55.51	58.27	65.16	66.54	74.53	79.50	86.94
1.66	32	5.614	53	9.299	29.57	32.34	33.72	35.10	36.48	39.23	40.61	43.37	50.27	54.40	57.16	64.05	65.43	73.43	78.39	85.83
1.66	38	6.667	63	11.053	27.34	30.10	31.49	32.87	34.25	37.01	38.39	41.15	48.05	52.19	54.94	61.84	63.22	71.21	76.18	83.62
1.67	30	5.263	50	8.772	30.27	33.03	34.41	35.79	37.17	39.93	41.31	44.07	50.96	55.10	57.85	64.75	66.12	74.12	79.08	86.52
1.67	36	6.316	60	10.527	28.04	30.80	32.18	33.56	34.94	37.70	39.08	41.84	48.74	52.88	55.64	62.53	63.91	71.91	76.87	84.31
1.67	45	7.895	75	13.158	24.67	27.44	28.83	30.21	31.59	34.36	35.74	38.50	45.40	49.54	52.30	59.20	60.58	68.58	73.54	80.99
1.67	48	8.421	80	14.036	23.54	26.32	27.70	29.09	30.47	33.24	34.62	37.38	44.29	48.43	51.19	58.09	59.47	67.47	72.43	79.88
1.67	67	11.755	112	19.650	16.20	19.03	20.44	21.84	23.24	26.03	27.43	30.21	37.15	41.30	44.07	50.98	52.36	60.38	65.35	72.80
1.68	40	7.018	67	11.755	26.50	29.26	30.64	32.03	33.41	36.17	37.55	40.31	47.21	51.35	54.11	61.01	62.38	70.38	75.34	82.79
Length Factor*					0.96	0.99	1.00	1.01	1.02	1.04	1.06	1.08	1.11	1.14	1.16	1.19	1.22	1.25	1.29	1.34

* The length correction factor must be used to determine proper belt width.

Selection program available online at ptwizard.com

FEATURES/BENEFITS PAGE PT12-2	SPECIFICATIONS PAGE PT13-2	ENGINEERING/TECHNICAL PAGE PT13-96	
----------------------------------	-------------------------------	---------------------------------------	--



14M HTRC Selection Table

Speed Ratio	Sprocket Combinations				Center Distance, Inches															
	Driver		Driven		966-14M	994-14M	1092-14M	1106-14M	1190-14M	1260-14M	1288-14M	1344-14M	1400-14M	1442-14M	1568-14M	1610-14M	1764-14M	1778-14M	1890-14M	1960-14M
	No. of Teeth	Pitch Dia. Inches	No. of Teeth	Pitch Dia. Inches																
Length Factor*					0.66	0.68	0.71	0.73	0.75	0.77	0.79	0.81	0.83	0.84	0.86	0.87	0.89	0.90	0.92	0.95
1.68	75	13.158	126	22.106
1.70	33	5.790	56	9.825	9.01	9.30	10.98	12.38	12.94	14.05	15.17	16.00	18.50	19.33	22.38	22.65	24.87	26.25
1.70	53	9.299	90	15.790	14.67	14.95	17.20	18.60
1.70	37	6.492	63	11.053	10.79	11.35	12.48	13.60	14.43	16.94	17.77	20.83	21.10	23.32	24.70
1.71	31	5.439	53	9.299	9.74	10.02	11.70	13.09	13.65	14.76	15.87	16.71	19.20	20.03	23.07	23.35	25.56	26.94
1.71	28	4.912	48	8.421	8.36	8.93	10.89	11.17	12.84	14.23	14.78	15.89	17.00	17.83	20.32	21.15	24.19	24.47	26.68	28.06
1.71	35	6.141	60	10.527	10.10	11.51	12.07	13.19	14.31	15.14	17.65	18.48	21.53	21.81	24.02	25.40
1.72	39	6.842	67	11.755	10.47	11.60	12.72	13.56	16.08	16.92	19.97	20.25	22.47	23.86
1.72	29	5.088	50	8.772	7.92	8.49	10.45	10.73	12.41	13.80	14.36	15.47	16.58	17.41	19.90	20.73	23.77	24.05	26.26	27.64
1.74	43	7.544	75	13.158	10.95	11.80	14.34	15.18	18.26	18.54	20.76	22.15
1.75	32	5.614	56	9.825	9.13	9.42	11.11	12.51	13.06	14.18	15.29	16.13	18.63	19.46	22.51	22.78	25.00	26.38
1.75	36	6.316	63	11.053	9.49	10.91	11.48	12.60	13.72	14.56	17.07	17.90	20.96	21.23	23.45	24.83
1.75	80	14.036	140	24.562
1.76	38	6.667	67	11.755	10.02	10.59	11.72	12.85	13.69	16.21	17.04	20.10	20.38	22.60	23.99
1.76	34	5.965	60	10.527	10.22	11.63	12.19	13.32	14.43	15.27	17.77	18.61	21.66	21.94	24.15	25.53
1.77	30	5.263	53	9.299	...	7.88	9.86	10.14	11.82	13.22	13.78	14.89	16.00	16.83	19.33	20.16	23.21	23.48	25.69	27.08
1.77	71	12.457	126	22.106
1.78	40	7.018	71	12.457	10.83	11.96	12.81	15.34	16.18	19.24	19.52	21.75	23.14
1.78	45	7.895	80	14.036	13.30	14.14	17.24	17.52	19.75	21.14
1.78	63	11.053	112	19.650
1.79	28	4.912	50	8.772	8.04	8.61	10.58	10.86	12.53	13.93	14.48	15.59	16.70	17.54	20.03	20.86	23.90	24.18	26.39	27.77
1.80	35	6.141	63	11.053	9.61	11.03	11.60	12.72	13.84	14.68	17.19	18.03	21.08	21.36	23.58	24.96
1.80	50	8.772	90	15.790	15.03	15.32	17.57	18.98
1.81	31	5.439	56	9.825	9.25	9.54	11.23	12.63	13.19	14.31	15.42	16.26	18.76	19.59	22.64	22.91	25.13	26.51
1.81	37	6.492	67	11.755	10.14	10.71	11.84	12.97	13.81	16.33	17.17	20.23	20.51	22.73	24.12
1.82	33	5.790	60	10.527	10.35	11.76	12.32	13.44	14.56	15.40	17.90	18.73	21.79	22.06	24.28	25.66
1.82	39	6.842	71	12.457	10.95	12.08	12.93	15.46	16.30	19.37	19.65	21.87	23.26
1.83	29	5.088	53	9.299	...	8.00	9.98	10.26	11.95	13.34	13.90	15.02	16.13	16.96	19.46	20.29	23.34	23.61	25.83	27.21
1.85	34	5.965	63	11.053	9.73	11.15	11.72	12.85	13.97	14.81	17.32	18.16	21.21	21.49	23.71	25.09
1.86	43	7.544	80	14.036	13.54	14.39	17.48	17.76	20.00	21.40
1.86	36	6.316	67	11.755	10.26	10.83	11.96	13.09	13.93	16.46	17.29	20.36	20.64	22.86	24.24
1.87	30	5.263	56	9.825	9.37	9.66	11.35	12.75	13.31	14.43	15.55	16.38	18.88	19.72	22.77	23.04	25.26	26.64
1.87	60	10.527	112	19.650
1.87	75	13.158	140	24.562
1.87	38	6.667	71	12.457	11.07	12.20	13.05	15.59	16.43	19.50	19.78	22.00	23.39
1.88	32	5.614	60	10.527	8.76	10.47	11.88	12.44	13.56	14.68	15.52	18.03	18.86	21.92	22.19	24.41	25.79
1.88	40	7.018	75	13.158	11.30	12.16	14.71	15.55	18.63	18.91	21.14	22.54
1.88	48	8.421	90	15.790	15.27	15.56	17.82	19.22
1.88	67	11.755	126	22.106
1.89	28	4.912	53	9.299	...	8.11	10.10	10.38	12.07	13.47	14.03	15.14	16.26	17.09	19.59	20.42	23.47	23.74	25.96	27.34
1.91	33	5.790	63	11.053	9.85	11.27	11.84	12.97	14.09	14.93	17.45	18.28	21.34	21.62	23.84	25.22
1.91	35	6.141	67	11.755	10.38	10.95	12.08	13.21	14.06	16.58	17.42	20.48	20.76	22.99	24.37
Length Factor*					0.66	0.68	0.71	0.73	0.75	0.77	0.79	0.81	0.83	0.84	0.86	0.87	0.89	0.90	0.92	0.95

* The length correction factor must be used to determine proper belt width.

Selection program available online at ptwizard.com

FEATURES/BENEFITS PAGE PT12-2	SPECIFICATIONS PAGE PT13-2	ENGINEERING/TECHNICAL PAGE PT13-96	
----------------------------------	-------------------------------	---------------------------------------	--

V-Drives

FHP Drives

Drive Component Accessories

DYNA-SYNC

HT200/HTD Synchronous Drives

HTR Synchronous Drives

HTRC Synchronous Drives



14M HTRC Selection Table (Continued)

Speed Ratio	Sprocket Combinations				Center Distance, Inches															
	Driver		Driven		2100-14M	2240-14M	2310-14M	2380-14M	2450-14M	2590-14M	2660-14M	2800-14M	3150-14M	3360-14M	3500-14M	3850-14M	3920-14M	4326-14M	4578-14M	4956-14M
	No. of Teeth	Pitch Dia. Inches	No. of Teeth	Pitch Dia. Inches																
Length Factor*					0.96	0.99	1.00	1.01	1.02	1.04	1.06	1.08	1.11	1.14	1.16	1.19	1.22	1.25	1.29	1.34
1.68	75	13.158	126	22.106	18.63	20.05	22.86	24.27	27.07	34.03	38.20	40.97	47.90	49.28	57.30	62.27	69.73
1.70	33	5.790	56	9.825	29.01	31.77	33.15	34.53	35.91	38.67	40.05	42.81	49.71	53.85	56.60	63.50	64.88	72.87	77.83	85.28
1.70	53	9.299	90	15.790	21.40	24.18	25.57	26.96	28.35	31.12	32.51	35.27	42.19	46.33	49.10	56.00	57.38	65.38	70.35	77.80
1.70	37	6.492	63	11.053	27.47	30.24	31.62	33.00	34.38	37.14	38.52	41.28	48.18	52.32	55.08	61.97	63.35	71.35	76.31	83.76
1.71	31	5.439	53	9.299	29.71	32.47	33.85	35.23	36.61	39.37	40.75	43.51	50.40	54.54	57.30	64.19	65.57	73.56	78.53	85.97
1.71	28	4.912	48	8.421	30.82	33.58	34.96	36.34	37.72	40.48	41.86	44.62	51.51	55.65	58.40	65.30	66.68	74.67	79.63	87.07
1.71	35	6.141	60	10.527	28.17	30.93	32.31	33.70	35.08	37.84	39.22	41.98	48.87	53.01	55.77	62.67	64.04	72.04	77.00	84.45
1.72	39	6.842	67	11.755	26.63	29.39	30.78	32.16	33.54	36.30	37.68	40.44	47.35	51.48	54.24	61.14	62.52	70.52	75.48	82.92
1.72	29	5.088	50	8.772	30.40	33.16	34.54	35.92	37.30	40.06	41.44	44.20	51.09	55.23	57.99	64.88	66.26	74.25	79.22	86.66
1.74	43	7.544	75	13.158	24.93	27.70	29.09	30.47	31.85	34.62	36.00	38.76	45.67	49.81	52.57	59.47	60.85	68.85	73.81	81.26
1.75	32	5.614	56	9.825	29.14	31.91	33.29	34.67	36.05	38.81	40.19	42.95	49.84	53.98	56.74	63.63	65.01	73.01	77.97	85.41
1.75	36	6.316	63	11.053	27.60	30.37	31.75	33.13	34.51	37.27	38.65	41.42	48.32	52.45	55.21	62.11	63.49	71.48	76.45	83.89
1.75	80	14.036	140	24.562	19.99	21.42	24.25	31.27	35.45	38.24	45.18	46.57	54.60	59.59	67.05
1.76	38	6.667	67	11.755	26.76	29.52	30.91	32.29	33.67	36.43	37.82	40.58	47.48	51.62	54.38	61.27	62.65	70.65	75.61	83.06
1.76	34	5.965	60	10.527	28.30	31.06	32.45	33.83	35.21	37.97	39.35	42.11	49.01	53.15	55.90	62.80	64.18	72.18	77.14	84.58
1.77	30	5.263	53	9.299	29.84	32.60	33.98	35.36	36.74	39.50	40.88	43.64	50.54	54.67	57.43	64.32	65.70	73.70	78.66	86.10
1.77	71	12.457	126	22.106	17.68	19.11	20.53	23.35	24.76	27.56	34.54	38.71	41.49	48.42	49.80	57.82	62.80	70.26
1.78	40	7.018	71	12.457	25.91	28.68	30.06	31.45	32.83	35.59	36.97	39.74	46.64	50.78	53.54	60.44	61.82	69.82	74.78	82.23
1.78	45	7.895	80	14.036	23.93	26.70	28.09	29.47	30.86	33.63	35.01	37.78	44.69	48.83	51.59	58.49	59.87	67.87	72.84	80.28
1.78	63	11.053	112	19.650	16.68	19.52	20.93	22.33	23.74	26.53	27.93	30.72	37.66	41.82	44.59	51.51	52.89	60.90	65.88	73.33
1.79	28	4.912	50	8.772	30.54	33.30	34.68	36.06	37.44	40.20	41.57	44.33	51.23	55.37	58.12	65.02	66.39	74.39	79.35	86.80
1.80	35	6.141	63	11.053	27.73	30.50	31.88	33.26	34.64	37.41	38.79	41.55	48.45	52.59	55.35	62.24	63.62	71.62	76.58	84.03
1.80	50	8.772	90	15.790	21.77	24.56	25.95	27.34	28.73	31.51	32.89	35.66	42.58	46.73	49.49	56.40	57.78	65.78	70.75	78.20
1.81	31	5.439	56	9.825	29.27	32.04	33.42	34.80	36.18	38.94	40.32	43.08	49.98	54.12	56.87	63.77	65.15	73.14	78.11	85.55
1.81	37	6.492	67	11.755	26.89	29.65	31.04	32.42	33.80	36.57	37.95	40.71	47.61	51.75	54.51	61.41	62.79	70.79	75.75	83.19
1.82	33	5.790	60	10.527	28.43	31.20	32.58	33.96	35.34	38.10	39.48	42.24	49.14	53.28	56.04	62.93	64.31	72.31	77.27	84.72
1.82	39	6.842	71	12.457	26.04	28.81	30.19	31.58	32.96	35.72	37.11	39.87	46.77	50.91	53.67	60.57	61.95	69.95	74.92	82.36
1.83	29	5.088	53	9.299	29.97	32.73	34.11	35.49	36.87	39.63	41.01	43.77	50.67	54.81	57.57	64.46	65.84	73.83	78.80	86.24
1.85	34	5.965	63	11.053	27.86	30.63	32.01	33.39	34.78	37.54	38.92	41.68	48.58	52.72	55.48	62.38	63.76	71.75	76.72	84.16
1.86	43	7.544	80	14.036	24.18	26.96	28.35	29.73	31.12	33.89	35.27	38.04	44.95	49.09	51.86	58.76	60.14	68.14	73.11	80.55
1.86	36	6.316	67	11.755	27.02	29.78	31.17	32.55	33.93	36.70	38.08	40.84	47.74	51.88	54.64	61.54	62.92	70.92	75.88	83.33
1.87	30	5.263	56	9.825	29.41	32.17	33.55	34.93	36.31	39.07	40.45	43.21	50.11	54.25	57.01	63.90	65.28	73.28	78.24	85.68
1.87	60	10.527	112	19.650	17.04	19.88	21.30	22.70	24.11	26.91	28.31	31.09	38.05	42.21	44.98	51.90	53.28	61.30	66.27	73.73
1.87	75	13.158	140	24.562	20.58	22.01	24.85	31.89	36.08	38.87	45.82	47.21	55.25	60.24	67.71
1.87	38	6.667	71	12.457	26.17	28.94	30.32	31.71	33.09	35.86	37.24	40.00	46.91	51.05	53.81	60.71	62.09	70.09	75.05	82.50
1.88	32	5.614	60	10.527	28.56	31.33	32.71	34.09	35.47	38.23	39.62	42.38	49.28	53.41	56.17	63.07	64.45	72.45	77.41	84.85
1.88	40	7.018	75	13.158	25.31	28.09	29.47	30.86	32.24	35.01	36.39	39.16	46.07	50.21	52.97	59.87	61.25	69.25	74.22	81.66
1.88	48	8.421	90	15.790	22.02	24.81	26.21	27.60	28.99	31.76	33.15	35.92	42.84	46.99	49.76	56.66	58.04	66.05	71.02	78.47
1.88	67	11.755	126	22.106	18.15	19.59	21.01	23.84	25.25	28.06	35.04	39.22	42.00	48.93	50.32	58.35	63.33	70.79
1.89	28	4.912	53	9.299	30.10	32.87	34.25	35.63	37.01	39.77	41.15	43.91	50.80	54.94	57.70	64.59	65.97	73.97	78.93	86.38
1.91	33	5.790	63	11.053	27.99	30.76	32.14	33.53	34.91	37.67	39.05	41.81	48.72	52.85	55.61	62.51	63.89	71.89	76.85	84.30
1.91	35	6.141	67	11.755	27.15	29.91	31.30	32.68	34.06	36.83	38.21	40.97	47.88	52.02	54.78	61.68	63.05	71.05	76.02	83.46
Length Factor*					0.96	0.99	1.00	1.01	1.02	1.04	1.06	1.08	1.11	1.14	1.16	1.19	1.22	1.25	1.29	1.34

* The length correction factor must be used to determine proper belt width.

Selection program available online at ptwizard.com

FEATURES/BENEFITS PAGE PT12-2	SPECIFICATIONS PAGE PT13-2	ENGINEERING/TECHNICAL PAGE PT13-96	
----------------------------------	-------------------------------	---------------------------------------	--



14M HTRC Selection Table

Speed Ratio	Sprocket Combinations				Center Distance, Inches														
	Driver		Driven		1092-14M	1106-14M	1190-14M	1260-14M	1288-14M	1344-14M	1400-14M	1442-14M	1568-14M	1610-14M	1764-14M	1778-14M	1890-14M	1960-14M	2100-14M
	No. of Teeth	Pitch Dia. Inches	No. of Teeth	Pitch Dia. Inches															
Length Factor*					0.71	0.73	0.75	0.77	0.79	0.81	0.83	0.84	0.86	0.87	0.89	0.90	0.92	0.95	0.96
1.92	37	6.492	71	12.457	11.18	12.32	13.17	15.71	16.55	19.62	19.90	22.13	23.52	26.30
1.92	39	6.842	75	13.158	11.42	12.28	14.83	15.67	18.76	19.04	21.27	22.66	25.44
1.93	80	14.036	154	27.019
1.93	29	5.088	56	9.825	9.49	9.78	11.47	12.88	13.44	14.56	15.67	16.51	19.01	19.84	22.90	23.17	25.39	26.77	29.54
1.94	31	5.439	60	10.527	...	8.87	10.59	12.00	12.56	13.69	14.81	15.65	18.15	18.99	22.04	22.32	24.54	25.92	28.69
1.97	32	5.614	63	11.053	9.97	11.39	11.96	13.09	14.22	15.06	17.57	18.41	21.47	21.75	23.97	25.35	28.12
1.97	34	5.965	67	11.755	10.49	11.07	12.20	13.33	14.18	16.71	17.54	20.61	20.89	23.11	24.50	27.27
1.97	71	12.457	140	24.562
1.97	36	6.316	71	12.457	10.15	11.30	12.44	13.29	15.83	16.67	19.75	20.03	22.26	23.65	26.42
1.97	38	6.667	75	13.158	11.54	12.40	14.95	15.80	18.88	19.16	21.40	22.79	25.57
2.00	28	4.912	56	9.825	9.61	9.90	11.60	13.00	13.56	14.68	15.80	16.64	19.14	19.97	23.02	23.30	25.52	26.90	29.67
2.00	30	5.263	60	10.527	8.70	8.99	10.71	12.12	12.69	13.81	14.93	15.77	18.28	19.12	22.17	22.45	24.67	26.05	28.82
2.00	40	7.018	80	14.036	11.31	13.90	14.75	17.85	18.13	20.38	21.77	24.56
2.00	45	7.895	90	15.790	12.48	15.63	15.92	18.18	19.59	22.40
2.00	56	9.825	112	19.650	17.51
2.00	63	11.053	126	22.106
2.03	37	6.492	75	13.158	10.50	11.66	12.52	15.07	15.92	19.01	19.29	21.52	22.91	25.70
2.03	35	6.141	71	12.457	10.27	11.42	12.56	13.42	15.95	16.80	19.87	20.15	22.38	23.77	26.55
2.03	33	5.790	67	11.755	10.61	11.18	12.32	13.46	14.30	16.83	17.67	20.74	21.02	23.24	24.63	27.40
2.03	31	5.439	63	11.053	10.09	11.51	12.08	13.21	14.34	15.18	17.70	18.53	21.60	21.87	24.10	25.48	28.25
2.05	39	6.842	80	14.036	11.43	14.02	14.87	17.98	18.26	20.50	21.90	24.69
2.05	75	13.158	154	27.019
2.07	29	5.088	60	10.527	8.82	9.11	10.83	12.24	12.81	13.93	15.06	15.90	18.41	19.24	22.30	22.58	24.80	26.18	28.95
2.08	36	6.316	75	13.158	10.62	11.77	12.64	15.19	16.04	19.13	19.41	21.65	23.04	25.82
2.09	34	5.965	71	12.457	9.80	10.39	11.54	12.68	13.54	16.08	16.92	20.00	20.28	22.51	23.90	26.68
2.09	67	11.755	140	24.562
2.09	43	7.544	90	15.790	12.71	15.87	16.16	18.43	19.84	22.65
2.09	32	5.614	67	11.755	10.73	11.30	12.44	13.58	14.42	16.95	17.79	20.86	21.14	23.37	24.76	27.53
2.10	30	5.263	63	11.053	10.21	11.63	12.20	13.33	14.46	15.30	17.82	18.66	21.72	22.00	24.22	25.61	28.38
2.10	60	10.527	126	22.106
2.10	80	14.036	168	29.475
2.11	38	6.667	80	14.036	11.55	14.13	14.99	18.10	18.38	20.62	22.02	24.81
2.11	53	9.299	112	19.650	14.96	17.86
2.14	28	4.912	60	10.527	8.94	9.22	10.95	12.36	12.93	14.06	15.18	16.02	18.53	19.37	22.43	22.71	24.93	26.31	29.08
2.14	35	6.141	75	13.158	10.73	11.89	12.75	15.31	16.16	19.25	19.54	21.77	23.17	25.95
2.15	33	5.790	71	12.457	9.92	10.50	11.66	12.80	13.66	16.20	17.04	20.12	20.40	22.64	24.03	26.81
2.16	31	5.439	67	11.755	9.40	10.85	11.42	12.56	13.70	14.55	17.08	17.92	20.99	21.27	23.50	24.89	27.66
2.16	37	6.492	80	14.036	11.66	14.25	15.11	18.22	18.50	20.75	22.15	24.94
2.17	71	12.457	154	27.019
2.17	29	5.088	63	11.053	10.32	11.75	12.32	13.46	14.58	15.43	17.95	18.79	21.85	22.13	24.35	25.74	28.51
2.21	34	5.965	75	13.158	10.85	12.01	12.87	15.44	16.28	19.38	19.66	21.90	23.29	26.08
2.22	32	5.614	71	12.457	10.03	10.62	11.77	12.92	13.78	16.32	17.17	20.25	20.53	22.76	24.15	26.94
Length Factor*					0.71	0.73	0.75	0.77	0.79	0.81	0.83	0.84	0.86	0.87	0.89	0.90	0.92	0.95	0.96

* The length correction factor must be used to determine proper belt width.

Selection program available online at ptwizard.com

FEATURES/BENEFITS PAGE PT12-2	SPECIFICATIONS PAGE PT13-2	ENGINEERING/TECHNICAL PAGE PT13-96	
----------------------------------	-------------------------------	---------------------------------------	--



14M HTRC Selection Table (Continued)

Speed Ratio	Sprocket Combinations				Center Distance, Inches														
	Driver		Driven		2240-14M	2310-14M	2380-14M	2450-14M	2590-14M	2660-14M	2800-14M	3150-14M	3360-14M	3500-14M	3850-14M	3920-14M	4326-14M	4578-14M	4956-14M
	No. of Teeth	Pitch Dia. Inches	No. of Teeth	Pitch Dia. Inches															
Length Factor*					0.99	1.00	1.01	1.02	1.04	1.06	1.08	1.11	1.14	1.16	1.19	1.22	1.25	1.29	1.34
1.92	37	6.492	71	12.457	29.07	30.45	31.84	33.22	35.99	37.37	40.13	47.04	51.18	53.94	60.84	62.22	70.22	75.18	82.63
1.92	39	6.842	75	13.158	28.22	29.60	30.99	32.37	35.14	36.52	39.29	46.20	50.34	53.10	60.00	61.38	69.38	74.35	81.80
1.93	80	14.036	154	27.019	21.93	29.05	33.28	36.09	43.07	44.46	52.53	57.52	65.01
1.93	29	5.088	56	9.825	32.30	33.68	35.06	36.44	39.21	40.59	43.35	50.25	54.38	57.14	64.04	65.42	73.41	78.38	85.82
1.94	31	5.439	60	10.527	31.46	32.84	34.22	35.60	38.37	39.75	42.51	49.41	53.55	56.31	63.20	64.58	72.58	77.54	84.99
1.97	32	5.614	63	11.053	30.89	32.27	33.66	35.04	37.80	39.18	41.95	48.85	52.99	55.75	62.64	64.02	72.02	76.99	84.43
1.97	34	5.965	67	11.755	30.04	31.43	32.81	34.20	36.96	38.34	41.11	48.01	52.15	54.91	61.81	63.19	71.19	76.15	83.60
1.97	71	12.457	140	24.562	21.05	22.49	25.33	32.38	36.58	39.37	46.33	47.72	55.77	60.76	68.23
1.97	36	6.316	71	12.457	29.20	30.58	31.97	33.35	36.12	37.50	40.26	47.17	51.31	54.07	60.97	62.35	70.35	75.32	82.77
1.97	38	6.667	75	13.158	28.35	29.73	31.12	32.50	35.27	36.66	39.42	46.33	50.47	53.24	60.14	61.52	69.52	74.48	81.93
2.00	28	4.912	56	9.825	32.43	33.81	35.20	36.58	39.34	40.72	43.48	50.38	54.52	57.28	64.17	65.55	73.55	78.51	85.96
2.00	30	5.263	60	10.527	31.59	32.97	34.35	35.74	38.50	39.88	42.64	49.54	53.68	56.44	63.34	64.72	72.71	77.68	85.12
2.00	40	7.018	80	14.036	27.34	28.73	30.12	31.51	34.28	35.66	38.43	45.35	49.49	52.25	59.16	60.54	68.54	73.51	80.96
2.00	45	7.895	90	15.790	25.19	26.59	27.98	29.37	32.15	33.54	36.31	43.23	47.38	50.15	57.06	58.44	66.45	71.42	78.87
2.00	56	9.825	112	19.650	20.36	21.78	23.19	24.60	27.41	28.81	31.60	38.56	42.72	45.49	52.42	53.80	61.82	66.80	74.26
2.00	63	11.053	126	22.106	17.18	18.62	20.06	21.49	24.33	25.74	28.55	35.55	39.73	42.51	49.45	50.83	58.87	63.85	71.31
2.03	37	6.492	75	13.158	28.47	29.86	31.25	32.63	35.40	36.79	39.55	46.46	50.61	53.37	60.27	61.65	69.65	74.62	82.07
2.03	35	6.141	71	12.457	29.33	30.71	32.10	33.48	36.25	37.63	40.40	47.30	51.45	54.21	61.11	62.49	70.49	75.45	82.90
2.03	33	5.790	67	11.755	30.17	31.56	32.94	34.33	37.09	38.47	41.24	48.14	52.28	55.04	61.94	63.32	71.32	76.29	83.73
2.03	31	5.439	63	11.053	31.02	32.40	33.79	35.17	37.93	39.32	42.08	48.98	53.12	55.88	62.78	64.16	72.16	77.12	84.57
2.05	39	6.842	80	14.036	27.47	28.86	30.25	31.63	34.41	35.79	38.56	45.48	49.62	52.38	59.29	60.67	68.67	73.64	81.09
2.05	75	13.158	154	27.019	22.51	29.66	33.89	36.70	43.70	45.09	53.17	58.17	65.65
2.07	29	5.088	60	10.527	31.72	33.10	34.49	35.87	38.63	40.01	42.77	49.68	53.82	56.57	63.47	64.85	72.85	77.81	85.26
2.08	36	6.316	75	13.158	28.60	29.99	31.38	32.76	35.53	36.92	39.68	46.59	50.74	53.50	60.40	61.78	69.79	74.75	82.20
2.09	34	5.965	71	12.457	29.45	30.84	32.23	33.61	36.38	37.76	40.53	47.44	51.58	54.34	61.24	62.62	70.62	75.59	83.03
2.09	67	11.755	140	24.562	18.62	21.52	22.96	25.81	32.88	37.08	39.87	46.84	48.23	56.28	61.27	68.75
2.09	43	7.544	90	15.790	25.44	26.84	28.23	29.62	32.40	33.79	36.57	43.49	47.65	50.41	57.32	58.70	66.71	71.68	79.13
2.09	32	5.614	67	11.755	30.30	31.69	33.07	34.46	37.22	38.61	41.37	48.28	52.42	55.18	62.08	63.46	71.46	76.42	83.87
2.10	30	5.263	63	11.053	31.15	32.54	33.92	35.30	38.07	39.45	42.21	49.11	53.25	56.01	62.91	64.29	72.29	77.26	84.70
2.10	60	10.527	126	22.106	17.52	18.97	20.41	21.84	24.69	26.10	28.92	35.92	40.11	42.89	49.83	51.22	59.26	64.24	71.71
2.10	80	14.036	168	29.475	26.74	31.03	33.86	40.90	42.31	50.41	55.42	62.93
2.11	38	6.667	80	14.036	27.60	28.99	30.38	31.76	34.54	35.92	38.69	45.61	49.75	52.52	59.42	60.80	68.81	73.77	81.22
2.11	53	9.299	112	19.650	20.72	22.14	23.56	24.97	27.78	29.18	31.97	38.94	43.11	45.88	52.81	54.19	62.22	67.19	74.65
2.14	28	4.912	60	10.527	31.85	33.23	34.62	36.00	38.76	40.14	42.91	49.81	53.95	56.71	63.61	64.98	72.98	77.95	85.39
2.14	35	6.141	75	13.158	28.73	30.12	31.51	32.89	35.66	37.05	39.81	46.73	50.87	53.63	60.54	61.92	69.92	74.89	82.33
2.15	33	5.790	71	12.457	29.58	30.97	32.36	33.74	36.51	37.89	40.66	47.57	51.71	54.47	61.37	62.75	70.76	75.72	83.17
2.16	31	5.439	67	11.755	30.43	31.82	33.20	34.59	37.35	38.74	41.50	48.41	52.55	55.31	62.21	63.59	71.59	76.56	84.00
2.16	37	6.492	80	14.036	27.72	29.11	30.50	31.89	34.67	36.05	38.82	45.74	49.89	52.65	59.55	60.93	68.94	73.91	81.36
2.17	71	12.457	154	27.019	20.05	22.98	30.14	34.38	37.20	44.20	45.60	53.68	58.68	66.17
2.17	29	5.088	63	11.053	31.28	32.67	34.05	35.43	38.20	39.58	42.34	49.25	53.39	56.15	63.05	64.43	72.43	77.39	84.84
2.21	34	5.965	75	13.158	28.86	30.25	31.63	33.02	35.79	37.18	39.94	46.86	51.00	53.77	60.67	62.05	70.05	75.02	82.47
2.22	32	5.614	71	12.457	29.71	31.10	32.48	33.87	36.64	38.02	40.79	47.70	51.84	54.60	61.51	62.89	70.89	75.86	83.30
Length Factor*					0.99	1.00	1.01	1.02	1.04	1.06	1.08	1.11	1.14	1.16	1.19	1.22	1.25	1.29	1.34

* The length correction factor must be used to determine proper belt width.

Selection program available online at ptwizard.com

FEATURES/BENEFITS PAGE PT12-2	SPECIFICATIONS PAGE PT13-2	ENGINEERING/TECHNICAL PAGE PT13-96	
----------------------------------	-------------------------------	---------------------------------------	--



14M HTRC Selection Table

Speed Ratio	Sprocket Combinations				Center Distance, Inches														
	Driver		Driven		1092-14M	1106-14M	1190-14M	1260-14M	1288-14M	1344-14M	1400-14M	1442-14M	1568-14M	1610-14M	1764-14M	1778-14M	1890-14M	1960-14M	2100-14M
	No. of Teeth	Pitch Dia. Inches	No. of Teeth	Pitch Dia. Inches															
Length Factor*					0.71	0.73	0.75	0.77	0.79	0.81	0.83	0.84	0.86	0.87	0.89	0.90	0.92	0.95	0.96
2.22	36	6.316	80	14.036	10.90	11.78	14.37	15.23	18.34	18.62	20.87	22.27	25.07
2.22	63	11.053	140	24.562
2.23	30	5.263	67	11.755	9.51	10.96	11.54	12.68	13.82	14.67	17.20	18.04	21.12	21.39	23.62	25.01	27.79
2.24	50	8.772	112	19.650	15.30	18.22
2.24	75	13.158	168	29.475
2.25	28	4.912	63	11.053	...	8.70	10.44	11.87	12.44	13.58	14.71	15.55	18.07	18.91	21.98	22.26	24.48	25.87	28.64
2.25	40	7.018	90	15.790	12.17	13.05	16.23	16.51	18.79	20.20	23.02
2.25	56	9.825	126	22.106
2.25	80	14.036	180	31.580
2.27	33	5.790	75	13.158	10.96	12.12	12.99	15.56	16.40	19.50	19.78	22.02	23.42	26.21
2.29	35	6.141	80	14.036	11.01	11.89	14.49	15.35	18.46	18.75	21.00	22.40	25.19
2.29	31	5.439	71	12.457	10.15	10.73	11.89	13.04	13.89	16.44	17.29	20.37	20.65	22.89	24.28	27.06
2.30	67	11.755	154	27.019
2.31	39	6.842	90	15.790	12.28	13.17	16.35	16.63	18.91	20.32	23.14
2.31	29	5.088	67	11.755	9.63	11.08	11.66	12.80	13.94	14.79	17.32	18.17	21.24	21.52	23.75	25.14	27.92
2.33	48	8.421	112	19.650	15.53	18.45
2.33	60	10.527	140	24.562
2.34	32	5.614	75	13.158	11.08	12.24	13.11	15.68	16.53	19.63	19.91	22.15	23.54	26.33
2.35	34	5.965	80	14.036	11.13	12.01	14.61	15.47	18.59	18.87	21.12	22.52	25.32
2.37	71	12.457	168	29.475
2.37	30	5.263	71	12.457	10.26	10.85	12.01	13.16	14.01	16.57	17.41	20.50	20.78	23.01	24.41	27.19
2.37	38	6.667	90	15.790	12.40	13.28	16.46	16.75	19.03	20.44	23.26
2.38	53	9.299	126	22.106
2.39	28	4.912	67	11.755	9.74	11.20	11.77	12.92	14.06	14.91	17.45	18.29	21.37	21.65	23.88	25.27	28.05
2.40	75	13.158	180	31.580
2.42	31	5.439	75	13.158	10.01	11.19	12.36	13.22	15.80	16.65	19.75	20.03	22.27	23.67	26.46
2.42	33	5.790	80	14.036	11.24	12.12	14.73	15.58	18.71	18.99	21.24	22.64	25.44
2.43	37	6.492	90	15.790	12.51	13.39	16.58	16.87	19.15	20.57	23.39
2.44	63	11.053	154	27.019
2.45	29	5.088	71	12.457	10.38	10.96	12.12	13.28	14.13	16.69	17.53	20.62	20.90	23.14	24.53	27.32
2.49	45	7.895	112	19.650	14.38	15.87	18.80
2.50	30	5.263	75	13.158	10.12	11.31	12.47	13.34	15.92	16.77	19.87	20.15	22.40	23.79	26.58
2.50	32	5.614	80	14.036	11.35	12.24	14.84	15.70	18.83	19.11	21.36	22.77	25.57
2.50	36	6.316	90	15.790	12.62	13.51	16.70	16.99	19.27	20.69	23.51
2.50	56	9.825	140	24.562
2.50	80	14.036	200	35.089
2.51	67	11.755	168	29.475
2.52	50	8.772	126	22.106	15.68
2.54	71	12.457	180	31.580
2.54	28	4.912	71	12.457	10.49	11.08	12.24	13.39	14.25	16.81	17.66	20.75	21.03	23.26	24.66	27.44
2.57	60	10.527	154	27.019
2.57	35	6.141	90	15.790	12.74	13.62	16.82	17.10	19.39	20.81	23.63
Length Factor*					0.71	0.73	0.75	0.77	0.79	0.81	0.83	0.84	0.86	0.87	0.89	0.90	0.92	0.95	0.96

* The length correction factor must be used to determine proper belt width.

Selection program available online at ptwizard.com

FEATURES/BENEFITS PAGE PT12-2	SPECIFICATIONS PAGE PT13-2	ENGINEERING/TECHNICAL PAGE PT13-96	
----------------------------------	-------------------------------	---------------------------------------	--

V-Drives

FHP Drives

Drive Component Accessories

DYNA-SYNC

HT200/HTD Synchronous Drives

HTR Synchronous Drives

HTRC Synchronous Drives



14M HTRC Selection Table (Continued)

Speed Ratio	Sprocket Combinations				Center Distance, Inches														
	Driver		Driven		2240-14M	2310-14M	2380-14M	2450-14M	2590-14M	2660-14M	2800-14M	3150-14M	3360-14M	3500-14M	3850-14M	3920-14M	4326-14M	4578-14M	4956-14M
	No. of Teeth	Pitch Dia. Inches	No. of Teeth	Pitch Dia. Inches															
Length Factor*					0.99	1.00	1.01	1.02	1.04	1.06	1.08	1.11	1.14	1.16	1.19	1.22	1.25	1.29	1.34
2.22	36	6.316	80	14.036	27.85	29.24	30.63	32.02	34.79	36.18	38.95	45.87	50.02	52.78	59.69	61.07	69.07	74.04	81.49
2.22	63	11.053	140	24.562	19.07	21.99	23.43	26.29	33.37	37.58	40.37	47.35	48.74	56.80	61.79	69.27
2.23	30	5.263	67	11.755	30.56	31.95	33.33	34.72	37.48	38.87	41.63	48.54	52.68	55.44	62.34	63.72	71.72	76.69	84.14
2.24	50	8.772	112	19.650	21.08	22.50	23.92	25.33	28.15	29.55	32.35	39.32	43.49	46.27	53.20	54.58	62.61	67.59	75.05
2.24	75	13.158	168	29.475	27.32	31.62	34.46	41.52	42.92	51.04	56.06	63.57
2.25	28	4.912	63	11.053	31.41	32.80	34.18	35.56	38.33	39.71	42.47	49.38	53.52	56.28	63.18	64.56	72.56	77.52	84.97
2.25	40	7.018	90	15.790	25.82	27.21	28.61	30.00	32.79	34.18	36.95	43.88	48.04	50.80	57.72	59.10	67.11	72.08	79.53
2.25	56	9.825	126	22.106	17.98	19.44	20.88	22.32	25.17	26.59	29.41	36.42	40.61	43.40	50.35	51.73	59.78	64.76	72.23
2.25	80	14.036	180	31.580	24.64	29.01	31.88	38.99	40.40	48.56	53.59	61.12
2.27	33	5.790	75	13.158	28.99	30.37	31.76	33.15	35.92	37.31	40.07	46.99	51.13	53.90	60.80	62.18	70.19	75.15	82.60
2.29	35	6.141	80	14.036	27.98	29.37	30.76	32.15	34.92	36.31	39.08	46.00	50.15	52.91	59.82	61.20	69.21	74.17	81.63
2.29	31	5.439	71	12.457	29.84	31.23	32.61	34.00	36.77	38.15	40.92	47.83	51.98	54.74	61.64	63.02	71.02	75.99	83.44
2.30	67	11.755	154	27.019	20.50	23.44	30.62	34.87	37.69	44.70	46.10	54.18	59.19	66.69
2.31	39	6.842	90	15.790	25.94	27.34	28.74	30.13	32.91	34.30	37.08	44.01	48.17	50.93	57.85	59.23	67.24	72.21	79.67
2.31	29	5.088	67	11.755	30.69	32.08	33.46	34.85	37.61	39.00	41.76	48.67	52.81	55.58	62.48	63.86	71.86	76.82	84.27
2.33	48	8.421	112	19.650	21.32	22.74	24.16	25.58	28.39	29.80	32.60	39.57	43.75	46.52	53.46	54.84	62.87	67.85	75.31
2.33	60	10.527	140	24.562	17.93	19.41	22.34	23.78	26.65	33.73	37.95	40.75	47.73	49.12	57.18	62.18	69.66
2.34	32	5.614	75	13.158	29.11	30.50	31.89	33.28	36.05	37.44	40.20	47.12	51.27	54.03	60.93	62.31	70.32	75.29	82.74
2.35	34	5.965	80	14.036	28.10	29.50	30.89	32.28	35.05	36.44	39.21	46.13	50.28	53.04	59.95	61.33	69.34	74.31	81.76
2.37	71	12.457	168	29.475	27.79	32.10	34.95	42.01	43.42	51.54	56.56	64.08
2.37	30	5.263	71	12.457	29.97	31.36	32.74	34.13	36.90	38.28	41.05	47.96	52.11	54.87	61.77	63.15	71.16	76.12	83.57
2.37	38	6.667	90	15.790	26.07	27.46	28.86	30.26	33.04	34.43	37.21	44.14	48.30	51.07	57.98	59.36	67.37	72.35	79.80
2.38	53	9.299	126	22.106	18.32	19.78	21.23	22.67	25.53	26.95	29.78	36.80	40.99	43.78	50.73	52.12	60.16	65.15	72.62
2.39	28	4.912	67	11.755	30.82	32.21	33.59	34.98	37.75	39.13	41.89	48.80	52.95	55.71	62.61	63.99	71.99	76.96	84.41
2.40	75	13.158	180	31.580	25.20	29.59	32.47	39.60	41.01	49.17	54.22	61.75
2.42	31	5.439	75	13.158	29.24	30.63	32.02	33.41	36.18	37.57	40.33	47.25	51.40	54.16	61.07	62.45	70.45	75.42	82.87
2.42	33	5.790	80	14.036	28.23	29.62	31.01	32.40	35.18	36.57	39.34	46.26	50.41	53.17	60.08	61.46	69.47	74.44	81.89
2.43	37	6.492	90	15.790	26.19	27.59	28.99	30.38	33.17	34.56	37.34	44.27	48.43	51.20	58.11	59.49	67.51	72.48	79.93
2.44	63	11.053	154	27.019	19.46	20.96	23.90	31.10	35.35	38.18	45.20	46.60	54.69	59.70	67.20
2.45	29	5.088	71	12.457	30.10	31.48	32.87	34.26	37.03	38.41	41.18	48.09	52.24	55.00	61.91	63.29	71.29	76.26	83.71
2.49	45	7.895	112	19.650	21.67	23.10	24.52	25.94	28.76	30.17	32.97	39.95	44.13	46.91	53.84	55.23	63.26	68.24	75.71
2.50	30	5.263	75	13.158	29.37	30.76	32.15	33.53	36.31	37.69	40.46	47.38	51.53	54.29	61.20	62.58	70.59	75.55	83.00
2.50	32	5.614	80	14.036	28.36	29.75	31.14	32.53	35.31	36.70	39.47	46.39	50.54	53.31	60.21	61.60	69.60	74.57	82.03
2.50	36	6.316	90	15.790	26.31	27.71	29.11	30.51	33.29	34.69	37.47	44.40	48.56	51.33	58.24	59.62	67.64	72.61	80.07
2.50	56	9.825	140	24.562	18.38	19.87	22.80	24.25	27.12	34.22	38.44	41.25	48.23	49.62	57.69	62.69	70.18
2.50	80	14.036	200	35.089	25.40	28.38	35.67	37.11	45.37	50.46	58.04
2.51	67	11.755	168	29.475	28.25	32.57	35.42	42.50	43.91	52.04	57.06	64.59
2.52	50	8.772	126	22.106	18.66	20.13	21.58	23.02	25.89	27.31	30.14	37.17	41.36	44.15	51.11	52.50	60.55	65.54	73.02
2.54	71	12.457	180	31.580	25.66	30.05	32.94	40.08	41.49	49.67	54.71	62.26
2.54	28	4.912	71	12.457	30.22	31.61	33.00	34.39	37.16	38.54	41.31	48.23	52.37	55.13	62.04	63.42	71.42	76.39	83.84
2.57	60	10.527	154	27.019	19.79	21.29	24.24	31.45	35.72	38.54	45.57	46.97	55.07	60.08	67.58
2.57	35	6.141	90	15.790	26.44	27.84	29.24	30.63	33.42	34.81	37.59	44.53	48.69	51.46	58.37	59.75	67.77	72.74	80.20
Length Factor*					0.99	1.00	1.01	1.02	1.04	1.06	1.08	1.11	1.14	1.16	1.19	1.22	1.25	1.29	1.34

* The length correction factor must be used to determine proper belt width.

Selection program available online at ptwizard.com

FEATURES/BENEFITS PAGE PT12-2	SPECIFICATIONS PAGE PT13-2	ENGINEERING/TECHNICAL PAGE PT13-96	
----------------------------------	-------------------------------	---------------------------------------	--



14M HTRC Selection Table

Speed Ratio	Sprocket Combinations				Center Distance, Inches														
	Driver		Driven		1190-14M	1260-14M	1288-14M	1344-14M	1400-14M	1442-14M	1568-14M	1610-14M	1764-14M	1778-14M	1890-14M	1960-14M	2100-14M	2240-14M	
	No. of Teeth	Pitch Dia. Inches	No. of Teeth	Pitch Dia. Inches															
Length Factor*					0.75	0.77	0.79	0.81	0.83	0.84	0.86	0.87	0.89	0.90	0.92	0.95	0.96	0.99	
2.58	31	5.439	80	14.036	11.47	12.35	14.96	15.82	18.95	19.23	21.49	22.89	25.69	28.48	
2.59	29	5.088	75	13.158	10.24	11.42	12.59	13.46	16.03	16.89	19.99	20.27	22.52	23.92	26.71	29.50	
2.60	43	7.544	112	19.650	14.60	16.10	19.03	21.91	
2.63	48	8.421	126	22.106	15.90	18.89	
2.64	53	9.299	140	24.562	
2.65	34	5.965	90	15.790	12.85	13.74	16.93	17.22	19.51	20.93	23.75	26.56	
2.67	30	5.263	80	14.036	10.38	11.58	12.46	15.08	15.94	19.07	19.35	21.61	23.01	25.82	28.61	
2.67	63	11.053	168	29.475	
2.67	75	13.158	200	35.089	
2.68	28	4.912	75	13.158	...	9.75	10.35	11.53	12.70	13.57	16.15	17.01	20.12	20.40	22.64	24.04	26.84	29.62	
2.69	67	11.755	180	31.580	
2.73	33	5.790	90	15.790	12.96	13.85	17.05	17.34	19.63	21.05	23.87	26.69	
2.75	56	9.825	154	27.019	
2.76	29	5.088	80	14.036	10.49	11.69	12.58	15.20	16.06	19.19	19.47	21.73	23.14	25.94	28.73	
2.80	40	7.018	112	19.650	14.93	16.43	19.37	22.26	
2.80	45	7.895	126	22.106	16.23	19.23	
2.80	50	8.772	140	24.562	
2.80	60	10.527	168	29.475	
2.80	80	14.036	224	39.300	
2.81	32	5.614	90	15.790	13.07	13.96	17.17	17.46	19.75	21.17	24.00	26.81
2.82	71	12.457	200	35.089	
2.86	28	4.912	80	14.036	10.60	11.80	12.69	15.31	16.18	19.31	19.59	21.85	23.26	26.07	28.86	
2.86	63	11.053	180	31.580	
2.87	39	6.842	112	19.650	15.05	16.55	19.49	22.38	
2.90	31	5.439	90	15.790	13.19	14.08	17.28	17.57	19.87	21.29	24.12	26.93
2.91	53	9.299	154	27.019	
2.92	48	8.421	140	24.562	
2.93	43	7.544	126	22.106	16.45	19.46	
2.95	38	6.667	112	19.650	15.16	16.66	19.61	22.50	
2.99	67	11.755	200	35.089	
2.99	75	13.158	224	39.300	
3.00	30	5.263	90	15.790	13.30	14.19	17.40	17.69	19.98	21.41	24.24	27.06
3.00	56	9.825	168	29.475	
3.00	60	10.527	180	31.580	
3.03	37	6.492	112	19.650	15.27	16.77	19.72	22.62	
3.08	50	8.772	154	27.019	
3.10	29	5.088	90	15.790	13.41	14.30	17.52	17.81	20.10	21.53	24.36	27.18
3.11	36	6.316	112	19.650	15.38	16.88	19.83	22.73	
3.11	45	7.895	140	24.562	16.51	
3.15	40	7.018	126	22.106	16.78	19.79	
3.15	71	12.457	224	39.300	
3.17	53	9.299	168	29.475	
3.17	63	11.053	200	35.089	
Length Factor*					0.75	0.77	0.79	0.81	0.83	0.84	0.86	0.87	0.89	0.90	0.92	0.95	0.96	0.99	

* The length correction factor must be used to determine proper belt width.

Selection program available online at ptwizard.com

FEATURES/BENEFITS PAGE PT12-2	SPECIFICATIONS PAGE PT13-2	ENGINEERING/TECHNICAL PAGE PT13-96	
----------------------------------	-------------------------------	---------------------------------------	--



14M HTRC Selection Table (Continued)

Speed Ratio	Sprocket Combinations				Center Distance, Inches													
	Driver		Driven		2310-14M	2380-14M	2450-14M	2590-14M	2660-14M	2800-14M	3150-14M	3360-14M	3500-14M	3850-14M	3920-14M	4326-14M	4578-14M	4956-14M
	No. of Teeth	Pitch Dia. Inches	No. of Teeth	Pitch Dia. Inches														
Length Factor*					1.00	1.01	1.02	1.04	1.06	1.08	1.11	1.14	1.16	1.19	1.22	1.25	1.29	1.34
2.58	31	5.439	80	14.036	29.88	31.27	32.66	35.44	36.82	39.60	46.52	50.67	53.44	60.35	61.73	69.74	74.71	82.16
2.59	29	5.088	75	13.158	30.89	32.27	33.66	36.44	37.82	40.59	47.51	51.66	54.42	61.33	62.71	70.72	75.69	83.14
2.60	43	7.544	112	19.650	23.34	24.76	26.18	29.01	30.41	33.22	40.20	44.38	47.16	54.10	55.49	63.52	68.50	75.97
2.63	48	8.421	126	22.106	20.36	21.81	23.26	26.12	27.55	30.38	37.42	41.61	44.41	51.37	52.76	60.81	65.80	73.28
2.64	53	9.299	140	24.562	17.20	18.71	20.21	23.14	24.60	27.48	34.58	38.81	41.62	48.61	50.00	58.08	63.08	70.57
2.65	34	5.965	90	15.790	27.96	29.36	30.76	33.55	34.94	37.72	44.66	48.82	51.59	58.50	59.89	67.90	72.87	80.33
2.67	30	5.263	80	14.036	30.00	31.39	32.79	35.56	36.95	39.73	46.65	50.80	53.57	60.48	61.86	69.87	74.84	82.29
2.67	63	11.053	168	29.475	21.31	28.72	33.04	35.90	42.99	44.40	52.54	57.57	65.09
2.67	75	13.158	200	35.089	25.95	28.95	36.25	37.70	45.98	51.07	58.66
2.68	28	4.912	75	13.158	31.01	32.40	33.79	36.57	37.95	40.72	47.64	51.79	54.56	61.46	62.84	70.85	75.82	83.27
2.69	67	11.755	180	31.580	26.11	30.51	33.41	40.56	41.98	50.16	55.21	62.76
2.73	33	5.790	90	15.790	28.09	29.49	30.88	33.67	35.07	37.85	44.79	48.95	51.72	58.63	60.02	68.03	73.01	80.46
2.75	56	9.825	154	27.019	20.24	21.74	24.70	31.93	36.20	39.03	46.06	47.46	55.57	60.59	68.09
2.76	29	5.088	80	14.036	30.13	31.52	32.91	35.69	37.08	39.85	46.78	50.93	53.70	60.61	61.99	70.00	74.97	82.43
2.80	40	7.018	112	19.650	23.70	25.12	26.54	29.37	30.78	33.59	40.58	44.76	47.54	54.49	55.87	63.91	68.89	76.36
2.80	45	7.895	126	22.106	20.70	22.16	23.61	26.48	27.91	30.75	37.79	41.99	44.78	51.75	53.14	61.19	66.19	73.67
2.80	50	8.772	140	24.562	17.53	19.05	20.54	23.49	24.94	27.83	34.95	39.18	41.99	48.98	50.38	58.46	63.46	70.95
2.80	60	10.527	168	29.475	21.64	29.06	33.40	36.26	43.35	44.76	52.91	57.94	65.47
2.80	80	14.036	224	39.300	31.38	32.87	41.36	46.54	54.22
2.81	32	5.614	90	15.790	28.21	29.61	31.01	33.80	35.19	37.97	44.92	49.08	51.85	58.76	60.15	68.17	73.14	80.60
2.82	71	12.457	200	35.089	26.39	29.40	36.72	38.16	46.46	51.55	59.15
2.86	28	4.912	80	14.036	30.25	31.65	33.04	35.82	37.21	39.98	46.91	51.06	53.83	60.74	62.12	70.13	75.11	82.56
2.86	63	11.053	180	31.580	26.56	30.97	33.88	41.04	42.46	50.65	55.71	63.26
2.87	39	6.842	112	19.650	23.81	25.24	26.66	29.49	30.90	33.71	40.71	44.89	47.67	54.62	56.00	64.04	69.02	76.49
2.90	31	5.439	90	15.790	28.33	29.74	31.13	33.92	35.32	38.10	45.05	49.20	51.98	58.90	60.28	68.30	73.27	80.73
2.91	53	9.299	154	27.019	20.57	22.08	25.04	32.28	36.56	39.39	46.43	47.84	55.95	60.97	68.48
2.92	48	8.421	140	24.562	17.74	19.27	20.77	23.72	25.18	28.07	35.19	39.42	42.23	49.23	50.63	58.71	63.71	71.21
2.93	43	7.544	126	22.106	20.93	22.39	23.84	26.72	28.14	30.99	38.04	42.24	45.03	52.00	53.39	61.45	66.44	73.92
2.95	38	6.667	112	19.650	23.93	25.36	26.78	29.61	31.02	33.84	40.83	45.01	47.80	54.74	56.13	64.17	69.15	76.63
2.99	67	11.755	200	35.089	26.83	29.84	37.18	38.63	46.93	52.04	59.65
2.99	75	13.158	224	39.300	31.93	33.43	41.94	47.13	54.82
3.00	30	5.263	90	15.790	28.46	29.86	31.26	34.05	35.44	38.23	45.17	49.33	52.10	59.03	60.41	68.43	73.40	80.86
3.00	56	9.825	168	29.475	22.08	29.52	33.87	36.73	43.84	45.25	53.40	58.44	65.98
3.00	60	10.527	180	31.580	26.89	31.32	34.22	41.39	42.82	51.02	56.08	63.63
3.03	37	6.492	112	19.650	24.05	25.48	26.90	29.74	31.15	33.96	40.96	45.14	47.92	54.87	56.26	64.30	69.28	76.76
3.08	50	8.772	154	27.019	20.90	22.41	25.38	32.64	36.92	39.75	46.80	48.21	56.32	61.34	68.86
3.10	29	5.088	90	15.790	28.58	29.98	31.38	34.18	35.57	38.36	45.30	49.46	52.23	59.16	60.54	68.56	73.53	80.99
3.11	36	6.316	112	19.650	24.17	25.60	27.02	29.86	31.27	34.08	41.08	45.27	48.05	55.00	56.39	64.43	69.41	76.89
3.11	45	7.895	140	24.562	18.07	19.60	21.10	24.06	25.52	28.42	35.55	39.79	42.60	49.61	51.01	59.09	64.10	71.59
3.15	40	7.018	126	22.106	21.27	22.74	24.19	27.07	28.50	31.35	38.40	42.61	45.41	52.38	53.77	61.83	66.83	74.31
3.15	71	12.457	224	39.300	32.38	33.88	42.40	47.60	55.30
3.17	53	9.299	168	29.475	22.41	29.87	34.22	37.09	44.20	45.61	53.77	58.82	66.35
3.17	63	11.053	200	35.089	27.27	30.29	37.65	39.10	47.41	52.52	60.14
Length Factor*					1.00	1.01	1.02	1.04	1.06	1.08	1.11	1.14	1.16	1.19	1.22	1.25	1.29	1.34

* The length correction factor must be used to determine proper belt width.

Selection program available online at ptwizard.com

FEATURES/BENEFITS PAGE PT12-2	SPECIFICATIONS PAGE PT13-2	ENGINEERING/TECHNICAL PAGE PT13-96	
----------------------------------	-------------------------------	---------------------------------------	--



14M HTRC Selection Table

Speed Ratio	Sprocket Combinations				Center Distance, Inches											
	Driver		Driven		1400-14M	1442-14M	1568-14M	1610-14M	1764-14M	1778-14M	1890-14M	1960-14M	2100-14M	2240-14M	2310-14M	2380-14M
	No. of Teeth	Pitch Dia. Inches	No. of Teeth	Pitch Dia. Inches												
Length Factor*					0.83	0.84	0.86	0.87	0.89	0.90	0.92	0.95	0.96	0.99	1.00	1.01
3.20	35	6.141	112	19.650	15.49	16.99	19.95	22.85	24.29	25.72
3.21	48	8.421	154	27.019
3.21	28	4.912	90	15.790	...	10.76	13.52	14.42	17.63	17.92	20.22	21.65	24.48	27.30	28.71	30.11
3.21	56	9.825	180	31.580
3.23	39	6.842	126	22.106	16.89	19.91	21.39	22.85
3.26	43	7.544	140	24.562	16.73	18.29	19.82
3.29	34	5.965	112	19.650	13.11	15.60	17.11	20.06	22.97	24.41	25.84
3.32	38	6.667	126	22.106	17.00	20.02	21.50	22.97
3.33	60	10.527	200	35.089
3.34	67	11.755	224	39.300
3.36	50	8.772	168	29.475
3.39	33	5.790	112	19.650	13.21	15.71	17.22	20.18	23.08	24.52	25.96
3.40	53	9.299	180	31.580
3.41	37	6.492	126	22.106	17.11	20.13	21.61	23.08
3.42	45	7.895	154	27.019
3.50	32	5.614	112	19.650	13.00	13.32	15.82	17.33	20.29	23.20	24.64	26.07
3.50	36	6.316	126	22.106	17.22	20.24	21.73	23.20
3.50	40	7.018	140	24.562	17.05	18.61	20.15
3.50	48	8.421	168	29.475
3.56	63	11.053	224	39.300
3.57	56	9.825	200	35.089
3.58	43	7.544	154	27.019
3.59	39	6.842	140	24.562	17.15	18.72	20.26
3.60	35	6.141	126	22.106	17.33	20.36	21.84	23.31
3.60	50	8.772	180	31.580
3.61	31	5.439	112	19.650	13.10	13.42	15.92	17.44	20.41	23.32	24.76	26.19
3.68	38	6.667	140	24.562	17.26	18.83	20.37
3.71	34	5.965	126	22.106	14.26	17.43	20.47	21.95	23.42
3.73	30	5.263	112	19.650	13.21	13.53	16.03	17.55	20.52	23.43	24.88	26.31
3.73	45	7.895	168	29.475
3.73	60	10.527	224	39.300
3.75	48	8.421	180	31.580
3.77	53	9.299	200	35.089
3.78	37	6.492	140	24.562	17.37	18.94	20.48
3.82	33	5.790	126	22.106	14.37	17.54	20.58	22.07	23.54
3.85	40	7.018	154	27.019	17.23
3.86	29	5.088	112	19.650	13.31	13.64	16.14	17.66	20.63	23.55	24.99	26.43
3.89	36	6.316	140	24.562	17.47	19.05	20.59
3.91	43	7.544	168	29.475
3.94	32	5.614	126	22.106	14.47	17.65	20.69	22.18	23.65
3.95	39	6.842	154	27.019	17.33
4.00	28	4.912	112	19.650	13.42	13.74	16.25	17.77	20.75	23.67	25.11	26.55
4.00	35	6.141	140	24.562	17.58	19.16	20.70
Length Factor*					0.83	0.84	0.86	0.87	0.89	0.90	0.92	0.95	0.96	0.99	1.00	1.01

* The length correction factor must be used to determine proper belt width.

Selection program available online at ptwizard.com

FEATURES/BENEFITS PAGE PT12-2	SPECIFICATIONS PAGE PT13-2	ENGINEERING/TECHNICAL PAGE PT13-96	
----------------------------------	-------------------------------	---------------------------------------	--

V-Drives

FHP Drives

Drive Component Accessories

DYNA-SYNC

HT200/HTD Synchronous Drives

HTR Synchronous Drives

HTRC Synchronous Drives



14M HTRC Selection Table (Continued)

Speed Ratio	Sprocket Combinations				Center Distance, Inches											
	Driver		Driven		2450-14M	2590-14M	2660-14M	2800-14M	3150-14M	3360-14M	3500-14M	3850-14M	3920-14M	4326-14M	4578-14M	4956-14M
	No. of Teeth	Pitch Dia. Inches	No. of Teeth	Pitch Dia. Inches												
Length Factor*					1.02	1.04	1.06	1.08	1.11	1.14	1.16	1.19	1.22	1.25	1.29	1.34
3.20	35	6.141	112	19.650	27.14	29.98	31.39	34.21	41.21	45.39	48.18	55.13	56.52	64.56	69.54	77.02
3.21	48	8.421	154	27.019	18.01	21.12	22.63	25.61	32.87	37.16	40.00	47.05	48.45	56.57	61.60	69.11
3.21	28	4.912	90	15.790	31.51	34.30	35.70	38.48	45.43	49.59	52.36	59.29	60.67	68.69	73.67	81.13
3.21	56	9.825	180	31.580	27.34	31.78	34.69	41.87	43.30	51.51	56.57	64.13
3.23	39	6.842	126	22.106	24.31	27.19	28.62	31.47	38.53	42.74	45.53	52.51	53.90	61.96	66.96	74.44
3.26	43	7.544	140	24.562	21.33	24.29	25.75	28.65	35.79	40.03	42.85	49.86	51.26	59.34	64.35	71.85
3.29	34	5.965	112	19.650	27.26	30.10	31.51	34.33	41.33	45.52	48.31	55.26	56.64	64.69	69.67	77.15
3.32	38	6.667	126	22.106	24.42	27.31	28.74	31.59	38.65	42.86	45.66	52.63	54.03	62.09	67.09	74.57
3.33	60	10.527	200	35.089	27.60	30.63	37.99	39.44	47.77	52.88	60.50
3.34	67	11.755	224	39.300	32.82	34.32	42.87	48.07	55.78
3.36	50	8.772	168	29.475	19.61	22.74	30.21	34.57	37.44	44.56	45.98	54.14	59.19	66.73
3.39	33	5.790	112	19.650	27.38	30.22	31.63	34.45	41.46	45.65	48.43	55.38	56.77	64.82	69.80	77.28
3.40	53	9.299	180	31.580	27.68	32.12	35.04	42.23	43.65	51.87	56.94	64.51
3.41	37	6.492	126	22.106	24.54	27.42	28.86	31.71	38.77	42.98	45.78	52.76	54.15	62.22	67.22	74.70
3.42	45	7.895	154	27.019	18.33	21.45	22.96	25.95	33.22	37.52	40.36	47.42	48.82	56.95	61.97	69.49
3.50	32	5.614	112	19.650	27.50	30.34	31.75	34.57	41.58	45.77	48.56	55.51	56.90	64.95	69.93	77.41
3.50	36	6.316	126	22.106	24.65	27.54	28.98	31.83	38.90	43.11	45.91	52.89	54.28	62.35	67.34	74.83
3.50	40	7.018	140	24.562	21.66	24.63	26.10	29.00	36.15	40.40	43.22	50.23	51.63	59.72	64.73	72.24
3.50	48	8.421	168	29.475	19.82	22.96	30.44	34.80	37.68	44.80	46.22	54.39	59.44	66.98
3.56	63	11.053	224	39.300	25.45	33.26	34.77	43.33	48.54	56.26
3.57	56	9.825	200	35.089	23.33	28.04	31.07	38.45	39.91	48.25	53.37	60.99
3.58	43	7.544	154	27.019	18.54	21.66	23.19	26.18	33.46	37.75	40.60	47.66	49.07	57.20	62.22	69.75
3.59	39	6.842	140	24.562	21.77	24.75	26.21	29.12	36.27	40.52	43.34	50.36	51.75	59.85	64.86	72.36
3.60	35	6.141	126	22.106	24.77	27.66	29.09	31.95	39.02	43.23	46.03	53.01	54.41	62.47	67.47	74.96
3.60	50	8.772	180	31.580	28.01	32.46	35.38	42.58	44.01	52.24	57.31	64.88
3.61	31	5.439	112	19.650	27.62	30.46	31.88	34.70	41.71	45.90	48.68	55.64	57.03	65.07	70.06	77.54
3.68	38	6.667	140	24.562	21.88	24.86	26.33	29.23	36.39	40.64	43.46	50.48	51.88	59.97	64.99	72.49
3.71	34	5.965	126	22.106	24.88	27.78	29.21	32.07	39.14	43.35	46.16	53.14	54.53	62.60	67.60	75.09
3.73	30	5.263	112	19.650	27.74	30.58	32.00	34.82	41.83	46.02	48.81	55.77	57.16	65.20	70.19	77.67
3.73	45	7.895	168	29.475	20.14	23.28	30.78	35.15	38.03	45.16	46.58	54.76	59.81	67.36
3.73	60	10.527	224	39.300	25.77	33.59	35.10	43.67	48.89	56.62
3.75	48	8.421	180	31.580	20.44	28.23	32.69	35.61	42.82	44.25	52.48	57.55	65.13
3.77	53	9.299	200	35.089	23.65	28.37	31.41	38.80	40.26	48.60	53.73	61.36
3.78	37	6.492	140	24.562	22.00	24.97	26.44	29.35	36.51	40.76	43.58	50.60	52.00	60.10	65.11	72.62
3.82	33	5.790	126	22.106	25.00	27.89	29.33	32.19	39.26	43.48	46.28	53.26	54.66	62.73	67.73	75.22
3.85	40	7.018	154	27.019	18.86	21.99	23.52	26.51	33.81	38.11	40.96	48.03	49.44	57.57	62.60	70.13
3.86	29	5.088	112	19.650	27.86	30.70	32.12	34.94	41.96	46.15	48.94	55.89	57.28	65.33	70.32	77.80
3.89	36	6.316	140	24.562	22.11	25.09	26.56	29.47	36.63	40.88	43.71	50.73	52.13	60.23	65.24	72.75
3.91	43	7.544	168	29.475	...	18.71	20.35	23.50	31.01	35.38	38.27	45.40	46.82	55.00	60.06	67.61
3.94	32	5.614	126	22.106	25.11	28.01	29.45	32.31	39.38	43.60	46.40	53.39	54.78	62.86	67.86	75.35
3.95	39	6.842	154	27.019	18.96	22.10	23.63	26.63	33.93	38.23	41.08	48.15	49.56	57.69	62.73	70.25
4.00	28	4.912	112	19.650	27.98	30.82	32.24	35.06	42.08	46.27	49.06	56.02	57.41	65.46	70.45	77.93
4.00	35	6.141	140	24.562	22.22	25.20	26.67	29.58	36.75	41.01	43.83	50.85	52.25	60.35	65.37	72.88
Length Factor*					1.02	1.04	1.06	1.08	1.11	1.14	1.16	1.19	1.22	1.25	1.29	1.34

* The length correction factor must be used to determine proper belt width.

Selection program available online at ptwizard.com

FEATURES/BENEFITS PAGE PT12-2	SPECIFICATIONS PAGE PT13-2	ENGINEERING/TECHNICAL PAGE PT13-96	
----------------------------------	-------------------------------	---------------------------------------	--



14M HTRC Selection Table

Speed Ratio	Sprocket Combinations				Center Distance, Inches																		
	Driver		Driven		1960-14M	2100-14M	2240-14M	2310-14M	2380-14M	2450-14M	2590-14M	2660-14M	2800-14M	3150-14M	3360-14M	3500-14M	3850-14M	3920-14M	4326-14M	4578-14M	4956-14M		
	No. of Teeth	Pitch Dia. Inches	No. of Teeth	Pitch Dia. Inches																			
Length Factor*					0.95	0.96	0.99	1.00	1.01	1.02	1.04	1.06	1.08	1.11	1.14	1.16	1.19	1.22	1.25	1.29	1.34		
4.00	45	7.895	180	31.580	20.75	28.56	33.03	35.96	43.18	44.61	52.84	57.92	65.50		
4.00	50	8.772	200	35.089	23.96	28.69	31.74	39.14	40.60	48.96	54.09	61.73		
4.00	56	9.825	224	39.300	26.19	34.03	35.55	44.13	49.35	57.09		
4.05	38	6.667	154	27.019	17.44	19.07	22.21	23.74	26.74	34.04	38.35	41.20	48.27	49.68	57.82	62.85	70.38		
4.06	31	5.439	126	22.106	14.58	17.76	20.80	22.29	23.77	25.23	28.13	29.56	32.42	39.51	43.72	46.53	53.52	54.91	62.98	67.98	75.48		
4.12	34	5.965	140	24.562	17.69	19.26	20.81	22.33	25.31	26.78	29.70	36.87	41.13	43.95	50.98	52.38	60.48	65.49	73.00		
4.16	37	6.492	154	27.019	17.54	19.18	22.32	23.85	26.85	34.16	38.47	41.32	48.39	49.80	57.94	62.98	70.51		
4.17	48	8.421	200	35.089	24.17	28.91	31.96	39.37	40.83	49.19	54.33	61.97		
4.19	43	7.544	180	31.580	20.96	28.79	33.26	36.19	43.41	44.84	53.08	58.16	65.75		
4.20	30	5.263	126	22.106	14.68	17.87	20.91	22.40	23.88	25.34	28.24	29.68	32.54	39.63	43.85	46.65	53.64	55.04	63.11	68.11	75.60		
4.20	40	7.018	168	29.475	19.02	20.66	23.83	31.35	35.73	38.62	45.76	47.18	55.37	60.43	67.98		
4.23	53	9.299	224	39.300	26.50	34.36	35.88	44.48	49.70	57.45		
4.24	33	5.790	140	24.562	17.79	19.37	20.92	22.44	25.43	26.90	29.81	36.99	41.25	44.07	51.10	52.50	60.60	65.62	73.13		
4.28	36	6.316	154	27.019	17.65	19.28	22.43	23.96	26.96	34.28	38.59	41.44	48.52	49.92	58.07	63.10	70.63		
4.31	39	6.842	168	29.475	19.13	20.77	23.93	31.46	35.85	38.74	45.88	47.30	55.49	60.55	68.11		
4.34	29	5.088	126	22.106	14.79	17.98	21.03	22.52	23.99	25.46	28.36	29.80	32.66	39.75	43.97	46.78	53.77	55.16	63.24	68.24	75.73		
4.38	32	5.614	140	24.562	17.90	19.48	21.03	22.55	25.54	27.01	29.93	37.11	41.37	44.19	51.22	52.62	60.73	65.75	73.26		
4.40	35	6.141	154	27.019	17.75	19.39	22.54	24.07	27.08	34.39	38.70	41.56	48.64	50.05	58.19	63.23	70.76		
4.42	38	6.667	168	29.475	19.23	20.88	24.04	31.58	35.96	38.85	46.00	47.42	55.62	60.67	68.23		
4.44	45	7.895	200	35.089	24.49	29.24	32.29	39.72	41.18	49.55	54.68	62.33		
4.48	50	8.772	224	39.300	26.82	34.69	36.21	44.82	50.05	57.81		
4.50	28	4.912	126	22.106	14.89	18.09	21.14	22.63	24.11	25.57	28.48	29.92	32.78	39.87	44.09	46.90	53.89	55.29	63.36	68.37	75.86		
4.50	40	7.018	180	31.580	21.27	29.12	33.60	36.53	43.76	45.20	53.45	58.53	66.12	
4.52	31	5.439	140	24.562	18.00	19.59	21.14	22.66	25.65	27.13	30.05	37.23	41.49	44.32	51.35	52.75	60.86	65.87	73.39		
4.53	34	5.965	154	27.019	17.85	19.49	22.65	24.18	27.19	34.51	38.82	41.68	48.76	50.17	58.31	63.35	70.89		
4.54	37	6.492	168	29.475	19.34	20.98	24.15	31.69	36.08	38.97	46.12	47.54	55.74	60.80	68.36		
4.62	39	6.842	180	31.580	21.38	29.23	33.71	36.65	43.88	45.32	53.57	58.65	66.24	
4.65	43	7.544	200	35.089	24.70	29.45	32.51	39.95	41.41	49.79	54.92	62.58	
4.67	30	5.263	140	24.562	18.11	19.70	21.25	22.77	25.76	27.24	30.16	37.35	41.61	44.44	51.47	52.87	60.98	66.00	73.51		
4.67	33	5.790	154	27.019	17.96	19.60	22.75	24.29	27.30	34.63	38.94	41.80	48.88	50.29	58.44	63.48	71.01		
4.67	36	6.316	168	29.475	19.44	21.09	24.26	31.80	36.19	39.09	46.24	47.66	55.86	60.92	68.48		
4.67	48	8.421	224	39.300	27.03	34.91	36.43	45.05	50.29	58.04		
4.74	38	6.667	180	31.580	21.48	29.34	33.82	36.76	44.00	45.43	53.69	58.77	66.37	
4.80	35	6.141	168	29.475	19.54	21.19	24.37	31.92	36.31	39.20	46.36	47.78	55.98	61.04	68.61		
4.81	32	5.614	154	27.019	18.06	19.71	22.86	24.40	27.41	34.74	39.06	41.91	49.00	50.41	58.56	63.60	71.14		
4.83	29	5.088	140	24.562	18.22	19.80	21.35	22.88	25.88	27.35	30.28	37.47	41.73	44.56	51.59	53.00	61.11	66.13	73.64		
4.86	37	6.492	180	31.580	21.59	29.45	33.94	36.88	44.12	45.55	53.81	58.90	66.49	
4.94	34	5.965	168	29.475	19.65	21.30	24.47	32.03	36.42	39.32	46.48	47.90	56.11	61.17	68.73		
4.97	31	5.439	154	27.019	18.17	19.81	22.97	24.51	27.52	34.86	39.18	42.03	49.12	50.53	58.69	63.73	71.26		
4.98	45	7.895	224	39.300	23.94	27.34	35.24	36.76	45.39	50.64	58.40	
5.00	28	4.912	140	24.562	...	14.98	18.32	19.91	21.46	22.99	25.99	27.47	30.39	37.59	41.85	44.68	51.72	53.12	61.23	66.25	73.77		
5.00	36	6.316	180	31.580	21.69	29.56	34.05	36.99	44.24	45.67	53.93	59.02	66.61	
5.00	40	7.018	200	35.089	25.02	29.78	32.84	40.29	41.75	50.14	55.28	62.94
Length Factor*					0.95	0.96	0.99	1.00	1.01	1.02	1.04	1.06	1.08	1.11	1.14	1.16	1.19	1.22	1.25	1.29	1.34		

* The length correction factor must be used to determine proper belt width.

Selection program available online at ptwizard.com

FEATURES/BENEFITS PAGE PT12-2	SPECIFICATIONS PAGE PT13-2	ENGINEERING/TECHNICAL PAGE PT13-96	
----------------------------------	-------------------------------	---------------------------------------	--

V-Drives

FHP Drives

Drive Component Accessories

DYNA-SYNC

HT200/HTD Synchronous Drives

HTR Synchronous Drives

HTRC Synchronous Drives



14M HTRC Selection Table

Speed Ratio	Sprocket Combinations				Center Distance, Inches													
	Driver		Driven		2310-14M	2380-14M	2450-14M	2590-14M	2660-14M	2800-14M	3150-14M	3360-14M	3500-14M	3850-14M	3920-14M	4326-14M	4578-14M	4956-14M
	No. of Teeth	Pitch Dia. Inches	No. of Teeth	Pitch Dia. Inches														
Length Factor*					1.00	1.01	1.02	1.04	1.06	1.08	1.11	1.14	1.16	1.19	1.22	1.25	1.29	1.34
5.09	33	5.790	168	29.475	19.75	21.40	24.58	32.14	36.54	39.44	46.60	48.02	56.23	61.29	68.86
5.13	39	6.842	200	35.089	25.12	29.89	32.95	40.40	41.87	50.26	55.40	63.06
5.13	30	5.263	154	27.019	16.56	18.27	19.92	23.08	24.62	27.64	34.97	39.29	42.15	49.24	50.66	58.81	63.85	71.39
5.14	35	6.141	180	31.580	21.80	29.67	34.16	37.11	44.35	45.79	54.05	59.14	66.74
5.21	43	7.544	224	39.300	24.15	27.55	35.46	36.98	45.62	50.87	58.64
5.25	32	5.614	168	29.475	19.85	21.51	24.69	32.26	36.66	39.55	46.72	48.14	56.35	61.41	68.98
5.26	38	6.667	200	35.089	25.23	30.00	33.07	40.52	41.98	50.37	55.52	63.18
5.29	34	5.965	180	31.580	21.90	29.78	34.28	37.22	44.47	45.91	54.17	59.26	66.86
5.31	29	5.088	154	27.019	16.66	18.37	20.02	23.19	24.73	27.75	35.09	39.41	42.27	49.37	50.78	58.93	63.97	71.51
5.41	37	6.492	200	35.089	25.33	30.11	33.18	40.63	42.10	50.49	55.64	63.30
5.42	31	5.439	168	29.475	19.96	21.61	24.80	32.37	36.77	39.67	46.84	48.26	56.47	61.54	69.11
5.45	33	5.790	180	31.580	22.00	29.89	34.39	37.34	44.59	46.02	54.29	59.38	66.98
5.50	28	4.912	154	27.019	16.76	18.48	20.13	23.30	24.84	27.86	35.21	39.53	42.39	49.49	50.90	59.06	64.10	71.64
5.56	36	6.316	200	35.089	25.44	30.21	33.29	40.74	42.21	50.61	55.76	63.42
5.60	30	5.263	168	29.475	20.06	21.72	24.91	32.48	36.89	39.79	46.96	48.38	56.59	61.66	69.23
5.60	40	7.018	224	39.300	24.46	27.86	35.79	37.31	45.96	51.22	58.99
5.63	32	5.614	180	31.580	22.11	30.00	34.50	37.45	44.70	46.14	54.41	59.50	67.11
5.71	35	6.141	200	35.089	25.54	30.32	33.40	40.86	42.32	50.73	55.88	63.55
5.74	39	6.842	224	39.300	24.56	27.97	35.90	37.42	46.08	51.33	59.11
5.79	29	5.088	168	29.475	20.17	21.82	25.01	32.60	37.00	39.90	47.08	48.50	56.71	61.78	69.36
5.81	31	5.439	180	31.580	22.21	30.11	34.61	37.56	44.82	46.26	54.53	59.63	67.23
5.88	34	5.965	200	35.089	25.65	30.43	33.51	40.97	42.44	50.84	56.00	63.67
5.89	38	6.667	224	39.300	24.66	28.07	36.01	37.53	46.19	51.45	59.23
6.00	28	4.912	168	29.475	20.27	21.93	25.12	32.71	37.12	40.02	47.20	48.62	56.84	61.91	69.48
6.00	30	5.263	180	31.580	18.85	22.32	30.22	34.73	37.68	44.94	46.38	54.65	59.75	67.35
6.05	37	6.492	224	39.300	24.76	28.18	36.12	37.64	46.31	51.56	59.35
6.06	33	5.790	200	35.089	25.75	30.54	33.62	41.09	42.55	50.96	56.12	63.79
6.21	29	5.088	180	31.580	18.95	22.42	30.33	34.84	37.79	45.06	46.49	54.77	59.87	67.47
6.22	36	6.316	224	39.300	24.86	28.28	36.22	37.75	46.42	51.68	59.46
6.25	32	5.614	200	35.089	25.86	30.65	33.73	41.20	42.67	51.08	56.23	63.91
6.40	35	6.141	224	39.300	24.97	28.38	36.33	37.86	46.53	51.79	59.58
6.43	28	4.912	180	31.580	19.05	22.52	30.44	34.95	37.91	45.17	46.61	54.89	59.99	67.60
6.45	31	5.439	200	35.089	25.96	30.75	33.84	41.31	42.78	51.20	56.35	64.03
6.59	34	5.965	224	39.300	25.07	28.49	36.44	37.97	46.65	51.91	59.70
6.67	30	5.263	200	35.089	26.06	30.86	33.94	41.43	42.90	51.31	56.47	64.15
6.79	33	5.790	224	39.300	25.17	28.59	36.55	38.08	46.76	52.02	59.82
6.90	29	5.088	200	35.089	26.17	30.97	34.05	41.54	43.01	51.43	56.59	64.27
7.00	32	5.614	224	39.300	25.27	28.70	36.66	38.19	46.87	52.14	59.93
7.14	28	4.912	200	35.089	26.27	31.08	34.16	41.65	43.12	51.55	56.71	64.39
7.23	31	5.439	224	39.300	25.37	28.80	36.77	38.30	46.99	52.26	60.05
7.47	30	5.263	224	39.300	25.48	28.91	36.88	38.41	47.10	52.37	60.17
7.72	29	5.088	224	39.300	25.58	29.01	36.99	38.52	47.21	52.49	60.29
8.00	28	4.912	224	39.300	25.68	29.11	37.10	38.63	47.33	52.60	60.41
Length Factor*					1.00	1.01	1.02	1.04	1.06	1.08	1.11	1.14	1.16	1.19	1.22	1.25	1.29	1.34

* The length correction factor must be used to determine proper belt width.

Selection program available online at ptwizard.com

FEATURES/BENEFITS PAGE PT12-2	SPECIFICATIONS PAGE PT13-2	ENGINEERING/TECHNICAL PAGE PT13-96	
----------------------------------	-------------------------------	---------------------------------------	--



ENGINEERING/TECHNICAL

Overhung Load Calculations

Overhung load is an important consideration for drive design. Motor and reducer bearings are rated for specific load capacities to achieve calculated life. If the drive design is such that bearing loads are exceeded, life will be proportionally reduced. Likewise, if the drive exerts a lesser load on the bearings, life will be extended. Needless to say, drive design that keeps bearing loads below ratings can pay big dividends.

BELT PULL: The basis for overhung load calculation is belt pull. Belt pull is the result of torque being transmitted when the belt exerts a pull on the sprocket diameter.

EXAMPLE: 5 hp at 200 RPM is 1,575 inch-pounds of torque. If a 6" diameter sprocket is used, (3 inch radius), 1,575/3 = 525 pounds effective belt pull is required. Note that if a larger diameter sprocket is used, belt pull is reduced accordingly.

Belt pull can be calculated using the following formula:

$$\text{Belt Pull (lbs)} = \frac{126,000 \times \text{HP} \times F}{\text{RPM} \times \text{PD}}$$

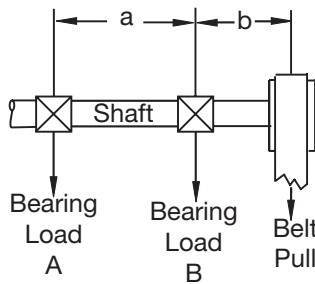
Where: HP = Name plate horsepower of the motor or driver

F = Drive Factor (1.3 for synchronous belt)

RPM = Shaft RPM

PD = Pitch Diameter of Sprocket

BEARING LOAD: Belt pull translates into bearing load and is greatly affected by the location of the sprocket on the shaft. Fig. 1 shows an example of what happens as the distance between the centerline of belt pull and the adjacent bearing is extended.



Overhung Sheave

$$\text{Load at B, lbs.} = \frac{\text{Belt Pull} \times (a + b)}{a}$$

Fig. 1	a	b	Belt Pull	Bearing Load "B"
	10 in	1 in	500 lbs	550 lbs
	10 in	5 in	500 lbs	750 lbs

Now consider the same situation for a motor or gearbox. Referring to Fig. 2, it should be obvious that the sprocket should be mounted as close as possible to the face of the gearbox.

As the distance between the gearbox face and sprocket increases, the bearing load is also increased, which leads to a reduction in bearing life.

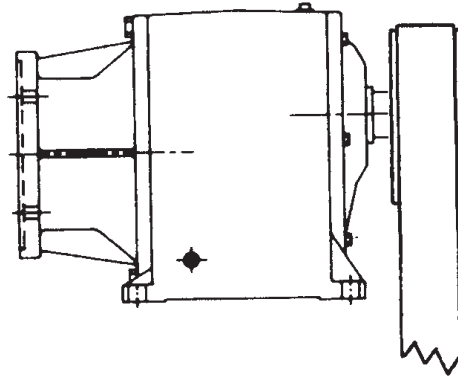


Fig. 2

Another warning from gearbox manufacturers is that the centerline of belt pull should not extend beyond the end of the shaft. Given a choice of a small diameter, wide face-width drive design, or a larger diameter, narrower face-width alternative, the latter would be preferable if bearing life is an important consideration.

DRIVE DESIGN CONSIDERATIONS

For any given application, there are usually several possible drive alternatives. In some cases, the selection with the smallest diameter sprockets might be the least expensive. As can be seen from the previous discussion, this alternative could be a bad choice. Smaller diameter sprockets lead to higher belt pull; their greater width is also more sensitive to misalignment.

V-Drives

FHP Drives

Drive Component Accessories

DYNA-SYNC

HT200/HTD Synchronous Drives

HTR Synchronous Drives

HTRC Synchronous Drives



ENGINEERING/TECHNICAL

HTR /HTRC Drive Installation

Sprocket Installation

1. Thoroughly inspect the bore of the sprocket and the tapered surface of the bushing. Any paint, dirt, oil or grease must be removed.
2. Assemble bushing into sprocket. Loosely insert the screws into assembly. At least one sprocket must have flanges.
3. With key in keyseat of shaft, slide sprocket to its desired position with screw heads to the outside. If it is hard to slide the bushing onto the shaft, check shaft for burrs, etc.
4. Line up assembly so as not to misalign belts and tighten screws evenly and progressively. Apply the recommended torque to screws.

Sprocket Alignment

HTR/HTRC sprocket alignment and parallelism of the shafts is very important. Proper alignment helps to equalize the load across the entire belt width, thereby reducing wear and extending belt life.

Place a straightedge against the outside edge of the sprockets and move sprockets until the straightedge touches the two outside and two inside edges of the sprockets. The straightedge should cross the sprockets as close to the shafts as possible. A string can be used if a straightedge is not available. Remember the string should contact at four points as explained above. (See illustration on page ENG-4). Note that the precision laser alignment tool (pn **109993**) is an accurate and practical alternative to the straightedge method.

After aligning the sprockets, check the rigidity of the supporting framework. Shafts should be well supported to prevent distortion and a resulting change in the center distance under load. Do not use spring-loaded or weighted idlers. Idler sprockets or pulleys must be locked into position after adjusting belt tension.

FEATURES/BENEFITS PAGE PT12-2	SPECIFICATIONS PAGE PT13-2	SELECTIONS PAGE PT13-30	
----------------------------------	-------------------------------	----------------------------	--



ENGINEERING/TECHNICAL

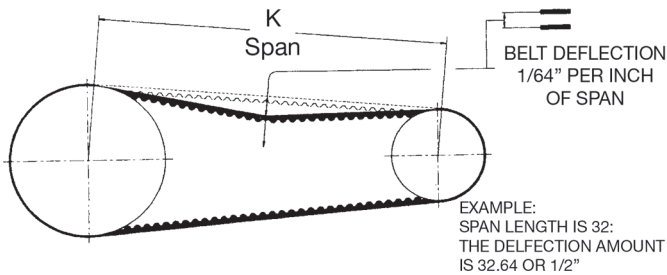
Belt Installation and Tensioning

Do not pry or otherwise force the belt onto the sprockets, as this can result in permanent damage to the belt. Reduce the center distance between the pulleys so that the belt can be easily installed.

HTR and HTRC drives must be properly tensioned. If the belt is too loose, it may jump teeth when heavier loads are applied. If the belt is too tight, belt life will suffer, and bearings will be unnecessarily overloaded. Improper tension can result in excessive drive noise.

Force/Deflection Tensioning Procedure:

First, measure the span length and calculate the deflection distance of 1/64, per inch span (see illustration).



Use the formula method on page ENG-4 to calculate recommended deflection forces.

Apply the calculated deflection force at the center of the span. Measure the deflection with this force applied. Move the center distance until the proper deflection is obtained.

Sonic Tension Meter Method:

The Sonic Tension Meter (pn **109994**) measures frequency in

the belt upon an applied stimulus. The meter will then provide an output of both frequency and calculated static tension. The static tension is calculated based upon three user inputs: belt width, span (as measured in the above illustration) and the belt's mass constant. Variables for belt mass constants are provided in the following table.

Belt		Adjusted Belt Weight (g/m)
HT200	5M	4.1
HT200	8M	5.5
HT200	14M	9.6
HTR	8M	5.7
HTR	14M	10.1
HTRC	8M	5.5
HTRC	14M	10.1
HTD	8M	6.2
HTD	14M	9.9
HTD	20M	12.8

To measure the belt's span vibration:

Input parameters of span length, belt width and the belt mass constant into the meter.

Press the MEASURE button on the meter.

Thumb the belt at center span as if strumming a guitar string.

Hold the microphone 1/4" away from the back of the belt.

The tension meter will display static tension and frequency. Compare the static tension output to the T value calculated on page ENG-4 or compare the frequency output to the formula below. Note that drive outputs of static tension and frequency are also provided on-line from the ViaSync selection program at www.ptwizard.com.

$$T = 4 * M * W * S^2 * f^2 * 10^{-9}$$

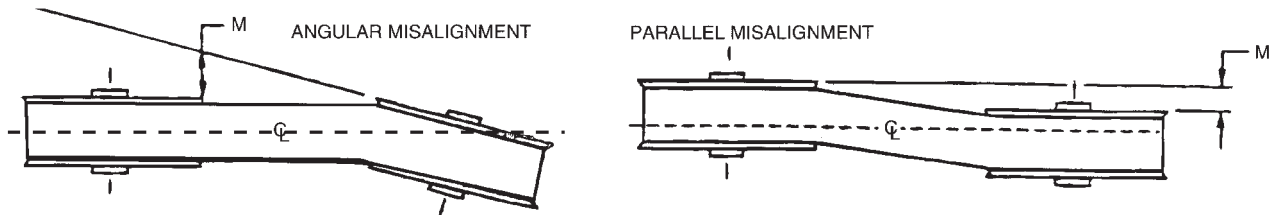
- Where:
- T = Belt span tension (Newtons)
 - M = Belt mass constant (g/m)
 - W = Belt width (mm)
 - S = Span length (mm)
 - f = Natural frequency of the belt at applied tension (Hz)



ENGINEERING/TECHNICAL

Drive Alignment

Good tracking of synchronous belts on their sprockets depends upon alignment to within ¼°. This translates to a maximum “M” dimension of 0.05” per foot center distance.



Drive Tensioning

Formula Method

The formula method for determining belt tension may be used for greater accuracy, or for applications that fall out of guidelines given for the Simplified Method on page ENG-3.

Step 1. Calculate Min. Installation Tension:

Formula 1:

$$T = \frac{20 \text{ (HP)}}{V} + mV^2$$

Where: HP = Horsepower

V = Belt Velocity/1000 (in FPM)

m = Value in Table 1.

Belt Velocity = PD x RPM x 0.262

(PD = Pitch Dia. in inches)

Note: For used belt, use 0.7*T to 0.8*T instead of the 1.0*T and 1.1*T for new belts.

T = Static tension, lbs

L = Belt length, inches

Y = Factor from Table 2.

K = Span length, inches

CD = Center distance, inches

D = Large pulley diameter, inches

d = Small pulley diameter, inches

$$K = \sqrt{CD^2 - \frac{(D - d)^2}{4}}$$

***Important!** If formula calculation for “T” is less than “Min T. Value” (Table 2) use the “Min T. Value” for T. Always use the greater T value; i.e. from T Formula 1 or Table 2.

Step 3. Adjust tension per procedure on page ENG-3 using deflection forces from Step 2.

Step 2. Calculate Deflection Forces:

Formula 2:

$$\text{MinForce} = \frac{1.0 * T + \left(\frac{K}{L}\right) Y}{16}$$

Formula 3:

$$\text{MaxForce} = \frac{1.1 * T + \left(\frac{K}{L}\right) Y}{16}$$

FEATURES/BENEFITS PAGE PT12-2	SPECIFICATIONS PAGE PT13-2	SELECTIONS PAGE PT13-30	
----------------------------------	-------------------------------	----------------------------	--



ENGINEERING/TECHNICAL

Drive Tensioning

Table 1

	Pitch	Width	m	Y	Min Ts
HT200	5 mm	15 mm	0.28	24.9	14
HT200	5 mm	25 mm	0.47	41.5	23
HT200	8 mm	20 mm	0.58	34.2	19
HT200	8 mm	30 mm	0.88	51.3	30
HT200	8 mm	50 mm	1.46	85.5	52
HT200	8 mm	85 mm	2.45	145.3	95
HT200	14 mm	40 mm	1.78	93.0	77
HT200	14 mm	55 mm	2.44	127.9	120
HT200	14 mm	85 mm	3.77	197.7	206
HT200	14 mm	115 mm	5.11	267.5	291
HT200	14 mm	170 mm	7.55	395.4	447
HTR	8 mm	20 mm	0.61	33.8	45
HTR	8 mm	30 mm	0.91	50.8	89
HTR	8 mm	50 mm	1.52	84.6	189
HTR	8 mm	85 mm	2.58	143.8	256
HTR	14 mm	20 mm	0.93	46.4	379
HTR	14 mm	40 mm	1.87	92.9	25
HTR	14 mm	85 mm	3.97	197.3	46
HTR	14 mm	15 mm	5.37	267.0	73
HTR	14 mm	170 mm	7.93	394.7	125
HTRC	8 mm	12 mm	0.30	56.9	25
HTRC	8 mm	22 mm	0.56	104.4	46
HTRC	8 mm	35 mm	0.89	166.1	73
HTRC	8 mm	60 mm	1.52	284.7	125
HTRC	14 mm	20 mm	0.94	221.2	82
HTRC	14 mm	42 mm	1.97	464.5	171
HTRC	14 mm	65 mm	3.04	718.9	265
HTRC	14 mm	90 mm	4.21	995.4	367
HTRC	14 mm	120 mm	5.62	1327.2	489
HTD	20 mm	115 mm	7.24	367.0	392
HTD	20 mm	170 mm	10.71	542.5	603
HTD	20 mm	230 mm	14.49	734.0	834
HTD	20 mm	290 mm	18.27	925.4	1065
HTD	20 mm	340 mm	21.42	1085.0	1258

V-Drives

FHP Drives

Drive Component
Accessories

DYNA-SYNC

HT200/HTD
Synchronous Drives

HTR
Synchronous Drives

HTRC
Synchronous Drives



ENGINEERING/TECHNICAL

Software: Via - SYNC

For any given synchronous drive application, there may be several DODGE HTR, HTRC, HT200, HTD or DODGE DYNA-SYNC® product combinations that could satisfy the requirements. Finding the best drive can be a time-consuming and frustrating task.

The DODGE VIA-SYNC program provides selections for all of these product offerings for both TAPER-LOCK® and QD* type sprockets. All relevant data for limited and unlimited drive selections is presented in a format that allows quick and accurate analysis and sorting, whether based upon lowest price, minimum bearing load, highest service factor, etc.

VIA-SYNC calculates speed up drives or drives for nonstandard motor speeds. The most appropriate selection can then be specified, which contains sprocket, bushing and belt sizes and part numbers.

VIA-SYNC has the capability of sharing data with DODGE T-A DISCOVERY™ or DODGE SCD DISCOVERY™ programs.

Dodge VIA-SYNC can be accessed from www.ptwizard.com. Additional troubleshooting and selection assistance is available at 864-284-5700.

Troubleshooting

Problem	Cause	Remedy
Unusual Noise	Misaligned drive	Re-adjust alignment
	Hi or Low belt tension	Adjust to recommended value
	Backside idler	Use inside idler
	Worn sprocket	Replace sprocket
	Bent sprocket flange	Replace or repair
	Excessive belt speed	Redesign drive
	Incorrect belt profile	Replace with DODGE belt
	Subminimal spkt. dia.	Redesign with lager spkts.
	Excessive load	Use higher capacity drive
Loss of Belt Tension	Weak mntg. structure	Reinforce mounting structure
	Excessive spkt. wear	Use wear-resistant sprockets
	Fixed center drive	Install inside idler
	Excessive debris	Install adequate drive guard.
	Excessive load	Use higher capacity drive
	Subminimal spkt. dia.	Redesign drive
	Drive running hot	Use heat fingers on hot shaft
Belt degradation	Protect from excessive heat	
Belt Edge Wear	Damaged flanges	Repair or replace sprocket
	Low belt tension	Adjust to recommended value
	Poor tracking	Correct alignment
	Guard interference	Remove obstruction, add idler
Pre-mature Tooth Wear	Improper tension	Correct drive tension
	Poor alignment	Correct drive alignment
	Wrong belt type	Use correct DODGE belt
	Worn sprocket	Replace
	Damaged sprocket	Replace
	Excessive load	Use higher capacity drive
	Dirt or debris	Install adequate drive guard
Sprocket wobble	Correct bushing installation	
Tooth Shear	Shock loads	Use higher capacity drive
	Few teeth in mesh	Redesign drive
	Worn sprocket	Replace
	Backside idler	Use inside idler
	Wrong belt profile	Use correct DODGE belt
Tensile Break	Low belt tension	Adjust to recommended value
	Shock load	Use higher capacity drive
	Subminimal spkt. dia.	Redesign with larger spkts.
	Debris in drive	Install adequate drive guard
	Improper belt handling, storage	Do not crimp belt or subject it to sharp bends

Problem	Cause	Remedy
Belt Cracking	Subminimal spkt. dia.	Redesign with larger spkts.
	Backside idler	Install inside idler
	Start-up temp below 180 degrees F	Preheat drive before start-up
	Extended exposure to harsh chemicals	Protect drive
Bearing Failure	Excessive belt tension	Adjust to recommended value
	Drive misalignment	Re-adjust alignment
	Subminimal spkt. dia.	Redesign with larger spkts.
Vibration	Wrong belt profile	Install correct DODGE belt
	Hi or Low belt tension	Adjust to recommended value
	Loose key or bushing	Install per instructions
	Loose mounting structure	Reinforce or tighten
Belt not Tracking	Misalignment	Re-adjust alignment
	Long center distance	Carefully adjust alignment
	Mtg. structure bending	Reinforce mounting structure

NOTES



V-Drives

FHP Drives

Drive Component
Accessories

DYNA-SYNC

HT200/HTD
Synchronous Drives

HTR
Synchronous Drives

HTRC
Synchronous Drives



CONTENTS

Sprockets for Roller Chain

Features/Benefits	PT14-2
Specification: TAPER-LOCK, A, B	
#35 Pitch.....	PT14-3
#41 Pitch.....	PT14-4
#40 Pitch.....	PT14-5
#50 Pitch.....	PT14-7
#60 Pitch.....	PT14-9
#80 Pitch.....	PT14-11
#100 Pitch.....	PT14-12
#120 Pitch.....	PT14-13
#140 Pitch.....	PT14-14
#160 Pitch.....	PT14-14
Double-Single Sprockets	PT14-15
Selection	
Procedure, Example	PT14-16
Basic Horsepower Ratings.....	PT14-20
Related Products	
Tensioner Frame.....	PT14-28
Idler Sprockets	PT14-28
Chain Tools.....	PT14-29
Engineering/Technical	
Custom TAPER-LOCK Sprocket Data	PT14-30
Sprocket Pitch Diameters.....	PT14-31
Sprocket and Chain Dimensions	PT14-32
Installation & Maintenance	PT14-33
Part Number Index	INDEX-1
Keyword Index	INDEX-67



FEATURES/BENEFITS

Sprockets for Roller Chain

FEATURING TAPER-LOCK SPROCKETS

Shaft Ready

For low-speed roller chain drives, DODGE TAPER-LOCK sprockets are the perfect solution for extra muscle.

Advantages

- Features Compact design
- Installs easily
- Fits shaft securely
- Comes in wide range of stock sizes
- Allows exact ratio/rating required for your operation
- Installation-ready, right from the box
- Meets ANSI standards
- B-reborable and A-plate sprockets available
Contact Dodge at www.dodge-pt.com

Hardened Teeth at No Extra Cost

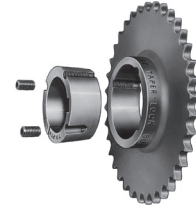
- Through 25 teeth
- #40 through #160
- No price premium

Advantages

- Offers twice the wear life
- Saves downtime and replacement costs
- Equalizes wear between large and small sprocket
- Offers greater resistance against abrasive wear
- Extends chain life



DoubleStrand
TAPER-LOCK Sprocket



Single TAPER-LOCK
Sprocket



Double-Single TAPER-LOCK
Sprocket

HARDENED TOOTH SPROCKETS LIKE THIS



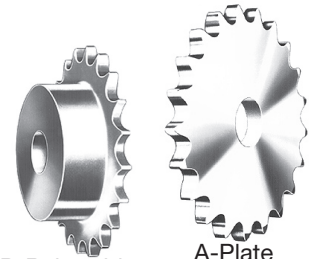
With Hardened Tooth Sprockets

AVOID SPROCKET WEAR LIKE THIS



Without Hardened Tooth Sprockets

Other Sprocket Types From Dodge



B-Reborable
Sprockets

A-Plate
Sprockets

Simple Mounting

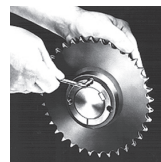


Easy On

- Insert busing into sprocket.
- Match holes (not threads)
- Put screws into holes that are farthest apart.



- Slip unit onto shaft.
- Set drive alignment and tighten screws



Easy On

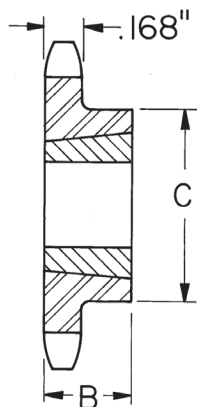
- Take both screws out entirely.
- Insert one screw into hole that is threaded in the busing only.
- Use as jackscrew to disengage busing.





SPECIFICATION

No. 35 for 3/8" Pitch Single Strand Chain



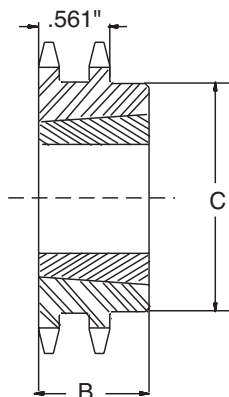
TYPE BTL

TAPER-LOCK Sprockets

No. of Teeth	Spkt. O.D.	Description	Part No.	Wt. w/o Bush.	C Hub Dia.	Bore Range		B
						Min.	Max.	
18	2.352	35BTL18-1008	100350	0.5	1.88 ◊	1/2	1	.88
19	2.472	35BTL19-1008	100351	0.6	1.81			
20	2.593	35BTL20-1008	100352	0.7	1.94			
21	2.713	35BTL21-1008	100353	0.8	2.06			
22	2.833	35BTL22-1210	100354	0.9	2.38 ◊	1/2	1-1/4	1.0
23	2.954	35BTL23-1210	100343	1.0	2.88 ◊			
24	3.074	35BTL24-1210	100355	1.0	2.88			
25	3.194	35BTL25-1210	100344	1.3	2.88			
26	3.314	35BTL26-1610	100356	1.3	2.88 ◊	1/2	1-5/8	1.0
28	3.553	35BTL28-1610	100345	1.3	2.88			
30	3.793	35BTL30-1610	100357	1.4	3.13			
32	4.032	35BTL32-1610	100358	1.5	3.25			
35	4.392	35BTL35-1610	100359	1.6	3.25			
36	4.511	35BTL36-1610	100346	1.6	3.25			
40	4.990	35BTL40-1610	100360	2.1	3.25			
42	5.229	35BTL42-1610	100347	2.2	3.25			
45	5.588	35BTL45-1610	100361	2.3	3.25			
48	5.946	35BTL48-1610	100362	2.5	3.25			
54	6.663	35BTL54-1610	100363	2.8	3.25			
60	7.380	35BTL60-1610	100364	3.2	3.25			
70	8.575	35BTL70-1610	100365	3.3	3.25			
72	8.814	35BTL72-1610	100348	4.1	3.25			
80	9.770	35BTL80-1610	100366	4.2	3.25			
84	10.247	35BTL84-1610	100349	5.1	3.25			
96	11.680	35BTL96-1610	100367	6.2	3.25			
112	13.590	35BTL112-1610	100368	8.0	3.25			

◊ Hub grooved for chain clearance.

No. 35-2 for 3/8" Pitch Double Strand Chain



TYPE BTL

TAPER-LOCK-Double

No. of Teeth	Spkt. O.D.	Description +	Part No.	Wt. w/o Bush.	Bore Range		B	C Hub Dia.
					Min.	Max.		
19	2.472	D35BTL19H-1008	101150	.6	1/2	1	0.88	1.810
20	2.593	D35BTL20H-1008	101151	.8	1/2	1	0.88	1.880
21	2.713	D35BTL21H-1008	101152	1.4	1/2	1	0.88	1.810
22	2.833	D35BTL22H-1008	101153	1.7	1/2	1	0.88	1.810
24	3.074	D35BTL24H-1210	101154	1.8	1/2	1-1/4	1.00	2.470
26	3.314	D35BTL26-1210	101155	2.0	1/2	1-1/4	1.00	2.625
30	3.793	D35BTL30-1610	101156	1.8	1/2	1-5/8	1.00	3.125
32	4.032	D35BTL32-1610	101157	2.0	1/2	1-5/8	1.00	3.250
35	4.392	D35BTL35-1610	101158	2.3	1/2	1-5/8	1.00	3.250
40	4.990	D35BTL40-1610	101159	2.9	1/2	1-5/8	1.00	3.250
45	5.588	D35BTL45-1610	101160	3.2	1/2	1-5/8	1.00	3.250
48	5.946	D35BTL48-1610	101161	3.5	1/2	1-5/8	1.00	3.625
54	6.663	D35BTL54-1610	101162	3.9	1/2	1-5/8	1.00	3.625
70	8.575	D35BTL70-1610	101164	6.3	1/2	1-5/8	1.00	3.625
80	9.770	D35BTL80-1610	101165	7.9	1/2	1-5/8	1.00	3.625
96	11.680	D35BTL96-1610	101166	9.9	1/2	1-5/8	1.00	3.625
112	13.590	D35BTL112-1610	101167	10.9	1/2	1-5/8	1.00	3.625

+ "H" suffix indicates Hardened Teeth.

FEATURES/BENEFITS PAGE PT14-2	SELECTIONS PAGE PT14-16	RELATED PRODUCTS PAGE PT14-28	ENGINEERING/TECHNICAL PAGE PT14-30
----------------------------------	----------------------------	----------------------------------	---------------------------------------



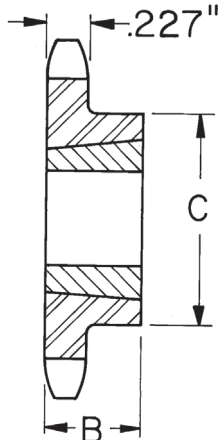
SPECIFICATION

No. 41 for 1/2" Pitch Single Strand Chain

TAPER-LOCK Sprockets

No. of Teeth	Spkt. O.D.	Description	Part No.	Wt. w/o Bush.	C Hub Dia.	Bore Range		B
						Min.	Max.	
14	2.490	41BTL14-1008	100369	.5	1.87 \diamond	1/2	1	0.88
15	2.652	41BTL15-1008	100370	.6	1.87			
16	2.814	41BTL16-1008	100371	.7	2.00			
17	2.974	41BTL17-1210	100372	.8	2.38 \diamond	1/2	1-1/4	1.00
18	3.136	41BTL18-1210	100373	1.0	2.38 \diamond			
19	3.292	41BTL19-1210	100374	1.2	2.50			
20	3.457	41BTL20-1610	100375	1.3	2.88 \diamond	1/2	1-5/8	1.00
21	3.618	41BTL21-1610	100376	1.4	3.00 \diamond			
22	3.778	41BTL22-1610	100377	1.5	3.00			
23	3.938	41BTL23-1610	100392	1.6	3.00			
24	4.098	41BTL24-1610	100378	1.6	3.00			
25	4.258	41BTL25-1610	100393	1.7	3.00			
26	4.418	41BTL26-1610	100379	1.7	3.00			
28	4.738	41BTL28-1610	100380	1.9	3.00			
30	5.057	41BTL30-1610	100381	2.0	3.00			
32	5.376	41BTL32-1610	100382	2.1	3.00			
35	5.856	41BTL35-1610	100383	2.5	3.00			
36	6.015	41BTL36-1610	100394	2.6	3.00			
40	6.653	41BTL40-1610	100384	2.9	3.00			
45	7.450	41BTL45-1610	100385	3.7	3.00			
48	7.928	41BTL48-1610	100386	4.3	3.00			
54	8.725	41BTL54-1610	100387	5.1	3.00			
60	9.840	41BTL60-1610	100388	5.9	3.00			
70	11.433	41BTL70-1610	100389	7.6	3.00			
72	11.752	41BTL72-1610	100395	8.4	3.00			
80	13.026	41BTL80-1610	100390	9.8	3.00			
96	15.573	41BTL96-1610	100391	11.3	3.00			

\diamond Hub grooved for chain clearance.



TYPE BTL



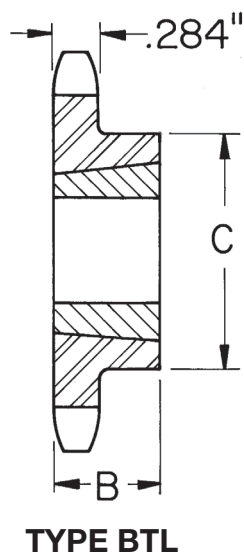
SPECIFICATION

No. 40 for 1/2" Pitch Single Strand Chain

TAPER-LOCK Sprockets

No. Teeth	Spkt. O.D.	Description +	Part No.	Wt. w/o Bush.	C Hub Dia.	Bore Range		B
						Min.	Max.	
14	2.490	40BTL14H-1008	100500	0.4	1.81 \diamond	1/2	1	0.88
15	2.652	40BTL15H-1008	100501	0.4	1.81			
16	2.814	40BTL16H-1008	100502	0.5	1.94			
17	2.974	40BTL17H-1210	100503	0.5	2.38 \diamond	1/2	1-1/4	1.00
18	3.136	40BTL18H-1210	100504	0.7	2.47 \diamond			
19	3.292	40BTL19H-1210	100505	0.8	2.47			
20	3.457	40BTL20H-1610	100506	0.8	2.78 \diamond	1/2	1-11/16	1.00
21	3.618	40BTL21H-1610	100507	0.8	2.78 \diamond			
22	3.778	40BTL22H-1610	100508	.8	2.78			
23	3.938	40BTL23H-1610	100509	1.2	3.00	1/2	1-11/16	1.00
24	4.098	40BTL24H-1610	100510	1.5	3.25			
25	4.258	40BTL25H-1610	100511	1.6	3.25			
26	4.418	40BTL26-1610	100512	1.5	3.25	1/2	1-11/16	1.00
27	4.578	40BTL27-1610	104700	1.5	3.25			
28	4.738	40BTL28-1610	100513	1.5	3.00			
29	4.898	40BTL29-1610	104701	1.6	3.00	1/2	1-11/16	1.00
30	5.057	40BTL30-1610	100514	1.7	3.00			
32	5.376	40BTL32-1610	100515	2.0	3.00			
33	5.536	40BTL33-1610	104702	2.1	3.00	1/2	1-11/16	1.00
34	5.696	40BTL34-1610	104703	2.3	3.00			
35	5.856	40BTL35-1610	100516	2.4	3.00			
36	6.015	40BTL36-1610	100517	2.4	3.00	1/2	1-11/16	1.00
40	6.653	40BTL40-1610	100518	2.8	3.00			
42	6.972	40BTL42-1610	100519	3.0	3.00			
44	7.291	40BTL44-1610	104707	3.2	3.00	1/2	1-11/16	1.00
45	7.450	40BTL45-1610	100520	3.8	3.00			
48	7.928	40BTL48-1610	100521	3.9	3.00			
50	8.248	40BTL50-1610	104709	4.5	3.00	1/2	1-11/16	1.00
54	8.725	40BTL54-1610	100522	5.0	3.00			
60	9.840	40BTL60-1610	100523	6.1	3.00			
70	11.433	40BTL70-2012	100524	8.6	3.56	1/2	2	1.25
72	11.752	40BTL72-2012	100525	8.7	3.56			
80	13.026	40BTL80-2012	100526	10.9	3.56			
84	13.663	40BTL84-2012	100527	11.8	3.56	1/2	2-1/2	1.75
96	15.573	40BTL96-2012	100528	13.7	3.56			
112	18.121	40BTL112-2517	100529	21.3	4.25			

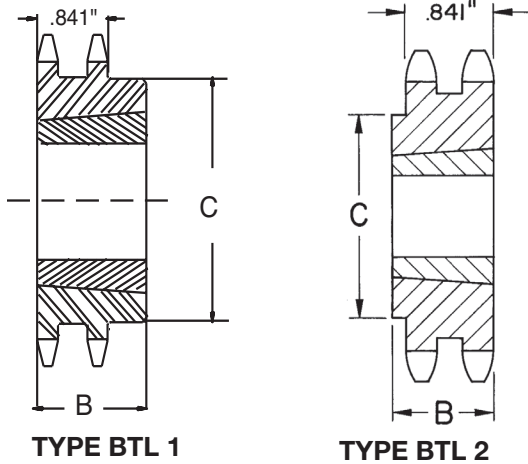
\diamond Hub grooved for chain clearance.
 + "H" suffix indicates Hardened Teeth.





SPECIFICATION

No. 40-2 for 1/2" Pitch Double Strand Chain



TAPER-LOCK Sprockets

No. of Teeth	Spkt. O.D.	Description +	Part No.	Wt. w/o Bush.	C Hub Dia.	Bore Range		B
						Min.	Max.	
15	2.652	D40BTL15H-1008•	101001	0.5	1.81			
16	2.814	D40BTL16H-1008	101002	0.7	1.27	1/2	1	0.88
17	2.974	D40BTL17H-1008	101003	0.8	1.27			
18	3.136	D40BTL18H-1210	101004	0.7	2.29	1/2	1-1/4	1.00
19	3.292	D40BTL19H-1210	101005	0.9	2.47			
20	3.457	D40BTL20H-1610	101006	1.1	3.25			
21	3.618	D40BTL21H-1610	101007	1.1	2.69	1/2	1-11/16	1.00
23	3.938	D40BTL23H-1610•	101008	1.4	3.00			
24	4.098	D40BTL24H-1610•	104822	1.6	3.25			
25	4.258	D40BTL25H-2012	101009	1.8	3.42			
26	4.418	D40BTL26-2012•	104823	2.3	3.56	1/2	2-1/8	1.25
30	5.057	D40BTL30-2012•	101010	3.6	3.56			
36	6.015	D40BTL36-2012•	101011	5.9	3.56			
42	6.972	D40CTL42-2517	101012	7.4				
45	7.450	D40BTL45-2517•	104828	8.5				
48	7.928	D40BTL48-2517•	101013	9.4				
52	8.566	D40BTL52-2517	101014	11.5				
60	9.840	D40BTL60-2517•	101015	15.5	4.25	1/2	2-11/16	1.75
68	11.115	D40BTL68-2517•	101016	20.5				
76	12.389	D40BTL76-2517•	101017	26.5				
84	13.663	D40BTL84-2517•	101018	32.0				
95	15.414	D40BTL95-2517•	101019	36.0				
102	16.528	D40BTL102-2517•	101020	44.0				

+ "H" suffix indicates Hardened Teeth.

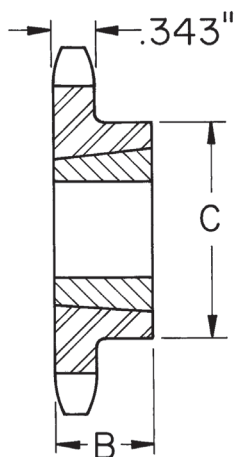
• BTL2



SPECIFICATION

No. 50 for 5/8" Pitch Single Strand Chain

TAPER-LOCK Sprockets



TYPE BTL

No. of Teeth	Spkt. O.D.	Description	Part No.	Wt. w/o Bush.	C Hub Dia.	Bore Range		B
						Min.	Max.	
12	2.708	50BTL12H-1008	100530	0.5	1.81 \diamond			
13	2.991	50BTL13H-1008	100531	0.5	1.81	1/2	1	0.88
14	3.113	50BTL14H-1008	100532	0.6	1.81			
15	3.315	50BTL15H-1210	100533	0.6	2.47 \diamond	1/2	1-1/4	1.00
16	3.517	50BTL16H-1610	100534	0.8	2.78 \diamond			
17	3.713	50BTL17H-1610	100535	1.1	2.78 \diamond	1/2	1-11/16	1.00
18	3.919	50BTL18H-1610	100536	1.2	2.84			
19	4.121	50BTL19H-1610	100537	1.3	3.03			
20	4.321	50BTL20H-1610	100538	1.4	3.25			
21	4.522	50BTL21H-1610	100539	1.5	3.25			
22	4.722	50BTL22H-1610	100540	1.6	3.25			
23	4.923	50BTL23H-2012	100541	2.2				
24	5.123	50BTL24H-2012	100542	2.4	3.56	1/2	2-1/8	1.25
25	5.323	50BTL25H-2012	100543	2.4				
26	5.523	50BTL26-2012	100544	2.5	4.00	1/2	2-3/8	1.25
27	5.723	50BTL27-2012	100675	2.8	4.00			
28	5.922	50BTL28-2012	100545	3.0		1/2	2-1/8	1.25
30	6.321	50BTL30-2012	100546	3.2	3.56			
32	6.721	50BTL32-2012	100547	3.5		1/2	2-1/8	1.25
35	7.319	50BTL35-2012	100548	4.2	3.56			
36	7.519	50BTL36-2012	100549	4.7	3.56	1/2	2-1/8	1.25
40	8.316	50BTL40-2012	100550	5.5				
42	8.715	50BTL42-2012	100551	6.0		1/2	2-1/8	1.25
45	9.313	50BTL45-2012	100552	6.5	3.56			
48	9.911	50BTL48-2012	100553	7.4				
54	11.106	50BTL54-2012	100554	8.7		1/2	2-1/8	1.25
60	12.301	50BTL60-2012	100555	10.5	3.56			
70	14.292	50BTL70-2517	100556	15.5				
72	14.690	50BTL72-2517	100557	16.5	4.25	1/2	2-11/16	1.75
80	16.283	50BTL80-2517	100558	19.0				
84	17.079	50BTL84-2517	100559	23.1				
96	19.467	50BTL96-2517	100560	32.5	4.25	1/2	2-11/16	1.75
112	22.651	50BTL112-2517	100561	42.2				

\diamond Hub grooved for chain clearance.

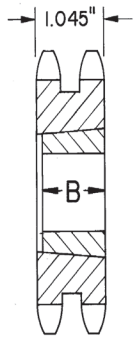
TAPER-LOCK SPROCKETS—LARGE BORE SERIES

No. of Teeth	Spkt. O.D.	Description	Part No.	Wt.	C Hub Dia.	Bore Range		B
						Min.	Max.	
35	7.319	50BTL35L-2517	100454	4.7	4.25	1/2	2-11/16	1.75
45	9.313	50BTL45L-2517	100699	7.0	4.25	1/2	2-11/16	1.75

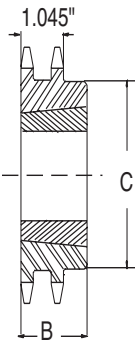


SPECIFICATION

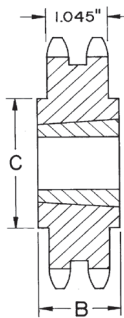
No. 50-2 for 5/8" Pitch Double Strand Chain



TYPE ATL



TYPE BTL



TYPE CTL

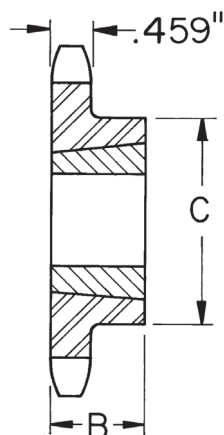
No. of Teeth	Spkt. O.D.	Description +	Part No.	Wt. w/o Bush.	Hub Dia. C	Bore Range		B
						Min.	Max.	
14	3.113	D50ATL14H-1008	101031	0.9	1/2	1.0	0.88
15	3.315	D50ATL15H-1210	101032	1.0	1/2	1-1/4	1.0
16	3.517	D50ATL16H-1210	101033	1.1			
17	3.718	D50ATL17H-1610	101034	1.1	1/2	1-11/16	1.0
18	3.919	D50ATL18H-1610	101035	1.4			
19	4.121	D50ATL19H-1610	101036	1.7			
20	4.321	D50BTL20H-2012	101037	1.9	3.56			
21	4.522	D50BTL21H-2012	101038	2.0				
22	4.722	D50BTL22H-2012	104834	2.5				
24	5.123	D50BTL24H-2012	104836	3.5				
25	5.323	D50BTL25H-2012	101039	4.0				
26	5.523	D50BTL26-2012	104837	4.7				
28	5.922	D50BTL28-2012	104838	6.3				
30	6.321	D50BTL30-2517	101040	7.8		4.25	1/2	2-11/16
32	6.721	D50BTL32-2517	104839	8.4				
35	7.319	D50BTL35-2517	104840	9.2				
36	7.519	D50CTL36-2517	101041	10.0				
42	8.715	D50CTL42-2517	101042	14.2				
48	9.911	D50CTL48-2517	101043	18.7				
52	10.708	D50CTL52-2517	101044	22.5				
60	12.301	D50CTL60-2517	101045	36.5				
68	13.894	D50CTL68-2517	101046	39.5				
76	15.486	D50CTL76-2517	101047	49.5				
84	17.079	D50CTL84-2517	101048	52.0				
95	19.268	D50CTL95-2517	101049	70.0				
102	20.661	D50CTL102-2517	101050	75.0				

+ "H" suffix indicates Hardened Teeth.



SPECIFICATION

No. 60 for 3/4" Pitch Single Strand Chain



TYPE BTL

No. of Teeth	Spkt. O.D.	Description +	Part No.	Spkt. Wt. w/o Bush.	C Spkt. Hub Dia.	Bore Range		B Lgth. Thru Bore			
						Min.	Max.				
11	3.005	60BTL11H-1008	100562	0.6	1.81	1/2	1	0.88			
12	3.249	60BTL12H-1008	100563	0.7	1.94						
13	3.493	60BTL13H-1210	100564 ◊	1.1	2.47	1/2	1-1/4	1.00			
14	3.736	60BTL14H-1210	100565	1.2	2.59						
15	3.978	60BTL15H-1610	100566 ◊	1.4	2.78	1/2	1-11/16	1.00			
16	4.220	60BTL16H-1610	100567	1.9	3.00						
17	4.462	60BTL17H-1610	100568	2.0	3.25						
18	4.703	60BTL18H-1610	100569	2.2	3.50						
19	4.945	60BTL19H-1610	100570	2.4	3.50						
20	5.186	60BTL20H-2012	100571	2.5	3.94						
21	5.426	60BTL21H-2012	100572	2.9	4	1/2	2-1/8	1.25			
22	5.666	60BTL22H-2012	100573	3.0							
23	5.907	60BTL23H-2012	100574	3.2							
24	6.147	60BTL24H-2012	100575	3.2							
25	6.387	60BTL25H-2012	100576	3.8	3.56						
26	6.627	60BTL26-2012	100577	4.1							
27	6.867	60BTL27H-2012	100676	4.2							
28	7.106	60BTL28-2012	100578	4.2							
30	7.586	60BTL30-2012	100579	5.5	4.25				1/2	2-11/16	1.75
32	8.065	60BTL32H-2012	100580	6.0							
35	8.783	60BTL35-2012	100581	7.0							
36	9.023	60BTL36H-2012	100582	7.0							
40	9.980	60BTL40H-2012	100583	8.7	4.25						
42	10.458	60BTL42-2012	100584	9.7							
45	11.176	60BTL45-2012	100585	10.7							
48	11.893	60BTL48-2012	100586	13.5							
54	13.327	60BTL54-2517	100587	17.8	4.25	1/2	2-11/16	1.75			
60	14.761	60BTL60-2517	100588	20.7							
70	17.150	60BTL70-2517	100589	30.0							
72	17.628	60BTL72-2517	100590	31.6							
80	19.539	60BTL80-2517	100591	34.7							
84	20.495	60BTL84-2517	100592	44.7							

◊ Hub grooved for chain clearance.

+ "H" suffix indicates Hardened Teeth.

TAPER-LOCK SPROCKETS-Large Bore Series

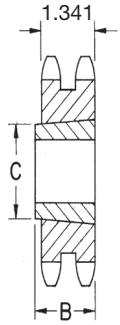
No. of Teeth	Spkt. O.D.	Description L	Part No.	Wt.	Hub Dia. C	Bore Range		B Dim.
						Min.	Max.	
28	7.106	60BTL28L-2517	100459	4.8	4.25	1/2	2-11/16	1.75
35	8.783	60BTL35L-2517	100461	7.5	4.25	1/2	2-11/16	1.75
40	9.980	60BTL40L-2517	100463	9.2	4.25	1/2	2-11/16	1.75

+ "H" suffix indicates Hardened Teeth.

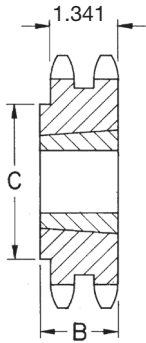


SPECIFICATION

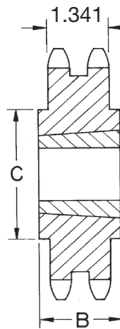
No. 60-2 for 3/4" Pitch Double Strand Chain



TYPE ATL



TYPE BTL1



TYPE CTL

TAPER-LOCK - Double Strand

No. of Teeth	Spkt. O.D.	Description +	Part No.	Wt. w/o Bush.	C Hub Dia.	Bore Range		B
						Min.	Max.	
13	3.493	D60BTL13H-1215•	101061	1.40	2.46		1-1/4	1.50
14	3.736	D60BTL14H-1215•	101062	1.70	2.49	1/2	1-1/4	
14T	3.736	D60BTL14H-1615•	101086	1.70	2.74		1-11/16	
15	3.978	D60BTL15H-1615•	101063	1.80	2.47			1.50
16	4.220	D60BTL16H-1615•	101064	2.40	2.97	1/2	1-11/16	
17	4.462	D60BTL17H-1615	101065	2.60	3.25			
18	4.703	D60ATL18H-2012	101066	2.80	...	1/2	2-1/8	1.25
19	4.945	D60ATL19H-2012	101067	3.10	...			
20	5.186	D60BTL20H-2517•	101068	3.30	3.95	1/2	2-11/16	1.75
21	5.426	D60BTL21H-2517•	101069	4.30	4.06			
24	6.147	D60BTL24H-2517	104850	7.20	4.25			
25	6.387	D60BTL25H-2517	101070	8.00				1.75
30	7.586	D60BTL30-2517	101071	13.40	6.34			
36	9.023	D60BTL36-2517	101072	18.00		1/2	2-11/16	
42	10.458	D60BTL42-2517	101073	26.00				1.75
45	11.176	D60BTL45-2517	101074	30.00	4.25			
52	12.849	D60CTL52-2517	101075	41.00				
60	14.761	D60BTL60-2517	101076	33.00				1.75
68	16.673	D60CTL68-2517	101077	37.00				
76	18.584	D60BTL76-3020	101078	42.00	5.25	7/8	3-1/4	

+ "H" suffix indicates Hardened Teeth.

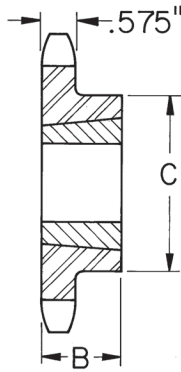
• BTL1



SPECIFICATION

No. 80 for 1" Pitch Single Strand Chain

TAPER-LOCK



TYPE BTL

No. of Teeth	Spkt. O.D.	Description +	Part No.	Spkt. Wt. w/o Bush.	C Hub Dia.	Bore Range		B
						Min.	Max.	
10	3.678	80BTL10H-1215	100593	1.2	2.38◇	1/2	1-1/4	1.50
11	4.006	80BTL11H-1215	100594	1.5	2.38◇			
12	4.332	80BTL12H-1615	100595	1.5	2.94◇	1/2	1-11/16	1.50
13	4.657	80BTL13H-1615	100596	2.5	2.94			
14	4.981	80BTL14H-1615	100597	2.9	3.25			
15	5.304	80BTL15H-1615	100598	3.0	3.25			
16	5.627	80BTL16H-2012	100599	3.0				
17	5.949	80BTL17H-2012	100600	3.5	3.56	1/2	2-1/8	1.25
18	6.271	80BTL18H-2012	100601	4.0				
19	6.593	80BTL19H-2012	100602	4.5				
20	6.914	80BTL20H-2517	100603	5.5	4.25	1/2	2-11/16	1.75
21	7.235	80BTL21H-2517	100604	6.1				
22	7.555	80BTL22H-2517	100605	6.7				
23	7.876	80BTL23H-2517	100606	7.2				
24	8.196	80BTL24H-2517	100607	7.5				
25	8.516	80BTL25H-2517	100608	8.5				
26	8.836	80BTL26H-2517	100609	8.5				
27	9.156	80BTL27-2517	100678	9.8				
28	9.475	80BTL28-2517	100679	10.7				
30	10.114	80BTL30-2517	100610	12.3				
32	10.753	80BTL32-2517	100611	13.4				
35	11.711	80BTL35-2517	100612	15.6				
36	12.030	80BTL36-2517	100613	16.3				
40	13.306	80BTL40-2517	100614	20.5				
42	13.944	80BTL42-2517	104746	25.1				
45	14.901	80BTL45-2517	100615	29.3				
48	15.857	80BTL48-2517	100616	34.6				
54	17.769	80BTL54-2517	100617	39.0				
60	19.681	80BTL60-2517	100618	51.3				
70	22.867	80BTL70-3020	100619	65.8	5.25	7/8	3-1/4	2.00
80	26.052	80BTL80-3020	100620	77.3				

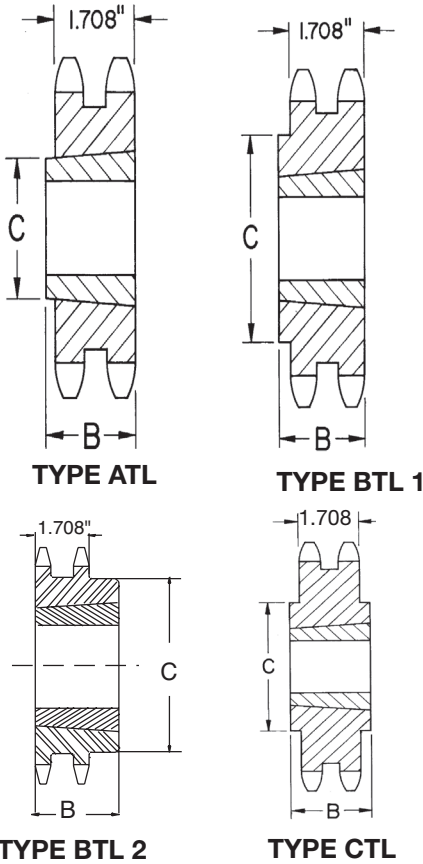
◇ Hub grooved for chain clearance.

+ "H" suffix indicates Hardened Teeth.



SPECIFICATION

No. 80-2 for 1" Pitch Double Strand Chain

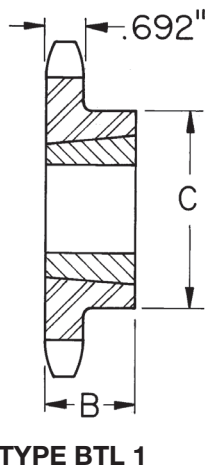


TAPER-LOCK - Double Strand

No. of Teeth	Spkt. O.D.	Description +	Part No.	Spkt. Wt. w/o Bush.	C Hub Dia.	Bore Range		B
						Min.	Max.	
13	4.657	D80ATL13H-1615	101090	3.3	1/2	1-11/16	1.50
14	4.981	D80ATL14H-2012	101091	3.5	1/2	2-1/8	1.25
15	5.304	D80ATL15H-2012	101092	4.4			
16	5.627	D80ATL16H-2517	101093	4.6	1/2	2-11/16	1.75
17	5.949	D80ATL17H-2517	101094	5.5			
18	6.271	D80ATL18H-2517	101095	6.6			
19	6.593	D80BTL19H-3020	101096	7.1			
20	6.914	D80BTL20H-3020	101097	8.2	5.25	7/8	3-1/4	2.00
21	7.235	D80BTL21H-3020	101098	10.4	5.46			
23	7.876	D80BTL23H-3020	104863	12.0	5.25			
25	8.516	D80BTL25H-3020	101099	16.7				
30	10.114	D80BTL30-3020	101100	23.0				
36	12.030	D80BTL36-3020	101101	40				
42	13.944	D80BTL42-3020	101102	56				
60	19.681	D80CTL60-3020	101105	62				
68	22.230	D80CTL68-3020	101106	75				
76	24.778	D80CTL76-3020	101107	83				
95	30.828	D80CTL95-3020	101108	100				

No. 100 for 1-1/4" Pitch Single Strand Chain

TAPER-LOCK



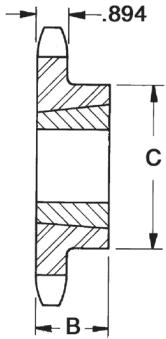
No. of Teeth	Spkt. O.D.	Description +	Part No.	Wt. w/o Bush.	C. Hub Dia.	Bore Range		B
						Min.	Max.	
11	5.008	100BTL11H-1615	100621	2.7	3.00	1/2	1-11/16	1.50
12	5.415	100BTL12H-1615	100622	3.1	3.25			
13	5.821	100BTL13H-2012	100623	3.0	3.56	1/2	2-1/8	1.25
14	6.226	100BTL14H-2012	100624	4.0				
15	6.630	100BTL15H-2517	100625	5.5	4.25	1/2	2-11/16	1.75
16	7.034	100BTL16H-2517	100626	6.0				
17	7.436	100BTL17H-2517	100627	7.0				
18	7.839	100BTL18H-2517	100628	7.5				
19	8.241	100BTL19H-2517	100629	9.7	4.25	1/2	2-11/16	1.75
20	8.643	100BTL20H-2517	100630	9.8				
22	9.444	100BTL22H-2517	100632	11.4	4.50	1/2	2-11/16	1.75
24	10.245	100BTL24H-2517	100633	14.3				
25	10.645	100BTL25H-2517	104754	17.0				
26	11.045	100BTL26-2517	100634	16.0				
28	11.844	100BTL28-3020	100685	20.2				
30	12.643	100BTL30-3020	100635	21.5				
32	13.441	100BTL32-3020	100636	25.0	5.25	7/8	3-1/4	2.00
35	14.639	100BTL35-3020	100637	30.2				
36	15.038	100BTL36-3020	100638	31.4				
40	16.633	100BTL40-3020	100639	36.6				
45	18.626	100BTL45-3020	100640	47				
48	19.821	100BTL48-3020	100641	60				
54	22.211	100BTL54-3020	100642	77				
60	24.601	100BTL60-3020	100643	94				

FEATURES/BENEFITS PAGE PT14-2	SELECTIONS PAGE PT14-16	RELATED PRODUCTS PAGE PT14-28	ENGINEERING/TECHNICAL PAGE PT14-30
----------------------------------	----------------------------	----------------------------------	---------------------------------------

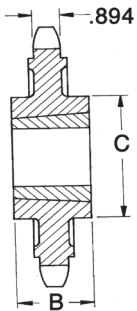


SPECIFICATION

No. 120 for 1-1/2" Pitch Single Strand Chain



TYPE BTL



TYPE CTL

TAPER-LOCK

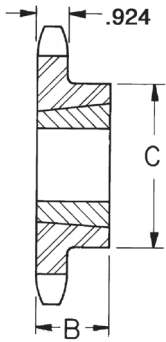
No. of Teeth	Spkt. O.D.	Description +	Part No.	Spkt. Wt. w/o Bush.	C Hub Dia.	Bore Range		B
						Min.	Max.	
12	6.498	120BTL12H-2012	100396	8.0	3.56	1/2	2-1/8	1.25
13	6.989	120BTL13H-2517	100644	6.4				
14	7.472	120BTL14H-2517	100645	7.8	4.25	1/2	2-11/16	1.75
15	7.956	120BTL15H-2517	100646	9.6				
16	8.441	120BTL16H-3020	100647	10.2	5.25	7/8	3-1/4	2.00
17	8.924	120BTL17H-3020	100648	11.6				
18	9.407	120BTL18H-3020	100649	13.2				
19	9.890	120BTL19H-3020	100650	11.2				
20	10.371	120BTL20H-3020	100397	16.0				
21	10.853	120BTL21H-3020	100651	18.0				
24	12.294	120BTL24H-3020	100398	24.0				
26	13.254	120BTL26-3020	100652	30.0				
30	15.171	120BTL30-3020	100399	39.7	5.88	15/16	3-1/4	3.00
35	17.567	120BTL35-3020	100232	46.0				
45	22.352	120CTL45-3030	104765	110	6.50	1-3/16	3-15/16	3.50
60	29.522	120CTL60-3535	100236	120				
70	34.301	120CTL70-3535	100238	144				
80	39.078	120CTL80-3535	100240	164				

+ "H" suffix indicates Hardened Teeth.

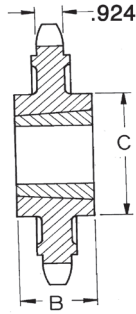


SPECIFICATION

No. 140 for 1-3/4" Pitch Single Strand Chain



TYPE BTL

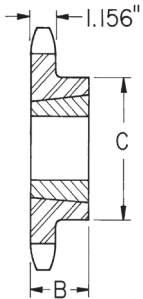


TYPE CTL

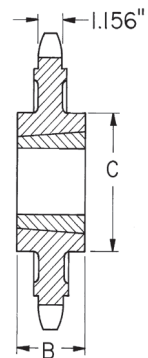
TAPER-LOCK

No. of Teeth	Spkt. O.D.	Description +	Part No.	Wt. w/o Bush.	C Hub Dia.	Bore Range		B
						Min.	Max.	
12	7.581	140BTL12H-2517	100653	7.6	4.25	1/2	2-11/16	1.75
13	8.150	140BTL13H-3020	100654	9.6	5.25	7/8	3	2.00
14	8.717	140BTL14H-3020	100655	11.3				
15	9.282	140BTL15H-3020	100656	12.7				
16	9.847	140BTL16H-3020	100657	14.6				
17	10.411	140BTL17H-3020	100658	17.5				
18	10.974	140BTL18H-3020	100659	19.3				
19	11.538	140BTL19H-3020	100660	21.2	6.50	1-3/16	3-1/2	3.50
21	12.661	140BTL21H-3020	100661	28.0				
26	15.463	140BTL26-3020	100662	45.0				
35	20.494	140CTL35-3535	100264	80.3				
45	26.077	140CTL45-4040	100266	120.0	7.75	1-7/16	4	4.00
60	34.442	140CTL60-4040	100268	200.0				

No. 160 for 2" Pitch Single Strand Chain



TYPE BTL



TYPE CTL

TAPER-LOCK

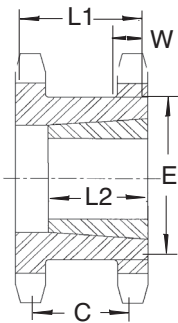
No. of Teeth	Spkt. O.D.	Description +	Part No.	Wt. w/o Bush.	C Hub Dia.	Bore Range		B
						Min.	Max.	
11	8.012	160BTL11H-2517	100663	7.7	4.25	1/2	2-11/16	1.75
12	8.664	160BTL12H-3020	100664	11.5	5.25	7/8	3-1/4	3.00
13	9.314	160BTL13H-3020	100665	14.2				
14	9.962	160BTL14H-3020	100666	17.1				
15	10.608	160BTL15H-3535	100667	27.4	6.50	1-3/16	3-15/16	3.50
17	11.898	160BTL17H-3535	100669	33.9				
18	12.542	160BTL18H-3535	100670	38.4				
19	13.186	160BTL19H-3535	100671	41.7				
21	14.470	160BTL21H-3535	100672	50				
26	17.672	160BTL26-3535	100673	88				
35	23.422	160CTL35-4040	100294	106	7.75	1-7/16	4-7/16	4.00
60	39.362	160CTL60-4545	100298	253				

+ "H" suffix indicates Hardened Teeth.



SPECIFICATION

Double Single Sprockets



TYPE ATL
TAPER-LOCK

No. 40		C=1.13 W=.284	TAPER-LOCK*					
No Teeth	Spkt. O.D.	E Dim.	Spkt. No.	Part No.	Bushing:		L Dim.	Wt. w/o Bush.
					No.	Max. Bore		
18	3.136	2.31
19	3.300	2.50	DS40ATL19H	101450	1215	1-1/4	1.41	1.1
20	3.460	2.63	DS40ATL20H	101451	1215	1-1/4	1.41	1.3
21	3.620	2.78	DS40ATL21H	101452	1615	1-11/16	1.41	1.3
22	3.780	2.94
23	3.940	3.09	DS40ATL23H	101453	1615	1-11/16	1.41	1.5
24	4.100	3.27	DS40ATL24H	101454	1615	1-11/16	1.41	1.7

No. 50		C=1.31 W=.343	TAPER-LOCK*					
No Teeth	Spkt. O.D.	E Dim.	Spkt. No.	Part No.	Bushing:		L Dim.	Wt. w/o Bush.
					No.	Max. Bore		
17	3.200	2.69	DS50ATL17H	101455	1615	1-11/16	1.64	1.8
18	3.920	2.89	DS50ATL18H	101456	1615	1-11/16	1.64	2.2
19	4.120	3.08	DS50ATL19H	101457	1615	1-11/16	1.64	2.7
20	4.320	3.28
21	4.520	3.48	DS50ATL21H	101458	2012	2-1/8	1.64	3.3
22	4.720	3.69
23	4.920	3.89	DS50ATL23H	101459	2012	2-1/8	1.64	3.7
24	5.120	4.08	DS50ATL24H	101460	2012	2-1/8	1.64	4.1

No. 60		C=1.48 W=.459	TAPER-LOCK*					
No Teeth	Spkt. O.D.	E Dim.	Spkt. No.	Part No.	Bushing:		L Dim.	Wt. w/o Bush.
					No.	Max. Bore		
17	4.460	3.22	DS60ATL17H	101461	1615	1-11/16	1.94	4.5
18	4.700	3.47	DS60ATL18H	101462	2012	2-1/8	1.94	5.0
19	4.950	3.70	DS60ATL19H	101463	2012	2-1/8	1.94	5.8
20	5.190	3.95	DS60ATL20H	101464	2517	2-11/16	1.94	5.6
21	5.430	4.19	DS60ATL21H	101465	2517	2-11/16	1.94	6.4
22	5.910	4.67	DS60ATL23H	101466	2517	2-11/16	1.94	7.3
23	6.150	4.91	DS60ATL24H	101467	2517	2-11/16	1.94	8.2

No. 80		C=1.63 W=.575	TAPER-LOCK*					
No Teeth	Spkt. O.D.	E Dim.	Spkt. No.	Part No.	Bushing:		L Dim.	Wt. w/o Bush.
					No.	Max. Bore		
17	5.950	4.31	DS80ATL17H	101468	2517	2-11/16	2.19	7.6
18	6.270	4.75	DS80ATL18H	101469	2517	2-11/16	2.19	8.7
19	6.590	4.95	DS80ATL19H	101470	3020	3-1/4	2.19	9.7
20	6.910	5.28	DS80ATL20H	101471	3020	3-1/4	2.19	10
21	7.240	5.59	DS80ATL21H	101472	3020	3-1/4	2.19	12
22	7.560
23	7.880	6.23	DS80ATL23H	101473	3020	3-1/4	2.19	14.5

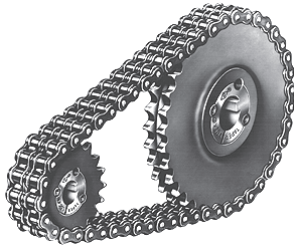
No. 100		C=2 W=.692	TAPER-LOCK*					
No Teeth	Spkt. O.D.	E Dim.	Spkt. No.	Part No.	Bushing:		L Dim.	Wt. w/o Bush.
					No.	Max. Bore		
16	7.030	5.00	DS100ATL16H	101474	2517	2-11/16	2.69	13
17	7.440	5.41	DS100ATL17H	101475	3020	3-1/4	2.69	14
18	7.840	5.80	DS100ATL18H	101476	3020	3-1/4	2.69	16
19	8.240	6.20	DS100ATL19H	101477	3020	3-1/4	2.69	20
20	8.640	6.61
21	9.040	7.00	DS100ATL21H	101478	3020	3-1/4	2.69	27.5

* TAPER-LOCK double single sprockets have hardened teeth.



SELECTION

Roller Chain Drive Selection



EASY SELECTION METHOD

1. Determine Class of Service: Refer to tabulation below, or select from the following:

Class A: Fairly uniform running load. Start-up and peak loads occur infrequently.

Class B: Variable running load. Higher starting and peak loads, occurring more frequently.

Class C: Heavy starting loads. Peak loads and overloads occurring frequently.

2. Select Service Factor:

Class of Service	Type of Input Power		
	Internal Combustion Engine with Hydraulic Drive	Electric or Turbine	Internal Combustion Engine with Mechanical Drive
A	1.0	1.0	1.2
B	1.2	1.3	1.4
C	1.4	1.5	1.7

3. Calculate Design Horsepower: Motor HP x Service Factor, or normal running HP x Service Factor.

4. Determine Chain Size and Smaller (Usually the Driver) sprocket number of teeth: Refer to "Recommended Smaller Sprocket" table on page PT12-30, PT12-31. Start at column that is at or above the calculated design HP. Trace down to the row that includes the RPM of the faster (Usually the Driver) shaft. The chain pitch and sprocket No. of Teeth are listed at this intersection.

5. Calculate Drive Ratio: Faster shaft Rpm divided by Slower shaft RPM.

6. Determine Size of Large Sprocket: Multiply smaller sprocket No. of teeth by ratio. Select Closest stock available sprocket.

7. Calculate Chain Length "L":

$$L = 2c + 1.57 (D + d) + \frac{(D - d)^2}{4c}$$

Where: D = Pitch dia. large sprocket, (see page PT14-31)

d = Pitch dia. small sprocket, (see page PT14-31)

c = Proposed center distance

(Accuracy is within .15% chain length)

Divide chain length (inches) by chain pitch to determine number of pitches in the chain. Good practice is to use an even number of pitches, including connecting link.

Class of Service for Driven Machine			
Driven Machine	Class	Driven Machine	Class
Agitators, liquid or semi-liquid stock, paddle or propeller	A	Line Shafts:	
Bakery Machinery	B	Light or normal service	A
Beaters	B	Unevenly loaded	B
Blowers, Centrifugal	A	Machines, Non-Reversing:	
Boat Paddle Wheels or Propellers	C	Even load	A
Centrifuges	C	Pulsating load	
Clay Working Machinery:		Impact load	C
Extruders, Granulators, Mixers, Pug Mills, Rolls	B	Mills:	
Briquette Machine, Presses	C	Ball, Pebble, Rod, Tube	B
Compressors:		Blooming, Hammer, Hardinge, Rolling	C
Centrifugal, Rotary	B	Paper Machinery:	
Reciprocating	C	Agitators, Calenders, Dryers, Jordan Engines, Paper	
Conveyors:		Machines, Pulp Grinders	B
Uniformly or loaded	A	Beaters, Chippers, Nash Pumps, Washers, Winder	
Irregularly fed or loaded	B	Drums, Yankee Dryers	C
Reciprocating	C	Presses	C
Cookers, Cereal	A	Printing Machinery	B
Cranes	B	Pumps:	
Crushers	C	Centrifugal, Gear, Rotary	A
Elevators:		Dredge	C
Uniformly fed or loaded	A	Reciprocating, 1 or 2 cylinder	C
Irregularly fed or loaded	B	Reciprocating, 3 or more cylinder	B
Fans:		Rubber Plant Machinery:	
Centrifugal	A	Banbury Mills, Calenders, Mixers	C
Mine, Positive Blowers, Propeller	C	Screens:	
Feeders, Reciprocating	C	Air Washing, Water	A
Flour, Feed or Cereal Mill Machinery	B	Rotary (Stone or Gravel), Vibrating	B
Generators	A	Textile Machinery:	
Hogs for Refuse	C	Batcher, Calender, Dry Can, Dyeing Machinery	
Kettles, Brew	A	Loom, Mangel, Napper, Soaper, Spinner, Tenter	
Kilns and Dryers, rotary	B	Frame	B
Laundry Machinery	B	Card Machine	C
		Woodworking Machinery	B

FEATURES/BENEFITS PAGE PT14-2	SPECIFICATIONS PAGE PT14-3	RELATED PRODUCTS PAGE PT14-28	ENGINEERING/TECHNICAL PAGE PT14-30
----------------------------------	-------------------------------	----------------------------------	---------------------------------------



SELECTION

SELECTION EXAMPLE

A chain drive is required for a tumbling barrel for metal stampings. The barrel is to run at 24 RPM from a speed reducer output of 77 RPM. Center distance is 50". Input power is from a 5 HP electric motor. Starting loads are heavy, peak loads and overloads are frequent.

1.Service Factor: Class of service is not listed in table, so refer to Class Description. Class C is appropriate. Service Factor Table shows 1.5 Class C driven by an electric motor.

2.Design HP: Motor HP x S.F. $5 \times 1.5 = 7.5$ Design HP.

3.Chain and Small Sprocket Size: Refer to the 7-1/2 HP column of the Easy Selection Table. Trace down to the row that includes 77 RPM, "71-80 RPM". No. 100 chain and sprocket with 15 teeth is shown: select 100BTL15.

4.Drive Ratio: $77/24 = 3.21:1$.

5.Large Sprocket: $15 \times 3.21 = 48.15$. Select a 48 tooth driven sprocket, 100BTL48, which is a stock size.

6.Chain Length:

$$L = 2(50) + 1.57(19.113 + 6.013) + \frac{(19.113 - 6.012)^2}{4 \times 50}$$

$$L = 140.31" \text{ (No.100 Chain has 1-1/4 or 1.25" Pitch)}$$

$$\text{Length in pitches} = 140.31/1.25 = 112.48 \text{ pitches.}$$

Choose 112 or 114 Pitches of chain, including Conn Link.

7.Verify that sprockets will fit shaft sizes.

DESIGN NOTES

Small Sprocket Size: The higher RPM and the fewer the number of teeth on the small sprocket, the greater the wear.

This leads to some general guidelines:

- Use at least 17 teeth sprocket for 100+ RPM.
- Avoid high ratios that require very small sprockets

Lubrication: Chain drives must be lubricated and kept clean. The most effective method to accomplish this is to use an oil-tight chain guard with an oil sump. Manual lubrication is effective on slower speed drives, but exposure to dirt and contamination will be a problem for the drive.

Design Refinement: The "Easy Selection Method" is a good starting point for further design refinement, if desired. Refer to the Chain HP Rating Tables on the following pages for more precise ratings. Also refer to "Slow Speed Drives" which follows this section.

SLOW SPEED DRIVES

Where linear speed of the chain is under 100 fpm and loading is uniform, roller chain drives may be selected on the basis of chain pull rather than horsepower rating. This often results in significant savings.

When chain length is more than 50 pitches, the maximum applied load may be as great as 1/7 of the ultimate tensile strength of the chain for speeds below 50 fpm to 100 fpm.

Unusual load variations of peak loads require other methods of determining the maximum applied load.

Chain pull may be calculated by the following formula:

$$\text{Chain Pull (lbs.)} = \frac{\text{Design HP} \times 126,000}{\text{rpm} \times \text{Pitch diam.}}$$

Table below offers a simplified method of determining allowable chain pull for slow speed drives. The table also shows revolutions per minute for a given pitch diameter at 50 and 100 feet per minute. Average tensile strength for all popular roller chain is given on PT12-44.

Information for Slow Speed Drives

Chain No.	Allowable Chain Pull for STD. Chain		RPM for a Given Pitch Diam. at Various Speeds		
	Max. Chain Pull		P.D. in inches	@ 50 fpm RPM	@ 100 fpm RPM
	@ 50 fpm or less	@ 50-100 fpm			
40	528	462	2	95.0	191.0
50	871	762	3	63.6	127.2
60	1214	1062	4	47.7	95.5
80	2071	1812	5	38.2	76.4
100	3428	3000	6	31.8	63.7
120	4857	4250	7	27.3	54.6
140	6571	5750	8	23.9	47.8
160	8285	7250	9	21.2	42.4
180	11,428	10,000	10	19.1	38.2
200	13,571	11,875	11	17.3	34.7
240	18,571	16,250	12	15.9	31.8

Note: Smaller sprockets can be used on slow speed drives as the effects of chordal action are not pronounced. However, small sprockets of fewer than 9 teeth should be avoided.

MULTIPLE STRAND CHAIN DRIVES

Single Strand drives offer cost and availability advantages, and are more easily assembled. Multiple strand drives can be used to solve design problems of greater HP capacity or space constraints. For multiple strand drives, divide the calculated Design HP by the factors below, and select from the ratings for single strand drives:

Multiple Strand Factors	
Single:	1.0
Double	1.9
Triple:	2.8



SELECTION

Easy Selection Table

RECOMMENDED SMALL SPROCKET

RPM of small Sprocket	Chain Size and No. of Teeth for Design HP											
	1/4	1/3	1/2	3/4	1	1 -1/2	2	3	4	5	6	7 -1/2
951-1000	35 17	35 17	35 17	35 17	35 17	35 17	35 17	35 23	40 17	40 17	40 20	40 24
901-950	35 17	35 17	35 17	35 17	35 17	35 17	35 17	35 24	40 17	40 18	40 21	40 25
851-900	35 17	35 17	35 17	35 17	35 17	35 17	35 17	35 24	40 17	40 18	40 22	50 17
801-850	35 17	35 17	35 17	35 17	35 17	35 17	35 18	40 17	40 17	40 19	40 23	50 17
751-800	35 17	35 17	35 17	35 17	35 17	35 17	35 19	40 17	40 17	40 20	40 24	50 17
701-750	35 17	35 17	35 17	35 17	35 17	35 17	35 20	40 17	40 18	40 22	40 25	50 17
651-700	35 17	35 17	35 17	35 17	35 17	35 17	35 22	40 17	40 19	40 23	50 17	50 18
601-650	35 17	35 17	35 17	35 17	35 17	35 18	35 23	40 17	40 20	40 24	50 17	50 19
551-600	35 17	35 17	35 17	35 17	35 17	35 19	40 17	40 17	40 21	50 17	50 17	50 21
501-550	35 17	35 17	35 17	35 17	35 17	35 21	40 17	40 17	40 23	50 17	50 18	50 22
471-500	35 17	35 17	35 17	35 17	35 17	35 22	40 17	40 17	40 24	50 17	50 19	50 24
441-470	35 17	35 17	35 17	35 17	35 17	35 23	40 17	40 17	50 17	50 17	50 20	50 25
411-440	35 17	35 17	35 17	35 17	35 17	40 17	40 17	40 21	50 17	50 18	50 22	60 17
381-410	35 17	35 17	35 17	35 17	35 17	40 17	40 17	40 22	50 17	50 19	50 23	60 17
351-380	35 17	35 17	35 17	35 17	35 17	40 17	40 17	40 24	50 17	50 21	50 24	60 18
321-350	35 17	35 17	35 17	35 17	35 17	40 17	40 18	50 17	50 18	50 22	60 17	60 20
301-320	35 17	35 17	35 17	35 17	35 17	40 17	40 19	50 17	50 19	50 23	60 17	60 21
281-300	35 17	35 17	35 17	35 17	35 17	40 17	40 19	50 17	50 20	50 25	60 18	60 22
261-280	35 17	35 17	35 17	35 17	35 17	40 17	40 19	50 17	50 22	60 17	60 19	60 23
241-260	35 17	35 17	35 17	35 17	35 17	40 17	40 19	50 18	50 23	60 17	60 20	80 17
221-240	35 17	35 17	35 17	35 17	35 17	40 19	40 24	50 19	50 25	60 19	60 22	80 17
201-220	35 17	35 17	35 17	35 17	35 17	40 20	50 17	50 21	60 17	60 20	60 24	80 17
181-200	35 17	35 17	35 18	35 17	35 17	40 22	50 17	50 23	60 18	60 22	60 26	80 17
161-180	35 17	35 17	35 20	40 18	35 17	40 24	50 17	50 25	60 20	60 24	80 17	80 17
151-160	35 17	35 17	35 21	40 18	35 17	50 17	50 18	60 17	60 21	60 25	80 17	80 17
141-150	35 15	35 15	35 22	40 18	40 15	50 17	50 19	60 17	60 22	80 17	80 17	80 18
131-140	35 15	35 15	35 23	40 18	40 15	50 17	50 20	60 18	60 23	80 17	80 17	80 19
121-130	35 15	35 15	40 13	40 18	40 15	50 17	50 22	60 19	60 25	80 17	80 17	80 20
111-120	35 15	35 15	40 13	40 18	40 15	50 18	50 22	60 20	80 15	80 17	80 18	80 22
101-110	35 15	35 15	40 15	40 18	50 15	50 19	60 15	80 15	80 15	80 16	80 19	100 15
91-100	35 15	35 15	40 15	40 15	40 17	50 15	50 18	60 17	80 15	80 18	100 15	100 15
81-90	35 15	35 15	40 15	40 15	50 15	50 15	50 18	60 18	80 15	80 15	80 16	100 15
71-80	35 15	35 17	40 15	40 16	50 15	50 18	60 14	80 15	80 15	80 16	100 15	100 15
61-70	35 15	35 19	40 15	40 19	50 15	60 15	60 16	80 15	80 15	80 18	100 15	100 15
51-60	35 17	40 13	40 15	50 13	50 15	60 15	60 19	80 15	80 17	100 15	100 15	100 16
46-50	40 13	40 13	40 16	50 13	50 16	60 14	80 13	80 13	100 13	100 13	100 14	100 17
41-45	40 13	40 13	40 18	50 16	60 13	60 16	80 13	80 14	100 13	100 13	100 16	120 13
35-40	40 13	40 14	50 13	50 16	60 13	60 19	80 13	80 17	100 13	100 14	100 18	120 14
30-35	40 13	40 16	50 13	50 18	60 15	80 13	80 13	80 19	100 13	100 16	120 13	120 14
23-29	40 14	50 13	50 16	60 14	60 19	80 13	80 17	100 13	100 16	120 14	120 15	120 18
17-22	50 13	50 14	60 13	60 19	80 13	80 17	100 13	100 17	120 13	120 16	140 13	140 16
12-16	50 15	60 13	60 18	80 13	80 16	100 13	100 16	120 14	120 18	140 15	140 17	160 15
8-11	60 14	60 18	80 13	80 18	100 13	100 17	120 14	140 13	140 17	160 15	160 18	180 18
5-7	80 13	80 13	100 13	100 13	100 18	120 17	140 14	180 15	180 14	200 13	200 15	240 13

Notes:

- Apply Service Factor to obtain Design Horsepower. Select small sprocket based upon Design Horsepower and RPM on this chart.
- Sprocket selections are recommended minimum. Larger sizes may be selected if required to obtain desired ratio, etc.
- To use this chart for double or triple strand chain, divide the design horsepower by the following factors:
Double strand: 1.9, Triple strand: 2.9

FEATURES/BENEFITS PAGE PT14-2	SPECIFICATIONS PAGE PT14-3	RELATED PRODUCTS PAGE PT14-28	ENGINEERING/TECHNICAL PAGE PT14-30
----------------------------------	-------------------------------	----------------------------------	---------------------------------------



SELECTION

Easy Selection Table RECOMMENDED SMALL SPROCKET

RPM of small Sprocket	Chain Size and No. of Teeth for Design HP													
	9	10	12	15	20	25	30	40	50	60	70	80	90	100
951-1000	50 17	50 17	50 20	60 17	60 20	60 24	80 17	80 18						
901-950	50 17	50 18	50 21	60 17	60 21	60 24	80 17	80 18						
851-900	50 17	50 19	50 22	60 17	60 22	80 17	80 17	80 19						
801-850	50 18	50 20	50 23	60 17	60 23	80 17	80 17	80 20						
751-800	50 19	50 21	60 16	60 18	60 24	80 17	80 17	80 21						
701-750	50 20	50 22	60 17	60 19	60 25	80 17	80 17	80 22	100 17					
651-700	50 21	50 24	60 17	60 21	80 17	80 17	80 18	80 23	100 17					
601-650	50 23	60 16	60 18	60 22	80 17	80 17	80 19	100 17	100 17					
551-600	50 24	60 17	60 19	60 24	80 17	80 18	80 21	100 17	100 18					
501-550	60 17	60 18	60 21	80 17	80 17	80 19	80 22	100 17	100 20					
471-500	60 17	60 19	60 22	80 17	80 17	80 20	80 23	100 17	100 21	100 24	120 17			
441-470	60 18	60 20	60 23	80 17	80 17	80 21	100 17	100 18	100 22	120 17	120 18			
411-440	60 19	60 21	80 16	80 17	80 18	80 22	100 17	100 19	120 17	120 17	120 21			
381-410	60 20	60 22	80 17	80 17	80 19	80 24	100 17	100 20	120 17	120 18	120 21			
351-380	60 22	60 24	80 17	80 17	80 21	100 17	100 17	100 21	120 18	120 19	140 17			
321-350	60 23	80 17	80 17	80 17	80 22	100 17	100 18	100 24	120 19	120 21	140 17	140 18	140 21	
301-320	80 17	80 17	80 17	80 18	80 23	100 17	100 19	100 24	120 21	140 17	140 17	140 19	140 21	
281-300	80 17	80 17	80 17	80 19	100 17	100 17	100 20	120 17	120 21	140 17	140 18	140 21	160 17	
261-280	80 17	80 17	80 17	80 20	100 17	100 18	100 21	120 17	120 21	140 17	140 19	160 17	160 17	
241-260	80 17	80 17	80 18	80 22	100 17	100 19	100 22	120 18	140 17	140 17	140 21	160 18	160 18	160 20
221-240	80 17	80 17	80 19	80 23	100 17	100 20	100 24	120 21	140 17	140 19	160 17	160 18	160 20	160 22
201-220	80 17	80 17	80 20	100 17	100 18	100 22	120 17	120 21	140 17	160 17	160 17	160 19	180 17	160 23
181-200	80 17	80 19	80 22	100 17	100 20	100 24	120 18	140 17	140 19	160 18	160 18	160 20	180 18	180 18
161-180	80 19	80 21	80 25	100 17	100 22	120 17	120 21	140 17	140 21	160 19	160 21	180 17	180 19	180 21
151-160	80 20	80 22	100 17	100 18	100 24	120 17	120 21	140 18	160 19	160 19	160 21	180 18	180 20	200 17
141-150	80 21	100 15	100 17	100 19	100 24	120 18	140 16	140 19	160 19	160 21	180 17	180 19	200 16	200 17
131-140	80 22	100 15	100 17	100 20	120 17	120 21	140 17	140 21	160 19	160 21	180 18	180 19	200 18	200 19
121-130	80 24	100 16	100 17	100 21	120 18	120 21	140 17	140 21	160 19	180 17	180 19	200 17	200 19	200 21
111-120	100 15	100 17	100 18	100 24	120 19	120 21	140 18	160 17	160 21	180 18	180 21	200 18	200 20	200 23
101-110	100 15	100 17	120 15	120 15	140 15	140 16	140 19	160 17	180 16	180 19	200 17	200 19	200 21	240 18
91-100	100 17	100 20	120 15	120 18	140 16	140 19	160 16	160 19	180 19	200 16	200 18	200 21	240 15	240 18
81-90	100 18	100 15	120 16	120 18	140 17	140 19	160 17	160 21	200 15	200 18	200 21	200 23	240 18	240 18
71-80	100 15	120 15	120 18	120 18	140 18	160 15	160 18	180 17	200 17	200 19	240 15	240 16	240 19	240 20
61-70	100 16	120 18	120 19	140 15	160 15	160 19	180 15	200 15	200 19	240 15	240 17	240 19	240 21	240 23
51-60	100 19	120 15	120 15	140 18	160 16	180 15	180 18	200 18	240 15	240 17	240 19	240 22	240 25	240 26
46-50	120 13	120 14	120 16	140 13	160 13	180 16	200 15	200 19	240 15	240 18	240 20	240 24
41-45	120 14	120 15	120 18	140 15	160 14	180 14	200 16	200 21	240 17	240 20	240 23	240 26
35-40	120 16	120 18	140 14	140 17	160 16	180 13	180 15	240 15	240 19	240 23	240 26
30-35	120 19	140 13	140 16	160 14	160 18	180 15	180 18	240 13	240 21	240 25
23-29	140 14	140 15	160 13	160 18	180 16	200 15	200 17	240 14	240 18	240 27
17-22	160 13	160 15	180 13	180 16	200 16	240 13	240 13	240 15	240 24
12-16	160 18	180 13	180 16	200 15	240 13	240 15	240 21	240 27
8-11	200 13	200 15	200 18	240 14	240 18	240 23
5-7	240 13	240 15	240 17	240 22	240 29

4. Sprocket selections above the bold line are based upon ANSI horsepower ratings. Selections below the bold line are based upon the chain pull formula for slow speed drives.

5. To achieve design life keep chain free of dirt and contaminants, and apply appropriate lubrication.



SELECTION

Basic Horsepower Ratings

35 3/8" Pitch Single Strand Roller Chain

HORSEPOWER RATINGS

No. Teeth	Small Sprocket RPM																					
	50	75	100	150	200	250	300	400	500	600	700	800	900	1000	1200	1500	1800	2100	2500	3000	3500	4000
9	0.08	0.12	0.15	0.21	0.27	0.33	0.39	0.50	0.62	0.73	0.84	0.95	1.06	1.21	1.37	1.68	1.98	2.27	2.65	2.17	1.73	1.41
10	0.09	0.13	0.16	0.23	0.30	0.37	0.44	0.57	0.70	0.82	0.95	0.98	1.02	1.28	1.54	1.88	2.21	2.54	2.97	2.55	2.02	1.65
11	0.10	0.14	0.18	0.26	0.34	0.41	0.49	0.63	0.77	0.91	1.05	1.18	1.31	1.51	1.70	2.08	2.45	2.82	3.30	2.94	2.33	1.91
12	0.11	0.16	0.20	0.28	0.37	0.46	0.54	0.70	0.85	1.00	1.15	1.30	1.44	1.66	1.87	2.29	2.70	3.10	3.62	3.35	2.66	2.17
13	0.01	0.12	0.22	0.31	0.41	0.50	0.59	0.76	0.93	1.10	1.26	1.42	1.57	1.81	2.04	2.49	2.94	3.38	3.95	3.77	3.00	2.45
14	0.13	0.19	0.24	0.34	0.44	0.53	0.63	0.82	1.01	1.19	1.36	1.54	1.71	1.96	2.21	2.70	3.18	3.66	4.28	4.22	3.35	2.74
15	0.14	0.20	0.25	0.36	0.47	0.57	0.68	0.88	1.08	1.28	1.47	1.66	1.84	2.11	2.38	2.91	3.43	3.94	4.61	4.68	3.71	3.04
16	0.15	0.21	0.27	0.39	0.50	0.62	0.73	0.95	1.16	1.37	1.57	1.77	1.97	2.26	2.55	3.12	3.68	4.22	4.94	5.15	4.09	3.35
17	0.16	0.23	0.29	0.41	0.54	0.66	0.78	1.01	1.24	1.46	1.68	1.89	2.10	2.42	2.73	3.33	3.93	4.51	5.28	5.64	4.48	3.67
18	0.17	0.24	0.31	0.44	0.57	0.70	0.83	1.08	1.32	1.55	1.78	2.01	2.24	2.57	2.90	3.45	4.18	4.80	5.61	6.15	4.88	3.99
19	0.18	0.26	0.33	0.47	0.61	0.74	0.88	1.14	1.40	1.65	1.89	2.13	2.37	2.70	3.02	3.76	4.43	5.09	5.95	6.67	5.29	4.33
20	0.19	0.27	0.35	0.50	0.64	0.78	0.93	1.21	1.48	1.74	2.00	2.26	2.51	2.88	3.25	3.97	4.68	5.38	6.29	7.20	5.72	4.68
21	0.20	0.29	0.37	0.52	0.68	0.83	0.98	1.27	1.56	1.84	2.11	2.38	2.64	3.03	3.42	4.19	4.93	5.67	6.63	7.75	6.15	5.03
22	0.21	0.30	0.38	0.54	0.71	0.87	1.03	1.34	1.64	1.93	2.22	2.50	2.78	3.19	3.60	4.40	5.19	5.96	6.97	8.21	6.59	5.40
23	0.22	0.31	0.40	0.57	0.74	0.91	1.08	1.40	1.72	2.03	2.33	2.63	2.92	3.35	3.78	4.62	5.44	6.25	7.31	8.62	7.05	5.77
24	0.23	0.33	0.42	0.60	0.78	0.96	1.14	1.47	1.80	2.12	2.44	2.75	3.05	3.51	3.96	4.84	5.70	6.55	7.66	9.02	7.51	6.15
25	0.24	0.34	0.44	0.63	0.82	1.00	1.19	1.54	1.88	2.21	2.55	2.87	3.19	3.66	4.13	5.05	5.95	6.84	8.00	9.43	7.99	6.54
26	0.25	0.36	0.46	0.66	0.85	1.05	1.24	1.60	1.96	2.31	2.66	3.00	3.33	3.82	4.31	5.27	6.21	7.13	8.35	9.84	8.47	6.93
28	0.27	0.39	0.50	0.71	0.92	1.13	1.34	1.73	2.12	2.50	2.88	3.25	3.61	4.14	4.67	5.71	6.73	7.73	9.05	10.7	9.47	7.75
30	0.29	0.42	0.54	0.77	1.00	1.22	1.45	1.87	2.29	2.70	3.10	3.50	3.89	4.46	5.03	6.15	7.25	8.33	9.74	11.5	10.5	8.59
32	0.31	0.45	0.58	0.83	1.07	1.31	1.56	2.01	2.45	2.88	3.32	3.75	4.17	4.79	5.40	6.60	7.77	8.93	10.0	12.3	11.6	9.47
35	0.33	0.49	0.64	0.91	1.18	1.44	1.71	2.21	2.70	3.18	3.66	4.08	4.50	5.23	5.96	7.27	8.56	9.84	11.5	13.6	13.2	10.8
40	0.39	0.56	0.73	1.04	1.35	1.66	1.97	2.55	3.12	3.68	4.23	4.77	5.30	6.09	6.87	8.40	9.89	11.4	13.3	15.7	16.2	13.2
45	0.45	0.64	0.83	1.18	1.54	1.89	2.24	2.90	3.55	4.18	4.80	5.41	6.02	6.91	7.80	9.53	11.2	12.9	15.1	17.8	19.3	15.8
	TYPE A					TYPE B										TYPE C						

41 1/2" Pitch Single Strand Roller Chain

HORSEPOWER RATINGS

No. Teeth	Small Sprocket RPM																					
	10	25	50	75	100	150	200	250	300	350	400	450	500	600	700	800	900	1000	1200	1400	1600	1800
9	0.02	0.05	0.10	0.14	0.19	0.28	0.36	0.44	0.51	0.59	0.66	0.74	0.81	0.96	1.10	1.24	1.38	1.52	1.27	1.01	0.82	0.69
10	0.03	0.06	0.11	0.16	0.21	0.31	0.40	0.49	0.57	0.66	0.74	0.83	0.91	1.07	1.23	1.39	1.54	1.70	1.49	1.18	0.96	0.81
11	0.03	0.07	0.13	0.19	0.24	0.34	0.44	0.54	0.64	0.73	0.82	0.92	1.01	1.19	1.37	1.54	1.71	1.88	1.71	1.36	1.11	0.93
12	0.03	0.07	0.14	0.20	0.26	0.38	0.49	0.60	0.70	0.81	0.91	1.01	1.11	1.31	1.50	1.69	1.88	2.07	1.95	1.55	1.27	1.06
13	0.03	0.08	0.15	0.22	0.28	0.40	0.53	0.64	0.76	0.88	0.99	1.10	1.21	1.42	1.63	1.84	2.05	2.25	2.20	1.75	1.43	1.20
14	0.03	0.09	0.16	0.24	0.31	0.44	0.57	0.70	0.83	0.95	1.07	1.19	1.31	1.54	1.77	2.00	2.22	2.44	2.46	1.95	1.60	1.34
15	0.04	0.09	0.18	0.26	0.33	0.48	0.62	0.76	0.89	1.02	1.15	1.28	1.41	1.66	1.91	2.15	2.39	2.63	2.73	2.17	1.77	1.49
16	0.04	0.10	0.19	0.28	0.36	0.51	0.66	0.81	0.95	1.10	1.24	1.38	1.51	1.78	2.05	2.31	2.57	2.82	3.01	2.39	1.95	1.64
17	0.05	0.11	0.20	0.29	0.38	0.55	0.71	0.87	1.02	1.17	1.32	1.47	1.61	1.89	2.18	2.46	2.74	3.01	3.29	2.61	2.14	1.79
18	0.05	0.12	0.22	0.31	0.40	0.58	0.75	0.92	1.08	1.24	1.40	1.56	1.72	2.02	2.32	2.62	2.91	3.20	3.59	2.85	2.33	1.95
19	0.05	0.12	0.23	0.33	0.43	0.62	0.80	0.98	1.15	1.32	1.49	1.65	1.82	2.14	2.46	2.78	3.09	3.40	3.89	3.09	2.53	2.12
20	0.06	0.13	0.24	0.35	0.45	0.65	0.84	1.03	1.21	1.39	1.57	1.75	1.92	2.26	2.60	2.93	3.26	3.59	4.20	3.33	2.73	2.29
21	0.06	0.14	0.26	0.37	0.48	0.69	0.89	1.09	1.28	1.47	1.66	1.85	2.03	2.39	2.74	3.09	3.44	3.78	4.46	3.59	2.94	2.46
22	0.06	0.14	0.27	0.39	0.50	0.72	0.93	1.14	1.35	1.55	1.74	1.94	2.13	2.51	2.89	3.26	3.62	3.98	4.69	3.85	3.15	2.64
23	0.06	0.15	0.28	0.41	0.53	0.76	0.98	1.20	1.41	1.62	1.83	2.04	2.24	2.64	3.03	3.42	3.80	4.17	4.92	4.11	3.37	2.82
24	0.07	0.16	0.29	0.42	0.55	0.79	1.03	1.26	1.48	1.70	1.92	2.13	2.34	2.76	3.17	3.57	3.97	4.37	5.15	4.38	3.59	3.01
25	0.07	0.17	0.31	0.44	0.57	0.82	1.07	1.31	1.55	1.77	2.00	2.23	2.45	2.88	3.31	3.73	4.15	4.57	5.38	4.66	3.81	3.20
26	0.07	0.17	0.32	0.46	0.60	0.86	1.12	1.37	1.61	1.85	2.09	2.32	2.55	3.01	3.46	3.90	4.33	4.76	5.61	4.94	4.05	3.39
28	0.08	0.19	0.35	0.50	0.65	0.93	1.21	1.48	1.75	2.01	2.26	2.52	2.77	3.26	3.74	4.22	4.69	5.16	6.08	5.52	4.52	3.79
30	0.08	0.20	0.38	0.54	0.70	1.00	1.31	1.60	1.88	2.16	2.44	2.71	2.98	3.51	4.03	4.55	5.06	5.56	6.55	6.13	5.01	4.20
32	0.09	0.22	0.40	0.58	0.75	1.08	1.40	1.71	2.02	2.32	2.61	2.91	3.20	3.77	4.33	4.88	5.42	5.96	7.03	6.75	5.52	4.63
35	0.10	0.24	0.44	0.64	0.83	1.19	1.54	1.88	2.22	2.55	2.88	3.20	3.52	4.14	4.76	5.37	5.97	6.57	7.74	7.72	6.32	5.29
40	0.12	0.27	0.51	0.74	0.96	1.37	1.78	2.18	2.57	2.95	3.33	3.70	4.07	4.79	5.50	6.20	6.90	7.59	8.94	9.43	7.72	6.47
45	0.14	0.31	0.58	0.83	1.08	1.55	2.02	2.47	2.92	3.35	3.78	4.20	4.62	5.44	6.25	7.05	7.84	8.62	10.2	11.3	9.21	7.72
	TYPE A					TYPE B										TYPE C						

Lubrication Note

TYPE A: Manual or Drip
 TYPE B: Bath or Disc
 TYPE C: Oil Stream

Multiple Strand Chain HP Factors:

Single Strand	1.0
Double Strand	1.9
Triple Strand	2.8

FEATURES/BENEFITS PAGE PT14-2	SPECIFICATIONS PAGE PT14-3	RELATED PRODUCTS PAGE PT14-28	ENGINEERING/TECHNICAL PAGE PT14-30
----------------------------------	-------------------------------	----------------------------------	---------------------------------------



SELECTION

Basic Horsepower Ratings

		HORSEPOWER RATINGS																				
40		1/2" Pitch Single Strand Roller Chain																				
No. Teeth	Small Sprocket RPM																					
	10	25	50	75	100	150	200	250	300	350	400	450	500	600	700	800	900	1000	1200	1400	1600	1800
9	0.04	0.10	0.19	0.27	0.35	0.50	0.65	0.79	0.93	1.07	1.21	1.35	1.48	1.74	2.00	2.26	2.51	2.75	3.25	3.73	4.12	3.45
10	0.05	0.11	0.21	0.30	0.38	0.56	0.73	0.89	1.04	1.20	1.35	1.50	1.65	1.95	2.24	2.53	2.81	3.09	3.64	4.18	4.71	4.04
11	0.05	0.12	0.23	0.33	0.43	0.62	0.80	0.98	1.16	1.33	1.50	1.67	1.83	2.16	2.48	2.80	3.11	3.42	4.03	4.63	5.22	4.66
12	0.06	0.14	0.25	0.36	0.47	0.68	0.88	1.08	1.27	1.46	1.65	1.83	2.01	2.37	2.73	3.08	3.42	3.76	4.43	5.09	5.74	5.31
13	0.06	0.15	0.28	0.40	0.52	0.74	0.96	1.17	1.39	1.60	1.80	2.00	2.20	2.59	2.97	3.35	3.73	4.10	4.83	5.55	6.26	5.99
14	0.07	0.16	0.30	0.43	0.56	0.80	1.04	1.27	1.50	1.73	1.95	2.16	2.38	2.80	3.22	3.63	4.04	4.44	5.23	6.01	6.78	6.70
15	0.07	0.17	0.32	0.46	0.60	0.86	1.12	1.37	1.62	1.86	2.10	2.33	2.56	3.02	3.47	3.91	4.35	4.78	5.64	6.47	7.30	7.43
16	0.08	0.19	0.35	0.50	0.65	0.93	1.20	1.47	1.74	2.00	2.25	2.50	2.75	3.24	3.72	4.19	4.66	5.13	6.04	6.94	7.83	8.18
17	0.09	0.20	0.37	0.53	0.69	0.99	1.29	1.57	1.85	2.13	2.40	2.67	2.93	3.45	3.97	4.48	4.98	5.48	6.45	7.41	8.36	8.96
18	0.09	0.21	0.39	0.56	0.73	1.05	1.37	1.66	1.95	2.25	2.55	2.84	3.12	3.67	4.22	4.76	5.30	5.82	6.86	7.88	8.89	9.76
19	0.10	0.22	0.42	0.60	0.78	1.12	1.45	1.77	2.09	2.40	2.71	3.01	3.31	3.90	4.48	5.05	5.62	6.17	7.27	8.4	9.4	10.5
20	0.11	0.24	0.44	0.63	0.82	1.17	1.53	1.87	2.21	2.54	2.86	3.18	3.50	4.12	4.73	5.34	5.94	6.53	7.69	8.8	10.0	11.1
21	0.11	0.25	0.46	0.67	0.87	1.25	1.62	1.98	2.33	2.68	3.02	3.36	3.69	4.34	4.99	5.63	6.26	6.88	8.11	9.3	10.5	11.7
22	0.12	0.26	0.49	0.70	0.91	1.31	1.70	2.08	2.45	2.81	3.17	3.53	3.88	4.57	5.25	5.92	6.58	7.23	8.52	9.8	11.0	12.3
23	0.13	0.27	0.51	0.74	0.96	1.37	1.78	2.18	2.57	2.95	3.33	3.70	4.07	4.79	5.51	6.21	6.90	7.59	8.94	10.3	11.6	12.9
24	0.13	0.29	0.54	0.77	1.00	1.43	1.87	2.28	2.69	3.09	3.48	3.87	4.26	5.01	5.8	6.5	7.2	8.0	9.4	10.8	12.1	13.5
25	0.14	0.30	0.56	0.80	1.05	1.50	1.95	2.38	2.81	3.22	3.64	4.05	4.45	5.24	6.0	6.8	7.6	8.3	9.8	11.2	12.7	14.1
26	0.15	0.31	0.58	0.84	1.09	1.57	2.04	2.49	2.93	3.37	3.80	4.22	4.64	5.46	6.3	7.1	7.9	8.7	10.2	11.7	13.2	14.7
28	0.16	0.34	0.63	0.91	1.18	1.69	2.20	2.69	3.18	3.64	4.11	4.57	5.03	5.92	6.8	7.7	8.5	9.4	11.1	12.7	14.3	15.9
30	0.16	0.37	0.68	0.98	1.27	1.83	2.38	2.90	3.42	3.93	4.43	4.93	5.42	6.38	7.3	8.3	9.2	10.1	11.9	13.7	15.4	17.2
32	0.17	0.39	0.73	1.05	1.36	1.96	2.55	3.11	3.67	4.21	4.75	5.28	5.81	6.84	7.9	8.9	9.9	10.8	12.8	14.7	16.5	18.4
35	0.19	0.43	0.81	1.16	1.50	2.16	2.81	3.43	4.04	4.64	5.24	5.82	6.40	7.53	8.7	9.8	10.9	11.9	14.1	16.2	18.2	20.3
40	0.22	0.50	0.93	1.34	1.74	2.49	3.24	3.95	4.67	5.36	6.05	6.72	7.39	8.70	10.0	11.3	12.5	13.8	16.3	18.7	21.1	23.4
45	0.25	0.57	1.06	1.52	1.97	2.83	3.68	4.49	5.30	6.09	6.87	7.64	8.40	9.90	11.4	12.8	14.2	15.7	18.5	21.2	23.9	26.6
	TYPE A									TYPE B									TYPE C			

		HORSEPOWER RATINGS																				
50		5/8" Pitch Single Strand Roller Chain																				
No. Teeth	Small Sprocket RPM																					
	10	25	50	75	100	150	200	250	300	350	400	450	500	600	700	800	900	1000	1200	1400	1600	1800
9	0.09	0.19	0.36	0.52	0.67	0.97	1.26	1.53	1.81	2.08	2.35	2.61	2.87	3.38	3.89	4.39	4.88	5.36	6.32	6.02	4.92	4.13
10	0.10	0.22	0.41	0.58	0.76	1.09	1.41	1.72	2.03	2.33	2.63	2.93	3.22	3.79	4.36	4.91	5.46	6.01	7.08	7.05	5.77	4.83
11	0.11	0.24	0.45	0.65	0.84	1.20	1.56	1.91	2.25	2.59	2.92	3.25	3.57	4.20	4.83	5.45	6.06	6.66	7.85	8.13	6.65	5.58
12	0.12	0.26	0.49	0.71	0.92	1.32	1.72	2.10	2.47	2.84	3.21	3.57	3.92	4.62	5.31	5.98	6.65	7.31	8.62	9.26	7.58	6.35
13	0.13	0.29	0.54	0.77	1.00	1.44	1.87	2.29	2.70	3.10	3.50	3.89	4.27	5.03	5.78	6.52	7.25	8.0	9.4	10.4	8.6	7.2
14	0.14	0.31	0.58	0.84	1.09	1.56	2.03	2.48	2.92	3.36	3.79	4.21	4.63	5.45	6.27	7.07	7.86	8.6	10.2	11.7	9.6	8.0
15	0.15	0.34	0.63	0.90	1.17	1.68	2.19	2.67	3.15	3.62	4.08	4.54	4.99	5.87	6.75	7.61	8.47	9.3	11.0	12.6	10.6	8.9
16	0.16	0.36	0.67	0.97	1.26	1.80	2.34	2.86	3.38	3.88	4.37	4.86	5.35	6.30	7.24	8.16	9.08	10.0	11.8	13.5	11.7	9.8
17	0.17	0.39	0.72	1.03	1.34	1.92	2.50	3.06	3.61	4.14	4.67	5.19	5.71	6.72	7.73	8.71	9.69	10.7	12.6	14.4	12.8	10.7
18	0.18	0.41	0.76	1.10	1.43	2.05	2.66	3.25	3.83	4.40	4.97	5.52	6.07	7.15	8.22	9.3	10.3	11.3	13.4	15.3	13.9	11.7
19	0.19	0.43	0.81	1.16	1.51	2.15	2.82	3.45	4.07	4.67	5.27	5.86	6.44	7.58	8.72	9.8	10.9	12.0	14.2	16.3	15.1	12.7
20	0.20	0.46	0.86	1.23	1.60	2.29	2.98	3.64	4.30	4.94	5.57	6.19	6.80	8.01	9.21	10.4	11.5	12.7	15.0	17.2	16.3	13.7
21	0.21	0.48	0.90	1.30	1.69	2.42	3.14	3.84	4.53	5.20	5.87	6.52	7.17	8.44	9.71	11.0	12.2	13.4	15.8	18.1	17.6	14.7
22	0.22	0.51	0.95	1.36	1.77	2.54	3.31	4.03	4.76	5.47	6.17	6.86	7.54	8.9	10.2	11.5	12.8	14.1	16.6	19.1	18.8	15.8
23	0.23	0.53	1.00	1.43	1.86	2.67	3.47	4.24	5.00	5.74	6.47	7.19	7.91	9.3	10.7	12.0	13.4	14.8	17.4	20.0	20.1	16.9
24	0.25	0.56	1.04	1.50	1.95	2.79	3.63	4.43	5.23	6.01	6.78	7.54	8.29	9.7	11.2	12.7	14.1	15.5	18.2	20.9	21.4	18.0
25	0.26	0.58	1.09	1.56	2.03	2.92	3.80	4.64	5.47	6.28	7.08	7.87	8.66	10.2	11.7	13.2	14.7	16.2	19.0	21.9	22.8	19.1
26	0.27	0.61	1.14	1.63	2.12	3.04	3.96	4.83	5.70	6.55	7.39	8.21	9.03	10.6	12.2	13.8	15.3	16.9	19.9	22.8	24.2	20.3
28	0.29	0.66	1.23	1.77	2.30	3.30	4.29	5.24	6.18	7.10	8.01	8.90	9.79	11.5	13.2	14.9	16.6	18.3	21.5	24.7	27.0	22.6
30	0.31	0.71	1.33	1.90	2.48	3.55	4.62	5.64	6.66	7.65	8.6	9.6	10.5	12.4	14.3	16.1	17.9	19.7	23.2	26.6	30.0	25.1
32	0.33	0.76	1.42	2.04	2.66	3.81	4.96	6.05	7.14	8.20	9.3	10.3	11.3	13.3	15.3	17.3	19.2	21.1	24.9	28.6	32.2	27.7
35	0.37	0.84	1.57	2.25	2.93	4.20	5.46	6.66	7.86	9.03	10.2	11.4	12.5	14.7	16.9	19.0	21.1	23.2	27.4	31.5	35.5	31.6
40	0.43	0.97	1.81	2.60	3.38	4.85	6.31	7.70	9.1	10.4	11.8	13.1	14.4	17.0	19.5	22.0	24.4	26.8	31.6	36.3	41.0	38.7
45	0.48	1.10	2.06	2.95	3.84	5.50	7.16	8.73	10.3	11.9	13.4	14.9	16.3	19.2	22.1	24.9	27.7	30.5	35.9	41.3	46.5	46.1
	TYPE A									TYPE B									TYPE C			

Lubrication Note

- TYPE A: Manual or Drip
- TYPE B: Bath or Disc
- TYPE C: Oil Stream

Multiple Strand Chain HP Factors:

Single Strand	1.0
Double Strand	1.9
Triple Strand	2.8

FEATURES/BENEFITS PAGE PT14-2	SPECIFICATIONS PAGE PT14-3	RELATED PRODUCTS PAGE PT14-28	ENGINEERING/TECHNICAL PAGE PT14-30
----------------------------------	-------------------------------	----------------------------------	---------------------------------------



SELECTION

Basic Horsepower Ratings

60 3/4" Pitch Single Strand Roller Chain

HORSEPOWER RATINGS

No. Teeth	Small Sprocket RPM																					
	10	25	50	75	100	125	150	175	200	250	300	350	400	500	600	700	800	900	1000	1200	1400	1600
9	0.15	0.33	0.62	0.89	1.16	1.42	1.67	1.91	2.16	2.64	3.12	3.58	4.04	4.94	5.82	6.68	7.54	8.38	9.21	8.77	6.96	5.70
10	0.16	0.37	0.70	1.00	1.30	1.59	1.87	2.15	2.43	2.96	3.49	4.01	4.53	5.53	6.52	7.49	8.44	9.39	10.3	10.3	8.15	6.67
11	0.18	0.41	0.77	1.11	1.44	1.76	2.07	2.38	2.69	3.28	3.87	4.44	5.02	6.13	7.23	8.30	9.36	10.4	11.4	11.9	9.4	7.70
12	0.20	0.45	0.85	1.22	1.58	1.93	2.28	2.62	2.95	3.60	4.25	4.88	5.51	6.74	7.94	9.12	10.3	11.4	12.6	13.5	10.7	8.77
13	0.22	0.50	0.92	1.33	1.73	2.11	2.49	2.86	3.22	3.93	4.64	5.33	6.01	7.34	8.65	9.94	11.2	12.5	13.7	15.2	12.1	9.89
14	0.24	0.54	1.00	1.44	1.87	2.28	2.69	3.09	3.49	4.26	5.02	5.77	6.51	7.96	9.37	10.8	12.1	13.5	14.8	17.0	13.5	11.1
15	0.25	0.58	1.08	1.55	2.01	2.46	2.90	3.33	3.76	4.59	5.41	6.21	7.01	8.57	10.1	11.6	13.1	14.5	16.0	18.8	15.0	12.3
16	0.27	0.62	1.16	1.66	2.16	2.64	3.11	3.57	4.03	4.92	5.80	6.66	7.52	9.19	10.8	12.4	14.0	15.6	17.1	20.2	16.5	13.5
17	0.29	0.66	1.24	1.78	2.31	2.82	3.32	3.81	4.30	5.25	6.20	7.12	8.03	9.81	11.6	13.3	15.0	16.7	18.3	21.6	18.1	14.8
18	0.31	0.70	1.31	1.88	2.45	2.99	3.53	4.05	4.58	5.59	6.59	7.57	8.54	10.4	12.3	14.1	15.9	17.7	19.5	22.9	19.7	16.1
19	0.33	0.75	1.39	2.00	2.60	3.17	3.74	4.30	4.85	5.92	6.99	8.02	9.05	11.1	13.0	15.0	16.9	18.8	20.6	24.3	21.4	17.5
20	0.35	0.79	1.47	2.11	2.75	3.36	3.96	4.55	5.13	6.26	7.38	8.48	9.57	11.7	13.8	15.8	17.9	19.8	21.8	25.7	23.1	18.9
21	0.36	0.83	1.55	2.23	2.90	3.54	4.17	4.79	5.40	6.59	7.78	8.94	10.1	12.3	14.5	16.7	18.8	20.9	23.0	27.1	24.8	20.3
22	0.38	0.87	1.63	2.34	3.05	3.72	4.39	5.04	5.68	6.94	8.19	9.40	10.6	13.0	15.3	17.5	19.8	22.0	24.2	28.5	26.6	21.8
23	0.40	0.92	1.71	2.45	3.19	3.90	4.60	5.28	5.96	7.28	8.59	9.85	11.1	13.6	16.0	18.4	20.8	23.1	25.4	29.9	28.4	23.3
24	0.42	0.96	1.79	2.57	3.35	4.09	4.82	5.53	6.24	7.62	8.99	10.3	11.6	14.2	16.8	19.3	21.7	24.2	26.6	31.3	30.3	24.8
25	0.44	1.00	1.87	2.68	3.50	4.27	5.04	5.78	6.52	7.96	9.40	10.8	12.2	14.9	17.5	20.1	22.7	25.3	27.8	32.7	32.2	26.4
26	0.46	1.05	1.95	2.80	3.65	4.45	5.25	6.03	6.81	8.31	9.80	11.3	12.7	15.5	18.3	21.0	23.7	26.4	29.0	34.1	34.2	28.0
28	0.50	1.13	2.12	3.04	3.95	4.82	5.69	6.53	7.37	8.99	10.6	12.2	13.8	16.8	19.8	22.8	25.7	28.5	31.4	37.0	38.2	31.3
30	0.54	1.22	2.28	3.27	4.26	5.20	6.13	7.04	7.94	9.67	11.4	13.1	14.8	18.1	21.4	24.5	27.7	30.8	33.8	39.8	42.4	34.7
32	0.57	1.31	2.45	3.51	4.56	5.57	6.57	7.55	8.52	10.4	12.3	14.1	15.9	19.4	22.9	26.3	29.7	33.0	36.3	42.7	46.7	38.2
35	0.63	1.44	2.69	3.86	5.03	6.14	7.24	8.31	9.38	11.4	13.5	15.5	17.5	21.4	25.2	29.0	32.7	36.3	39.9	47.1	53.4	43.7
40	0.73	1.67	3.11	4.46	5.81	7.09	8.37	9.59	10.8	13.2	15.6	17.9	20.2	24.7	29.1	33.5	37.7	42.0	46.1	54.4	62.5	53.4
45	0.83	1.89	3.53	5.07	6.60	8.05	9.50	10.9	12.3	15.0	17.7	20.4	23.0	28.1	33.1	38.0	42.9	47.7	52.4	61.7	70.9	63.7
TYPE A					TYPE B										TYPE C							

80 1" Pitch Single Strand Roller Chain

HORSEPOWER RATINGS

No. Teeth	Small Sprocket RPM																					
	10	25	50	75	100	125	150	175	200	250	300	350	400	500	600	700	800	900	1000	1200	1400	1600
9	0.34	0.78	1.45	2.08	2.71	3.31	3.90	4.48	5.05	6.17	7.28	8.36	9.43	11.5	13.6	15.6	17.6	19.0	14.5	11.0	8.76	7.17
10	0.38	0.87	1.63	2.33	3.03	3.70	4.37	5.02	5.66	6.91	8.16	9.38	10.6	12.9	15.2	17.5	19.7	19.9	17.0	12.9	10.3	8.40
11	0.42	0.97	1.80	2.58	3.36	4.10	4.84	5.56	6.28	7.66	9.04	10.4	11.7	14.3	16.9	19.4	21.9	23.0	19.6	14.9	11.8	9.69
12	0.47	1.06	1.98	2.84	3.69	4.51	5.32	6.11	6.89	8.41	9.93	11.4	12.9	15.7	18.5	21.3	24.0	26.2	22.3	17.0	13.5	11.0
13	0.51	1.16	2.16	3.10	4.03	4.91	5.80	6.66	7.52	9.16	10.8	12.4	14.0	17.1	20.2	23.2	26.2	29.1	25.2	19.2	15.2	12.5
14	0.55	1.25	2.34	3.35	4.36	5.33	6.29	7.22	8.14	9.92	11.7	13.4	15.2	18.6	21.9	25.1	28.4	31.5	28.2	21.4	17.0	13.9
15	0.59	1.35	2.52	3.61	4.70	5.74	6.77	7.77	8.77	10.7	12.6	14.5	16.4	20.0	23.6	27.1	30.6	34.0	31.2	23.8	18.9	15.4
16	0.63	1.45	2.70	3.87	5.04	6.15	7.26	8.34	9.41	11.5	13.5	15.6	17.6	21.5	25.3	29.0	32.8	36.4	34.4	26.2	20.8	17.0
17	0.68	1.55	2.88	4.13	5.38	6.57	7.75	8.88	10.0	12.3	14.5	16.6	18.7	22.9	27.0	31.0	35.0	38.9	37.7	28.7	22.7	18.6
18	0.72	1.64	3.07	4.40	5.72	6.99	8.25	9.48	10.7	13.1	15.4	17.6	19.9	24.4	28.7	33.0	37.2	41.4	41.1	31.2	24.8	20.3
19	0.76	1.74	3.25	4.66	6.07	7.41	8.74	10.0	11.3	13.8	16.3	18.7	21.1	25.8	30.4	35.0	39.4	43.8	44.5	33.9	26.9	22.0
20	0.81	1.84	3.44	4.93	6.41	7.83	9.24	10.6	12.0	14.6	17.2	19.7	22.3	27.3	32.2	37.0	41.7	46.3	48.1	36.6	29.0	23.8
21	0.85	1.94	3.62	5.19	6.76	8.25	9.74	11.2	12.6	15.4	18.2	20.9	23.5	28.8	33.9	39.0	43.9	48.9	51.7	39.4	31.2	25.6
22	0.90	2.04	3.81	5.46	7.11	8.66	10.2	11.8	13.3	16.2	19.1	22.0	24.8	30.3	35.7	41.0	46.2	51.4	55.5	42.2	33.5	27.4
23	0.94	2.14	4.00	5.73	7.46	9.08	10.7	12.3	13.9	17.0	20.1	23.1	26.0	31.8	37.4	43.0	48.5	53.9	59.3	45.1	35.8	29.3
24	0.98	2.24	4.19	6.00	7.81	9.56	11.3	13.0	14.6	17.8	21.0	24.1	27.2	33.2	39.2	45.0	50.8	56.4	62.0	48.1	38.2	31.2
25	1.03	2.34	4.37	6.27	8.16	9.98	11.8	13.5	15.2	18.6	21.9	25.2	28.4	34.7	40.9	47.0	53.0	59.0	64.8	51.1	40.6	33.2
26	1.07	2.45	4.56	6.54	8.52	10.4	12.3	14.1	15.9	19.4	22.9	26.3	29.7	36.2	42.7	49.1	55.3	61.5	67.6	54.2	43.0	35.2
28	1.16	2.65	4.94	7.09	9.23	11.3	13.3	15.3	17.2	21.0	24.8	28.5	32.1	39.3	46.3	53.2	59.9	66.7	73.7	60.6	48.1	39.4
30	1.25	2.85	5.33	7.64	9.94	12.1	14.3	16.4	18.5	22.6	26.7	30.7	34.6	42.3	49.9	57.3	64.6	71.8	78.9	67.2	53.3	43.6
32	1.34	3.06	5.71	8.21	10.7	13.0	15.3	17.6	19.9	24.3	28.6	32.9	37.1	45.4	53.5	61.4	69.2	77.0	84.6	74.0	58.7	48.1
35	1.48	3.37	6.29	9.00	11.7	14.3	16.9	19.4	21.9	26.8	31.6	36.3	40.9	50.0	58.9	67.6	76.3	84.8	93.3	84.7	67.2	55.0
40	1.71	3.89	7.27	10.4	13.6	16.5	19.5	22.4	25.3	30.9	36.4	41.8	47.2	57.7	68.0	78.1	88.1	99.0	108	103	82.1	67.2
45	1.94	4.42	8.25	11.8	15.4	18.8	22.2	25.5	28.7	35.1	41.4	47.5	53.6	65.6	77.2	88.7	100	111	122	123	98.0	80.2
TYPE A					TYPE B										TYPE C							

Lubrication Note

TYPE A: Manual or Drip
 TYPE B: Bath or Disc
 TYPE C: Oil Stream

Multiple Strand Chain HP Factors:

Single Strand	1.0
Double Strand	1.9
Triple Strand	2.8

FEATURES/BENEFITS PAGE PT14-2	SPECIFICATIONS PAGE PT14-3	RELATED PRODUCTS PAGE PT14-28	ENGINEERING/TECHNICAL PAGE PT14-30
----------------------------------	-------------------------------	----------------------------------	---------------------------------------



SELECTION

Basic Horsepower Ratings

100

1-1/4" Pitch Single Strand Roller Chain

HORSEPOWER RATINGS

No. Teeth	Small Sprocket RPM																							
	10	25	50	75	100	125	150	175	200	250	300	350	400	450	500	600	700	800	900	1000	1100	1200		
9	0.65	1.49	2.78	3.985	5.19	6.33	7.47	8.575	9.68	11.8	13.9	16.0	18.1	20.1	22.1	26.0	29.6	34.2	20.3	17.4	15.0	13.2		
10	0.73	1.67	3.11	4.46	5.81	7.09	8.37	9.585	10.8	13.2	15.6	17.9	20.2	22.5	24.7	29.2	33.5	38.4	23.8	20.3	17.6	15.5		
11	0.81	1.85	3.45	4.945	6.44	7.86	9.28	10.6	12.0	14.6	17.3	19.8	22.4	24.9	27.4	32.3	37.1	42.8	27.5	23.4	20.3	17.8		
12	0.89	2.03	3.79	5.435	7.08	8.64	10.2	11.7	13.2	16.1	19.0	21.8	24.6	27.4	30.1	35.5	40.8	47.3	31.3	26.7	23.2	20.3		
13	0.97	2.22	4.13	5.925	7.72	9.41	11.1	12.8	14.4	17.5	20.7	23.8	26.9	29.8	32.8	38.7	44.5	51.3	35.3	30.1	26.1	22.9		
14	1.05	2.40	4.48	6.42	8.36	10.18	12.0	13.8	15.6	19.0	22.5	25.8	29.1	32.3	35.6	41.9	48.2	55.4	39.4	33.7	29.2	25.6		
15	1.13	2.59	4.83	6.92	9.01	11.0	13.0	14.9	16.8	20.5	24.2	27.8	31.4	34.8	38.3	45.2	51.9	59.2	43.7	37.3	32.4	28.4		
16	1.22	2.77	5.17	7.415	9.66	11.8	13.9	15.9	18.0	22.0	26.0	29.8	33.6	37.3	41.1	48.4	55.6	63.5	48.2	41.1	35.7	31.3		
17	1.30	2.96	5.52	7.91	10.3	12.6	14.8	17.0	19.2	23.5	27.7	31.8	35.9	39.9	43.9	51.7	59.4	68.0	52.8	45.0	39.0	34.3		
18	1.38	3.15	5.88	8.44	11.0	13.4	15.8	18.1	20.5	25.0	29.5	33.8	38.2	42.5	46.7	55.0	63.2	72.0	57.5	49.1	42.5	37.3		
19	1.46	3.34	6.23	8.915	11.6	14.2	16.7	19.2	21.7	26.5	31.2	35.8	40.5	45.0	49.5	58.3	67.0	76.4	62.3	53.2	46.1	40.5		
20	1.55	3.53	6.58	9.44	12.3	15.0	17.7	20.3	22.9	28.0	33.0	37.9	42.8	47.5	52.3	61.6	70.8	79.8	67.3	57.5	49.8	43.7		
21	1.63	3.72	6.94	9.97	13.0	15.9	18.7	21.5	24.2	29.5	34.8	39.9	45.1	50.1	55.1	65.0	74.6	84.2	72.4	61.8	53.6	47.0		
22	1.71	3.91	7.30	10.45	13.6	16.6	19.6	22.5	25.4	31.0	36.6	42.0	47.4	52.7	58.0	68.3	78.5	88.5	77.7	66.3	57.5	50.4		
23	1.80	4.10	7.66	11.0	14.3	17.5	20.6	23.7	26.7	32.6	38.4	44.1	49.8	55.3	60.8	71.7	82.3	92.8	83.0	70.9	61.4	53.9		
24	1.88	4.30	8.02	11.5	15.0	18.3	21.5	24.7	27.9	34.0	40.2	46.2	52.1	57.9	63.7	75.0	86.2	97.2	88.5	75.6	65.5	57.5		
25	1.97	4.49	8.38	12.0	15.6	19.0	22.5	25.9	29.2	35.6	42.0	48.2	54.4	60.5	66.6	78.4	90.1	102	94.1	80.3	69.6	61.1		
26	2.05	4.68	8.74	12.5	16.3	19.9	23.5	27.0	30.4	37.1	43.8	50.3	56.8	63.1	69.4	81.8	94.0	106	99.8	85.2	73.8	64.8		
28	2.22	5.07	9.47	13.6	17.7	21.6	25.5	29.3	33.0	40.3	47.5	54.5	61.5	68.3	75.2	88.6	102	115	112	95.2	82.5	72.4		
30	2.40	5.47	10.2	14.6	19.0	23.2	27.4	31.5	35.5	43.3	51.2	58.8	66.3	73.7	81.0	95.5	110	124	124	106	91.5	80.3		
32	2.57	5.86	10.9	15.6	20.4	24.9	29.4	33.8	38.1	46.5	54.9	63.0	71.1	79.0	86.9	102	118	133	136	116	101	88.5		
35	2.83	6.46	12.0	17.3	22.5	27.5	32.4	37.2	42.0	51.2	60.4	69.4	78.3	87.0	95.7	113	130	146	156	133	115	101		
40	3.27	7.46	13.9	20.0	26.0	31.7	37.4	43.0	48.5	59.2	69.8	80.1	90.4	101	111	130	150	169	188	163	141	124		
45	3.71	8.47	15.8	22.6	29.5	36.0	42.5	48.8	55.0	67.2	79.3	91.2	103	114	126	148	170	192	213	194	168	148		
TYPE A				TYPE B								TYPE C												

120

1-1/2" Pitch Single Strand Roller Chain

HORSEPOWER RATINGS

No. Teeth	Small Sprocket RPM																							
	10	25	50	75	100	125	150	175	200	250	300	350	400	450	500	600	700	800	900	1000	1100	1200		
9	1.10	2.52	4.69	6.73	8.76	10.7	12.6	14.4	16.3	19.9	23.5	27.0	30.5	33.9	37.3	43.2	34.3	28.1	23.5	20.1	17.4	15.3		
10	1.24	2.82	5.26	7.54	9.81	12.0	14.1	16.2	18.3	22.3	26.4	30.3	34.2	38.0	41.8	49.2	40.1	32.9	27.5	23.5	20.4	17.9		
11	1.37	3.12	5.83	8.36	10.9	13.3	15.7	18.0	20.3	24.8	29.2	33.6	37.9	42.1	46.3	54.6	46.3	37.9	31.8	27.1	23.5	20.6		
12	1.50	3.43	6.40	9.15	11.9	14.6	17.2	19.7	22.3	27.2	32.1	36.8	41.6	46.3	50.9	59.9	52.8	43.2	36.2	30.9	26.8	23.5		
13	1.64	3.74	6.98	10.0	13.0	15.9	18.8	21.5	24.3	29.6	35.0	40.2	45.4	50.5	55.5	65.3	59.5	48.7	40.8	34.9	30.2	26.5		
14	1.78	4.05	7.56	10.8	14.1	17.2	20.3	23.3	26.3	32.1	37.9	43.5	49.1	54.6	60.1	70.8	66.5	54.4	45.6	39.0	33.8	29.6		
15	1.91	4.37	8.15	11.7	15.2	18.5	21.9	25.1	28.4	34.7	40.9	47.0	53.0	58.8	64.7	76.3	73.8	60.4	50.6	43.2	37.4	32.9		
16	2.05	4.68	8.74	12.5	16.3	19.9	23.5	27.0	30.4	37.1	43.8	50.3	56.8	63.1	69.4	81.8	81.3	66.5	55.7	47.6	41.2	36.2		
17	2.19	5.00	9.33	13.4	17.4	21.3	25.1	28.8	32.5	39.7	46.8	53.7	60.6	67.3	74.1	87.3	89.0	72.8	61.0	52.1	45.2	39.6		
18	2.33	5.32	9.92	14.2	18.5	22.6	26.7	30.6	34.6	42.2	49.8	57.2	64.5	71.7	78.8	92.9	97.0	79.4	66.5	56.8	49.2	43.2		
19	2.47	5.64	10.5	15.1	19.6	24.0	28.3	32.4	36.6	44.7	52.8	60.6	68.4	76.0	83.6	98.5	105	86.1	72.1	61.6	53.4	46.8		
20	2.61	5.96	11.1	15.9	20.7	25.3	29.9	34.3	38.7	47.3	55.8	64.0	72.2	80.3	88.3	104	114	92.9	77.9	66.5	57.6	50.6		
21	2.75	6.28	11.7	16.8	21.9	26.7	31.5	36.2	40.8	49.8	58.8	67.5	76.2	84.6	93.1	110	122	100	83.8	71.6	62.0	54.4		
22	2.90	6.60	12.3	17.6	23.0	28.0	33.1	38.0	42.9	52.3	61.8	70.9	80.1	89.0	97.9	115	131	107	89.9	76.7	66.5	58.4		
23	3.04	6.93	12.9	18.5	24.1	29.5	34.8	39.9	45.0	55.0	64.9	74.4	84.0	93.5	103	121	139	115	96.1	82.0	71.1	62.4		
24	3.18	7.25	13.5	19.4	25.3	30.9	36.4	41.8	47.1	57.5	67.9	77.9	88.0	98.0	108	127	146	122	102	87.4	75.8	66.5		
25	3.32	7.58	14.1	20.3	26.4	32.2	38.0	43.7	49.3	60.2	71.0	81.4	91.9	102	112	132	152	130	109	92.9	80.6	70.7		
26	3.47	7.91	14.8	21.1	27.5	33.6	39.7	45.6	51.4	62.7	74.0	84.9	95.9	106	117	138	159	138	115	98.6	85.4	75.0		
28	3.76	8.57	16.0	22.9	29.8	36.4	43.0	49.3	55.7	67.9	80.2	92.1	104	115.5	127	150	172	154	129	110	95.5	83.8		
30	4.05	9.23	17.2	24.6	32.1	39.2	46.3	53.2	60.0	73.2	86.4	99.2	112	124.5	137	161	185	171	143	122	106	92.9		
32	4.34	9.90	18.5	26.5	34.5	42.0	49.6	57.0	64.3	78.4	92.6	106.3	120	133.5	147	173	199	188	158	135	117	102		
35	4.78	10.9	20.3	29.1	38.0	46.3	54.7	62.8	70.9	86.4	102	117	132	147	162	190	219	215	180	154	133	117		
40	5.52	12.6	23.5	33.7	43.9	53.6	63.2	72.5	81.8	99.9	118	135.5	153	170	187	220	253	263	220	188	163	143		
45	6.27	14.3	26.7	38.3	49.8	60.8	71.7	82.3	92.9	113	134	153.5	173	192.5	212	250	287	314	263	224	195	171		
TYPE A				TYPE B								TYPE C												

Lubrication Note

- TYPE A: Manual or Drip
- TYPE B: Bath or Disc
- TYPE C: Oil Stream

Multiple Strand Chain HP Factors:

Single Strand	1.0
Double Strand	1.9
Triple Strand	2.8

FEATURES/BENEFITS PAGE PT14-2	SPECIFICATIONS PAGE PT14-3	RELATED PRODUCTS PAGE PT14-28	ENGINEERING/TECHNICAL PAGE PT14-30
----------------------------------	-------------------------------	----------------------------------	---------------------------------------



SELECTION

Basic Horsepower Ratings

140 1-3/4" Pitch Single Strand Roller Chain																					HORSEPOWER RATINGS									
No. Teeth	Small Sprocket RPM																													
	10	25	50	75	100	125	150	175	200	225	250	275	300	325	350	400	450	500	550	600	700	800								
9	1.71	3.89	7.26	10.4	13.6	16.5	19.5	22.4	25.3	28.1	30.9	33.7	36.4	39.1	41.8	47.2	52.5	57.7	55.7	48.9	38.8	31.7								
10	1.91	4.36	8.14	11.7	15.2	18.5	21.9	25.1	28.3	31.4	34.6	37.7	40.8	43.8	46.9	52.9	58.8	64.6	65.2	57.2	45.4	37.2								
11	2.12	4.83	9.02	12.9	16.8	20.5	24.2	27.8	31.4	34.9	38.4	41.8	45.2	48.6	52.0	58.6	65.2	71.6	75.2	66.0	52.4	42.9								
12	2.33	5.31	9.91	14.2	18.5	22.5	26.6	30.5	34.5	38.3	42.2	46.0	49.7	53.4	57.1	64.4	71.6	78.7	85.7	75.2	59.7	48.9								
13	2.54	5.79	10.8	15.5	20.2	24.6	29.0	33.3	37.6	41.8	46.0	50.1	54.2	58.2	62.2	70.2	78.0	85.8	93.5	84.8	67.3	55.1								
14	2.75	6.27	11.7	16.8	21.8	26.6	31.5	36.2	40.8	45.3	49.8	54.3	58.7	63.1	67.4	76.0	84.5	93.0	101	94.8	75.2	61.6								
15	2.96	6.76	12.6	18.0	23.5	28.7	33.9	38.9	43.9	48.8	53.7	58.5	63.2	67.9	72.7	81.9	91.1	100	109	105	83.4	68.3								
16	3.18	7.24	13.5	19.4	25.2	30.8	36.3	41.7	47.1	52.3	57.5	62.7	67.8	72.9	77.9	87.8	97.7	107	117	116	91.9	75.2								
17	3.39	7.73	14.4	20.6	26.9	32.8	38.8	44.5	50.3	55.8	61.4	66.9	72.4	77.8	83.2	93.8	104	115	125	127	101	82.4								
18	3.61	8.23	15.4	22.0	28.6	35.0	41.3	47.4	53.5	59.4	65.3	71.2	77.0	82.8	88.5	99.8	111	122	133	138	110	89.8								
19	3.82	8.72	16.3	23.3	30.4	37.0	43.7	50.2	56.7	63.0	69.3	75.4	81.6	87.7	93.8	106	118	129	141	150	119	97.4								
20	4.04	9.22	17.2	24.6	32.1	39.2	46.2	53.1	59.9	66.6	73.2	79.8	86.3	92.7	99.1	112	124	137	149	161	128	105								
21	4.26	9.72	18.1	26.0	33.8	41.3	48.7	55.9	63.1	70.1	77.2	84.1	91.0	97.5	104	118	131	144	157	170	138	113								
22	4.48	10.2	19.1	27.3	35.6	43.4	51.3	58.8	66.4	73.8	81.2	88.4	95.6	103	110	124	138	151	165	178	148	121								
23	4.70	10.7	20.0	28.6	37.3	45.5	53.8	61.8	69.7	77.4	85.2	92.6	100	107	115	130	145	159	173	187	158	130								
24	4.92	11.2	20.9	30.0	39.1	47.7	56.3	64.6	72.9	81.1	89.2	97.1	105	113	121	136	151	166	181	196	169	138								
25	5.14	11.7	21.9	31.3	40.8	49.8	58.8	67.5	76.2	84.7	93.2	102	110	118	126	142	158	174	189	205	180	147								
26	5.37	12.2	22.8	32.7	42.6	52.0	61.4	70.4	79.5	88.3	97.2	106	115	124	132	148	165	181	198	214	190	156								
28	5.81	13.3	24.7	35.5	46.2	56.3	66.5	76.3	86.2	95.6	105	114	124	134	143	161	179	197	214	232	213	174								
30	6.26	14.3	26.7	38.2	49.7	60.7	71.6	82.2	92.8	102.9	113	124	134	144	154	173	193	212	231	249	236	193								
32	6.71	15.3	28.6	41.0	53.3	65.1	76.8	88.2	99.5	111	122	132	143	154	165	186	206	227	247	267	260	213								
35	7.40	16.9	31.5	45.1	58.7	71.7	84.6	97.3	110	122	134	146	158	169	181	205	227	250	272	295	297	243								
40	8.54	19.5	36.4	52.2	67.9	82.8	97.7	112	127	141	155	168	182	196	210	236	263	289	315	340	363	297								
45	9.70	22.1	41.3	59.2	77.1	94.1	111	127.5	144	160	176	192	207	222	238	268	298	328	357	387	434	355								
TYPE A					TYPE B										TYPE C															

160 2" Pitch Single Strand Roller Chain																					HORSEPOWER RATINGS									
No. Teeth	Small Sprocket RPM																													
	10	25	50	75	100	125	150	175	200	225	250	275	300	325	350	375	400	450	500	550	600	700								
9	2.48	5.65	10.5	15.1	19.7	24.0	28.3	32.5	36.7	40.8	44.8	48.8	52.8	56.8	60.7	64.6	68.5	76.1	71.5	62.0	54.4	43.2								
10	2.77	6.33	11.8	16.9	22.0	26.9	31.7	36.4	41.1	45.7	50.3	54.8	59.2	63.6	68.0	72.3	76.7	85.3	83.7	72.6	63.7	50.5								
11	3.07	7.01	13.1	18.8	24.4	29.8	35.2	40.4	45.6	50.7	55.7	60.7	65.6	70.5	75.4	80.2	85.0	94.5	96.6	83.7	73.5	58.3								
12	3.38	7.70	14.4	20.6	26.8	32.7	38.6	44.3	50.1	55.7	61.2	66.7	72.1	77.4	82.8	88.1	93.4	104	110	95.4	83.7	66.4								
13	3.68	8.40	15.7	22.5	29.2	35.7	42.1	48.3	54.6	60.6	66.7	72.6	78.6	84.4	90.3	96.2	102	113	124	108	94.4	74.9								
14	3.99	9.10	17.0	24.4	31.7	38.7	45.6	52.3	59.1	65.7	72.3	78.8	85.2	91.5	97.8	104	110	123	135	120	105	83.7								
15	4.30	9.80	18.3	26.2	34.1	41.7	49.2	56.5	63.7	70.8	77.9	84.8	91.7	98.3	105	112	119	132	145	133	117	92.8								
16	4.61	10.5	19.6	28.1	36.6	44.7	52.7	60.5	68.3	75.9	83.5	90.9	98.4	106	113	120	127	142	156	147	129	102								
17	4.92	11.2	20.9	30.0	39.1	47.7	56.3	64.6	72.9	81.0	89.1	97.1	105	113	121	128	136	151	166	161	141	112								
18	5.23	11.9	22.3	31.9	41.6	50.8	59.9	68.8	77.6	86.2	94.8	103	112	120	128	136	145	161	177	175	154	122								
19	5.55	12.7	23.6	33.8	44.1	53.8	63.5	72.8	82.2	91.6	101	109	118	127	136	145	153	171	188	190	167	132								
20	5.86	13.4	25.0	35.8	46.6	56.8	67.1	77.0	86.9	96.4	106	115	125	135	144	153	162	180	198	205	180	143								
21	6.18	14.1	26.3	37.7	49.1	59.9	70.7	81.1	91.6	102	112	122	132	142	152	162	171	190	209	221	194	154								
22	6.50	14.8	27.7	39.7	51.6	63.0	74.4	85.4	96.3	107	118	128	139	149	159	169	180	200	220	237	208	165								
23	6.82	15.6	29.0	41.6	54.2	66.1	78.0	89.5	101	112	124	135	146	156	167	178	189	210	231	251	222	176								
24	7.14	16.3	30.4	43.5	56.7	69.2	81.7	93.8	106	117	129	141	152	163	175	186	197	220	241	263	237	188								
25	7.46	17.0	31.1	45.2	59.3	72.3	85.4	98.2	111	123	135	147	159	171	183	195	206	229	252	275	252	200								
26	7.78	17.8	31.8	46.8	61.8	75.4	89.1	102	115	128	141	153	166	179	191	203	215	239	263	287	267	212								
28	8.43	19.2	35.9	51.5	67.0	81.8	96.5	111	125	139	153	166	180	193	207	220	233	259	285	311	298	237								
30	9.08	20.7	38.7	55.4	72.2	88.1	104	119	135	150	165	179	194	209	223	237	251	279	307	336	331	263								
32	9.74	22.2	41.5	59.5	77.4	94.2	111	128	144	160	176	192	208	223	239	254	269	300	329	359	365	289								
35	10.7	24.5	45.7	65.4	85.2	104	123	141	159	176	194	212	229	246	263	280	297	330	363	395	417	331								
40	12.4	28.3	52.8	75.7	98.5	120	142	163	184	205	225	245	265	284	304	324	343	381	419	457	494	404								
45	14.1	32.1	59.9	85.9	112	136	161	185	209	232	255	278	301	323	345	367	389	433	476	519	561	482								
TYPE A					TYPE B										TYPE C															

Lubrication Note

TYPE A: Manual or Drip
 TYPE B: Bath or Disc
 TYPE C: Oil Stream

Multiple Strand Chain HP Factors:

Single Strand	1.0
Double Strand	1.9
Triple Strand	2.8

FEATURES/BENEFITS PAGE PT14-2	SPECIFICATIONS PAGE PT14-3	RELATED PRODUCTS PAGE PT14-28	ENGINEERING/TECHNICAL PAGE PT14-30
----------------------------------	-------------------------------	----------------------------------	---------------------------------------



SELECTION

Basic Horsepower Ratings

2-1/4" Pitch Single Strand Roller Chain																			HORSEPOWER RATINGS									
No. Teeth	Small Sprocket RPM																											
	10	20	30	40	50	75	100	125	150	175	200	225	250	275	300	325	350	375	400									
11	4.24	7.87	11.4	14.7	18.1	25.9	33.7	41.2	48.6	55.7	62.9	69.9	76.9	83.8	90.6	97.3	104	110	117									
12	4.66	8.62	12.4	16.1	19.8	28.4	37.0	45.2	53.4	61.3	69.1	76.8	84.5	92.1	99.6	107	114	121	129									
13	5.08	9.43	13.6	17.6	21.6	31.0	40.4	49.3	58.2	66.8	75.4	83.8	92.1	101	109	117	125	133	141									
14	5.51	10.2	14.8	19.1	23.4	33.5	43.7	53.3	63.0	72.3	81.6	90.7	99.8	109	118	126	135	143	152									
15	5.93	11.0	15.9	20.6	25.3	36.2	47.1	57.5	67.9	77.9	88.0	98.0	108	117	127	136	146	155	164									
16	6.36	11.8	17.0	22.1	27.1	38.8	50.5	61.7	72.8	83.6	94.3	105	115	125	136	146	156	166	176									
17	6.79	12.6	18.2	23.5	28.9	41.5	54.0	65.8	77.7	89.3	101	112	123	134	145	156	167	178	188									
18	7.22	13.4	19.4	25.1	30.8	44.1	57.4	70.1	82.7	94.8	107	119	131	142	154	165	177	189	200									
19	7.66	14.2	20.5	26.6	32.6	46.7	60.8	74.2	87.6	101	114	126	139	152	164	176	188	200	212									
20	8.10	15.0	21.7	28.1	34.5	49.4	64.3	78.4	92.6	106	120	134	147	160	173	186	199	212	224									
21	8.53	15.8	22.9	29.6	36.3	52.1	67.8	82.7	97.6	112	126	141	155	168	182	195	209	222	236									
22	8.97	16.7	24.0	31.1	38.2	54.8	71.3	87.2	103	118	133	148	163	178	192	206	220	234	248									
23	9.41	17.5	25.2	32.7	40.1	57.5	74.8	91.4	108	124	140	155	171	186	201	216	231	246	260									
24	9.86	18.3	26.4	34.2	42.0	60.2	78.3	95.7	113	129	146	162	179	195	210	226	242	258	273									
25	10.3	19.1	27.6	35.7	43.9	62.9	81.8	99.9	118	135	153	170	187	203	220	236	253	269	285									
26	10.7	19.9	28.7	37.2	45.7	65.6	85.4	104	123	141	159	177	195	212	229	246	264	281	297									
28	11.6	21.6	31.2	40.4	49.6	71.1	92.5	113	133	153	173	192	211	230	249	267	286	304	322									
30	12.5	23.2	33.6	43.5	53.4	76.5	99.6	122	144	165	186	206	227	247	268	288	308	327	347									
32	13.4	24.9	36.0	46.6	57.2	82.1	107	131	154	176	199	222	244	265	287	308	330	351	372									
35	14.8	27.5	39.7	51.4	63.1	90.6	118	144	170	195	220	244	268	292	316	339	363	386	410									
TYPE A				TYPE B								TYPE C																

2-1/2" Pitch Single Strand Roller Chain																			HORSEPOWER RATINGS									
No. Teeth	Small Sprocket RPM																											
	10	15	20	30	40	50	60	70	80	90	100	125	150	175	200	225	250	275	300									
11	5.64	8.12	10.5	15.1	19.6	24.0	28.3	32.5	36.6	40.7	44.8	54.7	64.5	74.0	83.5	92.8	102	111	120									
12	6.19	8.92	11.6	16.6	21.6	26.4	31.0	35.7	40.2	44.7	49.2	60.0	70.8	81.3	91.8	102	112	122	132									
13	6.75	9.72	12.6	18.1	23.5	28.7	33.8	38.9	43.8	48.7	53.6	65.4	77.2	88.6	100	111	122	133	144									
14	7.31	10.5	13.6	19.7	25.5	31.1	36.6	42.1	47.4	52.8	58.1	70.9	83.7	95.8	108	120	132	144	156									
15	7.88	11.3	14.7	21.2	27.4	33.5	39.5	45.4	51.1	56.9	62.6	76.3	90.1	104	117	130	143	155	168									
16	8.45	12.2	15.8	22.7	29.4	36.0	42.3	48.7	54.8	61.0	67.1	81.8	96.6	111	125	139	153	166	180									
17	9.02	13.0	16.8	24.2	31.4	38.4	45.2	52.0	58.5	65.1	71.6	87.3	103	119	134	148	163	178	193									
18	9.59	13.8	17.9	25.8	33.4	40.8	48.0	55.3	62.3	69.2	76.2	93.1	110	126	142	158	174	189	205									
19	10.2	14.6	19.0	27.3	35.4	43.3	50.9	58.6	66.0	73.4	80.8	98.4	116	134	151	168	184	200	217									
20	10.7	15.5	20.1	28.9	37.4	45.8	53.8	61.9	69.7	77.6	85.4	104	123	141	159	177	195	212	229									
21	11.3	16.3	21.1	30.5	39.5	48.2	56.8	65.3	73.5	81.8	90.0	110	130	149	168	186	205	223	242									
22	11.9	17.2	22.2	32.0	41.5	50.7	59.7	68.7	77.3	86.0	94.6	115	136	156	177	196	216	235	254									
23	12.5	18.0	23.3	33.6	43.5	53.2	62.6	72.0	81.1	90.2	99.3	121	143	164	185	205	226	246	267									
24	13.1	18.9	24.4	35.2	45.6	55.7	65.6	75.4	84.9	94.5	104	127	150	172	194	216	237	258	279									
25	13.7	19.7	25.5	36.8	47.6	58.2	68.5	78.8	88.9	98.9	109	132	156	179	203	226	248	270	292									
26	14.3	20.6	26.6	38.4	49.7	60.7	71.4	82.2	92.5	103	113	138	163	188	212	236	259	282	305									
TYPE A				TYPE B								TYPE C																

3" Pitch Single Strand Roller Chain																			HORSEPOWER RATINGS									
No. Teeth	Small Sprocket RPM																											
	5	10	15	20	25	30	40	50	60	70	80	90	100	125	150	175	200	250	300									
11	4.86	9.08	13.1	16.9	20.7	24.4	31.6	38.6	45.5	52.3	59.0	65.6	72.1	88.1	104	119	135	164	194									
12	5.34	9.97	14.4	18.6	22.7	26.8	34.7	42.4	50.0	57.4	64.8	72.0	79.2	96.8	114	131	148	181	213									
13	5.83	10.9	15.7	20.3	24.8	29.2	37.9	46.3	54.5	62.5	70.6	78.5	86.4	106	124	143	161	197	232									
14	6.31	11.8	17.0	22.0	26.9	31.7	41.0	50.1	59.1	67.8	76.5	85.1	93.6	114	135	155	175	213	251									
15	6.80	12.7	18.3	23.7	28.9	34.1	44.2	54.0	63.6	73.0	82.4	91.7	101	123	145	167	188	230	271									
16	7.29	13.6	19.6	25.4	31.0	36.6	47.4	57.9	68.2	78.3	88.4	98.2	108	132	156	179	202	247	290									
17	7.78	14.5	20.9	27.1	33.1	39.0	50.6	61.8	72.9	83.7	94.4	105	115	141	166	191	215	263	310									
18	8.28	15.4	22.3	28.8	35.2	41.5	53.8	65.8	77.5	88.8	100	112	123	150	177	203	229	280	330									
19	8.78	16.4	23.6	30.6	37.4	44.0	57.0	69.7	82.2	94.1	106	118	130	159	187	215	243	297	350									
20	9.28	17.3	24.9	32.3	39.5	46.5	60.3	73.7	86.8	99.4	112	125	138	168	198	228	257	314	370									
21	9.78	18.2	26.3	34.1	41.6	49.0	63.5	77.7	91.5	105	119	132	145	177	209	240	270	331	390									
22	10.3	19.2	27.6	35.8	43.8	51.6	66.8	81.7	96.2	111	125	138	152	186	220	252	284	348	410									
23	10.8	20.1	29.0	37.6	45.9	54.1	70.1	85.7	101	116	131	145	160	195	230	265	298	365	430									
24	11.3	21.1	30.4	39.3	48.1	56.7	73.4	89.7	106	121	137	152	167	205	241	277	312	382	450									
25	11.8	22.0	31.7	41.1	50.3	59.2	76.7	93.8	110	126	143	159	175	214	252	290	327	399	470									
26	12.3	23.0	33.1	42.9	52.4	61.8	80.0	97.8	115	132	149	166	183	223	263	302	341	416	491									
TYPE A				TYPE B								TYPE C																

Lubrication Note

- TYPE A: Manual or Drip
- TYPE B: Bath or Disc
- TYPE C: Oil Stream

Multiple Strand Chain HP Factors:

Single Strand	1.0
Double Strand	1.9
Triple Strand	2.8

Shaded Area: Operation is in the galling range - consult factory

FEATURES/BENEFITS PAGE PT14-2	SPECIFICATIONS PAGE PT14-3	RELATED PRODUCTS PAGE PT14-28	ENGINEERING/TECHNICAL PAGE PT14-30
----------------------------------	-------------------------------	----------------------------------	---------------------------------------



SELECTION

Basic Horsepower Ratings

2040 — HP Ratings for 2040 Double Pitch Drive Chain

No. of Effective Teeth, Small Spkt.	HP Ratings @ Various RPM, Small Sprocket																			
	25	50	100	150	200	250	300	350	400	450	500	550	600	700	800	900	1000	1100	1200	1300
6	.10	.17
7	.12	.21	.35	.46	.54
8	.14	.25	.64	.72	.82	.90
9	.16	.30	.53	.72	.88	1.02	1.14	1.3	1.3
10	.18	.34	.61	.82	1.04	1.21	1.37	1.5	1.6	1.7	1.8	1.9
11	.20	.38	.69	.96	1.20	1.41	1.59	1.8	1.9	2.0	2.1	2.2	2.3
12	.22	.42	.77	1.07	1.34	1.58	1.80	2.0	2.2	2.3	2.5	2.6	2.7	2.9
13	.24	.46	.84	1.18	1.48	1.76	2.01	2.2	2.4	2.6	2.8	2.9	3.1	3.3	3.5
14	.26	.50	.92	1.29	1.62	1.93	2.21	2.5	2.7	2.9	3.1	3.3	3.4	3.7	3.9	4.1
15	.28	.54	.99	1.39	1.76	2.09	2.40	2.7	2.9	3.2	3.4	3.6	3.8	4.1	4.3	4.5	4.7
16	.30	.57	1.06	1.50	1.89	2.25	2.59	2.9	3.2	3.4	3.7	3.9	4.1	4.4	4.7	5.0	5.1
17	.32	.61	1.13	1.60	2.02	2.41	2.77	3.1	3.4	3.7	4.0	4.2	4.4	4.8	5.1	5.4	5.6	5.7
18	.34	.65	1.20	1.70	2.15	2.57	2.95	3.3	3.6	3.9	4.2	4.5	4.7	5.1	5.5	5.8	6.0	6.2
19	.36	.69	1.27	1.80	2.28	2.73	3.13	3.5	3.9	4.2	4.5	4.8	5.0	5.5	5.9	6.2	6.4	6.6	6.7	...
20	.38	.72	1.34	1.89	2.40	2.87	3.30	3.7	4.1	4.4	4.7	5.0	5.3	5.8	6.2	6.5	6.8	7.0	7.1	...
21	.40	.76	1.41	1.99	2.53	3.01	3.47	3.9	4.3	4.6	5.0	5.3	5.6	6.1	6.5	6.9	7.1	7.4	7.5	...
22	.42	.79	1.48	2.09	2.64	3.16	3.63	4.1	4.5	4.9	5.2	5.5	5.8	6.4	6.8	7.2	7.5	7.7	7.9	...
23	.44	.83	1.54	2.18	2.76	3.30	3.80	4.3	4.7	5.1	5.4	5.8	6.1	6.6	7.1	7.5	7.8	8.0	8.2	8.3
24	.46	.87	1.61	2.27	2.88	3.44	3.95	4.4	4.9	5.3	5.7	6.0	6.4	6.9	7.4	7.8	8.1	8.4	8.5	8.6
25	.48	.90	1.67	2.36	3.00	3.58	4.11	4.6	5.1	5.5	5.9	6.3	6.6	7.2	7.7	8.1	8.4	8.7	8.8	8.9
30	.57	1.08	1.99	2.81	3.56	4.24	4.87	5.4	6.0	6.5	6.9	7.4	7.8	8.4	8.9	9.4	9.7	10.0	10.1	10.1
	TYPE I					TYPE II								TYPE III						

2050 — HP Ratings for 2050 Double Pitch Drive Chain

No. of Effective Teeth, Small Spkt.	HP Ratings @ Various RPM, Small Sprocket																			
	25	50	100	150	200	250	300	350	400	450	500	550	600	650	700	750	800	850	900	950
6	.18	.31
7	.22	.40	.65
8	.26	.48	.82	1.08	1.28
9	.31	.56	.98	1.32	1.59	1.82	1.99
10	.35	.64	1.14	1.55	1.89	2.19	2.42	2.62	2.80
11	.39	.72	1.30	1.77	2.19	2.55	2.85	3.11	3.35	3.55
12	.43	.80	1.45	1.99	2.47	2.90	3.26	3.58	3.88	4.12	4.31
13	.47	.88	1.59	2.20	2.74	3.23	3.65	4.03	4.38	4.66	4.90	5.11	5.30
14	.51	.95	1.73	2.41	3.01	3.55	4.02	4.45	4.85	5.17	5.47	5.73	5.95	6.09
15	.55	1.02	1.87	2.62	3.27	3.87	4.37	4.86	5.30	5.67	6.01	6.31	6.57	6.75	6.94
16	.58	1.09	2.01	2.82	3.52	4.17	4.72	5.25	5.73	6.15	6.53	6.87	7.17	7.39	7.61	7.79
17	.62	1.17	2.14	3.01	3.77	4.46	5.07	5.67	6.15	6.61	7.05	7.42	7.74	7.99	8.24	8.46	8.62
18	.66	1.24	2.27	3.20	4.01	4.75	5.41	6.04	6.56	7.07	7.54	7.95	8.29	8.56	8.84	9.08	9.28
19	.70	1.31	2.40	3.39	4.25	5.04	5.75	6.40	6.96	7.51	8.01	8.46	8.82	9.12	9.42	9.68	9.90	10.08
20	.74	1.38	2.53	3.57	4.48	5.32	6.07	6.75	7.35	7.94	8.46	8.94	9.33	9.65	9.97	10.25	10.49	10.69
21	.77	1.45	2.66	3.75	4.71	5.59	6.38	7.10	7.74	8.36	8.90	9.40	9.82	10.16	10.50	10.80	11.06	11.28	11.44	...
22	.81	1.52	2.79	3.92	4.93	5.85	6.69	7.44	8.12	8.77	9.33	9.84	10.29	10.65	11.01	11.32	11.59	11.83	12.00	...
23	.84	1.59	2.92	4.10	5.15	6.11	6.99	7.77	8.49	9.16	9.75	10.27	10.74	11.12	11.50	11.82	12.10	12.35	12.53	...
24	.88	1.66	3.05	4.27	5.37	6.37	7.29	8.10	8.85	9.54	10.16	10.70	11.18	11.57	11.97	12.30	12.59	12.85	13.03	...
25	.91	1.72	3.17	4.45	5.59	6.62	7.57	8.42	9.20	9.91	10.56	11.12	11.61	12.01	12.42	12.75	13.05	13.33	13.50	13.57
30	1.09	2.05	3.77	5.29	6.62	7.82	8.92	9.92	10.80	11.65	12.32	12.99	13.55	13.96	14.39	14.76	15.06	15.30	15.48	...
	TYPE I					TYPE II								TYPE III						

FEATURES/BENEFITS PAGE PT14-2	SPECIFICATIONS PAGE PT14-3	RELATED PRODUCTS PAGE PT14-28	ENGINEERING/TECHNICAL PAGE PT14-30
----------------------------------	-------------------------------	----------------------------------	---------------------------------------



SELECTION

Basic Horsepower Ratings

2060 — HP Ratings for 2060 Double Pitch Drive Chain

No. of Effective Teeth, Small Spkt.	HP Ratings @ Various RPM, Small Sprocket																			
	25	50	75	100	125	150	175	200	225	250	275	300	350	400	450	500	550	600	650	700
6	.30
7	.37	.66	.88	1.06
8	.44	.80	1.09	1.34	1.56	1.74	1.89
9	.52	.94	1.30	1.62	1.90	2.15	2.36	2.55	2.72
10	.59	1.08	1.51	1.89	2.23	2.54	2.82	3.07	3.29	3.50	3.68	3.83
11	.66	1.21	1.71	2.15	2.54	2.92	3.25	3.58	3.84	4.12	4.34	4.56	4.93
12	.73	1.34	1.90	2.41	2.85	3.29	3.67	4.06	4.37	4.71	4.97	5.24	5.71	6.06
13	.79	1.47	2.09	2.66	3.15	3.65	4.08	4.52	4.88	5.27	5.59	5.91	6.46	6.92	7.25
14	.86	1.60	2.27	2.90	3.45	4.00	4.48	4.96	5.37	5.80	6.17	6.54	7.17	7.72	8.10	8.51
15	.92	1.72	2.45	3.14	3.74	4.34	4.86	5.39	5.85	6.32	6.73	7.14	7.86	8.48	8.92	9.40
16	.99	1.85	2.64	3.37	4.02	4.67	5.24	5.81	6.32	6.82	7.27	7.72	8.52	9.21	9.71	10.25	10.70
17	1.05	1.97	2.82	3.59	4.29	4.99	5.61	6.22	6.78	7.32	7.80	8.29	9.16	9.91	10.47	11.06	11.59	11.99
18	1.12	2.10	3.00	3.82	4.56	5.31	5.97	6.63	7.23	7.81	8.32	8.84	9.78	10.58	11.21	11.84	12.42	12.88
19	1.18	2.22	3.17	4.04	4.83	5.62	6.32	7.03	7.67	8.29	8.83	9.38	10.38	11.23	11.93	12.60	13.22	13.73	14.14	...
20	1.25	2.34	3.34	4.25	5.09	5.93	6.67	7.42	8.09	8.74	9.33	9.91	10.95	11.86	12.62	13.34	13.99	14.54	14.99	...
21	1.31	2.46	3.51	4.48	5.36	6.24	7.02	7.80	8.50	9.19	9.81	10.43	11.53	12.47	13.28	14.05	14.73	15.31	15.80	...
22	1.37	2.58	3.67	4.70	5.62	6.54	7.35	8.17	8.90	9.63	10.28	10.93	12.08	13.06	13.92	14.73	15.44	16.05	16.57	...
23	1.44	2.69	3.84	4.91	5.87	6.83	7.68	8.54	9.30	10.06	10.74	11.42	12.62	13.63	14.54	15.39	16.12	16.76	17.30	17.78
24	1.50	2.80	4.00	5.12	6.12	7.12	8.01	8.91	9.69	10.48	11.19	11.90	13.15	14.18	15.15	16.03	16.77	17.44	18.00	18.40
25	1.56	2.92	4.17	5.32	6.36	7.41	8.34	9.27	10.08	10.89	11.62	12.37	13.58	14.72	15.75	16.65	17.40	18.09	18.67	19.09
30	1.86	3.48	4.96	6.32	7.58	8.78	9.86	10.94	11.85	12.76	13.71	14.55	15.98	17.28	18.40	19.40	20.22	20.92	21.32	22.00
	TYPE I							TYPE II							TYPE III					

2080 — HP Ratings for 2080 Double Pitch Drive Chain

No. of Effective Teeth, Small Spkt.	HP Ratings @ Various RPM, Small Sprocket																			
	10	20	30	40	50	60	70	80	90	100	125	150	175	200	225	250	300	350	400	450
6	.32	.55	.76
7	.38	.70	.98	1.22	1.44	1.63	1.80
8	.46	.84	1.18	1.50	1.78	2.04	2.28	2.50	2.70	2.88
9	.52	.98	1.39	1.76	2.11	2.43	2.74	3.02	3.29	3.53	4.08	4.54
10	.59	1.11	1.58	2.02	2.43	2.82	3.18	3.53	3.85	4.16	4.85	5.45	5.98
11	.66	1.24	1.77	2.27	2.76	3.20	3.60	4.02	4.38	4.77	5.60	6.33	6.98	7.56	8.07
12	.72	1.37	1.96	2.52	3.08	3.56	4.02	4.50	4.92	5.36	6.33	7.19	7.95	8.66	9.27	9.82
13	.79	1.49	2.15	2.77	3.38	3.81	4.44	4.97	5.45	5.93	7.02	8.02	8.89	9.72	10.42	11.08
14	.85	1.62	2.33	3.01	3.67	4.26	4.85	5.42	5.96	6.49	7.69	8.82	9.80	10.74	11.53	12.29	13.60
15	.91	1.74	2.52	3.25	3.96	4.60	5.25	5.86	6.45	7.03	8.34	9.60	10.68	11.73	12.60	13.46	14.94
16	.98	1.87	2.70	3.48	4.24	4.94	5.64	6.29	6.93	7.56	8.98	10.36	11.53	12.69	13.63	14.59	16.24	17.65
17	1.04	1.99	2.88	3.71	4.52	5.28	6.02	6.72	7.40	8.09	9.61	11.10	12.36	13.62	14.63	15.69	17.50	19.04
18	1.11	2.11	3.05	3.94	4.80	5.61	6.40	7.14	7.87	8.60	10.23	11.82	13.18	14.52	15.60	16.76	18.72	20.38	21.77	...
19	1.17	2.23	3.23	4.17	5.08	5.94	6.77	7.56	8.33	9.10	10.84	12.52	13.98	15.39	16.55	17.80	19.90	21.67	23.18	...
20	1.23	2.35	3.40	4.40	5.35	6.26	7.13	7.98	8.78	9.60	11.44	13.20	14.76	16.24	17.48	18.81	21.04	22.91	24.52	...
21	1.29	2.47	3.57	4.62	5.62	6.58	7.49	8.39	9.23	10.09	12.03	13.87	15.52	17.07	18.39	19.79	22.14	24.11	25.80	...
22	1.36	2.58	3.74	4.84	5.89	6.89	7.84	8.79	9.67	10.57	12.62	14.53	16.27	17.89	19.28	20.74	23.20	25.27	27.03	...
23	1.42	2.70	3.90	5.06	6.16	7.20	8.19	9.18	10.10	11.05	13.20	15.18	17.01	18.70	20.15	21.66	24.23	26.40	28.22	...
24	1.48	2.82	4.05	5.27	6.43	7.51	8.54	9.56	10.53	11.52	13.77	15.82	17.74	19.50	21.01	22.55	25.23	27.50	29.38	30.98
25	1.54	2.93	4.20	5.48	6.70	7.81	8.89	9.94	10.95	11.98	14.33	16.45	18.46	20.29	21.86	23.42	26.20	28.57	30.52	32.16
30	1.84	3.50	5.02	6.54	7.96	9.29	10.59	11.74	12.97	14.23	16.98	19.46	21.79	23.91	25.73	27.52	30.70	33.56	35.52	37.26
	TYPE I							TYPE II							TYPE III					

Explanation of Lubrication:

TYPE I: Steady Drip (4-10 drops/minute) shallow bath or manual w/oil applied by brush or spout can to link plate edges when in lower span of chain.

TYPE II: Rapid Drip (20 drops/minute, min.) or continuous w/ shallow bath, disc or slinger.

TYPE III: Continuous w/disc, slinger or circulating pump.

Additional Information—ANSI Roller Chain Standard B29.3, Section A1.3.

FEATURES/BENEFITS PAGE PT14-2	SPECIFICATIONS PAGE PT14-3	RELATED PRODUCTS PAGE PT14-28	ENGINEERING/TECHNICAL PAGE PT14-30
----------------------------------	-------------------------------	----------------------------------	---------------------------------------

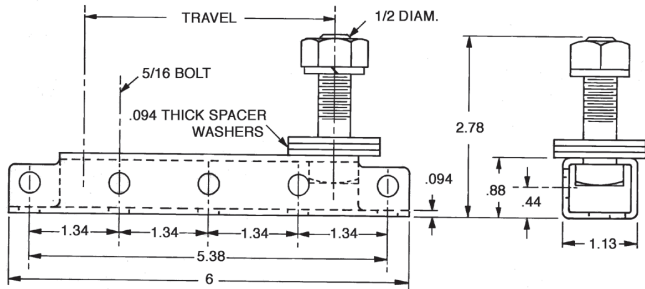
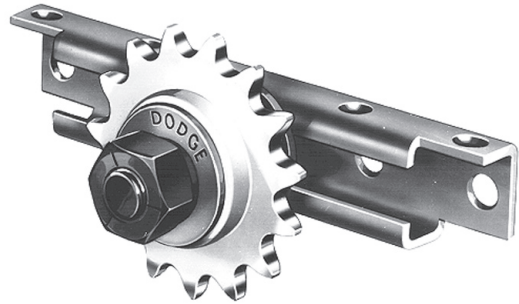


RELATED PRODUCTS

Tensioner Frame, Idler Sprockets

Proper chain tension is necessary for normal life expectancy. It's also a prime consideration for the efficient, quiet operation of the drive.

The tensioner frame shown below provides an economical means of locating an idler sprocket on a 1/2" diameter machine bolt or a 5/8" diameter spacer. Frame can be mounted in several positions on surfaces either parallel or perpendicular to the chain, suitable for either conventional or cantilever mounting.



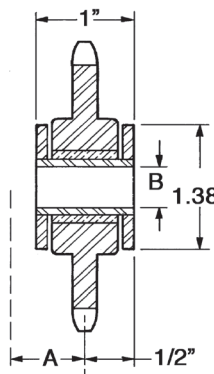
CHAIN TENSIONER FRAME, P/N 102050

This formed steel frame has mounting holes in the bottom and one side so it can be mounted in several positions on surfaces parallel or perpendicular to the chain. Included is a 5/8" O.D. sleeve and a 1/2" diameter machine bolt to use with 1/2" and 5/8" bore idler sprockets.

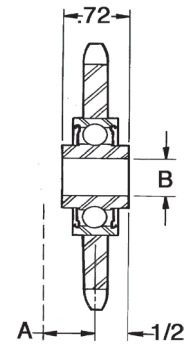
Spacer washers may be used to obtain the chain clearance required. Idler sprocket table below shows minimum space required for chain clearance. Part Number **102050**, Weight .73 lbs

IDLER SPROCKETS

Although these idler sprockets are designed to be used with the frames shown above, they can be mounted on standard machine bolts as shown in table below. Idler sprockets will operate at the same speeds permitted for driver sprockets of the same number of teeth. They are machined all over with teeth hardened to assure smooth-running drives. They are available with either bronze sleeve or ball bearings in the sprocket bore. The sleeve bearing runs on a hardened and ground steel journal. The ball bearings are double-sealed and prelubricated.



SLEEVE BEARING TYPE



BALL BEARING TYPE

For Chain:		Description +	Part No.	No. of Spkt. Teeth	Spkt. O.D.	Brg. Type	Wt.	A *	B †	Ref. Old No.
No.	Pitch									
35	3/8"	31E20	102052	20	2.593	Brz.	.53	.59	1/2	CT320
		35BB20H	102060			Ball	.30	.44	5/8	320H
41-40	1/2"	41E15	102053	15	2.652	Brz.	.58	.59	1/2	CT415
40		40BB17H	102061	17	2.974	Ball	.50	.44	5/8	417H
		40BB18H	102070	18	3.14	Ball	.53	.44	5/8	...
50	5/8"	51E15	102054	15	3.315	Brz.	.83	.72	1/2	CT515
		50BB15H	102062			Ball	.60	.56	5/8	515H
		50BB17H	102073	17	.372	Ball	.78	.56	5/8	...
60, 60H	3/4"	61E14	102055	14	3.736	Brz.	1.09	.81	1/2	CT614
		60BB13H	102063	13	3.493	Ball	.90	.66	5/8	613H
		60BB15H	Δ	15	3.98	Ball	1.06	.66	5/8	...
80, 80H	1"	80BB12H	102064	12	4.332	Ball	1.5	.69	5/8	812H

* Minimum space required for chain clearance.

Δ Non-Stock. Allow 2-4 weeks delivery.

† Size of standard machine bolt on which sprocket can be mounted.

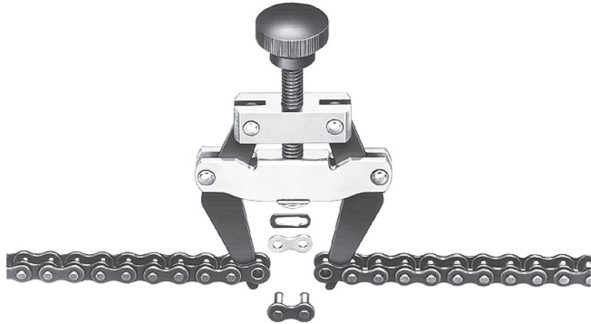
+ "H" suffix indicates hardened teeth

FEATURES/BENEFITS PAGE PT14-2	SPECIFICATIONS PAGE PT14-3	SELECTION PAGE PT14-16	ENGINEERING/TECHNICAL PAGE PT14-30
----------------------------------	-------------------------------	---------------------------	---------------------------------------



RELATED PRODUCTS

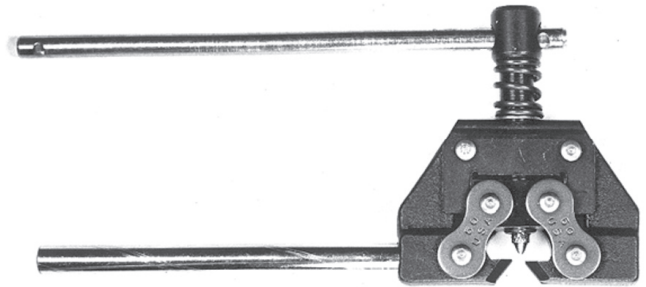
Chain Tools



Chain Assembly Tools

This unique tool was designed to make sizes 35 thru 240 chain installation easy. By hooking the two jaws into each end of the chain and turning the screw (handle) until the two ends almost meet, the connecting link can be inserted and fastened in place. The photo shows the Model 35 tool. The Model 80 uses a T-handle instead of a knob.

For Chain Nos.	Jaw Spread of Tool	Part No.	Wt. (Lbs.)
35 thru 60	2"	098190	.4
80 thru 240	5"	098191	2.2



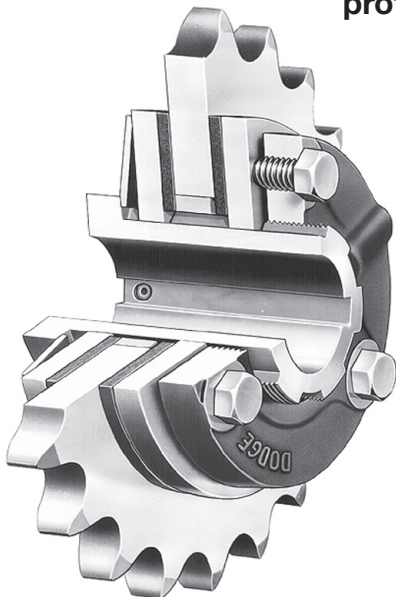
Chain Pin Extractors (Chain Breaker)

This fast working tool is practical for removing chain pins when roller chain needs to be disconnected or when various lengths of chain need to be made up. Three sizes of pin extractors are available to use on riveted and cotted chain, sizes 25 thru 160. This tool, if properly used, will not damage chain and pins can be reused.

For Chain Nos.	Part No.	Ref. Model No.	Wt. (Lbs.)	Replacement Parts	
				Screw & Tip	Tip Only
25 thru 50	098175	101-1	1.0	391301*	098180
60 thru 80	098176	101-2	1.9	391304	098181
100 thru 160	098177	101-3	8.5	391308	098182

* Includes handle

TORQUE-TAMER torque overload clutch offers thrifty overload protection that's a cinch to adjust.



See TORQUE TAMER Section for complete specifications and ordering information.

FEATURES/BENEFITS PAGE PT14-2	SPECIFICATIONS PAGE PT14-3	SELECTION PAGE PT14-16	ENGINEERING/TECHNICAL PAGE PT14-30
----------------------------------	-------------------------------	---------------------------	---------------------------------------



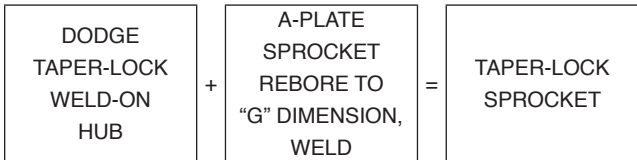
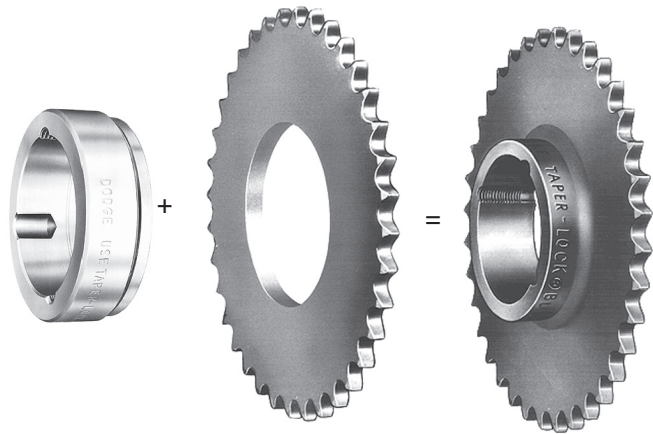
ENGINEERING/TECHNICAL

Custom TAPER-LOCK Sprockets

Non-stock or special TAPER-LOCK sprockets may be fabricated from stock TAPER-LOCK hubs and A-Plate sprockets rebored to fit the hubs. This provides the capability for fabricating sprockets with larger bore capacity, or number of teeth that are stocked as A-Plate but not

TAPER-LOCK. This operation can be done on location, or supplied by DODGE, price on application.

DODGE TAPER-LOCK hubs are available in three types: S, K and W/WA. All are of quality steel bar stock or forgings, easily welded, and ready to accept TAPER-LOCK Bushings. For more detailed information and dimensions, refer to Bushings/Hubs section of this catalog.



Chain Pitch	No. Teeth	TAPER-LOCK Hub	A-Plate Sprocket	Fabricated Sprocket
50	50	S30-6	50A50	50BTL50
60	34	S20-6	60A34	60BTL34
60	96	S35	60A96	60BTL96
100	42	835	100A42	100BTL42
140	80	WA60	140A80	140CTL80
240	54	WA70	240A54	240CTL54

Hub No. ◇	Part No.	For Use With Bush. +	Bushing Bore Range	A-Plate Rebore Dia.	Minimum Number Teeth for Chain Pitch No.											
					35	40/41	50	60	80	100	120	140	160	180	200	240
S16-4	097023	1610	1/2 - 11/16	2.875Δ	31	24	-	-	-	-	-	-	-	-	-	-
S16-6	097024	1610	1/2 - 11/16	2.875Δ	-	-	21	19	-	-	-	-	-	-	-	-
S20-6	097025	2012	1/2 - 2-1/8	3.4375Δ	36	28	24	21	-	-	-	-	-	-	-	-
S20-8	097015	2012	1/2 - 2-1/8	3.4375Δ	-	-	-	-	17	-	-	-	-	-	-	-
S25-6	097016	2517	1/2 - 2-11/16	4.125Δ	42	33	27	24	-	-	-	-	-	-	-	-
S25-8	097017	2517	1/2 - 2-11/16	4.125Δ	-	-	-	-	19	-	-	-	-	-	-	-
S25-10	097018	2517	1/2 - 2-11/16	4.125Δ	-	-	-	-	-	16	-	-	-	-	-	-
S25-16	097019	2517	1/2 - 2-11/16	4.125Δ	-	-	-	-	-	-	15	13	12	-	-	-
S30-10	097020	3020	7/8 - 3-1/4	5.125Δ	49	39	32	28	22	19	-	-	-	-	-	-
S30-16	097021	3020	7/8 - 3-1/4	5.125Δ	-	-	-	-	-	-	-	17	15	14	-	-
S35	097022	3535	1-3/16 - 3-15/16	6.375Δ	-	44	38	33	26	22	20	17	16	-	-	-
WA40	228089	4040	1-7/16 - 4-7/16	7.250Δ	-	-	45	38	30	25	22	20	18	17	15	-
WA45	228090	4545	1-15/16 - 4-15/16	8.000+	-	-	50	43	33	28	24	21	20	18	17	15
WA50	228091	5050	2-7/16 - 5	8.750+	-	-	52	46	35	29	26	23	21	19	18	15
WA60	228092	6050	3-7/16 - 6	12.250+	-	-	-	-	47	39	34	29	26	24	22	19
WA70	228093	7060	3-15/16 - 7	13.500+	-	-	-	-	51	42	36	32	28	26	24	21
WA80	228094	8065	4-7/16 - 8	14.250+	-	-	-	-	-	44	38	33	30	27	25	21
WA100	228095	10085	7 - 10	18.750+	-	-	-	-	-	-	47	41	36	33	30	26

◇ Refer to D1-12 & 13 for hub dimensions

REBORE TOLERANCES
 Δ +.004 + .001
 + +.010 + .004

FEATURES/BENEFITS PAGE PT14-2	SPECIFICATIONS PAGE PT14-3	SELECTION PAGE PT14-16	RELATED PRODUCTS PAGE PT14-28
----------------------------------	-------------------------------	---------------------------	----------------------------------



Sprocket Pitch Diameters

No. Teeth	Chain Number													
	25	35	41	40	50	60	80	100	120	140	160	180	200	240
9	.731	1.097	1.462	1.462	1.828	2.193	2.924	3.655	4.356	5.117	5.848	6.579	7.310	8.771
10	.809	1.214	1.618	1.618	2.023	2.427	3.236	4.045	4.854	5.663	6.472	7.281	8.090	9.708
11	.887	1.331	1.775	1.775	2.219	2.663	3.550	4.438	5.325	6.213	7.100	7.986	8.875	10.649
12	.996	1.449	1.932	1.932	2.415	2.898	3.864	4.830	5.796	6.762	7.728	8.693	9.660	11.591
13	1.045	1.567	2.089	2.089	2.612	3.134	4.179	5.224	6.269	7.313	8.358	9.402	10.447	12.536
14	1.124	1.685	2.247	2.247	2.809	3.371	4.494	5.618	6.741	7.865	8.988	10.112	11.235	13.482
15	1.203	1.804	2.405	2.405	3.006	3.608	4.810	6.013	7.215	8.418	9.620	10.822	12.025	14.429
16	1.282	1.922	2.563	2.563	3.204	3.845	5.126	6.408	7.698	8.971	10.252	11.533	12.815	15.377
17	1.361	2.041	2.721	2.721	3.401	4.082	5.442	6.803	8.163	9.524	10.844	12.245	13.605	16.327
18	1.440	2.160	2.879	2.879	3.599	4.319	5.759	7.199	8.639	10.078	11.518	12.957	14.397	17.276
19	1.519	2.279	3.038	3.038	3.798	4.557	6.076	7.595	9.114	10.633	12.152	13.670	15.190	18.227
20	1.598	2.397	3.196	3.196	3.995	4.794	6.392	7.990	9.588	11.186	12.784	14.383	15.980	19.177
21	1.678	2.516	3.355	3.355	4.194	5.033	6.710	8.388	10.065	11.743	13.420	15.096	16.775	20.129
22	1.757	2.635	3.513	3.513	4.392	5.270	7.027	8.784	10.541	12.297	14.054	15.810	17.567	21.080
23	1.836	2.754	3.673	3.672	4.590	5.508	7.344	9.180	11.016	12.852	14.688	16.524	18.360	22.032
24	1.915	2.873	3.831	3.831	4.788	5.746	7.661	9.576	11.492	13.407	15.322	17.238	19.153	22.984
25	1.995	2.992	3.989	3.989	4.987	5.984	7.979	9.974	11.969	13.963	15.958	17.952	19.947	23.936
26	2.074	3.111	4.148	4.148	5.185	6.222	8.296	10.370	12.444	14.518	16.592	18.666	20.740	24.889
27	3.230	4.307	4.307	5.384	6.461	8.614	10.768	12.921	15.075	17.228	19.381	21.535	25.841
28	2.233	3.349	4.465	4.465	5.582	6.698	8.931	11.164	13.397	15.629	17.862	20.096	22.327	26.794
29	3.468	4.625	4.625	5.781	6.937	9.249	11.561	13.874	16.186	18.498	20.810	23.123	27.747
30	2.392	3.588	4.783	4.783	5.979	7.175	9.567	11.959	14.351	16.742	19.134	21.525	23.917	28.700
31	3.707	4.942	4.942	6.178	7.413	9.884	12.355	14.826	17.297	19.768	22.240	24.710	29.654
32	2.551	3.826	5.101	5.101	6.376	7.652	10.202	12.753	15.303	17.854	20.404	22.955	25.505	30.607
33	3.945	5.260	5.260	6.575	7.890	10.520	13.150	15.780	18.410	21.040	23.670	26.300	31.560
34	4.064	5.419	5.419	6.774	8.129	10.838	13.548	16.257	18.967	21.676	24.385	27.095	32.514
35	4.184	5.578	5.578	6.973	8.367	11.156	13.945	16.734	19.523	22.312	25.101	27.890	33.467
36	2.869	4.303	5.737	5.737	7.171	8.606	11.474	14.343	17.211	20.080	22.948	25.815	28.685	34.421
37	4.422	5.896	5.896	7.370	8.841	11.792	14.740	17.688	20.636	23.584	26.531	29.480	35.375
38	4.541	6.055	6.055	7.569	9.083	12.110	15.138	18.165	21.193	24.220	27.246	30.275	36.329
39	...	4.661	6.214	6.214	7.768	9.321	12.428	15.535	18.642	21.749	24.856	27.962	31.070	37.283
40	3.187	4.780	6.373	6.373	7.966	9.560	12.745	15.933	19.119	22.306	25.492	28.677	31.865	38.237
41	4.599	6.532	6.532	8.165	9.798	13.064	16.330	19.596	22.862	26.128	29.393	32.660	39.191
42	5.018	6.691	6.691	8.364	10.037	13.382	16.728	20.073	23.419	26.764	30.108	33.455	40.145
43	5.138	6.850	6.850	8.563	10.275	13.700	17.125	20.550	23.975	27.400	30.824	34.250	41.099
44	5.257	7.009	7.009	8.761	10.514	14.018	17.523	21.027	24.532	28.036	31.539	35.045	42.053
45	3.584	5.376	7.168	7.168	8.960	10.752	14.336	17.920	21.504	25.088	28.672	32.255	35.840	43.007
46	5.495	7.327	7.327	9.159	10.991	14.654	18.318	21.981	25.645	29.308	32.971	36.635	43.961
47	5.615	7.486	7.486	9.358	11.229	14.972	18.715	22.458	26.201	29.944	33.686	37.430	44.915
48	3.823	5.734	7.645	7.645	9.556	11.468	15.290	19.113	22.935	26.758	30.580	34.402	38.225	45.869
49	5.853	7.804	7.804	9.755	11.706	15.608	19.510	23.412	27.314	31.216	35.118	39.020	46.824
50	5.972	7.963	7.963	9.954	11.945	15.926	19.908	23.889	27.871	31.852	35.834	39.815	47.778
51	6.092	8.122	8.122	10.153	12.183	16.244	20.305	24.366	28.427	32.488	36.549	40.610	48.732
52	6.211	8.281	8.281	10.351	12.422	16.562	20.703	24.843	28.984	33.124	37.265	41.405	49.687
53	6.330	8.440	8.440	10.550	12.660	16.850	21.100	25.320	29.540	33.760	37.981	42.200	50.641
54	4.300	6.449	8.599	8.599	10.749	12.599	17.198	21.498	25.797	30.097	34.396	38.696	42.995	51.595
55	6.569	8.758	8.758	10.948	13.137	17.516	21.895	26.274	30.653	35.032	39.412	43.790	52.550
56	6.688	8.917	8.917	11.147	13.376	17.835	22.294	26.753	31.211	35.670	40.128	44.587	53.504
57	6.807	9.077	9.077	11.346	13.615	18.153	22.691	27.230	31.765	36.306	40.844	45.383	54.458
58	6.927	9.235	9.235	11.544	13.853	18.479	23.089	27.707	32.324	36.942	41.560	46.177	55.413
59	7.046	9.395	9.395	11.743	14.092	18.789	23.486	28.184	32.881	37.578	42.276	46.973	56.368
60	4.777	7.165	9.554	9.554	11.942	14.330	19.107	23.584	28.661	33.437	38.214	42.991	47.768	57.322
68	8.120	10.826	10.826	13.533	16.240	21.653	27.066	32.480	37.893	43.306	48.719	54.132	64.958
72	5.732	5.597	11.463	11.463	14.329	17.195	22.926	28.658	34.359	40.121	45.852	51.583	57.315	68.777
76	9.074	12.099	12.099	15.124	18.149	24.198	30.248	36.297	42.347	48.396	54.446	60.495	72.595
80	9.552	12.736	12.736	15.919	19.103	25.471	31.839	38.207	44.574	50.942	57.310	63.678	76.414
84	10.029	13.372	13.372	16.715	20.058	26.744	33.430	40.116	46.802	53.488	60.175	66.860	80.233
95	11.342	15.122	15.122	18.903	22.684	30.245	37.806	45.368	52.929	60.490	68.051	75.612	90.735
96	11.461	15.282	15.252	19.102	22.922	30.563	38.204	45.845	53.485	61.126	68.767	76.408	91.690
102	12.177	16.236	16.236	20.296	24.355	32.473	40.591	48.710	56.828	64.946	73.064	81.182	97.418
112	13.371	17.827	17.527	22.284	26.741	35.655	44.569	53.483	62.396	71.310	80.225	59.137	106.966

FEATURES/BENEFITS PAGE PT14-2	SPECIFICATIONS PAGE PT14-3	SELECTION PAGE PT14-16	RELATED PRODUCTS PAGE PT14-28
----------------------------------	-------------------------------	---------------------------	----------------------------------



ENGINEERING/TECHNICAL

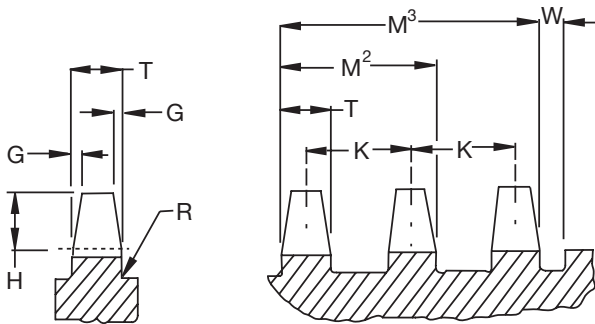
Sprocket Dimensions, Chain Data

Ref. For Single & Multiple Chain				G	H	K	M ²	M ³	R Max.	Nominal Tooth Thickness (T)		Tolerance on "T"		
Chain No.	Pitch	Roller Dia.	Roller Width							Using Single Strand Chain	Using 2 and 3 Strand Chain	For Machined Sprocket *	For Sprocket Which Is Not Machined †	W Side Clearance
35	3/8	.200	3/16	3/64	3/16	.399	.561	.960	.015	.168	.162	+0.00-.008	+0.00-.027	3/16
41	1/2	.306	1/4	1/16	1/4020	.227	+0.00-.009	+0.00-.032	7/32
40	1/2	.312	5/16	1/16	1/4	.566	.841	1.407	.020	.284	.275	+0.00-.009	+0.00-.035	1/4
50	5/8	.400	3/8	5/64	5/16	.713	1.045	1.758	.025	.343	.332	+0.00-.010	+0.00-.036	9/32
60	3/4	.469	1/2	3/32	3/8	.897	1.341	2.238	.030	.459	.444	+0.00-.011	+0.00-.036	11/32
80	1	.625	5/8	1/8	1/2	1.153	1.710	2.863	.040	.575	.557	+0.00-.012	+0.00-.040	7/16
100	1-1/4	.750	3/4	5/32	5/8	1.408	2.077	3.485	.050	.692	.669	+0.00-.014	+0.00-.046	17/32
120	1-1/2	.875	1	3/16	3/4	1.789	2.683	4.472	.060	.924	.894	+0.00-.016	+0.00-.057	21/32
140	1-3/4	1.000	1	7/32	7/8	1.924	2.818	4.742	.070	.924	.894	+0.00-.016	+0.00-.057	3/4
160	2	1.125	1-1/4	1/4	1	2.305	3.424	5.729	.080	1.156	1.119	+0.00-.019	+0.00-.062	7/8

* Represents Type B or C hub type sprocket.

† Represents an "A" plate sprocket or a welded sprocket using an "A" plate.

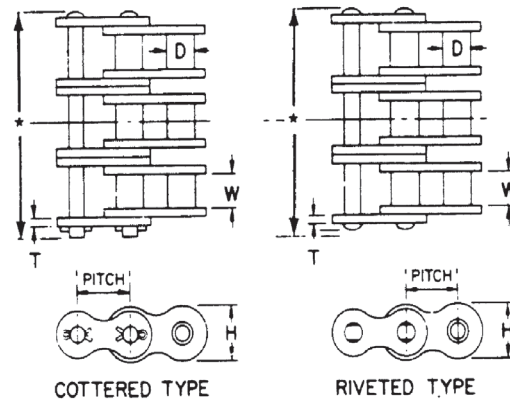
Sprockets



Single Strand

2 and 3 Strand

Roller Chain



COTTERED TYPE

RIVETED TYPE

ANSI Standard Roller Chain Dimensions

ANSI No.	Roller W	Roller D	Inside Link Plate Height	Cottered Chain Width*	Riveted Chain Width*	Average Tensile Strength
25-2	1/8	.130	.237	.37	.34	875
25-2	1/8	.130	.237	.63	.59	1750
25-3	1/8	.130	.237	.88	.84	2626
35	3/16	.200	.356	.56	.50	2100
35-2	3/16	.200	.356	.96	.90	4200
35-3	3/16	.200	.356	1.36	1.31	6300
41	1/4	.306	.383	.65	.57	2000
40	5/16	.312	.475	.72	.67	3700
40-2	5/16	.312	.475	1.29	1.24	7400
40-3	5/16	.312	.475	1.85	1.80	11100
50	3/8	.400	.594	.89	.83	6600
50-2	3/8	.400	.594	1.60	1.55	13200
50-3	3/8	.400	.594	2.31	2.26	19800
60	1/2	.469	.712	1.11	1.04	8500
60-2	1/2	.469	.712	2.01	1.94	17000
60-3	1/2	.469	.712	2.91	2.84	25500
80	5/8	.625	.950	1.44	1.32	14500
80-2	5/8	.625	.950	2.59	2.47	29000
80-3	5/8	.625	.950	3.74	3.62	43500

* Dimensions are across pins.

ANSI No.	Roller W	Roller D	Inside Link Plate Height	Cottered Chain Width*	Riveted Chain Width*	Average Tensile Strength
100	3/4	.750	1.187	1.73	1.61	24000
100-2	3/4	.750	1.187	3.14	3.02	48000
100-3	3/4	.750	1.187	4.56	4.43	72000
120	1	.875	1.425	2.14	2.00	34000
120-2	1	.875	1.425	3.93	3.79	68000
120-3	1	.875	1.425	5.72	5.58	102000
140	1	1.000	1.662	2.31	2.14	46000
140-2	1	1.000	1.662	4.24	4.07	92000
140-3	1	1.000	1.662	6.16	6.00	138000
160	1-1/4	1.125	1.900	2.73	2.54	58000
160-2	1-1/4	1.125	1.900	5.04	4.85	116000
160-3	1-1/4	1.125	1.900	7.35	7.16	174000
180	1-13/32	1.406	2.137	3.15	2.88	76000
180-2	1-13/32	1.406	2.137	5.75	5.48	152000
180-3	1-13/32	1.406	2.137	8.34	8.07	228000
200	1-1/2	1.562	2.375	3.44	3.12	95000
200-2	1-1/2	1.562	2.375	6.26	5.94	190000
200-3	1-1/2	1.562	2.375	9.08	8.76	285000
240	1-7/8	1.875	2.812	4.06	3.72	130000
240-2	1-7/8	1.875	2.812	7.52	7.18	260000

FEATURES/BENEFITS PAGE PT14-2	SPECIFICATIONS PAGE PT14-3	SELECTION PAGE PT14-16	RELATED PRODUCTS PAGE PT14-28
----------------------------------	-------------------------------	---------------------------	----------------------------------

Installation, Maintenance

Installation of Roller Chain Drives

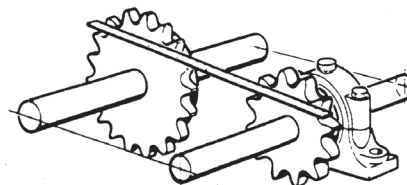
Shaft Alignment—Shafts must be parallel. The use of a spirit level is recommended to make sure shafts are horizontal; then, if the distance between the shafts are equal on both sides of the drive, the shafts are parallel. Shafts, bearings and supporting structure should be suitable to maintain this alignment.

Sprocket Location—Locate each sprocket as close as possible to a bearing.

Sprocket Alignment—Sprockets must be aligned accurately. This can best be accomplished by checking with a straight edge along the finished sides of the sprockets as shown in the drawing.

Chain Tension—Chains should be installed fairly tight with only a small amount of slack. In the case of vertical drives the chain should be kept snug. New chains will loosen up slightly as the joints seat themselves, causing initial elongation which is many times greater than the elongation during the balance of the chain life. After the first several weeks of operation it is advisable to adjust the centers, particularly on long center drives. After this initial elongation, with proper care and lubrication, roller chains will give long service without undue elongation or wear.

Center Distance—It is desirable to provide some means of adjusting the center distance between sprockets.



This is particularly true with drives of long center distance. When the centers are fixed it is advisable to use an idler sprocket to provide the proper chain tension originally, and also to compensate for natural chain wear.

Hardened Teeth—The advantages gained by hardening the teeth of the small sprocket easily offset the hardening cost. Longer life, increased strength, equalized wear between small and large sprockets—all result in lower overall cost to the chain drive user. Hardened steel sprockets are recommended for use under the following conditions: 1. Slow speed, heavily loaded drives where chains and sprockets are selected on the basis of chain tensile strengths; 2. Moderate speed drives where sprockets have 17 teeth or less; 3. High speed drives where sprockets have 25 teeth or less; 4. When speed ratios exceed 4 to 1; 5. When drives are operating exposed to dirty or dusty surroundings.

Lubrication of Roller Chain Drives

Lubrication of roller chains is essential for effectively minimizing metal-to-metal bearing contact of pin-bushing joints of the chain. Oil should be applied to outside plate and inside plate edges, since access to pin-bushing areas is possible only through clearances between the outside plates and the inside plates. Oil applied on the center line of rollers cannot reach pin-bushing joints.

Chain drives should be protected against dirt and moisture and the oil supply kept free of contamination. Periodic oil change is desirable. A good grade of non-detergent petroleum base oil is recommended. Heavy oils and greases are generally too stiff to enter and fill the chain joints. The following table indicates the proper lubricant viscosity for various surrounding temperatures. For higher temperatures—consult factory.

Temperature Degrees F.	Recommended Lubricant
20 to 40	SAE 20
40 to 100	SAE 30
100 to 120	SAE 40
120 to 140	SAE 50

The method of lubrication, which is governed by the speed of the chain and the amount of power transmitted, is indicated in the HP Rating Tables. Note that these are minimum lubrication requirements and the use of a better type (for example, Type 4 instead of Type 3) is acceptable and may be beneficial. The four basic types of lubrication indicated are described below.

Type A—Manual Lubrication—Oil is applied periodically with a brush or spout can, preferably once every 8 hours of operation. Volume and frequency should be sufficient to prevent discoloration of lubricant in the chain joints.

Type A—Drip Lubrication—Oil drops are directed between the link plate edges from a drip lubricator. Volume and frequency should be sufficient to prevent discoloration of lubricant in the chain joints. Precaution must be taken against misdirection of the drops by windage.

Type B—Bath or Disc Lubrication—With bath lubrication the lower strand of chain runs through a sump of oil in the drive housing. The oil level should reach the pitch line of the chain at its lowest point while operating. With disc lubrication, the chain operates above the oil level. The disc picks up oil from the sump and deposits it onto the chain, usually by means of a trough. The diameter of the disc should be such as to produce rim speeds between 600 fpm minimum and 8000 fpm maximum.

Type C—Oil Stream Lubrication—The lubricant is usually supplied by a circulating pump capable of supplying each chain drive with a continuous stream of oil. The oil should be applied inside the chain loop evenly across the chain width, and directed at the lower strand.

FEATURES/BENEFITS PAGE PT14-2	SPECIFICATIONS PAGE PT14-3	SELECTION PAGE PT14-16	RELATED PRODUCTS PAGE PT14-28
----------------------------------	-------------------------------	---------------------------	----------------------------------



NOTES

Roller Chain Sprockets

Conveyor Components

Engineering

Part Number Index

Keyword Index



Conveyor Components

Features/Benefits	PT15-2
Specifications	PT15-4
How To Order	PT15-6
Nomenclature	PT15-7
Selection	PT15-9
Selection/Dimensions	
Drum and Wing Pulleys	PT15-10
HE Heavy Duty Drum Pulleys	PT15-15
TAPER-LOCK Heavy Duty Drum Pulleys	PT15-22
QD Heavy Duty Drum Pulleys	PT15-26
Heavy Duty Drum Pulley Weights	PT15-30
HE Heavy Duty Wing Pulleys	PT15-34
TAPER-LOCK Heavy Duty Wing Pulleys	PT15-38
QD Heavy Duty Wing Pulleys	PT15-41
Heavy Duty Wing Pulley Weights	PT15-46
Mine Duty Extra Drum Pulleys	PT15-49
Mine Duty Extra Wing Pulleys	PT15-53
Engineered Class Pulleys	PT15-56
Turbine Pulleys	PT15-57
Elevator Pulleys	PT15-58
Dead Shaft Pulleys	PT15-60
Spiral Drum and Spiral Wing Pulleys	PT15-61
Magnetic Pulleys	PT15-61
Stainless Steel Pulleys	PT15-61
Steel Split Pulleys	PT15-62
Shafting	PT15-64
Lagging	PT15-65
HE Bushings	PT15-70
Keyless Locking Assemblies	PT15-73
XT Bushings	PT15-74
Engineering/Technical	PT15-78
Part Number Index	INDEX-1
Keyword Index	INDEX-63



FEATURES/BENEFITS

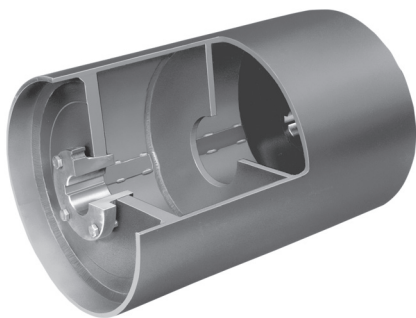
Today, the industrial marketplace demands quality products and services. Dodge has the experience and expertise to meet those demands from engineering support to on-time delivery. Dodge offers the broadest range of conveyor pulleys with a combination of the best resources for pulley manufacturing. The Dodge Conveyor Components Team is ready to provide you the best customer service in the industry.



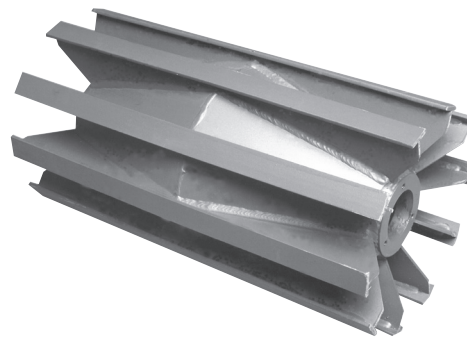
Lagged Drum Pulley



T-Section Pulley



Mine Duty Extra Drum Pulley



Wing Pulley



FEATURES/BENEFITS

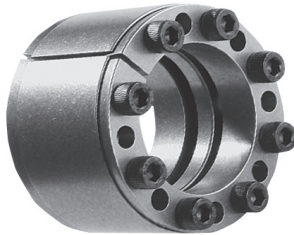
Conveyor Pulley Locking Devices

HE Bushing/Hub



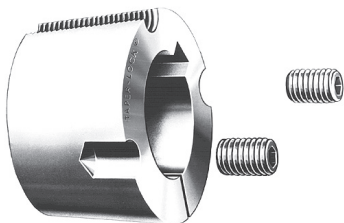
- Most dependable mounting system for conveyor pulleys
- Specifically designed for drum and wing pulleys
- Flange mount design
- Easy installation/removal
- Shaft diameters up to 12"
- Taper angle of 14° reduces axial movement along the shaft to tighten the bushing
- Disc deflection and pre-stressing are greatly reduced
- Full length hub engagement

Keyless Locking Devices



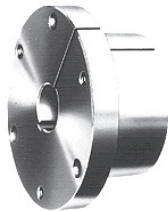
- High torque capability
- No axial movement during assembly
- Shrink fit design assures a tight mechanical fit
- Easy installation/removal
- No keyway stress - no keys required
- Recommended for shafts over 12" and up to 30" in diameter

Taper-Lock Bushings



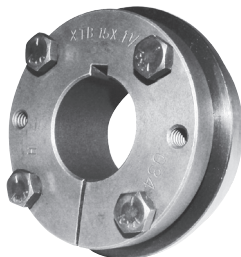
- Industry standard for over 40 years
- Easy-on, Easy-off
- 8° taper grips tight, holds tight, runs true, no wobble
- World-wide acceptance and availability
- Flush mounting - no protruding parts

QD Bushings



- Flanged design
- 4° taper
- Easy-on, Easy-off
- Manufactured precisely to industry standards
- Reverse mounting

XT Bushings/Hub



- Designed for conveyor pulley applications
- 9-1/2° taper
- 2" per foot taper for easy on, easy off
- Full length hub engagement



SPECIFICATIONS

Belt Conveyor Pulleys

Dodge offers two standard designs that are stocked for quick delivery, CEMA duty (Conveyor Equipment Manufacturers Association), HE (High Endurance) welded hub and Mine Duty Extra HE integral hub construction. These are available with a plain surface and rubber lagged. HE bushings with 14 degree taper and 3/8 inch 60 Durometer SBR rubber, with herringbone groove lagging, are standard, stocked features.

Dodge recommends pulley designs within the four classes of service detailed below. All of our designs strive for balance between cost and reliability. When possible, welds are avoided or eliminated to maintain the full strength of the base metal. Our welded designs rely upon the chemistry of the base metal, the type of weld and the geometry of the structure to achieve optimum post-weld performance as explained below.

WARRANTY

- Class IV and III pulleys are conditionally warranted against defects in material and workmanship for one year of operation. A two-year warranty is available when loading information is provided.

Note: Special Construction features listed at the bottom of page PT15-6 can be added to both Class IV and III pulleys to extend service life. Because these pulleys are made-to-order, they will require longer leadtime for shipment. The Special Construction modifications must be quoted at the time of inquiry and before order entry.

- Class II and I pulleys are conditionally warranted against defects in material and workmanship for two years of operation, because loading information must be provided.

CLASS IV

Dodge Heavy Duty CEMA Standard drum pulleys use 14 degree taper welded hubs and bushings with special consideration for post weld strength with submerged arc welds. These pulleys meet or exceed all requirements for steel drum pulleys established by CEMA, and as detailed in ANSI standard number B105.1. The standard establishes

load ratings and dimensions for use with fabric belts rated to 800 PIW (Pounds per Inch of belt Width).

CLASS III

Dodge Mine Duty Extra pulleys use a proprietary 14 degree (taper) one piece integral hub to accept HE bushings. This eliminates the two welds of the hub into the end disc and delivers 100% of the capacity of the end disc steel. There is not a universal standard published for this class of service. The Dodge MDX design gives much higher safety factors than pulleys designed to meet the CEMA load ratings, while fitting into the CEMA dimensions.

CLASS II

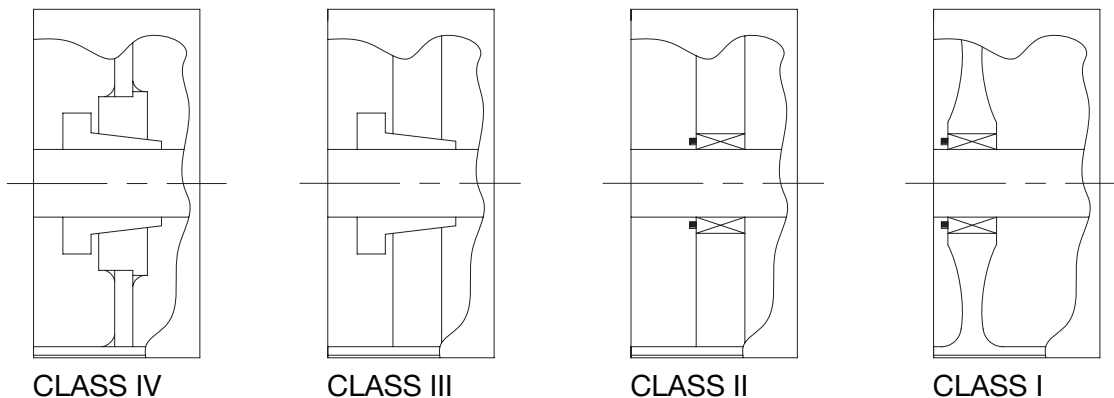
Dodge Engineered pulleys utilize one-piece integral hub-and-end-discs and either HE 14 degree taper compression bushings or keyless locking devices. They are designed specifically to meet customer supplied load and tension ratings. This class is for fabric or steel cable conveyor belts rated to 2,499 PIW. These pulleys incorporate machined rims and lagging, static balance, stress relieving, magnetic particle and/or ultrasonic weld testing.

CLASS I

Dodge Engineered pulleys with one piece "T" section machined end discs are continuously butt welded to the pulley rim for fabric or steel cable belts rated over 2,500 PIW up to the maximum available from belt manufacturers, currently in excess of 10,000 PIW. These pulleys use keyless locking devices for shafts up to 30" in diameter. These pulleys incorporate machined rims and lagging, static balance, stress relieving, magnetic particle and/or ultrasonic weld testing. All Class I pulleys are manufactured within a 60 step documented Quality Assurance Process.

Important Note: To Ensure You Get The Right Class Of Pulley For Your Application, Please Fill Out And Send the Engineered Pulley Data Sheet, Shown On Page PT15-9.

Bushing and End Disc Constructions



CLASS IV

CLASS III

CLASS II

CLASS I



Belt Conveyor Design Program - Available on www.ptwizard.com

The Dodge Computerized Conveyor Design Program selects Baldor/Dodge drive products for simple horizontal or uphill conveyors up to 3500 feet long, 800 feet lift, and 3500 tons per hour. The program operates with a minimum of input information and provides detailed design and product information as output. Input variables and output data are:

INPUT

- Conveyor Capacity (tons per hour)
- Length of Conveyor
- Lift of Conveyor
- Basic Conveyor Profile (7 profiles)
- Material to be Moved
- Belt Speed (not required, can be selected by program)
- Belt Width (not required, can be selected by program)
- Idler Angle (not required, can be selected by program)

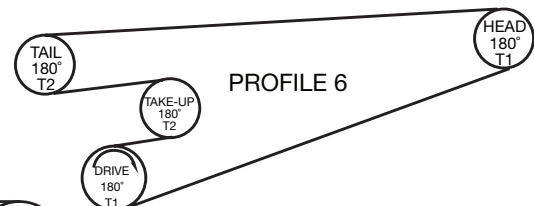
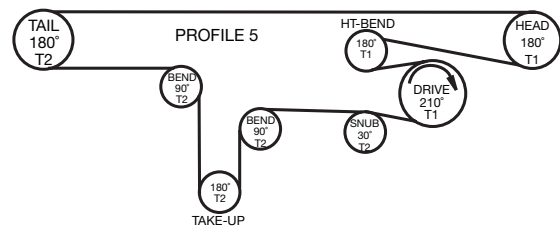
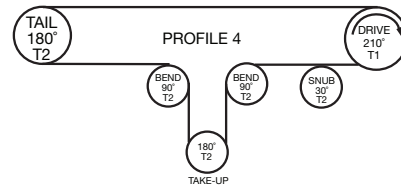
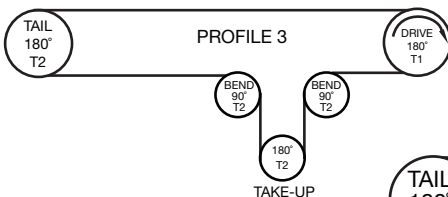
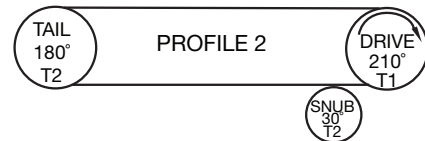
OUTPUT

- Motor Horsepower
- Belt Width (if not input)
- Idler Angle (if not input)
- Belt Speed (if not input)
- Drive Pulley RPM
- Belt Tensions (& take-up weight)
- Pulley Diameters, Face Width & Shaft Diameter
- Bearing Centers
- Lagging
- Shaft Lengths
- Bearing Diameter with L10 Life
- Maximum Running Belt Tension (PIW)
- Backstop Requirement
- Dodge Torque-Arm Reducers Selected

Baldor/Dodge has a conveyor design program, available at www.ptwizard.com, for selecting CEMA drum pulleys for conveyor profiles shown. For other types of pulleys, please contact Baldor/Dodge Conveyors. For more information call 864-297-4800.

Conveyor Profiles

Only the seven types of profiles shown are available for design program analysis.



HORIZONTAL ONLY

FEATURES/BENEFITS PAGE PT15-2	HOW TO ORDER PAGE PT15-6	SELECTION PAGE PT15-9	SELECTION/DIMENSIONS PAGE PT15-10
----------------------------------	-----------------------------	--------------------------	--------------------------------------



HOW TO ORDER

Standard, Stocked CEMA and Mine Duty Extra Pulleys

Dodge Conveyor Drum and Wing Pulleys are available from stock in either CEMA, Mine Duty Extra Drum or Mine Duty Extra Wing pulley designs. Many part numbers are already available for various sizes of drum and wing pulleys in either crown or straight face. We can provide pulleys bare faced, or with a number of different lagging patterns and thicknesses. You can use the Nomenclature page to help provide a complete pulley description, for which you can find part numbers in the catalog that have already been assigned, or that our Conveyor Team can quote for you.

If you know the belt width you are using, you can use the CEMA standards to get the face width needed for the pulley. CEMA standards for pulley face width are belt width + 2 inches for belt widths up to 42 inches and belt width + 3 inches for belt widths for 48 inches to 60 inches. Drum and wing pulley diameters are dependent upon belting and the shaft diameter required for the application.

Special Construction Pulleys

There are Special Construction specifications that can be stipulated by the customer to extend the service life of CEMA and Mine Duty Extra pulleys, for demanding applications, or to meet special job requirements. If these modifications are required, the products will become made-to-order and identified by product description. These nonstandard modifications must be documented and quoted at the time of inquiry and before order entry.

These features include but are not limited to:

1. Rim and rubber lagging thickness
2. Rubber lagging material and durometer
3. Machining of rims and/or rubber lagging to a specified total indicated run-out (TIR)
4. End disc steel thickness
5. Shaft material surface finish (RMS) and turndown radii
6. Keyless locking devices with dust covers vs standard HE 14-degree compression bushings

The selection process recommended by Baldor/Dodge for Dodge conveyor pulleys is covered beginning on page PT15-10.

PULLEY ASSEMBLIES

One of the most popular services we offer is to package and assemble pulleys, shaft, bearings and coupling halves for shipment, ready to install on the customer's conveyor truss. However, to do this we must have accurate shaft dimensions and tolerances at the time of order entry. These determine the hub size of the pulley and the bearing size. Bearings are shipped to Clio from another Dodge plant. The pulley assembly process can be shortened by providing the shaft details outlined on page PT15-8. Please note – all pulley assemblies are considered non-standard because of the variability of size and weight.

7. Post weld thermal stress relieving before machining
8. Magnetic particle and/or ultra-sonic weld inspections
9. Static or dynamic balancing
10. Identification tags
11. Export or other special packaging

ENGINEERED, MADE-TO-ORDER PULLEYS

All Dodge heavy duty CEMA or Mine Duty Extra pulleys are designed to meet or exceed the CEMA steel pulley ANSI standard B105.1. However, for pulleys engineered to the customer's application loads and tensions, we require completion of the Engineered Pulley Data Sheet, on page PT15-9.

Installation and Maintenance instructions for Dodge products are available at www.dodge-pt.com

FEATURES/BENEFITS PAGE PT15-2	SPECIFICATION PAGE PT15-4	SELECTION PAGE PT15-9	SELECTION/DIMENSIONS PAGE PT15-10
----------------------------------	------------------------------	--------------------------	--------------------------------------



NOMENCLATURE

Pulleys

(QTY) Diameter X Face Width • Face Type • Pulley Type • Hub Type & Size • Class

(QTY) Lagging Thickness and Material • Pattern

(QTY) Bushing Size & Bore

Diameter:	6"-60" (Other diameters available upon request)
Face Width:	8"-100" (Other face widths available upon request)
Face Type:	CR – Crown Face ST – Straight Face
Pulley Type:	DR – Drum WI – Wing
Hub Type & Size:	HE – (High Endurance) and Size (HE25) TL – (TAPER-LOCK) and Size (K25, F30, K35) QD – (Quick Disconnect) and Size (SF, E, F) Keyless Locking Device and Size (200mm)
Class:	CEMA (Heavy Duty) MD (Mine Duty) MDX (Mine Duty Extra) ENG (Engineered)
Lagging Thickness:	1/4", 3/8", 1/2", 3/4", 1" (Standard) Other Thicknesses Available on Request
Lagging Material & (Durometer):	SBR (60/45/70), D-LAG (60), Neoprene (60/45/70), Ceramic, Holz, Holz SOF
Lagging Pattern:	Plain, Herringbone, Chevron, Diamond, Concentric, Parallel
Bushing Size:	HE25 (Max. Bore 2-1/2") F30 (Max. Bore 3") E (Max. Bore 3-1/2")
Examples:	1-12 x 26 CR DR HE25 MDX 3/8" Herringbone Lagging 2-HE25 x 2-7/16" Bushings 1-14 x 42 CR WI W25 2-2517 x 2-7/16" TAPER-LOCK Bushings 1-16 x 44 ST DR QD F 2-F x 3-7/16" QD Bushings

Shafting

Diameter x Length • # of Keyseats • # of Turndowns x Turndown Diameters

Examples:	2-7/16" x 63"
	3-7/16" x 84" x 3KS
	3-15/16" x 76", 3KS, 2TD x 3-7/16"

NOTE: All shafts require a drawing which indicates the location of keyseats, length of turndowns, bearing centers, turn down radii and location of the pulley on the shaft.

FEATURES/BENEFITS PAGE PT15-2	SPECIFICATION PAGE PT15-4	SELECTION PAGE PT15-9	SELECTION/DIMENSIONS PAGE PT15-10
----------------------------------	------------------------------	--------------------------	--------------------------------------

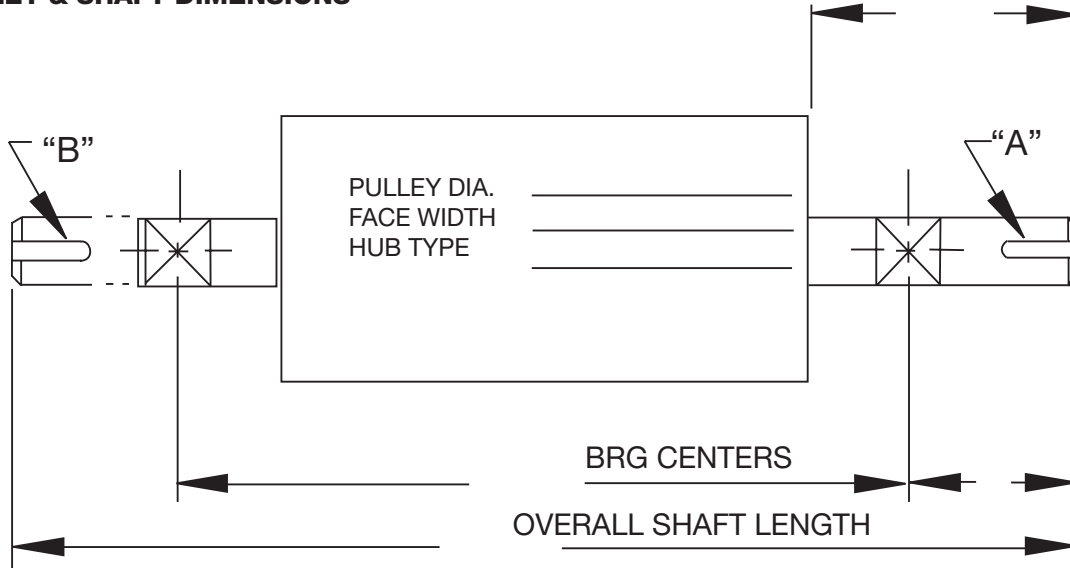


HOW TO ORDER

Pulley Assemblies

To order shafting, please copy and complete the sketches shown below

DRIVE PULLEY & SHAFT DIMENSIONS

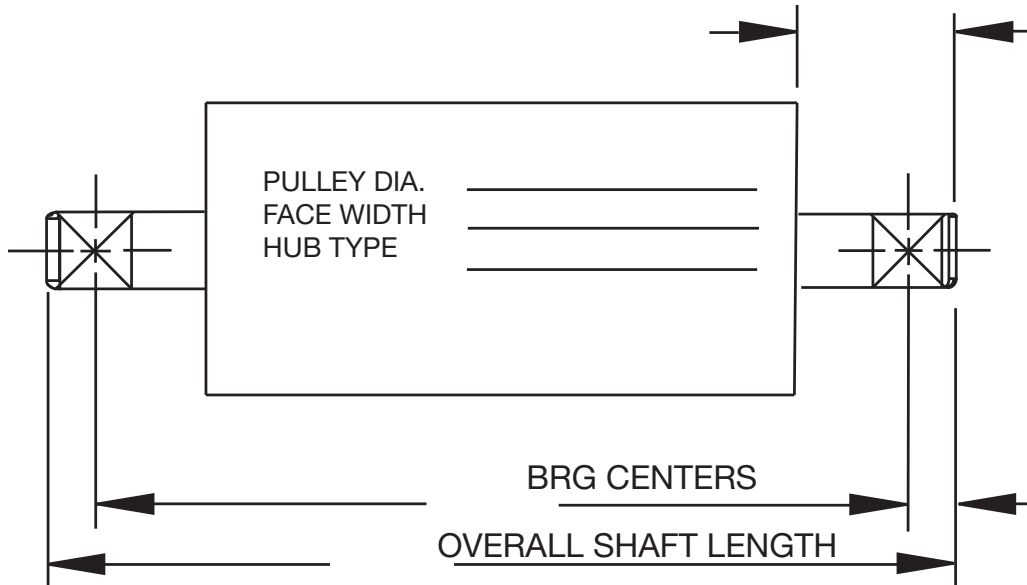


SHAFT DIA. AT HUB - _____	KEYSEAT "A" - _____ X _____ X _____ LONG
SHAFT DIA. AT BRG. - _____	KEYSEAT "B" - _____ X _____ X _____ LONG
SHAFT DIA. AT "A" - _____	DIRECTION OF ROTATION _____
SHAFT DIA. AT "B" - _____	(LOOKING AT DRIVEN END) _____
NUMBER OF KEYSEATS - _____	LAGGING - _____ THICKNESS - _____
	TYPE - _____

NON-DRIVE PULLEY & SHAFT DIMENSIONS

DRUM -

WING -



SHAFT DIA. AT HUB - _____	KEYSEAT - 0 _____ , 1 _____ , 2 _____
SHAFT DIA. AT BRG. - _____	



Engineered Pulley Data Sheet

LIMITED WARRANTY: Baldor/Dodge offers a 2-year limited warranty and a serialized nameplate for all engineered pulleys designed to customer supplied loading information.

Selection of Dodge Conveyor Pulleys can be simplified by supplying the information in the Application Data Sheet provided below. Dodge can then engineer the correct pulleys or pulley assemblies for your specific application.

Company Name _____ Date _____ By _____
 Address _____ Est. No. _____
 Project _____
 Conveyor Information - _____
 Belt: [] Fabric: [] Steel: [] Other _____ Belt Width _____ in
 Take-Up: [] Screw [] Gravity [] Hyd. [] Other _____
 Drive Motor: HP _____ Belt Speed _____ FPM Capacity _____ TPH
 Center to Center Distance _____ Lift in Feet _____

Pulley Data:

Conveyor Identification						
Pulley Location (Drive, Tail, etc.)						
Pulley Quantity						
Pulley Type (Drum or Wing)						
Diameter x Face Width						
Crown or Straight Face						
Lagging Thickness - Type of Grooves						
Shaft Diameter Through Pulley						
Shaft Diameter Through Bearing						
Shaft Diameter at Drive						
Shaft Length						
Number of Keyseats						
Drive Type (Sprocket, Coupling, Shaft Mount Reducer, etc.)						
Bearing Centers						
Arc of Contact (α)						
T ₁ _____ Lbs. T ₂ _____ Lbs. 						

Special Requirements:



SELECTION

Drum and Wing Pulleys - CEMA, MDX, Mine Duty

Proper selection of pulley diameter, face width and shaft diameter can easily be determined if the following information is known:

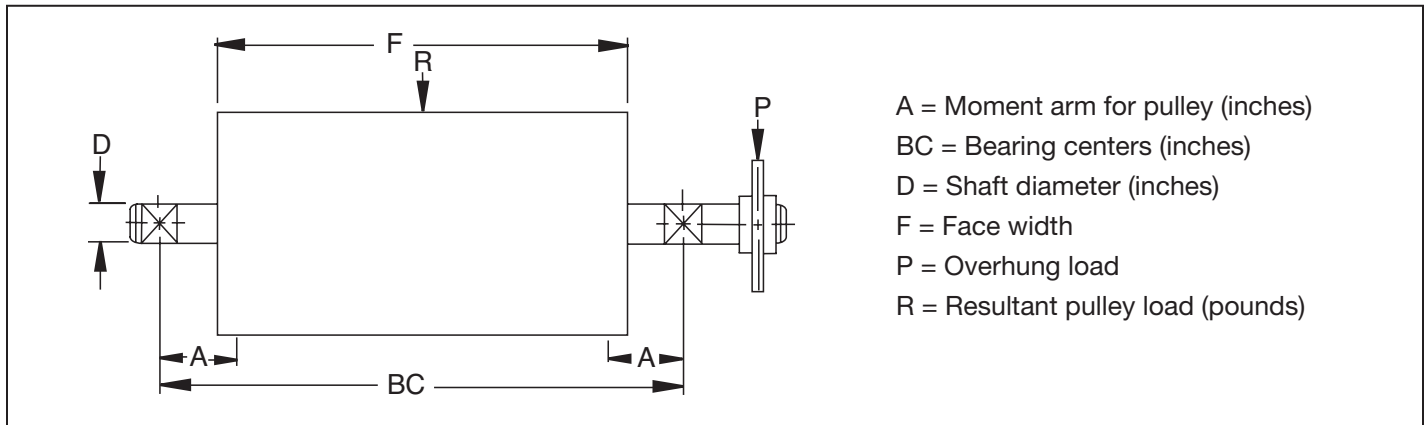
Belt Width (BW)

Bearing Centers (BC)

Arc of Belt Contact (α)

Tight Side Belt Tension (T_1) (for drive pulleys only)*

Slack Side Belt Tension (T_2)*



A = Moment arm for pulley (inches)
 BC = Bearing centers (inches)
 D = Shaft diameter (inches)
 F = Face width
 P = Overhung load
 R = Resultant pulley load (pounds)

STEP 1

Determine Required Pulley Face Width

From: $F = BW + 2''$ (for BW 42" and under)
 $F = BW + 3''$ (for BW over 42")

Where: F = Pulley face width
 BW = Belt width

Note: For replacement pulleys use face width of existing pulleys.

STEP 2

Determine Bearing Center Minus Face Dimension

From: $BCMF = BC - F$

Where: BCMF = Bearing center minus face dimension
 F = Face width
 BC = Bearing centerline to centerline dimension

Note: This selection guide is for conveyors with fabric belting. For other conveyor systems, consult factory for pulley selection.

***Note:** If belt tensions T_1 and T_2 are not known, please contact Dodge at (864) 297-8287.

STEP 3

Determine Pulley Pounds Per Inch of Belt Width

From: $PIW = T_1 \div BW$ (for drive pulleys)
 $PIW = T_2 \div BW$ (for non-drive pulleys)*

Where: PIW = Pounds per inch of width value
 T_1 = Tight side tension
 T_2 = Slack side tension*
 BW = Belt Width

***Note:** If non-drive pulley is on tight side of belt, substitute T_1 for T_2 . Wing pulleys should not be used as drive pulleys.

STEP 4

Determine Minimum Pulley Diameter

(Drum pulleys only) Determine minimum pulley diameter using PIW, arc of belt contact (α) and Table 1. Reading across the table from proper arc of contact select pulley diameter with PIW rating greater than actual PIW. Final pulley diameter may be greater than the diameter selected from Table 1 and must be greater than the belt manufacturer's recommended minimum diameter.

(Wing pulleys only) Determine minimum pulley diameter using PIW and Table 2. Select pulley diameter with PIW rating greater than actual PIW. Final pulley diameter may be greater than the diameter selected from Table 2 and must be greater than the belt manufacturer's recommended minimum diameter.



Drum and Wing Pulleys

Table 1

Use in STEP 4 to determine minimum pulley diameter for Drum Pulleys Only Maximum Belt Tension (Pounds Per Inch Of Belt Width)

Arc of Contact (Deg.)	Pulley Diameter (Inches)													
	8	10	12	14	16	18	20	24	30	36	42	48	54	60
10	65	80	95	120	145	175	205	260	345	430	520	605	690	775
20	50	60	75	95	115	135	160	200	265	335	400	465	535	600
30	45	55	65	80	100	115	140	175	230	290	345	405	460	520
40	35	45	55	70	85	100	120	150	200	245	295	345	395	445
50	30	40	45	60	70	85	100	130	170	215	255	300	340	385
60	30	40	45	60	70	85	100	125	165	205	250	290	330	375
70	30	40	50	60	75	85	105	130	175	220	260	305	350	395
80	35	45	50	65	80	95	115	140	190	235	285	330	375	425
90	35	45	55	70	85	100	120	150	200	255	305	355	405	455
100	40	50	60	75	90	110	130	160	215	270	325	380	430	485
110	45	55	65	80	100	115	140	175	230	290	345	405	460	520
120	45	55	65	85	105	120	145	185	245	305	365	425	490	550
130	50	60	75	95	115	135	160	200	265	335	400	465	535	600
140	55	70	80	105	125	150	180	225	300	375	450	525	600	675
150	60	75	90	115	140	170	200	250	335	420	505	590	670	755
160	70	85	100	130	160	185	225	280	375	465	560	650	745	800
170	75	95	115	145	175	205	250	310	415	520	620	725	800	800
180	85	105	125	160	195	230	275	345	460	575	690	800	800	800
190	75	95	115	145	175	205	250	310	415	520	620	725	800	800
200	70	85	100	130	160	185	225	280	375	465	560	650	745	800
210	60	75	90	115	140	170	200	250	335	420	505	590	670	755
220	55	70	80	105	125	150	180	225	300	375	450	525	600	675
230	50	60	75	95	115	130	160	200	265	335	400	465	535	600
240	45	55	65	85	105	120	145	185	245	305	365	425	490	550

STEP 5

Determine Pulley Resultant Load

Determine pulley resultant load from belt tensions and arc of contact.

Resultant load is calculated by:

$$R = 2 \times T_2 \times \sin(\infty/2) \text{ (non-drive)*}$$

$$R = (T_1 + T_2) \times \sin(\infty/2) \text{ (drive)*}$$

Where: R = Pulley resultant load

T₁ = Tight side tension

T₂ = Slack side tension

∞ = Arc of contact

*Note: If non-drive pulley is on tight side of belt, substitute T₁ for T₂. Wing pulleys should not be used as drive pulleys.

STEP 6

Determine Shaft Diameter

Determine shaft diameter from Table 3. Go down the proper pulley face width column and across from the bearing center minus face value (if the correct value is not

listed, interpolate or use the next higher value) until a load rating greater than the resultant load calculated in Step 5 is found. The proper shaft diameter is then read from the vertical shaft diameter column.

Table 2

Use in STEP 4 to determine minimum pulley diameter for Wing Pulleys only MAXIMUM BELT TENSION (Pounds Per Inch of Belt Width)

Dia.	Pounds Per Inch	Dia.	Pounds Per Inch
8"	80#	18"	180#
10"	100#	20"	200#
12"	120#	24"	240#
14"	140#	30"	280#
16"	160#	36"	350#



SELECTION

Drum and Wing Pulleys

Table 3 - Use In Step 6 To Determine Shaft Diameter Load Ratings (Pounds) For Pulley And Shaft Combinations

Shaft Diameter (Inches)	(L) Bearing Centers Minus Face	Pulley Face Width (Inches)														
		12	14	16	18	20	22	26	32	38	44	51	57	63	66	
1-3/16	2	1000	920	780	670	590	530	440	350	290	240	210	180	170	160	
	6	570	520	440	380	340	300	250	700	160	140	170	100	94	90	
	10	400	370	310	270	230	210	170	140	110	96	82	73	66	63	
	14	300	280	240	200	180	160	130	110	87	74	63	56	51	48	
1-7/16	3	1500	1500	1400	1200	1100	950	790	620	510	440	370	330	300	290	
	6	1000	1000	950	820	720	640	530	420	350	300	250	220	200	190	
	10	700	700	660	570	500	450	370	290	240	210	180	160	140	130	
	14	540	540	510	440	390	350	290	230	190	160	140	120	110	100	
1-11/16	3	2400	2400	2400	2300	2000	1800	1500	1200	980	830	710	630	570	540	
	6	1600	1600	1600	1600	1400	1200	1000	800	660	560	480	430	380	370	
	10	1100	1100	1100	1100	960	850	700	560	460	390	340	300	270	260	
	16	780	780	780	750	660	590	490	380	320	270	230	210	180	180	
1-15/16	3	3700	3700	3700	3700	3500	3100	2600	2100	1700	1400	1200	1100	990	940	
	6	2500	2500	2500	2500	2400	2100	1800	1400	1100	980	840	740	670	640	
	10	1700	1700	1700	1700	1700	1500	1200	970	800	680	580	520	470	420	
	16	1200	1200	1200	1200	1100	1000	840	670	550	470	400	360	320	310	
2-3/16	3	5300	5300	5300	5300	5300	5100	4200	3300	2800	2400	2000	1800	1600	1500	
	8	2900	2900	2900	2900	2900	2800	2300	1900	1500	1300	1100	990	890	850	
	12	2200	2200	2200	2200	2200	2100	1700	1400	1100	970	820	730	660	630	
	18	1500	1500	1500	1500	1500	1500	1200	980	810	690	590	530	470	450	
2-7/16	4	6300	6300	6300	6300	6300	6300	5600	4400	3700	3100	2700	2400	2100	2000	
	8	4000	4000	4000	4000	4000	4000	3600	2900	2400	2000	1700	1500	1400	1300	
	12	3000	3000	3000	3000	3000	3000	2700	2100	1700	1500	1300	1100	1000	910	
	18	2100	2100	2100	2100	2100	2100	1900	1500	1300	1100	910	810	130	690	
2-11/16	4	8100	8100	8100	8100	8100	8100	8100	6400	5300	4500	3800	3400	3100	2900	
	8	5300	5300	5300	5300	5300	5300	5300	4200	3400	2900	2500	2200	2000	1900	
	12	3900	3900	3900	3900	3900	3900	3900	3100	2600	2200	1900	1600	1500	1400	
	18	2800	2800	2800	2800	2800	2800	2800	2200	1800	1600	1300	1200	1100	1000	
2-15/16	4	10600	10600	10600	10600	10600	10600	10600	9100	7500	6400	5500	4900	4400	4200	
	8	6900	6900	6900	6900	6900	6900	6900	6000	4900	4200	3600	3200	2900	4700	
	14	4600	4600	4600	4600	4600	4600	4600	3900	3200	2800	2300	2100	1900	1800	
	20	3400	3400	3400	3400	3400	3400	3400	2900	2400	2000	1700	1600	1400	1300	
3-7/16	6	11600	11600	11600	11600	11600	11600	11600	11600	10100	8500	7200	6400	5700	5500	
	10	8500	8500	8500	8500	8500	8500	8500	8500	7400	6300	5300	4700	4200	4000	
	14	6700	6700	6700	6700	6700	6700	6700	6700	5800	4900	4200	3700	3300	3200	
	20	5100	5100	5100	5100	5100	5100	5100	5100	4400	3800	3200	2800	2500	2400	
3-15/16	6	16700	16700	16700	16700	16700	16700	16700	16700	16700	14200	12000	10600	9500	9000	
	10	12400	12400	12400	12400	12400	12400	12400	12400	12400	12400	10600	8900	7900	6700	
	14	9800	9800	9800	9800	9800	9800	9800	9800	9800	9800	8400	7100	6300	5300	
	20	7500	7500	7500	7500	7500	7500	7500	7500	7500	7500	6400	5400	4800	4300	4100
4-7/16	8	19600	19600	19600	19600	19600	19600	19600	19600	19600	19600	19100	16100	14200	12700	12100
	12	15300	15300	15300	15300	15300	15300	15300	15300	15300	15300	14800	12500	11100	9900	9400
	16	12500	12500	12500	12500	12500	12500	12500	12500	12500	12500	12100	10300	9100	8100	7700
	22	9800	9800	9800	9800	9800	9800	9800	9800	9800	9800	9500	8100	7100	6400	6000
4-15/16	8		25200	25200	25200	25200	25200	25200	25200	25200	25200	23600	20800	18500	17600	
	12		19900	19900	19900	19900	19900	19900	19900	19900	19900	19900	18600	16400	14600	13900
	16		16400	16400	16400	16400	16400	16400	16400	16400	16400	16400	15400	13500	12100	11500
	22		13000	13000	13000	13000	13000	13000	13000	13000	13000	13000	12200	10700	9600	9100
5-7/16	10			26600	26600	26600	26600	26600	26600	26600	26600	26600	26600	25100	22300	21100
	14			22000	22000	22000	20000	22000	22000	22000	22000	22000	22000	20700	18400	17500
	18			18700	18700	18700	18700	18700	18700	18700	18700	18700	18700	17700	15700	14900
	24			15300	15300	15300	15300	15300	15300	15300	15300	15300	15300	14500	12800	12200

FEATURES/BENEFITS PAGE PT15-2	SPECIFICATION PAGE PT15-4	NOMENCLATURE PAGE PT15-7	SELECTION/DIMENSIONS PAGE PT15-10
----------------------------------	------------------------------	-----------------------------	--------------------------------------



Drum and Wing Pulleys

Table 3 (Continued) - Use In Step 6 To Determine Shaft Diameter Load Ratings (Pounds) For Pulley And Shaft Combinations

Shaft Diameter (Inches)	(L) Bearing Centers Minus Face	Pulley Face Width (Inches)													
		12	14	16	18	20	22	26	32	38	44	51	57	63	66
6	10			35700	35700	35700	35700	35700	35700	35700	35700	35700	35700	33100	31300
	14			29500	29500	29500	29500	29500	29500	29500	29500	29500	29500	27300	25900
	18			25100	25100	25100	25100	25100	25100	25100	25100	25100	25100	23300	22100
	24			20600	20600	20600	20600	20600	20600	20600	20600	20600	20600	19000	19000
6-1/2	12				39200	39200	39200	39200	39200	39200	39200	39200	39200	39200	38000
	16				33200	33200	33200	33200	33200	33200	33200	33200	33200	33200	32100
	20				28800	28800	28800	28800	28800	28800	28800	28800	28800	28800	27800
	26				24000	24000	24000	24000	24000	24000	24000	24000	24000	24000	23200
7	12				49000	49000	49000	49000	49000	49000	49000	49000	49000	49000	49000
	16				41400	41400	41400	41400	41400	41400	41400	41400	41400	41400	41400
	20				35900	35900	35900	35900	35900	35900	35900	35900	35900	35900	35900
	26				29900	29900	20000	29900	29900	29900	29900	29900	29900	29900	29900
7-1/2	14				54100	54100	54100	54100	54100	54100	54100	54100	54100	54100	54100
	18				46500	46500	46500	48500	48500	46500	46500	46500	46500	46500	46500
	22				40800	40800	40800	40800	40800	40800	40800	40800	40800	40800	40800
	28				34400	34400	34400	34400	34400	34400	34400	34400	34400	34400	34400
8	14				65700	65700	65700	65700	65700	65700	65700	65700	65700	65700	65700
	18				56400	56400	56400	56400	56400	56400	56400	56400	56400	56400	56400
	22				49500	49500	49500	49500	49500	49500	49500	49500	49500	49500	49500
	28				41800	41800	41800	41800	41800	41800	41800	41800	41800	41800	41800
8-1/2	16						67700	67700	67700	67700	67700	67700	67700	67700	67700
	20						59400	59400	59400	59400	59400	59400	59400	59400	59400
	24						52900	52900	52900	52900	52900	52900	52900	52900	52900
	30						45400	45400	45400	45400	45400	45400	45400	45400	45400
9	16						80400	80400	80400	80400	80400	80400	80400	80400	80400
	20						70500	70500	70500	70500	70500	70500	70500	70500	70500
	26						59500	59500	59500	59500	59500	59500	59500	59500	59500
	32						51500	51500	51500	51500	51500	51500	51500	51500	51500
9-1/2	16						94500	94500	94500	94500	94500	94500	94500	94500	94500
	22						78100	78100	78100	78100	78100	78100	78100	78100	78100
	28						66500	66500	66500	66500	66500	66500	66500	66500	66500
	34						57900	57900	57900	57900	57900	57900	57900	57900	57900
10	16						110000	110000	110000	110000	110000	110000	110000	110000	110000
	22						91100	91100	91100	91100	91100	91100	91100	91100	91100
	28						77600	77600	77600	77600	77600	77600	77600	77600	77600
	34						64800	64800	64800	64800	64800	64800	64800	64800	64800



SELECTION

Drum and Wing Pulleys

STEP 7

Determine Drive Pulley Shaft Diameter

(For drive pulleys only) The shaft diameter determined in Step 6 must be checked for torque capacity. The shaft diameter required for torque is determined from:

$$D_T = 3 \sqrt{\frac{16}{\pi \times S} \times \sqrt{(K_B \times A \times R \div 2)^2 + [(T_1 - T_2) \times D \div 2]^2}}$$

Where: D_T = Required shaft diameter from torque
 $p = 3.1416$
 $S = 8000$ psi for 1042 -1045 shafting
 (10,000 for 4140)
 $K_B = 1.5^*$
 A = Moment arm (from Table 4)
 R = Resultant load from Step 5
 T_1 = Tight side tension
 T_2 = Slack side tension
 D = Pulley Diameter

*Note: Use $K_B = 2.5$ for overhung load drive (chain, torque arm, etc.)
 If D_T is greater than the shaft diameter from Step 6, round D_T up to the next standard shaft diameter and use that value. If D_T is less than the shaft diameter from Step 6, use the diameter selected from Step 6.

Table 4 - A-Values

Shaft Dia. (inches)	A	Shaft Dia. (inches)	A
1 to 2-7/16	N+1-5/8	4-15/16	N+3-1/4
2-11/16 to 2-15/16	N+1-3/4	5-7/16 to 6	N+4-1/2
3-7/16	N+2-1/2	6-1/2 to 7	N+5
3-15/16	N+2-3/4	7-1/2 to 8	N+5-1/4
4-7/16	N+3	8-1/2 to 10	N+6-1/4

$N = \text{BCMF} \div 2$

STEP 8

Compare Pulley Diameter

Compare the pulley diameter, face width combination selected with the standard drum pulley listing on pages PT15-15 - PT15-33 or the standard wing pulley listing on pages PT15-34 - PT15-48 to insure the selected combination is available. If the selected combination is not available increase shaft diameter or pulley diameter until a standard pulley is listed.

Example 1 (Drive Pulley)

Given: 36" belt width 3600 lb. T_1
 52" bearing centers 1600 lb. T_2
 210° arc of contact

Step 1

Determine required face width from:
 $F = BW + 2"$ $F = 36 + 2 = 38$

Step 2

Determine bearing center minus face dimension from:
 $\text{BCMF} = \text{BC} - F$ $\text{BCMF} = 52 - 38 = 14"$

Step 3

Determine pounds per inch of face width from:
 $\text{PIW} = T_1 \div \text{BW}$ $\text{PIW} = 3600 \div 36 = 100$ PIW

Step 4

Determine minimum pulley diameter using Table 1. Since $\text{PIW} = 100$ and arc of contact is 210°, the minimum pulley diameter is 14".

Step 5

Determine resultant load from:
 $R = (T_1 + T_2) \times \sin(\alpha/2)$
 $R = (3600 + 1600) \times \sin(210/2) = 5023$ lb.

Step 6

Determine shaft diameter using Table 3. Using a face width of 38" bearing center minus face dimension of 14" and a pulley resultant load of 5023 lbs., read down the 38" face width column until the load rating at $\text{BCMF} = 14"$ exceeds 5023 lb. The first value to exceed 5023 lbs. is 5800 lbs. at a shaft diameter of 3-7/16.

Step 7

Check torque capacity of selected shaft using:

$$D_T = 3 \sqrt{\frac{16}{\pi \times S} \times \sqrt{(K_B \times A \times R \div 2)^2 + [(T_1 - T_2) \times D \div 2]^2}}$$

$$D_T = 3 \sqrt{\frac{16}{3.1416 \times 8000} \times \sqrt{(1.5 \times 9.5 \times 5023 \div 2)^2 + [(3600 - 1600) \times D \div 2]^2}}$$

$$D_T = 2.86"$$

The 3-7/16 shaft diameter selected in Step 6 is greater than 2.86: therefore 3-7/16 is the final shaft diameter selection.

Step 8

Checking the standard pulley listing on page PT15-30, a 14 x 38 pulley with 3-7/16 shaft (HE35 Hub) is a standard pulley.

Example 2 (Non-drive wing pulley).

Given: 54" belt width 180° arc of contact
 71 bearing centers 8600 lb. T_2

Step 1

Determine required face width from:
 $F = BW + 3,$ $F = 54 + 3 = 57,$

Step 2

Determine bearing center minus face dimension from: $\text{BCMF} = \text{BC} - F$
 $\text{BCMF} = 71 - 57 = 14,$

Step 3

Determine pounds per inch of face width from:
 $\text{PIW} = T_2 \div \text{BW}$ $\text{PIW} = 8600 \div 54 = 159$ PIW

Step 4

Determine minimum pulley diameter using Table 2. Since $\text{PIW} = 159$ the minimum pulley diameter is 16".

Step 5

Determine resultant load from:
 $R = 2 \times T_2 \times \sin(\alpha/2)$
 $R = 2 \times 8600 \times \sin(180/2) = 17,200$ lbs.

Step 6

Determine shaft diameter using Table 3. Using a face width of 57", bearing center minus face dimension of 14" and a pulley resultant load of 17,200 lbs., read down the 57" face width column until the load rating at $\text{BCMF} = 14"$ exceeds 17,200 lbs. The first value to exceed 17,200 lbs. is 20,700 lbs. at a shaft diameter of 5-7/16.

Step 7

Checking the standard wing pulley listing on page PT15-46, a 16 x 57 wing pulley with 5-7/16 shaft (HE60 hub) is not a standard pulley. For a 5-7/16 shaft you must select a 24" diameter pulley.

FEATURES/BENEFITS PAGE PT15-2	SPECIFICATION PAGE PT15-4	NOMENCLATURE PAGE PT15-7	SELECTION/DIMENSIONS PAGE PT15-10
----------------------------------	------------------------------	-----------------------------	--------------------------------------



SELECTION/DIMENSIONS

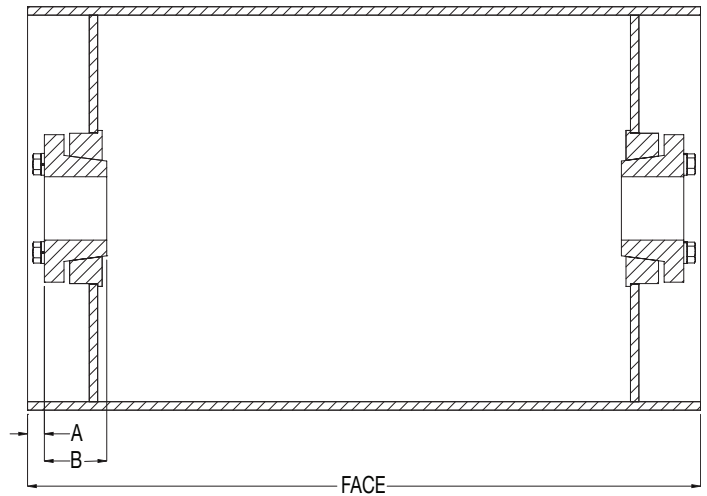
HE Heavy Duty Drum Pulleys



- Designed to CEMA specifications
- Standard crown face or straight face available
- 6" - 60" diameter and face widths exceeding 100", others available upon request
- HE bushing system designed specifically for Dodge Conveyor pulleys
- Most dependable mounting system for conveyor pulleys
- One piece die formed rim through 18"
- Rolled rim over 18"
- Available from stock

HE Dimensions

Hub	A	B	Bushing	Max. Bore	Screw Torque (in.-lb.)
HE25	3/4	1.80	HE25	2-1/2	360
HE30	3/4	2.20	HE30	3	710
HE35	3/4	2.78	HE35	3-1/2	1080
HE40	3/4	2.93	HE40	4	1680
HE45	3/4	3.20	HE45	4-1/2	1680
HE50	3/4	3.70	HE50	5	2400
HE60	1	3.95	HE60	6	4200
HE70	1	4.45	HE70	7	6000
HE80	1-1/4	5.20	HE80	8	6000
HE100	1-1/4	6.45	HE100	10	7200
HE120	1-1/4	7.45	HE120	12	7200





SELECTION

HE Heavy Duty Crown Drum Pulley Part Numbers

Dia	Hub	Face Width																									
		10	12	14	16	18	20	22	24	26	28	30	32	34													
6	HE25		206001	206003	209942	203500	203501	206009	203502	206012		203503	203504														
8	HE25		206020	206022		206024	203516		209945	206029		203519	206031														
10	HE25	203268	206035	206036	206037	206039	206041	206042	203530	206044	223058	209710	206046														
	209948				203910	203526	203531		203533	203538																	
						203527	203529		203534	203539																	
12	HE25		209716	206056	206057	206058	206060	209718	203561	206063	203272	209720	206066	209721													
	HE30														223061	206071	203558	203562	206064	209719	203568	206067					
	HE35															203556	203559	203563	203565		203571						
	HE40																203560	203566	203566		203572						
14	HE25		203594	209726	203596	203597	206080	209951	203607	206081	209729	209730	206083														
	HE30																209727	203603	203608	206082	203616	203620					
	HE35																		203609	209728	203617	203621					
	HE40														209725					203613	203618	203622					
	HE45																	203600	203606	203611		203623					
	HE60																										
16	HE25	203207	203651	203652	206090	206091	206092	209736	209952	206095	223074	209739	206097	209740													
	HE30														202002	209734	202005	203283	209735	203657	209737	206096	209738	203670	206098		
	HE35																		203654	203658		203666	223075	203671	203674	209748	
	HE40																		203655	203659	203664	203667		203672	203675	223078	
	HE45																					203668			203676	203677	
	HE50																					223073			223076	223076	
18	HE25	202006	203703	203704	209743	209744	206110	203712	209746	206111	223096	209749	206114	203732													
	HE30														203208	202009	202010	202015	203707	209745	203713	203718	206112	209748	203725	206115	
	HE35														202007	224523	202011	202016	202017	203709	209953	203719	206113	223097	203726	203729	209750
	HE40																		203710	203715			209747	223098	203727	203730	203734
	HE45																						203723		203728	203731	203731
	HE50																						223095		203728	203731	223099
20	HE25	203309	209756	203765	203766	203767	206125	203773	203778	206126	223124	209955	206089	223130													
	HE30														202018	224524	202024	202029	202031	209757	203774	209758	206127	223125	203786	206129	
	HE35														202019	202023	202025	202030	203768	203770	203775	203780	206128	223126	203787	206130	203310
	HE40																			203771	203776	203781	209759	223127	203788	203790	209760
	HE45																						203784		203789	203791	203311
	HE50																						223123	223128	203789	203791	223129
24	HE25	224528	202035	202038	202041	202043	202046	202047	202049	223160	223161	209977	209771	203341													
	HE30														203814	209957	203816	203817	203818	203819	209958	203827	206140	223162	203832	206142	
	HE35														202032	202036	209767	202042	202044	203820	203824	203828	206141		203833	206143	203341
	HE40														224529	202037	203339	224533	202045	203821	202048	203829	203908	209769	209770	206144	209773
	HE45																			203822	203826		203831		203833	206143	209773
	HE50																						203340		203831	206144	209773
HE60										223163	209769	206144	209773														
30	HE30	202050	224534	203857	203858	209959	203860	202070	202073	223160	223161	209977	209771	203341													
	HE35														202051	224535	202062	203210	202067	203861	203864	203868	206140	223162	203832	206142	
	HE40														202052	224536	224537	209780		203862	203865	203869	206141		203833	206143	203341
	HE45														202053	202060	202063	202151	202068	203863	202071	203870	203908	209769	209770	206144	209773
	HE50														202054	202061	202064	202066		202069	202072	202074	203831		203833	206143	209773
	HE60																						203340	223163	209769	206144	209773
36	HE30	202075	202085	202090	203906	202096	202098	202103	202107	223160	223161	209977	209771	203341													
	HE35														202076	202086		202096	202099	202104	202108	206140	223162	203832	206142		
	HE40														202077	202087		202096	202100	202104	202108	206141		203833	206143	203341	
	HE45														202078	202088	202091	202095	202101	202105	202109	203908	209769	209770	206144	209773	
	HE50														202079	202089	202092		202101	202105	202109	203831		203833	206143	209773	
	HE60																		202102	202106	202111	203340	223163	209769	206144	209773	
	HE70																						223164	209769	206144	209773	



HE Heavy Duty Crown Drum Pulley Part Numbers (continued)

Dia	Hub	Face Width											
		36	38	40	44	46	50	51	54	56	57	60	63
6	HE25	203505	206014	209700	209701		203510	203511	203512			209703	209704
8	HE25		209707		206033			206034	203524				
10	HE25	209949	206048		206049			206052	209712		223059		223060
	HE30		203543		206051			206050				209713	209714
	HE35		203544		209711		203203	203551		203204			209715
12	HE25	209950	206069	203274	206072	203583		206074	203590		203275		203276
	HE30	203574	206070	209722	206073	203584		203587	203591		223063		209724
	HE35	203575	203577	206071	203581	203585		203588	203592		209723		203277
	HE40		203578	203579	203582	203586		203589	203593				223065
14	HE25	203624	206084		203633	203637		203642	209731				223070
	HE30	203625	206085		203907	203638		206087	203647		223067		223071
	HE35		203629	206086	203634	203639		203643	203648		223068		209733
	HE40	203627	203097		203635			203644	203649		223069		223072
	HE45		203631		203636	203641		203645			209732		
	HE60						203205				203206		
16	HE25	203677	206099	223080	203685	203689		203695	203698				223091
	HE30	203678	206100	223081	206102	203690		203696			223086	223090	209742
	HE35	203679	203682	206101	203686	223084		206103	203700		223087		223092
	HE40	203680	203683	223082	203687	203691		206104	203701		223088		203293
	HE45		203684	209741	203688	203692		203697			203292		223093
	HE50		223079	223083				223085			223089		223094
18	HE25	203735	206116	223101	203744	203748		203755	203759		223111		223118
	HE30	203098	206117	203742	203745	203749		203756	203760		223112		223119
	HE35	203737	206118	209751	206121	203750		203757	203761		223113		209755
	HE40	203738	203740	206119	203746	203751	203754	206120	203762		223114		223120
	HE45	203739	203741	223102	209752	209753		203758	203763		223115		203307
	HE50	223100	203303	223104	203305	203753		209754	223110		223116		203308
20	HE25	209956	206131	223133	203799	203802		223142			223148		223155
	HE30	203793	206132	223134	206134	203803		203807	203810		203320		223156
	HE35	203794	206133	223135	206135	223139		203808	203811		203322		209766
	HE40	203795	203797	203314	206136	203804		203809	203812		223149		203326
	HE45	203796	209761	203315	209762	209763		206137	203813		223150		203327
	HE50		223132	223136	203801	203317		209764	209765		203323	223154	203328
24	HE25		203342	223168	223174			223179	223181		223183		223186
	HE30	203837	206145		206148	203845		203848	209777		223184		
	HE35	203838	206146	203842	206149	203846		203849	203853		203361		223187
	HE40	203839	206147	203843	203844	203349		203850	203854		203856		209778
	HE45	203840	203841	223170	206150	203350		206151	203855		203362		203371
	HE50		203343	223171	209774	209775		209776	223182		203363		209779
HE60	223166	203344	223172	203346	203352		203355	203359		203364		203373	
30	HE30		203886		203891	203895		223200					223208
	HE35	203883	209960		203892	203896		203900					
	HE40	203884	203888	203890	209784	203897		203901			223206		
	HE45	203885	209782		203894	203898		209786	203905		203408		223209
	HE50		203393	209783	209785	223198		203402	223204		203409	223207	223210
	HE60	223193	203394	223195	203398	203401		203403	203406		203410		203414
36	HE30												
	HE35												
	HE40		203474		223213			223219				223224	223225
	HE45				203475			223220					
	HE50				223214	223217		223221					223226
	HE60				203437	223218		203438			203441		223227
HE70				223215			203439			223223		223228	



SELECTION

HE Heavy Duty Straight Drum Pulley Part Numbers

Dia	Hub	Face Width										
		10	12	14	16	18	20	24	26	28	30	32
6	HE25		223230	209800		209801	209802		209803			223231
8	HE25	223233	223234	223235	223236	223237	223238		223239		223240	209810
	HE30											
	HE35											
10	HE25						209814		209815			209816
	HE30											223245
	HE35											
12	HE25					209818	209819	223250	209820	223252		223253
	HE30								223251			209821
	HE35											223254
	HE40											
	HE45											
14	HE25								209826			209827
	HE30								223262			223263
	HE35											
	HE40											
	HE45											
	HE50											
16	HE25						223275		223277	223280		209832
	HE30						223276		209831	223281		223283
	HE35								223278	223282		223284
	HE40								223279			209833
	HE45											223285
	HE50											
	HE60											
18	HE25								223307	223308		223311
	HE30								209843	223309	209845	223312
	HE35								209844	223310		209846
	HE40											223313
	HE45											223314
	HE50											
	HE60											
HE70												
20	HE25								223361			223366
	HE30								223362			223367
	HE35								209852	223363		223368
	HE40									223364		223369
	HE45											223370
	HE50											223371
	HE60									223365		
	HE70											



HE Heavy Duty Straight Drum Pulley Part Numbers (continued)

Dia	Hub	Face Width										
		34	36	38	40	44	46	51	54	57	60	63
6	HE25			209804	223232	209805				209806	209807	209808
8	HE25			209811		223242		209812		223244		209813
	HE30							223243				
	HE35			223241								
10	HE25			209817		223246						223248
	HE30						223247					223249
	HE35											209825
12	HE25			209822		209823		223258		223259	223260	
	HE30			223255			223257	209824				
	HE35											
	HE40											
	HE45					223256						
14	HE25			209828								209830
	HE30			223265		209829		223271				223272
	HE35		223264	223266		223268						
	HE40			223267		223269						
	HE45											223273
	HE50											223274
16	HE25			209835				209839				
	HE30	209834		209836	223290	223293	223294	223301			209841	
	HE35			223287	223291	209837	223295	209840				209842
	HE40	223286			223292	209838	223296	223302		223305		223306
	HE45			223289			223297	223303				
	HE50						223298	223304				
	HE60						223299					
18	HE25			223319	223324		223334	223340	223345			223355
	HE30			223320	223325	223330	223335					
	HE35		223315	209847	223326	209848	223336	223341	223346	223351		209851
	HE40		223316	223321	223327	223331	223337	223342	223347	223352		223356
	HE45		223317	223322	223328	209849		223343	223348			223357
	HE50		223318	223323	223329	223332		209850	223349	223353		223358
	HE60					223333		223344	223350	223354		223359
	HE70											223360
20	HE25			223375	223380	223386		223398				
	HE30			223376	223381	223387	223391	223399	223405			
	HE35	223372		223377	223382	223388	223392	223400		223407		223409
	HE40			223377	209853	223389	223393	223401	209855			223410
	HE45			223378	223383	223390	223394	223402				223411
	HE50	223373	223374	223379	223384	209854	223395	223403	223406			223412
	HE60				223385		223396	223404				
	HE70											



SELECTION

HE Heavy Duty Straight Drum Pulley Part Numbers (continued)

Dia	Hub	Face Width										
		10	12	14	16	18	20	24	26	28	30	32
24	HE25											
	HE30											
	HE35									223414		223415
	HE40											223416
	HE45											223417
	HE50											223418
	HE60											223419
	HE70											
30	HE25											
	HE30											
	HE35											
	HE40											
	HE45											
	HE50											
	HE60											
	HE70											
36	HE25											
	HE30											
	HE35											
	HE40											
	HE45											
	HE50											
	HE60											
	HE70											

Dia	Hub	Face Width										
		34	36	38	40	44	46	51	54	57	60	63
24	HE25				223426		223437	223443				
	HE30				223427				223449			
	HE35			223420	223428	223433	223438	223444	223450	223454		223460
	HE40			223421	223429	223434	223439	223445	223451	223455		
	HE45			223422	223430	223435	223440	223446	223452	223456		223461
	HE50			223423	223431	209856		209857		223457	223459	223462
	HE60			223424	223432	223436		223447	223453	223458		223463
	HE70			223425			223441	223448				223464
30	HE25											
	HE30											
	HE35									223484		
	HE40					223472						
	HE45			223467								223487
	HE50			223468		223473			223481			223488
	HE60			223469		223474		223479	223482	223485		223489
	HE70		223466		223470	223475	223477	223480				223490
36	HE25											
	HE30											
	HE35											
	HE40											
	HE45									223497		
	HE50											
	HE60						223493	223494	223496	223498		223499
	HE70					223492	223495					223500

FEATURES/BENEFITS PAGE PT15-2	SPECIFICATION PAGE PT15-4	NOMENCLATURE PAGE PT15-7	SELECTION/DIMENSIONS PAGE PT15-10
----------------------------------	------------------------------	-----------------------------	--------------------------------------

SELECTION



HE Heavy Duty Crown Drum Pulleys with Lagging Part Numbers

Dia	Hub	Lagging	Face Width											
			12	14	18	20	26	32	38	44	51	63		
6	HE25	3/8 HBG				209896								
8	HE25	3/8 HBG					209897							
10	HE25	3/8 HBG					209898	209899	203911	209900	209902			
	HE30	3/8 HBG						207971	207973	209901				
12	HE25	3/8 HBG				209903	209904	209905	209906	224508		203473		
	HE30	3/8 HBG					206105	206106	209907	209909	209910			
	HE35	3/8 HBG							209908		209911	207578		
14	HE25	3/8 HBG				209912	207954	207950	207951	207205	207952	207953		
	HE30	3/8 HBG					209913	209914	209915	209916	209918			
	HE35	3/8 HBG					205669		205670	209917	209919			
16	HE25	3/8 HBG				209920	207206	205671	207209	205673				
	HE30	3/8 HBG					207207	207208	207210	209922	209923			
	HE35	3/8 HBG					206054	206075	206076	208923	205675			
	HE40	3/8 HBG						205672	209921	205674	205676			
18	HE25	3/8 HBG						209924						
	HE30	3/8 HBG					207211	207212	207213		205520			
	HE35	3/8 HBG					206107	206077	206108	209927	205521	205523		
	HE40	3/8 HBG						209925	209926	209928	205522	205524		
20	HE25	3/8 HBG					209929	209932						
	HE30	3/8 HBG					209930	207214	209934					
	HE35	3/8 HBG					209931	209933	209935		205527	205528		
	HE40	3/8 HBG					206078	206079	206088	205985	209936			
	HE45	3/8 HBG							209983					
24	HE25	3/8 HBG	203912											
	HE30	3/8 HBG		203913				209937						
	HE35	3/8 HBG			203914		207977	209938	209939		205530			
	HE40	3/8 HBG					207978	207215	207216	209940	209941	205532		
	HE45	3/8 HBG					206017	206018	206019	206053	205531	205533		

Roller Chain Sprockets

Conveyor Components

Engineering

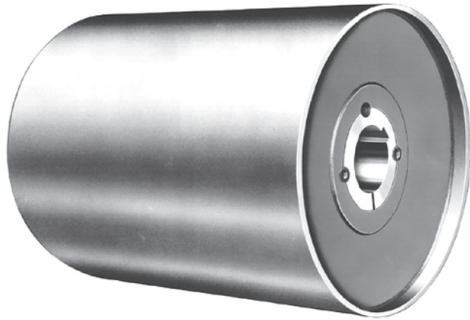
Part Number Index

Keyword Index



SELECTION/DIMENSIONS

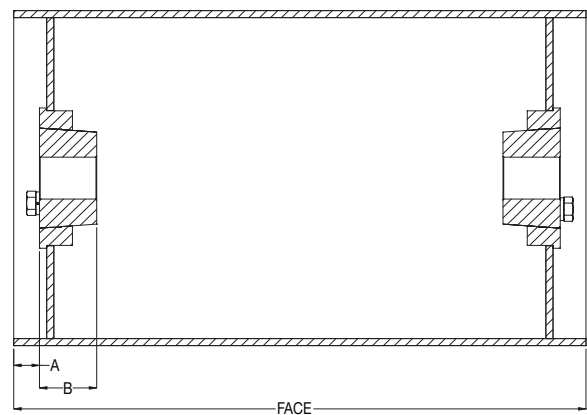
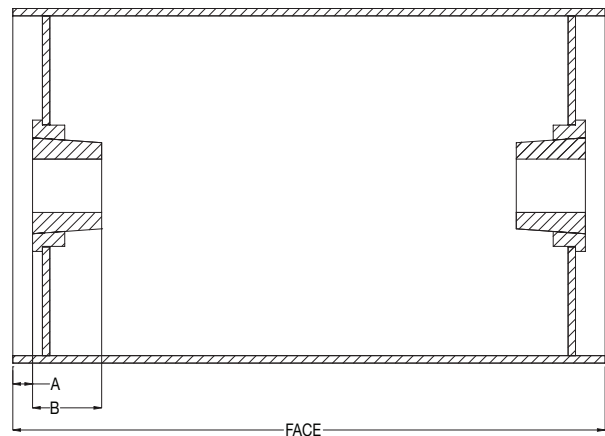
TAPER-LOCK Heavy Duty Drum Pulleys



- Designed to CEMA specifications
- Standard crown face or straight face available
- 6" - 60" diameter and face widths exceeding 100". Others available upon request.
- Flush mount, compact design mounting system
- One piece die formed rim through 18"
- Rolled rim over 18"
- Available from stock

TAPER-LOCK Dimensions

Hub	A	B	Bushing	Max. Bore	Screw Torque (in.-lb.)
K25	1	1-3/4	2517	2-1/2	430
F25	1	1-3/4	2517	2-1/2	430
F30	1	2	3020	3	800
K35	1	3-1/2	3535	3-1/2	1000
K40	1	4	4040	4	1700
K45	1	4-1/2	4545	4-1/2	2450
K50	1	5	5050	5	3100
K60	2-1/4	5	6050	6	7820
K70	2-1/4	6	7060	7	7820
K80	2-1/4	6-1/2	8065	8	7820
K100	2-1/4	8-1/2	10085	10	13700
K120	2-1/4	10	120100	12	13700





Taper-Lock Heavy Duty Crown Drum Pulley Part Numbers

Dia	Hub	Face Width										
		10	12	14	16	18	20	22	24	26	30	32
6	F25		204505	204506	204507	204508	204509	204510	204511	204512	204514	204515
8	F25	204417	204524	204525			204528			204531		204534
	F30											
	K35											
10	K25		204549	204550	204551	204552	204553	204554	204555	204556	204558	204559
	F30					205050	205051	205052	205053	205054	205056	
	K35							205123	205124	205125		
12	K25		204574	204575	204576	204577	204578	204579	204580	204581	204582	204584
	F30	204760					205063	205064	204700	205065	204701	
	K35	205132					205133	205134	205135	205136	205137	
	K40										205225	
	K45											
14	K25		204599	204600	204601	204602	204603	204604	204605	204606	204608	204609
	F30	205070					205071	205072	205073	204266		
	K35						205145		205147	205148	205149	
	K40								205234			
	K45											
16	K25		204623	204624	204625	204626	204627	204628	204629	204630	204632	204633
	F30	204706					205080		204707	205082	204708	
	K35	205156							205159		205161	
	K40								205246		205248	
	K45											
18	K25		204649	204650	204651	204652	204653	204654	204655	204656	204658	204659
	F30	205086					205087	205088	204713	205089	204714	
	K35	205165							205168	205169	205170	
	K40	205252							205255	205256	205257	
	K45								205332		205334	
	K50											
	K60											
20	K25		204672	204673		204675	204676	204677		204679	204681	204682
	F30					204719	205094	205095	204720	205096	204721	
	K35					205175	205176	205177	204424	205178	204425	
	K40					205264	205265		205267	205268	205269	
	K45					205341		205343	205344	205345	205346	
	K50											
	K60											
K70												



SELECTION

Taper-Lock Heavy Duty Crown Drum Pulley Part Numbers (cont)

Dia	Hub	Face Width										
		34	36	38	40	44	46	48	51	54	57	63
6	F25		204517	204518			204520	204339		204522		204342
8	F25			204537		204538	204539					204346
	F30											
	K35											
10	K25		204561	204562		204565	204566		204568	204571		
	F30		205057	205058		205059	205060		205061			
	K35			205127		205128	205129					
12	K25		204586	204587		204590	204591		204593			
	F30		205066	204702		204703	205067		205068			
	K35		205138	205139		205140	205141		205142			
	K40			205227	204349	205228	204275		205229	205230		
	K45											
14	K25		204611	204612		204615			204618			
	F30		205075	205076		204761			205078			
	K35		205150	205151		205152	205153		205154			
	K40				204265	205240	204276		205241			
	K45			205312								
16	K25		204635	204636		204639	204640		204642			
	F30		205083	204709		204710		204267	205085			
	K35		205162	204268		205163		204269				
	K40			204277		204278		205250	205251			
	K45					205325		205327	205328			
	K50											
18	K25		204661	204662		204665	204666		204668	204669		
	F30	204354	205090	204715	204357	204716	205091		205092	205093		
	K35	204355	205171	204270	204358	204271	205172		203099		223504	
	K40	204356	205258	204280		204281	205261		205262	205263		
	K45			205336		205337	205338		205339	205340		
	K50			223503			204359					
	K60											
20	K25		204684	204685		204687						
	F30		205097	204722		204723	205098		204724			
	K35	204754	205179	204426		204427	204769		205180	205181		
	K40		205270	204282		204283	205273		204284	205275		
	K45		205347	205348		205349	203096		205350	205351		
	K50					204362	204770					
	K60											
K70												

SELECTION



Taper-Lock Heavy Duty Crown Drum Pulley Part Numbers (cont)

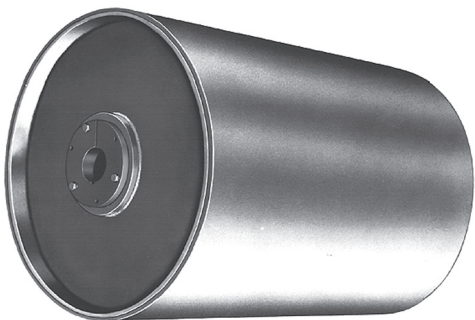
Dia	Hub	Face Width										
		10	12	14	16	18	20	22	24	26	30	32
24	K25	204365	204727	204728	204729	204730	204731	204732	204733	204734	204735	204736
	F30						204428			204429		204430
	K35						205276			204772		204285
	K40						205352			205355		204290
	K45											
	K50											
	K60											
	K70											
K80												
30	K25			204744	204745	204746	204747	204748	205102	204749	205290	204750
	F30			205188	205188	204435	204436					
	K35			205286	205286	205289	205291					
	K40			205363	205363	205365	205368					
	K45											
	K50											
	K60											
	K70											
K80												
36	K35				204780							
	K40											
	K45											
	K50											
	K60											
	K70											
K80												

Dia	Hub	Face Width											
		34	36	38	40	44	46	48	51	54	57	63	
24	K25		204738	204739	204366	204740	205100	204774	204741	205101	204368		
	F30			204431		204432	205186			204272		205187	
	K35			204286		204287	204773			204288		205285	
	K40			204291		204292				204293		205362	
	K45			204295						204779			
	K50			204946						204329			
	K60												
	K70												
K80													
30	K25			204751	204369	205105	205192	204381	205193	205296	205374		
	F30			204437		204438						205295	205372
	K35			205293		205294							
	K40			205370		205371							
	K45												
	K50												
	K60												
	K70												
K80													
36	K35												
	K40												
	K45												
	K50												
	K60												
	K70												
K80													



SELECTION

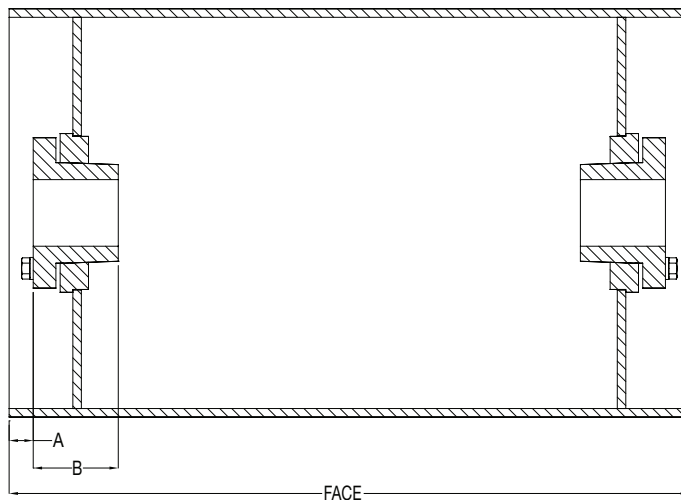
QD Heavy Duty Drum Pulleys



- Designed to CEMA specifications
- Standard crown face or straight face available
- 6" - 60" diameter and face widths exceeding 100". Others available upon request.
- Flange mount bushing system
- One piece die formed rim through 18"
- Rolled rim over 18"
- Available from stock

QD Hub	A	B	Bushing	Max. Bore*	Screw Torque (in.-lb.)
SF	7/8	2-1/16	SF	2-1/2	360
E	1	2-3/4	E	3	720
F	1-1/16	3-3/4	F	3-1/2	900
JS	1-1/8	3-3/8	J	4	1620
MS	1-1/4	4-13/16	M	4-1/2	2700
NS	1-5/16	6	N	5	3600
PS	1-3/8	6-1/2	P	6	5400
WS	1-9/16	7-1/4	W	8	7200
SS	1-5/8	8-3/4	S	10	9000
ZS	1-9/16	8-3/4	Z	12	7200

* Maximum recommended for conveyor pulley applications



SELECTION



QD Heavy Duty Crown Drum Pulley Part Numbers

Dia	Hub	Face Width										
		10	12	14	16	18	20	22	24	26	30	32
6	SF		208301	208302	208303	208304	208305	208306	208307	208308	208309	208310
8	SF E F											
10	SF E F		208337	208338	208339	208340	208341 208342	208344 208345	208347 208348	207500 208350	208352	207501 208355 208356
12	SF E F J M		208375	208377	208378	208379	207503 208380	208383 208384 208385	208387 208388 208389	207504 207514 208391	208393 208394 208395	207505 207515 208397 208398
14	SF E F J M N		208422	208423	208424	208425	208426 208428	208431 208433	208436 208437	207507 208441 208442 208443	208445	207508 208450
16	SF E F J M N P		208474			208476	208477 208478 208479	208482 208484	208487 208488 208489	207510 207517 208492 208493	208495 208496	207511 208500 208501 208502
18	SF E F J M N P		208531	208532		208534	208536 208537 208538	208541 208543	208546 208547 208548	207513 207519 208551 208552	208554 208555	208559 207520 207527 208561 208562
20	SF E F J M N P		208597	208598 223528		208600	208602 208603 208604 208606	208607 208608	208612 208613	208617 207522 207529 208618 208619	208621 208622 208623	208625 207523 207530 208626 208627

Roller Chain Sprockets

Conveyor Components

Engineering

Part Number Index

Keyword Index



SELECTION

QD Heavy Duty Crown Drum Pulley Part Numbers (Continued)

Dia	Hub	Face Width										
		34	36	38	40	44	46	48	51	54	57	63
6	SF		208311	208312		208313	208314	208315	208316			208319
8	SF		208330	208331			208333		208334	208335		208336
	E											
	F											
10	SF		208357	207502		208363			208369	208372	223518	223519
	E		208358	208360		208364			208370	208373		
	F			208361					208371			
12	SF		208399	207506		208406			208414			
	E		208400	207516		208407			208415			223520
	F		208401	208403		208408			208416			223521
	J					208409			208417			
14	SF		208454	207509		208464	208469					
	E			208459		208465	208470		208794			223523
	F			208460		208466			223522			
	J			208461		208467						
16	SF		208504	207512		208512	208517		208521			
	E		208505	207518		208513			208522	208527		208800
	F		208506	207526		208514			208523			
	J		208507	208510		208515			208524	208529	223524	
	M		208508			208516						
18	SF		208566	208571		208577			208587			
	E	208563	208567	207521	208575	208578			208588	208593		223526
	F	208564	208568	207528	208576	208579	208584		208589			208806
	J		208569	208573		208580			208590			223527
	M			208574		208581			208591		223525	
20	SF		208628	208633		208636						
	E		208629	207524		208637	208643		208646			
	F			207531		208638			208647			
	J		208631	208634		208639	208644		208648			
	M			208635		208640			208649			
N				223529							223530	
	P											

SELECTION



QD Heavy Duty Crown Drum Pulley Part Numbers (Continued)

Dia	Hub	Face Width									
		10	12	14	16	18	20	22	24	26	30
24	SF	208654	208655	208656	208657		208659	208664	208667	208671	208673
	E						208660		207532		
	F						208661		208672		
	J						208662				
	M										
30	SF			208703 208758	208704	208705	208706			208717	208723
	E						208707			208718	
	F						208708			208719	
	J						208709				
	M										
36	SF										
	E										
	F										
	J										
	M										
N											
P											

Dia	Hub	Face Width										
		34	36	38	40	44	46	48	51	54	57	63
24	SF		208679 208680	208683	208686 208687	208688	208693		208694	208699 208700		
	E			207534		208689			208695			
	F			208684		208690			208696			
	J			208685		208691			208697			
	M			223531		223533			223535			
30	SF			208731	208734	208735	208740 208742		208743	208746 208747		
	E			207536		208736			208744			
	F			208732		208737			208745			
	J			208733		208738						
	M					223537			223538			
36	SF											
	E											
	F											
	J											
	M											
N												
P												

FEATURES/BENEFITS PAGE PT15-2	SPECIFICATION PAGE PT15-4	NOMENCLATURE PAGE PT15-7	SELECTION/DIMENSIONS PAGE PT15-10
----------------------------------	------------------------------	-----------------------------	--------------------------------------



SELECTION

Heavy Duty Drum Pulley Average Weights - HE, TAPER-LOCK, QD

Dia.	Max. Bore	Face Width										
		12	14	16	18	20	22	24	26	30	32	36
6	2.5	27	29	31	33	35	37	39	41	45	47	52
8	2.5	34	37	40	42	45	48	51	53	59	62	69
10	2.5	43	46	50	53	56	60	63	67	74	77	88
	3	49	53	56	60	63	67	70	74	80	84	94
12	2.5	52	56	60	64	69	73	77	81	89	93	107
	3	60	64	68	72	77	81	85	89	97	102	115
	3.5	75	79	83	87	92	96	100	104	112	116	129
14	2.5	62	67	72	77	82	87	91	96	106	111	128
	3	62	67	72	77	82	86	91	96	106	111	128
	3.5	85	90	95	100	105	110	114	119	129	134	150
	4	95	100	105	110	114	119	124	129	139	144	160
16	2.5	67	72	78	83	89	94	100	105	117	122	144
	3	72	77	83	88	94	99	105	111	122	127	148
	3.5	90	96	101	107	112	118	124	129	140	146	166
	4	106	112	117	123	129	134	140	145	156	162	182
	4.5	...	126	131	137	142	148	153	159	170	176	195
18	2.5	77	83	89	96	102	108	114	121	133	139	165
	3	90	97	103	109	115	122	128	134	147	153	178
	3.5	100	107	113	119	125	132	138	144	157	163	188
	4	123	131	139	148	156	164	173	181	198	206	235
	4.5	...	145	154	162	170	179	187	193	212	220	248
	5	192	201	209	217	226	234	251	259	286
20	2.5	101	111	120	129	138	148	157	166	185	194	229
	3	117	127	136	145	154	164	173	182	201	210	245
	3.5	125	134	144	153	162	171	181	190	208	218	252
	4	135	144	154	163	172	181	191	200	218	228	261
	4.5	...	159	168	177	186	196	205	214	233	242	275
	5	207	216	225	234	244	253	271	281	313
24	3	149	160	171	183	194	205	216	227	249	260	307
	3.5	167	179	190	201	212	223	234	245	268	279	325
	4	177	188	199	211	222	233	244	255	277	288	334
	4.5	...	202	213	224	235	247	258	269	291	302	347
	5	274	287	301	315	329	343	371	385	434
	6	386	403	419	436	453	486	502	561
30	3	204	218	232	246	260	274	288	301	329	343	409
	3.5	222	236	250	264	278	292	306	320	348	362	427
	4	253	270	287	305	344	340	357	374	409	426	498
	4.5	...	284	301	319	336	353	371	388	423	440	512
	5	340	357	374	392	409	427	461	479	550
	6	462	483	504	524	545	587	608	693
	7	536	557	578	598	619	703	724	765
	8	613	634	655	676	758	779	820

• Crown face pulleys will be provided unless straight face is specified

• These pulleys are designed to meet the CEMA Pulley Specification B105.1-1993. They are not to be used with steel cable belts or other high modulus belts.

SELECTION



Heavy Duty Drum Pulley Average Weights - HE, TAPER-LOCK, QD

Face Width												
38	40	44	46	51	54	57	60	63	66	72	75	78
54	56	60	62	67	71	74	77	80	83	90	93	96
72	75	80	83	90	96	100	104	108	112	122	127	131
91	94	101	105	113	122	127	132	138	143	157	162	167
97	101	108	111	120	128	133	138	143	149	162	167	172
111	116	124	128	138	150	156	163	169	175	193	199	205
119	123	135	139	149	160	167	173	179	185	203	209	215
134	138	146	150	161	171	178	184	190	196	213	220	226
133	138	148	153	165	180	187	194	202	209	231	239	246
133	137	162	166	179	193	200	208	215	222	244	251	259
155	160	170	175	187	201	208	216	223	230	252	259	266
164	169	179	184	196	210	217	224	231	239	260	267	274
149	155	166	171	185	204	212	221	229	237	264	273	281
154	159	190	196	210	228	236	245	253	261	288	296	305
172	177	189	194	214	232	241	249	257	266	292	300	308
187	193	204	210	224	241	249	257	266	274	300	308	316
201	206	217	223	237	254	262	270	279	287	312	320	329
172	178	190	197	212	235	244	254	263	273	305	314	323
185	191	212	218	234	256	266	275	284	294	325	335	334
194	200	213	219	243	265	275	284	293	303	334	343	353
243	251	268	276	297	321	334	346	359	371	408	421	433
256	265	281	290	311	334	347	359	372	384	421	433	446
295	303	320	350	371	394	406	419	431	444	480	492	504
238	248	266	275	299	329	343	357	371	385	429	443	457
254	263	282	291	314	344	358	372	386	400	444	457	471
261	270	289	298	321	351	365	379	393	406	450	464	478
271	280	298	308	331	360	374	388	402	415	458	472	486
284	294	312	321	344	373	387	401	415	429	471	485	499
323	332	350	360	383	411	425	439	452	466	508	522	536
318	329	351	362	390	431	447	464	481	497	555	571	588
336	347	369	380	408	448	465	482	498	515	572	589	605
345	356	378	389	417	457	473	490	507	524	580	597	613
358	369	391	403	430	470	486	503	520	536	592	609	626
448	462	490	504	538	581	602	623	643	664	728	749	769
577	594	627	644	685	735	760	785	810	834	909	934	959
423	437	465	479	514	573	594	615	636	657	737	757	778
441	455	483	497	532	590	611	632	653	674	754	775	796
516	533	568	585	629	692	718	744	770	796	886	912	938
529	547	581	599	642	705	731	757	783	809	898	924	950
567	584	619	637	680	742	768	794	820	847	935	961	987
714	735	777	797	849	925	956	987	1018	1049	1156	1187	1218
786	807	849	869	921	995	1026	1057	1088	1120	1182	1213	1287
841	862	904	925	977	1049	1080	1111	1142	1174	1236	1267	1339

Roller Chain Sprockets

Conveyor Components

Engineering

Part Number Index

Keyword Index

FEATURES/BENEFITS PAGE PT15-2	SPECIFICATION PAGE PT15-4	NOMENCLATURE PAGE PT15-7	SELECTION/DIMENSIONS PAGE PT15-10
----------------------------------	------------------------------	-----------------------------	--------------------------------------



SELECTION

Heavy Duty Drum Pulley Average Weights - HE, TAPER-LOCK, QD

Dia.	Max. Bore	Face Width											
		12	14	16	18	20	22	24	26	30	32	36	38
36	3	292	313	334	355	376	397	417	438	480	501	617	638
	.5	310	331	352	373	394	415	436	457	498	519	635	656
	4	320	341	362	383	404	425	445	466	508	529	644	665
	4.5	...	355	376	397	417	438	459	480	522	543	657	678
	5	447	472	497	522	547	572	622	647	769	794
	6	546	571	596	621	646	697	722	839	864
	7	620	645	670	695	720	836	861	911	936
	8	702	727	752	777	891	916	966	991
42	10	1221	1254	1321	1423	1490	1523
	3.5	386	411	435	459	484	508	533	557	606	630	780	805
	4	475	504	534	563	592	621	651	680	738	768	926	956
	4.5	...	468	497	527	556	585	614	644	702	731	889	919
	5	536	565	594	623	653	682	740	770	927	956
	6	686	716	745	774	803	862	891	1044	1073
	7	846	885	924	963	1002	1195	1234	1312	1351
	8	941	980	1018	1057	1249	1288	1366	1405
48	10	1398	1437	1515	1657	1735	1773
	4	579	613	646	680	713	747	780	814	881	914	1113	1146
	4.5	...	626	660	693	727	760	794	827	894	928	1126	1159
	5	698	731	765	798	832	865	932	966	1163	1196
	6	803	837	870	904	937	1004	1038	1231	1264
	7	976	1020	1065	1109	1154	1398	1442	1531	1576
	8	1076	1120	1165	1209	1452	1497	1586	1630
	10	1592	1636	1725	1913	2002	2046
54	4.5	...	745	783	821	859	896	934	972	1047	1085	1327	1365
	5	821	859	897	934	972	1010	1085	1123	1364	1402
	6	1124	1174	1124	1274	1324	1425	1475	1777	1827
	7	1246	1296	1346	1396	1697	1747	1847	1897
	8	1301	1351	1401	1451	1750	1800	1901	1951
	10	1803	1853	1953	2191	2291	2341
60	4.5	...	1283	1338	1394	1450	1506	1561	1617	1729	1784	2155	2210
	5	1375	1431	1487	1543	1598	1654	1765	1821	2191	2246
	6	1497	1552	1608	1664	1720	1831	1887	2251	2306
	7	1567	1622	1678	1734	1790	2151	2207	2319	2374
	8	1676	1732	1788	1844	2204	2259	2371	2427
	10	2030	2086	2198	2491	2602	2658

• Crown face pulleys will be provided unless straight face is specified

• These pulleys are designed to meet the CEMA Pulley Specification B105.1–1993. They are not to be used with steel cable belts or other high modulus belts.

SELECTION



Heavy Duty Drum Pulley Average Weights - HE, TAPER-LOCK, QD

Dia.	Max. Bore	Face Width											
		40	44	46	51	54	57	60	63	66	72	75	78
36	3	659	701	721	774	879	910	942	973	1004	1141	1173	1204
	3.5	676	718	739	791	896	928	959	990	1022	1158	1189	1221
	4	685	727	748	800	905	936	967	999	1030	1165	1197	1228
	4.5	699	740	797	850	953	984	1016	1047	1078	1213	1245	1276
	5	819	869	894	957	1066	1103	1141	1178	1216	1362	1400	1437
	6	889	939	964	1206	1131	1169	1206	1244	1281	1423	1461	1499
	7	961	1011	1036	1099	1201	1239	1276	1314	1351	1427	1464	1567
	8	1016	1066	1091	1154	1255	1293	1330	1368	1405	1480	1518	1620
	10	1556	1623	1656	1739	1858	1908	1958	2008	2058	2157	2207	2326
42	3.5	829	878	902	1014	1151	1188	1225	1261	1298	1472	1509	1545
	4	985	1043	1073	1046	1290	1334	1377	1421	1465	1653	1697	1741
	4.5	946	1006	1085	1158	1302	1346	1390	1433	1477	1665	1708	1752
	5	985	1044	1073	1146	1289	1333	1377	1421	1464	1651	1696	1739
	6	1103	1161	1190	1263	1402	1446	1490	1533	1577	1760	1803	1847
	7	1389	1467	1506	1603	1777	1836	1894	1952	2011	2127	2186	2360
	8	1444	1521	1560	1658	1830	1888	1947	2005	2063	2180	2238	2411
	10	1812	1890	1929	2026	2188	2246	2304	2362	2421	2538	2596	2758
48	4	1180	1247	1280	1364	1546	1596	1646	1696	1747	1979	2029	2079
	4.5	1193	1259	1293	1377	1558	1608	1658	1709	1759	1990	2040	2091
	5	1230	1297	1330	1414	1595	1645	1695	1745	1795	2026	2076	2126
	6	1298	1364	1398	1462	1658	1708	1758	1808	1859	2085	2135	2186
	7	1620	1709	1754	1865	2087	2154	2221	2287	2354	2468	2554	2777
	8	1675	1764	1808	1919	2140	2207	2273	2340	2407	2540	2607	2828
	10	2091	2180	2224	2335	2545	2612	2679	2745	2812	2946	3012	3222
	54	4.5	1402	1478	1515	1610	1833	1890	1946	2003	2059	2339	2396
5		1440	1515	1553	1647	1870	1926	1983	2039	2096	2375	2431	2488
6		1878	1978	2028	2153	2431	2506	2581	2656	2732	3084	3160	3235
7		1947	2048	2098	2223	2498	2573	2649	2724	2799	2949	3024	3350
8		2001	2101	2151	2277	2550	2625	2701	2776	2851	3001	3077	3550
10		2391	2492	2542	2667	2930	3005	3080	3155	3231	3381	3456	3719
60	4.5	2266	2378	2433	2573	2915	2999	3082	3166	3249	3675	3759	3843
	5	2302	2414	2469	2609	2950	3034	3117	3201	3285	3710	3793	3877
	6	2362	2474	2529	2669	3005	3089	3172	3256	3339	3759	3843	3926
	7	2430	2541	2597	2737	3070	3154	3238	3321	3405	3572	3656	3989
	8	2482	2594	2650	2789	3121	3205	3288	3372	3456	3623	3707	4039
	10	2714	2825	2881	3021	3342	3426	3509	3593	3676	3844	3927	4249

Roller Chain Sprockets

Conveyor Components

Engineering

Part Number Index

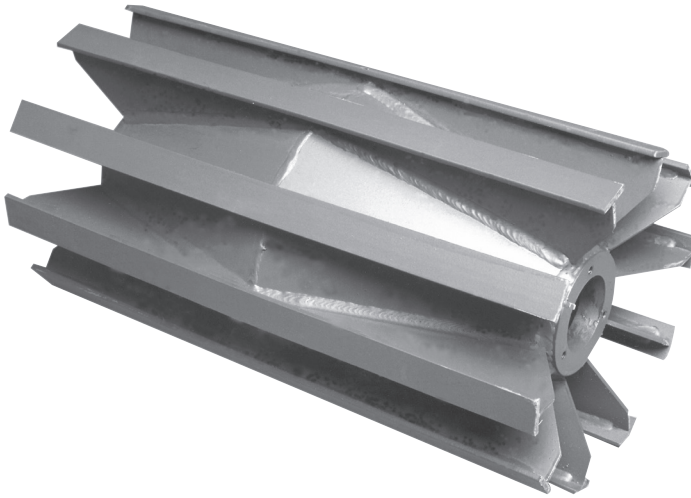
Keyword Index

FEATURES/BENEFITS PAGE PT15-2	SPECIFICATION PAGE PT15-4	NOMENCLATURE PAGE PT15-7	SELECTION/DIMENSIONS PAGE PT15-10
----------------------------------	------------------------------	-----------------------------	--------------------------------------



SELECTION/DIMENSIONS

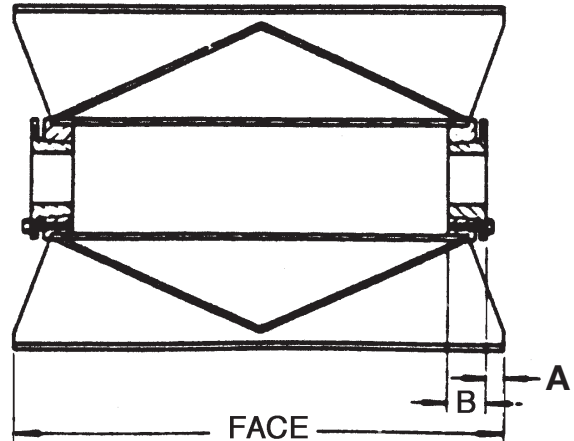
HE Heavy Duty Wing Pulleys



- Designed to CEMA specifications
- Standard crown face or straight face available
- 6" - 60" diameter and face widths exceeding 100". Others available upon request.
- HE bushing system designed specifically for Dodge conveyor pulleys
- Most dependable mounting system for conveyor pulleys
- Available with replaceable WING-LAG, vulcanized lagging, or replaceable weld-on strip lagging
- Available from stock

HE Dimensions

Hub	A	B	Bushing	Max. Bore	Screw Torque (in.-lb.)
HE25	1	1.80	HE25	2-1/2	360
HE30	3/4	2.20	HE30	3	720
HE35	3/4	2.78	HE35	3-1/2	1080
HE40	3/4	2.93	HE40	4	1680
HE45	3/4	3.20	HE45	4-1/2	1680
HE50	3/4	3.70	HE50	5	2400
HE60	1	3.95	HE60	6	4200
HE70	1	4.45	HE70	7	6000
HE80	1-1/4	5.20	HE80	8	6000



SELECTION/DIMENSIONS



HE Heavy Duty Crown Wing Pulley Part Numbers

DIA	Hub	FACE WIDTH											
		8	10	12	14	16	18	20	22	24	26	28	30
8	HE25	206190	209652	209653	206193	209655	209656	206196	206197	206198	206199	223565	206204
10	HE25			206228	206229	206237	209657	206200	206239	206244	206201	206332	206248
	HE30										203455		
	HE35												
12	HE25			209659	206255	206256	206257	206205	206258	206259	206206	223574	206260
	HE30					206367	206368	209660	206370	206371	206212		206373
	HE35										223573		
	HE40												
14	HE25		206265	206266		206268	206269	209664	206270	206271	206216		206272
	HE30		206379	206380	206381	206382	206383	206384	206385	206386	206387		206388
	HE35										223581		
	HE40												
	HE45												
	HE50												
16	HE25		206279	209669	206286	206287	206288	206220	206289	206295	206221	223596	
	HE30		206396	206397	206398	206399	206400	209670	206402		206222	223597	206404
	HE35										209671	223598	
	HE40										209672		
	HE45												
	HE50												
18	HE25			209675	206308	206309	206312	209676	206313	206314	206231		206316
	HE30			206412	206413	206414	206415	206416	206417	206418	206232	223614	206419
	HE35										209677	223615	
	HE40										223613		223616
	HE45												
	HE50												
20	HE25			209681	209682	209683	206328	209685	206330	206331	206240		
	HE30			206428	206429	206430	209684	206432	206433	206434	206241	223630	
	HE35										206492	223631	
	HE40										223629		223632
	HE45												
	HE50												
24	HE25				209691	206342	206343	206344	206345		206346		
	HE30				206442	206443	206444	206445	206446		206447	223646	
	HE35										206502		
	HE40										206524		
	HE45												
	HE50											223647	
	HE60												
30	HE25				206355	206356	206357	206358			206359		
	HE30				206455	206456	206457	206458			206459		
	HE35												
	HE40												
	HE45												
	HE50												
36	HE30					206471	206472						
	HE35					206515							
	HE40					206539							
	HE45												
	HE50												



SELECTION/DIMENSIONS

HE Heavy Duty Crown Wing Pulley Part Numbers

DIA	Hub	FACE WIDTH											
		32	34	36	38	40	42	44	46	51	54	57	63
8	HE25	206213		206158	206214			206219	207573	223566			205577
10	HE25	206202	206249	206250	206203	206251		206253	207575	207418			223571
	HE30	207972			207566			206252	207574	207567			223569
	HE35				223567								223570
12	HE25	206207	206261	206595	206208	206262		206210	206263	206264		209662	209663
	HE30	206374	206375		206209	206376		206211	206377	206378			206599
	HE35	209661			223575			223577		223579		223580	203094
	HE40				223576			223578					
14	HE25	206217	206273	206274	206218	206276		206277		206278			223593
	HE30	206389	206390	206391	206392	206393		206394	223586	206395	223589	223590	208974
	HE35	203482			209665			209666		209668		223591	223594
	HE40				223582			223585		223587		223592	223595
	HE45				223583					223588			
HE50				223584									
16	HE25	206223	206297	206298	206225	206299		206303		206305		206306	223608
	HE30	206224	206405	206406	206226	206407		206408		206410		206411	223609
	HE35	209673		206478	206227	206547		206480	206409	206482		206483	223610
	HE40	203483			209674	223600		223602	206481	223604		223606	207400
	HE45				223599	223601		223603		223605		223607	223611
	HE50												223612
18	HE25	206233	206317	206318	206235	206319		206320	206321	206322		206323	206324
	HE30	206234	206420	206421	206236	206422		206423	206424	206425		206426	209680
	HE35	207402		206484	206485	206486		206487		209679		206490	206491
	HE40	209678			207569	223619		207570		207571			207406
	HE45				223617	223620		223621	223623	207404		223625	223626
	HE50				223618			223622		223624			223627
	HE60												223628
20	HE25	206242			206334	206335		206336	206337	206338			209690
	HE30	207407		206435	206243	206436		206437	206438	206439		206440	206501
	HE35	209686		206494	206495	206496		206497	206498	206499		206500	207411
	HE40	209687			207572	223635		207408		207410		223642	207412
	HE45				223633	223636		209688	223639	209689		223643	223645
	HE50				223634			223637		223640		223644	
	HE60							223638		223641			
24	HE25	206347		206348	206349			206350		206352			206454
	HE30	206448		206449	206245			206450		206452		206453	206508
	HE35	209692		206504	206246			206247	206505	206506		206507	206532
	HE40	206525		206526	206527	223651	223652	206528	206529	206530		206531	223661
	HE45				223649	223650		209693	223655	223656		223659	223662
	HE50							223653		223657		223660	223663
	HE60			223648						223658			
HE70							223654						
30	HE25	206360								206363			
	HE30	206460				206461		206462		206463		206464	
	HE35	206510				206511		206512		206513			
	HE40	206534				206535		206536		206537		206538	
	HE45					207416		203484		223665			
	HE50							223664		223666		223667	
	HE60									203485		223668	207417
HE70											223669		
36	HE30									206476			
	HE35									206522		206523	
	HE40				206543			206544		206545		206546	
	HE45												
	HE60									203486			



SELECTION/DIMENSIONS

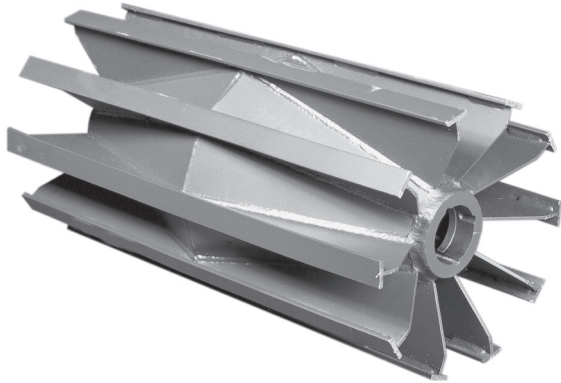
HE Heavy Duty Straight Wing Pulley Part Numbers

Dia	Hub	Face Width												
		22	26	28	32	36	38	40	44	46	51	54	57	63
6	HE25													
8	HE25	223670	223671		223672									
	HE30													
	HE35													
10	HE25													
	HE30													
	HE35													
12	HE25				223674				223676					
	HE30										223677			
	HE35		223673				223675							
	HE40													
	HE45													
14	HE25				223678		223680							
	HE30				223679			223681						
	HE35													
	HE40													
	HE45													
16	HE25						223685							
	HE30		223682		223684									
	HE35		223683				223686		223687					
	HE40											223690		
	HE45											223691		
	HE50													
18	HE25													
	HE30		223692		223693		223694							
	HE35						223695							
	HE40					223696		223697		223700				223703
	HE45							223698						
	HE50						223699			223701				
	HE60													223704
HE70											223702			
20	HE25													
	HE30													
	HE35													
	HE40				223705									
	HE45						223706		223708					
	HE50													
	HE60							223707						
	HE70												223712	
HE80													223713	
24	HE25													
	HE30													
	HE35													
	HE40				223714		223715			223717				
	HE45										223719			
	HE50													
	HE60													
	HE70													
HE80														
30	HE25													
	HE30													
	HE35													
	HE40													
	HE45													
	HE50													
	HE60													
	HE70								223720					
HE80									223721					



SELECTION/DIMENSIONS

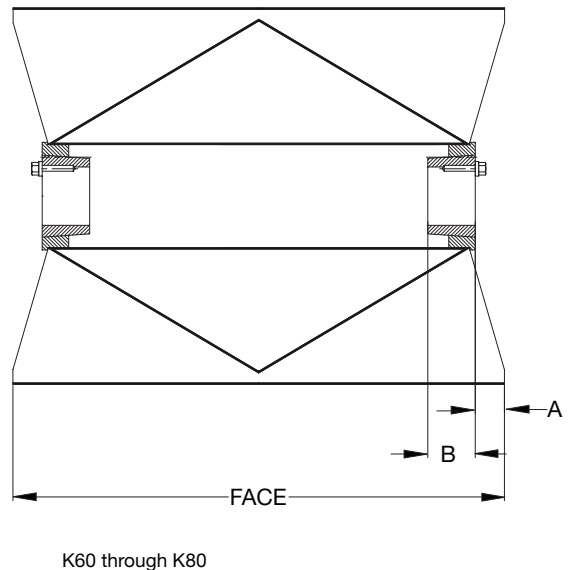
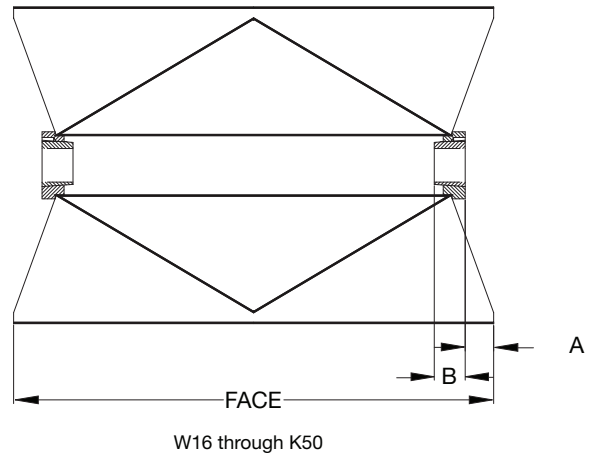
TAPER-LOCK Heavy Duty Wing Pulleys



- Designed to CEMA specifications
- Standard crown face or straight face available
- 6" - 60" diameter and face widths exceeding 100". Others available upon request.
- Flush mount, compact design mounting system
- Available with replaceable WING-LAG, vulcanized lagging, or replaceable weld-on strip lagging
- Available from stock

TAPER-LOCK Dimensions

Hub	A	B	Bushing	Max. Bore	Screw Torque (in.-lb.)
W16	1-5/8	1-1/2	1615	1-5/8	175
W25	1-1/2	1-3/4	2517	2-1/2	430
K30	1-3/4	2	3020	3	1800
K35	2-3/4	3-1/2	3535	3-1/2	1000
K40	2-3/4	4	4040	4	1750
K45	2-5/8	4-1/2	4545	4-1/2	2450
K50	3-3/8	5	5050	5	3100
K60	3-3/8	5	6050	6	7820
K70	3-1/4	6	7060	7	7820
K80	3-1/4	6-1/2	8065	8	7820



SELECTION/DIMENSIONS



TAPER-LOCK Heavy Duty Crown Wing Pulley Part Numbers

Dia	Hub	Face Width										
		8	10	12	14	16	18	20	22	24	26	28
8	W25		207644	207645	207646	207647	207648	207649	207650	207651	207652	
10	W25			207657	207658	207659	207660	201000	207661	207662	201001	
	K30 K35										223722	
12	W25			207669	207670	207671	207672	201004	207673	207674	201005	
	K30 K35 K40			206876	206876			206879	206880	206881	206882	
14	W25		207681	207682	207683	207684	207685	201012	207686	207687	201013	207433
	K30 K35 K40 K45 K50										206897	
16	W25		207694	207695	207696	207697	207698	201018	207699	207700	201019	
	K30 K35 K40 K45 K50					206923			206926	206927	201020 207435	
18	W25			207709	207710	207711	206939	206940	207713	207714	201031	
	K30 K35 K40 K45 K50 K60								206968		201032 207441	
20	W25	207446	207447	207724	207725	207726	207727	207728	207729	207730	206562	
	K30 K35 K40 K45 K50 K60			206979	206980	206981						
24	W25				207738	207739	207740	207741			207743	
	K30 K35 K40 K45 K50 K60 K70				207600	207601	207602	207603	207604		201043 206852	
30	W25					207753	207754				207615	
	K30 K35 K40 K45 K50 K60 K70					207612						
36	K30					207621	207622					
	K35 K40 K45 K50 K60						206588 206868					

Roller Chain Sprockets

Conveyor Components

Engineering

Part Number Index

Keyword Index



SELECTION/DIMENSIONS

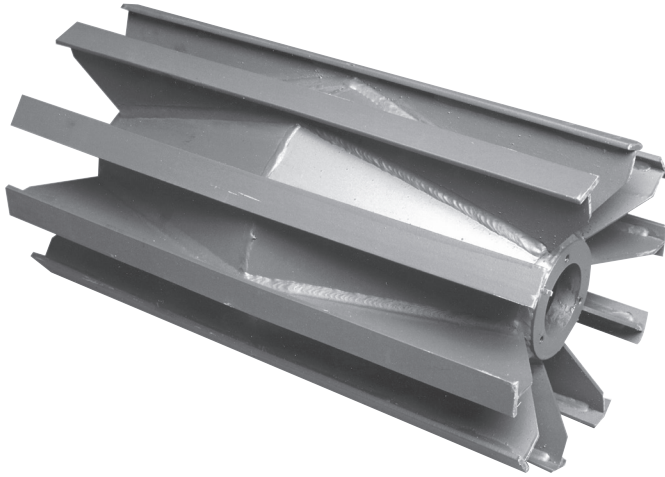
TAPER-LOCK Heavy Duty Crown Wing Pulley Part Numbers (continued)

Dia	Hub	Face Width										
		30	32	34	36	38	40	44	46	51	57	63
8	W25	207653	207654			207655		207656				
10	W25	207663	201002	207664	207665	201003	207666	207668				
	K30											
	K35											
12	W25	207675	201006	207676		201008		207678	207679	207680		
	K30	206883	201007			201009	206885	206886	206887	206888		
	K35		207430					207432				
	K40											
14	W25	207688	201014		207690	201016	207691	207692		206919		
	K30		201015			206916	206917	206918				
	K35					223723						
	K40											
	K45											
K50												
16	W25	207701	201021	207702	207703	201023		207705		207707	207708	
	K30	206928	201022	206929	206930	201024	206931	206932		206934	206935	
	K35		223724		206548	207436	206549	206550		206552	206553	
	K40					207437		207438				
	K45											
K50												
18	W25	207715	201033	207716	207717	201035		207719		207721		
	K30	206970	201034		206972	201036		206974	206975	206976	206977	223727
	K35		207442			206555	206556	206557	206558	206559	206560	206561
	K40					207443		223726				
	K45											
	K50					223725						
K60												
20	W25				207731					206990		
	K30		201040			201042		206988				
	K35		206563			206565	206566	206567			206570	206571
	K40		207448			207449		207450				
	K45							207451				
24	W25		207744			207746						
	K30				207605	201045		207606		207608		207610
	K35		206573		206574	206575		206576		206578	206579	206580
	K40		206853		206854	206855		206856		206858		206860
	K45					207456					207457	
	K50											
30	W25										207761	
	K30		207616			207617						
	K35		206582							206585		
	K40							206864				
	K45											
36	W25											
	K30											
	K35											
	K40											
	K45											
K50												
K60												



SELECTION/DIMENSIONS

QD Heavy Duty Wing Pulleys

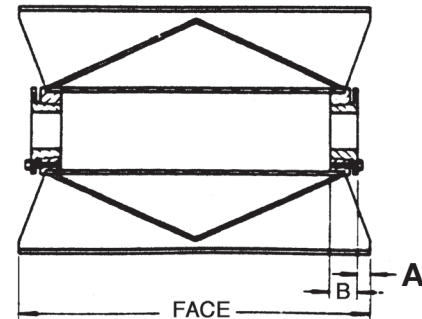


- Designed to CEMA specifications
- Standard crown face or straight face available
- 6" to 60" diameter and face widths exceeding 100". Others available upon request.
- Flange mount bushing system
- Available with replaceable WING-LAG, vulcanized lagging, or replaceable weld-on strip lagging
- Available from stock

QD Dimensions

QD Hub	A	B	Bushing	Max. Bore*	Screw Torque (in.-lb.)
SF	3/4	2-1/16	SF	2-1/2	360
E	7/8	2-3/4	E	3	720
F	15/16	3-3/4	F	3-1/2	900
JS	1-1/16	3-3/8	J	4	1620
MS	1-9/16	4-13/16	M	4-1/2	2700
NS	1-1/4	6	N	6	3600
PS	1	6-1/2	P	7	5400

* Maximum recommended for Conveyor Pulley applications





SELECTION/DIMENSIONS

QD Heavy Duty Crown Wing Pulley Part Numbers

Dia	Hub	Face Width										
		10	12	14	16	18	20	22	24	26	30	32
6	SF											
8	SF	208001	208002	208003	208004	208005	208006	208007	208008	208009	208010	208011
	E F											
10	SF		208014	208015	208016	208017	208018	208019	208020	207350	208021	207351
	E F											
12	SF		208027	208029	208031	208033	207353	208036	208038	207354	208040	207356
	E F J M			208030		208034	208035	208037	208039	207355	208041	207357
14	SF	208052	208054	208056	208058		207359	208063	208065	207360	208067	207362
	E F J M N									207361	208068	207363
16	SF	208079	208081	208083	208085	208087	208089	208091	208093	207366	208095	207368
	E F J M N P			208084	208086		208090			207367	208096	207369
										223738		208766
										223739		223740
18	SF		208117	208119	208121	208769	208124	208126	208128	207371	208130	207376
	E F J M N P			208120	208122		208125	208127		207372	208131	207373
										223745		223747
										223746		223748

SELECTION/DIMENSIONS



QD Heavy Duty Crown Wing Pulley Part Numbers

Dia	Hub	Face Width									
		34	36	38	40	42	44	46	51	57	63
6	SF										
8	SF			208012			208013				
	E										
	F										
10	SF		208023	207352		208025	208026		208762	223732	223734
	E						208761		223731		223733
	F										
12	SF	208042		207378	208044		208046		208050		
	E			207358	208045		208047		208051		
	F			223735					223737		
	J			223736							
	M										
14	SF			207364	208073		208075		208077		208765
	E			207365	208074		208076		208078		
	F			208764							
	J										
	M										
16	SF	208097	208099	208767	208102		208105		208111	208114	208768
	E		208100	207370	208103		208106		208112	208115	
	F		208101	223741	208104		208107	208110	208113		
	J			223742			223743				
	M										
	N										
18	SF	208132	208134	207377	208137		208140		208146	208149	208153
	E		208135	207374	208138		208141	208144	208147	208150	
	F			207375			208142	208145	208148	208151	
	J			223749			223750		208770		
	M								223751		
	N										
P											

Roller Chain Sprockets

Conveyor Components

Engineering

Part Number Index

Keyword Index



SELECTION/DIMENSIONS

QD Heavy Duty Crown Wing Pulley Part Numbers

Dia	Hub	Face Width										
		10	12	14	16	18	20	22	24	26	30	32
20	SF		208155	208157	208159	208161	208163	208165	208167	208169		208172
	E			208158	208160	208162	208164			208170		208173
	F					208771				208171		208174
	J											
	M											
	N											
24	SF			208199	208201	208203	208205	208207		208209		208213
	E			208200	208202		208206			208210		208214
	F									208211		208215
	J											208216
	M											
	N											
30	SF			208245	208247		208251			208253		208259
	E			208246	208248		208252			208254		208260
	F											
	J											
	M											
	N											
36	SF				208277	208280						
	E					208281						
	F											
	J				208279							
	M											
	N											



SELECTION/DIMENSIONS

QD Heavy Duty Crown Wing Pulley Part Numbers

Dia	Hub	Face Width									
		34	36	38	40	42	44	46	51	57	63
20	SF			208178			208184		208190		
	E		208176	208179	208182		208185		208191		208197
	F			208180	208183		208186		208192	208195	208198
	J			223752			208772		208775		
	M						208773				
	N P										
24	SF			208221							
	E		208218	208222			208226		208234		208242
	F			208223			208227	208231	208235	208239	208243
	J		208220	208224			208228		208236	208240	208244
	M						223753		223754		
	N P						208776		208777	208778	
30	SF			208261					208269		
	E			208262			208266		208270		
	F			208263			208267		208271		
	J			208264			208268		208272		
	M										
	N P										
36	SF										
	E			208289					208295		
	F						208293		208296	208299	
	J			208291					208297	208300	
	M										
	N P										



SELECTION/DIMENSIONS

Heavy Duty Wing Pulley Average Weights - HE, TAPER-LOCK and QD

Dia.	Max. Bore	Face Width									
		12	14	16	18	20	22	24	26	30	32
8	1.63	33	38	44	49	55	61	66	72	83	88
	2.5	37	42	46	51	55	60	64	68	77	82
10	1.63	49	58	66	74	82	90	99	107	123	132
	2.5	52	59	66	73	80	87	94	101	115	122
	3	66	72	79	85	92	98	105	112	125	131
12	1.63	59	69	78	88	97	107	117	126	146	156
	2.5	62	70	78	87	95	103	112	120	137	146
	3	75	83	91	99	107	115	123	131	147	155
	3.5	83	90	98	106	113	121	126	136	151	159
14	1.63	81	94	107	120	133	146	159	172	198	211
	2.5	83	94	106	117	129	140	152	164	187	199
	3	95	106	117	128	139	150	161	173	195	206
	3.5	102	112	123	133	144	155	165	176	197	208
	4	110	121	133	145	157	169	181	193	216	228
16	1.63	94	108	123	137	152	167	182	197	212	243
	2.5	96	108	121	135	148	161	174	188	215	228
	3	108	120	132	145	158	171	184	197	222	235
	3.5	115	126	138	150	163	175	187	199	224	237
	4	122	135	148	162	175	189	202	216	243	257
	4.5	...	148	162	175	189	203	217	231	259	273
18	2.5	109	123	138	152	167	182	197	212	243	258
	3	121	135	149	163	177	192	206	221	250	265
	3.5	128	141	154	168	182	196	210	224	252	266
	4	135	149	164	179	194	209	225	240	271	286
	4.5	...	162	177	192	208	224	239	255	286	302
5	210	225	240	256	271	286	317	333	
20	2.5	125	141	158	174	191	208	225	242	276	294
	3	137	153	169	185	201	217	234	250	284	301
	3.5	144	159	174	189	205	221	237	253	285	302
	4	151	167	184	200	217	235	252	269	304	322
	4.5	...	180	197	214	231	249	266	284	320	337
	5	210	225	240	256	271	286	317	333

- Crown face pulleys will be provided unless straight face is specified
- Dodge Heavy Duty wing Pulleys are designed to meet CEMA wing Pulley Specification 501.1-1988. They are not to be used with steel cable or other high modulus belting. They should not be used at belt speeds greater than 450 FPM.



Heavy Duty Wing Pulley Average Weights - HE, TAPER-LOCK and QD

Dia.	Face Width										
	36	38	40	44	46	51	54	57	60	63	66
8	99	105	110	121	127	141	149	157	166	174	182
	91	95	126	139	145	160	169	178	188	197	206
10	148	157	165	181	190	210	223	235	248	260	272
	136	143	177	194	202	224	237	250	263	276	289
	145	151	178	194	202	222	234	245	257	269	281
12	175	185	195	214	224	248	263	278	292	307	322
	163	171	206	227	237	262	277	292	308	323	338
	171	179	208	227	236	260	274	288	302	316	330
	174	182	239	260	271	298	314	330	346	362	378
14	238	251	264	291	304	337	357	377	396	416	436
	223	234	246	270	282	311	329	347	364	382	400
	229	240	252	274	285	314	331	348	365	382	399
	229	240	251	272	283	310	326	342	358	374	390
	252	264	276	300	312	342	360	378	396	414	432
16	258	288	304	319	350	365	403	426	451	473	496
	255	269	282	310	323	357	378	398	418	439	459
	262	275	288	314	327	360	379	399	419	438	458
	262	274	287	312	324	355	374	393	412	431	449
	285	298	312	340	353	388	409	429	450	471	491
	301	315	329	358	372	407	428	449	470	492	513
18	288	304	319	350	365	403	426	450	473	496	519
	294	309	324	354	369	406	428	450	473	495	517
	294	309	323	351	366	401	423	444	466	487	509
	317	333	348	379	395	434	457	481	504	527	551
	334	350	365	397	413	453	476	500	524	548	572
	364	379	395	426	441	480	504	527	550	574	597
20	328	346	363	398	416	459	486	512	538	565	591
	334	351	368	402	419	462	487	513	538	564	589
	334	351	367	400	416	457	482	507	531	556	581
	357	375	392	428	445	489	516	543	569	596	622
	373	391	409	445	463	508	535	562	589	616	644
	364	379	395	426	441	480	504	527	550	574	597



SELECTION

Heavy Duty Wing Pulley Average Weights - HE, TAPER-LOCK and QD

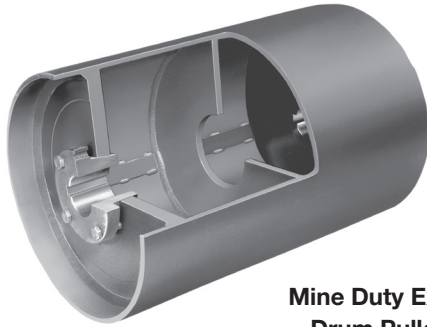
Dia.	Max. Bore	Face Width									
		12	14	16	18	20	22	24	26	30	32
24	2.5	175	198	220	243	267	290	314	337	385	409
	3	186	208	230	253	275	298	321	344	391	414
	3.5	192	213	234	256	278	300	322	345	390	412
	4	198	220	242	265	288	311	334	358	405	429
	4.5	...	232	254	277	300	324	347	371	419	443
	5	285	307	330	353	376	399	446	470
30	6	375	397	419	442	464	510	533
	2.5	281	318	354	391	429	466	504	542	618	656
	3	291	326	362	398	434	471	508	545	619	657
	3.5	295	329	363	398	434	469	505	541	614	650
	4	298	333	368	404	440	476	513	549	623	660
	4.5	...	343	378	414	450	486	523	559	633	670
	5	406	441	476	511	548	582	654	691
	6	503	537	571	605	640	709	744
36	7	559	592	625	658	691	758	792
	8	630	663	697	731	800	834
	3	452	510	568	627	686	745	804	864	984	1044
	3.5	453	509	566	623	680	738	795	854	970	1029
	4	453	509	566	623	680	738	796	854	971	1029
	4.5	...	517	547	630	686	744	801	859	975	1033
	5	596	651	706	762	817	874	987	1044
	6	705	758	812	866	920	1028	1083
	7	754	805	856	908	959	1064	1117
	8	830	881	932	983	1086	1138

Heavy Duty Wing Pulley Average Weights - HE, TAPER-LOCK and QD

Face Width										
36	38	40	44	46	51	54	57	60	63	66
457	482	506	555	579	640	676	713	750	787	823
461	485	508	556	579	639	674	710	746	782	818
458	481	504	550	573	630	665	700	734	769	804
477	501	525	573	597	657	694	730	766	803	839
491	515	539	588	612	673	710	746	783	819	856
517	541	564	612	636	695	731	767	803	839	875
579	602	625	671	694	752	787	821	856	891	926
733	772	811	889	928	1025	1084	1142	1201	1260	1319
732	770	808	884	922	1017	1074	1132	1189	1247	1304
723	760	797	871	908	1001	1056	1112	1168	1224	1280
735	773	810	886	923	1018	1075	1132	1189	1246	1303
745	782	820	895	933	1028	1084	1141	1198	1255	1312
764	800	837	911	948	1040	1095	1151	1207	1262	1318
815	850	886	957	993	1082	1136	1190	1243	1297	1351
860	895	929	998	1032	1119	1170	1222	1274	1326	1378
904	939	974	1044	1079	1167	1220	1272	1325	1378	1431
1165	1225	1286	1408	1469	1621	1713	1805	1897	1989	2082
1147	1206	1265	1384	1443	1592	1682	1772	1861	1951	2041
1147	1207	1266	1385	1445	1594	1684	1774	1864	1954	2044
1150	1209	1268	1386	1446	1594	1683	1772	1862	1951	2041
1158	1215	1273	1388	1446	1590	1677	1764	1852	1939	2026
1193	1249	1304	1415	1471	1610	1694	1778	1862	1946	2031
1223	1276	1329	1436	1490	1624	1705	1786	1867	1948	2029
1243	1296	1349	1454	1508	1640	1720	1800	1880	1961	2041



Mine Duty Extra Drum Pulleys



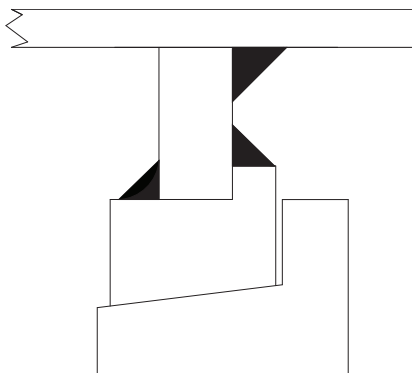
Mine Duty Extra Drum Pulley



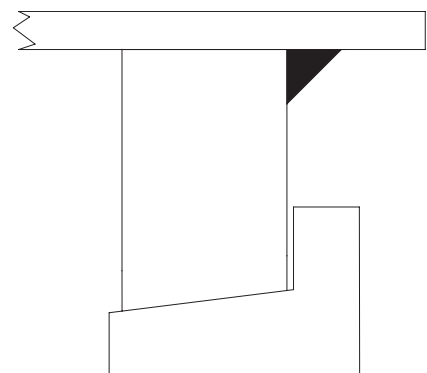
Mine Duty Extra Drum Pulley

- Integral one-piece end discs are machined, drilled and tapped to accept bushing and bushing bolts, serving as the hub and end disc in one piece, eliminating the hub to end disc weld - the most common failure point on a conveyor pulley
- Standard crown face or straight face available
- 6" - 60" diameter and face widths exceeding 100". Others available upon request.
- HE bushing system - 14° taper - designed specifically for Dodge conveyor pulleys
- Greater capacity than standard competitors' mine duty pulleys
- Available in spiral drum construction
- Increased rim thickness over CEMA construction

Mine Duty Pulley Types



Welded Hub Design



Integral Hub Design

FEATURES/BENEFITS PAGE PT15-2	SPECIFICATION PAGE PT15-4	NOMENCLATURE PAGE PT15-7	SELECTION/DIMENSIONS PAGE PT15-10
----------------------------------	------------------------------	-----------------------------	--------------------------------------



SELECTION

Mine Duty Extra Crown Drum Pulley Part Numbers

Dia	Hub	Face Width						
		20	24	26	30	32	36	38
6	HE25							
8	HE25 HE30 HE35							
10	HE30 HE35			209864		223984		
12	HE30 HE35 HE40 HE45			205917 205918 223991		208831 205919 223993		208844 208845 209866
14	HE30 HE35 HE40 HE45 HE50			205924 224003		208833 224004 224005		208847 205925 205926
16	HE30 HE35 HE40 HE45 HE50 HE60	224013		205934 205935 205705		208835 205936 205937		208849 205938 205939 224015 224016
18	HE30 HE35 HE40 HE45 HE50 HE60 HE70			205945 205946 209874 224027 224028	224031	208837 205947 205948 224032	224033 224034	208850 208851 208852 224035 209875
20	HE30 HE35 HE40 HE45 HE50 HE60 HE70 HE80		224056 224057 224058	205955 205956 224059		208838 208839 205958 209878		208853 208854 208855 224060 209879 224061
24	HE30 HE35 HE40 HE45 HE50 HE60 HE70 HE80			205965 205967 205968 205575		208840 208841 208842 224091 224092 224093	224095 224096 224097	205969 208856 208857 208858 209884 224099
30	HE30 HE35 HE40 HE45 HE50 HE60 HE70 HE80					224129 205976 205977 209889	224130	205978 209890 224131 224132 224133
36	HE30 HE35 HE40 HE45 HE50 HE60 HE70 HE80							224152



Mine Duty Extra Crown Drum Pulley Part Numbers (continued)

Dia	Hub	Face Width						
		40	44	46	51	54	57	63
6	HE25							
8	HE25 HE30 HE35							
10	HE30 HE35		223986		223987			
12	HE30 HE35 HE40 HE45	205900	208860 205920	223994	205922 209867 223995		223996 223997 223998	224000 224001
14	HE30 HE35 HE40 HE45 HE50	224006	205928 205929 224007	205901	205931 205932 224008 224009			224010 224011
16	HE30 HE35 HE40 HE45 HE50 HE60	224017 209870 205902 205903	208862 208863 208864 209871 224018	205904 205905	205941 205942 205943 209872 224019	224020	224021 224022 224023	209873 224024 224025 224026
18	HE30 HE35 HE40 HE45 HE50 HE60 HE70	224036 205906 205907 205908	208865 208866 205950 224038 224039 224040	224041 224042 205909 224043 205910	205951 205952 205953 224045 209876 224046		224047 224048 224049 209877 224050	224051 224052 224053 224054
20	HE30 HE35 HE40 HE45 HE50 HE60 HE70 HE80	224062 224063 224064 205911 205912 224065	205960 208867 208868 209880 224067 224068	224069 224070 224071 209881 224072	205961 205962 205963 209882 224073 224074 224075	224076 224077 224078 224079	224080 224081 224082 224083	205897 224084 224085 209883 224086 224087
24	HE30 HE35 HE40 HE45 HE50 HE60 HE70 HE80	224100 209885 224101 205913	205970 205971 208869 208870 224102 224103 224104	224105 224106 224107 205914 205915	205972 205973 205974 205975 209886 224109 224110	224112 224113 224114 224115 224116	224117 209887 209888 224118 224119 224120 224121	224122 224123 224124 224125 224126 224127 224128
30	HE30 HE35 HE40 HE45 HE50 HE60 HE70 HE80	209891	224134 209892 209893 224135 224136	224137 224138	224139 209894 209895 224140 224141 224142	224143	224144 224145 224146	224147 224148 224149 224150 224151
36	HE30 HE35 HE40 HE45 HE50 HE60 HE70 HE80		224153 224154 224155 224156 224157	224158	224159 224160 224161 224162	224163	224164	224165 224166 224167



SELECTION

Mine Duty Extra Crown Drum Pulleys With Lagging Part Numbers

Dia	Hub	Lagging	Face Width							
			26	32	38	40	44	46	51	
10	HE30	3/8 HBG								
	HE35	3/8 HBG								
12	HE30	3/8 HBG		208871	209519		208888			
	HE35	3/8 HBG	205629	205630	208877					
	HE40	3/8 HBG				208883				
	HE45	3/8 HBG								
14	HE30	3/8 HBG		208872	208878					
	HE35	3/8 HBG	205631	205632	205633					
	HE40	3/8 HBG								
	HE45	3/8 HBG								
	HE50	3/8 HBG								
16	HE30	3/8 HBG		208873	208879					
	HE35	3/8 HBG	205634	205635	205637		205639			
	HE40	3/8 HBG		205636	205638		208889			
	HE45	3/8 HBG								
	HE50	3/8 HBG				208884			208893	
	HE60	3/8 HBG								
18	HE30	3/8 HBG		208874						
	HE35	3/8 HBG	205640	205643	205646		208890			205651
	HE40	3/8 HBG	205641	205644	208880		205648			205652
	HE45	3/8 HBG	205642	205645	205647	208885	205649			205653
	HE50	3/8 HBG					205650		208894	205654
	HE60	3/8 HBG								
	HE70	3/8 HBG								
20	HE30	3/8 HBG								
	HE35	3/8 HBG	205655	208875						
	HE40	3/8 HBG		205656	208881		208891			
	HE45	3/8 HBG		205657	205658		205659			205661
	HE50	3/8 HBG					205660		208886	205662
	HE60	3/8 HBG								
	HE70	3/8 HBG								
	HE80	3/8 HBG								
24	HE30	3/8 HBG								
	HE35	3/8 HBG								
	HE40	3/8 HBG	205663	208876	208882					
	HE45	3/8 HBG		205664	205665		208892			205667
	HE50	3/8 HBG				208887	205666			205668
	HE60	3/8 HBG							208895	
	HE70	3/8 HBG								
	HE80	3/8 HBG								



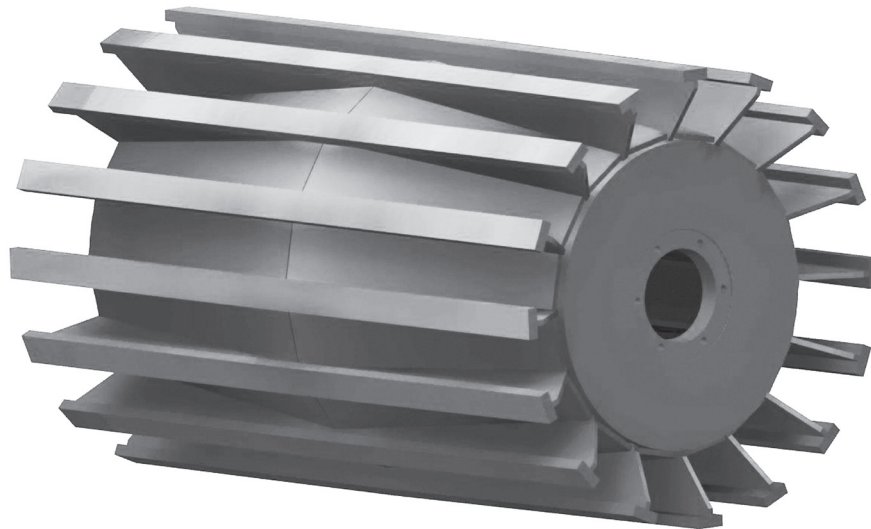
Mine Duty Extra Wing Pulleys

Mine Duty Extra Wing Pulleys were developed to support the most rugged wing pulley applications in the quarry and mining industries. These pulleys are designed with a rigid end disc design that incorporates our proven HE bushing system. They are designed to reduce wing folding by minimizing the wing height. The Mine Duty Extra Wing pulleys far exceed the product life expectancy of other wing pulleys.

- 3/4" x 2" contact bars
- 3/8" wing thickness
- Up to 25% more belt contact area
- 5" maximum wing height (through 42" OD)

Options

- AR400 contact bars available upon request
- Weld-on strip lagging is also available upon request



FEATURES/BENEFITS PAGE PT15-2	SPECIFICATION PAGE PT15-4	NOMENCLATURE PAGE PT15-7	SELECTION/DIMENSIONS PAGE PT15-10
----------------------------------	------------------------------	-----------------------------	--------------------------------------



SELECTION

MDX Crown Wing Pulley Part Numbers

Dia	Hub	Face Width								
		20	22	24	26	30	32	36	38	40
10	HE25		205518	205283	205811		205812	203100	205813	
	HE30				205817		205818	203101	205819	
12	HE25	205845			205823		205824	203106	205825	
	HE30				205829		205830	203107	205831	
	HE35				205835		205836	203108	205837	
14	HE25				205377		205378	203115	205379	
	HE30				205592		205593	203116	205594	
	HE35				205598		205599	203117	205600	
	HE40									
16	HE45									
	HE25				205382		205383	203125	205384	
	HE30				205387		205388	203126	205389	
	HE35				205195		205196	203127	205197	
	HE40				205604		205605	203128	205606	205841
HE45				205610		205611	203129	205612		
18	HE50									
	HE60									
	HE25			205690	205394		205395	203142	205396	
	HE30				205400		205401	203143	205402	
	HE35				205198		205199	203144	205200	
	HE40				205495		205496	203145	205497	205510 205691
HE45				205616		205617	203146	205618		
20	HE50									
	HE60									
	HE30				205408		205409	203158	205410	
	HE35				205202		205414	203159	205415	
	HE40				205419		205203	203160	205204	205700 205698
	HE45				205421		205422	203161	205423	
24	HE50									
	HE60									
	HE30				203202		205427	203170	205428	
	HE35						205432	203171	205433	205516
	HE40						205437	203172	205438	
	HE45						205442	203173	205443	
	HE50						205445	203174	205446	
HE60						205450		205451		
30	HE70									
	HE35					205485			205455	
	HE40								205459	
	HE45								205463	
	HE50								205467	
36	HE60								205471	
	HE70									
	HE35									
	HE40									
	HE45									



MDX Crown Wing Pulley Part Numbers

Dia	Hub	Face Width								
		44	46	50	51	52	54	57	60	63
10	HE25	205814			205815		203102	203104		205816
	HE30	205820			205821		203103	203105		205822
12	HE25	205826			205827		203109	203112		205828
	HE30	205832			205833		203110	203113		205834
	HE35	205838	203200		205839	203201	203111	203114		205840
14	HE25	205380		203196	205381		203118	203121		203124
	HE30	205595			205596		203119	203122		205597
	HE35	205601			205602		203120	203123		205603
	HE40									205695
	HE45	205677								
16	HE25	205385			205386		203130	203135		203140
	HE30	205390			205391		203131	203136		203141
	HE35	205392			205393		203132	203137		205627
	HE40	205607			205608		203133	203138		205609
	HE45	205613	205842		205614	205843	203134	203139		205615
	HE50	205696								
18	HE25	205397			205398		203147	203152		205399
	HE30	205403			205404		203148	203153	205694	205405
	HE35	205201			205406		203149	203154		205407
	HE40	205498			205499		203150	203155		205500
	HE45	205619	205692		205620	205511	203151	203156		205621
	HE50	205693	205844		203197					
	HE60									
20	HE30	205411			205412		203163			
	HE35	205416			205417		205512	203167		205418
	HE40	205205	203199		205206	205272	203164	205628		205420
	HE45	205424		205425	203165		203168	205426		
	HE50	205624		205271	203166		203169	205626		
	HE60				205282		205699			
24	HE30	205429			205430		203175	203181		205431
	HE35	205434			205435		203176	203182		205436
	HE40	205439			205440	205514	203177	203183		205441
	HE45	205207		205208	203178		203184	205444		
	HE50	205447		205448	203179		203185	205449		
	HE60	205452		205453	203180		205508	205454		
	HE70						205509			
30	HE35	205456			205457		203186			205458
	HE40	205460			205461		203187			205462
	HE45	205464			205465		203188			205466
	HE50	205468			205469		203189			205470
	HE60	205472			205473		203190			205474
	HE70									
36	HE35	205475			205476		203191			205477
	HE40	205478			205479		203192			205480
	HE45	205481			205482		203193			205483
	HE50	205484			205490		203194			205491
	HE60	205492			205493		203195			205494
	HE70	205492			203198					

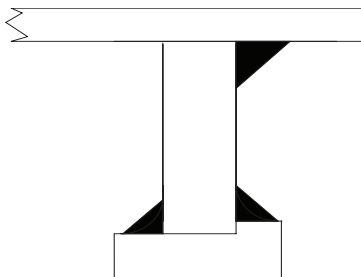
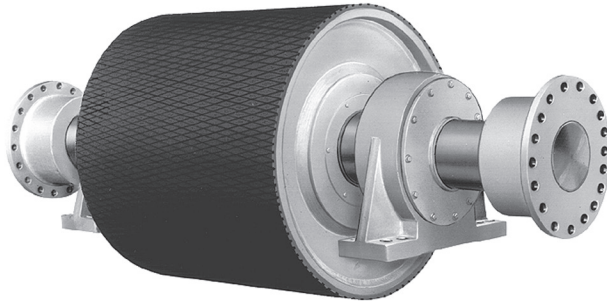


SELECTION

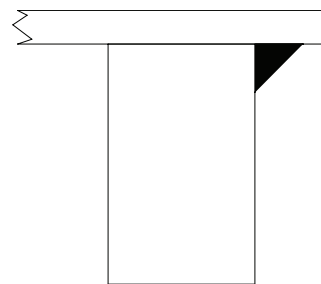
Engineered Class Pulleys

A proven leader in its design and manufacturing - Dodge engineered class pulleys are custom-designed to the conveyor load, tensions, bearing centers and wrap angles of your application. They are supplied for belt ranges up to and exceeding 8000 pounds per inch of belt width. Finite element design, material certification, certified welding and technologically advanced lagging material assure you the exact pulley for your application.

- 14° HE bushings and hubs assure lowest bellows installation stress
- Integral hub and T-section pulleys minimize effects of welding in heat affected zones (HAZ)
- Keyless locking devices are offered for shafts up to 30" in diameter
- Full fillet welding of the internal center discs assure rugged reliability



Welded Hub Design



Integral Hub Design



SELECTION

Turbine Pulleys

Turbine End Discs

Proprietary Software designs the rim, end disc, hub and shaft, and selects the locking assembly and bearings.

- All of the components designed as part of a dynamic system
- 3D Parametric Modeling and FEA are used in the design process
- Submerged Arc Welds
- No hub to end disc welds. This eliminates the most common failure point.
- Welds are Nondestructive Tested

Machining of the end disc increases the flexibility and reduces the bending moment carried by the locking assembly, hub, end disc, welds and rim.

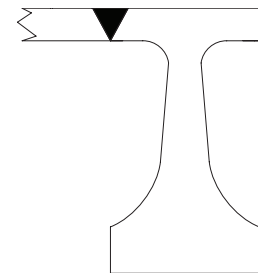
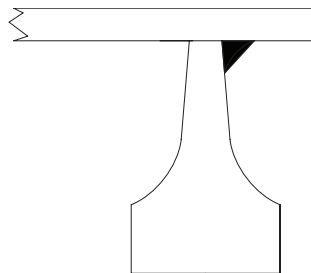
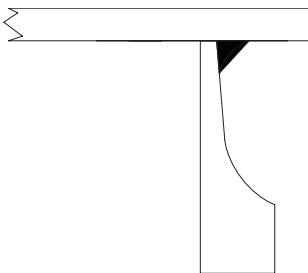


Single and Double Profile:

- Hub and end disc machined from 1 piece of steel
- Welds are on the inside of the rim at the end disc

T-Section

- Hub, end disc, and part of rim all machined from 1 piece of steel
- Circumferential butt weld joins the center section of the rim to the rim that is part of the end disc
- Welds are in the rim in a lower stress area away from the rim to end disc connection



Single Profile Design

Double Profile Design

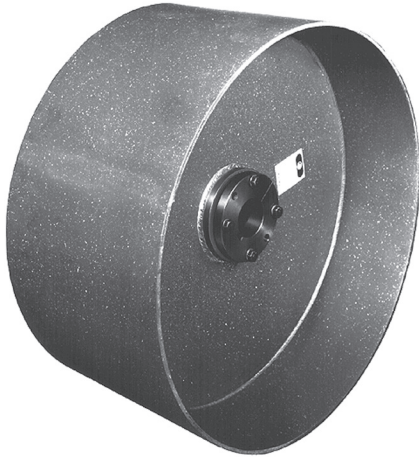
T-Section Design

FEATURES/BENEFITS PAGE PT15-2	SPECIFICATION PAGE PT15-4	NOMENCLATURE PAGE PT15-7	SELECTION/DIMENSIONS PAGE PT15-10
----------------------------------	------------------------------	-----------------------------	--------------------------------------

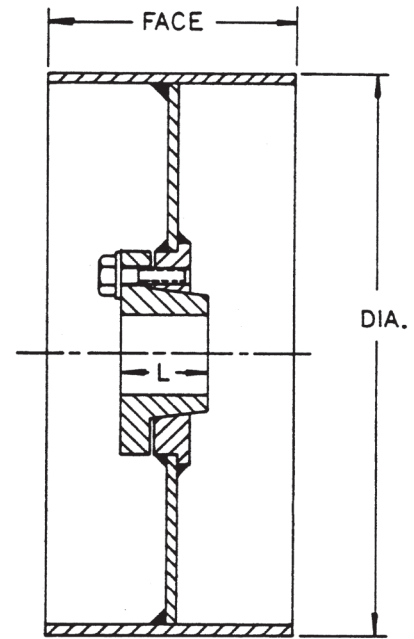


SELECTION

Elevator Pulleys



- Single or dual end disc design
- Heavy, all steel construction
- Economical alternative in narrow belt applications
- Standard crown face or available straight face
- HE compression hubs
- Various diameters and face widths available
- QD and TAPER-LOCK hubs and bushings also available
- CEMA or Mine Duty Construction
- Engineered also available



Double Disc Elevator Pulley Part Numbers

DIA	HUB	Face Width									
		10	11	12	14	15	16	18	20	22	24
16	HE25	203207	202000	203651	203652	202003	206090	206091	206092	209736	209952
	HE30	202001	202002	209734	202004	202005	203283	209735	203657	209737	
18	HE25	202006	224521	203703	203704	202012	209743	209744	206110	203712	209746
	HE30	203208	224522	202009	202010	202013	202015	203707	209745	203713	203718
	HE35	202007	202008	224523	202011	202014	202016	202017	203709	209953	203719
20	HE25	203309	202020	209756	203765	202026	203766	203767	206125	203773	203778
	HE30	202018	202021	224524	202024	202027	202029	202031	209757	203774	209758
	HE35	202019	202022	202023	202025	202028	202030	203768	203770	203775	203780
24	HE25	224528	202033	202035	202038	202039	202041	202043	202046	202047	202049
	HE30	203814	224530	209957	203816	224532	203817	203818	203819	209958	203827
	HE35	202032	224531	202036	209767	203392	202042	202044	203820	203824	203828
	HE40	224529	202034	202037	203339	202040	224533	202045	203821	202048	203829
30	HE30	202050	202055	224534	203857	224538	203858	209959	203860	202070	202073
	HE35	202051	202056	224535	202062	203392	203210	202067	203861	203864	203868
	HE40	202052	202057	224536	224537	224539	209780	224541	203862	203865	203869
	HE45	202053	202058	202060	202063	224540	202151	202068	203863	202071	203870
	HE50	202054	202059	202061	202064	202065	202066	224542	202069	202072	202074
36	HE30	202075	202080	202085	202090	202093	224548	202096	202098	202103	202107
	HE35	202076	202081	202086	224543	224545	203906	203430	202099	202104	202108
	HE40	202077	202082	202087	224544	224546	224549	203431	202100	224552	202109
	HE45	202078	202083	202088	202091	224547	202095	224551	202101	202105	202110
	HE50	202079	202084	202089	202092	202094	224550	202097	202102	202106	202111
42	HE35	202112	202114	202116	202118	202120	202122	224554	224556	203214	203215
	HE40	202113	202115	202117	202119	202121	224553	224555	224557	202123	202124
48	HE30	202125	202128	202131	202134	202137	202139	202142	202145	202148	202150
	HE35	202126	202129	202132	202135	224559	202140	202143	202146	203217	203218
	HE40	202127	202130	202133	202136	202138	202141	202144	202147	202149	224560

Part numbers above are for standard drum pulley units with two end-disc design. Single disc pulleys available on request.

- Heavy duty standard construction
- Holz SOF slide lagging available upon request
- Engineered upon request

FEATURES/BENEFITS PAGE PT15-2	SPECIFICATION PAGE PT15-4	NOMENCLATURE PAGE PT15-7	SELECTION/DIMENSIONS PAGE PT15-10
----------------------------------	------------------------------	-----------------------------	--------------------------------------

SELECTION



Elevator Pulleys



Roller Chain Sprockets

Conveyor Components

Engineering

Part Number Index

Keyword Index

Double Disc Elevator Pulley Part Numbers - With HOLZ SOF SLIDE LAG

DIA	HUB	10	11	12	14	15	16	18	20	22	24
16	HE25 HE30	203918		224572	224618		224619		224620		
18	HE25 HE30 HE35			224621	224622		224623	224624	224625		224626
20	HE25 HE30 HE35			224627	224628		224629	224630	224631		224632
24	HE25 HE30 HE35 HE40			224633	224634 224574 224575		224635	224636	224637		224638
30	HE30 HE35 HE40 HE45 HE50	224576			203935	203936 203937	203938 224577 224578				
36	HE30 HE35 HE40 HE45 HE50			224579	203942 203941 203940		224580 224581 224582 224583		224639	224584	224640
42	HE35 HE40				224585			224586	224588	203948	
48	HE30 HE35 HE40							224641	224642	203955	203958 224592

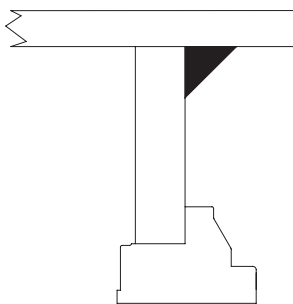
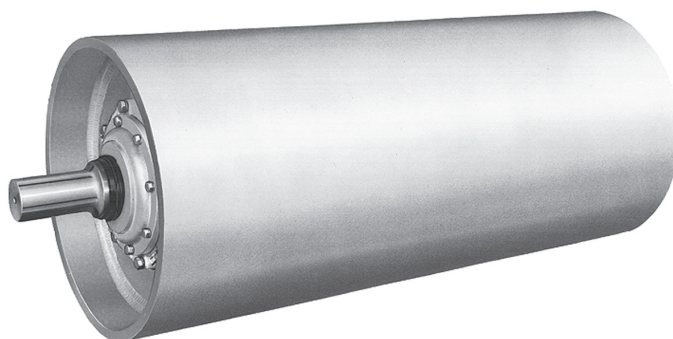
FEATURES/BENEFITS PAGE PT15-2	SPECIFICATION PAGE PT15-4	NOMENCLATURE PAGE PT15-7	SELECTION/DIMENSIONS PAGE PT15-10
----------------------------------	------------------------------	-----------------------------	--------------------------------------



SELECTION

Dead Shaft Pulleys

Our design incorporates two spherical roller piloted flange bearings within the end disc, instead of using our standard bushings. This allows the pulley to rotate, while keeping the support shaft stationary. The self-aligning bearings handle the shaft misalignment instead of transmitting it to the end discs. This design may be used where space is limited, and our traditional design may not fit. Dead shaft pulleys are more compact and may allow for smaller shaft diameters through the pulley.



Piloted Flange Bearing End Disc

FEATURES/BENEFITS PAGE PT15-2	SPECIFICATION PAGE PT15-4	NOMENCLATURE PAGE PT15-7	SELECTION/DIMENSIONS PAGE PT15-10
----------------------------------	------------------------------	-----------------------------	--------------------------------------

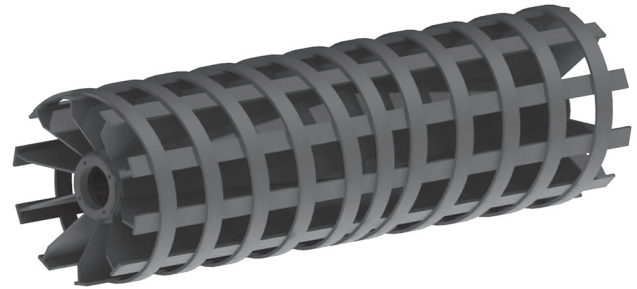


SELECTION

Spiral Wing Pulleys

The Dodge Spiral Wing Pulley is available from 6" to 60" diameters and face widths exceeding 100". Our Spiral Wing Pulleys are formed using a flat bar that is helically wound around the pulley, with set intervals that helps to move excess material off the pulley. The spiral design allows constant contact with the belt, eliminating excessive noise and vibration, while still cleaning the belt. Our Spiral Wing pulley is available in numerous hub and bushing designs.

- Self Cleaning, maximizes belt life



Spiral Drum Pulleys

The Dodge Spiral Drum Pulley is available from 12" to 60" diameters and face widths exceeding 100". It is formed using a vertical steel bar that is continuously wound around the pulley, with set intervals that helps to move excess material off the pulley. The spiral design allows constant contact with the belt, promoting the cleaning of the belt. Our Spiral Drum pulley is available in various hub and bushing designs.

Magnetic Pulleys

Dodge Magnetic Drum Pulleys are available from 8-5/8" to 36" diameters. These Magnetic Drum Pulleys are supplied with straight face stainless steel rims and HE hubs and bushings. Magnetic Drum Pulleys continuously remove iron and ferrous particles from the conveyed material. All standard lagging options are available. For specific magnetic pulley requirements, please call the Dodge Conveyor Group.



Stainless Steel Pulleys

Dodge Stainless Steel Pulleys are available from 6" to 60" diameters with face widths exceeding 100", in either crown or straight face. These pulleys can be supplied made completely from stainless steel for corrosive environments. Or it can be supplied with stainless steel rim and end discs and carbon steel hubs for use with magnetic separator. Stainless steel bushings and shafting can also be quoted. All standard lagging options are available.

FEATURES/BENEFITS PAGE PT15-2	SPECIFICATION PAGE PT15-4	NOMENCLATURE PAGE PT15-7	SELECTION/DIMENSIONS PAGE PT15-10
----------------------------------	------------------------------	-----------------------------	--------------------------------------



SELECTION

Steel Split Pulleys



- Applied in narrow belt applications
- Die formed, riveted construction
- Provides the best possible weight to strength ratio
- Interchangeable bushings for bores from 3/4" to 3-1/2"
- Available from stock
- Max speed = 500 ft/min
- Pulleys can be lagged with any standard lagging

Bore Size	L Bushing			
	P/N	Bushing Keyway	Shaft Keyway	Key Required
3/4	051009	3/16 x 3/32	3/16 x 3/32	3/16 x 3/16
1	051020	1/4 x 1/8	1/4 x 1/8	1/4 x 1/4
1-3/16	051016	*	*	*
N Bushing				
3/4	051029	3/16 x 3/32	3/16 x 3/32	3/16 x 3/16
1	051033	1/4 x 1/8	1/4 x 1/8	1/4 x 1/4
1-3/16	051036	1/4 x 1/8	1/4 x 1/8	1/4 x 1/4
1-1/4	051037	1/4 x 1/8	1/4 x 1/8	1/4 x 1/4
1-7/16	051040	3/8 x 1/8	3/8 x 1/16	3/8 x 5/8
1-1/2	051048	3/8 x 1/8	3/8 x 1/16	3/8 x 5/16
1-11/16	051044	*	*	*
SF Bushing				
3/4	051059	3/16 x 3/32	3/16 x 3/32	3/16 x 3/16
1	051063	1/4 x 1/8	1/4 x 1/8	1/4 x 1/4
1-3/16	051066	1/4 x 1/8	1/4 x 1/8	1/4 x 1/4
1-1/4	051067	1/4 x 1/8	1/4 x 1/8	1/4 x 1/4
1-7/16	051070	3/8 x 1/8	3/8 x 1/16	3/8 x 5/16
1-1/2	051071	3/8 x 1/8	3/8 x 1/16	3/8 x 5/16
1-15/16	051078	1/2 x 1/8	1/2 x 1/8	1/2 x 3/8
2-3/16	051082	*	*	*

Max bore does not use a bushing. Bushing cannot be re-bored

Bore Size	G Bushing			
	P/N	Bushing Keyway	Shaft Keyway	Key Required
1-3/16	051211	1/4 x 1/8	1/4 x 1/8	1/4 x 1/4
1-1/4	051212	1/4 x 1/8	1/4 x 1/8	1/4 x 1/8
1-7/16	051215	3/8 x 1/8	3/8 x 3/16	3/8 x 5/16
1-1/2	051216	3/8 x 1/8	3/8 x 3/16	3/8 x 5/16
1-11/16	051219	3/8 x 1/8	3/8 x 3/16	3/8 x 5/16
1-15/16	051223	1/2 x 1/8	1/2 x 1/4	1/2 x 1/8
2	051224	1/2 x 1/8	1/2 x 1/4	1/2 x 1/8
2-3/16	051227	1/2 x 1/8	1/2 x 1/4	1/2 x 1/8
2-7/16	051231	5/8 x 3/16	5/8 x 5/16	5/8 x 1/2
2-15/16	051250	3/4 x 3/16	3/4 x 3/8	3/4 x 9/16
3-7/16	051247	*	*	*

* Keyways are not available in these sizes.

SELECTION



Steel Split Pulleys

Face Width *	Part No.	Wt. Δ	Max. Bore	Overall Hub Length	Bushing Symbol ◇	Face Width *	Part No.	Wt. Δ	Max. Bore	Overall Hub Length	Bushing Symbol ◇	Face Width *	Part No.	Wt. Δ	Max. Bore	Overall Hub Length	Bushing Symbol ◇
3" Diameter						8" Diameter						12" Diameter					
3	203005	1.3	1-7/16	3	L	2	200017	5.6	2-7/16	2-3/8	SF	3	200050	13	3-1/2	3-5/8	G
4	203006	1.4	1-7/16	3	L	3	200018	7.7	3-1/2	3-5/8	G	4	200051	14	3-1/2	3-5/8	G
5	203007	1.6	1-7/16	3	L	4	200019	8.5	3-1/2	3-5/8	G	5	200052	15	3-1/2	3-5/8	G
6	203008	1.7	1-7/16	3	L	5	200020	9.3	3-1/2	3-5/8	G	6	200053	17	3-1/2	3-5/8	G
4" Diameter						6	200021	9.9	3-1/2	3-5/8	G	8	200054	26	3-1/2	7-1/2	2-G
3	203015	1.7	1-15/16	3	N	8	200022	16	3-1/2	7-1/2	2-G	10	200055	29	3-1/2	9-1/2	2-G
4	203016	2.4	1-15/16	3	N	10	200023	17	3-1/2	9-1/2	2-G	12	200056	31	3-1/2	11-1/2	2-G
5	203017	3.2	1-15/16	3	N	12	200024	19	3-1/2	11-1/2	2-G	14" Diameter					
6	203018	5.6	1-15/16	3	N	9" Diameter						3	200070	14	3-1/2	3-5/8	G
5" Diameter						3	200026	8.9	3-1/2	3-5/8	G	4	200071	16	3-1/2	3-5/8	G
3	203025	2.8	1-15/16		N	4	200027	9.5	3-1/2	3-5/8	G	5	200072	18	3-1/2	3-5/8	G
4	203026	3.0	1-15/16	3	N	5	200028	11	3-1/2	3-5/8	G	6	200073	19	3-1/2	3-5/8	G
5	203027	3.5	1-15/16	3	N	6	200029	12	3-1/2	3-5/8	G	7	200074	30	3-1/2	7-1/2	2-G
6	203028	6.3	1-15/16	3	N	8	200030	18	3-1/2	7-1/2	2-G	10	200075	32	3-1/2	9-1/2	2-G
6" Diameter						10	200031	20	3-1/2	9-1/2	2-G	12	200076	36	3-1/2	11-1/2	2-G
2	200001	4.3	2-7/16	2-3/8	SF	10" Diameter						16" Diameter					
3	200002	4.5	2-7/16	2-3/8	SF	3	200034	9.7	3-1/2	3-5/8	G	3	200088	17	3-1/2	3-5/8	G
4	200003	5.3	2-7/16	2-3/8	SF	4	200035	9.5	3-1/2	3-5/8	G	4	200089	18	3-1/2	3-5/8	G
5	200004	6.0	2-7/16	2-3/8	SF	5	200036	11	3-1/2	3-5/8	G	5	200090	19	3-1/2	3-5/8	G
6	200005	6.8	2-7/16	2-3/8	SF	6	200037	12	3-1/2	3-5/8	G	6	200091	21	3-1/2	3-5/8	G
8	200006	10	2-7/16	6-3/4	2-SF	8	200038	18	3-1/2	7-1/2	2-G	8	200092	34	3-1/2	7-1/2	2-G
10	200007	12	2-7/16	8-3/4	2-SF	10	200039	20	3-1/2	9-1/2	2-G	10	200093	37	3-1/2	9-1/2	2-G
12	200008	14	2-7/16	10-3/4	2-SF	12	200040	22	3-1/2	11-1/2	2-G	12	200094	40	3-1/2	11-1/2	2-G
7" Diameter						11" Diameter						18" Diameter					
3	200010	5.1	2-7/16	2-3/8	SF	3	200042	11	3-1/2	3-5/8	G	3	200106	18	3-1/2	3-5/8	G
4	200011	6.0	2-7/16	2-3/8	SF	4	200043	9.5	3-1/2	3-5/8	G	4	200107	20	3-1/2	3-5/8	G
5	200012	7.0	2-7/16	2-3/8	SF	6	200045	12	3-1/2	3-5/8	G	6	200109	26	3-1/2	3-5/8	G
6	200013	7.9	2-7/16	2-3/8	SF							20" Diameter					
8	200014	11	2-7/16	6-3/4	2-SF							4	200125	22	3-1/2	3-5/8	G
12	200016	15	2-7/16	10-3/4	2-SF							5	200126	24	3-1/2	3-5/8	G
												6	200127	25	3-1/2	3-5/8	G

- * Crown face pulleys will be furnished
- Δ Weight does not include weight of bushing.
- ◇ One bushing required per pulley except two required where figure 2 precedes bushing symbol.

Keyways – Pulleys are designed to transmit power by gripping the shaft, and the keys are not ordinarily required.

Bushings						
Bushing Symbol	Avg. Wt.	Max. Bore		Min. Bore	Out-side Diam.	Lgth.
		No Keyway	With Keyway			
L	.4	1-3/16	1	3/4	1-7/16	3
N	1.0	1-11/16	1-1/2	3/4	1-15/16	3
SF	1.3	2-3/16	1-15/16	3/4	2-7/16	2-3/8
G	2.7	3-7/16	2-15/16	1-3/16	3-1/2	3/5/8

• Keys not included in the price

Overall Pulley Face Widths									
Pulley Diam.	Overall Face Width for Various Nominal Face Widths Pulley								
	2	3	4	5	6	8	10	12	14
3	3-11/16	4-11/16	5-11/16	6-11/16
4	3-9/16	4-7/16	5-7/16	6-5/16
5	3-9/16	4-5/16	5-5/16	6-5/16
6-7	2-3/16	3-5/8	4-11/16	5-11/16	6-11/16	8-11/16	10-11/16	12-11/16
8-11	2-3/16	4	4-11/16	5-11/16	6-11/16	8-11/16	10-11/16	12-11/16
12-11	4	4-11/16	5-11/16	6-11/16	8-11/16	10-11/16	12-11/16
18-20	4	4-11/16	5-11/16	6-11/16

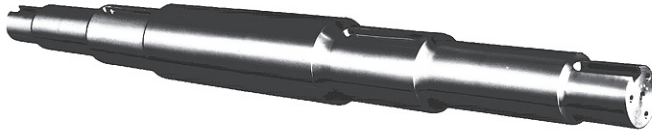
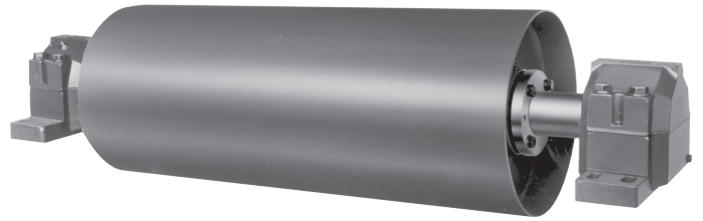
FEATURES/BENEFITS PAGE PT15-2	SPECIFICATION PAGE PT15-4	NOMENCLATURE PAGE PT15-7	SELECTION/DIMENSIONS PAGE PT15-10
----------------------------------	------------------------------	-----------------------------	--------------------------------------



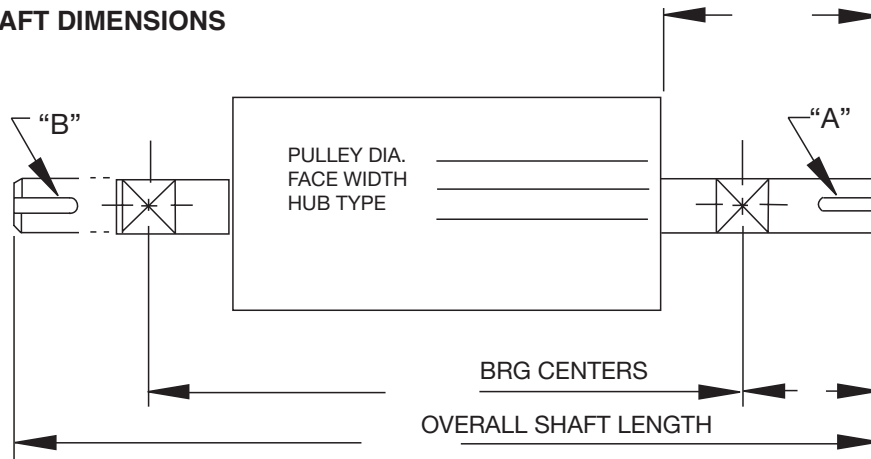
SELECTION

Shafting

- Shafting up to 30" diameter, 22' in length
- Precision machined, custom designed
- C1045 turned and polished. Stocked through 5-15/16
- C1045 hot rolled 6" and above - to order
- 4140, 4340 and stainless steel available upon request
- Shafting can be keyed or journaled to meet any specification



DRIVE PULLEY & SHAFT DIMENSIONS

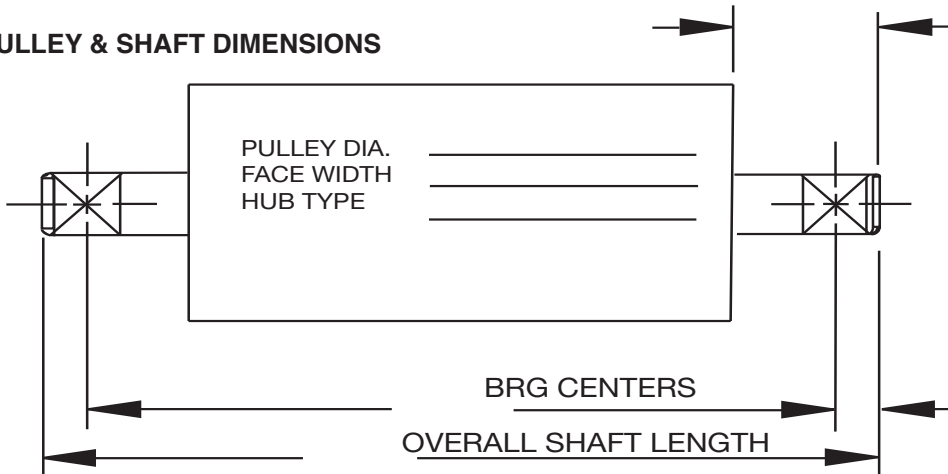


SHAFT DIA. AT HUB - _____	KEYSEAT "A" - _____ X _____ X _____ LONG
SHAFT DIA. AT BRG. - _____	KEYSEAT "B" - _____ X _____ X _____ LONG
SHAFT DIA. AT "A" - _____	DIRECTION OF ROTATION _____
SHAFT DIA. AT "B" - _____	(LOOKING AT DRIVEN END) _____
NUMBER OF KEYSEATS - _____	LAGGING <input type="checkbox"/> THICKNESS - _____
	TYPE - _____

NON-DRIVE PULLEY & SHAFT DIMENSIONS

DRUM -

WING -



SHAFT DIA. AT HUB - _____	KEYSEAT - 0 _____ , 1 _____ , 2 _____
SHAFT DIA. AT BRG. - _____	



Conveyor Pulley Lagging



Diamond Grooved

Lagging pulley surfaces increases belt traction and eliminates rim wear due to abrasive conditions. In addition, it reduces buildup on the belt to help extend the service life.

Dodge offers lagging in 60 Durometer as standard, 70 and 45 are also available. Others available upon request.

A variety of different lagging styles are available.

- Plain
- Diamond grooved
- Chevron
- Herringbone
- Holz - replaceable slide on lagging can be installed or replaced with pulley installed. See page PT15-67 for more information
- Ceramic lagging
- Available in a wide variety of thicknesses

Superior Lagging Materials

Standard material for Dodge lagging is Styrene-Butadiene Rubber (SBR). It provides excellent abrasion resistance, as well as resistance to heat, cutting, gouging and tearing.

D-Lag

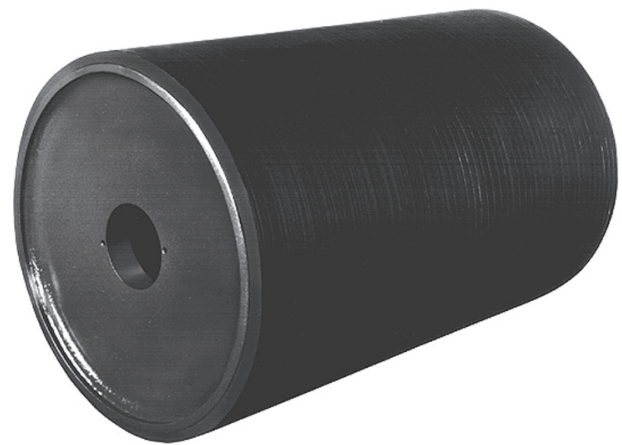
For maximum abrasion resistance, Dodge also offers D-Lag - a premium rubber polymer with 73% greater life than standard SBR. It offers improved resistance to cuts and gouges, as well as an improved coefficient of friction and low temperature flexibility.

Neoprene

Dodge also offers MSHA-approved neoprene material, which is fire retardant and oil resistant.

Wing-Lag

A replaceable urethane slide-on lagging for CEMA wing pulleys. See page PT15-68 for more information



D-LAG



Lagging Weights

1/4" Plain Vulcanized Rubber Lagging Weights

Pulley Dia.	Weights for Various Face Widths																			
	12	14	16	18	20	22	24	26	30	32	36	38	44	46	51	54	57	60	63	66
6	3	4	4	5	5	6	6	6	7	8	9	10	11	12	13	14	15	16	17	17
8	4	5	6	6	6	7	8	9	10	11	12	13	15	16	17	18	19	20	21	23
10	6	6	6	7	8	9	10	11	13	14	16	17	18	19	22	23	24	26	27	28
12	6	7	8	9	10	11	12	13	15	16	18	19	22	23	26	27	29	30	32	33
14	7	8	9	11	12	13	15	16	17	19	21	23	26	28	30	32	34	36	38	40
16	8	9	11	12	14	15	17	17	20	22	25	26	30	31	35	37	39	41	43	45
18	9	10	12	14	15	16	18	19	22	25	28	29	34	35	39	41	43	45	48	51
20	10	12	14	16	17	18	20	22	26	28	30	32	41	40	43	46	49	51	53	56
24	12	14	16	18	20	22	24	26	30	32	36	38	44	46	51	54	57	60	64	66
30	16	17	20	23	26	28	30	33	39	40	45	49	56	59	65	69	73	76	80	84
36	18	20	24	27	30	33	36	39	45	49	55	58	67	71	78	83	87	92	97	101
42	29	32	36	40	43	46	53	57	64	68	78	82	92	97	102	107	112	118
48	32	36	40	44	48	52	60	63	72	75	87	92	104	111	116	122	129	135
54	36	40	45	50	64	60	64	74	82	87	101	106	117	124	131	137	144	152
60	40	46	51	56	61	66	76	82	92	97	102	118	130	138	145	153	161	168

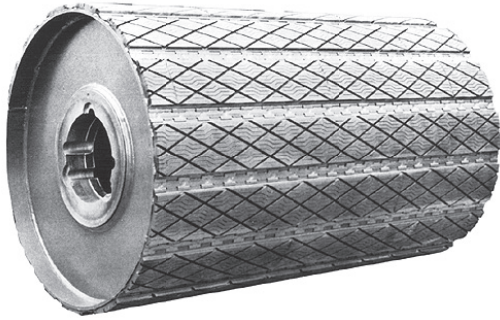
NOTE: For weights of other lagging, multiply weight given above by factors listed below.

**3/8", 1/2" Vulcanized Rubber Lagging Weight
Factors**

Type	Weight Factor	Type	Weight Factor
3/8" Plain	1.49	3/8" Grooved	1.40
1/2" Plain	1.99	1/2" Grooved	1.89



SLIDE LAG®



Exclusive elastomer compounding provides a lagging pad with exceptional drive-pulley traction, abrasion resistance and extra long service life.

Factory hot-vulcanization under pressure assures the best possible bond of rubber to backing plate. No lagging failures from loss of adhesion and separation-the most common problems associated with conventional lagging.

Steel backing plates and metal retainers are precision formed at the factory to fit the curved surface provided by each individual pulley diameter. Insures proper pad stability and long life.

Replaceable pads are designed to fit under the lips of the retainers, allowing the pads to slide in and out during installation. SLIDE LAG can be installed on conveyor systems without removing the pulleys from their operating positions

Different styles and materials of slide lag also available.

Part Number for Style #5 SLIDE LAG

Part Number	Description
207349	6" Diameter Style 5
207325	8" Diameter Style 5
207326	10" Diameter Style 5
207327	12" Diameter Style 5
207328	14" Diameter Style 5
207329	16" Diameter Style 5
207330	18" Diameter Style 5
207331	20" Diameter Style 5
207332	24" Diameter Style 5
207333	30" Diameter Style 5
207334	36" Diameter Style 5
207335	42" Diameter Style 5

Other styles of SLIDE LAG are available upon request, such as Belt saver, Edge crown and SOF. Dodge conveyor pulleys can be readily obtained with SLIDE LAG pre-installed from the factory.

Part Numbers for Holz Style # 5 SOF Slide Lagging

Part Number	Description
207336	8" Diameter Style 5 SOF
207337	10" Diameter Style 5 SOF
207338	12" Diameter Style 5 SOF
207339	14" Diameter Style 5 SOF
207340	16" Diameter Style 5 SOF
207341	18" Diameter Style 5 SOF
207342	20" Diameter Style 5 SOF
207343	24" Diameter Style 5 SOF
207344	30" Diameter Style 5 SOF
207345	36" Diameter Style 5 SOF
207346	42" Diameter Style 5 SOF
207249	48" Diameter Style 5 SOF

Ordering SLIDE LAG with Retainers

For the most common pulley sizes, select the number of 72" pads needed from the Table below

		Pulley Face Width																			
		12"	14"	16"	18"	20"	22"	24"	26"	30"	32"	36"	38"	40"	44"	46"	51"	54"	60"	66"	72"
P	6"	1	1	1	1	1	1	1	2	2	2	2	2	2	2	2	3	3	3	3	3
	8"	1	1	1	1	2	2	2	2	2	2	3	3	3	3	3	3	3	4	4	4
L	10"	1	1	2	2	2	2	2	3	3	3	3	3	4	4	4	4	5	5	5	5
	12"	1	2	2	2	2	2	2	3	3	3	3	4	4	4	4	5	5	6	6	6
E	14"	2	2	2	2	2	3	3	3	3	4	4	4	4	5	5	5	6	6	7	7
	16"	2	2	2	2	3	3	3	3	4	4	4	5	5	5	6	6	6	7	8	8
	18"	2	2	2	3	3	3	3	4	4	4	5	5	5	6	6	7	7	8	9	9
D	20"	2	2	3	3	3	4	4	4	5	5	5	6	6	7	7	8	8	9	10	10
	24"	2	3	3	3	4	4	4	5	5	6	6	7	7	8	8	9	9	10	11	12
A	30"	3	3	4	4	5	5	5	6	7	7	8	8	9	10	10	11	12	13	14	15
	36"	3	4	4	5	5	6	6	7	8	8	9	10	10	11	12	13	14	15	17	18
E	42"	4	5	5	6	6	7	7	8	9	10	11	12	12	13	14	15	16	18	20	21
	48"	4	5	6	6	7	8	8	9	10	11	12	13	14	15	16	17	18	20	22	24
E	54"	5	6	6	7	8	9	9	10	12	12	14	15	15	17	18	20	21	23	25	27
	60"	5	6	7	8	9	10	10	11	13	14	15	16	17	19	20	22	23	25	28	30
R	72"	6	7	8	9	10	11	12	13	15	16	18	19	20	22	23	26	27	30	33	36

* Registered trademark of Holz Rubber Company



WING-LAG™

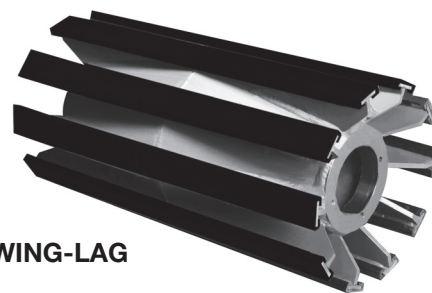
A poly-elastomer material that improves the performance of conventional wing pulleys. Designed to beat the heat or cold...oil, chemicals or abrasives...for any tough conveyor operation where the job calls for lagged wing pulleys... WING-LAG will do the job better and last longer.

Tougher than rubber. WING-LAG will outlast rubber lagging 2-5 times.

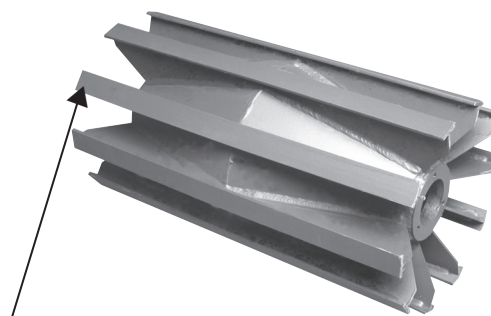
Resists chemicals and abrasives. WING-LAG is not affected by most oils, hydraulic fluids, fuels, chemicals and abrasives.

Excellent temperature range. WING-LAG has an effective operating temperature range of -60 degrees F to +212 degrees F.

WING-LAG grips the wing pulley and stays in place as if it were glued. However, it requires no special metal channeling, retaining grooves or other designed-in retaining feature, therefore it goes on easily and removes easily.



Pulley with WING-LAG



Contact Bar

Greater protection from foreign objects. Because of its tough composition, rocks, coal chunks and other debris trapped between the conveyor belt and the wing will simply be thrown out when the pulley has completed its turn.

Ordering WING-LAG

For the most common pulley sizes, select the number of the wings from the Table below. To calculate the number of 72" pieces needed, multiply the number of wings by the face width and divide by 72. Round the number of pieces up to the next largest number.

Diameter	Heavy Duty No. of Wings	Part Number
8	7	207300
10	8	207300
12	8	207300
14	10	207300
16	10	207300
18	10	207300
20	10	207301
24	12	207301
30	16	207301
36	18	207301
42	22	207301
48	24	207301
54	28	207301
60	30	207301

WING-LAG is available on CEMA heavy duty wing pulleys with standard contact bars pre-installed at the factory or it can be retrofit in the field. Either way a WING-LAG wing pulley will extend the life of conveyor belts and conventional wing pulleys under the most severe operating conditions.

Only available on CEMA wings with standard contact bars.

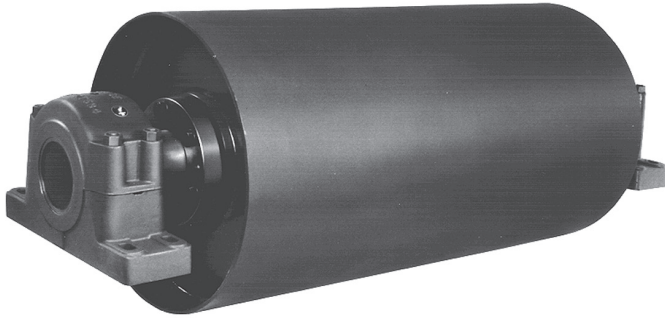
Installation and maintenance instructions are available at www.dodge-pt.com

FEATURES/BENEFITS PAGE PT15-2	HOW TO ORDER PAGE PT15-6	SELECTION PAGE PT15-9	SELECTION/DIMENSIONS PAGE PT15-10
----------------------------------	-----------------------------	--------------------------	--------------------------------------

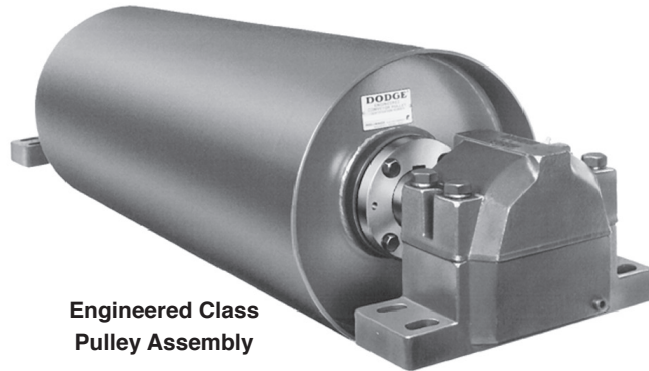


Conveyor Pulley Assemblies

- Single source supplier, single source warranty
- Computer aided product selection
- Maximize return on investment
- No on-site component assembly
- Complete package of all Dodge bearing and power transmission components, including pulleys, lagging, shafting and bearings, such as USAF, ISAF, IP-E, etc
- Coupling mounting is also available



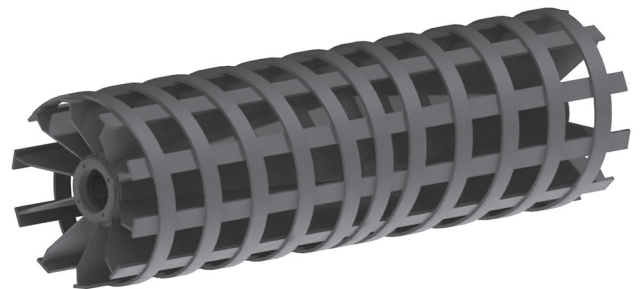
Drum Pulley Assembly



Engineered Class Pulley Assembly



Wing Pulley Assembly



Spiral Wing Pulley Assembly

FEATURES/BENEFITS PAGE PT15-2	HOW TO ORDER PAGE PT15-6	SELECTION PAGE PT15-9	SELECTION/DIMENSIONS PAGE PT15-10
----------------------------------	-----------------------------	--------------------------	--------------------------------------



RELATED PRODUCTS

HE Bushings

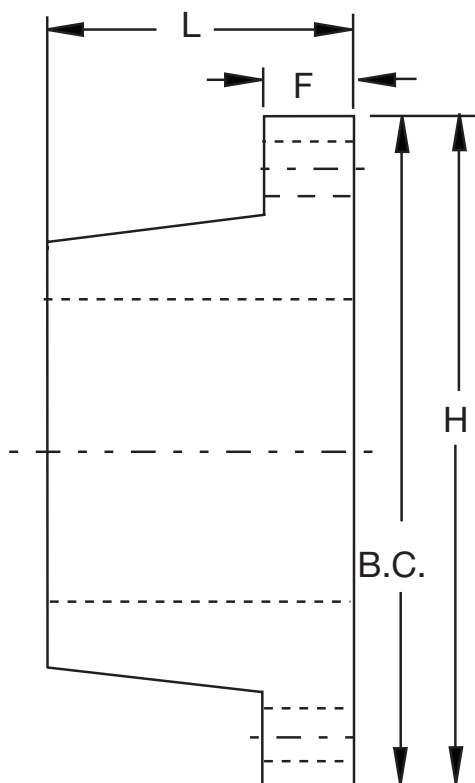
The Dodge exclusive HE bushing system was specifically designed for drum and wing pulley applications

- 14° taper angle to minimize end disc stress
- Thicker flange

- More mounting bolts on larger sizes
- Shaft diameters to 12"
- Even bolt spacing

HE Bushing Dimensions

Bushing	Maximum Bore (in.)	L (in.)	B.C. (in.)	F (in.)	H (in.)	Number of Bolts	Size of Bolts (in.)
HE-25	2-1/2	1.80	3.94	.75	4.63	4	3/8-16 x 1-3/4
HE-30	3	2.20	4.69	.88	5.63	4	1/2-13 x 2-1/4
HE-35	3-1/2	2.78	5.56	.88	6.63	4	9/16-12 x 2-1/4
HE-40	4	2.93	6.31	1.00	7.50	4	5/8-11 x 2-1/2
HE-45	4-1/2	3.20	7.31	1.25	8.75	6	5/8-11 x 2-1/2
HE-50	5	3.70	8.00	1.50	9.63	6	3/4-10 x 3
HE-60	6	3.95	9.25	1.75	11.13	6	7/8-9 x 3-1/2
HE-70	7	4.45	10.56	2.00	12.75	6	1-8 x 4
HE-80	8	5.20	12.13	2.25	14.50	6	1-1/8-7 x 4-1/2
HE-100	10	6.45	14.50	3.00	17.00	6	1-1/4-7 x 5-1/2
HE-120	12	7.45	17.50	3.00	20.00	8	1-1/4-7 x 5-1/2



Wrench Torque

Bushing	Wrench Torque (ft.-lbs.)
HE-25	30
HE-30	60
HE-35	90
HE-40	140
HE-45	140
HE-50	200
HE-60	350
HE-70	500
HE-80	500
HE-100	600
HE-120	600

Details for TAPER-LOCK Bushings - See page PT6-2 - PT6-12

Details for QD Bushings - See page PT6-16 - PT6-25

Installation and maintenance instructions are available at www.dodge-pt.com

FEATURES/BENEFITS PAGE PT15-2	HOW TO ORDER PAGE PT15-6	SELECTION PAGE PT15-9	SELECTION/DIMENSIONS PAGE PT15-10
----------------------------------	-----------------------------	--------------------------	--------------------------------------



RELATED PRODUCTS

HE Bushings

Bush. No.	Bore	Part No.	Wt.	Bushing Keyway	Shaft Keyway		
HE-25	1	206623 *	5.4	1/4 x 1/8	1/4 x 1/8		
	1-1/8	206744	5.4				
	1-3/16	206615 *	5.4				
	1-1/4	206745 *	5.4				
	1-5/16	206747	5.4	5/16 x 5/32	5/16 x 5/32		
	1-3/8	206748	5.4				
	1-7/16	206617 *	5.4	3/8 x 3/16	3/8 x 3/16		
	1-1/2	206750 *	5.4				
	1-11/16	206752 *	5.4				
	1-3/4	206754 *	5.4				
	1-13/16	206756	5.4	1/2 x 1/4	1/2 x 1/4		
	1-7/8	206758	5.4				
	1-15/16	206619 *	5.4				
	2	206760 *	5.4				
	2-1/8	205997	5.4				
	2-3/16	206763 *	5.4				
	2-1/4	206765 *	3.1				
	2-5/16	206767	3.1			5/8 x 3/16▲	5/8 x 5/16
	2-3/8	206768	3.1				
	2-7/16	206621 *	3.1				
2-1/2	206770	3.1					
HE-30	1-3/8	206635	8.5	5/16 x 5/32	5/16 x 5/32		
	1-7/16	206625	8.5	3/8 x 3/16	3/8 x 3/16		
	1-1/2	206637 *	8.5				
	1-11/16	206639	8.5				
	1-3/4	206772	8.5				
	1-15/16	206627 *	8.5	1/2 x 1/4	1/2 x 1/4		
	2	206774	8.5				
	2-3/16	206775 *	8.5	5/8 x 5/16	5/8 x 5/16		
	2-7/16	206629 *	8.5				
	2-1/2	206777 *	8.5				
	2-9/16	206838	8.5				
	2-5/8	205881	8.5				
	2-11/16	206631 *	8.5				
	2-3/4	206778 *	5.3	3/4 x 1/8▲	3/4 x 3/8		
	2-13/16	206779	5.3				
	2-7/8	206780	5.3				
2-15/16	206633 *	5.3					
3	206781 *	5.3					
HE-35	1-3/16	206648	15	1/4 x 1/8	1/4 x 1/8		
	1-7/16	206649	15	3/8 x 3/16	3/8 x 3/16		
	1-1/2	206784	15				
	1-11/16	206786	15				
	1-3/4	206839	15				
	1-15/16	206640	15	1/2 x 1/4	1/2 x 1/4		
	2	206788	15				
	2-3/16	206790 *	15				
2-1/4	206792	15					

▲ Keys Furnished For These Sizes Only
 * Standard Stock Sizes

Bush. No.	Bore	Part No.	Wt.	Bushing Keyway	Shaft Keyway	
HE-35 (cont)	2-3/8	206794	15	5/8 x 5/16	5/8 x 5/16	
	2-7/16	206642 *	15			
	2-1/2	206795	15			
	2-11/16	206796	15			
	2-3/4	206798	15	3/4 x 3/8	3/4 x 3/8	
	2-7/8	206800	15			
	2-15/16	206644 *	15			
	3	206801 *	15			
	3-3/16	206803 *	15			
	3-3/8	206840	9			
	3-7/16	206646 *	9	7/8 x 3/16▲	7/8 x 7/16	
	3-1/2	206807 *	9			
	HE-40	1-15/16	206658	20	1/2 x 1/4	1/2 x 1/4
		2-3/16	206659	20		
2-7/16		206810 *	20	5/8 x 5/16	5/8 x 5/16	
2-1/2		206811	20			
2-11/16		206650	20			
2-15/16		206652 *	20	3/4 x 3/8	3/4 x 3/8	
3-3/16		206812	20			
3-11/16		206813 *	12.3	7/8 x 7/16	7/8 x 7/16	
3-7/16		206654 *	12.3			
3-7/8		206841	12.3	1 x 1/4▲	1 x 1/2	
3-15/16	206656 *	12.3				
4	206815 *	12.3				
HE-45	1-15/16	206670	30	1/2 x 1/4	1/2 x 1/4	
	2-7/16	206660 *	30	5/8 x 5/16	5/8 x 5/16	
	2-15/16	206662 *	30	3/4 x 3/8	3/4 x 3/8	
	3-7/16	206664 *	30	7/8 x 7/16	7/8 x 7/16	
	3-1/2	206671	30			
	3-15/16	206666 *	19.4	1 x 1/2	1 x 1/2	
	4-3/16	206672	19.4	1 x 1/4▲	1 x 1/2	
	4-3/8	205883	19.4			
	4-7/16	206668 *	19.4			
	4-1/2	206673 *	19.4			
HE-50	2-15/16	207998	39	7/8 x 7/16	7/8 x 7/16	
	3-5/16	205884	39			
	3-7/16	206817 *	39			
	3-15/16	206818 *	39	1 x 1/2	1 x 1/2	
	4-7/16	206675 *	39			
	4-11/16	205885	27	1-1/4 x 1/4▲	1-1/4 x 5/8	
	4-15/16	206677 *	27			
	5	206821	27			
HE-60	3-15/16	206686 *	55	1 x 1/2	1 x 1/2	
	4-1/4	206687	55			
	4-7/16	206688 *	55			
	4-15/16	206680 *	55	1-1/4 x 5/8	1-1/4 x 5/8	
	5-1/4	206689	55			
	5-7/16	206682 *	55			
	5-1/2	206823 *	39			
	5-15/16	206684 *	39			
	6	206825 *	39			1-1/2 x 1/4▲



RELATED PRODUCTS

HE Bushings

Bush. No.	Bore	Part No.	Wt.	Bushing Keyway	Shaft Keyway
HE70	4-7/16	205886	74	1 x 1/2	1 x 1/2
	4-15/16	205880	74	1-1/4 x 5/8	1-1/4 x 5/8
	5-7/16	205887	74		
	5-15/16	206690 *	74	1-1/2 x 3/4	1-1/2 x 3/4
	6	207396 *	74		
	6-7/16	206692 *	74		
	6-1/2	206845 *	57		
6-15/16	206694 *	57	1-3/4 x 1/4▲	1-3/4 x 3/4	
7	206847 *	57			
HE80	5-15/16	207399	114.09	1-1/2 x 3/4	1-1/2 x 3/4
	6-7/16	206700	114.09		
	6-3/4	205888	114.09	1-3/4 x 3/4	1-3/4 x 3/4
	6-15/16	206702	114.09		
	7	205889	114.09		
	7-3/16	205890	114.09		
	7-1/2	206849 *	114.09		
	7-7/16	206704	114.09		
	7-3/4	205891	114.09	2 x 3/4	2 x 3/4
	7-15/16	206706	114.09		
	8	206708 *	83		
	7-1/2	206710	202		
7-15/16	206712	202			
8	206718 *	202	2 x 3/4	2 x 3/4	
8-7/16	205892	202			
8-1/2	206720 *	202			
8-15/16	206714	202			
9	206722 *	202	2-1/2 x 7/8	2-1/2 x 7/8	
9-1/2	206724 *	202			
10	206716 *	144			
HE-120	8	207398	348	2 x 3/4	2 x 3/4
	8-1/2	207380	348		
	9	207382	348		
	9-1/2	207384	348	2-1/2 x 7/8	2-1/2 x 7/8
	10	207386	348		
	10-1/2	207388	348		
	11	207390 *	348		
	11-1/2	207392	348	3 x 1	3 x 1
12	207394	225			

▲ Keys Furnished For These Sizes Only
* Standard Stock Sizes

Reborable HE Bushings

Bushing	Part Number	Minimum Bore	Inch		Metric	
			Maximum Bore (in.) Sq. Key	Maximum Bore (in.) Shallow Key	Minimum Bore (mm)	Maximum Bore (mm)
HE25	207960 *	15/16	2-1/4	2-1/2	24	60
HE30	207961 *	15/16	2-3/4	3	24	75
HE35	207962 *	1-3/16	3-1/4	3-1/2	32	85
HE40	207963 *	1-15/16	3-3/4	4	50	100
HE45	207964 *	1-15/16	3-15/16	4-1/2	50	110
HE50	207965 *	2-15/16	4-1/2	5	75	125
HE60	207966 *	3-7/16	5-1/2	6	90	150
HE70	207967 *	4-7/16	6-1/2	7	120	170
HE80	207968 *	5-7/16	8	-	140	200
HE100	207969	6-15/16	10	-	180	250
HE120	207970	7-15/16	12	-	220	300



RELATED PRODUCTS

Keyless Locking Assemblies



The Dodge Pulley Pros have been designing and fabricating special pulleys with Keyless Locking Assemblies for over 30 years. Hubs are computer designed for use with single or dual locking assemblies.

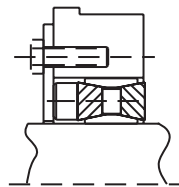
Keyless locking assemblies are available in two basic configurations – short series and long series. Long series locking assemblies feature a longer length through bore with a corresponding increase in contact area between the locking assembly and the shaft and hub.

Most conveyor pulley applications require only one short series locking assembly in each pulley hub to transmit the bending and torsional moments. Heavier loaded pulleys require long series locking assemblies to transmit increased loads. The Dodge Pulley Pros have the experience and expertise to determine the best keyless locking assembly configuration for any application.

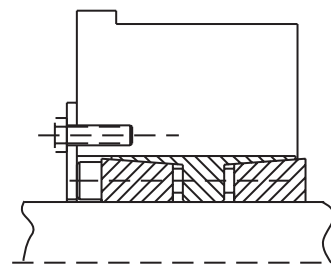


Long Series Locking Assembly

Dodge Keyless Locking Assemblies are self-contained, high torque capacity, shaft-hub locking devices. They provide many features and benefits to conveyor pulley assemblies, including no keyway stress concentration, no axial movement during assembly, high torque capacity, and easy assembly and disassembly. The locking assembly design includes concentric, tapered rings. As the locking screws are torqued, the locking assembly clamps down on the shaft and expands into the hub bore, establishing a tight mechanical shrink fit.



Short Series



Long Series Locking Assembly

Available in Weld On Hub, Integral Hub or T-Section. See Page PT15-56

FEATURES/BENEFITS PAGE PT15-2	HOW TO ORDER PAGE PT15-6	SELECTION PAGE PT15-9	SELECTION/DIMENSIONS PAGE PT15-10
----------------------------------	-----------------------------	--------------------------	--------------------------------------

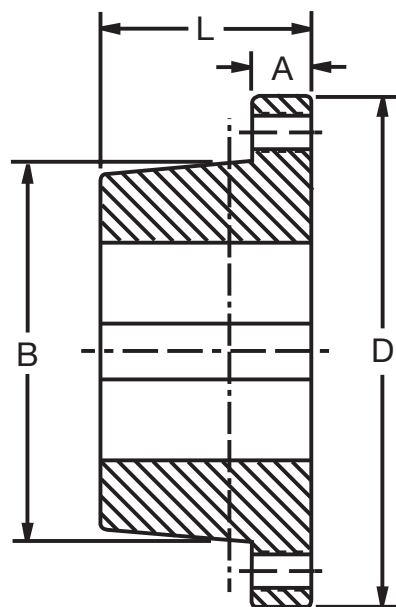


RELATED PRODUCTS

XT Bushings

Usage: This product is specially designed for conveyor pulley applications.

- 2"/ft taper for easy on, easy off
- In steel and gray cast iron



Dimensions

Bushing Size	Dimensions - Inches						No.	Size	Recommended Wrench Torque (ft-lbs)	Approx. Weight
	A	B	D	L	BC					
XTB15	3/8	2.000	2-7/8	1-1/8	2-7/16	4	1/4-20NC x 1"	7.9	0.7	
XTB20	15/32	2.688	3-3/4	1-13/32	3-3/16	4	5/16-18NC x 1-1/4"	16.7	1.5	
XTB25	5/8	3.188	4-7/16	1-7/8	3-3/4	4	3/8-16NC x 1-3/4"	29.2	2.6	
XTB30	11/16	3.875	5-5/16	2-1/16	4-9/16	4	7/16-14NC x 1-1/2"	45.8	4.2	
XTB35	25/32	4.688	6-5/16	2-15/32	5-7/16	4	1/2-13NC x 1-3/4"	70	7.4	
XTB40	7/8	5.313	7-1/8	2-13/16	6-1/8	4	9/16-12NC x 2"	100	10.5	
XTB45	15/16	5.938	8	3-5/16	6-7/8	4	5/8-11NC x 2-1/4"	140	14.8	
XTB50	1	7.250	10-1/8	3-3/4	8-5/16	4	3/4-10NC x 2-1/2"	250	27.8	
XTB60	1-1/8	8.625	11-15/16	4-1/8	9-7/8	4	7/8-9NC x 2-1/2"	400	42.8	
XTB70	1-5/16	10.000	13-15/16	4-11/16	11-9/16	4	1-8NC x 3"	600	66.3	
XTB80	1-3/8	11.125	15-5/8	5-1/8	12-7/8	4	1-1/8-7NC x 3-1/2"	750	85.7	
XTB100	1-9/16	13.688	17-15/16	6-3/16	15-9/16	6	1-1/8-7NC x 3-1/2"	750	146	
XTB120	1-3/4	16.188	20-5/8	7-1/16	18-3/16	8	1-1/8-7NC x 3-1/2"	750	216	



RELATED PRODUCTS

XT Bushings

Bushing No.	Bore	Part No.	Wt.	Keyseat
XTB15	5/8	226830	.7	3/16 x 3/32
	3/4	226831	.7	3/16 x 3/32
	7/8	226832	.7	3/16 x 3/32
	1	226833	.7	1/4 x 1/8
	1-1/8	226834	.7	1/4 x 1/8
	1-3/16	226835	.7	1/4 x 1/8
	1-1/4	226836	.7	1/4 x 1/8
	1-7/16	226837	.7	3/8 x 1/8 ◆
XTB20	1-1/2	226838	.7	3/8 x 1/8 ◆
	3/4	226839	1.5	3/16 x 3/32
	1	226840	1.5	1/4 x 1/8
	1-3/16	226841	1.5	1/4 x 1/8
	1-1/4	226842	1.5	1/4 x 1/8
	1-7/16	226843	1.5	3/8 x 3/16
	1-1/2	226844	1.5	3/8 x 3/16
	1-11/16	226845	1.5	3/8 x 3/16
XTB25	1-15/16	226846	1.5	1/2 x 3/16 ◆
	2	226847	1.5	1/2 x 3/16 ◆
	1	226848	2.6	1/4 x 1/8
	1-3/16	226849	2.6	1/4 x 1/8
	1-1/4	226850	2.6	1/4 x 1/8
	1-7/16	226851	2.6	3/8 x 3/16
	1-1/2	226852	2.6	3/8 x 3/16
	1-11/16	226853	2.6	3/8 x 3/16
XTB30	1-15/16	226854	2.6	1/2 x 1/4
	2	226855	2.6	1/2 x 1/4
	2-3/16	226856	2.6	1/2 x 1/4
	2-7/16	226857	2.6	5/8 x 1/8 ◆
	1-7/16	226858	4.2	3/8 x 3/16
	1-1/2	226859	4.2	3/8 x 3/16
	1-11/16	226860	4.2	3/8 x 3/16
	1-15/16	226861	4.2	1/2 x 1/4
XTB35	2-3/16	226862	4.2	1/2 x 1/4
	2-7/16	226863	4.2	5/8 x 5/16
	2-11/16	226864	4.2	5/8 x 5/16
	2-15/16	226865	4.2	3/4 x 3/16 ◆
	1-15/16	226866	7.4	1/2 x 1/4
	2-3/16	226867	7.4	1/2 x 1/4
	2-7/16	226868	7.4	5/8 x 5/16
	2-11/16	226869	7.4	5/8 x 5/16
XTB40	2-15/16	226870	7.4	5/8 x 5/16
	2-15/16	226871	7.4	3/4 x 3/8
	3-7/16	226872	7.4	7/8 x 5/16
	3-7/16	226873	10.5	5/8 x 5/16
XTB45	2-15/16	226874	10.5	3/4 x 3/8
	3-7/16	226875	10.5	7/8 x 7/16
	3-15/16	226876	10.5	1 x 3/8 ◆
	3-15/16	226877	14.8	7/8 x 7/16
XTB50	3-15/16	226878	14.8	1 x 1/2
	4-7/16	226879	14.8	1 x 3/8 ◆
	3-15/16	226880	27.8	1 x 1/2
	4-7/16	226881	27.8	1 x 1/2
XTB60	4-15/16	226882	27.8	1-1/4 x 5/8
	5-7/16	226883	42.8	1-1/4 x 5/8
	5-1/2	226884	42.8	1-1/4 x 5/8
	5-15/16	226885	42.8	1-1/2 x 3/4
XTB70	6	226886	42.8	1-1/2 x 3/4
	6-7/16	226887	66.3	1-1/2 x 3/4
	6-1/2	226888	66.3	1-1/2 x 3/4
	6-15/16	226889	66.3	1-3/4 x 3/4
XTB80	7	226890	66.3	1-3/4 x 3/4
	7-1/2	226891	85.7	1-3/4 x 3/4
	7-15/16	226892	85.7	2 x 3/4
	8	226893	85.7	2 x 3/4
XTB100	8-1/2	226894	146	2 x 3/4
	9	226895	146	2 x 3/4
	9-7/16	226896	146	2-1/2 x 7/8
	9-1/2	226897	146	2-1/2 x 7/8
XTB120	10	226898	146	2-1/2 x 7/8
	10-1/2	226899	216	2-1/2 x 7/8
	11	226900	216	2-1/2 x 7/8
	11-1/2	226901	216	3 x 1
	12	226902	216	3 x 1

◆ Key provided with these sizes only
XTB50-XTB120 made from gray cast iron

Reborable XT Bushings

Bushing	Part Number	Minimum Bore	Inch Max Bore
XTB15	226903	5/8	1.5
XTB20	226904	3/4	2.0
XTB25	226905	1	2.5
XTB30	226906	1-7/16	3.0
XTB35	226907	1-15/16	3.5
XTB40	226908	2-7/16	4.0
XTB45	226909	3-7/16	4.5
XTB50	226910	3-15/16	5.0
XTB60	226911	5-7/16	6.0
XTB70	226912	6-7/16	7.0
XTB80	226913	7-1/2	8.0
XTB100	226914	8-1/2	10.0
XTB120	226915	10-1/2	12.0



RELATED PRODUCTS

XT Hubs

Usage: XT hubs are for use with the XT Bushing

- 2"/ft taper for easy on, easy off
- Made of low carbon steel for its excellent welding properties





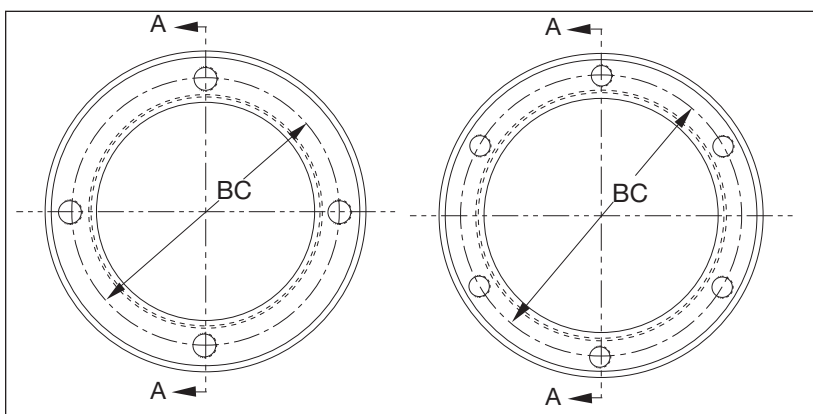
RELATED PRODUCTS

XT Hubs

Dimensions

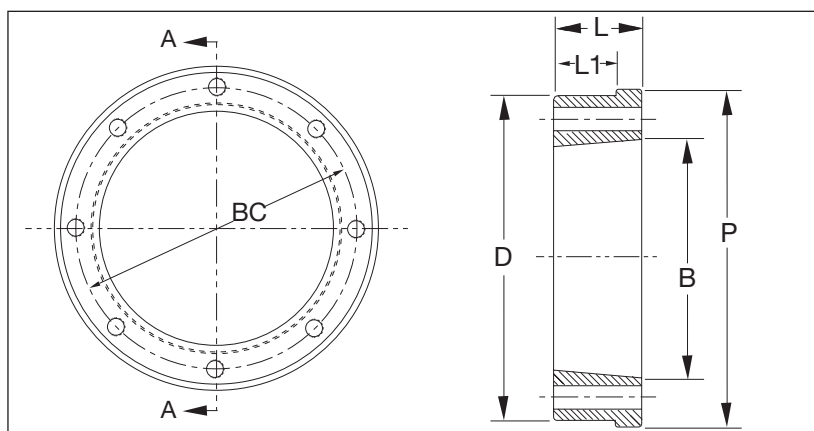
Hub No.	Fits Bushing	Part Number	Dimensions - Inches						Tapped Holes		Approx. Weight
			D *	L	B	P	L1	BC	No.	Size	
XTH15	XTB15	226916	2.875	5/8	2.000	3.190	7/16	2-7/16	4	14-20NC	0.7
XTH20	XTB20	226917	3.813	13/16	2.688	4.065	9/16	3-3/16	4	5/16-18NC	1.5
XTH25	XTB25	226918	4.375	1-1/8	3.188	4.690	13/16	3-3/4	4	3/8-16NC	2.6
XTH30	XTB30	226919	5.750	1-1/4	3.875	5.940	7/8	4-9/16	4	7/16-14NC	4.1
XTH35	XTB35	226920	6.345	1-1/2	4.688	6.565	1-1/16	5-7/16	4	1/2-13NC	6.6
XTH40	XTB40	226921	7.250	1-3/4	5.313	7.563	1-1/4	6-1/8	4	9/16-12NC	10.7
XTH45	XTB45	226922	8.000	2-1/8	5.938	8.315	1-1/2	6-7/8	4	5/8-11NC	15.4
XTH50	XTB50	226923	9.563	2-1/2	7.250	9.940	1-3/4	8-5/16	4	3/4-10NC	24.9
XTH60	XTB60	226924	11.250	2-3/4	8.625	11.690	1-15/16	9-7/8	4	7/8-9NC	36.4
XTH70	XTB70	226925	13.188	3-1/8	10.000	13.628	2-3/16	11-9/16	4	1-8NC	57.7
XTH80	XTB80	226926	14.625	3-7/16	11.125	14.940	2-7/16	12-7/8	4	1-1/8-7NC	75.6
XTH100	XTB100	226927	17.500	4-1/8	13.688	17.940	3	15-9/16	6	1-1/8-7NC	122
XTH120	XTB120	226928	20.500	4-13/16	16.188	20.940	3-1/2	18-3/16	8	1-1/8-7NC	189

* TOLERANCE: (+0.000" / -0.005")



XTH15 to XTH80
Inclusive

XTH100



XTH120

Section A-A
Taper 2" per ft.
on Diameter -B-



ENGINEERING/TECHNICAL

Horsepower and Belt Tension for Simple Conveyors *

Horsepower

The horsepower required to operate a belt conveyor depends on the following:

1. Maximum tonnage to be handled
2. Length of the conveyor
3. Vertical lift of the conveyor

To determine horsepower required for a horizontal conveyor, use Table 1 only.

To determine horsepower required for an inclined conveyor, use Table 1 and Table 2. Figure each table separately and sum the results to determine total horsepower required.

Note: Other factors, such as conveyor plows, scrapers, and skirt boards over 12 feet, will require additional factors for horsepower.

See conveyor design program or call conveyor component engineering for assistance.

* These calculations are limited to level or uphill conveyors with single drive pulley and a maximum length of 500 ft. For other systems, consult Dodge.

NOTE: Online selection program is available at www.ptwizard.com

Table 1 – HP Required to Operate Loaded Conveyor on the Level

Length of Conveyor in feet	Short Tons Per Hour (2000 lbs.)												
	100	150	200	250	300	350	400	500	600	700	800	900	1000
25	2.0	2.3	2.5	2.7	3.0	3.3	3.5	4.0	4.5	5.0	5.5	6.0	6.5
50	2.4	2.7	3.0	3.3	3.6	3.9	4.2	4.8	5.4	6.0	6.6	7.2	7.8
75	2.8	3.1	3.5	3.8	4.1	4.5	4.8	5.5	6.2	6.9	7.6	8.3	9.0
100	3.0	3.4	3.8	4.2	4.5	4.9	5.3	6.0	6.8	7.5	8.3	9.0	9.8
125	3.4	3.8	4.2	4.6	5.0	5.4	5.8	6.6	7.4	8.2	9.0	9.8	10.6
150	3.7	4.1	4.6	5.0	5.5	5.9	6.3	7.2	8.1	9.0	9.9	10.8	11.5
175	4.0	4.5	5.0	5.5	6.0	6.5	7.0	8.0	9.0	10.0	11.0	12.0	13.0
200	4.3	4.8	5.3	5.8	6.4	7.0	7.5	8.6	9.7	10.8	11.9	13.0	14.1
225	4.6	5.1	5.7	6.2	6.8	7.3	8.0	9.2	10.4	11.6	12.8	14.0	15.2
250	4.9	5.5	6.2	6.8	7.5	8.0	8.8	10.1	11.4	12.7	14.0	15.3	16.6
300	5.6	6.2	7.0	7.6	8.4	9.0	9.8	11.2	12.6	14.0	15.4	16.8	18.2
350	6.2	6.9	7.7	8.4	9.2	10.0	10.7	12.2	13.7	15.2	16.7	18.2	19.7
400	6.8	7.6	8.5	9.2	10.2	11.0	11.9	13.6	15.3	17.0	18.7	20.4	22.1
450	7.3	8.3	9.2	10.2	11.1	12.0	13.0	14.9	16.8	18.7	20.6	22.5	24.4
500	8.0	9.0	10.1	11.1	12.2	13.2	14.3	16.4	18.5	20.6	22.7	24.8	26.9

Table 2 – HP Required to Lift Load on Belt Conveyor

Lift in Feet	Short Tons Per Hour (2000 lbs.)												
	100	150	200	250	300	350	400	500	600	700	800	900	1000
10	1.0	1.5	2.0	2.5	3.0	3.5	4.0	5.0	6.0	7.0	8.0	9.0	10.0
20	2.0	3.0	4.0	5.0	6.0	7.0	8.0	10.0	12.0	14.0	16.0	18.0	20.0
30	3.0	4.5	6.0	7.5	9.0	10.5	12.0	15.0	18.0	21.0	24.0	27.0	30.0
40	4.0	6.0	8.0	10.0	12.0	14.0	16.0	20.0	24.0	28.0	32.0	36.0	40.0
50	5.0	7.5	10.0	12.5	15.0	17.5	20.0	25.0	30.0	35.0	40.0	45.0	50.0
60	6.0	9.0	12.0	15.0	18.0	21.0	24.0	30.0	36.0	42.0	48.0	54.0	60.0
70	7.0	10.5	14.0	17.5	21.0	24.5	28.0	35.0	42.0	49.0	56.0	63.0	70.0
80	8.0	12.0	16.0	20.0	24.0	28.0	32.0	40.0	48.0	56.0	64.0	72.0	80.0
90	9.0	13.5	18.0	22.5	27.0	31.5	36.0	45.0	54.0	63.0	72.0	81.0	90.0
100	10.0	15.0	20.0	25.0	30.0	35.0	40.0	50.0	60.0	70.0	80.0	90.0	100.0

Belt Tension:

The belt tensions developed in a belt conveyor depend on the following:

1. Motor horsepower
2. Belt speed in feet per minute
3. Drive configuration

To determine tight side (T1) and slack side (T2) operating tensions, first determine the effective tension (difference between T1 and T2) from: $T_e = 33,000 \times \text{HP}/\text{FPM}$

Where: T_e = Effective tension
HP = Motor horsepower
FPM = Belt speed

The slack side belt tension is calculated from T_e and the drive factor C_w (from Table 7) by: $T_2 = T_e \times C_w$

Where: T_2 = Slack side tension
 T_e = Effective tension
 C_w = Drive factor from Table 3

The tight side tension is calculated from T_e and T_2 by: $T_1 = T_e + T_2$

Where: T_1 = Tight side tension
 T_e = Effective tension
 T_2 = Slack side tension

Example: Horsepower and Tension calculation

Calculate horsepower and belt tensions for a conveyor given:

1. Capacity of 300 tons per hour
2. 300 ft. conveyor length
3. 20 ft. conveyor lift
4. Belt speed of 450 feet per minute
5. Screw take-up system
6. 180° arc of contact on drive pulley
7. Lagged drive pulley

Horsepower:

From Table 1 the horsepower required to operate the belt on the level is 8.4. From Table 2 the horsepower required for lift is 6.0. The total horsepower required is $8.4 + 6.0 = 14.4$. (A 15 HP motor would be selected.)

Tension:

First calculate effective tension from:

$$T_e = \frac{33000 \times \text{HP}}{\text{FPM}} \quad T_e = \frac{33000 \times 15}{450} = 1100 \text{ lbs.}$$

Calculate T_2 from T_e and drive factor C_w (From Table 3 $C_w = .8$)

$$T_2 = C_w \times T_e \quad T_2 = .8 \times 1100 = 880 \text{ lbs.}$$

Finally calculate T_1 from T_2 and T_e

$$T_1 = T_2 + T_e \quad T_1 = 880 + 1100 = 1980 \text{ lbs.}$$

Table 3 - Drive Factor

Type of Pulley Drive	Wrap	Automatic Take-Up		Manual Take-Up	
		Bare Pulley	Lagged Pulley	Bare Pulley	Lagged Pulley
Single no snub	180°	0.84	0.50	1.2	0.8
Single with snub	200°	0.72	0.42	1.0	0.7
	210°	0.66	0.38	1.0	0.7
	220°	0.62	0.35	0.9	0.6
	240°	0.54	0.30	0.8	0.6

CONTENT

ENGINEERING/TECHNICAL

BEARING ENGINEERING SECTION

Vibration Frequencies of Anti-Friction Mounted Bearings	PT16-2
Bearing Life Adjustment Factors (Rolling Element Bearings)	PT16-9

PT COMPONENT ENGINEERING SECTION

V-Belt Sheave Groove Dimensions	PT16-11
Conveyor Belt FPM to RPM	PT16-12
Material Characteristics	PT16-13

GENERAL ENGINEERING SECTION

Shafting	PT16-15
Expansion of Shafting	PT16-20
Weights/Properties of Steel Shafting	PT16-21
Oil Viscosity Classification	PT16-23
English Standard Measurement	PT16-24
Metric Standard Measurement & Conversion	PT16-26
Common Conversion Factors	PT16-27
Flywheel Formulas	PT16-34
Centrifugal Force	PT16-34
Formulas and Constants	PT16-33
Torque and Horsepower Equivalents	PT16-35
Overhung Loads	PT16-35
Mathematical Equations	PT16-35
Strength and Physical Properties of Various Metals	PT16-36
Properties of Sections	PT16-37
Coefficients of Friction (f)	PT16-38
Hardness Comparison	PT16-38
U.S. Standard Sheet Metal Gages	PT16-38
Trigonometric Formula	PT16-39
Part Number Index	INDEX-1
Keyword Index	INDEX-67

Vibration Frequencies of DODGE Anti-Friction Mounted Bearings

More and more manufacturing facilities are getting involved with plant-wide preventive maintenance programs. By monitoring vibration levels of motors, pumps, fans and compressors, maintenance supervisors can predict imminent failures. Knowing that a piece of equipment is showing signs of potential failure permits scheduling of maintenance at an appropriate time and avoids the consequences of catastrophic failures. Shown in Tables 1 - 10 are vibration frequencies generated by bearing components defects. All frequencies are based on unity inner ring or cone rotation.

Frequency

Cup Nick or Spall	= 1000 x 9.251	= 9251 RPM
Cone Nick or Spall	= 1000 x 11.749	= 11749 PM
*Roller Nick or Spall	= 1000 x 4.011 x 2	= 8022 RPM
Cage (Train) Frequency (Inner Ring Rotation)	= 1000 x 0.441	= 441 RPM

Since all the values in Tables 1 - 10 are based on unity inner ring or cone rotation, the vibration due to flaws will show up at the frequencies obtained by multiplying the RPM times the factors found on the appropriate table. The resulting product will have units of RPM.

How to Use the Tables

If a 2-7/16 Type E pillow block is rotating at 1000 RPM, the vibration due to a failed component will show up at the following frequencies: (Table 3, Line 6)

Table 1: All Setscrew, Eccentric, D-LOK & GT Ball Bearing Parameters For Vibration Analysis (1-RPS)

Series	SC Bore	SCM Bore	# Balls	Diameter of Balls	Pitch Diameter	Outer Ring Frequency Hz	Inner Ring Frequency Hz	* Ball Spin Frequency Hz	Cage Frequency Hz
203	1/2 - 5/8		8	17/64	1.151	3.078	4.923	2.050	0.385
204	1/2 - 3/4		8	5/16	1.325	3.057	4.943	2.002	0.382
205	7/8 - 1		9	5/16	1.533	3.582	5.418	2.350	0.398
206	1-1/6 - 1-1/4	1	9	3/8	1.823	3.575	5.426	2.328	0.397
207	1-1/4 - 1-7/16	1-3/16	9	7/16	2.136	3.579	5.422	2.339	0.398
208	1-1/2 - 1-5/8	1-7/16 - 1-1/2	9	1/2	2.387	3.558	5.443	2.283	0.395
209	1-11/16 - 1-3/4	1-1/2	9	13/25	2.559	3.586	5.414	2.360	0.398
210	1-15/16 - 2	1-11/16 - 1-3/4	10	1/2	2.765	4.056	5.904	2.674	0.410
211	2-2-1/4	1-15/16 - 2	10	9/16	3.092	4.090	5.910	2.657	0.410
212	2-1/4 - 2-7/16	2-3/16 - 2-1/4	10	5/8	3.385	4.077	5.923	2.616	0.408
214	2-11/16	2-7/16 - 2-1/2	10	11/16	3.775	4.089	5.911	2.654	0.409
215	2-15/16	2-11/16	11	11/16	4.085	4.574	6.456	2.887	0.416
216		2-15/16 - 3	11	3/4	4.330	4.547	6.453	2.800	0.413
218		3-7/16 - 3-1/2	11	27/32	4.920	4.557	6.443	2.830	0.414

Table 2: Type E, K, DI, and TAF Tapered Roller Bearing Parameters For Vibration Analysis (1-RPS)

Bore Size	# Rollers Per Row	Mean Diameter of Rollers	Pitch Diameter	Contact Angle	Cup Frequency Hz	Cone Frequency Hz	* Roller Spin Frequency Hz	Cage Frequency Hz
1-3/16 - 1-1/4	19	0.23	1.774	17.533	8.326	10.675	3.798	0.438
1-3/8 - 1-7/16	20	0.29	2.084	16.5	8.666	11.334	3.529	0.433
1-1/2 - 1-11/16	18	0.35	2.411	16	7.744	10.256	3.377	0.430
1-3/4 - 2	17	0.41	2.709	12.033	7.241	9.758	3.231	0.426
2-3/16	19	0.41	3.014	13.283	8.242	10.758	3.611	0.434
2-1/4 - 2-1/2	21	0.41	3.337	14.5	9.251	11.7489	4.012	0.441
2-11/16 - 3	24	0.41	3.9	16.733	10.792	13.208	4.708	0.450
3-3/16 - 3-1/2	26	0.46	4.78	18.167	11.811	14.189	5.152	0.454
3-15/16 - 4	26	0.51	5.12	17.567	11.766	14.235	4.974	0.453
4-7/16 - 4-1/2	25	0.59	5.727	18.983	11.282	13.718	4.807	0.451
4-15/16 - 5	25	0.68	6.568	17	11.262	13.738	4.782	0.455
5-7/16 - 6	32	0.67	8.444	17.75	14.791	17.209	6.266	0.462
6-7/16 - 7	27	0.93	9.791	19.167	12.289	14.711	5.222	0.455

$$\text{Cup Frequency} = N * \text{RPM} * (1 - (\text{Bd} * \cos a / \text{Pd})) / 120$$

$$\text{Cone Frequency} = N * \text{RPM} * (1 + (\text{Bd} * \cos a / \text{Pd})) / 120$$

$$\text{Roller Spin Frequency} = \text{Pd} * \text{RPM} * (1 - (\text{Bd} * \cos a / \text{Pd})^2) / (120 * \text{Bd})$$

$$\text{Cage Frequency} = \text{RPM} * (1 - (\text{Bd} * \cos a / \text{Pd})) / 120$$

Pd = Pitch Diameter

N = Number of rollers

Bd = Roller Diameter

a = Cup Angle (contact angle)

Table 3: Type C Tapered Roller Bearing Parameters For Vibration Analysis (1-RPS)

Bore Size	# Rollers Per Row	Mean Diameter of Rollers	Pitch Diameter	Contact Angle	Cup Frequency Hz	Cone Frequency Hz	* Roller Spin Frequency Hz	Cage Frequency Hz
1-3/16 - 1-7/16	19	0.31	2.251	14.92	8.236	10.764	3.566	0.433
1-1/2 - 1-3/4	21	0.32	2.604	11.50	9.236	11.764	4.010	0.440
1-15/16	22	0.33	2.848	15.00	9.769	12.231	4.261	0.444
2 - 2-1/4	21	0.40	3.335	16.83	9.295	11.705	4.114	0.443
2-3/16 - 2-7/16	25	0.35	3.533	18.00	11.322	13.678	5.002	0.453
2-1/2 - 2-11/16	23	0.43	3.827	16.50	10.261	12.739	4.399	0.446
2-7/16 - 2-15/16	26	0.42	4.22	16.50	11.759	14.241	4.978	0.452
3 - 3-3/16	22	0.55	4.612	16.50	9.742	12.258	4.138	0.443
3-1/4 - 3-7/16	24	0.51	4.761	16.42	10.767	13.233	4.618	0.449
3-1/2 - 4	25	0.59	5.727	18.98	11.282	13.718	4.807	0.4513
4-7/16 - 4-1/2	33	0.46	3.109	11.50	14.108	18.892	3.308	0.428
4-15/16 - 5	26	0.68	6.983	18.00	11.796	14.204	5.091	0.4537

$$\text{Cup Frequency} = N * \text{RPM} * (1 - (\text{Bd} * \cos a / \text{Pd})) / 120$$

$$\text{Cone Frequency} = N * \text{RPM} * (1 + (\text{Bd} * \cos a / \text{Pd})) / 120$$

$$\text{Roller Spin Frequency} = \text{Pd} * \text{RPM} * (1 - (\text{Bd} * \cos a / \text{Pd})^2) / (120 * \text{Bd})$$

$$\text{Cage Frequency} = \text{RPM} * (1 - (\text{Bd} * \cos a / \text{Pd})) / 120$$

Pd = Pitch Diameter

N = Number of rollers

Bd = Roller Diameter

a = Cup Angle (contact angle)

*** Note:** Ball and Roller Spin Frequencies are listed at one (1X) roller spin frequency. For thorough analysis it is important to check frequency level at two (2X) rotational speed of balls or rollers as this is the frequency that a single ball/roller defect will contact the raceways of the bearing. In other words, a ball/roller defect will strike both inner and outer ring in one revolution of the roller.

Type 4: Special Duty Tapered Roller Bearing Parameters For Vibration Analysis (1-RPS)

Bore Size	# Rollers Per Row	Mean Diameter of Rollers	Pitch Diameter	Contact Angle	Cup Frequency Hz	Cone Frequency Hz	Roller Spin Frequency Hz	Cage Frequency Hz
1-3/8 - 1-1/2	21	0.32	2.603	11.50	9.238	11.762	4.019	0.440
1-9/16 - 1-3/4	26	0.32	3.061	16.00	11.693	14.307	4.732	0.450
1-7/8 - 2	27	0.32	3.267	17.00	12.235	14.765	5.058	0.453
2-1/8 - 2-1/4	25	0.35	3.533	18.00	11.317	13.683	4.981	0.453
2-3/8 - 2-1/2	29	0.35	3.828	18.77	13.245	15.755	5.430	0.457
2-5/8 - 3	26	0.48	4.572	10.17	11.650	14.350	4.687	0.448
3-3/16 - 3-1/2	27	0.56	5.541	16.00	12.184	14.816	4.884	0.451
3-11/16 - 4	23	0.68	6.103	15.88	10.263	12.737	4.418	0.446
4-7/16 - 4-1/2	26	0.68	6.983	18.00	11.791	14.209	5.069	0.454
4-15/16 - 5	30	0.75	7.896	17.00	13.637	16.363	5.218	0.455
5-7/16 - 6	24	0.93	9.123	17.33	10.832	13.168	4.858	0.451
6-1/2 - 7	29	0.93	10.190	19.23	13.251	15.750	5.438	0.457
7-15/16 - 8	27	1.12	11.471	12.42	12.213	14.787	5.074	0.452
8-1/2 - 10	41	0.87	13.979	16.40	19.276	21.724	8.005	0.470
11 - 12	37	1.20	16.061	12.50	17.151	19.850	6.657	0.464

$$\text{Cup Frequency} = N * \text{RPM} * (1 - (\text{Bd} * \cos a / \text{Pd})) / 2$$

$$\text{Cone Frequency} = N * \text{RPM} * (1 + (\text{Bd} * \cos a / \text{Pd})) / 2$$

$$\text{Roller Spin Frequency} = \text{Pd} * \text{RPM} * (1 - (\text{Bd} * \cos a / \text{Pd})^2) / (2 * \text{Bd})$$

$$\text{Cage Frequency} = \text{RPM} * (1 - (\text{Bd} * \cos a / \text{Pd})) / 2$$

Pd = Pitch Diameter

N = Number of rollers

Bd = Roller Diameter

a = Cup Angle (contact angle)

Table 5: All Steel Tapered Roller Bearing Parameters For Vibration Analysis (1-RPS)

Bore Size	# Rollers Per Row	Mean Diameter of Rollers	Pitch Diameter	Contact Angle	Cup Frequency Hz	Cone Frequency Hz	* Roller Spin Frequency Hz	Cage Frequency Hz
2-11/16 - 3	27	0.36	4.114	15.50	12.362	14.638	5.673	0.458
3-1/4 - 3-1/2	26	0.51	5.120	17.57	11.766	14.235	4.974	0.453
3-15/16 - 4	33	0.48	5.814	12.50	15.170	17.830	6.017	0.460
4-7/16 - 4-1/2	29	0.60	6.503	12.92	13.196	15.804	5.375	0.455
4-15/16 - 5	32	0.61	7.355	12.50	14.705	17.296	5.989	0.460
5-7/16	27	0.84	8.272	12.00	12.159	14.841	4.875	0.450
5-15/16 - 6	26	0.85	8.323	12.00	11.701	14.300	4.847	0.450
6-7/16 - 7	32	0.81	9.748	12.50	14.702	17.300	5.978	0.459
7-1/2 - 8	27	1.12	11.471	12.42	12.213	14.787	5.074	0.452
9 - 10	32	1.28	14.026	12.03	14.572	17.428	5.435	0.455

$$\text{Cup Frequency} = N * \text{RPM} * (1 - (\text{Bd} * \cos a / \text{Pd})) / 120$$

$$\text{Cone Frequency} = N * \text{RPM} * (1 + (\text{Bd} * \cos a / \text{Pd})) / 120$$

$$\text{Roller Spin Frequency} = \text{Pd} * \text{RPM} * (1 - (\text{Bd} * \cos a / \text{Pd})^2) / (120 * \text{Bd})$$

$$\text{Cage Frequency} = \text{RPM} * (1 - (\text{Bd} * \cos a / \text{Pd})) / 120$$

Pd = Pitch Diameter

N = Number of rollers

Bd = Roller Diameter

a = Cup Angle (contact angle)

*** Note:** Ball and Roller Spin Frequencies are listed at one (1X) roller spin frequency. For thorough analysis it is important to check frequency level at two (2X) rotational speed of balls or rollers as this is the frequency that a single ball/roller defect will contact the raceways of the bearing. In other words, a ball/roller defect will strike both inner and outer ring in one revolution of the roller.

Table 6: S-2000, Unisphere II and Imperial Spherical Roller Bearing Parameters for Vibration Analysis (1-RPS)

Basic Bearing Series	S-2000 Bore Size (in)	Unisphere II Bore Size (in)	Imperial Bore Size (in)	No. of Rollers	Mean Dia. Of Rollers	Pitch Dia.	Contact Angle	Outer Ring Frequency Hz	Inner Ring Frequency Hz	* Roller Spin Frequency Hz	Cage Frequency Hz
22208	1-3/8 - 1-1/2	1-7/16 - 1-1/2	1-1/8 - 1-1/2	15	0.449	2.449	10.583	6.149	8.851	2.640	0.410
22209	1-11/16 - 1-3/4	1-11/16 - 1-3/4	1-5/8 - 1-3/4	17	0.429	2.665	9.750	7.151	9.849	3.027	0.421
22210	1-15/16 - 2	1-15/16 - 2	1-7/8 - 2	18	0.433	2.858	9.083	7.653	10.347	3.226	0.425
22211	2-3/16	2-3/16	2-3/16 - 2-1/4	19	0.465	3.189	8.750	8.132	10.868	3.361	0.428
22213	2-7/16	2-7/16 - 2-1/2	2-3/8 - 2-1/2	18	0.583	3.795	9.083	7.635	10.365	3.182	0.424
22215	2-11/16 - 3	2-11/16 - 3	2-11/16 - 3	20	0.575	4.197	8.250	8.645	11.355	3.584	0.432
22218	3-7/16	3-7/16 - 3-1/2	3-3/16 - 3-1/2	18	0.780	5.079	8.833	7.635	10.365	3.183	0.424
22220	3-15/16 - 4	3-15/16 - 4	3-11/16 - 4	18	0.878	5.705	9.000	7.632	10.368	3.174	0.424
22222	4-7/16		4-7/16 - 4-1/2	17	1.020	6.287	9.417	7.140	9.860	3.004	0.420
22226	4-15/16		4-15/16 - 5	18	1.118	7.307	9.750	7.643	10.357	3.193	0.425
22228			5-7/16 - 5-1/2	18	1.217	7.933	9.583	7.639	10.361	3.186	0.424
22232			5-15/16 - 6	18	1.409	9.189	9.667	7.639	10.361	3.185	0.424
22236			6-7/16 - 7	18	1.559	10.157	9.417	7.637	10.363	3.183	0.424

Table 7: USAF and SAF-XT Spherical Roller Bearing Parameters for Vibration Analysis (1-RPS)

Basic Bearing Series	USAF/SAF-XT Bore Sizes (in)	No. of Rollers	Mean Dia. Of Rollers	Pitch Dia.	Contact Angle	Outer Ring Frequency Hz	Inner Ring Frequency Hz	* Roller Spin Frequency Hz	Cage Frequency Hz
22209	1-7/16	18	0.408	2.626	9.633	7.623	10.377	3.147	0.424
22210	1-11/16	19	0.415	2.819	8.917	8.120	10.880	3.328	0.427
22211	1-15/16	19	0.465	3.097	8.833	8.092	10.908	3.260	0.426
22213	2-3/16	20	0.534	3.761	9.117	8.599	11.401	3.456	0.430
22215	2-7/16 - 2-1/2	20	0.587	4.093	8.433	8.582	11.418	3.419	0.429
22216	2-11/16 - 2-3/4	20	0.622	4.410	8.333	8.604	11.396	3.475	0.430
22217	2-15/16 - 3	20	0.679	4.723	8.367	8.578	11.422	3.409	0.429
22218	3-3/16	20	0.702	5.024	8.917	8.620	11.380	3.510	0.431
22220	3-7/16 - 3-1/2	19	0.823	5.609	8.917	8.123	10.877	3.336	0.428
22222	3-15/16 - 4	18	0.979	6.185	9.583	7.595	10.405	3.082	0.422
22224	4-3/16	19	0.999	6.700	9.633	8.103	10.897	3.280	0.426
22226	4-7/16 - 4-1/2	19	1.071	7.205	9.950	8.109	10.891	3.292	0.427
22228	4-15/16 - 5	18	1.217	7.933	9.583	7.639	10.361	3.186	0.424
22230	5-3/16	18	1.315	8.559	9.500	7.636	10.364	3.180	0.424
22232	5-7/16 - 5-1/2	18	1.409	9.189	9.667	7.639	10.361	3.185	0.424
22234	5-15/16 - 6	17	1.583	9.740	9.833	7.139	9.861	2.998	0.420
22236	6-7/16 - 6-1/2	18	1.559	10.157	9.417	7.637	10.363	3.183	0.424
22238	6-15/16 - 7	20	1.496	10.669	10.667	8.622	11.378	3.498	0.431
22240	7-3/16	19	1.614	11.021	10.833	8.133	10.867	3.343	0.428
22244	7-1/2 - 8	19	1.850	12.480	10.833	8.117	10.883	3.301	0.427
23048	8-7/16 - 9	29	1.142	12.008	9.333	13.140	15.860	5.213	0.453
23052	9-7/16 - 9-1/2	27	1.378	13.228	9.667	12.114	14.886	4.749	0.449
23056	9-15/16 - 10-1/2	28	1.378	13.976	9.333	12.638	15.362	5.023	0.451

* **Note:** Ball and Roller Spin Frequencies are listed at one (1X) roller spin frequency. For thorough analysis it is important to check frequency level at two (2X) rotational speed of balls or rollers as this is the frequency that a single ball/roller defect will contact the raceways of the bearing. In other words, a ball/roller defect will strike both inner and outer ring in one revolution of the roller.

Table 8: DODGE USAF Air Handling Spherical Roller Bearing Parameters For Vibration Analysis (1-RPS)

Bore Size	Basic Bearing Series	# Rollers Per Row	Diameter of Rollers	Pitch Diameter	Contact Angle	Outer Ring Frequency Hz	Inner Ring Frequency Hz	*Roller Spin Frequency Hz	Cage Frequency Hz
1-7/16	22209E1K	17	0.3937	2.5976	10.0000	7.231	9.769	3.226	0.425
1-11/16	22210E1K	19	0.3937	2.7976	9.2500	8.180	10.820	3.484	0.431
1-15/16	22211E1K	18	0.4528	3.0921	8.9200	7.698	10.302	3.343	0.428
2-3/16	22213E1K	19	0.5315	3.7110	9.2500	8.157	10.843	3.421	0.429
2-7/16 - 2-1/2	22215E1K	21	0.5315	4.1098	8.3300	9.156	11.846	3.803	0.436
2-11/16 - 2-3/4	22216E1K	20	0.5709	4.3638	8.2500	8.705	11.295	3.758	0.435
2-15/16 - 3	22217E1K	20	0.6299	4.6811	8.5000	8.669	11.331	3.650	0.434
3-3/16	22218E1K	20	0.6693	4.9602	8.8300	8.667	11.333	3.640	0.433
3-7/16 - 3-1/2	22220E1K	19	0.7677	5.5606	9.0000	8.205	10.795	3.554	0.432
3-15/16 - 4	22222E1K	19	0.8661	6.1559	9.4200	8.181	10.819	3.485	0.431
4-3/16	22224E1K	19	0.9252	6.6382	9.5800	8.194	10.806	3.520	0.431
4-7/16 - 4-1/2	22226E1K	19	0.9843	7.1358	9.9200	8.209	10.791	3.558	0.432
4-15/16 - 5	22228E1K	19	1.0630	7.7232	9.6700	8.211	10.789	3.566	0.432

Outer Ring Frequency = $N * RPM * (1 - (Bd * \cos a / Pd)) / 120$

Inner Ring Frequency = $N * RPM * (1 + (Bd * \cos a / Pd)) / 120$

Roller Spin Frequency = $Pd * RPM * (1 - (Bd * \cos a / Pd)^2) / (120 * Bd)$

Cage Frequency = $RPM * (1 - (Bd * \cos a / Pd)) / 120$

Pd = Pitch Diameter

N = Number of rollers

Bd = Roller Diameter

a = Contact Angle

Table 9: Split-Spherical Roller Bearing Parameters For Vibration Analysis

Bore Size	Basic Bearing Series	# Rollers Per Row	Diameter of Rollers	Pitch Diameter	Contact Angle	Outer Ring Frequency Hz	Inner Ring Frequency Hz	*Roller Spin Frequency Hz	Cage Frequency Hz
2-3/16	22213SS	17	0.559	3.414	9.000	7.125	9.875	2.973	0.419
2-7/16	22215SS	18	0.551	3.748	9.083	7.693	10.307	3.328	0.427
2-11/16	22216SS	19	0.579	3.950	8.667	8.124	10.876	3.341	0.428
2-15/16	22217SS	20	0.575	4.153	8.250	8.630	11.370	3.545	0.431
3-3/16	22218SS	19	0.654	4.435	8.167	8.114	10.886	3.321	0.427
3-7/16	22220SS	18	0.780	5.079	8.833	7.635	10.365	3.183	0.424
3-15/16 - 4	22222SS	18	0.878	5.634	9.000	7.615	10.385	3.132	0.423
4-3/16	22224SS	17	1.110	6.203	9.417	7.000	10.000	2.708	0.412
4-7/16 - 4-1/2	22226SS	18	1.047	6.727	9.417	7.618	10.382	3.136	0.423
4-15/16	22228SS	18	1.118	7.202	9.750	7.623	10.377	3.145	0.424
5-3/16	22230SS	18	1.217	7.822	9.583	7.620	10.380	3.139	0.423
5-7/16	22232SS	18	1.315	8.442	9.500	7.617	10.383	3.134	0.423
5-15/16 - 6	22234SS	18	1.409	9.059	9.667	7.620	10.380	3.138	0.423
6-7/16 - 6-1/2	22236SS	18	1.409	9.059	9.667	7.620	10.380	3.138	0.423
6-15/16 - 7	22238SS	18	1.559	10.021	9.417	7.619	10.381	3.138	0.423
7-3/16	22240SS	16	1.579	10.716	9.417	6.837	9.163	3.322	0.427
7-1/2 - 8	22244SS	16	1.752	11.257	9.500	6.772	9.228	3.137	0.423
8-1/2 - 9	23048SS	20	1.307	11.189	8.083	8.843	11.157	4.223	0.442
9-1/2	23052SS	22	1.339	11.949	8.417	9.781	12.219	4.408	0.445
10	23056SS	20	1.539	13.175	8.667	8.845	11.155	4.222	0.442

Outer Ring Frequency = $N * RPM * (1 - (Bd * \cos a / Pd)) / 12$

Inner Ring Frequency = $N * RPM * (1 + (Bd * \cos a / Pd)) / 120$

Roller Spin Frequency = $Pd * RPM * (1 - (Bd * \cos a / Pd)^2) / (120 * Bd)$

Cage Frequency = $RPM * (1 - (Bd * \cos a / Pd)) / 120$

Pd = Pitch Diameter

N = Number of rollers

Bd = Roller Diameter

a = Contact Angle

*** Note:** Ball and Roller Spin Frequencies are listed at one (1X) roller spin frequency. For thorough analysis it is important to check frequency level at two (2X) rotational speed of balls or rollers as this is the frequency that a single ball/roller defect will contact the raceways of the bearing. In other words, a ball/roller defect will strike both inner and outer ring in one revolution of the roller.

Table 10: USDAF Spherical Roller Bearing Parameters For Vibration Analysis (1-RPS)

Bore Size	Basic Bearing Series	# Rollers Per Row	Diameter of Rollers	Pitch Diameter	Contact Angle	Outer Ring Frequency Hz	Inner Ring Frequency Hz	* Roller Spin Frequency Hz	Cage Frequency Hz
10-15/16 - 11	23060K	27	1.575	15.066	9.500	12.108	14.892	4.732	0.448
11-7/16 - 12	23064K	28	1.575	15.850	9.333	12.627	15.373	4.983	0.451
12-7/16 - 12-1/2	23068K	27	1.732	17.007	9.500	12.144	14.856	4.860	0.450
12-15/16 - 13-1/2	23072K	28	1.732	17.793	9.333	12.655	15.345	5.089	0.452
13-15/16 - 14	23076K	30	1.732	18.587	9.000	13.620	16.381	5.320	0.454
15	23080K	29	1.929	19.822	9.167	13.107	15.893	5.091	0.452
15-3/4	23084K	30	1.929	20.609	9.000	13.613	16.387	5.296	0.454
<hr/>									
9-7/16 - 9-1/2	23152K	23	1.693	13.914	12.500	10.134	12.866	4.051	0.441
10-7/16 - 10-1/2	23156K	24	1.732	14.711	12.000	10.618	13.382	4.191	0.442
10-15/16 - 11	23160K	23	1.89	15.923	12.333	10.167	12.834	4.156	0.442
11-15/16 - 12	23164K	23	2.087	17.044	12.833	10.127	12.873	4.025	0.440
12-7/16 - 12-1/2	23168K	23	2.244	18.272	12.833	10.123	12.877	4.013	0.440
13-7/16 - 13-1/2	23172K	24	2.244	19.077	12.333	10.621	13.379	4.195	0.443
13-15/16 - 14	23176K	25	2.323	19.833	12.000	11.068	13.932	4.213	0.443
<hr/>									
8-15/16 - 9	23248K	20	1.929	13.523	14.000	8.616	11.384	3.438	0.431
9-7/16 - 9-1/2	23252K	19	2.126	14.745	14.000	8.171	10.829	3.400	0.430
10-7/16 - 10-1/2	23256K	20	2.126	15.537	13.583	8.670	11.330	3.590	0.434
10-15/16 - 11	23260K	20	2.323	16.706	13.833	8.650	11.350	3.530	0.433
11-15/16 - 12	23264K	20	2.441	17.878	14.000	8.675	11.325	3.598	0.434
12-7/16 - 12-1/2	23268K	20	2.638	19.048	14.167	8.657	11.343	3.545	0.433

Outer Ring Frequency = $N * RPM * (1 - (Bd * \cos a / Pd)) / 120$
 Inner Ring Frequency = $N * RPM * (1 + (Bd * \cos a / Pd)) / 120$
 Roller Spin Frequency = $Pd * RPM * (1 - (Bd * \cos a / Pd)^2) / (120 * Bd)$
 Cage Frequency = $RPM * (1 - (Bd * \cos a / Pd)) / 120$

Pd = Pitch Diameter
 N = Number of rollers
 Bd = Roller Diameter
 a = Contact Angle

*** Note:** Ball and Roller Spin Frequencies are listed at one (1X) roller spin frequency. For thorough analysis it is important to check frequency level at two (2X) rotational speed of balls or rollers as this is the frequency that a single ball/roller defect will contact the raceways of the bearing. In other words, a ball/roller defect will strike both inner and outer ring in one revolution of the roller.

Mounted Bearings Life Adjustment Factor

1.1 GENERAL. For certain applications, it is desirable to specify life for reliability other than 90%. In such cases a life adjustment factor for reliability may be applied to the RATING LIFE. Section 1.2 discusses life adjustment factors for reliability.

Some bearing steels; e.g., vacuum-melted steels, and improved processing techniques, permit manufacture of bearings which offer endurance greater than that calculated by the RATING LIFE formula. Section 1.3 recommends methods to incorporate life adjustment factors for bearing materials into the life formula.

Bearing life calculated according to the RATING LIFE formula assumes proper application conditions. If lubrication is not adequate, loading unusual, or temperatures extreme, the ability of the bearing to attain or exceed the RATING LIFE is seriously impaired. Section 1.4 contains some basic recommendations concerning the effect of unusual application conditions on bearing life.

1.2 LIFE ADJUSTMENT FACTOR FOR RELIABILITY. Bearing life estimated in accordance with this standard is RATING LIFE; i.e., the life associated With 90% reliability or the life which 90% of a group of apparently identical bearings in a given application under similar conditions of load and speed will complete or exceed. While RATING LIFE has proven useful over a period of years as a criterion of performance, some applications require definition of life at reliabilities greater than 90%.

To determine bearing life with reliabilities other than 90% (as previously calculated in the Selection Procedure) the L_{10} must be adjusted by factor a_1 , such that $L_n = a_1 \times L_{10}$.

The life adjustment factors for reliability from Table 11 are recommended.

Table 11: Life Adjustment Factors For Reliability

Reliability %	L_n	Life Adjustment Factor for Reliability a_1
90	L_{10}	1
95	L_5	0.62
96	L_4	0.53
97	L_3	0.44
98	L_2	0.33
99	L_1	0.21

1.3 LIFE ADJUSTMENT FACTOR FOR MATERIAL. For bearings, which incorporate improved materials and processing, the L_{10} (as previously calculated in the Selection Procedure) must be adjusted by factor a_2 . Factor a_2 depends upon steel analysis, metallurgical processing, forming methods, heat treatment and manufacturing methods in general.

Bearings fabricated from consumable vacuum remelted steels and certain other special analysis steels have demonstrated extraordinarily long endurance. These steels are of exceptionally high quality, and bearings fabricated from these are usually considered special manufacture. As such, a_2 values will not be specified for such steels in this discussion. Generally, a_2 values for such steels can be obtained from the bearing manufacturer.

Mounted Bearings Life Adjustment Factor

1.4 LIFE ADJUSTMENT FACTOR FOR APPLICATION

CONDITIONS. Application conditions which affect bearing life include:

1. Lubrication.
2. Load distribution (including effects of clearance, misalignment, housing, and shaft stiffness, type of loading and thermal gradients).
3. Temperature.
Consideration of (1.2) and (1.3) above requires analytical and experimental techniques beyond the scope of this discussion, therefore, the user should consult the bearing manufacturer for evaluations and recommendations.

In most bearing applications, lubrication serves to separate the rolling surfaces; i.e., rolling elements and raceways; to reduce retainer-rolling elements and retainer-land friction and sometimes to act as a coolant to remove frictional heat generated by the bearing.

If all limitations and qualifications specified by this discussion are observed, then the life adjustment application factor for bearings which are adequately lubricated is 1; i.e., $a_3=1$.

Operating conditions where a_3 might be less than 1 include:

- a) exceptionally low values of Ndm (rpm times bore diameter in mm); e.g., Ndm 1000.
- b) Lubricant viscosity less than 20.4 centistokes (100 SUS) at operating temperature.
- c) Excessively high operating temperatures.
When a_3 is less than 1, it may not be assumed that the deficiency in lubrication can be overcome by using an improved steel.

1.5 FACTOR COMBINATIONS. A fatigue life formula including the life adjustment factors is:

Ball Bearings:

$$L_n = a_1 \times a_2 \times a_3 \left(\frac{C^*}{P} \right)^3 \times \frac{(16.667)}{\text{RPM}}$$

Tapered Roller Bearings:

$$L_n = a_1 \times a_2 \times a_3 \left(\frac{C90^*}{P} \right)^{10/3} \times \frac{(1,500,000)}{\text{RPM}}$$

Spherical Roller Bearings:

$$L_n = a_1 \times a_2 \times a_3 \left(\frac{C^*}{P} \right)^{10/3} \times \frac{(16.667)}{\text{RPM}}$$

Indiscriminate application of the life adjustment factors in this formula may lead to serious over-estimation of bearing endurance, since fatigue life is only one criterion for bearing selection.

Care must be exercised to select bearings which are of sufficient size for the application. Undersizing of shaft and housing structures by using bearings which appear adequate from a life standpoint could lead to misalignment and fitting problems which could invalidate the formulas in this discussion.

* C = Basic Load Rating computed in accordance with ABMA-ANSI Standards. C90 = C x .259

ENGINEERING

V-Belt Drive Formulas

V-belt tensioning In cases where tensioning of a drive effects belt pull and bearing loads, the following formulas may be used.

$$T_1 - T_2 = 33,000 \left(\frac{HP}{V} \right)$$

where: T_1 = tight side tension, pounds
 T_2 = slack side tension, pounds
 HP = design horsepower
 V = belt speed, feet per minute

$$T_1 + T_2 = 33,000 (2.5 - G) \left(\frac{HP}{GV} \right)$$

where: T_1 = tight side tension, pounds
 T_2 = slack side tension, pounds
 HP = design horsepower
 V = belt speed, feet per minute
 G = arc of contact correction factor*

$$T_1/T_2 = \frac{1}{1 - 0.8G} \quad (\text{Also } T_1/T_2 = e^{K\phi})$$

where: T_1 = tight side tension, pounds
 T_2 = slack side tension, pounds
 G = arc of contact correction factor*
 e = base of natural logarithms
 K = .51230, a constant for V-belt drive design
 ϕ = arc of contact in radians

$$T_1 = 41,250 (HP/GV)$$

where: T_1 = tight side tension, pounds
 HP = design horsepower
 V = belt speed, feet per minute
 G = arc of contact correction factor

$$T_2 = 33,000 (1.25 - G) (HP/GV)$$

where: T_2 = slack side tension, pounds
 HP = design horsepower
 V = belt speed, feet per minute
 G = arc of contact correction factor

Belt Speed

$$V = \frac{(PD) (RPM)}{3.82} = (PD) (rpm) (.262)$$

where: V = belt speed, feet per minute
 PD = pitch diameter of sheave or pulley
 rpm = revolutions per minute of the same sheave or pulley

* See Table 12 at left

Table 12: Arc of Contact Correction Factor G

D-d C	Small Sheave Arc of Contact	Factor G	D-d C	Small Sheave Arc of Contact	Factor G
.00	180°	1.00	.80	133°	.87
.10	174°	.99	.90	127°	.85
.20	169°	.97	1.00	120°	.82
.30	163°	.96	1.10	130°	.80
.40	157°	.94	1.20	106°	.77
.50	151°	.93	1.30	99°	.73
.60	145°	.91	1.40	91°	.70
.70	139°	.89	1.50	83°	.65

D = Diam. of large sheave. d = Diam. of small sheave
 C = Center distance

Table 13: Allowable Sheave Rim Speed

Sheave Material	Rim Speed in Feet per Minute
Cast Iron	6,500
Ductile Iron	8,000
Steel	10,000

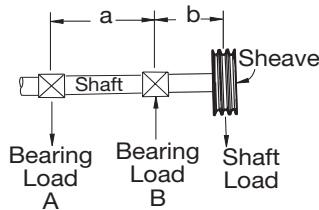
NOTE: Above rim speed values are maximum for normal considerations. In some cases these values may be exceeded. Consult factory and include complete details of proposed application.

$$\text{Dynamic balance RPM for Sheave/Sprocket } \phi = \frac{15600}{\sqrt{\text{Dia} \times \text{Face Width}}}$$

⚡ **Note:** MPTA recommends Dynamic balance when application RPM exceeds this value.

Bearing Load Calculations

To find actual bearing loads, it is necessary to know machine component weights and values of all other forces contributing to the load. Sometimes it becomes desirable to know the bearing load imposed by the V-belt drive

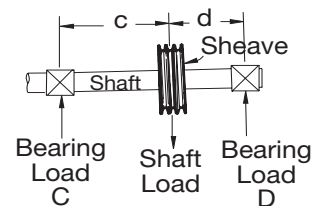


Overhung Sheave

$$\text{Load at B, lbs.} = \frac{\text{Shaft Load} \times (a + b)}{a}$$

$$\text{Load at A, lbs} = \text{Shaft Load} \times \frac{b}{a}$$

Where: a and b = Spacing, inches



Sheave Between Bearings

$$\text{Load at D, lbs.} = \frac{\text{Shaft Load} \times c}{c + d}$$

$$\text{Load at C, lbs} = \frac{\text{Shaft Load} \times d}{c + d}$$

Where: c and d = Spacing, inches

Nominal V-Belt Cross Sections

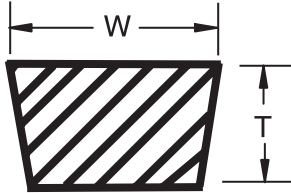


Table 14: Nominal V-Belt Cross Sections

Belt Section	Industry Standard Description	Width W, in Inches	Thickness T, in Inches
3L	FHP, Single	3/8	7/32
4L		1/2	5/16
5L		21/32	3/8
3V	Narrow	3/8	5/16
5V		5/8	17/32
8V		1	29/32
A	Classical Multiple	1/2	5/16
B		21/32	13/32
C		7/8	17/32
D		1-1/4	3/4

Table 15: Maximum Pulley RPM*

Pulley Dia. Inches	FPM												
	100	150	200	250	300	350	400	500	600	700	800	900	1000
6	64	95	127	159	191	223	254	318	382	445	509	573	636
8	48	72	95	119	143	167	191	239	286	334	382	429	477
10	38	57	76	95	115	134	153	191	229	267	305	344	382
12	32	48	64	80	95	111	127	159	191	223	254	286	318
14	27	41	55	68	82	95	109	136	164	191	218	245	273
16	24	36	48	60	72	83	95	119	143	167	191	215	239
18	21	32	42	53	64	74	85	106	127	148	170	191	212
20	19	29	38	48	57	67	76	95	115	134	153	172	191
24	16	24	32	40	48	56	64	80	95	111	127	143	159
30	13	19	25	32	38	45	51	64	76	89	102	115	127
36	11	16	21	27	32	37	42	53	64	74	85	95	106
42	9	14	18	23	27	32	36	45	55	64	73	82	91
48	8	12	16	20	24	28	32	40	48	56	64	72	80
54	7	11	14	18	21	25	28	35	42	49	57	64	71
60	6	10	13	16	19	22	25	32	38	45	51	57	64

* Maximum RPM values shown are based on 6,500 feet per minute for standard cast iron products. For higher rim speeds, contact Dodge Technical Support at 1-864-284-5700
For values not shown use formula below:

$$\text{Max RPM} = \frac{6,500}{.2618 \times D}$$

D = Pulley Diameter, Inches

Table 16: Material Characteristics

MATERIAL	DENSITY (LB/FT ³)	ANGLE OF REPOSE (DEG)	RECOMMENDED MAXIMUM INCLINATION	MATERIAL	DENSITY (LB/FT ³)	ANGLE OF REPOSE (DEG)	RECOMMENDED MAXIMUM INCLINATION
Alfalfa, Ground	16	45°		Corn, Shelled	45	25°	10
Alum, Lumpy	50 - 60	35°		Corn Sugar	30	35°	
Alum, Pulverized	45 - 50	35°		Corn Grits	40 - 45	35°	
Alumina	60	30°	10-12	Cornmeal	32- 40	35°	22
Aluminum Oxide	70 - 120	30°		Cottonseed, Dry, De-Linted	35	35°	16
Ammonium Sulphate	45 - 60	45°		Cottonseed, Dry, Not De-Linted	18- 25	45°	19
Asbestos, Shredded	20 - 25	45°		Cottonseed, Cake, Lumpy	40- 45	35°	
Ashes, Dry	35 - 40	45°		Cottonseed, Hulls	12	45°	
Ashes, Wet	45 - 50	45°		Cottonseed, Meal	35- 40	35°	22
Ashes, Soft Coal	35 - 45	40°		Cottonseed, Meats	40	35°	
Asphalt, Crushed	45	35°		Cryolite	90-110	35°	
Bagasse	7.50	45°		Cullet	80-120	35°	20
Bakelite, Powder	30 - 40	45°		Diatomaceous Earth	11- 14	35°	
Baking Powder	40 - 50	35°		Dolomite, Lumpy	90-100	35°	22
Bark, Wood Refuse	10 - 20	45°	27	Dolomite, Pulverized	46	40°	
Barley	38	25°	10-15	Earth, Dry"	70- 80	35°	20
Basalt	80 - 120	25°		Earth, Moist	75-110	40°	23
Bauxite, Crushed	75 - 85	35°	20	Earth, Fullers Dry	30- 35	23°	20
Beans, Castor, Whole	30 - 45	25°	8-10	Emery	225	25°	
Beans, Cocoa	30 - 45	35°		Epsom Salt	40- 50	35°	
Beans, Navy	50	25°		Feldspar, Lumps	70-100	35°	17
Beans, Whole	45	45°		Feldspar, Dust	80-100	40°	
Bentonite, Crude	35 - 40	45°		Fish, Meal	35- 40	40°	
Bentonite, Fine	50 - 60	45°		Fish, Scrap	40- 50	0°	
Bones, Pulverized	50 - 60	45°		Flaxseed, Whole	45	25°	12
Borax, Fine	50 - 55	35°		Flaxseed, Meal	25	35°	
Borax Coarse	60 - 70	35°		Flour, Wheat	35- 40	45°	21
Bran	16	35°		Flue Dust, Dry	30- 40	20°	
Brewers Grain, Dry	25 - 35	45°		Fluorspar, Dust	85- 95	45°	
Brewers Grain, Wet	55 - 60	45°		Fluorspar, Lumps	80-110	45°	
Buck Wheat	40	25°	11-13	Foundry, Refuse	60- 80	35°	
Calcium, Carbide	70 - 80	35°		Foundry Sand, Loose	80- 90	35°	
Carbon Black, Pellets	25	25°		Foundry Sand, Rammed	100-110	0°	
Carbon Black, Powder	5	35°		Galena	250	35°	
Cast Iron Chips	100 -120	45°		Garbage, Average	30	25°	
Cement, Clinker	75 - 90	35°		Glass, Batch Fiber	45 - 55	10°	
Cement, Portland	80 -100	35°	20-23	Glass, Batch Wool	80-100	35°	20-22
Chalk, Fine	65 - 75	45°		Glass, Broken	80-100	10°	
Chalk, Lumpy	80 - 95	45°		Glue, Animal, Flaked	35	25°	
Charcoal, Wood	15 - 30	35°	20-25	Glue, Vegetable, Powdered	40	35°	
Chromium Ore	125 - 140	35°		Gluten, Meal	39	35°	
Cinders, Coal	40	35°	20	Granite, Lumps	150 -170	25°	
Clay, Dry, Fine	100 - 120	35°	20-22	Graphite, Flakes	40	35°	
Clay, Dry, Lumpy	60 - 75	35°	18-20	Graphite, Powder	30	25°	
Coal, Anthracite, Coarse	60 - 70	35°	18	Graphite, Ore	65 - 75	35°	
Coal, Anthracite, Loose	50 - 60	30°	16	Grass Seed	10	35°	
Coal, Bituminous, Coarse	50 - 60	35°	18	Gravel, Dry	90-100	35°	15-17
Coal, Bituminous, Loose	45 - 50	35°	16	Gravel, Wet	100-120	35°	
Cocoa Nibs	35 - 40	35°		Gypsum, Lumps	90-100	35°	15
Coconut, Shredded	20 - 25	45°		Gypsum, Ground	75- 80	35°	21
Coffee, Fresh Beans	30 - 40	35°	10-15	Hay, Loose	5	0°	
Coffee, Roasted Beans	22 - 30	25°		Hay, Pressed	25	0°	
Coke, Loose	23 - 32	35°	18	Hominy	35- 50	35°	
Coke Pulverized	25 - 35	45°	20-22	Hops, Spent, Dry	25- 35	45°	
Coke, Petroleum Calcinated	35 - 45	35°	20	Hops, Spent, Wet	55- 60	45°	
Concrete, Cinder	112	0°	12-30	Ice, Crushed	35- 40	20-	
Concrete, Gravel & Sand	150	0°		Ilmenite Ore	140-160	35°	
Copper Ore	120 - 150	35°	20	Iron Ore	120-180	35°	18-20
Copper Sulfate	75 - 85	30°	17	Iron Ore, Pellets	120-140	35°	13-15
Cork, Ground	5 - 15	45°		Iron Sulphate	50- 75	35°	
Corn, On Cob	45	0°		Iron Sulfide	120-140	35°	

Table 16: Material Characteristics (Continued)

MATERIAL	DENSITY (LB/FT ³)	ANGLE OF REPOSE (DEG)	RECOMMENDED MAXIMUM INCLINATION	MATERIAL	DENSITY (LB/FT ³)	ANGLE OF REPOSE (DEG)	RECOMMENDED MAXIMUM INCLINATION
Kaolin, Clay	60	35°	19	Rubber, Pellets	50 - 55	35°	22
Lactose	30	35°		Rubber, Ground Scrap	25 - 35	45°	18
Lead Ore, Crushed	180 - 270	30°		Rye	42 - 45	25°	8
Lead Oxides	60 - 150	40°		Rye Meal	35 - 40	20°	
Lead Sulfate	170 - 190	45°		Salt Cake	80 - 95	30°	21
Lead Sulfide	240 - 260	35°		Salt, Coarse"	45 - 55	35°	18-22
Lignite, Air Dried	45 - 55	35°		Salt, Fine"	70 - 80	35°	11
Lime, Ground	60 - 65	40°	23	Sand, Wet	110 - 130	45°	20-22
Lime, Hydrated	40	40°	21	Sand, Dry	90 - 110	35°	16-18
Lime, Pebble	30 - 40	40°	17	Sand, Loose, Foundry	80 - 100	35°	22
Limestone, Loose	80 - 100	35°	20	Sand, Foundry, Rammed	100 - 110	0°	24
Limestone, Pulverized	85 - 90	45°	18	Sandstone	80 - 90	35°	
Linseed, Whole	45 - 50	25°		Sawdust	10 - 25	30°	22
Linseed, Meal	30 - 40	35°	20	Scale, Rolling Mill	125 - 160	45°	
Magnesium Chloride	30 - 35	40°		Sewage Sludge, Dry	45 - 55	35°	
Magnesium Sulfate	40 - 60	35°		Sewage Sludge, Wet	50 - 60	35°	
Malt, Dry	25 - 30	30°		Shale, Broken	90 - 100	25°	
Malt, Wet	60 - 65	45°		Shale, Crushed	85 - 90	40°	22
Malt, Meal	35 - 40	35°		Silica Gel, Dry	45	35°	
Manganese Ore	125 - 140	40°		Slag, Blast Furnace	80 - 90	25°	10
Manganese Oxide	120	35°		Slag, Granular, Dry	60 - 65	25°	13-16
Manganese Sulfate	70	35°		Slag, Granular, Wet	90 - 100	45°	20-22
Manure	25	0°		Slate, Ground	80 - 90	30°	15
Marble, Crushed	80 - 95	35°		Slate, Lumps	85 - 95	0°	
Marl	80	35°		Snow, Compacted	15 - 50	0°	
Mica, Flakes	20	20°		Soap	10 - 25	35°	
Mica, Ground	15	35°	23	Soda Ash, Briquettes	50	20°	7
Milk, Dried, Flaked	5	35°		Soda Ash, Heavy	55 - 65	30°	19
Milk, Malted	25 - 35	45°		Soda Ash, Light	20 - 35	35°	22
Milk, Powdered	20 - 30	40°		Sodium Aluminum, Ground	72	35°	
Milo Maize	55 - 60	35°		Sodium Nitrate, Ground	70 - 80	24°	11
Molybdenum Ore	100 - 110	40°		Sodium Phosphate	50 - 65	35°	
Mortar, Wet	150	0°		Soybeans, Cracked	30 - 40	35°	15-18
Niacin	35	35°		Soybeans, Whole"	45 - 50	25°	12-16
Nickel-Cobalt Sulfate Ore	80 - 150	35°		Starch, Powdered	25 - 45	25°	12
Oats	25 - 35	25°	10	Steel, Chips	100 - 150	35°	18
Oats, Rolled	20	35°		Steel, Turnings	60 - 120	45°	
Oil Cake	50	45°		Sugar, Cane, Raw	55 - 65	45°	
Oxalic Acid Crystals	60	35°		Sugar, Granulated, Dry	50 - 55	35°	
Oyster Shells, Ground	50 - 60	35°		Sugar, Granulated, Wet	55 - 65	40°	
Oyster Shells, Whole	80	35°		Sugar Cane, Knifed	15 - 18	45°	
Paper Pulp Stock	40 - 60	20°		Sulphur, Lumps	80 - 85	35°	
Peanuts, Shelled	35 - 45	35°		Sulphur, Dust	50 - 70	35°	
Peanuts, Not Shelled	15 - 20	35°		Saonite, Pellets	120 - 140	35°	13-15
Peas, Dried	45 - 50	0°		Salc, Granulated	50 - 70	20°	
Phosphate, Fertilizer	50 - 60	35°	30	Titanium Dioxide	140	35°	
Phosphate, Rock, Crushed	60 - 100	35°	25	Titanium Sponge	60 - 70	45°	
Potash	70 - 80	30°		Tobacco, Leaves	14	45°	
Potassium Chloride	120 - 130	35°		Tobacco, Scraps	15 - 25	45°	
Potassium Nitrate	75 - 80	25°		Tobacco, Stems	15	45°	
Potassium Sulfate	45	45°		Traprock, Crushed	95 - 110	35°	
Potatoes, White"	48	0°		Traprock, Lumps	100 - 110	35°	
Pumice, Ground	40 - 45	45°		Turf	20 - 30	0°	
Pyrites, Lumps	135 - 145	25°		Walnut, Shells	35 - 45	35°	
Pyrites, Pellets	120 - 130	35°		Wheat	48	25°	12
Quartz, Lumps	95 - 100	25°		Wheat, Cracked	40 - 45	35°	
Quartz, Sand	70 - 80	25°		Wheat Germ, Dry	20 - 30	25°	27
Rice, Hulled	45 - 50	20°	8	Wood Chips	10 - 30	45°	22
Rice, Rough	35	35°		Zinc Ore, Granular	160	35°	
Rice, Grits	40 - 45	35°		Zinc Oxide	10 - 35	45°	
Rock, Crushed	100 - 150	30°					

Shafting

Table 17: Typical Commercial Shaft Tolerances

Shaft Size	Plus	Minus
Up to 1-1/2"	.000	.002
Over 1-1/2 to 2-1/2"	.000	.003
Over 2-1/2 to 4"	.000	.004
Over 4 to 6"	.000	.005
Over 6 to 8"	.000	.006
Over 8 to 9"	.000	.007
Over 9"	.000	.008

Table 18: Shaft Tolerances

Shaft Size	Tolerance, Inches
Up to 1-1/2"	+ .0000 - .0005"
1-5/8 to 4"	+ .000 - .001"
4-7/16 to 6"	+ .000 - .0015"
6-7/16 to 8"	+ .000 - .002"

Table 18 lists the recommended tolerances for all setscrew locking, eccentric locking and D-LOK locking ball and roller bearings

Table 19: Shaft Tolerances

Shaft Size	Tolerance, Inches
Up to 1-1/2"	+ .000 - .002"
1-9/16 to 2-1/2"	+ .000 - .003"
2-5/8 to 4"	+ .000 - .004"
4-3/16 to 6"	+ .000 - .005"
6-7/16" and above	+ .000 - .006"

Table 19 list the recommended tolerances for all tapered adapter sleeve ball and roller bearings

Standard Shafting-Table 17 indicates standard shafting is cold drawn in the smaller sizes and turned and polished in the larger diameters. It has a smooth surface, is commercially straight and is readily machinable; suitable and recommended for general power transmission and material handling service.

Special Shafting-While standard shafting is suitable for most installations, special shafting is sometimes required for certain chemical, temperature or physical requirements. Such materials as high carbon steel, alloy steel, stainless steel, brass, Monel metal, etc., can be furnished plain or heat treated. Stepped, flanged, hollow or other special forms are available.

Special shafting should be avoided in favor of standard shafting wherever possible because special shafting is usually considerably more expensive and requires a greater length of time to obtain, which is an especially important consideration should quick replacement ever become necessary.

Ordering Shafting-Standard shafting can be obtained from most supply houses and dealers who handle power transmission material.

Turning Down Shaft Ends-When necessary to turn down shaft ends, use as large a fillet as possible to keep the stress concentration to a minimum. The radius of this fillet should preferably be not less than the difference in the two diameters joined by the fillet. The fillet should be finished and polished as smoothly as possible to avoid scratches which might start cracks and lead to failure of the shaft by fatigue.

Selection of Shaft Diameters

Tables 21 - 24 inclusive can be used to find approximate shaft diameter for various service conditions For greater accuracy use chart under heading "Combined Torsion and Bending of Standard Shafts" (PT16-17).

Tables and chart are based upon a safe shear stress of 6,000 pounds per square inch for standard keyseated shafting. Be generous in the selection of shaft diameters as liberal diameters

not only reduce deflection and vibration but also generally increase bearing life.

When necessary to use other than standard shafting, find the required diameter for standard shafting as outlined above and multiply by proper factor shown in Table 25, under heading "Factors for Shafting Other than Standard Shafting, "(PT16-16).

Table 20: No Bending Moment (Shafts without pulleys, sprockets or gears - Torsion only)

Shaft Size	Horse Power at Various Revolutions per Minute																		
	25	50	75	100	125	150	175	200	225	250	275	300	350	400	500	600	700	800	900
15/16	0.30	0.70	1.10	1.50	1.90	2.30	2.60	3	3.40	3.80	4.20	4.60	5.30	6.10	7.70	9.20	10.70	12.30	13.80
1-3/16	0.70	1.50	2.30	3.10	3.90	4.60	5.40	6.20	7	7.80	8.60	9.30	10.90	12.50	15.60	18.70	21.90	25	28.10
1-7/16	1.30	2.70	4.10	5.50	6.90	8.30	9.70	11.10	12.40	13.80	15.20	16.60	19.40	22.20	27.70	33.30	38.80	44.40	49.90
1-11/16	2.20	4.40	6.60	8.90	11.20	13.40	15.70	17.90	20.20	22.40	24.70	26.90	31.40	35.90	44.90	53.80	62.80	71.80	80.80
1-15/16	3.30	6.70	10.10	13.50	16.90	20.30	23.70	27.10	30.50	33.90	37.30	40.70	47.50	54.30	67.90	81.50	95.10	108	122
2-3/16	4.90	9.80	14.60	19.50	24.40	29.30	34.20	39.10	44	48.90	53.80	58.60	68.40	78.20	97.80	117	136	156	176
2-7/16	6.70	13.50	20.20	27	33.80	40.60	47.30	54.10	60.90	67.60	74.40	81.20	94.70	108	135	162	189	216	243
2-11/16	9	18.10	27.10	36.20	45.30	54.40	63.40	72.50	81.60	90.70	99.70	108	126	145	181	217	253	290	326
2-15/16	11.80	23.60	35.40	47.30	59.20	71	82.90	94.70	106	118	130	142	165	189	236	284	331	379	426
3-7/16	19	37.90	57	75.90	94.90	113	132	151	170	189	208	227	265	303	379	455	531	607	683
3-15/16	28.50	57	85.50	114	142	171	199	228	256	285	313	342	399	456	570	684	798	912	1026
4-7/16	40.80	81.60	122	163	204	245	286	327	367	408	449	490	572	653	816	980	1143	1306	1470

Table 21: Limited Bending Moment (Pulleys, sprockets or gears near bearings. Ordinary line shafts.)

Shaft Size	Horse Power at Various Revolutions per Minute																		
	25	50	75	100	125	150	175	200	225	250	275	300	350	400	500	600	700	800	900
15/16	0.20	0.50	0.70	1	1.20	1.50	1.70	2	2.30	2.50	2.80	3	3.50	4.10	5.10	6.10	7.10	8.20	9.20
1-3/16	0.50	1	1.50	2	2.60	3.10	3.60	4.10	4.70	5.20	5.70	6.20	7.30	8.30	10.40	12.50	14.60	16.70	18.80
1-7/16	0.90	1.80	2.70	3.70	4.60	5.50	6.40	7.40	8.30	9.20	10.10	11.10	12.90	14.80	18.50	22.20	25.90	29.60	33.30
1-11/16	1.40	2.90	4.30	5.90	7.40	8.90	10.40	11.90	13.40	14.90	16.40	17.90	20.90	23.90	29.90	35.90	41.90	47.90	53.90
1-15/16	2.20	4.50	6.70	9	11.30	13.60	15.80	18.10	20.40	22.60	24.90	27.20	31.70	36.20	45.30	54.40	63.40	72.50	81.60
2-3/16	3.20	6.50	9.70	13	16.30	19.50	22.80	26.10	29.30	32.60	35.80	39.10	45.60	52.20	65.20	78.30	91.30	104	117
2-7/16	4.50	9	13.50	18	22.50	27	31.60	36.10	40.60	45.10	49.60	54.10	63.20	72.20	90.20	108	126	144	162
2-11/16	6	12.10	18.10	24.20	30.20	36.30	42.30	48.40	54.40	60.50	66.50	72.60	84.70	96.80	121	145	169	193	217
2-15/16	7.90	15.80	23.70	31.60	39.50	47.40	55.30	63.20	71.10	79	86.90	94.80	110	126	158	189	221	252	284
3-7/16	12.60	25.30	37.90	50.60	63.30	75.90	88.60	101	113	126	139	151	177	202	253	303	354	405	455
3-15/16	19	38	57	76.10	94.10	114	133	152	171	190	209	228	266	304	380	456	532	608	685
4-7/16	27	54	81	108	136	163	190	217	245	272	299	326	381	435	544	653	762	871	980
4-15/16	37	75	112	150	187	225	262	300	337	375	412	450	525	600	750	900	1050	1200	1350
5-7/16	50	100	150	200	250	300	350	400	451	501	551	601	701	801	1002	1202	1403	1603	1804
5-15/16	65	130	195	261	326	391	456	522	587	652	717	783	913	1044	1305	1566	1827	2088	2349
6-1/2	85	171	256	342	427	513	598	684	769	855	940	1026	1197	1368	1710	2052	2394	2736	3078

ENGINEERING

Selection of Shaft Diameters (Cont'd)

Table 22: Heavy Bending Moment. (Use for main or important shafts.)

Shaft Size	Horse Power at Various Revolutions per Minute																		
	25	50	75	100	125	150	175	200	225	250	275	300	350	400	500	600	700	800	900
1-11/16	0.80	1.70	2.50	3.50	4.40	5.30	6.20	7.10	8	8.90	9.80	10.70	12.50	14.30	17.90	21.50	25.10	28.70	32.30
1-15/16	1.30	2.70	4	5.40	6.70	8.10	9.50	10.80	12.20	13.50	14.90	16.30	19	21.70	27.10	32.60	38	43.50	48.90
2-3/16	1.90	3.90	5.80	7.80	9.70	11.70	13.70	15.60	17.60	19.50	21.50	23.40	27.40	31.30	39.10	46.90	54.80	62.60	70.40
2-7/16	2.70	5.40	8.10	10.80	13.50	16.20	18.90	21.60	24.30	27	29.70	32.40	37.90	43.30	54.10	64.90	75.80	86.60	97.40
2-11/16	3.60	7.20	10.80	14.50	18.10	21.70	25.40	29	32.60	36.20	39.90	43.50	50.80	58	72.50	87.10	101	116	130
2-15/16	4.70	9.40	14.10	18.90	23.60	28.40	33.10	37.90	42.60	47.30	52.10	56.80	66.30	75.80	94.70	113	132	151	170
3-7/16	7.50	15.10	22.60	30.30	37.90	45.50	53.10	60.70	68.30	75.90	83.50	91.10	106	121	151	182	212	243	273
3-15/16	11.40	22.80	34.20	45.60	57	68.40	79.90	91.30	102	114	125	136	159	182	228	273	319	365	410
4-7/16	16.30	32.60	48.90	65.30	81.60	98	114	130	147	163	179	196	228	261	326	392	457	522	588
4-15/16	22.50	45	67.50	90	112	135	157	180	202	225	247	270	315	360	450	540	630	720	810
5-7/16	30	60	90	120	150	180	210	240	270	300	330	360	420	480	601	721	841	961	1082
5-15/16	39	78	117	156	195	234	273	313	352	391	430	469	547	626	782	939	1095	1252	1409
6-1/2	51	102	153	205	256	308	359	410	462	513	564	616	718	821	1027	1232	1437	1643	1848
7	64	128	192	256	320	384	448	513	577	641	705	769	897	1026	1282	1539	1795	2052	2308
7-1/2	78.50	157	235	315	394	473	552	631	709	788	867	946	1104	1262	1577	1893	2208	2524	2839
8	95.50	191	286	382	478	574	670	765	861	957	1053	1148	1340	1531	1914	2297	2680	3063	3446
8-1/2	114	229	343	459	574	688	803	918	1033	1148	1263	1377	1607	1837	2296	2755	3215	3674	4133
9	136	272	408	545	681	817	954	1090	1226	1363	1499	1635	1908	2181	2726	3271	3816	4362	4907
9-1/2	160	320	480	641	801	961	1122	1282	1442	1603	1763	1923	2244	2565	3206	3847	4488	5130	5771
10	186	373	559	747	934	1121	1308	1495	1682	1869	2056	2243	2617	2991	3739	4487	5235	5983	6731

Table 23: Severe Conditions (Heavy shock loads. Excessively tight belts, long clutch sleeves.)

Shaft Size	Horse Power at Various Revolutions per Minute																		
	25	50	75	100	125	150	175	200	225	250	275	300	350	400	500	600	700	800	900
1-11/16	0.4	0.8	1.2	1.7	2.2	2.6	3.1	3.5	4	4.4	4.9	5.3	6.2	7.1	8.9	10.7	12.5	14.3	16.10
1-15/16	0.6	1.3	2	2.7	3.3	4	4.7	5.4	6.1	6.7	7.4	8.1	9.5	10.8	13.5	16.3	19	21.7	24.40
2-3/16	0.90	1.90	2.90	3.90	4.80	5.80	6.80	7.80	8.80	9.70	10.70	11.70	13.70	15.60	19.50	23.40	27.40	31.30	35.20
2-7/16	1.30	2.70	4	5.40	6.70	8.10	9.40	10.80	12.10	13.50	14.80	16.20	18.90	21.60	27	32.40	37.90	43.30	48.70
2-11/16	1.80	3.60	5.40	7.20	9	10.80	12.70	14.50	16.30	18.10	19.90	21.70	25.40	29	36.20	43.50	50.50	58	65
2-15/16	2.30	4.70	7	9.40	11.80	14.20	16.50	18.90	21.30	23.60	26	28.40	33.10	37.90	47.30	56.50	66	75.50	85
3-7/16	3.70	7.50	11.30	15.1	18.90	22.70	26.50	30.30	34.10	37.90	41.70	45.50	53	60.50	75.50	91	106	121	136
3-15/16	5.70	11.40	17.10	22.8	28.50	34.20	39.90	45.60	51	57	62.50	68	79.50	91	114	136	159	182	205
4-7/16	8.10	16.30	24.40	32.6	40.80	49	57	65	73.50	81.50	89.50	98	114	130	163	196	228	261	294
4-15/16	11.20	22.50	33.70	45	56	67.50	78.50	90	101	112	123	135	157	180	225	270	315	360	405
5-7/16	15	30	45	60	75	90	105	120	135	150	165	180	210	240	300	360	420	480	541
5-15/16	19.50	39	58.50	78	97.10	117	136	156	171	195	215	234	273	313	391	469	547	626	704
6-1/2	25.50	51	76.50	102.5	128	154	179	205	231	256	282	308	359	410	513	616	718	821	924
7	32	64.90	96	128	160	192	224	256	288	320	352	384	448	513	641	769	897	1026	1154
7-1/2	39.20	78.50	117	157	197	236	276	315	354	394	433	473	552	631	788	946	1104	1262	1419
8	47.70	95.50	143	191	239	287	335	382	430	478	526	574	670	765	957	1148	1340	1531	1723
8-1/2	57	114	171	229	287	344	401	459	516	574	631	688	803	918	1148	1377	1607	1837	2066
9	68	136	204	272	340	408	477	545	613	681	749	817	954	1090	1363	1635	1908	2181	2453
9-1/2	80	160	240	320	400	480	561	641	721	801	881	961	1122	1282	1603	1923	2244	2565	2885
10	93	186	279	373	467	560	654	747	841	934	1028	1121	1308	1495	1869	2243	2617	2991	3365

Caution: Be generous in the selection of shaft diameters as liberal diameters not only reduce deflection and vibration but also generally increase bearing life. See notes on next page.

Selection of Shaft Diameters (Continued)

Shaft Stiffness, Shaft Deflection-Standard shafting of adequate strength usually has a sufficiently large diameter to prevent excessive deflection in ordinary installations. It is wise to select shafting of generous diameter, as the greater the diameter, the greater the stiffness. A high tensile strength alloy shaft, although stronger, is no stiffer than a standard shaft of the same diameter.

While it is sometimes possible to use an alloy shaft of less diameter than a standard shaft of equal strength, this practice is usually inadvisable, as the deflection is increased.

Shafts carrying medium or long clutch sleeves should be especially generous.

High Speed Shafts - High speed sometimes causes shaft whipping or vibration. This can be prevented by making the shaft diameter generous and the distance between bearing centers short.

Location of the bearings close to wheels and couplings is advisable whether the shaft is transmitting heavy or light loads.

The use of high tensile strength alloy shafting instead of standard shafting is of no help in preventing vibration as this will not improve the stiffness nor deflection characteristics of the shaft.

Stepped Shafts - For a heavily loaded wheel, a shaft with a boss or enlarged section under the wheel and turned to a smaller diameter at the bearings often provides the most economical installation. The two different diameters should be joined by a very generous fillet, otherwise a dangerous concentration of stress will occur at the fillet. See heading -

“Turning Down Shaft Ends.” (B16-15).

Shaft Keyseats - Plain keyseats are preferable to round end keyseats in respect to causing the least concentration of stress. However, round end keyseats are often used because of design and assembly requirements. Ends left by the milling cutter should not project into babbitted or bronze bushed bearing, but may project under the sleeve of any DODGE anti-friction bearing.

Shaft diameters obtained from the tables or chart allow for the use of keyseats.

Shaft Bearings - On ordinary line shafting, bearings are commonly spaced about eight feet centers. On large diameter shafts, the spacing may be somewhat greater.

Wheels and clutches should be located near bearings to avoid dangerous bending, deflection and vibration.

Bearings should be mounted on adequate supports so that accurate alignment may be maintained. Shaft misalignment may cause shaft or bearing failure.

Shaft Couplings - Where a rigid coupling is used, it is preferable to have a bearing fairly close. Where a cutoff coupling or a flexible coupling is used, locate bearings close to each end of the coupling.

Expansion of Shafting - Where changes in the length of the shaft due to changes in temperature are to be expected and the bearings are mounted on supporting structures other than steel, consideration must be given to expansion. For more detailed information see B16-20, headed: “Expansion of Shafting.”

Factors for Shafting Other Than Standard Shafting

When it is necessary to use other than standard shafting, multiply required diameter for standard shafting as found in the tables or chart by proper factor from Table 24 below.

Standard keyseated shafting, using a safe shear stress of 6,000 PSI is the basis of shafting tables and chart. For safe shear stress of other materials, use 1/10 of nominal ultimate tensile strength. For example, use 8,000 for C1045 and 10,000 for 4140 keyseated shafting. When definite physical specifications are known the least of 13.5% of minimum ultimate tensile strength and 22.5% of minimum elastic limit in tension may be used for keyseated shafting; 18% and 30% respectively if not keyseated.

Caution - As the deflection of steel shafting depends upon the diameter and not upon the analysis of the steel, care should be exercised in the use of alloy shafting not to reduce the diameter unduly. Deflection should not be excessive and bearing capacities should be adequate. It is usually best to use standard shafting instead of a smaller diameter alloy shaft. The smaller alloy shaft may safely transmit the torque but often is undesirable in respect to deflection, vibration and bearing life

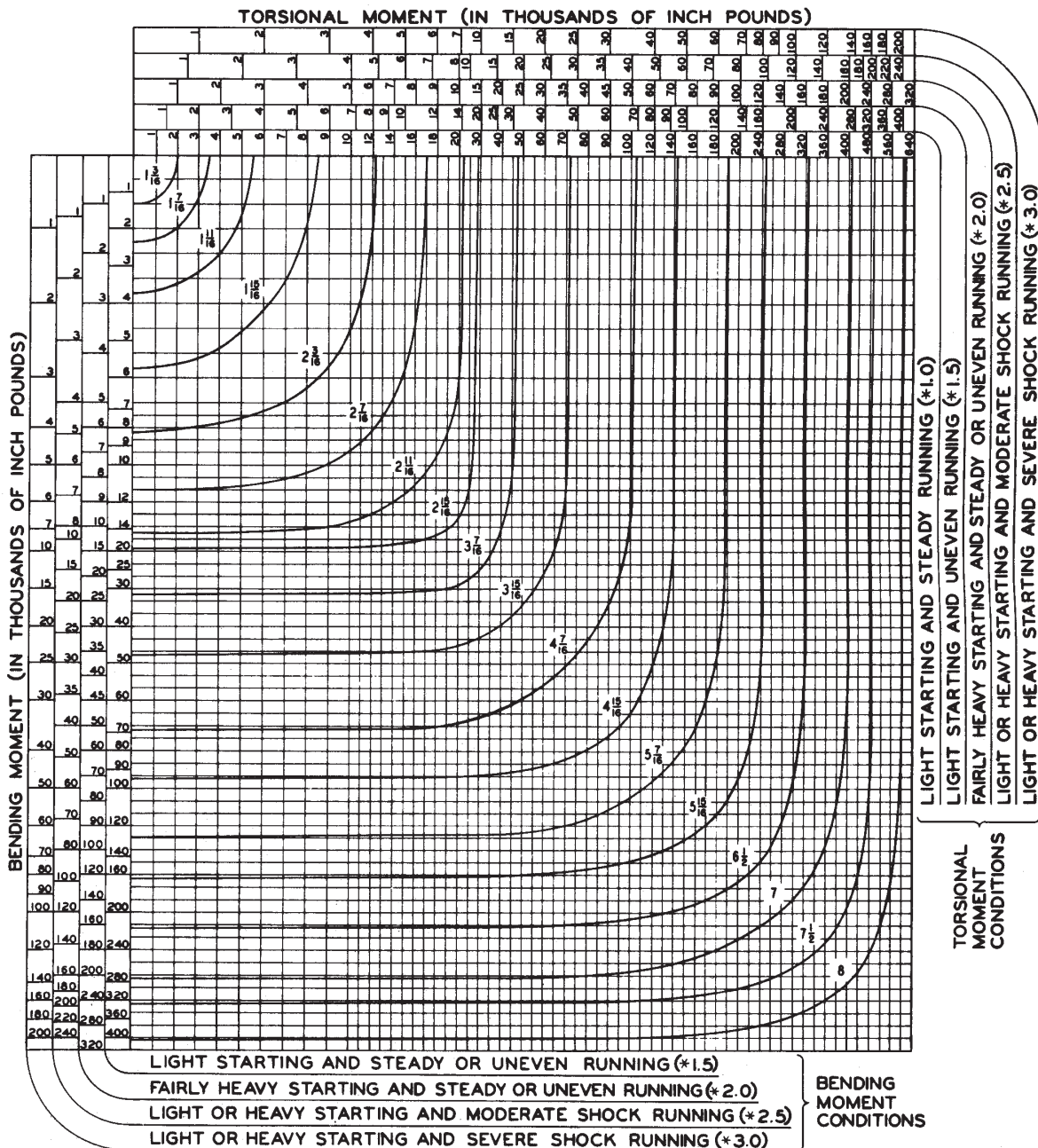
Table 24: Shear Stress Factors

Safe Shear Stress	Factor	Safe Shear Stress	Factor	Safe Shear Stress	Factor	Safe Shear Stress	Factor	Safe Shear Stress	Factor
500	2.289	3,000	1.260	5,500	1.029	9,000	.874	14,000	.754
1,000	1.817	3,500	1.197	6,000	1.000	10,000	.843	15,000	.737
1,500	1.587	4,000	1.145	6,500	.974	11,000	.817	16,000	.721
2,000	1.442	4,500	1.101	7,000	.950	12,000	.794	17,000	.707
2,500	1.339	5,000	1.063	8,000	.909	13,000	.773	18,000	.693

ENGINEERING



Combine Torsion and Bending of Standard Shaft (Based on a Safe Shear Stress of 6,000 PS for Keyseated Shafting)



Example: Engine extension shaft driving single cylinder compressor, 15,000 pound-inches torsional moment, 14,000 pound-inches bending moment. Because of the heavy shock running load conditions use scales designated "Light or Heavy Starting and Severe Shock Running". Project a line down from 15,000 torsional moment. Project a line to the right from 14,000 bending moment. The two lines intersect between 3-7/16 and

3-15/16 curves. Use 3-15/16 standard shafting.

Note: The above chart is based on ASME approved standard ASA-B17C-1927 withdrawn in 1954. If the latest shaft selection analysis is required refer to ANSI/ASME B106.1M-1985.

Note: If considering use of other shafting material refer to "Selection of Shaft Diameters" on page B16-18.

Expansion of Shafting

Provision should be made to permit the free movement of shafting endwise due to temperature changes. One bearing should serve as an anchor bearing to locate the shaft endwise. All other bearings should permit the shaft to move freely endwise.

The anchor bearing is often located near an important wheel. On long shafts it should preferably be located near the center of the shaft to keep the expansion of the two ends to a minimum. If the anchor bearing is babbitted it should be fitted with collars. If it is an anti-friction bearing it should be of the non-expansion type, which is the designation of DODGE roller and ball bearings for use as anchor bearings.

All bearings on the shafting other than the anchor bearing should permit the shaft to move freely endwise. If babbitted there should be no thrust collars. If anti-friction these bearings should be of the expansion type.

Several shafts firmly fastened together expand as if one continuous shaft. An example of this is line shafting with flange couplings. If the expansion is considered excessive a long line shaft may be split into two or more sections, the sections being connected with expansion couplings.

Amount of Expansion to be provided for-

The amount of shaft expansion is given in Table 25 below. For example, with a 100°F temperature rise on a 150 ft. line shaft with the anchor bearing located 70 ft. from one end and 80 ft. from the other end the ends will move .529" and .605"

respectively away from the anchor bearing. The structure supporting the bearings may also expand but usually not as rapidly and as much as the shafting. Several cases follow:

Case 1 - Bearings supported on steel structures, where the shaft and structure are exposed to the same temperatures, will expand at the same rate. Expansion allowance is usually not required. If the shaft is exposed to a higher temperature than the support, allowances should be made. For example, if the shaft temperature is expected to change 80°, and the temperature of the structure 60°, the resulting movement between shafting and support ends will be equivalent to a 20° change.

Case 2 - For bearings supported on wood, brick, or concrete walls, or on piers with foundations in the ground, the amount of expansion is usually considered negligible. Therefore, the full amount of shafting expansion as calculated in Table 25 below, may be accommodated.

Case 3 - Certain structural designs have built-in flexibility. Where this is the case, expansion type bearings are not necessary.

Case 4 - Short shafts with only two bearings are usually designed without compensation for expansion, if temperature variations are not excessive.

Advice on Expansion Problems-

DODGE power transmission engineers will gladly make recommendations concerning shaft expansion problems and the use of suitable bearings.

Table 25: Linear Expansion of Steel Shafting

Base on Expansion In Inches = 0.000063 x 12 x Length in Feet x Temp. Increase in Degrees Fahrenheit

Length (Feet)	Temperature Increase-Degrees F.					Length (Feet)	Temperature Increase-Degrees F.				
	20°	40°	60°	80°	100°		20°	40°	60°	80°	100°
1	.0015	.0030	.0045	.0060	.0075	40	.060	.121	.181	.242	.302
2	.0030	.0060	.0091	.0121	.0151	45	.068	.136	.204	.272	.340
3	.0045	.0091	.0136	.0181	.0227	50	.076	.151	.227	.302	.378
4	.0060	.0121	.0181	.0242	.0302	55	.083	.166	.249	.333	.416
5	.0076	.0151	.0227	.0302	.0378	60	.091	.181	.272	.363	.454
6	.0091	.0181	.0272	.0363	.0454	65	.098	.197	.295	.393	.491
7	.0106	.0212	.0318	.0423	.0529	70	.106	.212	.317	.423	.529
8	.0121	.0242	.0363	.0484	.0605	75	.113	.227	.340	.454	.567
9	.0136	.0272	.0408	.0544	.0680	80	.121	.242	.363	.484	.605
10	.0151	.0302	.0454	.0605	.0756	85	.129	.257	.386	.514	.643
12	.0181	.0363	.0544	.0726	.0907	90	.136	.272	.408	.544	.680
14	.0212	.0423	.0635	.0847	.1058	95	.144	.287	.431	.575	.718
16	.024	.048	.073	.097	.121	100	.151	.302	.454	.605	.756
18	.027	.054	.082	.109	.136	110	.166	.333	.499	.665	.832
20	.030	.060	.091	.121	.151	120	.181	.363	.544	.726	.907
25	.038	.076	.113	.151	.189	130	.197	.393	.590	.786	.983
30	.045	.091	.136	.181	.227	140	.212	.423	.635	.847	1.058
35	.053	.106	.158	.212	.265	150	.227	.454	.680	.907	1.134



ENGINEERING

Weights and Properties of Steel Shafting

Table 26: Weight of Round Steel Shafting

Shaft Size	Weight of Shafting for Various Lengths in feet																	Weight Per Inc.
	1	2	3	4	5	6	7	8	9	10	12	14	16	18	20	22	24	
3/4	1.5	3.0	4.5	6.0	7.5	9.0	10.5	12.0	13.5	15	18	21	24	27	30	33	36	.125
7/8	2.0	4.0	6.1	8.1	10.2	12.2	14.3	16.3	18.4	20	25	29	33	37	41	45	49	.170
*15/16	2.3	4.7	7.0	9.4	11.7	14.1	16.5	18.8	21.2	23	28	33	38	42	47	52	56	.195
1	2.7	5.3	8.0	10.6	13.3	16.0	18.6	21.3	24.0	27	32	37	43	48	53	59	64	.223
1-1/8	3.4	6.8	10.0	13.4	16.7	20.1	23.4	26.7	30.1	34	41	47	54	61	68	74	81	.281
*1-3/16	3.8	7.6	11.3	15.1	18.9	22.6	26.4	30.1	34.0	38	45	53	60	68	75	83	90	.314
1-1/4	4.2	8.3	12.5	16.7	20.8	25.0	29.2	33.3	37.5	42	50	58	67	75	83	92	100	.348
1-3/8	5.0	10.1	15.3	20.2	25.3	30.3	35.4	40.4	45.4	50	60	71	81	91	101	111	121	.420
*1-7/16	5.5	11	17	22	28	33	39	44	50	55	66	77	88	99	110	121	133	.460
1-1/2	6.0	12	18	24	30	36	42	48	54	60	72	84	96	108	120	132	144	.500
*1-11/16	7.6	15	23	30	38	46	53	61	68	76	91	107	122	137	152	167	183	.634
*1-15/16	10.0	20	30	40	50	60	70	80	90	100	120	140	161	181	201	221	241	.835
2	10.7	21	32	43	53	64	75	85	96	107	128	150	171	192	214	235	256	.890
*2-3/16	12.8	26	38	51	64	77	90	102	115	128	153	179	205	230	256	281	307	1.06
*2-7/16	15.9	32	48	63	79	95	111	127	143	159	190	222	254	286	317	349	381	1.32
2-1/2	16.7	34	50	67	83	100	117	134	150	167	200	234	267	301	334	367	401	1.39
*2-11/16	19.3	39	58	77	97	116	135	154	174	193	232	270	309	348	386	425	463	1.61
*2-15/16	23.0	46	69	92	115	138	161	184	208	231	277	323	369	415	461	507	553	1.92
*3-7/16	31.6	63	95	126	158	189	221	253	284	316	379	442	505	568	631	695	758	2.63
*3-15/16	41.4	83	124	166	207	248	290	331	373	414	497	580	662	745	828	911	994	3.45
*4-7/16	52.6	105	158	210	263	315	368	421	473	526	631	736	841	946	1052	1157	1262	4.38
*4-15/16	65.1	130	195	260	326	391	456	521	586	651	781	911	1041	1172	1302	1432	1562	5.42
*5-7/16	79.0	158	237	316	395	474	553	632	711	790	947	1105	1263	1421	1579	1737	1894	6.58
*6	96	192	288	384	481	577	673	769	865	961	1154	1346	1538	1730	1923	2115	2307	8.01

* **Recommended Diameters** These shaft diameters are recommended for use whenever possible as various transmission items such as couplings, collars, clutches, pulleys, etc., are carried in stock in these sizes, at least up to 3-15/16", in the principal cities throughout the United States.

Table 27: Weight and Properties of Round Steel Shafting

Shaft Size	Weight per Inch	Section Modulus		Moment of Inertia		Shaft Size	Weight per Inch	Section Modulus		Moment of Inertia	
		Bending	Torsion	Bending	Torsion			Bending	Torsion	Bending	Torsion
1/16	.00087	.000024	.000048	.000001	.000002	2-7/16	1.32	1.422	2.844	1.733	3.466
1/8	.0035	.000192	.000383	.000012	.000024	2-1/2	1.39	1.534	3.068	1.918	3.835
3/16	.0078	.000647	.001294	.000061	.000121	2-9/16	1.46	1.652	3.304	2.117	4.233
1/4	.0139	.001534	.003068	.000192	.000383	2-5/8	1.53	1.776	3.552	2.331	4.661
5/16	.0217	.002996	.005992	.000468	.000936	2-11/16	1.61	1.906	3.811	2.561	5.122
3/8	.0313	.005177	.010354	.000971	.001941	2-3/4	1.68	2.042	4.084	2.807	5.615
7/16	.0425	.008221	.016442	.001798	.003597	2-13/16	1.76	2.184	4.368	3.071	6.143
1/2	.0556	.0123	.0245	.0031	.0061	2-7/8	1.84	2.333	4.666	3.354	6.707
9/16	.0703	.0175	.0349	.0049	.0098	2-15/16	1.92	2.489	4.977	3.655	7.310
5/8	.0868	.0240	.0479	.0075	.0150	3	2.00	2.651	5.301	3.976	7.952
11/16	.1051	.0319	.0638	.0110	.0219	3-1/16	2.08	2.820	5.640	4.318	8.636
3/4	.125	.0414	.0828	.0155	.0311	3-1/8	2.17	2.996	5.992	4.681	9.363
13/16	.1467	.0527	.1053	.0214	.0428	3-3/16	2.26	3.179	6.359	5.067	10.13
7/8	.1701	.0658	.1315	.0288	.0575	3-1/4	2.35	3.370	6.740	5.477	10.95
15/16	.1954	.0809	.1618	.0379	.0758	3-5/16	2.44	3.568	7.137	5.910	11.82
1	.22	.0982	.1963	.0491	.0982	3-3/8	2.53	3.774	7.548	6.369	12.74
1-1/16	.25	.1178	.2355	.0626	.1251	3-7/16	2.63	3.988	7.976	6.854	13.71
1-1/8	.28	.1398	.2796	.0786	.1573	3-1/2	2.72	4.209	8.419	7.366	14.73
1-3/16	.31	.1644	.3288	.0976	.1952	3-9/16	2.82	4.439	8.878	7.907	15.81
1-1/4	.35	.1917	.3835	.1198	.2397	3-5/8	2.92	4.677	9.353	8.476	16.95
1-5/16	.38	.2220	.4439	.1457	.2913	3-11/16	3.02	4.923	9.845	9.076	18.15
1-3/8	.42	.2552	.5104	.1755	.3509	3-3/4	3.13	5.177	10.35	9.707	19.41
1-7/16	.46	.2916	.5832	.2096	.4192	3-13/16	3.23	5.440	10.88	10.37	20.74
1-1/2	.50	.3313	.6627	.2485	.4970	3-7/8	3.34	5.712	11.42	11.07	22.14
1-9/16	.54	.3745	.7490	.2926	.5852	3-15/16	3.45	5.993	11.99	11.80	23.60
1-5/8	.59	.4213	.8425	.3423	.6846	4	3.56	6.283	12.57	12.57	25.13
1-11/16	.63	.4718	.9435	.3981	.7961	4-1/16	3.67	6.582	13.16	13.37	26.74
1-3/4	.68	.5262	1.052	.4604	.9208	4-1/8	3.78	6.891	13.78	14.21	28.42
1-13/16	.73	.5846	1.169	.5298	1.060	4-3/16	3.90	7.209	14.42	15.09	30.19
1-7/8	.78	.6471	1.294	.6067	1.213	4-1/4	4.01	7.536	15.07	16.01	32.03
1-15/16	.83	.7140	1.428	.6917	1.384	4-5/16	4.13	7.874	15.75	16.98	33.96
2	.89	.7854	1.571	.7854	1.571	4-3/8	4.25	8.221	16.44	17.98	35.97
2-1/16	.94	.8614	1.723	.8883	1.777	4-7/16	4.38	8.579	17.16	19.03	38.07
2-1/8	1.00	.9421	1.884	1.001	2.002	4-1/2	4.50	8.946	17.89	20.13	40.26
2-3/16	1.06	1.028	2.055	1.124	2.248	4-9/16	4.63	9.324	18.65	21.27	42.54
2-1/4	1.13	1.118	2.237	1.258	2.516	4-5/8	4.75	9.713	19.43	22.46	44.92
2-5/16	1.19	1.214	2.428	1.404	2.808	4-11/16	4.88	10.11	20.22	23.70	47.40
2-3/8	1.25	1.315	2.630	1.562	3.124	4-3/4	5.01	10.52	21.04	24.99	49.98

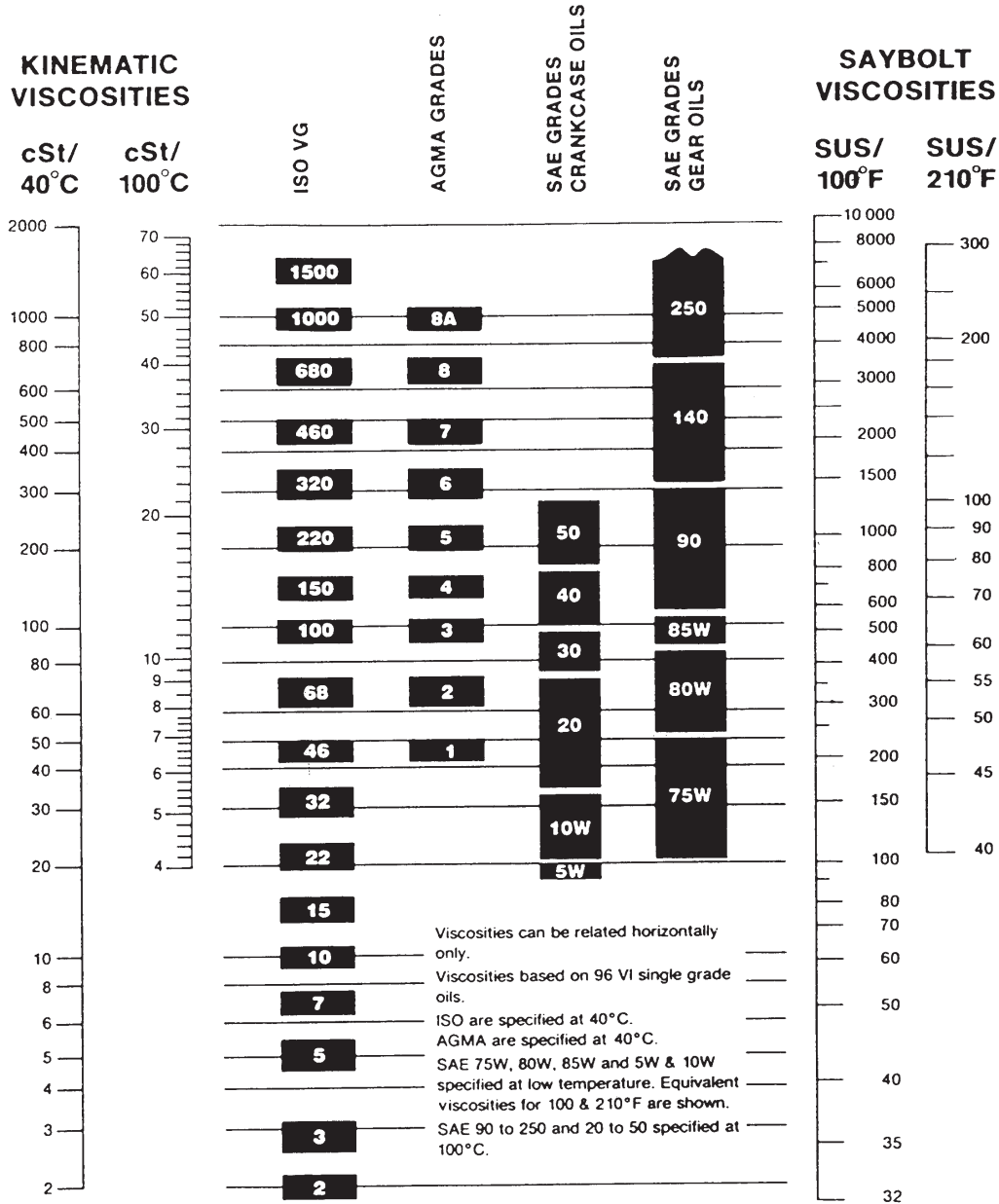
Weights and Properties of Steel Shafting (Continued)

Table 28: Weight and Properties of Round Steel Shafting

Shaft Size	Weight per Inch	Section Modulus		Moment of Inertia		Shaft Size	Weight per Inch	Section Modulus		Moment of Inertia	
		Bending	Torsion	Bending	Torsion			Bending	Torsion	Bending	Torsion
4-13/16	5.15	10.94	21.88	26.33	52.66	13-1/2	40.50	241.50	483.10	1630	3261
4-7/8	5.28	11.37	22.75	27.72	55.45	13-3/4	42.00	255.20	510.40	1755	3509
4-15/16	5.42	11.82	23.63	29.17	58.35	14	43.60	269.40	538.80	1886	3771
5	5.56	12.27	24.54	30.68	61.36	14-1/4	45.10	284.10	568.20	2024	4048
5-1/16	5.70	12.74	25.48	32.24	64.49	14-1/2	46.70	299.30	598.60	2170	4340
5-1/8	5.84	13.22	26.43	33.86	67.73	14-3/4	48.40	315.00	630.10	2324	4647
5-3/16	5.98	13.70	27.41	35.55	71.09	15	50.00	331.30	662.70	2485	4970
5-1/4	6.13	14.21	28.41	37.29	74.58	15-1/4	51.70	348.20	696.40	2655	5310
5-5/16	6.27	14.72	29.44	39.10	78.20	15-1/2	53.40	365.60	731.20	2833	5667
5-3/8	6.42	15.25	30.49	40.97	81.94	15-3/4	55.10	383.60	767.10	3021	6041
5-7/16	6.58	15.78	31.57	42.91	85.82	16	56.90	402.10	804.20	3217	6434
5-1/2	6.72	16.33	32.67	44.92	89.84	16-1/4	58.70	421.30	842.50	3422	6846
5-9/16	6.88	16.90	33.79	46.99	93.99	16-1/2	60.50	441.00	882.00	3638	7277
5-5/8	7.03	17.47	34.95	49.14	98.29	16-3/4	62.40	461.40	922.70	3864	7728
5-11/16	7.19	18.06	36.12	51.36	102.70	17	64.20	482.30	964.70	4100	8200
5-3/4	7.35	18.66	37.33	53.66	107.30	17-1/4	66.10	503.90	1008	4346	8693
5-13/16	7.51	19.28	38.56	56.03	112.10	17-1/2	68.10	526.20	1052	4604	9208
5-7/8	7.67	19.91	39.82	58.48	117.00	17-3/4	70.00	549.10	1098	4873	9745
5-15/16	7.84	20.55	41.10	61.01	122.00	18	72.00	572.60	1145	5153	10306
6	8.00	21.21	42.41	63.62	127.20	18-1/4	74.00	596.70	1193	5445	10891
6-1/16	8.17	21.88	43.75	66.31	132.60	18-1/2	76.10	621.60	1243	5750	11500
6-1/8	8.34	22.56	45.12	69.09	138.20	18-3/4	78.10	647.10	1294	6067	12134
6-3/16	8.51	23.26	46.51	71.95	143.90	19	80.20	673.40	1347	6397	12794
6-1/4	8.68	23.97	47.94	74.90	149.80	19-1/4	82.40	700.30	1401	6741	13481
6-5/16	8.86	24.69	49.39	77.94	155.90	19-1/2	84.50	728.00	1456	7098	14195
6-3/8	9.03	25.44	50.87	81.08	162.20	19-3/4	86.70	756.30	1513	7469	14937
6-7/16	9.21	26.19	52.38	84.30	168.60	20	88.90	785.40	1571	7854	15708
6-1/2	9.39	26.96	53.92	87.62	175.20	20-1/4	91.10	815.20	1630	8254	16508
6-5/8	9.76	28.55	57.09	94.56	189.10	20-1/2	93.40	845.80	1692	8669	17339
6-3/4	10.10	30.19	60.39	101.90	203.80	20-3/4	95.70	877.10	1754	9100	18200
6-7/8	10.50	31.90	63.80	109.70	219.30	21	98.00	909.20	1818	9547	19093
7	10.90	33.67	67.35	117.90	235.70	21-1/4	100.40	942.10	1884	10009	20019
7-1/8	11.30	35.51	71.02	126.50	253.00	21-1/2	102.70	975.70	1951	10489	20978
7-1/4	11.70	37.41	74.82	135.60	271.20	21-3/4	105.10	1010	2020	10985	21970
7-3/8	12.10	39.38	78.76	145.20	290.40	22	107.60	1045	2091	11499	22998
7-1/2	12.50	41.42	82.84	155.30	310.60	22-1/4	110.00	1081	2163	12031	24061
7-5/8	12.90	43.52	87.05	165.90	331.90	22-1/2	112.50	1118	2237	12581	25161
7-3/4	13.30	45.70	91.40	177.10	354.20	22-3/4	115.00	1156	2312	13149	26298
7-7/8	13.80	47.95	95.89	188.80	377.60	23	117.60	1194	2389	13737	27473
8	14.30	50.27	100.50	201.10	402.10	23-1/4	120.10	1234	2468	14344	28687
8-1/8	14.70	52.66	105.30	213.90	427.90	23-1/2	122.70	1274	2548	14971	29941
8-1/4	15.10	55.13	110.30	227.40	454.80	23-3/4	125.40	1315	2630	15618	31236
8-3/8	15.60	57.67	115.30	241.50	483.00	24	128.00	1357	2714	16286	32572
8-1/2	16.10	60.29	120.60	256.20	512.50	24-1/4	130.70	1400	2800	16975	33951
8-5/8	16.50	62.99	126.00	271.60	543.30	24-1/2	133.40	1444	2888	17686	35372
8-3/4	17.00	65.77	131.60	287.70	575.50	24-1/4	136.20	1488	2977	18419	36838
8-7/8	17.50	68.63	137.30	304.50	609.10	25	138.90	1534	3068	19175	38350
9	18.00	71.57	143.10	322.10	644.10	25-1/4	141.70	1580	3161	19954	39907
9-1/8	18.50	74.59	149.20	340.30	680.70	25-1/2	144.50	1628	3256	20755	41511
9-1/4	19.00	77.70	155.40	359.40	718.70	25-3/4	147.40	1676	3352	21581	43163
9-3/8	19.50	80.89	161.80	379.20	758.40	26	150.30	1726	3451	22432	44864
9-1/2	20.10	84.17	168.30	399.80	799.60	26-1/4	153.20	1776	3552	23307	46614
9-5/8	20.60	87.54	175.10	421.30	842.60	26-1/2	156.10	1827	3654	24208	48415
9-3/4	21.10	90.99	182.00	443.60	887.20	26-3/4	159.00	1879	3758	25134	50268
9-7/8	21.70	94.54	189.10	466.80	933.60	27	162.00	1932	3865	26087	52174
10	22.20	98.17	196.30	490.90	981.70	27-1/2	168.10	2042	4083	28074	56148
10-1/4	23.40	105.72	211.40	541.80	1084	28	174.30	2155	4310	30172	60344
10-1/2	24.50	113.65	227.30	596.70	1193	28-1/2	180.50	2273	4545	32385	64771
10-3/4	25.70	121.96	243.90	655.50	1311	29	186.90	2394	4789	34719	69437
11	26.90	130.67	261.30	718.70	1437	29-1/2	193.40	2520	5041	37176	74351
11-1/4	28.10	139.78	279.60	786.30	1573	30	200.00	2651	5301	39761	79522
11-1/2	29.40	149.31	298.60	858.50	1717	30-1/2	206.80	2785	5571	42479	84957
11-3/4	30.70	159.26	318.50	935.70	1871	31	213.60	2925	5849	45333	90666
12	32.00	169.65	339.30	1018	2036	31-1/2	220.50	3069	6137	48329	96659
12-1/4	33.40	180.47	360.90	1105	2211	32	227.60	3217	6434	51472	102944
12-1/2	34.70	191.75	383.50	1198	2397	32-1/2	234.80	3370	6740	54765	109530
12-3/4	36.10	203.48	407.00	1297	2594	33	242.10	3528	7056	58214	116428
13	37.60	215.69	431.40	1402	2804	34	256.90	3859	7717	65597	131194
13-1/4	39.00	228.37	456.70	1513	3026	35	272.30	4209	8418	73662	147324

Viscosity Classification Equivalents

OIL VISCOSITY EQUIVALENCY CHART



ISO VISCOSITY CLASSIFICATION SYSTEM

All industrial oils are graded according to the ISO Viscosity Classification System, approved by the International Standards Organizations (ISO). Each ISO viscosity grade number corresponds to the mid-point of viscosity range expressed in centistokes (cSt) at 40°C. For example, a lubricant with an ISO grade of 32 has a viscosity within the range of 28.80-35.2, the midpoint of which is 32.

Rule-of-Thumb: The comparable ISO grade of a competitive product whose viscosity in SUS at 100°F is known can be determined by using the following conversion formula:

$$\text{SUS @ 100°F} \div 5 = \text{cSt @ 40°C}$$

English Standard Measures

Long Measure

1 mile = 1760 yards = 5280 feet.
 1 yard = 3 feet = 36 inches.
 1 foot = 12 inches.

Surveyor's Measure

1 mile = 8 furlongs = 80 chains.
 1 furlong = 10 chains = 220 yards.
 1 chain = 4 rods = 22 yards = 66 feet = 100 links.
 1 link = 7.92 inches.

Square Measure

1 square mile = 640 acres = 6400 square chains.
 1 acre = 10 square chains = 4840 square yards = 43,560 square feet.
 1 square chain = 16 square rods = 484 square yards = 4356 square feet.
 1 square rod = 30.25 square yards = 272.25 square feet = 625 square links.
 1 square yard = 9 square feet.
 1 square foot = 144 square inches.
 An acre is equal to a square, the side of which is 208.7 feet.

Dry Measure

1 bushel (U.S. or Winchester struck bushel) = 1.2445 cubic foot = 2150.42 cubic inches.
 1 bushel = 4 pecks = 32 quarts = 64 pints.
 1 peck = 8 quarts = 16 pints.
 1 quart = 2 pints.
 1 heaped bushel = 1 1/4 struck bushel.
 1 cubic foot = 0.8036 struck bushel.
 1 British Imperial bushel = 8 Imperial gallons = 1.2837 cubic foot = 2218.19 cubic inches.

Liquid Measure

1 U.S. gallon = 0.1337 cubic foot = 231 cubic inches = 4 quarts = 8 pints.
 1 quart = 2 pints = 8 gills.
 1 pint = 4 gills.
 1 British Imperial gallon = 1.2003 U.S. gallon = 277.27 cubic inches.
 1 cubic foot = 7.48 U.S. gallons.

Circular and Angular Measure

60 seconds (") = 1 minute (')
 60 minutes = 1 degree (-)
 360 degrees = 1 circumference (C)
 57.3 degrees = 1 radian
 2 π radians = 1 circumference (C)

Specific Gravity

The specific gravity of a substance is its weight as compared with the weight of an equal bulk of pure water.
 For making specific gravity determinations the temperature of the water is usually taken at 62° F. when 1 cubic foot of water weighs 62.355 lbs. Water is at its greatest density at 39.20° F. or 4° Centigrade.

Temperature

The following equation will be found convenient for transforming temperature from one system to another:

Let F = degrees Fahrenheit; C = degrees Centigrade; R = degrees Reamur.

$$F - 32 = \frac{C}{9} \times \frac{5}{4}$$

180 100 80

Avoirdupois or Commercial Weight

1 gross or long ton = 2240 pounds.
 1 net or short ton = 2000 pounds.
 1 pound = 16 ounces = 7000 grains.
 1 ounce = 16 drams = 437.5 grains.

Measures of Pressure

1 pound per square inch = 144 pounds per square foot = 0.068 atmosphere = 2.042 inches of mercury at 62 degrees F. = 27.7 inches of water at 62 degrees F. = 2.31 feet of water at 62 degrees F.
 1 atmosphere = 30 inches of mercury at 62 degrees F. = 14.7 pounds per square inch = 2116.3 pounds per square foot = 33.95 feet of water at 62 degrees F.
 1 foot of water at 62 degrees F. = 62.355 pounds per square foot = 0.433 pound per square inch.
 1 inch of mercury at 62 degrees F. = 1.132 foot of water = 13.58 inches of water = 0.491 pound per square inch.
 Column of water 12 in. high, 1 in. dia. = .341 lbs.

Cubic Measure

1 cubic yard = 27 cubic feet.
 1 cubic foot = 1728 cubic inches.
 The following measures are also used for wood and masonry:
 1 cord of wood = 4 X 4 X 8 feet = 128 cubic feet.
 1 perch of masonry = 16-1/2 X 1-1/2 X 1 foot = 24-3/4 cubic feet.

Shipping Measure

For measuring entire internal capacity of a vessel: 1 register ton = 100 cubic feet.
 For measurement of cargo:
 1 U.S. shipping ton = 40 cubic feet = 32.143 U.S. bushels = 31.16 Imperial bushels.
 British shipping ton = 42 cubic feet = 33.75 U.S. bushels = 32.72 Imperial bushels.

Troy Weight, Used for Weighing Gold and Silver

1 pound = 12 ounces = 5760 grains.
 1 ounce = 20 pennyweights = 480 grains.
 1 pennyweight = 24 grains.
 1 carat (used in weighing diamonds) = 3.086 grains.
 1 grain Troy = 1 grain avoirdupois = 1 grain apothecaries' weight.

Measure Used for Diameters and Areas of Electric Wires

1 circular inch = area of circle 1 inch in diameter = 0.7854 square inch.
 1 circular inch = 1,000,000 circular mils.
 1 square inch = 1.2732 circular inch = 1,273,239 circular mils.
 A circular mil is the area of a circle 0.001 inch in diameter.

Board Measure

One foot board measure is a piece of wood 12 inches square by 1 inch thick, or 144 cubic inches. 1 cubic foot therefore equals 12 feet board measure

TABLE 29: Decimal and Millimeter Equivalents of Fractions

Inches			Milli- meters	Inches		Milli- meters	Inches			Milli- meters	
Fractions	Decimals	Fractions		Decimals	Fractions		Decimals				
1/64		.015625	.397		11/32	.34375	8.7319		11/16	.6875	17.463
	1/32	.03125	.794	23/64		.359375	9.128	45/64		.703125	17.859
3/64		.046875	1.191		3/8	.375	9.525		23/32	.71875	18.256
	1/16	.0625	1.588	25/64		.390625	9.922	47/64		.734375	18.653
5/64		.078125	1.984		13/32	.40625	10.319		3/4	.750	19.050
	3/32	.09375	2.381	27/64		.421875	10.716	49/64		.765625	19.447
7/64		.109375	2.778		7/16	.4375	11.113		25/32	.78125	19.844
	1/8	.125	3.175	29/64		.453125	11.509	51/64		.796875	20.241
9/64		.140625	3.582		15/32	.46875	11.906		13/16	.8125	20.638
	5/32	.15625	3.969	31/64		.48375	12.303	53/64		.828125	21.034
11/64		.171875	4.366		1/2	.500	12.700		27/32	.84375	21.431
	3/16	.1875	4.763	33/64		.515625	13.097	55/64		.859375	21.828
13/64		.203125	5.159		17/32	.53125	13.494		7/8	.875	22.225
	7/32	.21875	5.556	35/64		.546875	13.891	57/64		.890625	22.622
15/64		.234375	5.953		9/16	.5625	14.288		29/32	.90524	23.019
	1/41	.250	6.350	37/64		.578125	14.684	59/64		.921875	23.416
7/64		.265625	6.747		19/32	.59375	14.081		15/16	.9375	23.813
	9/32	.28125	7.144	39/64		.609375	15.478	61/64		.953125	24.209
19/64		.296875	7.541		5/8	.625	15.875		31/32	.96875	24.606
	5/16	.3125	7.938	41/64		.60625	16.272	63/64		.984375	25.003
21/64		.328125	8.334		21/32	.65625	16.669		1	1.000	25.400
				43/64		.671875	17.066				

Table 30: Millimeter-Inch Equivalents: 1" = 25.4mm (.03937" = 1mm)

Millimeter	Decimal	Millimeter	Decimal	Millimeter	Decimal	Millimeter	Decimal	Millimeter	Decimal
1	.03937	52	2.04724	103	4.05511	154	6.06299	205	8.07086
2	.07874	53	2.08661	104	4.09448	155	6.10236	206	8.11023
3	.11811	54	2.12598	105	4.13385	156	6.14173	207	8.14960
4	.15748	55	2.16535	106	4.17322	157	6.18110	208	8.18897
5	.19685	56	2.20472	107	4.21259	158	6.22047	209	8.22834
6	.23622	57	2.24409	108	4.25196	159	6.25984	210	8.26771
7	.27559	58	2.28346	109	4.29133	160	6.29921	211	8.30708
8	.31496	59	2.32283	110	4.33070	161	6.33858	212	8.34645
9	.35433	60	2.36220	111	4.37007	162	6.37795	213	8.38582
10	.39370	61	2.40157	112	4.40944	163	6.41732	214	8.42519
11	.43307	62	2.44094	113	4.44881	164	6.45669	215	8.46456
12	.47244	63	2.48031	114	4.48818	165	6.49606	216	8.50393
13	.51181	64	2.51968	115	4.52755	166	6.53543	217	8.54330
14	.55118	65	2.55905	116	4.56692	167	6.57480	218	8.58267
15	.59055	66	2.59842	117	4.60629	168	6.61417	219	8.62204
16	.62992	67	2.63779	118	4.64566	169	6.65354	220	8.66141
17	.66929	68	2.67716	119	4.68503	170	6.69291	221	8.70078
18	.70866	69	2.71653	120	4.72440	171	6.73228	222	8.74015
19	.74803	70	2.75590	121	4.76378	172	6.77165	223	8.77952
20	.78740	71	2.79527	122	4.80315	173	6.81102	224	8.81889
21	.82677	72	2.83464	123	4.84252	174	6.85039	225	8.85826
22	.86614	73	2.87401	124	4.88189	175	6.88976	226	8.89763
23	.90551	74	2.91338	125	4.92126	176	6.92913	227	8.93700
24	.94488	75	2.95275	126	4.96063	177	6.96850	228	8.97637
25	.98425	76	2.99212	127	5.00000	178	7.00787	229	9.01574
26	1.02362	77	3.03149	128	5.03937	179	7.04724	230	9.05511
27	1.06299	78	3.07086	129	5.07875	180	7.08661	231	9.09448
28	1.10236	79	3.11023	130	5.11811	181	7.12598	232	9.13385
29	1.14173	80	3.14960	131	5.15749	182	7.16535	233	9.17322
30	1.18110	81	3.18897	132	5.19685	183	7.20472	234	9.21259
31	1.22047	82	3.22834	133	5.23622	184	7.24409	235	9.25196
32	1.25984	83	3.26771	134	5.27559	185	7.28346	236	9.29133
33	1.29921	84	.303708	135	5.31496	186	7.32283	237	9.33070
34	1.33858	85	3.34645	136	5.35433	187	7.36220	238	9.37007
35	1.37795	86	3.38582	137	5.39370	188	7.40157	239	9.40944
36	1.41732	87	.342519	138	.543307	189	7.44094	240	9.44881
37	1.45669	88	3.46456	139	.547244	190	7.48031	241	9.48818
38	1.49606	89	3.50393	140	5.51181	191	7.51968	242	9.52755
39	1.53543	90	3.54330	141	5.55118	192	7.55905	243	9.56692
40	1.57480	91	.358267	142	5.59055	193	7.59842	244	9.60629
41	1.61417	92	3.62204	143	5.62992	194	7.63779	245	9.64566
42	1.65354	93	3.66141	144	5.66929	195	7.67716	246	9.68503
43	1.69291	94	3.70078	145	5.70866	196	7.71653	247	9.72440
44	1.73228	95	3.74015	146	5.74804	197	7.75590	248	9.76378
45	1.77165	96	3.77952	147	5.78740	198	7.79527	249	9.80315
46	1.81102	97	3.81899	148	5.82677	199	7.83464	250	9.84252
47	1.85039	98	3.85826	149	5.86614	200	7.87401	251	9.88189
48	1.88976	99	3.89763	150	5.90551	201	7.91338	252	9.92126
49	1.92913	100	3.93710	151	5.94488	202	7.95275	253	9.96063
50	1.96850	101	3.97637	152	5.98425	203	7.99212	254	10.00000
51	2.00787	102	4.01574	153	6.02362	204	8.03149	-	-

Metric System of Measurements

Measures of Length

10	millimeters (mm.)	= 1 centimeter (cm.)
10	centimeters	= 1 decimeter (dm.)
10	decimeters	= 1 meter (m.)
1000	meter	= 1 kilometer (km.)

Measure of Weight

10	milligrams (mg.)	= 1 centigram (cg.)
10	centigrams	= 1 decigram (dg.)
10	decigrams	= 1 gram (g.)
10	grams	= 1 decagram (Dg.)
10	decagrams	= 1 hectogram (Hg.)
10	hectograms	= 1 Kilogram (Kg.)
1000	kilograms	= 1 (metric) ton (T.)

Surveyor's Square Measure

100	square meters (m.2)	= 1 are (ar.)
100	acres	= 1 hectare (har.)
100	hectares	= 1 sq. kilometer (Km.2)

Square Measure

100	sq. millimeters (mm.2)	= 1 sq. centimeter (cm.2)
100	sq. centimeters	= 1 sq. decimeter (dm.2)
100	sq. decimeters	= 1 sq. meter (m.2)

Cubic Measure

1000	cu. millimeters (mm.3)	= 1 cu. centimeter (cm.3)
1000	cu. centimeters	= 1 cu. decimeter (dm.3)
1000	cu. decimeters	= 1 cu. meter (m.3)

Dry and Liquid Measure

10	milliliters (ml.)	= 1 centiliter (cl.)
10	centiliters	= 1 deciliter (dl.)
10	deciliters	= 1 liter (l.)
100	liters	= 1 hectoliter (Hl.)

1 liter = 1 cubic decimeter = the volume of 1 kilogram of pure water at a temperature of 39.2 degrees F.

Millimeters X 0.039370 = inches.
Meters x 39.370 = inches.
Meters X 3.2808 = feet.
Meters X 1.09361 = yards.
Kilometers X 3,280.8 = feet.
Kilometers X.62137 = Statute Miles.
Kilometers x.53959 = Nautical Miles.

Grams X 981 = dynes.
Grams X 15.432 = grains.
Grams X.03527 = ounces (Avd.).
Grams x.033818 = fluid ounces (water).
Kilograms X 35.27 = ounces (Avd.).
Kilograms X 2.20462 = pounds (Avd.).
Metric Tons (1000 Kg.) X 1.10231 = Net Ton (2000 lbs.).
Metric Tons (1000 Kg.) X.98421 = Gross Ton (2240 lbs.).

Square Millimeters X.00155 = square inches.
Square centimeters X.155 = square inches.
Square Meters X 10.76387 = square feet.
Square Meters X 1.19599 = square yards.
Hectares X 2.47104 = acres.
Square Kilometers X 247.104 = acres.
Square Kilometers X.3861 = square miles.

Cubic centimeters X.033818 = fluid ounces.
Cubic centimeters X.061023 = cubic inches.
Cubic centimeters X.271 = fluid drams.
Liters X 61.023 = cubic inches.
Liters X 1.05668 = quarts.
Liters X .26417 = gallons.
Liters X.035317 = cubic feet.
Hectoliters X 26.417 = gallons.
Hectoliters X 3.5317 = cubic feet.
Hectoliters X 2.83794 = bushel (2150.42 cu. in.).
Hectoliters X.1308 = cubic yards.
Cubic Meters x 264.17 = gallons.
Cubic Meters x 35.317 = cubic feet.
Cubic Meters X 1.308 = cubic yards.

Calorie x 0.003968 = B.T.U.
Joules X.7373 = pound-feet.
Newton-Meters X 8.851 = pound-inches
Cheval Vapeur X.9863 = Horsepower.
Kilowatts X 1.34 = Horsepower.
Kilowatt Hours X 3415 = B.T.U.
(Degrees Cent. X 1.8) +32 = degrees Fahr.
(Degrees Reamur X 2.25) + 32 = degrees Fahr.

Length Conversion Constants for Metric and U.S. Units

Inches X 25.4001 = millimeters.
Inches X.0254 = meters.
Feet x.30480 = meters.
Yards X.91440 = meters.
Feet x.0003048 = kilometers.
Statute Miles X 1.60935 = kilometers.
Nautical Miles x 1.85325 = kilometers.

Weight Conversion Constants for Metric and U.S. Units

Dynes X.0010193 = grams.
Grains X.0648 = grams.
Ounces (Avd.) X 28.35 = grams.
Fluid Ounces (Water) X 29.57 = grams.
Ounces (Avd.) X.02835 = kilograms.
Pounds (Avd.) X.45359 = kilograms.
Net Ton (2000 lbs.) X.90719 = Metric Tons (1000 Kg.).
Gross Ton (2240 lbs.) X 1.01605 = Metric Tons (1000 Kg.).

Area Conversion Constants for Metric and U.S. Units

Square Inches X 645.163 = square millimeters.
Square Inches x 6.45163 = square centimeters.
Square Feet x.0929 = square meters.
Square Yards X.83613 = square meters.
Acres X.40469 = hectares.
Acres X.0040469 = square kilometers.
Square Miles X 2.5899 = square kilometers.

Volume Conversion Constants for Metric and U.S. Units

Fluid Ounces X 29.57 = cubic centimeters.
Cubic Inches X 16.387 = cubic centimeters.
Fluid Drams x 3.69 = cubic centimeters.
Cubic Inches X.016387 = liters.
Quarts x.94636 = liters.
Gallons x 3.78543 = liters.
Cubic Feet x 28.316 = liters.
Gallons x.0378543 = hectoliters.
Cubic Feet x.28316 = hectoliters.
Bushels (2150.42 cu. in.) X.352379 = hectoliters.
Cubic Yards x 7.645 = hectoliters.
Gallons x.00378543 = cubic meters.
Cubic Feet x.028316 = cubic meters.
Cubic Yards x.7645 = cubic meters.

Power and Heat Conversion Constants for Metric and U.S. Units

B.T.U. X 252 = calories.
Pound-Feet X 1.3563 = joules.
Pound-inches X.11298 = Newton-meters.
Horsepower X 1.014 = Cheval Vapeur.
Horsepower X.746 = kilowatts.
B.T.U. X.00029282 = kilowatt hours.
(Degrees Fahr. - 32) x.555 = degrees Cent.
(Degrees Fahr. - 32) x.444 = degrees Reamur.

COMMON CONVERSION FACTORS USEFUL IN MECHANICAL POWER TRANSMISSION

Symbols and Abbreviations Used in Conversion Factors

Symbols and abbreviations found in this section are those currently used in many texts and product publications. Considerable effort is underway to standardize on abbreviations for metric and English units of measurement. Recently, ASTM (American Society for Testing and Materials) and IEEE (Institute of Electrical and Electronic Engineers) published a standard practice on the metric system. † This publication consolidates a great deal of the current thinking and provides a system of abbreviations and symbols that differ somewhat from those used here.

This Handbook has retained use of familiar abbreviations consistent with existing product and trade literature rather than the abbreviations found in current publications of technical and scientific societies.

Prefixes Used in the Metric System

Common prefixes and symbols used in the metric system are listed below. An example of use is 1000 meters is equivalent to 1 kilometer, and 1/1000 of one meter is equivalent to 1 millimeter.

Prefix	Symbol	Multiplication Factor-Decimal and Power of 10
exa	E	1,000,000,000,000,000,000 or 10^{18} or one quintillion
peta	P	1,000,000,000,000,000 or 10^{15} or one quadrillion
tera	T	1,000,000,000,000 or 10^{12} or one trillion
giga	G	1,000,000,000 or 10^9 or one billion
mega	M	1,000,000 or 10^6 or one million
kilo	k	1,000 or 10^3 or one thousand
*hecto	h	100 or 10^2 or one hundred
*deka	da	10 or 10^1 or ten
**deci	d	0.1 or 10^{-1} or one tenth
**centi	c	0.01 or 10^{-2} or one hundredth
mill	m	0.001 or 10^{-3} or one thousandth
micro	μ	0.000,001 or 10^{-6} or one millionth
nano	n	0.000,000,001 or 10^{-9} or one billionth
pico	p	0.000,000,000,001 or 10^{-12} or one trillionth
femto	f	0.000,000,000,000,001 or 10^{-15} or one quadrillionth
atto	a	0.000,000,000,000,000,001 or 10^{-18} or one quintillionth

* Not commonly used.

** Not commonly used except for special situations.

The centimeter as a unit of length is in common use.

The decibel is a unit in both electrical and acoustical work.

† ASTM/IEEE Standard Metric Practice, ASTM E 380-75, IEEE Std. 268-1976.

"Reprinted with Permission of the Power Transmission Distributors Association"

Symbol or Abbreviation	Term
atm	atmosphere
avdp	avoirdupois
bbl	barrels
bu	bushels
C	degrees Centigrade or Celsius
cc	cubic centimeters
cfm	cubic feet per minute
cfs	cubic feet per second
cm	centimeter
cu	cubic
deg	degrees
F	degrees Fahrenheit
fps	feet per second
ft	feet
ft-lb	foot-pounds (work or energy)
ft per sec	feet per second (alternate)
ft per sec ²	feet per second per second
g	acceleration due to gravity
g	grams
gal	gallons
gpm	gallons per minute
hp	horsepower
hr	hour
in	inches
in-lb	inch-pounds (work or energy)
K	degrees Kelvin
kg	kilograms
km	kilometers
kn	knots
kW	kilowatts

Symbol or Abbreviation	Term
l	liters
lb	pounds
lb-ft	pound-feet (torque)
m	meters
m per sec ²	meters per second per second
mi	miles
mm	millimeters
mph	miles per hour
MGD	millions of gallons per day
N	Newtons
oz	ounces
oz-in	ounce-inches (torque)
Pa	Pascals
psi	pounds per square inch
psia or psig	pounds per square inch "absolute" or gauge
pt	pint
qt	quart
R	degrees Rankine (Fahrenheit, absolute)
rad	radians
rev	revolutions
rpm	revolutions per minute
sec	seconds
sq	square
std	standard
temp	temperature
wt	weight
yd	yard
yr	year

Rounding of Numbers

A minimum of four significant figures are used in conversion factors presented here. Where the conversion factor is exact (for example, 1 foot contains 12 inches), decimal fractions are not necessary. Also, where large whole numbers are used (for example, 1 square kilometer contains 1195990 square yards), decimal fractions are not used unless justified by the accuracy of ordinary computations.

1195990	(sq yd in a sq km)
4389.12	(cc in a cu ft)
448.86	(gpm in a liter per sec)
14.70	(psi in an atmosphere)
0.4331	(psi in a ft of water)
0.0625	(lb-in in an oz-in)

ENGINEERING

VELOCITY

centimeters per second (cm per sec)	feet per second (fps or ft per sec)	0.3281
feet per second (fps)	centimeters per second (cm per sec)	30.48
	meters per second (m per sec)	0.3048
	kilometers per hour (km per hr)	1.097
	miles per hour (mph)	0.6818
kilometers per hour (km per hr)	knots (kn)	0.5396
	feet per second (fps)	1.467
	kilometers per hour (km per hr)	1.609
	feet per minute (ft per min.)	88
knots (kn)	miles per hour (mph)	1.152
	kilometers per hour (km per hr)	1.853
radians per second (rad per sec)	revolutions per minute (rpm)	9.55
	degrees per minute (deg per min.)	3437.7
revolutions per minute (rpm)	radians per second (rad per sec)	0.1047
	degrees per minute (deg per min.)	360

ACCELERATION COLUMN A

To Convert From...	To...	Multiply Col. A by
feet per second per second (ft per sec ²)	meters per second per second (m per sec ²)	0.3048
m per sec ²	ft per sec ²	3.281
revolutions per minute per second (rpm per sec)	radians per second per second (rad per sec ²)	0.1047
rad per sec ²	rpm per sec.	9.55

Roller Chain Sprockets

Conveyor Components

Engineering

Part Number Index

Keyword Index

ENGINEERING

VOLUMETRIC FLOW RATES

gallons per minute, US (gpm)	liters per second (l per sec)	0.008434
	cubic feet per minute (cfm)	0.1337
	cubic feet per hour (cu ft per hr)	8.022
gallons per minute, UK or Canadian (gpm)	liters per second (l per sec)	0.0101
	cubic feet per minute (cfm)	0.1606
	cubic feet per hour (cu ft per hr)	9.634
cubic feet per second (cfs)	gpm (UK or Canadian)	373.77
	gpm (US)	448.86
	liters per second (l per sec)	1699.2
liters per second (l per sec)	cubic feet per minute (cfm)	2.119
	gpm (UK or Canadian)	13.20
	gpm (US)	15.85
millions of gallons per day, US (MGD)	liters per second (l per sec)	43.81
	cubic feet per minute (cfm)	92.85
	gallons per minute, US (gpm)	694.44

PRESSURE

pascals (Pa)	pounds per square inch (psi)	0.0001450
	pounds per square foot (lb per ft ²)	0.02089
	newtons per square meter	1
pounds per square inch (psi)	atmospheres, std. (atm)	0.0680
	pounds per square foot (lb per ft ²)	144
	pascals (Pa)	6894.8
	foot of water (ft of H ₂ O) 60F	2.301
atmospheres (atm), standard	psi	14.70
	lb per ft ²	2116.8
	Pa	101325
inch of water, 60F (in of H ₂ O)	psi	0.03609
	lb per ft ²	5.197
	Pa	248.84
foot of water, 60F (ft of H ₂ O)	psi	0.4331
	lb per ft ²	62.36
	Pa	2985.9

WEIGHT, MASS, INERTIA

pounds (lb)*	kilograms (kg)	0.4536
	ounces (oz)	16
kilograms (kg)	pounds (lb)	2.205
	ounces (oz)	35.27

ENGINEERING

WEIGHT, MASS, INERTIA, (Continued) COLUMN A

Convert From	To	Multiply Col A By This Factor
tons (short)	metric tons	0.9072
	kilograms (kg)	907.2
	pounds (lb)	2000
metric tons	tons (short)	1.102
	kilograms	1000
	pounds	2205
pounds, weight (lb)	slugs, mass (lb-sec ² per ft)	0.03106
pound-foot ² (lb-ft ²)	kilogram-meters ² (kg-m ²)	0.04214
*pounds and ounces are avoirdupois		

FORCE AND TORQUE

pounds (lb)	newtons(N)	4.448
newtons (N)	pounds (lb)	0.2248
newton-meters (N-m)	pound-feet (lb-ft)	0.7376
	pound-inches (lb-in)	8.851
	ounce-inches (oz-in)	141.60
ounce-inches (oz-in)	lb-ft	0.005208
	N-m	0.007062
	lb-in	0.0625
pound-inches (lb-in)	lb-ft	0.0833
	N-m	0.1298
	oz-in	16
pound-feet (lb-ft)	N-m	1.356
	lb-in	12
	oz-in	192

POWER

horsepower (hp)	kilowatts (kW)	0.7457
	foot-pounds per second (ft-lb per sec)	550
	foot-pounds per minute (ft-lb per min.)	33000
kilowatts (kW)	horsepower (hp)	1.341

TEMPERATURE

		Use This Relationship
degrees Fahrenheit (F)	degrees Celsius (C)	$C = 5/9 (F - 32)$
degrees Celsius (C)	degrees Fahrenheit (F)	$F = 9/5C + 32$
degrees Fahrenheit (F)	degrees Rankine (R)	$R = F + 459.69$
degrees Celsius (C)	degrees Kelvin (K)	$K = C + 273.16$

Examples:

- Convert 12F to C. $C = 5/9 (F - 32) = 5/9 (12 - 32) = 5/9 (-20)$
Answer = -11.1C
- Convert 40C to F. $F = 9/5C + 32 = 9/5 (40) + 32 = 72 + 32$
Answer = 104F

GRAVITATIONAL CONSTANT

g = 32.174 feet per second per second (ft per sec²)
 = 9.8067 meters per second per second (m per sec²)

APPROXIMATE DENSITIES OF COMMON MATERIALS

	REPRESENTATIVE DENSITIES	
	Grams per cc	lb per cu ft
GASES @ 68F, std atm		
Air	1.30 grams per liter	0.07528
Oxygen	1.45 grams per liter	0.08305
Hydrogen	0.09 grams per liter	0.005234
Nitrogen	1.25 grams per liter	0.07274
	All Other Materials	
	grams per cc	
LIQUIDS		
Water @ 4C	1.000 grams per cc	62.43
20C	0.998	62.32
40C	0.992	61.94
SeaWater	1.02-1.03	64.00
Ethyl alcohol 100%	0.789	49.2
Kerosene	0.78-0.82	50
Gasoline	0.70-0.75	45
METALS		
Aluminum (95% Al)	2.70	169
Bronze (90% Cu, 10% Zn)	8.80	549
Copper (Annealed, ACS)	8.89	555
Gold	19.32	1206
Iron, gray cast	7.10	443
Lead	11.36	709
Magnesium	1.74	109
Steel (0.4-0.5% Carbon)	7.80	487
Steel, 410 stainless	7.70	480
ENGINEERING PLASTICS		
ABS, general purpose	1.01-1.05	64
Acrylics, cast sheet	1.19	74
Nylon 6/6	1.13-1.15	71
Phenolic, general purpose	1.35-1.46	87
Polycarbonates, general purpose	1.2	75
Polyesters, thermoplastic, unreinforced	1.31 - 1.43	86
Polyethylene, medium density	0.926-0.940	58
Polyvinyl Chloride	1.30-1.58	89

Flywheel Formulas

Flywheels are used on some machines, for example air compressors, to even out load pulsations. The following formulas are useful in designing entire flywheels and flywheel rims. A V-belt sheave may also be used as a flywheel eliminating the need for a separate flywheel in the system.

Formulas for Entire Flywheel

Kinetic energy of rotation of a flywheel (foot pounds)
 $= .0001705 N^2(WR^2)^*$.

Torque to uniformly accelerate or decelerate a flywheel

$$= \frac{.03908 (N_2 - N_1) (WR^2), * \text{ pound-inches}}{t}$$

where N_2 = final R.P.M. and N_1 = initial R.P.M.

Velocity at outside diameter (feet per minute) = $0.2618 ND$.

W = weight (pounds).

R = radius of gyration (feet).

N = speed (R.P.M.)

t = time to change from N_1 to N_2 (seconds).

F = face of rim (inches).

D = outside diameter of rim (inches).

d = inside diameter of rim (inches).

K = weight per cubic inch of material (pounds).

* WR^2 = flywheel effect (pounds X feet²). See table to the right for WR^2 of rims. Ordinarily the WR^2 of the rim only is considered. In unusual instances the relatively small WR^2 values of the hub

and arms or web can be added directly to the WR^2 of the rim if desired. To find the WR^2 of a hub or web use the WR^2 formula for rims, substituting the hub or web outside diameter, inside diameter, and width for D, d and F respectively. When arms are used instead of a web an approximate WR^2 value of the arms is the total weight of the arms in pounds times the square of the radius in feet from the shaft center line to the mid point of the arms between hub and rim.

Table 31: Formulas for Flywheel Rims

Property	Cast Iron Rim (Based on .26 lbs. per cu. in.)	Steel Rim (Based on .283 lbs. per cu. in.)	Rim of any material weighing K pounds per cubic inch
Volume (Cubic Inches)	$.7854F(D^2-d^2)$	$.7854F(D^2-d^2)$	$.7854F(D^2-d^2)$
W Weight (Pounds)	$.2042F(D^2-d^2)$	$.2223F(D^2-d^2)$	$.7854FK(D^2-d^2)$
R Radius of Gyration (Feet)	$\sqrt{\frac{.8681 (D^2-d^2)}{1000}}$	$\sqrt{\frac{0.8681 (D^2-d^2)}{1000}}$	$\sqrt{\frac{.8681 (D^2-d^2)}{1000}}$
WR^2 Wt X Sq. of Radius of Gyration (Lbs. X Ft. ²)	$\frac{.1773F(D^4-d^4)}{1000}$	$\frac{.1929F(D^4-d^4)}{1000}$	$\frac{.6818FK(D^4-d^4)}{1000}$
T ▲ Tensile Load in rim (Lbs.)	$\frac{.3078FN2(D^3-d^3)}{1000000}$	$\frac{.3350FN2(D^3-d^3)}{1000000}$	$\frac{1,184FN2(D^3-d^3)}{1000000}$

▲ Centrifugal force causes this tensile load at each and every section of the rim. Hence, on rims split into two or more sections the fastening at each joint should be designed to take the full load as calculated from the formula here given.

Centrifugal Force

R = Distance from the axis of rotation to the center of gravity of the body (feet).

N = Revolutions per minute.

v = Velocity of the center of gravity of the body (feet per second).

g = Acceleration due to gravity (32.16 commonly).

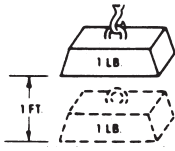
$$F = \frac{Wv^2}{gR} = \frac{WRN^2}{2933} = .000341 WRN^2$$

F = Centrifugal force tending to move the body outward from the axis of rotation (pounds).

W = Weight of body (pounds).

ENGINEERING

Torque and Horsepower Equivalents

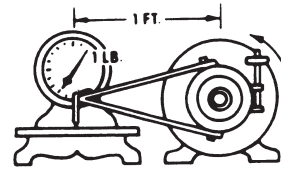


A foot-pound is the amount of energy expended in lifting a one-pound mass a distance of one foot against the pull of gravity

FOOT-POUNDS INDICATE ENERGY

TORQUE

It is: a turning moment or twisting effort.
Is it expressed in foot-pounds? or pound-feet?



A pound-foot is the moment created by a force of one pound applied to the end of a lever arm one

POUND-FEET INDICATE TORQUE

$$\begin{aligned} \text{Torque (in Pound-Inches)} &= \frac{63025 \times \text{HP}}{\text{RPM}} \\ &= \text{Force} \times \text{Lever Arm (In Inches)} \\ \text{Torque (in Pound-Feet)} &= \frac{5252 \times \text{HP}}{\text{RPM}} \\ &= \text{Force} \times \text{Lever Arm (In Feet)} \end{aligned}$$

Example:

$$\begin{aligned} 25 \text{ HP at } 150 \text{ RPM} &= 10504 \text{ Pound-Inches Torque} \\ 2.5 \text{ HP at } 150 \text{ RPM} &= 1050.4 \text{ Pound-Inches Torque} \end{aligned}$$

For other values of RPM move decimal point in RPM values to the left or right as desired, and in Torque values move to the right or left (opposite way) the same number of places.

Example:

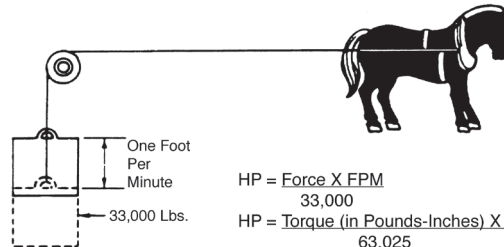
$$\begin{aligned} 25 \text{ HP at } 150 \text{ RPM} &= 10504 \text{ Pound-Inches Torque} \\ 25 \text{ HP at } 1.50 \text{ RPM} &= 1050400 \text{ Pound-Inches Torque} \\ 2.5 \text{ HP at } 1.50 \text{ RPM} &= 105040 \text{ Pound-Inches Torque} \end{aligned}$$

Force = Working Load in Pounds.
FPM = Feet Per Minute.
RPM = Revolutions Per Minute.

Lever Arm = Distance from the Force to the center of rotation in Inches or Feet.

HORSEPOWER

Common Unit of Mechanical power - (HP)
One HP is the rate of work required to raise 33,000 pounds one foot in one minute



$$\begin{aligned} \text{HP} &= \frac{\text{Force} \times \text{FPM}}{33,000} \\ \text{HP} &= \frac{\text{Torque (in Pounds-Inches)} \times \text{RPM}}{63,025} \\ \text{HP} &= \frac{\text{Torque (in Pounds-Feet)} \times \text{RPM}}{5,252} \end{aligned}$$

Overhung Loads

An overhung load is a bending force imposed on a shaft due to the torque transmitted by V-drives, chain drives and other power transmission devices, other than flexible couplings.

Most motor and reducer manufacturers list the maximum values allowable for overhung loads. It is desirable that these figures be compared with the load actually imposed by the connected drive.

Overhung loads may be calculated as follows:

$$\text{O.H.L.} = \frac{63,000 \times \text{HP} \times \text{F}}{\text{N} \times \text{R}}$$

Where HP = Transmitted hp X service factor
N = RPM of shaft
R = Radius of sprocket, pulley, etc. (inches)
F = Factor (See chart to right)

Weights of the drive components are usually negligible. The formula is based on the assumption that the load is applied at a point equal to one shaft diameter from the bearing face. Factor F depends on the type of drive used:

$$F = \begin{cases} 1.00 & \text{for single chain drives.} \\ 1.3 & \text{for TIMING Belt Drives and Sync belt Drives.} \\ 1.25 & \text{for spur or helical gear or double chain drives.} \\ 1.50 & \text{for V-belt drives.} \\ 2.50 & \text{for flat belt drives.} \end{cases}$$

Example: Find the overhung load imposed on a reducer by a double chain drive transmitting 7 hp @ 30 RPM. The pitch diameter of the sprocket is 10"; service factor is 1.3.

Solution:

$$\text{O.H.L.} = \frac{(63,000) (7 \times 1.3) (1.25)}{(30) (5)} = 4,780 \text{ lbs.}$$

Mathematical Equations

To find circumference of a circle, multiply diameter by 3.1416.
To find diameter of a circle, multiply circumference by .31831.
To find area of a circle, multiply square of diameter by .7854.
To find area of a rectangle, multiply length by breadth.
To find area of a triangle, multiply base by 1/2 perpendicular height.
To find area of ellipse, multiply product of both diameters by .7854.
To find area of parallelogram, multiply base by altitude.
To find side of an inscribed square, multiply diameter by 0.7071 or multiply circumference by 0.2251 or divide circumference by 4.4428.

To find side of inscribed cube, multiply radius of sphere by 1.1547.
To find side of an equal square, multiply diameter by .8862.
To find the surface of a sphere, square the diameter and multiply by 3.1416.
To find the volume of a sphere, cube the diameter and multiply by .5236.
A side of a square multiplied by 1.4142 equals diameter of its circumscribing circle.
A side of a square multiplied by 4.443 equals circumference of its circumscribing circle.

Table 32: Strength and Physical Properties of Various Metals

Metals and Alloys	Stress in Thousands of Pounds per Sq. Inch				Modulus of Elasticity Millions	Elongation%
	Tension Ultimate	Tension Yield Point	Compression Ultimate	Shear Ultimate		
Aluminum, Type 1100.0, Annealed	13	5	9	10	45
Aluminum, Type 1100-H18, Hard	24	22	13	10	15
Aluminum, Type 3003-0, Annealed	16	6	11	10	40
Aluminum, Type 3003-H18, Hard	29	27	16	10	10
Aluminum, Type 5052-0, Annealed	28	13	18	10.20	30
Aluminum, Type 5052-H38, Hard	42	37	24	10.20	8
Aluminum, Type 5056-0, Annealed	42	22	26	10.30	35
Aluminum, Type 2014-0, Annealed	27	14	18	10.60	18
Aluminum, Type 2014-T4, Heat Treated	62	42	38	10.60	20
Aluminum, Type C4A, Casting. Solution Heat Treat	32	16	16▲	24	8.50
Aluminum, Type S5C, As Die Cast	30	16	16▲	19	9
Brass, Admiralty, Annealed	53	22	16	65
Brass, Aluminum, Annealed	60	27	16	55
Brass, Cartridge, 30% Zn, Annealed	44	11	32	16	66
Brass, Cartridge, 30% Zn, Hard	76	63	44	16	8
Brass, Naval, Annealed	57†	25†	40 †	15	47†
Brass, Naval, Leaded, Annealed	57†	25†	36 †	15	40†
Brass, Red, 15% Zn, Annealed	39	10	31	17	48
Brass, Red, 15% Zn, Hard	70	57	42	17	5
Brass, Red, Leaded, Cast, Grade 4A	33-46	17-24	10-12▲	9.1-14.8	20-35
Brass, Red, Leaded, Cast, Grade 4B	30-38	12-17	11-12▲	15-27
Brass, Semi-Red, Leaded, Cast, Grade 5A	29-39	13-17	7.7-14.3	18-30
Brass, Semi-Red, Leaded, Cast, Grade 5B	30-40	12-16	8-10▲	10-14	20-35
Brass, Yellow, 35% Zn, Annealed	46	14	32	15	65
Brass, Yellow, 35% Zn, Hard	74	60	43	15	8
Bronze, Aluminum, As Cast	67-95	27-45	15-18	5-35
Bronze, Commercial, 10% Zn, Annealed	37†	10†	28 †	17	45=
Bronze, Manganese, Annealed	65†	30†	42 v	15	33=
Bronze, Phosphor, Annealed	40-66	14-24	16-17	48-70
Bronze, Tin, High Leaded, Cast	23-38	11-22	12-16▲	8.5-13	7-20
Bronze, Tin, Leaded, Cast	33-48	16-26	9-15▲	10.6-16	15-40
Copper, Beryllium, Annealed	60-80	25-35v	50-60 †	19	35-50†
Copper, Electrolytic, Tough Pitch, Annealed	32†	10†	22 †	17	45†
Inconel, Cast	65-90	23	10-20
Inconel, S, Cast	90-120	80-100	25	1-3
Inconel, Shapes, Plate, Etc., Annealed	80-100†	30-45†	31	35-55†
Inconel, X, Shapes, Plate, Etc., Annealed	110-130†	45-65†	31	40-55†
Iron, Cast, Class 30	30-34	115	44	15
Iron, Cast, Class 35	35-40	125	43	16
Iron, Ingot, Hot Rolled	44	23	29.80	47
Iron, Malleable, Class 32510	50	33	90	46	25	10-18
Iron, Malleable, Class 35018	55	37	90	51	25	18-25
Iron, Nodular (Ductile) Class 60-45-10	60	45	120	22-25	10-25
Iron, Nodular (Ductile) Class 80-60-3	80	60	160	22-25	3-10
Iron, Pearlitic, Malleable	60-90	40-70	28	3-12
Iron, Wrought, Hot Rolled	34-47	23-24	29	7-35
Lead, Hard, Rolled	4.0-4.6	31-48
Magnesium Alloy, Extruded, ASTM MIA	26-28	23-28	10-13	16	6.50	8-11
Magnesium Alloy, Extruded, ASTM AZ61A-F	40-45	22-32	15-21	21	6.50	15-16
Magnesium Alloy, Cast, ASTM MIB	14	4.50	11	6.50	5
Magnesium Alloy, Cast, ASTM AZ92A	24	14	19	6.50	2
Magnesium Alloy, Cast, ASTM AZ91A	36	23	20	6.50	4

Table 32: Strength and Physical Properties of Various Metals

Metals and Alloys	Stress in Thousands of Pounds per Sq. Inch				Modulus of Elasticity Millions	Elongation%
	Tension Ultimate	Tension Yield Point	Compression Ultimate	Shear Ultimate		
Monel, Cast	65-90	32-45	23	20-50
Monel, S, Cast	120-145	80-130	24.20	1-4
Monel, Shapes, Plate, Etc., Annealed	70-85†	25-45†	26	35-50†
Monel, K, Shapes, Plate, Etc., Annealed	90-105†	40-65†	26	25-45	35-55†
Muntz Metal, Cu 59.63%, Zn balance	54	21	40	15	45
Nickel, Cast	50-65	15-30	21.50	15-30
Nickel, Silver, Annealed	49-63†	18-30†	17-18	35-60†
Steel, Cast Carbon, Class 70,000 Normalized	70	38	30	28
Steel, Cast Low Alloy, Class 100,000, Normalized and Tempered	100	68	29-30	20
Steel, Cast Low Alloy, Class 120,000, Quenched and Tempered	120	95	29-30	16
Steel, Cast Low Alloy, Class 200,000, Quenched and Tempered	200	170	29-30	5
Steel, Sheets	48	25	29-30	18-27
Steel, Stainless, Austenitic, Types 304, 316	85	35	28	55-60
Steel, Stainless, Martensitic, Type 416	75	40	29	30
Steel, Structural, Bridge and Building, ASTM A7	60-72	33	33▲	45-54	29-30	21
Steel, Structural, High Strength, Low Alloy, ASTM A242	63-70	42-50	42-50▲	47-53	29-30	18-24
Zinc, Die Cast Alloy XXIII	41	60▲	31	10

† When hardened, strength values are higher, elongation less

▲ Compression yield point

ENGINEERING

Table 33: Properties of Sections

A = area

I = moment of inertia

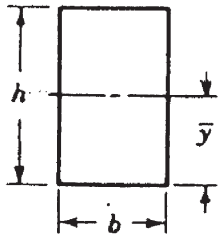
J = polar moment of inertia

Z = section modulus π

k = radius of gyration

y = centroidal distance

Rectangle



$$A = bh$$

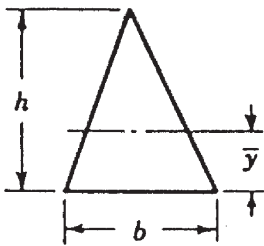
$$k = 0.289h$$

$$I = \frac{bh^3}{12}$$

$$\bar{y} = \frac{h}{2}$$

$$Z = \frac{bh^2}{6}$$

Triangle



$$A = \frac{bh}{2}$$

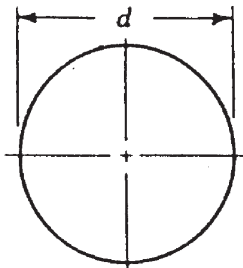
$$k = 0.236h$$

$$I = \frac{bh^3}{36}$$

$$\bar{y} = \frac{h}{3}$$

$$Z = \frac{bh^2}{24}$$

Circle



$$A = \frac{\pi d^2}{4}$$

$$J = \frac{\pi d^4}{32}$$

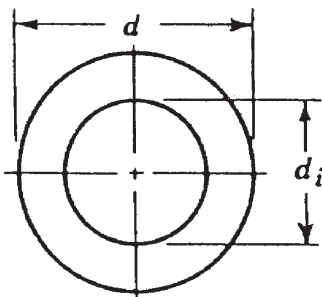
$$I = \frac{\pi d^4}{64}$$

$$k = \frac{d}{4}$$

$$Z = \frac{\pi d^3}{32}$$

$$\bar{y} = \frac{d}{2}$$

Hollow Circle



$$A = \frac{\pi d}{4} (d^2 - d_i^2)$$

$$J = \frac{\pi}{32} (d^4 - d_i^4)$$

$$I = \frac{\pi}{64} (d^4 - d_i^4)$$

$$k = \sqrt{\frac{d^2 - d_i^2}{16}}$$

$$Z = \frac{\pi}{32d} (d^4 - d_i^4)$$

$$\bar{y} = \frac{d}{2}$$

Table 34: Coefficients of Friction "f"

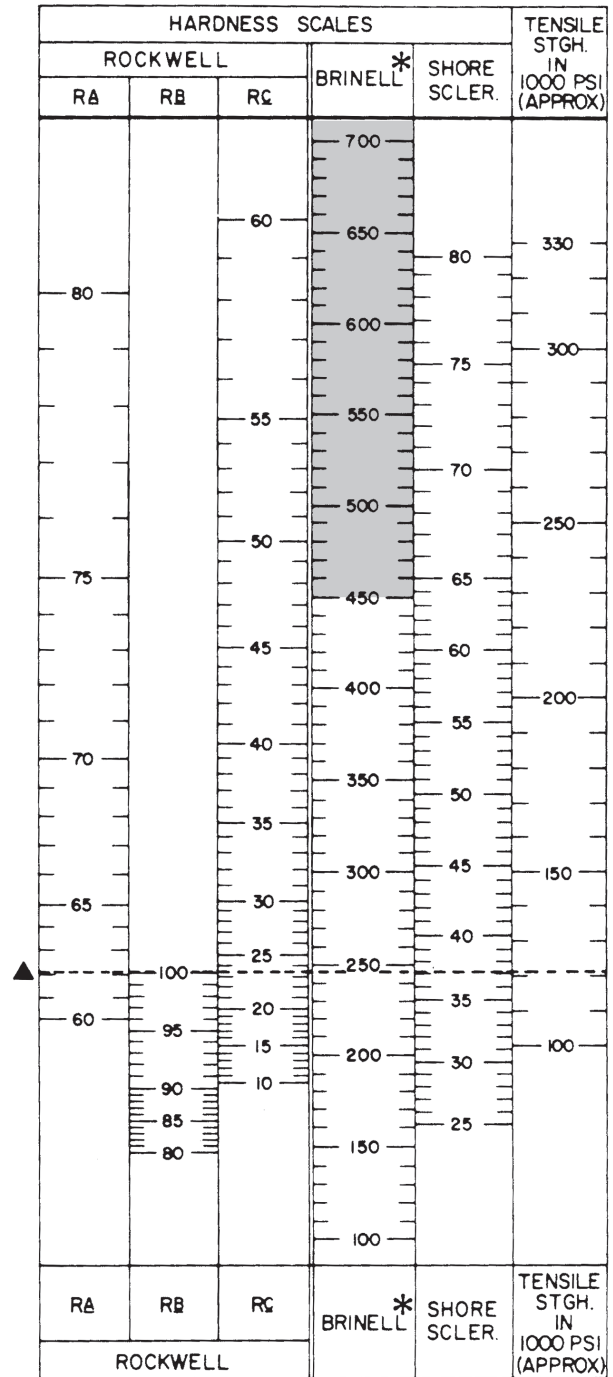
Material	Static		Sliding	
	Dry	Lubricated	Dry	Lubricated
Aluminum on aluminum	1.35
Canvas belt on rubber lagging	0.30
Canvas belt, stitched, on steel	0.20	0.10
Canvas belt, woven, on steel	0.22	0.10
Cast iron on asbestos, fabric
brake material	0.35-0.40
Cast iron on brass	0.30
Cast iron on bronze	0.22	0.07-0.08
Cast iron on cast iron	1.10	0.15	0.06-0.10
Cast iron on copper	1.05	0.29
Cast iron on lead	0.43
Cast iron on leather	0.60	0.13-0.36
Cast iron on oak (parallel)	0.30-0.50	0.07-0.20
Cast iron on magnesium	0.25
Cast iron on steel, mild	0.18	0.23	1/0/00 3:11
Cast iron on tin	0.32
Cast iron on zinc	0.85	0.21
Earth on earth	0.25-1.0
Glass on glass	0.94	0.40
Hemp rope on wood	0.50-0.80	0.40-0.70
Nickel on nickel	1.10	0.53	0.12
Oak on leather (parallel)	0.50-0.60	0.30-0.50
Oak on oak (parallel)	0.62	0.48	0.16
Oak on oak (perpendicular)	0.54	0.32	0.07
Rubber tire on pavement	0.8-0.9	0.6-0.7*	0.75-0.85	0.5-0.7*
Steel on ice	0.03	0.01
Steel, hard, on babbitt	0.42-0.70	0.08-0.25	0.33-0.35	0.05-0.16
Steel, hard, on steel, hard	0.78	0.11-0.23	0.42	0.03-0.12
Steel, mild, on aluminum	0.61	0.47
Steel, mild, on brass	0.51	0.44
Steel, mild, on bronze	0.34	0.17
Steel, mild, on copper	0.53	0.36	0.18
Steel, mild, on steel, mild	0.74	0.57	0.09-0.19
Stone masonry on concrete	0.76
Stone masonry on ground	0.65
Wrought iron on bronze	0.19	0.07-0.08	0.18
Wrought iron on wrought iron	0.11	0.44	0.08-0.10

* Wet pavement

Table 35: U.S. Standard Sheet Metal Gages

Gage No.	Thickness in Decimal Parts of an Inch	Gage No.	Thickness in Decimal Parts of an Inch
1	.2813	20	.0359
2	.2656	21	.0329
3	.2391	22	.0299
4	.2242	23	.0269
5	.2092	24	.0239
6	.1943	25	.0209
7	.1793	26	.0179
8	.1644	27	.0164
9	.1495	28	.0149
10	.1345	29	.0135
11	.1196	30	.0120
12	.1046	31	.0109
13	.0897	32	.0102
14	.0747	33	.0094
15	.0673	34	.0086
16	.0598	35	.0078
17	.0538	36	.0070
18	.0478	37	.0066
19	.0418	38	.0063

Hardness Comparison Chart



* Shaded area indicates values may vary depending on type of ball used.

▲ Example: A Brinell number of 245 is equal to 62 Rockwell "A", 100 Rockwell "B", 23 Rockwell "C", 37 Shore with a tensile of approximately 120,000 psi.

Trigonometric Formula

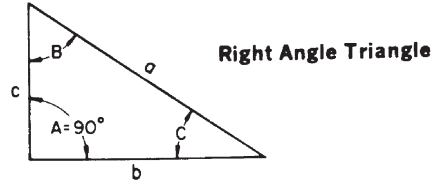
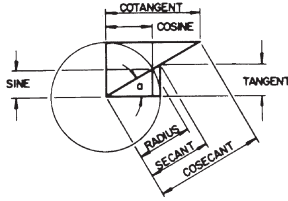


Table 36: Formulas for Finding Functions of Angles

Side opposite Hypotenuse	= SINE
Side adjacent Hypotenuse	= COSINE
Side opposite Side adjacent	= TANGENT
Side adjacent Side opposite	= COTANGENT
Hypotenuse Side adjacent	= SECANT
Hypotenuse Side opposite	= COSECANT

Table 37: Formulas for Finding Sides of Right Angle Triangles with an Angle and Side Known

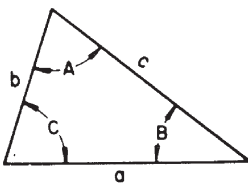
To find: Length of side opposite	$\left\{ \begin{array}{l} \text{Hypotenuse} \times \text{Sine} \\ \text{Hypotenuse} \div \text{Coscant} \\ \text{Side adjacent} \times \text{Tangent} \\ \text{Side adjacent} \div \text{Cotangent} \end{array} \right.$
To find: Length of side adjacent	$\left\{ \begin{array}{l} \text{Hypotenuse} \times \text{Cosine} \\ \text{Hypotenuse} \div \text{Secant} \\ \text{Side opposite} \times \text{Cotangent} \\ \text{Side opposite} \div \text{Tangent} \end{array} \right.$
To find: Length of Hypotenuse	$\left\{ \begin{array}{l} \text{Side opposite} \times \text{Cosecant} \\ \text{Side opposite} \div \text{Sine} \\ \text{Side adjacent} \times \text{Secant} \\ \text{Side adjacent} \div \text{Cosine} \end{array} \right.$

Table 38: To Find Angles and Sides of Right Angle Triangles

To Find Angles			To Find Angles		
To Find:	Formulas		To Find:	Formulas	
C	$\frac{c}{a}$	= Sine C	a	$\sqrt{b^2 + c^2}$	---
C	$\frac{b}{a}$	= Cosine C	a	$c \times \text{Cosec. C}$	$\frac{c}{\text{Sine C}}$
C	$\frac{c}{b}$	= Tan. C	a	$c \times \text{Secant B}$	$\frac{c}{\text{Cosine B}}$
C	$\frac{b}{c}$	= Cotan C	a	$b \times \text{Cosec. B}$	$\frac{b}{\text{Sine B}}$
C	$\frac{a}{b}$	= Secant C	a	$b \times \text{Secant C}$	$\frac{b}{\text{Cosine C}}$
C	$\frac{a}{c}$	= Cosec. C	b	$\sqrt{a^2 - c^2}$	---
B	$\frac{c}{a}$	= Sine B	b	$a \times \text{Sine B}$	$\frac{a}{\text{Cosecant B}}$
B	$\frac{c}{a}$	= Cosine B	b	$a \times \text{Cos. C}$	$\frac{a}{\text{Secant C}}$
B	$\frac{b}{c}$	= Tan. B	b	$c \times \text{Tan. B}$	$\frac{c}{\text{Cotangent B}}$
B	$\frac{c}{d}$	= Cotan. B	b	$c \times \text{Cot. C}$	$\frac{c}{\text{Tangent C}}$
B	$\frac{a}{c}$	= Secant B	c	$\sqrt{a^2 - b^2}$	---
B	$\frac{a}{b}$	= Cosec. B	c	$a \times \text{Cos. B}$	$\frac{a}{\text{Secant B}}$
			c	$a \times \text{Sine C}$	$\frac{a}{\text{Cosecant C}}$
			c	$b \times \text{Cot. B}$	$\frac{b}{\text{Tangent B}}$
			c	$b \times \text{Tan. C}$	$\frac{b}{\text{Cotangent C}}$

Table 39: To Find Angles and Sides of Oblique Angle Triangle

Oblique Angle Triangle



To Find Angles and Sides of Oblique Angle Triangle					
To find:	Known	Formulas	To Find:	Known	Formulas
C	A, B	$180^\circ - (A + B)$	A	B, C	$180^\circ - (B + C)$
b	a, B, A	$\frac{a \times \text{Sin. B}}{\text{Sin. A}}$	Cos. A	a, b, c	$\frac{b^2 + c^2 - a^2}{2bc}$
c	a, A, C	$\frac{a \times \text{Sin. C}}{\text{Sin. A}}$	Sin. C	c, A, a	$\frac{c \times \text{Sin. A}}{a}$
Tan. A	a, C, b	$\frac{a \times \text{Sin. C}}{b - (a \times \text{Cos. C})}$	Cot. B	a, C, b	$\frac{a \times \text{Cosec. C}}{b}$
B	A, C	$180^\circ - (A + C)$	c	b, C, B	$b \times \text{Sin. C} \times \text{Cosec. B}$
Sin. B	b, A, a	$\frac{b \times \text{Sin. A}}{a}$	---	---	-----

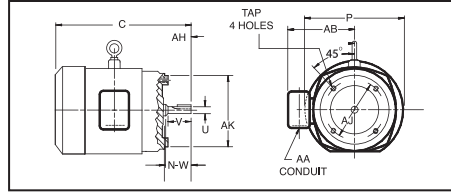
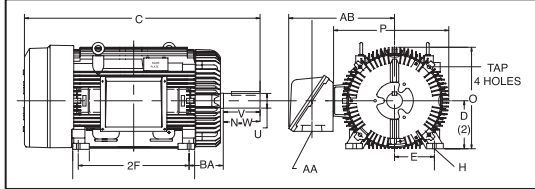
ENGINEERING

NEMA QUICK REFERENCE CHART

- Dimensions are for reference only
- Drawings represent standard TEFC general purpose motors

Contact your local DODGE/Reliance Sales Office at 1-864-284-5700 for "C" dimensions.

FRAME		NEMA SHAFT	KEYSEAT DIMENSIONS		FRAME		NEMA SHAFT	KEYSEAT DIMENSIONS	
		U	R	S			U	R	S
48	48	1/2	29/64	FLAT	284T	286T	1-7/8	1-19/32	1/2
56	56	5/8	33/64	3/16	324T	326T	2-1/8	1-27/32	1/2
143T	145T	7/8	49/64	3/16	364T	365T	2-3/8	2-1/64	5/8
182T	184T	1-1/8	63/64	1/4	404T	405T	2-7/8	2-29/64	3/4
213T	215T	1-3/8	1-13/64	5/16	444T	445T	3-3/8	2-7/8	7/8
254T	256T	1-5/8	1-13/32	3/8	447T	449T	3-3/8	2-7/8	7/8



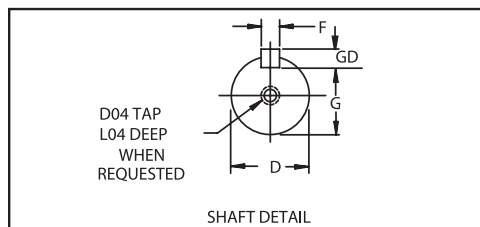
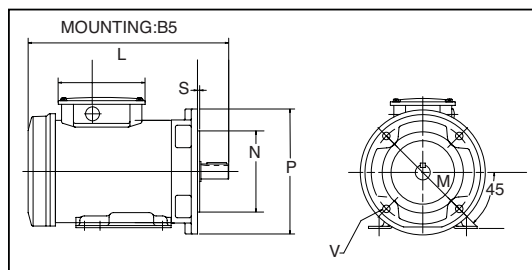
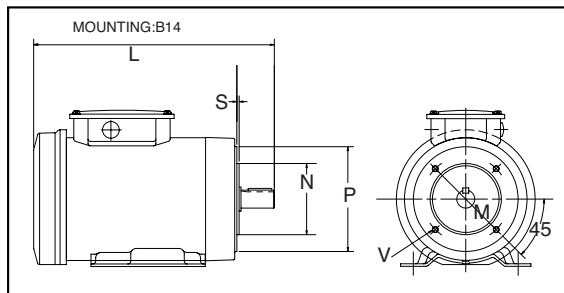
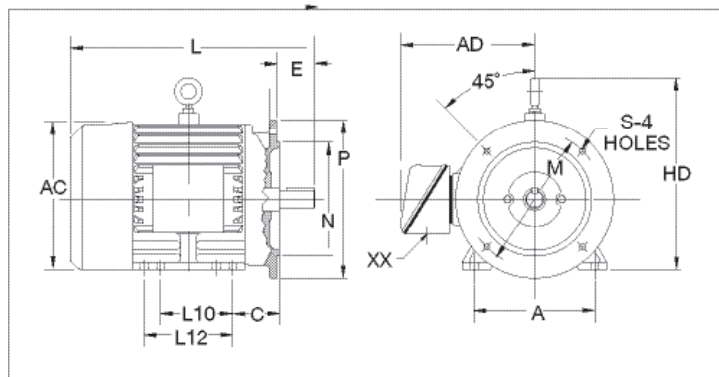
NEMA C-FACE	BA Dimensions
143TC - 145TC	2-3/4
182TC - 184 TC	3-1/2
213TC - 215TC	4-1/4
254TC - 256TC	4-3/4

NEMA Frame	D	E	2F	H	N-W	O	P	U	Keyway	V	AA	AB	AH	AJ	AK	BA	Tap Size
48	3	2-1/8	2-3/4	11/32 SLOT	1-1/2	5-13/16	5-5/8	1/2	1-1/2	1/2	-	-	1-11/16	3-3/4	3	2-1/2	1/4-20
56	3-1/2	2-7/16	3	11/32	1-7/8	8-9/16	7-9/32	5/8	3/16x3/32	1-7/8	1/2	-	2-1/16	5-7/8	4-1/4	2-3/4	3/8-16
56H	3-1/2	2-7/16	5	SLOT	1-7/8	8-9/16	7-9/32	5/8	3/16x3/32	1-7/8	1/2	-	2-1/16	5-7/8	4-1/2	2-3/4	3/8-16
143T	3-1/2	2-7/16	4	11/32	2-1/4	8-9/16	7-9/32	7/8	3/16x3/32	2-1/4	3/4	-	2-1/8	5-7/8	4-1/2	2-1/4	3/8-16
145T	3-1/2	2-3/4	5	11/32	2-1/4	8-9/16	7-9/32	7/8	3/16x3/32	2-1/4	3/4	-	2-1/8	5-7/8	4-1/2	2-1/4	3/8-16
182	4-1/2	3-3/4	4-1/2	13/32	2-1/4	9-7/8	9-1/4	7/8	3/16x3/32	2-1/4	3/4	8-7/16	2-1/8	5-7/8	4-1/2	2-3/4	3/8-16
184	4-1/2	3-3/4	5-1/2	13/32	2-1/4	9-7/8	9-1/4	7/8	3/16x3/32	2-1/4	3/4	8-7/16	2-1/8	5-7/8	4-1/2	2-3/4	3/8-16
182T	4-1/2	3-3/4	4-1/2	13/32	2-3/4	9-7/8	9-1/4	1-1/8	1/4x1/8	2-3/4	3/4	7-13/16	2-5/8	7-1/4	8-1/2	2-3/4	1/2-13
184T	4-1/2	3-3/4	5-1/2	13/32	2-3/4	9-7/8	9-1/4	1-1/8	1/4x1/8	2-3/4	3/4	7-13/16	2-5/8	7-1/4	8-1/2	2-3/4	1/2-13
213	5-1/4	4-1/4	5-1/2	13/32	3	11-1/4	10-1/2	1-1/8	1/4x1/8	3	1	9-5/16	2-3/4	7-1/4	8-1/2	3-1/2	1/2-13
215	5-1/4	4-1/4	7	13/32	3	11-1/4	10-1/2	1-1/8	1/4x1/8	3	1	9-5/16	2-3/4	7-1/4	8-1/2	3-1/2	1/2-13
213T	5-1/4	4-1/4	5-1/2	13/32	3-3/8	11-1/4	10-1/2	1-3/8	5/16x5/32	3-3/8	1	8-11/16	3-1/8	7-1/4	8-1/2	3-1/2	1/2-13
215T	5-1/4	4-1/4	7	13/32	3-3/8	11-1/4	10-1/2	1-3/8	5/16x5/32	3-3/8	1	8-11/16	3-1/8	7-1/4	8-1/2	3-1/2	1/2-13
254U	6-1/4	5	8-1/4	17/32	3-3/4	13-1/4	13-1/4	1-3/8	5/16x5/32	3-3/4	1-1/4	10-13/16	3-1/2	7-1/4	8-1/2	4-1/4	1/2-13
256U	6-1/4	5	10	17/32	3-3/4	13-1/4	13-1/4	1-3/8	5/16x5/32	3-3/4	1-1/4	10-13/16	3-1/2	7-1/4	8-1/2	4-1/4	1/2-13
254T	6-1/4	5	8-1/4	17/32	4	13-1/4	13-1/4	1-5/8	3/8x3/16	4	1-1/4	10-3/4	3-3/4	7-1/4	8-1/2	4-1/4	1/2-13
256T	6-1/4	5	10	17/32	4	13-1/4	13-1/4	1-5/8	3/8x3/16	4	1-1/4	10-3/4	3-3/4	7-1/4	8-1/2	4-1/4	1/2-13
284U	7	5-1/2	9-1/2	17/32	4-7/8	14-3/4	14-7/8	1-5/8	3/8x3/16	4-7/8	1-1/2	12-5/8	4-5/8	9	10-1/2	4-3/4	1/2-13
286U	7	5-1/2	11	17/32	4-7/8	14-3/4	14-7/8	1-5/8	3/8x3/16	4-7/8	1-1/2	12-5/8	4-5/8	9	10-1/2	4-3/4	1/2-13
284T	7	5-1/2	9-1/2	17/32	4-5/8	14-3/4	14-7/8	1-7/8	1/2x1/4	4-5/8	1-1/2	12-3/4	4-3/8	9	10-1/2	4-3/4	1/2-13
286T	7	5-1/2	11	17/32	4-5/8	14-3/4	14-7/8	1-7/8	1/2x1/4	4-5/8	1-1/2	12-3/4	4-3/8	9	10-1/2	4-3/4	1/2-13
284TS	7	5-1/2	9-1/2	17/32	3-1/4	14-3/4	14-7/8	1-5/8	3/8x3/16	3-1/4	1-1/2	12-3/4	3	9	10-1/2	4-3/4	1/2-13
286TS	7	5-1/2	11	17/32	3-1/4	14-3/4	14-7/8	1-5/8	3/8x3/16	3-1/4	1-1/2	12-3/4	3	9	10-1/2	4-3/4	1/2-13
324U	8	6-1/4	10-1/2	21/32	5-5/8	16-11/16	17	1-7/8	1/2x1/4	5-5/8	2	15-7/16	5-3/8	11	12-1/2	5-1/4	5/8-11
326U	8	6-1/4	12	21/32	5-5/8	16-11/16	17	1-7/8	1/2x1/4	5-5/8	2	15-7/16	5-3/8	11	12-1/2	5-1/4	5/8-11
324T	8	6-1/4	10-1/2	21/32	5-1/4	16-11/16	17	2-1/8	1/2x1/4	5-1/4	2	15-3/16	5	11	12-1/2	5-1/4	5/8-11
326T	8	6-1/4	12	21/32	5-1/4	16-11/16	17	2-1/8	1/2x1/4	5-1/4	2	15-3/16	5	11	12-1/2	5-1/4	5/8-11
324TS	8	6-1/4	10-1/2	21/32	3-3/4	16-11/16	17	1-7/8	1/2x1/4	3-3/4	2	15-3/16	3-1/2	11	12-1/2	5-1/4	5/8-11
326TS	8	6-1/4	12	21/32	3-3/4	16-11/16	17	1-7/8	1/2x1/4	3-3/4	2	15-3/16	3-1/2	11	12-1/2	5-1/4	5/8-11
364U	9	7	11-1/4	21/32	6-3/8	18-1/2	19-1/2	2-1/8	1/2x1/4	6-3/8	2-1/2	18	6-1/8	11	12-1/2	5-7/8	5/8-11
365U	9	7	12-1/4	21/32	6-3/8	18-1/2	19-1/2	2-1/8	1/2x1/4	6-3/8	2-1/2	18	6-1/8	11	12-1/2	5-7/8	5/8-11
364T	9	7	11-1/4	21/32	5-7/8	18-1/2	19-1/2	2-3/8	5/8x5/16	5-7/8	2-1/2	18-1/16	5-5/8	11	12-1/2	5-7/8	5/8-11
365T	9	7	12-1/4	21/32	5-7/8	18-1/2	19-1/2	2-3/8	5/8x5/16	5-7/8	2-1/2	18-1/16	5-5/8	11	12-1/2	5-7/8	5/8-11
364TS	9	7	11-1/4	21/32	3-3/4	18-1/2	19-1/2	1-7/8	1/2x1/4	3-3/4	2-1/2	18-1/16	3-1/2	11	12-1/2	5-7/8	5/8-11
365TS	9	7	12-1/4	21/32	3-3/4	18-1/2	19-1/2	1-7/8	1/2x1/4	3-3/4	2-1/2	18-1/16	3-1/2	11	12-1/2	5-7/8	5/8-11
404U	10	8	12-1/4	13/16	7-1/8	21-5/16	22-1/2	2-3/8	5/8x5/16	7-1/8	3	19-1/4	6-7/8	11	12-1/2	6-5/8	5/8-11
405U	10	8	13-3/4	13/16	7-1/8	21-5/16	22-1/2	2-3/8	5/8x5/16	7-1/8	3	19-1/4	6-7/8	11	12-1/2	6-5/8	5/8-11
404T	10	8	12-1/4	13/16	7-1/4	21-5/16	22-1/2	2-7/8	3/4x3/8	7-1/4	3	19-5/16	7	11	12-1/2	6-5/8	5/8-11
405T	10	8	13-3/4	13/16	7-1/4	21-5/16	22-1/2	2-7/8	3/4x3/8	7-1/4	3	19-5/16	7	11	12-1/2	6-5/8	5/8-11
404TS	10	8	12-1/4	13/16	4-1/4	21-5/16	22-1/2	2-1/8	1/2x1/4	4-1/4	3	19-5/16	4	11	12-1/2	6-5/8	5/8-11
405TS	10	8	13-3/4	13/16	4-1/4	21-5/16	22-1/2	2-1/8	1/2x1/4	4-1/4	3	19-5/16	4	11	12-1/2	6-5/8	5/8-11
444U	11	9	14-1/2	13/16	8-5/8	23-3/8	25-1/4	2-7/8	3/4x3/8	8-5/8	3	22-3/16	8-3/8	14	16	7-1/2	5/8-11
445U	11	9	16-1/2	13/16	8-5/8	23-3/8	25-1/4	2-7/8	3/4x3/8	8-5/8	3	22-3/16	8-3/8	14	16	7-1/2	5/8-11
444T	11	9	14-1/2	13/16	8-1/2	23-3/8	25-1/4	3-3/8	7/8x7/16	8-1/2	3	23-3/8	8-1/4	14	16	7-1/2	5/8-11
445T	11	9	16-1/2	13/16	8-1/2	23-3/8	25-1/4	3-3/8	7/8x7/16	8-1/2	3	23-3/8	8-1/4	14	16	7-1/2	5/8-11
447T	11	9	20	13/16	8-1/2	23-5/8	26	3-3/8	7/8x7/16	8-1/2	3	23-7/8	8-1/4	14	16	7-1/2	5/8-11
449T	11	9	25	13/16	8-1/2	23-5/8	26	3-3/8	7/8x7/16	8-1/2	3	23-7/8	8-1/4	14	16	7-1/2	5/8-11
444TS	11	9	14-1/2	13/16	4-3/4	23-3/8	25-1/4	2-3/8	5/8x5/16	4-3/4	3	23-3/8	4-1/2	14	16	7-1/2	5/8-11
445TS	11	9	16-1/2	13/16	4-3/4	23-3/8	25-1/4	2-3/8	5/8x5/16	4-3/4	3	23-3/8	4-1/2	14	16	7-1/2	5/8-11
447TS	11	9	20	13/16	4-3/4	23-5/8	26	2-3/8	5/8x5/16	4-3/4	4 NPT	23-7/8	4-1/2	14	16	7-1/2	5/8-11
449TS	11	9	25	13/16	4-3/4	23-5/8	26	2-3/8	5/8x5/16	4-3/4	4 NPT	23-7/8	4-1/2	14	16	7-1/2	5/8-11

IEC QUICK REFERENCE CHART

- Dimensions are for reference only
- Drawings represent standard TEFC general purpose motors

Contact your local DODGE/Reliance Sales Office at 1-864-284-5700 for "C" dimensions.



KEY AND KEYSEAT DIMENSIONS									
FRAME	D	G	F	GD	FRAME	D	G	F	GD
71	14	11	5	5	160	37	42	12	8
80	19	15.5	6	6	180	48	42.5	14	9
90	24	20	8	7	200	55	49	16	10
100	28	24	8	7	225	60	53	18	11
112	28	24	8	7	250	70	67.5	20	12
132	38	33	10	8	280	80	71	22	14

Frame	B3 RIGID BASE				SHAFT			B5 FLANGE					B14 FACE					GENERAL		
	A	L10	L12	HD	C	E	D	N	M	P	S	V	N	M	P	S	V	AC	AD	XX
71	-	-	-	-	-	-	-	110	130	160	"3,5"	"9,5"	70	85	105	2.5	M6	143	-	13
80	125	100	-	188	50	40	19	130	165	200	"3,5"	"11,5"	80	100	120	3	M6	143	-	13
90	140	100	125	208	56	50	24	130	165	200	"3,5"	"11,5"	95	115	140	3	M8	163	-	13
100	160	112	140	229	63	60	28	180	215	250	4	14	110	130	160	3.5	M8	175	-	19
112S	190	114	-	301.8	71.4	60	28	180	215	250	4	14	110	130	160	3.5	M8	243	210	32
112M	190	-	140	301.8	71.4	60	28	180	215	250	4	14	110	130	160	3.5	M8	243	210	32
132S	216	140	-	336.6	88.9	80	38	230	265	300	4	14	130	165	200	3.5	M8	286	243	32
132M	216	-	178	336.6	88.9	80	38	230	265	300	4	14	130	165	200	3.5	M8	286	243	32
160M	254	210	-	399	108	110	42	250	300	350	5	18	180	215	250	4	M12	324	320	40
160L	254	-	254	399	108	110	42	250	300	350	5	18	180	215	250	4	M12	324	320	40
180M	279	241	-	436	121	110	48	250	300	350	5	18	398	355	40			398	355	40
180L	279	-	279	436	121	110	48	250	300	350	5	18	398	355	40			398	355	40
200M	318	267	-	486	133	110	55	300	350	400	5	18	442	445	50			442	445	50
200L	318	-	305	486	133	110	55	300	350	400	5	18	442	445	50			442	445	50
225S	356	286	-	545	149	140	60	350	400	450	5	18	490	470	50			490	470	50
225M	356	-	311	545	149	140	60	350	400	450	5	18	490	470	50			490	470	50
250S	406	311	-	616	168	140	65											600	510	63
250M	406	-	349	616	168	140	65											600	535	63
280S	457	368	-	677	190	140	75											650	535	63
280M	457	-	419	677	190	140	75											650	535	63
280K	457	500	-	677	190	140	75											650	535	63
280H	457	630	-	677	190	140	75											650	535	63
L280H	457	635	-	677	202	205	75											650	535	63

LEGEND
Metric Dimensions in MM
1 mm = .03937"

NOTES

Roller Chain Sprockets

Conveyor Components

Engineering

Part Number Index

Keyword Index

PART NUMBER INDEX



Part Number	Page	Part Number	Page	Part Number	Page	Part Number	Page
000251.	PT1-7	000378.	PT1-9	000576.	PT1-13	000646.	PT1-13
000252.	PT1-7	000379.	PT1-9	000577.	PT1-13	000647.	PT1-13
000253.	PT1-7	000380.	PT1-7	000578.	PT1-13	000648.	PT1-13
000254.	PT1-7	000381.	PT1-7	000579.	PT1-13	000649.	PT1-13
000255.	PT1-7	000423.	PT4-9	000580.	PT1-13	000650.	PT1-13
000256.	PT1-7	000424.	PT4-9	000581.	PT1-13	000651.	PT1-13
000257.	PT1-7	000426.	PT4-9	000582.	PT1-13	000652.	PT1-13
000258.	PT1-7	000427.	PT4-9	000583.	PT1-13	000653.	PT1-13
000259.	PT1-7	000429.	PT4-9	000584.	PT1-13	000654.	PT1-13
000260.	PT1-7	000430.	PT4-9	000585.	PT1-13	000655.	PT1-13
000261.	PT1-7	000431.	PT4-9	000586.	PT1-13	000656.	PT1-13
000262.	PT1-7	000432.	PT4-9	000587.	PT1-13	000657.	PT1-13
000263.	PT1-7	000433.	PT4-9	000588.	PT1-13	000658.	PT1-13
000264.	PT1-7	000434.	PT4-9	000589.	PT1-13	000659.	PT1-13
000265.	PT1-7	000435.	PT4-9	000590.	PT1-13	000660.	PT1-13
000266.	PT1-7	000436.	PT4-9	000591.	PT1-13	000661.	PT1-13
000267.	PT1-7	000437.	PT4-9	000592.	PT1-13	000662.	PT1-13
000268.	PT1-7	000438.	PT4-9	000593.	PT1-13	000663.	PT1-13
000269.	PT1-7	000439.	PT4-9	000594.	PT1-13	000664.	PT1-13
000270.	PT1-7	000440.	PT4-9	000595.	PT1-13	000665.	PT1-13
000271.	PT1-7	000441.	PT4-9	000596.	PT1-13	000666.	PT1-13
000272.	PT1-7	000442.	PT4-9	000597.	PT1-13	000667.	PT1-13
000273.	PT1-7	000443.	PT4-9	000598.	PT1-13	000668.	PT1-13
000274.	PT1-7	000444.	PT4-9	000599.	PT1-13	000669.	PT1-13
000275.	PT1-7	000445.	PT4-9	000600.	PT1-13	000670.	PT1-13
000276.	PT1-9	000454.	PT4-9	000601.	PT1-13	000671.	PT1-13
000277.	PT1-9	000455.	PT4-9	000602.	PT1-13	000672.	PT1-13
000302.	PT1-7	000457.	PT4-9	000603.	PT1-13	000673.	PT1-13
000303.	PT1-7	000458.	PT4-9	000604.	PT1-13	000674.	PT1-13
000304.	PT1-7	000460.	PT4-9	000605.	PT1-13	000675.	PT1-13
000305.	PT1-7	000461.	PT4-9	000606.	PT1-13	000676.	PT1-13
000306.	PT1-7	000462.	PT4-9	000607.	PT1-13	000677.	PT1-13
000307.	PT1-7	000463.	PT4-9	000608.	PT1-13	000678.	PT1-13
000308.	PT1-7	000464.	PT4-9	000609.	PT1-13	000679.	PT1-13
000309.	PT1-7	000465.	PT4-9	000610.	PT1-13	000680.	PT1-13
000310.	PT1-7	000466.	PT4-9	000611.	PT1-13	000681.	PT1-13
000311.	PT1-7	000467.	PT4-9	000612.	PT1-13	000682.	PT1-13
000312.	PT1-7	000468.	PT4-9	000613.	PT1-13	000683.	PT1-13
000313.	PT1-7	000469.	PT4-9	000614.	PT1-13	000684.	PT1-13
000314.	PT1-7	000470.	PT4-9	000615.	PT1-13	000685.	PT1-13
000315.	PT1-7	000471.	PT4-9	000616.	PT1-13	000686.	PT1-13
000316.	PT1-7	000472.	PT4-9	000617.	PT1-13	000687.	PT1-13
000317.	PT1-7	000473.	PT4-9	000618.	PT1-13	000688.	PT1-13
000318.	PT1-7	000474.	PT4-9	000619.	PT1-13	000689.	PT1-13
000319.	PT1-7	000475.	PT4-9	000620.	PT1-13	000690.	PT1-13
000332.	PT1-9	000476.	PT4-9	000621.	PT1-13	000691.	PT1-13
000333.	PT1-9	000478.	PT1-13	000622.	PT1-13	000692.	PT1-13
000334.	PT1-9	000479.	PT1-19	000623.	PT1-13	000693.	PT1-13
000335.	PT1-9	000480.	PT1-13	000624.	PT1-13	000694.	PT1-13
000336.	PT1-9	000481.	PT1-13	000625.	PT1-13	000695.	PT1-13
000337.	PT1-9	000482.	PT1-13	000626.	PT1-13	000696.	PT1-13
000359.	PT1-7	000483.	PT1-13	000627.	PT1-13	000697.	PT1-13
000360.	PT1-7	000484.	PT1-13	000628.	PT1-13	000698.	PT1-13
000361.	PT1-7	000485.	PT1-13	000629.	PT1-13	000699.	PT1-13
000362.	PT1-7	000486.	PT1-13	000630.	PT1-13	000700.	PT1-13
000363.	PT1-7	000487.	PT1-13	000631.	PT1-13	000701.	PT1-13
000364.	PT1-7	000490.	PT1-19	000632.	PT1-13	000702.	PT1-13
000365.	PT1-7	000491.	PT1-19	000633.	PT1-13	000703.	PT1-13
000366.	PT1-7	000492.	PT1-19	000634.	PT1-13	000704.	PT1-19
000367.	PT1-7	000493.	PT1-19	000635.	PT1-13	000705.	PT1-19
000368.	PT1-7	000494.	PT1-19	000636.	PT1-13	000706.	PT1-19
000369.	PT1-7	000495.	PT1-19	000637.	PT1-13	000707.	PT1-19
000370.	PT1-7	000496.	PT1-19	000638.	PT1-13	000708.	PT1-19
000371.	PT1-7	000497.	PT1-19	000639.	PT1-13	000709.	PT1-19
000372.	PT1-7	000498.	PT1-19	000640.	PT1-13	000710.	PT1-19
000373.	PT1-7	000499.	PT1-19	000641.	PT1-13	000711.	PT1-19
000374.	PT1-7	000500.	PT1-19	000642.	PT1-13	000712.	PT1-19
000375.	PT1-7	000573.	PT1-13	000643.	PT1-13	000713.	PT1-19
000376.	PT1-7	000574.	PT1-19	000644.	PT1-13	000714.	PT1-19
000377.	PT1-9	000575.	PT1-13	000645.	PT1-13	000715.	PT1-19



PART NUMBER INDEX

Roller Chain Sprockets

Conveyor Components

Engineering

Part Number Index

Keyword Index

Part Number	Page	Part Number	Page	Part Number	Page	Part Number	Page
000716	PT1-19	000786	PT1-19	003014	PT1-74	004500	PT1-43
000717	PT1-19	000787	PT1-19	003015	PT1-74	004502	PT1-43
000718	PT1-19	000788	PT1-19	003016	PT1-74	004504	PT1-43
000719	PT1-19	000789	PT1-19	003251	PT1-13	004505	PT1-43
000720	PT1-19	000790	PT1-19	003252	PT1-13	004506	PT1-43
000721	PT1-19	000791	PT1-19	003253	PT1-13	004508	PT1-43
000722	PT1-19	000792	PT1-19	003254	PT1-13	004509	PT1-43
000723	PT1-19	000793	PT1-19	003283	PT1-13	004510	PT1-43
000724	PT1-19	000794	PT1-19	003284	PT1-13	004511	PT1-43
000725	PT1-19	000795	PT1-19	003285	PT1-13	004513	PT1-43
000726	PT1-19	000796	PT1-19	003286	PT1-13	004515	PT1-43
000727	PT1-19	000797	PT1-19	003287	PT1-13	004516	PT1-43
000728	PT1-19	000798	PT1-19	003288	PT1-13	004517	PT1-43
000729	PT1-19	000799	PT1-19	003289	PT1-13	004519	PT1-43
000730	PT1-19	000800	PT1-19	003291	PT1-13	004520	PT1-43
000731	PT1-19	000801	PT1-19	003293	PT1-13	004521	PT1-43
000732	PT1-19	000802	PT1-19	003323	PT1-13	004522	PT1-43
000733	PT1-19	000803	PT1-19	003324	PT1-13	004523	PT1-43
000734	PT1-19	000804	PT1-19	003326	PT1-13	004524	PT1-43
000735	PT1-19	000822	PT1-13	003328	PT1-13	004525	PT1-43
000736	PT1-19	000823	PT1-13	003330	PT1-13	004527	PT1-43
000737	PT1-19	000824	PT1-13	003356	PT1-13	004528	PT1-43
000738	PT1-19	000825	PT1-13	003357	PT1-13	004529	PT1-43
000739	PT1-19	000826	PT1-13	003359	PT1-13	004531	PT1-43
000740	PT1-19	000827	PT1-13	003361	PT1-13	004534	PT1-43
000741	PT1-19	000828	PT1-13	003363	PT1-13	004536	PT1-43
000742	PT1-19	000829	PT1-13	003402	PT1-13	004538	PT1-43
000743	PT1-19	000830	PT1-13	003403	PT1-13	004539	PT1-43
000744	PT1-19	000831	PT1-13	003405	PT1-13	004540	PT1-43
000745	PT1-19	000832	PT1-13	003407	PT1-13	004542	PT1-43
000746	PT1-19	000833	PT1-13	003409	PT1-13	004543	PT1-43
000747	PT1-19	000836	PT1-19	003450	PT1-13	004544	PT1-43
000748	PT1-19	000837	PT1-19	003451	PT1-13	004545	PT1-43
000749	PT1-19	000838	PT1-19	003453	PT1-13	004546	PT1-43
000750	PT1-19	000839	PT1-19	003455	PT1-13	004547	PT1-43
000751	PT1-19	000840	PT1-19	003457	PT1-13	004548	PT1-43
000752	PT1-19	000841	PT1-19	003501	PT1-13	004550	PT1-43
000753	PT1-19	000842	PT1-19	003502	PT1-13	004551	PT1-43
000754	PT1-19	000843	PT1-19	003504	PT1-13	004552	PT1-43
000755	PT1-19	000844	PT1-19	003506	PT1-13	004554	PT1-43
000756	PT1-19	000845	PT1-19	003508	PT1-13	004559	PT1-43
000757	PT1-19	000846	PT1-19	004208	PT1-39	004561	PT1-43
000758	PT1-19	000847	PT1-19	004209	PT1-39	004562	PT1-43
000759	PT1-19	000848	PT1-16	004210	PT1-39	004563	PT1-43
000760	PT1-19	000849	PT1-16	004211	PT1-39	004565	PT1-43
000761	PT1-19	000850	PT1-21	004212	PT1-39	004566	PT1-43
000762	PT1-19	000851	PT1-23	004213	PT1-39	004567	PT1-43
000763	PT1-19	000854	PT1-22	004214	PT1-39	004568	PT1-43
000764	PT1-19	000857	PT1-22	004215	PT1-39	004569	PT1-43
000765	PT1-19	000858	PT1-22	004216	PT1-39	004570	PT1-43
000766	PT1-19	000859	PT1-22	004217	PT1-39	004571	PT1-43
000767	PT1-19	000860	PT1-22	004218	PT1-39	004573	PT1-43
000768	PT1-19	000861	PT1-22	004219	PT1-39	004574	PT1-43
000769	PT1-19	000862	PT1-22	004220	PT1-39	004575	PT1-43
000770	PT1-19	000863	PT1-23	004222	PT1-39	004577	PT1-43
000771	PT1-19	000864	PT1-23	004242	PT1-39	004578	PT1-43
000772	PT1-19	000865	PT1-23	004243	PT1-39	004579	PT1-43
000773	PT1-19	003001	PT1-74	004244	PT1-39	004581	PT1-43
000774	PT1-19	003002	PT1-74	004245	PT1-39	004582	PT1-43
000775	PT1-19	003003	PT1-74	004246	PT1-39	004583	PT1-43
000776	PT1-19	003004	PT1-74	004247	PT1-39	004585	PT1-43
000777	PT1-19	003005	PT1-74	004248	PT1-39	004586	PT1-43
000778	PT1-19	003006	PT1-74	004249	PT1-39	004587	PT1-43
000779	PT1-19	003007	PT1-74	004250	PT1-39	004588	PT1-43
000780	PT1-19	003008	PT1-74	004251	PT1-39	004590	PT1-43
000781	PT1-19	003009	PT1-74	004252	PT1-39	004591	PT1-43
000782	PT1-19	003010	PT1-74	004253	PT1-39	004592	PT1-43
000783	PT1-19	003011	PT1-74	004254	PT1-39	004593	PT1-43
000784	PT1-19	003012	PT1-74	004256	PT1-39	004594	PT1-43
000785	PT1-19	003013	PT1-74	004498	PT1-43	004595	PT1-43

PART NUMBER INDEX



Part Number	Page	Part Number	Page	Part Number	Page	Part Number	Page
004596	PT1-43	004688	PT1-43	004889	PT1-45	004959	PT1-45
004598	PT1-43	004689	PT1-43	004890	PT1-45	004960	PT1-45
004599	PT1-43	004690	PT1-43	004891	PT1-45	004961	PT1-45
004600	PT1-43	004691	PT1-43	004892	PT1-45	004962	PT1-45
004602	PT1-43	004692	PT1-43	004893	PT1-45	004963	PT1-45
004603	PT1-43	004693	PT1-43	004894	PT1-45	004964	PT1-45
004604	PT1-43	004694	PT1-43	004895	PT1-45	004965	PT1-45
004606	PT1-43	004695	PT1-43	004896	PT1-45	004966	PT1-45
004607	PT1-43	004696	PT1-43	004897	PT1-45	004967	PT1-45
004608	PT1-43	004698	PT1-43	004898	PT1-45	004968	PT1-45
004610	PT1-43	004699	PT1-43	004899	PT1-45	004969	PT1-45
004611	PT1-43	004700	PT1-43	004900	PT1-45	004970	PT1-45
004612	PT1-43	004702	PT1-43	004901	PT1-45	004971	PT1-45
004614	PT1-43	004703	PT1-43	004902	PT1-45	004972	PT1-45
004615	PT1-43	004704	PT1-43	004903	PT1-45	004973	PT1-45
004616	PT1-43	004706	PT1-43	004904	PT1-45	004974	PT1-45
004618	PT1-43	004707	PT1-43	004905	PT1-45	004975	PT1-45
004619	PT1-43	004708	PT1-43	004906	PT1-45	004976	PT1-43
004620	PT1-43	004710	PT1-43	004907	PT1-45	004977	PT1-43
004621	PT1-43	004711	PT1-43	004908	PT1-45	004978	PT1-43
004622	PT1-43	004712	PT1-43	004909	PT1-45	004979	PT1-43
004623	PT1-43	004714	PT1-43	004910	PT1-45	004980	PT1-43
004624	PT1-43	004715	PT1-43	004911	PT1-45	004981	PT1-43
004625	PT1-43	004716	PT1-43	004912	PT1-45	004982	PT1-43
004627	PT1-43	004718	PT1-43	004913	PT1-45	004983	PT1-43
004628	PT1-43	004719	PT1-43	004914	PT1-45	004993	PT1-43
004629	PT1-43	004720	PT1-43	004915	PT1-45	004994	PT1-43
004631	PT1-43	004722	PT1-43	004916	PT1-45	004995	PT1-43
004632	PT1-43	004724	PT1-43	004917	PT1-45	004996	PT1-43
004633	PT1-43	004725	PT1-43	004918	PT1-45	004997	PT1-43
004635	PT1-43	004726	PT1-43	004919	PT1-45	004998	PT1-43
004636	PT1-43	004727	PT1-43	004920	PT1-45	006245	PT1-55
004637	PT1-43	004728	PT1-43	004921	PT1-45	006250	PT1-54, PT1-57, PT1-82
004639	PT1-43	004730	PT1-43	004922	PT1-45	006251	PT1-54, PT1-57, PT1-82
004640	PT1-43	004731	PT1-43	004923	PT1-45	006252	PT1-54, PT1-57, PT1-82
004641	PT1-43	004732	PT1-43	004924	PT1-45	006253	PT1-54, PT1-57, PT1-82
004643	PT1-43	004734	PT1-43	004925	PT1-45	006254	PT1-54, PT1-57, PT1-82
004644	PT1-43	004735	PT1-43	004926	PT1-45	006255	PT1-54, PT1-57, PT1-82
004645	PT1-43	004856	PT1-45	004927	PT1-45	006256	PT1-54, PT1-57, PT1-82
004647	PT1-43	004857	PT1-45	004928	PT1-45	006257	PT1-54, PT1-57, PT1-82
004648	PT1-43	004858	PT1-45	004929	PT1-45	006258	PT1-55, PT1-82
004649	PT1-43	004859	PT1-45	004930	PT1-45	006259	PT1-55, PT1-82
004651	PT1-43	004860	PT1-45	004931	PT1-45	006260	PT1-54, PT1-82
004653	PT1-43	004861	PT1-45	004932	PT1-45	006261	PT1-54, PT1-82
004654	PT1-43	004862	PT1-45	004933	PT1-45	006262	PT1-54, PT1-82
004655	PT1-43	004863	PT1-45	004934	PT1-45	006263	PT1-54, PT1-82
004656	PT1-43	004864	PT1-45	004935	PT1-45	006264	PT1-54, PT1-82
004657	PT1-43	004865	PT1-45	004936	PT1-45	006265	PT1-54, PT1-82
004658	PT1-43	004866	PT1-45	004937	PT1-45	006266	PT1-54, PT1-82
004659	PT1-43	004867	PT1-45	004938	PT1-45	006267	PT1-54, PT1-82
004660	PT1-43	004868	PT1-45	004939	PT1-45	006268	PT1-55, PT1-82
004662	PT1-43	004869	PT1-45	004940	PT1-45	006269	PT1-55, PT1-82
004663	PT1-43	004870	PT1-45	004941	PT1-45	006275	PT1-54, PT1-57, PT1-82
004664	PT1-43	004871	PT1-45	004942	PT1-45	006276	PT1-54, PT1-57, PT1-82
004666	PT1-43	004872	PT1-45	004943	PT1-45	006277	PT1-54, PT1-57, PT1-82
004667	PT1-43	004873	PT1-45	004944	PT1-45	006278	PT1-54, PT1-57, PT1-82
004668	PT1-43	004874	PT1-45	004945	PT1-45	006279	PT1-54, PT1-57, PT1-82
004670	PT1-43	004875	PT1-45	004946	PT1-45		
004671	PT1-43	004876	PT1-45	004947	PT1-45		
004672	PT1-43	004878	PT1-45	004948	PT1-45		
004674	PT1-43	004879	PT1-45	004949	PT1-45		
004675	PT1-43	004880	PT1-45	004950	PT1-45		
004676	PT1-43	004881	PT1-45	004951	PT1-45		
004678	PT1-43	004882	PT1-45	004952	PT1-45		
004679	PT1-43	004883	PT1-45	004953	PT1-45		
004680	PT1-43	004884	PT1-45	004954	PT1-45		
004682	PT1-43	004885	PT1-45	004955	PT1-45		
004683	PT1-43	004886	PT1-45	004956	PT1-45		
004684	PT1-43	004887	PT1-45	004957	PT1-45		
004686	PT1-43	004888	PT1-45	004958	PT1-45		



PART NUMBER INDEX

Roller Chain Sprockets

Conveyor Components

Engineering

Part Number Index

Keyword Index

Part Number	Page	Part Number	Page	Part Number	Page	Part Number	Page
006280	PT1-54, PT1-57, PT1-82	006438	PT1-57	006561	PT1-58, PT1-59	006643	PT1-54
006281	PT1-54, PT1-57, PT1-82	006439	PT1-57	006562	PT1-58, PT1-59	006656	PT1-54
006282	PT1-54, PT1-57, PT1-82	006440	PT1-57	006563	PT1-58, PT1-59	006657	PT1-54
006283	PT1-55, PT1-82	006451	PT1-57	006564	PT1-57	006750	PT1-54, PT1-57
006284	PT1-55, PT1-82	006452	PT1-57	006565	PT1-57	006751	PT1-54, PT1-57
006290	PT1-54	006453	PT1-57	006566	PT1-57	006752	PT1-54, PT1-57
006291	PT1-54	006454	PT1-57	006567	PT1-57	006753	PT1-54, PT1-57
006292	PT1-54	006455	PT1-57	006568	PT1-57	006754	PT1-54, PT1-57
006293	PT1-54	006456	PT1-57	006569	PT1-58, PT1-59	006755	PT1-54, PT1-57
006294	PT1-54	006457	PT1-57	006570	PT1-58, PT1-59	006756	PT1-54, PT1-57
006295	PT1-54	006458	PT1-57	006571	PT1-54	006757	PT1-54, PT1-57
006296	PT1-54	006460	PT1-55	006572	PT1-54	006758	PT1-55
006297	PT1-54	006461	PT1-55	006573	PT1-54	006759	PT1-55
006298	PT1-55	006462	PT1-55	006576	PT1-54	006760	PT1-55
006299	PT1-55	006463	PT1-55	006577	PT1-54	006761	PT1-55
006300	PT1-55	006464	PT1-55	006578	PT1-54	006762	PT1-55
006301	PT1-55	006465	PT1-55	006579	PT1-54	006765	PT1-54
006305	PT1-57	006466	PT1-55	006580	PT1-54	006766	PT1-54
006306	PT1-57	006467	PT1-55	006581	PT1-54	006767	PT1-54
006307	PT1-57	006468	PT1-55	006582	PT1-54	006768	PT1-54
006308	PT1-57	006469	PT1-55	006583	PT1-54	006769	PT1-54
006309	PT1-57	006470	PT1-55	006584	PT1-54	006770	PT1-54
006310	PT1-57	006471	PT1-55	006585	PT1-54	006771	PT1-54
006311	PT1-57	006472	PT1-55	006586	PT1-54	006772	PT1-54
006312	PT1-57	006473	PT1-55	006587	PT1-54	006773	PT1-55
006318	PT1-54	006474	PT1-55	006588	PT1-54	006774	PT1-55
006319	PT1-54	006475	PT1-55	006589	PT1-54	006790	PT1-54
006320	PT1-54	006476	PT1-55	006590	PT1-54	006791	PT1-54
006321	PT1-54	006477	PT1-55	006591	PT1-54	006792	PT1-54
006322	PT1-54	006479	PT1-54	006592	PT1-54	006793	PT1-54
006323	PT1-54	006480	PT1-54	006593	PT1-54	006794	PT1-54
006324	PT1-54	006481	PT1-57	006594	PT1-54	006795	PT1-54
006325	PT1-55	006482	PT1-57	006595	PT1-54	006796	PT1-54
006326	PT1-55	006484	PT1-55	006596	PT1-54	006797	PT1-54
006328	PT1-57	006485	PT1-55	006597	PT1-54	006798	PT1-54
006329	PT1-57	006486	PT1-55	006598	PT1-54	006799	PT1-54
006330	PT1-57	006487	PT1-55	006599	PT1-54	006800	PT1-54
006331	PT1-57	006488	PT1-55	006600	PT1-54	006801	PT1-54
006332	PT1-57	006489	PT1-55	006601	PT1-54	006802	PT1-54
006333	PT1-57	006490	PT1-55	006602	PT1-54	006803	PT1-54
006334	PT1-57	006491	PT1-55	006603	PT1-54	006804	PT1-54
006335	PT1-57	006492	PT1-55	006604	PT1-54	006805	PT1-82
006396	PT1-57	006493	PT1-55	006605	PT1-54	006806	PT1-82
006397	PT1-57	006494	PT1-55	006606	PT1-54	006807	PT1-82
006398	PT1-57	006497	PT1-58, PT1-59	006607	PT1-54	006808	PT1-82
006399	PT1-57	006498	PT1-58, PT1-59	006608	PT1-54	006809	PT1-82
006400	PT1-57	006499	PT1-58, PT1-59	006609	PT1-54	006810	PT1-82
006401	PT1-57	006504	PT1-58, PT1-59	006610	PT1-54	006811	PT1-82
006402	PT1-57	006505	PT1-58, PT1-59	006611	PT1-54	006812	PT1-82
006411	PT1-57	006506	PT1-58, PT1-59	006612	PT1-54	006813	PT1-82
006412	PT1-57	006507	PT1-58, PT1-59	006613	PT1-54	006814	PT1-82
006413	PT1-57	006516	PT1-58, PT1-59	006614	PT1-54	006815	PT1-82
006414	PT1-57	006517	PT1-58, PT1-59	006615	PT1-54	006816	PT1-82
006415	PT1-57	006518	PT1-58, PT1-59	006616	PT1-54	006817	PT1-82
006416	PT1-57	006519	PT1-58, PT1-59	006617	PT1-54	006818	PT1-82
006417	PT1-57	006520	PT1-58, PT1-59	006618	PT1-54	006819	PT1-82
006418	PT1-57	006533	PT1-58, PT1-59	006619	PT1-54	006820	PT1-82
006419	PT1-57	006534	PT1-58, PT1-59	006620	PT1-54	006821	PT1-82
006429	PT1-57	006535	PT1-58, PT1-59	006621	PT1-54	006822	PT1-82
006430	PT1-57	006536	PT1-58, PT1-59	006622	PT1-54	006823	PT1-82
006431	PT1-57	006539	PT1-54	006623	PT1-54	006824	PT1-82
006432	PT1-57	006540	PT1-54	006624	PT1-54	006894	PT1-57
006433	PT1-57	006541	PT1-58, PT1-59	006625	PT1-54	006903	PT1-57
006434	PT1-57	006544	PT1-58, PT1-59	006626	PT1-54	006904	PT1-57
006435	PT1-57	006545	PT1-58, PT1-59	006627	PT1-54	006905	PT1-57
006436	PT1-57	006546	PT1-58, PT1-59	006628	PT1-54	006906	PT1-57
006437	PT1-57	006550	PT1-58, PT1-59	006629	PT1-54	006907	PT1-57
		006553	PT1-58, PT1-59	006640	PT1-54	006908	PT1-57
		006554	PT1-58, PT1-59	006641	PT1-54	006909	PT1-57
		006555	PT1-58, PT1-59	006642	PT1-54	006950	PT1-54
		006560	PT1-57				

PART NUMBER INDEX



Part Number	Page	Part Number	Page	Part Number	Page	Part Number	Page
006951.	PT1-54	007475.	PT1-55, PT1-82	009013.	PT1-75	010028.	PT9-7
006952.	PT1-54	007476.	PT1-55, PT1-82	009014.	PT1-75	010029.	PT9-7
006953.	PT1-54	007477.	PT1-55, PT1-82	009015.	PT1-75	010032.	PT9-7
006954.	PT1-54	007478.	PT1-55, PT1-82	009016.	PT1-75	010036.	PT9-7
006955.	PT1-54	007479.	PT1-55, PT1-82	009017.	PT1-75	010039.	PT9-7
006956.	PT1-54	007520.	PT1-82	009019.	PT1-75	010043.	PT9-7
006957.	PT1-54	007521.	PT1-82	009020.	PT1-75	010048.	PT9-7
006958.	PT1-54	007522.	PT1-82	009021.	PT1-75	010051.	PT9-7
006959.	PT1-54	007523.	PT1-82	009022.	PT1-75	010054.	PT9-7
006960.	PT1-54	007524.	PT1-82	009023.	PT1-75	010055.	PT9-7
006961.	PT1-54	007525.	PT1-82	009024.	PT1-75	010056.	PT9-7
006962.	PT1-54	007526.	PT1-82	009025.	PT1-75	010057.	PT9-7
006963.	PT1-54	007527.	PT1-82	009026.	PT1-75	010058.	PT9-7
006964.	PT1-54	007528.	PT1-82	009027.	PT1-75	010059.	PT9-7
006965.	PT1-54	007529.	PT1-82	009028.	PT1-75	010060.	PT9-7
006966.	PT1-54	007530.	PT1-82	009029.	PT1-75	010061.	PT9-7
006967.	PT1-54	007531.	PT1-82	009031.	PT1-75	010075.	PT9-7
006968.	PT1-54	007532.	PT1-82	009042.	PT1-75	010076.	PT9-7
006969.	PT1-54	007533.	PT1-82	009043.	PT1-75	010077.	PT9-7
006970.	PT1-57	007534.	PT1-82	009044.	PT1-75	010078.	PT9-7
006971.	PT1-57	007535.	PT1-82	009050.	PT1-75	010080.	PT9-7
006972.	PT1-57	007536.	PT1-82	009054.	PT1-75	010081.	PT9-7
006973.	PT1-57	007537.	PT1-82	009199.	PT1-13	010084.	PT9-7
006974.	PT1-57	008030.	PT1-73	009214.	PT1-13	010085.	PT9-7
006984.	PT1-57	008031.	PT1-73	009215.	PT1-13	010088.	PT9-7
006985.	PT1-57	008032.	PT1-73	009223.	PT1-13	010089.	PT9-7
006986.	PT1-57	008033.	PT1-73	009230.	PT1-13	010092.	PT9-7
006987.	PT1-57	008034.	PT1-73	009419.	PT1-23	010093.	PT9-7
006988.	PT1-57	008035.	PT1-73	009420.	PT1-23	010096.	PT9-7
006989.	PT1-57	008036.	PT1-73	009421.	PT1-23	010097.	PT9-7
006990.	PT1-57	008040.	PT1-73, PT3-11	009422.	PT1-23	010100.	PT9-7
006991.	PT1-57	008041.	PT1-73, PT3-11	009423.	PT1-23	010104.	PT9-7
006992.	PT1-57	008042.	PT1-73, PT3-11	009424.	PT1-23	010105.	PT9-7
007011.	PT1-55, PT1-82	008043.	PT1-73, PT3-11	009425.	PT1-23	010107.	PT9-7
007012.	PT1-55, PT1-82	008044.	PT1-73, PT3-11	009426.	PT1-23	010110.	PT9-7
007013.	PT1-55, PT1-82	008045.	PT1-73, PT3-11	009427.	PT1-23	010112.	PT9-7
007014.	PT1-55, PT1-82	008046.	PT1-73, PT3-11	009428.	PT1-23	010114.	PT9-7
007015.	PT1-55, PT1-82	008047.	PT1-73, PT3-11	009429.	PT1-23	010117.	PT9-7
007016.	PT1-55, PT1-82	008048.	PT1-73	009430.	PT1-23	010120.	PT9-7
007017.	PT1-55	008049.	PT1-73	009431.	PT1-23	010123.	PT9-7
007018.	PT1-55	008057.	PT1-73, PT3-11	009432.	PT1-23	010126.	PT9-7
007019.	PT1-55	008058.	PT1-73, PT3-11	009433.	PT1-23	010127.	PT9-7
007020.	PT1-55	008059.	PT1-73	009434.	PT1-23	010128.	PT9-7
007021.	PT1-55	008060.	PT1-73	009435.	PT1-23	010129.	PT9-7
007022.	PT1-55	008980.	PT1-27	009436.	PT1-23	010130.	PT9-7
007450.	PT1-55	008981.	PT1-27	009437.	PT1-23	010131.	PT9-7
007451.	PT1-55	008982.	PT1-27	009438.	PT1-23	010189.	PT1-28
007452.	PT1-55	008983.	PT1-27	009439.	PT1-23	010190.	PT1-28
007453.	PT1-55	008984.	PT1-27	009440.	PT1-23	010191.	PT1-28
007454.	PT1-55	008985.	PT1-27	009441.	PT1-23	010192.	PT1-28
007455.	PT1-55	008986.	PT1-27	009442.	PT1-23	010193.	PT1-28
007456.	PT1-55	008987.	PT1-27	009443.	PT1-23	010194.	PT1-28
007457.	PT1-55	008988.	PT1-27	009444.	PT1-23	010195.	PT1-28
007458.	PT1-55	008989.	PT1-27	009445.	PT1-23	010196.	PT1-28
007459.	PT1-55	008990.	PT1-27	009446.	PT1-23	010290.	PT1-31, PT1-33
007460.	PT1-55	008991.	PT1-27	009447.	PT1-23	010291.	PT1-31, PT1-33
007461.	PT1-55	008992.	PT1-27	009448.	PT1-23	010292.	PT1-31, PT1-33
007462.	PT1-55, PT1-82	008993.	PT1-27	009449.	PT1-23	010293.	PT1-31, PT1-33
007463.	PT1-55, PT1-82	009001.	PT1-75	009450.	PT1-23	010294.	PT1-31, PT1-33
007464.	PT1-55, PT1-82	009002.	PT1-75	009451.	PT1-23	010295.	PT1-31, PT1-33
007465.	PT1-55, PT1-82	009003.	PT1-75	009452.	PT1-23	010296.	PT1-31, PT1-33
007466.	PT1-55, PT1-82	009004.	PT1-75	009453.	PT1-23	010297.	PT1-31, PT1-33
007467.	PT1-55, PT1-82	009005.	PT1-75	009454.	PT1-23	010300.	PT1-25
007468.	PT1-55, PT1-82	009006.	PT1-75	009455.	PT1-23	010301.	PT1-25, PT1-32, PT1-34, PT3-12
007469.	PT1-55, PT1-82	009007.	PT1-75	009456.	PT1-23	010302.	PT1-25, PT1-32, PT1-34, PT3-12
007470.	PT1-55, PT1-82	009008.	PT1-75	009457.	PT1-23	010303.	PT1-25, PT1-32, PT1-34, PT3-12
007471.	PT1-55, PT1-82	009009.	PT1-75	010019.	PT9-7	010304.	PT1-25, PT1-32, PT1-34, PT3-12
007472.	PT1-55, PT1-82	009010.	PT1-75	010020.	PT9-7		
007473.	PT1-55, PT1-82	009011.	PT1-75	010021.	PT9-7		
007474.	PT1-55, PT1-82	009012.	PT1-75	010024.	PT9-7		



PART NUMBER INDEX

Roller Chain Sprockets

Conveyor Components

Engineering

Part Number Index

Keyword Index

Part Number	Page	Part Number	Page	Part Number	Page	Part Number	Page
010305	PT1-34, PT3-12 PT1-25, PT1-32, PT1-34, PT3-12	010589	PT1-23	010994	PT1-23		PT1-34, PT1-81, PT3-12
010306	PT1-25	010590	PT1-23	010995	PT1-23	011234	PT1-31, PT1-32, PT1-33, PT1-34, PT1-81, PT3-12
010471	PT1-27	010591	PT1-23	010996	PT1-23	011236	PT1-31, PT1-32, PT1-33, PT1-34, PT1-81
010472	PT1-27	010592	PT1-23	010997	PT1-23	011239	PT1-31, PT1-32, PT1-33, PT1-34, PT1-81
010473	PT1-27	010593	PT1-23	010998	PT1-23	011242	PT1-31, PT1-32, PT1-33, PT1-34, PT1-81
010474	PT1-27	010594	PT1-23	011000	PT1-23		
010475	PT1-27	010595	PT1-23	011001	PT1-23		
010476	PT1-27	010598	PT1-28	011002	PT1-23		
010477	PT1-27	010599	PT1-28	011005	PT1-23		
010478	PT1-27	010601	PT1-16	011006	PT1-23		
010479	PT1-27	010602	PT1-16	011012	PT1-23		
010480	PT1-27	010603	PT1-16, PT1-31, PT1-33, PT3-12	011105	PT1-9, PT1-10, PT1-14, PT1-16, PT1-81		
010508	PT1-32, PT1-34	010604	PT1-16, PT1-31, PT1-33, PT3-12	011106	PT1-9, PT1-14, PT1-16, PT1-25, PT1-27, PT1-28, PT1-81		
010509	PT1-32, PT1-34	010605	PT1-16	011107	PT1-16, PT1-25, PT1-27, PT1-28, PT1-81		
010510	PT1-27	010606	PT1-16, PT1-31, PT1-33, PT3-12	011108	PT1-7, PT1-9, PT1-10, PT1-16, PT1-25, PT1-27, PT1-28, PT1-81		
010511	PT1-27	010607	PT1-16, PT1-31, PT1-33, PT3-12	011109	PT1-16, PT1-25, PT1-27, PT1-28, PT1-81		
010512	PT1-27	010608	PT1-16	011110	PT1-9, PT1-10, PT1-14, PT1-16, PT1-25, PT1-27, PT1-28, PT1-81		
010513	PT1-27	010657	PT1-28	011111	PT1-16, PT1-25, PT1-27, PT1-28, PT1-81		
010514	PT1-27	010658	PT1-28	011112	PT1-16, PT1-25, PT1-27, PT1-28, PT1-81		
010515	PT1-27	010659	PT1-28	011113	PT1-23		
010516	PT1-27	010660	PT1-28	011114	PT1-16, PT1-25, PT1-27, PT1-28, PT1-81		
010524	PT1-27	010665	PT1-23	011115	PT1-23		
010525	PT1-27	010676	PT1-23	011117	PT1-16, PT1-25, PT1-27, PT1-28, PT1-81		
010526	PT1-27	010677	PT1-23	011119	PT1-23		
010528	PT1-25, PT1-28	010678	PT1-23	011120	PT1-16, PT1-25, PT1-27, PT1-28, PT1-81		
010529	PT1-25, PT1-28	010679	PT1-23	011121	PT1-22		
010530	PT1-25, PT1-28, PT1-32, PT1-34, PT3-12	010680	PT1-23	011124	PT1-16, PT1-25, PT1-27, PT1-28, PT1-81		
010531	PT1-25, PT1-27, PT1-28, PT1-32, PT1-34	010681	PT1-23	011125	PT1-22		
010532	PT1-25, PT1-27, PT1-28	010682	PT1-23	011132	PT1-22		
010533	PT1-25, PT1-28	010683	PT1-23	011134	PT1-16, PT1-25, PT1-27, PT1-28, PT1-81		
010539	PT1-22	010684	PT1-23	011137	PT1-16, PT1-31, PT1-33		
010547	PT1-22	010685	PT1-23	011140	PT1-16		
010548	PT1-22	010686	PT1-23	011144	PT1-16		
010549	PT1-22	010687	PT1-23	011145	PT1-22		
010550	PT1-22	010688	PT1-23	011152	PT1-22		
010551	PT1-22	010689	PT1-23	011154	PT1-16, PT1-31, PT1-33, PT3-12		
010552	PT1-22	010690	PT1-23	011157	PT1-16, PT1-31, PT1-33		
010553	PT1-22	010691	PT1-23	011160	PT1-16		
010554	PT1-22	010692	PT1-23	011164	PT1-16		
010555	PT1-22	010693	PT1-23	011227	PT1-31, PT1-32, PT1-33, PT1-34, PT1-81, PT3-12		
010556	PT1-22	010694	PT1-23	011228	PT1-31, PT1-32, PT1-33, PT1-34, PT1-81, PT3-12		
010567	PT1-23	010695	PT1-23	011230	PT1-31, PT1-32, PT1-33, PT1-34, PT1-81, PT3-12		
010568	PT1-23	010696	PT1-23	011231	PT1-31, PT1-32, PT1-33, PT1-34, PT1-81, PT3-12		
010569	PT1-23	010697	PT1-23				
010570	PT1-23	010698	PT1-23				
010571	PT1-23	010699	PT1-23				
010572	PT1-23	010723	PT1-22				
010573	PT1-23	010697	PT1-23				
010574	PT1-23	010723	PT1-22				
010575	PT1-23	010975	PT1-22				
010576	PT1-23	010976	PT1-22				
010577	PT1-23	010977	PT1-23				
010578	PT1-23	010978	PT1-23				
010579	PT1-23	010979	PT1-23				
010580	PT1-23	010980	PT1-23				
010581	PT1-23	010981	PT1-23				
010582	PT1-23	010982	PT1-23				
010583	PT1-23	010983	PT1-23				
010584	PT1-23	010984	PT1-23				
010585	PT1-23	010985	PT1-23				
010586	PT1-23	010986	PT1-23				
010587	PT1-23	010987	PT1-23				
010588	PT1-23	010988	PT1-23				

PART NUMBER INDEX



Part Number	Page	Part Number	Page	Part Number	Page	Part Number	Page
011571	PT1-22	011751	PT1-22	011829	PT1-22	011914	PT1-22
011579	PT1-22	011752	PT1-22	011830	PT1-22	011915	PT1-22
011580	PT1-22	011753	PT1-22	011831	PT1-22	011916	PT1-22
011581	PT1-22	011754	PT1-22	011832	PT1-22	011917	PT1-22
011582	PT1-22	011755	PT1-22	011833	PT1-22	011918	PT1-22
011583	PT1-22	011756	PT1-22	011834	PT1-22	011919	PT1-22
011584	PT1-22	011757	PT1-22	011835	PT1-22	011920	PT1-22
011586	PT1-22	011758	PT1-22	011836	PT1-22	011921	PT1-22
011587	PT1-22	011759	PT1-22	011837	PT1-22	011922	PT1-23
011589	PT1-22	011760	PT1-22	011838	PT1-22	011923	PT1-23
011602	PT1-22	011761	PT1-22	011839	PT1-23	011924	PT1-23
011603	PT1-22	011762	PT1-22	011840	PT1-23	011925	PT1-23
011604	PT1-22	011763	PT1-22	011841	PT1-23	011926	PT1-23
011605	PT1-23	011764	PT1-22	011842	PT1-23	011927	PT1-23
011606	PT1-22	011765	PT1-22	011847	PT1-22	011928	PT1-23
011607	PT1-23	011766	PT1-22	011850	PT1-22	011929	PT1-23
011620	PT1-21	011767	PT1-22	011851	PT1-22	011930	PT1-23
011621	PT1-21	011768	PT1-22	011852	PT1-22	011935	PT1-22
011622	PT1-21	011775	PT1-22	011853	PT1-22	011936	PT1-22
011623	PT1-21	011776	PT1-22	011854	PT1-22	011937	PT1-22
011624	PT1-21	011777	PT1-22	011855	PT1-22	011938	PT1-22
011625	PT1-21	011778	PT1-22	011856	PT1-22	011939	PT1-22
011626	PT1-21	011779	PT1-22	011857	PT1-22	011940	PT1-22
011627	PT1-21	011780	PT1-22	011858	PT1-22	011941	PT1-22
011628	PT1-21	011781	PT1-22	011859	PT1-22	011942	PT1-22
011700	PT1-22	011782	PT1-22	011860	PT1-22	011943	PT1-22
011701	PT1-22	011783	PT1-22	011861	PT1-22	011944	PT1-22
011702	PT1-22	011784	PT1-22	011862	PT1-22	011945	PT1-22
011703	PT1-23	011785	PT1-22	011863	PT1-22	011946	PT1-22
011705	PT1-22	011786	PT1-22	011864	PT1-22	011947	PT1-22
011706	PT1-22	011787	PT1-22	011865	PT1-22	011948	PT1-22
011707	PT1-22	011788	PT1-22	011866	PT1-22	011949	PT1-22
011708	PT1-23	011789	PT1-22	011867	PT1-22	011950	PT1-22
011709	PT1-23	011790	PT1-22	011868	PT1-22	011951	PT1-22
011710	PT1-22	011791	PT1-22	011869	PT1-22	011952	PT1-22
011711	PT1-22	011792	PT1-22	011870	PT1-22	011953	PT1-22
011712	PT1-23	011793	PT1-22	011871	PT1-22	011954	PT1-22
011713	PT1-23	011794	PT1-22	011872	PT1-22	011955	PT1-22
011714	PT1-28	011795	PT1-22	011873	PT1-22	011956	PT1-22
011715	PT1-28	011796	PT1-22	011874	PT1-22	011957	PT1-22
011716	PT1-28	011797	PT1-22	011875	PT1-22	011958	PT1-22
011717	PT1-28	011798	PT1-22	011876	PT1-22	011959	PT1-23
011718	PT1-28	011799	PT1-22	011877	PT1-23	011960	PT1-23
011719	PT1-28	011800	PT1-22	011878	PT1-23	011961	PT1-23
011720	PT1-22	011801	PT1-22	011879	PT1-23	011962	PT1-23
011721	PT1-22	011802	PT1-22	011880	PT1-23	011963	PT1-23
011722	PT1-22	011803	PT1-22	011890	PT1-22	011964	PT1-23
011723	PT1-22	011804	PT1-22	011891	PT1-22	011965	PT1-23
011724	PT1-22	011805	PT1-22	011892	PT1-22	011966	PT1-23
011725	PT1-22	011806	PT1-22	011893	PT1-22	011967	PT1-23
011726	PT1-22	011807	PT1-22	011894	PT1-22	012023	PT1-23
011727	PT1-22	011810	PT1-22	011895	PT1-22	012024	PT1-23
011728	PT1-22	011811	PT1-22	011896	PT1-22	012025	PT1-23
011729	PT1-22	011812	PT1-22	011897	PT1-22	012026	PT1-23
011730	PT1-22	011813	PT1-22	011898	PT1-22	012027	PT1-23
011731	PT1-22	011814	PT1-22	011899	PT1-22	012028	PT1-23
011732	PT1-22	011815	PT1-22	011900	PT1-22	012029	PT1-23
011733	PT1-22	011816	PT1-22	011901	PT1-22	012289	PT1-22
011734	PT1-22	011817	PT1-22	011902	PT1-22	012290	PT1-22
011740	PT1-22	011818	PT1-22	011903	PT1-22	012291	PT1-22
011741	PT1-22	011819	PT1-22	011904	PT1-22	012455	PT1-81
011742	PT1-22	011820	PT1-22	011905	PT1-22	012456	PT1-81
011743	PT1-22	011821	PT1-22	011906	PT1-22	012765	PT1-22
011744	PT1-22	011822	PT1-22	011907	PT1-22	012766	PT1-22
011745	PT1-22	011823	PT1-22	011908	PT1-22	012767	PT1-22
011746	PT1-22	011824	PT1-22	011909	PT1-22	012975	PT1-64, PT4-7
011747	PT1-22	011825	PT1-22	011910	PT1-22	012976	PT1-64, PT4-7
011748	PT1-22	011826	PT1-22	011911	PT1-22	012977	PT1-64
011749	PT1-22	011827	PT1-22	011912	PT1-22	012978	PT1-64, PT4-7
011750	PT1-22	011828	PT1-22	011913	PT1-22	012979	PT1-64



PART NUMBER INDEX

Roller Chain Sprockets

Conveyor Components

Engineering

Part Number Index

Keyword Index

Part Number	Page	Part Number	Page	Part Number	Page	Part Number	Page
012980.	PT1-64	019162.	PT4-10	022235.	PT1-39	022410.	PT1-47
012981.	PT1-64	019163.	PT4-10	022236.	PT1-39	022411.	PT1-47
012982.	PT1-64	019164.	PT4-10	022237.	PT1-39	022412.	PT1-47
012983.	PT1-64	019165.	PT4-10	022238.	PT1-39	022413.	PT1-47
012984.	PT1-64	019166.	PT4-10	022329.	PT1-47	022414.	PT1-47
012987.	PT4-7	019167.	PT4-10	022331.	PT1-47	022415.	PT1-47
012988.	PT4-7	019168.	PT4-10	022332.	PT1-47	022416.	PT1-47
012989.	PT4-7	021990.	PT1-39	022333.	PT1-47	022417.	PT1-47
012990.	PT4-7	021991.	PT1-39	022335.	PT1-47	022418.	PT1-47
013040.	PT1-17	021992.	PT1-39	022336.	PT1-47	022420.	PT1-47
013041.	PT1-17	021993.	PT1-39	022337.	PT1-47	022428.	PT1-47
013042.	PT1-17	021994.	PT1-39	022339.	PT1-47	022429.	PT1-47
013043.	PT1-17	021997.	PT1-47	022340.	PT1-47	022430.	PT1-47
013044.	PT1-17	021998.	PT1-47	022341.	PT1-47	022432.	PT1-47
013045.	PT1-17	022000.	PT1-47	022342.	PT1-47	022433.	PT1-47
013046.	PT1-17	022001.	PT1-47	022344.	PT1-47	022434.	PT1-47
013047.	PT1-17	022002.	PT1-47	022345.	PT1-47	022435.	PT1-47
013048.	PT1-17	022003.	PT1-47	022346.	PT1-47	022436.	PT1-47
013049.	PT1-17	022004.	PT1-47	022348.	PT1-47	022452.	PT1-47
013095.	PT1-17	022005.	PT1-47	022349.	PT1-47	022453.	PT1-47
013096.	PT1-17	022006.	PT1-47	022350.	PT1-47	022454.	PT1-47
013110.	PT1-64, PT4-7	022007.	PT1-47	022351.	PT1-47	022455.	PT1-47
013111.	PT1-64	022008.	PT1-47	022352.	PT1-47	022456.	PT1-47
013112.	PT1-64	022009.	PT1-47	022353.	PT1-47	022457.	PT1-47
013113.	PT1-64	022010.	PT1-47	022354.	PT1-47	022458.	PT1-47
013114.	PT1-64, PT4-7	022011.	PT1-47	022355.	PT1-47	022459.	PT1-47
013115.	PT1-64	022012.	PT1-47	022357.	PT1-47	022460.	PT1-47
013116.	PT1-64	022013.	PT1-47	022358.	PT1-47	022461.	PT1-47
013117.	PT1-64	022014.	PT1-47	022359.	PT1-47	022462.	PT1-47
013118.	PT1-64	022015.	PT1-47	022361.	PT1-47	022464.	PT1-47
013119.	PT1-64	022016.	PT1-47	022362.	PT1-47	022466.	PT1-47
013120.	PT1-64	022017.	PT1-47	022363.	PT1-47	022467.	PT1-47
013121.	PT1-64	022018.	PT1-47	022364.	PT1-47	022468.	PT1-47
013122.	PT1-64, PT4-7	022183.	PT1-39	022365.	PT1-47	022470.	PT1-47
013123.	PT1-64	022184.	PT1-39	022366.	PT1-47	022471.	PT1-47
013124.	PT1-64	022185.	PT1-39	022367.	PT1-47	022472.	PT1-47
013125.	PT1-64	022186.	PT1-39	022368.	PT1-47	022473.	PT1-47
013126.	PT1-64	022187.	PT1-39	022370.	PT1-47	022474.	PT1-47
013127.	PT1-64	022188.	PT1-39	022371.	PT1-47	022475.	PT1-47
013128.	PT1-64	022189.	PT1-39	022372.	PT1-47	022476.	PT1-47
013129.	PT1-64	022190.	PT1-39	022374.	PT1-47	022478.	PT1-47
013130.	PT1-64, PT4-7	022191.	PT1-39	022375.	PT1-47	022479.	PT1-47
013131.	PT4-7	022192.	PT1-39	022376.	PT1-47	022480.	PT1-47
013132.	PT1-64	022193.	PT1-39	022377.	PT1-47	022482.	PT1-47
013133.	PT1-64	022194.	PT1-39	022378.	PT1-47	022483.	PT1-47
013134.	PT1-64	022195.	PT1-39	022379.	PT1-47	022484.	PT1-47
013135.	PT1-64	022196.	PT1-39	022380.	PT1-47	022485.	PT1-47
013136.	PT1-64	022197.	PT1-39	022381.	PT1-47	022487.	PT1-47
013137.	PT1-64	022198.	PT1-39	022382.	PT1-47	022488.	PT1-47
013138.	PT1-64	022211.	PT1-39	022384.	PT1-47	022489.	PT1-47
013139.	PT1-64	022212.	PT1-39	022386.	PT1-47	022490.	PT1-47
013140.	PT1-64	022213.	PT1-39	022387.	PT1-47	022491.	PT1-47
013141.	PT1-64	022214.	PT1-39	022388.	PT1-47	022492.	PT1-47
013142.	PT1-64	022215.	PT1-39	022389.	PT1-47	022493.	PT1-47
013143.	PT1-64	022216.	PT1-39	022391.	PT1-47	022494.	PT1-47
013144.	PT1-64	022217.	PT1-39	022392.	PT1-47	022496.	PT1-47
013145.	PT1-64	022218.	PT1-39	022393.	PT1-47	022497.	PT1-47
013146.	PT1-64	022219.	PT1-39	022394.	PT1-47	022498.	PT1-47
013147.	PT1-64	022220.	PT1-47	022395.	PT1-47	022500.	PT1-47
013148.	PT1-64	022221.	PT1-47	022396.	PT1-47	022501.	PT1-41
013149.	PT1-64	022222.	PT1-47	022397.	PT1-47	022502.	PT1-41
013150.	PT1-64	022223.	PT1-47	022398.	PT1-47	022503.	PT1-41
013151.	PT1-64	022224.	PT1-47	022399.	PT1-47	022504.	PT1-41
013152.	PT1-64	022225.	PT1-47	022400.	PT1-47	022505.	PT1-41
013153.	PT1-64	022226.	PT1-47	022402.	PT1-47	022506.	PT1-41
013154.	PT1-64	022227.	PT1-47	022404.	PT1-47	022507.	PT1-41
013155.	PT1-64	022228.	PT1-47	022405.	PT1-47	022508.	PT1-41
013156.	PT1-64	022232.	PT1-39	022406.	PT1-47	022509.	PT1-41
013157.	PT1-64	022233.	PT1-39	022408.	PT1-47	022510.	PT1-41
019161.	PT4-10	022234.	PT1-39	022409.	PT1-47	022700.	PT1-40

PART NUMBER INDEX



Part Number	Page	Part Number	Page	Part Number	Page	Part Number	Page
022701	PT1-40	024501	PT2-30	026201	PT2-34	027046	PT2-7
022702	PT1-40	024502	PT2-30	026202	PT2-34	027047	PT2-7
022703	PT1-40	024503	PT2-30	026203	PT2-34	027048	PT2-7
022704	PT1-40	024600	PT2-30	026204	PT2-34	027049	PT2-7
022708	PT1-40	024602	PT2-30	026205	PT2-34	027050	PT2-7
022709	PT1-40	024700	PT2-30	026300	PT2-34	027051	PT2-7
022710	PT1-40	024701	PT2-30	026301	PT2-34	027052	PT2-7
022711	PT1-40	024702	PT2-30	026302	PT2-34	027053	PT2-7
022712	PT1-40	024703	PT2-30	026303	PT2-34	027054	PT2-7
022713	PT1-40	024800	PT2-30	026304	PT2-34	027055	PT2-7
022714	PT1-40	024801	PT2-30	026305	PT2-34	027056	PT2-7
022715	PT1-40	024802	PT2-30	026400	PT2-34	027057	PT2-7
022716	PT1-40	024803	PT2-30	026401	PT2-34	027058	PT2-7
022717	PT1-40	024804	PT2-30	026402	PT2-34	027059	PT2-7
022718	PT1-40	024805	PT2-30	026403	PT2-34	027060	PT2-7
022719	PT1-40	024900	PT2-31	026404	PT2-34	027061	PT2-7
022720	PT1-40	024901	PT2-31	026405	PT2-34	027062	PT2-7
022721	PT1-40	024902	PT2-31	026500	PT2-34	027063	PT2-7
022722	PT1-40	024903	PT2-31	026501	PT2-34	027064	PT2-7
022723	PT1-40	025100	PT2-31	026502	PT2-34	027065	PT2-7
022724	PT1-40	025101	PT2-31	026503	PT2-34	027066	PT2-7
022725	PT1-40	025102	PT2-31	026504	PT2-34	027067	PT2-7
022726	PT1-40	025103	PT2-31	026505	PT2-34	027068	PT2-7
022727	PT1-40	025200	PT2-33	026600	PT2-34	027069	PT2-7
022728	PT1-40	025201	PT2-33	026601	PT2-34	027070	PT2-7
022729	PT1-40	025202	PT2-33	026602	PT2-34	027071	PT2-7
022775	PT1-47	025203	PT2-33	026603	PT2-34	027072	PT2-7
022776	PT1-47	025300	PT2-33	026604	PT2-34	027073	PT2-7
022777	PT1-47	025301	PT2-33	026605	PT2-34	027074	PT2-7
022778	PT1-47	025302	PT2-33	026800	PT2-34	027075	PT2-7
022779	PT1-47	025303	PT2-33	026801	PT2-34	027076	PT2-7
022780	PT1-47	025400	PT2-33	026802	PT2-34	027077	PT2-7
022781	PT1-47	025401	PT2-33	026803	PT2-34	027078	PT2-7
022782	PT1-47	025402	PT2-33	026804	PT2-34	027079	PT2-7
022783	PT1-47	025403	PT2-33	026805	PT2-34	027080	PT2-7
022784	PT1-47	025500	PT2-33	026900	PT2-35	027081	PT2-7
022785	PT1-47	025501	PT2-33	026901	PT2-35	027082	PT2-7
022786	PT1-47	025502	PT2-33	026902	PT2-35	027083	PT2-7
022787	PT1-47	025503	PT2-33	026903	PT2-35	027084	PT2-7
022788	PT1-47	025600	PT2-33	026904	PT2-35	027085	PT2-7
022810	PT1-47	025601	PT2-33	026905	PT2-35	027100	PT2-35
022811	PT1-47	025602	PT2-33	027000	PT2-35	027101	PT2-35
022812	PT1-47	025603	PT2-33	027001	PT2-35	027102	PT2-35
022814	PT1-47	025700	PT2-33	027002	PT2-35	027103	PT2-35
022815	PT1-47	025701	PT2-33	027003	PT2-35	027104	PT2-35
022816	PT1-47	025702	PT2-33	027004	PT2-35	027105	PT2-35
022817	PT1-47	025703	PT2-33	027005	PT2-35	027200	PT2-35
022818	PT1-47	025800	PT2-33	027023	PT2-7	027201	PT2-35
024000	PT2-30	025801	PT2-33	027024	PT2-7	027202	PT2-35
024001	PT2-30	025802	PT2-33	027025	PT2-7	027203	PT2-35
024002	PT2-30	025803	PT2-33	027026	PT2-7	027204	PT2-35
024003	PT2-30	025900	PT2-33	027027	PT2-7	027205	PT2-35
024018	PT2-10	025901	PT2-33	027028	PT2-7	027400	PT2-35
024100	PT2-30	025902	PT2-33	027029	PT2-7	027401	PT2-35
024101	PT2-30	025903	PT2-33	027030	PT2-7	027402	PT2-35
024102	PT2-30	026000	PT2-33	027031	PT2-7	027403	PT2-35
024103	PT2-30	026001	PT2-33	027032	PT2-7	027404	PT2-35
024200	PT2-30	026002	PT2-33	027033	PT2-7	027405	PT2-35
024201	PT2-30	026003	PT2-33	027034	PT2-7	027500	PT2-21
024202	PT2-30	026004	PT2-33	027035	PT2-7	027501	PT2-21
024203	PT2-30	026005	PT2-33	027036	PT2-7	027502	PT2-21
024300	PT2-30	026006	PT2-33	027037	PT2-7	027503	PT2-21
024301	PT2-30	026007	PT2-33	027038	PT2-7	027506	PT2-21
024302	PT2-30	026100	PT2-34	027039	PT2-7	027507	PT2-21
024303	PT2-30	026101	PT2-34	027040	PT2-7	027550	PT2-22
024400	PT2-30	026102	PT2-34	027041	PT2-7	027551	PT2-22
024401	PT2-30	026103	PT2-34	027042	PT2-7	027552	PT2-22
024402	PT2-30	026104	PT2-34	027043	PT2-7	027553	PT2-22
024403	PT2-30	026105	PT2-34	027044	PT2-7	027556	PT2-22
024500	PT2-30	026200	PT2-34	027045	PT2-7	027557	PT2-22



PART NUMBER INDEX

Roller Chain Sprockets

Conveyor Components

Engineering

Part Number Index

Keyword Index

Part Number	Page	Part Number	Page	Part Number	Page	Part Number	Page
027600	PT2-21	028325	PT2-16	029018	PT2-32	029914	PT2-23
027601	PT2-21	028326	PT2-16	029019	PT2-32	029918	PT2-23
027602	PT2-21	028328	PT2-16	029020	PT2-32	029919	PT2-23
027603	PT2-21	028330	PT2-17	029021	PT2-32	029920	PT2-23
027604	PT2-21	028331	PT2-17	029022	PT2-32	029921	PT2-23
027605	PT2-21	028333	PT2-17	029023	PT2-32	029922	PT2-23
027609	PT2-21	028340	PT2-17	029024	PT2-32	029923	PT2-23
027610	PT2-21	028341	PT2-17	029025	PT2-32	030336	PT2-36
027611	PT2-21	028343	PT2-17	029026	PT2-32	030337	PT2-37
027650	PT2-22	028380	PT2-17	029027	PT2-32	030381	PT2-9
027651	PT2-22	028761	PT2-14	029028	PT2-32	030382	PT2-9
027653	PT2-22	028763	PT2-14	029029	PT2-32	030383	PT2-9
027700	PT2-21	028765	PT2-14	029031	PT2-32	030384	PT2-9
027701	PT2-21	028766	PT2-14	029032	PT2-32	030385	PT2-9
027702	PT2-21	028768	PT2-14	029034	PT2-32	030386	PT2-9
027703	PT2-21	028770	PT2-14	029035	PT2-32	030387	PT2-9
027704	PT2-21	028771	PT2-14	029036	PT2-32	030388	PT2-9
027705	PT2-21	028773	PT2-14	029037	PT2-32	030389	PT2-9
027706	PT2-21	028775	PT2-14	029038	PT2-32	030390	PT2-9
027707	PT2-21	028776	PT2-14	029039	PT2-32	030391	PT2-9
027712	PT2-21	028778	PT2-14	029040	PT2-32	030392	PT2-9
027713	PT2-21	028780	PT2-14	029041	PT2-32	030393	PT2-9
027714	PT2-21	028781	PT2-14	029042	PT2-32	030394	PT2-9
027715	PT2-21	028783	PT2-14	029043	PT2-32	030395	PT2-9
027750	PT2-22	028785	PT2-14	029400	PT2-9	030396	PT2-9
027751	PT2-22	028820	PT2-16	029401	PT2-9	030397	PT2-9
027753	PT2-22	028821	PT2-16	029402	PT2-9	030398	PT2-9
027800	PT2-21	028823	PT2-16	029403	PT2-9	031000	PT2-6
027801	PT2-21	028825	PT2-16	029404	PT2-9	031001	PT2-6
027802	PT2-21	028826	PT2-16	029405	PT2-9	031002	PT2-6
027803	PT2-21	028828	PT2-16	029406	PT2-9	031003	PT2-6
027804	PT2-21	028851	PT2-14	029407	PT2-9	031004	PT2-6
027805	PT2-21	028853	PT2-14	029408	PT2-9	031005	PT2-6
027806	PT2-21	028855	PT2-14	029409	PT2-9	031006	PT2-6
027807	PT2-21	028856	PT2-14	029410	PT2-9	031007	PT2-6
027812	PT2-21	028858	PT2-14	029411	PT2-9	031008	PT2-6
027813	PT2-21	028860	PT2-14	029412	PT2-9	031009	PT2-6
027814	PT2-21	028861	PT2-14	029413	PT2-9	031010	PT2-6
027815	PT2-21	028863	PT2-14	029414	PT2-9	031011	PT2-6
027850	PT2-22	028865	PT2-14	029415	PT2-9	031012	PT2-6
027851	PT2-22	028866	PT2-14	029416	PT2-9	031013	PT2-6
028120	PT2-16	028868	PT2-14	029417	PT2-9	031014	PT2-6
028121	PT2-16	028870	PT2-14	029436	PT2-8	031015	PT2-6
028123	PT2-16	028871	PT2-14	029437	PT2-8	031016	PT2-6
028125	PT2-16	028873	PT2-14	029438	PT2-8	031017	PT2-6
028126	PT2-16	028875	PT2-14	029439	PT2-8	031018	PT2-6
028128	PT2-16	028920	PT2-16	029440	PT2-8	031019	PT2-6
028130	PT2-17	028921	PT2-16	029441	PT2-8	031020	PT2-6
028131	PT2-17	028923	PT2-16	029442	PT2-8	031021	PT2-6
028133	PT2-17	028977	PT2-15	029443	PT2-8	031022	PT2-6
028140	PT2-17	028979	PT2-15	029445	PT2-8	031023	PT2-6
028141	PT2-17	028981	PT2-15	029446	PT2-8	031024	PT2-6
028143	PT2-17	029000	PT2-32	029447	PT2-8	031025	PT2-6
028180	PT2-17	029001	PT2-32	029448	PT2-8	031026	PT2-6
028220	PT2-16	029002	PT2-32	029449	PT2-8	031027	PT2-6
028221	PT2-16	029003	PT2-32	029450	PT2-8	031028	PT2-6
028223	PT2-16	029004	PT2-32	029451	PT2-8	031029	PT2-6
028225	PT2-16	029005	PT2-32	029452	PT2-8	031030	PT2-6
028226	PT2-16	029006	PT2-32	029453	PT2-8	031031	PT2-6
028228	PT2-16	029007	PT2-32	029900	PT2-23	031032	PT2-6
028230	PT2-17	029008	PT2-32	029901	PT2-23	031033	PT2-6
028231	PT2-17	029009	PT2-32	029902	PT2-23	031034	PT2-6
028233	PT2-17	029010	PT2-32	029903	PT2-23	031035	PT2-6
028240	PT2-17	029011	PT2-32	029904	PT2-23	031036	PT2-6
028241	PT2-17	029012	PT2-32	029905	PT2-23	031037	PT2-6
028243	PT2-17	029013	PT2-32	029909	PT2-23	031038	PT2-6
028280	PT2-17	029014	PT2-32	029910	PT2-23	031039	PT2-6
028320	PT2-16	029015	PT2-32	029911	PT2-23	031040	PT2-6
028321	PT2-16	029016	PT2-32	029912	PT2-23	031041	PT2-6
028323	PT2-16	029017	PT2-32	029913	PT2-23	031042	PT2-6

PART NUMBER INDEX



Part Number	Page	Part Number	Page	Part Number	Page	Part Number	Page
031043.	PT2-6	031113.	PT2-5	031395.	PT2-6	040009.	PT9-7
031044.	PT2-6	031114.	PT2-5	031397.	PT2-6	040010.	PT9-7
031045.	PT2-6	031115.	PT2-5	031411.	PT2-5	040011.	PT9-7
031046.	PT2-6	031116.	PT2-5	031413.	PT2-5	040012.	PT9-7
031047.	PT2-6	031117.	PT2-5	031415.	PT2-5	040013.	PT9-7
031048.	PT2-6	031118.	PT2-5	031417.	PT2-5	040014.	PT9-7
031049.	PT2-6	031119.	PT2-5	031419.	PT2-5	040015.	PT9-7
031050.	PT2-6	031120.	PT2-5	031421.	PT2-5	040016.	PT9-7
031051.	PT2-6	031121.	PT2-5	031424.	PT2-10	040017.	PT9-7
031052.	PT2-6	031122.	PT2-5	031425.	PT2-10	040018.	PT9-7
031053.	PT2-6	031123.	PT2-5	031435.	PT2-6	040020.	PT9-7
031054.	PT2-6	031124.	PT2-5	031437.	PT2-6	040021.	PT9-7
031055.	PT2-6	031125.	PT2-5	031439.	PT2-6	040022.	PT9-7
031056.	PT2-6	031126.	PT2-5	031453.	PT2-5	040023.	PT9-7
031057.	PT2-6	031127.	PT2-5	031455.	PT2-5	040024.	PT9-7
031058.	PT2-6	031128.	PT2-5	031457.	PT2-5	040025.	PT9-7
031059.	PT2-6	031129.	PT2-5	031459.	PT2-5	040026.	PT9-7
031060.	PT2-6	031130.	PT2-5	031461.	PT2-5	040027.	PT9-7
031061.	PT2-6	031131.	PT2-5	031463.	PT2-5	040028.	PT9-7
031062.	PT2-6	031132.	PT2-5	031477.	PT2-6	040029.	PT9-7
031063.	PT2-6	031133.	PT2-5	031479.	PT2-6	040030.	PT9-7
031064.	PT2-6	031134.	PT2-5	031481.	PT2-6	040031.	PT9-7
031065.	PT2-6	031135.	PT2-5	031495.	PT2-5	040032.	PT9-7
031066.	PT2-6	031136.	PT2-5	031497.	PT2-5	040033.	PT9-7
031067.	PT2-6	031137.	PT2-5	031499.	PT2-5	040034.	PT9-7
031068.	PT2-6	031138.	PT2-5	031507.	PT2-6	051009.	PT15-62
031069.	PT2-6	031139.	PT2-5	031509.	PT2-6	051016.	PT15-62
031070.	PT2-6	031140.	PT2-5	031511.	PT2-6	051020.	PT15-62
031071.	PT2-6	031141.	PT2-5	031525.	PT2-5	051029.	PT15-62
031072.	PT2-6	031142.	PT2-5	031527.	PT2-5	051033.	PT15-62
031073.	PT2-6	031143.	PT2-5	031529.	PT2-5	051036.	PT15-62
031074.	PT2-6	031144.	PT2-5	031537.	PT2-6	051037.	PT15-62
031075.	PT2-6	031145.	PT2-5	031539.	PT2-6	051040.	PT15-62
031076.	PT2-6	031146.	PT2-5	031541.	PT2-6	051044.	PT15-62
031077.	PT2-6	031147.	PT2-5	031555.	PT2-5	051048.	PT15-62
031078.	PT2-6	031148.	PT2-5	031557.	PT2-5	051059.	PT15-62
031079.	PT2-6	031149.	PT2-5	031559.	PT2-5	051063.	PT15-62
031080.	PT2-6	031150.	PT2-5	031716.	PT2-8	051066.	PT15-62
031081.	PT2-6	031151.	PT2-5	031718.	PT2-8	051067.	PT15-62
031082.	PT2-6	031152.	PT2-5	031910.	PT2-8	051070.	PT15-62
031083.	PT2-6	031153.	PT2-5	031911.	PT2-8	051071.	PT15-62
031084.	PT2-6	031154.	PT2-5	031913.	PT2-8	051078.	PT15-62
031085.	PT2-6	031155.	PT2-5	031914.	PT2-8	051082.	PT15-62
031086.	PT2-6	031156.	PT2-5	031915.	PT2-8	051211.	PT15-62
031087.	PT2-6	031157.	PT2-5	031916.	PT2-8	051212.	PT15-62
031088.	PT2-5	031158.	PT2-5	031917.	PT2-8	051215.	PT15-62
031089.	PT2-5	031159.	PT2-5	031918.	PT2-8	051216.	PT15-62
031090.	PT2-5	031160.	PT2-6	031919.	PT2-8	051219.	PT15-62
031091.	PT2-5	031161.	PT2-6	031920.	PT2-8	051223.	PT15-62
031092.	PT2-5	031342.	PT2-5	031921.	PT2-8	051224.	PT15-62
031093.	PT2-5	031343.	PT2-5	031922.	PT2-8	051227.	PT15-62
031094.	PT2-5	031344.	PT2-5	031923.	PT2-8	051231.	PT15-62
031095.	PT2-5	031345.	PT2-5	031924.	PT2-8	051247.	PT15-62
031096.	PT2-5	031346.	PT2-5	031925.	PT2-8	051250.	PT15-62
031097.	PT2-5	031347.	PT2-5	031926.	PT2-8	096008.	PT5-5
031098.	PT2-5	031348.	PT2-5	032400.	PT2-36	096009.	PT5-5
031099.	PT2-5	031349.	PT2-5	032401.	PT2-36	096010.	PT5-5
031100.	PT2-5	031350.	PT2-5	032402.	PT2-37	096011.	PT5-5
031101.	PT2-5	031351.	PT2-6	032408.	PT2-36	096014.	PT5-5
031102.	PT2-5	031353.	PT2-6	032525.	PT2-10	096015.	PT5-5
031103.	PT2-5	031355.	PT2-6	032531.	PT2-10	096016.	PT5-5
031104.	PT2-5	031369.	PT2-5	032552.	PT2-10	096017.	PT5-5
031105.	PT2-5	031371.	PT2-5	040001.	PT9-7	096018.	PT5-5
031106.	PT2-5	031373.	PT2-5	040002.	PT9-7	096019.	PT5-5
031107.	PT2-5	031375.	PT2-5	040003.	PT9-7	096020.	PT5-5
031108.	PT2-5	031377.	PT2-5	040004.	PT9-7	096021.	PT5-5
031109.	PT2-5	031379.	PT2-5	040005.	PT9-7	096022.	PT5-5
031110.	PT2-5	031386.	PT2-10	040006.	PT9-7	096023.	PT5-5
031111.	PT2-5	031389.	PT2-10	040007.	PT9-7	096027.	PT5-5
031112.	PT2-5	031393.	PT2-6	040008.	PT9-7	096028.	PT5-5



PART NUMBER INDEX

Roller Chain Sprockets

Conveyor Components

Engineering

Part Number Index

Keyword Index

Part Number	Page	Part Number	Page	Part Number	Page	Part Number	Page
096029	PT5-5	097024	PT6-14, PT14-30	100388	PT14-4	100542	PT14-7
096030	PT5-5	097025	PT6-14, PT14-30	100389	PT14-4	100543	PT14-7
096031	PT5-5	098175	PT14-29	100390	PT14-4	100544	PT14-7
096032	PT5-5	098176	PT14-29	100391	PT14-4	100545	PT14-7
096033	PT5-5	098177	PT14-29	100392	PT14-4	100546	PT14-7
096034	PT5-5	098180	PT14-29	100393	PT14-4	100547	PT14-7
096035	PT5-5	098181	PT14-29	100394	PT14-4	100548	PT14-7
096036	PT5-5	098182	PT14-29	100395	PT14-4	100549	PT14-7
096037	PT5-5	098190	PT14-29	100396	PT14-13	100550	PT14-7
096038	PT5-5	098191	PT14-29	100397	PT14-13	100551	PT14-7
096039	PT5-6	099024	PT1-82	100398	PT14-13	100552	PT14-7
096041	PT5-6	099025	PT1-82	100399	PT14-13	100553	PT14-7
096042	PT5-6	099026	PT1-82	100454	PT14-7	100554	PT14-7
096043	PT5-6	099027	PT1-82	100459	PT14-9	100555	PT14-7
096050	PT5-6	099028	PT1-82	100461	PT14-9	100556	PT14-7
096051	PT5-6	099029	PT1-82	100463	PT14-9	100557	PT14-7
096055	PT5-6	100232	PT14-13	100480	PT1-82	100558	PT14-7
096056	PT5-6	100236	PT14-13	100481	PT1-82	100559	PT14-7
096057	PT5-6	100238	PT14-13	100482	PT1-82	100560	PT14-7
096062	PT5-6	100240	PT14-13	100483	PT1-82	100561	PT14-7
096063	PT5-6	100264	PT14-14	100489	PT1-82	100562	PT14-9
096064	PT5-6	100266	PT14-14	100490	PT1-82	100563	PT14-9
096065	PT5-6	100268	PT14-14	100491	PT1-82	100564	PT14-9
096066	PT5-6	100294	PT14-14	100492	PT1-82	100565	PT14-9
096067	PT5-6	100298	PT14-14	100493	PT1-82	100566	PT14-9
096068	PT5-6	100343	PT14-3	100495	PT1-82	100567	PT14-9
096070	PT5-6	100344	PT14-3	100496	PT1-82	100568	PT14-9
096071	PT5-6	100345	PT14-3	100497	PT1-82	100569	PT14-9
096072	PT5-6	100346	PT14-3	100500	PT14-5	100570	PT14-9
096135	PT5-6	100347	PT14-3	100501	PT14-5	100571	PT14-9
096136	PT5-6	100348	PT14-3	100502	PT14-5	100572	PT14-9
096137	PT5-6	100349	PT14-3	100503	PT14-5	100573	PT14-9
096138	PT5-6	100350	PT14-3	100504	PT14-5	100574	PT14-9
096139	PT5-6	100351	PT14-3	100505	PT14-5	100575	PT14-9
096140	PT5-6	100352	PT14-3	100506	PT14-5	100576	PT14-9
096141	PT5-6	100353	PT14-3	100507	PT14-5	100577	PT14-9
096142	PT5-6	100354	PT14-3	100508	PT14-5	100578	PT14-9
096143	PT5-6	100355	PT14-3	100509	PT14-5	100579	PT14-9
096144	PT5-6	100356	PT14-3	100510	PT14-5	100580	PT14-9
096150	PT5-6	100357	PT14-3	100511	PT14-5	100581	PT14-9
096151	PT5-6	100358	PT14-3	100512	PT14-5	100582	PT14-9
096152	PT5-6	100359	PT14-3	100513	PT14-5	100583	PT14-9
096153	PT5-6	100360	PT14-3	100514	PT14-5	100584	PT14-9
096154	PT5-6	100361	PT14-3	100515	PT14-5	100585	PT14-9
096155	PT5-6	100362	PT14-3	100516	PT14-5	100586	PT14-9
096156	PT5-6	100363	PT14-3	100517	PT14-5	100587	PT14-9
096157	PT5-6	100364	PT14-3	100518	PT14-5	100588	PT14-9
096158	PT5-6	100365	PT14-3	100519	PT14-5	100589	PT14-9
096159	PT5-6	100366	PT14-3	100520	PT14-5	100590	PT14-9
096165	PT5-6	100367	PT14-3	100521	PT14-5	100591	PT14-9
096166	PT5-6	100368	PT14-3	100522	PT14-5	100592	PT14-9
096167	PT5-6	100369	PT14-4	100523	PT14-5	100593	PT14-11
096168	PT5-6	100370	PT14-4	100524	PT14-5	100594	PT14-11
096169	PT5-6	100371	PT14-4	100525	PT14-5	100595	PT14-11
096170	PT5-6	100372	PT14-4	100526	PT14-5	100596	PT14-11
096171	PT5-6	100373	PT14-4	100527	PT14-5	100597	PT14-11
096175	PT5-6	100374	PT14-4	100528	PT14-5	100598	PT14-11
096176	PT5-6	100375	PT14-4	100529	PT14-5	100599	PT14-11
096177	PT5-6	100376	PT14-4	100530	PT14-7	100600	PT14-11
096178	PT5-6	100377	PT14-4	100531	PT14-7	100601	PT14-11
096179	PT5-6	100378	PT14-4	100532	PT14-7	100602	PT14-11
097015	PT6-14, PT14-30	100379	PT14-4	100533	PT14-7	100603	PT14-11
097016	PT6-14, PT14-30	100380	PT14-4	100534	PT14-7	100604	PT14-11
097017	PT6-14, PT14-30	100381	PT14-4	100535	PT14-7	100605	PT14-11
097018	PT6-14, PT14-30	100382	PT14-4	100536	PT14-7	100606	PT14-11
097019	PT6-14, PT14-30	100383	PT14-4	100537	PT14-7	100607	PT14-11
097020	PT6-14, PT14-30	100384	PT14-4	100538	PT14-7	100608	PT14-11
097021	PT6-14, PT14-30	100385	PT14-4	100539	PT14-7	100609	PT14-11
097022	PT6-14, PT14-30	100386	PT14-4	100540	PT14-7	100610	PT14-11
097023	PT6-14, PT14-30	100387	PT14-4	100541	PT14-7	100611	PT14-11

PART NUMBER INDEX



Part Number	Page	Part Number	Page	Part Number	Page	Part Number	Page
100612.	PT14-11	101005.	PT14-6	101107.	PT14-12	104822.	PT14-6
100613.	PT14-11	101006.	PT14-6	101108.	PT14-12	104823.	PT14-6
100614.	PT14-11	101007.	PT14-6	101150.	PT14-3	104828.	PT14-6
100615.	PT14-11	101008.	PT14-6	101151.	PT14-3	104834.	PT14-8
100616.	PT14-11	101009.	PT14-6	101152.	PT14-3	104836.	PT14-8
100617.	PT14-11	101010.	PT14-6	101153.	PT14-3	104837.	PT14-8
100618.	PT14-11	101011.	PT14-6	101154.	PT14-3	104838.	PT14-8
100619.	PT14-11	101012.	PT14-6	101155.	PT14-3	104839.	PT14-8
100620.	PT14-11	101013.	PT14-6	101156.	PT14-3	104840.	PT14-8
100621.	PT14-12	101014.	PT14-6	101157.	PT14-3	104850.	PT14-10
100622.	PT14-12	101015.	PT14-6	101158.	PT14-3	104863.	PT14-12
100623.	PT14-12	101016.	PT14-6	101159.	PT14-3	107000.	PT7-51
100624.	PT14-12	101017.	PT14-6	101160.	PT14-3	107001.	PT7-50
100625.	PT14-12	101018.	PT14-6	101161.	PT14-3	107002.	PT7-50
100626.	PT14-12	101019.	PT14-6	101162.	PT14-3	107003.	PT7-50
100627.	PT14-12	101020.	PT14-6	101164.	PT14-3	107004.	PT7-50
100628.	PT14-12	101031.	PT14-8	101165.	PT14-3	107005.	PT7-50
100629.	PT14-12	101032.	PT14-8	101166.	PT14-3	107006.	PT7-50
100630.	PT14-12	101033.	PT14-8	101167.	PT14-3	107007.	PT7-50
100632.	PT14-12	101034.	PT14-8	101450.	PT14-15	107008.	PT7-50
100633.	PT14-12	101035.	PT14-8	101451.	PT14-15	107009.	PT7-50
100634.	PT14-12	101036.	PT14-8	101452.	PT14-15	107010.	PT7-50
100635.	PT14-12	101037.	PT14-8	101453.	PT14-15	107011.	PT7-50
100636.	PT14-12	101038.	PT14-8	101454.	PT14-15	107012.	PT7-50
100637.	PT14-12	101039.	PT14-8	101455.	PT14-15	107013.	PT7-50
100638.	PT14-12	101040.	PT14-8	101456.	PT14-15	107014.	PT7-50
100639.	PT14-12	101041.	PT14-8	101457.	PT14-15	107015.	PT7-50
100640.	PT14-12	101042.	PT14-8	101458.	PT14-15	107016.	PT7-50
100641.	PT14-12	101043.	PT14-8	101459.	PT14-15	107017.	PT7-50
100642.	PT14-12	101044.	PT14-8	101460.	PT14-15	107018.	PT7-50
100643.	PT14-12	101045.	PT14-8	101461.	PT14-15	107019.	PT7-50
100644.	PT14-13	101046.	PT14-8	101462.	PT14-15	107020.	PT7-50
100645.	PT14-13	101047.	PT14-8	101463.	PT14-15	107021.	PT7-50
100646.	PT14-13	101048.	PT14-8	101464.	PT14-15	107022.	PT7-50
100647.	PT14-13	101049.	PT14-8	101465.	PT14-15	107023.	PT7-50
100648.	PT14-13	101050.	PT14-8	101466.	PT14-15	107024.	PT7-50
100649.	PT14-13	101061.	PT14-10	101467.	PT14-15	107025.	PT7-50
100650.	PT14-13	101062.	PT14-10	101468.	PT14-15	107026.	PT7-50
100651.	PT14-13	101063.	PT14-10	101469.	PT14-15	107027.	PT7-50
100652.	PT14-13	101064.	PT14-10	101470.	PT14-15	107028.	PT7-50
100653.	PT14-14	101065.	PT14-10	101471.	PT14-15	107029.	PT7-50
100654.	PT14-14	101066.	PT14-10	101472.	PT14-15	107030.	PT7-51
100655.	PT14-14	101067.	PT14-10	101473.	PT14-15	107031.	PT7-51
100656.	PT14-14	101068.	PT14-10	101474.	PT14-15	107032.	PT7-51
100657.	PT14-14	101069.	PT14-10	101475.	PT14-15	107033.	PT7-51
100658.	PT14-14	101070.	PT14-10	101476.	PT14-15	107034.	PT7-51
100659.	PT14-14	101071.	PT14-10	101477.	PT14-15	107035.	PT7-51
100660.	PT14-14	101072.	PT14-10	101478.	PT14-15	107036.	PT7-51
100661.	PT14-14	101073.	PT14-10	102050.	PT14-28	107037.	PT7-51
100662.	PT14-14	101074.	PT14-10	102052.	PT14-28	107038.	PT7-51
100663.	PT14-14	101075.	PT14-10	102053.	PT14-28	107039.	PT7-51
100664.	PT14-14	101076.	PT14-10	102054.	PT14-28	107040.	PT7-51
100665.	PT14-14	101077.	PT14-10	102055.	PT14-28	107041.	PT7-51
100666.	PT14-14	101078.	PT14-10	102060.	PT14-28	107042.	PT7-51
100667.	PT14-14	101086.	PT14-10	102061.	PT14-28	107043.	PT7-51
100669.	PT14-14	101090.	PT14-12	102062.	PT14-28	107044.	PT7-51
100670.	PT14-14	101091.	PT14-12	102063.	PT14-28	107045.	PT7-51
100671.	PT14-14	101092.	PT14-12	102064.	PT14-28	107046.	PT7-51
100672.	PT14-14	101093.	PT14-12	102070.	PT14-28	107047.	PT7-51
100673.	PT14-14	101094.	PT14-12	102073.	PT14-28	107048.	PT7-51
100675.	PT14-7	101095.	PT14-12	103131.	PT1-64	107049.	PT7-51
100676.	PT14-9	101096.	PT14-12	104700.	PT14-5	107050.	PT7-51
100678.	PT14-11	101097.	PT14-12	104701.	PT14-5	107051.	PT7-51
100679.	PT14-11	101098.	PT14-12	104702.	PT14-5	107052.	PT7-51
100685.	PT14-12	101099.	PT14-12	104703.	PT14-5	107053.	PT7-51
100699.	PT14-7	101100.	PT14-12	104707.	PT14-5	107054.	PT7-51
101001.	PT14-6	101101.	PT14-12	104709.	PT14-5	107055.	PT7-51
101002.	PT14-6	101102.	PT14-12	104746.	PT14-11	107056.	PT7-51
101003.	PT14-6	101105.	PT14-12	104754.	PT14-12	107057.	PT7-51
101004.	PT14-6	101106.	PT14-12	104765.	PT14-13	107058.	PT7-51



PART NUMBER INDEX

Part Number	Page	Part Number	Page	Part Number	Page	Part Number	Page
107059	PT7-51	107132	PT7-51	107208	PT7-46	107278	PT7-50
107060	PT7-51	107133	PT7-51	107209	PT7-46	107279	PT7-51
107061	PT7-51	107135	PT7-51	107210	PT7-46	107280	PT7-51
107062	PT7-51	107137	PT7-51	107211	PT7-46	107281	PT7-51
107063	PT7-51	107138	PT7-51	107212	PT7-46	107282	PT7-51
107064	PT7-51	107139	PT7-51	107213	PT7-46	107283	PT7-51
107065	PT7-51	107140	PT7-51	107214	PT7-46	107284	PT7-51
107066	PT7-51	107141	PT7-51	107215	PT7-46	107285	PT7-51
107067	PT7-51	107142	PT7-51	107216	PT7-46	107286	PT7-51
107068	PT7-51	107143	PT7-51	107217	PT7-46	107287	PT7-51
107069	PT7-51	107144	PT7-51	107218	PT7-46	107288	PT7-51
107070	PT7-51	107146	PT7-51	107219	PT7-46	107289	PT7-51
107072	PT7-51	107148	PT7-51	107220	PT7-46	107290	PT7-51
107073	PT7-51	107149	PT7-51	107221	PT7-46	107291	PT7-51
107074	PT7-51	107150	PT7-46	107222	PT7-46	107292	PT7-51
107075	PT7-51	107151	PT7-46	107223	PT7-46	107293	PT7-51
107076	PT7-51	107152	PT7-46	107224	PT7-46	107294	PT7-51
107077	PT7-51	107153	PT7-46	107225	PT7-46	107295	PT7-51
107078	PT7-51	107154	PT7-46	107226	PT7-46	107296	PT7-51
107079	PT7-51	107155	PT7-46	107227	PT7-46	107297	PT7-51
107080	PT7-51	107156	PT7-46	107228	PT7-46	107298	PT7-51
107081	PT7-51	107157	PT7-46	107229	PT7-46	107299	PT7-51
107082	PT7-51	107158	PT7-46	107230	PT7-46	107308	PT7-52
107083	PT7-51	107159	PT7-46	107231	PT7-46	107309	PT7-52
107084	PT7-51	107160	PT7-46	107232	PT7-46	107310	PT7-52
107085	PT7-51	107161	PT7-46	107233	PT7-46	107311	PT7-52
107086	PT7-51	107162	PT7-46	107234	PT7-46	107312	PT7-52
107087	PT7-51	107163	PT7-46	107235	PT7-46	107313	PT7-52
107088	PT7-51	107164	PT7-46	107236	PT7-46	107314	PT7-52
107089	PT7-51	107165	PT7-46	107237	PT7-46	107316	PT7-52
107090	PT7-51	107166	PT7-46	107238	PT7-46	107317	PT7-52
107091	PT7-51	107167	PT7-46	107239	PT7-46	107318	PT7-52
107092	PT7-51	107168	PT7-46	107240	PT7-46	107319	PT7-52
107093	PT7-51	107169	PT7-46	107241	PT7-46	107320	PT7-50
107094	PT7-51	107170	PT7-46	107242	PT7-46	107321	PT7-50
107095	PT7-51	107171	PT7-46	107243	PT7-46	107322	PT7-50
107096	PT7-51	107172	PT7-46	107244	PT7-46	107323	PT7-50
107097	PT7-51	107173	PT7-46	107245	PT7-46	107324	PT7-50
107098	PT7-51	107174	PT7-51	107246	PT7-46	107325	PT7-52
107099	PT7-51	107175	PT7-46	107247	PT7-46	107326	PT7-52
107100	PT7-51	107176	PT7-46	107248	PT7-46	107327	PT7-52
107101	PT7-51	107177	PT7-46	107249	PT7-50	107328	PT7-52
107102	PT7-51	107178	PT7-46	107250	PT7-50	107329	PT7-50
107103	PT7-51	107179	PT7-46	107251	PT7-50	107330	PT7-50
107104	PT7-51	107180	PT7-46	107252	PT7-50	107331	PT7-50
107105	PT7-51	107181	PT7-46	107253	PT7-50	107332	PT7-50
107106	PT7-51	107182	PT7-46	107254	PT7-50	107333	PT7-50
107107	PT7-51	107183	PT7-46	107255	PT7-50	107334	PT7-52
107108	PT7-51	107184	PT7-46	107256	PT7-50	107335	PT7-52
107109	PT7-51	107185	PT7-46	107257	PT7-51	107336	PT7-52
107110	PT7-51	107186	PT7-46	107258	PT7-51	107337	PT7-52
107111	PT7-51	107187	PT7-46	107259	PT7-51	107338	PT7-52
107112	PT7-51	107188	PT7-46	107260	PT7-51	107339	PT7-52
107113	PT7-51	107189	PT7-46	107261	PT7-51	107340	PT7-52
107114	PT7-51	107190	PT7-46	107262	PT7-51	107341	PT7-52
107115	PT7-51	107191	PT7-46	107263	PT7-51	107343	PT7-50
107116	PT7-51	107192	PT7-46	107264	PT7-51	107344	PT7-50
107117	PT7-51	107193	PT7-46	107265	PT7-51	107345	PT7-50
107118	PT7-51	107194	PT7-46	107266	PT7-51	107346	PT7-50
107119	PT7-51	107195	PT7-46	107267	PT7-51	107349	PT7-51
107120	PT7-51	107196	PT7-46	107268	PT7-51	107350	PT7-51
107122	PT7-50	107197	PT7-46	107269	PT7-51	107351	PT7-51
107123	PT7-51	107200	PT7-46	107270	PT7-50	107352	PT7-51
107124	PT7-51	107201	PT7-46	107271	PT7-50	107353	PT7-51
107125	PT7-51	107202	PT7-46	107272	PT7-50	107354	PT7-51
107126	PT7-51	107203	PT7-46	107273	PT7-50	107355	PT7-51
107127	PT7-51	107204	PT7-46	107274	PT7-50	107357	PT7-52
107128	PT7-51	107205	PT7-46	107275	PT7-51	107358	PT7-52
107129	PT7-50	107206	PT7-46	107276	PT7-50	107359	PT7-52
107131	PT7-51	107207	PT7-46	107277	PT7-50	107360	PT7-52

Roller Chain Sprockets

Conveyor Components

Engineering

Part Number Index

Keyword Index

PART NUMBER INDEX



Part Number	Page	Part Number	Page	Part Number	Page	Part Number	Page
107361.	PT7-51	107437.	PT7-52	107507.	PT7-52	107581.	PT7-54
107363.	PT7-51	107438.	PT7-52	107508.	PT7-53	107582.	PT7-54
107364.	PT7-51	107439.	PT7-52	107509.	PT7-53	107583.	PT7-54
107365.	PT7-51	107440.	PT7-52	107510.	PT7-53	107584.	PT7-54
107366.	PT7-52	107441.	PT7-52	107511.	PT7-53	107585.	PT7-54
107367.	PT7-52	107442.	PT7-52	107512.	PT7-53	107586.	PT7-54
107368.	PT7-52	107443.	PT7-52	107513.	PT7-53	107587.	PT7-54
107369.	PT7-52	107444.	PT7-52	107514.	PT7-53	107588.	PT7-54
107373.	PT7-51	107445.	PT7-52	107515.	PT7-53	107589.	PT7-54
107375.	PT7-52	107446.	PT7-52	107516.	PT7-53	107590.	PT7-54
107376.	PT7-52	107447.	PT7-52	107517.	PT7-53	107591.	PT7-54
107377.	PT7-52	107448.	PT7-52	107518.	PT7-53	107592.	PT7-54
107378.	PT7-52	107449.	PT7-52	107519.	PT7-53	107593.	PT7-54
107379.	PT7-52	107450.	PT7-52	107520.	PT7-52	107594.	PT7-54
107380.	PT7-52	107451.	PT7-52	107521.	PT7-52	107595.	PT7-54
107381.	PT7-52	107452.	PT7-52	107522.	PT7-52	107596.	PT7-54
107382.	PT7-52	107453.	PT7-52	107523.	PT7-52	107597.	PT7-54
107383.	PT7-52	107454.	PT7-52	107524.	PT7-52	107598.	PT7-54
107384.	PT7-52	107455.	PT7-52	107525.	PT7-53	107599.	PT7-54
107385.	PT7-52	107456.	PT7-52	107526.	PT7-53	107600.	PT7-54
107386.	PT7-52	107457.	PT7-52	107527.	PT7-53	107601.	PT7-54
107387.	PT7-50	107458.	PT7-52	107528.	PT7-53	107602.	PT7-54
107388.	PT7-50	107459.	PT7-52	107529.	PT7-53	107603.	PT7-54
107389.	PT7-51	107460.	PT7-52	107530.	PT7-53	107604.	PT7-54
107390.	PT7-51	107461.	PT7-52	107531.	PT7-53	107605.	PT7-54
107391.	PT7-51	107462.	PT7-52	107532.	PT7-53	107606.	PT7-54
107392.	PT7-52	107463.	PT7-52	107533.	PT7-53	107607.	PT7-54
107393.	PT7-52	107464.	PT7-52	107534.	PT7-53	107608.	PT7-54
107394.	PT7-52	107465.	PT7-52	107535.	PT7-53	107609.	PT7-54
107395.	PT7-52	107466.	PT7-52	107536.	PT7-53	107610.	PT7-54
107396.	PT7-52	107467.	PT7-52	107537.	PT7-53	107611.	PT7-54
107397.	PT7-52	107468.	PT7-52	107538.	PT7-53	107612.	PT7-54
107398.	PT7-52	107469.	PT7-53	107539.	PT7-53	107613.	PT7-54
107399.	PT7-52	107470.	PT7-53	107540.	PT7-53	107614.	PT7-54
107400.	PT7-52	107471.	PT7-53	107541.	PT7-52	107615.	PT7-54
107401.	PT7-52	107472.	PT7-53	107542.	PT7-52	107616.	PT7-54
107402.	PT7-52	107473.	PT7-53	107543.	PT7-52	107617.	PT7-54
107403.	PT7-52	107474.	PT7-53	107544.	PT7-52	107618.	PT7-54
107404.	PT7-52	107475.	PT7-53	107545.	PT7-52	107619.	PT7-54
107405.	PT7-52	107476.	PT7-53	107546.	PT7-53	107620.	PT7-54
107406.	PT7-52	107477.	PT7-53	107547.	PT7-53	107621.	PT7-54
107407.	PT7-52	107478.	PT7-53	107548.	PT7-53	107622.	PT7-54
107408.	PT7-51	107479.	PT7-53	107549.	PT7-53	107623.	PT7-54
107409.	PT7-51	107480.	PT7-53	107550.	PT7-52	107624.	PT7-54
107410.	PT7-51	107481.	PT7-52	107551.	PT7-52	107625.	PT7-54
107411.	PT7-51	107482.	PT7-52	107552.	PT7-52	107626.	PT7-54
107412.	PT7-51	107483.	PT7-52	107553.	PT7-52	107627.	PT7-54
107413.	PT7-52	107484.	PT7-52	107554.	PT7-52	107628.	PT7-54
107414.	PT7-52	107485.	PT7-52	107555.	PT7-53	107629.	PT7-54
107415.	PT7-52	107486.	PT7-53	107556.	PT7-53	107630.	PT7-54
107416.	PT7-52	107487.	PT7-53	107557.	PT7-53	107631.	PT7-54
107417.	PT7-50	107488.	PT7-53	107558.	PT7-53	107632.	PT7-54
107418.	PT7-50	107489.	PT7-53	107559.	PT7-53	107633.	PT7-54
107419.	PT7-50	107490.	PT7-53	107560.	PT7-53	107634.	PT7-54
107420.	PT7-50	107491.	PT7-53	107561.	PT7-53	107635.	PT7-54
107421.	PT7-52	107492.	PT7-53	107562.	PT7-53	107636.	PT7-54
107422.	PT7-52	107493.	PT7-53	107563.	PT7-52	107637.	PT7-54
107423.	PT7-52	107494.	PT7-52	107564.	PT7-52	107638.	PT7-54
107424.	PT7-52	107495.	PT7-52	107565.	PT7-52	107639.	PT7-54
107425.	PT7-52	107496.	PT7-52	107566.	PT7-52	107640.	PT7-54
107426.	PT7-52	107497.	PT7-52	107567.	PT7-52	107641.	PT7-54
107427.	PT7-52	107498.	PT7-52	107568.	PT7-52	107642.	PT7-54
107428.	PT7-52	107499.	PT7-53	107569.	PT7-52	107643.	PT7-54
107429.	PT7-52	107500.	PT7-53	107574.	PT7-54	107644.	PT7-54
107430.	PT7-50	107501.	PT7-53	107575.	PT7-54	107645.	PT7-54
107431.	PT7-50	107502.	PT7-53	107576.	PT7-54	107646.	PT7-54
107433.	PT7-51	107503.	PT7-52	107577.	PT7-54	107647.	PT7-54
107434.	PT7-51	107504.	PT7-52	107578.	PT7-54	107648.	PT7-54
107435.	PT7-52	107505.	PT7-52	107579.	PT7-54	107649.	PT7-54
107436.	PT7-52	107506.	PT7-52	107580.	PT7-54	107651.	PT7-52



PART NUMBER INDEX

Roller Chain Sprockets

Conveyor Components

Engineering

Part Number Index

Keyword Index

Part Number	Page	Part Number	Page	Part Number	Page	Part Number	Page
107652	PT7-52	107730	PT7-55	107924	PT7-50	108008	PT7-59
107653	PT7-52	107731	PT7-55	107925	PT7-50	108009	PT7-59
107654	PT7-52	107732	PT7-55	107926	PT7-50	108010	PT7-59
107655	PT7-54	107733	PT7-55	107932	PT7-51	108011	PT7-59
107656	PT7-54	107734	PT7-55	107933	PT7-51	108012	PT7-59
107657	PT7-54	107735	PT7-55	107936	PT7-51	108013	PT7-59
107658	PT7-54	107736	PT7-55	107937	PT7-51	108014	PT7-59
107659	PT7-52	107737	PT7-55	107938	PT7-51	108015	PT7-59
107660	PT7-52	107738	PT7-55	107939	PT7-51	108016	PT7-59
107661	PT7-52	107739	PT7-55	107940	PT7-51	108018	PT7-59
107662	PT7-52	107741	PT7-55	107941	PT7-51	108019	PT7-59
107663	PT7-52	107742	PT7-55	107942	PT7-52	108020	PT7-59
107664	PT7-54	107743	PT7-55	107943	PT7-52	108021	PT7-59
107665	PT7-54	107744	PT7-55	107944	PT7-52	108022	PT7-59
107666	PT7-54	107745	PT7-55	107948	PT7-52	108023	PT7-59
107667	PT7-54	107746	PT7-55	107949	PT7-52	108024	PT7-59
107668	PT7-52	107747	PT7-55	107950	PT7-52	108025	PT7-59
107669	PT7-52	107748	PT7-55	107951	PT7-52	108026	PT7-59
107670	PT7-52	107750	PT7-55	107952	PT7-52	108027	PT7-59
107671	PT7-52	107751	PT7-55	107953	PT7-52	108028	PT7-59
107672	PT7-52	107752	PT7-55	107954	PT7-53	108029	PT7-59
107673	PT7-54	107753	PT7-55	107955	PT7-53	108030	PT7-59
107674	PT7-54	107754	PT7-55	107956	PT7-53	108031	PT7-59
107675	PT7-54	107755	PT7-55	107957	PT7-51	108032	PT7-59
107676	PT7-54	107756	PT7-55	107960	PT7-55	108033	PT7-59
107677	PT7-52	107757	PT7-55	107961	PT7-55	108034	PT7-59
107678	PT7-52	107759	PT7-55	107962	PT7-55	108035	PT7-59
107679	PT7-54	107760	PT7-55	107963	PT7-55	108036	PT7-59
107680	PT7-54	107761	PT7-55	107964	PT7-55	108037	PT7-59
107681	PT7-54	107762	PT7-55	107965	PT7-55	108038	PT7-59
107682	PT7-54	107764	PT7-55	107966	PT7-55	108039	PT7-59
107684	PT7-54	107765	PT7-55	107967	PT7-55	108040	PT7-59
107685	PT7-54	107766	PT7-55	107968	PT7-55	108041	PT7-59
107686	PT7-54	107767	PT7-55	107969	PT7-55	108042	PT7-59
107687	PT7-54	107769	PT7-55	107970	PT7-55	108043	PT7-59
107689	PT7-54	107770	PT7-55	107971	PT7-55	108044	PT7-59
107690	PT7-54	107771	PT7-55	107972	PT7-55	108045	PT7-59
107691	PT7-54	107772	PT7-55	107973	PT7-55	108046	PT7-59
107692	PT7-54	107773	PT7-55	107974	PT7-55	108047	PT7-59
107695	PT7-55	107774	PT7-55	107975	PT7-55	108048	PT7-59
107696	PT7-55	107775	PT7-55	107976	PT7-55	108049	PT7-59
107697	PT7-55	107776	PT7-55	107977	PT7-55	108050	PT7-59
107698	PT7-55	107777	PT7-55	107978	PT7-55	108051	PT7-59
107699	PT7-51	107778	PT7-55	107979	PT7-53	108052	PT7-59
107700	PT7-55	107779	PT7-55	107980	PT7-53	108053	PT7-59
107701	PT7-55	107780	PT7-55	107981	PT7-53	108054	PT7-59
107702	PT7-55	107781	PT7-55	107982	PT7-53	108055	PT7-59
107703	PT7-55	107782	PT7-55	107983	PT7-53	108056	PT7-59
107708	PT7-55	107783	PT7-55	107984	PT7-53	108057	PT7-59
107709	PT7-55	107784	PT7-55	107985	PT7-53	108058	PT7-59
107710	PT7-55	107894	PT7-52	107986	PT7-53	108059	PT7-59
107711	PT7-55	107895	PT7-52	107987	PT7-53	108060	PT7-59
107712	PT7-55	107896	PT7-52	107988	PT7-53	108061	PT7-59
107713	PT7-55	107897	PT7-52	107989	PT7-53	108062	PT7-59
107714	PT7-55	107898	PT7-52	107990	PT7-53	108063	PT7-59
107715	PT7-55	107899	PT7-52	107991	PT7-53	108064	PT7-59
107716	PT7-55	107908	PT7-50	107992	PT7-53	108065	PT7-59
107717	PT7-55	107910	PT7-50	107993	PT7-53	108066	PT7-59
107718	PT7-55	107912	PT7-50	107994	PT7-53	108070	PT7-59
107719	PT7-55	107913	PT7-50	107995	PT7-53	108080	PT7-59
107720	PT7-55	107914	PT7-50	107996	PT7-53	108081	PT7-59
107721	PT7-55	107915	PT7-50	107997	PT7-53	108082	PT7-59
107722	PT7-55	107916	PT7-50	107998	PT7-53	108083	PT7-59
107723	PT7-55	107917	PT7-50	108001	PT7-59	108084	PT7-59
107724	PT7-55	107918	PT7-50	108002	PT7-59	108085	PT7-59
107725	PT7-55	107919	PT7-50	108003	PT7-59	108086	PT7-59
107726	PT7-55	107920	PT7-50	108004	PT7-59	108087	PT7-59
107727	PT7-55	107921	PT7-50	108005	PT7-59	108088	PT7-59
107728	PT7-55	107922	PT7-50	108006	PT7-59	108089	PT7-59
107729	PT7-55	107923	PT7-50	108007	PT7-59	108090	PT7-59

PART NUMBER INDEX



Part Number	Page	Part Number	Page	Part Number	Page	Part Number	Page
108091	PT7-59	108173	PT7-59	108255	PT7-47	108328	PT7-59
108092	PT7-59	108174	PT7-59	108256	PT7-47	108329	PT7-48
108093	PT7-59	108175	PT7-59	108257	PT7-47	108330	PT7-48
108094	PT7-59	108176	PT7-59	108258	PT7-47	108338	PT7-48
108095	PT7-59	108177	PT7-59	108259	PT7-47	108339	PT7-48
108096	PT7-59	108178	PT7-59	108260	PT7-47	108340	PT7-48
108097	PT7-59	108179	PT7-59	108261	PT7-47	108341	PT7-48
108098	PT7-59	108180	PT7-59	108262	PT7-47	108342	PT7-48
108099	PT7-59	108181	PT7-59	108263	PT7-47	108343	PT7-48
108100	PT7-59	108182	PT7-59	108264	PT7-47	108344	PT7-48
108101	PT7-59	108183	PT7-59	108265	PT7-47	108345	PT7-48
108102	PT7-59	108184	PT7-59	108266	PT7-47	108346	PT7-48
108103	PT7-59	108185	PT7-59	108267	PT7-47	108347	PT7-48
108104	PT7-59	108186	PT7-59	108268	PT7-47	108348	PT7-48
108105	PT7-59	108187	PT7-59	108269	PT7-47	108349	PT7-48
108106	PT7-59	108188	PT7-59	108270	PT7-47	108350	PT7-48
108107	PT7-59	108189	PT7-59	108271	PT7-47	108351	PT7-48
108108	PT7-59	108190	PT7-59	108272	PT7-47	108352	PT7-48
108109	PT7-59	108191	PT7-59	108273	PT7-47	108353	PT7-48
108110	PT7-59	108192	PT7-59	108274	PT7-47	108354	PT7-48
108111	PT7-59	108193	PT7-59	108275	PT7-47	108355	PT7-48
108112	PT7-59	108194	PT7-59	108276	PT7-47	108356	PT7-48
108113	PT7-59	108195	PT7-59	108277	PT7-47	108357	PT7-48
108114	PT7-59	108196	PT7-59	108278	PT7-47	108358	PT7-48
108115	PT7-59	108208	PT7-47	108279	PT7-47	108359	PT7-48
108116	PT7-59	108209	PT7-47	108280	PT7-47	108360	PT7-48
108117	PT7-59	108210	PT7-47	108281	PT7-47	108361	PT7-48
108118	PT7-59	108211	PT7-47	108282	PT7-47	108362	PT7-48
108119	PT7-59	108212	PT7-47	108283	PT7-47	108363	PT7-48
108120	PT7-59	108213	PT7-47	108284	PT7-47	108364	PT7-48
108121	PT7-59	108214	PT7-47	108285	PT7-47	108365	PT7-48
108122	PT7-59	108215	PT7-47	108286	PT7-47	108366	PT7-48
108123	PT7-59	108216	PT7-47	108287	PT7-47	108367	PT7-48
108124	PT7-59	108217	PT7-47	108288	PT7-47	108368	PT7-48
108125	PT7-59	108218	PT7-47	108289	PT7-47	108369	PT7-48
108126	PT7-59	108219	PT7-47	108290	PT7-47	108370	PT7-48
108127	PT7-59	108220	PT7-47	108291	PT7-47	108371	PT7-48
108128	PT7-59	108221	PT7-47	108292	PT7-47	108372	PT7-48
108129	PT7-59	108222	PT7-47	108293	PT7-47	108373	PT7-48
108130	PT7-59	108224	PT7-47	108294	PT7-47	108374	PT7-48
108131	PT7-59	108225	PT7-47	108295	PT7-47	108375	PT7-48
108132	PT7-59	108226	PT7-47	108296	PT7-47	108376	PT7-48
108133	PT7-59	108227	PT7-47	108297	PT7-47	108377	PT7-48
108134	PT7-59	108228	PT7-47	108298	PT7-47	108378	PT7-48
108135	PT7-59	108229	PT7-47	108299	PT7-47	108379	PT7-48
108136	PT7-59	108230	PT7-47	108300	PT7-47	108380	PT7-48
108137	PT7-59	108231	PT7-47	108301	PT7-47	108381	PT7-48
108150	PT7-59	108232	PT7-47	108302	PT7-47	108382	PT7-48
108151	PT7-59	108233	PT7-47	108303	PT7-47	108383	PT7-48
108152	PT7-59	108234	PT7-47	108304	PT7-47	108384	PT7-48
108153	PT7-59	108235	PT7-47	108305	PT7-47	108385	PT7-48
108154	PT7-59	108236	PT7-47	108306	PT7-47	108386	PT7-48
108155	PT7-59	108237	PT7-47	108307	PT7-47	108387	PT7-48
108156	PT7-59	108238	PT7-47	108308	PT7-47	108388	PT7-48
108157	PT7-59	108239	PT7-47	108309	PT7-47	108389	PT7-48
108158	PT7-59	108240	PT7-47	108310	PT7-47	108390	PT7-48
108159	PT7-59	108241	PT7-47	108311	PT7-47	108391	PT7-48
108160	PT7-59	108242	PT7-47	108312	PT7-47	108392	PT7-48
108161	PT7-59	108243	PT7-47	108313	PT7-47	108393	PT7-48
108162	PT7-59	108244	PT7-47	108314	PT7-47	108394	PT7-48
108163	PT7-59	108245	PT7-47	108315	PT7-47	108395	PT7-48
108164	PT7-59	108246	PT7-47	108316	PT7-47	108396	PT7-48
108165	PT7-59	108247	PT7-47	108317	PT7-47	108397	PT7-48
108166	PT7-59	108248	PT7-47	108318	PT7-47	108398	PT7-48
108167	PT7-59	108249	PT7-47	108319	PT7-47	108399	PT7-48
108168	PT7-59	108250	PT7-47	108320	PT7-47	108400	PT7-48
108169	PT7-59	108251	PT7-47	108321	PT7-47	108401	PT7-48
108170	PT7-59	108252	PT7-47	108322	PT7-47	108402	PT7-48
108171	PT7-59	108253	PT7-47	108323	PT7-47	108403	PT7-48
108172	PT7-59	108254	PT7-47	108326	PT7-49	108404	PT7-48



PART NUMBER INDEX

Roller Chain Sprockets

Conveyor Components

Engineering

Part Number Index

Keyword Index

Part Number	Page	Part Number	Page	Part Number	Page	Part Number	Page
108405.	PT7-48	108475.	PT7-49	108556.	PT7-49	108661.	PT7-56
108406.	PT7-48	108476.	PT7-49	108557.	PT7-49	108662.	PT7-56
108407.	PT7-48	108477.	PT7-49	108558.	PT7-49	108663.	PT7-56
108408.	PT7-48	108478.	PT7-49	108559.	PT7-49	108664.	PT7-56
108409.	PT7-48	108479.	PT7-49	108560.	PT7-49	108665.	PT7-56
108410.	PT7-48	108484.	PT7-49	108561.	PT7-49	108666.	PT7-56
108411.	PT7-48	108486.	PT7-49	108562.	PT7-49	108667.	PT7-56
108412.	PT7-48	108488.	PT7-49	108563.	PT7-49	108668.	PT7-56
108413.	PT7-48	108489.	PT7-49	108564.	PT7-49	108669.	PT7-56
108414.	PT7-48	108490.	PT7-49	108565.	PT7-49	108670.	PT7-56
108415.	PT7-48	108491.	PT7-49	108566.	PT7-49	108671.	PT7-56
108416.	PT7-48	108492.	PT7-49	108567.	PT7-49	108672.	PT7-56
108417.	PT7-48	108493.	PT7-49	108568.	PT7-49	108673.	PT7-56
108418.	PT7-48	108494.	PT7-49	108569.	PT7-49	108674.	PT7-56
108419.	PT7-48	108495.	PT7-49	108570.	PT7-49	108675.	PT7-56
108420.	PT7-48	108496.	PT7-49	108571.	PT7-49	108676.	PT7-56
108421.	PT7-48	108498.	PT7-49	108572.	PT7-49	108677.	PT7-56
108422.	PT7-48	108499.	PT7-49	108573.	PT7-49	108678.	PT7-56
108423.	PT7-48	108500.	PT7-49	108574.	PT7-49	108679.	PT7-56
108424.	PT7-48	108501.	PT7-49	108576.	PT7-49	108680.	PT7-56
108425.	PT7-48	108502.	PT7-49	108577.	PT7-49	108681.	PT7-56
108426.	PT7-48	108503.	PT7-49	108578.	PT7-49	108682.	PT7-56
108427.	PT7-48	108504.	PT7-49	108579.	PT7-49	108683.	PT7-56
108428.	PT7-48	108505.	PT7-49	108580.	PT7-49	108684.	PT7-56
108429.	PT7-48	108507.	PT7-49	108581.	PT7-49	108685.	PT7-56
108430.	PT7-48	108508.	PT7-49	108582.	PT7-49	108686.	PT7-56
108431.	PT7-48	108509.	PT7-49	108583.	PT7-49	108687.	PT7-56
108432.	PT7-48	108510.	PT7-49	108585.	PT7-49	108688.	PT7-56
108433.	PT7-48	108511.	PT7-49	108586.	PT7-49	108689.	PT7-56
108434.	PT7-48	108512.	PT7-49	108587.	PT7-49	108690.	PT7-56
108435.	PT7-48	108513.	PT7-49	108588.	PT7-49	108691.	PT7-56
108436.	PT7-48	108514.	PT7-49	108589.	PT7-49	108692.	PT7-56
108437.	PT7-48	108515.	PT7-49	108590.	PT7-49	108693.	PT7-56
108438.	PT7-48	108516.	PT7-49	108591.	PT7-49	108694.	PT7-56
108439.	PT7-48	108517.	PT7-49	108592.	PT7-49	108695.	PT7-56
108440.	PT7-48	108518.	PT7-49	108594.	PT7-49	108696.	PT7-56
108441.	PT7-48	108519.	PT7-49	108595.	PT7-49	108697.	PT7-56
108442.	PT7-48	108520.	PT7-49	108596.	PT7-49	108698.	PT7-56
108443.	PT7-48	108521.	PT7-49	108597.	PT7-49	108699.	PT7-56
108444.	PT7-48	108522.	PT7-49	108604.	PT7-59	108700.	PT7-56
108445.	PT7-48	108524.	PT7-49	108614.	PT7-59	108701.	PT7-56
108446.	PT7-48	108525.	PT7-49	108615.	PT7-59	108702.	PT7-56
108447.	PT7-48	108526.	PT7-49	108616.	PT7-59	108703.	PT7-56
108448.	PT7-48	108527.	PT7-49	108617.	PT7-59	108704.	PT7-56
108449.	PT7-48	108528.	PT7-49	108625.	PT7-59	108705.	PT7-56
108450.	PT7-48	108529.	PT7-49	108629.	PT7-59	108706.	PT7-56
108451.	PT7-48	108530.	PT7-49	108637.	PT7-56	108707.	PT7-56
108452.	PT7-48	108531.	PT7-49	108638.	PT7-56	108708.	PT7-56
108453.	PT7-48	108533.	PT7-49	108639.	PT7-56	108709.	PT7-56
108454.	PT7-48	108534.	PT7-49	108640.	PT7-56	108710.	PT7-56
108455.	PT7-48	108535.	PT7-49	108641.	PT7-56	108711.	PT7-56
108456.	PT7-48	108536.	PT7-49	108642.	PT7-56	108712.	PT7-56
108457.	PT7-48	108537.	PT7-49	108643.	PT7-56	108713.	PT7-56
108458.	PT7-48	108538.	PT7-49	108644.	PT7-56	108714.	PT7-56
108459.	PT7-48	108539.	PT7-49	108645.	PT7-56	108715.	PT7-56
108460.	PT7-48	108540.	PT7-49	108646.	PT7-56	108716.	PT7-56
108461.	PT7-48	108542.	PT7-49	108647.	PT7-56	108717.	PT7-56
108462.	PT7-48	108543.	PT7-49	108648.	PT7-56	108718.	PT7-56
108463.	PT7-48	108544.	PT7-49	108649.	PT7-56	108719.	PT7-56
108464.	PT7-48	108545.	PT7-49	108650.	PT7-56	108720.	PT7-56
108465.	PT7-48	108546.	PT7-49	108651.	PT7-56	108721.	PT7-56
108466.	PT7-48	108547.	PT7-49	108652.	PT7-56	108722.	PT7-56
108467.	PT7-48	108548.	PT7-49	108653.	PT7-56	108723.	PT7-56
108468.	PT7-48	108549.	PT7-49	108654.	PT7-56	108724.	PT7-56
108469.	PT7-48	108550.	PT7-49	108655.	PT7-56	108725.	PT7-56
108470.	PT7-49	108551.	PT7-49	108656.	PT7-56	108726.	PT7-56
108471.	PT7-49	108552.	PT7-49	108657.	PT7-56	108727.	PT7-56
108472.	PT7-49	108553.	PT7-49	108658.	PT7-56	108728.	PT7-56
108473.	PT7-49	108554.	PT7-49	108659.	PT7-56	108729.	PT7-56
108474.	PT7-49	108555.	PT7-49	108660.	PT7-56	108730.	PT7-56

PART NUMBER INDEX



Part Number	Page	Part Number	Page	Part Number	Page	Part Number	Page
108731	PT7-56	108836	PT7-59	109107	PT9-3	109211	PT7-57
108732	PT7-56	108841	PT7-59	109109	PT9-3	109213	PT7-57
108733	PT7-56	108867	PT7-56	109120	PT7-57	109214	PT7-57
108734	PT7-56	108868	PT7-56	109121	PT7-57	109215	PT7-57
108735	PT7-56	108869	PT7-56	109122	PT7-57	109216	PT7-57
108736	PT7-56	108872	PT7-59	109123	PT7-57	109218	PT7-57
108737	PT7-56	108873	PT7-59	109125	PT7-57	109219	PT7-57
108738	PT7-56	108876	PT7-54	109126	PT7-57	109220	PT7-57
108739	PT7-56	108877	PT7-54	109127	PT7-57	109221	PT7-57
108740	PT7-56	108878	PT7-54	109128	PT7-57	109222	PT7-57
108741	PT7-56	108879	PT7-54	109129	PT7-57	109223	PT7-57
108742	PT7-56	108880	PT7-54	109130	PT7-57	109235	PT7-57
108743	PT7-56	108881	PT7-54	109131	PT7-57	109236	PT7-57
108744	PT7-56	108882	PT7-54	109132	PT7-57	109237	PT7-57
108745	PT7-56	108883	PT7-54	109133	PT7-57	109242	PT9-3
108746	PT7-56	108884	PT7-54	109134	PT7-57	109250	PT9-3
108747	PT7-56	108885	PT7-54	109135	PT7-57	109251	PT9-3
108748	PT7-56	108886	PT7-54	109136	PT7-57	109262	PT9-3
108749	PT7-56	108887	PT7-54	109137	PT7-57	109263	PT9-3
108750	PT7-56	108888	PT7-54	109138	PT7-57	109269	PT9-3
108751	PT7-56	108889	PT7-54	109139	PT7-57	109400	PT9-3
108752	PT7-56	108890	PT7-54	109140	PT7-57	109407	PT9-2, PT9-3
108753	PT7-56	108891	PT7-54	109141	PT7-57	109408	PT9-3
108754	PT7-56	108892	PT7-54	109142	PT7-57	109409	PT9-2, PT9-3
108755	PT7-56	108893	PT7-54	109143	PT7-57	109411	PT9-2, PT9-3
108756	PT7-56	108896	PT7-56	109144	PT7-57	109412	PT9-3
108757	PT7-56	109011	PT9-2, PT9-3	109145	PT7-57	109414	PT9-2, PT9-3
108758	PT7-56	109012	PT9-2, PT9-3	109146	PT7-57	109416	PT9-3
108759	PT7-56	109013	PT9-2, PT9-3	109148	PT7-57	109417	PT9-3
108760	PT7-56	109014	PT9-2, PT9-3	109149	PT7-57	109418	PT9-2, PT9-3
108762	PT7-56	109020	PT9-2, PT9-3	109150	PT7-57	109419	PT9-3
108764	PT7-56	109021	PT9-2, PT9-3	109151	PT7-57	109422	PT9-2, PT9-3
108765	PT7-53	109022	PT9-2, PT9-3	109153	PT7-57	109423	PT9-2, PT9-3
108766	PT7-53	109023	PT9-2, PT9-3	109154	PT7-57	109424	PT9-2, PT9-3
108767	PT7-53	109024	PT9-2, PT9-3	109155	PT7-57	109425	PT9-2, PT9-3
108768	PT7-53	109030	PT9-3	109156	PT7-57	109459	PT9-3
108769	PT7-53	109031	PT9-2, PT9-3	109157	PT7-57	109461	PT9-3
108770	PT7-53	109032	PT9-3	109158	PT7-57	109462	PT9-3
108771	PT7-53	109033	PT9-2, PT9-3	109159	PT7-57	109463	PT9-3
108772	PT7-53	109034	PT9-2, PT9-3	109160	PT7-57	109464	PT9-3
108773	PT7-53	109040	PT9-2, PT9-3	109161	PT7-57	109466	PT9-3
108774	PT7-53	109041	PT9-2, PT9-3	109162	PT7-57	109469	PT9-3
108775	PT7-53	109042	PT9-2, PT9-3	109163	PT7-57	109470	PT9-3
108776	PT7-53	109043	PT9-2, PT9-3	109164	PT7-57	109472	PT9-3
108777	PT7-53	109044	PT9-2, PT9-3	109165	PT7-57	109473	PT9-3
108778	PT7-54	109050	PT9-2, PT9-4	109166	PT7-57	109475	PT9-3
108779	PT7-54	109051	PT9-4	109167	PT7-57	109477	PT9-3
108780	PT7-54	109052	PT9-2, PT9-4	109168	PT7-57	109479	PT9-3
108781	PT7-54	109053	PT9-2, PT9-4	109169	PT7-57	109480	PT9-3
108782	PT7-54	109054	PT9-4	109170	PT7-57	109482	PT9-3
108783	PT7-54	109057	PT9-4	109171	PT7-57	109485	PT9-3
108784	PT7-54	109066	PT9-4	109172	PT7-57	109487	PT9-3
108785	PT7-54	109068	PT9-3	109188	PT7-57	109493	PT9-2, PT9-3
108786	PT7-54	109076	PT7-58	109189	PT7-57	109494	PT9-3
108787	PT7-54	109082	PT7-142	109192	PT7-57	109495	PT9-3
108788	PT7-54	109084	PT7-58	109193	PT7-57	109496	PT9-3
108789	PT7-54	109085	PT7-58	109196	PT7-57	109497	PT9-3
108790	PT7-54	109086	PT7-58	109197	PT7-57	109498	PT9-2, PT9-3
108791	PT7-54	109087	PT7-57	109198	PT7-57	109499	PT9-3
108792	PT7-54	109088	PT7-57	109199	PT7-57	109500	PT9-2
108793	PT7-54	109089	PT7-57	109200	PT7-57	109501	PT9-2, PT9-3
108794	PT7-54	109090	PT7-57	109201	PT7-57	109502	PT9-3
108795	PT7-54	109091	PT7-57	109202	PT7-57	109504	PT9-2, PT9-3
108796	PT7-54	109092	PT7-57	109203	PT7-57	109505	PT9-2, PT9-3
108797	PT7-54	109093	PT7-57	109204	PT7-57	109507	PT9-2, PT9-3
108798	PT7-54	109094	PT7-57	109205	PT7-57	109508	PT9-2, PT9-3
108799	PT7-54	109100	PT9-3	109206	PT7-57	109509	PT9-3
108805	PT7-59	109101	PT9-3	109208	PT7-57	109511	PT9-3
108826	PT7-59	109102	PT9-3	109209	PT7-57	109514	PT9-3
108827	PT7-59	109104	PT9-3	109210	PT7-57	109515	PT9-2, PT9-3



PART NUMBER INDEX

Roller Chain Sprockets

Conveyor Components

Engineering

Part Number Index

Keyword Index

Part Number	Page	Part Number	Page	Part Number	Page	Part Number	Page
109516	PT9-2, PT9-3	109702	PT9-3	109817	PT9-4	109991	PT9-4
109517	PT9-3	109703	PT9-3	109821	PT9-3	109992	PT9-4
109520	PT9-2, PT9-3	109705	PT9-2	109822	PT9-3	109993	PT7-142
109521	PT9-2	109706	PT9-3	109824	PT9-3	109994	PT7-142
109522	PT9-2, PT9-3	109708	PT9-3	109825	PT9-3	109995	PT13-98
109523	PT9-2, PT9-3	109710	PT9-3	109826	PT9-4	109996	PT7-142
109524	PT9-3	109711	PT9-3	109827	PT9-3	109997	PT7-142
109525	PT9-3	109712	PT9-3	109828	PT9-3	110002	PT7-142
109533	PT9-3	109713	PT9-2, PT9-3	109829	PT9-3	110003	PT7-142
109542	PT9-3	109714	PT9-3	109830	PT9-4	110004	PT7-9
109543	PT9-3	109715	PT9-2, PT9-3	109831	PT9-3	110006	PT7-9
109544	PT9-3	109716	PT9-3	109832	PT9-3	110007	PT7-9
109545	PT9-3	109717	PT9-2, PT9-3	109833	PT9-4	110008	PT7-9
109546	PT9-3	109719	PT9-2, PT9-3	109834	PT9-3	110015	PT7-9
109549	PT9-3	109720	PT9-2, PT9-3	109835	PT9-4	110016	PT7-9
109552	PT9-3	109721	PT9-2, PT9-3	109836	PT9-3	110017	PT7-9
109554	PT9-3	109722	PT9-2, PT9-3	109837	PT9-4	110018	PT7-9
109555	PT9-3	109723	PT9-3	109840	PT9-2	110023	PT7-9
109557	PT9-3	109724	PT9-2, PT9-3	109841	PT9-4	110024	PT7-9
109559	PT9-3	109725	PT9-3	109843	PT9-3	110025	PT7-9
109561	PT9-3	109726	PT9-3	109844	PT9-4	110026	PT7-9
109562	PT9-3	109727	PT9-2, PT9-3	109845	PT9-3	110027	PT7-9
109565	PT9-3	109728	PT9-3	109846	PT9-2	110028	PT7-9
109568	PT9-3	109729	PT9-2, PT9-3	109847	PT9-3	110029	PT7-9
109571	PT9-3	109730	PT9-2, PT9-3	109848	PT9-4	110033	PT7-9
109585	PT9-3	109731	PT9-3	109849	PT9-2, PT9-3	110034	PT7-9
109590	PT9-3	109732	PT9-2, PT9-3	109851	PT9-2, PT9-4	110035	PT7-9
109592	PT9-3	109733	PT9-2, PT9-3	109852	PT9-3	110036	PT7-9
109594	PT9-3	109734	PT9-3	109854	PT9-2, PT9-4	110037	PT7-9
109596	PT9-3	109735	PT9-2, PT9-3	109855	PT9-3	110041	PT7-9
109599	PT9-2, PT9-3	109736	PT9-2, PT9-3	109856	PT9-2, PT9-4	110042	PT7-9
109601	PT9-2, PT9-3	109740	PT9-3	109857	PT9-2, PT9-3	110043	PT7-9
109602	PT9-2, PT9-3	109745	PT9-2, PT9-3	109858	PT9-4	110046	PT7-9
109604	PT9-3	109749	PT9-3	109861	PT9-2, PT9-3	110047	PT7-9
109607	PT9-2, PT9-3	109750	PT9-2	109862	PT9-4	110049	PT7-9
109609	PT9-3	109751	PT9-2, PT9-3	109863	PT9-2, PT9-3	110050	PT7-9
109611	PT9-2, PT9-3	109752	PT9-2, PT9-3	109865	PT9-2, PT9-4	110051	PT7-9
109612	PT9-3	109753	PT9-3	109875	PT9-4	110052	PT7-10
109614	PT9-2, PT9-3	109754	PT9-2, PT9-3	109877	PT9-4	110053	PT7-10
109615	PT9-3	109760	PT9-2, PT9-3	109879	PT9-2, PT9-4	110054	PT7-10
109617	PT9-2, PT9-3	109761	PT9-2, PT9-3	109882	PT9-2, PT9-4	110056	PT7-10
109618	PT9-3	109762	PT9-2, PT9-3	109885	PT9-2, PT9-4	110057	PT7-10
109619	PT9-2	109763	PT9-2	109886	PT9-4	110058	PT7-10
109620	PT9-3	109764	PT9-2, PT9-3	109887	PT9-4	110059	PT7-10
109623	PT9-3	109766	PT9-3	109889	PT9-4	110060	PT7-10
109625	PT9-3	109772	PT9-3	109890	PT9-4	110061	PT7-10
109631	PT9-3	109774	PT9-3	109892	PT9-4	110062	PT7-10
109637	PT9-3	109789	PT9-3	109893	PT9-4	110064	PT7-10
109639	PT9-3	109790	PT9-4	109894	PT9-2	110065	PT7-10
109641	PT9-3	109791	PT9-4	109896	PT9-4	110066	PT7-9
109644	PT9-3	109792	PT9-4	109897	PT9-4	110068	PT7-10
109647	PT9-3	109793	PT9-4	109901	PT9-4	110071	PT7-10
109648	PT9-3	109794	PT9-4	109904	PT9-4	110072	PT7-10
109650	PT9-3	109795	PT9-4	109906	PT9-4	110073	PT7-10
109652	PT9-3	109796	PT9-4	109907	PT9-4	110074	PT7-10
109653	PT9-3	109797	PT9-4	109908	PT9-2	110075	PT7-10
109658	PT9-3	109798	PT9-4	109909	PT9-2, PT9-4	110076	PT7-10
109662	PT9-3	109799	PT9-4	109910	PT9-2	110077	PT7-10
109664	PT9-3	109800	PT9-4	109911	PT9-2, PT9-4	110078	PT7-10
109672	PT9-3	109801	PT9-4	109912	PT9-2	110079	PT7-10
109675	PT9-3	109802	PT9-4	109913	PT9-2	110080	PT7-10
109688	PT9-3	109803	PT9-4	109914	PT9-2	110081	PT7-10
109689	PT9-3	109805	PT9-3	109916	PT9-2	110132	PT7-10
109692	PT9-3	109806	PT9-3	109918	PT9-4	110133	PT7-10
109694	PT9-3	109807	PT9-4	109920	PT9-4	110134	PT10-11
109696	PT9-3	109808	PT9-3	109927	PT9-4	110135	PT10-11
109698	PT9-3	109809	PT9-3	109935	PT9-4	110136	PT10-11
109699	PT9-3	109810	PT9-3	109936	PT9-4	110137	PT10-11
109700	PT9-3	109814	PT9-3	109939	PT9-4	110138	PT10-11
109701	PT9-3	109816	PT9-4	109940	PT9-4	110139	PT10-11

PART NUMBER INDEX



Part Number	Page	Part Number	Page	Part Number	Page	Part Number	Page
110140.	PT10-11	110226.	PT10-11	110298.	PT10-11	110368.	PT10-11
110141.	PT10-11	110227.	PT10-11	110299.	PT10-11	110369.	PT10-11
110142.	PT10-11	110228.	PT10-11	110300.	PT10-11	110370.	PT10-11
110143.	PT10-11	110229.	PT10-11	110301.	PT10-11	110371.	PT10-11
110144.	PT10-11	110230.	PT10-11	110302.	PT10-11	110565.	PT10-11
110145.	PT10-11	110231.	PT10-11	110303.	PT10-11	110681.	PT10-11
110146.	PT10-11	110232.	PT10-11	110304.	PT10-11	110682.	PT10-11
110147.	PT10-11	110233.	PT10-11	110305.	PT10-11	110683.	PT7-9
110148.	PT10-11	110234.	PT10-11	110306.	PT10-11	110700.	PT7-9
110149.	PT10-11	110235.	PT10-11	110307.	PT10-11	110701.	PT7-9
110150.	PT10-11	110236.	PT10-11	110308.	PT10-11	110702.	PT11-9
110151.	PT10-11	110237.	PT10-11	110309.	PT10-11	110703.	PT11-11
110152.	PT10-11	110238.	PT10-11	110310.	PT10-11	110704.	PT11-11
110153.	PT10-11	110239.	PT10-11	110311.	PT10-11	110705.	PT11-11
110154.	PT10-11	110240.	PT10-11	110312.	PT10-11	110706.	PT11-11
110155.	PT10-11	110241.	PT10-11	110313.	PT10-11	110707.	PT11-11
110156.	PT10-11	110242.	PT10-11	110314.	PT10-11	110708.	PT11-11
110157.	PT10-11	110243.	PT10-11	110315.	PT10-11	110710.	PT11-11
110158.	PT10-11	110244.	PT10-11	110316.	PT10-11	110711.	PT11-11
110159.	PT10-11	110245.	PT10-11	110317.	PT10-11	110712.	PT11-11
110160.	PT10-11	110246.	PT10-11	110318.	PT10-11	110713.	PT11-11
110161.	PT10-11	110247.	PT10-11	110319.	PT10-11	110714.	PT11-11
110162.	PT10-11	110248.	PT10-11	110320.	PT10-11	110715.	PT11-11
110163.	PT10-11	110249.	PT10-11	110321.	PT10-11	110716.	PT11-11
110164.	PT10-11	110250.	PT10-11	110322.	PT10-11	110720.	PT11-11
110165.	PT10-11	110251.	PT10-11	110323.	PT10-11	110721.	PT11-11
110166.	PT10-11	110252.	PT10-11	110324.	PT10-11	110722.	PT11-9
110167.	PT10-11	110253.	PT10-11	110325.	PT10-11	110723.	PT11-9
110168.	PT10-11	110254.	PT10-11	110326.	PT10-11	110724.	PT11-9
110169.	PT10-11	110255.	PT10-11	110327.	PT10-11	110725.	PT11-11
110170.	PT10-11	110256.	PT10-11	110328.	PT10-11	110726.	PT11-11
110171.	PT10-11	110257.	PT10-11	110329.	PT10-11	110727.	PT11-11
110187.	PT10-11	110258.	PT10-11	110330.	PT10-11	110728.	PT11-11
110189.	PT10-11	110259.	PT10-11	110331.	PT10-11	110729.	PT11-11
110190.	PT10-11	110260.	PT10-11	110332.	PT10-11	110730.	PT11-11
110191.	PT10-11	110261.	PT10-11	110333.	PT10-11	110731.	PT11-11
110192.	PT10-11	110262.	PT10-11	110334.	PT10-11	110732.	PT11-11
110193.	PT10-11	110263.	PT10-11	110335.	PT10-11	110733.	PT11-11
110194.	PT10-11	110264.	PT10-11	110336.	PT10-11	110734.	PT11-11
110195.	PT10-11	110266.	PT10-11	110337.	PT10-11	110735.	PT11-11
110196.	PT10-11	110267.	PT10-11	110338.	PT10-11	110736.	PT11-11
110197.	PT10-11	110268.	PT10-11	110339.	PT10-11	110737.	PT11-11
110198.	PT10-11	110269.	PT10-11	110340.	PT10-11	110738.	PT11-11
110199.	PT10-11	110270.	PT10-11	110341.	PT10-11	110739.	PT11-11
110200.	PT10-11	110271.	PT10-11	110342.	PT10-11	110741.	PT11-12
110201.	PT10-11	110272.	PT10-11	110343.	PT10-11	110742.	PT11-12
110202.	PT10-11	110273.	PT10-11	110344.	PT10-11	110743.	PT11-9
110203.	PT10-11	110274.	PT10-11	110345.	PT10-11	110744.	PT11-12
110204.	PT10-11	110275.	PT10-11	110346.	PT10-11	110745.	PT11-12
110205.	PT10-11	110276.	PT10-11	110347.	PT10-11	110746.	PT11-12
110206.	PT10-11	110277.	PT10-11	110348.	PT10-11	110747.	PT11-12
110207.	PT10-11	110278.	PT10-11	110349.	PT10-11	110748.	PT11-12
110208.	PT10-11	110279.	PT10-11	110350.	PT10-11	110749.	PT11-12
110209.	PT10-11	110280.	PT10-11	110351.	PT10-11	110750.	PT11-12
110210.	PT10-11	110281.	PT10-11	110352.	PT10-11	110751.	PT11-12
110211.	PT10-11	110282.	PT10-11	110353.	PT10-11	110752.	PT11-12
110212.	PT10-11	110283.	PT10-11	110354.	PT10-11	110753.	PT11-12
110213.	PT10-11	110284.	PT10-11	110355.	PT10-11	110754.	PT11-12
110214.	PT10-11	110285.	PT10-11	110356.	PT10-11	110755.	PT11-12
110215.	PT10-11	110287.	PT10-11	110357.	PT10-11	110756.	PT11-12
110216.	PT10-11	110288.	PT10-11	110358.	PT10-11	110759.	PT11-12
110217.	PT10-11	110289.	PT10-11	110359.	PT10-11	110760.	PT11-12
110218.	PT10-11	110290.	PT10-11	110360.	PT10-11	110761.	PT11-13
110219.	PT10-11	110291.	PT10-11	110361.	PT10-11	110762.	PT11-12
110220.	PT10-11	110292.	PT10-11	110362.	PT10-11	110763.	PT11-12
110221.	PT10-11	110293.	PT10-11	110363.	PT10-11	110764.	PT11-12
110222.	PT10-11	110294.	PT10-11	110364.	PT10-11	110765.	PT11-12
110223.	PT10-11	110295.	PT10-11	110365.	PT10-11	110766.	PT11-12
110224.	PT10-11	110296.	PT10-11	110366.	PT10-11	110767.	PT11-12
110225.	PT10-11	110297.	PT10-11	110367.	PT10-11	110768.	PT11-12



PART NUMBER INDEX

Roller Chain Sprockets

Conveyor Components

Engineering

Part Number Index

Keyword Index

Part Number	Page	Part Number	Page	Part Number	Page	Part Number	Page
110769	PT11-12	110851	PT11-13	110981	PT7-10	111068	PT7-8
110770	PT11-12	110852	PT11-13	110982	PT7-10	111069	PT7-8
110771	PT11-12	110855	PT11-13	110983	PT7-10	111070	PT7-8
110772	PT11-12	110856	PT11-13	110984	PT7-10	111075	PT7-8
110773	PT11-12	110857	PT11-9	110985	PT7-10	111076	PT7-8
110774	PT11-12	110858	PT11-9	110986	PT7-10	111077	PT7-8
110780	PT11-12	110859	PT11-14	110987	PT7-10	111078	PT7-8
110781	PT11-13	110860	PT11-14	110988	PT7-10	111079	PT7-8
110782	PT11-13	110861	PT11-14	110989	PT7-10	111080	PT7-8
110783	PT11-13	110862	PT11-14	110990	PT7-10	111081	PT7-8
110784	PT11-13	110863	PT11-14	110991	PT7-10	111082	PT7-8
110785	PT11-13	110864	PT11-14	110992	PT7-10	111083	PT7-8
110786	PT11-13	110865	PT11-14	110993	PT7-10	111084	PT7-8
110787	PT11-13	110866	PT11-14	110994	PT7-10	111085	PT7-8
110788	PT11-13	110867	PT11-14	110995	PT7-10	111086	PT7-8
110789	PT11-13	110868	PT11-14	110996	PT7-10	111087	PT7-8
110790	PT11-13	110869	PT11-14	111001	PT7-10	111088	PT7-8
110791	PT11-13	110870	PT11-14	111002	PT7-10	111089	PT7-8
110792	PT11-13	110871	PT11-14	111003	PT7-6	111090	PT7-8
110793	PT11-13	110872	PT11-14	111004	PT7-6	111091	PT7-8
110794	PT11-13	110873	PT11-14	111005	PT7-6	111092	PT7-8
110795	PT11-13	110874	PT11-14	111006	PT7-6	111093	PT7-8
110796	PT11-13	110875	PT11-14	111007	PT7-6	111094	PT7-8
110797	PT11-13	110876	PT11-14	111008	PT7-6	111095	PT7-8
110798	PT11-13	110877	PT11-14	111009	PT7-6	111096	PT7-8
110799	PT11-13	110880	PT11-14	111010	PT7-6	111097	PT7-8
110805	PT11-13	110881	PT11-14	111011	PT7-6	111098	PT7-8
110806	PT11-13	110882	PT11-9	111012	PT7-6	111099	PT7-8
110807	PT11-13	110883	PT11-9	111013	PT7-6	111100	PT7-8
110808	PT11-13	110884	PT11-9	111014	PT7-6	111101	PT7-6
110809	PT11-13	110885	PT11-14	111020	PT7-6	111102	PT7-6
110810	PT11-13	110886	PT11-14	111021	PT7-6	111103	PT7-6
110811	PT11-13	110887	PT11-14	111022	PT7-7	111104	PT7-6
110812	PT11-13	110888	PT11-14	111023	PT7-7	111105	PT7-6
110813	PT11-13	110889	PT11-14	111025	PT7-7	111106	PT7-7
110814	PT11-13	110890	PT11-14	111028	PT7-7	111107	PT7-7
110815	PT11-13	110891	PT11-14	111029	PT7-7	111108	PT7-7
110816	PT11-13	110892	PT11-14	111030	PT7-7	111109	PT7-7
110817	PT11-13	110893	PT11-14	111031	PT7-7	111110	PT7-7
110818	PT11-13	110894	PT11-14	111032	PT7-7	111111	PT7-7
110819	PT11-13	110895	PT11-14	111033	PT7-7	111112	PT7-7
110820	PT11-13	110896	PT11-14	111034	PT7-7	111113	PT7-7
110821	PT11-13	110897	PT11-14	111035	PT7-7	111114	PT7-8
110822	PT11-13	110900	PT11-14	111038	PT7-7	111115	PT7-8
110823	PT11-13	110950	PT11-14	111039	PT7-7	111116	PT7-8
110824	PT11-13	110951	PT7-9	111040	PT7-7	111117	PT7-8
110825	PT11-13	110952	PT7-9	111041	PT7-7	111118	PT7-8
110826	PT11-13	110953	PT7-9	111042	PT7-7	111119	PT7-8
110827	PT11-13	110954	PT7-9	111043	PT7-7	111120	PT7-8
110830	PT11-13	110955	PT7-9	111044	PT7-7	111121	PT7-8
110831	PT11-13	110957	PT7-9	111045	PT7-7	111122	PT7-8
110832	PT11-9	110958	PT7-9	111046	PT7-7	111123	PT7-8
110833	PT11-9	110959	PT7-9	111047	PT7-7	111124	PT7-8
110834	PT11-13	110960	PT7-9	111048	PT7-7	111125	PT7-8
110835	PT11-13	110961	PT7-9	111049	PT7-7	111126	PT7-8
110836	PT11-13	110962	PT7-9	111050	PT7-7	111127	PT7-8
110837	PT11-13	110964	PT7-9	111051	PT7-7	111132	PT7-8
110838	PT11-13	110965	PT7-9	111052	PT7-7	111133	PT7-8
110839	PT11-13	110966	PT7-9	111056	PT7-7	111134	PT7-6
110840	PT11-13	110967	PT7-9	111057	PT7-7	111135	PT7-6
110841	PT11-13	110968	PT7-9	111058	PT7-8	111136	PT7-6
110842	PT11-13	110969	PT7-9	111059	PT7-8	111137	PT7-6
110843	PT11-13	110971	PT7-9	111060	PT7-8	111138	PT7-6
110844	PT11-13	110973	PT7-9	111061	PT7-8	111139	PT7-6
110845	PT11-13	110974	PT7-10	111062	PT7-8	111140	PT7-6
110846	PT11-13	110976	PT7-10	111063	PT7-8	111141	PT7-6
110847	PT11-13	110977	PT7-10	111064	PT7-8	111142	PT7-6
110848	PT11-13	110978	PT7-10	111065	PT7-8	111143	PT7-6
110849	PT11-13	110979	PT7-10	111066	PT7-8	111144	PT7-6
110850	PT11-13	110980	PT7-10	111067	PT7-8	111145	PT7-6

PART NUMBER INDEX



Part Number	Page	Part Number	Page	Part Number	Page	Part Number	Page
111146.	PT7-6	111949.	PT6-29	112131.	PT7-4	112267.	PT3-17
111147.	PT7-6	111950.	PT6-29	112132.	PT7-4	112268.	PT3-17
111148.	PT7-6	112008.	PT6-29	112133.	PT7-4	112269.	PT3-17
111200.	PT7-6	112009.	PT6-29	112144.	PT7-4	112270.	PT3-17
111201.	PT7-6	112010.	PT7-4	112145.	PT7-4	112271.	PT3-17
111202.	PT7-6	112011.	PT7-4	112150.	PT7-4	112275.	PT3-17
111203.	PT7-6	112023.	PT7-4	112151.	PT7-4	112276.	PT3-17
111204.	PT7-6	112024.	PT7-4	112152.	PT7-4	112277.	PT7-4
111205.	PT7-6	112025.	PT7-4	112153.	PT7-4	112278.	PT7-4
111206.	PT7-6	112026.	PT7-4	112154.	PT7-5	112279.	PT7-5
111207.	PT7-6	112027.	PT7-4	112155.	PT7-5	112280.	PT7-5
111208.	PT7-6	112038.	PT7-4	112156.	PT7-5	112281.	PT7-5
111209.	PT7-6	112039.	PT7-4	112157.	PT7-5	112465.	PT7-7
111210.	PT7-6	112040.	PT7-4	112158.	PT7-5	112466.	PT7-7
111211.	PT7-6	112041.	PT7-4	112159.	PT7-5	112467.	PT11-4
111212.	PT7-6	112042.	PT7-4	112160.	PT7-5	112468.	PT11-4
111213.	PT7-6	112043.	PT7-4	112161.	PT7-5	112469.	PT11-4
111214.	PT7-6	112044.	PT7-4	112175.	PT7-5	112470.	PT11-4
111215.	PT7-6	112053.	PT7-4	112176.	PT7-4	112471.	PT11-4
111216.	PT7-6	112054.	PT7-4	112177.	PT3-16	112472.	PT11-4
111217.	PT7-6	112055.	PT7-4	112178.	PT7-4	112473.	PT11-4
111218.	PT7-6	112056.	PT7-4	112179.	PT3-16	112474.	PT11-4
111219.	PT7-6	112059.	PT7-4	112180.	PT7-4	112475.	PT11-4
111220.	PT7-6	112061.	PT7-4	112181.	PT7-4	112476.	PT11-4
111221.	PT7-6	112062.	PT7-4	112182.	PT3-16	112477.	PT11-4
111222.	PT7-6	112063.	PT7-5	112183.	PT7-4	112478.	PT11-4
111223.	PT7-7	112064.	PT7-5	112184.	PT3-16	112479.	PT11-4
111224.	PT7-7	112065.	PT7-5	112185.	PT7-4	112481.	PT11-4
111225.	PT7-7	112066.	PT7-5	112186.	PT3-16	112482.	PT11-4
111226.	PT7-7	112067.	PT7-5	112187.	PT7-4	112483.	PT11-4
111227.	PT7-7	112069.	PT7-5	112188.	PT7-4	112484.	PT11-4
111228.	PT7-7	112070.	PT7-5	112189.	PT7-4	112485.	PT11-4
111229.	PT7-7	112071.	PT7-5	112190.	PT7-4	112486.	PT11-4
111230.	PT7-7	112072.	PT7-5	112191.	PT7-4	112487.	PT11-4
111231.	PT7-7	112073.	PT7-5	112192.	PT7-4	112488.	PT11-4
111232.	PT7-7	112074.	PT7-5	112193.	PT7-4	112489.	PT11-4
111233.	PT7-7	112075.	PT7-5	112194.	PT7-4	112490.	PT11-4
111234.	PT7-7	112076.	PT7-5	112195.	PT7-4	112491.	PT11-4
111235.	PT7-7	112077.	PT7-5	112196.	PT7-4	112492.	PT11-4
111236.	PT7-7	112078.	PT7-5	112197.	PT7-4	112493.	PT11-4
111237.	PT7-7	112080.	PT7-5	112198.	PT7-4	112494.	PT11-4
111238.	PT7-7	112081.	PT7-5	112199.	PT7-4	112495.	PT11-4
111239.	PT7-7	112082.	PT7-5	112200.	PT7-4	112496.	PT11-4
111240.	PT7-7	112083.	PT7-5	112201.	PT7-4	112849.	PT11-4
111241.	PT7-7	112084.	PT7-5	112202.	PT7-4	112850.	PT11-4
111242.	PT7-8	112085.	PT7-5	112203.	PT7-4	112851.	PT11-5
111243.	PT7-8	112086.	PT7-5	112204.	PT7-4	112852.	PT11-5
111244.	PT7-8	112087.	PT7-5	112205.	PT7-4	112853.	PT11-5
111245.	PT7-8	112088.	PT7-5	112206.	PT7-4	112854.	PT11-5
111246.	PT7-8	112090.	PT7-5	112207.	PT7-4	112855.	PT11-5
111247.	PT7-8	112091.	PT7-5	112208.	PT7-4	112856.	PT11-5
111248.	PT7-8	112092.	PT7-5	112209.	PT7-4	112857.	PT11-5
111249.	PT7-8	112093.	PT7-5	112210.	PT7-4	112858.	PT11-5
111250.	PT7-8	112094.	PT7-5	112211.	PT7-4	112859.	PT11-5
111251.	PT7-8	112095.	PT7-5	112212.	PT7-4	112860.	PT11-5
111252.	PT7-8	112096.	PT7-5	112213.	PT7-4	112861.	PT11-5
111253.	PT7-8	112097.	PT7-5	112214.	PT7-4	112862.	PT11-5
111254.	PT7-8	112098.	PT7-5	112215.	PT7-4	112863.	PT11-5
111255.	PT7-8	112099.	PT7-5	112216.	PT7-4	112864.	PT11-5
111256.	PT7-8	112100.	PT7-5	112217.	PT7-4	112865.	PT11-5
111709.	PT7-6	112101.	PT7-5	112218.	PT7-4	112866.	PT11-5
111940.	PT7-6	112102.	PT7-5	112250.	PT7-4	112867.	PT11-5
111941.	PT11-11	112103.	PT7-5	112251.	PT7-4	112868.	PT11-5
111942.	PT6-29	112124.	PT7-5	112252.	PT3-16	112869.	PT11-5
111943.	PT6-29	112125.	PT7-5	112253.	PT3-16	112870.	PT11-5
111944.	PT6-29	112126.	PT7-4	112254.	PT3-16	112871.	PT11-5
111945.	PT6-29	112127.	PT7-4	112255.	PT3-16	112872.	PT11-5
111946.	PT6-29	112128.	PT7-4	112256.	PT3-16	112873.	PT11-5
111947.	PT6-29	112129.	PT7-4	112265.	PT3-16	112874.	PT11-5
111948.	PT6-29	112130.	PT7-4	112266.	PT3-16	112875.	PT11-5



PART NUMBER INDEX

Part Number	Page	Part Number	Page	Part Number	Page	Part Number	Page
112876	PT11-5	113022	PT11-7	113581	PT10-3	113782	PT10-6
112877	PT11-5	113023	PT10-3	113582	PT10-4	113783	PT10-6
112878	PT11-5	113024	PT10-3	113583	PT10-3	113784	PT10-6
112879	PT11-5	113046	PT10-3	113584	PT10-4	113785	PT10-6
112880	PT11-5	113047	PT10-3	113585	PT10-4	113786	PT10-6
112881	PT11-5	113048	PT10-3	113588	PT10-4	113787	PT10-6
112882	PT11-5	113049	PT10-3	113589	PT10-4	113804	PT10-6
112883	PT11-5	113072	PT10-3	113594	PT10-3	113807	PT10-6
112884	PT11-5	113073	PT10-3	113595	PT10-4	113810	PT10-7
112885	PT11-5	113074	PT10-6	113599	PT10-4	113813	PT10-7
112886	PT11-5	113120	PT10-6	113605	PT10-4	113816	PT10-7
112889	PT11-6	113121	PT10-7	113608	PT10-4	113819	PT10-7
112890	PT11-6	113122	PT10-7	113611	PT10-5	113822	PT10-7
112891	PT11-6	113399	PT10-7	113615	PT10-5	113823	PT10-7
112892	PT11-6	113401	PT10-7	113617	PT10-5	113824	PT10-7
112893	PT11-6	113402	PT10-3	113620	PT10-5	113854	PT10-7
112894	PT11-6	113403	PT10-8	113623	PT10-5	113857	PT10-7
112895	PT11-6	113404	PT10-8	113629	PT10-5	113860	PT10-7
112896	PT11-6	113405	PT10-8	113635	PT10-5	113863	PT10-7
112897	PT11-6	113406	PT10-8	113636	PT10-5	113866	PT10-7
112898	PT11-6	113407	PT10-8	113637	PT10-5	113869	PT10-7
112899	PT11-6	113408	PT10-8	113638	PT10-5	113872	PT10-7
112901	PT11-6	113409	PT10-8	113639	PT10-5	113873	PT10-7
112902	PT11-6	113410	PT10-8	113640	PT10-5	113874	PT10-7
112903	PT11-6	113411	PT10-8	113641	PT10-5	114033	PT10-7
112904	PT11-6	113412	PT10-8	113642	PT10-5	114041	PT10-7
112905	PT11-6	113413	PT10-8	113663	PT10-4	114042	PT7-12
112906	PT11-6	113414	PT10-8	113665	PT10-5	114043	PT7-12
112907	PT11-6	113415	PT10-8	113667	PT10-5	114050	PT7-12
112908	PT11-6	113416	PT10-8	113669	PT10-5	114051	PT7-12
112909	PT11-6	113417	PT10-8	113670	PT10-5	114052	PT7-13
112910	PT11-6	113418	PT10-8	113673	PT10-4	114053	PT7-13
112911	PT11-6	113419	PT10-8	113678	PT10-5	114060	PT7-13
112912	PT11-6	113420	PT10-8	113679	PT10-5	114061	PT7-13
112913	PT11-6	113450	PT10-8	113684	PT10-5	114062	PT7-13
112914	PT11-6	113451	PT10-8	113685	PT10-5	114063	PT7-13
112915	PT11-6	113452	PT10-9	113686	PT10-5	114068	PT7-13
112916	PT11-6	113453	PT10-9	113687	PT10-5	114069	PT7-13
112917	PT11-6	113464	PT10-9	113688	PT10-5	114070	PT7-11
112922	PT11-6	113466	PT10-9	113689	PT10-5	114071	PT7-11
112923	PT11-6	113468	PT10-3	113690	PT10-5	114072	PT7-11
112925	PT11-7	113470	PT10-3	113691	PT10-5	114073	PT7-11
112926	PT11-7	113472	PT10-3	113692	PT10-5	114074	PT7-12
112927	PT11-7	113478	PT10-3	113693	PT10-5	114075	PT7-12
112928	PT11-7	113484	PT10-3	113694	PT10-5	114114	PT7-12
112929	PT11-7	113485	PT10-3	113695	PT10-5	114115	PT7-12
112930	PT11-7	113486	PT10-3	113704	PT10-5	114116	PT7-14
112931	PT11-7	113487	PT10-3	113707	PT10-5	114117	PT7-14
112932	PT11-7	113500	PT10-3	113710	PT10-6	114118	PT7-14
112934	PT11-7	113501	PT10-3	113712	PT10-6	114119	PT7-14
112935	PT11-7	113502	PT10-9	113714	PT10-6	114130	PT7-14
112936	PT11-7	113513	PT10-9	113716	PT10-6	114131	PT7-14
112937	PT11-7	113515	PT10-9	113719	PT10-6	114132	PT7-14
112944	PT11-7	113517	PT10-4	113722	PT10-6	114133	PT7-14
112945	PT11-7	113519	PT10-4	113728	PT10-6	114134	PT7-14
112947	PT11-7	113521	PT10-4	113734	PT10-6	114135	PT7-14
112948	PT11-7	113527	PT10-4	113735	PT10-6	114136	PT7-14
112949	PT11-7	113533	PT10-4	113736	PT10-6	114137	PT7-14
112950	PT11-7	113534	PT10-4	113737	PT10-6	114138	PT7-14
112951	PT11-7	113535	PT10-4	113738	PT10-6	114139	PT7-14
112952	PT11-7	113536	PT10-4	113739	PT10-6	114150	PT7-14
112953	PT11-7	113550	PT10-4	113752	PT10-6	114151	PT7-14
112954	PT11-7	113551	PT10-4	113755	PT10-6	114152	PT7-14
112955	PT11-7	113562	PT10-9	113758	PT10-6	114153	PT7-14
112956	PT11-7	113564	PT10-9	113760	PT10-6	114154	PT7-14
112957	PT11-7	113566	PT10-4	113762	PT10-6	114155	PT7-14
112958	PT11-7	113568	PT10-4	113764	PT10-6	114170	PT7-14
112959	PT11-7	113570	PT10-4	113767	PT10-6	114171	PT7-14
112960	PT11-7	113575	PT10-4	113770	PT10-6	114172	PT7-14
113021	PT11-7	113576	PT10-4	113776	PT10-6	114300	PT7-14

Roller Chain Sprockets

Conveyor Components

Engineering

Part Number Index

Keyword Index

PART NUMBER INDEX



Part Number	Page	Part Number	Page	Part Number	Page	Part Number	Page
114301	PT7-14	114371	PT10-10	114545	PT11-8	114707	PT11-15
114302	PT10-8	114372	PT10-10	114546	PT11-8	114708	PT11-15
114303	PT10-9	114375	PT10-10	114547	PT11-8	114709	PT11-15
114304	PT10-9	114376	PT10-10	114548	PT11-8	114710	PT11-15
114305	PT10-9	114377	PT11-9	114640	PT11-8	114711	PT11-15
114306	PT10-9	114378	PT11-9	114641	PT11-8	114712	PT11-15
114307	PT10-9	114379	PT11-9	114642	PT11-4	114713	PT11-15
114308	PT10-9	114380	PT11-9	114643	PT11-10	114714	PT11-15
114309	PT10-9	114441	PT11-9	114644	PT11-10	114715	PT11-15
114310	PT10-9	114442	PT11-9	114645	PT11-10	114716	PT11-15
114311	PT10-9	114443	PT10-9	114646	PT11-10	114717	PT11-15
114312	PT10-9	114444	PT10-9	114647	PT11-10	114718	PT11-15
114313	PT10-9	114445	PT10-9	114648	PT11-10	114719	PT11-15
114314	PT10-9	114446	PT10-9	114649	PT11-10	114720	PT11-15
114315	PT10-9	114447	PT10-9	114650	PT11-10	114721	PT11-15
114316	PT10-9	114448	PT10-9	114651	PT11-10	114722	PT11-15
114317	PT10-9	114449	PT10-9	114652	PT11-10	114723	PT11-15
114318	PT10-9	114450	PT10-9	114653	PT11-10	114724	PT11-15
114319	PT10-9	114451	PT10-9	114655	PT11-10	114725	PT11-16
114320	PT10-9	114452	PT10-9	114656	PT11-10	114726	PT11-16
114321	PT10-9	114453	PT10-9	114657	PT11-10	114727	PT11-16
114322	PT10-9	114454	PT10-9	114658	PT11-10	114728	PT11-16
114323	PT10-9	114455	PT10-10	114659	PT11-10	114729	PT11-16
114324	PT10-9	114456	PT10-10	114660	PT11-10	114730	PT11-16
114325	PT10-9	114457	PT10-10	114661	PT11-10	114731	PT11-16
114326	PT10-9	114458	PT10-10	114662	PT11-10	114732	PT11-16
114327	PT10-9	114459	PT10-10	114663	PT11-10	114733	PT11-16
114328	PT10-9	114460	PT10-10	114664	PT11-10	114734	PT11-16
114329	PT10-9	114470	PT10-10	114665	PT11-10	114735	PT11-16
114330	PT10-9	114471	PT10-10	114666	PT11-10	114736	PT11-16
114331	PT10-9	114472	PT11-6	114667	PT11-10	114737	PT11-16
114332	PT10-9	114474	PT11-6	114668	PT11-10	114738	PT11-16
114333	PT10-9	114475	PT11-7	114669	PT11-10	114739	PT11-16
114334	PT10-9	114476	PT11-7	114670	PT11-15	114740	PT11-16
114335	PT10-9	114477	PT11-8	114671	PT11-15	114741	PT11-16
114336	PT10-10	114478	PT11-8	114672	PT11-15	114742	PT11-16
114337	PT10-10	114479	PT11-8	114673	PT11-15	114743	PT11-16
114338	PT10-10	114482	PT11-8	114674	PT11-15	114744	PT11-16
114339	PT10-10	114484	PT11-8	114675	PT11-15	114745	PT11-16
114340	PT10-10	114489	PT11-8	114676	PT11-15	114746	PT11-16
114341	PT10-10	114494	PT11-9	114677	PT11-15	114747	PT11-16
114342	PT10-10	114499	PT11-7	114678	PT11-15	114748	PT11-16
114343	PT10-10	114504	PT11-8	114679	PT11-15	114755	PT11-16
114344	PT10-10	114505	PT11-8	114680	PT11-15	114765	PT11-16
114345	PT10-10	114506	PT11-6	114681	PT11-15	114766	PT11-7
114346	PT10-10	114507	PT11-6	114682	PT11-15	114767	PT6-9
114347	PT10-10	114508	PT11-6	114683	PT11-15	114768	PT6-9
114348	PT10-10	114509	PT11-6	114684	PT11-15	114769	PT6-9
114349	PT10-10	114510	PT11-6	114685	PT11-15	114770	PT6-9
114350	PT10-10	114511	PT11-6	114686	PT11-15	114771	PT6-9
114351	PT10-10	114513	PT11-6	114687	PT11-15	114772	PT6-9
114352	PT10-10	114517	PT11-6	114688	PT11-15	114773	PT6-9
114353	PT10-10	114518	PT11-6	114689	PT11-15	114774	PT6-9
114354	PT10-10	114519	PT11-8	114690	PT11-15	114775	PT6-9
114355	PT10-10	114520	PT11-8	114691	PT11-15	114776	PT6-9
114356	PT10-10	114522	PT11-8	114692	PT11-15	114777	PT6-9
114357	PT10-10	114523	PT11-19	114693	PT11-15	114778	PT6-9
114358	PT10-10	114524	PT11-8	114694	PT11-15	114779	PT6-9
114359	PT10-10	114525	PT11-8	114695	PT11-15	114780	PT6-9
114360	PT10-10	114526	PT11-8	114696	PT11-15	114781	PT6-9
114361	PT10-10	114527	PT11-8	114697	PT11-15	114782	PT6-9
114362	PT10-10	114528	PT11-8	114698	PT11-15	114783	PT6-9
114363	PT10-10	114529	PT11-8	114699	PT11-15	114784	PT6-9
114364	PT10-10	114530	PT11-8, PT11-19	114700	PT11-15	114785	PT6-9
114365	PT10-10	114539	PT11-8	114701	PT11-15	114786	PT6-9
114366	PT10-10	114540	PT11-8	114702	PT11-15	114787	PT6-9
114367	PT10-10	114541	PT11-8	114703	PT11-15	114788	PT6-9
114368	PT10-10	114542	PT11-8	114704	PT11-15	114789	PT6-9
114369	PT10-10	114543	PT11-8	114705	PT11-15	114790	PT6-9
114370	PT10-10	114544	PT11-8	114706	PT11-15	114791	PT6-9



PART NUMBER INDEX

Roller Chain Sprockets

Conveyor Components

Engineering

Part Number Index

Keyword Index

Part Number	Page	Part Number	Page	Part Number	Page	Part Number	Page
114792.....	PT6-9	114893.....	PT6-10	115097.....	PT7-15	115360.....	PT7-15
114793.....	PT6-9	114894.....	PT6-10	115098.....	PT7-15	115361.....	PT7-15
114794.....	PT6-9	114895.....	PT6-10	115123.....	PT7-15	115978.....	PT7-15
114795.....	PT6-9	114896.....	PT6-10	115124.....	PT7-15	115979.....	PT7-15
114796.....	PT6-9	114897.....	PT6-10	115125.....	PT7-15	115980.....	PT6-30
114797.....	PT6-9	114898.....	PT6-10	115130.....	PT7-15	115982.....	PT6-30
114798.....	PT6-9	114899.....	PT6-10	115131.....	PT7-15	115983.....	PT6-30
114799.....	PT6-9	114900.....	PT6-10	115132.....	PT7-14	115984.....	PT6-30
114800.....	PT6-9	114993.....	PT6-10	115133.....	PT7-14	115985.....	PT6-30
114801.....	PT6-9	114994.....	PT6-10	115135.....	PT7-14	115986.....	PT6-30
114802.....	PT6-9	115000.....	PT11-9	115136.....	PT7-14	115987.....	PT6-30
114803.....	PT6-9	115001.....	PT11-9	115137.....	PT7-15	115988.....	PT6-30
114804.....	PT6-9	115006.....	PT7-14	115138.....	PT7-15	115989.....	PT6-30
114805.....	PT6-9	115009.....	PT7-14	115140.....	PT7-15	115990.....	PT6-30
114806.....	PT6-9	115010.....	PT7-14	115141.....	PT7-15	117004.....	PT6-30
114807.....	PT6-9	115011.....	PT7-14	115142.....	PT7-15	117005.....	PT6-30
114821.....	PT6-9	115012.....	PT7-14	115143.....	PT7-15	117007.....	PT6-7
114822.....	PT6-9	115014.....	PT7-14	115145.....	PT7-15	117008.....	PT6-7
114823.....	PT11-6	115016.....	PT7-14	115146.....	PT7-15	117009.....	PT6-7
114825.....	PT11-6	115017.....	PT7-14	115147.....	PT7-15	117010.....	PT6-7
114827.....	PT11-6	115022.....	PT7-14	115148.....	PT7-15	117011.....	PT6-7
114828.....	PT11-6	115023.....	PT7-15	115151.....	PT7-15	117012.....	PT6-7
114833.....	PT11-9	115024.....	PT7-15	115152.....	PT7-15	117013.....	PT6-7
114834.....	PT11-6	115025.....	PT7-15	115153.....	PT7-15	117014.....	PT6-7
114836.....	PT11-6	115026.....	PT7-15	115155.....	PT7-15	117015.....	PT6-7
114837.....	PT11-6	115027.....	PT7-15	115156.....	PT7-15	117016.....	PT6-7
114838.....	PT11-7	115028.....	PT7-15	115157.....	PT7-15	117017.....	PT6-7
114840.....	PT11-7	115029.....	PT7-15	115160.....	PT7-15	117018.....	PT6-7
114841.....	PT11-8	115030.....	PT7-15	115161.....	PT7-15	117019.....	PT6-7
114844.....	PT11-6	115032.....	PT7-15	115162.....	PT7-15	117020.....	PT6-7
114848.....	PT11-7	115033.....	PT7-15	115163.....	PT7-15	117021.....	PT6-7
114850.....	PT11-7	115036.....	PT7-15	115164.....	PT7-14	117022.....	PT6-7
114851.....	PT11-8	115038.....	PT7-15	115165.....	PT7-14	117023.....	PT6-7
114852.....	PT11-7	115039.....	PT7-15	115166.....	PT7-14	117024.....	PT6-7
114853.....	PT11-6	115040.....	PT7-15	115171.....	PT7-14	117025.....	PT6-7
114854.....	PT11-6, PT11-9	115041.....	PT7-15	115174.....	PT7-14	117026.....	PT6-7
114855.....	PT11-9	115042.....	PT7-15	115175.....	PT7-14	117027.....	PT6-7
114856.....	PT11-7	115043.....	PT7-15	115176.....	PT7-14	117028.....	PT6-7
114857.....	PT11-7	115044.....	PT7-15	115177.....	PT7-14	117029.....	PT6-7
114858.....	PT11-8	115045.....	PT7-15	115178.....	PT7-14	117031.....	PT6-7
114859.....	PT11-8	115048.....	PT7-15	115185.....	PT7-14	117032.....	PT6-7
114860.....	PT11-8	115049.....	PT7-15	115186.....	PT7-14	117033.....	PT6-7
114865.....	PT11-7	115054.....	PT7-15	115187.....	PT7-15	117035.....	PT6-7
114866.....	PT11-7, PT11-9	115055.....	PT7-15	115188.....	PT7-14	117036.....	PT6-7
114867.....	PT6-10	115056.....	PT7-15	115189.....	PT7-14	117037.....	PT6-7
114868.....	PT6-10	115057.....	PT7-15	115190.....	PT7-14	117043.....	PT6-7
114869.....	PT6-10	115058.....	PT7-15	115191.....	PT7-14	117045.....	PT6-7
114870.....	PT6-10	115059.....	PT7-15	115192.....	PT7-15	117049.....	PT6-18
114871.....	PT6-10	115060.....	PT7-15	115193.....	PT7-15	117071.....	PT6-11
114872.....	PT6-10	115061.....	PT7-15	115194.....	PT7-15	117071.....	PT6-18
114873.....	PT6-10	115062.....	PT7-15	115195.....	PT7-15	117073.....	PT6-5
114874.....	PT6-10	115064.....	PT7-15	115196.....	PT7-15	117074.....	PT3-18
114875.....	PT6-10	115065.....	PT7-15	115197.....	PT7-15	117075.....	PT6-5
114876.....	PT6-10	115066.....	PT7-15	115325.....	PT7-15	117076.....	PT6-5
114877.....	PT6-10	115067.....	PT7-15	115326.....	PT7-15	117077.....	PT6-5
114878.....	PT6-10	115068.....	PT7-15	115327.....	PT7-14	117078.....	PT6-5
114879.....	PT6-10	115069.....	PT7-15	115328.....	PT7-14	117079.....	PT6-5
114880.....	PT6-10	115070.....	PT7-15	115329.....	PT7-14	117080.....	PT6-5
114881.....	PT6-10	115071.....	PT7-15	115330.....	PT7-14	117081.....	PT6-5
114882.....	PT6-10	115072.....	PT7-15	115331.....	PT7-14	117082.....	PT6-5
114883.....	PT6-10	115081.....	PT7-15	115349.....	PT7-14	117083.....	PT6-5
114884.....	PT6-10	115086.....	PT7-15	115351.....	PT7-14	117084.....	PT6-5
114885.....	PT6-10	115087.....	PT7-15	115352.....	PT7-15	117085.....	PT6-5
114886.....	PT6-10	115088.....	PT7-15	115353.....	PT7-15	117086.....	PT6-5
114887.....	PT6-10	115089.....	PT7-15	115354.....	PT7-15	117087.....	PT6-5
114888.....	PT6-10	115090.....	PT7-15	115355.....	PT7-15	117088.....	PT6-5
114889.....	PT6-10	115091.....	PT7-15	115356.....	PT7-15	117089.....	PT6-6
114890.....	PT6-10	115092.....	PT7-15	115357.....	PT7-15	117090.....	PT6-6
114891.....	PT6-10	115093.....	PT7-15	115358.....	PT7-15	117091.....	PT6-6
114892.....	PT6-10	115096.....	PT7-15	115359.....	PT7-15	117092.....	PT6-6

PART NUMBER INDEX



Part Number	Page	Part Number	Page	Part Number	Page	Part Number	Page
117093.	PT6-6	117178.	PT6-6	117338.	PT6-9	117462.	PT6-10
117094.	PT6-6	117179.	PT6-6	117340.	PT6-9	117463.	PT6-10
117095.	PT6-6	117180.	PT6-7	117341.	PT6-9	117464.	PT6-10
117096.	PT6-6	117181.	PT6-7	117345.	PT6-9	117465.	PT6-10
117097.	PT6-6	117182.	PT6-7	117352.	PT6-9	117466.	PT6-10
117098.	PT6-6	117183.	PT6-7	117356.	PT6-11	117467.	PT6-10
117099.	PT6-6	117205.	PT6-7	117357.	PT6-9	117468.	PT6-10
117101.	PT6-6	117207.	PT6-7	117358.	PT6-25	117469.	PT6-10
117102.	PT6-6	117208.	PT6-11	117371.	PT6-25	117471.	PT6-10
117103.	PT6-7	117209.	PT6-8	117372.	PT6-25	117472.	PT6-10
117104.	PT6-7	117210.	PT6-8	117373.	PT6-25	117473.	PT6-11
117105.	PT6-7	117211.	PT6-8	117374.	PT6-25	117474.	PT6-11
117106.	PT6-7	117212.	PT6-8	117377.	PT6-25	117475.	PT6-10
117107.	PT6-7	117213.	PT6-8	117378.	PT6-25	117476.	PT6-10
117108.	PT6-7	117214.	PT6-8	117379.	PT6-25	117477.	PT6-10
117109.	PT6-7	117215.	PT6-8	117380.	PT6-25	117479.	PT6-10
117110.	PT6-7	117216.	PT6-8	117381.	PT6-25	117480.	PT6-10
117111.	PT6-7	117217.	PT6-8	117382.	PT6-25	117481.	PT6-10
117112.	PT6-7	117218.	PT6-8	117383.	PT6-25	117482.	PT6-10
117113.	PT6-6	117219.	PT6-8	117384.	PT6-25	117483.	PT6-10
117114.	PT6-7	117220.	PT6-8	117385.	PT6-25	117484.	PT6-10
117115.	PT6-7	117221.	PT6-8	117386.	PT6-25	117485.	PT6-10
117116.	PT6-7	117222.	PT6-8	117387.	PT6-25	117486.	PT6-10
117117.	PT6-6	117223.	PT6-8	117388.	PT6-25	117487.	PT6-10
117118.	PT6-7	117224.	PT6-8	117389.	PT6-25	117488.	PT6-10
117119.	PT11-19	117225.	PT6-8	117390.	PT6-25	117489.	PT6-10
117120.	PT12-20	117226.	PT6-8	117391.	PT6-25	117490.	PT6-10
117121.	PT6-7	117227.	PT6-8	117392.	PT6-25	117491.	PT6-11
117122.	PT6-7	117228.	PT6-8	117393.	PT6-25	117492.	PT6-10
117124.	PT6-7	117229.	PT6-8	117394.	PT6-25	117493.	PT6-10
117125.	PT6-7	117230.	PT6-8	117411.	PT6-25	117494.	PT6-10
117126.	PT6-7	117231.	PT6-8	117413.	PT6-25	117495.	PT6-10
117128.	PT6-7	117232.	PT6-8	117414.	PT6-10	117496.	PT6-10
117129.	PT6-7	117233.	PT6-8	117416.	PT6-9	117497.	PT6-10
117130.	PT6-7	117234.	PT6-8	117417.	PT6-11	117498.	PT6-10
117132.	PT6-7	117235.	PT6-8	117419.	PT6-9	117502.	PT6-10
117133.	PT6-7	117236.	PT6-8	117421.	PT6-9	117503.	PT6-11
117134.	PT6-7	117237.	PT6-8	117422.	PT6-9	117504.	PT6-11
117135.	PT6-7	117250.	PT6-8	117424.	PT6-9	117505.	PT6-10
117136.	PT6-7	117267.	PT6-8	117426.	PT6-9	117506.	PT6-11
117137.	PT6-7	117297.	PT6-11	117427.	PT11-19	117508.	PT6-11
117139.	PT6-7	117307.	PT6-9	117428.	PT12-20	117510.	PT6-11
117147.	PT6-7	117310.	PT6-8	117429.	PT6-9	117520.	PT6-10
117149.	PT6-7	117311.	PT6-11	117430.	PT6-9	117521.	PT6-10
117150.	PT6-11	117312.	PT6-9	117431.	PT6-9	117522.	PT6-10
117151.	PT6-11	117313.	PT6-9	117432.	PT6-9	117523.	PT6-10
117152.	PT6-5	117314.	PT6-9	117433.	PT6-9	117524.	PT6-10
117153.	PT6-5	117315.	PT6-9	117434.	PT6-9	117525.	PT6-10
117154.	PT6-5	117316.	PT6-9	117435.	PT6-9	117526.	PT6-10
117155.	PT6-5	117317.	PT6-9	117436.	PT6-9	117527.	PT6-10
117156.	PT6-5	117318.	PT6-9	117437.	PT6-9	117531.	PT6-10
117157.	PT6-5	117319.	PT6-9	117438.	PT6-9	117532.	PT6-10
117158.	PT6-5	117320.	PT6-9	117439.	PT6-9	117533.	PT6-25
117159.	PT6-5	117321.	PT6-9	117440.	PT6-9	117534.	PT6-25
117160.	PT6-5	117322.	PT6-9	117441.	PT6-9	117535.	PT6-25
117161.	PT6-5	117323.	PT6-9	117442.	PT6-10	117536.	PT6-25
117162.	PT6-5	117324.	PT6-9	117443.	PT6-9	117537.	PT6-25
117163.	PT6-5	117325.	PT6-9	117444.	PT6-9	117538.	PT6-25
117164.	PT6-5	117326.	PT6-9	117447.	PT6-9	117539.	PT6-25
117165.	PT6-5	117327.	PT6-9	117448.	PT6-9	117540.	PT6-25
117166.	PT6-6	117328.	PT6-9	117450.	PT6-10	117541.	PT6-25
117167.	PT6-6	117329.	PT6-9	117451.	PT6-11	117542.	PT6-25
117168.	PT6-6	117330.	PT6-9	117452.	PT6-10	117543.	PT6-25
117169.	PT6-6	117331.	PT6-9	117453.	PT6-11	117544.	PT6-25
117170.	PT6-6	117332.	PT6-9	117454.	PT6-10	117545.	PT6-25
117173.	PT6-6	117333.	PT6-9	117455.	PT6-10	117546.	PT6-25
117174.	PT6-6	117334.	PT6-9	117458.	PT6-10	117547.	PT6-25
117175.	PT6-6	117335.	PT6-9	117459.	PT6-11	117548.	PT6-25
117176.	PT6-6	117336.	PT6-9	117460.	PT6-10	117549.	PT6-25
117177.	PT6-6	117337.	PT6-9	117461.	PT6-10	117550.	PT6-25



PART NUMBER INDEX

Roller Chain Sprockets

Conveyor Components

Engineering

Part Number Index

Keyword Index

Part Number	Page	Part Number	Page	Part Number	Page	Part Number	Page
117551.....	PT6-25	118092.....	PT7-12	118220.....	PT7-11	118344.....	PT7-11
117552.....	PT6-25	118093.....	PT7-12	118221.....	PT7-11	118345.....	PT7-11
117553.....	PT6-25	118094.....	PT7-12	118222.....	PT7-11	118346.....	PT7-11
117554.....	PT6-25	118095.....	PT7-12	118223.....	PT7-11	118347.....	PT7-11
117555.....	PT6-25	118096.....	PT7-12	118224.....	PT7-11	118348.....	PT7-11
117556.....	PT6-25	118097.....	PT7-12	118225.....	PT7-11	118349.....	PT7-11
117557.....	PT6-25	118098.....	PT7-12	118226.....	PT7-11	118350.....	PT7-12
117558.....	PT6-25	118099.....	PT7-12	118227.....	PT7-11	118351.....	PT7-12
117559.....	PT6-25	118100.....	PT7-12	118228.....	PT7-11	118352.....	PT7-12
117560.....	PT6-25	118101.....	PT7-12	118229.....	PT7-11	118353.....	PT7-12
117561.....	PT6-25	118102.....	PT7-12	118230.....	PT7-11	118354.....	PT7-12
117562.....	PT6-25	118103.....	PT7-13	118233.....	PT7-12	118355.....	PT7-12
117563.....	PT6-25	118104.....	PT7-13	118234.....	PT7-12	118356.....	PT7-12
117564.....	PT6-25	118105.....	PT7-13	118235.....	PT7-12	118357.....	PT7-12
117565.....	PT6-25	118106.....	PT7-13	118247.....	PT7-12	118358.....	PT7-13
117571.....	PT6-25	118107.....	PT7-13	118248.....	PT7-12	118359.....	PT7-13
117575.....	PT6-25	118109.....	PT7-13	118251.....	PT7-12	118360.....	PT7-13
117576.....	PT6-25	118110.....	PT7-13	118252.....	PT7-12	118361.....	PT7-13
117583.....	PT6-25	118111.....	PT7-13	118253.....	PT7-12	118362.....	PT7-13
117584.....	PT6-25	118112.....	PT7-13	118275.....	PT7-12	118363.....	PT7-13
117587.....	PT6-25	118114.....	PT7-13	118276.....	PT7-12	118364.....	PT7-13
117588.....	PT6-25	118116.....	PT7-13	118277.....	PT3-16	118365.....	PT7-13
117589.....	PT6-25	118118.....	PT7-13	118278.....	PT3-16	118366.....	PT7-13
117703.....	PT6-25	118119.....	PT7-13	118279.....	PT3-16	118367.....	PT7-13
117704.....	PT6-25	118120.....	PT7-13	118280.....	PT3-16	118368.....	PT7-13
117705.....	PT6-8	118121.....	PT7-13	118281.....	PT3-16	118369.....	PT7-13
117707.....	PT6-9	118122.....	PT7-13	118283.....	PT3-16	118370.....	PT7-13
117708.....	PT6-10	118123.....	PT7-13	118284.....	PT7-22	118371.....	PT7-13
117709.....	PT6-8	118124.....	PT7-13	118285.....	PT3-16	118625.....	PT7-13
117710.....	PT6-8	118125.....	PT7-13	118286.....	PT7-22	118626.....	PT7-13
117714.....	PT6-8	118130.....	PT7-13	118290.....	PT3-16	118627.....	PT4-7
117715.....	PT6-8	118131.....	PT7-13	118291.....	PT7-22	118628.....	PT4-7
117716.....	PT6-9	118132.....	PT7-13	118292.....	PT3-17	118629.....	PT4-7
117717.....	PT6-9	118134.....	PT7-13	118293.....	PT3-17	118630.....	PT4-7
117718.....	PT6-9	118135.....	PT7-13	118294.....	PT3-17	118631.....	PT4-7
117719.....	PT6-9	118136.....	PT7-13	118295.....	PT3-17	118632.....	PT4-7
117722.....	PT6-10	118137.....	PT7-13	118296.....	PT3-17	118633.....	PT4-7
117723.....	PT6-10	118139.....	PT7-13	118301.....	PT3-17	118634.....	PT4-7
117724.....	PT6-8	118141.....	PT7-13	118302.....	PT7-11	118635.....	PT4-7
117725.....	PT6-9	118143.....	PT7-13	118303.....	PT3-16	118636.....	PT4-7
117726.....	PT6-9	118144.....	PT7-13	118304.....	PT7-11	118637.....	PT4-7
117729.....	PT6-9	118145.....	PT7-13	118305.....	PT7-11	118638.....	PT4-7
117734.....	PT6-9	118146.....	PT7-13	118306.....	PT7-11	118639.....	PT4-7
117736.....	PT6-9	118147.....	PT7-13	118307.....	PT7-11	118640.....	PT4-7
117737.....	PT6-10	118148.....	PT7-13	118308.....	PT7-11	118641.....	PT4-7
117738.....	PT6-10	118149.....	PT7-13	118309.....	PT7-11	118642.....	PT4-7
117846.....	PT6-8	118150.....	PT7-13	118310.....	PT7-12	118643.....	PT4-7
117848.....	PT6-8	118190.....	PT7-13	118311.....	PT7-12	118644.....	PT4-7
117849.....	PT11-8	118191.....	PT7-13	118312.....	PT7-12	118645.....	PT4-7
117850.....	PT11-8	118194.....	PT7-11	118313.....	PT7-12	118646.....	PT4-7
118022.....	PT6-9	118195.....	PT7-11	118314.....	PT7-12	118647.....	PT4-7
118023.....	PT6-9	118196.....	PT3-16	118315.....	PT7-12	118648.....	PT4-7
118024.....	PT7-11	118197.....	PT7-11	118316.....	PT7-12	118649.....	PT4-7
118025.....	PT7-11	118198.....	PT3-16	118317.....	PT7-12	118650.....	PT4-5
118044.....	PT7-11	118199.....	PT7-11	118318.....	PT7-12	118651.....	PT4-5
118045.....	PT7-11	118200.....	PT3-16	118319.....	PT7-12	118652.....	PT4-5
118046.....	PT7-11	118201.....	PT7-11	118320.....	PT7-12	118653.....	PT4-5
118047.....	PT7-11	118202.....	PT3-16	118321.....	PT7-12	118654.....	PT4-5
118048.....	PT7-11	118203.....	PT7-11	118322.....	PT7-12	118655.....	PT4-5
118049.....	PT7-11	118204.....	PT3-16	118323.....	PT7-12	118656.....	PT4-5
118050.....	PT7-11	118205.....	PT7-11	118324.....	PT7-12	118657.....	PT4-5
118069.....	PT7-11	118206.....	PT3-16	118325.....	PT7-12	118658.....	PT4-5
118070.....	PT7-11	118207.....	PT7-11	118326.....	PT7-12	118659.....	PT4-5
118071.....	PT7-12	118211.....	PT3-16	118327.....	PT7-12	118660.....	PT4-5
118072.....	PT7-12	118212.....	PT7-11	118328.....	PT7-12	118661.....	PT4-5
118073.....	PT7-12	118215.....	PT7-11	118329.....	PT7-12	118662.....	PT4-5
118074.....	PT7-12	118216.....	PT7-11	118340.....	PT7-12	118663.....	PT4-5
118075.....	PT7-12	118217.....	PT7-11	118341.....	PT7-12	118740.....	PT4-5
118090.....	PT7-12	118218.....	PT7-11	118342.....	PT7-11	118743.....	PT4-5
118091.....	PT7-12	118219.....	PT7-11	118343.....	PT7-11	118744.....	PT4-5

PART NUMBER INDEX



Part Number	Page	Part Number	Page	Part Number	Page	Part Number	Page
118745	PT4-5	119053	PT6-6	119242	PT6-6	119419	PT6-11
118746	PT4-5	119054	PT6-6	119244	PT6-6	119421	PT6-11
118747	PT4-5	119055	PT6-6	119246	PT6-6	119422	PT6-11
118749	PT4-5	119056	PT6-6	119248	PT6-6	119423	PT6-11
118750	PT4-5	119057	PT6-6	119249	PT6-6	119429	PT6-11
118755	PT4-5	119058	PT6-6	119250	PT6-6	119430	PT6-11
118757	PT4-5	119067	PT6-6	119252	PT6-6	119431	PT6-11
118758	PT4-5	119068	PT6-6	119253	PT6-6	119432	PT6-11
118759	PT4-5	119100	PT6-11	119254	PT6-6	119433	PT6-11
118762	PT4-5	119102	PT6-6	119256	PT6-6	119434	PT6-11
118763	PT4-5	119103	PT6-6	119257	PT6-6	119435	PT6-11
118764	PT4-5	119104	PT6-6	119258	PT6-6	119436	PT6-11
118765	PT4-5	119105	PT6-6	119262	PT6-6	119437	PT6-11
118769	PT4-5	119106	PT6-6	119272	PT6-6	119438	PT6-11
118770	PT4-5	119107	PT6-6	119304	PT6-6	119565	PT6-11
118771	PT4-5	119108	PT6-6	119306	PT6-11	119566	PT6-5
118772	PT4-5	119109	PT6-6	119307	PT6-7	119567	PT6-5
118774	PT4-5	119110	PT6-6	119308	PT6-7	119568	PT6-5
118775	PT4-5	119111	PT6-6	119310	PT6-7	119569	PT6-5
118776	PT4-5	119112	PT6-6	119311	PT6-7	119570	PT6-5
118777	PT4-5	119113	PT6-6	119312	PT6-7	119571	PT6-5
118778	PT4-5	119114	PT6-6	119314	PT6-7	119572	PT6-5
118779	PT4-5	119115	PT6-6	119315	PT6-7	119573	PT6-5
118780	PT4-5	119116	PT6-6	119316	PT6-7	119574	PT6-5
118781	PT4-5	119117	PT6-6	119318	PT6-7	119575	PT6-6
118782	PT4-5	119118	PT6-6	119319	PT6-7	119576	PT6-6
118783	PT4-5	119119	PT6-6	119320	PT6-7	119577	PT6-5
118784	PT4-5	119120	PT6-6	119321	PT6-7	119579	PT6-5
118785	PT4-5	119121	PT6-6	119322	PT6-7	119580	PT6-5
118786	PT4-5	119122	PT6-6	119323	PT6-7	119581	PT6-5
118787	PT4-5	119123	PT6-6	119324	PT6-7	119582	PT6-5
118788	PT4-5	119124	PT6-6	119326	PT6-7	119583	PT6-5
118789	PT4-5	119125	PT6-6	119327	PT6-7	119584	PT6-5
118790	PT4-5	119129	PT6-6	119328	PT6-7	119585	PT6-5
118792	PT4-5	119141	PT6-6	119329	PT6-7	119586	PT6-5
118793	PT4-5	119144	PT6-6	119330	PT6-7	119587	PT6-5
118794	PT4-5	119176	PT6-11	119331	PT6-7	119588	PT6-5
118795	PT4-5	119177	PT6-6	119332	PT6-7	119589	PT6-5
118796	PT4-5	119179	PT6-5	119361	PT6-7	119590	PT6-5
118797	PT4-5	119181	PT6-5	119365	PT6-7	119591	PT6-5
118798	PT4-5	119183	PT6-5	119366	PT6-11	119592	PT6-5
119001	PT4-5	119187	PT6-5	119368	PT6-5	119593	PT6-5
119002	PT4-5	119191	PT6-5	119370	PT6-5	119594	PT6-5
119003	PT6-5	119192	PT6-11	119372	PT6-5	119595	PT6-5
119004	PT6-5	119194	PT6-5	119374	PT6-5	119596	PT6-5
119005	PT6-5	119196	PT6-5	119386	PT6-5	119598	PT6-5
119006	PT6-5	119198	PT6-5	119390	PT6-5	119599	PT6-5
119007	PT6-5	119200	PT6-5	119391	PT6-11	119600	PT6-6
119008	PT6-5	119206	PT6-5	119392	PT6-5	119601	PT6-6
119009	PT6-5	119209	PT6-5	119393	PT6-5	119602	PT6-6
119010	PT6-5	119211	PT6-11	119394	PT6-5	119603	PT6-6
119011	PT6-5	119212	PT6-11	119395	PT6-5	119604	PT6-6
119012	PT6-5	119213	PT6-5	119396	PT6-5	119605	PT6-6
119013	PT6-5	119214	PT6-5	119397	PT6-5	119606	PT6-6
119023	PT6-5	119215	PT6-5	119398	PT6-5	119607	PT6-6
119038	PT6-5	119216	PT6-5	119399	PT6-5	119608	PT6-6
119039	PT6-11	119217	PT6-5	119400	PT6-5	119609	PT6-6
119040	PT6-6	119219	PT6-5	119401	PT6-5	119610	PT6-6
119041	PT6-6	119220	PT6-5	119402	PT6-5	119611	PT6-6
119042	PT6-6	119221	PT6-5	119403	PT6-5	119612	PT6-6
119043	PT6-6	119222	PT6-5	119404	PT6-5	119613	PT6-6
119044	PT6-6	119223	PT6-5	119410	PT6-5	119614	PT6-6
119045	PT6-6	119224	PT6-5	119411	PT6-5	119615	PT6-6
119046	PT6-6	119225	PT6-5	119412	PT6-11	119616	PT6-6
119047	PT6-6	119226	PT6-5	119413	PT6-11	119617	PT6-6
119048	PT6-6	119227	PT6-5	119414	PT6-11	119618	PT6-6
119049	PT6-6	119228	PT6-5	119415	PT6-11	119619	PT6-6
119050	PT6-6	119229	PT6-5	119416	PT6-11	119620	PT6-6
119051	PT6-6	119236	PT6-5	119417	PT6-11	119621	PT6-6
119052	PT6-6	119241	PT6-5	119418	PT6-11	119622	PT6-6



PART NUMBER INDEX

Roller Chain Sprockets

Conveyor Components

Engineering

Part Number Index

Keyword Index

Part Number	Page	Part Number	Page	Part Number	Page	Part Number	Page
119623.	PT6-6	119718.	PT6-8	119787.	PT6-9	119920.	PT6-21
119624.	PT6-6	119719.	PT6-8	119788.	PT6-9	119921.	PT6-21
119625.	PT6-6	119719.	PT6-8	119789.	PT6-9	119922.	PT6-21
119626.	PT6-7	119720.	PT6-8	119790.	PT6-9	119923.	PT6-21
119627.	PT6-7	119721.	PT13-30	119791.	PT6-11	119924.	PT6-21
119628.	PT6-7	119722.	PT6-8	119792.	PT6-11	119925.	PT6-21
119629.	PT6-7	119723.	PT6-8	119793.	PT6-8	119926.	PT6-21
119630.	PT6-7	119724.	PT6-8	119795.	PT6-8	119927.	PT6-21
119640.	PT6-7	119725.	PT6-8	119796.	PT6-8	119928.	PT6-21
119641.	PT6-7	119726.	PT6-8	119797.	PT6-8	119929.	PT6-22
119642.	PT6-7	119727.	PT6-8	119798.	PT6-8	119930.	PT6-22
119643.	PT6-7	119728.	PT6-8	119799.	PT6-8	119931.	PT6-22
119644.	PT6-7	119729.	PT6-8	119808.	PT6-8	119932.	PT6-22
119645.	PT6-7	119730.	PT6-8	119809.	PT6-8	119933.	PT6-22
119646.	PT6-7	119731.	PT6-8	119810.	PT6-7	119934.	PT6-22
119647.	PT6-7	119732.	PT6-8	119811.	PT6-7	119935.	PT6-22
119648.	PT6-7	119733.	PT6-8	119812.	PT6-7	119936.	PT6-22
119649.	PT6-7	119734.	PT6-8	119813.	PT6-7	119937.	PT6-22
119650.	PT6-7	119735.	PT6-8	119814.	PT6-8	119938.	PT6-22
119651.	PT6-7	119736.	PT6-8	119815.	PT6-8	119940.	PT6-22
119652.	PT6-7	119737.	PT6-8	119816.	PT6-8	119941.	PT6-23
119653.	PT6-5	119738.	PT6-8	119817.	PT6-8	119942.	PT6-22
119654.	PT6-5	119739.	PT6-8	119818.	PT6-8	119943.	PT6-22
119655.	PT6-5	119740.	PT6-8	119819.	PT6-8	119944.	PT6-22
119656.	PT6-5	119741.	PT6-8	119820.	PT6-9	119945.	PT6-22
119657.	PT6-5	119742.	PT6-8	119860.	PT6-9	119946.	PT6-22
119658.	PT6-5	119743.	PT6-8	119861.	PT6-9	119947.	PT6-22
119659.	PT6-5	119744.	PT6-8	119862.	PT6-25	119948.	PT6-22
119660.	PT6-5	119745.	PT6-8	119863.	PT6-25	119949.	PT6-22
119661.	PT6-5	119746.	PT6-8	119864.	PT6-25	119950.	PT6-22
119662.	PT6-5	119747.	PT6-8	119865.	PT6-25	119951.	PT6-22
119663.	PT6-5	119748.	PT6-8	119866.	PT6-25	119952.	PT6-22
119664.	PT6-5	119749.	PT6-8	119867.	PT6-25	119953.	PT6-22
119665.	PT6-6	119750.	PT6-8	119868.	PT6-25	119954.	PT6-22
119666.	PT6-6	119751.	PT6-8	119869.	PT6-25	119955.	PT6-22
119667.	PT6-6	119752.	PT6-8	119870.	PT6-25	119956.	PT6-22
119668.	PT6-6	119753.	PT6-8	119876.	PT6-25	119957.	PT6-22
119669.	PT6-6	119754.	PT6-8	119877.	PT6-25	119958.	PT6-22
119670.	PT6-6	119755.	PT6-8	119878.	PT6-23	119959.	PT6-22
119671.	PT6-6	119756.	PT6-9	119879.	PT6-23	119960.	PT6-22
119672.	PT6-6	119757.	PT6-9	119880.	PT6-23	119961.	PT6-22
119673.	PT6-6	119758.	PT6-9	119881.	PT6-23	119962.	PT6-22
119674.	PT6-6	119759.	PT6-9	119882.	PT6-23	119963.	PT6-22
119675.	PT6-7	119760.	PT6-9	119883.	PT6-23	119965.	PT6-22
119676.	PT6-7	119761.	PT6-9	119884.	PT6-23	119966.	PT6-23
119677.	PT6-7	119762.	PT6-9	119885.	PT6-23	119967.	PT6-22
119678.	PT6-7	119763.	PT6-9	119886.	PT6-23	119968.	PT6-22
119679.	PT6-7	119764.	PT6-9	119894.	PT6-23	119969.	PT6-22
119680.	PT6-7	119765.	PT6-9	119895.	PT6-23	119970.	PT6-22
119681.	PT6-7	119766.	PT6-9	119899.	PT6-22	119971.	PT6-22
119682.	PT6-7	119767.	PT6-9	119900.	PT6-7, PT6-8	119972.	PT6-22
119683.	PT6-7	119768.	PT6-11	119901.	PT6-22	119973.	PT6-22
119700.	PT6-7	119769.	PT6-11	119902.	PT6-21	119974.	PT6-22
119701.	PT6-8	119770.	PT6-11	119903.	PT6-21	119975.	PT6-22
119702.	PT6-11	119771.	PT6-11	119904.	PT6-21	119976.	PT6-22
119703.	PT6-11	119772.	PT6-8	119905.	PT6-21	119977.	PT6-22
119704.	PT6-8	119773.	PT6-8	119906.	PT6-21	119978.	PT6-22
119705.	PT6-8	119774.	PT6-8	119907.	PT6-21	119979.	PT6-22
119706.	PT6-8	119775.	PT6-8	119908.	PT6-21	119980.	PT6-22
119707.	PT6-8	119776.	PT6-8	119909.	PT6-21	119982.	PT6-23
119708.	PT6-8	119777.	PT6-8	119910.	PT6-21	119983.	PT6-22
119709.	PT6-8	119778.	PT6-8	119911.	PT6-21	119984.	PT6-22
119710.	PT6-8	119779.	PT6-8	119912.	PT6-21	119985.	PT6-22
119711.	PT6-8	119780.	PT6-8	119913.	PT6-21	119986.	PT6-22
119712.	PT13-30	119781.	PT6-8	119914.	PT6-21	119987.	PT6-22
119713.	PT6-8	119782.	PT6-8	119915.	PT6-21	120011.	PT6-22
119714.	PT6-8	119783.	PT6-8	119916.	PT6-21	120012.	PT6-22
119715.	PT6-8	119784.	PT6-8	119917.	PT6-21	120013.	PT6-15
119716.	PT6-8	119785.	PT6-8	119918.	PT6-21	120014.	PT6-15
119717.	PT6-8	119786.	PT6-9	119919.	PT6-21	120015.	PT6-15

PART NUMBER INDEX



Part Number	Page	Part Number	Page	Part Number	Page	Part Number	Page
120016	PT6-15	120139	PT6-20	120354	PT6-18	120424	PT6-19
120017	PT6-15	120140	PT6-20	120355	PT6-18	120425	PT6-19
120018	PT6-15	120141	PT6-20	120356	PT6-18	120426	PT6-19
120050	PT6-15	120142	PT6-20	120357	PT6-18	120427	PT6-19
120051	PT6-15	120143	PT6-20	120358	PT6-18	120428	PT6-19
120052	PT6-23	120144	PT6-20	120359	PT6-18	120429	PT6-19
120053	PT6-23	120145	PT6-20	120360	PT6-18	120430	PT6-19
120054	PT6-23	120146	PT6-20	120361	PT6-18	120431	PT6-19
120055	PT6-23	120147	PT6-20	120362	PT6-18	120432	PT6-19
120056	PT6-23	120148	PT6-20	120363	PT6-18	120433	PT6-19
120057	PT6-23	120149	PT6-21	120364	PT6-18	120434	PT6-19
120058	PT6-23	120150	PT6-21	120365	PT6-18	120435	PT6-19
120070	PT6-23	120151	PT6-21	120366	PT6-19	120436	PT6-19
120071	PT6-23	120152	PT6-21	120367	PT6-19	120437	PT6-19
120073	PT6-19	120153	PT6-21	120368	PT6-19	120438	PT6-19
120074	PT6-20	120154	PT6-21	120369	PT6-19	120439	PT6-19
120075	PT6-20	120155	PT6-21	120370	PT6-19	120440	PT6-19
120076	PT6-20	120157	PT6-21	120371	PT6-19	120441	PT6-19
120077	PT6-20	120158	PT6-21	120372	PT6-19	120442	PT6-19
120088	PT6-21	120159	PT6-21	120373	PT6-19	120443	PT6-19
120089	PT6-21	120160	PT6-21	120374	PT6-19	120444	PT6-19
120090	PT6-18	120161	PT6-21	120375	PT6-19	120445	PT6-19
120091	PT6-18	120162	PT6-21	120376	PT6-19	120447	PT6-19
120092	PT6-18	120163	PT6-21	120377	PT6-19	120448	PT6-19
120093	PT6-18	120164	PT6-21	120378	PT6-19	120449	PT6-19
120094	PT6-18	120165	PT6-21	120379	PT6-19	120450	PT6-19
120095	PT6-18	120166	PT6-21	120380	PT6-19	120451	PT6-19
120096	PT6-19	120167	PT6-21	120381	PT6-19	120452	PT6-19
120097	PT6-19	120180	PT6-21	120382	PT6-19	120453	PT6-19
120098	PT6-19	120181	PT6-21	120383	PT6-19	120454	PT6-19
120099	PT6-19	120182	PT6-22	120384	PT6-19	120455	PT6-19
120100	PT6-19	120183	PT6-22	120385	PT6-19	120456	PT6-19
120101	PT6-19	120186	PT6-22	120386	PT6-19	120457	PT6-19
120102	PT6-19	120188	PT6-22	120387	PT6-19	120458	PT6-19
120103	PT6-19	120189	PT6-22	120388	PT6-19	120459	PT6-19
120104	PT6-19	120190	PT6-22	120389	PT6-19	120460	PT6-19
120105	PT6-19	120191	PT6-22	120390	PT6-18	120461	PT6-19
120106	PT6-19	120192	PT6-22	120391	PT6-18	120462	PT6-19
120107	PT6-19	120193	PT6-22	120392	PT6-18	120463	PT6-20
120108	PT6-19	120194	PT6-22	120393	PT6-18	120464	PT6-20
120109	PT6-19	120196	PT6-22	120394	PT6-18	120465	PT6-20
120110	PT6-19	120197	PT6-22	120395	PT6-18	120466	PT6-20
120111	PT6-19	120198	PT6-22	120396	PT6-18	120467	PT6-20
120112	PT6-19	120199	PT6-22	120397	PT6-18	120468	PT6-20
120113	PT6-19	120200	PT6-22	120398	PT6-18	120469	PT6-20
120114	PT6-19	120276	PT6-22	120399	PT6-18	120470	PT6-20
120115	PT6-19	120328	PT6-22	120400	PT6-18	120471	PT6-20
120116	PT6-19	120329	PT6-23	120401	PT6-18	120472	PT6-20
120117	PT6-19	120332	PT6-22	120402	PT6-18	120473	PT6-20
120118	PT6-19	120333	PT6-18	120403	PT6-18	120474	PT6-20
120119	PT6-19	120334	PT6-18	120404	PT6-18	120475	PT6-20
120120	PT6-19	120335	PT6-18	120405	PT6-19	120476	PT6-20
120121	PT6-19	120336	PT6-18	120406	PT6-19	120477	PT6-20
120122	PT6-19	120337	PT6-18	120407	PT6-19	120478	PT6-20
120123	PT6-19	120338	PT6-18	120408	PT6-19	120479	PT6-20
120124	PT6-19	120339	PT6-18	120409	PT6-19	120482	PT6-20
120125	PT6-19	120340	PT6-18	120410	PT6-19	120483	PT6-20
120126	PT6-20	120341	PT6-18	120411	PT6-19	120484	PT6-20
120127	PT6-20	120342	PT6-18	120412	PT6-19	120485	PT6-20
120128	PT6-20	120343	PT6-18	120413	PT6-19	120486	PT6-20
120129	PT6-20	120344	PT6-18	120414	PT6-19	120487	PT6-20
120130	PT6-20	120345	PT6-18	120415	PT6-19	120488	PT6-20
120131	PT6-20	120346	PT6-18	120416	PT6-19	120490	PT6-20
120132	PT6-20	120347	PT6-18	120417	PT6-19	120492	PT6-20
120133	PT6-20	120348	PT6-18	120418	PT6-19	120493	PT6-20
120134	PT6-20	120349	PT6-18	120419	PT6-19	120494	PT6-20
120135	PT6-20	120350	PT6-18	120420	PT6-19	120495	PT6-20
120136	PT6-20	120351	PT6-18	120421	PT6-19	120496	PT6-20
120137	PT6-20	120352	PT6-18	120422	PT6-19	120497	PT6-20
120138	PT6-20	120353	PT6-18	120423	PT6-19	120498	PT6-20



PART NUMBER INDEX

Roller Chain Sprockets

Conveyor Components

Engineering

Part Number Index

Keyword Index

Part Number	Page	Part Number	Page	Part Number	Page	Part Number	Page
120499	PT6-20	120578	PT6-21	120886	PT8-5	120990	PT8-5
120500	PT6-20	120579	PT6-21	120887	PT8-5	120991	PT8-5
120501	PT6-20	120580	PT6-21	120888	PT8-5	120992	PT8-5
120502	PT6-20	120580	PT6-21	120889	PT8-5	120994	PT8-5
120503	PT6-20	120581	PT6-18	120890	PT8-5	120995	PT8-5
120504	PT6-20	120592	PT3-18	120892	PT8-5	120996	PT8-5
120505	PT6-20	120595	PT6-19	120893	PT8-5	120997	PT8-5
120506	PT6-20	120595	PT6-20	120894	PT8-5	120998	PT8-5
120507	PT6-20	120600	PT6-23	120895	PT8-5	121000	PT8-5
120508	PT6-20	120601	PT8-7	120896	PT8-5	121001	PT8-5
120509	PT6-20	120603	PT6-21	120897	PT8-5	121008	PT8-5
120510	PT6-20	120604	PT6-21	120899	PT8-5	121009	PT8-5
120511	PT6-20	120605	PT6-21	120900	PT8-5	121010	PT8-7
120512	PT6-20	120606	PT6-21	120901	PT8-5	121011	PT8-8
120513	PT6-20	120607	PT6-21	120902	PT8-5	121012	PT8-5
120514	PT6-20	120608	PT6-21	120903	PT8-5	121013	PT8-5
120516	PT6-20	120609	PT6-21	120910	PT8-5	121014	PT8-5
120517	PT6-20	120610	PT6-21	120911	PT8-5	121015	PT8-5
120518	PT6-20	120611	PT6-21	120912	PT8-5	121016	PT8-5
120519	PT6-20	120612	PT6-21	120913	PT8-5	121017	PT8-5
120520	PT6-20	120613	PT6-21	120914	PT8-5	121018	PT8-8
120521	PT6-20	120614	PT6-21	120915	PT8-5	121019	PT8-7
120522	PT6-20	120615	PT6-21	120916	PT8-5	121020	PT8-7
120524	PT6-20	120617	PT6-21	120917	PT8-5	121021	PT8-7
120525	PT6-20	120618	PT6-21	120918	PT8-5	121022	PT8-7
120526	PT6-20	120619	PT6-21	120919	PT8-5	121023	PT8-7
120527	PT6-20	120620	PT6-21	120920	PT8-5	121024	PT8-7
120528	PT6-20	120621	PT6-21	120921	PT8-5	121025	PT8-7
120529	PT6-20	120622	PT6-21	120922	PT8-5	121026	PT8-7
120530	PT6-20	120623	PT6-21	120923	PT8-5	121027	PT8-7
120531	PT6-20	120624	PT6-21	120924	PT8-5	121028	PT8-7
120533	PT6-20	120625	PT6-21	120925	PT8-5	121029	PT8-7
120534	PT6-20	120626	PT6-21	120926	PT8-5	121030	PT8-7
120535	PT6-20	120627	PT6-21	120927	PT8-5	121031	PT8-7
120537	PT6-20	120628	PT6-21	120929	PT8-5	121032	PT8-7
120538	PT6-20	120629	PT6-21	120930	PT8-5	121033	PT8-7
120539	PT6-20	120630	PT6-21	120932	PT8-5	121034	PT8-7
120540	PT6-20	120631	PT6-21	120933	PT8-5	121035	PT8-7
120541	PT6-20	120632	PT6-21	120942	PT8-5	121036	PT8-7
120542	PT6-20	120633	PT6-21	120943	PT8-5	121037	PT8-7
120543	PT6-20	120634	PT6-21	120945	PT8-5	121038	PT8-7
120544	PT6-20	120635	PT6-21	120946	PT8-5	121039	PT8-7
120545	PT6-20	120636	PT6-21	120947	PT8-5	121040	PT8-7
120546	PT6-20	120637	PT6-21	120949	PT8-5	121041	PT8-7
120547	PT6-20	120847	PT6-21	120949	PT8-5	121042	PT8-7
120548	PT6-20	120848	PT6-21	120950	PT8-5	121043	PT8-7
120549	PT6-20	120850	PT8-5	120951	PT8-5	121043	PT8-7
120550	PT6-20	120851	PT8-5	120952	PT8-5	121044	PT8-7
120551	PT6-20	120852	PT8-5	120953	PT8-5	121045	PT8-7
120552	PT6-20	120853	PT8-5	120954	PT8-5	121046	PT8-7
120553	PT6-20	120854	PT8-5	120955	PT8-5	121048	PT8-7
120554	PT6-21	120855	PT8-5	120956	PT8-5	121049	PT8-7
120555	PT6-21	120856	PT8-5	120957	PT8-5	121050	PT8-7
120557	PT6-21	120857	PT8-5	120958	PT8-5	121051	PT8-7
120558	PT6-21	120858	PT8-5	120959	PT8-5	121052	PT8-7
120559	PT6-21	120859	PT8-5	120960	PT8-5	121053	PT8-7
120560	PT6-21	120860	PT8-5	120961	PT8-5	121054	PT8-7
120561	PT6-21	120861	PT8-5	120962	PT8-5	121055	PT8-7
120562	PT6-21	120862	PT8-5	120963	PT8-5	121056	PT8-7
120563	PT6-21	120863	PT8-5	120972	PT8-5	121057	PT8-7
120565	PT6-21	120864	PT8-5	120973	PT8-5	121058	PT8-7
120566	PT6-21	120865	PT8-5	120974	PT8-5	121059	PT8-7
120567	PT6-21	120866	PT8-5	120975	PT8-5	121059	PT8-7
120569	PT6-21	120867	PT8-5	120976	PT8-5	121060	PT8-7
120570	PT6-21	120874	PT8-5	120977	PT8-5	121061	PT8-7
120571	PT6-21	120875	PT8-5	120978	PT8-5	121062	PT8-7
120573	PT6-21	120876	PT8-5	120978	PT8-5	121063	PT8-7
120574	PT6-21	120877	PT8-5	120980	PT8-5	121064	PT8-7
120575	PT6-21	120878	PT8-5	120981	PT8-5	121065	PT8-7
120577	PT6-21	120885	PT8-5	120982	PT8-5	121066	PT8-7
				120985	PT8-5	121067	PT8-7
				120989	PT8-5	121068	PT8-7

PART NUMBER INDEX



Part Number	Page	Part Number	Page	Part Number	Page	Part Number	Page
121069.	PT8-7	121149.	PT6-18, PT8-7	121286.	PT8-9	121586.	PT8-3
121070.	PT8-7	121151.	PT6-18, PT8-7	121287.	PT8-9	121587.	PT8-3
121072.	PT8-7	121152.	PT6-18	121288.	PT8-9	121588.	PT8-3
121073.	PT8-7	121154.	PT6-18, PT8-7	121290.	PT8-9	121589.	PT8-3
121074.	PT8-8	121162.	PT8-7	121293.	PT8-9	121590.	PT8-3
121075.	PT8-8	121163.	PT6-18, PT8-7	121294.	PT8-9	121591.	PT8-3
121076.	PT8-8	121164.	PT6-18, PT8-7	121295.	PT8-9	121592.	PT8-3
121077.	PT8-8	121186.	PT6-18, PT8-7	121467.	PT8-9	121593.	PT8-3
121078.	PT8-8	121187.	PT6-18, PT8-7	121467.	PT8-9	121594.	PT8-3
121079.	PT8-8	121203.	PT6-18	121503.	PT7-141	121595.	PT8-3
121080.	PT8-8	121207.	PT6-18, PT8-7	121521.	PT8-9	121596.	PT8-3
121081.	PT8-8	121208.	PT6-18	121527.	PT6-18	121597.	PT8-3
121082.	PT8-8	121209.	PT8-7	121528.	PT8-7	121598.	PT8-3
121083.	PT8-8	121210.	PT8-9	121529.	PT8-3	121599.	PT8-3
121084.	PT8-8	121211.	PT8-9	121530.	PT8-5	121600.	PT8-3
121085.	PT8-8	121212.	PT8-9	121531.	PT8-5	121601.	PT8-3
121086.	PT8-8	121213.	PT8-9	121532.	PT8-5	121602.	PT8-3
121087.	PT8-8	121214.	PT8-9	121533.	PT8-7	121609.	PT8-3
121088.	PT8-8	121215.	PT8-9	121534.	PT8-3	121610.	PT8-3
121089.	PT8-8	121216.	PT8-9	121535.	PT8-3	121611.	PT8-3
121090.	PT8-8	121217.	PT8-9	121536.	PT8-3	121612.	PT8-3
121091.	PT8-8	121218.	PT8-9	121537.	PT8-3	121620.	PT8-3
121092.	PT8-8	121219.	PT8-9	121538.	PT8-3	121621.	PT8-3
121093.	PT8-8	121220.	PT8-9	121539.	PT8-3	121622.	PT8-3
121094.	PT8-8	121221.	PT8-9	121540.	PT8-3	121623.	PT8-3
121095.	PT8-8	121222.	PT8-9	121541.	PT8-3	121624.	PT8-3
121096.	PT8-8	121223.	PT8-9	121542.	PT8-3	121626.	PT8-3
121097.	PT8-8	121224.	PT8-9	121543.	PT8-3	121627.	PT8-3
121098.	PT8-8	121225.	PT8-9	121544.	PT8-3	121628.	PT8-3
121099.	PT8-8	121226.	PT8-9	121545.	PT8-3	121629.	PT8-3
121100.	PT8-8	121227.	PT8-9	121546.	PT8-3	121631.	PT8-3
121101.	PT8-8	121228.	PT8-9	121547.	PT8-3	121632.	PT8-3
121102.	PT8-8	121229.	PT8-9	121548.	PT8-3	121633.	PT8-3
121103.	PT8-8	121230.	PT8-9	121549.	PT8-3	121634.	PT8-3
121105.	PT8-8	121231.	PT8-9	121550.	PT8-3	121636.	PT8-3
121106.	PT8-8	121232.	PT8-9	121551.	PT8-3	121637.	PT8-3
121107.	PT8-8	121233.	PT8-9	121552.	PT8-3	121638.	PT8-3
121108.	PT8-8	121234.	PT8-9	121553.	PT8-3	121639.	PT8-3
121109.	PT8-8	121235.	PT8-9	121554.	PT8-3	121640.	PT8-3
121110.	PT8-8	121236.	PT8-9	121555.	PT8-3	121642.	PT8-3
121111.	PT8-8	121237.	PT8-9	121556.	PT8-3	121643.	PT8-3
121112.	PT8-8	121239.	PT8-9	121557.	PT8-3	121644.	PT8-3
121113.	PT8-8	121240.	PT8-9	121558.	PT8-3	121645.	PT8-3
121114.	PT8-8	121241.	PT8-9	121559.	PT8-3	121646.	PT8-3
121115.	PT8-8	121242.	PT8-9	121560.	PT8-3	121647.	PT8-3
121116.	PT8-8	121243.	PT8-9	121561.	PT8-3	121649.	PT8-3
121117.	PT8-8	121244.	PT8-9	121562.	PT8-3	121650.	PT8-3
121118.	PT8-8	121246.	PT8-9	121563.	PT8-3	121651.	PT8-3
121119.	PT8-8	121247.	PT8-9	121564.	PT8-3	121652.	PT8-3
121120.	PT8-8	121248.	PT8-9	121565.	PT8-3	121653.	PT8-3
121121.	PT8-8	121249.	PT8-9	121566.	PT8-3	121654.	PT8-3
121122.	PT8-8	121251.	PT8-9	121567.	PT8-3	121655.	PT8-3
121123.	PT8-8	121266.	PT8-9	121568.	PT8-3	121656.	PT8-3
121124.	PT8-8	121267.	PT8-9	121569.	PT8-3	121657.	PT8-3
121125.	PT8-8	121268.	PT8-9	121570.	PT8-3	121658.	PT8-3
121126.	PT8-8	121269.	PT8-9	121571.	PT8-3	121659.	PT8-3
121127.	PT8-8	121270.	PT8-9	121572.	PT8-3	121660.	PT8-3
121129.	PT8-8	121271.	PT8-9	121573.	PT8-3	121661.	PT8-3
121130.	PT6-18, PT8-7	121272.	PT8-9	121574.	PT8-3	121662.	PT8-3
121131.	PT6-18, PT8-7	121273.	PT8-9	121575.	PT8-3	121663.	PT8-3
121133.	PT6-18, PT8-7	121274.	PT8-9	121576.	PT8-3	121664.	PT8-3
121134.	PT6-18, PT8-7	121275.	PT8-9	121577.	PT8-3	121665.	PT8-5
121136.	PT6-18, PT8-7	121276.	PT8-9	121578.	PT8-3	121666.	PT8-3
121138.	PT6-18, PT8-7	121277.	PT8-9	121579.	PT8-3	121668.	PT8-3
121140.	PT6-18, PT8-7	121278.	PT8-9	121580.	PT8-3	121669.	PT8-3
121144.	PT6-18, PT8-7	121279.	PT8-9	121581.	PT8-3	121670.	PT8-3
121145.	PT6-18, PT8-7	121281.	PT8-9	121582.	PT8-3	121671.	PT8-3
121146.	PT6-18, PT8-7	121282.	PT8-9	121583.	PT8-3	121672.	PT8-5
121147.	PT6-18, PT8-7	121283.	PT8-9	121584.	PT8-3	121673.	PT8-3
121148.	PT6-18, PT8-7	121285.	PT8-9	121585.	PT8-3	121674.	PT8-3



PART NUMBER INDEX

Roller Chain Sprockets

Conveyor Components

Engineering

Part Number Index

Keyword Index

Part Number	Page	Part Number	Page	Part Number	Page	Part Number	Page
121676	PT8-3	121749	PT8-6	121857	PT8-4	121934	PT8-4
121677	PT8-3	121750	PT8-6	121858	PT8-4	121935	PT8-4
121678	PT8-3	121751	PT8-6	121859	PT8-4	121937	PT8-4
121679	PT8-3	121752	PT8-6	121860	PT8-4	121939	PT8-4
121680	PT8-3	121753	PT8-6	121861	PT8-4	121940	PT8-4
121681	PT8-3	121754	PT8-6	121862	PT8-4	121941	PT8-4
121682	PT8-3	121755	PT8-6	121863	PT8-4	121943	PT8-4
121683	PT8-3	121756	PT8-6	121864	PT8-4	121944	PT8-4
121684	PT8-3	121757	PT8-6	121865	PT8-4	121945	PT8-4
121685	PT8-3	121759	PT8-6	121866	PT8-4	121947	PT8-4
121686	PT8-5	121760	PT8-6	121867	PT8-4	121948	PT8-4
121687	PT8-5	121761	PT8-6	121868	PT8-4	121949	PT8-4
121688	PT8-5	121762	PT8-6	121869	PT8-4	121951	PT8-4
121689	PT8-5	121763	PT8-6	121870	PT8-4	121953	PT8-4
121690	PT8-5	121764	PT8-6	121871	PT8-4	121954	PT8-4
121691	PT8-5	121765	PT8-6	121872	PT8-4	121957	PT8-4
121692	PT8-5	121766	PT8-6	121873	PT8-4	121958	PT8-4
121693	PT8-5	121767	PT8-6	121874	PT8-4	121959	PT8-4
121694	PT8-5	121768	PT8-6	121875	PT8-4	121960	PT8-4
121695	PT8-5	121772	PT8-6	121876	PT8-4	121961	PT8-4
121696	PT8-5	121773	PT8-6	121877	PT8-4	121963	PT8-4
121697	PT8-5	121774	PT8-6	121878	PT8-4	121964	PT8-4
121698	PT8-5	121776	PT8-6	121879	PT8-4	121966	PT8-6
121699	PT8-5	121777	PT8-6	121880	PT8-4	121967	PT8-6
121700	PT8-5	121778	PT8-6	121881	PT8-4	121969	PT8-6
121701	PT8-5	121780	PT8-6	121882	PT8-4	121970	PT8-6
121703	PT8-5	121782	PT8-6	121883	PT8-4	121971	PT8-6
121704	PT8-5	121783	PT8-6	121884	PT8-4	121972	PT8-6
121705	PT8-5	121784	PT8-6	121885	PT8-4	121973	PT8-6
121706	PT8-5	121786	PT8-6	121886	PT8-4	121974	PT8-6
121707	PT8-6	121787	PT8-6	121887	PT8-4	121975	PT8-6
121708	PT8-6	121788	PT8-6	121888	PT8-4	121977	PT8-6
121709	PT8-6	121789	PT8-6	121891	PT8-4	121978	PT8-6
121710	PT8-5	121793	PT8-6	121892	PT8-4	121979	PT8-6
121711	PT8-5	121796	PT8-6	121893	PT8-4	121980	PT8-6
121712	PT8-5	121797	PT8-6	121895	PT8-4	121981	PT8-6
121713	PT8-5	121798	PT8-6	121896	PT8-4	121982	PT8-6
121714	PT8-5	121799	PT8-6	121897	PT8-4	121983	PT8-6
121715	PT8-5	121800	PT8-6	121899	PT8-4	121984	PT8-6
121716	PT8-6	121803	PT8-6	121900	PT8-4	121986	PT8-6
121717	PT8-6	121809	PT8-6	121901	PT8-4	121987	PT8-6
121718	PT8-5	121810	PT8-6	121902	PT8-4	121988	PT8-6
121719	PT8-5	121811	PT8-3	121903	PT8-4	121989	PT8-6
121720	PT8-5	121820	PT8-3	121904	PT8-4	121990	PT8-6
121722	PT8-5	121821	PT8-3	121905	PT8-4	121991	PT8-6
121723	PT8-5	121823	PT8-3	121906	PT8-4	121993	PT8-6
121724	PT8-5	121833	PT8-3	121907	PT8-4	121994	PT8-6
121725	PT8-6	121834	PT8-3	121909	PT8-4	121995	PT8-6
121726	PT8-5	121835	PT8-3	121910	PT8-4	121996	PT8-6
121727	PT8-5	121836	PT8-3	121911	PT8-4	121997	PT8-6
121728	PT8-5	121837	PT8-5	121912	PT8-4	121998	PT8-6
121729	PT8-5	121838	PT8-5	121913	PT8-4	122050	PT8-6
121730	PT8-5	121839	PT8-4	121914	PT8-4	122051	PT8-6
121731	PT8-5	121840	PT8-4	121916	PT8-4	122052	PT6-18, PT8-7
121732	PT8-6	121841	PT8-4	121917	PT8-4	122053	PT6-18, PT8-7
121733	PT8-6	121842	PT8-4	121918	PT8-4	122054	PT6-18, PT8-7
121734	PT8-6	121843	PT8-4	121919	PT8-4	122055	PT6-18, PT8-7
121736	PT8-6	121844	PT8-4	121920	PT8-4	122056	PT6-18, PT8-7
121737	PT8-6	121845	PT8-4	121921	PT8-4	122090	PT6-18, PT8-7
121738	PT8-6	121846	PT8-4	121922	PT8-4	122091	PT6-18, PT8-7
121739	PT8-6	121847	PT8-4	121923	PT8-4	122092	PT9-8
121740	PT8-6	121848	PT8-4	121924	PT8-4	122093	PT9-8
121741	PT8-6	121849	PT8-4	121925	PT8-4	122094	PT9-8
121742	PT8-6	121850	PT8-4	121926	PT8-4	122095	PT9-8
121743	PT8-6	121851	PT8-4	121927	PT8-4	122096	PT9-8
121744	PT8-6	121852	PT8-4	121928	PT8-4	122097	PT9-8
121745	PT8-6	121853	PT8-4	121930	PT8-4	122098	PT9-8
121746	PT8-6	121854	PT8-4	121931	PT8-4	122100	PT9-8
121747	PT8-6	121855	PT8-4	121932	PT8-4	122101	PT9-8
121748	PT8-6	121856	PT8-4	121933	PT8-4	122102	PT9-8

PART NUMBER INDEX



Part Number	Page	Part Number	Page	Part Number	Page	Part Number	Page
122103.	PT9-8	127146.	PT8-3	127237.	PT8-4	127403.	PT8-5
122104.	PT9-8	127147.	PT8-3	127238.	PT8-4	127404.	PT8-9
122114.	PT9-8	127148.	PT8-3	127239.	PT8-4	127405.	PT8-9
122115.	PT9-8	127149.	PT8-3	127240.	PT8-4	127406.	PT8-9
122116.	PT9-6	127150.	PT8-3	127241.	PT8-4	127407.	PT8-9
122118.	PT9-6	127151.	PT8-3	127242.	PT8-4	127408.	PT8-9
122120.	PT9-6	127152.	PT8-3	127243.	PT8-5	127409.	PT8-9
122121.	PT9-6	127153.	PT8-3	127244.	PT8-4	127410.	PT8-9
122122.	PT9-5	127154.	PT8-3	127245.	PT8-4	127411.	PT8-9
122123.	PT9-5	127155.	PT8-3	127246.	PT8-4	127412.	PT8-9
122275.	PT9-5	127156.	PT8-3	127247.	PT8-4	127413.	PT8-9
122276.	PT9-5	127157.	PT8-3	127248.	PT8-4	127414.	PT8-9
122277.	PT9-5	127158.	PT8-3	127249.	PT8-4	127415.	PT8-9
122278.	PT9-5	127159.	PT8-3	127250.	PT8-4	127416.	PT8-9
122279.	PT12-17	127160.	PT8-3	127252.	PT8-5	127417.	PT8-9
122280.	PT12-17	127161.	PT8-5	127254.	PT8-4	127418.	PT8-9
122480.	PT12-17	127162.	PT8-4	127255.	PT8-4	127419.	PT8-9
122481.	PT12-17	127163.	PT8-4	127256.	PT8-4	127420.	PT8-9
122482.	PT12-17	127164.	PT8-4	127257.	PT8-5	127421.	PT8-9
122483.	PT12-17	127165.	PT8-4	127258.	PT8-5	127422.	PT8-9
122484.	PT13-27	127166.	PT8-4	127259.	PT8-5	127423.	PT8-9
122485.	PT13-27	127169.	PT8-4	127260.	PT8-5	127424.	PT8-9
122486.	PT13-27	127170.	PT8-4	127261.	PT8-5	127425.	PT8-9
122487.	PT13-27	127171.	PT8-4	127262.	PT8-5	127426.	PT8-9
122488.	PT13-27	127172.	PT8-4	127263.	PT8-5	127427.	PT8-9
127100.	PT13-27	127173.	PT8-4	127264.	PT8-5	127428.	PT8-9
127101.	PT13-27	127174.	PT8-4	127265.	PT8-5	127429.	PT8-9
127102.	PT13-27	127175.	PT8-4	127266.	PT8-5	127430.	PT8-9
127103.	PT13-27	127176.	PT8-4	127267.	PT8-5	127431.	PT8-9
127104.	PT8-3	127177.	PT8-5	127268.	PT8-5	127432.	PT8-9
127105.	PT8-3	127178.	PT8-5	127269.	PT8-5	127434.	PT8-9
127106.	PT8-3	127179.	PT8-5	127270.	PT8-5	127435.	PT8-9
127107.	PT8-3	127180.	PT8-5	127271.	PT8-5	127436.	PT8-9
127108.	PT8-3	127181.	PT8-5	127272.	PT8-5	127437.	PT8-9
127109.	PT8-3	127182.	PT8-5	127273.	PT8-5	127438.	PT8-9
127110.	PT8-3	127183.	PT8-5	127274.	PT8-5	127439.	PT8-9
127111.	PT8-3	127184.	PT8-5	127275.	PT8-5	127440.	PT8-3
127112.	PT8-3	127185.	PT8-5	127276.	PT8-5	127441.	PT8-3
127113.	PT8-3	127186.	PT8-5	127277.	PT8-5	127442.	PT8-3
127114.	PT8-3	127187.	PT8-5	127278.	PT8-5	127443.	PT8-4
127115.	PT8-3	127201.	PT8-5	127279.	PT8-5	127444.	PT8-4
127116.	PT8-3	127206.	PT8-5	127280.	PT8-5	127445.	PT8-9
127117.	PT8-3	127209.	PT8-5	127281.	PT8-5	127446.	PT8-5
127118.	PT8-3	127210.	PT8-5	127282.	PT8-5	127447.	PT8-5
127119.	PT8-3	127211.	PT8-5	127283.	PT8-5	129911.	PT8-9
127120.	PT8-3	127212.	PT8-5	127284.	PT8-5	129912.	PT8-9
127121.	PT8-3	127213.	PT8-3	127285.	PT8-6	129913.	PT8-9
127122.	PT8-3	127214.	PT8-3	127286.	PT8-6	129920.	PT8-9
127123.	PT8-3	127215.	PT8-3	127287.	PT8-6	129923.	PT1-10
127124.	PT8-3	127216.	PT8-3	127288.	PT8-6	129926.	PT1-10
127125.	PT8-3	127217.	PT8-3	127289.	PT8-6	129931.	PT1-10
127126.	PT8-3	127218.	PT8-3	127290.	PT8-6	129932.	PT1-10
127128.	PT8-3	127219.	PT8-3	127291.	PT8-6	129937.	PT1-10
127129.	PT8-3	127220.	PT8-3	127292.	PT8-6	129946.	PT1-10
127130.	PT8-3	127221.	PT8-3	127293.	PT8-6	129950.	PT1-10
127131.	PT8-3	127222.	PT8-3	127294.	PT8-6	129953.	PT1-10
127132.	PT8-3	127223.	PT8-3	127295.	PT8-6	129954.	PT1-10
127133.	PT8-3	127224.	PT8-3	127296.	PT8-6	129956.	PT1-10
127134.	PT8-3	127225.	PT8-5	127297.	PT8-6	129961.	PT1-10
127135.	PT8-3	127226.	PT8-3	127298.	PT8-6	129964.	PT1-10
127136.	PT8-3	127227.	PT8-3	127299.	PT8-6	129987.	PT1-10
127137.	PT8-3	127228.	PT8-3	127300.	PT8-6	136432.	PT1-10
127138.	PT8-3	127229.	PT8-5	127301.	PT8-6	136433.	PT1-10
127139.	PT8-3	127230.	PT8-3	127302.	PT8-6	136434.	PT1-10
127140.	PT8-3	127231.	PT8-3	127303.	PT8-6	136435.	PT1-10
127141.	PT8-3	127232.	PT8-3	127304.	PT8-6	136436.	PT1-10
127142.	PT8-3	127233.	PT8-4	127305.	PT8-5	136437.	PT1-10
127143.	PT8-3	127234.	PT8-4	127400.	PT8-5	136438.	PT1-10
127144.	PT8-3	127235.	PT8-4	127401.	PT8-5	136439.	PT1-10
127145.	PT8-3	127236.	PT8-4	127402.	PT8-5	136440.	PT1-10



PART NUMBER INDEX

Roller Chain Sprockets

Conveyor Components

Engineering

Part Number Index

Keyword Index

Part Number	Page	Part Number	Page	Part Number	Page	Part Number	Page
136441	PT1-10	142142	PT11-17	142348	PT11-18	146453	PT11-17
136442	PT1-10	142143	PT11-17	142349	PT11-18	146454	PT11-17
136443	PT1-10	142145	PT11-17	142350	PT11-18	146455	PT11-17
136444	PT1-10	142146	PT11-17	142351	PT11-18	146456	PT11-17
136445	PT1-10	142147	PT11-17	142352	PT11-18	146457	PT11-17
136446	PT1-10	142148	PT11-17	142353	PT11-18	146458	PT11-17
136447	PT1-10	142149	PT11-17	142354	PT11-18	146459	PT11-17
136448	PT1-10	142150	PT11-17	142355	PT11-18	146460	PT11-17
136449	PT1-10	142151	PT11-17	142356	PT11-18	146461	PT11-17
136450	PT1-10	142152	PT11-17	142357	PT11-18	146462	PT11-17
136451	PT1-10	142288	PT11-17	142358	PT11-18	146463	PT11-17
136453	PT1-10	142289	PT11-17	142359	PT11-18	146464	PT11-17
136454	PT1-10	142290	PT11-17	142360	PT11-18	146465	PT11-17
136455	PT1-10	142291	PT11-17	142361	PT11-18	146466	PT11-17
136456	PT1-10	142292	PT11-18	142362	PT11-18	146467	PT11-17
136457	PT1-10	142293	PT11-18	144109	PT11-18	146468	PT11-17
136458	PT1-10	142294	PT11-18	144110	PT11-18	146469	PT11-17
136459	PT1-10	142295	PT11-18	146400	PT11-18	146470	PT11-17
136460	PT1-10	142296	PT11-18	146401	PT11-18	146471	PT11-17
136461	PT1-10	142297	PT11-18	146402	PT3-16	146472	PT11-17
136462	PT1-10	142298	PT11-18	146403	PT3-16	146473	PT11-17
136463	PT1-10	142299	PT11-18	146404	PT11-17	146474	PT11-17
136464	PT1-10	142300	PT11-18	146405	PT11-17	146475	PT11-17
136465	PT1-10	142301	PT11-18	146406	PT11-17	146476	PT11-17
136466	PT1-10	142302	PT11-18	146407	PT11-17	146477	PT11-17
136467	PT1-10	142303	PT11-18	146408	PT11-17	146478	PT11-17
136468	PT1-10	142304	PT11-18	146409	PT11-17	146479	PT11-17
136469	PT1-10	142305	PT11-18	146410	PT11-17	146480	PT11-17
142100	PT1-10	142306	PT11-18	146411	PT11-17	146481	PT11-17
142101	PT1-10	142307	PT11-18	146412	PT11-17	146482	PT11-17
142102	PT1-10	142308	PT11-18	146413	PT11-17	146483	PT11-17
142103	PT1-10	142309	PT11-18	146414	PT11-17	146484	PT11-17
142104	PT11-17	142310	PT11-18	146415	PT11-17	146485	PT11-17
142105	PT11-17	142311	PT11-18	146416	PT11-17	146486	PT11-17
142106	PT11-17	142312	PT11-18	146417	PT11-17	146487	PT11-17
142107	PT11-17	142313	PT11-18	146418	PT11-17	146488	PT11-17
142108	PT11-17	142314	PT11-18	146419	PT11-17	146489	PT11-17
142109	PT11-17	142315	PT11-18	146420	PT11-17	146490	PT11-17
142110	PT11-17	142316	PT11-18	146421	PT11-17	146491	PT11-17
142111	PT11-17	142317	PT11-18	146422	PT11-17	146492	PT11-17
142112	PT11-17	142318	PT11-18	146423	PT11-17	146493	PT11-17
142113	PT11-17	142319	PT11-18	146424	PT11-17	146494	PT11-17
142114	PT11-17	142320	PT11-18	146425	PT11-17	146495	PT11-17
142115	PT11-17	142321	PT11-18	146426	PT11-17	146496	PT11-17
142116	PT11-17	142322	PT11-18	146427	PT11-17	146497	PT11-17
142117	PT11-17	142323	PT11-18	146428	PT11-17	146498	PT11-17
142118	PT11-17	142324	PT11-18	146429	PT11-17	146499	PT11-17
142119	PT11-17	142325	PT11-18	146430	PT11-17	146500	PT11-17
142120	PT11-17	142326	PT11-18	146431	PT11-17	146501	PT11-17
142121	PT11-17	142327	PT11-18	146432	PT11-17	146502	PT11-17
142122	PT11-17	142328	PT11-18	146433	PT11-17	146503	PT11-17
142123	PT11-17	142329	PT11-18	146434	PT11-17	146504	PT11-17
142124	PT11-17	142330	PT11-18	146435	PT11-17	146505	PT11-17
142125	PT11-17	142331	PT11-18	146436	PT11-17	146507	PT11-17
142126	PT11-17	142332	PT11-18	146437	PT11-17	146508	PT11-17
142127	PT11-17	142333	PT11-18	146438	PT11-17	146509	PT11-17
142128	PT11-17	142334	PT11-18	146439	PT11-17	146510	PT11-17
142129	PT11-17	142335	PT11-18	146440	PT11-17	146511	PT11-17
142130	PT11-17	142336	PT11-18	146441	PT11-17	146512	PT11-17
142131	PT11-17	142337	PT11-18	146442	PT11-17	146513	PT11-17
142132	PT11-17	142338	PT11-18	146443	PT11-17	146514	PT11-17
142133	PT11-17	142339	PT11-18	146444	PT11-17	146515	PT11-17
142134	PT11-17	142340	PT11-18	146445	PT11-17	146516	PT11-17
142135	PT11-17	142341	PT11-18	146446	PT11-17	146517	PT11-17
142136	PT11-17	142342	PT11-18	146447	PT11-17	146518	PT11-17
142137	PT11-17	142343	PT11-18	146448	PT11-17	146519	PT11-17
142138	PT11-17	142344	PT11-18	146449	PT11-17	146520	PT11-17
142139	PT11-17	142345	PT11-18	146450	PT11-17	146521	PT11-17
142140	PT11-17	142346	PT11-18	146451	PT11-17	146522	PT11-17
142141	PT11-17	142347	PT11-18	146452	PT11-17	146523	PT11-17

PART NUMBER INDEX



Part Number	Page	Part Number	Page	Part Number	Page	Part Number	Page
146524	PT11-17	146594	PT11-18	200024	PT15-63	201035	PT15-40
146525	PT11-17	146595	PT11-18	200026	PT15-63	201036	PT15-40
146526	PT11-17	146596	PT11-18	200027	PT15-63	201040	PT15-40
146527	PT11-17	146597	PT11-18	200028	PT15-63	201042	PT15-40
146528	PT11-17	146598	PT11-18	200029	PT15-63	201043	PT15-39
146529	PT11-17	146599	PT11-18	200030	PT15-63	201045	PT15-40
146530	PT11-17	146600	PT11-18	200031	PT15-63	202000	PT15-58
146531	PT11-17	146601	PT11-18	200034	PT15-63	202001	PT15-58
146532	PT11-17	146602	PT11-18	200035	PT15-63	202002	PT15-16, PT15-58
146533	PT11-17	146603	PT11-18	200036	PT15-63	202003	PT15-58
146534	PT11-17	146604	PT11-18	200037	PT15-63	202004	PT15-58
146535	PT11-17	146605	PT11-18	200038	PT15-63	202005	PT15-16, PT15-58
146536	PT11-18	146606	PT11-18, PT11-19	200039	PT15-63	202006	PT15-16, PT15-58
146537	PT11-18	146607	PT11-18	200040	PT15-63	202007	PT15-16, PT15-58
146538	PT11-18	146608	PT11-18	200042	PT15-63	202008	PT15-58
146539	PT11-18	146609	PT11-18	200043	PT15-63	202009	PT15-16, PT15-58
146540	PT11-18	146610	PT11-18	200045	PT15-63	202010	PT15-16, PT15-58
146541	PT11-18	146611	PT11-18	200050	PT15-63	202011	PT15-16, PT15-58
146542	PT11-18	146612	PT11-18	200051	PT15-63	202012	PT15-58
146543	PT11-18	146613	PT11-18	200052	PT15-63	202013	PT15-58
146544	PT11-18	146614	PT11-18	200053	PT15-63	202014	PT15-58
146545	PT11-18	146615	PT11-18	200054	PT15-63	202015	PT15-16, PT15-58
146546	PT11-18	146616	PT11-18	200055	PT15-63	202016	PT15-16, PT15-58
146547	PT11-18	146617	PT11-18	200056	PT15-63	202017	PT15-16, PT15-58
146548	PT11-18	146618	PT11-18	200070	PT15-63	202018	PT15-16, PT15-58
146549	PT11-18	146619	PT11-18	200071	PT15-63	202019	PT15-16, PT15-58
146550	PT11-18	146620	PT11-18	200072	PT15-63	202020	PT15-58
146551	PT11-18	146621	PT11-18	200073	PT15-63	202021	PT15-58
146552	PT11-18	146622	PT11-18	200074	PT15-63	202022	PT15-58
146553	PT11-18	146623	PT11-18	200075	PT15-63	202023	PT15-16, PT15-58
146554	PT11-18	146624	PT11-18	200076	PT15-63	202024	PT15-16, PT15-58
146555	PT11-18	146625	PT11-18	200088	PT15-63	202025	PT15-16, PT15-58
146556	PT11-18	146626	PT11-18	200089	PT15-63	202026	PT15-58
146557	PT11-18	146627	PT11-18	200090	PT15-63	202027	PT15-58
146558	PT11-18	146628	PT11-18	200091	PT15-63	202028	PT15-58
146559	PT11-18	146629	PT11-18	200092	PT15-63	202029	PT15-16, PT15-58
146560	PT11-18	146630	PT11-18	200093	PT15-63	202030	PT15-16, PT15-58
146561	PT11-18	146631	PT11-18	200094	PT15-63	202031	PT15-16, PT15-58
146562	PT11-18	146633	PT11-18	200106	PT15-63	202032	PT15-16, PT15-58
146563	PT11-18	146634	PT11-18	200107	PT15-63	202033	PT15-58
146564	PT11-18	146635	PT11-18	200109	PT15-63	202034	PT15-58
146565	PT11-18	146636	PT11-18	200125	PT15-63	202035	PT15-16, PT15-58
146566	PT11-18	146637	PT11-18	200126	PT15-63	202036	PT15-16, PT15-58
146567	PT11-18	146638	PT11-18	200127	PT15-63	202037	PT15-16, PT15-58
146568	PT11-18	146639	PT11-18	201000	PT15-39	202038	PT15-16, PT15-58
146569	PT11-18	146640	PT11-18	201001	PT15-39	202039	PT15-58
146570	PT11-18	146641	PT11-18	201002	PT15-40	202040	PT15-58
146571	PT11-18	151152	PT11-18	201003	PT15-40	202041	PT15-16, PT15-58
146572	PT11-18	1U12933	PT11-18	201004	PT15-39	202042	PT15-16, PT15-58
146573	PT11-18	200001	PT15-63	201005	PT15-39	202043	PT15-16, PT15-58
146574	PT11-18	200002	PT15-63	201006	PT15-40	202044	PT15-16, PT15-58
146575	PT11-18	200003	PT15-63	201007	PT15-40	202045	PT15-16, PT15-58
146576	PT11-18	200004	PT15-63	201008	PT15-40	202046	PT15-16, PT15-58
146577	PT11-18	200005	PT15-63	201009	PT15-40	202047	PT15-16, PT15-58
146578	PT11-18	200006	PT15-63	201012	PT15-39	202048	PT15-16, PT15-58
146579	PT11-18	200007	PT15-63	201013	PT15-39	202049	PT15-16, PT15-58
146580	PT11-18	200008	PT15-63	201014	PT15-40	202050	PT15-16, PT15-58
146581	PT11-18	200010	PT15-63	201015	PT15-40	202051	PT15-16, PT15-58
146582	PT11-18	200011	PT15-63	201016	PT15-40	202052	PT15-16, PT15-58
146583	PT11-18	200012	PT15-63	201018	PT15-39	202053	PT15-16, PT15-58
146584	PT11-18	200013	PT15-63	201019	PT15-39	202054	PT15-16, PT15-58
146585	PT11-18	200014	PT15-63	201020	PT15-39	202055	PT15-58
146586	PT11-18	200016	PT15-63	201021	PT15-40	202056	PT15-58
146587	PT11-18	200017	PT15-63	201022	PT15-40	202057	PT15-58
146588	PT11-18	200018	PT15-63	201023	PT15-40	202058	PT15-58
146589	PT11-18	200019	PT15-63	201024	PT15-40	202059	PT15-58
146590	PT11-18	200020	PT15-63	201031	PT15-39	202060	PT15-16, PT15-58
146591	PT11-18	200021	PT15-63	201032	PT15-39	202061	PT15-16, PT15-58
146592	PT11-18	200022	PT15-63	201033	PT15-40	202062	PT15-16, PT15-58
146593	PT11-18	200023	PT15-63	201034	PT15-40	202063	PT15-16, PT15-58



PART NUMBER INDEX

Roller Chain Sprockets

Conveyor Components

Engineering

Part Number Index

Keyword Index

Part Number	Page	Part Number	Page	Part Number	Page	Part Number	Page
202064	PT15-16, PT15-58	202134	PT15-58	203135	PT15-55	203207	PT15-16, PT15-58
202065	PT15-58	202135	PT15-58	203136	PT15-55	203208	PT15-16, PT15-58
202066	PT15-16, PT15-58	202136	PT15-58	203137	PT15-55	203210	PT15-16, PT15-58
202067	PT15-16, PT15-58	202137	PT15-58	203138	PT15-55	203214	PT15-58
202068	PT15-16, PT15-58	202138	PT15-58	203139	PT15-55	203215	PT15-58
202069	PT15-16, PT15-58	202139	PT15-58	203140	PT15-55	203217	PT15-58
202070	PT15-16, PT15-58	202140	PT15-58	203141	PT15-55	203218	PT15-58
202071	PT15-16, PT15-58	202141	PT15-58	203142	PT15-54	203268	PT15-16
202072	PT15-16, PT15-58	202142	PT15-58	203143	PT15-54	203271	PT15-16
202073	PT15-16, PT15-58	202143	PT15-58	203144	PT15-54	203272	PT15-16
202074	PT15-16, PT15-58	202144	PT15-58	203145	PT15-54	203274	PT15-17
202075	PT15-16, PT15-58	202145	PT15-58	203146	PT15-54	203275	PT15-17
202076	PT15-16, PT15-58	202146	PT15-58	203147	PT15-55	203276	PT15-17
202077	PT15-16, PT15-58	202147	PT15-58	203148	PT15-55	203277	PT15-17
202078	PT15-16, PT15-58	202148	PT15-58	203149	PT15-55	203283	PT15-16, PT15-58
202079	PT15-16, PT15-58	202149	PT15-58	203150	PT15-55	203292	PT15-17
202080	PT15-58	202150	PT15-58	203151	PT15-55	203293	PT15-17
202081	PT15-58	202151	PT15-16, PT15-58	203152	PT15-55	203303	PT15-17
202082	PT15-58	203005	PT15-63	203153	PT15-55	203305	PT15-17
202083	PT15-58	203006	PT15-63	203154	PT15-55	203307	PT15-17
202084	PT15-58	203007	PT15-63	203155	PT15-55	203308	PT15-17
202085	PT15-16, PT15-58	203008	PT15-63	203156	PT15-55	203309	PT15-16, PT15-58
202086	PT15-16, PT15-58	203015	PT15-63	203157	PT15-54	203310	PT15-16
202087	PT15-16, PT15-58	203016	PT15-63	203158	PT15-54	203311	PT15-16
202088	PT15-16, PT15-58	203017	PT15-63	203159	PT15-54	203314	PT15-17
202089	PT15-16, PT15-58	203018	PT15-63	203160	PT15-54	203315	PT15-17
202090	PT15-16, PT15-58	203025	PT15-63	203161	PT15-54	203317	PT15-17
202091	PT15-16, PT15-58	203026	PT15-63	203162	PT15-54	203320	PT15-17
202092	PT15-16, PT15-58	203027	PT15-63	203163	PT15-55	203322	PT15-17
202093	PT15-58	203028	PT15-63	203164	PT15-55	203323	PT15-17
202094	PT15-58	203094	PT15-36	203165	PT15-55	203326	PT15-17
202095	PT15-16, PT15-58	203096	PT15-24	203166	PT15-55	203327	PT15-17
202096	PT15-16, PT15-58	203097	PT15-17	203167	PT15-55	203328	PT15-17
202097	PT15-16, PT15-58	203098	PT15-17	203168	PT15-55	203339	PT15-16, PT15-58
202098	PT15-16, PT15-58	203099	PT15-24	203169	PT15-55	203340	PT15-16
202099	PT15-16, PT15-58	203100	PT15-54	203170	PT15-54	203341	PT15-16
202100	PT15-16, PT15-58	203101	PT15-54	203171	PT15-54	203342	PT15-17
202101	PT15-16, PT15-58	203102	PT15-55	203172	PT15-54	203343	PT15-17
202102	PT15-16, PT15-58	203103	PT15-55	203175	PT15-55	203344	PT15-17
202103	PT15-16, PT15-58	203104	PT15-55	203176	PT15-55	203346	PT15-17
202104	PT15-16, PT15-58	203105	PT15-55	203177	PT15-55	203349	PT15-17
202105	PT15-16, PT15-58	203106	PT15-54	203178	PT15-55	203350	PT15-17
202106	PT15-16, PT15-58	203107	PT15-54	203179	PT15-55	203352	PT15-17
202107	PT15-16, PT15-58	203108	PT15-54	203180	PT15-55	203355	PT15-17
202108	PT15-16, PT15-58	203109	PT15-55	203181	PT15-55	203359	PT15-17
202109	PT15-16, PT15-58	203110	PT15-55	203182	PT15-55	203361	PT15-17
202110	PT15-16, PT15-58	203111	PT15-55	203183	PT15-55	203362	PT15-17
202111	PT15-16, PT15-58	203112	PT15-55	203184	PT15-55	203363	PT15-17
202112	PT15-58	203113	PT15-55	203185	PT15-55	203364	PT15-17
202113	PT15-58	203114	PT15-55	203186	PT15-55	203371	PT15-17
202114	PT15-58	203115	PT15-54	203187	PT15-55	203373	PT15-17
202115	PT15-58	203116	PT15-54	203188	PT15-55	203392	PT15-58
202116	PT15-58	203117	PT15-54	203189	PT15-55	203393	PT15-17
202117	PT15-58	203118	PT15-55	203190	PT15-55	203394	PT15-17
202118	PT15-58	203119	PT15-55	203191	PT15-55	203398	PT15-17
202119	PT15-58	203120	PT15-55	203192	PT15-55	203401	PT15-17
202120	PT15-58	203121	PT15-55	203193	PT15-55	203402	PT15-17
202121	PT15-58	203122	PT15-55	203194	PT15-55	203403	PT15-17
202122	PT15-58	203123	PT15-55	203195	PT15-55	203406	PT15-17
202123	PT15-58	203124	PT15-55	203196	PT15-55	203408	PT15-17
202124	PT15-58	203125	PT15-54	203197	PT15-55	203409	PT15-17
202125	PT15-58	203126	PT15-54	203198	PT15-55	203410	PT15-17
202126	PT15-58	203127	PT15-54	203199	PT15-55	203414	PT15-17
202127	PT15-58	203128	PT15-54	203200	PT15-55	203430	PT15-58
202128	PT15-58	203129	PT15-54	203201	PT15-55	203431	PT15-58
202129	PT15-58	203130	PT15-55	203202	PT15-54	203437	PT15-17
202130	PT15-58	203131	PT15-55	203203	PT15-17	203438	PT15-17
202131	PT15-58	203132	PT15-55	203204	PT15-17	203439	PT15-17
202132	PT15-58	203133	PT15-55	203205	PT15-17	203441	PT15-17
202133	PT15-58	203134	PT15-55	203206	PT15-17	203455	PT15-35

PART NUMBER INDEX



Part Number	Page	Part Number	Page	Part Number	Page	Part Number	Page
203473.	PT15-21	203607.	PT15-16	203703.	PT15-16, PT15-58	203799.	PT15-17
203474.	PT15-17	203608.	PT15-16	203704.	PT15-16, PT15-58	203801.	PT15-17
203475.	PT15-17	203609.	PT15-16	203707.	PT15-16, PT15-58	203802.	PT15-17
203477.	PT15-16	203611.	PT15-16	203709.	PT15-16, PT15-58	203803.	PT15-17
203479.	PT15-16	203613.	PT15-16	203710.	PT15-16	203804.	PT15-17
203482.	PT15-36	203616.	PT15-16	203712.	PT15-16, PT15-58	203807.	PT15-17
203483.	PT15-36	203617.	PT15-16	203713.	PT15-16, PT15-58	203808.	PT15-17
203484.	PT15-36	203618.	PT15-16	203715.	PT15-16	203809.	PT15-17
203485.	PT15-36	203620.	PT15-16	203718.	PT15-16, PT15-58	203810.	PT15-17
203486.	PT15-36	203621.	PT15-16	203719.	PT15-16, PT15-58	203811.	PT15-17
203500.	PT15-16	203622.	PT15-16	203723.	PT15-16	203812.	PT15-17
203501.	PT15-16	203623.	PT15-16	203725.	PT15-16	203813.	PT15-17
203502.	PT15-16	203624.	PT15-17	203726.	PT15-16	203814.	PT15-16, PT15-58
203503.	PT15-16	203625.	PT15-17	203727.	PT15-16	203816.	PT15-16, PT15-58
203504.	PT15-16	203627.	PT15-17	203728.	PT15-16	203817.	PT15-16, PT15-58
203505.	PT15-17	203629.	PT15-17	203729.	PT15-16	203818.	PT15-16, PT15-58
203510.	PT15-17	203631.	PT15-17	203730.	PT15-16	203819.	PT15-16, PT15-58
203511.	PT15-17	203633.	PT15-17	203731.	PT15-16	203820.	PT15-16, PT15-58
203512.	PT15-17	203634.	PT15-17	203732.	PT15-16	203821.	PT15-16, PT15-58
203516.	PT15-16	203635.	PT15-17	203734.	PT15-16	203822.	PT15-16
203519.	PT15-16	203636.	PT15-17	203735.	PT15-17	203824.	PT15-16, PT15-58
203524.	PT15-17	203637.	PT15-17	203737.	PT15-17	203826.	PT15-16
203526.	PT15-16	203638.	PT15-17	203738.	PT15-17	203827.	PT15-16, PT15-58
203527.	PT15-16	203639.	PT15-17	203739.	PT15-17	203828.	PT15-16, PT15-58
203529.	PT15-16	203641.	PT15-17	203740.	PT15-17	203829.	PT15-16, PT15-58
203530.	PT15-16	203642.	PT15-17	203741.	PT15-17	203831.	PT15-16
203531.	PT15-16	203643.	PT15-17	203742.	PT15-17	203832.	PT15-16
203533.	PT15-16	203644.	PT15-17	203744.	PT15-17	203833.	PT15-16
203534.	PT15-16	203645.	PT15-17	203745.	PT15-17	203836.	PT15-16
203538.	PT15-16	203647.	PT15-17	203746.	PT15-17	203837.	PT15-17
203539.	PT15-16	203648.	PT15-17	203748.	PT15-17	203838.	PT15-17
203543.	PT15-17	203649.	PT15-17	203749.	PT15-17	203839.	PT15-17
203544.	PT15-17	203651.	PT15-16, PT15-58	203750.	PT15-17	203840.	PT15-17
203551.	PT15-17	203652.	PT15-16, PT15-58	203751.	PT15-17	203841.	PT15-17
203556.	PT15-16	203654.	PT15-16	203753.	PT15-17	203842.	PT15-17
203558.	PT15-16	203655.	PT15-16	203754.	PT15-17	203843.	PT15-17
203559.	PT15-16	203657.	PT15-16, PT15-58	203755.	PT15-17	203844.	PT15-17
203560.	PT15-16	203658.	PT15-16	203756.	PT15-17	203845.	PT15-17
203561.	PT15-16	203659.	PT15-16	203757.	PT15-17	203846.	PT15-17
203562.	PT15-16	203664.	PT15-16	203758.	PT15-17	203848.	PT15-17
203563.	PT15-16	203666.	PT15-16	203759.	PT15-17	203849.	PT15-17
203565.	PT15-16	203667.	PT15-16	203760.	PT15-17	203850.	PT15-17
203566.	PT15-16	203668.	PT15-16	203761.	PT15-17	203853.	PT15-17
203568.	PT15-16	203670.	PT15-16	203762.	PT15-17	203854.	PT15-17
203571.	PT15-16	203671.	PT15-16	203763.	PT15-17	203855.	PT15-17
203572.	PT15-16	203672.	PT15-16	203765.	PT15-16, PT15-58	203856.	PT15-17
203574.	PT15-17	203674.	PT15-16	203766.	PT15-16, PT15-58	203857.	PT15-16, PT15-58
203575.	PT15-17	203675.	PT15-16	203767.	PT15-16, PT15-58	203858.	PT15-16, PT15-58
203577.	PT15-17	203676.	PT15-16	203768.	PT15-16, PT15-58	203860.	PT15-16, PT15-58
203578.	PT15-17	203677.	PT15-17	203770.	PT15-16, PT15-58	203861.	PT15-16, PT15-58
203579.	PT15-17	203678.	PT15-17	203771.	PT15-16	203862.	PT15-16, PT15-58
203581.	PT15-17	203679.	PT15-17	203773.	PT15-16, PT15-58	203863.	PT15-16, PT15-58
203582.	PT15-17	203680.	PT15-17	203774.	PT15-16, PT15-58	203864.	PT15-16, PT15-58
203583.	PT15-17	203682.	PT15-17	203775.	PT15-16, PT15-58	203865.	PT15-16, PT15-58
203584.	PT15-17	203683.	PT15-17	203776.	PT15-16	203868.	PT15-16, PT15-58
203585.	PT15-17	203684.	PT15-17	203778.	PT15-16, PT15-58	203869.	PT15-16, PT15-58
203586.	PT15-17	203685.	PT15-17	203780.	PT15-16, PT15-58	203870.	PT15-16, PT15-58
203587.	PT15-17	203686.	PT15-17	203781.	PT15-16	203871.	PT15-16
203588.	PT15-17	203687.	PT15-17	203784.	PT15-16	203872.	PT15-16
203589.	PT15-17	203688.	PT15-17	203786.	PT15-16	203873.	PT15-16
203590.	PT15-17	203689.	PT15-17	203787.	PT15-16	203874.	PT15-16
203591.	PT15-17	203690.	PT15-17	203788.	PT15-16	203875.	PT15-16
203592.	PT15-17	203691.	PT15-17	203789.	PT15-16	203878.	PT15-16
203593.	PT15-17	203692.	PT15-17	203790.	PT15-16	203879.	PT15-16
203594.	PT15-16	203695.	PT15-17	203791.	PT15-16	203880.	PT15-16
203596.	PT15-16	203696.	PT15-17	203793.	PT15-17	203883.	PT15-17
203597.	PT15-16	203697.	PT15-17	203794.	PT15-17	203884.	PT15-17
203600.	PT15-16	203698.	PT15-17	203795.	PT15-17	203885.	PT15-17
203603.	PT15-16	203700.	PT15-17	203796.	PT15-17	203886.	PT15-17
203606.	PT15-16	203701.	PT15-17	203797.	PT15-17	203888.	PT15-17



PART NUMBER INDEX

Roller Chain Sprockets

Conveyor Components

Engineering

Part Number Index

Keyword Index

Part Number	Page	Part Number	Page	Part Number	Page	Part Number	Page
203890.	PT15-17	204366.	PT15-25	204591.	PT15-24	204716.	PT15-24
203891.	PT15-17	204367.	PT15-25	204593.	PT15-24	204719.	PT15-23
203892.	PT15-17	204368.	PT15-25	204599.	PT15-23	204720.	PT15-23
203894.	PT15-17	204369.	PT15-25	204600.	PT15-23	204721.	PT15-23
203895.	PT15-17	204381.	PT15-25	204601.	PT15-23	204722.	PT15-24
203896.	PT15-17	204417.	PT15-23	204602.	PT15-23	204723.	PT15-24
203897.	PT15-17	204424.	PT15-23	204603.	PT15-23	204724.	PT15-24
203898.	PT15-17	204425.	PT15-23	204604.	PT15-23	204727.	PT15-25
203900.	PT15-17	204426.	PT15-24	204605.	PT15-23	204728.	PT15-25
203901.	PT15-17	204427.	PT15-24	204606.	PT15-23	204729.	PT15-25
203905.	PT15-17	204428.	PT15-25	204608.	PT15-23	204730.	PT15-25
203906.	PT15-16, PT15-58	204429.	PT15-25	204609.	PT15-23	204731.	PT15-25
203907.	PT15-17	204430.	PT15-25	204611.	PT15-24	204732.	PT15-25
203908.	PT15-16	204431.	PT15-25	204612.	PT15-24	204733.	PT15-25
203910.	PT15-16	204432.	PT15-25	204615.	PT15-24	204734.	PT15-25
203911.	PT15-21	204435.	PT15-25	204618.	PT15-24	204735.	PT15-25
203912.	PT15-21	204436.	PT15-25	204623.	PT15-23	204736.	PT15-25
203913.	PT15-21	204437.	PT15-25	204624.	PT15-23	204738.	PT15-25
203914.	PT15-21	204438.	PT15-25	204625.	PT15-23	204739.	PT15-25
203918.	PT15-59	204505.	PT15-23	204626.	PT15-23	204740.	PT15-25
203935.	PT15-59	204506.	PT15-23	204627.	PT15-23	204741.	PT15-25
203936.	PT15-59	204507.	PT15-23	204628.	PT15-23	204744.	PT15-25
203937.	PT15-59	204508.	PT15-23	204629.	PT15-23	204745.	PT15-25
203938.	PT15-59	204509.	PT15-23	204630.	PT15-23	204746.	PT15-25
203940.	PT15-59	204510.	PT15-23	204632.	PT15-23	204747.	PT15-25
203941.	PT15-59	204511.	PT15-23	204633.	PT15-23	204748.	PT15-25
203942.	PT15-59	204512.	PT15-23	204635.	PT15-24	204749.	PT15-25
203948.	PT15-59	204514.	PT15-23	204636.	PT15-24	204750.	PT15-25
203955.	PT15-59	204515.	PT15-23	204639.	PT15-24	204751.	PT15-25
203958.	PT15-59	204517.	PT15-24	204640.	PT15-24	204754.	PT15-24
204265.	PT15-24	204518.	PT15-24	204642.	PT15-24	204760.	PT15-23
204266.	PT15-23	204520.	PT15-24	204649.	PT15-23	204761.	PT15-24
204267.	PT15-24	204522.	PT15-24	204650.	PT15-23	204769.	PT15-24
204268.	PT15-24	204524.	PT15-23	204651.	PT15-23	204770.	PT15-24
204269.	PT15-24	204525.	PT15-23	204652.	PT15-23	204772.	PT15-25
204270.	PT15-24	204528.	PT15-23	204653.	PT15-23	204773.	PT15-25
204271.	PT15-24	204531.	PT15-23	204654.	PT15-23	204774.	PT15-25
204272.	PT15-25	204534.	PT15-23	204655.	PT15-23	204779.	PT15-25
204275.	PT15-24	204537.	PT15-24	204656.	PT15-23	204780.	PT15-25
204276.	PT15-24	204538.	PT15-24	204658.	PT15-23	204946.	PT15-25
204277.	PT15-24	204539.	PT15-24	204659.	PT15-23	205050.	PT15-23
204278.	PT15-24	204549.	PT15-23	204661.	PT15-24	205051.	PT15-23
204280.	PT15-24	204550.	PT15-23	204662.	PT15-24	205052.	PT15-23
204281.	PT15-24	204551.	PT15-23	204665.	PT15-24	205053.	PT15-23
204282.	PT15-24	204552.	PT15-23	204666.	PT15-24	205054.	PT15-23
204283.	PT15-24	204553.	PT15-23	204668.	PT15-24	205056.	PT15-23
204284.	PT15-24	204554.	PT15-23	204669.	PT15-24	205057.	PT15-24
204285.	PT15-25	204555.	PT15-23	204672.	PT15-23	205058.	PT15-24
204286.	PT15-25	204556.	PT15-23	204673.	PT15-23	205059.	PT15-24
204287.	PT15-25	204558.	PT15-23	204675.	PT15-23	205060.	PT15-24
204288.	PT15-25	204559.	PT15-23	204676.	PT15-23	205061.	PT15-24
204290.	PT15-25	204561.	PT15-24	204677.	PT15-23	205063.	PT15-23
204291.	PT15-25	204562.	PT15-24	204679.	PT15-23	205064.	PT15-23
204292.	PT15-25	204565.	PT15-24	204681.	PT15-23	205065.	PT15-23
204293.	PT15-25	204566.	PT15-24	204682.	PT15-23	205066.	PT15-24
204295.	PT15-25	204568.	PT15-24	204684.	PT15-24	205067.	PT15-24
204329.	PT15-25	204571.	PT15-24	204685.	PT15-24	205068.	PT15-24
204339.	PT15-24	204574.	PT15-23	204687.	PT15-24	205070.	PT15-23
204342.	PT15-24	204575.	PT15-23	204700.	PT15-23	205071.	PT15-23
204346.	PT15-24	204576.	PT15-23	204701.	PT15-23	205072.	PT15-23
204349.	PT15-24	204577.	PT15-23	204702.	PT15-24	205073.	PT15-23
204353.	PT15-23	204578.	PT15-23	204703.	PT15-24	205075.	PT15-24
204354.	PT15-24	204579.	PT15-23	204706.	PT15-23	205076.	PT15-24
204355.	PT15-24	204580.	PT15-23	204707.	PT15-23	205078.	PT15-24
204356.	PT15-24	204581.	PT15-23	204708.	PT15-23	205080.	PT15-23
204357.	PT15-24	204582.	PT15-23	204709.	PT15-24	205082.	PT15-23
204358.	PT15-24	204584.	PT15-23	204710.	PT15-24	205083.	PT15-24
204359.	PT15-24	204586.	PT15-24	204713.	PT15-23	205085.	PT15-24
204362.	PT15-24	204587.	PT15-24	204714.	PT15-23	205086.	PT15-23
204365.	PT15-25	204590.	PT15-24	204715.	PT15-24	205087.	PT15-23

PART NUMBER INDEX



Part Number	Page	Part Number	Page	Part Number	Page	Part Number	Page
205088	PT15-23	205199	PT15-54	205348	PT15-24	205431	PT15-55
205089	PT15-23	205200	PT15-54	205349	PT15-24	205432	PT15-54
205090	PT15-24	205201	PT15-55	205350	PT15-24	205433	PT15-54
205091	PT15-24	205202	PT15-54	205351	PT15-24	205434	PT15-55
205092	PT15-24	205203	PT15-54	205352	PT15-25	205435	PT15-55
205093	PT15-24	205204	PT15-54	205355	PT15-25	205436	PT15-55
205094	PT15-23	205205	PT15-55	205358	PT15-25	205437	PT15-54
205095	PT15-23	205206	PT15-55	205362	PT15-25	205438	PT15-54
205096	PT15-23	205207	PT15-55	205363	PT15-25	205439	PT15-55
205097	PT15-24	205208	PT15-55	205365	PT15-25	205440	PT15-55
205098	PT15-24	205225	PT15-23	205368	PT15-25	205441	PT15-55
205100	PT15-25	205227	PT15-24	205370	PT15-25	205443	PT15-54
205101	PT15-25	205228	PT15-24	205371	PT15-25	205444	PT15-55
205102	PT15-25	205229	PT15-24	205372	PT15-25	205446	PT15-54
205105	PT15-25	205230	PT15-24	205373	PT15-25	205447	PT15-55
205123	PT15-23	205234	PT15-23	205374	PT15-25	205448	PT15-55
205124	PT15-23	205240	PT15-24	205377	PT15-54	205449	PT15-55
205125	PT15-23	205241	PT15-24	205378	PT15-54	205451	PT15-54
205127	PT15-24	205246	PT15-23	205379	PT15-54	205452	PT15-55
205128	PT15-24	205248	PT15-23	205380	PT15-55	205453	PT15-55
205129	PT15-24	205250	PT15-24	205381	PT15-55	205454	PT15-55
205132	PT15-23	205251	PT15-24	205382	PT15-54	205455	PT15-54
205133	PT15-23	205252	PT15-23	205383	PT15-54	205456	PT15-55
205134	PT15-23	205255	PT15-23	205384	PT15-54	205457	PT15-55
205135	PT15-23	205256	PT15-23	205385	PT15-55	205458	PT15-55
205136	PT15-23	205257	PT15-23	205386	PT15-55	205459	PT15-54
205137	PT15-23	205258	PT15-24	205387	PT15-54	205460	PT15-55
205138	PT15-24	205261	PT15-24	205388	PT15-54	205461	PT15-55
205139	PT15-24	205262	PT15-24	205389	PT15-54	205462	PT15-55
205140	PT15-24	205263	PT15-24	205390	PT15-55	205463	PT15-54
205141	PT15-24	205264	PT15-23	205391	PT15-55	205464	PT15-55
205142	PT15-24	205265	PT15-23	205392	PT15-55	205465	PT15-55
205145	PT15-23	205267	PT15-23	205393	PT15-55	205466	PT15-55
205147	PT15-23	205268	PT15-23	205394	PT15-54	205467	PT15-54
205148	PT15-23	205269	PT15-23	205395	PT15-54	205468	PT15-55
205149	PT15-23	205270	PT15-24	205396	PT15-54	205469	PT15-55
205150	PT15-24	205271	PT15-55	205397	PT15-55	205470	PT15-55
205151	PT15-24	205272	PT15-55	205398	PT15-55	205471	PT15-54
205152	PT15-24	205273	PT15-24	205399	PT15-55	205472	PT15-55
205153	PT15-24	205275	PT15-24	205400	PT15-54	205473	PT15-55
205154	PT15-24	205276	PT15-25	205401	PT15-54	205474	PT15-55
205156	PT15-23	205281	PT15-25	205402	PT15-54	205475	PT15-55
205159	PT15-23	205282	PT15-55	205403	PT15-55	205476	PT15-55
205161	PT15-23	205283	PT15-54	205404	PT15-55	205477	PT15-55
205162	PT15-24	205285	PT15-25	205405	PT15-55	205478	PT15-55
205163	PT15-24	205286	PT15-25	205406	PT15-55	205479	PT15-55
205165	PT15-23	205289	PT15-25	205407	PT15-55	205480	PT15-55
205168	PT15-23	205290	PT15-25	205408	PT15-54	205481	PT15-55
205169	PT15-23	205291	PT15-25	205409	PT15-54	205482	PT15-55
205170	PT15-23	205293	PT15-25	205410	PT15-54	205483	PT15-55
205171	PT15-24	205294	PT15-25	205411	PT15-55	205484	PT15-55
205172	PT15-24	205295	PT15-25	205412	PT15-55	205485	PT15-54
205175	PT15-23	205296	PT15-25	205413	PT15-55	205490	PT15-55
205176	PT15-23	205312	PT15-24	205414	PT15-54	205491	PT15-55
205177	PT15-23	205325	PT15-24	205415	PT15-54	205492	PT15-55
205178	PT15-23	205327	PT15-24	205416	PT15-55	205493	PT15-55
205179	PT15-24	205328	PT15-24	205417	PT15-55	205494	PT15-55
205180	PT15-24	205332	PT15-23	205418	PT15-55	205495	PT15-54
205181	PT15-24	205334	PT15-23	205419	PT15-54	205496	PT15-54
205184	PT15-25	205336	PT15-24	205420	PT15-55	205497	PT15-54
205185	PT15-25	205337	PT15-24	205421	PT15-54	205498	PT15-55
205186	PT15-25	205338	PT15-24	205422	PT15-54	205499	PT15-55
205187	PT15-25	205339	PT15-24	205423	PT15-54	205500	PT15-55
205188	PT15-25	205340	PT15-24	205424	PT15-55	205508	PT15-55
205192	PT15-25	205341	PT15-23	205425	PT15-55	205509	PT15-55
205193	PT15-25	205343	PT15-23	205426	PT15-55	205510	PT15-54
205195	PT15-54	205344	PT15-23	205427	PT15-54	205511	PT15-55
205196	PT15-54	205345	PT15-23	205428	PT15-54	205512	PT15-55
205197	PT15-54	205346	PT15-23	205429	PT15-55	205514	PT15-55
205198	PT15-54	205347	PT15-24	205430	PT15-55	205516	PT15-54



PART NUMBER INDEX

Roller Chain Sprockets

Conveyor Components

Engineering

Part Number Index

Keyword Index

Part Number	Page	Part Number	Page	Part Number	Page	Part Number	Page
205518.	PT15-54	205647.	PT15-52	205839.	PT15-55	205962.	PT15-51
205520.	PT15-21	205648.	PT15-52	205840.	PT15-55	205963.	PT15-51
205521.	PT15-21	205649.	PT15-52	205841.	PT15-54	205965.	PT15-50
205522.	PT15-21	205650.	PT15-52	205842.	PT15-55	205967.	PT15-50
205523.	PT15-21	205651.	PT15-52	205843.	PT15-55	205968.	PT15-50
205524.	PT15-21	205652.	PT15-52	205844.	PT15-55	205969.	PT15-50
205527.	PT15-21	205653.	PT15-52	205845.	PT15-54	205970.	PT15-51
205528.	PT15-21	205654.	PT15-52	205880.	PT15-72	205971.	PT15-51
205530.	PT15-21	205655.	PT15-52	205881.	PT15-71	205972.	PT15-51
205531.	PT15-21	205656.	PT15-52	205883.	PT15-71	205973.	PT15-51
205532.	PT15-21	205657.	PT15-52	205884.	PT15-71	205974.	PT15-51
205533.	PT15-21	205658.	PT15-52	205885.	PT15-71	205975.	PT15-51
205575.	PT15-50	205659.	PT15-52	205886.	PT15-72	205976.	PT15-50
205577.	PT15-36	205660.	PT15-52	205887.	PT15-72	205977.	PT15-50
205579.	PT15-36	205661.	PT15-52	205888.	PT15-72	205978.	PT15-50
205580.	PT15-36	205662.	PT15-52	205889.	PT15-72	205985.	PT15-21
205592.	PT15-54	205663.	PT15-52	205890.	PT15-72	205997.	PT15-71
205593.	PT15-54	205664.	PT15-52	205891.	PT15-72	206001.	PT15-16
205594.	PT15-54	205665.	PT15-52	205892.	PT15-72	206003.	PT15-16
205595.	PT15-55	205666.	PT15-52	205897.	PT15-51	206009.	PT15-16
205596.	PT15-55	205667.	PT15-52	205900.	PT15-51	206012.	PT15-16
205597.	PT15-55	205668.	PT15-52	205901.	PT15-51	206014.	PT15-17
205598.	PT15-54	205669.	PT15-21	205902.	PT15-51	206017.	PT15-21
205599.	PT15-54	205670.	PT15-21	205903.	PT15-51	206018.	PT15-21
205600.	PT15-54	205671.	PT15-21	205904.	PT15-51	206019.	PT15-21
205601.	PT15-55	205672.	PT15-21	205905.	PT15-51	206020.	PT15-16
205602.	PT15-55	205673.	PT15-21	205906.	PT15-51	206022.	PT15-16
205603.	PT15-55	205674.	PT15-21	205907.	PT15-51	206024.	PT15-16
205604.	PT15-54	205675.	PT15-21	205908.	PT15-51	206029.	PT15-16
205605.	PT15-54	205676.	PT15-21	205909.	PT15-51	206031.	PT15-16
205606.	PT15-54	205677.	PT15-55	205910.	PT15-51	206034.	PT15-17
205607.	PT15-55	205690.	PT15-54	205911.	PT15-51	206035.	PT15-16
205608.	PT15-55	205691.	PT15-54	205912.	PT15-51	206036.	PT15-16
205609.	PT15-55	205692.	PT15-55	205913.	PT15-51	206037.	PT15-16
205610.	PT15-54	205693.	PT15-55	205914.	PT15-51	206039.	PT15-16
205611.	PT15-54	205694.	PT15-55	205915.	PT15-51	206041.	PT15-16
205612.	PT15-54	205695.	PT15-55	205917.	PT15-50	206042.	PT15-16
205613.	PT15-55	205696.	PT15-55	205918.	PT15-50	206044.	PT15-16
205614.	PT15-55	205698.	PT15-54	205919.	PT15-50	206046.	PT15-16
205615.	PT15-55	205699.	PT15-55	205920.	PT15-51	206048.	PT15-17
205616.	PT15-54	205700.	PT15-54	205922.	PT15-51	206049.	PT15-17
205617.	PT15-54	205705.	PT15-50	205924.	PT15-50	206050.	PT15-17
205618.	PT15-54	205811.	PT15-54	205925.	PT15-50	206051.	PT15-17
205619.	PT15-55	205812.	PT15-54	205926.	PT15-50	206052.	PT15-17
205620.	PT15-55	205813.	PT15-54	205928.	PT15-51	206053.	PT15-21
205621.	PT15-55	205814.	PT15-55	205929.	PT15-51	206054.	PT15-21
205622.	PT15-54	205815.	PT15-55	205931.	PT15-51	206056.	PT15-16
205623.	PT15-54	205816.	PT15-55	205932.	PT15-51	206057.	PT15-16
205624.	PT15-55	205817.	PT15-54	205934.	PT15-50	206058.	PT15-16
205626.	PT15-55	205818.	PT15-54	205935.	PT15-50	206060.	PT15-16
205627.	PT15-55	205819.	PT15-54	205936.	PT15-50	206063.	PT15-16
205628.	PT15-55	205820.	PT15-55	205937.	PT15-50	206064.	PT15-16
205629.	PT15-52	205821.	PT15-55	205938.	PT15-50	206066.	PT15-16
205630.	PT15-52	205822.	PT15-55	205939.	PT15-50	206067.	PT15-16
205631.	PT15-52	205823.	PT15-54	205941.	PT15-51	206069.	PT15-17
205632.	PT15-52	205824.	PT15-54	205942.	PT15-51	206070.	PT15-17
205633.	PT15-52	205825.	PT15-54	205943.	PT15-51	206071.	PT15-17
205634.	PT15-52	205826.	PT15-55	205945.	PT15-50	206072.	PT15-17
205635.	PT15-52	205827.	PT15-55	205946.	PT15-50	206073.	PT15-17
205636.	PT15-52	205828.	PT15-55	205947.	PT15-50	206074.	PT15-17
205637.	PT15-52	205829.	PT15-54	205948.	PT15-50	206075.	PT15-21
205638.	PT15-52	205830.	PT15-54	205950.	PT15-51	206076.	PT15-21
205639.	PT15-52	205831.	PT15-54	205951.	PT15-51	206077.	PT15-21
205640.	PT15-52	205832.	PT15-55	205952.	PT15-51	206078.	PT15-21
205641.	PT15-52	205833.	PT15-55	205953.	PT15-51	206079.	PT15-21
205642.	PT15-52	205834.	PT15-55	205955.	PT15-50	206080.	PT15-16
205643.	PT15-52	205835.	PT15-54	205956.	PT15-50	206081.	PT15-16
205644.	PT15-52	205836.	PT15-54	205958.	PT15-50	206082.	PT15-16
205645.	PT15-52	205837.	PT15-54	205960.	PT15-51	206083.	PT15-16
205646.	PT15-52	205838.	PT15-55	205961.	PT15-51	206084.	PT15-17

PART NUMBER INDEX



Part Number	Page	Part Number	Page	Part Number	Page	Part Number	Page
206085	PT15-17	206204	PT15-35	206286	PT15-35	206388	PT15-35
206086	PT15-17	206205	PT15-35	206287	PT15-35	206389	PT15-36
206087	PT15-17	206206	PT15-35	206288	PT15-35	206390	PT15-36
206088	PT15-21	206207	PT15-36	206289	PT15-35	206391	PT15-36
206089	PT15-16	206208	PT15-36	206295	PT15-35	206392	PT15-36
206090	PT15-16, PT15-58	206209	PT15-36	206297	PT15-36	206393	PT15-36
206091	PT15-16, PT15-58	206210	PT15-36	206298	PT15-36	206394	PT15-36
206092	PT15-16, PT15-58	206211	PT15-36	206299	PT15-36	206395	PT15-36
206095	PT15-16	206212	PT15-35	206303	PT15-36	206396	PT15-35
206096	PT15-16	206213	PT15-36	206305	PT15-36	206397	PT15-35
206097	PT15-16	206214	PT15-36	206306	PT15-36	206398	PT15-35
206098	PT15-16	206216	PT15-35	206308	PT15-35	206399	PT15-35
206099	PT15-17	206217	PT15-36	206309	PT15-35	206400	PT15-35
206100	PT15-17	206218	PT15-36	206312	PT15-35	206402	PT15-35
206101	PT15-17	206219	PT15-36	206313	PT15-35	206404	PT15-35
206102	PT15-17	206220	PT15-35	206314	PT15-35	206405	PT15-36
206103	PT15-17	206221	PT15-35	206316	PT15-35	206406	PT15-36
206104	PT15-17	206222	PT15-35	206317	PT15-36	206407	PT15-36
206105	PT15-21	206223	PT15-36	206318	PT15-36	206408	PT15-36
206106	PT15-21	206224	PT15-36	206319	PT15-36	206409	PT15-36
206107	PT15-21	206225	PT15-36	206320	PT15-36	206410	PT15-36
206108	PT15-21	206226	PT15-36	206321	PT15-36	206411	PT15-36
206110	PT15-16, PT15-58	206227	PT15-36	206322	PT15-36	206412	PT15-35
206111	PT15-16	206228	PT15-35	206323	PT15-36	206413	PT15-35
206112	PT15-16	206229	PT15-35	206324	PT15-36	206414	PT15-35
206113	PT15-16	206231	PT15-35	206328	PT15-35	206415	PT15-35
206114	PT15-16	206232	PT15-35	206330	PT15-35	206416	PT15-35
206115	PT15-16	206233	PT15-36	206331	PT15-35	206417	PT15-35
206116	PT15-17	206234	PT15-36	206332	PT15-35	206418	PT15-35
206117	PT15-17	206235	PT15-36	206334	PT15-36	206419	PT15-35
206118	PT15-17	206236	PT15-36	206335	PT15-36	206420	PT15-36
206119	PT15-17	206237	PT15-35	206336	PT15-36	206421	PT15-36
206120	PT15-17	206239	PT15-35	206337	PT15-36	206422	PT15-36
206121	PT15-17	206240	PT15-35	206338	PT15-36	206423	PT15-36
206125	PT15-16, PT15-58	206241	PT15-35	206342	PT15-35	206424	PT15-36
206126	PT15-16	206242	PT15-36	206343	PT15-35	206425	PT15-36
206127	PT15-16	206243	PT15-36	206344	PT15-35	206426	PT15-36
206128	PT15-16	206244	PT15-35	206345	PT15-35	206428	PT15-35
206129	PT15-16	206245	PT15-36	206346	PT15-35	206429	PT15-35
206130	PT15-16	206246	PT15-36	206347	PT15-36	206430	PT15-35
206131	PT15-17	206247	PT15-36	206348	PT15-36	206432	PT15-35
206132	PT15-17	206248	PT15-35	206349	PT15-36	206433	PT15-35
206133	PT15-17	206249	PT15-36	206350	PT15-36	206434	PT15-35
206134	PT15-17	206250	PT15-36	206352	PT15-36	206435	PT15-36
206135	PT15-17	206251	PT15-36	206355	PT15-35	206436	PT15-36
206136	PT15-17	206252	PT15-36	206356	PT15-35	206437	PT15-36
206137	PT15-17	206253	PT15-36	206357	PT15-35	206438	PT15-36
206140	PT15-16	206255	PT15-35	206358	PT15-35	206439	PT15-36
206141	PT15-16	206256	PT15-35	206359	PT15-35	206440	PT15-36
206142	PT15-16	206257	PT15-35	206360	PT15-36	206442	PT15-35
206143	PT15-16	206258	PT15-35	206363	PT15-36	206443	PT15-35
206144	PT15-16	206259	PT15-35	206367	PT15-35	206444	PT15-35
206145	PT15-17	206260	PT15-35	206368	PT15-35	206445	PT15-35
206146	PT15-17	206261	PT15-36	206370	PT15-35	206446	PT15-35
206147	PT15-17	206262	PT15-36	206371	PT15-35	206447	PT15-35
206148	PT15-17	206263	PT15-36	206373	PT15-35	206448	PT15-36
206149	PT15-17	206264	PT15-36	206374	PT15-36	206449	PT15-36
206150	PT15-17	206265	PT15-35	206375	PT15-36	206450	PT15-36
206151	PT15-17	206266	PT15-35	206376	PT15-36	206452	PT15-36
206158	PT15-36	206268	PT15-35	206377	PT15-36	206453	PT15-36
206190	PT15-35	206269	PT15-35	206378	PT15-36	206454	PT15-36
206193	PT15-35	206270	PT15-35	206379	PT15-36	206455	PT15-35
206196	PT15-35	206271	PT15-35	206380	PT15-35	206456	PT15-35
206197	PT15-35	206272	PT15-35	206381	PT15-35	206457	PT15-35
206198	PT15-35	206273	PT15-36	206382	PT15-35	206458	PT15-35
206199	PT15-35	206274	PT15-36	206383	PT15-35	206459	PT15-35
206200	PT15-35	206276	PT15-36	206384	PT15-35	206460	PT15-36
206201	PT15-35	206277	PT15-36	206385	PT15-35	206461	PT15-36
206202	PT15-36	206278	PT15-36	206386	PT15-35	206462	PT15-36
206203	PT15-36	206279	PT15-35	206387	PT15-35	206463	PT15-36



PART NUMBER INDEX

Roller Chain Sprockets

Conveyor Components

Engineering

Part Number Index

Keyword Index

Part Number	Page	Part Number	Page	Part Number	Page	Part Number	Page
206464	PT15-36	206566	PT15-40	206716	PT15-72	206881	PT15-39
206471	PT15-35	206567	PT15-40	206718	PT15-72	206882	PT15-39
206472	PT15-35	206570	PT15-40	206720	PT15-72	206883	PT15-40
206476	PT15-36	206571	PT15-40	206722	PT15-72	206885	PT15-40
206478	PT15-36	206573	PT15-40	206724	PT15-72	206886	PT15-40
206480	PT15-36	206574	PT15-40	206744	PT15-71	206887	PT15-40
206481	PT15-36	206575	PT15-40	206745	PT15-71	206888	PT15-40
206482	PT15-36	206576	PT15-40	206747	PT15-71	206897	PT15-39
206483	PT15-36	206578	PT15-40	206748	PT15-71	206916	PT15-40
206484	PT15-36	206579	PT15-40	206750	PT15-71	206917	PT15-40
206485	PT15-36	206580	PT15-40	206752	PT15-71	206918	PT15-40
206486	PT15-36	206582	PT15-40	206754	PT15-71	206919	PT15-40
206487	PT15-36	206585	PT15-40	206756	PT15-71	206923	PT15-39
206490	PT15-36	206588	PT15-39	206758	PT15-71	206926	PT15-39
206491	PT15-36	206595	PT15-36	206760	PT15-71	206927	PT15-39
206492	PT15-35	206599	PT15-36	206763	PT15-71	206928	PT15-40
206494	PT15-36	206615	PT15-71	206765	PT15-71	206929	PT15-40
206495	PT15-36	206617	PT15-71	206767	PT15-71	206930	PT15-40
206496	PT15-36	206619	PT15-71	206768	PT15-71	206931	PT15-40
206497	PT15-36	206621	PT15-71	206770	PT15-71	206932	PT15-40
206498	PT15-36	206623	PT15-71	206772	PT15-71	206934	PT15-40
206499	PT15-36	206625	PT15-71	206774	PT15-71	206935	PT15-40
206500	PT15-36	206627	PT15-71	206775	PT15-71	206939	PT15-39
206501	PT15-36	206629	PT15-71	206777	PT15-71	206940	PT15-39
206502	PT15-35	206631	PT15-71	206778	PT15-71	206968	PT15-39
206504	PT15-36	206633	PT15-71	206779	PT15-71	206970	PT15-40
206506	PT15-36	206635	PT15-71	206780	PT15-71	206972	PT15-40
206507	PT15-36	206637	PT15-71	206781	PT15-71	206974	PT15-40
206508	PT15-36	206639	PT15-71	206784	PT15-71	206975	PT15-40
206510	PT15-36	206640	PT15-71	206786	PT15-71	206976	PT15-40
206511	PT15-36	206642	PT15-71	206788	PT15-71	206977	PT15-40
206512	PT15-36	206644	PT15-71	206790	PT15-71	206979	PT15-39
206513	PT15-36	206646	PT15-71	206792	PT15-71	206980	PT15-39
206515	PT15-35	206648	PT15-71	206794	PT15-71	206981	PT15-39
206522	PT15-36	206649	PT15-71	206795	PT15-71	206988	PT15-40
206523	PT15-36	206650	PT15-71	206796	PT15-71	206990	PT15-40
206524	PT15-35	206652	PT15-71	206798	PT15-71	207156	PT11-18
206525	PT15-36	206654	PT15-71	206800	PT15-71	207157	PT11-18
206526	PT15-36	206656	PT15-71	206801	PT15-71	207205	PT15-21
206527	PT15-36	206658	PT15-71	206803	PT15-71	207206	PT15-21
206528	PT15-36	206659	PT15-71	206807	PT15-71	207207	PT15-21
206530	PT15-36	206660	PT15-71	206810	PT15-71	207208	PT15-21
206531	PT15-36	206662	PT15-71	206811	PT15-71	207209	PT15-21
206532	PT15-36	206664	PT15-71	206812	PT15-71	207210	PT15-21
206534	PT15-36	206666	PT15-71	206813	PT15-71	207211	PT15-21
206535	PT15-36	206668	PT15-71	206815	PT15-71	207212	PT15-21
206536	PT15-36	206670	PT15-71	206817	PT15-71	207213	PT15-21
206537	PT15-36	206671	PT15-71	206818	PT15-71	207214	PT15-21
206538	PT15-36	206672	PT15-71	206821	PT15-71	207215	PT15-21
206539	PT15-35	206673	PT15-71	206823	PT15-71	207216	PT15-21
206543	PT15-36	206675	PT15-71	206825	PT15-71	207249	PT15-67
206544	PT15-36	206677	PT15-71	206838	PT15-71	207300	PT15-68
206545	PT15-36	206680	PT15-71	206839	PT15-71	207301	PT15-68
206546	PT15-36	206682	PT15-71	206840	PT15-71	207325	PT15-67
206547	PT15-36	206684	PT15-71	206841	PT15-71	207326	PT15-67
206548	PT15-40	206686	PT15-71	206845	PT15-72	207327	PT15-67
206549	PT15-40	206687	PT15-71	206847	PT15-72	207328	PT15-67
206550	PT15-40	206688	PT15-71	206849	PT15-72	207329	PT15-67
206552	PT15-40	206689	PT15-71	206852	PT15-39	207330	PT15-67
206553	PT15-40	206690	PT15-72	206853	PT15-40	207331	PT15-67
206555	PT15-40	206692	PT15-72	206854	PT15-40	207332	PT15-67
206556	PT15-40	206694	PT15-72	206855	PT15-40	207333	PT15-67
206557	PT15-40	206700	PT15-72	206856	PT15-40	207334	PT15-67
206558	PT15-40	206702	PT15-72	206858	PT15-40	207335	PT15-67
206559	PT15-40	206704	PT15-72	206860	PT15-40	207336	PT15-67
206560	PT15-40	206706	PT15-72	206864	PT15-40	207337	PT15-67
206561	PT15-40	206708	PT15-72	206866	PT15-39	207338	PT15-67
206562	PT15-39	206710	PT15-72	206876	PT15-39	207339	PT15-67
206563	PT15-40	206712	PT15-72	206879	PT15-39	207340	PT15-67
206565	PT15-40	206714	PT15-72	206880	PT15-39	207341	PT15-67

PART NUMBER INDEX



Part Number	Page	Part Number	Page	Part Number	Page	Part Number	Page
207342.	PT15-67	207448.	PT15-40	207648.	PT15-39	207729.	PT15-39
207343.	PT15-67	207449.	PT15-40	207649.	PT15-39	207730.	PT15-39
207344.	PT15-67	207450.	PT15-40	207650.	PT15-39	207731.	PT15-40
207345.	PT15-67	207451.	PT15-40	207651.	PT15-39	207738.	PT15-39
207346.	PT15-67	207456.	PT15-40	207652.	PT15-39	207739.	PT15-39
207349.	PT15-67	207457.	PT15-40	207653.	PT15-40	207740.	PT15-39
207350.	PT15-42	207500.	PT15-27	207654.	PT15-40	207741.	PT15-39
207351.	PT15-42	207501.	PT15-27	207655.	PT15-40	207743.	PT15-39
207352.	PT15-43	207502.	PT15-28	207656.	PT15-40	207744.	PT15-40
207353.	PT15-42	207503.	PT15-27	207657.	PT15-39	207746.	PT15-40
207354.	PT15-42	207504.	PT15-27	207658.	PT15-39	207753.	PT15-39
207355.	PT15-42	207505.	PT15-27	207659.	PT15-39	207754.	PT15-39
207356.	PT15-42	207506.	PT15-28	207660.	PT15-39	207761.	PT15-40
207357.	PT15-42	207507.	PT15-27	207661.	PT15-39	207950.	PT15-21
207358.	PT15-43	207508.	PT15-27	207662.	PT15-39	207951.	PT15-21
207359.	PT15-42	207509.	PT15-28	207663.	PT15-40	207952.	PT15-21
207360.	PT15-42	207510.	PT15-27	207664.	PT15-40	207953.	PT15-21
207361.	PT15-42	207511.	PT15-27	207665.	PT15-40	207954.	PT15-21
207362.	PT15-42	207512.	PT15-28	207666.	PT15-40	207960.	PT15-72
207363.	PT15-42	207513.	PT15-27	207668.	PT15-40	207961.	PT15-72
207364.	PT15-43	207514.	PT15-27	207669.	PT15-39	207962.	PT15-72
207365.	PT15-43	207515.	PT15-27	207670.	PT15-39	207963.	PT15-72
207366.	PT15-42	207516.	PT15-28	207671.	PT15-39	207964.	PT15-72
207367.	PT15-42	207517.	PT15-27	207672.	PT15-39	207965.	PT15-72
207368.	PT15-42	207518.	PT15-28	207673.	PT15-39	207966.	PT15-72
207369.	PT15-42	207519.	PT15-27	207674.	PT15-39	207967.	PT15-72
207370.	PT15-43	207520.	PT15-27	207675.	PT15-40	207968.	PT15-72
207371.	PT15-42	207521.	PT15-28	207676.	PT15-40	207969.	PT15-72
207372.	PT15-42	207522.	PT15-27	207678.	PT15-40	207970.	PT15-72
207373.	PT15-42	207523.	PT15-27	207679.	PT15-40	207971.	PT15-21
207374.	PT15-43	207524.	PT15-28	207680.	PT15-40	207972.	PT15-36
207375.	PT15-43	207526.	PT15-28	207681.	PT15-39	207973.	PT15-21
207376.	PT15-42	207527.	PT15-27	207682.	PT15-39	207977.	PT15-21
207377.	PT15-43	207528.	PT15-28	207683.	PT15-39	207978.	PT15-21
207378.	PT15-43	207529.	PT15-27	207684.	PT15-39	207998.	PT15-71
207380.	PT15-72	207530.	PT15-27	207685.	PT15-39	208001.	PT15-42
207382.	PT15-72	207531.	PT15-28	207686.	PT15-39	208002.	PT15-42
207384.	PT15-72	207532.	PT15-29	207687.	PT15-39	208003.	PT15-42
207386.	PT15-72	207534.	PT15-29	207688.	PT15-40	208004.	PT15-42
207388.	PT15-72	207536.	PT15-29	207690.	PT15-40	208005.	PT15-42
207390.	PT15-72	207566.	PT15-36	207691.	PT15-40	208006.	PT15-42
207392.	PT15-72	207567.	PT15-36	207692.	PT15-40	208007.	PT15-42
207394.	PT15-72	207568.	PT15-36	207694.	PT15-39	208008.	PT15-42
207396.	PT15-72	207569.	PT15-36	207695.	PT15-39	208009.	PT15-42
207398.	PT15-72	207570.	PT15-36	207696.	PT15-39	208010.	PT15-42
207399.	PT15-72	207571.	PT15-36	207697.	PT15-39	208011.	PT15-42
207400.	PT15-36	207572.	PT15-36	207698.	PT15-39	208012.	PT15-43
207402.	PT15-36	207573.	PT15-36	207699.	PT15-39	208013.	PT15-43
207404.	PT15-36	207574.	PT15-36	207700.	PT15-39	208014.	PT15-42
207406.	PT15-36	207575.	PT15-36	207701.	PT15-40	208015.	PT15-42
207407.	PT15-36	207578.	PT15-21	207702.	PT15-40	208016.	PT15-42
207408.	PT15-36	207600.	PT15-39	207703.	PT15-40	208017.	PT15-42
207410.	PT15-36	207601.	PT15-39	207705.	PT15-40	208018.	PT15-42
207411.	PT15-36	207602.	PT15-39	207707.	PT15-40	208019.	PT15-42
207412.	PT15-36	207603.	PT15-39	207708.	PT15-40	208020.	PT15-42
207416.	PT15-36	207604.	PT15-39	207709.	PT15-39	208021.	PT15-42
207417.	PT15-36	207605.	PT15-40	207710.	PT15-39	208023.	PT15-43
207418.	PT15-36	207606.	PT15-40	207711.	PT15-39	208025.	PT15-43
207430.	PT15-40	207608.	PT15-40	207713.	PT15-39	208026.	PT15-43
207432.	PT15-40	207610.	PT15-40	207714.	PT15-39	208027.	PT15-42
207433.	PT15-39	207612.	PT15-39	207715.	PT15-40	208029.	PT15-42
207435.	PT15-39	207615.	PT15-39	207716.	PT15-40	208030.	PT15-42
207436.	PT15-40	207616.	PT15-40	207717.	PT15-40	208031.	PT15-42
207437.	PT15-40	207617.	PT15-40	207719.	PT15-40	208033.	PT15-42
207438.	PT15-40	207621.	PT15-39	207721.	PT15-40	208034.	PT15-42
207441.	PT15-39	207622.	PT15-39	207724.	PT15-39	208035.	PT15-42
207442.	PT15-40	207644.	PT15-39	207725.	PT15-39	208036.	PT15-42
207443.	PT15-40	207645.	PT15-39	207726.	PT15-39	208037.	PT15-42
207446.	PT15-39	207646.	PT15-39	207727.	PT15-39	208038.	PT15-42
207447.	PT15-39	207647.	PT15-39	207728.	PT15-39	208039.	PT15-42



PART NUMBER INDEX

Roller Chain Sprockets

Conveyor Components

Engineering

Part Number Index

Keyword Index

Part Number	Page	Part Number	Page	Part Number	Page	Part Number	Page
208040	PT15-42	208141	PT15-43	208235	PT15-45	208345	PT15-27
208041	PT15-42	208142	PT15-43	208236	PT15-45	208347	PT15-27
208042	PT15-43	208144	PT15-43	208239	PT15-45	208348	PT15-27
208044	PT15-43	208145	PT15-43	208240	PT15-45	208350	PT15-27
208045	PT15-43	208146	PT15-43	208242	PT15-45	208352	PT15-27
208046	PT15-43	208147	PT15-43	208243	PT15-45	208355	PT15-27
208047	PT15-43	208148	PT15-43	208244	PT15-45	208356	PT15-27
208050	PT15-43	208149	PT15-43	208245	PT15-44	208357	PT15-28
208051	PT15-43	208150	PT15-43	208246	PT15-44	208358	PT15-28
208052	PT15-42	208151	PT15-43	208247	PT15-44	208360	PT15-28
208054	PT15-42	208153	PT15-43	208248	PT15-44	208361	PT15-28
208056	PT15-42	208154	PT15-43	208251	PT15-44	208363	PT15-28
208058	PT15-42	208155	PT15-44	208252	PT15-44	208364	PT15-28
208063	PT15-42	208157	PT15-44	208253	PT15-44	208369	PT15-28
208065	PT15-42	208158	PT15-44	208254	PT15-44	208370	PT15-28
208067	PT15-42	208159	PT15-44	208259	PT15-44	208371	PT15-28
208068	PT15-42	208160	PT15-44	208260	PT15-44	208372	PT15-28
208073	PT15-43	208161	PT15-44	208261	PT15-45	208373	PT15-28
208074	PT15-43	208162	PT15-44	208262	PT15-45	208375	PT15-27
208075	PT15-43	208163	PT15-44	208263	PT15-45	208377	PT15-27
208076	PT15-43	208164	PT15-44	208264	PT15-45	208378	PT15-27
208077	PT15-43	208165	PT15-44	208266	PT15-45	208379	PT15-27
208078	PT15-43	208167	PT15-44	208267	PT15-45	208380	PT15-27
208079	PT15-42	208169	PT15-44	208268	PT15-45	208383	PT15-27
208081	PT15-42	208170	PT15-44	208269	PT15-45	208384	PT15-27
208083	PT15-42	208171	PT15-44	208270	PT15-45	208385	PT15-27
208084	PT15-42	208172	PT15-44	208271	PT15-45	208387	PT15-27
208085	PT15-42	208173	PT15-44	208272	PT15-45	208388	PT15-27
208086	PT15-42	208174	PT15-44	208277	PT15-44	208389	PT15-27
208087	PT15-42	208176	PT15-45	208279	PT15-44	208391	PT15-27
208089	PT15-42	208178	PT15-45	208280	PT15-44	208393	PT15-27
208090	PT15-42	208179	PT15-45	208281	PT15-44	208394	PT15-27
208091	PT15-42	208180	PT15-45	208289	PT15-45	208395	PT15-27
208093	PT15-42	208182	PT15-45	208291	PT15-45	208397	PT15-27
208095	PT15-42	208183	PT15-45	208293	PT15-45	208398	PT15-27
208096	PT15-42	208184	PT15-45	208295	PT15-45	208399	PT15-28
208097	PT15-43	208185	PT15-45	208296	PT15-45	208400	PT15-28
208099	PT15-43	208186	PT15-45	208297	PT15-45	208401	PT15-28
208100	PT15-43	208190	PT15-45	208299	PT15-45	208403	PT15-28
208101	PT15-43	208191	PT15-45	208300	PT15-45	208406	PT15-28
208102	PT15-43	208192	PT15-45	208301	PT15-27	208407	PT15-28
208103	PT15-43	208195	PT15-45	208302	PT15-27	208408	PT15-28
208104	PT15-43	208197	PT15-45	208303	PT15-27	208409	PT15-28
208105	PT15-43	208198	PT15-45	208304	PT15-27	208414	PT15-28
208106	PT15-43	208199	PT15-44	208305	PT15-27	208415	PT15-28
208107	PT15-43	208200	PT15-44	208306	PT15-27	208416	PT15-28
208110	PT15-43	208201	PT15-44	208307	PT15-27	208417	PT15-28
208111	PT15-43	208202	PT15-44	208308	PT15-27	208422	PT15-27
208112	PT15-43	208203	PT15-44	208309	PT15-27	208423	PT15-27
208113	PT15-43	208205	PT15-44	208310	PT15-27	208424	PT15-27
208114	PT15-43	208206	PT15-44	208311	PT15-28	208425	PT15-27
208115	PT15-43	208207	PT15-44	208312	PT15-28	208426	PT15-27
208117	PT15-42	208209	PT15-44	208313	PT15-28	208428	PT15-27
208119	PT15-42	208210	PT15-44	208314	PT15-28	208431	PT15-27
208120	PT15-42	208211	PT15-44	208315	PT15-28	208433	PT15-27
208121	PT15-42	208213	PT15-44	208316	PT15-28	208436	PT15-27
208122	PT15-42	208214	PT15-44	208319	PT15-28	208437	PT15-27
208124	PT15-42	208215	PT15-44	208330	PT15-28	208441	PT15-27
208125	PT15-42	208216	PT15-44	208331	PT15-28	208442	PT15-27
208126	PT15-42	208218	PT15-45	208333	PT15-28	208443	PT15-27
208127	PT15-42	208220	PT15-45	208334	PT15-28	208445	PT15-27
208128	PT15-42	208221	PT15-45	208335	PT15-28	208450	PT15-27
208130	PT15-42	208222	PT15-45	208336	PT15-28	208454	PT15-28
208131	PT15-42	208223	PT15-45	208337	PT15-27	208459	PT15-28
208132	PT15-43	208224	PT15-45	208338	PT15-27	208460	PT15-28
208134	PT15-43	208226	PT15-45	208339	PT15-27	208461	PT15-28
208135	PT15-43	208227	PT15-45	208340	PT15-27	208464	PT15-28
208137	PT15-43	208228	PT15-45	208341	PT15-27	208465	PT15-28
208138	PT15-43	208231	PT15-45	208342	PT15-27	208466	PT15-28
208140	PT15-43	208234	PT15-45	208344	PT15-27	208467	PT15-28

PART NUMBER INDEX



Part Number	Page	Part Number	Page	Part Number	Page	Part Number	Page
208469.	PT15-28	208581.	PT15-28	208690.	PT15-29	208852.	PT15-50
208470.	PT15-28	208584.	PT15-28	208691.	PT15-29	208853.	PT15-50
208474.	PT15-27	208587.	PT15-28	208693.	PT15-29	208854.	PT15-50
208476.	PT15-27	208588.	PT15-28	208694.	PT15-29	208855.	PT15-50
208477.	PT15-27	208589.	PT15-28	208695.	PT15-29	208856.	PT15-50
208478.	PT15-27	208590.	PT15-28	208696.	PT15-29	208857.	PT15-50
208479.	PT15-27	208591.	PT15-28	208697.	PT15-29	208858.	PT15-50
208482.	PT15-27	208593.	PT15-28	208699.	PT15-29	208860.	PT15-51
208484.	PT15-27	208597.	PT15-27	208700.	PT15-29	208862.	PT15-51
208487.	PT15-27	208598.	PT15-27	208703.	PT15-29	208863.	PT15-51
208488.	PT15-27	208600.	PT15-27	208704.	PT15-29	208864.	PT15-51
208489.	PT15-27	208602.	PT15-27	208705.	PT15-29	208865.	PT15-51
208492.	PT15-27	208603.	PT15-27	208706.	PT15-29	208866.	PT15-51
208493.	PT15-27	208604.	PT15-27	208707.	PT15-29	208867.	PT15-51
208495.	PT15-27	208606.	PT15-27	208708.	PT15-29	208868.	PT15-51
208496.	PT15-27	208607.	PT15-27	208709.	PT15-29	208869.	PT15-51
208500.	PT15-27	208608.	PT15-27	208717.	PT15-29	208870.	PT15-51
208501.	PT15-27	208612.	PT15-27	208718.	PT15-29	208871.	PT15-52
208502.	PT15-27	208613.	PT15-27	208719.	PT15-29	208872.	PT15-52
208504.	PT15-28	208617.	PT15-27	208723.	PT15-29	208873.	PT15-52
208505.	PT15-28	208618.	PT15-27	208731.	PT15-29	208874.	PT15-52
208506.	PT15-28	208619.	PT15-27	208732.	PT15-29	208875.	PT15-52
208507.	PT15-28	208621.	PT15-27	208733.	PT15-29	208876.	PT15-52
208508.	PT15-28	208622.	PT15-27	208734.	PT15-29	208877.	PT15-52
208510.	PT15-28	208623.	PT15-27	208735.	PT15-29	208878.	PT15-52
208512.	PT15-28	208625.	PT15-27	208736.	PT15-29	208879.	PT15-52
208513.	PT15-28	208626.	PT15-27	208737.	PT15-29	208880.	PT15-52
208514.	PT15-28	208627.	PT15-27	208738.	PT15-29	208881.	PT15-52
208515.	PT15-28	208628.	PT15-28	208740.	PT15-29	208882.	PT15-52
208516.	PT15-28	208629.	PT15-28	208742.	PT15-29	208883.	PT15-52
208517.	PT15-28	208631.	PT15-28	208743.	PT15-29	208884.	PT15-52
208521.	PT15-28	208633.	PT15-28	208744.	PT15-29	208885.	PT15-52
208522.	PT15-28	208634.	PT15-28	208745.	PT15-29	208886.	PT15-52
208523.	PT15-28	208635.	PT15-28	208746.	PT15-29	208887.	PT15-52
208524.	PT15-28	208636.	PT15-28	208747.	PT15-29	208888.	PT15-52
208527.	PT15-28	208637.	PT15-28	208758.	PT15-29	208889.	PT15-52
208529.	PT15-28	208638.	PT15-28	208761.	PT15-43	208890.	PT15-52
208531.	PT15-27	208639.	PT15-28	208762.	PT15-43	208891.	PT15-52
208532.	PT15-27	208640.	PT15-28	208764.	PT15-43	208892.	PT15-52
208534.	PT15-27	208643.	PT15-28	208765.	PT15-43	208893.	PT15-52
208536.	PT15-27	208644.	PT15-28	208766.	PT15-42	208894.	PT15-52
208537.	PT15-27	208646.	PT15-28	208767.	PT15-43	208895.	PT15-52
208538.	PT15-27	208647.	PT15-28	208768.	PT15-43	208923.	PT15-21
208541.	PT15-27	208648.	PT15-28	208769.	PT15-42	208974.	PT15-36
208543.	PT15-27	208649.	PT15-28	208770.	PT15-43	208919.	PT15-52
208546.	PT15-27	208654.	PT15-29	208771.	PT15-44	209652.	PT15-35
208547.	PT15-27	208655.	PT15-29	208772.	PT15-45	209653.	PT15-35
208548.	PT15-27	208656.	PT15-29	208773.	PT15-45	209655.	PT15-35
208551.	PT15-27	208657.	PT15-29	208775.	PT15-45	209656.	PT15-35
208552.	PT15-27	208659.	PT15-29	208776.	PT15-45	209657.	PT15-35
208554.	PT15-27	208660.	PT15-29	208777.	PT15-45	209659.	PT15-35
208555.	PT15-27	208661.	PT15-29	208778.	PT15-45	209660.	PT15-35
208559.	PT15-27	208662.	PT15-29	208794.	PT15-28	209661.	PT15-36
208561.	PT15-27	208664.	PT15-29	208800.	PT15-28	209662.	PT15-36
208562.	PT15-27	208667.	PT15-29	208806.	PT15-28	209663.	PT15-36
208563.	PT15-28	208668.	PT15-29	208831.	PT15-50	209664.	PT15-35
208564.	PT15-28	208671.	PT15-29	208833.	PT15-50	209665.	PT15-36
208566.	PT15-28	208672.	PT15-29	208835.	PT15-50	209666.	PT15-36
208567.	PT15-28	208673.	PT15-29	208837.	PT15-50	209668.	PT15-36
208568.	PT15-28	208675.	PT15-29	208838.	PT15-50	209669.	PT15-35
208569.	PT15-28	208676.	PT15-29	208839.	PT15-50	209670.	PT15-35
208571.	PT15-28	208679.	PT15-29	208840.	PT15-50	209671.	PT15-35
208573.	PT15-28	208680.	PT15-29	208841.	PT15-50	209672.	PT15-35
208574.	PT15-28	208683.	PT15-29	208842.	PT15-50	209673.	PT15-36
208575.	PT15-28	208684.	PT15-29	208844.	PT15-50	209674.	PT15-36
208576.	PT15-28	208685.	PT15-29	208845.	PT15-50	209675.	PT15-35
208577.	PT15-28	208686.	PT15-29	208847.	PT15-50	209676.	PT15-35
208578.	PT15-28	208687.	PT15-29	208849.	PT15-50	209677.	PT15-35
208579.	PT15-28	208688.	PT15-29	208850.	PT15-50	209678.	PT15-36
208580.	PT15-28	208689.	PT15-29	208851.	PT15-50	209679.	PT15-36



PART NUMBER INDEX

Roller Chain Sprockets

Conveyor Components

Engineering

Part Number Index

Keyword Index

Part Number	Page	Part Number	Page	Part Number	Page	Part Number	Page
209680	PT15-36	209761	PT15-17	209846	PT15-18	209925	PT15-21
209681	PT15-35	209762	PT15-17	209847	PT15-19	209926	PT15-21
209682	PT15-35	209763	PT15-17	209848	PT15-19	209927	PT15-21
209683	PT15-35	209764	PT15-17	209849	PT15-19	209928	PT15-21
209684	PT15-35	209765	PT15-17	209850	PT15-19	209929	PT15-21
209685	PT15-35	209766	PT15-17	209851	PT15-19	209930	PT15-21
209686	PT15-36	209767	PT15-16, PT15-58	209852	PT15-18	209931	PT15-21
209687	PT15-36	209769	PT15-16	209853	PT15-19	209932	PT15-21
209688	PT15-36	209770	PT15-16	209854	PT15-19	209933	PT15-21
209689	PT15-36	209771	PT15-16	209855	PT15-19	209934	PT15-21
209690	PT15-36	209772	PT15-16	209856	PT15-20	209935	PT15-21
209691	PT15-35	209773	PT15-16	209857	PT15-20	209936	PT15-21
209692	PT15-36	209774	PT15-17	209864	PT15-50	209937	PT15-21
209693	PT15-36	209775	PT15-17	209866	PT15-50	209938	PT15-21
209700	PT15-17	209776	PT15-17	209867	PT15-51	209939	PT15-21
209701	PT15-17	209777	PT15-17	209870	PT15-51	209940	PT15-21
209703	PT15-17	209778	PT15-17	209871	PT15-51	209941	PT15-21
209704	PT15-17	209779	PT15-17	209872	PT15-51	209942	PT15-16
209707	PT15-17	209780	PT15-16, PT15-58	209873	PT15-51	209945	PT15-16
209710	PT15-16	209781	PT15-16	209874	PT15-50	209948	PT15-16
209711	PT15-17	209782	PT15-17	209875	PT15-50	209949	PT15-17
209712	PT15-17	209783	PT15-17	209876	PT15-51	209950	PT15-17
209713	PT15-17	209784	PT15-17	209877	PT15-51	209951	PT15-16
209714	PT15-17	209785	PT15-17	209878	PT15-50	209952	PT15-16, PT15-58
209715	PT15-17	209786	PT15-17	209879	PT15-50	209953	PT15-16, PT15-58
209716	PT15-16	209800	PT15-18	209880	PT15-51	209955	PT15-16
209717	PT15-16	209801	PT15-18	209881	PT15-51	209956	PT15-17
209718	PT15-16	209802	PT15-18	209882	PT15-51	209957	PT15-16, PT15-58
209719	PT15-16	209803	PT15-18	209883	PT15-51	209958	PT15-16, PT15-58
209720	PT15-16	209804	PT15-19	209884	PT15-50	209959	PT15-16, PT15-58
209721	PT15-16	209805	PT15-19	209885	PT15-51	209960	PT15-17
209722	PT15-17	209806	PT15-19	209886	PT15-51	209983	PT15-21
209723	PT15-17	209807	PT15-19	209887	PT15-51	223058	PT15-16
209724	PT15-17	209808	PT15-19	209888	PT15-51	223059	PT15-17
209725	PT15-16	209810	PT15-18	209889	PT15-50	223060	PT15-17
209726	PT15-16	209811	PT15-19	209890	PT15-50	223061	PT15-16
209727	PT15-16	209812	PT15-19	209891	PT15-51	223063	PT15-17
209728	PT15-16	209813	PT15-19	209892	PT15-51	223065	PT15-17
209729	PT15-16	209814	PT15-18	209893	PT15-51	223066	PT15-16
209730	PT15-16	209815	PT15-18	209894	PT15-51	223067	PT15-17
209731	PT15-17	209816	PT15-18	209895	PT15-51	223068	PT15-17
209732	PT15-17	209817	PT15-19	209896	PT15-21	223069	PT15-17
209733	PT15-17	209818	PT15-18	209897	PT15-21	223070	PT15-17
209734	PT15-16, PT15-58	209819	PT15-18	209898	PT15-21	223071	PT15-17
209735	PT15-16, PT15-58	209820	PT15-18	209899	PT15-21	223072	PT15-17
209736	PT15-16, PT15-58	209821	PT15-18	209900	PT15-21	223073	PT15-16
209737	PT15-16, PT15-58	209822	PT15-19	209901	PT15-21	223074	PT15-16
209738	PT15-16	209823	PT15-19	209902	PT15-21	223075	PT15-16
209739	PT15-16	209824	PT15-19	209903	PT15-21	223076	PT15-16
209740	PT15-16	209825	PT15-19	209904	PT15-21	223078	PT15-16
209741	PT15-17	209826	PT15-18	209905	PT15-21	223079	PT15-17
209742	PT15-17	209827	PT15-18	209906	PT15-21	223080	PT15-17
209743	PT15-16, PT15-58	209828	PT15-19	209907	PT15-21	223081	PT15-17
209744	PT15-16, PT15-58	209829	PT15-19	209908	PT15-21	223082	PT15-17
209745	PT15-16, PT15-58	209830	PT15-19	209909	PT15-21	223083	PT15-17
209746	PT15-16, PT15-58	209831	PT15-18	209910	PT15-21	223084	PT15-17
209747	PT15-16	209832	PT15-18	209911	PT15-21	223085	PT15-17
209748	PT15-16	209833	PT15-18	209912	PT15-21	223086	PT15-17
209749	PT15-16	209834	PT15-19	209913	PT15-21	223087	PT15-17
209750	PT15-16	209835	PT15-19	209914	PT15-21	223088	PT15-17
209751	PT15-17	209836	PT15-19	209915	PT15-21	223089	PT15-17
209752	PT15-17	209837	PT15-19	209916	PT15-21	223090	PT15-17
209753	PT15-17	209838	PT15-19	209917	PT15-21	223091	PT15-17
209754	PT15-17	209839	PT15-19	209918	PT15-21	223092	PT15-17
209755	PT15-17	209840	PT15-19	209919	PT15-21	223093	PT15-17
209756	PT15-16, PT15-58	209841	PT15-19	209920	PT15-21	223094	PT15-17
209757	PT15-16, PT15-58	209842	PT15-19	209921	PT15-21	223095	PT15-16
209758	PT15-16, PT15-58	209843	PT15-18	209922	PT15-21	223096	PT15-16
209759	PT15-16	209844	PT15-18	209923	PT15-21	223097	PT15-16
209760	PT15-16	209845	PT15-18	209924	PT15-21	223098	PT15-16

PART NUMBER INDEX



Part Number	Page	Part Number	Page	Part Number	Page	Part Number	Page
223099	PT15-16	223219	PT15-17	223294	PT15-19	223367	PT15-18
223100	PT15-17	223220	PT15-17	223295	PT15-19	223368	PT15-18
223101	PT15-17	223221	PT15-17	223296	PT15-19	223369	PT15-18
223102	PT15-17	223223	PT15-17	223297	PT15-19	223370	PT15-18
223104	PT15-17	223224	PT15-17	223298	PT15-19	223371	PT15-18
223110	PT15-17	223225	PT15-17	223299	PT15-19	223372	PT15-19
223111	PT15-17	223226	PT15-17	223301	PT15-19	223373	PT15-19
223112	PT15-17	223227	PT15-17	223302	PT15-19	223374	PT15-19
223113	PT15-17	223228	PT15-17	223303	PT15-19	223375	PT15-19
223114	PT15-17	223230	PT15-18	223304	PT15-19	223376	PT15-19
223115	PT15-17	223231	PT15-18	223305	PT15-19	223377	PT15-19
223116	PT15-17	223232	PT15-19	223306	PT15-19	223378	PT15-19
223118	PT15-17	223233	PT15-18	223307	PT15-18	223379	PT15-19
223119	PT15-17	223234	PT15-18	223308	PT15-18	223380	PT15-19
223120	PT15-17	223235	PT15-18	223309	PT15-18	223381	PT15-19
223123	PT15-16	223236	PT15-18	223310	PT15-18	223382	PT15-19
223124	PT15-16	223237	PT15-18	223311	PT15-18	223383	PT15-19
223125	PT15-16	223238	PT15-18	223312	PT15-18	223384	PT15-19
223126	PT15-16	223239	PT15-18	223313	PT15-18	223385	PT15-19
223127	PT15-16	223240	PT15-18	223314	PT15-18	223386	PT15-19
223128	PT15-16	223241	PT15-19	223315	PT15-19	223387	PT15-19
223129	PT15-16	223242	PT15-19	223316	PT15-19	223388	PT15-19
223130	PT15-16	223243	PT15-19	223317	PT15-19	223389	PT15-19
223132	PT15-17	223244	PT15-19	223318	PT15-19	223390	PT15-19
223133	PT15-17	223245	PT15-18	223319	PT15-19	223391	PT15-19
223134	PT15-17	223246	PT15-19	223320	PT15-19	223392	PT15-19
223135	PT15-17	223247	PT15-19	223321	PT15-19	223393	PT15-19
223136	PT15-17	223248	PT15-19	223322	PT15-19	223394	PT15-19
223139	PT15-17	223249	PT15-19	223323	PT15-19	223395	PT15-19
223142	PT15-17	223250	PT15-18	223324	PT15-19	223396	PT15-19
223148	PT15-17	223251	PT15-18	223325	PT15-19	223398	PT15-19
223149	PT15-17	223252	PT15-18	223326	PT15-19	223399	PT15-19
223150	PT15-17	223253	PT15-18	223327	PT15-19	223400	PT15-19
223154	PT15-17	223254	PT15-18	223328	PT15-19	223401	PT15-19
223155	PT15-17	223255	PT15-19	223329	PT15-19	223402	PT15-19
223156	PT15-17	223256	PT15-19	223330	PT15-19	223403	PT15-19
223160	PT15-16	223257	PT15-19	223331	PT15-19	223404	PT15-19
223161	PT15-16	223258	PT15-19	223332	PT15-19	223405	PT15-19
223162	PT15-16	223259	PT15-19	223333	PT15-19	223406	PT15-19
223163	PT15-16	223260	PT15-19	223334	PT15-19	223407	PT15-19
223164	PT15-16	223262	PT15-18	223335	PT15-19	223409	PT15-19
223166	PT15-17	223263	PT15-18	223336	PT15-19	223410	PT15-19
223168	PT15-17	223264	PT15-19	223337	PT15-19	223411	PT15-19
223170	PT15-17	223265	PT15-19	223340	PT15-19	223412	PT15-19
223171	PT15-17	223266	PT15-19	223341	PT15-19	223414	PT15-20
223172	PT15-17	223267	PT15-19	223342	PT15-19	223415	PT15-20
223174	PT15-17	223268	PT15-19	223343	PT15-19	223416	PT15-20
223179	PT15-17	223269	PT15-19	223344	PT15-19	223417	PT15-20
223181	PT15-17	223271	PT15-19	223345	PT15-19	223418	PT15-20
223182	PT15-17	223272	PT15-19	223346	PT15-19	223419	PT15-20
223183	PT15-17	223273	PT15-19	223347	PT15-19	223420	PT15-20
223184	PT15-17	223274	PT15-19	223348	PT15-19	223421	PT15-20
223186	PT15-17	223275	PT15-18	223349	PT15-19	223422	PT15-20
223187	PT15-17	223276	PT15-18	223350	PT15-19	223423	PT15-20
223192	PT15-16	223277	PT15-18	223351	PT15-19	223424	PT15-20
223193	PT15-17	223278	PT15-18	223352	PT15-19	223425	PT15-20
223195	PT15-17	223279	PT15-18	223353	PT15-19	223426	PT15-20
223198	PT15-17	223280	PT15-18	223354	PT15-19	223427	PT15-20
223200	PT15-17	223281	PT15-18	223355	PT15-19	223428	PT15-20
223204	PT15-17	223282	PT15-18	223356	PT15-19	223429	PT15-20
223206	PT15-17	223283	PT15-18	223357	PT15-19	223430	PT15-20
223207	PT15-17	223284	PT15-18	223358	PT15-19	223431	PT15-20
223208	PT15-17	223285	PT15-18	223359	PT15-19	223432	PT15-20
223209	PT15-17	223286	PT15-19	223360	PT15-19	223433	PT15-20
223210	PT15-17	223287	PT15-19	223361	PT15-18	223434	PT15-20
223213	PT15-17	223289	PT15-19	223362	PT15-18	223435	PT15-20
223214	PT15-17	223290	PT15-19	223363	PT15-18	223436	PT15-20
223215	PT15-17	223291	PT15-19	223364	PT15-18	223437	PT15-20
223217	PT15-17	223292	PT15-19	223365	PT15-18	223438	PT15-20
223218	PT15-17	223293	PT15-19	223366	PT15-18	223439	PT15-20



PART NUMBER INDEX

Roller Chain Sprockets

Conveyor Components

Engineering

Part Number Index

Keyword Index

Part Number	Page	Part Number	Page	Part Number	Page	Part Number	Page
223440	PT15-20	223526	PT15-28	223624	PT15-36	223697	PT15-37
223441	PT15-20	223527	PT15-28	223625	PT15-36	223698	PT15-37
223443	PT15-20	223528	PT15-27	223626	PT15-36	223699	PT15-37
223444	PT15-20	223529	PT15-28	223627	PT15-36	223700	PT15-37
223445	PT15-20	223530	PT15-28	223628	PT15-36	223701	PT15-37
223446	PT15-20	223531	PT15-29	223629	PT15-35	223702	PT15-37
223447	PT15-20	223532	PT15-29	223630	PT15-35	223703	PT15-37
223448	PT15-20	223533	PT15-29	223631	PT15-35	223704	PT15-37
223449	PT15-20	223534	PT15-29	223632	PT15-35	223705	PT15-37
223450	PT15-20	223535	PT15-29	223633	PT15-36	223706	PT15-37
223451	PT15-20	223536	PT15-29	223634	PT15-36	223707	PT15-37
223452	PT15-20	223537	PT15-29	223635	PT15-36	223708	PT15-37
223453	PT15-20	223538	PT15-29	223636	PT15-36	223709	PT15-37
223454	PT15-20	223565	PT15-35	223637	PT15-36	223710	PT15-37
223455	PT15-20	223566	PT15-36	223638	PT15-36	223711	PT15-37
223456	PT15-20	223567	PT15-36	223639	PT15-36	223712	PT15-37
223457	PT15-20	223569	PT15-36	223640	PT15-36	223713	PT15-37
223458	PT15-20	223570	PT15-36	223641	PT15-36	223714	PT15-37
223459	PT15-20	223571	PT15-36	223642	PT15-36	223715	PT15-37
223460	PT15-20	223573	PT15-35	223643	PT15-36	223716	PT15-37
223461	PT15-20	223574	PT15-35	223644	PT15-36	223717	PT15-37
223462	PT15-20	223575	PT15-36	223645	PT15-36	223719	PT15-37
223463	PT15-20	223576	PT15-36	223646	PT15-35	223720	PT15-37
223464	PT15-20	223577	PT15-36	223647	PT15-35	223721	PT15-37
223465	PT15-20	223578	PT15-36	223648	PT15-36	223722	PT15-39
223466	PT15-20	223579	PT15-36	223649	PT15-36	223723	PT15-40
223467	PT15-20	223580	PT15-36	223650	PT15-36	223724	PT15-40
223468	PT15-20	223581	PT15-35	223651	PT15-36	223725	PT15-40
223469	PT15-20	223582	PT15-36	223652	PT15-36	223726	PT15-40
223470	PT15-20	223583	PT15-36	223653	PT15-36	223727	PT15-40
223471	PT15-20	223584	PT15-36	223654	PT15-36	223731	PT15-43
223472	PT15-20	223585	PT15-36	223656	PT15-36	223732	PT15-43
223473	PT15-20	223586	PT15-36	223657	PT15-36	223733	PT15-43
223474	PT15-20	223587	PT15-36	223658	PT15-36	223734	PT15-43
223475	PT15-20	223588	PT15-36	223659	PT15-36	223735	PT15-43
223476	PT15-20	223589	PT15-36	223660	PT15-36	223736	PT15-43
223477	PT15-20	223590	PT15-36	223661	PT15-36	223737	PT15-43
223479	PT15-20	223591	PT15-36	223662	PT15-36	223738	PT15-42
223480	PT15-20	223592	PT15-36	223663	PT15-36	223739	PT15-42
223481	PT15-20	223593	PT15-36	223664	PT15-36	223740	PT15-42
223482	PT15-20	223594	PT15-36	223665	PT15-36	223741	PT15-43
223483	PT15-20	223595	PT15-36	223666	PT15-36	223742	PT15-43
223484	PT15-20	223596	PT15-35	223667	PT15-36	223743	PT15-43
223485	PT15-20	223597	PT15-35	223668	PT15-36	223745	PT15-42
223486	PT15-20	223598	PT15-35	223669	PT15-36	223746	PT15-42
223487	PT15-20	223599	PT15-36	223670	PT15-37	223747	PT15-42
223488	PT15-20	223600	PT15-36	223671	PT15-37	223748	PT15-42
223489	PT15-20	223601	PT15-36	223672	PT15-37	223749	PT15-43
223490	PT15-20	223602	PT15-36	223673	PT15-37	223750	PT15-43
223491	PT15-20	223603	PT15-36	223674	PT15-37	223751	PT15-43
223492	PT15-20	223604	PT15-36	223675	PT15-37	223752	PT15-45
223493	PT15-20	223605	PT15-36	223676	PT15-37	223753	PT15-45
223494	PT15-20	223606	PT15-36	223677	PT15-37	223754	PT15-45
223495	PT15-20	223607	PT15-36	223678	PT15-37	223984	PT15-50
223496	PT15-20	223608	PT15-36	223679	PT15-37	223986	PT15-51
223497	PT15-20	223609	PT15-36	223680	PT15-37	223987	PT15-51
223498	PT15-20	223610	PT15-36	223681	PT15-37	223991	PT15-50
223499	PT15-20	223611	PT15-36	223682	PT15-37	223993	PT15-50
223500	PT15-20	223612	PT15-36	223683	PT15-37	223994	PT15-51
223501	PT15-20	223613	PT15-35	223684	PT15-37	223995	PT15-51
223503	PT15-24	223614	PT15-35	223685	PT15-37	223996	PT15-51
223504	PT15-24	223615	PT15-35	223686	PT15-37	223997	PT15-51
223518	PT15-28	223616	PT15-35	223687	PT15-37	223998	PT15-51
223519	PT15-28	223617	PT15-36	223690	PT15-37	224000	PT15-51
223520	PT15-28	223618	PT15-36	223691	PT15-37	224001	PT15-51
223521	PT15-28	223619	PT15-36	223692	PT15-37	224003	PT15-50
223522	PT15-28	223620	PT15-36	223693	PT15-37	224004	PT15-50
223523	PT15-28	223621	PT15-36	223694	PT15-37	224005	PT15-50
223524	PT15-28	223622	PT15-36	223695	PT15-37	224006	PT15-51
223525	PT15-28	223623	PT15-36	223696	PT15-37	224007	PT15-51

PART NUMBER INDEX



Part Number	Page	Part Number	Page	Part Number	Page	Part Number	Page
224008.	PT15-51	224086.	PT15-51	224165.	PT15-51	224632.	PT15-59
224009.	PT15-51	224087.	PT15-51	224166.	PT15-51	224633.	PT15-59
224010.	PT15-51	224091.	PT15-50	224167.	PT15-51	224634.	PT15-59
224011.	PT15-51	224092.	PT15-50	224508.	PT15-21	224635.	PT15-59
224013.	PT15-50	224093.	PT15-50	224521.	PT15-58	224636.	PT15-59
224015.	PT15-50	224095.	PT15-50	224522.	PT15-58	224637.	PT15-59
224016.	PT15-50	224096.	PT15-50	224523.	PT15-16, PT15-58	224638.	PT15-59
224017.	PT15-51	224097.	PT15-50	224524.	PT15-16, PT15-58	224639.	PT15-59
224018.	PT15-51	224099.	PT15-50	224528.	PT15-16, PT15-58	224640.	PT15-59
224019.	PT15-51	224100.	PT15-51	224529.	PT15-16, PT15-58	224641.	PT15-59
224020.	PT15-51	224101.	PT15-51	224530.	PT15-58	224642.	PT15-59
224021.	PT15-51	224102.	PT15-51	224531.	PT15-58	226007.	PT6-18
224022.	PT15-51	224103.	PT15-51	224532.	PT15-58	226026.	PT11-7
224023.	PT15-51	224104.	PT15-51	224533.	PT15-16, PT15-58	226027.	PT6-13
224024.	PT15-51	224105.	PT15-51	224534.	PT15-16, PT15-58	226028.	PT6-13
224025.	PT15-51	224106.	PT15-51	224535.	PT15-16, PT15-58	226029.	PT6-14
224026.	PT15-51	224107.	PT15-51	224536.	PT15-16, PT15-58	226030.	PT6-14
224027.	PT15-50	224109.	PT15-51	224537.	PT15-16, PT15-58	226031.	PT6-14
224028.	PT15-50	224110.	PT15-51	224538.	PT15-58	226032.	PT6-14
224031.	PT15-50	224112.	PT15-51	224539.	PT15-58	226033.	PT6-14
224032.	PT15-50	224113.	PT15-51	224540.	PT15-58	226034.	PT6-14
224033.	PT15-50	224114.	PT15-51	224541.	PT15-58	226091.	PT6-14
224034.	PT15-50	224115.	PT15-51	224542.	PT15-58	226093.	PT6-14
224035.	PT15-50	224116.	PT15-51	224543.	PT15-58	226101.	PT6-14
224036.	PT15-51	224117.	PT15-51	224544.	PT15-58	226830.	PT15-75
224038.	PT15-51	224118.	PT15-51	224545.	PT15-58	226831.	PT15-75
224039.	PT15-51	224119.	PT15-51	224546.	PT15-58	226832.	PT15-75
224040.	PT15-51	224120.	PT15-51	224547.	PT15-58	226833.	PT15-75
224041.	PT15-51	224121.	PT15-51	224548.	PT15-58	226834.	PT15-75
224042.	PT15-51	224123.	PT15-51	224549.	PT15-58	226835.	PT15-75
224043.	PT15-51	224124.	PT15-51	224550.	PT15-58	226836.	PT15-75
224045.	PT15-51	224125.	PT15-51	224551.	PT15-58	226837.	PT15-75
224046.	PT15-51	224126.	PT15-51	224552.	PT15-58	226838.	PT15-75
224047.	PT15-51	224127.	PT15-51	224553.	PT15-58	226839.	PT15-75
224048.	PT15-51	224128.	PT15-51	224554.	PT15-58	226840.	PT15-75
224049.	PT15-51	224129.	PT15-50	224555.	PT15-58	226841.	PT15-75
224050.	PT15-51	224130.	PT15-50	224556.	PT15-58	226842.	PT15-75
224051.	PT15-51	224131.	PT15-50	224557.	PT15-58	226843.	PT15-75
224052.	PT15-51	224132.	PT15-50	224559.	PT15-58	226844.	PT15-75
224053.	PT15-51	224133.	PT15-50	224560.	PT15-58	226845.	PT15-75
224054.	PT15-51	224134.	PT15-51	224572.	PT15-59	226846.	PT15-75
224056.	PT15-50	224135.	PT15-51	224574.	PT15-59	226847.	PT15-75
224057.	PT15-50	224137.	PT15-51	224575.	PT15-59	226848.	PT15-75
224058.	PT15-50	224138.	PT15-51	224576.	PT15-59	226849.	PT15-75
224059.	PT15-50	224139.	PT15-51	224577.	PT15-59	226850.	PT15-75
224060.	PT15-50	224140.	PT15-51	224578.	PT15-59	226851.	PT15-75
224061.	PT15-50	224141.	PT15-51	224579.	PT15-59	226852.	PT15-75
224062.	PT15-51	224142.	PT15-51	224580.	PT15-59	226853.	PT15-75
224063.	PT15-51	224143.	PT15-51	224581.	PT15-59	226854.	PT15-75
224064.	PT15-51	224144.	PT15-51	224582.	PT15-59	226855.	PT15-75
224065.	PT15-51	224145.	PT15-51	224583.	PT15-59	226856.	PT15-75
224067.	PT15-51	224146.	PT15-51	224584.	PT15-59	226857.	PT15-75
224068.	PT15-51	224147.	PT15-51	224585.	PT15-59	226858.	PT15-75
224069.	PT15-51	224148.	PT15-51	224586.	PT15-59	226859.	PT15-75
224070.	PT15-51	224149.	PT15-51	224588.	PT15-59	226860.	PT15-75
224071.	PT15-51	224150.	PT15-51	224592.	PT15-59	226861.	PT15-75
224072.	PT15-51	224151.	PT15-51	224618.	PT15-59	226862.	PT15-75
224073.	PT15-51	224152.	PT15-50	224619.	PT15-59	226863.	PT15-75
224074.	PT15-51	224153.	PT15-51	224620.	PT15-59	226864.	PT15-75
224075.	PT15-51	224154.	PT15-51	224621.	PT15-59	226865.	PT15-75
224076.	PT15-51	224155.	PT15-51	224622.	PT15-59	226866.	PT15-75
224077.	PT15-51	224156.	PT15-51	224623.	PT15-59	226867.	PT15-75
224078.	PT15-51	224157.	PT15-51	224624.	PT15-59	226868.	PT15-75
224079.	PT15-51	224158.	PT15-51	224625.	PT15-59	226869.	PT15-75
224080.	PT15-51	224159.	PT15-51	224626.	PT15-59	226870.	PT15-75
224081.	PT15-51	224160.	PT15-51	224627.	PT15-59	226871.	PT15-75
224082.	PT15-51	224161.	PT15-51	224628.	PT15-59	226872.	PT15-75
224083.	PT15-51	224162.	PT15-51	224629.	PT15-59	226873.	PT15-75
224084.	PT15-51	224163.	PT15-51	224630.	PT15-59	226874.	PT15-75
224085.	PT15-51	224164.	PT15-51	224631.	PT15-59	226875.	PT15-75



PART NUMBER INDEX

Roller Chain Sprockets

Conveyor Components

Engineering

Part Number Index

Keyword Index

Part Number	Page	Part Number	Page	Part Number	Page	Part Number	Page
226876	PT15-75	228092	PT6-13, PT14-30	310070	PT3-17	391308	PT9-4
226877	PT15-75	228093	PT6-13, PT14-30	310071	PT3-17	391371	PT9-4
226878	PT15-75	228094	PT6-13, PT14-30	310077	PT3-17	391372	PT14-29
226879	PT15-75	228095	PT6-13, PT14-30	310078	PT3-17	391373	PT14-29
226880	PT15-75	228110	PT6-13	310079	PT3-17	391375	PT14-29
226881	PT15-75	228111	PT14-30	310080	PT3-17	391376	PT5-6
226882	PT15-75	228112	PT6-13	310081	PT3-17	391377	PT5-6
226883	PT15-75	228113	PT14-30	310082	PT3-17	391379	PT5-6
226884	PT15-75	228114	PT6-27	310083	PT3-17	391380	PT5-6
226885	PT15-75	228115	PT6-27	310084	PT3-17	391381	PT5-6
226886	PT15-75	228116	PT6-27	310085	PT3-17	391383	PT5-6
226887	PT15-75	228117	PT6-27	311070	PT3-17	391384	PT5-6
226888	PT15-75	228118	PT6-27	311071	PT3-17	391385	PT5-6
226889	PT15-75	228119	PT6-27	311072	PT3-17	393002	PT5-6
226890	PT15-75	228465	PT6-27	311073	PT3-17	393170	PT5-6
226891	PT15-75	228466	PT6-27	311074	PT3-9	393257	PT5-6
226892	PT15-75	228467	PT6-27	311077	PT3-9	394059	PT5-6
226893	PT15-75	228468	PT6-27	311111	PT3-9	394171	PT6-6
226894	PT15-75	228469	PT6-26	311112	PT3-9	394172	PT6-8
226895	PT15-75	228470	PT6-26	311113	PT3-11	394173	PT1-55
226896	PT15-75	228471	PT6-26	311116	PT3-12	394174	PT6-23
226897	PT15-75	228472	PT6-26	311118	PT3-15	394175	PT1-64
226898	PT15-75	228473	PT6-26	311119	PT3-15	394176	PT1-64
226899	PT15-75	228474	PT6-26	311120	PT3-15	394177	PT1-64
226900	PT15-75	228475	PT6-26	311121	PT3-15	394178	PT1-64
226901	PT15-75	228476	PT6-26	311122	PT3-15	394179	PT1-64
226902	PT15-75	228477	PT6-26	311123	PT3-15	394180	PT1-64
226903	PT15-74	305015	PT6-26	311124	PT3-15	411767	PT1-64
226904	PT15-74	305016	PT6-26	311125	PT3-15	411768	PT1-64
226905	PT15-74	305019	PT6-26	315070	PT3-15	411770	PT1-64
226906	PT15-74	305021	PT6-26	315071	PT3-15	411771	PT1-64
226907	PT15-74	305022	PT3-9	315072	PT3-15	423589	PT1-82
226908	PT15-74	305025	PT3-9	315073	PT3-15	423677	PT1-82
226909	PT15-74	305026	PT3-11	315074	PT3-9	424063	PT1-82
226910	PT15-74	305027	PT3-9	315075	PT3-9	425514	PT1-82
226911	PT15-74	305028	PT3-9	315111	PT3-9	426013	PT1-55
226912	PT15-74	305029	PT3-11, PT3-14	318060	PT3-12	426672	PT1-55
226913	PT15-74	305037	PT3-14	318065	PT3-12	426673	PT6-30
226914	PT15-74	305056	PT3-14	318110	PT3-12	426674	PT1-55
226915	PT15-74	305057	PT3-14	318400	PT3-15	426916	PT6-8
226916	PT15-77	305058	PT3-14	330250	PT3-9	450966	PT1-55, PT1-82
226917	PT15-77	305085	PT3-10, PT3-14	330251	PT3-12	455100	PT1-55, PT1-82
226918	PT15-77	305101	PT3-9	330252	PT9-4	455101	PT1-55, PT1-82
226919	PT15-77	305102	PT3-9	330253	PT9-4	455102	PT1-55
226920	PT15-77	305103	PT3-11, PT3-14	330254	PT9-4	455103	PT7-141
226921	PT15-77	305106	PT3-9	330255	PT9-4	455104	PT7-16
226922	PT15-77	305115	PT3-8	330256	PT9-4	455105	PT7-16
226923	PT15-77	305117	PT3-8	330257	PT9-4	455106	PT7-16
226924	PT15-77	305118	PT3-8	330258	PT9-4	455107	PT7-16
226925	PT15-77	305120	PT3-8	330259	PT9-4	455108	PT7-16
226926	PT15-77	305121	PT3-10	330260	PT9-4	455108	PT7-16
226927	PT15-77	305122	PT3-14	330261	PT9-4	455109	PT7-16
226928	PT15-77	305123	PT3-10	330262	PT9-4	455110	PT7-16
228010	PT6-14	309070	PT3-10	330263	PT9-4	455111	PT3-16
228011	PT6-14	309071	PT3-10	330264	PT9-4	455112	PT7-16
228012	PT6-14	309072	PT3-10	330265	PT9-4	455112	PT7-16
228058	PT6-14	309073	PT3-10	330266	PT9-4	455113	PT7-16
228079	PT6-13	309074	PT3-9	330267	PT9-4	455113	PT7-16
228080	PT6-13	309077	PT3-9	330268	PT9-4	455114	PT3-16
228081	PT6-13	309111	PT3-9	330269	PT9-4	455114	PT7-16
228082	PT6-13	310060	PT3-9	330270	PT9-4	455115	PT3-16
228083	PT6-13	310061	PT3-11	330271	PT9-4	455115	PT7-16
228084	PT6-13	310062	PT3-12	330272	PT9-4	455116	PT3-16
228085	PT6-13	310063	PT3-15	330273	PT9-4	455116	PT7-16
228086	PT6-13	310064	PT3-17	330274	PT9-4	455117	PT3-16
228087	PT6-13	310065	PT3-17	330275	PT9-4	455117	PT7-16
228088	PT6-13	310066	PT3-17	330276	PT9-4	455118	PT3-16
228089	PT6-13	310067	PT3-17	330279	PT9-4	455119	PT7-16
228090	PT6-13	310068	PT3-17	391301	PT9-4	455120	PT3-16
228091	PT6-13, PT14-30	310069	PT3-17	391304	PT9-4	455121	PT7-16

PART NUMBER INDEX



Part Number	Page	Part Number	Page	Part Number	Page	Part Number	Page
455122.	PT7-16	455192.	PT7-17	455262.	PT7-18	455336.	PT7-18
455123.	PT7-16	455193.	PT7-17	455263.	PT7-18	455337.	PT7-18
455124.	PT7-16	455194.	PT7-17	455264.	PT7-18	455338.	PT7-18
455125.	PT7-16	455195.	PT7-17	455265.	PT7-18	455339.	PT7-18
455126.	PT7-16	455196.	PT7-17	455266.	PT7-18	455340.	PT7-18
455127.	PT7-16	455197.	PT7-17	455267.	PT7-18	455341.	PT7-18
455128.	PT7-16	455198.	PT7-17	455268.	PT7-18	455342.	PT7-18
455129.	PT7-16	455199.	PT7-17	455269.	PT7-18	455343.	PT7-18
455130.	PT7-16	455200.	PT7-17	455270.	PT7-18	455344.	PT7-18
455131.	PT7-16	455201.	PT7-17	455271.	PT7-18	455345.	PT7-18
455132.	PT7-16	455202.	PT7-17	455272.	PT7-18	455346.	PT7-18
455133.	PT7-16	455203.	PT7-17	455273.	PT7-18	455347.	PT7-18
455134.	PT7-16	455204.	PT7-17	455274.	PT7-18	455348.	PT7-18
455135.	PT7-16	455205.	PT7-17	455275.	PT7-18	455349.	PT7-18
455136.	PT7-16	455206.	PT7-17	455276.	PT7-18	455350.	PT7-18
455137.	PT7-16	455207.	PT7-17	455277.	PT7-18	455351.	PT7-18
455138.	PT7-16	455208.	PT7-17	455278.	PT7-18	455352.	PT7-18
455139.	PT7-16	455209.	PT7-17	455279.	PT7-18	455353.	PT7-18
455140.	PT7-16	455210.	PT7-17	455280.	PT7-18	455354.	PT7-18
455141.	PT7-16	455211.	PT7-17	455281.	PT7-18	455355.	PT7-18
455142.	PT7-16	455212.	PT7-17	455282.	PT7-18	455356.	PT7-18
455143.	PT7-16	455213.	PT7-17	455284.	PT7-18	455357.	PT7-18
455144.	PT7-16	455214.	PT7-17	455285.	PT7-18	455358.	PT7-18
455145.	PT7-16	455215.	PT7-17	455287.	PT7-18	455359.	PT7-18
455146.	PT7-16	455216.	PT7-17	455288.	PT7-18	455360.	PT7-18
455147.	PT7-16	455217.	PT7-17	455289.	PT7-18	455361.	PT7-18
455148.	PT7-16	455218.	PT7-17	455290.	PT7-18	455362.	PT7-18
455149.	PT7-16	455219.	PT7-17	455291.	PT7-18	455363.	PT7-18
455150.	PT7-16	455220.	PT7-17	455292.	PT7-18	455364.	PT7-18
455151.	PT7-16	455221.	PT7-17	455293.	PT7-18	455365.	PT7-18
455152.	PT7-16	455222.	PT7-17	455294.	PT7-18	455366.	PT7-19
455153.	PT7-16	455223.	PT7-17	455295.	PT7-18	455367.	PT7-19
455154.	PT7-16	455224.	PT7-17	455296.	PT7-18	455368.	PT7-19
455155.	PT7-16	455225.	PT7-17	455297.	PT7-18	455369.	PT7-19
455156.	PT7-16	455226.	PT7-17	455300.	PT7-18	455370.	PT7-19
455157.	PT7-16	455227.	PT7-17	455301.	PT7-18	455371.	PT7-19
455158.	PT7-16	455228.	PT7-17	455302.	PT7-18	455372.	PT7-19
455159.	PT7-16	455229.	PT7-17	455303.	PT7-18	455373.	PT7-19
455160.	PT7-16	455230.	PT7-17	455304.	PT7-18	455374.	PT7-19
455161.	PT7-16	455231.	PT7-17	455305.	PT7-18	455375.	PT7-19
455162.	PT7-16	455232.	PT7-17	455306.	PT7-18	455376.	PT7-19
455163.	PT7-16	455233.	PT7-17	455307.	PT7-18	455377.	PT7-19
455164.	PT7-16	455234.	PT7-17	455308.	PT7-18	455378.	PT7-19
455165.	PT7-16	455235.	PT7-17	455309.	PT7-18	455379.	PT7-19
455166.	PT7-16	455236.	PT7-17	455310.	PT7-18	455380.	PT7-19
455167.	PT7-16	455237.	PT7-17	455311.	PT7-18	455381.	PT7-19
455168.	PT7-16	455238.	PT7-17	455312.	PT7-18	455382.	PT7-19
455169.	PT7-16	455239.	PT7-17	455313.	PT7-18	455383.	PT7-19
455170.	PT7-16	455240.	PT7-17	455314.	PT7-18	455384.	PT7-19
455171.	PT7-16	455241.	PT7-17	455315.	PT7-18	455385.	PT7-19
455172.	PT7-16	455242.	PT7-17	455316.	PT7-18	455386.	PT7-19
455173.	PT7-16	455243.	PT7-17	455317.	PT7-18	455387.	PT7-19
455174.	PT7-16	455244.	PT7-18	455318.	PT7-18	455388.	PT7-19
455175.	PT7-16	455245.	PT7-18	455319.	PT7-18	455389.	PT7-19
455176.	PT7-16	455246.	PT7-18	455320.	PT7-18	455390.	PT7-19
455177.	PT7-16	455247.	PT7-18	455321.	PT7-18	455391.	PT7-19
455178.	PT7-16	455248.	PT7-18	455322.	PT7-18	455392.	PT7-19
455179.	PT7-16	455249.	PT7-18	455323.	PT7-18	455393.	PT7-19
455180.	PT7-16	455250.	PT7-18	455324.	PT7-18	455394.	PT7-19
455181.	PT7-16	455251.	PT7-18	455325.	PT7-18	455395.	PT7-19
455182.	PT7-16	455252.	PT7-18	455326.	PT7-18	455396.	PT7-19
455183.	PT7-16	455253.	PT7-18	455327.	PT7-18	455397.	PT7-19
455184.	PT7-16	455254.	PT7-18	455328.	PT7-18	455398.	PT7-19
455185.	PT7-16	455255.	PT7-18	455329.	PT7-18	455399.	PT7-19
455186.	PT7-16	455256.	PT7-18	455330.	PT7-18	455400.	PT7-19
455187.	PT7-16	455257.	PT7-18	455331.	PT7-18	455401.	PT7-19
455188.	PT7-16	455258.	PT7-18	455332.	PT7-18	455402.	PT7-19
455189.	PT7-16	455259.	PT7-18	455333.	PT7-18	455403.	PT7-19
455190.	PT7-16	455260.	PT7-18	455334.	PT7-18	455404.	PT7-19
455191.	PT7-16	455261.	PT7-18	455335.	PT7-18	455405.	PT7-19



PART NUMBER INDEX

Roller Chain Sprockets

Conveyor Components

Engineering

Part Number Index

Keyword Index

Part Number	Page	Part Number	Page	Part Number	Page	Part Number	Page
455406	PT7-19	455478	PT7-21	455611	PT7-22	455681	PT7-24
455407	PT7-19	455479	PT7-21	455612	PT7-22	455682	PT7-24
455408	PT7-19	455480	PT7-21	455613	PT7-23	455683	PT7-24
455409	PT7-19	455481	PT7-21	455614	PT7-23	455684	PT7-24
455410	PT7-19	455482	PT7-21	455615	PT7-23	455685	PT7-24
455411	PT7-19	455483	PT7-21	455616	PT7-23	455686	PT7-24
455412	PT7-19	455484	PT7-21	455617	PT7-23	455687	PT7-24
455413	PT7-19	455485	PT7-21	455618	PT7-23	455688	PT7-24
455414	PT7-19	455521	PT7-21	455619	PT7-23	455689	PT7-24
455415	PT7-19	455550	PT7-21	455620	PT7-23	455690	PT7-24
455416	PT7-19	455551	PT7-20	455621	PT7-23	455691	PT7-24
455417	PT7-19	455552	PT3-16	455622	PT7-23	455692	PT7-24
455418	PT7-19	455553	PT7-22	455623	PT7-23	455693	PT7-24
455419	PT7-19	455554	PT3-16	455624	PT7-23	455694	PT7-24
455420	PT7-20	455555	PT7-22	455625	PT7-23	455695	PT7-24
455422	PT7-20	455556	PT7-22	455626	PT7-23	455696	PT7-24
455423	PT7-20	455557	PT7-22	455627	PT7-23	455697	PT7-24
455424	PT7-20	455558	PT7-22	455628	PT7-23	455698	PT7-24
455425	PT7-20	455559	PT7-22	455629	PT7-23	455699	PT7-24
455426	PT7-20	455560	PT7-22	455630	PT7-23	455700	PT7-24
455427	PT7-20	455561	PT7-22	455631	PT7-23	455701	PT7-24
455428	PT7-20	455562	PT7-22	455632	PT7-23	455702	PT7-24
455429	PT7-20	455563	PT7-22	455633	PT7-23	455703	PT7-24
455430	PT7-20	455564	PT7-22	455634	PT7-23	455704	PT7-24
455431	PT7-20	455565	PT7-22	455635	PT7-23	455705	PT7-24
455432	PT7-20	455566	PT7-22	455636	PT7-23	455706	PT7-24
455433	PT7-20	455567	PT7-22	455637	PT7-23	455707	PT7-24
455434	PT7-20	455568	PT7-22	455638	PT7-23	455708	PT7-24
455435	PT7-20	455569	PT7-22	455639	PT7-23	455709	PT7-24
455436	PT7-20	455570	PT7-22	455640	PT7-23	455710	PT7-24
455437	PT7-20	455571	PT7-22	455641	PT7-23	455711	PT7-24
455438	PT7-20	455572	PT7-22	455642	PT7-23	455712	PT7-24
455439	PT7-20	455573	PT7-22	455643	PT7-23	455713	PT7-24
455441	PT7-20	455574	PT7-22	455644	PT7-23	455714	PT7-24
455442	PT7-20	455575	PT7-22	455645	PT7-23	455715	PT7-24
455443	PT7-20	455576	PT7-22	455646	PT7-23	455716	PT7-24
455444	PT7-20	455577	PT7-22	455647	PT7-23	455717	PT7-24
455445	PT7-20	455578	PT7-22	455648	PT7-23	455718	PT7-24
455446	PT7-20	455579	PT7-22	455649	PT7-23	455719	PT7-24
455447	PT7-20	455580	PT7-22	455650	PT7-23	455720	PT7-24
455448	PT7-20	455581	PT7-22	455651	PT7-23	455721	PT7-24
455449	PT7-20	455582	PT7-22	455652	PT7-23	455722	PT7-24
455450	PT7-20	455583	PT7-22	455653	PT7-23	455723	PT7-24
455451	PT7-20	455584	PT7-22	455654	PT7-23	455724	PT7-24
455452	PT7-20	455585	PT7-22	455655	PT7-23	455725	PT7-24
455453	PT7-20	455586	PT7-22	455656	PT7-23	455726	PT7-24
455454	PT7-20	455587	PT7-22	455657	PT7-23	455727	PT7-24
455455	PT7-20	455588	PT7-22	455658	PT7-23	455728	PT7-24
455456	PT7-20	455589	PT7-22	455659	PT7-23	455729	PT7-24
455457	PT7-20	455590	PT7-22	455660	PT7-23	455730	PT7-24
455458	PT7-20	455591	PT7-22	455661	PT7-23	455731	PT7-24
455459	PT7-20	455592	PT7-22	455662	PT7-23	455732	PT7-24
455460	PT7-20	455593	PT7-22	455663	PT7-23	455733	PT7-24
455461	PT7-20	455594	PT7-22	455664	PT7-23	455734	PT7-24
455462	PT7-20	455595	PT7-22	455665	PT7-23	455735	PT7-24
455463	PT7-20	455596	PT7-22	455666	PT7-23	455736	PT7-24
455464	PT7-20	455597	PT7-22	455667	PT7-23	455737	PT7-24
455465	PT7-20	455598	PT7-22	455668	PT7-23	455738	PT7-24
455466	PT7-20	455599	PT7-22	455669	PT7-23	455739	PT7-24
455467	PT7-20	455600	PT7-22	455670	PT7-23	455740	PT7-24
455468	PT7-20	455601	PT7-22	455671	PT7-23	455741	PT7-24
455469	PT7-20	455602	PT7-22	455672	PT7-23	455742	PT7-24
455470	PT7-20	455603	PT7-22	455673	PT7-23	455743	PT7-24
455471	PT7-20	455604	PT7-22	455674	PT7-23	455744	PT7-24
455472	PT7-20	455605	PT7-22	455675	PT7-23	455745	PT7-24
455473	PT7-20	455606	PT7-22	455676	PT7-23	455746	PT7-24
455474	PT7-20	455607	PT7-22	455677	PT7-23	455747	PT7-24
455475	PT7-20	455608	PT7-22	455678	PT7-23	455748	PT7-24
455476	PT7-21	455609	PT7-22	455679	PT7-24	455749	PT7-24
455477	PT7-21	455610	PT7-22	455680	PT7-24	455750	PT7-24

PART NUMBER INDEX



Part Number	Page	Part Number	Page	Part Number	Page	Part Number	Page
455751	PT7-24	455822	PT7-25	455892	PT7-26	455964	PT7-27
455752	PT7-24	455823	PT7-25	455893	PT7-26	455965	PT7-27
455753	PT7-24	455824	PT7-25	455894	PT7-26	455966	PT7-27
455754	PT7-24	455825	PT7-25	455895	PT7-26	455967	PT7-27
455755	PT7-24	455826	PT7-25	455896	PT7-26	455968	PT7-27
455756	PT7-24	455827	PT7-25	455897	PT7-26	455969	PT7-27
455757	PT7-24	455828	PT7-25	455898	PT7-26	455970	PT7-27
455758	PT7-24	455829	PT7-25	455899	PT7-26	455971	PT7-27
455759	PT7-24	455830	PT7-25	455900	PT7-26	455972	PT7-27
455760	PT7-24	455831	PT7-25	455901	PT7-26	455973	PT7-27
455761	PT7-24	455832	PT7-25	455902	PT7-26	455974	PT7-27
455762	PT7-24	455833	PT7-25	455903	PT7-26	455976	PT7-27
455763	PT7-24	455834	PT7-25	455904	PT7-26	455977	PT7-27
455764	PT7-24	455835	PT7-25	455905	PT7-26	455978	PT7-27
455765	PT7-24	455836	PT7-25	455906	PT7-26	455979	PT7-27
455766	PT7-24	455837	PT7-25	455907	PT7-26	455980	PT7-27
455767	PT7-24	455838	PT7-25	455908	PT7-26	455981	PT7-27
455768	PT7-24	455839	PT7-25	455909	PT7-26	455982	PT7-27
455769	PT7-24	455840	PT7-25	455910	PT7-26	455983	PT7-27
455770	PT7-24	455841	PT7-25	455911	PT7-26	455984	PT7-27
455771	PT7-24	455842	PT7-25	455912	PT7-26	455985	PT7-27
455772	PT7-24	455843	PT7-25	455913	PT7-26	455986	PT7-27
455773	PT7-24	455844	PT7-25	455914	PT7-26	455987	PT7-27
455774	PT7-24	455845	PT7-25	455915	PT7-26	455988	PT7-27
455775	PT7-24	455846	PT7-25	455916	PT7-26	455989	PT7-27
455776	PT7-24	455847	PT7-25	455917	PT7-26	455990	PT7-27
455777	PT7-25	455848	PT7-25	455918	PT7-26	455992	PT7-27
455778	PT7-25	455849	PT7-25	455919	PT7-26	455993	PT7-27
455779	PT7-25	455850	PT7-25	455920	PT7-26	455994	PT7-27
455780	PT7-25	455851	PT7-25	455921	PT7-26	455995	PT7-27
455781	PT7-25	455852	PT7-25	455922	PT7-26	455996	PT7-27
455782	PT7-25	455853	PT7-25	455923	PT7-26	455997	PT7-27
455783	PT7-25	455854	PT7-25	455924	PT7-26	455998	PT7-27
455784	PT7-25	455855	PT7-25	455925	PT7-26	456000	PT7-27
455785	PT7-25	455856	PT7-26	455926	PT7-26	456001	PT7-27
455786	PT7-25	455857	PT7-26	455927	PT7-26	456002	PT7-27
455787	PT7-25	455858	PT7-26	455928	PT7-26	456003	PT7-27
455788	PT7-25	455859	PT7-26	455929	PT7-26	456004	PT7-27
455789	PT7-25	455860	PT7-26	455930	PT7-26	456005	PT7-27
455790	PT7-25	455861	PT7-26	455931	PT7-26	456006	PT7-27
455791	PT7-25	455862	PT7-26	455932	PT7-26	456007	PT7-27
455792	PT7-25	455863	PT7-26	455933	PT7-26	456008	PT7-27
455793	PT7-25	455864	PT7-26	455934	PT7-26	456009	PT7-27
455794	PT7-25	455865	PT7-26	455935	PT7-26	456010	PT7-27
455795	PT7-25	455866	PT7-26	455936	PT7-26	456011	PT7-27
455796	PT7-25	455867	PT7-26	455937	PT7-26	456012	PT7-27
455797	PT7-25	455868	PT7-26	455938	PT7-26	456013	PT7-28
455798	PT7-25	455869	PT7-26	455939	PT7-26	456014	PT7-28
455799	PT7-25	455870	PT7-26	455940	PT7-26	456015	PT7-28
455800	PT7-25	455871	PT7-26	455941	PT7-26	456016	PT7-25
455801	PT7-25	455872	PT7-26	455942	PT7-26	456017	PT7-25
455802	PT7-25	455873	PT7-26	455943	PT7-26	456018	PT7-25
455803	PT7-25	455874	PT7-26	455944	PT7-26	456019	PT7-28
455804	PT7-25	455875	PT7-26	455945	PT7-26	456020	PT7-28
455806	PT7-25	455876	PT7-26	455946	PT7-26	456021	PT7-28
455807	PT7-25	455877	PT7-26	455947	PT7-26	456022	PT7-28
455808	PT7-25	455878	PT7-26	455948	PT7-26	456023	PT7-28
455809	PT7-25	455879	PT7-26	455949	PT7-26	456024	PT7-28
455810	PT7-25	455880	PT7-26	455950	PT7-27	456025	PT7-28
455811	PT7-25	455881	PT7-26	455951	PT7-27	456026	PT7-28
455812	PT7-25	455882	PT7-26	455952	PT7-27	456027	PT7-28
455813	PT7-25	455883	PT7-26	455953	PT7-27	456028	PT7-28
455814	PT7-25	455884	PT7-26	455954	PT7-27	456029	PT7-28
455815	PT7-25	455885	PT7-26	455955	PT7-27	456030	PT7-28
455816	PT7-25	455886	PT7-26	455956	PT7-27	456031	PT7-28
455817	PT7-25	455887	PT7-26	455957	PT7-27	456032	PT7-28
455818	PT7-25	455888	PT7-26	455958	PT7-27	456033	PT7-28
455819	PT7-25	455889	PT7-26	455960	PT7-27	456034	PT7-28
455820	PT7-25	455890	PT7-26	455961	PT7-27	456035	PT7-28
455821	PT7-25	455891	PT7-26	455962	PT7-27	456036	PT7-28



PART NUMBER INDEX

Roller Chain Sprockets

Conveyor Components

Engineering

Part Number Index

Keyword Index

Part Number	Page	Part Number	Page	Part Number	Page	Part Number	Page
456037	PT7-28	456663	PT7-20	464539	PT10-12	464618	PT10-13
456038	PT7-28	456664	PT7-20	464540	PT10-12	464619	PT10-13
456039	PT7-28	456665	PT7-20	464541	PT10-12	464620	PT10-13
456040	PT7-28	456666	PT7-20	464542	PT10-12	464621	PT10-13
456041	PT7-28	456667	PT7-20	464543	PT10-12	464622	PT10-13
456042	PT7-28	456668	PT7-20	464544	PT10-12	464623	PT10-13
456043	PT7-28	456669	PT7-20	464545	PT10-12	464624	PT10-13
456044	PT7-28	456670	PT7-20	464546	PT10-12	464625	PT10-13
456045	PT7-28	456671	PT7-20	464547	PT10-12	464626	PT10-13
456047	PT7-28	456672	PT7-21	464548	PT10-12	464627	PT10-13
456048	PT7-28	456673	PT7-21	464549	PT10-12	464628	PT10-13
456049	PT7-28	456674	PT7-21	464550	PT10-12	464629	PT10-13
456050	PT7-28	456675	PT7-21	464552	PT10-12	464630	PT10-13
456051	PT7-28	456676	PT7-21	464553	PT10-12	464631	PT10-13
456052	PT7-28	456677	PT7-21	464554	PT10-12	464632	PT10-13
456054	PT7-28	456678	PT7-21	464555	PT10-12	464633	PT10-13
456055	PT7-28	456679	PT7-21	464556	PT10-12	464634	PT10-13
456056	PT7-28	456680	PT7-21	464557	PT10-12	464635	PT10-13
456057	PT7-28	456681	PT7-21	464558	PT10-12	464636	PT10-13
456059	PT7-28	456682	PT7-21	464559	PT10-12	464637	PT10-13
456060	PT7-28	456683	PT7-21	464560	PT10-12	464638	PT10-13
456061	PT7-28	456684	PT7-21	464561	PT10-12	464639	PT10-13
456062	PT7-28	456685	PT7-21	464562	PT10-12	464640	PT10-13
456063	PT7-28	456686	PT7-21	464563	PT10-12	464641	PT10-13
456064	PT7-28	456687	PT7-21	464564	PT10-12	464642	PT10-13
456065	PT7-26	456688	PT7-21	464565	PT10-12	464643	PT10-13
456066	PT7-19	456689	PT7-21	464566	PT10-12	464644	PT10-13
456067	PT7-19	456690	PT7-21	464567	PT10-12	464645	PT10-13
456069	PT7-19	456691	PT7-21	464568	PT10-12	464646	PT10-13
456070	PT7-19	456692	PT7-21	464569	PT10-12	464647	PT10-13
456071	PT7-19	456693	PT7-21	464570	PT10-12	464648	PT10-13
456072	PT7-19	456805	PT7-20	464571	PT10-12	464649	PT10-13
456073	PT7-19	464501	PT7-20	464572	PT10-12	464650	PT10-13
456074	PT7-19	464502	PT7-21	464573	PT10-12	464651	PT10-13
456075	PT7-19	464503	PT7-21	464574	PT10-12	464652	PT10-13
456076	PT7-19	464504	PT7-25	464575	PT10-12	464653	PT10-13
456077	PT7-19	464505	PT10-12	464576	PT10-12	464654	PT10-13
456078	PT7-19	464506	PT10-12	464577	PT10-12	464655	PT10-13
456079	PT7-19	464507	PT10-12	464578	PT10-12	464656	PT10-13
456080	PT7-19	464508	PT10-12	464582	PT10-12	464657	PT10-13
456081	PT7-19	464509	PT10-12	464583	PT10-12	464658	PT10-13
456082	PT7-19	464510	PT10-12	464585	PT10-12	464659	PT10-13
456083	PT7-19	464511	PT10-12	464586	PT10-12	464660	PT10-13
456084	PT7-19	464512	PT10-12	464587	PT10-12	464661	PT10-13
456085	PT7-19	464513	PT10-12	464588	PT10-12	464662	PT10-13
456225	PT7-19	464514	PT10-12	464589	PT10-12	464663	PT10-13
456226	PT7-26	464515	PT10-12	464590	PT10-12	464664	PT10-13
456227	PT9-7	464516	PT10-12	464591	PT10-12	464665	PT10-13
456228	PT9-7	464517	PT10-12	464592	PT10-12	464666	PT10-13
456229	PT9-7	464518	PT10-12	464593	PT10-12	464667	PT10-13
456230	PT9-7	464519	PT10-12	464594	PT10-12	464668	PT10-13
456231	PT9-7	464520	PT10-12	464595	PT10-12	464669	PT10-13
456232	PT9-7	464521	PT10-12	464596	PT10-12	464670	PT10-13
456233	PT9-7	464522	PT10-12	464597	PT10-12	464671	PT10-13
456234	PT9-7	464523	PT10-12	464602	PT10-12	464672	PT10-13
456235	PT9-7	464524	PT10-12	464603	PT10-12	464673	PT10-13
456236	PT9-7	464525	PT10-12	464604	PT10-12	464674	PT10-13
456237	PT9-7	464526	PT10-12	464605	PT10-12	464675	PT10-13
456238	PT9-7	464527	PT10-12	464606	PT10-13	464676	PT10-13
456239	PT9-7	464528	PT10-12	464607	PT10-13	464677	PT10-13
456402	PT9-7	464529	PT10-12	464608	PT10-13	464678	PT10-13
456654	PT9-7	464530	PT10-12	464609	PT10-13	464679	PT10-13
456655	PT9-7	464531	PT10-12	464610	PT10-13	464680	PT10-13
456656	PT9-7	464532	PT10-12	464611	PT10-13	464681	PT10-13
456657	PT7-20	464533	PT10-12	464612	PT10-13	464682	PT10-13
456658	PT7-20	464534	PT10-12	464613	PT10-13	464683	PT10-13
456659	PT7-20	464535	PT10-12	464614	PT10-13	464684	PT10-13
456660	PT7-20	464536	PT10-12	464615	PT10-13	464685	PT10-13
456661	PT7-20	464537	PT10-12	464616	PT10-13	464686	PT10-13
456662	PT7-20	464538	PT10-12	464617	PT10-13	464687	PT10-13

PART NUMBER INDEX



Part Number	Page	Part Number	Page	Part Number	Page	Part Number	Page
464688	PT10-13	464780	PT10-13	482282	PT12-5	482354	PT12-7
464689	PT10-13	464781	PT10-13	482283	PT12-5	482355	PT12-7
464690	PT10-13	464782	PT10-13	482284	PT12-5	482356	PT12-7
464691	PT10-13	464783	PT10-13	482287	PT12-5	482357	PT12-7
464692	PT10-13	464784	PT10-13	482288	PT12-5	482358	PT12-7
464693	PT10-13	465301	PT10-13	482289	PT12-5	482359	PT12-7
464694	PT10-13	465302	PT10-13	482290	PT12-5	482360	PT12-7
464695	PT10-13	465303	PT10-13	482291	PT12-5	482361	PT12-7
464696	PT10-13	465304	PT10-13	482292	PT12-5	482362	PT12-7
464697	PT10-13	465305	PT10-13	482293	PT12-6	482363	PT12-7
464698	PT10-13	465306	PT10-13	482294	PT12-6	482364	PT12-8
464699	PT10-13	465307	PT10-13	482295	PT12-6	482365	PT12-8
464700	PT10-13	465308	PT10-13	482296	PT12-15	482366	PT12-8
464701	PT10-13	465309	PT10-13	482297	PT12-15	482367	PT12-8
464702	PT10-13	465310	PT10-13	482298	PT12-6	482368	PT12-8
464703	PT10-13	465311	PT10-13	482299	PT12-6	482369	PT12-8
464704	PT10-13	465312	PT10-13	482300	PT12-6	482370	PT12-8
464705	PT10-13	465313	PT10-13	482301	PT12-6	482371	PT12-8
464706	PT10-13	465314	PT10-13	482302	PT12-6	482372	PT12-8
464707	PT10-13	465315	PT10-13	482303	PT12-6	482373	PT12-8
464708	PT10-13	465316	PT10-13	482304	PT12-6	482374	PT12-15
464709	PT10-13	465317	PT10-13	482305	PT12-6	482375	PT12-15
464710	PT10-13	465318	PT10-13	482306	PT12-6	482376	PT12-8
464711	PT10-13	465319	PT10-13	482307	PT12-6	482377	PT12-8
464712	PT10-13	465320	PT10-13	482308	PT12-6	482378	PT12-8
464713	PT10-13	465321	PT10-13	482309	PT12-6	482379	PT12-8
464736	PT10-13	465322	PT10-13	482310	PT12-6	482380	PT12-8
464737	PT10-13	465323	PT10-13	482311	PT12-6	482381	PT12-8
464738	PT10-13	465324	PT10-13	482312	PT12-6	482382	PT12-8
464739	PT10-13	465325	PT10-13	482313	PT12-6	482383	PT12-8
464740	PT10-13	465326	PT10-13	482314	PT12-6	482384	PT12-8
464741	PT10-13	465327	PT10-13	482315	PT12-15	482385	PT12-8
464742	PT10-13	465329	PT10-13	482316	PT12-6	482386	PT12-8
464743	PT10-13	465330	PT10-13	482317	PT12-6	482387	PT12-8
464744	PT10-13	465331	PT10-13	482318	PT12-6	482388	PT12-8
464745	PT10-13	465335	PT10-13	482319	PT12-6	482389	PT12-8
464746	PT10-13	465337	PT10-13	482320	PT12-6	482390	PT12-8
464747	PT10-13	465338	PT10-13	482321	PT12-6	482391	PT12-8
464748	PT10-13	482250	PT10-13	482322	PT12-6	482392	PT12-8
464749	PT10-13	482251	PT10-12	482323	PT12-6	482393	PT12-8
464750	PT10-13	482252	PT10-13	482324	PT12-6	482394	PT12-8
464751	PT10-13	482253	PT10-13	482325	PT12-6	482395	PT12-8
464752	PT10-13	482254	PT12-15	482326	PT12-6	482396	PT12-8
464753	PT10-13	482255	PT12-5	482327	PT12-6	482397	PT12-8
464754	PT10-13	482256	PT12-5	482328	PT12-6	482398	PT12-15
464755	PT10-13	482257	PT12-5	482329	PT12-6	482399	PT12-8
464756	PT10-13	482258	PT12-5	482330	PT12-7	482400	PT12-8
464757	PT10-13	482259	PT12-5	482331	PT12-7	482401	PT12-8
464758	PT10-13	482260	PT12-5	482332	PT12-7	482402	PT12-8
464759	PT10-13	482261	PT12-5	482333	PT12-7	482403	PT12-8, PT12-20
464760	PT10-13	482262	PT12-5	482334	PT12-7	482404	PT12-8
464761	PT10-13	482263	PT12-5	482335	PT12-7	482405	PT12-8
464762	PT10-13	482264	PT12-5	482336	PT12-7	482406	PT12-8
464763	PT10-13	482265	PT12-5	482337	PT12-7	482407	PT12-8
464764	PT10-13	482266	PT12-5	482338	PT12-7	482408	PT12-8
464765	PT10-13	482267	PT12-5	482339	PT12-7	482409	PT12-8
464766	PT10-13	482268	PT12-5	482340	PT12-7	482410	PT12-8
464767	PT10-13	482269	PT12-5	482341	PT12-7	482411	PT12-9, PT12-20
464768	PT10-13	482270	PT12-5	482342	PT12-7	482412	PT12-9
464769	PT10-13	482271	PT12-5	482343	PT12-7	482413	PT12-9
464770	PT10-13	482272	PT12-15	482344	PT12-7	482414	PT12-9
464771	PT10-13	482273	PT12-15	482345	PT12-7	482415	PT12-9
464772	PT10-13	482274	PT12-15	482346	PT12-7	482416	PT12-9
464773	PT10-13	482275	PT12-5	482347	PT12-7	482417	PT12-9
464774	PT10-13	482276	PT12-5	482348	PT12-7	482418	PT12-9
464775	PT10-13	482277	PT12-5	482349	PT12-7	482419	PT12-9
464776	PT10-13	482278	PT12-5	482350	PT12-7	482420	PT12-9
464777	PT10-13	482279	PT12-5	482351	PT12-7	482421	PT12-9
464778	PT10-13	482280	PT12-5	482352	PT12-7	482422	PT12-9
464779	PT10-13	482281	PT12-5	482353	PT12-7	482423	PT12-9



PART NUMBER INDEX

Roller Chain Sprockets

Conveyor Components

Engineering

Part Number Index

Keyword Index

Part Number	Page	Part Number	Page	Part Number	Page	Part Number	Page
482424.	PT12-9	482522.	PT13-3	482592.	PT13-4	482663.	PT13-6
482425.	PT12-9	482523.	PT13-3	482593.	PT13-4	482664.	PT13-6
482426.	PT12-9	482524.	PT13-3	482594.	PT13-4	482665.	PT13-6
482427.	PT12-9	482525.	PT13-3	482595.	PT13-4	482666.	PT13-6
482428.	PT12-9	482526.	PT13-3	482596.	PT13-4	482667.	PT13-6
482429.	PT12-9	482527.	PT13-3	482597.	PT13-4	482668.	PT13-6
482430.	PT12-9	482528.	PT13-3	482598.	PT13-4	482669.	PT13-6
482431.	PT12-9	482529.	PT13-3	482599.	PT13-4	482670.	PT13-6
482460.	PT12-9	482530.	PT13-3	482600.	PT13-4	482671.	PT13-6
482461.	PT12-9	482531.	PT13-3	482601.	PT13-5	482672.	PT13-6
482462.	PT12-9	482532.	PT13-3	482602.	PT13-5	482673.	PT13-6
482463.	PT12-9	482533.	PT13-3	482603.	PT13-5	482674.	PT13-6
482464.	PT13-14	482534.	PT13-3	482604.	PT13-5	482675.	PT13-6
482465.	PT13-14	482535.	PT13-3	482605.	PT13-5	482676.	PT13-6
482466.	PT13-14	482536.	PT13-3	482606.	PT13-5	482677.	PT13-6
482467.	PT13-2	482537.	PT13-3	482607.	PT13-5	482678.	PT13-6
482468.	PT13-2	482538.	PT13-3	482608.	PT13-5	482679.	PT13-6
482469.	PT13-2	482539.	PT13-3	482609.	PT13-5	482680.	PT13-6
482470.	PT13-2	482540.	PT13-3	482610.	PT13-5	482681.	PT13-6
482471.	PT13-2	482541.	PT13-3	482611.	PT13-5	482682.	PT13-6
482472.	PT13-15	482542.	PT13-14	482612.	PT13-5	482683.	PT13-6
482473.	PT13-15	482543.	PT13-14	482613.	PT13-5	482684.	PT13-6
482474.	PT13-2	482544.	PT13-14	482614.	PT13-5	482685.	PT13-6
482475.	PT13-2	482545.	PT13-14	482615.	PT13-5	482686.	PT13-6
482476.	PT13-2	482546.	PT13-3	482616.	PT13-5	482687.	PT13-6
482477.	PT13-2	482547.	PT13-3	482617.	PT13-5	482688.	PT13-6
482478.	PT13-2	482548.	PT13-3	482618.	PT13-5	482689.	PT13-6
482479.	PT13-2	482549.	PT13-3	482619.	PT13-5	482690.	PT13-7
482480.	PT13-2	482550.	PT13-3	482620.	PT13-5	482691.	PT13-7
482481.	PT13-2	482551.	PT13-3	482621.	PT13-5	482692.	PT13-7
482482.	PT13-2	482552.	PT13-3	482622.	PT13-5	482693.	PT13-7
482483.	PT13-2	482553.	PT13-3	482623.	PT13-5	482694.	PT13-7
482484.	PT13-2	482554.	PT13-3	482624.	PT13-5	482695.	PT13-7
482485.	PT13-2	482555.	PT13-3	482625.	PT13-5	482696.	PT13-7
482486.	PT13-2	482556.	PT13-3	482626.	PT13-5	482697.	PT13-7
482487.	PT13-2	482557.	PT13-3	482627.	PT13-5	482698.	PT13-7
482488.	PT13-2	482558.	PT13-3	482628.	PT13-5	482699.	PT13-7
482489.	PT13-2	482559.	PT13-4	482629.	PT13-5	482700.	PT13-7
482490.	PT13-2	482560.	PT13-4	482630.	PT13-5	482701.	PT13-14
482491.	PT13-2	482561.	PT13-4	482631.	PT13-5	482702.	PT13-14
482492.	PT13-2	482562.	PT13-4	482632.	PT13-5	482703.	PT13-14
482493.	PT13-2	482563.	PT13-4	482633.	PT13-5	482704.	PT13-14
482494.	PT13-2	482564.	PT13-4	482634.	PT13-5	482705.	PT13-14
482495.	PT13-2	482565.	PT13-4	482635.	PT13-5	482706.	PT13-14
482496.	PT13-2	482566.	PT13-4	482636.	PT13-5	482707.	PT13-14
482497.	PT13-2	482567.	PT13-4	482637.	PT13-5	482707.	PT13-14
482498.	PT13-2	482567.	PT13-4	482638.	PT13-5, PT13-6	482708.	PT13-7
482499.	PT13-2	482568.	PT13-4	482639.	PT13-5, PT13-6	482709.	PT13-7
482500.	PT13-2	482569.	PT13-4	482640.	PT13-5, PT13-6	482710.	PT13-7
482501.	PT13-2	482570.	PT13-4	482641.	PT13-6	482711.	PT13-7
482502.	PT13-2	482571.	PT13-4	482642.	PT13-6	482712.	PT13-7
482503.	PT13-2	482572.	PT13-4	482643.	PT13-6	482713.	PT13-7
482504.	PT13-14	482573.	PT13-14	482644.	PT13-6	482714.	PT13-7
482505.	PT13-14	482574.	PT13-14	482645.	PT13-6	482715.	PT13-7
482506.	PT13-14	482575.	PT13-14	482646.	PT13-6	482716.	PT13-7
482507.	PT13-3	482576.	PT13-14	482647.	PT13-6	482717.	PT13-7
482508.	PT13-3	482577.	PT13-14	482648.	PT13-6	482718.	PT13-7
482509.	PT13-3	482578.	PT13-14	482649.	PT13-6	482719.	PT13-7
482510.	PT13-3	482579.	PT13-14	482650.	PT13-6	482720.	PT13-7
482511.	PT13-3	482580.	PT13-4	482651.	PT13-6	482721.	PT13-7
482512.	PT13-3	482581.	PT13-4	482652.	PT13-6	482722.	PT13-7
482513.	PT13-3	482582.	PT13-4	482653.	PT13-6	482723.	PT13-7
482514.	PT13-3	482583.	PT13-4	482654.	PT13-6	482724.	PT13-7
482515.	PT13-3	482584.	PT13-4	482655.	PT13-6, PT13-30	482725.	PT13-7
482516.	PT13-3	482585.	PT13-4	482656.	PT13-6	482726.	PT13-7
482517.	PT13-3	482586.	PT13-4	482657.	PT13-6	482727.	PT13-15
482518.	PT13-3	482587.	PT13-4	482658.	PT13-6	482728.	PT13-15
482519.	PT13-3	482588.	PT13-4	482659.	PT13-6	482729.	PT13-15
482520.	PT13-3	482589.	PT13-4	482660.	PT13-6	482730.	PT13-7
482521.	PT13-3	482590.	PT13-4	482661.	PT13-6, PT13-30	482731.	PT13-7
		482591.	PT13-4	482662.	PT13-6	482732.	PT13-7

PART NUMBER INDEX



Part Number	Page	Part Number	Page	Part Number	Page	Part Number	Page
482733	PT13-7	482820	PT12-18	482890	PT12-19	482962	PT12-19
482734	PT13-7	482821	PT12-18	482891	PT12-19	482963	PT12-19
482735	PT13-7	482822	PT12-18	482892	PT12-19	482964	PT12-19
482736	PT13-14	482823	PT12-18	482893	PT12-19	482965	PT12-19
482737	PT13-14	482824	PT12-18	482894	PT12-19	482966	PT12-19
482738	PT13-14	482825	PT12-18	482897	PT12-19	482967	PT12-19
482739	PT13-14	482826	PT12-18	482898	PT12-19	482968	PT12-19
482740	PT13-14	482827	PT12-18	482899	PT12-19	482969	PT12-19
482741	PT13-14	482828	PT12-18	482900	PT12-19	482970	PT12-19
482742	PT13-14	482829	PT12-18	482901	PT12-19	482971	PT12-19
482743	PT13-14	482830	PT12-18	482902	PT12-19	482972	PT12-19
482744	PT13-14	482831	PT12-18	482903	PT12-19	482973	PT12-19
482745	PT13-14	482832	PT12-18	482904	PT12-19	482974	PT12-19
482746	PT13-14	482833	PT12-18	482905	PT12-19	482975	PT12-19
482747	PT13-14	482834	PT12-18	482906	PT12-19	482976	PT12-19
482748	PT13-14	482835	PT12-18	482907	PT12-19	482977	PT12-19
482749	PT13-14	482836	PT12-18	482908	PT12-19	482978	PT12-19
482750	PT13-14	482837	PT12-18	482909	PT12-19	482979	PT12-19
482751	PT13-14	482838	PT12-18	482910	PT12-19	482980	PT12-19
482752	PT13-7	482839	PT12-18	482911	PT12-19	482981	PT12-19
482753	PT13-7	482840	PT12-18	482912	PT12-19	482982	PT12-19
482754	PT13-7	482841	PT12-18	482913	PT12-19	482983	PT12-19
482755	PT13-7	482842	PT12-18	482914	PT12-19	482984	PT12-19
482756	PT13-7	482843	PT12-18	482915	PT12-19	482985	PT12-19
482757	PT13-7	482844	PT12-18	482916	PT12-19	482986	PT12-19
482758	PT13-7	482845	PT12-18	482917	PT12-19	482987	PT12-19
482759	PT13-7	482846	PT12-18	482918	PT12-19	482988	PT12-19
482760	PT13-7	482847	PT12-18	482919	PT12-19	482989	PT12-19
482761	PT13-7	482848	PT12-18	482920	PT12-19	483000	PT12-19
482762	PT13-7	482849	PT12-18	482921	PT12-19	483001	PT12-19
482763	PT13-7	482850	PT12-18	482922	PT12-19	483002	PT12-19
482764	PT13-7	482851	PT12-18	482923	PT12-19	483003	PT12-19
482780	PT13-7	482852	PT12-18	482924	PT12-19	483004	PT13-28
482781	PT13-7	482853	PT12-18	482925	PT12-19	483005	PT13-28
482782	PT13-7	482854	PT12-18	482926	PT12-19	483006	PT13-28
482783	PT13-7	482855	PT12-18	482927	PT12-19	483007	PT13-28
482784	PT12-18	482856	PT12-18	482928	PT12-19	483008	PT13-28
482785	PT12-18	482857	PT12-18	482929	PT12-19	483009	PT13-28
482786	PT12-18	482858	PT12-18	482930	PT12-19	483010	PT13-28
482787	PT12-18	482859	PT12-18	482931	PT12-19	483011	PT13-28
482788	PT12-18	482860	PT12-18	482932	PT12-19	483012	PT13-28
482789	PT12-18	482861	PT12-18	482933	PT12-19	483013	PT13-28
482790	PT12-18	482862	PT12-18	482934	PT12-19	483014	PT13-28
482791	PT12-18	482863	PT12-18	482935	PT12-19	483015	PT13-28
482792	PT12-18	482864	PT12-18	482936	PT12-19	483016	PT13-28
482793	PT12-18	482865	PT12-18	482937	PT12-19	483017	PT13-28
482794	PT12-18	482866	PT12-18	482938	PT12-19	483018	PT13-28
482795	PT12-18	482867	PT12-18	482939	PT12-19	483019	PT13-28
482796	PT12-18	482868	PT12-18	482940	PT12-19	483020	PT13-28
482797	PT12-18	482869	PT12-18	482941	PT12-19	483021	PT13-28
482798	PT12-18	482870	PT12-18	482942	PT12-19	483022	PT13-28
482799	PT12-18	482871	PT12-18	482943	PT12-19	483023	PT13-28
482800	PT12-18	482872	PT12-18	482944	PT12-19	483024	PT13-28
482801	PT12-18	482873	PT12-18	482945	PT12-19	483025	PT13-28
482802	PT12-18	482874	PT12-18	482946	PT12-19	483026	PT13-28
482803	PT12-18	482875	PT12-18	482947	PT12-19	483027	PT13-28
482804	PT12-18	482876	PT12-18	482948	PT12-19	483028	PT13-28
482805	PT12-18	482877	PT12-18	482949	PT12-19	483029	PT13-28
482806	PT12-18	482878	PT12-18	482950	PT12-19	483030	PT13-28
482807	PT12-18	482879	PT12-18	482951	PT12-19	483031	PT13-28
482808	PT12-18	482880	PT12-18	482952	PT12-19	483032	PT13-28
482809	PT12-18	482881	PT12-18	482953	PT12-19	483033	PT13-28
482810	PT12-18	482882	PT12-19	482954	PT12-19	483034	PT13-28
482811	PT12-18	482883	PT12-19	482955	PT12-19	483035	PT13-28
482812	PT12-18	482884	PT12-19	482956	PT12-19	483036	PT13-28
482815	PT12-18	482885	PT12-19	482957	PT12-19	483037	PT13-28
482816	PT12-18	482886	PT12-19	482958	PT12-19	483038	PT13-28
482817	PT12-18	482887	PT12-19	482959	PT12-19	483039	PT13-28
482818	PT12-18	482888	PT12-19	482960	PT12-19	483040	PT13-28
482819	PT12-18	482889	PT12-19	482961	PT12-19	483041	PT13-28

PART NUMBER INDEX



Part Number	Page	Part Number	Page	Part Number	Page	Part Number	Page
483384	PT12-10	483454	PT12-12	483524	PT12-14	483604	PT13-9
483385	PT12-10	483455	PT12-12	483525	PT12-14	483605	PT13-9
483386	PT12-10	483456	PT12-12	483526	PT12-14	483606	PT13-9
483387	PT12-10	483457	PT12-12	483527	PT12-14	483607	PT13-9
483388	PT12-10	483458	PT12-12	483528	PT12-14	483608	PT13-9
483389	PT12-10	483459	PT12-12	483529	PT12-14	483609	PT13-9
483390	PT12-10	483460	PT12-12	483530	PT12-14	483610	PT13-9
483391	PT12-10	483461	PT12-12	483531	PT12-14	483611	PT13-9
483392	PT12-16	483462	PT12-12	483532	PT12-14	483612	PT13-9
483393	PT12-16	483463	PT12-12	483533	PT12-14	483613	PT13-9
483394	PT12-16	483464	PT12-12	483534	PT12-14	483614	PT13-9
483395	PT12-10	483465	PT12-12	483535	PT12-14	483615	PT13-9
483396	PT12-10	483466	PT12-12	483536	PT12-14	483616	PT13-9
483397	PT12-10	483467	PT12-12	483537	PT12-14	483617	PT13-9
483398	PT12-10	483468	PT12-12	483538	PT12-14	483618	PT13-9
483399	PT12-10	483469	PT12-12	483539	PT12-14	483619	PT13-9
483400	PT12-10	483470	PT12-12	483540	PT12-14	483620	PT13-9
483401	PT12-10	483471	PT12-12	483541	PT12-14	483621	PT13-9
483402	PT12-10	483472	PT12-13	483542	PT12-14	483622	PT13-9
483403	PT12-10	483473	PT12-13	483543	PT12-14	483623	PT13-9
483404	PT12-10	483474	PT12-13	483544	PT12-14	483624	PT13-9
483405	PT12-10	483475	PT12-13	483545	PT12-14	483625	PT13-9
483406	PT12-10	483476	PT12-13	483546	PT12-14	483626	PT13-9
483407	PT12-10	483477	PT12-13	483547	PT12-14	483627	PT13-9
483408	PT12-10	483478	PT12-13	483548	PT12-14	483628	PT13-9
483409	PT12-10	483479	PT12-13	483549	PT12-14	483629	PT13-9
483410	PT12-10	483480	PT12-13	483555	PT12-14	483630	PT13-9
483411	PT12-10	483481	PT12-13	483558	PT12-14	483631	PT13-9
483412	PT12-11	483482	PT12-13	483559	PT12-14	483632	PT13-9
483413	PT12-11	483483	PT12-13	483560	PT12-14	483633	PT13-9
483414	PT12-16	483484	PT12-13	483561	PT13-15	483634	PT13-9
483415	PT12-16	483485	PT12-13	483562	PT13-8	483635	PT13-9
483416	PT12-11	483486	PT12-13	483563	PT13-8	483636	PT13-15
483417	PT12-11	483487	PT12-13	483564	PT13-8	483637	PT13-15
483418	PT12-11	483488	PT12-13	483565	PT13-8	483638	PT13-15
483419	PT12-11	483489	PT12-13	483566	PT13-8	483639	PT13-15
483420	PT12-11	483490	PT12-13	483567	PT13-8	483640	PT13-9
483421	PT12-11	483491	PT12-13	483568	PT13-8	483641	PT13-9
483422	PT12-11	483492	PT12-16	483569	PT13-8	483642	PT13-9
483423	PT12-11	483493	PT12-16	483570	PT13-8	483643	PT13-9
483424	PT12-11	483494	PT12-13	483571	PT13-8	483644	PT13-9
483425	PT12-11	483495	PT12-13	483572	PT13-8	483645	PT13-9
483426	PT12-11	483496	PT12-13	483573	PT13-8	483646	PT13-9
483427	PT12-11	483497	PT12-13	483574	PT13-8	483647	PT13-9
483428	PT12-11	483498	PT12-13	483575	PT13-8	483648	PT13-9
483429	PT12-11	483499	PT12-13	483576	PT13-8	483649	PT13-9
483430	PT12-11	483500	PT12-13	483577	PT13-8	483650	PT13-9
483431	PT12-11	483501	PT12-13	483578	PT13-8	483651	PT13-9
483432	PT12-11	483502	PT12-13	483579	PT13-8	483652	PT13-9
483433	PT12-16	483503	PT12-13	483580	PT13-8	483653	PT13-9
483434	PT12-11	483504	PT12-13	483581	PT13-8	483654	PT13-9
483435	PT12-11	483505	PT12-13	483582	PT13-8	483655	PT13-9
483436	PT12-11	483506	PT12-13	483583	PT13-8	483656	PT13-9
483437	PT12-11	483507	PT12-13	483584	PT13-8	483657	PT13-9
483438	PT12-11	483508	PT12-13	483585	PT13-8	483658	PT13-10
483439	PT12-11	483509	PT12-13	483586	PT13-8	483659	PT13-10
483440	PT12-11	483510	PT12-13	483587	PT13-8	483660	PT13-10
483441	PT12-11	483511	PT12-13	483588	PT13-8	483661	PT13-10
483442	PT12-11	483512	PT12-13	483589	PT13-8	483662	PT13-10
483443	PT12-11	483513	PT12-13	483590	PT13-8	483663	PT13-10
483444	PT12-11	483514	PT12-13	483591	PT13-8	483665	PT13-10
483445	PT12-11	483515	PT12-13	483592	PT13-8	483666	PT13-10
483446	PT12-11	483516	PT12-16	483593	PT13-8	483667	PT13-10
483447	PT12-11	483517	PT12-13	483596	PT13-8	483668	PT13-15
483448	PT12-12	483518	PT12-13	483597	PT13-8	483669	PT13-15
483449	PT12-12	483519	PT12-13	483598	PT13-8	483670	PT13-15
483450	PT12-12	483520	PT12-14	483599	PT13-15	483671	PT13-15
483451	PT12-12	483521	PT12-14	483600	PT13-9	483672	PT13-15
483452	PT12-12	483522	PT12-14	483601	PT13-9	483673	PT13-15
483453	PT12-12	483523	PT12-14	483603	PT13-9	483674	PT13-10



PART NUMBER INDEX

Roller Chain Sprockets

Conveyor Components

Engineering

Part Number Index

Keyword Index

Part Number	Page	Part Number	Page	Part Number	Page	Part Number	Page
483675	PT13-10	483745	PT13-12	483815	PT13-13	483891	PT13-18
483676	PT13-10	483746	PT13-12	483816	PT13-13	483892	PT13-18
483677	PT13-10	483747	PT13-12	483817	PT13-13	483893	PT13-18
483678	PT13-10	483748	PT13-12	483818	PT13-13	483894	PT13-18
483679	PT13-10	483749	PT13-12	483819	PT13-13	483895	PT13-18
483680	PT13-10	483750	PT13-12	483820	PT13-13	483896	PT13-18
483681	PT13-10	483751	PT13-12	483821	PT13-13	483897	PT13-18
483682	PT13-10	483752	PT13-12	483822	PT13-13	483898	PT13-18
483683	PT13-10	483753	PT13-12	483823	PT13-13	483899	PT13-18
483684	PT13-10	483754	PT13-12	483824	PT13-13	483900	PT13-18
483685	PT13-10	483755	PT13-12	483825	PT13-13	483901	PT13-18
483686	PT13-10	483756	PT13-12	483826	PT13-13	483902	PT13-18
483687	PT13-10	483757	PT13-12	483827	PT13-15	483903	PT13-18
483688	PT13-10	483758	PT13-12	483828	PT13-15	483904	PT13-18
483689	PT13-10	483759	PT13-12	483829	PT13-15	483905	PT13-18
483690	PT13-10	483760	PT13-12	483830	PT13-15	483906	PT13-18
483691	PT13-10	483761	PT13-12	483831	PT13-15	483907	PT13-19
483692	PT13-10	483762	PT13-12	483832	PT13-15	483908	PT13-19
483693	PT13-10	483763	PT13-12	483833	PT13-15	483909	PT13-19
483694	PT13-10	483764	PT13-12	483834	PT13-15	483910	PT13-19
483695	PT13-11	483765	PT13-12	483835	PT13-15	483911	PT13-19
483696	PT13-11	483766	PT13-12	483836	PT13-15	483912	PT13-19
483697	PT13-11	483767	PT13-12	483837	PT13-15	483913	PT13-19
483698	PT13-11	483768	PT13-12	483838	PT13-15	483914	PT13-19
483699	PT13-11	483769	PT13-12	483839	PT13-15	483915	PT13-19
483700	PT13-11	483770	PT13-12	483840	PT13-15	483916	PT13-19
483701	PT13-11	483771	PT13-12	483841	PT13-15	483917	PT13-19
483702	PT13-11	483772	PT13-12	483842	PT13-15	483918	PT13-19
483703	PT13-11	483773	PT13-12	483843	PT13-13	483919	PT13-19
483704	PT13-11	483774	PT13-12	483844	PT13-13	483920	PT13-19
483705	PT13-11	483775	PT13-12	483845	PT13-13	483921	PT13-19
483706	PT13-11	483776	PT13-12	483846	PT13-13	483922	PT13-19
483707	PT13-11	483777	PT13-12	483847	PT13-13	483923	PT13-19
483708	PT13-11	483778	PT13-12	483848	PT13-13	483924	PT13-19
483709	PT13-11	483779	PT13-12	483849	PT13-13	483925	PT13-19
483710	PT13-11	483780	PT13-12	483850	PT13-13	483926	PT13-19
483711	PT13-11	483781	PT13-12	483851	PT13-13	483927	PT13-19
483712	PT13-11	483782	PT13-12	483852	PT13-13	483930	PT13-19
483713	PT13-11	483783	PT13-13	483853	PT13-13	483931	PT13-19
483714	PT13-11	483784	PT13-13	483854	PT13-13	483932	PT13-19
483715	PT13-11	483785	PT13-13	483855	PT13-13	483933	PT13-19
483716	PT13-11	483786	PT13-13	483856	PT13-13	483934	PT13-22
483717	PT13-11	483787	PT13-13	483857	PT13-13	483935	PT13-20
483718	PT13-11	483788	PT13-13	483858	PT13-13	483936	PT13-22
483719	PT13-11	483789	PT13-13	483859	PT13-18	483937	PT13-20
483720	PT13-11	483790	PT13-13	483860	PT13-18	483938	PT13-22
483721	PT13-11	483791	PT13-13	483861	PT13-18	483939	PT13-20
483722	PT13-11	483792	PT13-13	483862	PT13-18	483940	PT13-22
483723	PT13-11	483793	PT13-13	483863	PT13-18	483941	PT13-20
483724	PT13-11	483794	PT13-13	483864	PT13-18	483942	PT13-22
483725	PT13-11	483795	PT13-15	483865	PT13-18	483943	PT13-20
483726	PT13-11	483796	PT13-15	483866	PT13-18	483944	PT13-20
483727	PT13-11	483797	PT13-15	483867	PT13-18	483945	PT13-20
483728	PT13-11	483798	PT13-15	483868	PT13-18, PT13-20	483946	PT13-20
483729	PT13-12	483799	PT13-15	483869	PT13-18, PT13-20	483947	PT13-20
483730	PT13-12	483800	PT13-15	483870	PT13-18, PT13-20	483948	PT13-20
483731	PT13-12	483801	PT13-15	483871	PT13-18	483949	PT13-20
483732	PT13-12	483802	PT13-13	483872	PT13-18, PT13-20	483950	PT13-20
483733	PT13-12	483803	PT13-13	483873	PT13-18	483951	PT13-20
483734	PT13-12	483804	PT13-13	483874	PT13-18, PT13-20	483952	PT13-20
483735	PT13-12	483805	PT13-13	483875	PT13-18	483953	PT13-20
483736	PT13-12	483806	PT13-13	483876	PT13-18	483954	PT13-20
483737	PT13-12	483807	PT13-13	483877	PT13-18	483955	PT13-20
483738	PT13-12	483808	PT13-13	483878	PT13-18	483956	PT13-20
483739	PT13-12	483809	PT13-13	483879	PT13-18	483957	PT13-22
483740	PT13-12	483810	PT13-13	483880	PT13-18, PT13-20	483975	PT13-22
483741	PT13-12	483811	PT13-13	483881	PT13-18	483976	PT13-22
483742	PT13-12	483812	PT13-13	483882	PT13-18, PT13-20	483977	PT13-22
483743	PT13-12	483813	PT13-13	483883	PT13-18, PT13-20	483978	PT13-22
483744	PT13-12	483814	PT13-13	483884	PT13-18, PT13-20	483979	PT13-25
				483885	PT13-18, PT13-20	483980	PT13-25
				483886	PT13-18, PT13-20	483981	PT13-25
				483887	PT13-18, PT13-20	483982	PT13-26
				483888	PT13-18, PT13-20	483983	PT13-26
				483889	PT13-18		
				483890	PT13-18		

PART NUMBER INDEX



Part Number	Page	Part Number	Page	Part Number	Page	Part Number	Page
483984	PT13-26	484060	PT12-18	484131	PT12-19	484205	PT13-28
483985	PT13-26	484061	PT12-18	484132	PT12-19	484206	PT13-28
483986	PT13-26	484062	PT12-18	484133	PT12-19	484207	PT13-28
483987	PT13-26	484063	PT12-18	484134	PT12-19	484208	PT13-28
483988	PT13-26	484064	PT12-18	484135	PT12-19	484209	PT13-28
483989	PT13-26	484065	PT12-18	484136	PT12-19	484210	PT13-28
483990	PT13-26	484066	PT12-18	484137	PT12-19	484211	PT13-28
483991	PT13-26	484067	PT12-18	484138	PT12-19	484212	PT13-28
483992	PT13-26	484068	PT12-18	484139	PT12-19	484213	PT13-28
483993	PT13-26	484069	PT12-18	484140	PT12-19	484214	PT13-28
483994	PT13-26	484070	PT12-18	484141	PT12-19	484215	PT13-28
483995	PT13-26	484071	PT12-18	484142	PT12-19	484216	PT13-28
483996	PT13-26	484072	PT12-18	484143	PT12-19	484217	PT13-28
483997	PT13-26	484073	PT12-18	484144	PT12-19	484218	PT13-28
483998	PT13-26	484074	PT12-18	484145	PT12-19, PT12-20	484219	PT13-28
483999	PT13-26	484075	PT12-18	484146	PT12-19	484220	PT13-28
484000	PT13-26	484076	PT12-18	484147	PT12-19	484221	PT13-28
484001	PT13-26	484077	PT12-18	484148	PT12-19	484222	PT13-28
484002	PT13-26	484078	PT12-18	484149	PT12-19	484223	PT13-29
484003	PT13-26	484079	PT12-18	484150	PT12-19	484224	PT13-29
484004	PT13-26	484080	PT12-18	484151	PT12-19	484225	PT13-29
484006	PT13-26	484082	PT12-18	484152	PT12-19	484226	PT13-29
484007	PT13-26	484083	PT12-18	484156	PT12-19	484227	PT13-29
484008	PT13-26	484084	PT12-18	484157	PT12-19	484228	PT13-29
484009	PT13-26	484085	PT12-18	484158	PT12-19	484229	PT13-29
484010	PT13-26	484086	PT12-18	484159	PT12-19	484230	PT13-29
484011	PT13-26	484087	PT12-18	484160	PT13-28	484231	PT13-29
484012	PT13-26	484088	PT12-18	484161	PT13-28	484232	PT13-29
484016	PT13-26	484089	PT12-18	484162	PT13-28	484233	PT13-29
484017	PT13-26	484090	PT12-18	484163	PT13-28	484234	PT13-29
484018	PT13-26	484091	PT12-18	484164	PT13-28	484235	PT13-29
484019	PT13-26	484092	PT12-18	484165	PT13-28	484236	PT13-29
484020	PT12-18	484093	PT12-18	484166	PT13-28	484237	PT13-29
484021	PT12-18	484094	PT12-18	484167	PT13-28	484238	PT13-29
484022	PT12-18	484095	PT12-18	484168	PT13-28	484239	PT13-29
484023	PT12-18	484096	PT12-18	484169	PT13-28	484240	PT13-29
484024	PT12-18	484097	PT12-18	484170	PT13-28	484241	PT13-29
484025	PT12-18	484098	PT12-18	484171	PT13-28	484242	PT13-29
484026	PT12-18	484099	PT12-18	484172	PT13-28	484243	PT13-29
484027	PT12-18	484100	PT12-18	484173	PT13-28	484244	PT13-29
484028	PT12-18	484101	PT12-18	484174	PT13-28	484245	PT13-29
484029	PT12-18	484102	PT12-18	484175	PT13-28	484246	PT13-29
484030	PT12-18	484103	PT12-18	484176	PT13-28	484247	PT13-30
484031	PT12-18	484104	PT12-18	484177	PT13-28	484248	PT13-29
484032	PT12-18	484105	PT12-18	484178	PT13-28	484249	PT13-29
484033	PT12-18	484106	PT12-18	484179	PT13-28	484250	PT13-29
484034	PT12-18	484107	PT12-19	484180	PT13-28	484251	PT13-29
484035	PT12-18	484108	PT12-19	484181	PT13-28	484252	PT13-29
484037	PT12-18	484109	PT12-19	484182	PT13-28	484253	PT13-29
484038	PT12-18	484110	PT12-19	484183	PT13-28	484254	PT13-29
484039	PT12-18	484111	PT12-19	484184	PT13-28	484255	PT13-29
484040	PT12-18	484112	PT12-19	484185	PT13-28	484256	PT13-29
484041	PT12-18	484113	PT12-19	484186	PT13-28	484257	PT13-29
484042	PT12-18	484114	PT12-19	484187	PT13-28	484258	PT13-29
484043	PT12-18	484115	PT12-19	484188	PT13-28	484259	PT13-29
484044	PT12-18	484116	PT12-19	484189	PT13-28	484260	PT13-29
484045	PT12-18	484117	PT12-19	484190	PT13-28	484261	PT13-29
484046	PT12-18	484118	PT12-19	484191	PT13-28	484262	PT13-29
484047	PT12-18	484119	PT12-19	484192	PT13-28	484263	PT13-29
484048	PT12-18	484120	PT12-19	484193	PT13-28	484264	PT13-29
484049	PT12-18	484121	PT12-19	484194	PT13-28	484265	PT13-29
484050	PT12-18	484122	PT12-19	484195	PT13-28	484266	PT13-29
484051	PT12-18	484123	PT12-19	484196	PT13-28	484267	PT13-29
484052	PT12-18	484124	PT12-19	484197	PT13-28	484268	PT13-29
484053	PT12-18	484125	PT12-19	484199	PT13-28	484269	PT13-29
484054	PT12-18	484126	PT12-19	484200	PT13-28	484270	PT13-29
484055	PT12-18	484127	PT12-19	484201	PT13-28	484271	PT13-29
484056	PT12-18	484128	PT12-19	484202	PT13-28	484272	PT13-29
484057	PT12-18	484129	PT12-19	484203	PT13-28	484273	PT13-29
484058	PT12-18	484130	PT12-19	484204	PT13-28	484274	PT13-29



PART NUMBER INDEX

Roller Chain Sprockets

Conveyor Components

Engineering

Part Number Index

Keyword Index

Part Number	Page	Part Number	Page	Part Number	Page	Part Number	Page
484275	PT13-29	719360	PT1-80	8H95460	PT9-2	D10-3V65	PT7-30
484276	PT13-29	719361	PT1-80	8H95461	PT9-2	D10-3V69	PT7-30
484277	PT13-29	719362	PT1-80	8H95462	PT9-2	D10-3V80	PT7-30
484278	PT13-29	719363	PT1-80	8H95463	PT9-2	D10-5V103	PT7-30
484279	PT13-29	719364	PT1-80	8H95464	PT9-2	D10-5V109	PT7-30
484280	PT13-29	719365	PT1-80	8H95465	PT9-2	D10-5V113	PT7-30
484281	PT13-29	719366	PT1-80	8H95466	PT9-2	D10-5V118	PT7-30
484282	PT13-29	8H95123	PT1-80	8H95467	PT9-2	D10-5V125	PT7-30
484283	PT13-29	8H95124	PT1-80	8H95468	PT9-2	D10-5V132	PT7-30
484284	PT13-29	8H95125	PT9-2	8H95469	PT9-2	D10-5V140	PT7-33
484285	PT13-29	8H95126	PT9-2	8H95470	PT9-2	D10-5V150	PT7-33
484286	PT13-29	8H95127	PT9-2	8H95471	PT9-2	D10-5V160	PT7-33
484287	PT13-29	8H95128	PT9-2	8H95472	PT9-2	D10-5V187	PT7-33
484288	PT13-29	8H95133	PT9-2	8H95473	PT9-2	D10-5V212	PT7-33
708079	PT13-29	8H95134	PT9-2	8H95474	PT9-2	D10-5V236	PT7-33
708083	PT13-29	8H95135	PT9-2	8H95475	PT9-2	D10-5V280	PT7-33
708084	PT13-29	8H95137	PT9-2	8H95476	PT9-2	D10-5V315	PT7-33
708086	PT13-29	8H95139	PT9-2	8H95477	PT9-2	D10-5V375	PT7-33
708110	PT1-80	8H95140	PT9-2	8H95478	PT9-2	D10-5V500	PT7-33
708118	PT1-80	8H95142	PT9-2	8H95479	PT9-2	D10-5V80	PT7-33
708151	PT1-80	8H95143	PT9-2	8H95480	PT9-2	D10-5V85	PT7-33
708155	PT1-80	8H95145	PT9-2	8H95481	PT9-2	D10-5V90	PT7-33
708158	PT1-80	8H95148	PT9-2	8H95482	PT9-2	D10-5V925	PT7-33
708188	PT1-80	8H95149	PT9-2	8H95483	PT9-2	D10-5V975	PT7-33
708192	PT1-80	8H95153	PT9-2	8H95484	PT9-2	D10-8V125	PT7-33
708195	PT1-80	8H95154	PT9-2	8H95485	PT9-2	D10-8V132	PT7-33
708223	PT1-80	8H95155	PT9-2	8H95486	PT9-2	D10-8V140	PT7-33
708227	PT1-80	8H95156	PT9-2	8H95488	PT9-2	D10-8V150	PT7-33
708230	PT1-80	8H95157	PT9-2	8H95489	PT9-2	D10-8V160	PT7-33
708252	PT1-80	8H95159	PT9-2	8H95490	PT9-2	D10-8V170	PT7-33
708256	PT1-80	8H95162	PT9-2	8H95491	PT9-2	D10-8V180	PT7-35
708260	PT1-80	8H95163	PT9-2	8H95492	PT9-2	D10-8V190	PT7-35
708280	PT1-80	8H95170	PT9-2	8H95493	PT9-2	D10-8V200	PT7-35
708284	PT1-80	8H95171	PT9-2	8H95494	PT9-2	D10-8V212	PT7-35
708289	PT1-80	8H95172	PT9-2	8H95495	PT9-2	D10-8V224	PT7-35
708300	PT1-80	8H95173	PT9-2	8H95496	PT9-2	D10-8V248	PT7-35
708304	PT1-80	8H95174	PT9-2	8H95497	PT9-2	D10-8V300	PT7-35
708308	PT1-80	8H95175	PT9-2	8H95705	PT9-2	D10-8V355	PT7-35
708322	PT1-80	8H95177	PT9-2	8H95740	PT9-2	D10-8V400	PT7-35
708326	PT1-80	8H95178	PT9-2	D1-3V106	PT9-2	D10-8V445	PT7-35
708331	PT1-80	8H95180	PT9-2	D1-3V140	PT9-2	D10-8V530	PT7-35
708337	PT1-80	8H95182	PT9-2	D1-3V190	PT9-2	D10-8V580	PT7-35
708341	PT1-80	8H95183	PT9-2	D1-3V22	PT9-2	D10-8V630	PT7-35
708347	PT1-80	8H95184	PT9-2	D1-3V235	PT9-2	D10-8V710	PT7-35
708351	PT1-80	8H95185	PT9-2	D1-3V265	PT7-29	D10B110	PT7-35
708357	PT1-80	8H95187	PT9-2	D1-3V28	PT7-29	D10B124	PT7-35
708361	PT1-80	8H95192	PT9-2	D1-3V30	PT7-29	D10B136	PT7-35
708367	PT1-80	8H95193	PT9-2	D1-3V315	PT7-29	D10B154	PT7-35
708370	PT1-80	8H95194	PT9-2	D1-3V335	PT7-29	D10B160	PT7-35
708375	PT1-80	8H95195	PT9-2	D1-3V365	PT7-29	D10B184	PT7-35
708378	PT1-80	8H95196	PT9-2	D1-3V412	PT7-29	D10B200	PT7-39
708383	PT1-80	8H95197	PT9-2	D1-3V45	PT7-29	D10B250	PT7-39
708385	PT1-80	8H95198	PT9-2	D1-3V475	PT7-29	D10B300	PT7-39
708389	PT1-80	8H95204	PT9-2	D1-3V50	PT7-29	D10B380	PT7-39
708391	PT1-80	8H95205	PT9-2	D1-3V53	PT7-29	D10B54	PT7-39
708399	PT1-80	8H95206	PT9-2	D1-3V56	PT7-29	D10B56	PT7-39
708403	PT1-80	8H95207	PT9-2	D1-3V60	PT7-29	D10B58	PT7-39
708420	PT1-80	8H95208	PT9-2	D1-3V65	PT7-29	D10B60	PT7-39
708425	PT1-80	8H95209	PT9-2	D1-3V69	PT7-29	D10B62	PT7-39
719349	PT1-80	8H95210	PT9-2	D1-3V80	PT7-29	D10B64	PT7-39
719350	PT1-80	8H95450	PT9-2	D10-3V106	PT7-29	D10B66	PT7-39
719351	PT1-80	8H95451	PT9-2	D10-3V140	PT7-29	D10B68	PT7-39
719352	PT1-80	8H95452	PT9-2	D10-3V190	PT7-29	D10B70	PT7-39
719353	PT1-80	8H95453	PT9-2	D10-3V250	PT7-29	D10B74	PT7-39
719354	PT1-80	8H95454	PT9-2	D10-3V335	PT7-29	D10B86	PT7-39
719355	PT1-80	8H95455	PT9-2	D10-3V475	PT7-29	D10B94	PT7-39
719356	PT1-80	8H95456	PT9-2	D10-3V50	PT7-30	D10C100	PT7-39
719357	PT1-80	8H95457	PT9-2	D10-3V53	PT7-30	D10C105	PT7-39
719358	PT1-80	8H95458	PT9-2	D10-3V56	PT7-30	D10C110	PT7-39
719359	PT1-80	8H95459	PT9-2	D10-3V60	PT7-30	D10C120	PT7-39

PART NUMBER INDEX



Part Number	Page	Part Number	Page	Part Number	Page	Part Number	Page
D10C130	PT7-39	D12D145	PT7-41	D2-3V30	PT7-29	D2B70	PT7-36
D10C140	PT7-39	D12D150	PT7-41	D2-3V315	PT7-29	D2B74	PT7-36
D10C160	PT7-41	D12D155	PT7-43	D2-3V335	PT7-29	D2B80	PT7-36
D10C180	PT7-41	D12D160	PT7-43	D2-3V365	PT7-29	D2B86	PT7-36
D10C200	PT7-41	D12D170	PT7-43	D2-3V412	PT7-29	D2B90	PT7-36
D10C240	PT7-41	D12D180	PT7-43	D2-3V45	PT7-29	D2B94	PT7-36
D10C300	PT7-41	D12D200	PT7-43	D2-3V475	PT7-29	D2C100	PT7-36
D10C360	PT7-41	D12D220	PT7-43	D2-3V50	PT7-29	D2C105	PT7-36
D10C440	PT7-41	D12D270	PT7-43	D2-3V53	PT7-29	D2C110	PT7-36
D10C500	PT7-41	D12D330	PT7-43	D2-3V56	PT7-29	D2C120	PT7-36
D10C85	PT7-41	D12D400	PT7-43	D2-3V60	PT7-29	D2C130	PT7-36
D10C90	PT7-41	D12D480	PT7-43	D2-3V65	PT7-29	D2C140	PT7-36
D10C95	PT7-41	D12D580	PT7-43	D2-3V69	PT7-29	D2C160	PT7-40
D10D120	PT7-41	D1B110	PT7-43	D2-3V80	PT7-29	D2C180	PT7-40
D10D130	PT7-41	D1B124	PT7-43	D2-5V103	PT7-29	D2C200	PT7-40
D10D135	PT7-41	D1B136	PT7-43	D2-5V109	PT7-29	D2C240	PT7-40
D10D140	PT7-41	D1B154	PT7-43	D2-5V113	PT7-29	D2C270	PT7-40
D10D145	PT7-41	D1B160	PT7-43	D2-5V118	PT7-29	D2C300	PT7-40
D10D150	PT7-41	D1B184	PT7-43	D2-5V125	PT7-29	D2C70	PT7-40
D10D155	PT7-43	D1B200	PT7-36	D2-5V132	PT7-29	D2C75	PT7-40
D10D160	PT7-43	D1B250	PT7-36	D2-5V140	PT7-31	D2C80	PT7-40
D10D170	PT7-43	D1B34	PT7-36	D2-5V150	PT7-31	D2C85	PT7-40
D10D180	PT7-43	D1B36	PT7-36	D2-5V160	PT7-31	D2C90	PT7-40
D10D200	PT7-43	D1B38	PT7-36	D2-5V187	PT7-31	D2C95	PT7-40
D10D220	PT7-43	D1B40	PT7-36	D2-5V212	PT7-31	D3-3V106	PT7-40
D10D270	PT7-43	D1B42	PT7-36	D2-5V236	PT7-31	D3-3V140	PT7-40
D10D330	PT7-43	D1B44	PT7-36	D2-5V280	PT7-31	D3-3V190	PT7-40
D10D400	PT7-43	D1B46	PT7-36	D2-5V44	PT7-31	D3-3V250	PT7-40
D10D480	PT7-43	D1B48	PT7-36	D2-5V465	PT7-31	D3-3V265	PT7-40
D10D580	PT7-43	D1B50	PT7-36	D2-5V49	PT7-31	D3-3V28	PT7-40
D12-8V125	PT7-43	D1B52	PT7-36	D2-5V52	PT7-31	D3-3V3.35	PT7-29
D12-8V132	PT7-43	D1B54	PT7-36	D2-5V55	PT7-31	D3-3V30	PT7-29
D12-8V140	PT7-43	D1B56	PT7-36	D2-5V59	PT7-31	D3-3V315	PT7-29
D12-8V150	PT7-43	D1B58	PT7-36	D2-5V63	PT7-31	D3-3V335	PT7-29
D12-8V160	PT7-43	D1B60	PT7-36	D2-5V67	PT7-31	D3-3V365	PT7-29
D12-8V170	PT7-43	D1B62	PT7-36	D2-5V71	PT7-31	D3-3V412	PT7-29
D12-8V180	PT7-35	D1B64	PT7-36	D2-5V75	PT7-31	D3-3V450	PT7-29
D12-8V190	PT7-35	D1B66	PT7-36	D2-5V80	PT7-31	D3-3V475	PT7-29
D12-8V200	PT7-35	D1B68	PT7-36	D2-5V85	PT7-31	D3-3V50	PT7-29
D12-8V212	PT7-35	D1B70	PT7-36	D2-5V90	PT7-31	D3-3V53	PT7-29
D12-8V224	PT7-35	D1B74	PT7-36	D2-5V925	PT7-31	D3-3V56	PT7-29
D12-8V248	PT7-35	D1B80	PT7-36	D2-5V975	PT7-31	D3-3V60	PT7-29
D12-8V300	PT7-35	D1B86	PT7-36	D2B110	PT7-31	D3-3V65	PT7-29
D12-8V355	PT7-35	D1B90	PT7-36	D2B124	PT7-31	D3-3V69	PT7-29
D12-8V400	PT7-35	D1B94	PT7-36	D2B136	PT7-31	D3-3V80	PT7-29
D12-8V445	PT7-35	D1C100	PT7-36	D2B154	PT7-31	D3-5V103	PT7-29
D12-8V530	PT7-35	D1C105	PT7-36	D2B160	PT7-31	D3-5V109	PT7-29
D12-8V580	PT7-35	D1C110	PT7-36	D2B184	PT7-31	D3-5V113	PT7-29
D12-8V630	PT7-35	D1C120	PT7-36	D2B200	PT7-36	D3-5V118	PT7-29
D12-8V710	PT7-35	D1C130	PT7-36	D2B250	PT7-36	D3-5V125	PT7-29
D12C100	PT7-35	D1C140	PT7-36	D2B300	PT7-36	D3-5V132	PT7-29
D12C105	PT7-35	D1C160	PT7-40	D2B34	PT7-36	D3-5V140	PT7-31
D12C110	PT7-35	D1C180	PT7-40	D2B36	PT7-36	D3-5V150	PT7-31
D12C120	PT7-35	D1C200	PT7-40	D2B38	PT7-36	D3-5V160	PT7-31
D12C130	PT7-35	D1C240	PT7-40	D2B380	PT7-36	D3-5V187	PT7-31
D12C140	PT7-35	D1C70	PT7-40	D2B40	PT7-36	D3-5V212	PT7-31
D12C160	PT7-41	D1C75	PT7-40	D2B42	PT7-36	D3-5V236	PT7-31
D12C180	PT7-41	D1C80	PT7-40	D2B44	PT7-36	D3-5V280	PT7-31
D12C200	PT7-41	D1C85	PT7-40	D2B46	PT7-36	D3-5V315	PT7-31
D12C240	PT7-41	D1C90	PT7-40	D2B48	PT7-36	D3-5V375	PT7-31
D12C300	PT7-41	D1C95	PT7-40	D2B50	PT7-36	D3-5V44	PT7-31
D12C360	PT7-41	D2-3V106	PT7-40	D2B52	PT7-36	D3-5V465	PT7-31
D12C440	PT7-41	D2-3V140	PT7-40	D2B54	PT7-36	D3-5V49	PT7-31
D12C500	PT7-41	D2-3V190	PT7-40	D2B56	PT7-36	D3-5V500	PT7-31
D12C90	PT7-41	D2-3V22	PT7-40	D2B58	PT7-36	D3-5V52	PT7-31
D12C95	PT7-41	D2-3V235	PT7-40	D2B60	PT7-36	D3-5V55	PT7-31
D12D120	PT7-41	D2-3V25	PT7-40	D2B62	PT7-36	D3-5V59	PT7-31
D12D130	PT7-41	D2-3V250	PT7-29	D2B64	PT7-36	D3-5V63	PT7-31
D12D135	PT7-41	D2-3V265	PT7-29	D2B66	PT7-36	D3-5V67	PT7-31
D12D140	PT7-41	D2-3V28	PT7-29	D2B68	PT7-36	D3-5V71	PT7-31



PART NUMBER INDEX

Roller Chain Sprockets

Conveyor Components

Engineering

Part Number Index

Keyword Index

Part Number	Page	Part Number	Page	Part Number	Page	Part Number	Page
D3-5V75	PT7-31	D3D150	PT7-40	D4-8V224	PT7-34	D4D145	PT7-40
D3-5V80	PT7-31	D3D155	PT7-42	D4-8V248	PT7-34	D4D150	PT7-40
D3-5V85	PT7-31	D3D160	PT7-42	D4-8V300	PT7-34	D4D155	PT7-42
D3-5V90	PT7-31	D3D180	PT7-42	D4-8V355	PT7-34	D4D160	PT7-42
D3-5V925	PT7-31	D3D220	PT7-42	D4-8V400	PT7-34	D4D170	PT7-42
D3-5V975	PT7-31	D3D270	PT7-42	D4-8V445	PT7-34	D4D180	PT7-42
D3B110	PT7-31	D3D330	PT7-42	D4-8V530	PT7-34	D4D200	PT7-42
D3B124	PT7-31	D3D400	PT7-42	D4B110	PT7-34	D4D220	PT7-42
D3B136	PT7-31	D4-3V106	PT7-42	D4B124	PT7-34	D4D270	PT7-42
D3B154	PT7-31	D4-3V140	PT7-42	D4B136	PT7-34	D4D330	PT7-42
D3B160	PT7-31	D4-3V190	PT7-42	D4B154	PT7-34	D4D400	PT7-42
D3B184	PT7-31	D4-3V2.65	PT7-42	D4B160	PT7-34	D5-3V106	PT7-42
D3B200	PT7-37	D4-3V250	PT7-42	D4B184	PT7-34	D5-3V140	PT7-42
D3B250	PT7-37	D4-3V28	PT7-42	D4B200	PT7-37	D5-3V190	PT7-42
D3B300	PT7-37	D4-3V3.35	PT7-29	D4B250	PT7-37	D5-3V250	PT7-42
D3B34	PT7-37	D4-3V30	PT7-29	D4B300	PT7-37	D5-3V335	PT7-42
D3B36	PT7-37	D4-3V315	PT7-29	D4B34	PT7-37	D5-3V475	PT7-42
D3B38	PT7-37	D4-3V335	PT7-29	D4B36	PT7-37	D5-3V50	PT7-30
D3B380	PT7-37	D4-3V365	PT7-29	D4B38	PT7-37	D5-3V53	PT7-30
D3B40	PT7-37	D4-3V412	PT7-29	D4B380	PT7-37	D5-3V56	PT7-30
D3B42	PT7-37	D4-3V45	PT7-29	D4B40	PT7-37	D5-3V60	PT7-30
D3B44	PT7-37	D4-3V475	PT7-29	D4B42	PT7-37	D5-3V65	PT7-30
D3B46	PT7-37	D4-3V50	PT7-29	D4B44	PT7-37	D5-3V69	PT7-30
D3B48	PT7-37	D4-3V53	PT7-29	D4B46	PT7-37	D5-3V80	PT7-30
D3B50	PT7-37	D4-3V56	PT7-29	D4B48	PT7-37	D5-5V103	PT7-30
D3B52	PT7-37	D4-3V60	PT7-29	D4B50	PT7-37	D5-5V109	PT7-30
D3B54	PT7-37	D4-3V65	PT7-29	D4B52	PT7-37	D5-5V113	PT7-30
D3B56	PT7-37	D4-3V69	PT7-29	D4B54	PT7-37	D5-5V118	PT7-30
D3B58	PT7-37	D4-3V80	PT7-29	D4B56	PT7-37	D5-5V125	PT7-30
D3B60	PT7-37	D4-5V103	PT7-29	D4B58	PT7-37	D5-5V132	PT7-30
D3B62	PT7-37	D4-5V109	PT7-29	D4B60	PT7-37	D5-5V140	PT7-32
D3B64	PT7-37	D4-5V113	PT7-29	D4B62	PT7-37	D5-5V150	PT7-32
D3B66	PT7-37	D4-5V118	PT7-29	D4B64	PT7-37	D5-5V160	PT7-32
D3B68	PT7-37	D4-5V125	PT7-29	D4B66	PT7-37	D5-5V187	PT7-32
D3B70	PT7-37	D4-5V132	PT7-29	D4B68	PT7-37	D5-5V212	PT7-32
D3B74	PT7-37	D4-5V140	PT7-32	D4B70	PT7-37	D5-5V236	PT7-32
D3B80	PT7-37	D4-5V150	PT7-32	D4B74	PT7-37	D5-5V280	PT7-32
D3B86	PT7-37	D4-5V160	PT7-32	D4B80	PT7-37	D5-5V315	PT7-32
D3B90	PT7-37	D4-5V187	PT7-32	D4B86	PT7-37	D5-5V375	PT7-32
D3B94	PT7-37	D4-5V212	PT7-32	D4B90	PT7-37	D5-5V44	PT7-32
D3C100	PT7-37	D4-5V236	PT7-32	D4B94	PT7-37	D5-5V465	PT7-32
D3C105	PT7-37	D4-5V280	PT7-32	D4C100	PT7-37	D5-5V49	PT7-32
D3C110	PT7-37	D4-5V315	PT7-32	D4C105	PT7-37	D5-5V500	PT7-32
D3C120	PT7-37	D4-5V375	PT7-32	D4C110	PT7-37	D5-5V52	PT7-32
D3C130	PT7-37	D4-5V44	PT7-32	D4C120	PT7-37	D5-5V55	PT7-32
D3C140	PT7-37	D4-5V465	PT7-32	D4C130	PT7-37	D5-5V59	PT7-32
D3C160	PT7-40	D4-5V49	PT7-32	D4C140	PT7-37	D5-5V63	PT7-32
D3C180	PT7-40	D4-5V500	PT7-32	D4C160	PT7-40	D5-5V67	PT7-32
D3C200	PT7-40	D4-5V52	PT7-32	D4C180	PT7-40	D5-5V71	PT7-32
D3C240	PT7-40	D4-5V55	PT7-32	D4C200	PT7-40	D5-5V75	PT7-32
D3C270	PT7-40	D4-5V59	PT7-32	D4C240	PT7-40	D5-5V80	PT7-32
D3C300	PT7-40	D4-5V63	PT7-32	D4C270	PT7-40	D5-5V85	PT7-32
D3C360	PT7-40	D4-5V67	PT7-32	D4C300	PT7-40	D5-5V90	PT7-32
D3C440	PT7-40	D4-5V71	PT7-32	D4C360	PT7-40	D5-5V925	PT7-32
D3C50	PT7-40	D4-5V75	PT7-32	D4C440	PT7-40	D5-5V975	PT7-32
D3C500	PT7-40	D4-5V80	PT7-32	D4C50	PT7-40	D5-8V125	PT7-32
D3C50SK	PT7-40	D4-5V85	PT7-32	D4C500	PT7-40	D5-8V132	PT7-32
D3C56	PT7-40	D4-5V90	PT7-32	D4C50SK	PT7-40	D5-8V140	PT7-32
D3C60	PT7-40	D4-5V925	PT7-32	D4C56	PT7-40	D5-8V150	PT7-32
D3C70	PT7-40	D4-5V975	PT7-32	D4C60	PT7-40	D5-8V160	PT7-32
D3C75	PT7-40	D4-8V125	PT7-32	D4C70	PT7-40	D5-8V170	PT7-32
D3C80	PT7-40	D4-8V132	PT7-32	D4C75	PT7-40	D5-8V180	PT7-34
D3C85	PT7-40	D4-8V140	PT7-32	D4C80	PT7-40	D5-8V190	PT7-34
D3C90	PT7-40	D4-8V150	PT7-32	D4C85	PT7-40	D5-8V200	PT7-34
D3C95	PT7-40	D4-8V160	PT7-32	D4C90	PT7-40	D5-8V212	PT7-34
D3D120	PT7-40	D4-8V170	PT7-32	D4C95	PT7-40	D5-8V224	PT7-34
D3D130	PT7-40	D4-8V180	PT7-34	D4D120	PT7-40	D5-8V248	PT7-34
D3D135	PT7-40	D4-8V190	PT7-34	D4D130	PT7-40	D5-8V300	PT7-34
D3D140	PT7-40	D4-8V200	PT7-34	D4D135	PT7-40	D5-8V355	PT7-34
D3D145	PT7-40	D4-8V212	PT7-34	D4D140	PT7-40	D5-8V400	PT7-34

PART NUMBER INDEX



Part Number	Page	Part Number	Page	Part Number	Page	Part Number	Page
D5-8V445	PT7-34	D5D270	PT7-42	D6B136	PT7-34	D8-3V106	PT7-42
D5-8V530	PT7-34	D5D330	PT7-42	D6B154	PT7-34	D8-3V140	PT7-42
D5B110	PT7-34	D5D400	PT7-42	D6B160	PT7-34	D8-3V190	PT7-42
D5B124	PT7-34	D5D480	PT7-42	D6B184	PT7-34	D8-3V250	PT7-42
D5B136	PT7-34	D5D580	PT7-42	D6B200	PT7-38	D8-3V335	PT7-42
D5B154	PT7-34	D6-3V106	PT7-42	D6B250	PT7-38	D8-3V475	PT7-42
D5B160	PT7-34	D6-3V140	PT7-42	D6B300	PT7-38	D8-3V50	PT7-30
D5B184	PT7-34	D6-3V190	PT7-42	D6B34	PT7-38	D8-3V53	PT7-30
D5B200	PT7-38	D6-3V250	PT7-42	D6B36	PT7-38	D8-3V56	PT7-30
D5B250	PT7-38	D6-3V335	PT7-42	D6B38	PT7-38	D8-3V60	PT7-30
D5B300	PT7-38	D6-3V475	PT7-42	D6B380	PT7-38	D8-3V65	PT7-30
D5B34	PT7-38	D6-3V50	PT7-30	D6B40	PT7-38	D8-3V69	PT7-30
D5B36	PT7-38	D6-3V53	PT7-30	D6B42	PT7-38	D8-3V80	PT7-30
D5B38	PT7-38	D6-3V56	PT7-30	D6B44	PT7-38	D8-5V103	PT7-30
D5B380	PT7-38	D6-3V60	PT7-30	D6B46	PT7-38	D8-5V109	PT7-30
D5B40	PT7-38	D6-3V65	PT7-30	D6B48	PT7-38	D8-5V113	PT7-30
D5B42	PT7-38	D6-3V69	PT7-30	D6B50	PT7-38	D8-5V118	PT7-30
D5B44	PT7-38	D6-3V80	PT7-30	D6B52	PT7-38	D8-5V125	PT7-30
D5B46	PT7-38	D6-5V103	PT7-30	D6B54	PT7-38	D8-5V132	PT7-30
D5B48	PT7-38	D6-5V109	PT7-30	D6B56	PT7-38	D8-5V140	PT7-33
D5B50	PT7-38	D6-5V113	PT7-30	D6B58	PT7-38	D8-5V150	PT7-33
D5B52	PT7-38	D6-5V118	PT7-30	D6B60	PT7-38	D8-5V160	PT7-33
D5B54	PT7-38	D6-5V125	PT7-30	D6B62	PT7-38	D8-5V187	PT7-33
D5B56	PT7-38	D6-5V132	PT7-30	D6B64	PT7-38	D8-5V212	PT7-33
D5B58	PT7-38	D6-5V140	PT7-33	D6B66	PT7-38	D8-5V236	PT7-33
D5B60	PT7-38	D6-5V150	PT7-33	D6B68	PT7-38	D8-5V280	PT7-33
D5B62	PT7-38	D6-5V160	PT7-33	D6B70	PT7-38	D8-5V315	PT7-33
D5B64	PT7-38	D6-5V187	PT7-33	D6B74	PT7-38	D8-5V375	PT7-33
D5B66	PT7-38	D6-5V212	PT7-33	D6B80	PT7-38	D8-5V500	PT7-33
D5B68	PT7-38	D6-5V236	PT7-33	D6B86	PT7-38	D8-5V71	PT7-33
D5B70	PT7-38	D6-5V280	PT7-33	D6B94	PT7-38	D8-5V75	PT7-33
D5B74	PT7-38	D6-5V315	PT7-33	D6C100	PT7-38	D8-5V80	PT7-33
D5B80	PT7-38	D6-5V375	PT7-33	D6C105	PT7-38	D8-5V85	PT7-33
D5B86	PT7-38	D6-5V44	PT7-33	D6C110	PT7-38	D8-5V90	PT7-33
D5B90	PT7-38	D6-5V465	PT7-33	D6C120	PT7-38	D8-5V925	PT7-33
D5B94	PT7-38	D6-5V49	PT7-33	D6C130	PT7-38	D8-5V975	PT7-33
D5C100	PT7-38	D6-5V500	PT7-33	D6C140	PT7-38	D8-8V125	PT7-33
D5C105	PT7-38	D6-5V52	PT7-33	D6C160	PT7-41	D8-8V132	PT7-33
D5C110	PT7-38	D6-5V55	PT7-33	D6C180	PT7-41	D8-8V140	PT7-33
D5C120	PT7-38	D6-5V59	PT7-33	D6C200	PT7-41	D8-8V150	PT7-33
D5C130	PT7-38	D6-5V63	PT7-33	D6C240	PT7-41	D8-8V160	PT7-33
D5C140	PT7-38	D6-5V67	PT7-33	D6C270	PT7-41	D8-8V170	PT7-33
D5C160	PT7-41	D6-5V71	PT7-33	D6C300	PT7-41	D8-8V180	PT7-34
D5C180	PT7-41	D6-5V75	PT7-33	D6C360	PT7-41	D8-8V190	PT7-34
D5C200	PT7-41	D6-5V80	PT7-33	D6C440	PT7-41	D8-8V200	PT7-34
D5C240	PT7-41	D6-5V85	PT7-33	D6C500	PT7-41	D8-8V212	PT7-34
D5C270	PT7-41	D6-5V90	PT7-33	D6C60	PT7-41	D8-8V224	PT7-34
D5C300	PT7-41	D6-5V925	PT7-33	D6C70	PT7-41	D8-8V248	PT7-34
D5C360	PT7-41	D6-5V975	PT7-33	D6C75	PT7-41	D8-8V300	PT7-34
D5C440	PT7-41	D6-8V125	PT7-33	D6C80	PT7-41	D8-8V355	PT7-34
D5C500	PT7-41	D6-8V132	PT7-33	D6C85	PT7-41	D8-8V400	PT7-34
D5C60	PT7-41	D6-8V140	PT7-33	D6C90	PT7-41	D8-8V445	PT7-34
D5C70	PT7-41	D6-8V150	PT7-33	D6C95	PT7-41	D8-8V530	PT7-34
D5C75	PT7-41	D6-8V160	PT7-33	D6D120	PT7-41	D8-8V630	PT7-34
D5C80	PT7-41	D6-8V170	PT7-33	D6D130	PT7-41	D8-8V710	PT7-34
D5C85	PT7-41	D6-8V180	PT7-34	D6D135	PT7-41	D8B110	PT7-34
D5C90	PT7-41	D6-8V190	PT7-34	D6D140	PT7-41	D8B124	PT7-34
D5C95	PT7-41	D6-8V200	PT7-34	D6D145	PT7-41	D8B136	PT7-34
D5D120	PT7-41	D6-8V212	PT7-34	D6D150	PT7-41	D8B154	PT7-34
D5D130	PT7-41	D6-8V224	PT7-34	D6D155	PT7-42	D8B160	PT7-34
D5D135	PT7-41	D6-8V248	PT7-34	D6D160	PT7-42	D8B184	PT7-34
D5D140	PT7-41	D6-8V300	PT7-34	D6D170	PT7-42	D8B200	PT7-39
D5D145	PT7-41	D6-8V355	PT7-34	D6D180	PT7-42	D8B250	PT7-39
D5D150	PT7-41	D6-8V400	PT7-34	D6D200	PT7-42	D8B300	PT7-39
D5D155	PT7-42	D6-8V445	PT7-34	D6D220	PT7-42	D8B380	PT7-39
D5D160	PT7-42	D6-8V530	PT7-34	D6D270	PT7-42	D8B54	PT7-39
D5D170	PT7-42	D6-8V630	PT7-34	D6D330	PT7-42	D8B56	PT7-39
D5D180	PT7-42	D6-8V710	PT7-34	D6D400	PT7-42	D8B58	PT7-39
D5D200	PT7-42	D6B110	PT7-34	D6D480	PT7-42	D8B60	PT7-39
D5D220	PT7-42	D6B124	PT7-34	D6D580	PT7-42	D8B62	PT7-39



PART NUMBER INDEX

Roller Chain Sprockets

Conveyor Components

Engineering

Part Number Index

Keyword Index

Part Number	Page	Part Number	Page	Part Number	Page	Part Number	Page
D8B64	PT7-39						
D8B66	PT7-39						
D8B68	PT7-39						
D8B70	PT7-39						
D8B74	PT7-39						
D8B80	PT7-39						
D8B86	PT7-39						
D8B94	PT7-39						
D8C100	PT7-39						
D8C105	PT7-39						
D8C110	PT7-39						
D8C120	PT7-39						
D8C130	PT7-39						
D8C140	PT7-39						
D8C160	PT7-41						
D8C180	PT7-41						
D8C200	PT7-41						
D8C240	PT7-41						
D8C300	PT7-41						
D8C360	PT7-41						
D8C440	PT7-41						
D8C500	PT7-41						
D8C70	PT7-41						
D8C80	PT7-41						
D8C85	PT7-41						
D8C90	PT7-41						
D8C95	PT7-41						
D8D120	PT7-41						
D8D130	PT7-41						
D8D135	PT7-41						
D8D140	PT7-41						
D8D145	PT7-41						
D8D150	PT7-41						
D8D155	PT7-43						
D8D160	PT7-43						
D8D170	PT7-43						
D8D180	PT7-43						
D8D200	PT7-43						
D8D220	PT7-43						
D8D270	PT7-43						
D8D330	PT7-43						
D8D400	PT7-43						
D8D480	PT7-43						
D8D580	PT7-43						

Numbers

2AK Two Groove FHP Sheaves, FHP Drives
 2AKH H-Bushed Sheaves, FHP Drives
 2BK Two Groove FHP Sheaves, FHP Drives,
 2BKH H-Bushed Sheaves, FHP Drives
 8 degree Taper, TAPER-LOCK Bushings

PT8-4
 PT8-7
 PT8-6
 PT8-8
 PT6-2

A

A-C Motor Information
 Abrasion resistant HT200/HTD Synchronous
 Adapters, TAPER-LOCK Bushings
 Adjustable Motor Bases

PT14-33
 PT11-2
 PT6-12

5614
 90 Series
 Electric Remote Control
 REEVES VARI-SPEED Drives
 TEL-1

PT9-15
 PT9-16
 PT9-16
 PT9-15
 PT9-15

AK One Groove FHP Sheaves, FHP Drives
 AKH H-Bushed Sheaves, FHP Drives

PT8-3
 PT8-7

Alignment

DYNA-SYNC Drives
 Sprockets
 V-Drives

PT10-45
 PT14-46
 PT7-124

Anti-seize

QD Bushings
 TAPER-LOCK Bushings

PT6-13
 PT6-2

Arc Correction, S-L Classic Drives

PT7-87

Arc Correction Factors, Stock D-V Wedge Drives

PT7-45

B

Backlash

DYNA-SYNC Drives
 HT200/HTD Synchronous

PT10-2
 PT11-2

Balance, Made-to-Order Sheave

Special, Two-Plane (Dynamic)
 Standard, Single Plane (Static)

PT7-27
 PT7-27

Balancing, DYNA-SYNC Drives

PT10-44

Basic Horsepower Ratings

Armide Cord Belt
 D-V Wedge Drives
 DYNA-SYNC Drives
 S-L Classic Drives,
 Sprockets

PT7-83
 PT7-78 thru PT7-83
 PT10-40 thru PT10-43
 PT7-116 thru PT7-122
 PT14-32 thru PT14-39

Bearing Load Calculations

PT14-21

Belt Correction Factors, S-L Classic Drives

PT7-87

Belt Deflection, DYNA-SYNC Drives

PT10-45

Belt Length, FHP Drives

PT8-10

Belt Pitch Selection Guide, HT200/HTD Synchronous
 Drives

PT11-22

BK One Groove FHP Sheaves, FHP Drives

PT8-5

BKH H-Bushed Sheaves, FHP Drives

PT8-8

Bore Size, Made-to-Order Sheave

PT7-27

Bushings and Hubs

PT6-1 thru PT6-19

C

C-FLEX Module, FLEXIDYNE

PT3-17

Calculate Design Horsepower, FHP Drives

PT8-10

Calculate Drive Ratio, FHP Drives

PT8-10

Class of Service, Sprockets

PT14-28

Center Distance

Compound Pulley
 Junior Pulleys
 Senior Pulleys
 Sprockets

PT9-11
 PT9-6-PT9-8
 PT9-9-PT9-10
 PT14-46

Center Distance Allowance, V-Drives

PT7-125

Center Distance Tables, HT200/HTD Synchronous

PT11-41 thru PT11-58

Center Distance/Belt Length, FHP Drives

PT8-14

Centrifugal Force

PT14-19

Chain Assembly, Sprockets

PT14-42

Chain Length, Sprockets

PT14-28

Chain Pull, Sprockets

PT14-29

Chain Tension, Sprockets

PT14-46

Chordal action, HT200/HTD Synchronous

PT11-3

Clamp Collar Mounting, REEVES VARI-SPEED Drives

PT9-3

Classic Cog, FHP Drives

PT8-2

Classic Cog V-Belts

PT7-38

Clean operation HT200/HTD Synchronous

PT11-3

Clutch/Brake

PT2-1 thru PT2-53

Coefficients of Friction "f"

PT14-29

Common Conversion Factors

PT14-13 thru PT14-19

Compact, HT200/HTD Synchronous

PT11-3

Compound Drives, Selection/Dimensions

PT9-5

Compound Pulley, REEVES VARI-SPEED Drives

PT9-3

Computer Drive Selection, V-Drives

PT7-123

Concentricity Tolerance, DYNA-SYNC Drives

PT10-44

Conventional Mounting, QD Bushings

PT6-13

CONVEYOR COMPONENTS

PT15-1 thru PT15-80

Conveyor Belt FPM to RPM

PT14-24

Correction Factor, FHP Drives

PT8-10

Corrosion resistant, HT200/HTD Synchronous

PT11-2

Countershaft

Compound Pulley

PT9-11

REEVES VARI-SPEED Drives

PT9-3

Couplings,

PT1-1 thru PT1-89

Custom Construction, Custom Made Sheaves & Sprockets

PT7-26

D

Dead Shaft Pulleys

PT15-39

Design Horsepower, Sprockets

PT14-28

Design HP

S-L Classic Drives

PT7-84

Stock D-V Wedge Drives

PT7-42

Dimensions

Conveyor Components

PT15-16 thru PT15-43

FHP Drives

PT8-3 thru PT8-9

FLEXIDYNE

PT3-8 thru PT3-14

Fluid Couplings

PT4-4

Motor Brakes

PT2-4 thru PT2-10

QD Bushings

PT6-14 thru PT6-18

QD SHEAVES

PT7-13 thru PT7-25

REEVES VARI-SPEED Drives

PT9-4 thru PT9-11

TAPER-LOCK Bushing

PT6-3 thru PT6-4

TORQUE-TAMER

PT5-4-6

DODGE Motor Bases

PT9-17 thru PT9-18

Type A Slide

PT9-17

100A

PT9-17

200A

PT9-17

300A

PT9-17

50A

PT9-17

Type B Slide

PT9-18

11B

PT9-18

22B

PT9-18

33B

PT9-18

45B

PT9-18

DODGE Software, HT200/HTD Synchronous

PT11-73

Double-V, V-Belts

PT7-28

Drive Alignment, HT200/HTD Synchronous

PT11-72

DRIVE COMPONENT ACCESSORIES

PT9-1 thru PT9-6

Drive Selection, Sprockets

PT14-16

Drive Ratio, Sprockets

PT14-28

Drive Tensioning, HT200/HTD Synchronous

PT11-72

Drum and Wing Pulleys

PT15-11 thru PT15-15

Ductile Iron Discs, REEVES VARI-SPEED Drives

PT9-3

DYNA-SYNC DRIVES

PT10-1 thru PT10-43

E

Easy Selection

Chain Coupling

PT1-68

Sprockets

PT14-37

Easy Selection Table, Sprockets

PT14-30 thru PT14-31

Efficiency, HT200/HTD Synchronous

PT11-2

Elastomer Compatibility, Couplings

PT1-67

Elastomeric Bushing, REEVES VARI-SPEED Drives

PT9-3

Electrical

PT14-32

Elevator Pulleys

PT15-39

Engineered Class Pulleys

PT15-37

Engineering Technical, Geometrical Relationships

PT14-15

ENGINEERING/TECHNICAL

PT16-1 thru PT16-42

Engineering/Technical

Clutch/Brake

PT2-38 thru PT2-52

Conveyor Components

PT15-80

KEYWORD INDEX

Roller Chain Sprockets

Conveyor Components

Engineering

Part Number Index

Keyword Index

E (continued)

Couplings
DYNA-SYNC Drives
FLEXIDYNE
HT200/HTD Synchronous Drives
HTR Synchronous Drives
Sprockets
V-Drives
English Standard Measurement, Expansion of Shafting
Extra-Value Features, REEVES VARI-SPEED Drives

PT1-83 thru PT1-89
PT10-44 thru PT10-45
PT3-26 thru PT3-32
PT11-70 thru PT11-72
PT13-96 thru PT13-102
PT14-30 thru PT14-34
PT7-143 thru PT7-148
PT14-10 thru PT14-11
PT14-6
PT9-3

F

Features/Benefits
Chain Coupling
Clutch/Brake Modules
Conveyor Components
D-FLEX Coupling
DYNA-SYNC Belts
DYNA-SYNC Pulleys
FHP Drives
FLEXIDYNE
Fluid Couplings
Fractional HP Clutches & Brakes
Gear Coupling
GRID-LIGN Coupling
GRIP-TIGHT
HT200/HTD Synchronous Drive
HTR Synchronous Drive
Motor Brakes
PARA-FLEX Coupling
QD Bushings
REEVES VARI-SPEED Drives
Shaft Mounted Clutches & Brakes
SHEAVES
Sprockets
TAPER-LOCK Bushings
TORQUE-TAMER
V-Belts
V-Drives

PT1-65
PT2-11
PT15-2 thru PT15-3
PT1-35 thru PT1-36
PT10-2
PT10-2
PT8-2
PT3-2
PT4-2
PT2-24
PT1-48 thru PT1-52,
PT1-48 thru PT1-49
PT6-28
PT11-2 thru PT11-3
PT12-2 thru PT12-4
PT2-2
PT1-2 thru PT1-3
PT6-16
PT9-2 thru PT9-4
PT2-18
PT7-2
PT14-2
PT6-2
PT5-2
PT7-45
PT7-2
PT7-41
PT8-1-PT8-22, PT8-2
PT10-2
PT8-2
PT8-2
PT10-2

FHP Belts
FHP Drives
Fiberglass, DYNA-SYNC Belts
Finish Bore Sheaves
Fixed Pitch, FHP Drives
Flanged, DYNA-SYNC Pulleys
Flat Face Pulleys
REEVES VARI-SPEED Drives
TAPER-LOCK
Flat-Face Pulley, REEVES VARI-SPEED Drives,

PT9-14
PT9-14
PT9-3
P T3-1 thru PT3-33
PT4-1 thru P4-10
PT3-10
PT3-4 thru PT3-7
PT7-40
PT3-3 thru PT3-15
PT6-2
PT14-19
PT7-27
PT14-17

FLEXIDYNE
FLUID COUPLING
FLEXIDYNE Coupling, FLEXIDYNE
FLEXIDYNE Drives, FLEXIDYNE
Flexlink Belting
Flow Charge, FLEXIDYNE
Flush Mounting, TAPER-LOCK Bushings
Flywheel Formulas
Flywheel Sheave, Made-to-Order Sheave
Formulas & Constants

PT9-14
PT9-14
PT9-3
P T3-1 thru PT3-33
PT4-1 thru P4-10
PT3-10
PT3-4 thru PT3-7
PT7-40
PT3-3 thru PT3-15
PT6-2
PT14-19
PT7-27
PT14-17

G

Groove and Belt Gage, V-Drives

PT7-123

H

H-Bushed Sheaves
Cast Iron
Clamp Fit
H-Style Bushing
Integral Key
H-Bushed Sheaves (Continued)
Metric Bores
QT and D Bushing
Static Balance
Hardened Teeth, Sprockets

PT8-2
PT8-2
PT8-2
PT8-2
PT8-2
PT8-2
PT8-2
PT8-2
PT14-46

Hardness Comparison
HE Heavy Duty Drum Pulleys
HE Heavy Duty Wing Pulleys
Heavy Duty Drum Pulley Weights
Heavy Duty Wing Pulley Weights
Horsepower Rating
HT100
HT200/HTD Synchronous Drives
HTD,
Horsepower Ratings, FHP Drives
Horsepower Required for Belt Conveyors

PT14-29
PT15-16 thru PT15-17
PT15-24 thru PT15-25
PT15-20 thru PT15-24
PT15-28 thru PT15-32
PT11-34 thru PT11-38
PT11-23 thru PT11-32
PT11-33,PT11-39, PT11-40
PT8-10 thru PT8-11
PT14-23

How To Order
Chain Coupling
Clutch/Brake Modules
Conveyor Components
D-FLEX Coupling
FLEXIDYNE
Fluid Couplings
Fractional HP Clutches & Brakes
GRID-LIGN Coupling
Made-to-Order Sheave
Motor Brakes
PARA-FLEX Coupling
POLY-DISC Coupling
RIGID Coupling
Shaft Mounted Clutches & Brakes
TORQUE-TAMER

PT1-72
PT2-12
PT15-6 thru PT15-7
PT1-37
PT3-3
PT4-5
PT2-25
PT1-50
PT7-27
PT2-3
PT1-4
PT1-63
PT1-63
PT2-19
PT5-3

HT200/HTD SYNCHRONOUS BELTS
HTR SYNCHRONOUS DRIVES
HTRC SYNCHRONOUS DRIVES
HT Specification, QD HTD Sprockets
HT TAPER-LOCK Sprockets
Hub Diameter, TAPER-LOCK Bushings
Hub Location, Made-to-Order Sheave
Hub Locations, Custom Made Sheaves & Sprockets
Hubs, QD Bushings

PT11-1 thru PT11-61
PT12-1 thruPT12-50
PT13-1 thru PT12-102
PT11-10 thru PT11-16
PT11-4 thru PT11-8
PT6-3 thru PT6-49
PT7-27
PT7-26
PT6-22

Idler Brackets, Sprockets
Idler Bushings, Sprockets
Idler Sprockets, Sprockets
Idlers, DYNA-SYNC Drives
Installation
HT/HTD Drives
Sprockets
Installing, DYNA-SYNC Drives
Installing/Tensioning, V-Drives
Integral Key, TAPER-LOCK Bushings
ISO
QD Bushings
TAPER-LOCK Bushings
ISO9000, DYNA-SYNC Pulleys

PT14-40
PT14-40
PT14-41
PT10-45
PT11-71
PT14-33
PT10-45
PT7-124 thru PT7-126
PT6-2
PT6-18
PT6-8
PT10-2

Jackscrews, TAPER-LOCK Bushings
Junior Pulley, REEVES VARI-SPEED Drives
Junior Pulleys
FHP or Dual-Duty
Ratings
S-L Classic
Selection/Dimensions

PT6-3, PT13-49
PT9-2
PT9-6-PT9-8
PT9-4
PT9-6-PT9-8
PT9-4

K

Keyways, DYNA-SYNC Drives

PT10-44

L

Length Correction Factors, Stock D-V Wedge Drives
Light Duty V-Drives, FHP Drives
Lockwashers, QD Bushings
Long life, HT200/HTD Synchronous
Low maintenance, HT200/HTD Synchronous
Lubricants
QD Bushings
TAPER-LOCK Bushings

PT7-45
PT8-2
PT6-13
PT11-2
PT11-2
PT6-13
PT6-2

L (continued)

Lubrication

Bath, Sprockets	PT14-46
Drip, Sprockets	PT14-46
DYNA-SYNC Drives	PT10-2
HT200/HTD Synchronous	PT11-2
Manual, Sprockets	PT14-46
Sprockets	PT14-46

M

Made To Order Sheaves, FLEXIDYNE

PT3-18

Material, Made-to-Order Sheave

Class 65 Ductile Iron	PT7-27
Class 80 Ductile Iron	PT7-27
Gray Iron	PT7-27

Material Characteristics

PT14-25 thru PT14-26

Materials, Custom Made Sheaves & Sprockets,

PT7-26

Dynamic (two-plane) Balance	PT7-26
Gray Iron, Ductile Iron, Steel	PT7-26
Measuring Gage, V-Drives	PT7-123
Metric, QD Bushings	PT6-18

Metric Bore, TAPER-LOCK Bushings

PT6-8

Metric Standard Measurement & Conversion,

PT14-12

Mine Duty Wing & Spiral Wing Pulleys

PT15-36

Mine Duty X-TRA Drum Pulleys

PT15-32 thru PT15-36

Modifications/Accessories

Conveyor Components	PT15-67 thru PT15-71
Couplings	PT1-81 thru PT1-82
FLEXIDYNE	PT3-15 thru PT3-26
Molded Cog, D-V Wedge Narrow Belts	PT7-29

Mounting

Custom Made Sheaves & Sprockets	PT7-26
Bored-To-Size	PT7-26
Taper Bore	PT7-26
Taper Bushed	PT7-26
Made-to-Order Sheave	PT7-27
Sprockets	PT14-2
TAPER-LOCK Bushings	PT6-2

MPTA/RMA

Classic Cog V-Belts	PT7-38
D-V Wedge Narrow Belts	PT7-29
S-L Classic Belts	PT7-33

Multiple Strand, Sprockets

PT14-29

N

NEMA

S-L Classic Drives	PT7-85
Stock D-V Wedge Drives	PT7-43

Neoprene, DYNA-SYNC Belts

PT10-2

Nomenclature

Chain Coupling	PT1-72
Clutch/Brake Modules	PT2-12
Conveyor Components	PT15-8
D-FLEX Coupling	PT1-37
DYNA-SYNC Pulleys	PT10-44
FLEXIDYNE	PT3-3
Fluid Couplings	PT4-3
Fractional HP Clutches & Brakes	PT2-25
GRID-LIGN Coupling	PT1-51
Motor Brakes	PT2-3
PARA-FLEX Coupling	PT1-5
POLY-DISC Coupling	PT1-63
Pulleys	PT15-9
RIGID Coupling	PT1-63
Shaft Mounted Clutches & Brakes	PT2-19
TORQUE-TAMER	PT5-3

O

Oil Viscosity Classification

PT14-31

Overhung Load

Engineering	PT14-20
HT200/HTD Synchronous	PT11-70

P

PH FLEXIDYNE Couplings

PT3-12

Pin Extractors (Chain Breaker), Sprockets

PT14-42

Plain Bore, DYNA-SYNC Pulleys

PT10-8

POLYBAND, V-Belts

PT7-28

Positive, non-slip drive, HT200/HTD Synchronous

PT11-2

Properties of Sections

PT14-28

Q

QD Bushings

PT6-13 thru PT6-19

QD Combination Duty, Variable Pitch Sheaves,

PT8-2

QD HTD Sprocket

PT11-10 thru PT11-16

QD Heavy Duty Drum Pulleys

PT15-19 thru PT15-20

QD Heavy Duty Wing Pulleys

PT15-27 thru PT15-28

Quieter Operation, HT200/HTD Synchronous

PT11-2

R

Ratio, FHP Drives

PT8-12 thru PT8-13

Reborable

QD Bushings PT6-18

TAPER-LOCK Bushings PT6-9

Rebore, DYNA-SYNC Drives

PT10-44

Recommended Maximum Conveyor Belt Speeds,

PT14-24

REEVES VARI-SPEED DRIVES

PT9-1-PT9-18

Related Products

Conveyor Components PT15-72 thru PT15-79

Sprockets PT14-28 thru PT14-29

V-Drives PT7-141 thru PT8-142

Reverse Mounting, QD Bushings

PT6-13

RMA/MPTA

PT7-2

ROLLER CHAIN SPROCKETS

PT14-1 thru PT14-46

Run-Out Tolerance, DYNA-SYNC Drives

PT10-44

S

S-L Classic, FHP Drives

PT8-2

Sawsplit, TAPER-LOCK Bushings

PT6-9

Selection

Conveyor Components PT15-9 thru PT15-66

Custom Made Sheaves & Sprockets PT7-44

DYNA-SYNC Drives PT10-14 thru PT10-43

Stock Drives PT10-18 thru PT10-39

FHP Drives PT8-3 thru PT8-22

FLEXIDYNE PT3-4 thru PT3-7

Fluid Couplings PT4-4

Fractional HP Clutches & Brakes PT2-26 thru PT2-29

HT200/HTD Synchronous Drives PT11-20 thru PT11-51

HT200/HTD Synchronous Drive PT12-20 thru PT12-50

HTR Synchronous Drive PT13-30 thru PT13-95

QD SHEAVES PT7-13 thru PT7-25

REEVES VARI-SPEED Drives PT9-4 thru PT9-11

S-L Classic Drives PT7-84 thru PT7-122

Sprockets PT14-16 thru PT14-27

Stock D-V Wedge Drives PT7-42-PT7-81

TORQUE-TAMER PT5-4 thru PT5-6

V-Belts PT7-46 thru PT7-140

Selection Methods, Couplings

PT1-83

Selection/Dimensions

Chain Coupling PT1-69 thru PT1-71

D-FLEX Coupling PT1-38 thru PT1-47

GRID-LIGN Coupling PT1-52 thru PT1-59

PARA-FLEX Coupling PT1-6 thru PT1-9

POLY-DISC Coupling PT1-73

RIGID Coupling PT1-74 thru PT1-75

Senior Pulley, REEVES VARI-SPEED Drives PT9-3

Sheaves PT7-4 thru PT7-43

Senior Pulleys

Ratings PT9-4

Selection/Dimensions PT9-4

Series Wide Range PT9-9 thru PT9-10

Wide Flat-Face PT9-9 thru PT9-10

Serpentine Drives, DYNA-SYNC Belts

PT10-11

Service Factor

Couplings PT1-68 thru PT1-69

DYNA-SYNC Drives PT10-16

HT200/HTD Synchronous Drives PT11-21

S-L Classic Drives PT7-85

Sprockets PT14-28

Stock D-V Wedge Drives PT7-43

TAPER-LOCK Bushings PT6-4, PT13-50

S (continued)

Shaft Keyseats/Hub Keyways	PT14-7
Shafting	PT13-36
Shafting/Shaft Diameters	PT14-2 thru PT14-5
Sheaves	
Balance	PT7-2
Construction	PT7-2
Arm	PT7-2
Block	PT7-2
Web	PT7-2
Shock Loads, V-Belts	PT7-28
Specialty Pulleys	PT15-39
Specification	
Chain Coupling	PT1-50 thru PT1-55
Clutch/Brake Modules	PT2-11
Conveyor Components	PT15-4 thru PT15-5
D-FLEX Coupling	PT1-4
DYNA-SYNC Belts	PT10-12 thru PT10-14
DYNA-SYNC Drives	PT10-3 thru PT10-12
DYNA-SYNC Pulleys	PT10-3 thru PT10-14
FLEXIDYNE	PT3-3
Fractional HP Clutches & Brakes	PT2-24
GRID-LIGN Coupling	PT1-40
HT Sprockets	PT11-9
HT TAPER-LOCK Sprockets	PT11-5 thru PT11-8
HT100 Belts	PT11-19
HT200/HTD Synchronous	PT11-4 thru PT11-50
HT200/HTD Synchronous Belts	PT11-17 thru PT11-18
HTD TAPER-LOCK Sprockets	PT11-4
HT200/HTD Synchronous Drive	PT12-5 thru PT12-19
HTR Synchronous Drive	PT13-2 thru PT13-39
Motor Brakes	PT2-3
PARA-FLEX Coupling	PT1-16
POLY-DISC Coupling	PT1-60
QD Bushings	PT6-14 thru PT6-23
Metric Series	PT6-19 thru PT6-26
RIGID Coupling	PT1-60
Shaft Mounted Clutches & Brakes	PT2-18
Sprockets	PT14-3 thru PT14-15
TAPER-LOCK Bushings	PT6-3 thru PT6-12
	PT13-49 thru PT13-58
TORQUE-TAMER	PT5-3
Speed Drop Cutout, FLEXIDYNE	PT3-19
Speed-Up Drives, DYNA-SYNC Drives	PT10-17
Speed-up Drives	
S-L Classic Drives	PT7-86
Stock D-V Wedge Drives	PT7-44
Sprocket Dimension, Chain Data	PT14-32
Steel, TAPER-LOCK Bushings	PT6-5
Steel Split Pulleys	PT15-40
Stock Sheaves, FLEXIDYNE	PT3-16 thru PT3-18
Stock Sizes	
QD Bushings	PT6-15-PT6-18,PT6-25-PT6-28,PT6-28-PT6-31
TAPER-LOCK Bushings	PT6-5 thru PT6-7
Strength & Physical Properties of Metals	PT14-27
Super Pulleys	PT15-38

T

Take-up Allowances, V-Drives	PT7-124
TAPER-LOCK Bushings	PT6-2-PT6-12
TAPER-LOCK Heavy Duty Drum Pulleys	PT15-18 thru PT15-19
TAPER-LOCK Heavy Duty Wing Pulleys	PT15-26 thru PT15-27
TAPER-LOCK HT Sprockets	PT14-4 thru PT14-8
Tensile Cords, V-Belts	PT7-28
Tensile cords, HT200/HTD Synchronous	PT11-2
Tension Tester, V-Drives	PT7-123
Tensioner, Sprockets	PT14-41
Tensioning, DYNA-SYNC Drives	PT10-45
Tensioning a Drive, V-Drives	PT7-125
Thermal Capacities, FLEXIDYNE	PT3-26
Thru-Bore Driven Pulleys, REEVES VARI-SPEED Drives	PT9-5
Timing, DYNA-SYNC Drives	PT10-2
Torque & Horsepower Equivalents	PT14-20
TORQUE TAMER	PT5-1-6
Trigonometric Formula	PT14-30

Troubleshooting, V-Drives	PT7-128
Belt Noise	PT7-128
Belt Stretch	PT7-128
Belt Turn Over	PT7-128
Hot Bearings	PT7-128
Short Belt Life	PT7-128

U

U.S. Standard Sheet Metal Gages	PT14-29
--	----------------

V

V-Belts Drives for 11D, 11DL FLEXIDYNE Drives, FLEXIDYNE	PT3-24
V-Belts Drives for 15D FLEXIDYNE Drives, FLEXIDYNE	PT3-25
V-Belts Drives for 55D FLEXIDYNE Drives, FLEXIDYNE	PT3-20
V-Belts Drives for 5D FLEXIDYNE Drives, FLEXIDYNE	PT3-19
V-Belts Drives for 70D FLEXIDYNE Drives, FLEXIDYNE	PT3-21
V-Belts Drives for 75D FLEXIDYNE Drives, FLEXIDYNE	PT3-22
V-Belts Drives for 9D FLEXIDYNE Drives, FLEXIDYNE	PT3-23
V-Belts Formulas	PT14-21
V-Belts Sheave Groove Dimensions	PT14-22
V-Drives	PT7-127
V-Belts	
Classic Cog/AX, BX, CX, DX	PT7-28
D-V Wedge/3VX, 5VX, 8V	PT7-28
S-L Classic/A, B, C, D, E	PT7-28
V-Drives	
Selection	PT7-1 thru PT7-126
Belt Correction Factors, Length Correction	PT7-87
Idle/Bracket and Bushings	PT7-122
Variable Pitch, FHP Drives	PT8-2
Variable Pitch Selection Procedure, FHP Drives	PT8-15
Variable Pitch Selection Table, FHP Drives	PT8-16
Variable Pitch Sheaves	PT8-2
Taper-Lock Dual Duty	PT8-2
Velocity, DYNA-SYNC Drives	PT10-2
VIA-VISA Software, V-Drives	PT7-123
Via-Visa Software	PT7-2
VP Sheaves, FHP Drives	PT8-9

W

Weights/Properties of Steel Shafting	PT14-8 thru PT14-9
Weld-on Hubs, TAPER-LOCK Bushings	PT6-10 thru PT6-11
Weld-On Hubs for Conveyor Pulleys, QD Bushings	PT6-23
Welding, TAPER-LOCK Bushings	PT6-10
Wide Range Belts, REEVES VARI-SPEED Drives	PT9-3,PT9-12 thru PT9-14
REEVES-Lewellen Belts	PT9-12
Working Tension, DYNA-SYNC Drives	PT10-45

BALDOR

World Headquarters

P.O. Box 2400, Fort Smith, AR 72902-2400 U.S.A., Ph: (1) 479.646.4711, Fax (1) 479.648.5792, International Fax (1) 479.648.5895

Baldor - Dodge

6040 Ponders Court, Greenville, SC 29615-4617 U.S.A., Ph: (1) 864.297.4800, Fax: (1) 864.281.2433

www.baldor.com