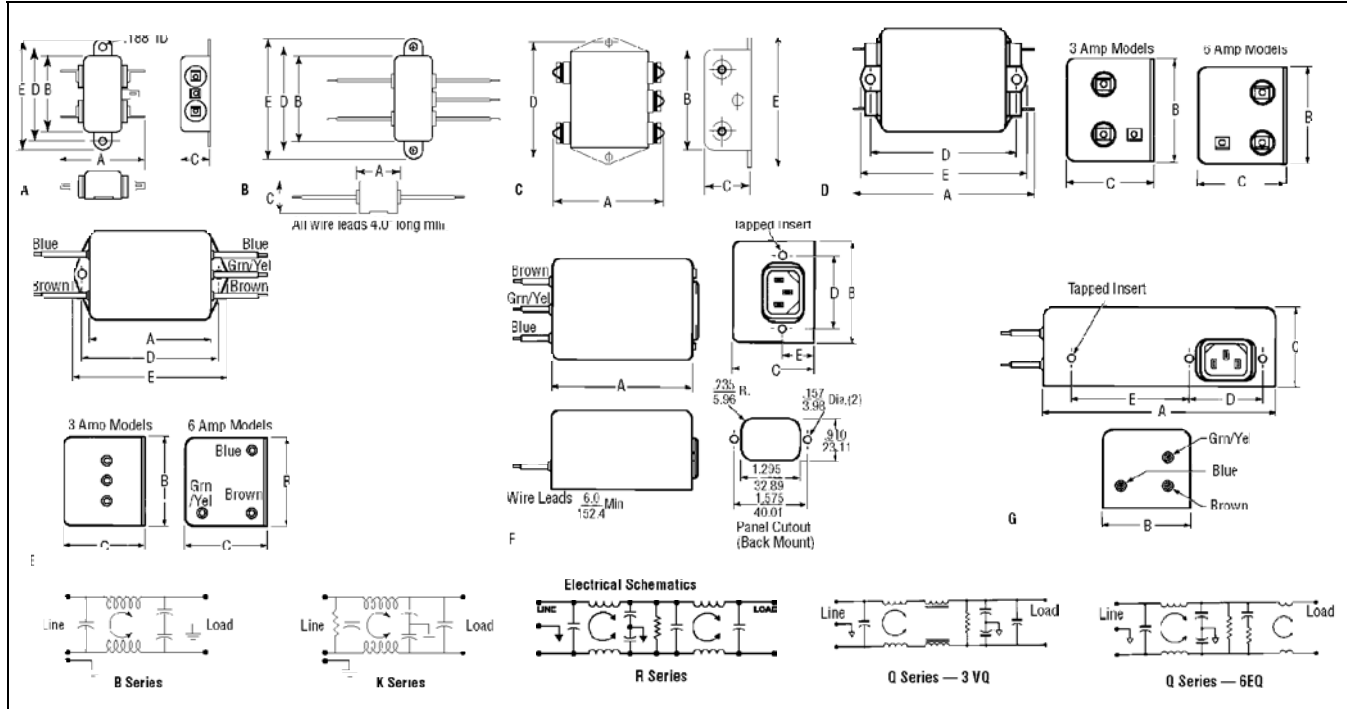


RFI Power Line Filters

Visit Corcom's Website at www.cor.com



B Series Filters



1 to 20 Amps; 120/250 Volts AC; 50-60 Hz

B Series RFI power line filters are general purpose low cost filters which provide effective line-to-ground RFI filtering in most applications. **Maximum Leakage Current (Line-to-Ground):** .5 mA at 120 VAC 60 Hz, 1.0 mA at 250 VAC 50 Hz. **Hipot Rating (1 Minute):** Line-to-ground — 2250 VDC; Line-to-line — 1450 VDC. **Operating Frequency:** 50-60 Hz. **Rated Voltage:** 120/250 VAC. Low leakage models and higher maximum line amp units available as custom order. Ask about low cost versions.

Stock No.	Mfr.'s Type	Fig.	Dimensions — Inches (mm)					Max. Line Amp	EACH			
			A	B	C	D	E		1-9	10-24	25-49	50-99
851-0290	1VB1	A	2.25 (57.2)	1.82 (46.2)	0.66 (16.8)	2.125 (53.98)	2.53 (64.3)	1	13.53	11.83	10.52	9.47
851-0302	1VB3	B	0.96 (24.4)	1.82 (46.2)	0.66 (16.8)	2.125 (53.98)	2.53 (64.3)	1	14.39	12.60	11.20	9.16
851-0304	2VB1	A	2.25 (57.2)	1.82 (46.2)	0.66 (16.8)	2.125 (53.98)	2.53 (64.3)	2	12.15	10.63	9.45	8.51
851-0301	3VB1	A	2.61 (66.3)	1.82 (46.2)	0.78 (19.8)	2.125 (53.98)	2.53 (64.3)	3	13.64	11.93	10.61	9.55
851-0303	3VB3	B	1.32 (33.5)	1.82 (46.2)	0.78 (19.8)	2.125 (53.98)	2.53 (64.3)	3	14.99	13.11	11.65	10.49
851-0311	5VB1	A	2.61 (66.3)	1.82 (46.2)	0.78 (19.8)	2.125 (53.98)	2.53 (64.3)	5	13.03	11.40	10.13	9.12
851-0313	5VB3	B	1.32 (33.5)	1.82 (46.2)	0.78 (19.8)	2.125 (53.98)	2.53 (64.3)	5	13.37	11.70	10.40	8.51
851-0321	10VB1	A	2.61 (66.3)	1.82 (46.2)	1.16 (29.5)	2.125 (53.98)	2.53 (64.3)	10	14.54	12.72	11.31	10.18
851-0314	20VB1	A	3.36 (85.3)	2.07 (52.6)	1.16 (29.5)	2.375 (60.33)	2.81 (71.4)	20	22.30	19.71	17.52	15.77

10

K Series Filters



1 to 20 Amps; 120/250 Volts AC; 50-60 Hz

K Series RFI filters are general purpose filters which provide line-to-line filtering in addition to normal line-to-ground attenuation of RFI. Particularly suited where pulsed, continuous and/or intermittent RF interference is present in your application. **Maximum Leakage Current (Line-to-Ground):** .5 mA at 120 VAC 60 Hz, 1.0 mA at 250 VAC 50 Hz. **Hipot Rating (1 Minute):** Line-to-ground — 2250 VDC; Line-to-line — 1450 VDC. **Operating Frequency:** 50-60 Hz. Low leakage models and higher maximum line amp units available as custom order. Ask about low cost versions.

Stock No.	Mfr.'s Type	Fig.	Dimensions — Inches (mm)					Max. Line Amp	EACH			
			A	B	C	D	E		1-9	10-24	25-49	50-99
851-0319	1VK1	A	3.10 (78.7)	2.07 (52.6)	0.91 (23.1)	2.375 (60.33)	2.81 (71.4)	1	17.92	15.84	14.08	12.67
851-0322	2VK1	A	3.10 (78.7)	2.07 (52.6)	0.91 (23.1)	2.375 (60.33)	2.81 (71.4)	2	15.41	10.78	9.71	8.90
851-0324	2VK3	B	1.81 (46.0)	2.07 (52.6)	0.91 (23.1)	2.375 (60.33)	2.81 (71.4)	2	16.62	14.69	13.06	11.75
851-0323	3VK1	A	3.10 (78.7)	2.07 (52.6)	1.16 (29.5)	2.375 (60.33)	2.81 (71.4)	3	18.30	16.17	14.37	12.93
851-0320	3VK3	B	1.81 (46.0)	2.07 (52.6)	1.16 (29.5)	2.375 (60.33)	2.81 (71.4)	3	18.95	16.70	14.85	13.36
851-0325	5VK1	A	3.10 (78.7)	2.07 (52.6)	1.16 (29.5)	2.375 (60.33)	2.81 (71.4)	5	15.67	13.85	12.31	11.08
851-0326	5VK3	B	1.81 (46.0)	2.07 (52.6)	1.16 (29.5)	2.375 (60.33)	2.81 (71.4)	5	17.66	15.61	13.87	12.49
851-0330	10VK1	A	3.35 (85.1)	2.07 (52.6)	1.16 (29.5)	2.375 (60.33)	2.81 (71.4)	10	16.54	14.61	12.99	11.69
851-0331	20VK1	A	3.35 (85.1)	2.56 (65.0)	1.53 (38.9)	2.938 (74.63)	3.35 (85.1)	20	24.93	22.03	19.58	17.63
851-0346	20VK6	C	3.46 (87.9)	2.56 (65.0)	1.53 (38.9)	2.938 (74.63)	3.35 (85.1)	20	28.25	25.47	22.64	20.38

R Series Filters — NEW —



1 to 20 Amps; 120/250 Volts AC; 50-60 Hz

R Series RFI filters are premium performance dual stage filters suited for low impedance loads. Particularly suited where pulsed, continuous and/or intermittent RF interference is present in your application. **Maximum Leakage Current (Line-to-Ground):** .4 mA at 120 VAC 60 Hz, .7 mA at 250 VAC 50 Hz. **Hipot Rating (1 Minute):** Line-to-ground — 2250 VDC; Line-to-line — 1450 VDC. **Operating Frequency:** 50-60 Hz. Low leakage models and higher maximum line amp units available as custom order.

Stock No.	Mfr.'s Type	Fig.	Dimensions — Inches (mm)					Max. Line Amp	EACH			
			A	B	C	D	E		1-9	10-24	25-49	50-99
851-0351	1VR1	D	3.35 (85.1)	1.81 (46.0)	1.16 (29.5)	2.375 (60.33)	2.78 (70.6)	1	24.45	21.60	19.20	17.28
851-0352	2VR1	D	3.35 (85.1)	1.81 (46.0)	1.16 (29.5)	2.375 (60.33)	2.78 (70.6)	2	22.14	19.56	17.39	15.65
851-0353	3VR1	D	3.35 (85.1)	2.07 (52.6)	1.16 (29.5)	2.938 (74.63)	3.35 (85.1)	3	23.75	20.99	18.65	16.79
851-0354	5VR1	D	3.35 (85.1)	2.07 (52.6)	1.16 (29.5)	2.938 (74.63)	3.35 (85.1)	5	21.90	19.74	17.54	15.79
851-0360	10VR1	D	3.35 (85.1)	2.07 (52.6)	1.53 (38.9)	2.938 (74.63)	3.35 (85.1)	10	22.98	20.70	18.41	15.06
851-0361	20VR1	D	5.23 (132.8)	3.37 (85.6)	1.53 (38.9)	3.750 (95.25)	4.20 (106.7)	20	56.30	50.23	44.65	40.19
851-0365	20VR6	C	5.34 (135.6)	3.37 (85.6)	1.53 (38.9)	3.750 (95.25)	4.20 (106.7)	20	57.77	51.56	45.83	41.25

Q Series Filters



The Q Series has been developed specifically for switching power supplies and is designed to filter the power line to control conducted emissions all the way down to 10 KHz. High attenuation is provided for both common mode and differential mode interference throughout the frequency range with no degradation of performance due to the large peak currents drawn by switching power supplies. These filters are ideal for applications that must meet VDE 0811 below 150 KHz as well as above 150 KHz. The EQ models meet the very low leakage current requirements of VDE portable equipment and UL544 nonpatient medical equipment. The VQ models offer higher common mode performance at the expense of higher leakage current, but meet the leakage current limits of UL, CSA, and VDE nonportable equipment.

Stock No.	Mfr.'s Type	Fig.	Dimensions — Inches (mm)					Max. Line Amp	EACH			
			A	B	C	D	E		1-9	10-24	25-49	50-99
851-0210	3VQ1	D	3.85 (97.8)	2.07 (52.6)	1.78 (45.2)	2.938 (74.63)	3.34 (84.8)	3	49.72	44.37	39.44	35.50
851-0214	3VQ8	F	3.07 (78.0)	2.25 (57.2)	1.78 (45.2)	1.575 (40.01)	0.63 (16.0)	3	54.24	48.40	43.02	38.72
851-0216	6EQ1	D	4.98 (126.5)	2.27 (57.7)	1.80 (45.7)	4.063 (103.2)	4.40 (113.5)	6	73.90	65.94	58.62	52.75
851-0218	6EQ3	E	3.89 (99.7)	2.27 (57.7)	1.80 (45.7)	4.063 (103.2)	4.47 (113.5)	6	73.90	65.94	58.62	52.75
851-0220	6EQ8	G	5.47 (138.9)	2.07 (52.6)	1.78 (45.2)	1.575 (40.01)	2.70 (68.6)	6	80.18	71.55	63.60	57.24
851-0222	20VQ1	D	6.66 (168.1)	2.07 (52.6)	2.28 (57.9)	5.625 (142.9)	6.03 (153.2)	20	94.41	84.25	74.89	67.40
851-0224	20EQ1	D	6.66 (168.1)	2.07 (52.6)	2.28 (57.9)	5.625 (142.9)	6.00 (153.2)	20	94.41	84.25	74.89	67.40

Check Pricing And Availability Of All Items On The Internet At www.alliedelec.com

ALLIED ► 607