

UHD Commercial TV with Essential Smart Function

Commercial TV | UT640S Series (NA)

The UT640S Series is specifically designed for diverse business environments. By providing compatibility with AV Control systems and DPM (Display Power Management) as well as its smart connectivity, simple user friendly interface, and UHD picture quality, the UT640S series enhances ease of use while facilitating communications between businesses and their target audiences.



Simple Content Management



Higher Visibility



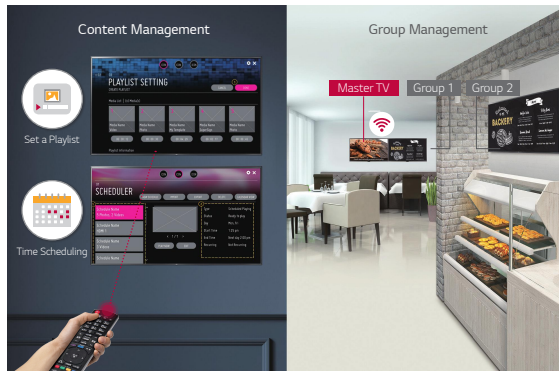
Better Usability



* Actual product appearance may differ from the image above.

Embedded Content & Group Management

The embedded Content and Group Management System allows you to edit and play content, schedule playlists and groups, and control Signage via remote control, mouse and mobile phone without the use of separate PC or software. This makes content management much easier and more user-friendly.



* This images are provided for illustrative purposes, and the actual GUI may differ.
* All displays must be connected to the same network.

SuperSign Control

SuperSign Control is the basic control software, and it can manage up to 100 displays through a single account and server. Power, volume, and scheduling can be remotely adjusted, and firmware updates supported.



USB Data Cloning

USB data cloning increases efficiency in managing multiple displays for optimal operation since users don't have to set up each display one by one. Once users copy data to a USB device in one display, it can be easily distributed to the other displays through a USB plug-in.



Real-Time Remote Monitoring

Malfunctions or errors can be easily handled through real-time remote care. When an error occurs, notifications can be sent through the SNMP (Simple Network Management Protocol) protocol.

WOL(Wake-on-LAN)

WOL (Wake-on-LAN) enables users to turn on displays by sending the relevant packet through a network.



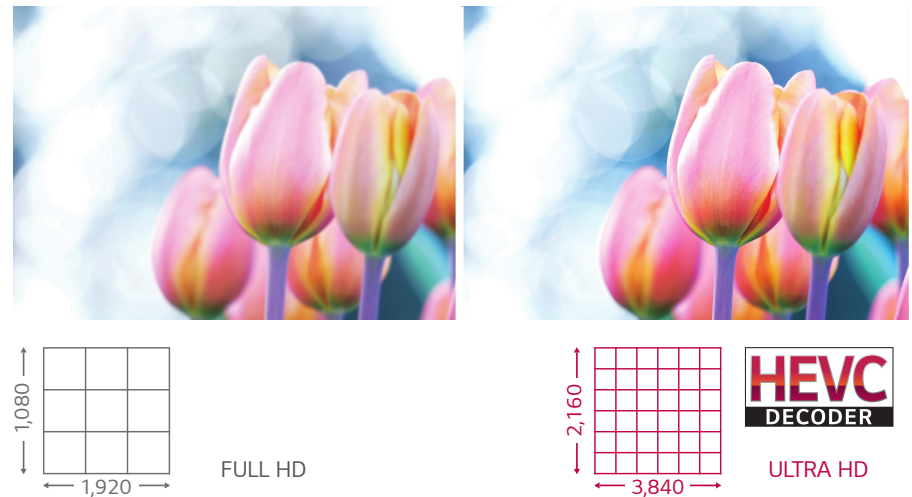
True Color, Immersive View

The UT640S series is large in size to enhance the visibility of content and captivate viewers. The LG IPS panel provides a wide range of viewing angles so that content can be clearly seen, regardless of the viewer's position. Each pixel in the IPS panel reproduces true-to-life colors without distorting images.



Perfect Picture Quality and Color

Enjoy Full HD content in 4K ULTRA HD quality, optimized by the 4K Upscaler. The 4K upscaler automatically upgrades Full HD content to ULTRA HD through several upscaling processes so that images look crisp and clear in any viewing situation. This LG TV can also express intense highlights, vivid colors, and deep black hues on the screen through HDR10.



Compatibility with AV Control Systems

The UT640S series has been certified Crestron Connected®, proving that it has a higher level of compatibility with professional AV controls. This results in seamless integration and automated control*, boosting business management efficiency.



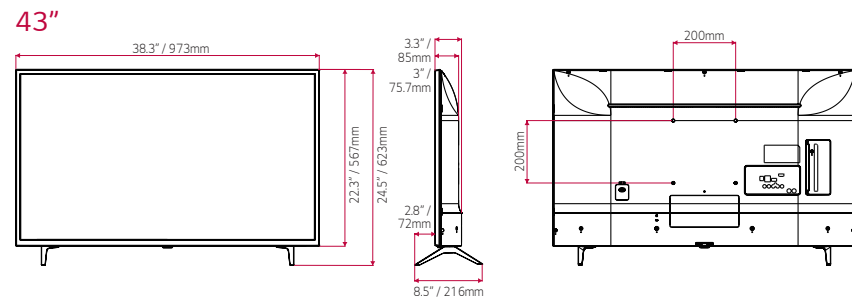
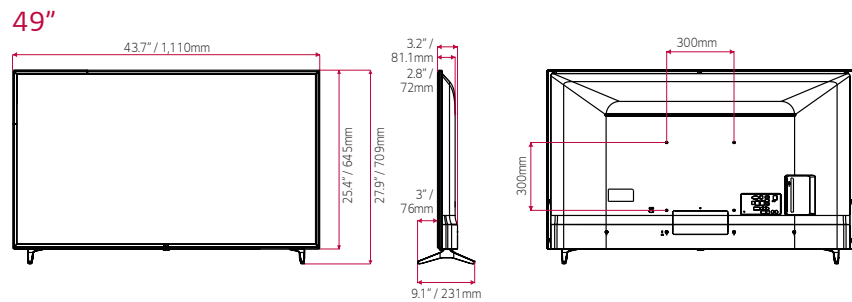
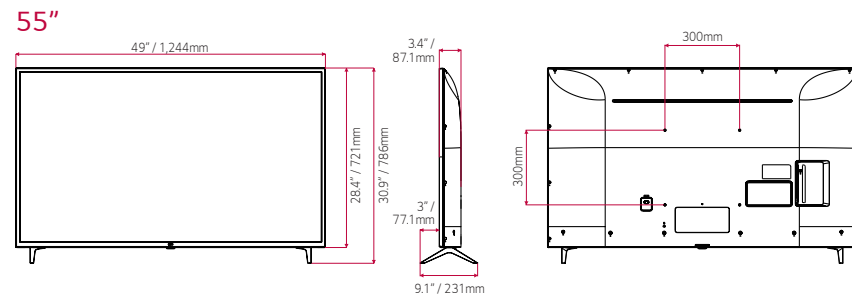
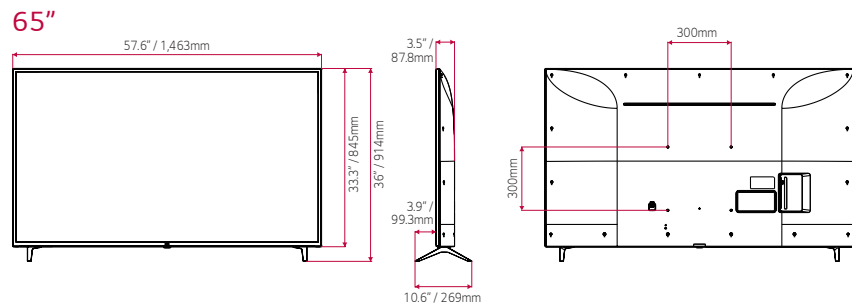
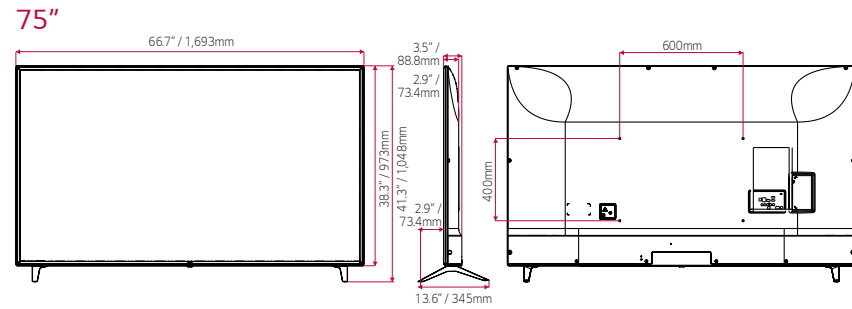
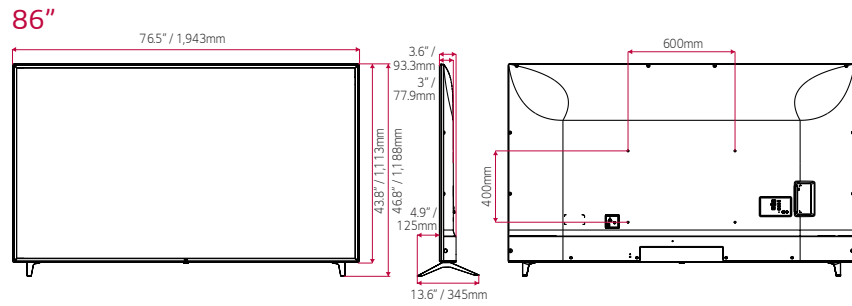
* It is a network based control system.
Available AV control systems may differ by regions.

DPM (Display Power Management)

Display Power Management (DPM) can be configured to be On only when there is a TV signal present to manage power more efficiently.



DIMENSION (unit: mm)

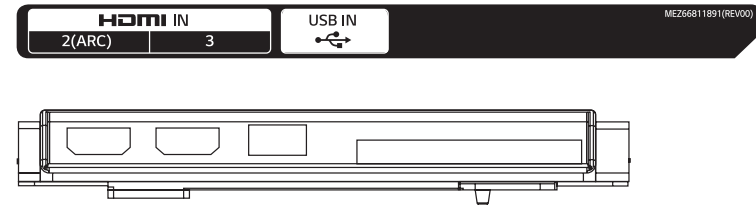
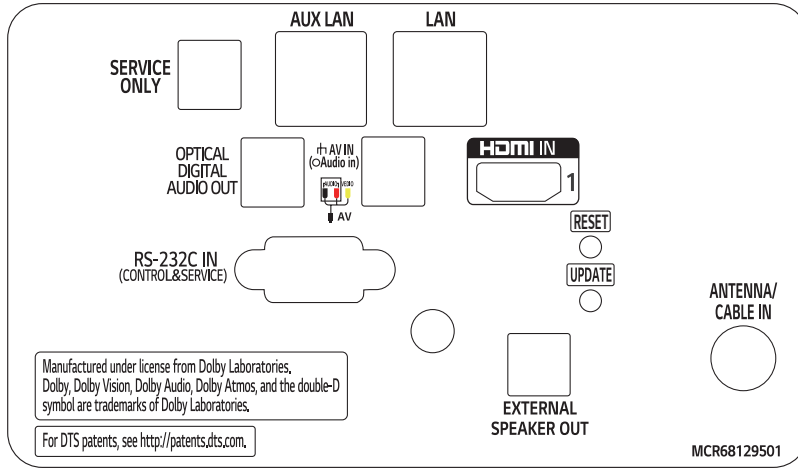


* Dimensions & Jack Panels (Read/Side) may differ from the above image, so please contact LG sales team to verify before ordering.

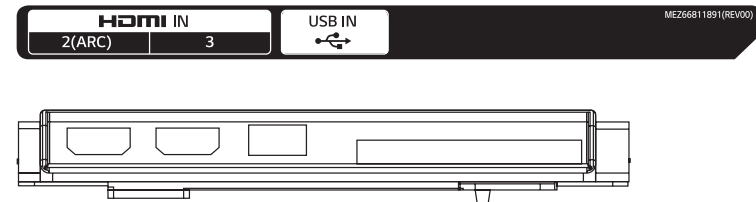
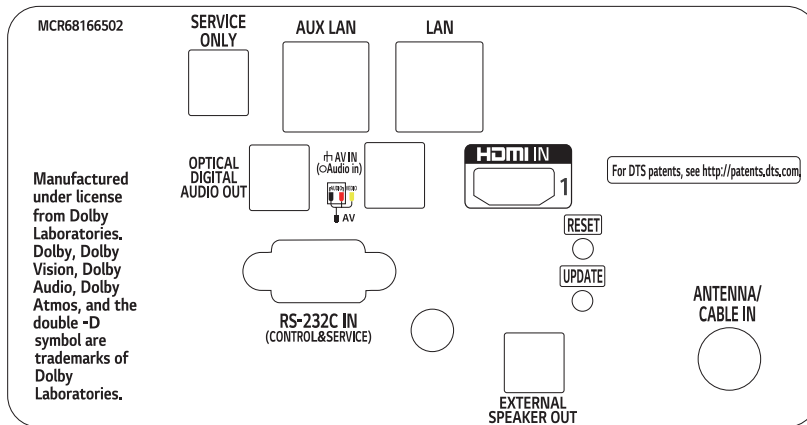
* UT640S series basically have a two-pole stand, but it is able to detach the stand from the body, per service environment (can be used as a wall-mount unit).

CONNECTIVITY

86" | 75"



65" | 55" | 49" | 43"



* Dimensions & Jack Panels (Read/Side) may differ from the above image, so please contact LG sales team to verify before ordering.

SPECIFICATION

Commercial TV | UT640S Series

UT640S series (NA)		86UT640S	75UT640S	65UT640S	55UT640S	49UT640S	43UT640S
DESIGN	Stand Type	2 Pole(No-Stand available)	2 Pole(No-Stand available)	2 Pole(No-Stand available)	2 Pole(No-Stand available)	2 Pole(No-Stand available)	2 Pole(No-Stand available)
	Front Color	Dark Meteo Titan	Dark Meteo Titan	Ceramic Black	Ceramic Black	Ceramic Black	Ceramic Black
DISPLAY	Inch	86	75	65	55	49	43
	Resolution	3,840 X 2,160 (UHD)	3,840 X 2,160 (UHD)	3,840 X 2,160 (UHD)	3,840 X 2,160 (UHD)	3,840 X 2,160 (UHD)	3,840 X 2,160 (UHD)
	Brightness (cd/m ²)	315	315	360	360	360	270
BROADCASTING SYSTEM	Digital	ATSC / Clear QAM	ATSC / Clear QAM	ATSC / Clear QAM	ATSC / Clear QAM	ATSC / Clear QAM	ATSC / Clear QAM
	VIDEO	HDR (10 Pro / HLG)	Yes / Yes	Yes / Yes	Yes / Yes	Yes / Yes	Yes / Yes
AUDIO	Audio Output	10W + 10W	10W + 10W	10W + 10W	10W + 10W	10W + 10W	10W + 10W
	Speaker System	2.0 ch	2.0 ch	2.0 ch	2.0 ch	2.0 ch	2.0 ch
	DOLBY ATMOS	-	-	-	-	-	-
	One Touch Sound Tuning	-	-	-	-	-	-
	LG Sound Sync	Bluetooth required	Bluetooth required	Bluetooth required	Bluetooth required	Bluetooth required	Bluetooth required
SUPERSIGN SW COMPABILITY	Content Management Software (CMS), Control and Monitoring Software (Control/Control+), Simple Editor						
SIGNAGE FEATURE	Crestron Connected® (Network Based Control), DPM (Digital Power management), Time scheduler, RTC (Real Time Clock), NTP sync timer, BEACON, Embedded CM (contents manager), Embedded GM (Group manager)						
SMART FEATURE	webOS 4.5, Smart Home (Launcher Bar), Web Browser, Pre-loaded App (YouTube only), Soft AP Wi-Fi (802.11ac), Screen Share (Miracast), LG TV Plus App Compatibility, DIAL, Bluetooth Audio Playback, LG Sound Sync/bluetooth, Mobile Connection Overlay						
HOSPITALITY FEATURE	Public Display Mode, Lock mode (Limited), Welcome Screen (Splash Image), Insert Image, One Channel Map, IP Channel Manager, External Speaker Out (Int /Fixed, 3.5mm, Stereo, Single ended Type(GND,L+,R+), 1W with 8Ω), V-Lan Tag, RJP (remote jack pack) Compatibility (Teleadapt/Guestlink (HDMI CEC)), Moving Picture Playback (SD/HD/Plus HD), Auto Off / Sleep Timer, Smart Energy Saving, Motion Eye Care						
MAINTENANCE FEATURE	USB Cloning, WOL, SNMP, Diagnostics (Self Diagnostics (USB)), Simplink(HDMI-CEC)(1.4), IR Out (RS-232C), Multi IR Code						
JACK INTERFACE	Set Side	HDMI In 2(2.0), USB (2.0)					
	Set Rear	HDMI In (HDCP) 2.0, RF In (tuner), AV In (Phone Jack Type), Digital Audio Out (Optical), RS-232C(D-Sub 9pin) (Control & Service), RJ45 (Usage Purpose) 2 (Ethernet, SNMP), External Speaker Out(3.5mm phone jack) (Spk-out 1, 1W, 8Ω), Debug (Phone Jack Type)					
DIMENSION (UNIT : mm / kg)	VESA	600 x 400	600 x 400	300 x 300	300 x 300	300 x 300	200 x 200
	W x H x D / Weight (with stand)	76.5" x 46.8" x 13.6" / 99.2 lbs 1,943 x 1,188 x 345 / 45.0 kg	66.7" x 41.3" x 13.6" / 78 lbs 1,693 x 1,048 x 345 / 35.4 kg	57.6" x 36" x 10.6" / 47.6 lbs 1,463 x 914 x 269 / 21.6 kg	49" x 31" x 9.1" / 32 lbs 1,244 x 786 x 231 / 14.5 kg	43.7" x 27.9" x 9.1" / 24.9 lbs 1,110 x 709 x 231 / 11.3 kg	38.3" x 24.5" x 8.5" / 17.9 lbs 973 x 623 x 216 / 8.1 kg
	W x H(H) x D / Weight (without stand)	76.5" x 46.8" x 3.7" / 97.4 lbs 1,943 x 1,118 x 93.3 / 44.2 kg	66.7" x 38.5" x 3.5" / 76.3 lbs 1,693 x 978 x 88.8 / 34.6 kg	57.6" x 33.5" x 3.5" / 47 lbs 1,463 x 850 x 87.8 / 21.3 kg	49" x 28.6" x 3.4" / 31.5 1,244 x 726 x 87.1 / 14.3 kg	43.7" x 25.6" x 3.2" / 24.5 lbs 1,110 x 650 x 81.1 / 11.1 kg	38.3" x 22.5" x 3.3" / 17.6 lbs 973 x 572 x 85 / 8.0 kg
	W x H x D / Weight (Shipping)	83.3" x 49.6" x 11.2" / 130.1 lbs 2,116 x 1,261 x 285 / 59.0 kg	72.4" x 43.9" x 9.1" / 100.8 lbs 1,839 x 1,116 x 231 / 45.7 kg	63" x 38.2" x 7.5" / 62.6 lbs 1,600 x 970 x 190 / 28.4 kg	53.5" x 33" x 6.9" / 43 lbs 1,360 x 835 x 175 / 19.5 kg	47" x 30.3" x 6.2" / 29.5 lbs 1,193 x 770 x 158 / 13.4 kg	41.7" x 26" x 6" / 22.5 lbs 1,060 x 660 x 152 / 10.2 kg
POWER (UNIT : WATTS)	Voltage, Hz	AC 120 V - 50 / 60 Hz	AC 120 V - 50 / 60 Hz	AC 120 V - 50 / 60 Hz	AC 120 V - 50 / 60 Hz	AC 120 V - 50 / 60 Hz	AC 120 V - 50 / 60 Hz
	Power Consumption(Typ.)	301W	221W	180.3W	145W	104W	99.1W
	Stand-by	Under 0.5W	Under 0.5W	Under 0.5W	Under 0.5W	Under 0.5W	Under 0.5W

* Specifications are subject to change without notice, so please contact LG sales team to verify before ordering.

Download
LG C-Display+
Mobile App
Google Play Store

www.lg.com/b2b

www.youtube.com/c/LGCommercialDisplay

www.facebook.com/LGInformationDisplay

www.linkedin.com/company/LGInformationDisplay

LG may make changes to specifications and product descriptions without notice.
Copyright © 2019 LG Electronics Inc. All rights reserved. "LG Life's Good" is a registered trademark of LG Corp.
The names of products and brands mentioned here may be the trademarks of their respective owners.

