

SPECIFICATIONS

| | |
|---------------------------------------|--|
| CONTROL VOLTAGE | DC Models (SDA) 4—32 VDC AC Models (SAA) 85—240 VAC |
| PICK UP VOLTAGE | SDA Models, 4V Max SAA Models, 85V Max. |
| DROP OUT VOLTAGE | SDA Models, 1V Min. SAA Models, 40V Min. |
| PEAK REPETITIVE OUTPUT VOLTAGE | 600 Vrms Max. |
| OFF STATE LEAKAGE CURRENT | 10mArms Max. |
| ON STATE VOLTAGE DROP | 1,5 Vrms Max. |
| DIELECTRIC STRENGTH | 2500 Vrms, 1 Min. (Input-Output-Case) |
| ISOLATION RESISTANCE | 100 MΩ/DC 500 V (Input-Output-Case) |
| RESPONSE TIME | 1/2 Cycle + 1 mS Max. |
| TEMPERATURE | Operate -20° to +80°C Storage -30° to +100°C |
| AGENCY APPROVALS | SDA1 Models Only: Underwriters Lab's UR File No. E165828 |
| WEIGHT | 2 oz. |



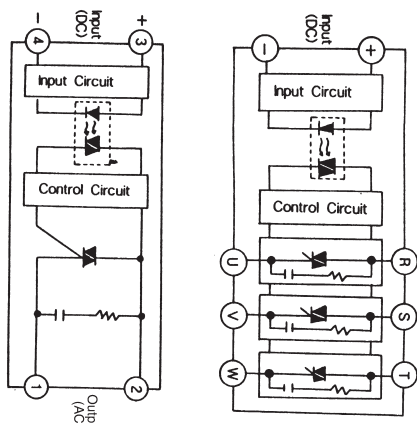
DC and AC Inputs – Solid-State Relay

- 15, 25, 40A @ 50-240 VAC Outputs
- 4 to 32 VDC and 85 to 240 VAC Input
- LED Operation Indicator (SD Only)
- Compatible Heat Sinks

HEAT SINK INFORMATION: To achieve the rated output current loads for all ATC solid-state relays, they must be mounted to a heat sink.

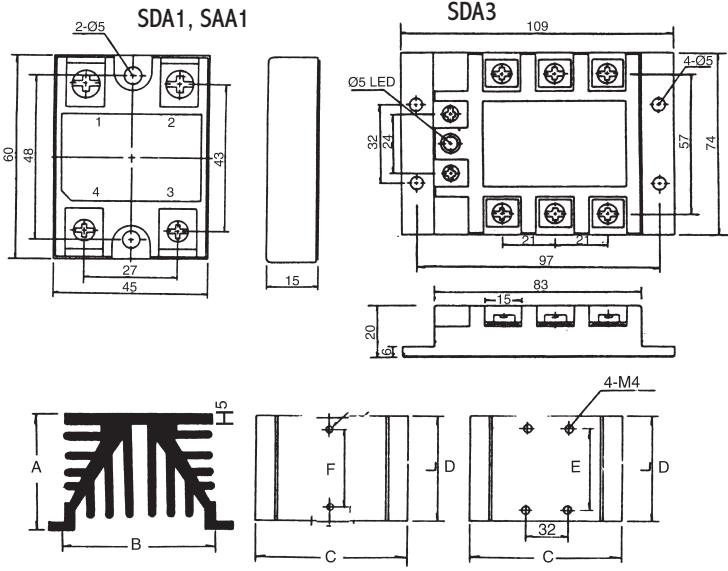
WIRING

SDA1, SAA1



| MODEL | A | B | C | D | E | F |
|--------------|----|----|-----|-----|-----|-----|
| NO118(1)-60 | 60 | 90 | 100 | 60 | N/A | 48 |
| NO118(2)-200 | 60 | 90 | 100 | 200 | 97 | N/A |

DIMENSIONS (MILLIMETERS)



ORDERING INFORMATION

| MODEL NUMBER | UL RECOGNIZED | INPUT VOLTAGE | OUTPUT VOLTAGE | OUTPUT AMPS | PHASE |
|---|---------------|------------------------------------|----------------|-------------|--------|
| SDA1-215Z | Yes | 4-32 VDC | 50-240 VAC | 15 | Single |
| SDA1-225Z | Yes | 4-32 VDC | 50-240 VAC | 25 | Single |
| SDA1-240Z | Yes | 4-32 VDC | 50-240 VAC | 40 | Single |
| SAA1-215Z | Yes | 85-240 VAC | 50-240 VAC | 15 | Single |
| SAA1-225Z | No | 85-240 VAC | 50-240 VAC | 25 | Single |
| SAA1-240Z | No | 85-240 VAC | 50-240 VAC | 40 | Single |
| SDA3-240Z | No | 4-15 VDC | 50-240 VAC | 40 | Three |
| SDA3-440Z | No | 4-15 VDC | 50-460 VAC | 40 | Three |
| NO118 (1)-60 | No | Heat Sink for SDA1 and SAA1 Models | | | |
| NO118 (2)-200 | Yes | Heat Sink for SDA3 Models | | | |
| Other Relays and Heat Sinks Available, Consult Factory. | | | | | |