



2R-III™

Parts Manual

 **labrie** | DRIVE EXCELLENCE

www.labriegrup.com







labrie*plus*

Thank you for your purchase of a new Labrie Heavy Duty Right Hand. To ensure maximum reliability, insist on genuine **labrieplus** replacement parts. LabriePlus replacement parts are designed and manufactured to exacting standards. The use of counterfeit, will-fit or substitute parts may effect the operation and performance of the unit.

Visit our web site at usa.labriepus.com or canada.labriepus.com, or contact us at 1-800-231-2771, twenty four hours a day, seven days a week. We are available to help you with any questions or concerns.



CAPSCREW MARKING AND TORQUE VALUES

Usage	Much Used	Used at Times	Used at Times
Capscrew Diameter & Minimum Tensile Strength PSI	To 3/4 - 120,000 To 1 - 115,000	To 5/8 - 140,000 To 3/4 - 133,000	150,000
Quality of Material	Min. Commercial	Med. Commercial	Best Commercial
SAE Grade Number	5	6 or 7	8
CAPSCREW HEAD MARKINGS Manufacturers marks may vary. These are all SAE Grade 5 (3-line.) 			
Capscre w Bod y Size (Inches) - (Thread)	Torque Ft-Lb (kg m)	Torque Ft-Lb (kg m)	Torque Ft-Lb (kg m)
1/4 - 20	8 (1.11)	10 (1.38)	12 (1.66)
- 28	10 (1.38)		14 (1.94)
5/16 - 18	17 (2.35)	19 (2.63)	24 (3.32)
- 24	19 (2.63)		27 (3.73)
3/8 - 16	31 (4.29)	34 (4.70)	44 (6.09)
- 24	35 (4.84)		49 (6.78)
7/16 - 14	49 (6.78)	55 (7.61)	70 (9.68)
- 20	55 (7.61)		78 (10.79)
1/2 - 13	75 (10.37)	85 (11.76)	105 (14.52)
- 20	85 (11.76)		120 (16.60)
9/16 - 12	110 (15.21)	120 (16.60)	155 (21.44)
- 18	120 (16.60)		170 (23.51)
5/8 - 11	150 (20.75)	167 (23.10)	210 (29.04)
- 18	170 (23.51)		240 (33.19)
3/4 - 10	270 (37.34)	280 (38.72)	375 (51.86)
- 16	295 (40.80)		420 (58.09)
7/8 - 9	395 (54.63)	440 (60.85)	605 (83.67)
- 14	435 (60.16)		675 (93.35)
1 - 8	590 (81.60)	660 (91.28)	910 (125.85)
- 14	660 (91.28)		990 (136.92)

NOTES:

1. Always use the torque values listed above when specific torque values are not available.
2. The above is based on use of clean, dry threads.
3. Reduce torque by 10% when engine oil is used as a lubricant.
4. Reduce torque by 20% if new plated capscrews are used.
5. General Formula for calculating Torques is as follows: Torque in Inch Lbs. = .2 x Nominal Diameter of Screw x Loads in Lbs., where Load = 80% of Yield Strength, expressed in Lbs., not pounds per square inch.

TABLE OF CONTENTS

Labrie Plus	1	SECTION 2 Body Continued	
Torque Charts	2	Body Side Sign Panels	78
Table of Contents	3	Mud Guards (Front of Tandem, Rubber)	79
Decals - Body & Cab	7	Mud Guards (Front of Tandem, Steel 20 Yd Only)	81
		Mud Guards (Front of Tandem, Steel 25,29 & 32 Yd Only)	82
		Mud Guards (Rear of Body, Rubber)	83
		Mud Guards (Rear of Body, Rubber Anti-Sail)	84
		Mud Guards (Rear of Body, Rubber Minimzer Style)	85
SECTION 1 Tailgate		SECTION 3 Ejector	
Tailgate Weldments (Strap style packer/carrier)	11	Ejector Assembly & Pins	87
Tailgate Weldments (Hinged style packer/carrier)	13	Remote Grease System (Ejector Pins)	89
Carrier Weldment (Hinged style packer/carrier)	15		
Carrier Weldment (Strap style packer/carrier)	16	SECTION 4 Hydraulics	
Packer Weldment (Hinged style packer/carrier)	17	Tailgate Hyd's (ORFS, Pressure, Return & Sensing)	90
Packer Weldment (Strap style packer/carrier)	18	Tailgate Hyd's (ORFS, Carrier)	91
Packer/Carrier Install (Strap style packer/carrier)	19	Tailgate Hyd's (ORFS, Packer)	92
Packer/Carrier Install. (Hinged style packer/carrier)	21	Tailgate Hyd's (ORFS, (Packer W/Enable Valve)	93
Tailgate Assembly (Roller style packer/carrier)	23	Tailgate Hyd's (ORFS, (Carrier W/Enable Valve)	95
Tailgate Assembly (Slide style packer/carrier)	24	Tailgate Hyd's (ORFS, (Dual MOV, Press., Ret. & Sense)	97
Remote Grease System (3 pt. Tailgate Lift & Hinge)	25	Tailgate Hyd's (JIC, (Press., Ret. & Sense, Hinged Packer/Carrier)	99
Remote Grease System (6 pt. Oper. Cyls.& Packer Pivot)	27	Tailgate Hyd's (JIC, Carrier)	100
Remote Grease System (9pt. Consists of 3pt. & 6pt.)	29	Tailgate Hyd's (JIC, Packer)	101
Tailgate Upper Light Panels (No center brake light)	31	Tailgate Hyd's (ORFS, Press., Ret. & Sense, Hinged Pack/Carr)	102
Tailgate Upper Light Panels (RS/LS dual oval strobes)	32	Tailgate Hyd's (ORFS, Carrier, Hinged Pack/Car)	103
Tailgate Upper Light Panels (With center brake light)	33	Tailgate Hyd's (JIC, Packer, Hinged Pack/Car)	104
Tailgate Upper Light Panels (Center oval strobes)	34	Tailgate Hyd's (ORFS, Tailgate Lift)	105
Tailgate Top Covers (Unit with winch)	35	Tailgate Hyd's (ORFS, Tailgate Lift/Latch, 1Cyl.)	107
Tailgate Top Covers (Std. unit)	36	Tailgate Hyd's (ORFS, Tailgate Remote Latch)	109
Tailgate Steps (Std. & Max.)	37	Tailgate Hyd's (JIC, Tailgate Lift)	111
Tailgate Extended Seal	38	Tailgate Hyd's (JIC, Tailgate Lift/Latch, 1Cyl.)	113
Tailgate Latch (Std. manual style)	39	Tailgate Hyd's (JIC, Tailgate Remote Latch)	115
Tailgate Safety Props	40	Body Hyd's (ORFS, Front Return)	117
Tailgate Upper Deflector	41	Body Hyd's (ORFS, Front + Tee Return)	118
Hopper Side Liners	42	Body Hyd's (ORFS, Front Return W/Under Body Reservoir)	119
Hopper Floor Liners	43	Body Hyd's (JIC, Front Return)	120
Carrier Face Liner (Strap style packer)	44	Body Hyd's (JIC, Front + Tee Return)	121
Packer Face Liner (Strap style packer)	45	Body Hyd's (JIC, Front Return W/Under Body Reservoir)	122
Tailgate LEACH Sign Install.	46	Body Hyd's (JIC, Front Return W/Oil Cooler	123
Tailgate Operating Ctrl's. (Packer/Carrier Functions)	47	Body Hyd's (ORFS, Front Pressure)	125
Tailgate Operating Ctrl's. (Optl, 3rd Sec. Function)	49	Body Hyd's (ORFS, Front Pressure)	127
Tailgate Operating Ctrl's. (Optl. 5th Sec. Function)	50	Body Hyd's (ORFS, Front Pressure W/Auto Latch)	129
Tailgate Operating Ctrl's. (Optl. 3rd & 4th Sec. Function)	51	Body Hyd's (ORFS, Front Pressure)	131
Tailgate Operating Ctrl's. (Dual MOV 3rd & 4th Sec)	53	Body Hyd's (ORFS, Front Pressure)	133
Tailgate Operating Ctrl's. (Dual MOV Packer/Carrier Sec)	55	Body Hyd's (JIC, Front Pressure)	135
Tailgate Operating Ctrl's. (Packer/Carrier Dual Ctrl's Cable)	57	Body Hyd's (JIC, Front Pressure W/Auto Latch)	137
Tailgate Operating Ctrl's. (Dock Style Packer/Carrier)	59	Body Hyd's (ORFS, 20Yd. Top)	139
Tailgate Ctrl. Rod Assembly(101978)	61	Body Hyd's (ORFS, 20Yd. Top, W/Auto Latch)	140
Tailgate Ctrl. Rod Assembly (101979 W/Stop Washer)	62	Body Hyd's (ORFS, 25Yd. Top)	141
Tailgate Ctrl. Rod Assembly(107697 6" Rod Length)	63	Body Hyd's (ORFS, 25Yd. Top W/Auto Latch)	142
Tailgate Seal & Channel (Std.)	64	Body Hyd's (ORFS, 25Yd. Top W/Top Body CNG)	143
		Body Hyd's (ORFS, 29Yd. Top)	144
		Body Hyd's (ORFS, 29Yd. Top W/Auto Latch)	145
		Body Hyd's (ORFS, 29Yd. Top W/Top Body CNG)	146
		Body Hyd's (ORFS, 32Yd. Top)	147
		Body Hyd's (ORFS, 32Yd. Top W/Auto Latch)	148
		Body Hyd's (ORFS, 32Yd. Top W/Top Body CNG)	149
		Body Hyd's (JIC, 20Yd. Top) PENDING	150
		Body Hyd's (JIC, 25Yd. Top)	151
		Body Hyd's (JIC, 25Yd. Top W/Auto Latch)	152
		Body Hyd's (JIC, 29Yd. Top)	153
		Body Hyd's (JIC, 32Yd. Top)	154
SECTION 2 Body		Continued on Next Page	
Body Weldments	65		
Fenders (20 & 25 Yd.)	66		
Fenders (29 & 32 Yd. Std. Tandem)	67		
Fenders (29 & 32 Yd. Std. W/Pusher)	68		
Fender Guards	69		
Side Door Assy	70		
Ladder, Folding Side Door	71		
Ladder, Fixed Side Door	72		
Spill Shield, Front	73		
Enclosure, Front	74		
Body Liners, Ramps	75		
Body Liners, Rear Sides	76		
Body Liner, Rear Upper	77		

TABLE OF CONTENTS

SECTION 4 Hydraulics (Continued)

Tubing Guard (JIC, Body Front)	155
Tubing Guard (ORFS, Body Front)	156
Tubing Guard (ORFS, Body Front W/Top Body CNG)	157
Tubing Guard (20Yd. Top Tubing)	158
Tubing Guard (25Yd. Top Tubing)	159
Tubing Guard (29Yd. Top Tubing)	160
Tubing Guard (29Yd. Top Tubing W/Top Body CNG)	161
Tubing Guard (32Yd. Top Tubing)	162
Tubing Guard (32Yd. Top Tubing W/Top Body CNG)	163
Oil Reservoir (Chassis Mounted - 60 Gal.)	164
Oil Reservoirs & Components (In Body - 50 Gal.)	165
Oil Reservoir Install. (Chassis Mounted - 50 Gal.)	167
Filter, In Tank (HYF20014-01 & Cmpnt's)	169
Filter, In Tank (HYF20080 & Cmpnt's)	170
Filter, In Tank (HYF20095 & Cmpnt's)	171
Filter, External Tank (HYF20091 & Cmpnt's)	172
Oil Cooler	174
Clamps & Accessories	175
O-Ring Kits (SAE & ORFS)	176

SECTION 5 Valve

Valve, Front Ctrl.(HYV02885 + Cmpnt's)	177
Valve, Front Ctrl.(W/TG Latch) (HYV05232 + Cmpnt's)	178
Valve, T.G. Ctrl.(3 Sect. Pack/Car) (HYV05140 + Cmpnt's)	179
Valve, T.G. Ctrl.(3 Sect. Pack/Car/1 option). (HYV05145 + Cmpnt's)	181
Valve, T.G. Ctrl.(4 Sect. Pack/Car/2 option). (HYV05145 + Cmpnt's)	183
Valve, T.G. Ctrl.(5 Sect. Pack/Car/3 option). (HYV05145 + Cmpnt's)	185
Valve, Flow Control (HYV04090 + Cmpnt's)	187
VALVE, Pressure Reducing (HYV02825-01 + Cmpnt's)	188
Valve, Single Tipper Flow Ctrl. (HYV02560-01 + Cmpnt's)	189
Valve, Dual Tipper Flow Ctrl. (HYV02570-01 + Cmpnt's)	190
Valve, Dual Tipper/Auto Latch (HYV02624-02 + Cmpnt's)	191
VALVE, Solenoid (HYV00885 + Cmpnt's)	192
Valves, Tipper Control (HYV03505, HYV03510 Etc.+ Cmpnt's)	193

SECTION 6 Pumps & Components

Pumps & Seals	195
Pump Components	197
Pump Drive Valve Installation	198
Pump Flow Control Installation	199

SECTION 7 Cylinders

Packer & Carrier (HYC00865-01 + Cmpnt's) (Strap Type Pack/Carr)	201
Packer & Carrier (HYC00873 + Cmpnt's) (Hinged Type Pack/Carr)	202
Tailgate Lift (HYC00820-01 + Cmpnt's) (W/Manual Latch)	203
Tailgate Lift/Latch (HYC0000827 + Cmpnt's)	204
Ejector (All Body Sizes + Cmpnt's)	205
Tailgate Single Auto Latch (HYC00353-01 + Cmpnt's)	206
Container Dump - HCA (HYC00813-02 + Cmpnt's)	207
Container Lift - Reeving (HYC01050-01 + Cmpnt's)	208

SECTION 8 Mounting, Electrical, Cameras & Pneumatics

Mounting Components (T-Bolt and Rail Style)	209
Mounting Components (Rear Pivot)	211
Mounting Components (Front Bracket Style, 3" Body Guide)	212
Mounting Components (Front Bracket Style, 1.88" Body Guide)	213
Speed Up Circuits (Contact Labrie Plus Parts/Service)	214
Ignition Relay Enclosure (Assy. & Components)	215
Camera Components	216
Mount, Camera (Tailgate Light Bar Location Std. Panels)	217
Mount, Camera (Tailgate Light Bar W/Meshed Panel Guards)	218

SECTION 8 Continued

Mount, Camera (W/Air Wash) (Tailgate Light Bar Std. Panels)	219
Controls, Cab & T.G (Electric)	221
Control Console Parts (Main in Cab)	223
Lighting Components	225
Pneumatic Components	229

SECTION 9 Container Handling

Latch & Ears (828174 W/Extended Sill)	231
Latch & Ears (850468)	232
Latch & Ears (850469)	233
Latch & Ears (850477)	234
Latch & Ears (834058 W/ Extended Sill)	235
Latch & Ears (826029 W/ Extended Sill)	236
Latch & Ears (850483)	237
Latch & Ears (850476)	238
Latch & Ears (850470)	239
Latch & Ears (850471)	240
Latch & Ears (863770)	241
Latch & Ears (868408 W/Extended Sill)	242
Latch & Ears (850487)	243
Latch & Ears (863768 W/Extended Sill)	244
Cable Roller Frame (Used W/Cont.Lift Cyl.)(863074 Install.)	245
Cable Roller Frame (Used W/Cont.Lift Cyl.)(100468 Install.)	246
Loading Sill Ext. (Dual Tippers)	247
Loading Sill Ext. (Single Tipper Streetside)	248
Loading Sill Ext. (Single Tipper Center R-150 W/Grabber)	249
Loading Sill Ext. (Single Tipper Curbside)	250
Loading Sill Ext. (Single Tipper Center)	251
Loading Sill Ext. (Single Tipper Curbside) (W/Back-Up Sensor)	252
Container Stop Bar	253
Container Stop Bar (W/Adjust. Rubber Bumpers)	254
Container Stop Bar (W/Adjust. Rubber Bumpers M.O.L.)	255
Guard, Light	256
HCA* (ORFS - Adjustable Arms)	257
HCA *(ORFS - Recessed Bar)	259
HCA *(ORFS)	261
HCA *(ORFS)	263
HCA *(JIC)	265
HCA *(JIC - Adjustable Arms)	267
HCA *(ORFS - Recessed Bar - Center)	269
Winch, Drum -12,000lb.(ORFS)	271
Winch, Drum -12,000lb.(JIC)	273
Winch, Container Lift Cylinder (ORFS) (Reeving 10K)	275
Winch, Container Lift Cylinder (ORFS) (Reeving 15K)	277
Winch, Container Lift Cylinder (JIC) (Reeving 10K)	279
Winch, Container Lift Cylinder (JIC) (Reeving 15K)	281
Winch, Container Lift Cylinder (Cmpnt's) (Reeving 10K)	283
Winch, Container Lift Cylinder (Cmpnt's) (Reeving 15K)	285
Tipper Hyd's (Single Tipper Streetside) (ORFS)	287
Tipper Hyd's (Single Tipper Curbside) (ORFS)	289
Tipper Hyd's (Dual Tippers) (ORFS)	291
Tipper Hyd's (Center Tipper) (ORFS)	293
Tipper Hyd's (Center Tipper) (1/2" Hose, ORFS)	295
Tipper Hyd's (Curbside Tipper) (ORFS) (Auto Latch)	297
Tipper Hyd's (Center Tipper) (ORFS) (Auto Latch)	299
Tipper Hyd's (Dual Tippers) (ORFS) (Auto Latch)	301
Tipper Hyd's (Single Tipper Curbside) (JIC)	303
Tipper Hyd's (Center Tipper) (JIC)	305
Tipper Hyd's (Dual Tipper) (JIC)	307

* = Hydraulic Container Attachment

TABLE OF CONTENTS

SECTION 10 M.O.L. Std

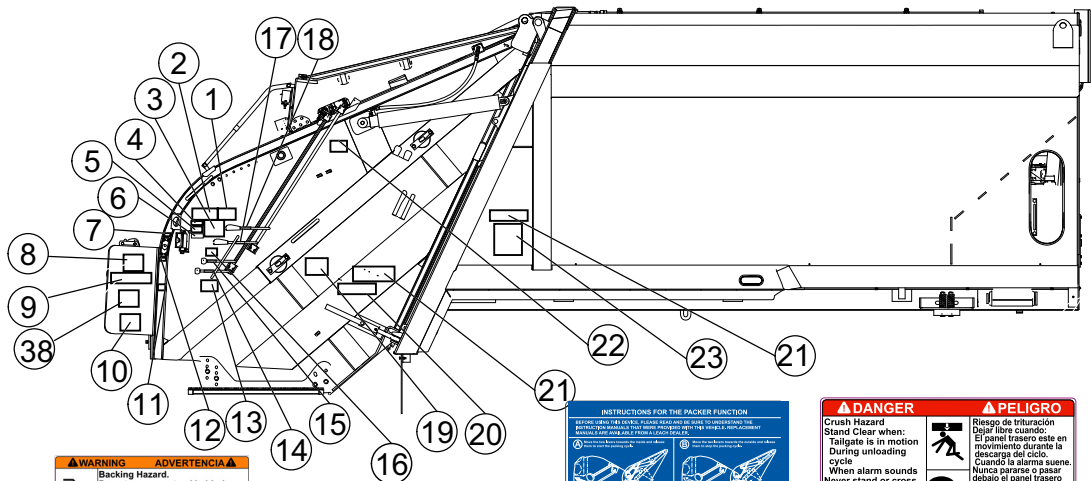
Packer Protection (Strap style packer/carrier)	309
Packer Protection (Strap style packer/carrier)	311
Packer Protection (Hinged style packer/carrier)	313
Cart Counter (Dual Tipper, Cylinder Tilt Style)	315
Cart Counter (Dual Tipper, Actuator Tilt Style)	316
Packer Protection (Pushbutton Assy., T.G.)	317
Packer Protection (Pushbutton Assy., Fender)	318

SECTION 11 Body & Chassis Options

Wash Out Tank (50 Gall., Chassis Install. & Components) . . .	319
Sump Clean Out (30½" Height, Body Install. & Components) .	321
Sump Clean Out (36½" Height, Body Install. & Components) .	322
Drain, Trough (Side Trough Both Sides.)	323
Drain, Hopper (Rear T.G. Access)	324
Traffic Cone Holder (Dual Chassis Mount).	325
Traffic Cone Holder (Recessed Chassis Mount).	326
Broom & Shovel Holder (Tailgate Side)	327
Broom & Shovel Holder (Vertical Body Side)	328
Broom & Shovel Holder (Body Front)	329
Broom & Shovel Holder (Body Front)	330
Broom & Shovel Holder (Horizontal Body Side)	331
Shovel Holder (Inside Body Front)	332
Cooler Holder (Chassis Mount)	333
Wheel Chocks (Under Body Floor)	334
Fire Extinguisher - 20 lb. ABC	335
Spill Kit (Frame Mount)	336
Spill Kit (Fender Mount).	337
Absorbent Container (Chassis Mount).	338
Tool BOX (Chassis Mtg. 24"x24"x24")	339
Tool BOX (Chassis Mtg. 36"x24"x24")	340
Tool BOX (Chassis Mtg. W/Spacers 36"x24"x24").	341
Tool BOX (Chassis Mtg.W/Channel Spacers)14"x24"x24")	342
Tool BOX (Chassis Mtg.W/Spacers) 14"x24"x24").	343
Tool BOX (Body Front Side Mtg.) 14"x24"x24")	344
Tool BOX (Chassis Mtg./ Minimizer Style)	345
Tool BOX (Lower Chassis Mtg. 24"x24"x24")	346
Tool BOX (Chassis Mtg./Buyers Style)	347
Tool BOX (Chassis Mtg. 72"x24"x24")	348
Tool BOX (Chassis Mtg./ Weather Guard Style).	349
Tool BOX (Chassis Mtg. 48"x24"x24")	350
Chain Holder (Chassis Mount)	351

Page Left Blank

DECALS - Curbside View



WARNING ADVERTENCIA

Backing Hazard.
Do not cross or stand behind vehicle while it is backing. Stay away when backup alarm sounds.
Riesgo de reversa.
No cruzar o pararse detrás del vehículo durante su reversa. Estar lejos cuando las alarmas de reversa suenan.
El retroceso del vehículo puede ocasionar lesiones o la muerte.

1 Eng/Spn 204540
Eng/French 204516

WARNING ADVERTENCIA

Crush Hazard.
Do not stand in crush zone between packer and carrier.
Riesgo de aplastamiento.
No permanecer en la zona de aplastamiento entre el cargador y el carrocer.
El aplastamiento puede ocasionar lesiones o la muerte.

2 Eng/Spn 84282
Eng/French 84281

INSTRUCTIONS FOR THE PACKER FUNCTION

Refer to the Packer, Packer and Tailgate Instructions in the Owner's Manual for more information on the packer function.

WARNING Do not stand in the crush zone between the packer and carrier.

3 English 104083 Spanish 104084
French 104082 Eng/French 205264

DANGER PELIGRO

Crush Hazard
Stand Clear when Tailgate is in motion During unloading cycle.
When alarm sounds Never stand or cross under raised tailgate. Failure to comply will injure or kill.

Riesgo de trituración
Dejar libre cuando: El panel trasero este en movimiento durante la descarga del ciclo. Cuando la alarma suena: Nunca pararse o pasar debajo el panel trasero levantado. Cualquier incumplimiento puede ocasionar lesiones o la muerte.

4 English 47266 English/Spanish 120973
French 47267 Eng/French 79835

WARNING

Crush Hazard
Do not stand in crush zone between packer and carrier.
Riesgo de aplastamiento.
No permanecer en la zona de aplastamiento entre el cargador y el carrocer.
El aplastamiento puede ocasionar lesiones o la muerte.

8 Spanish 104099 English 104098
French 104097 Eng/French 205264

DANGER PELIGRO

Crush Hazard
During operation: Keep people clear. Stay at controls. Stop operation at first sign of hazard. Failure to comply will injure or kill.

Riesgo de aplastamiento
Durante la operación: Mantener despejado de personas. Permanecer en los controles. Detener la operación al primer signo de riesgo. Cualquier incumplimiento puede ocasionar lesiones o la muerte.

5 Eng/Spn 204527
Eng/French 204507

AVERTISSEMENT

WARNING

ADVERTENCIA

6 Eng/Spn/French 104539

DRIVER SIGNAL

7 English 104083 Spanish 104084
French 104082 Eng/French 205264

DANGER PELIGRO

Stand clear of container dumping mechanism when it is in motion.

Manténgase alejado del mecanismo de descarga del contenedor cuando se encuentre en movimiento.

9 Spanish 104096 English 104095
French 104094 Eng/French 84289
Eng/Spanish 84290

CART TINNER CONTROL

11 English 104525 Spanish 104526
French 104524 Eng/French 195747

ENGINE SPEED-UP

12 English 104035 Spanish 104036
French 104034 Eng/French 205258

WARNING ADVERTENCIA

Do not stand in crush zone between packer and carrier.

No permanecer en la zona de aplastamiento entre el cargador y el carrocer.

13 Eng/Spn 204530
Eng/French 204510

PACKER

14 English 104051 Spanish 104052
French 104050 Eng/French 205260

CARRIER

15 English 104054 Spanish 104055
French 104053 Eng/French 205261

CONTAINER TOWER CONTROL

16 English 104186
Spanish 104187
French 104185

WINCH

17 Spanish 104049
English 104048
French 104047
Eng/French 202945

HYDRAULIC PUSH BAR

18 Spanish 104180
English 104179
French 104180
Eng/French 202946

TAILGATE PROP OPERATION INSTRUCTIONS

WARNING Do not stand in the crush zone between the packer and carrier.

19 English 104534 Spanish 104535
French 104533 Eng/French 205267

DANGER PELIGRO

Do not cross or stand behind vehicle while it is backing up.

No se cruce ni permanezca debajo del vehículo mientras retrocede.

20 English 104589 Spanish 104590
French 104588 Eng/French 84285
Eng/Spanish 84286

DANGER PELIGRO

Stand clear when tailgate is in motion and during unloading cycle. Do not stand under or cross under raised tailgate unless:

- Lockout tag out procedure is in effect and tailgate props are in place.
- El procedimiento de bloqueo y etiquetado está en vigor y los apoyos de la compuerta se encuentran en su lugar.

21 English 104519 Spanish 104520
French 104518 Eng/French 84283
Eng/Spanish 84284

DANGER PELIGRO

Do not stand in crush zone between packer and carrier.

No permanecer en la zona de aplastamiento entre el cargador y el carrocer.

22 Eng/French 204504
Eng/Spanish 204534

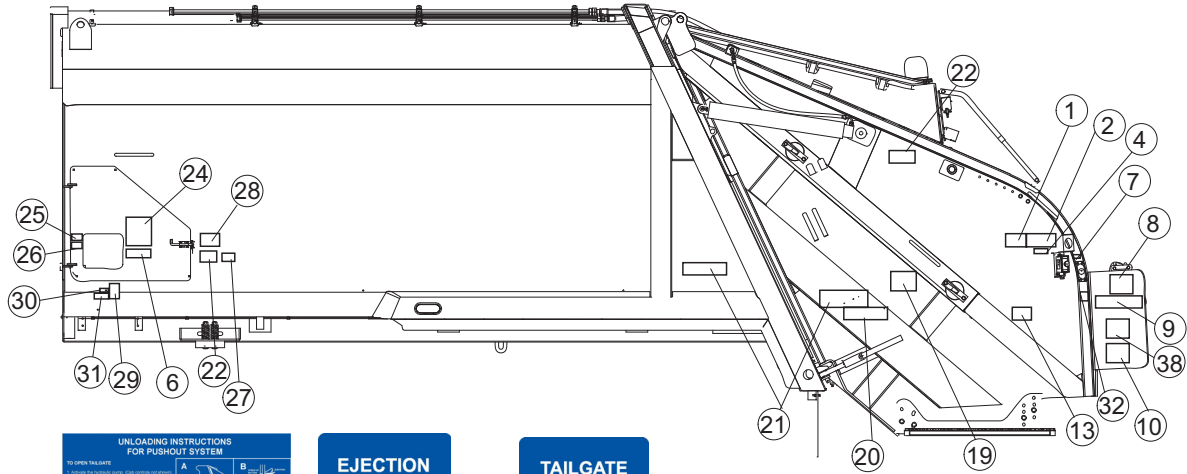
NOTICE

LUBRICATION CHART - REAR LOADER

NO.	DESCRIPTION	FREQUENCY
1	TAILOATE CYLINDER PINS	TRUCK & MTRK
2	PACKER CYLINDER PINS	TRUCK & MTRK
3	PACKER CYLINDER PINS (TRUCK EQUIPPED)	MTRK
4	PACKER CYLINDER PINS (TRUCK EQUIPPED)	MTRK
5	PACKER CYLINDER PINS (TRUCK EQUIPPED)	MTRK
6	PACKER CYLINDER PINS (TRUCK EQUIPPED)	MTRK
7	PACKER CYLINDER PINS (TRUCK EQUIPPED)	MTRK
8	PACKER CYLINDER PINS (TRUCK EQUIPPED)	MTRK
9	PACKER CYLINDER PINS (TRUCK EQUIPPED)	MTRK
10	PACKER CYLINDER PINS (TRUCK EQUIPPED)	MTRK
11	PACKER CYLINDER PINS (TRUCK EQUIPPED)	MTRK
12	PACKER CYLINDER PINS (TRUCK EQUIPPED)	MTRK
13	PACKER CYLINDER PINS (TRUCK EQUIPPED)	MTRK
14	PACKER CYLINDER PINS (TRUCK EQUIPPED)	MTRK
15	PACKER CYLINDER PINS (TRUCK EQUIPPED)	MTRK
16	PACKER CYLINDER PINS (TRUCK EQUIPPED)	MTRK
17	PACKER CYLINDER PINS (TRUCK EQUIPPED)	MTRK
18	PACKER CYLINDER PINS (TRUCK EQUIPPED)	MTRK
19	PACKER CYLINDER PINS (TRUCK EQUIPPED)	MTRK
20	PACKER CYLINDER PINS (TRUCK EQUIPPED)	MTRK
21	PACKER CYLINDER PINS (TRUCK EQUIPPED)	MTRK
22	PACKER CYLINDER PINS (TRUCK EQUIPPED)	MTRK
23	PACKER CYLINDER PINS (TRUCK EQUIPPED)	MTRK
24	PACKER CYLINDER PINS (TRUCK EQUIPPED)	MTRK
25	PACKER CYLINDER PINS (TRUCK EQUIPPED)	MTRK
26	PACKER CYLINDER PINS (TRUCK EQUIPPED)	MTRK
27	PACKER CYLINDER PINS (TRUCK EQUIPPED)	MTRK
28	PACKER CYLINDER PINS (TRUCK EQUIPPED)	MTRK
29	PACKER CYLINDER PINS (TRUCK EQUIPPED)	MTRK
30	PACKER CYLINDER PINS (TRUCK EQUIPPED)	MTRK
31	PACKER CYLINDER PINS (TRUCK EQUIPPED)	MTRK
32	PACKER CYLINDER PINS (TRUCK EQUIPPED)	MTRK
33	PACKER CYLINDER PINS (TRUCK EQUIPPED)	MTRK
34	PACKER CYLINDER PINS (TRUCK EQUIPPED)	MTRK
35	PACKER CYLINDER PINS (TRUCK EQUIPPED)	MTRK
36	PACKER CYLINDER PINS (TRUCK EQUIPPED)	MTRK
37	PACKER CYLINDER PINS (TRUCK EQUIPPED)	MTRK
38	PACKER CYLINDER PINS (TRUCK EQUIPPED)	MTRK

23 English 84388
French 84389
Eng/French 205268

DECALS - Streetside View



UNLOADING INSTRUCTIONS FOR PUSHOUT SYSTEM

TO OPEN PULLERS: Push the pullers outwards until they are fully extended. Do not use excessive force. The pullers are designed to operate at a maximum force of 1000 N (225 lbf). Do not use the pullers to lift or move any load.

TO CLOSE THE PULLERS: Push the pullers inwards until they are fully retracted. Do not use excessive force. The pullers are designed to operate at a maximum force of 1000 N (225 lbf). Do not use the pullers to lift or move any load.

TO CLOSE THE TAILGATE: Push the tailgate down until it is fully closed. Do not use excessive force. The tailgate is designed to operate at a maximum force of 1000 N (225 lbf). Do not use the tailgate to lift or move any load.

WARNING Ensure that all persons stay clear of the tailgate before using the levers.

EJECTION

Spanish 104057
English 104549
French 104056
Eng/French 205262



25 Eng/French 204503
Eng/Spanish 204533

TAILGATE

Spanish 1040560
English 104059
French 104058
Eng/French 205263



26 Eng/French 204518
Eng/Spanish 204542

WARNING This vehicle requires a minimum of overhead clearance as shown.

AVERTISSEMENT Ce véhicule nécessite un minimum d'espace libre tel qu'illustré.

10 ft 1 in 3.05 m	11 ft 3 in 3.43 m	12 ft 1 in 3.69 m	12 ft 7 in 3.87 m	13 ft 1 in 3.99 m
11 ft 2 in 3.40 m	11 ft 8 in 3.58 m	12 ft 2 in 3.66 m	12 ft 8 in 3.84 m	13 ft 2 in 4.02 m
11 ft 6 in 3.50 m	11 ft 10 in 3.61 m	12 ft 6 in 3.81 m	13 ft 0 in 3.96 m	13 ft 4 in 4.09 m
11 ft 10 in 3.61 m	12 ft 0 in 3.66 m	12 ft 10 in 3.90 m	13 ft 4 in 4.09 m	13 ft 8 in 4.21 m
12 ft 4 in 3.76 m	12 ft 4 in 3.81 m	13 ft 0 in 3.96 m	13 ft 4 in 4.09 m	13 ft 8 in 4.21 m

Please contact the safety administrator for authorization for vehicle height over 4.1 m (13 ft 6 in).

24 Spanish 104561 English 104560
French 104559 Eng/French 205265

INSPECTED ON

DATE: _____

NAME: _____

30 English 104041
Spanish 104042
French 104040
Eng/French 205259

labrie

TECHNICAL SUPPORT SERVICE
1-800-271-2771 (24 HOURS)
SERVICE DE SOUTIEN TECHNIQUE
1-877-452-2743 (24 HEURES)

31 Eng/French 32272

CART TIPPER CONTROL

32 English 104528
Spanish 104529
French 104527

DANGER

- Do not transport containers with the lifting devices.

- Transporting a container could result in personal injury or property damage.

DANGER

- Ne pas transporter de conteneurs avec les mécanismes de levage.

- Transporter un conteneur peut causer des blessures personnelles et des dommages matériels.

29 Eng/French 173656
Eng/Spanish 173657

CAUTION

This LEACH vehicle must not be used until it has been inspected by an authorized dealer.

ATENCIÓN

Este vehículo de LEACH no puede ser usado hasta que no haya sido inspeccionado por un representante autorizado.

WARNING RISK OF FALLING. When a rider is on riding step, vehicle must not be operated at a speed exceeding 16 km/h (10 mph).

AVERTISSEMENT RISQUE DE CHUTE. S'il y a une personne sur le marche-pied, le véhicule ne doit pas être utilisé à une vitesse excédant 16 km/h (10 mph).

CAB 48 English 104510
Spanish 104511
French 104509
Eng/French 84279
Eng/Spanish 84280

WARNING Driving Hazard. Stand-up position collection. Never exceed 20mph (32km/h). Do not exit cab until stopped. Use brake pedal, not work brakes, to stop vehicle. Use the restraining device when sitting during transit. Failure to comply may injure or kill.

AVERTISSEMENT Danger lors de la conduite. Collecte de position debout (32km/h). Ne jamais dépasser 20mph (32km/h). Ne sortez pas le cabine avant d'être arrêté. Utilisez le pédale de frein, ne pas utiliser les freins de travail, pour arrêter le véhicule. Utilisez le dispositif de retenue lorsque vous êtes en transit. Le non-respect peut blesser ou tuer.

CAB 49 English 43786
French 43787
Eng/French 79817
Eng/Spanish 84146

CAB 50 English 104071
French 104070
Spanish 104072
Eng/French 84170
Eng/Spanish 84171

CAB 51 English 104077
French 104076
Spanish 104078
Eng/French 84295
Eng/Spanish 84296

WARNING The transmission shaft is dangerous. Do not go near the transmission shaft and do not go under the chassis, unless the engine is off and the ignition key has been removed.

AVERTISSEMENT La rotation de l'arbre de transmission représente un danger. Ne vous approchez pas de l'arbre de transmission et n'allez pas sous le châssis à moins que le moteur soit arrêté et que la clé d'allumage ait été retirée.

Frame rail 52 English 104501
French 104500
Spanish 104502
Eng/French 84178
Eng/Spanish 84179

CAUTION To prevent pump damage, do not drive at high speed when the pump is engaged.

ATENCIÓN Advertencia Para no dañar la bomba, no conduzca a alta velocidad cuando la misma está en funcionamiento. Cuando la bomba está funcionando, el vehículo no debe ser operado a una velocidad superior a 10 mph (16 km/h).

CAB 53 English 104038
French 104037
Spanish 104039
Eng/French 84163
Eng/Spanish 84164

WARNING Battery Chemical and Explosion Hazard. Batteries give off explosive hydrogen gas. Ventilate area when servicing. Wear personal protective equipment. Exploding batteries may injure or kill.

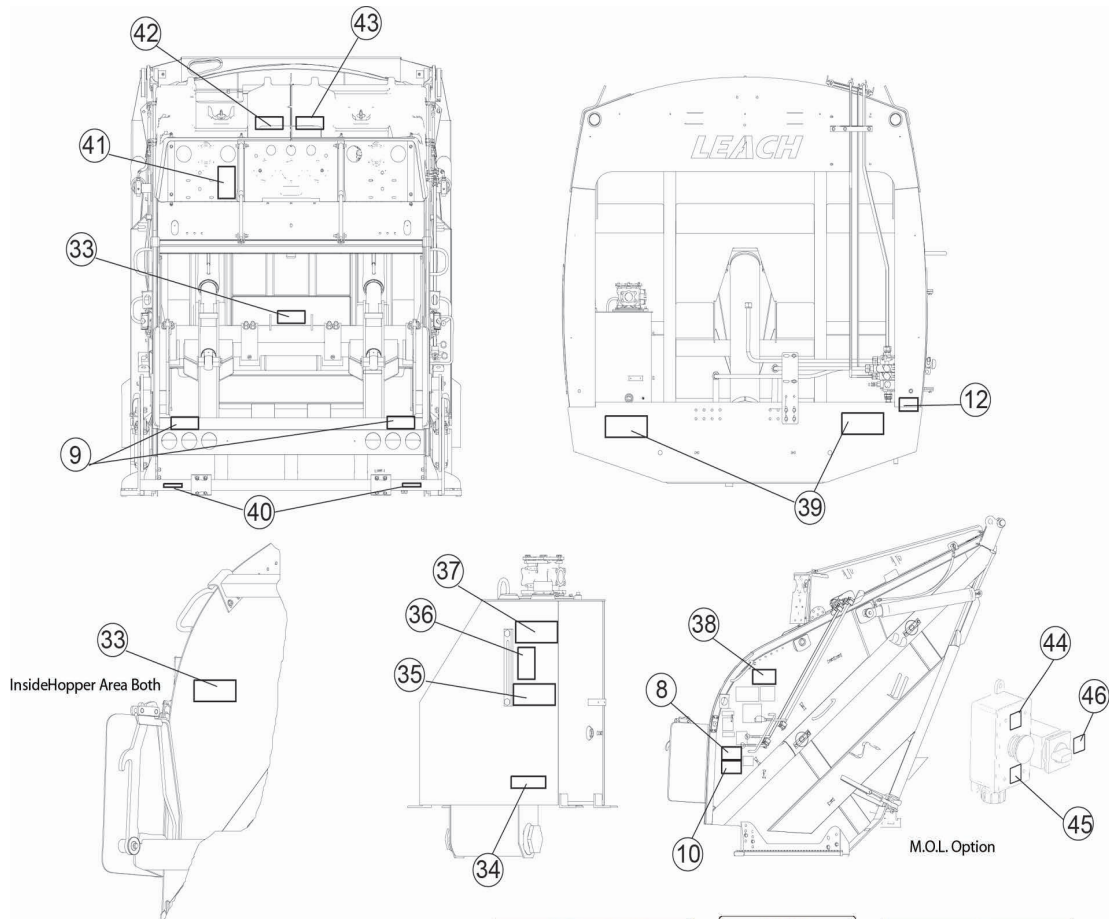
ADVERTENCIA Riesgo químico o de explosión de la batería. Las baterías emiten gas de hidrógeno explosivo. Ventile la zona cuando la está trabajando. Utilice el equipo de protección adecuada. La explosión de una batería puede ocasionar lesiones o la muerte.

Battery Box 54 Eng/French 204503
Eng/Spanish 204533

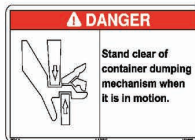
This vehicle conforms to all ANSI Z 245.1 safety requirements effective on the manufacturing date.

53 English 104044
Spanish 104045
French 104043

DECALS - Body Front, Rear, MOL, Reservoir



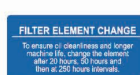
English 104516 Spanish 104517
French 104515 Eng/French 84291
Eng/Spanish 84292



English 104095 Spanish 104096
French 104094 Eng/French 84289
Eng/Spanish 84290



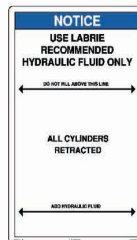
English 104089 Spanish 104090
French 104088 Eng/French 84176



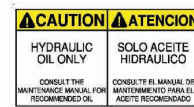
English 104029
Spanish 104030
French 104028
Eng/French 205255



English, Spanish, French 84488



English 104531
Spanish 104532
French 104530
Eng/French 205266



English/Spanish 102989
Eng/French 79846



English 104183 Spanish 104184
French 104182 Eng/French 202947



English 170414
French 188930
Eng/French 188928



English 47595
French 47652
Eng/French 188929



English 104508 Spanish 104508
French 104506 Eng/French 84138
Eng/Spanish 84139

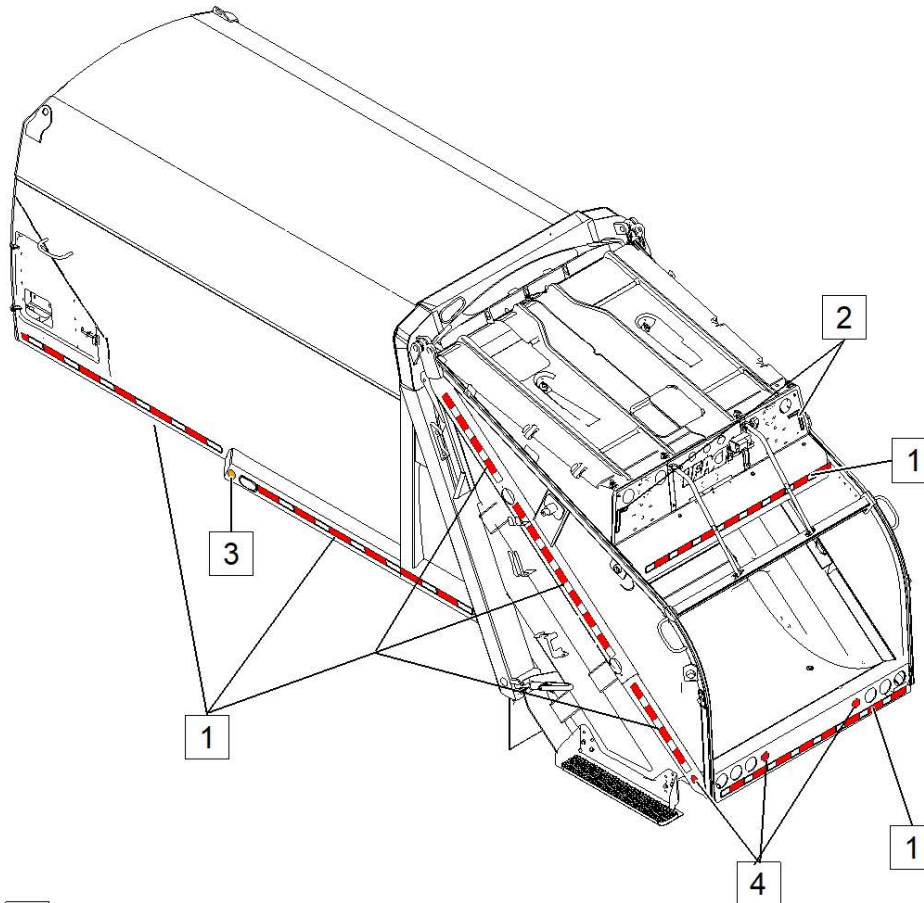


English, Spanish, French 104641



English 207152
Eng/French 188927

DECALS - Conspicuity Tape & Reflectors



- 1 ETR00300 - 2" Wide Conspicuity Tape (11" Red & 4" White)
- 2 ETR00300 - 2" Wide Conspicuity Tape (White)
- 3 CIR00265 - 3"Ø Amber Reflector
- 4 CIR00255 - 3"Ø Red Reflector

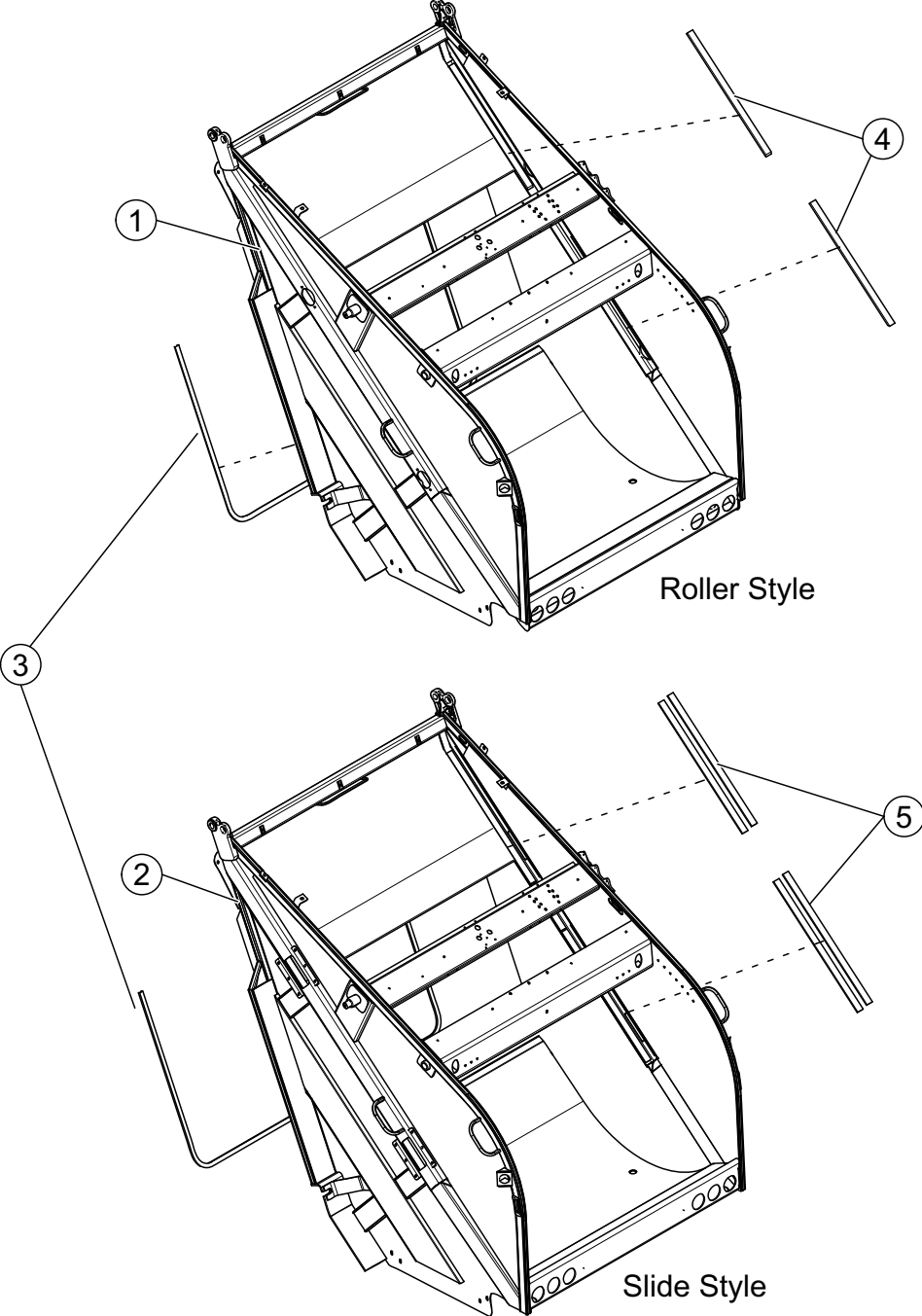
- 1 ETR00300 = (20Yd. = 686", 25Yd. = 733", 29Yd. = 795", 32Yd. = 841")
- 2 ETR00300 = (All Yardages = 3')
- 3 CIR00265 = 2
- 4 CIR00255 = 4

Decal Replacement Kit = SKR10081

(Includes all Curb View, Street View, Body Front, Rear and Reservoir Decals, Conspicuity Tape & Reflectors)
(Excludes all M.O.L. Related Decals)

SECTION 1

TAILGATE WELDMENTS - Strap Style Packer/Carrier

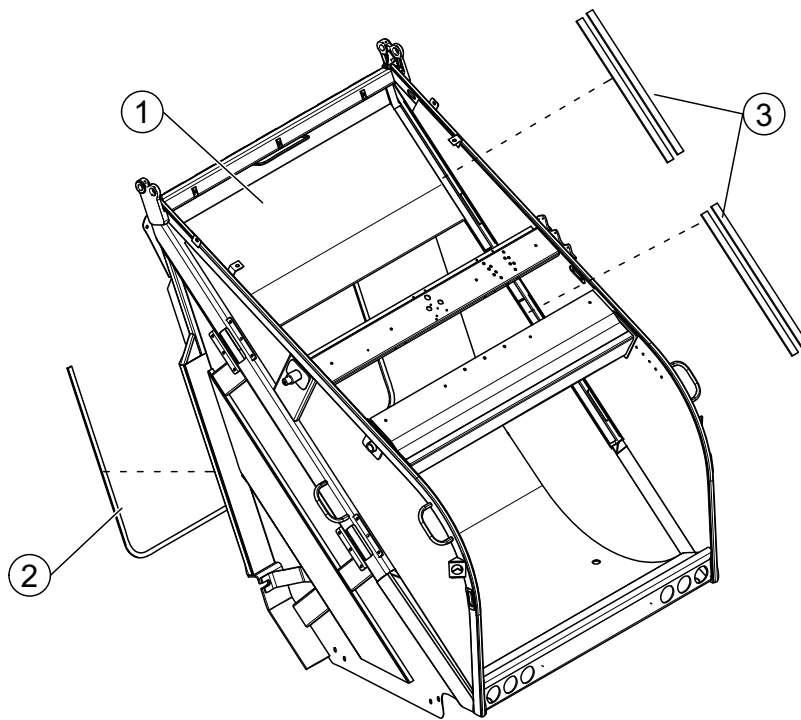


TAILGATE WELDMENTS - Strap Style Packer/Carrier

REF. NO.	PART NO.	DESCRIPTION	QTY.	
1	197406	TAILGATE - Res. Std. <i>Ref. 866732</i>	1	
	197410	TAILGATE - Res. Std. (5" Lower Loading Edge) <i>Ref. 866736</i>	1	
	102926	TAILGATE - Res. Std. (Auto Latch 1 Cyl.) <i>Ref. 850381</i>	1	
	197408	TAILGATE - Res. Std. (Auto Latch 2 Cyl.) <i>Ref. 866734</i>	1	
	205459	TAILGATE - Res. Std. (5" Lower Loading Edge - Auto Latch 1 Cyl.) <i>Ref. 872907</i>	1	
	195634	TAILGATE - Res. Hardox <i>Ref. 868273</i>	1	
	195637	TAILGATE - Res. Hardox (Auto Latch 2 Cyl.) <i>Ref. 868276</i>	1	
	197428	TAILGATE - Res. Hardox (5" Lower Load Edge - Auto Latch 1 Cyl.) <i>Ref. 868246</i>	1	
	195638	TAILGATE - Res. Hardox (5" Lower Loading Edge) <i>Ref. 868277</i>	1	
	203652	TAILGATE - Com. Std. <i>Ref. 868046</i>	1	
	203651	TAILGATE - Com. Std. (5" Lower Loading Edge) <i>Ref. 868045</i>	1	
	203653	TAILGATE - Com. Std. (Auto Latch 2 Cyl.) <i>Ref. 868047</i>	1	
	197414	TAILGATE - Com. Hardox <i>Ref. 866738</i>	1	
	197415	TAILGATE - Com. Hardox (5" Lower Loading Edge) <i>Ref. 866739</i>	1	
	197416	TAILGATE - Com. Hardox (Auto Latch 2 Cyl.) <i>Ref. 866740</i>	1	
	203655	TAILGATE - Demolition <i>Ref. 868049</i>	1	
	2	195524	TAILGATE - Res. Std. <i>Ref. 865493</i>	1
		201810	TAILGATE - Res. Std. (5" Lower Loading Edge) <i>Ref. 869654</i>	1
		205360	TAILGATE - Res. Std. (Auto Latch 1 Cyl.) <i>Ref. 868456</i>	1
		195526	TAILGATE - Res. Hardox <i>Ref. 865495</i>	1
197456		TAILGATE - Res. Hardox (5" Lower Loading Edge) <i>Ref. 869646</i>	1	
195589		TAILGATE - Com. Std. <i>Ref. 865497</i>	1	
195592		TAILGATE - Com. Std. (5" Lower Loading Edge) <i>Ref. 868250</i>	1	
102998		TAILGATE - Com. Std. (Auto Latch 2 Cyl.) <i>Ref. 850420</i>	1	
215359		TAILGATE - Com. Hardox <i>Ref. 899137</i>	1	
195593		TAILGATE - Com. Hardox (Auto Latch 2 Cyl.) <i>Ref. 868251</i>	1	
	104320	TAILGATE - Demolition <i>Ref. 850493</i>	1	
3	100618	CHANNEL, Seal (Used on All Item 1 & 2))	1	
4	100013	BAR, Wear (Used with Item 1 Only , Roller TG's)	4 Per Unit	
5	103815	BAR, Wear (Used with Item 2 Only , Slide TG's)	8 Per Unit	

SECTION 1

TAILGATE WELDMENTS - Hinged Style Packer/Carrier

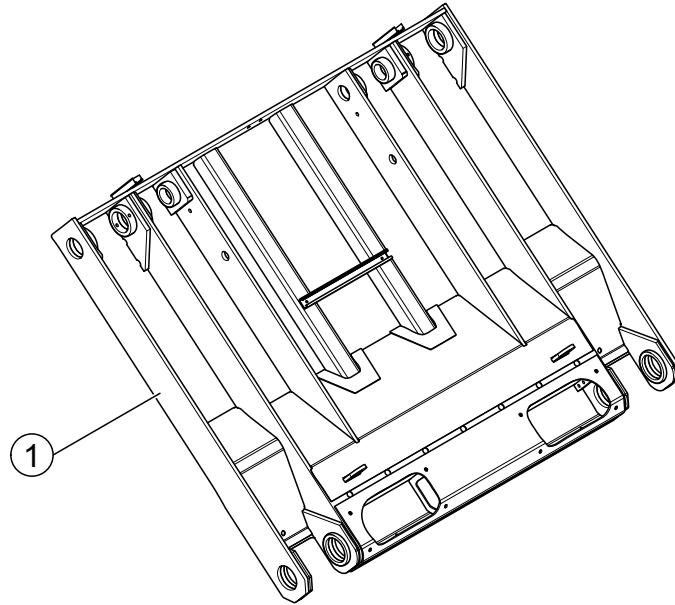


TAILGATE WELDMENTS - Hinged Style Packer/Carrier

REF. NO.	PART NO.	DESCRIPTION	QTY.
1	195513	TAILGATE - Res. Std. <i>Ref. 865467</i>	1
	104492	TAILGATE - Res. Std. (Auto Latch 1 Cyl.) <i>Ref. 850613</i>	1
	195588	TAILGATE - Res. Hardox <i>Ref. 865496</i>	1
	104490	TAILGATE - Com. Std. (5" Lower Loading Edge) <i>Ref. 850611</i>	1
	195591	TAILGATE - Com. Std. (½" T1 Hopper Bottom) <i>Ref. 865499</i>	1
	195590	TAILGATE - Com. Std. (½" 100 QT Hopper Bottom) <i>Ref. 865498</i>	1
	104489	TAILGATE - Com. Hardox <i>Ref. 850610</i>	1
	104475	TAILGATE - Demolition <i>Ref. 850604</i>	1
	2	100618	CHANNEL, Seal (Used on All Item 1)
3	103815	BAR, Wear	8 Per Unit

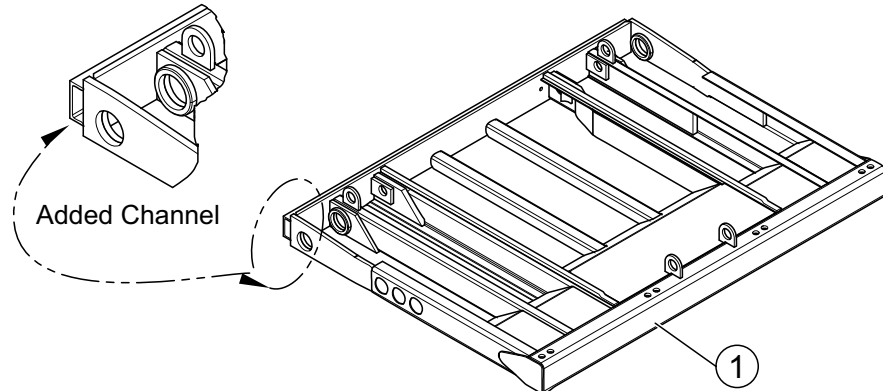
SECTION 1

CARRIER WELDMENT - Hinged Style Packer/Carrier

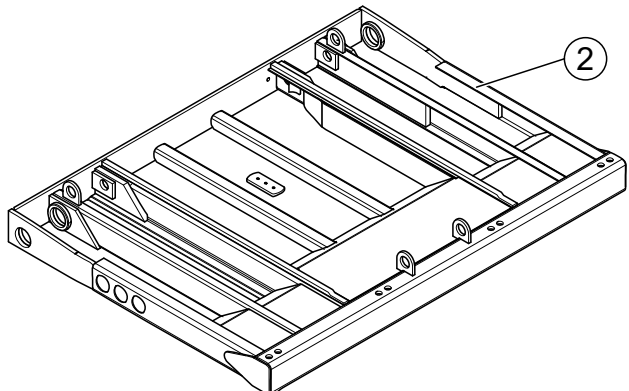


REF. NO.	PART NO.	DESCRIPTION	QTY.
1	181073	WELDMENT, Carrier <small>Ref. 849899</small>	1

CARRIER WELDMENT - Strap Style Packer/Carrier



Extra Heavy Duty

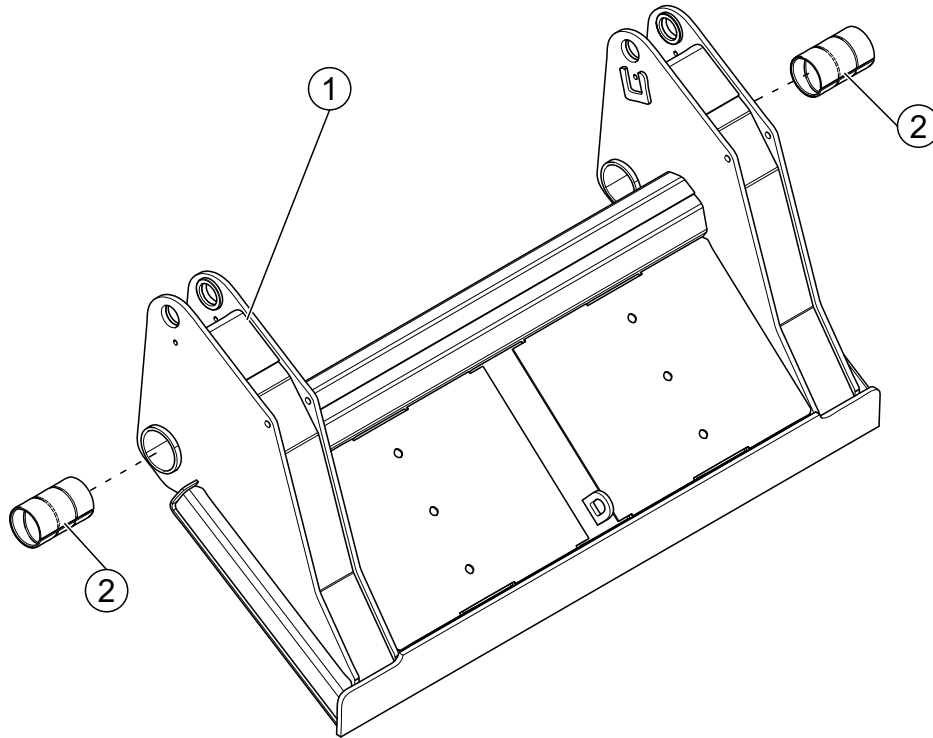


Std. & Commercial Duty

REF. NO.	PART NO.	DESCRIPTION	QTY.
1	186357	WELDMENT, Carrier (Extra Heavy Duty) <i>Ref. 857771</i>	1
2	100433	WELDMENT, Carrier (Std. & Commercial Duty) <i>Ref. 100434, 186537, 826002</i>	1

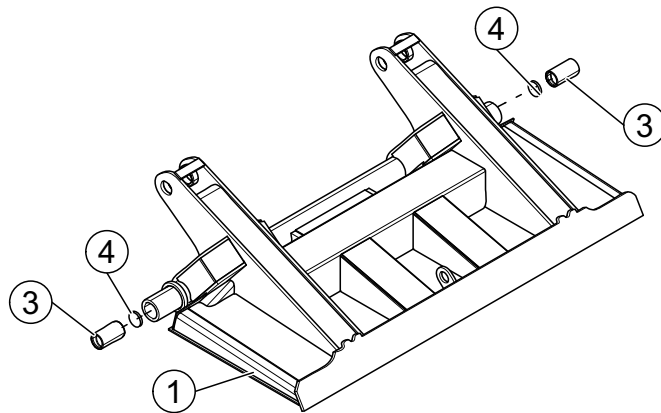
SECTION 1

PACKER WELDMENT - Hinged Style Packer/Carrier

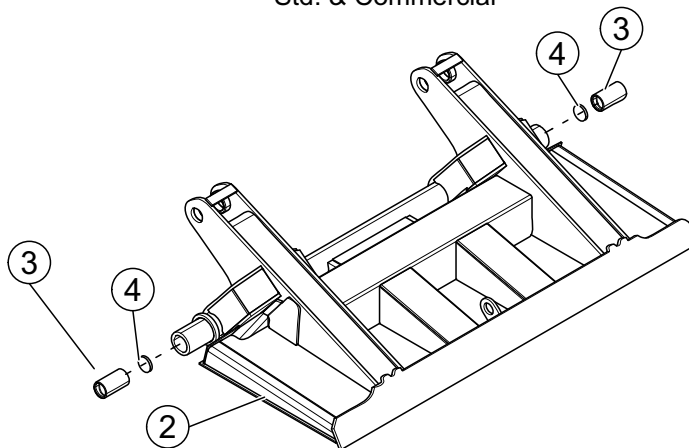


REF. NO.	PART NO.	DESCRIPTION	QTY.
1	190770	WELDMENT, Packer (Include Item 2) Ref. 863111	1
2	190767	BUSHING	2

PACKER WELDMENT - Strap Style Packer/Carrier



Std. & Commercial



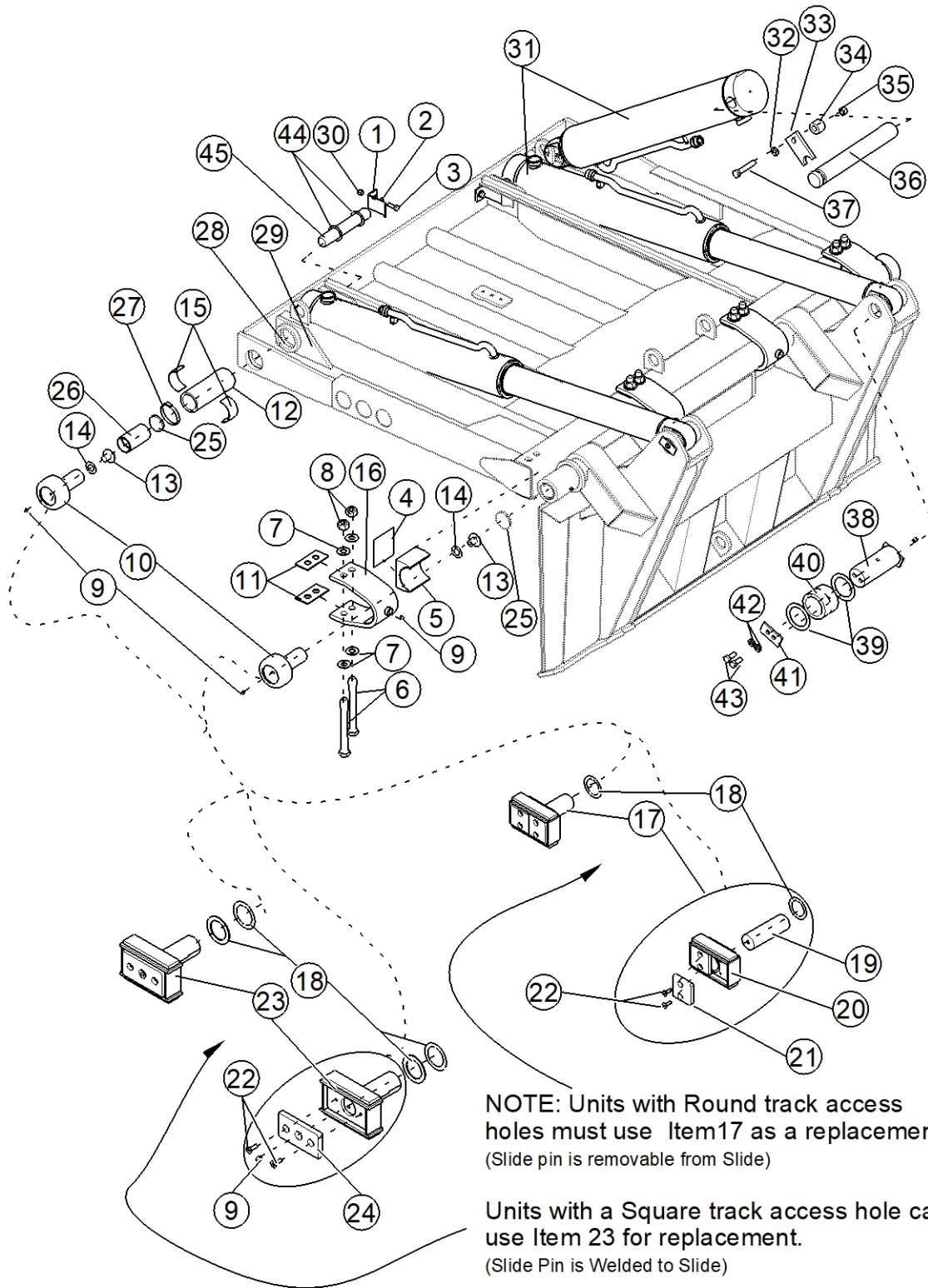
Heavy Duty (Reinforced Tower)

REF. NO.	PART NO.	DESCRIPTION	QTY.
1	177571	WELDMENT, Packer (Includes Item 3) <small>Ref. 851910,834181,849998</small>	1
2	186329	WELDMENT, Packer (Reinforced Towers, Includes Item 3) <small>Ref.849997</small>	1
3	100189	BUSHING	4
4	100190	PLUG	4

SECTION 1

Ref.

PACKER AND CARRIER INSTALLATION - Strap Style



NOTE: Units with Round track access holes must use Item 17 as a replacement.
(Slide pin is removable from Slide)

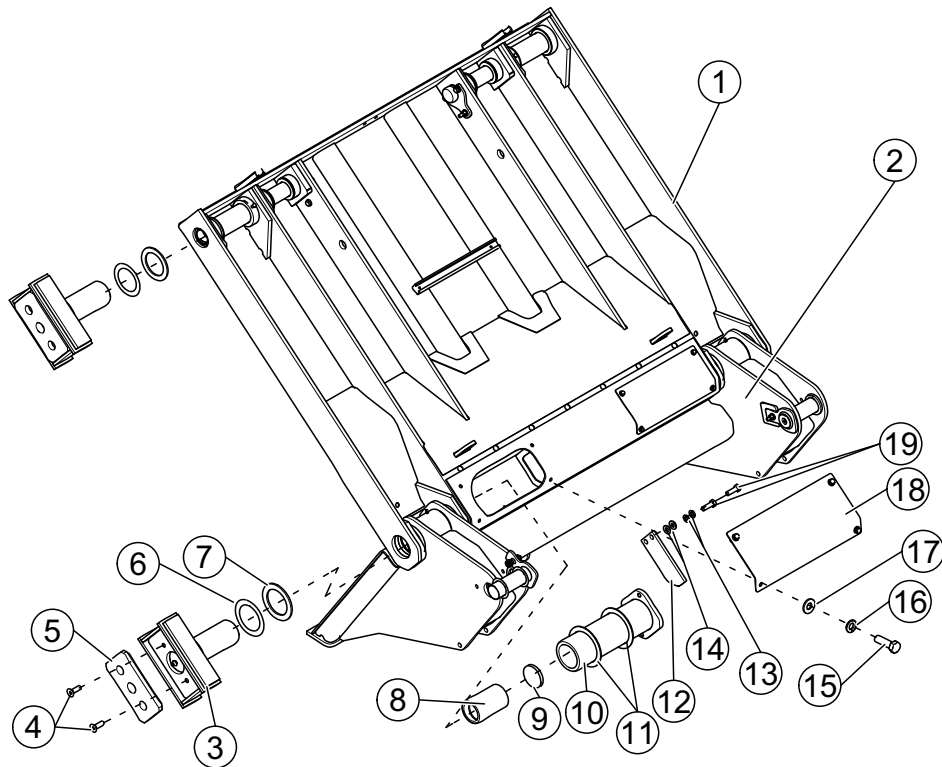
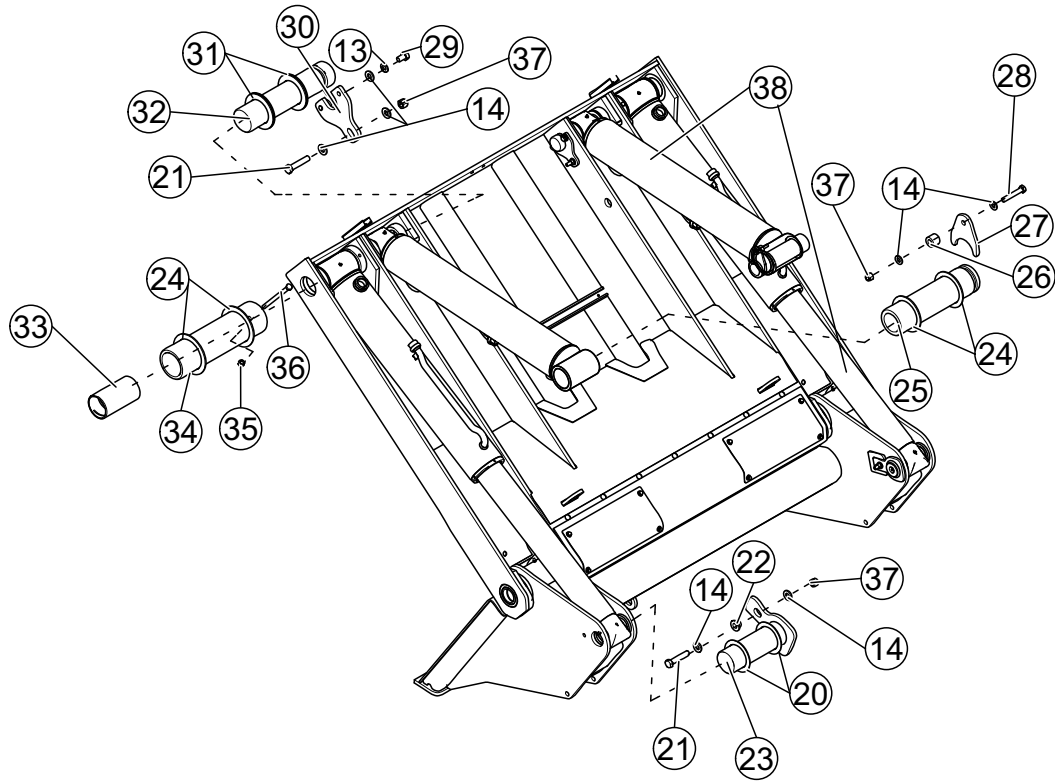
Units with a Square track access hole can use Item 23 for replacement.
(Slide Pin is Welded to Slide)

PACKER AND CARRIER INSTALLATION - Strap Style

REF. NO.	PART NO.	DESCRIPTION	QTY.
1	100170	RETAINER, Pin	2
2	QUR01912	WASHER	2
3	QUB04503	CAPSCREW	2
4	107761	SHIM - 16Ga.	As Reqd.
5	100030	WELDMENT, End Bearing Block	2
6	QUB14981	CAPSCREW (Grade 8)	4
7	QUR02101	WASHER (Hardened)	8
8	QUE02476	NUT (Grade 8)	4
9	QUG00200	FITTING, Grease	As Reqd.
10	103922	ROLLER	4
	103921	ROLLER (Item 9 & 10)	As Reqd.
11	100177	SHIM - .188" Thickness	As Reqd.
12	100157	PIVOT, Carrier Cylinder (Includes Items 25 & 26)	2
13	100163	SPACER	4
14	100179	WASHER	4
15	100162	SLEEVE, Split (Sold as Set of Qty. 2)	2
16	100173	STRAP (Includes Welded in Bearing)	2
17	187377	ASSY., Slide (Removable Slide Pin)	4
18	181183	SHIM (.060" Thickness x 2.312" I.D.)	As Reqd.
	181184	SHIM (.135" Thickness x 2.312" I.D.)	As Reqd.
19	187378	SHAFT, Slide	4
20	186534	SLIDE	4
21	187379	WEAR PLATE	8
22	QUB05605	CAPSCREW, Flat Head	16
23	216002	WELDMENT, Slide (Welded Slide Pin Style)	4
24	216008	PAD, Plastic	4
25	100160	DISC, Thrust (Included in Item 12)	2
26	100159	BUSHING (Included in Item 12)	2
27	QUC00890	CLAMP, Worm Gear (Secures Item 15 on Item12)	2
28	100003	TAB (Welded to Pin Hub)	2
29	QUG00690	PIN, Roll	2
30	QUE01296	NUT	2
31	HYC00865-01	ASSY., Cylinder (See Page 201 for Components)	4
32	QUR01300	WASHER	2
33	100002	REATAINER	2
34	100124	SPACER	2
35	QUE00550	NUT	2
36	100004	PIN, Carrier Cyl. - Case End	2
37	QUB04804	CAPSCREW	2
38	100164	PIN, Packer Cyl. - Rod End	2
39	205273	SPACER	4
40	100167	BUSHING, Packer Cyl. - Rod End	2
41	100168	RETAINER	2
42	QUR01300	WASHER	4
43	QUB04414	CAPSCREW	4
44	100178	SPACER	4
45	100161	PIN, Packer Cyl. - Case End	2

SECTION 1

PACKER/CARRIER INSTALLATION - Hinged Style

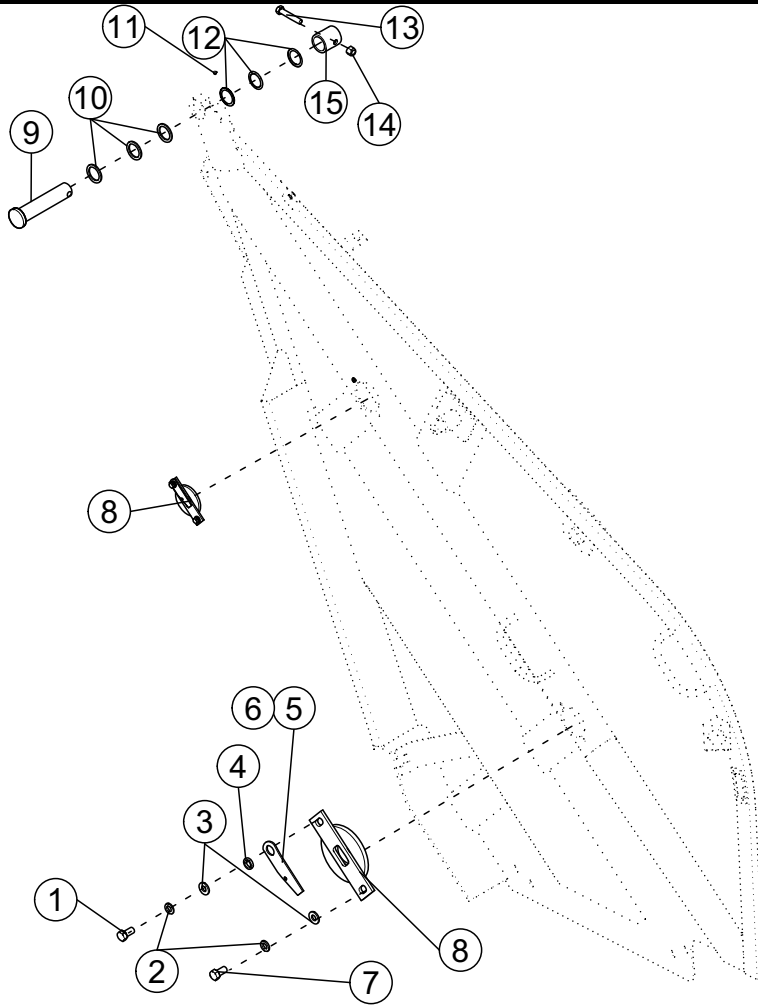


PACKER/CARRIER INSTALLATION - Hinged Style

REF. NO.	PART NO.	DESCRIPTION	QTY.
1	181073	WELDMENT, Carrier (See Page 15)	1
2	190770	ASSY., Packer (See Page 17 for Components)	1
3	216000	ASSY., Slide (Includes Items 4 & 5)	4
4	QUB05605	CAPSCREW, Flat Head (Included in Item 3)	2 Per Slide Assy.
5	216008	PLATE, Slide Wear (Included in Item 3)	1 Per Slide Assy.
6	181183	SHIM -.060" Thickness x 2.31" I.D.	As Req'd.
7	181184	SHIM -.135" Thickness x 2.31" I.D.	As Req'd.
8	181083	BUSHING (Included in Item 10)	1 PerPacker Pivot Assy.
9	181092	PLUG (Included in Item 10)	1 PerPacker Pivot Assy.
10	181085	ASSY., Packer Pivot (Includes Items 8 & 9)	4
11	181082	SHIM -.135" Thickness x 4.06" I.D.	As Req'd.
12	186337	LOCK, Packer Pivot/Slide Bushing	2
13	QUR01300	WASHER	8
14	QUR01912	WASHER	20
15	QUB03501	CAPSCREW	8
16	QUR01272	WASHER	8
17	QUR01902	WASHER	8
18	181126	COVER	2
19	QUB04503	CAPSCREW	4
20	205273	WASHER -.075" Thickness x 2.56" I.D	4
21	QUB04801	CAPSCREW	4
22	100740	SPACER, Pin Retainer	2
23	104748	PIN, Packer Cylinder (Rod End)	2
24	181132	BUSHING	8
25	181158	PIN, Carrier Cylinder (Case End)	2
26	100124	SPACER, Pin Retainer	2
27	181159	RETAINER (Carrier Case End Pin)	2
28	QUB04828	CAPSCREW	2
29	QUB04385	CAPSCREW	4
30	181124	RETAINER (Carrier Rod End Pin)	2
31	181133	BUSHING -.135" Thickness x 2.563" I.D	8
32	181112	PIN, Carrier Cylinder (Rod End)	2
33	100159	BUSHING (Included in Item 34)	2
34	181123	PIN, Packer Cylinder (Case End) (Includes Item 33)	2
35	QUE01302	NUT	2
36	QUB04095	CAPSCREW	2
37	QUE01500	NUT	6
38	HYC00873	ASSY., Cylinder (See Page 202 for Components)	4

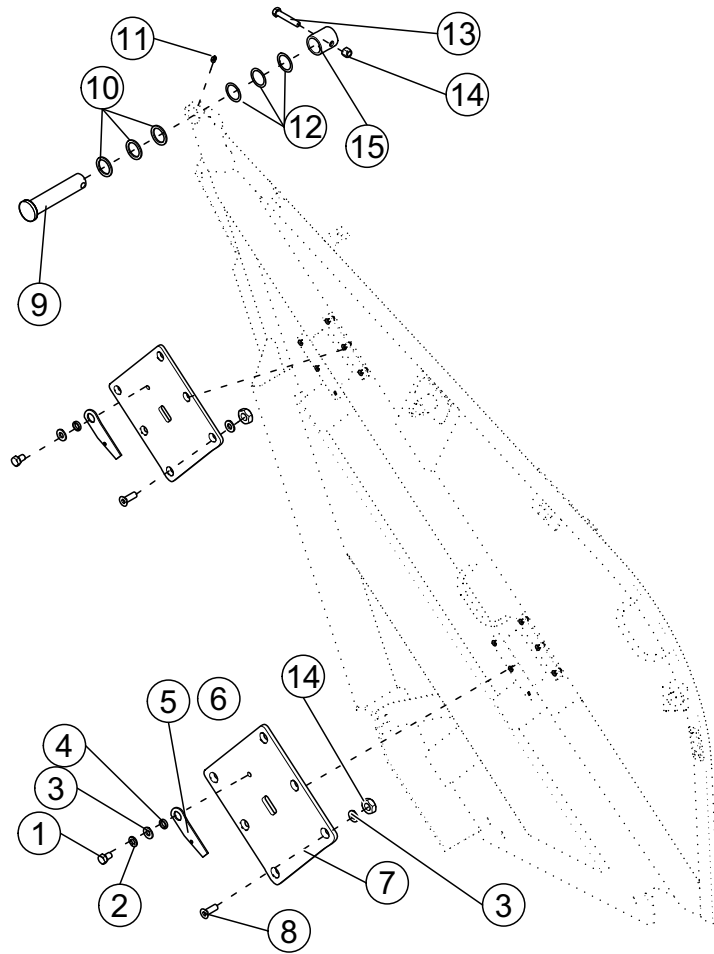
SECTION 1

TAILGATE ASSY. - Roller Style



REF. NO.	PART NO.	DESCRIPTION	QTY.
1	QUB04405	CAPSCREW	4
2	QUR01300	WASHER	8
3	QUR01912	WASHER	8
4	100389	SPACER	4
5	100380	COVER, Grease Hole - L.S.	2
6	100379	COVER, Grease Hole - R.S.	2
7	QUB04385	CAPSCREW	4
8	100384	ASSY., Track Hole Cover	4
9	100387	PIN, Tailgate Pivot	2
10	101541	WASHER, Tailgate Hinge Pin - 10 Ga.	As Reqd.
11	QUG00200	FITTING, Grease (.125" -27 NPT Straight)	2
12	101542	WASHER, Tailgate Hinge Pin - 16 Ga.	As Reqd.
13	QUB04804	CAPSCREW	2
14	QUE01500	NUT	2
15	100383	RETAINER, Hinge Pin	2

TAILGATE ASSY. - Slide Style

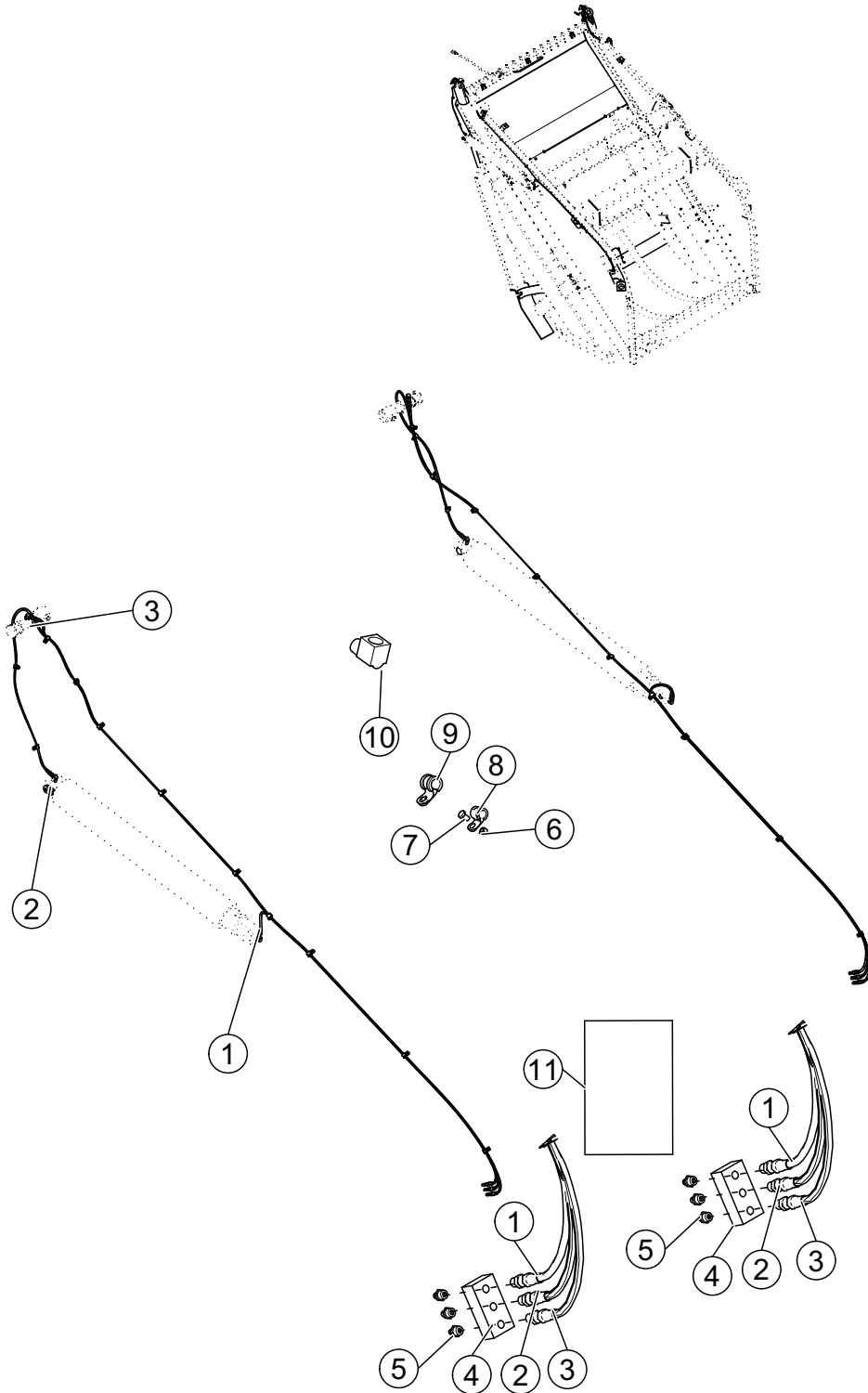


REF. NO.	PART NO.	DESCRIPTION	QTY.
1	QUB04385	CAPSCREW	4
2	QUR01300	WASHER	8
3	QUR01912	WASHER	28
4	100389	SPACER	4
5	100380	COVER, Grease Hole - L.S.	2
6	100379	COVER, Grease Hole - R.S.	2
7	198451	COVER, Slide	4
8	QUB05800	CAPSCREW, Flat Head	24
9	100387	PIN, Tailgate Pivot	2
10	101541	WASHER, Tailgate Hinge Pin - 10 Ga.	As Reqd.
11	QUG00200	FITTING, Grease (.125" -27 NPT Straight)	2
12	101542	WASHER, Tailgate Hinge Pin - 16 Ga.	As Reqd.
13	QUB04804	CAPSCREW	2
14	QUE01500	NUT	26
15	100383	RETAINER, Hinge Pin	2

SECTION 1

REMOTE GREASE SYSTEM - Tailgate 3 Pt.

Ref.834954



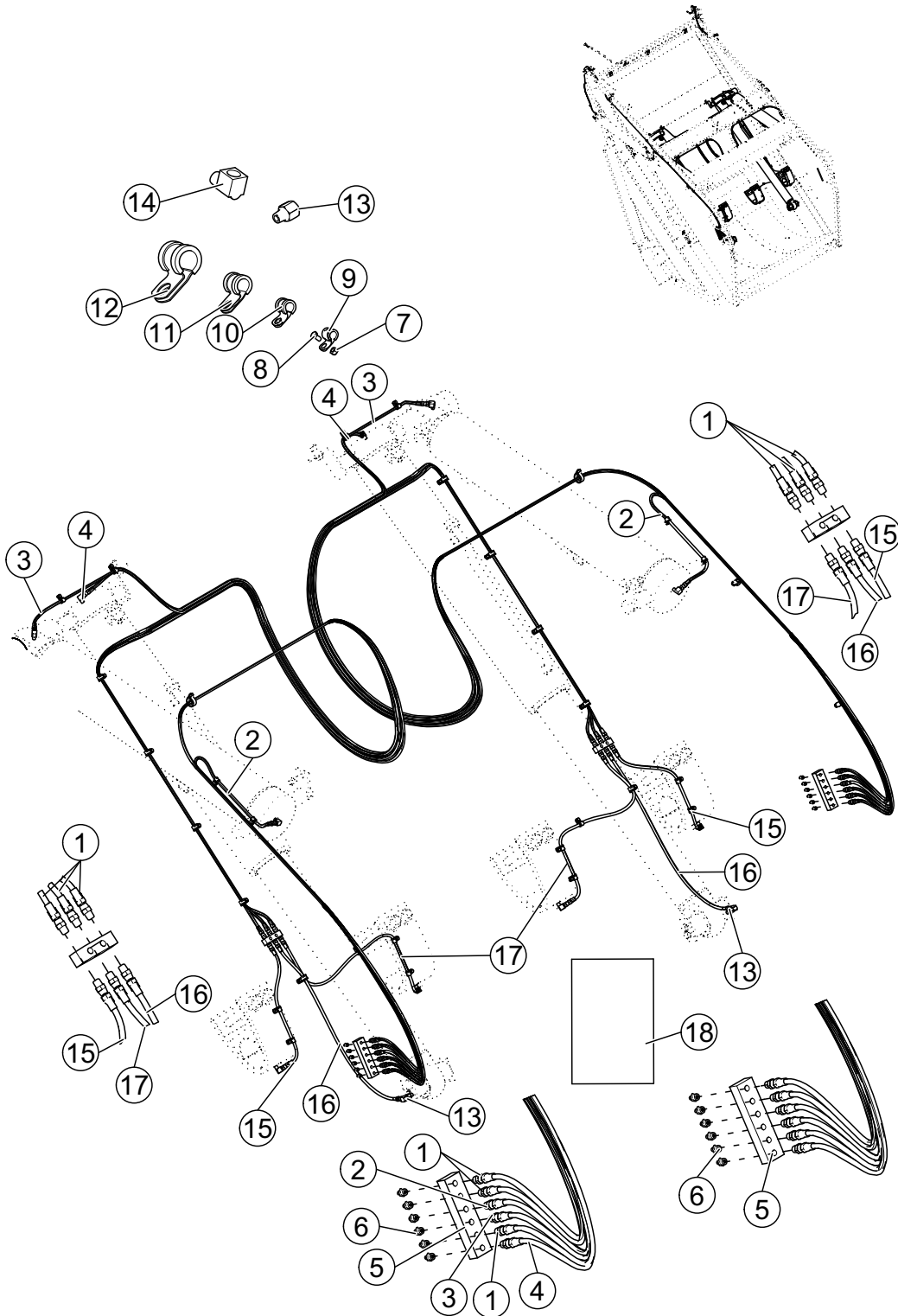
REMOTE GREASE SYSTEM - Tailgate 3 Pt.

REF. NO.	PART NO.	DESCRIPTION	QTY.
1	170452	HOSE (TG Lift Cyl - Rod End)(187.38")	2
2	170451	HOSE (TG Cyl - Case End)(173.88")	2
3	170450	HOSE (TG Body Pivot Pin)(139.88")	2
4	101956	MANIFOLD - 3 Pt.	2
5	QUG00200	FITTING, Grease (.125" - 27 NPT Straight)	6
6	QUE01175	NUT	10
7	QUB01899	CAPSCREW	10
8	QUC04725	CLAMP, Cable - .38"	6
9	QUC04730	CLAMP, Cable - .50"	4
10	PNF07250	ELBOW, 90°	
11	159864	DECAL	2

SECTION 1

REMOTE GREASE SYSTEM - Tailgate 6 Pt.

Ref.847383



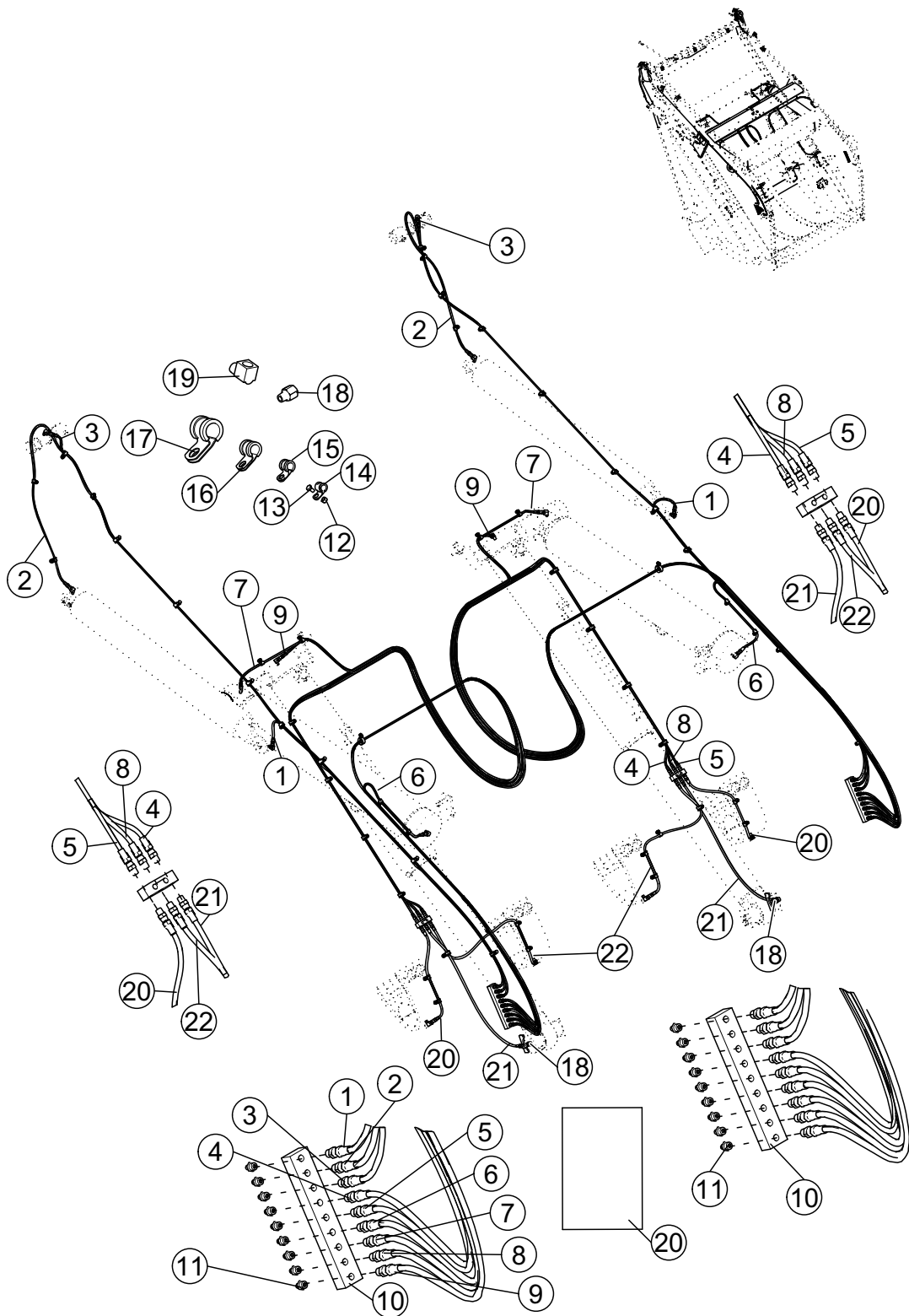
REMOTE GREASE SYSTEM - Tailgate 6 Pt.

REF. NO.	PART NO.	DESCRIPTION	QTY.
1	170454	HOSE (Packer Pivots, Packer Cyl Rod End)(240.88")	6
2	170456	HOSE (Carrier Cyl. - Case End)(77.38")	2
3	170458	HOSE (Carrier Cyl - Rod End)(211.88")	2
4	170453	HOSE (Packer Cyl - Case End)(203.88")	2
5	107608	MANIFOLD - 6 Pt.	2
6	QUG00200	FITTING, Grease (.125" - 27 NPT Straight)	12
7	QUE01175	NUT	30
8	QUB01899	CAPSCREW	30
9	QUC04725	CLAMP, Cable - .38"	16
10	QUC04730	CLAMP, Cable - .50"	2
11	QUC04735	CLAMP, Cable - .62"	10
12	QUC04750	CLAMP, Cable - 1"	2
13	PNF08205	ADAPTER	2
14	PNF07250	ELBOW, 90°	12
15	170457	HOSE (Packer Pivot Outside Straps)(20.88")	2
16	170079	HOSE (Packer Cyl - Rod End)(29.88")	2
17	170455	HOSE (Packer Pivot Inside Straps)(32.88")	2
18	159864	DECAL	2

SECTION 1

REMOTE GREASE SYSTEM - Tailgate 9 Pt.

Ref.872810



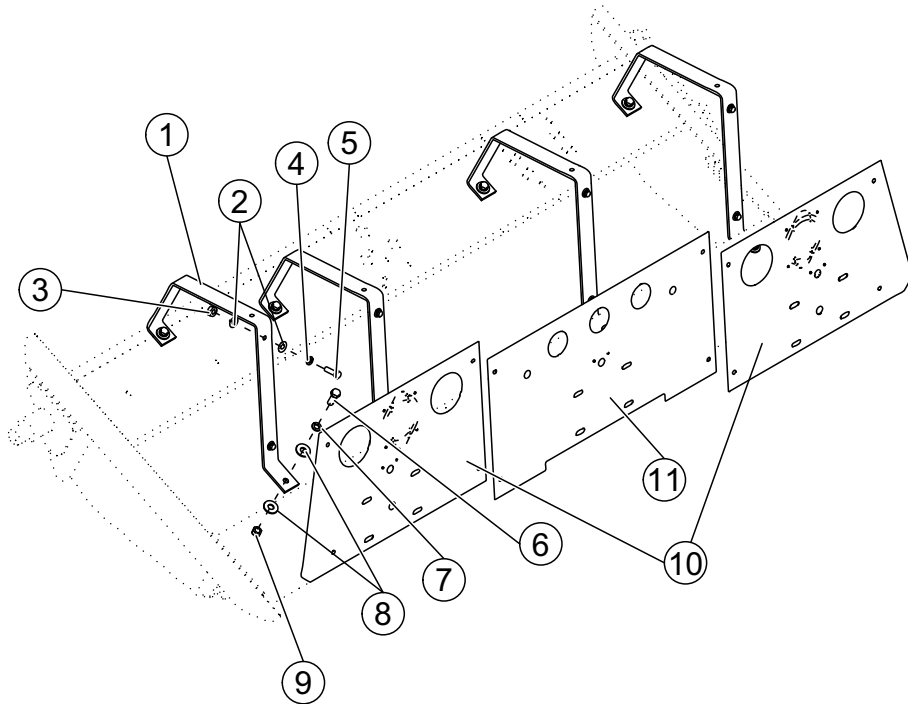
REMOTE GREASE SYSTEM - Tailgate 9 Pt.

REF. NO.	PART NO.	DESCRIPTION	QTY.
1	184887	HOSE (Pivot TG Lift Cyl. - Rod End)(73.38")	2
2	205416	HOSE (Pivot TG Lift Cyl. - Case End)(161.88")	2
3	205415	HOSE (Pivot TG Body Pivot Pin)(130.88")	2
4	205413	HOSE (Pivot Packer Inner Strap)(242.38")	2
5	205412	HOSE (Pivot Packer Outer Strap)(237.38")	2
6	170456	HOSE (Pivot Carrier Cyl. - Case End)(77.38")	2
7	205414	HOSE (Pivot Carrier Cyl. - Rod End)(210.88")	2
8	205411	HOSE (Pivot Packer Cyl. - Rod End)(238.38")	2
9	198025	HOSE (Pivot Packer Cyl. - Case End)(200.88")	2
10	170083	MANIFOLD - 9 Pt.	2
11	QUG00200	FITTING, Grease (.125" - 27 NPT Straight)	18
12	QUE01175	NUT	52
13	QUB01899	CAPSCREW	52
14	QUC04725	CLAMP, Cable - .38"	30
15	QUC04730	CLAMP, Cable - .50"	17
16	QUC04735	CLAMP, Cable - .62"	19
17	QUC04750	CLAMP, Cable - 1"	3
18	PNF08205	ADAPTER	2
19	PNF07250	ELBOW, 90°	18
20	159864	DECAL	2
21	170455	HOSE (Pivot Packer Cyl. - Rod End)(32.88")	2
22	170079	HOSE (Pivot Packer Inner Strap)(29.88")	2
23	170457	HOSE (Pivot Packer Outer Strap)(20.88")	2

SECTION 1

TAILGATE UPPER LIGHT PANELS (No Center Brake Light)

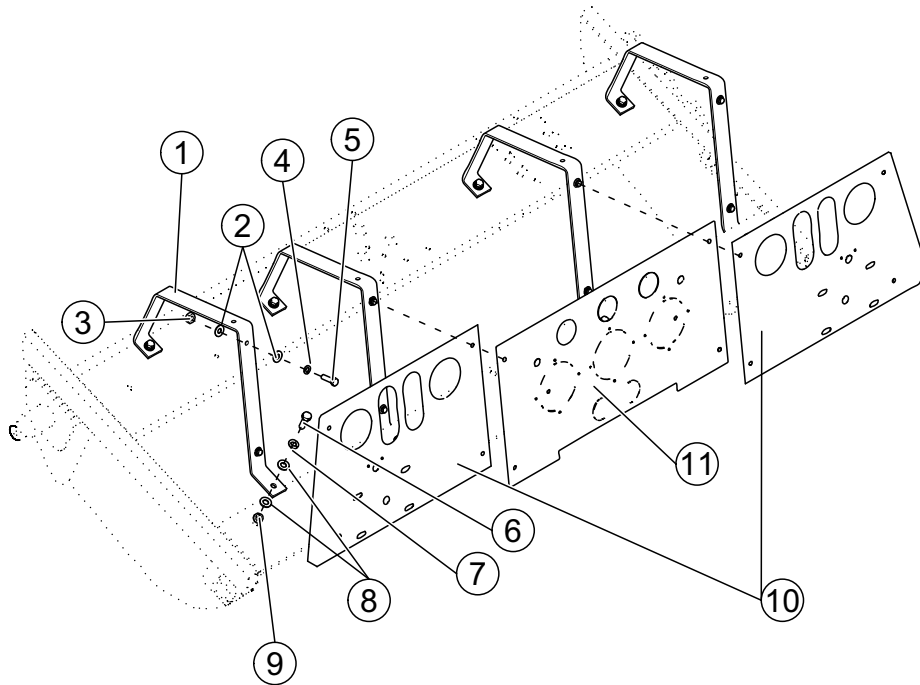
Ref. 821372



REF. NO.	PART NO.	DESCRIPTION	QTY.
1	100654	BRACKET, Light Panel	4
2	QUR01900	WASHER	16
3	QUE00450	NUT	8
4	QUR01275	WASHER	8
5	QUB03501	CAPSCREW	8
6	QUB04503	CAPSCREW	8
7	QUR01300	WASHER	8
8	QUR01905	WASHER	16
9	QUE00550	NUT	8
10	107770	PANEL, Outer - Std.	2
11	159315	PANEL, Center - Std.	1

Ref. 832748

TAILGATE UPPER LT. PANELS (L.S. & R.S Dual Oval Strobes)

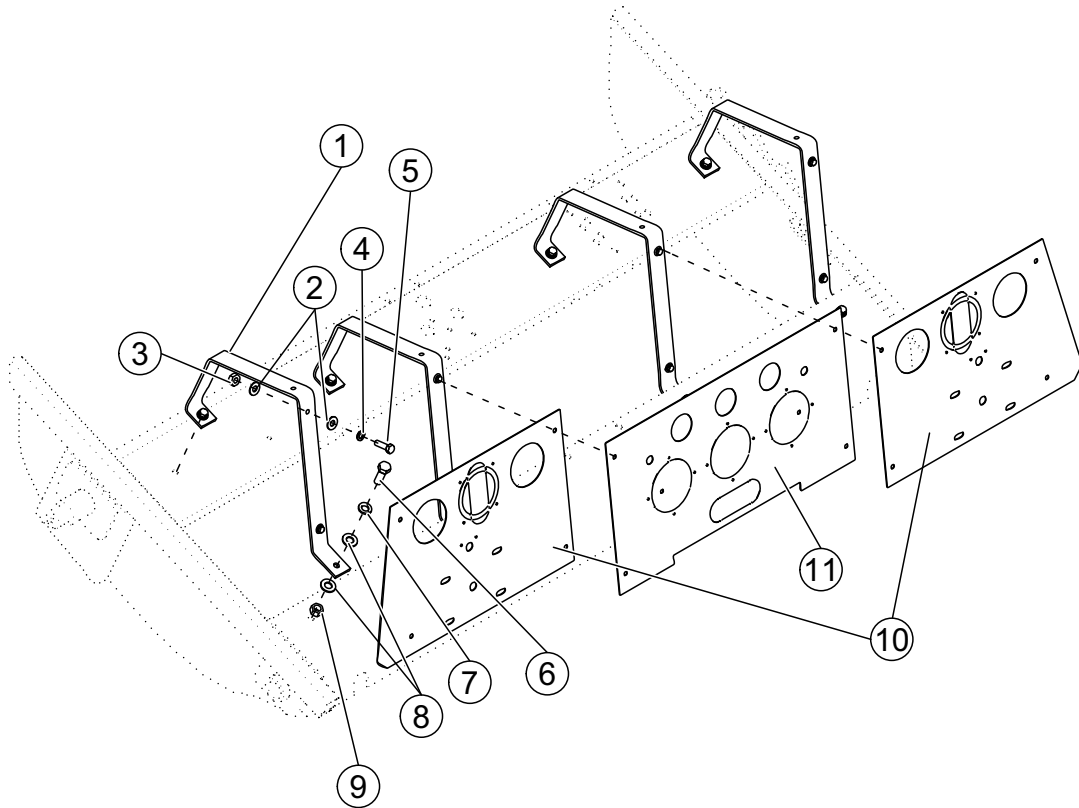


REF. NO.	PART NO.	DESCRIPTION	QTY.
1	100654	BRACKET, Light Panel	4
2	QUR01900	WASHER	16
3	QUE00450	NUT	8
4	QUR01275	WASHER	8
5	QUB03501	CAPSCREW	8
6	QUB04503	CAPSCREW	8
7	QUR01300	WASHER	8
8	QUR01905	WASHER	16
9	QUE00550	NUT	8
10	107560	PANEL, Outer - Std.	2
11	107174	PANEL, Center - Std.	1

SECTION 1

TAILGATE UPPER LT. PANELS (Center Brake Light)

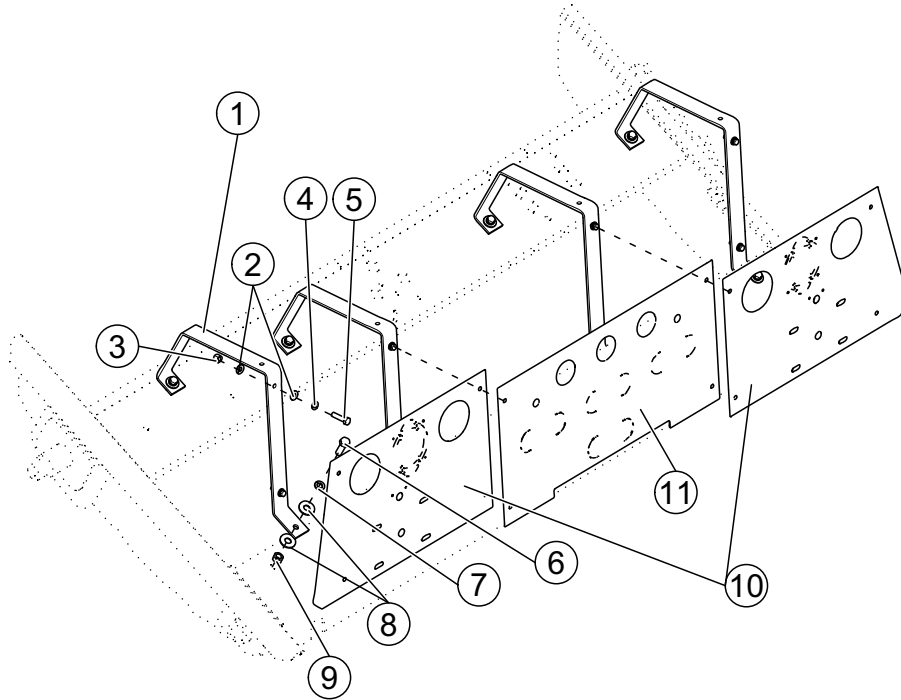
Ref. 832746



REF. NO.	PART NO.	DESCRIPTION	QTY.
1	100654	BRACKET, Light Panel	4
2	QUR01900	WASHER	16
3	QUE00450	NUT	8
4	QUR01275	WASHER	8
5	QUB03501	CAPSCREW	8
6	QUB04503	CAPSCREW	8
7	QUR01300	WASHER	8
8	QUR01905	WASHER	16
9	QUE00550	NUT	8
10	107770	PANEL, Outer - Std.	2
11	107174	PANEL, Center - Std.	1

Ref. 842717

TAILGATE UPPER LT. PANEL (Center Oval Strobes)

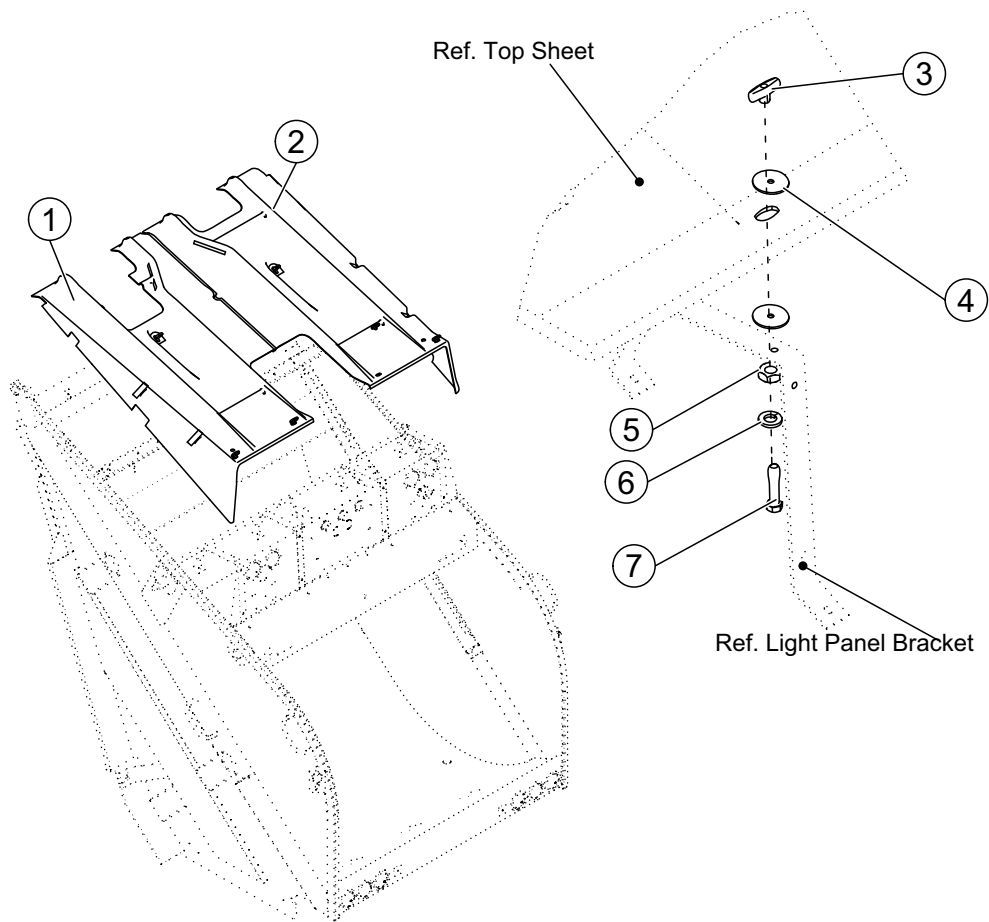


REF. NO.	PART NO.	DESCRIPTION	QTY.
1	100654	BRACKET, Light Panel	4
2	QUR01900	WASHER	16
3	QUE00450	NUT	8
4	QUR01275	WASHER	8
5	QUB03501	CAPSCREW	8
6	QUB04503	CAPSCREW	8
7	QUR01300	WASHER	8
8	QUR01905	WASHER	16
9	QUE00550	NUT	8
10	107770	PANEL, Outer - Std.	2
11	187234	PANEL, Center - Center 3 Oval Strobes	1

SECTION 1

TAILGATE TOP COVERS (Used on Units with Winch)

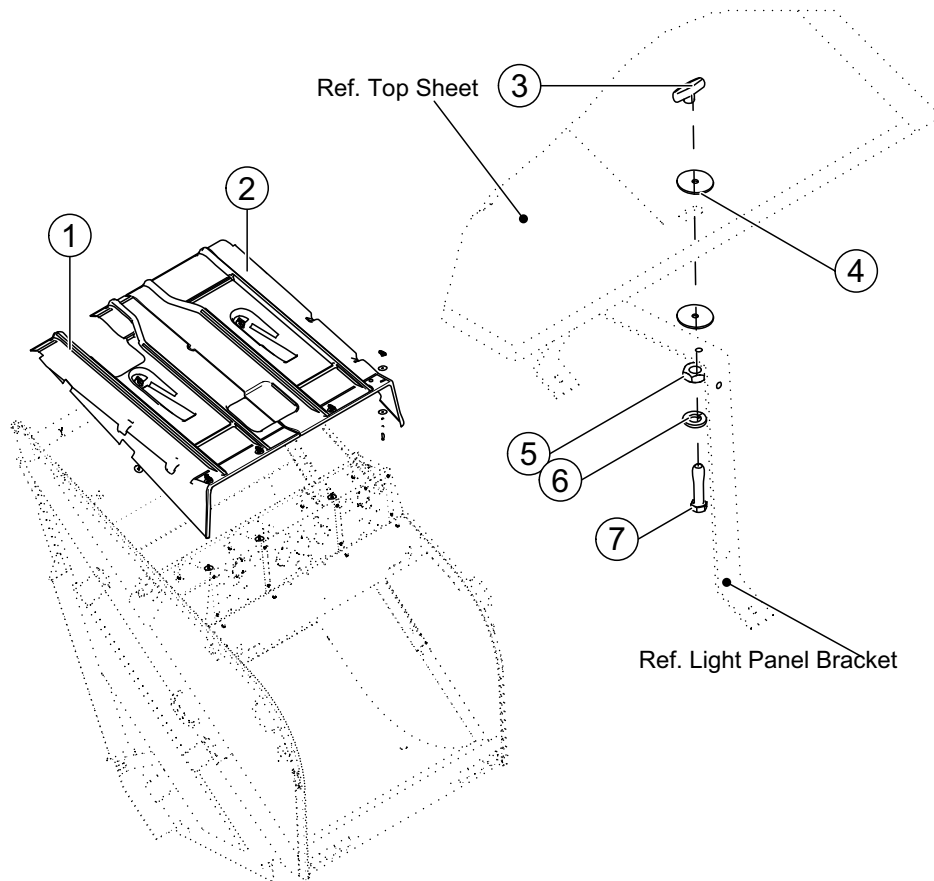
Ref. 848060



REF. NO.	PART NO.	DESCRIPTION	QTY.
1	100571	TAILGATE, Top Cover - L.H.	1
2	100569	TAILGATE, Top Cover - R.H.	1
3	QUB08960	KNOB, "T" Handle Wing	6
4	QUR01904	WASHER, Large	12
5	QUE01296	NUT	6
6	QUR01272	WASHER	6
7	QUB03725	CAPSCREW	6

Ref. 826244

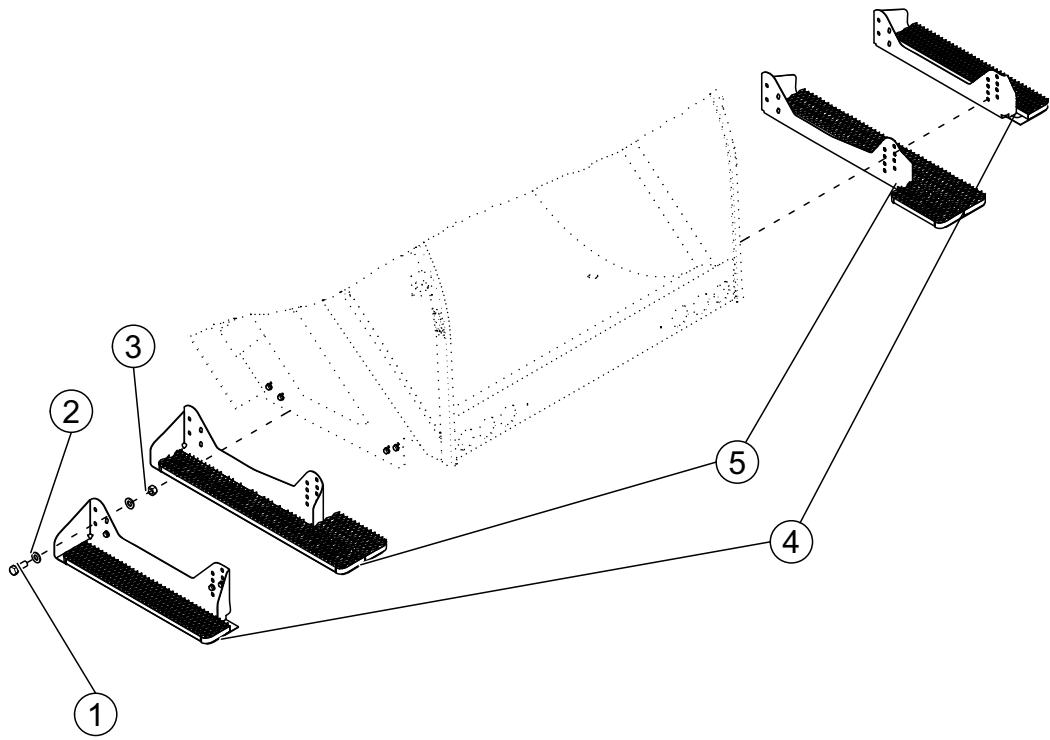
TAILGATE TOP COVERS (Used on Standard Units)



REF. NO.	PART NO.	DESCRIPTION	QTY.
1	100572	TAILGATE, Top Cover - L.H.	1
2	100570	TAILGATE, Top Cover - R.H.	1
3	QUB08960	KNOB, "T" Handle Wing	6
4	QUR01904	WASHER, Large	12
5	QUE01296	NUT	6
6	QUR01272	WASHER	6
7	QUB03725	CAPSCREW	6

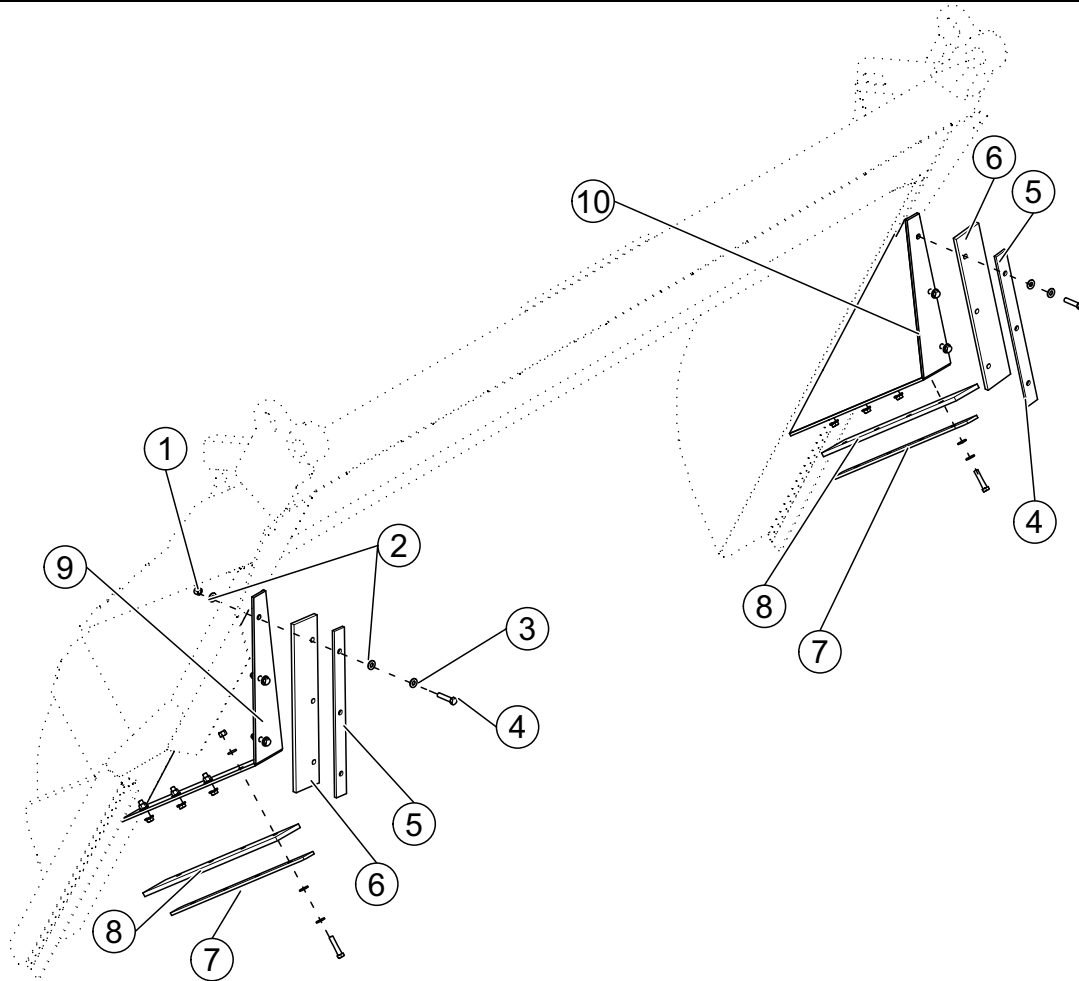
SECTION 1

TAILGATE STEPS



REF. NO.	PART NO.	DESCRIPTION	QTY.
1	QUB05156	CAPSCREW	8
2	QUR02130	WASHER	16
3	QUE02416	NUT	8
4	100461	STEP - Std. - L.S. <i>Ref. 826115, 826641, 828215, 832291, 862117</i>	1
	100460	STEP - Std. - R.S. <i>Ref. 826115, 826641, 828215, 832291, 862117</i>	1
5	101374	STEP - Max. - L.S. <i>Ref. 826116, 828216, 862020</i>	1
	101375	STEP - Max. - R.S. <i>Ref. 826116, 828216, 862020</i>	1

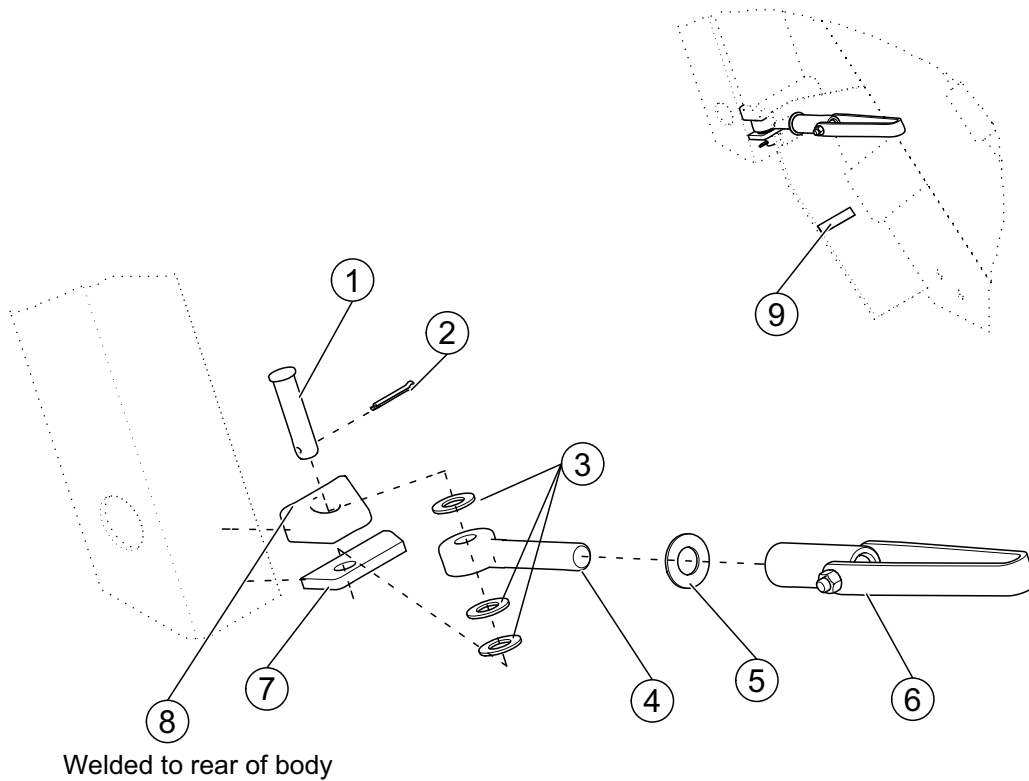
TAILGATE EXTENDED SEAL



REF. NO.	PART NO.	DESCRIPTION	QTY.
1	QUE01302	NUT	14
2	QUR01902	WASHER	28
3	QUR01272	WASHER	14
4	QUB03730	CAPSCREW	14
5	101152	BAR	2
6	101150	SEAL, Rubber	2
7	101153	BAR	2
8	101150	SEAL, Rubber	2
9	101142	EXTENSION - R.S. (Welded to TG)	1
10	101141	EXTENSION - L.S. (Welded to TG)	1

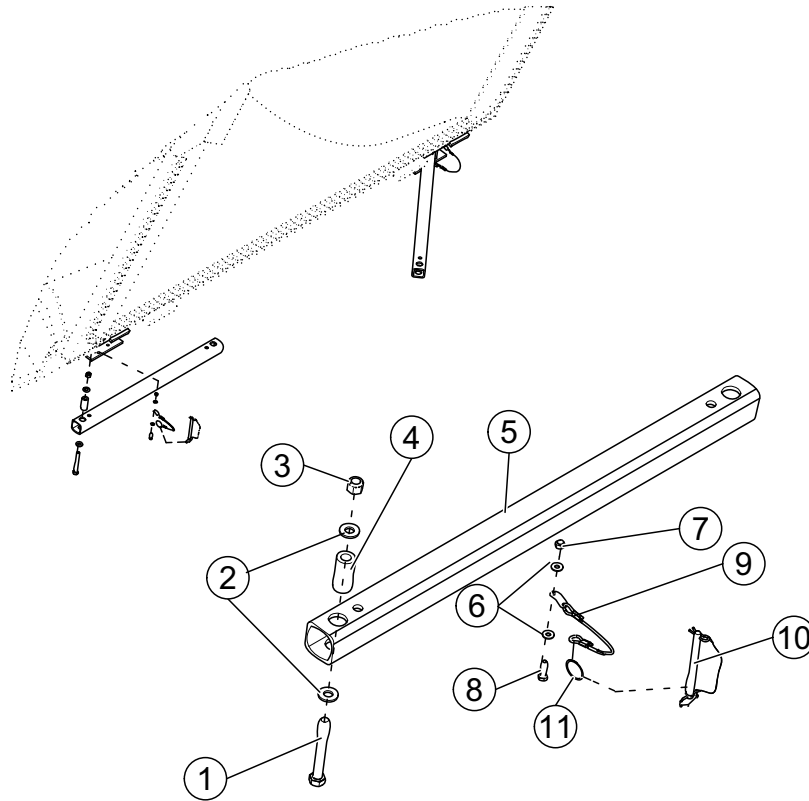
SECTION 1

TAILGATE LATCH - Standard



REF. NO.	PART NO.	DESCRIPTION	QTY.
1	158313	PIN	2
2	QUP03700	PIN, Cotter	2
3	QUR02100	WASHER	6
4	85904	BOLT, Latch	2
5	QUR02721	WASHER	2
6	85901	ASSY., Latch	1
7	100677	PLATE, Lower Latch	2
8	100672	GUIDE, Tailgate L.S.	1
	100671	GUIDE, Tailgate R.S.	1
9	69161	GUARD, Plastic	2
	85957	ASSY., Latch (Includes Items 1 Through 6)	

TAILGATE SAFETY PROPS

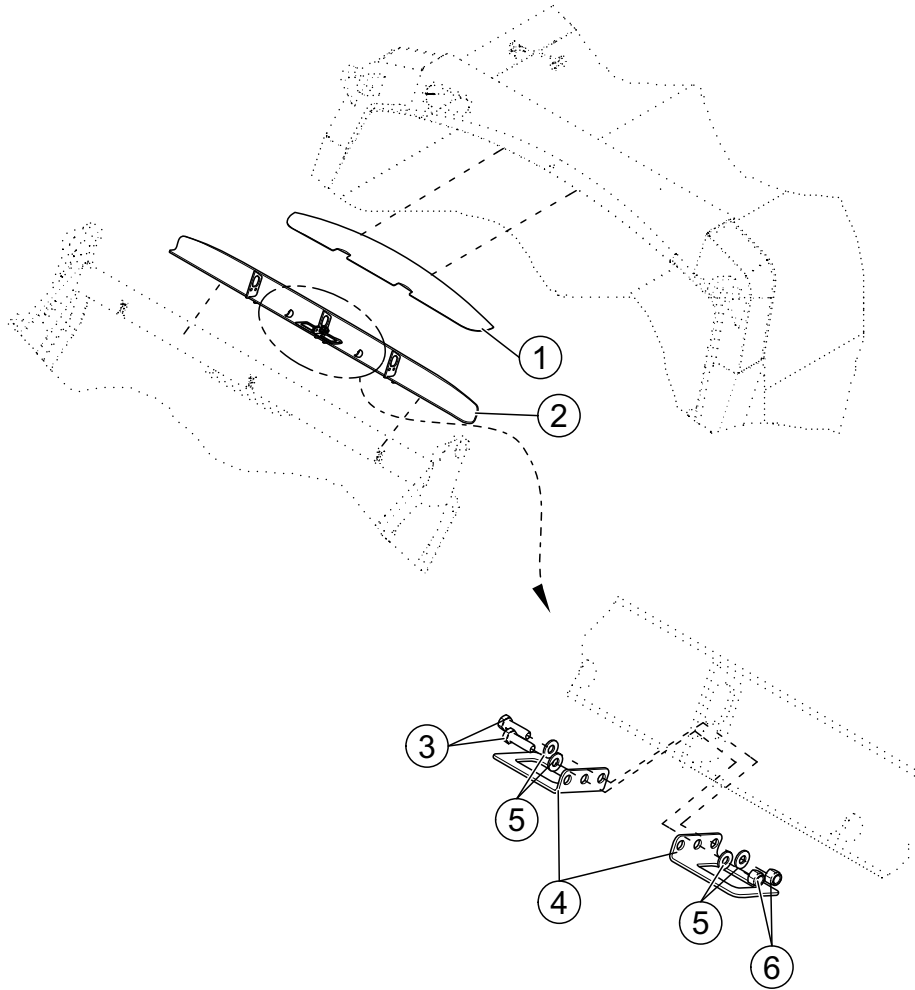


REF. NO.	PART NO.	DESCRIPTION	QTY.
1	QUB04865	CAPSCREW	2
2	QUR01912	WASHER	4
3	QUE01500	NUT	2
4	100183	BUSHING	2
5	100184	PROP	2
6	QUR01695	WASHER	4
7	QUE01175	NUT	2
8	QUB02120	CAPSCREW	2
9	QUE11000	ASSY., Cable	2
10	QUP02416	PIN, Hitch	2
11	QUR14000	RING, Snap	2

SECTION 1

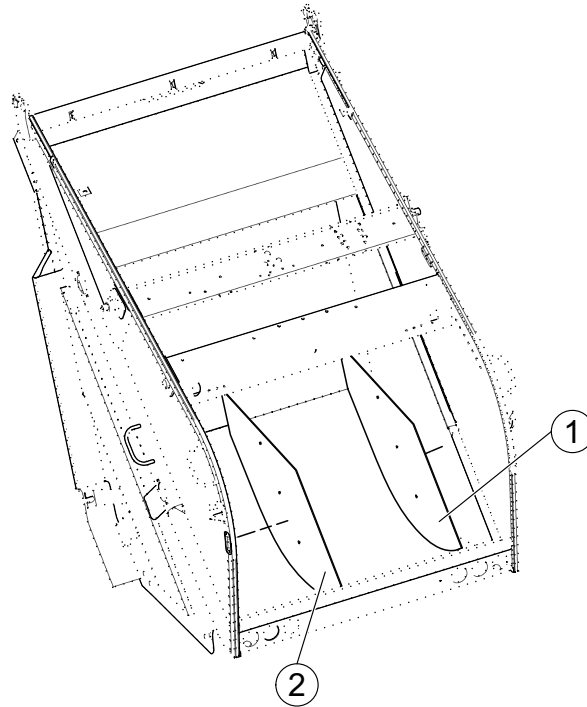
TAILGATE DEFLECTOR

Ref. 832549



REF. NO.	PART NO.	DESCRIPTION	QTY.
1	107610	DEFLECTOR, Body Side	1
2	107611	DEFLECTOR, Tailgate Side	1
3	QUB03501	CAPSCREW	2
4	107296	SUPPORT, Top Sheets	2
5	QUR01902	WASHER	4
6	QUE01302	NUT	2

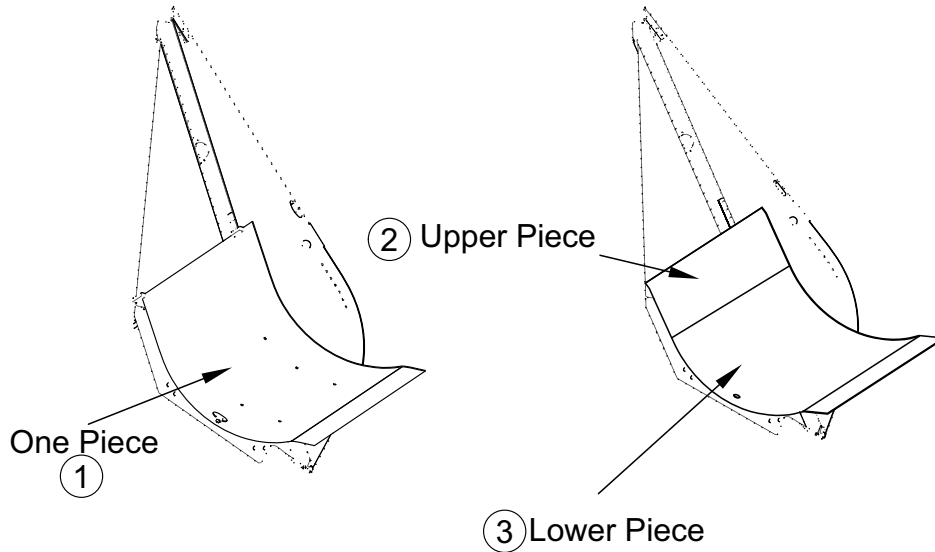
HOPPER SIDE LINERS



REF. NO.	PART NO.	DESCRIPTION	QTY.
1	101030	LINER, Both Sides Hopper (1/4" A514 100K) <i>Ref. 826780</i>	2 Per Unit
	189243	LINER, R.S. Side Hopper (3/16" AR200) <i>Ref. 859402</i>	1
	195556	LINER, Both Sides Hopper (1/4" Hardox 450) <i>Ref. 865478</i>	2 Per Unit
	200546	LINER, R.S.Side Hopper (3/16" Hardox 450) <i>Ref. 877900</i>	1
2	189215	LINER, L.S. Side Hopper (3/16" AR200) <i>Ref. 859402</i>	1
	200547	LINER, L.S.Side Hopper (3/16" Hardox 450) <i>Ref. 877900</i>	1

SECTION 1

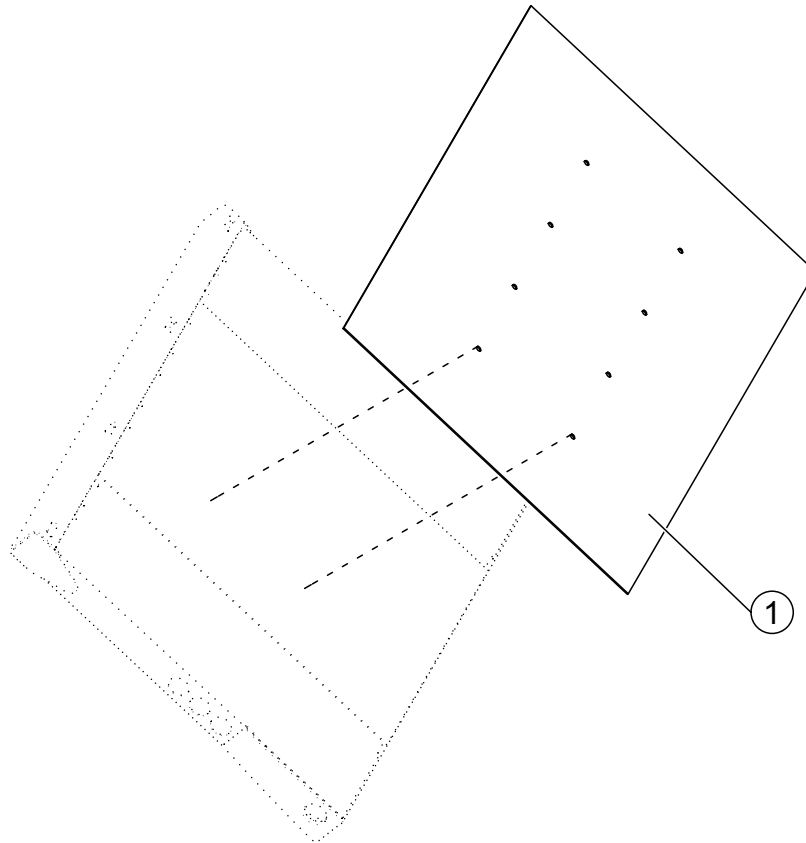
HOPPER FLOOR LINERS



REF. NO.	PART NO.	DESCRIPTION	QTY.
1	101795	LINER, Hopper - 1 Piece (1/4"A514 100K) <i>Ref. 826779</i>	1
2	101032	LINER, Upper Hopper (1/4" CHT100 AR) <i>Ref. 826781, 832556</i>	1
	107765	LINER, Upper Hopper (1/4" Hardox 450) <i>Ref. 832740</i>	1
	188130	LINER, Upper Hopper (3/16" Hardox 450) <i>Ref. 857649</i>	1
3	195558	LINER, Lower Hopper (1/4" Hardox 450) <i>Ref. 865479</i>	1
	188131	LINER, Lower Hopper (3/16" Hardox 450) <i>Ref. 857649</i>	1
	101031	LINER, Upper Hopper (1/4" CHT100 AR) <i>Ref. 832556</i>	1

Ref. 826777

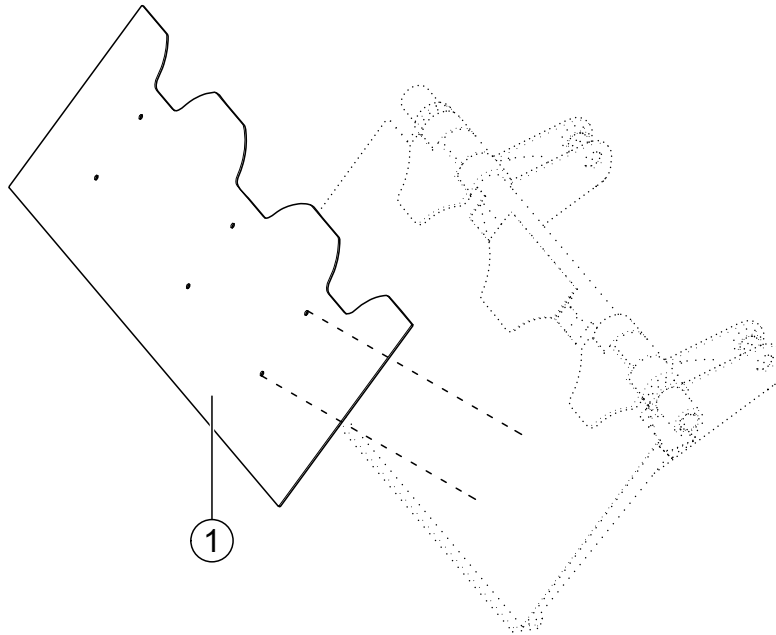
CARRIER FACE LINER - Strap Style Packer



REF. NO.	PART NO.	DESCRIPTION	QTY.
1	100832	LINER, Carrier (3/16" 50W)	1

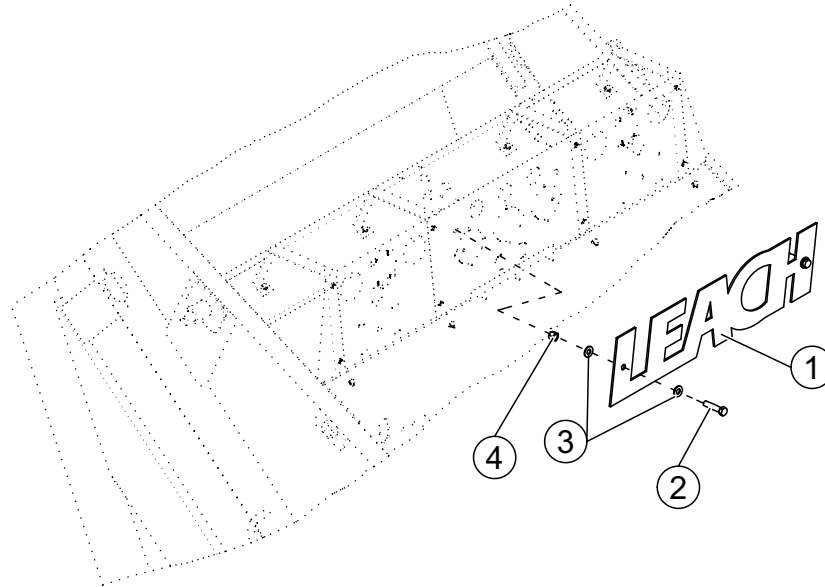
SECTION 1

PACKER FACE LINER - Strap Style Packer



REF. NO.	PART NO.	DESCRIPTION	QTY.
1	170134	LINER, Packer (1/4" 50W) <i>Ref. 847252</i>	1
	159447	LINER, Packer (3/16" Hardox 450) <i>Ref. 834855</i>	1

TAILGATE LEACH SIGN INSTALLATION

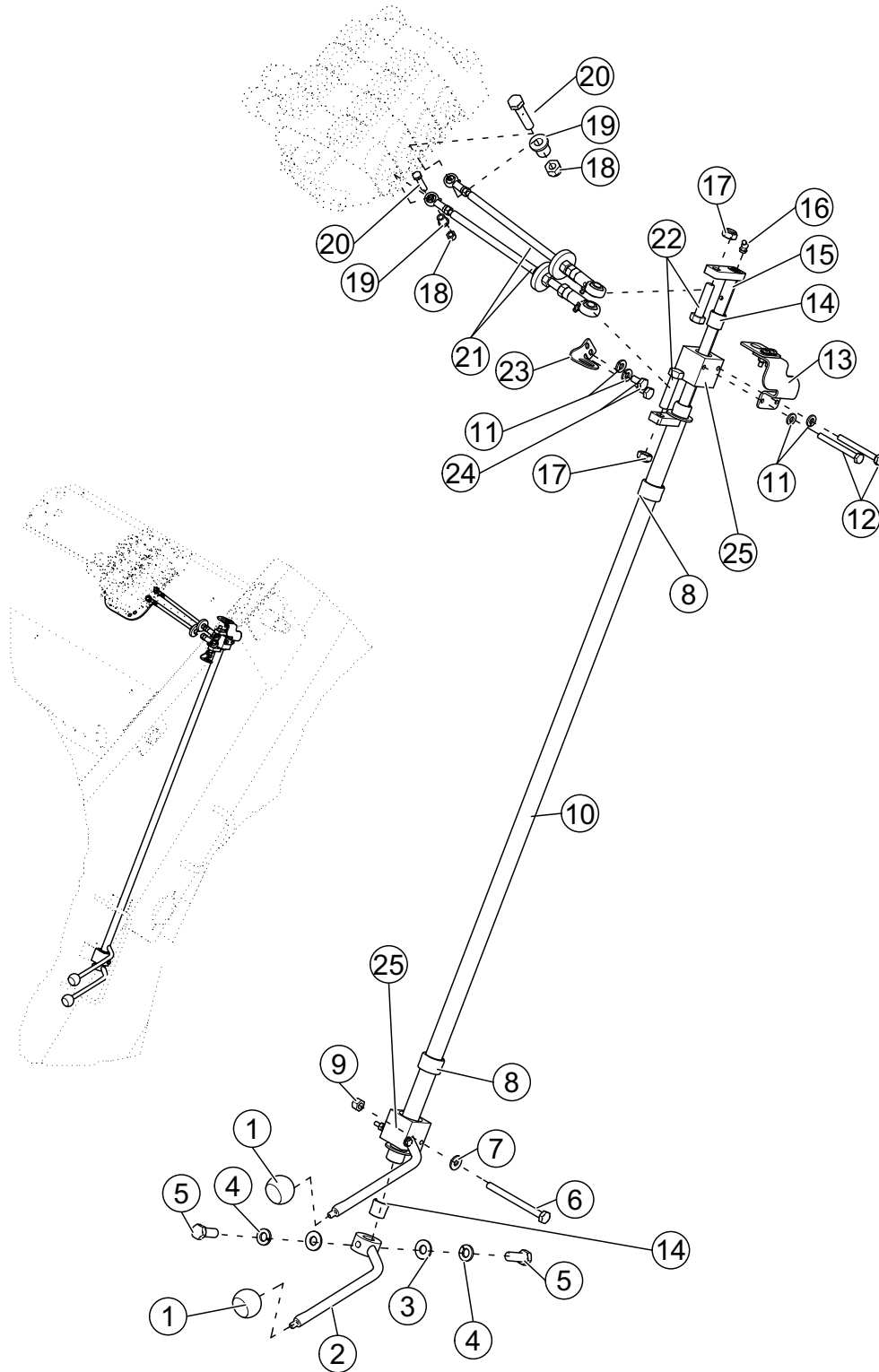


REF. NO.	PART NO.	DESCRIPTION	QTY.
1	100607	SIGN, Leach - White	1
	100608	SIGN, Leach - Blue	1
2	QUB03730	CAPSCREW	2
3	QUR01902	WASHER	4
4	QUE01302	NUT	2

SECTION 1

T.G. OPERATING CONTROLS (Packer/Carrier Functions)

Ref. 826005,834949,
876898



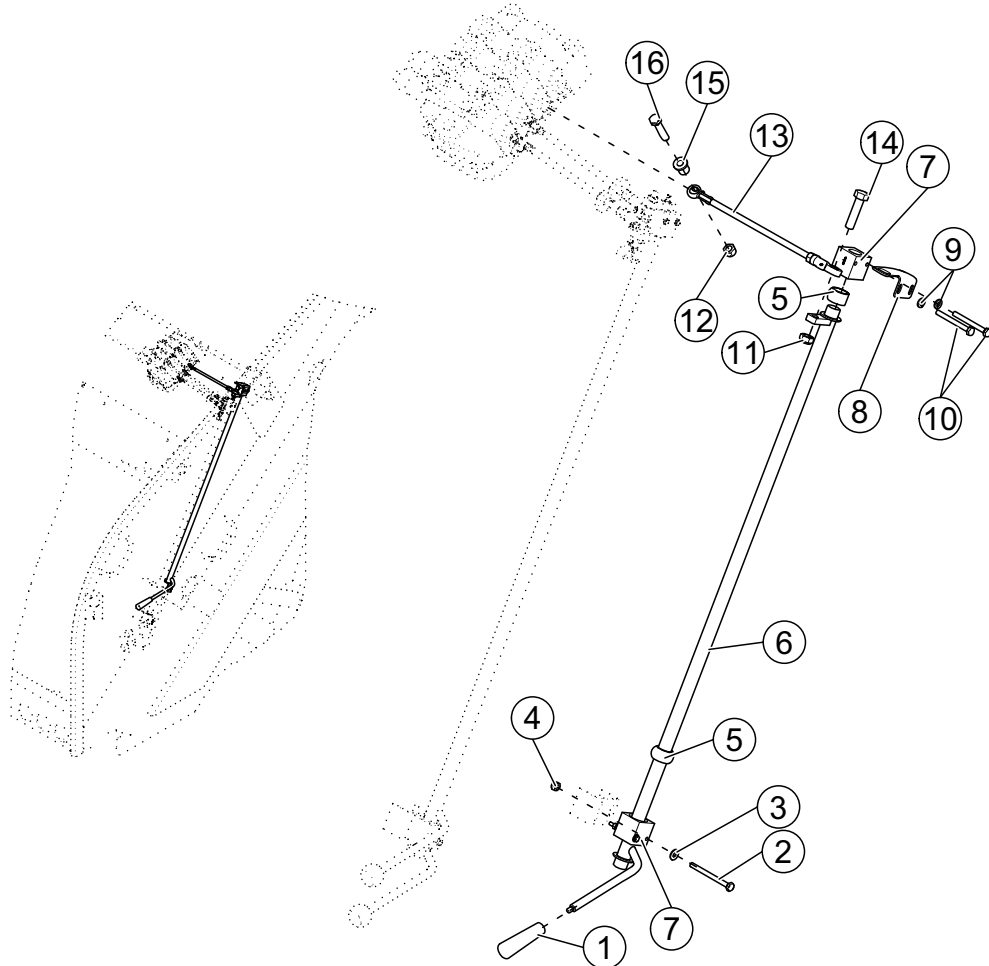
T.G. OPERATING CONTROLS (Packer/Carrier Functions)

REF. NO.	PART NO.	DESCRIPTION	QTY.
1	QUB08950	KNOB, Ball	2
2	100078	WELDMENT, Control Rod Handle	1
3	QR01902	WASHER	2
4	QUR01272	WASHER	2
5	QUB03401	CAPSCREW	2
6	QUB02430	CAPSCREW	2
7	QUR01695	WASHER	2
8	100069	BUSHING (1.165" I.D. Nyloil Green)	2
9	QUE01175	NUT	2
10	100071	WELDMENT, Tube - Control Rod (Carrier Function)	1
11	QUR01261	WASHER	4
12	QUB02405	CAPSCREW	2
13	102639	ASSY., Proximity Sensor	1
14	100068	BUSHING (.780" I.D. Nyloil Green)	2
15	100075	WELDMENT, Rod - Control Rod (Packer Function)	1
16	QUG00250	FITTING, Grease (.125" - 27 X45° NPT)	1
17	QUE01500	NUT	2
18	QUE01205	NUT	2
19	QUB00640	BEARING, Spool	2
20	QUB03001	CAPSCREW	2
21	101979	ASSY., Control Rod (See Page 62 for Components)	2
22	QUB06250	CAPSCREW	2
23	107600	BRACKET, Proximity Sensor	1
24	QUB01910	CAPSCREW	2
25	100070	BLOCK, Bearing (Does Not Include Busings Items 8 & 14)	2

SECTION 1

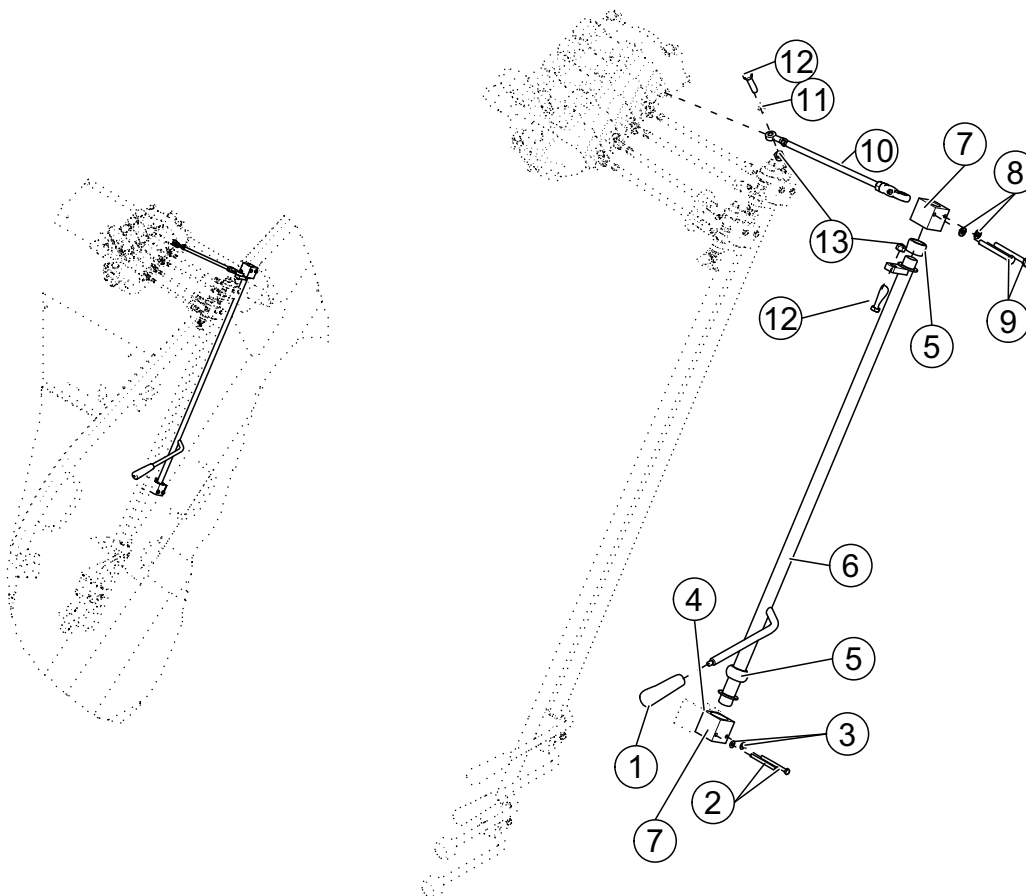
T.G. OPTION CONTROLS (Optional 3rd Section)

Ref. 874141



REF. NO.	PART NO.	DESCRIPTION	QTY.
1	QUB08970	KNOB, Tapered	1
2	QUB02430	CAPSCREW	2
3	QUR01695	WASHER	2
4	QUE01175	NUT	2
5	100069	BUSHING (1.165" I.D. Nyloil Green)	2
6	100614	WELDMENT, Tube - Control Rod (3rd Section Function)	1
7	100070	BLOCK, Bearing (Does Not Include Busings Items 5)	2
8	215113	BRACKET, Proximity Sensor (Used if 3rd Section Req's Sensor)	1
9	QUR01261	WASHER	2
10	QUB02405	CAPSCREW	2
11	QUE01500	NUT	1
12	QUE01205	NUT	1
13	101978	ASSY., Control Rod (See Page 61 for Components)	1
14	QUB06250	CAPSCREW	1
15	QUB00640	BEARING, Spool	1
16	QUB03001	CAPSCREW	1

T.G. OPTION CONTROLS (Optional 5th Section)

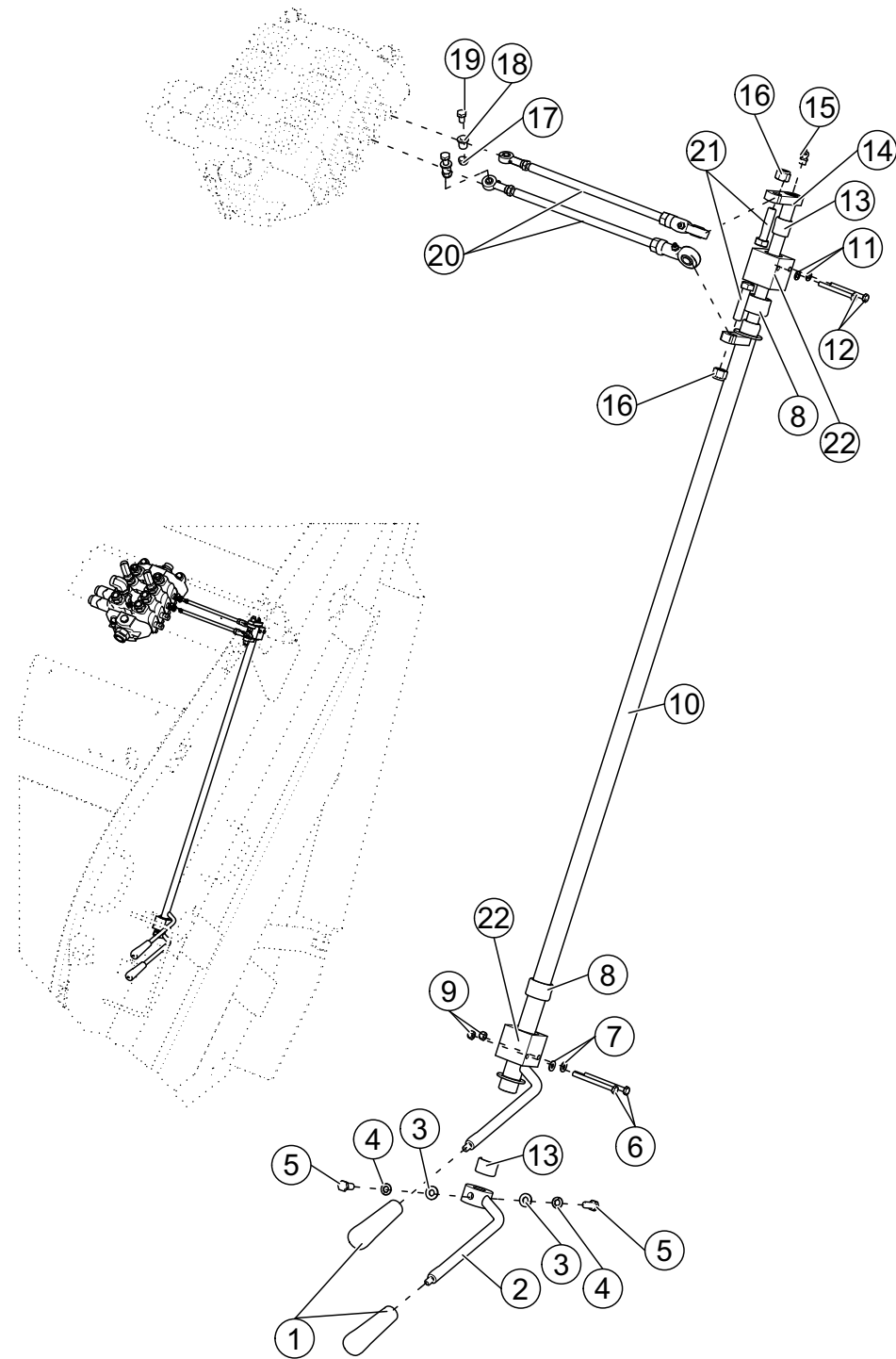


REF. NO.	PART NO.	DESCRIPTION	QTY.
1	QUB08970	KNOB, Tapered	1
2	QUB02430	CAPSCREW	2
3	QUR01695	WASHER	2
4	QUE01175	NUT	2
5	100069	BUSHING (1.165" I.D. Nyloil Green)	2
6	107003	WELDMENT, Tube - Control Rod (5th Section Function)	1
7	100070	BLOCK, Bearing (Does Not Include Busings Items 5)	2
8	QUR01261	WASHER	2
9	QUB02405	CAPSCREW	2
10	101978	ASSY., Control Rod (See Page 61 for Components)	1
11	QUB00640	BEARING, Spool	1
12	QUB03001	CAPSCREW	2
13	QUE01205	NUT	2

SECTION 1

T.G. OPERATING CONTROLS (Optional 3rd & 4th Section)

Ref. 826438



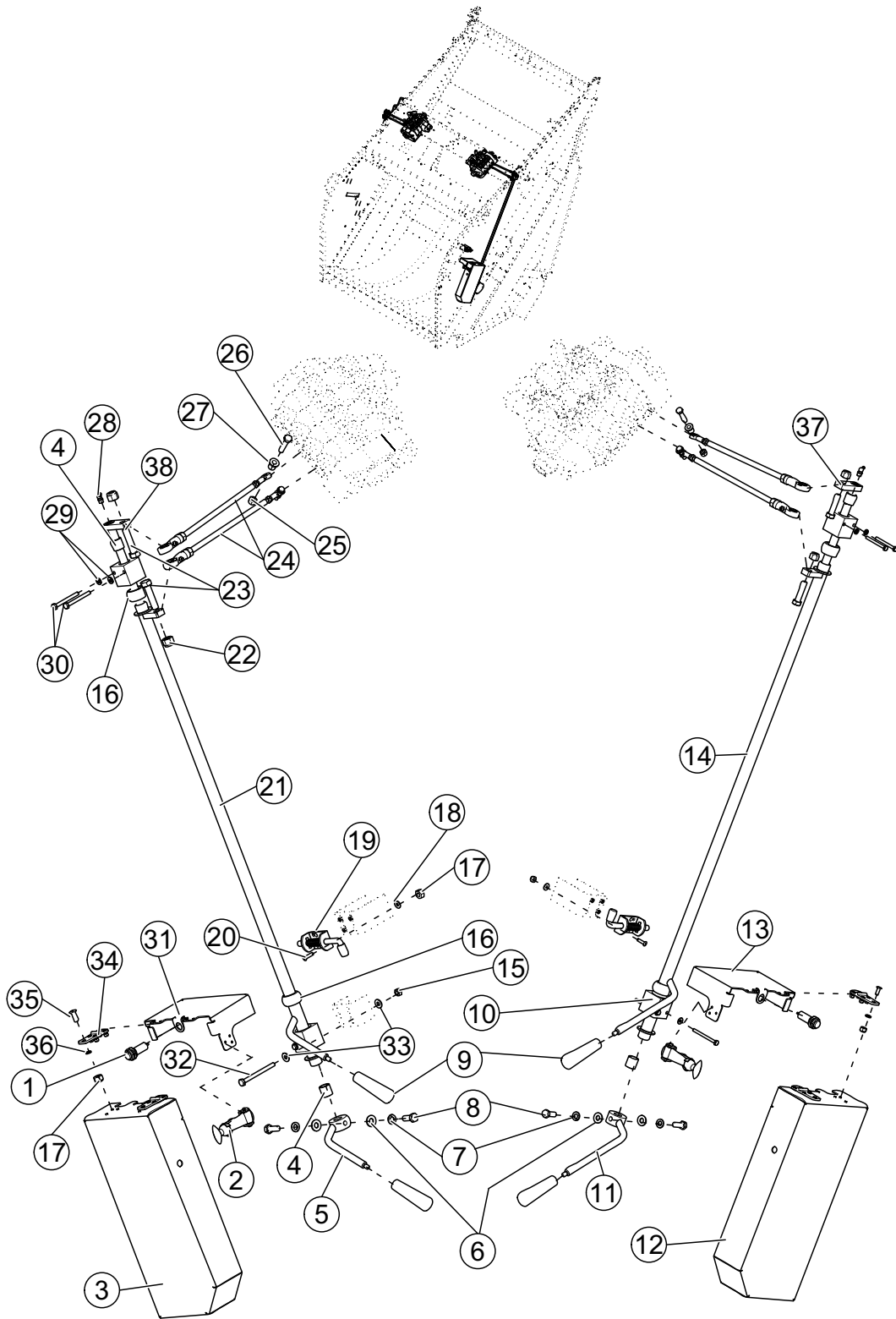
T.G. OPERATING CONTROLS (Optional 3rd & 4th Section)

REF. NO.	PART NO.	DESCRIPTION	QTY.
1	QUB08970	KNOB, Tapered	2
2	100078	WELDMENT, Control Rod Handle	1
3	QUR01902	WASHER	2
4	QUR01272	WASHER	2
5	QUB03401	CAPSCREW	2
6	QUB02430	CAPSCREW	2
7	QUR01695	WASHER	2
8	100069	BUSHING (1.165" I.D. Nyloil Green)	2
9	QUE01175	NUT	2
10	100614	WELDMENT, Tube - Control Rod (3rd Section Function)	1
11	QUR01261	WASHER	2
12	QUB02405	CAPSCREW	2
13	100068	BUSHING (.780" I.D. Nyloil Green)	2
14	100937	WELDMENT, Rod - Control Rod (4th Section Function)	1
15	QUG00250	FITTING, Grease (.125" - 27 X45° NPT)	1
16	QUE01500	NUT	2
17	QUE01205	NUT	2
18	QUB00640	BEARING, Spool	2
19	QUB03001	CAPSCREW	2
20	101978	ASSY., Control Rod (See Page 61 for Components)	2
21	QUB06250	CAPSCREW	2
22	100070	BLOCK, Bearing (Does Not Include Busings Items 8 & 14)	2

SECTION 1

T.G. DUAL OPERATING CONTROLS

Ref. 876641



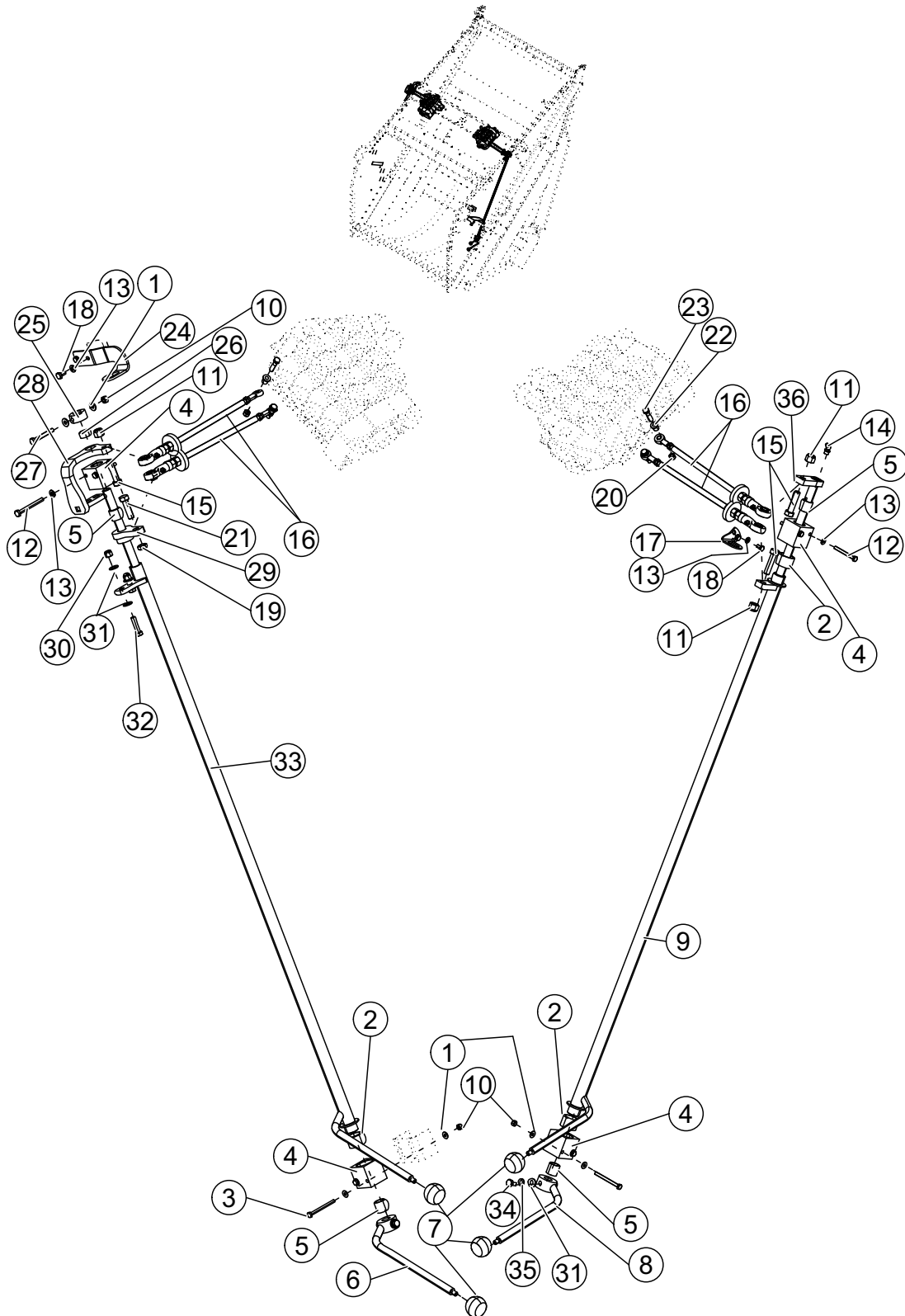
T.G. DUAL OPERATING CONTROLS

REF. NO.	PART NO.	DESCRIPTION	QTY.
1	100155	SENSOR, Proximity	2
2	QUP01450	LATCH	2
3	200360	COVER, Controls	1
4	100068	BUSHING (.780" I.D. Nyloil Green)	4
5	213151	WELDMENT, Control Rod Handle	1
6	QUR01902	WASHER	4
7	QUR01272	WASHER	4
8	QUB03401	CAPSCREW	4
9	QUB08970	KNOB, Tapered	4
10	100070	BLOCK, Bearing (Does Not Include Bushings Items 4 & 16)	4
11	100078	WELDMENT, Control Rod Handle	1
12	200363	COVER, Controls	1
13	200362	SUPPORT, Cover	1
14	100614	WELDMENT, Tube - Control Rod (3rd Section R.S. MOV)	1
15	QUE01175	NUT	4
16	100069	BUSHING (1.165" I.D. Nyloil Green)	4
17	QUE01070	NUT	20
18	QUR01600	WASHER	8
19	104444	ASSY, Latch	2
20	QUV00735	CAPSCREW, Pan Head	8
21	213131	WELDMENT, Tube - Control Rod (1st Section L.S. MOV)	1
22	QUE01500	NUT	4
23	QUB06250	CAPSCREW	4
24	101978	ASSY., Control Rod (See Page 61 for Components)	4
25	QUE01205	NUT	4
26	QUB03001	CAPSCREW	4
27	QUB00640	BEARING, Spool	4
28	QUG00250	FITTING, Grease (.125" - 27NPT X 45°)	2
29	QUR01261	WASHER	4
30	QUB02405	CAPSCREW	4
31	200359	SUPPORT, Cover	1
32	QUB02430	CAPSCREW	4
33	QUR01695	WASHER	8
34	QUP06050	HINGE	4
35	QUV00728	CASPSCREW, Flat Head	20
36	QUR01255	WASHER	20
37	100937	WELDMENT, Rod - Control Rod (4th Section R.S. MOV)	1
38	213146	WELDMENT, Rod - Control Rod (2nd Section L.S. MOV)	1

SECTION 1

T.G. DUAL OPERATING CONTROLS

Ref. 877807



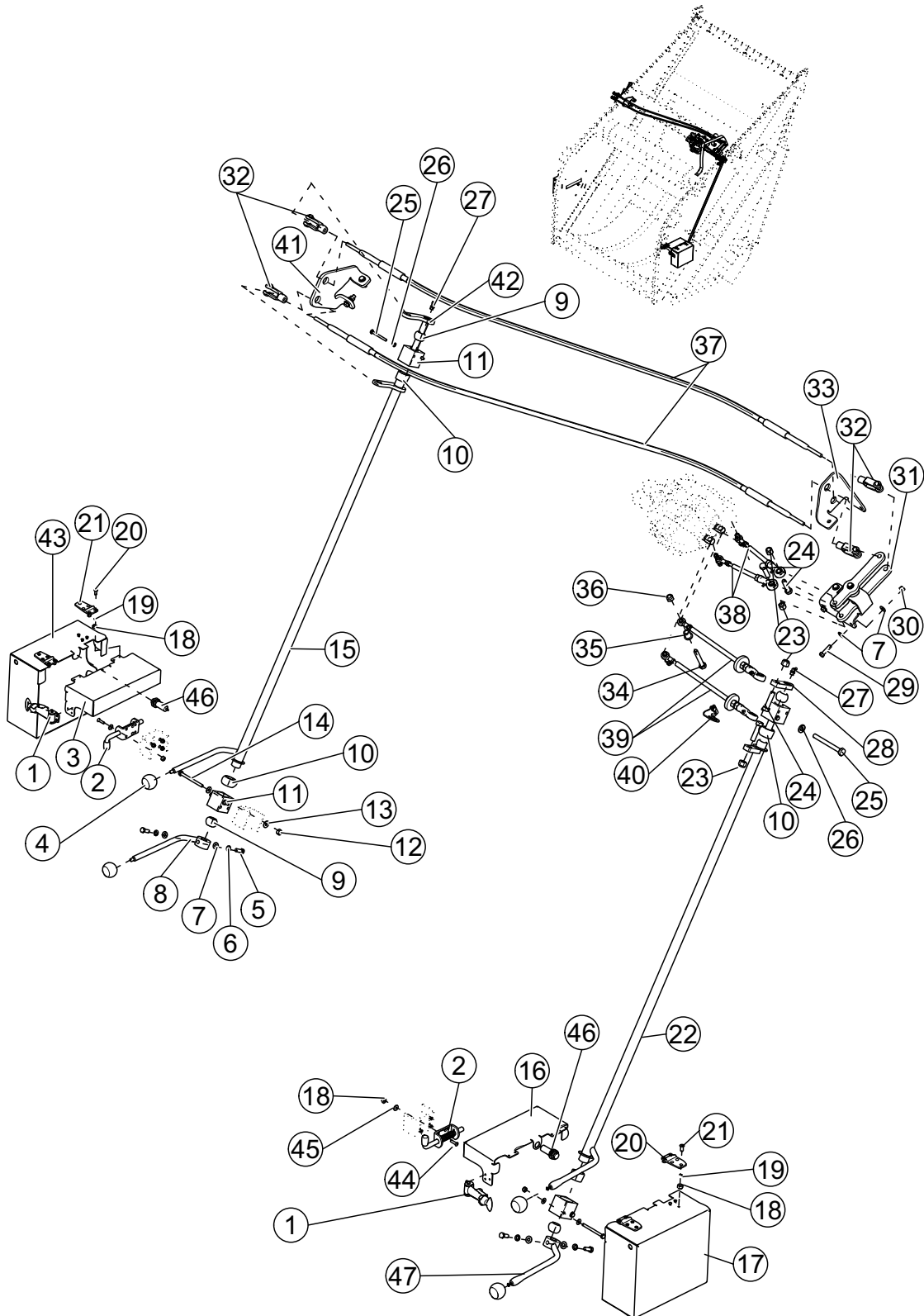
T.G. DUAL OPERATING CONTROLS

REF. NO.	PART NO.	DESCRIPTION	QTY.
1	QUR01695	WASHER	10
2	100069	BUSHING (.1165" I.D. Nyloil Green)	3
3	QUB02430	CAPSCREW	4
4	100070	BLOCK, Bearing (Does Not Include Bushings Items 2 & 5)	4
5	100068	BUSHING (.780" I.D. Nyloil Green)	4
6	213142	WELDMENT, Control Rod Handle	1
7	QUB08950	KNOB, Ball	4
8	100078	WELDMENT, Control Rod Handle	1
9	100071	WELDMENT, Tube - Control Rod (1st Section R.S. MOV)	1
10	QUE01175	NUT	5
11	QUE01500	NUT	3
12	QUB02405	CAPSCREW	4
13	QUR01261	WASHER	8
14	QUG00250	FITTING, Grease (.125" - 27NPT X 45°)	1
15	QUB06250	CAPSCREW	3
16	101979	ASSY., Control Rod (See Page 62 for Components)	4
17	107600	SUPPORT, Proximity Sensor	1
18	QUB01910	CAPSCREW	4
19	QUE01495	NUT	1
20	QUE01205	NUT	4
21	QUB04601	CAPSCREW	1
22	QUB00640	BEARING, Spool	4
23	QUB03001	CAPSCREW	4
24	213145	SUPPORT, Proximity Sensor	1
25	213145	COLLAR	1
26	213144	BUSHING (.780" I.D. X ½" Lg. Nyloil Green)	1
27	QUB02310	CAPSCREW	1
28	213139	ASSY., Linkage Bar	1
29	213133	WELDMENT, Rod - Control Rod (3rd Section L.S. MOV)	1
30	QUE01302	NUT	2
31	QUR01902	WASHER	8
32	QUB06200	CAPSCREW	2
33	213132	WELDMENT, Tube - Control Rod (4th Section L.S. MOV)	1
34	QUB03401	CAPSCREW	4
35	QUR01272	WASHER	4
36	100075	WELDMENT, Rod - Control Rod (2nd Section R.S. MOV)	1

SECTION 1

T.G. DUAL OPERATING CONTROLS - Cable

Ref. 850430, 872911



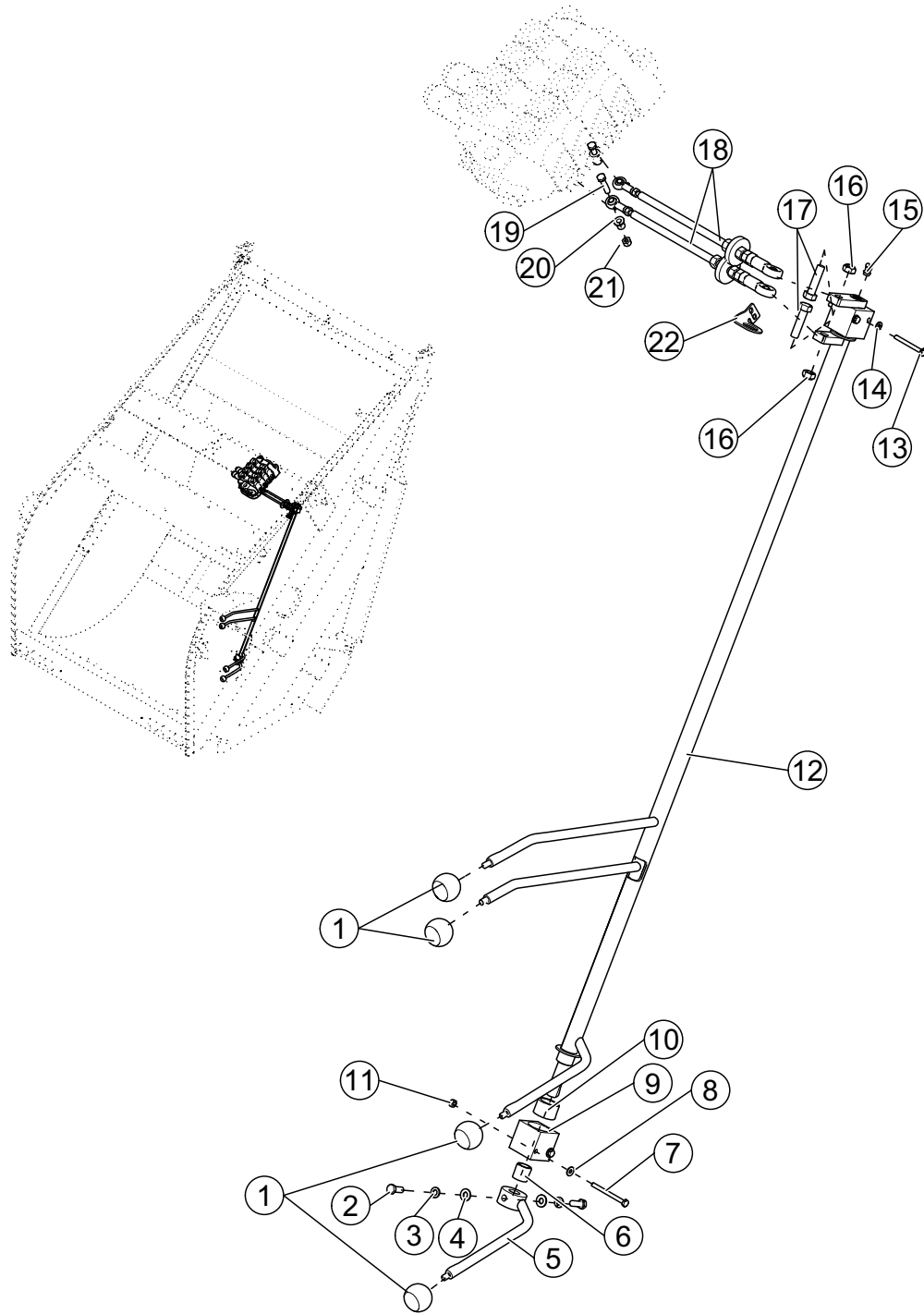
T.G. DUAL OPERATING CONTROLS - Cable

REF. NO.	PART NO.	DESCRIPTION	QTY.
1	QUP01450	LATCH	2
2	104444	ASSY., Latch	2
3	104223	SUPPORT, Cover	1
4	QUB08950	KNOB, Ball	4
5	QUB03401	CAPSCREW	4
6	QUR01272	WASHER	4
7	QUR01902	WASHER	22
8	107702	WELDMENT, Control Rod Handle	1
9	100068	BUSHING (.780" I.D. Nyloil Green)	4
10	100069	BUSHING (1.165" I.D. Nyloil Green)	4
11	100070	BLOCK, Bearing (Does Not Include Busings Items 9 & 10)	4
12	QUE01175	NUT	4
13	QUR01695	WASHER	8
14	QUB02430	CAPSCREW	4
15	107700	WELDMENT, Tube - Control Rod (1st Section L.S. Ctrls)	1
16	104232	SUPPORT, Cover	1
17	104224	COVER, Controls	1
18	QUE01070	NUT	28
19	QUR01255	WASHER	20
20	QUV00728	CAPSCREW, Flat Head	20
21	QUP06050	HINGE	4
22	100071	WELDMENT, Tube - Control Rod (1st Section R.S. Ctrls)	1
23	QUE01500	NUT	6
24	QUB06250	CAPSCREW	4
25	QUB02405	CAPSCREW	4
26	QUR01261	WASHER	6
27	QUG00250	FITTING, Grease (.125" - 27NPT X 45°)	2
28	100075	WELDMENT, Rod - Control Rod (2nd Section R.S. Ctrls)	1
29	QUB06200	CAPSCREW	9
30	QUE01302	NUT	9
31	205341	ASSY., Pivot	1
32	QUY00480	ASSY., Yoke (Includes Pin & Cotter Pin)	4
33	107688	SUPPORT, Cable	1
34	QUB03101	CAPSCREW	2
35	QUB00640	BEARING, Spool	2
36	QUE01205	NUT	2
37	CIC00807	ASSY., Cable	2
38	107697	ASSY., Control Rod (See Page 63 for Components)	2
39	101979	ASSY., Control Rod (See Page 62 for Components)	2
40	107600	SUPPORT, Proximity Sensor	1
41	107690	SUPPORT, Cable	1
42	107701	WELDMENT, Rod - Control Rod (2nd Section L.S. Ctrls)	1
43	104225	COVER, Controls	1
44	QUV00735	CAPSCREW, Flat Head	8
45	QUR01600	WASHER	8
46	100155	SENSOR, Proximity	2
47	100078	WELDMENT, Control Rod Handle	1

SECTION 1

T.G.DOCK LEVEL OPERATING CONTROLS

Ref. 826006

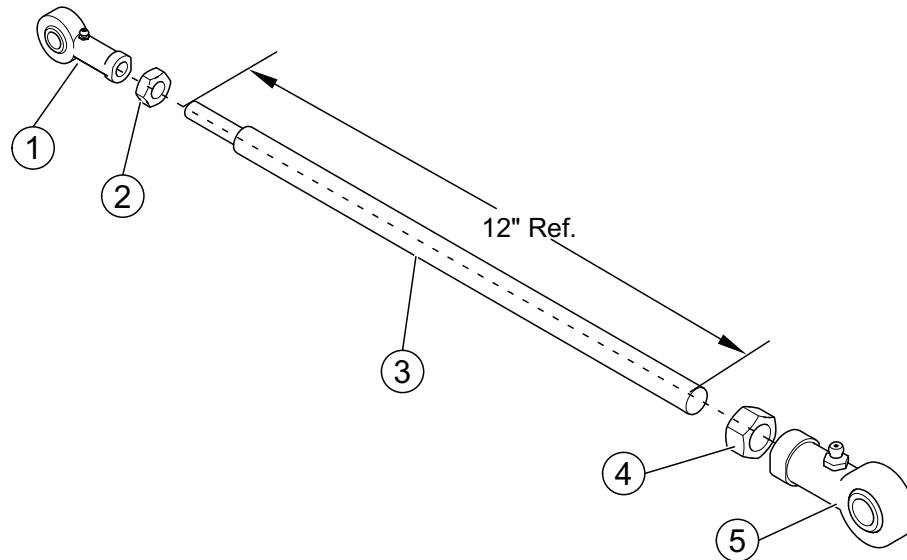


T.G.DOCK LEVEL OPERATING CONTROLS

REF. NO.	PART NO.	DESCRIPTION	QTY.
1	QUB08950	KNOB, Ball	4
2	QUB03401	CAPSCREW	2
3	QUR01272	WASHER	2
4	QUR01902	WASHER	2
5	104389	WELDMENT, Control Rod Handle	1
6	100068	BUSHING (.780" I.D. Nyloil Green)	1
7	QUB02430	CAPSCREW	2
8	QUR01695	WASHER	2
9	100070	BLOCK, Bearing (Does Not Include Items 6 & 10)	1
10	100069	BUSHING (1.165" I.D. Nyloil Green)	1
11	QUE01175	NUT	2
12	101600	ASSY., Control Rod	1
13	QUB02405	CAPSCREW	2
14	QUR01261	WASHER	2
15	QUG00250	FITTING, Grease (.125" - 27NPT X 45°)	1
16	QUE01500	NUT	2
17	QUB06250	CASPSCREW	2
18	101979	ASSY., Control Rod (See Page 62 for Components)	2
19	QUB03001	CAPSCREW	2
20	QUB00640	BEARING, Spool	2
21	QUE01205	NUT	2
22	107600	SUPPORT, Proximity Sensor	1

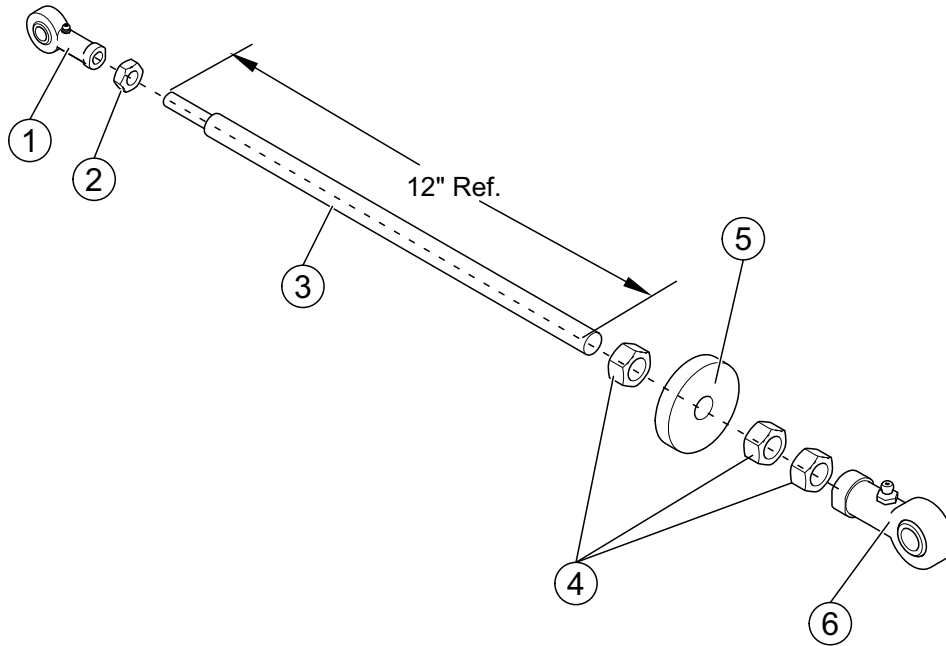
SECTION 1

CONTROL ROD ASSEMBLY - 101978



REF. NO.	PART NO.	DESCRIPTION	QTY.
1	QUB00850	BALL JOINT - Rod End	1
2	QUE00700	NUT	1
3	100080	ROD, Control	1
4	QUE01005	NUT	1
5	QUB00880	BALL JOINT, Rod End	1
	101978	ASSY., Control Rod (Includes all Above Items)	1

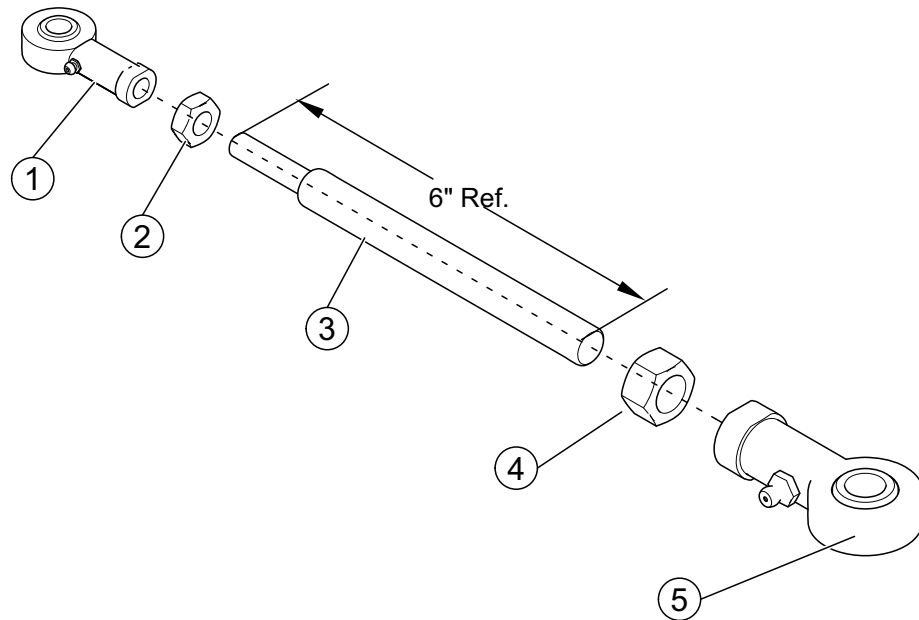
CONTROL ROD ASSEMBLY - 101979



REF. NO.	PART NO.	DESCRIPTION	QTY.
1	QUB00850	BALL JOINT, Rod End	1
2	QUE00700	NUT	1
3	100080	ROD, Control	1
4	QUE01005	NUT	3
5	100081	DISK	1
6	QUB00880	BALL JOINT, Rod End	1
	101979	ASSY., Control Rod (Includes all Above Items)	1

SECTION 1

CONTROL ROD ASSEMBLY - 107697

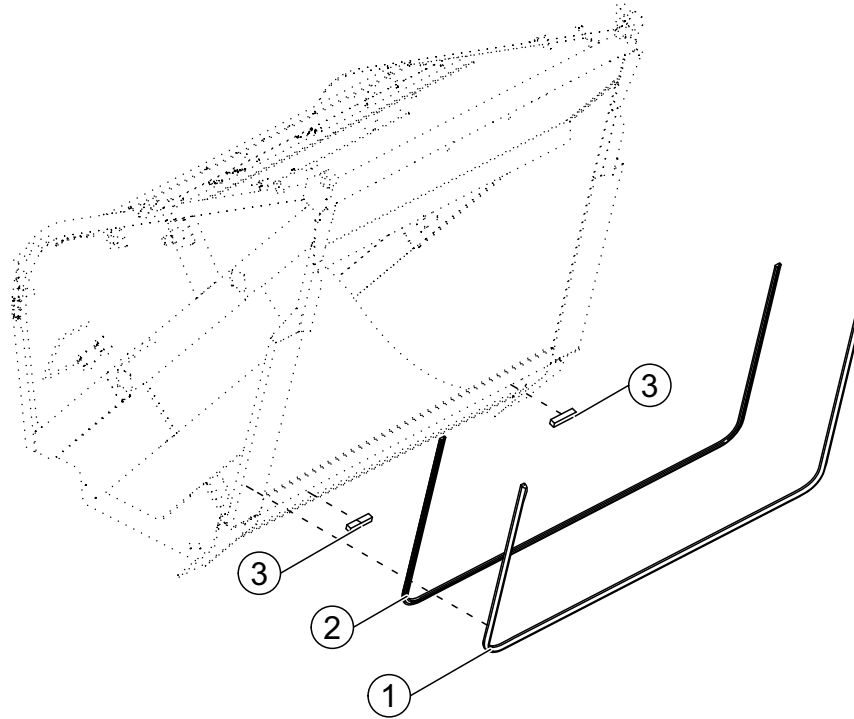


REF. NO.	PART NO.	DESCRIPTION	QTY.
1	QUB00850	BALL JOINT - Rod End	1
2	QUE00700	NUT	1
3	107692	ROD, Control	1
4	QUE01005	NUT	1
5	QUB00880	BALL JOINT, Rod End	1
	107697	ASSY., Control Rod (Includes all Above Items)	1

Ref.
 826880,826895,826896,
 828119,832083,834332,
 872882,872884

SECTION 1

TAILGATE SEAL & CHANNEL - Standard

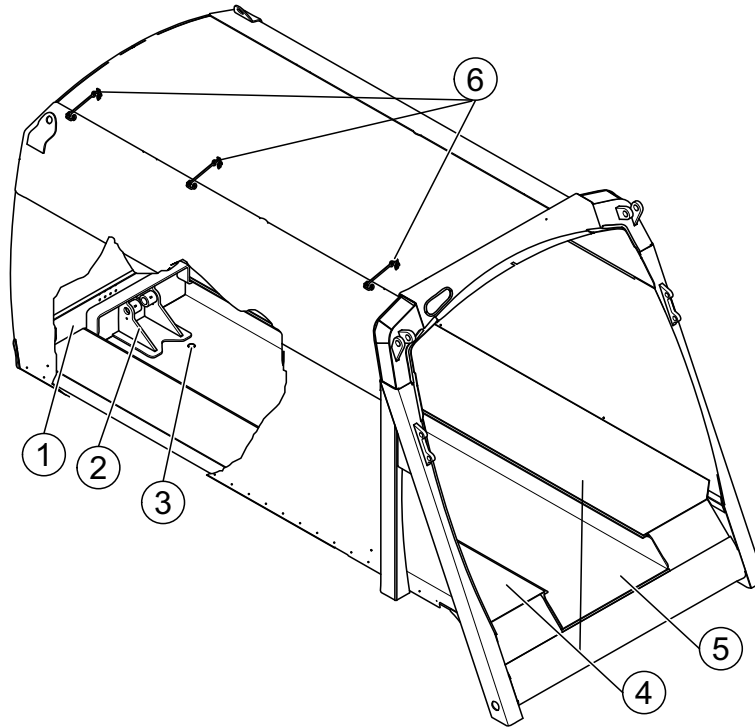


REF. NO.	PART NO.	DESCRIPTION	QTY.
1	CIC01972	SEAL, Rubber	1
2	100618	RAIL, Seal	1
3	101520	GUARD, Seal	2

SECTION 2

BODY WELDMENTS

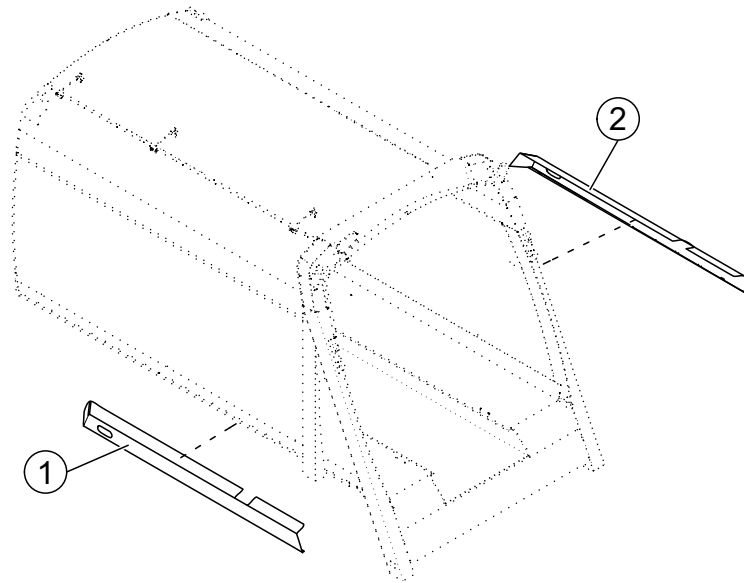
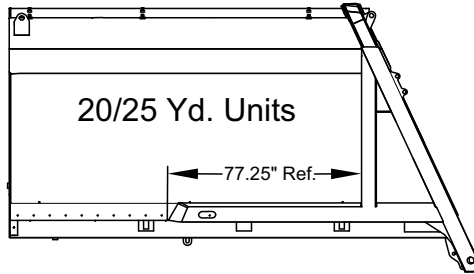
Ref.
851897, 851898,
851899, 851900



REF. NO.	PART NO.	DESCRIPTION	QTY.
1	100326	APRON, Front	1
2	100300	WELDMENT, Ejector Cyl. Pivot	1
3	HYF08900	PLUG, Drain	1
4	100322	SHEET, Floor - 20 Yd.	2
	100323	SHEET, Floor - 25 Yd.	2
	100324	SHEET, Floor - 29 Yd.	2
	100325	SHEET, Floor - 32 Yd. (Rear Section)	2
	100702	SHEET, Floor - 32 Yd. (Front Section)	2
5	100315	TROUGH - 20 Yd.	1
	100316	TROUGH - 25 Yd.	1
	100317	TROUGH - 29 Yd.	1
	100318	TROUGH - 32 Yd. (Rear Section)	1
	100701	TROUGH - 32 Yd. (Front Section)	1
6	107605	SUPPORT, Clamp	Qty Varies
	851897	WELDMENT, 20 Yd. 2RIII (Complete as Shown)	
	851898	WELDMENT, 25 Yd. 2RIII (Complete as Shown)	
	851899	WELDMENT, 29 Yd. 2RIII (Complete as Shown)	
	851900	WELDMENT, 32 Yd. 2RIII (Complete as Shown)	

Ref.
857563,859421

FENDERS - 20 & 25 Yd. Units

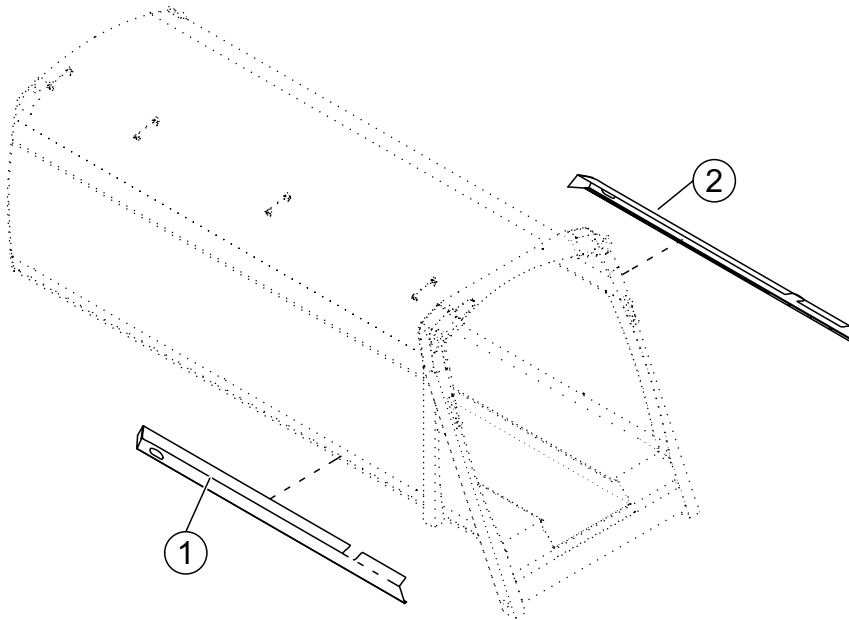
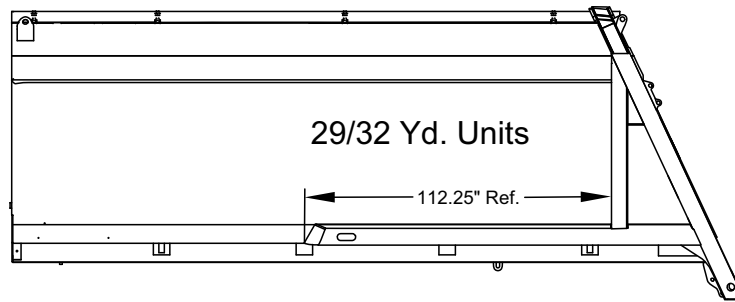


REF. NO.	PART NO.	DESCRIPTION	QTY.
1	188056	FENDER - Streetside	1
2	188055	FENDER - Curbside	1

SECTION 2

FENDERS - 29 & 32 Yd. Units (Std. Tandem)

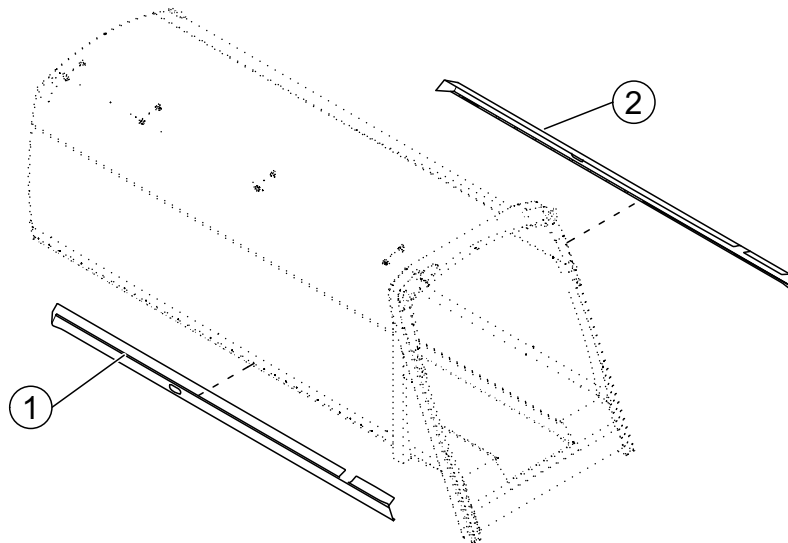
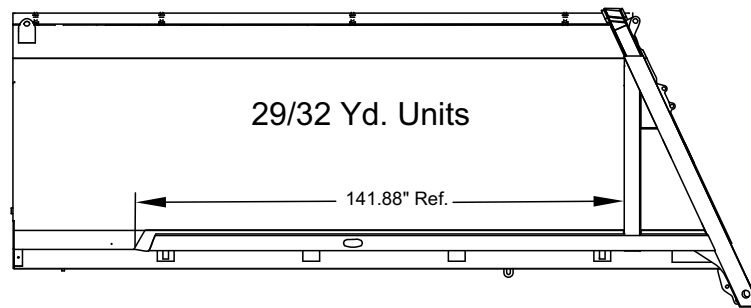
Ref. 857564



REF. NO.	PART NO.	DESCRIPTION	QTY.
1	188058	FENDER - Streetside	1
2	188057	FENDER - Curbside	1

Ref. 863394

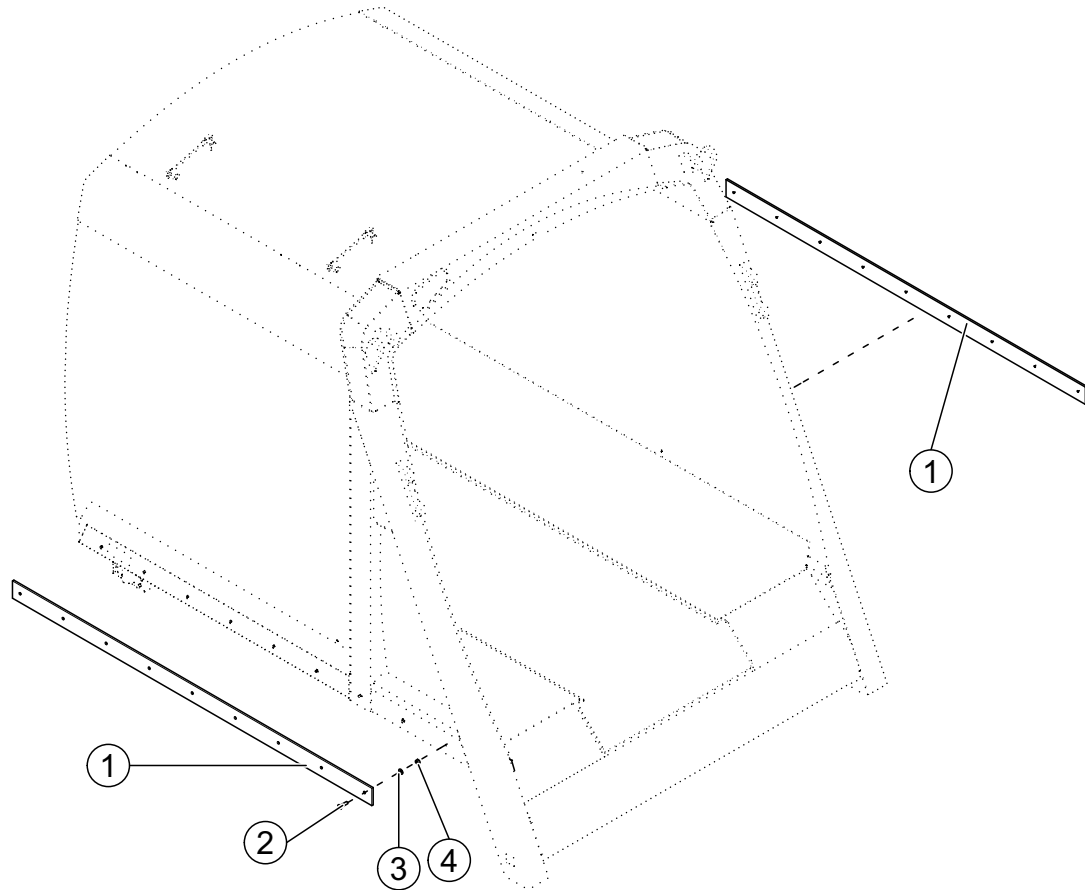
FENDERS - 29 & 32 Yd. Units (W/ Pusher Axle)



REF. NO.	PART NO.	DESCRIPTION	QTY.
1	201001	FENDER - Streetside	1
2	201000	FENDER - Curbside	1

SECTION 2**FENDER GUARDS**

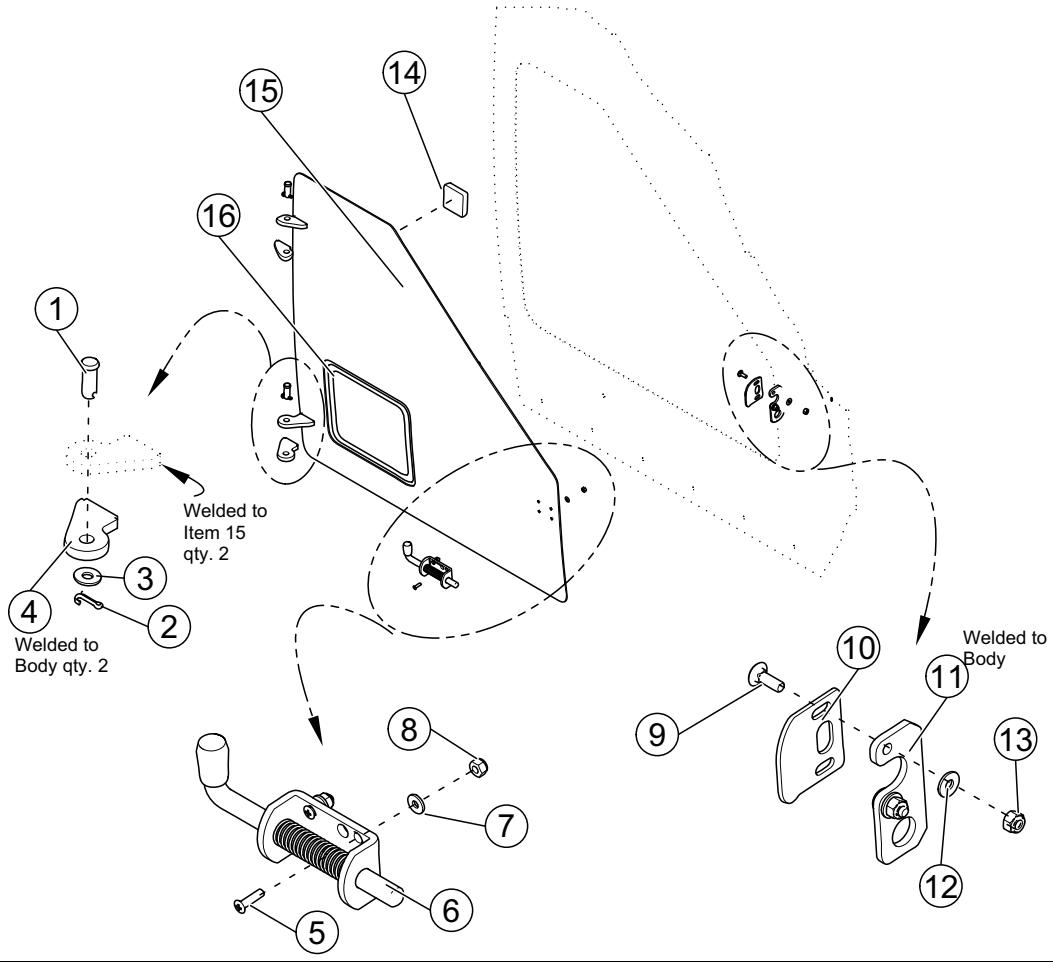
Ref. 832768



REF. NO.	PART NO.	DESCRIPTION	QTY.
1	107772	GUARD, Plastic	2
2	QUB02917	CASPSCREW	18
3	QUR01800	WASHER	18
4	QUE01205	NUT	18

SIDE DOOR ASSY.

Ref.
828917,863016,
863028

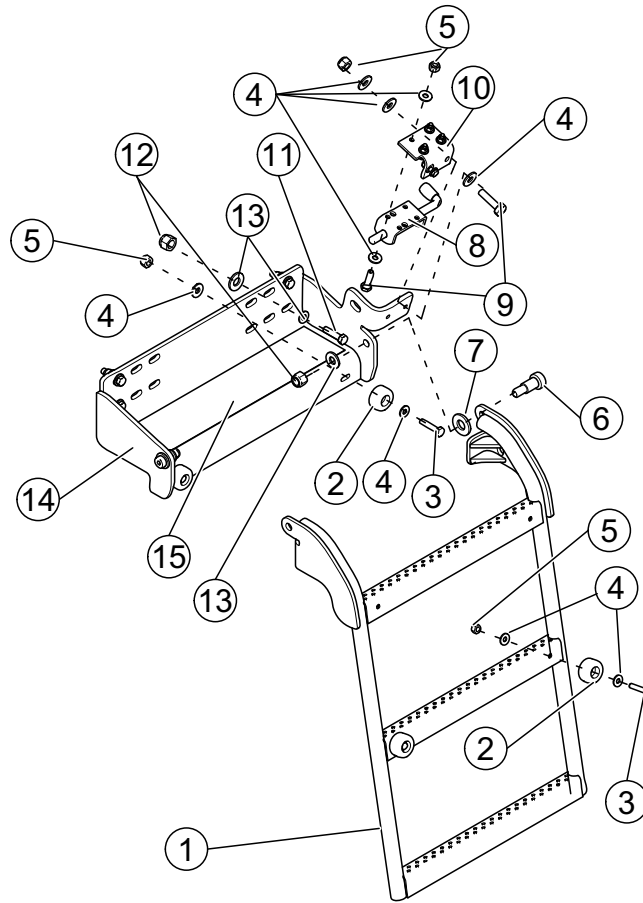
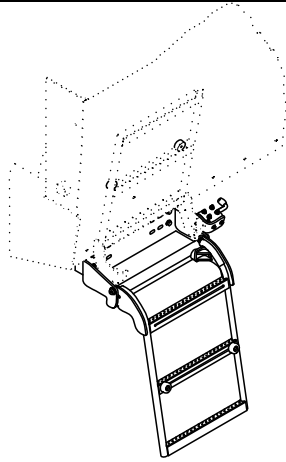


REF. NO.	PART NO.	DESCRIPTION	QTY.
1	QUP02085	PIN	2
2	QUP03210	PIN, Cotter	2
3	QUR01912	WASHER	2
4	100132	HINGE, Body Side	2
5	QUV00735	CAPSCREW, Pan Head	4
6	104444	LATCH	1
7	QUR01600	WASHER	4
8	QUE01070	NUT	4
9	QUB11865	BOLT, Carriage	2
10	120460	PLATE, Striker	1
11	107077	PLATE, latch	1
12	QUR01695	WASHER	2
13	QUE01175	NUT	2
14	100138	CUSHION	7
15	107076	WELDMENT, Door	1
16	QUC02000	EDGING	42"

SECTION 2

LADDER, Side Door Folding

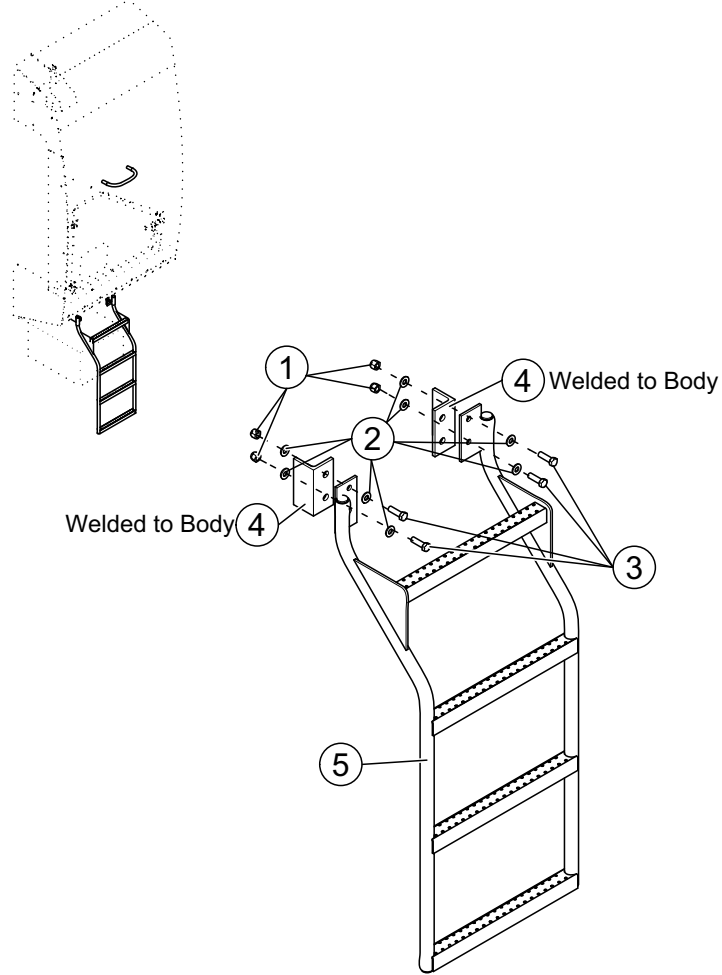
Ref. 863821



REF. NO.	PART NO.	DESCRIPTION	QTY.
1	181167	LADDER	1
2	QUB01300	BUMPER, Rubber	4
3	QUB02160	CAPSCREW	4
4	QUR01695	WASHER	22
5	QUE01175	NUT	10
6	QUB05472	BOLT, Shoulder	2
7	QUR01912	WASHER	4
8	104444	LATCH	1
9	QUB02120	CAPSCREW	6
10	181166	BRACKET, Latch	1
11	QUB06200	CAPSCREW	4
12	QUE01302	NUT	6
13	QUR01902	WASHER	10
14	181168	SUPPORT, Ladder	1
15	QUB52000	ANTI-SLIP TAPE (Min. Length 17")	Sold Per Foot

Ref. 863835,
863837,865326

LADDER, Side Door - Fixed

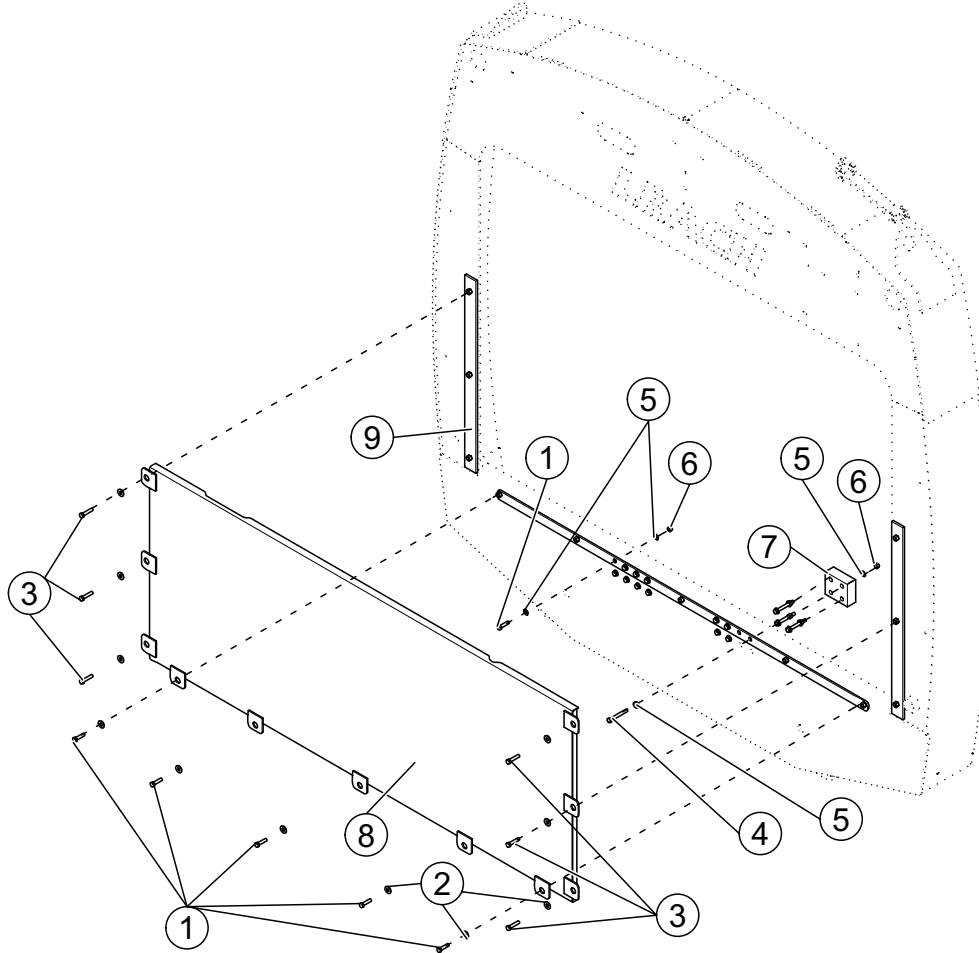


REF. NO.	PART NO.	DESCRIPTION	QTY.
1	QUE01302	NUT	4
2	QUR01902	WASHER	8
3	QUB03501	CASPCREW	4
4	100557	SUPPORT, Ladder	2
5	195432	LADDER	1

SECTION 2

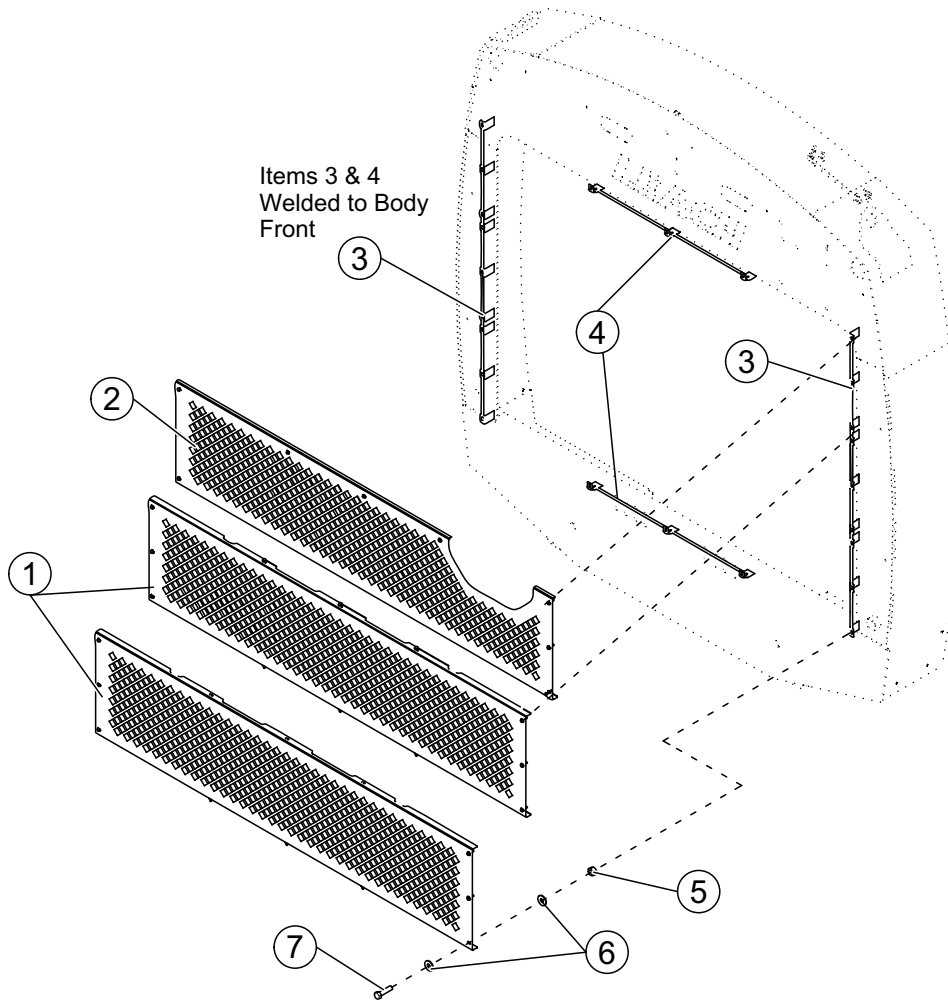
BODY FRONT SPILL SHIELD

Ref.
834182,874054,874182



REF. NO.	PART NO.	DESCRIPTION	QTY.
1	QUB06200	CAPSCREW	17
2	QUR01580	WASHER	11
3	QUB03730	CAPSCREW	6
4	QUB04005	CAPSCREW	4
5	QUR01902	WASHER	32
6	QUE01302	NUT	16
7	101880	BLOCK, Spacer	1
8	158174	SHIELD	1
9	QUC02000	SEAL, Vinyl (Approximate 140")	Sold per Foot

BODY FRONT ENCLOSURE

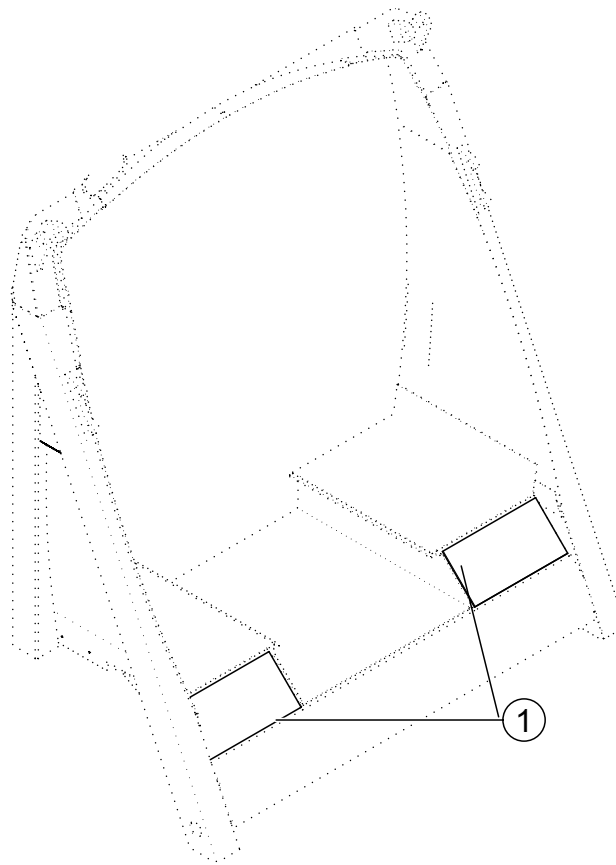


REF. NO.	PART NO.	DESCRIPTION	QTY.
1	160692	ENCLOSURE	2
2	160693	ENCLOSURE - Upper	1
3	160691	SUPPORT, Enclosure	2
4	160694	SUPPORT, Enclosure	2
5	QUE01175	NUT	30
6	QUR01695	WASHER	60
7	QUB02120	CAPSCREW	30

SECTION 2

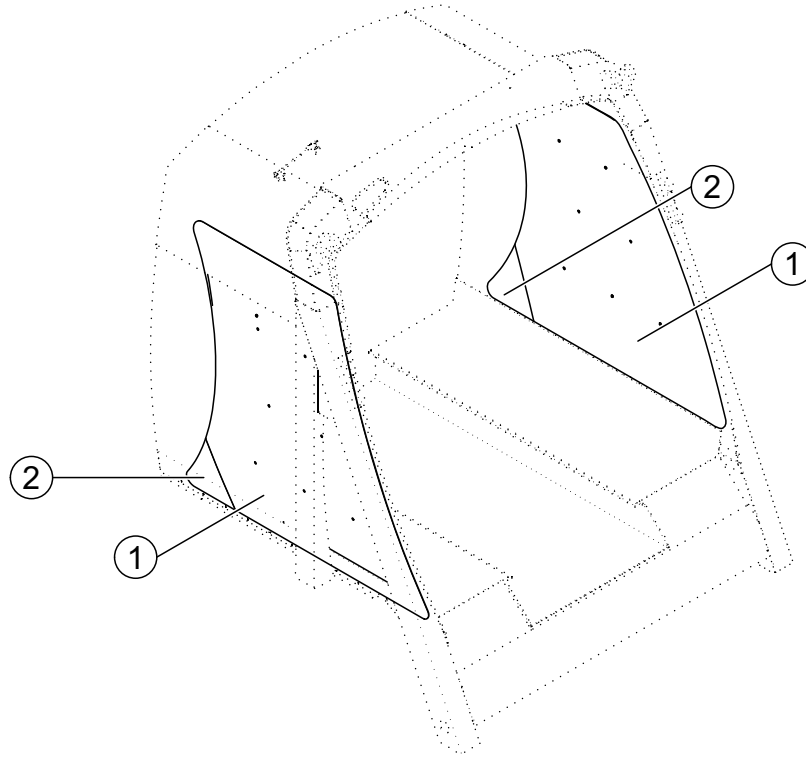
BODY REAR RAMP LINERS

Ref.
826094,826095,832776



REF. NO.	PART NO.	DESCRIPTION	QTY.
1	100670	LINER - 1/4" 80K Steel	2
	107774	LINER - 1/4" Hardox 450	2

BODY REAR SIDE LINERS

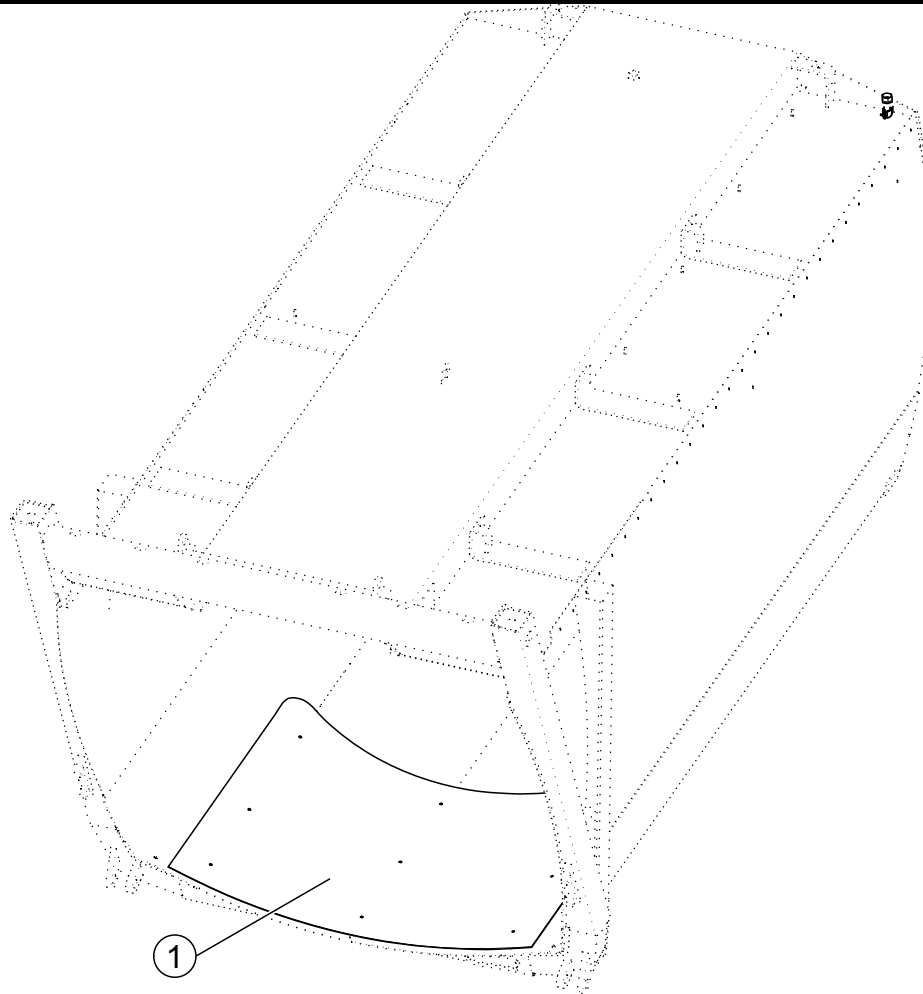


REF. NO.	PART NO.	DESCRIPTION	QTY.
1	107294	LINER	2
2	107295	LINER	2

SECTION 2

BODY REAR ROOF LINER

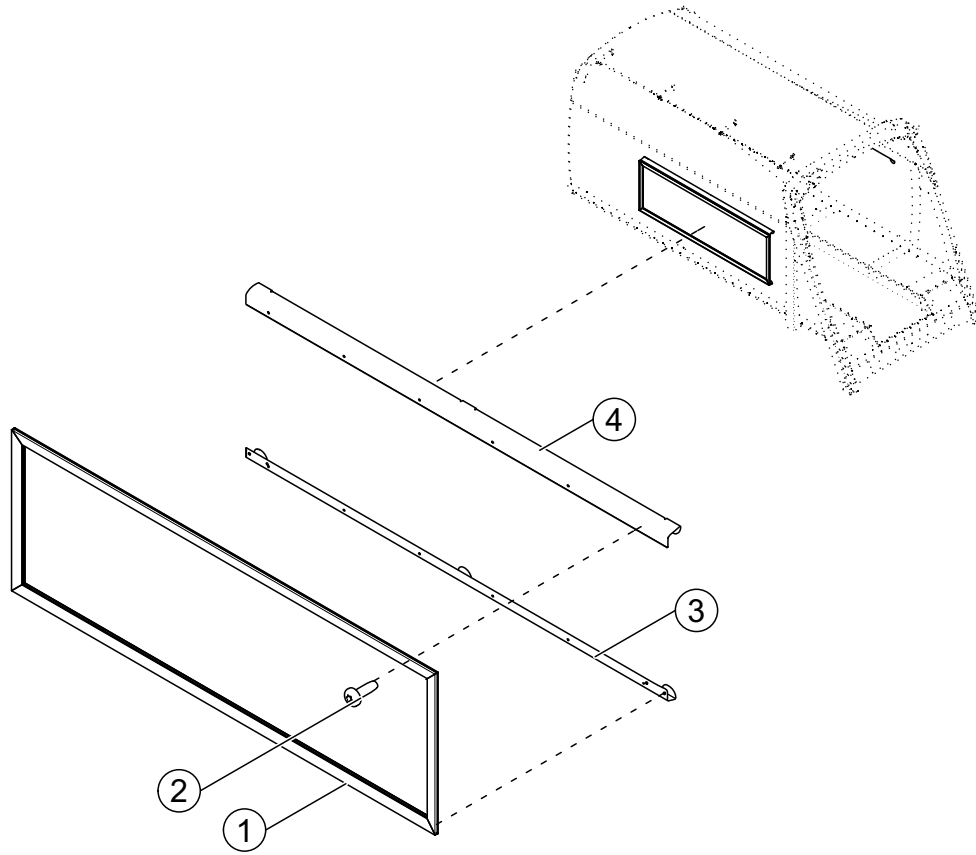
Ref. 826786



REF. NO.	PART NO.	DESCRIPTION	QTY.
1	101379	LINER - .135" Thickness x 80K Steel	1

Ref.
828021,863469,867990

BODY SIDE SIGN PANELS

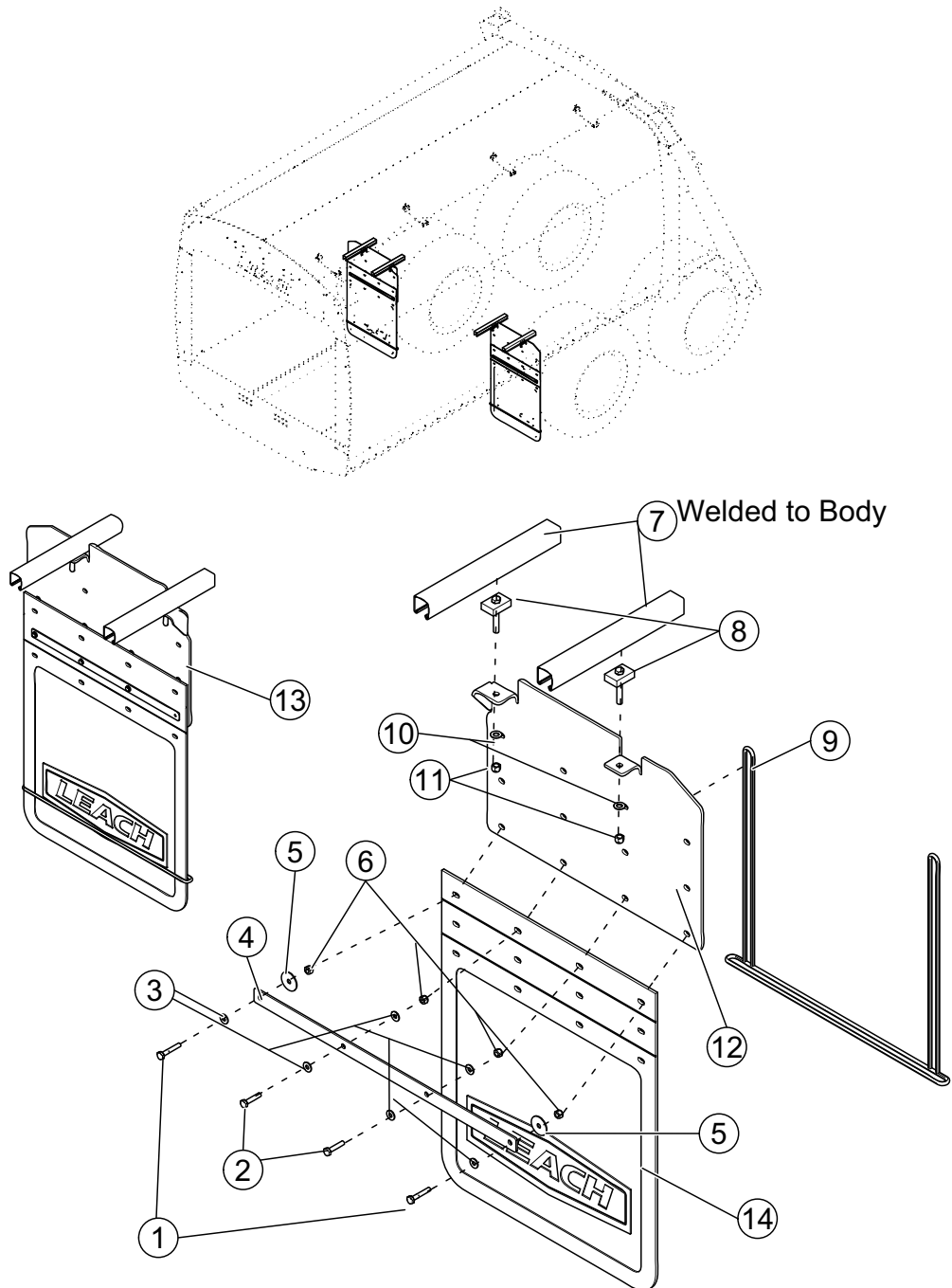


REF. NO.	PART NO.	DESCRIPTION	QTY.
1	CAC00100	ASSY., Sign Panel - 32" x 96"	2
	CAC00110	ASSY., Sign Panel - 32" x 84"	2
2	QUV00580	CAPSCREW, Self Tapping	24
3	90217	SUPPORT, Lower	2
4	85757	SUPPORT, Upper	2

SECTION 2

MUD GUARDS - Front of Tandem

Ref. 880133



MUD GUARDS - Front of Tandem

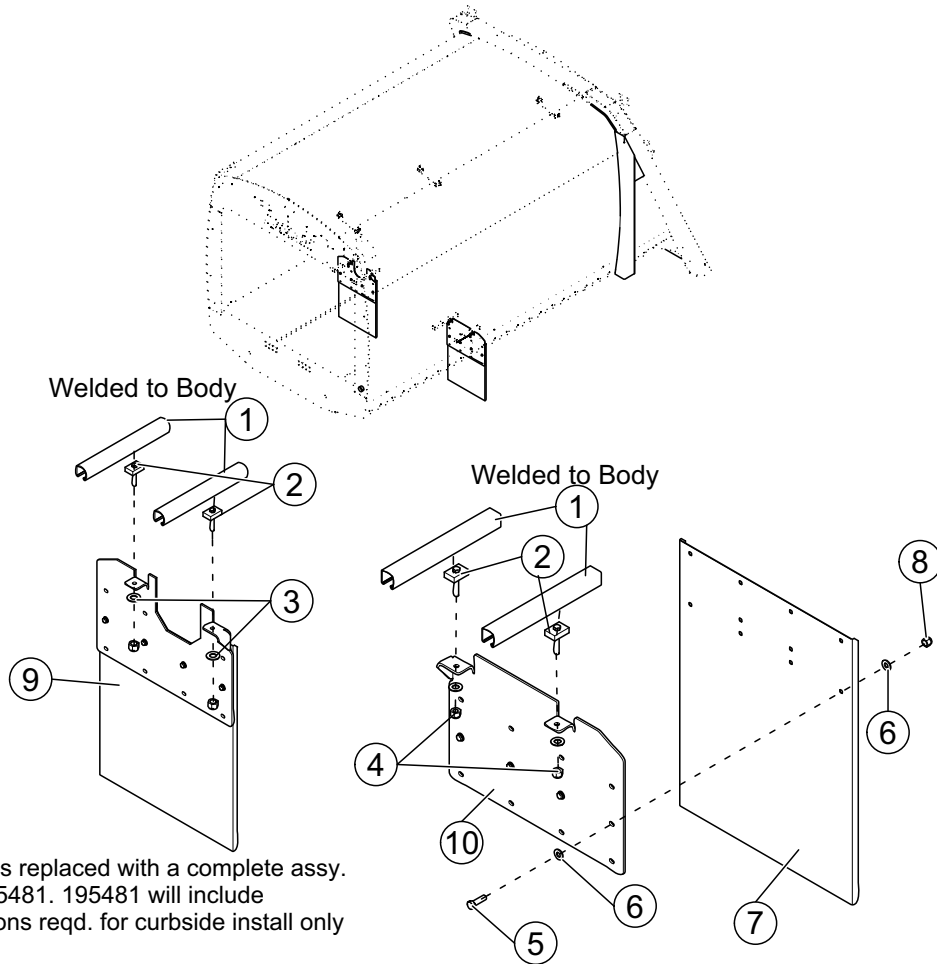
Ref. 880133

REF. NO.	PART NO.	DESCRIPTION	QTY.
1	QUB02210	CAPSCREW	4
2	QUB02160	CAPSCREW	2
3	QUR01695	WASHER	12
5	QUR01704	WASHER	4
6	QUE01175	NUT	8
7	100906	CHANNEL, Mounting - 15"	4
8	100929	ASSY., T-BOLT	4
9	CIG00800-01	BRACKET, Anti-Sail	2
10	QUR01850	WASHER	4
11	QUE01450	NUT	4
12	158632	SUPPORT, Guard - Streetside	1
13	158630	SUPPORT, Guard - Curbside	1
14	187874	GUARD, Rubber - LEACH Logo (24" x 30")	As Reqd
	CIG00605	GUARD, Rubber - WCI Logo (24" x 30")	As Reqd
	CIG01800	GUARD, Rubber - GFL Logo (24" x 30")	As Reqd
	CIG00500	GUARD, Rubber - No Logo (24" x 30")	As Reqd

SECTION 2

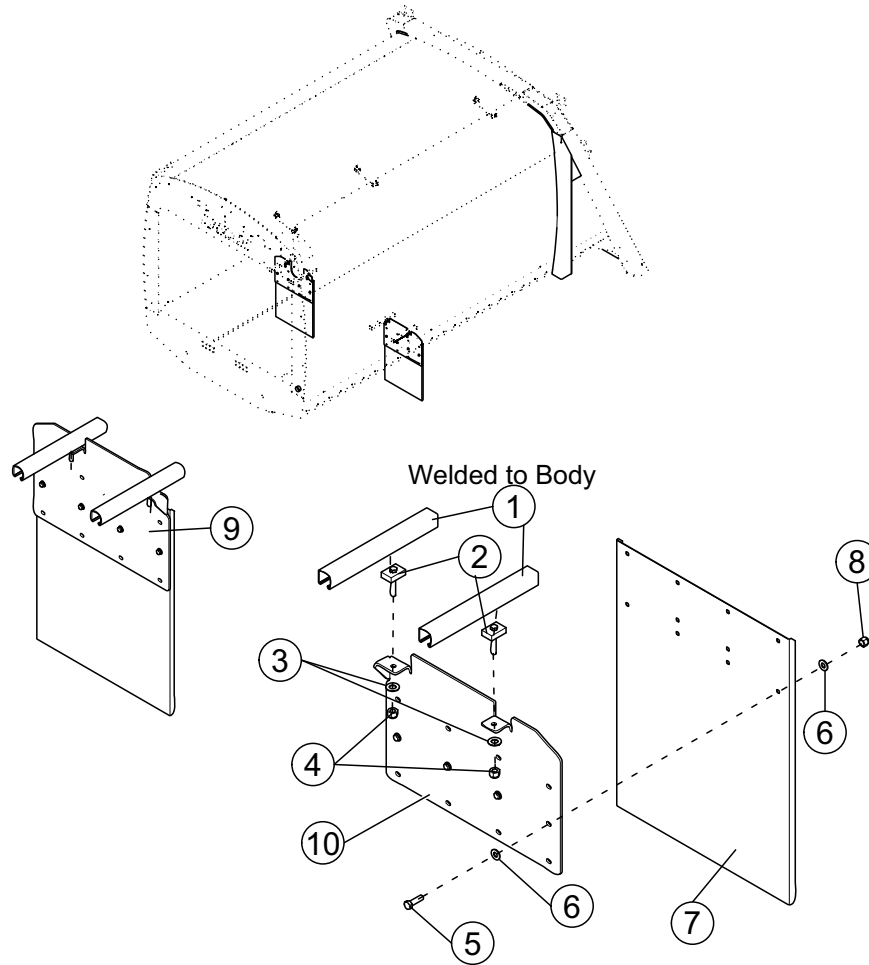
MUD GUARDS - Front of Tandem - Steel - 20 Yd. Only

Ref. 865409



REF. NO.	PART NO.	DESCRIPTION	QTY.
1	100906	CHANNEL, Mounting - 15"	4
2	100929	ASSY., T-BOLT	4
3	QUR01850	WASHER	4
4	QUE01450	NUT	4
5	QUB03501	CAPSCREW	8
6	QUR01902	WASHER	16
7	101376	GUARD, Mud - Steel (24" x 32")	1
8	QUE01302	NUT	8
9	195481	ASSY., Mud Guard - Steel (Altered for 20Yd Curbside Only))	1
10	158632	SUPPORT, Guard - Streetside	1

MUD GUARDS - Front of Tandem - Steel (All Yardage Units Except 20Yd.)

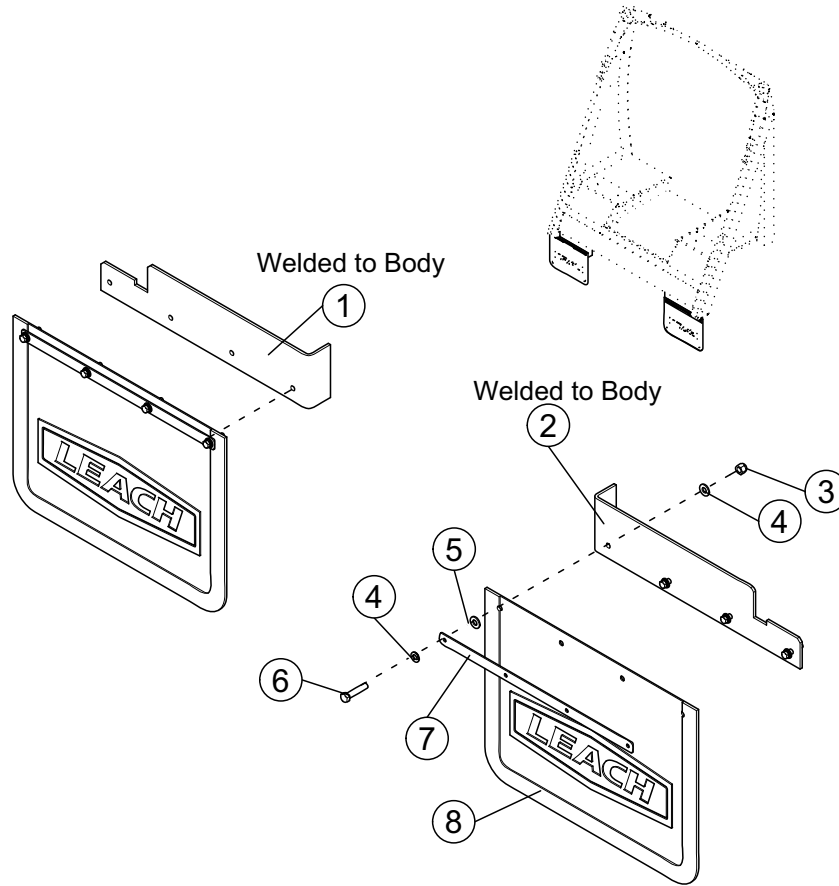


REF. NO.	PART NO.	DESCRIPTION	QTY.
1	100906	CHANNEL, Mounting - 15"	4
2	100929	ASSY., T-BOLT	4
3	QUR01850	WASHER	4
4	QUE01450	NUT	8
5	QUB03501	CAPSCREW	8
6	QUR01902	WASHER	16
7	101376	GUARD, Mud - Steel (24" x 32")	2
8	QUE01302	NUT	8
9	158630	SUPPORT, Guard - Curbside	1
10	158632	SUPPORT, Guard - Streetside	1

SECTION 2

MUD GUARDS - Rear of Body (All Yardage Units)

Ref.
880138,880141,
859440,872131,
859441

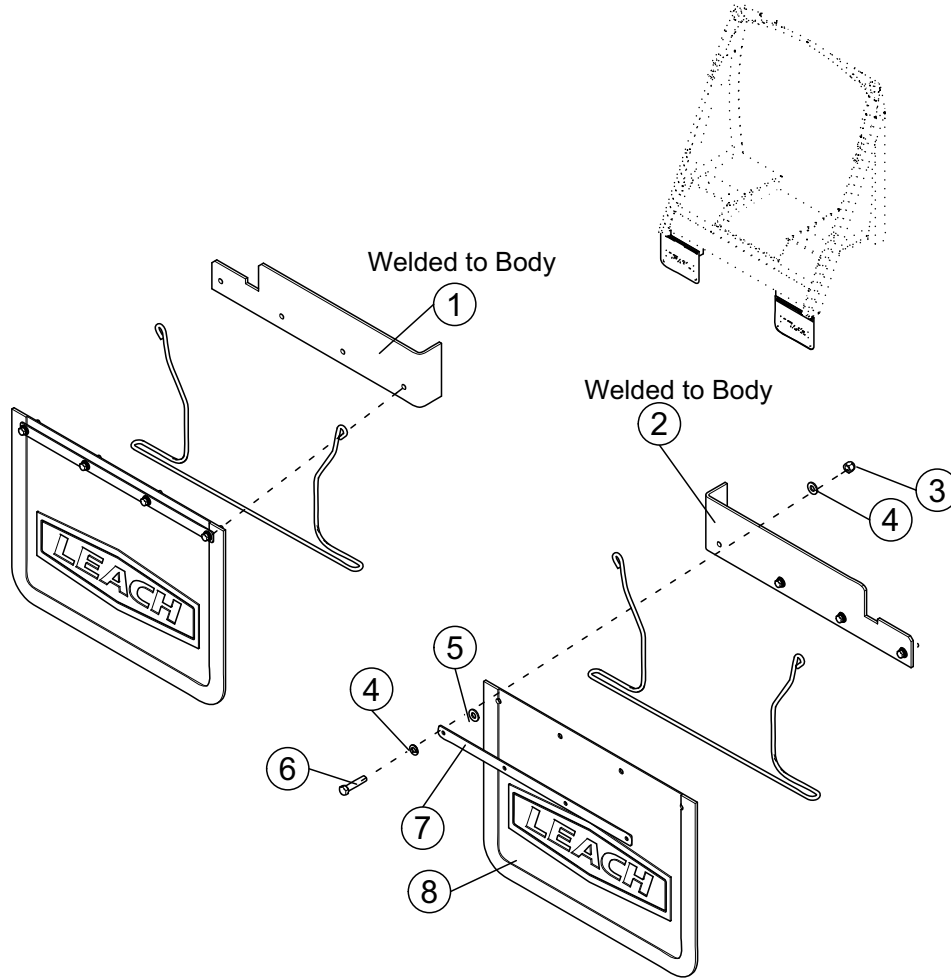


REF. NO.	PART NO.	DESCRIPTION	QTY.
1	101189	SUPPORT, Guard - Streetside	1
2	101360	SUPPORT, Guard - Curbside	1
3	QUE01302	NUT	8
4	QUR01902	WASHER	16
5	QUR01272	WASHER	8
6	QUB03730	CAPSCREW	8
7	5523	BAR	2
8	187872	GUARD, Rubber - LEACH Logo (24" x 18")	As Reqd
	CIG00605	GUARD, Rubber - WCI Logo (24" x 30")(Cut to 18" Height)	As Reqd
	CIG01800	GUARD, Rubber - GFL Logo (24" x 30")(Cut to 18" Height)	As Reqd
	CIG00500	GUARD, Rubber - No Logo (24" x 30")(Cut to 18" Height)	As Reqd

Ref.
880140,880141,
859440,872131,
859441

SECTION 2

MUD GUARDS - Rear of Body - Anti-Sail (All Yardage Units)

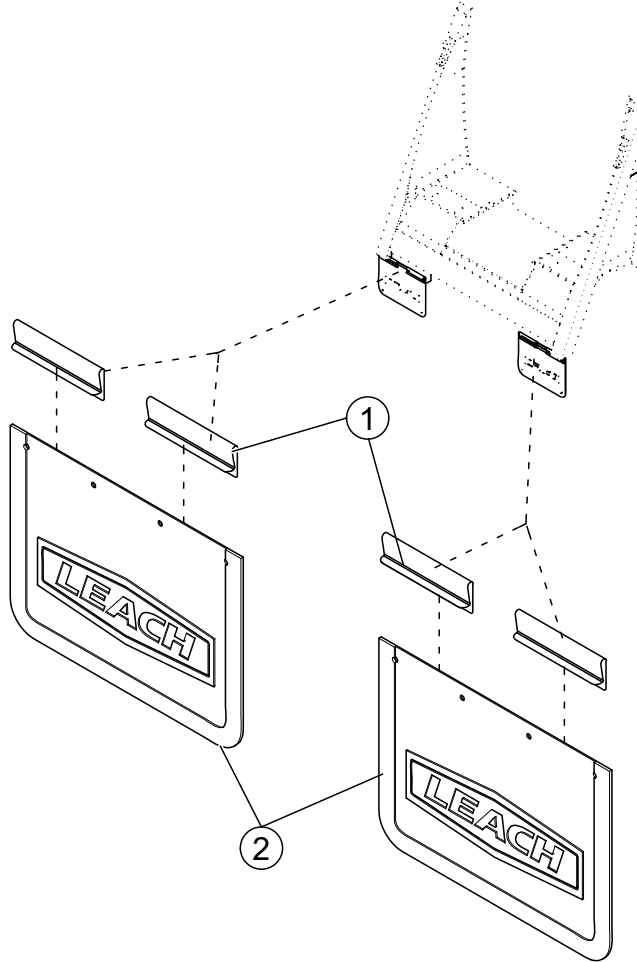


REF. NO.	PART NO.	DESCRIPTION	QTY.
1	101189	SUPPORT, Guard - Streetside	1
2	101360	SUPPORT, Guard - Curbside	1
3	QUE01302	NUT	8
4	QUR01902	WASHER	16
5	QUR01272	WASHER	8
6	QUB03730	CAPSCREW	8
7	5523	BAR	2
8	187872	GUARD, Rubber - LEACH Logo (24" x 18")	As Reqd
	CIG00605	GUARD, Rubber - WCI Logo (24" x 30")(Cut to 18" Height)	As Reqd
	CIG01800	GUARD, Rubber - GFL Logo (24" x 30")(Cut to 18" Height)	As Reqd
	CIG00500	GUARD, Rubber - No Logo (24" x 30")(Cut to 18" Height)	As Reqd
9	CIG00900	BRACKET, Anti-Sail	2

SECTION 2

MUD GUARDS - Minimizer Kit

Ref.
874087,880141



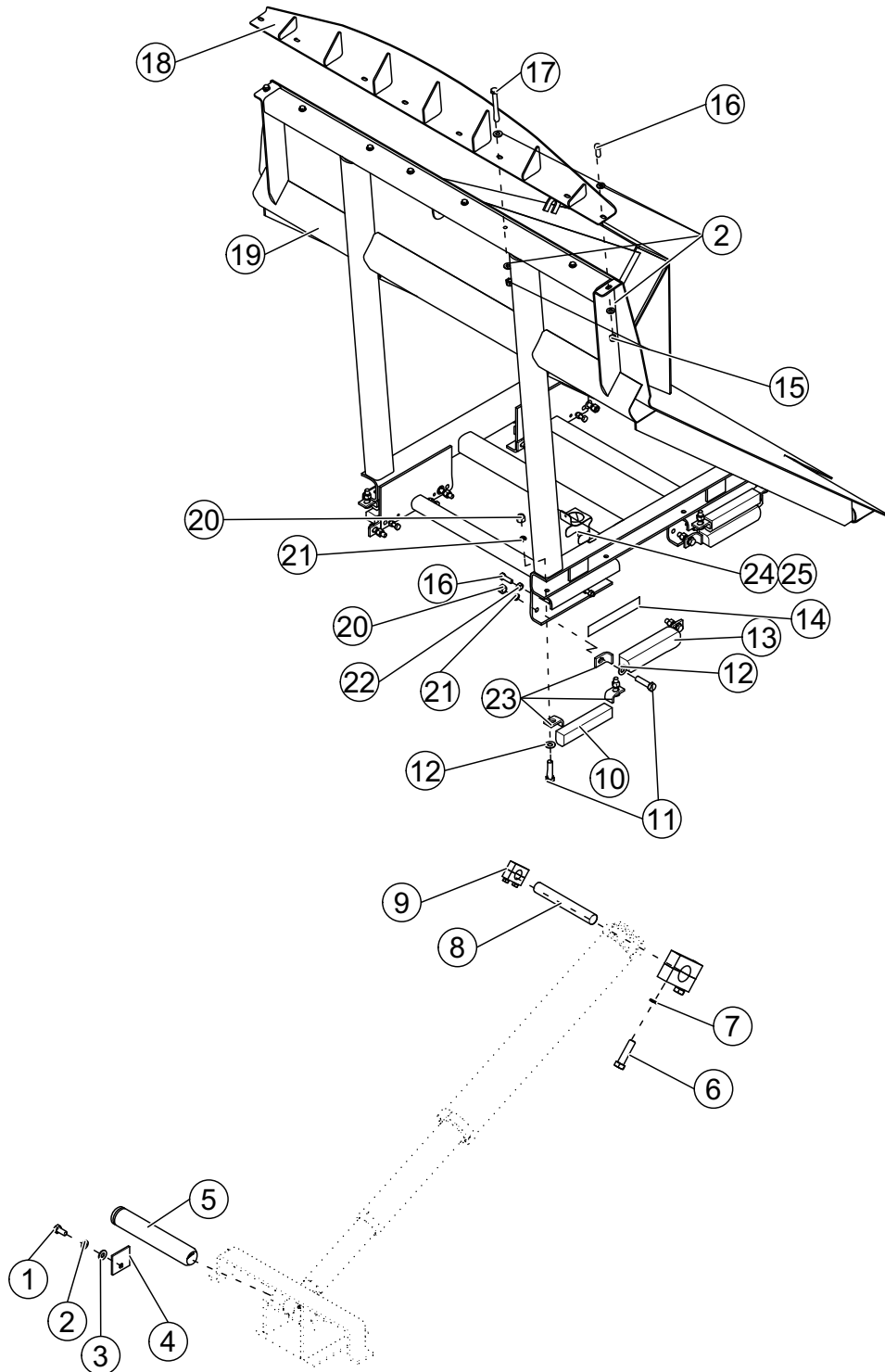
REF. NO.	PART NO.	DESCRIPTION	QTY.
1	CIG00990	KIT, Minimizer Bracket (Includes all Mounting Parts)	1
2	187872	GUARD, Rubber - LEACH Logo (24" x 18")	As Reqd
	CIG00605	GUARD, Rubber - WCI Logo (24" x 30")(Cut to 18" Height)	As Reqd
	CIG01800	GUARD, Rubber - GFL Logo (24" x 30")(Cut to 18" Height)	As Reqd
	CIG00500	GUARD, Rubber - No Logo (24" x 30")(Cut to 18" Height)	As Reqd

Page Left Blank

SECTION 3

EJECTOR ASSEMBLY & CYL. PINS

Ref.
850614,850617,877510



Ref.
850614,850617,877510

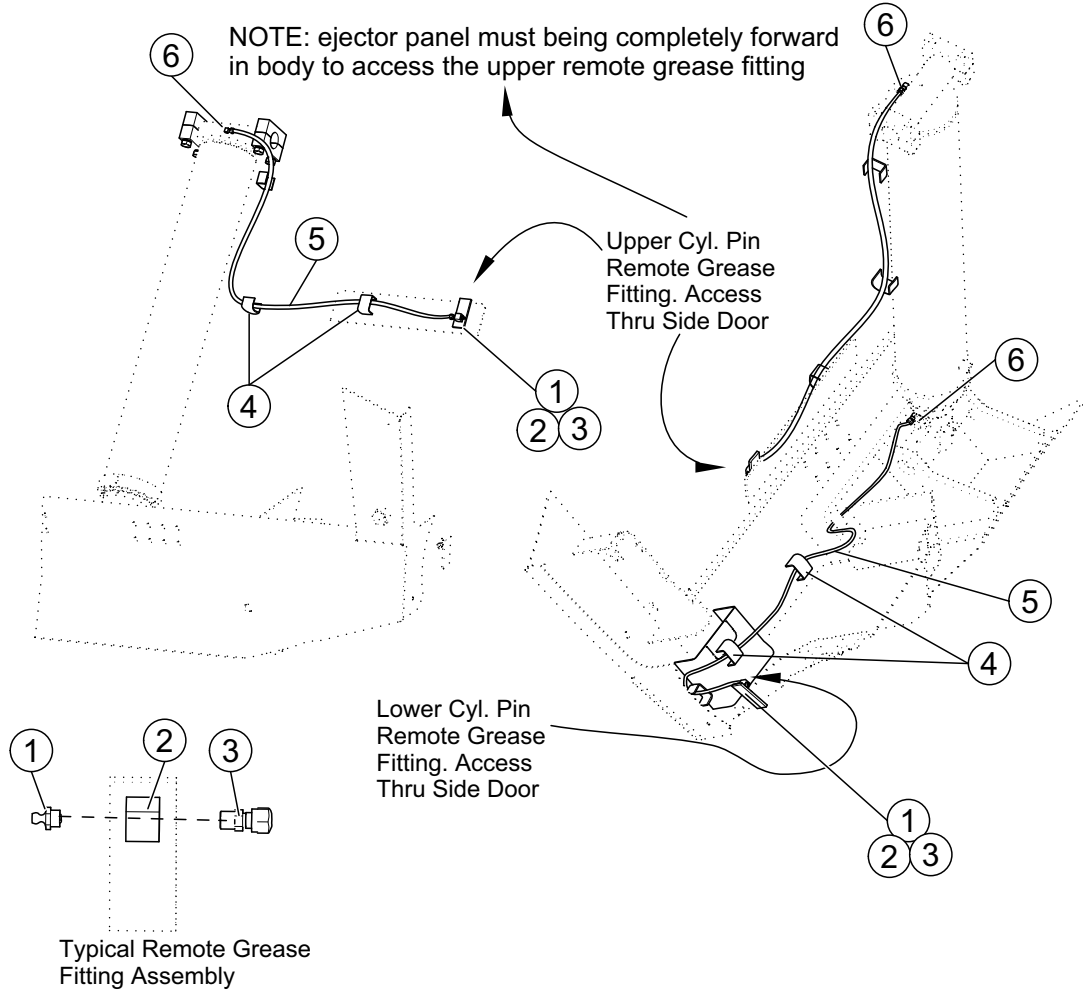
EJECTOR ASSEMBLY & CYL. PINS

REF. NO.	PART NO.	DESCRIPTION	QTY.
1	QUB04405	CAPSCREW	1
2	QUR01912	WASHER	17
3	QUR01300	WASHER	1
4	100220	RETAINER	1
5	100221	PIN, Ejector Cyl. (Rod End)	1
6	QUB08726	CAPSCREW (Included With Item 9)	As Reqd
7	QUR01430	WASHER (Included With Item 9)	As Reqd
8	100225	PIN, Ejector Cyl. (Case End)	1
9	100368	ASSY. Block Pivot (Machined) (Includes Items 6 & 7)	2
10	100223	SHOE, Wear (Lower)	4
11	QUB06290	CAPSCREW	16
12	QUR01960	WASHER	16
13	100222	SHOE, Wear (Upper)	4
14	100226	SHIM - 14Ga. (1 Req'd. per Lower Shoe)	4
15	QUE01500	NUT	8
16	QUB04503	CAPSCREW	10
17	QUB04900	CAPSRCEW	6
18	104497	ASSY., Ejector Upper	1
19	104493	WELDMENT, Ejector	1
20	QUE01710	NUT	16
21	QUR01400	WASHER	16
22	QUE00550	NUT	8
23	102224	RETAINER	16
24	212053	SUPPORT, Lubrication Can	1
25	LUG00100	LUBRICATION	1

SECTION 3

EJECTOR CYL. PINS - Remote Greasing

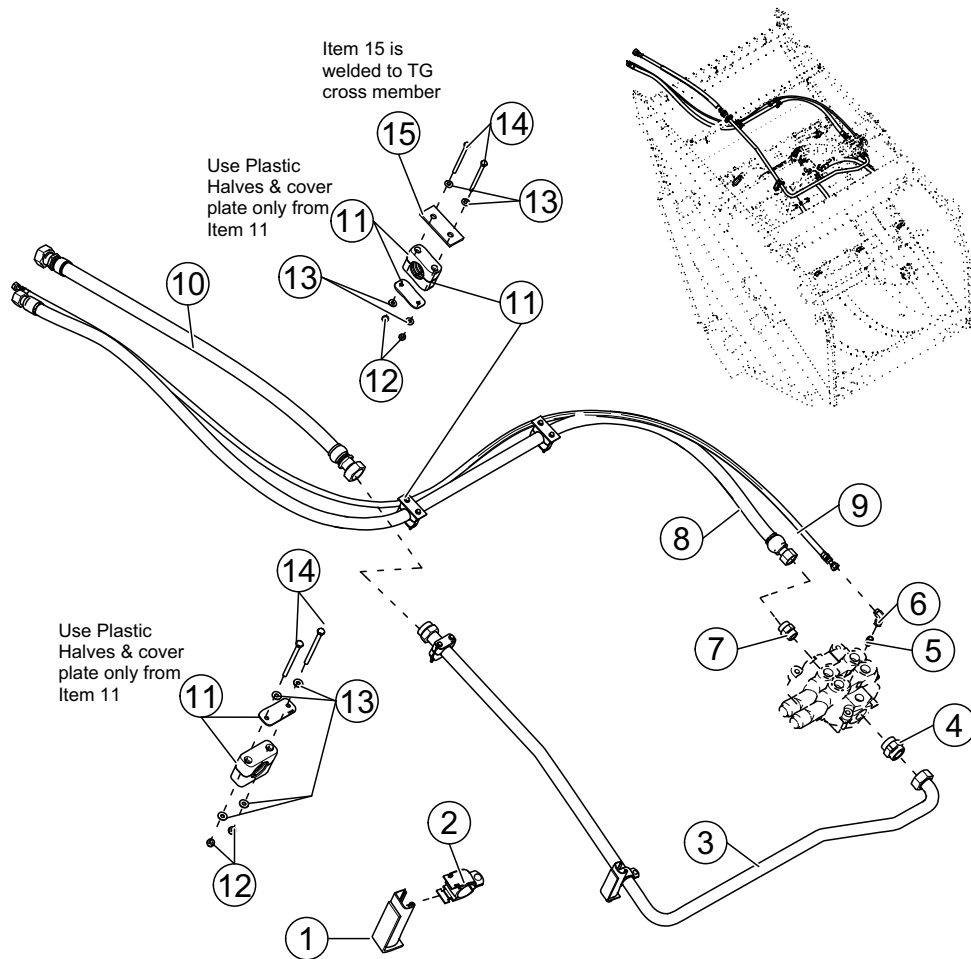
Ref. 828774



REF. NO.	PART NO.	DESCRIPTION	QTY.
1	QUG00200	FITTING, Grease (.125" - 27 NPT Straight)	2
2	101965	MANIFOLD	2
3	PNF02800	CONNECTOR - .25" Tube O.D. X .12" NPTM	2
4	101156	SUPPORT, Tubing	7
5	QUT00400	TUBING, Nylon - 1/4"	12 Feet
6	PNF04100	ELBOW, 90° - .25" Tube O.D. X .25" NPTM	2

Ref. 850575,
850576,850578

TAILGATE HYD'S. - ORFS (Pressure, Return and Carrier Sensing)

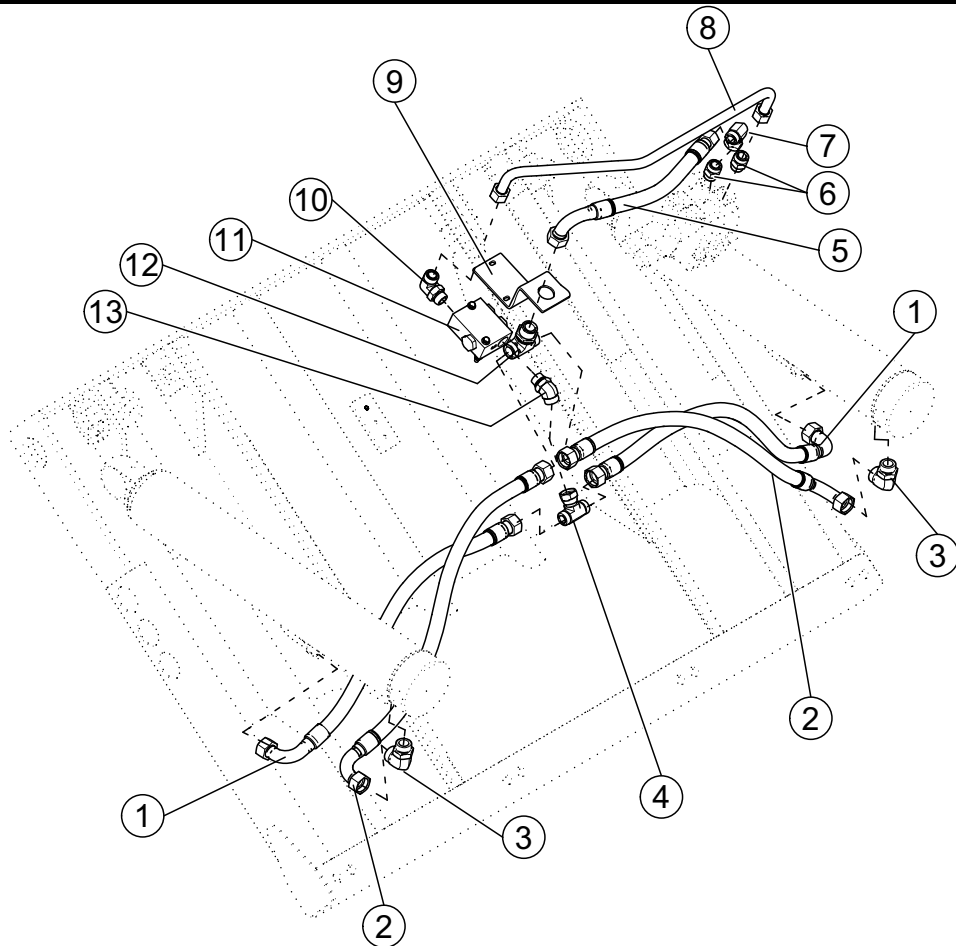


REF. NO.	PART NO.	DESCRIPTION	QTY.
1	12667	SUPPORT, Clamp	1
2	HYS00455	CLAMP, 1.50" O.D. Hose	1
3	102008	TUBE	1
4	HYF09595	CONNECTOR	1
5	HYF04806	CONNECTOR	1
6	HYF07415	ELBOW, 90°	1
7	HYF09495	CONNECTOR	1
8	103007	HOSE	1
9	103008	HOSE	1
10	103005	HOSE	1
11	HYS01400	CLAMP, 1.50" O.D. Tube	2
12	QUE01175	NUT	6
13	QUR01695	WASHER	12
14	QUB02460	CAPSCREW	6
15	101589	PLATE, Mounting	2

SECTION 4

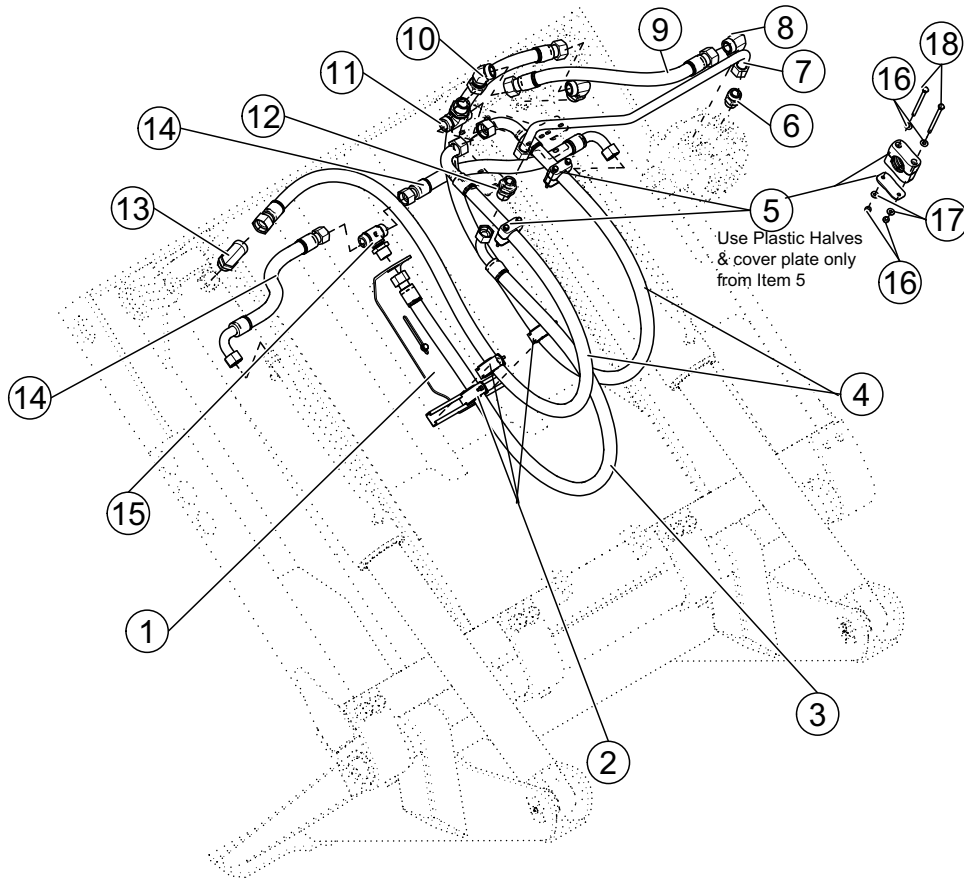
TAILGATE HYD'S. - ORFS (Carrier)

Ref.850575



REF. NO.	PART NO.	DESCRIPTION	QTY.
1	103003	HOSE	2
2	200732	HOSE	2
3	HYF07805	ELBOW, 90°	2
4	HYF05605	TEE, Swivel Nut Branch	1
5	104406	HOSE	1
6	HYF09495	CONNECTOR	2
7	HYF07610	ELBOW, 90°	1
8	102005	TUBE	1
9	200730	SUPPORT	1
10	HYF07605	ELBOW, 90°	1
11	HYV02825-01	VALVE, Reducing (See Page 188 for Components)	1
12	HYF05602	TEE, Bulkhead Branch	1
13	HYF07855	ELBOW, 45°	1

TAILGATE HYD'S - ORFS (Packer)

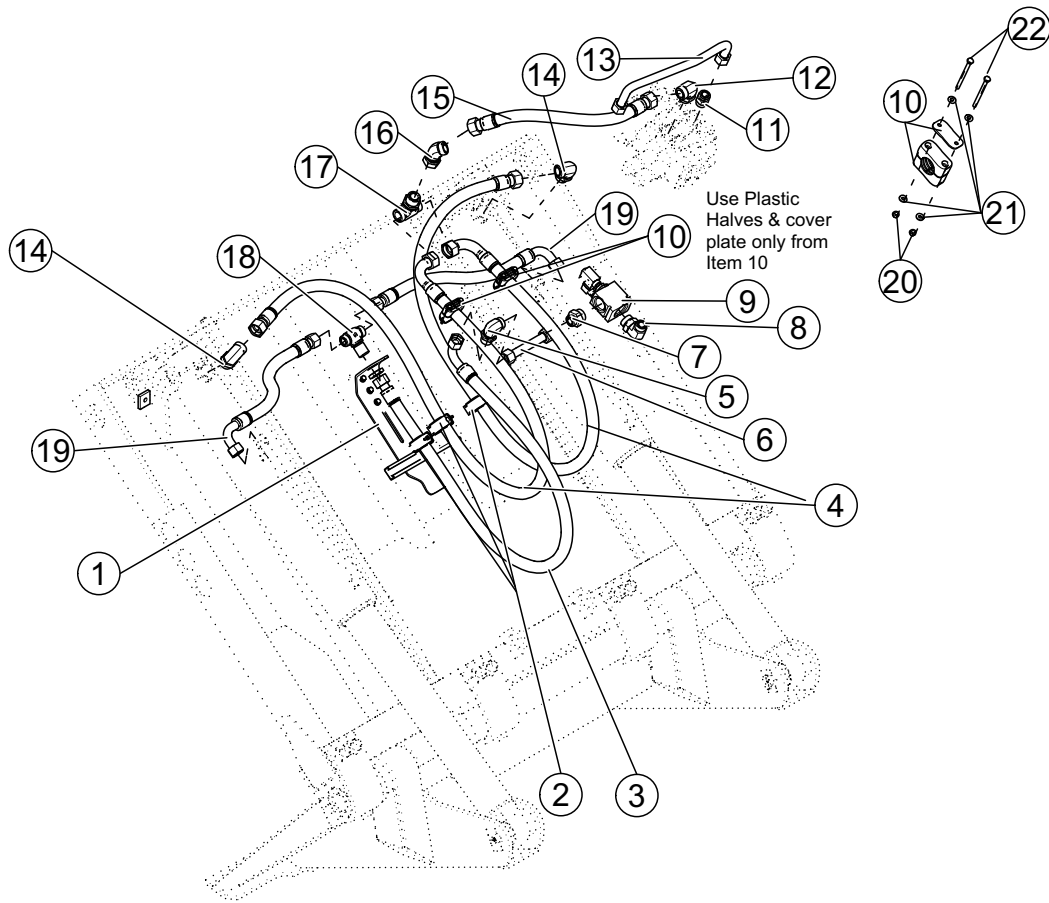


REF. NO.	PART NO.	DESCRIPTION	QTY.
1	104403	SUPPORT	1
2	HYS00500	CLAMP, 1.75" O.D. Hose	3
3	200729	HOSE	1
4	200727	HOSE	2
5	HYS01400	CLAMP, 1.50" O.D. Hose	2
6	HYF09495	CONNECTOR	1
7	102004	TUBE	1
8	HYF07695	ELBOW, 90°	1
9	200728	HOSE	1
10	HYF07103	ELBOW, 45°	1
11	HYF05602	TEE, Bulkhead Branch	1
12	HYF04995	CONNECTOR	1
13	HYF07805	ELBOW, 90°	2
14	201575	HOSE	2
15	HYF05306	TEE, Bulkhead Branch	1
16	QUE01175	NUT	2
17	QUR01695	WASHER	4
18	QUB02460	CAPSCREW	2

SECTION 4

TAILGATE HYD'S - ORFS - W/Enable Valve (Packer)

Ref. 850578



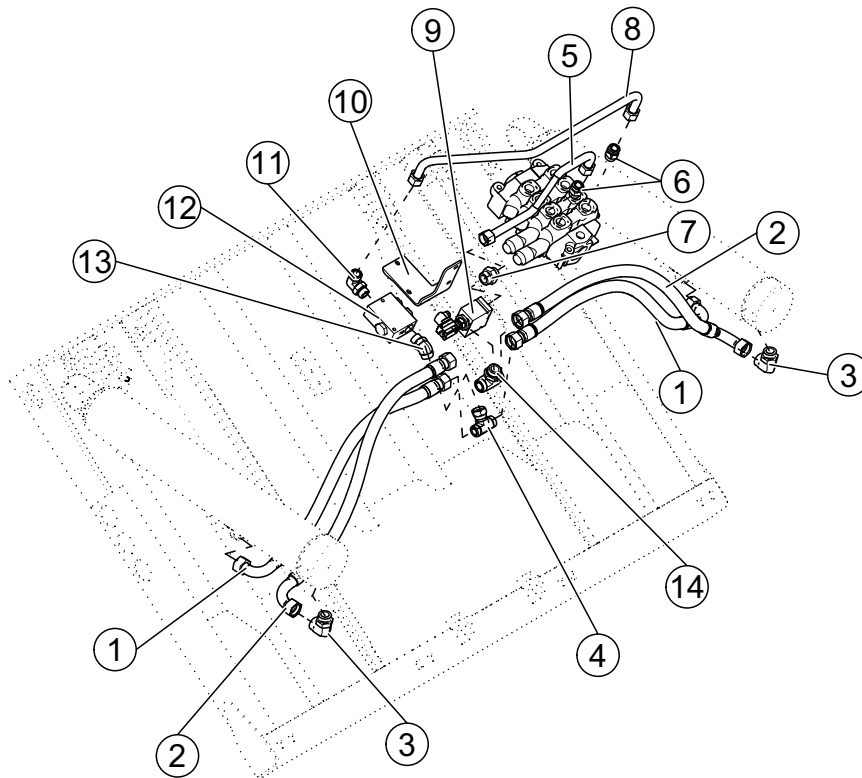
TAILGATE HYD'S - ORFS - W/Enable Valve (Packer)

REF. NO.	PART NO.	DESCRIPTION	QTY.
1	104403	SUPPORT	1
2	HYS00500	CLAMP, 1.75" O.D. Hose	3
3	200729	HOSE	1
4	200727	HOSE	2
5	HYF07615	ELBOW, 90°	1
6	170632	TUBE	1
7	HYF09496	CONNECTOR	1
8	HYF07620	ELBOW, 90°	1
9	HYV00885	VALVE, Solenoid (See Page 192 for Components)	1
10	HYS01400	CLAMP, 1.50" O.D. Hose	2
11	HYF09495	CONNECTOR	1
12	HYF07695	ELBOW, 90°	1
13	170364	TUBE	1
14	HYF07805	ELBOW, 90°	2
15	200728	HOSE	1
16	HYF07103	ELBOW, 45°	1
17	HYF05602	TEE, Bulkhead Branch	1
18	HYF05603	TEE, Bulkhead Branch	1
19	201575	HOSE	2
20	QUE01175	NUT	4
21	QUR01695	WASHER	8
22	QUB02460	CAPSCREW	4

SECTION 4

TAILGATE HYD'S - ORFS - W/Enable Valve (Carrier)

Ref.850578



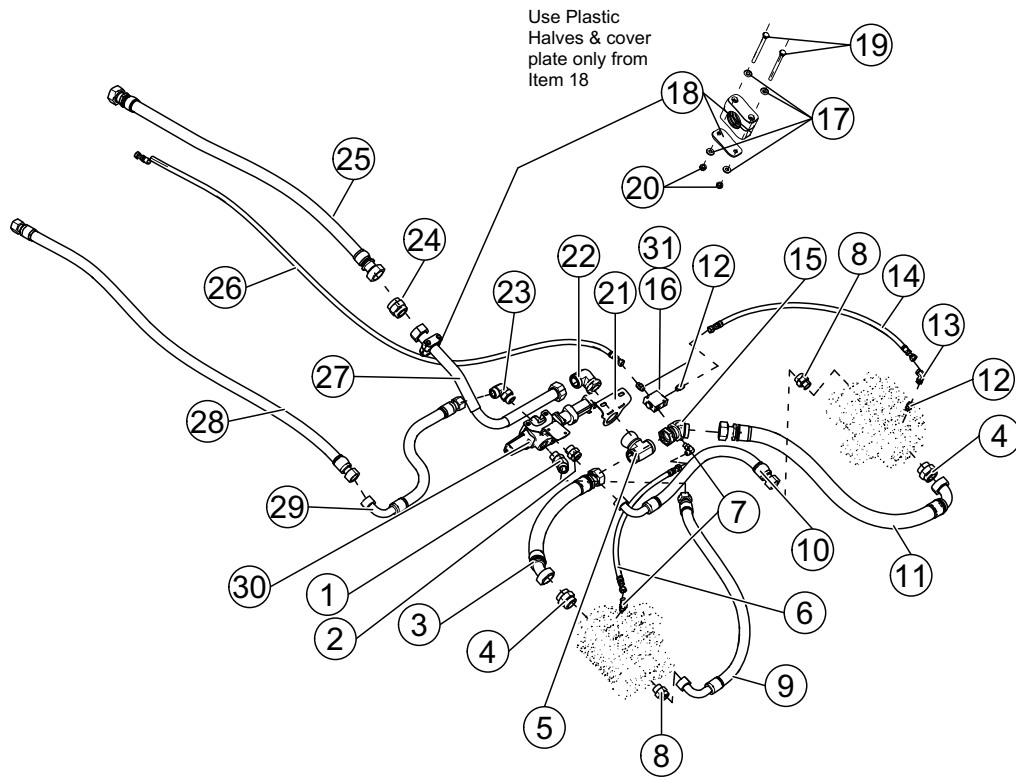
REF. NO.	PART NO.	DESCRIPTION	QTY.
1	103003	HOSE	2
2	200732	HOSE	2
3	HYF07805	ELBOW, 90°	2
4	HYF05605	TEE, Swivel Nut Branch	1
5	158716	TUBE	1
6	HYF09495	CONNECTOR	2
7	HYF09496	CONNECTOR	1
8	102005	TUBE	1
9	HYV00885	VALVE, Solenoid (See Page 192 for Components)	1
10	170627	SUPPORT	1
11	HYF07605	ELBOW, 90°	1
12	HYV02825-01	VALVE, Reducing (See Page 188 for Components)	1
13	HYF07855	ELBOW, 45°	1
14	HYF28020	TEE, Bulkhead Branch	1

Page Left Blank

SECTION 4

Ref. 850579

TAILGATE HYD'S - ORFS - Dual MOV's (Pressure, Return & Carrier Sensing)



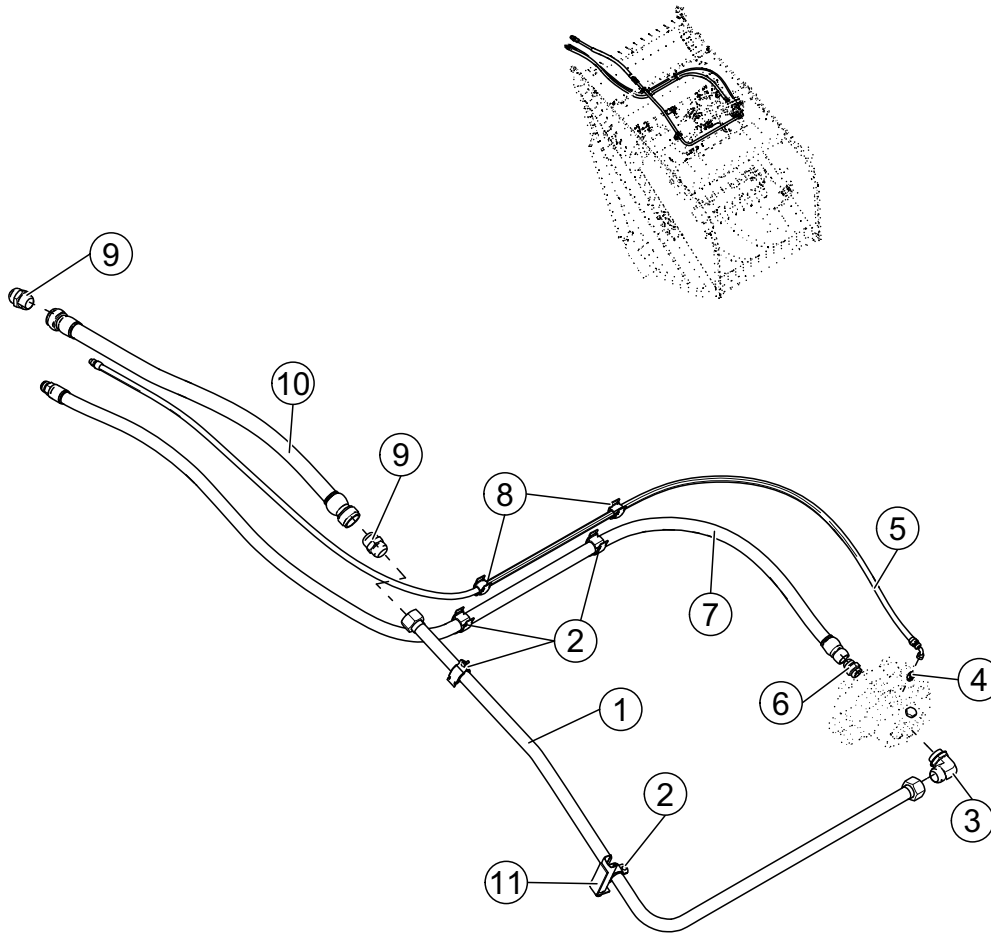
TAILGATE HYD'S - ORFS - Dual MOV's (Pressure, Return & Carrier Sensing)

REF. NO.	PART NO.	DESCRIPTION	QTY.
1	HYF07855	ELBOW, 45°	1
2	HYF09495	CONNECTOR	1
3	200349	HOSE	1
4	HYF09595	CONNECTOR	1
5	HYF05607	TEE, Swivel Nut Branch	1
6	200350	HOSE	1
7	HYF07435	ELBOW, 90°	2
8	HYF09495	CONNECTOR	2
9	104399	HOSE	1
10	200348	HOSE	1
11	200346	HOSE	1
12	HYF04806	CONNECTOR	3
13	HYF07415	ELBOW, 90°	1
14	200351	HOSE	1
15	HYF07115	ELBOW, 45° Swivel Nut	1
16	HYV00924	BLOCK, Cartridge (Used with Item 31)	1
17	QUR01695	WASHER	4
18	HYS01400	CLAMP, 1.50" O.D. Hose	1
19	QUB02460	CAPSCREW	2
20	QUE01175	NUT	2
21	2002332	SUPPORT	1
22	HYF07839	ELBOW, 90°	1
23	HYF07605	ELBOW, 90°	1
24	HYF09590	UNION	1
25	200347	HOSE	1
26	200353	HOSE	1
27	200336	TUBE	1
28	104423	HOSE	1
29	181155	HOSE	1
30	HYV02425	VALVE, Selector	1
31	HYV00666	CARTRIDGE, Check (Used with Item 16)	1

SECTION 4

Ref.850596

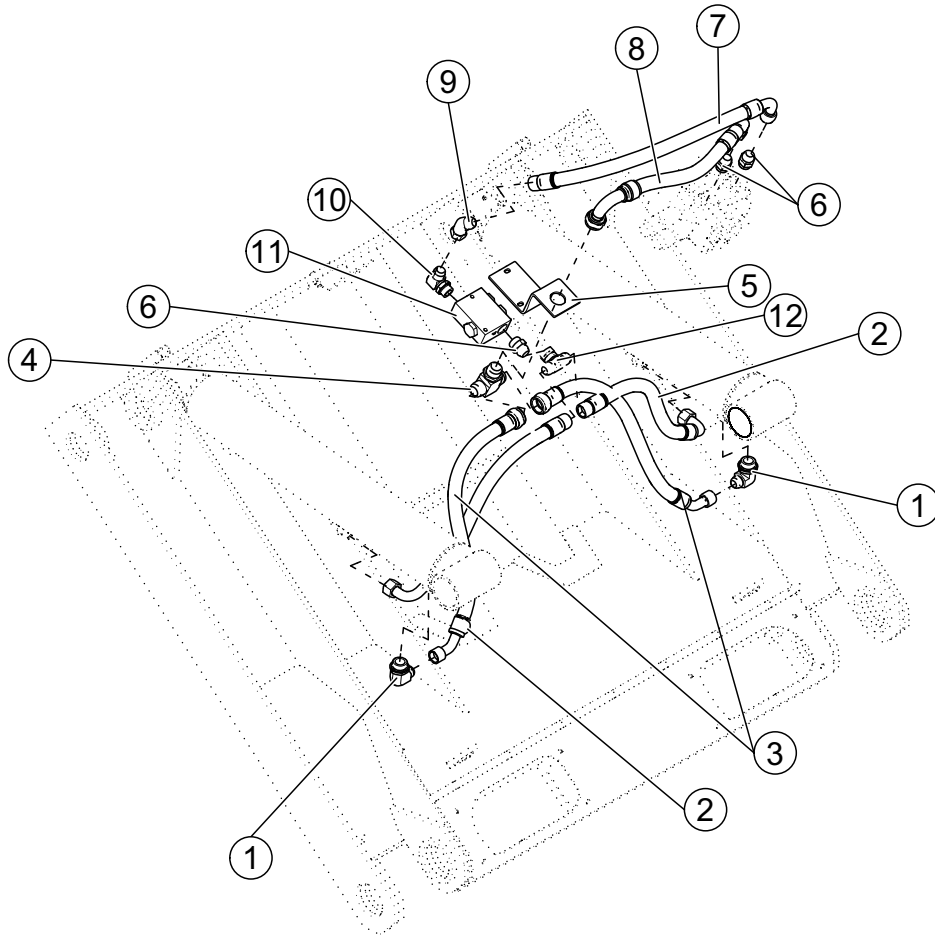
TAILGATE HYD'S - JIC (Pressure, Return & Carrier Sensing) (Hinged Packer/Carrier)



REF. NO.	PART NO.	DESCRIPTION	QTY.
1	104447	TUBE	1
2	HYS00455	CLAMP, 1.50" O.D. Hose/Tube	4
3	HYF07827	ELBOW, 90°	1
4	HYF04800	CONNECTOR	1
5	104450	HOSE	1
6	HYF05000	CONNECTOR	1
7	104449	HOSE	1
8	HYS00460	CLAMP, .84" O.D. Hose	1
9	HYF05611	UNION	1
10	104448	HOSE	1
11	12667	SUPPORT	1

Ref.850596

TAILGATE HYD'S - JIC (Carrier) (Hinged Packer/Carrier)

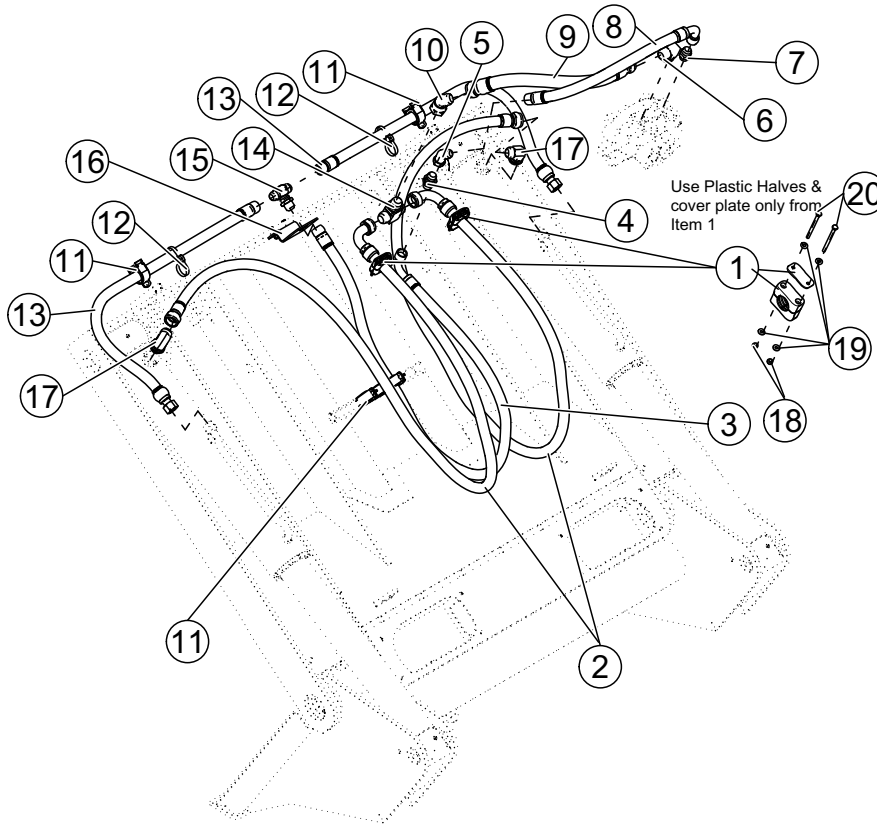


REF. NO.	PART NO.	DESCRIPTION	QTY.
1	HYF07700	ELBOW, 90°	2
2	104456	HOSE	2
3	104457	HOSE	2
4	HYF06290	TEE, Bulkhead Branch	1
5	200730	SUPPORT	1
6	HYF05000	CONNECTOR	3
7	104452	HOSE	1
8	104454	HOSE	1
9	HYF07870	ELBOW, 45°	1
10	HYF07600	ELBOW, 90°	1
11	HYV02825-01	VALVE, Reducing	1
12	HYF28035	TEE, Swivel Nut Branch	1

SECTION 4

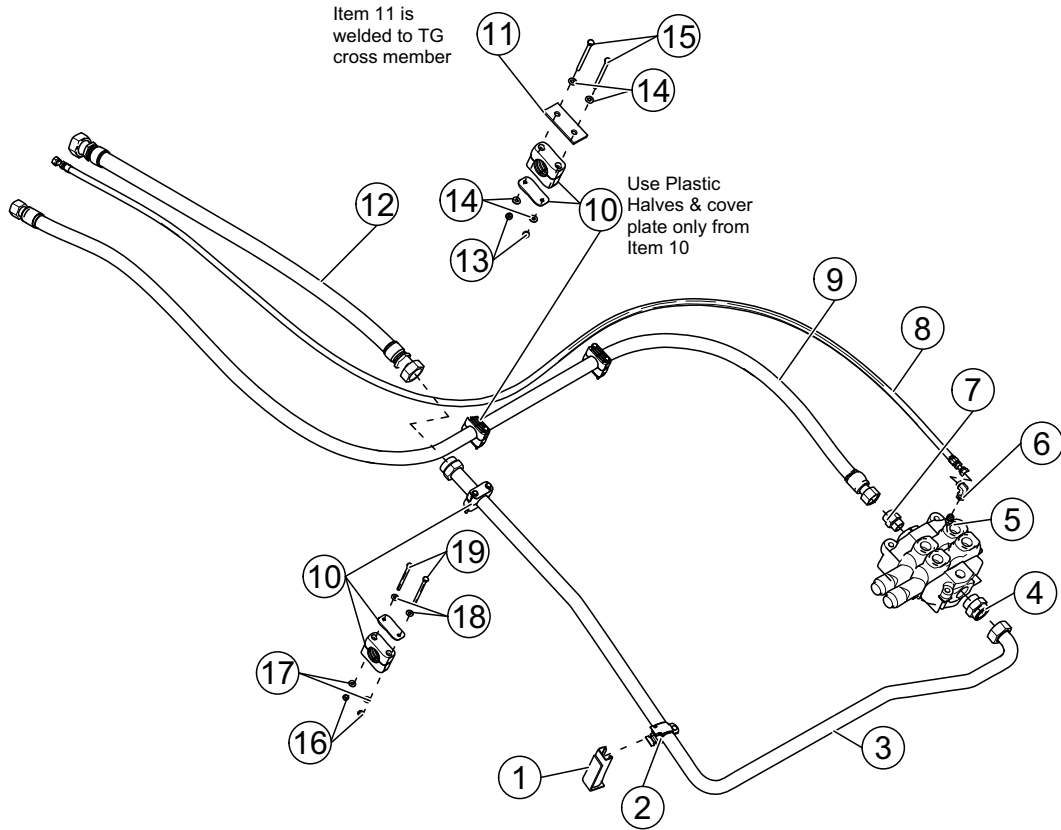
TAILGATE HYD'S - JIC (Packer) (Hinged Packer/Carrier)

Ref.850596



REF. NO.	PART NO.	DESCRIPTION	QTY.
1	HYS01400	CLAMP, 1.50" O.D. Hose	2
2	104459	HOSE	2
3	104460	HOSE	1
4	HYF06700	CONNECTOR, Bulkhead	1
5	HYF07850	ELBOW, 45° Swivel Nut	1
6	HYF07750	ELBOW, 90°	1
7	HYF05000	CONNECTOR	1
8	104451	HOSE	1
9	104450	HOSE	1
10	HYF07870	ELBOW, 45° Swivel	1
11	HYS00500	CLAMP, 1.75" O.D. Hose	5
12	ELA01300	TIE, Clamp - Dual	2
13	104461	HOSE	2
14	HYF06290	TEE, Bulkhead Branch	1
15	HYF05600	TEE, Bulkhead Branch	1
16	104453	SUPPORT	1
17	HYF07800	ELBOW, 90°	2
18	QUE01175	NUT	4
19	QUR01695	WASHER	8
20	QUB02460	CAPSCREW	4

TAILGATE HYD'S - ORFS (Pressure, Return and Carrier Sensing) (Hinged Packer/Carrier)

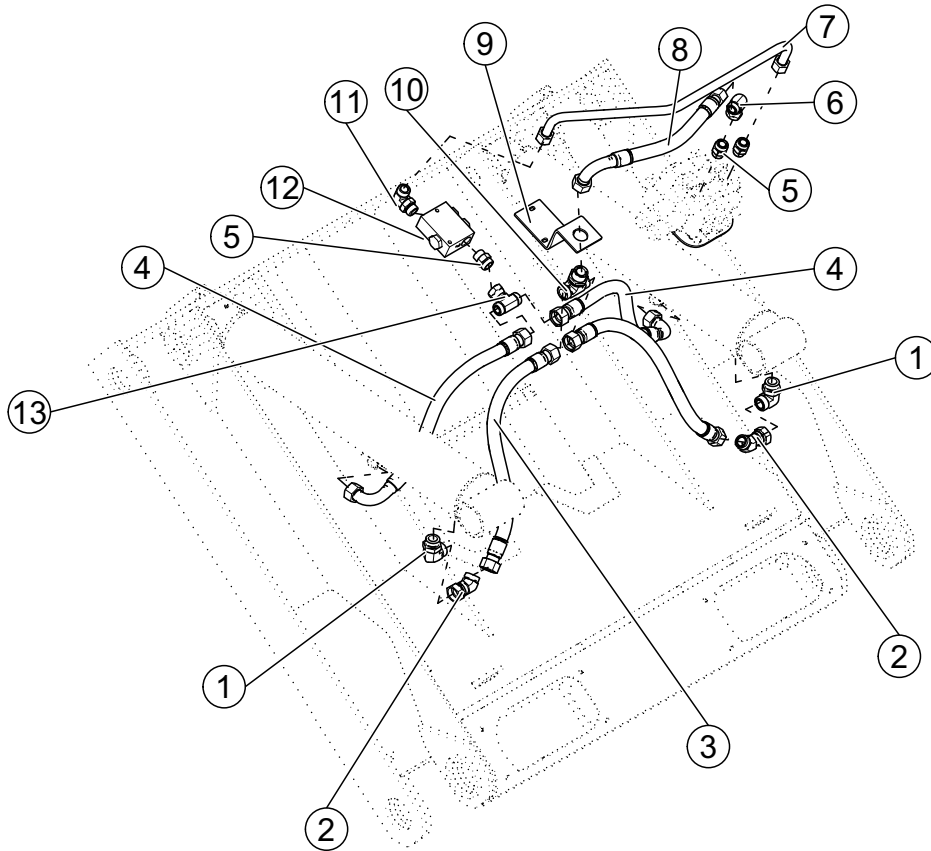


REF. NO.	PART NO.	DESCRIPTION	QTY.
1	12667	SUPPORT	1
2	HYS00455	CLAMP, 1.50" O.D. TUBE	1
3	102008	TUBE	1
4	HYF09595	CONNECTOR	1
5	HYF04806	CONNECTOR	1
6	HYF07415	ELBOW, 90°	1
7	HYF09495	CONNECTOR	1
8	103008	HOSE	1
9	103007	HOSE	1
10	HYS01400	CLAMP, 1.50" O.D. Hose	3
11	101589	PLATE, Mounting	1
12	103005	HOSE	1
13	QUE01175	NUT	6
14	QUR01695	WASHER	12
15	QUB02460	CAPSCREW	6

SECTION 4

TAILGATE HYD'S - ORFS (Carrier) (Hinged Packer/Carrier)

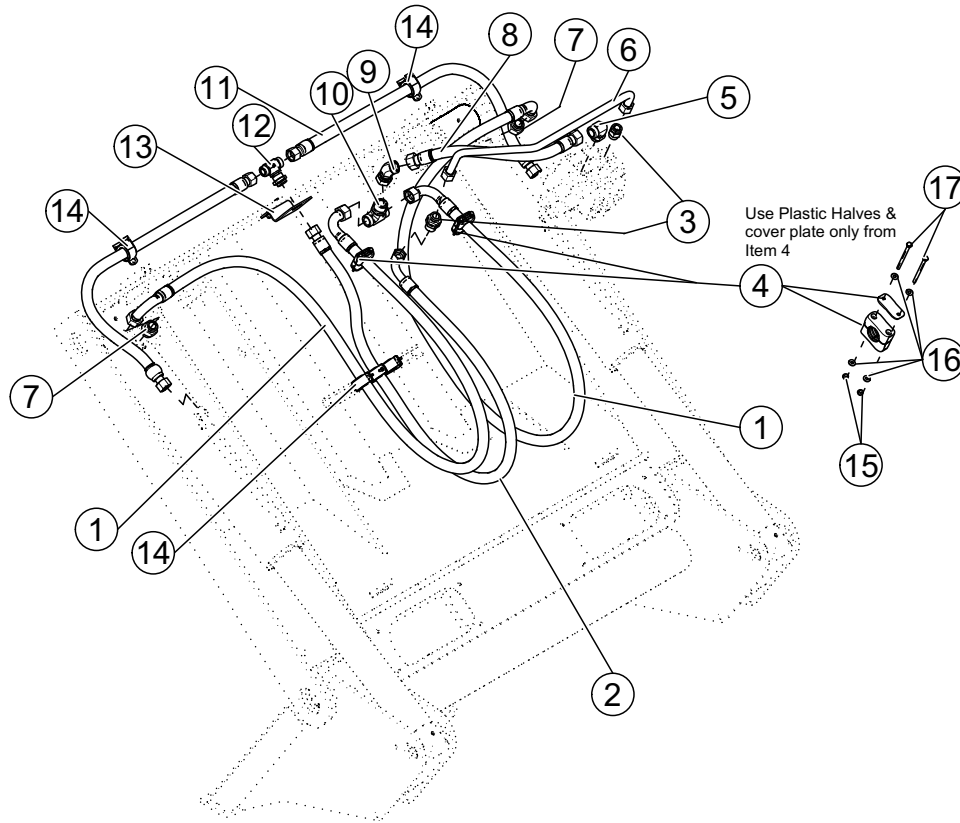
Ref. 850576



REF. NO.	PART NO.	DESCRIPTION	QTY.
1	HYF07805	ELBOW, 90°	2
2	HYF07103	ELBOW, 45° Swivel Nut	2
3	104407	HOSE	2
4	181155	HOSE	2
5	HYF09495	CONNECTOR	3
6	HYF07610	ELBOW, 90° Swivel Nut	1
7	102005	TUBE	1
8	104406	HOSE	1
9	200730	SUPPORT	1
10	HYF05602	TEE, Bulkhead Branch	1
11	HYF07605	ELBOW, 90°	1
12	HYY02825-01	VALVE, Reducing (See Page 188 for Components)	1
13	HYF05605	TEE, Swivel Nut Branch	1

Ref.850576

TAILGATE HYD'S - ORFS (Packer) (Hinged Packer/Carrier)

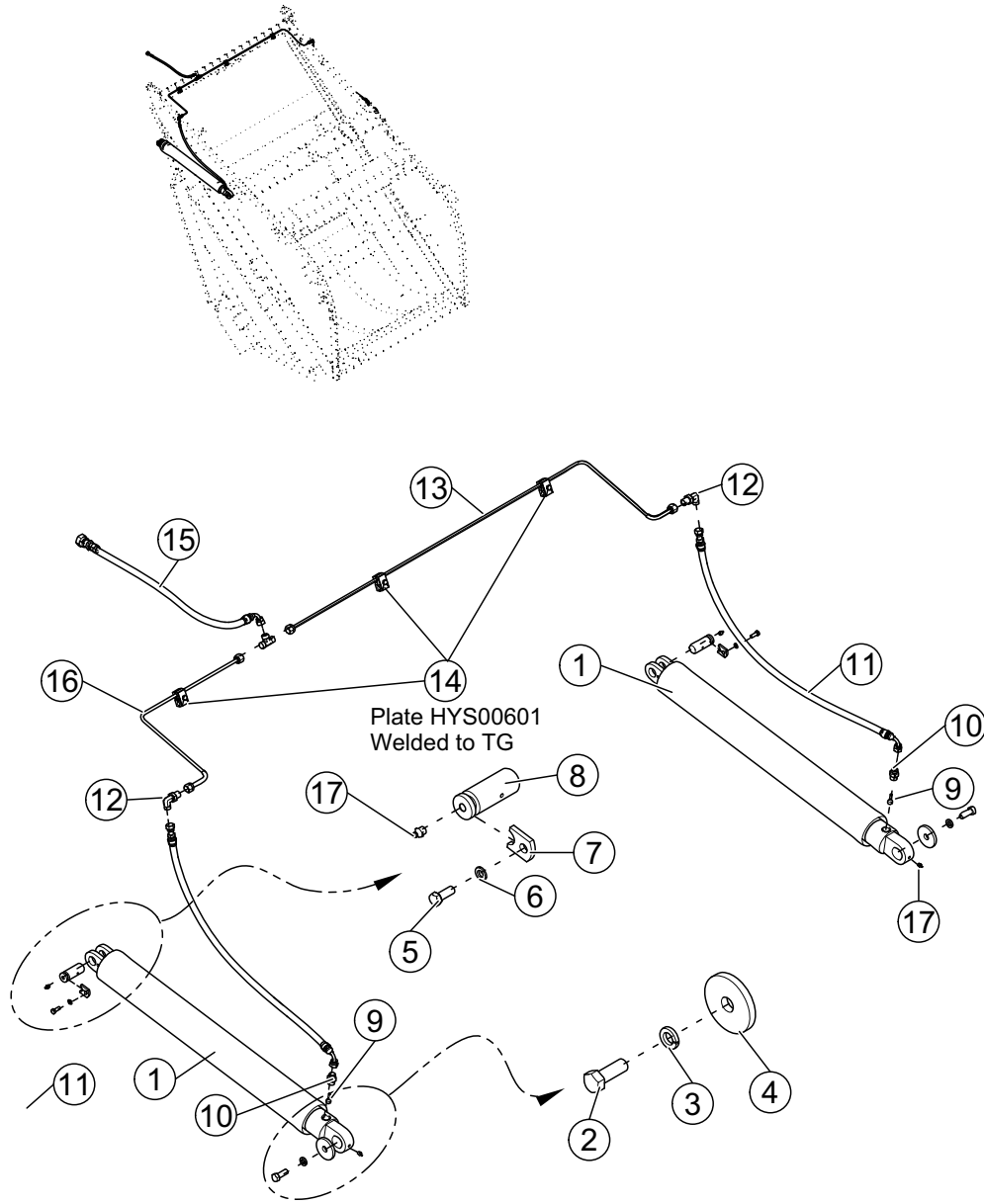


REF. NO.	PART NO.	DESCRIPTION	QTY.
1	181152	HOSE	2
2	181156	HOSE	1
3	HYF09495	CONNECTOR	2
4	HYS01400	CLAMP, 1.50' O.D. Hose	2
5	HYF07695	ELBOW, 90°	1
6	102004	TUBE	1
7	HYF02146	CONNECTOR	2
8	200278	HOSE	1
9	HYF07103	ELBOW, 45° Swivel Nut	1
10	HYF05602	TEE, Bulkhead Branch	1
11	181143	HOSE	2
12	HYF05603	TEE, Bulkhead Branch	1
13	181141	SUPPORT	1
14	HYS00500	CLAMP, 1.75" O.D. Hose	5
15	QUE01175	NUT	4
16	QUR01695	WASHER	8
17	QUB02460	CAPSCREW	4

SECTION 4

TAILGATE HYD'S - ORFS (Tailgate Lift)

Ref.834053,
867932



Ref.834053,
867932

SECTION 4

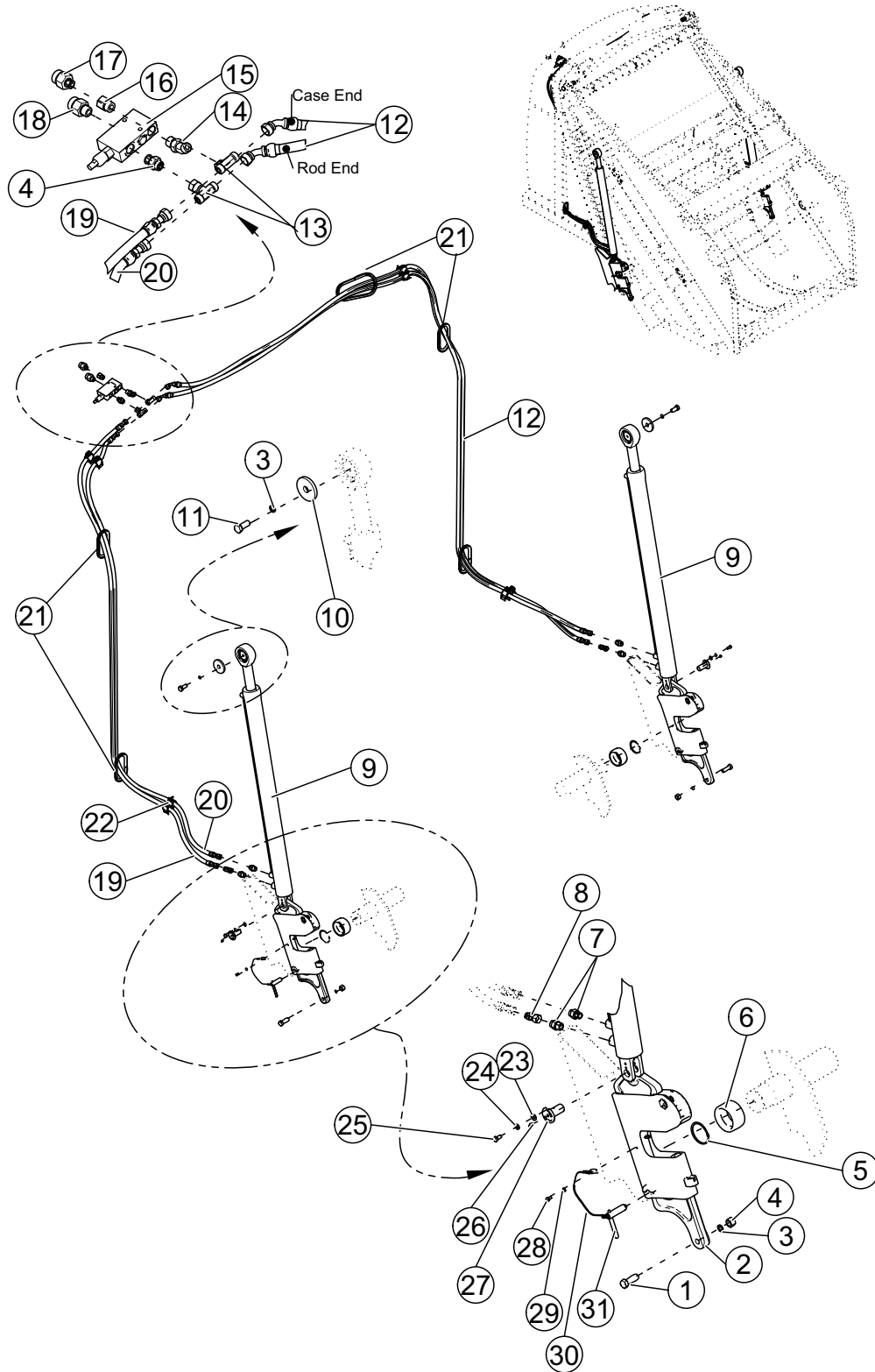
TAILGATE HYD'S - ORFS (Tailgate Lift)

REF. NO.	PART NO.	DESCRIPTION	QTY.
1	HYC00820-01	CYLINDER (See Page 203 for Components)	2
2	QUB05157	CAPSCREW	2
3	QUR01405	WASHER	2
4	100388	RETAINER	2
5	QUB03401	CAPSCREW	2
6	QUR01272	WASHER	2
7	100391	RETAINER	2
8	100393	PIN, TG Lift Cyl. (Case End)	2
9	100390	PIN, Restrictor	2
10	HYF04908	CONNECTOR	2
11	103000	HOSE	2
12	HYF06805	ELBOW, 90° Bulkhead	2
13	102000	TUBE	1
14	HYS00602	CLAMP, Dual ½" O.D. Tube	1
15	103001	HOSE	1
16	102001	TUBE	1
17	QUG00200	FITTING, Grease (.125" - 27 NPT Straight)	4

SECTION 4

TAILGATE HYD'S - ORFS (Tailgate Lift/Latch 1 Cyl.)

Ref.872846,
872172



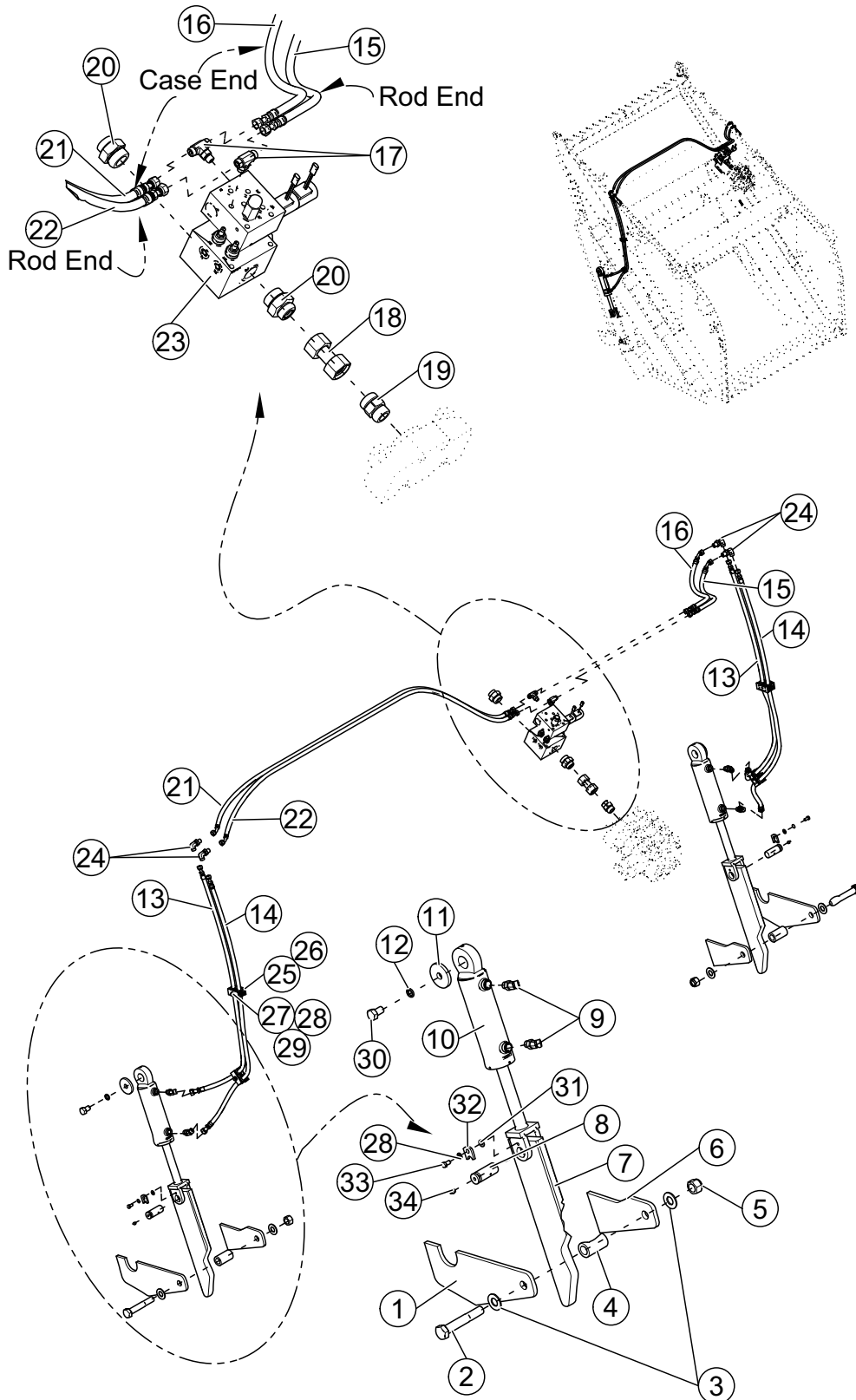
SECTION 4Ref. 872846,
872172**TAILGATE HYD'S - ORFS (Tailgate Lift/Latch 1 Cyl.)**

REF. NO.	PART NO.	DESCRIPTION	QTY.
1	QUB05201	CAPSCREW	2
2	120731	LATCH	2
3	QUR01410	WASHER	4
4	QUE00826	NUT	2
5	QUR02412	RING, Snap	2
6	70973	BUSHING	2
7	HYF04908	CONNECTOR	5
8	HYF08268	PIN, Restrictor	2
9	HYC00827	CYLINDER (See Page 204 for Components)	2
10	100388	RETAINER	2
11	QUB05100	CAPSCREW	2
12	205420	HOSE	2
13	HYF06115	TEE, Swivel Nut Branch	2
14	HYF02970	ELBOW, 45°	1
15	HYV02671	VALVE, Holding	1
16	HYF05144	CONNECTOR	1
17	HYF04956	REDUCER	1
18	HYF05154	REDUCER	1
19	102307	HOSE	1
20	102306	HOSE	1
21	QUC02000	EDGING	75"
22	HYS00400	CLAMP, 1.00" O.D. Hose	8
23	QUR01902	WASHER	2
24	QUR01272	WASHER	2
25	QUB03360	CAPSCREW	2
26	QUG00200	FITTING, Grease (.125" - 27 NPT, Straight)	2
27	60783	ASSY., Pin (Includes Item 26)	2
28	QUB02120	CAPSCREW	2
29	QUR01261	WASHER	2
30	QUE11000	CABLE	2
31	69119	PIN, Locking	2

SECTION 4

TAILGATE HYD'S - ORFS (Tailgate Remote Cab Cyl. Latch)

Ref. 872004
,872031



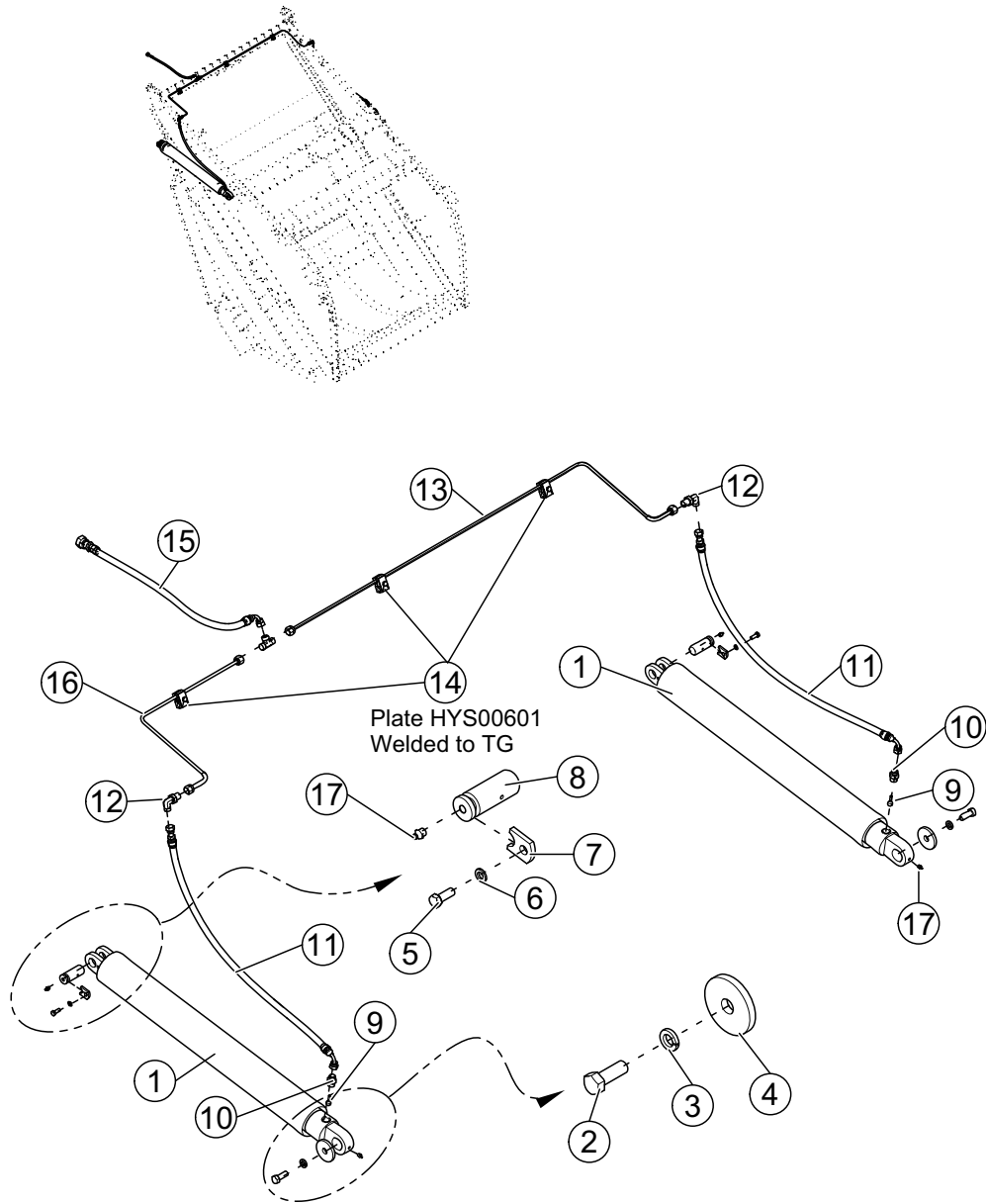
SECTION 4Ref. 872004,
872031**TAILGATE HYD'S - ORFS** (Tailgate Remote Cab Cyl. Latch)

REF. NO.	PART NO.	DESCRIPTION	QTY.
1	101813	PLATE, Outer Latch	2
2	QUB14965	CAPSCREW	2
3	QUR02101	WASHER	4
4	100761	TUBE, Roller	2
5	QUE01816	NUT	2
6	101807	PLATE, Inner Latch	2
7	100841	LATCH	2
8	100393	PIN, Cyl. Rod End	2
9	HYF02955	ELBOW, 45°	4
10	HYC00353-01	CYLINDER (See Page 206 for Components)	2
11	100388	RETAINER	2
12	QUR01430	WASHER	2
13	173720	HOSE	2
14	173719	HOSE	2
15	170616	HOSE	1
16	170619	HOSE	1
17	HYF05656	TEE	2
18	102039	TUBE	1
19	HYF09495	CONNECTOR	1
20	HYF09496	CONNECTOR	2
21	170706	HOSE	1
22	170513	HOSE	1
23	HYV02624-02	VALVE, Flow Divider (See Page 191 for Components)	1
24	HYF06791	ELBOW, 90° Bulkhead	4
25	HYS00670	CLAMP, Cover	4
26	HYS00619	CLAMP, 3/4"	4
27	QUB03101	CAPSCREW	4
28	QUR01272	WASHER	6
29	QUR01800	WASHER	4
30	QUB06325	CAPSCREW	2
31	QUR01902	WASHER	2
32	100391	RETAINER	2
33	QUB03360	CAPSCREW	2
34	QUG00200	FITTING, Grease (.125" - 27 NPT, Straight)	2

SECTION 4

TAILGATE HYD'S - JIC (Tailgate Lift)

Ref. 874235



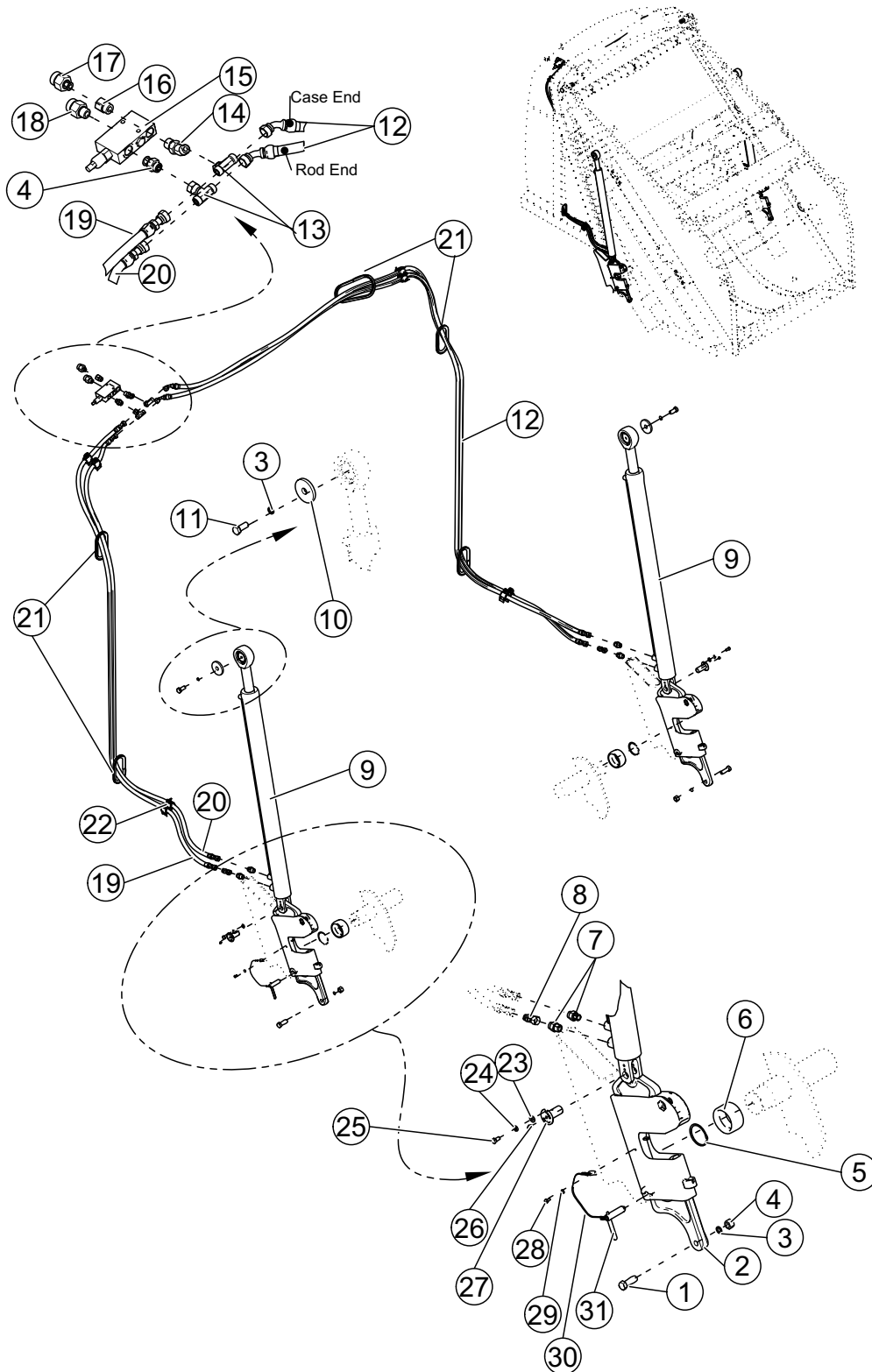
TAILGATE HYD'S - JIC (Tailgate Lift)

REF. NO.	PART NO.	DESCRIPTION	QTY.
1	HYC00820-01	CYLINDER (See Page 203 for Components)	2
2	QUB05157	CAPSCREW	2
3	QUR01405	WASHER	2
4	100388	RETAINER	2
5	QUB03401	CAPSCREW	2
6	QUR01272	WASHER	2
7	100391	RETAINER	2
8	100393	PIN, TG Lift Cyl. (Case End)	2
9	100390	PIN, Restrictor	2
10	HYF04900	CONNECTOR	2
11	215154	HOSE	2
12	HYF06800	ELBOW, 90° Bulkhead	2
13	199612	TUBE	1
14	HYS00602	CLAMP, Dual ½" O.D. Tube	1
15	206775	HOSE	1
16	199613	TUBE	1
17	QUG00200	FITTING, Grease (.125" - 27 NPT Straight)	4

SECTION 4

TAILGATE HYD'S - JIC (Tailgate Lift/Latch 1 Cyl.)

Ref.850637



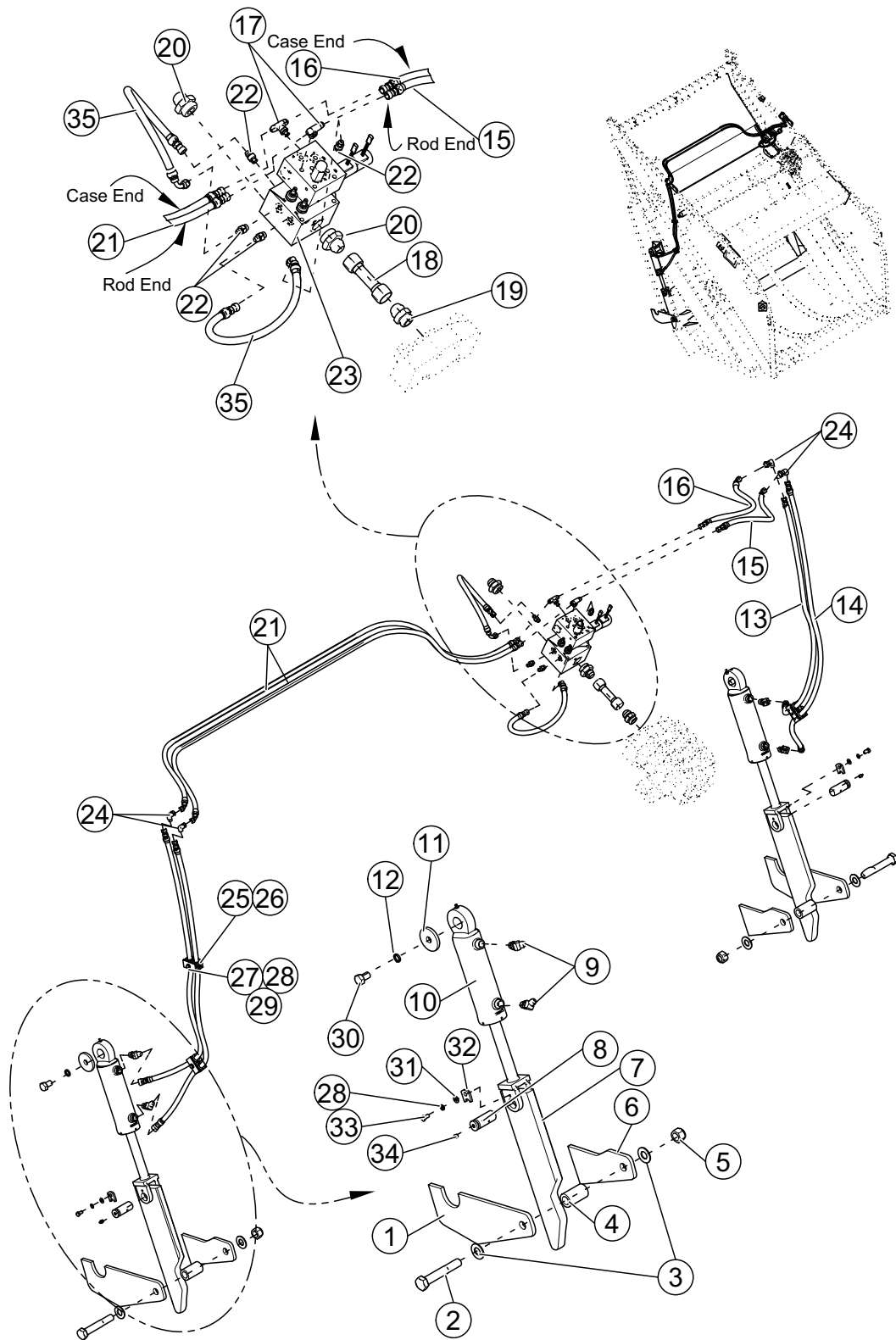
TAILGATE HYD'S - JIC (Tailgate Lift/Latch 1 Cyl.)

REF. NO.	PART NO.	DESCRIPTION	QTY.
1	QUB05201	CAPSCREW	2
2	120731	LATCH	2
3	QUR01410	WASHER	4
4	QUE00826	NUT	2
5	QUR02412	RING, Snap	2
6	70973	BUSHING	2
7	HYF04908	CONNECTOR	5
8	104756	CONNECTOR, Restrictor	2
9	HYC00827	CYLINDER (See Page 204 for Components)	2
10	100388	RETAINER	2
11	QUB05100	CAPSCREW	2
12	104755	HOSE	2
13	HYF05830	TEE, Swivel Nut Branch	2
14	HYF02960	ELBOW, 45°	1
15	HYV02671	VALVE, Holding	1
16	HYF05144	CONNECTOR	1
17	HYF04955	REDUCER	1
18	HYF05112	REDUCER	1
19	104754	HOSE	1
20	104753	HOSE	1
21	QUC02000	EDGING	75"
22	HYS00400	CLAMP, 1.00" O.D. Hose	8
23	QUR01902	WASHER	2
24	QUR01272	WASHER	2
25	QUB03360	CAPSCREW	2
26	QUG00200	FITTING, Grease (.125" - 27 NPT, Straight)	2
27	60783	ASSY., Pin (Includes Item 26)	2
28	QUB02120	CAPSCREW	2
29	QUR01261	WASHER	2
30	QUE11000	CABLE	2
31	69119	PIN, Locking	2

SECTION 4

TAILGATE HYD'S - JIC (Tailgate Remote Cab Cyl. Latch)

Ref.874217



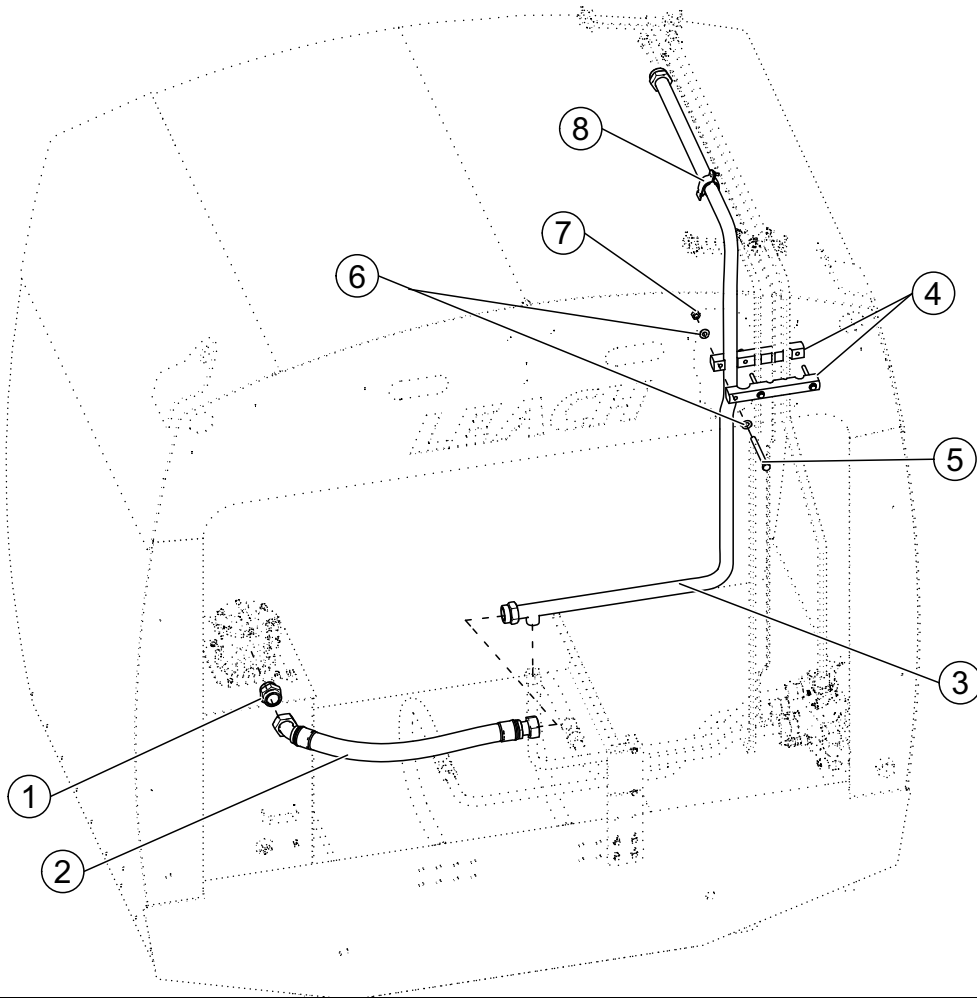
TAILGATE HYD'S - JIC (Tailgate Remote Cab Cyl. Latch)

REF. NO.	PART NO.	DESCRIPTION	QTY.
1	101813	PLATE, Outer Latch	2
2	QUB14965	CAPSCREW	2
3	QUR02101	WASHER	4
4	100761	TUBE, Roller	2
5	QUE01816	NUT	2
6	101807	PLATE, Inner Latch	2
7	100841	LATCH	2
8	100393	PIN, Cyl. Rod End	2
9	HYF05120	ELBOW, 45°	4
10	HYC00353-01	CYLINDER (See Page 206 for Components)	2
11	100388	RETAINER	2
12	QUR01430	WASHER	2
13	206800	HOSE	2
14	206801	HOSE	2
15	206799	HOSE	1
16	206798	HOSE	1
17	HYF05662	TEE	2
18	199600	TUBE	1
19	HYF05000	CONNECTOR	1
20	HYF08555	CONNECTOR	2
21	206802	HOSE	2
22	HYF04800	CONNECTOR	4
23	HYV02624-02	VALVE, Flow Divider (See Page 191 for Components)	1
24	HYF06790	ELBOW, 90° Bulkhead	4
25	HYS00670	CLAMP, Cover	4
26	HYS00619	CLAMP, 3/4"	4
27	QUB03101	CAPSCREW	4
28	QUR01272	WASHER	6
29	QUR01800	WASHER	4
30	QUB06325	CAPSCREW	2
31	QUR01902	WASHER	2
32	100391	RETAINER	2
33	QUB03360	CAPSCREW	2
34	QUG00200	FITTING, Grease (.125" - 27 NPT, Straight)	2
35	206797	HOSE	2

SECTION 4

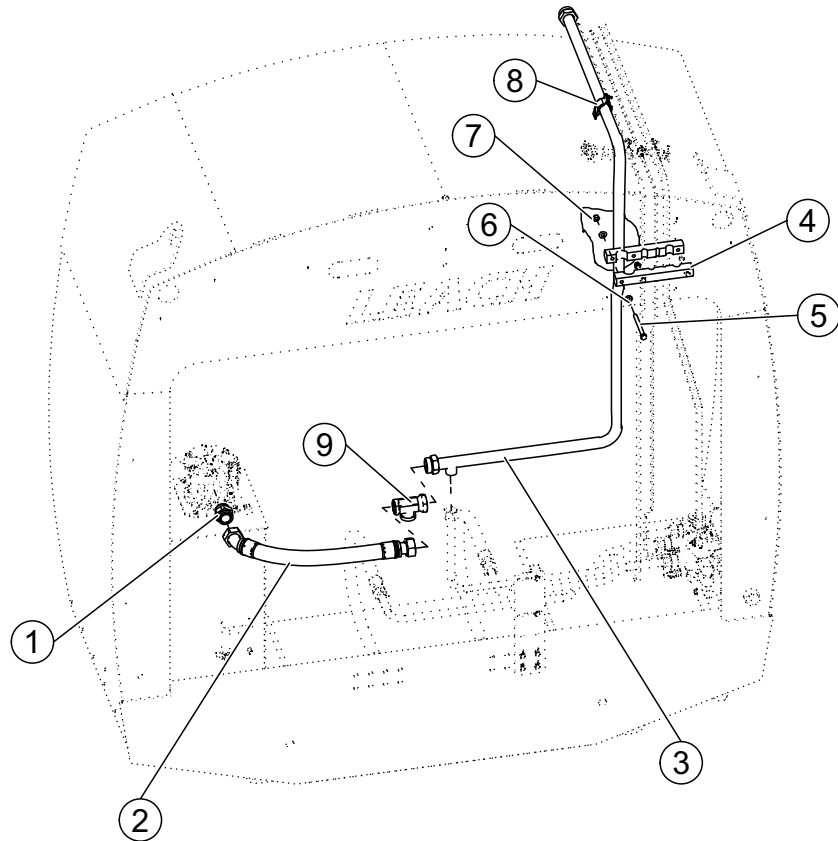
BODY HYD'S - ORFS (Front Return)

Ref.872826,
863956



REF. NO.	PART NO.	DESCRIPTION	QTY.
1	HYF09595	CONNECTOR	1
2	177318	HOSE	1
3	102038	TUBE	1
4	100153	CLAMP, Tube	2
5	QUB04055	CAPSCREW	3
6	QUR01902	WASHER	6
7	QUE01302	NUT	3
8	HYS00455	CLAMP, 1.50" O.D. Tube	1

BODY HYD'S - ORFS (Front Return + Tee)

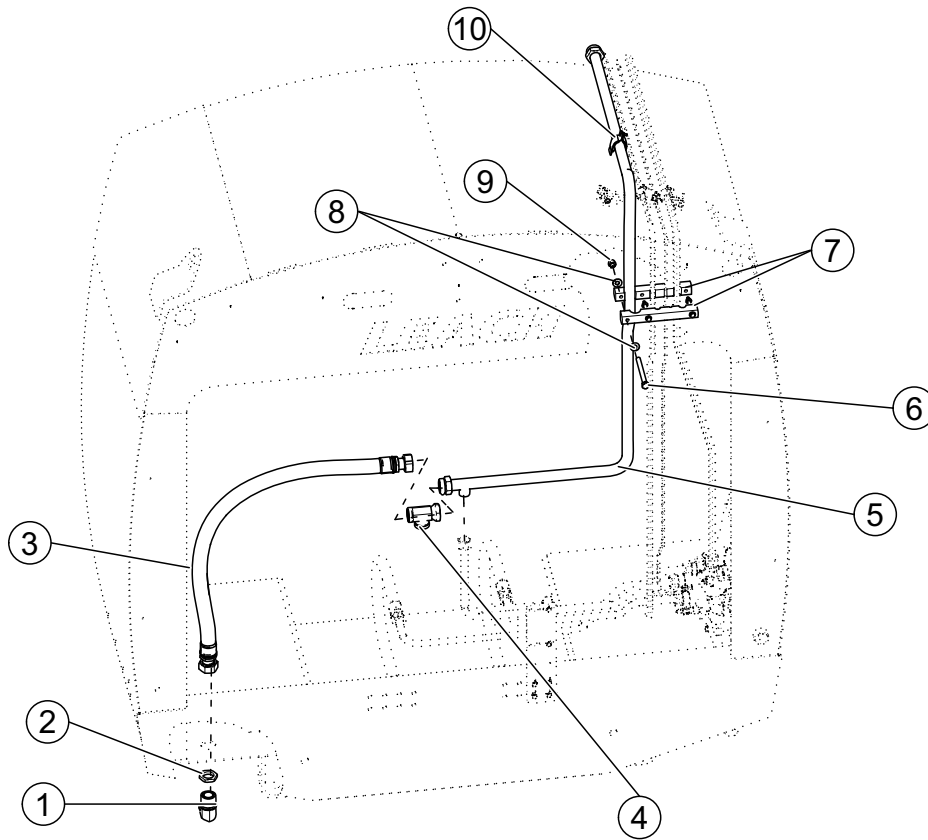


REF. NO.	PART NO.	DESCRIPTION	QTY.
1	HYF09595	CONNECTOR	1
2	177317	HOSE	1
3	102038	TUBE	1
4	100153	CLAMP, Tube	2
5	QUB04055	CAPSCREW	3
6	QUR01902	WASHER	6
7	QUE01302	NUT	3
8	HYS00455	CLAMP, 1.50" O.D. Tube	1
9	HYF28060	TEE	1

SECTION 4

BODY HYD'S - ORFS (Front Return) (Under Body Reservoir)

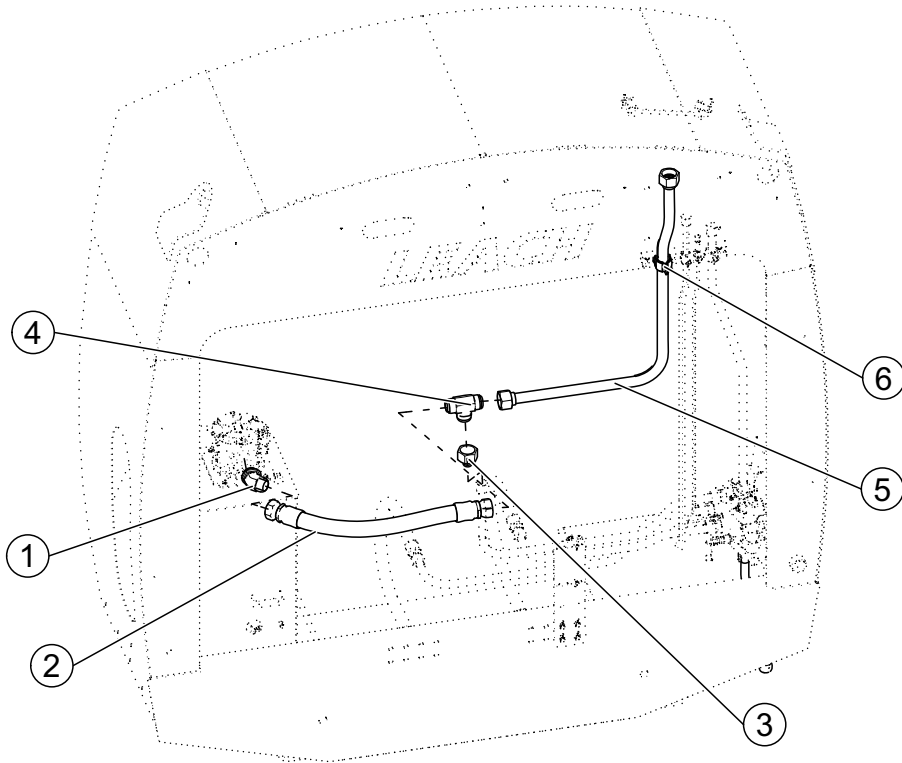
Ref.834849



REF. NO.	PART NO.	DESCRIPTION	QTY.
1	HYF07813	ELBOW, 90°	1
2	HYF19940	LOCKNUT	1
3	103129	HOSE	1
4	HYF28060	TEE	1
5	102038	TUBE	1
6	QUB04055	CAPSCREW	6
7	100153	CLAMP, Tube	2
8	QUR01902	WASHER	6
9	QUE01302	NUT	3
10	HYS00455	CLAMP, 1.50" O.D. Tube	1

Ref.874223,
874236

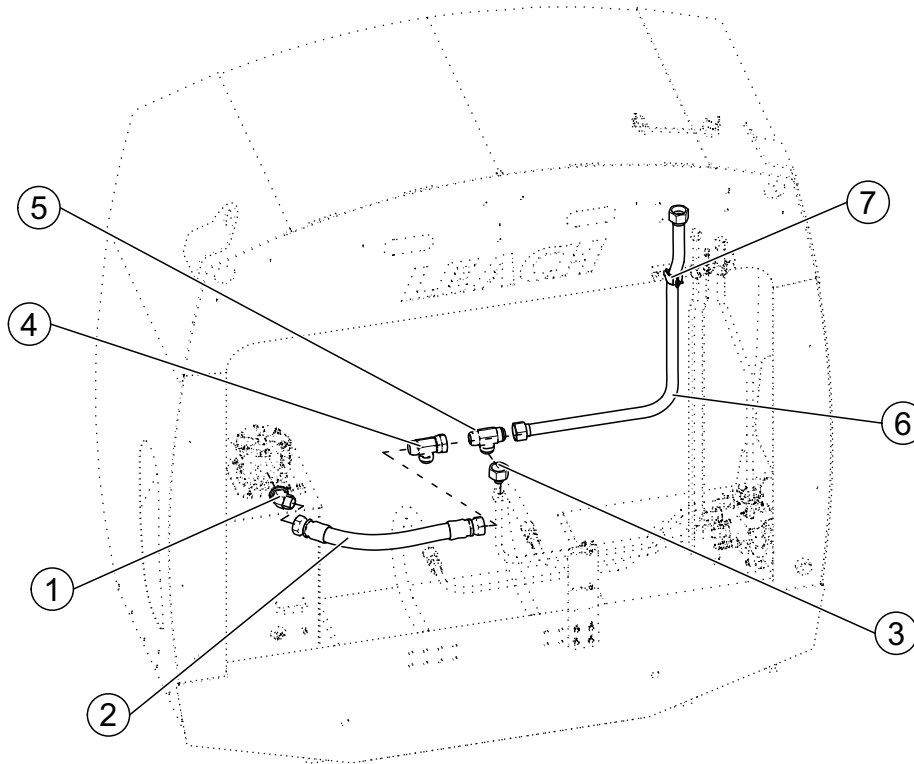
BODY HYD'S - JIC (Front Return) (Hinged Packer)



REF. NO.	PART NO.	DESCRIPTION	QTY.
1	HYF07112	ELBOW, 45°	1
2	206809	HOSE	1
3	HYF02164	REDUCER	1
4	HYF06282	TEE	1
5	199610	TUBE	1
6	HYS00455	CLAMP, 1.50" O.D. Tube	1

SECTION 4**BODY HYD'S - JIC (Front Return + Tee) (Hinged Packer)**

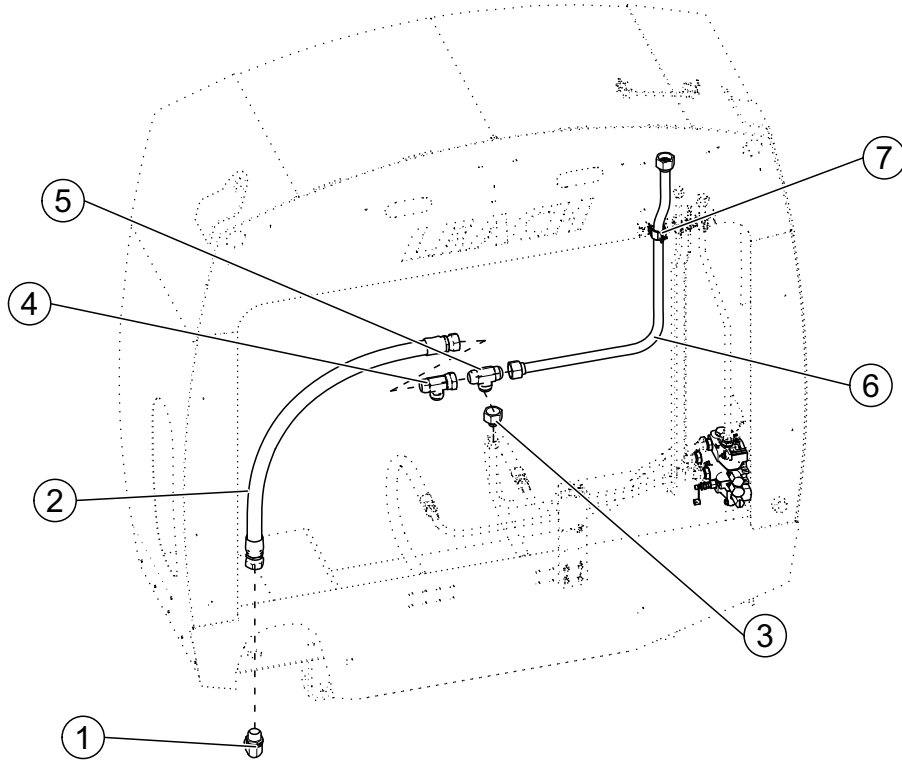
Ref.874238



REF. NO.	PART NO.	DESCRIPTION	QTY.
1	HYF07112	ELBOW, 45	1
2	206774	HOSE	1
3	HYF02164	REDUCER	1
4	HYF28070	TEE, Swivel Nut Run	1
5	HYF06282	TEE	1
6	199610	TUBE	1
7	HYS00455	CLAMP, 1.50" O.D. Tube	1

Ref.874199

BODY HYD'S - JIC (Front Return + Tee)(Under Body Res.) (Hinged Packer)

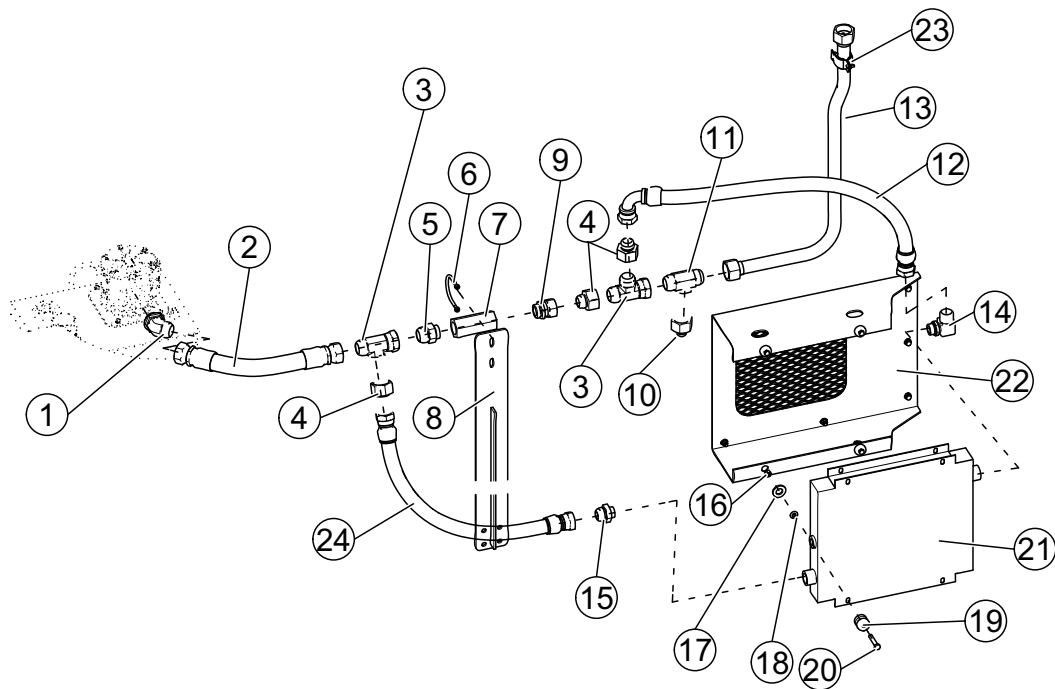
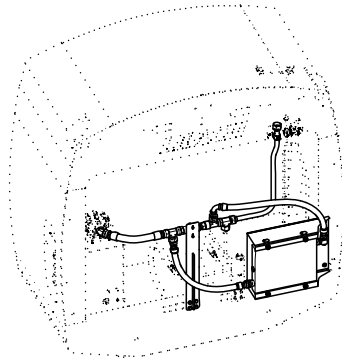


REF. NO.	PART NO.	DESCRIPTION	QTY.
1	HYF07814	ELBOW, 90°	1
2	206815	HOSE	1
3	HYF02164	REDUCER	1
4	HYF20870	TEE, Bulkhead Swivel Nut Run	1
5	HYF06282	TEE	1
6	199610	TUBE	1
7	HYS00455	CLAMP, 1.50" O.D. Tube	1

SECTION 4

BODY HYD'S - JIC (Front Return) (Oil Cooler) (Hinged Packer)

Ref.874226



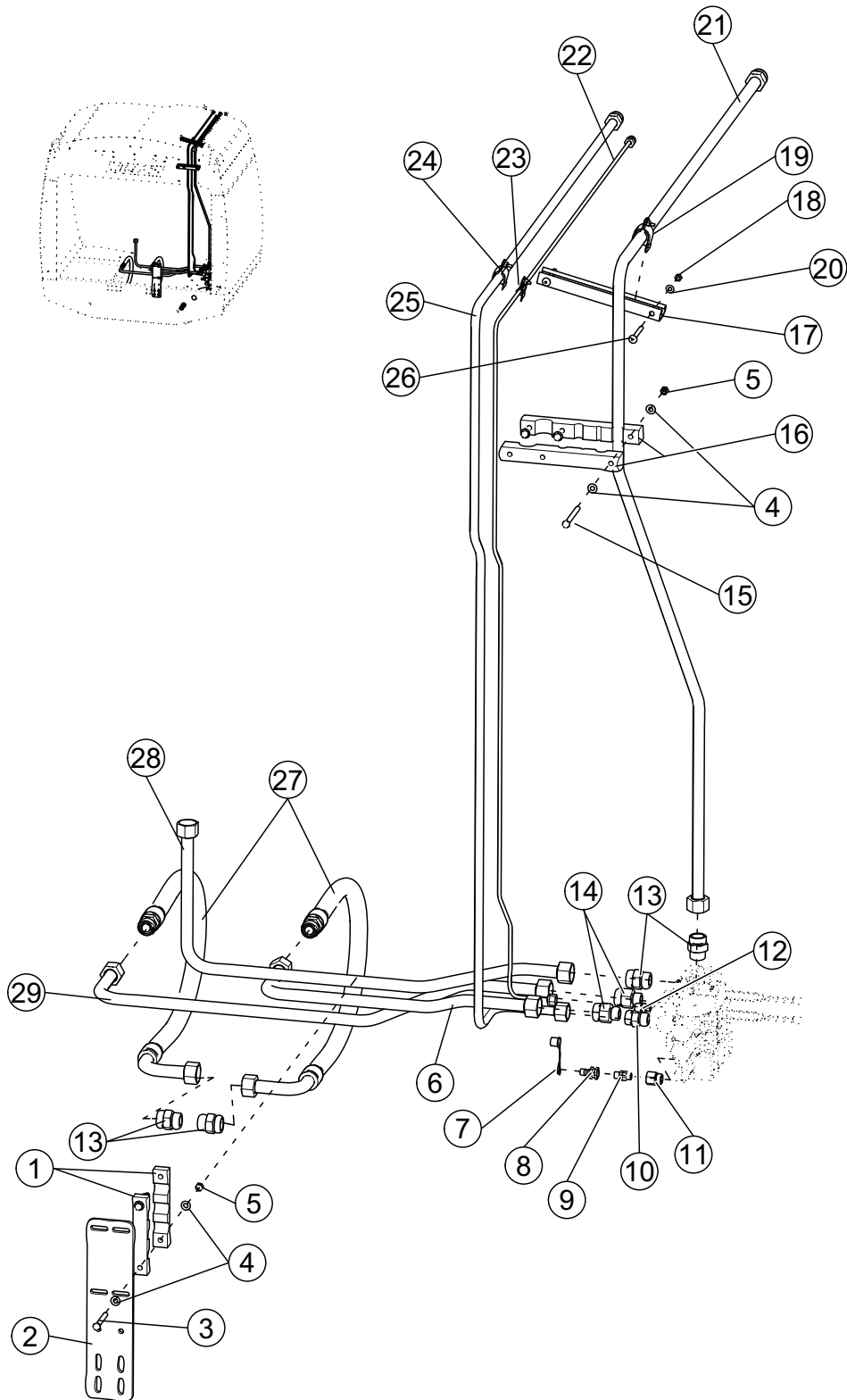
BODY HYD'S - JIC (Front Return) (Oil Cooler) (Hinged Packer)

REF. NO.	PART NO.	DESCRIPTION	QTY.
1	HYF07112	ELBOW, 45°	1
2	206792	HOSE	1
3	HYF28070	TEE, Swivel Nut Run	2
4	HYF02165	REDUCER	3
5	HYF02168	REDUCER	1
6	CIE01109	U-Bolt	1
7	HYV00825	VALVE, Check	1
8	102969	SUPPORT	1
9	HYF05180	ADAPTER	1
10	HYF02164	REDUCER	1
11	HYF06282	TEE	1
12	187016	HOSE	1
13	199630	TUBE	1
14	HYF07750	ELBOW, 90°	1
15	HYF05075	CONNECTOR	1
16	QUE01302	NUT	4
17	QUR01902	WASHER	4
18	QUR02880	WASHER	4
19	QUB01245	MOUNT, Isolator	4
20	QUB03802	CAPSCREW	4
21	ELC01487	COOLER, Oil (See Page 174 for Components)	1
22	101669	SUPPORT	1

SECTION 4

BODY HYD'S - ORFS (Front Pressure)

Ref. 874140, 867808,
867813



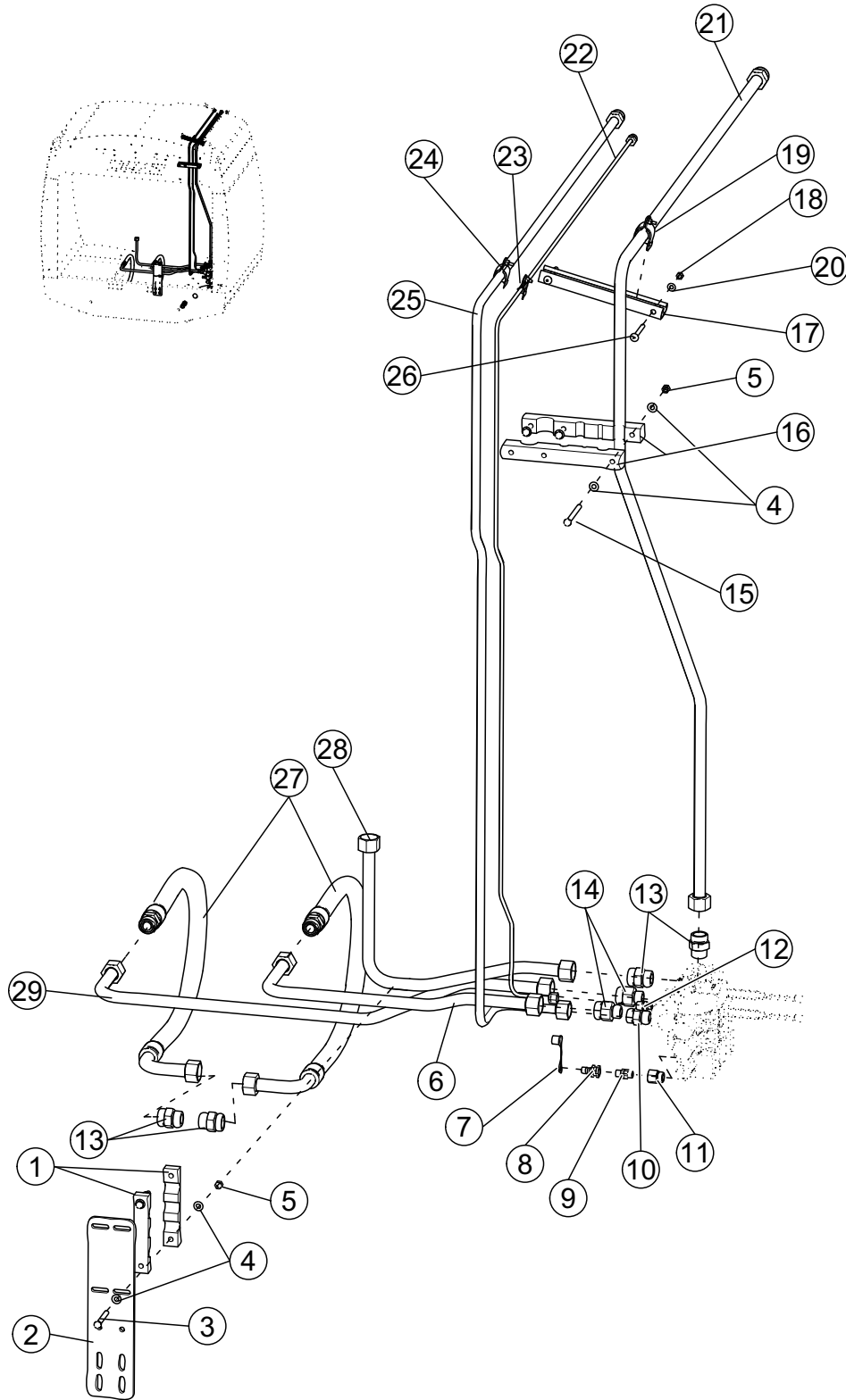
SECTION 4Ref.874140,867808,
867813**BODY HYD'S - ORFS (Front Pressure)**

REF. NO.	PART NO.	DESCRIPTION	QTY.
1	101484	CLAMP, Tube	2
2	101485	SUPPORT	1
3	QUB04005	CAPSCREW	2
4	QUR01902	WASHER	14
5	QUE01302	NUT	10
6	100142	TUBE	1
7	HYF10050	CAP, Dust	1
8	HYF10214	NIPPLE, Test	1
9	HYF04810	CONNECTOR	1
10	HYF05152	CONNECTOR	1
11	HYF05143	REDUCER	1
12	HYF04705	CONNECTOR	1
13	HYF09495	CONNECTOR	4
14	HYF04985	CONNECTOR	2
15	QUB04055	CAPSCREW	3
16	100153	CLAMP, Tube	2
17	107503	CHANNEL, Clamp	1
18	QUE01205	NUT	2
19	HYS00400	CLAMP, 1.00" O.D. Tube	1
20	QUR01800	WASHER	2
21	100146	TUBE	1
22	100145	TUBE	1
23	HYS00150	CLAMP,.38" O.D. Tube	1
24	HYS00300	CLAMP,.75" O.D. Tube	1
25	100144	TUBE	1
26	QUB03223	BOLT, Carriage	2
27	100139	HOSE	2
28	100141	TUBE	1
29	100143	TUBE	1

SECTION 4

Ref.867817

BODY HYD'S - ORFS (Front Pressure)



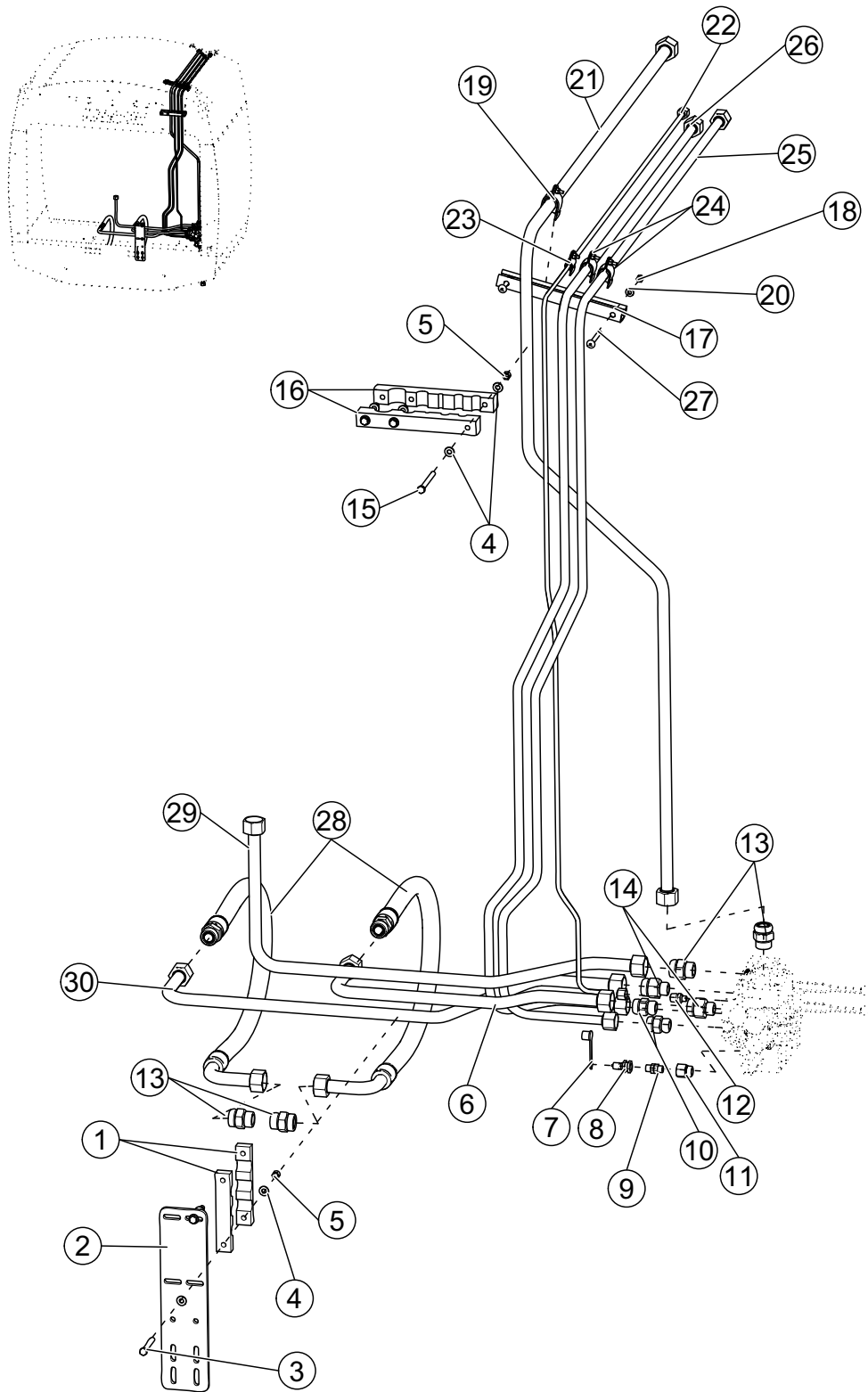
BODY HYD'S - ORFS (Front Pressure)

REF. NO.	PART NO.	DESCRIPTION	QTY.
1	101484	CLAMP, Tube	2
2	101485	SUPPORT	1
3	QUB04005	CAPSCREW	2
4	QUR01902	WASHER	14
5	QUE01302	NUT	10
6	100142	TUBE	1
7	HYF10050	CAP, Dust	1
8	HYF10214	NIPPLE, Test	1
9	HYF04810	CONNECTOR	1
10	HYF05152	CONNECTOR	1
11	HYF05143	REDUCER	1
12	HYF04705	CONNECTOR	1
13	HYF09495	CONNECTOR	4
14	HYF04985	CONNECTOR	2
15	QUB04055	CAPSCREW	3
16	100153	CLAMP, Tube	2
17	107503	CHANNEL, Clamp	1
18	QUE01205	NUT	2
19	HYS00400	CLAMP, 1.00" O.D. Tube	1
20	QUR01800	WASHER	2
21	100146	TUBE	1
22	100145	TUBE	1
23	HYS00150	CLAMP,.38" O.D. Tube	1
24	HYS00300	CLAMP,.75" O.D. Tube	1
25	100144	TUBE	1
26	QUB03223	BOLT, Carriage	2
27	100139	HOSE	2
28	102088	TUBE	1
29	100143	TUBE	1

SECTION 4

BODY HYD'S - ORFS (Front Pressure, Auto Latch)

Ref.867810



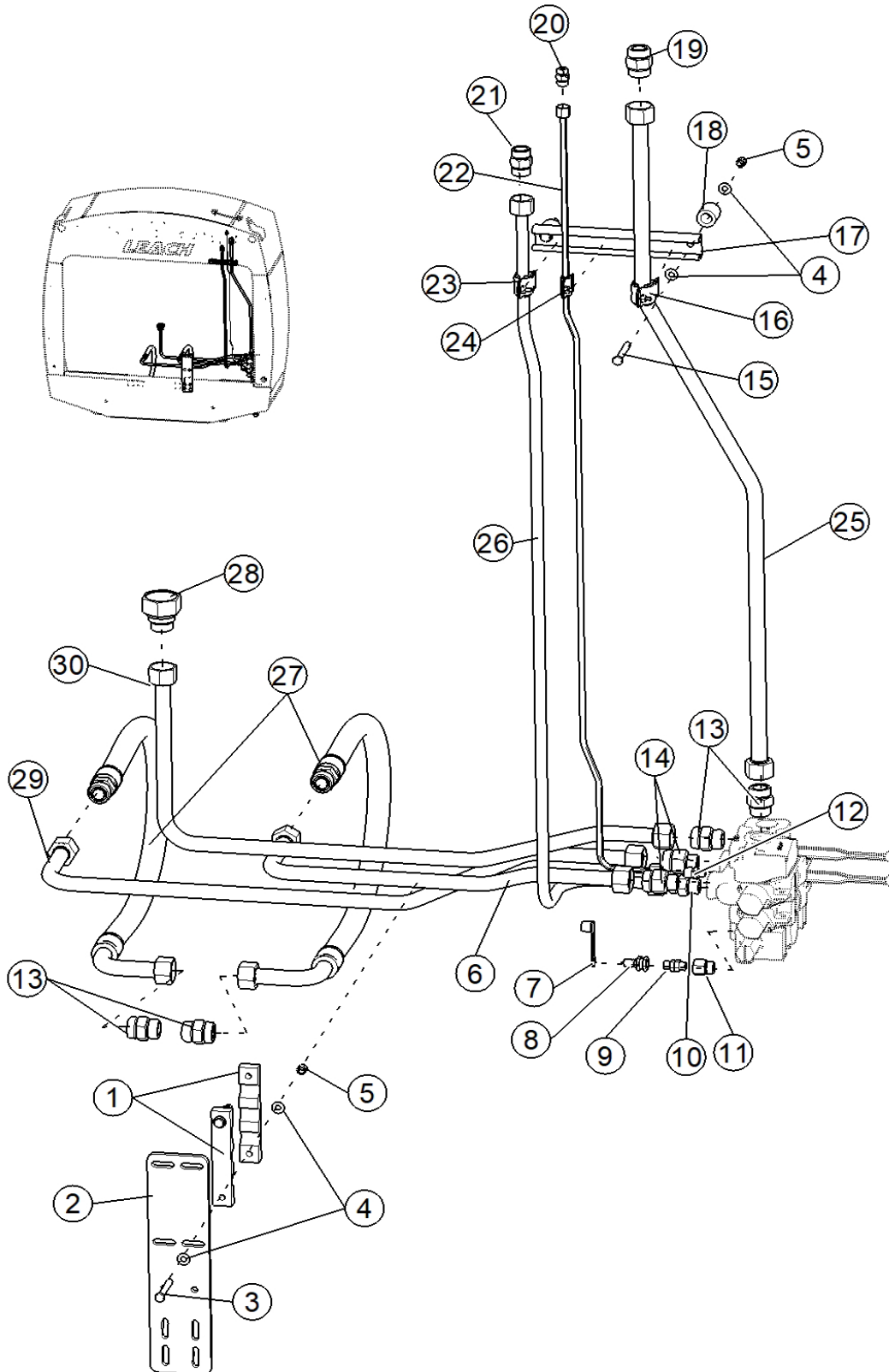
BODY HYD'S - ORFS (Front Pressure, Auto Latch)

REF. NO.	PART NO.	DESCRIPTION	QTY.
1	101484	CLAMP, Tube	2
2	101485	SUPPORT	1
3	QUB04005	CAPSCREW	2
4	QUR01902	WASHER	14
5	QUE01302	NUT	10
6	100142	TUBE	1
7	HYF10050	CAP, Dust	1
8	HYF10214	NIPPLE, Test	1
9	HYF04810	CONNECTOR	1
10	HYF05152	CONNECTOR	2
11	HYF05143	REDUCER	1
12	HYF04705	CONNECTOR	2
13	HYF09495	CONNECTOR	4
14	HYF04985	CONNECTOR	2
15	QUB04055	CAPSCREW	3
16	100153	CLAMP, Tube	2
17	107503	CHANNEL, Clamp	1
18	QUE01205	NUT	2
19	HYS00400	CLAMP, 1.00" O.D. Tube	1
20	QUR01800	WASHER	2
21	195476	TUBE	1
22	197785	TUBE	1
23	HYS00400	CLAMP, 1.00" O.D. Tube	1
24	HYS00300	CLAMP, .75" O.D. Tube	2
25	205382	TUBE	1
26	205381	TUBE	1
27	QUB03223	BOLT, Carriage	2
28	100139	HOSE	2
29	100141	TUBE	1
30	100143	TUBE	1

SECTION 4

Ref.867819

BODY HYD'S - ORFS (Front Pressure)



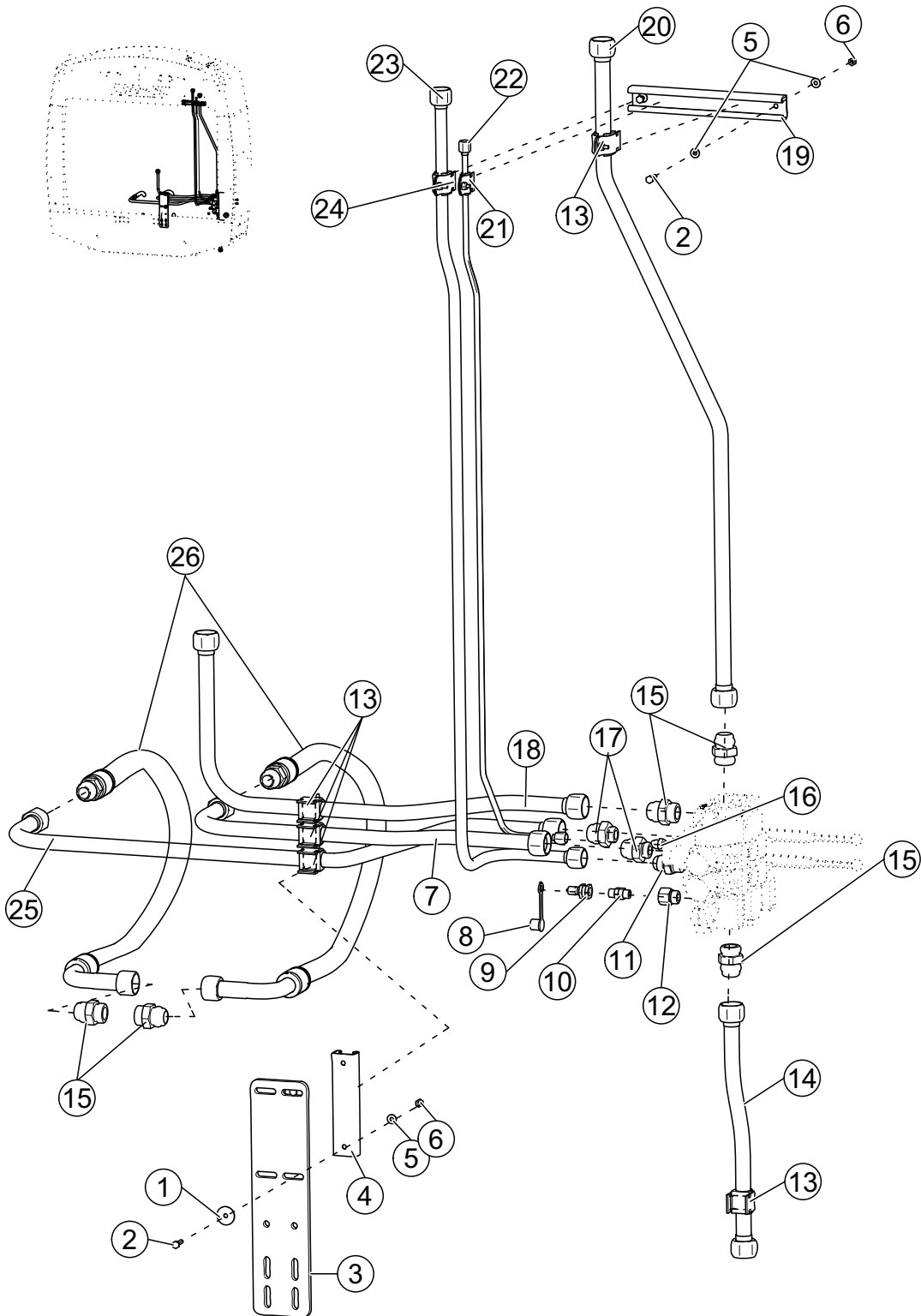
BODY HYD'S - ORFS (Front Pressure)

REF. NO.	PART NO.	DESCRIPTION	QTY.
1	101484	CLAMP, Tube	2
2	101485	SUPPORT	1
3	QUB04005	CAPSCREW	2
4	QUR01902	WASHER	14
5	QUE01302	NUT	10
6	100142	TUBE	1
7	HYF10050	CAP, Dust	1
8	HYF10214	NIPPLE, Test	1
9	HYF04810	CONNECTOR	1
10	HYF05152	CONNECTOR	1
11	HYF05143	REDUCER	1
12	HYF04705	CONNECTOR	1
13	HYF09495	CONNECTOR	4
14	HYF04985	CONNECTOR	2
15	QUB04005	CAPSCREW	3
16	HYS00400	CLAMP, 1.00" O.D. Tube	1
17	5011	CHANNEL, Clamp	1
18	64984	SPACER	2
19	HYF04990	UNION	1
20	HYF04908	UNION	1
21	HYF05109	UNION	1
22	158450	TUBE	1
23	HYS00300	CLAMP, .75" O.D. Tube	1
24	HYS00150	CLAMP, .38" O.D. Tube	1
25	158454	TUBE	1
26	158455	TUBE	1
27	100139	HOSE	2
28	HYF09597	REDUCER	1
29	100143	TUBE	1
30	100141	TUBE	1

SECTION 4

BODY HYD'S - JIC (Front Pressure)

Ref.874227



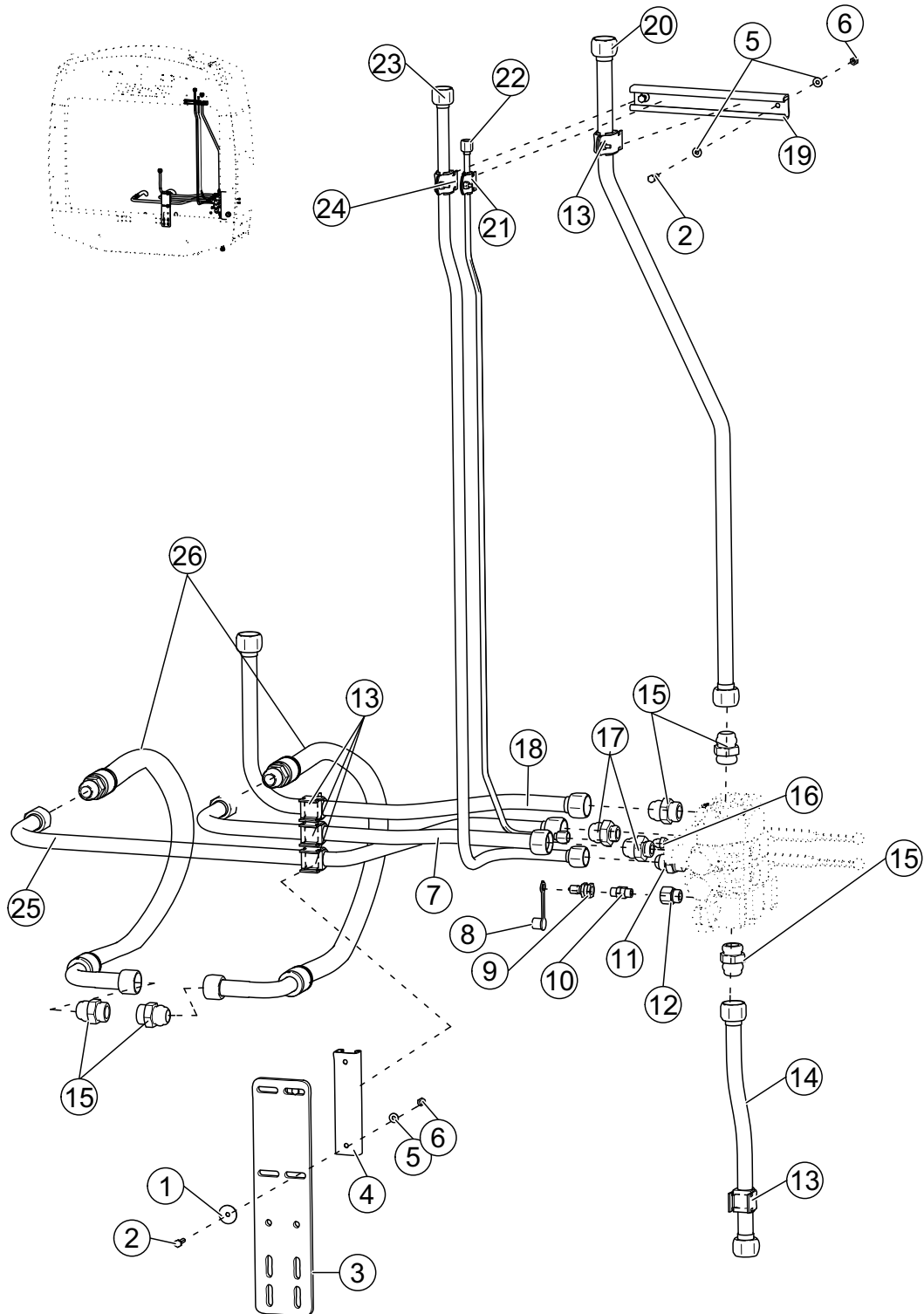
BODY HYD'S - JIC (Front Pressure)

REF. NO.	PART NO.	DESCRIPTION	QTY.
1	QUR01704	WASHER	2
2	QUB02120	CAPSCREW	4
3	101485	SUPPORT	1
4	199607	CHANNEL, Clamp	1
5	QUR01695	WASHER	4
6	QUE01175	NUT	4
7	199591	TUBE	1
8	HYF10050	CAP, Dust	1
9	HYF10217	NIPPLE, Test	1
10	HYF04810	CONNECTOR	1
11	HYF05115	CONNECTOR	1
12	HYF05143	REDUCER	1
13	HYS00400	CLAMP, 1.00" O.D. Tube	5
14	199508	TUBE	1
15	HYF05000	CONNECTOR	4
16	HYF04845	CONNECTOR	1
17	HYF05113	CONNECTOR	2
18	199629	TUBE	1
19	199603	CHANNEL, Clamp	1
20	199593	TUBE	1
21	HYS00150	CLAMP, .38" O.D. Tube	1
22	199608	TUBE	1
23	199592	TUBE	1
24	HYS00300	CLAMP, .75" O.D. Tube	1
25	199590	TUBE	1
26	206763	HOSE	2

SECTION 4

BODY HYD'S - JIC (Front Pressure)

Ref.874239



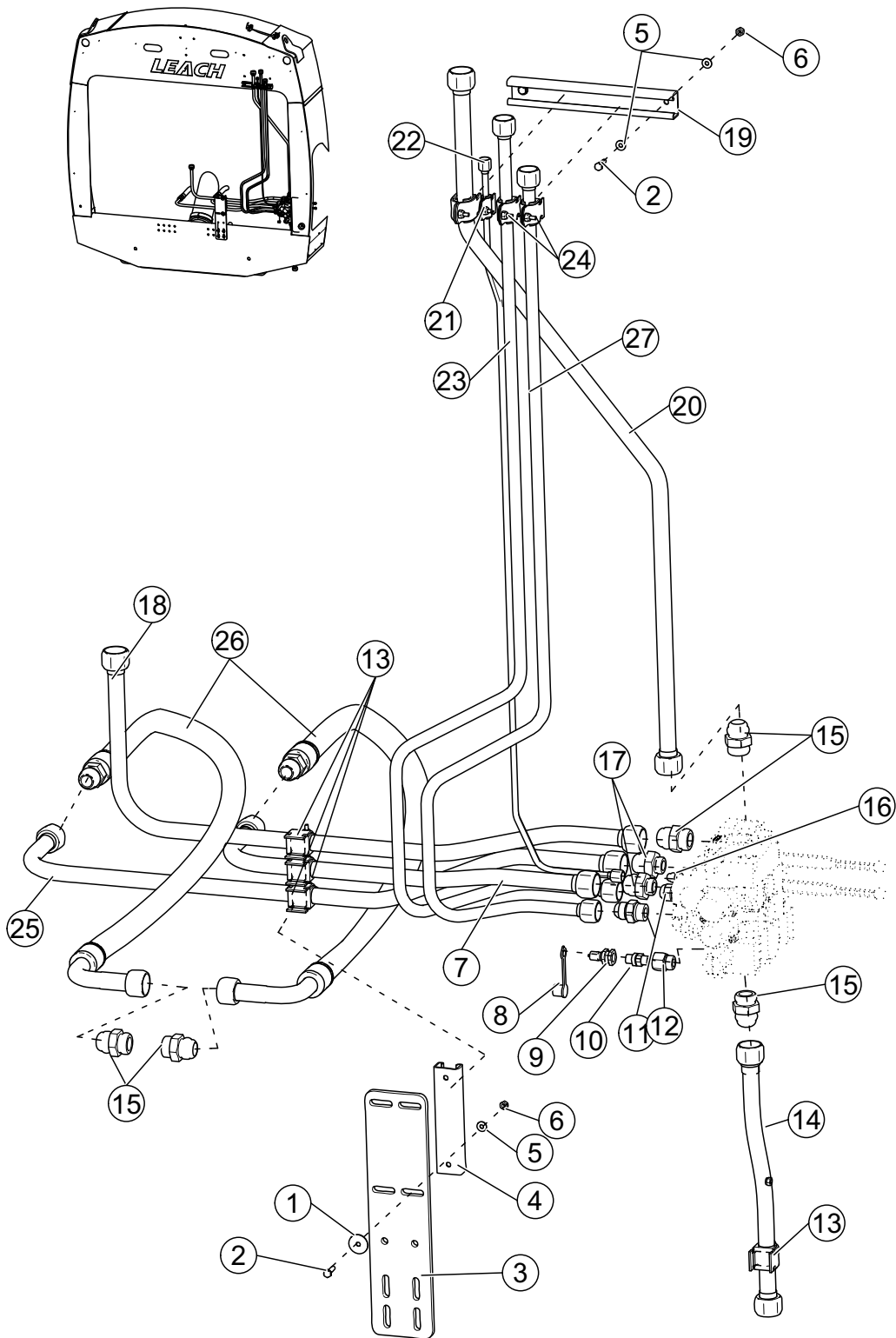
BODY HYD'S - JIC (Front Pressure)

REF. NO.	PART NO.	DESCRIPTION	QTY.
1	QUR01704	WASHER	2
2	QUB02120	CAPSCREW	4
3	101485	SUPPORT	1
4	199607	CHANNEL, Clamp	1
5	QUR01695	WASHER	4
6	QUE01175	NUT	4
7	199591	TUBE	1
8	HYF10050	CAP, Dust	1
9	HYF10217	NIPPLE, Test	1
10	HYF04810	CONNECTOR	1
11	HYF05115	CONNECTOR	1
12	HYF05143	REDUCER	1
13	HYS00400	CLAMP, 1.00" O.D. Tube	5
14	199588	TUBE	1
15	HYF05000	CONNECTOR	4
16	HYF04845	CONNECTOR	1
17	HYF05113	CONNECTOR	2
18	199609	TUBE	1
19	199603	CHANNEL, Clamp	1
20	199593	TUBE	1
21	HYS00150	CLAMP, .38" O.D. Tube	1
22	199608	TUBE	1
23	199592	TUBE	1
24	HYS00300	CLAMP, .75" O.D. Tube	1
25	199590	TUBE	1
26	206763	HOSE	2

SECTION 4

BODY HYD'S - JIC (Front Pressure) (Auto Latch)

Ref.850640



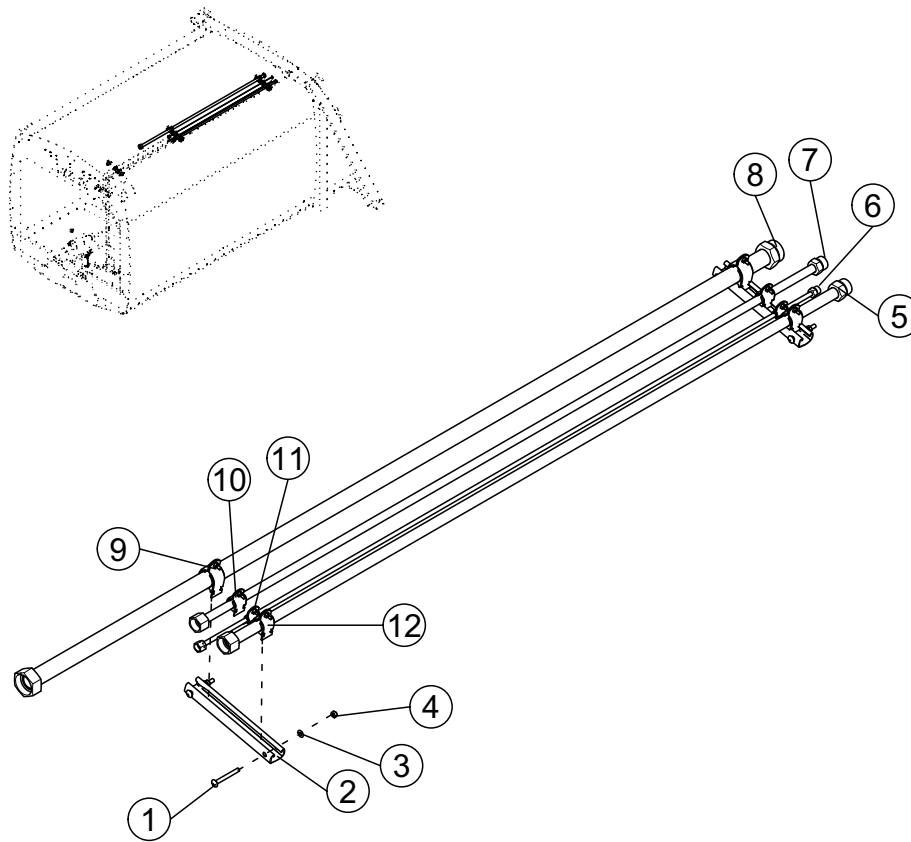
BODY HYD'S - JIC (Front Pressure) (Auto Latch)

REF. NO.	PART NO.	DESCRIPTION	QTY.
1	QUR01704	WASHER	2
2	QUB02120	CAPSCREW	4
3	101485	SUPPORT	1
4	199607	CHANNEL, Clamp	1
5	QUR01695	WASHER	4
6	QUE01175	NUT	4
7	199591	TUBE	1
8	HYF10050	CAP, Dust	1
9	HYF10217	NIPPLE, Test	1
10	HYF04810	CONNECTOR	1
11	HYF05115	CONNECTOR	1
12	HYF05143	REDUCER	1
13	HYS00400	CLAMP, 1.00" O.D. Tube	5
14	199588	TUBE	1
15	HYF05000	CONNECTOR	4
16	HYF04845	CONNECTOR	1
17	HYF05113	CONNECTOR	2
18	199609	TUBE	1
19	199603	CHANNEL, Clamp	1
20	104762	TUBE	1
21	HYS00150	CLAMP, .38" O.D. Tube	1
22	104759	TUBE	1
23	104761	TUBE	1
24	HYS00300	CLAMP, .75" O.D. Tube	1
25	199590	TUBE	1
26	206763	HOSE	2
27	104760	TUBE	1

SECTION 4

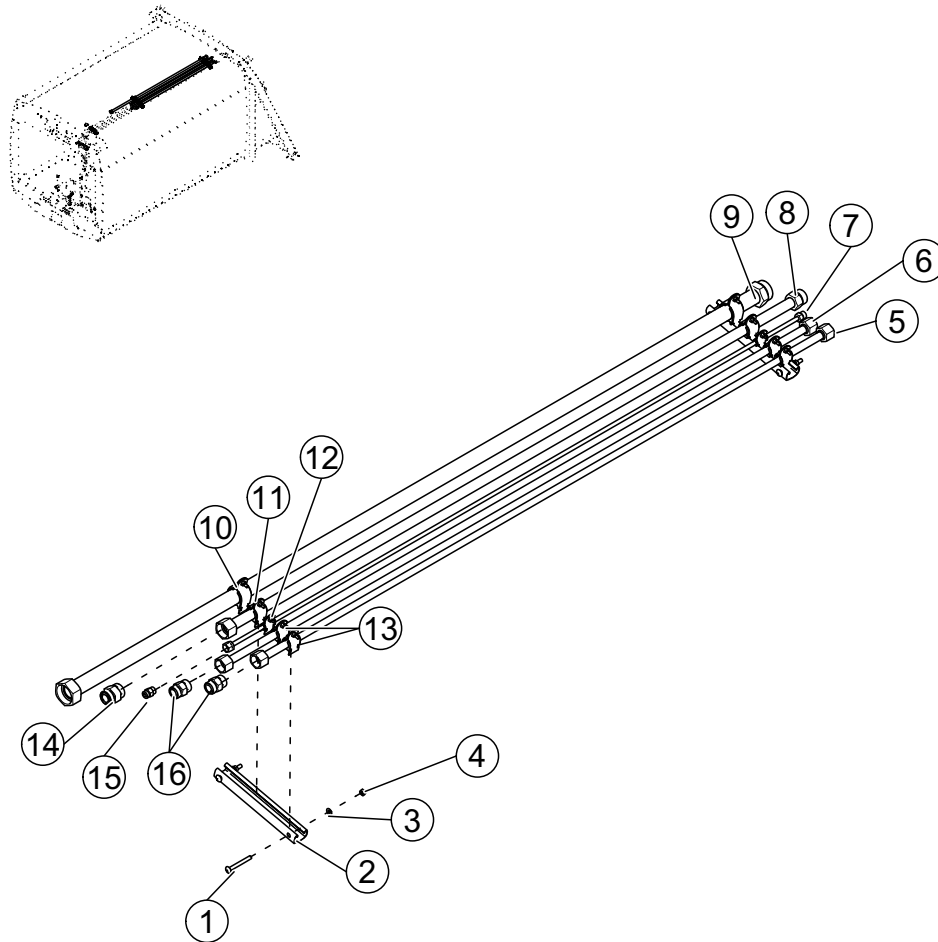
BODY HYD'S, 20Yd - ORFS (Top Hyds Std.)

Ref.832564



REF. NO.	PART NO.	DESCRIPTION	QTY.
1	QUB03223	BOLT, Carriage	4
2	107607	CHANNEL, Clamp	2
3	QUR01800	WASHER	4
4	QUE01205	NUT	4
5	102013	TUBE	1
6	102024	TUBE	1
7	102023	TUBE	1
8	102028	TUBE	1
9	HYS00455	CLAMP, 1.50" O.D. Tube	2
10	HYS00300	CLAMP, .75" O.D. Tube	2
11	HYS00150	CLAMP, .38" O.D. Tube	2
12	HYS00400	CLAMP, 1.00" O.D. Tube	2

BODY HYD'S, 20Yd - ORFS (Top Hyds Std W/Auto Latch.)

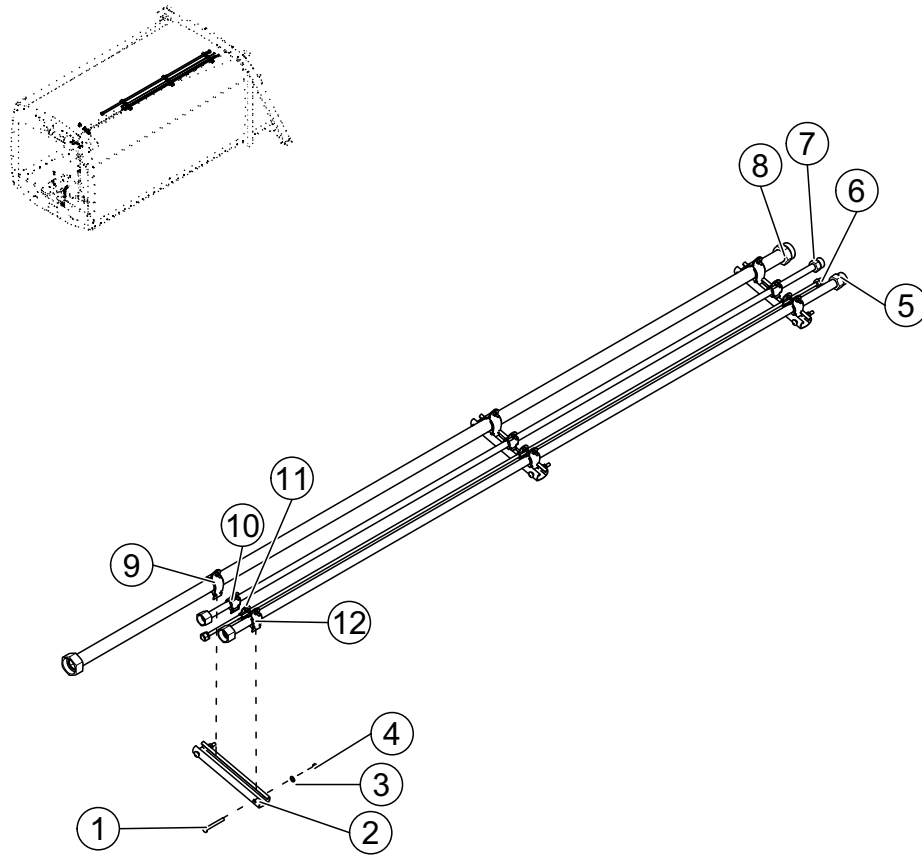


REF. NO.	PART NO.	DESCRIPTION	QTY.
1	QUB03223	BOLT, Carriage	4
2	107607	CHANNEL, Clamp	2
3	QUR01800	WASHER	4
4	QUE01205	NUT	4
5	197782	TUBE	1
6	197786	TUBE	1
7	102024	TUBE	1
8	102013	TUBE	1
9	102028	TUBE	1
10	HYS00455	CLAMP, 1.50" O.D. Tube	2
11	HYS00400	CLAMP, 1.00" O.D. Tube	2
12	HYS00150	CLAMP, .38" O.D. Tube	2
13	HYS00300	CLAMP, .75" O.D. Tube	4
14	HYF04990	UNION #16	1
15	HYF04808	UNION #06	1
16	HYF05109	UNION #12	2

SECTION 4

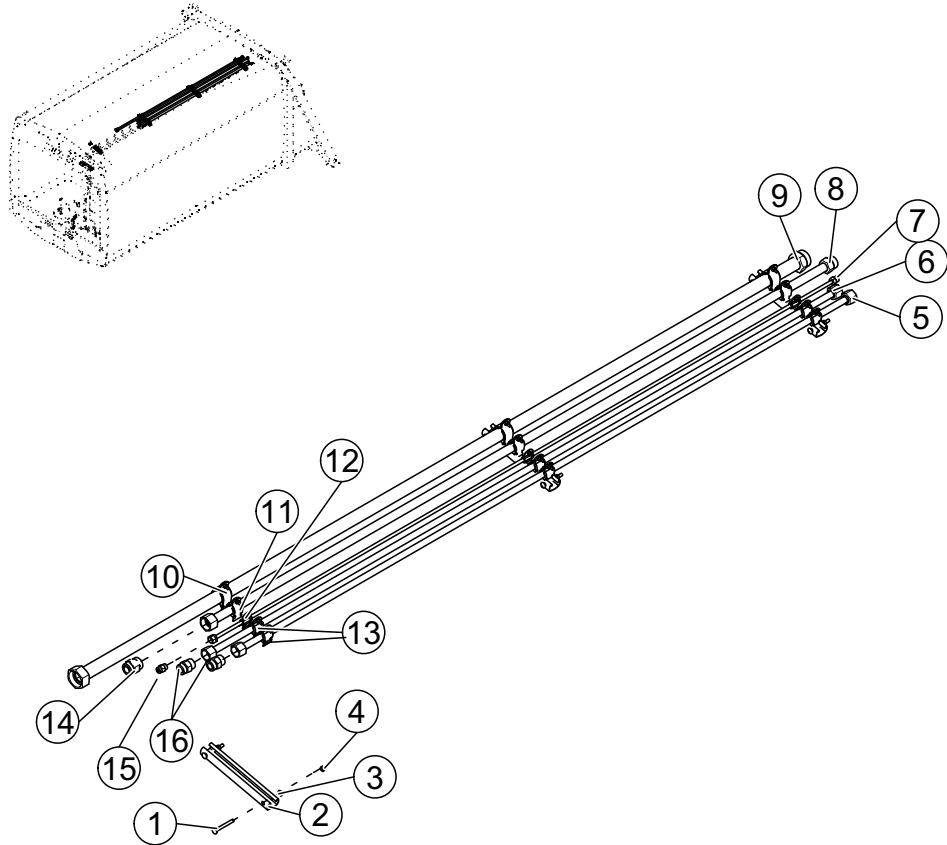
BODY HYD'S, 25Yd. - ORFS (Top Hyds Std.)

Ref.832565



REF. NO.	PART NO.	DESCRIPTION	QTY.
1	QUB03223	BOLT, Carriage	6
2	107607	CHANNEL, Clamp	3
3	QUR01800	WASHER	6
4	QUE01205	NUT	6
5	102014	TUBE	1
6	102025	TUBE	1
7	102021	TUBE	1
8	102029	TUBE	1
9	HYS00455	CLAMP, 1.50" O.D. Tube	3
10	HYS00300	CLAMP, .75" O.D. Tube	3
11	HYS00150	CLAMP, .38" O.D. Tube	3
12	HYS00400	CLAMP, 1.00" O.D. Tube	3

BODY HYD'S, 25Yd - ORFS (Top Hyds Std W/Auto Latch.)

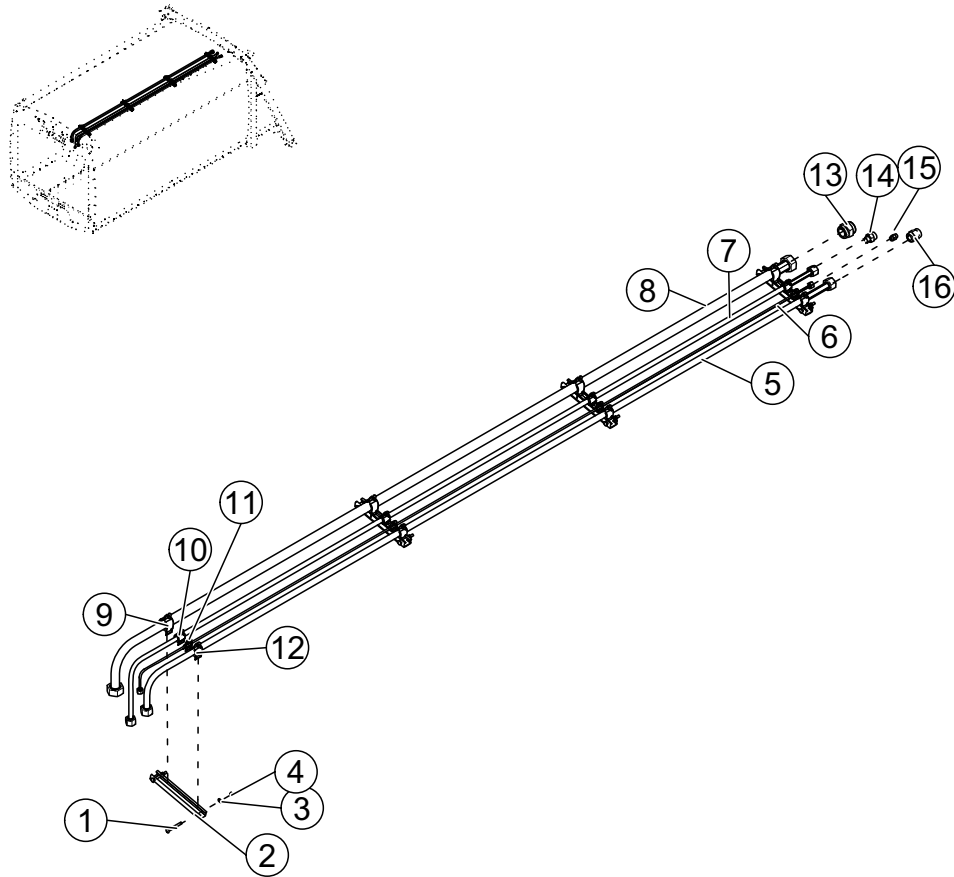


REF. NO.	PART NO.	DESCRIPTION	QTY.
1	QUB03223	BOLT, Carriage	6
2	107607	CHANNEL, Clamp	3
3	QUR01800	WASHER	6
4	QUE01205	NUT	6
5	102930	TUBE	1
6	102929	TUBE	1
7	102025	TUBE	1
8	102014	TUBE	1
9	102029	TUBE	1
10	HYS00455	CLAMP, 1.50" O.D. Tube	3
11	HYS00400	CLAMP, 1.00" O.D. Tube	3
12	HYS00150	CLAMP, .38" O.D. Tube	3
13	HYS00300	CLAMP, .75" O.D. Tube	6
14	HYF04990	UNION #16	1
15	HYF04808	UNION #06	1
16	HYF05109	UNION #12	2

SECTION 4

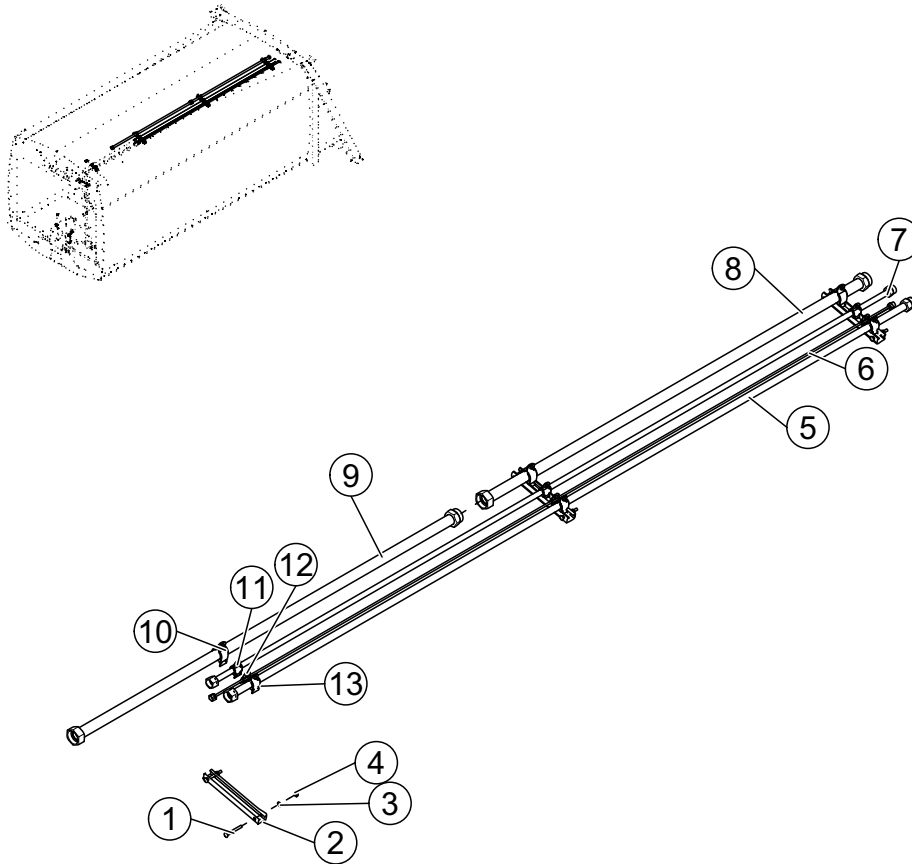
BODY HYD'S, 25Yd - ORFS (Top Hyds W/Top Body CNG Tanks)

Ref.856186



REF. NO.	PART NO.	DESCRIPTION	QTY.
1	QUB03223	BOLT, Carriage	8
2	107607	CHANNEL, Clamp	4
3	QUR01800	WASHER	8
4	QUE01205	NUT	8
5	158392	TUBE	1
6	182414	TUBE	1
7	158393	TUBE	1
8	182413	TUBE	1
9	HYS00455	CLAMP, 1.50" O.D. Tube	4
10	HYS00400	CLAMP, 1.00" O.D. Tube	4
11	HYS00150	CLAMP, .38" O.D. Tube	4
12	HYS00300	CLAMP, .75" O.D. Tube	4
13	HYF09590	UNION #24	1
14	HYF05109	UNION #12	1
15	HYF04808	UNION #06	1
16	HYF04990	UNION #16	1

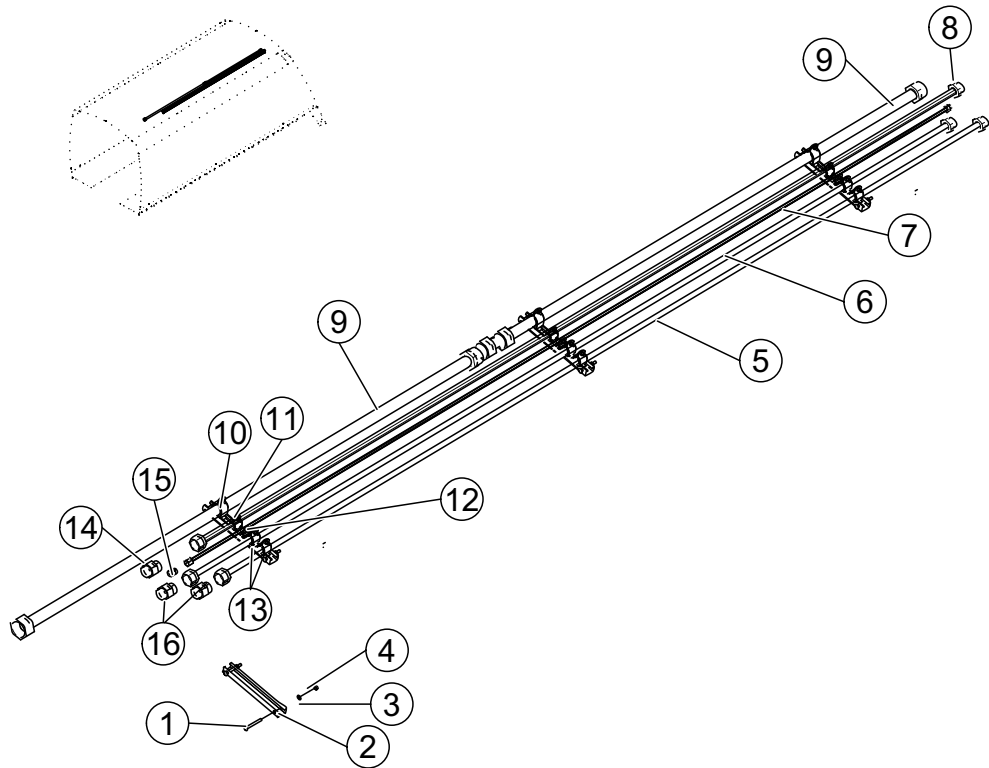
BODY HYD'S, 29Yd - ORFS (Top Hyds Std.)



REF. NO.	PART NO.	DESCRIPTION	QTY.
1	QUB03223	BOLT, Carriage	6
2	107607	CHANNEL, Clamp	3
3	QUR01800	WASHER	6
4	QUE01205	NUT	6
5	102015	TUBE	1
6	102026	TUBE	1
7	102022	TUBE	1
8	102030	TUBE	1
9	102030	TUBE	1
10	HYS00455	CLAMP, 1.50" O.D. Tube	3
11	HYS00300	CLAMP, .75" O.D. Tube	3
12	HYS00150	CLAMP, .38" O.D. Tube	3
13	HYS00400	CLAMP, 1.00" O.D. Tube	3

SECTION 4

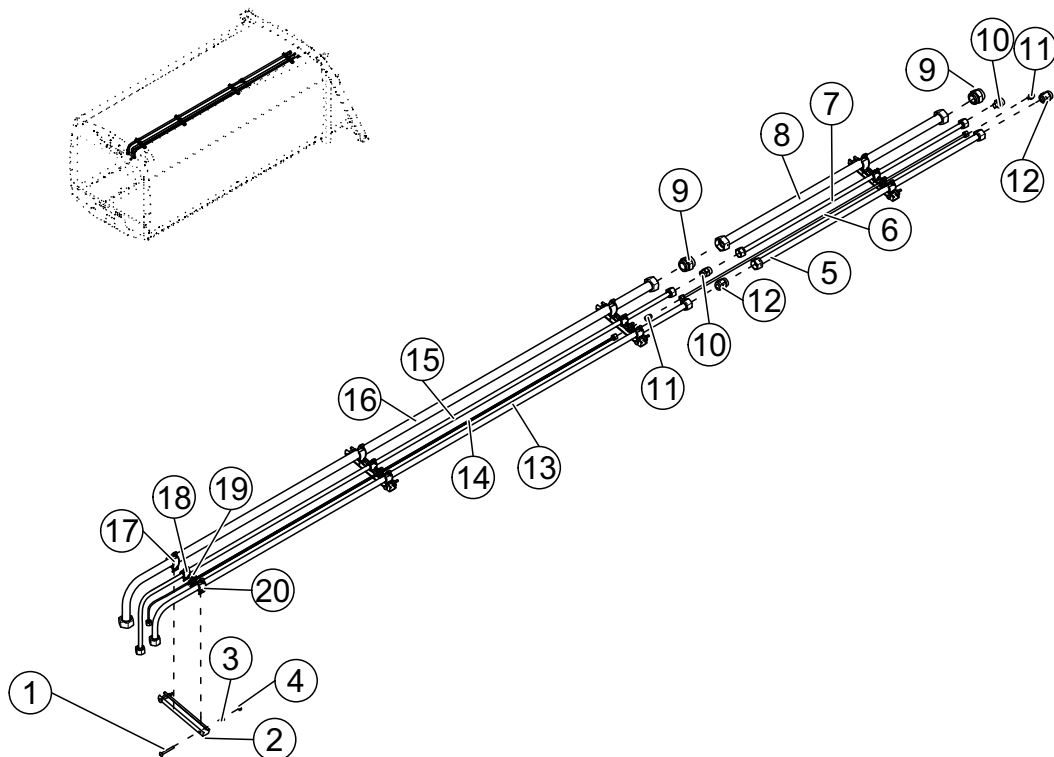
BODY HYD'S, 29Yd - ORFS (Top Hyds Std W/Auto Latch)



REF. NO.	PART NO.	DESCRIPTION	QTY.
1	QUB03223	BOLT, Carriage	6
2	107607	CHANNEL, Clamp	3
3	QUR01800	WASHER	6
4	QUE01205	NUT	6
5	215302	TUBE	1
6	215031	TUBE	1
7	102026	TUBE	1
8	102015	TUBE	1
9	102300	TUBE	2
10	HYS00455	CLAMP, 1.50" O.D. Tube	3
11	HYS00400	CLAMP, 1.00" O.D. Tube	3
12	HYS00150	CLAMP, .38" O.D. Tube	3
13	HYS00300	CLAMP, .75" O.D. Tube	6
14	HYF04990	UNION	1
15	HYF04808	UNION	1
16	HYF05109	UNION	2

Ref.874096

BODY HYD'S, 29Yd - ORFS (Top Hyds Std. W/Top Body CNG Tanks)

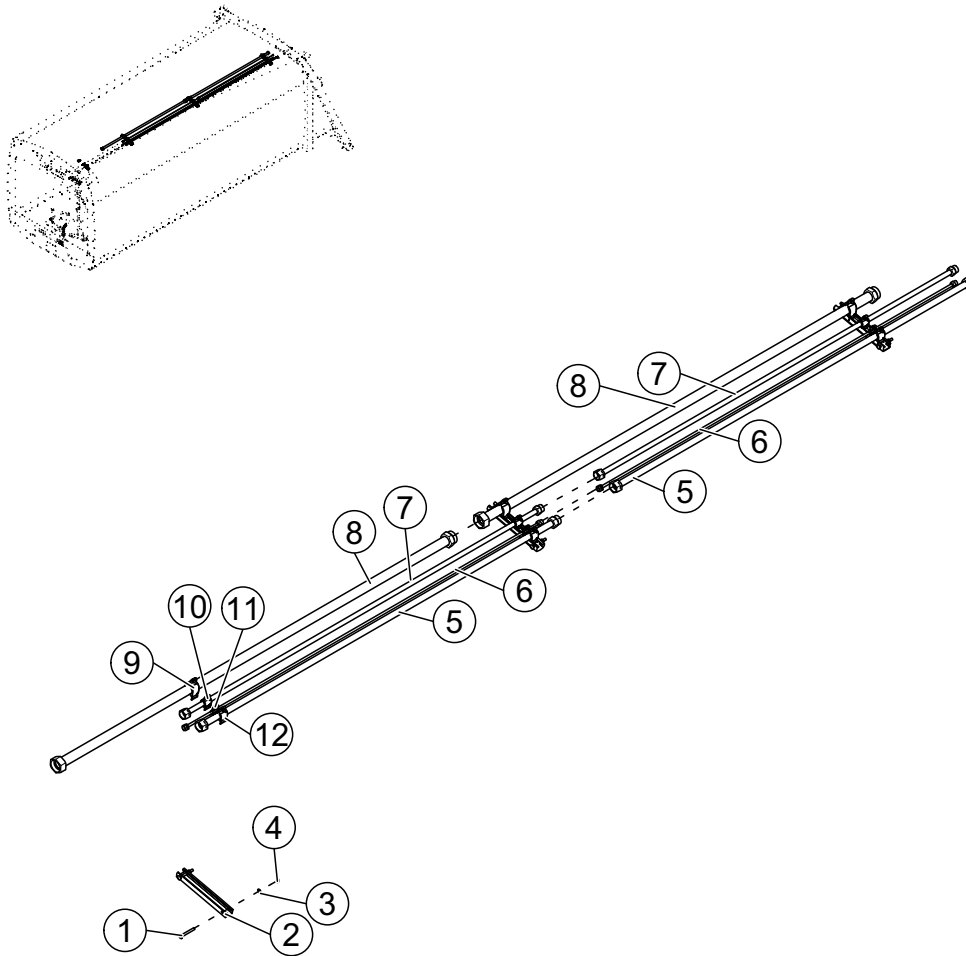


REF. NO.	PART NO.	DESCRIPTION	QTY.
1	QUB03223	BOLT, Carriage	8
2	107607	CHANNEL, Clamp	4
3	QUR01800	WASHER	8
4	QUE01205	NUT	8
5	197366	TUBE	1
6	197365	TUBE	1
7	197364	TUBE	1
8	197363	TUBE	1
9	HYF09590	UNION #24	2
10	HYF05109	UNION #12	2
11	HYF04808	UNION #06	2
12	HYF04990	UNION #16	2
13	158453	TUBE	1
14	190286	TUBE	1
15	158452	TUBE	1
16	158451	TUBE	1
17	HYS00455	CLAMP, 1.50" O.D. Tube	4
18	HYS00300	CLAMP, .75" O.D. Tube	4
19	HYS00150	CLAMP, .38" O.D. Tube	4
20	HYS00400	CLAMP, 1.00" O.D. Tube	4

SECTION 4

BODY HYD'S, 32Yd - ORFS (Top Hyds Std.)

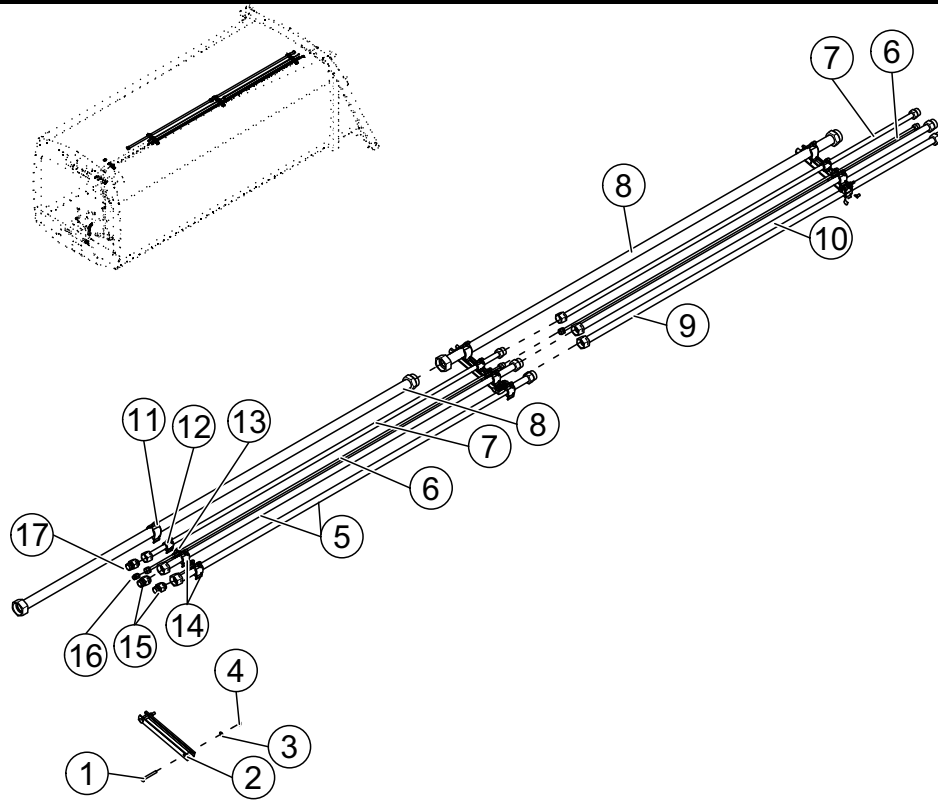
Ref.832567



REF. NO.	PART NO.	DESCRIPTION	QTY.
1	QUB03223	BOLT, Carriage	6
2	107607	CHANNEL, Clamp	3
3	QUR01800	WASHER	6
4	QUE01205	NUT	6
5	102016	TUBE	2
6	102027	TUBE	2
7	102023	TUBE	2
8	102031	TUBE	2
9	HYS00455	CLAMP, 1.50" O.D. Tube	3
10	HYS00300	CLAMP, .75" O.D. Tube	3
11	HYS00150	CLAMP, .38" O.D. Tube	3
12	HYS00400	CLAMP, 1.00" O.D. Tube	3

Ref.872908

BODY HYD'S, 32 Yd - ORFS (Top Hyds Std. W/Auto Latch)

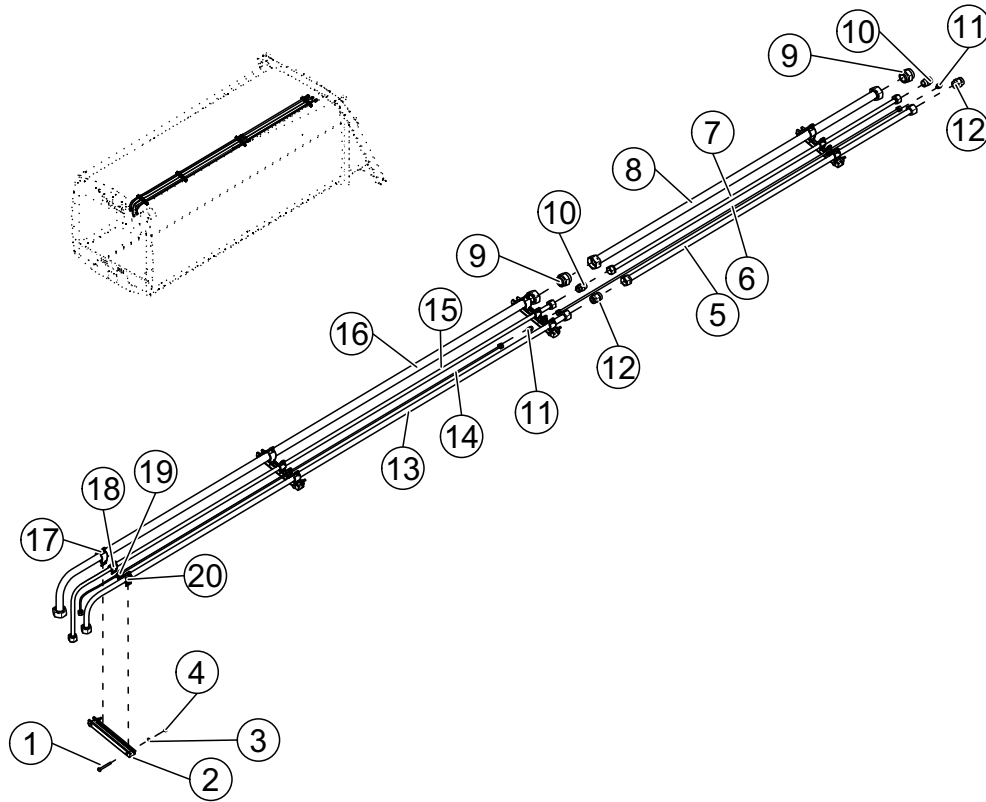


REF. NO.	PART NO.	DESCRIPTION	QTY.
1	QUB03223	BOLT, Carriage	6
2	107607	CHANNEL, Clamp	3
3	QUR01800	WASHER	6
4	QUE01205	NUT	6
5	102023	TUBE	2
6	102027	TUBE	2
7	102016	TUBE	2
8	102031	TUBE	2
9	205465	TUBE	1
10	205464	TUBE	1
11	HYS00455	CLAMP, 1.50" O.D. Tube	3
12	HYS00400	CLAMP, 1.00" O.D. Tube	3
13	HYS00150	CLAMP, .38" O.D. Tube	3
14	HYS00300	CLAMP, .75" O.D. Tube	6
15	HYF05109	UNION	2
16	HYF04808	UNION	1
17	HYF04990	UNION	1

SECTION 4

BODY HYD'S, 32Yd - ORFS (Top Hyds Std. W/Top Body CNG Tanks)

Ref854976.



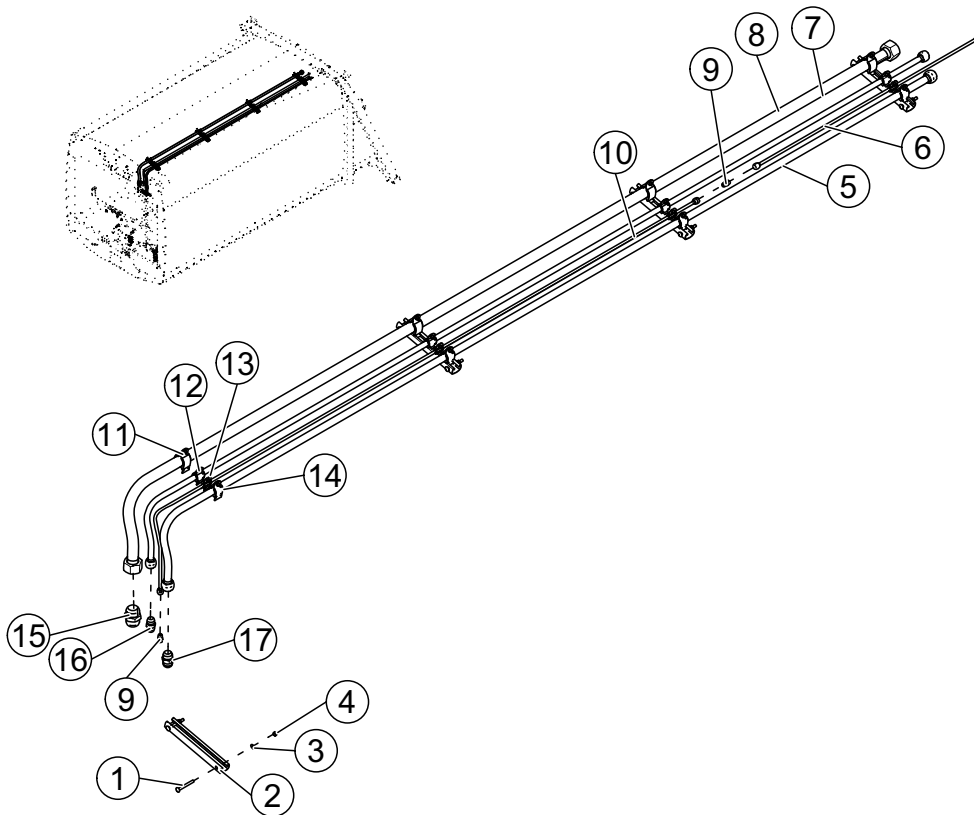
REF. NO.	PART NO.	DESCRIPTION	QTY.
1	QUB03223	BOLT, Carriage	8
2	107607	CHANNEL, Clamp	4
3	QUR01800	WASHER	8
4	QUE01205	NUT	8
5	158460	TUBE	1
6	190287	TUBE	1
7	158459	TUBE	1
8	158458	TUBE	1
9	HYF09590	UNION #24	2
10	HYF05109	UNION #12	2
11	HYF04808	UNION #06	2
12	HYF04990	UNION #16	2
13	158453	TUBE	1
14	190286	TUBE	1
15	158452	TUBE	1
16	158451	TUBE	1
17	HYS00455	CLAMP, 1.50" O.D. Tube	4
18	HYS00300	CLAMP, .75" O.D. Tube	4
19	HYS00150	CLAMP, .38" O.D. Tube	4
20	HYS00400	CLAMP, 1.00" O.D. Tube	4

Page Left Blank

SECTION 4

BODY HYD'S, 25Yd - JIC (Top Hyds Std)

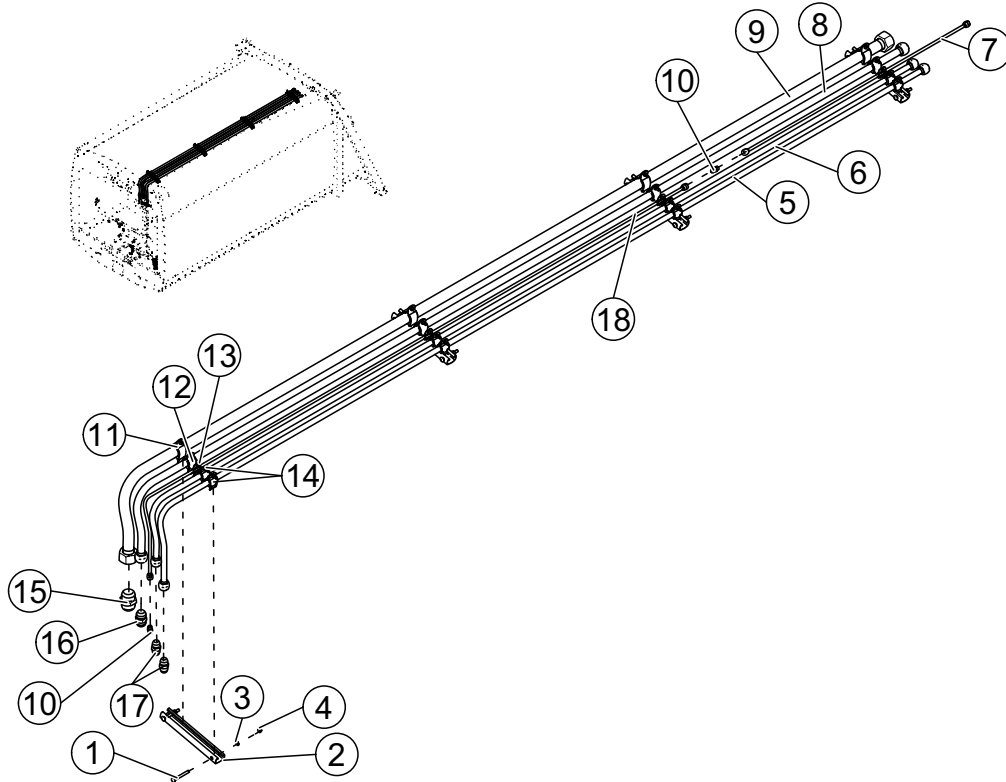
Ref.874237



REF. NO.	PART NO.	DESCRIPTION	QTY.
1	QUB03223	BOLT, Carriage	8
2	107607	CHANNEL, Clamp	4
3	QUR01800	WASHER	8
4	QUE01205	NUT	8
5	199595	TUBE	1
6	199611	TUBE	1
7	199596	TUBE	1
8	199602	TUBE	1
9	HYF05250	UNION #06	2
10	199634	TUBE	1
11	HYS00455	CLAMP, 1.50" O.D. Tube	4
12	HYS00400	CLAMP, 1.00" O.D. Tube	4
13	HYS00150	CLAMP, .38" O.D. Tube	4
14	HYS00300	CLAMP, .75" O.D. Tube	4
15	HYF05611	UNION #24	1
16	HYF05114	UNION #12	1
17	HYF05400	UNION #16	1

Ref.850641

BODY HYD'S, 25Yd - JIC (Top Hyds Std W/Auto Latch.)

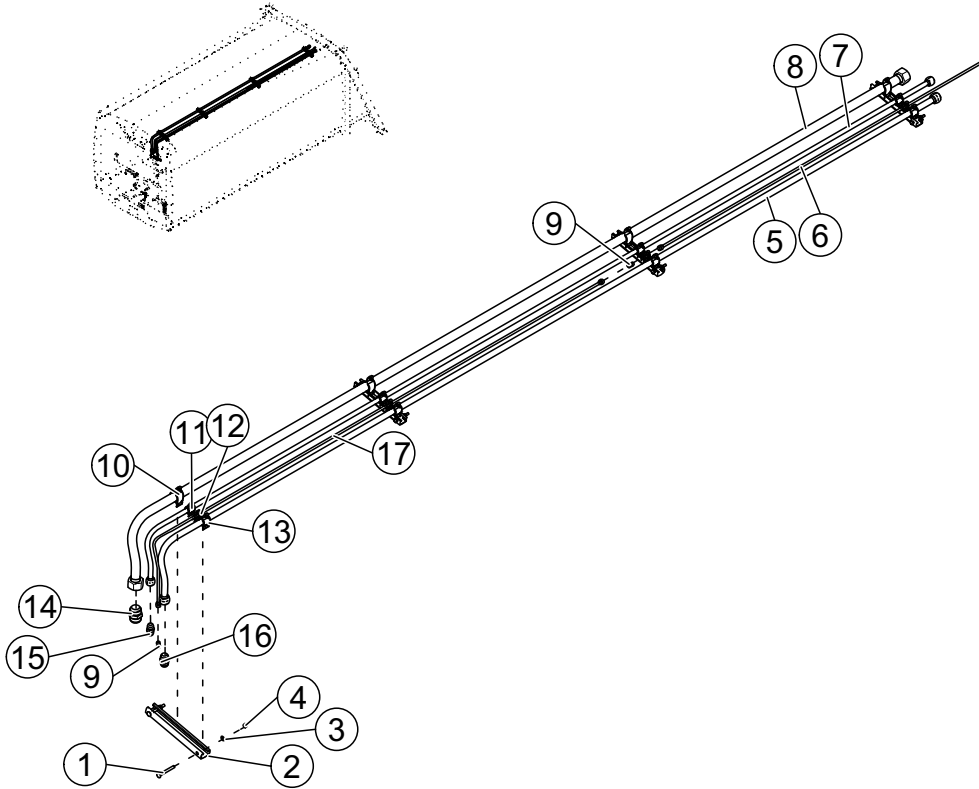


REF. NO.	PART NO.	DESCRIPTION	QTY.
1	QUB03223	BOLT, Carriage	8
2	107607	CHANNEL, Clamp	4
3	QUR01800	WASHER	8
4	QUE01205	NUT	8
5	104763	TUBE	1
6	104764	TUBE	1
7	199611	TUBE	1
8	199595	TUBE	1
9	199602	TUBE	1
10	HYF05250	UNION #06	2
11	HYS00455	CLAMP, 1.50" O.D. Tube	4
12	HYS00400	CLAMP, 1.00" O.D. Tube	4
13	HYS00150	CLAMP, .38" O.D. Tube	4
14	HYS00300	CLAMP, .75" O.D. Tube	8
15	HYF05611	UNION #24	1
16	HYF05400	UNION #16	1
17	HYF05114	UNION #12	2

SECTION 4

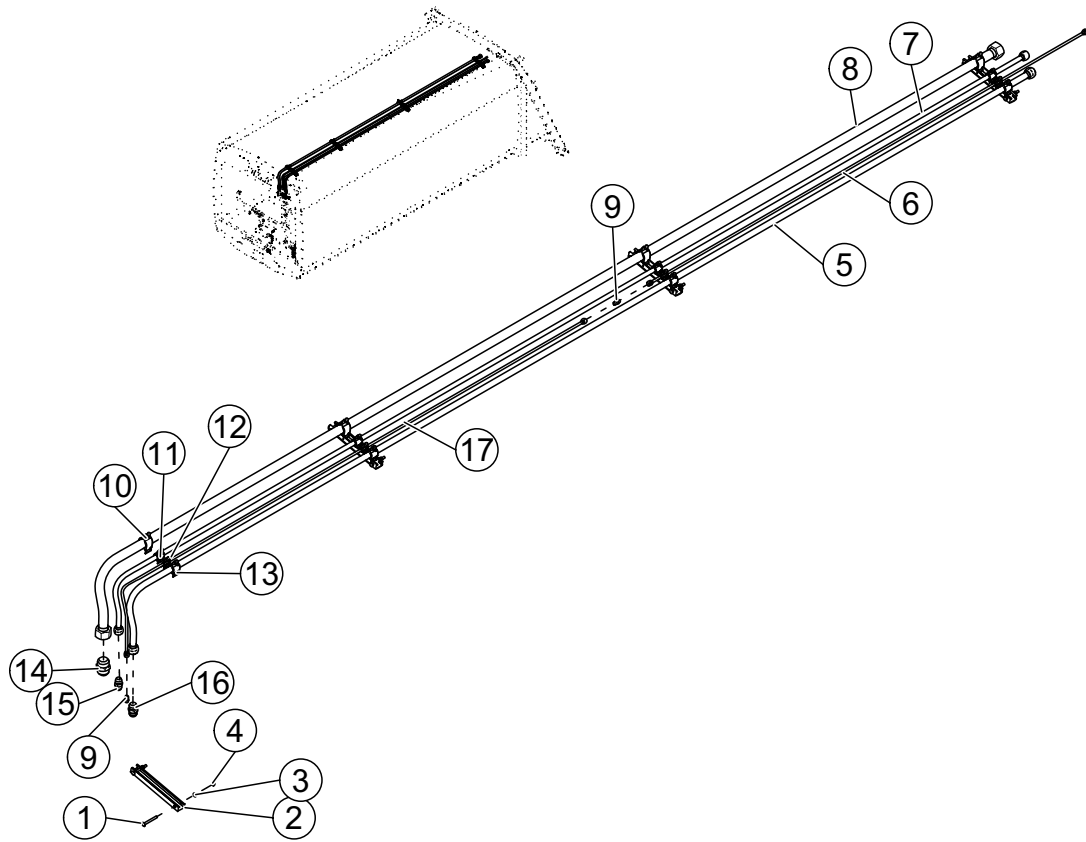
BODY HYD'S, 29Yd - JIC (Top Hyds Std.)

Ref.874224



REF. NO.	PART NO.	DESCRIPTION	QTY.
1	QUB03223	BOLT, Carriage	8
2	107607	CHANNEL, Clamp	4
3	QUR01800	WASHER	8
4	QUE01205	NUT	8
5	199637	TUBE	1
6	199651	TUBE	1
7	199635	TUBE	1
8	199636	TUBE	1
9	HYF05250	UNION #06	2
10	HYS00455	CLAMP, 1.50" O.D. Tube	4
11	HYS00300	CLAMP, .75" O.D. Tube	4
12	HYS00150	CLAMP, .38" O.D. Tube	4
13	HYS00400	CLAMP, 1.00" O.D. Tube	4
14	HYF05611	UNION #24	1
15	HYF05114	UNION #12	1
16	HYF5400	UNION #16	1
17	199634	TUBE	1

BODY HYD'S, 32Yd - JIC (Top Hyds Std.

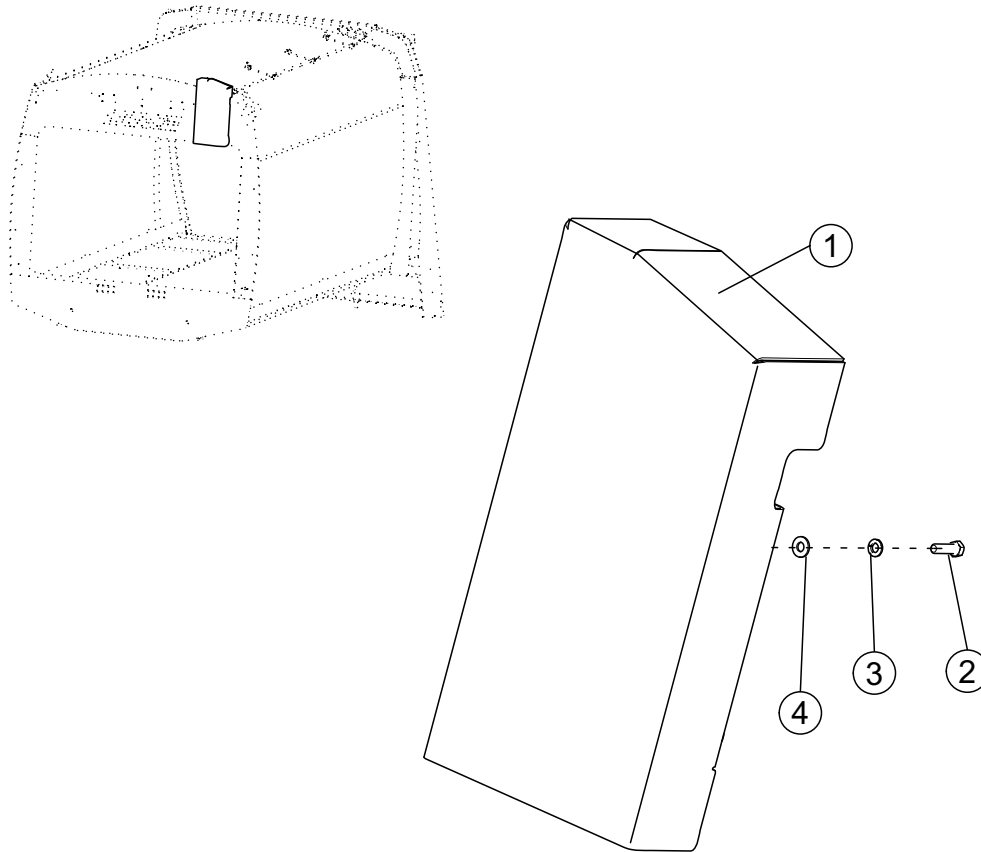


REF. NO.	PART NO.	DESCRIPTION	QTY.
1	QUB03223	BOLT, Carriage	8
2	107607	CHANNEL, Clamp	4
3	QUR01800	WASHER	8
4	QUE01205	NUT	8
5	199665	TUBE	1
6	199668	TUBE	1
7	199667	TUBE	1
8	199666	TUBE	1
9	HYF05250	UNION #06	2
10	HYS00455	CLAMP, 1.50" O.D. Tube	4
11	HYS00300	CLAMP, .75" O.D. Tube	4
12	HYS00150	CLAMP, .38" O.D. Tube	4
13	HYS00400	CLAMP, 1.00" O.D. Tube	4
14	HYF05611	UNION #24	1
15	HYF05114	UNION #12	1
16	HYF05400	UNION #16	1
17	199634	TUBE	1

SECTION 4

TUBING GUARD - Front Body (JIC Tubing)

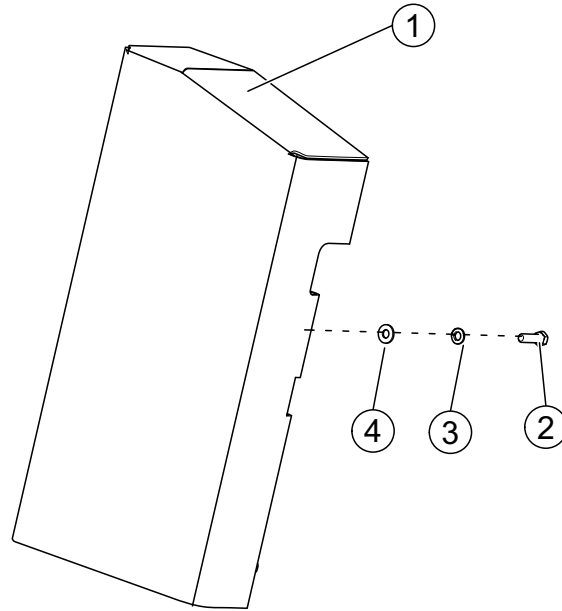
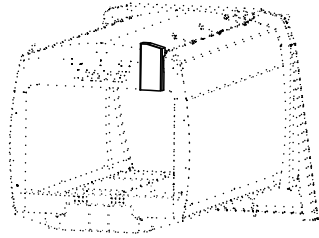
Ref.874232



REF. NO.	PART NO.	DESCRIPTION	QTY.
1	199616	GUARD, Tubing - JIC	1
2	QUB03501	CAPSCREW	4
3	QUR01272	WASHER	4
4	QUR01902	WASHER	4

Ref.834924

TUBING GUARD - Front Body (ORFS Tubing)

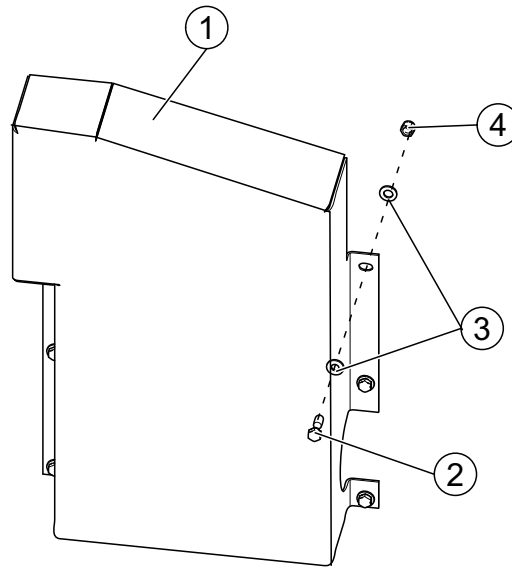
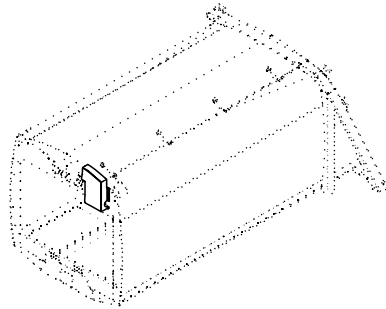


REF. NO.	PART NO.	DESCRIPTION	QTY.
1	173629	GUARD, Tubing - ORFS	1
2	QUB03501	CAPSCREW	4
3	QUR01272	WASHER	4
4	QUR01902	WASHER	4

SECTION 4

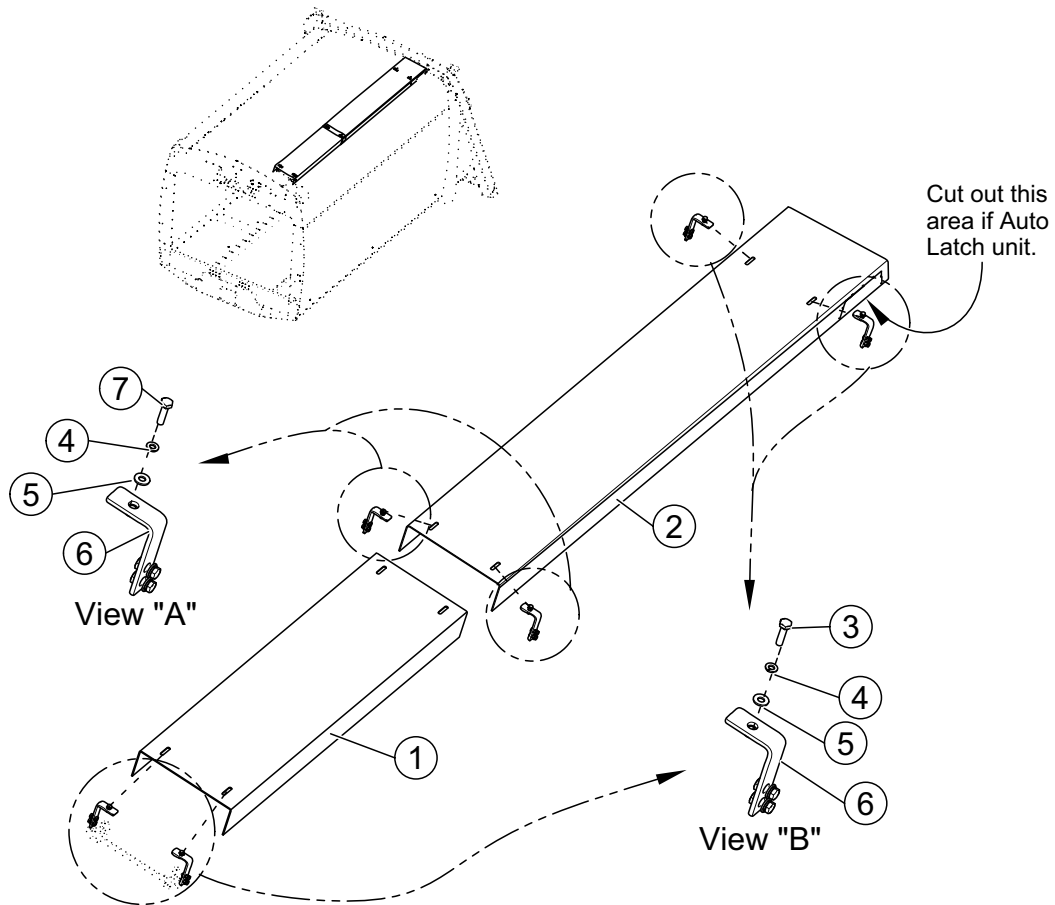
TUBING GUARD - Front Body (ORFS W/CNG Tanks)

Ref.838645



REF. NO.	PART NO.	DESCRIPTION	QTY.
1	93892	GUARD, Tubing - ORFS (CNG Top Tanks)	1
2	QUB03501	CAPSCREW	6
3	QUR01902	WASHER	12
4	QUE01302	NUT	6

TUBING GUARD - Top Tubing (20Yd.)

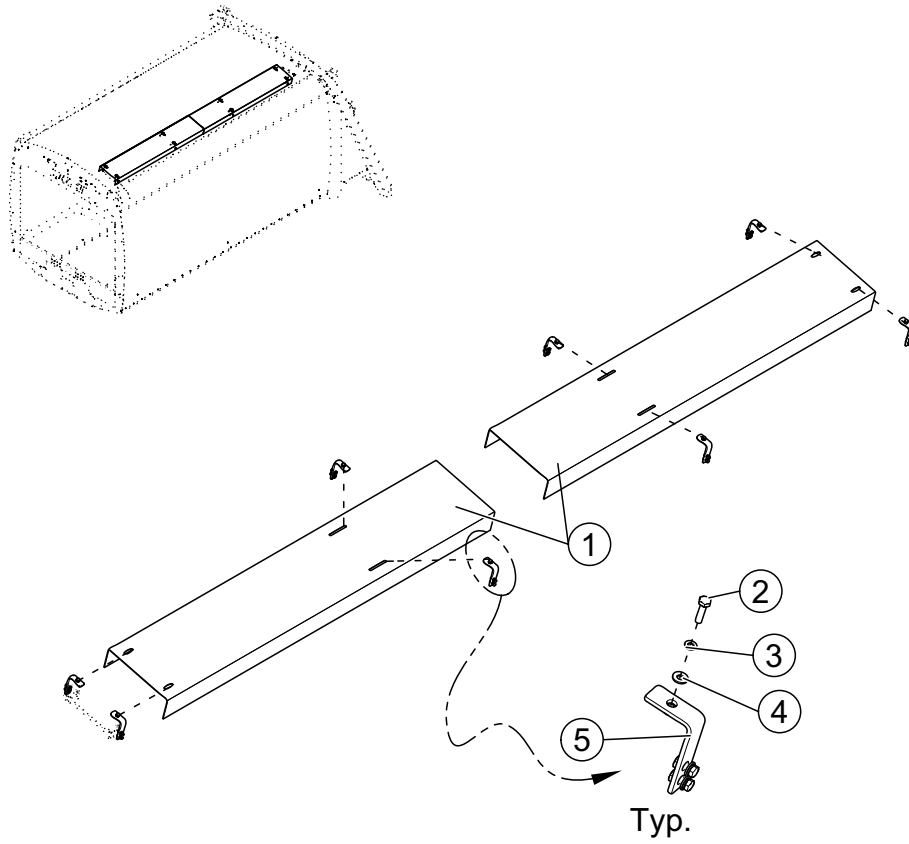


REF. NO.	PART NO.	DESCRIPTION	QTY.
1	182477	COVER, Front	1
2	203834	COVER, Rear	1
3	QUB02001	CAPSCREW	4
4	QUR01260	WASHER	6
5	QUR01700	WASHER	6
6	107630	ASSY., Support	6
7	QUB02103	CAPSCREW	2

SECTION 4

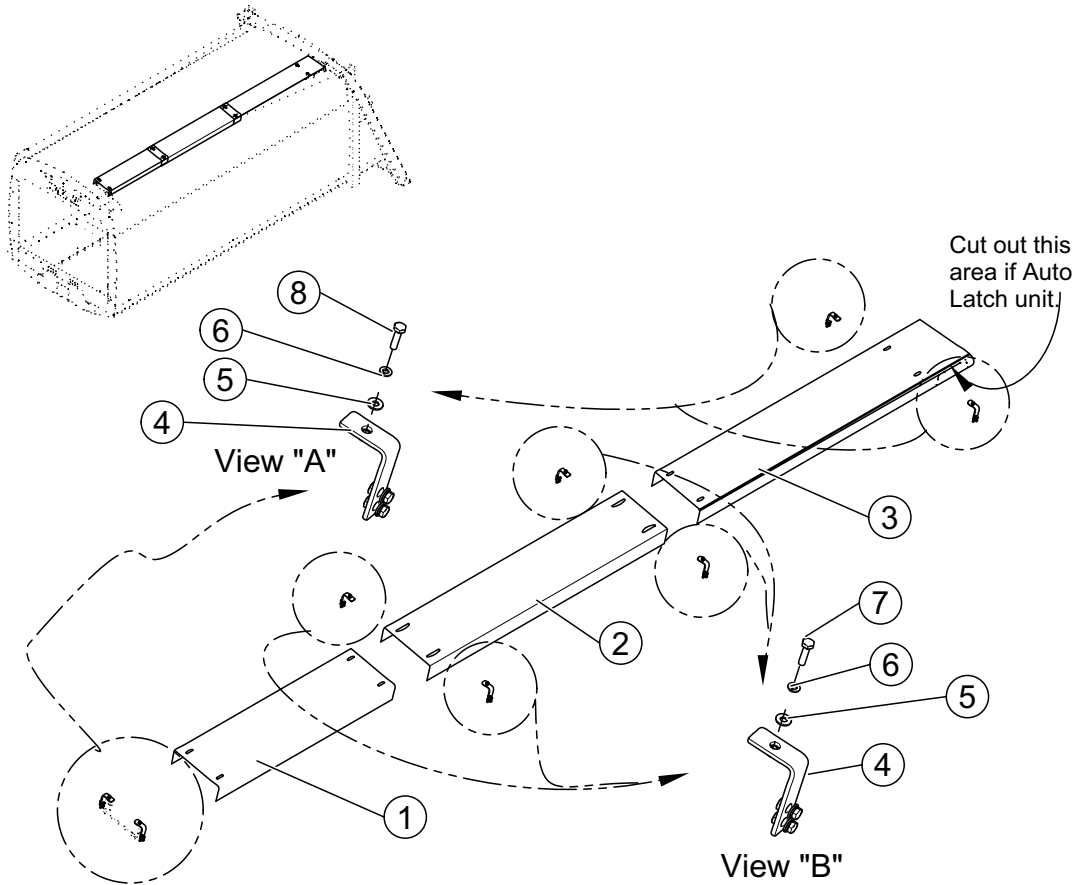
TUBING GUARD - Top Tubing (25Yd.)

Ref.832583



REF. NO.	PART NO.	DESCRIPTION	QTY.
1	101201	COVER	2
2	QUB01990	CAPSCREW	8
3	QUR01260	WASHER	8
4	QUR01700	WASHER	8
5	107630	ASSY., Support	8

TUBING GUARD - Top Tubing (29Yd.)

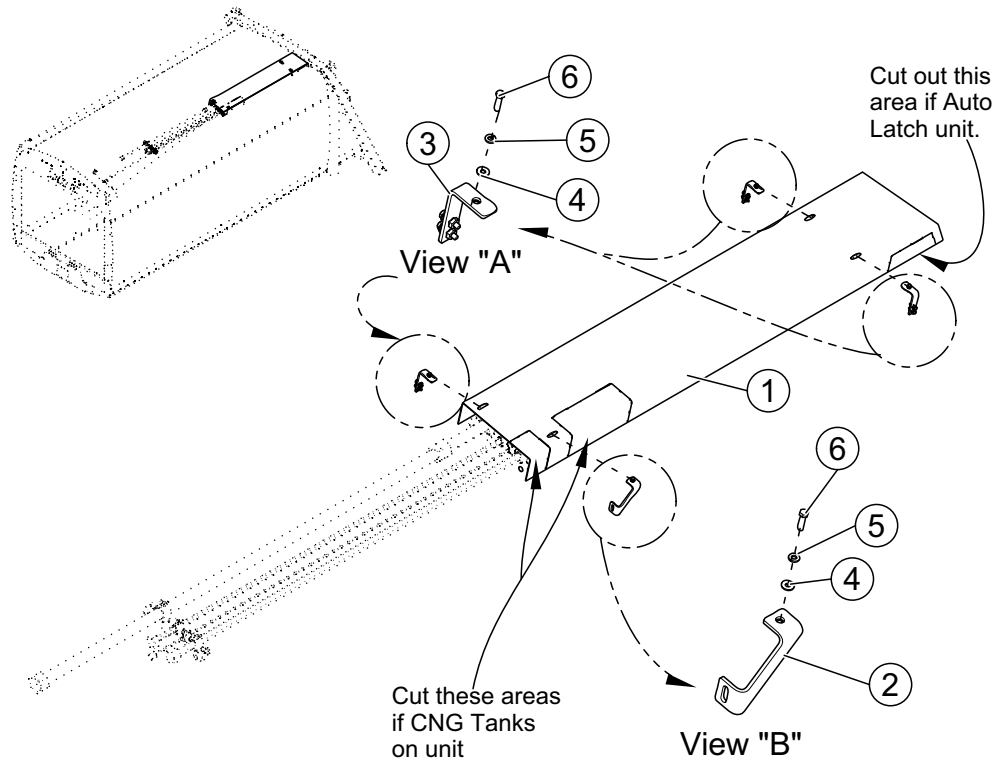


REF. NO.	PART NO.	DESCRIPTION	QTY.
1	182477	COVER, Front	1
2	190704	COVER, Middle	1
3	190705	COVER, Rear	1
4	107630	ASSY., Support	8
5	QUR01260	WASHER	8
6	QUR01700	WASHER	8
7	QUB02103	CAPSCREW	4
8	QUB02001	CAPSCREW	4

SECTION 4

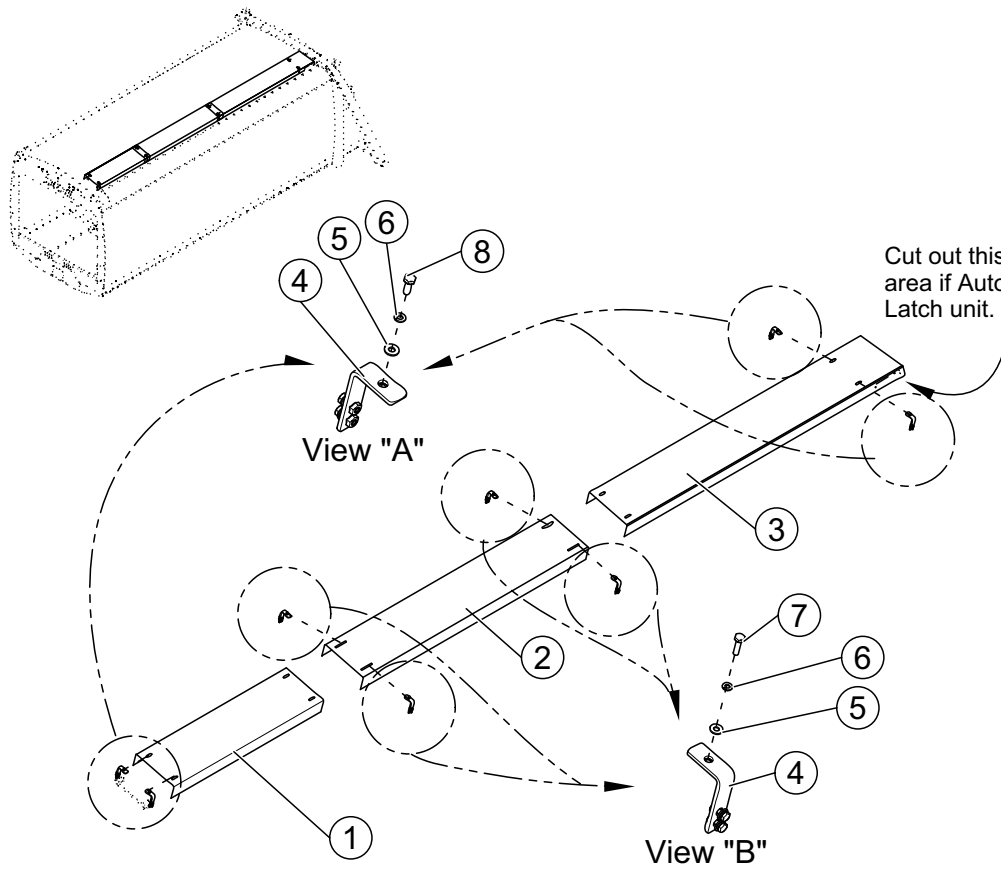
TUBING GUARD - Top Tubing (29Yd. W/CNG Tanks)

Ref.859455



REF. NO.	PART NO.	DESCRIPTION	QTY.
1	195275	COVER, Rear	1
2	195277	ASSY., Support	1
3	107630	ASSY., Support	3
4	QUR01261	WASHER	10
5	QUR01695	WASHER	10
6	QUB02120	CAPSCREW	10

TUBING GUARD - Top Tubing (32Yd.)

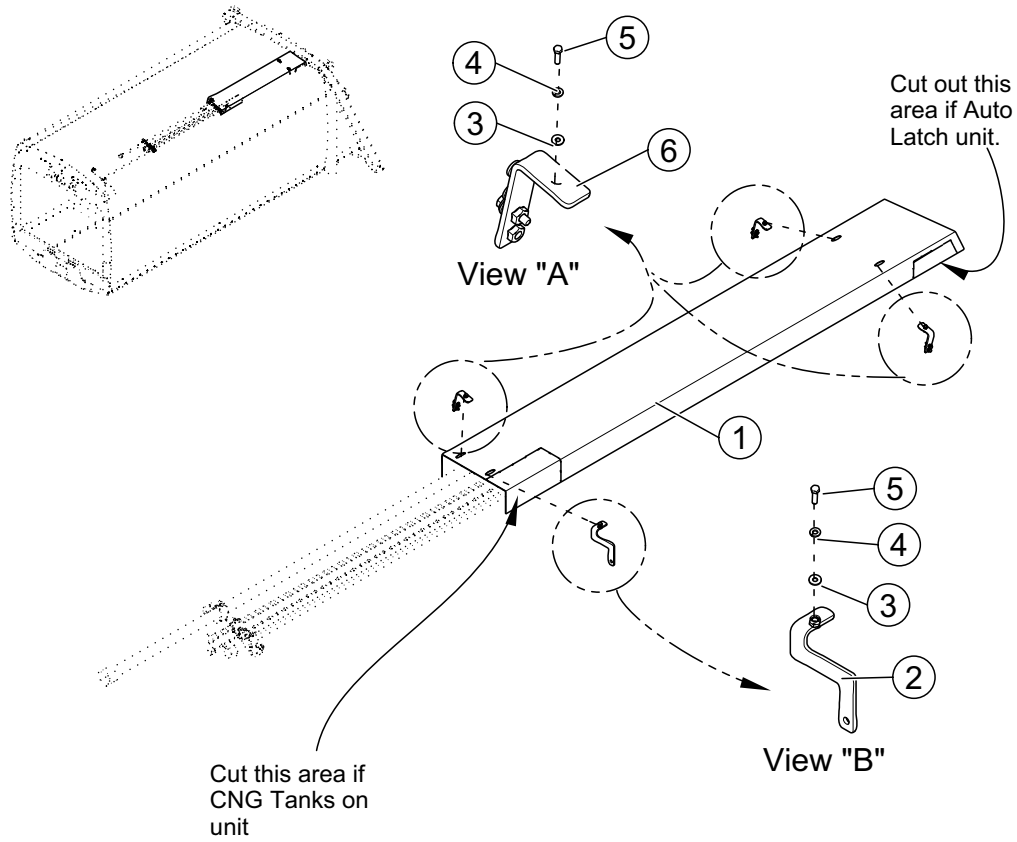


REF. NO.	PART NO.	DESCRIPTION	QTY.
1	182477	COVER, Front	1
2	182478	COVER, Middle	1
3	182476	COVER, Rear	1
4	107630	ASSY., Support	8
5	QUR01260	WASHER	24
6	QUR01700	WASHER	24
7	QUB02103	CAPSCREW	4
8	QUB02001	CAPSCREW	20

SECTION 4

TUBING GUARD - Top Tubing (32Yd. W/CNG Tanks)

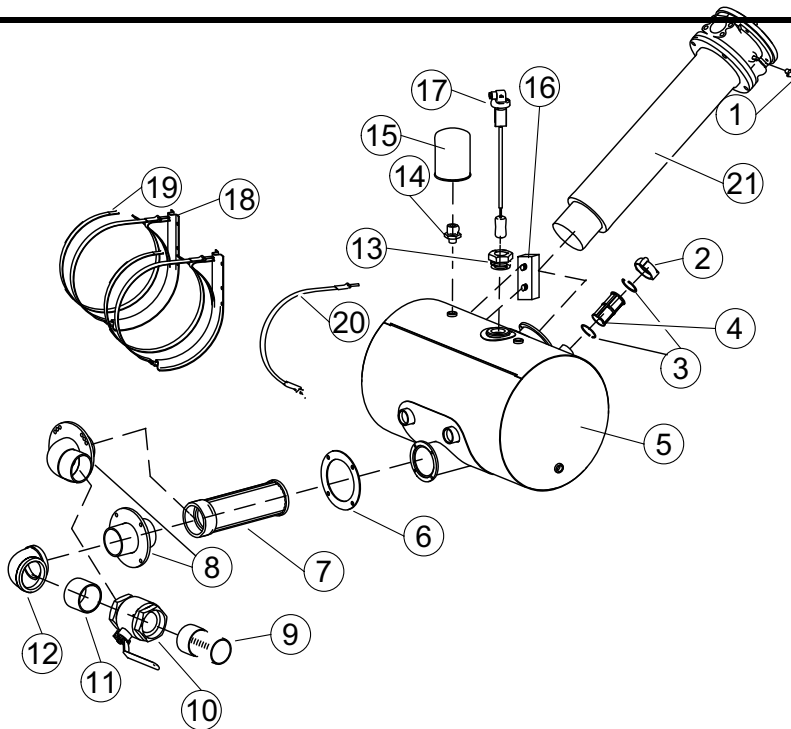
Ref.859457



REF. NO.	PART NO.	DESCRIPTION	QTY.
1	195278	COVER, Rear	1
2	195277	ASSY., Support	1
3	QUR01261	WASHER	10
4	QUR01695	WASHER	10
5	QUB02120	CAPSCREW	10
6	107630	ASSY., Support	3

Ref. 876783, 212322,
868450, 205354

OIL RESERVOIR - Chassis Mount - 60 Gallon

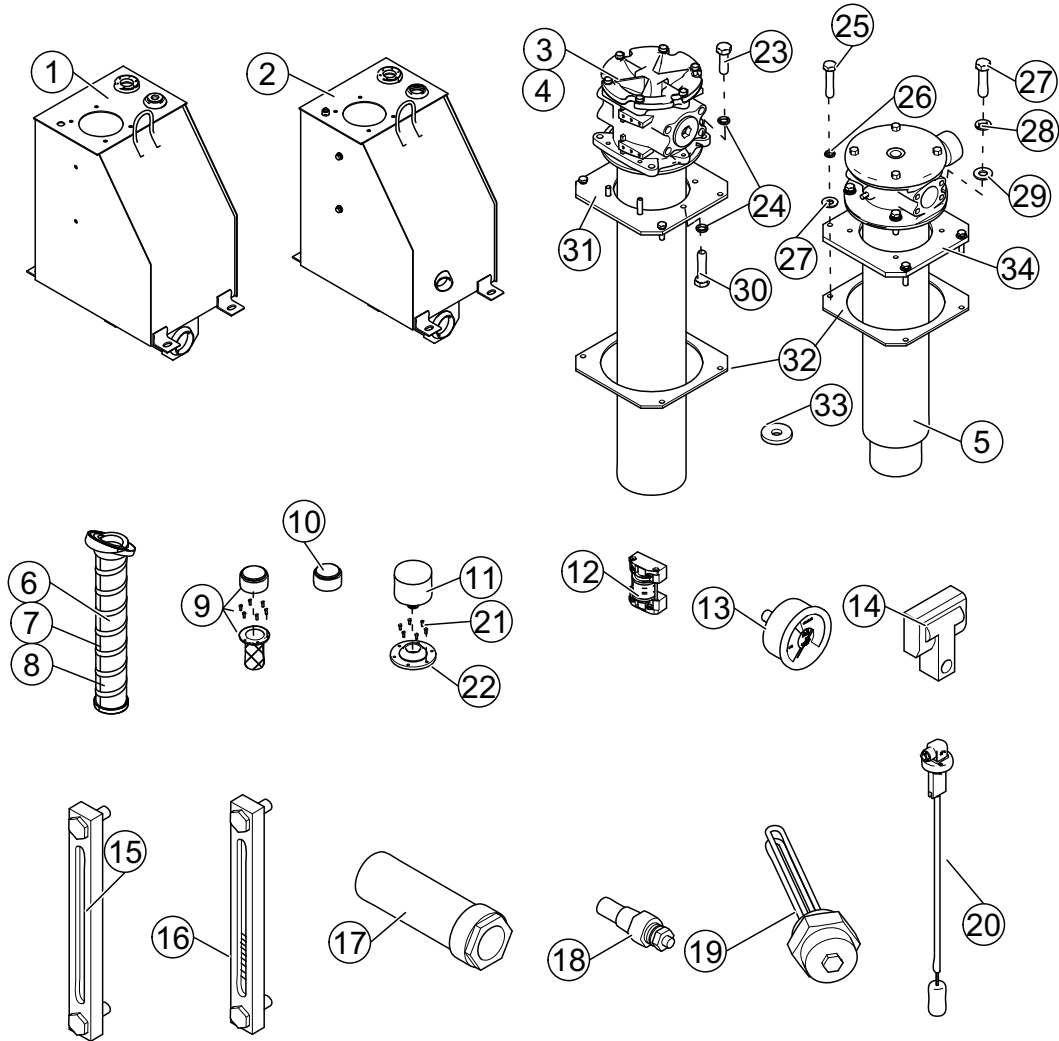


REF. NO.	PART NO.	DESCRIPTION	QTY.
1	HYF10190	COUPLER, Test - Filter - 1/8"	1
2	CIB00080	CAP, 2"	1
3	QUR04328	SNAP RING	2
4	HYB00760	BASKET, Fill Strainer	1
5	93006	RESERVOIR, Weldment	1
6	HYF20025	GASKET	1
7	HYF15680	STRAINER	1
8	121983	ADAPTER, Suction - 3" NPT Straight Both Sides	1
	156273	ADAPTER, Suction - 3"NPT 90°xStraight	1
9	HYF14056	NIPPLE, King - 3"	1
10	HYV01851	VALVE, 3" Ball	1
11	HYF13795	NIPPLE, 3"	1
12	HYF13105	ELBOW - 90°	1
13	97680	ADAPTER, Level Gauge	1
14	49840	ADAPTER, Donaldson Breather - 3/4" NPT	1
15	HYF20162	BREATHER, Donaldson (Optional - (Used With Item 14)	1
16	HYJ00150	GAUGE, Sight	1
17	HYS03000	SENDING UNIT, Oil Level	1
18	CHC01700	BRACKET, Mounting, Includes bracket and strap	2
19	CII00110	ISOLATION RUBBER	As Reqd
20	CHC02150	STRAP Only	As Reqd
21	HYF20014-01	ASSY., Filter (See Page 169 for Components)	1

SECTION 4

OIL RESERVOIR - In Body

Ref. 831126, 874065, 834260, 834403, 834410, 834531, 857779, 870466, 874067, 868360, 876890, 877817, 899306, 899307



2RIII Oil Reservoir Assemblies
Major Repair Parts

Labrie 800,000 #	Reservoir Weldm't	In-Tank Return Filter	In-Tank Filter Element	Breather Assy	Breather Cap Only	Visual oil filter bypass	Elec. oil filter bypass	Visual oil level gauge	Suction Strainer	Oil Temp. Sender	Oil Heater	Elec. Oil level
832126 & 874065	100416	HYF20080	HYF20085	HYB00715	HYB00717	HYF20079	~	HYJ00155	HYF15580	~	~	~
834260	100416	HYF20095	HYF20096	~	HYB00730	HYF20079	~	HYJ00155	HYF15580	~	~	~
834403	100416	HYF20080	HYF20085	HYB00715	HYB00717	HYF20079	~	HYJ00250	HYF15580	~	~	~
834410	158448	HYF20080	HYF20085	HYB00715	HYB00717	HYF20079	HYI01250	HYJ00155	HYF15580	~	ELC01500	~
834531	100416	HYF20080	HYF20085	HYB00715	HYB00717	HYF20079	~	HYJ00155	HYF15580	~	~	~
857779	158448	HYF20080	HYF20085	HYB00715	HYB00717	HYF20079	~	HYJ00250	HYF15580	~	ELC01500	~
870466	100416	HYF20080	HYF20085	HYB00715	HYB00717	HYF20079	HYI01250	HYJ00155	HYF15580	CJU00451	~	HYS03000
874067	100416	HYF20080	HYF20085	HYB00715	HYB00717	HYF20079	~	HYJ00155	HYF15580	CJU00451	~	HYS03000
868360	100416	HYF20080	HYF20085	HYB00715	HYB00717	HYF20079	HYI01250	HYJ00250	HYF15580	~	~	~
876890	100416	HYF20080	HYF20085	HYB00715	HYB00717	HYF20079	~	HYJ00155	HYF15580	~	~	HYS03000
877817	158448	HYF20080	HYF20085	HYB00715	HYB00717	HYF20079	~	HYJ00155	HYF15580	~	ELC01500	HYS03000
899306	100416	HYF20014* 01*	HYF20029	HYB00715	HYB00717	HYJ01051	~	HYJ00155	HYF15580	~	~	~
899307	158448	HYF20014* 01*	HYF20029	HYB00715	HYB00717	HYJ01051	~	HYJ00155	HYF15580	~	ELC01500	~

* See 215455, internal check valve removed

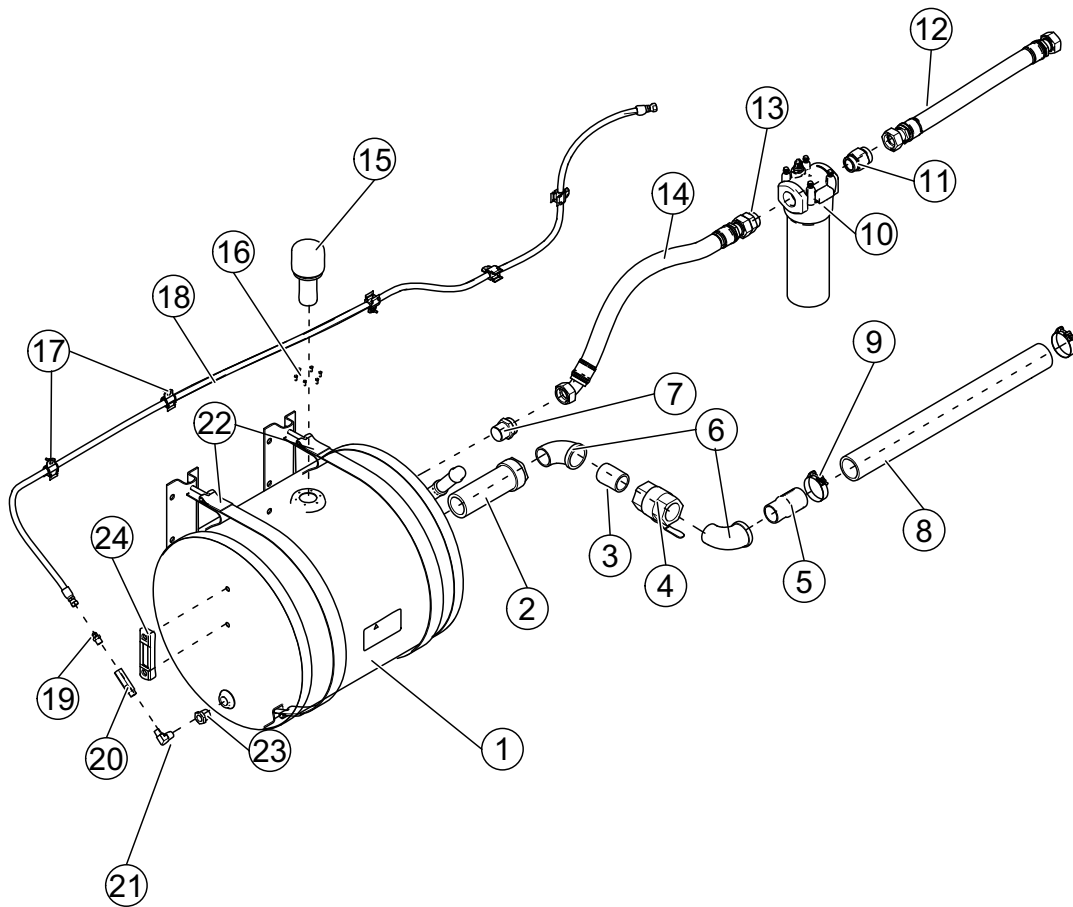
OIL RESERVOIR - In Body

REF. NO.	PART NO.	DESCRIPTION	QTY.
1	100416	WELDMENT, Reservoir (Standard)	1
2	158448	WELDMENT, Reservoir (W/ Heater Outlet)	1
3	HYF20080	ASSY., Filter (See Page 170 for Components) (Includes Item 6, 10μ)	1
4	HYF20095	ASSY., Filter (See Page 171 for Components) (Includes Item 7, 5μ)	1
5	HYF20014-01	ASSY., Filter (See Page 169 for Components) (Includes Item 8, 5μ)	1
6	HYF20085	ELEMENT, Replacement (Used in Item 3, 10μ)	1
7	HYF20096	ELEMENT, Replacement (Used in Item 4, 5μ)	1
8	HYF20029	ELEMENT, Replacement (Used in Item 5, 5μ)	1
9	HYB00715	ASSY., Breather/Fill	1
10	HYB00717	BREATHER Cap (Used in Item 9, 10μ)	1
11	HYB00730	BREATHER, Cap (Used with Item 22, 3/4" NPT, 3μ)	1
12	HYF20079	INDICATOR, Filter Bypass - Visual (Used in Items 3 or 4)	1
13	HYJ01051	INDICATOR, Filter Bypass - Visual (Used in Item 5)	1
14	HYI01250	INDICATOR, Filter Bypass - Electric (Used in Items 3 or 4)	1
15	HYJ00155	GAUGE, Oil Level	1
16	HYJ00250	GAUGE, Oil Level & Temperature	1
17	HYF15580	STRAINER, Suction (Used in All Reservoirs)	1
18	CIJ00451	SENDER, Oil Temp. (Used in All Reservoirs)	1
19	ELC01500	HEATER, Oil (Used in Item 2 Reservoir Only) (120vac)	1
20	HYS03000	SENSOR, Oil Level - Electric	1
21	QUV02940	CAPSCREW, Thread Cutting (Included in Item 9)	6
22	158366	ADAPTER (Used with Item 11, 3/4"NPT)	1
23	QUB02803	CAPSCREW	4 Per Filter
24	QUR01271	WASHER	8 Per Filter
25	QUB03001	CAPSCREW	4 Per Filter
26	QUR01270	WASHER	4 Per Filter
27	QUB06200	CAPSCREW	4 Per Filter
28	QUR01272	WASHER	4 Per Filter
29	QUR01902	WASHER	4 Per Filter
30	QUB02901	CAPSCREW	6 Per Filter
31	100422	PLATE, Mounting (Used with Item3 or 4)	1
32	100421	GASKET (Used in All Reservoirs)	1 Per Filter
33	QUA05000	MAGNET (Used in All Reservoirs)	1
34	215457	PLATE, Mounting (Used with Item 5)	1

SECTION 4

OIL RESERVOIR - Chassis Mounted - 50 Gallon

Ref.857627

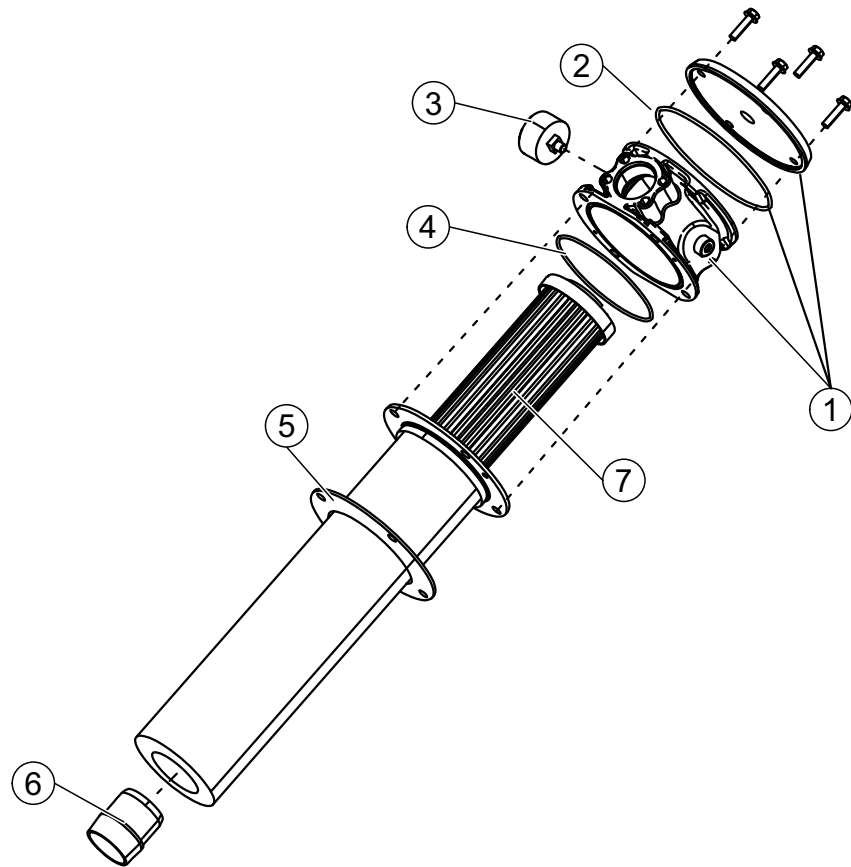


OIL RESERVOIR - Chassis Mounted - 50 Gallon

REF. NO.	PART NO.	DESCRIPTION	QTY.
1	101551	ASSY., Underslung Oil Reservoir (Alum. Incls Items 2 & 24)	1
2	HYF015580	STRAINER	1
3	HYF13810	NIPPLE	1
4	HYV01825	VALVE, Ball - 2" NPT	1
5	HYF14010	NIPPLE, KING (2" NPT x 2.50" I.D. Hose)	1
6	12956	ELBOW, 90° - Street	2
7	HYF02402	CONNECTOR	1
8	175301	HOSE, Suction	1
9	HYC00120	CLAMP, T-Bolt	2
10	HYF20091	ASSY, Oil Filter (See Page 172 for Components)	1
11	HYV04105	VALVE, In-Line Check	1
12	188125	HOSE	1
13	HYF09595	CONNECTOR	1
14	188124	HOSE	1
15	HYB00715	ASSY., Breather (Includes Cap, Basket, Gaskets)	1
	HYB00717	CAP, Breather - Only	1
16	QUV02940	CAPSCREW, Slot Head (Self Threading)	6
17	HYS00300	CLAMP, .75"O.D. Hose	5
18	188125	HOSE	1
19	HYF01300	CONNECTOR	1
20	HYV04023	VALVE, In-Line Check	1
21	HYF04025	ELBOW, 90°	1
22	CHC01700	SUPPORT, Strap Reservoir (Includes Bracket & Strap)	2
	CII00110	RUBBER, Isolation (Used with Item 22)	Sold by Foot
	CHC02150	STRAP - Only (Used with Item 22)	As Required
23	HYF08305	CONNECTOR	1
24	HYJ00150	GAUGE, Oil Level	1

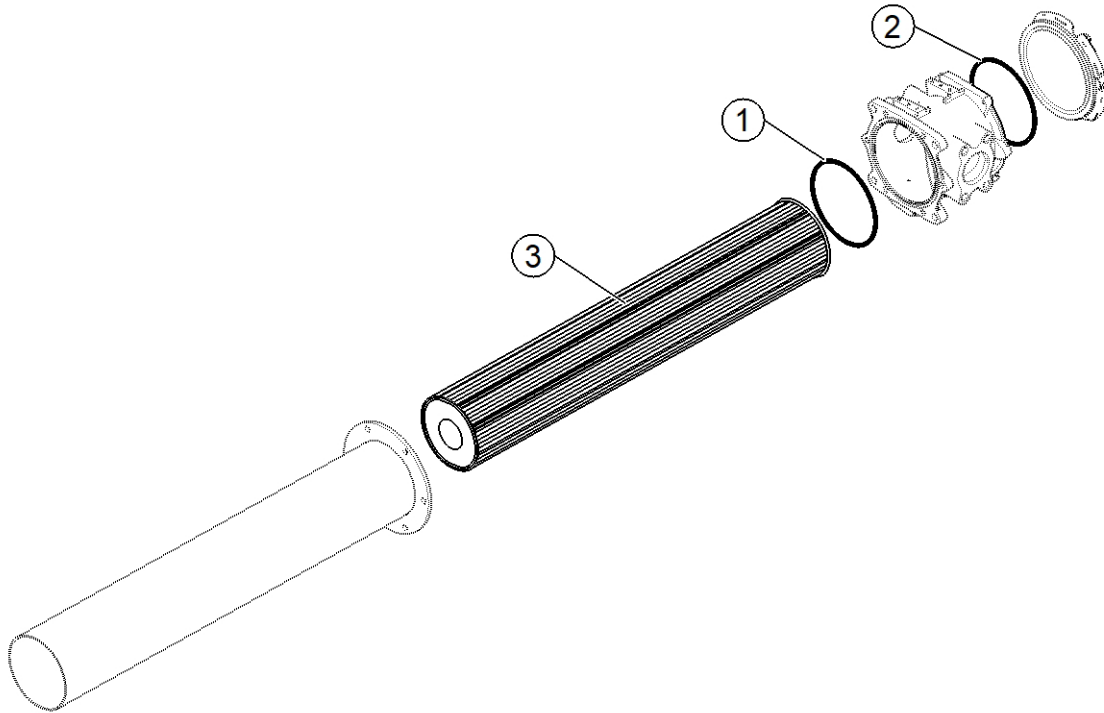
SECTION 4

RETURN FILTER, In Tank - HYF20014-01



REF. NO.	PART NO.	DESCRIPTION	QTY.
1	HYF20016	COVER HOUSING (Includes 40 PSI By Pass Valve & O-Ring Item 2)	1
2	HYF20017	O-RING (Located under Cover)	1
3	HYJ01051	GAUGE, 0 -100 PSI	1
4	HYJ01610	O-RING (Square - Housing to Canister)	1
5	HYF20025	GASKET (Flat - Canister to Tank Flange)	1
6	HYF20018	VALVE, Bypass (Located on Bottom of Filter)	1
7	HYF20014-01	ASSEMBLY, Filter - Complete - 5μ	1
	HYF20029	ELEMENT, Replacement - 5μ - std	1
	HYF20034	ELEMENT, Replacement - 3μ	1
	HYF20030-02	ELEMENT, Replacement - 10μ	1

RETURN FILTER, In Tank - HYF20080

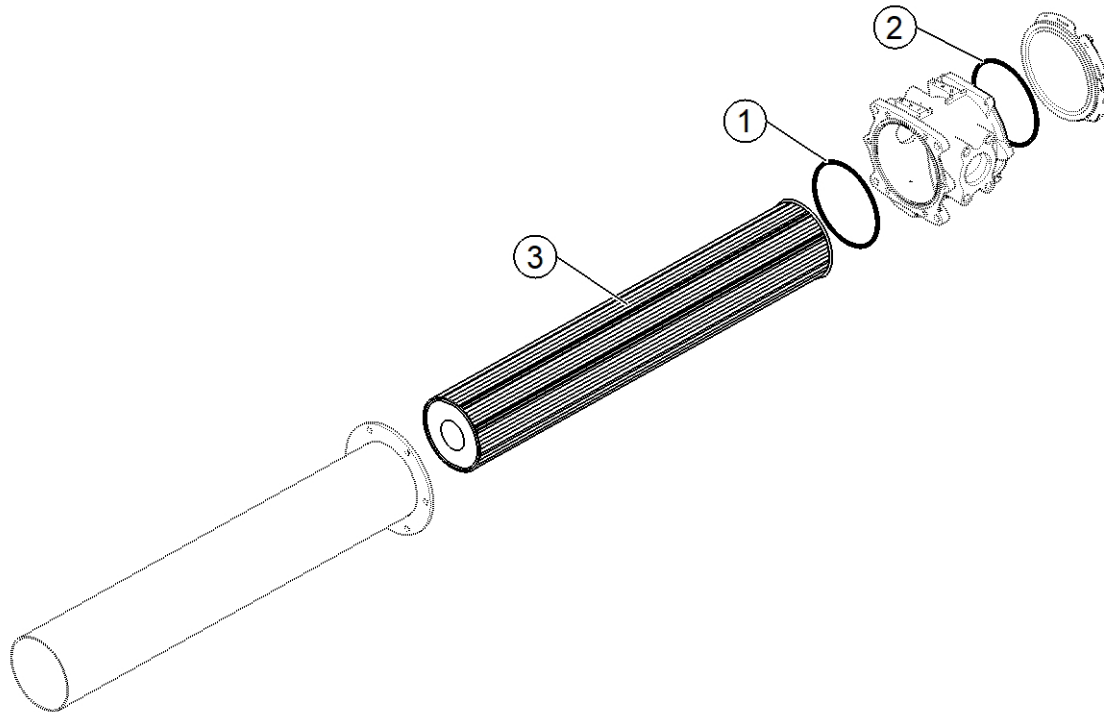


REF. NO.	PART NO.	DESCRIPTION	QTY.
1	HYJ01576	O-Ring (Between Head & Canister)	1
2	HYJ01575	O-Ring (Head Cover)	1
3	HYF20085	ELEMENT, Replacement (10μ) Std.	1
	HYF20080	ASSY., Filter - Complete	

SECTION 4

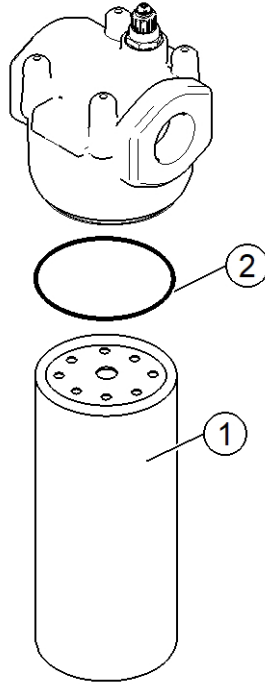
RETURN FILTER, In Tank - HYF20095

Ref.HYF20095



REF. NO.	PART NO.	DESCRIPTION	QTY.
1	HYJ01576	O-Ring (Between Head & Canister)	1
2	HYJ01575	O-Ring (Head Cover)	1
3	HYF20096	ELEMENT, Replacement (5μ) Std.	1
	HYF20095	ASSY., Filter - Complete	

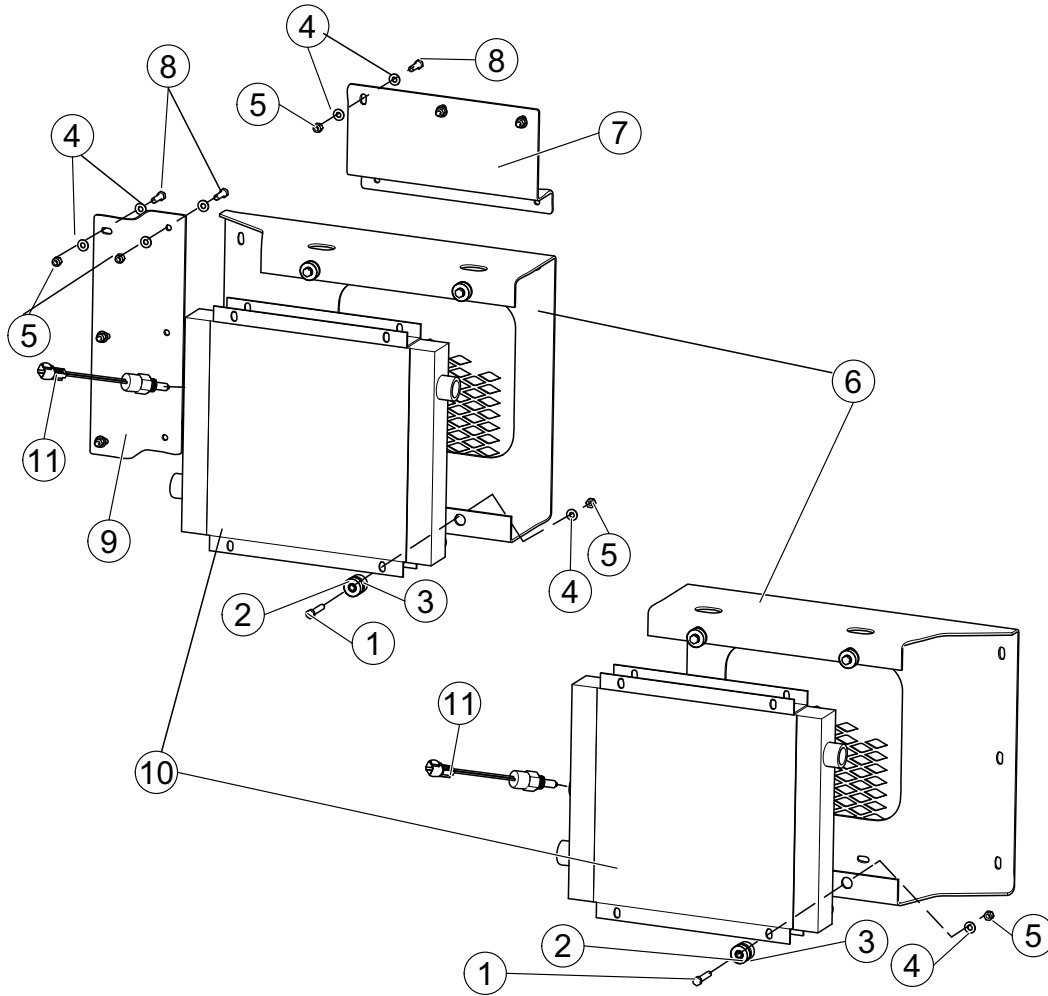
RETURN FILTER, External - HYF20091



REF. NO.	PART NO.	DESCRIPTION	QTY.
1	HYF20089	ELEMENT, Replacement	1
2	HYJ01576	O-Ring	1
	HYF20091	ASSY., Oil Filter - Complete	

Page Left Blank

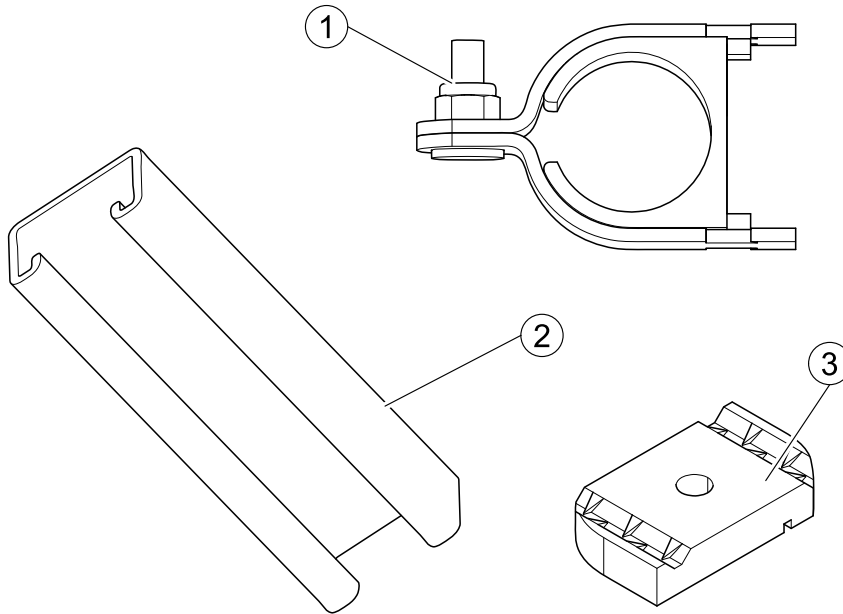
SECTION 4
OIL COOLER



REF. NO.	PART NO.	DESCRIPTION	QTY.
1	QUB03802	CAPSCREW	4 Per Cooler
2	QUB01245	ISOLATOR	4 Per Cooler
3	761440	WASHER, Rubber	4 Per Cooler
4	QUR01902	WASHER	As Req.d.
5	QUE01302	NUT	As Req.d.
6	761809	BRACKET	1
7	197450	BRACKET, Upper	1
8	QUB03501	CAPSCREW	11
9	197451	BRACKET, Side	1
10	ELC01487	COOLER, Oil	1
	ELC01477	FAN	1
	ELC01485	CORE	1
11	CIJ00375	SENSOR, Oil Temperature	1

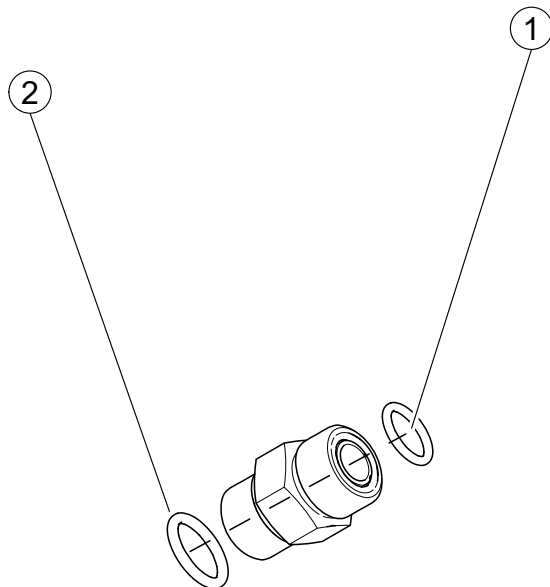
SECTION 4

CLAMPS & ACCESSORIES



REF. NO.	PART NO.	DESCRIPTION	QTY.	
1	HYS00150	TUBE or HOSE O.D. =.38"	As Reqd.	
	HYS00200	TUBE or HOSE O.D. =.50"	As Reqd.	
	HYS00250	TUBE or HOSE O.D. =.62"	As Reqd.	
	HYS00300	TUBE or HOSE O.D. =.75"	As Reqd.	
	HYS00305	TUBE or HOSE O.D. =1.05"	As Reqd.	
	HYS00400	TUBE or HOSE O.D. =1.00"	As Reqd.	
	HYS00425	TUBE or HOSE O.D. =1.12"	As Reqd.	
	HYS00450	TUBE or HOSE O.D. =1.25"	As Reqd.	
	HYS00453	TUBE or HOSE O.D. =1.38"	As Reqd.	
	HYS00455	TUBE or HOSE O.D. =1.50"	As Reqd.	
	HYS00460	TUBE or HOSE O.D. =.84"	As Reqd.	
	HYS00490	TUBE or HOSE O.D. =1.62"	As Reqd.	
	HYS00500	TUBE or HOSE O.D. =1.75"	As Reqd.	
	HYS00550	TUBE or HOSE O.D. =2.00"	As Reqd.	
	HYS00560	TUBE or HOSE O.D. =2.50"	As Reqd.	
	HYS00565	TUBE or HOSE O.D. =3.12"	As Reqd.	
	HYS00566	TUBE or HOSE O.D. =3.62"	As Reqd.	
	2	HYS00570	CLAMP, Rail - 10 Foot	As Reqd.
	3	HYS00675	CLAMP BASE	As Reqd.

SECTION 4
O-RINGS

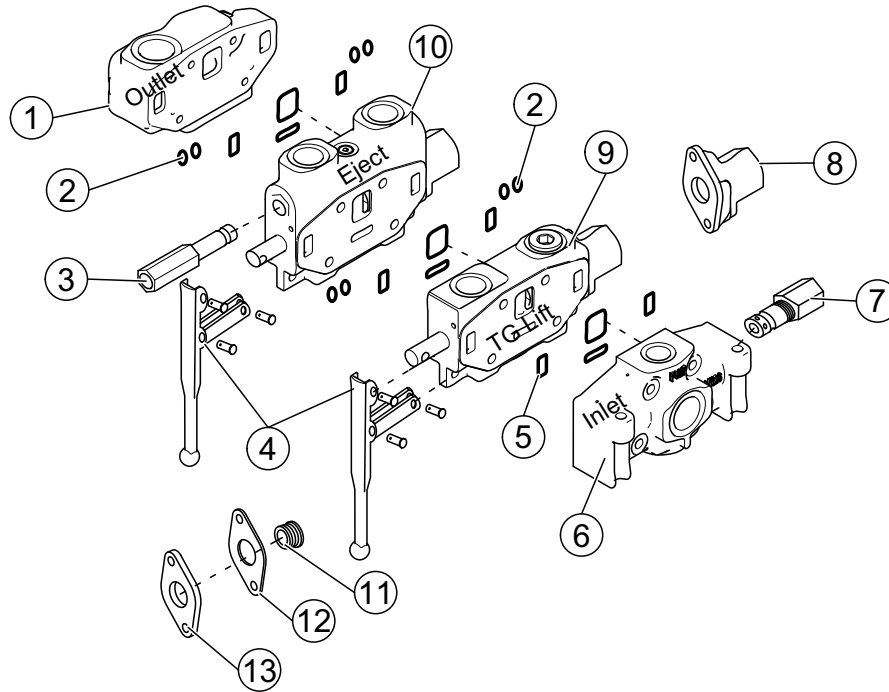


REF. NO.	PART NO.	DESCRIPTION	QTY.
1	SERV03259	KIT, O-RINGS. ORFS CONTAINS 10 EA - ORFS #4, #6, #8, #12, #16, #20, AND #24	1
2	SERV03260	KIT, O-RINGS, SAE CONTAINS 10 EA - SAE #4, #6, #8, #12, #16, #20, AND #24	1

SECTION 5

Ref. 874190, 874191, 874240, 854923, 832123, 850222, 826093, 828633, 834581, 832370, 834982, 857678, 859404, 859923, 867644

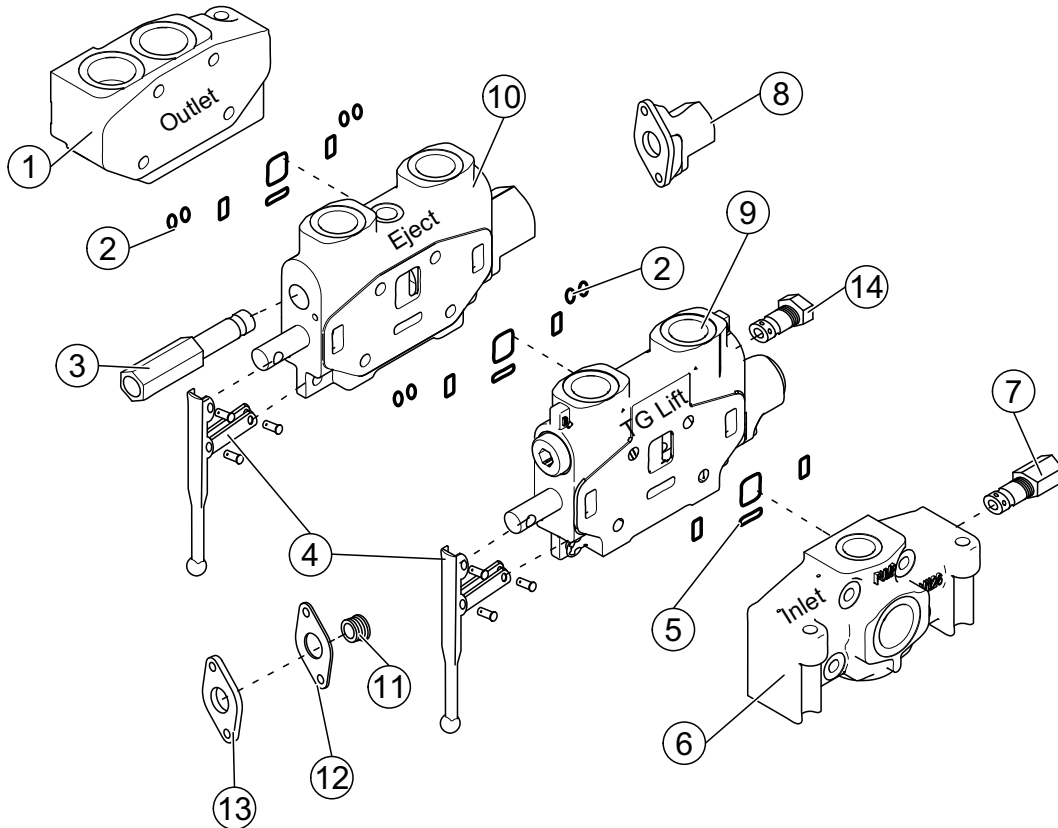
VALVE, Front Control - HYV02885 (Standard TG Latch)



REF. NO.	PART NO.	DESCRIPTION	QTY.
1	HYV02904	SECTION ASSY., Outlet	1
2	HYJ04113	KIT, Seal (Work Section, Includes Spool Seals)	1 Per Section
3	HYV02921	CARTRIDGE, Resistance	1
4	HYV02907	KIT, Handle (Includes Clevis ,Handle & Pins)	1 Per Section
5	HYJ04117	KIT, Seal (Inlet Section Only)	1
6	HYV02912	SECTION ASSY., Inlet (Includes Main Relief Item 7)	1
7	HYV02897	CARTRIDGE, Main Relief	1
8	HYV02916	CAP (Included in Items 9 & 10)	1 Per Section
9	HYV02918	SECTION ASSY, TG Lift (Includes Item 8)(Less Item 4)	1
10	HYV02919	SECTION ASSY, Eject (Includes Item 3 & 8)(Less Item 4)	1
11	HYV02887	BOOT, Rubber	1 Per Section
12	HYV05272	RETAINER, Rubber Boot	1 Per Section
13	HYV05273	RETAINER, Spool Seal	3 Per Section
	HYV02924	KIT, Bolt - 2 Section (Not Shown)	1

Ref.863289,850639,
865425,868477

VALVE, Front Control - HYV05232 (Single Cyl. TG Latch/Lift)

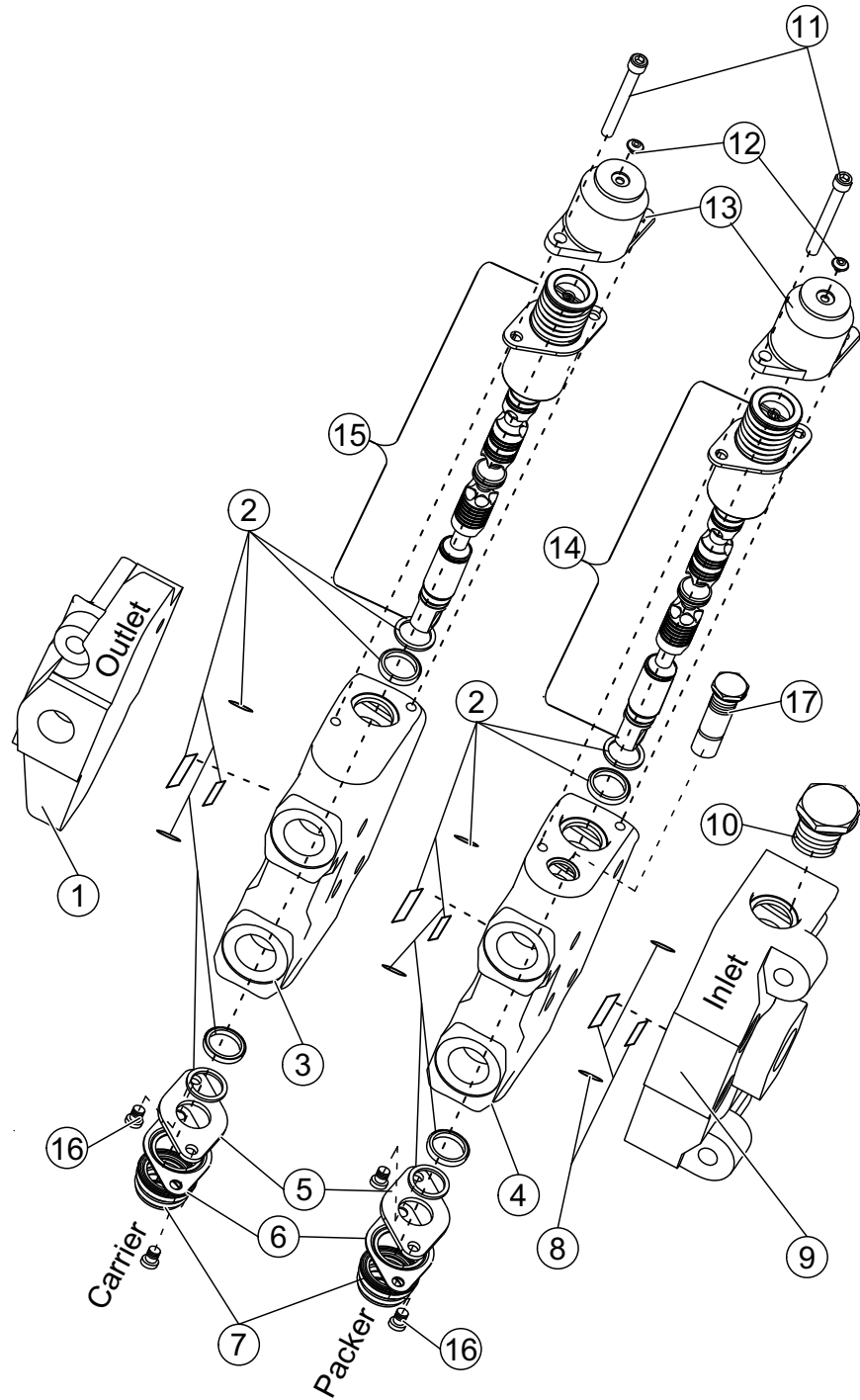


REF. NO.	PART NO.	DESCRIPTION	QTY.
1	HYV05247	SECTION ASSY., Outlet	1
2	HYJ04113	KIT, Seal (Work Section, Includes Spool Seals)	1 Per Section
3	HYV02921	CARTRIDGE, Resistance	1
4	HYV02907	KIT, Handle (Includes Clevis ,Handle & Pins)	1 Per Section
5	HYJ04117	KIT, Seal (Inlet Section Only)	1
6	HYV02912	SECTION ASSY., Inlet (Includes Main Relief Item 7)	1
7	HYV02897	CARTRIDGE, Main Relief	1
8	HYV02916	CAP (Included in Items 9 & 10)	1 Per Section
9	HYV05262	SECTION ASSY, TG Lift (Includes Item 8 & 14)(Less Item 4)	1
10	HYV05263	SECTION ASSY, Eject (Includes Item 3 & 8)(Less Item 4)	1
11	HYV02887	BOOT, Rubber	1 Per Section
12	HYV05272	RETAINER, Rubber Boot	1 Per Section
13	HYV05273	RETAINER, Spool Seal	3 Per Section
14	HYV05115	CARTRIDGE, Velocity Fuse	1
	HYV02924	KIT, Bolt - 2 Section (Not Shown)	1

SECTION 5

VALVE, Tailgate Control - HYV05140 (2 Section, Packer/Carrier)

Ref. 850580,
850597,



Ref. 850580,
850597,

VALVE, Tailgate Control - HYV05140 (2 Section, Packer/Carrier)

REF. NO.	PART NO.	DESCRIPTION	QTY.
1	HYV05154	SECTION ASSY., Outlet	1
2	HYJ04104	KIT, Seal (Between work sections, includes spool seals)	2
3	HYV05109	SECTION ASSY., Carrier (Incls Items 5, 6, 7, 11, 12, 13, 15 & 16)	1
4	HYV05312	SECTION ASSY., Packer (Incls Items 5, 6, 7, 11, 12, 13, 14 & 16)	1
5	710212	RETAINER, Seal (Control rod end only)	1 Per Section
6	HYV05225	RETAINER, Rubber Dust Boot	1 Per Section
7	HYV05161	DUST BOOT, Rubber	1 Per Section
8	HYJ04115	KIT, Seal (Between Inlet & 1st work section)	1
9	HYV05139	SECTION ASSY., Inlet	1
10	HYV05750	PLUG, Main Relief Port	1
11	710223	CAPSCREW	2 Per End Cap
12	HYV05703	PLUG, Rubber (Used on end cap adjustment opening)	1 Per End Cap
13	710227	CAP, End	1 Per Section
14	HYV03022	ASSY., Spool Packer (DOES NOT include seals)	1
15	HYV03021	ASSY., Spool Carrier (DOES NOT include seals)	1
16	710188	CAPSCREW (Control rod end only)	2 Per Section
17	HYV05282	CARTRIDGE, Port Relief - 3775 PSI	1
	HYV05733	STUD KIT (2 Work Sections, Not Shown)	
	HYV05140	ASSY., Complete Valve (Includes all above parts)	1

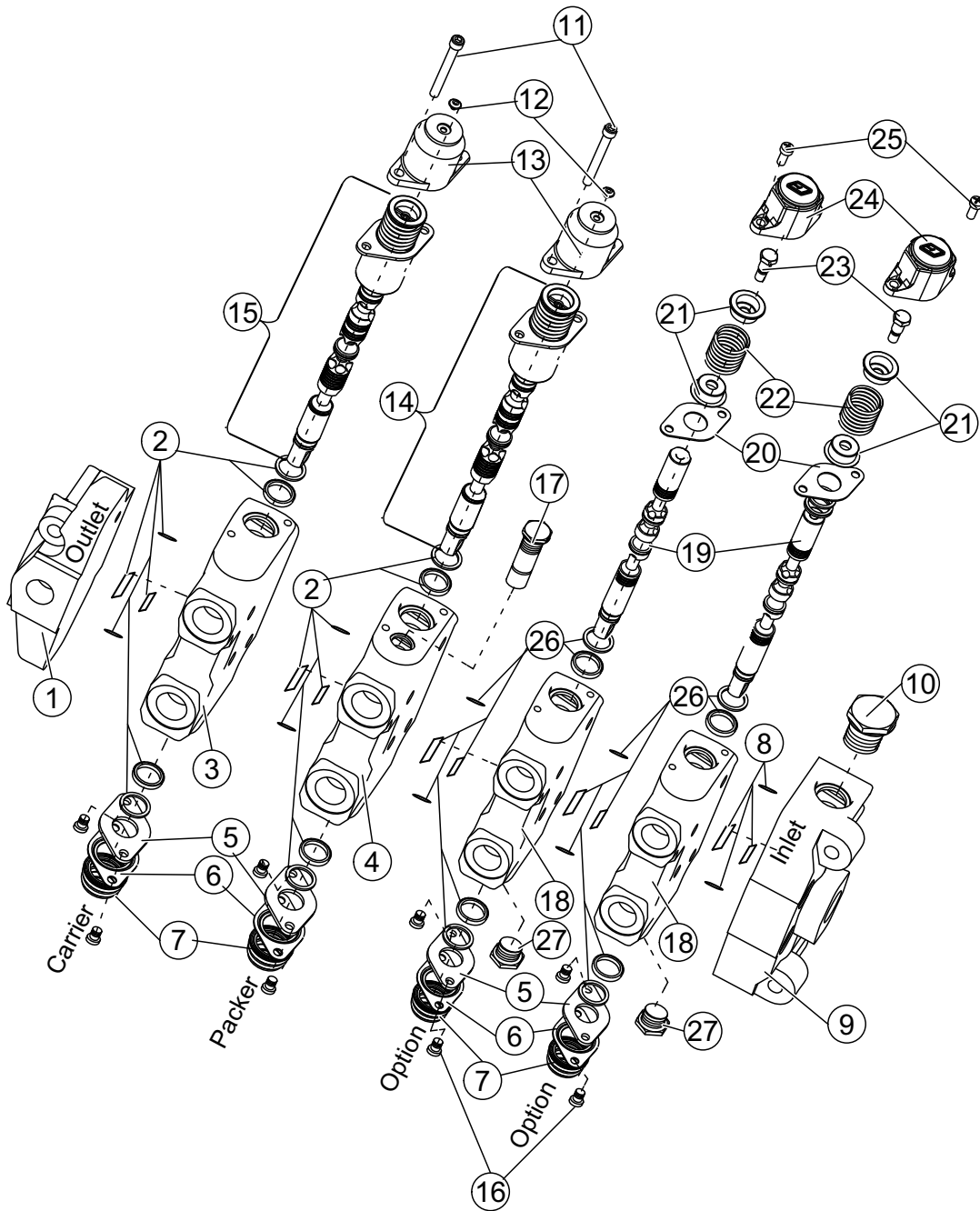
VALVE, Tailgate Control - HYV05145 (3 Section, Packer/Carrier, 1 option)

REF. NO.	PART NO.	DESCRIPTION	QTY.
1	HYV05154	SECTION ASSY., Outlet	1
2	HYJ04104	KIT, Seal (Between work sections, includes spool seals)	2
3	HYV05109	SECTION ASSY., Carrier (Incls Items 5, 6, 7, 11, 12, 13, 15 &16)	1
4	HYV05312	SECTION ASSY., Packer (Incls Items 5, 6, 7, 11, 12, 13, 14 &16)	1
5	710212	RETAINER, Seal (Control rod end only)	1 Per Section
6	HYV05225	RETAINER, Rubber Dust Boot	1 Per Section
7	HYV05161	DUST BOOT, Rubber	1 Per Section
8	HYJ04115	KIT, Seal (Between Inlet & 1st work section)	1
9	HYV05139	SECTION ASSY., Inlet	1
10	HYV05750	PLUG, Main Relief Port	1
11	710223	CAPSCREW	2 Per End Cap
12	HYV05703	PLUG, Rubber (Used on end cap adjustment opening)	1 Per End Cap
13	710227	CAP, End	1 Per Section
14	HYV03022	ASSY., Spool Packer (DOES NOT include seals)	1
15	HYV03021	ASSY., Spool Carrier (DOES NOT include seals)	1
16	710188	CAPSCREW (Control rod end only)	2 Per Section
17	HYV05282	CARTRIDGE, Port Relief - 3775 PSI	1
18	HYV05157	SECTION ASSY., Option (Incls Items 5, 6, 7, 16, 19 thru 27)	1
19	709787	SPOOL, Option Section (DOES NOT include seals)	1 Per Section
20	391-2183-005	RETAINER, Seal (Cap end Item 18 Only)	1 Per Section
21	HYV05193	RETAINER, Spring (Cap end Item 18 Only)	1 Per Section
22	710199	SPRING, Spool Centering (Cap end Item 18 Only)	1 Per Section
23	HYV05152	CAPSCREW, Shoulder (Cap end Item 18 Only)	1 Per Section
24	HYV05703	CAP, Spool (Option section only, Item 18)	1 Per Section
25	710207	CAPSCREW, Pan Head (Option section only, Item 18)	2 Per Section
26	HYJ04114	KIT, Seal (Option sections only, Includes spool seals)	1 Per Section
27	HYV05714	PLUG, Port Relief	1 Per Section
	HYV05734	STUD KIT (3 Work Sections, Not Shown)	
	HYV05145	ASSY., Complete Valve (Includes all above parts)	1

SECTION 5

Ref. 826263, 850584, 850585, 850588, 850598,
850600, 850602, 850622, 831268, 859297, 874187,
828966, 828995, 834277, 834685

VALVE, Tailgate Control - HYV05150 (4 Section, Packer/Carrier, 2 option)



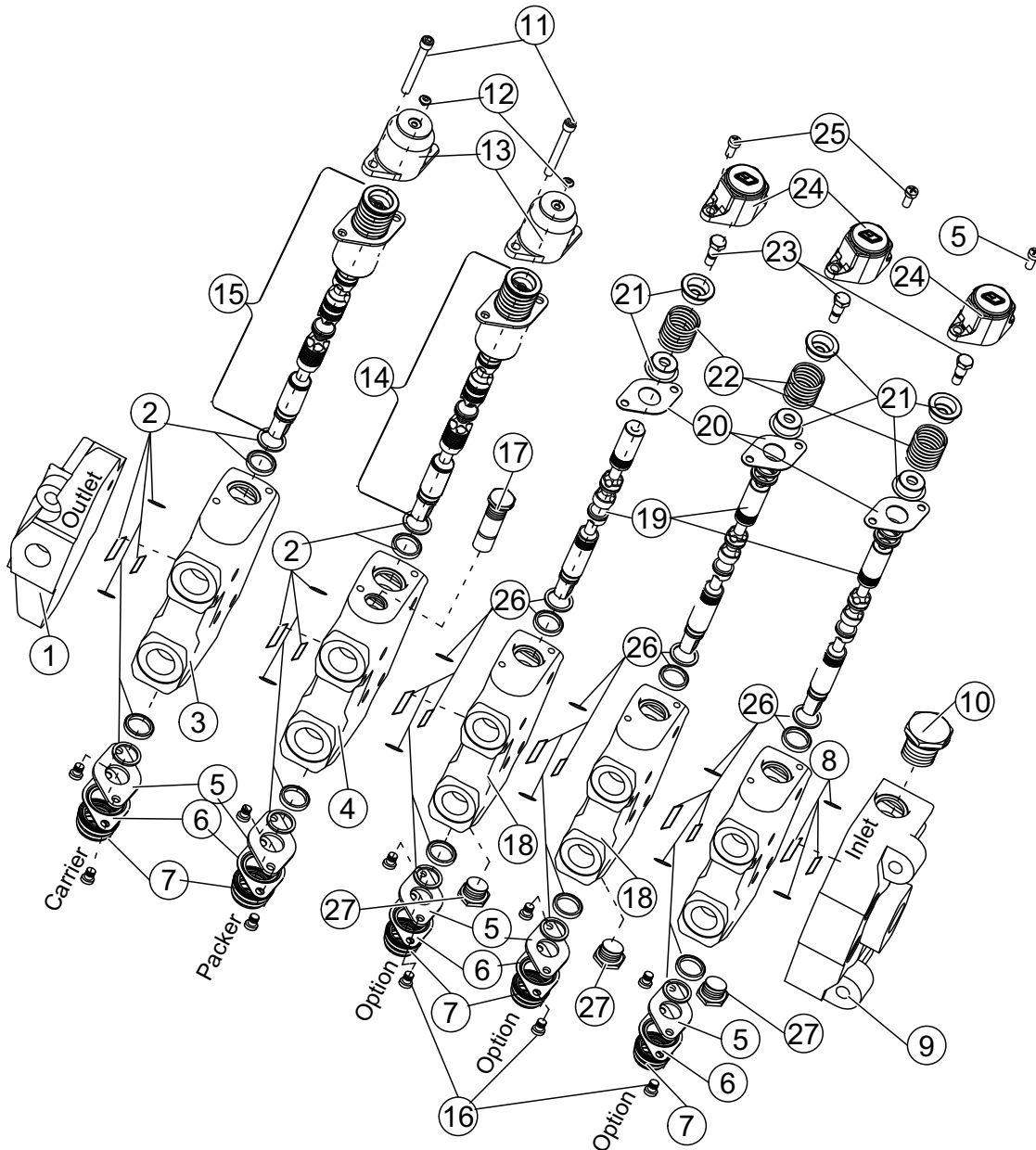
VALVE, Tailgate Control - HYV05150 (4 Section, Packer/Carrier, 2 option)

REF. NO.	PART NO.	DESCRIPTION	QTY.
1	HYV05154	SECTION ASSY., Outlet	1
2	HYJ04104	KIT, Seal (Between work sections, includes spool seals)	2
3	HYV05109	SECTION ASSY., Carrier (Incls Items 5, 6, 7, 11, 12, 13, 15 & 16)	1
4	HYV05312	SECTION ASSY., Packer (Incls Items 5, 6, 7, 11, 12, 13, 14 & 16)	1
5	710212	RETAINER, Seal (Control rod end only)	1 Per Section
6	HYV05225	RETAINER, Rubber Dust Boot	1 Per Section
7	HYV05161	DUST BOOT, Rubber	1 Per Section
8	HYJ04115	KIT, Seal (Between Inlet & 1st work section)	1
9	HYV05139	SECTION ASSY., Inlet	1
10	HYV05750	PLUG, Main Relief Port	1
11	710223	CAPSCREW	2 Per End Cap
12	HYV05703	PLUG, Rubber (Used on end cap adjustment opening)	1 Per End Cap
13	710227	CAP, End	1 Per Section
14	HYV03022	ASSY., Spool Packer (DOES NOT include seals)	1
15	HYV03021	ASSY., Spool Carrier (DOES NOT include seals)	1
16	710188	CAPSCREW (Control rod end only)	2 Per Section
17	HYV05282	CARTRIDGE, Port Relief - 3775 PSI	1
18	HYV05157	SECTION ASSY., Option (Incls Items 5, 6, 7, 16, 19 thru 27)	2
19	709787	SPOOL, Option Section (DOES NOT include seals)	1 Per Section
20	391-2183-005	RETAINER, Seal (Cap end Item 18 Only)	1 Per Section
21	HYV05193	RETAINER, Spring (Cap end Item 18 Only)	1 Per Section
22	710199	SPRING, Spool Centering (Cap end Item 18 Only)	1 Per Section
23	HYV05152	CAPSCREW, Shoulder (Cap end Item 18 Only)	1 Per Section
24	HYV05703	CAP, Spool (Option section only, Item 18)	1 Per Section
25	710207	CAPSCREW, Pan Head (Option section only, Item 18)	2 Per Section
26	HYJ04114	KIT, Seal (Option section only, Includes spool seals)	1 Per Section
27	HYV05714	PLUG, Port Relief	1 Per Section
	HYV05735	STUD KIT (4 Work Sections, Not Shown)	
	HYV05150	ASSY., Complete Valve (Includes all above parts)	1

SECTION 5

Ref. 850587,850589,828808
,856212,874186

VALVE, Tailgate Control - HYV05153 (5 Section, Packer/Carrier, 3 option)



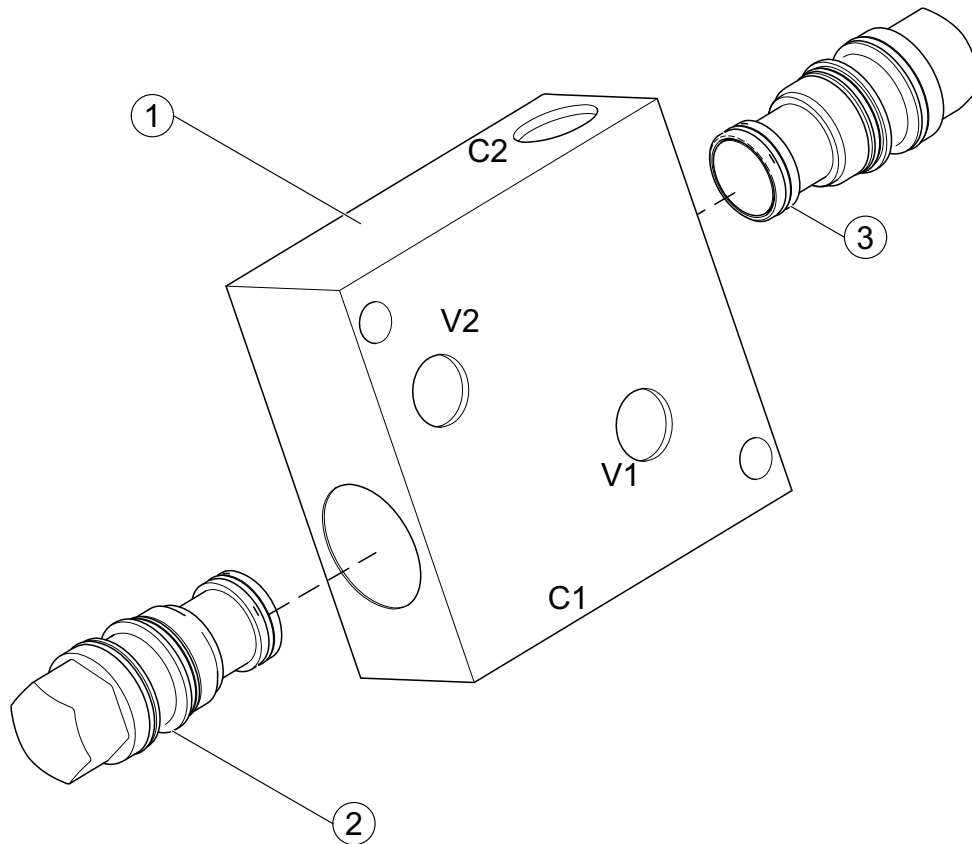
SECTION 5

VALVE, Tailgate Control - HYV05153 (5 Section, Packer/Carrier, 3 option)

REF. NO.	PART NO.	DESCRIPTION	QTY.
1	HYV05154	SECTION ASSY., Outlet	1
2	HYJ04104	KIT, Seal (Between work sections, includes spool seals)	2
3	HYV05109	SECTION ASSY., Carrier (Incls Items 5, 6, 7, 11, 12, 13, 15 &16)	1
4	HYV05312	SECTION ASSY., Packer (Incls Items 5, 6, 7, 11, 12, 13, 14 &16)	1
5	710212	RETAINER, Seal (Control rod end only)	1 Per Section
6	HYV05225	RETAINER, Rubber Dust Boot	1 Per Section
7	HYV05161	DUST BOOT, Rubber	1 Per Section
8	HYJ04115	KIT, Seal (Between Inlet & 1st work section)	1
9	HYV05139	SECTION ASSY., Inlet	1
10	HYV05750	PLUG, Main Relief Port	1
11	710223	CAPSCREW	2 Per End Cap
12	HYV05703	PLUG, Rubber (Used on end cap adjustment opening)	1 Per End Cap
13	710227	CAP, End	1 Per Section
14	HYV03022	ASSY., Spool Packer (DOES NOT include seals)	1
15	HYV03021	ASSY., Spool Carrier (DOES NOT include seals)	1
16	710188	CAPSCREW (Control rod end only)	2 Per Section
17	HYV05282	CARTRIDGE, Port Relief - 3775 PSI	1
18	HYV05157	SECTION ASSY., Option (Incls Items 5, 6, 7, 16, 19 thru 27)	3
19	709787	SPOOL, Option Section (DOES NOT include seals)	1 Per Section
20	391-2183-005	RETAINER, Seal (Cap end Item 18 Only)	1 Per Section
21	HYV05193	RETAINER, Spring (Cap end Item 18 Only)	1 Per Section
22	710199	SPRING, Spool Centering (Cap end Item 18 Only)	1 Per Section
23	HYV05152	CAPSCREW, Shoulder (Cap end Item 18 Only)	1 Per Section
24	HYV05703	CAP, Spool (Option section only, Item 18)	1 Per Section
25	710207	CAPSCREW, Pan Head (Option section only, Item 18)	2 Per Section
26	HYJ04114	KIT, Seal (Option sectiononly, Includes spool seals)	1 Per Section
27	HYV05714	PLUG, Port Relief	1 Per Section
	HYV05737	STUD KIT (5 Work Sections, Not Shown)	
	HYV05153	ASSY., Complete Valve (Includes all above parts)	1

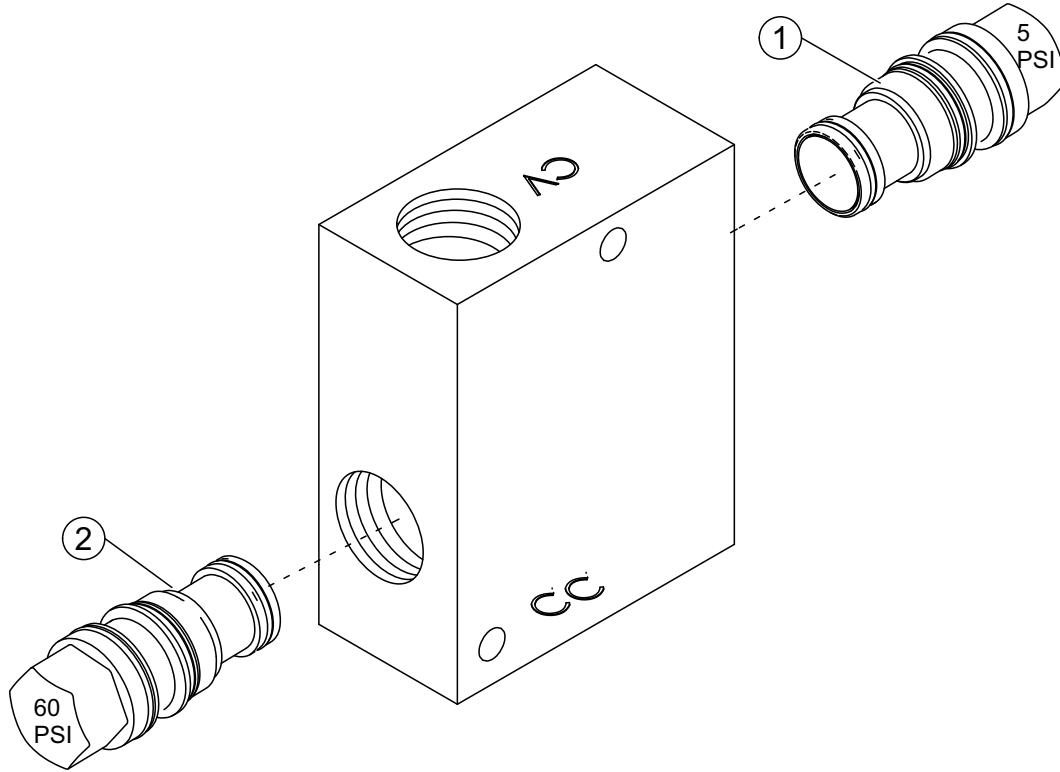
SECTION 5**VALVE - HYV04090-01**

Ref.HYV04090-01



REF. NO.	PART NO.	DESCRIPTION	QTY.
1	HYV04090-01	ASSY., Valve - Complete	1
2	HYV04091	CARTRIDGE, Flow Control	1
3	HYV04092	CARTRIDGE, Flow Control	1

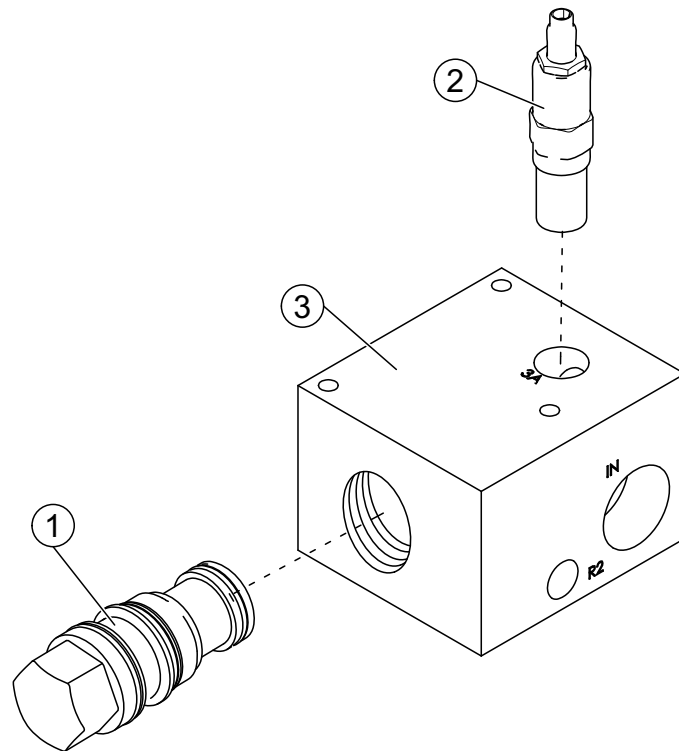
VALVE - HYV02825-01



REF. NO.	PART NO.	DESCRIPTION	QTY.
1	HYV02825-01	ASSY., Valve - Complete	1
2	HYV00626	CARTRIDGE, Check - 5 PSI	1
3	HYV00627	CARTRIDGE, Check - 60 PSI	1

SECTION 5**VALVE, Tipper Flow Control - HYV02560-01**

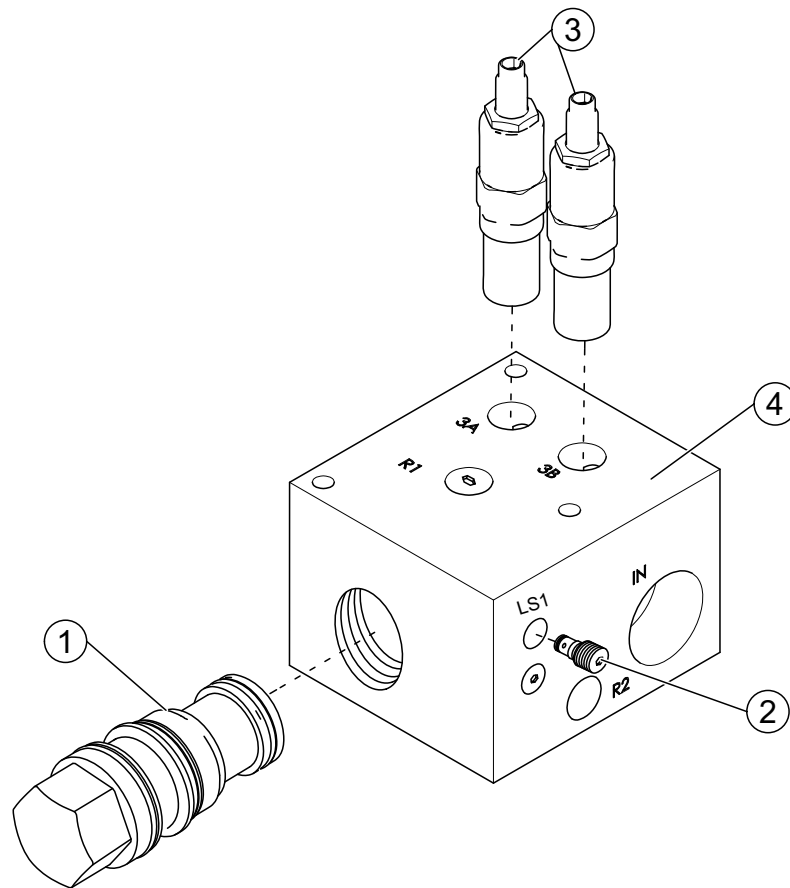
Ref.HYV02560-01



REF. NO.	PART NO.	DESCRIPTION	QTY.
1	HYV13008	CARTRIDGE, Logic Control	1
2	HYV02552-02	CARTRIDGE, Flow Control - 4.5 GPM	1
3	HYV02560-01	ASSY., Valve (Includes all Items Shown)	1

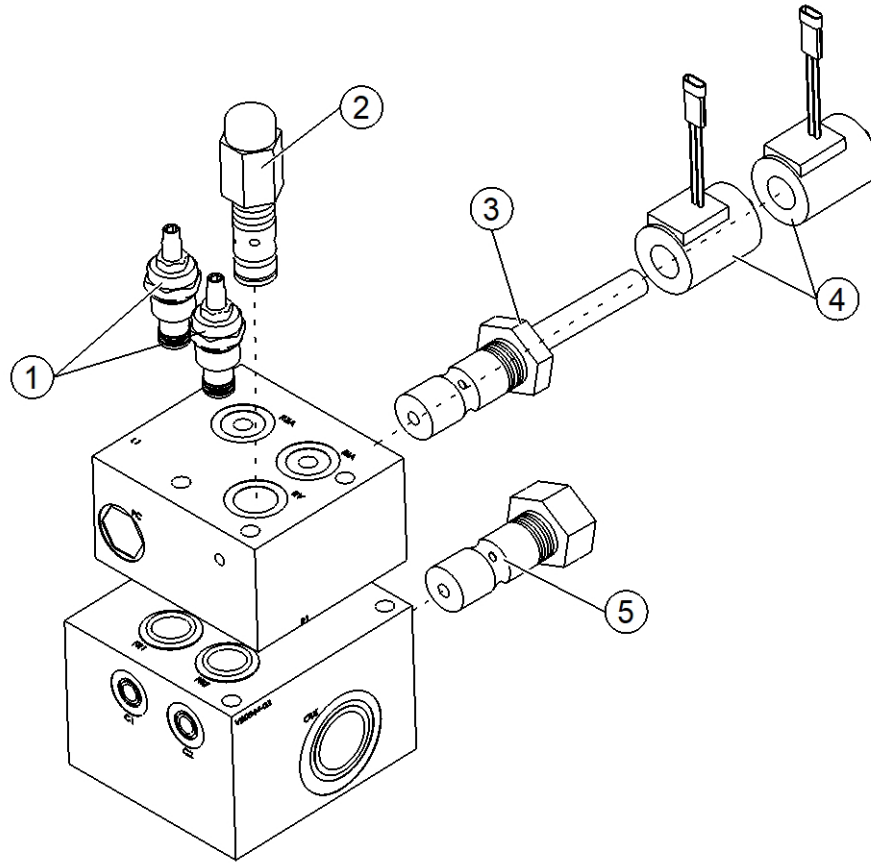
Ref.HYV02570-01

VALVE, Tipper Flow Control - HYV02570-01



REF. NO.	PART NO.	DESCRIPTION	QTY.
1	HYV13008	CARTRIDGE, Logic Control	1
2	HYV08403	CARTRIDGE, Shuttle Valve	1
3	HYV02552-02	CARTRIDGE, Flow Control - 4.5 GPM	1
4	HYV02570-01	ASSY., Valve (Includes all Items Shown)	1

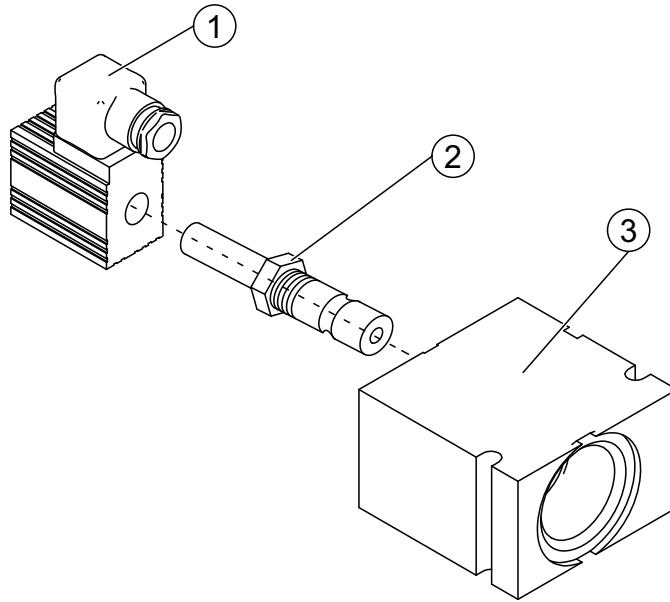
VALVE, Tipper/Auto-Latch Flow Ctrl. - HYV02624-02



REF. NO.	PART NO.	DESCRIPTION	QTY.
1	HYV02556	CARTRIDGE, Pressure Regulator 4.5 GPM	2
2	HYV13011	CARTRIDGE, Differential Relief	1
3	HYV13014	CARTRIDGE, Solenoid Spool	1
4	HYV13015	SOLENOID	2
5	HYV13008	CARTRIDGE, Piloted Logic	1

Ref.HYV00885

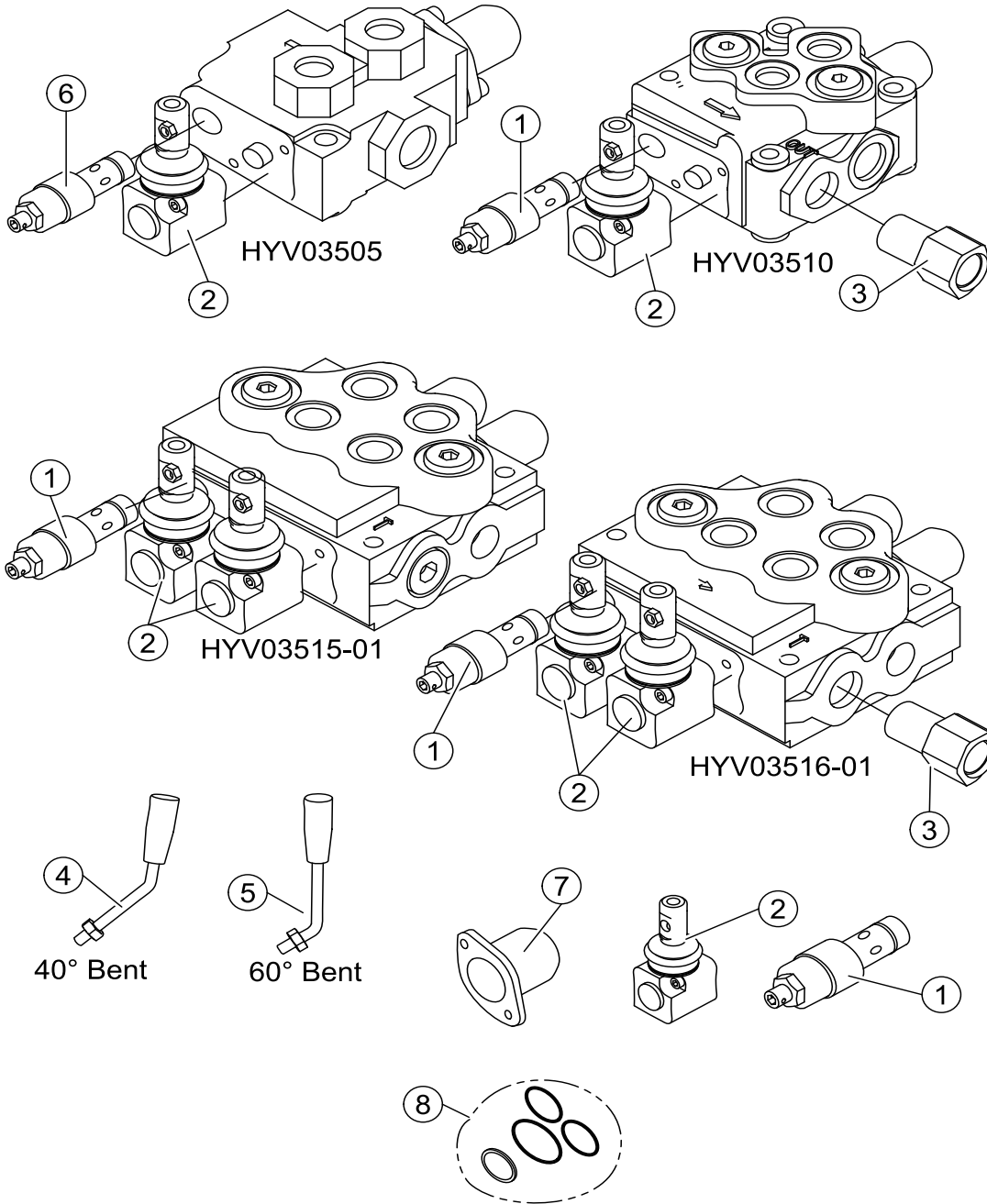
VALVE, Solenoid - HYV00885



REF. NO.	PART NO.	DESCRIPTION	QTY.
1	HYV00856	SOLENOID	1
2	HYV00925	CARTRIDGE, Solenoid	1
3	HYV00926	BLOCK	1
	HYV00885	ASSY., Solenoid - Complete	

SECTION 5

VALVES - Control - Options (Tipper)



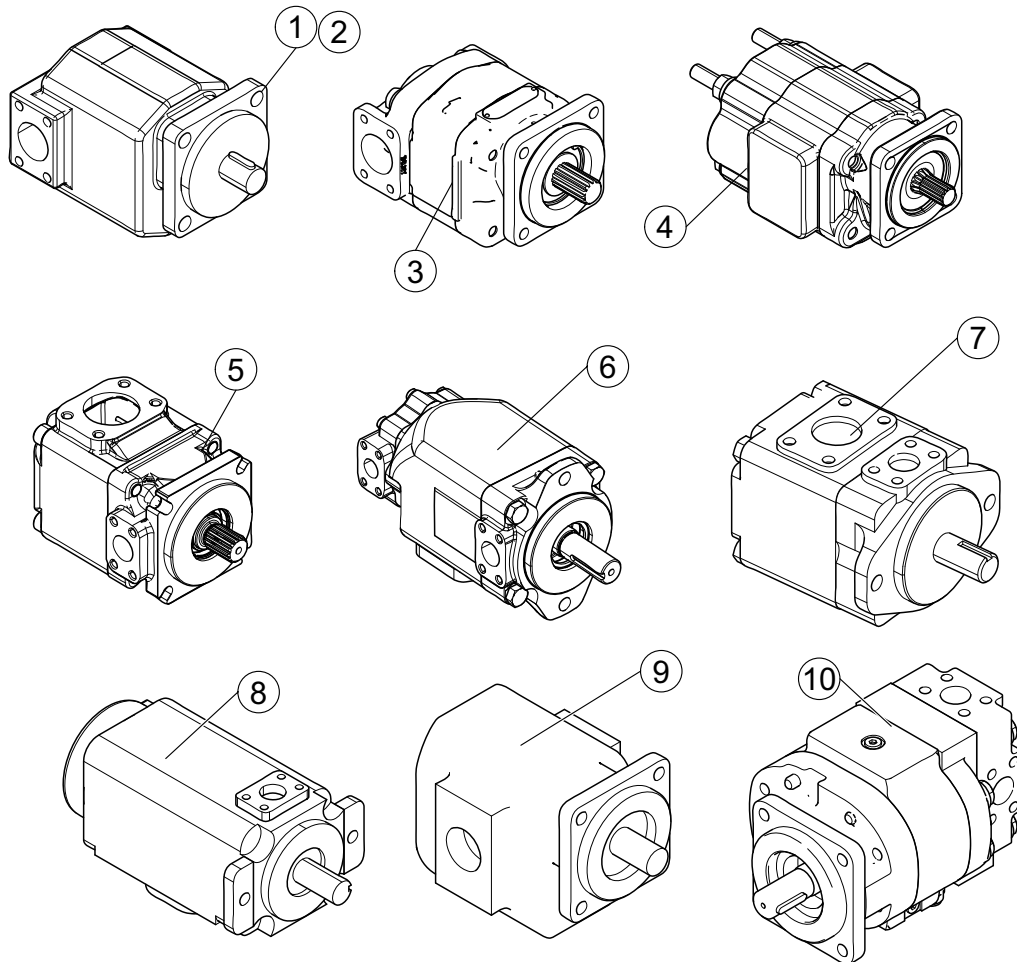
VALVES - Control - Options (Tipper)

REF. NO.	PART NO.	DESCRIPTION	QTY.
1	HYV03559	CARTRIDGE, Relief (HYV03510, HYV03515-01 & HYV03516-01)	1
2	HYV03561	CAP, Actuator	As Reqd.
3	HYV03556	CARTRIDGE, Power Beyond	As Reqd.
4	36763	HANDLE, Control - 40° Bent	As Reqd.
5	36764	HANDLE, Control - 60° Bent	As Reqd.
6	HYV03557	CARTRIDGE, Relief (HYV03505 Only)	1
7	3CAP281370	CAP, End	As Reqd.
8	HYJ03505	KIT, Seal	As Reqd.
	HYV03505	ASSY., Valve (Single Spool)	1
	HYV03510	ASSY., Valve (Single Spool With Power Beyond)	1
	HYV03515-01	ASSY., Valve (Dual Spool)	1
	HYV03516-01	ASSY., Valve (Dual Spool With Power Beyond)	1

SECTION 6

PUMPS & SEALS

Ref.HYP00192,HYP00192-M,HYP00181-M,HYP00183,HYP00210-M,
HYP0151601,HYP01526,HYP01482,HYP01481,HYP01521,HYP01499,
HYP00185,HYP00185-M,HYP00836



Shown are some of typically used pumps on the Labrie 2RIII & Alpha III rearloaders, you can identify the pump on your unit by locating the tag or label directly on the pump. If tag or label are not present please call Labrie Parts 1-800-231-2771 for pump I.D., Please have available the units S/N

NOTE: The Drive shaft, PTO and hydraulic parts associated with the pump and chassis are unique per chassis, call Labrie parts for I.D. and S/N will be required

PUMPS & SEALS

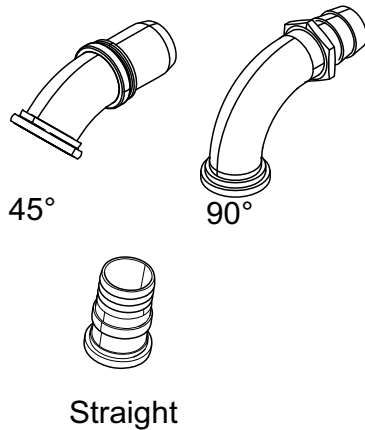
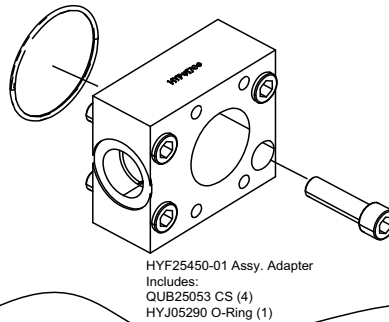
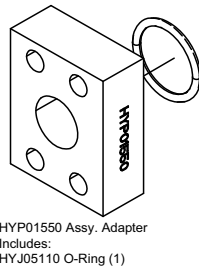
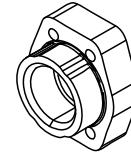
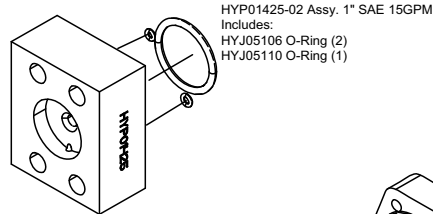
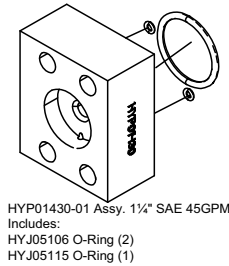
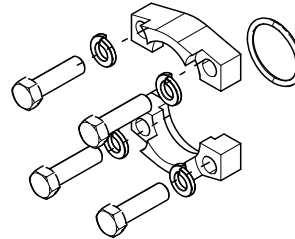
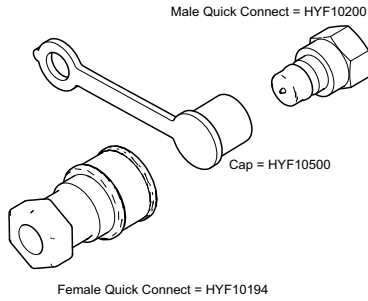
Ref. HYP00192, HYP00192-M, HYP00181-M, HYP00183, HYP00210-M,
 HYP0151601, HYP01526, HYP01482, HYP01481, HYP01521, HYP01499,
 HYP00185, HYP00185-M, HYP00836

REF. NO.	PART NO.	DESCRIPTION	QTY.
1	HYP00181	PUMP PGP365 CW Keyed shaft (Parker)	1
	HYP00183	PUMP PGP365 CCW Keyed shaft (Parker)	1
	HYJ50010	KIT, Seal (Seals for HYP00181, HYP00183 & HYP00192)	1
	HYJ01478	SEAL, Spool - Inner Lip (Seal for HYP00181, HYP00183 & HYP00192)	1
	HYJ01492	SEAL, Spool - Outer Lip (Seal for HYP00181, HYP00183 & HYP00192)	1
2	HYP00181-M-01	PUMP PGP365 CW Keyed shaft (Metaris)	1
	HYP00183-M-01	PUMP PGP365 CCW Keyed shaft (Metaris)	1
	HYJ01479-M	KIT, Seal (Includes all seals for HYP00181-M-01 & HYP00183-M-01)	1
3	HYP00192	PUMP PGP365 CW - Spline shaft (Parker)	1
4	HYP00210-M	PUMP CW - Spline shaft (Metaris)	1
	HYJ50017	KIT, Seal (Includes all seals for HYP00210-M)	1
5	HYP01516-01	PUMP CW T742 Keyed shaft, Viton seals (Parker)	1
	HYJ01486-01	KIT, Seal (Includes all seals for HYP01516-01)	1
	HYJ01482	SEAL, Spool (Used on pump HYP01516-01)	1
	HYP01426	CARTRIDGE P1 42	1
6	HYP01526	PUMP CW T6DC-28-28 Keyed shaft (Parker)	1
	HYJ01476	KIT, Seal (Includes all seals for HYP01526, HYP01521 & HYP01499)	1
	HYJ01471	SEAL, Spool (Used on pump HYP01526)	1
	HYP01429	CARTRIDGE P1 28 (Used on pump HYP01526)	1
	HYP01431	CARTRIDGE P2 28 (Used on pump HYP01526)	1
	HYP01482	PUMP CW T6DW-42 Keyed shaft (Parker)	1
7	HYP01481	PUMP CCW T6DC-42 Keyed shaft (Parker)	1
	HYJ01470	KIT, Seal (Includes all seals for HYP01481 & HYP01482)	1
	HYJ01471	SEAL, Spool (Used on pump HYP01481 & HYP01482)	1
	HYP01462	CARTRIDGE P1 42 (Used on pump HYP01481)	1
	HYP01467	CARTRIDGE P2 42 (Used on pump HYP01482)	1
	HYP01521	PUMP CW T6DC-42-28 Keyed shaft (Parker)	1
	HYP01499	PUMP CCW T6DC-42-28 Keyed shaft (Parker)	1
8	HYP01469	CARTRIDGE P1 42 (Used on pump HYP01521 & HYP01499)	1
	HYP01431	CARTRIDGE P2 42 (Used on pump HYP01521 & HYP01431)	1
	HYP00185	PUMP CW Keyed shaft (Parker)	1
	HYP00185-M	PUMP CCW Keyed shaft (Metaris)	1
9	HYJ50034	KIT, Seal (Seals for HYP00185)	1
	HYJ01478	SEAL, Spool (Used on pump hyp00185)	1
	HYP00836	PUMP CCW Keyed shaft (Muncie)	1
	HYP01181	KIT, Seal (Seals for HYP00836)	1
	HYP00178	SEAL, Spool (Used on pump HYP00836)	1
10	HYP01176	SOLENOID (Used on pump HYP00836)	1
	HYP01177	RELIEF (Used on pump HYP00836)	1

SECTION 6

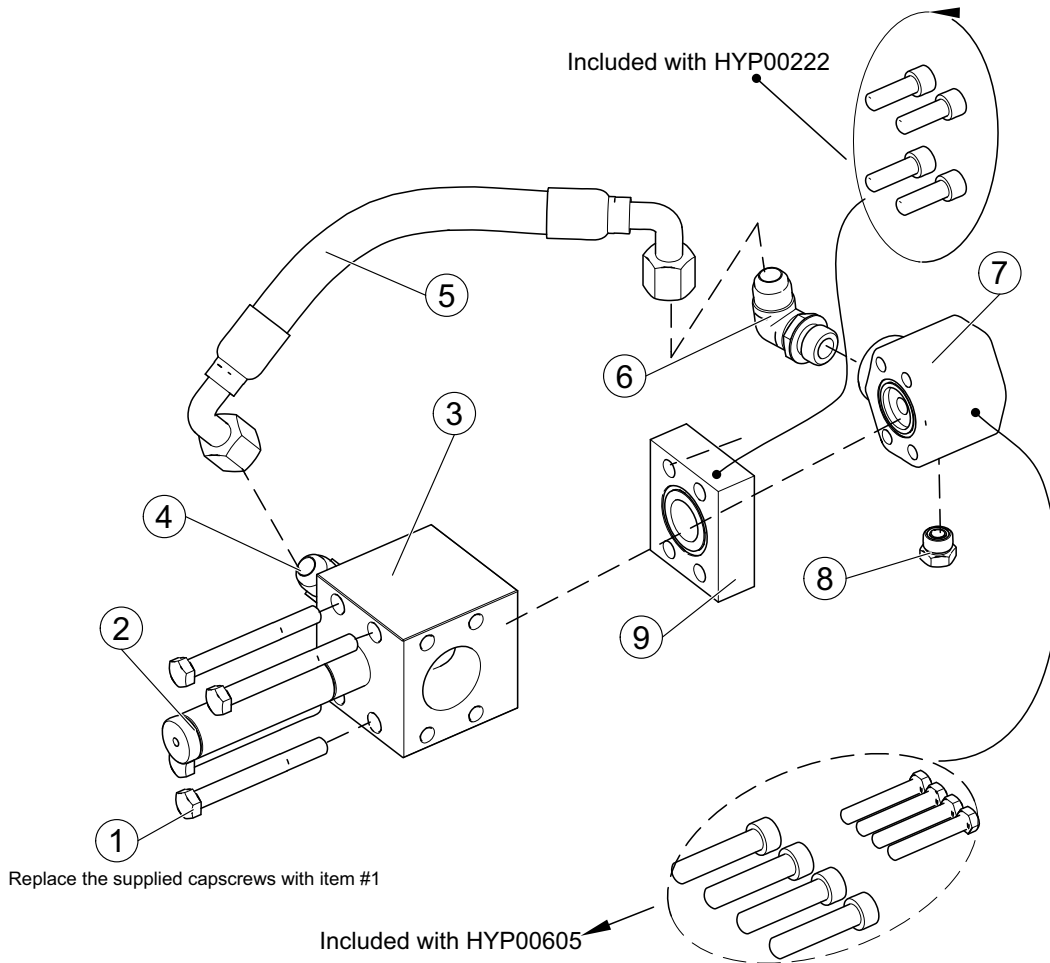
PUMP - Miscellaneous Hyd. Parts

Flange Kit				
Labrie P/N	Nominal Tube Size	Code	PSI	O-Ring Only P/N
HYF00080	1"	61	3,000	HYJ05110
HYF00095	1½"	61	3,000	HYJ05115
HYF00094	1½"	61	3,000	HYJ05120
HYF00096	2"	61	3,000	HYJ05125
HYF00097	2½"	61	3,000	HYJ05130



Code 61 Suction Fittings			
Labrie P/N	Nominal Tube Size	Code	Type
HYF25015	1¼" Flg X #20 37° Male	61	90°
HYF25105	1¼" Flg X 37° JIC Male	61	45°
HYF25210	1¼" Flg X #20 JIC Male	61	Straight
HYF25600	2" Flg X 3" ID Hose	61	45°
HYF25490	2" Flg. X 2" ID Hose	61	90°
HYF25610	2" Flg X 3" ID Hose	61	90°
HYF25495	2" Flg. X 2½" ID Hose	61	90°
HYF25545	2" Flg. X 2½" ID Hose	61	Straight
HYF25496	2½" Flg. X 2" ID Hose	61	90°
HYF22550	2½" Flg. X 2½" ID Hose	61	90°
HYF25525	2½" Flg. X 3" ID Hose	61	90°
HYF25150	2½" Flg. X 2½" ID Hose	61	45°

DRY VALVE INSTALLATION PARTS

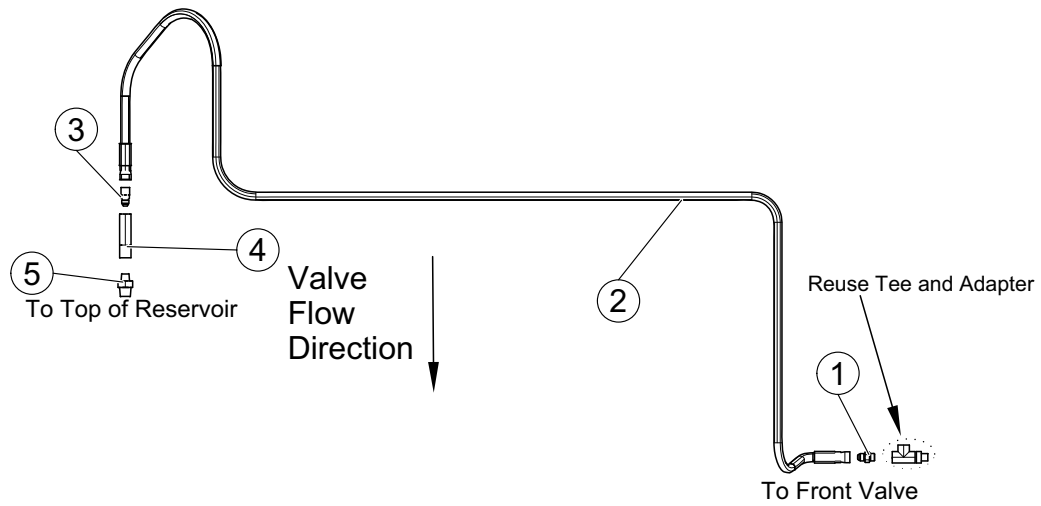
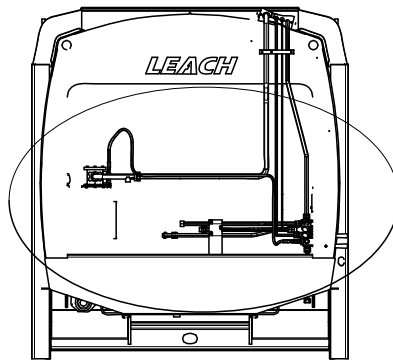


REF. NO.	PART NO.	DESCRIPTION	QTY.
1	QUB04900	CAPSCREW	4
2	L25952	AIR CYLINDER	1
3	HYP00700	DRY VALVE ASSY (Includes air cyl. I25952	1
	HYJ01400-1490	O-RING	1
4	HYF04900	ELBOW, 90° (Between valve and pump)	1
5	HYB10000	HOSE	1
6	HYF07500	ELBOW, 90°	1
7	HYP000605	REGULATOR	1
	16927	O-RING (Between Regulator and Adapter Plate)	1
8	HYF11347	PLUG	1
9	HYP00222	PLATE, Adapter - Regulator	1

SECTION 6

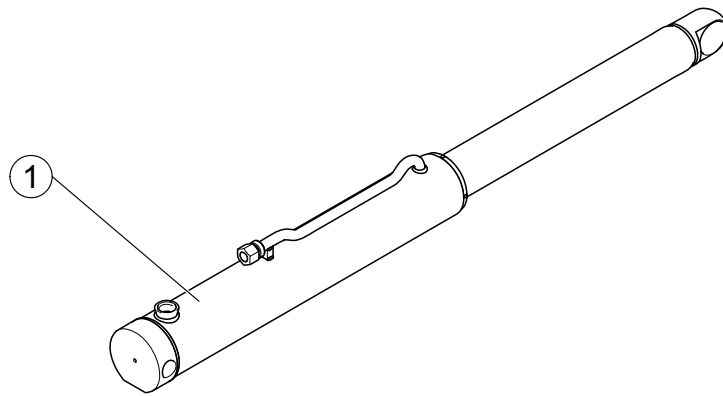
FRONT PUMP FLOW CONTROL

Ref. 874062,
826101



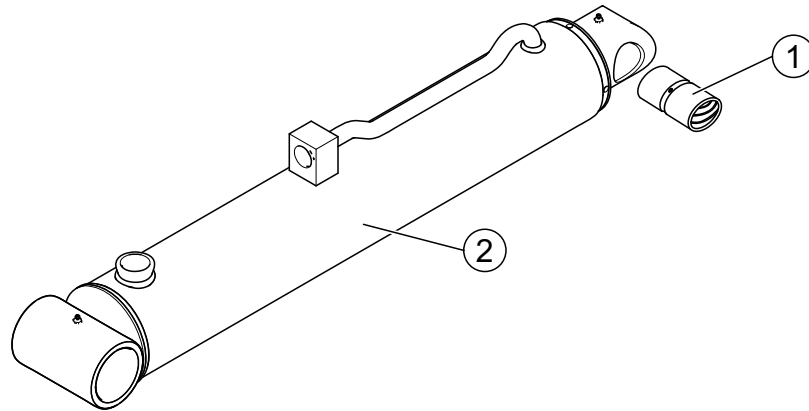
REF. NO.	PART NO.	DESCRIPTION	QTY.
1	HYF04800	ADAPTER	1
2	103010	HOSE	1
3	HYF01300	ADAPTER	1
4	HYV04023	VALVE, Flow Regulator	1
5	HYF09205	ADAPTER	1

Page Left Blank

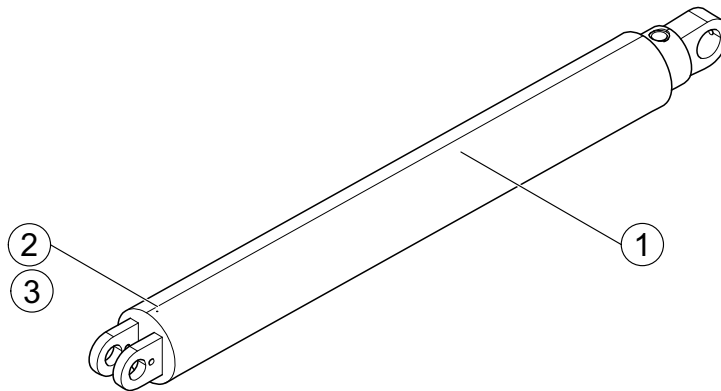
SECTION 7**CYLINDER, Packer & Carrier** (Strap Style Packer/Carrier)

REF. NO.	PART NO.	DESCRIPTION	QTY.
1	HYC00865-01	ASSEMBLY, Operating Cylinder	4
	HYJ00865-01	KIT, Seal	1

CYLINDER, Packer & Carrier (Hinged Style Packer/Carrier)

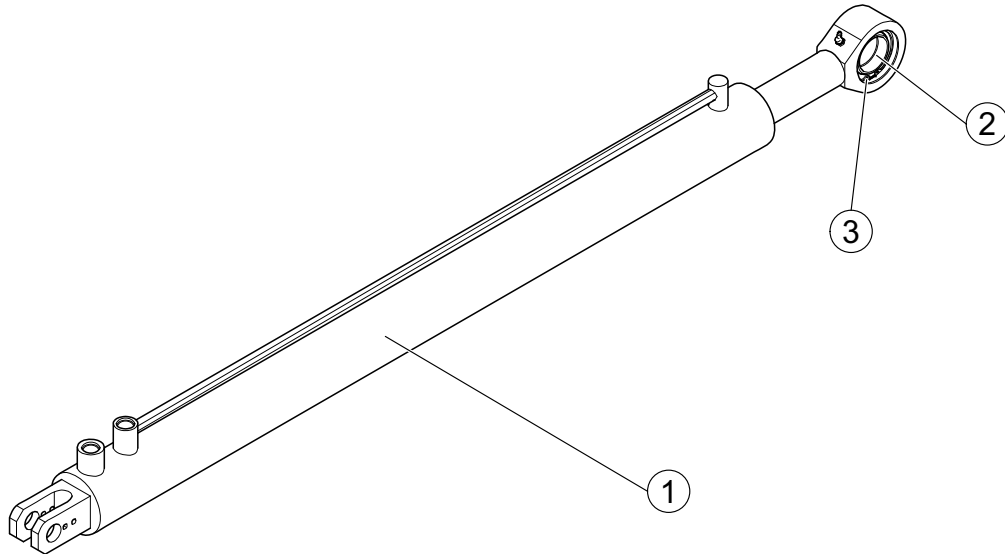


REF. NO.	PART NO.	DESCRIPTION	QTY.
1	QUB00873	BUSHING	1
2	HYC00873	ASSY., Packer & Carrier (Hinged Style Packer)	4
	HYJ00865-01	KIT, Seal	1

SECTION 7**CYLINDER, Tailgate Lift** (With Manual Latch)

REF. NO.	PART NO.	DESCRIPTION	QTY.
1	HYC00820-01	ASSEMBLY, Cylinder	1
2	HYC00826	KIT, Bleeder	1
3	QUR20100	WASHER, Seal	1
	HYJ00820-01	KIT, Seal	As Required

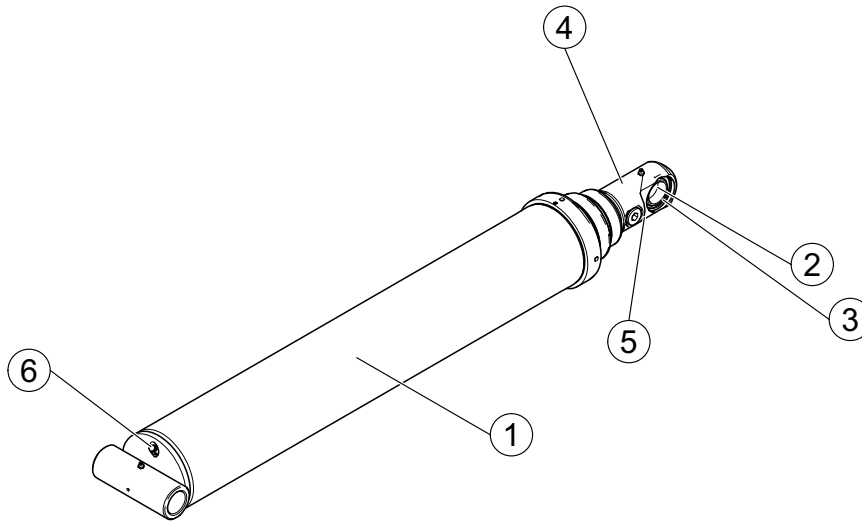
CYLINDER, Tailgate Lift & Auto Latch - (1 CYL. LIFT AND AUTO LATCH)



REF. NO.	PART NO.	DESCRIPTION	QTY.
1	HYC00827	ASSEMBLY, Cylinder	1
2	QUR00617	BEARING	1
3	QUR00315	RING, Snap	1
	HYJ00827	KIT, Seal	1

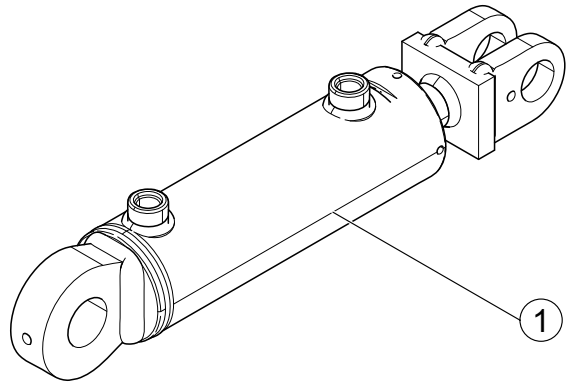
SECTION 7

CYLINDER'S, Eject



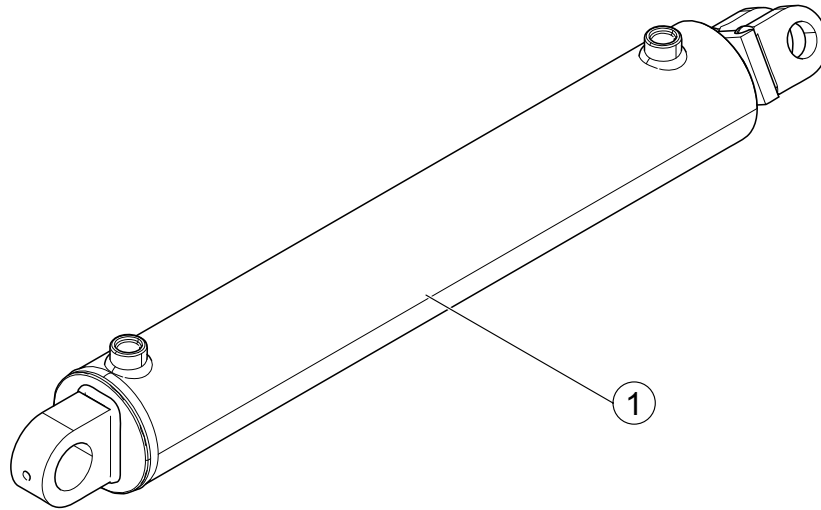
REF. NO.	PART NO.	DESCRIPTION	QTY.
1	HYC01457-02	ASSEMBLY, Cylinder - 20 Yd	1
	HYJ01455-02	KIT, Seal (Use for Cylinder HYC01457-02)	1
	HYC01455-02	ASSEMBLY, Cylinder - 25 Yd	1
	HYJ01455-02	KIT, Seal (Use for Cylinder HYC01455-02)	1
	HYC01428-02	ASSEMBLY, Cylinder - 29 Yd	1
	HYJ01428-02	KIT, Seal (Use for Cylinder HYC01428-02)	1
	HYC01470-01	ASSEMBLY, Cylinder - 32 Yd	1
	HYJ01470-02	KIT, Seal (Use for Cylinder HYC01470-01)	1
2	QUR00617	BEARING, Spherical	1
3	QUR00315	RING, Retainer	1
4	HYV01211	CARTRIDGE, Relief - 900 PSI	1
5	HYV01206	CARTRIDGE, Relief - 2750 PSI	1
6	HYC02485	KIT, Bleeder Screw & Gasket	1

CYLINDER, Seperate Cyl. Auto Latch -(Single Cylinder Auto Latch Only)



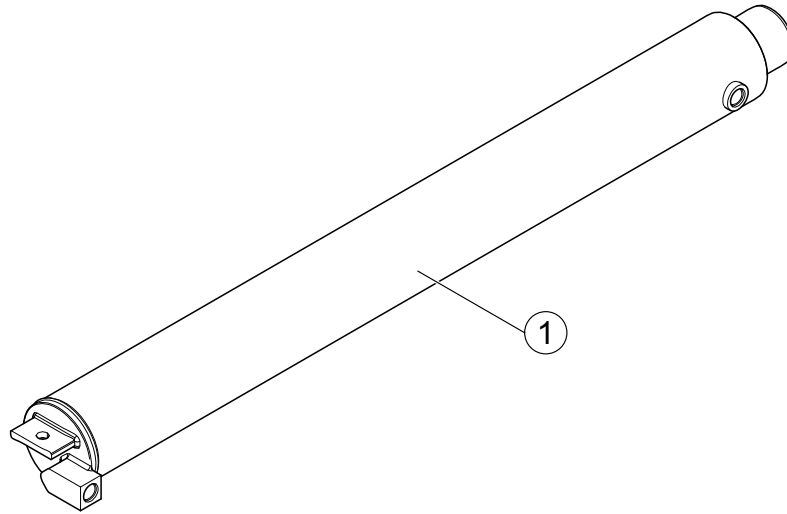
REF. NO.	PART NO.	DESCRIPTION	QTY.
1	HYC00353-01	ASSEMBLY, Cylinder	1
	HYJ00353-01	KIT, Seal	1

SECTION 7**CONTAINER DUMPING CYLINDER - HCA**



REF. NO.	PART NO.	DESCRIPTION	QTY.
1	HYC00813-02	ASSEMBLY, Cylinder	1
	HYJ00813-01	KIT, Seal	1

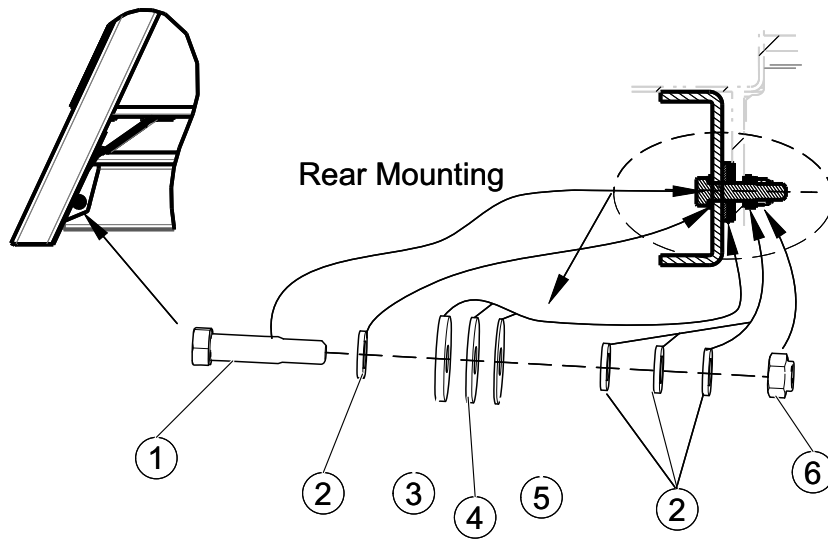
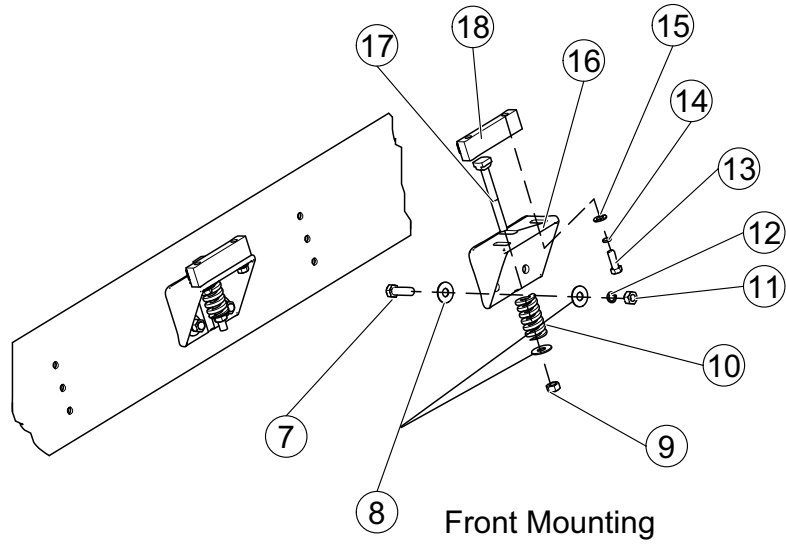
CONTAINER LIFT CYLINDER



REF. NO.	PART NO.	DESCRIPTION	QTY.
1	HYC01050-01	ASSEMBLY, Cylinder	1
	HYJ01001-01	KIT, Seal	1

SECTION 8

MOUNTING COMPONENTS (T-Bolt and Rail Style)



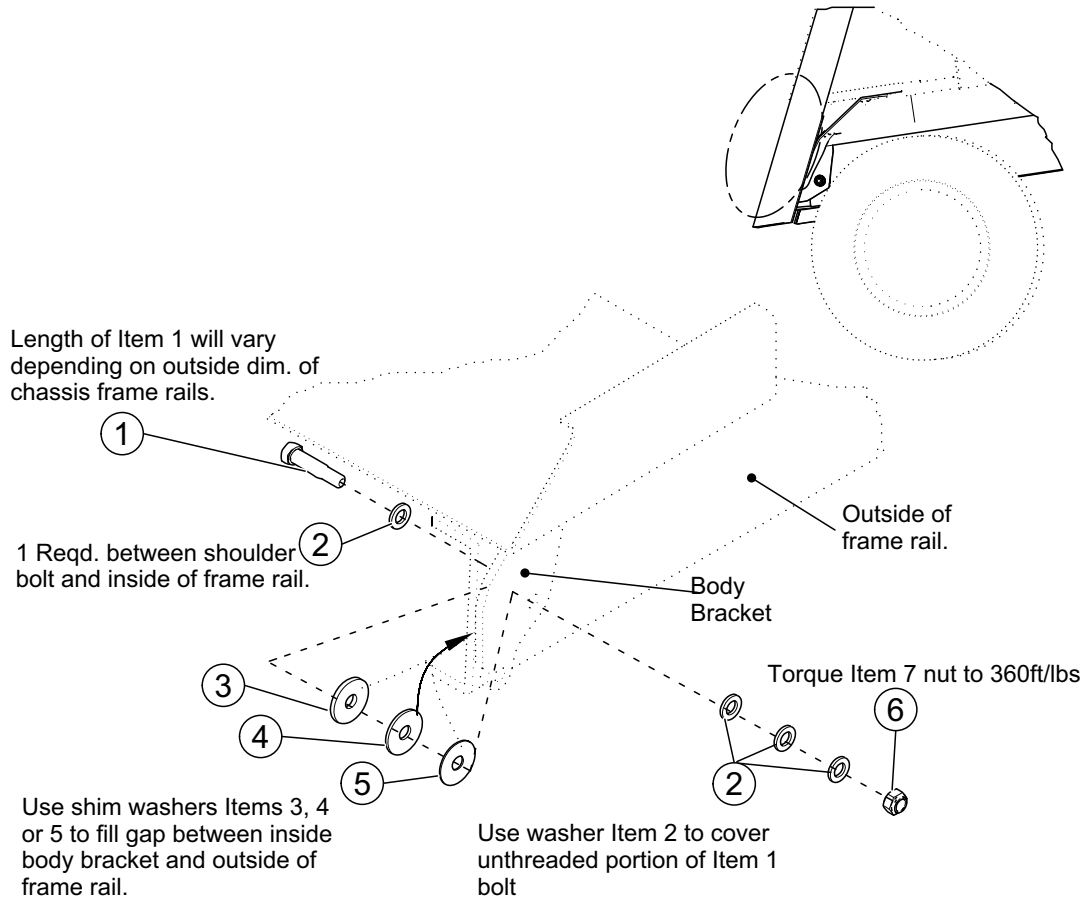
MOUNTING COMPONENTS (T-Bolt and Rail Style)

REF. NO.	PART NO.	DESCRIPTION	QTY.
1	100444	BOLT, Mounting (2.00" Shoulder Length, 4.50" Overall Length)	As Reqd.
	100445	BOLT, Mounting (1.75" Shoulder Length, 4.50" Overall Length)	As Reqd.
	100446	BOLT, Mounting (2.25" Shoulder Length, 4.75" Overall Length)	As Reqd.
	100447	BOLT, Mounting (2.50" Shoulder Length, 5.25" Overall Length)	As Reqd.
	100448	BOLT, Mounting (2.62" Shoulder Length, 5.12" Overall Length)	As Reqd.
	100449	BOLT, Mounting (2.88" Shoulder Length, 5.62" Overall Length)	As Reqd.
2	100443	WASHER	As Reqd.
3	100453	WASHER, Shim (.375" Thick)	As Reqd.
4	100452	WASHER, Shim (.250" Thick)	As Reqd.
5	100451	WASHER, Shim (.125" Thick)	As Reqd.
6	QUE02475	NUT	As Reqd.
7	QUB08701	CAPSCREW	As Reqd.
8	QUR02810	WASHER	As Reqd.
9	QUE02045	NUT	As Reqd.
10	QUR03360	SPRING	As Reqd.
11	QUE00894	NUT	As Reqd.
12	QUR01430	WASHER	As Reqd.
13	QUB05127	CAPSCREW	As Reqd.
14	QUR01410	WASHER	As Reqd.
15	QUR01965	WASHER	As Reqd.
16	106027	BRACKET, Mounting	As Reqd.
17	QUB53020	BOLT-T	As Reqd.
18	100454	LATERAL RESTRAINT	As Reqd.

SECTION 8

MOUNTING COMPONENTS (Rear Body)

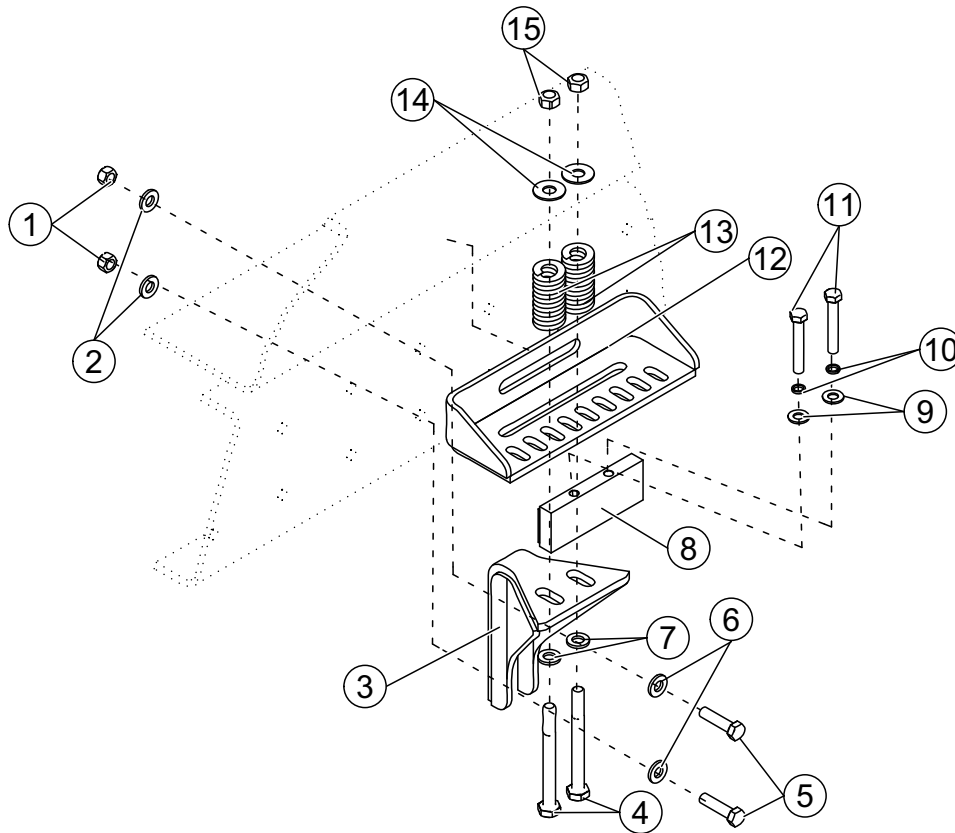
Ref.832379



REF. NO.	PART NO.	DESCRIPTION	QTY.
1	100445	BOLT, Shoulder (1.75" Shoulder, 4.50" Overall Length)	As Reqd.
	100444	BOLT, Shoulder (2.00" Shoulder, 4.50" Overall Length)	As Reqd.
	100446	BOLT, Shoulder (2.25" Shoulder, .75" Overall Length)	As Reqd.
	100447	BOLT, Shoulder (2.50" Shoulder) (5.25" Overall Length)	As Reqd.
	100448	BOLT, Shoulder (2.62" Shoulder) (5.12 Overall Length)	As Reqd.
	100449	BOLT, Shoulder (2.88" Shoulder) (5.62" Overall Length)	As Reqd.
2	100443	WASHER	As Reqd.
3	100453	WASHER, Shim (.375" Thick)	As Reqd.
4	100452	WASHER, Shim (.250" Thick)	As Reqd.
5	100451	WASHER, Shim (.125" Thick)	As Reqd.
6	QUE02475	NUT	As Reqd.

Ref. 804267, 899106,
899227

MOUNTING COMPONENTS (Front Body)

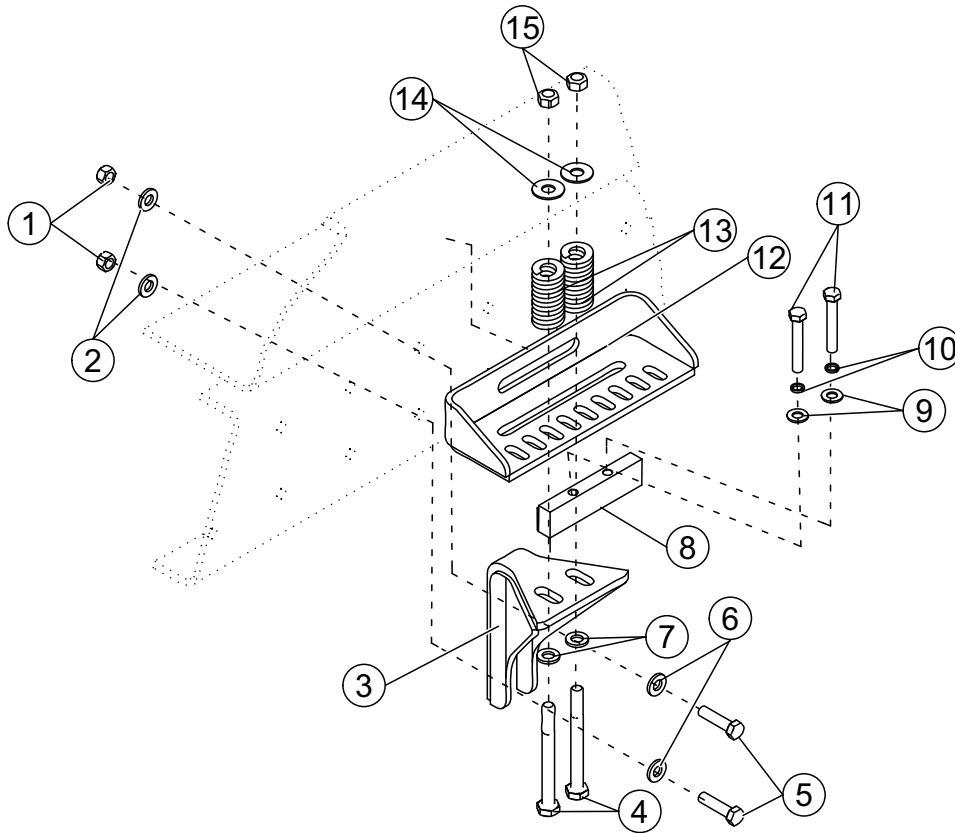


REF. NO.	PART NO.	DESCRIPTION	QTY.
1	QUE02416	NUT	2 Per Bracket
2	QUR02130	WASHER	2 Per Bracket
3	215222	BRACKET, Chassis Rail	2 Per Bracket
4	QUB14030	CAPSCREW	2 Per Bracket
5	QUB06300	CAPSCREW	2 Per Bracket
6	QUR02880	WASHER	2 Per Bracket
7	QUR02880	WASHER	2 Per Bracket
8	215336	GUIDE, Body (3" Height)	1 Per Bracket
9	QUR01410	WASHER	2 Per Bracket
10	QUR01965	WASHER	2 Per Bracket
11	QUB05107	CAPSCREW	2 Per Bracket
12	215180	BRACKET, Body (Welded to Body)	1 Per Bracket
13	QUR03360	SPRING	2 Per Bracket
14	QUR02810	WASHER	2 Per Bracket
15	QUE02045	NUT	2 Per Bracket

SECTION 8

MOUNTING COMPONENTS (Front Body)

Ref.899139



REF. NO.	PART NO.	DESCRIPTION	QTY.
1	QUE02416	NUT	2 Per Bracket
2	QUR02130	WASHER	2 Per Bracket
3	215222	BRACKET, Chassis Rail	2 Per Bracket
4	QUB14030	CAPSCREW	2 Per Bracket
5	QUB06300	CAPSCREW	2 Per Bracket
6	QUR02880	WASHER	2 Per Bracket
7	QUR02880	WASHER	2 Per Bracket
8	215361	GUIDE, Body (1.88" Height)	1 Per Bracket
9	QUR01410	WASHER	2 Per Bracket
10	QUR01965	WASHER	2 Per Bracket
11	QUB05107	CAPSCREW	2 Per Bracket
12	215180	BRACKET, Body (Welded to Body)	1 Per Bracket
13	QUR03360	SPRING	2 Per Bracket
14	QUR02810	WASHER	2 Per Bracket
15	QUE02045	NUT	2 Per Bracket

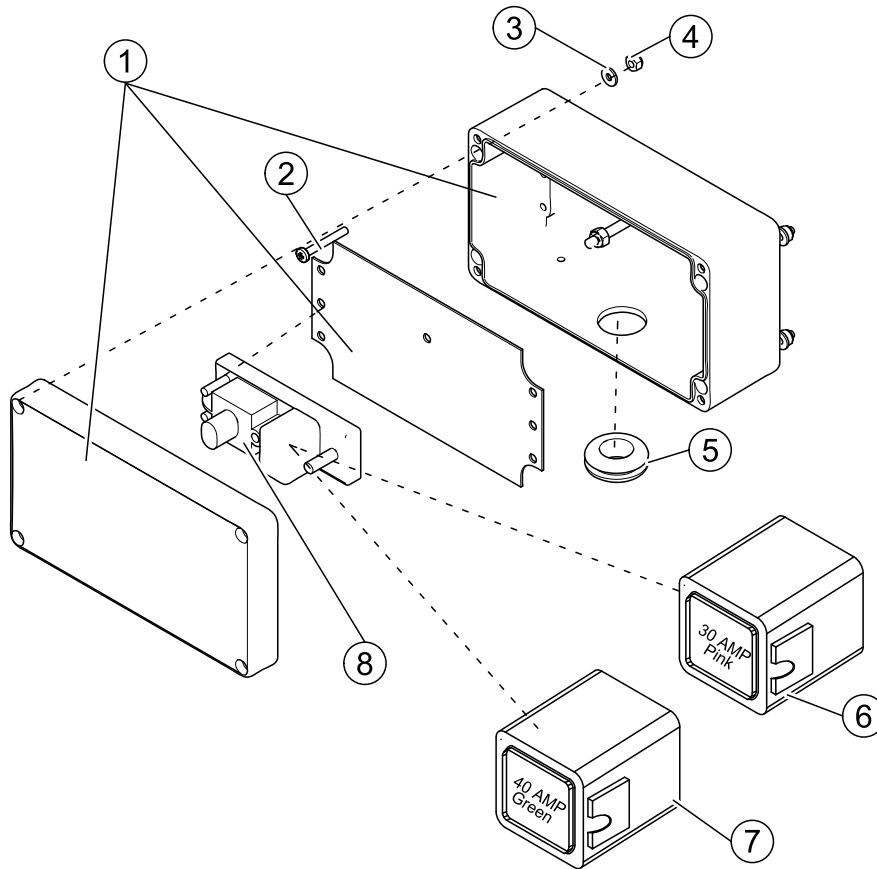
SPEED UP (CHASSIS WITH ELECTRONIC ENGINES)

Because of the numerous variations of electronic speed up control circuits, Please contact Labrie Enviroquip customer support with the following information when inquiring about electronic speed up control parts.

Please have available the following:
BODY MODEL AND SERIAL NUMBER
CHASSIS MAKE AND MODEL
ENGINE MAKE AND MODEL
TRANSMISSION MAKE AND MODEL

SECTION 8

IGNITION RELAY ENCLOSURE



REF. NO.	PART NO.	DESCRIPTION	QTY.
1	ELB00490-01	ENCLOSURE (Includes Cover, Plate & Box)	1
2	QUV00745	CAPSCREW, Pan Head	4
3	QUR01600	WASHER	4
4	QUE01070	NUT	4
5	QUG02000	GROMMET	1
6	ELF00312	FUSE - 30 Amp (Pink) (FMX Style)	1
7	ELF00313	FUSE - 40 Amp (Green) (FMX Style)	1
8	ELR00815	ASSY, Ignition Relay (Includes Items 6 & 7)	1
	180250	ASSY., Complete (Includes All Items)	1

CAMERA COMPONENTS

CAMERA	
CIC03267	3rd Eye camera with lens cleaning nozzle (Air wash)
CIC03108	Single 3rd Eye camera - wide angle, w/ night visions, w/o shutter, w/ heater.
CIC03232-02	Single 3rd Eye camera - w/ night visions, w/o shutter, w/ heater.
CIC03138	Single Safety Vision camera, w/o heater, w/o shutter
CIC03169	Single Safety Vision camera, w heater, w shutter
CIC03317	Single Zone Defense camera, fast switching, w/ heater, w/o shutter. (Only model available with DVR monitor)
CIC03316	Single Zone Defense camera, fast switching, w/ heater, w/ shutter. (Can't be used with DVR monitor).

MONITOR	
CIC03305	3rd Eye 7" color LCD monitor (HEAVY DUTY - AWT07MLED), w/o DVR, 4 inputs, Split screen
CIC03301	3rd Eye 7" color LCD monito, w/o DVR, Split screen
CIC03135	3rd Eye 9" color LCD monitor, w/ DVR, 8 inputs, Split screen
CIC03308	Zone Defense 7" color LCD monitor, w/ DVR, Quad View, Touch screen
CIC03299	Zone Defense 9" color LCD monitor, w/DVR, Quad View, Touch screen. (Can't be used with shuttered cameras)
CIC03309	Zone Defense 9" color LCD monitor, w/ DVR, Quad View, Touch screen
CIC03137	Safety Vision 5.6" color LCD monitor, 2 inputs, w/o Split screen. (Can't be used with shuttered cameras)
CIC03167-01	Safety Vision 7" color LCD monitor, 4 inputs, Split screen. (connect using CIC03177 and 92629)

MONITOR CABLE AND HARNESS	
92629	WIRING SUPPLY MONITOR (ALL MANUFACTURERS AND MODELS)
CIC03177	CONV. SIGNAL COLOR SAFETY VISION (To be used with monitor CIC03167-01 only)

CAMERA CABLE - 3rd EYE		
CIC03113	AWT025TT	CABLE, EXTENSION 25' CAMERA
CIC03114	AWT030TT	CABLE, EXTENSION 30' CAMERA
CIC03115	AWT042TT	CABLE, EXTENSION 42' CAMERA
CIC03132	AWT150CS-AC	3RD EYE, ADAPTER CABLE, SHUTTER
CIC03133	AWT6PMD	ADAPTOR 3RD EYE CAMERA, SPLIT

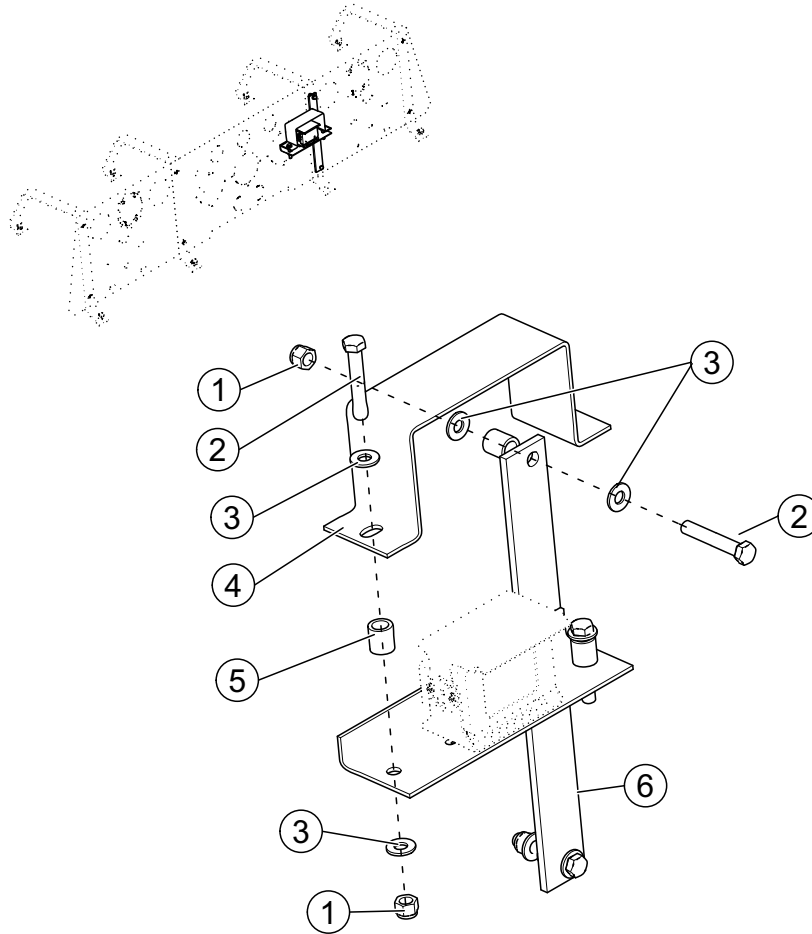
CAMERA CABLE - Safety Vision		
CIC03151	SV-522B	CABLE 49' CAMERA
CIC03152	SVS-10MMF	CABLE 33' CAMERA
CIC03172	SV-530	CABLE 16' CAMERA

CAMERA CABLE - Zone Defense		
CIC03282	CBL.358C.SH.4P	CABLE 15M, CAMERA
CIC03296	CBL.358B.SH.4P	CABLE 10M, CAMERA
CIC03297	CBL.358A.SH.4P	CABLE 15M, CAMERA
CIC03292	CBL.358C.SH.4P	CABLE 5M, CAMERA NO SHUTTER
CIC03306	CBL.358B.SH.4P	CABLE 10M, CAMERA NO SHUTTER
CIC03307	CBL.358A.SH.4P	CABLE 15M, CAMERA NO SHUTTER

SECTION 8

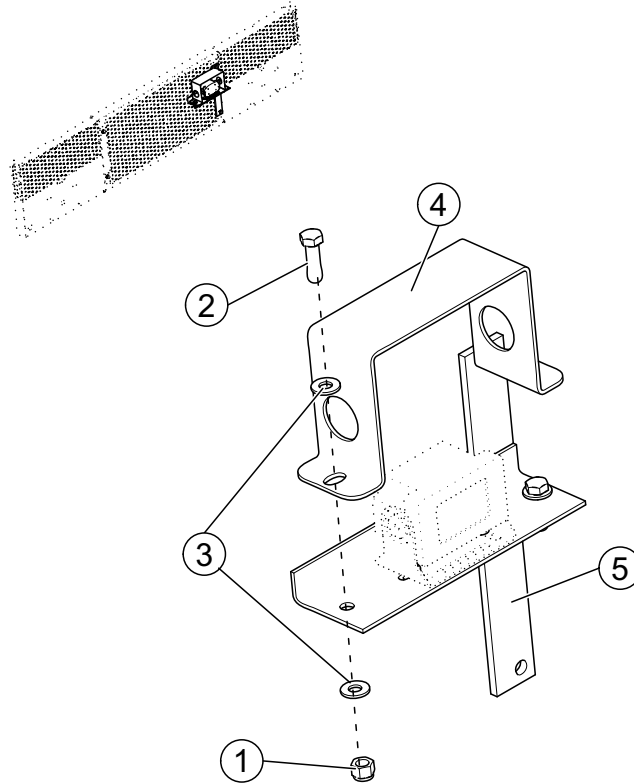
CAMERA MOUNT - T.G. Light Bar

Ref.826124



REF. NO.	PART NO.	DESCRIPTION	QTY.
1	QUE01300	NUT	4
2	QUB03800	CAPSCREW	4
3	QUR01580	WASHER	4
4	100549	COVER	1
5	100023	SPACER	4
6	100550	BRACKET	1

CAMERA MOUNT - T.G. Light Bar

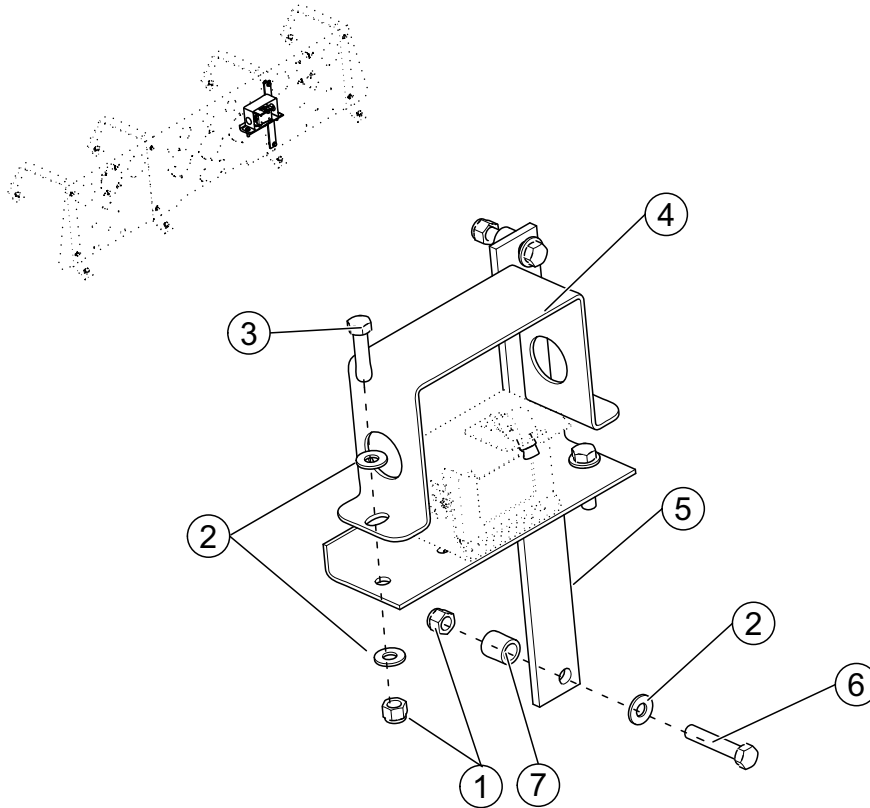


REF. NO.	PART NO.	DESCRIPTION	QTY.
1	QUE01302	NUT	2
2	QUB03501	CAPSCREW	2
3	QUR01902	WASHER	4
4	102310	COVER	1
5	203412	BRACKET	1

SECTION 8

CAMERA MOUNT - T.G. Light Bar

Ref. 859286

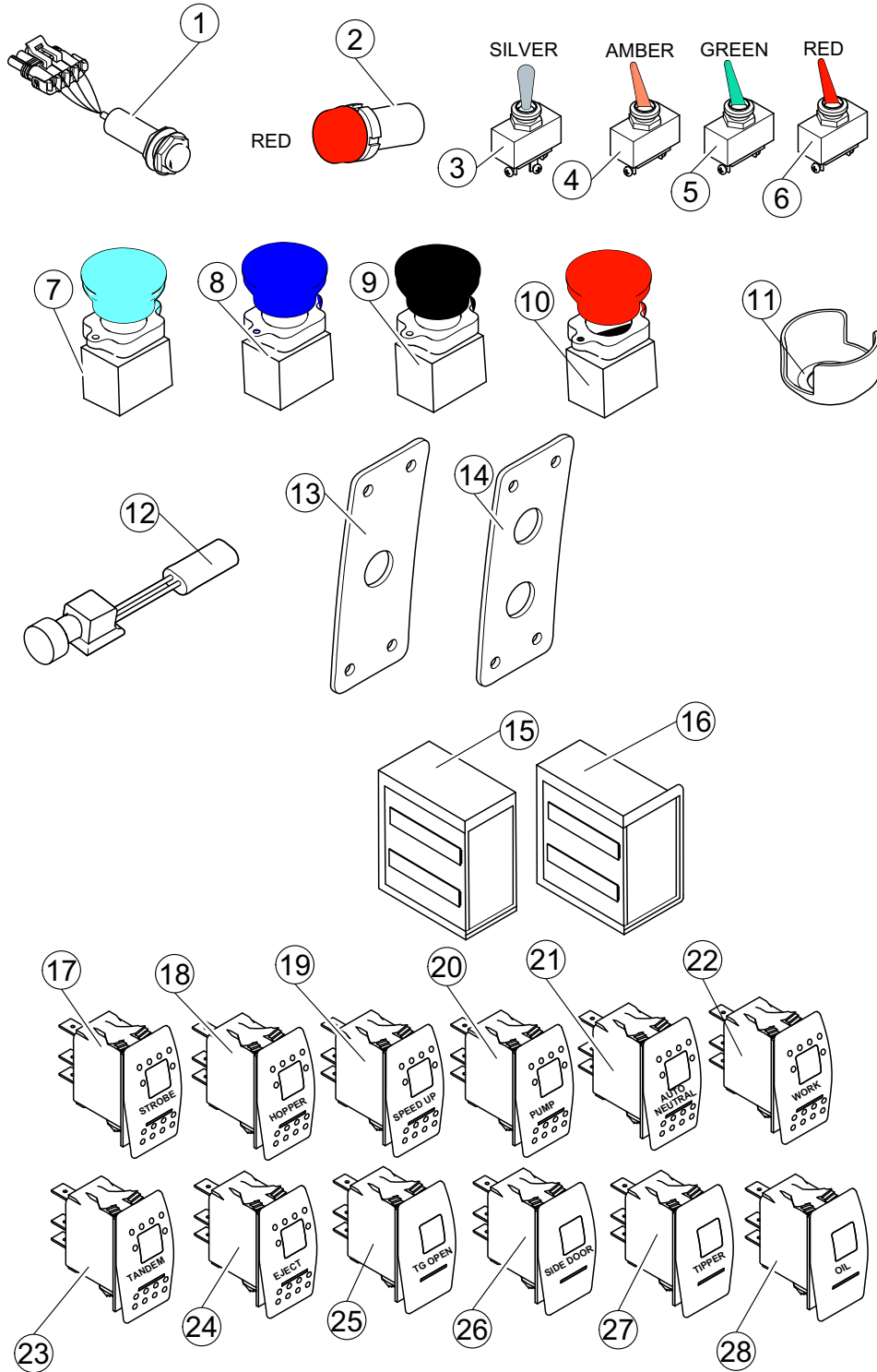


REF. NO.	PART NO.	DESCRIPTION	QTY.
1	QUE01302	NUT	4
2	QUR01902	WASHER	4
3	QUB06200	CAPSCREW	2
4	102310	COVER	1
5	100550	BRACKET	1
6	QUB03802	CAPSCREW	2
7	100023	SPACER	2

Page Left Blank

SECTION 8

CAB & T.G. CONTROLS - Electric

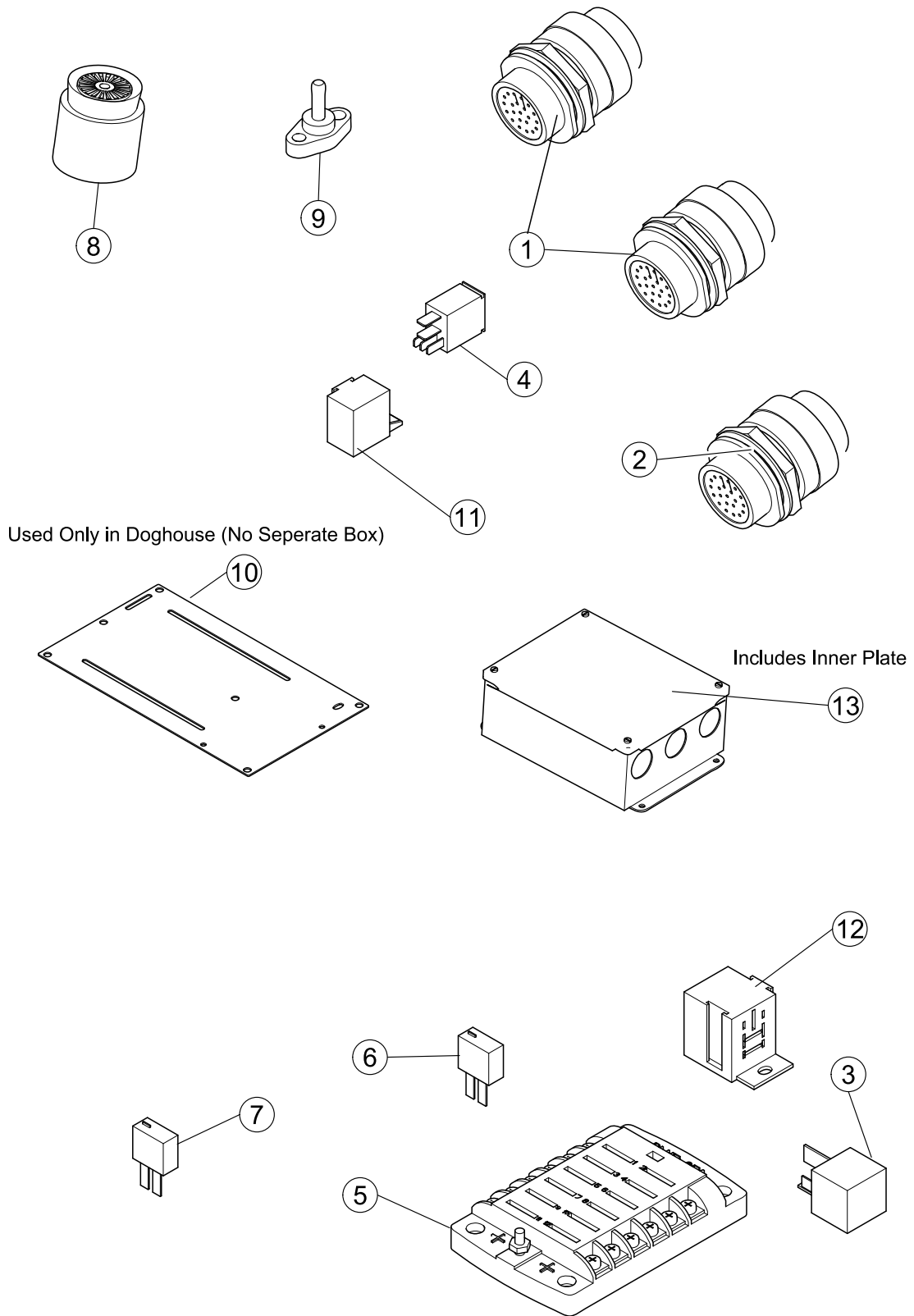


CAB & T.G. CONTROLS - Electric

REF. NO.	PART NO.	DESCRIPTION	QTY.
1	100155	ASSY., Proximity Sensor (18mm)	As Reqd.
2	ELL00325	LIGHT, Indicator - Red	As Reqd.
3	ELI00805	SWITCH, Toggle - Silver	As Reqd.
4	ELI00370	SWITCH, Toggle - Amber	As Reqd.
5	ELI00371	SWITCH, Toggle - Green	As Reqd.
6	ELI00372	SWITCH, Toggle - Red	As Reqd.
7	ELB02250	SWITCH, Pushbutton - Lt. Blue (40mm)	As Reqd.
8	ELB02260	SWITCH, Pushbutton - Dark Blue (40mm)	As Reqd.
9	ELB02280	SWITCH, Pushbutton - Black (40mm)	As Reqd.
10	ELB02175	SWITCH, E-Stop Pushbutton - Red (40mm)	As Reqd.
11	ELB02450	GUARD, Pushbutton	As Reqd.
12	105053	ASSY, Button - Rubber End	As Reqd.
13	195627	PLATE, Switch - Single	As Reqd.
14	205388	PLATE, Switch - Dual	As Reqd.
15	ELI03000	PANEL, Middle (Used with Items 16 Trough 27)	As Reqd.
16	ELI03001	PANEL, End (Used with Items 16 Trough 27)	2
17	ELI03071	SWITCH, Rocker (Strobe Light)	1
18	ELI03072	SWITCH, Rocker (Hopper Light)	1
19	ELI03070	SWITCH, Rocker (Speed Up)	1
20	ELI03080	SWITCH, Rocker (Pump)	1
21	ELI03074	SWITCH, Rocker (Auto Neutral)	1
22	ELI03073	SWITCH, Rocker (Work Light)	1
23	ELI03076	SWITCH, Rocker (Tandem)	1
24	ELI03075	SWITCH, Rocker (Ejector)	1
25	ELI03090	LIGHT, Indicator (T.G. Open)	1
26	ELI03091	LIGHT, Indicator (Side Door)	1
27	ELI03093	LIGHT, Indicator (Tipper)	1
28	ELI03092	LIGHT, Indicator (Oil)	1

SECTION 8

CAB CONSOLE & PARTS



CAB CONSOLE & PARTS

REF. NO.	PART NO.	DESCRIPTION	QTY.
1	ELC04502	CONNECTOR, FEMALE - 23 Pin	As Required
	ELC05504	NUT, CONNECTOR (Not Shown)	As Required
	ELC05506	WASHER, CONNECTOR (Not Shown)	As Required
2	ELC04507	CONNECTOR, FEMALE - 18 Pin	As Required
	ELC05504	NUT, CONNECTOR (Not Shown)	As Required
	ELC05506	WASHER, CONNECTOR (Not Shown)	As Required
3	ELR00830	RELAY, MAX	As Required
4	ELR00775	RELAY, MINI	As Required
5	ELS00461	BLOCK, FUSE	1
6	ELD00405-01	FUSE, ATO - 15 Amp	As Required
7	ELD00260	FUSE, ATO - 5 Amp	As Required
8	ELR01005	BUZZER	1
9	ELB00150	STUD, GROUNDING	1
10	190932	PLATE	As Required
11	ELR00780	BASE, RELAY - Mini	As Required
12	ELR00855	BASE, RELAY - Max	As Required
13	ELB04006	ENCLOSURE - White (Includes Inner Plate)	1
	ELB04005	ENCLOSURE - Black (Includes Inner Plate)	1
	92628	HARNESS (Not Shown)	1

SECTION 8

LIGHTING COMPONENTS



ELL02950 4" Ø



ELL03200 4" Ø



ELL02575 2.5" Ø



ELL02576 2.5" Ø



ELL02570 2.5" Ø



ELL02571 2.5" Ø



ELL02528-01 Out Phase 4" Ø



ELL02529-01 In Phase 4" Ø



ELL02530 4" Ø



ELL02526 4" Ø



ELL02509 4" Ø



ELL03355 Oval 6.5" x 2.3"



ELL02604 Oval 6.5" x 2.3"

LIGHTING COMPONENTS



SECTION 8**LIGHTING COMPONENTS**

REF. NO.	PART NO.	DESCRIPTION	QTY.
1	ELL02950	LIGHT, LED - 4" - Clear	
2	ELL03200	LIGHT, Incandescent - 4" - Clear	
3	ELL02575	LIGHT, Marker Incandescent - 2½" - Amber	
4	ELL02576	LIGHT, Marker LED - 2½" - Amber	
5	ELL02570	LIGHT, Marker Incandescent - 2½" - Red	
6	ELL02571	LIGHT, Marker LED - 2½" - Red	
7	ELL02528-01	LIGHT, LED - 4" - Amber - "Out Phase"	
8	ELL02529-01	LIGHT, LED - 4" - Amber - "In Phase"	
9	ELL02530	LIGHT, LED - 4" - S,T&T - Red	
10	ELL02526	LIGHT, Incandescent - 4" - S,T&T - Red	
11	ELL02509	LIGHT, LED - 4" - Turn - Amber	
12	ELL03355	LIGHT, LED - Oval Marker - 6" x 2" - Red	
13	ELL02604	LIGHT, LED - Oval Side Turn - 6" x 2" - Amber	
14	ELL01300	LIGHT, Incandescent - 4½" - Stem Mtg. - Clear	
15	ELL01312	LIGHT, LED - 4½" - Stem Mtg. - Clear	
16	ELL01322	LIGHT, LED - 4½" - Brkt. Mtg. - Clear	
17	ELL03010	LIGHT, License Plate - LED - Clear	
18	ELL02773	LIGHT, Strobe - 7" - Amber	
19	ELL02779	LIGHT, Strobe - 7" - Amber	
20	QUG02700	GROMMET, Rubber - 2½" (.12" Max Plate)(Rear T.G.)	
21	ELO00100	GROMMET, Rubber - 2½" (.25" Max. Plate)(Front Body)	
22	QUG02900	GROMMET, Rubber - 6" x 2" - Oval	
23	QUG03000	GROMMET, Rubber - 4½"	

Page Left Blank

SECTION 8

PNEUMATIC COMPONENTS



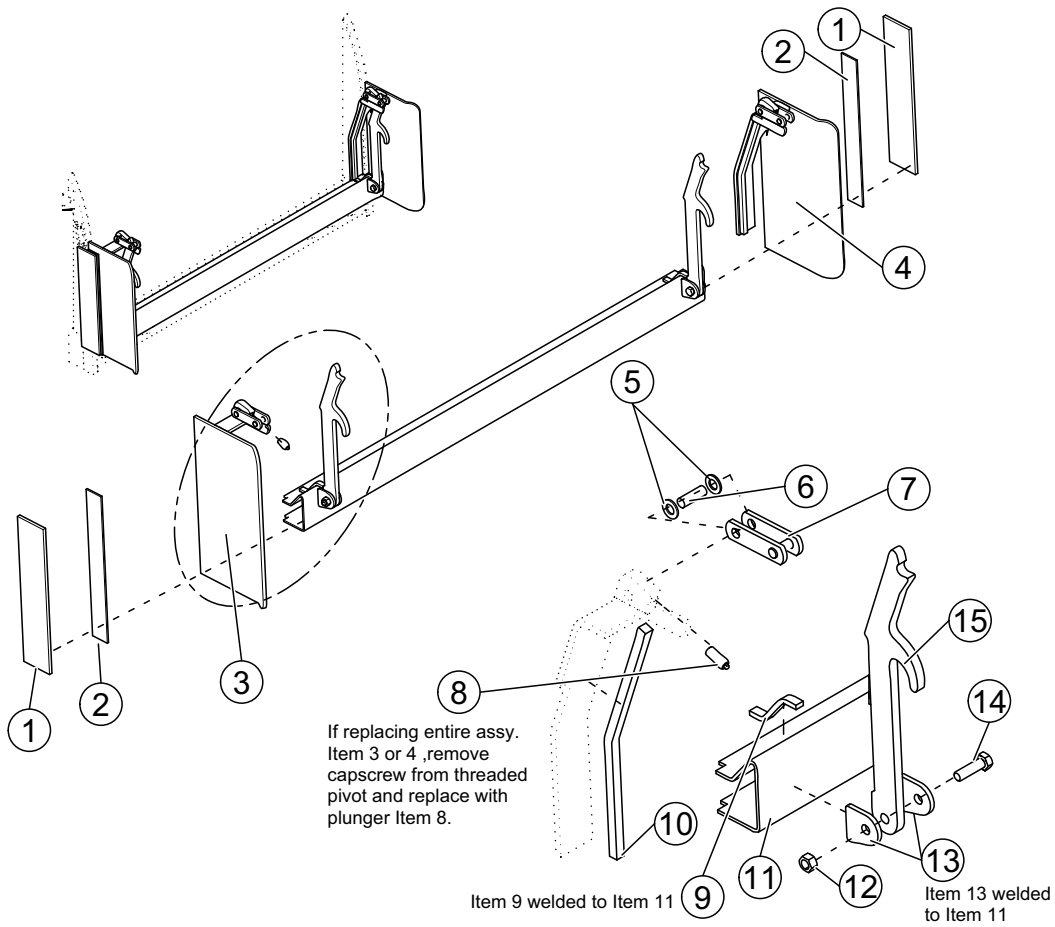
PNEUMATIC COMPONENTS

REF. NO.	PART NO.	DESCRIPTION	QTY.
1	PNF31000	AIR FILTER	1
2	PNF31020	FILTER, 40 μ (Used in filter assy PNF31000)	1
3	PNF31025	FILTER, Coalescent (Used in filter assy PNF31000)	1
4	PNR01000-01	REGULATOR, Air (Used with oil reservoir)	1
5	PNR01100-01	BRACKET, Regulator (Used with regulator PNR01000-01)	1
6	PNV02600	VALVE, Quick Release (Used with system air supply 70 PSI crack)	1
7	PNJ01100	GAUGE, Air - 0 - 15 PSI	1
	PNJ01010	GAUGE, Air - 0 - 150 PSI	1
8	PNB00600	TUBING, Air - .25" O.D.	Per Foot
9	PNF05890	ELBOW, 45° - .25" Tube O.D. X .25" NPTM	As Reqd
10	PNF04200	ELBOW, 90° - .25" Tube O.D. X .25" NPTM	As Reqd
11	PNF02900	CONNECTOR - .25" Tube O.D. X .25" NPTM	As Reqd
12	PNF04100	ELBOW, 90° - .25" Tube O.D. X .12" NPTM	As Reqd
13	PNF05880	ELBOW, 45° - .25" Tube O.D. X .12" NPTM	As Reqd
14	PNF02800	CONNECTOR - .25" Tube O.D. X .12" NPTM	As Reqd
15	PNF02100	TEE - .25" Tube O.D.	As Reqd
16	PNF05250	TEE, Branch - .25" Tube O.D X .25" Tube O.D.. X .25" NPTM	As Reqd
17	PNF05240	TEE, Branch - .25" Tube O.D X .25" Tube O.D.. X .12" NPTM	As Reqd
18	PNM00400	MUFFLER	As Reqd

SECTION 9

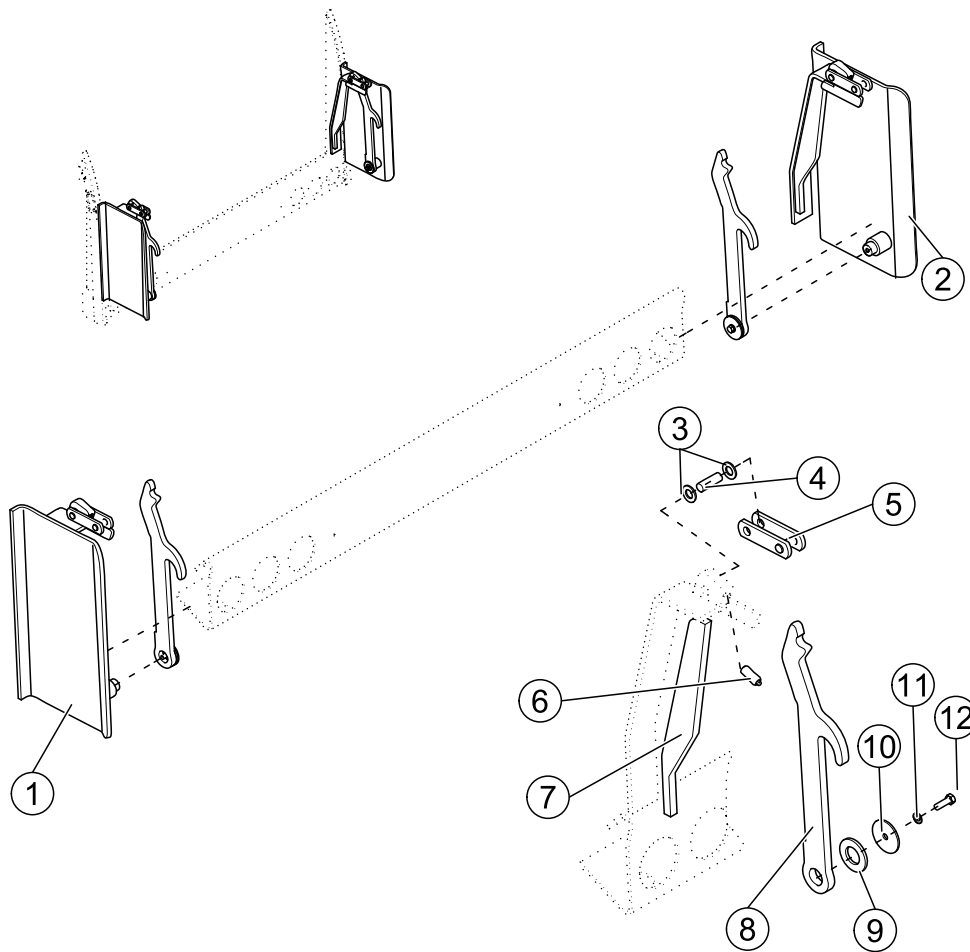
CONTAINER HANDLING (Latch & Ears)

Ref. 828174



REF. NO.	PART NO.	DESCRIPTION	QTY.
1	101278	PLATE, Reinforcement	2
2	101277	PLATE, Filler	2
3	101273	ASSY., Latch & Ear Guide - L.S. (Includes Items 5, 6, 7 & 10)	1
4	101274	ASSY., Latch & Ear Guide - R.S. (Includes Items 5, 6, 7 & 10)	1
5	QUR02000	WASHER (Included with Item 3 or 4)	4
6	100403	PIN (Included with Item 3 or 4)	2
7	100404	LINK (Included with Item 3 or 4)	2
8	QUR09000	PLUNGER	2
9	100398	BAR, Wear	2
10	100409	BAR, Wear (Included with Item 3 or 4)	2
11	158066	SILL, Extension	1
12	QUE02046	NUT	2
13	100411	PIVOT	4
14	QUB06400	CAPSCREW	2
15	100399	ARM, Latch	2

CONTAINER HANDLING (Latch & Ears)

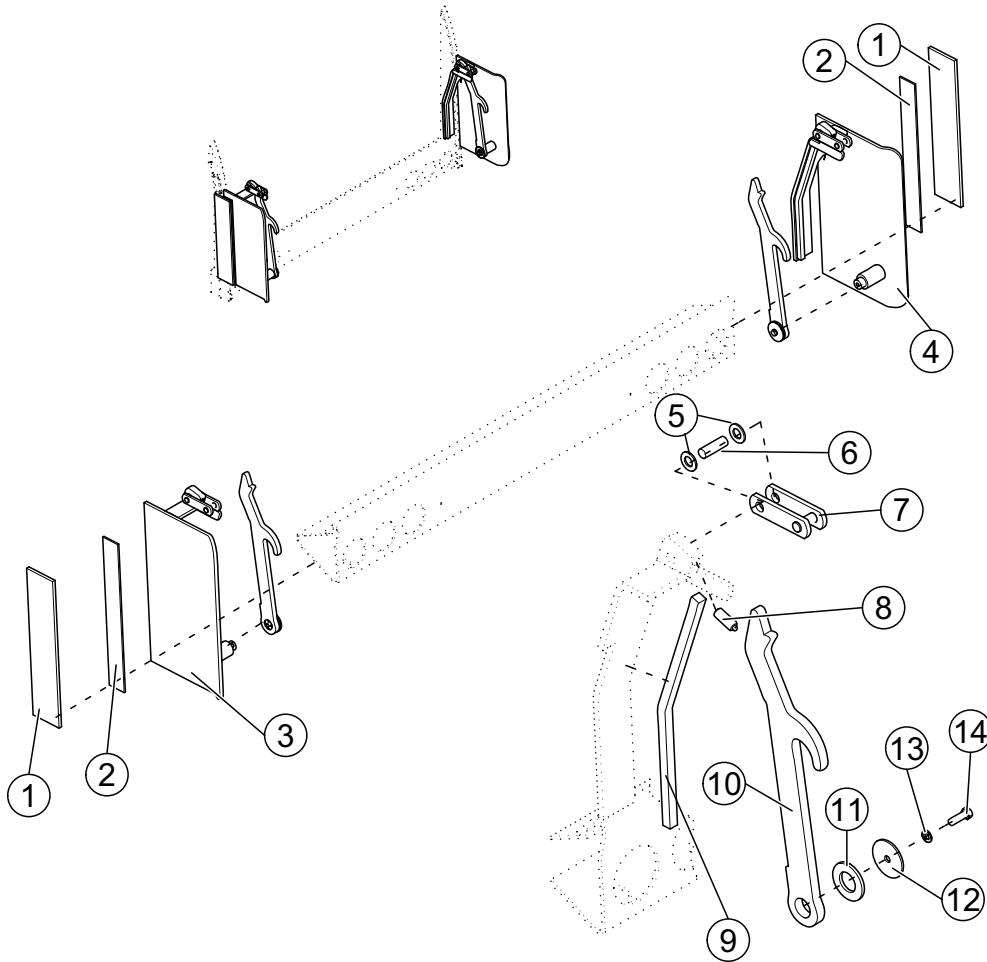


REF. NO.	PART NO.	DESCRIPTION	QTY.
1	101536	ASSY., Latch & Ear Guide - L.S. (Includes Items 3, 4, 5 & 7)	1
2	101537	ASSY., Latch & Ear Guide - R.S. (Includes Items 3, 4, 5 & 7)	1
3	QUR02000	WASHER (Included with Item 3 or 4)	4
4	100403	PIN (Included with Item 3 or 4)	2
5	100404	LINK (Included with Item 3 or 4)	2
6	QUR09000	PLUNGER	2
7	101128	BAR, Wear (Included with Item 1 or 2)	2
8	101535	ARM. Latch	2
9	QUR02601	WASHER	2
10	101539	RETAINER. Latch Arm	2
11	QUR01300	WASHER	2
12	QUB04503	CAPSCREW	2
	SKRL00011	Kit (Includes Items 1, 2, 6, 8, 9, 10, 11, 12)	

SECTION 9

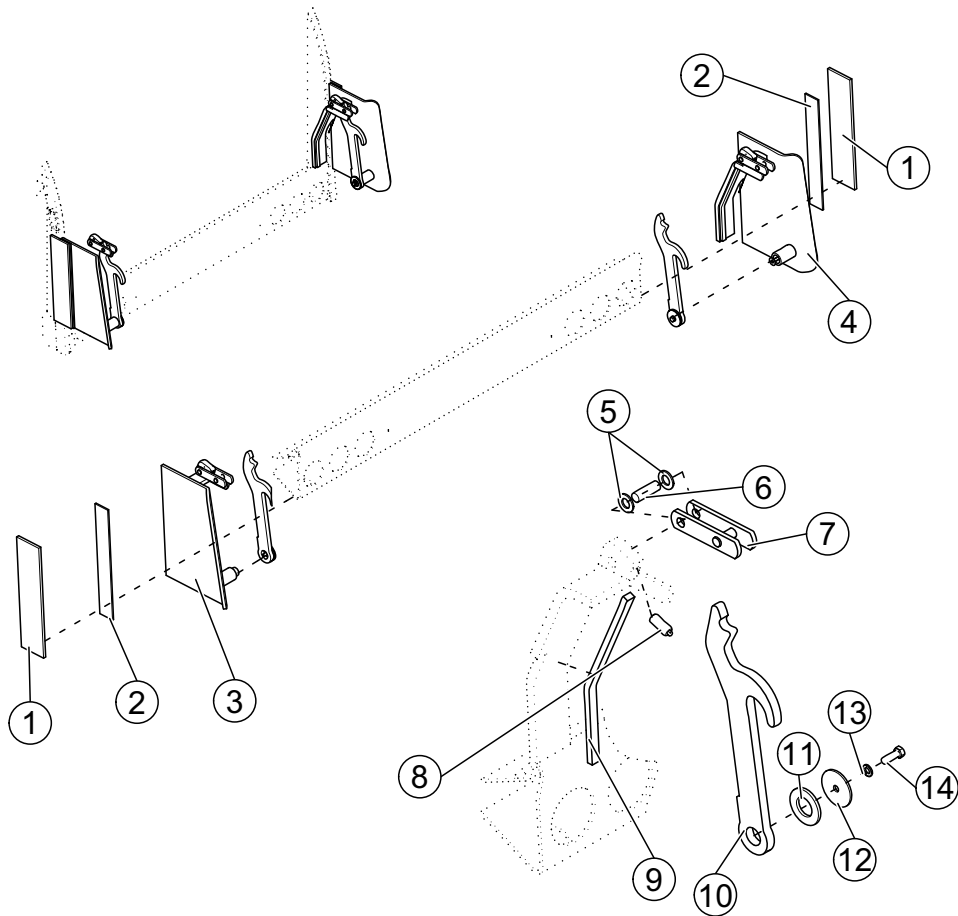
CONTAINER HANDLING (Latch & Ears)

Ref.850469



REF. NO.	PART NO.	DESCRIPTION	QTY.
1	101278	PLATE, Reinforcement	2
2	101277	PLATE, Filler	2
3	107835	ASSY., Latch & Ear Guide - L.S. (Includes Items 5, 6, 7 & 9)	1
4	107836	ASSY., Latch & Ear Guide - R.S. (Includes Items 5, 6, 7 & 9)	1
5	QUR02000	WASHER (Included with Item 3 or 4)	4
6	100403	PIN (Included with Item 3 or 4)	2
7	100404	LINK (Included with Item 3 or 4)	2
8	QUR09000	PLUNGER	2
9	100409	BAR, Wear (Included with Item 3 or 4)	2
10	101535	ARM. Latch	2
11	QUR02601	WASHER	2
12	101539	RETAINER. Latch Arm	2
13	QUR01300	WASHER	2
14	QUB04503	CAPSCREW	2

CONTAINER HANDLING (Latch & Ears)

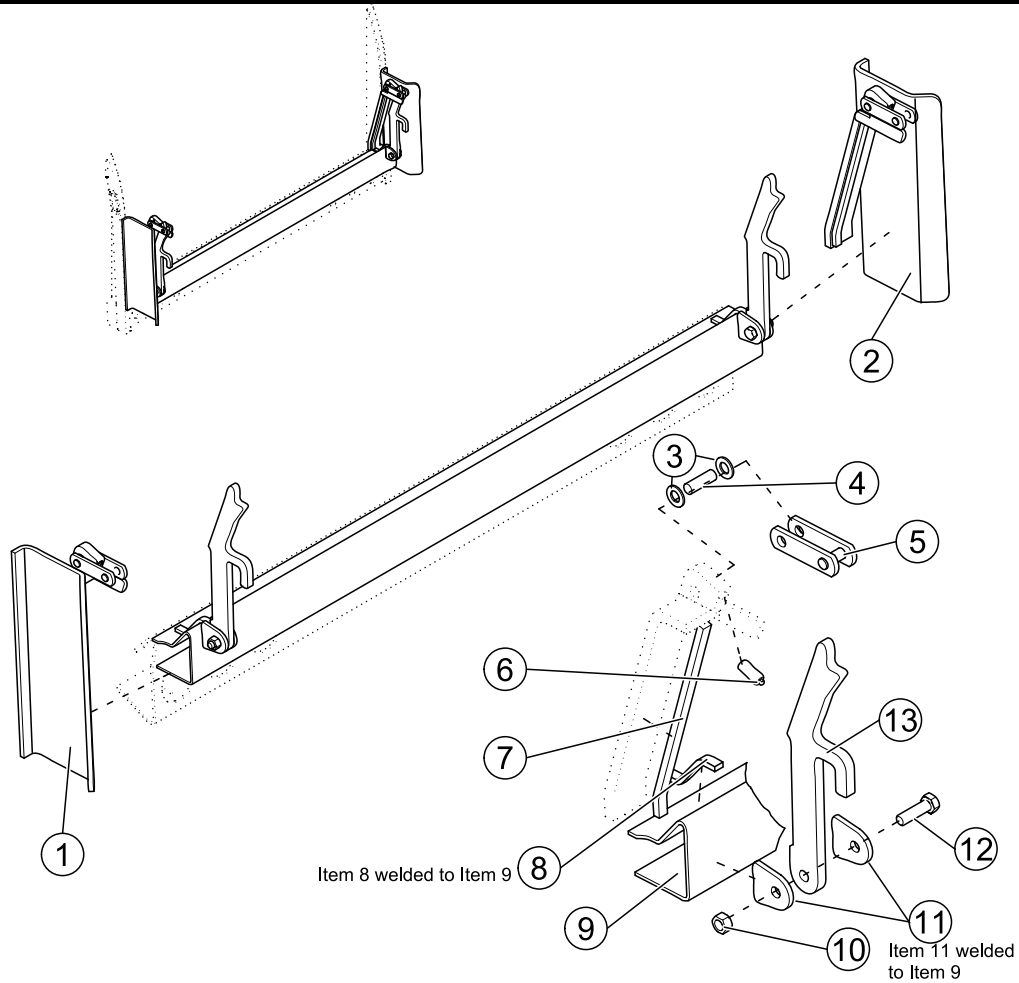


REF. NO.	PART NO.	DESCRIPTION	QTY.
1	158728	PLATE, Reinforcement	2
2	158727	PLATE, Filler	2
3	158719	ASSY., Latch & Ear Guide - L.S. (Includes Items 5, 6, 7 & 9)	1
4	158720	ASSY., Latch & Ear Guide - R.S. (Includes Items 5, 6, 7 & 9)	1
5	QUR02000	WASHER (Included with Item 3 or 4)	4
6	100403	PIN (Included with Item 3 or 4)	2
7	173846	LINK (Included with Item 3 or 4)	2
8	QUR09000	PLUNGER	2
9	173848	BAR, Wear (Included with Item 3 or 4)	2
10	173581	ARM. Latch	2
11	QUR02601	WASHER	2
12	101539	RETAINER. Latch Arm	2
13	QUR01300	WASHER	2
14	QUB04503	CAPSCREW	2

SECTION 9

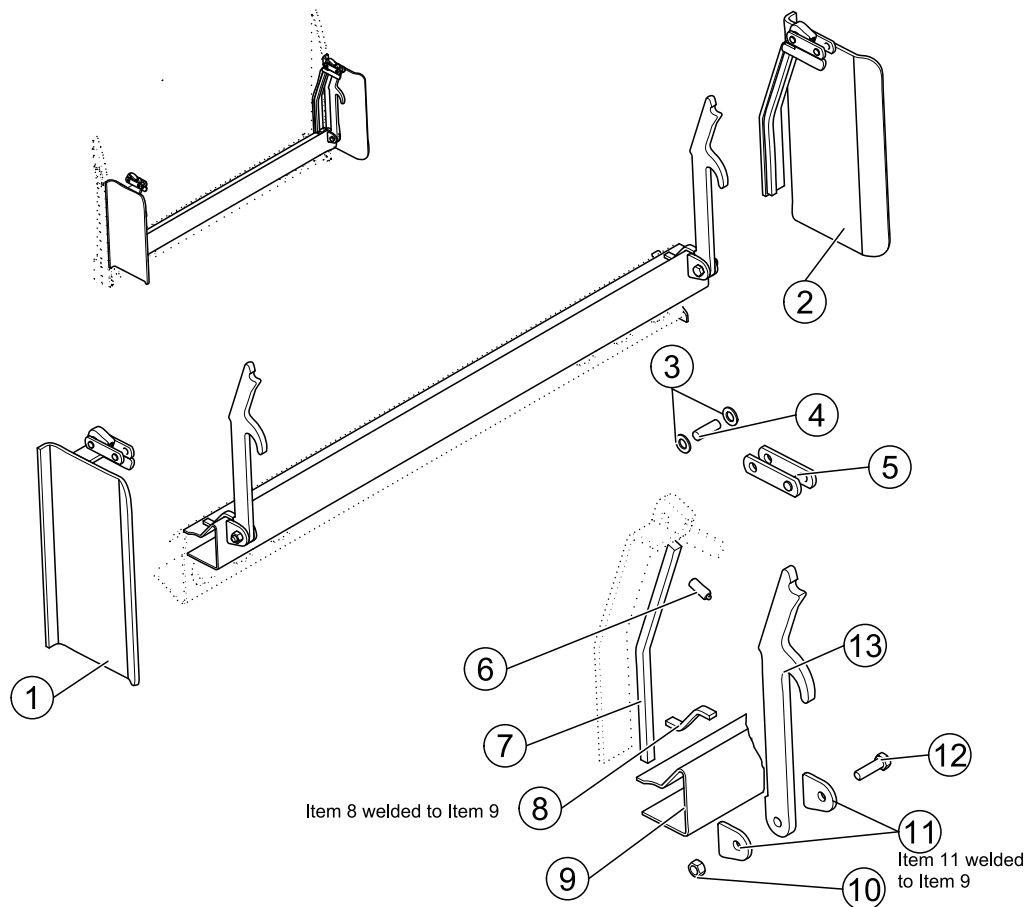
CONTAINER HANDLING (Latch & Ears)

Ref.834058



REF. NO.	PART NO.	DESCRIPTION	QTY.
1	107911	ASSY., Latch & Ear Guide - L.S. (Includes Items 3, 4, 5 & 7)	1
2	107910	ASSY., Latch & Ear Guide - R.S. (Includes Items 3, 4, 5 & 7)	1
3	QUR02000	WASHER (Included with Item 3 or 4)	4
4	100403	PIN (Included with Item 1 or 2)	2
5	100404	LINK (Included with Item 1 or 2)	2
6	QUR09000	PLUNGER	2
7	200530	BAR, Wear	2
8	100398	BAR, Wear (Included with Item 1 or 2)	2
9	100397	SILL, Extension	1
10	QUE02046	NUT	2
11	158000	PIVOT	4
12	QUB06400	CAPSCREW	2
13	158001	ARM, Latch	2

CONTAINER HANDLING (Latch & Ears)

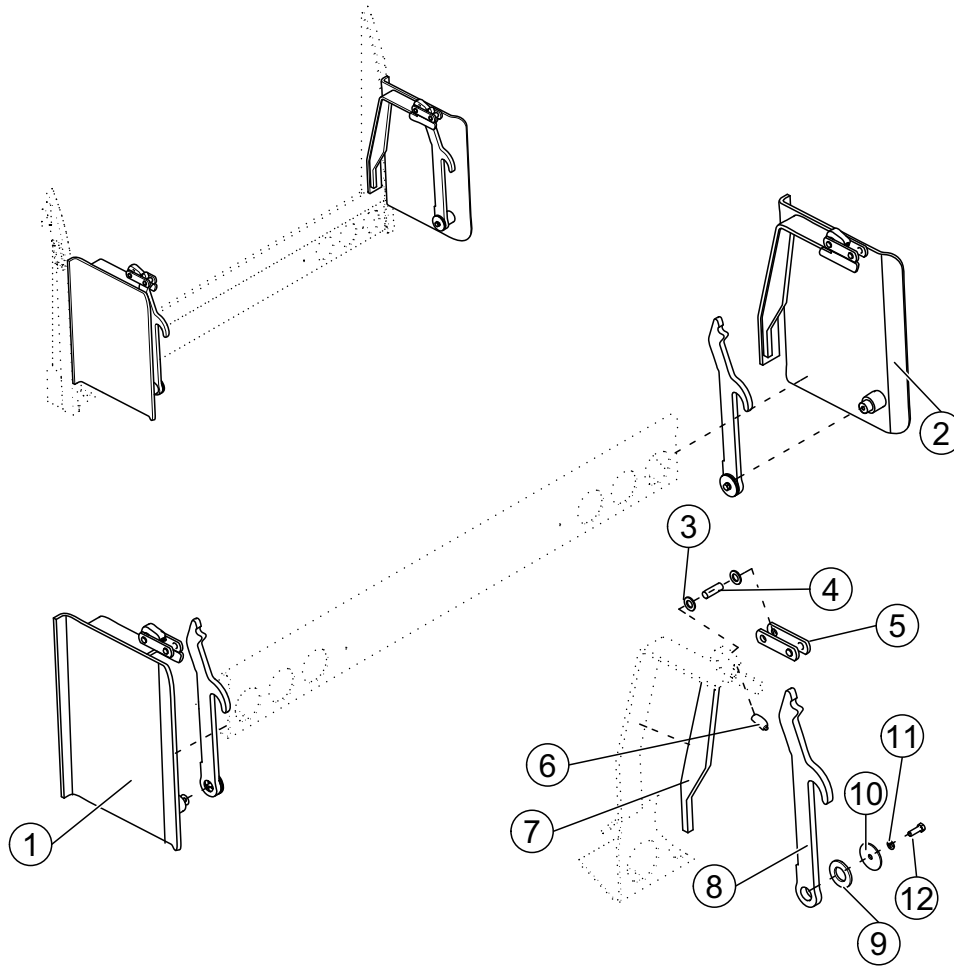


REF. NO.	PART NO.	DESCRIPTION	QTY.
1	100410	ASSY., Latch & Ear Guide - L.S. (Includes Items 3, 4, 5 & 7)	1
2	100400	ASSY., Latch & Ear Guide - R.S. (Includes Items 3, 4, 5 & 7)	1
3	QUR02000	WASHER (Included with Item 3 or 4)	4
4	100403	PIN (Included with Item 1 or 2)	2
5	100404	LINK (Included with Item 1 or 2)	2
6	QUR09000	PLUNGER	2
7	200530	BAR, Wear	2
8	100398	BAR, Wear (Included with Item 1 or 2)	2
9	100397	SILL, Extension	1
10	QUE02046	NUT	2
11	100411	PIVOT	4
12	QUB06400	CAPSCREW	2
13	100399	ARM, Latch	2

SECTION 9

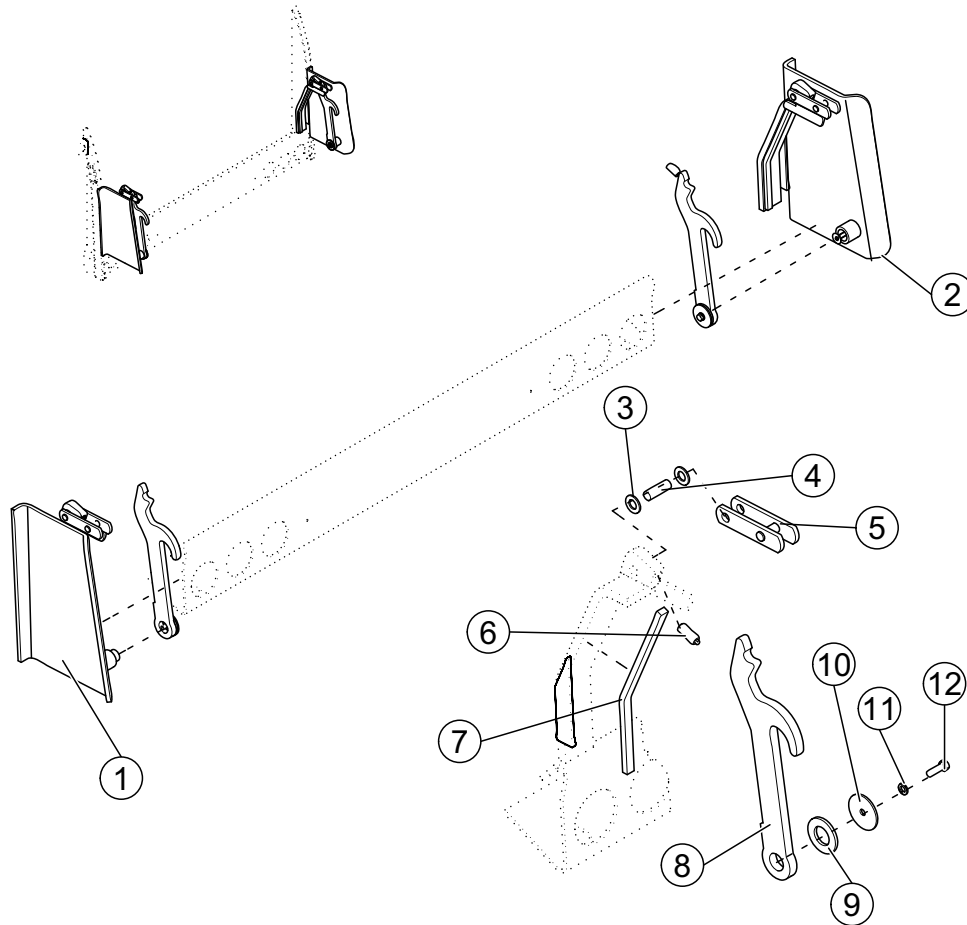
CONTAINER HANDLING (Latch & Ears)

Ref.850483



REF. NO.	PART NO.	DESCRIPTION	QTY.
1	158585	ASSY., Latch & Ear Guide - L.S. (Includes Items 3, 4, 5 & 7)	1
2	158584	ASSY., Latch & Ear Guide - R.S. (Includes Items 3, 4, 5 & 7)	1
3	QUR02000	WASHER (Included with Item 3 or 4)	4
4	100403	PIN (Included with Item 3 or 4)	2
5	100404	LINK (Included with Item 3 or 4)	2
6	QUR09000	PLUNGER	2
7	101128	BAR, Wear (Included with Item 1 or 2)	2
8	101535	ARM. Latch	2
9	QUR02601	WASHER	2
10	101539	RETAINER. Latch Arm	2
11	QUR01300	WASHER	2
12	QUB04503	CAPSCREW	2

CONTAINER HANDLING (Latch & Ears)

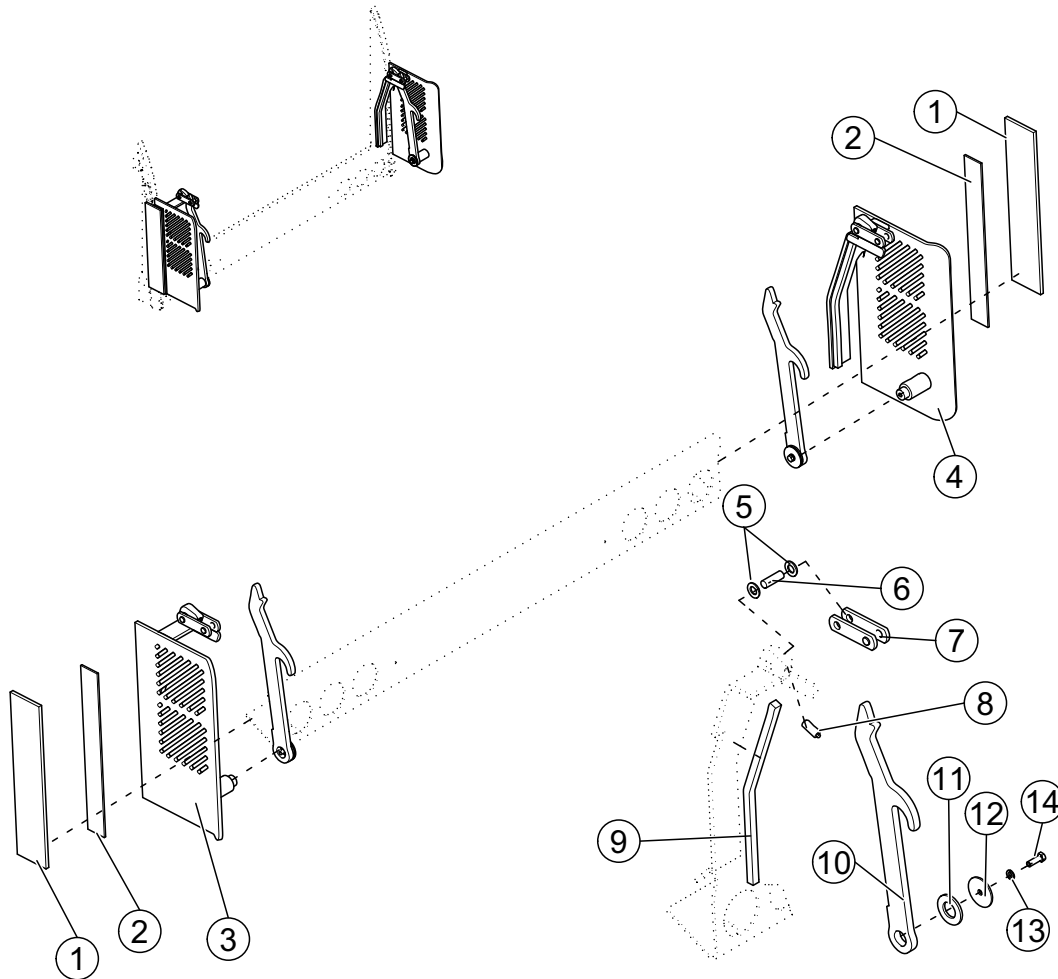


REF. NO.	PART NO.	DESCRIPTION	QTY.
1	187250	ASSY., Latch & Ears Guide - L.S. (Includes Items 3, 4, 5 & 7)	1
2	187251	ASSY., Latch & Ear Guide - R.S. (Includes Items 3, 4, 5 & 7)	1
3	QUR02000	WASHER (Included with Item 3 or 4)	4
4	100403	PIN (Included with Item 3 or 4)	2
5	173846	LINK (Included with Item 3 or 4)	2
6	QUR09000	PLUNGER	2
7	173848	BAR, Wear (Included with Item 1 or 2)	2
8	173851	ARM. Latch	2
9	QUR02601	WASHER	2
10	101539	RETAINER. Latch Arm	2
11	QUR01300	WASHER	2
12	QUB04503	CAPSCREW	2

SECTION 9

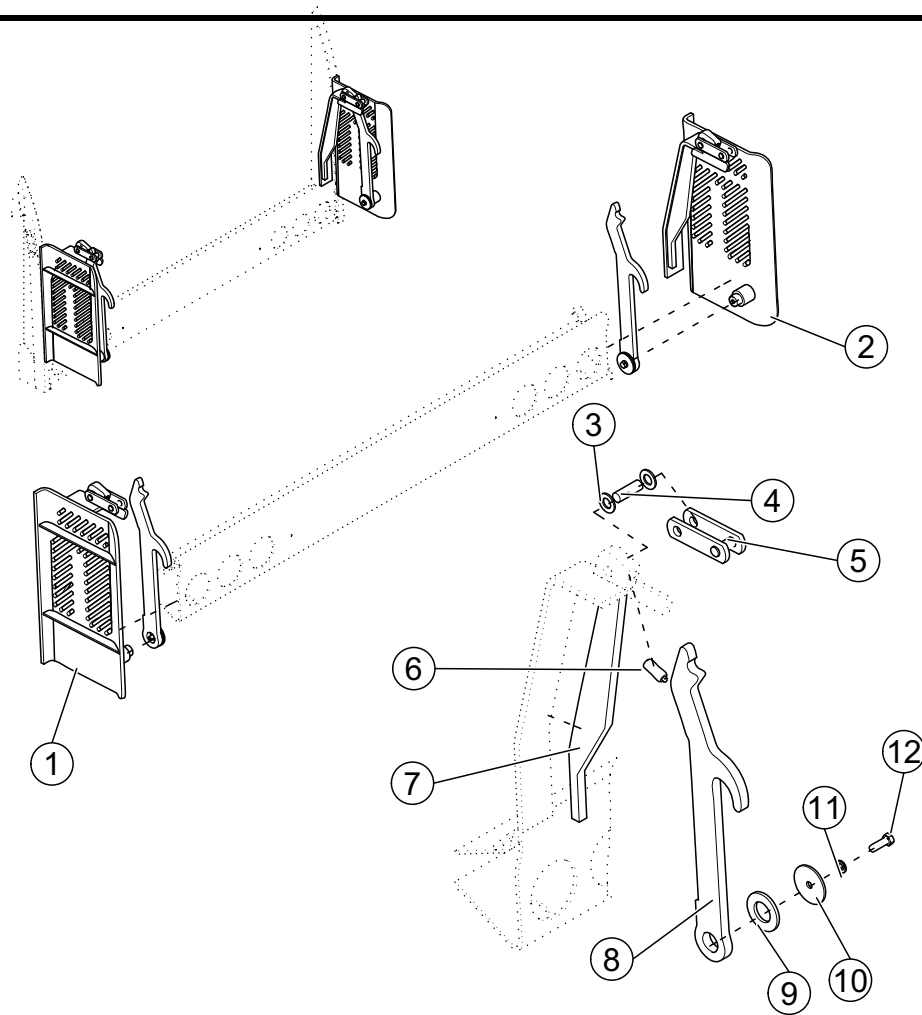
CONTAINER HANDLING (Latch & Ears)

Ref.850470



REF. NO.	PART NO.	DESCRIPTION	QTY.
1	101278	PLATE, Reinforcement	2
2	101277	PLATE, Filler	2
3	186773	ASSY., Latch & Ear Guide - L.S. (Includes Items 5, 6, 7 & 9)	1
4	186774	ASSY., Latch & Ear Guide - R.S. (Includes Items 5, 6, 7 & 9)	1
5	QUR02000	WASHER (Included with Item 3 or 4)	4
6	100403	PIN (Included with Item 3 or 4)	2
7	100404	LINK (Included with Item 3 or 4)	2
8	QUR09000	PLUNGER	2
9	100409	BAR, Wear (Included with Item 3 or 4)	2
10	101535	ARM. Latch	2
11	QUR02601	WASHER	2
12	101539	RETAINER. Latch Arm	2
13	QUR01300	WASHER	2
14	QUB04503	CAPSCREW	2

CONTAINER HANDLING (Latch & Ears)

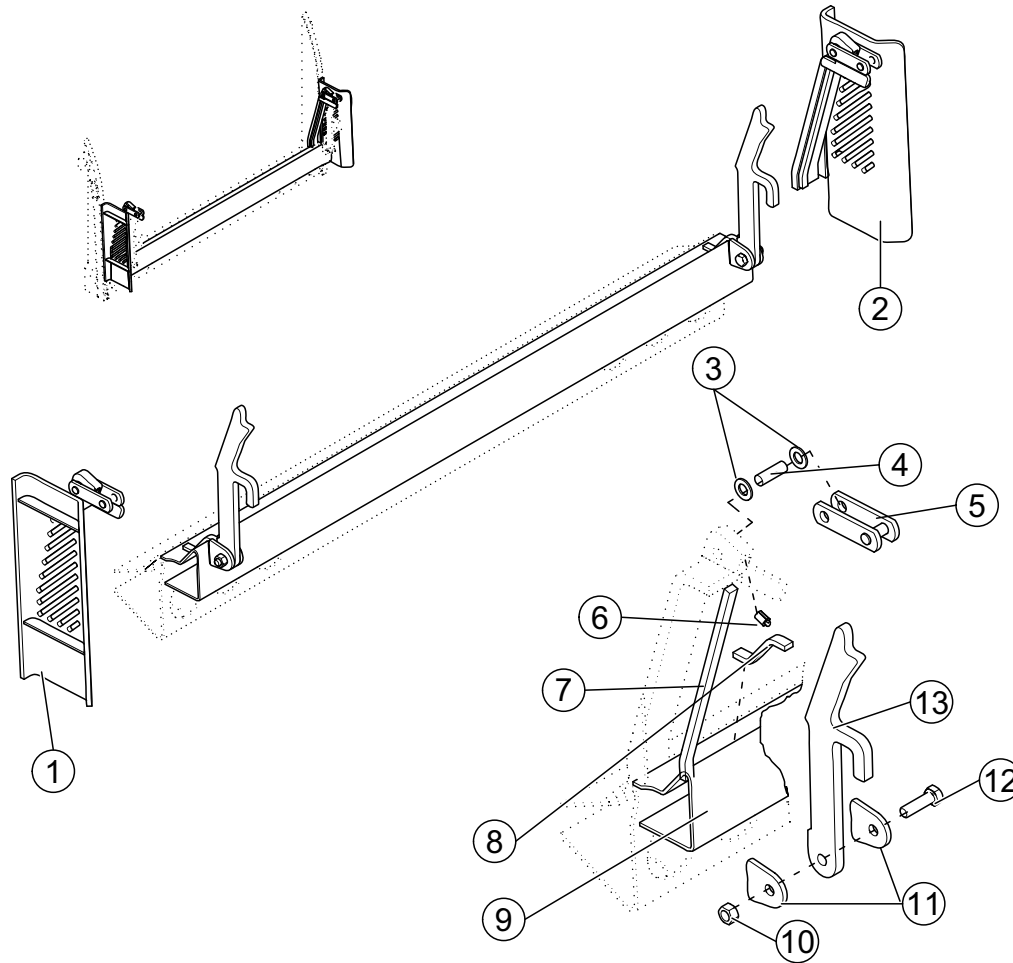


REF. NO.	PART NO.	DESCRIPTION	QTY.
1	205321	ASSY., Latch & Ear Guide - L.S. (Includes Items 3, 4, 5 & 7)	1
2	205322	ASSY., Latch & Ear Guide - R.S. (Includes Items 3, 4, 5 & 7)	1
3	QUR02000	WASHER (Included with Item 3 or 4)	4
4	100403	PIN (Included with Item 3 or 4)	2
5	100404	LINK (Included with Item 3 or 4)	2
6	QUR09000	PLUNGER	2
7	101128	BAR, Wear (Included with Item 1 or 2)	2
8	101535	ARM. Latch	2
9	QUR02601	WASHER	2
10	101539	RETAINER. Latch Arm	2
11	QUR01300	WASHER	2
12	QUB04503	CAPSCREW	2

SECTION 9

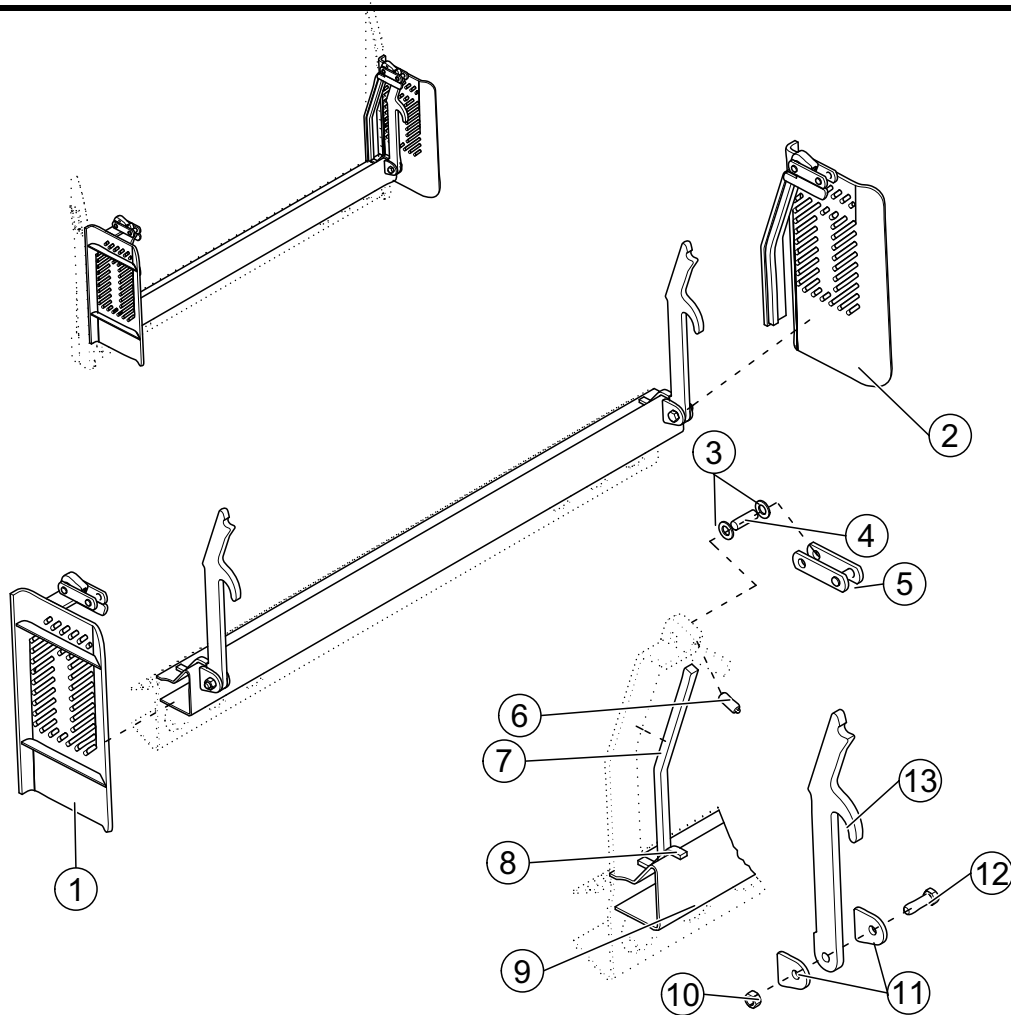
CONTAINER HANDLING (Latch & Ears)

Ref.863770



REF. NO.	PART NO.	DESCRIPTION	QTY.
1	186763	ASSY., Latch & Ear Guide - L.S. (Includes Items 3, 4, 5 & 7)	1
2	186764	ASSY., Latch & Ear Guide - R.S. (Includes Items 3, 4, 5 & 7)	1
3	QUR02000	WASHER (Included with Item 3 or 4)	4
4	100403	PIN (Included with Item 1 or 2)	2
5	100404	LINK (Included with Item 1 or 2)	2
6	QUR09000	PLUNGER	2
7	107913	BAR, Wear	2
8	100398	BAR, Wear (Included with Item 1 or 2)	2
9	100397	SILL, Extension	1
10	QUE02046	NUT	2
11	158000	PIVOT	4
12	QUB06400	CAPSCREW	2
13	158001	ARM, Latch	2

CONTAINER HANDLING (Latch & Ears)

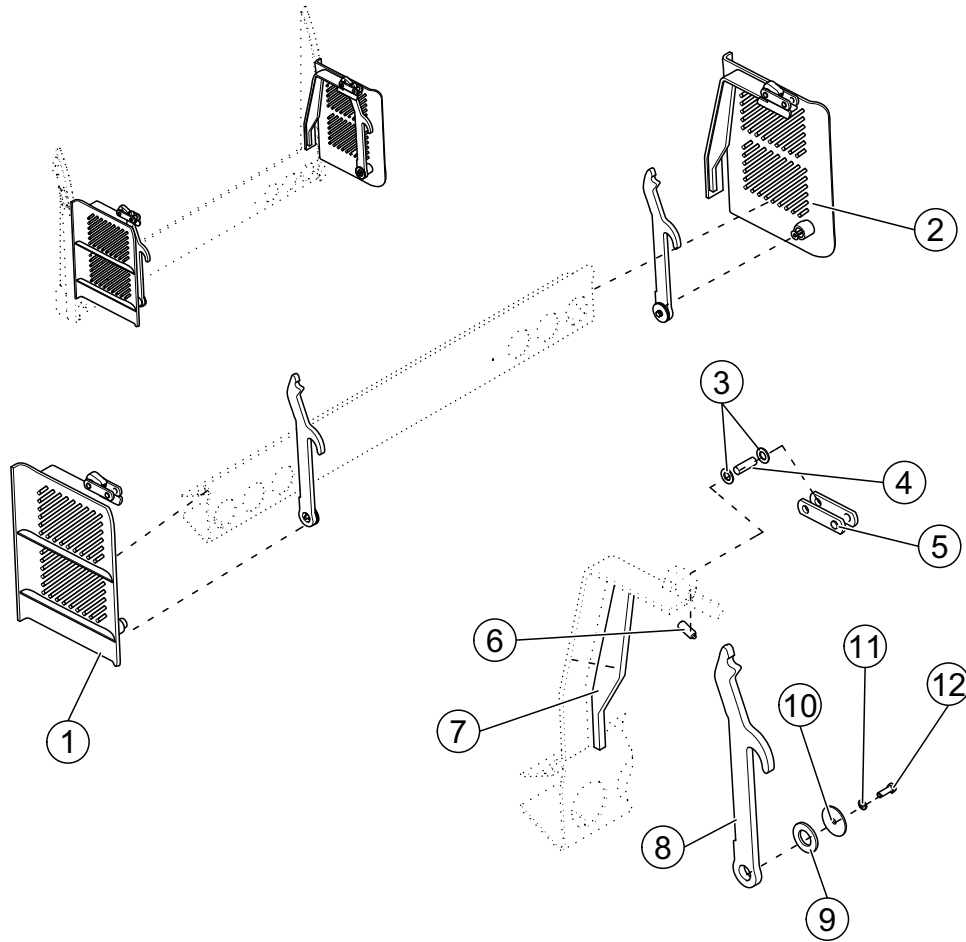


REF. NO.	PART NO.	DESCRIPTION	QTY.
1	205319	ASSY., Latch & Ears Guide - L.S. (Includes Items 3, 4, 5 & 7)	1
2	205320	ASSY., Latch & Ear Guide - R.S. (Includes Items 3, 4, 5 & 7)	1
3	QUR02000	WASHER (Included with Item 3 or 4)	4
4	100403	PIN (Included with Item 1 or 2)	2
5	100404	LINK (Included with Item 1 or 2)	2
6	QUR09000	PLUNGER	2
7	200530	BAR, Wear	2
8	100398	BAR, Wear (Included with Item 1 or 2)	2
9	100397	SILL, Extension	1
10	QUE02046	NUT	2
11	158000	PIVOT	4
12	QUB06400	CAPSCREW	2
13	100399	ARM, Latch	2

SECTION 9

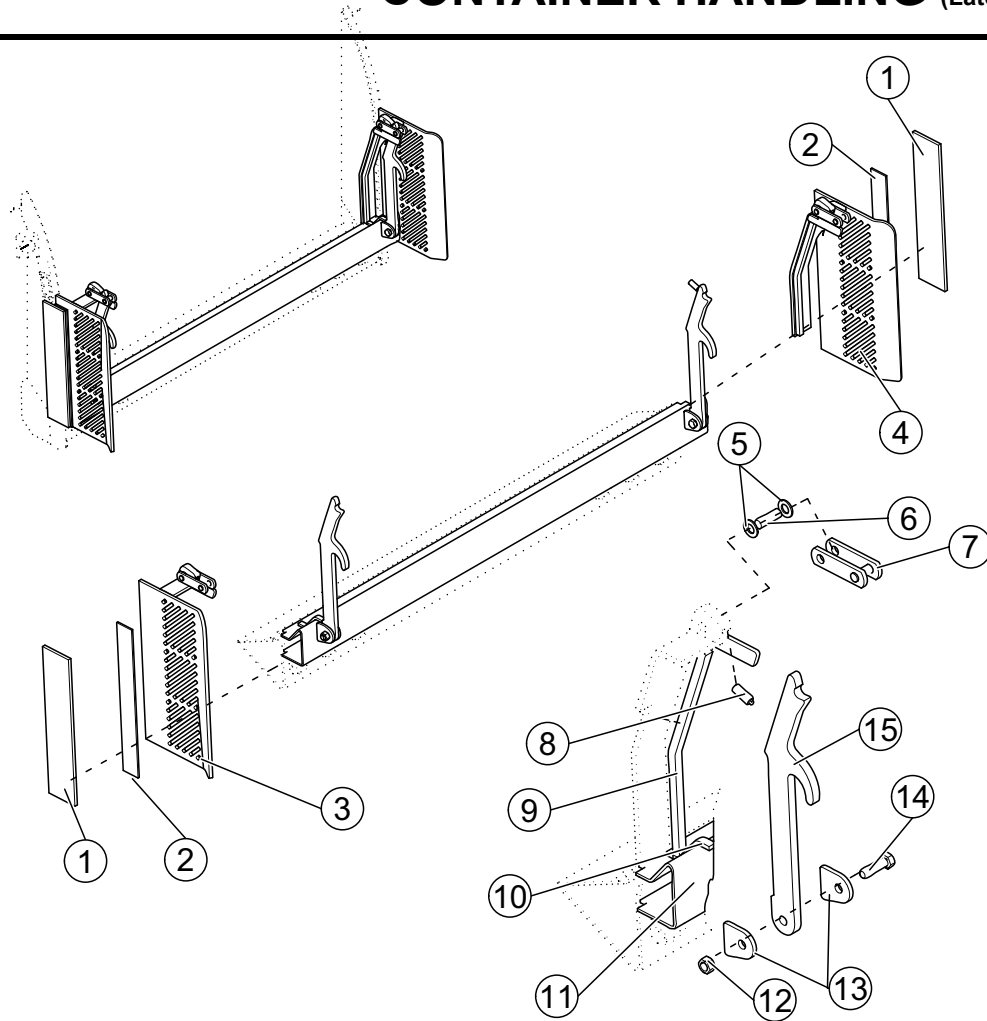
CONTAINER HANDLING (Latch & Ears)

Ref.850487



REF. NO.	PART NO.	DESCRIPTION	QTY.
1	205325	ASSY., Latch & Ears Guide - L.S. (Includes Items 3, 4, 5 & 7)	1
2	205326	ASSY., Latch & Ear Guide - R.S. (Includes Items 3, 4, 5 & 7)	1
3	QUR02000	WASHER (Included with Item 3 or 4)	4
4	100403	PIN (Included with Item 3 or 4)	2
5	100404	LINK (Included with Item 3 or 4)	2
6	QUR09000	PLUNGER	2
7	101128	BAR, Wear (Included with Item 1 or 2)	2
8	101535	ARM. Latch	2
9	QUR02601	WASHER	2
10	101539	RETAINER. Latch Arm	2
11	QUR01300	WASHER	2
12	QUB04503	CAPSCREW	2

CONTAINER HANDLING (Latch & Ears)

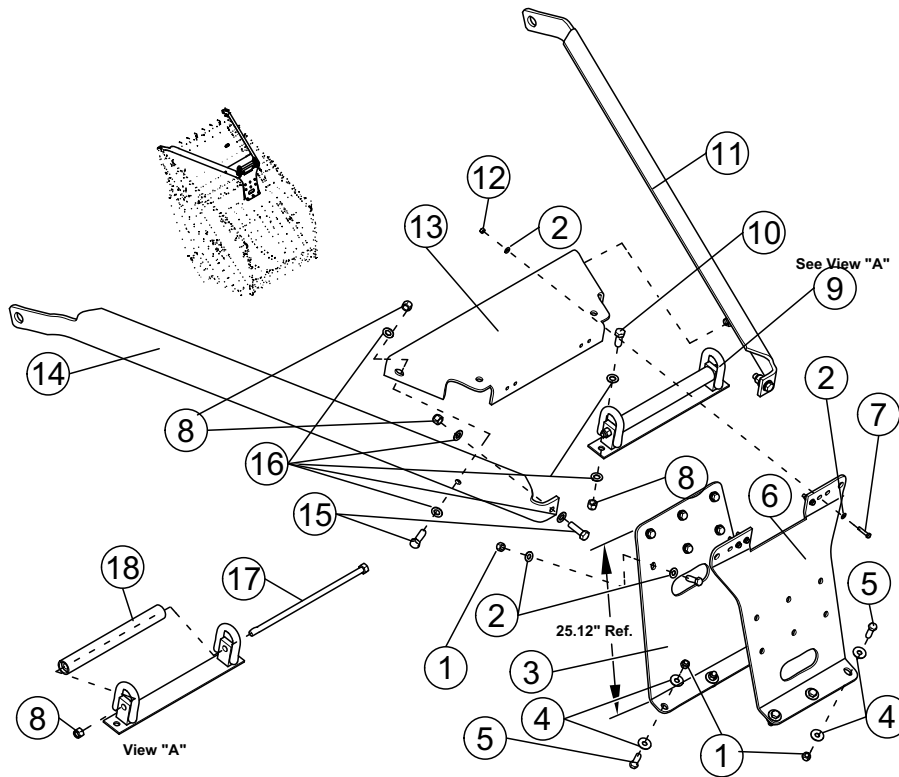


REF. NO.	PART NO.	DESCRIPTION	QTY.
1	101278	PLATE, Reinforcement	2
2	101277	PLATE, Filler	2
3	186758	ASSY., Latch & Ear Guide - L.S. (Includes Items 5, 6, 7 & 9)	1
4	186757	ASSY., Latch & Ear Guide - R.S. (Includes Items 5, 6, 7 & 9)	1
5	QUR02000	WASHER (Included with Item 3 or 4)	4
6	100403	PIN (Included with Item 3 or 4)	2
7	100404	LINK (Included with Item 3 or 4)	2
8	QUR09000	PLUNGER	2
9	100409	BAR, Wear (Included with Item 3 or 4)	2
10	100398	BAR, Wear	2
11	158066	SILL, Extension	1
12	QUE02046	NUT	2
13	100411	PIVOT	4
14	QUB06400	CAPSCREW	2
15	100399	ARM, Latch	2

SECTION 9

CABLE ROLLER FRAME - Container Lift Cyl.

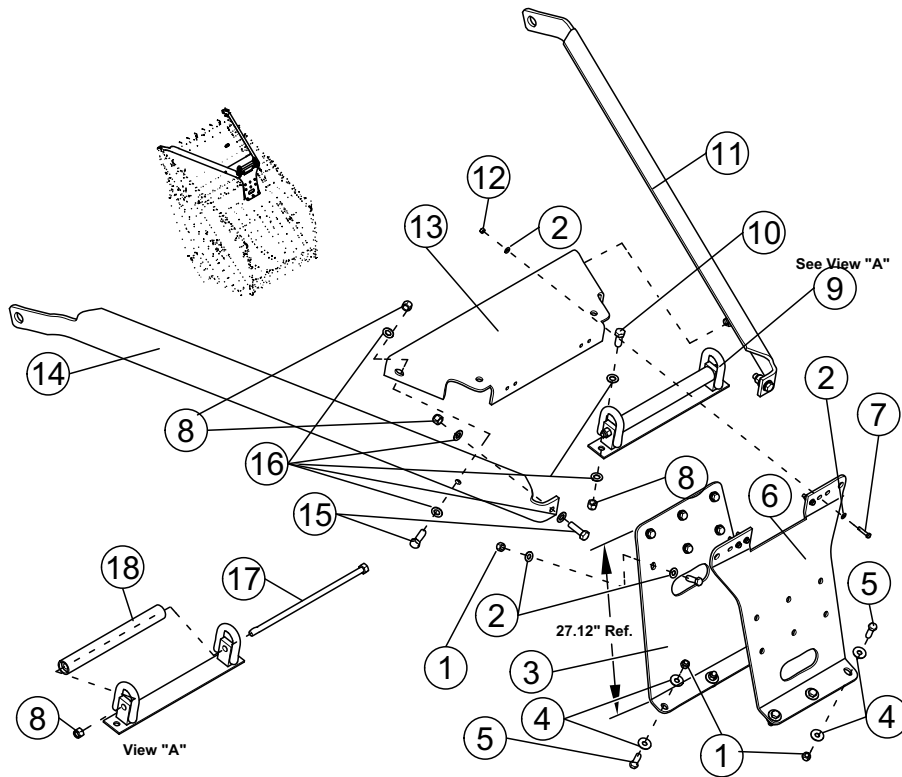
Ref.863074



REF. NO.	PART NO.	DESCRIPTION	QTY.
1	QUB01710	CAPSCREW	12
2	QUR01902	WASHER	8
3	186395	PLATE, Reinforcement	1
4	QUR01960	WASHER	12
5	QUB05201	CAPSCREW	12
6	100483	PLATE, Winch Mounting	1
7	QUB03730	CAPSCREW	4
8	QUE01800	NUT	6
9	100469	ASSY., Roller (Includes Items 8, 17 & 18)	1
10	QUB06350	CAPSCREW	2
11	100482	SUPPORT, R.S.	1
12	QUE01302	NUT	4
13	100479	PLATE, Roller Assy. Mount	1
14	100481	SUPPORT, L.S.	1
15	QUB08701	CAPSCREW	4
16	QUR02000	WASHER	12
17	100473	WELDMENT, Capscrew	1
18	100470	ASSY., Roller (Includes Bearings)	1
	190479	ASSY., Reeving Cyl. Frame (Incls. all above assembled Items)	

Ref.837783

CABLE ROLLER FRAME - Container Lift Cyl.

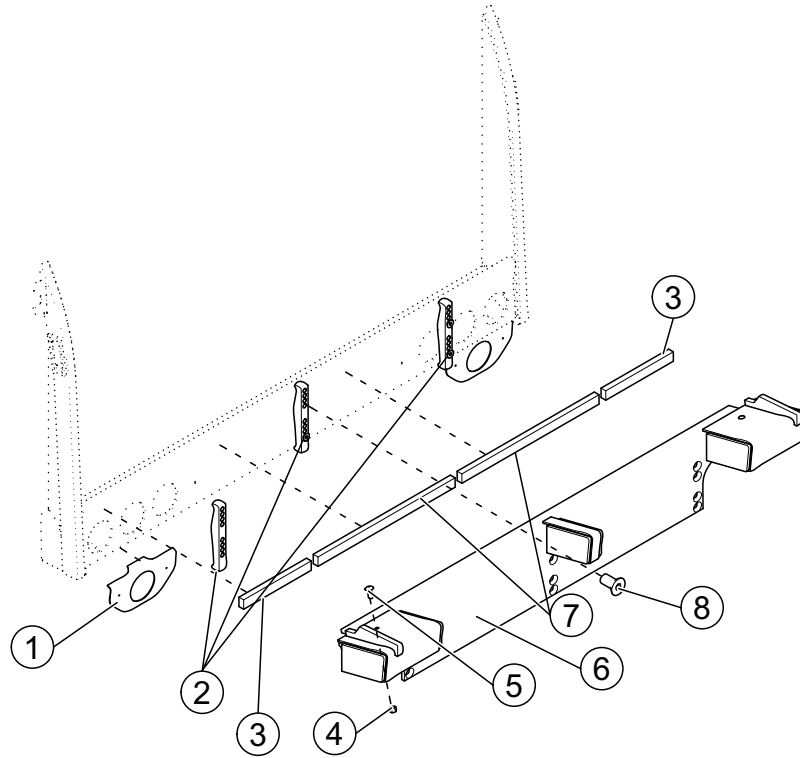


REF. NO.	PART NO.	DESCRIPTION	QTY.
1	QUB01710	CAPSCREW	1
2	QUR01902	WASHER	8
3	100480	PLATE, Reinforcement	1
4	QUR01960	WASHER	12
5	QUB05201	CAPSCREW	12
6	100483	PLATE, Winch Mounting	1
7	QUB03730	CAPSCREW	4
8	QUE01800	NUT	6
9	100469	ASSY., Roller (Includes Items 8, 17 & 18)	1
10	QUB06350	CAPSCREW	2
11	100482	SUPPORT, R.S.	1
12	QUE01302	NUT	4
13	100479	PLATE, Roller Assy. Mount	1
14	100481	SUPPORT, L.S.	1
15	QUB08701	CAPSCREW	4
16	QUR02000	WASHER	12
17	100473	WELDMENT, Capscrew	1
18	100470	ASSY., Roller (Includes Bearings)	1
	100468	ASSY., Reeving Cyl. Frame (Incls. all above assembled Items)	

SECTION 9

LOADING SILL EXT. - Dual Tipper

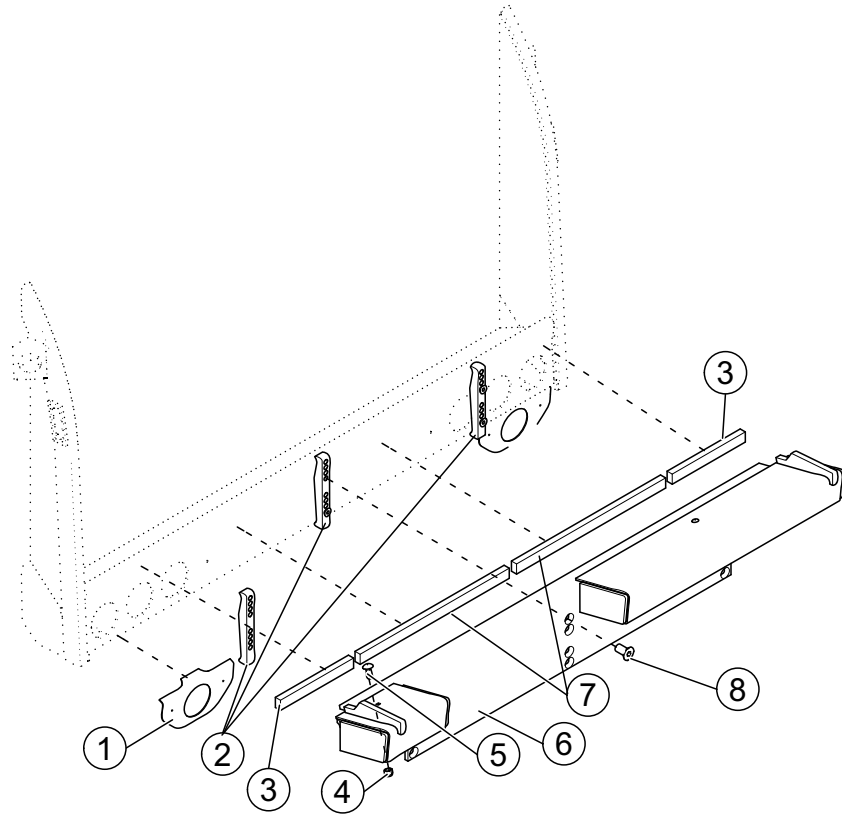
Ref.215440, 832469,832745, 832844,834020,
 834023,834031,834034, 834034, 834035, 834056, 834057,
 834250, 834250, 842723, 848108, 851841, 856240, 863753,
 863754, 863760, 863760, 863774, 863775, 865388, 867566,
 868417, 872867,



REF. NO.	PART NO.	DESCRIPTION	QTY.
1	107905	BRACKET, Light	2
2	101121	PLATE, Mounting	3
3	101131	SEAL	2
4	QUE01302	NUT	2
5	QUB11935	BOLT, Carriage	2
6	107575	SILL, Extension - Dual Tipper	1
7	101130	SEAL	2
8	QUB05090	CAPSCREW, Flat Head (Torque 150ft/lbs)	6

Ref.857776, 863750,
868414, 872872,

LOADING SILL EXT. - Single Tipper Streetside

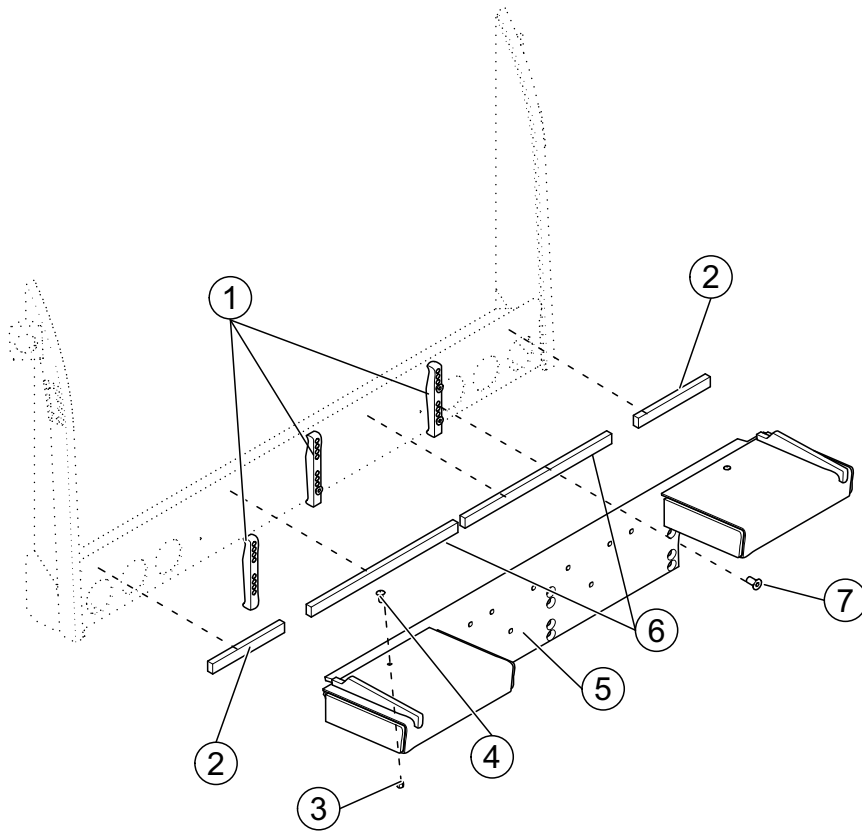


REF. NO.	PART NO.	DESCRIPTION	QTY.
1	107905	BRACKET, Light	2
2	101121	PLATE, Mounting	3
3	101131	SEAL	2
4	QUE01302	NUT	2
5	QUB11935	BOLT, Carriage	2
6	186361	SILL, Extension - Streetside Tipper	1
7	101130	SEAL	2
8	QUB05090	CAPSCREW, Flat Head (Torque 150ft/lbs)	6

SECTION 9

LOADING SILL EXT. - Single Tipper Center, R-150 W/Grabber

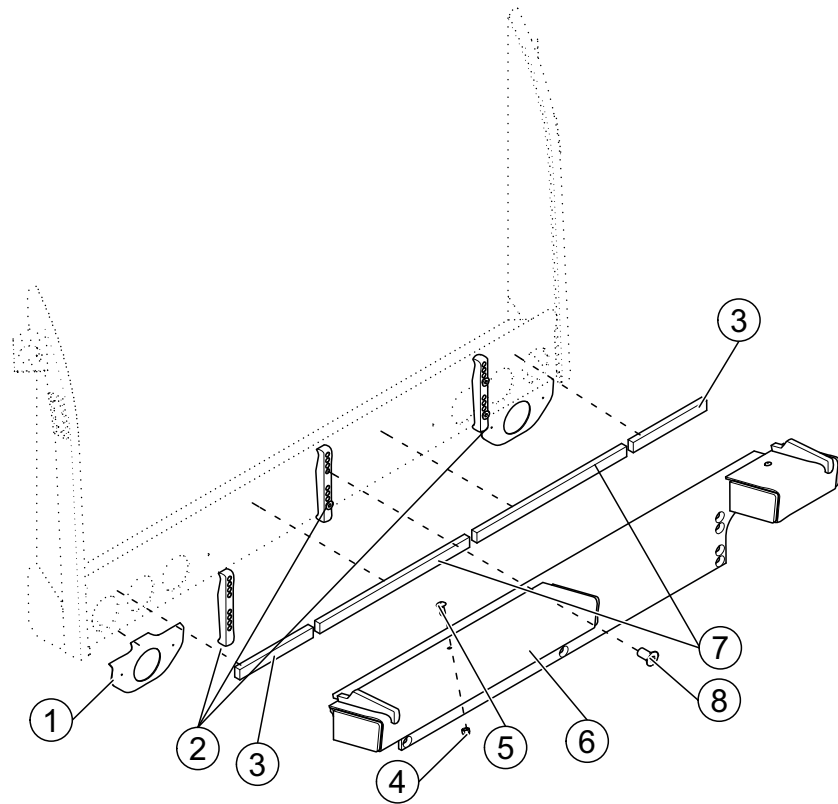
Ref. 834705, 863781,
868424, 868864,



REF. NO.	PART NO.	DESCRIPTION	QTY.
1	107905	PLATE, Mounting	3
2	101131	SEAL	2
3	QUE01302	NUT	2
4	QUB11935	BOLT, Carriage	2
5	158581	SILL, Extension - Streetside Tipper	1
6	101130	SEAL	2
7	QUB05090	CAPSCREW, Flat Head (Torque 150ft/lbs)	6

Ref. 826032, 832009, 834018, 834027,
 834605, 834611, 834737, 834747, 850070,
 857768, 859397, 863756, 863757, 863777,
 863787, 863943, 868413, 872870

LOADING SILL EXT. - Single Tipper Curbside

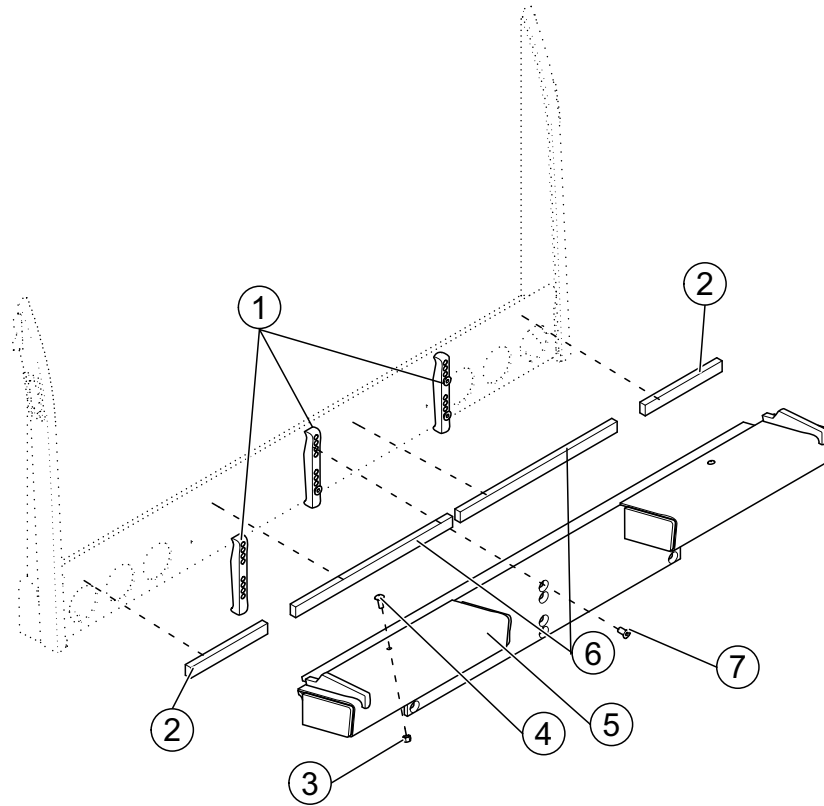


REF. NO.	PART NO.	DESCRIPTION	QTY.
1	107905	BRACKET, Light	2
2	101121	PLATE, Mounting	3
3	101131	SEAL	2
4	QUE01302	NUT	2
5	QUB11935	BOLT, Carriage	2
6	101532	SILL, Extension - Curbside Tipper	1
7	101130	SEAL	2
8	QUB05090	CAPSCREW, Flat Head (Torque 150ft/lbs)	6

SECTION 9

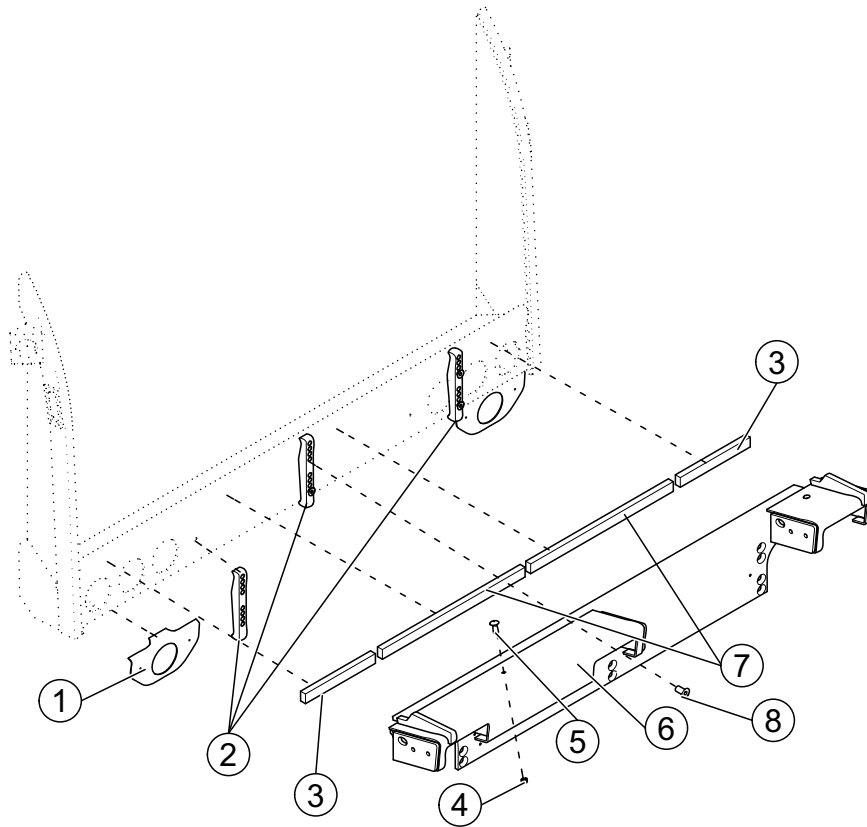
LOADING SILL EXT. - Single Tipper Center

Ref.872871



REF. NO.	PART NO.	DESCRIPTION	QTY.
1	107905	PLATE, Mounting	3
2	101131	SEAL	2
3	QUE01302	NUT	2
4	QUB11935	BOLT, Carriage	2
5	205423	SILL, Extension - Center Tipper	1
6	101130	SEAL	2
7	QUB05090	CAPSCREW, Flat Head (Torque 150ft/lbs)	6

LOADING SILL EXT. - Single Tipper Curbside, W/Backup Sensors

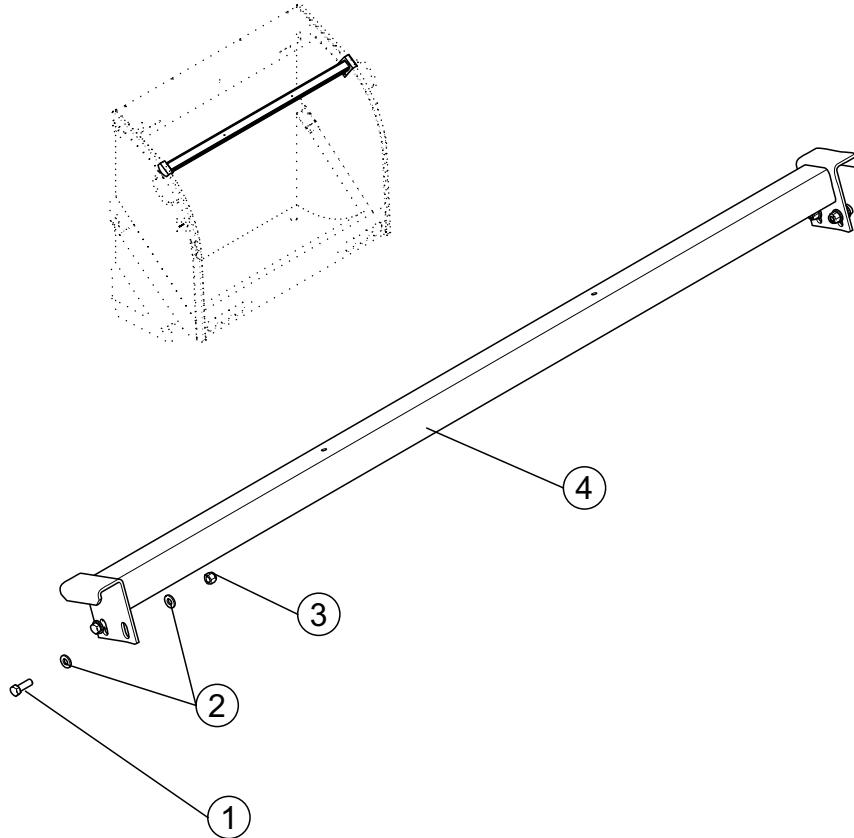


REF. NO.	PART NO.	DESCRIPTION	QTY.
1	107905	BRACKET, Light	2
2	101121	PLATE, Mounting	3
3	101131	SEAL	2
4	QUE01302	NUT	2
5	QUB11935	BOLT, Carriage	2
6	102916	SILL, Extension - Curbside Tipper W/Backup Sensors	1
7	101130	SEAL	2
8	QUB05090	CAPSCREW, Flat Head (Torque 150ft/lbs)	6

SECTION 9

CONTAINER STOP BAR

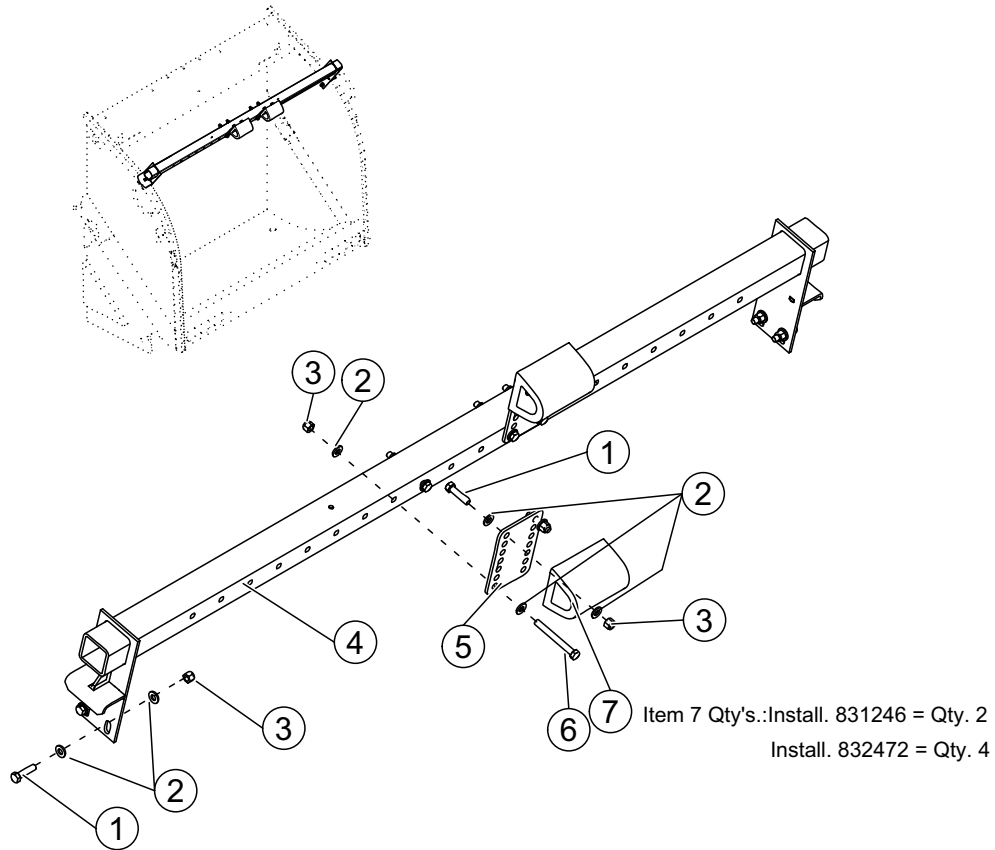
Ref. 107121, 826128,
828676



REF. NO.	PART NO.	DESCRIPTION	QTY.
1	QUB06250	CAPSCREW	4
2	QUR01912	WASHER	8
3	QUE01500	NUT	4
4	100555	STOP BAR, Container	1

Ref. 831246,
832472

CONTAINER STOP BAR - With Rubber Bumpers (Qty. 2 or 4)

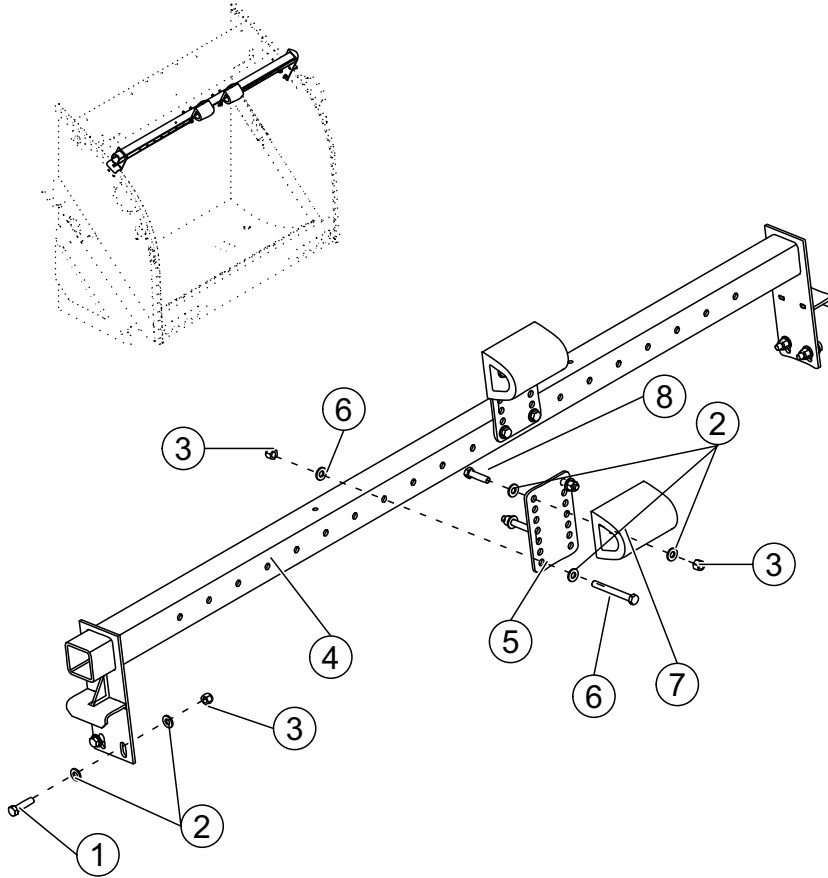


REF. NO.	PART NO.	DESCRIPTION	QTY.
1	QUB06250	CAPSCREW	As Reqd.
2	QUR01912	WASHER	As Reqd.
3	QUE01500	NUT	As Reqd.
4	100555	STOP BAR, Container	1
5	107319	PLATE, Bumper Mount	As Reqd.
6	QUB04900	CAPSCREW	As Reqd.
7	181142	BUMPER, Rubber	As Reqd.

SECTION 9

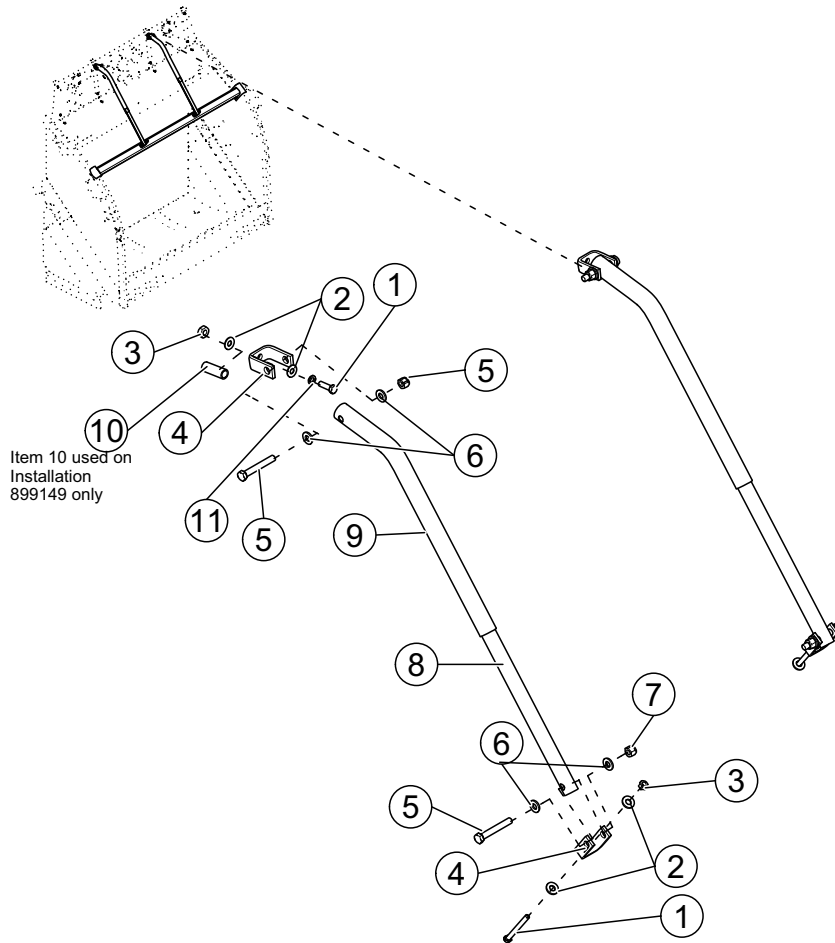
CONTAINER STOP BAR - With Rubber Bumpers MOL

Ref.851930



REF. NO.	PART NO.	DESCRIPTION	QTY.
1	QUB06250	CAPSCREW	10
2	QUR01912	WASHER	24
3	QUE01500	NUT	12
4	102190	STOP BAR, Container	1
5	107319	PLATE, Bumper Mount	2
6	QUB04900	CAPSCREW	4
7	181142	BUMPER, Rubber	2

SECTION 9
GUARD, Light

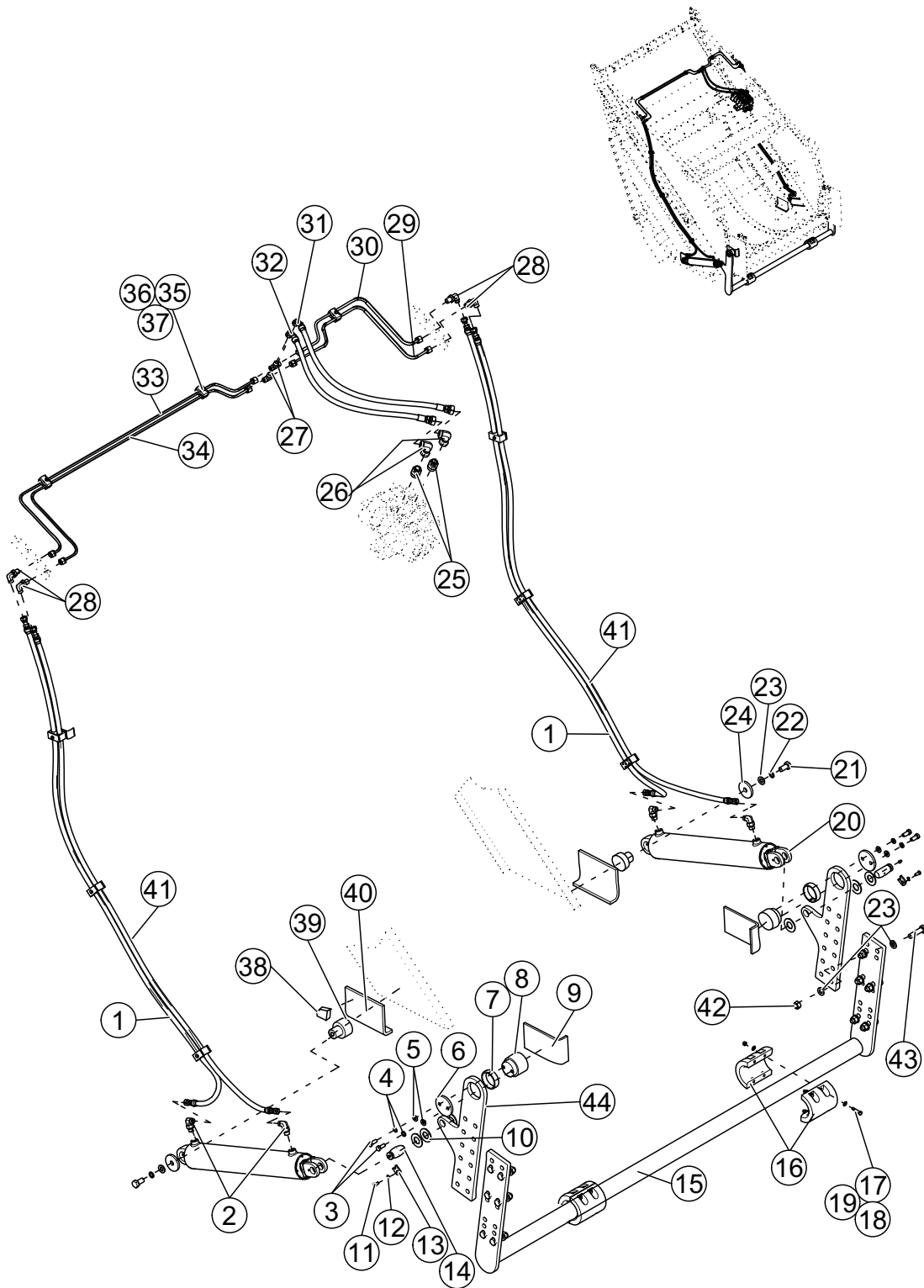


REF. NO.	PART NO.	DESCRIPTION	QTY.
1	QUB04055	CAPSCREW	4
2	QUR01900	WASHER	4
3	QUE30002	NUT	4
4	100548	BRACKET	4
5	QUB04852	CAPSCREW	4
6	QUR01912	WASHER	12
7	QUE01500	NUT	4
8	100546	TUBE - 1¼"	2
9	100547	TUBE - 1½"	2
10	89334	SPACER (Used in Installation 899149 only)	2

SECTION 9

HYDRAULIC CONTAINER ATTACHMENT (orfs)

Ref.871892



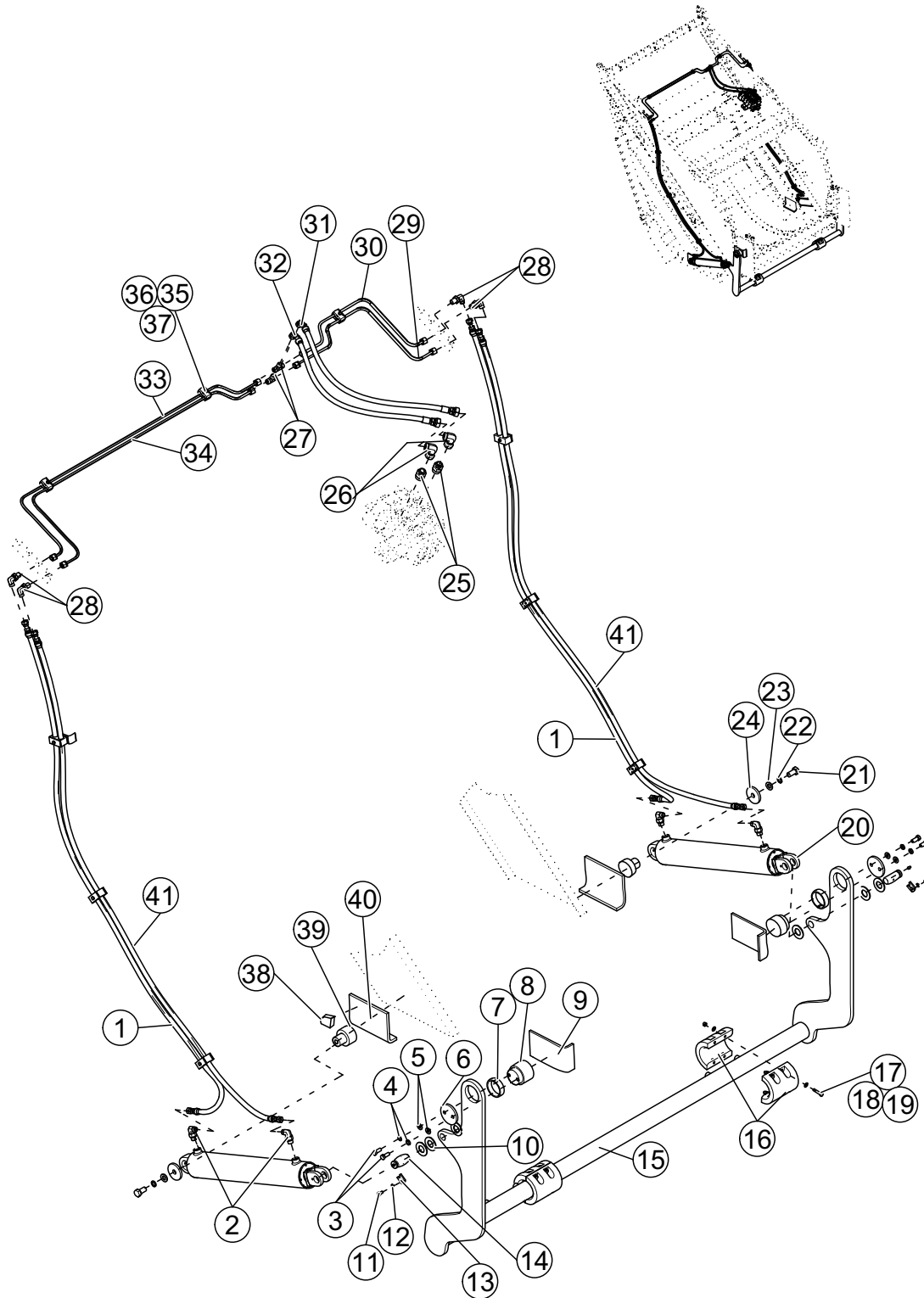
HYDRAULIC CONTAINER ATTACHMENT (orfs)

REF. NO.	PART NO.	DESCRIPTION	QTY.
1	170609	HOSE	2
2	HYF07451	ELBOW, 90°	4
3	QUB04414	CAPSCREW	4
4	QUR01300	WASHER	4
5	QUR01912	WASHER	4
6	100878	RETAINER	2
7	100726	BEARING STRIP	2
8	100945	HUB	2
9	101040	SUPPORT	2
10	QUR02721	SPACER	6
11	QUB03360	CAPSCREW	2
12	QUR01272	WASHER	2
13	100391	RETAINER	2
14	100393	PIN	2
15	207308	PUSH BAR	1
16	100900	ROLLER HALF	4
17	QUE01302	NUT	8
18	QUR01902	WASHER	16
19	QUB03730	CAPSCREW	8
20	HYC00813-02	CYLINDER (See page 207 for components)	2
21	QUB06327	CAPSCREW	2
22	QUR01430	WASHER	2
23	QUR02880	WASHER	2
24	100388	RETAINER	2
25	HYF05177	CONNECTOR	2
26	HYF05139	ELBOW, 90°	2
27	HYF06105	TEE	2
28	HYF06805	ELBOW, 90° Bulkhead	4
29	189057	TUBE	1
30	189056	TUBE	1
31	170612	HOSE	1
32	170611	HOSE	1
33	189054	TUBE	1
34	189055	TUBE	1
35	HYS00602	CLAMP, Dual ½" Tube	8
36	HYS00624	PLATE, Top	8
37	HYS00603	PLATE, Base	8
38	100947	GUSSET	2
39	100946	HUB	2
40	100951	SUPPORT	2
41	182265	HOSE	2
42	QUE02046	NUT	12
43	QUB06410	CAPSCREW	12
44	207303	ARM, Push Bar	2

SECTION 9

HYDRAULIC CONTAINER ATTACHMENT (orfs)

Ref. 868342, 872900



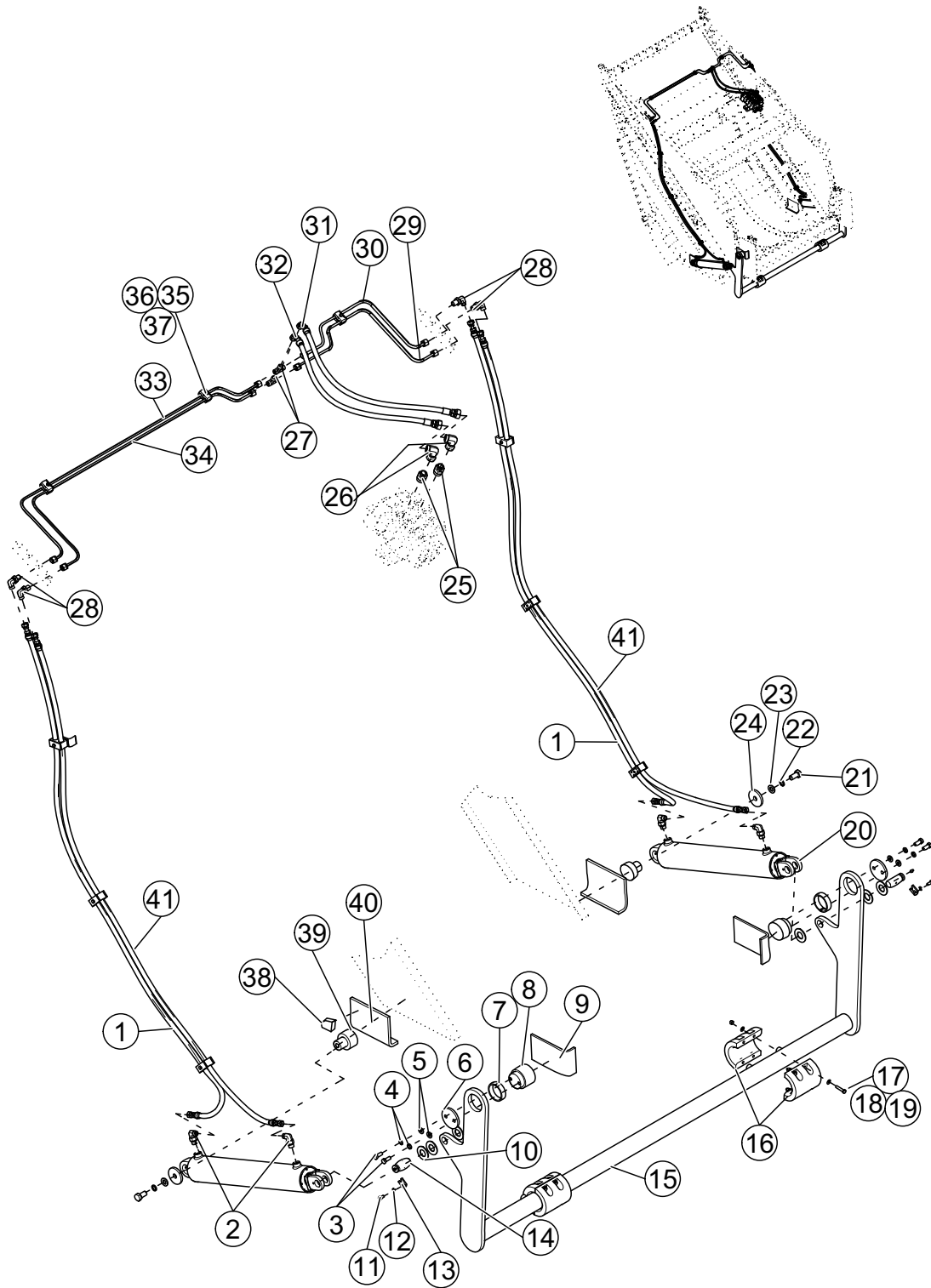
HYDRAULIC CONTAINER ATTACHMENT (orfs)

REF. NO.	PART NO.	DESCRIPTION	QTY.
1	170609	HOSE	2
2	HYF07451	ELBOW, 90°	4
3	QUB04414	CAPSCREW	4
4	QUR01300	WASHER	4
5	QUR01912	WASHER	4
6	100878	RETAINER	2
7	100726	BEARING STRIP	2
8	100945	HUB	2
9	101040	SUPPORT	2
10	QUR02721	SPACER	6
11	QUB03360	CAPSCREW	2
12	QUR01272	WASHER	2
13	100391	RETAINER	2
14	100393	PIN	2
15	195743	PUSH BAR	1
16	100900	ROLLER HALF	4
17	QUE01302	NUT	8
18	QUR01902	WASHER	16
19	QUB03730	CAPSCREW	8
20	HYC00813-02	CYLINDER (See page 207 for components)	2
21	QUB06327	CAPSCREW	2
22	QUR01430	WASHER	2
23	QUR02880	WASHER	2
24	100388	RETAINER	2
25	HYF05177	CONNECTOR	2
26	HYF05139	ELBOW, 90°	2
27	HYF06105	TEE	2
28	HYF06805	ELBOW, 90° Bulkhead	4
29	189057	TUBE	1
30	189056	TUBE	1
31	170612	HOSE	1
32	170611	HOSE	1
33	189054	TUBE	1
34	189055	TUBE	1
35	HYS00602	CLAMP, Dual 1/2" Tube	8
36	HYS00624	PLATE, Top	8
37	HYS00603	PLATE, Base	8
38	100947	GUSSET	2
39	100946	HUB	2
40	100951	SUPPORT	2
41	182265	HOSE	2

SECTION 9

HYDRAULIC CONTAINER ATTACHMENT (orfs)

Ref. 872898,
872896, 834987



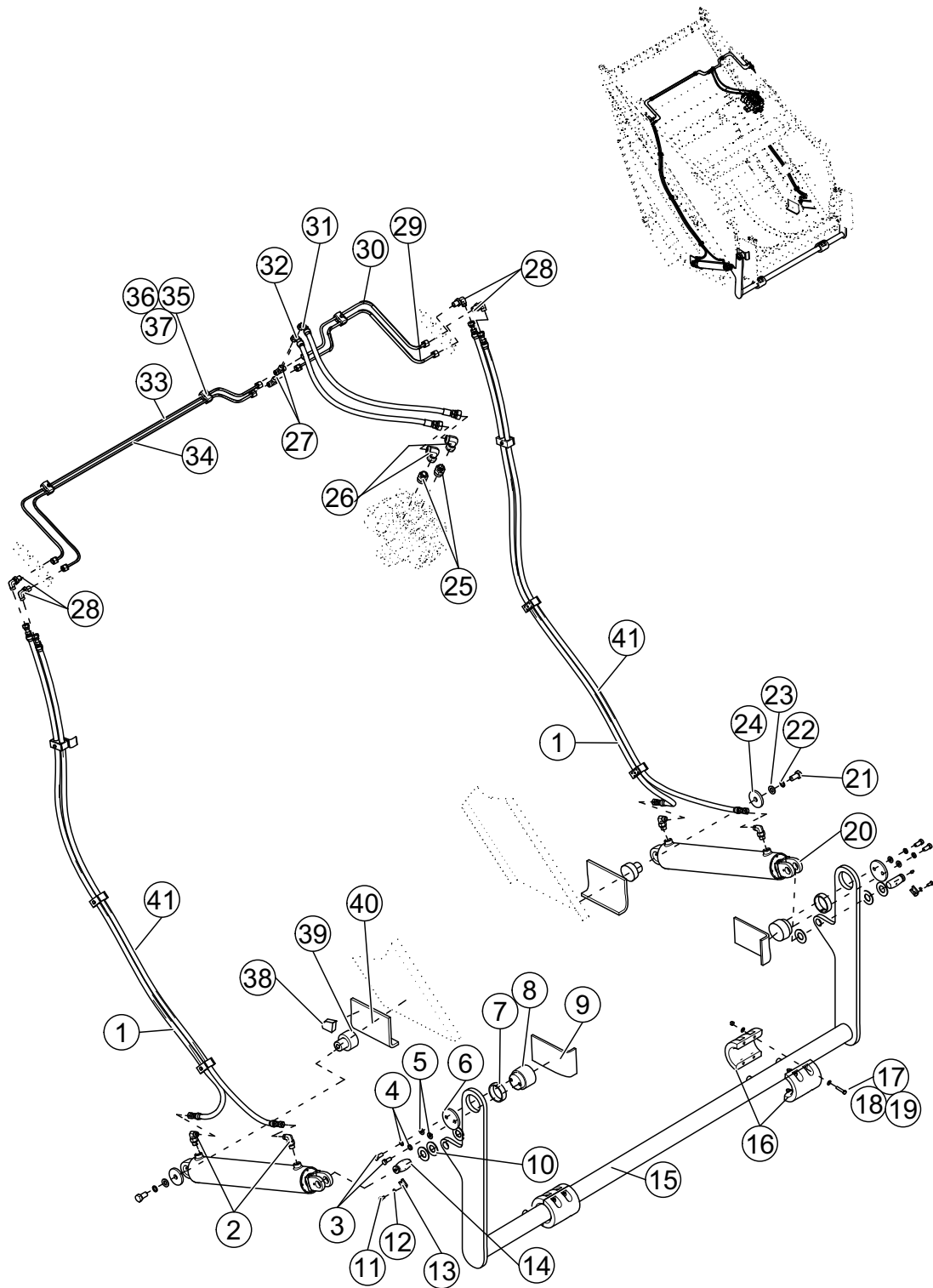
HYDRAULIC CONTAINER ATTACHMENT (orfs)

REF. NO.	PART NO.	DESCRIPTION	QTY.
1	170609	HOSE	2
2	HYF07451	ELBOW, 90°	4
3	QUB04414	CAPSCREW	4
4	QUR01300	WASHER	4
5	QUR01912	WASHER	4
6	100878	RETAINER	2
7	100726	BEARING STRIP	2
8	100945	HUB	2
9	101040	SUPPORT	2
10	QUR02721	SPACER	6
11	QUB03360	CAPSCREW	2
12	QUR01272	WASHER	2
13	100391	RETAINER	2
14	100393	PIN	2
15	101161	PUSH BAR	1
16	100900	ROLLER HALF	4
17	QUE01302	NUT	8
18	QUR01902	WASHER	16
19	QUB03730	CAPSCREW	8
20	HYC00813-02	CYLINDER (See page 207 for components)	2
21	QUB06327	CAPSCREW	2
22	QUR01430	WASHER	2
23	QUR02880	WASHER	2
24	100388	RETAINER	2
25	HYF05177	CONNECTOR	2
26	HYF05139	ELBOW, 90°	2
27	HYF06105	TEE	2
28	HYF06805	ELBOW, 90° Bulkhead	4
29	189057	TUBE	1
30	189056	TUBE	1
31	170612	HOSE	1
32	170611	HOSE	1
33	189054	TUBE	1
34	189055	TUBE	1
35	HYS00602	CLAMP, Dual 1/2" Tube	8
36	HYS00624	PLATE, Top	8
37	HYS00603	PLATE, Base	8
38	100947	GUSSET	2
39	100946	HUB	2
40	100951	SUPPORT	2
41	182265	HOSE	2

SECTION 9

HYDRAULIC CONTAINER ATTACHMENT (orfs)

Ref. 872901,
856027, 872897



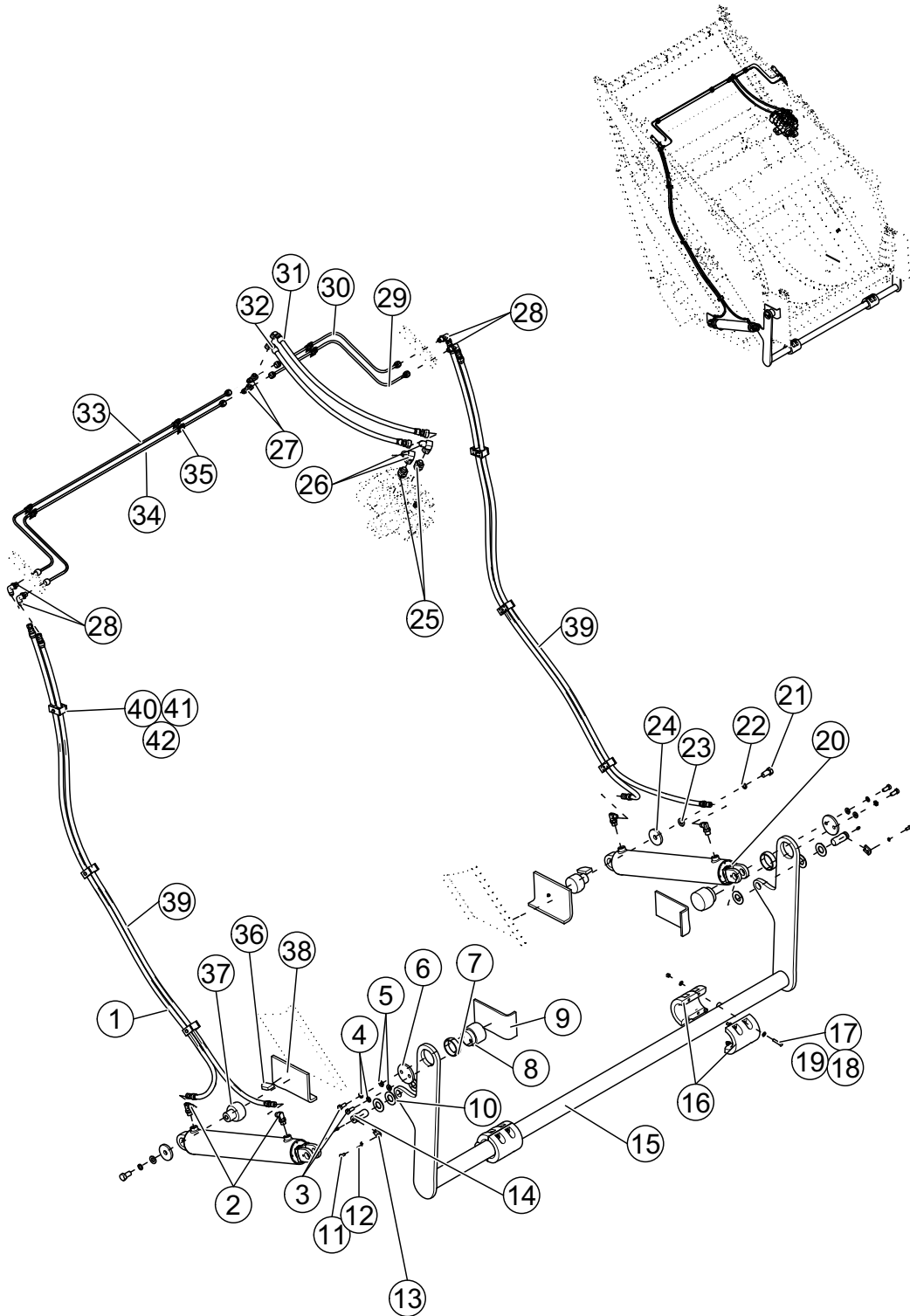
HYDRAULIC CONTAINER ATTACHMENT (orfs)

REF. NO.	PART NO.	DESCRIPTION	QTY.
1	170609	HOSE	2
2	HYF07451	ELBOW, 90°	4
3	QUB04414	CAPSCREW	4
4	QUR01300	WASHER	4
5	QUR01912	WASHER	4
6	100878	RETAINER	2
7	100726	BEARING STRIP	2
8	100945	HUB	2
9	101040	SUPPORT	2
10	QUR02721	SPACER	6
11	QUB03360	CAPSCREW	2
12	QUR01272	WASHER	2
13	100391	RETAINER	2
14	100393	PIN	2
15	107503	PUSH BAR	1
16	100900	ROLLER HALF	4
17	QUE01302	NUT	8
18	QUR01902	WASHER	16
19	QUB03730	CAPSCREW	8
20	HYC00813-02	CYLINDER (See page 207 for components)	2
21	QUB06327	CAPSCREW	2
22	QUR01430	WASHER	2
23	QUR02880	WASHER	2
24	100388	RETAINER	2
25	HYF05177	CONNECTOR	2
26	HYF05139	ELBOW, 90°	2
27	HYF06105	TEE	2
28	HYF06805	ELBOW, 90° Bulkhead	4
29	189057	TUBE	1
30	189056	TUBE	1
31	170612	HOSE	1
32	170611	HOSE	1
33	189054	TUBE	1
34	189055	TUBE	1
35	HYS00602	CLAMP, Dual 1/2" Tube	8
36	HYS00624	PLATE, Top	8
37	HYS00603	PLATE, Base	8
38	100947	GUSSET	2
39	100946	HUB	2
40	100951	SUPPORT	2
41	182265	HOSE	2

SECTION 9

HYDRAULIC CONTAINER ATTACHMENT (jic)

Ref.874216



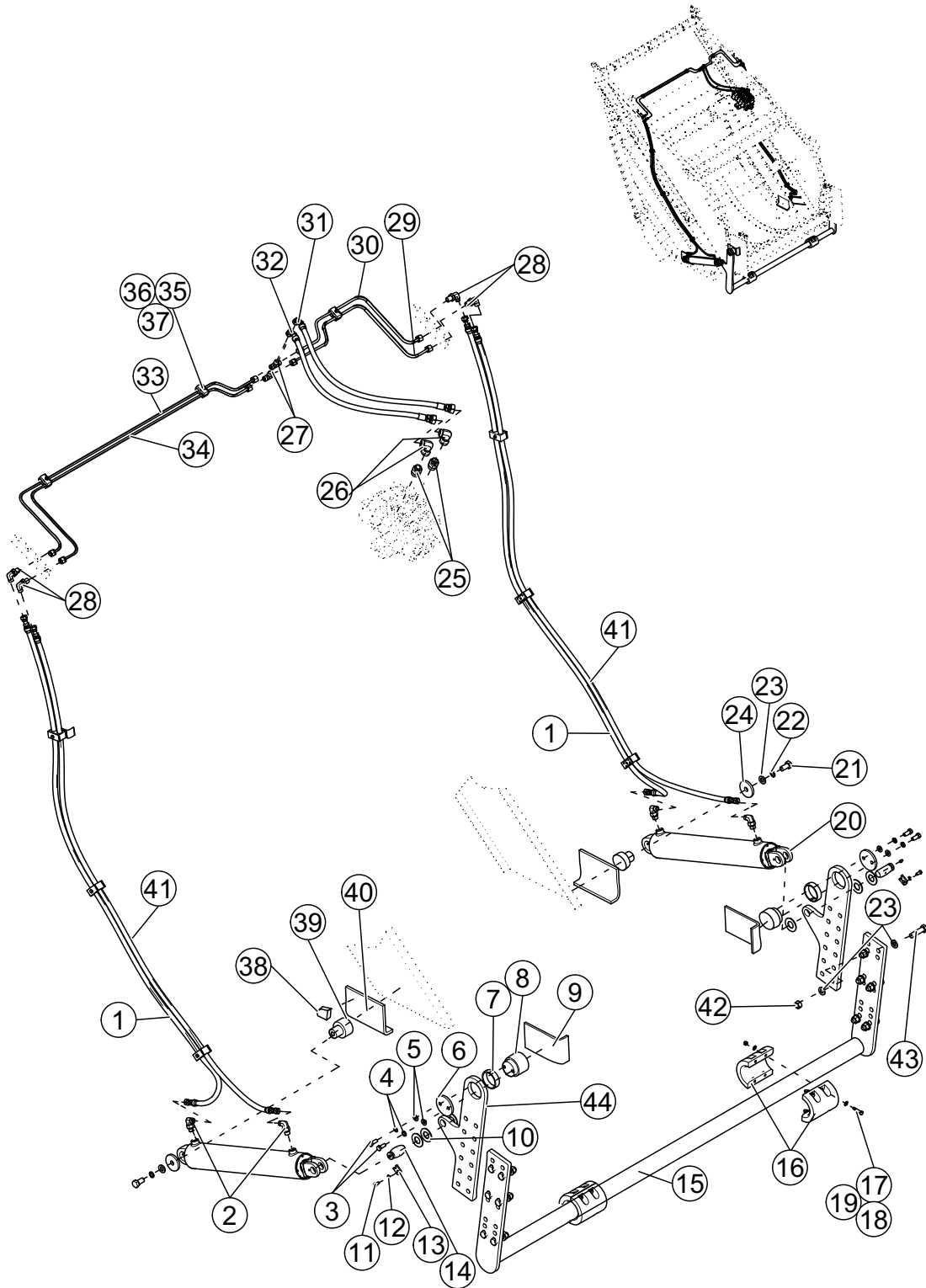
HYDRAULIC CONTAINER ATTACHMENT (jic)

REF. NO.	PART NO.	DESCRIPTION	QTY.
1	206085	HOSE	2
2	HYF07450	ELBOW, 90°	4
3	QUB04414	CAPSCREW	4
4	QUR01300	WASHER	4
5	QUR01912	WASHER	4
6	100878	RETAINER	2
7	100726	BEARING STRIP	2
8	100945	HUB	2
9	101040	SUPPORT	2
10	QUR02721	SPACER	6
11	QUB03360	CAPSCREW	2
12	QUR01272	WASHER	2
13	100391	RETAINER	2
14	100393	PIN	2
15	101161	PUSH BAR	1
16	100900	ROLLER HALF	4
17	QUE01302	NUT	8
18	QUR01902	WASHER	16
19	QUB03730	CAPSCREW	8
20	HYC00813-02	CYLINDER (See page 207 for components)	2
21	QUB06327	CAPSCREW	2
22	QUR01430	WASHER	2
23	QUR02880	WASHER	2
24	100388	RETAINER	2
25	HYF05118	CONNECTOR	2
26	HYF08100	ELBOW, 90°	2
27	HYF06100	TEE	2
28	HYF06800	ELBOW, 90° Bulkhead	4
29	199642	TUBE	1
30	199641	TUBE	1
31	206806	HOSE	1
32	206807	HOSE	1
33	199639	TUBE	1
34	199640	TUBE	1
35	HYS00200	CLAMP, .50" O.D. Tube	6
36	100947	GUSSET	2
37	100946	HUB	2
38	100951	SUPPORT	2
39	206804	HOSE	2
40	HYS00602	CLAMP, Dual 1/2" Tube	6
41	HYS00603	BASE	6
42	HYS00624	PLATE, Top	6

SECTION 9

HYDRAULIC CONTAINER ATTACHMENT (jic)

Ref.874209



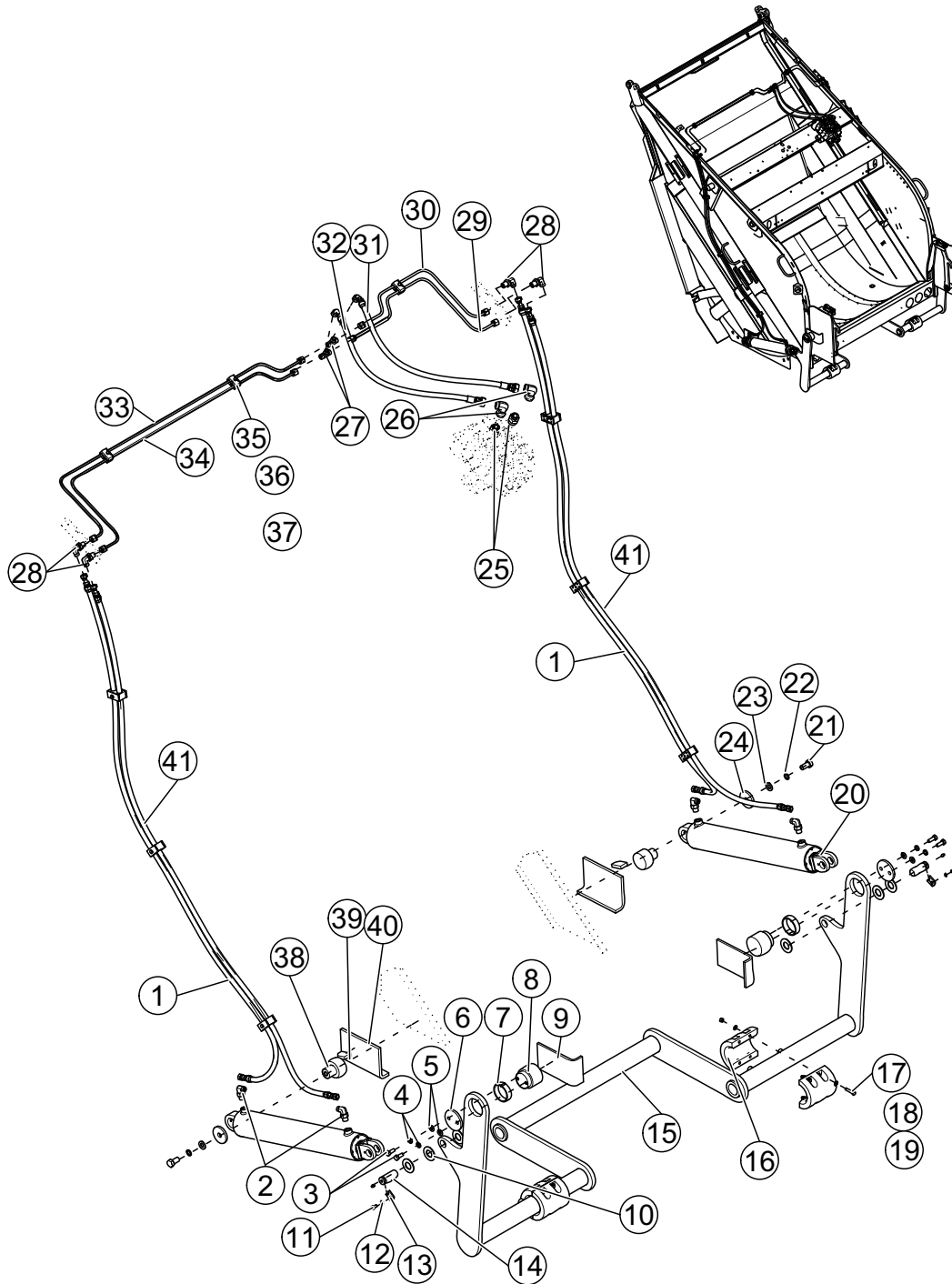
HYDRAULIC CONTAINER ATTACHMENT (jic)

REF. NO.	PART NO.	DESCRIPTION	QTY.
1	206805	HOSE	2
2	HYF07450	ELBOW, 90°	4
3	QUB04414	CAPSCREW	4
4	QUR01300	WASHER	4
5	QUR01912	WASHER	4
6	100878	RETAINER	2
7	100726	BEARING STRIP	2
8	100945	HUB	2
9	101040	SUPPORT	2
10	QUR02721	SPACER	6
11	QUB03360	CAPSCREW	2
12	QUR01272	WASHER	2
13	100391	RETAINER	2
14	100393	PIN	2
15	207308	PUSH BAR	1
16	100900	ROLLER HALF	4
17	QUE01302	NUT	8
18	QUR01902	WASHER	16
19	QUB03730	CAPSCREW	8
20	HYC00813-02	CYLINDER (See page 207 for components)	2
21	QUB06327	CAPSCREW	2
22	QUR01430	WASHER	2
23	QUR02880	WASHER	2
24	100388	RETAINER	2
25	HYF05118	CONNECTOR	2
26	HYF08100	ELBOW, 90°	2
27	HYF06100	TEE	2
28	HYF06800	ELBOW, 90° Bulkhead	4
29	199642	TUBE	1
30	199641	TUBE	1
31	206806	HOSE	1
32	206807	HOSE	1
33	199639	TUBE	1
34	199640	TUBE	1
35	HYS00602	CLAMP, Dual ½" Tube	8
36	HYS00624	PLATE, Top	8
37	HYS00603	PLATE, Base	8
38	100947	GUSSET	2
39	100946	HUB	2
40	100951	SUPPORT	2
41	206804	HOSE	2
42	QUE02046	NUT	12
43	QUB06410	CAPSCREW	12
44	207303	ARM, Push Bar	2

SECTION 9

Ref. 804358

HYDRAULIC CONTAINER ATTACHMENT (orfs)



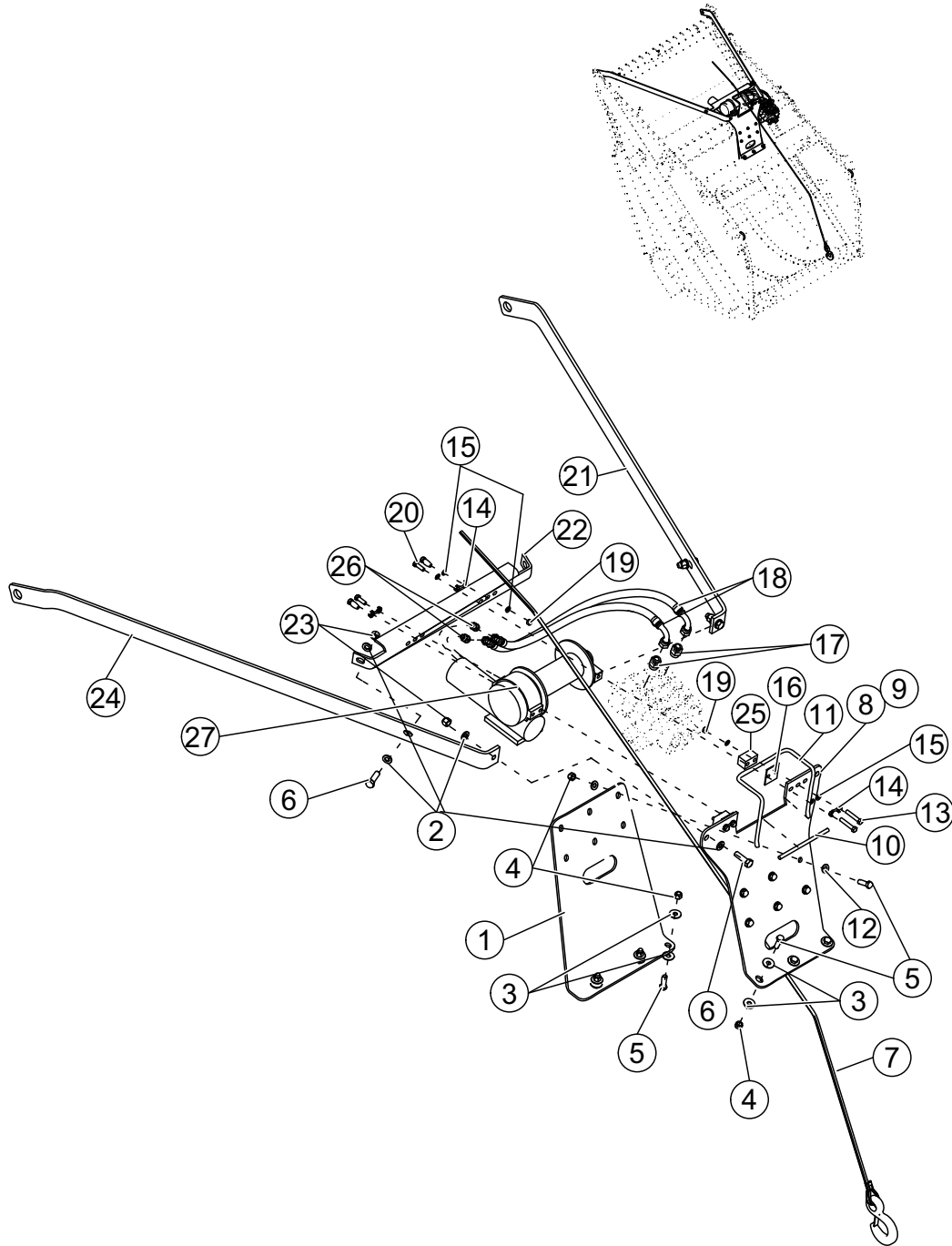
HYDRAULIC CONTAINER ATTACHMENT (orfs)

REF. NO.	PART NO.	DESCRIPTION	QTY.
1	170609	HOSE	2
2	HYF07451	ELBOW, 90°	4
3	QUB04414	CAPSCREW	4
4	QUR01300	WASHER	4
5	QUR01912	WASHER	4
6	100878	RETAINER	2
7	100726	BEARING STRIP	2
8	100945	HUB	2
9	101040	SUPPORT	2
10	QUR02721	SPACER	6
11	QUB03360	CAPSCREW	2
12	QUR01272	WASHER	2
13	100391	RETAINER	2
14	100393	PIN	2
15	213446	PUSH BAR	1
16	100900	ROLLER HALF	4
17	QUE01302	NUT	8
18	QUR01902	WASHER	16
19	QUB03730	CAPSCREW	8
20	HYC00813-02	CYLINDER (See page 207 for components)	2
21	QUB06327	CAPSCREW	2
22	QUR01430	WASHER	2
23	QUR02880	WASHER	2
24	100388	RETAINER	2
25	HYF05177	CONNECTOR	2
26	HYF05139	ELBOW, 90°	2
27	HYF06105	TEE	2
28	HYF06805	ELBOW, 90° Bulkhead	4
29	189057	TUBE	1
30	189056	TUBE	1
31	170612	HOSE	1
32	170611	HOSE	1
33	189054	TUBE	1
34	189055	TUBE	1
35	HYS00602	CLAMP, Dual ½" Tube	8
36	HYS00624	PLATE, Top	8
37	HYS00603	PLATE, Base	8
38	100947	GUSSET	2
39	100946	HUB	2
40	100951	SUPPORT	2
41	182265	HOSE	2

SECTION 9

WINCH, Drum (orfs)

Ref.834919



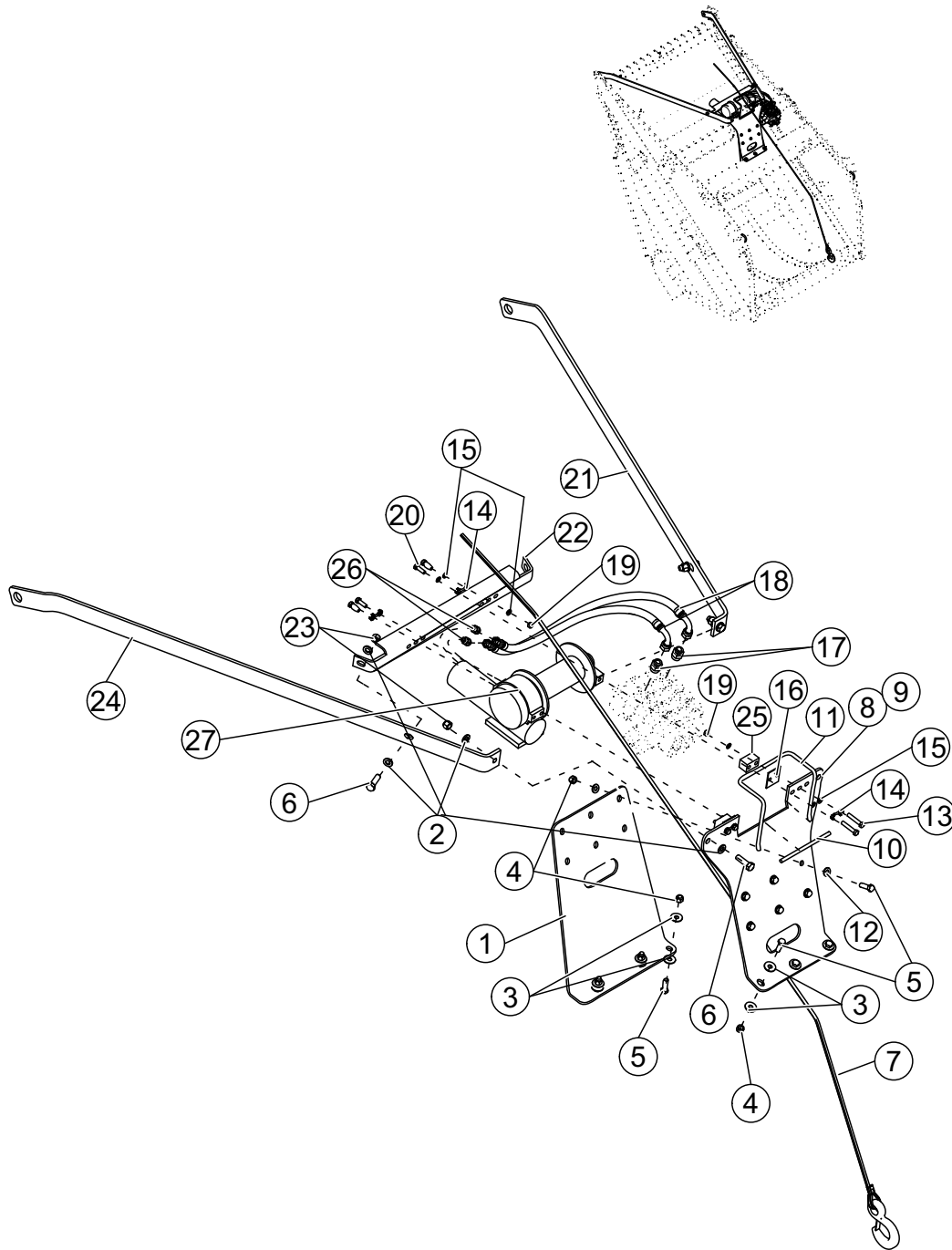
WINCH, Drum (orfs)

REF. NO.	PART NO.	DESCRIPTION	QTY.
1	100480	PLATE, Reinforcement	1
2	QUR02880	WASHER	8
3	QUR01995	WASHER	6
4	QUE01710	NUT	12
5	QUB05201	CAPSCREW	12
6	QUB08701	CAPSCREW	4
7	100630	CABLE, Winch - 35'	1
8	203744	ASSY., Winch Mounting (Includes Items 9, 10 & 11)	1
9	203745	PLATE, Winch Mounting	1
10	100634	BAR, Edge	1
11	100633	GUIDE, Cable	1
12	QUR02130	WASHER	12
13	QUB04804	CAPSCREW	4
14	107311	RETAINER	4
15	QUR01300	WASHER	10
16	100632	SHIM	2
17	HYF05177	CONNECTOR	2
18	103013	HOSE	2
19	QUE00550	NUT	2
20	QUB04503	CAPSCREW	4
21	100636	SUPPORT, R.S.	1
22	100638	BRACKET	1
23	QUE01800	NUT	4
24	100635	SUPPORT, L.S.	1
25	100637	BLOCK, Spacer	2
26	HYF05148	CONNECTOR	2
27	HYT01025	WINCH, Drum	1

SECTION 9

WINCH, Drum (jic)

Ref. 850606



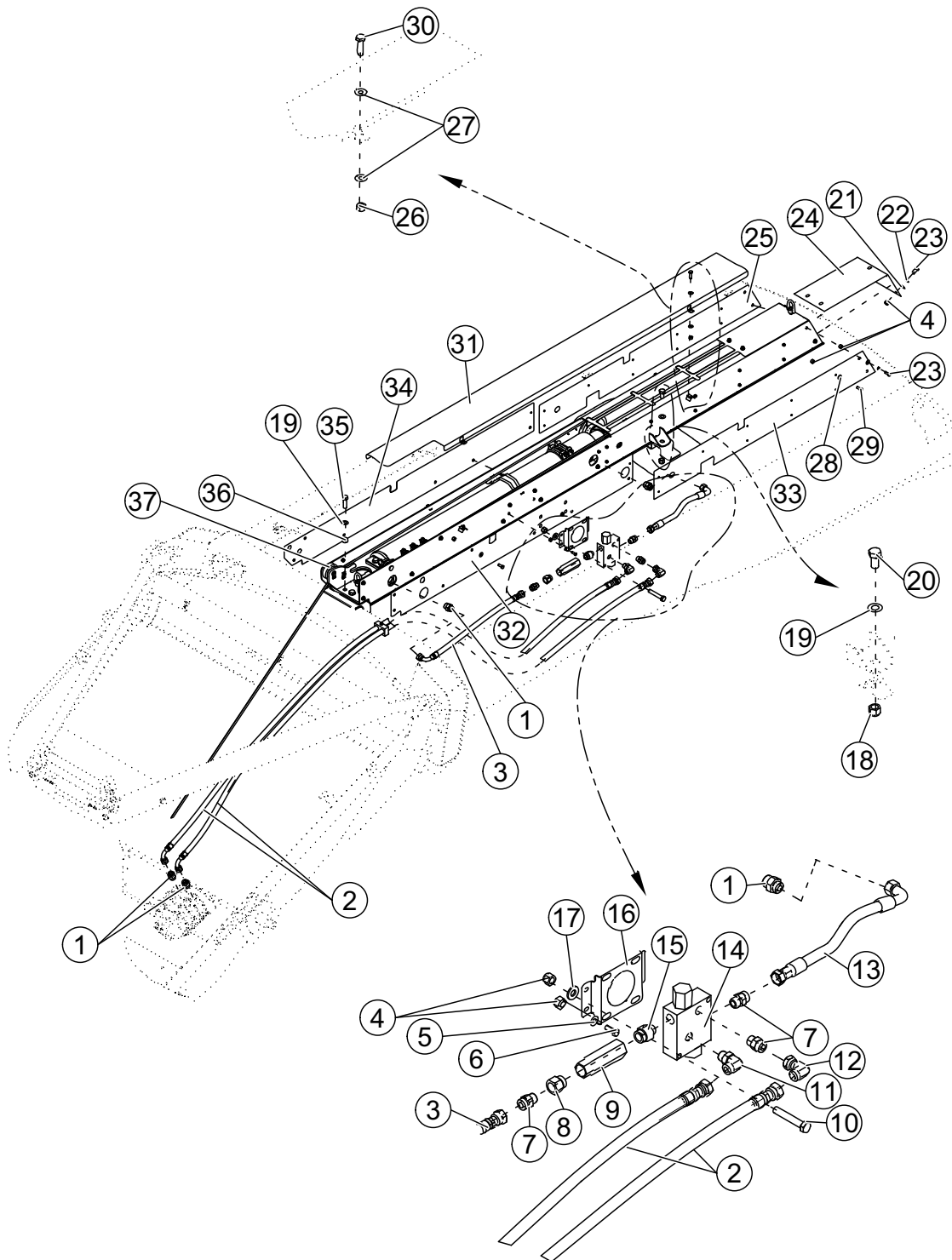
WINCH, Drum (jic)

REF. NO.	PART NO.	DESCRIPTION	QTY.
1	186395	PLATE, Reinforcement	1
2	QUR02880	WASHER	8
3	QUR01995	WASHER	6
4	QUE01710	NUT	12
5	QUB05201	CAPSCREW	12
6	QUB08701	CAPSCREW	4
7	100630	CABLE, Winch - 35'	1
8	203744	ASSY., Winch Mounting (Includes Items 9, 10 & 11)	1
9	203745	PLATE, Winch Mounting	1
10	100634	BAR, Edge	1
11	100633	GUIDE, Cable	1
12	QUR02130	WASHER	12
13	QUB04804	CAPSCREW	4
14	107311	RETAINER	4
15	QUR01300	WASHER	10
16	100632	SHIM	2
17	HYF05177	CONNECTOR	2
18	104484	HOSE	2
19	QUE00550	NUT	2
20	QUB04503	CAPSCREW	4
21	100636	SUPPORT, R.S.	1
22	100638	BRACKET	1
23	QUE01800	NUT	4
24	100635	SUPPORT, L.S.	1
25	100637	BLOCK, Spacer	2
26	HYF05148	CONNECTOR	2
27	HYT01025	WINCH, Drum	1

SECTION 9

WINCH, Container Lift Cylinder - 10K (Reeving) (ORFS)

Ref834114.



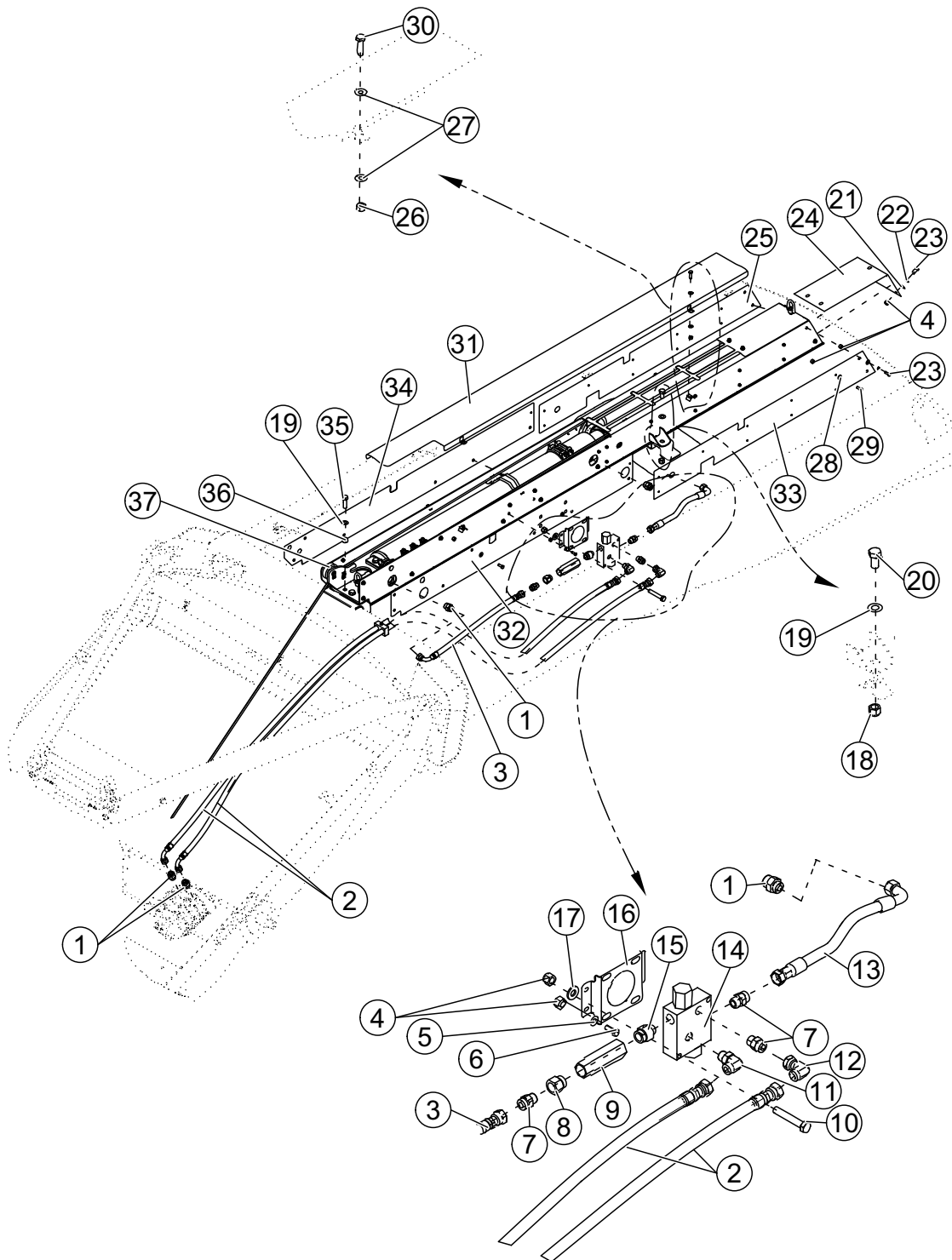
WINCH, Container Lift Cylinder - 10K (Reeving) (ORFS)

REF. NO.	PART NO.	DESCRIPTION	QTY.
1	HYF05177	CONNECTOR	4
2	103012	HOSE	2
3	170742	HOSE	1
4	QUE03002	NUT	28
5	QUR01902	WASHER	4
6	QUB03401	CAPSCREW	4
7	HYF05152	CONNECTOR	3
8	HYF05150	ADAPTER	1
9	HYV04089	VALVE, Orificed Check	1
10	QUB04828	CAPSCREW	2
11	HYF05137	ELBOW, 90°	1
12	HYF05139	ELBOW, 90° - Swivel Nut	1
13	103088	HOSE	1
14	HYV04090	VALVE, Flow Regulator (25 GPM) (See Page 187 for Components)	1
15	HYF05005	CONNECTOR	1
16	107924	BRACKET, Valve	1
17	QUR01912	WASHER	2
18	QUE01800	NUT	2
19	QUR02000	WASHER	4
20	QUB06327	CAPSCREW	2
21	QUR01901	WASHER	23
22	QUR01274	WASHER	23
23	QUB03399	CAPSCREW	23
24	107950	COVER, Front	1
25	107983	COVER, Side Front	1
26	QUE01175	NUT	4
27	QUR01695	WASHER	28
28	QUR01261	WASHER	20
29	QUB01910	CAPSCREW	20
30	QUB02120	CAPSCREW	4
31	107939	COVER, Top	1
32	107973	COVER, Side Rear	1
33	107972	COVER, Side Front	1
34	107984	COVER, Side Rear	1
35	QUB08701	CAPSCREW	2
36	QUE00894	NUT	2
37	107936	ASSY., Container Lift -10,000lb. (See page 283 for Components)	1

SECTION 9

WINCH, Container Lift Cylinder - 15K (Reeving) (ORFS)

Ref868043.



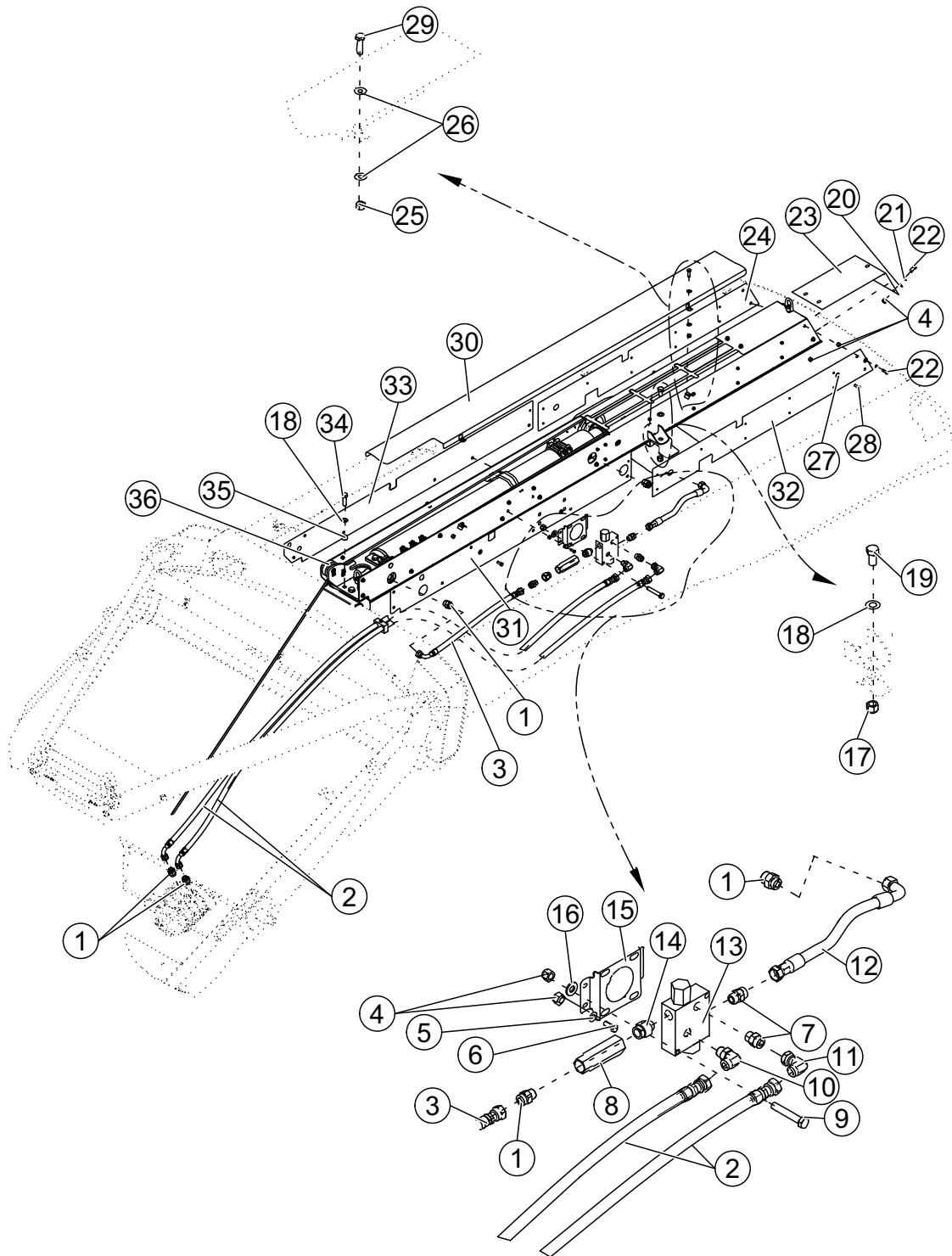
WINCH, Container Lift Cylinder - 15K (Reeving) (ORFS)

REF. NO.	PART NO.	DESCRIPTION	QTY.
1	HYF05177	CONNECTOR	4
2	103012	HOSE	2
3	170742	HOSE	1
4	QUE03002	NUT	28
5	QUR01902	WASHER	4
6	QUB03401	CAPSCREW	4
7	HYF05152	CONNECTOR	3
8	HYF05150	ADAPTER	1
9	HYV04089	VALVE, Orificed Check	1
10	QUB04828	CAPSCREW	2
11	HYF05137	ELBOW, 90°	1
12	HYF05139	ELBOW, 90° - Swivel Nut	1
13	103088	HOSE	1
14	HYV04090	VALVE, Flow Regulator (25 GPM) (See Page 187 for Components)	1
15	HYF05005	CONNECTOR	1
16	107924	BRACKET, Valve	1
17	QUR01912	WASHER	2
18	QUE01800	NUT	2
19	QUR02000	WASHER	4
20	QUB06327	CAPSCREW	2
21	QUR01901	WASHER	23
22	QUR01274	WASHER	23
23	QUB03399	CAPSCREW	23
24	107950	COVER, Front	1
25	107983	COVER, Side Front	1
26	QUE01175	NUT	4
27	QUR01695	WASHER	28
28	QUR01261	WASHER	20
29	QUB01910	CAPSCREW	20
30	QUB02120	CAPSCREW	4
31	107939	COVER, Top	1
32	107973	COVER, Side Rear	1
33	107972	COVER, Side Front	1
34	107984	COVER, Side Rear	1
35	QUB08701	CAPSCREW	2
36	QUE00894	NUT	2
37	203646	ASSY., Container Lift - 15,000lb. (See page 285 for Components)	1

SECTION 9

WINCH, Container Lift Cylinder - 10K (Reeving) (JIC)

Ref850601.



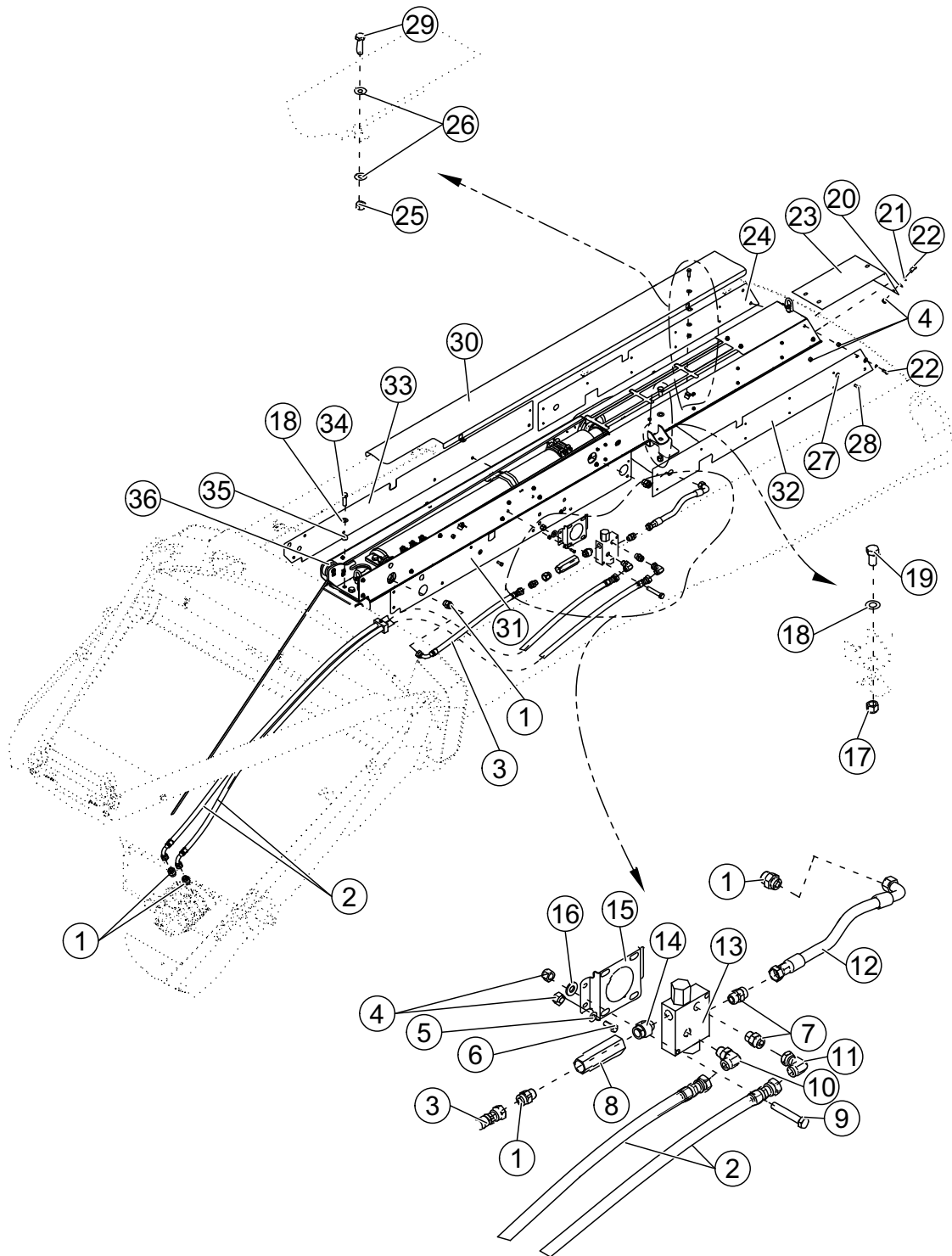
WINCH, Container Lift Cylinder - 10K (Reeving) (JIC)

REF. NO.	PART NO.	DESCRIPTION	QTY.
1	HYF05118	CONNECTOR	5
2	104469	HOSE	2
3	104473	HOSE	1
4	QUE03002	NUT	28
5	QUR01902	WASHER	4
6	QUB03401	CAPSCREW	4
7	HYF05115	CONNECTOR	3
8	HYV04089	VALVE, Orificed Check	1
9	QUB04828	CAPSCREW	2
10	HYF05135	ELBOW, 90°	1
11	HYF08100	ELBOW, 90° - Swivel Nut	1
12	104472	HOSE	1
13	HYV04090	VALVE, Flow Regulator (25 GPM) (See Page 187 for Components)	1
14	HYF05005	CONNECTOR	1
15	107924	BRACKET, Valve	1
16	QUR01912	WASHER	2
17	QUE01800	NUT	2
18	QUR02000	WASHER	4
19	QUB06327	CAPSCREW	2
20	QUR01901	WASHER	23
21	QUR01274	WASHER	23
22	QUB03399	CAPSCREW	23
23	107950	COVER, Front	1
24	107983	COVER, Side Front	1
25	QUE01175	NUT	4
26	QUR01695	WASHER	28
27	QUR01261	WASHER	20
28	QUB01910	CAPSCREW	20
29	QUB02120	CAPSCREW	4
30	107939	COVER, Top	1
31	107973	COVER, Side Rear	1
32	107972	COVER, Side Front	1
33	107984	COVER, Side Rear	1
34	QUB08701	CAPSCREW	2
35	QUE00894	NUT	2
36	107936	ASSY., Container Lift - 10,000lb. (See page 283 for Components)	1

SECTION 9

WINCH, Container Lift Cylinder - 15K (Reeving) (JIC)

Ref.850620



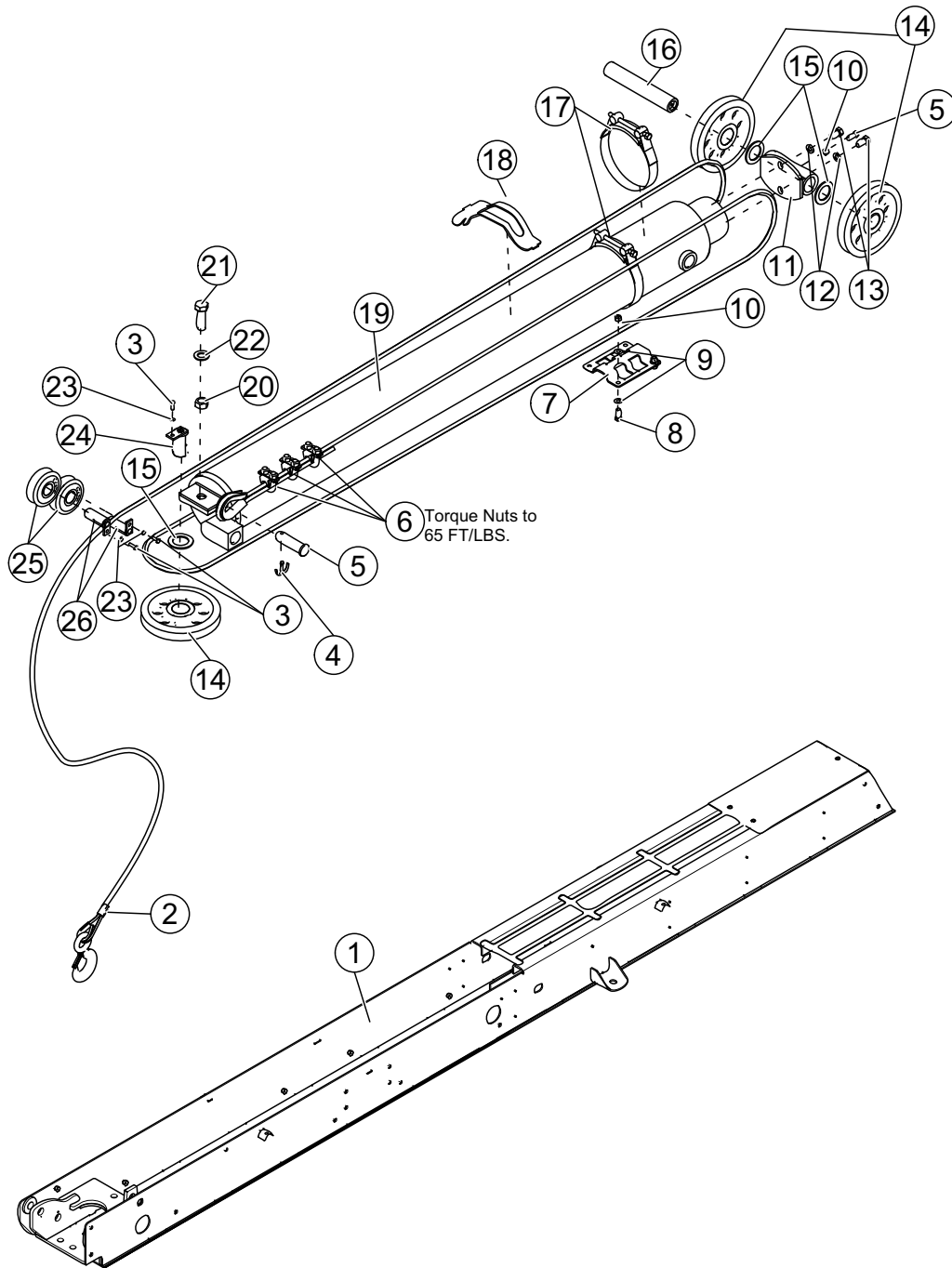
WINCH, Container Lift Cylinder - 15K (Reeving) (JIC)

REF. NO.	PART NO.	DESCRIPTION	QTY.
1	HYF05118	CONNECTOR	5
2	104469	HOSE	2
3	104473	HOSE	1
4	QUE03002	NUT	28
5	QUR01902	WASHER	4
6	QUB03401	CAPSCREW	4
7	HYF05115	CONNECTOR	3
8	HYV04089	VALVE, Orificed Check	1
9	QUB04828	CAPSCREW	2
10	HYF05135	ELBOW, 90°	1
11	HYF08100	ELBOW, 90° - Swivel Nut	1
12	104472	HOSE	1
13	HYV04090	VALVE, Flow Regulator (25 GPM) (See Page 187 for Components)	1
14	HYF05005	CONNECTOR	1
15	107924	BRACKET, Valve	1
16	QUR01912	WASHER	2
17	QUE01800	NUT	2
18	QUR02000	WASHER	4
19	QUB06327	CAPSCREW	2
20	QUR01901	WASHER	23
21	QUR01274	WASHER	23
22	QUB03399	CAPSCREW	23
23	107950	COVER, Front	1
24	107983	COVER, Side Front	1
25	QUE01175	NUT	4
26	QUR01695	WASHER	28
27	QUR01261	WASHER	20
28	QUB01910	CAPSCREW	20
29	QUB02120	CAPSCREW	4
30	107939	COVER, Top	1
31	107973	COVER, Side Rear	1
32	107972	COVER, Side Front	1
33	107984	COVER, Side Rear	1
34	QUB08701	CAPSCREW	2
35	QUE00894	NUT	2
36	203646	ASSY., Container Lift - 15,000lb. (See page 285 for Components)	1

SECTION 9

Ref. 107936,
834114,850601

WINCH, Container Lift Cylinder 10K - 107936 (Reeving)



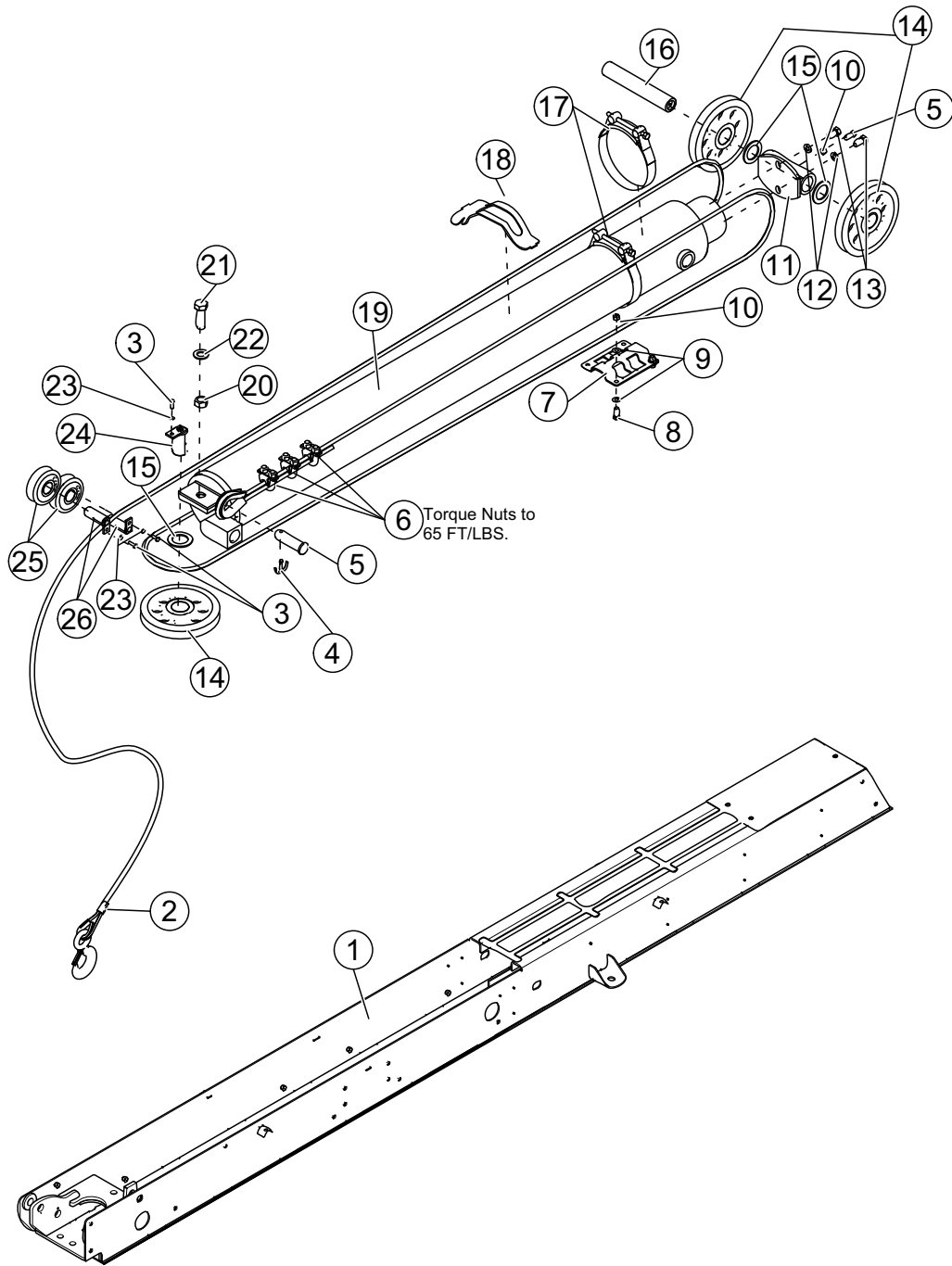
WINCH, Container Lift Cylinder 10K - 107936 (Reeving)

REF. NO.	PART NO.	DESCRIPTION	QTY.
1	107935	FRAME	1
2	100465	ASSY., Cable - 56' (10,000 lb. Hook)	1
3	QUB01990	CAPSCREW	3
4	QUP03700	PIN, Cotter	1
5	100678	PIN, Cable	1
6	QUS00780	BOLT, U (Tighten to 65 FT/LBS)	3
7	107934	BRACKET, Cyl.	1
8	QUB03401	CAPSCREW	5
9	QUR01902	WASHER	8
10	QUE01302	NUT	5
11	100490	PIVOT, Cyl.	1
12	QUR01302	WASHER	5
13	QUB04405	CAPSCREW	2
14	106022	ASSY., Sheave - Large	3
15	107947	WASHER, Thrust	2
16	107957	ASSY., Pin (Rod End)	1
17	HYC00121	CLAMP, H.D. Cyl.	2
18	107974	GUIDE, Cable	1
19	HYC01050-01	ASSY., Cylinder (See page 208 for Components)	1
20	QUE02045	NUT	1
21	QUB08701	CAPSCREW	1
22	QUR02000	WASHER	1
23	QUR01261	WASHER	3
24	100494	ASSY., Pin	1
25	106025	ASSY., Sheave - Small	2
26	100497	ASSY., Pin	2

SECTION 9

Ref.203646,
850260,868043

WINCH, Container Lift Cylinder 15K - 203646 (Reeving)



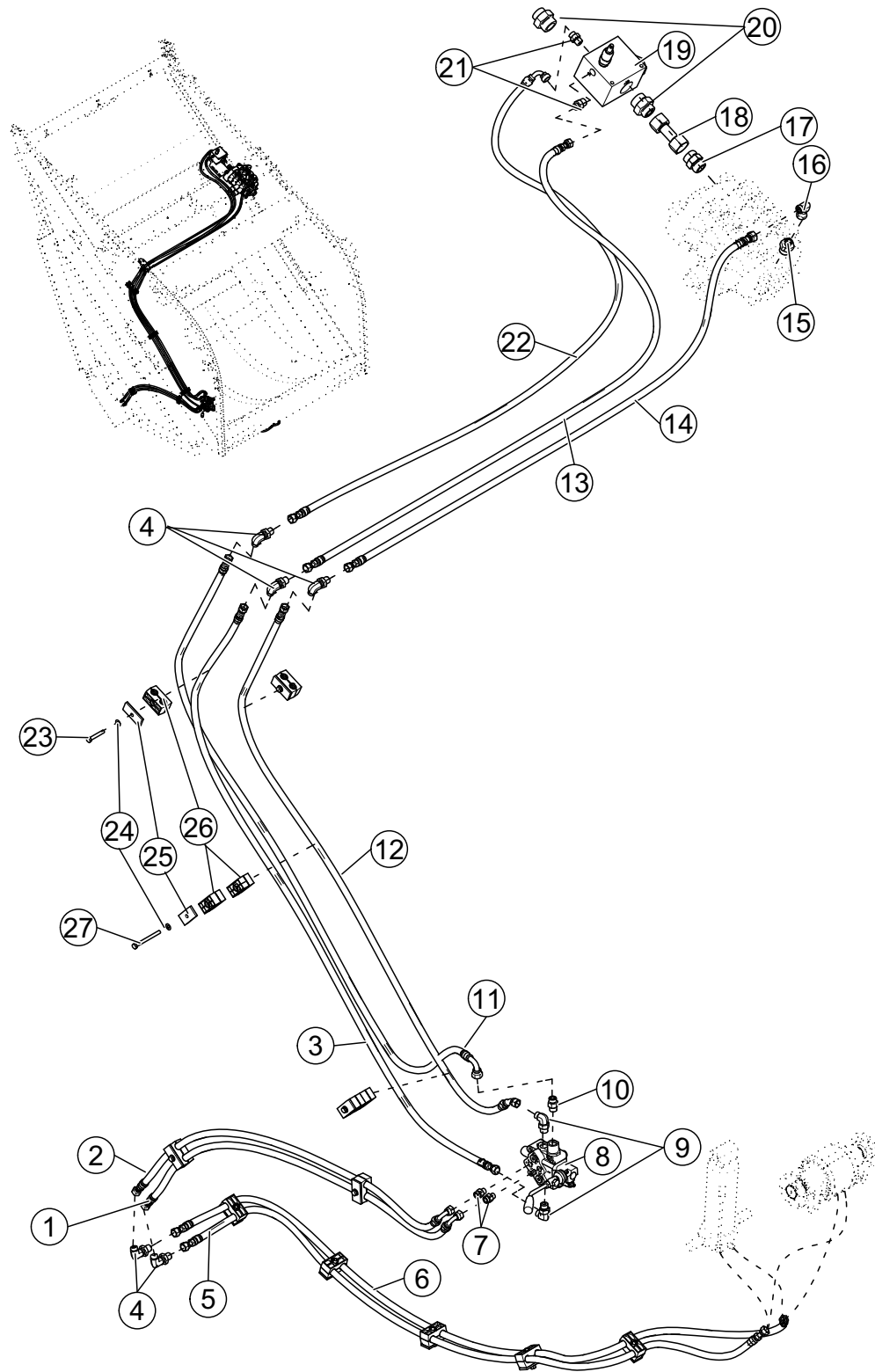
WINCH, Container Lift Cylinder 15K - 203646 (Reeving)

REF. NO.	PART NO.	DESCRIPTION	QTY.
1	107935	FRAME	1
2	107113	ASSY., Cable - 56' (15,000 lb. Hook)	1
3	QUB01990	CAPSCREW	3
4	QUP03700	PIN, Cotter	1
5	100678	PIN, Cable	1
6	QUS00780	BOLT, U (Tighten to 65 FT/LBS)	3
7	107934	BRACKET, Cyl.	1
8	QUB03401	CAPSCREW	5
9	QUR01902	WASHER	8
10	QUE01302	NUT	5
11	100490	PIVOT, Cyl.	1
12	QUR01302	WASHER	5
13	QUB04405	CAPSCREW	2
14	106022	ASSY., Sheave - Large	3
15	107947	WASHER, Thrust	2
16	107957	ASSY., Pin (Rod End)	1
17	HYC00121	CLAMP, H.D. Cyl.	2
18	107974	GUIDE, Cable	1
19	HYC01050-01	ASSY., Cylinder (See page 208 for Components)	1
20	QUE02045	NUT	1
21	QUB08701	CAPSCREW	1
22	QUR02000	WASHER	1
23	QUR01261	WASHER	3
24	100494	ASSY., Pin	1
25	106025	ASSY., Sheave - Small	2
26	100497	ASSY., Pin	2

SECTION 9

TIPPER HYD'S. (Streetside Tipper) (ORFS)

Ref.867509



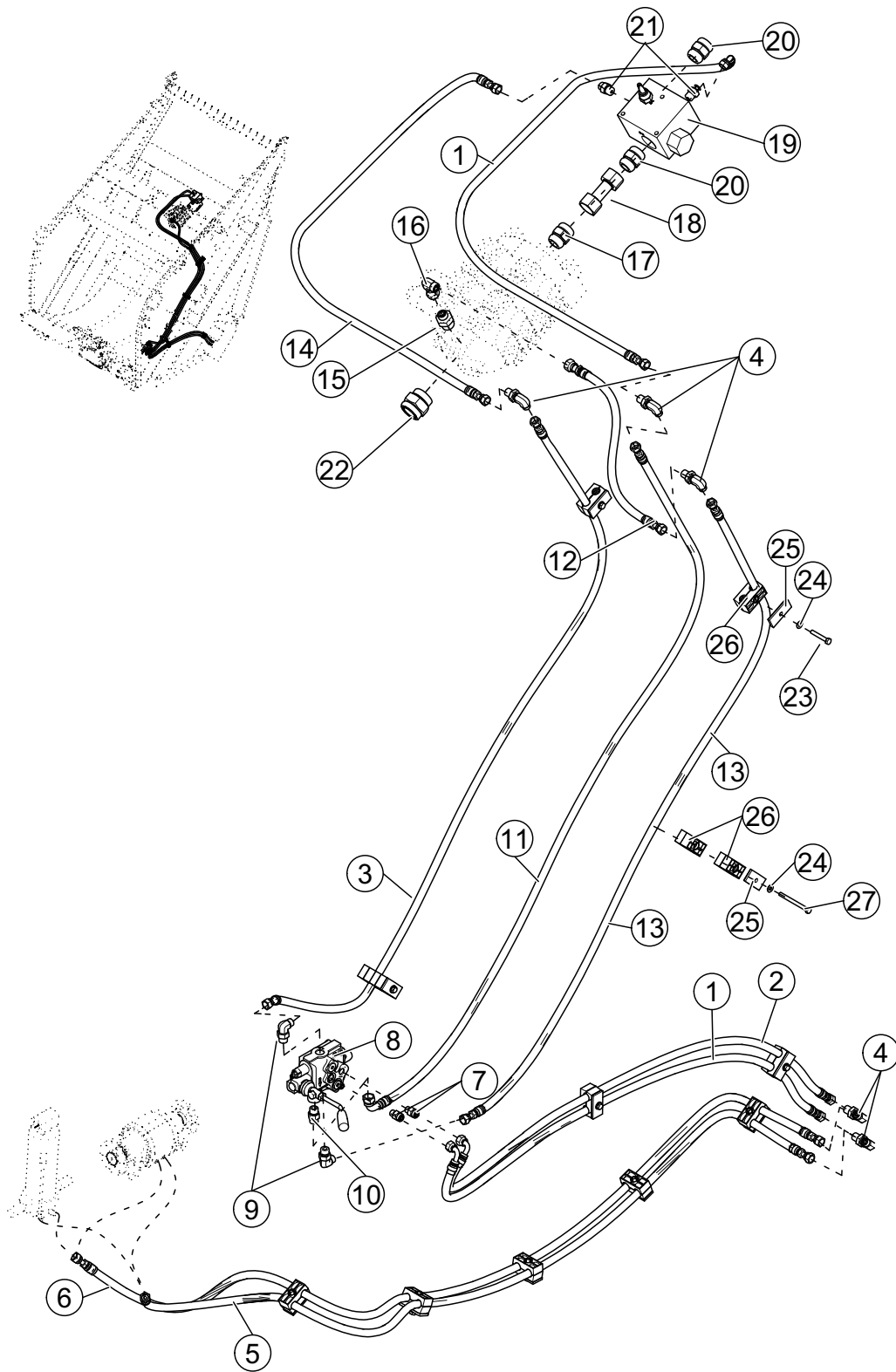
TIPPER HYD'S. (Streetside Tipper) (ORFS)

REF. NO.	PART NO.	DESCRIPTION	QTY.
1	181026	HOSE	1
2	173880	HOSE	1
3	181027	HOSE	1
4	HYF06791	ELBOW, 90° Bulkhead	5
5	170544	HOSE	1
6	181025	HOSE	1
7	HYF04806	CONNECTOR	2
8	HYV03510	VALVE, Tipper Control (See page 193 for components)	1
9	HYF05161	ELBOW, 90°	2
10	HYV00657	VALVE, Check	1
11	158710	HOSE	1
12	181030	HOSE	1
13	181029	HOSE	1
14	170519	HOSE	1
15	HYF05174	CONNECTOR	1
16	HYF06803	ELBOW, 90°	1
17	HYF09495	CONNECTOR	1
18	102039	TUBE	1
19	HYV02560-01	VALVE, Tipper Flow Control (See page 189 for components)	1
20	HYF09496	CONNECTOR	2
21	HYF05176	CONNECTOR	2
22	158569	HOSE	1
23	QUB03101	CAPSCREW	9
24	QUR01800	WASHER	13
25	HYS00670	COVER	11
26	HYS00619	CLAMP, Dual 3/4" Hose	13
27	QUB03232	CAPSCREW	2

SECTION 9

TIPPER HYD'S. (Curbside Tipper) (ORFS)

Ref.867506



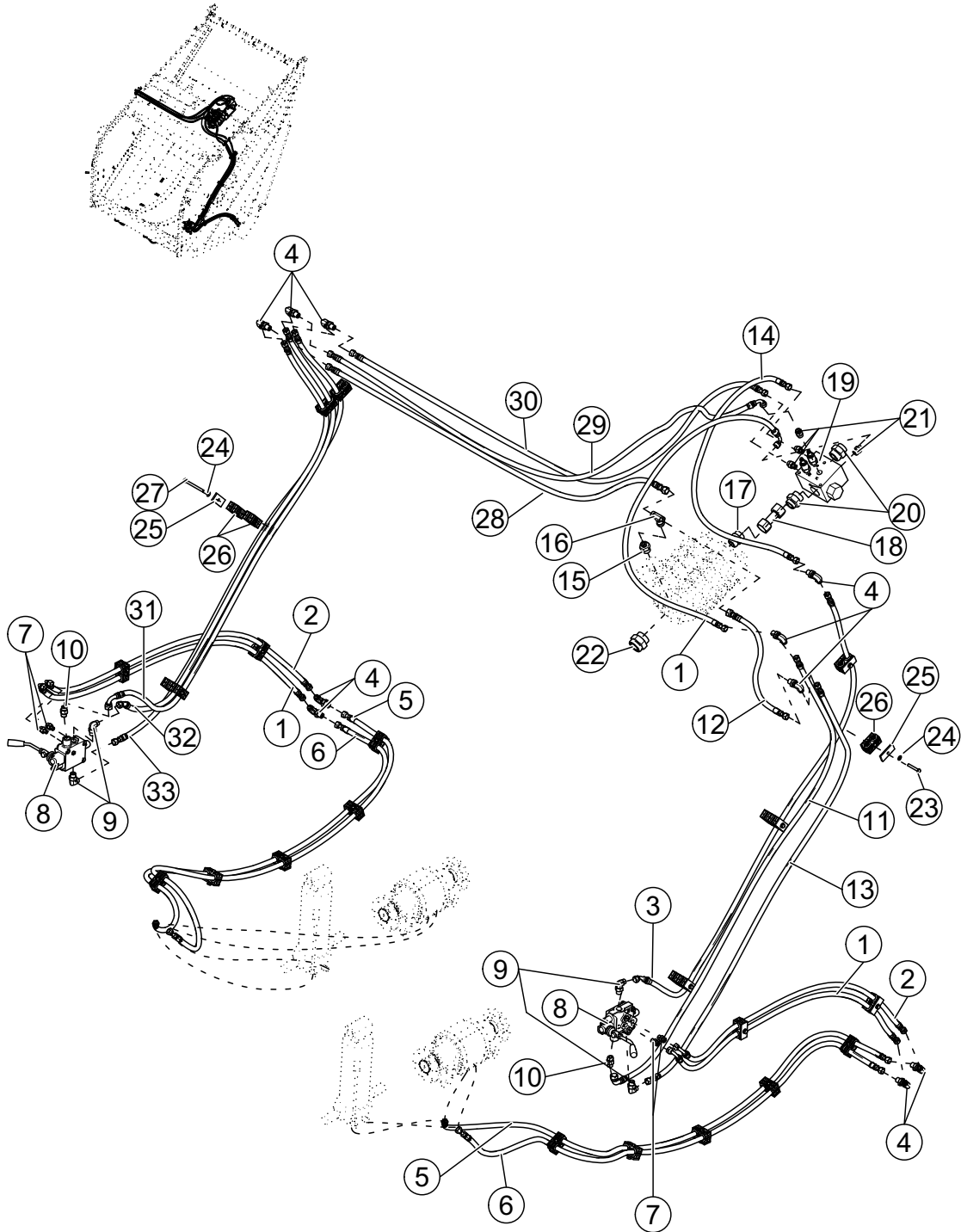
TIPPER HYD'S. (Curbside Tipper) (ORFS)

REF. NO.	PART NO.	DESCRIPTION	QTY.
1	181026	HOSE	2
2	173880	HOSE	1
3	170617	HOSE	1
4	HYF06791	ELBOW, 90° Bulkhead	5
5	170544	HOSE	1
6	181025	HOSE	1
7	HYF04806	CONNECTOR	2
8	HYV03510	VALVE, Tipper Control (See page 193 for components)	1
9	HYF05161	ELBOW, 90°	2
10	HYV00657	VALVE, Check	1
11	158711	HOSE	1
12	170518	HOSE	1
13	181032	HOSE	1
14	181031	HOSE	1
15	HYF05174	CONNECTOR	1
16	HYF06803	ELBOW, 90°	1
17	HYF09495	CONNECTOR	1
18	102039	TUBE	1
19	HYV02560-01	VALVE, Tipper Flow Control (See page 189 for components)	1
20	HYF09496	CONNECTOR	1
21	HYF05176	CONNECTOR	2
22	HYF09595	CONNECTOR	1
23	QUB03101	CAPSCREW	9
24	QUR01800	WASHER	13
25	HYS00670	COVER	11
26	HYS00619	CLAMP, Dual 3/4" Hose	13
27	QUB03232	CAPSCREW	2

SECTION 9

TIPPER HYD'S. (Dual Tippers) (ORFS)

Ref.867512



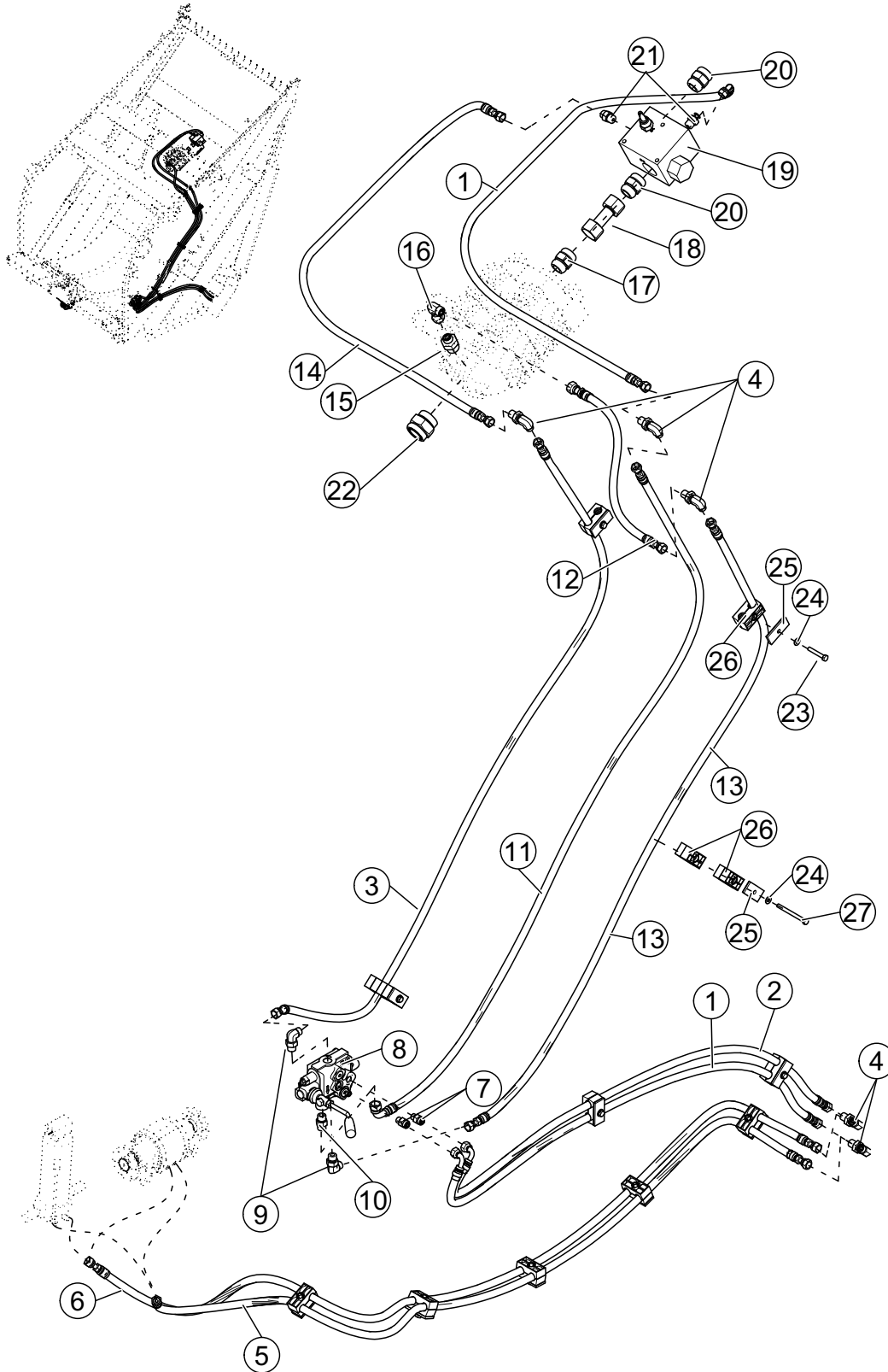
TIPPER HYD'S. (Dual Tipper) (ORFS)

REF. NO.	PART NO.	DESCRIPTION	QTY.
1	181026	HOSE	3
2	173880	HOSE	2
3	170617	HOSE	1
4	HYF06791	ELBOW, 90° Bulkhead	10
5	181025	HOSE	2
6	170544	HOSE	2
7	HYF04806	CONNECTOR	4
8	HYV03510	VALVE, Tipper Control (See page 193 for components)	2
9	HYF05161	ELBOW, 90°	4
10	HYV00657	VALVE, Check	2
11	158711	HOSE	1
12	170518	HOSE	1
13	181032	HOSE	1
14	181031	HOSE	1
15	HYF05174	CONNECTOR	1
16	HYF06115	TEE	1
17	HYF09495	CONNECTOR	1
18	102039	TUBE	1
19	HYV02570-01	VALVE, Tipper Flow Control (See page 190 for components)	1
20	HYF09496	CONNECTOR	2
21	HYF05176	CONNECTOR	4
22	HYF09595	CONNECTOR	1
23	QUB03101	CAPSCREW	18
24	QUR01800	WASHER	24
25	HYS00670	COVER	22
26	HYS00619	CLAMP, Dual 3/4" Hose	26
27	QUB03232	CAPSCREW	4
28	170519	HOSE	1
29	158569	HOSE	1
30	181029	HOSE	1
31	158710	HOSE	1
32	181030	HOSE	1
33	181027	HOSE	1

SECTION 9

TIPPER HYD'S. (Center Tipper) (ORFS)

Ref.867510



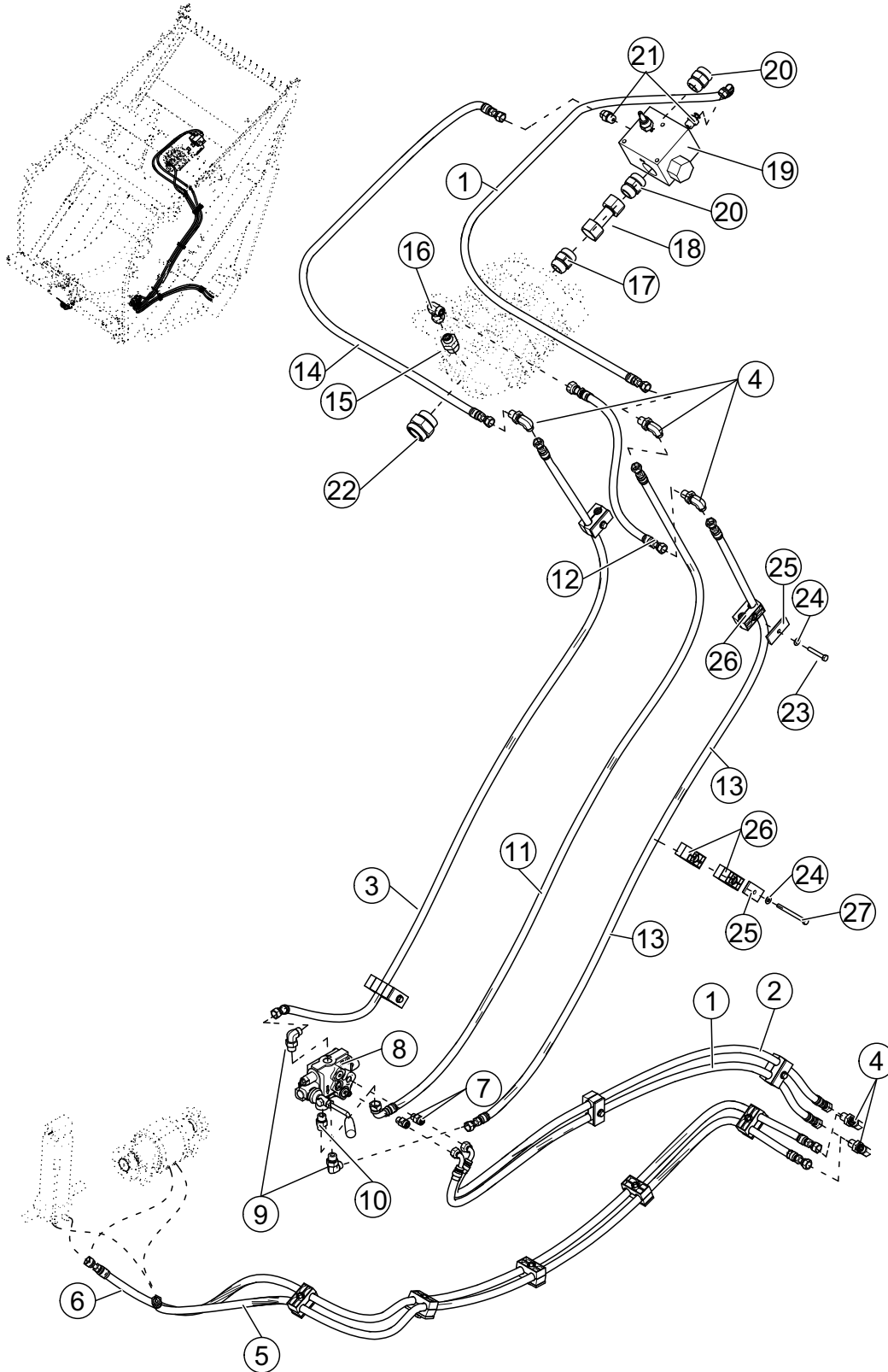
TIPPER HYD'S. (Center Tipper) (ORFS)

REF. NO.	PART NO.	DESCRIPTION	QTY.
1	181026	HOSE	2
2	173880	HOSE	1
3	170617	HOSE	1
4	HYF06791	ELBOW, 90° Bulkhead	5
5	181033	HOSE	1
6	181034	HOSE	1
7	HYF04806	CONNECTOR	2
8	HYV03510	VALVE, Tipper Control (See page 193 for components)	1
9	HYF05161	ELBOW, 90°	2
10	HYV00657	VALVE, Check	1
11	158711	HOSE	1
12	170518	HOSE	1
13	181032	HOSE	1
14	181031	HOSE	1
15	HYF05174	CONNECTOR	1
16	HYF06803	ELBOW, 90°	1
17	HYF09495	CONNECTOR	1
18	102039	TUBE	1
19	HYV02560-01	VALVE, Tipper Flow Control (See page 189 for components)	1
20	HYF09496	CONNECTOR	2
21	HYF05176	CONNECTOR	2
22	HYF09595	CONNECTOR	1
23	QUB03101	CAPSCREW	10
24	QUR01800	WASHER	14
25	HYS00670	COVER	12
26	HYS00619	CLAMP, Dual 3/4" Hose	14
27	QUB03232	CAPSCREW	2

SECTION 9

TIPPER HYD'S. (Center Tipper) (.50Ø Hose) (ORFS)

Ref.877755



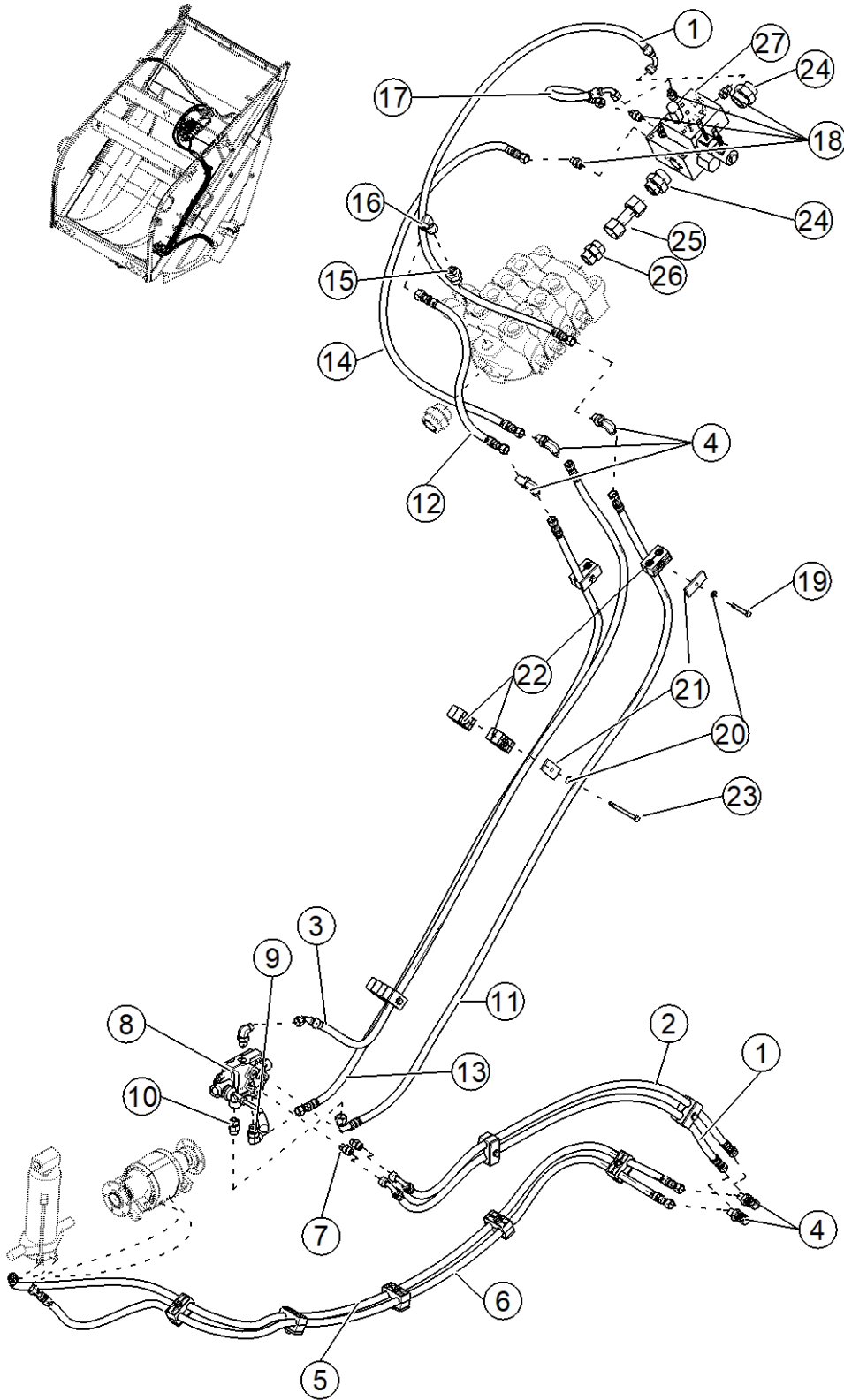
TIPPER HYD'S. (Center Tipper) (.50Ø Hose) (ORFS)

REF. NO.	PART NO.	DESCRIPTION	QTY.
1	212337	HOSE	2
2	212338	HOSE	1
3	212336	HOSE	1
4	HYF06805	ELBOW, 90° Bulkhead	5
5	212339	HOSE	1
6	212340	HOSE	1
7	HYF05172	CONNECTOR	2
8	HYV03510	VALVE, Tipper Control (See page 193 for components)	1
9	HYF05126	ELBOW, 90°	2
10	HYV00657	VALVE, Check	1
11	212335	HOSE	1
12	212331	HOSE	1
13	212334	HOSE	1
14	212332	HOSE	1
15	HYF05174	CONNECTOR	1
16	HYF06803	ELBOW, 90°	1
17	HYF09495	CONNECTOR	1
18	102039	TUBE	1
19	HYV02560-01	VALVE, Tipper Flow Control (See page 189 for components)	1
20	HYF09496	CONNECTOR	2
21	HYF05171	CONNECTOR	2
22	HYF09596	CONNECTOR	1
23	QUB03101	CAPSCREW	10
24	QUR01800	WASHER	14
25	HYS00670	COVER	12
26	HYS00619	CLAMP, Dual ¾" Hose	14
27	QUB03232	CAPSCREW	2

SECTION 9

TIPPER HYD'S. (Curbside Tipper) (ORFS) (Auto Latch)

Ref.867507



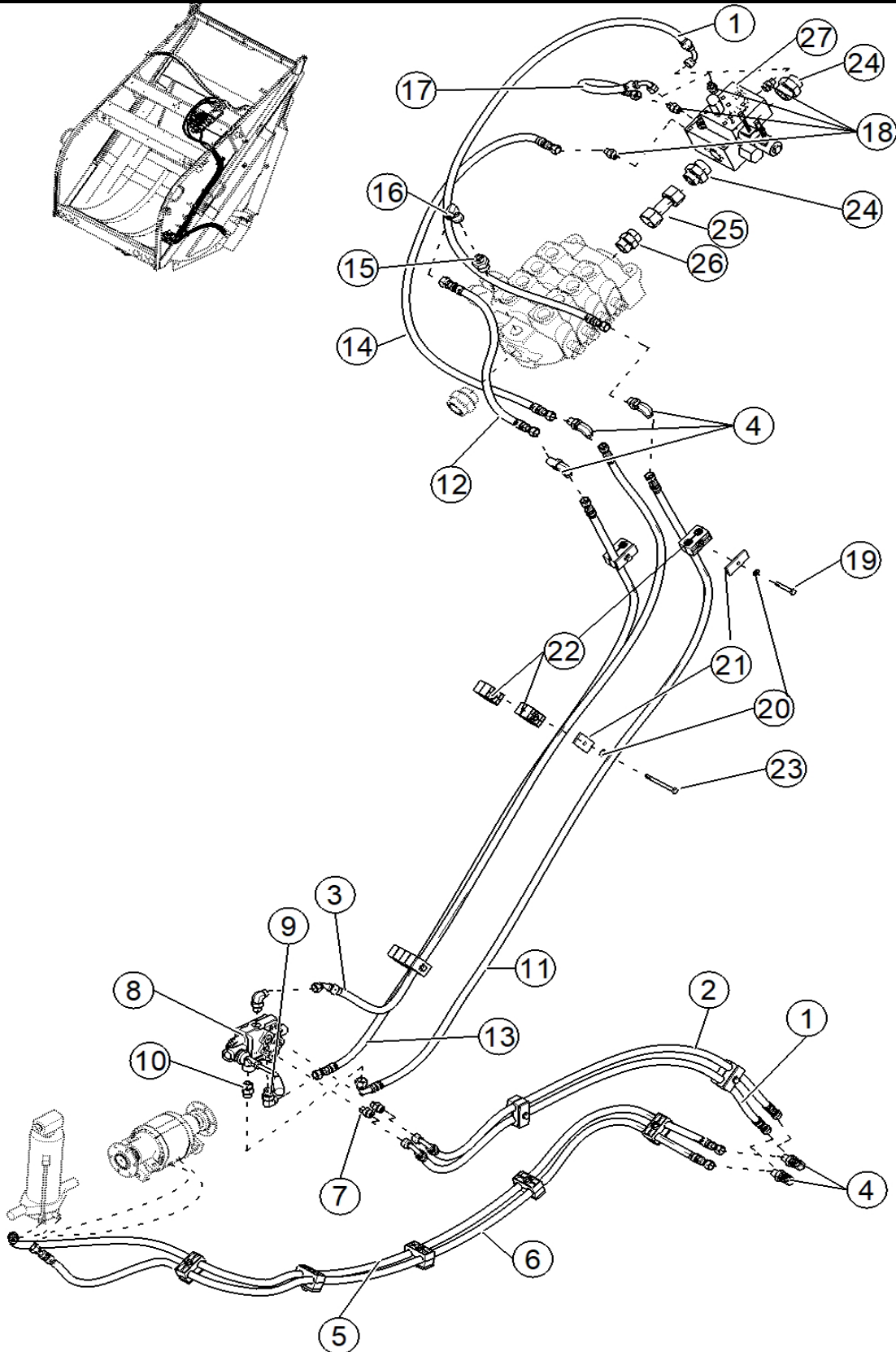
TIPPER HYD'S. (Curbside Tipper) (ORFS) (Auto Latch)

REF. NO.	PART NO.	DESCRIPTION	QTY.
1	181026	HOSE	2
2	173880	HOSE	1
3	170617	HOSE	1
4	HYF06791	ELBOW, 90° Bulkhead	5
5	181025	HOSE	1
6	170544	HOSE	1
7	HYF04806	CONNECTOR	2
8	HYV03510	VALVE, Tipper Control (See page 193 for components)	1
9	HYF05161	ELBOW, 90°	2
10	HYV00657	VALVE, Check	1
11	158711	HOSE	1
12	170518	HOSE	1
13	181032	HOSE	1
14	181031	HOSE	1
15	HYF05174	CONNECTOR	1
16	HYF06803	ELBOW, 90°	1
17	173708	HOSE	1
18	HYF05176	CONNECTOR	4
19	QUB03101	CAPSCREW	9
20	QUR01800	WASHER	11
21	HYS00670	COVER	11
22	HYS00619	CLAMP, Dual 3/4" Hose	13
23	QUB03232	CAPSCREW	2
24	HYV09496	CONNECTOR	2
25	102039	TUBE	1
26	HYF09495	CONNECTOR	1
27	HYV02624-02	VALVE, Dual Tipper W/Auto Latch (See page 191 for components)	1

SECTION 9

TIPPER HYD'S. (Center Tipper) (ORFS) (Auto Latch)

Ref.867508



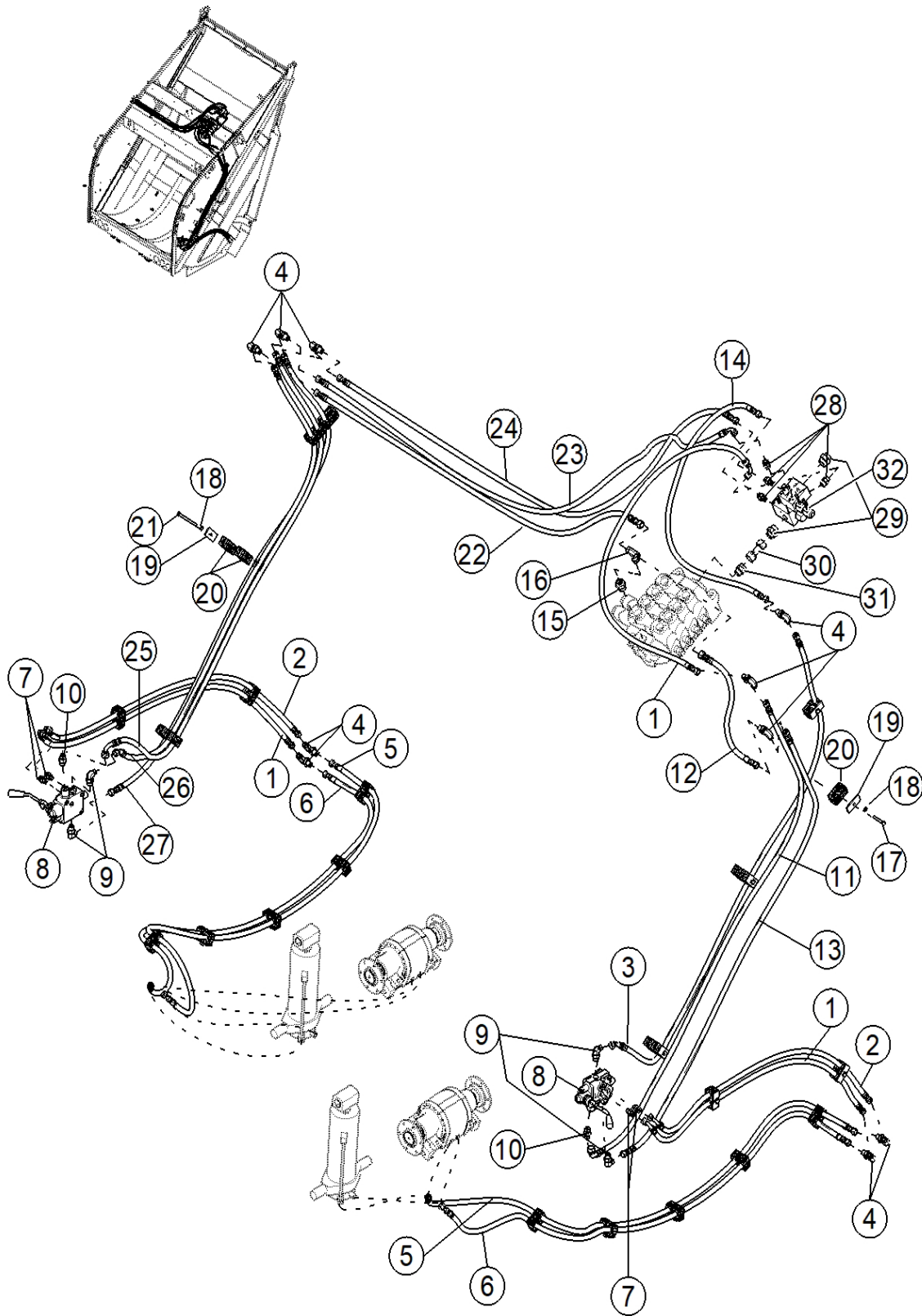
TIPPER HYD'S. (Center Tipper) (ORFS)

REF. NO.	PART NO.	DESCRIPTION	QTY.
1	181026	HOSE	2
2	173880	HOSE	1
3	170617	HOSE	1
4	HYF06791	ELBOW, 90° Bulkhead	5
5	181034	HOSE	1
6	181033	HOSE	1
7	HYF04806	CONNECTOR	2
8	HYV03510	VALVE, Tipper Control (See page 193 for components)	1
9	HYF05161	ELBOW, 90°	2
10	HYV00657	VALVE, Check	1
11	158711	HOSE	1
12	170518	HOSE	1
13	181032	HOSE	1
14	181031	HOSE	1
15	HYF05174	CONNECTOR	1
16	HYF06803	ELBOW, 90°	1
17	173708	HOSE	1
18	HYF05176	CONNECTOR	4
19	QUB03101	CAPSCREW	9
20	QUR01800	WASHER	11
21	HYS00670	COVER	11
22	HYS00619	CLAMP, Dual 3/4" Hose	13
23	QUB03232	CAPSCREW	2
24	HYV09496	CONNECTOR	2
25	102039	TUBE	1
26	HYF09495	CONNECTOR	1
27	HYV02624-02	VALVE, Dual Tipper W/Auto Latch (See page 191 for components)	1

SECTION 9

TIPPER HYD'S. (Dual Tippers) (ORFS) (Auto Latch)

Ref.867513



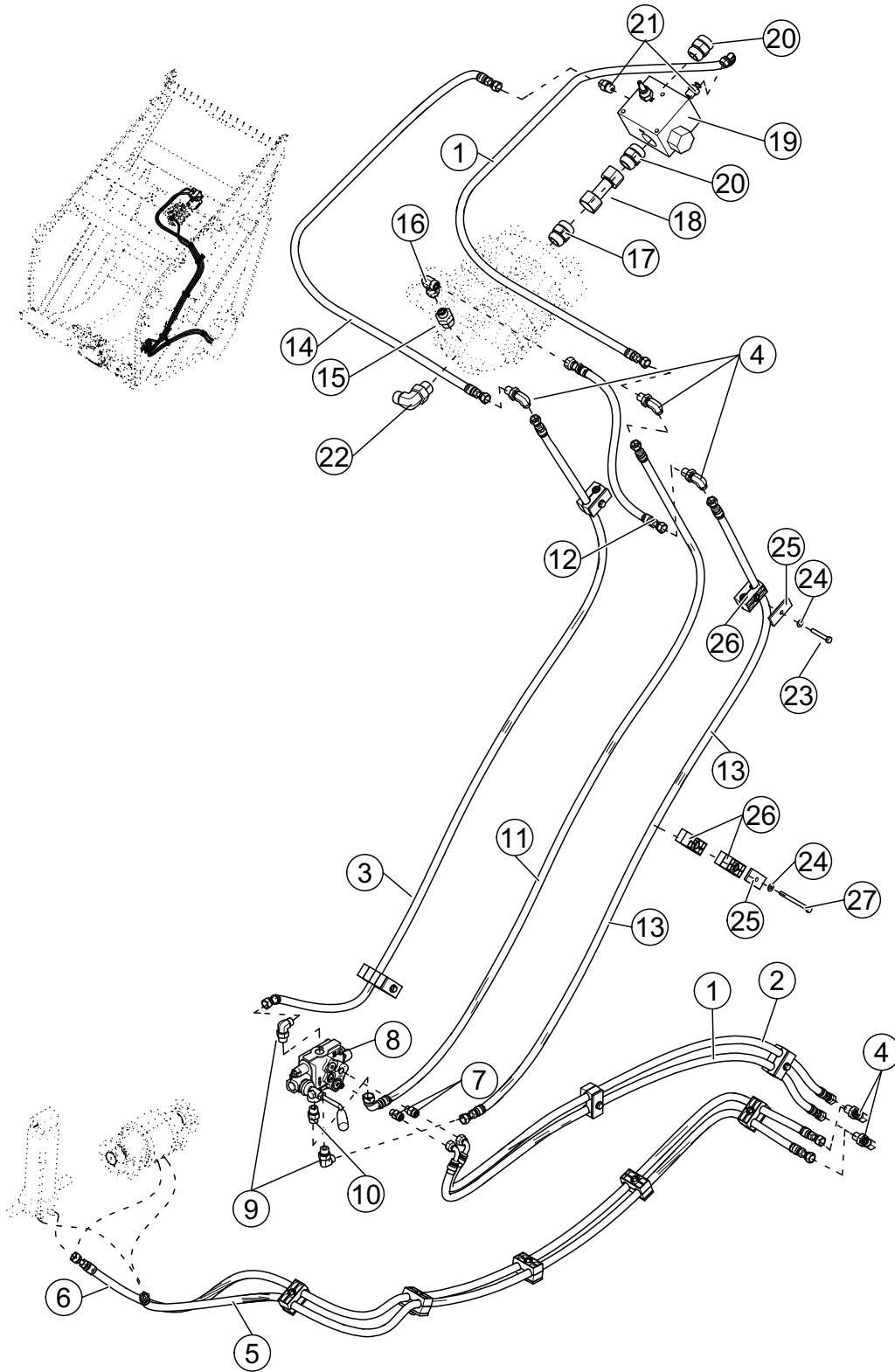
TIPPER HYD'S. (Dual Tipper) (ORFS) (Auto Latch)

REF. NO.	PART NO.	DESCRIPTION	QTY.
1	181026	HOSE	3
2	173880	HOSE	2
3	170617	HOSE	1
4	HYF06791	ELBOW, 90° Bulkhead	10
5	181025	HOSE	2
6	170544	HOSE	2
7	HYF04806	CONNECTOR	4
8	HYV03510	VALVE, Tipper Control (See page 193 for components)	2
9	HYF05161	ELBOW, 90°	4
10	HYV00657	VALVE, Check	2
11	158711	HOSE	1
12	170518	HOSE	1
13	181032	HOSE	1
14	181031	HOSE	1
15	HYF05174	CONNECTOR	1
16	HYF06115	TEE	1
17	QUB03101	CAPSCREW	18
18	QUR01800	WASHER	24
19	HYS00670	COVER	22
20	HYS00619	CLAMP, Dual ¾" Hose	26
21	QUB03232	CAPSCREW	4
22	170519	HOSE	1
23	158569	HOSE	1
24	181029	HOSE	1
25	158710	HOSE	1
26	181030	HOSE	1
27	181027	HOSE	1
28	HYF05176	CONNECTOR	3
29	HYV09496	CONNECTOR	2
30	102039	TUBE	1
31	HYF09495	CONNECTOR	1
32	HYV02624-02	VALVE, Dual Tipper w/Auto Latch (See page 191 for components)	1

SECTION 9

TIPPER HYD'S. (Curbside Tipper) (JIC)

Ref.874206



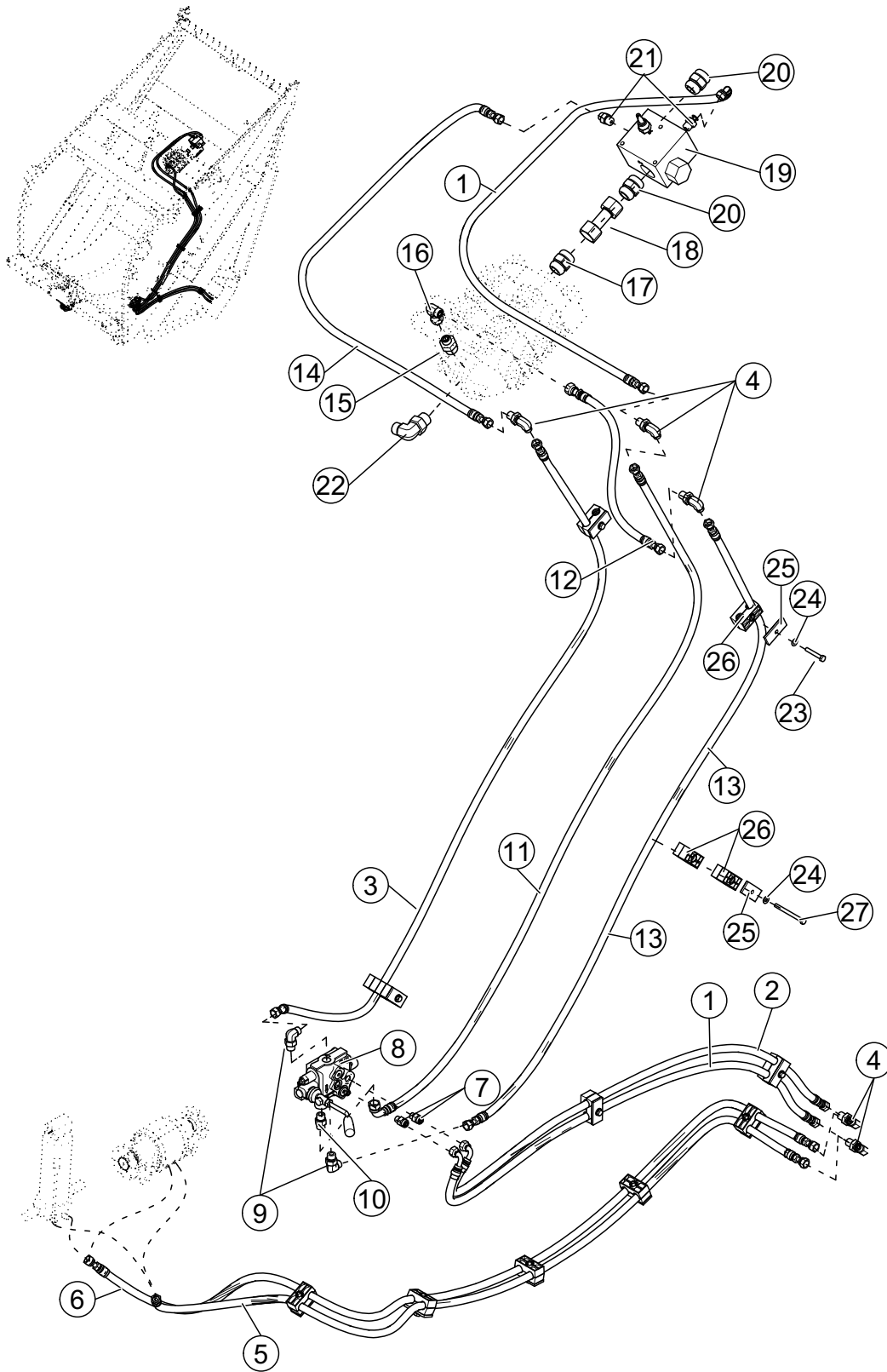
TIPPER HYD'S. (Curbside Tipper) (JIC)

REF. NO.	PART NO.	DESCRIPTION	QTY.
1	206777	HOSE	2
2	206781	HOSE	1
3	206780	HOSE	1
4	HYF06790	ELBOW, 90° Bulkhead	5
5	104480	HOSE	1
6	104479	HOSE	1
7	HYF04800	CONNECTOR	2
8	HYV03510	VALVE, Tipper Control (See page 193 for components)	1
9	HYF05128	ELBOW, 90°	2
10	HYV00658	VALVE, Check	1
11	206779	HOSE	1
12	206776	HOSE	1
13	206778	HOSE	1
14	194893	HOSE	1
15	HYF04960	CONNECTOR	1
16	HYF08000	ELBOW, 90°	1
17	HYF05000	CONNECTOR	1
18	199600	TUBE	1
19	HYV02560-01	VALVE, Tipper Flow Control (See page 189 for components)	1
20	HYF08555	CONNECTOR	1
21	HYF04875	CONNECTOR	2
22	HYF07827	ELBOW, 90°	1
23	QUB03101	CAPSCREW	9
24	QUR01800	WASHER	13
25	HYS00670	COVER	11
26	HYS00619	CLAMP, Dual 3/4" Hose	13
27	QUB03232	CAPSCREW	2

SECTION 9

TIPPER HYD'S. (Center Tipper) (JIC)

Ref.874234



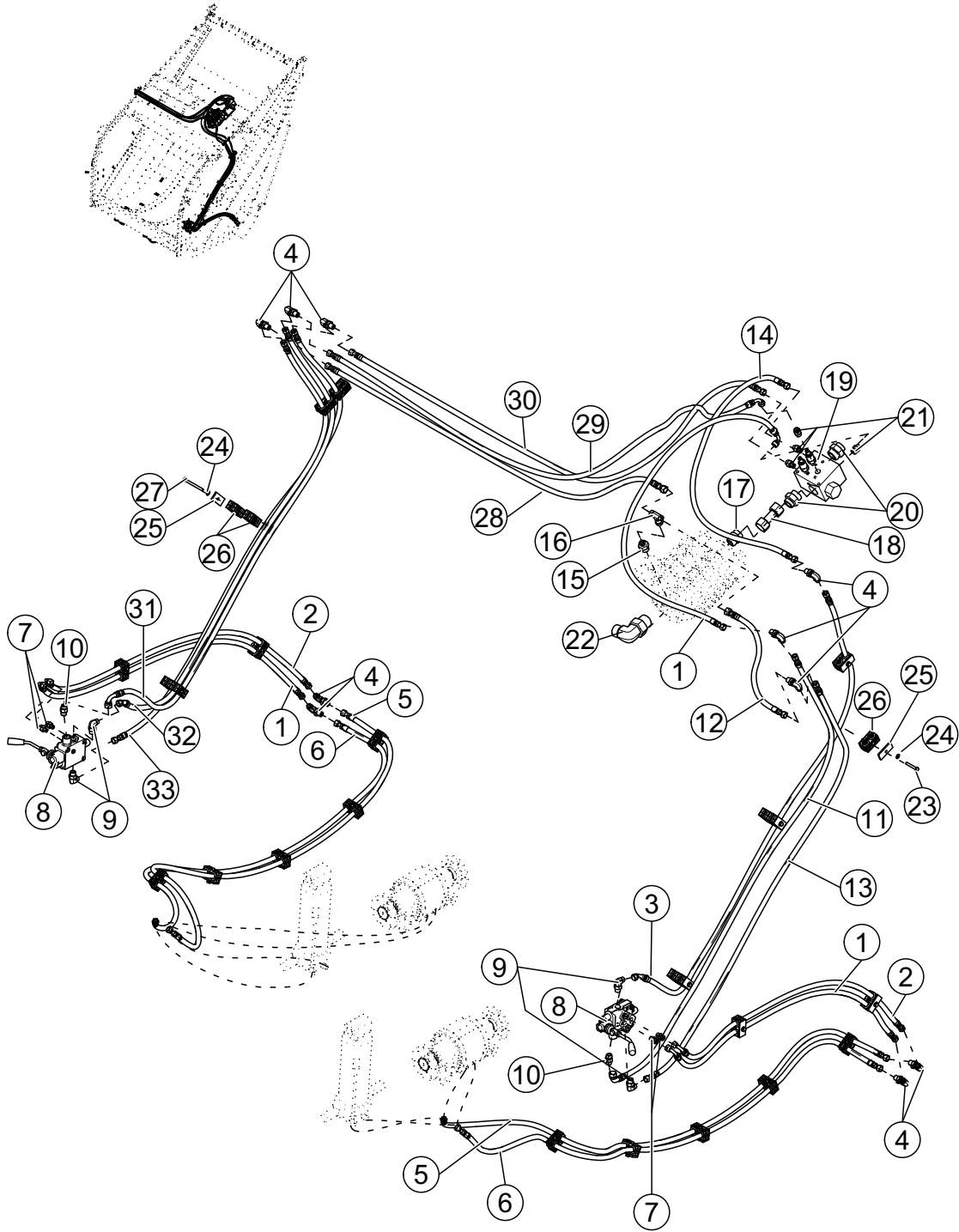
TIPPER HYD'S. (Center Tipper) (JIC)

REF. NO.	PART NO.	DESCRIPTION	QTY.
1	206777	HOSE	2
2	206781	HOSE	1
3	206780	HOSE	1
4	HYF06790	ELBOW, 90° Bulkhead	5
5	206782	HOSE	1
6	206783	HOSE	1
7	HYF04800	CONNECTOR	2
8	HYV03510	VALVE, Tipper Control (See page 193 for components)	1
9	HYF05128	ELBOW, 90°	2
10	HYV00658	VALVE, Check	1
11	206779	HOSE	1
12	206776	HOSE	1
13	206778	HOSE	1
14	194893	HOSE	1
15	HYF04960	CONNECTOR	1
16	HYF08000	ELBOW, 90°	1
17	HYF05000	CONNECTOR	1
18	199600	TUBE	1
19	HYV02560-01	VALVE, Tipper Flow Control (See page 189 for components)	1
20	HYF08555	CONNECTOR	1
21	HYF04875	CONNECTOR	2
22	HYF07827	ELBOW, 90°	1
23	QUB03101	CAPSCREW	9
24	QUR01800	WASHER	13
25	HYS00670	COVER	11
26	HYS00619	CLAMP, Dual 3/4" Hose	13
27	QUB03232	CAPSCREW	2

SECTION 9

TIPPER HYD'S. (Dual Tipper) (JIC)

Ref. 850605



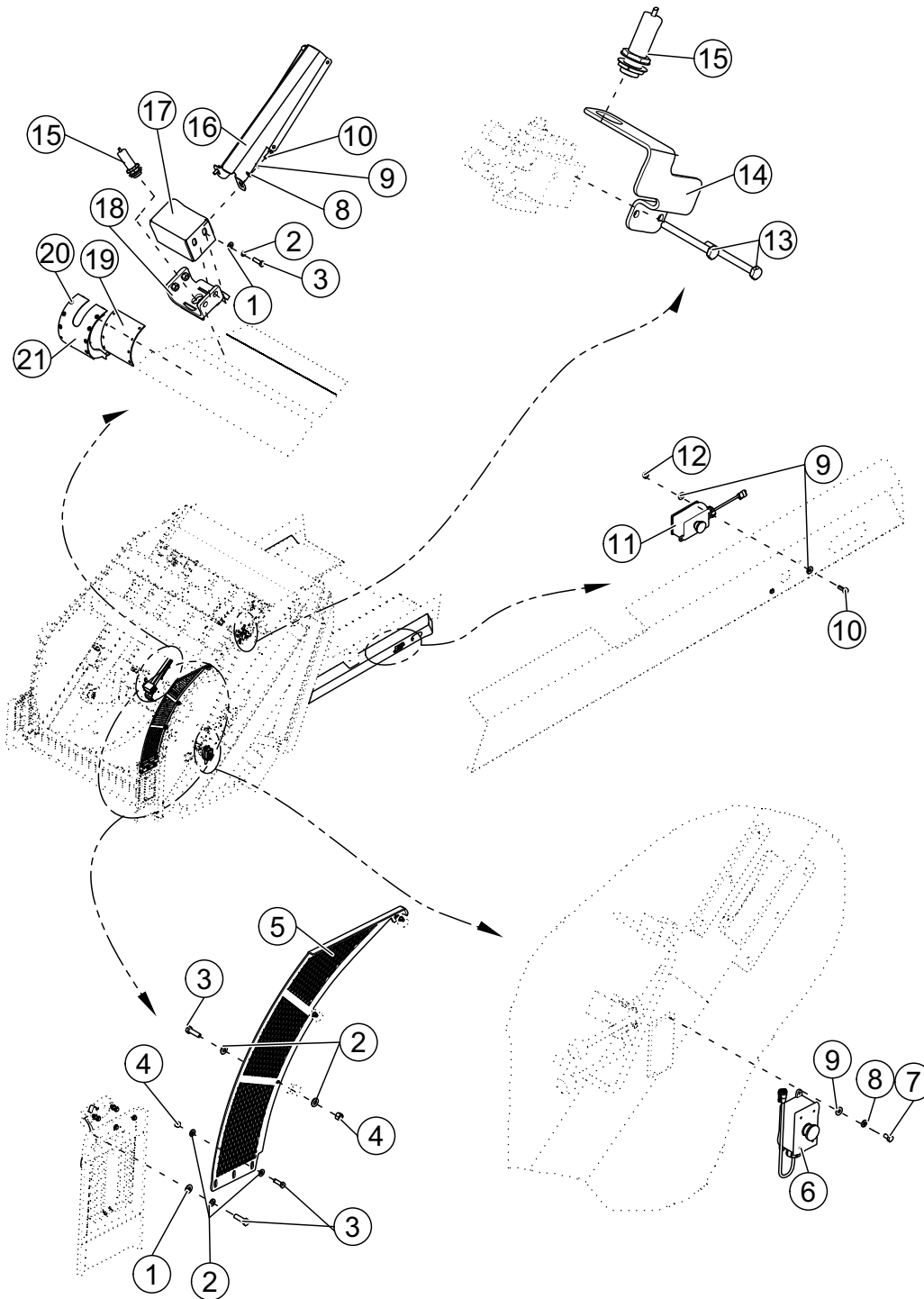
TIPPER HYD'S. (Dual Tipper) (JIC)

REF. NO.	PART NO.	DESCRIPTION	QTY.
1	206777	HOSE	3
2	206781	HOSE	2
3	206780	HOSE	1
4	HYF06790	ELBOW, 90° Bulkhead	10
5	104480	HOSE	2
6	104479	HOSE	2
7	HYF04800	CONNECTOR	4
8	HYV03510	VALVE, Tipper Control (See page 193 for components)	2
9	HYF05128	ELBOW, 90°	4
10	HYV00658	VALVE, Check	2
11	206679	HOSE	1
12	206776	HOSE	1
13	206778	HOSE	1
14	194893	HOSE	1
15	HYF04960	CONNECTOR	1
16	HYF05830	TEE	1
17	HYF09495	CONNECTOR	1
18	199600	TUBE	1
19	HYV02570-01	VALVE, Tipper Flow Control (See page 190 for components)	1
20	HYF09496	CONNECTOR	2
21	HYF05176	CONNECTOR	4
22	HYF07827	ELBOW, 90°	1
23	QUB03101	CAPSCREW	18
24	QUR01800	WASHER	24
25	HYS00670	COVER	22
26	HYS00619	CLAMP, Dual 3/4" Hose	26
27	QUB03232	CAPSCREW	4
28	104478	HOSE	1
29	104476	HOSE	1
30	104482	HOSE	1
31	104477	HOSE	1
32	104483	HOSE	1
33	104481	HOSE	1

SECTION 10

PACKER PROTECTION - M.O.L. (Strap style packer/carrier)

Ref.863782



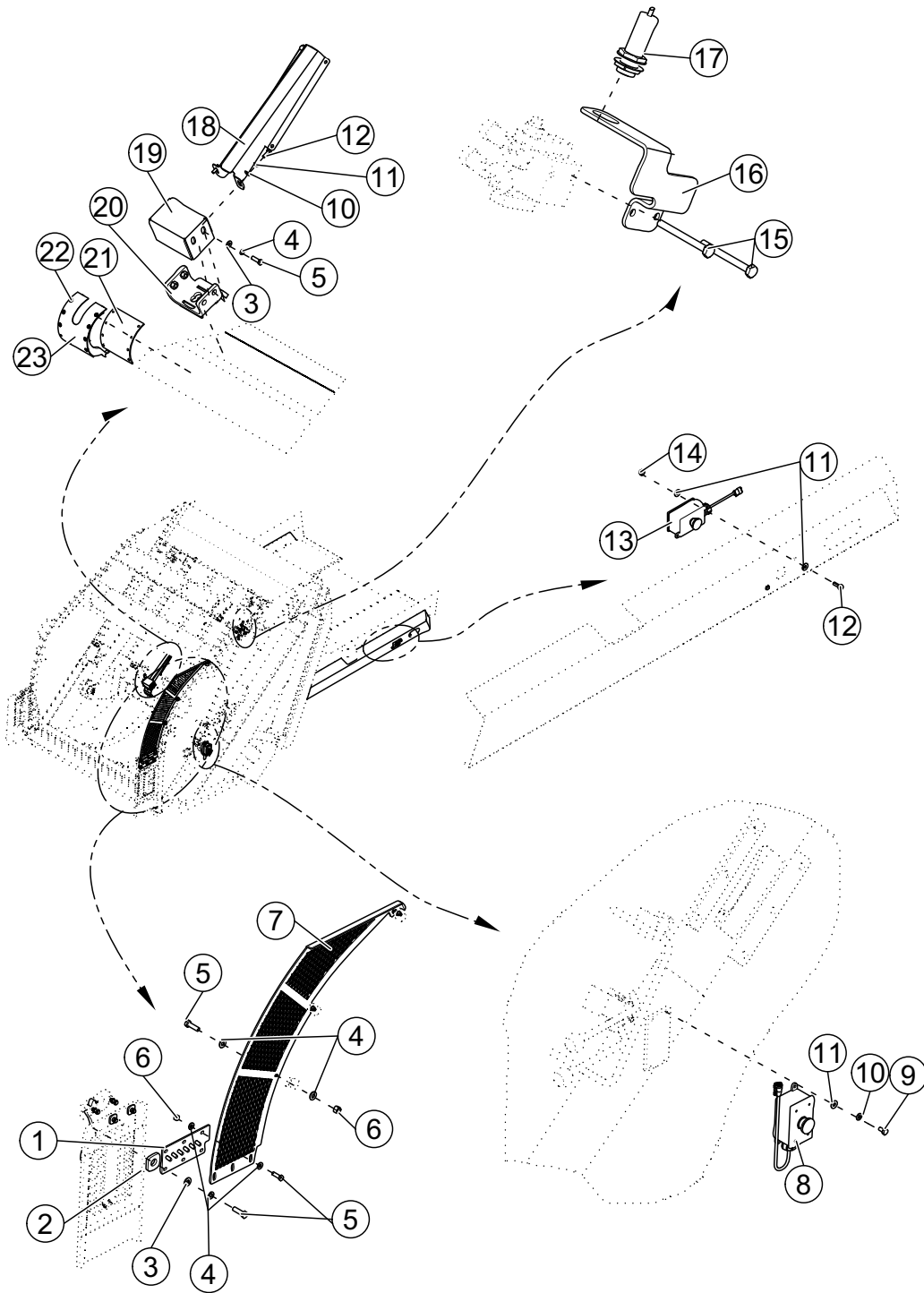
PACKER PROTECTION - M.O.L. (Strap style packer/carrier)

REF. NO.	PART NO.	DESCRIPTION	QTY.
1	QUR01272	WASHER	7
2	QUR01902	WASHER	19
3	QUB03501	CAPSCREW	13
4	QUE01302	NUT	6
5	170400	GUARD	1
6	170409	ASSY., Push Button Enclosure (See page 317 for components)	1
7	QUB01910	CAPSCREW	2
8	QUR01261	WASHER	8
9	QUR01695	WASHER	12
10	QUB01990	CAPSCREW	8
11	170408	ASSY., Push Button Enclosure (See page 318 for components)	1
12	QUE01175	NUT	2
13	QUB02405	CAPSCREW	2
14	158401	BRACKET, Sensor	1
15	100155	SENSOR, Proximity	2
16	158645	COVER	1
17	170407	COVER	1
18	107622	SUPPORT	1
19	158644	LINER	1
20	QUR02163	RIVET	8
21	158400	SUPPORT, Liner	1

SECTION 10

PACKER PROTECTION - M.O.L. (Strap style packer/carrier)

Ref.874137



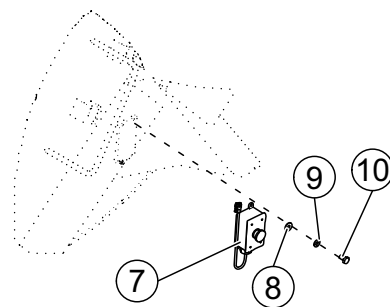
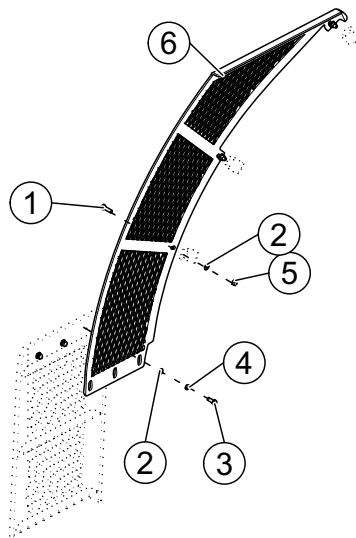
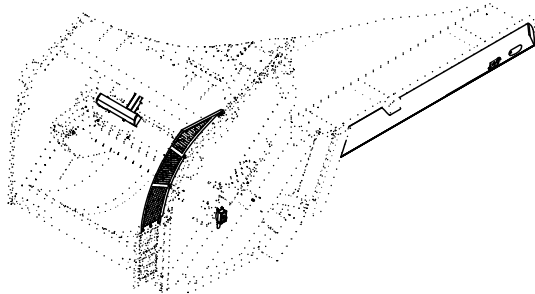
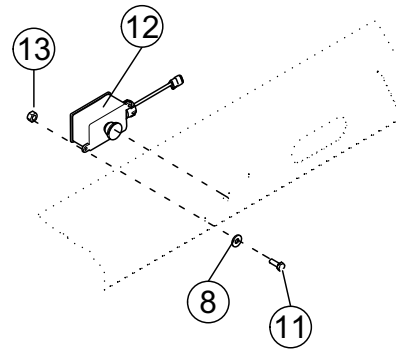
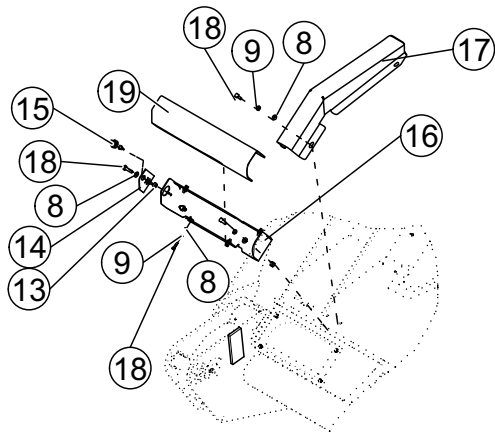
PACKER PROTECTION - M.O.L.(Strap style packer/carrier)

REF. NO.	PART NO.	DESCRIPTION	QTY.
1	203749	EXTENSION, Guard	1
2	175499	SPACER	3
3	QUR01272	WASHER	7
4	QUR01902	WASHER	19
5	QUB03501	CAPSCREW	13
6	QUE01302	NUT	6
7	170400	GUARD	1
8	170409	ASSY., Push Button Enclosure (See page 317 for components)	1
9	QUB01910	CAPSCREW	2
10	QUR01261	WASHER	8
11	QUR01695	WASHER	12
12	QUB01990	CAPSCREW	8
13	170408	ASSY., Push Button Enclosure (See page 318 for components)	1
14	QUE01175	NUT	2
15	QUB02405	CAPSCREW	2
16	158401	BRACKET, Sensor	1
17	100155	SENSOR, Proximity	2
18	158645	COVER	1
19	170407	COVER	1
20	107622	SUPPORT	1
21	158644	LINER	1
22	QUR02163	RIVET	8
23	158400	SUPPORT, Liner	1

SECTION 10

PACKER PROTECTION - M.O.L. (Hinged style packer/carrier)

Ref850631.

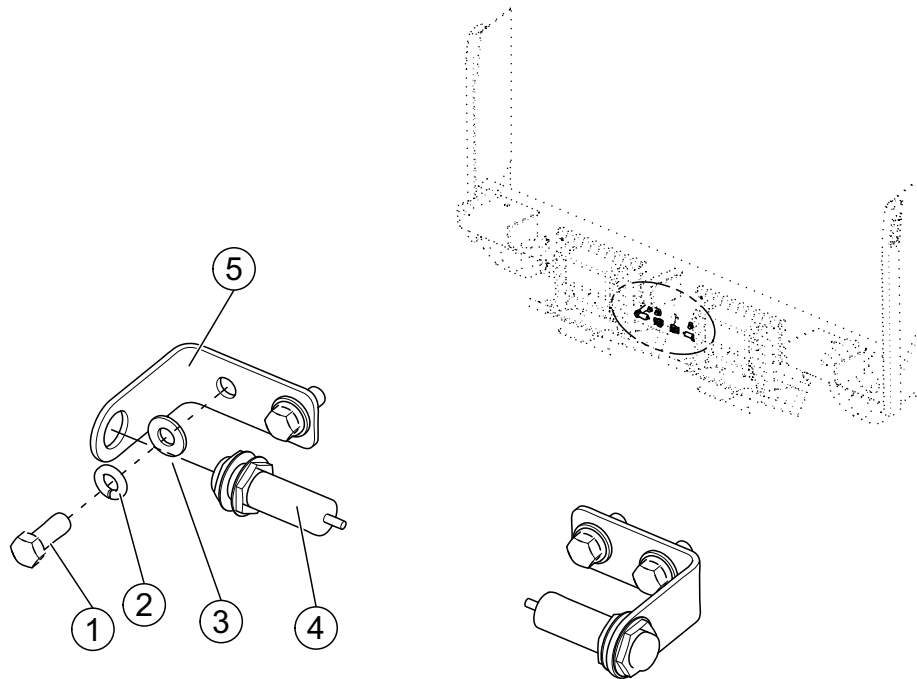


PACKER PROTECTION - M.O.L. (Hinged style packer/carrier)

REF. NO.	PART NO.	DESCRIPTION	QTY.
1	QUB03501	CAPSCREW	3
2	QUR01902	WASHER	9
3	QUB03401	CAPSCREW	3
4	QUR01272	WASHER	3
5	QUE01302	NUT	3
6	170400	GUARD	1
7	170409	ASSY., Push Button Enclosure (See page 317 for components)	1
8	QUR01695	WASHER	16
9	QUR01261	WASHER	10
10	QUB01910	CAPSCREW	2
11	QUB01990	CAPSCREW	2
12	170408	ASSY., Push Button Enclosure (See page 318 for components)	1
13	QUE01175	NUT	4
14	104743	PLATE, Sensor	1
15	193855	SENSOR, Proximity	1
16	104738	BRACKET	1
17	104742	COVER	1
18	QUB02120	CAPSCREW	10
19	104740	COVER	1

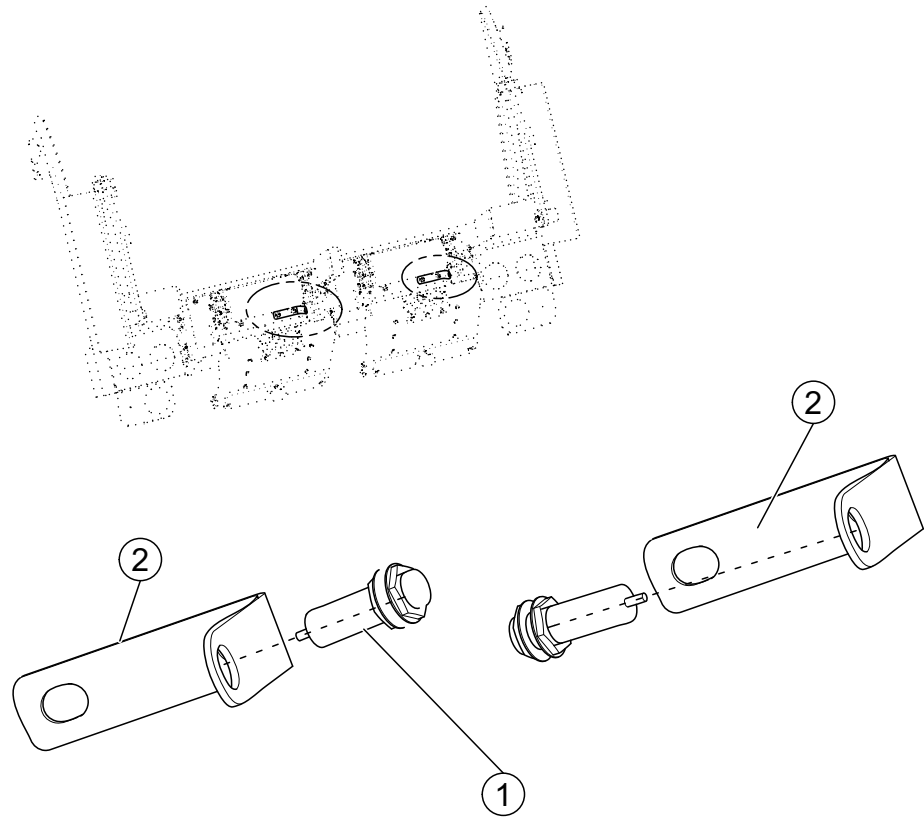
SECTION 10**CART COUNTER** (Dual Tipper, Cylinder Tilt Style)

Ref.899098



REF. NO.	PART NO.	DESCRIPTION	QTY.
1	QUB03401	CAPSCREW	4
2	QUR01272	WASHER	4
3	QUR01902	WASHER	4
4	100155	SENSOR, Proximity	2
5	215329	BRACKET	2

CART COUNTER (Dual Tipper, Actuator Tilt Style)

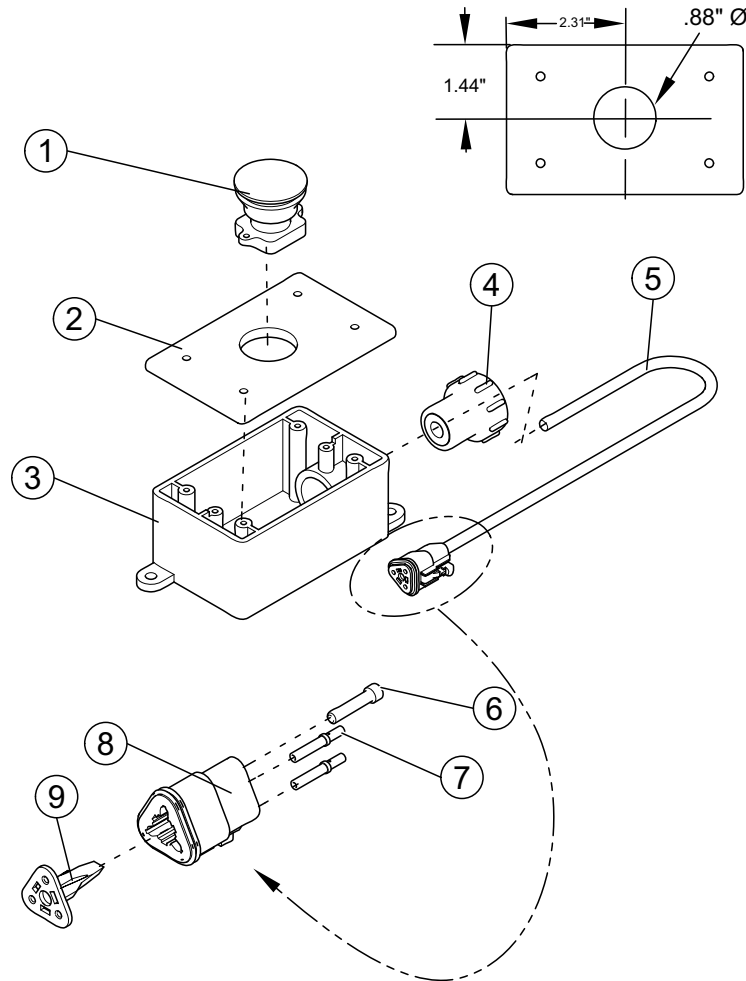


REF. NO.	PART NO.	DESCRIPTION	QTY.
1	100155	SENSOR, Proximity	2
2	107673	BRACKET	2

SECTION 10

PACKER PROTECTION (Pushbutton Assy)

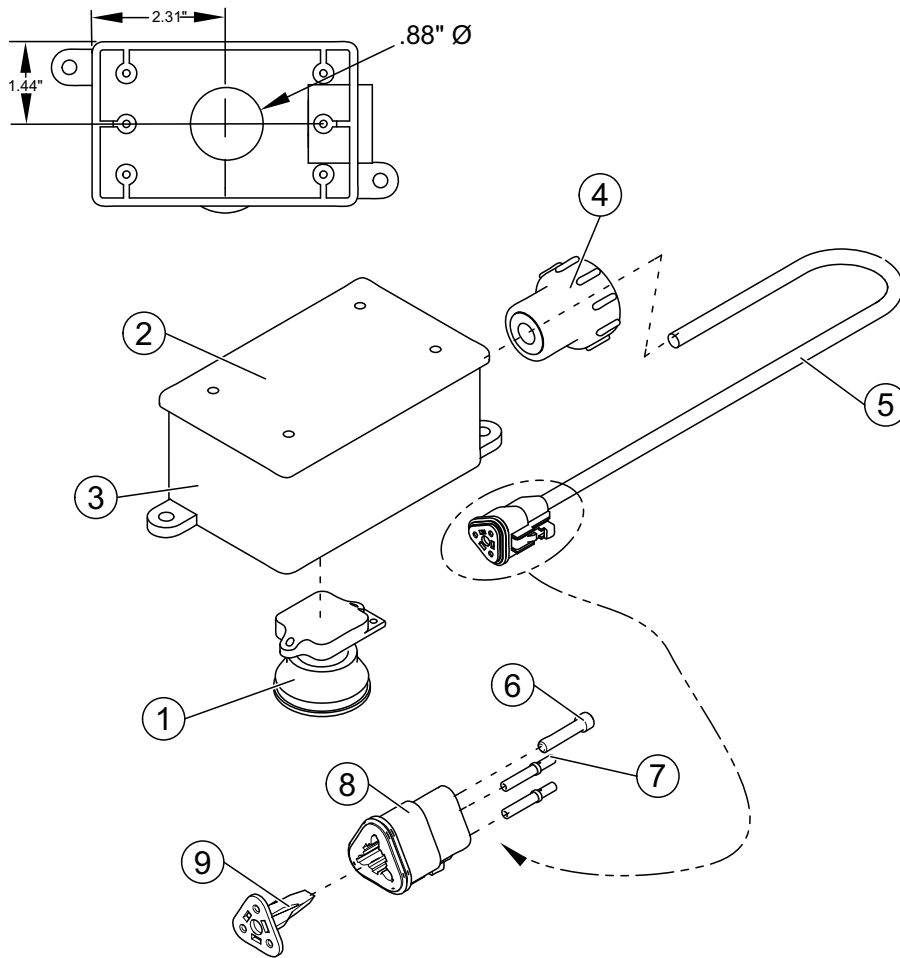
Ref.170409
850631, 874137,



REF. NO.	PART NO.	DESCRIPTION	QTY.
1	ELB02280	ASSY., Pushbutton (40mm, Black, Momentary)	1
2	ELB00476	COVER	1
3	ELB00475	ENCLOSURE	1
4	ELB02900	CONNECTOR, Cable	1
5	74057	HARNESS (Includes Items 6, 7, 8 & 9)	1
6	ELT08000	PLUG, Cavity	1
7	ELT02500	SOCKET	2
8	ELC04160	RECEPTACLE	1
9	ELT06160	LOCK	1
	170409	ASSY, Pushbutton Enclosure (Includes Items 1 Thru 5)	1

Ref.170408, 850631,
874137

PACKER PROTECTION (Pushbutton Assy)

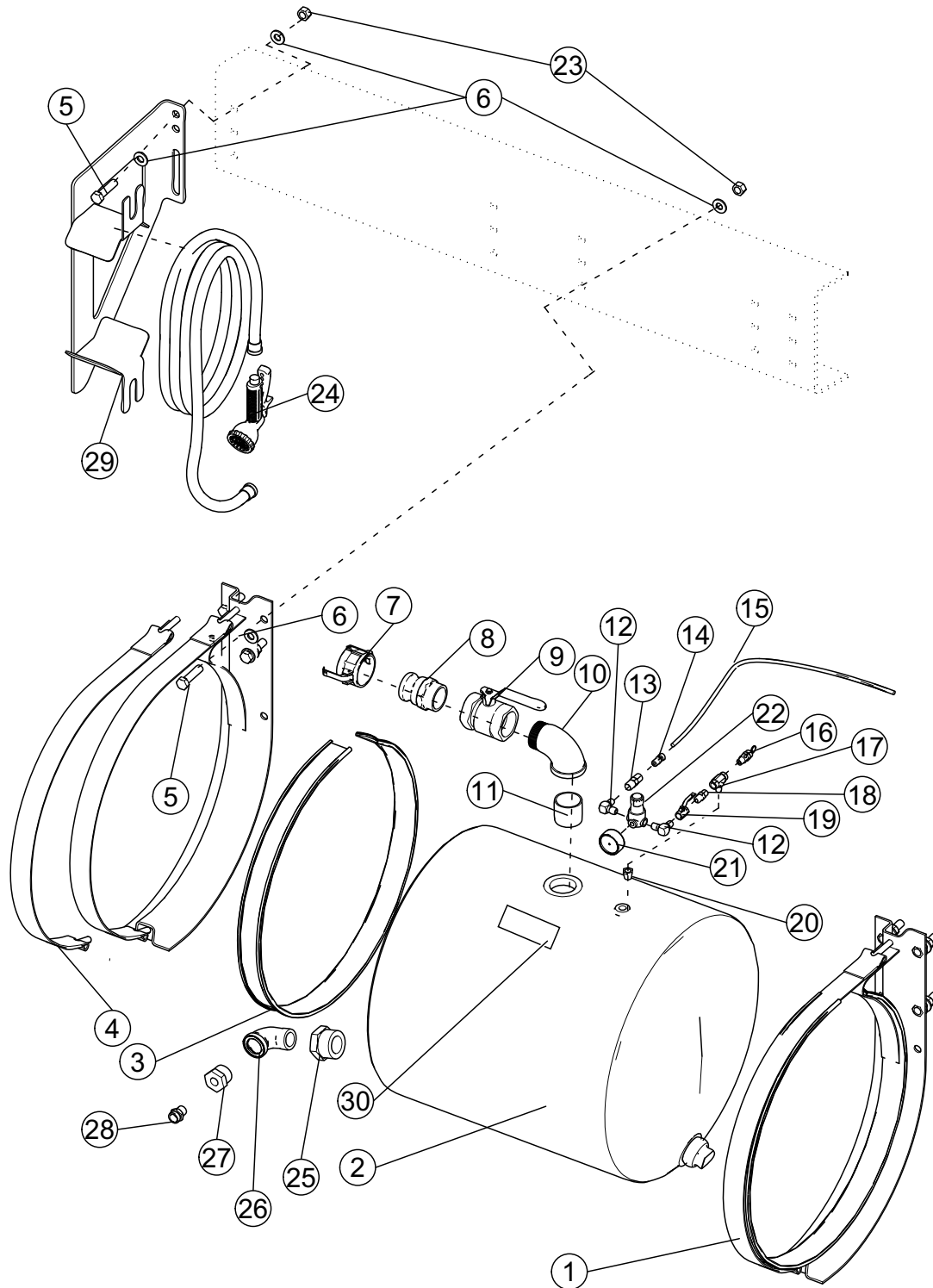


REF. NO.	PART NO.	DESCRIPTION	QTY.
1	ELB02280	ASSY., Pushbutton (40mm, Black, Momentary)	1
2	ELB00476	COVER	1
3	ELB00475	ENCLOSURE	1
4	ELB02900	CONNECTOR, Cable	1
5	74057	HARNESS (Includes Items 6, 7, 8 & 9)	1
6	ELT08000	PLUG, Cavity	1
7	ELT02500	SOCKET	2
8	ELC04160	RECEPTACLE	1
9	ELT06160	LOCK	1
	170409	ASSY, Pushbutton Enclosure (Includes Items 1 Thru 5)	1

SECTION 11

WASH OUT TANK - 50 Gallon

Ref. 842877, 842882,
842878, 842879, 842 880,
107285



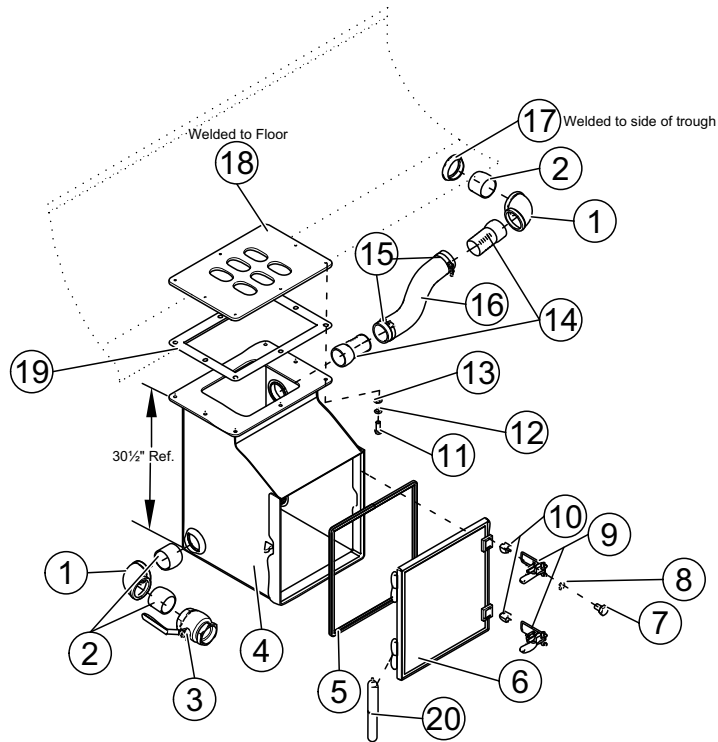
WASH OUT TANK - 50 Gallon

REF. NO.	PART NO.	DESCRIPTION	QTY.
1	CHC01700	SUPPORT, Strap Reservoir (Includes bracket & strap)	2
2	PNR00363	RESERVOIR	1
3	CII00110	RUBBER, Isolation (Used with item 1)	Sold by Foot
4	CHC02150	STRAP - Only (Used with item 1)	As Reqd.
5	QUB06300	CAPSCREW	10
6	QUR02130	WASHER	20
7	HYF10045	CAP	1
8	QUC16016	CONNECTOR, Camlock	1
9	HYV01800-01	VALVE, Ball - 2" NPT	1
10	HYF12950	ELBOW, 90°	1
11	HYF13800	NIPPLE, Close 2" NPT	1
12	HYF10610	ELBOW, 90°	2
13	PNS01050	VALVE, Check	1
14	PNF02900	CONNECTOR	1
15	PNB00600	TUBING, Air	Sold by Foot
16	PNS01024	VALVE, Safety	1
17	HYF05675	TEE	1
18	HYF09000	NIPPLE	1
19	HYV01425	VALVE, Ball - 1/4" NPT	1
20	PNF07800	CONNECTOR	1
21	PNJ01200	GAUGE, Pressure (0-150 PSI)	1
22	PNV01010	REGULATOR	1
23	QUE02416	NUT	10
24	CHP05000	NOZZLE, Hose	1
25	HYF08810	CONNECTOR	1
26	HYF12910	ELBOW, Street 90°	1
27	HYF08410	CONNECTOR	1
28	QUG17020	ADAPTER, Hose	1
29	107288	SUPPORT, Hose	1
30	97809	DECAL (Max. Pressure 45 PSI, English)	1
	97810	DECAL (Max. Pressure 45 PSI, French)	1

SECTION 11

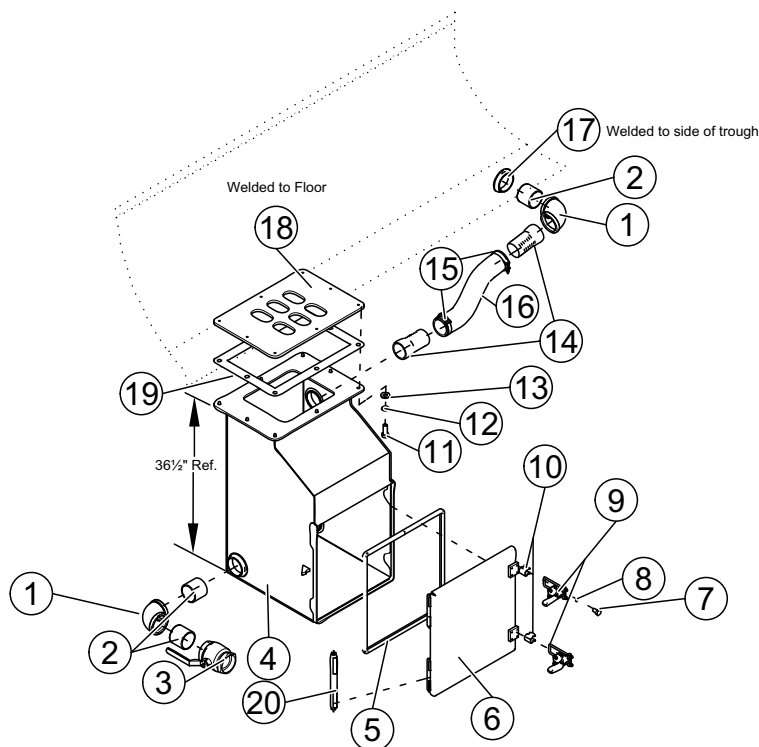
SUMP CLEAN OUT

Ref.899154



REF. NO.	PART NO.	DESCRIPTION	QTY.
1	HYF03105	ELBOW, 90°	2
2	HYF13795	NIPPLE	3
3	HYV01851	VALVE, Ball - 3"	1
4	215371	ASSY., Sump (Includes items 4, 6, 7, 8, 10)	1
5	188208	SEAL	1
6	188209	DOOR (Includes hinges)	1
7	QUB02601	CAPSCREW	8
8	QUR01270	WASHER	8
9	QUC01210	ASSY., Latch	2
10	120429	CATCH PLATE	2
11	QUB03401	CAPSCREW	8
12	QUR01271	WASHER	8
13	QUR01902	WASHER	8
14	HYF14056	NIPPLE, King	2
15	HYC00128-01	CLAMP	2
16	121922	HOSE, Suction	1
17	HYF13795	OUTLET, Weld (Welded to side trough)	1
18	188205	FLANGE, Trough	1
19	188214	GASKET	1

SUMP CLEAN OUT

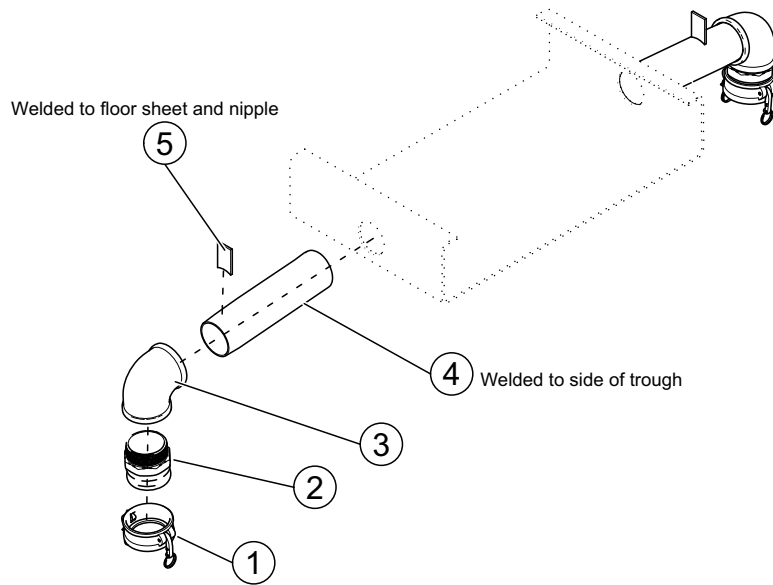


REF. NO.	PART NO.	DESCRIPTION	QTY.
1	HYF03105	ELBOW, 90°	2
2	HYF13795	NIPPLE	3
3	HYV01851	VALVE, Ball - 3"	1
4	215371	ASSY., Sump (Includes items 4, 6, 7, 8, 10)	1
5	188208	SEAL	1
6	188209	DOOR (Includes hinges)	1
7	QUB02601	CAPSCREW	8
8	QUR01270	WASHER	8
9	QUC01210	ASSY., Latch	2
10	120429	CATCH PLATE	2
11	QUB03401	CAPSCREW	8
12	QUR01271	WASHER	8
13	QUR01902	WASHER	8
14	HYF14056	NIPPLE, King	2
15	HYC00128-01	CLAMP	2
16	121922	HOSE, Suction	1
17	HYF13795	OUTLET, Weld (Welded to side trough)	1
18	188205	FLANGE, Trough	1
19	188214	GASKET	1

SECTION 11

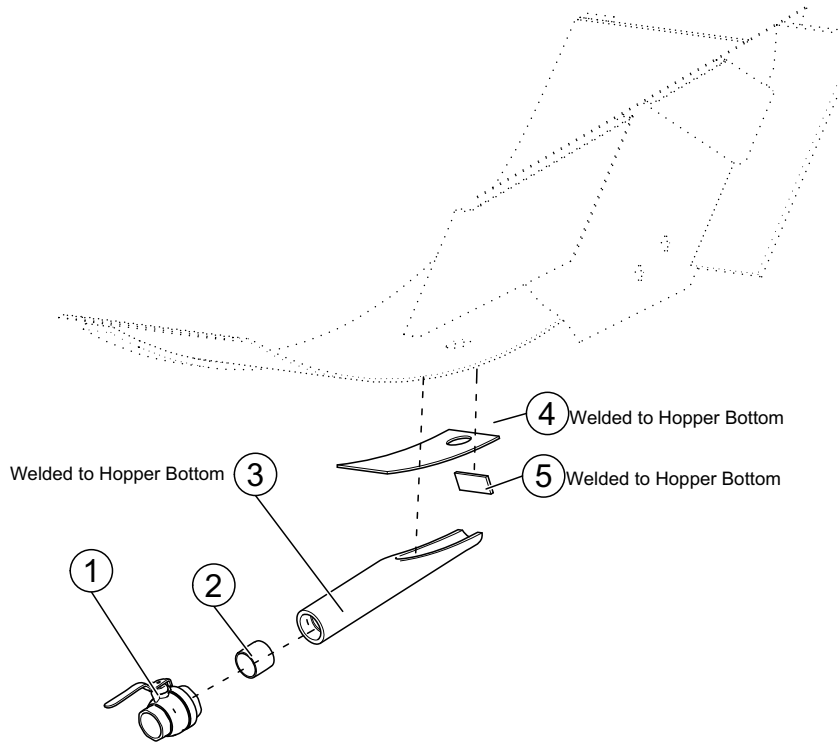
DRAIN, Trough

Ref.874109



REF. NO.	PART NO.	DESCRIPTION	QTY.
1	HYF60133	CAP	2
2	HYF60135	CONNECTOR, Camlock	2
3	HYF60134	ELBOW, 90°	2
4	203746	NIPPLE	2
5	212323	TAB, Support	2

TAILGATE HOPPER DRAIN

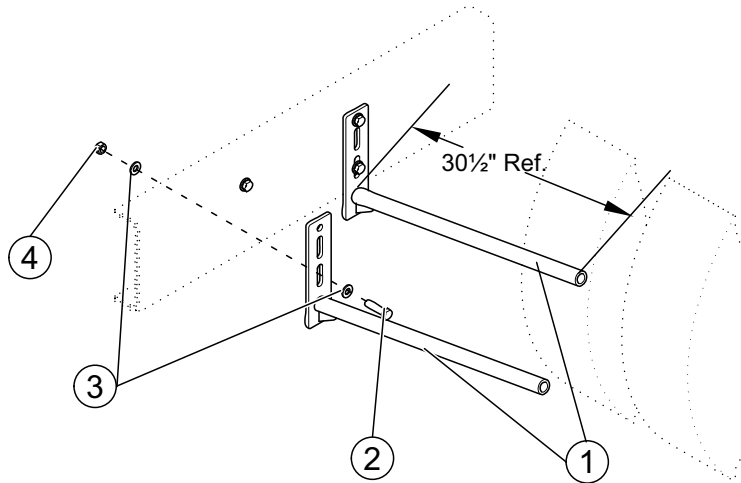


REF. NO.	PART NO.	DESCRIPTION	QTY.
1	HYV01825	VALVE, Ball	1
2	HYF13800	NIPPLE	1
3	107166	NIPPLE, Machined	1
4	158039	SUPPORT, Drain Plate	1
5	100156	PLATE, End	1

SECTION 11

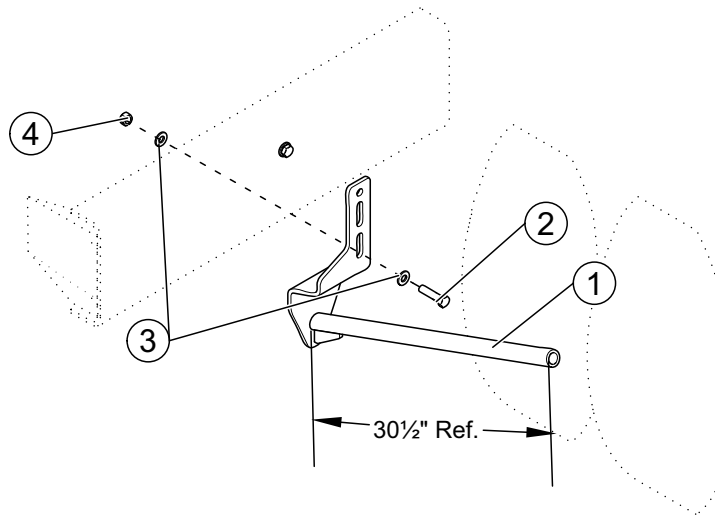
Traffic Cone Holder (Dual)

Ref. 876906,
866691



REF. NO.	PART NO.	DESCRIPTION	QTY.
1	201640	HOLDER, Cone	2
2	QUB06300	CAPSCREW	4
3	QUR02130	WASHER	8
4	QUE02416	NUT	4

Traffic Cone Holder (Recessed Chassis Mount)

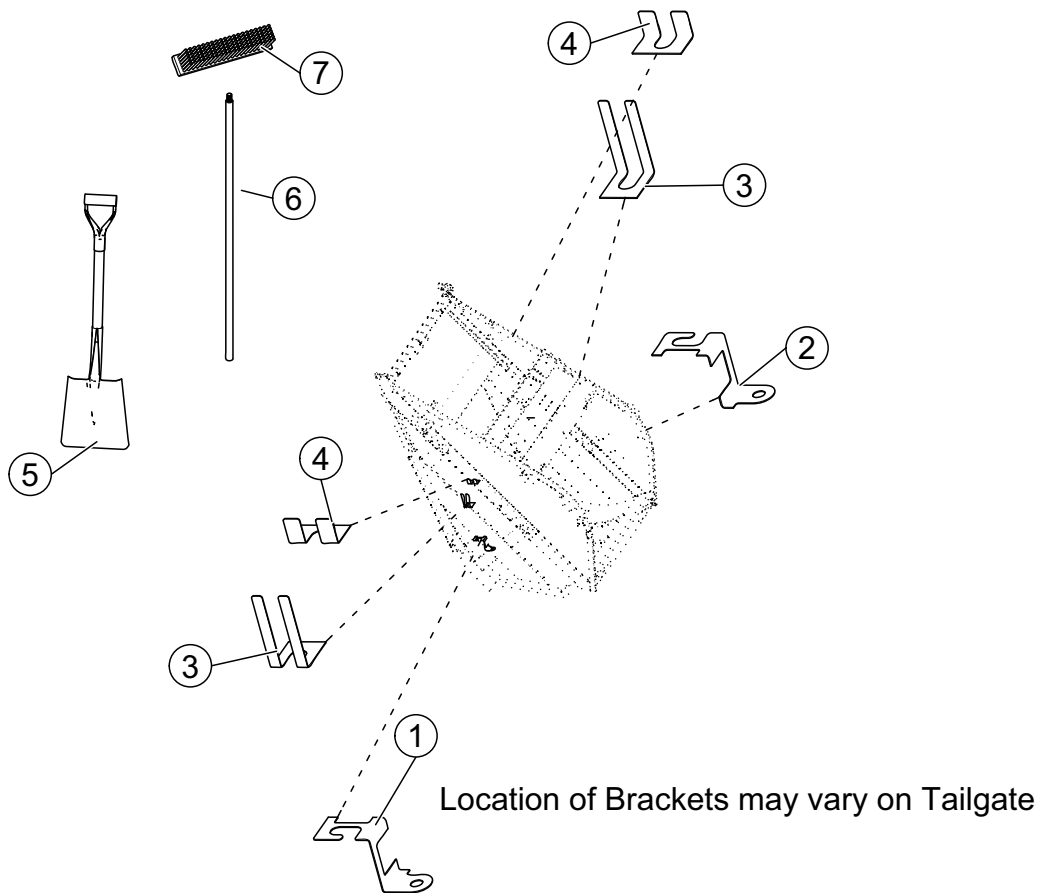


REF. NO.	PART NO.	DESCRIPTION	QTY.
1	198251	HOLDER, Cone 10° up	1
2	QUB06300	CAPSCREW	2
3	QUR02130	WASHER	4
4	QUE02416	NUT	2

SECTION 11

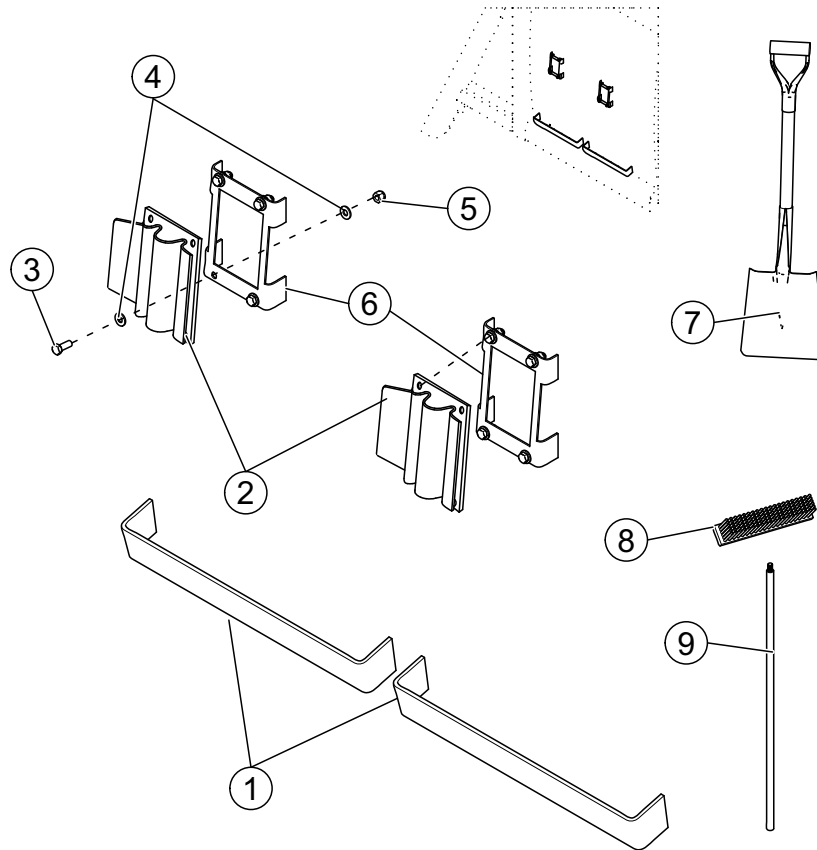
BROOM & SHOVEL HOLDERS - T.G.

Ref. 834955,850383,874063



REF. NO.	PART NO.	DESCRIPTION	QTY.
1	173702	BRACKET, Streetside	1
2	173705	BRACKET, Curbside	1
3	173704	BRACKET	2
4	173703	BRACKET	2
5	QUP03858	SHOVEL - 14" Wide	2
6	QUP03866	HANDLE - 60" Long	2
7	QUP03861	BROOM HEAD - 18" Wide	2

SHOVEL HOLDERS - BODY

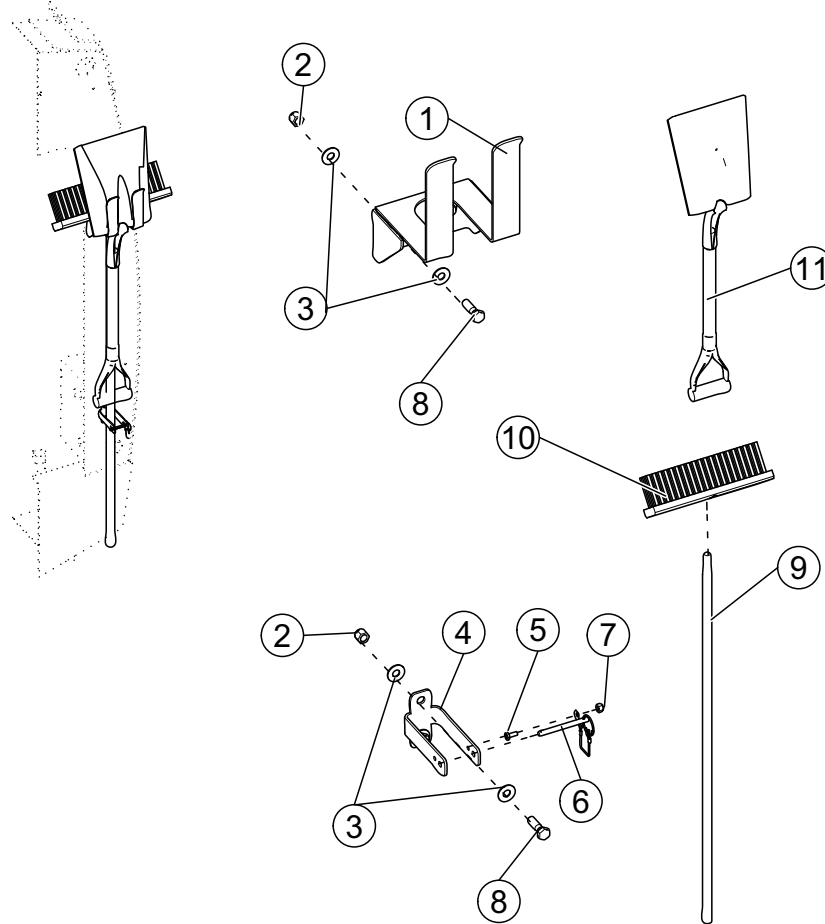


REF. NO.	PART NO.	DESCRIPTION	QTY.
1	101755	STRAP	2
2	QUS00450	CLAMP	2
3	QUB03401	CAPSCREW	8
4	QUR01902	WASHER	16
5	QUE01302	NUT	8
6	173701	SUPPORT	2
7	QUP03858	SHOVEL - 14" Wide	As Reqd.
8	QUP03861	BROOM HEAD - 18" Wide	As Reqd.
9	QUP03866	HANDLE - 60" Long	As Reqd.

SECTION 11

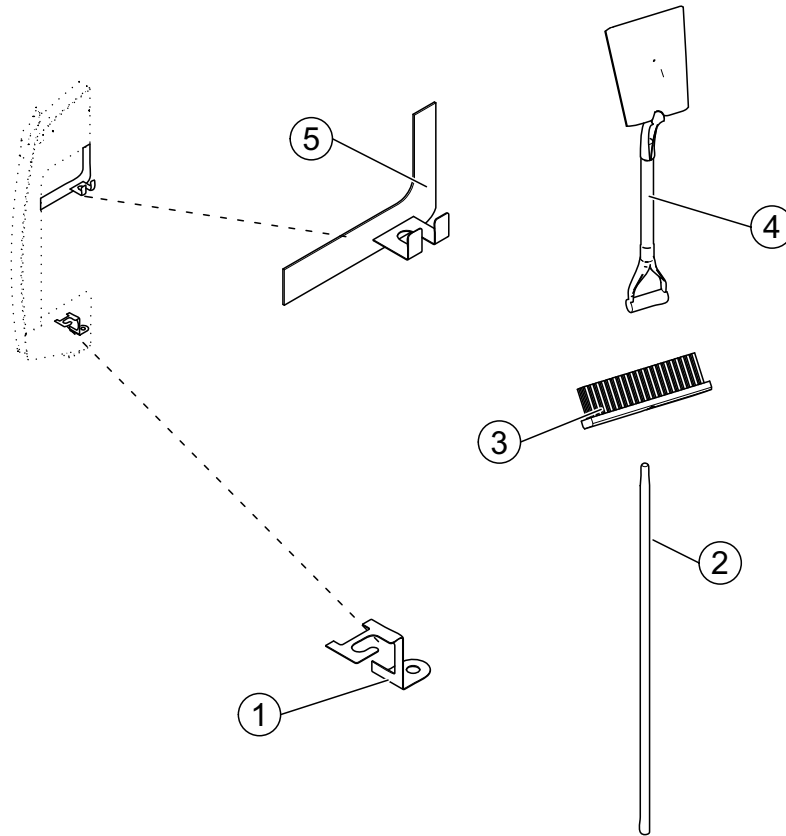
Ref.834331

BROOM & SHOVEL HOLDERS - BODY FRONT



REF. NO.	PART NO.	DESCRIPTION	QTY.
1	158342	BRACKET	1
2	QUE01305	NUT	4
3	QUR01901	WASHER	8
4	158343	BRACKET	1
5	QUV00715	CAPSCREW, Pan Head	1
6	QUP02406	PIN, Lock	1
7	QUE01070	NUT	1
8	QUB03505	CAPSCREW	4
9	QUP03866	HANDLE - 60" Long	1
10	QUP03861	BROOM HEAD - 18" Wide	1
11	QUP03858	SHOVEL - 14" Wide	1

BROOM & SHOVEL HOLDER - BODY FRONT

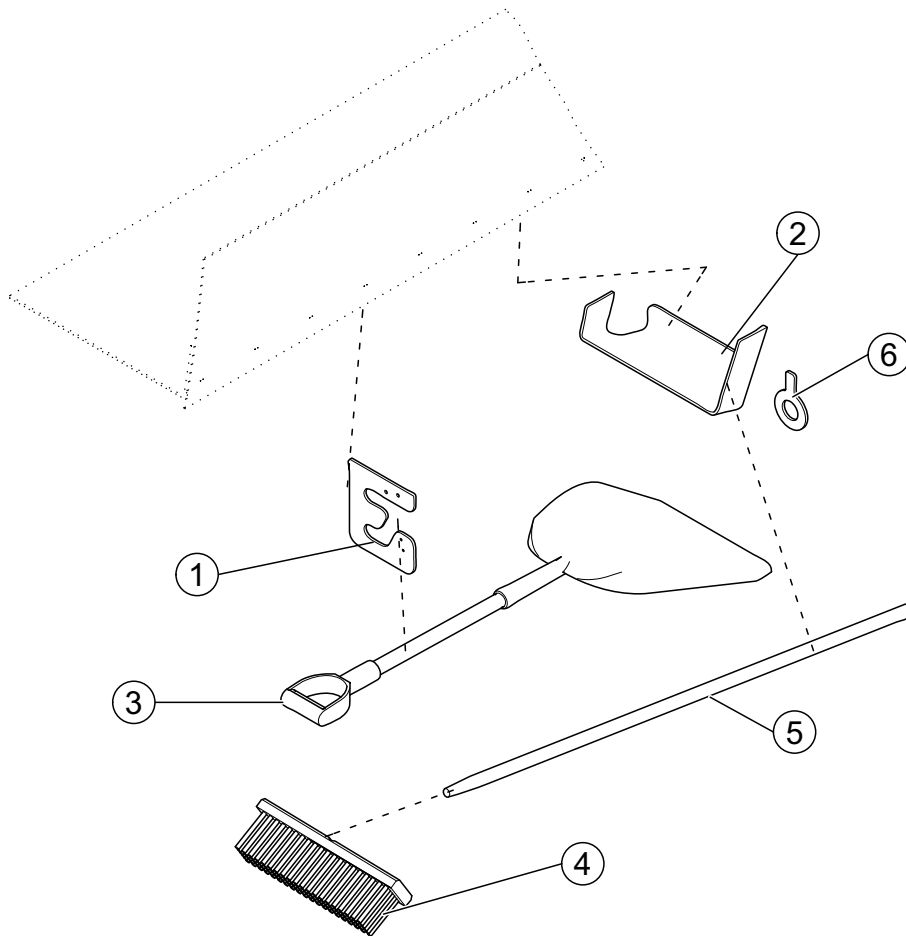


REF. NO.	PART NO.	DESCRIPTION	QTY.
1	173702	BRACKET	1
2	QUP03866	HANDLE - 60" Long	1
3	QUP03861	BROOM HEAD - 18" Wide	1
4	QUP03858	SHOVEL - 14" Wide	1
5	189184	BRACKET	1

SECTION 11

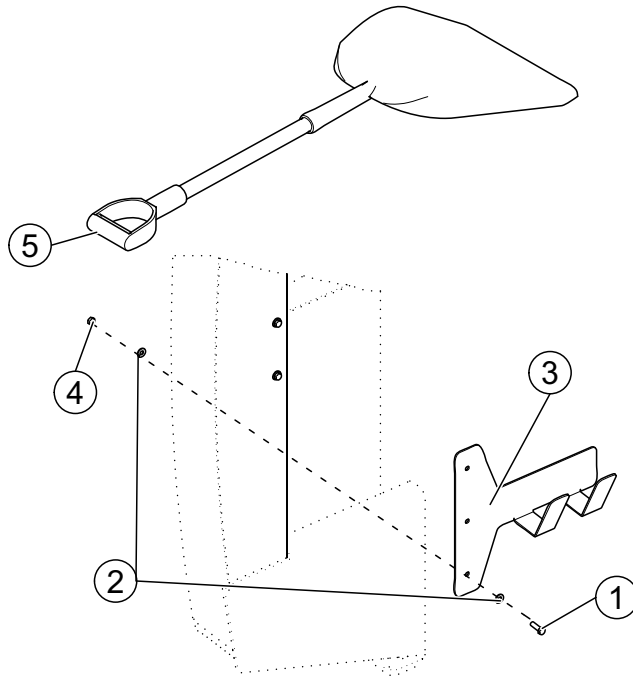
BROOM & SHOVEL HOLDER - BODY

Ref.856173



REF. NO.	PART NO.	DESCRIPTION	QTY.
1	182412	BRACKET	1
2	182411	BRACKET	1
3	QUP03858	SHOVEL - 14" Wide	1
4	QUP03861	BROOM HEAD - 18" Wide	1
5	QUP03866	HANDLE - 60" Long	1
6	164749	RING, Handle	1

SHOVEL HOLDER - BODY

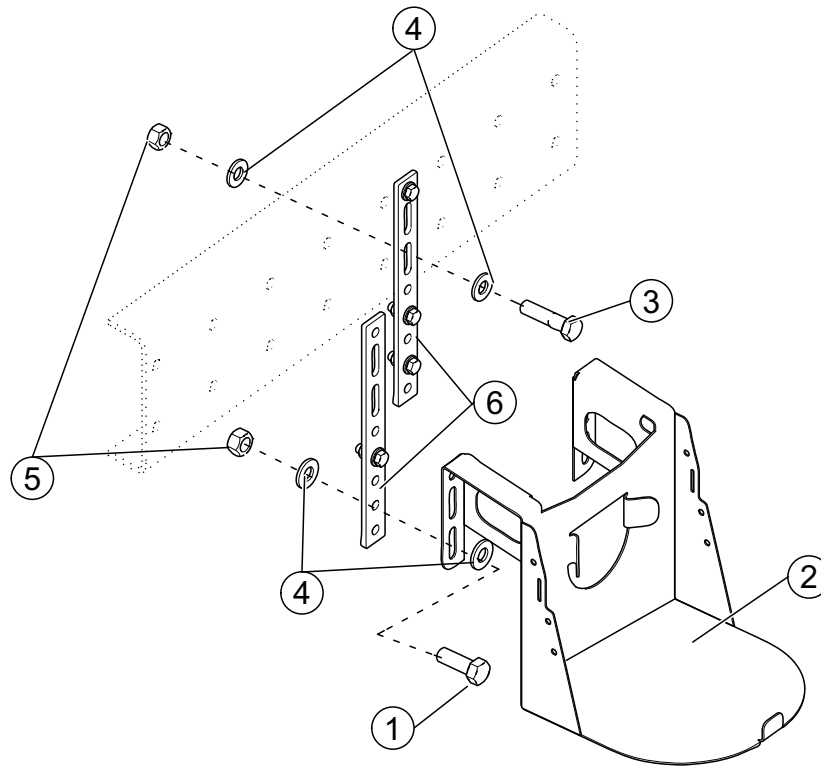


REF. NO.	PART NO.	DESCRIPTION	QTY.
1	QUB03501	CAPSCREW	3
2	QUR01902	WASHER	6
3	189187	BRACKET	1
4	QUE01302	NUT	3
5	QUP03858	SHOVEL - 14" Wide	1

SECTION 11

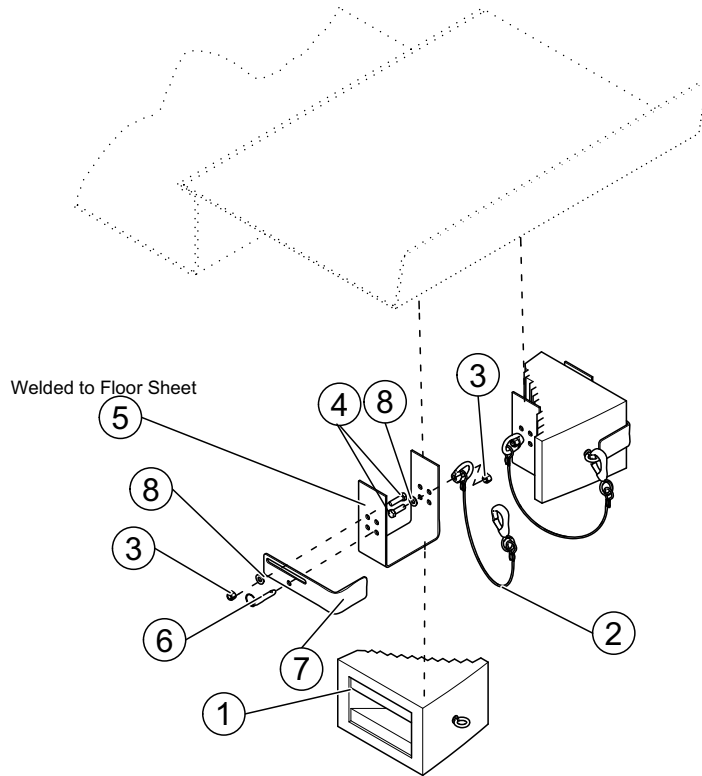
COOLER HOLDER

Ref. 874122, 899043,
874133, 866692



REF. NO.	PART NO.	DESCRIPTION	QTY.
1	QUB05156	CAPSCREW	4
2	197093	SUPPORT, Cooler	1
3	QUB06300	CAPSCREW	4
4	QUR02130	WASHER	16
5	QUE02416	NUT	8

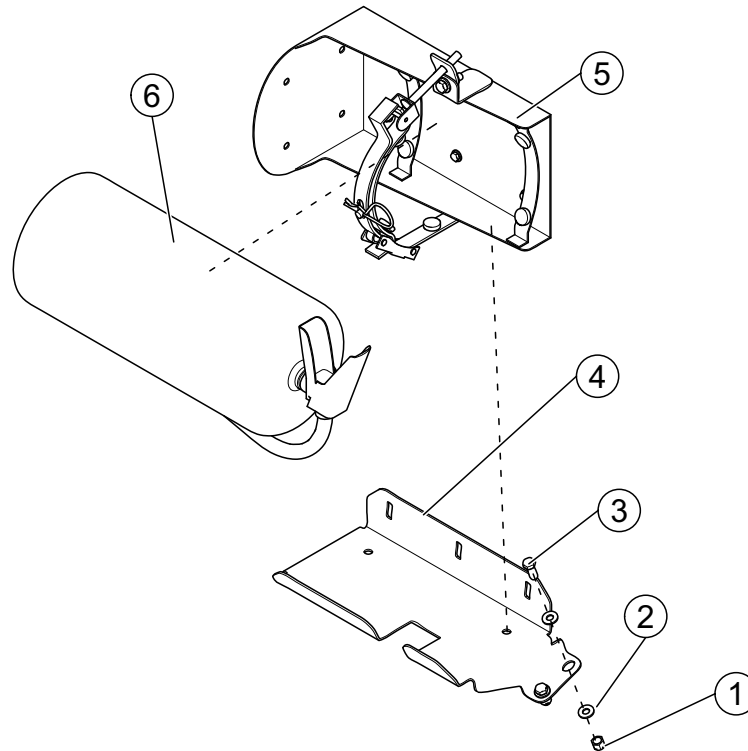
WHEEL CHOCKS



REF. NO.	PART NO.	DESCRIPTION	QTY.
1	CHB01000	CHOCK, Rubber	2
2	80648	ASSY., Strap	2
3	QUE01302	NUT	4
4	QUB03501	CAPSCREW	4
5	158574	SUPPORT	2
6	QUP02410	PIN, Lock	2
7	158575	STRAP	2
8	QUR01902	WASHER	4

SECTION 11

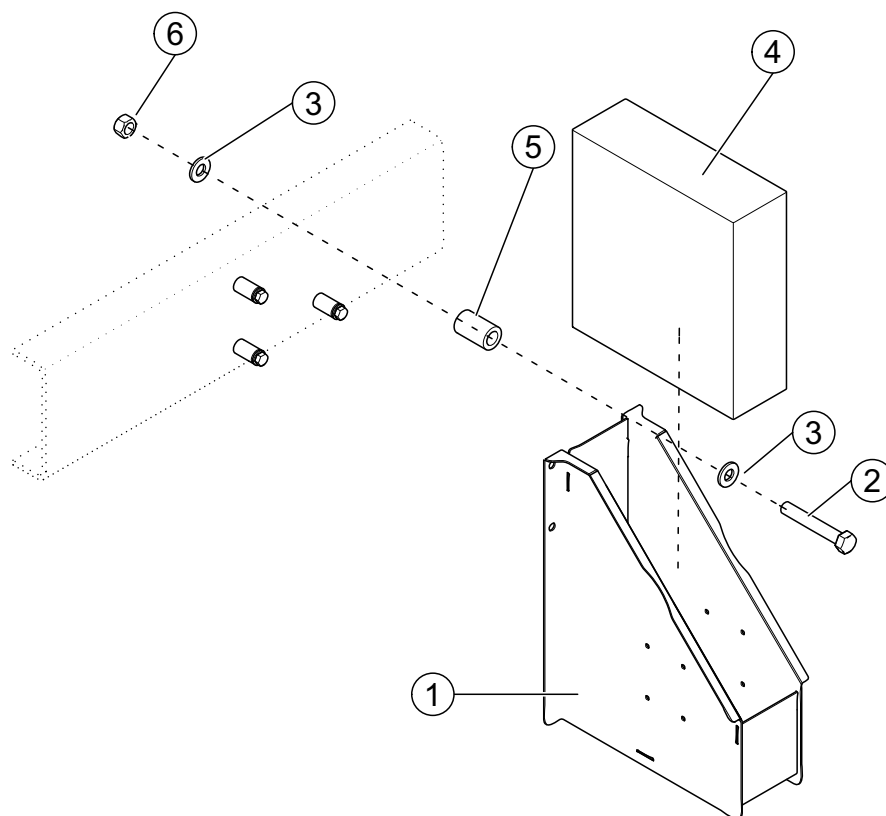
Ref. 865367

FIRE EXTINGUISHER - 20 LB ABC

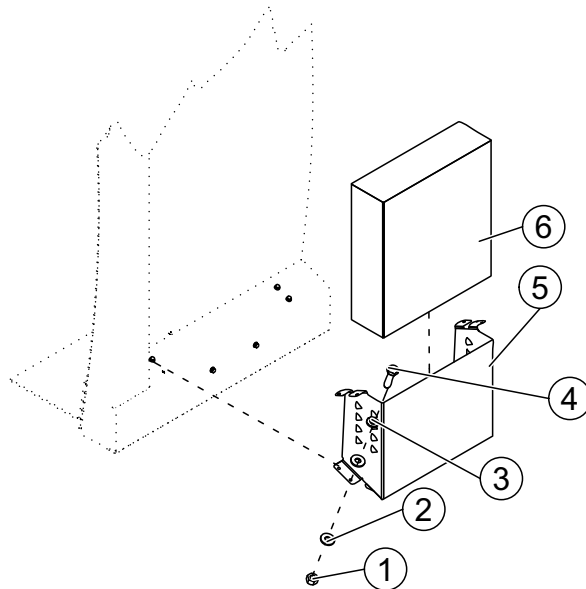
REF. NO.	PART NO.	DESCRIPTION	QTY.
1	QUE01302	NUT	4
2	QUR01902	WASHER	8
3	QUB03401	CAPSCREW	4
4	184035	SUPPORT	1
5	CIE02811	ASSY., Extinguisher Holder	1
6	CIE02830	EXTINGUISHER, Fire - 20 lb ABC	1

Ref.876734, 871883,
866281

SPILL KIT - Frame Mount

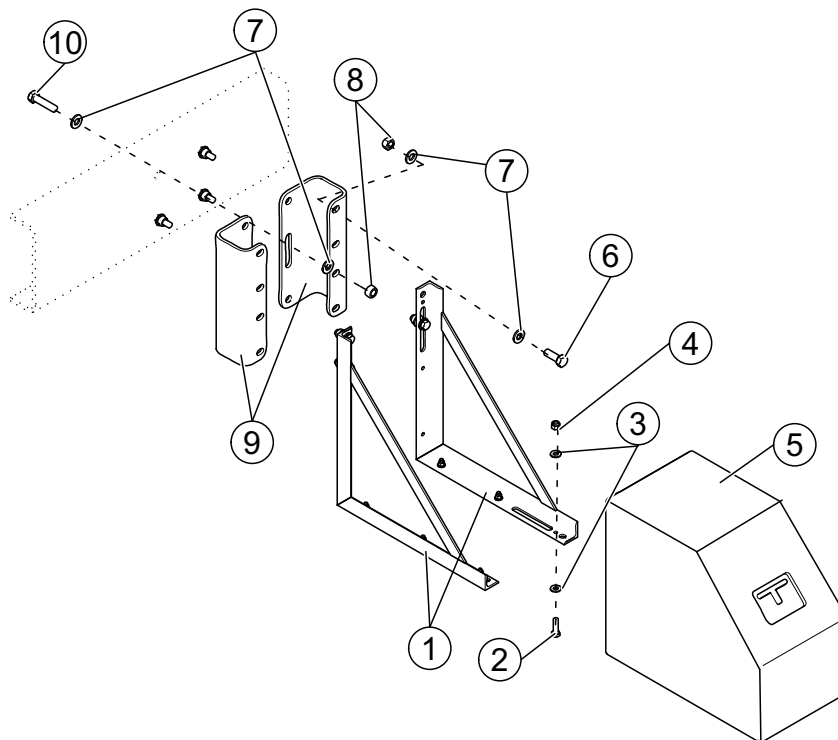


REF. NO.	PART NO.	DESCRIPTION	QTY.
1	150459	SUPPORT	1
2	QUB05306	CAPSCREW	4
3	QUR02130	WASHER	8
4	CAT00330	SPILL KIT	1
5	45616	SPACER	4
6	QUE02416	NUT	4

SECTION 11**SPILL KIT - Fender Mount**Ref. 869924,
899127

REF. NO.	PART NO.	DESCRIPTION	QTY.
1	QUE01175	NUT	6
2	QUR01695	WASHER	12
3	QUR01260	WASHER	6
4	QUB02103	CAPSCREW	6
5	195453	SUPPORT	1
6	CAT00330	SPILL KIT	1

ABSORBENT CONTAINER

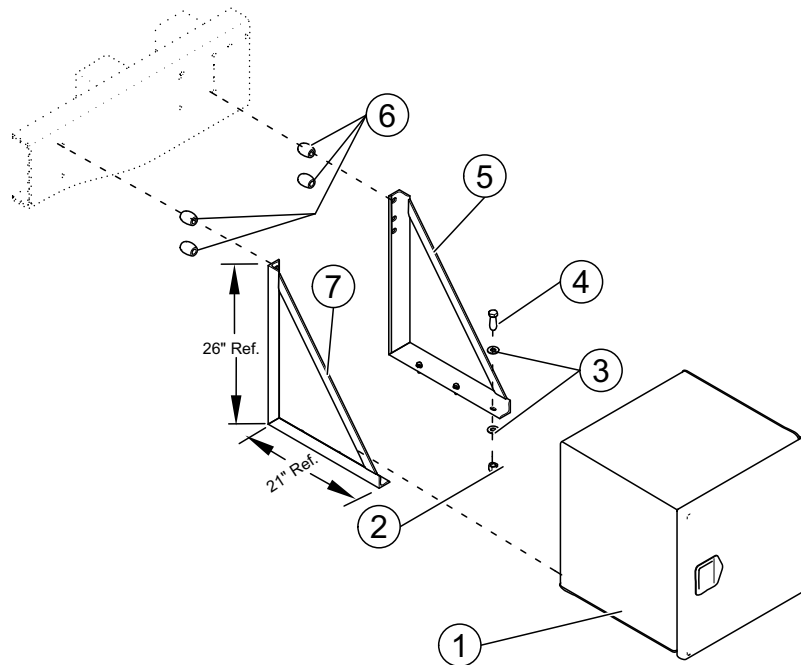


REF. NO.	PART NO.	DESCRIPTION	QTY.
1	87631	SUPPORT	2
2	QUB03501	CAPSCREW	6
3	QUR01902	WASHER	12
4	QUE01302	NUT	6
5	195459	CONTAINER, Absorbent	1
6	QUB05156	CAPSCREW	4
7	QUR02130	WASHER	16
8	QUE02416	NUT	8
9	194527	CHANNEL, Spacer	2
10	QUB06300	CAPSCREW	4

SECTION 11

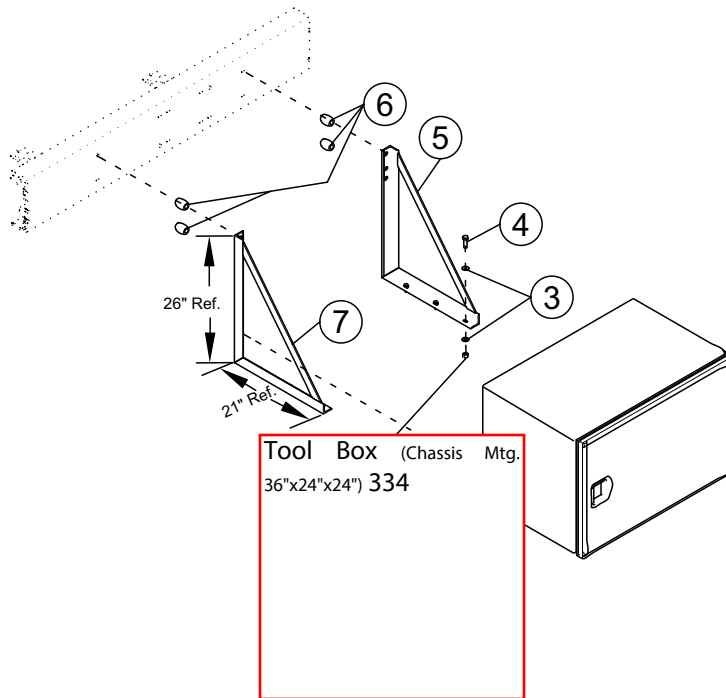
TOOL BOX - 24"x 24"x 24"

Ref. 871796, 863366, 899151, 866728, 871925, 865257,
869765, 857774, 877793, 877222, 851943, 869865,
864878, 877865, 863358, 867541, 842611, 842995,
868443



REF. NO.	PART NO.	DESCRIPTION	QTY.
1	38628	TOOL BOX (24" x 24" x 24")	1
2	QUE01302	NUT	6
3	QUR01902	WASHER	12
4	QUB03501	CAPSCREW	6
5	68162	SUPPORT - R.S.	1
6	45616	SPACER	6
7	68161	SUPPORT - L.S.	1

TOOL BOX - 36"x 24"x 24"

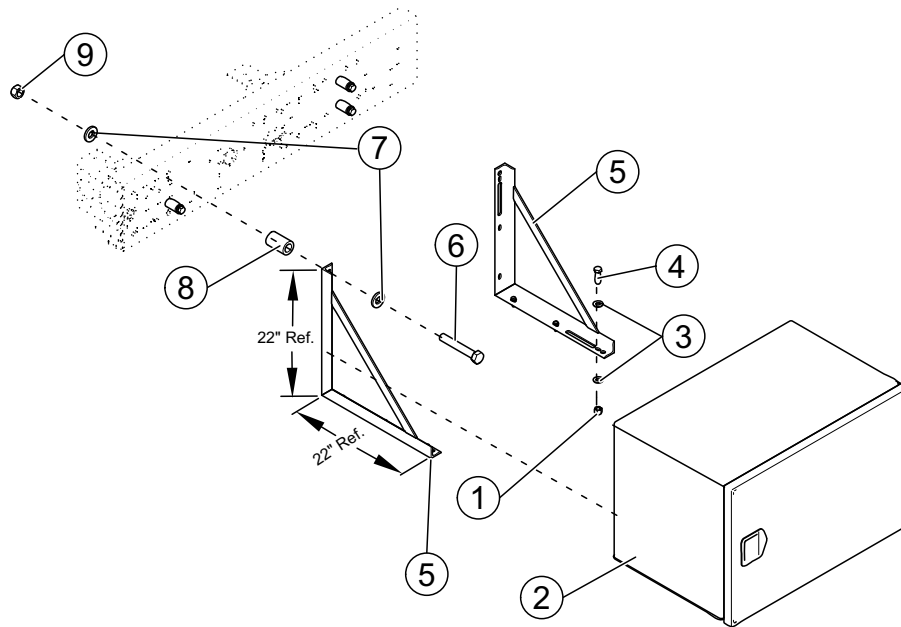


REF. NO.	PART NO.	DESCRIPTION	QTY.
1	38683	TOOL BOX (36" x 24" x 24")	1
2	QUE01302	NUT	6
3	QUR01902	WASHER	12
4	QUB03501	CAPSCREW	6
5	68162	SUPPORT - R.S.	1
6	45616	SPACER	6
7	68161	SUPPORT - L.S.	1

SECTION 11

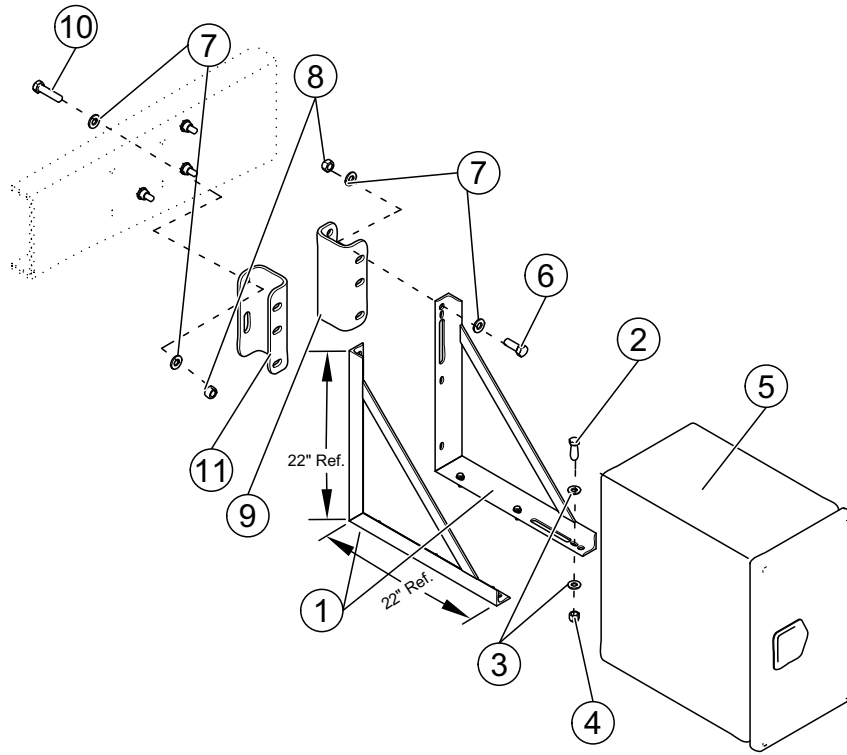
TOOL BOX - 36" x 24" x 24"

Ref. 876838, 871776, 854673, 863101



REF. NO.	PART NO.	DESCRIPTION	QTY.
1	QUE01302	NUT	6
2	38683	TOOL BOX (36" x 24" x 24")	1
3	QUR01902	WASHER	12
4	QUB03501	CAPSCREW	6
5	87631	SUPPORT	2
6	QUB05306	CAPSCREW	4
7	QUR02130	WASHER	8
8	45616	SPACER	4
9	QUE02416	NUT	4

TOOL BOX - 14" x 24" x 24"

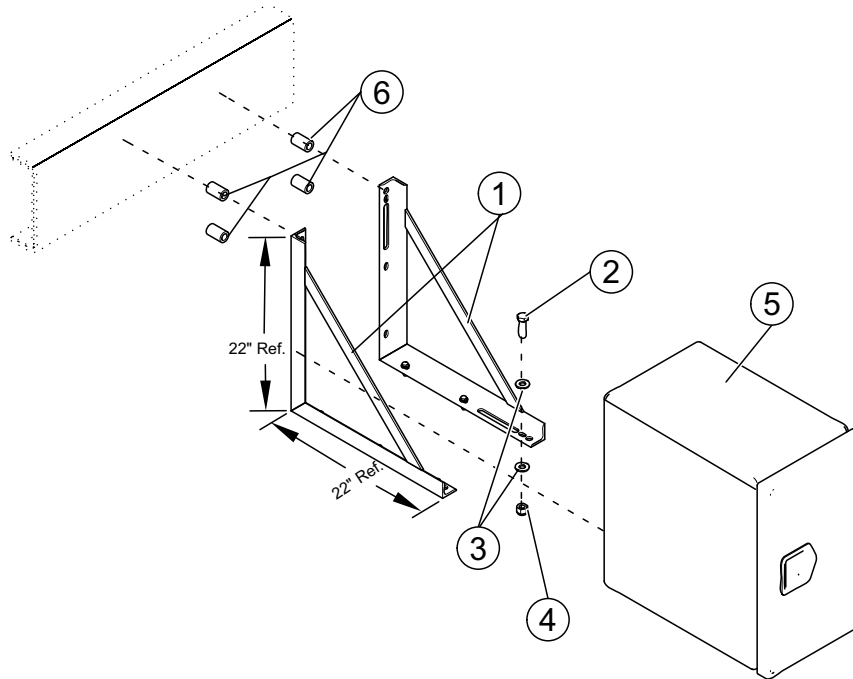


REF. NO.	PART NO.	DESCRIPTION	QTY.
1	87631	SUPPORT	2
2	QUB03501	CAPSCREW	6
3	QUR01902	WASHER	12
4	QUE01302	NUT	6
5	96203	TOOL BOX	1
6	QUB05156	CAPSCREW	4
7	QUR02130	WASHER	16
8	QUE02416	NUT	8
9	122501	CHANNEL, Spacer - R.S.	1
10	QUB06300	CASPSCREW	4
11	122500	CHANNEL, Spacer - L.S.	1

SECTION 11

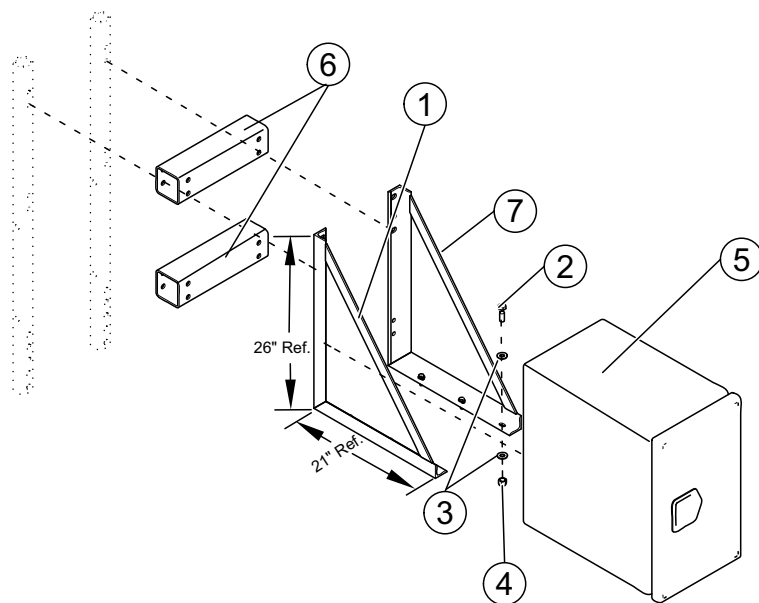
TOOL BOX - 14" x 24" x 24"

Ref. 872986,880182,842276
,854510,872943



REF. NO.	PART NO.	DESCRIPTION	QTY.
1	87631	SUPPORT	2
2	QUB03501	CAPSCREW	6
3	QUR01902	WASHER	12
4	QUE01302	NUT	6
5	96203	TOOL BOX	1
6	45616	SPACER	4

TOOL BOX - 14' x 24" x 24"

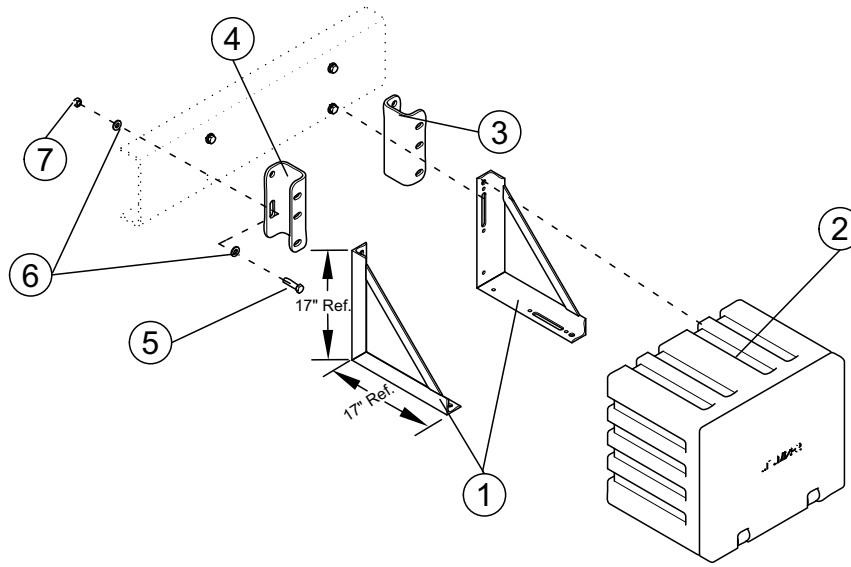


REF. NO.	PART NO.	DESCRIPTION	QTY.
1	195291	SUPPORT	1
2	QUB03501	CAPSCREW	6
3	QUR01902	WASHER	12
4	QUE01302	NUT	6
5	96203	TOOL BOX	1
6	195290	SPACER	4
7	195292	SUPPORT	1

SECTION 11

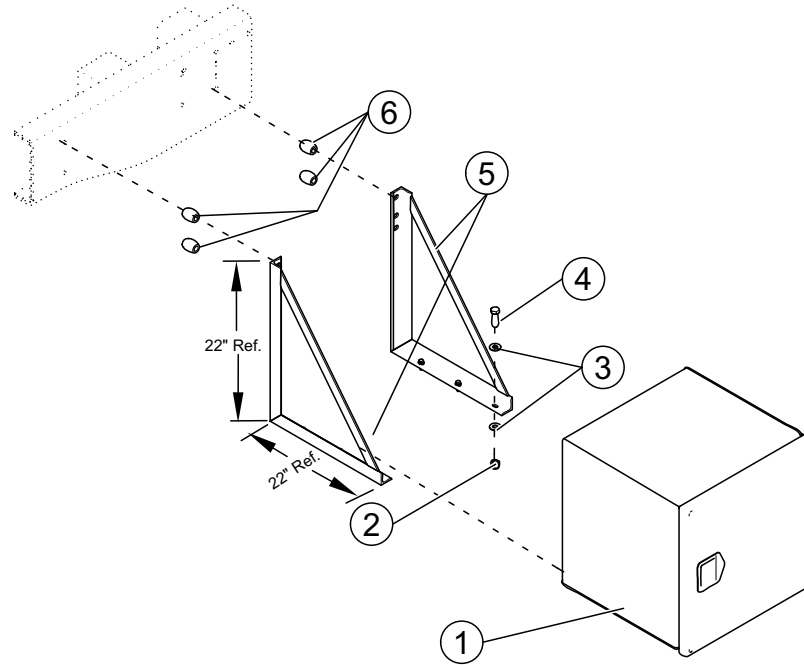
TOOL BOX - Minimizer

Ref. 854865,
822281, 854229,
869787



REF. NO.	PART NO.	DESCRIPTION	QTY.
1	122499	SUPPORT	2
2	122567	BOX, Storage	1
3	122501	CHANNEL, Spacer - R.S.	1
4	122500	CHANNEL, Spacer - L.S.	1
5	QUB06300	CAPSCREW	4
6	QUR02130	WASHER	8
7	QUE02416	NUT	4

TOOL BOX - 24"x 24"x 24"

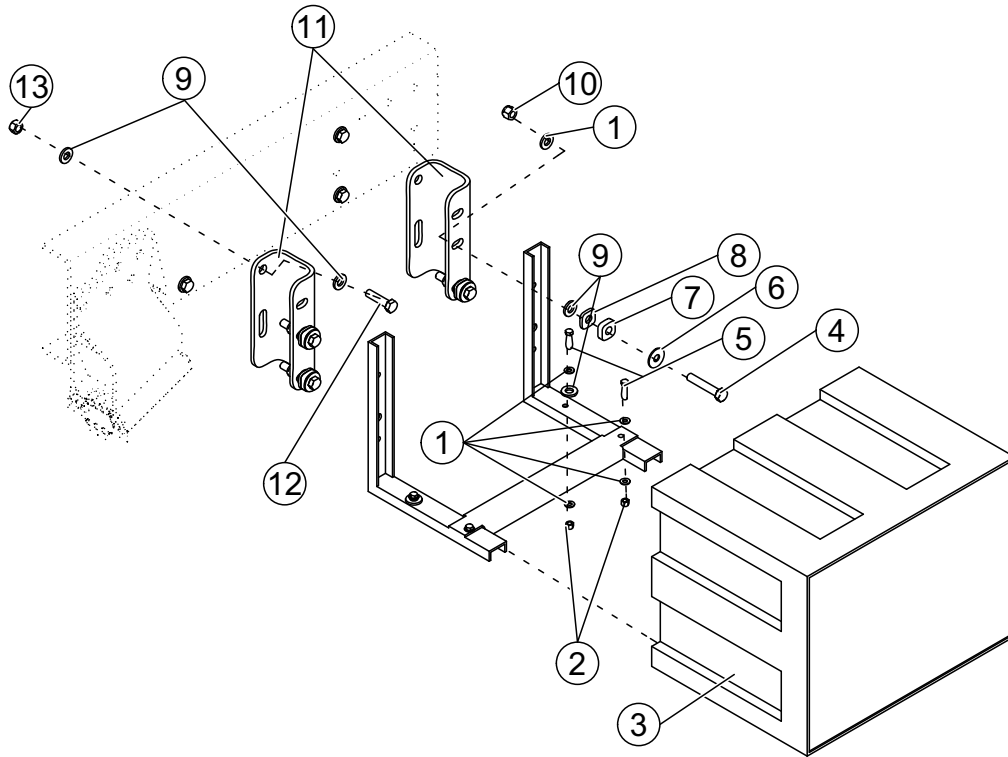


REF. NO.	PART NO.	DESCRIPTION	QTY.
1	38628	TOOL BOX (24" x 24" x 24")	1
2	QUE01302	NUT	6
3	QUR01902	WASHER	12
4	QUB03501	CAPSCREW	6
5	87631	SUPPORT	2
6	45616	SPACER	6

SECTION 11

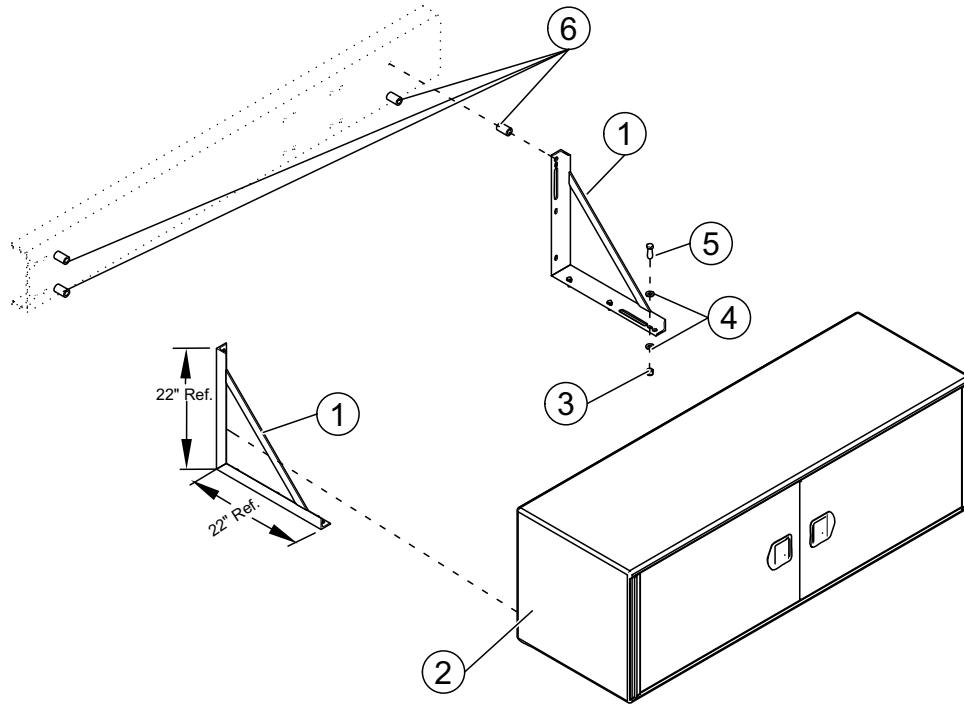
TOOL BOX - Buyers

Ref.899102,866512



REF. NO.	PART NO.	DESCRIPTION	QTY.
1	QUR01902	WASHER	12
2	QUE01302	NUT	4
3	201415	TOOL BOX	1
4	QUB05390	CAPSCREW	4
5	QUB06200	CAPSCREW	8
6	QUR01995	WASHER	4
7	163418	SPACER	4
8	175499	SPACER	4
9	QUR02130	WASHER	16
10	QUE01700	NUT	4
11	122500	CHANNEL, Spacer	2
12	QUB06300	CAPSCREW	4
13	QUR02416	NUT	4

TOOL BOX - 72" x 24" x 24"

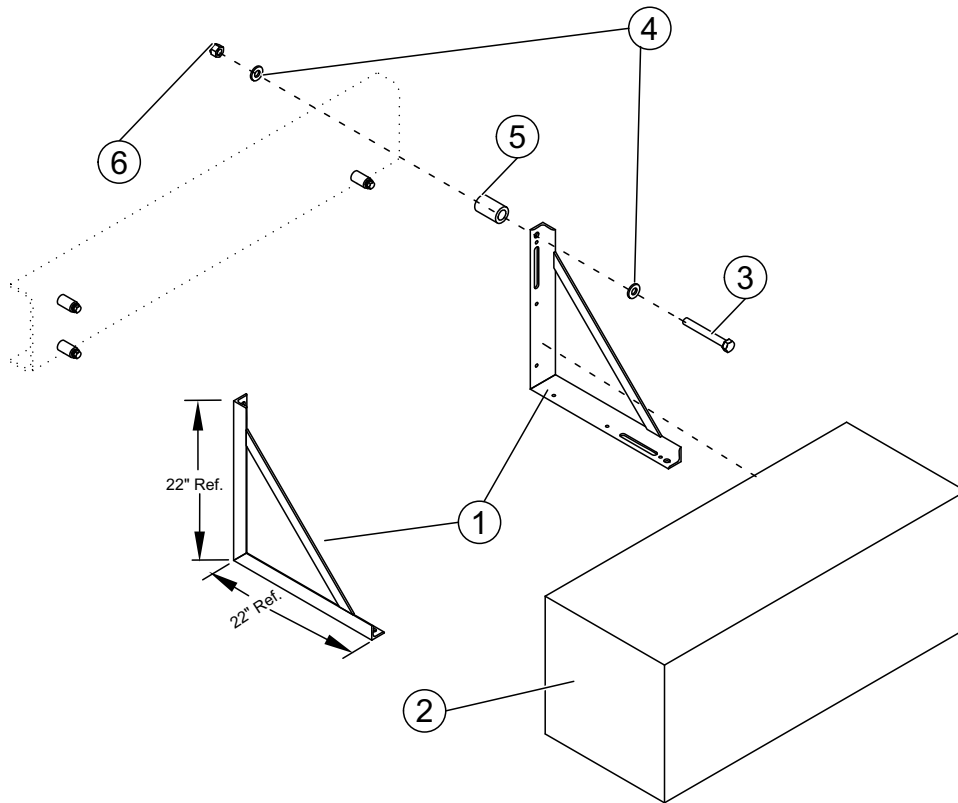


REF. NO.	PART NO.	DESCRIPTION	QTY.
1	87631	SUPPORT	2
2	158511	TOOL BOX	1
3	QUE01302	NUT	6
4	UQR01902	WASHER	12
5	QUB03501	CAPSCREW	6
6	45616	SPACER	4

SECTION 11

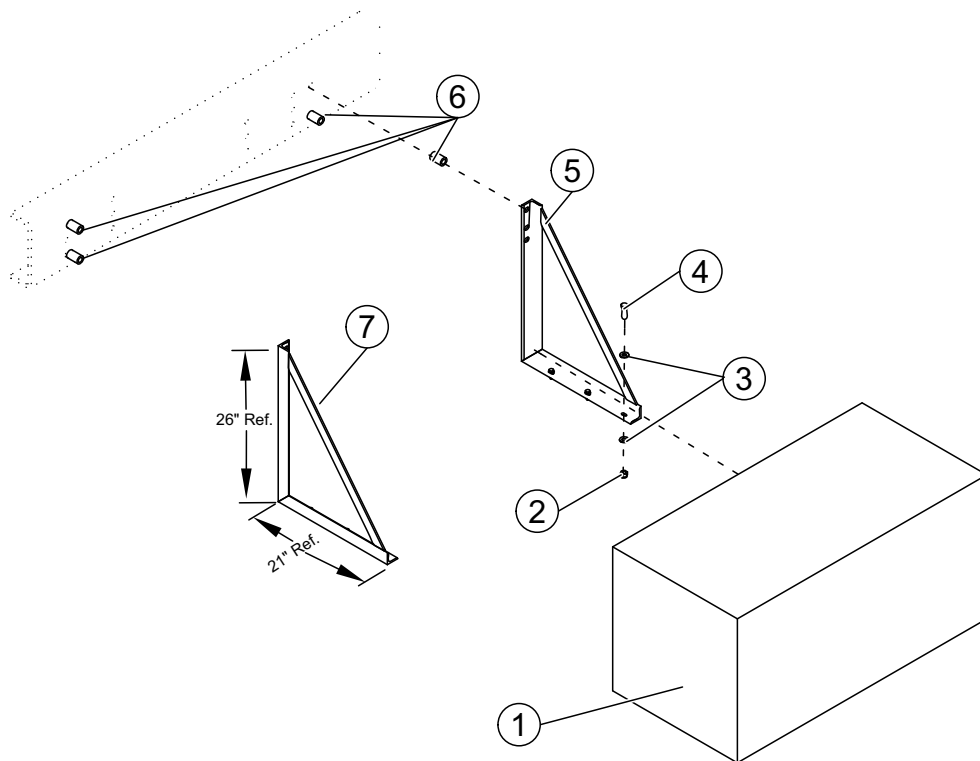
TOOL BOX - Weather Guard

Ref.867943



REF. NO.	PART NO.	DESCRIPTION	QTY.
1	87631	SUPPORT	2
2	198250	TOOL BOX - Weather Guard	1
3	QUB04865	CAPSCREW	4
4	QUR01912	WASHER	8
5	QUE01500	NUT	4
6	45616	SPACER	4

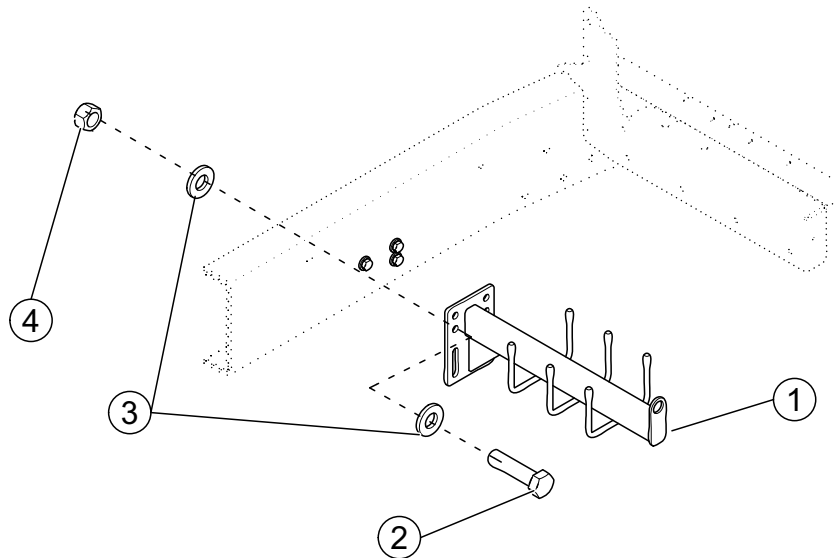
TOOL BOX - 48"x 24"x 24"



REF. NO.	PART NO.	DESCRIPTION	QTY.
1	201634	TOOL BOX (48" x 24" x 24")	1
2	QUE01302	NUT	6
3	QUR01902	WASHER	12
4	QUB03501	CAPSCREW	6
5	68162	SUPPORT - R.S.	1
6	45616	SPACER	6
7	68161	SUPPORT - L.S.	1

SECTION 11**CHAIN HOLDER**

Ref.899324, 871927



REF. NO.	PART NO.	DESCRIPTION	QTY.
1	899324	BRACKET, Chain	1
2	QUB 06300	CAPSCREW	4
3	QUR02130	WASHER	8
4	QUE02416	NUT	4



OUR OFFICE IN THE U.S.

1198 Shattuck Industrial Blvd.
LaFayette, GA 30728

Toll Free: 1-800-231-2771
Telephone: 1-706-591-8764

MAILING ADDRESS

P.O. Box 530
LaFayette, GA 30728

PARTS AND WARRANTY

During Business Hours:
8:00 am - 6:00 pm Eastern Standard Time

TECHNICAL SUPPORT SERVICE

Toll Free: 1-800-231-2771
(24-hour Emergency Support)

EMAIL

USA Parts: partscenter@labriegroup.com
Canada Parts: labrieplusQC@labriegroup.com
LabriePlus Service: labrieplusservice@labriegroup.com
LabriePlus Warranty: labriepluswarranty@labriegroup.com

455 1st Avenue
Levis, QC G6W 5M6

Toll Free: 1-877-452-2743
Customer Service: 1-877-452-2743

MAILING ADDRESS

455 1st Avenue
Levis, QC G6W 5M6

PARTS AND WARRANTY

During Business Hours:
8:00 am - 5:00 pm Eastern Standard Time

TECHNICAL SUPPORT SERVICE

Toll Free: 1-877-831-8250
(24-hour Emergency Support)

