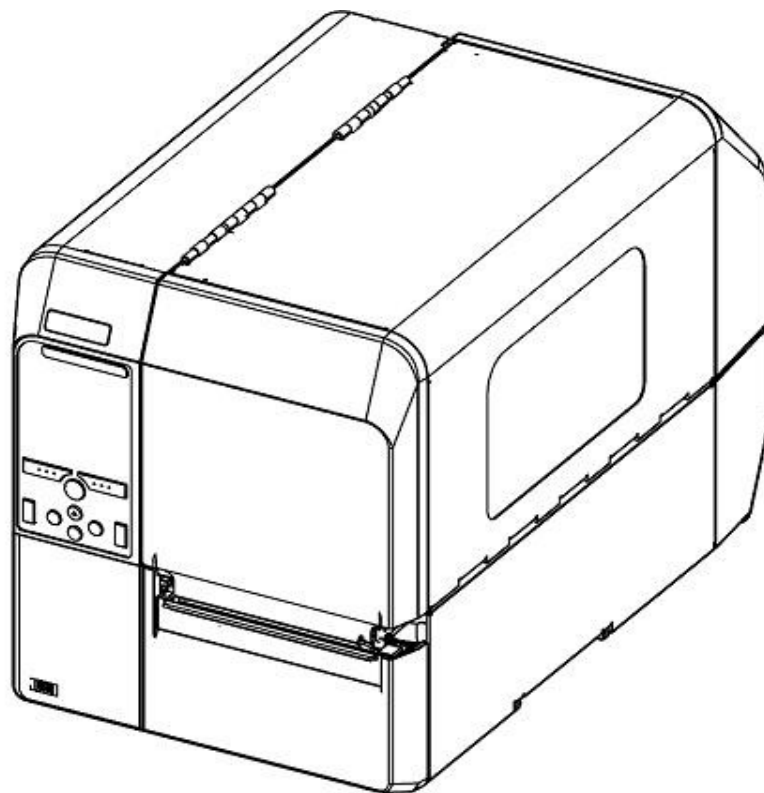


DATE: 1 Nov, 2016



CL4NX PLUS PRINTER+COMBO SERVICE PARTS LIST

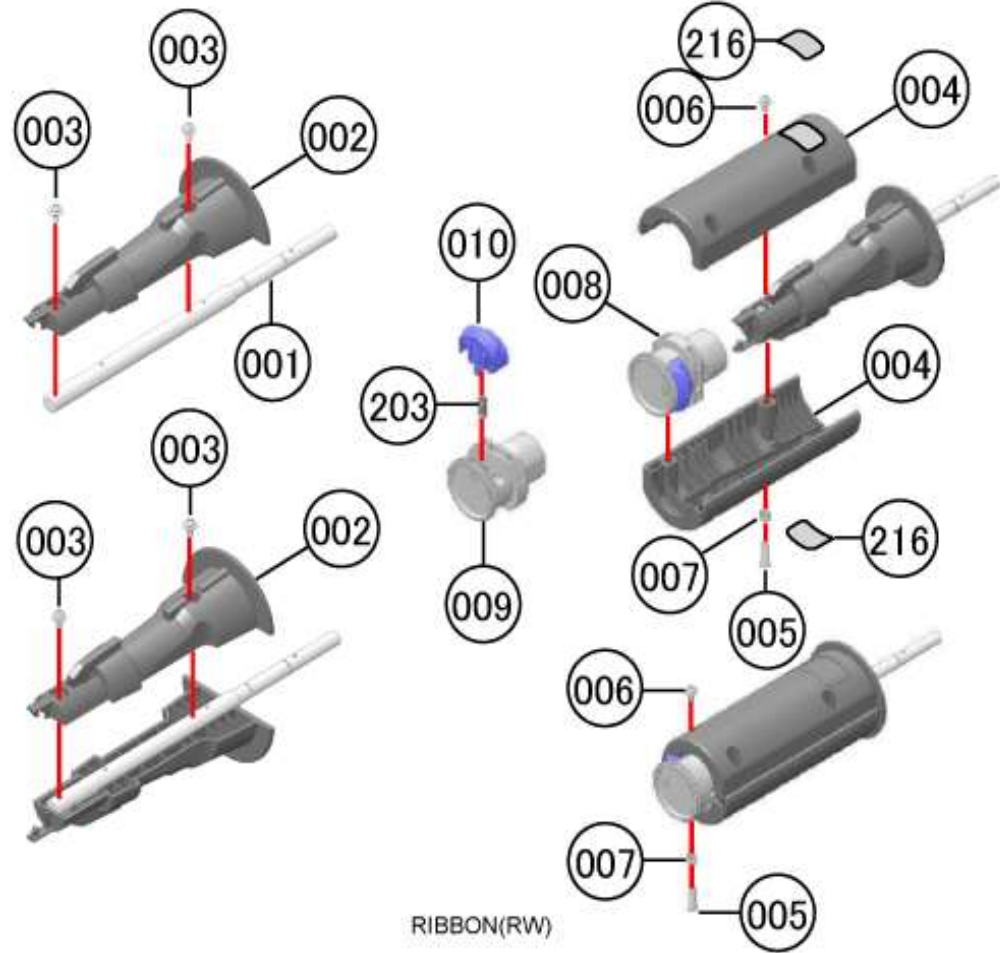
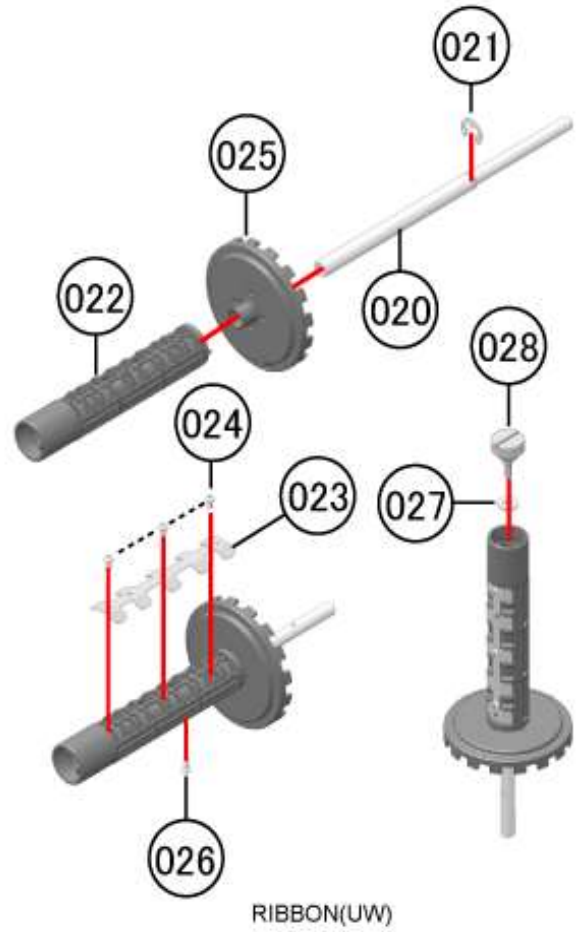


Create Date:

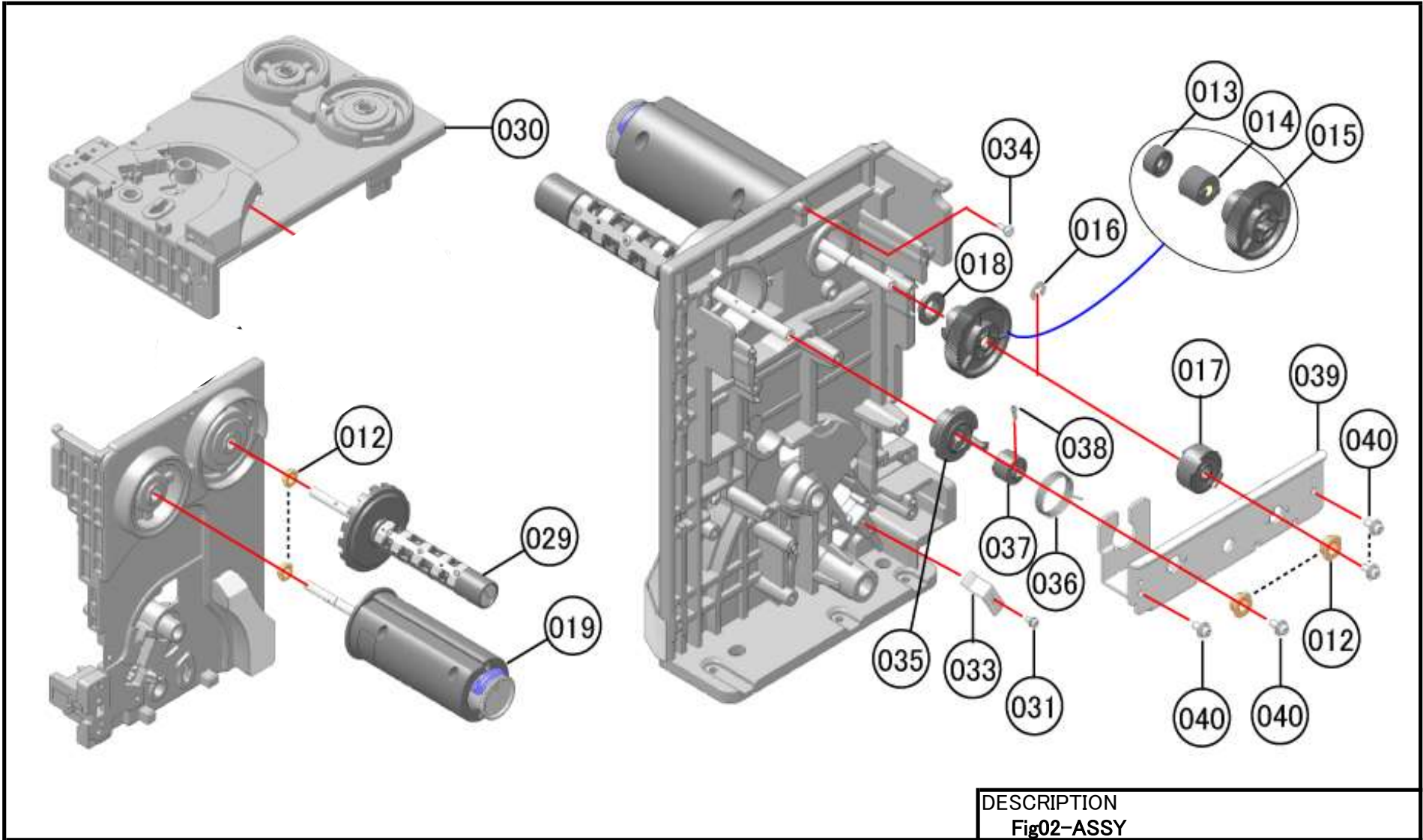
WWCL00060

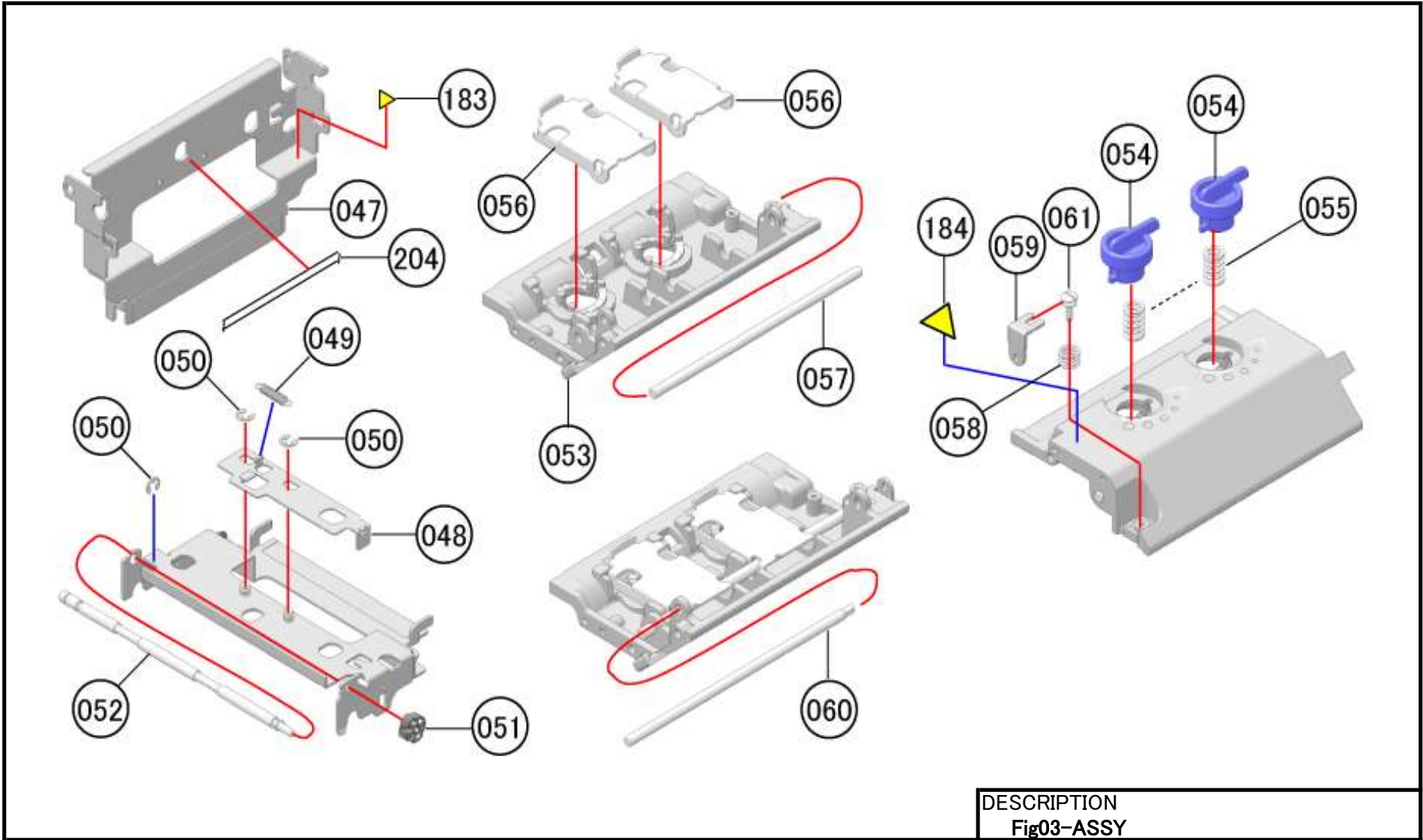
RV00324

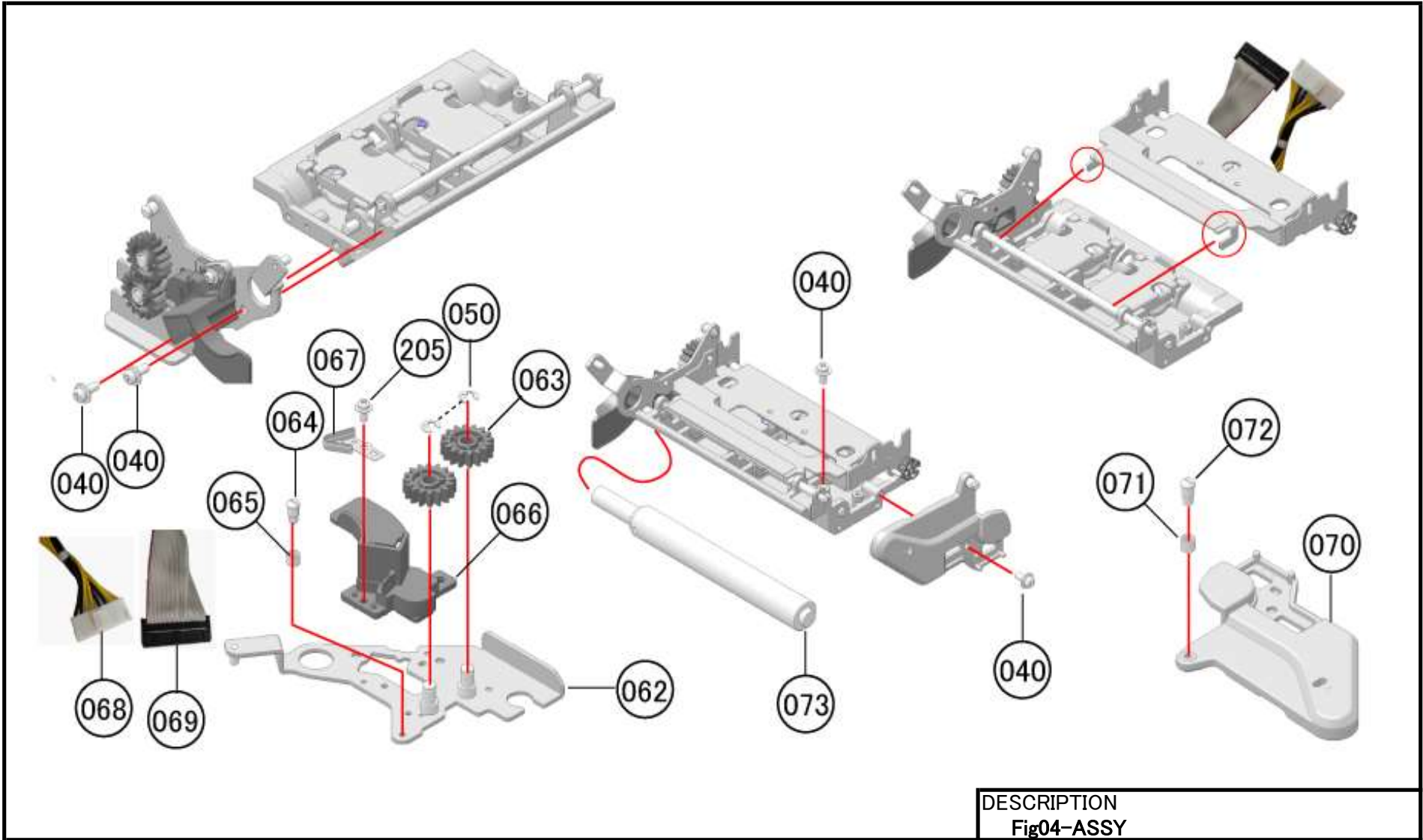
SATO CORPORATION . TOKYO. JAPAN

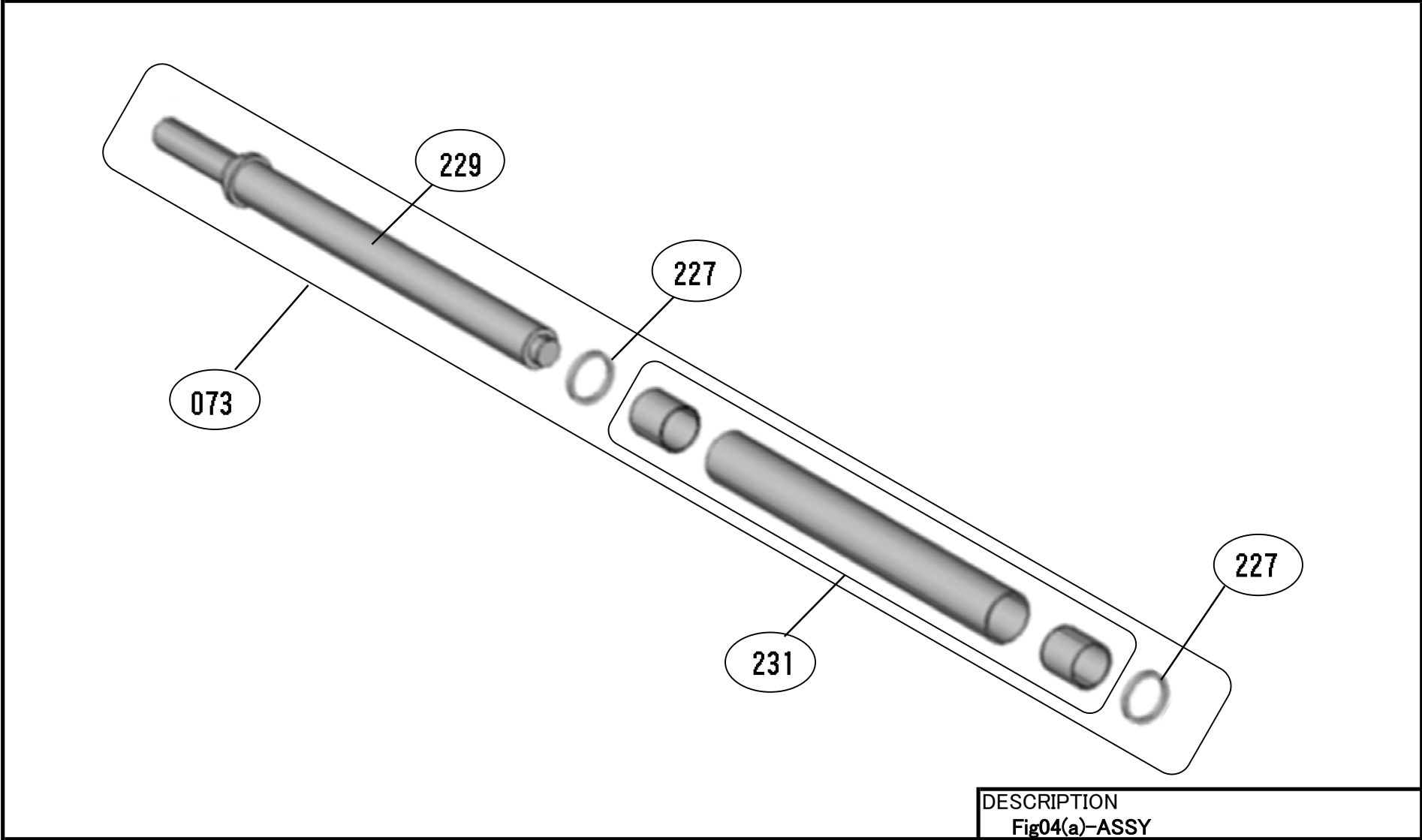


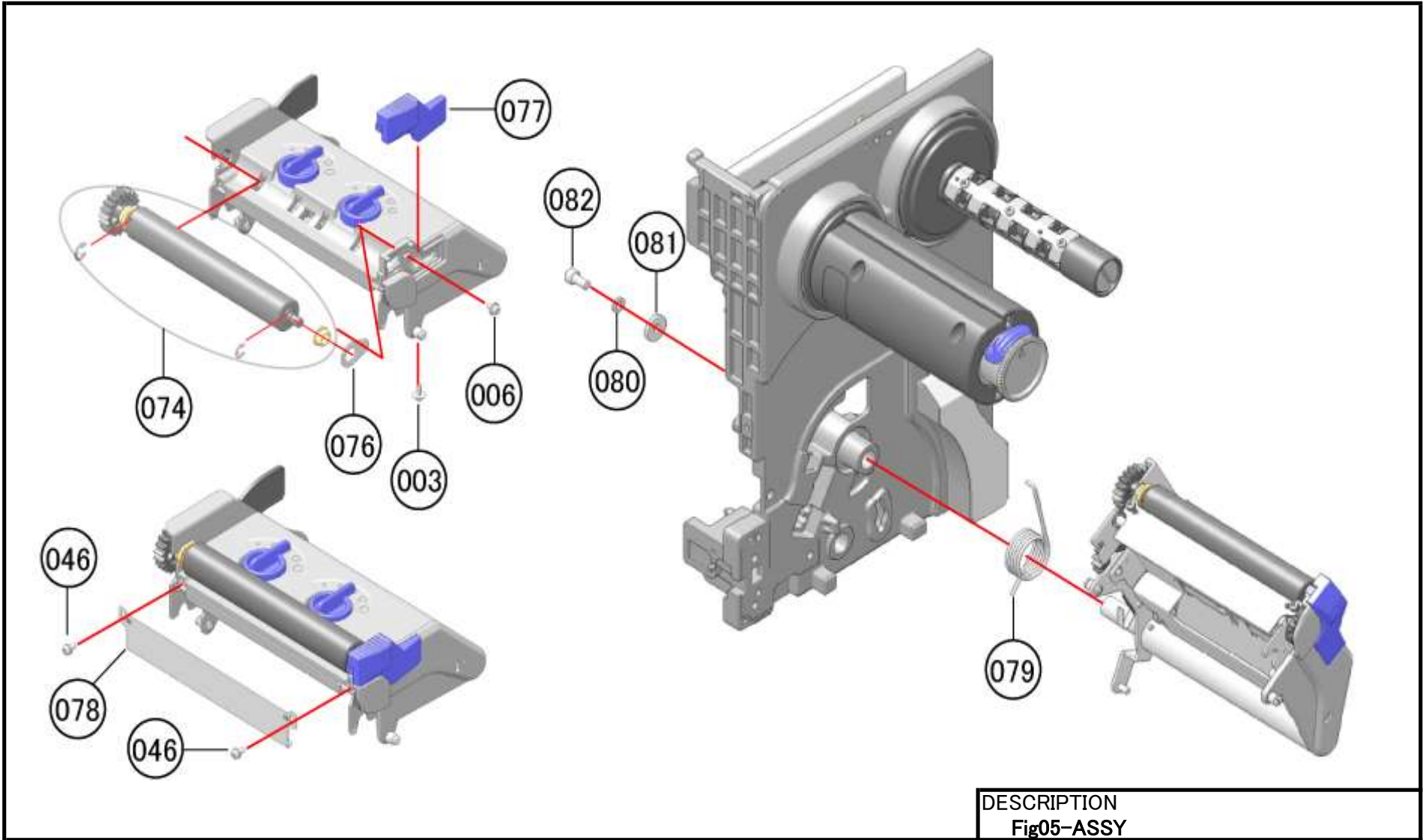
DESCRIPTION
Fig01-ASSY

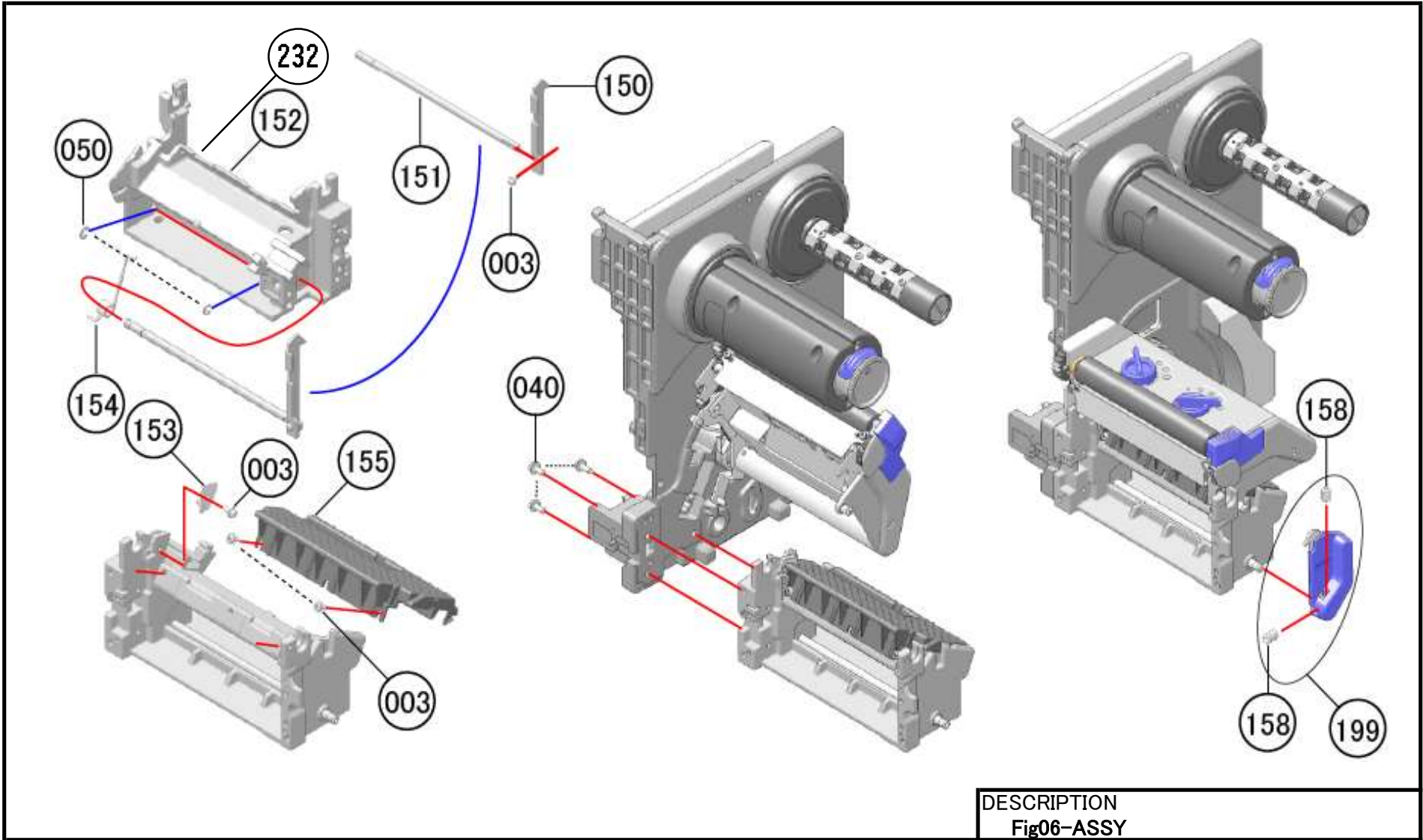


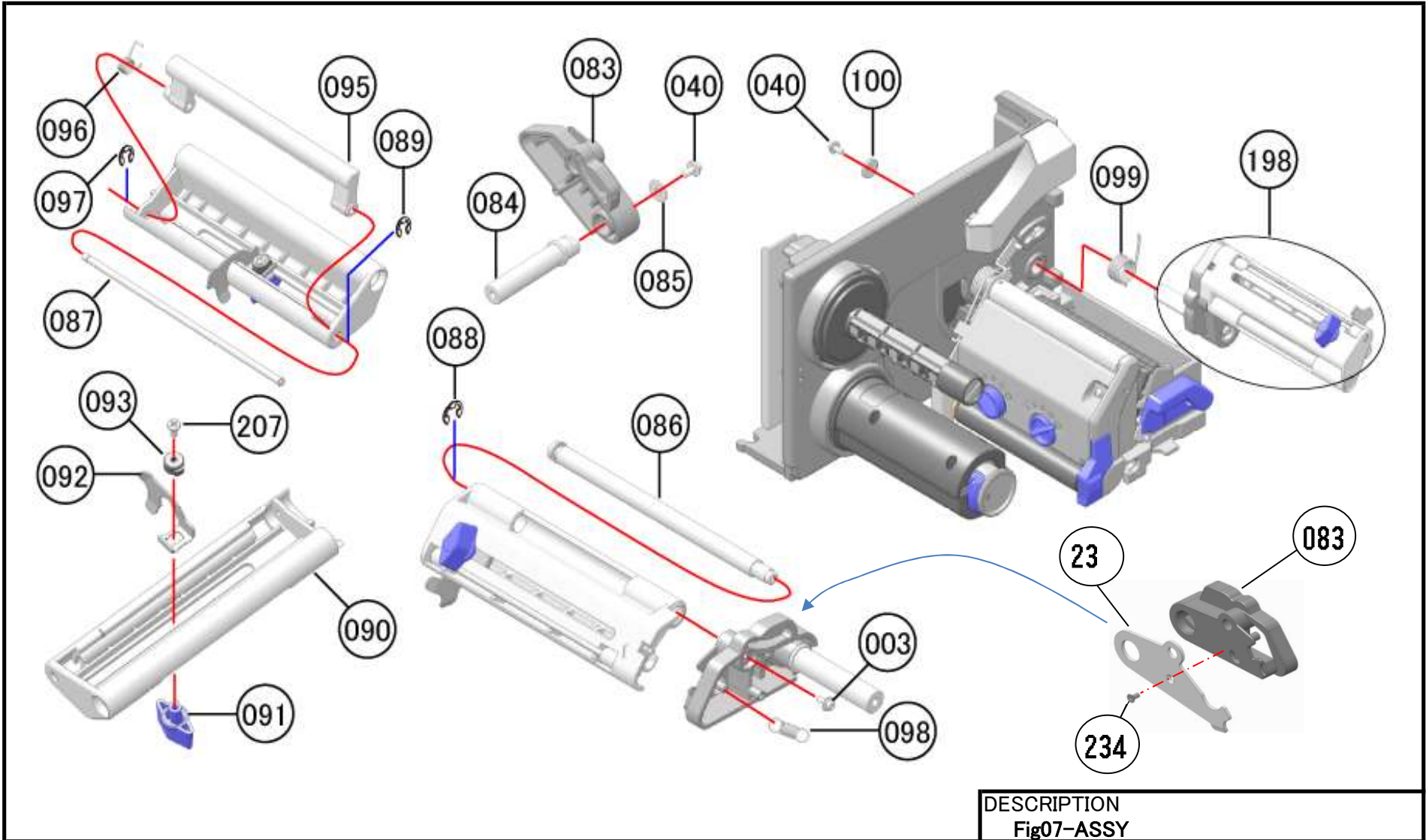


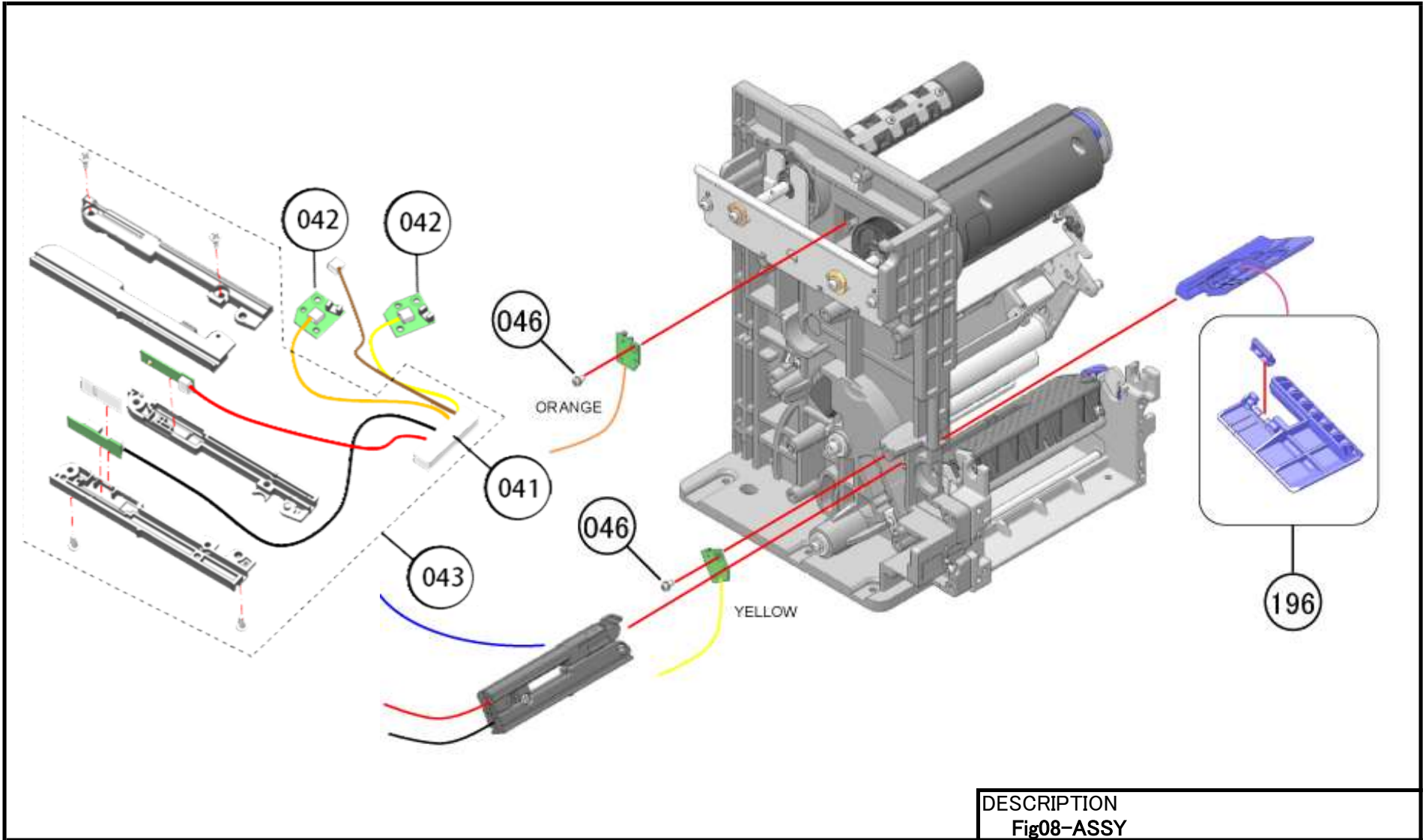


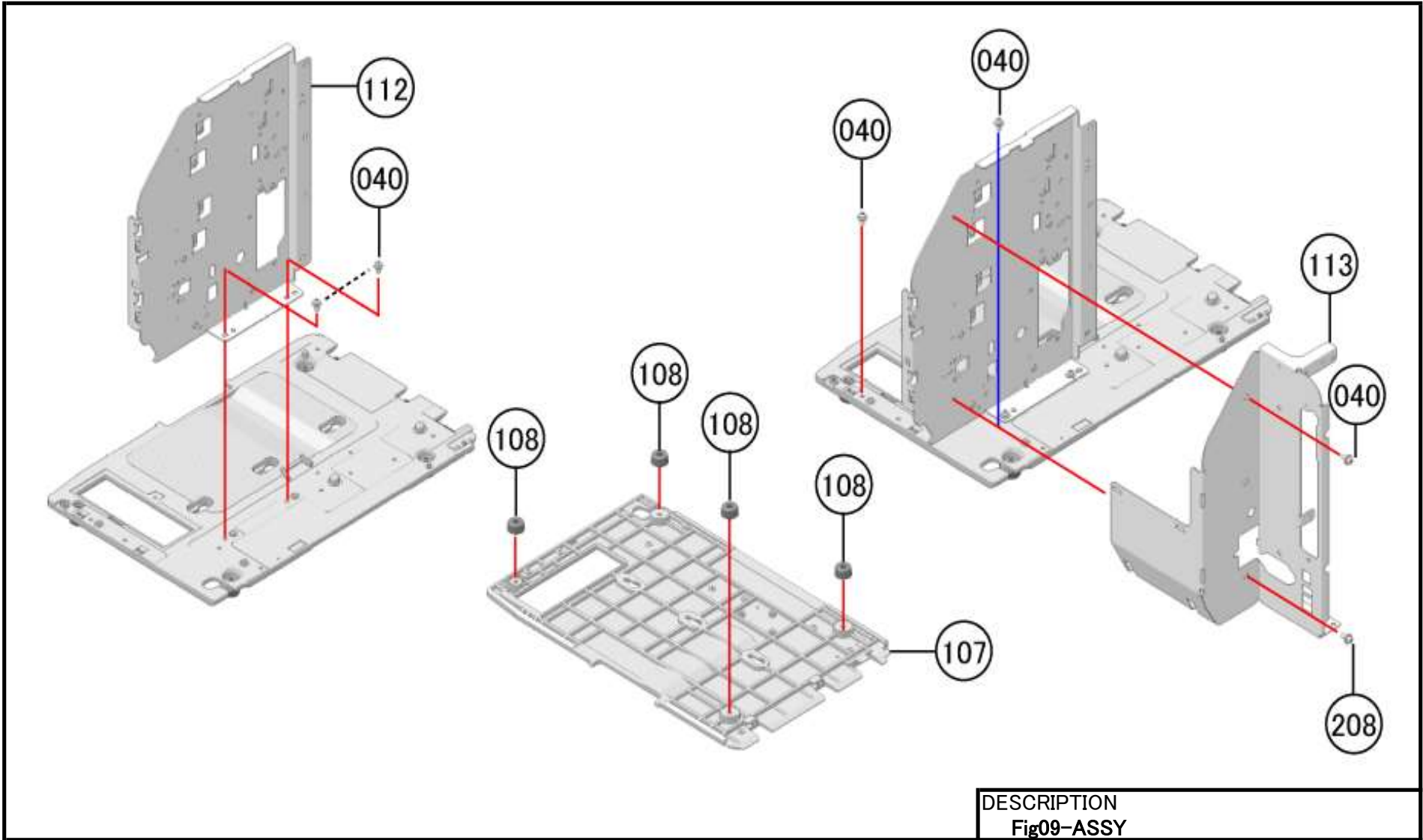


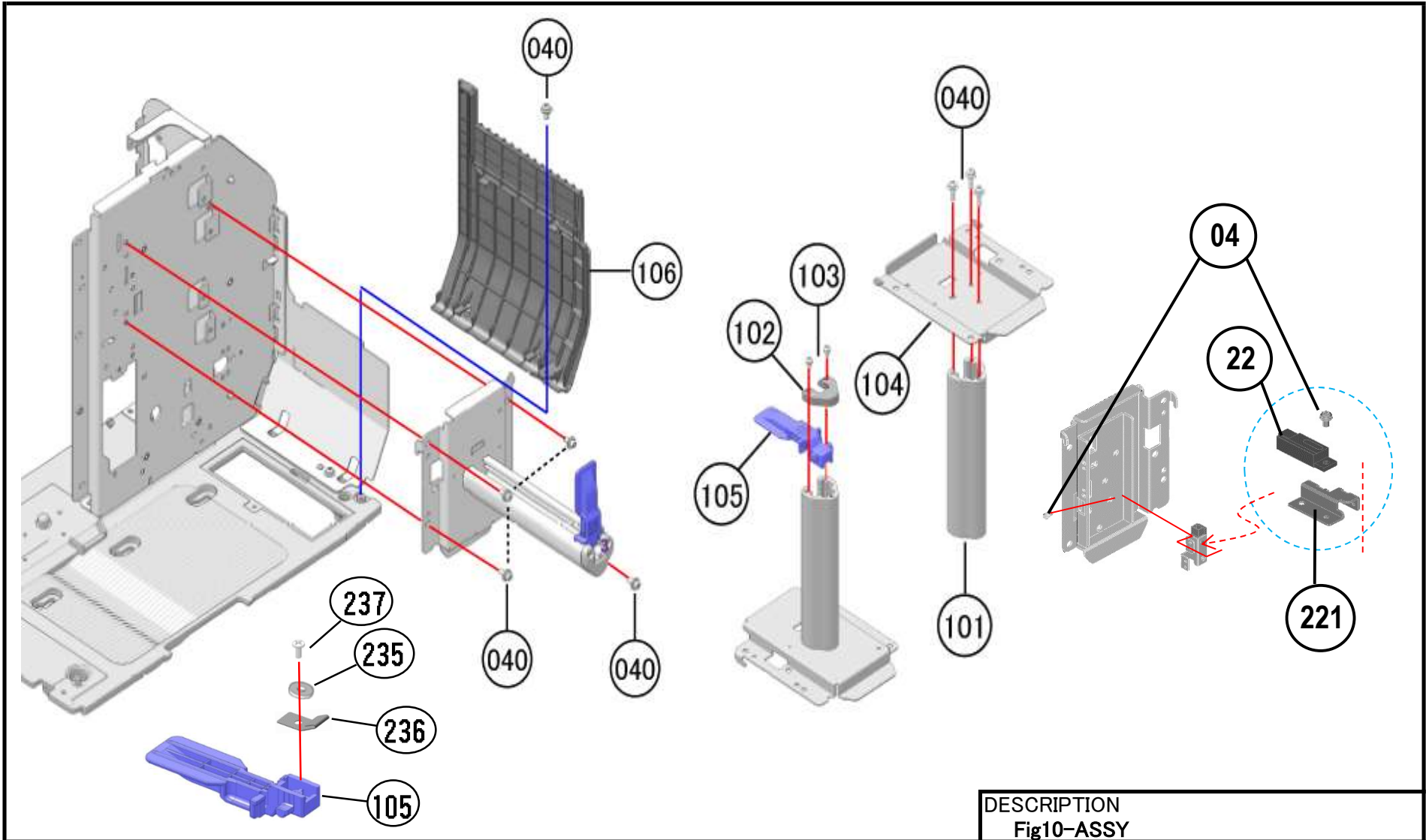


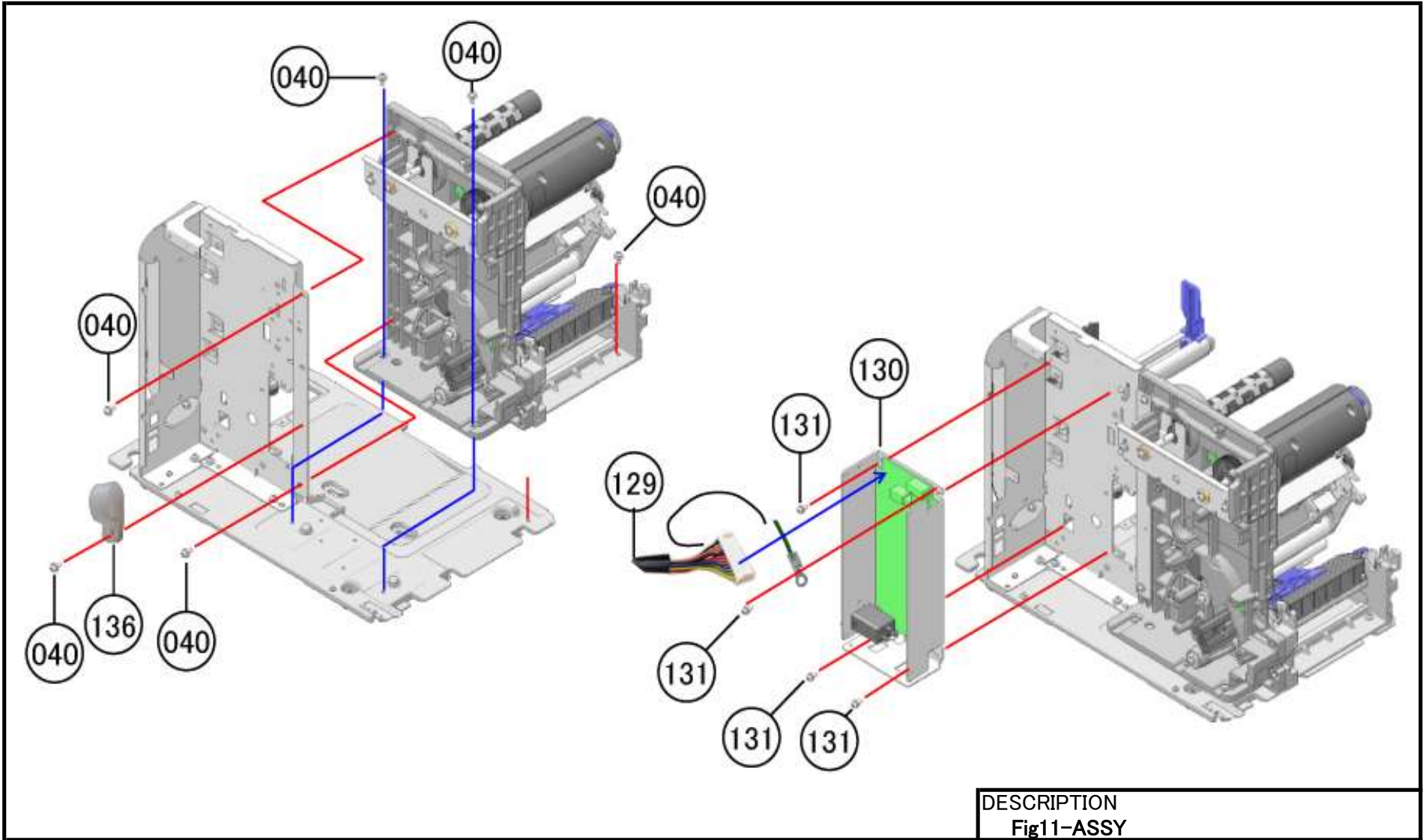


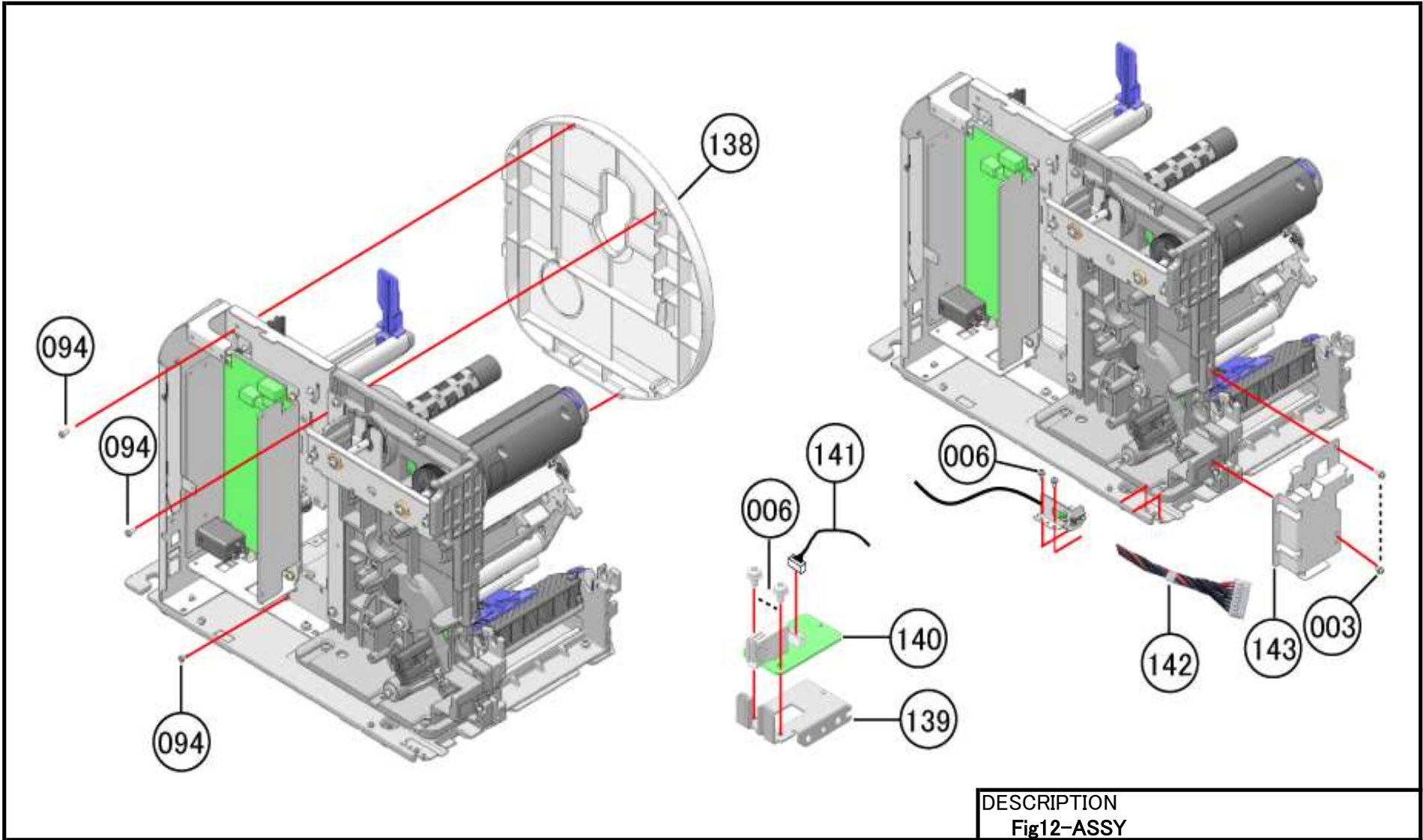


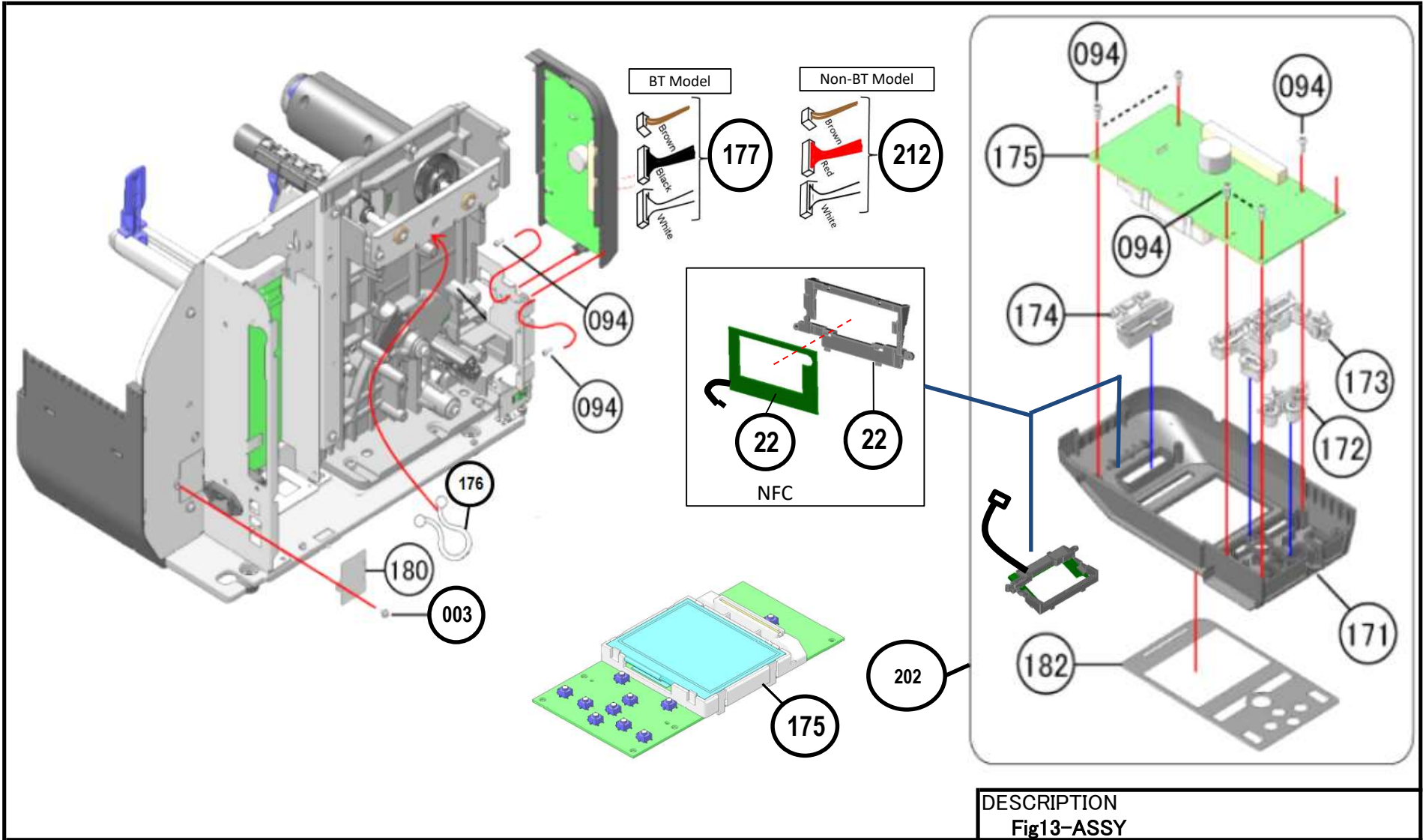


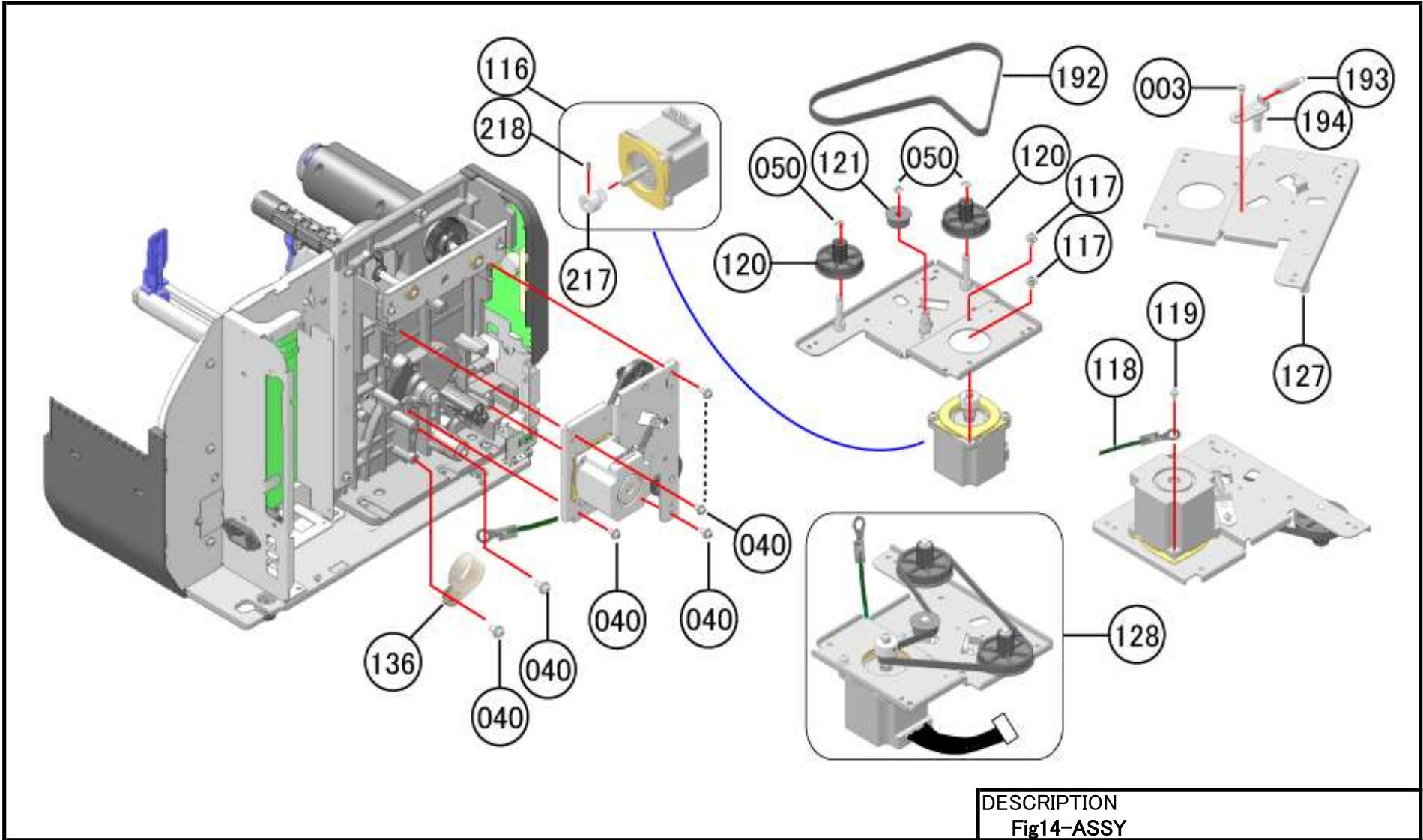


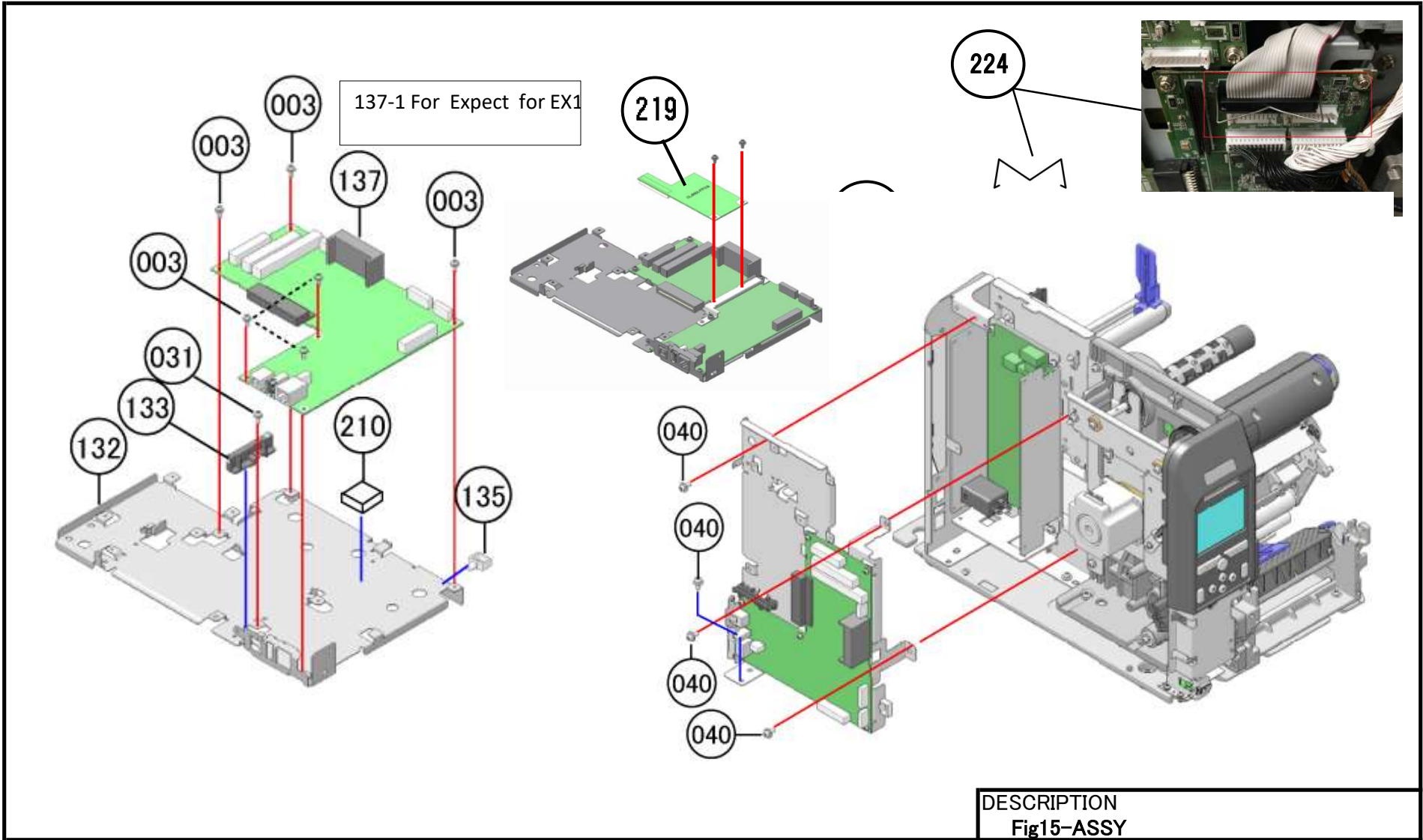


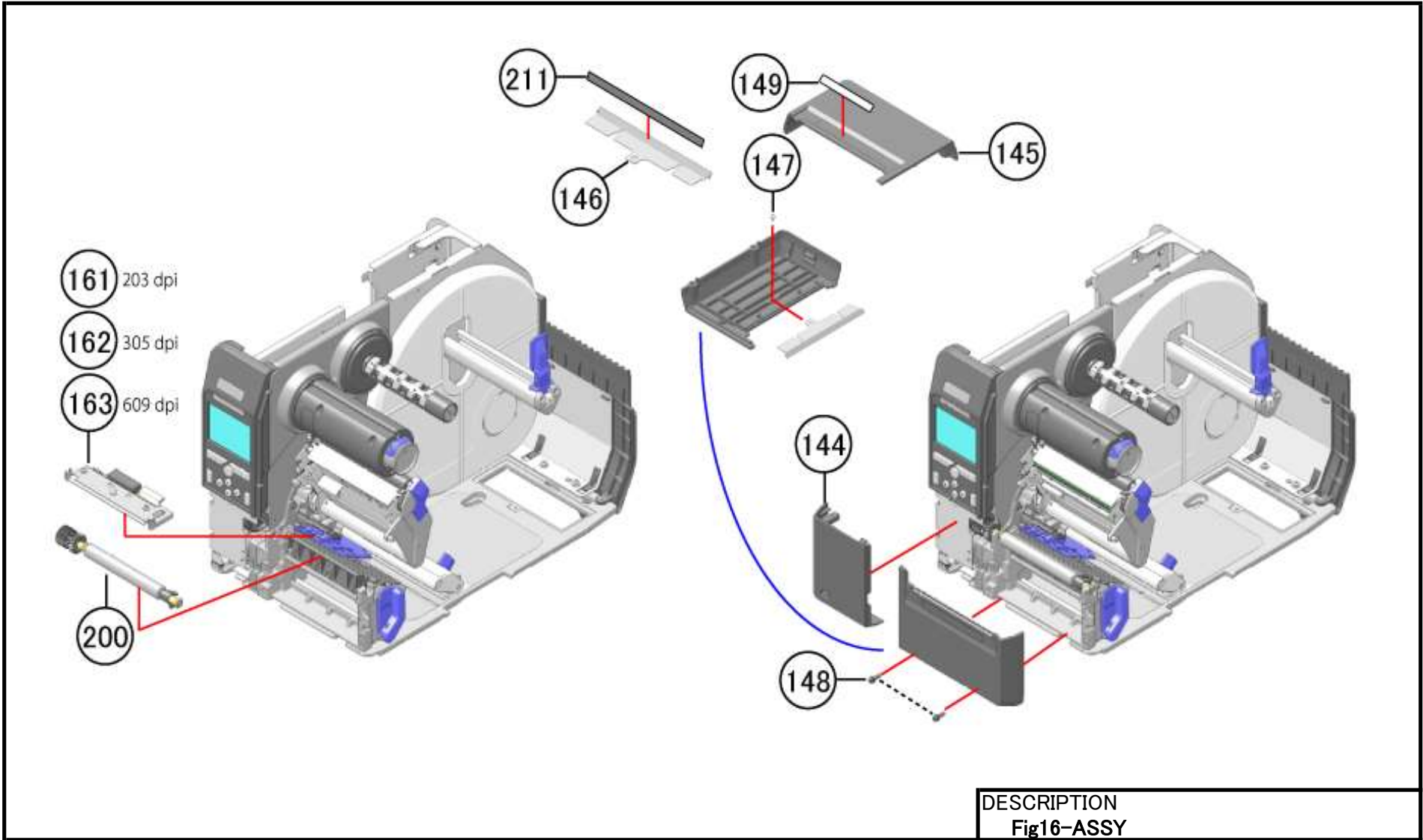


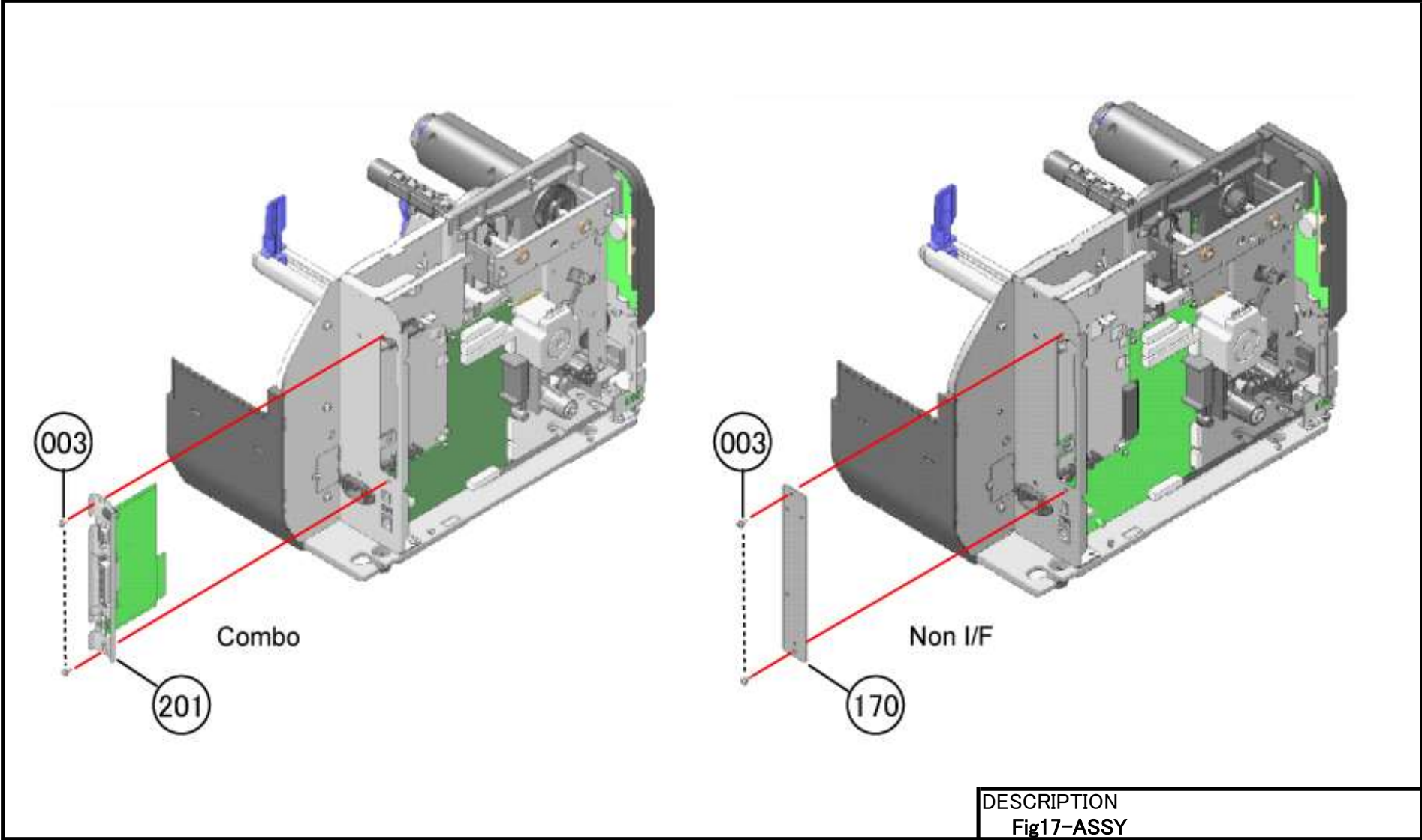


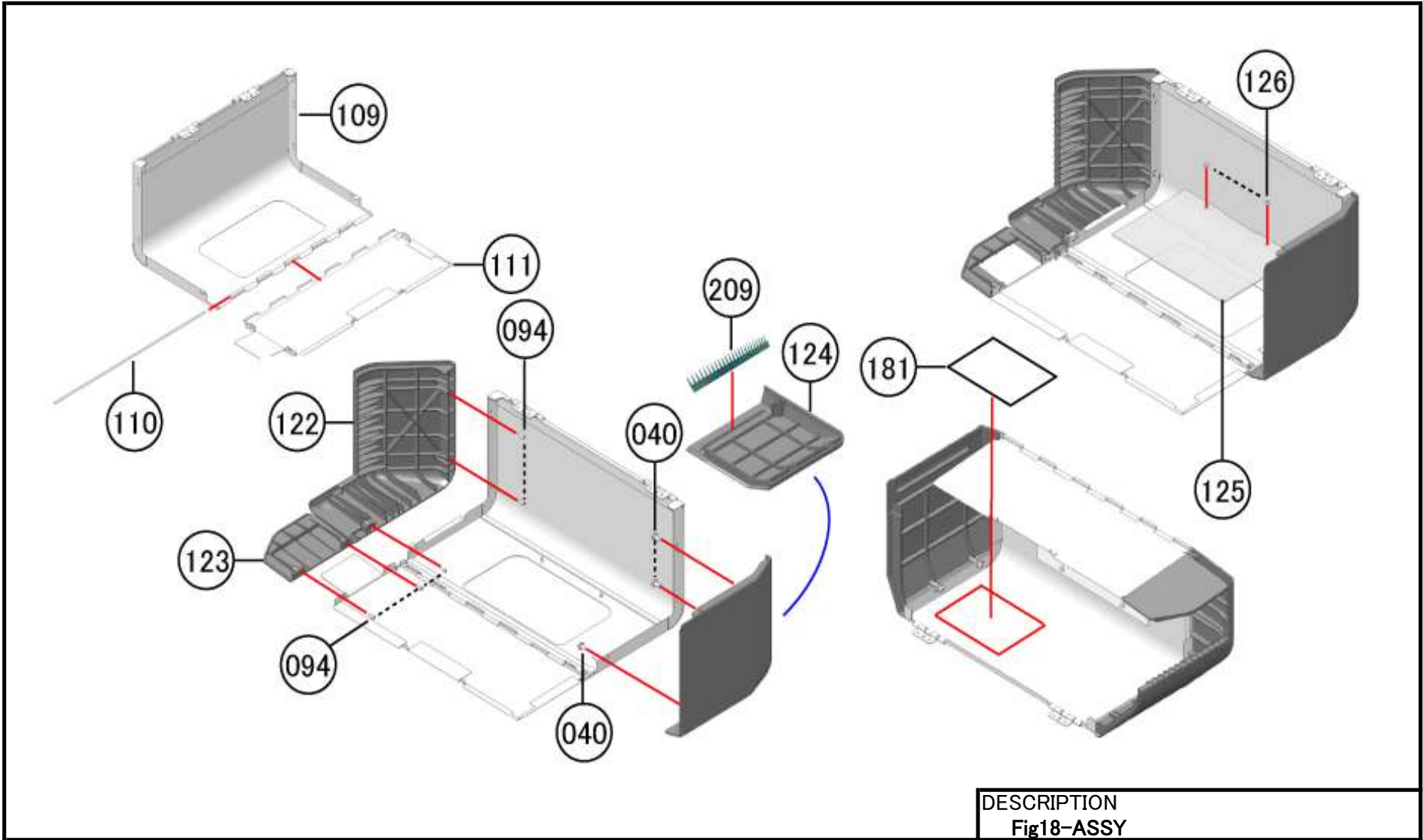


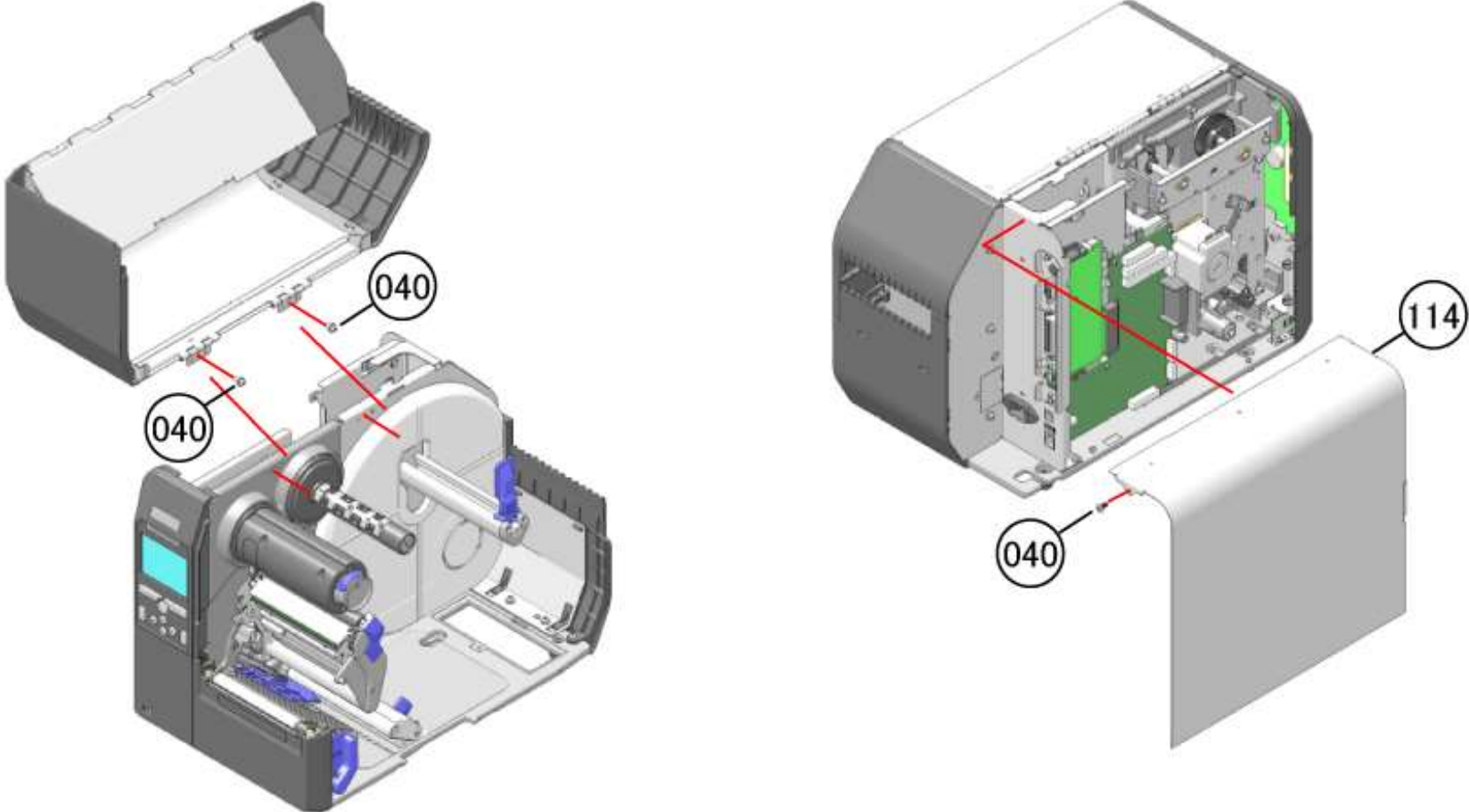




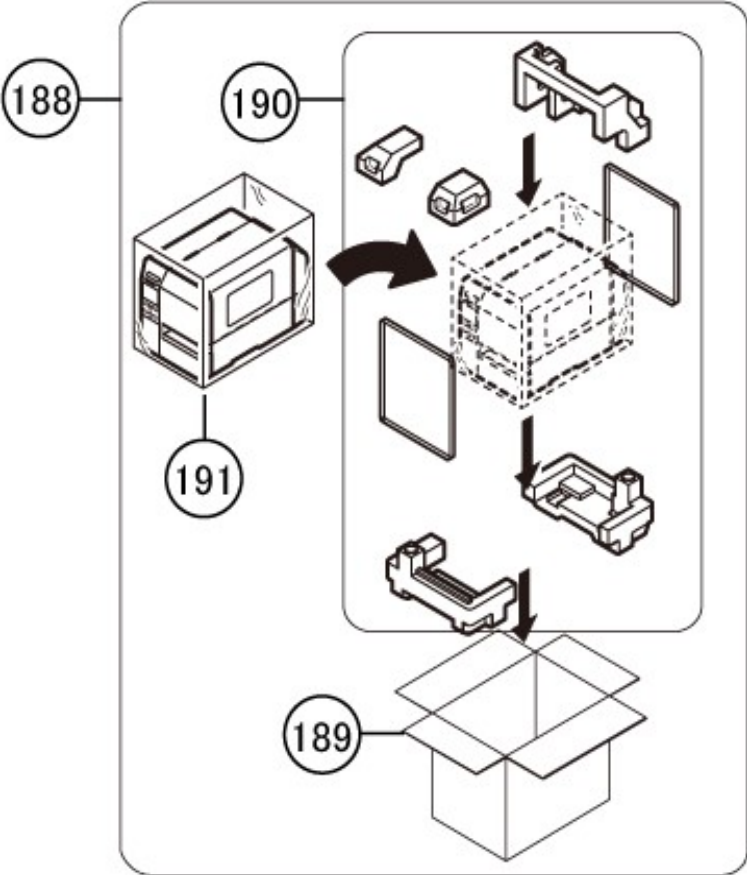
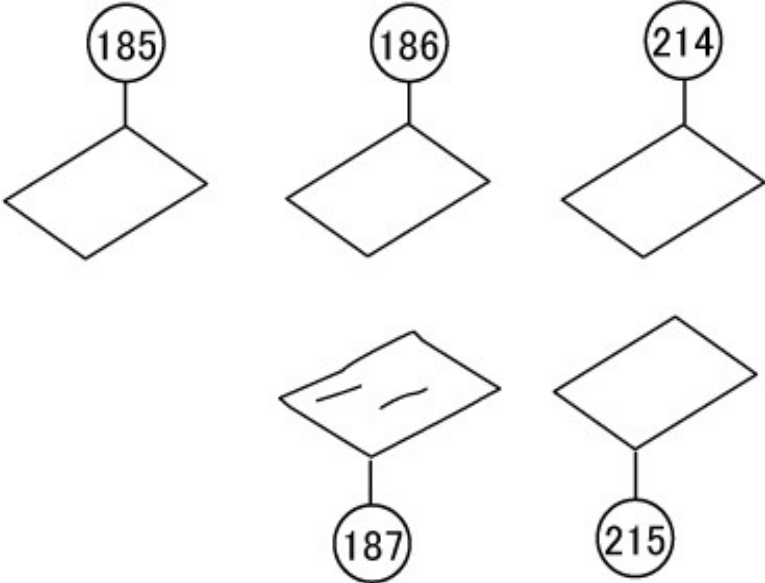








DESCRIPTION
Fig19-ASSY



DESCRIPTION
Fig20-ASSY

NO.	First_Code	Parts_No (REV.NO)	Description	QTY	NOTE
1	P53632000	P53632000	SHAFT(RIBBON CORE)	1	Fig01
2	P53003001	P53003001	RIBBON CORE-IN	1	Fig01
3	MD4300822	MD4300822	PAN HEAD SCREW+SW+WL	1	Fig01,05,06,07,12,13,14,15,17
4	R29804000	R29804000	RIBBON CORE (A) S/A	1	Fig01
5	P40495000	P40495000	SHAFT(SLIDE)	1	Fig01
6	MD4300622	MD4300622	PAN HEAD SCREW+SW+WL	1	Fig01,05,12
7	P40494000	P40494000	SPRING(SLIDE)	1	Fig01
8	R29805000	R29805001	RELEASE BUTTON S/A	1	Fig01
9	P53002000	P53002002	RELEASE BUTTON COVER	1	Fig01
10	P53001000	P53001003	RELEASE BUTTON	1	Fig01
12	P53759000	P53759000	METAL BUSH	1	Fig02
13	P11461000	P11461000	ONEWAY CLUTCH	1	Fig02
14	P23172000	P23172000	TORQUE LIMITTER	1	Fig02/Recommended Spare parts
15	P52962000	P52962001	GEAR C(0_6*81)	1	Fig02
16	ND0060030	ND0060030	E RING	1	Fig02
17	P55533000	P55533000	ONE-WAY LIMITTER	1	Fig02
18	P15203000	P15203000	OILES BEARING	1	Fig02
19	R29803000	R29803003	RIBBON REWIND S/A	1	Fig02
20	P53633000	P53633000	SHAFT(RIBBON BOSS)	1	Fig01
21	ND0080030	ND0080030	E-SNAP RING	1	Fig01
22	P53006000	P53006000	RIBBON BOSS	1	Fig01
23	P00626000	P00626010	SPRING(RIBBON BOSS)	1	Fig01
24	MH0300522	MH0300522	PAN HEAD P TIGHT SCREW	1	Fig01
25	P53005000	P53005000	DISK PLATE	1	Fig01
26	MA0300621	MA0300622	PAN HEAD SCREW	1	Fig01
27	NB0060022	NB0060022	SPRING WASHER	1	Fig01
28	P53642000	P53642000	RIBBON BOSS SCREW	1	Fig01
29	R29806000	R29806000	RIBBON UNWIND S/A	1	Fig02
30	P52952009	P52952009	CENTER FRAME	1	Fig02
31	MD3300822	MD3300822	PAN HEAD SCREW+SW+WS	1	Fig02,15
33	P53139000	P53139002	SENSOR CASE TENSION	1	Fig02
34	P53598000	P53598000	PIN(COVER LH)	1	Fig02
35	P11280010	P11280010	BF STOPPER	1	Fig02
36	P56412101	P56412101	BF SPRING	1	Fig02
37	P12267000	P12267000	TORQUE LIMITER	1	Fig02/Recommended Spare parts
38	P58681900	P58681900	TORQUE LIMITER SCREW2	1	Fig02
39	P53008000	P53008000	RIBBON FRAME	1	Fig02
40	MD4401022	MD4401022	PAN HEAD SCREW+SW+WL	1	Fig02,04,06,07,09,10,11,14,15,18,19
41	R32514101	R32514101	SENSOR CABLE (J) SET -LF	1	Fig08
42	R28363000	R28363000	CL4NX HO RB PCB SET -LF	1	Fig08/Recommended Spare parts
43	R37901600	R37901600	PITCH SENSOR S/A	1	Fig08/Recommended Spare parts
46	MD3300621	MD3300622	PAN HEAD SCREW+SW+WS	1	Fig05,08,10

NO.	First_Code	Parts_No (REV.NO)	Description	QTY	NOTE
47	R27445001	R27445001	HEAD BASE PLATE SET	1	Fig03
48	P52998000	P52998000	RELEASE PLATE	1	Fig03
49	P22068000	P22068010	SPRING(RELEASE)	1	Fig03
50	ND0040030	ND0040030	E SNAP RING	1	Fig03,04,06,14
51	P52999000	P52999001	HEAD_AJ_KNOB	1	Fig03
52	P53630001	P53630001	SHAFT(HEAD AJ)	1	Fig03
53	P52965001	P52965003	HEAD FRAME	1	Fig03
54	P52982000	P52982000	HEAD PRESSURE KNOB	1	Fig03
55	P53619000	P53619000	SPRING(HEAD)	1	Fig03
56	P52983000	P52983000	HEAD PRESSURE ARM	1	Fig03
57	P53620000	P53620000	SHAFT(ARM)	1	Fig03
58	P53626000	P53626000	SPRING(HEAD AJ)	1	Fig03
59	P52991000	P52991000	AJ PLATE(HEAD)	1	Fig03
60	P53621000	P53621000	SHAFT(HEAD BASE)	1	Fig03
61	P53627000	P53627000	HEAD AJ SCREW	1	Fig03
62	R27444000	R27444004	HEAD FRAME LH SET	1	Fig04
63	P52989000	P52989000	GEAR H(1_25*16)	1	Fig04
64	P53625000	P53625000	HEAD LOCK SCREW	1	Fig04
65	P41929000	P41929000	COLLAR(5*6*4.8)	1	Fig04
66	P52986001	P52986004	HEAD HARNESS COVER	1	Fig04
67	P52987000	P52987001	SENSOR HOLD SP	1	Fig04
68	R28432000	R28432001	HEAD POWER CABLE SET-LF	1	Fig04
69	R28428000	R28428003	HEAD SIGANL CABLE SET-LF	1	Fig04
70	P52966000	P52966000	HEAD FRAME RH	1	Fig04
71	P41929000	P41929000	COLLAR(5*6*4.8)	1	Fig04
72	P53625000	P53625000	HEAD LOCK SCREW	1	Fig04
73	R38797100	R38797100	HEAD SHAFT S/A	1	Fig04, Fig04(a)
74	R29801000	R29801000	RIBBON ROLLER S/A	1	Fig05
76	P52988000	P52988000	AJ PLATE(RIBBON ROLLER)	1	Fig05
77	P52984000	P52984000	HEAD CLOSE LEVER	1	Fig05
78	P52985001	P52985002	AJ PLATE(RIBBON)	1	Fig05
79	P53600000	P53600000	SPRING(HEAD UP)	1	Fig05
80	NB0050022	NB0050022	SPRING WASHER	1	Fig05
81	PA0720100	PA0720110	COLLAR (5*16*2.3)	1	Fig05
82	MN1501030	MN1501030	HEX BOLT	1	Fig05
83	P52970000	P52970002	DAMPER BASE	1	Fig07
84	P53638000	P53638000	SHAFT(DAMPER BASE)	1	Fig07
85	PA0730300	PA0730320	WASHER (4.2*14*1)	1	Fig07
86	P53636001	P53636002	SHAFT(DAMPER A)	1	Fig07
87	P53640000	P53640000	SHAFT(DAMPER B)	1	Fig07
88	ND0060030	ND0060030	E RING	1	Fig07
89	ND0020030	ND0020030	E SNAP RING	1	Fig07

NO.	First_Code	Parts_No (REV.NO)	Description	QTY	NOTE
90	P53120001	P53120002	DAMPER HOLDER TOP	1	Fig07
91	P53121000	P53121004	LABEL GUIDE LEVER	1	Fig07
92	P59613900	P59613900	LABEL GUIDE RH WIDE	1	Fig07
93	P53123000	P53123001	LABEL GUIDE STOPPER	1	Fig07
94	M16208000	MH2300822	BIND HEAD P TIGHT SCREW	1	Fig12,13,18
95	P53145000	P53145000	DAMPER HOLDER UNDER	1	Fig07
96	P56788000	P56788000	SPRING(DAMPER B)	1	Fig07
97	ND0030030	ND0030030	E SNAP RING	1	Fig07
98	P56787900	P56787900	SPRING(DAMPER A)	1	Fig07
99	P53637000	P53637001	SPRING(DAMPER BASE)	1	Fig07
100	PA0720100	PA0720110	COLLAR (5*16*2.3)	1	Fig07
101	P52971000	P52971000	LABEL HOLDER	1	Fig10
102	P53125000	P53125000	LABEL HOLDER CAP	1	Fig10
103	MA0400822	MA0400822	PAN HEAD SCREW	1	Fig10
104	R30543003	R30543003	LABEL HOLDER SUPPORT SET	1	Fig10
105	P53122002	P53122000	LABEL HOLDER GUIDE RH	1	Fig10
106	P53113001	P53113001	REAR COVER	1	Fig10
107	P52964000	P52964003	BASE FRAME	1	Fig09
108	P11522000	PT6750101	CASE LEG	1	Fig09
109	R27611001	R27611005	OPEN COVER TOP SET	1	Fig18
110	P53599000	P53599000	HINGE PIN(SUB COVER)	1	Fig18
111	P53103000	P53103004	SUB OPEN COVER	1	Fig18
112	P61084700	P61084702	CENTER PLATE	1	Fig09
113	R37752600	R37752601	REAR PANEL LH(SILK)	1	Fig09
114	R27582000	R27582001	COVER LH SET	1	Fig19
116	R29789001	R29789001	MOTOR S/A	1	Fig14
117	MD4400822	MD4400822	PAN HEAD SCREW+SW+WL	1	Fig14
118	R13541000	R13541000	FG CABLE-195 SET-LF	1	Fig14
119	MD0400622	MD0400622	PAN HEAD SCREW	1	Fig14
120	P52963000	P52963000	GEAR/PULLEY(0_6*20/67)	1	Fig14
121	P44208000	P44208000	TENSION ROLLER	1	Fig14
122	P53110000	P53110000	REAR OPEN COVER	1	Fig18
123	P53111000	P53111001	SUB REAR OPEN COVER	1	Fig18
124	P52951000	P52951001	FRONT COVER TOP	1	Fig18
125	P53097000	P53097001	WINDOW	1	Fig18
126	MV8300030	MV8300030	PUSH NUT	1	Fig18
127	R27637000	R27637002	GEAR FRAME SET	1	Fig14
128	R29788003	R29788005	GEAR BRACKET ASSY	1	Fig14
129	R28429001	R28429002	POWER SUPPLY CABLE SET-LF	1	Fig11
130	R29211002	R29211002	Power Unit ASSY-LF	1	Fig11/Recommended Spare parts
131	MD3401021	MD3401022	PAN HEAD SCREW+SW+WS	1	Fig11
132	P52979000	P52979002	MAIN PCB BR	1	Fig15

NO.	First_Code	Parts_No (REV.NO)	Description	QTY	NOTE
133	P52981000	P52981000	I/F GUIDE RAIL	1	Fig15
135	P54964000	P54964000	CABLE SADDLE	1	Fig15
136	JG100141A	JG100141A	NYLON CLAMP	1	Fig11,14
137-1	R37911100	R37911100	CLNX-CONT-S PCB ASSY-LF (PLUS)	1	Fig15/Recommended Spare parts
137-2	R38285100	R38285100	CLNX-CONT-S PCB ASSY-LF (PLUS,EX1)	1	Fig15/Recommended Spare parts
138	P53128000	P53128002	LABEL HOLDER GUIDE LH	1	Fig12
139	P53115000	P53115000	USB PCB BR	1	Fig12
140	R28364000	R28364000	CL4NX USB PCB ASSY -LF	1	Fig12
141	R28426000	R28426000	USB HOST CABLE SET-LF	1	Fig12
142	R28425000	R28425000	OPTION CABLE SET-LF	1	Fig12
143	P53114000	P53114001	CONT PCB BR	1	Fig12
144	P53096000	P53096000	FRONT COVER UNDER LH	1	Fig16
145	P52950000	P52950002	FRONT COVER UNDER RH	1	Fig16
146	R37905400	R37905400	TEAR OFF CUTTER(ED)	1	Fig16
147	MD4300522	MD4300522	PAN HEAD SCREW+SW+WL	1	Fig16
148	MD3401228	MD3401228	PAN HEAD SCREW+SW+WS	1	Fig16
149	Q04254000	Q04254000	STICKER(TEAR OFF)	1	Fig16
150	P52954000	P52954001	HEAD LOCK PLATE LH	1	Fig06
151	P53602000	P53602001	SHAFT(HOOK)	1	Fig06
152	P52953002	P52953006	ENGINE FRAME	1	Fig06
153	P52973000	P52973000	LABEL GUIDE LH(F)	1	Fig06
154	P53616000	P53616000	SPRING(HOOK)	1	Fig06
155	P52958000	P52958000	MEDIA GUARD(COAT)	1	Fig06
158	MJ1400524	MJ1400522	HEX SOCKET SET SCREW(W-POINT)	1	Fig06
161	R37901800	R37901800	HEAD SUB ASSY(8)	1	Fig16/Recommended Spare parts
162	R37901900	R37901900	HEAD SUB ASSY(12)	1	Fig16/Recommended Spare parts
163	R37902000	R37902000	HEAD SUB ASSY(24)	1	Fig16/Recommended Spare parts
170	P54785000	P54785001	IF COVER(STD)	1	Fig17
171	R37902901	R37902902	CONT FRAME CL4NX (SILK)	1	Fig13 (Plus)
172	R29808000	R29808000	CONT KEY UNDER(SILK)	1	Fig13
173	R29019000	R29019000	CONT KEY TOP(SILK)	1	Fig13
174	P53112000	P53112001	POWER KEY	1	Fig13
175	R32707300	R32707303	CLNX KB PCB ASSY	1	Fig13/Recommended Spare parts
176	P55073000	P55073000	OMEGA LOCK	1	Fig13
177	R32514000	R32514000	KB CABLE (NFC) SET-LF	1	Fig13
180	P61084900	P61084901	DIS BLIND COVER RW	1	Fig13
181	Q04253000	Q04253000	ROUTE STICKER	1	Fig18
182	P53118000	P53118001	CONT FRAME SHEET	1	Fig13
183	QC6524200	QC6524200	STICKER(CAUTION HOT)	1	Fig03
184	Q04255000	Q04255000	STICKER(CAUTION)	1	Fig03
185	Q05290500	Q05290500	Quick Guide	1	Fig20
186	Q04537300	Q04537300	GWP-LEAFLET	1	Fig20

NO.	First_Code	Parts_No (REV.NO)	Description	QTY	NOTE
187	QB2042336	QB2042336	POLYBAG	1	Fig20
188	R29810000	R29810007	PACKING SET (CL4NX)	1	Fig20
189	Q04257000	Q04257004	CARTON CASE (PRINT)	1	Fig20
190	R29829000	R29829001	CUSHION SET (CL4NX)	1	Fig20
191	Q01791002	Q01791002	POLY BAG(SR/GT)	1	Fig20
192	P53988000	P53988000	TIMING BELT	1	Fig14/Recommended Spare parts
193	P53618000	P53618000	SPRING(IDOLE)	1	Fig14
194	R27442000	R27442000	TENSION BR SET	1	Fig14
196	R30539000	R30539000	LABEL SENSOR ASSY	1	Fig08
198	R32942302	R32942304	DAMPER ASSY(J)	1	Fig07
199	R30541000	R30541001	HEAD LOCK ASSY	1	Fig06
200	R37901501	R37901501	PLATEN S/A (PL)	1	Fig16/Recommended Spare parts
201	R30542000	R30542005	I/F COVER ASSY	1	Fig17/Recommended Spare parts
202	R37902101	R37902102	CONTROL PANEL ASSY CL4NX (NFC)	1	Fig13 (Plus)
203	P53644000	P53644000	RIBBON RELEASE SPRING	1	Fig01
204	P56083900	P56083900	HEAD SHEET	1	Fig03
205	MD4301022	MD4301022	PAN HEAD SCREW+SW+WL	1	Fig04
207	MH0301021	MH0301022	PAN HEAD P TIGHT SCREW	1	Fig07
208	MD3400622	MD3400622	PAN HEAD SCREW+SW+WS	1	Fig09
209	Q01069001	Q01069001	SHEET(THUNDER)W110	1	Fig18
210	P55724000	P55724000	HEAT CONDUCTING PAD	1	Fig15
211	P55461000	P55461000	SHEET(TEAR OFF)	1	Fig16
212	R33111100	R33111100	KB CABLE(NON-BT,NFC) SET-LF	1	Fig13
214	Q04280000	Q04280000	Quick Guide(Chinese)	1	Fig20
215	Q04281000	Q04281000	Safety Precautions	1	Fig20
216	P37081000	P37081000	GRIP SHEET	1	Fig01
217	P53646000	P53646000	MO PULLEY	1	Fig14
218	MJ1400524	MJ1400522	HEX SOCKET SET SCREW(W-POINT)	1	Fig14
219	R32262401	R32262404	CLNX-FPGA PCB ASSY	1	Fig15
220	F05171900	F05171900	PHOTO INTERRUPTER-LF	1	Fig10
221	P56500601	P56500601	LABEL SENSOR BR	1	Fig10
222	R32706600	R32706601	CLNX-NFC ANT ASSY	1	Fig13
223	P56579900	P56579900	NFC ANTENNA HOLDER	1	Fig13
224	PC9730100	PC9730101	SPRING(LOCK)	1	Fig15
225	P56209703	P56209703	MAIN PCB SUB BR	1	Fig15
227	P61084102	P61084102	ROLLER SPACER	1	Fig4(a)
229	P61083900	P61083900	SHAFT(HEAD)	1	Fig4(a)
231	R38797200	R38797200	RIBBON PIPE S/A	1	Fig4(a)
232	R37901400	R37901402	ENGINE FRAME (SRA)	1	Fig6
233	P56208700	P56208700	LABEL GUIDE LH(DAMPER)	1	Fig7
234	MA1300622	MA1300622	FLAT HEAD SCREW	1	Fig7
235	NA1030022	NA1030022	PLAIN WASHER	1	Fig10

CL4NX PLUS PRINTER+COMBO SERVICE PARTS LIST

DATE: 30 Sep,2019

NO.	First_Code	Parts_No (REV.NO)	Description	QTY	NOTE
236	P56483100	P56483100	LABEL HOLDER GUIDE RH SP	1	Fig10
237	MH0300821	MH0300822	PAN HEAD P TIGHT SCREW	1	Fig10
238	Q05290600	Q05290600	Quick Guide (CS / CT)	1	Fig20

