

2021/2022 CATALOG

ISSUE 41



Come and see us at our new building!



FORAGE HARVESTER PARTS



MIXER KNIVES



HEADER ADAPTERS



COMPOST TURNERS

KOOIMA AG

MADE IN THE USA!

Prices subject to change.
For current prices, visit our website.
All pricing in US Dollars.
¡Podemos tomar órdenes en español!

Shipping to Mexico
now available!

800.522.8874
www.kooimaag.com

High Quality Silage Covers



Detail of reinforced string tarps



String Tarps White/Black - 6.0 mil (R6WBK)

Part #	Price	W X L	Weight
K59X200M6	\$952.00	59.5 X 200	370 lbs.
K59X500M6	\$2,380.00	59.5 X 500	780 lbs.
K85X200M6	\$1,372.00	85.75 X 200	470 lbs.
K85X250M6	\$1,715.00	85.75 X 250	585 lbs.
K85X1000M6	\$6,860.00	85.75 X 1000	2,275 lbs.
K105X40M6	\$337.60	105.5 X 40	172 lbs.
K105X60M6	\$506.40	105.5 X 60	237 lbs.
K151X45M6	\$545.40	151.5 X 45	220 lbs.
K151X50M6	\$606.00	151.5 X 50	250 lbs.
K151X60M6	\$727.20	151.5 X 60	272 lbs.
K151X70M6	\$848.40	151.5 X 70	315 lbs.
K151X75M6	\$909.00	151.5 X 75	335 lbs.
K151X80M6	\$969.60	151.5 X 80	370 lbs.
K151X100M6	\$1,212.00	151.5 X 100	430 lbs.
K184X70M6	\$1,033.20	184.5 X 70	405 lbs.
K184X110M6	\$1,623.60	184.5 X 110	550 lbs.
K204X50M6	\$817.00	204.25 X 50	315 lbs.
K204X60M6	\$980.40	204.25 X 60	380 lbs.
K204X70M6	\$1,143.80	204.25 X 70	420 lbs.
K204X80M6	\$1,307.20	204.25 X 80	465 lbs.
K204X100M6	\$1,634.00	204.25 X 100	550 lbs.
K243X60M6	\$1,170.00	243.75 X 60	455 lbs.
K250X70M6	\$1,401.40	250.25 X 70	545 lbs.
K250X80M6	\$1,601.60	250.25 X 80	590 lbs.
K250X85M6	\$1,701.70	250.25 X 85	615 lbs.
K303X100M6	\$2,424.00	303 X 100	870 lbs.

Standard Silage Tarps White/Black - 5.0 mil (A5WB1)

Part #	Price	W X L	Weight
K57442	\$112.80	24 X 100	69 lbs.
K57443	\$150.40	32 X 100	90 lbs.
K57628	\$225.60	32 X 150	133 lbs.
K46534	\$188.00	40 X 100	110 lbs.
K57574	\$282.00	40 X 150	163 lbs.
K57575	\$376.00	40 X 200	216 lbs.
K50158	\$235.00	50 X 100	138 lbs.
K50159	\$352.50	50 X 150	203 lbs.
K54235	\$470.00	50 X 200	299 lbs.
K57576	\$282.00	60 X 100	161 lbs.
K53942	\$423.00	60 X 150	255 lbs.
K57577	\$564.00	60 X 200	346 lbs.
K58234	\$1,410.00	60 x 500	779 lbs.
K64369	\$2,820.00	60 X 1000	1,557 lbs.
K69881	\$516.00	80 X 150	325 lbs.
K69880	\$688.00	80 X 200	455 lbs.
K70463	\$860.00	80 X 250	561 lbs.
K77050	\$1,720.00	80 X 500	1,123 lbs.
K77059	\$3,440.00	80 x 1000	1,999 lbs.



800.522.8874

**If you do not see the size you need, give us a call,
other sizes are available upon request.**

Prices are subject to change.

*** Free shipping on Silage Covers if combined with \$850 in Kooima® Ag parts on phone and internet orders**

PARTS INDEX

Kooima Ag Exclusive Products	2 - 3
Header Drive Adapters.....	4-17
Baler Parts	18-19
Drive Line Components	20-21
Mixer Knives	23-36
Bale Processor Flails	3 7
Manure Hammers & Composter Paddles	38
Flail & Cup Knives	39-41
Disc Mower Parts	42-43
John Deere® 5000 Series (replacement parts to fit)	44-57
John Deere® 6000 Series (replacement parts to fit)	58-73
John Deere® 7000 Series (replacement parts to fit)	78-99
John Deere® 8000 & 9000 Series (replacement parts to fit)	100-104
John Deere® 3940, 3950, 3960, 3970, 35, 38 and 3800 (replacement parts to fit)	107-114
John Deere® Corn Heads, Forage Heads and Stalker Heads (replacement parts to fit)	115-119
Kemper™ Heads (replacement parts to fit)	120-135
Claas® Forage Harvesters & Heads (replacement parts to fit)	138-177
Krone® Forage Harvesters & Heads (replacement parts to fit)	178-189
New Holland® Forage Harvesters & Heads (replacement parts to fit)	192-209
Case IH® Forage Harvesters (replacement parts to fit)	210-211
Dion® Forage Harvesters (replacement parts to fit)	2 11
Fox® Forage Harvesters (replacement parts to fit)	2 12
Gehl® Forage Harvesters (replacement parts to fit)	213-215
Hesston® Field Queen™ Forage Harvesters (replacement parts to fit)	215
Ford® Forage Harvesters (replacement parts to fit)	216
New Idea® (replacement parts to fit)	216
John Deere® No Till Drill Parts (replacement parts to fit)	217-220
Battery Boxes	221
Combine Index & Parts	223-234
Order Form.....	235
Terms and Conditions of Sale	236
Shipping Time.....	230
Silage Tarps	2 39
Trner® Composters	2 40

For over 30 years Kooima® Ag has been manufacturing replacement forage harvester parts, combine parts, mixer knives, header adapters and more! We are an independent manufacturer of replacement parts, because of this we are able to produce quality parts at competitive prices.

Our New Address:

Kooima Ag
2642 Rock Ridge Road
Rock Valley, IA 51247

1-800-522-8874 • Fax 712-201-0819 • sales@kooimaag.com • www.kooimaag.com

New Idea®, Hesston®, Gleaner®, Farmhand®, AC®, Massey Ferguson® and Oliver® are registered trademarks of AGCO Corporation • White™ and Field Queen™ are trademarks of AGCO Corporation • Allis-Chalmers™ is a trademark of Allis-Chalmers Corporation • Alloway® is a registered trademark of Standard Industries, Inc. • Art's-Way™ and Roda™ are trademarks of Art's-Way Mfg. Co., Inc. • Badger™ is a trademark of Badger Farm Systems, Inc. • Balzer™ is a trademark of Balzer Inc. • Buffalo™ is a trademark of Bison Industries, Inc. • Brillion™ is a trademark of Brillion Farm Equipment, Landoll Corporation • Case®, Case IH® and New Holland® are registered trademarks of CNH Industrial America, LLC • NH™ is a trademark of CNH America, LLC • Claas®, Lexion®, QUADRANT®, ROLLANT®, VARIANT® & Speedstar® are registered trademarks of Claas KGaA, MBH • Mad Jag™ is a trademark of Claas KGaA, MBH • Orbis® & Disco® are registered trademarks of Claas Saugau GmbH • VARIANT® is a registered trademark of CLAAS KOMMANDITGESELLSCHAFT AUF AKTIEN • Cressoni™ is a trademark of F.lli CRESSONI s.p.a. • John Deere®, JD® & Frontier® are registered trademarks of Deere & Company • Kemper™ and Champion™ are trademarks of Maschinenfabrik KEMPER GmbH & Co. • Diamond™ is a trademark of Diamond Implements • Dandl™ is a trademark of Alamo Group Inc. • Flory™ is a trademark of Flory Industries Inc. • Harvestec™ is a trademark of Linamar Agriculture Inc. • Haybuster® is a registered trademark of DuraTech Industries International, Inc. • Highline® is a registered trademark of Highline Manufacturing LTD • Ford® is a registered trademark of Ford Motor Company • Gehl® is a registered trademark of Manitou Americas, Inc. • Walterscheid® is a registered trademark of GKN Walterscheid GmbH • Fox® and Hiniker® are registered trademarks and Fox Brady™ a trademark of Hiniker Company • JAY-LOR® is a registered trademark of JAY-LOR International Inc. • Mighty Giant™ is a trademark of Jones Manufacturing Co. • Rock Stop® is a registered trademark of Kasha Farm Supplies, Ltd. • Kinze® is a registered trademark of Kinze Manufacturing Inc. • Kirby™ is a trademark of Kirby Manufacturing, Inc. • Krone® and Big X® are registered trademarks of Bernard Krone Holding, GmbH & Co. KG • Kuhn® and Kuhn Knight® are registered trademarks of Kuhn S.A. • Kubota® is a registered trademark of Kubota Corporation. • Euromix™ is a trademark of Kuhn S.A. • Laird™ is a trademark of Laird Manufacturing Corporation • Loftness® is a registered trademark of Loftness Specialized Farm Equipment, Inc. • Meyer™ is a trademark of Meyer Manufacturing Corporation • Tatoma® is a registered trademark of Grupo Tatoma, S.L. • Trioliet® is a registered trademark of Trioliet-Mullos B.V. • Dura Drum™ is a trademark of Deere & Company • AGM™ is a trademark of UNIFAST s.r.l. • Loewen™ is a trademark of Loewen Welding & Manufacturing Ltd. • Patz® is a registered trademark of Patz Corporation • Pecon® is a registered trademark of Peeters Landbouwmachines B.V. • Penta™ is a trademark of Penta TMR, Inc. • Keenan® is a registered trademark of Richard Keenan & Co., Ltd. • Scherer™ is a trademark of Scherer Corrugating & Machine, Inc. • Schuitmaker™ is a trademark of Schuitmaker Machines B.V. • Schuler™ is a trademark of Schuler Mfg. & Equip. Co. Inc. • Seko™ is a trademark of Seko SpA • MONOMIXER™/MAXIMIXER™ is a trademark of Sioux Automation Center, Inc. • Supreme™ is a trademark of Supreme International Ltd. • Mighty Max™ is a trademark & Vrisimo® is a registered trademark of Vrisimo Equipment Company, Valley Tool & Mfg • Valmetal® is a trademark of Valmetal Inc. • McKee™ is a trademark of W. McKee Manufacturing Ltd. • Vermeer® is a registered trademark of Vermeer Manufacturing Corporation • CAT® & Challenger® are registered trademarks of CATERPILLAR INC. • Sukup® is a registered trademark of Sukup Manufacturing Co. • Geringhoff® is a registered trademark of Carl Geringhoff GmbH & Co. KG • Fantini™ is a trademark of Fantini S.r.l. • Drago™ and DragoTec™ are trademarks of Dragotec USA • Gates® is a registered trademark of Gates Corporation • Sittler® is a registered trademark of Global Repair LTD • Aeromaster® is a registered trademark of Midwest Bio-Systems Inc. • Capello® is a registered trademark of CAPELLO S.R.L. • Koyma Klad®, Trner®, and Kooima® Ag are registered trademarks of Kooima® Ag. • One or more of the Kooima® Ag mixer knives, Kooima® Ag cracking plates, Kooima® Ag shearbars, Kooima® Ag spouts, Kooima® Ag header adapters and Kooima® Ag head cart, Kooima® Ag composter may be protected by one or more of the following US patents 6,092,750, 6,234,072, 6,327,970, 7,290,341, 8,186,611, 8,376,126, 8,198,350, 8,109,176, 8,919,800, 9,833,785, 10,617,061 or pending patent applications, Australian patent 2005331255 and Canadian patent 2,251,158.



KOOIMA® AG EXCLUSIVE PRODUCTS

Grind Earlage with Kooima® Ag's New Dual Roll Header Adapters!

Advantages: faster clean out, more ground speed and less shelling!

Patent # 8,376,126 and & 10,743,467



#K9000 - JD® 8000 & 9000 Series
Page 4



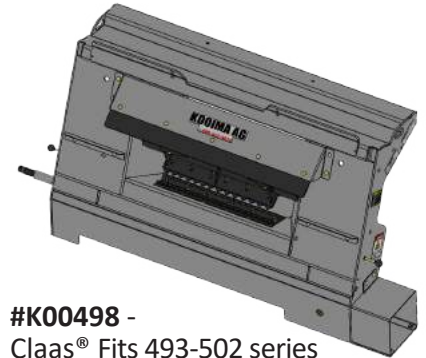
Videos



#KFR920 - New Holland® FR machines
Page 14



Videos



#K00498 -
Claas® Fits 493-502 series
Page 10



Videos

Forage Harvester Bumper To fit JD®7000, 8000 & 9000 Series

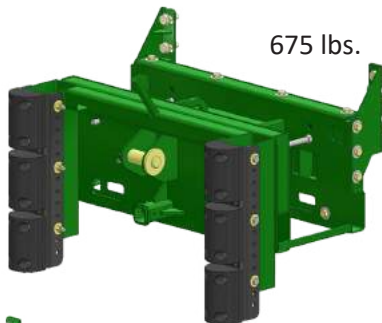
Features:

- Adjustable bumper pads to protect your cutter from damage
- Lowered hitch allows for better alignment
- Weight rack designed to use standard suitcase weights included on **K125061**
- Included chain or tow rope connection
- Proudly made in the USA

More information on Page 98



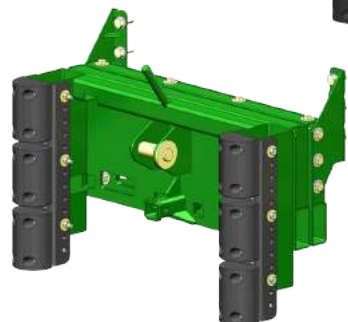
Option with weight rack
Order # **K125061**



675 lbs.

Optional Add-On

Wide complete rubber bumper attachment for K125061 and K125072
Order # **K125083**



No weight rack
Order # **K125072**



Scan for
Videos
and Install
Instructions!



Scan for
Videos
and Install
Instructions!



KOOIMA® AG EXCLUSIVE PRODUCTS

Front Tractor Bumper

Order # K251JDT

\$1,990.00

575 lbs.

Kooima® Ag's newly designed front bumper for JD® 8000 series tractors provide full coverage from fence post, gates or the forage harvester in front of you. Easy installation on your existing weight rack and space saving weight positioning on the sides of the tractor to give you more room in the machine shed.

Tractor weights **not included**



Scan to see some
Features of this
Bumper!



Tractor Mud Flaps

Today's machinery is more expensive than ever, help protect your investment with a set of Kooima® Ag custom built mud flaps. Easily installed on your existing 3 point these mud flaps provide full coverage from mud, rocks or any other flying debris. To fit ALL tractors with category 3 or 4 three point hook ups.

More information on Page 41



Kooima® Ag Trner® Composters

Patent # 10,617,061, other Patents Pending

Don't turn piles at the back of the pack any longer. Kooima® Ag Composters innovative new rotor design allows for faster travel speeds with superior product movement and aeration. Call today for more information!

Additional information on back inside cover!



CT0800
Skid Trner®

Watch our
Composters in
Action Turning
Rows!



CT1400
14' Trner®



Grind Earlage with **Kooima® Ag** header adapters! John Deere® 8000 & 9000 Series Header Adapter

This universal grinding earlage adapter will fit all 8100-8800 and 9000 series harvesters. Improved design with an added lower feed roll improves material flow between the corn head and the harvester. The standard dual drive allows you to use a variety of corn heads.

Order # K9000

\$16,600⁰⁰ ea.

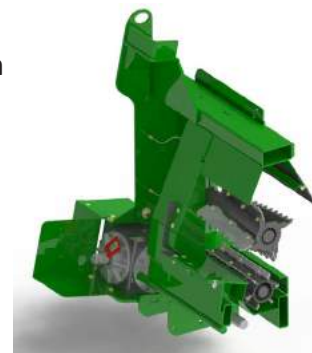
Patents # 8,376,126
& 10,743,467



Scan for Videos!



1,300 lbs.



Order # K00492PTO • 1 3/4" 20 spline to 1 1/8" hex • 42 lbs.
• For use with John Deere® corn head
• Compressed length 33 1/4"
• Maximum extended length 40 1/4"
\$520⁰⁰ ea.

Order # K20TO1250 • 1 3/4" 20 spline to 1 1/4" hex • 35.4 lbs.
• For use with newer John Deere® C series corn heads
• Compressed length 33 1/4"
• Maximum extended length 40 1/4"
\$520⁰⁰ ea.

Order # K20TO150 • 1 3/4" 20 spline to 1 1/2" hex
• 2400 series • 35.3 lbs.
• Compressed length 33 1/4"
• Maximum extended length 40 1/4"
\$520⁰⁰ ea.

Order # K8000DL • Chopper to gearbox drive line
• Used if chopper is equipped with quick connect system • 47 lbs.
\$520⁰⁰ ea.



Don't waste costly downtime - replace your gearbox oil every season. 4 quarts needed. With gearbox sitting level, take the plug out of the back of the gearbox and pour oil through the top hole to fill until the oil is up to the level of the back hole.

• 2 lbs. • 1 quart

Order # 75W-90PS **\$14²⁵ ea.**

• 1 3/4" 20 spline to 1 3/8" 21 spline adapter
• Use with longer factory back shafts
Order # K1172821 **\$199⁰⁰ ea.**
5.8 lbs.



• K9000 RH drive chain
• #60 Heavy roller chain
• 74 pitches • 5 lbs.
Order # 60H-74
\$62⁷⁵ ea.

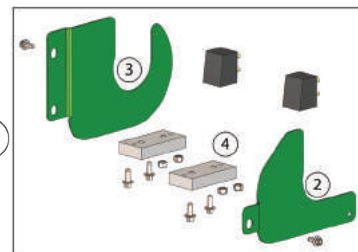
Kooima Exclusive!

• Smooth Roll Covers for Ear Corn
• Order with K8000KIT/K9000KIT



- ① **K89001** \$55.00 ea.
• LH side smooth roll cover
 - ② **K89002** \$39.00 ea.
• LH side upper roll cover
 - ③ **K89003** \$37.50 ea.
• RH side smooth roll cover
- NEW** • 2 required

To fit JD® all 9700-9900 series and 8600 series above SN 619000



KOOIMA #	DESCRIPTION
K9000KIT \$195.00 ea.	① Earlage side wall plates and feed roll separation kit • 9 lbs.
K77626 \$31.50 ea.	② LH earlage kit side plate • 1 required • Replaces OEM HXE77626 • 1.25 lbs.
K105729 \$40.75 ea.	③ RH earlage kit side plate • 1 required • Replaces OEM HXE105729 • 1.9 lbs.
K63579 \$46.85 ea.	④ Earlage shim • 2 required • .75" thick • Replaces OEM HXE63579 • 1.54 lbs.
K101368 \$9.50 ea.	• Earlage shim • .18" thick • Quantity used as required • Replaces OEM HXE101368 • .26 lbs.

WARNING - Grinding earlage with the use of corn heads and choppers can cause a risk of fire. The risk of fire does not emanate from the adapter products described on this page, but can be caused by heat generated by the choppers. To reduce the risk of fire, please keep the top of feed roll housing clear of dust.

John Deere® and JD® are registered trademarks of Deere & Company. Truck icon signifies product is shipped via truck freight.



HEADER ADAPTERS

Grind Earlage with Kooima® Ag header adapters!

John Deere® 8000 & 9000 Series Header Adapter

This universal grinding earlage adapter will fit all 8100-8800 and 9000 series harvesters. Patterned off our proven adapter design, this unit will work with narrow and wide throat harvesters. The standard dual drive gives you the freedom to use a variety of corn heads and eliminates having to upgrade your adapter with your harvester.

Order # K8000

1,300 lbs.

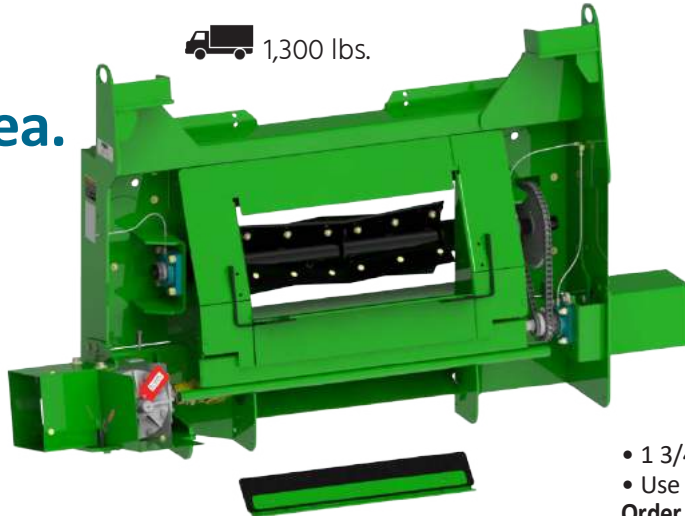
\$11,700⁰⁰ ea.

Patent # 8,376,126

- K8000 RH drive chain
- #60 Heavy roller chain
- 66 pitches • 4.5 lbs.

Order # 60H-66

\$55³⁵ ea.



- 1 3/4" 20 spline to 1 3/8" 21 spline adapter
- Use with longer factory back shafts

Order # K1172821

5.8 lbs.

\$199⁰⁰ ea.



Order # K00492PTO

- 1 3/4" 20 spline to 1 1/8" hex • 42 lbs.
- For use with John Deere® corn head
- Compressed length 33 1/4"
- Maximum extended length 40 1/4"

\$520⁰⁰ ea.



Scan for Videos!

Order # K20TO1250

- 1 3/4" 20 spline to 1 1/4" hex • 35.4 lbs.
- For use with newer John Deere® C series corn heads
- Compressed length 33 1/4"
- Maximum extended length 40 1/4"

\$520⁰⁰ ea.

Order # K20TO150

- 1 3/4" 20 spline to 1 1/2" hex
- 2400 series • 35.3 lbs.
- Compressed length 33 1/4"
- Maximum extended length 40 1/4"

\$520⁰⁰ ea.

Order # K8000DL

- Chopper to gearbox drive line
- Used if chopper is equipped with quick connect system • 47 lbs.

\$520⁰⁰ ea.



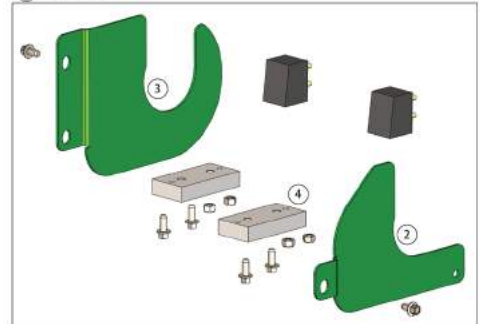
Don't waste costly downtime - replace your gearbox oil every season. 4 quarts needed. With gearbox sitting level, take the plug out of the back of the gearbox and pour oil through the top hole to fill until the oil is up to the level of the back hole.

- 2 lbs. • 1 quart

Order # 75W-90PS

\$14²⁵ ea.

① K8000KIT



To fit JD® 8100-8500 series and 8600 series up to SN 618999

KOOIMA #

K8000KIT
\$445.00 ea.

K77626
\$31.50 ea.

K63586
\$39.50 ea.

K63579
\$46.85 ea.

K101368
\$9.50 ea.

DESCRIPTION

① • Earlage side wall plates and feed roll separation kit • 9 lbs.

② • LH earlage kit side plate • 1 required
• Replaces OEM HXE77626 • 1.25 lbs.

③ • RH earlage kit side plate • 1 required
• Replaces OEM HXE63586 • 1.9 lbs.

④ • Earlage shim • 2 required • .75" thick
• Replaces OEM HXE63579 • 1.54 lbs.

• Earlage shim • .18" thick

• Quantity used as required
• Replaces OEM HXE101368 • .26 lbs.

WARNING - Grinding earlage with the use of corn heads and choppers can cause a risk of fire. The risk of fire does not emanate from the adapter products described on this page, but can be caused by heat generated by the choppers. To reduce the risk of fire, please keep the top of feed roll housing clear of dust.

John Deere® and JD® are registered trademarks of Deere & Company. Truck icon signifies product is shipped via truck freight.

TO ORDER TOLL FREE CALL 1-800-522-8874

KOOIMA AG

Kooima Exclusive! **NEW**
Smooth Roll Covers for Ear Corn
to use with K8000KIT/K9000KIT,
info on page 4



HEADER ADAPTERS

Grind Earlage with **Kooima® Ag** header adapters!

John Deere® 6000 & 7000 Series Header Adapter

The adapter work horse, this adapter will allow you to gain the ground speed to get your job done faster. With the improved crop flow design and enclosed heavy duty gear box this is the most efficient header adapter on the market today. This adapter will work with John Deere® 600 series (excluding 606C) 40 and 90 series corn heads and has the ability to switch between narrow and wide throat harvesters easily.

Order # K00075

\$13,900⁰⁰ ea.

Patent # 8,376,126

Order # KIH7000

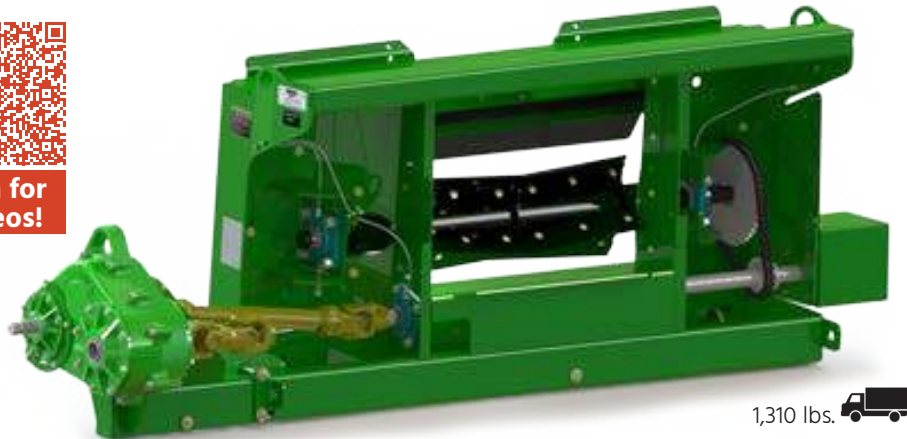
\$375⁸⁰ ea.

JD® cutter to Case IH® narrow throat heads (2200 series) • 78.75 lbs.

Call for Details



Scan for Videos!

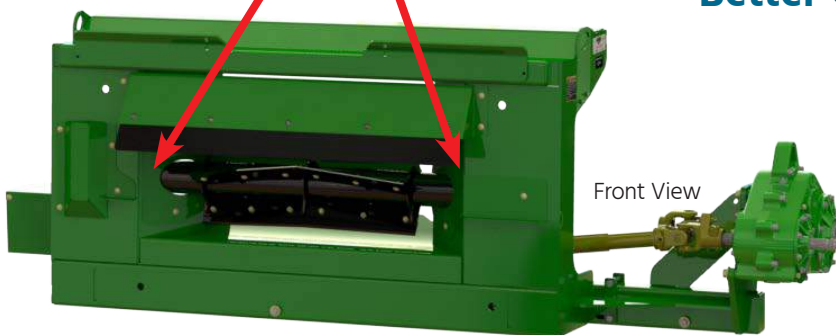


1,310 lbs.

Easy PTO Hook-Ups

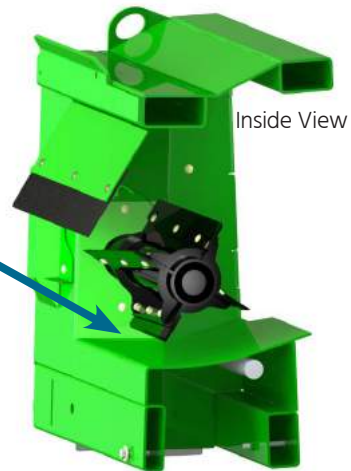


Wide Throat



Front View

Easy Flow Floor For Better Crop Feeding



Inside View

- Reversible
- Assist Feed
- 1 : 1.3 Gearbox



7 quarts of oil needed for the gearbox. Fill up to the fill hole.

• 2 lbs. • 1 quart

Order # 75W-90PS **\$14²⁵ ea.**

See us on **YouTube**

WARNING - Grinding earlage with the use of corn heads and choppers can cause a risk of fire. The risk of fire does not emanate from the adapter products described on this page, but can be caused by heat generated by the choppers. To reduce the risk of fire, please keep the top of feed roll housing clear of dust.

John Deere® and JD® are registered trademarks of Deere & Company. Truck icon signifies product is shipped via truck freight.

Components for John Deere® adapter K00075

When ordering your adapter, don't forget to order the left side PTO shaft and earlage pans.

Earlage kit for the side walls of feed rolls. This kit will open up the feed rolls and prevent corn from exiting the sides. A real **MUST** when grinding earlage!

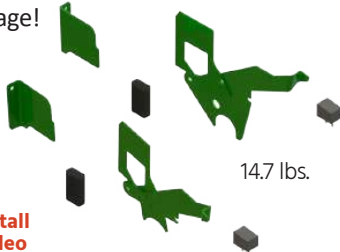
Order # K7000KIT

- 7050 series machines only
- To use on 7200-7500 series order # **K101960BK** also

\$457⁰⁰ ea.



Install Video



14.7 lbs.

Longer rear spring eye bolt • Includes 2 nuts

- Needed when separating feed rolls for earlage

• Use with **K7000KIT & K6000KIT**

\$46⁵⁰ ea.

Order # K162269



1.4 lbs.

Belt for 2011 Models and Later

Order # 14-MGT-1568-125

\$875⁸⁰ ea.

5 lbs.



Adapt your **New Holland® and Case IH® 3000 series** to your John Deere® chopper. Wide head & wide throat. 90 lbs.

Order # K98CJD

\$855⁰⁰ ea.



Order # K4000CH - Adapts your

4000 series Case IH® head to your chopper



If your **Geringhoff® head (2012 or newer)** has **Case IH® mounts**, add these brackets to let you grind earlage with Kooima® Ag adapters. 42 lbs.

Order # KGCKIT

\$800⁰⁰ ea.

NEW

Back two feed rolls can throw corn forward when grinding ear corn • Keeps the corn in the chopper • Help prevent expensive corn loss- install your shell kit today!

- Use on Claas® and JD® adapters

Order # KSHHELLKIT1

\$155⁰⁰ ea.



17 lbs.

- Optional rubber flap

- Use on John Deere® adapters only • 4 lbs.

Order # KSHHELLKIT2

\$92⁵⁰ ea.



Order # K21TO150

\$520⁰⁰ ea.

- 21 spline to 1 1/2 hex
- Used with JD® C heads 2012 or newer
- Compressed length 33 1/4"
- Extended length 40 1/4"



34.2 lbs.

PTO Shafts

K21SP1250HEX • 1 1/4" hex to 1 3/8" 21 spline • 18.1 lbs.

K21SP1500HEX • 1 1/2" hex to 1 3/8" 21 spline • 17.6 lbs.

K21SP1125HEX • 1 1/8" hex to 1 3/8" 21 spline • 18.3 lbs.

\$520⁰⁰ ea.



Order # FH002943

- 1 1/2" 23 spline to 1 3/4" 20 spline shaft
- Replacement Drive Shaft • 4.85 lbs.

\$195⁰⁰ ea.



Order # K23TO23MALE

- 1 1/2" 23 spline to 1 1/2" 23 spline
- Drive PTO, Replacement Drive Line

\$520⁰⁰ ea.



18.6 lbs.

Earlage Pans for Wide Throat Machines 7700-7850

K79268 - \$215.00 ea.

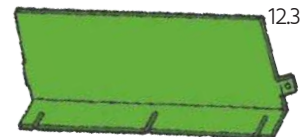


34.8 lbs.



Install Video

K64453 - \$165.00 ea.



12.3 lbs.

Earlage Pans for Standard Width Machines

K63659 - \$73.00 ea.

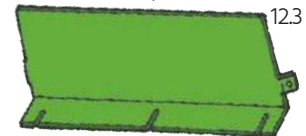


28.2 lbs.



Install Video

K50086 - \$83.00 ea.



12.3 lbs.

K50086BK

- Earlage pans bolt kit • To fit all series earlage pans • .25 lbs.
- 1 kit required - \$7.00



HEADER ADAPTERS

Grind Earlage with **Kooima® Ag** header adapters!

John Deere® 6000 & 7200-7580 Series Header Adapter

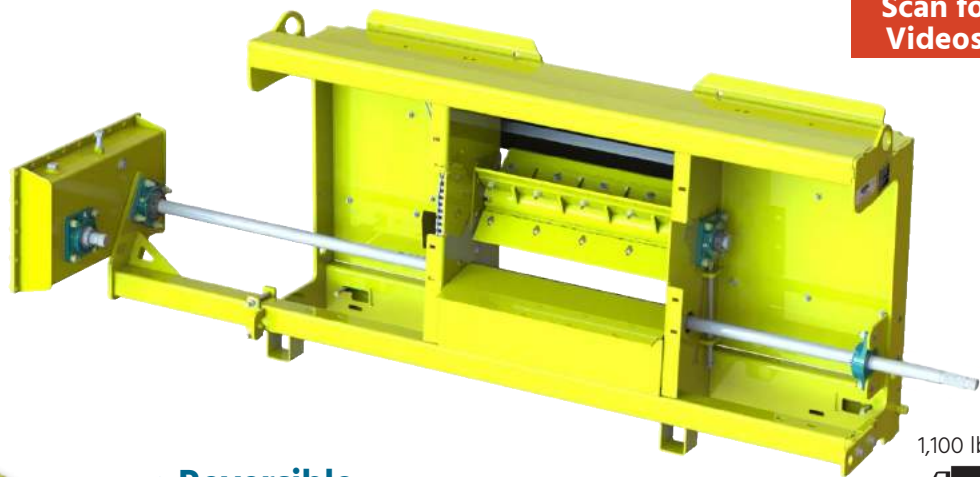
Another option to grind earlage for all 6000 series and 7200-7580 series harvesters. This adapter has the advantage of the additional corn saver roller and simple oil bath gearbox. Use with JD® 40 and 90 series corn heads. Will also fits Harvestec™ and Cressoni™ corn heads with JD® hook ups. (JD® 600 series corn heads do not fit this adapter.)



Scan for Videos!

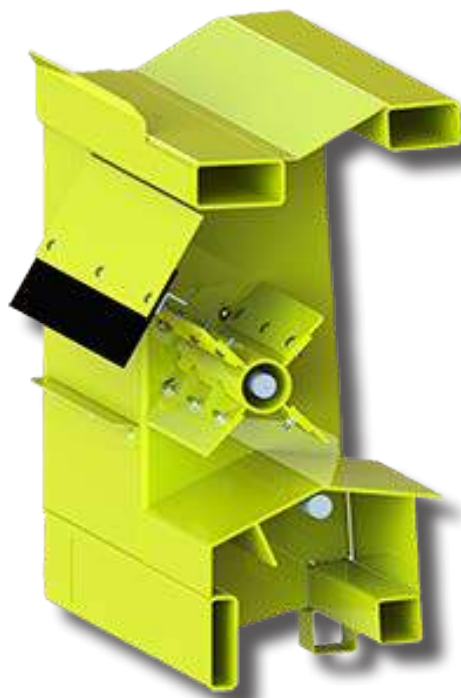
Order # K00019

\$8,600⁰⁰ ea.



1,100 lbs.

- **Reversible**
- **Assist Feed**
- **Easy PTO Hook-Up**



Inside View

K21TO21 • 21 spline to 21 spline, 17.15 lbs.

K21TO23 • 21 spline to 23 spline, 17.4 lbs.

- Special Walterscheid® PTO for higher horsepower conditions
- Compressed length 14 1/4"
- Maximum extended length 15 1/2"

\$520⁰⁰ ea.



WARNING - Grinding earlage with the use of corn heads and choppers can cause a risk of fire. The risk of fire does not emanate from the adapter products described on this page, but can be caused by heat generated by the choppers. To reduce the risk of fire, please keep the top of feed roll housing clear of dust.

Components for John Deere® header adapters

Header Drive 16 Tooth Sprocket

Order # FH500073

- Use with 23 spline LOC gear box
- 2.3 lbs.

\$63⁰⁰ ea.



Header Drive 16 Tooth Sprocket

Order # FH500072

- Use with 21 spline LOC gear box
- 2 lbs.

\$63⁰⁰ ea.



1.7 lbs.
14 tooth 60 chain
Order # K2114CH
\$20⁰⁰ ea.



2.1 lbs.
21 spline to 14 tooth sprockets
Order # K2114
\$62⁰⁰ ea.

Order # 60D-16 Double 60 connection chain - \$27.50 ea.

PTO Shafts for 90 series corn heads

K24224295

- 1 1/8 hex to 21 spline, 19.1 lbs.
- To drive a Kooima® adapter to corn head
- Compressed length 16 7/8"
- Maximum extended length 18 1/2"

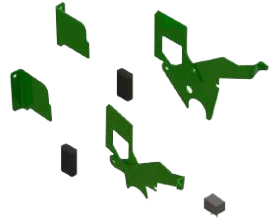
K24224018

- 1 1/4 hex to 21 spline, 19 lbs.
- To drive a Kooima® adapter to corn head
- Compressed length 16 7/8"
- Maximum extended length 18 1/2"

\$520⁰⁰ ea.



Earlage kit for the side walls of feed rolls. This kit will open up the feed rolls and prevent corn from exiting the sides. A real **MUST** when grinding earlage!



- Order # K7000KIT • 14.7 lbs.
- 7050 series machines only
 - To use on 7200-7500 series order # K101960BK also

\$457⁰⁰ ea.

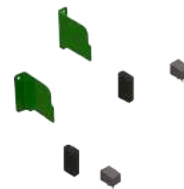


Watch an installation video of the K7000KIT!

- Back two feed rolls can throw corn forward when grinding ear corn
- Keeps the corn in the chopper • Help prevent expensive corn loss- install your shell kit today!
- Use on Claas® and JD® adapters

Order # KSHELLKIT1

\$155⁰⁰ ea.



Order # K6000KIT

- All 6000 and 7000 series machines only
- 4.8 lbs.

\$357⁵⁰ ea.

- Optional rubber flap
- Use on John Deere® adapters only • 4 lbs.

Order # KSHELLKIT2

\$92⁵⁰ ea.



17 lbs.

Longer rear spring eye bolt • Includes 2 nuts

- Needed when separating feed rolls for earlage

• Use with K7000KIT & K6000KIT

Order # K162269

\$46⁵⁰ ea.



1.4 lbs.

Maintenance Kits for K00019

Don't waste costly downtime - replace your gearbox oil every season. • 7.8 lbs.

Order # OILAGMA5EP

\$40⁰⁰ ea.



Claas® 491, 492, 493, 494, 496, 497, 498, 499 & 502 Series Header Adapters

Claas® grinding earlage adapter to fit 491-502 series machines to attach **ALL** John Deere® corn heads. Also fits Lexion®, Harvestec™ and Cressoni™ heads. Kooima® Ag's newly patented design, equipped with the corn saver system keeps crop moving through your machines.

NEW Dual Roll Adapter for faster clean out, more ground speed and less shelling!



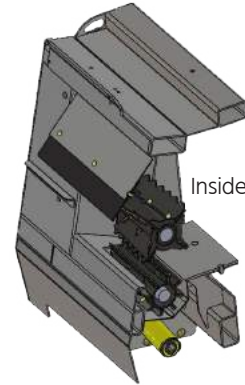
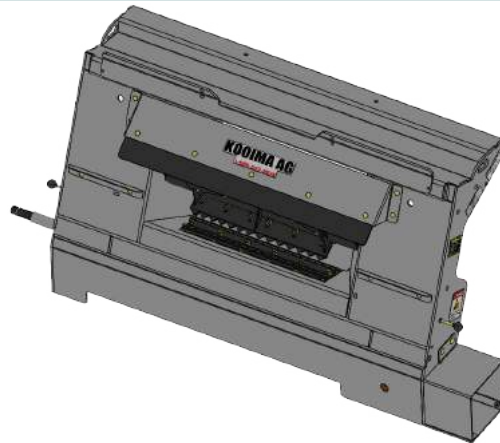
Scan for Videos!

Order # K00498

- Fits 493, 494, 496, 497, 498, 499 & 502 series equipped with auto connect PTO

\$16,900⁰⁰ ea.

Patents # 8,376,126, & 10,743,467



Inside View

Order # K00492

- To fit 491 & 492 series

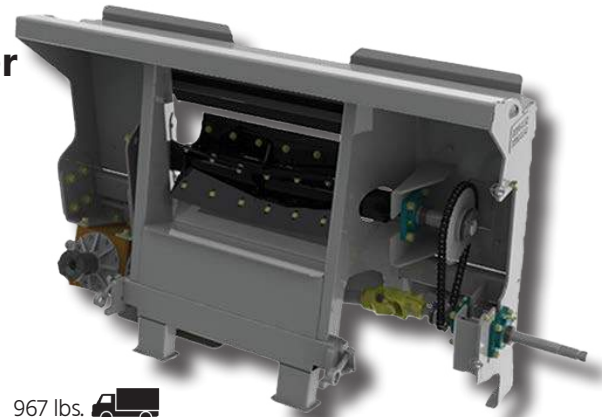
\$11,600⁰⁰ ea.



Videos

Single Roll Adapter

PTO Hook-Up for 491 & 492 Machines



967 lbs.

Wide Throat

Order # K00494

- To fit 493, 494, 496, 497, 498, 499 & 502 series

\$11,600⁰⁰ ea.



Videos

Patent # 8,376,126

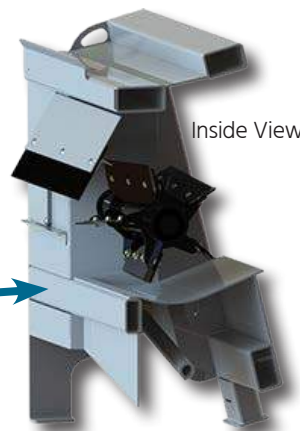
Order # FH5001131

- Quick connect drive coupler
- Use with K00494 adapter
- 10.2 lbs.

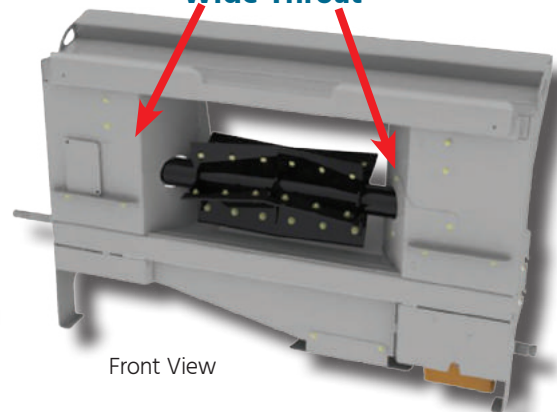
\$450⁰⁰ ea.



Better Crop Flow Floor



Inside View



Front View



Reversing capabilities from the cab with NO BELTS!

WARNING - Grinding earlage with the use of corn heads and choppers can cause a risk of fire. The risk of fire does not emanate from the adapter products described on this page, but can be caused by heat generated by the choppers. To reduce the risk of fire, please keep the top of feed roll housing clear of dust. Claas® is a registered trademark of Claas KGaA, MBH. Truck icon signifies product is shipped via truck freight.

We can fit your Claas® to most any combine corn head!
Components for Claas® header adapters



Order # K00492PTO • 1 3/4" 20 spline to 1 1/8" hex • 42 lbs.
 • For use with John Deere® corn head
 • Compressed length 33 1/4"
 • Maximum extended length 40 1/4"
\$520⁰⁰ ea.

Order # K20TO1250 • 1 3/4" 20 spline to 1 1/4" hex • 35.4 lbs.
 • For use with newer John Deere® C series corn heads
 • Compressed length 33 1/4"
 • Maximum extended length 40 1/4"
\$520⁰⁰ ea.

Order # K20TO150 • 1 3/4" 20 spline to 1 1/2" hex
 • 2400 series • 35.3 lbs.
 • Compressed length 33 1/4"
 • Maximum extended length 40 1/4"
\$520⁰⁰ ea.

Order # K6TO1250 • 1 3/8" 6 spline to 1 1/4" hex
 • 2400 series • 35 lbs.
 • Compressed length 33 1/4"
 • Maximum extended length 40 1/4"
\$520⁰⁰ ea.

Order # K21TO1250 • 1 3/8" 21 spline to 1 1/4" hex
 • 2400 series • 35 lbs.
 • Compressed length 33 1/4"
 • Maximum extended length 40 1/4"
 • Used with Case® 3000 series heads on right drive side
\$520⁰⁰ ea.

To be used with PTO Driven Heads. To convert left side of gear box to a 1 3/8" 21 spline.

• 1 3/4" 20 spline to 1 3/8" 21 spline adapter

Order # K1172821
 5.8 lbs.



\$199⁰⁰ ea.

1 3/8" 6 spline adapters

1 3/4" 20 spline to 1 3/8" 6 spline adapter.

Order # K33201476 5 lbs.

1 3/8" 21 spline to 1 3/8" 6 spline

Order # K33200087 2.8 lbs.



\$187⁰⁰ ea.

Replacement drive shaft - 9" long
 1 3/4" 20 spline **Heat Treated** 5.25 lbs.

NEW

Order # K20X9



\$155⁰⁰ ea.



20.8 lbs.

Order # K491PTO • Header drive PTO
 • For use with **491 & 492** series machines
 • No slip clutch
\$520⁰⁰ ea.

• Drive shaft • 21 spline to 1 1/8" hex • 33" collapsed length
 • Replacement shaft for 90 series side hill corn heads • 29.5 lbs.

Order # K119746 Replaces OEM # AH119746

\$520⁰⁰ ea.



Grinding ear corn pan to fit 491, 492 & 493 series Claas® harvesters.

Replaces OEM # 9842901

Order # K9842901

\$142⁰⁰ ea.



16.3 lbs.

Adapt your **New Holland® and Case IH® 3000 series** to your Claas® chopper. When using this attachment, a PTO is needed with 1 3/8" 21 spline to 1 1/4" hex ends for the right side of equipment.
 90 lbs.

Order # K98CJD

\$855⁰⁰ ea.



Order # K4000CH - Adapts your **4000 series Case IH®** head to your chopper



If your **Geringhoff® head (2012 or newer)** has **Case IH® mounts**, add these brackets to let you grind earlage with Kooima® Ag adapters.
 42 lbs.

Order # KGCKIT

\$800⁰⁰ ea. **NEW**

Maintenance Kits for K00492 & K00494



Don't waste costly downtime - replace your gearbox oil every season. 4 quarts needed. With gearbox sitting level, take the plug out of the back of the gearbox and pour oil through the top hole to fill until the oil is up to the level of the back hole. • 2 lbs. • 1 quart

Order # 75W-90PS **\$142⁵⁰ ea.**

• Back two feed rolls can throw corn forward when grinding ear corn
 • Keeps the corn in the chopper • Help prevent expensive corn loss - install your shell kit today!
 • Use on Claas® and JD® adapters

Order # KSHELLKIT1

\$155⁰⁰ ea.



17 lbs.

If using a John Deere® 40 series corn head, you will need to change to a PTO drive system. See kit # KAR100.
Order # KAR100

\$975⁰⁰ ea.



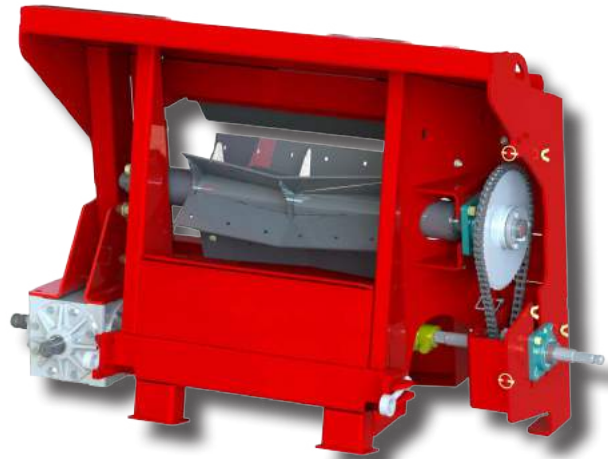
85 lbs.

WARNING - Grinding earlage with the use of corn heads and choppers can cause a risk of fire. The risk of fire does not emanate from the adapter products described on this page, but can be caused by heat generated by the choppers. To reduce the risk of fire, please keep the top of feed roll housing clear of dust.

Grind Earlage with **Kooima® Ag** header adapters!

Claas® - Case IH® Header Adapter

Claas® grinding earlage adapter to fit all series to attach 900, 1000 & 2200 (Narrow Throat) series Case IH® corn heads. Equipped with the corn saver system to keep crops moving through and help cut up the cobs before entering the front feed roll. Will not fit 1083 heads with short drive lines.



Order # K00080

- To fit 491 & 492
- 1,000 lbs.

Order # K00084

- To fit 493, 494,
- 496 & 497 series • 1,000 lbs.

\$10,000⁰⁰ ea.

Patent # 8,376,126

Order # FH5001131

- Quick connect drive coupler
- Use with K00084 adapter • 10.2 lbs.

\$450⁰⁰ ea.



28.7 lbs.

- Order # K00080PTO
- 1 3/4" 20 spline to 1 1/4" hex
 - For use with a Case IH® corn head
 - Compressed length 23 1/2"
 - Maximum extended length 35"

\$520⁰⁰ ea.

- 1 3/8" 21 spline to 1 3/8" 6 spline (540) adapter

Order # K33200087

\$187⁰⁰ ea.



2.8 lbs.

- Header drive PTO
- For use with 491 & 492 series machines
- No slip clutch

Order # K491PTO

\$520⁰⁰ ea.



20.8 lbs.

Reversing capabilities from the cab with **NO BELTS!**



Back two feed rolls can throw corn forward when grinding ear corn
 • Keeps the corn in the chopper • Help prevent expensive corn loss-
 install your shell kit today! • Use on Claas® and JD® adapters

Order # KSHELLKIT1

\$155⁰⁰ ea.



17 lbs.

Maintenance Kits for K00080

Don't waste costly downtime - replace your gearbox oil every season. 4 quarts needed. With gearbox sitting level, take the plug out of the back of the gearbox and pour oil through the top hole to fill until the oil is up to the level of the back hole. • 2 lbs. • 1 quart


Order # 75W-90PS **\$14²⁵** ea.



WARNING - Grinding earlage with the use of corn heads and choppers can cause a risk of fire. The risk of fire does not emanate from the adapter products described on this page, but can be caused by heat generated by the choppers. To reduce the risk of fire, please keep the top of feed roll housing clear of dust. Claas® is a registered trademark of Claas KGaA, MBH. Case® and Case IH® are registered trademarks of CNH Industrial America, LLC.

Claas® - Lexion® Header Adapter

Claas® grinding earlage adapter to fit 491, 492, 493, 494, 496, 497, 498, 499 & 502 series machines to attach **ALL** John Deere® corn heads. Also fits Lexion®, Harvestec™ and Cressoni™ heads. Equipped with the corn saver system to keep crops moving through and help cut up the cobs before entering the front feed roll.

Order # K00492 
 • To fit 491 & 492 series

\$11,600⁰⁰ea.



Order # K00494 

• To fit 493, 494, 496, 497, 498, 499 & 502 series

\$11,600⁰⁰ea.

Patent # 8,376,126

Order # FH5001131

- Quick connect drive coupler
- Use with K00494 adapter
- 10.2 lbs.

\$450⁰⁰ea.



- Order # KLEX12LEFT • 1 3/4" 20 spline to 1 3/8" 6 spline
 • LH side 2500 series PTO for 12-row Lexion® heads
 • Compressed length 32 1/4"
 • Maximum extended length 41"

\$520⁰⁰ea.



Conversion Kit

This kit bolts to K00492 or K00494 to adapt a Claas® cutter to a Lexion® corn header. 100 lbs.

Order # KLEXKIT

\$895⁰⁰ea.



Back two feed rolls can throw corn forward when grinding ear corn • Keeps the corn in the chopper • Help prevent expensive corn loss- install your shell kit today! • Use on Claas® and JD® adapters

Order # KSHELLKIT1

\$155⁰⁰ea.



If you have a 493 or 494 series machine, use the original equipment PTO shaft on the machine.



Order # K491PTO

\$520⁰⁰ea.

- Header drive PTO
- For use with 491 & 492 series machines
- No slip clutch

To convert left side of gear box to a 1 3/8" 21 spline.

- 1 3/4" 20 spline to 1 3/8" 21 spline adapter

To be used on 8-row heads.

Order # K1172821

\$199⁰⁰ea.



1 3/4" 20 spline to 1 3/8" 6 spline adapter. To convert large thousand spline to 6 spline hook up.

Order # K33201476

5 lbs.



\$187⁰⁰ea.

WARNING - Grinding earlage with the use of corn heads and choppers can cause a risk of fire. The risk of fire does not emanate from the adapter products described on this page, but can be caused by heat generated by the choppers. To reduce the risk of fire, please keep the top of feed roll housing clear of dust. Truck icon signifies product is shipped via truck freight. Claas® is a registered trademark of Claas KGaA, MBH



HEADER ADAPTERS

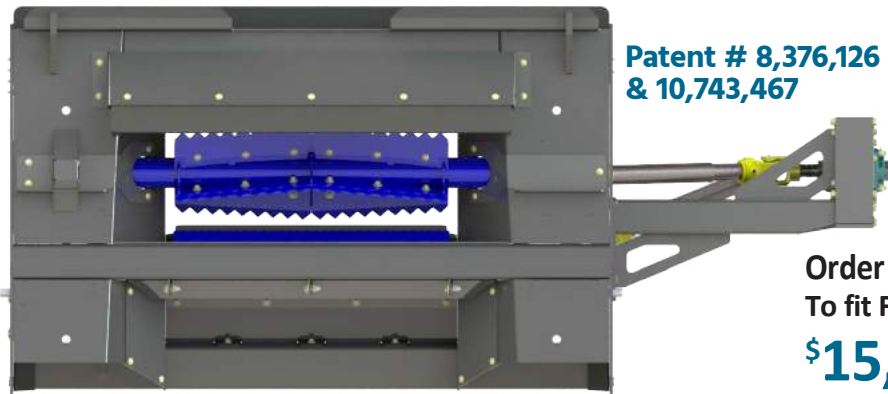
Adapters to fit: New Holland® FX 40, 50 & 60 Series Harvesters ALL New Holland® FR Series Harvesters

We have adapters to fit: John Deere® heads, New Holland® heads & Case IH® 3000 series heads

NEW Dual Roll Adapter for faster clean out, more ground speed and less shelling!



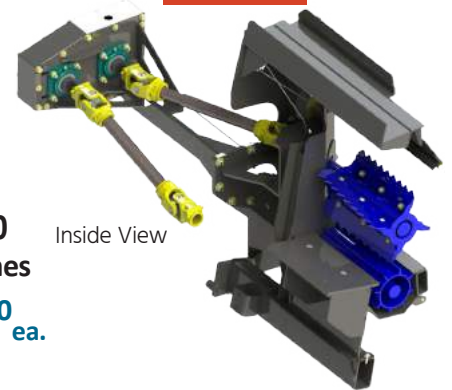
Scan for Videos!



Patent # 8,376,126 & 10,743,467

Order # KFR920
To fit FR machines

\$15,700⁰⁰ ea.



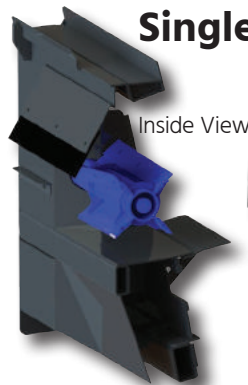
Inside View

FX Option
Order # KFX60
To fit all the "O" series FX machines only

\$11,600⁰⁰ ea.

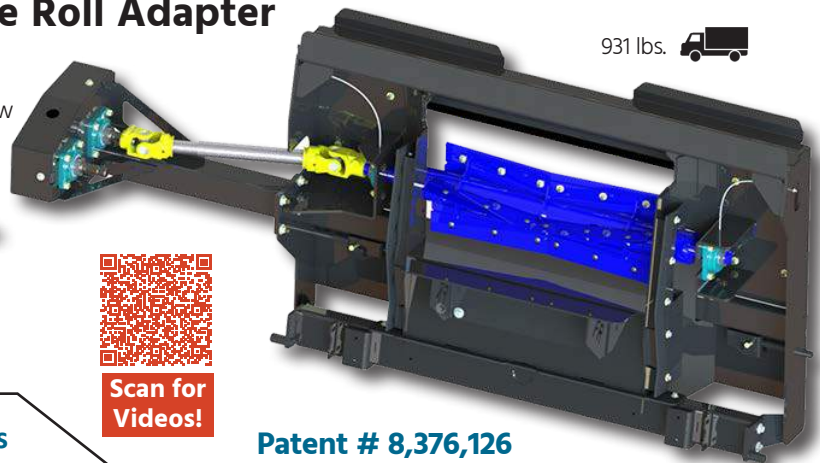
FR Option
Order # KFR9000
To fit FR series machines

\$11,600⁰⁰ ea.



Single Roll Adapter

Inside View



931 lbs.



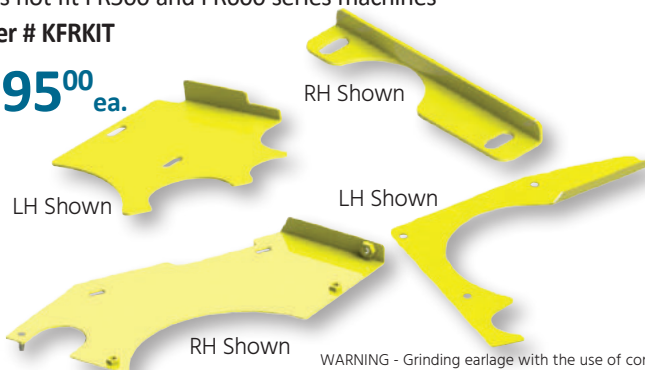
Scan for Videos!

Patent # 8,376,126

Grain Saver Plates for the side of the feed rolls

Fits the FR machines only • 11.6 lbs.
Does not fit FR500 and FR600 series machines
Order # KFRKIT

\$295⁰⁰ ea.



RH Shown

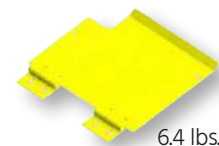
LH Shown

LH Shown

RH Shown

Grain Saver Plates for the bottom of the feed rolls

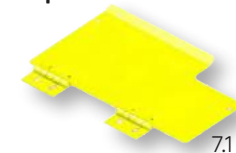
Order # K87629289
Replaces OEM # 87629289



6.4 lbs.

\$92⁵⁰ ea.

Order # K87629290
Replaces OEM # 87629290



7.1 lbs.

\$92⁵⁰ ea.

WARNING - Grinding earlage with the use of corn heads and choppers can cause a risk of fire. The risk of fire does not emanate from the adapter products described on this page, but can be caused by heat generated by the choppers. To reduce the risk of fire, please keep the top of feed roll housing clear of dust. New Holland® is a registered trademark of CNH Industrial America, LLC. Truck icon signifies product is shipped via truck freight.



Order # K98CPTO-R

\$520⁰⁰ ea.

38.9 lbs.

- 1 1/4" hex to 1 3/4" 20 spline
- RH side 2500 series PTO for New Holland® heads, 1 required
- Compressed length 19 1/4"
- Maximum extended length 23 1/4"

Order # K98CPTO-L

\$520⁰⁰ ea.

50.7 lbs.

- 1 1/4" hex to 1 3/4" 20 spline
- LH side 2500 series PTO for New Holland® heads, 1 required
- Compressed length 30 3/8"
- Maximum extended length 46"
- Also used for JD® heads with 1 1/4" hex shafts, 2 required

Order # KJDNH1.13HEX

\$520⁰⁰ ea.

45.2 lbs.

- 1 1/8" hex to 1 3/4" 20 spline
- LH side 2500 series PTO
- Compressed length 30 3/8"
- Maximum extended length 46"
- Used for JD® heads with 1 1/8" hex shafts, 2 required

Order # K20251500

\$520⁰⁰ ea.

45.5 lbs.

- 1 3/4" spline to 1 1/2" hex
- LH side 2500 series PTO
- Compressed length 30 3/8"
- Maximum extended length 46"
- 2 required

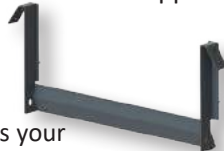
Adapt your **New Holland® and Case IH® 3000 series** heads to your New Holland® chopper.

90 lbs.

Order # K98CJD

\$855⁰⁰ ea.

Order # K4000CH - Adapts your **4000 series Case IH® head** to your chopper



Corn Saver Plate

Back feed rolls of your chopper can throw corn forward when grinding ear corn, this plate keeps the corn in the chopper. Help prevent expensive corn loss - install your corn saver plate today!

Order # FH003682 **\$92⁵⁰** ea.



If your **Geringhoff® head (2012 or newer)** has **Case IH® mounts**, add these brackets to let you grind earlage with Kooima® Ag adapters.

Order # KGCKIT

\$800⁰⁰ ea.

NEW



New Holland® FX 25, 35, 38, 45, 48 & 58 Series Adapter

Based off the proven K00019 adapter design. Now available for the New Holland® SPFH.

Order # KFX38

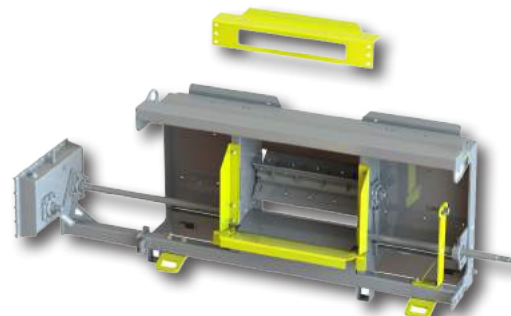
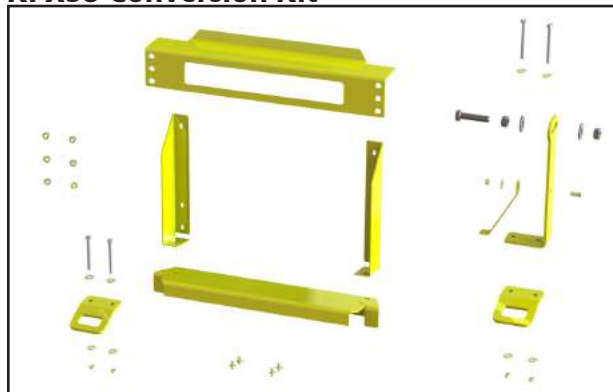
Order # K00019

\$750⁸⁰ ea. **\$8,600⁰⁰** ea.

• Conversion Kit • 95 lbs.

• Use this kit to adapt to NH™ harvesters

KFX38 Conversion Kit



KFX38PTO

\$520⁰⁰ ea.

- Chopper to gearbox PTO
- 21 spline to 21 spline • 18.5 lbs.

PTO Shafts for 90 series corn heads

K24224295 • 1 1/8 hex to 21 spline, 19.1 lbs.

K24224018 • 1 1/4 hex to 21 spline, 19 lbs.

\$520⁰⁰ ea.





HEADER ADAPTERS

ATTENTION: Krone® Owners

High performance model adapter - don't grind ear corn behind the pack!
Contact Kooima® Ag for your new feed assist paddle system header adapter today!

Order # KR0040
1,196 lbs.
Patent # 8,376,126

\$13,100⁰⁰ ea.



Scan for Videos!



We have adapters to fit:

John Deere® heads, New Holland® heads, Case IH® 3000 series heads & Lexion®

Adapt your **New Holland® and Case IH® 3000 series** heads to your Krone® Chopper. 90 lbs.

(New Drive Lines will be needed.)

Order # K98CJD

\$855⁰⁰ ea.

Order # K4000CH - Adapts your 4000 series Case IH® head to your chopper



If your **Geringhoff® head (2012 or newer) has Case IH® mounts**, add these brackets to let you grind earlage with Kooima® Ag adapters. 42 lbs.

Order # KGCKIT **\$800⁰⁰ ea.**

Bottom earlage pan
Order # FH002479

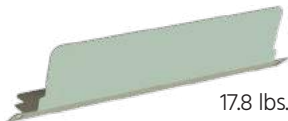
\$75⁴⁵ ea.



22 lbs.

Front earlage pan
Order # FH002480

\$75⁴⁵ ea.



17.8 lbs.

To be used with PTO Driven Heads. To convert left side of gear box to a 1 3/8" 21 spline. • 5.8 lbs.

• 1 3/4" 20 spline to 1 3/8" 21 spline adapter
Order # K1172821

\$199⁰⁰ ea.



Krone® cutter to a Lexion® corn header conversion kit.

Order # KLEXKIT

\$895⁰⁰ ea.



100 lbs.

- 1 3/4" 20 spline to 1 1/8" hex
- Compressed length 33 1/4"
- Max extended length 40 1/4"

Order # K00492PTO

\$520⁰⁰ ea.

- 1 3/8" 6 spline to 1 1/4" hex
- 2400 series • 35 lbs.
- Compressed length 33 1/4"
- Max extended length 40 1/4"

Order # K6T01250

\$520⁰⁰ ea.

- 1 3/4" 20 spline to 1 3/8" 6 spline
- 2500 series PTO
- Compressed length 32 1/4"
- Max extended length 41"

Order # KLEX12LEFT

\$520⁰⁰ ea.

- Krone® input PTO
- If you have a Bi-fold Krone® head you will need this PTO when you mount a Kooima® Ag adapter
- 1 3/4" 20 spline to 1 3/4" 20 spline
- Compressed length 33 1/2"

Order # KR0040PTO

\$520⁰⁰ ea.

- 1 3/4" 20 spline to 1 1/2" hex
- Compressed length 33 1/4"
- Max extended length 40 1/4"

Order # K20T0150

\$520⁰⁰ ea.

- 1 3/8" 21 spline to 1 1/4" hex
- 2400 series • 35 lbs.
- Compressed length 33 1/4"
- Max extended length 40 1/4"

Used with Case® 3000 series heads

Order # K21T01250

\$520⁰⁰ ea.

- 1 3/4" 20 spline to 1 1/4" hex
- Compressed length 33 1/4"
- Max extended length 40 1/4"

Order # K20T01250

\$520⁰⁰ ea.

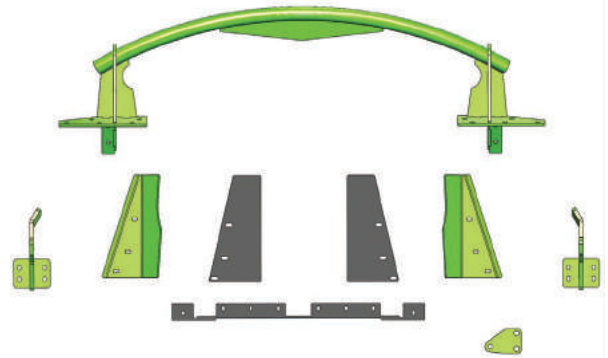
New Style Krone® Adapter

Use this kit along with adapter KR0040 for grinding earlage with your new style wide and narrow throat machines with contour option!

Includes all parts shown (must have or purchase KR0040 adapter)

Order # KRN35 **\$810⁰⁰ ea.**

- Harvester to Gearbox drive shaft
- 1 3/4" 20 spline to 1 3/4" 20 spline
- 2500 series drive pto, 1 required
- Compressed length 39.50"
- Max extended length 54"



Will also need LH Drive shaft, refer to drive shafts in KR0040 section, page 189.

Order # KRN35PTO (Guard not shown for clarity)

\$520.00 ea. 45.85 lbs.

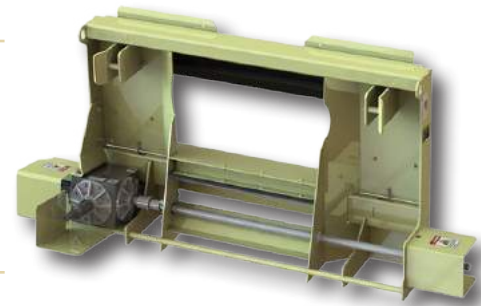
Economy model earlage adapter

For the farmer that wants to grind a small amount of ear corn.

Fits all Krone® Big X® to JD® corn heads.

Patent # 8,376,126

Order # KR0010 **\$2,990⁰⁰ ea.** 916 lbs.



Krone® - Claas® Header Adapter

Turn your 492 series Claas® forage harvester into a cutting machine with a 10-row Krone® chopping head on it!

Give us a call for more details. Will also adapt Krone® pick-up heads with minimal modifications.

Order # KR0020

\$2,500⁰⁰ ea.

Claas® 492 to Krone® head drive line. • 1-3/8 6 spline to 1-3/8 21 spline • 17 3/4" collapsed length • 18.4 lbs.

Order # KR0020PTO492

\$490⁰⁰ ea.



Krone® Pickup to Claas® 494, 497 & 498 Series

Order # KR0020 **\$2,500⁰⁰ ea.**

Order # KRH494 **\$250⁷⁵ ea.** 23.5 lbs.



Order # KRH494PTO **\$520⁰⁰ ea.**

Order # FH002943 **\$195⁰⁰ ea.**

Krone® Bi-fold 6000-7500-9000 to Claas® 492 Series Adapter

Order # KR0020 **\$2,500⁰⁰ ea.**

Order # KRC492 **\$250⁷⁵ ea.**



WARNING - Grinding earlage with the use of corn heads and choppers can cause a risk of fire. The risk of fire does not emanate from the adapter products described on this page, but can be caused by heat generated by the choppers. To reduce the risk of fire, please keep the top of feed roll housing clear of dust. Truck icon signifies product is shipped via truck freight. Krone® and Big X® are registered trademarks of Bernard Krone Holding, GmbH & Co. KG. John Deere® and JD® are registered trademarks of Deere & Company. Claas® is a registered trademark of Claas KGaA, MBH.



REPLACEMENT BALER PARTS

More parts available at www.KooimaAg.com!

KOOIMA #	DESCRIPTION	REPLACES OEM #
NEW K84274387	• Pick-up Band	84274387
\$28.08 ea.	• Case IH ® Square Balers with standard or packer cutter head - LB333S, LB333P, LB334PC, LB433S, LB434P, LBX322S, LBX331P, LBX331S, LBX332P, LBX332S, LBX421S	
NEW K855668	• Pick-up Band	855668
\$30.61 ea.	• New Holland ® - Round Baler Parts: 640, 644, 648, 650, 654, 658, BR7060, BR7070, BR740, BR740A, BR750, BR750A, RB450, RB460	
NEW K84214795	• Hesston ® 5850	84214795
\$26.63 ea.	• Pick-up Band	84214795
K311772	• Case IH ® Square Balers with rotor cutter head - LB333R, LB433R, LBX331R, LBX332R, LBX421R	
\$36.50 ea.	• Metal middle stripper • 2.15 lbs. • To fit John Deere ® models below	FH311772/E85043/CC32669
K311994	• 4' regular pickup - 19 needed • 4' Mega pickup- 13 needed • 5' Regular pickup- 23 needed	
\$36.50 ea.	• 5' Mega pickup- 21 needed • Standard large square baler pickup- 4 needed	
K311995	• 2.2M pickup (HHG) for large square baler- 27 needed • 2.5M pickup (HHG) for large square baler- 31 needed	
\$36.50 ea.	• Metal middle outside stripper • 2.1 lbs.	FH311994/E96760
NEW K8483810	• 6 required per baler • To fit John Deere ® mega wide plus pickups	
\$4.07 ea.	• Metal middle outside stripper • 2.32 lbs.	FH311995/E87660
NEW K700716132	• 4 required per baler • To fit John Deere ® mega and mega wide plus pickups	
\$5.75 ea.	• Pick-up Tine	0008483810
NEW K2126290	• Claas ®- QUADRANT ® Series: 2200, 3200, 3400 • ROLLANT ® Series: 340, 350, 354, 355	
\$4.25 ea.	• VARIANT ® Series: 350, 360, 365, 370, 380, 385	
NEW K84162978	• Pick-up Tine	700716132
\$4.12 ea.	• Case IH ® - Round Baler Parts: RS561, RS561A • Square Baler Parts: 8585	
NEW K9182380	• Case IH ® Challenger ® - Round Baler Parts: RB45, RB452, RB453AT, RB46, RB462, RB463, RB56, RB562, RB563, RB56B • Square Baler Parts: LB33, LB34	
\$3.99 ea.	• Hesston ® - Round Baler Parts: 745, 845, 945, 946, 955, 956, 1745, 5145, 5146, 5156, 5446A, 5456A, 5545AT, 5546, 5556, 5556A, 846A, 856A, 946A, 956 • Square Baler Parts: 4760, 4790, 7430	
NEW K8603510	• Massey Ferguson ® - Round Baler Parts: 1745, 1746, 1756, 2646A, 2656A, 2745, 2746, 2746A, 2756, 2756A • Square Baler Parts: 2050	
\$3.70 ea.	• New Idea ® - Round Baler Parts: 6254, 6364, 6365, 6454, 6464, 6465 • Square Baler Parts: 7233, 7234	
NEW K84582461	• Pick-up Tine	0009862900
\$8.16 ea.	• Claas ® hay heads	
K304576	• Pick-up Tine	84162978
\$4.95 ea.	• Case IH ® Balers 8580, 8590	
K25176	• Case IH ® Challenger ® Baler LB44	
\$4.05 ea.	• Hesston ® Balers 4900, 4910	
K74678	• New Idea ® Baler 7244	
\$2.45 ea.	• Pick-up Tine	0009182380
K74178	• Claas ®- QUADRANT ® Series, 1000, 1100RC, 1200RC, 2000, 2100RC, 2200RC, 3000, 3200RC	
\$290.00 ea.	• PICK-UP Series, 260 K/P, 280 K, 330 K/P/S, 440 K/P/S, P33, P44, S33, S44, U33, U44	
	• ROLLANT ® Series, 240-255, 255-250 Uniwrap, 250/RC, 254/RC, 255/RC, 454, 454 Uniwrap, 455, 455 Uniwrap	
	• VARIANT ® Series, 180/RC, 260/RC, 280/RC	
	• Pick-up Tine	0008603510
	• Claas ® - QUADRANT ® Series, 1000, 1100, 1150, 1200, 2000	
	• ROLLANT ® Series, 42, 45, 46, 46RC, 66, 160, 260	
	• Pick-up Tine	84582461
	• Case IH ® balers LB324P, LB324PC, LB334P, LB334P XL, LB334PC, LB334PC XL, LB424P, LB424P XL, LB434P, LB434P XL • Does not fit balers with rotary cutters.	
	• New Holland ® 230, 230P, 230P Plus, 230PC, 230PC Plus, 330, 330P, 330P Plus, 330PC, 330PC Plus, 340, 340P, 340P Plus • Does not fit balers with rotary cutters.	
	• Round baler pickup tooth	FH304576
	• To fit John Deere ® Mega, Mega wide and Mega wide plus round bale pickups	
	• Also fits John Deere ® L330, L331, L340 & L341 large square pickups	Square rod pickup!
	• Pickup tooth • .45 lbs. • Bolt kit: K25176BK , \$3.05 ea.	CC25176/LCA105173
	• Fits John Deere ® 4' wide, 4' 7 1/2", 1.81m and 2m round bale pickups	
	• K25176HP , \$5.75 ea., high performance option	
	• Pickup tooth • .45 lbs. • Bolt kit: K74678BK , \$3.50 ea.	E74678
	• To fit John Deere ® round balers: 330, 335, 375, 430, 530, 535	
	• Short belt 13.4m wide (laced) • 41.6 lbs.	AE74178
	• 4 required for John Deere ® 435, 460M, 460R, 466, 467, 468, 468S, 469, 469SS, 469PR, 535, 560M, 560R, 567, 568, 569, 569PR and 569SS models	



REPLACEMENT BALER PARTS

Many bearings in stock, check www.KooimaAg.com for our complete selection!

KOOIMA #	DESCRIPTION	REPLACES OEM #
K74177	• Short belt 13.3m wide (laced) • 41.4 lbs. • 43.64 ft • 2 required for John Deere ® 435, 460M, 460R, 466, 467, 469 & 469SS models • 4 required for John Deere ® 535, 566, 567, 468, 468S, 560M, 560R, 568, 569, 569PR and 569SS models	AE74177
NEW K9847572	• Rubber Pick-up Tine • Case IH ® balers LB333R, LB433R, LBX331R, LBX332R, LBX421R, LBX431R, LBX432R, windrower pick-up head HDX20P • New Holland ® balers 585, BB900, BB930AR, BB940R, BB940AR, BB960R, BB960AR, BB9050R, BB9060R, BB9070R, BB9080R, windrower pickup heads 29P, 270FP, 280FP, 290FP, 340W, 345W, 346W, 350W, 355W, 356W, 365W, 366W, 990W	9847572/84056883
NEW K84074264	• Curved Pick-up Spring Tine • 147 X 72MM/5MM Thick • Case IH ® Big Balers LB333S, LB333P, LB433S, LBX331P, LBX331S, LBX332P, LBX332S, LBX421S, LBX422S, LBX431S, LBX432S • New Holland ® Big Balers 590, 590C, 595, BB940AP, BB940AS, BB940P, BB940S, BB960AS, BB960S, BB9060P, BB9060S, BB9080S	84074264
NEW K700718710	• Baler Knife • New Holland ® Balers 4880, 590, 590C, 595, BB9050R, BB9060P, BB9060R, BB9060S, BB9070R, BB9070S, BB9080R, BB9080S, BB930AP, BB930AR, BB940AP, BB940AR, BB940AS, BB940P, BB940R, BB940S, BB950AR, BB960AR, BB960AS, BB960R, BB960S, BIGBALER 230P, BIGBALER 230S, BIGBALER 330P, BIGBALER 340R, BIGBALER 340R +, BIGBALER 340S, BIGBALER 340S +, D1010, D1010C, D1010S, D1210S	9838803/700718710
NEW K131764	• Baler Knife	CC131764
NEW K142889	• To fit John Deere ® Round Balers- 623, 644, 744, 854, 864	CC142889
NEW K8234221	• Baler Knife	0008234221
NEW K8415991	• Claas ® QUADRANT ® 1150RC, 1200RC, 2200RC • ROLLANT ® 46RC • VARIANT ® 180RC, TYP 048	0008415991
NEW KR200715720	• Baler Knife	200715720
NEW K8510221	• To fit Krone ® 890, 1270, 1290, 12130	0008510221
NEW K8377790	• Baler Knife • ROLLANT ® 254/RC, 354/RC, 355/RC/UNIWRAP • VARIANT ® 260/RC, 280/RC, 350, 360/RC/RF, 365/RC/RF, 380RC/RF, 385RC/RF	0008377790
NEW K84056505	• Baler Knife • QUADRANT ® 2200RC • ROLLANT ® 250, 250 uniwrap, 255, 255 uniwrap, 350 • VARIANT ® 260RC, 280RC, 360RF, 365RF, 380RF, 385RF	84056505
K17777	• Stationary square baler knife • 2.9 lbs.	E17777/E18913
K42088	• Plungerhead baler knife • 4.3 lbs. • Tungsten carbide	E42088
K625972	• Baler knife • 3.7 lbs. • To fit New Holland ® 316 & 326 balers	625972
K84400465	• Big baler knife • 7.25 lbs. • Heat treated	84400465
K84814537	• To fit New Holland ® 230, 330, 340, 930, 940, 950, 960, 9050, 9060, 9070, 9080 big square balers	84814537
K84814538	• LH big baler knife • 5.75 lbs. • Heat treated	84814538
NEW K700721367	• To fit New Holland ® 230, 330, 340, 930, 940, 950, 960, 9050, 9060, 9070, 9080 big square balers	84814538
NEW K617975	• RH big baler knife • 4.7 lbs. • Heat treated	84814538
NEW K617975	• Tungsten Baler Knife • MASSEY ™ 2150, 2170 BSB	700721367
NEW K617975	• Twine Cutting Knife • Case IH ® Balers RB454, RB464, RB554, RBX441, RBX442, RBX443, RBX451, RBX452, RBX453, RBX461, RBX462, RBX463, RBX552, RBX553, RBX561, RBX562, RBX563 • New Holland ® Balers BR730, BR730A, BR740, BR740A, BR750, BR750A, BR770, BR770A, BR780, BR780A, BR7050, BR7060, BR7070, BR7080, BR7090, 630, 634, 638, 640, 644, 648, 650, 654, 658, 660, 664, 688, 846, 847, 848, 851, 852, 853, 855	617945

Claas®, QUADRANT®, ROLLANT® VARIANT® are registered trademarks of Claas KGaA, MBH. Challenger® is a registered trademark of Caterpillar Inc. New Holland® & Case IH® are registered trademarks of CNH Industrial America, LLC. New Idea®, Hesston® & Massey Ferguson® are registered trademarks of AGCO Corporation. John Deere® & JD® are registered trademarks of Deere & Company.

TO ORDER TOLL FREE CALL 1-800-522-8874

KOOIMA AG



DRIVE LINE COMPONENTS

Order # K023437

- H Frame
- Will work with most 4500 Kemper™ heads
- 2400 series • 4.4 lbs.

\$99⁰⁰ ea.



Order # K019522

- Quick Disconnect Yoke, 1 3/4-20 spline
- 2400 series • 3.7 lbs.

\$91⁵⁰ ea.

Order # K103581

- Quick Disconnect Yoke, 1 3/8-21 spline
- 2400 series • 2.9 lbs.

\$91⁵⁰ ea.

Order # K106271

- Quick Disconnect Yoke, 1 1/2-23 spline
- 2400 series • 3.4 lbs.

\$108⁷⁵ ea.

Order # K320684

- 1 3/8-21 Spline Clamp style yoke • 3.7 lbs.

\$74⁵⁰ ea.

Order # K317582

- Male Tube
- 1B size profile tube, 1500mm long • 14 lbs.

\$74⁵⁰ ea.

Order # K317583

- Female Tube
- 2A size profile tube, 1500mm long • 14.6 lbs.

\$74⁵⁰ ea.



Quality Walterscheid® Parts

2400 Series

Order # K175054

- Yoke, 1 1/8" hex
- Interfering Clamp Style Yoke
- 2400 series • 4 lbs.

\$120⁰⁰ ea.

Order # K368184

- Yoke, 1 1/4" hex
- Interfering Clamp Style Yoke
- 2400 series • 3.6 lbs.

\$99⁰⁰ ea.



Order # K147393

- Yoke, 1 1-2" hex
- Interfering Clamp Style Yoke
- 2400 series • 4 lbs.

\$110⁷⁵ ea.

Order # K136743

- Yoke, 1 3/8" 6 Spline, 540 RPM
- Plastic slide collar yoke
- 2400 series • 3.7 lbs.

\$89⁹⁵ ea.

Order # K136744

- Yoke, 1 3/8" 6 spline, 540 RPM
- Clamp bolt style connection
- 2400 series • 3.3 lbs.

\$85⁰⁰ ea.

Order # K019518

- Male Yoke
- Inboard yoke, 2400 series for 1B size profile • 3.3 lbs.

\$68⁷⁵ ea.



Order # K019519

- Female Yoke
- Inboard yoke, 2400 series for 2A size profile • 3.4 lbs.

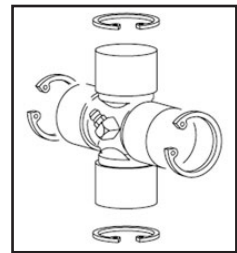
\$68⁷⁵ ea.



Order # K312410

- Cross & Bearing Kit
- Cross kit, or U-Joint, 2400 series • 1.4 lbs.

\$67⁵⁰ ea.



Complete PTO's for your Kemper™ & JD® Heads

Order # K72150

- PTO, 1 3/8 6 spline to 1 1/2 23 spline chopper
- To fit 6050 & 7000 series cutters to 4500 Kemper™ heads • 2400 series • 15.7 lbs.

\$458⁷⁵ ea.

Order # K64231

- PTO, 1 3/8 6 spline to 1 3/8 21 spline chopper
- To fit 6010 series cutters to 4500 Kemper™ heads
- 2400 series • 16 lbs.

\$445⁵⁰ ea.

Order # KK69888

- PTO, 21 to 21 spline
- To fit JD® 684-686-688 & 710 corn heads • 17.7 lbs.
- Replaces OEM # LCA69888

\$458⁷⁵ ea.

Order # KK73023-21

- Drive Line, 21 to 21 spline
- To fit JD® 676 corn heads
- 15.9 lbs.

\$458⁷⁵ ea.

Order # KK72281

- PTO, 21 to 23 spline
- To fit JD® 684-686-688 & 710 corn heads • 18.8 lbs.
- Replaces OEM # LCA72281

\$480⁵⁰ ea.

Order # KK73023-23

- Drive Line, 23 to 21 spline
- To fit JD® 676 corn heads
- 15.8 lbs.

\$480⁵⁰ ea.



DRIVE LINE COMPONENTS

Quality Walterscheid® Parts

2500 Series

Order # K128785

- Quick Disconnect Yoke, 1 1/2-23 spline
- 2500 series • 3.9 lbs.

\$157⁵⁰ ea.

**Order # K097315**

- Quick Disconnect Yoke, 1 3/4-20 spline
- 2500 series • 4.7 lbs.

\$92⁹⁵ ea.

Order # K396530

- Yoke, 1 1/2" hex
- Interfering Clamp Style Yoke
- 2500 series • 5.3 lbs.

\$97⁹⁵ ea.

Order # K097138

- Quick Disconnect Yoke, 1 3/8-21 spline
- 2500 series • 4.7 lbs.

\$75⁴⁵ ea.

Order # K396965

- Yoke, 1 1/4" hex
- Interfering Clamp Style Yoke
- 2500 series • 4.8 lbs.

\$118²⁵ ea.

Order # K097136

- Yoke, 1 3/8-6 Spline, 540 RPM
- Plastic slide collar yoke
- 2500 series • 4.75 lbs.

\$75⁴⁵ ea.

Order # K102590

- Yoke, 1 1/8" hex
- Interfering Clamp Style Yoke
- 2500 series • 4.8 lbs.

\$140⁷⁵ ea.

**Order # K097133**

- Male Yoke
- Inboard yoke, 2500 series for S4 size profile • 4.9 lbs.

\$74⁰⁰ ea.

**Order # K097140**

- Female Yoke
- Inboard yoke, 2500 series for S5 size profile • 4.7 lbs.

\$74⁰⁰ ea.

**Order # K023476**

- H Frame
- 2500 series • 6.5 lbs.

\$105⁷⁵ ea.

**Order # K317584**

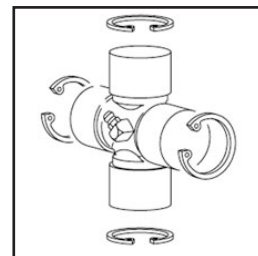
- Male Tube
- S4 size inner profile tube, 1500mm (59") long • 21.6 lbs.

\$195⁰⁰ ea.

Order # K317585

- Female Tube
- S5 size outer profile tube, 1500mm (59") long • 19.5 lbs.

\$145⁰⁰ ea.

**Order # K4800049**

- Shield to fit **2400 & 2500 series** PTO • 4.7 lbs.
- Cut to length

\$85⁰⁰ ea.

**Order # K312209**

- Cross & Bearing Kit
- Cross kit, or U-Joint, 2500 series • 2.2 lbs.

\$80⁵⁰ ea.

Drive lines and drive line components pose a safety hazard. Always use proper shielding when installing or using. Kooima® Ag is not liable for misuse or improper operation of components sold.

TO ORDER TOLL FREE CALL 1-800-522-8874

KOOIMA AG

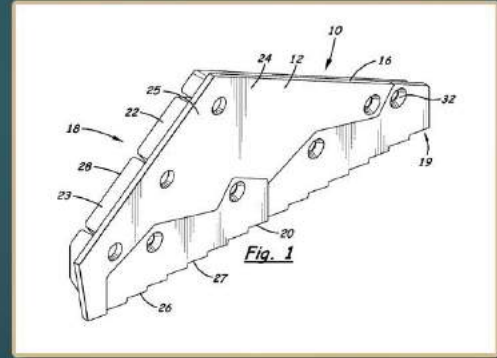
PATENTS

Kooima® Ag has a rich history of cutting-edge designs.

We currently hold 20 U.S. and International patents spanning three decades, with others pending.

Kooima® Ag is always innovating to create solutions to your problems!

U.S. Patent 8,186,611 Segmented Mixer Knife




High Quality Silage Covers

String Tarps White/Black - 6.0 mil (R6WBK)

Part #	Price	W X L	Weight
K59X200M6	\$952.00	59.5 X 200	370 lbs.
K59X500M6	\$2,380.00	59.5 X 500	780 lbs.
K85X200M6	\$1,372.00	85.75 X 200	470 lbs.
K85X250M6	\$1,715.00	85.75 X 250	585 lbs.
K85X1000M6	\$6,860.00	85.75 X 1000	2,275 lbs.
K105X40M6	\$337.60	105.5 X 40	172 lbs.
K105X60M6	\$506.40	105.5 X 60	237 lbs.
K151X45M6	\$545.40	151.5 X 45	220 lbs.
K151X50M6	\$606.00	151.5 X 50	250 lbs.
K151X60M6	\$727.20	151.5 X 60	272 lbs.
K151X70M6	\$848.40	151.5 X 70	315 lbs.
K151X75M6	\$909.00	151.5 X 75	335 lbs.
K151X80M6	\$969.60	151.5 X 80	370 lbs.
K151X100M6	\$1,212.00	151.5 X 100	430 lbs.
K184X70M6	\$1,033.20	184.5 X 70	405 lbs.
K184X110M6	\$1,623.60	184.5 X 110	550 lbs.
K204X50M6	\$817.00	204.25 X 50	315 lbs.
K204X60M6	\$980.40	204.25 X 60	380 lbs.
K204X70M6	\$1,143.80	204.25 X 70	420 lbs.
K204X80M6	\$1,307.20	204.25 X 80	465 lbs.
K204X100M6	\$1,634.00	204.25 X 100	550 lbs.
K243X60M6	\$1,170.00	243.75 X 60	455 lbs.
K250X70M6	\$1,401.40	250.25 X 70	545 lbs.
K250X80M6	\$1,601.60	250.25 X 80	590 lbs.
K250X85M6	\$1,701.70	250.25 X 85	615 lbs.
K303X100M6	\$2,424.00	303 X 100	870 lbs.



Detail of reinforced string tarps

 **800.522.8874**

If you do not see the size you need, give us a call, other sizes are available upon request.

Prices are subject to change.

* Free shipping on Silage Covers if combined with \$850 in Kooima® Ag parts on phone and internet orders



REPLACEMENT MIXER KNIVES

MANUFACTURED BY KOOIMA® AG



Proudly made in the U.S.A.

Kooima® Ag has a long history and impeccable reputation for manufacturing a quality product, serving both OEM and after-market ag customers. Our vertical and TMR mixer knives are available in standard or high performance styles.

Standard mixer knives are made of heat treated high carbon steel with a tungsten carbide cutting edge. **High performance mixer knives** feature Kooima® Ag's exclusive patented tungsten carbide insert cutting surface or an extra-thick layer of tungsten carbide coating for unsurpassed performance. Our customers prefer Kooima® Ag brand knives, sharper knives save you fuel, time and money. Contact our knowledgeable sales department today and ask how we can save YOU time and money!



AGM™

AGM™ is a trademark of UNIFAST s.r.l., which does not manufacture, distribute or endorse these knives.

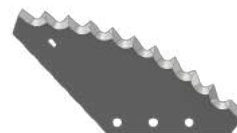
REPLACEMENT KNIVES TO FIT AGM™ MIXERS

MIXER KNIFE

Order # **K385015**

7.2 lbs.

- To fit AGM™ vertical mixers
- Tungsten carbide
- Heat treated
- **K385015BK - hardware kit, \$7.50 per blade, .9 lbs.**



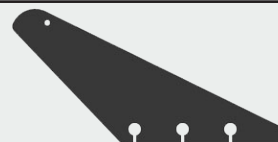
\$97⁵⁰ ea.

KNIFE BACKING PLATE

Order # **K385015BP**

9.6 lbs.

- To fit AGM™ vertical mixers
- Abrasion resistant
- Heat treated
- Use with #K385015



\$49⁵⁰ ea.

ART'S-WAY™ / DIAMOND™ / HAYBUSTER®

Art's-Way™ is a trademark of Art's-Way Mfg. Co. Inc., which does not manufacture, distribute or endorse these knives.

Diamond™ is a trademark of Diamond Implements, which does not manufacture, distribute or endorse these knives.

Haybuster® is a registered trademark of DuraTech Industries International, Inc., which does not manufacture, distribute or endorse these knives.

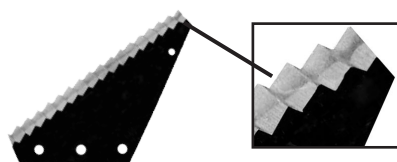
REPLACEMENT KNIVES TO FIT ART'S-WAY™ MIXERS / DIAMOND™ MIXERS / HAYBUSTER® MIXERS

STANDARD MIXER KNIFE

Order # **K385007**

5 lbs.

- To fit vertical mixers
- Heat treated
- **K385007BK - hardware kit (Carriage bolts **Grade 8**) \$8.00 per blade, 1.1 lbs.**
- **KCSBK - hardware kit (Counter-sunk bolts) \$7.25 per blade, .9 lbs.**



\$81⁹⁰ ea.

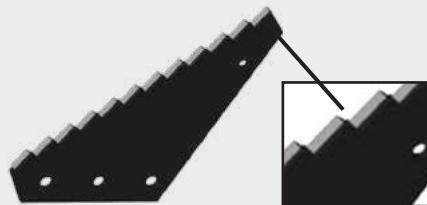
Tungsten Carbide

HIGH PERFORMANCE MIXER KNIFE

Order # **K385010**

6 lbs.

- Carbide insert style mixer knife
- To fit vertical mixers
- Heat treated
- **K385007BK - hardware kit (Carriage bolts **Grade 8**) \$8.00 per blade, 1.1 lbs.**
- **KCSBK - hardware kit (Counter-sunk bolts) \$7.25 per blade, .9 lbs.**



\$155⁹⁰ ea.

Lasts 3 Times Longer!

HIGH PERFORMANCE MIXER KNIFE

Order # **K385011**

Patent Pending

6 lbs.

- Carbide insert style mixer knife
- To fit vertical mixers
- Heat treated
- Long lasting design
- **K385007BK - hardware kit (Carriage bolts **Grade 8**) \$8.00 per blade, 1.1 lbs.**
- **KCSBK - hardware kit (Counter-sunk bolts) \$7.25 per blade, .9 lbs.**

Long lasting design & more aggressive cutting edge



\$165⁹⁰ ea.

KNIFE BACKING PLATE

Order # **K385007BP**

8.7 lbs.

- To fit vertical mixers
- Abrasion resistant
- Heat treated



\$58²⁵ ea.

TO ORDER TOLL FREE CALL **1-800-522-8874**

KOOIMA AG



REPLACEMENT MIXER KNIVES

MANUFACTURED BY KOOIMA® AG



Proudly made in the U.S.A.

JAY-LOR®

JAY-LOR® is a registered trademark of JAY-LOR International Inc., which does not manufacture, distribute or endorse these knives.

REPLACEMENT KNIVES TO FIT JAY-LOR® MIXERS

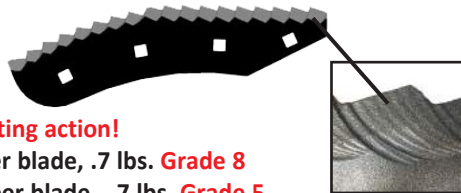
STANDARD MIXER KNIFE

Order # K385001

3.6 lbs.



- To fit JAY-LOR® vertical mixers
- Heat treated / Tungsten carbide
- **New Serrated edge for extreme cutting action!**
- K385002BK - hardware kit, \$6.00 per blade, .7 lbs. **Grade 8**
- K385002BK5 - hardware kit, \$4.25 per blade, .7 lbs. **Grade 5**



\$86²⁵ ea.

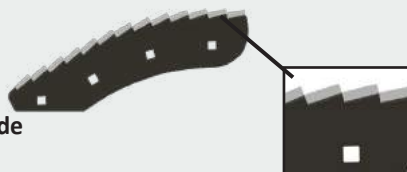
HIGH PERFORMANCE MIXER KNIFE

Order # K385002

4.3 lbs.

- HIGH PERFORMANCE carbide insert style
- To fit JAY-LOR® vertical mixers

- K385002BK - hardware kit, \$6.00 per blade .7 lbs. **Grade 8**
- K385002BK5 - hardware kit, \$4.25 per blade, .7 lbs. **Grade 5**



\$155⁹⁰ ea.



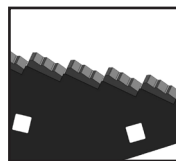
HIGH PERFORMANCE MIXER KNIFE

Order # K385004

Patent Pending

4.3 lbs.

- HIGH PERFORMANCE carbide insert style
- To fit JAY-LOR® vertical mixers
- **Long lasting design & more aggressive cutting edge**
- K385002BK - hardware kit, \$6.00 per blade .7 lbs. **Grade 8**
- K385002BK5 - hardware kit, \$4.25 per blade, .7 lbs. **Grade 5**



\$165⁹⁰ ea.

KNIFE BACKING PLATE

Order # K385003BP

14.1 lbs.

- 45 degree plate to fit JAY-LOR® vertical mixers
- Abrasion resistant
- Heat treated
- When using this plate, you need 2 bolt kits
- **No Canadian Sales**



\$62⁹⁵ ea.

MIXER KNIFE

Order # K00004

4.1 lbs.

- To fit JAY-LOR® vertical mixers
- Tungsten carbide
- **No Canadian Sales**
- K00004BK - hardware kit, \$4.75 per blade, .5 lbs.



\$104¹⁰ ea.

KEENAN®

Keenan® is a registered trademark of Richard Keenan & Co., Ltd., which does not manufacture, distribute or endorse these knives.

REPLACEMENT KNIVES TO FIT KEENAN® MIXERS

MIXER KNIFE

Order # K701359 (LH)

Order # K701358 (RH)

1.5 lbs. ea.

- To fit Keenan® horizontal mixers
- Replaces OEM #701359, #701358
- Heat treated / Tungsten carbide
- K701358BK - hardware kit, \$3.50 per blade, .15 lbs.



Left Hand Shown

\$26⁷⁵ ea.



REPLACEMENT MIXER KNIVES

MANUFACTURED BY KOOIMA® AG



Proudly made in the U.S.A.

KIRBY™

Kirby™ is a trademark of Kirby Manufacturing, Inc., which does not manufacture, distribute or endorse these knives.

REPLACEMENT KNIVES TO FIT KIRBY™ MIXERS

AGGRESSIVE KNIFE

Order # K1002

6.6 lbs.

- To fit Kirby™ vertical mixers
- **Improved - stronger design!**
- **1/2" added to back of knife for more rigidity**
- Tungsten Carbide / Heat treated
- K385002BK - hardware kit (Grade 8) when using knife in K385003 knife location, \$6.00 per blade, .7 lbs.
- (K385002BK5 - hardware kit, \$4.25 per blade, .7 lbs. Grade 5)
- K385007BK - hardware kit (Grade 8) when using knife in K385007 knife location, \$8.00 per blade, 1.1 lbs.



\$97⁹⁰ ea.

KNIFE BACKING PLATE

Order # K1900

10.2 lbs.

- To fit K1002 aggressive knife
- High grade steel construction
- K1900BK - hardware kit, \$7.25 per blade, 1 lb.



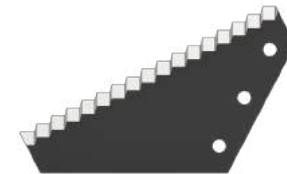
\$45⁹⁰ ea.

MIXER KNIFE

Order # K137160

8.25 lbs.

- To fit Kirby™ vertical mixers
- Replaces OEM # 137160
- Heat treated / Tungsten carbide
- K137160BK - hardware kit, \$6.50 per blade 1 lb.



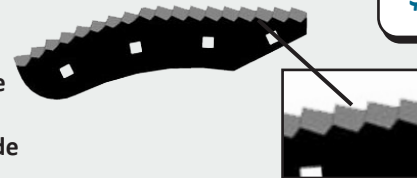
\$98⁵⁰ ea.

STANDARD MIXER KNIFE

Order # K385003

3.6 lbs.

- To fit Kirby™ vertical mixers
- Heat treated / Tungsten carbide
- K385002BK - hardware kit, \$6.00 per blade .7 lbs. Grade 8
- K385002BK5 - hardware kit, \$4.25 per blade .7 lbs. Grade 5



\$81⁹⁰ ea.

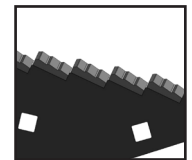
HIGH PERFORMANCE MIXER KNIFE

Order # K385004

Patent Pending

4.3 lbs.

- HIGH PERFORMANCE carbide insert style
- To fit Kirby™ vertical mixers
- **Long lasting design & more aggressive cutting edge**
- K385002BK - hardware kit, \$6.00 per blade .7 lbs. Grade 8
- K385002BK5 - hardware kit, \$4.25 per blade, .7 lbs. Grade 5



\$165⁹⁰ ea.

KUHN®

Kuhn® is a registered trademark of Kuhn S.A., which does not manufacture, distribute or endorse these knives.

REPLACEMENT KNIVES TO FIT KUHN® MIXERS

TUNGSTEN MIXER KNIFE

Order # K5306460

1.4 lbs.

- **TUNGSTEN COATED** horizontal mixer knife
- To fit Kuhn® 1460 & Euromix™ 1860 horizontal mixers
- Replaces OEM #A5306460
- Heat treated
- Tungsten carbide
- K5306460BK - hardware kit, \$2.75 per blade



\$20³⁰ ea.

TUNGSTEN MIXER KNIFE

Order # K5310403TC

1.1 lbs.

- **TUNGSTEN COATED** horizontal mixer knife
- To fit Kuhn® 1460 & Euromix™ 1860 horizontal mixers
- Replaces OEM #A5310403TC
- Heat treated
- Tungsten carbide
- K5306460BK - hardware kit, \$2.75 per blade



\$20³⁰ ea.



REPLACEMENT MIXER KNIVES

MANUFACTURED BY **KOOIMA® AG**



Proudly made in the U.S.A.

KUHN KNIGHT®

Kuhn Knight® is a registered trademark of Kuhn S.A., which does not manufacture, distribute or endorse these knives.

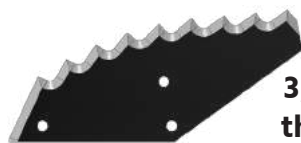
REPLACEMENT KNIVES TO FIT KUHN KNIGHT® MIXERS

VERTICAL MIXER KNIFE

Order # **K144734**

9.5 lbs.

- To fit Kuhn Knight® vertical mixers
- **20" style**
- Heat treated
- Tungsten carbide
- **K144734BK - hardware kit, \$4.25 per blade, .95 lbs.**



3/8" thick

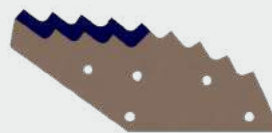
\$93⁷⁵ ea.

HIGH PERFORMANCE VERTICAL MIXER KNIFE

Order # **K144734HP**

9.5 lbs.

- To fit Kuhn Knight® vertical mixers
- **Now with Koyma Klad® hard facing for even better performance!**
- **20" style**
- Heat treated / Tungsten carbide
- **K144734BK - hardware kit, \$4.25 per blade, .95 lbs.**



\$140⁰⁰ ea.

SHORT TOP MIXER KNIFE

Order # **K70147065**

7.6 lbs.

- To fit Kuhn Knight® vertical mixers
- **16" style**
- Heat treated / Tungsten carbide
- **K144734BK - hardware kit, \$4.25 per blade, .95 lbs.**



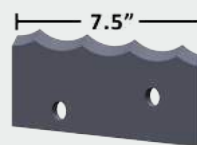
\$68⁵⁰ ea.

MIXER KNIFE

Order # **K141406**

1.35 lbs.

- To fit Kuhn Knight® vertical mixers
- Tungsten carbide
- Heat treated
- **K141406BK - hardware kit, \$3.25 per blade, 1 lb.**



\$39⁰⁰ ea.

HORIZONTAL MIXER KNIFE

Order # **K134351**

.16 lbs.

- To fit Kuhn Knight® Reel horizontal mixers
- Replaces OEM #134351
- **K134351BK - hardware kit, \$1.40 per blade, .95 lbs.**



\$3⁷⁵ ea.

HORIZONTAL MIXER KNIFE

Order # **K134352**

.25 lbs.

- To fit Kuhn Knight® Reel horizontal mixers
- Replaces OEM #134352
- **K134351BK - hardware kit, \$1.40 per blade, .95 lbs.**



\$4¹⁰ ea.

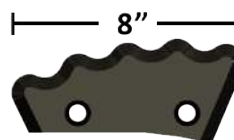
HORIZONTAL MIXER KNIFE

Order # **K174065 (LH)**

Order # **K174064 (RH)**

1.5 lbs.

- To fit Kuhn Knight® Botec mixers
- To fit Knight™ Commercial Reel mixers
- Heat treated
- Tungsten carbide
- **K174064BK - hardware kit, \$3.75 per blade .25 lbs.**



Left Hand



Right Hand

\$24⁷⁵ ea.

HORIZONTAL MIXER KNIFE

Order # **K76028480**

.5 lbs.

- To fit Kuhn Knight® Reel horizontal mixers
- Replaces OEM #76028480
- 1/4" thick - no need for a backing plate
- **K76028480BK - hardware kit, \$2.50 per blade**



\$5⁹⁰ ea.

HAY STOP

Order # **K70144864**

17 lbs.

- To fit Kuhn Knight® vertical mixers
- Replaces OEM # 70144864



\$45³⁵ ea.

VERTICAL DISCHARGE KNIFE

Order # **K117140**

9.45 lbs.

- To fit Kuhn Knight® vertical mixers
- Replaces OEM # 76117140
- **Heat treated / Tungsten carbide**
- **K144734BK - Hardware kit, \$4.25 ea. per blade**



\$105⁰⁰ ea.



REPLACEMENT MIXER KNIVES

MANUFACTURED BY **KOOIMA**® AG



Proudly made in the U.S.A.

LAIRD™

Laird™ is a trademark of Laird Manufacturing Corporation, which does not manufacture, distribute or endorse these knives.

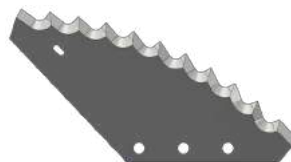
REPLACEMENT KNIVES TO FIT LAIRD™ MIXERS

MIXER KNIFE

Order # **K385015**

7.2 lbs.

- To fit Laird™ vertical mixers
- Heat treated
- Tungsten carbide
- **K385015BK** - hardware kit, \$7.50 per blade .9 lbs.



\$97⁵⁰ ea.

KNIFE BACKING PLATE

Order # **K385015BP**

9.6 lbs.

- To fit Laird™ vertical mixers
- Abrasion resistant
- Heat treated
- Use with #K385015



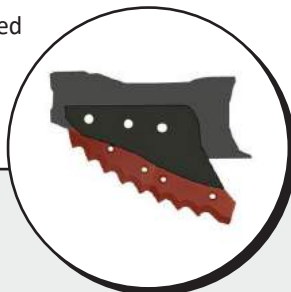
\$49⁵⁰ ea.

MIXER KNIFE SECTION

Order # **K122INB**

1.2 lbs.

- To fit Laird™ vertical mixers
- Abrasion resistant/Heat treated
- Inside Knife
- **K174064BK** - hardware kit, \$3.75 per blade • .25 lbs. (1/2" Bolts)



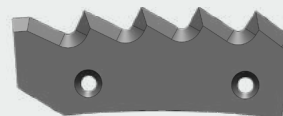
\$48⁵⁰ ea.

MIXER KNIFE SECTION

Order # **K111OUTB**

1.4 lbs.

- To fit Laird™ vertical mixers
- Abrasion resistant
- Heat treated
- Outside Knife
- **K174064BK** - hardware kit, \$3.75 per blade • .25 lbs. (1/2" Bolts)



\$48⁵⁰ ea.

SECTION KNIFE BASE

Order # **K60008**

16 lbs.

- To fit Laird™ vertical mixers
- When using K122INB and K111OUTB



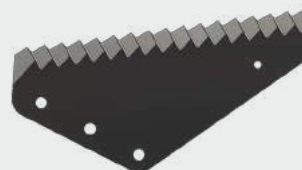
\$48⁵⁰ ea.

STRAIGHT EDGE MIXER KNIFE

Order # **K040380**

6.35 lbs.

- To fit Laird™ vertical mixers
- Heat treated
- Tungsten carbide
- **K385024BK** - hardware kit (Carriage bolts **Grade 8**) \$7.25 per blade, 1.1 lbs.



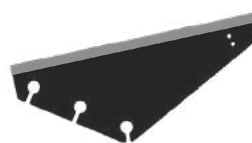
\$79⁵⁰ ea.

KNIFE BACKING PLATE

Order # **K040400**

10 lbs.

- To fit Laird™ vertical mixers
- When using knife K040380



\$38⁵⁰ ea.

LOEWEN™

Loewen™ is a trademark of Loewen Welding & Manufacturing Ltd., which does not manufacture, distribute or endorse these knives.

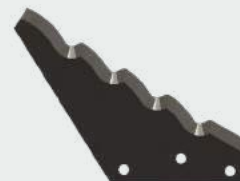
REPLACEMENT KNIVES TO FIT LOEWEN™ MIXERS

MIXER KNIFE

Order # **K385017**

10.7 lbs.

- To fit Loewen™ vertical mixers
- Heat treated
- Tungsten carbide
- **K385017BK** - hardware kit, \$7.00 per blade .95 lbs.



\$92⁷⁵ ea.



REPLACEMENT MIXER KNIVES

MANUFACTURED BY **KOOIMA® AG**



Proudly made in the U.S.A.

MEYER™

REPLACEMENT KNIVES TO FIT MEYER™ MIXERS

Meyer™ is a trademark of Meyer Manufacturing Corporation, which does not manufacture, distribute or endorse these knives.

NEW STYLE KNIFE SECTION

Order # **K1110012**

1.20 lbs.

- To fit Meyer™ 585, 700, 815, 1015 & 1215 mixers
- Patent # 8,186,611
- 2 required per backing plate
- **K1110012BK** - hardware kit, \$3.75 per blade .2 lbs.



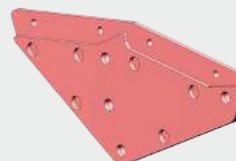
\$26⁰⁰ ea.

STANDARD BACKING PLATE

Order # **K1110040**

13.05 lbs.

- To fit Meyer™ 585, 700, 815, 1015 & 1215 mixers
- Patent # 8,186,611
- **K1110040BK** - hardware kit, \$2.25 ea., .50 lbs.



\$31⁵⁰ ea.

HEAVY DUTY BACKING PLATE

Order # **K1110041**

18.45 lbs.

- To fit Meyer™ 585, 700, 815, 1015 & 1215 mixers
- Patent # 8,186,611
- **K1110041BK** - hardware kit, \$2.50 ea., .65 lbs.



\$40⁵⁰ ea.

EARLY KNIFE STYLE SECTION

Order # **K385024BIT**

- To fit early model Meyer™ mixers
- Patent # 8,186,611
- 2 required
- **K1110012BK** - hardware kit, \$3.75 per blade (when used on Meyer™ mixer), .2 lbs.



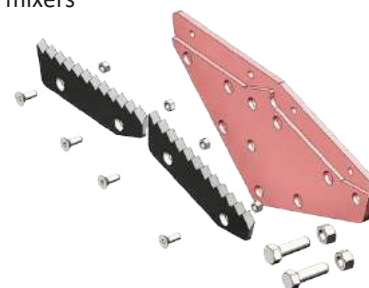
\$31⁷⁵ ea.

COMPLETE KNIFE KIT WITH STANDARD BACKING PLATE

Order # **K1110040KIT**

16.35 lbs.

- To fit Meyer™ 585, 700, 815, 1015 & 1215 mixers
- Patent # 8,186,611
- Kit includes:
 - (2) K1110012
 - (2) K1110012BK's
 - (1) K1110040
 - (1) K1110040BK



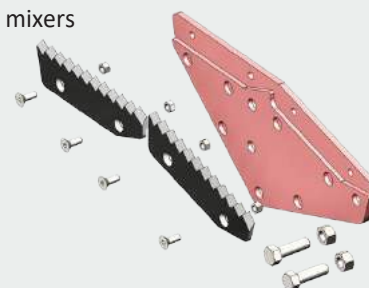
\$83⁵⁰ ea.

COMPLETE KNIFE KIT WITH HEAVY DUTY BACKING PLATE

Order # **K1110041KIT**

21.9 lbs.

- To fit Meyer™ 585, 700, 815, 1015 & 1215 mixers
- Patent # 8,186,611
- Kit includes:
 - (2) K1110012
 - (2) K1110012BK's
 - (1) K1110041
 - (1) K1110041BK



\$92⁵⁰ ea.



REPLACEMENT MIXER KNIVES

MANUFACTURED BY KOOIMA® AG



Proudly made in the U.S.A.

MONOMIXER™/MAXIMIXER™

REPLACEMENT KNIVES TO FIT
MONOMIXER™/MAXIMIXER™ MIXERS

MONOMIXER™/MAXIMIXER™ is a trademark of Sioux Automation Center, Inc., which does not manufacture, distribute or endorse these knives.

LEFT HAND MIXER KNIFE

Order # K385012

1.5 lbs.

- To fit all MonoMixer™ horizontal mixers
- Heat treated / Tungsten carbide
- **Improved design is twisted to better conform to flighting**
- K385012BK - hardware kit, \$3.25 per blade .25 lbs.



\$24²⁵ ea.

RIGHT HAND MIXER KNIFE

Order # K385013

1.5 lbs.

- To fit all MonoMixer™ horizontal mixers
- Heat treated / Tungsten carbide
- **Improved design is twisted to better conform to flighting**
- K385012BK - hardware kit, \$3.25 per blade .25 lbs.



\$24²⁵ ea.

HALF MOON MIXER KNIFE

Order # K385014

4.2 lbs.

- To fit all MonoMixer™ horizontal mixers
- Heat treated / Tungsten carbide
- K385014BK - hardware kit, \$3.25 per blade .4 lbs.



\$42³⁵ ea.

STANDARD MIXER KNIFE

Order # K385003

3.6 lbs.

- To fit 3500 series MaxiMixer™ vertical mixers
- Heat treated / Tungsten carbide
- K385002BK - hardware kit, \$6.00 per blade, .7 lbs. (Grade 8)
- K385002BK5 - hardware kit, \$4.25 per blade, .7 lbs. (Grade 5)



\$81⁹⁰ ea.

HIGH PERFORMANCE MIXER KNIFE

Order # K385004

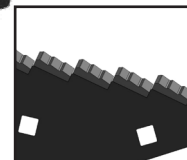
Patent Pending

4.3 lbs.

- HIGH PERFORMANCE carbide insert style
- To fit 3500 MaxiMixer™ vertical mixers
- **Long lasting design & more aggressive cutting edge**
- K385002BK - hardware kit, \$6.00 per blade .7 lbs. Grade 8
- K385002BK5 - hardware kit, \$4.25 per blade, .7 lbs. Grade 5



\$165⁹⁰ ea.

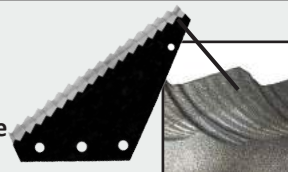


STANDARD MIXER KNIFE

Order # K385024

5 lbs.

- To fit Maximixer™ vertical mixers
- **New Serrated edge for extreme cutting action!**
- Abrasion resistant / Heat treated
- KMM58 - hardware kit (Grade 8 bolts) \$7.00 per blade
- K385007BP - backing plate, \$58.25 ea.



\$81⁹⁰ ea.

Tungsten Carbide

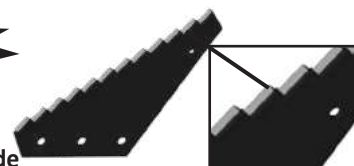
HIGH PERFORMANCE MIXER KNIFE

Order # K385025

6 lbs.

- Carbide insert style mixer knife
- To fit Maximixer™ vertical mixers
- Abrasion resistant, heat treated
- KMM58 - hardware kit (Grade 8 bolts) \$7.00 per blade
- K385007BP - backing plate, \$58.25 ea.

Lasts 3 Times Longer!



\$155⁹⁰ ea.

Counter-sunk 3/8" hole!

HIGH PERFORMANCE MIXER KNIFE

Order # K385026

Patent Pending

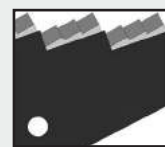
6 lbs.

- Carbide insert style mixer knife
- To fit Maximixer™ vertical mixers
- Abrasion resistant, heat treated
- KMM58 - hardware kit (Grade 8 bolts) \$7.00 per blade
- K385007BP - backing plate, \$58.25 ea.

Long lasting design & more aggressive cutting edge



\$165⁹⁰ ea.





REPLACEMENT MIXER KNIVES

MANUFACTURED BY **KOOIMA**® AG



Proudly made in the U.S.A.

PATZ®

PATZ® is a registered trademark of Patz Corporation, which does not manufacture, distribute or endorse these knives.

REPLACEMENT KNIVES TO FIT PATZ® MIXERS

TOP MIXER KNIFE

Order # **K21432**

6.45 lbs.

- To fit Patz® vertical mixers
- Heat treated / Tungsten carbide
- **K385021BK - hardware kit, \$7.00 per blade 1.3 lbs.**



\$99⁵⁰ ea.

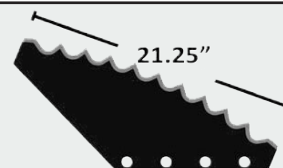
MEDIUM MIXER KNIFE

Order # **K21187**

10.6 lbs.

*** Most commonly used**

- To fit Patz® vertical mixers
- Heat treated / Tungsten carbide
- **K385021BK - hardware kit, \$7.00 per blade 1.3 lbs.**



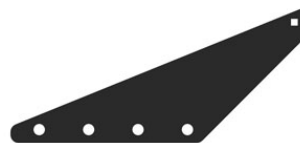
\$129⁵⁰ ea.

MEDIUM KNIFE BACKING PLATE

Order # **K21431**

6.4 lbs.

- To fit Patz® medium mixer knives
- Hardened steel construction



\$30⁵⁰ ea.

BOTTOM MIXER KNIFE

Order # **K385021**

14 lbs.

- To fit Patz® vertical mixers
- Heat treated / Tungsten carbide
- Only used 1 per auger on the bottom section of auger
- **K385021BK - hardware kit, \$7.00 per blade, 1.3 lbs.**



\$137⁵⁰ ea.

HOOK KNIFE

Order # **K28620**

27.5 lbs.

- To fit Patz® vertical mixers
- Heat treated / Tungsten carbide
- **K385021BK - hardware kit, \$7.00 per blade 1.3 lbs.**



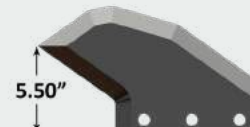
\$125⁷⁵ ea.

TOP MIXER KNIFE

Order # **K26289**

6 lbs.

- To fit Patz® vertical mixer knives
- Heat treated / Tungsten Hard-faced
- Install with bevel facing down



\$78²⁵ ea.

TOP MIXER KNIFE

Order # **K385022**

3 lbs.

- To fit Patz® vertical mixer knives
- Heat treated / Tungsten carbide
- Slice through bales quickly
- Install with bevel facing down



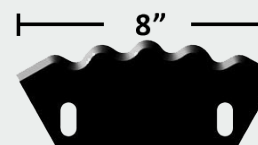
\$36⁵⁰ ea.

STANDARD MIXER KNIFE

Order # **K385027**

1.3 lbs.

- To fit Patz® horizontal mixers
- Heat treated / Tungsten carbide
- **K385027BK - hardware kit, \$4.75 per blade .25 lbs.**



\$22⁵⁰ ea.

PLOW WING

Order # **K21831**

3.2 lbs.

- To fit Patz® 800 series mixers
- 1 required • AR400 material
- Replaces OEM# PA-21831 / PA-24653



\$29⁸⁰ ea.

PLOW WING

Order # **K24648**

5.15 lbs.

- To fit Patz® 1200-2400 series mixers
- 1 required • AR400 material
- Replaces OEM# PA-24648



\$38⁶⁰ ea.



REPLACEMENT MIXER KNIVES

MANUFACTURED BY KOOIMA® AG



Proudly made in the U.S.A.

PEECON®

Peecon® is a registered trademark of Peeters Landbouwmachines B.V., which does not manufacture, distribute or endorse these knives.

REPLACEMENT KNIVES TO FIT PEECON® MIXERS

SMALL MIXER KNIFE

Order # K385020

- To fit Peecon® vertical mixers
- Heat treated / Tungsten carbide • 1.2 lbs.
- K385020BK - hardware kit, \$4.75 per blade, .25 lbs.



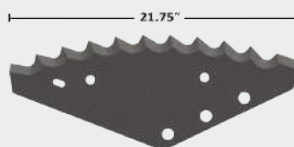
\$28²⁵ ea.

LARGE MIXER KNIFE

Order # K385018

- To fit Peecon® vertical mixers
- Heat treated / Tungsten carbide
- 9 lbs.
- K385018BK - hardware kit, \$6.75 per blade, .75 lbs.

Improved longer cutting surface



3/8" thick

\$95⁷⁵ ea.

KNIFE BACKING PLATE

Order # K385015BP

- To fit Peecon® vertical mixers
- Abrasion resistant
- Heat treated • 9.6 lbs.
- Use with #K385018



\$49⁵⁰ ea.

PENTA™

Penta™ is a trademark of Penta One, Ltd., which does not manufacture, distribute or endorse these knives.

REPLACEMENT KNIVES TO FIT PENTA™ MIXERS

AGGRESSIVE KNIFE

Order # K1002

6.6 lbs.

- To fit Penta™ vertical mixers
- **Improved - stronger design!**
- **1/2" added to back of knife for more rigidity**
- Heat treated / Tungsten carbide
- K385002BK - hardware kit (**Grade 8**) when using knife in K385003 knife location, \$6.00 per blade, .7 lbs. (K385002BK5 - hardware kit, \$4.25 per blade,, .7 lbs. **Grade 5**)
- K385007BK - hardware kit (**Grade 8**) when using knife in K385007 knife location, \$8.00 per blade, 1.1 lbs.



\$97⁹⁰ ea.

KNIFE BACKING PLATE

Order # K1900

10.2 lbs.

- To fit K1002 aggressive knife
- High grade steel construction
- K1900BK - hardware kit, \$7.25 per blade, 1lb.



\$45⁹⁰ ea.

FEED RESTRICTOR

Order # KTA1901

14 lbs.

- To fit Penta™ TMR
- Replaces OEM # PTA1901



\$30³⁵ ea.



REPLACEMENT MIXER KNIVES

MANUFACTURED BY KOOIMA® AG



Proudly made in the U.S.A.

PENTA™

Penta™ is a trademark of Penta TMR, Inc., which does not manufacture, distribute or endorse these knives.

REPLACEMENT KNIVES TO FIT PENTA™ MIXERS

STANDARD MIXER KNIFE

Order # K385003

3.6 lbs.

- To fit Penta™ vertical mixers
- Tungsten carbide
- Heat treated
- K385002BK - hardware kit, \$6.00 per blade, .7 lbs. (Grade 8)
- K385002BK5 - hardware kit, \$4.25 per blade, .7 lbs. (Grade 5)



\$81⁹⁰ ea.

Tungsten Carbide

HIGH PERFORMANCE MIXER KNIFE

Order # K385002

4.3 lbs.

- HIGH PERFORMANCE carbide insert style
- To fit Penta™ vertical mixers
- K385002BK - hardware kit, \$6.00 per blade, .7 lbs. (Grade 8)
- K385002BK5 - hardware kit, \$4.25 per blade, .7 lbs. (Grade 5)



\$155⁹⁰ ea.

Lasts 3 Times Longer!

HIGH PERFORMANCE MIXER KNIFE

Order # K385004

Patent Pending

4.3 lbs.

- HIGH PERFORMANCE carbide insert style
- To fit Penta™ vertical mixers
- Long lasting design & more aggressive cutting edge
- K385002BK - hardware kit, \$6.00 per blade .7 lbs. Grade 8
- K385002BK5 - hardware kit, \$4.25 per blade, .7 lbs. Grade 5



\$165⁹⁰ ea.

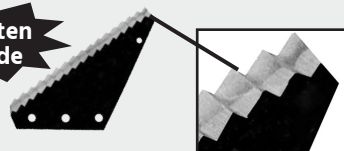
STANDARD MIXER KNIFE

Order # K385007

5 lbs.

- To fit Penta™ vertical mixers
- Heat treated
- K385007BK - hardware kit (Carriage bolts Grade 8) \$8.00 per blade, 1.1 lbs.
- KCSBK - hardware kit (Counter-sunk bolts) \$7.25 per blade, .9 lbs.

Tungsten Carbide



\$81⁹⁰ ea.

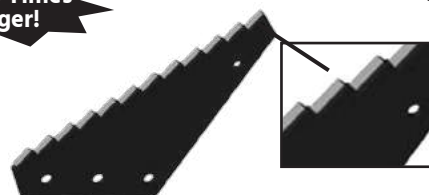
HIGH PERFORMANCE MIXER KNIFE

Order # K385010

6 lbs.

- Carbide insert style mixer knife
- To fit Penta™ vertical mixers
- Heat treated
- K385007BK - hardware kit (Carriage bolts Grade 8) \$8.00 per blade, 1.1 lbs.
- KCSBK - hardware kit (Counter-sunk bolts) \$7.25 per blade, .9 lbs.

Lasts 3 Times Longer!



\$155⁹⁰ ea.

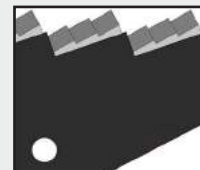
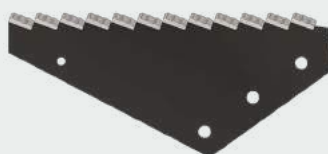
HIGH PERFORMANCE MIXER KNIFE

Order # K385011

Patent Pending

6 lbs.

- Carbide insert style mixer knife
- To fit Penta™ vertical mixers
- Heat treated
- Long lasting design
- Long lasting design & more aggressive cutting edge
- K385007BK - hardware kit (Carriage bolts Grade 8) \$8.00 per blade, 1.1 lbs.
- KCSBK - hardware kit (Counter-sunk bolts) \$7.25 per blade, .9 lbs.



\$165⁹⁰ ea.

KNIFE BACKING PLATE

Order # K385007BP

8.7 lbs.

- To fit Penta™ vertical mixers
- Abrasion resistant
- Heat treated
- Use with K385007 - K385010



\$58²⁵ ea.

HALF MOON MIXER KNIFE

Order # K385014

4.2 lbs.

- To fit Penta™ vertical mixers
- Heat treated, tungsten carbide
- K385014BK - hardware kit, \$3.25 per blade .4 lbs.



\$42³⁵ ea.



REPLACEMENT MIXER KNIVES

MANUFACTURED BY KOOIMA® AG



Proudly made in the U.S.A.

PENTA™

Penta™ is a trademark of Penta One, Ltd., which does not manufacture, distribute or endorse these knives.

REPLACEMENT KNIVES TO FIT PENTA™ MIXERS

\$147⁹⁰ ea.

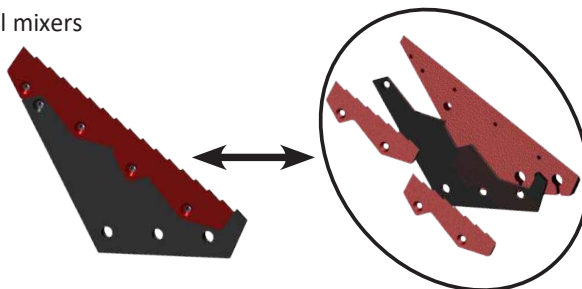
BUNDLE & SAVE KIT

Order # **KSUPKIT**

Patent # **8,186,611**

See page 34 for more details.

- To fit Penta™ vertical mixers
- This kit includes:
 - (2) K385024BIT
 - (1) K385024BODY
 - (1) K385007SU
 - (1) K385024BK
 - (2) K385024BITBK



Stop throwing half used knives away! Get the most out of your hard-earned dollars with replaceable high quality inserts from Kooima® Ag
Bundle & Save 5%!

SCHULER™

Schuler™ is a trademark of Schuler Mfg. & Equip. Co. Inc., which does not manufacture, distribute or endorse these knives.

REPLACEMENT KNIVES TO FIT SCHULER™ MIXERS

\$96²⁵ ea.

MIXER KNIFE

Order # **K385023**

6.9 lbs.

- To fit Schuler™ vertical mixers
- Heat treated
- Tungsten carbide
- **K385023BK - hardware kit, \$7.00 per blade, 1.05 lbs.**



3/8" Thick



FEED RESTRICTOR PLATE

Order # **K700379**

15 lbs.

- To fit Schuler™ vertical mixers
- Replaces OEM # SCHO-700379



\$45³⁵ ea.

SEKO™

Seko™ is a trademark of Seko SpA., which does not manufacture, distribute or endorse these knives.

REPLACEMENT KNIVES TO FIT SEKO™ MIXERS

\$26²⁵ ea.

HORIZONTAL MIXER KNIFE

Order # **K385045TC**

.5 lbs.

- To fit early Seko™ horizontal mixers
- **Tungsten hard-faced for improved performance**
- Heat treated / Tungsten carbide
- Replaces OEM #553-04-40-00
- **K385045TCBK - hardware kit, \$1.40 per blade •.1 lbs.**



3 13/16" O.D.



Visit kooimaag.com to learn more about the services we offer!



3-D Laser Cutting



Laser Metal Deposition



Laser Welding



Knife Design-and-Build

TO ORDER TOLL FREE CALL **1-800-522-8874**

KOOIMA AG



REPLACEMENT MIXER KNIVES

MANUFACTURED BY KOOIMA® AG



Proudly made in the U.S.A.

SUPREME™

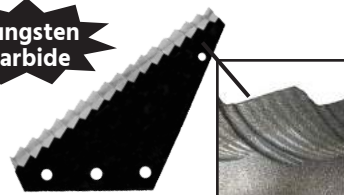
Supreme™ is a trademark of Supreme International Ltd., which does not manufacture, distribute or endorse these knives.

REPLACEMENT KNIVES TO FIT SUPREME™ MIXERS

STANDARD MIXER KNIFE

Order # K385024

- To fit Supreme™ vertical mixers • 5 lbs.
- **New Serrated edge for extreme cutting action!**
- Abrasion resistant / Heat treated
- K385024BK - hardware kit (Carriage bolts **Grade 8**) \$7.25 per blade, 1.1 lbs.



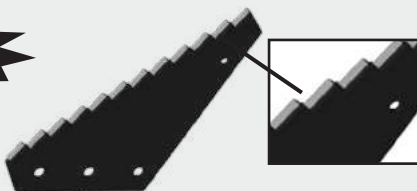
\$81⁹⁰ ea.

HIGH PERFORMANCE MIXER KNIFE

Order # K385025

6 lbs.

- Carbide insert style mixer knife
- To fit Supreme™ vertical mixers
- Abrasion resistant, heat treated
- K385024BK - hardware kit (Carriage bolts **Grade 8**) \$7.25 per blade, 1.1 lbs.



\$155⁹⁰ ea.

Counter-sunk 3/8" hole!

HIGH PERFORMANCE MIXER KNIFE

Order # K385026

Patent Pending

6 lbs.

- Carbide insert style mixer knife
- To fit Supreme™ vertical mixers
- Abrasion resistant, heat treated
- K385024BK - hardware kit (Carriage bolts **Grade 8**) \$7.25 per blade, 1.1 lbs.

Long lasting design & more aggressive cutting edge



Counter-sunk 3/8" hole!

\$165⁹⁰ ea.

KNIFE BACKING PLATE

Order # K385007BP

8.7 lbs.

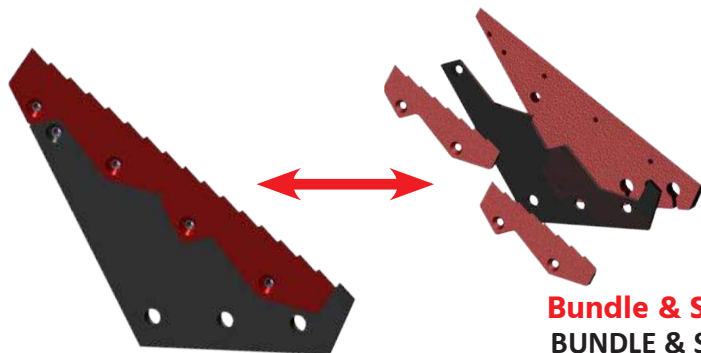
- To fit Supreme™ vertical mixers
- Abrasion resistant
- Heat treated



\$58²⁵ ea.

INNOVATIVE KOOIMA® AG KNIFE DESIGN!

Lower your mixing costs by using our knives!
Get the most out of your hard-earned dollars with replaceable high quality inserts from Kooima® Ag.



Bundle & Save 5%! BUNDLE & SAVE KIT Patent # 8,186,611

Order # KSUPKIT

- This kit includes:
- (2) K385024BIT
- (1) K385024BODY
- (1) K385007SU
- (1) K385024BK
- (2) K385024BITBK

\$147.90 ea.



REPLACEMENT SUPREME™ MIXER BLADE CUTTING EDGE

Order # K385024BIT

- To fit Supreme™ vertical mixers
- **Exclusive Koyma Klad® coating for even longer life**
- Heat treated • 2 required • .9 lbs.
- Patent # 8,186,611
- K385024BITBK - hardware kit, \$2.75 ea. • .1 lbs.



\$31⁷⁵ ea.

REPLACEMENT SUPREME™ MIXER BLADE BODY

Order # K385024BODY

- To fit Supreme™ vertical mixers
- Abrasion resistant
- 1 required • 3.2 lbs.
- K385024BK - hardware kit (**Grade 8**), \$7.25 per blade



\$23²⁵ ea.

REPLACEMENT SUPREME™ BACKING PLATE

Order # K385007SU

- To fit Supreme™ vertical mixers
- Abrasion resistant
- 1 required • 9.6 lbs.



\$56⁵⁰ ea.



REPLACEMENT MIXER KNIVES

MANUFACTURED BY KOOIMA® AG



Proudly made in the U.S.A.

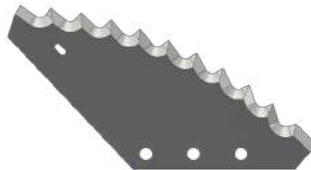
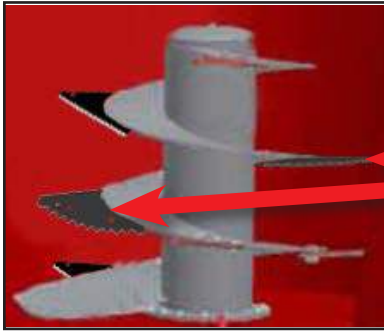
SUPREME™

Supreme™ is a trademark of Supreme International Ltd., which does not manufacture, distribute or endorse these knives.

REPLACEMENT KNIVES TO FIT SUPREME™ MIXERS

NEW LONGER DISCHARGE KNIFE!

A must for side discharge wagons



MIXER KNIFE

Order # K385015

- To fit Supreme™ vertical mixers
- Heat treated • Tungsten carbide 7.2 lbs.
- K385007BK - hardware kit (Grade 8), \$8.00 per blade, 1.1 lbs.

\$97⁵⁰ ea.

This knife mixes well in the center of the auger!
Do not use in the very top knife position.

KNIFE BACKING PLATE

Order # K385015BP

- To fit Supreme™ vertical mixers
- Abrasion resistant • Heat treated • 9.6 lbs.
- Use with #K385015

\$49⁵⁰ ea.

FEED RESTRICTOR PLATE

Order # KUX067

13.7 lbs.

- To fit Supreme™ vertical mixers
- Replaces OEM # SUPTUX067



\$60⁴⁵ ea.

TRIOLIET®

Also used on Tatoma® Mixers

Tatoma® is a registered trademark of Grupo Tatoma, SL, which does not manufacture, distribute or endorse these knives.

Trioliet® is a registered trademark of Trioliet-Mullos B.V., which does not manufacture, distribute or endorse these knives.

REPLACEMENT KNIVES TO FIT TRIOLIET® MIXERS

SHORT FORMED MIXER KNIFE

Order # K44100

4.4 lbs.

- To fit Trioliet® vertical mixers
- Replaces short mixer knife • No backing plate needed • Tungsten carbide • Heat treated
- K3814TCBK - hardware kit, \$4.75 per blade, .45 lbs.



\$106²⁵ ea.

LONG FORMED MIXER KNIFE

Order # K05945

- To fit Trioliet® vertical mixers
- Tungsten carbide • Heat treated • 10 lbs.
- This cannot be mounted on top two spots of auger
- K3814TCBK - hardware kit, \$4.75 per blade, .45 lbs.



\$124⁰⁰ ea.

SHORT MIXER KNIFE

Order # K3814TC

- To fit Trioliet® vertical mixers
- Heat treated • Tungsten carbide
- Replaces OEM #3814TC • 4.8 lbs.



\$85⁰⁰ ea.

Hardware Kit Numbers: K3814TCBK - w/o backing plate, \$4.75, .45 lbs. K31639TCBK - with backing plate, \$4.75

KNIFE BACKING PLATE

Order # K3814TCBP

- To fit Trioliet® short top knives
- Abrasion resistant • 5.15 lbs.



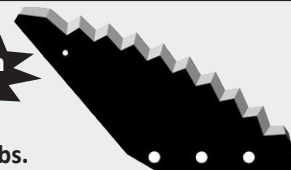
\$36⁷⁵ ea.

LONG MIXER KNIFE

Order # K31639TC

6.5 lbs.

- To fit Trioliet® vertical mixers
- Heat treated
- Tungsten carbide
- Replaces OEM #31639TC
- K31639TCBK - hardware kit, \$4.75 per blade, .55 lbs.



\$96²⁵ ea.

KNIFE BACKING PLATE

Order # K31640

8.4 lbs.

- To fit Trioliet® long knives
- Abrasion resistant



\$48⁵⁰ ea.



REPLACEMENT MIXER KNIVES

MANUFACTURED BY KOOIMA® AG



Proudly made in the U.S.A.

VALMETAL®

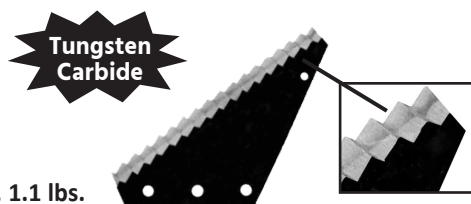
Valmetal® is a registered trademark of Valmetal Inc., which does not manufacture, distribute or endorse these knives.

REPLACEMENT KNIVES TO FIT VALMETAL™ MIXERS

STANDARD MIXER KNIFE

Order # K385007

- To fit Valmetal® vertical mixers
- Heat treated • 5 lbs.
- Must use Kooima® Ag backing plate K385007BP
- K385007BK - hardware kit (Carriage bolts **Grade 8**) \$8.00 per blade, 1.1 lbs.
- KCSBK - hardware kit (Counter-sunk bolts) \$7.25 per blade, .9 lbs.



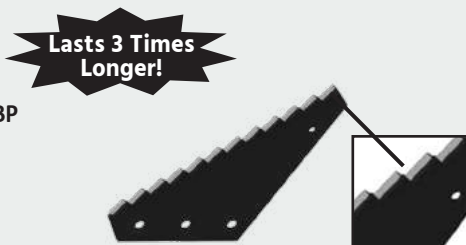
\$81⁹⁰ ea.

HIGH PERFORMANCE MIXER KNIFE

Order # K385010

6 lbs.

- Carbide insert style mixer knife
- To fit Valmetal® vertical mixers
- Heat treated
- Must use Kooima® Ag backing plate K385007BP
- K385007BK - hardware kit (Carriage bolts **Grade 8**) \$8.00 per blade, 1.1 lbs.
- KCSBK - hardware kit (Counter-sunk bolts) \$7.25 per blade, .9 lbs.



\$155⁹⁰ ea.

HIGH PERFORMANCE MIXER KNIFE

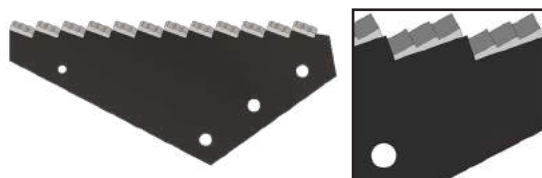
Order # K385011

Patent Pending

6 lbs.

- Carbide insert style mixer knife
- To fit Valmetal® vertical mixers
- Heat treated
- Must use Kooima® Ag backing plate K385007BP
- K385007BK - hardware kit (Carriage bolts **Grade 8**) \$8.00 per blade, 1.1 lbs.
- KCSBK - hardware kit (Counter-sunk bolts) \$7.25 per blade, .9 lbs.

• Long lasting design & more aggressive cutting edge



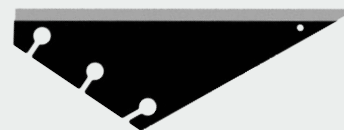
\$165⁹⁰ ea.

KNIFE BACKING PLATE

Order # K385007BP

8.7 lbs.

- To fit Valmetal® vertical mixers
- Abrasion resistant
- Heat treated



\$58²⁵ ea.

Kooima® Ag Skid Trner® - CT0800

Patent # 10,617,061, others pending

Compost anything from cattle and chicken manure to grass, leaves and garden waste.



Scan the QR code to get more information about our Skid Trner® and see videos of it in action!

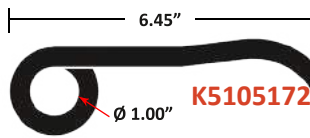
Additional information on back inside cover!



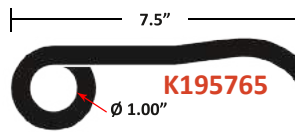


REPLACEMENT BALE PROCESSOR FLAILS

VERMEER® / HIGHLINE®



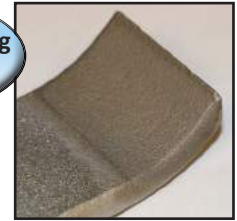
K510517232



K195765

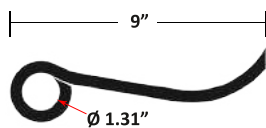


Koyma Klad® Coating
for Extended Life



Part #	DESCRIPTION
K195765 \$17.50 ea.	• Bale Flail • 2.4 lbs. • Heat Treated • To fit Vermeer® 7000 machines & Highline® 6800 & 7000 machines - 26 flails
K510517232 \$10.75 ea.	• Bale Flail • 2.2 lbs. • Heat Treated • Highline® BP4065 - 12 flails • Vermeer® BP8000, Highline® CFR650, CFR651, BP6800, BP7800, BP8000, BP8100, BP8630 - 26 flails • Vermeer® BPX9000, CPX9000, BPX9010 - 30 flails • Highline® CFR960 - 40 flails • Highline® BP7010 - 42 flails • Highline® CFR1251, BP7120 - 52 flails
K510517232HP \$16.75 ea.	• Bale Flail with Koyma Klad® coating • 2.25 lbs. • Heat Treated/ Tungsten Carbide • Fits same models as K510517232
K510517253 \$3.75 ea.	• Bushing • .23 lbs. • To fit Vermeer® 7000, 8000, 9000 & 9010 • To fit Highline® CFR650, CFR651, CFR960, CFR1251, 4065, 6800, 7000, 7010, 7120, 7700, 7800, 8000, 8100, 8630
K45099 \$8.95 ea.	• Hex Head, knurled shoulder bolt 5/8" x 3-3/4" NF • .40 lbs. • To fit Vermeer® 7000 machines & Highline® machines
K33696H \$9.50 ea.	• Carriage bolt 5/8" x 3.75" NF • .35 lbs. • To fit Vermeer® 8000 machines & a majority of Highline® machines
K27169034 \$1.85 ea.	• Bolt 5/8" x 3-1/2" gr8 NC • .35 lbs. • To fit Vermeer® 9000 machines
K396001 \$1.15 ea.	• Lock nut 5/8" NF • .05 lbs. • To fit Vermeer® 7000 & 8000 machines & Highline® machines
K250513001 \$1.00 ea.	• Lock nut 5/8" NC • .05 lbs. • To fit Vermeer® 7000 & 9000 machines

HAYBUSTER® / FAIR MFG.™



Ø 1.31"



Koyma Klad® Coating
for Extended Life



Part #	DESCRIPTION
K5200012 \$11.95 ea.	• Bale Flail (1/2" thick) • 2.8 lbs. • Heat Treated • To fit Fair MFG™ 7810, 7825, 7825TD, 7830, 7830TD - 30 flails • Haybuster® 2554 - 18 flails • Haybuster® S-2000 - 20 flails • 256+2 SN 1642-2341 - 26 flails • 2564, 2574, 2655, 2665, 2800 - 40 flails • Haybuster® 2100, 2620, 2640, 2650, 2660, 256 3pt, 256+2 SN after 2342, 256+2 SN F12743-JJ5016 - 30 flails
K5200012HP \$18.25 ea.	• Bale Flail with Koyma Klad® coating (1/2" thick) • 3 lbs. • Heat Treated / Tungsten Carbide • Fits same models as K5200012
K7500223 \$6.00 ea.	• Bushing • .5 lbs.
K4800598 \$2.00 ea.	• Bolt • .4 lbs.
K7900179 \$1.75 ea.	• Nut • .1 lbs.

BALE KING™

NEW



8.75"



7.75"

Part #	DESCRIPTION
K10223 \$20.25 ea.	• Bale Flail - 8" • To fit Bale King™ 2000, 2010, 3000, 3100, 3100HD, 3110 (8" rotor), 4000 & 4100 - 30 flails
K22412 \$19.40 ea.	• Bale Flail - 7" • To fit Bale King™ 3115, 3125 & 4105 - 30 flails • To fit Bale King™ 5100, 5100TR, 5200, 5200TR, 5225, 5300, 5300TR, 6100, 6105, 6200, 8100 & 8200 - 28 flails
K10005B \$5.75 ea.	• Bushing • To fit 880, 2000, 2010, 3000, 3100, 3100HD, 3110, 3115, 3125, 4000, 4100 & 4105 - 30 flails • To fit 5100, 5100TR, 5200, 5200TR, 5300, 5300TR, 5225, 6100, 6105, 6200, 8100 & 8200 - 28 flails • 2880 & 2881 - 18 flails
K10006 \$4.95 ea.	• Bolt • To fit 5100, 5100TR, 5200, 5200TR, 5300, 5300TR, 5225, 6100, 6105, 6200, 8100 & 8200 - 28 flails • To fit Bale King™ 880, 2000, 2010, 3000, 3100HD, 3110, 3115, 3125, 4000, 4100 & 4105 - 30 flails • To fit 2880 & 2881 - 18 flails
K10007 \$1.05 ea.	• Lock nut • To fit 5100, 5100TR, 5200, 5200TR, 5300, 5300TR, 5225, 6100, 6105, 6200, 8100 & 8200 - 28 flails • To fit 880, 2000, 2010, 3000, 3100, 3100HD, 3110, 3115, 3125, 4000, 4100 & 4105 - 30 flails • To fit 2880 & 2881 - 18 flails

VERMEER® is a registered trademark of Vermeer Manufacturing Corporation, which does not manufacture, distribute or endorse these parts. HIGHLINE® is a registered trademark of Highline Manufacturing LTD, which does not manufacture, distribute or endorse these parts. HAYBUSTER® is a registered trademark of DuraTech Industries International, Inc., which does not manufacture, distribute or endorse these parts.

TO ORDER TOLL FREE CALL 1-800-522-8874

KOOIMA AG



REPLACEMENT MANURE HAMMERS

All Kooima® hammers are made using hardened steel.

Don't see your model? Contact us for a quote!

KOOIMA #	PRICE	DESCRIPTION	
K144913 (LH) K144912 (RH)	\$17 ²⁵ ea.	<ul style="list-style-type: none"> To fit Kuhn Knight® vertical beater manure spreaders Hardened steel construction • 1.5 lbs. • Left hand shown Replaces OEM #s 144-912, 144-913, 146-169, 146-170 K144913BK - bolt kit, \$4.25 per paddle, .55 lbs. 	
Kuhn Knight ®			
K141790	\$10 ⁰⁰ ea.	<ul style="list-style-type: none"> To fit Kuhn Knight® 1100 & 2000 horizontal manure spreaders Hardened steel • 4.7 lbs. K141790BK - bolt kit, \$4.00 per blade •.38 lbs. 	
Kuhn Knight ®			
K456001	\$18 ⁵⁵ ea.	<ul style="list-style-type: none"> To fit McKee™ manure spreaders Hardened steel construction - AR400 • 5.5 lbs. K456001BK - bolt kit, \$3.75 per blade, .5 lbs. 	
McKee ™			
K456009 (RH) K456010 (LH)	\$9 ⁷⁵ ea.	<ul style="list-style-type: none"> To fit Meyer™ manure spreaders Abrasion Resistant Right hand shown • 1.8 lbs. 	
Meyer ™			
K456011	\$20 ³⁰ ea.	<ul style="list-style-type: none"> To fit Meyer™ manure spreaders Abrasion Resistant 8.6 lbs. 	
Meyer ™			
K456008	\$7 ⁹⁰ ea.	<ul style="list-style-type: none"> Straight paddle • To fit Meyer™ manure spreaders Abrasion Resistant 1.8 lbs. 	
Meyer ™			
K200145	\$16 ⁵⁰ ea.	<ul style="list-style-type: none"> To fit Roda™ manure spreaders Hardened steel construction • 1.9 lbs. K144913BK - bolt kit, \$4.25 per blade, .55 lbs. 	
Roda ™			
K200146 (LH) K200153 (RH)	\$20 ⁵⁰ ea.	<ul style="list-style-type: none"> To fit Roda™ manure spreaders Tungsten carbide • Hardened steel construction • 1.7 lbs. K144913BK - bolt kit, \$4.25 per blade, .55 lbs. 	
Roda ™			



REPLACEMENT COMPOSTER PADDLES

K456014	\$10 ¹⁵ ea.	<ul style="list-style-type: none"> 4" x 6" compost paddle To fit Sittler® composters • 3.2 lbs. High wear AR400 material Bolt kit: K456014BK - 1 required per paddle, \$3.25 ea. 	
Sittler ®			
K456015	\$12 ²⁵ ea.	<ul style="list-style-type: none"> Compost paddle • 5.25 lbs. To fit Aeromaster® composters High wear AR400 material Bolt kit: K456014BK - 2 required per paddle, \$3.25 ea. 	
Aeromaster ®			
C00289	\$10 ⁰⁰ ea.	<ul style="list-style-type: none"> Kooima® Ag Trner™ long compost paddle To fit Kooima® Ag Trner® composters • 4.75 lbs. Abrasion resistant • 74 required Bolt kit: C00030BK - 1 required per paddle, \$4.00 ea. 	
Kooima ® Ag Trner®			
C00030	\$9 ²⁵ ea.	<ul style="list-style-type: none"> Kooima® Ag Trner™ short compost paddle To fit Kooima® Ag Trner® composters • 4.05 lbs. Abrasion resistant • 74 required Bolt kit: C00030BK - 1 required per paddle, \$4.00 ea. 	
Kooima ® Ag Trner®			

Kuhn Knight® is a registered trademark of Kuhn S.A. McKee™ is a trademark of W. McKee Manufacturing Ltd. Meyer™ is a trademark of Meyer Manufacturing Corporation. Roda™ is a trademark of Art's-Way Mfg. Co., Inc. Aeromaster® is a registered trademark of Midwest Bio-Systems Inc. Sittler® is a registered trademark of Global Repair LTD. Trner® is a registered trademark of Kooima Ag.



REPLACEMENT FLAIL & CUP KNIVES



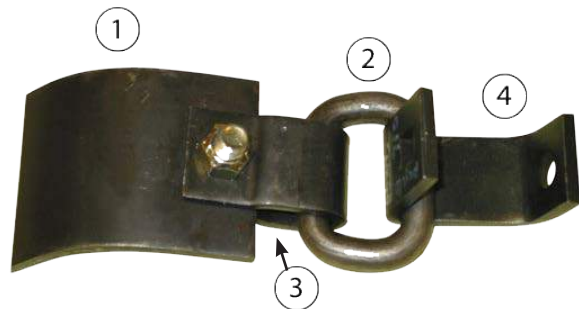
Flail Knives to fit John Deere®

- To fit 27, 112, 115, 118 & 120
- Also fits Loftness® 8023, Buffalo™ 110040, Balzer™ 24153, Mighty Max™ 9001192

Part #	Price	Description
① K6021-875	\$4.25	Flail Knife, 2 1/2" wide, 1 lb.
② K6023-704	\$2.85	D-Ring, .6 lbs.
③ K6024-737	\$4.35	U-Bar, .6 lbs.
5028CH80	\$0.65	1/2 x 1-3/4 Hex Bolt, GR8, .2 lbs.
50NS	\$0.45	1/2 Lock Nut, .04 lbs.

Flail Knives to fit Brillion™

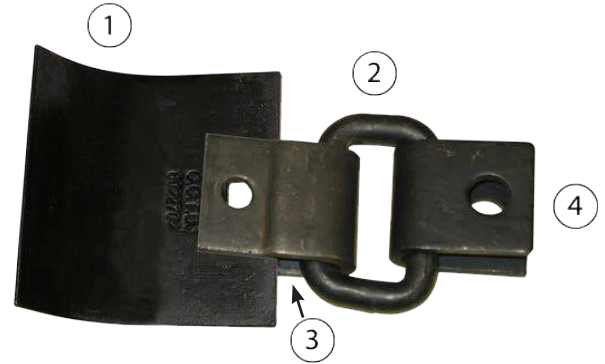
Part #	Price	Description
① K6021-859	\$3.90	Flail Knife, 2" wide, .6 lbs.
② K6023-700	\$3.35	D-Ring, .55 lbs.
③ K6024-702	\$4.90	U-Bar, 1 lb.



Cup Knives to fit Hiniker®

- To fit 1700, 4000, 5600, 5610, 5620

Part #	Price	Description
① KFK79431	\$4.75	Cup Knife, 3" wide, .8 lbs.
①a KFK79431HP	\$13.25	Cup Knife, 3" wide, .9 lbs. Hard-faced Edge
② K6023-502	\$2.75	D-Ring, .45 lbs.
③ KFP65227	\$5.15	U-Bar, .5 lbs.
④ K6024-710	\$3.15	Pivot, .45 lbs.
5024C5	\$0.65	1/2 x 1-1/2 Carr Bolt, GR5, .11 lbs.
50NS	\$0.45	1/2 Lock Nut, .04 lbs.



Cup Knives to fit Loftness™

- To fit 8022 model

Part #	Price	Description
① K6022-702	\$9.15	Cup Knife, 4 1/2" wide, Hard Faced Edge , 1.4 lbs.
② K6023-503	\$3.49	Square Ring, .55 lbs.
③ K6024-704	\$5.25	U-Bar Long, .7 lbs.
④ K6024-744	\$4.65	U-Bar Short, .6 lbs.
5024C5	\$0.65	1/2 x 1-1/2 Carr Bolt, GR5, .11 lbs.
50NS	\$0.45	1/2 Lock Nut, .04 lbs.














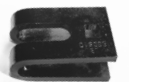
Cup Knives to fit Brillion™ & Balzer™

Part #	Price	Description
① K6022-718	\$3.75	Cup Knife, 2 1/2" wide, .85 lbs.
② K6023-502	\$2.75	D-Ring, .45 lbs.
③ K6024-743	\$5.15	U-Bar, .5 lbs.
④ K6024-710	\$3.15	Pivot, .45 lbs.
5024C5	\$0.65	1/2 x 1-1/2 Carr Bolt, .11 lbs.
50NS	\$0.45	1/2 Lock Nut, .04 lbs.
⑤ KFK18205	\$7.00	5" long, 2 1/2" wide, curled eye Replaces Art's Way™ No. 18205-0 Replaces Balzer™ No. 24237 Replaces Sukup® No. J8250 1.5 lbs.

John Deere® is a registered trademark of Deere & Company. Loftness® is a trademark of Loftness Specialized Farm Equipment, Inc. Buffalo™ is a trademark of Bison Industries, Inc. Balzer™ is a trademark of Balzer Inc. Mighty Max™ is a trademark of Vrisimo Equipment Company, Valley Tool & Mfg. Brillion™ is a trademark of Brillion Farm Equipment, Landoll Corporation. Hiniker® is a registered trademark of Hiniker Company. Art's-Way™ is a trademark of Art's-Way Mfg. Co., Inc. Sukup® is a registered trademark of Sukup Manufacturing Co.



REPLACEMENT FLAIL & CUP KNIVES

KOOIMA #	PRICE	DESCRIPTION	
K12356 NEW	\$2 ³⁷ ea.	<ul style="list-style-type: none"> D-ring To fit Alloway® Rau, Balzer™, Buffalo™, Case IH®, Fox Brady™, Hiniker®, Massey Ferguson® 180, Schultz Replaces OEM #s Alloway Rau® 50530008, Balzer™ 12356, Buffalo™ 18020019 	
K61105 NEW	\$4 ⁷⁴ ea.	<ul style="list-style-type: none"> Side Knife To Fit Balzer™ Replaces OEM # 61105 	
K61105HP NEW	\$10 ²⁵ ea.	<ul style="list-style-type: none"> HP Side Knife To Fit Balzer™ Replaces OEM # 61105 	
K12296 NEW	\$3 ⁴¹ ea.	<ul style="list-style-type: none"> U-Bar To Fit Balzer™ Replaces OEM # 12296 	
K61137 NEW	\$2 ¹⁴ ea.	<ul style="list-style-type: none"> Bushing No D-rings • Direct driven rotors To Fit Balzer™ 1200, 1500, 1800, 2000, 2200, 2400, 2500, 3000, Buffalo™ 4812, 4815, 4818, 4820, 4824, 4830 Replaces OEM # Balzer™ 61137 	
K26569 NEW	\$4 ⁴⁷ ea.	<ul style="list-style-type: none"> Side Knife • 2.5" wide To Fit Balzer™ 1200, 1500, 1800, 2000, 2200, 2400, 2500, 3000, Buffalo™ 4812, 4815, 4818, 4820, 4824, 4830 Replaces OEM # Balzer™ 26569 	
K12357 NEW	\$3 ⁶⁰ ea.	<ul style="list-style-type: none"> Side Knife • 2" wide To Fit Balzer™, Buffalo™, Case IH®, Fox-Brady™, Hiniker®, Massey Ferguson®, Schultz Replaces OEM # Balzer™ 12357, Brady® 65143, Buffalo™ 11040039 	
K65317 NEW	\$3 ⁷⁰ ea.	<ul style="list-style-type: none"> Knife Pivot To Fit Case IH®, Fox-Brady™, Hiniker®, Massey Ferguson®, Schultz Replaces OEM # Brady® 65317 	
K66945 NEW	\$3 ³² ea.	<ul style="list-style-type: none"> Cup Knife To Fit Dandl™, Flory™, John Deere® 25, 25A, 360, 370, 390, Vrisimo®, Mighty Max™ Replaces OEM # Dandl™ S2042, Flory™ 6022709, JD® P6645, E31900, Vrisimo® CD2110, 	
K6021-875HP NEW	\$7 ⁸⁸ ea.	<ul style="list-style-type: none"> HP Side Knife To Fit John Deere® Replaces OEM # P-58586 	
K71716HP NEW	\$10 ⁰⁶ ea.	<ul style="list-style-type: none"> HP Side Knife To Fit John Deere® Replaces OEM # P71716 	
K89884 NEW	\$6 ⁶⁴ ea.	<ul style="list-style-type: none"> Clevis To Fit John Deere® Replaces OEM # P59884 	

John Deere® is a registered trademark of Deere & Company. Loftness® is a trademark of Loftness Specialized Farm Equipment, Inc. Buffalo™ is a trademark of Bison Industries, Inc. Balzer™ is a trademark of Balzer Inc. Mighty Max™ is a trademark & Vrisimo® is registered trademark of Vrisimo Equipment Company, Valley Tool & Mfg. Brillion™ is a trademark of Brillion Farm Equipment, Landoll Corporation. Hiniker® is a registered trademark and Fox-Brady™ a trademark of Hiniker Company. Massey Ferguson® is a registered trademark of AGCO Corporation. Case IH® is a registered trademark of CNH Industrial America, LLC. Dandl™ is a trademark of Alamo Group Inc. Flory™ is a trademark of Flory Industries Inc. Alloway® is a registered trademark of Standard Industries, Inc.



REPLACEMENT FLAIL & CUP KNIVES

K31903

NEW

\$2⁶¹ ea.

- D-ring • 7/16" Diameter
- To Fit Flory™, John Deere® 25, 25A, 360, 370, 390, Vrisimo®, Mighty Max™
- Replaces OEM # Flory™ MR6002, JD® E31903, Vrisimo® CD2135



K8136

NEW

\$4⁷⁴ ea.

- Side Knife
- High residue knife • 70 degree angle
- To Fit Loftness®
- Replaces OEM # Loftness® 8136, 5992



K8136HP

NEW

\$7⁵⁵ ea.

- HP Side Knife
- To Fit Loftness®
- Replaces OEM # 1-0506



K8021HP

NEW

\$8³⁵ ea.

- HP Side Knife
- To Fit Loftness®
- Replaces OEM # 8021



K8034

NEW

\$4⁹³ ea.

- Slotted U-bar
- To Fit Loftness®
- Replaces OEM # Loftness® 8034, 5987



TRACTOR ATTACHMENTS

Kooima® Ag Mud Flaps

Today's machinery is more expensive than ever, help protect your investment with a set of Kooima® Ag custom built mud flaps. Easily installed on your existing 3 point these mud flaps provide full coverage from mud, rocks or any other flying debris. To fit ALL tractors with category 3 or 4 three point hook ups.



Single Tire Mud Flap

Overall width is 115 1/4" / 235 lbs.

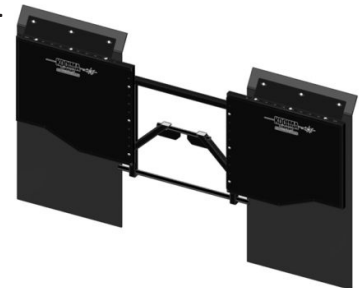
Order # KMFS

These are black in color to go on your Case IH®, New Holland® or Fendt® tractors.

Order # K80MFS

Painted green to match your John Deere® tractor.

\$1,225.00



Dual Tire Mud Flap

Overall width is 137 1/2" / 300 lbs.

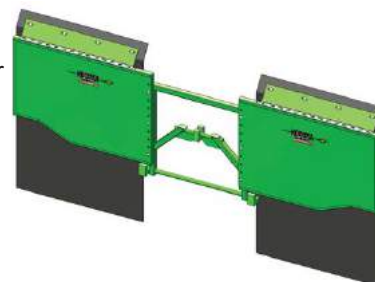
Order # KMFD

These are black in color to go on your Case IH®, New Holland® or Fendt® tractors.

Order # K80MFD

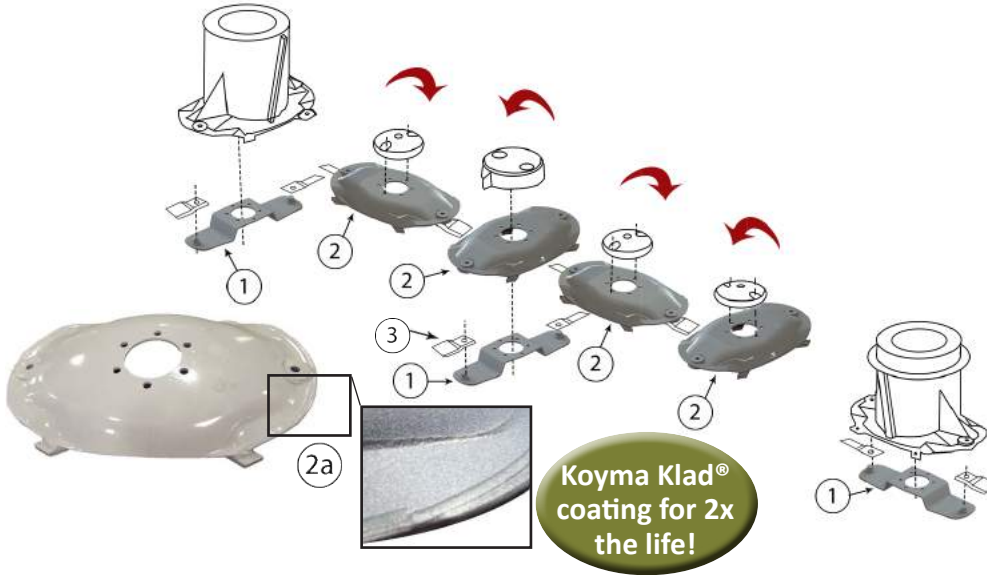
Painted green to match your John Deere® tractor.

\$1,350.00






REPLACEMENT DISC MOWER PARTS



NEW



Disc Mower Blades Available!

KOOIMA #	DESCRIPTION	REPLACES OEM #
K09385970 Claas® \$74.50 ea.	① • Flat spring • 3.5 lbs. • Used to keep knives in place on direct cut mowers • Also equipped with quick change for changing out worn knives	9385970
K9523400 Claas® \$105.45 ea.	② • Turtle to fit Disco® 2650, 2700, 3000, 3050, 3100, 3450, 8550, 8700 and Cougar 1400 • Replacement direct cut mowing disc, 9.8" x 15.75" • 8.9 lbs. • Abrasive resistant coating added	9523400 Abrasion Resistant
K9523400HP Claas® \$212.00 ea.	②a • Koyma Klad® turtle to fit Disco® 2650, 2700, 3000, 3050, 3100, 3450, 8550, 8700 and Cougar 1400 • Replacement direct cut mowing disc, 9.8" x 15.75" • This is a Kooima® Ag exclusive, made with Koyma Klad® coating around the edges for even longer life. Will prevent your mowing disc from cupping • 8.9 lbs. • Let Kooima® Ag's technology help you stay in the field longer • Abrasive resistant coating added	9523400 Abrasion Resistant
K9389660 Claas® \$29.14 ea.	 • Skid plate • Replacement direct cut rotary disc • 5.35 lbs.	9389660 Heat Treated
NEW K9520420 Claas® \$1.53 ea.	③ • Disc Mower Blade • Right • To fit Claas® Disco® - 210, 250, 260, 290, 300, 1100, 2650, 2700, 2750, 2800, 3000, 3050, 3100, 3150, 3200, 3450, 3500, 3550, 3600, 3900, 4000, 8400, 8500, 8550, 8600, 8700, 9100, 9200, 9300, 9400	9520420
NEW K9520430 Claas® \$1.53 ea.	③ • Disc Mower Blade • Left • To fit Claas® Disco® - 210, 250, 260, 290, 300, 1100, 2650, 2700, 2750, 2800, 3000, 3050, 3100, 3150, 3200, 3450, 3500, 3550, 3600, 3900, 4000, 8400, 8500, 8550, 8600, 8700, 9100, 9200, 9300, 9400	9520430
NEW K700711857 Challenger® \$2.37 ea.	• Disc Mower Blade • Right • To fit Challenger® - 9195 (10), 9196 (10), 9283 (8), 9286 (8), 9295 (10), 9296 (10), DKH12 (8), DKH15 (10), DKHB (10), DKHC (10), DKHCT (10), DKHD (10), DKHDT (10), DKHE (10), DKHET (10), PTD10 (6), PTD12 (8), PTD15 (10), PTD10B (6), PTD12B (8), PTD15B (10) • To fit New Idea® - 5070 (12 ft. 8, 15 ft. 10), 5512 (8), 5515 (10), 6070 (12 ft. 8, 15 ft. 10)	700711857
NEW K700711858 Challenger® \$2.37 ea.	• Disc Mower Blade • Left • To fit Challenger® - 9195 (10), 9196 (10), 9283 (8), 9286 (8), 9295 (10), 9296 (10), DKH12 (8), DKH15 (10), DKHB (10), DKHC (10), DKHCT (10), DKHD (10), DKHDT (10), DKHE (10), DKHET (10), PTD10 (6), PTD12 (8), PTD15 (10), PTD10B (6), PTD12B (8), PTD15B (10) • To fit New Idea® - 5070 (12 ft. 8, 15 ft. 10), 5512 (8), 5515 (10), 6070 (12 ft. 8, 15 ft. 10)	700711858
NEW K93596001 Vermeer® \$2.80 ea.	• Disc Mower Blade • Left • To fit Vermeer® - 5020 (4), 6020 (6), 7020 (6), 8020 (8), M5030 (4), M5040 (4), M6030 (6), M6040 (6), M7030 (6), M7040 (6), M8030 (8), M8040 (8), MC830 (8), MC840 (8), MC1030 (10), MC2800 (6), MC3300 (6), MC3700 (8), MC4500 (10), RC5120 (4), RC7120 (6), RC9120 (8), TM600 (6), TM700 (6), TM800 (8), TM850 (8), TM1200 (12), TM1210 (12), TM1400 (14), TM1410 (14)	93596001
NEW K93596002 Vermeer® \$2.80 ea.	• Disc Mower Blade • Right • To fit Vermeer® - 5020 (4), 6020 (6), 7020 (6), 8020 (8), M5030 (4), M5040 (4), M6030 (6), M6040 (6), M7030 (6), M7040 (6), M8030 (8), M8040 (8), MC830 (8), MC840 (8), MC1030 (10), MC2800 (6), MC3300 (6), MC3700 (8), MC4500 (10), RC5120 (4), RC7120 (6), RC9120 (8), TM600 (6), TM700 (6), TM800 (8), TM850 (8), TM1200 (12), TM1210 (12), TM1400 (14), TM1410 (14)	93596002

Claas® is a registered trademark of Claas KGaA, MBH. Disco® is a registered trademark of Claas Saulgau GmbH. Challenger® is a registered trademark of Caterpillar Inc. Vermeer® is a registered trademark of Vermeer Manufacturing Corporation.



REPLACEMENT DISC MOWER PARTS

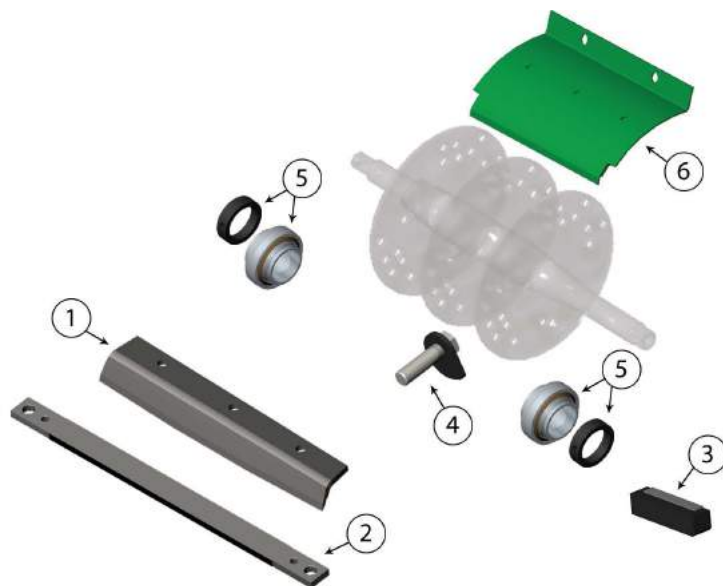
KOOIMA #	DESCRIPTION	REPLACES OEM #
NEW K323281 John Deere® \$2.02 ea.	• Disc Mower Blade • Left • To fit John Deere® - 265 to s/n 150000 (6), 275 to s/n 152000 (6), 285 check blade length (8), 1350 (6), 1360 (6), 1460 (6), 1470 (8), 500R (10), 525 (6), 530 (6), 535 (6), 625 (4), 630 (6), 635 (6), 730 (6), 735 (6), 830 (6), 835 (6), 910 (4), 915 (4), 916 (4), 920 (6), 925 (6), 926 (6), 930 (6), 935 (6), 936 (6), 945 (8), 946 (8), 955 (8), 990 (8), 994, 995 (10)	FH323281/E80206
NEW K323282 John Deere® \$2.02 ea.	• Disc Mower Blade • Right • To fit John Deere® - 265 to s/n 150000 (6), 275 to s/n 152000 (6), 285 check blade length (8), 1350 (6), 1360 (6), 1460 (6), 1470 (8), 500R (10), 525 (6), 530 (6), 535 (6), 625 (4), 630 (6), 635 (6), 730 (6), 735 (6), 830 (6), 835 (6), 910 (4), 915 (4), 916 (4), 920 (6), 925 (6), 926 (6), 930 (6), 935 (6), 936 (6), 945 (8), 946 (8), 955 (8), 990 (8), 994, 995 (10)	FH323282/E80208
NEW K21780 John Deere® \$1.99 ea.	• Disc Mower Blade • Left • Heavy duty disc • To fit John Deere® - 1320 (6), 1326 (6), 1327 (6), 265 s/n 150001 & up (6), 270 (6), 275 s/n 152001 & up (6), 285 check blade length (8), R160 (4), R200 (6), R240 (6), R280 (8), R310 (8) • To fit Frontier® - DM1140 (4), DM1150 (4), DM1160 (6), DM1270 (6)	CC21780
NEW K21781 John Deere® \$1.99 ea.	• Disc Mower Blade • Right • Heavy duty disc • To fit John Deere® - 1320 (6), 1326 (6), 1327 (6), 265 s/n 150001 & up (6), 270 (6), 275 s/n 152001 & up (6), 285 check blade length (8), R160 (4), R200 (6), R240 (6), R280 (8), R310 (8) • To fit Frontier® - DM1140 (4), DM1150 (4), DM1160 (6), DM1270 (6)	CC21781
NEW K1398883 Krone® \$1.43 ea.	• Disc Mower Blade • Left • Right • To fit Krone® - Big M (24), Big M 400 (22), Big M 420 (22), Big M 450 (22), Big-MII (18), AM203 (4), AFA243 (6), AM243 (6), AFA283 (6), AFL283 (6), AM283 (6), AMT283 (6), AM323 (8), AMT323 (8), AM403 (10), AMR240 (6), AMR280 (6), AMR320 (8), AMR360 (8), EC32 (6), EC280 (6), EC320 (6), EC360 (8), EC400 (8), EC500 (10), EC2800 (6), EC2801 (6), EC3200 (6), EC3201 (6), EC3210 (6), EC3600 (8), EC4013 (8), EC6210 (6), EC9140 (6), ECB1000 (16), ECF360 (8), ECR280 (6), ECTC (10), ECTC400 (8), ECTC500 (10), ECTS320 (6)	1398884/1398883
NEW K56451200 Kuhn® \$1.58 ea.	• Disc Mower Blade • Left • Heavy duty disc • Confirm blade length • To fit Kuhn® - GMD44HD (4), GMD55HD (4), GMD66HD (6), GMD77HD (6), GMD240 (6), GMD240HD (6), GMD280 (6), GMD280HD (6), GMD310 (8), GMD310HD (8), GMD500SHD (4), GMD600HD (6), GMD600GIIHD (6), GMD700HD (6), GMD700GIIHD (6), GMD800HD (8), GMD800GIIHD (8)	56451200
NEW K56451300 Kuhn® \$1.58 ea.	• Disc Mower Blade • Right • Heavy duty disc • Confirm blade length • To fit Kuhn® - GMD44HD (4), GMD55HD (4), GMD66HD (6), GMD77HD (6), GMD240 (6), GMD240HD (6), GMD280 (6), GMD280HD (6), GMD310 (8), GMD310HD (8), GMD500SHD (4), GMD600HD (6), GMD600GIIHD (6), GMD700HD (6), GMD700GIIHD (6), GMD800HD (8), GMD800GIIHD (8)	56451300
NEW K55903210 Kuhn® \$1.25 ea.	• Disc Mower Blade • Left • To fit Kuhn® - GMD28 s/n A0001 to A1632 (8), GMD283TG (8), GMD313TG (8), GMD400 (4), GMD500 (6), GMD600 (6), GMD600GII (6), GMD700 (8), GMD700GII (8), GMD702 (6), GMD800 (8), GMD800GII (8), GMD802 (8), GMD2850TL (6), GMD3150TL (8), GMD3550TL (8), GMD4050TL (10), FC243 (6), FC250 (4), FC283 (8), FC300 (6), FC302 (6), FC303 (6), FC313 (8), FC350 (6), FC352 (6), FC353 (6), FC883 (8), FC4000 (8), Alterna 400 (8), Alterna 500 (10)	55903210
NEW K55903310 Kuhn® \$1.25 ea.	• Disc Mower Blade • Right • To fit Kuhn® - GMD28 s/n A0001 to A1632 (8), GMD283TG (8), GMD313TG (8), GMD400 (4), GMD500 (6), GMD600 (6), GMD600GII (6), GMD700 (8), GMD700GII (8), GMD702 (6), GMD800 (8), GMD800GII (8), GMD802 (8), GMD2850TL (6), GMD3150TL (8), GMD3550TL (8), GMD4050TL (10), FC243 (6), FC250 (4), FC283 (8), FC300 (6), FC302 (6), FC303 (6), FC313 (8), FC350 (6), FC352 (6), FC353 (6), FC883 (8), FC4000 (8), Alterna 400 (8), Alterna 500 (10)	55903310
NEW K5611040001 Kubota® \$1.80 ea.	• Disc Mower Blade • Left • Right • To fit Kubota® - DM1017 (6), DM1024 (9), DM2032 (12), DM3040 (15), DM4032 (12), DM5032 (8), DM5040 (15), DMC8032R (12), DMC8032T (12), DMC8540R (15), DMC8540T (15)	KT5611040001
NEW K526215 New Idea® \$1.96 ea.	• Disc Mower Blade • Left • Confirm .720 hole diameter • To fit New Idea® - 526 (4), 527 (4), 528 (6), 5209 (8), 5212 (10), 5406 (4), 5407 (6), 5408 (6), 5409 (8), 5410 (8)	526215
NEW K526216 New Idea® \$1.96 ea.	• Disc Mower Blade • Right • Confirm .720 hole diameter • To fit New Idea® - 526 (4), 527 (4), 528 (6), 5209 (8), 5212 (10), 5406 (4), 5407 (6), 5408 (6), 5409 (8), 5410 (8)	526216
NEW K784220 \$1.96 ea. New Holland®	• Disc Mower Blade • Left • Heavy duty disc • To fit New Holland® - 442 (4), 452 (4), 462 (6), 463 (6), 465 (6)	784220
NEW K784221 \$1.96 ea. New Holland®	• Disc Mower Blade • Right • Heavy duty disc • To fit New Holland® - 442 (4), 452 (4), 462 (6), 463 (6), 465 (6)	784221

John Deere® and Frontier® are registered trademarks of Deere & Company. Krone® is a registered trademark of Bernard Krone Holding GmbH & Co. Kuhn® is a registered trademark of Kuhn S.A. Kubota® is a registered trademark of Kubota Corporation. New Idea® is a registered trademark of AGCO Corporation. New Holland® is a registered trademark of CNH Industrial America, LLC.

Kooima[®] Ag Replacement Parts To Fit JOHN DEERE[®]

KOOIMA[®] AG REPLACEMENT PARTS TO FIT 5000 SERIES JOHN DEERE[®] FORAGE HARVESTERS

John Deere[®] and JD[®] are registered trademarks of Deere & Company, which does not manufacture, distribute or endorse these parts.

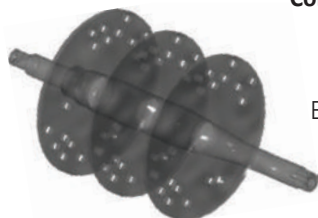


Replacement parts produced by Kooima[®] Ag to fit JD[®] 5000 Series

KOOIMA #	DESCRIPTION	REPLACES OEM #
K73179 \$97.75 ea.	① • J-knife • To fit 5000 series with J-knife cutterhead • 9 required • 9.1 lbs.	E73179 Heat Treated Tungsten Carbide
K56369 \$111.75 ea.	② • Shearbar • To fit 5000 series with J-knife cutterhead • 11.8 lbs.	E56369 Tungsten Carbide
K56369BK \$62.50 ea.	②a • Bolt kit • To fit K56369 • .85 lbs.	
K22635 \$55.15 ea.	③ • Sharpening stone • To fit early 5000 series with J-knife cutterhead • 2 lbs.	AE22635
K32487 \$12.75 ea.	④ • Knife bolt with cam • To fit 5000 series with J-knife cutterhead • 27 required • .65 lbs.	AE32487
K49020 \$60.80 ea.	⑤ • Cutterhead bearing • To fit all 5200, 5400 and early 5440 and 5460's equipped with factory J-knife cutterhead or Kooima [®] conversion • Includes locking collar • 2 required • Fits shaft with 2.44" OD • 3.7 lbs.	AE49020
K35338 \$140.00 ea.	⑥ • Cutterhead door • To fit all 5000 series with J-knife cutterhead housings • 30 lbs.	AE35338 Abrasion Resistant

SEGMENTED KNIFE CUTTERHEAD CONVERSIONS

Convert your John Deere[®] J-knife drum to a multi-knife cutterhead!



Before



After



KOOIMA #
5400CON (w/o knives & hardware)
\$3,625.00
K5400CON (complete w/knives and mounting hardware)
\$4,475.00

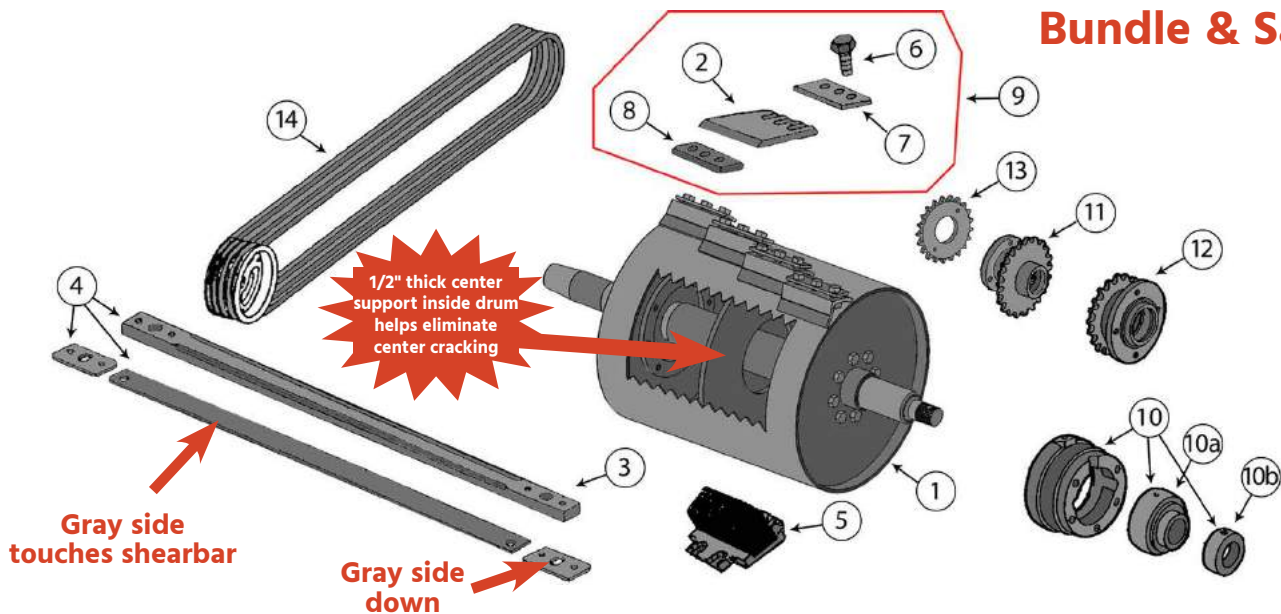
DESCRIPTION

- Requires up to 20% less horsepower! • Increase production as much as 25%!
- Chop more tons per hour with greater fuel efficiency! • Substantial savings on knife replacements! • Full one year warranty from date of purchase! • 478 lbs.

Truck icon signifies product is shipped via truck freight.

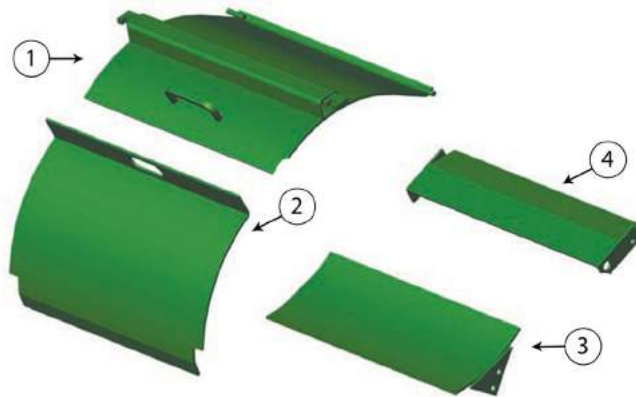
FREE FREIGHT ON RETAIL ORDERS OVER \$850.00!

Bundle & Save!

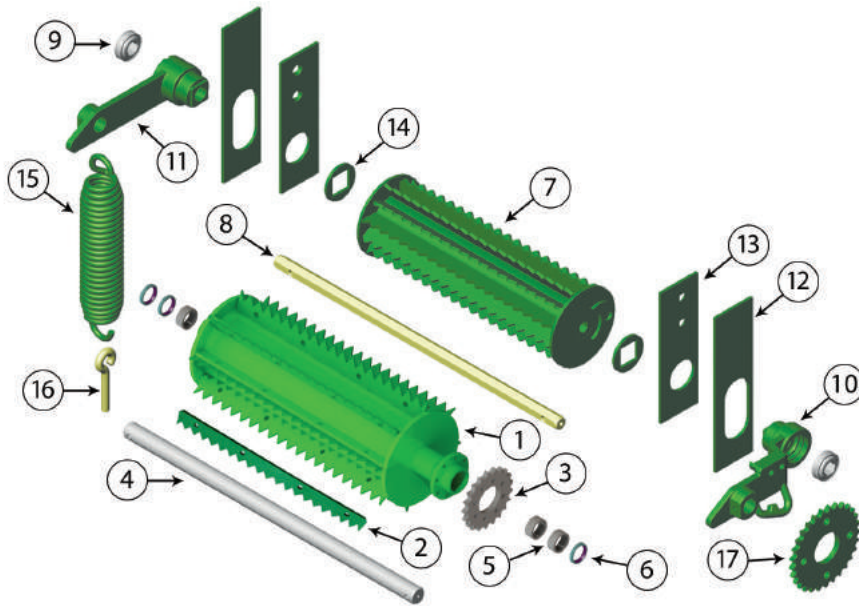


KOOIMA #	DESCRIPTION	REPLACES OEM #
5800CON (w/o knives & hardware) \$3,750.00	1 • Replacement cutterhead assembly • Heavier than OEM drum wall • Bolt-in replaceable shaft • 479 lbs.	AE45060
K5800CON (complete w/knives and mounting hardware) \$4,560.00		
K66678 \$11.65 ea.	2 • Knife • To fit all 5000 series with factory Dura-drum™ cutterhead • 40 required • 1lb.	FH310958 / E66678 Heat Treated/ Tungsten Carbide
K66678HP \$16.75 ea.	2a • Hi-performance knife • 1lb. • Thicker tungsten carbide edge than the standard knife	FH310958 / E66678 Heat Treated / Tungsten Carbide
K72919 \$222.50 ea.	3 • Shearbar • 18 lbs. • To fit all 5000 series with factory Dura-drum™ cutterhead	AE44466 / E72919 Tungsten Carbide
K44466 \$249.50 ea.	4 • Shearbar kit • Gray side of wear strip always touching shear bar • Includes wear strip and bearings • 19 lbs.	AE44466 Tungsten Carbide
K44466BK \$31.50 ea.	4a • Bolt kit • To fit K44466 • 1.4 lbs.	
K46064 \$48.25 ea.	5 • Sharpening stone • To fit all 5000 series with factory Dura-drum™ cutterhead • 2.6 lbs. • Hardware Kit: K46064BK , \$3.25 ea., .20 lbs.	AE46064
K71444 \$2.25 ea.	6 • Knife bolt • Improved head • One of the strongest bolts on the market today • 120 required • .2 lbs. • Torque range: 150-235 lb-ft (175 lb-ft recommended)	E83035/E71444
K66536 \$6.30 ea.	7 • Top strap • To fit 5000 series Dura-drum™ cutterhead • 40 required • .6 lbs.	FH312489/E66536 Heat Treated
K66537 \$7.30 ea.	8 • Nut • To fit 5000 series Dura-drum™ cutterhead • 40 required • .7 lbs.	E66537
K66678KIT \$30.40 ea.	9 • Kit includes (1) K66678, (1) K66536, (1) K66537, (3) K71444 • Buy any quantity and save 5%! • 3 lbs. for 1 kit	
K38694 \$406.50 ea.	10 • Cutterhead bearing and casting assembly • To fit 5000 series equipped with factory Dura-drum™ • Includes bearing and locking collar • 2 required • 22 lbs. • Bolt kit: K38694BK , \$12.50 ea., 2.35 lbs.	AE38694
K9307 \$159.25 ea.	10a • Cutterhead bearing • To fit 5000 series equipped w/ factory Dura-drum™ cutterhead housing • 2 required • Fits shaft with 2.94" OD • 6.3 lbs. ea.	JD9307
K9308 \$22.25 ea.	10b • LH locking collar • To fit 5000 series equipped w/ factory Dura-drum™ cutterhead housing • 2 required • 1.3 lbs. ea.	JD9308
K36839 \$99.50 ea.	11 • Inside cutterhead & feed roll drive coupler • To fit 5000 series equipped with factory Dura-drum™ cutterhead housing • 1 required • 4.1 lbs.	AE36839
K35842 \$225.75 ea.	12 • Outside cutterhead & feed roll drive coupler • To fit 5000 series equipped with factory Dura-drum™ cutterhead housing • 1 required • 7.95 lbs.	AE35842
K48610 \$22.75 ea.	13 • Auger box drive sprocket • 21 tooth • To fit all 5000 series • 1 required • 1.85 lbs.	E48610
K45931 \$177.50 ea.	14 • Drum belt (set of 3) • Fits all 5000 series machines • 12.75 lbs. per set	AE45931

Replacement parts produced by Kooima® Ag to fit JD® 5000 Series



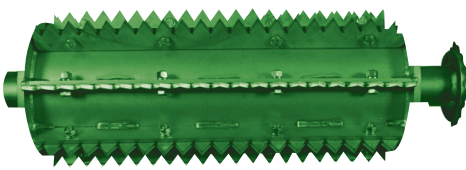

















KOOIMA #	DESCRIPTION	REPLACES OEM #
K40698 \$192.50 ea.	① • Cutterhead door • To fit all 5000 series with factory Dura-drum™ cutterhead housings • 44.3 lbs. • Hardware Kit: K40698BK, \$77.45	AE40698 Abrasion Resistant
K66518 \$127.50 ea.	② • Cutterhead door • To fit all 5000 series with factory Dura-drum™ cutterhead housings • 29 lbs.	FH304071 / E66518 Abrasion Resistant
K38618 \$58.75 ea.	③ • Cutterhead support • 16.5 lbs. • To fit all 5000 series with factory Dura-drum™ cutterhead housings • Hardware Kit: K38618BK, \$11.50, 1 lb.	AE38618 Abrasion Resistant
K35570 \$51.50 ea.	④ • Cutterhead shield • To fit all 5000 series with factory Dura-drum™ cutterhead housings • 11.7 lbs.	AE35570 Abrasion Resistant

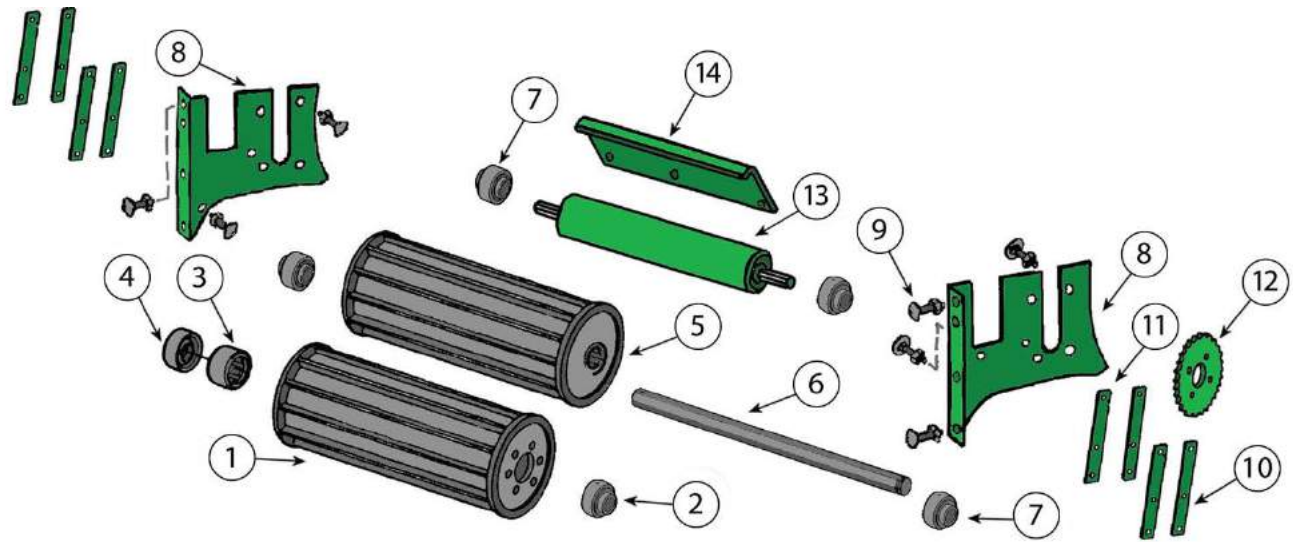


KOOIMA #	DESCRIPTION	REPLACES OEM #
K43635 ① \$905.00 w/o teeth and bearings \$1,115.00 with teeth and bearings	① • Feed roll, upper front • To fit all 5000 series with metal detector • A Kooima® Ag exclusive! • Straight bar design is more aggressive in corn and cane • Complete with bolt-on teeth and bolt-on sprocket • 59.2 lbs. w/o teeth	AE43635 Stainless Steel
K43635T ② \$37.50 ea.	② • Tooth, upper front feed roll • To fit #K43635 feed roll • 8 required • 18.1 lbs./set	Stainless Steel
K43635FT ②a \$35.35 ea.	②a • Flat replaceable tooth • To fit #K43635 feed roll • Eliminates wrapping in haylage • 8 required • 19.2 lbs./set	Stainless Steel
K43635TBK ②b \$24.50 ea.	②b • Hardware kit for K43635T & K43635FT • To fit all 5000 series • 2 lbs.	




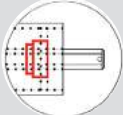

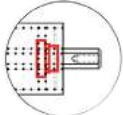

KOOIMA® AG REPLACEMENT PARTS TO FIT 5000 SERIES JOHN DEERE® FORAGE HARVESTERS

Replacement parts produced by Kooima® Ag to fit JD® 5000 Series

KOOIMA #	DESCRIPTION	REPLACES OEM #
K00016WW (1a)  \$595.00 ea.	• Feed roll, upper front • To fit all 5000 series without metal detector • Straight bar design is more aggressive in corn and cane • Complete with bolt-on teeth, bolt-on sprocket & bearings • 62 lbs. w/o teeth	AE43198
K00015WW (2c)  \$30.50 ea.	• Bolt-on tooth • To fit Kooima® Ag roll # K00016WW non-metal detector • 8 required • 1.85 lbs. ea.	Abrasion Resistant
K43635S (3)  \$39.35 ea.	• Sprocket • Bolt-on • To fit either style upper front feed roll • 1.7 lbs.	
K72037 (4)  \$106.50 ea.	• Shaft • To fit either upper front feed roll K43635 or K00016WW • 30-1/2" long; 1-3/8" diameter • 13.1 lbs.	E72037 Heat Treated
K9865 (5)  \$10.50 ea.	• Bearing, upper front feed roll • To fit all 5000 series • 3 required • .2 lbs.	JD9865
K53699 (6)  \$4.60 ea.	• Seal, upper front feed roll • To fit all 5000 series • 3 required • .1 lbs.	E53699
K37101 (7)  \$412.50 ea.	• Feed roll, upper rear • Heavy duty end plates • MORE AGGRESSIVE DESIGN • To fit all 5000 series • 47.2 lbs.	AE37101 Abrasion Resistant
K72352 (8)  \$43.75 ea.	• Shaft • To fit upper rear feed roll K37101 • To fit all 5000 series • 29-7/8" x 1" hex shaft • 7.2 lbs.	E72352 Heat Treated
K9438 (9)  \$28.75 ea.	• Feed roll lift arm bearing • 1 required per arm • .6 lbs.	JD9438/AFH202185
K40254 (10)  \$235.75 ea.	• Left hand feed roll lift arm • Includes bearing • 8.5 lbs.	E66228 / AE40254
K40253 (11)  \$180.75 ea.	• Right hand feed roll lift arm • Includes bearing • 8.95 lbs.	E66040 / AE40253
K72817 (12)  \$35.75 ea.	• Support strap, upper rear feed roll • To fit all 5000 series • 2 required • 3.2 lbs.	E72817 Abrasion Resistant
K72818 (13)  \$26.95 ea.	• Support strap, upper rear feed roll • To fit all 5000 series • 2 required • 3 lbs.	E72818 Abrasion Resistant
K55609 (14)  \$8.75 ea.	• Washer, upper rear feed roll • To fit all 5000 series • 2 required • .3 lbs.	E55609 Heat Treated
K64796 (15)  \$64.25 ea.	• Rear feed roll lift arm spring • To fit all 5000 series with factory Dura-drum™ cutterhead housing • 2 required • 12 lbs.	Z67236 / E64796
K82550 (16)  \$13.80 ea.	• Eye bolt • Use with feed roll lift arm spring above • 2 required • .6 lbs.	E82550
K48604 (17)  \$41.85 ea.	• Upper feed roll drive slip clutch sprocket • To fit all 5440 and 5460 harvesters & 5720, 5730, 5820 & 5830 SN. 740000 and before • 38 tooth • 6.95 lbs.	E48604 Heat Treated
K75928 (17a)  \$54.00 ea.	• Upper feed roll drive slip clutch sprocket • To fit all 5440 and 5460 harvesters & 5720, 5730, 5820 & 5830 SN. 740001 and after • 6.65 lbs. • Hardware kit: K75928BK, \$9.00 ea.	E75928



KOOIMA #	DESCRIPTION	REPLACES OEM #
K42646 (1) \$932.50 ea.	• Feed roll, lower front • Stainless steel • To fit 5000 series with metal detector • 43.7 lbs. • Bolt kit: K42646BK , \$21.25 ea.	AE42646 Stainless Steel
K42697 \$74.45 ea.	• Bearing, lower front feed roll • To fit all 5000 series with metal detector • 1 required • 1.3 lbs.	AE42697
K9865 \$10.50 ea.	• Bearing for lower front feed roll • To fit all 5000 series with metal detector • 2 required • .3 lbs.	JD9865
K53699 \$4.60 ea.	• Seal, lower front feed roll • To fit all 5000 series with metal detector • 2 required • .1 lbs.	E53699
K35423 (5) \$324.50 ea.	• Lower front feed roll • To fit all early 5000 series with 1" hex shaft • Complete with replaceable, abrasion resistant crossbars & hardware • 50.8 lbs. w/o teeth	AE35423
K37327 (5a) \$324.50 ea.	• Lower front feed roll • To fit all late 5000 series without metal detector with 1-1/4" hex shaft • 47.1 lbs. w/o teeth • Complete with replaceable, abrasion resistant crossbars & hardware • Replaceable, abrasion resistant crossbars • To fit roll #K37327 and #K35423 • 8 required • 15.3 lbs. per 8 pc. set	AE44164 / AE37237 Abrasion Resistant
K37328 (5b) \$13.75 ea.	• Lower front feed roll shaft • To fit early 5000 series • Use with feed roll #K35423 • 27-1/8" x 1" hex shaft • 6.6 lbs.	Heat Treated
K64565 (6a) \$60.00 ea.	• Lower front feed roll shaft • To fit late 5000 series without metal detector • Use with feed roll #K37327 • 27-9/16" x 1-1/4" hex shaft • 10.4 lbs.	E64565
K9407 \$16.30 ea.	• Bearing, 1" hex bore • To fit lower front feed rolls in early 5000 series without metal detector • 2 used per roll • .6 lbs.	JD9407
K49017 \$60.45 ea.	• Bearing, 1-1/4" hex bore • To fit lower front feed roll in all late 5000 series without metal detector • 2 required • 1.1 lbs.	AE49017
K38057 (Left) K38058 (Right) (8) \$50.50 ea.	• Wear plate • Made of high carbon steel • To fit all 5000 series with factory Dura-drum™ cutterhead housings • 6.4 lbs. ea.	AE38057 AE38058 Abrasion Resistant Tungsten Carbide
K38057BK \$16.50 ea.	• Hardware kit • Includes all hardware necessary to install both right and left feed roll wear plates • 1 kit required • 2.8 lbs.	

<u>KOOIMA #</u>	<u>DESCRIPTION</u>	<u>REPLACES OEM #</u>
K68041 \$7.40 ea.	⑩ • Support strap • To fit all 5000 series • 4 required • .6 lbs.	E68041
K71283 \$6.75 ea.	⑪ • Support strap • To fit all 5000 series • 12 required • .6 lbs.	E71823
K48605 \$38.90 ea.	⑫ • Lower feed roll drive slip clutch sprocket • To fit all 5200, 5400, 5440, 5460 harvesters & 5720, 5820, 5730 & 5830 harvesters SN. 740000 & before • 29 tooth • 1 required • 3.7 lbs. • Bolt kit: K48605BK , \$9.25 ea. 2.5 lbs.	E48605 Heat Treated
K37068 ⑬ \$147.75 ea.	 • Smooth feed roll, lower rear • To fit early 5000 series with 1" hex shaft • Uses shaft #K62133 • 24 lbs.	AE37068
K62133 ⑬a \$41.25 ea.	 • Shaft, smooth feed roll • To fit early 5000 series with replaceable 1" hex shaft • 27-3/4" x 1" hex shaft • 6.6 lbs.	E62113
K42180 ⑬b \$279.50 ea.	 • Smooth feed roll, lower rear • To fit 5440 and 5460 with factory Dura-drum™ cutterhead before 1984 • Extra heavy, thick wall tube • Complete with 1-1/4" hex shaft • 49.5 lbs.	AE42180 
K50029 ⑬c \$297.75 ea.	 • Smooth feed roll, lower rear • To fit 5720 & 5820 series and all 5730 & 5830 series • Extra heavy, thick wall tube • Complete with 1-1/4" hex shaft • 49.6 lbs.	AE50029 / AE44370 
K48802 \$47.50 ea.	⑭ • Smooth roll cleaner • To fit all 5000 series • 6 lbs. • K48802BK - Bolt kit, \$13.75 ea., .45 lbs.	E48802 Heat Treated
K5000WSC \$155.00 ea.	 • Windshield cover • 11 lbs. • To fit all 5000 series harvesters • Eliminates cracked and broken windshields • Double sewn heavy duty, padded vinyl construction • Stainless steel dee rings	



The Rock Stop'er Pro

FORAGE HARVESTER STONE DETECTION SYSTEM



JD® must have double spring kit installed.

- Fits most makes and models of SPFH and pull type harvesters.
- Patented Inertia sensor stops feed drive when rocks are detected.
- In cab sensitivity adjustment for varying crop conditions.
- Call **1-800-522-8874** for more details!

Extra Sensor Available!

Order # SENSOR
Only \$775⁰⁰ ea.



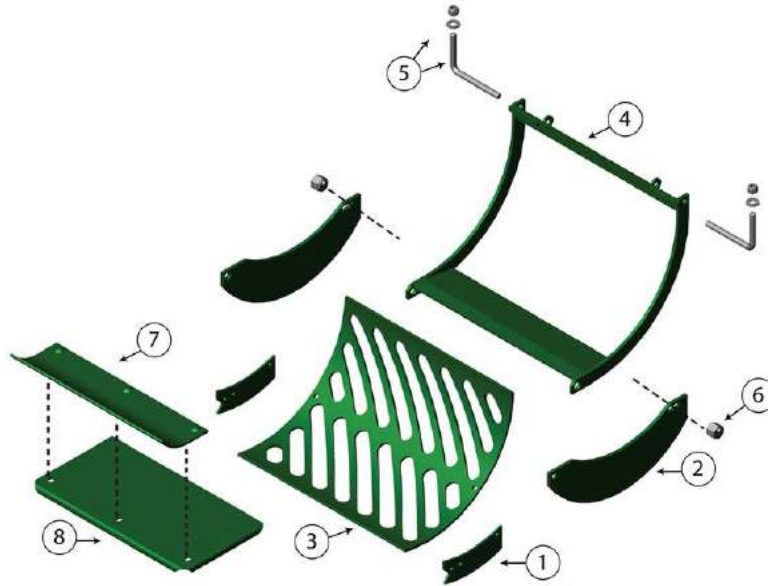
1 lb.

Order # ROCK STOPER
Only \$2,975⁰⁰ ea.



Designed and manufactured in Canada.

Replacement parts produced by Kooima® Ag to fit JD® 5000 Series



<u>KOOIMA #</u>	<u>DESCRIPTION</u>	<u>REPLACES OEM #</u>
K63418 \$13.75 ea.	① • Wear plate • 2 required • 1.5 lbs. • To fit all 5000 series • Hardware Kit: K63418BK , \$5.25, .27 lbs.	E63418 Abrasion Resistant
K65299 (RH) K65300 (LH) \$45.50 ea.	② • Recutter screen support • To fit all 5000 series • 1 each required • 9.9 lbs. ea. • Hardware Kit: K65299BK , \$9.90 ea., .35 lbs.	E65299 E65300 Abrasion Resistant
K49803 K49804 K49753 \$160.75 ea.	③ • 3/4" recutter screen • 29.5 lbs. • 1" recutter screen • 28 lbs. • 1-1/2" recutter screen • 25 lbs. • To fit all 5000 series	E49803 E49804 E49753 Abrasion Resistant
K35574 \$198.25 ea.	④ • Recutter screen frame • 20.5 lbs. • To fit all 5000 series • Hardware Kit: K35574BK , \$35.75 ea.	AE35574
K61790 \$31.50 ea.	⑤ • Recutter screen bolt and nut assembly • To fit all 5000 series • 2 required • 1 lb.	AE30957 E61790
K64299C \$15.10 ea.	⑥ • Recutter screen adjusting cam • To fit all 5000 series • 2 required • .45 lbs.	E64229
K38127 \$79.45 ea.	⑦ • Lower feed roll pan • Front panel used when grinding ear corn • To fit all 5000 series • 11.2 lbs. • Hardware Kit: K38127BK , \$4.25 ea., .15 lbs.	AE38127 Abrasion Resistant
K63534 \$54.35 ea.	⑧ • Lower feed roll pan • Rear panel used when grinding ear corn • To fit all 5000 series • 14.4 lbs.	E63534 Abrasion Resistant

/ ROTARY SCREEN ASSEMBLY /

Keep your harvester running cool with a Kooima® Ag Rotary Screen!

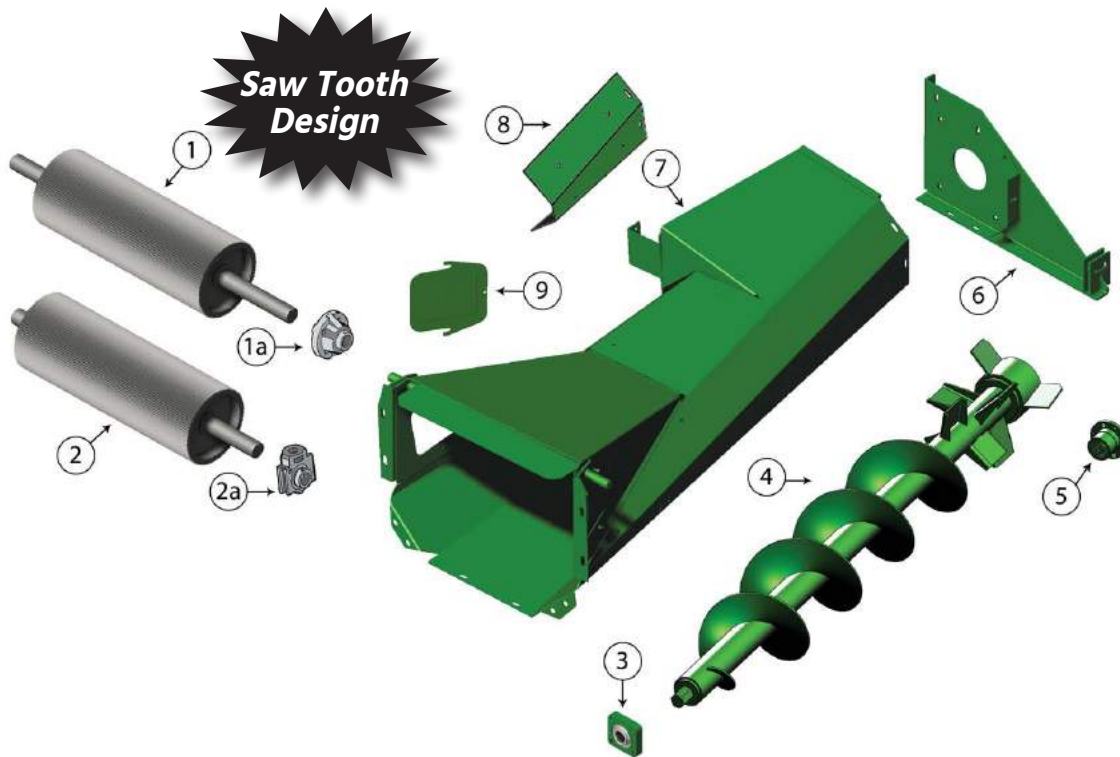
- Keeps radiators cleaner
- Engine runs cooler and more efficiently
- Complete with mounting hardware
- To fit all **5000** series harvesters **except 5440**
- 185 lbs.

Order # K5000RS

Only **\$4,100⁰⁰** ea.



Truck icon signifies product is shipped via truck freight.



KOOIMA #	DESCRIPTION	REPLACES OEM #
K46198 \$1,190.00 ea.	① • Saw tooth upper kernel processor roll • To fit 5000 series with factory kernel processor attachment • 130.5 lbs.	AE46198 Heat Treated
K46565 \$147.00 ea.	①a • Upper kernel processor bearing • To fit all 5000 series cutters • 2 required • 5.6 lbs.	AE46565
K46199 \$1,190.00 ea.	② • Saw tooth lower kernel processor roll • To fit all 5000 series with factory kernel processor attachment • 134 lbs.	AE46199 Heat Treated
K45398 \$147.00 ea.	②a • Lower kernel processor bearing • To fit all 5000 series cutters • 2 required • 3.7 lbs.	AE45398
K42460 \$110.75 ea.	③ • Bearing assembly • Includes cast housing and bearing • 1 required • 2.8 lbs. • Bolt kit: K42460BK , \$4.75 ea., .25 lbs.	AE42460
K45495 \$770.00 ea.	④ • Kernel processor auger • To fit 5000 series equipped with factory John Deere® kernel processors • 1 required • 72.5 lbs.	AE45495
K73996 \$146.00 ea.	⑤ • Splined drive hub • 1 required • K73996BK : Drive hub bolt kit, \$3.75 ea.	E73996
K42176 \$92.95 ea.	⑥ • Rear support • To fit 5000 series equipped with factory John Deere® kernel processors • 1 required • 21.2 lbs. • Hardware kit: K42176BK , \$17.00 ea.	AE42176
K42157 \$1,050.00 ea.	⑦ • Kernel processor housing • To fit all 5000 series equipped with factory John Deere® kernel processors • 1 required • 152 lbs.	AE42157
K42157LIN \$69.45 ea.	⑧ • Replacement processor housing liner • 1 required • 5 lbs.	
K45967 \$20.30 ea.	⑨ • Clean out door • 2 required • 3.8 lbs. • Hardware kit: K45967BK , \$1.35 ea., .05 lbs.	AE45967 Abrasion Resistant

K38618HP

\$925.00 ea.



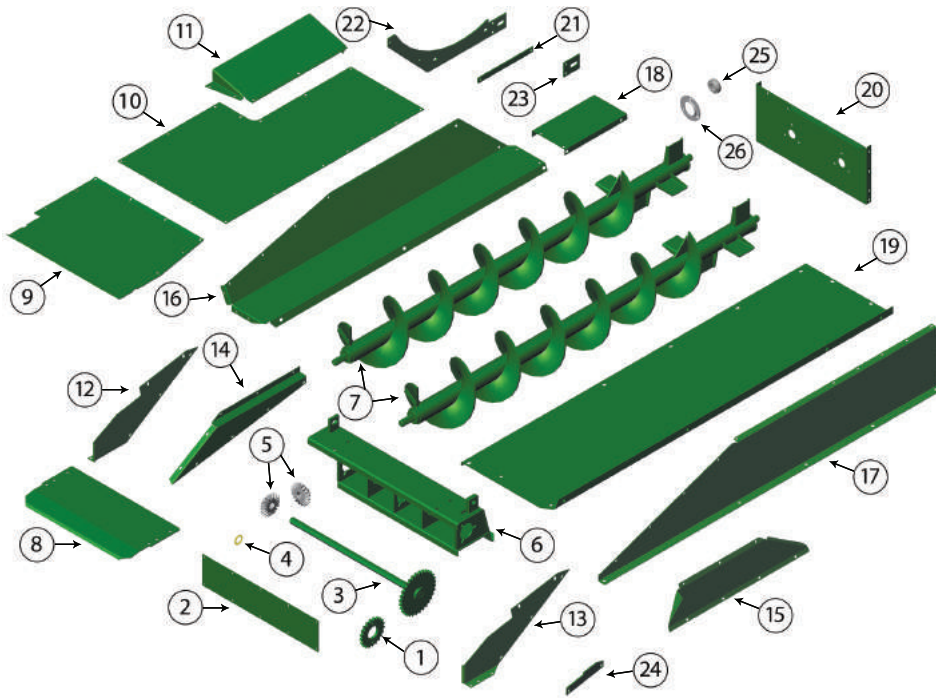
- Cracker plate
- To fit 5000 series
- Cracks 85-90% of kernels with minimal power requirements
- Bolt-in installation
- No moving parts to maintain
- Use in whole plant corn silage or to grind earlage
- Awarded US Patent #6,234,072 & #6,327,970 • 30.8 lbs.
- **Recommended Hardware Kit: K38618HPBK**, .5lbs., \$4.50 ea.



Install Video

KOOIMA® AG REPLACEMENT PARTS TO FIT 5000 SERIES JOHN DEERE® FORAGE HARVESTERS

Replacement parts produced by Kooima® Ag to fit JD® 5000 Series



KOOIMA #	DESCRIPTION	REPLACES OEM #
① K48610	\$22.75 ea. • Auger box drive sprocket • 21 tooth • 1 required • 1.85 lbs.	E48610
② K67112	\$26.05 ea. • Double auger box front panel • 5.4 lbs.	E67112
③ K37997	\$123.50 ea. • Double auger box drive shaft • 12.95 lbs.	AE37997
④ K24H1477	\$25.85/pack • Double auger box shim washers • Package of 20 shims • .1 lbs./20 pcs.	24H1477
⑤ K63258	\$65.50 ea. • Double auger box drive gear • 4 required • 1.9 lbs. • Heat Treated	E63258
⑥ K40530	\$300.80 ea. • Double auger box front housing • 35 lbs.	AE40530
⑦ K33741	\$569.50 ea. • Auger assembly • 2 required • 90 lbs.	AE33741
⑧ K58313	\$58.10 ea. • Auger box wear plate • 11.6 lbs.	E58313
⑨ K59886	\$76.50 ea. • Auger box top panel • 23.4 lbs. • Abrasion Resistant	E59886
⑩ K56075	\$64.45 ea. • Auger box top panel • 25 lbs.	E56075
⑪ K56383	\$39.85 ea. • Auger box discharge ramp top • 6.8 lbs.	E56383
⑫ K58254	\$31.85 ea. • Double auger box right front panel • 4.6 lbs.	E58254
⑬ K58255	\$31.85 ea. • Double auger box left front panel • 4.6 lbs.	E58255
⑭ K49755	\$23.40 ea. • Double auger box right mid panel • 3 lbs.	E49755
⑮ K56549	\$40.60 ea. • Double auger box left mid panel • 6.4 lbs.	E56549
⑯ K56079	\$85.45 ea. • Double auger box right side panel • 29 lbs.	E56079
⑰ K63910	\$94.95 ea. • Double auger box left side panel • 26 lbs.	E63910
⑱ K63908	\$21.30 ea. • Double auger box discharge ramp • 4.1 lbs.	E63908
⑲ K63911	\$120.75 ea. • Double auger box bottom panel • 59 lbs.	E63911
⑳ K63909	\$50.35 ea. • Double auger box end panel • 10.9 lbs.	E63909
㉑ K48545	\$8.00 ea. • Double auger box strap • .6 lbs.	E48545
㉒ K48543	\$64.45 ea. • Double auger reinforcement strap • 3.8 lbs.	E48543
㉓ K50622	\$7.50 ea. • Double auger box plate • 2 required • .4 lbs.	E50622
㉔ K52452	\$7.10 ea. • Double auger box axle plate • .75 lbs.	E52452
㉕ K9407	\$16.30 ea. • Double auger box bearing • 7 required • .6 lbs.	JD9407
㉖ K54498	\$4.50 ea. • Double auger box bearing flange • 10 required • 4 lbs.	E54498

K46315

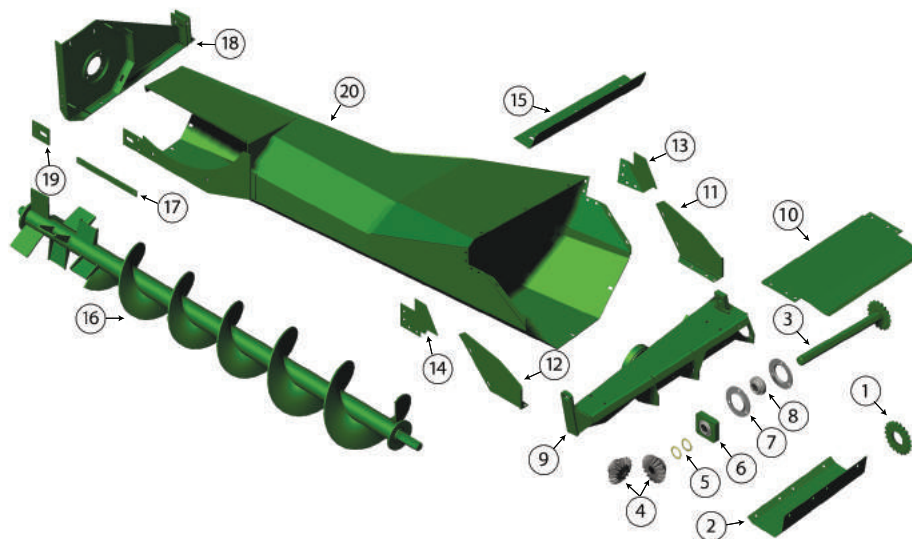


\$3,175.00 ea.

- Double auger box assembly
- Complete auger box includes augers, gears and drive shaft
- **Timed and ready to install**
- To fit all 5000 series
- 550 lbs.

AE46315
Abrasion Resistant

Truck icon signifies product is shipped via truck freight.



	KOOIMA #	DESCRIPTION	REPLACES OEM #
①	K48610	\$22.75 ea. • Auger box drive sprocket • 21 tooth • 1 required • 1.9 lbs.	E48610
②	K72528	\$22.30 ea. • Auger box front cover • 4.3 lbs.	E72528
③	K24490	\$110.00 ea. • Auger box drive shaft • 7.9 lbs. • Heat Treated	DA24490
④	K24430	\$96.75 ea. • Auger box drive gear • 2 required • 3.8 lbs. • Heat Treated	CA24430
⑤	K24H1534	\$27.55/pack • Single auger box shim washer • Package of 20 shims • .1 lbs./20 pcs.	24H1534
⑥	K42460	\$110.75 ea. • Bearing assembly, w/ cast housing & bearing • 3 req'd. • 2.8 lbs. • Bolt kit: K42460BK, \$4.75 ea.	AE42460
⑦	K135410	\$3.60 ea. • Single auger box flange • 2 required • .4 lbs.	H135410
⑧	K37057	\$50.15 ea. • Single auger box hex bearing • 1 required • 1 lb.	AE37057
⑨	K43925	\$427.00 ea. • Single auger box front housing • 39.9 lbs.	AE43925
⑩	K24857	\$50.35 ea. • Single auger box top panel • 10.3 lbs.	CA24857
⑪	K71687	\$20.30 ea. • Single auger box left side panel • 2.4 lbs.	E71687
⑫	K71688	\$20.30 ea. • Single auger box right side panel • 2.8 lbs.	E71688
⑬	K71686	\$15.30 ea. • Single auger box left side panel • 1 lb.	
⑭	K71689	\$12.25 ea. • Single auger box right side panel • 1 lb.	
⑮	K43929	\$20.30 ea. • Single auger box front angle plate • 4.9 lbs.	
⑯	K44941	\$749.50 ea. • Auger assembly • 104.5 lbs.	AE44941
⑰	K48545	\$8.00 ea. • Single auger box strap • .6 lbs.	E48545
⑱	K43926	\$110.75 ea. • Single auger box rear support • 18.6 lbs.	AE43926
⑲	K50622	\$7.50 ea. • Single auger box support plate • .4 lbs.	E50622
⑳	K44727	\$955.80 ea. • Single auger box main housing • 143 lbs. 🚚	AE44727

K43928



\$3,195.00 ea.

- Single auger box assembly
- Complete with auger, drive shaft and bevel gears
- Moves feed faster and more efficiently
- **Ready to install**
- To fit all 5000 series harvesters
- 402 lbs. 🚚

AE43928

K5000WS

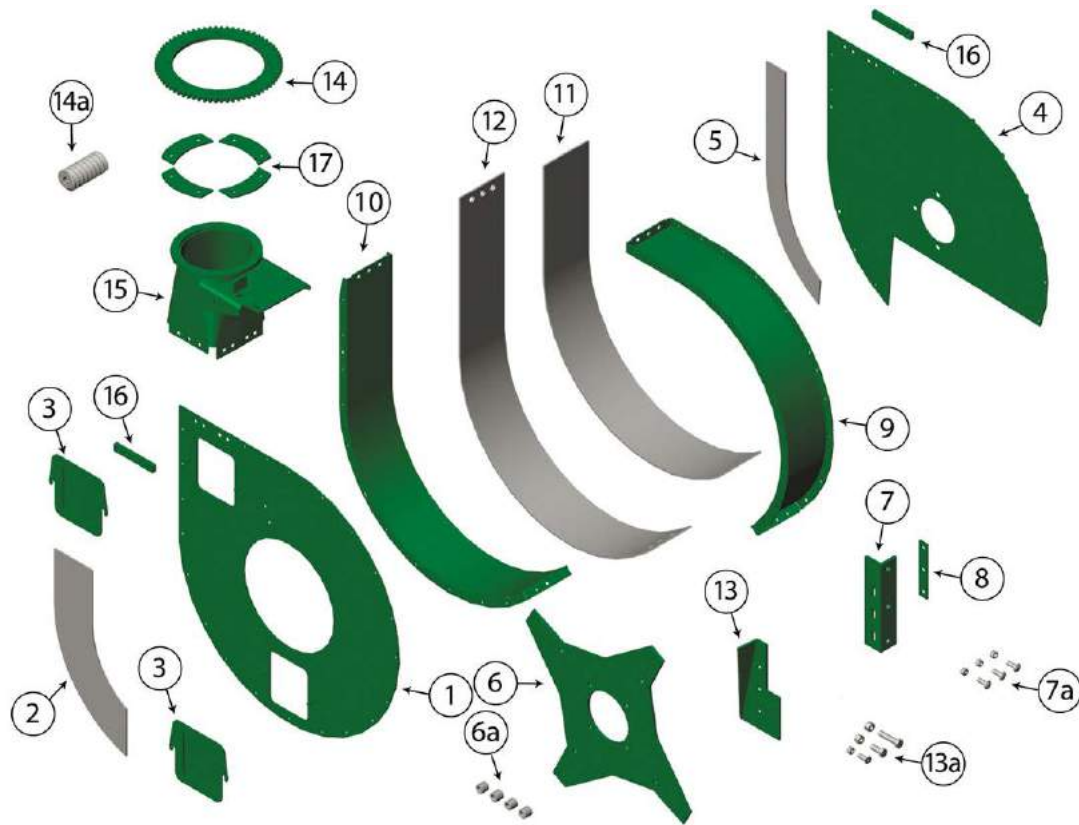


\$1,790.00 ea.

- Power wind chute
- Auger box replacement
- Replaces both single and double auger boxes
- No machine modification necessary
- Requires up to 15% less horsepower
- No power loss due to augers
- Chop more tons per hour with greater efficiency
- Heavy duty **abrasion resistant** construction
- **For use in corn or cane only** • 285 lbs. 🚚

AE43928

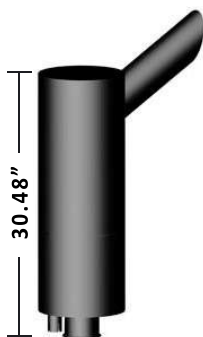
AE46315



KOOIMA #	DESCRIPTION	REPLACES OEM #
K35950 \$155.25 ea.	① • Outside fan sheet • To fit all 5000 series • 37.8 lbs.	AE35950 Abrasion Resistant
K35951 \$50.35 ea.	② • Outside fan wear plate • Weld-in • To fit all 5000 series • Increases the life of outside fan sheet • 7.1 lbs.	Abrasion Resistant
K45967 \$20.30 ea.	③ • Outside fan sheet inspection doors • 2 required • To fit all 5000 series • 3.8 lbs. • Hardware kit: K45967BK , \$1.35 ea., .05 lbs.	AE45967 Abrasion Resistant
K28998 \$156.75 ea.	④ • Inside fan sheet • To fit all 5000 series • 38.3 lbs.	AE28998 Abrasion Resistant
K28999 \$37.85 ea.	⑤ • Inside fan wear plate • Weld-in • 4.6 lbs. • To fit all 5000 series • Increases the life of inside fan sheet	Abrasion Resistant
K49027HP \$159.50 ea.	⑥ • High performance fan plate • Made of tool steel for impact resistance • To fit all 5000 series • Extra fan angle bolt hole provides additional angle support • Requires 4 #K55571HP angles to complete • 30 lbs.	E49027
K29167 \$8.75 ea.	⑥a • Fan plate bushing • 4 required • .2 lbs.	H29167
K55571HP \$18.25 ea.	⑦ • High performance fan angle • To fit #K49027HP • 4 required • Mounting hardware available • 5.3 lbs.	E55571
K55571BK \$22.50 ea.	⑦a • Hardware kit • Includes all necessary hardware to mount #K49027HP fan plate and #K55571HP fan angles • 1 required per 4 angles • 2.8 lbs.	
K55570 \$5.75 ea.	⑧ • Fan strap • Standard bore • .4 lbs.	E55570
K36535 \$101.25 ea.	⑨ • Front blower band • To fit all 5000 series • Newer heavy duty style • 3/16 in. thick material • One of the most durable blower bands on the market • 22.8 lbs.	AE36535 Abrasion Resistant
K78174 \$136.50 ea.	⑩ • Rear blower band • To fit all 5000 series • Newer heavy duty style • 3/16 in. thick material • One of the most durable blower bands on the market • 28 lbs.	E78174 Abrasion Resistant
KFANW \$89.00 ea.	⑪ • Rear blower band liner • Weld-in • To fit all 5000 series • Increases the life of the rear blower band • 26.3 lbs.	Abrasion Resistant
KFANB \$97.00 ea.	⑫ • Rear blower band liner • Bolt-in • To fit all 5000 series • Hardware included • Increases the life of the rear blower band • 31.2 lbs.	Abrasion Resistant

KOOIMA #	DESCRIPTION	REPLACES OEM #
K33650 \$22.75 ea.	(13) • Fan paddle, long (12" long) • Used for corn or hay • To fit all 5000 series • 4.1 lbs.	AE33650 Abrasion Resistant Heat Treated
K33650BK \$18.90 ea.	(13a) • Bolt kit for fan paddles • To fit long or short paddles • One kit contains enough bolts and nuts for 4 paddles and fan straps • 2 lbs.	
K56053 \$149.50 ea.	(14) • Spout ring gear • Made of high carbon steel • 9.4 lbs. • To fit all 5000 series • Hardware Kit: K56053BK , \$13.75, 1.33 lbs.	E56053
K73207 \$243.00 ea.	(14a) • Spout worm gear • To fit 5720, 5820, 5730 and 5830 • 1 required • 4.3 lbs. • 1" bore all the way through	E73207 Heat Treated
K45920 \$347.50 ea.	(15) • Spout transition • To fit all 5000 series • 26.3 lbs.	AE45920
K45920BK \$33.10 ea.	(15a) • Spout transition bolt kit • To use with K45920 transition • 1 kit required • 2 lbs.	
K74168 \$18.30 ea.	(16) • Strap, spout transition • To fit all 5000 series • 2 required • .7 lbs. • Hardware kit: K74168BK , \$15.60 ea., 1 kit required per strap	E74168
K58022 \$14.75 ea.	(17) • Plate, spout transition • To fit all 5000 series • 4 required • .9 lbs.	E58022

K44648
\$680.00 ea.



- Muffler • 45.5 lbs.
- To fit all **5820, 5830 & 5440** series harvesters
- Replaces OEM # AE44648
- **Hardware Kit: K44648BK** \$53.00 ea., 1.2 lbs.



K48788BR
\$99.50 ea.



- Rear rubber bumper
- 13.75" long • 2 required
- To fit 5000 series
- Replaces OEM #: Z48788/E51240

/ HAY PICK-UP TEETH /

HP hay pick-up teeth are "shot peened," giving them added strength!

- Pick-up tooth • .45 lbs.
- To fit all John Deere® 630, 645, 630A, 640A, 645A, 630B, 640B, 645B, 630C, 640C & 645C forage harvester hay heads
- Replaces OEM #CC25176

Order # K25176

\$4⁰⁵ ea.

Order # K25176HP

\$5⁷⁵ ea.

Bolt Kit: K25176BK: \$3.05 ea.



- Pick-up tooth
- To fit all John Deere® 5 1/2 ft. forage heads
- Replaces OEM #268SE
- .35 lbs.

Order # K268SE

\$2¹⁵ ea.

Bolt Kit: K268SEBK: \$4.75 ea.



- Pick-up tooth • .45 lbs.
- To fit all John Deere® 7 1/2 ft. forage harvester hay heads after SN. 550001
- Replaces OEM #E74678

Order # K74678

\$2⁴⁵ ea.

Bolt Kit: K74678BK: \$3.50 ea.



- Pick-up tooth • .35 lbs.
- To fit John Deere® 7 ft. hay head before SN. 550000
- Replaces OEM #E54745

Order # K54745

\$5²⁵ ea.



- Poly Pick-up stripper - Complete with hardware
- 1/2" thick with 1/4" thick reinforced support ring
- To fit John Deere® 630A, 640A, 645A, 630B, 640B, 645B, 630C, 640C & 645C hay heads • 1.2 lbs.
- Replaces OEM # FH311772 / E85043

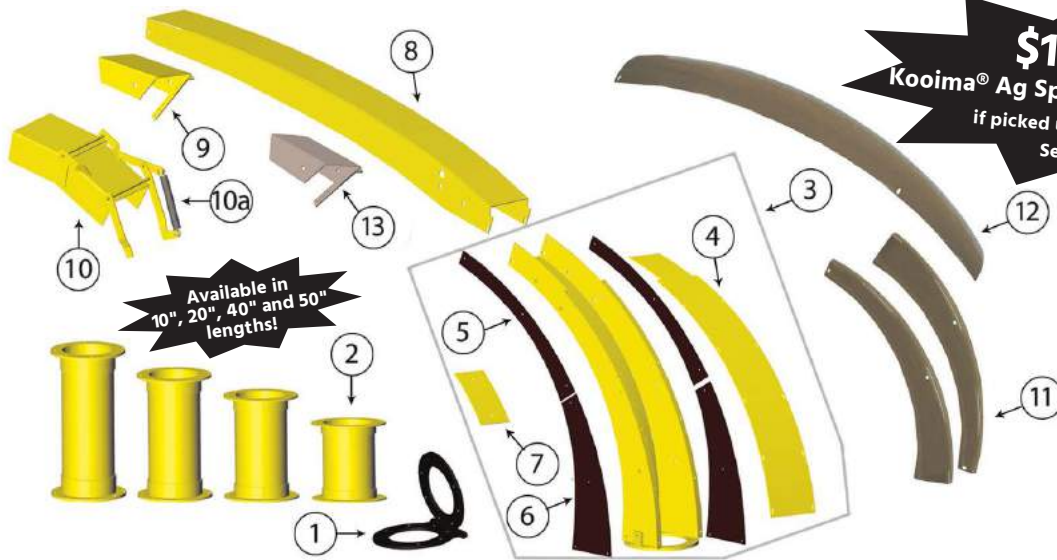
Order # K85043

\$30²⁵ ea.

Additional Bolt Kit: K85043BK \$3.50 ea. One required per band

KOOIMA® AG REPLACEMENT PARTS TO FIT 5000 SERIES JOHN DEERE® FORAGE HARVESTERS

Replacement parts produced by Kooima® Ag to fit JD® 5000 Series



\$100 off
Kooima® Ag Spout Assembly K37331
if picked up at Kooima® Ag
See item #3

Available in
10", 20", 40" and 50"
lengths!

KOOIMA #	DESCRIPTION	REPLACES OEM #
K79396 \$14.05 ea.	• Spout deflector spring • To fit all John Deere® factory and Kooima® Ag spouts • .3 lbs.	E79396
K50000 \$199.50 ea.	• Spout hinge kit • To fit all 5000 series harvesters • Mounting hardware included • Allows you to fold the spout down for transport or low clearance storage • 27.6 lbs.	
K37336 \$265.00 ea.	• 10" spout extension • 29.3 lbs.	AE37336
K37337 \$312.75 ea.	• To fit all 5000 series harvesters • Bolt kit: K37336BK, \$27.15 ea., 1.2 lbs.	AE37337
K37338 \$343.25 ea.	• 20" spout extension • 38 lbs.	AE37338
K37339 \$410.80 ea.	• To fit all 5000 series harvesters • Bolt kit: K37336BK, \$27.15 ea., 1.2 lbs.	
K37331 \$810.00 ea.	• 40" spout extension • 55 lbs. • To fit all 5000 series harvesters • Bolt kit: K37336BK, \$27.15 ea., 1.2 lbs. • 50" spout extension • To fit all 5000 series harvesters • 65.5 lbs. • This is a must when top loading trucks in rough terrain • Bolt kit: K37336BK, \$27.15 ea., 1.2 lbs. *All Kooima® Ag spout extensions are reinforced, top and bottom, for added strength.	AE37331
K37340 \$130.00 ea.	• Lower spout assembly • Includes wear plates listed below • To fit all 5000 series harvesters • Does NOT fit with John Deere® upper spout assembly • Easy to replace bolt-in wear plates make repairs a snap! • 112 lbs.	AE37331
K37341 \$45.00 ea.	Kooima® Ag spout assemblies feature an exclusive enclosed design for superior performance in all crops, including hard-to-blow dry hay. Replaceable abrasion resistant wear plates make this the most durable spout available. • Rear spout cover • 28 lbs.	Abrasion Resistant
K37342 \$45.00 ea.	• Top inside wear plates • 2 required • 3.2 lbs.	Abrasion Resistant
K37343 \$20.30 ea.	• Bottom inside wear plate • 2 required • 6 lbs.	Abrasion Resistant
K38645 \$335.50 ea.	• Inspection cover door • 2.5 lbs.	Abrasion Resistant
K38646 \$355.75 ea.	• Upper spout extension • Standard 85" length, used with 4-row heads when side loading or rear loading • 63.5 lbs.	Abrasion Resistant
K38645BK \$7.50 ea.	• Upper spout extension bolt kit • Use with 85" or 115" extension • 1.25 lbs.	Abrasion Resistant
K38647 \$65.50 ea.	• Upper spout extension • 115" length for use with 6-row heads and side loading • Great for top loading trucks! • 77 lbs.	Abrasion Resistant
K38647BK \$5.25 ea.	• Spout deflector • To fit all 5000 series using Kooima® Ag spout assembly • 8.5 lbs.	Abrasion Resistant
K38647SP \$199.50 ea.	• Spout deflector bolt kit • .2 lbs.	
FH001303 \$12.75 ea.	• Double spout deflector assembly • Allows precise control of feed flow & more complete filling of your truck or wagons • Comes with a spring • To fit all 5000 series using Kooima® Ag & JD® spout assemblies • 20.1 lbs.	Abrasion Resistant
K52447 (LH) K52448 (RH) \$66.00 ea.	• Replacement spring for double deflector • .9 lbs.	
K76994 \$97.50 ea.	• Left hand spout liner • Right hand spout liner • To fit all 5000 series equipped with John Deere® factory spout • 7.4 lbs.	FH312296 / E52447 FH312290 / E52448 Abrasion Resistant
K22358 \$50.50 ea.	• Hardware Kit: K52447BK, \$13.50, .62 lbs.	
	• Center spout liner • 16.7 lbs. • Hardware Kit: K76994BK, \$5.25 • To fit all 5000 series equipped with John Deere® factory spout	FH312199/E76994 Abrasion Resistant
	• Spout deflector • To fit all 5000 series equipped with John Deere® factory spout • 4.1 lbs.	AFH205884 / AE22358 Abrasion Resistant

KOOIMA #	DESCRIPTION		REPLACES OEM #
K85879 \$635.00 ea.	<ul style="list-style-type: none"> • 5440 and 5460 final drive pinion shaft • 13 Tooth • Fits 5720 and 5820 below serial number 651000 • 6.2 lbs. 		H85879
K73345 \$1,190.00 ea.	<ul style="list-style-type: none"> • 5730, 5820 and 5830 gear case shaft • Ø 2 3/8" OD spline on gear side (2" on older series, 5400) • 12.4 lbs. 		AE44315 AE73345
K71361 \$360.00 ea.	<ul style="list-style-type: none"> • Feed roll gear case shaft • To fit JD® 5200, 5400, 5440, 5460, 5720, 5820, 5730 and 5830 series • 6.5 lbs. 		E71361 / E58632
K35549 \$500.50 ea.	<ul style="list-style-type: none"> • Modified main gear case shaft • To fit all 5000 series • 43.5 lbs. 		AE35549 Heat Treated



Your #1 Source For Used Parts



John Deere®
Self-Propelled
Forage Harvester
PARTS

1-877-427-6950

www.iowacuttersupply.com

Claas® John Deere® Kemper™ New Holland® Krone®

Iowa Cutter Supply Inc.

1004 10th Ave
Rock Valley, IA 51247
On the corner of Hwy 18 and 10th Ave

If you have a cutter to sell:
Email pictures and a description to
sales@iowacuttersupply.com
or
Call 1-877-427-6950 and ask for Ivan

KOOIMA® AG REPLACEMENT PARTS TO FIT 6000 SERIES JOHN DEERE® FORAGE HARVESTERS

John Deere® and JD® are registered trademarks of Deere & Company, which does not manufacture, distribute or endorse these parts.

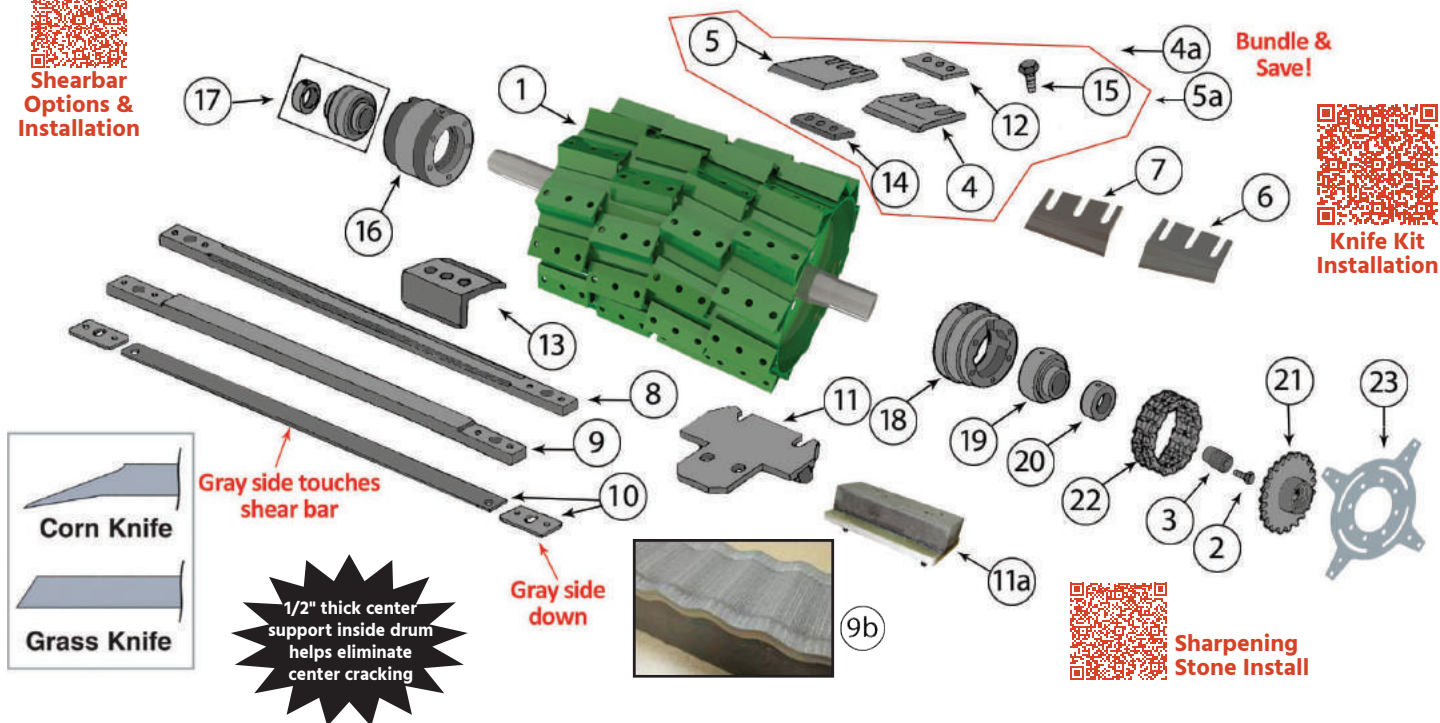
Replacement parts produced by Kooima® Ag to fit JD® 6000 Series



**Shearbar
Options &
Installation**



**Knife Kit
Installation**




KOOIMA #	DESCRIPTION	REPLACES OEM #
K103888 \$3,990.00 ea.	① • 40 knife drum • 563 lbs. • To fit all 6000 series • Will need to order K71387 Hub & K19M8610 Bolt	AZ103888
K101200 \$4,190.00 ea.	①a • 48 knife drum • Angled knife brackets • 592 lbs. • To fit all 6000 series • Will need to order K71387 Hub & K19M8610 Bolt	AZ101200
K101199 \$4,215.00 ea.	①b • 56 knife drum • Straight knife brackets • 628 lbs. • To fit all 6000 series • Will need to order K71387 Hub & K19M8610 Bolt	AZ101199
K19M8610 \$5.75 ea.	② • Bolt • Used for K71387 splined hub • .5 lbs.	19M8610
K71387 \$44.90 ea.	③ • Splined hub • 2.1 lbs • To fit all 6000 series • Uses the K71139 sprocket	Z71387
K63136 \$18.50 ea.	④ • Corn knife • To fit all 6000 series harvesters • Wider design for fewer unchopped leaves • 48 required • 1.4 lbs.	Z63136/Z56647 Heat Treated/Tungsten Carbide
K63136KIT \$39.35 ea.	④a • Kit includes (1) K63136, (1) K49623, (1) K71196, (3) K69650 • Buy any quantity and save 5%! • 4 lbs./ kit	
K63136HP \$23.75 ea.	④b • Hi-performance corn knife • Lasts longer than factory OEM knives • 1.5 lbs. • Thicker Tungsten carbide edge	Z63136 Heat Treated/Tungsten Carbide
K69500 \$16.90 ea.	⑤ • New longer grass knife • To fit all 6000 series harvesters • 1.6 lbs. • Reduces knife breakage by providing more knife to angle bearing surface	Z69500 Heat Treated/Tungsten Carbide
K69500KIT \$37.95 ea.	⑤a • Kit includes (1) K69500, (1) K49623, (1) K71196, (3) K69650 • Buy any quantity and save 5%! • 4.2 lbs./kit	
K69500HP \$20.35 ea.	⑤b • Hi-performance grass knife • 1.6 lbs. • Thicker tungsten carbide edge	Z69500 Heat Treated/Tungsten Carbide
K62075 \$22.90 ea.	⑥ • Angled corn knife • Right hand • To fit all 6000 series • 1.5 lbs.	Z62075 Heat Treated/Tungsten Carbide
K62075HP \$26.55 ea.	⑥a • High performance angled corn knife • Right hand • 1.5 lbs. • To fit all 6000 series • Thicker tungsten carbide edge	Z62075 Heat Treated/Tungsten Carbide
K62076 \$22.90 ea.	⑦ • Angled corn knife • Left hand • To fit all 6000 series • 1.5 lbs.	Z62076 Heat Treated/Tungsten Carbide
K62076HP \$26.55 ea.	⑦a • High performance angled corn knife • Left hand • 1.5 lbs. • To fit all 6000 series • Thicker tungsten carbide edge	Z62076 Heat Treated/Tungsten Carbide
K47614 \$470.50 ea.	⑧ • Corn shearbar • 21.1 lbs. • To fit 6000 series with SN. 504341 and below	AZ47614 Heat Treated/Tungsten Carbide
K47614HP \$630.00 ea.	⑧a • High performance shearbar • 21.5 lbs. • For use in hay or corn • To fit 6000 series with SN. 504341 and below	AZ47614 Heat Treated/Tungsten Carbide
K47614BK \$19.80 ea.	⑧b • Shearbar bolt kit • .5 lbs. • To fit all 6000 series shearbars with SN. 50431 & below	


KOOIMA® AG REPLACEMENT PARTS TO FIT 6000 SERIES JOHN DEERE® FORAGE HARVESTERS

Replacement parts produced by Kooima® Ag to fit JD® 6000 Series

KOOIMA #	DESCRIPTION	REPLACES OEM #
K53906 \$510.90 ea.	9 • Corn shearbar, 36mm thick • To fit all 6650, 6750, 6850 & 6950 harvester SN. 504342 & after • 29.4 lbs.	AZ53906 Heat Treated/Tungsten Carbide
K53906HP \$670.00 ea.	9a • Hi-performance universal shearbar • To fit 6000 series SN. 504992 & after • 30.7 lbs.	AZ53906 Heat Treated/Tungsten Carbide
K53906DSW \$1,175.00 ea.	9b • Koyma Klad® hi-performance double sine wave shearbar • Patent # 8,109,176 • To fit 6000 series harvesters • Maximize your shear bar's cutting surface! • Koyma Klad® coating maintains a long lasting sharp edge for more tons per hour • 30.4 lbs.	
K53905 \$420.90 ea.	9c • Grass shearbar, 36mm thick • To fit late 6650, 6750, 6850 & 6950 harvesters SN. 504342 & after • 29.5 lbs.	AZ53905/AZ103112 Heat Treated/Tungsten Carbide
K64735HPBK \$22.75 ea.	9d • Shearbar bolt kit • 1.65 lbs. • To fit K53906, K53906HP, K53905 & K64735HP	
K49450 \$79.00 ea.	10 • Shearbar wear strip kit • To fit all 6000 series harvesters • Includes (1) #K49449 long wear strip & (2) #K72350 short wear strips • Gray side of wear strip always touching shear bar • 1 kit required • 1.3 lbs.	E72350/Z49449
K48700 \$76.35 ea.	11 • Sharpening stone • To fit all 6000 series SN. 504991 and below • 4 lbs. • Bolt kit: K48700BK , \$2.25 ea. .10 lbs.	AZ53747/AZ48700
K56626 \$70.90 ea.	11a • Sharpening stone • To fit 6000 series SN. 504992 and after • 3 lbs. • Bolt kit: K56626BK , \$3.75 ea. .10 lbs.	AZ56626
K49623 \$8.75 ea.	12 • Top strap • To fit all 6000 series harvesters • 48 required • 1 lb.	Z49623/Z60535 Heat Treated
K70982 \$11.50 ea.	13 • Angle bracket • Weld-on • 3.1 lbs. • To fit all 6000 series harvesters • Old style straight knife bracket	Z101528 Z70982
K71196 \$7.75 ea.	14 • Bottom nut • .9 lbs. • Used with angled knife brackets • To fit all 6000 series harvesters • 48 required	Z71196/Z49625
K69650 \$2.15 ea.	15 • Knife bolt • Grade 10.9 metric • .2 lbs. • 144 required • To fit all 6000 series harvesters • Torque bolt from 155-200 lb-ft	Z69650/Z61067
K12816 \$557.50 ea.	16 • RH bearing housing • 28 lbs. • To fit all 6000 series harvesters up to SN 510523 • Bolt kit: K12816BK , \$20.50 ea., 3.5 lbs.	Z12816
K48939 \$419.75 ea.	17 • RH spherical bearing • 6.3 lbs. • To fit all 6000 series harvesters up to SN 510523 • Will need to get K39504 seal, \$27.70 ea. Replaces OEM # AZ39504	AZ48939
K12815 \$438.75 ea.	18 • LH bearing housing • 15.5 lbs. • To fit all 6000 series harvesters up to SN 510523 • Bolt kit: K12815BK , \$15.50 ea., 2.5 lbs.	Z12815
K9307 \$159.25 ea.	19 • LH bearing • Fits shaft with 2.94" OD • To fit all 6000 series harvesters up to SN 510523 • 6.3 lbs.	JD9307
K9308 \$22.25 ea.	20 • LH locking collar • To fit all 6000 series harvesters up to SN 510523 • 1.3 lbs.	JD9308
K71139 \$169.75 ea.	21 • 28 tooth sprocket • 6.15 lbs. • Fits all 6000 series machines with Electromagnetic clutch (STROMAG)	AZ71139
K63229 \$42.85 ea.	22 • 28 link chain • 3.83 lbs. • Also need K60LINK • Fits all 6000 series machines with Electromagnetic clutch (STROMAG)	AZ63229
K60LINK \$4.25 ea.	22a • 60 chain link • .1 lbs. • Fits all 6000 series machines with Electromagnetic clutch (STROMAG)	
K101305 \$125.50 ea.	23 • Electromagnetic clutch plate (STROMAG) • 1.25 lbs. • To fit harvesters 6610-7550 • 2 required • Made from high wear spring steel • Bolt kit: K101305BK , \$8.05 ea. .25 lbs.	AZ101305 Heat Treated
FH5001045 \$1,150.00 ea.	24 • Replacement cutter drum shaft • To fit Kooima® Ag drums only • 134 lbs.	

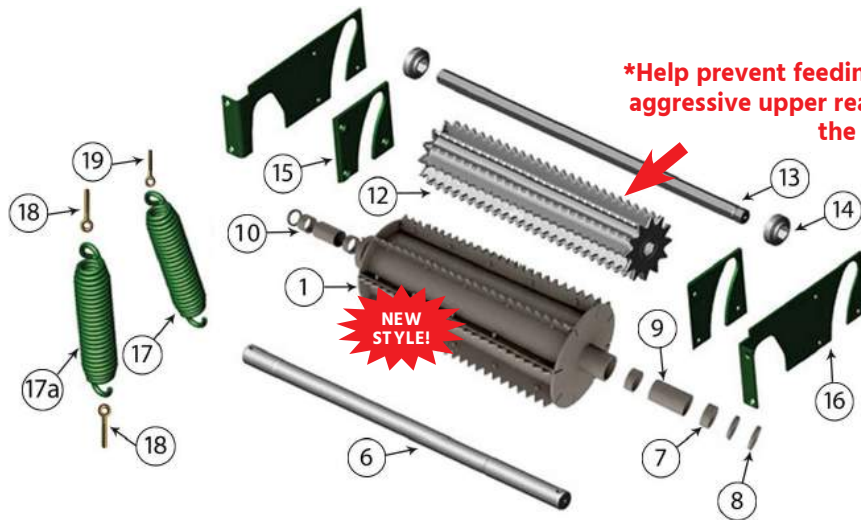


K63686 \$315.00 ea.		• LOC gear box shaft • To fit JD® 6610-6910 harvesters serial #002776 and above • To fit JD® 7200-7550 harvesters	Z63686
-------------------------------	---	---	--------

K6000WSC \$360.00 ea.		• Windshield cover • To fit all 6000 series harvesters • Eliminates cracked and broken windshields • Double sewn heavy duty, padded vinyl construction • Stainless steel dee rings • 14 lbs.	
---------------------------------	---	---	--

KOOIMA® AG REPLACEMENT PARTS TO FIT 6000 SERIES JOHN DEERE® FORAGE HARVESTERS

Replacement parts produced by Kooima® Ag to fit JD® 6000 Series

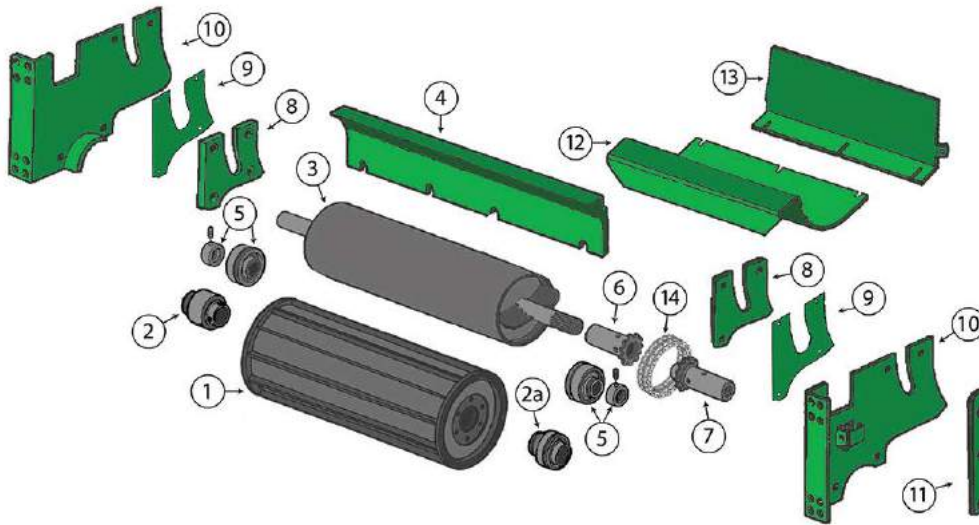


Importance of the Upper Rear Feed Roll

KOOIMA #	DESCRIPTION	REPLACES OEM #
K50611SP \$1,560.00 ea.	1 • Special upper front feed roll, great for corn & cane! • To fit all 6000 series • Heavy Duty 4 Large Bearing Design! • Complete with bolt-on teeth and bearings • 91 lbs. w/o teeth	AZ101035/AZ50611 AZ58228/AZ102095/AZ101103
K50611SPT \$61.25 ea.	2 • Bolt-on tooth • To fit #K50611SP roll • To fit all 6000 series harvesters equipped with Kooima® upper front feed rolls • 8 required • 22 lbs./8 pc. set	Stainless Steel
K50611SPFT \$49.35 ea.	3 • Flat replaceable crossbar • To fit #K50611SP feed roll • Eliminates wrapping in haylage • 3 lbs. ea.	Stainless Steel
K50611SPTBK \$59.75 ea.	4 • Hardware kit for K50611, K50611SPT, & K50611SPFT • 2.5 lbs.	
K73857 \$52.35 ea.	5 • Bolt-on tooth • 8 required • 2.25 lbs. • To fit all 6000 series equipped with factory upper front feed roll	HXE64649/E73857 Stainless Steel
K73857BK \$63.50 ea.	5a • Hardware kit for K73857 • 3 lbs.	
K81671 \$345.00 ea.	6 • Upper front feed roll shaft • To fit John Deere® harvesters with the new larger 4-bearing system • 26.5 lbs.	Z81671 Heat Treated
K10071 \$16.80 ea.	7 • Upper front feed roll bearing - larger diameter style • 3 required • .2 lbs.	JD10071
K28870 \$12.75 ea.	8 • Upper front feed roll seal • 3 required • .1 lbs.	AL28870
K101917 \$22.50 ea.	9 • Upper front feed roll bushing • Used with larger diameter bearing system • .6 lbs.	Z101917
K62417 \$19.30 ea.	10 • Upper front feed roll bearing - larger diameter style • Used with larger diameter bearing system • 1 required • .35 lbs.	AZ62417
K10108 \$10.25 ea.	11 • Needle bearing • Original smaller bearing style • .2 lbs. • Use with K50611SP feed rolls with 2" diameter bearing system	JD10108
K48677 \$661.50 ea.	12 • Upper rear feed roll • To fit all 6000 series harvesters • Reversible aggressive design • 68 lbs.	AZ48677/AZ51787 Stainless Steel
K71834 \$640.50 ea.	12a • Upper rear feed roll • Reversible aggressive design • This feed roll is made with AR material • 68 lbs.	AZ71834 Abrasion Resistant
K63862 \$145.75 ea.	13 • Upper rear feed roll shaft • To fit all 6000 series • 38-3/16" x 32mm hex shaft • 16 lbs.	Z63862 / Z81670 Heat Treated
K10458 \$40.95 ea.	14 • Upper rear feed roll bearing • 2 required • To fit all 6000 series harvesters • 1 lb.	JD10458
K61010 (RH) K61011 (LH) \$26.55 ea.	15 • Wear plate, feed roll frame • To fit all 6000 series harvesters • 1 each required • 2.8 lbs. ea.	Z61010 Z61011 Heat Treated
K61010BK \$10.25 ea.	15a • Hardware kit to fit K61009(LH) & K61008(RH) • Also bolts up K61010(RH) & K61011(LH) • 1 bolt kit required per wear plate • .2 lbs.	
K61009 (LH) K61008 (RH) \$20.30 ea.	16 • Feed roll wear plate retainer • To fit all 6000 series harvesters • 1 each required • 4.8 lbs. ea.	Z61009 Z61008 Abrasion Resistant
K64796 \$64.25 ea.	17 • Rear feed roll lift arm spring • Use as required • To fit all 6000 series harvesters • 12 lbs.	Z67236 / E64796
K75927 \$49.50 ea.	17a • Front spring for the double spring assembly • To fit all 6000 series harvesters • 6.4 lbs.	Z75927
K76429 \$29.50 ea.	18 • Front spring eye bolt • Includes 2 nuts • To fit 6000-7000 series harvesters • .6 lbs.	Z76429 14M7276
K103433 \$44.00 ea.	19 • Rear spring eye bolt • Includes 2 nuts • To fit 6000-7000 harvesters • 1.37 lbs.	Z103433/Z62088 14M7306

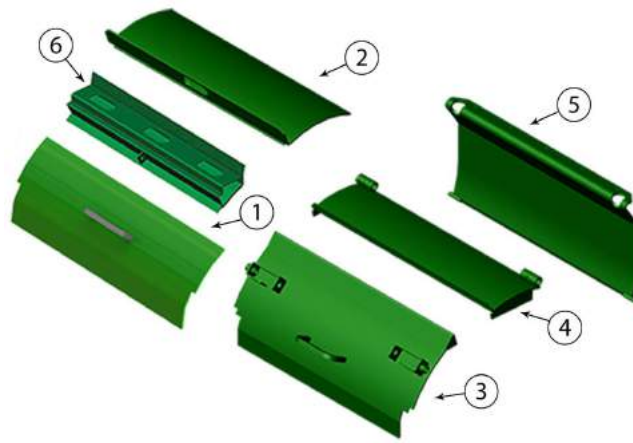


**How to Install
the Smooth Roll
Scraper**

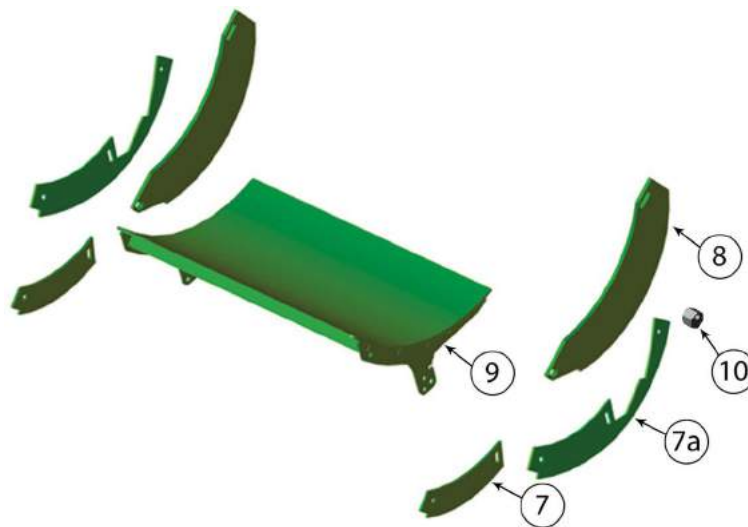


**How to Install
the Earlage Pans**

KOOIMA #	DESCRIPTION	REPLACES OEM #
K50090 \$1,090.00 ea.	① • Feed roll, lower front • To fit all 6000 series harvesters • 56.4 lbs.	AZ50090/AZ101149 Stainless Steel
K51405 \$53.35 ea.	② • Right hand bearing • Lower front feed roll • To fit all 6000 series harvesters • 1 required • 1.4 lbs.	AZ51405
K47864 \$49.75 ea.	②a • Left hand bearing • Lower front feed roll • To fit all 6000 series harvesters • 1 required • 1.5 lbs.	AZ47864/AXE10405
K58444 \$519.80 ea.	③ • Lower rear smooth roll • To fit all 6000 series harvesters • 52 lbs. • Now made of heat treated carbon steel for better wear resistance	AZ103271/AZ58444 Heat Treated
K13019 \$197.75 ea.	④ • Smooth roll cleaner, 4 7/8" tall • 14.6 lbs. • To fit 6000 series harvesters SN. 504341 & before	Z13019
K12818 \$197.75 ea.	④a • Smooth roll cleaner, 5 3/8" tall • To fit 6000 series harvesters SN. 504342 & after series harvesters • 18.7 lbs.	Z13356 Z12818
K12818BK \$5.10 ea.	④b • Bolt kit • To fit K13019 and K12818	
K10445 \$55.10 ea.	⑤ • Smooth roll bearing • 1.2 lbs. • To fit all 6000 series harvesters • 2 required	JD10445
K51114 \$91.95 ea.	⑥ • Inside smooth roll drive coupler • To fit all 6000 series harvesters • 2.5 lbs.	AZ51114
K51115 \$93.95 ea.	⑦ • Outside smooth roll drive coupler • To fit all 6000 series harvesters • 3.4 lbs.	AZ51115
K61012 (LH) K61013 (RH) \$61.95 ea.	⑧ • Feed roll wear plate • To fit 6000 series harvesters SN. 504341 & before • 4 lbs. ea.	Z61012 / Z65168 Z61013 / Z65167 Heat Treated / Tungsten Carbide
K68062 (LH) K68063 (RH) \$70.45 ea.	⑧a • Feed roll wear plate • To fit 6000 series harvesters SN. 504342 & after series harvesters • 1 each required • 4 lbs. ea.	Z68062 Z68063 Tungsten Carbide
K68083 \$19.80 ea.	⑨ • Reinforcement • To fit all 6000 series harvesters • 1 lb.	Z68083
K100685 (LH) K100686 (RH) \$76.45 ea.	⑩ • Feed roll wear plate • To fit all 6000 series harvesters • 1 each required • 8.9 lbs.	AZ100685 AZ100686 Abrasion Resistant
K101960BK \$19.75 ea.	⑩a • Feed roll wear plate bolt kit • 1 kit required per side • .7 lbs.	
K33163 \$31.60 ea.	⑪ • Feed roll tensioning arm wear strip • .6 lbs. • To fit all 6000 series harvesters • Made of high grade Teflon material	CC33163
K63659 \$73.00 ea.	⑫ • Lower feed roll pan • Front pan, used when grinding ear corn with recutter screen • To fit all 6000 series harvesters • 28.2 lbs.	Z63659 Abrasion Resistant
K50086 \$83.00 ea.	⑬ • Lower feed roll pan • Rear pan, used when grinding ear corn • To fit all 6000 series harvesters • 12.3 lbs.	AZ50086 Abrasion Resistant
K50086BK \$7.00 ea.	⑬a • Earlage pans bolt kit • To fit all series earlage pans • 1 kit required • .25 lbs.	
K47886 \$54.80 ea.	⑭ • 14 link chain • To fit all 6000 series harvesters • 1 lb.	AZ47886
K47886BK \$3.75 ea.	⑮ • Bolt kit for K47886 • .1 lbs. • To fit all 6000 series harvesters	



<u>KOOIMA #</u>	<u>DESCRIPTION</u>	<u>REPLACES OEM #</u>
K45119 \$101.75 ea. (1)	• Cutterhead door • To fit 6000 series harvesters SN. 504991 & before • 19 lbs.	AZ45119/AZ104219 Abrasion Resistant
K39714 \$64.95 ea. (2)	• Cutterhead door • To fit 6000 series harvesters SN. 504991 & before • 24 lbs.	AZ39714 Abrasion Resistant
K54310 \$74.75 ea. (3)	• Cutterhead door • To fit late 6650, 6750, 6850 & 6950 harvester SN. 504992 & after • 28.3 lbs.	AZ54310 Abrasion Resistant
K54323 \$64.50 ea. (4)	• Cutterhead door • To fit late 6650, 6750, 6850 & 6950 harvester SN. 504992 & after • 18.8 lbs.	AZ54323 Abrasion Resistant
K52676 \$78.95 ea. (5)	• Cutterhead shield • To fit all 6000 series harvesters • 39.6 lbs.	AZ52676 Abrasion Resistant
K47099 \$80.95 ea. (6)	• Cutterhead cover • 19 lbs. • To fit 6000 series harvesters SN. 504991 & before	AZ47099



<u>KOOIMA #</u>	<u>DESCRIPTION</u>	<u>REPLACES OEM #</u>
K48655 \$9.75 ea. (7)	• Cutterhead housing wear plate • To fit all 6000 series harvesters • 2 required • 1.95 lbs. • Hardware kit: K48655BK , \$3.95 ea. • .15 lbs.	Z48655/Z72502 Abrasion Resistant
K48655LHS (LH) K48655RHS (RH) \$21.05 ea. (7a)	• Extended cutterhead wear plates • Protects more of your expensive cutterhead housing • 1 each required • 3 lbs. ea.	Z48655/Z72502 Abrasion Resistant
K59850 (LH) K59851 (RH) \$25.00 ea. (8)	• Cutterhead bracket • 9.8 lbs. ea. • To fit all 6000 series harvesters • 1 each required • Hardware Kit: K59850BK , \$11.45 ea., .62 lbs.	Z75383 Abrasion Resistant
K51112 \$187.50 ea. (9)	• Spiral floor plate • New shorter style is 30mm shorter to allow closer adjustment to cutterhead knives. • Improves material delivery to blower • To fit all 6000 series harvesters • 51.7 lbs.	AZ54153/AZ51112 Abrasion Resistant
K64299C \$15.10 ea. (10)	• Cutterhead bracket adjusting cam • To fit all 6000 series harvesters • 2 required • .45 lbs.	E64299

KOOIMA® AG REPLACEMENT PARTS TO FIT 6000 SERIES JOHN DEERE® FORAGE HARVESTERS

Replacement parts produced by Kooima® Ag to fit JD® 6000 Series

KOOIMA #
K51112HP



\$925.00 ea.

DESCRIPTION

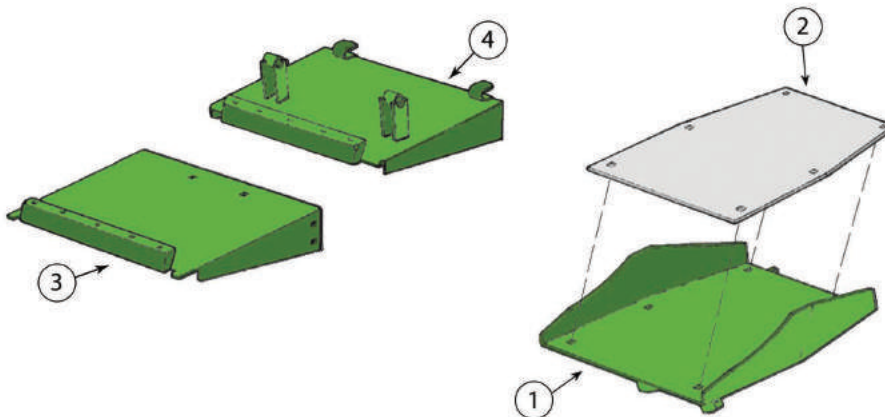
- Cracker plate
- To fit 6000 series harvesters • 54.2 lbs.
- Cracks 85-90% of kernels with minimal power requirements
- Bolt-in installation
- No moving parts to maintain
- Use in whole plant corn silage or to grind earlage
- Awarded US Patent #6,234,072 & #6,327,970

REPLACES OEM #

**Abrasion Resistant
Tungsten Carbide**



Install Video



KOOIMA #
K52395

\$91.45 ea.

①

DESCRIPTION

- 1-piece grass chute • To fit all 6000 series • 33 lbs.
- Use with liner #K66289 • Replaces original 2-piece chute
- Reduces plugging between cutterhead & blower

REPLACES OEM #

AZ52395/ AZ48619
AZ45110

Abrasion Resistant

K63188

\$93.50 ea.

①a

- New style 1-piece grass chute • To fit all 6000 series • 33 lbs.
- Improves crop flow in sticky or gummy conditions • Use with liner #K66289 and new style feed guide #K63189 • Some machine modification required • Installation instructions included

Abrasion Resistant

K66289

\$122.75 ea.

②

- Stainless steel liner • 19 lbs.
- To fit all 6000 series with 1-piece grass chute

Z66289

Stainless Steel

K78611BK

\$5.50 ea.

②a

- Stainless steel liner bolt kit • .5 lbs.
- Use with stainless steel liner K66289 • One kit required

K61182

\$71.60 ea.

③

- Grass chute, top • 22 lbs.
- To fit all **6000** series **without kernel processors**

Z61025/ Z61182

Abrasion Resistant

K61182BK

\$27.70 ea.

③a

- Grass chute bolt kit • .5 lbs.
- Use with grass chute K61182

K50457

\$91.45 ea.

④

- Quick change grass chute, top • 24 lbs.
- To fit all **6000** series equipped **with kernel processors**

AZ50457

Abrasion Resistant

The Rock Stop'er Pro

FORAGE HARVESTER STONE DETECTION SYSTEM




JD® must have double spring kit installed.

- Fits most makes and models of SPFH and pull type harvesters.
- Patented Inertia sensor stops feed drive when rocks are detected.
- In cab sensitivity adjustment for varying crop conditions.
- Call **1-800-522-8874** for more details!

Extra Sensor Available!

Order # SENSOR
Only **\$775⁰⁰** ea.

Order # ROCK STOPER
Only **\$2,975⁰⁰** ea.



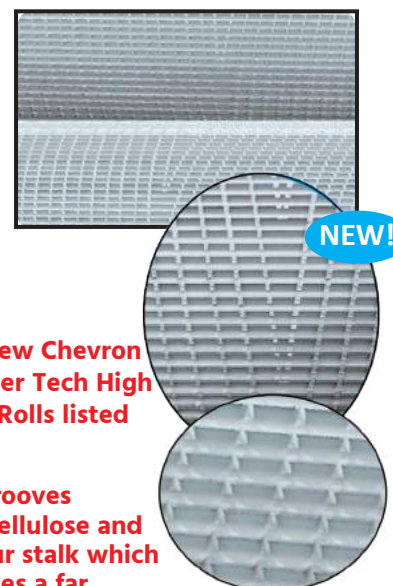
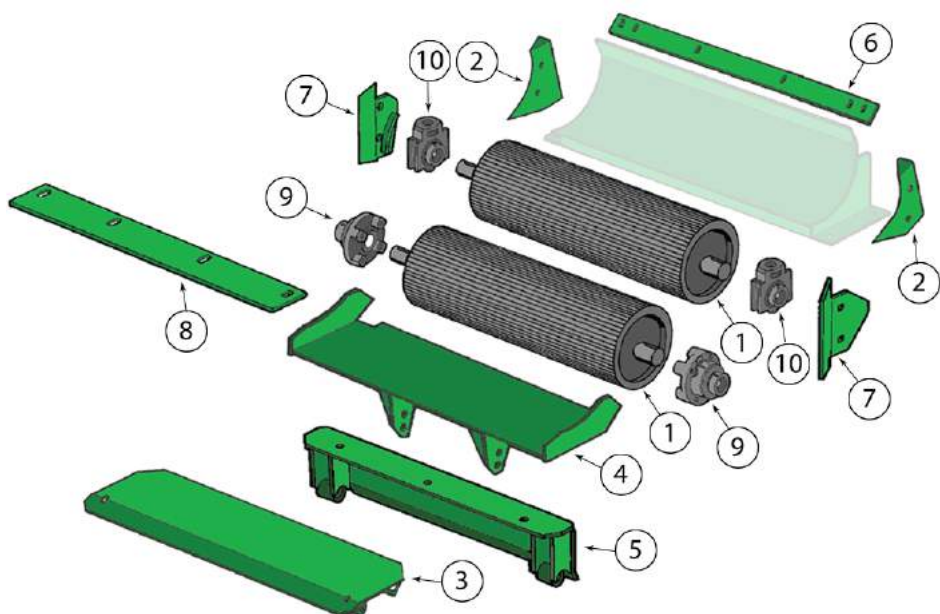
1 lb.



Designed and manufactured in Canada.

KOOIMA® AG REPLACEMENT PARTS TO FIT 6000 SERIES JOHN DEERE® FORAGE HARVESTERS

Replacement parts produced by Kooima® Ag to fit JD® 6000 Series



See our new **Chevron Series Fiber Tech High Capacity Rolls** listed below!

Square grooves unwrap cellulose and shred your stalk which also creates a far superior process job.

Now compatible with JD® Labyrinth seal system!

KOOIMA #
K53319

①



\$1,220.00 ea.

K53319DC

①a

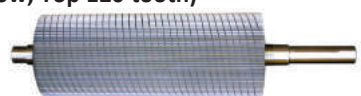


\$1,305.00 ea.

K53319HPF (Fast, Bottom 106 tooth)

K53319HPS (Slow, Top 120 tooth)

①b



\$1,705.00 ea.

K12739 (RH)

K12738 (LH)

\$51.15 ea.

②

• Cast kernel processor deflector • 2.2 lbs.
• To fit all **6000** series equipped with kernel processor
• **Hardware kit: K12739BK**, \$4.10 ea., .15 lbs.

Z12739

Z12738

K48919

\$83.45 ea.

③

• Kernel processor deflector • 17.6 lbs.
• To fit all 6000 series processors

AZ48919

Abrasion Resistant

K50434

\$91.95 ea.

④

• Bottom cover • To fit all **6000** series equipped with quick conversion processor frame • 29.6 lbs. • **Hardware kit: K50434BK**, \$30.35 ea. • .55 lbs.

AZ50434

Abrasion Resistant

K50435

\$167.50 ea.

⑤

• Bottom shield • To fit all **6000** series equipped with quick conversion processor frame • 13.5 lbs.

AZ50435

K62347

\$32.50 ea.

⑥

• Deflector • 5.8 lbs.
• To fit all 6000 series harvesters

Z62347

Abrasion Resistant

K50472 (LH)

K50473 (RH)

\$30.50 ea.

⑦

• Kernel processor wear plate
• To fit all 6000 series harvesters
• 2.4 lbs. ea. • **Hardware kit: K100687BK**, \$4.50 ea., .15 lbs.

AZ50472

AZ50473

Abrasion Resistant

K49938

\$25.05 ea.

⑧

• Kernel processor top deflector • 6.2 lbs.
• To fit all 6000 series harvesters • **Hardware kit: K49938BK**, \$8.10 ea., .33 lbs.

Z49938

Abrasion Resistant

K56298

\$127.50 ea.

⑨

• Bearing with housing • 2 required
• To fit **lower** kernel processor rolls • 6.1 lbs.

AZ56298

K56297


\$191.50 ea.

⑩

• Bearing with housing • 2 required
• To fit **upper** kernel processor rolls • 5.6 lbs.

AZ56297

DESCRIPTION


• Saw tooth kernel processor roll • 152.5 lbs. 
• **New saw tooth design delivers a more aggressive cracking action in longer length crops**
• To fit all 6000 series harvesters • 2 required

REPLACES OEM #

AZ53319/AZ101800
Heat Treated
106 tooth

• Fiber Tech kernel processor roll - 106 tooth • 152.5 lbs. 
• Get the real value out of your processor with the new **Dual Cut High Capacity Rolls**
• To fit all 6000 series harvesters • 2 required

AZ53319/AZ101800
Heat Treated
106 tooth

• Fiber Tech Chromed kernel processor roll • 153 lbs. 
• Get the real value out of your processor with the new **Chevron Series Fiber Tech High Capacity Rolls**
• To fit all 6000 series harvesters • 2 required

AZ53319
Heat Treated
Chromed Plated Roll

Koyma Klad® Silage Plus Processor

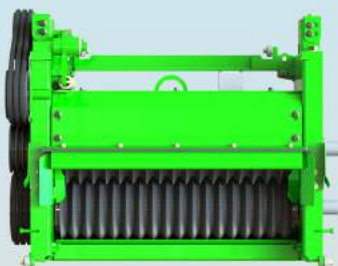
This processor offers a new and more efficient way to process your silage, saving fuel and gaining capacity. Here at Kooima® Ag, we've been making knives and shearbars for over 20 years. That same extended life coated technology is applied to the teeth in this disc processor. We haven't seen any measurable wear on processors with over 190,000 tons of silage run through the disc. Conventional processing just isn't good enough anymore! To fit all 6000 series harvesters.



\$16,500.00

Order # SC3001

Patent: 9833785

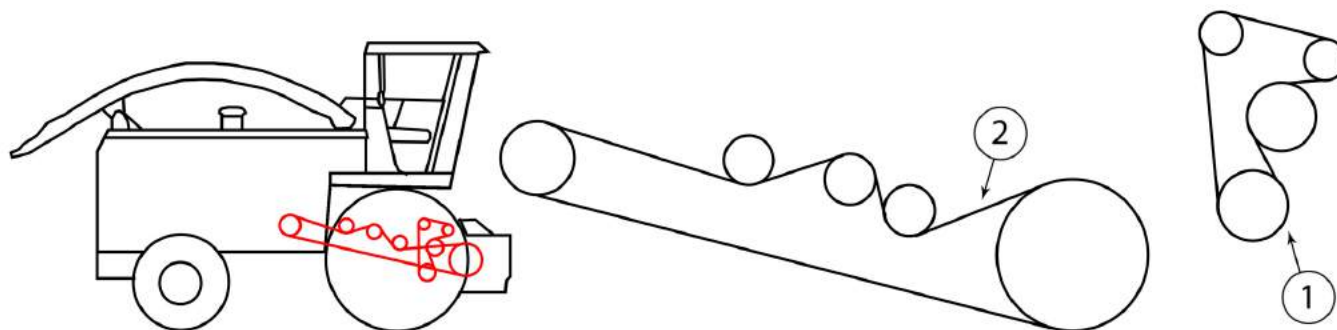


Disc wear after 190,000 tons of silage

Customer Testimonial

"We have used this processor for 2 seasons on our 100 cow dairy plus through our custom work for a 300 cow dairy. Here in Manitoba, our ration consists of 45% alfalfa haylage and balance of corn silage. We have seen a gain in digest-ability in our herd and have been able to increase the length of the cut while still maintaining very good kernel processing. This has increased rumen activity that has resulted in significant increase in production."

- Raymond Pelletier, Millennium Holsteins

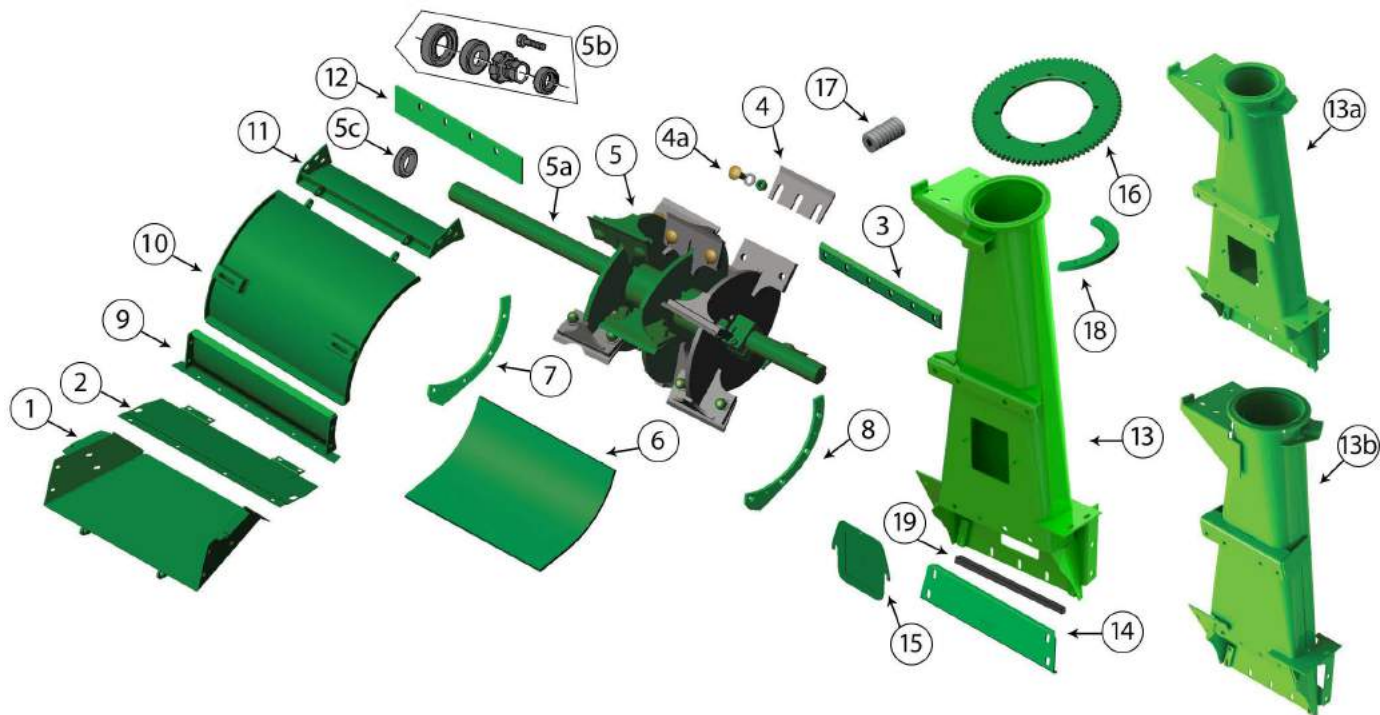


High Quality Gates® Belts




KOOIMA #	DESCRIPTION	REPLACES OEM #
K39677	• Processor belt (set of 3)	AZ39677
\$161.50 per set	• To fit 6000-7550 right side • 77 1/4" long • 3.6 lbs. per set	
K39676	• Kernel processor drive (set of 2)	AZ39676
\$33.75 per set	• To fit 6000-6950 left side • 81" long • 1.9 lbs. per pair	
K53559	• Drum belt (6-groove set)	AZ53559
\$951.50 per set	• To fit 6650-7550 1000 RPM • 247" long • 36 lbs.	
K51638	• Drum belt (7-groove set)	AZ51638
\$1,085.00 per set	• To fit 6950-7850 1150 RPM • 251" long • 37 lbs.	
K51312	• Drum belt (6-groove set)	AZ51312
\$885.00 per set	• To fit 6610-6910 1000 RPM • 232.25" long • 33 lbs.	

KOOIMA® AG REPLACEMENT PARTS TO FIT 6000 SERIES JOHN DEERE® FORAGE HARVESTERS

Replacement parts produced by Kooima® Ag to fit JD® 6000 Series



KOOIMA #	DESCRIPTION	REPLACES OEM #
K47885 \$59.85 ea.	① • Guide, rear feed channel • Hardware kit: K47885BK , \$8.25 ea., .3 lbs. • To fit all 6000 series harvesters • 16.2 lbs.	AZ47885 Abrasion Resistant
K63189 \$81.45 ea.	①a • New style feed guide • To fit all 6000 series • Improves crop flow in sticky or gummy conditions • Use with new style 1-piece grass chute #K63188 • Some machine modification required • Installation instructions included • 15.5 lbs. • Hardware kit: K47885BK , \$8.25 ea., .3 lbs.	AZ63189 Abrasion Resistant
K47085 \$34.55 ea.	② • Feed guide top flap • Hardware kit: K47085BK , \$6.25 ea. • .25 lbs • To fit all 6000 series harvesters • 4.95 lbs.	AZ47085 Abrasion Resistant
K56737 \$87.15 ea.	③ • Blower paddle • To fit all 6000 series harvesters with early style 4-paddle blower • Pre-beveled & tungsten carbide coated • 3.9 lbs. • Hardware Kit: K56737BK , \$14.50 ea., 1.05 lbs.	Z56737 Heat Treated Tungsten Carbide
K72898 \$13.85 ea.	④ • Blower paddle • To fit all 6000 series harvesters with quick change blower or blower update • 12 required • 1.2 lbs. ea.	Z72898/Z81874 Abrasion Resistant Heat Treated/Tungsten Carbide
K72898BK \$68.50 ea.	④a • Blower Paddle Bolt Kit • Use with K72898 blower paddles • One kit required • 7.4 lbs.	
K51888 \$995.00 ea.	⑤ • Fan rotor assembly • To fit all 6000 series harvesters with 12 paddle blower • Includes fan rotor and shaft, 12 paddles and mounting hardware • 186.5 lbs.	AZ51888 AZ51887
K65324 \$312.50 ea.	⑤a • Blower shaft • To fit all 6000 series harvesters with 12 paddle blower • 37.5 lbs.	Z65324
K10060 \$125.75 ea.	⑤b • Repair kit - includes 2 seals, 1 bearing cone, 1 ring and 1 cap screw • 2 kits needed per blower • 1.8 lbs.	KXE10060
K10451 \$137.75 ea.	⑤c • Bearings • 2 bearings needed per blower • 3.6 lbs.	AXE10451
K58148 \$69.75 ea.	⑥ • Bottom blower band - (4 paddle blower) • To fit all early 6000 series harvesters without quick change blower update • 26.7 lbs.	Z58148 Abrasion Resistant
K64776 \$87.50 ea.	⑥a • Bottom blower band - (12 paddle blower) • To fit all early 6000 series harvesters with quick change blower or blower update • 25.9 lbs.	Z64776 Abrasion Resistant

KOOIMA #	DESCRIPTION	REPLACES OEM #
K62372 \$21.80 ea.	7 • Right hand blower band support strap • Hardware kit: K62372BK , \$9.25 ea. • .35 lbs. • To fit all 6000 series harvesters • 1 required • 2.3 lbs.	Z62372 Abrasion Resistant
K62966 \$21.80 ea.	8 • Left hand blower band support strap • To fit all 6000 series harvesters • 1 required • 2.3 lbs. • Hardware kit: K62372BK , \$9.25 ea. • .35 lbs.	Z62966 Abrasion Resistant
K50114 \$59.95 ea.	9 • Front blower housing shield • Hardware kit: K50114BK , \$10.75 ea. • .45 lbs. • To fit all 6000 series harvesters • 7.9 lbs.	AZ50114 Abrasion Resistant
K46608 \$62.50 ea.	10 • Blower housing door • To fit all 6000 series harvesters • 19.3 lbs.	AZ46608 Abrasion Resistant
K43828 \$50.85 ea.	11 • Top blower housing shield • 6.7 lbs. • To fit all 6000 series harvesters • Hardware Kit: K43828BK , \$13.50 ea., .9 lbs.	AZ43828 Abrasion Resistant
K55782 \$16.75 ea.	12 • Blower housing cutoff strap • Hardware kit: K55782BK , \$9.25 ea. • .55 lbs. • To fit all 6000 series harvesters • 6 lbs.	Z55782 Abrasion Resistant
K42610 \$645.00 ea.	13 • Spout transition • To fit all 6610, 6710, 6810, and 6910 harvesters with 200mm spouts • 113 lbs.  • Bolt kit: K42610BK , 1 kit required \$49.75 ea.	AZ42610 Abrasion Resistant
K56941 \$645.00 ea.	13a • Spout transition • To fit all 6650, 6750, 6850, and 6950 harvesters with 200mm spouts • 115 lbs.  • Bolt kit: K42610BK , 1 kit required \$49.75 ea.	AZ51695/AZ56941 Abrasion Resistant
K55314 \$760.00 ea.	13b • Spout transition • 166 lbs.  • To fit all 6650, 6750, 6850, and 6950 harvesters equipped with 250mm spouts • Bolt kit: K42610BK , \$49.75 ea.	AZ55314 Abrasion Resistant
K60500 \$18.90 ea.	14 • Spout transition side wall • 3.1 lbs. • To fit all 6000 series harvesters • Hardware Kit: K60500BK , \$10.75 ea., .53 lbs.	Z81903/Z60500 Abrasion Resistant
K43830D \$25.30 ea.	15 • Spout transition inspection door • 3.3 lbs. • To fit all 6000 series harvesters equipped with 200mm spouts	AZ43830 Abrasion Resistant
K20713 \$18.55 ea.	15a • Spout transition inspection door • To fit all 6650, 6750, 6850, and 6950 harvesters equipped with 250mm spouts • 4.8 lbs.	Z20713 Abrasion Resistant
K64131 \$255.75 ea.	16 • Spout ring gear • 10 5/16" inside diameter • To fit all 6000 series harvesters with 200mm spout • Made of tool steel for wear resistance • 21.3 lbs.	Z64131
K67194 \$325.80 ea.	16a • Spout ring gear • 12 1/4" inside diameter • To fit all 6000 series harvesters with 250mm spout with standard spout turning device • 15.5 lbs.	Z67194 Tool Steel
K73207 \$243.00 ea.	17 • Spout worm gear • 1" bore all the way through • To fit all 6000 series harvesters • 4.3 lbs.	E73207 Heat Treated
K58116SP \$19.05 ea.	18 • Spout Stop • To fit #K42610 spout transition • 1 required • 5.3 lbs.	Z58116
K72114 \$10.00 ea.	18a • Spout stop • To fit #K56941 spout transition • 2 required • 3 lbs.	Z72114
NEW K61046 \$35.00 ea.	19 • Weather strip • To fit 6000 series harvesters	Z61046

Visit our website!
www.kooimaag.com



24/7 access to order!



Free shipping on retail orders in the Continental U.S.!

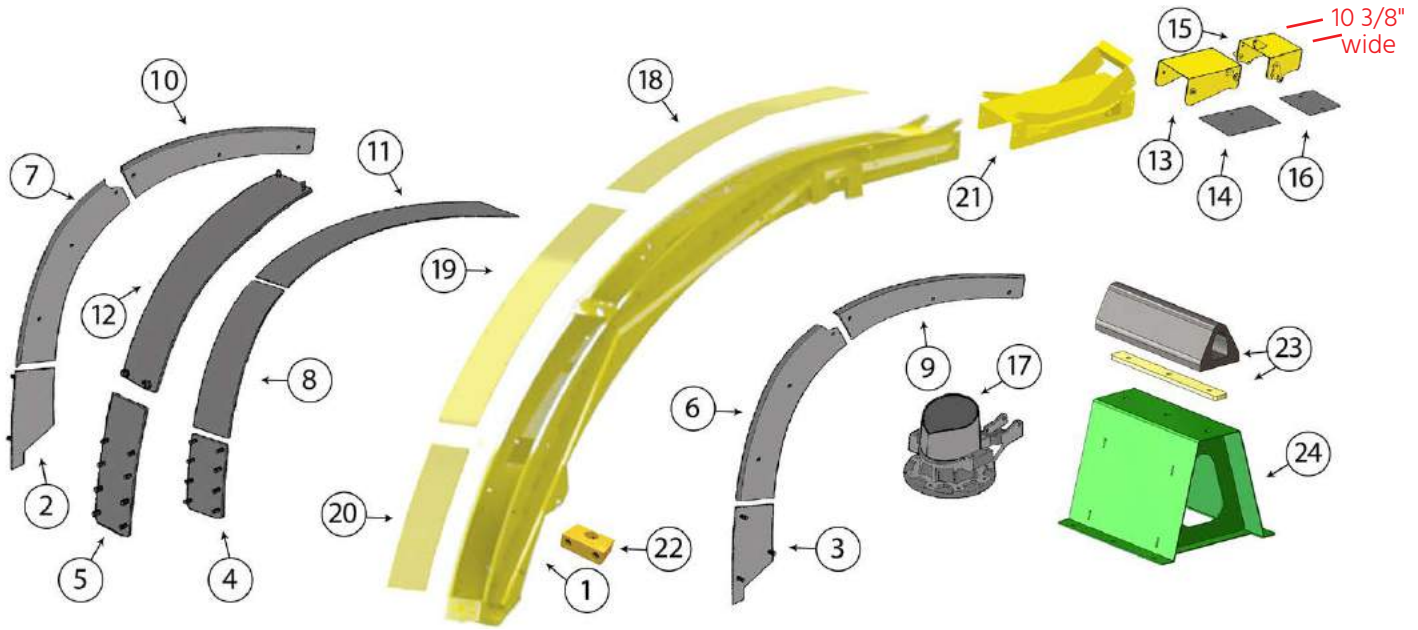
(Some exclusions may apply)



Watch videos of our products!

KOOIMA® AG REPLACEMENT PARTS TO FIT 6000 SERIES JOHN DEERE® 200MM WIDE HI-ARCH SPOUT

Replacement parts produced by Kooima® Ag to fit JD® 6000 Series



KOOIMA #
K43829

DESCRIPTION

REPLACES OEM #
AZ51724/AZ43829

- Hi-arch spout assembly • For top loading trucks and wagons
- Features bolt-on back for easy maintenance • 626 lbs.
- **Includes stainless steel and abrasion resistant wear liners installed!**
- To fit all 6000 series harvesters equipped with original 200mm wide hi-arch spout
- ***Save \$200 if picked up at Kooima® Ag!**

Abrasion Resistant

\$2,985.00

K200mmBK
\$19.10 ea.

- Spout liner bolt kit
- **When it's time to replace all the liners, order this bolt kit • 3.4 lbs.**

K48902
\$49.35 ea.

- Right hand spout wear plate • 9 lbs. • **Hardware Kit: K48902BK, \$5.25, .095 lbs.**
- To fit all 6000 series harvesters with 200mm spout • Hardened material

AZ48902

Abrasion Resistant

K48903
\$49.35 ea.

- Left hand spout wear plate • 9 lbs. • **Hardware Kit: K48902BK, \$5.25, .095 lbs.**
- To fit all 6000 series harvesters with 200mm spout • Hardened material

AZ48903

Abrasion Resistant

K49299
\$81.50 ea.

- Spout wear plate • Includes mounting hardware • 11.7 lbs.
- To fit all 6000 series harvesters equipped with original 200mm wide hi-arch spout
- **Hardware Kit: K49299BK, \$6.50 ea. .15 lbs. Includes 8 flange nuts**

AZ49299

Abrasion Resistant

K49299EX

- Extended spout wear plate • **A Kooima® Ag exclusive!** • 15.3 lbs.
- Extra length reduces wear on the spout back and liners
- To fit all 6000 series harvesters equipped with original 200mm wide hi-arch spout
- **Hardware Kit: K49299BK, \$6.50 ea. .15 lbs. Includes 8 flange nuts**

AZ49299

Abrasion Resistant

\$110.00 ea.

K62092

- Lower left hand wear liner • Stainless steel for extra durability
- To fit all 6000 series harvesters equipped with original 200mm wide hi-arch spout • 7.5 lbs. • **Hardware Kit: KLINERBK, \$8.25, .3 lbs.**

Z62092

Stainless Steel

\$108.00 ea.

K62093

- Lower right hand wear liner • Stainless steel for extra durability
- To fit all 6000 series harvesters equipped with original 200mm wide hi-arch spout • 7.5 lbs. • **Hardware Kit: KLINERBK, \$8.25, .3 lbs.**

Z62093

Stainless Steel

\$108.00 ea.

K62094

- Lower back liner • Stainless steel for extra durability
- To fit all 6000 series harvesters equipped with original 200mm wide hi-arch spout • **63 5/8" long** • 15.6 lbs.

Z62094

Stainless Steel

\$97.50 ea.

K62095

- Upper left hand wear liner • Stainless steel for extra durability
- To fit all 6000 series harvesters equipped with original 200mm wide hi-arch spout • 8.5 lbs.

Stainless Steel

\$129.00 ea.

K62096

- Upper right hand wear liner • Stainless steel for extra durability
- To fit all 6000 series harvesters equipped with original 200mm wide hi-arch spout • 8.5 lbs. • **Hardware Kit: KLINERBK, \$8.25, .3 lbs.**

Stainless Steel

\$129.00 ea.

K62097

- Top back liner • Stainless steel for extra durability
- **85 1/8" long** • 11.9 lbs.

Stainless Steel

\$129.00 ea.

K51755

- To fit all 6000 series harvesters equipped with original 200mm wide hi-arch spout
- Optional back liner • Exact replacement of John Deere® spout liner
- Stainless steel for extra durability • **79 1/2" long** • 27 lbs.
- To fit all 6000 series harvesters equipped with original 200mm wide hi-arch spout

AZ51755

Stainless Steel

\$90.00 ea.

K43832D

- Spout deflector • To fit all 6000 series harvesters equipped with original 200mm wide hi-arch spout • 13.2 lbs.

AZ43832

Abrasion Resistant

\$67.45 ea.

K54380BK

- Spout deflector bolt kit

\$13.50 ea.

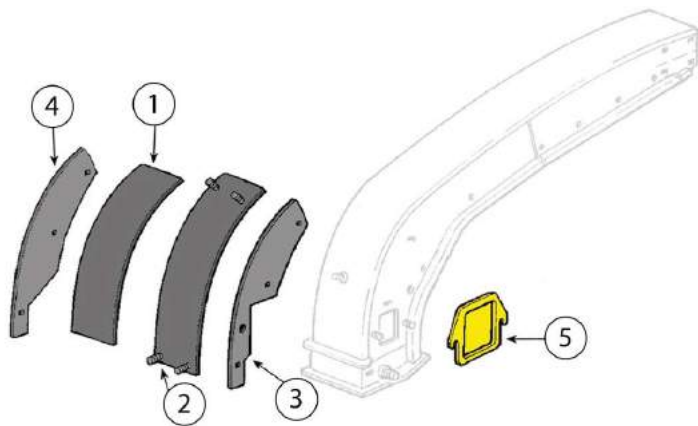
- **To fit #K43832D spout deflector • .35 lbs.**

KOOIMA® AG REPLACEMENT PARTS TO FIT 6000 SERIES JOHN DEERE® 200MM WIDE HI-ARCH SPOUT

Replacement parts produced by Kooima® Ag to fit JD® 6000 Series

KOOIMA #		DESCRIPTION	REPLACES OEM #
K43833 \$30.50 ea.	(14)	• Spout deflector wear plate • To fit #K43832D spout deflector • Bolt-in or weld-in • To fit all 6000 series harvesters equipped with original 200mm wide hi-arch spout • 5.3 lbs.	Abrasion Resistant
KBK \$4.25 ea.	(14a)	• Wear plate bolt kit • .1 lbs	
K47896 \$74.00 ea.	(15)	• Spout deflector • 7.3 lbs.	AZ47896
K47896BK \$7.15 ea.	(15a)	• Outer spout deflector bolt kit • To fit #K47896 spout deflector • .15 lbs.	Abrasion Resistant
K47897 \$33.50 ea.	(16)	• Spout deflector wear plate • Bolt-in or weld-in • To fit all 6000 series harvesters equipped with original 200mm wide hi-arch spout • To fit #K47896 spout deflector • 2.8 lbs.	Abrasion Resistant
KBK \$4.25 ea.	(16a)	• Wear plate bolt kit • .1 lbs.	
K51359WL \$78.45 ea.	(17)	• Weld-in transition liner • To fit all 6000 series equipped with original 200mm wide hi-arch spout • 5.9 lbs.	Abrasion Resistant
K43825 \$110.00 ea.	(18)	• Upper rear spout cover • 1 required • 28.5 lbs.	Abrasion Resistant
K43827 \$110.00 ea.	(19)	• To fit Kooima® Ag hi-arch spout assembly • Middle rear spout cover • 1 required • 34 lbs.	Abrasion Resistant
K43826 \$110.00 ea.	(20)	• Lower rear spout cover • 1 required • 23.5 lbs.	Abrasion Resistant
K43838 \$199.50 ea.	(21)	• To fit Kooima® Ag hi-arch spout assembly • 36" spout extension • Used with 6 or 8-row headers • 44 lbs.	AZ51925
K54418BK \$13.50 ea.	(21a)	• Creates space between head and truck when side or top loading • To fit all 6000 series harvesters equipped with original 200mm wide hi-arch spout • Spout extension bolt kit • To fit #K43838 spout extension • 1.1 lbs.	Abrasion Resistant
K65925 \$37.50 ea.	(22)	• Block • 2 lbs.	HXE38630
K48788 \$105.00 ea.	(23)	• To fit all 6000 series harvesters equipped with original 200mm wide hi-arch spout • Spout rest support kit • Includes reinforcement bracket and mounting bolts	Z48788
K64700 \$69.45 ea.	(24)	• To fit all 200mm spout rests • 1 required • 7.11 lbs. • 200mm spout rest base • 1 required • 17.4 lbs. • To fit all 6000 series with 200mm spouts	Z66644 Z64700

John Deere® 200mm Low-Arch Spout



Kooima® Ag 200mm Low-Arch Spout

Order # K6103
Bolt on liner
\$115.00 ea.



Order # K70166

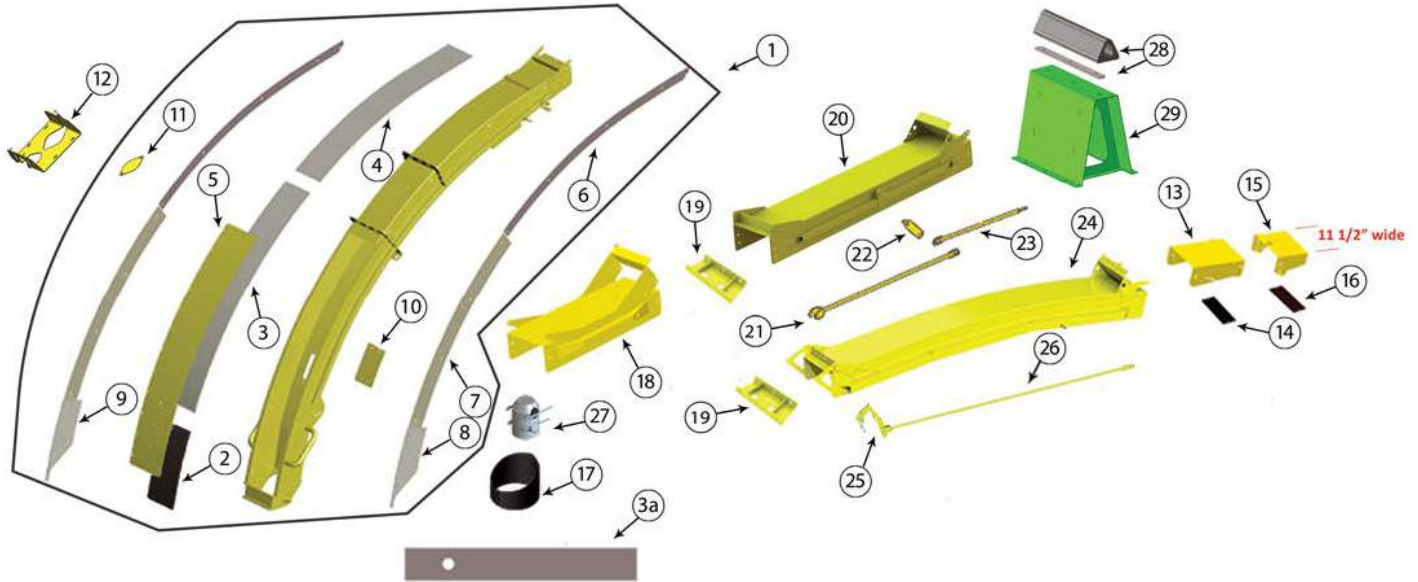
Only **\$3,100⁰⁰** ea.

Complete with liners
Uses high arch spout cylinder

KOOIMA #		DESCRIPTION	REPLACES OEM #
K56761 \$57.90 ea.	(1)	• Wear plate, spout • Hardened material • To fit early 200mm wide low-arch spout • 17.2 lbs.	Z56761
K51732 \$86.45 ea.	(2)	• Extended spout wear plate • Extra length reduces wear on valuable spouts • Hardened material • Bolt-in installation • To fit 200mm wide low-arch spout • 21 lbs.	Abrasion Resistant AZ51732
K59892 (LH) \$43.85 ea.	(3)	• Left hand wear plate • 7.2 lbs.	Z59892
K43830 (RH) \$43.85 ea.	(4)	• Right hand wear plate • Hardened material • 8.8 lbs.	Z43830/Z59893
K43830D \$25.30 ea.	(5)	• To fit 200mm wide low-arch spout • Spout inspection door • To fit all 6000 series harvesters • 3.3 lbs.	Abrasion Resistant AZ43830

KOOIMA® AG REPLACEMENT PARTS TO FIT 6000 SERIES JOHN DEERE® 250MM WIDE HI-ARCH SPOUT

Replacement parts produced by Kooima® Ag to fit JD® 6000 Series

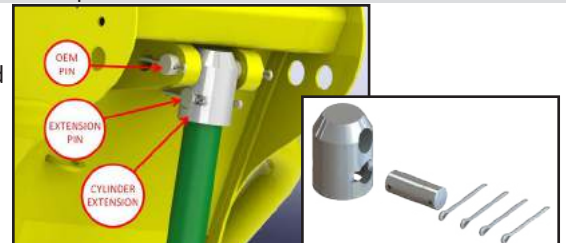


KOOIMA #	DESCRIPTION	REPLACES OEM #
K100830	<p>① High arch spout - Now equipped to accept moisture sensors!</p> <ul style="list-style-type: none"> To fit JD® series equipped with 250mm wide hi-arch spout • 475 lbs. Will need to order K102820 moisture sensor bracket • SAVE \$200 when picked up at Kooima® Ag! • Spout liners included and installed! 	<p>AZ104282</p> <p>Abrasion Resistant</p>
\$3,590.00		
K250mmBK	<p>①a Spout liner bolt kit</p> <ul style="list-style-type: none"> • When it's time to replace all the liners, order this bolt kit • 3.1 lbs. 	
\$24.25 ea.		
K53231	<p>② Lower spout wear plate • 648mm long • 13.8 lbs.</p> <ul style="list-style-type: none"> • To fit all 6000 series before SN 510523 • Complete with mounting hardware 	<p>AZ53231</p> <p>Abrasion Resistant</p>
\$82.50 ea.		
K53231EX	<p>②a Extended spout wear plate • Reduces wear on the spout back and liners</p> <ul style="list-style-type: none"> To fit all 6000 series harvesters • Complete with mounting hardware • 19.5 lbs. 	<p>AZ53231</p> <p>Abrasion Resistant</p>
\$109.00 ea.		
K103510	<p>②b Lower spout wear plate • 848mm long • Complete with mounting hardware</p> <ul style="list-style-type: none"> • To fit factory JD® spouts SN. 510524 and after • 24.2 lbs. 	<p>AZ103510</p> <p>Abrasion Resistant</p>
\$127.00 ea.		
K53232	<p>③ Lower back spout liner • 2000mm long • 31.2 lbs.</p> <ul style="list-style-type: none"> • To fit all 6000 series before SN 510523 • Complete with mounting hardware 	<p>AZ53232</p> <p>Abrasion Resistant</p>
\$89.00 ea.		
K101740	<p>③a Lower back spout liner • 2000mm long • Before SN. 510524 • 32.3 lbs.</p> <ul style="list-style-type: none"> • To fit all 6000 series equipped with JD® moisture sensor • Complete with mounting hardware 	<p>AZ101740</p> <p>Abrasion Resistant</p>
\$185.00 ea.		
K103381	<p>③b Lower back spout liner • 1800mm long • Complete with mounting hardware</p> <ul style="list-style-type: none"> • To fit factory JD® spouts SN. 510524 and after • 28.2 lbs. 	<p>AZ103381</p> <p>Abrasion Resistant</p>
\$127.00 ea.		
K103382	<p>③c Lower back spout liner • 1800mm long • After SN. 51024</p> <ul style="list-style-type: none"> To fit all 250mm spouts equipped with JD® moisture sensor • 28 lbs. 	<p>AZ103382</p> <p>Abrasion Resistant</p>
\$128.00 ea.		
K54609	<p>④ Upper back spout liner • Complete with mounting hardware</p> <ul style="list-style-type: none"> To fit all 6000 series harvesters • 28.7 lbs. 	<p>AZ54609</p> <p>Abrasion Resistant</p>
\$89.00 ea.		
K100829	<p>⑤ Bolt-on back liner • One required • 55.7 lbs.</p> <ul style="list-style-type: none"> • To fit all harvesters equipped with Kooima® Ag 250mm spout 	<p>Abrasion Resistant</p>
\$115.00 ea.		
K65656	<p>⑥ Upper side spout liner • Universal, to fit right or left • 4.6 lbs.</p> <ul style="list-style-type: none"> To fit all 6000 series harvesters • 2 required • Hardware Kit: KLINERBK, \$8.25, .3 lbs. 	<p>Z65656</p> <p>Stainless Steel</p>
\$135.00 ea.		
K101661	<p>⑥a Upper side spout liner</p> <ul style="list-style-type: none"> • To fit factory JD® spouts SN. 510524 and after • 5.8 lbs. 	<p>Z101661</p> <p>Stainless Steel</p>
\$135.00 ea.		
K65657	<p>⑦ Lower side spout liner • Universal, to fit right or left • 6.8 lbs.</p> <ul style="list-style-type: none"> To fit all 6000 series harvesters • 2 required • Hardware Kit: KLINERBK, \$8.25, .3 lbs. 	<p>Z65657</p> <p>Stainless Steel</p>
\$135.00 ea.		
K48903	<p>⑧ Left hand spout wear plate</p> <ul style="list-style-type: none"> To fit 6000 series harvesters • 9 lbs. • Hardware Kit: K48902BK, \$5.25, .09 lbs. 	<p>AZ48903</p> <p>Abrasion Resistant</p>
\$49.35 ea.		
K48902	<p>⑧ Right hand spout wear plate</p> <ul style="list-style-type: none"> To fit 6000 series harvesters • 9 lbs. • Hardware Kit: K48902BK, \$5.25, .09 lbs. 	<p>AZ48902</p> <p>Abrasion Resistant</p>
\$49.35 ea.		
K43921	<p>⑩ Access door • One required • 2.4 lbs.</p> <ul style="list-style-type: none"> To fit 6000 series harvesters with 250mm wide hi-arch spout 	<p>AZ43921</p>
\$33.85 ea.		
K102637	<p>⑪ Moisture sensor cover</p> <ul style="list-style-type: none"> To fit JD® 250mm spouts when not using moisture sensor • 1.65 lbs. 	<p>AZ102637</p> <p>Abrasion Resistant</p>
\$45.00 ea.		
K102820	<p>⑫ Moisture sensor bracket</p> <ul style="list-style-type: none"> To fit Kooima® Ag 250mm spouts only • 12.2 lbs. 	<p>AZ102820</p>
\$365.00 ea.		

KOOIMA® AG REPLACEMENT PARTS TO FIT 6000 SERIES JOHN DEERE® 250MM WIDE HI-ARCH SPOUT

Replacement parts produced by Kooima® Ag to fit JD® 6000 Series

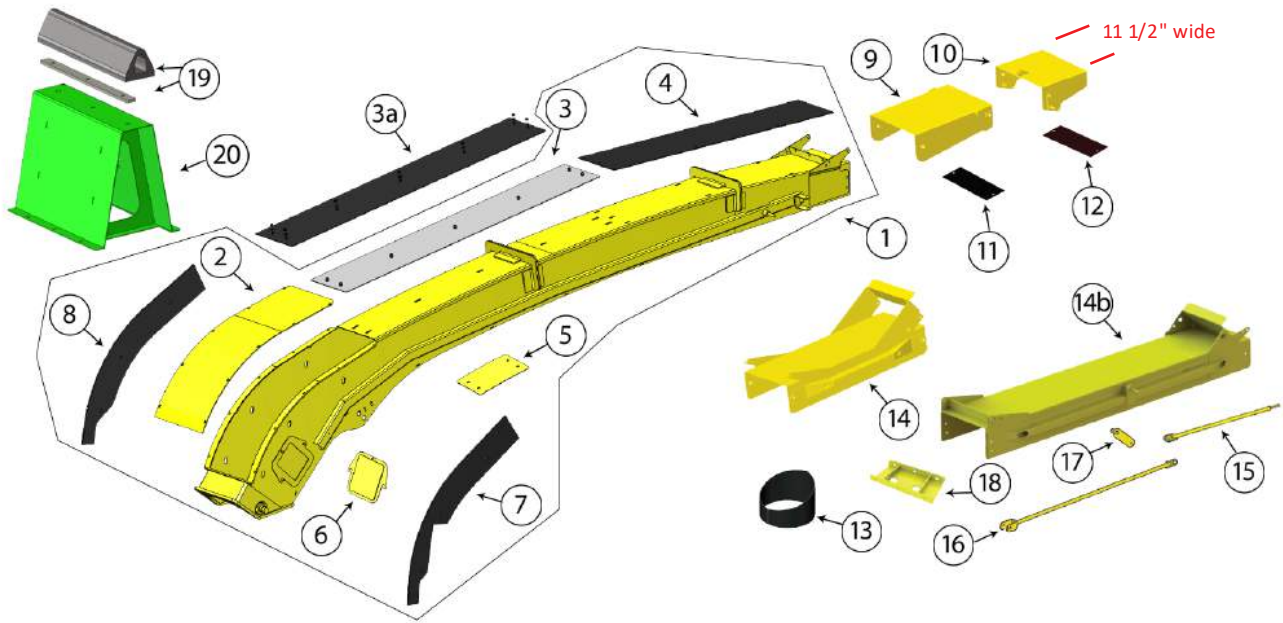
KOOIMA #		DESCRIPTION	REPLACES OEM #
K54380 \$67.95 ea.	(13)	<ul style="list-style-type: none"> • Inner spout deflector • To fit all 6000 series harvesters • 14.6 lbs. 	AZ54380 Abrasion Resistant
K54380BK \$13.50 ea.	(13a)	<ul style="list-style-type: none"> • Inner spout deflector bolt kit • To fit #K54380 spout deflector • .35lbs. 	
K54381 \$32.50 ea.	(14)	<ul style="list-style-type: none"> • Inner spout deflector wear plate • To fit #K54380 spout deflector • 5.8 lbs. 	Abrasion Resistant
KBK \$4.25 ea.	(14a)	<ul style="list-style-type: none"> • Wear plate bolt kit • .1 lbs. • To fit #K54381 spout deflector wear plate 	
K53234 \$69.00 ea.	(15)	<ul style="list-style-type: none"> • Outer spout deflector • To fit all 6000 series harvesters • 8 lbs. 	AZ53234 Abrasion Resistant
K47896BK \$7.15 ea.	(15a)	<ul style="list-style-type: none"> • Outer spout deflector bolt kit • To fit #K53234 spout deflector • .15 lbs. 	
K53235 \$32.50 ea.	(16)	<ul style="list-style-type: none"> • Outer spout deflector wear plate • To fit #K53234 spout deflector • 3.2 lbs. 	Abrasion Resistant
KBK \$4.25 ea.	(16a)	<ul style="list-style-type: none"> • Wear plate bolt kit • .1 lbs. • To fit #K53235 spout deflector wear plate 	
K54264WL \$80.45 ea.	(17)	<ul style="list-style-type: none"> • Weld-in transition liner • To fit all 6000 series harvesters • 8 lbs. 	Abrasion Resistant
K54418 \$168.50 ea.	(18)	<ul style="list-style-type: none"> • 36" spout extension • To fit all 6000 series harvesters • 39 lbs. 	AZ104285/AZ54418/AZ59970 Abrasion Resistant
K54418BK \$13.50 ea.	(18a)	<ul style="list-style-type: none"> • Spout extension bolt kit • To fit #K54418 & #K104288 spout extensions • 1.1 lbs. 	
K104293 \$64.00 ea.	(19)	<ul style="list-style-type: none"> • Spout stiffener bracket • Needed with 5' and 7' extensions • To fit all 6000 series harvesters • 4.1 lbs. 	AZ104293
K104293BK \$32.85 ea.	(19a)	<ul style="list-style-type: none"> • Bolt kit • To fit #K104293 bracket • 1 lb. 	
K104288 \$635.00 ea.	(20)	<ul style="list-style-type: none"> • 5' extension for a 250mm wide hi-arch spout • To fit all 6000 series harvesters • 67 lbs. • Uses K104291, K104292 & K104290 linkage pieces 	AXE25112 / AZ104288
K54418BK \$13.50 ea.	(20a)	<ul style="list-style-type: none"> • Spout extension bolt kit • To fit #K104288 spout extension • .2 lbs. 	
K104291 \$42.00 ea.	(21)	<ul style="list-style-type: none"> • Replacement 5' extension link • To fit all 6000 series harvesters • 2.45 lbs. 	AZ104291
K104292 \$32.00 ea.	(22)	<ul style="list-style-type: none"> • Replacement lever for the 5' extension • To fit all 6000 series harvesters • .65 lbs. 	AZ104292
K104292BK \$14.50 ea.	(22a)	<ul style="list-style-type: none"> • Bolt kit • .2 lbs. • To fit #K104292 replacement lever 	
K104290 \$35.75 ea.	(23)	<ul style="list-style-type: none"> • Replacement 5' extension link • To fit all 6000 series harvesters • 1.65 lbs. 	AZ104290
K7FTSP \$1,295.00 ea.	(24)	<ul style="list-style-type: none"> • 7' steel extension for 250mm wide high arch spout • 97 lbs. • Uses FH5001062, FH5001059, K104292 & K104290 linkage pieces 	
FH5001062 \$126.75 ea.	(25)	<ul style="list-style-type: none"> • Replacement 7' extension actuator • Use with K7FTSP & K22416CF 7' extensions • To fit all 6000 series harvesters with 250mm wide high arch spout • 2.9 lbs. 	
FH5001059 \$55.35 ea.	(26)	<ul style="list-style-type: none"> • Replacement 7' extension link • Use with K7FTSP & K22416CF 7' extensions • To fit all 6000 series harvesters with 250mm wide high arch spout • 3.4 lbs. 	
K250EXT \$87.50 ea.	(27)	<ul style="list-style-type: none"> • 250mm spout cylinder extension • 4 lbs. • Gain up to 18" additional height on spout • Fill the back of the semi trailer when opening the field • A real must when using a 5' or longer extension! 	



K69635 \$105.00 ea.	(28)	<ul style="list-style-type: none"> • Spout rest support kit • 9.5 lbs. • Includes reinforcement bracket and mounting bolts • To fit all 250mm spout rests 	Z69635 Z70507
K61312 \$92.50 ea.	(29)	<ul style="list-style-type: none"> • 250mm spout rest base • 26.5 lbs. • To fit all 6000-7000 series with 250mm spouts • 1 required 	AZ61312

KOOIMA® AG REPLACEMENT PARTS TO FIT 6000 SERIES JOHN DEERE® 250MM WIDE LOW-ARCH SPOUT

Replacement parts produced by Kooima® Ag to fit JD® 6000 Series



KOOIMA #	DESCRIPTION	REPLACES OEM #
K62973 \$3,290.00 ea.	① • Low arch spout • Uses high arch spout cylinder • To fit all 6000 series harvesters • 400 lbs.	AZ101238 / AZ62973 Abrasion Resistant
K68680 \$99.50 ea.	② • Lower spout wear plate • To fit 6000 series harvesters with 250mm wide low-arch spout • 29.4 lbs. • Bolt Kit: K68680BK , \$18.50 ea., .5 lbs.	Z68680 Abrasion Resistant
K62973LINF \$97.00 ea.	③ • Upper rear spout wear plate • To fit 6000 series harvesters with 250mm wide low-arch Kooima® spout • Comes complete with hardware • 24.4 lbs.	Abrasion Resistant AZ54608
K54608 \$105.00 ea.	③a • Upper rear spout wear plate • To fit 6000 series harvesters with factory John Deere® spout • 24.7 lbs.	Abrasion Resistant
K62973LINB \$77.00 ea.	④ • Top rear spout liner • 1 required • 20.7 lbs. • To fit 250mm wide low-arch Kooima® Ag spouts • Bolt kit: KBK , \$4.25 ea. - 2 required	Abrasion Resistant AZ43921
K43921 \$33.85 ea.	⑤ • Access door • One required • 2.4 lbs. • To fit 6000 series harvesters with 250mm wide low-arch spout	AZ43830
K43830D \$25.30 ea.	⑥ • Spout transition inspection door • 3.3 lbs. • To fit all 6000 series harvesters equipped with 200mm spouts	Abrasion Resistant
K68683 (LH) K68684 (RH) \$53.35 ea.	⑦ • Wear plate • To fit 6000 series harvesters with 250mm wide low-arch spout	Z68683 Z68684
K68683BK \$6.75 ea.	⑧ • 1 each required • 13.2 lbs. (L) • 14.95 lbs. (R) ⑧a • Wear plate bolt kit • .32 lbs. • To fit K68683 and K68684 wear plate	Abrasion Resistant
K54380 \$67.95 ea.	⑨ • Inner spout deflector • To fit 6000 series harvesters with 250mm wide low-arch spout • 14.6 lbs.	AZ54380 Abrasion Resistant
K54380BK \$13.50 ea.	⑨a • Inner spout deflector bolt kit • To fit #K54380 spout deflector • .35 lbs.	AZ53234
K53234 \$69.00 ea.	⑩ • Outer spout deflector • To fit 6000 series harvesters 250mm wide low-arch spout • 8 lbs.	Abrasion Resistant
K47896BK \$7.15 ea.	⑩a • Outer spout deflector bolt kit • To fit #K53234 spout deflector • .15 lbs.	
K54381 \$32.50 ea.	⑪ • Inner spout deflector wear plate • To fit #K54380 spout deflector • Bolt-in or weld-in • 5.8 lbs.	Abrasion Resistant
KBK \$4.25 ea.	⑪a • Wear plate bolt kit • .1 lbs. • To fit #K54381 spout deflector wear plate	
K53235 \$32.50 ea.	⑫ • Outer spout deflector wear plate • To fit #K53234 spout deflector • Bolt-in or weld-in • 3.2 lbs.	Abrasion Resistant
KBK \$4.25 ea.	⑫a • Wear plate bolt kit • .1 lbs. • To fit #K53235 spout deflector wear plate	
K54264WL \$80.45 ea.	⑬ • Weld-in transition liner • To fit all 6000 series harvesters • 8 lbs.	Abrasion Resistant

KOOIMA® AG REPLACEMENT PARTS TO FIT 6000 SERIES JOHN DEERE® 250MM WIDE LOW-ARCH SPOUT

Replacement parts produced by Kooima® Ag to fit JD® 6000 Series

KOOIMA #	DESCRIPTION	REPLACES OEM #
K54418 \$168.50 ea.	14 • 36" spout extension • Used with 6 or 8-row headers • Creates space between head and truck when side or top loading • To fit 6000 series equipped w/ a 250mm wide low-arch spout • 39 lbs.	AZ104285 AZ54418 AZ59970 Abrasion Resistant
K54418BK \$13.50 ea.	14a • Spout extension bolt kit • To fit #K54418 & #K104288 spout extensions • 1.1 lbs.	
K104288 \$635.00 ea.	14b • 5' extension for 250mm spouts • Does not replace end section on JD® OEM spouts • To fit all 6000 series harvesters • 67 lbs.	AZ104288 AXE25112
K104290 \$35.75 ea.	15 • Replacement 5' extension link • To be used with K104288 • To fit all 6000 series harvesters • 1.65 lbs.	AZ104290
K104291 \$42.00 ea.	16 • Replacement 5' extension link • To be used with K104288 • To fit all 6000 series harvesters • 2.45 lbs.	AZ104291
K104292 \$32.00 ea.	17 • Replacement lever for the 5' extension • To be used with K104288 • To fit all 6000 series harvesters • .65 lbs.	AZ104292
K104292BK \$14.50 ea.	17a • Bolt kit • .2 lbs. • To fit #K104292 replacement lever	
K104293 \$64.00 ea.	18 • Spout stiffener bracket • To fit all 6000 series harvesters • Supports K104288 5' extension • 4.1 lbs.	AZ104293
K104293BK \$32.85 ea.	18a • Bolt kit • To fit #K104293 bracket • 1 lb.	
K69635 \$105.00 ea.	19 • Spout rest support kit • Includes reinforcement bracket and mounting bolts • To fit all 250mm spout rests	Z69635 Z70507
K61312 \$92.50 ea.	20 • 250mm spout rest base • 26.5 lbs. • To fit all 6000-7000 series with 250mm spouts • 1 required	AZ61312
K48788BR \$99.50 ea.	• Rear rubber bumper • 13.75" long • To fit all 6000 & 7000 series • 2 required	Z48788



/ HAY PICK-UP TEETH /

HP hay pick-up teeth are "shot peened," giving them added strength!

- Pick-up tooth • .45 lbs.
- To fit all John Deere® 630, 645, 630A, 640A, 645A, 630B, 640B, 645B, 630C, 640C & 645C forage harvester hay heads
- Replaces OEM #CC25176



Order # K25176
\$4⁰⁵ ea.

Order # K25176HP
\$5⁷⁵ ea.

Bolt Kit: K25176BK: \$3.05 ea.

- Pick-up tooth
- To fit all John Deere® 5 1/2 ft. forage heads
- Replaces OEM #268SE
- .35 lbs.



Order # K268SE
\$2¹⁵ ea.

Bolt Kit: K268SEBK: \$4.75 ea.

- Pick-up tooth • .45 lbs.
- To fit all John Deere® 7 1/2 ft. forage harvester hay heads after SN. 550001
- Replaces OEM #E74678



Order # K74678
\$2⁴⁵ ea.

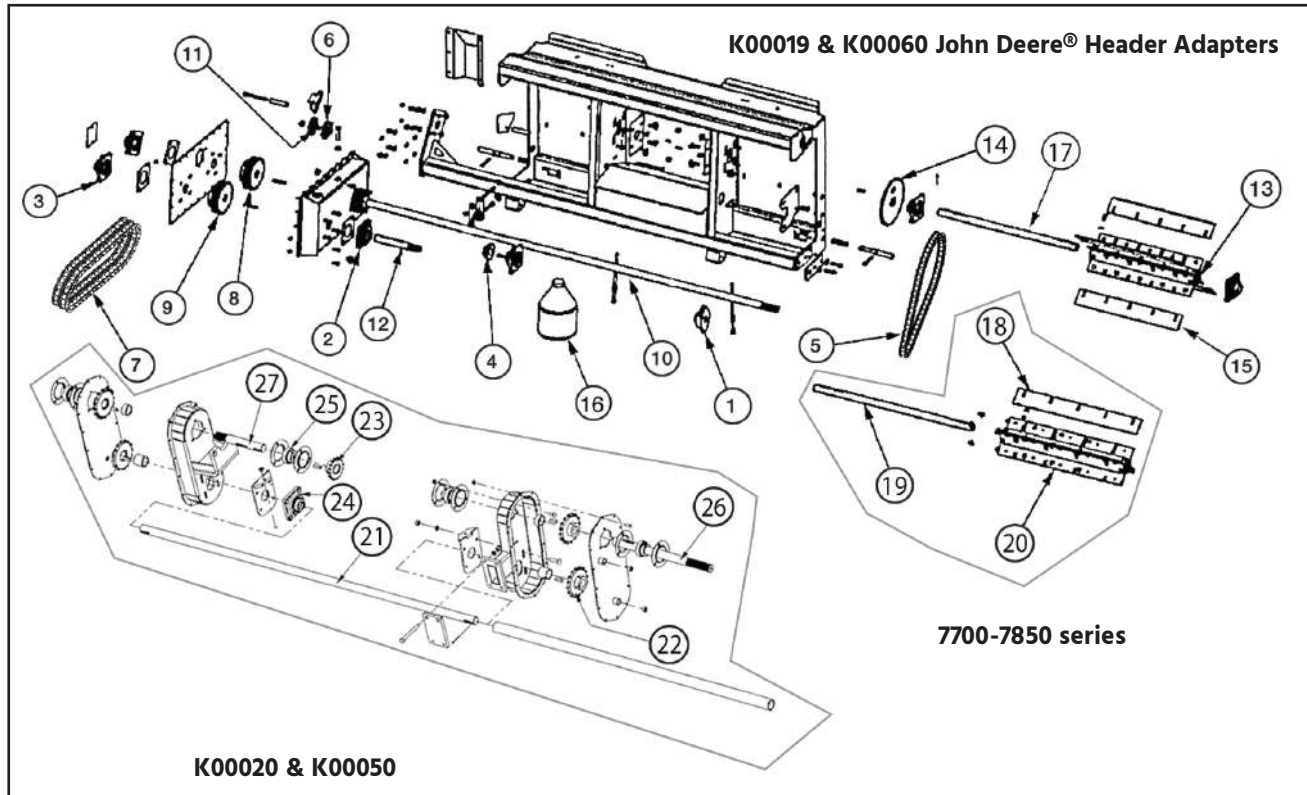
Bolt Kit: K74678BK: \$3.50 ea.



- Poly Pick-up stripper - Complete with hardware
- 1/2" thick with 1/4" thick reinforced support ring
- To fit John Deere® 630A, 640A, 645A, 630B, 640B, 645B, 630C, 640C & 645C hay heads • 1.2 lbs.
- Replaces OEM # FH311772 / E85043

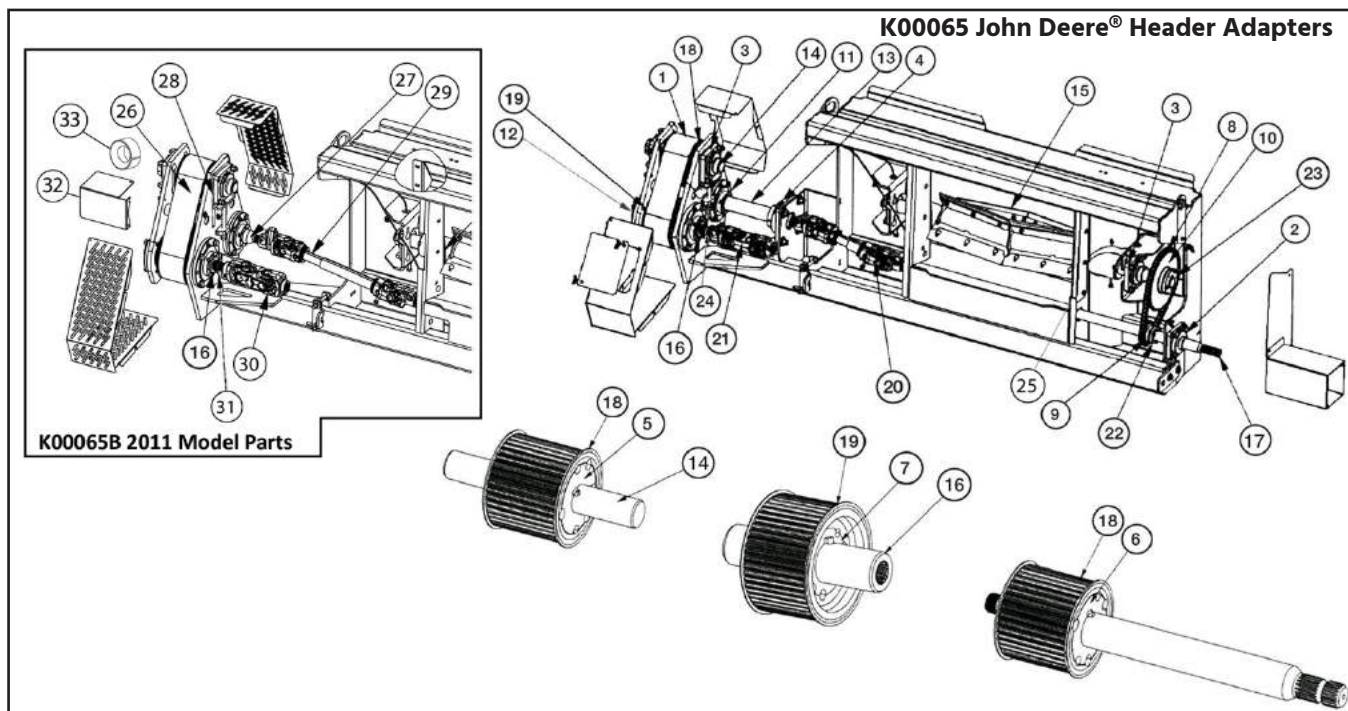
Order # K85043
\$30²⁵ ea.

Additional Bolt Kit: K85043BK
\$3.50 ea. One required per band

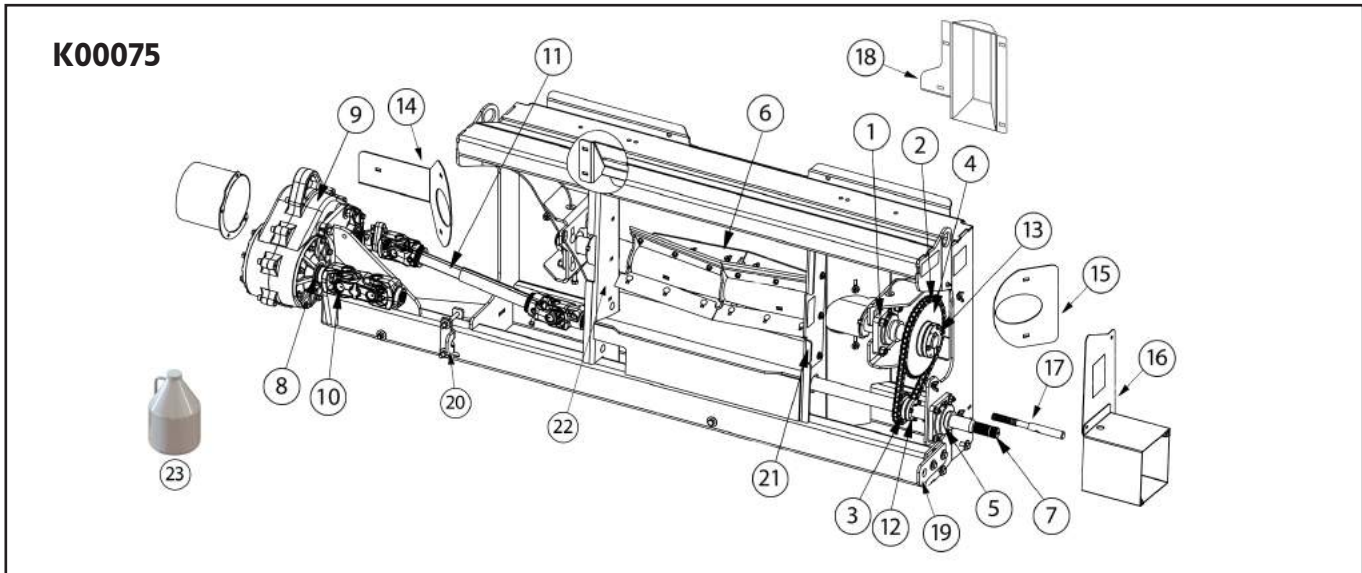



	KOOIMA #	PRICE	DESCRIPTION
①	15-2BOLT	\$50.35 ea	• Bearing 1.50" 2 bolt flange • 3.6 lbs.
②	15-4BOLT	\$50.35 ea.	• Bearing Ø 1.50" 4-bolt flange, set screw • 4.5 lbs.
③	15-4BOLT-LC	\$87.50 ea	• Bearing Ø 1.50" 4-bolt flange, lock collar • 4.75 lbs.
④	60B15-150	\$18.80 ea.	• Sprocket #60 15 tooth 1.5" finished bore keyed • 1.9 lbs.
⑤	60H-54	\$42.50 ea.	• #60 heavy roller chain, 54 pitches • 4.2 lbs.
⑥	80A11	\$50.35 ea.	• Idler sprocket #80 11 tooth • 1.2 lbs.
⑦	80D-46	\$65.45 ea.	• 80 double roller chain, 46 pitches • 13.4 lbs.
⑧	D80B20H1.5	\$215.75 ea.	• Double sprocket #80 B-style 20 tooth hardened 1-1/2" ID • 17.2 lbs.
⑨	D80B21H1.5	\$215.75 ea.	• Double sprocket #80 21 tooth hardened tapered bore • 18.6 lbs.
⑩	FH002140	\$201.00 ea.	• Long shaft • 53.8 lbs.
⑪	FH002158	\$25.30 ea.	• Idler sprocket spacer • .1 lbs.
⑫	FH002181	\$138.00 ea.	• Rear drive shaft, alt • 4.8 lbs.
⑬	FH5000925	\$240.00 ea.	• Feed roll weldment • 41.8 lbs.
⑭	FH5000926	\$69.00 ea.	• Welded sprocket #60 42 teeth 1-1/2" bore keyed • 10.5 lbs.
⑮	FH002147	\$24.50 ea.	• Feed roll bolt-on fin • 4 required • 5.6 lbs.
⑯	OILAGMA5EP	\$40.00 ea.	• 1 gal AGMA 5EP gear oil • 7.85 lbs.
⑰	FH002142	\$47.50 ea.	• Feed roll center shaft, JD® 6610-7550 • 17 lbs.
John Deere® 7700-7850 replacement parts below			
⑱	FH002239	\$19.80 ea.	• Feed roll bolt-on fin • 6.8 lbs.
⑲	FH002240	\$105.75 ea.	• Feed roll center shaft, JD® 7700-7850 • 19 lbs.
⑳	FH5000935	\$215.75 ea.	• Feed roll weldment, JD® 7700-7850
K00020 & K00050 replacement parts below			
㉑	FH001741	\$125.75 ea.	• Drive shaft for 6000 series machines (K00020) • 33 lbs.
㉑a	FH002099	\$125.75 ea.	• Drive shaft for 7000 series machines (K00050) • 41 lbs.
㉒	FH500065	\$45.50 ea.	• 16 tooth #80 drive assembly • 3.6 lbs.
㉓	FH500064	\$45.50 ea.	• 16 tooth #60 drive assembly • 2 lbs.
㉔	VJC17-16	\$60.45 ea.	• 1 7/16 ID FLG MT assembly • 3.4 lbs.
㉕	RA107RRBAG	\$60.45 ea.	• 1 7/16" bearing & collar • 1 lb.
㉖	FH002101	\$65.45 ea.	• Drive shaft #2 • 9.25 lbs.
㉗	FH002100	\$46.50 ea.	• Drive shaft #1 • 4.3 lbs.
㉘	60D-16	\$27.50 ea.	• 60 chain double strand 16 pitch .8 lbs.
㉙	80CHAIN-38	\$17.80 ea.	• 80 roller chain 38 pitches w/con. • 5.4 lbs.

Truck icon signifies product is shipped via truck freight.



	KOOIMA #	PRICE	DESCRIPTION
①	14-MGT-1400-125	\$750.80 ea.	• 2010 model belt, 1400mm long, 125mm wide, 14mm pitch • 2.95 lbs.
②	175-4BOLT-LC	\$95.00 ea.	• Bearing, ball, 4-bolt flange, lock collar, 1.75 shaft, sxv series • 5.4 lbs.
③	20-4BOLT-LC	\$135.00 ea.	• Bearing, ball, 4-bolt flange, lock collar, 2.00 shaft • 7.15 lbs.
④	244-4BOLT-LC	\$165.00 ea.	• Bearing, ball, 4-bolt flange, lock collar, 2.44 shaft • 11.8 lbs.
⑤	3535X2	\$85.45 ea.	• Taper-lock bushing, 2.00 shaft, #3535 • 13.3 lbs.
⑥	3535X207	\$85.45 ea.	• Taper-lock bushing, 2.44 shaft, #3535 • 11.8 lbs.
⑦	3535X3	\$85.45 ea.	• Taper-lock bushing, 3.00 shaft, #3535 • 9.6 lbs.
⑧	60H-58	\$47.50 ea.	• #60 heavy roller chain, 58 pitches • 4.5 lbs.
⑨	60P16H	\$75.00 ea.	• Squeeze-style sprocket, #60 16 tooth, hardened • 1.9 lbs.
⑩	60SF45	\$99.00 ea.	• #60 sprocket, 45 tooth, QD hub • 12.1 lbs.
⑪	FC-IP-207R	\$395.00 ea.	• Bearing, roller, Imperial, piloted flange, 2.43 shaft • 13.4 lbs.
⑫	FC-IP-300R	\$610.00 ea.	• Bearing, roller, Imperial, piloted flange, 3.00 shaft • 18.9 lbs.
⑬	FH002596	\$140.75 ea.	• Short shaft, driven • 29.6 lbs.
⑭	FH002607	\$85.45 ea.	• Idler shaft • 12.6 lbs.
⑮	FH002614	\$37.50 ea.	• Bolt-on tooth, JD® • 4 required • 4.9 lbs.
⑯	FH002621	\$195.00 ea.	• Input shaft for both K00065 and K00065B • 15.9 lbs.
⑰	FH002803	\$225.00 ea.	• Long shaft • 42.1 lbs.
⑱	GTR-38G-14-125	\$375.80 ea.	• Sprocket Falcon 38-tooth, 14mm pitch, 125mm width • 17.3 lbs.
⑲a	FL14MM40	\$22.80 ea.	• Flange for 14MX-38S-125 • 2 required per sprocket • .65 lbs.
⑲	GTR-50G-14-125	\$425.80 ea.	• Sprocket Falcon 50-tooth, 14mm pitch, 125mm width • 42.9 lbs.
⑲a	FL32XH	\$22.80 ea.	• Flange for 14MX-50S-125 • 2 required per sprocket • .8 lbs.
⑳	K00065PTO	\$350.80 ea.	• Captive PTO for JD® wide adapter • 19.5 lbs.
㉑	K23TO21HF	\$415.80 ea.	• JD® adapter drive PTO - 1.38-21 to 1.50-23, K00065 • 14.6 lbs.
㉒	P11.75	\$37.50 ea.	• P1 bushing, for 1.75 shaft • .7 lbs.
㉓	SFX2.0	\$27.50 ea.	• QD bushing, 2.00 shaft • 4 lbs.
㉔	FH002350	\$90.45 ea.	• 1 3/8" 21 spline to 1 3/4" 20 spline shaft, 2010 model shaft • 4.55 lbs.
㉕	FH002799	\$50.35 ea.	• Right side filler plate, wide throat machines • 9 lbs.
K00065B replacement parts below			
⑳	14-MGT-1568-125	\$875.80 ea.	• Gates® GT carbon belt, 1568mm long, 125mm wide, 14mm pitch • 5 lbs.
㉗	FH002944	\$175.75 ea.	• Front shaft, driven • 19.16 lbs.
㉘	FH002945	\$20.30 ea.	• Bearing backing plate • 2 required
㉙	K00065PTOLONG	\$410.00 ea.	• Captive PTO • 27.14 lbs.
㉚	K23TO23MALE	\$520.00 ea.	• W2500 input PTO - 1.50-23 to 1.50-23 • 18.6 lbs.
㉛	FH002943	\$195.00 ea.	• 1 1/2" 23 spline to 1 3/4" 20 spline shaft • 4.85 lbs.
㉜	FH003155	\$13.30 ea.	• LH PTO shield • 3 lbs.
㉝	FH002925	\$26.05 ea.	• Load-bearing collar • 1 required • 1 lb.



KOOIMA #	PRICE	DESCRIPTION
1 20-4BOLT-LC	\$135.00 ea.	• Ball Bearing, 4-bolt flange, lock collar, 2.00" shaft • 7.15 lbs. • 2 required
2 60H-58	\$47.50 ea.	• #60 Heavy roller chain, 58 pitches • 4.5lbs.
3 60P16H	\$75.00 ea.	• Squeeze style sprocket, #60 16 tooth, hardened • 1.9 lbs.
4 60SF45	\$99.00 ea.	• #60 sprocket, 45 tooth, QD hub • 12.1 lbs.
5 175-4BOLT-LC	\$95.00 ea.	• Ball bearing, 4-bolt flange, lock collar, 1.75" shaft • 54 lbs. • 2 required
6 FH002614	\$37.50 ea.	• Bolt on tooth, JD® • 4.9 lbs. • 4 required
7 FH002803	\$225.00 ea.	• Long shaft • 42.1 lbs.
8 FH002943	\$195.00 ea.	• 1-1/2" 23 spline to 1-3/4" 20 spline shaft • 4.85 lbs.
9 FH003620	\$3,500.00 ea.	• Parallel gearbox, 1.3:1 ratio 
10 K23TO23MALE	\$520.00 ea.	• W2500 input PTO, 1-1/2" 23 spline to 1-1/2" 23 spline • 18.6 lbs.
11 K00065PTOLONG	\$410.00 ea.	• Captive PTO • 27.14 lbs.
12 P11.75	\$37.50 ea.	• P1 Bushing, for 1-3/4" shaft • .7 lbs.
13 SFX2.0	\$27.50 ea.	• QD Bushing, 2.00" shaft • 4 lbs.
14 FH002660	\$15.30 ea.	• LH Inside cover • 1 required • 5.25 lbs.
15 FH002659	\$7.25 ea.	• RH Inside cover • 1 required • 2.8 lbs.
16 FH002661KIT	\$25.30 ea.	• RH Drive cover • 1 required • 13.75 lbs.
17 FH002175	\$17.30 ea.	• Locking pin • 2 required • 1.5 lbs.
18 FH002657	\$32.85 ea.	• Sprocket cover • 1 required • 5.2 lbs.
19 FH002124	\$6.25 ea.	• RH Pin plate • 1 required • 2.2 lbs.
20 FH002619KIT	\$15.80 ea.	• LH Connecting plate kit • 1 required • 4.5 lbs.
21 FH002799	\$50.35 ea.	• Right side filler plate, wide throat machines • 9 lbs.
21a FH5000974	\$50.35 ea.	• Right side filler plate, narrow throat machines • 9 lbs. • Used on K00065 also
22 FH5000975	\$50.35 ea.	• Left side filler plate, narrow throat machines • 9 lbs.
23 75W-90PS	\$14.25 ea.	• 1 quart oil • 7 quarts needed • 2 lbs./qt.

John Deere® 6000 & 7000 Series Header Adapter

The adapter work horse, this adapter will allow you to gain the ground speed to get your job done faster. With the improved crop flow design and enclosed heavy duty gear box this is the most efficient header adapter on the market today. This adapter will work with John Deere® 600 series (excluding 606C) 40 and 90 series corn heads and has the ability to switch between narrow and wide throat harvesters easily.

Order # K00075

\$13,900⁰⁰ ea.

Patent # 8,376,126

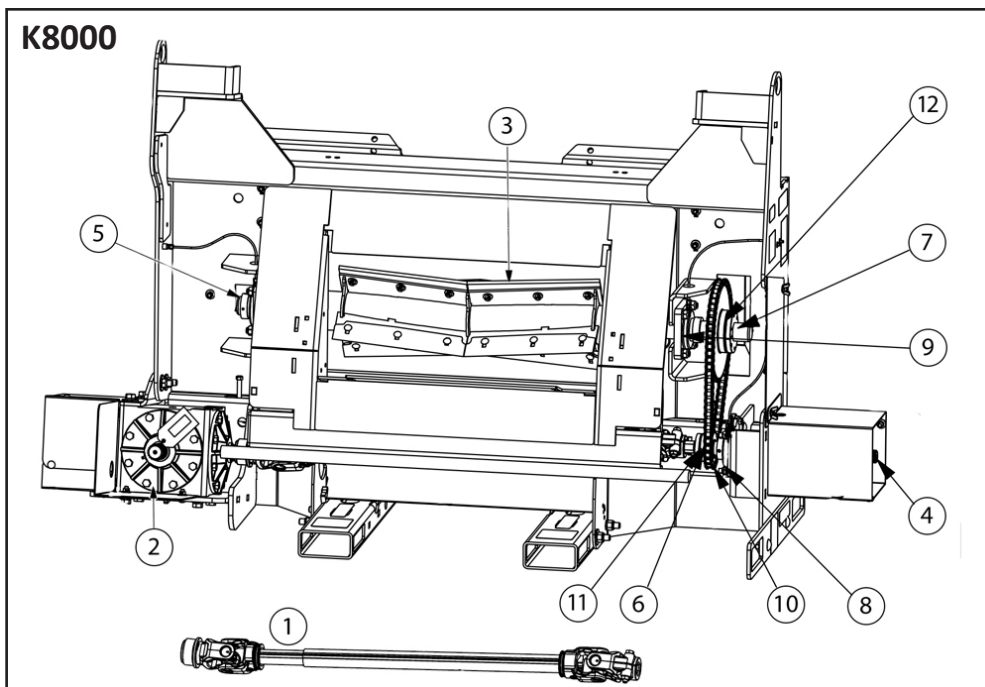


Scan for Videos!



Truck icon signifies product is shipped via truck freight.

FREE FREIGHT ON RETAIL ORDERS OVER \$850.00!



KOOIMA #	PRICE	DESCRIPTION
① K8000PTO	\$520.00	• Middle PTO
② FH003544	\$1,650.00 ea.	• Curtis 615MA Gearbox • 1:1 ratio • 1.75-20 spline • 170 lbs.
③ FH002614	\$37.50 ea.	• Bolt on tooth, JD® • 4.9 lbs. • 4 required
④ FH002775	\$118.00 ea.	• Bottom shaft, 1-1/8 hex to 1.38-21 spline • 10.4 lbs.
⑤ FH5000958	\$665.00	• Flap wheel
⑥ P11.5	\$38.50 ea.	• P1 bushing, for 1-1/2 shaft • 1 lb.
⑦ SFX2.0	\$27.50 ea.	• QD bushing, 2.00" shaft • 4 lbs.
⑧ 15-4BOLT-LC	\$87.50 ea.	• Bearing Ø 1.50" 4-bolt flange, lock collar • 4.75 lbs.
⑨ 20-4BOLT-LC	\$135.00 ea.	• Ball bearing, 4-bolt flange, lock collar, 2" shaft • 7.15 lbs. • 2 required
⑩ 60H-66	\$55.35 ea.	• RH drive chain, #60 heavy roller chain, 66 pitches
⑪ 60P16H	\$75.00 ea.	• Squeeze-style sprocket, #60 16 tooth, hardened • 1.9 lbs.
⑫ 60SF45	\$99.00 ea.	• #60 sprocket, 45 tooth, QD hub • 12.1 lbs.

/ HAY PICK-UP TEETH /

Kooima® Ag hay pick-up teeth are manufactured from hi-tensile drawn spring wire for uniform strength and durability.



- Pick-up tooth
- To fit all John Deere® 5 1/2 ft. forage heads
- Replaces OEM #268SE

Order # **K268SE** (.45 lbs.)
\$2¹⁵ ea. Bolt Kit: K268SEBK: \$4.75 ea.



- Pick-up tooth • Replaces OEM #CC25176
- To fit all John Deere® 630, 645, 630A, 640A, 645A, 630B, 640B, 645B, 630C, 640C & 645C forage harvester hay heads

Order # **K25176** (.45 lbs.)
\$4⁰⁵ ea. Bolt Kit: K25176BK: \$3.05 ea.



- Poly Pick-up stripper - Complete with hardware
- 1/2" thick with 1/4" thick reinforced support ring
- To fit John Deere® 630A, 640A, 645A, 630B, 640B, 645B, 630C, 640C & 645C hay heads • 1.2 lbs.
- Replaces OEM # FH311772 / E85043

Order # **K85043**
\$30²⁵ ea. Additional Bolt Kit: K85043BK
 \$3.50 ea. One required per band



- Pick-up tooth
- To fit all John Deere® 7 1/2 ft. forage harvester hay heads after SN. 550001
- Replaces OEM #E74678

Order # **K74678** (.5 lbs.)
\$2⁴⁵ ea. Bolt Kit: K74678BK: \$3.50ea.



- HP Pick-up tooth • Replaces OEM #CC25176
- To fit all John Deere® 630, 645, 630A, 640A, 645A, 630B, 640B, 645B, 630C, 640C & 645C forage harvester hay heads

Order # **K25176HP** (.45 lbs.)
\$5⁷⁵ ea. Bolt Kit: K25176BK: \$3.05 ea.



- Pick-up tooth • .35 lbs.
- To fit John Deere® 7 ft. hay head before SN. 550000
- Replaces OEM #E54745

Order # **K54745**
\$5²⁵ ea.

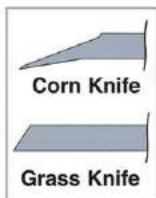
KOOIMA® AG REPLACEMENT PARTS TO FIT 7200-7580 SERIES JOHN DEERE® FORAGE HARVESTERS

Replacement parts produced by Kooima® Ag to fit JD® 7000 Series

1/2" thick center support inside drum helps eliminate center cracking



Shearbar Options & Installation



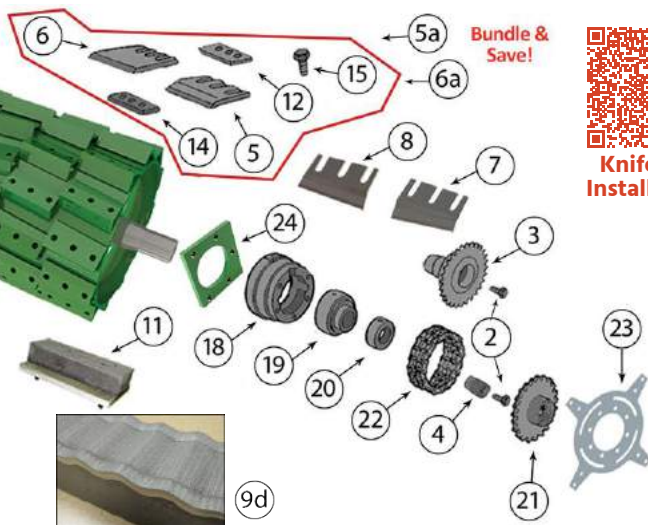
Corn Knife
Grass Knife

Gray side touches shear bar



Sharpening Stone Install

Gray side down



Bundle & Save!




Knife Kit Installation

KOOIMA #	DESCRIPTION	REPLACES OEM #
K103888 \$3,990.00 ea.	① • 40 knife drum • 563 lbs. • To fit 7200-7580 harvesters • Will need to order K71387 Hub & K19M8610 Bolt	AZ103888
K101200 \$4,190.00 ea.	①a • 48 knife drum • Angled knife brackets • 592 lbs. • To fit 7200-7580 harvesters • Will need to order K71387 Hub & K19M8610 Bolt	AZ101200
K101199 \$4,215.00 ea.	①b • 56 knife drum • Straight knife brackets • 628 lbs. • To fit 7200-7580 harvesters • Will need to order K71387 Hub & K19M8610 Bolt	AZ101199
K19M8610 \$5.75 ea.	② • Bolt • Used for K71387 splined hub and K71882 sprocket • .5 lbs.	19M8610
K71882 \$275.75 ea.	③ • 28 tooth sprocket • 8.3 lbs. • To fit 7200-7500 series SN. 506847 & up • Also fits all 7250-7550 machines	AZ71882
K71387 \$44.90 ea.	④ • Splined hub • 2.1 lbs • To fit all 7200-7500 series SN. 506846 & lower • Uses the K71139 sprocket	Z71387
K63136 \$18.50 ea.	⑤ • Corn knife • To fit all 7200-7580 series harvesters • Wider design for fewer unchopped leaves • 48 required • 1.4 lbs.	Z63136/Z56647
K63136KIT \$39.35 ea.	⑤a • Kit includes (1) K63136, (1) K49623, (1) K71196, (3) K69650 • Buy any quantity and save 5%! • 4 lbs./ kit	Heat Treated/Tungsten Carbide
K63136HP \$23.75 ea.	⑤b • Hi-performance corn knife • Lasts longer than factory OEM knives • 1.5 lbs. • Thicker Tungsten carbide edge	Z63136 Heat Treated/Tungsten Carbide
K69500 \$16.90 ea.	⑥ • New longer grass knife • To fit all 7200-7580 series harvesters • 1.6 lbs. • Reduces knife breakage by providing more knife to angle bearing surface	Z69500 Heat Treated/Tungsten Carbide
K69500KIT \$37.95 ea.	⑥a • Kit includes (1) K69500, (1) K49623, (1) K71196, (3) K69650 • Buy any quantity and save 5%! • 4 lbs/kit	
K69500HP \$20.35 ea.	⑥b • Hi-performance grass knife • 1.6 lbs. • Thicker tungsten carbide edge	Z69500 Heat Treated/Tungsten Carbide
K62075 \$22.90 ea.	⑦ • Angled corn knife • Right hand • To fit all 7200-7580 series • 1.5 lbs.	Z62075 Heat Treated/Tungsten Carbide
K62075HP \$26.55 ea.	⑦a • High performance angled corn knife • Right hand • 1.5 lbs. • To fit all 7200-7580 series • Thicker tungsten carbide edge	Z62075 Heat Treated/Tungsten Carbide
K62076 \$22.90 ea.	⑧ • Angled corn knife • Left hand • To fit all 7200-7580 series • 1.5 lbs.	Z62076 Heat Treated/Tungsten Carbide
K62076HP \$26.55 ea.	⑧a • Hi-performance angled corn knife • Left hand • 1.5 lbs. • To fit all 7200-7580 series • Thicker tungsten carbide edge	Z62076 Heat Treated/Tungsten Carbide
K53906 \$510.90 ea.	⑨ • Corn shearbar, 36mm thick • To fit all 7200-7580 series harvesters • 29.4 lbs.	AZ53906 Heat Treated/Tungsten Carbide
K53906HP \$670.00 ea.	⑨a • Hi-performance universal shearbar • To fit all 7200-7580 series harvesters • 30.7 lbs.	AZ53906 Heat Treated/Tungsten Carbide
K53905 \$420.90 ea.	⑨b • Grass shearbar, 36mm thick • To fit all 7200-7580 series harvesters • 29.5 lbs.	AZ53905/AZ103112 Heat Treated/Tungsten Carbide
K64735HPBK \$22.75 ea.	⑨c • Shearbar bolt kit • 1.65 lbs. • To fit K53906, K53906HP, K53905 & K64735HP	
K53906DSW \$1,175.00 ea.	⑨d • Koyma Klad® hi-performance double sine wave shear bar • Patent # 8,109,176 • To fit 7200-7500 series harvesters • Maximize your shear bar's cutting surface! • Koyma Klad® coating maintains a long lasting sharp edge for more tons per hour • 30.4 lbs.	E72350/Z49449
K49450 \$79.00 ea.	⑩ • Shearbar wear strip kit • To fit all 7200-7580 series harvesters • Includes (1) #K49449 long wear strip & (2) #K72350 short wear strips • Gray side of wear strip always touching shear bar • 1 kit required • 1.3 lbs.	
K56626 \$70.90 ea.	⑪ • Sharpening stone • To fit all 7200-7580 series harvesters • 3 lbs. • Bolt kit: K56626BK , \$3.75 ea. .10 lbs.	AZ56626

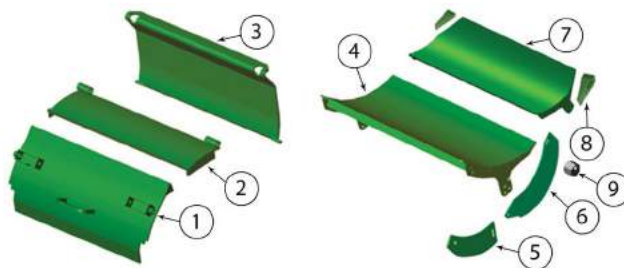
KOOIMA® AG REPLACEMENT PARTS TO FIT 7200-7580 SERIES JOHN DEERE® FORAGE HARVESTERS

Replacement parts produced by Kooima® Ag to fit JD® 7000 Series

KOOIMA #	DESCRIPTION	REPLACES OEM #
K49623 \$8.75 ea.	⑫ • Top strap • To fit all 7200-7580 series harvesters • 48 required • 1 lb.	Z49623/Z60535 Heat Treated
K70982 \$11.50 ea.	⑬ • Angle bracket • Weld-on • 3.1 lbs. • To fit all 7200-7500 series harvesters • Old style straight knife bracket	Z101528 Z70982
K71196 \$7.75 ea.	⑭ • Bottom nut • .9 lbs. • Used with angled knife brackets • To fit all 7200-7580 series harvesters • 48 required	Z71196/Z49625
K69650 \$2.15 ea.	⑮ • Knife bolt • Grade 10.9 metric • .2 lbs. • 144 required • To fit all 7200-7580 series harvesters	Z69650/Z61067
K12816 \$557.50 ea.	⑯ • RH bearing housing • 28 lbs. • To fit all 7000 series harvesters up to SN 510523 • Bolt kit: K12816BK , \$20.50 ea., 3.5 lbs.	Z12816
K48939 \$419.75 ea.	⑰ • RH spherical bearing • 6.3 lbs. • To fit all 7000 series harvesters up to SN 510523 • Will need to get K39504 seal, \$27.70 ea. Replaces OEM # AZ39504	AZ48939
K12815 \$438.75 ea.	⑱ • LH bearing housing • 15.5 lbs. • To fit all 7000 series harvesters up to SN 510523 • Bolt kit: K12815BK , \$15.50 ea., 2.5 lbs.	Z12815
K9307 \$159.25 ea.	⑲ • LH bearing • Fits shaft with 2.94" OD • To fit all 7000 series harvesters up to SN 510523 • 6.3 lbs.	JD9307
K9308 \$22.25 ea.	⑳ • LH locking collar • To fit all 7000 series harvesters up to SN 510523 • 1.3 lbs.	JD9308
K71139 \$169.75 ea.	㉑ • 28 tooth sprocket • 6.15 lbs. • Fits all 7000 series machines with Electromagnetic clutch (STROMAG)	AZ71139
K63229 \$42.85 ea.	㉒ • 28 link chain • 3.83 lbs. • Also need K60LINK • Fits all 7000 series machines with Electromagnetic clutch (STROMAG)	AZ63229
K59516 \$65.45 ea.	㉒a • 42 pitch chain • 5.1 lbs. • Also need K60LINK • To fit all 7000 series harvesters	AZ59516
K60LINK \$4.25 ea.	㉒b • 60 chain link • .1 lbs. • Fits all 7000 series machines with Electromagnetic clutch (STROMAG)	
K101305 \$125.50 ea.	㉓ • Electromagnetic Clutch Plate (STROMAG) • 1.25 lbs. • To fit harvesters 6610-7550 • 2 required • Made from high wear spring steel • Bolt kit: K101305BK , \$8.05 ea. .25 lbs.	AZ101305 Heat Treated
K16953 \$58.00 ea.	㉔ • Cutterhead support plate • To fit all 7000 series • 4.65 lbs.	HXE16953
FH5001045 \$1,150.00 ea.	• Replacement cutter drum shaft • 134 lbs. • To fit Kooima® Ag drums only 	



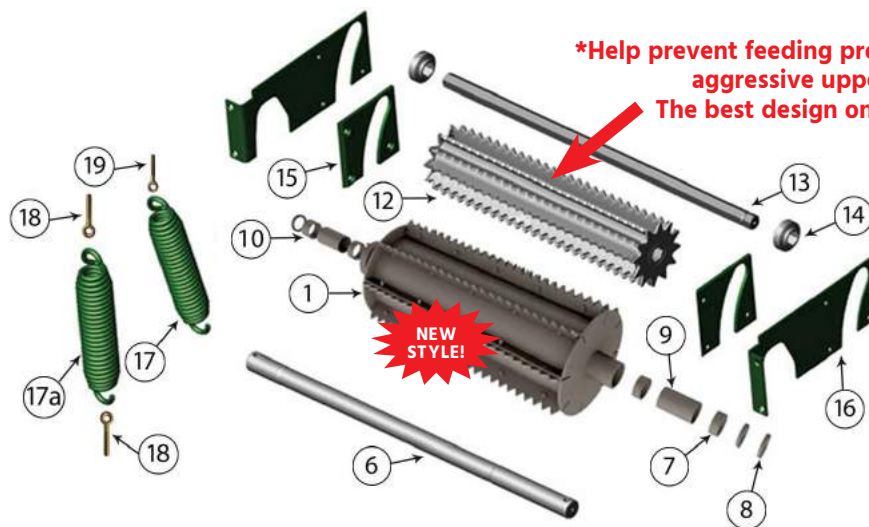
K63686 \$315.00 ea.		• LOC gear box shaft • To fit JD® 6610-6910 serial #002776 & above and 7200-7550 harvesters	Z63686
-------------------------------	---	--	--------



KOOIMA #	DESCRIPTION	REPLACES OEM #
K54310 \$74.75 ea.	① • Cutterhead door • To fit 7200-7580 series harvesters • 28.2 lbs.	AZ54310 Abrasion Resistant
K54323 \$64.50 ea.	② • Cutterhead door • To fit 7200-7580 series harvesters • 18.8 lbs.	AZ54323 Abrasion Resistant
K57245 \$171.50 ea.	③ • Cutterhead shield • To fit 7200-7580 series harvesters • 43.5 lbs.	AZ57245 Abrasion Resistant
K62425 \$179.50 ea.	④ • Spiral floor plate • To fit 7200-7500 series harvesters • 47.5 lbs.	AZ62425 Abrasion Resistant
K72502 \$10.50 ea.	⑤ • Cutterhead wear plate • 2 required • 2.3 lbs. • To fit all 7200-7580 series harvesters • Bolt Kit: K48655BK - 1 kit/plate \$3.95 ea., .1 lbs. Abrasion Resistant	Z72502 Abrasion Resistant
K75383 \$23.30 ea.	⑥ • Cutterhead bracket • 2 required • To fit all 7200-7580 series harvesters • 8 lbs.	Z75383 Abrasion Resistant
K103655 \$199.50 ea.	⑦ • Spiral floor plate • To fit all 7200-7580 series harvesters • 41.4 lbs.	AXE40436/AZ103655 Abrasion Resistant
K103389 \$80.95 ea.	⑧ • Spiral floor deflector • 2 required • To fit all 7200-7580 series harvesters • 3.7 lbs.	Z103389 Abrasion Resistant
K103389BK \$3.50 ea.	⑧a • Bolt for deflector • 2 required per deflector • To fit all 7200-7580 series harvesters • .05 lbs.	19M7783
K64299C \$15.10 ea.	⑨ • Cutterhead bracket adjusting cam • To fit 7200-7500 series harvesters • 2 required • .45 lbs.	E64299

KOOIMA® AG REPLACEMENT PARTS TO FIT 7200-7580 SERIES JOHN DEERE® FORAGE HARVESTERS

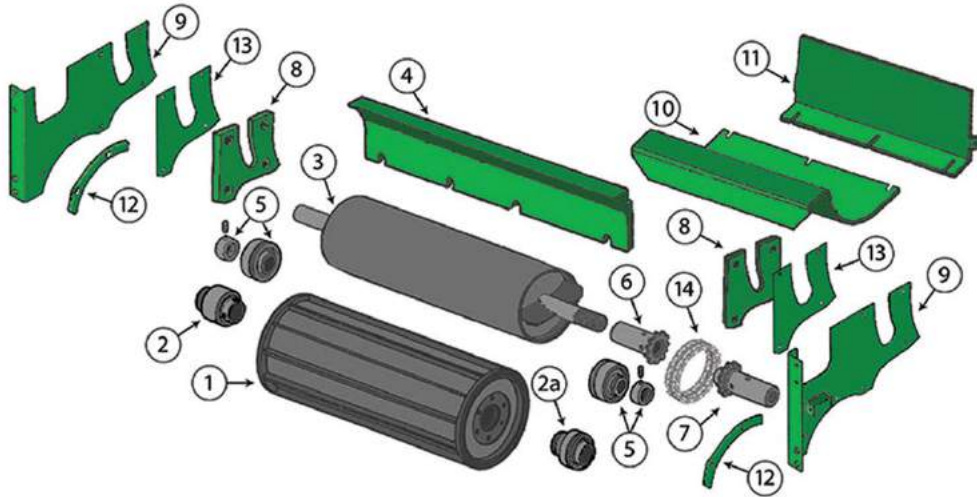
Replacement parts produced by Kooima® Ag to fit JD® 7000 Series



KOOIMA #	DESCRIPTION	REPLACES OEM #
K50611SP \$1,560.00 ea.	1 • Special upper front feed roll, great for corn & cane! • To fit all 7200-7580 series • Heavy Duty 4 Large Bearing Design! • Complete with bolt-on teeth and bearings • 91 lbs. w/o teeth	AZ101035/AZ50611 AZ58228/AZ102095/AZ101103 Stainless Steel Stainless Steel
K50611SPT \$61.25 ea.	2 • Bolt-on tooth • To fit #K50611SP roll • To fit all 7200-7580 series harvesters equipped with Kooima® Ag upper front feed rolls • 8 required • 22 lbs./8 pc. set	
K50611SPFT \$49.35 ea.	3 • Flat replaceable crossbar • To fit #K50611SP feed roll • Eliminates wrapping in haylage • 3 lbs. ea.	Stainless Steel
K50611SPTBK \$59.75 ea.	4 • Hardware kit for K50611, K50611SPT, & K50611SPFT • 2.5 lbs.	
K73857 \$52.35 ea.	5 • Bolt-on tooth • 8 required • 2.25 lbs. • To fit all 7200-7580 series equipped with factory upper front feed roll	E73857/HXE64649 Stainless Steel
K73857BK \$63.50 ea.	5a • Hardware kit for K73857 • 3 lbs.	
K81671 \$345.00 ea.	6 • Upper front feed roll shaft • To fit John Deere® harvesters with the new larger 4-bearing system • 26.5 lbs.	Z81671 Heat Treated
K10071 \$16.80 ea.	7 • Upper front feed roll bearing - larger diameter style • 3 required • .2 lbs.	JD10071
K28870 \$12.75 ea.	8 • Upper front feed roll seal • 3 required • .1 lbs.	AL28870
K101917 \$22.50 ea.	9 • Upper front feed roll bushing • Used with larger diameter bearing system • .6 lbs.	Z101917
K62417 \$19.30 ea.	10 • Upper front feed roll bearing - larger diameter style • Used with larger diameter bearing system • 1 required • .35 lbs.	AZ62417
K10108 \$10.25 ea.	11 • Needle bearing • Original smaller bearing style • .2 lbs. • Use with K50611SP feed rolls with 2" diameter bearing system	JD10108
K48677 \$661.50 ea.	12 • Upper rear feed roll • To fit all 7200-7580 series harvesters • Reversible aggressive design • 68 lbs.	AZ48677/AZ51787 Stainless Steel
K71834 \$640.50 ea.	12a • Upper rear feed roll • Reversible aggressive design • This feed roll is made with AR material • 68 lbs.	AZ71834 Abrasion Resistant
K63862 \$145.75 ea.	13 • Upper rear feed roll shaft • To fit all 7200-7580 series • 38-3/16" x 32mm hex shaft • 16 lbs.	Z63862/Z81670/HXE26048 Heat Treated
K10458 \$40.95 ea.	14 • Upper rear feed roll bearing • 2 required • To fit all 7200-7580 series harvesters • 1 lb.	JD10458
K61010 (RH) \$26.55 ea.	15 • Wear plate, feed roll frame • To fit all 7200-7580 series harvesters • 1 each required • 2.8 lbs. ea.	Z61010 Z61011 Heat Treated
K61010BK \$10.25 ea.	15a • Hardware kit to fit K61009(LH) & K61008(RH) • Also bolts up to K61010(RH) & K61011(LH) • 1 bolt kit required per wear plate • .2 lbs.	
K61009 (LH) \$20.30 ea.	16 • Feed roll wear plate retainer • To fit all 7200-7580 series harvesters • 1 each required • 4.8 lbs. ea.	Z61009 Z61008 Abrasion Resistant
K64796 \$64.25 ea.	17 • Rear feed roll lift arm spring • Use as required • To fit all 7200-7580 series harvesters • 12 lbs.	Z67236 / E64796
K75927 \$49.50 ea.	17a • Front spring for the double spring assembly • To fit all 7200-7580 series harvesters • 6.4 lbs.	Z75927
K76429 \$29.50 ea.	18 • Front spring eye bolt • Includes 2 nuts • To fit 6000-7000 series harvesters • .6 lbs.	Z76429 14M7276
K103433 \$44.00 ea.	19 • Rear spring eye bolt • Includes 2 nuts • To fit 6000-7000 harvesters • 1.37 lbs.	Z103433/Z62088 14M7306



How to Install the Smooth Roll Scraper



How to Install the Earlage Pans

KOOIMA #	DESCRIPTION	REPLACES OEM #
K50090 \$1,090.00 ea.	① • Feed roll, lower front • To fit all 7200-7580 series harvesters • 56.4 lbs.	AZ50090/AZ101149 Stainless Steel
K51405 \$53.35 ea.	② • Right hand bearing • Lower front feed roll • 1 required • To fit all 7200-7580 series harvesters • 1.4 lbs.	AZ51405
K47864 \$49.75 ea.	②a • Left hand bearing • Lower front feed roll • 1 required • To fit all 7200-7580 series harvesters • 1.5 lbs.	AZ47864/AXE10405
K58444 \$519.80 ea.	③ • Lower rear smooth roll • To fit all 7200-7580 series harvesters • Now made of heat treated carbon steel for better wear resistance • 52 lbs.	AZ103271/AZ58444 Heat Treated
K12818 \$197.75 ea.	④ • Smooth roll cleaner, 5 3/8" tall • 18.7 lbs. • To fit 7200-7580 series harvesters • Bolt kit: K12818BK, \$5.10 ea.	Z13356 Z12818 JD10445
K10445 \$55.10 ea.	⑤ • Smooth roll bearing • 1.2 lbs. • To fit all 7200-7580 series harvesters • 2 required	AZ51114
K51114 \$91.95 ea.	⑥ • Inside smooth roll drive coupler • To fit all 7200-7580 series harvesters • 2.5 lbs.	AZ51115
K51115 \$93.95 ea.	⑦ • Outside smooth roll drive coupler • To fit all 7200-7580 series harvesters • 3.4 lbs.	Z68062 Z68063
K68062 (LH) K68063 (RH) \$70.45 ea.	⑧ • Feed roll wear plate • To fit 7200-7580 series harvesters • 1 each required • 4 lbs. ea.	Tungsten Carbide
K100685 (LH) K100686 (RH) \$76.45 ea.	⑨ • Feed roll wear plate • To fit 7200-7500 series harvesters up to SN. 508669 • 1 each required • 8.9 lbs. ea.	AZ100685 AZ100686 Abrasion Resistant
K101960 (LH) K101961 (RH) \$142.00 ea.	⑨a • Feed roll wear plate • To fit 7200-7580 series harvesters after SN. 508669 • 1 each required • 8.3 lbs. ea.	AZ101960 AZ101961 Abrasion Resistant
K101960BK \$19.75 ea.	⑨b • Feed roll wear plate bolt kit • 1 kit required per side • .7 lbs.	Z63659
K63659 \$73.00 ea.	⑩ • Lower feed roll pan • Front pan, used when grinding ear corn with recutter screen • To fit all 7200-7580 series harvesters • 28.2 lbs.	Abrasion Resistant
K50086 \$83.00 ea.	⑪ • Lower feed roll pan • Rear pan, used when grinding ear corn • To fit all 7200-7580 series harvesters • 12.3 lbs.	AZ50086 Abrasion Resistant
K50086BK \$7.00 ea.	⑪a • Earlage pans bolt kit • To fit all series earlage pans • 1 kit required • .25 lbs.	Z102365 Z102366
K102365 (LH) K102366 (RH) \$42.50 ea.	⑫ • Reinforcement • Used on K101960 and K101961 wear plates • To fit 7200-7580 series harvesters • 1 each required .85 lbs.	Abrasion Resistant
K68083 \$19.80 ea.	⑬ • Reinforcement • To fit all 7200-7580 series harvesters • 1 lb.	Z68083
K47886 \$54.80 ea.	⑭ • 14 link chain • To fit all 7200-7500 series harvesters • 1 lb.	AZ47886
K47886BK \$3.75 ea.	⑮ • Bolt kit for K47886 • .1 lbs. • To fit all 7200-7500 series harvesters	

K62425CP



\$995.00 ea.

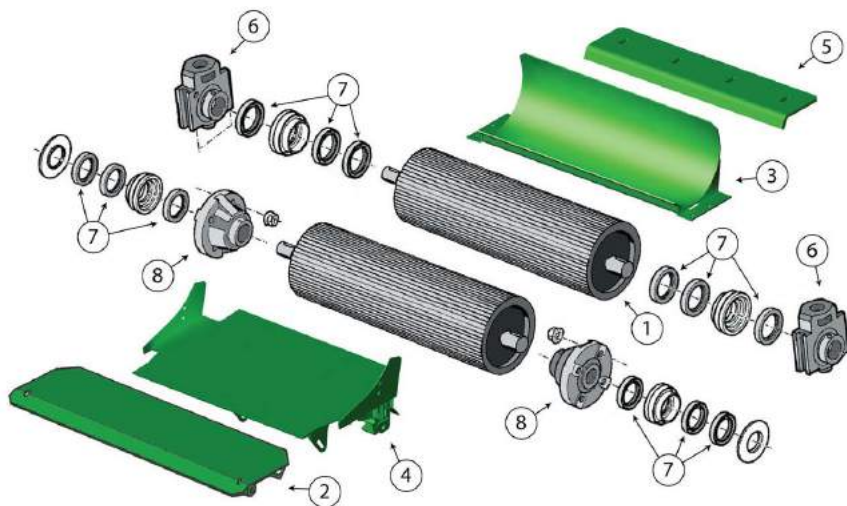
- Cracker plate
- To fit 7200-7500 series harvesters
- Cracks 85-90% of kernels with minimal power requirements
- Bolt-in installation, no moving parts to maintain
- Use in whole plant corn silage or to grind earlage
- Awarded US Patent #6,234,072 & #6,327,970 • 56 lbs.

Abrasion Resistant Tungsten Carbide



Install Video

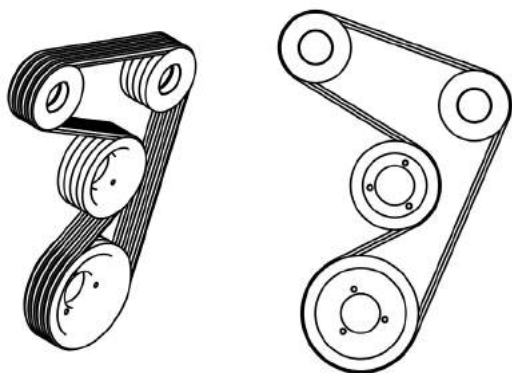
Replacement parts produced by Kooima® Ag to fit JD® 7000 Series



See our new Chevron Series Fiber Tech High Capacity Rolls listed below!

Square grooves unwrap cellulose and shred your stalk which also creates a far superior process job.

KOOIMA #	DESCRIPTION	REPLACES OEM #
K53319 \$1,220.00 ea.	1 • Saw tooth kernel processor roll • Now compatible with JD® Labyrinth seal system • To fit all 7200-7580 series harvesters • 2 required • 152.5 lbs.	AZ53319/AZ101800 Heat Treated
K53319DC 1a \$1,305.00 ea.	• Fiber Tech kernel processor roll - 106 tooth • 152 lbs. • Get the real value out of your processor with the new Dual Cut High Capacity Rolls • To fit all 7200-7580 series harvesters • 2 required • Fiber Tech Chromed kernel processor roll • 153 lbs • Get the real value out of your processor with the new Chevron Series Fiber Tech High Capacity Rolls • To fit all 7200-7580 series harvesters • 2 required	AZ53319/AZ101800 Heat Treated
K53319HPF (Fast, Top 106 tooth) K53319HPS (Slow, Bottom 120 tooth) 1b \$1,705.00 ea.		AZ53319 Heat Treated Chromed Plated Roll
K48919 \$83.45 ea.	2 • Kernel processor deflector • To fit all 7200-7580 series harvesters • 17.6 lbs.	AZ48919 Abrasion Resistant
K55165 \$150.75 ea.	3 • Rear cover • To fit all 7200-7580 series harvesters equipped with kernel processor • 35.6 lbs.	AZ55165 Abrasion Resistant
K71588 \$295.00 ea.	4 • Bottom cover • To fit all 7200-7580 series harvesters • 38.5 lbs.	AZ71588 Abrasion Resistant
K73234 \$51.10 ea.	5 • Kernel processor deflector • 11 lbs. • To fit all 7200-7580 series harvesters • Hardware Kit: K73234BK - \$7.50 ea., .3 lbs.	Z73234 Abrasion Resistant
K100856 \$241.50 ea.	6 • Bearing with housing for upper kernel processor rolls • 9 lbs. • To fit all 7200-7500 series up to SN. 508668 • 2 required	AZ100856
K101706 \$246.75 ea.	6 • Bearing with housing for upper kernel processor rolls • 8 lbs. • To fit all 7200-7580 series after SN. 508669 • 2 required	AZ101706
K102198 \$7.90 ea.	7 • Seal • 6 required per roll • To fit all 7200-7580 series after SN. 508669 • .05 lbs.	AZ102198
K100857 \$241.50 ea.	8 • Bearing with housing for lower kernel processor rolls • To fit all 7200-7500 series up to SN. 508668 • 2 required • 8.5 lbs.	AZ100857
K102483 \$266.75 ea.	8 • Bearing with housing for lower kernel processor rolls • 9 lbs. • To fit all 7200-7580 series after SN. 508669 • 2 required	AZ102483



Improved 4 belt processor belt update kit!

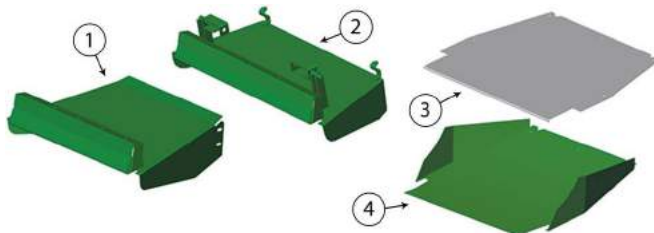
- 15% more power transmission
- 4 A belts proven to run cooler than traditional 3 B-belt setup
- Belts will last longer and run cooler while providing more power
- Comes complete with belts, pulleys, idler pulley bearings, caps and seals
- Also comes with beveled scraper to minimize crop buildup on bottom roll

K7000PAN
\$1,302.00 ea.

- 4 Belt processor belt update kit • 66.7 lbs.
- **To fit John Deere® 7200-7500 series narrow body harvesters**
- **Will also fit all 6000 series with minor modifications**

KAA78K
\$204.00 ea.

- 4 groove belt set • 3.6 lbs.
- To fit K7000PAW and K7000PAN processor update kit



KOOIMA #	DESCRIPTION	REPLACES OEM #
K71742 \$75.45 ea.	① • Grass chute top • 28 lbs. • Hardware Kit: K57887BK - \$6.90 ea., .25 lbs. • To fit 7200-7580 series harvesters without kernel processors	Z71742 Abrasion Resistant
K57329 \$179.75 ea.	② • Grass chute top • 30.2 lbs. • To fit 7200-7580 series harvesters with kernel processors	AZ57329 Abrasion Resistant
K78611 \$165.75 ea.	③ • Stainless steel liner • 22 lbs. • To fit 7200-7580 series harvesters	Z78611 Stainless Steel
K78611BK \$5.50 ea.	③a • Stainless steel liner Bolt Kit • One kit required • Use with stainless steel liner #K78611 • .5 lbs.	
K63927 \$180.75 ea.	④ • 1-piece grass chute • Use with liner #K78611 • To fit all 7200-7580 series harvesters • 39 lbs.	AZ63927/AZ65662 Abrasion Resistant

Koyma Klad® Silage Plus Processor

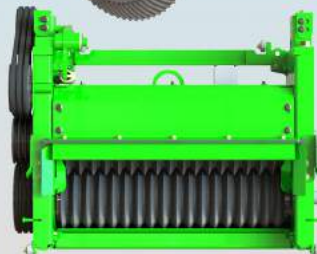
This processor offers a new and more efficient way to process your silage, saving fuel and gaining capacity. Here at Kooima® Ag, we've been making knives and shearbars for over 20 years. That same extended life coated technology is applied to the teeth in this disc processor. We haven't seen any measurable wear on processors with over 190,000 tons of silage run through the disc. Conventional processing just isn't good enough anymore! To fit standard body 7200-7580 series harvesters.

\$18,500.⁰⁰

Order # SC3005 Patent: 9833785

Customer Testimonial

"The Kooima klad did a great job processing kernels in our corn silage. We could not find any whole ones at 2 mm gap. It also did an excellent job with our ground ear corn. Our cows are performing very well on last year's silage." - Aaron Maassen, Maassen Dairy



The Rock Stop'er Pro

FORAGE HARVESTER STONE DETECTION SYSTEM



JD® must have double spring kit installed.



- Fits most makes and models of SPFH and pull type harvesters.
- Patented Inertia sensor stops feed drive when rocks are detected.
- In cab sensitivity adjustment for varying crop conditions.
- Call 1-800-522-8874 for more details!



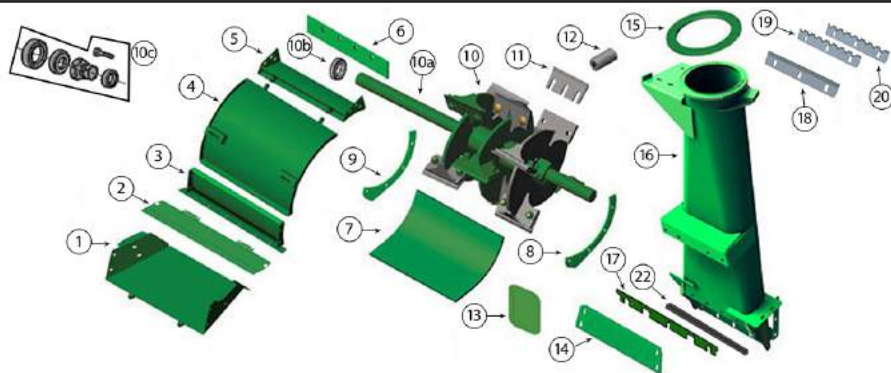
Extra Sensor Available!
Order # SENSOR
Only **\$775⁰⁰** ea.

Order # ROCK STOPER
Only **\$2,975⁰⁰** ea.



Designed and manufactured in Canada.

KOOIMA® AG REPLACEMENT PARTS TO FIT 7200-7580 SERIES JOHN DEERE® FORAGE HARVESTERS



Replacement parts produced by Kooima® Ag to fit JD® 7000 Series

KOOIMA #	DESCRIPTION	REPLACES OEM #
K55555 \$130.75 ea.	① • Guide, rear feed channel • 18.2 lbs. • To fit 7200-7580 series harvesters • K55555BK - Bolt Kit, \$10.75 ea., .35 lbs.	AZ55555 Abrasion Resistant
K102076 \$65.00 ea.	② • Feed guide top flap • To fit 7200-7580 series harvesters • 4.7 lbs.	AZ102076
K55604 \$50.35 ea.	③ • Front blower housing shield • 10 lbs. • To fit 7200-7580 series harvesters • K55604BK - Bolt Kit, \$6.75 ea., .25 lbs.	AZ55604 Abrasion Resistant
K46608 \$62.50 ea.	④ • Blower housing door • To fit all 7200-7580 series harvesters • 19.3 lbs.	AZ46608 Abrasion Resistant
K43828 \$50.85 ea.	⑤ • Top blower housing shield • 6.7 lbs. • To fit all 7200-7580 series harvesters • K43828BK - Bolt Kit, \$13.50 ea., .9 lbs.	AZ43828 Abrasion Resistant
K55782 \$16.75 ea.	⑥ • Blower housing cutoff strap • 6 lbs. • To fit all 7200-7580 series harvesters • K55782BK - Bolt Kit, \$9.25 ea. • .55 lbs.	Z55782 Abrasion Resistant
K67028 \$79.95 ea.	⑦ • Bottom blower band • To fit 7200-7580 series harvesters • 21.5 lbs.	Z67028 Abrasion Resistant
K67030 \$20.50 ea.	⑧ • Left hand blower band support strap • 2.6 lbs. • 1 required • To fit all 7200-7580 series harvesters • K67030BK - Bolt Kit, \$16.25 ea., .4 lbs.	Z67030 Abrasion Resistant
K67031 \$20.50 ea.	⑨ • Right hand blower band support strap • 2.6 lbs. • 1 required • To fit all 7200-7580 series harvesters • K67030BK - Bolt Kit, \$16.25 ea.	Z67031 Abrasion Resistant
K51888 \$995.00 ea.	⑩ • Fan rotor assembly • To fit all 7200-7550 series harvesters with a 12 paddle blower • Includes fan rotor and shaft, 12 paddles and mounting hardware • 186.5 lbs. 🚚	AZ51888 AZ51887
K65324 \$312.50 ea.	⑩a • Blower shaft • To fit all 7200-7500 series harvesters with 12 paddle blower • 37.5 lbs.	Z65324
K10451 \$137.75 ea.	⑩b • Bearing • To fit all 7180-7580 series harvesters • 2 bearings needed per blower • 3.6 lbs.	AXE10451
K10060 \$125.75 ea.	⑩c • Repair kit - includes 2 seals, 1 bearing cone, 1 ring and 1 cap screw • 2 kits needed per blower • 1.8 lbs.	KXE10060
K72898 \$13.85 ea.	⑪ • Blower paddle • To fit all 7000 series harvesters • 7200-7550: 12 required • 1.2 lbs. ea. • K72898BK - Bolt kit, \$68.50 ea., 7.4 lbs. Heat Treated/Tungsten Carbide/Abrasion Resistant	Z72898
K73207 \$243.00 ea.	⑫ • Spout worm gear • 1" bore all the way through • To fit all 7200-7500 series harvesters • 4.3 lbs.	E73207 Heat Treated
K20713 \$18.55 ea.	⑬ • Spout transition inspection door • 4.8 lbs. • To fit all 7000 series harvesters	Z20713 Abrasion Resistant
K81903 \$17.30 ea.	⑭ • Spout transition side wall • 3 lbs. • To fit 7200-7580 series harvesters: 1 required • K60500BK - Bolt Kit, \$10.75 ea., .53 lbs.	Z81903
K67194 \$325.80 ea.	⑮ • Spout ring gear • To fit all 7000 series harvesters equipped with 250mm spout with standard spout turning device • 15.5 lbs • 12 1/4" inside diameter	Z67194 Tool Steel
K104829 \$426.80 ea.	⑮a • Spout ring gear • 16.3 lbs. • To fit 7250-7550 series harvesters equipped with improved spout turning device	Z104829 Tool Steel
K22859 \$405.80 ea.	⑮b • Spout ring gear • To fit 7180-7580 series harvesters • 15.5 lbs.	HXE22859 Tool Steel
K71964 \$1,460.00 ea.	⑯ • Spout transition • 156.5 lbs. 🚚 • To fit 7200-7500 series harvesters • K42610BK - Bolt kit, \$49.75 ea., 3.2 lbs.	AZ104287/AZ71964 Abrasion Resistant
K64393 \$10.00 ea.	⑰ • Adjusting strap • To fit 7000 series transition chutes • K64393BK - Bolt Kit, \$10.25 ea.	Z64393
K29868 \$17.90 ea.	⑱ • Blade • Koyma Klad® coating for better wear • 1.15 lbs. • To fit 7250-7580 series harvesters • 8 required	HXE29868
K34827 \$17.80 ea.	⑲ • Serrated blade • Koyma Klad® coating for better wear • To fit 7250-7580 series harvesters • 4 required • 1.1 lbs.	HXE34827
K34828 \$17.80 ea.	⑳ • Serrated blade • Koyma Klad® coating for better wear • To fit 7250-7580 series harvesters • 4 required • 1 lb.	HXE34828
KM12BK \$8.15 ea.	㉑ • Bolt kit • To fit K29868, K34827 & K34828 blades • 1 kit per blade required • .5 lbs.	O3M7199 14M7401
K61046 \$35.00 ea.	㉒ • Weather strip • To fit 7200-7580 series harvesters	Z61046

NEW

7000, 8000 & 9000 Series Bumper

Features:

- Adjustable bumper pads to protect your cutter from damage
- Lowered hitch allows for better alignment
- Weight rack designed to use standard suitcase weights included on **K125061**
- Included chain or tow rope connection
- Proudly made in the USA



Option with weight rack

Order # K125061

\$2,790⁰⁰ ea.

Optional Add-On

Wide complete rubber bumper attachment for K125061 and K125072

Order # K125083

\$2,850⁰⁰ ea.

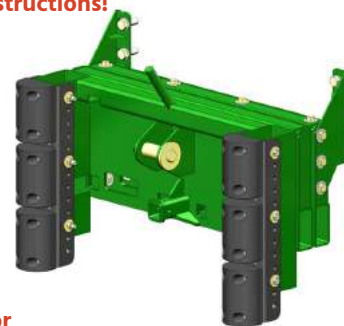


Scan for Videos and Install Instructions!

No weight rack

Order # K125072

\$2,275⁰⁰ ea.



Scan for Videos and Install Instructions!

High Quality Silage Covers

String Tarps White/Black - 6.0 mil (R6WBK)

Part #	Price	W X L	Weight
K59X200M6	\$952.00	59.5 X 200	370 lbs.
K59X500M6	\$2,380.00	59.5 X 500	780 lbs.
K85X200M6	\$1,372.00	85.75 X 200	470 lbs.
K85X250M6	\$1,715.00	85.75 X 250	585 lbs.
K85X1000M6	\$6,860.00	85.75 X 1000	2,275 lbs.
K105X40M6	\$337.60	105.5 X 40	172 lbs.
K105X60M6	\$506.40	105.5 X 60	237 lbs.
K151X45M6	\$545.40	151.5 X 45	220 lbs.
K151X50M6	\$606.00	151.5 X 50	250 lbs.
K151X60M6	\$727.20	151.5 X 60	272 lbs.
K151X70M6	\$848.40	151.5 X 70	315 lbs.
K151X75M6	\$909.00	151.5 X 75	335 lbs.
K151X80M6	\$969.60	151.5 X 80	370 lbs.
K151X100M6	\$1,212.00	151.5 X 100	430 lbs.
K184X70M6	\$1,033.20	184.5 X 70	405 lbs.
K184X110M6	\$1,623.60	184.5 X 110	550 lbs.
K204X50M6	\$817.00	204.25 X 50	315 lbs.
K204X60M6	\$980.40	204.25 X 60	380 lbs.
K204X70M6	\$1,143.80	204.25 X 70	420 lbs.
K204X80M6	\$1,307.20	204.25 X 80	465 lbs.
K204X100M6	\$1,634.00	204.25 X 100	550 lbs.
K243X60M6	\$1,170.00	243.75 X 60	455 lbs.
K250X70M6	\$1,401.40	250.25 X 70	545 lbs.
K250X80M6	\$1,601.60	250.25 X 80	590 lbs.
K250X85M6	\$1,701.70	250.25 X 85	615 lbs.
K303X100M6	\$2,424.00	303 X 100	870 lbs.



Detail of reinforced string tarps



800.522.8874

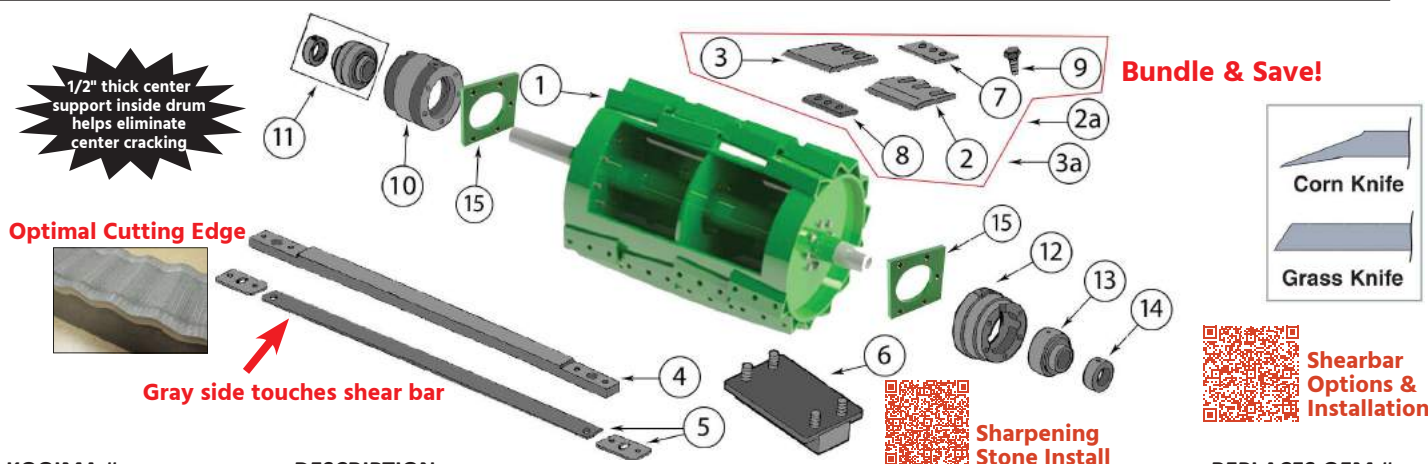
If you do not see the size you need, give us a call, other sizes are available upon request.

Prices are subject to change.

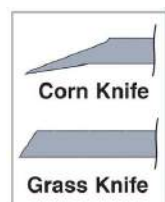
* Free shipping on Silage Covers if combined with \$850 in Kooima® Ag parts on phone and internet orders

KOOIMA® AG REPLACEMENT PARTS TO FIT 7700-7980 SERIES JOHN DEERE® FORAGE HARVESTERS

Replacement parts produced by Kooima® Ag to fit JD® 7000 Series

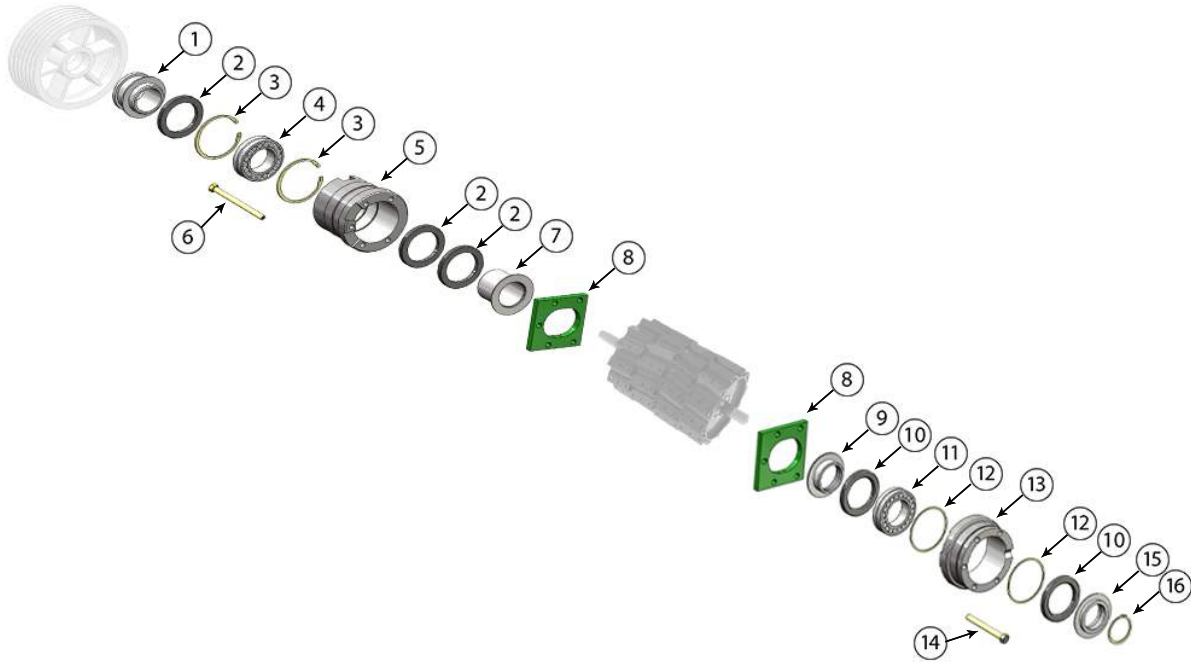


Bundle & Save!



KOOIMA #	DESCRIPTION	REPLACES OEM #
KAZ101205 \$4,750.00 ea.	1 • 56 knife cutterhead drum • 706 lbs. • Tapered RH shaft • Up to serial # 510523	K103742 • 56 knife cutterhead drum \$4,990.00 ea. • Serial # 510524 & after
KAZ101206 \$4,550.00 ea.	1a • 48 knife cutterhead drum • 671 lbs. • Tapered RH shaft • Up to serial # 510523	K103743 • 48 knife cutterhead drum \$4,950.00 ea. • Serial # 510524 & after
KAZ101207 \$4,575.00 ea.	1b • 40 knife cutterhead drum • 641 lbs. • Tapered RH shaft • Up to serial # 510523	K103744 • 40 knife cutterhead drum \$4,650.00 ea. • Serial # 510524 & after
K72500 \$19.95 ea.	2 • Corn knife • To fit all 7700-7980 series harvesters • 40, 48 or 56 required • 1.7 lbs.	72500 Heat Treated/Tungsten Carbide
K72500KIT \$40.60 ea.	2a • Kit includes (1) K72500, (1) K76801, (1) K72498, (3) K69650 • Buy any quantity and save 5%! • 4.45 lbs.	
K81123 \$18.95 ea.	3 • Grass knife • To fit all 7700-7980 series harvesters • 40, 48 or 56 required • 1.9 lbs.	81123 Heat Treated/Tungsten Carbide
K81123KIT \$39.60 ea.	3a • Kit includes (1) K81123, (1) K76801, (1) K72498, (3) K69650 • Buy any quantity and save 5%! • 4.65 lbs.	
K81123HP \$27.10 ea.	3b • Grass knife • Koyma Klad® coating • To fit 7700-7980 series harvesters • 1.9 lbs. • Thicker tungsten carbide coating • Lasts longer than factory OEM Knives	81123 Heat Treated/Tungsten Carbide
K64735HP \$870.50 ea.	4 • High performance shearbar • 48.4 lbs. • To fit all 7700-7980 series harvesters	AZ64735 Heat Treated/Tungsten Carbide
K64735DSW \$1,290.00 ea.	4a • Koyma Klad® hi-performance double sine wave shearbar • Patent # 8,109,176 • To fit 7700-7980 series harvesters • Maximize your shear bars cutting surface! • Koyma Klad® coating maintains a long lasting sharp edge for more tons per hour • 47 lbs.	
K64735HPBK \$22.75 ea.	4b • Bolt Kit • 1.65 lbs. • To fit K64735HP, K53906, K53906HP & K53905	
K724870 \$185.00 ea.	5 • Shearbar wear strip kit • 1 kit required • 2 lbs. • Includes (2) #K72486 long wear strips & (2) #K72350 short wear strips • To fit all 7700-7980 series harvesters • Gray side of wear strip always touches shear bar	E72350/Z72486
K56626 \$70.90 ea.	6 • Sharpening stone • To fit all 7700-7980 series harvesters • 3 lbs. • Bolt kit: K56626BK, \$3.75 ea. .10 lbs.	AZ56626
K76801 \$7.95 ea.	7 • Top strap • To fit all 7700-7980 series harvesters • 40, 48 or 56 required • 1.2 lbs.	Z76801 Heat Treated
K72498 \$8.35 ea.	8 • Bottom nut • To fit all 7700-7980 series harvesters • 40, 48 or 56 required • .95 lbs.	Z72498/HXE29392
K69650 \$2.15 ea.	9 • Knife bolt • Grade 10.9 metric • 144 required • To fit all 7700-7980 series harvesters • .2 lbs. • Torque bolt from 155-200 lb-ft	Z69650/Z61067
K12816 \$557.50 ea.	10 • RH bearing housing • 28 lbs. • To fit all 7000 series harvesters up to SN 510523 • Bolt kit: K12816BK, \$20.50 ea., 3.5 lbs.	Z12816
K48939 \$419.75 ea.	11 • RH spherical bearing • 6.3 lbs. • To fit all 7000 series harvesters up to SN 510523 • Will need to get K39504 seal, \$27.70 ea. Replaces OEM # AZ39504	AZ48939
K12815 \$438.75 ea.	12 • LH bearing housing • 15.5 lbs. • To fit all 7000 series harvesters up to SN 510523 • Bolt kit: K12815BK, \$15.50 ea., 2.5 lbs.	Z12815
K9307 \$159.25 ea.	13 • LH bearing • Fits shaft with 2.94" OD • To fit all 7000 series harvesters up to SN 510523 • 6.3 lbs.	JD9307
K9308 \$22.25 ea.	14 • LH locking collar • To fit all 7000 series harvesters up to SN 510523 • 1.3 lbs.	JD9308
K16953 \$58.00 ea.	15 • Cutterhead support plate • 4.65 lbs. • To fit all 7700, 7750, 7800, 7950 before SN 510523	HXE16953
FH5000949 \$1,325.00 ea.	• Replacement cutter drum shaft • Up to SN # 510523 • To fit Kooima® Ag drums only • 151 lbs.	
FH5001132 \$1,625.00 ea.	• Replacement cutter drum shaft • SN 510524 & after • To fit Kooima® Ag drums only	



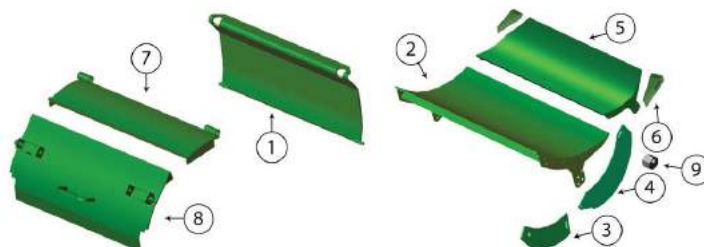


When replacing the cutter drum on your 7000 series harvester, order the following parts:
Used on John Deere® 7750, 7780, 7950 and 7980 series, SN 510524 and above

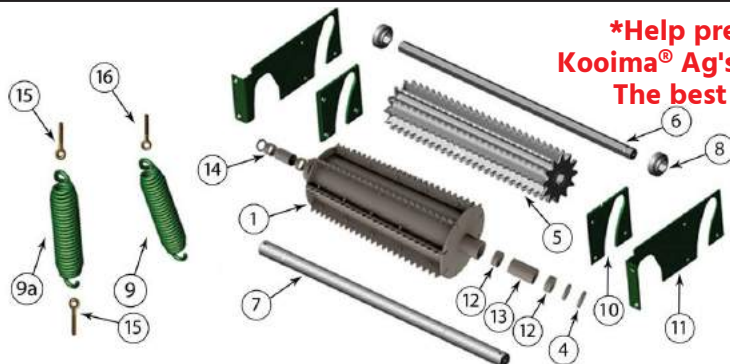
<u>KOOIMA #</u>		<u>DESCRIPTION</u>	<u>REPLACES OEM #</u>
K85741 \$191.35 ea.	①	• Bushing • 1 required • 5.35 lbs.	HXE85741
K103847 \$30.75 ea.	②	• Seal • 3 required • .30 lbs.	AZ103847
K40M7232 \$18.20 ea.	③	• Snap ring • 2 required • .25 lbs.	40M7232
K103850 \$274.15 ea.	④	• Bearing • 1 required • 4.65 lbs.	AZ103850
K105053 \$888.10 ea.	⑤	• Bearing housing without bearing • 1 required • 25.40 lbs.	Z105053
K19M8542 \$9.15 ea.	⑥	• Cap screw, M16x190 • 5 required • .70 lbs.	19M8542
K87418 \$213.00 ea.	⑦	• Bushing • 1 required • 3.90 lbs.	HXE87418
K105057 \$59.50 ea.	⑧	• Plate • 2 required • 5 lbs.	Z105057
K87420 \$118.95 ea.	⑨	• Bushing • 1 required • 1.05 lbs.	HXE87420
K103848 \$36.05 ea.	⑩	• Seal • 2 required	AZ103848
K103851 \$146.85 ea.	⑪	• Bearing • 1 required • 3.75 lbs.	AZ103851
K31754 \$6.10 ea.	⑫	• Washer • 2 required	HXE31754
K105052 \$676.40 ea.	⑬	• Bearing housing without bearing • 1 required • 18.65 lbs.	Z105052
K19M7732 \$7.30 ea.	⑭	• Cap screw, M16x130 • 5 required • .50 lbs.	19M7732
K87419 \$119.45 ea.	⑮	• Bushing • 1 required • 1.35 lbs.	HXE87419
K40M7217 \$10.35 ea.	⑯	• Snap ring • 1 required	40M7217

KOOIMA® AG REPLACEMENT PARTS TO FIT 7700-7980 SERIES JOHN DEERE® FORAGE HARVESTERS

Replacement parts produced by Kooima® Ag to fit JD® 7000 Series



KOOIMA #	DESCRIPTION	REPLACES OEM #
K57552 \$160.75 ea.	① • Cutterhead shield • To fit 7700-7980 series harvesters • 51.3 lbs.	AZ57552 Abrasion Resistant
K58229 \$220.75 ea.	② • Spiral floor plate • To fit 7700-7980 series harvesters • 51.7 lbs.	AZ58229 Abrasion Resistant
K72502 \$10.50 ea.	③ • Cutterhead wear plate • 2 required • To fit all 7200-7980 series harvesters • 2.3 lbs.	Z72502 Abrasion Resistant
K75383 \$23.30 ea.	④ • Cutterhead bracket • 2 required • To fit all 7200-7980 series harvesters • 8 lbs.	Z75383 Abrasion Resistant
K103656 \$320.50 ea.	⑤ • Spiral floor plate - when using crop deflectors • To fit all 7700-7980 series harvesters • 47.6 lbs.	AXE40437 / AZ103656 Abrasion Resistant
K103389 \$80.95 ea.	⑥ • Spiral floor deflector • 2 required • To fit all 7200-7980 series harvesters • 3.7 lbs.	Z103389 Abrasion Resistant
K103389BK \$3.50 ea.	⑥a • Bolt for deflector • 2 required per deflector • To fit all 7200-7980 series harvesters • .05 lbs.	19M7783
K57836 \$221.50 ea.	⑦ • Cutterhead door • To fit 7700-7980 series harvesters • 20.25 lbs.	AZ57836 Abrasion Resistant
K58855 \$290.75 ea.	⑧ • Cutterhead door • 33.2 lbs. • To fit 7700-7980 series harvesters	AZ58855 Abrasion Resistant
K64299C \$15.10 ea.	⑨ • Cutterhead bracket adjusting cam • .45 lbs. • To fit 7700-7980 harvesters • 2 required	E64299



***Help prevent feeding problems with Kooima® Ag's aggressive upper rear feed roll. The best design on the market today!**



Importance of the Upper Rear Feed Roll

KOOIMA #	DESCRIPTION	REPLACES OEM #
K103444 \$2,495.00 ea.	① • Upper front feed roll • To fit all 7700-7980 series harvesters • 110 lbs. • 4 heavy duty bearing design • Complete with bolt-on teeth & bearings	AZ103444 Stainless Steel
K79099 \$61.95 ea.	② • Flat replaceable crossbar • 8 required • 3.5 lbs. • To fit 7700-7980 upper front feed roll	HXE64653 / Z79099 Stainless Steel
K71583T \$74.50 ea.	③ • Bolt-on tooth • 8 required • To fit all 7700-7980 series harvesters • Hardware Kit: K71583TBK: \$89.45 ea. • 1 kit fits 8 teeth, 3.7 lbs.	Stainless Steel
K28870 \$12.75 ea.	④ • Upper front feed roll seal • 4 required • .1 lbs.	AL28870
K57147 \$895.00 ea.	⑤ • Upper rear feed roll • To fit all 7700-7980 series harvesters • Reversible aggressive design • 83 lbs.	AZ57147/AZ71837 Stainless Steel
K81669 \$165.25 ea.	⑥ • Upper rear feed roll shaft • To fit 7700-7950 series serial # 512027 and below • 42-7/8" x 32mm hex shaft • 20 lbs.	HXE26049 / Z81669 Heat Treated
K26049 \$185.75 ea.	⑥a • Upper rear feed roll shaft • To fit 7700-7950 series serial # 512028 and above • To fit all 7780-7980 series • 20 lbs.	HXE26049 Heat Treated
K81672 \$350.80 ea.	⑦ • Upper front feed roll shaft • To fit John Deere® harvesters with the new larger 4-bearing system • 29.5 lbs.	Z81672 Heat Treated
K10458 \$40.95 ea.	⑧ • Upper rear feed roll bearing • 2 required • To fit all 7700-7980 series harvesters • 1 lb.	JD10458
K64796 \$64.25 ea.	⑨ • Rear feed roll lift arm spring • Use as required • To fit all 7700-7980 series harvesters • 12 lbs.	Z67236 / E64796
K75927 \$49.50 ea.	⑨a • Front spring for the double spring assembly • To fit all 7700-7980 series harvesters • 6.4 lbs.	Z75927
K61010 (RH) K61011 (LH) \$26.55 ea.	⑩ • Wear plate, feed roll frame • 1 each required • To fit all 7700-7980 series harvesters • 2.8 lbs. ea. • Hardware Kit: K61010BK: \$10.25 ea. • 1 bolt kit required per wear plate, .2 lbs.	Z61010 Z61011 Heat Treated

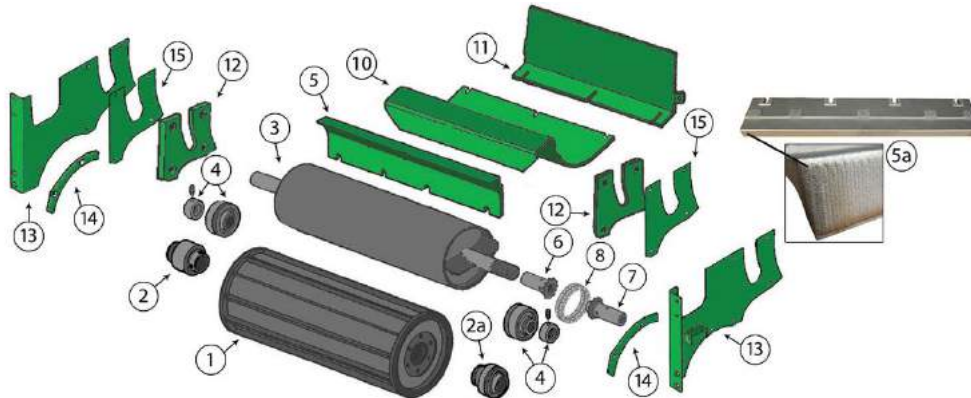
KOOIMA® AG REPLACEMENT PARTS TO FIT 7700-7980 SERIES JOHN DEERE® FORAGE HARVESTERS

Replacement parts produced by Kooima® Ag to fit JD® 7000 Series

KOOIMA #	DESCRIPTION	K61010BK \$10.25 ea.	REPLACES OEM #
K61009 (LH) K61008 (RH) \$20.30 ea.	• Feed roll wear plate retainer • To fit all 7700-7980 series harvesters • 1 each required • 4.8 lbs. ea.	• Hardware kit to fit K61009(LH) & K61008(RH) • Also bolts up K61010(RH) & K61011(LH) • 1 kit required per side • .2 lbs.	Z61009 Z61008 Abrasion Resistant
K10071 \$16.80 ea.	• Upper front feed roll bearing - larger diameter style • 3 required • .2 lbs.		JD10071
K101917 \$22.50 ea.	• Upper front feed roll bushing • Used with larger diameter bearing system • .6 lbs.		Z101917
K62417 \$19.30 ea.	• Upper front feed roll bearing - larger diameter style • Used with larger diameter bearing system • 1 required • .35 lbs.		AZ62417
K76429 \$29.50 ea.	• Front spring eye bolt • Includes 2 nuts • To fit 6000-7000 series harvesters • .6 lbs.		Z76429 14M7276
K103433 \$44.00 ea.	• Rear spring eye bolt • Includes 2 nuts • To fit 6000-7000 harvesters • 1.37 lbs.		Z103433/Z62088 14M7306



How to Install the Smooth Roll Scraper

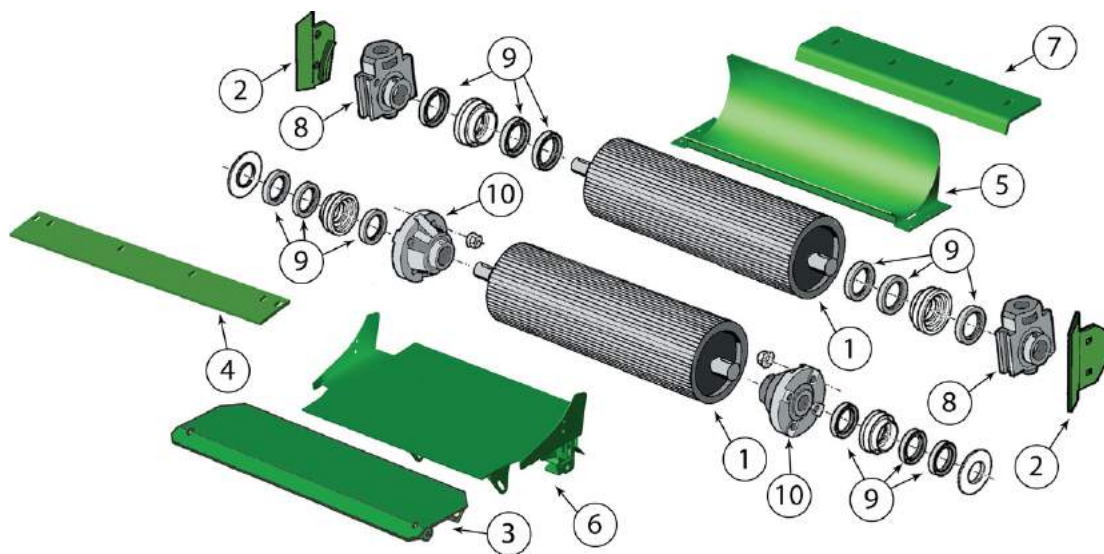


How to Install the Earlage Pans

KOOIMA #	DESCRIPTION	REPLACES OEM #
K57158 \$1,790.00 ea.	• Feed roll, lower front • To fit all 7700-7980 series harvesters • 64.7 lbs.	AZ57158/AZ101150 Stainless Steel
K51405 \$53.35 ea.	• Right hand bearing • Lower front feed roll • 1 required • To fit all 7700-7980 series harvesters • 1.4 lbs.	AZ51405
K47864 \$49.75 ea.	• Left hand bearing • Lower front feed roll • 1 required • To fit all 7700-7980 series harvesters • 1.5 lbs.	AZ47864/AXE10405
K59687 \$630.00 ea.	• Lower rear smooth roll • To fit all 7700-7980 series harvesters • Now made of heat treated carbon steel for better wear resistance • 61.8 lbs.	AZ59687/AZ103272 Heat Treated
K10445 \$55.10 ea.	• Smooth roll bearing • 1.2 lbs. • To fit all 7700-7980 series harvesters • 2 required	JD10445
K105996 \$405.80 ea.	• Smooth roll cleaner • To fit 7700-7980 series harvesters • 19 lbs.	Z105996/Z13281
K105996HP \$750.75 ea.	• Koyma Klad® hi-performance smooth roll cleaner • Extended wear carbide coating! • To fit 7700-7980 series harvesters • 22.8 lbs.	Z105996/Z13281 Tungsten Carbide
K57514 \$192.00 ea.	• Inside smooth roll drive coupler • 2.5 lbs. • To fit all 7700-7980 series harvesters	AZ57514
K57354 \$197.00 ea.	• Outside smooth roll drive coupler • 3.4 lbs. • To fit all 7700-7980 series harvesters	AZ57354
K47886 \$54.80 ea.	• 14 link chain • 1 lb. • To fit all 7700-7980 series harvesters	AZ47886
K47886BK \$3.75 ea.	• Bolt kit for K47886 • .1 lb. • To fit all 7700-7980 series harvesters	
K79268 \$215.00 ea.	• Lower feed roll pan • Front pan, used when grinding ear corn with recutter screen • To fit all 7700-7980 series harvesters • 34.8 lbs.	Z79268 Abrasion Resistant
K64453 \$165.00 ea.	• Lower feed roll pan • Rear pan, used when grinding ear corn with recutter screen • To fit all 7700-7980 series harvesters • 12.3 lbs.	AZ64453 Abrasion Resistant
K50086BK \$7.00 ea.	• Earlage pans bolt kit • To fit all series earlage pans • 1 kit required • .25 lbs.	
K68062 (LH) K68063 (RH) \$70.45 ea.	• Feed roll wear plate • To fit 7700-7980 series harvesters • 1 each required • 4 lbs. ea.	Z68062 Z68063 Tungsten Carbide
K100685 (LH) K100686 (RH) \$76.45 ea.	• Feed roll wear plate • To fit 7700-7980 series harvesters up to SN. 508669 • 1 each required • 8.9 lbs. ea.	AZ100685 AZ100686 Abrasion Resistant
K101960 (LH) K101961 (RH) \$142.00 ea.	• Feed roll wear plate • Used on K101960 and K101961 wear plates • To fit 7700-7980 series harvesters after SN. 508669 • 1 each required • 8.3 lbs. ea.	AZ101960 AZ101961 Abrasion Resistant
K101960BK \$19.75 ea.	• Feed roll wear plate bolt kit • 1 kit required per side • .7 lbs.	
K102365 (LH) K102366 (RH) \$42.50 ea.	• Reinforcement • To fit 7700-7980 series harvesters • 1 each required • .85 lbs.	Z102365 Z102366 Abrasion Resistant
K68083 \$19.80 ea.	• Reinforcement • To fit all 7700-7980 series harvesters • 1 lb.	Z68083

KOOIMA® AG REPLACEMENT PARTS TO FIT 7700-7980 SERIES JOHN DEERE® FORAGE HARVESTERS

Replacement parts produced by Kooima® Ag to fit JD® 7000 Series



See our new Chevron Series Fiber Tech High Capacity Rolls listed below!

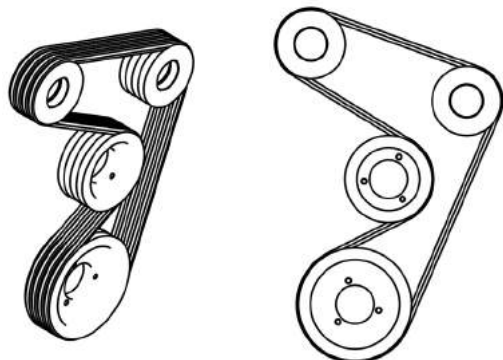


Square grooves unwrap cellulose and shred your stalk which also creates a far superior process job.

Now compatible with JD® Labyrinth seal system!

KOOIMA #	DESCRIPTION	REPLACES OEM #
K59157 \$1,310.00 ea.	① Saw tooth kernel processor roll • To fit all 7700-7980 series harvesters • 2 required • 162.5 lbs.	AZ59157/AZ102602 Heat Treated
K59157DC \$1,510.00 ea.	①a Fiber Tech kernel processor roll - 118 tooth • Get the real value out of your processor with the new Dual Cut High Capacity Rolls • To fit all 7700-7980 series harvesters • 2 required • 177 lbs.	AZ59157/AZ102602 Heat Treated
K59157HPF (Fast, Top 118 tooth) K59157HPS (Slow, Bottom 130 tooth) \$2,095.00 ea.	①b Fiber Tech Chromed kernel processor roll • 177 lbs. • Get the real value out of your processor with the new Chevron Series Fiber Tech High Capacity Rolls • To fit all 7700-7980 series wide body harvesters • 2 required	AZ59157/AZ102602 Heat Treated Chromed Plated Roll
K100687 (LH) K100688 (RH) \$32.35 ea.	② Kernel processor wear plate • 2.7 lbs. ea. • To fit all 7700-7980 series harvesters • K100687BK - Bolt kit, 1 kit/part, fits K100687 & K100688, \$4.50 ea., .15 lbs.	AZ100687/AXE11207 AZ100688 Abrasion Resistant
K63746 \$160.75 ea.	③ Kernel processor deflector • To fit 7700-7980 series harvesters • 21.4 lbs.	AZ63746 Abrasion Resistant
K74716 \$30.35 ea.	④ Kernel processor top deflector • To fit all 7700-7980 series harvesters • 9.1 lbs.	Z74716 Abrasion Resistant
K59235 \$184.75 ea.	⑤ Rear cover • To fit all 7700-7980 series harvesters equipped with kernel processor • 41 lbs.	AZ59235 Abrasion Resistant
K71589 \$314.80 ea.	⑥ Bottom cover • To fit all 7700-7980 series harvesters • 44 lbs.	AZ71589 Abrasion Resistant
K74717 \$35.35 ea.	⑦ Kernel processor deflector • To fit all 7700-7980 series harvesters • 10.5 lbs.	Z74717 Abrasion Resistant
K100856 \$241.50 ea.	⑧ Bearing with housing for upper kernel processor rolls • 9 lbs. • To fit all 7700-7980 series up to SN. 508668 • 2 required	AZ100856
K101706 \$246.75 ea.	⑧ Bearing with housing for upper kernel processor rolls • 8 lbs. • To fit all 7700-7980 series after SN. 508669 • 2 required	AZ101706
K102198 \$7.90 ea.	⑨ Seal • 6 required per roll • To fit all 7700-7980 series after SN. 508669 • .05 lbs.	AZ102198
K100857 \$241.50 ea.	⑩ Bearing with housing for lower kernel processor rolls • To fit all 7700-7980 series up to SN. 508668 • 2 required • 8.5 lbs.	AZ100857
K102483 \$266.75 ea.	⑩ Bearing with housing for lower kernel processor rolls • 9 lbs. • To fit all 7700-7980 series after SN. 508669 • 2 required	AZ102483

Truck icon signifies product is shipped via truck freight.



Improved 4 belt processor belt update kit!

- 15% more power transmission
- 4 A belts proven to run cooler than traditional 3 B-belt setup
- Belts will last longer and run cooler while providing more power
- Comes complete with belts, pulleys, idler pulley bearings, caps and seals
- Also comes with beveled scraper to minimize crop buildup on bottom roll

K7000PAW
\$1,125.00 ea.

- 4 Belt processor belt update kit • 61.7 lbs.
- To fit John Deere® 7700-7900 series wide body harvesters

KAA78K
\$204.00 ea.

- 4 groove belt set • 3.6 lbs.
- To fit K7000PAW and K7000PAN processor update kit

Koyma Klad® Silage Plus Processor

This processor offers a new and more efficient way to process your silage, saving fuel and gaining capacity. Here at Kooima® Ag, we've been making knives and shearbars for over 20 years. That same extended life coated technology is applied to the teeth in this disc processor. We haven't seen any measurable wear on processors with over 190,000 tons of silage run through the disc. Conventional processing just isn't good enough anymore! To fit standard body 7700-7980 series harvesters.

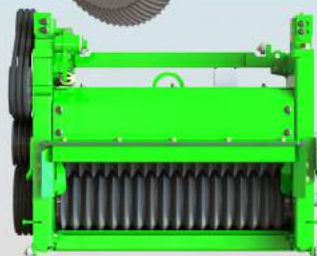
\$21,500.00

Order # SC3006

Patent: 9833785



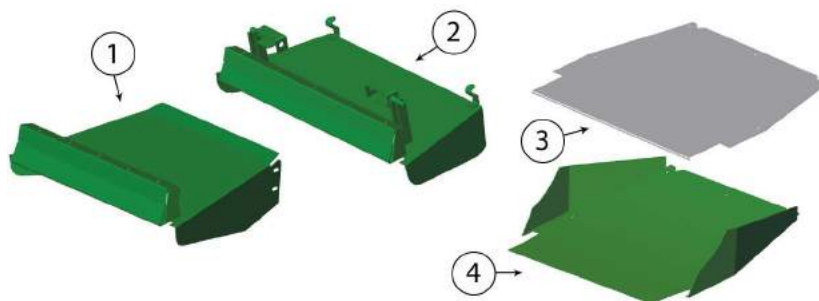
1150 lbs.



Disc wear after 190,000 tons of silage

Customer Testimonial

"We have used the Kooima processor for 3 years. It does a great job of processing with good chopper through put. Our nutritionist says it is some of the best processed corn silage he has sampled. The longevity of the rolls seem to be very good also." - Mark Sahr, Sahrside Dairy



KOOIMA #
K74744
\$68.50 ea.
K61628
\$257.50 ea.
K78792
\$161.50 ea.
K78792BK
\$5.75 ea.
K65663
\$205.75 ea.

- ①
- ②
- ③
- ③a
- ④

DESCRIPTION

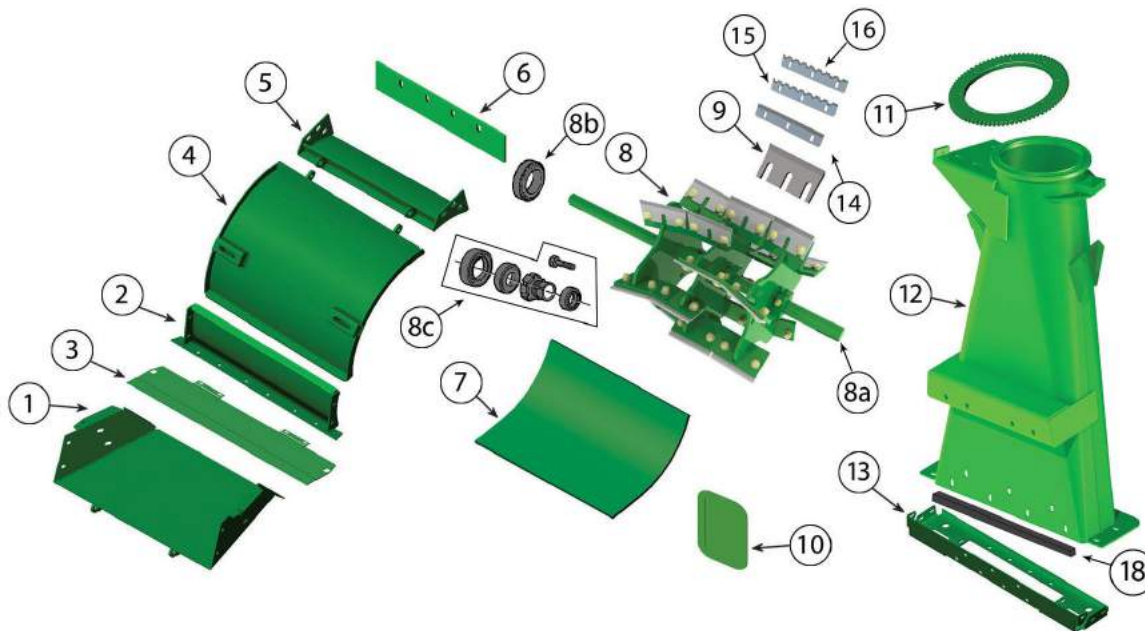
- Grass chute top • 32 lbs. • **K57887BK** - Bolt kit, \$6.90 ea., .25 lbs.
- To fit 7700-7980 series harvesters without kernel processors
- Grass chute top • 33.4 lbs. • **K61628BK** - Bolt kit, \$60.35 ea.
- To fit 7700-7980 series harvesters with kernel processors
- Stainless steel liner • 19 lbs.
- To fit 7700-7980 series harvesters
- Stainless steel liner Bolt Kit • One kit required
- Use with stainless steel liner #K78292 • .5 lbs.
- 1-piece grass chute • Use with liner #K78792
- To fit 7700-7980 series harvesters • 42.2 lbs.

REPLACES OEM #
Z74744
Abrasion Resistant
AZ61628
Abrasion Resistant
Z78792
Stainless Steel

AZ65663
Abrasion Resistant

KOOIMA® AG REPLACEMENT PARTS TO FIT 7700-7980 SERIES JOHN DEERE® FORAGE HARVESTERS

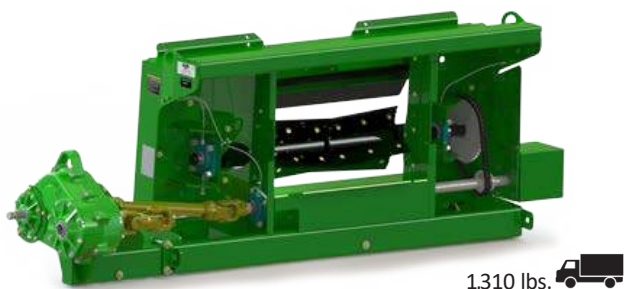
Replacement parts produced by Kooima® Ag to fit JD® 7000 Series




KOOIMA #	DESCRIPTION	REPLACES OEM #
K57887 \$122.75 ea.	① • Guide, rear feed channel • 18 lbs. • To fit 7700-7980 series harvesters • K57887BK - Bolt kit, \$6.90 ea., .25 lbs.	AZ57887 Abrasion Resistant
K57802 \$101.45 ea.	② • Front blower housing shield • 16 lbs. • To fit 7700-7980 series harvesters • K55604BK - Bolt kit, \$6.75 ea., .25 lbs.	AZ57802 Abrasion Resistant
K58161 \$38.35 ea.	③ • Feed guide top flap • To fit 7700-7980 series harvesters • 6.4 lbs.	AZ58161/AZ102077 Abrasion Resistant
K57801 \$182.75 ea.	④ • Blower housing door • To fit all 7700-7980 series harvesters • 22.7 lbs.	AZ57801 Abrasion Resistant
K57745 \$64.25 ea.	⑤ • Top blower housing shield • 7.6 lbs. • To fit all 7700-7980 series harvesters • K43828BK - Bolt kit, \$13.50 ea., .9lbs.	AZ57745 Abrasion Resistant
K73543 \$27.50 ea.	⑥ • Blower housing cutoff strap • 6.6 lbs. • To fit all 7700-7980 series harvesters • K73543BK - Bolt kit, \$11.95 ea., .65 lbs.	Z73543 Abrasion Resistant
K73473 \$160.75 ea.	⑦ • Bottom blower band • To fit 7700-7980 series harvesters • 36 lbs.	Z73473 Abrasion Resistant
KA257744 \$1,650.00 ea.	⑧ • Accelerator Rotor • To fit all 7700-7980 series with 20 paddle blower 🚛 • Includes fan rotor and shaft, 20 paddles and mounting hardware • To fit SN. 511705 & below	AZ57744
KA257745 \$195.00 ea.	⑧a • Blower shaft • 41.4 lbs. • To fit wide body cutters SN. 511705 & below	Z73350
K10451 \$137.75 ea.	⑧b • Bearing • 2 bearings needed per blower • 3.6 lbs. • To fit SN. 511705 & below	AXE10451
K10060 \$125.75 ea.	⑧c • Repair Kit - includes 2 seals, 1 bearing cone, 1 ring and 1 cap screw • 2 kits needed per blower • 1.8 lbs. • To fit SN. 511705 & below	KXE10060
K72898 \$13.85 ea.	⑨ • Blower paddle • To fit all 7000 series harvesters • 7700-7980: 20 required • 1.2 lbs. ea. Heat Treated/Tungsten Carbide/Abrasion Resistant	Z72898
K72898BK \$68.50 ea.	⑨a • Blower Paddle Bolt Kit • Use with K72898 blower paddles • 2 kits required • 7.4 lbs.	
K20713 \$18.55 ea.	⑩ • Spout transition inspection door • 4.8 lbs. • To fit all 7000 series harvesters	Z20713 Abrasion Resistant
K67194 \$325.80 ea.	⑪ • Spout ring gear • To fit all 7000 series harvesters equipped with 250mm spout with standard spout turning device • 15.5 lbs. • 12 1/4" inside diameter	Z67194 Tool Steel
K104829 \$426.80 ea.	⑪a • Spout ring gear • To fit all 7750-7950 series up to SN. 511705 equipped with improved spout turning device • 16.3 lbs.	Z104829 Tool Steel
K22859 \$405.80 ea.	⑪b • Spout ring gear • 15.5 lbs. • To fit all 7750-7950 series after SN. 511706 • Fits all 7780-7980 series harvesters	HXE22859 Tool Steel
K58194 \$1,575.00 ea.	⑫ • Spout transition • Used with worm gear spout rotation system • To fit 7700-7980 series harvesters • To fit SN. 511705 & below • 164.5 lbs. 🚛	AZ58194/AZ104218 Abrasion Resistant
K82113 \$97.45 ea.	⑬ • Spout transition support • To fit 7700-7980 series harvesters • 30.05 lbs.	Z82113 Abrasion Resistant

KOOIMA #	DESCRIPTION	REPLACES OEM #
K29814 \$22.60 ea.	14 • Blower paddle • Koyma Klad® coating for extended wear • 1.4 lbs. • To fit 7750-7980 with SN. 511706 & up • 10 required	HXE29814 Tungsten Carbide/Heat Treated
K34825 \$15.30 ea.	15 • Serrated blade • Koyma Klad® coating for better wear • 1.3 lbs. • To fit 50 series wide body cutters with SN. 511706 & up • 5 required	HXE34825 Tungsten Carbide/Heat Treated
K34826 \$15.30 ea.	16 • Serrated blade • Koyma Klad® coating for better wear • 1.3 lbs. • To fit 50 series wide body cutters with SN. 511706 & up • 5 required	HXE34826 Tungsten Carbide/Heat Treated
KM12BK \$8.15 ea.	17 • Bolt kit • To fit K29814, K34825 & K34826 blades • 1 kit per blade required • .5 lbs.	03M7199 14M7401
K63173 \$49.00 ea.	18 • Weather strip • To fit 7700-7980 series harvesters	263173

/ HEADER DRIVE ADAPTERS /



1,310 lbs. 

With the improved crop flow design and enclosed heavy duty gear box this is the most efficient header adapter on the market today. This adapter fits all 6000 & 7000 series harvesters. Patent # 8,376,126

Order # K00075 **\$13,900⁰⁰** ea.



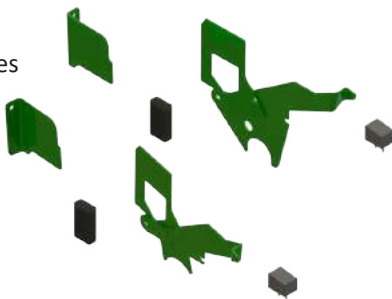
Scan for Videos!

Earlage kit for the side walls of feed rolls. This kit will open up the feed rolls and prevent corn from exiting the sides. A real **MUST** when grinding earlage!

Order # K7000KIT

- 7050 series machines only
- To use on 7200-7500 series order # K101960BK also
- 14.7 lbs.

\$457⁰⁰ ea.



Watch an installation video of the K7000KIT!

Longer rear spring eye bolt • Includes 2 nuts • 1.4 lbs.

- Needed when separating feed rolls for earlage
- Use with K7000KIT & K6000KIT

Order # K162269

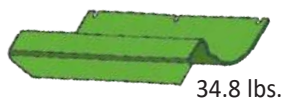


\$46⁵⁰ ea.

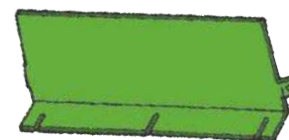
Earlage Pans for Wide Throat Machines 7700-7850

K79268 - \$215.00

K64453 - \$165.00



34.8 lbs.



12.3 lbs.

PTO Shafts

K21SP1250HEX • 1 1/4" hex to 1 3/8" 21 spline • 18.1 lbs.

K21SP1500HEX • 1 1/2" hex to 1 3/8" 21 spline • 17.6 lbs.

K21SP1125HEX • 1 1/8" hex to 1 3/8" 21 spline • 18.3 lbs.

\$520⁰⁰ ea.



K23TO23MALE • 1 1/2" 23 spline to 1 1/2" 23 spline

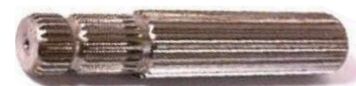
- Drive PTO, Replacement Drive Line
- 18.6 lbs.

\$520⁰⁰ ea.



Order # FH002943 • 1 1/2" 23 spline to 1 3/4" 20 spline shaft
• Replacement Drive Shaft • 4.85 lbs.

\$195⁰⁰ ea.



Belt for 2011 Models and Later

Order # 14-MGT-1568-125

\$875⁸⁰ ea.

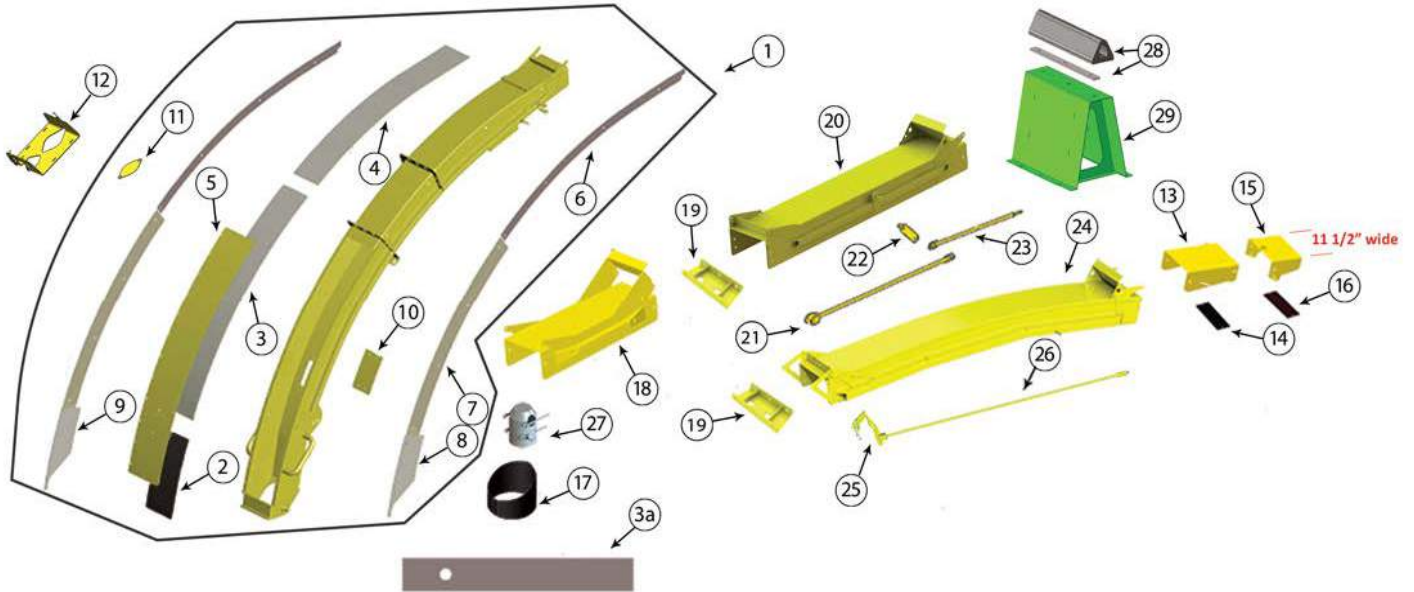


5 lbs.

Truck icon signifies product is shipped via truck freight.

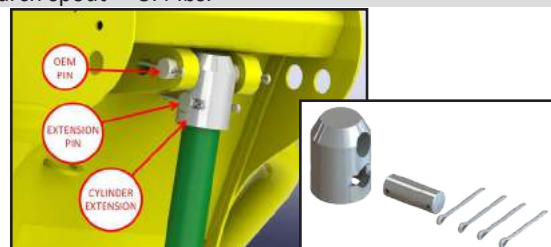
KOOIMA® AG REPLACEMENT PARTS TO FIT 7000 SERIES JOHN DEERE® 250MM WIDE HI-ARCH SPOUT

Replacement parts produced by Kooima® Ag to fit JD® 7000 Series



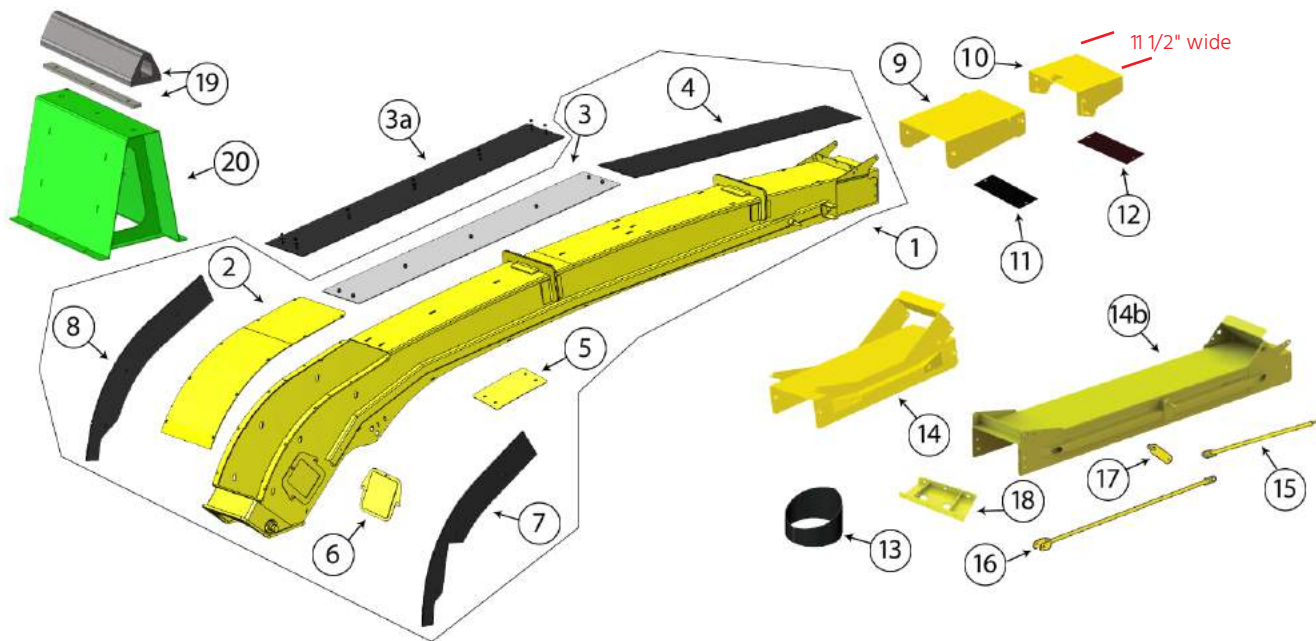
KOOIMA #	DESCRIPTION	REPLACES OEM #
K100830 \$3,590.00	1 • High arch spout - Now equipped to accept moisture sensors! • To fit JD® series equipped with 250mm wide hi-arch spout • 475 lbs. • Will need to order K102820 moisture sensor bracket • SAVE \$200 when picked up at Kooima® Ag! • Spout liners included and installed!	AZ104282 Abrasion Resistant
K250mmBK \$24.25 ea.	1a • Spout liner bolt kit • When it's time to replace all the liners, order this bolt kit • 3.1 lbs.	
K53231 \$82.50 ea.	2 • Lower spout wear plate • 648mm long • 13.8 lbs. • To fit all 7000 series before SN 510523 • Complete with mounting hardware	AZ53231 Abrasion Resistant
K53231EX \$109.00 ea.	2a • Extended spout wear plate • Reduces wear on the spout back and liners • To fit all 7000 series harvesters • Complete with mounting hardware • 19.5 lbs	AZ53231 Abrasion Resistant
K103510 \$127.00 ea.	2b • Lower spout wear plate • 848mm long • Complete with mounting hardware • To fit factory JD® spouts SN. 510524 and after • 24.2 lbs.	AZ103510 Abrasion Resistant
K53232 \$89.00 ea.	3 • Lower back spout liner • 2000mm long • 31.2 lbs. • To fit all 7000 series before SN 510523 • Complete with mounting hardware	AZ53232 Abrasion Resistant
K101740 \$185.00 ea.	3a • Lower back spout liner • 2000mm long • Before SN. 510524 • 32.3 lbs. • To fit all 7000 series equipped with JD® moisture sensor • Complete with mounting hardware	AZ101740 Abrasion Resistant
K103381 \$127.00 ea.	3b • Lower back spout liner • 1800mm long • Complete with mounting hardware • To fit factory JD® spouts SN. 510524 and after • 28.2 lbs.	AZ103381 Abrasion Resistant
K103382 \$128.00 ea.	3c • Lower back spout liner • 1800mm long • After SN. 51024 • To fit all 250mm spouts equipped with JD® moisture sensor • 28 lbs.	AZ103382 Abrasion Resistant
K54609 \$89.00 ea.	4 • Upper back spout liner • Complete with mounting hardware • To fit all 7000 series harvesters • 28.7 lbs.	AZ54609 Abrasion Resistant
K100829 \$115.00 ea.	5 • Bolt-on back liner • One required • 55.7 lbs. • To fit all harvesters equipped with Kooima® Ag 250mm spout	Abrasion Resistant
K65656 \$135.00 ea.	6 • Upper side spout liner • Universal, to fit right or left • 4.6 lbs. • To fit all 7000 series harvesters • 2 required • Hardware Kit: KLINERBK, \$8.25, .3 lbs.	Z65656 Stainless Steel
K101661 \$135.00 ea.	6a • Upper side spout liner • To fit factory JD® spouts SN. 510524 and after • 5.8 lbs.	Z101661 Stainless Steel
K65657 \$135.00 ea.	7 • Lower side spout liner • Universal, to fit right or left • 6.8 lbs. • To fit all 7000 series harvesters • 2 required • Hardware Kit: KLINERBK, \$8.25, .3 lbs.	Z65657 Stainless Steel
K48903 \$49.35 ea.	8 • Left hand spout wear plate • To fit 7000 series harvesters • 9 lbs. • Hardware Kit: K48902BK, \$5.25, .09 lbs.	AZ48903 Abrasion Resistant
K48902 \$49.35 ea.	9 • Right hand spout wear plate • To fit 7000 series harvesters • 9 lbs. • Hardware Kit: K48902BK, \$5.25, .09 lbs.	AZ48902 Abrasion Resistant
K43921 \$33.85 ea.	10 • Access door • One required • 2.4 lbs. • To fit 7000 series harvesters with 250mm wide hi-arch spout	AZ43921
K102637 \$45.00 ea.	11 • Moisture sensor cover • To fit JD® 250mm spouts when not using moisture sensor • 1.65 lbs.	AZ102637 Abrasion Resistant
K102820 \$365.00 ea.	12 • Moisture sensor bracket • To fit Kooima® Ag 250mm spouts only • 12.2 lbs.	AZ102820

<u>KOOIMA #</u>	<u>DESCRIPTION</u>	<u>REPLACES OEM #</u>
K54380 \$67.95 ea.	(13) • Inner spout deflector • To fit all 7000 series harvesters • 14.6 lbs.	AZ54380 Abrasion Resistant
K54380BK \$13.50 ea.	(13a) • Inner spout deflector bolt kit • To fit #K54380 spout deflector • .35lbs.	
K54381 \$32.50 ea.	(14) • Inner spout deflector wear plate • To fit #K54380 spout deflector • 5.8 lbs.	Abrasion Resistant
KBK \$4.25 ea.	(14a) • Wear plate bolt kit • .1 lbs. • To fit #K54381 spout deflector wear plate	
K53234 \$69.00 ea.	(15) • Outer spout deflector • To fit all 7000 series harvesters • 8 lbs.	AZ53234 Abrasion Resistant
K47896BK \$7.15 ea.	(15a) • Outer spout deflector bolt kit • To fit #K53234 spout deflector • .15 lbs.	
K53235 \$32.50 ea.	(16) • Outer spout deflector wear plate • To fit #K53234 spout deflector • 3.2 lbs.	Abrasion Resistant
KBK \$4.25 ea.	(16a) • Wear plate bolt kit • .1 lbs. • To fit #K53235 spout deflector wear plate	
K54264WL \$80.45 ea.	(17) • Weld-in transition liner • To fit all 7000 series harvesters • 8 lbs.	Abrasion Resistant
K54418 \$168.50 ea.	(18) • 36" spout extension • To fit all 7000 series harvesters • 39 lbs.	AZ104285/AZ54418/AZ59970 Abrasion Resistant
K54418BK \$13.50 ea.	(18a) • Spout extension bolt kit • To fit #K54418 & #K104288 spout extensions • 1.1 lbs.	
K104293 \$64.00 ea.	(19) • Spout stiffener bracket • Needed with 5' and 7' extensions • To fit all 7000 series harvesters • 4.1 lbs.	AZ104293
K104293BK \$32.85 ea.	(19a) • Bolt kit • To fit #K104293 bracket • 1 lb.	
K104288 \$635.00 ea.	(20) • 5' extension for a 250mm wide hi-arch spout • To fit all 7000 series harvesters • 67 lbs. • Uses K104291, K104292 & K104290 linkage pieces	AXE25112 / AZ104288
K54418BK \$13.50 ea.	(20a) • Spout extension bolt kit • To fit #K104288 spout extension • .2 lbs.	
K104291 \$42.00 ea.	(21) • Replacement 5' extension link • To fit all 7000 series harvesters • 2.45 lbs.	AZ104291
K104292 \$32.00 ea.	(22) • Replacement lever for the 5' extension • To fit all 7000 series harvesters • .65 lbs.	AZ104292
K104292BK \$14.50 ea.	(22a) • Bolt kit • .2 lbs. • To fit #K104292 replacement lever	
K104290 \$35.75 ea.	(23) • Replacement 5' extension link • To fit all 7000 series harvesters • 1.65 lbs.	AZ104290
K7FTSP \$1,295.00 ea.	(24) • 7' steel extension for 250mm wide high arch spout • 97 lbs. • Uses FH5001062, FH5001059, K104292 & K104290 linkage pieces	
FH5001062 \$126.75 ea.	(25) • Replacement 7' extension actuator • Use with K7FTSP & K22416CF 7' extensions • To fit all 7000 series harvesters with 250mm wide high arch spout • 2.9 lbs.	
FH5001059 \$55.35 ea.	(26) • Replacement 7' extension link • Use with K7FTSP & K22416CF 7' extensions • To fit all 7000 series harvesters with 250mm wide high arch spout • 3.4 lbs.	
K250EXT \$87.50 ea.	(27) • 250mm spout cylinder extension • 4 lbs. • Gain up to 18" additional height on spout • Fill the back of the semi trailer when opening the field • A real must when using a 5' or longer extension!	
K69635 \$105.00 ea.	(28) • Spout rest support kit • 9.5 lbs. • Includes reinforcement bracket and mounting bolts • To fit all 250mm spout rests	Z69635 Z70507
K61312 \$92.50 ea.	(29) • 250mm spout rest base • 26.5 lbs. • To fit all 6000-7000 series with 250mm spouts • 1 required	AZ61312



KOOIMA® AG REPLACEMENT PARTS TO FIT 7000 SERIES JOHN DEERE® 250MM WIDE LOW-ARCH SPOUT

Replacement parts produced by Kooima® Ag to fit JD® 7000 Series



KOOIMA #	DESCRIPTION	REPLACES OEM #
K62973 \$3,290.00 ea.	1 • Low arch spout • Uses high arch spout cylinder • To fit all 7000 series harvesters • 400 lbs.	AZ101238 / AZ62973 Abrasion Resistant
K68680 \$99.50 ea.	2 • Lower spout wear plate • To fit 7000 series harvesters with 250mm wide low-arch spout • 29.4 lbs. • Bolt Kit: K68680BK , \$18.50 ea., .5 lbs.	Z68680 Abrasion Resistant
K62973LINF \$97.00 ea.	3 • Upper rear spout wear plate • To fit 7000 series harvesters with 250mm wide low-arch Kooima® spout • Comes complete with hardware • 24.4 lbs.	Abrasion Resistant AZ54608
K54608 \$105.00 ea.	3a • Upper rear spout wear plate • To fit 7000 series harvesters with factory John Deere® spout • 24.7 lbs.	Abrasion Resistant
K62973LINB \$77.00 ea.	4 • Top rear spout liner • 1 required • 20.7 lbs. • To fit 250mm wide low-arch Kooima® Ag spouts • Bolt kit: KBK , \$4.25 ea. - 2 required	Abrasion Resistant AZ43921
K43921 \$33.85 ea.	5 • Access door • One required • 2.4 lbs. • To fit 7000 series harvesters with 250mm wide low-arch spout	Abrasion Resistant
K43830D \$25.30 ea.	6 • Spout transition inspection door • 3.3 lbs. • To fit all 7000 series harvesters equipped with 200mm spouts	AZ43830 Abrasion Resistant
K68683 (LH) K68684 (RH) \$53.35 ea.	7 • Wear plate • To fit 7000 series harvesters with 250mm wide low-arch spout 8 • 1 each required • 13.2 lbs. (L) • 14.95 lbs. (R)	Z68683 Z68684 Abrasion Resistant
K68683BK \$6.75 ea.	8a • Wear plate bolt kit • .32 lbs. • To fit K68683 and K68684 wear plate	Abrasion Resistant
K54380 \$67.95 ea.	9 • Inner spout deflector • To fit 7000 series harvesters with 250mm wide low-arch spout • 14.6 lbs.	AZ54380 Abrasion Resistant
K54380BK \$13.50 ea.	9a • Inner spout deflector bolt kit • To fit #K54380 spout deflector • .35 lbs.	Abrasion Resistant
K53234 \$69.00 ea.	10 • Outer spout deflector • To fit 7000 series harvesters 250mm wide low-arch spout • 8 lbs.	AZ53234 Abrasion Resistant
K47896BK \$7.15 ea.	10a • Outer spout deflector bolt kit • To fit #K53234 spout deflector • .15 lbs.	Abrasion Resistant
K54381 \$32.50 ea.	11 • Inner spout deflector wear plate • To fit #K54380 spout deflector • Bolt-in or weld-in • 5.8 lbs.	Abrasion Resistant
KBK \$4.25 ea.	11a • Wear plate bolt kit • .1 lbs. • To fit #K54381 spout deflector wear plate	Abrasion Resistant
K53235 \$32.50 ea.	12 • Outer spout deflector wear plate • To fit #K53234 spout deflector • Bolt-in or weld-in • 3.2 lbs.	Abrasion Resistant
KBK \$4.25 ea.	12a • Wear plate bolt kit • .1 lbs. • To fit #K53235 spout deflector wear plate	Abrasion Resistant
K54264WL \$80.45 ea.	13 • Weld-in transition liner • To fit all 7000 series harvesters • 8 lbs.	Abrasion Resistant

Truck icon signifies product is shipped via truck freight.

FREE FREIGHT ON RETAIL ORDERS OVER \$850.00!

KOOIMA® AG REPLACEMENT PARTS TO FIT 7000 SERIES JOHN DEERE® 250MM WIDE LOW-ARCH SPOUT

Replacement parts produced by Kooima® Ag to fit JD® 7000 Series

KOOIMA #	DESCRIPTION	REPLACES OEM #
K54418 \$168.50 ea.	(14) • 36" spout extension • Used with 6 or 8-row headers • Creates space between head and truck when side or top loading • To fit 7000 series equipped w/ a 250mm wide low-arch spout • 39 lbs.	AZ104285 AZ54418 AZ59970 Abrasion Resistant
K54418BK \$13.50 ea.	(14a) • Spout extension bolt kit • To fit #K54418 & #K104288 spout extensions • 1.1 lbs.	
K104288 \$635.00 ea.	(14b) • 5' extension for 250mm spouts • Does not replace end section on JD® OEM spouts • To fit all 7000 series harvesters • 67 lbs.	AZ104288 AXE25112
K104290 \$35.75 ea.	(15) • Replacement 5' extension link • To be used with K104288 • To fit all 7000 series harvesters • 1.65 lbs.	AZ104290
K104291 \$42.00 ea.	(16) • Replacement 5' extension link • To be used with K104288 • To fit all 7000 series harvesters • 2.45 lbs.	AZ104291
K104292 \$32.00 ea.	(17) • Replacement lever for the 5' extension • To be used with K104288 • To fit all 7000 series harvesters • .65 lbs.	AZ104292
K104292BK \$14.50 ea.	(17a) • Bolt kit • .2 lbs. • To fit #K104292 replacement lever	
K104293 \$64.00 ea.	(18) • Spout stiffener bracket • To fit all 7000 series harvesters • Supports K104288 5' extension • 4.1 lbs.	AZ104293
K104293BK \$32.85 ea.	(18a) • Bolt kit • To fit #K104293 bracket • 1 lb.	
K69635 \$105.00 ea.	(19) • Spout rest support kit • Includes reinforcement bracket and mounting bolts • To fit all 250mm spout rests	Z69635 Z70507
K61312 \$92.50 ea.	(20) • 250mm spout rest base • 26.5 lbs. • To fit all 6000-7000 series with 250mm spouts • 1 required	AZ61312
K48788BR \$99.50 ea.	• Rear rubber bumper • 13.75" long • To fit all 6000 & 7000 series • 2 required	Z48788



/ SILAGE TESTER /

- Tests freshly chopped and ensiled silage.
- Tester stays clean; plastic bags prevent contamination of test cell.
- Tests in one minute.
- Digital log reading with conversion chart for common silage types.
- Accurate within 2% (average) for silage under 50% moisture.
- Accurate within 3% (average) for silage over 50% moisture.
- Accurate within 1% for grain at normal stored moisture.
- Testing range: 30% - 75% (silage), 10% - 47% (grain).
- Full one year warranty. • 4 lbs.

Silage Tester
Order # K1210
Only \$335⁷⁵ ea.

Replacement Bags
100 Count
Order # K06801
\$27²⁵ ea.



/ HAY PICK-UP TEETH /

Kooima® Ag hay pick-up teeth are manufactured from hi-tensile drawn spring wire for uniform strength and durability.

- Pick-up tooth • .45 lbs.
- To fit all John Deere® 630, 645, 630A, 640A, 645A, 630B, 640B, 645B, 630C, 640C & 645C forage harvester hay heads
- Replaces OEM #CC25176

Order # K25176

\$4⁰⁵ ea.

Order # K25176HP

\$5⁷⁵ ea.



- Pick-up tooth • .35 lbs.
- To fit all John Deere® 5 1/2 ft. forage heads
- Replaces OEM #268SE

Order # K268SE

\$2¹⁵ ea.

Bolt Kit:
K268SEBK: \$4.75 ea.



- Pick-up tooth • .45 lbs.
- To fit all John Deere® 7 1/2 ft. forage harvester hay heads after SN. 550001
- Replaces OEM #E74678

Order # K74678

\$2⁴⁵ ea.

Bolt Kit: K74678BK:
\$3.50 ea.



- Pick-up tooth • .35 lbs.
- To fit John Deere® 7 ft. hay head before SN. 550000
- Replaces OEM #E54745

Order # K54745

\$5²⁵ ea.

NEW



Replacement parts produced by Kooima® Ag to fit JD® 7000 Series

7000, 8000 & 9000 Series Bumper

Features:

- Adjustable bumper pads to protect your cutter from damage
- Lowered hitch allows for better alignment
- Weight rack designed to use standard suitcase weights included on **K125061**
- Included chain or tow rope connection
- Proudly made in the USA



Option with weight rack

Order # **K125061**

\$2,790⁰⁰ea.

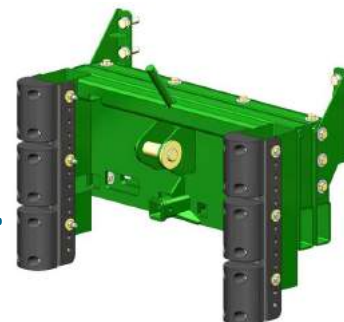


No weight rack
Order # **K125072**

\$2,275⁰⁰ea.



Scan for Videos and Install Instructions!



Optional Add-On

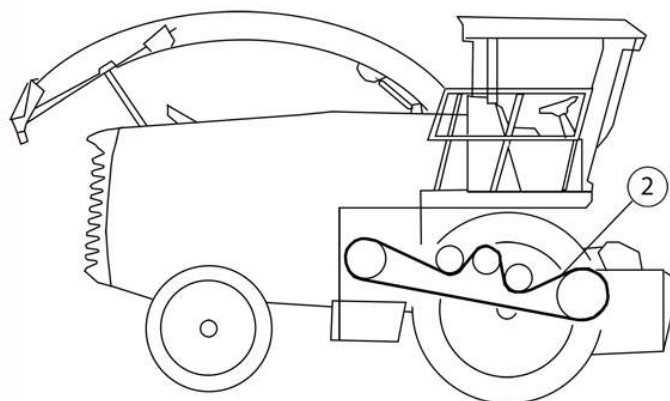
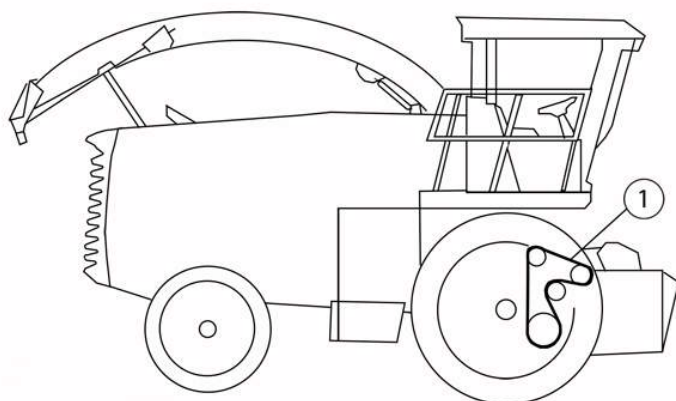
Wide complete rubber bumper attachment for K125061 and K125072

Order # **K125083**

\$2,850⁰⁰ea.



Scan for Videos and Install Instructions!



High Quality Gates® Belts

KOOIMA #	DESCRIPTION	REPLACES OEM #
K61336 \$105.00 per set	① • Processor belt (set of 3) • Right side • To fit 7200-7800 machines • 78 1/2" long • 3.8 lbs.	AZ61336
K100808 \$82.45 per set	① • Processor belt (set of 3) To fit 7200-7800 left side • 89" long • 3 lbs. • To fit wide body machines SN. 510523 & below and standard SN. 511027 & below	AZ100808
K101386 \$175.75 per set	① • Processor belt (set of 3) To fit 7750, 7850 & 7950 right side • 80.32" long • 3.7 lbs.	AZ101386
K13957 \$105.75 per set	① • Processor belt (4-groove set) • Left side • To fit 7250-7550 standard body machines SN. 511028 & up • 3.4 lbs.	HXE13957
K13951 \$110.75 per set	① • Processor belt (4-groove set) • Left side • To fit 7750-7980 wide body machines SN. 510524 & up • 3.5 lbs.	HXE13951
K53559 \$951.50 per set	② • Drum belt (6-groove set) • To fit 7200-7550 1000 RPM • 247" long • 36 lbs.	AZ53559
K51638 \$1,085.00 per set	② • Drum belt (7-groove set) • To fit 7200-7850 1150 RPM • 251" long • 37 lbs.	AZ51638

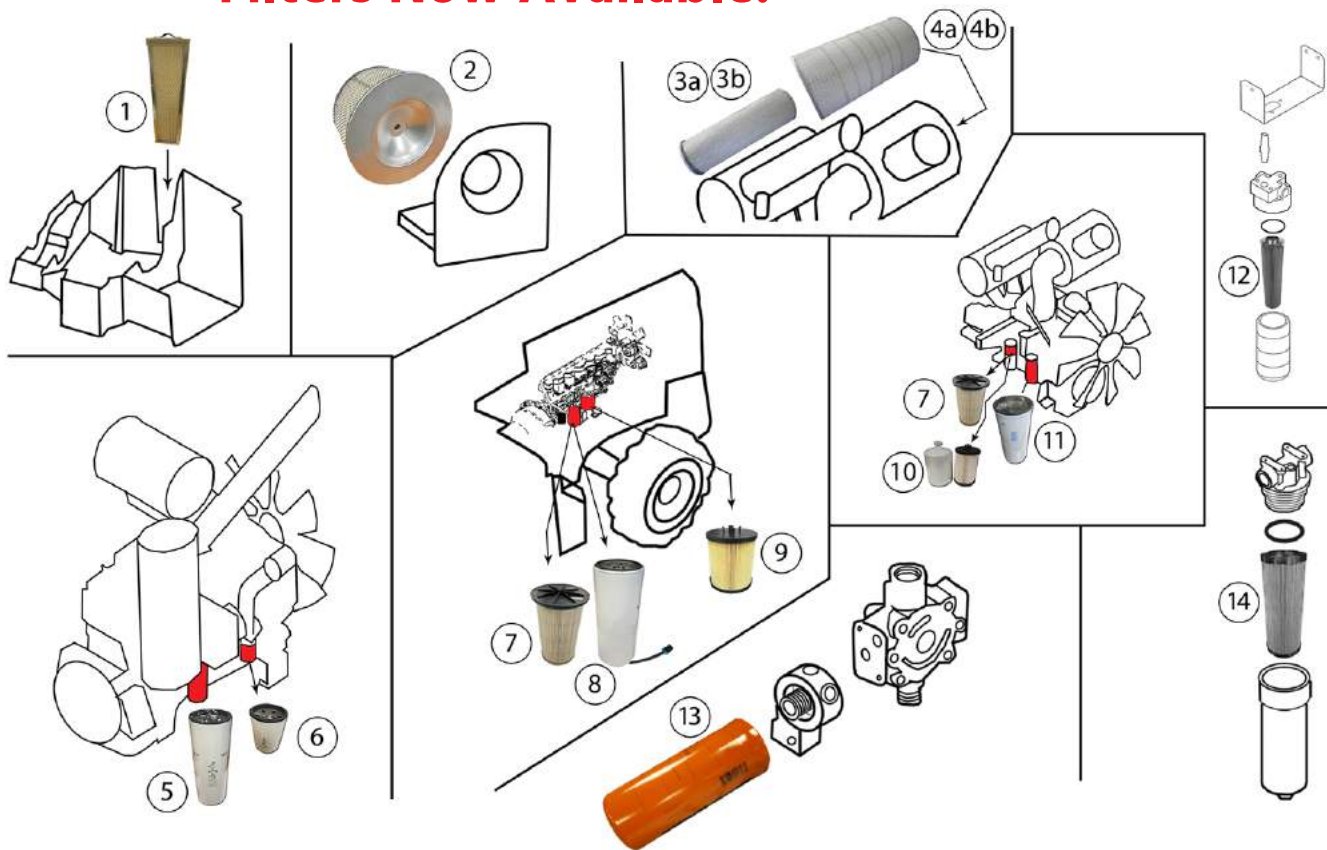
K7000WSC



\$355.50 ea.

- Windshield cover
- To fit all 7000 series harvesters
- Eliminates cracked and broken windshields
- Double sewn heavy duty, padded vinyl construction
- Stainless steel dee rings • 11 lbs.

Filters Now Available!



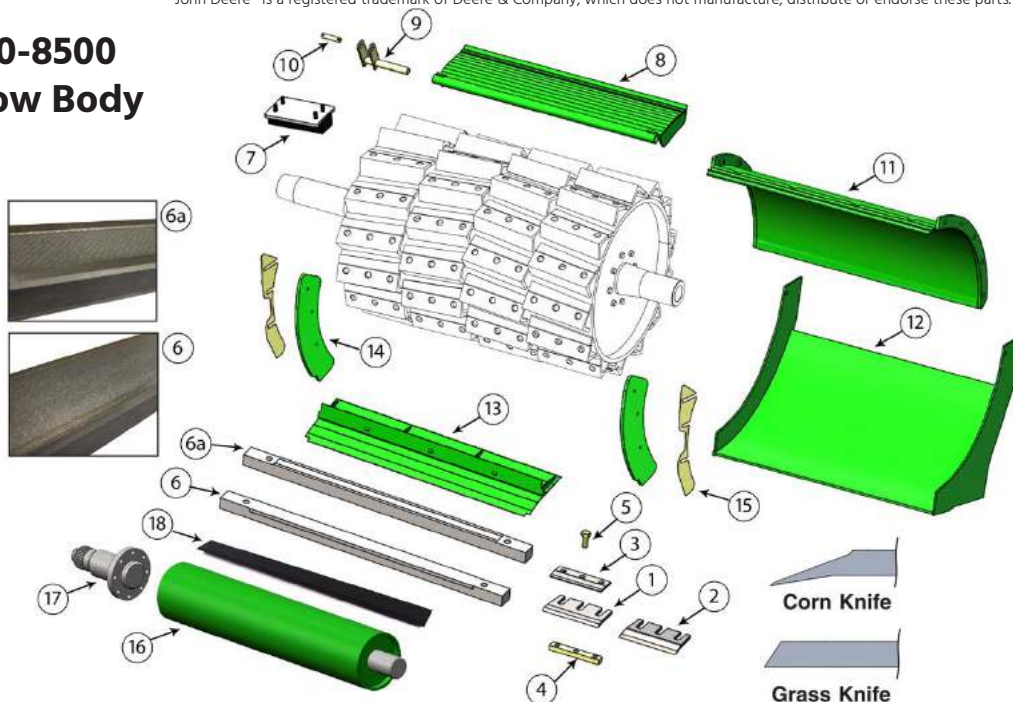
Replacement parts produced by Kooima® Ag to fit JD® 7000 Series

KOOIMA #	DESCRIPTION	REPLACES OEM #
K115836 \$41.35 ea.	① • Air conditioning filter • 1 lb. • To fit 7200-7500, 7700 & 7800 series • Will also fit JD® CTS & STS combines	AH115836
K115833 \$39.90 ea.	② • Cab air filter • 4.5 lbs. • To fit 7200-7980 series • Will also fit JD® CTS & STS combines	AH115833
K45867 \$69.45 ea.	③a • Air cleaner filter • 5 lbs. • To fit 6610-6950, 7200-7500, 7250, 7350, 7180, 7380 series	AZ45867
K61134 \$87.50 ea.	③b • Air cleaner filter • 5 lbs. • To fit 7200-7500, 7700, 7800, 7450-7850, 7280-7780 series	AZ61134
K45868 \$95.45 ea.	④a • Air cleaner filter • 11.05 lbs. • To fit 6610-6950, 7200-7500, 7250, 7350, 7180, 7380 series	AZ45868
K61133 \$104.50 ea.	④b • Air cleaner filter • 11.05 lbs. • To fit 7200-7500, 7700, 7800, 7450-7850, 7280-7780 series	AZ61133
KLF9070 \$58.00 ea.	⑤ • Oil filter • 4.3 lbs. • To fit 7700, 7800 & 7850 series	PMLF9070
KWF2126 \$40.35 ea.	⑥ • Coolant filter • 1.6 lbs. • To fit 7700, 7800 & 7850 series	PMWF2126
K507284 \$31.00 ea.	⑦ • Fuel filter • 1.7 lbs. • To fit 6650-6950, 7200-7500, 7700, 7800, 7350 & 7750	RE507284
K522372 \$43.00 ea.	⑧ • Fuel filter • 3.3 lbs. • To fit 7200-7500 series	RE522372 RE509596
K509672 \$16.00 ea.	⑨ • Oil filter element • .7 lbs. • To fit 7200-7500, 7250, 7180, 8100 & 8200 series	RE509672
K525523 \$60.00 ea.	⑩ • Fuel filter kit • Includes 1 RE520906 & RE523236 • 2.5 lbs. • To fit 7180, 7250-7550 & STS combines	RE525523 RE520906 / RE523236
K58935 \$35.00 ea.	⑪ • Oil filter • 1.7 lbs. • To fit 7200-7500, 7700 & 7800 series	RE58935
K14583 \$35.35 ea.	⑫ • Oil filter • .5 lbs. • To fit 7200-7980 series	AXE14583 AZ64238
K128449 \$31.50 ea.	⑬ • Hydraulic filter • 2.8 lbs. • To fit 7200-7780 series & CTS and STS combines	AH128449
K203060 \$56.35 ea.	⑭ • Transmission & hydraulic oil filter • 1.3 lbs. • To fit 7200-7980 series	AL203060 AL112936

KOOIMA® AG REPLACEMENT PARTS TO FIT 8100-8500 SERIES JOHN DEERE® FORAGE HARVESTERS

John Deere® is a registered trademark of Deere & Company, which does not manufacture, distribute or endorse these parts.

8100-8500 Narrow Body



K8000WSC \$350.80 ea. Windshield cover

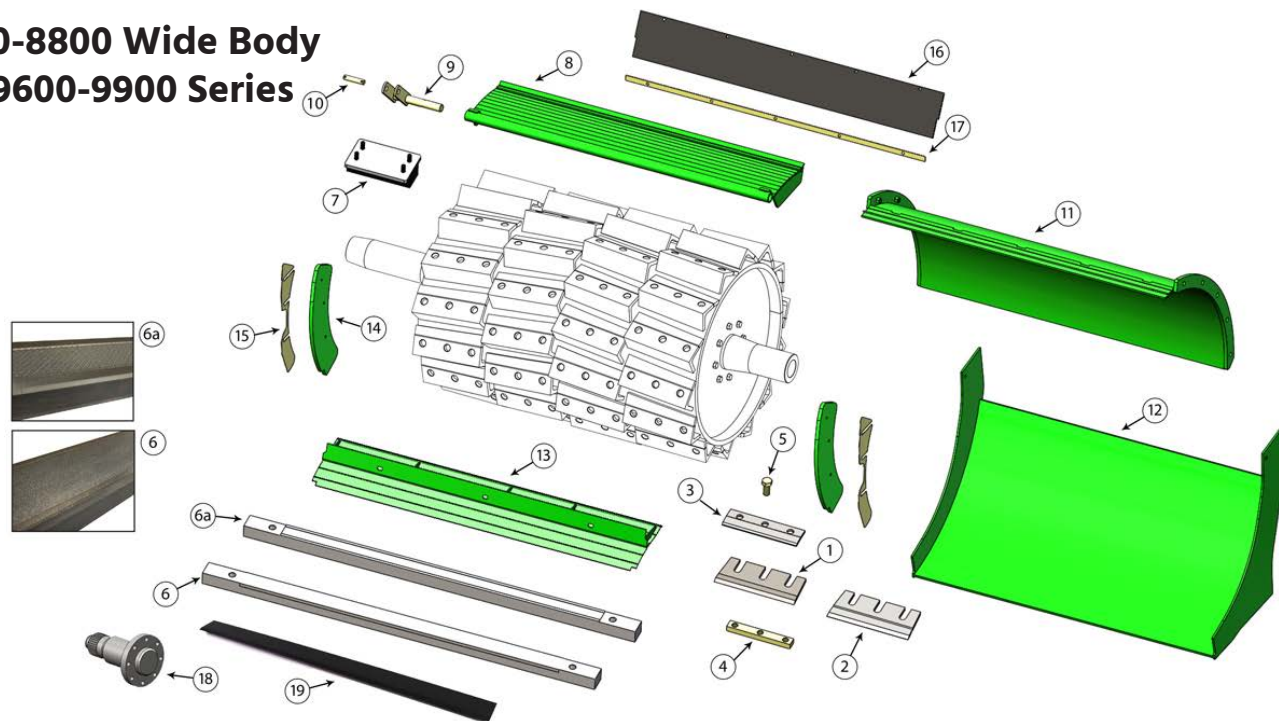
- To fit JD® 8000/9000
- Eliminates cracked and broken windshields
- Double sewn heavy duty, padded vinyl construction
- Stainless steel dee rings
- 13.3 lbs.



KOOIMA #	DESCRIPTION	REPLACES OEM #
K53568 \$18.95 ea.	① • Grass knife • To fit 8100-8500 series harvesters • 2.05 lbs.	HXE53568 Heat Treated / Tungsten Carbide
K53570 \$19.40 ea.	② • Corn knife • To fit 8100-8500 series harvesters • 1.96 lbs.	HXE53570 Heat Treated / Tungsten Carbide
K53571 \$15.20 ea.	③ • Top strap • 1 lb. • To fit 8100-8500 series	HXE53571 Heat Treated
K71196 \$7.75 ea.	④ • Bottom nut • .9 lbs. • To fit 8100-8500 series harvesters	Z71196 / Z49625
K29393 \$2.20 ea.	⑤ • Knife bolt • 10.9 metric • .25 lbs. • To fit 8100-8800 series • 3 bolts per knife required	HXE143972 / HXE29393
K86990 \$405.80 ea.	⑥ • Corn shearbar • To fit 8100-8500 series harvesters • 25 lbs.	HXE86991 / HXE101351 Heat Treated / Tungsten Carbide
K86990HP \$498.00 ea.	⑥a • High performance universal shearbar • To fit 8100-8500 series harvesters • 26 lbs.	HXE86990 / HXE101352 Heat Treated / Tungsten Carbide
K17437 \$78.95 ea.	⑦ • Sharpening stone • 3 lbs. • To fit 8100-8800 series	AXE17437
K18731 \$130.00 ea.	⑧ • Knife sharpening door • 14.5 lbs. • To fit 8100-8500 series (8600: SN# 619000 and above)	AXE18731
K18775 \$56.60 ea.	⑨ • Knife sharpening door lever • 1.2 lbs. • To fit 8100-8800 series	AXE18775 / AXE70742
K18775BK \$1.70 ea.	⑨a • Knife sharpening door lever hardware • .05 lbs. • To fit K18775 lever, includes 2 cotter pins & 2 spring pins	11M7021/34M7217/34M7214
K79793 \$7.75 ea.	⑩ • Knife sharpening door pin • .22 lbs. • To fit 8100-8800 series	HXE79793
K45063 \$195.75 ea.	⑪ • Cutter housing back band • 35.3 lbs. • To fit 8100-8500 series	AXE45063
K41753 \$465.75 ea.	⑫ • Spiral band • 78 lbs. • To fit 8100-8500 series	AXE71513 / AXE41753
K49935 \$120.75 ea.	⑬ • Front cover • 12.85 lbs. • To fit 8100-8500 series	AXE49935
K84524 \$49.60 ea.	⑭ • Cutter housing wear plate • 4.65 lbs. • To fit 8100-8800 series	HXE84524
K76993 \$6.55 ea.	⑮ • Wear plate shim • .25 lbs. • To fit 8100-8800 series	HXE76993
K14074 \$430.00 ea.	⑯ • Lower rear smooth roll • 42 lbs. • To fit 8100-8500 series harvesters	AXE14074
K19677 \$305.00 ea.	⑰ • Lower rear smooth roll drive flange • 7 lbs. • To fit 8100-8800 series harvesters	HXE19677
K83564 \$345.00 ea.	⑱ • Smooth roll scraper • 7.5 lbs. • To fit 8100-8500 series harvesters	HXE83564 / HXE113274 Heat Treated

Replacement parts produced by Kooima® Ag to fit JD® 8000 Series

**8600-8800 Wide Body
& 9600-9900 Series**

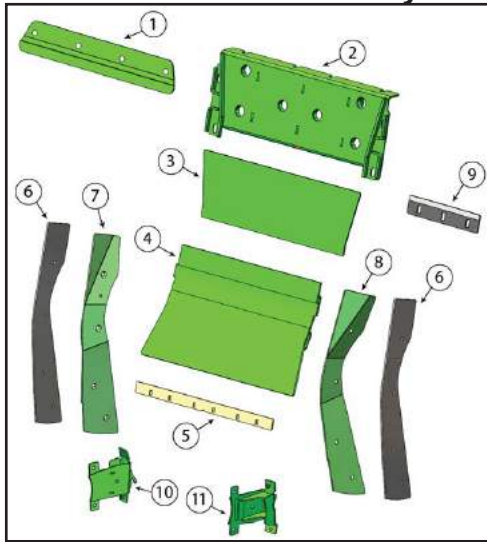


KOOIMA #	DESCRIPTION	REPLACES OEM #
K52933 \$21.75 ea.	1 • Grass knife • To fit 8600-8800 & 9600-9900 series harvesters • 2.7 lbs.	HXE52933 Heat Treated / Tungsten Carbide
K52950 \$23.60 ea.	2 • Corn knife • To fit 8600-8800 & 9600-9900 series harvesters • 2.7 lbs.	HXE52950 Heat Treated / Tungsten Carbide
K52938 \$10.00 ea.	3 • Top strap • 1.23 lb. • To fit 8600-8800 & 9600-9900 series harvesters	HXE119923 / HXE52938 Heat Treated / Tungsten Carbide
K72498 \$8.35 ea.	4 • Bottom Nut • .95 lbs. • To fit 8600-8800 & 9600-9900 series harvesters	Z72498/ HXE29392
K29393 \$2.20 ea.	5 • Knife bolt • 10.9 metric • .25 lbs. • To fit 8100-8800 & 9600-9900 series • 3 bolts per knife required	HXE143972 / HXE29393
K86980 \$590.00 ea.	6 • Corn shearbar • 29 lbs. • To fit 8600-8800 & 9600-9900 series	HXE101350 / HXE86980 Heat Treated / Tungsten Carbide
K86911HP \$698.00 ea.	6a • High performance universal shearbar • 30 lbs. • To fit 8600-8800 & 9600-9900 series	HXE101349 / HXE86911 Heat Treated / Tungsten Carbide
K17437 \$78.95 ea.	7 • Sharpening stone • 3 lbs. • To fit 8100-8800 & 9600-9900 series	AXE17437
K18541 \$213.55 ea.	8 • Knife sharpening door • 14.5 lbs. • To fit 8600-8800 series (8600: SN# 18999 and below)	AXE18541
K18775 \$56.60 ea.	9 • Knife sharpening door lever • 1.2 lbs. • To fit 8100-8800 series	AXE18775 / AXE70742
K18775BK \$1.70 ea.	9a • Knife sharpening door lever hardware • .05 lbs. • To fit K18775 lever, includes 2 cotter pins & 2 spring pins	11M7021/34M7217/34M7214
K79793 \$7.75 ea.	10 • Knife sharpening door pin • .22 lbs. • To fit 8100-8800 & 9600-9900 series	HXE79793
K45056 \$236.00 ea.	11 • Cutter housing back band • 46.8 lbs. • To fit 8600-8800 series	AXE45056
K41319 \$657.15 ea.	12 • Spiral band • 78 lbs. • To fit 8600-8800 & 9600-9900 series	AXE72022 / AXE41319 / AXE72081
K49888 \$155.75 ea.	13 • Front cover • 10.35 lbs. • To fit 8600-8800 series	AXE49888
K84524 \$49.60 ea.	14 • Cutter housing wear plate • 4.65 lbs. • To fit 8100-8800 series	HXE84524
K76993 \$6.55 ea.	15 • Wear plate shim • .25 lbs. • To fit 8100-8800 series	HXE76993
K78798 \$20.10 ea.	16 • Rubber cover • To fit 8600-8800 series	HXE78798
K78933 \$11.85 ea.	17 • Rubber cover strap • .82 lbs. • To fit 8600-8800 series	HXE78933
K19677 \$305.00 ea.	18 • Lower rear smooth roll drive flange • 7 lbs. • To fit 8100-8800 series harvesters	HXE19677
K83563 \$345.00 ea.	19 • Smooth roll scraper • 9.5 lbs. • To fit 8600-8800 & 9600-9900 series harvesters	HXE83563 Heat Treated

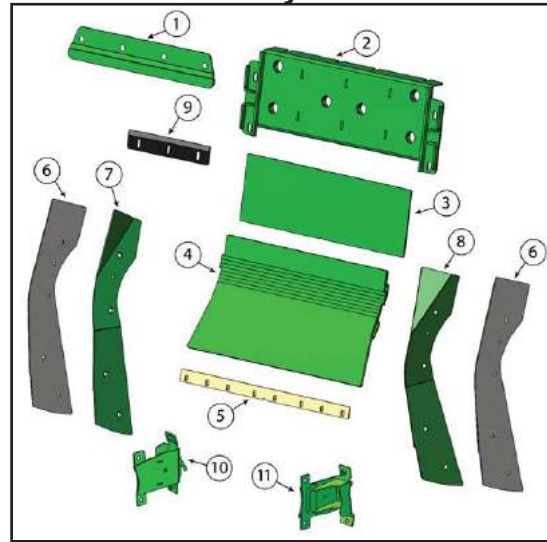
Replacement parts produced by Kooima® Ag to fit JD® 8000 & 9000 Series

Replacement parts produced by Kooima® Ag to fit JD® 8000 Series

8100-8500 Narrow Body



8600-8800 Wide Body & 9600-9900 Series



KOOIMA #	DESCRIPTION	REPLACES OEM #
Parts for Narrow Body 8100-8500 Series Blowers		
K53728 \$31.35 ea.	① • Blower housing deflector • 4.25 lbs. • To fit 8100-8800 series SN. 513822 and above	HXE53728 Abrasion Resistant
K46593 \$127.25 ea.	② • Rear blower door • 21 lbs. • To fit 8100-8500 series SN. 513822 and above	AXE46593 Abrasion Resistant
K46619 \$95.45 ea.	③ • Rear blower door wear plate • 4.8 lbs. • To fit 8100-8500 series SN. 513822 and above	AXE46619 Abrasion Resistant
K41235 \$325.80 ea.	④ • Blower band • 38.6 lbs. • To fit 8100-8500 series SN. 513822 and above	AXE41235 Abrasion Resistant
K37140 \$12.75 ea.	⑤ • Blower strap • 1.45 lbs. • To fit 8100-8500 series SN. 513822 and above	HXE37140
K63268 \$60.45 ea.	⑥ • Blower side liner • 6 lbs. • 2 required • To fit 8100-8800 series SN. 513822 and above	HXE63268 / HXE115531 UHMW Plastic
K40375 \$100.75 ea.	⑦ • RH Blower housing plate • 5.95 lbs. • To fit 8100-8500 series SN. 513822 and above	HXE40375 / HXE115394 Abrasion Resistant
K40374 \$100.75 ea.	⑧ • LH Blower housing plate • 5.95 lbs. • To fit 8100-8500 series SN. 513822 and above	HXE40374 / HXE115395 Abrasion Resistant
K37067 \$18.40 ea.	⑨ • Blower paddle - Koyma Klad® coating • 1.3 lbs. • 10 required • To fit 8100-8500 series SN. 513822 and above	HXE37067 Koyma Klad®/Heat Treated
KM12BK \$8.15 ea.	⑨a • Blower paddle bolt kit • Includes 3 bolts & 3 nuts • 1 kit per paddle required • .5 lbs.	03M7199 14M7401
K25499 \$105.75 ea.	⑩ • Right hand support • To fit 8100-8800 series SN. 513822 and above	AXE25499
K37014 \$95.45 ea.	⑪ • Left hand support • To fit 8100-8800 series SN. 513822 and above	AXE37014
Parts for Wide Body 8600-8800 & 9600-9900 Series Blowers		
K53728 \$31.35 ea.	① • Blower housing deflector • 4.25 lbs. • To fit 8100-8800 series SN. 513822 and above & 9600-9900 series	HXE53728 Abrasion Resistant
K46602 \$127.40 ea.	② • Rear blower door • 22 lbs. • To fit 8600-8800 series SN. 513822 and above & 9600 series	AXE46602 Abrasion Resistant
K46618 \$95.45 ea.	③ • Rear blower door wear plate • 10.7 lbs. • To fit 8600-8800 series SN. 513822 and above & 9600 series	AXE46618 Abrasion Resistant
K35811 \$379.80 ea.	④ • Blower housing blower band • 43.5 lbs. • To fit 8600-8800 series SN. 513822 and above	AXE35811 Abrasion Resistant
K31527 \$12.75 ea.	⑤ • Blower strap • 1.65 lbs. • To fit 8600-8800 series SN. 513822 and above and 9600-9900 series SN 619000 and above	HXE31527
K63268 \$60.45 ea.	⑥ • Blower side liner • 6 lbs. • 2 required • To fit 8100-8800 series SN. 513822 and above	HXE63268 UHMW
K63191 \$84.50 ea.	⑦ • RH Blower housing wear plate • 5.95 lbs. • To fit 8100-8500 series SN. 513822 and above & 9600-9900 series	HXE63191 / HXE115396 Abrasion Resistant
K63192 \$84.50 ea.	⑧ • LH Blower housing wear plate • 5.95 lbs. • To fit 8100-8800 series SN. 513822 and above & 9600-9900 series	HXE63192 / HXE115397 Abrasion Resistant
K29814 \$22.60 ea.	⑨ • Blower paddle - Koyma Klad® coating • 1.4 lbs. • 10 required • To fit 8600-8800 series SN. 513822 and above & 9600-9900 series	HXE29814 Koyma Klad®/Heat Treated
KM12BK \$8.15 ea.	⑨a • Blower paddle bolt kit • Includes 3 bolts & 3 nuts • 1 kit per paddle required • .5 lbs.	03M7199 14M7401
K25499 \$105.75 ea.	⑩ • Right hand support • To fit 8100-8800 series SN. 513822 and above	AXE25499
K37014 \$95.45 ea.	⑪ • Left hand support • To fit 8100-8800 series SN. 513822 and above	AXE37014

7000, 8000 & 9000 Series Bumper

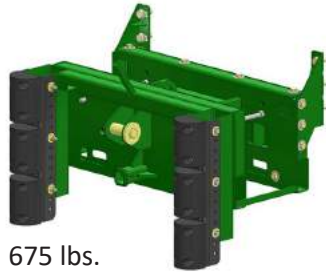
Features:

- Adjustable bumper pads to protect your cutter from damage
- Lowered hitch allows for better alignment
- Weight rack designed to use standard suitcase weights included on **K125061**
- Included chain or tow rope connection
- Proudly made in the USA

Option with weight rack

Order # K125061

\$2,790⁰⁰ea.



675 lbs.

Optional Add-On

Wide complete rubber bumper attachment for K125061 and K125072

Order # K125083

\$2,850⁰⁰ea.



Scan for Videos and Install Instructions!



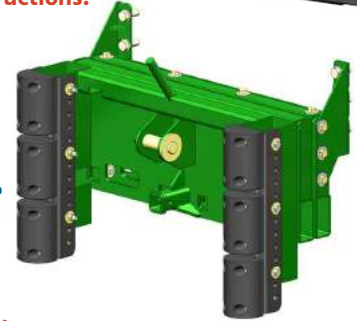
No weight rack

Order # K125072

\$2,275⁰⁰ea.



Scan for Videos and Install Instructions!



Replacement parts produced by Kooima® Ag to fit JD® 8000 & 9000 Series

KOOIMA #	DESCRIPTION	REPLACES OEM #
K93580 \$87.50 ea.	• Upper front feed roll tooth • 2 lbs. • To fit John Deere® 8200-8500 series • 10 required	HXE93580 / HXE87699 Stainless
K93575 \$87.50 ea.	• Upper front feed roll tooth • 2.6 lbs. • 10 required • To fit John Deere® 8600-8800 & 9600-9900 series	HXE93575 Stainless
K55068 \$87.50 ea.	• Lower front feed roll tooth • 1.6 lbs. • To fit John Deere® 8200-8500 series • 12 required	HXE55068 / HXE100098 Stainless
K54553 \$84.50 ea.	• Lower front feed roll tooth • 2 lbs. • 12 required • To fit John Deere® 8600-8800 & 9600-9900 series	HXE54553 / HXE100097 Stainless

KOOIMA #	DESCRIPTION	REPLACES OEM #
K43638HPF (Fast, Top 118 tooth) K43638HPS (Slow, Bottom 130 tooth) \$2,210.00 ea.	• Fiber Tech Chromed kernel processor roll • 166 lbs. • Chevron Series Fiber Tech - High Capacity • To fit 8100-8500 series	AXE43638 Heat Treated Chromed

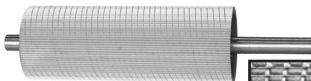


K43163HPF (Fast, Top 118 tooth) K43182HPS (Slow, Bottom 130 tooth) \$2,265.00 ea.	• Fiber Tech Chromed kernel processor roll • Chevron Series Fiber Tech High Capacity Rolls • To fit 8600-8800 series • To fit 9600-9900 series • 206 lbs.	AXE43163 AXE43182 Heat Treated Chromed
---	---	---



Square grooves unwrap cellulose and shred your stalk which also creates a far superior process job.

K8600HPF (Fast 124 tooth) K8600HPS (Slow 138 tooth) \$2,190.00 ea.	• Fiber Tech Chromed kernel processor roll • To fit Scherer™ processors made to fit JD® 8600-8800 series wide body SPFH • High capacity Fiber Tech, chevron design	Heat treated / Chromed
--	--	-------------------------------



K8600HPBF (Fast 124 tooth) K8600HPBS (Slow 138 tooth) \$2,990.00 ea.	• Fiber Tech Chromed kernel processor roll • To fit Scherer™ processors made to fit JD® 8600-8800 series wide body SPFH • High capacity Fiber Tech, chevron design • Bearings included and installed	Heat treated / Chromed
--	---	-------------------------------



K59430 \$135.00 ea.	• Roller bearing • To fit 8000 & 9600-9900 series processors • 2 required per roll • 2.2 lbs.	AXE59430 AXE44429
-------------------------------	---	----------------------

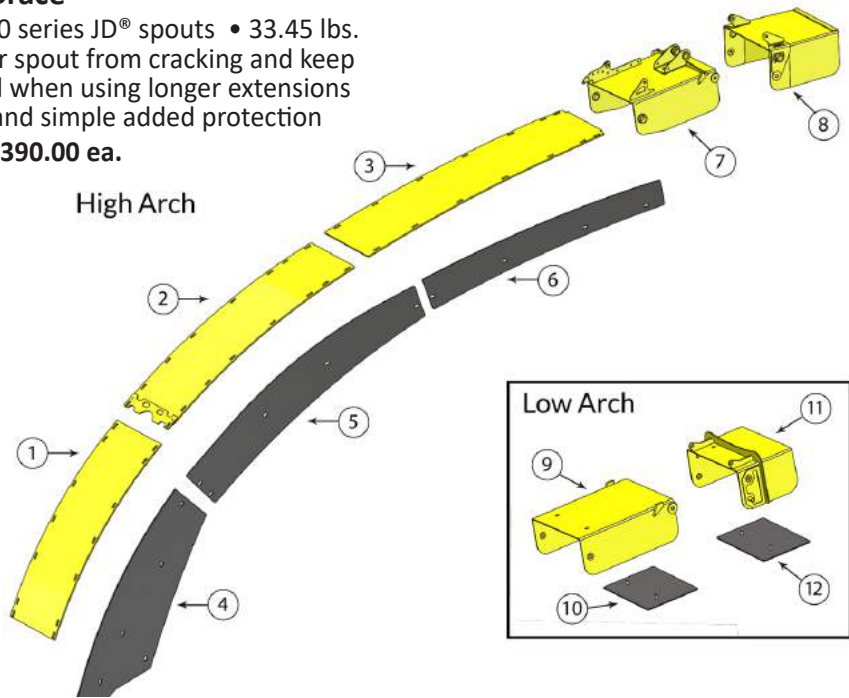


Replacement parts produced by Kooima® Ag to fit JD® 8000 & 9000 Series



Spout Support Brace

- To fit 8000 & 9000 series JD® spouts • 33.45 lbs.
 - Help prevent your spout from cracking and keep it more stabilized when using longer extensions
 - Easy installation and simple added protection
- Order # K89SUP \$390.00 ea.**



<u>KOOIMA #</u>	<u>DESCRIPTION</u>	<u>REPLACES OEM #</u>
K43969 \$140.00 ea. (1)	• High arch lower wear plate • 25 lbs. • To fit all 8000 & 9600-9900 series high arch spouts • Hardware Kit: K43969BK - \$15.00 ea., .9 lbs.	HXE43969 Abrasion Resistant
K25517 \$110.00 ea. (2)	• Middle rear wear plate • 28.5 lbs. • To fit all 8000 & 9600-9900 series high arch spouts • Hardware Kit: K25517BK - \$19.00 ea., 1.44 lbs.	AXE25517 Abrasion Resistant
K39391 \$151.00 ea. (3)	• Top rear wear plate • 31.4 lbs. • To fit all 8000 & 9600-9900 series high arch spouts • Hardware Kit: K39391BK - \$19.00 ea., 1.26 lbs.	HXE39391 Abrasion Resistant
K33265 \$95.00 ea. (4)	• Bottom side wear plate • 20 lbs. • To fit all 8000 & 9600-9900 series high arch spouts • 2 required • Hardware Kit: K33265BK - \$10.25 ea., .55 lbs.	HXE33265 Abrasion Resistant
K33266 \$66.00 ea. (5)	• Middle side liner • 10.6 lbs. • To fit all 8000 & 9600-9900 series high arch spouts • 2 required • Hardware Kit: K33266BK - \$18.00 ea., 1.05 lbs.	HXE33266 Abrasion Resistant
K34370 \$58.00 ea. (6)	• Top side liner • 6.5 lbs. • To fit all 8000 & 9600-9900 series high arch spouts • 2 required • Hardware Kit: K34370BK - \$9.00 ea., .4 lbs.	HXE34370 Abrasion Resistant
K52630 \$210.00 ea. (7)	• Inner spout deflector • 20 lbs. • To fit all 8000 series with high arch spouts	AXE52630 Abrasion Resistant
K55539 \$195.00 ea. (8)	• Outer spout deflector • 17 lbs. • To fit all 8000 series with high arch spouts	AXE55539 Abrasion Resistant

Parts for 8000 Series Low-Arch Spouts

K45117 \$135.00 ea. (9)	• Inner spout deflector • 16.6 lbs. • To fit all 8000 series with low arch spouts	AXE45117 Abrasion Resistant
K46392 \$45.00 ea. (10)	• Inner spout deflector liner • 4.15 lbs. • To fit all 8000 series with low arch spouts • Comes complete with hardware	AXE46392 Abrasion Resistant
K45096 \$197.00 ea. (11)	• Outer spout deflector • 12.4 lbs. • To fit all 8000 series with low arch spouts	AXE45096 Abrasion Resistant
K46393 \$45.00 ea. (12)	• Outer spout deflector liner • 4.1 lbs. • To fit all 8000 series with low arch spouts • Comes complete with hardware	AXE46393 Abrasion Resistant



KOOIMA® AG EXCLUSIVE PRODUCTS

Grind Earlage with Kooima® Ag's New Dual Roll Header Adapters!

Advantages: faster clean out, more ground speed and less shelling!

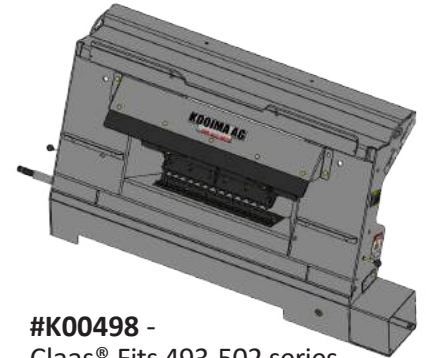
Patent # 8,376,126 & 10,743,467



#K9000 - JD® 8000 & 9000 Series
Page 4



#KFR920 - New Holland® FR machines
Page 14



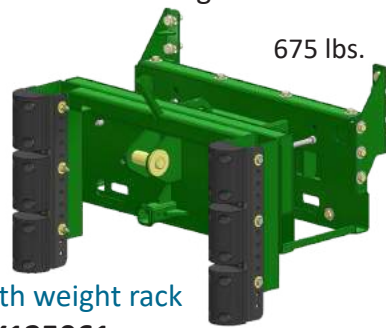
#K00498 -
Claas® Fits 493-502 series
Page 10

Forage Harvester Bumper To fit JD® 7000, 8000 & 9000 Series

Features:

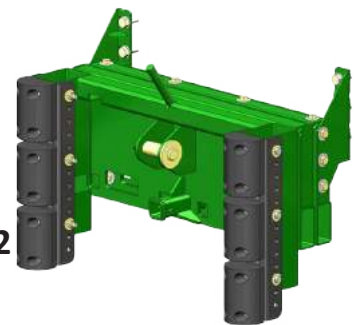
- Adjustable bumper pads to protect your cutter from damage
- Lowered hitch allows for better alignment
- Weight rack designed to use standard suitcase weights included on K125061
- Included chain or tow rope connection
- Proudly made in the USA

More information on Page 98



675 lbs.

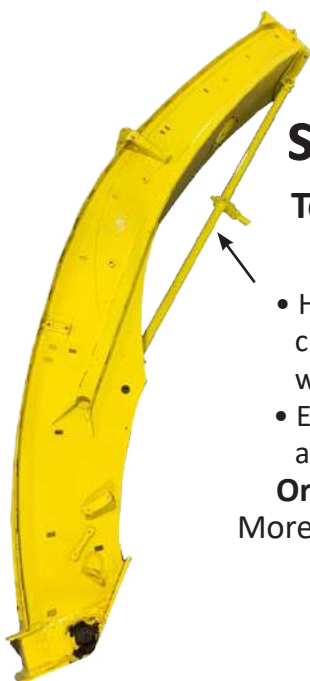
Option with weight rack
Order # K125061



No weight rack
Order # K125072



Scan for
Videos
and Install
Instructions!



Spout Support Brace

To fit JD® 8000 & 9000 Series

- Help prevent your spout from cracking and keep it more stabilized when using longer extensions
- Easy installation and simple added protection

Order # K89SUP

More information on Page 104



Scan for
Videos
and Install
Instructions!



Optional Add-On

Wide complete rubber bumper attachment for K125061 and K125072
Order # K125083

Front Tractor Bumper

Order # K251JDT

\$1,990.00

575 lbs.

Kooima® Ag's newly designed front bumper for JD® 8000 series tractors provide full coverage from fence post, gates or the forage harvester in front of you. Easy installation on your existing weight rack and space saving weight positioning on the sides of the tractor to give you more room in the machine shed.

Tractor weights **not included**



Tractor Mud Flaps

Today's machinery is more expensive than ever, help protect your investment with a set of Kooima® Ag custom built mud flaps. Easily installed on your existing 3 point these mud flaps provide full coverage from mud, rocks or any other flying debris. To fit ALL tractors with category 3 or 4 three point hook ups.

More information on Page 41



Kooima® Ag Trner® Composters

Patent # 10,617,061, other Patents Pending

Don't turn piles at the back of the pack any longer. Kooima® Ag Composters innovative new rotor design allows for faster travel speeds with superior product movement and aeration. Call today for more information!

Additional information on back inside cover!

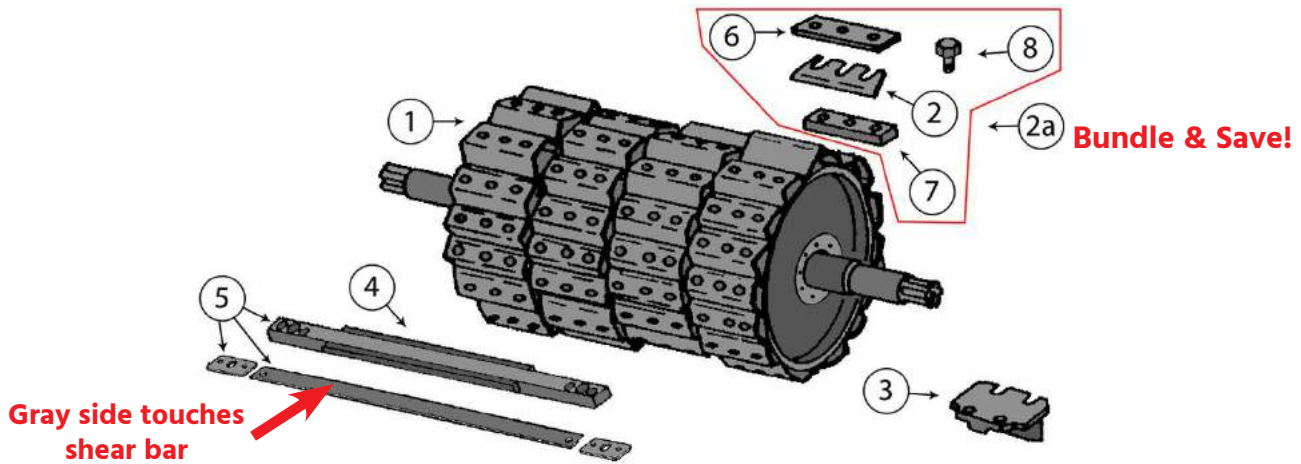
TRNER®
COMPOSTER





KOOIMA® AG REPLACEMENT PARTS TO FIT 3000 SERIES JOHN DEERE® FORAGE HARVESTERS

John Deere® and JD® are registered trademarks of Deere & Company, which does not manufacture, distribute or endorse these parts.

Replacement parts produced by Kooima® Ag to fit JD® 3000 Series

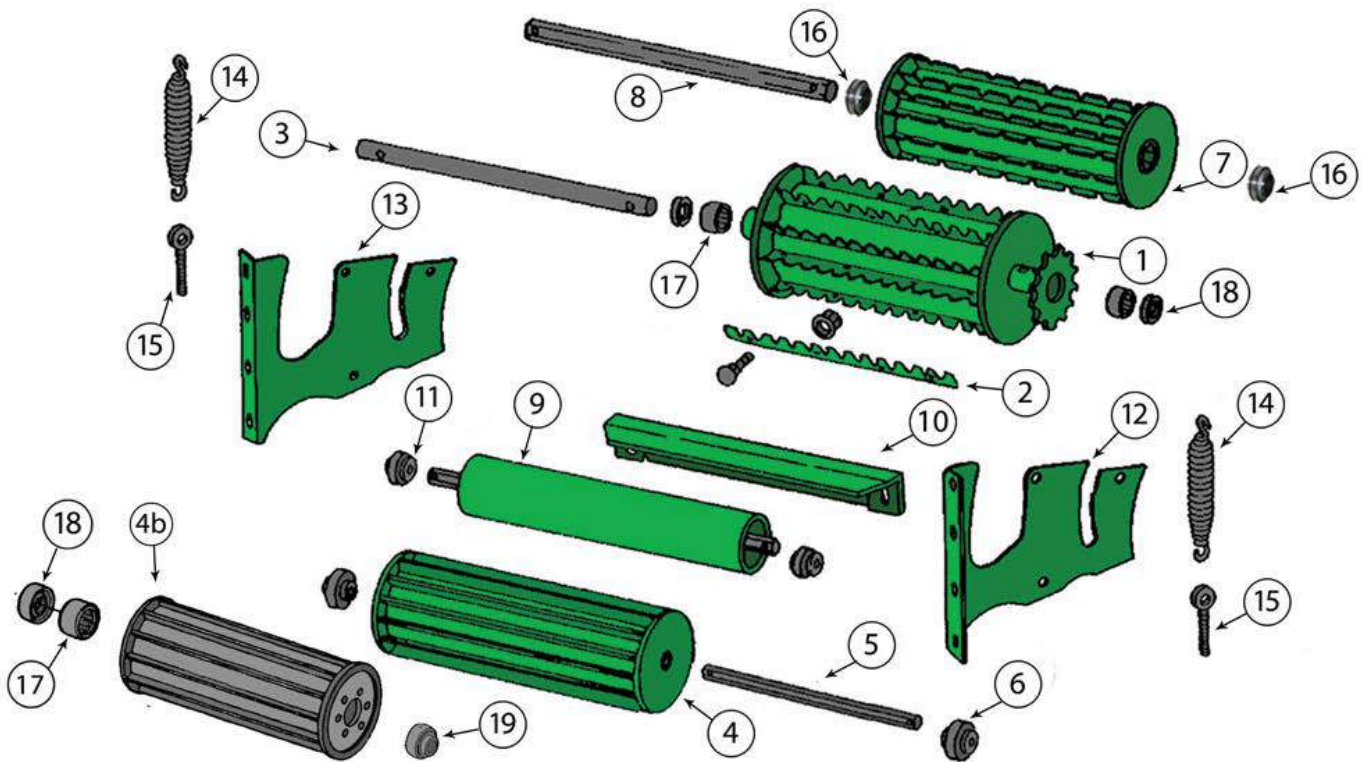


KOOIMA #	DESCRIPTION	REPLACES OEM #
3000CON (w/o knives and hardware) \$2,490.00	 <ul style="list-style-type: none"> Replacement cutterhead assembly To fit JD® 3960 & 3970 series Heavy duty 1/2" thick end walls 1/2" center support inside drum eliminates center cracking New bolt-in replacement shaft • 285 lbs.  	AFH206108 AE43856
K3000CON (complete w/knives & hardware) \$3,715.00		
K61962 \$11.90 ea.	<ul style="list-style-type: none"> Knife • To fit all 3940, 3950 & 3955 Also fits New Holland® Dura-drum™ • 36 required • 1 lb. 	E61962/FH310957 Heat Treated/Tungsten Carbide
K61962KIT \$26.30 ea.	<ul style="list-style-type: none"> Kit includes (1) K61962, (1) K78596, (1) K61960, (3) K62538 • 2.6 lbs. Buy any quantity and save 5%! • To fit all 3940, 3950 & 3955 	
K61962HP \$16.40 ea.	<ul style="list-style-type: none"> Hi-performance knife • To fit all 3940, 3950 & 3955 Thicker tungsten carbide edge • 1.1 lbs. 	E61962/FH310957 Heat Treated/Tungsten Carbide
K61961 \$11.90 ea.	<ul style="list-style-type: none"> Knife • To fit all 3960, 3970 & 3975 48 required • .9 lbs. ea. 	E61961/FH310956 Heat Treated/Tungsten Carbide
K61961KIT \$26.30 ea.	<ul style="list-style-type: none"> Kit includes (1) K61961, (1) K78596, (1) K61960, (3) K62538 • 2.5 lbs. Buy any quantity and save 5%! • To fit all 3960, 3970 & 3975 	
K61961HP \$16.40 ea.	<ul style="list-style-type: none"> Hi-performance knife • To fit all 3960, 3970 & 3975 Thicker tungsten carbide edge • 1 lb. ea. 	E61961/FH310956 Heat Treated/Tungsten Carbide
K46064 \$48.25 ea.	<ul style="list-style-type: none"> Sharpening stone • To fit all 3940, 3950, 3955, 3960, 3970 & 3975 2.6 lbs. • Hardware Kit: K46064BK, \$3.25 ea., .20 lbs. 	AE46064
K72918 \$197.50 ea.	<ul style="list-style-type: none"> Shearbar To fit 3940, 3950 & 3955 • 17 lbs. 	E72918 Tungsten Carbide
K72919 \$222.50 ea.	<ul style="list-style-type: none"> Shearbar To fit 3960, 3970 & 3975 • 18 lbs. 	E72919/AE44466 Tungsten Carbide
K44465 \$234.50 ea.	<ul style="list-style-type: none"> Shearbar kit • To fit 3940, 3950 & 3955 Includes wear strip and bearings • 18 lbs. 	AE44465 Tungsten Carbide
K44466 \$249.50 ea.	<ul style="list-style-type: none"> Shearbar kit • To fit 3960, 3970 & 3975 Includes wear strip and bearings • 19 lbs. 	AE44466 Tungsten Carbide
K44466BK \$31.50 ea.	<ul style="list-style-type: none"> Bolt kit To fit K44465 & K44466 • 1.4 lbs. 	
K78596 \$5.25 ea.	<ul style="list-style-type: none"> Top strap • 36 required, 3940, 3950 & 3955 48 required, 3960, 3970 & 3975 • .65 lbs. 	E78596/FH312001 Heat Treated
K61960 \$6.50 ea.	<ul style="list-style-type: none"> Nut • 36 required, 3940, 3950 & 3955 48 required, 3960, 3970 & 3975 • .65 lbs. 	E61960 FH312164
K62538 \$1.35 ea.	<ul style="list-style-type: none"> Knife bolt, grade 8 • 108 required, 3940, 3950 & 3955 144 required, 3960, 3970 & 3975 • .1 lbs. • Torque to 110 lbs. do not use lubricant 	FH323005/E62538 E83034

Truck icon signifies product is shipped via truck freight.

KOOIMA® AG REPLACEMENT PARTS TO FIT 3000 SERIES JOHN DEERE® FORAGE HARVESTERS

Replacement parts produced by Kooima® Ag to fit JD® 3000 Series



KOOIMA #	DESCRIPTION	REPLACES OEM #
K41907 \$329.50 ea.	① • Upper front feed roll • To fit 3940, 3950 & 3955 without metal detector • Complete with replaceable, abrasion resistant teeth and bearings • 60 lbs.	AE41907
K41469 \$354.80 ea.	①a • Upper front feed roll • To fit 3960, 3970 & 3975 without metal detector • Complete with replaceable, abrasion resistant teeth and bearings • 60.5 lbs.	AE41469
K41908 \$21.80 ea.	② • Upper front feed roll tooth • To fit Kooima® Ag roll #K41907 • 10 required • .9 lbs. • Hardware Kit: K41470BK , \$19.75 ea. 2 lbs., 1 kit does 10 teeth	Abrasion Resistant
K41470 \$29.80 ea.	②a • Upper front feed roll tooth • To fit Kooima® Ag roll #K41469 • 10 required • 1.1 lbs. • Hardware Kit: K41470BK , \$19.75 ea. 2 lbs. , 1 kit does 10 teeth	Abrasion Resistant
K72470 \$88.45 ea.	③ • Upper front feed roll shaft • To fit 3940, 3950 & 3955 • Use with roll #K41907 • 26-5/16" x 1-3/8" round shaft • 11.2 lbs.	E72470
K72468 \$80.45 ea.	③a • Upper front feed roll shaft • To fit 3960, 3970 & 3975 • Use with roll #K41469 • 30-5/16" x 1-3/8" round shaft • 12.9 lbs.	E72468
K44165 \$229.75 ea.	④ • Lower front feed roll • To fit 3940, 3950 & 3955 without metal detectors • 46 lbs.	AE44165 Abrasion Resistant
K44164 \$309.80 ea.	④a • Lower front feed roll • To fit 3960, 3970 & 3975 without metal detector • 54 lbs.	AE44164 Abrasion Resistant
K42646 \$932.50 ea.	④b • Lower front feed roll • 43.7 lbs. • To fit 3970 & 3975 with metal detector • Bolt kit: K42646BK , \$21.25 ea.	AE42646 Stainless Steel
K62679 \$95.00 ea.	⑤ • Lower front feed roll shaft • To fit 3940, 3950 & 3955 without metal detector • 25" x 1-1/4" hex shaft • 9.3 lbs.	E62679 Stress Proof Shaft
K62407 \$60.45 ea.	⑤a • Lower front feed roll shaft • To fit 3960, 3970 & 3975 without metal detector • 29" x 1-1/4" hex shaft • 12 lbs.	E62407 Stress Proof Shaft
K37057 \$50.15 ea.	⑥ • Lower front feed roll bearing • To fit all 3000 series • 1 lb.	AE37057
K43833R \$197.75 ea.	⑦ • Upper rear feed roll • To fit 3940, 3950 & 3955 • 25.5 lbs.	AE43833 Abrasion Resistant
K43832 \$199.50 ea.	⑦a • Upper rear feed roll • To fit 3960, 3970 & 3975 • 33 lbs.	AE43832 Abrasion Resistant
K81584 \$45.35 ea.	⑧ • Upper rear feed roll shaft • 6.1 lbs. • To fit 3940, 3950 & 3955 • 26-5/8" x 1" hex shaft	E81584 Stress Proof Shaft
K81583 \$58.85 ea.	⑧a • Upper rear feed roll shaft • To fit 3960, 3970 & 3975 harvesters • 30-5/8" x 1" hex shaft • 7 lbs.	E81583 Stress Proof Shaft

KOOIMA #	DESCRIPTION	REPLACES OEM #
K49949 \$227.75 ea.	⑨ • Lower rear smooth feed roll • Complete with hex shaft • To fit 3940, 3950 & 3955 harvesters • 35.5 lbs.	AE49949/AFH205946
K49948 \$234.75 ea.	⑨a • Lower rear smooth feed roll • Complete with hex shaft • To fit 3960, 3970 & 3975 harvesters • 41.4 lbs.	AE49948/AFH205935
K44959 \$95.45 ea.	⑩ • Smooth roll cleaner • 5.9 lbs. • To fit 3940, 3950 & 3955 harvesters • Hardware Kit: K44959BK , \$4.90 ea., .25 lbs.	AE44959/AFH205889
K44960 \$147.00 ea.	⑩a • Smooth roll cleaner • 7 lbs. • To fit 3960, 3970 & 3975 harvesters • Hardware Kit: K44959BK , \$4.90 ea., .25 lbs.	AE44960/AFH205881
K49017 \$60.45 ea.	⑪ • Lower rear feed roll bearing • To fit all 3000 series • 1.1 lbs.	AE49017
K83069 (LH) K83070 (RH) \$53.35 ea.	⑫ • Feed roll housing wear plate • 6.9 lbs. ea. • Made of high carbon steel ⑬ • To fit all 3000 series • Hardware Kit: K83069BK , \$8.75 ea., .68 lbs. Abrasion Resistant/Tungsten Carbide	E83069/E62414/E92512 E83070/E62415/E92511
K64796 \$64.25 ea.	⑭ • Rear feed roll spring • To fit all 3000 series SN. 638416 and after • 12 lbs.	Z67236 / E64796
K82550 \$13.80 ea.	⑮ • Eye bolt • To fit all 3000 series SN. 638416 and after • .6 lbs.	E82550
K9438 \$28.75 ea.	⑯ • Upper rear feed roll bearing • 2 required • .6 lbs.	JD9438/AFH202185
K9865 \$10.50 ea.	⑰ • Bearing : For upper front feed roll 2 required • For lower front feed roll with metal detector 2 required • .2 lbs.	JD9865
K53699 \$4.60 ea.	⑱ • Seal: For upper front feed roll 2 required • For lower front feed roll with metal detector 2 required • .1 lbs.	E53699
K42697 \$74.45 ea.	⑲ • Bearing, lower front feed roll • To fit JD® 3970 & 3975 with metal detector • 1 required • 1.3 lbs.	AE42697



The Rock Stop'er Pro

FORAGE HARVESTER STONE DETECTION SYSTEM



JD® must have double spring kit installed.

- Fits most makes and models of SPFH and pull type harvesters.
- Patented Inertia sensor stops feed drive when rocks are detected.
- In cab sensitivity adjustment for varying crop conditions.
- Call **1-800-522-8874** for more details!



Extra Sensor Available!
Order # SENSOR
Only **\$775⁰⁰** ea.

Order # ROCK STOPER
Only **\$2,975⁰⁰** ea.



Designed and manufactured in Canada.

Visit kooimaag.com to learn more about the services we offer!



3-D Laser Cutting



Laser Metal Deposition



Laser Welding



Knife Design-and-Build

KOOIMA® AG REPLACEMENT PARTS TO FIT 3000 SERIES JOHN DEERE® FORAGE HARVESTERS

Replacement parts produced by Kooima® Ag to fit JD® 3000 Series

KOOIMA #
K37442HP

\$897.00 ea.



DESCRIPTION

- Cracker plate
- To fit **3940, 3950 & 3955** harvesters
- Cracks 85-90% of kernels with minimal power requirements
- Bolt-in installation • 34.8 lbs.
- No moving parts to maintain
- Use in whole plant corn silage or to grind earlage
- Awarded US Patent #6,234,072 & #6,327,970



Install Video

REPLACES OEM #

**Abrasion Resistant
Heat Treated
Tungsten Carbide**

K37441HP

\$897.00 ea.



- Cracker plate
- To fit **3960, 3970 & 3975** harvesters
- Cracks 85-90% of kernels with minimal power requirements
- Bolt-in installation • 38.4 lbs.
- No moving parts to maintain
- Use in whole plant corn silage or to grind earlage
- Awarded US Patent #6,234,072 & #6,327,970



Install Video

**Abrasion Resistant
Heat Treated
Tungsten Carbide**

K70807DC

\$1,295.00 ea.



- Fiber tech kernel processor roll • 100 tooth
- Dual cut design for more efficiency
- Fits John Deere® 3960, 3970 & 3975 with factory kernel processor
- 2 required • 130 lbs.

AE70807

AE59523

Heat Treated

K46565

\$147.00 ea.



- LH side bearing with casting
- To fit factory JD® 3960, 3970, 397 series processors • 5.6 lbs.

AE46565

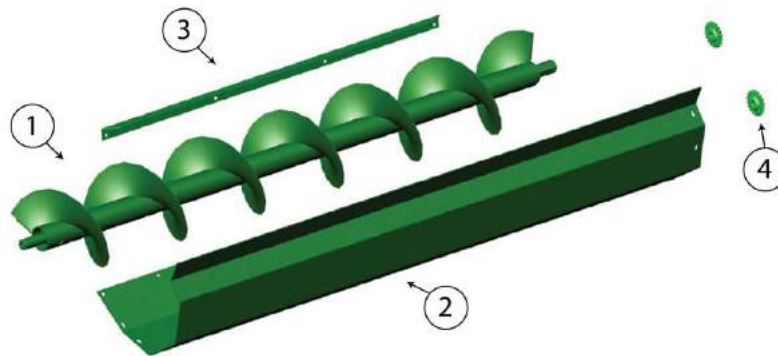
NEW

K59607

\$230.00 ea.

- Drive side bearing with casting
- To fit factory JD® 3960, 3970, 3975 series processors

AE59607



KOOIMA #

K37283
\$415.00 ea.

①

DESCRIPTION

- Auger • To fit all **3940, 3950, 3955, 3960, 3970 & 3975** harvesters **with non-cantilevered auger** • Has support on left hand side • 65.9 lbs.

REPLACES OEM #

AE37283

K44521
\$195.75 ea.

②

- Auger trough • To fit all **3940, 3950, 3955, 3960, 3970 & 3975** harvesters **with non-cantilevered auger** • 78 lbs.

AE44521

K51715
\$195.75 ea.

②a

- Auger trough • To fit **3940, 3950, 3955, 3960, 3970 & 3975** harvesters **with cantilevered auger** • 61.3 lbs.

AE51715

K62524
\$27.30 ea.

③

- Auger stripper angle • 5.1 lbs.
- To fit all 3000 series • **Bolt Kit: K62524BK, \$9.10 ea.**

E62524

Abrasion Resistant

K16773

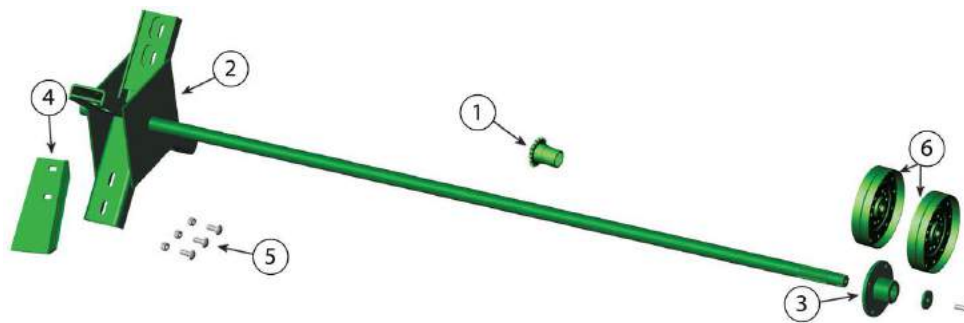
④

- Auger drive idler sprocket
- To fit all 3000 series harvesters
- 2 required • .4 lbs.

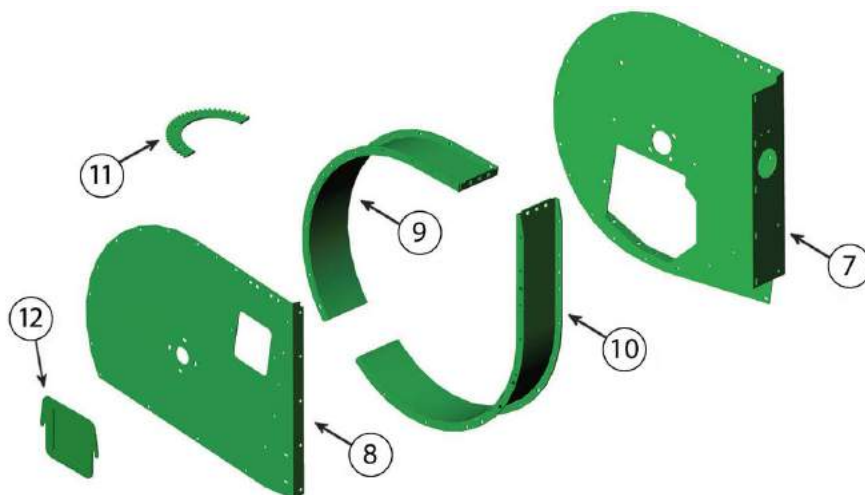
AH16773

\$12.35 ea.

Truck icon signifies product is shipped via truck freight.



<u>KOOIMA #</u>	<u>DESCRIPTION</u>	<u>REPLACES OEM #</u>
K37289 \$59.95 ea.	① • Drive sprocket • To fit all 3900 series pull types • 1.5 lbs.	AE37289 AFH205831
K41606 \$529.50 ea.	② • Fan shaft assembly • To fit all 3950, 3955, 3970 & 3975 harvesters • Also will fit all 3940 and 3960 harvesters by ordering splined hub part #K64778 below • 90 lbs.	AE41606 AFH205972
K64778 \$148.80 ea.	③ • Splined fan drive hub • 4.1 lbs. • To fit all 3950, 3955, 3970 & 3975 harvesters • Bolt kit: K64778BK , \$4.90 ea., .5 lbs. • Also to fit 3940 and 3960 harvesters updated to tapered spline fan shaft	E64778 FH312522
K37844 \$19.95 ea.	④ • Fan paddle • To fit 3940, 3950, 3955, 3960, 3970 & 3975 harvesters • 4 required • 3.9 lbs.	AE37844 Abrasion Resistant
K33650BK \$18.90 ea.	⑤ • Bolt kit for fan paddles • One kit contains enough bolts and nuts for 4 paddles • 2 lbs.	
K37341P \$46.85 ea.	⑥ • Fan drive idler pulley • To fit all 3000 series harvesters • 2 required • 2.2 lbs.	AE37341 AFH205878



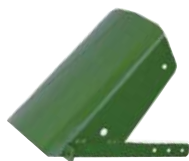
<u>KOOIMA #</u>	<u>DESCRIPTION</u>	<u>REPLACES OEM #</u>
K45990 \$156.50 ea.	⑦ • Inside fan sheet • To fit 3940, 3950, 3955, 3960, 3970 & 3975 harvesters • 44 lbs. • Hardware kit: K45990BK , \$65.45 ea.	AE45990 Abrasion Resistant
K37290 \$109.75 ea.	⑧ • Outside fan sheet • To fit 3940, 3950, 3955, 3960, 3970 & 3975 harvesters • 36.3 lbs. • Hardware kit: K37290BK , \$48.85 ea.	AE37290/AFH205900 Abrasion Resistant
K36535 \$101.25 ea.	⑨ • Front blower band • To fit all 3000 series harvesters • Newer heavy duty style • 3/16" thick material • 22.8 lbs. • One of the most durable blower bands on the market	AE36535 Abrasion Resistant
K78174 \$136.50 ea.	⑩ • Rear blower band • To fit all 3000 series harvesters • Newer heavy duty style • 3/16" thick material • 28 lbs. • One of the most durable blower bands on the market	E78174 Abrasion Resistant
K62384 \$19.30 ea.	⑪ • Spout ring gear • Made of high carbon steel • 2.2 lbs. • To fit all 3000 series harvesters • 1 required without spout track • 2 required with spout track	E62384
K45967 \$20.30 ea.	⑫ • Outside fan sheet inspection doors • 2 required • To fit all 3000 series • 3.8 lbs. • Hardware kit: K45967BK , \$1.35 ea., .05 lbs.	AE45967 Abrasion Resistant

Replacement parts produced by Kooima® Ag to fit JD® 3000 Series

KOOIMA #

K22358

\$50.50 ea.



DESCRIPTION

- Spout deflector
- To fit all 3000 series harvesters equipped with John Deere® factory spout
- 4.1 lbs.

REPLACES OEM #

AFH205884 / AE22358
Abrasion Resistant

K38647SP

\$199.50 ea.



- Double spout deflector assembly
- To fit 3000 series harvesters equipped with Kooima® Ag spout assembly
- Allows precise control of feed flow & more complete filling of your trucks or wagons
- 20.1 lbs.

Abrasion Resistant

K52447

K52448

\$66.00 ea.



- Left hand spout liner
- Right hand spout liner
- To fit all 3000 series harvesters equipped with John Deere® factory spout
- 7.4 lbs. ea.
- Hardware Kit: K52447BK, \$13.50, .62 lbs.

FH312296 / E52447

FH312290 / E52448

Abrasion Resistant

K76994

\$97.50 ea.



- Center spout liner
- To fit all 3000 series harvesters equipped with John Deere® factory spout
- 16.7 lbs.
- Hardware Kit: K76994BK, \$5.25

FH312199/E76994

Abrasion Resistant

High Quality Silage Covers

We also carry 6 mil reinforced string tarps, for more information on these go to the front inside cover.



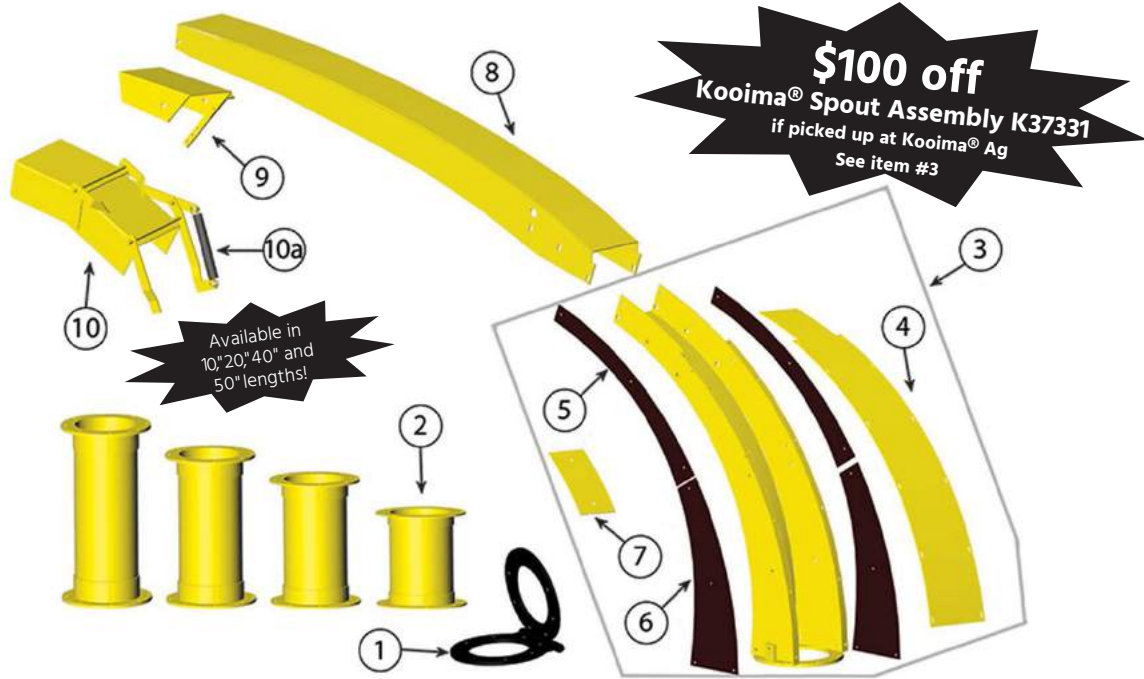
Detail of reinforced string tarps


Prices are subject to change.

Standard Silage Tarps White/Black - 5.0 mil (A5WB1)

Part #	Price	W X L	Weight
K57442	\$112.80	24 X 100	69 lbs.
K57443	\$150.40	32 X 100	90 lbs.
K57628	\$225.00	32 X 150	133 lbs.
K46534	\$188.00	40 X 100	110 lbs.
K57574	\$282.00	40 X 150	163 lbs.
K57575	\$376.00	40 X 200	216 lbs.
K50158	\$235.00	50 X 100	138 lbs.
K50159	\$352.50	50 X 150	203 lbs.
K54235	\$470.00	50 X 200	299 lbs.
K57576	\$282.00	60 X 100	161 lbs.
K53942	\$423.00	60 X 150	255 lbs.
K57577	\$564.00	60 X 200	346 lbs.
K58234	\$1,410.00	60 x 500	779 lbs.
K64369	\$2,820.00	60 X 1000	1,557 lbs.
K69881	\$516.00	80 X 150	325 lbs.
K69880	\$688.00	80 X 200	455 lbs.
K70463	\$860.00	80 X 250	561 lbs.
K77050	\$1,720.00	80 X 500	1,123 lbs.
K77059	\$3,440.00	80 x 1000	1,999 lbs.

*** Free shipping on Silage Covers if combined with \$850 in Kooima® Ag parts on phone and internet orders**















KOOIMA #	DESCRIPTION	REPLACES OEM #
K79396 \$14.05 ea.	• Spout deflector spring • .3 lbs. • To fit all Kooima® and John Deere® spouts	E79396
K50000 \$199.50 ea.	• Spout hinge kit • To fit all 3000 series harvesters • Allows you to fold the spout down for transport or low clearance storage • Mounting hardware included • 27.6 lbs.	
K37336 \$265.00 ea.	• 10" spout extension • 29.3 lbs. • To fit all 3000 series harvesters • Bolt kit: K37336BK, \$27.15 ea., 1.2 lbs.	AE37336
K37337 \$312.75 ea.	• 20" spout extension • 38 lbs. • To fit all 3000 series harvesters • Bolt kit: K37336BK, \$27.15 ea., 1.2 lbs.	AE37337
K37338 \$343.25 ea.	• 40" spout extension • 55 lbs. • To fit all 3000 series harvesters • Bolt kit: K37336BK, \$27.15 ea., 1.2 lbs.	AE37338
K37339 \$410.80 ea.	• 50" spout extension • To fit all 3000 series harvesters • 65.5 lbs. • This is a must when top loading trucks in rough terrain • Bolt kit: K37336BK, \$27.15 ea., 1.2 lbs. *All Kooima® spout extensions are reinforced, top and bottom, for added strength.	
K37331 \$810.00 ea.	• Lower spout assembly • Includes wear plates listed below • 111 lbs.  • To fit all 3000 series harvesters • Does NOT fit with John Deere® upper spout assembly • Easy to replace bolt-in wear plates make repairs a snap! Kooima® Ag spout assemblies feature an exclusive enclosed design for superior performance in all crops, including hard-to-blow dry hay. Replaceable abrasion resistant wear plates make this the most durable spout available.	AE37331
K37340 \$130.00 ea.	• Rear spout cover • 28 lbs.	Abrasion Resistant
K37341 \$45.00 ea.	• Top inside wear plates • 2 required • 3.2 lbs.	Abrasion Resistant
K37342 \$45.00 ea.	• Bottom inside wear plate • 2 required • 6 lbs.	Abrasion Resistant
K37343 \$20.30 ea.	• Inspection cover door • 2.5 lbs.	Abrasion Resistant
K37333 \$150.75 ea.	• Outer spout extension • 30" long • To fit all 3000 series using Kooima® Ag lower spout assembly • 31 lbs.	AE37333/AFH205982 Abrasion Resistant
K38645BK \$7.50 ea.	• Upper spout extension bolt kit • Use with 30" or 54" extension • 1.25 lbs.	
K38647 \$65.50 ea.	• Spout deflector • To fit all 3000 series using Kooima® Ag spout assembly • 8.5 lbs.	Abrasion Resistant
K38647BK \$5.25 ea.	• Spout deflector bolt kit • .2 lbs.	
K38647SP \$199.50 ea.	• Double spout deflector assembly • Allows precise control of feed flow & more complete filling of your truck or wagons • Comes with a spring • To fit all 3000 series using Kooima® Ag spout assembly • 20.1 lbs.	Abrasion Resistant
FH001303 \$12.75 ea.	• Replacement spring for double deflector • .9 lbs.	

Truck icon signifies product is shipped via truck freight.

KOOIMA® AG REPLACEMENT PARTS TO FIT 34, 35, 38, & 3800 JOHN DEERE® FORAGE HARVESTERS

Replacement parts produced by Kooima® Ag to fit JD® 34, 35, 38 & 3800

KOOIMA #		DESCRIPTION	REPLACES OEM #
K36831		<ul style="list-style-type: none"> • Knife • To fit 34 harvesters • 8.6 lbs. 	E36831 Heat Treated Tungsten Carbide
K36831BK		<ul style="list-style-type: none"> • Bolt Kit for K36831 • 1.65 lbs. 	B3627R/19H2411/E33457
K53084		<ul style="list-style-type: none"> • Shearbar • 8.6 lbs. • To fit 34 harvesters • Bolt kit: K53084BK, \$8.50 ea. .65 lbs. 	E53084 Heat Treated Tungsten Carbide
K33321		<ul style="list-style-type: none"> • Knife • 7.3 lbs. • To fit 35 & 38 harvesters • Bolt kit: K33321BK, \$36.00 ea., 1.95 lbs. 	E33221 Heat Treated Tungsten Carbide
K53085		<ul style="list-style-type: none"> • Shearbar • 5.6 lbs. • To fit 35 & 38 harvesters • Bolt kit: K53085BK, \$39.00 ea. 	E53085 Heat Treated Tungsten Carbide
K62285		<ul style="list-style-type: none"> • Knife • To fit 3800 harvesters • 8.8 lbs. 	E62285 Heat Treated Tungsten Carbide
K56369		<ul style="list-style-type: none"> • Shearbar • To fit 3800 harvesters • 11.8 lbs. 	E56369 Heat Treated Tungsten Carbide
K56369BK		<ul style="list-style-type: none"> • Bolt Kit • To fit K56369 • .85 lbs. 	
K22635		<ul style="list-style-type: none"> • Sharpening stone • To fit 34, 35, 38 and 3800 harvesters • 2 lbs. 	AE22635
K32487		<ul style="list-style-type: none"> • Knife bolt • To fit all 3800 harvesters • .6 lbs. 	AE32487
K32291		<ul style="list-style-type: none"> • Front fan sheet • To fit 3800 harvesters • 40.6 lbs. 	AE32291 Abrasion Resistant
K36464		<ul style="list-style-type: none"> • Fan paddle • To fit 35, 38 & 3800 harvesters • 4 required • 1.8 lbs. • Bolt kit: K36464BK, \$7.50 ea. 	E36464 Abrasion Resistant

KOOIMA #		DESCRIPTION	REPLACES OEM #
K56587		<ul style="list-style-type: none"> • Side knife • To fit all 483, 484 stalker heads and 4-row forage heads • Counter-sunk holes • 1 lb. 	E56857 Tungsten Carbide Heat Treated
\$17.90 ea.			
K63576		<ul style="list-style-type: none"> • Fly knife • To fit all 483, 484 stalker heads and 4-row forage heads • Counter-sunk holes • 1 lb. 	E63576 Tungsten Carbide Heat Treated
\$35.75 ea.			
K34227		<ul style="list-style-type: none"> • Nut and bolt assembly • To fit all 483, 484 stalker heads and 4-row forage heads prior to SN. 680001 • 1/2" x 1-1/4" • .1 lbs. 	E34227 14H1040
\$3.90 ea.			
K95793		<ul style="list-style-type: none"> • Nut and bolt assembly • To fit 4-row forage heads SN. 680001 and after, fly knife only • 1/2" x 1-3/4" • .15 lbs. 	14H1040 H168232
\$3.60 ea.			
K64299		<ul style="list-style-type: none"> • Row unit guard plate • To fit John Deere® 4-row corn heads • 4 required • .7 lbs. • Hardware Kit: K64299BK, \$4.00, .19 lbs. 	FH304973 E64299
\$13.95 ea.			
K40386		<ul style="list-style-type: none"> • Row unit skid plate - inner rows • To fit John Deere® 4-row corn heads • 4 required • 3.7 lbs. 	AE40386 Abrasion Resistant
\$16.00 ea.			

Kooima® Ag Skid Trner® - CT0800

Patent # 10,617,061, others pending

Compost anything from cattle and chicken manure to grass, leaves and garden waste.



Scan the QR code to get more information about our Skid Trner® and see videos of it in action!











Additional information on back inside cover!



KOOIMA® AG REPLACEMENT PARTS TO FIT JOHN DEERE® CORN & FORAGE HEADS

Replacement parts produced by Kooima® Ag to fit JD® Corn & Forage Heads

KOOIMA #		DESCRIPTION	REPLACES OEM #
K33368		<ul style="list-style-type: none"> • Side knife • 1 lb. • To fit 1-row and 2-row corn heads SN. 550000 and before • To fit 3-row corn heads SN. 490000 and before • Standard holes 	E33368 Heat Treated Tungsten Carbide
\$15.60 ea.			
K56587		<ul style="list-style-type: none"> • Side knife • 1 lb. • To fit 1-row and 2-row corn heads SN. 550001 & after • To fit 3-row corn heads SN. 490001 and after • Counter-sunk holes 	E56857 Heat Treated Tungsten Carbide
\$17.90 ea.			
K61278		<ul style="list-style-type: none"> • Fly knife • 1 lb. • To fit 1-row and 2-row corn heads SN. 550000 and before • To fit 3-row corn heads SN. 490000 and before • Counter-sunk holes 	E61278 Heat Treated Tungsten Carbide
\$26.95 ea.			
K63576		<ul style="list-style-type: none"> • Fly knife • 1 lb. • To fit 1-row and 2-row corn heads SN. 550001 and after • To fit 3-row corn heads SN. 490001 and after • Counter-sunk holes 	E63576 Heat Treated Tungsten Carbide
\$35.75 ea.			
K34227		<ul style="list-style-type: none"> • Nut and bolt assembly • .1 lbs. • To fit 1-row and 2-row corn heads SN. 550001 and after • To fit 3-row corn heads SN. 490001 and after • 1/2" x 1-1/4" 	E34227 14H1040
\$3.90 ea.			
K49269		<ul style="list-style-type: none"> • Knife drive pitman end • To fit 1, 2 & 3-row corn heads • 1 required per row • .65 lbs. 	AE49269 AE45212
\$24.95 ea.			
K34975		<ul style="list-style-type: none"> • Row unit guard plate • .7 lbs. • To fit 1 & 2 row corn heads SN. 550000 and before • To fit 3 row corn heads SN. 490000 and before • Hardware Kit: K34975BK, \$3.75, .1 lbs. 	E34975
\$11.25 ea.			
K64299		<ul style="list-style-type: none"> • Row unit guard plate • .7 lbs. • To fit 1 & 2 row corn heads SN. 550001 and after • To fit 3 row corn heads SN. 490001 and after • Hardware Kit: K64299BK, \$4.00, .19 lbs. 	FH304973 E64299
\$13.95 ea.			

KOOIMA #		DESCRIPTION	REPLACES OEM #
K27079		<ul style="list-style-type: none"> Gathering chain To fit JD® 1-row and 2-row corn heads Requires 2 for the 1-row head and 4 for the 2-row head • 12.88 lbs. * Now with improved heavier belting 	AE27079/AE73755
\$139.75 ea.			
K33340		<ul style="list-style-type: none"> Outer gathering chain To fit JD® 3-row heads Has 155 links and 26 lugs • 20.88 lbs. Requires 2 for the 30" and 4 for the 38" * Now with improved heavier belting 	AE73758/AE33340
\$227.50 ea.			
K33341		<ul style="list-style-type: none"> Inner gathering chain To fit JD® 3-row heads Has 144 links and 24 lugs Requires 2 for the 30" • 19.28 lbs. * Now with improved heavier belting 	AE73757/AE33341
\$197.50 ea.			
K33342		<ul style="list-style-type: none"> Center gathering chain To fit JD® 3-row heads Has 119 links and 20 lugs Requires 2 for the 30" or 38" • 16.17 lbs. * Now with improved heavier belting 	AE33342/AE73756
\$175.50 ea.			
K27407		<ul style="list-style-type: none"> 17 tooth gathering chain drive sprocket 2 required per 1-row head 4 required per 2-row head 2 required per 3-row head for inner gathering chain drive • 1.9 lbs. 	AE27407/AFH205829 Heat Treated
\$38.15 ea.			
K27930		<ul style="list-style-type: none"> 17 tooth gathering chain idler sprocket 2 required per 1-row head 4 required per 2-row head • 2.5 lbs. 	AE27930/AFH205827 Heat Treated
\$97.65 ea.			
K27909		<ul style="list-style-type: none"> 15 tooth gathering chain idler sprocket Optional with #K27930 .9 lbs. 	AFH205780/AE27909 Heat Treated
\$26.35 ea.			
K31154		<ul style="list-style-type: none"> 17 tooth gathering chain drive sprocket 2 required per 3-row head for center gathering chains • 2.2 lbs. 	AFH205933/AE31154 Heat Treated
\$43.25 ea.			
K31155		<ul style="list-style-type: none"> 17 tooth outer gathering chain drive sprocket 2 required per 3-row head 2.9 lbs. 	AFH205978/AE31155 Heat Treated
\$47.10 ea.			
K32504		<ul style="list-style-type: none"> 17 tooth idler sprocket 6 required per 3-row head 1.7 lbs. 	AFH205818/AE32504 Heat Treated
\$41.10 ea.			

Visit our website!
www.kooimaag.com



24/7 access to order!



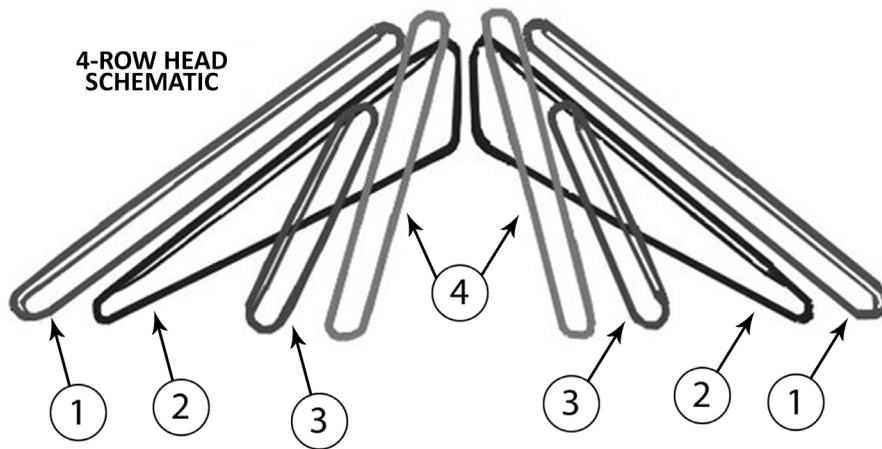
Free shipping on retail orders in the Continental U.S.!








(Some exclusions may apply)



Watch videos of our products!

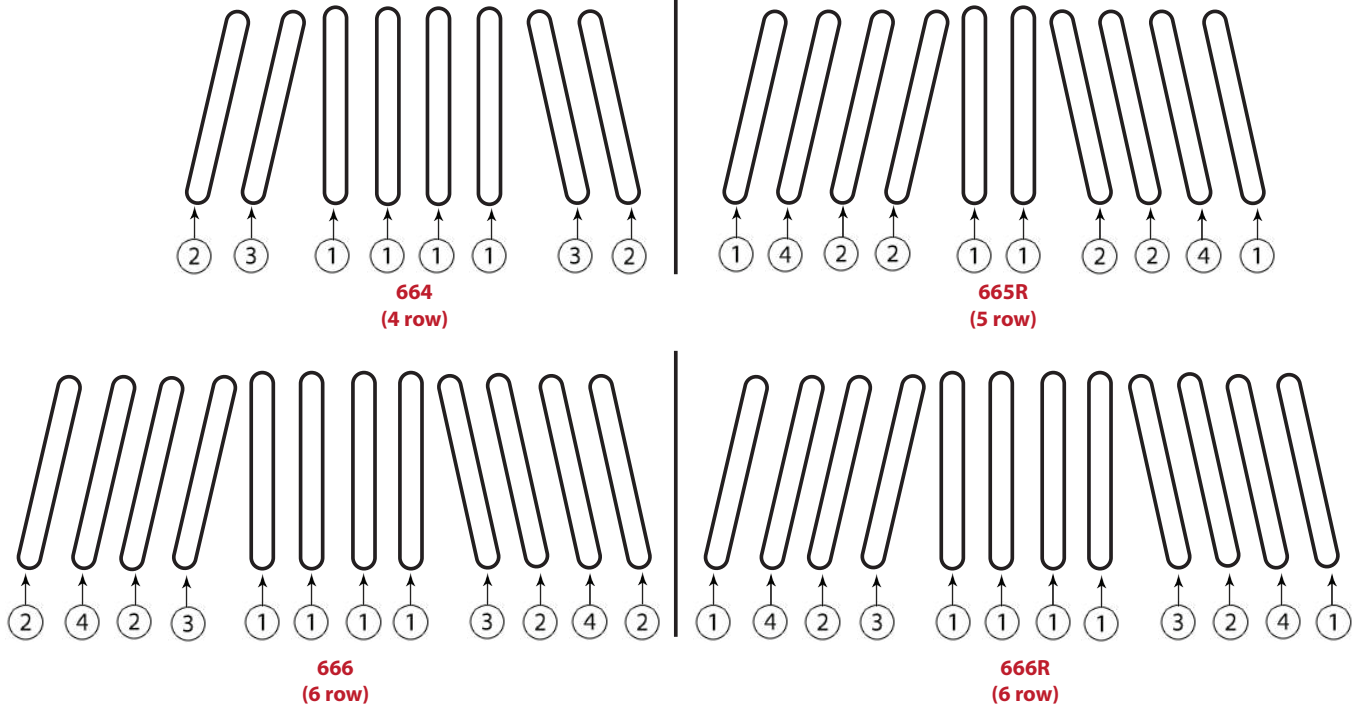
4-RW HEAD SCHEMATIC



KOOIMA #		DESCRIPTION	REPLACES OEM #
K44155		<ul style="list-style-type: none"> Gathering belt assembly To fit 4-row forage heads Has 108 links and 27 lugs • 2 required * Now with improved heavier belting 24.9 lbs. 	AE44155
①			
\$319.50 ea.			
K44156		<ul style="list-style-type: none"> Gathering belt assembly To fit 4-row forage heads Has 112 links and 28 lugs • 2 required * Now with improved heavier belting 25.8 lbs. 	AE44156
②			
\$329.50 ea.			
K44151		<ul style="list-style-type: none"> Gathering belt assembly To fit 4-row forage heads Has 64 links and 16 lugs • 2 required * Now with improved heavier belting 14.8 lbs. 	AE44151
③			
\$184.50 ea.			
K44152		<ul style="list-style-type: none"> Gathering belt assembly To fit 4-row forage heads Has 88 links and 22 lugs • 2 required * Now with improved heavier belting 20.3 lbs. 	AE44152
④			
\$269.50 ea.			
K43675		<ul style="list-style-type: none"> Lower gathering chain idler sprocket To fit John Deere® 4-row converging heads 10 required • 3.6 lbs. 	AE45167 AE43675
\$78.50 ea.			
K45166		<ul style="list-style-type: none"> Upper gathering chain drive sprocket To fit John Deere® 4-row converging heads 8 required • 3.4 lbs. 	AE46075 AE45166
\$73.25 ea.			
K49269		<ul style="list-style-type: none"> Knife drive pitman end To fit John Deere® 1, 2, 3 & 4-row converging corn heads 6 required on 4-row .65 lbs. 	AE49269 AE45212
\$24.95 ea.			

KOOIMA® AG REPLACEMENT PARTS TO FIT JOHN DEERE® 664 & 666 ROW CROP HEADS

Replacement parts produced by Kooima® Ag to fit JD® Corn, Stalker & Forage Heads



KOOIMA #
K51762

①

\$109.50 ea.



DESCRIPTION

- Gathering chain assembly
- 48 links • 14.7 lbs.
- 4 required to fit John Deere® 664, 665R and 666 corn heads
- 6 required to fit John Deere® 666R corn heads

REPLACES OEM #

AZ51762

K51763

②

\$122.50 ea.

- Gathering chain assembly
- 50 links
- 2 required to fit John Deere® 664, 666R corn heads
- 4 required to fit John Deere® 665R and 666 corn heads • 15.4 lbs.

AZ51763

K51764

③

\$122.50 ea.

- Gathering chain assembly
- 52 links
- 2 required to fit John Deere® 664 corn heads
- 2 required to fit John Deere® 666 and 666R corn heads • 16 lbs.

AZ51764

K51765

④

\$134.50 ea.

- Gathering chain assembly
- 54 links
- 2 required to fit John Deere® 665R, 666 and 666R corn heads
- 16.6 lbs.

AZ51765

K9903150

\$175.00 ea.



- Row crop disc
- To fit John Deere® 664 4-row and 666 6-row forage heads • 4.9 lbs.

XQ9903150
Heat Treated Tungsten Carbide

K9120822

\$3.60 ea.



- Row crop disc scraper
- To fit John Deere® 664 4-row and 666 6-row forage heads
- .1 lbs. • **Hardware kit: K9120822BK, \$3.50 ea.**

XQ9120822
Heat Treated

Order # K46671-21

- PTO, 21 to 21 spline drive shaft
- To fit JD® 630-645B hay heads & 655R-666-666R row crop • 2400 series • 18.9 lbs.

\$610⁰⁰ ea.

Order # K46671-23

- PTO, 21 to 23 spline drive shaft
- To fit JD® 630-645B hay heads & 655R-666-666R row crop • 2400 series • 18.6 lbs.

\$630⁰⁰ ea.

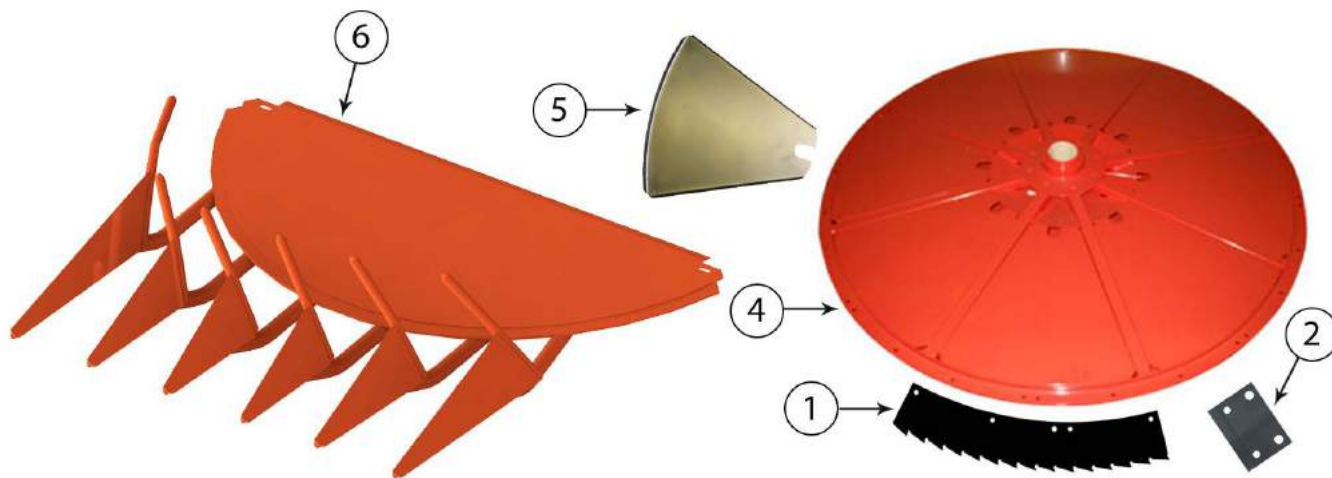
REPLACEMENT PTO'S NOW AVAILABLE!





Kooima[®] Ag Replacement Parts To Fit **KEMPER[™]**

KOOIMA[®] AG REPLACEMENT PARTS TO FIT KEMPER[™] CHAMPION[™] 3000 HEADS





Kemper[™] is a trademark of Maschinenfabrik KEMPER GmbH & Co., which does not manufacture, distribute or endorse these parts.



NOTE: When referring to Kemper[™] blades, right and left indicate the direction of rotation, **NOT** which side of the head it is on!

KOOIMA #	DESCRIPTION	REPLACES OEM #
KK66037 \$27.50 ea.	① • Cutting blade • To fit 3000 4-row heads • 16 required • 2.9 lbs.	LCA66037 Heat Treated High Carbon Material
KK55204 \$8.90 ea.	② • Blade scraper • To fit 3000 4-row • 2 required per rotor • .4 lbs.	LCA55204 Heat Treated Tungsten Carbide
KK3000BK \$39.75 ea.	③ • Bolt kit • Metric bolt kit for cutting blades and scrapers • 1 kit required per head • 2.8 lbs.	
KK56992 (Right) KK56993 (Left) \$1,650.00 ea.	④ • Drum rotor • To fit 3000 4-row heads • 78.5 lbs. ea.	LCA56994 / LCA56992 LCA56995 / LCA56993
KK56726 \$26.50 ea.	⑤ • Weld-in drum rotor repair panel • To fit 3000 4-row heads • 8 required per rotor • 1.9 lbs.	LCA56726
KK53161 (Left) KK53162 (Right) \$900.80 ea.	⑥ • Replacement crop divider assembly • To fit 3000 4-row heads • Left hand shown • 126 lbs.	LCA53161 LCA53162 Abrasion Resistant
KK48952 \$9.75 ea.	 • Weld-on drum segment • To fit 3000 4-row • 24 required • 1.4 lbs.	LCA48952 Abrasion Resistant
KK49496 \$10.75 ea.	 • Weld-on drum segment • To fit 3000 4-row • 24 required • 2.8 lbs.	LCA49496 Abrasion Resistant

Truck icon signifies product is shipped via truck freight.

<u>KOOIMA #</u>	<u>DESCRIPTION</u>	<u>REPLACES OEM #</u>
KK57911  5 ^{15/16} " O.D. \$17.50 ea.	<ul style="list-style-type: none"> • Clutch friction disc • To fit Kemper™ 3000 series 4-row and 4500 series 6-row main clutch • 8 required • .1 lbs. 	W34913
KK59046  6 ^{3/16} " O.D. \$24.50 ea.	<ul style="list-style-type: none"> • Clutch friction disc • To fit Kemper™ 4500 series 6-row, drum clutch • 16 required • .1 lbs. 	DC38275
KK51586  \$9.75 ea.	<ul style="list-style-type: none"> • Short gathering point guide rod • 10-1/2" long • Weld-in application • To fit Kemper™ 3000 series 4-row, Kemper™ 4500 & JD® 676 6-row • 14 required • 1.3 lbs. 	LCA51586
KK51587  \$12.75 ea.	<ul style="list-style-type: none"> • Long gathering point guide rod • 14" long • Weld-in application • To fit Kemper™ 3000 series 4-row, Kemper™ 4500 & JD® 676 6-row • 4 required • 1.8 lbs. 	LCA51587

/ HEAD CART /



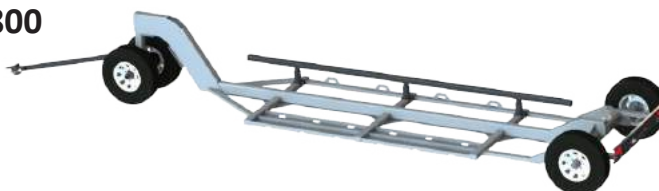
This SPFH friendly head cart will keep your expensive chopping and hay heads off the ground, while you enjoy the benefits of easy loading and unloading using your existing chopper. The 9000 lb. rated capacity and 15' base accommodate a large range of heads.

US Patent: 8,919,800

Order # KHC15

Built to order

\$9,650.00 ea.



Optional Hitch Pin / Clevis Connection

Order # FH5001013

\$100⁷⁵ ea.

8.35 lbs.



High Quality Silage Covers



Detail of reinforced string tarps



String Tarps White/Black - 6.0 mil (R6WBK)

Part #	Price	W X L	Weight
K59X200M6	\$952.00	59.5 X 200	370 lbs.
K59X500M6	\$2,380.00	59.5 X 500	780 lbs.
K85X200M6	\$1,372.00	85.75 X 200	470 lbs.
K85X250M6	\$1,715.00	85.75 X 250	585 lbs.
K85X1000M6	\$6,860.00	85.75 X 1000	2,275 lbs.
K105X40M6	\$337.60	105.5 X 40	172 lbs.
K105X60M6	\$506.40	105.5 X 60	237 lbs.
K151X45M6	\$545.40	151.5 X 45	220 lbs.
K151X50M6	\$606.00	151.5 X 50	250 lbs.
K151X60M6	\$727.20	151.5 X 60	272 lbs.
K151X70M6	\$848.40	151.5 X 70	315 lbs.
K151X75M6	\$909.00	151.5 X 75	335 lbs.
K151X80M6	\$969.60	151.5 X 80	370 lbs.
K151X100M6	\$1,212.00	151.5 X 100	430 lbs.
K184X70M6	\$1,033.20	184.5 X 70	405 lbs.
K184X110M6	\$1,623.60	184.5 X 110	550 lbs.
K204X50M6	\$817.00	204.25 X 50	315 lbs.
K204X60M6	\$980.40	204.25 X 60	380 lbs.
K204X70M6	\$1,143.80	204.25 X 70	420 lbs.
K204X80M6	\$1,307.20	204.25 X 80	465 lbs.
K204X100M6	\$1,634.00	204.25 X 100	550 lbs.
K243X60M6	\$1,170.00	243.75 X 60	455 lbs.
K250X70M6	\$1,401.40	250.25 X 70	545 lbs.
K250X80M6	\$1,601.60	250.25 X 80	590 lbs.
K250X85M6	\$1,701.70	250.25 X 85	615 lbs.
K303X100M6	\$2,424.00	303 X 100	870 lbs.

Standard Silage Tarps White/Black - 5.0 mil (A5WB1)

Part #	Price	W X L	Weight
K57442	\$112.80	24 X 100	69 lbs.
K57443	\$150.40	32 X 100	90 lbs.
K57628	\$225.60	32 X 150	133 lbs.
K46534	\$188.00	40 X 100	110 lbs.
K57574	\$282.00	40 X 150	163 lbs.
K57575	\$376.00	40 X 200	216 lbs.
K50158	\$235.00	50 X 100	138 lbs.
K50159	\$352.50	50 X 150	203 lbs.
K54235	\$470.00	50 X 200	299 lbs.
K57576	\$282.00	60 X 100	161 lbs.
K53942	\$423.00	60 X 150	255 lbs.
K57577	\$564.00	60 X 200	346 lbs.
K58234	\$1,410.00	60 x 500	779 lbs.
K64369	\$2,820.00	60 X 1000	1,557 lbs.
K69881	\$516.00	80 X 150	325 lbs.
K69880	\$688.00	80 X 200	455 lbs.
K70463	\$860.00	80 X 250	561 lbs.
K77050	\$1,720.00	80 X 500	1,123 lbs.
K77059	\$3,440.00	80 x 1000	1,999 lbs.



800.522.8874

If you do not see the size you need, give us a call, other sizes are available upon request.

Prices are subject to change.

*** Free shipping on Silage Covers if combined with \$850 in Kooima® Ag parts on phone and internet orders**

AT KOOIMA® AG, WE LISTEN!

After meeting with many of our customers and listening to their requests, Kooima® Ag is offering left and right hand replacement Kemper™ blades with Tungsten Carbide on the top cutting surface. Tungsten Carbide on the top increases the serviceable life of the blade, saving you money! Once again, when you talk, Kooima® Ag listens!

Install tungsten carbide side up

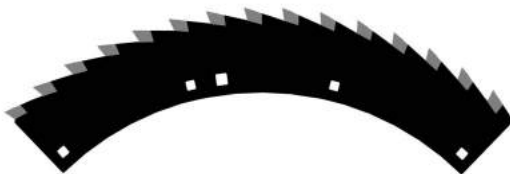
Left Hand Blades



KK66035LTC – \$36.90 ea. 2.95 lbs.
To fit: Kemper™ 4500, JD® 676 (small drum only)



KK66037LTC – \$36.90 ea. 2.8 lbs.
To fit: Kemper™ 3000 – 4 row, Kemper™ 4500, JD® 676 – 6 row, (large drum only)

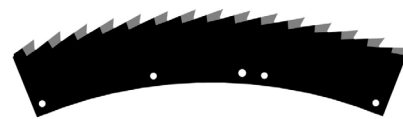


KK67746LTC – \$36.90 ea. 2 lbs.
To fit: JD® 684 4-row, 686 6-row, 688 8-row, 710 10-row
To fit: Kemper™ 330 4-row, 345 6-row, 360 and 6008 8-row, 375 10-row

Right Hand Blades



KK66035RTC – \$36.90 ea. 2.95 lbs.
To fit: Kemper™ 4500, JD® 676 (small drum only)



KK66037RTC – \$36.90 ea. 2.8 lbs.
To fit: Kemper™ 3000 – 4 row, Kemper™ 4500, JD® 676 6-row, (large drum only)



KK67746RTC – \$36.90 ea. 2 lbs.
To fit: JD® 684 4-row, 686 6-row, 688 8-row
To fit: Kemper™ 330 4-row, 345 6-row, 360 and 6008 8-row, 375 10-row

FOR EASY ORDERING, USE THE CONVENIENT CHART BELOW:

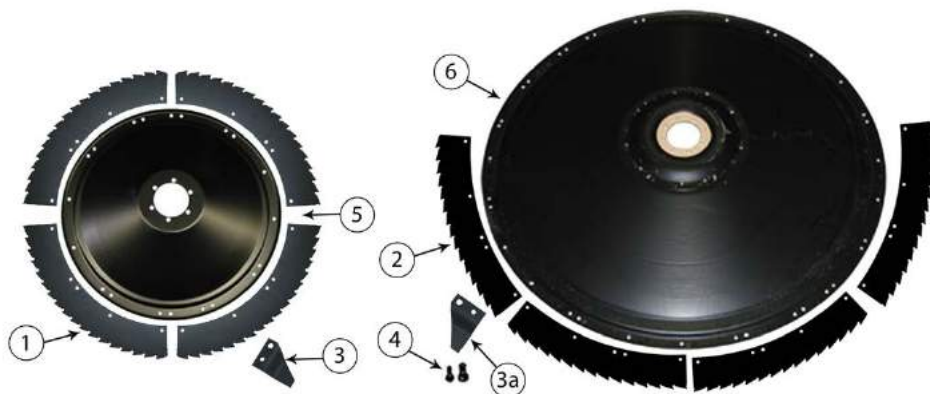
Each kit includes full set of knives and full set of hardware

KOOIMA #	KIT PRICE	DESCRIPTION	KIT COMPONENTS
KK3000TC	\$623.70	Kemper™ 3000 4-row	(8) #KK66037LTC, (8) #KK66037RTC, (1) #KK3000BK, 50 lbs.
KK676TC	\$925.95	Kemper™ 4500 & JD® 676 6-row	(4) #KK66035LTC, (4) #KK66035RTC, (8) #KK66037LTC, (8) #KK66037RTC, (1) #KK4500BK, 74.1 lbs.
KK330TC	\$662.85	Kemper™ 330 & JD® 684 4-row	(8) #KK67746LTC, (8) #KK67746RTC, (1) #KK6006BK, 44 lbs.
KK345TC	\$958.05	Kemper™ 345 & JD® 686 6-row	(12) #KK67746LTC, (12) #KK67746RTC, (1) #KK6006BK, 60 lbs.
KK360TC	\$1,274.25	Kemper™ 360, 6008 & JD® 688 8-row	(16) #KK67746LTC, (16) #KK67746RTC, (1) #KK6000BK, 78 lbs.
KK678TC	\$1,294.55	Kemper™ 678 & 778 Big Drum 8-row	(16) #KK66037LTC, (16) #KK66037RTC, (1) #KK678BK, 98 lbs.
KK375TC	\$1,569.45	Kemper™ 375 10-row, JD® 690 10-row JD® 710 10-row	(20) #KK67746LTC, (20) #KK67746RTC, (1) #KK6000BK, 96 lbs.
KK770TC	\$1,610.75	Kemper™ 475 10-row, JD® 770 10-row	(16) #KK66037LTC, (16) #KK66037RTC, (4) #KK67746RTC (4) #KK67746LTC, (1) #KK770BK, 115 lbs.
KK692TC	\$1,912.10	Kemper™ 390+ 12-row, JD® 692 12-row	(24) #KK67746LTC, (24) #KK67746RTC, (2) #KK6006BK

John Deere® and JD® are registered trademarks of Deere & Company • Kemper™ and Champion™ are trademarks of Maschinenfabrik KEMPER GmbH & Co.

KOOIMA® AG REPLACEMENT PARTS TO FIT KEMPER™ 4500 AND JOHN DEERE® 676 6-ROW HEADS

Replacement parts produced by Kooima® Ag to fit Kemper™ 4500 & JD® 676 Heads



Learn about the importance of the scrapers!

KOOIMA #	DESCRIPTION	REPLACES OEM #
KK66035 \$26.50 ea.	① • Cutting blade, small drum • To fit Champion™ 4500 & JD® 676 6-row heads • 4 required per drum • 2.9 lbs.	LCA66035 Heat Treated
KK66037 \$27.50 ea.	② • Cutting blade, large drum • To fit Champion™ 4500 & JD® 676 6-row heads • 8 required per drum • 2.8 lbs.	LCA66037 Heat Treated
KK67156 (Left) KK67157 (Right) \$10.95 ea.	③ • Blade scraper • .25 lbs. ea. ③a • 2 of each required per rotor • Use on thick blades	LCA67156 LCA67157 Heat Treated/Tungsten Carbide
KK4500BK \$44.35 ea.	④ • Bolt kit • Metric bolt kit to fit Kemper™ 4500 and JD® 676 6-row heads • 1 kit required per head • 4.1 lbs.	
KK64423 \$216.50 ea.	⑤ • Small drum rotor • To fit all Kemper™ 4500 and John Deere® 676 6-row heads • 2 required • 17.2 lbs.	LCA64423
KK66032 \$875.80 ea.	⑥ • Large drum rotor • To fit all Kemper™ 4500 and John Deere® 676 6-row heads • 2 required • 88.5 lbs.	LCA66032 LCA84838

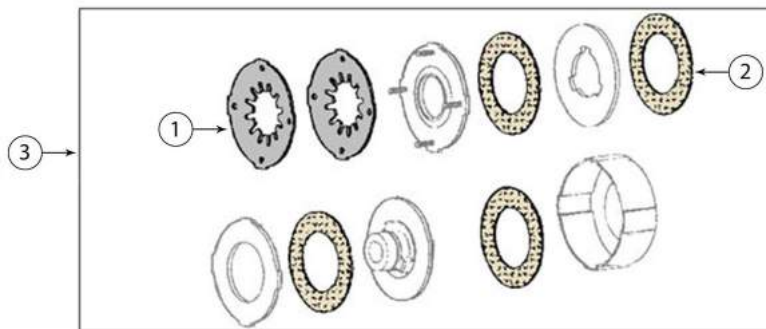
(Also available with Tungsten Carbide - see page 123)



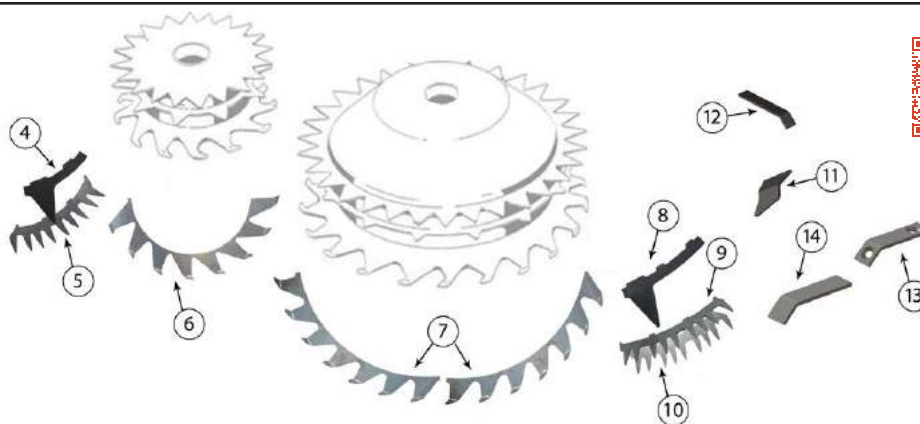
Tips on removing the couplers!

KOOIMA #	DESCRIPTION	REPLACES OEM #
KK05539 \$6.00 ea.	① • Small snap retaining ring • Holds outside wing drive coupler • .05 lbs.	LCA05539/LCA12228 40M7066/40M1841
KK64557 \$39.00 ea.	② • Bearing for wing drive coupler • 4 required • To fit Kemper™ 4500 and John Deere® 676 6-row heads • .85 lbs.	LCA64557 JD9241
KK05375 \$10.00 ea.	③ • Large snap retaining ring • Holds wing drive bearing • .1 lbs.	LCA05375 40M7060 / 40M1873
KK67316 \$51.90 ea.	④ • Outside wing drive coupler • To fit late Kemper™ 4500 and John Deere® 676 6-row heads • Has drilled and tapped hole for slide hammer removal • Head SN. 120 = 15 splines, 121 = 15 & 18 splines, 122 = 18 splines • 18 splines • 1 required • 1.1 lbs.	LCA67316
KK67317 \$51.90 ea.	⑤ • Inside wing drive coupler • To fit late Kemper™ 4500 and John Deere® 676 6-row heads • 1 required • 1.1 lbs. • 18 splines • Head SN. 120 = 15 splines, 121 = 15 & 18 splines, 122 = 18 splines	LCA67317
KK62684 \$8.75 ea.	⑥ • Clutch disc • To fit John Deere® 676 and Kemper™ 4500 heads • 1 lb.	LCA62684
KK64574 \$17.05 ea.	⑦ • Compression spring • 2 required • .4 lbs.	LCA64574
KK67319 \$38.35 ea.	⑧ • Wing drive shaft coupler • 2 required • 1 lb. • To fit John Deere® 676 series and Kemper™ 4500 & 445 series	LCA67319
K7048 \$1.40 ea.	⑨ • Spring pin • To fit KK67319 coupler	34M7048
NEW KK67315 \$149.50 ea.	⑩ • Shaft • 11.12 lbs. • To fit Kemper™ 4500 and John Deere® 676 6-row heads	LCA67315 Heat Treated
NEW KK75178 \$140.00 ea.	⑩ • Main drive shaft • To fit Kemper™/JD® 345, 360, 375, 445, 4500, 676, 684, 686, 688 & 710 heads	LCA75178 Heat Treated
NEW KK77875 \$73.00 ea.	⑩ • Clutch friction disc • To fit Kemper™/JD® 345, 345+, 360, 360+, 375, 375+, 390, 390+, 445, 4500, 460, 460+, 475, 475+, 490+, 676, 678, 686, 688, 690, 692, 696, 698, 710, 770, 770+, 772, 778	LCA77875
NEW KK79570 \$73.00 ea.	⑩ • Clutch friction disc • To fit Kemper™/JD® 345, 345+, 360, 360+, 375, 375+, 390, 390+, 445, 4500, 460, 460+, 475, 475+, 490+, 676, 678, 686, 688, 690, 692, 696, 698, 710, 770, 770+, 772, 778	LCA79570

John Deere® and JD® are registered trademarks of Deere & Company • Kemper™ and Champion™ are trademarks of Maschinenfabrik KEMPER GmbH & Co. Truck icon signifies product is shipped via truck freight.



KOOIMA #	DESCRIPTION	REPLACES OEM #
KK67184 \$29.30 ea.	① • Spring plate • To fit main drive clutch on John Deere® 676 and Kemper™ 4500 heads • 2 required per clutch • .6 lbs.	LCA67184 Heat Treated
KK57911 \$17.50 ea.	② • Clutch friction disc • To fit Kemper™ 3000 series 4-row and 4500 series 6-row main clutch • 4 required per clutch • .1 lbs.	W34913
KK66024 \$890.50 ea.	③ • Main drive clutch assembly • Assembled & ready to install • To fit Kemper™ 4500 & JD® 676 6-row heads • 16.8 lbs.	LCA66024

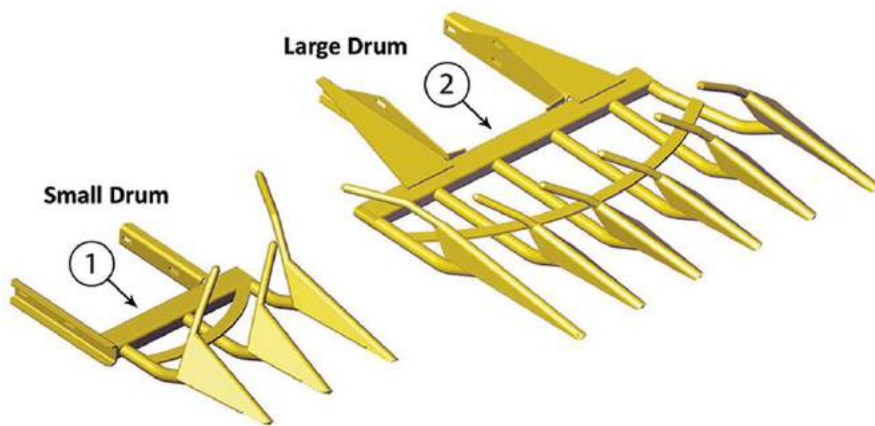


Installing the disc weld-on sections



KOOIMA #	DESCRIPTION	REPLACES OEM #
KK67268 \$16.25 ea.	④ • Weld-on drum segment • To fit small feed drums on Kemper™ 4500 & John Deere® 676 6-row heads • 16 required • .7 lbs.	LCA67268
KK65704 \$17.25 ea.	⑤ • Weld-on drum segment • To fit small feed drums on Kemper™ 4500 & John Deere® 676 6-row heads • 10 required • 2.2 lbs.	LCA65704
KK65721LT (Left) KK65721RT (Right) \$64.45 ea.	⑥ • Weld-on drum segment • Repairs the bottom ring of teeth on Kemper™ 4500 & John Deere® 676 small drum • 2 required per drum • Left hand shown • 8 lbs. ea.	Abrasion Resistant
KK65723LT (Left) KK65723RT (Right) \$82.45 ea.	⑦ • Weld-on drum segment • Repairs the bottom ring of teeth on Kemper™ 4500 & John Deere® 676 large drum • 4 required per drum • Left hand shown • 8.8 lbs. ea.	Abrasion Resistant
KK67265 \$12.25 ea.	⑧ • Weld-on drum segment • To fit large feed drums on John Deere® 676 6-row heads • 14 required • 1.5 lbs.	LCA67265
KK65734 \$16.90 ea.	⑨ • Weld-on drum segment • To fit large feed drums on Kemper™ 4500 & John Deere® 676 6-row heads • 18 required • 2 lbs.	LCA65734
KK65732 \$16.90 ea.	⑩ • Weld-on drum segment • To fit large feed drums on Kemper™ 4500 6-row heads • 18 required • 3.2 lbs.	LCA65732
KK90654 (Clockwise - RH) KK90655 (Counterclockwise - LH) \$4.50 ea.	⑪ • Intake disc weld-on sections • Note: do not weld on the leading edge of point • To fit all the Kemper™ heads 330, 345, 375 ,6008, 4500, 676, 445, 460, 475 • 12 required for small drum, 24 required for large drum • .15 lbs.	LCA90654 LCA90655 Abrasion Resistant
KK69794 \$5.50 ea.	⑫ • Large drum scraper • 2 required per drum • .25 lbs. • Note: do not weld on the leading edge of scraper	LCA69794 Abrasion Resistant
KK87284 \$8.75 ea.	⑬ • Bolt on scraper small drum • .2 lbs. • To fit JD® 684-710 & Kemper™ 330-375 • 2 required per drum	LCA87284 Abrasion Resistant
KK87284BK \$4.50 ea.	⑬a • Bolt kit • To fit scraper KK87284 • 1 kit required per scraper • .1 lbs.	
KK71242 \$5.75 ea.	⑭ • Weld on scraper small drum • 2 required per drum • .2 lbs.	LCA71242 Abrasion Resistant

John Deere® and JD® are registered trademarks of Deere & Company • Kemper™ and Champion™ are trademarks of Maschinenfabrik KEMPER GmbH & Co.

Replacement parts produced by Kooima® Ag to fit Kemper™ 4500 & JD® 676 Heads



KOOIMA #	DESCRIPTION	REPLACES OEM #
KK65048 (Left) KK65049 (Right) \$379.75 ea.	① • Replacement small drum crop divider assembly • 1 each required • Left hand shown • 32.8 lbs. ea. • Hardware Kit: KK65048BK , \$9.25 ea., .55 lbs.	LCA65048 LCA65049 Abrasion Resistant
KK64141 (Left) KK64142 (Right) \$679.50 ea.	② • Replacement large drum crop divider assembly • 1 each required • Left hand shown • 120 lbs. ea.  • Hardware Kit: KK64141BK , \$9.25 ea., .45 lbs.	LCA64141 LCA64142 Abrasion Resistant

KOOIMA #	DESCRIPTION	REPLACES OEM #
KK57911 \$17.50 ea.	 5 ^{15/16} " O.D. • Clutch friction disc • To fit Kemper™ 3000 series 4-row and 4500 series 6-row main clutch • 8 required • .1 lbs.	W34913
KK59046 \$24.50 ea.	 6 ^{3/16} " O.D. • Clutch friction disc • To fit Kemper™ 4500 series 6-row, drum clutch • 16 required • .1 lbs.	DC38275

The Rock Stop'er Pro

FORAGE HARVESTER STONE DETECTION SYSTEM




JD® must have double spring kit installed.

- Fits most makes and models of SPFH and pull type harvesters.
- Patented Inertia sensor stops feed drive when rocks are detected.
- In cab sensitivity adjustment for varying crop conditions.
- Call **1-800-522-8874** for more details!



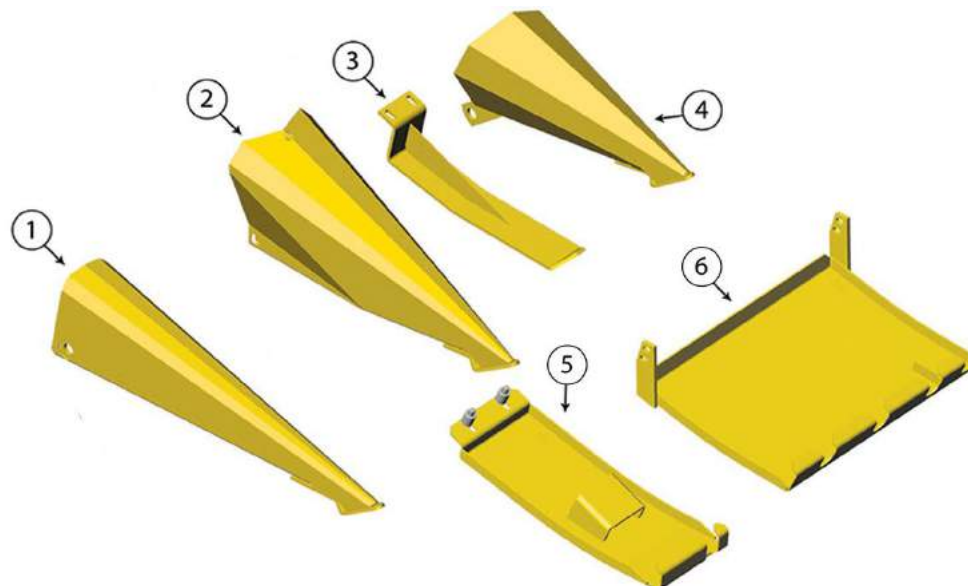
Extra Sensor Available!
Order # SENSOR
Only **\$775⁰⁰** ea.

Order # ROCK STOPER
Only **\$2,975⁰⁰** ea.



Designed and manufactured in Canada.

John Deere® and JD® are registered trademarks of Deere & Company • Kemper™ and Champion™ are trademarks of Maschinenfabrik KEMPER GmbH & Co. Truck icon signifies product is shipped via truck freight.



KOOIMA #	DESCRIPTION	REPLACES OEM #
KK67274 \$134.75 ea.	① • Outside center frame crop divider snoot • 2 each required • 18.1 lbs. • Hardware Kit: KK67274BK , \$19.90 ea., .5 lbs.	LCA67274
KK68939 \$169.75 ea.	② • Center crop divider snoot • 1 each required • 15.6 lbs. • Hardware Kit: KK68939BK , \$5.90 ea., .2 lbs.	LCA68939 LCA68922
KK64910 \$42.35 ea.	③ • Crop divider skid plate • 2 each required • 9.7 lbs. • Now hard-faced for extra durability! • Hardware Kit: KK64910BK , \$18.62 ea., .7 lbs.	LCA64910 Abrasion Resistant
KK67550 (Left) KK67551 (Right) \$126.50 ea.	④ • Wing crop divider snoot • To fit early 678 heads • 1 each required • 12.3 lbs. ea. • Left hand shown • Hardware kit - KK67550BK , \$19.50 ea., .5 lbs. when used on large drum rotary heads	LCA67550 LCA67551
KK71879 (Left) KK71880 (Right) \$138.50 ea.	⑤ • Center frame skid plate • 1 each required • Left hand shown • 19.4 lbs. ea.	LCA71879 / LCA93840 LCA71880 / LCA93840 Abrasion Resistant
KK65111 (Left) KK65112 (Right) \$225.75 ea.	⑥ • Wing skid plate • Left hand shown • 1 each required • 31 lbs. ea. • Hardware Kit: KK65111BK , \$11.90 ea., .55 lbs.	LCA65111 / LCA92270 LCA65112 / LCA92270 Abrasion Resistant

/ REPLACEMENT PTO'S NOW AVAILABLE /



Order # KK69888

- PTO, 21 to 21 spline
- To fit JD® 684-686-688 & 710 corn heads • 17.7 lbs.
- Replaces OEM # LCA69888

\$458⁷⁵ ea.

Order # KK72281

- PTO, 21 to 23 spline
- To fit JD® 684-686-688 & 710 corn heads • 18.8 lbs.
- Replaces OEM # LCA72281

\$480⁵⁰ ea.

Order # KK73023-23

- Drive Line
- 23 to 21 spline
- To fit JD® 676 corn heads
- 15.8 lbs.

\$480⁵⁰ ea.

Order # KK73023-21

- Drive Line
- 21 to 21 spline
- To fit JD® 676 corn heads
- 15.9 lbs.

\$458⁷⁵ ea.

Order # K64231

- PTO, 1 3/8 6 spline to 1 3/8 21 spline chopper
- To fit 6010 series cutters to 4500 Kemper™ heads
- 2400 series • 16 lbs.

\$445⁵⁰ ea.

Order # K72150

- PTO, 1 3/8 6 spline to 1 1/2 23 spline chopper
- To fit 6050 & 7000 series cutters to 4500 Kemper™ heads
- 2400 series • 15.7 lbs.

\$458⁷⁵ ea.

Order # K46671-21

- PTO, 21 to 21 spline drive shaft • 18.9 lbs.
- To fit JD® 630-645B hay heads & 655R-666-666R row crop • 2400 series

\$610⁰⁰ ea.



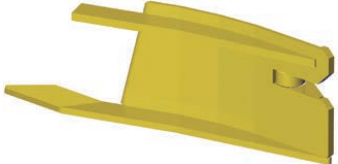





Order # K46671-23

- PTO, 21 to 23 spline drive shaft • 18.6 lbs.
- To fit JD® 630-645B hay heads & 655R-666-666R row crop • 2400 series

\$630⁰⁰ ea.

KOOIMA® AG REPLACEMENT PARTS TO FIT KEMPER™ 4500 AND JOHN DEERE® 676 6-ROW HEADS

Replacement parts produced by Kooima® Ag to fit Kemper™ 4500 & JD® 676 Heads

KOOIMA #	DESCRIPTION	REPLACES OEM #
KK67170 (Left) KK67171 (Right)	<ul style="list-style-type: none"> Feeding drum scraper To fit all Kemper™ 4500 and John Deere® 676 6-row heads 1 each required Left hand shown 24 lbs. ea. 	LCA67170 LCA67171 Abrasion Resistant
\$406.95 ea.		
KK65858 (Left) KK65859 (Right)	<ul style="list-style-type: none"> Large drum scraper To fit all Kemper™ 4500 and John Deere® 676 6-row heads 1 each required Left hand shown • 24.6 lbs. ea. 	LCA65858 LCA65859 Abrasion Resistant
\$319.00 ea.		
KK65841 (Left) KK65842 (Right)	<ul style="list-style-type: none"> Small drum crop guide To fit all Kemper™ 4500 and John Deere® 676 6-row heads 1 each required • Left hand shown • 7.3 lbs. ea. Hardware Kit: KK65841BK, \$14.80 ea., .51 lbs. 	LCA65841 LCA65842 Abrasion Resistant
\$72.50 ea.		
KK66200 (Left) KK66201 (Right)	<ul style="list-style-type: none"> Large drum scraper To fit all Kemper™ 4500 and John Deere® 676 6-row heads 1 each required • Left hand shown • 14.3 lbs. ea. Hardware Kit: KK66200BK, \$6.25 ea., .395 lbs. 	LCA66200 LCA66201 Abrasion Resistant
\$115.75 ea.		
KK64618 (Left) KK64619 (Right)	<ul style="list-style-type: none"> Support To fit all Kemper™ 4500 and John Deere® 676 6-row heads 1 each required • Left hand shown • 28 lbs. ea. Hardware Kit: KK64618BK, \$9.75 ea., .83 lbs. 	LCA64618 LCA64619 Abrasion Resistant
\$303.80 ea.		
KK67530 (Left) KK67531 (Right)	<ul style="list-style-type: none"> Feeding drum crop guide To fit all Kemper™ 4500 and John Deere® 676 6-row heads 1 each required • Left hand shown • 23 lbs. ea. Hardware Kit: KK67530BK, \$11.75 ea., .595 lbs. 	LCA67530 LCA67531 Abrasion Resistant
\$317.80 ea.		
KK67140 (Left) KK67139 (Right)	<ul style="list-style-type: none"> Feed roll intake drum assembly To fit all Kemper™ 4500 and John Deere® 676 6-row heads 1 each required Left hand shown 93.5 lbs. ea.  	LCA67140 LCA67139 Abrasion Resistant
\$1,055.00 ea.		

/ KOOIMA® TOOL TO USE ON KEMPER™ HEADS /



This handy tool makes Kemper™ head maintenance a snap!

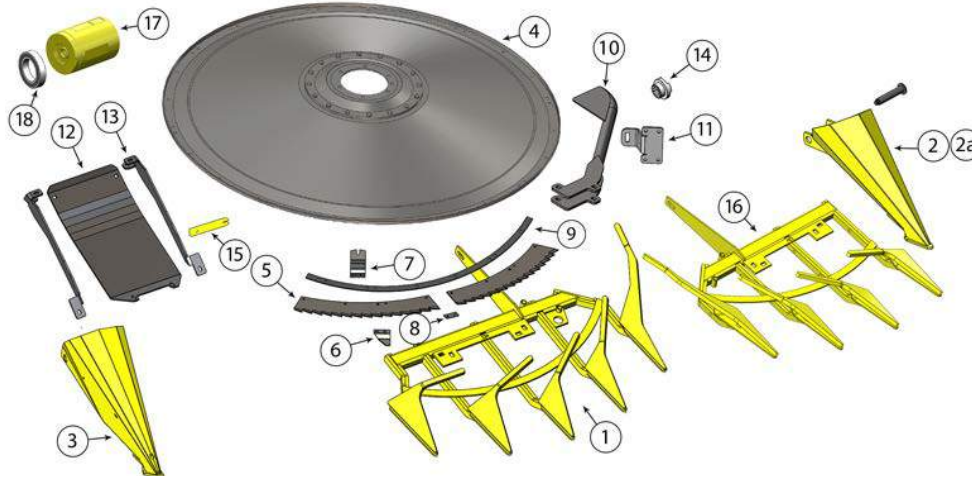
Use it to:

- Re-align bent gather points and gathering point guide rods
- Straighten bent gathering drum teeth
- Stop using crescent or pipe wrenches and **save your scraped knuckles!**
- 9.3 lbs.

Order # KK4500CB
\$85⁰⁰ ea.

John Deere® and JD® are registered trademarks of Deere & Company • Kemper™ is a trademark of Maschinenfabrik KEMPER GmbH & Co. Truck icon signifies product is shipped via truck freight.

KOOIMA® AG REPLACEMENT PARTS TO FIT KEMPER™ 678 LARGE DRUM ROTARY HEADS



Learn about the importance of the scrapers!

Replacement parts produced by Kooima® Ag to fit Kemper™ 678 Large Drum Rotary Heads

KOOIMA	DESCRIPTION	REPLACES OEM #
KK97977 (Left) KK97978 (Right) \$669.50 ea.	① • Inner large drum crop divider assembly • To fit 678, 460, 475, 770, 460+, 778, 475+, 770+ & NH600 corn heads • Left hand shown • 83.5 lbs.	LCA97977 LCA97978
KK67550 (Left) KK67551 (Right) \$126.50 ea.	② • Wing crop divider snoot • 12.3 lbs. ea. • Left hand shown • 1 each required • To fit early 678 heads • Hardware kit - KK67550BK , \$19.50 ea., .5 lbs. when used on large drum rotary heads • Hardware kit - KK95833BK , \$18.30 ea. when used on 678 heads - pin fastener & lock plate	LCA67550 LCA67551
KK95833 (Left) KK95834 (Right) \$149.25 ea.	②a • Wing crop divider snoot • 15.5 lbs. • To fit Kemper™ & John Deere® 678 & 460 rotary heads • 1 each required • Hardware kit - KK95833BK , \$18.30 ea., 1.25 lbs.	LCA95833 LCA95834 LCA91430 / LCA91423
KK76783 \$250.75 ea.	③ • Center crop divider snoot • 1 required • Bolt kit - KK75945BK , \$12.00 ea., .5 lbs.	LCA76783
KK103067 \$675.00 ea.	④ • Large drum knife rotor • To fit Kemper™/JD® 460, 460+, 475, 475+, 490+, 678, 770, 772 & 778 series • 97 lbs.	LCA103067 Kit # LCA118843/LCA118844
KK66037LTC (Left) KK66037RTC (Right) \$36.90 ea.	⑤ • Hard faced cutting blade • To fit Kemper™ & John Deere® 678, 778 & 460 rotary heads • 8 each required per drum • 2.8 lbs.	
KK678BK \$117.75 ea.	⑤a • Hardware kit • 1 kit required per head • To fit Kemper™ & John Deere® 678 & 460 heads • 7.8 lbs.	
KK67156 (Left) KK67157 (Right) \$10.95 ea.	⑥ • Blade scraper • To fit Kemper™ & John Deere® 678, 778 & 460 rotary heads • 2 of each required per rotor • .25 lbs. ea.	LCA67156 LCA67157
KK89846 \$16.80 ea.	⑦ • Rotating scraper • .65 lbs. • To fit Kemper™ & John Deere® 678 & 460 heads • 8 required	Heat Treated / Tungsten Carbide LCA89846
KK88009 \$4.40 ea.	⑧ • Support strap • 32 required • To fit Kemper™ & John Deere® 678, 778 & 460 rotary heads • .05 lbs.	LCA88009
KK89871SS \$28.25 ea.	⑨ • Drum rotor support strap • 4 required per drum • 1.4 lbs. • To fit Kemper™ & John Deere® heads • Strengthens & supports outer drum rotor ring	
KK97974 (Left) KK97975 (Right) \$118.00 ea.	⑩ • Stripper bar • To fit JD® 678 SN. 113825 and above, all 778 heads & 770 before SN. 125396 heads • 12.4 lbs.	LCA97974 LCA97975
KK94101 \$17.80 ea.	⑪ • Divider point retainer • 2.5 lbs. • To fit 678 SN. 113825 and above, 778, 475 & 460 heads	LCA94101
KK90661 \$146.50 ea.	⑫ • Skid plate • To fit JD® 778 heads • 4 required • 14.1 lbs. • To fit Kemper™ & John Deere® 678 & 460 heads SN. 106051 and above	LCA90661
KK93681 (Left) KK93682 (Right) \$28.80 ea.	⑬ • Skid plate support • 4 each required • To fit Kemper™ & JD® 460, 475, 678, 770, 460+, 778, 475+, 770+ rotary heads • To fit NH600 heads • 2.9 lbs.	LCA93681 LCA93682
KK69654 \$61.45 ea.	⑭ • Wing drive coupler • 4 required • To fit Kemper™ & John Deere® 678, 778 & 460 heads • 1.5 lbs.	LCA69654
KK97955 \$5.25 ea.	⑮ • Rotating scraper • .15 lbs. • Bolt kit - KK92910BK , \$0.85 ea., .05 lbs. • To fit Kemper™ and JD® rotary heads	LCA97955 / LCA92911 Heat Treated Abrasion Resistant
KK98764 (Left) (shown) KK98765 (Right) \$605.50 ea.	⑯ • Outer 4 point large drum crop divider assembly • To fit Kemper™ & John Deere® 678 & 460 rotary heads • 1 of each required • 68 lbs.	LCA98764 LCA98765
KK86023 \$1,397.00 ea.	⑰ • Main drive clutch • Water cooled • 2 required • To fit 678, 460, 460+ and 778 corn heads • 41 lbs.	LCA86023
KK64557 \$39.00 ea.	⑱ • Main drive clutch bearing • To fit 678, 778, 770+, 475 & 475+	JD9241 LCA64557
NEW KK77875 \$73.00 ea.	• Clutch friction disc • To fit Kemper™/JD® 345, 345+, 360, 360+, 375, 375+, 390, 390+, 445, 4500, 460, 460+, 475, 475+, 490+, 676, 678, 686, 688, 690, 692, 696, 698, 710, 770, 770+, 772, 778	LCA77875
NEW KK79570 \$73.00 ea.	• Clutch friction disc • To fit Kemper™/JD® 345, 345+, 360, 360+, 375, 375+, 390, 390+, 445, 4500, 460, 460+, 475, 475+, 490+, 676, 678, 686, 688, 690, 692, 696, 698, 710, 770, 770+, 772, 778	LCA79570

TO ORDER TOLL FREE CALL 1-800-522-8874

KOOIMA AG

KOOIMA® AG REPLACEMENT PARTS TO FIT KEMPER™ 770 ROTARY HEADS

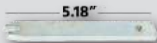

Replacement parts produced by Kooima®Ag to fit Kemper™ 770 Rotary Heads



Learn about the importance of the scrapers!



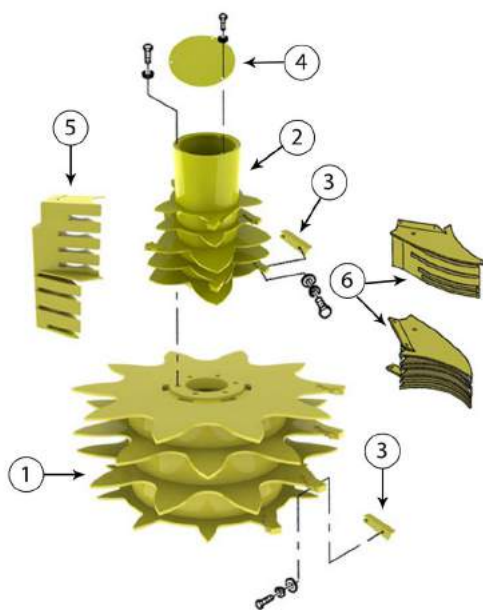
Installing the disc weld-on sections

KOOIMA #	DESCRIPTION	REPLACES OEM #
KK93681 (Left) \$28.80 ea.	1 • Skid plate support • 4 each required • To fit Kemper™ & JD® 460, 475, 678, 770, 460+, 778, 475+, 770+ rotary heads • To fit NH600 heads • 2.9 lbs.	LCA93681 LCA93682
KK90661 \$146.50 ea.	2 • Skid plate • To fit Kemper™ & JD® 460, 460+, 475, 475+, 678, 770, 770+, 778 heads SN. 106051 and above • To fit NH600 heads • 4 required • 14.1 lbs.	LCA90661
KK100120 \$79.00 ea.	3 • Skid Plate • 13.6 lbs. • To fit Kemper™ & JD® heads 690, 692, 698, 770 - before SN. 125396	LCA100120 Abrasion Resistant
KK94905 \$34.35 ea.	4 • Fender • 4.6 lbs. • For skid plate KK100120 • To fit Kemper™ & JD® heads 690, 692, 698 & 770 - before SN. 125396	LCA94905
KK69654 \$61.45 ea.	5 • Wing drive coupler • 4 required • To fit Kemper™ & JD® rotary heads • 1.5 lbs.	LCA69654 Heat Treated
KK92910 \$7.20 ea.	6  • Rotating scraper • .20 lbs. • To fit Kemper™ and JD® rotary heads • Bolt kit - KK92910BK , \$0.85 ea., .05 lbs.	LCA92910 Abrasion Resistant
KK93241 \$5.95 ea.	7  • Rotating scraper • .12 lbs. • To fit Kemper™ and JD® rotary heads • Bolt kit - KK92910BK , \$0.85 ea., .05 lbs.	LCA93241 Abrasion Resistant
KK67746 \$32.90 ea.	8 • Cutting blade • Each drum requires 4 blades • To fit John Deere® & Kemper™ small drum rotary heads • 2.1 lbs. • Also available in tungsten hard faced style - see page 123	LCA67746/ LCA95957 Heat Treated High Carbon Material
KK94275 (Left) KK94276 (Right) \$14.05 ea.	9 • Scraper • To fit Kemper™ 475 & JD® 770 outer drums SN. 117300 and below • 2 each required • Koyma Klad® coating • .55 lbs. ea.	LCA94275 LCA94276 Heat Treated
KK106457 (Left) KK106458 (Right) \$14.15 ea.	9a • Scraper • To fit Kemper™ 475 & JD® 770 outer drums SN. 117301 and above • 2 each required • Koyma Klad® coating • .6 lbs. ea.	LCA106457 LCA106458 Heat Treated
KK69805 (Left) KK69806 (Right) \$10.95 ea.	10 • Blade scraper • Two required per rotor • .25 lbs. ea. • To fit John Deere® & Kemper™ small drum rotary heads • Left hand and right hand determined by direction of drum rotation	LCA69805/ LCA69806 Heat Treated Tungsten Carbide
KK90654 (Clockwise - RH) KK90655 (Counterclockwise - LH) \$4.50 ea.	11 • Intake disc weld-on sections • Note: do not weld on the leading edge of point • To fit all the Kemper™ heads • 12 required for small drum, 24 required for large drum • .15 lbs.	LCA90654 LCA90655 Abrasion Resistant
KK103004 (Right) KK103005 (Left) \$133.75 ea.	12 • Outside snout • To fit Kemper™ & JD® heads 770 & 778, 475, 460+ & NH600 • 1 each required • 11.5 lbs. ea.	LCA103005/LCA103004 Abrasion Resistant
KK103062 (LH) KK103063 (RH) \$290.75 ea.	13 • Outside drum gathering points • To fit Kemper™ 475 and JD® 770 rotary heads • 28 lbs. • RH shown	LCA103062 LCA103063
KK95370 \$10.50 ea.	14 • Rotating scraper • .35 lbs. • To fit Kemper™ and JD® large drums	LCA95370
KK97977 (Left) KK97978 (Right) \$669.50 ea.	15 • Inner large drum crop divider assembly • To fit 678, 460, 475, 770, 460+, 778, 475+ and 770+ corn heads • Also fits NH600 heads • Left hand shown • 83.5 lbs.	LCA97977 LCA97978
KK66037 \$27.50 ea.	16 • Cutting blade, large drum • To fit Kemper™ & JD® rotary heads • 2.8 lbs. • 8 required per drum • Also available in tungsten hard faced style - see page 123	LCA66037 Heat Treated

KOOIMA® AG REPLACEMENT PARTS TO FIT KEMPER™ ROTARY HEADS

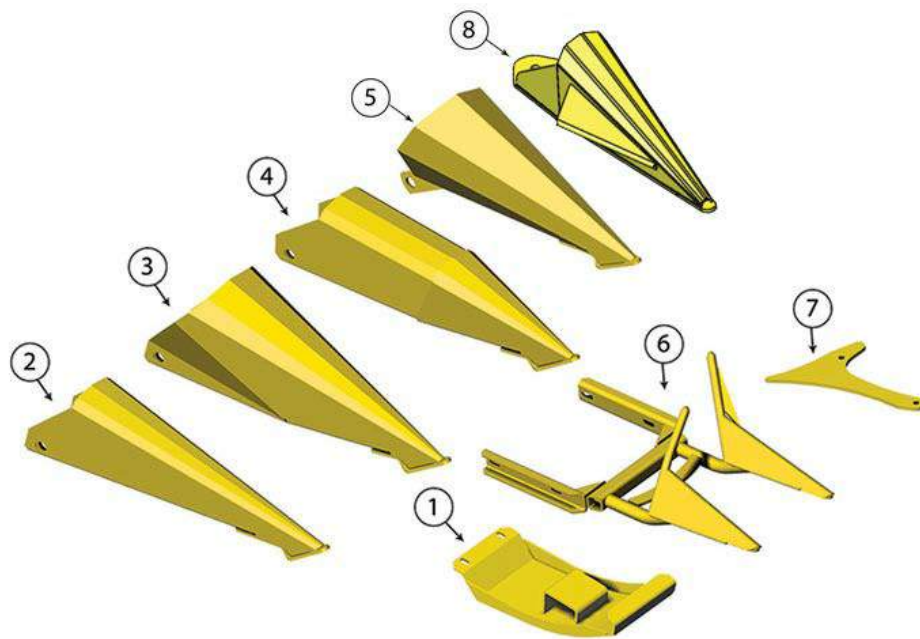
Replacement parts produced by Kooima® Ag to fit Kemper™ 770 Rotary Heads

KOOIMA #	DESCRIPTION	REPLACES OEM #
KK89871SS \$28.25 ea.	• Drum rotor support strap • 4 required per drum • To fit Kemper™ & John Deere® heads • 1.4 lbs. • Strengthens & supports outer drum rotor ring	
KK88009 \$4.40 ea.	• Support strap • 32 required • To fit Kemper™ & John Deere® rotary heads • .05 lbs.	LCA88009
KK67156 (Left) KK67157 (Right) \$10.95 ea.	• Blade scraper • To fit Kemper™ & John Deere® rotary heads • 2 of each required per rotor • .25 lbs. ea.	LCA67156 LCA67157
KK97974 (Left) KK97975 (Right) \$118.00 ea.	• Stripper bar • To fit JD® 678 SN. 113825 and above, all 778's & 770 - before SN. 125396 heads • 12.4 lbs.	LCA97974 LCA97975
KK94101 \$17.80 ea.	• Divider point retainer • To fit JD® & Kemper™ 460, 475, 678 & 778 heads • 2.4 lbs.	LCA94101
KK97955 \$5.25 ea.	3.60" • Rotating scraper • .15 lbs. • To fit Kemper™ and JD® rotary heads • Bolt kit - KK92910BK, \$0.85 ea., .05 lbs. Abrasion Resistant	LCA97955 / LCA92911
KK109069 \$130.75 ea.	• Drum rotor • To fit JD® 770, 692, 698, 690, 696 small drums • To fit Kemper™ 475, 390+, 360+, 375+, 345+ small drums • 16.5 lbs.	LCA109069
KK103067 \$675.00 ea.	• Large drum knife rotor • To fit Kemper™/JD® 460, 460+, 475, 475+, 490+, 678, 770, 772 & 778 series • 97 lbs.	LCA103067 Kit # LCA118843/LCA118844
KK86023 \$1,397.00 ea.	• Main drive clutch • Water cooled • 2 required • To fit 678, 460, 460+ and 778 corn heads • 41 lbs.	LCA86023
KK64557 \$39.00 ea.	• Main drive clutch bearing • To fit 678, 778, 770+, 475 & 475+	JD9241 LCA64557
NEW KK77875 \$73.00 ea.	• Clutch friction disc • To fit Kemper™/JD® 345, 345+, 360, 360+, 375, 375+, 390, 390+, 445, 4500, 460, 460+, 475, 475+, 490+, 676, 678, 686, 688, 690, 692, 696, 698, 710, 770, 770+, 772, 778	LCA77875
NEW KK79570 \$73.00 ea.	• Clutch friction disc • To fit Kemper™/JD® 345, 345+, 360, 360+, 375, 375+, 390, 390+, 445, 4500, 460, 460+, 475, 475+, 490+, 676, 678, 686, 688, 690, 692, 696, 698, 710, 770, 770+, 772, 778	LCA79570



KOOIMA #	DESCRIPTION	REPLACES OEM #
KK89830 (Left) shown KK89831 (Right) \$1,425.00 ea.	• Drum • Serial # 113824 and below • To fit Kemper™ & John Deere® 678 & 460 heads and NH600 heads • 66 lbs. • Bolt Kit: KK89830BK, 1 kit required per drum, .75 lbs. \$9.25 ea.	LCA89830 LCA89831
KK89832 (Left) shown KK89833 (Right) \$750.80 ea.	• Drum • Serial # 113824 and below • To fit Kemper™ & John Deere® 678 & 460 heads and NH600 heads • 44.4 lbs. • Bolt Kit: KK83225BK, 1 kit required per drum, .3 lbs. \$6.25 ea.	LCA89832 LCA89833
KK83225 \$11.50 ea.	• Scraper • .25 lbs. • To fit Kemper™ & John Deere® 678 & 460 heads • Before serial # 113824 and NH600 heads	LCA83225
KK88717 \$11.25 ea.	• Cover plate • Serial # 113824 and below • 1.3 lbs. • To fit Kemper™ & John Deere® 678 & 460 heads and NH600 heads • Bolt Kit: KK88717BK, 1 kit required per cover, .1 lbs. \$3.25 ea.	LCA88717
KK86955 (Left) shown KK86956 (Right) \$425.80 ea.	• Stripper • Serial # 113824 and below • To fit Kemper™ & John Deere® 678 & 460 heads and NH600 heads • 40 lbs. • Bolt Kit: KK86955BK, 1 kit required per stripper, .25 lbs. \$3.75 ea.	LCA86955 / LCA86956 Abrasion Resistant
KK89913 (LH) KK89914 (RH) \$385.50 ea.	• Drum scraper • To fit Kemper™ 460 & John Deere® 678 heads and NH600 heads • 41.1 lbs.	LCA89913 LCA89914

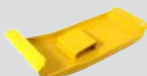
Replacement parts produced by Kooima® Ag to fit Kemper™ & JD® Small Drum Rotary Heads



KOOIMA #
KK72650

\$84.45 ea.
KK72650SP

1a



DESCRIPTION

- Skid plate • 1 required per row • **Hardware Kit: KK72650BK, \$3.90, .2 lbs.**
- To fit **JD® 684-710 & Kemper™ 330, 340, 360, 375 & 6008** heads
- Also fits **JD® 710 10-row heads before 2002** • 13.4 lbs.

REPLACES OEM #

LCA72650
LCA84040

Abrasion Resistant

- Low profile skid plate • 1 required per row • 12.4 lbs.
- To fit same heads as KK72650 skid plate
- Will work with later serial # heads with OEM low profile skid plates
- Lower profile skid plate allows you to cut closer to the ground

Abrasion Resistant

\$95.45 ea.
KK75945

- Crop divider snoot • To fit John Deere® **684, 686, 688, 710** heads and Kemper™ **330, 345, 360** and **6008** heads • 1 required per 4-row head • 3 required per 6-row head • 5 required per 8-row head • 5 required per 10-row head • 15.6 lbs.
- **Hardware kit - KK75945BK, \$12.00 ea., .5 lbs.**

LCA75945

KK76120
\$235.75 ea.

- Crop divider snoot • To fit John Deere® **684, 686, 688, 710** heads and Kemper™ **330, 345, 360** and **6008** heads • 1 each required • 14.6 lbs.
- **Hardware kit - KK75945BK, \$12.00 ea., .5 lbs.**

LCA76120
LCA76783

KK76791
\$140.75 ea.

- Crop divider snoot • To fit John Deere® **684, 686, 688, 710** heads and Kemper™ **330, 345, 360** and **6008** heads • 1 each required • 16.3 lbs.
- **Hardware kit - KK75945BK, \$12.00 ea., .5 lbs.**

LCA76791
LCA76790

KK67550 (Left)
KK67551 (Right)
\$126.50 ea.

- Wing crop divider snoot • To fit John Deere® **684, 686, 688, 710** heads and Kemper™ **330, 345, 360** and **6008** heads • 12.3 lbs. ea.
- 1 each required • Left hand shown
- **Hardware kit - KK688BK, \$37.85 ea., .5 lbs.** when used on small drum rotary heads
- **Hardware kit - KK67550BK, \$19.50 ea., .5 lbs.** when used on large drum rotary heads

LCA67550
LCA67551

KK71385 (Left)
KK71386 (Right)

- Replacement crop divider assembly • To fit John Deere® **684, 686, 688, 710** heads and Kemper™ **330, 345, 360** and **6008** heads • 2 each required per 4-row head • 3 each required per 6-row head • 4 each required per 8-row head • 23.7 lbs. ea
- 5 each required per 10-row head • Left hand shown
- **Hardware Kit: KK71385BK, \$10.50, .55 lbs.** 1 bolt kit per crop divider

LCA71385
LCA71386

KK76776
\$17.10 ea.

- Crop guide • To fit John Deere® **686, 688, 710** heads and Kemper™ **345, 360, 375, 6008** heads • 2 required per 6-row • 3.9 lbs. ea.
- 4 required per 8-row • 6 required per 10-row • **Hardware kit - KK76776BK, \$2.30 ea., .2 lbs.**

LCA76776

Abrasion Resistant

KK102931 (Left)
KK102932 (Right)
\$92.00 ea.

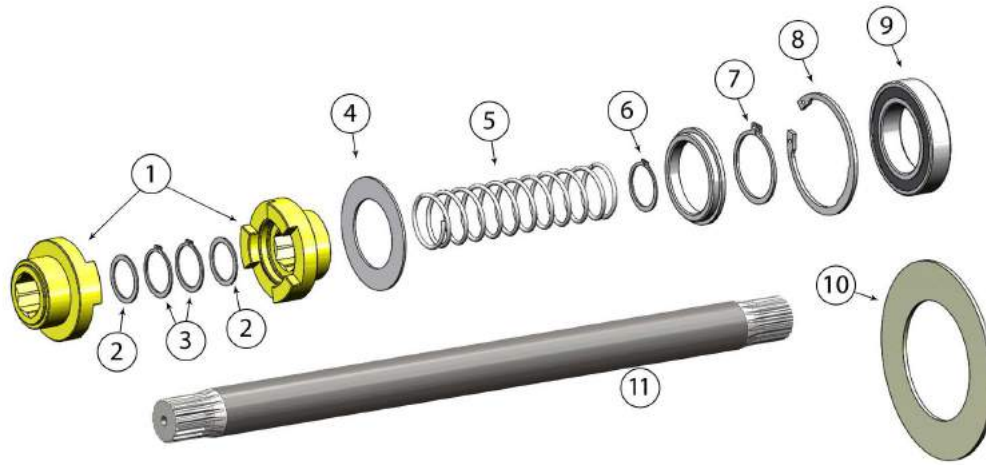
- Outside snoot • 13.5 lbs. ea.
- To fit Kemper™ & JD® **690, 692, 696 & 698** heads
- Left hand shown • **Hardware kit - KK102931BK, \$4.40 ea., .2 lbs.**

LCA102931
LCA102932

Abrasion Resistant

KOOIMA® AG REPLACEMENT PARTS TO FIT KEMPER™ AND JOHN DEERE® SMALL DRUM ROTARY HEADS

Replacement parts produced by Kooima® Ag to fit Kemper™ & JD® Small Drum Rotary Heads



KOOIMA #	DESCRIPTION	REPLACES OEM #
KK69654 \$61.45 ea.	① • Wing drive coupler • To fit John Deere® 686, 688 & Kemper™ 345, 360, & 6008 series heads • 4 required • 1.5 lbs.	LCA69654 Heat Treated
KK94215 \$66.45 ea.	①a • Wing drive coupler • To fit John Deere® 690, 692, 696 & 698 Kemper™ 345+, 360+, 375+ & 390+ corn heads • 4 required • 1.6 lbs.	LCA94215
KK24M7227 \$1.50 ea.	② • Washer • 4 required • .11 lbs.	24M7227
KK40M7098 \$2.40 ea.	③ • Snap ring • 4 required • .02 lbs.	40M7098
KK62684 \$8.75 ea.	④ • Clutch disc • 2 required • .15 lb.	LCA62684
KK64574 \$17.05 ea.	⑤ • Compression spring • 2 required • .5 lbs.	LCA64574
KK40M7109 \$4.25 ea.	⑥ • Snap ring • 4 required • .02 lbs.	40M7109 LCA11648
KK05539 \$6.00 ea.	⑦ • Snap ring • 2 required • .02 lbs.	LCA05539/LCA12228 40M7066/40M1841
KK05375 \$10.00 ea.	⑧ • Snap ring • 2 required • .15 lbs.	LCA05375 40M7060/40M1873
KK64557 \$39.00 ea.	⑨ • Bearing for wing drive coupler • 4 required • .9 lbs.	LCA64557 JD9241
KK59046 \$24.50 ea.	⑩ • Clutch friction disc • 4 required per clutch • To fit 684, 686 & 688 main clutch drive • .1 lbs.	DC38275 LCA59046
NEW KK75178 \$140.00 ea.	⑪ • Main drive shaft • To fit Kemper™/JD® 345, 360, 375, 445, 4500, 676, 684, 686, 688 & 710 heads	LCA75178 Heat Treated



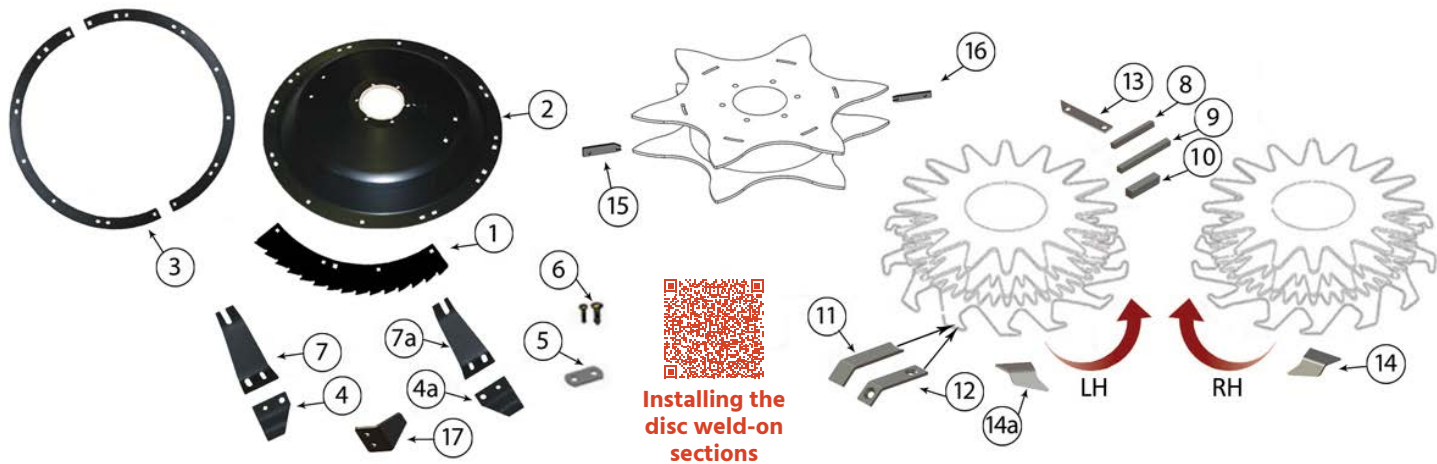
KOOIMA #	DESCRIPTION	REPLACES OEM #
KK70300 \$550.00 ea.	• Complete slip clutch • 24.6 lbs. • 2 required per head • To fit 684-688 SN# 103954 & above - all 696 & 345+ - 330, 345, 360 SN# 105200 & above, 710 before SN# 103953	LCA70300
KK92955 \$965.00 ea.	• Main drive clutch • 37 lbs. • 2 required per head • To fit 686, 688, 710 SN# 103954 & above - 345, 360, 375 SN# 105200 & above • All 345+, 360+, 375+, 690, 696 and 698 heads	LCA92955
KK76350 \$560.00 ea.	• Slip clutch • 23 lbs. • 2 required • To fit 686, 688 SN # 051300 - 103953 and 684 SN# before 103853	LCA76350
KK64557 \$39.00 ea.	• Main drive clutch bearing • To fit all Kemper™ & JD® small drum corn heads • To fit 678, 778, 770+, 475 & 475+	JD9241 LCA64557
NEW KK92951 \$81.60 ea.	• Clutch shaft • 37 lbs. • To fit 345, 360, 375, 686, 688, 710 SN #109767 and above • All 345+, 360+, 375+, 390+, 690, 692, 696 and 698 heads	LCA92951
NEW KK93833 \$2,811.00 ea.	• Liquid-cooled friction clutch original • To fit 345, 360, 375, 686, 688, 710	LCA93833
NEW KK77875 \$73.00 ea.	• Clutch friction disc • To fit Kemper™/JD® 345, 345+, 360, 360+, 375, 375+, 390, 390+, 445, 4500, 460, 460+, 475, 475+, 490+, 676, 678, 686, 688, 690, 692, 696, 698, 710, 770, 770+, 772, 778	LCA77875
NEW KK79570 \$73.00 ea.	• Clutch friction disc • To fit Kemper™/JD® 345, 345+, 360, 360+, 375, 375+, 390, 390+, 445, 4500, 460, 460+, 475, 475+, 490+, 676, 678, 686, 688, 690, 692, 696, 698, 710, 770, 770+, 772, 778	LCA79570

TO ORDER TOLL FREE CALL 1-800-522-8874

KOOIMA AG

KOOIMA® AG REPLACEMENT PARTS TO FIT KEMPER™ AND JOHN DEERE® SMALL DRUM ROTARY HEADS

Replacement parts produced by Kooima® Ag to fit Kemper™ & JD® Small Drum Rotary Heads



KOOIMA #	DESCRIPTION	REPLACES OEM #
KK67746	• Cutting blade • To fit John Deere® and Kemper™ small drum rotary heads • Each drum requires 4 blades • 2.1 lbs.	LCA67746/LCA95957
\$32.90 ea.	• Also available in tungsten hard face style - see page 123	Heat Treated High Carbon Material
KK76761	• Drum rotor • To fit all John Deere® 684, 686, 688 and Kemper™ 330, 345, 360 corn heads (round center hole) • 13.9 lbs. • Hardware Kit: KK76761BK, \$9.50 ea., .35 lbs.	LCA76761
\$161.00 ea.	• Drum rotor support strap • To fit John Deere® and Kemper™ small drum rotary heads • Strengthens and supports outer drum rotor edge helping eliminate drum rotor cracking • 2 required per drum • Install on top of rotor • 1.8 lbs.	
KK76761SS		
\$31.00 ea.		
KK69805 (Left)	• Blade scraper • To fit John Deere® and Kemper™ small drum rotary heads	LCA69805/ LCA69806
KK69806(Right)	• 2 required per rotor • .25 lbs. ea.	Heat Treated Tungsten Carbide
\$10.95 ea.	• Left hand and right hand determined by direction of drum rotation	
KK76374	• Support strap • To fit all John Deere® and Kemper™ small drum rotary heads • 1 required per blade • .05 lbs.	LCA76374
\$3.50 ea.		
KK6006BK	• 6 Row hardware kit • To fit John Deere® and Kemper™ small drum rotary heads up to a 6 row • Includes all the hardware required to replace a full set of blades and scrapers • Does not work when using KK76761SS support straps • 5 lbs.	
\$73.45 ea.		
KK6000BK	• Hardware kit • To fit John Deere® and Kemper™ small drum rotary heads • 7.8 lbs. • Includes all the hardware required to replace a full set of blades and scrapers	
\$94.45 ea.		
KK6000BKSS	• Support strap hardware kit • Longer bolts when using KK76761SS support straps • 1 kit required per head • 7.7 lbs.	
\$96.45 ea.		
KK72851(Left)	• Scraper holder • To fit John Deere® and Kemper™ small drum rotary heads	LCA72851/LCA72852
KK72852(Right)	• Two required per rotor • .65 lbs. ea.	Heat Treated Tungsten Carbide
\$6.90 ea.	• Left hand and right hand determined by direction of drum rotation	
KK69561	• Top rotating scraper	LCA69561
\$6.25 ea.	• 2 required per drum • .3 lbs. ea.	
KK70937	• Middle scraper	LCA70937
\$5.25 ea.	• 2 required per drum • .35 lbs. ea.	
KK69560	• Bottom scraper	LCA69560
\$5.15 ea.	• 2 required per drum • .15 lbs. ea.	
KK71242	• Weld on scraper small drum	LCA71242
\$5.75 ea.	• 2 required per drum • .2 lbs.	Abrasion Resistant
KK87284	• Bolt-on scraper small drum • .2 lbs. • To fit JD® 684-710 & Kemper™ 330-375	LCA87284
\$8.75 ea.	• 2 required per drum • KK87284BK- bolt kit, 1 required/scraper, \$4.50 ea., .01 lbs.	Abrasion Resistant
KK83254	• Bolt-on scraper small drum • To fit JD® 684-710 SN. 105200 & above & Kemper™ 330-375 SN. 103954 & above • 4 required per drum • .15 lbs.	LCA83254
\$6.00 ea.		Abrasion Resistant
KK90654 (Clockwise - RH)	• Intake disc weld-on sections • Note: do not weld on the leading edge of point	LCA90654
KK90655 (Counterclockwise - LH)	• To fit all the Kemper™ heads 330, 345, 375 ,6008, 4500, 676, 445, 460, 475	LCA90655
\$4.50 ea.	• 12 required for small drum • .15 lbs.	Abrasion Resistant
KK109129	• Rotating scraper • .20 lbs.	LCA109129
\$4.60 ea.	• To fit 390+, 692, 360+, 375+, 698, 690, 345+ & 696 heads • Bolt kit: KK92910BK - \$0.85 ea., .05 lbs.	Abrasion Resistant
KK97955	• Rotating scraper • .15 lbs.	LCA97955/LCA92911
\$5.25 ea.	• To fit 390+, 692, 360+, 375+, 698, 690, 345+ & 696 heads • Bolt kit: KK92910BK - \$0.85 ea., .05 lbs.	Abrasion Resistant

KOOIMA® AG REPLACEMENT PARTS TO FIT KEMPER™ AND JOHN DEERE® SMALL DRUM ROTARY HEADS

KOOIMA

KK106339

\$9.25 ea.

17

DESCRIPTION

• Scraper support • .4 lbs. • SN 117303 to 124314

• To fit 390+, 692, 360+, 375+, 698 & 690 heads

• Liquid-cooled friction clutch original

• To fit **345, 360, 375, 686, 688, 710**

REPLACES OEM

LCA106339

Heat Treated

LCA93833

NEW

KK93833

\$2,811.00 ea.



NEW

KK77875

\$73.00 ea.



• Clutch friction disc • To fit Kemper™/JD® **345, 345+, 360, 360+, 375, 375+, 390, 390+, LCA77875**

445, 4500, 460, 460+, 475, 475+, 490+, 676, 678, 686, 688, 690, 692, 696, 698, 710, 770, 770+, 772, 778

NEW

KK79570

\$73.00 ea.

• Clutch friction disc • To fit Kemper™/JD® **345, 345+, 360, 360+, 375, 375+, 390, 390+, LCA79570**

445, 4500, 460, 460+, 475, 475+, 490+, 676, 678, 686, 688, 690, 692, 696, 698, 710, 770, 770+, 772, 778

KK109357

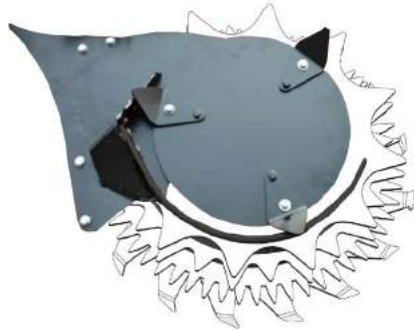
• Aggressive deck plate kit • Improved feeding in down crops

LCA109357

• 345-686: 1 kit required, 360-608: 2 kits required, 375-690: 3 kits required

• 1 kit does 2 drums • 60 lbs. • JD® heads pre 2004 need 4 holes drilled

\$530.00 ea.



Replacement parts produced by Kooima® Ag to fit Kemper™ & JD® Small Drum Rotary Heads

High Quality Silage Covers

String Tarps White/Black - 6.0 mil (R6WBK)

Part #	Price	W X L	Weight
K59X200M6	\$952.00	59.5 X 200	370 lbs.
K59X500M6	\$2,380.00	59.5 X 500	780 lbs.
K85X200M6	\$1,372.00	85.75 X 200	470 lbs.
K85X250M6	\$1,715.00	85.75 X 250	585 lbs.
K85X1000M6	\$6,860.00	85.75 X 1000	2,275 lbs.
K105X40M6	\$337.60	105.5 X 40	172 lbs.
K105X60M6	\$506.40	105.5 X 60	237 lbs.
K151X45M6	\$545.40	151.5 X 45	220 lbs.
K151X50M6	\$606.00	151.5 X 50	250 lbs.
K151X60M6	\$727.20	151.5 X 60	272 lbs.
K151X70M6	\$848.40	151.5 X 70	315 lbs.
K151X75M6	\$909.00	151.5 X 75	335 lbs.
K151X80M6	\$969.60	151.5 X 80	370 lbs.
K151X100M6	\$1,212.00	151.5 X 100	430 lbs.
K184X70M6	\$1,033.20	184.5 X 70	405 lbs.
K184X110M6	\$1,623.60	184.5 X 110	550 lbs.
K204X50M6	\$817.00	204.25 X 50	315 lbs.
K204X60M6	\$980.40	204.25 X 60	380 lbs.
K204X70M6	\$1,143.80	204.25 X 70	420 lbs.
K204X80M6	\$1,307.20	204.25 X 80	465 lbs.
K204X100M6	\$1,634.00	204.25 X 100	550 lbs.
K243X60M6	\$1,170.00	243.75 X 60	455 lbs.
K250X70M6	\$1,401.40	250.25 X 70	545 lbs.
K250X80M6	\$1,601.60	250.25 X 80	590 lbs.
K250X85M6	\$1,701.70	250.25 X 85	615 lbs.
K303X100M6	\$2,424.00	303 X 100	870 lbs.



Detail of reinforced string tarps



800.522.8874

If you do not see the size you need, give us a call, other sizes are available upon request.

Prices are subject to change.

*** Free shipping on Silage Covers if combined with \$850 in Kooima® Ag parts on phone and internet orders**



KOOIMA® AG EXCLUSIVE PRODUCTS

7000, 8000 & 9000 Series Bumper

Features:

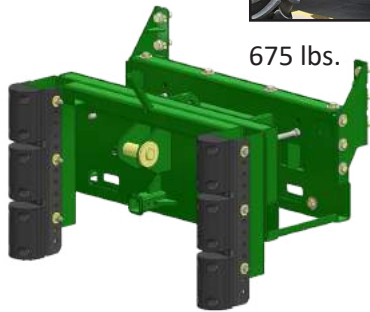
- Adjustable bumper pads to protect your cutter from damage
- Lowered hitch allows for better alignment
- Weight rack designed to use standard suitcase weights included on **K125061**
- Included chain or tow rope connection
- Proudly made in the USA



Option with weight rack

Order # K125061

\$2,790⁰⁰ea.

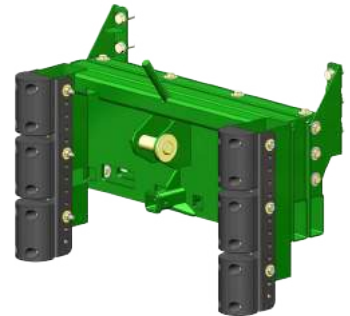


675 lbs.

No weight rack

Order # K125072

\$2,275⁰⁰ea.



Optional Add-On

Wide complete rubber bumper attachment for K125061 and K125072

Order # K125083

\$2,850⁰⁰ea.



Scan for Videos and Install Instructions!



Scan for Videos and Install Instructions!



Kooima® Ag Trner® Composters

Patent # 10,617,061, other Patents Pending

Don't turn piles at the back of the pack any longer. Kooima® Ag Composters innovative new rotor design allows for faster travel speeds with superior product movement and aeration.

Call today for more information!

Additional information on back inside cover!





KOOIMA[®] AG FEATURED PRODUCTS

Koyma Klad[®] parts utilize the latest technology of high grade carbide weld coating. With the ability to achieve up to 75% carbide content in a highly bonded weld matrix, Koyma Klad[®] parts are proven to wear longer and last longer. Find all of our Koyma Klad[®] coated products listed in blue.

Koyma Klad[®] Coated Bale Processor Flails

These high performance flails will fit Vermeer[®], Highline[®], Haybuster[®] and Fair MFG bale processors. See page 37 for more information.



Koyma Klad[®] Hi-Performance Universal Knife

These wear ledges include a hard faced wear area, tungsten carbide and our exclusive Koyma Klad[®] extended wear coating. We have these to fit Claas[®] 491, 492, 493 & 496 series. See page 138 for more information.



Koyma Klad[®] Hi-Performance Wear Ledge

These wear ledges include a hard faced wear area, tungsten carbide and our exclusive Koyma Klad[®] extended wear coating. We have these to fit Claas[®] 491-499 series. See page 139 & 140 for more information.



Koyma Klad[®] Hi-Performance Shear Bar

Our best selling shearbar! These wear ledges include a hard faced wear area, tungsten carbide and our exclusive Koyma Klad[®] extended wear coating. We have these to fit Claas[®] 491,492,493, 494, 496 & 497 series.

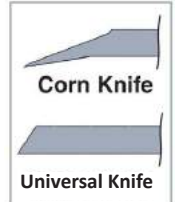
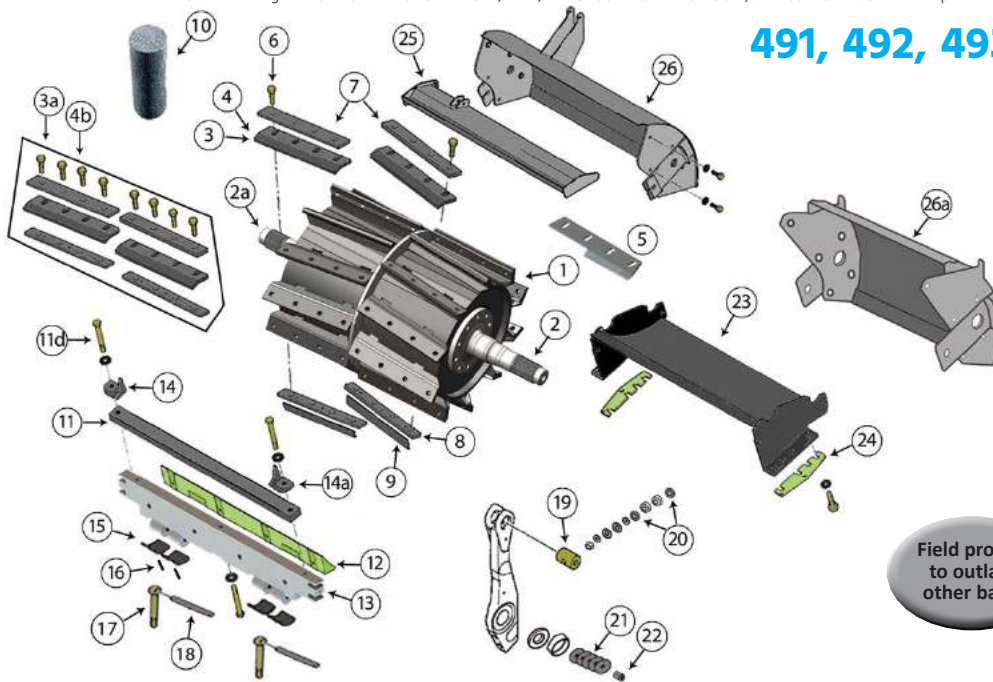
See page 139 for more information.



KOOIMA[®] AG REPLACEMENT PARTS TO FIT CLAAS[®] FORAGE HARVESTERS

Claas[®] is a registered trademark of Claas KGaA, MBH, which does not manufacture, distribute or endorse these parts.

491, 492, 493 & 496 Series



Field proven to outlast other bars!

Replacement parts produced by Kooima[®] Ag to fit Claas[®]

KOOIMA #	DESCRIPTION	REPLACES OEM #
K4920DRUM \$8,500.00 ea.	1 • Cutter drum assembly • To fit 491, 492, 493 & 496 series with 20 cylinder	4952940/2142050/2393910/9846695/9873363
K9873363 \$1,375.00 ea.	2 • LH drive shaft • To fit 491, 492, 493 & 496 series • 40.15 lbs.	9873363
K9846695 \$1,225.00 ea.	2a • RH drive shaft • To fit 491-499 series • 34.1 lbs.	9846695
K9846900 (LH) K9846910 (RH) \$27.75 ea.	3 • Corn knife • To fit all 491, 492, 493 & 496 series • 10 required with 20-knife cylinder, 12 required with 24-knife cylinder • 3.6 lbs.	26201880 / 9981030 / 9846900 26201870 / 9981040 / 9846910
KCORNSKIT \$101.40 ea.	3a • Kit includes (1) LH K9846900, (1) RH K9846910, (2) K9846720, (2) K9846751, (8) K2152120 • Buy any quantity and save 5%! • 15.72 lbs.	Heat Treated/ Tungsten Carbide
K9846700 (LH) K9846710 (RH) \$26.90 ea.	4 • Universal knife • To fit all 491, 492, 493 & 496 series harvesters • 10 required with 20-knife cylinder, 12 required with 24-knife cylinder • 3.7 lbs. • Universal knife used for corn & grass • Most commonly used	9846700 9846710
K9846700HP (LH) K9846710HP (RH) \$37.75 ea.	4a • Koyma Klad[®] hi-performance universal knife • To fit all 491, 492, 493 & 496 series harvesters • 10 required with 20-knife cylinder, 12 required with 24-knife cylinder • 3.7 lbs	9846700 9846700
KGRASSKIT \$99.70 ea.	4b • Kit includes (1) LH K9846700, (1) RH K9846710, (2) K9846720, (2) K9846751, (8) K2152120 • Buy any quantity and save 5%! • 15.92 lbs.	Heat Treated/ Tungsten Carbide
K9979100 \$27.30 ea.	5 • Right inside half knife • Used for cutting longer silage • To fit all 491, 492, 493 & 496 series harvesters • 3.45 lbs.	9979100 Heat Treated/ Tungsten Carbide
K9979130 \$27.30 ea.	5 • Left inside half knife • Used for cutting longer silage • To fit all 491, 492, 493 & 496 series harvesters • 3.5 lbs.	9979130 Heat Treated/ Tungsten Carbide
K9979110 \$27.30 ea.	5 • Right outside half knife • Used for cutting longer silage • To fit all 491, 492, 493 & 496 series harvesters • 3.45 lbs.	9979110 Heat Treated/ Tungsten Carbide
K9979120 \$27.30 ea.	5 • Left outside half knife • Used for cutting longer silage • To fit all 491, 492, 493 & 496 series harvesters • 3.5 lbs.	4956740 / 9979120 Heat Treated/ Tungsten Carbide
K2152120 \$2.10 ea.	6 • Knife bolt • To fit all 491, 492, 493 & 496 series harvesters • .24 lbs.	2152120
K9871982BK \$2.10 ea.	6a • Knife bolt • .25 lbs. • Extended length to be used with cutter drum wear plates	
K9846720 \$8.25 ea.	7 • Top strap • To fit all Claas [®] 491, 492, 493 & 496 series harvesters • To fit all 800 models & the 900 models • 1.5 lbs.	26245940 / 9846722 Heat Treated
K9846751 \$8.93 ea.	8 • Nut • To fit all Claas [®] 491, 492, 493 & 496 series harvesters • 1.8 lbs.	9846752

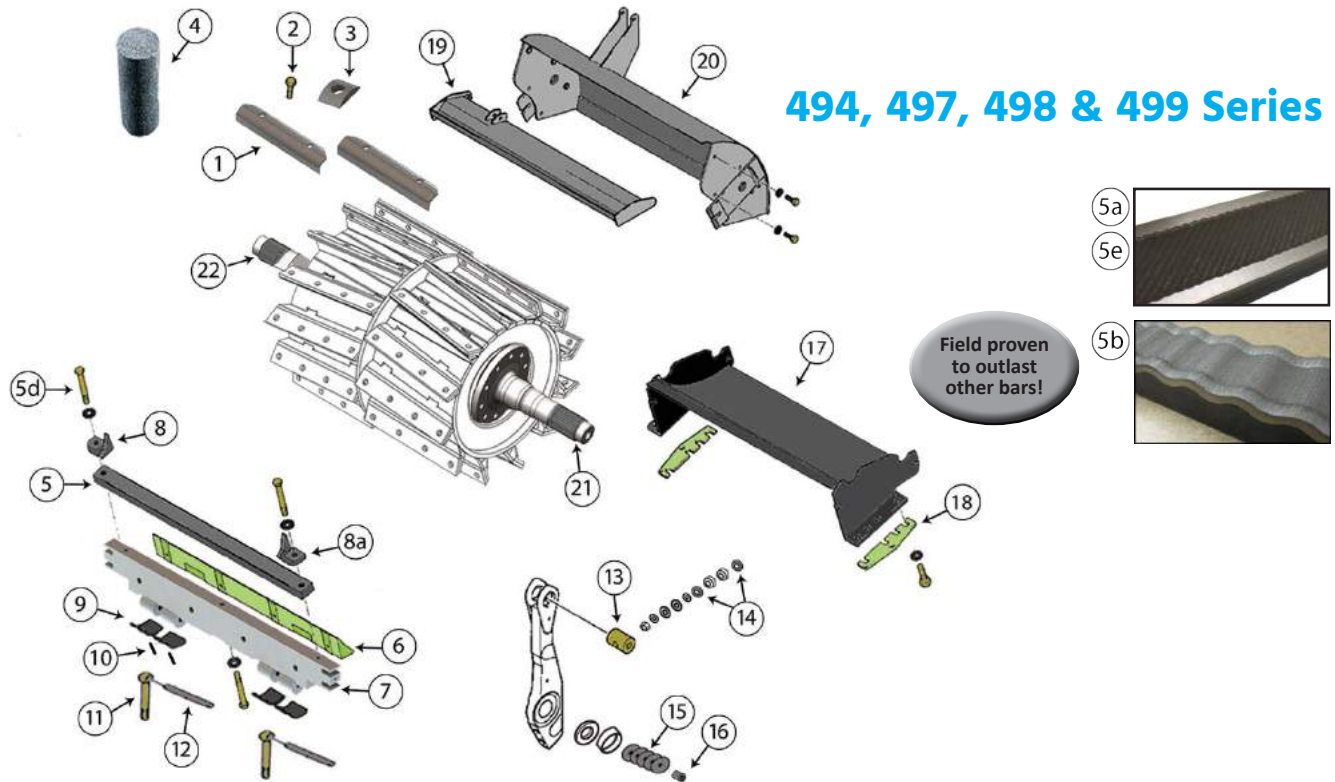
KOOIMA® AG REPLACEMENT PARTS TO FIT CLAAS® FORAGE HARVESTERS

KOOIMA #	DESCRIPTION	REPLACES OEM #
K9871982 \$12.46 ea.	⑨ • Cutter drum wear plates • Don't let your expensive investment wear out - protect your knife brackets • .8 lbs.	9871982 Abrasion Resistant
K9843181 \$72.95 ea.	⑩ • Sharpening stone • To fit all 491, 492, 493 & 496 series harvesters • 5.2 lbs.	9843185 / 9843184 / 9843181
K9846941HP \$716.50 ea.	⑪ • High performance shearbar • For use in hay or corn • 22.3 lbs. • To fit all Claas® 491 - 497 series	4952743 / 9846942 Heat Treated/Tungsten Carbide
K900SHBR \$945.00 ea.	⑪a • Koyma Klad® hi-performance shearbar • For use in hay or corn • To fit all 491 - 497 series • Special chip-free hi-density coating • 23 lbs.	Heat Treated Tungsten Carbide
K494DSW \$1,275.00 ea.	⑪b • Koyma Klad® hi-performance double sine wave shearbar • Patent # 8,109,176 • To fit all 491 - 497 series • Maximize your shear bars cutting surface • Koyma Klad® coating maintains a long lasting sharp edge for more tons per hour • 20.3 lbs.	
K4952732 \$545.00 ea.	⑪c • Grass shearbar • To fit all 491 - 497 series harvesters • 21.6 lbs.	26142700 / 4952732
K9846941HPBK \$36.25 ea.	⑪d • Shearbar bolt kit • To fit all 491, 492 & 493 series • 1 kit required • 3.2 lbs.	
K9847051 \$183.30 ea.	⑫ • Cast shearbar wear ledge • To fit all 491 & 492 series harvesters • 28 lbs.	9847051
K26097430 \$290.00 ea.	⑫a • Cast shearbar wear ledge • 20.9 lbs. • To fit 492 SN after 49207133 & 496 • Use with drum bottom K4958321	26097430 / 4958380
K4958370 \$192.70 ea.	⑫b • Cast shearbar wear ledge • Does not have holes on outside edge • 20.8 lbs. • To fit 494 up to SN 49403007 and SN 49403053 to 49403882 • To fit 493 with drum bottom K4958321	4958370
K9064370 \$305.00 ea.	⑫c • Cast shearbar wear ledge • To fit 493 series	9064370
K9847051BK \$6.75 ea.	⑫d • Cast shearbar wear ledge bolt kit to fit K9847051 • To fit 491, 492, 493 & 494 series harvesters • .5 lbs.	
K9847021 \$1,195.00 ea.	⑬ • Shearbar anvil • 4 grease zerks for easy adjustment • Made from hardened "T1" steel • To fit 491, 492 & 496 series harvesters • Recommended to change every 1500 cutterhead hours • 85.5 lbs.	9847022
K9064340 \$1,090.00 ea.	⑬a • Shearbar anvil • Hardened T1 material • 110 lbs. • To fit 493, 494 & 497 series • Change every 1500 cutterhead hours	13909901 / 9064340
K9847021BK \$84.00 ea.	⑬b • Bolt kit to fit K9847021 / K9064340 shearbar anvil • One kit required • A REAL MUST WHEN CHANGING ANVIL • 2.4 lbs.	
K4951160 \$69.00 ea.	⑭ • Shearbar guide RH • To fit 493 & 494 series • 1.05 lbs.	13128480/ 4951160
K4951170 \$69.00 ea.	⑭a • Shearbar guide LH • To fit all Claas® 493 & 494 series harvesters • 1.05 lbs.	13128470/ 4951170
K9847261 \$26.25 ea.	⑮ • Anvil bushing • To fit 491-497 series • 4 required • .3 lbs.	9847261
K2368980 \$0.45 ea.	⑯ • Anvil bushing tension pin • To fit 491-497 series • 4 required • .1 lbs.	2368980
K2126112 \$43.50 ea.	⑰ • Shearbar anvil eye bolt • 2 required • To fit 491-495 & 497 series • 1.2 lbs.	2126112
K9847111 \$62.50 ea.	⑱ • Shearbar anvil pin • 2 required • To fit 491-499 series • .7 lbs.	9847111
K9847141 \$28.50 ea.	⑲ • Replacement brass shearbar adjust bushing • 2 required • To fit all 491-497 series harvesters • 1.1 lbs.	13905570 / 9847141
K2443130 \$18.33 ea.	⑳ • Bearing • To fit 491-499 series • 4 required	2443130
K2428620 \$2.82 ea.	㉑ • Belleville washer • To fit 491-494 series • 10 required • .07 lbs.	2428620
K9130140 \$8.95 ea.	㉒ • Bushing • To fit 491-494 series • 2 required • .08 lbs.	9130140
K9862810 \$245.40 ea.	㉓ • Drum bottom • New style for more adjustment • 57.2 lbs. • To fit all 491, 492 & 493 series harvesters • Fits SN. 49207133 and below for 492 models	9862812 Abrasion Resistant
K4958321 \$245.00 ea.	㉓a • Drum bottom • 65 lbs. • Fits 492 SN 49207133 & above with ledge K26097430 • Fits 493 with ledge K4958370 • Fits 496 series	4958321
K9844980 \$3.76 ea.	㉔ • 20 gauge shim • .15 lbs. • 14 gauge shim • .25 lbs. • Use as required to obtain proper drum clearance • To fit all 491, 492, 493, 494, 496 & 497 series harvesters using adjustable drum bottom	9844980 9845340
K9872902 \$132.60 ea.	㉕ • Cutterhead stone cover • To fit all Claas® 491-497 series harvesters • 12 lbs.	13244240/9872902
K9874042 \$306.50 ea.	㉖ • Cutterhead housing cover • To fit 492, 493, 494, 496 & 497 series Claas® harvesters • 61.1 lbs.	9874043 Abrasion Resistant
K9848906 \$564.00 ea.	㉖a • Cutterhead housing cover • To fit 491 series • 60 lbs.	9848906

Replacement parts produced by Kooima® Ag to fit Claas®

Replacement parts produced by Kooima® Ag to fit Claas®

494, 497, 498 & 499 Series



KOOIMA #	DESCRIPTION	REPLACES OEM #
K04844503 (LH) K04844513 (RH) \$74.00 ea.	1 • Koyma Klad® universal knife • 5.54 lbs. • To fit 494, 497, 498 & 499 series harvesters • 10 required with 20-knife cylinder, 12 with 24-knife cylinder	14101721 / 04844503 14101731 / 04844513
K14101721 (LH) K14101731 (RH) \$179.50 / set	1a • Grass knife set • 13 lbs. • To fit 494, 497, 498 & 499 series harvesters • Set includes two knives and four bolts	14101721 / 04844503 14101731 / 04844513
K14101701 (LH) K14101711 (RH) \$184.50 / set	1b • Corn knife set • 13 lbs. • To fit 494, 497, 498 & 499 series harvesters • Set includes two knives and four bolts	14101701 14101711
K14103051 \$4.25 ea.	2 • Knife bolt • .35 lbs. • To fit Claas® "C" shaped knives	14103051
K1318738 (Inner) K1318915 (Outer) \$8.20 ea.	3 • Knife clamp • .25 lbs. • To fit Claas® 494, 497, 498 & 499 harvesters • 1 of each required per knife	13187381 13189151
K13124420 \$87.95 ea.	4 • Sharpening stone • To fit all 494, 497, 498 & 499 series harvesters • 7.3 lbs.	13124424 / 13124420
K9846941HP \$716.50 ea.	5 • High performance shearbar • For use in hay or corn • 22.3 lbs. • To fit all Claas® 491 - 497 series	4952743 / 9846942
K900SHBR \$945.00 ea.	5a • Koyma Klad® hi-performance shearbar • For use in hay or corn • To fit all 491 - 497 series • Special chip-free hi-density coating • 23 lbs.	Heat Treated/ Heat Treated Tungsten Carbide
K494DSW \$1,275.00 ea.	5b • Koyma Klad® hi-performance double sine wave shearbar • Patent # 8,109,176 • To fit all 491 - 497 series • Maximize your shear bars cutting surface • Koyma Klad® coating maintains a long lasting sharp edge for more tons per hour • 20.3 lbs.	Heat Treated/ Heat Treated Tungsten Carbide
K4952732 \$545.00 ea.	5c • Grass shearbar • To fit all 491 - 497 series harvesters • 21.6 lbs.	26142700 / 4952732
K980BK \$41.00 ea.	5d • Shearbar bolt kit • To fit 494 series • 1 kit required • 2 lbs.	
K26032210 \$810.00 ea.	5e • Koyma Klad® hi-performance shearbar • For use in hay or corn • To fit 498 & 499 series • High density coating • 21.4 lbs. • K26032210BK : \$17.90 ea. - Bolt kit, change bolts every shear bar, torque 300Nm / 221 ft. lbs • 2.45 lbs.	26032210 Heat Treated/ Tungsten Carbide
K4958370 \$192.70 ea.	6 • Cast shearbar wear ledge • Does not have holes on outside edge • To fit 494 series up to SN 49403007 and SN 49403053 to 49403882 • 20.8 lbs.	4958370
K13244381 \$305.00 ea.	6a • Cast shearbar wear ledge • To fit 494 series up to SN 49403008 and SN 49403052 to 49403882 • 20.8 lbs.	1324438
K13903510 \$290.00 ea.	6b • Cast shearbar wear ledge • To fit 497 series • 20.8 lbs.	1390351
K9847051BK \$6.75 ea.	6c • Cast shearbar wear ledge bolt kit for K4958370 • To fit 491, 492, 493 & 494 series harvesters • .5 lbs.	

KOOIMA #	DESCRIPTION	REPLACES OEM #
K9064340 \$1,090.00 ea.	7 • Shearbar anvil • Hardened T1 material • 110 lbs. • To fit 493, 494 & 497 series • Change every 1500 cutterhead hours	13909901 / 9064340
K9847021BK \$84.00 ea.	7a • Bolt kit to fit K9847021 / K9064340 shearbar anvil • One kit required • A REAL MUST WHEN CHANGING ANVIL • 2.4 lbs.	
K4951160 \$69.00 ea.	8 • Shearbar guide RH • To fit 493 & 494 series Claas® harvesters • 1.05 lbs.	13128480/ 4951160
K4951170 \$69.00 ea.	8a • Shearbar guide LH • To fit all Claas® 493 & 494 series harvesters • 1.05 lbs.	13128470/ 4951170
K9847261 \$26.25 ea.	9 • Anvil bushing • To fit 491-494 series Claas® harvesters • 4 required • .3 lbs.	9847261
K2368980 \$0.45 ea.	10 • Anvil bushing tension pin • To fit 491-494 series Claas® harvesters • 4 required • .1 lbs.	2368980
K2126112 \$43.50 ea.	11 • Shearbar anvil eye bolt • 2 required • To fit 491-494 series • 1.2 lbs.	2126112
K9847111 \$62.50 ea.	12 • Shearbar anvil pin • 2 required • To fit 491-494 series • .7 lbs.	9847111
K9847141 \$28.50 ea.	13 • Replacement brass shearbar adjust bushing • 2 required • To fit all 491, 492, 493, 494, 496 & 497 series harvesters • 1.1 lbs.	13905570 / 9847141
K2443130 \$18.33 ea.	14 • Bearing • To fit 491-494 series Claas® harvesters • 4 required	2443130
K2428620 \$2.82 ea.	15 • Belleville washer • To fit 491-494 series Claas® harvesters • 10 required • .07 lbs.	2428620
K9130140 \$8.95 ea.	16 • Bushing • To fit 491-494 series Claas® harvesters • 2 required • .08 lbs.	9130140
K13241440 \$461.60 ea.	17 • Drum bottom • To fit 494 & 497 series harvesters	13241440 Abrasion Resistant
K14109032 \$527.60 ea.	17a • Drum bottom • To fit 498 series harvesters	14109032 Abrasion Resistant
K9844980 \$3.76 ea.	18 • 20 gauge shim • .15 lbs. • 14 gauge shim • .25 lbs. • Use as required to obtain proper drum clearance • To fit all 491, 492, 493, 494, 496 & 497 series harvesters using adjustable drum bottom	9844980 9845340
K9872902 \$132.60 ea.	19 • Cutterhead stone cover • To fit all Claas® 491-497 series harvesters • 12 lbs.	13244240/9872902
K9874042 \$306.50 ea.	20 • Cutterhead housing cover • To fit 492, 493, 494, 496 & 497 series Claas® harvesters • 61.1 lbs.	9874043 Abrasion Resistant
K13908990 \$1,475.00 ea.	21 • LH drive shaft • 34 Splines (2 1/4" Diameter) • To fit 494 & 497 series • 40.2 lbs.	13908990
K13905770 \$1,475.00 ea.	21a • LH drive shaft • 36 Splines (2 1/2" Diameter) • To fit 494, 497, 498 & 499 series • 40.2 lbs.	13905770
K9846695 \$1,225.00 ea.	22 • RH drive shaft • To fit 491-499 series	9846695

V-max C Knives

These "C" shaped knives will fit

Claas® 494, 497, 498 & 499 series.

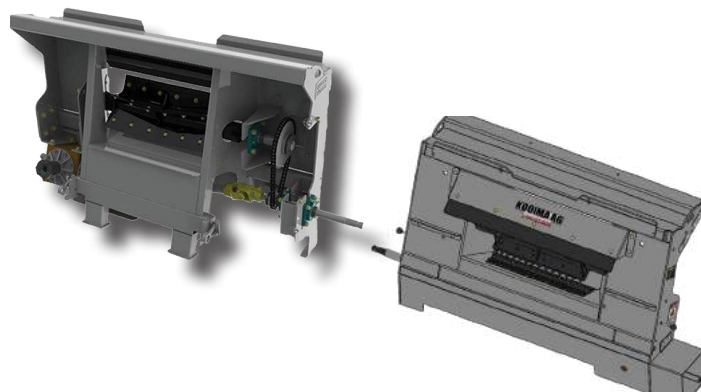
Grass Knife Sets: K14101721 (LH) & K14101731 (RH)

Corn Knife Sets: K14101701 (LH) & K14101711 (RH)



Earlage Grinding Header Adapters

Kooima® Ag designed an grinding earlage adapter to fit Claas® 491-502 series machines to attach **ALL** John Deere® corn heads. Also fits Lexion®, Harvestec™ and Cressoni™ heads. Kooima® Ag's newly patented design, equipped with the corn saver system keeps crop moving through your machines. Our new dual roll adapter provides faster clean out, more ground speed and less shelling!



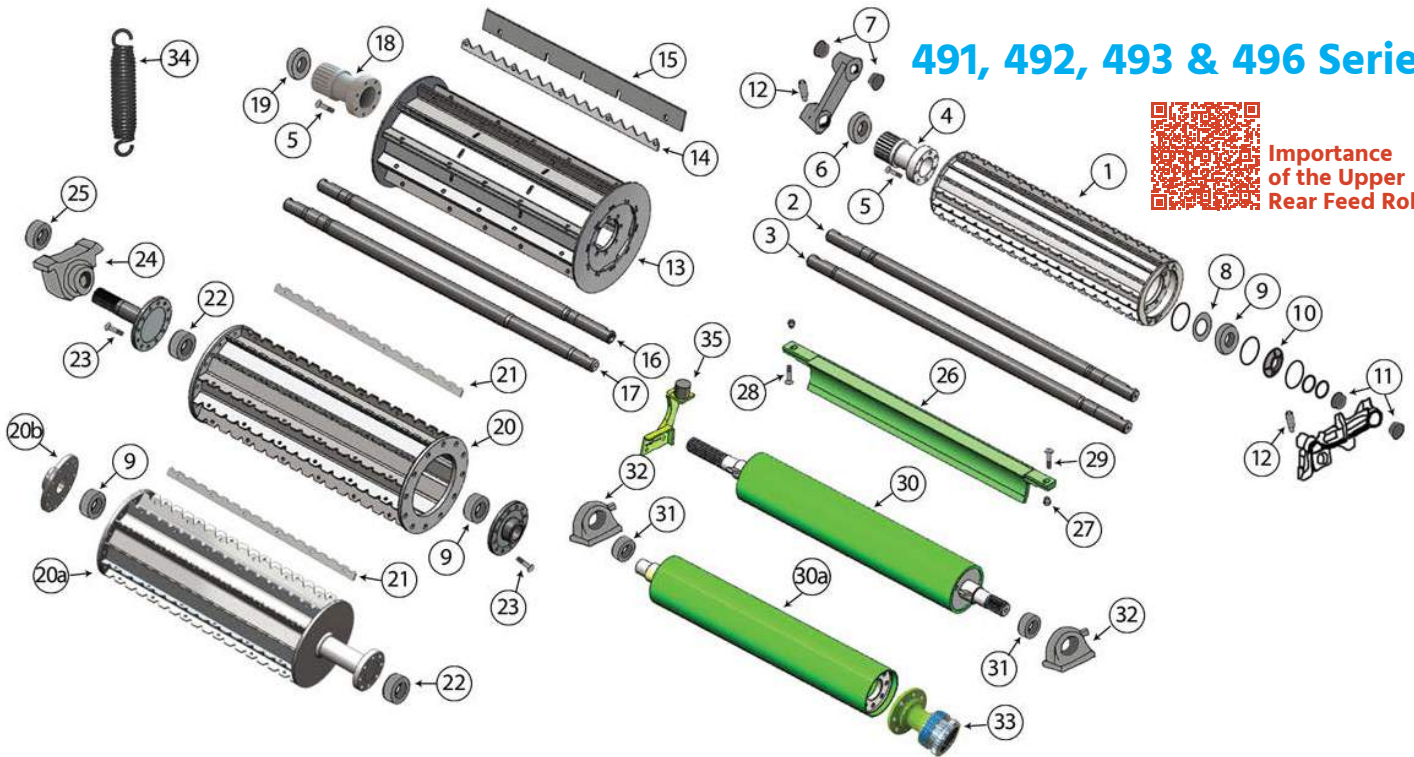
Patent # 8,376,126 & 10,743,467

More info on page 10

491, 492, 493 & 496 Series





Importance of the Upper Rear Feed Roll



Replacement parts produced by Kooima® Ag to fit Claas®

KOOIMA #	DESCRIPTION	REPLACES OEM #
K9862650 \$1,490.00 ea.	① • Upper rear feed roll • Uses M10 bolts • To fit all 491 & 492 series • 46.8 lbs.	9862651 Stainless Steel
K9062020 \$1,610.00 ea.	①a • Upper rear feed roll • To fit 493 & 494 series • 56 lbs.	9062020 Stainless Steel
K9863261 \$1,610.00 ea.	①b • Upper rear feed roll • To fit all 492, 495 & 496 series • 52.8 lbs.	9863261 Stainless Steel
K9844214 \$339.40 ea.	② • Upper rear feed roll shaft • 18.5 lbs. • To fit 491, 492, 495 & 496 series	9844214 Heat Treated
K4951732 \$297.10 ea.	③ • Upper rear feed roll shaft • 19.4 lbs. • To fit 493, 494, 497 & 498 series	4951732 Heat Treated
K9844490 \$311.25 ea.	④ • Upper rear drive hub • Uses M10 bolts K2339661 • Use on K9862650 & K9863261 • To fit 491, 492 & 496 series • 1 required • 7.4 lbs.	9844490
K4951760 \$292.50 ea.	④a • Upper rear drive hub • Uses K2154180 bolts • Use on K9062020 • To fit 493, 494, 497, 498, 498 & 502 series • 1 required • 7.4 lbs.	495176
K2339661 \$0.90 ea.	⑤ • Drive hub bolt (M10) • Use with K9844490 drive hub • 8 required	2339661
K2154180 \$1.90 ea.	⑤a • Drive hub bolt • M12 x 30 • Use with K13905530 drive hub • 8 required	2154180
K2114500 \$10.34 ea.	⑥ • Drive hub seal • Use with K9844490 drive hub • 1 required • .02 lbs.	2114500
K0085430 \$3.35 ea.	⑦ • Lift arm bushing • To fit 491-499 series • 4 required • .01 lbs.	0085430
K1782720 \$4.25 ea.	⑧ • Nylon bearing cover • To fit 491-499 series • 1 required • .02 lbs.	1782720
K2122260 \$12.69 ea.	⑨ • Upper rear & lower front bearing • To fit 491-499 series • 1 required • .62 lbs.	2122260
K9844360 \$35.00 ea.	⑩ • LH roller ring • To fit 491-494 & 496 series • 1 required • .30 lbs.	9844360
K0085600 \$3.76 ea.	⑪ • Left hand lift arm bushing • To fit 491-498 series • 2 required • .02 lbs.	0085600
K9071323 \$25.85 ea.	⑫ • Lift arm key • To fit 491-498 series • 4 required • .18 lbs.	9071323
K9856280 \$1,895.00 ea.	⑬ • Upper front feed roll w/o teeth • To fit 492 and 496 series • 73.8 lbs.	9856282
K9062051 \$3,290.00 ea.	⑬a • Upper front feed roll w/o teeth • To fit 493 and 494 series	9062051
K9862571 \$28.50 ea.	⑭ • Upper front feed roll tooth • To fit 491 series • 10 required • 1 lb.	9862570 Stainless Steel
Bolt Kit: K9862571BK - Kit includes 50 of each stainless steel bolts, washers & nuts- \$51.10		2137151, 2137160, 2137170
K9879780 \$46.35 ea.	⑭a • Upper front feed roll tooth • To fit 492, 493, 494 & 496 series • 10 required • 2.2 lbs. • Bolt Kit: K9879780BK - Kit includes 50 (m10 x 30) bolts and nuts • 4.2 lbs. \$84.00 ea. • Use bolt kit K10712121BK for grass option set up M10x50mm \$96.00 ea.	9879780 Stainless Steel

KOOIMA® AG REPLACEMENT PARTS TO FIT CLAAS® FORAGE HARVESTERS

KOOIMA #	DESCRIPTION	REPLACES OEM #
K9845000 \$37.50 ea.	15 • Upper front flat feed roll tooth • To fit 492, 493 & 494 series • 10 required • 4 lbs. • A real must when doing earlage • Uses K9879780BK bolt kit	9879780 Stainless Steel
K9864130 \$406.20 ea.	16 • Upper front feed roll shaft • 18.5 lbs. • To fit 491, 492 & 496 series	9864130 Heat Treated
K4952642 \$338.40 ea.	17 • Upper front feed roll shaft • 23 lbs. • To fit 493, 494, 497 & 498 series	4952642 Heat Treated
K9857661 \$547.20 ea.	18 • Upper front drive hub • Used with K9856280 • Use K2339661 bolts • To fit 491, 492 & 496 series • 1 required • 7.4 lbs.	9857661
K13905530 \$705.00 ea.	18a • Upper front drive hub • Used with K9062051 • Use K2154180 bolts • To fit 493, 494, 497 & 498 series • 1 required • 7.4 lbs.	13905530
K2148210 \$16.54 ea.	19 • Drive hub seal • Use with K9857661 drive hub • 1 required • .02 lbs.	2148210
K9843466 \$2,608.50 ea.	20 • Lower front feed roll • To fit 491, 492 & 496 before SN 49601160 • 60 lbs.	9843466 Stainless Steel
K13248680 \$3,950.00 ea.	20a • Lower front feed roll • 68 lbs. • To fit 493, 494, 497, 498 & 499 series • Flange uses hex screws to assemble flange • Must order K1312225 flange, K2173630BK and K13248740 teeth when updating from 13185402 roll	1318540 / 1324868 Stainless Steel
K13122250 \$390.00 ea.	20b • Lower front feed roll flange - Use with K13248680 feed roll • To fit 493 & 494 series • Hardware kit K2173630BK , includes 12 M10x20 hex head bolts, \$29.50 ea.	13122250
K13125901 \$42.75 ea.	21 • Lower front feed roll tooth • 1.7 lbs. • 26.66" long • Has 6 holes • To fit 491, 492, 493, 494 & 496 before SN 49601160 • 12 required	13125901 Stainless Steel
K9862671BK \$83.00 ea.	21a • Feed roll tooth bolt kit • To fit 491, 492, 493, 494 & 496 series • Each kit has 72 stainless steel bolts, washers and nuts • 3 lbs.	Stainless Steel
K2377130 \$5.88 ea.	22 • Lower front feed roll bearing • .18 lbs. • 1 required • To fit 491, 492, 495, 496, 497 & 498 series (RH side) To fit 493, 494 & 499 series (LH side)	2377130
K2121181 \$3.76 ea.	23 • Drive hub bolt • To fit 491, 492 & 496 series • 24 required • .04 lbs.	2121181
K2135750 \$108.10 ea.	24 • RH feed roll housing and bearing • Complete with bearing • To fit 491, 492 & 496 series • 1 required • 4.5 lbs.	2135750
K10032036 \$40.00 ea.	25 • RH bearing • To fit K2135750 Housing • 1 required • 1.8 lbs.	2164280
K9843393 \$296.10 ea.	26 • Smooth roll cleaner • To fit 491, 492 & 496 series harvesters • To fit 493/494 with slotted hole adjustment • 27.3 lbs.	9843395 
K9843393HP \$549.00 ea.	26a • Koyma Klad® hi-performance smooth roll cleaner • To fit 491, 492 & 496 series • 26.2 lbs. • To fit 493/494 with slotted hole adjustment • Coating improves life of cleaner and shearbar	9843395 
K13187902 \$315.00 ea.	26b • Non slotted smooth roll cleaner • To fit 493/494/496/497 series • After serial # 49401495	13187902
K9061762 \$270.00 ea.	26c • Smooth roll cleaner • To fit 493 & 494 series up to SN 49401494 • 24.9 lbs.	9061760
K4952911 \$330.00 ea.	26d • Smooth roll cleaner - Hard faced for longer life! • To fit 493 & 494 series up to SN 49401494 • 25.45 lbs.	4952910 Tungsten Carbide
K13187910 \$18.00 ea.	27 • Scraper eccentric cam • To fit 493-499 series • 2 required • .22 lbs.	13187910
K2124081 \$2.05 ea.	28 • RH scraper bolt • To fit 493, 494, 497, 498 & 499 • Use with K13187910 cam • 1 required • .12 lbs.	2124081
K2334110 \$1.93 ea.	29 • LH scraper bolt • To fit 493, 494, 497, 498 & 499 • Use with K13187910 cam • 1 required • .16 lbs.	2334110
K9844930 \$493.50 ea.	30 • Lower rear smooth roll • 68 lbs. • To fit 491, 492 & 496 series • Improved design with thicker support plates, built to exceed OEM specs	9844931
K9061530 \$695.75 ea.	• Lower rear smooth roll • To fit 493, 494, 497 & 498 series • 41.17 lbs.	14121050/13902460
K2127180 \$31.49 ea.	31 • Smooth roll bearing • Used with K9844900 housing • To fit 491-498 series • 2 required	2127180
K9844900 \$90.71 ea.	32 • Bearing housing (Housing only) • To fit 491-494 & 496 (494 SN 49401494 & below) • 2 required • 3.35 lbs.	9844900
K4953380 \$550.00 ea.	33 • Smooth roll feed roll drive coupler • To fit 493, 494, 496, 497, 498 & 499 series smooth roll • 7.5 lbs.	4953380
K4952701 \$164.50 ea.	34 • Upper rear roll tension spring • To fit 493 & 494 series • 4 required • 12.8 lbs.	4952701
K984410SP \$60.45 ea.	35 • Upper feed roll stop • 1 required • 3 lbs. • To fit 491 series • Prevents upper feed roll gear box from breaking the angle lever that holds it in place	

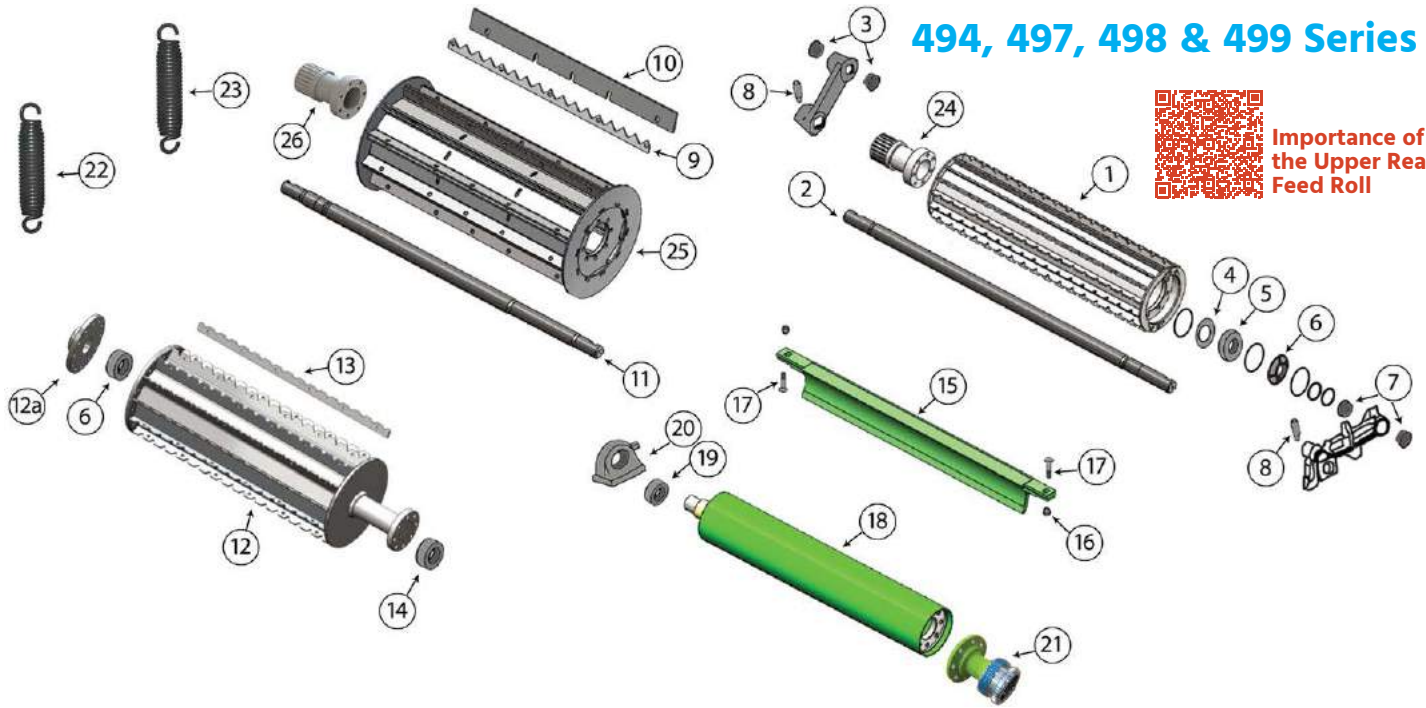
Replacement parts produced by Kooima® Ag to fit Claas®

494, 497, 498 & 499 Series





Importance of the Upper Rear Feed Roll

Replacement parts produced by Kooima® Ag to fit Claas®



KOOIMA #		DESCRIPTION	REPLACES OEM #
K9062020 \$1,610.00 ea.	①	• Upper rear feed roll • To fit 493 & 494 series • 56 lbs.	9062020 Stainless Steel
K13248910 \$1,610.00 ea.	①a	• Upper rear feed roll • To fit 497, 498 & 499 series • 56 lbs.	13248910 Stainless Steel
K4951732 \$297.10 ea.	②	• Upper rear feed roll shaft • 19.4 lbs. • To fit 493, 494, 497 & 498 series	4951732 Heat Treated
K0085430 \$3.35 ea.	③	• Lift arm bushing • To fit 491-499 series • 4 required • .01 lbs.	0085430
K1782720 \$4.25 ea.	④	• Nylon bearing cover • To fit 491-499 series • 1 required • .02 lbs.	1782720
K2122260 \$12.69 ea.	⑤	• Upper rear & lower front bearing • To fit 491-499 series • 1 required • .62 lbs.	2122260
K9844360 \$35.00 ea.	⑥	• LH roller ring • To fit 491-494 & 496 series • 1 required • .30 lbs.	9844360
K0085600 \$3.76 ea.	⑦	• Left hand lift arm bushing • To fit 491-498 series • 2 required • .02 lbs.	0085600
K9071323 \$25.85 ea.	⑧	• Lift arm key • To fit 491-498 series • 4 required • .18 lbs.	9071323
K9879780 \$46.35 ea.	⑨	• Upper front feed roll tooth • To fit 492, 493, 494 & 496 series • 10 required • 2.2 lbs. • Bolt Kit: K9879780BK - Kit includes 50 (m10 x 30) bolts and nuts • 4.2 lbs. \$84.00 ea. • Use bolt kit K10712121BK for grass option set up M10x50mm \$96.00 ea.	9879780 Stainless Steel
K13247000 \$57.90 ea.	⑨a	• Upper front feed roll tooth to fit 497, 498 & 499 series • 2.1 lbs. • Use bolt kit K9879780BK for standard setup M10x30mm \$84.00 ea. • Use bolt kit K10712101BK for grass option set up M10x40mm \$78.50 ea.	13247000
K9845000 \$37.50 ea.	⑩	• Upper front flat feed roll tooth • To fit 492, 493 & 494 series • 10 required • 4 lbs. • A real must when doing earlage • Bolt Kit: K9879780BK - Kit includes 50 (m10 x 30) bolts and nuts • 4.2 lbs. \$84.00 ea.	9879780 Stainless Steel
K4952642 \$338.40 ea.	⑪	• Upper front feed roll shaft • 23 lbs. • To fit 493, 494, 497 & 498 series	4952642 Heat Treated
K13248680 \$3,950.00 ea.	⑫	• Lower front feed roll • 68 lbs. • To fit 493, 494, 497, 498 & 499 series • Flange uses hex screws to assemble flange • Must order K1312225 flange, K2173630BK and K13248740 teeth when updating from 13185402 roll	1318540 / 1324868 Stainless Steel
K13122250 \$390.00 ea.	⑫a	• Lower front feed roll flange - Use with K13248680 feed roll • To fit 493 & 494 series • Hardware kit K2173630BK , includes 12 M10x20 hex head bolts, \$29.50 ea.	13122250 13125901
K13125901 \$42.75 ea.	⑬	• Lower front feed roll tooth • 1.7 lbs. • 26.66" long • Has 6 holes • To fit 491, 492, 493, 494 & 496 before SN 49601160 • 12 required	Stainless Steel
K13248740 \$54.50 ea.	⑬a	• Lower front feed roll tooth • 1.7 lbs. • 26.25" long • 12 required • Has 8 holes • Fits 494, 496 above SN 49601161, 497, 498 & 499 • Bolt Kit K13248740BK - \$102.00 ea.	26011510 Stainless Steel
K9862671BK \$83.00 ea.	⑬b	• Feed roll tooth bolt kit • To fit 491, 492, 493, 494 & 496 series • Each kit has 72 stainless steel bolts, washers and nuts • 3 lbs.	Stainless Steel

KOOIMA #		DESCRIPTION	REPLACES OEM #
K2377130 \$5.88 ea.	14	• Lower front feed roll bearing • .18 lbs. • 1 required • To fit 491, 492, 495, 496, 497 & 498 series (RH side) To fit 493, 494 & 499 series (LH side)	2377130
K9843393 \$296.10 ea.	15	• Smooth roll cleaner • To fit 491, 492 & 496 series harvesters • To fit 493/494 with slotted hole adjustment • 27.3 lbs.	9843395 
K9843393HP \$549.00 ea.	15a	• Koyma Klad® hi-performance smooth roll cleaner • To fit 491, 492 & 496 series • 26.2 lbs. • To fit 493/494 with slotted hole adjustment • Coating improves life of cleaner and shearbar	9843395 
K13187902 \$315.00 ea.	15b	• Non slotted smooth roll cleaner • To fit 493/494/496/497 series • After serial # 49401495	13187902
K9061762 \$270.00 ea.	15c	• Smooth roll cleaner • To fit 493 & 494 series up to SN 49401494 • 24.9 lbs.	9061760
K4952911 \$330.00 ea.	15d	• Smooth roll cleaner - Hard faced for longer life! • To fit 493 & 494 series up to SN 49401494 • 25.45 lbs.	4952910 Tungsten Carbide
K13188332 \$375.00 ea.	15e	• Smooth roll cleaner - Hard faced for longer life! • To fit 494 after SN 494001495 & 497 series • 26.45 lbs.	1318833 Tungsten Carbide
K13187910 \$18.00 ea.	16	• Scraper eccentric cam • To fit 493-499 series • 2 required • .22 lbs.	13187910
K2124081 \$2.05 ea.	17	• RH scraper bolt • To fit 493, 494, 497, 498 & 499 • Use with K13187910 cam • 1 required • .12 lbs.	2124081
K2334110 \$1.93 ea.	17	• LH scraper bolt • To fit 493, 494, 497, 498 & 499 • Use with K13187910 cam • 1 required • .16 lbs.	2334110
K9061530 \$695.75 ea.	18	• Lower rear smooth roll • To fit 493, 494, 497 & 498 series • 41.17 lbs.	14121050/13902460
K2127180 \$31.49 ea.	19	• Smooth roll bearing • Used with K9844900 housing • To fit 491-498 series • 2 required	2127180
K9844900 \$90.71 ea.	20	• Bearing housing (Housing only) • To fit 491-494 & 496 (494 SN 49401494 & below) • 2 required • 3.35 lbs.	9844900
K4953380 \$550.00 ea.	21	• Smooth roll feed roll drive coupler • To fit 493, 494, 496, 497, 498 & 499 series smooth roll • 7.5 lbs.	4953380
K9820971 \$131.60 ea.	22	• Feed roll tension spring • To fit 494 & 497 series • 2 required • 7.6 lbs.	9820971
K4952701 \$164.50 ea.	23	• Upper rear roll tension spring • To fit 493 & 494 series • 4 required • 12.8 lbs.	4952701
K4951760 \$292.50 ea.	24	• Upper rear drive hub • Use on K9062020 and K13248910 • Uses K2154180 bolts • To fit 493, 494, 497, 498, 498 & 502 series • 1 required • 7.4 lbs.	4951760
K9062051 \$3,290.00 ea.	25	• Upper front feed roll w/o teeth • To fit 493 and 494 series	9062051
K13905530 \$705.00 ea.	26	• Upper front drive hub • Used with K9062051 • Uses K2154180 bolts • To fit 493, 494, 497 & 498 series • 1 required • 7.4 lbs.	13905530

Kooima® Ag Trner® Composters

Patent # 10,617,061, other Patents Pending

Don't turn piles at the back of the pack any longer. Kooima® Ag Composters innovative new rotor design allows for faster travel speeds with superior product movement and aeration.

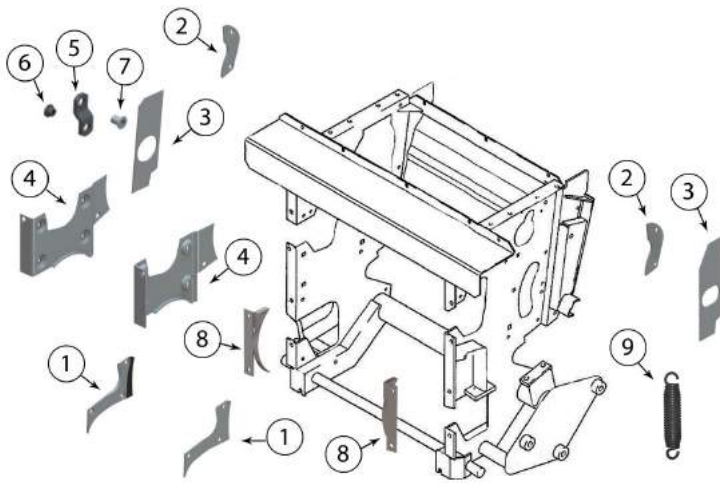
Call today for more information!

Additional information on back inside cover!



KOOIMA® AG REPLACEMENT PARTS TO FIT CLAAS® FORAGE HARVESTERS

Replacement parts produced by Kooima® Ag to fit Claas®



K984602WL
\$135.00 per kit

- Cutterhead housing wear plate kit
 - **Not available from Claas®!**
 - To fit all 491, 492 & 493 series
 - Includes mounting hardware
 - 1 kit required
 - 12 lbs./set
- Abrasion Resistant**

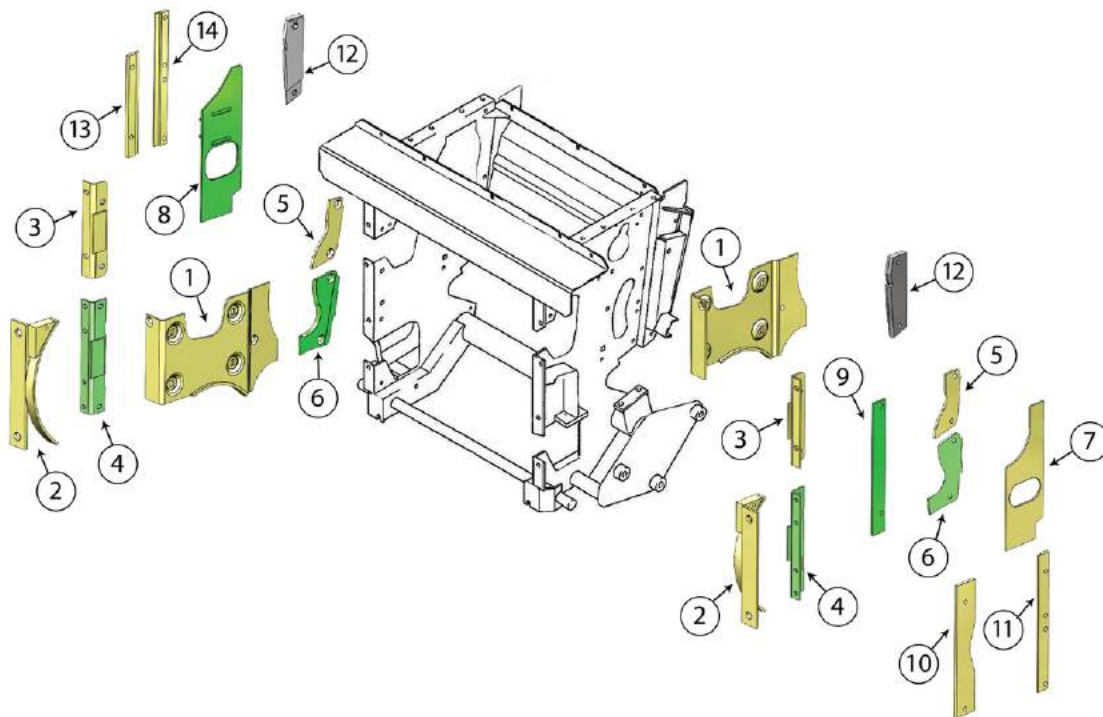
KOOIMA #	DESCRIPTION	REPLACES OEM #
K9842504 (LH) \$40.42 ea.	① • Feed roll housing wear plate • To fit Claas® 491, 492 & 493 series harvesters • 1.7 lbs. ea.	9842504 9842484 Abrasion Resistant/Tungsten Carbide
K9842504BK \$6.25 ea.	①a • Wear plate bolt kit • .5 lbs. • To fit parts K9842504 and K9842484 • 1 kit required per wear plate	
K9842510 (RH) \$28.75 ea.	② • Wear plate for upper back feed roll • To fit 491 & 492 series machines • .95 lbs.	9842510 9842520 Abrasion Resistant
K9842510BK \$3.25 ea.	②a • Bolt kit • .185 lbs. • 1 kit per wear plate	
K9842580 (RH) \$61.10 ea.	③ • Slider wear plate • To fit 491 & 492 series machines • 2.3 lbs.	9842580 Abrasion Resistant
K9842540 (LH) \$28.20 ea.	③ • Slider wear plate • To fit 491 & 492 series machines • 2.3 lbs.	9842540 Abrasion Resistant
K9874371(RH) \$55.46 ea.	④ • Lower front feed roll wear plate • To fit 491 & 492 series machines • 6.25 lbs. ea.	9874371 9874351 Abrasion Resistant
K9874351BK \$9.25 ea.	④a • Bolt kit • .25 lbs. • For lower front feed roll • 1 kit per wear plate	
K9842610 \$29.80 ea.	⑤ • Cutter housing lever • To fit 491 & 492 series machines • .3 lbs.	9842610
K9842621 \$5.90 ea.	⑥ • Cutter housing lever bushing • To fit 491 & 492 series machines • .06 lbs.	9842621 Heat Treated
K9879400 \$8.65 ea.	⑦ • Cutter housing lever bushing • To fit 491 & 492 series machines • .08 lbs.	9879400 Heat Treated
K9842670 (RH) \$46.53 ea.	⑧ • Wrap guard • To fit 491, 492, 493 & 494 series machines • 1 of each required • 1.86 lbs.	9842670 9842630
K2363300 \$1.00 ea.	⑧a • Wrap guard bolt • To fit K9842670 & K9842630 • 2 required per guard • .03 lbs.	2363300
K9844191 \$142.88 ea.	⑨ • Tension spring • To fit 491 & 492 series machines • 2 required • 12.5 lbs.	9844191

K800WSC

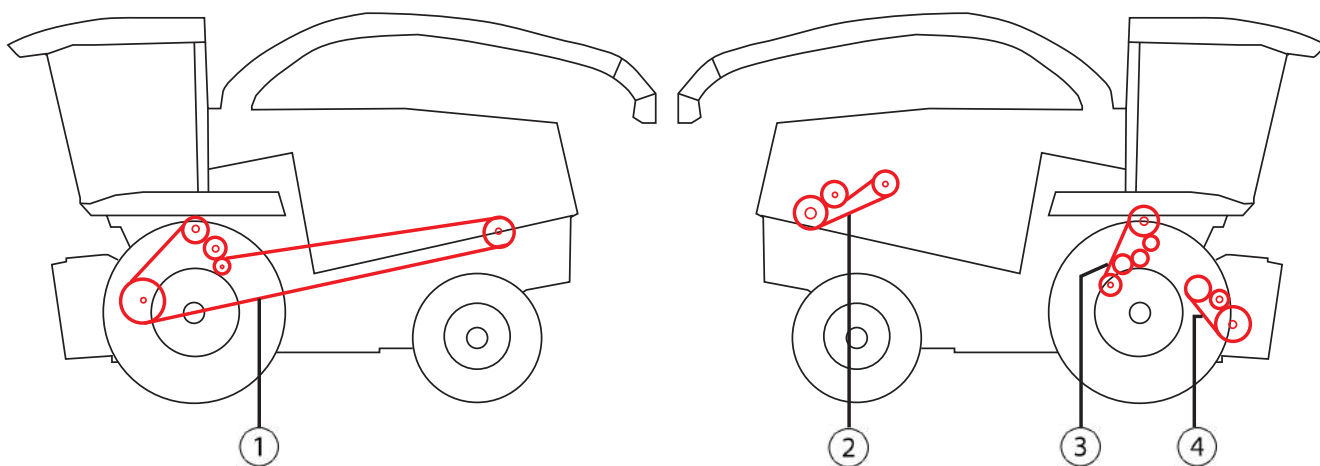
\$350.80 ea.



- Windshield cover • 13.3 lbs.
- To fit all Claas® forage harvesters
- Eliminates cracked and broken windshields
- Double sewn heavy duty, padded vinyl construction
- Stainless steel dee rings



KOOIMA #	DESCRIPTION	REPLACES OEM #
K4951460 (LH) K4951480 (RH) \$59.00 ea.	① • Lower front feed roll wear plate • To fit Claas® 494 series harvesters • 6.75 lbs. ea.	4951460 4951480
K9874351BK \$9.25 ea.	①a • Bolt kit • .25 lbs. • For lower front roll wear plate • 1 kit required per wear plate	
K9842670 (LH) K9842630 (RH) \$46.53 ea.	② • Wrap guard • To fit Claas® 494 series harvesters • 1.9 lbs. ea. • 1 of each required	9842670 9842630
K2363300 \$1.00 ea.	②a • Wrap guard bolt • .05 lbs. • To fit K9842670 and K9843630 • 2 required per guard	2363300
K9870650 (LH) K9870670 (RH) \$26.50 ea.	③ • Cutter housing top angled wear plate • To fit Claas® 494 series harvesters • 1.55 lbs.	9870650 9870670
K9842680 (LH/RH) \$42.50 ea	④ • Cutter housing lower angled wear plate • To fit Claas® 494 series harvesters • 1.8 lbs.	9842680
K9060840 (LH) K9060830 (RH) \$14.50 ea.	⑤ • Cutter housing top segment • To fit Claas® 494 series harvesters • .75 lbs.	9060840 9060830
K13905730 (LH) K13905720 (RH) \$52.50 ea.	⑥ • Cutter housing lower segment • To fit Claas® 494 series harvesters • 1.3 lbs.	13905730 13905720
K9060890 \$26.75 ea.	⑦ • Left hand slider wear plate • To fit Claas® 494 series harvesters • 2.2 lbs.	9060890
K9060951 \$65.00 ea.	⑧ • Right hand slider wear plate • To fit Claas® 494 series harvesters • 2.9 lbs.	9060951
K9060750 \$10.00 ea.	⑨ • Cutter housing left hand bar • To fit Claas® 494 series harvesters • 1.5 lbs.	9060750
K9060770 \$26.75 ea.	⑩ • Cutter housing left hand glide rail • To fit Claas® 494 series harvesters • 2.6 lbs.	9060770
K9060850 \$23.00 ea.	⑪ • Cutter housing left hand support • To fit Claas® 494 series harvesters • 1.5 lbs.	9060850
K13184150 (LH) K13184140 (RH) \$19.50 ea.	⑫ • Cutter housing filler plate • To fit Claas® 494 series harvesters • .4 lbs.	13184150 13184140
K9060920 \$18.00 ea.	⑬ • Cutter housing right hand support • 9.82" • To fit Claas® 494 series harvesters • 1.05 lbs.	9060920
K9060901 \$23.00 ea.	⑭ • Cutter housing right hand support • 12.78" • To fit Claas® 494 series harvesters • 1.4 lbs.	9060901



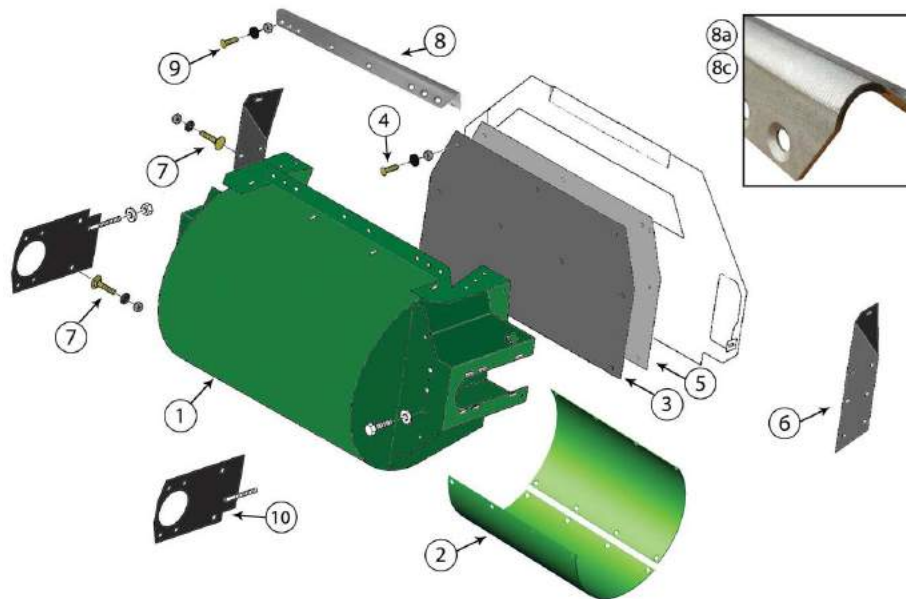
High Quality Gates® Belts

KOOIMA #		DESCRIPTION	REPLACES OEM #
K0677471 \$825.00 ea.	①	• Power band belt, 7-groove • Outside length: 369 1/8" • To fit Claas® 492 & 493 models • 34.5 lbs.	0677471 / 1499787
K0677450 \$390.00 ea.	①	• Power band belt, 5-groove • Outside length: 368 7/8" • To fit Claas® 492 & 493 models • 24.9 lbs.	0677450 / 1426744
K0677460 \$560.80 ea.	①	• Power band belt, 6-groove • Outside length: 368 1/8" • To fit Claas® 492 & 493 models • 29.5 lbs.	0677460 / 1449787
K0902650 \$440.00 ea.	①	• Main drive belt, 5-groove • To fit Claas® 494 models 930 machine • 26.4 lbs.	1319950 / 0902650
K0902660 \$517.00 ea.	①	• Main drive belt, 6-groove • To fit Claas® 494 models 940 machine • 31.9 lbs.	1319960 / 0902660
K0902670 \$810.00 ea.	①	• Main drive belt, 7-groove • To fit Claas® 494 models 950/960 machine • 37.8 lbs.	1319970 / 0902670
K1407560 \$855.00 ea.	①	• Main drive belt, 8-groove • To fit Claas® 494 models 970/980 (2 motor) machine • 44 lbs.	1309990 / 1407560
K0672890 \$50.76 ea.	②	• Alternator belt for OM502LA motor • To fit Claas® 492 & 493 models • .9 lbs.	0672890
K1422320 \$52.00 ea.	②	• Alternator belt for OM460LA motor • Outside length: 92 1/8" • To fit Claas® 492 & 493 models • 2 lbs.	1422320 / 1442253
K0774000 \$22.00 ea.	②a	• V-ribbed fan belt for OM460LA, OM457LA motors • To fit Claas® 492 & 493 models • .9 lbs.	0774000 / 0101168
K0699250 \$24.00 ea.	②a	• V-ribbed fan belt for OM502LA motor • To fit Claas® 492 & 493 models • .97 lbs.	0699250 / 0101172
K0764031 \$93.06 ea.	③	• Power band belt, 4-groove • To fit Claas® 492 models • 4 lbs.	0764031 / 1470339
K0677890 \$164.50 ea.	③	• Power band belt, 6-groove • To fit Claas® 492 & 493 models • 5.9 lbs.	0677890 / 1499333
K0902550 \$126.90 ea.	③	• Power band belt, 6-groove • To fit Claas® 494 models with roll diameter of 196mm • 6.2 lbs.	0902550
K0902561 \$152.00 ea.	③	• Power band belt, 6-groove • To fit Claas® 494 models with roll diameter of 250mm • 6.4 lbs.	0902561
K9848850 \$99.70 ea.	④	• Power band belt, 3-groove • To fit Claas® 492 models • 3.4 lbs.	9848850 / 1424202
K9878830 \$78.00 ea.	④	• Power band belt, 4-groove • To fit Claas® 492 models • 5 lbs.	9878830 / 1425204
K6297691 \$56.50 ea.	④	• Power band belt, 2-groove • To fit Claas® 493 models & 494: 930-960 only • 2.4 lbs.	6297691 / 1423207
K4950080 \$108.10 ea.	④	• Power belt for feed roll, 3-groove • To fit Claas® 494, 496 & 497 models; mostly 970 & 980 machines • 3.6 lbs.	13242220 / 4950080

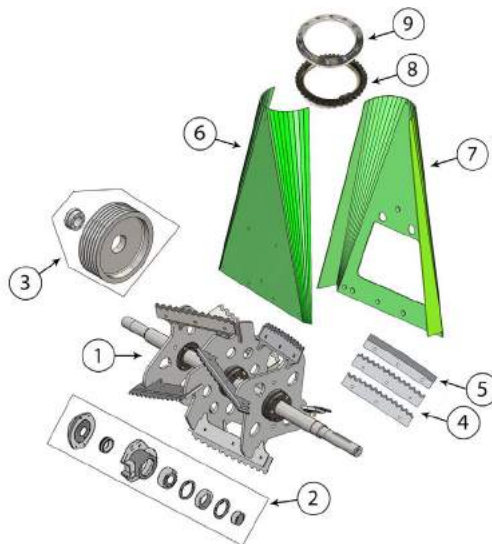


KOOIMA #	DESCRIPTION	REPLACES OEM #
K0763933 (LH) \$19.50 ea.	① • Filler housing wear plate • To fit 491, 492 & 493 series • 3.4 lbs. ea. • Bolt kit: K0763933BK , \$5.25 ea. - 1 required per wear plate	0763933 0763943 Abrasion Resistant
K1406952 (LH) \$20.21 ea.	①a • Filler housing wear plate • To fit all 494 series machines up to SN 49402018 • 4.4 lbs. ea. • Bolt kit: K0763933BK , \$5.25 ea. - 3 required per wear plate set	1406952 1406942
K1447330(LH) \$47.00 ea.	①b • Filler housing wear plate • To fit all 494 series from SN 49402019 - 49402913 • 4.9 lbs. ea. • Bolt kit: K0763933BK , \$5.25 ea. - 3 required per wear plate set	1447330 1447320 Abrasion Resistant
K1231142 (LH) \$52.50 ea.	①c • Filler housing wear plate • 4 lbs. ea. • To fit all 494 series SN 49402914 & above • Counter sunk holes • Bolt kit: K1231132BK , \$4.25 ea. - 1 required per wear plate set	1231142 1231132 Abrasion Resistant
K0763933BK \$5.25 ea.	② • Wear plate bolt kit • 1 kit required per wear plate • .1 lbs. • To fit all Claas® machines • 3 kits required when buying a set of 494 wear plates	
K0762473 \$56.40 ea.	③ • Filler housing stripper • To fit 491, 492 & 493 series • 15.7 lbs.	0762473
K1406871 \$70.00 ea.	③a • Filler housing stripper • 9 1/4" wide • To fit 494 series up to SN 49402018 • 21.75 lbs.	1406871 Abrasion Resistant
K1447280 \$99.75 ea.	③b • Filler housing stripper • 8 1/2" wide • To fit 494 series SN 49402019 & after • 19.5 lbs.	1447280
K0762182 \$98.00 ea.	④ • Filler housing wear plate • To fit 491, 492 & 493 series • 61 lbs.	0762182 Abrasion Resistant
K1432570 \$153.22 ea.	④a • Filler housing wear plate • 59.8 lbs. • To fit all 494 series up to SN 49402913	1432570 Abrasion Resistant
K1231120 \$240.00 ea.	④b • Filler housing wear plate • 59.8 lbs. • To fit 494 series from SN 49402913 & after & all 496 & 497	1231120 Abrasion Resistant
K24012045 \$285.00 ea.	④c • Filler housing wear plate • To fit 498 series • 45.85 lbs.	24012045
K0762182BK \$14.00 ea.	⑤ • Wear plate bolt kit • To fit part K0762182 & K1432570 • 1 kit required • .4 lbs. • To fit 491, 492, 493 & 494 series	
K0762113 \$258.50 ea.	⑥ • Feed guide • To fit 491, 492 & 493 series • 58.4 lbs.	0909750/0762113 Abrasion Resistant
K1406965 \$227.50 ea.	⑥a • Feed guide • To fit all 494 series up to SN 49402018	1406965
K1231056 \$368.05 ea.	⑥b • Feed guide • To fit 494 SN 49402914 and after, all 496 & 497 series	1231058
K0788641 \$220.90 ea.	⑦ • Transition/grass chute housing • Bolts included • To fit 491, 492 & 493 series • 26.6 lbs.	0788622 Abrasion Resistant
K1415261 \$225.00 ea.	⑦a • Transition/grass chute housing • To fit 494 series up to SN 49402018 • Bolts are included	1415261
K1234121 \$325.00 ea.	⑦b • Transition/grass chute housing • Bolts are included • To fit 494 SN 49402914 and after, all 496, 497 & 498 series	1234122
K0788641L \$74.73 ea.	⑧ • Transition/grass chute liner • To fit 491, 492 & 493 series • 1 required • 23.1 lbs.	0788642 Abrasion Resistant
K1415240 \$87.45 ea.	⑧a • Transition/grass chute liner • 23.5 lbs. • To fit 494 series up to SN 49402913 • 1 required	1415241 Abrasion Resistant
K1234002 \$121.97 ea.	⑧b • Transition/grass chute liner • To fit 494 SN 49402914 and after, all 496, 497 & 498 series	1234002
K6088190 \$16.75 ea.	⑧c • Locking pin, used with OEM style one turn lock • 4 required • Used with 491-497 transition / grass chute liner • .1 lbs.	6088190
K6012430 \$1.90 ea.	⑧d • Support washer • 4 required • Used with K6088190 locking pin • .1 lbs.	6012430
K1432580 \$29.50 ea.	⑨ • Transition guide plate • To fit 494, 496 & 497 series • 6.5 lbs.	1432580

Replacement parts produced by Kooima® Ag to fit Claas®



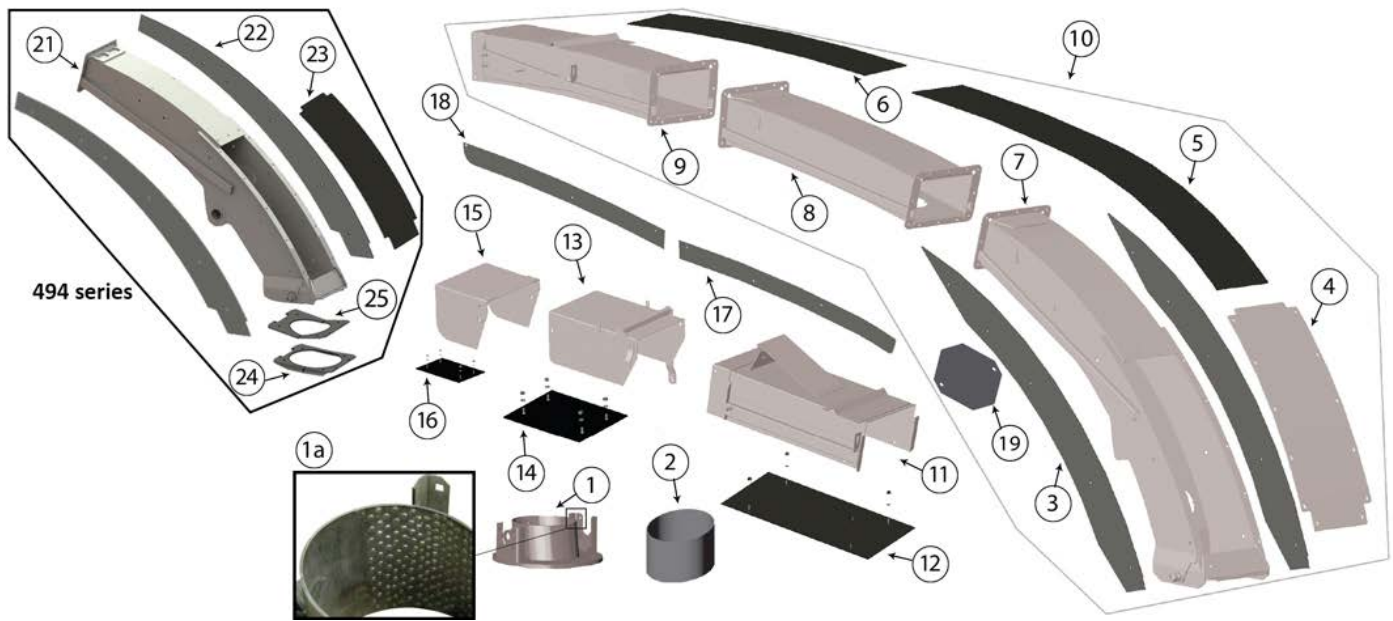
<u>KOOIMA #</u>	<u>DESCRIPTION</u>	<u>REPLACES OEM #</u>
K0784970 \$988.80 ea.	① Accelerator housing • To fit 491, 492 & 493 series • 134 lbs.	0784974
K1301794 \$1,625.00 ea.	①a Accelerator housing • To fit 494 series SN 49402019 & above • 141 lbs.	1301794
K0784970WL	• Accelerator housing wear plate kit • To fit 491, 492 & 493 series	Abrasion Resistant
\$225.75 ea.	② • Increases the life of accelerator housing • Complete with mounting hardware • 46 lbs.	
K0762023 \$76.00 ea.	③ • Wear plate, accelerator housing • To fit 491, 492 & 493 series • 24.4 lbs.	0762024 Abrasion Resistant
K1417001 \$96.82 ea.	③a • Wear plate accelerator housing liner • To fit 494, 496 & 497 series • 24.2 lbs.	1417001
K0762023BK \$16.30 ea.	④ • Accelerator bolt kit • To fit wear plate K0762023 • 1 kit required • .55 lbs.	
K0762081 \$56.25 ea.	⑤ • Rubber flange • To fit 491, 492 & 493 series • 1 required • 4.5 lbs.	0762082
K0763911 (LH) K0763921 (RH) \$24.44 ea.	⑥ • Wear plate, accelerator housing • To fit 491, 492, 493, 494, 496 & 497 series • 4.8 lbs. ea.	0763912 0763922 Abrasion Resistant
K1302591 (RH) K1302581 (LH) \$225.00 ea.	⑥a • Accelerator housing wear plate • To fit 492, 493, 494, 496 & 497 series • Counter sunk holes • Hard faced for longer life! • Bolt Kit: K0762182BK , \$14.00 ea. - 1 kit required per wear plate	1302591 1302581 Tungsten carbide
K0763911BK \$8.90 ea.	⑦ • Wear plate bolt kit • To fit part K0763911 or K0763921 • Also fits K0783260 below • 1 kit required per wear plate • .3 lbs.	
K0677972 \$35.25 ea.	⑧ • Wear ledge, blower discharge chute • 7.6 lbs. • To fit 491 - 494 series • Replaces K0762042	0677973
K0677972HP \$211.97 ea.	⑧a • Koyma Klad® hi-performance wear ledge • 8 lbs. • To fit 491 - 494 series • Hard faced wear area	1302552 Tungsten Carbide
K1253453 \$32.80 ea.	⑧b • Wear ledge, blower discharge chute • To fit 496, 497 & 498 series	1253453
K1253453HP \$223.25 ea.	⑧c • Koyma Klad® hi-performance wear ledge • To fit 496, 497 & 498 series • Hard faced wear area	1253233 / 1253453 Tungsten Carbide
K0762042BK \$30.50 ea.	⑨ • Wear plate bolt kit • To fit part K0677972 & K0677972HP • To fit 491 - 494 series • 1 kit required per wear plate • .65 lbs.	
K1253453BK \$6.00 ea.	⑨a • Wear plate bolt kit • To fit part K1253453 & K1253453HP • To fit 496, 497 & 498 series • 1 kit required per wear plate • .2 lbs.	
K0783260 \$54.05 ea.	⑩ • Replacement rotor adjustment plate • 2.2 lbs. • 2 required • Bolt kit available: K0763911BK: \$8.90 ea. , .3 lbs.	0783260



KOOIMA #	DESCRIPTION	REPLACES OEM #
K1400500 \$1,811.50 ea.	(1) • Replacement blower assembly • Complete with all the paddles and hardware • Improved shaft assembly, designed to resist fatigue and stress breaks • 186 lbs. • To fit most 492, all 493 & 494(SN 49401277 & below) series cutters in-between model numbers 930-960 • Will fit 491 & 492 series with special bearing kit: K1400500KIT - see below for details!	1400505
K1445204 \$1,950.00 ea.	(1a) • Replacement 50mm blower assembly • 196 lbs. • To fit 494 series SN 49401278 & above • Complete with paddles and hardware • Drive side shaft diameter = 50mm, KP side shaft diameter = 55mm	1445204
K1400500KIT \$890.00 ea.	(2) • Replacement bearing assembly • Update your 491 & 492 series with our blower assembly • For machines with SN. 49205287 & below • Also works with 493 & 494 series • 19.5 lbs.	
K0676060 \$495.80 ea.	(3) • Processor pulley • Taper lock hub included • Needed when updating your 491 & 492 machines with SN 49205287 & below • 40.2 lbs.	0676061
K0781810 \$116.75 per set of 8	(4) • Accelerator paddle set • New wider tooth pattern • To fit 491, 492, 493 & 494 series • 4 left and 4 right • 13.5 lbs./set • K0781810BK bolt kit, \$40.50 - 1 kit per paddle set	0781810 Tungsten Carbide/Heat Treated High Carbon Steel
K1238530 \$375.00 per set of 8	(4a) • Accelerator paddle set • 15% thicker than OEM - improved wider tooth pattern • 15% thicker than OEM - improved wider tooth pattern • To fit 496, 497 & 498 series • 4 left and 4 right paddles • K0781810BK bolt kit, \$40.50 - 1 kit per paddle set	1238530 Laser Clad Tungsten Carbide Heat Treated High Carbon Steel
K0781810HP \$199.20 per set of 8	(5) • High performance accelerator paddle set • Koyma Klad® coating • To fit 491, 492, 493 & 494 series • Keeps the blower housing cleaner • 8 paddles per set • 23 lbs./set • Provides up to 15% more air volume, giving more material velocity at the spout tip • K0781810BK bolt kit, \$40.50 - 1 kit per paddle set	0781810 High Carbon Steel Tungsten Carbide Heat Treated
K1238660 \$375.80 per set of 8	(5a) • High performance accelerator paddle set • Koyma Klad® coating • To fit 496, 497 & 498 series • 25 lbs. /set • K0781810BK bolt kit, \$40.50 - 1 kit per paddle set	1238660 High Carbon Steel Tungsten Carbide/Heat Treated
K0786602 \$82.00 ea.	(6) • Transition wear plate • 34 lbs. • Front 1/2 • To fit all 491, 492, 493, 494, 496, 497, 498 & 499 series • K0786602BK - Bolt Kit for K0786602 - 1 lb. \$9.75 ea.	0786603 Abrasion Resistant
K0786611 \$82.00 ea.	(7) • Transition wear plate • 33.4 lbs. • Rear 1/2 • To fit all 491, 492, 493 & 494 series • K0786611BK - Bolt Kit for K0786611 - 1 lb. \$9.75 ea.	0786611 Abrasion Resistant
K1405113 \$143.50 ea.	(7a) • Transition wear plate • 31 lbs. • Rear 1/2 (has c-sunk side holes) • To fit 492 Green Eye - 496, 497, 498, 499, 500, 502 series	1405113
K0762215 \$530.00 ea.	(8) • Tooth rimmed spout ring gear • 25 lbs. • To fit 491, 487, 488, 489 after SN 48900026 and 490 after SN 49000027 series (820/840/860/880)	0762215
K0689801 \$550.00 ea.	(8a) • Toothed rimmed spout ring gear • 24 lbs. • To fit 492 SN before 49209035 and 493 series (830/850/870/890/900)	0689801
K1408990 \$675.50 ea.	(8b) • Spout ring gear • To fit 492 green eye model, 494 up to SN 49401277 and 496, 497 & 498 w/ 50mm hydraulic cylinder	1408990
K0762224 \$245.00 ea.	(9) • Spout ring • 12.8 lbs. • To fit 492 SN before 49203123 and 493 series (830/850/870/890/900)	0762224
K1405072 \$312.25 ea.	(9a) • Spout ring • To fit 492 before SN 49210455 and 494 before SN 49401277	1405072

KOOIMA® AG REPLACEMENT PARTS TO FIT CLAAS® FORAGE HARVESTERS

Replacement parts produced by Kooima® Ag to fit Claas®




KOOIMA #	DESCRIPTION	REPLACES OEM #
K0762321 \$364.80 ea.	① • Discharge spout swivel flange • Includes replacement spout swivel tube • Now fits 491, 492 & 493 series • 46 lbs.	0684693 / 0762321 Abrasion Resistant
K0762321HP \$475.80 ea.	①a • Koyma Klad® discharge spout swivel flange • To fit 491, 492 & 493 harvesters • We added extended life hard-face inside the swivel tube • 46.5 lbs.	0684693 / 0762321 Abrasion Resistant
K0762321WL \$45.35 ea.	② • Replacement spout swivel tube • Grinding will be required to install • To fit 491, 492 & 493 series • 12.3 lbs.	Abrasion Resistant
K0766353 \$74.26 ea.	③ • Spout side liner • 2 required • To fit all 491, 492, 493 & 494 series with factory spout • 16.8 lbs.	0766354 Abrasion Resistant
K0766353BK \$6.75 ea.	③a • Bolt kit • To fit Claas® liner #K0766353 • .3 lbs.	
K0786770 \$79.00 ea.	④ • Lower rear spout liner • 1 required • Fits Kooima® spouts • 39 lbs. • To fit 491 series Claas® harvesters with 3-piece factory spout	0786770 Abrasion Resistant
K0682380BK \$6.90 ea.	④a • Bolt kit • To fit Claas® liner #K0786770 • 1 lb.	
K0682380 \$98.70 ea.	④b • Lower rear spout liner • 1 required • 37 lbs. • To fit 492, 493 & 494 series Claas® harvesters	0682382 Abrasion Resistant
K0682380BK \$6.90 ea.	④c • Bolt kit • To fit Claas® liner #K0682380 • 1 lb.	
K0766462 \$74.26 ea.	⑤ • Middle rear spout liner • 1 required • 32 lbs. • To fit all 491, 492, 493 & 494 series with 3-piece factory spout	0766463 Abrasion Resistant
K0766462BK \$6.75 ea.	⑤a • Bolt kit • To fit Claas® liner #K0766462 • .3 lbs.	
K0786730 \$74.26 ea.	⑥ • Top rear spout liner • 1 required • 21 lbs. • To fit all 491, 492, 493 & 494 series with 3-piece factory spout	0786731 Abrasion Resistant
K0786730BK \$6.75 ea.	⑥a • Bolt kit • To fit Claas® liner #K0786730 • .2 lbs.	
K0682530 \$1,120.00 ea.	⑦ • Lower spout section • 212 lbs. • To fit 491, 492 & 493 Claas® harvesters with 3-piece hi-arch spout assembly	0682533 / 0682530
K0786470 \$279.00 ea.	⑧ • Middle spout section • 76.5 lbs. • To fit all 491, 492 & 493 series with 3-piece hi-arch spout assembly	0786473
K0786530 \$305.00 ea.	⑨ • Upper spout section • 51.5 lbs. • To fit all 491, 492 & 493 series with 3-piece hi-arch spout assembly	0786531

Truck icon signifies product is shipped via truck freight.


KOOIMA® AG REPLACEMENT PARTS TO FIT CLAAS® FORAGE HARVESTERS

Replacement parts produced by Kooima® Ag to fit Claas®

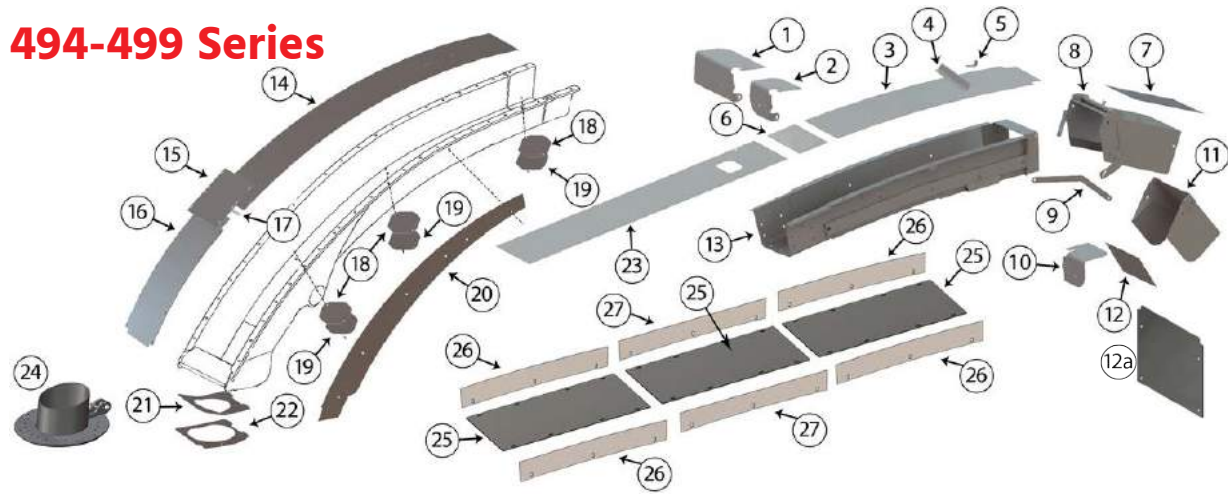
KOOIMA #	DESCRIPTION	REPLACES OEM #
K0682520 \$3,150.00 ea.	(10) • Hi-arch spout assembly • 500 lbs.  • Fits all 491, 492 & 493 series Claas® harvesters • Abrasion resistant wear liners included & installed!	0682520 Abrasion Resistant
K0768980 \$385.60 ea.	(11) • 24" spout extension • A real must when using 8-row corn heads • Fits Claas® 491, 492 & 493 series harvesters • 28.5 lbs.	0768980 Abrasion Resistant
K0768980BK \$6.75 ea.	(11a) • Spout extension bolt kit • To fit #K0768980 spout extension • .2 lbs.	
K0681480 \$49.82 ea.	(12) • Mid extension spout liner • To fit K0768980 extension • 9.9 lbs.	0681480 Abrasion Resistant
KBK \$4.25 ea.	(12a) • Spout extension bolt kit • To fit #K0681480 spout liner • .1 lbs.	
K0766286 \$89.30 ea.	(13) • Inner spout deflector • 20 lbs. • To fit all 491, 492 & 493 series Claas® harvesters	0788020 Abrasion Resistant
K0766312BK \$6.75 ea.	(13a) • Inner spout deflector bolt kit • To fit #K0766286 spout deflector • .2 lbs.	
K0684310 \$44.65 ea.	(14) • Spout deflector wear plate • To fit #K0766286 inner spout deflector • 8.3 lbs.	0684310 Abrasion Resistant
KBK \$4.25 ea.	(14a) • Spout extension bolt kit • To fit #K0684310 spout deflector wear plate • .1 lbs.	
K0766312 \$74.26 ea.	(15) • Outer spout deflector • 10.4 lbs. • To fit all 491, 492, 493, 494, 496 & 497 series Claas® harvesters	0766314 Abrasion Resistant
K0766312BK \$6.75 ea.	(15a) • Outer spout deflector bolt kit • To fit #K0766312 spout deflector • .2 lbs.	
K0766312WL \$37.50 ea.	(16) • Spout deflector wear plate • To fit #K0766312 outer spout deflector • 3.5 lbs.	Abrasion Resistant
KBK \$4.25 ea.	(16a) • Spout extension bolt kit • To fit #K0766312WL spout deflector wear plate • .1 lbs.	
K0786469 \$79.00 ea.	(17) • Mid-section spout side liner • 2 required • Kooima® exclusive will need to drill mounting holes • Fits all 491, 492 & 493 series with 3-piece factory spout • 3.7 lbs.	Stainless Steel
K0786469BK \$6.75 ea.	(17a) • Mid-section spout side liner bolt kit • To fit #K0786469 spout side liner • 2 required • .25 lbs.	
K0786529 \$79.00 ea.	(18) • Upper section spout side liner • 2 required • Kooima® exclusive will need to drill mounting holes • Fits all 491, 492 & 493 series with 3-piece factory spout • 2.9 lbs.	Stainless Steel
K0786529BK \$6.75 ea.	(18a) • Upper section spout side liner bolt kit • To fit #K0786529 spout side liner • 2 required • .25 lbs.	
K0766481 \$7.25 ea.	(19) • Spout inspection door • 5 required • 1 lb.	0766481

KOOIMA 3 PIECE SPOUT TO FIT CLAAS® 494 SERIES FORAGE HARVESTERS

Change out these pieces to use your 491, 492 and 493 series spout on a 494 series

KOOIMA #	DESCRIPTION	REPLACES OEM #
K01417525 \$1,500.00 ea.	(21) • Lower spout section • To fit 494 series • 185.5 lbs. 	01405201/01417525
K1417742 \$165.00 ea.	(22) • Side liner • 2 required • To fit 494, 496 & 497 series • 19.3 lbs.	1417743 Abrasion Resistant
K1417742BK \$5.75 ea.	(22a) • Bolt kit • To fit liner #K1417742 • .45 lbs.	
K0786770 \$79.00 ea.	(23) • Lower rear spout liner • Fits Kooima® spouts • 39 lbs. • To fit 494 series Claas® harvesters with 3-piece factory spout	0786770 Abrasion Resistant
K0682380BK \$6.90 ea.	(23a) • Bolt kit • To fit liner #K0786770 • 1 lb.	
K1416781 \$47.00 ea.	(24) • U-Beam • To fit Claas® 494, 496 & 497 spouts • 3.7 lbs.	1416782 / 1416781
K1416790 \$19.30 ea.	(25) • Gasket • To fit Claas® 494, 496, 497 & 498 spouts • .7 lbs.	1416790

494-499 Series



Replacement parts produced by Kooima® Ag to fit Claas®

KOOIMA #	DESCRIPTION	REPLACES OEM #
K1431721 \$21.00 ea.	① • Support RH • To fit Claas® 494 spouts • 4.3 lbs.	1431721
K1417861 \$14.00 ea.	② • Support RH • To fit Claas® 494, 496, 497, 498 & 499 spouts • 2.6 lbs.	1417862
K1416840 \$108.10 ea.	③ • Wear plate • To fit Claas® 494, 496, 497, 498 & 499 spouts • 29.6 lbs.	1416840 Abrasion Resistant
K1437901 \$12.46 ea.	④ • Bale chamber support • To fit Claas® 494, 496, 497 & 498 spouts • 1.7 lbs.	1437901
K1431730 \$6.49 ea.	⑤ • Angle • To fit Claas® 494, 496, 497, 498 & 499 spouts • .3 lbs.	1431730
K1417890 \$19.00 ea.	⑥ • Plate • To fit Claas® 494, 496, 497, 498 & 499 spouts • 4 lbs.	1417890 Abrasion Resistant
K1445030 \$38.31 ea.	⑥a • Replacement Claas® HD spout plate • 4 lbs. • Only used with Claas® moisture sensor • To fit Claas® 494, 496, 497, 498 & 499	1445031
K1435090 \$30.50 ea.	⑦ • Wear plate • Bolt kit: KBK , \$4.25 ea. • To fit Claas® 494, 496, 497, 498 & 499 spouts • 8 lbs.	1435090 Abrasion Resistant
K1409621 \$135.00 ea.	⑧ • Inner deflector • Bolt kit: K0766312BK , \$6.75 ea. • To fit Claas® 494, 496, 497, 498 & 499 spouts • 20.8 lbs.	1409622
K1419110 \$7.76 ea.	⑨ • Strap • To fit Claas® 494, 496, 497, 498 & 499 spouts • 2.1 lbs.	1419110
K1417871 \$17.90 ea.	⑩ • Support LH • To fit Claas® 494, 496 & 497 spouts • 2.6 lbs.	1417871
K0766312 \$74.26 ea.	⑪ • Outer spout deflector • To fit Claas® 491-499 spouts • 10.4 lbs.	0766314 Abrasion Resistant
K0766312BK \$6.75 ea.	⑪a • Outer spout deflector bolt kit • To fit #K0766312 spout deflector • .2 lbs.	
K0766312WL \$37.50 ea.	⑪b • Spout deflector wear plate • Fits 491-499 series (early 494 series) • To fit #K0766312 outer spout deflector • 3.5 lbs.	Abrasion Resistant 1303190
K1303190 \$52.00 ea.	⑪c • Outer spout deflector wear plate • To fit late 494 series and 496, 497 & 498	Abrasion Resistant
KBK \$4.25 ea.	⑪d • Spout extension bolt kit • To fit #K0766312WL spout deflector wear plate • .1 lb.	
K1417803 \$590.00 ea.	⑬ • Upper spout section • To fit Claas® 494, 496, 497, 498 & 499 spouts • 65 lbs.	1417808 Abrasion Resistant
K1417970 \$152.00 ea.	⑭ • Middle wear liner • To fit Claas® 494, 496, 497, 498 & 499 spouts • 37.8 lbs.	1417970 Abrasion Resistant
K1417880 \$29.61 ea.	⑮ • Plate • To fit Claas® 494, 496, 497, 498 & 499 spouts • 7.6 lbs.	1417880
K1417960 \$140.75 ea.	⑯ • Bottom wear liner • To fit Claas® 494, 496, 497, 498 & 499 spouts • 38.8 lbs.	1417960 Abrasion Resistant
K1438590 \$2.12 ea.	⑰ • Gasket • .1 lb. • To fit Claas® 494 (SN 49404921 and below), 496, 497 (SN. 49700057 & below) & 498 extensions only	1438590
K1434940 \$8.93 ea.	⑱ • Gasket • .3 lbs. • To fit Claas® 494 (SN 49404921 and below), 496, 497 (SN. 49700057 & below) & 498 extensions only	1434940
K1434690 \$9.12 ea.	⑲ • Cover • 1.3 lbs. • To fit Claas® 494 (SN 49404921 and below), 496, 497 (SN. 49700057 & below) & 498 extensions only	1434690
K1417742 \$165.00 ea.	⑳ • Side liner • 19.3 lbs. • To fit Claas® 494, 496, 497, 498 & 499 spouts • 2 required	1417743 Abrasion Resistant
K1417742BK \$5.75 ea.	⑳a • Bolt Kit • To fit liner # K1417742 • .34 lbs.	
K1416790 \$19.30 ea.	㉑ • Gasket • To fit Claas® 494, 496, 497, 498 & 499 spouts • .7 lbs.	1416790
K1416781 \$47.00 ea.	㉒ • U-Beam • To fit Claas® 494, 496, 497, 498 & 499 spouts • 3.7 lbs.	1416781

KOOIMA #		DESCRIPTION	REPLACES OEM #
K1431812 \$135.00 ea.	(23)	• HD liner for moisture sensor • To fit Claas® 494, 496, 497, 498 & 499 spouts • 36.2 lbs.	1431812
K1234851 \$435.00 ea.	(24)	• Discharge spout swivel flange • Includes swivel tube • 55 lbs. • To fit 494 series after SN 49403781 and all 496, 497, 498 & 499 series	1234851 Abrasion Resistant
K1417850 \$74.95 ea.	(25)	• Spout extension wear plate • 16.5 lbs. • To fit Claas® 494, 496, 497, 498 & 499 spouts • 3 required	1417850 Abrasion Resistant
K01439670 \$39.00 ea.	(26)	• Spout extension inner & outer side liners • 2.1 lbs. • To fit Claas® 494, 496, 497, 498 & 499 spouts • 4 required	1439671 / 1439670 Stainless Steel
K1237660 \$39.00 ea.	(27)	• Spout extension center side liners • 2.1 lbs. • To fit Claas® 494, 496, 497, 498 & 499 spouts • 2 required	1237660 Stainless Steel

Carbon Fiber Spout Extension



CLAASCFSP



300 lb. total weight when shipped

When using large heads the need to keep trucks away from the chopper becomes more important. This 12 row carbon fiber spout extension is what you need to get this done.

This light weight carbon fiber extension helps keep stress off of your spout and helps prevent spout damage while still having the rigidity of a heavier steel version.

- Carbon fiber 12 row spout extension • US PATENT # 9,198,350 & 9,326,445
- Includes sturdy 70" custom steel base, with factory style mounting • All hardware included
- Direct fit for 494+ series • 150 lbs.
- Matches factory 12 row arch • Approximately 100 lbs. lighter than factory steel HD 12 extension
- Easy and fast installation, no drilling required • Do not install on worn or damaged spout base
- Uses OEM style spout deflectors • 1 piece liner: **FH5001128**

\$3,750.00 ea.

FH5001128
\$260.75 ea.

- Replacement carbon fiber spout extension center liner
- High wear UHMW plastic • 14 lbs.



The Rock Stop'er Pro FORAGE HARVESTER STONE DETECTION SYSTEM

Fits many makes and models of self propelled and now pull type forage harvesters. Patented and proven Inertia Sensor senses sudden displacement of front upper feedroll. In-cab sensitivity adjustment enables operator to adjust for varying crop conditions and feedroll speeds. A stone detection will cause the feed drive to stop instantly just like a metal detection.



SENSOR

- Durable cast aluminum
- Moisture resistant sealing
- Strong universal mount, mounts externally in minutes
- Adjust sensitivity in seconds
- Small and light weight.



CONTROL MODULE

- Easily mounts in-cab
- Sensor status indicator
- Audible/ visual detection indicator
- In-cab sensitivity dial



Designed and Manufactured in Canada.

Call **1-800-522-8874**
for more details!

Order # ROCK STOP'ER
Only \$**2,950⁰⁰** ea.

Extra Sensor Available!
Order # SENSOR
Only \$**775⁰⁰** ea.



Replacement parts produced by Kooima® Ag to fit Claas®

****When ordering processor rolls for the 491 series choppers, measure the pulley width on the rear roll. If the pulley width is 3" wide, it is a standard 491 series. If the pulley width is 4 1/4" wide, it is an updated heavy duty shaft.**


KOOIMA #
K0783751F
K0783751R



DESCRIPTION

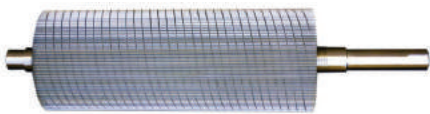
- Saw tooth kernel processor roll
- 80 tooth corn cracker special
- **New aggressive saw tooth design delivers unsurpassed performance & extended roll life in longer length crop conditions**
- **To fit 491 series Claas® harvesters 820, 840, 860 and 880 • 156 lbs.**
- **Heavy-duty 1-piece shaft included and installed!**

REPLACES OEM #

0783750
Heat Treated
156 lbs. 
F = Front
R = Rear

\$1,160.00 ea.

K0783751DCF (96 tooth)
K0783751DCR (96 tooth)



- Fiber Tech kernel processor roll
- **To fit 491 series Claas® harvesters 820, 840, 860 and most 880**
- **Heavy-duty 1-piece shaft included and installed!**
- Get the real value out of your processor with the new **Dual Cut High Capacity Rolls**

0783750
Heat Treated
156 lbs. 

\$1,225.00 ea.

K0678720F
K0678720R

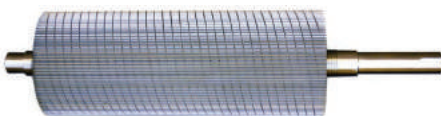


- Saw tooth kernel processor roll
- 80 tooth corn cracker special
- **To fit 492 Claas® harvesters 830, 850, 870, 890 and 900**
- **Saw tooth design**
- **Heavy-duty 1-piece shaft included and installed!**


0678720
Heat Treated
128.5 lbs. 

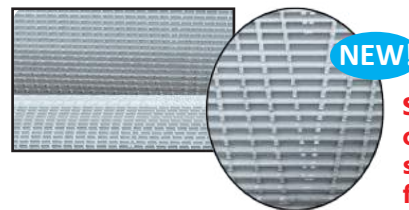
\$1,170.00 ea.

K0678720HPF (96 tooth)
K0678720HPR (108 tooth)



- Fiber Tech Chromed kernel processor roll
- Get the real value out of your processor with the new **Chevron Series Fiber Tech High Capacity Rolls**

0678720
Chromed plated roll
Heat Treated
128.5 lbs. 



Square grooves unwrap cellulose and shred your stalk which also creates a far superior process job.

\$1,765.00 ea.

K0769392 (RH)
K0769382 (LH)



- Processor roll deflectors
- A real **MUST** when changing your rolls
- To fit 491 & 492 machines
- Right hand shown • .55 lbs. ea.

0769392
0769382

\$16.45 ea.

K0769382BK



- Hardware kit
- To fit K0769392 & K0769382
- **1 kit per set**
- .2 lbs.

\$5.25 ea.

K22208C3



- Kernel processor bearing
- To fit all Claas® 491, 492 & 493 series
- 2 lbs.

2382803

\$59.80 ea.

Truck icon signifies product is shipped via truck freight.

KOOIMA® AG REPLACEMENT PARTS TO FIT CLAAS® FORAGE HARVESTERS

Replacement parts produced by Kooima® Ag to fit Claas®

KOOIMA #
K1400620F
K1400620R



\$1,170.00 ea.

DESCRIPTION

- Saw tooth kernel processor roll
- 80 tooth corn cracker special
- To fit 493 Speedstar® or later & 492 heavy duty
- To check if you have a 492 heavy duty, the rear roll shaft is 2" longer than the front roll shaft pulley side
- Saw tooth design • 130 lbs.
- Heavy-duty 1-piece shaft included and installed!

REPLACES OEM #
1400620
Heat Treated

K1400620CF
K1400620CR

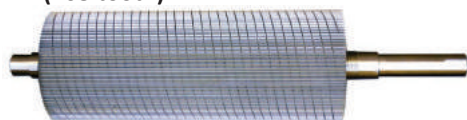


\$1,628.00 ea.

- Fiber Tech Chromed kernel processor roll
- 80 tooth corn cracker special
- To fit 493 Speedstar® or later & 492 heavy duty
- To check if you have a 492 heavy duty, the rear roll shaft is 2" longer than the front roll shaft pulley side • 169 lbs.
- Heavy-duty 1-piece shaft included and installed!

1400620
Chromed plated roll
Heat Treated

K1400620HPF (96 tooth)
K1400620HPR (108 tooth)



\$1,765.00 ea.

- Fiber Tech Chromed kernel processor roll • 130 lbs.
- Get the real value out of your processor with the **Heat Treated Chromed plated roll**



Square grooves unwrap cellulose and shred your stalk which also creates a far superior process job.

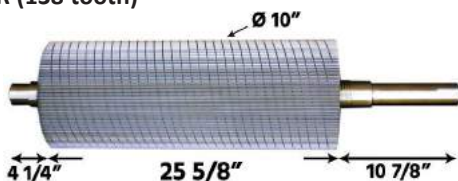
K493193



\$225.75 ea.

- Pulley • 23.25 lbs.
- Recommended to have a 30% differential pulley on the 492HD and 493 processors

K494ROLLF (110 tooth)
K494ROLLR (138 tooth)



\$2,295.00 ea.

- Fiber Tech Chromed kernel processor roll
- Get the real value out of your processor with the new **Chevron Series Fiber Tech High Capacity Rolls**
- To fit 494 series prior to 2012 • 215 lbs.
- This processor is gray in color
- Some 494 machines may have 493 style rolls
- 10" diameter = 494 7 5/8" diameter = 493
- Less down time • Less maintenance • Less repair

Chromed plated roll
Heat Treated



K494ROLLHPF (100 tooth)
K494ROLLHPR (124 tooth)



\$2,150.00 ea.

- Saw tooth Chromed kernel processor roll
- To fit 494 standard processors
- Straight saw tooth roll • 220 lbs.
- This processor is gray in color
- Some 494 machines may have 493 style rolls
- 10" diameter = 494 7 5/8" diameter = 493

Chromed plated roll
Heat Treated

K494BEARING

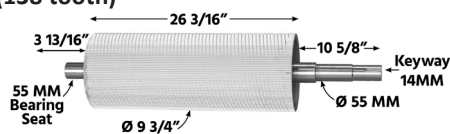


\$95.50 ea.

- Kernel processor bearing
- To fit Claas® 494 series
- 1.4 lbs.

2172340

K494MCHPF (124 tooth)
K494MCHPR (138 tooth)



\$2,350.00 ea.

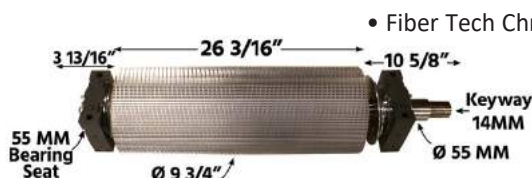
- Fiber Tech Chromed kernel processor roll
- To fit 494, 497, 498, 499 & 502 multi crop cracker
- This processor is green in color
- **Chevron Series Fiber Tech High Capacity Rolls**
- 234 lbs.

Heat Treated
Chromed plated roll

Square grooves unwrap cellulose and shred your stalk which also creates a far superior process job.



K494HPBF (Fast 124 tooth)
K494HPBR (Slow 138 tooth)



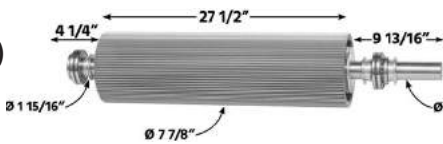
\$3,785.00 ea.

- Fiber Tech Chromed kernel processor roll • 288 lbs.
- To fit 494, 497, 498, 499 & 502
- This processor is green in color
- Bearings included and installed
- **Chevron Series Fiber Tech for extreme processing**
- **Heat Treated / Chromed Plated**

Kooima® Ag Replacement Parts To Fit SCHERER™ Processors

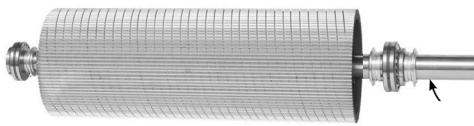
Replacement parts produced by Kooima® Ag to fit Claas®

K492SHF (82 tooth)
K492SHR (110 tooth)
 175 lbs.
 \$2,185.00 ea.



- Fiber Tech Chromed kernel processor roll **Heat Treated / Chromed**
- To fit Scherer™ processors made for the 491HD, 492 & 493 series Claas® harvesters
- Bearings included and installed-easy to change rolls!

K492SHPF (Fast, 90 tooth)
K492SHPR (Slow, 110 tooth)
 174 lbs.
 \$2,298.00 ea.



Square grooves unwrap cellulose and shred your stalk which also creates a far superior process job.

- Fiber Tech Chromed kernel processor roll **Heat Treated / Chromed**
- To fit Scherer™ processors made for the 491HD, 492 & 493 series Claas® harvesters
- Bearings included and installed
- **Chevron Series Fiber Tech for extreme processing performance**



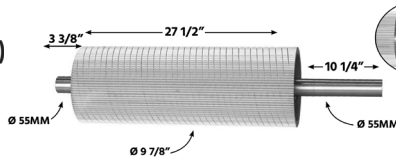
K494SHF (102 tooth)
K494SHR (124 tooth)
 \$2,435.00 ea.



- Fiber Tech Chromed kernel processor roll **Heat Treated Chromed**
- To fit Scherer™ HD processors made for the 494 series Claas® harvesters
- Bearings included and installed



K494SHHPF (Fast 124 tooth)
K494SHHPR (Slow 138 tooth)
 258 lbs.



\$2,568.00 ea.

- Fiber Tech Chromed kernel processor roll **Heat Treated Chromed**
- To fit Scherer™ HD processors made for the 494 series Claas® harvesters
- Bearings included and installed
- **Chevron Series Fiber Tech for extreme processing performance**



Scherer™ is a trademark of Scherer Corrugating & Machine, Inc.

/ SILAGE TESTER /

- Tests freshly chopped and ensiled silage.
- Tester stays clean; plastic bags prevent contamination of test cell.
- Tests in one minute.
- Digital log reading with conversion chart for common silage types.
- Accurate within 2% (average) for silage under 50% moisture.
- Accurate within 3% (average) for silage over 50% moisture.
- Accurate within 1% for grain at normal stored moisture.
- Testing range: 30% - 75% (silage), 10% - 47% (grain).
- Full one year warranty. • 4 lbs.

Silage Tester
 Order # K1210
 Only
\$335⁷⁵ ea.



Replacement Bags
 100 Count
 Order # K06801
\$27²⁵ ea.

Visit kooimaag.com to learn more about the services we offer!



3-D Laser Cutting



Laser Metal Deposition



Laser Welding



Knife Design-and-Build

High Quality Silage Covers



Detail of reinforced string tarps



String Tarps White/Black - 6.0 mil (R6WBK)

Part #	Price	W X L	Weight
K59X200M6	\$952.00	59.5 X 200	370 lbs.
K59X500M6	\$2,380.00	59.5 X 500	780 lbs.
K85X200M6	\$1,372.00	85.75 X 200	470 lbs.
K85X250M6	\$1,715.00	85.75 X 250	585 lbs.
K85X1000M6	\$6,860.00	85.75 X 1000	2,275 lbs.
K105X40M6	\$337.60	105.5 X 40	172 lbs.
K105X60M6	\$506.40	105.5 X 60	237 lbs.
K151X45M6	\$545.40	151.5 X 45	220 lbs.
K151X50M6	\$606.00	151.5 X 50	250 lbs.
K151X60M6	\$727.20	151.5 X 60	272 lbs.
K151X70M6	\$848.40	151.5 X 70	315 lbs.
K151X75M6	\$909.00	151.5 X 75	335 lbs.
K151X80M6	\$969.60	151.5 X 80	370 lbs.
K151X100M6	\$1,212.00	151.5 X 100	430 lbs.
K184X70M6	\$1,033.20	184.5 X 70	405 lbs.
K184X110M6	\$1,623.60	184.5 X 110	550 lbs.
K204X50M6	\$817.00	204.25 X 50	315 lbs.
K204X60M6	\$980.40	204.25 X 60	380 lbs.
K204X70M6	\$1,143.80	204.25 X 70	420 lbs.
K204X80M6	\$1,307.20	204.25 X 80	465 lbs.
K204X100M6	\$1,634.00	204.25 X 100	550 lbs.
K243X60M6	\$1,170.00	243.75 X 60	455 lbs.
K250X70M6	\$1,401.40	250.25 X 70	545 lbs.
K250X80M6	\$1,601.60	250.25 X 80	590 lbs.
K250X85M6	\$1,701.70	250.25 X 85	615 lbs.
K303X100M6	\$2,424.00	303 X 100	870 lbs.

Standard Silage Tarps White/Black - 5.0 mil (A5WB1)

Part #	Price	W X L	Weight
K57442	\$112.80	24 X 100	69 lbs.
K57443	\$150.40	32 X 100	90 lbs.
K57628	\$225.60	32 X 150	133 lbs.
K46534	\$188.00	40 X 100	110 lbs.
K57574	\$282.00	40 X 150	163 lbs.
K57575	\$376.00	40 X 200	216 lbs.
K50158	\$235.00	50 X 100	138 lbs.
K50159	\$352.50	50 X 150	203 lbs.
K54235	\$470.00	50 X 200	299 lbs.
K57576	\$282.00	60 X 100	161 lbs.
K53942	\$423.00	60 X 150	255 lbs.
K57577	\$564.00	60 X 200	346 lbs.
K58234	\$1,410.00	60 x 500	779 lbs.
K64369	\$2,820.00	60 X 1000	1,557 lbs.
K69881	\$516.00	80 X 150	325 lbs.
K69880	\$688.00	80 X 200	455 lbs.
K70463	\$860.00	80 X 250	561 lbs.
K77050	\$1,720.00	80 X 500	1,123 lbs.
K77059	\$3,440.00	80 x 1000	1,999 lbs.

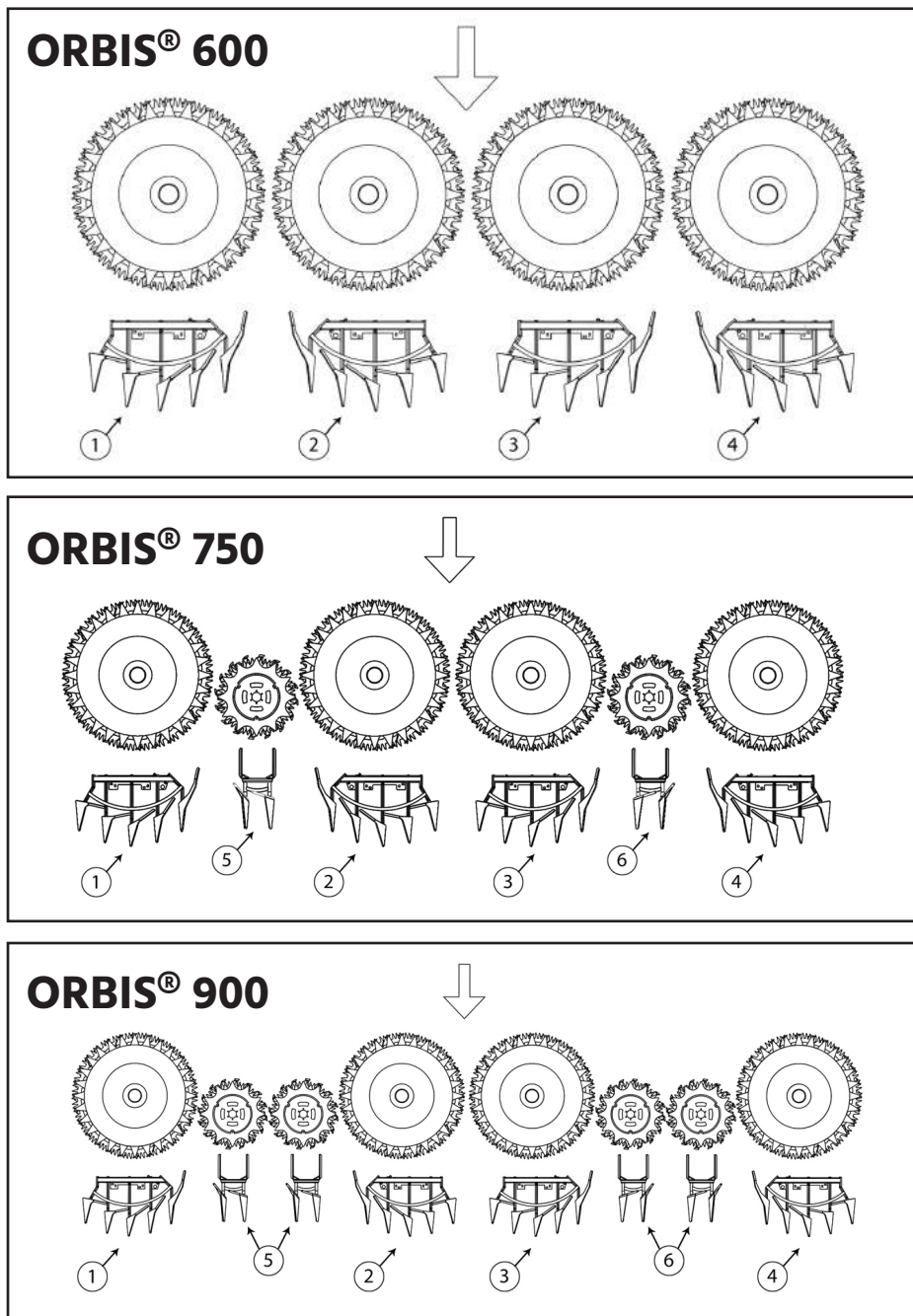


800.522.8874

If you do not see the size you need, give us a call, other sizes are available upon request.

Prices are subject to change.

*** Free shipping on Silage Covers if combined with \$850 in Kooima® Ag parts on phone and internet orders**

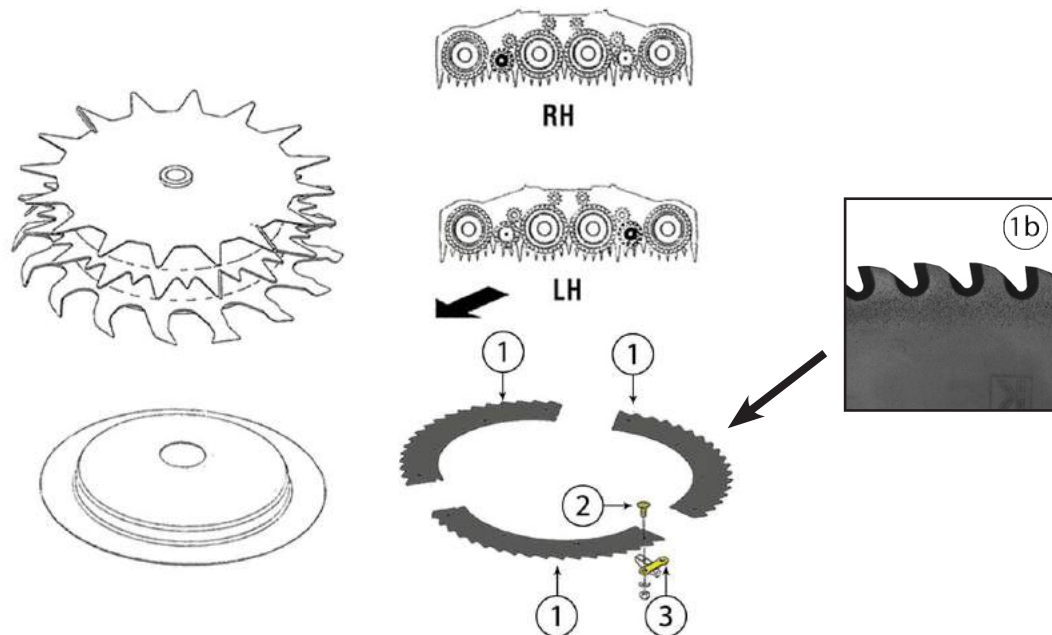


KOOIMA #

DESCRIPTION

REPLACES OEM #

K3832282 \$860.00 ea.	①	• Right hand outer large drum points • To fit Claas® Orbis® 600, 750 & 900 series corn heads	3832282
K3830123 \$860.00 ea.	②	• Right hand inner large drum points • To fit Claas® Orbis® 600, 750 & 900 series corn heads	3830123
K3830153 \$860.00 ea.	③	• Left hand inner large drum points • To fit Claas® Orbis® 600, 750 & 900 series corn heads	3830153
K3831512 \$860.00 ea.	④	• Left hand outer large drum points • To fit Claas® Orbis® 600, 750 & 900 series corn heads	3831512
K3830231 \$460.00 ea.	⑤	• Right hand small drum points • To fit Claas® Orbis® 600, 750 & 900 series corn heads	26081900 / 3830231
K3830221 \$460.00 ea.	⑥	• Left hand small drum points • To fit Claas® Orbis® 600, 750 & 900 series corn heads	26080900 / 3830221



KOOIMA #	DESCRIPTION	REPLACES OEM #
K4997071 (LH)	• Knife LH	4997073
K4988781 (RH)	• To fit Claas® Orbis® 750 & 900 heads	4988783
\$53.90 ea.	• 3 required • 3.6 lbs.	Abrasion Resistant
K23008361 (RH) Clockwise Rotation	• Small drum knife - style 'I' series	23008361 / 4988783
K23008341 (LH) Counter Clockwise Rotation	• To fit Claas® Orbis® 750 & 900 heads	23008341 / 4997073
\$59.90 ea.	• 3 each required per small drum • 3.4 lbs.	Tungsten hard-faced / Heat Treated
K2619184 (RH) Clockwise Rotation	• Small drum knife - New aggressive style	23008361 / 4997073 / 2619184
K2701068 (LH) Counter Clockwise Rotation	• To fit all Orbis® 450, 600, 600SD, 635, 750, 900 heads	23008341 / 4988783 / 2701068
\$62.50 ea.	• 3 each required per small drum • 3lbs.	Milled / Tungsten hard-faced / Heat Treated
ORBIS750BK	• Bolt Kit	
\$28.50 ea.	• To fit Claas® Orbis® 750 small drum knives	
K13195720	• 2 bolt kits needed for Claas® Orbis® 900 • 2.75 lbs.	
	• Scraper	13109570 / 13195720
\$23.50 ea.	• To fit Claas® Orbis® 750 & 900 heads	Abrasion Resistant
K13195720HP	• 3 required per drum • .7 lbs.	
	• Scraper	13109570 / 13195720
\$24.50 ea.	• Koyma Klad® coating for extended life • To fit Claas® Orbis® 750 & 900 heads	Abrasion Resistant
	• 3 required per drum • .7 lbs.	Tungsten Hard-Faced

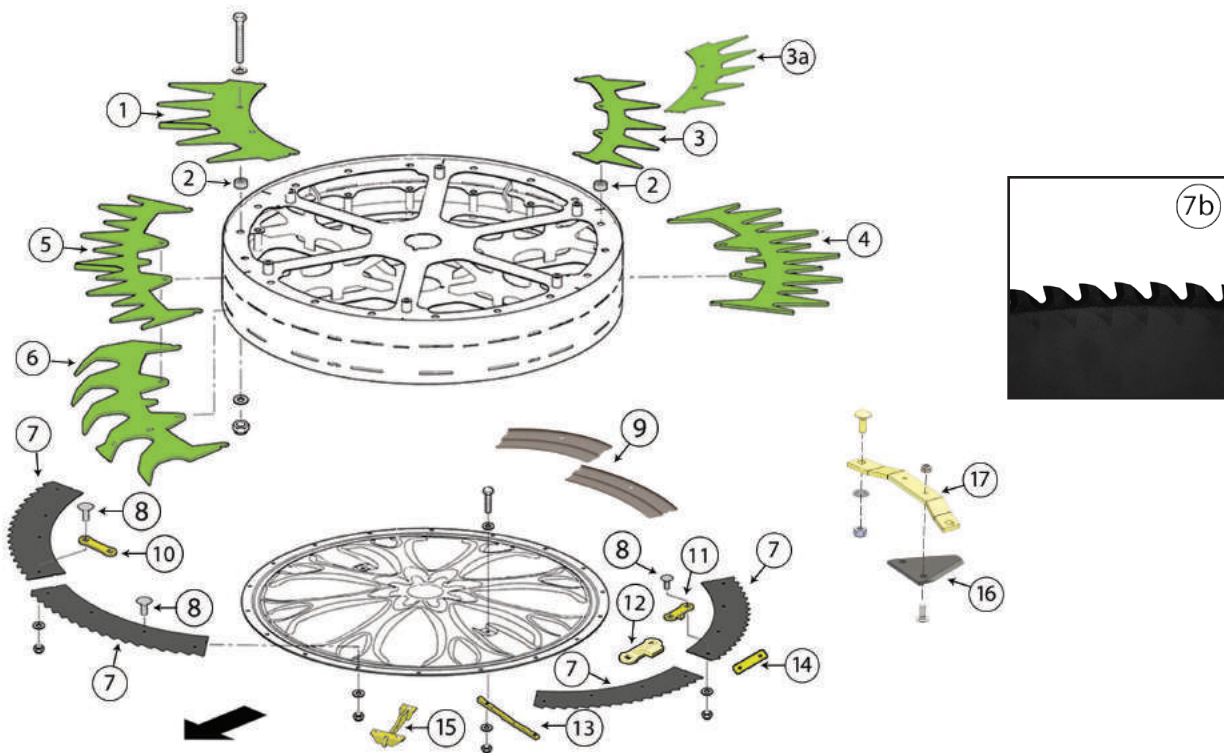
Kooima® Ag Replacement Parts To Fit ORBIS® 600 Heads

KOOIMA #	DESCRIPTION	REPLACES OEM #
K13102251	• Skid plate	13102253 / 13102251
\$320.00 ea.	• To fit Claas® Orbis® heads	Abrasion Resistant
K4979181 (RH)	• Intake cover	4979181
K4976781 (LH)	• To fit Claas® Orbis® 600 heads	4976781
\$12.00 ea.	• Right hand shown	
K4994485 (RH)	• 5.5 lbs.	
\$117.50 ea.	• Outer crop divider snouts	23019650
K9328845 (LH)	• To fit Claas® Orbis® heads	23018980
\$141.00 ea.	• Left hand shown	
K4966890 (RH)	• 11.3 lbs.	
\$84.13 ea.	• Guide bars	4966890
K4965240 (LH)	• To fit Claas® Orbis® 600 heads	4965240
\$86.95 ea.	• Right hand shown • 3.1 lbs.	
K4965220	• Made from UHMW plastic	
\$77.55 ea.	• RH & LH guide bar	4965220
	• To fit Claas® Orbis® 600 heads • 3 lbs.	
	• Made from UHMW plastic	

Claas® is a registered trademark of Claas KGaA, MBH • Orbis® is a registered trademark of Claas Saulgau GmbH

KOOIMA® AG REPLACEMENT PARTS FOR CLAAS® ORBIS® 600, 750 & 900 HEADS

Replacement parts produced by Kooima® Ag to fit Claas®

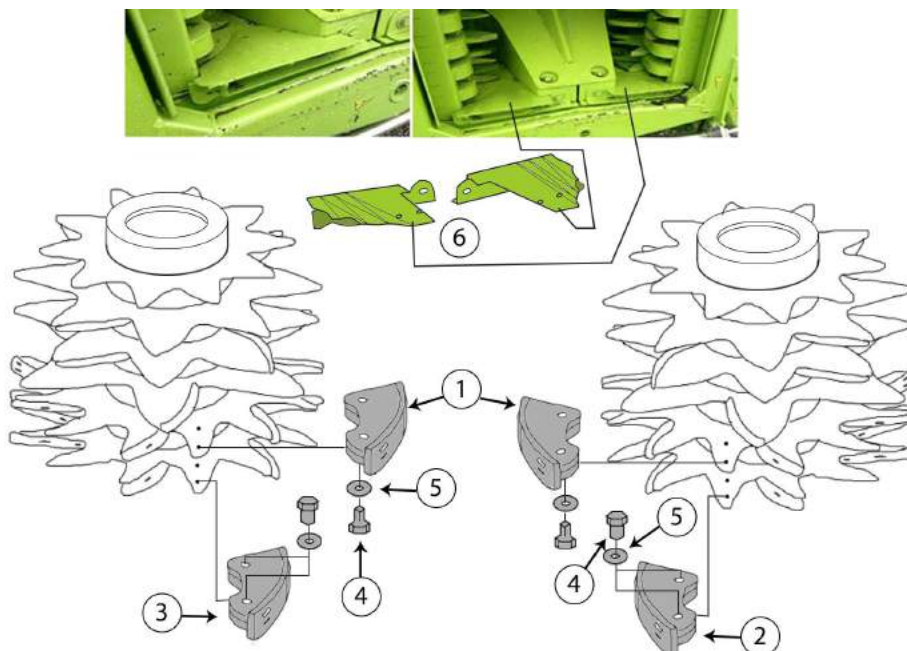


KOOIMA #	DESCRIPTION	REPLACES OEM #
K4986171 \$24.90 ea.	1 • Segment • 2 required • To fit Claas® Orbis® 600, 750 & 900 large drums • 5.8 lbs. • From serial no. 658 0 1334	4986172 / 4986171 Abrasion Resistant
K4979540 \$2.45 ea.	2 • Bushing • 18 required • To fit Claas® Orbis® 600 & 900 heads • .35 lbs. • From serial no. 658 0 1334	4979540
K13108071 \$23.65 ea.	3 • Segment • 4 required • To fit Claas® Orbis® 600, 750 & 900 large drums • 4.5 lbs. • From serial no. 658 0 1334	13108071 Abrasion Resistant
K13108070 \$22.30 ea.	3a • Segment • 4 required • To fit Claas® Orbis® 600 heads • 5.6 lbs. • Up to serial no. 658 0 1333	13108070 Abrasion Resistant
K13108080 \$19.90 ea.	4 • Segment • 4 required • To fit Claas® Orbis® 600, 750 & 900 large drums • 4.5 lbs. • From serial no. 658 0 1334	13108080 Abrasion Resistant
K4986161 \$25.90 ea.	5 • Segment • 2 required • To fit Claas® Orbis® 600, 750 & 900 large drums • 4.6 lbs. • From serial no. 658 0 1334	4986161 Abrasion Resistant
K4970251 \$32.50 ea.	6 • Segment • 6 required • From serial no. 658 0 1334 • To fit Claas® Orbis® 600, 750 & 900 large drums • 7.55 lbs.	4970251 Abrasion Resistant
K4999651 \$32.50 ea.	6 • Segment • 6 required • From serial no. 658 0 1334 • To fit Claas® Orbis® 600, 750 & 900 large drums • 7.55 lbs.	4999651 Abrasion Resistant
K13101080 LH (turns counter-clockwise)	7 • Knife • 6 of each required • 4.6 lbs.	3837502 / 13101082
K13116270 RH (turns clockwise)	7 • From serial no. 658 0 1334 • To fit Claas® Orbis® 600, 750 & 900 large drums	3837372 / 13116272 Abrasion Resistant
K3837501 LH (turns counter-clockwise)	7a • Large drum knife - style 'I' series • 3.5 lbs.	3837501
K3837371 RH (turns clockwise)	7a • To fit Claas® Orbis® 600, 750 & 900 heads • 6 of each required per large drum	3837371 Tungsten hard-faced/ Heat Treated
K2619183 LH (turns counter-clockwise)	7b • Large drum knife - new aggressive style • 3.1 lbs.	3837502 / 26191834 / 3837371
K2700460 RH (turns clockwise)	7b • To fit all Orbis® 450, 600, 600SD, 635, 750, 900 heads • 6 of each required per large drum	3837371 / 27004603 / 3837501 Tungsten hard-faced/ Heat Treated
ORBIS600BK \$99.50 ea.	8 • Bolt Kit • 9.5 lbs. • To fit Claas® Orbis® 600, 750 and 900 knives • 1 kit required • From serial no. 658 0 1334 • Also need 1 ORBIS750BK • Need 2 ORBIS750BK for 900 knives (See page 157)	
K4990060 \$17.95 ea.	9 • Reinforcement Plate • 9 required per rotor • To fit Claas® Orbis® 600, 750 and 900 Heads • 1.15 lbs.	4990060
K13103490 \$3.15 ea.	10 • Strap • 4 required • To fit Claas® Orbis® 600, 750 and 900 heads • .15 lbs. • From serial no. 658 0 1334	13103490 Abrasion Resistant
K13102981 \$17.80 ea.	11 • Scraper • 2 required • .3 lbs. • To fit Claas® Orbis® 600, 750 and 900 heads • From serial no. 658 0 1334	3831480/13102981 Abrasion Resistant
K3831480 \$17.80 ea.	12 • Scraper • From serial no. 659 0 1673 • Koyoma Klad® coating for extended life • .3 lbs. • To fit Claas® Orbis® 750 & 900 heads • 2 required per drum	3831480 Abrasion Resistant/Tungsten Hard-Faced

KOOIMA® AG REPLACEMENT PARTS FOR CLAAS® ORBIS® 600, 750 & 900 HEADS

Replacement parts produced by Kooima® Ag to fit Claas®

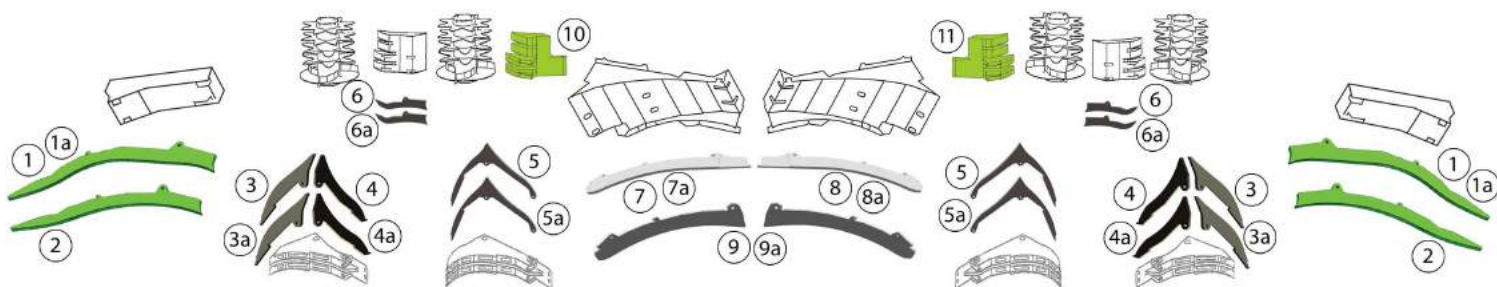
KOOIMA #	DESCRIPTION	REPLACES OEM #
K1310932 \$40.40 ea.	(13) <ul style="list-style-type: none"> • Scraper • 2 required • To fit Claas® Orbis® 600, 750 and 900 heads • .85 lbs. • From serial no. 658 0 1334 	13100934 Abrasion Resistant
K3831470 \$17.60 ea.	(13a) <ul style="list-style-type: none"> • Scraper • 2 required • To fit Claas® Orbis® 750 and 900 heads • .91 lbs. • From serial no. 659 0 1673 	3831470 Abrasion Resistant
K9968071 \$2.35 ea.	(14) <ul style="list-style-type: none"> • Reinforcement • 6 required • To fit Claas® Orbis® 600 heads • .05 lbs. • Up to serial no. 658 0 1333 	9968071 Abrasion Resistant
K4992202 \$13.90 ea.	(15) <ul style="list-style-type: none"> • Scraper • .9 lbs. • To fit Claas® Orbis® 600 heads • Up to serial no. 658 0 1333 	4992202 Abrasion Resistant
K6112031 \$1.40 ea.	(16) <ul style="list-style-type: none"> • Knife section • 2 required per drum • .20 lbs. • To fit Claas® Orbis® 600, 750 & 900 large drums • Bolt kit: K6112031BK - 1 kit per knife req'd, \$2.50 ea., .1 lb. 	6112031
K3832211 \$18.80 ea.	(17) <ul style="list-style-type: none"> • Knife section support • 1 required per knife • To fit Claas® Orbis® 600, 750 & 900 heads • Bolt kit: K3832211BK - 1 kit per support req'd \$4.20 ea. 	3832211 Heat Treated
NEW K3832642 \$18.90 ea.	(17a) <ul style="list-style-type: none"> • Knife section support • 1 required per knife • .65 lbs. • To fit Claas® Orbis® "I" series models, 450, 600, 600SD, 635, 750, 900 	Chrome Plated
HEAD KITS		
KORBIS600 \$1,815.50 ea.	• Head Kit - Includes knives and bolt kits: (12) K3837501, (12) K3837371, (1) ORBIS600BK • To fit Claas® Orbis® 600 head • 120 lbs.	
KORBIS750 \$2,203.40 ea.	• Head Kit - Includes knives and bolt kits: (12) K3837501, (12) K3837371, (1) ORBIS600BK • To fit Claas® Orbis® 750 head • 145 lbs. (3) K23008361, (3) K23008341, (1) ORBIS750BK	
KORBIS900 \$2,591.30 ea.	• Head Kit - Includes knives and bolt kits: (12) K3837501, (12) K3837371, (1) ORBIS600BK • To fit Claas® Orbis® 900 head • 169 lbs. (6) K23008361, (6) K23008341, (2) ORBIS750BK	



KOOIMA #	DESCRIPTION	REPLACES OEM #
K13109450 \$19.35 ea.	(1) <ul style="list-style-type: none"> • Intake drum scraper • To fit Orbis® 450-900 series • 6 required • 3 per tree 	13109450
K13109550 \$22.40 ea.	(2) <ul style="list-style-type: none"> • LH drum scraper • To fit Orbis® 450-900 series • 3 required 	13109550
K13109570 \$22.40 ea.	(3) <ul style="list-style-type: none"> • RH drum scraper • To fit Orbis® 450-900 series • 3 required 	13109570
K54530816 \$0.90 ea.	(4) <ul style="list-style-type: none"> • Drum scraper bolt 2333900 • Use with K13109450, K13109550 & K13109570 scrapers • 2 required per scraper • .035 lbs. 	2393870
K54532008 \$0.90 ea.	(5) <ul style="list-style-type: none"> • Drum scraper washer • Use with K13109450, K13109550 & K13109570 scrapers • 2 required per scraper • .005 lbs. 	23003690
K23003690 \$367.90 ea.	(6) <ul style="list-style-type: none"> • Crop flow kit • Increase capacity with better crop flow to cutter head • To fit Orbis® 450-900 series 	23003690

KOOIMA® AG REPLACEMENT PARTS FOR CLAAS® ORBIS® 750 & 900 HEADS

Replacement parts produced by Kooima® Ag to fit Claas®



KOOIMA #	DESCRIPTION	REPLACES OEM #
K13102630	• Small drum guide bars • To fit Claas® Orbis® 900 heads • Made from UHMW plastic • 4 required • 2.4 lbs.	13102630
\$54.40 ea.		
K13196970	• Small drum guide bars • To fit Claas® Orbis® 900 heads • Made from steel • Turn your Orbis® head into a cutting machine all year long • 19.8 lbs.	13196970 Abrasion Resistant
\$127.50 ea.		
K4968222	• Small drum guide bar • To fit Claas® Orbis® 750 heads • 4 required • UHMW high wear plastic • 2 lbs.	4968222
\$67.50 ea.		
K4968222HP	• Small drum guide bar - Heavy duty steel construction • To fit Claas® Orbis® 750 heads • 4 required • 15.45 lbs.	4968222
\$159.75 ea.		
K04994640	• Outside small drum guide bar • To fit Claas® Orbis® 900 heads • Made from UHMW plastic • 4 required per head • .65 lbs.	4994640
\$33.90 ea.		
K04994640HP	• Outside small drum guide bar • 5.3 lbs. • To fit Claas® Orbis® 900 heads • Made from steel • Turn your Orbis® head into a cutting machine all year long • 4 required per head	4994640 Abrasion Resistant
\$82.40 ea.		
K13102890	• Inside small drum guide bar • To fit Claas® Orbis® 900 heads • Made from UHMW plastic • 4 required per head • .65 lbs.	13102890
\$37.60 ea.		
K13102890HP	• Inside small drum guide bar • 5.65 lbs. • To fit Claas® Orbis® 900 heads • Made from steel • Turn your Orbis® head into a cutting machine all year long • 4 required per head	13102890 Abrasion Resistant
\$82.40 ea.		
K04969022	• Stripper guide bar • To fit Claas® Orbis® 900 heads and 750 after SN# 65901068 • Made from UHMW plastic • 4 required per head • 1.45 lbs.	4969022
\$53.00 ea.		
K04969022HP	• Stripper guide bar • 12.2 lbs. • Made from steel • To fit Claas® Orbis® 900 heads and 750 after SN# 65901068 • Turn your Orbis® head into a cutting machine all year long • 4 required per head	4969022 Abrasion Resistant
\$112.70 ea.		
K13103320	• Guide bar for outside rail • To fit Claas® Orbis® 900 heads • Made from UHMW plastic • 4 required per head • 1.1 lbs.	13103320
\$39.80 ea.		
K13103320HP	• Guide bar for outside rail • 9.35 lbs. • To fit Claas® Orbis® 900 heads • Made from steel • Turn your Orbis® head into a cutting machine all year long • 4 required per head	13103320 Abrasion Resistant
\$87.40 ea.		
K04971101	• Inside replacement guide bar top - Right • To fit Claas® Orbis® 900 heads • Also fits 750 SN. 65901068 & after • Made from UHMW plastic • 2.8 lbs.	4971101
\$60.00 ea.		
K13194800	• Inside replacement guide bar top • To fit Claas® Orbis® 900 heads • Also fits 750 SN. 65901068 & after • Made from steel • Turn your Orbis® head into a cutting machine all year long • 22.3 lbs. • Right	13194800 Abrasion Resistant
\$127.50 ea.		
K04972881	• Inside replacement guide bar top - Left • 2.7 lbs. • To fit Claas® Orbis® 900 heads • Also fits 750 SN. 65901068 & after • Made from UHMW plastic	4972881
\$59.75 ea.		
K13194810	• Inside replacement guide bar top • To fit Claas® Orbis® 900 heads • 22.6 lbs. • Also fits 750 SN. 65901068 & after • Made from steel • Turn your Orbis® head into a cutting machine all year long • Left	13194810 Abrasion Resistant
\$127.50 ea.		
K04967642	• Inside replacement guide bar bottom • To fit Claas® Orbis® 900 heads • Also fits 750 SN. 65901068 & after • Made from UHMW plastic • 2 required per head • 2.5 lbs.	4967642
\$56.70 ea.		
K13194790	• Inside replacement guide bar bottom • To fit Claas® Orbis® 900 heads • Also fits 750 SN. 65901068 & after • 19.8 lbs. • Made from steel • Turn your Orbis® head into a cutting machine all year long with extended life steel guide bars	13194790 Abrasion Resistant
\$127.50 ea.		
K4969873	• Right hand stripper guide • To fit Orbis® 750 and 900 series • 21 lbs.	4969873
\$595.00 ea.		
K4967433	• Left hand stripper guide • To fit Orbis® 750 and 900 series • 21 lbs.	4967433
\$595.00 ea.		

DIGITAL SIGNS FOR YOUR COMMUNITY

Permanent & Portable Options



Does someone in your community need a sign?
Digital signs are attractive, flexible, and attention-grabbing.
Tell your local school, church, city, or business about DKOI!

OUR SIGNS ARE GREAT FOR:

Churches & schools
Events
Businesses
Community announcements
Municipalities
Festivals
Fundraisers
Auctions

Available to buy or rent!

**BUILT IN
IOWA**



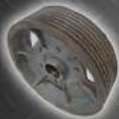
CONTACT US TO LEARN MORE!

www.DKOI.com | 888-995-DKOI (3564)

All signs are capable of playing videos, pictures, and text.



Your #1 Source For Used Parts



Claas®

John Deere®

Kemper™

New Holland®

Krone®

Claas® Self-Propelled Forage Harvester **PARTS**

1-877-427-6950

www.iowacuttersupply.com



Iowa Cutter Supply Inc.

1004 10th Ave

Rock Valley, IA 51247

On the corner of Hwy 18 and 10th Ave

If you have a cutter to sell:
Email pictures and a description to
sales@iowacuttersupply.com

or

Call 1-877-427-6950 and ask for Ivan

/ HEAD CART /



Easily moves 678 Kemper™



Pull it with your chopper or pickup



Easily moves 15' hay heads

This SPFH friendly head cart will keep your expensive chopping and hay heads off the ground, while you enjoy the benefits of easy loading and unloading using your existing chopper. The 9000 lb. rated capacity and 15' base accommodate a large range of heads.

US Patent: 8,919,800

Order # KHC15

Built to order

\$9,650.00 ea.

Optional Hitch Pin /
Clevis Connection

Order # FH5001013

\$100⁷⁵ ea.

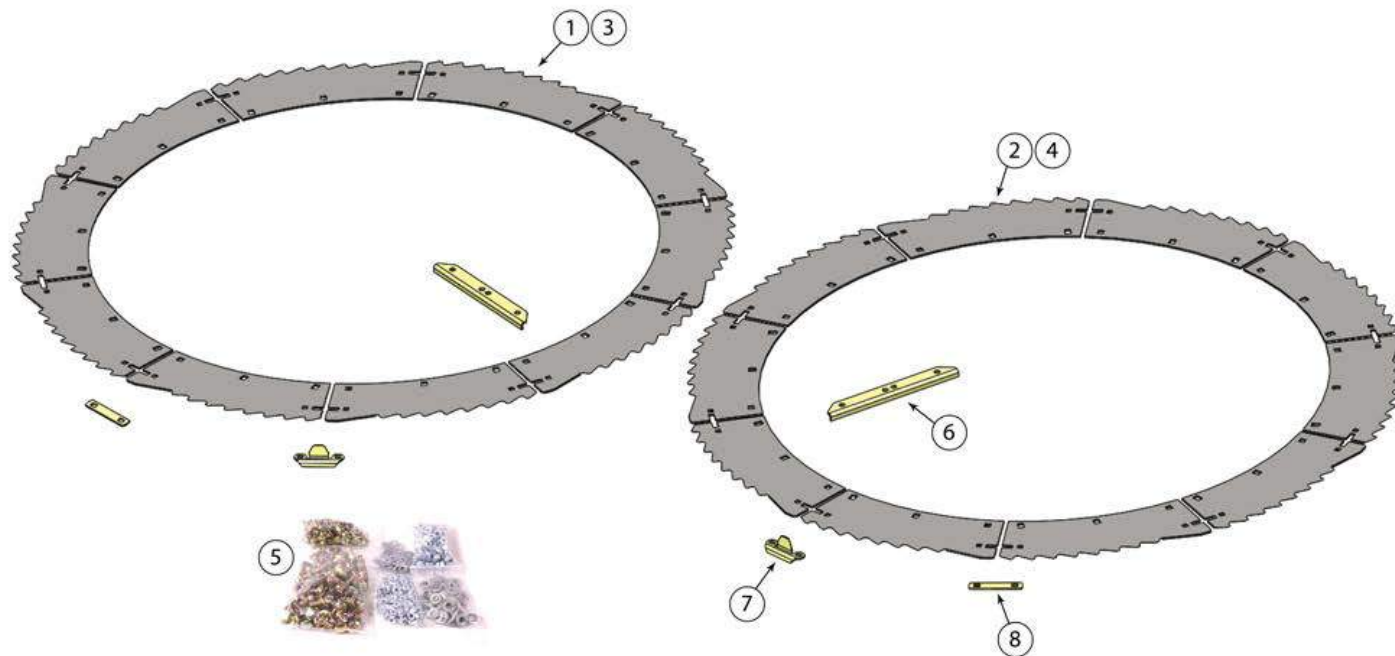


8.35 lbs.



KOOIMA® AG REPLACEMENT PARTS TO REPLACE CLAAS® RU 450 & 600 SERIES ROTARY HEADS

Replacement parts produced by Kooima® Ag to fit Claas®



KOOIMA #	DESCRIPTION	REPLACES OEM #
K9963130	① Flat cutting blade • To fit right hand & center drums on RU 450 & RU 450XTRA 6-row heads • 10 required • 1.7 lbs.	9963130 Heat Treated Tungsten Carbide
\$30.50 ea. K9995490	①a Flat cutting blade • Has notches for scrapers • To fit right hand & center drums on RU 450 & RU 450XTRA 6-row heads • 10 required • 1.7 lbs.	9995490 Heat Treated Tungsten Carbide
\$30.50 ea. K9963100	② Flat cutting blade • To fit left hand drums on RU 450 & RU 450XTRA 6-row heads • 5 required • 1.7 lbs.	9963100 Heat Treated Tungsten Carbide
\$30.50 ea. K9995540	②a Flat cutting blade • Has notches for scrapers • To fit left hand drums on RU 450 & RU 450XTRA 6-row heads • 5 required • 1.7 lbs.	9995540 Heat Treated Tungsten Carbide
\$30.50 ea. K9998170	③ Flat cutting blade • Has notches for scrapers • To fit right hand and center drums on RU 600XTRA 8-row heads • 20 required • 2.5 lbs.	9998170 Heat Treated Tungsten Carbide
\$42.90 ea. K9998160	④ Flat cutting blade • Has notches for scrapers • To fit left hand and center drums on RU 600XTRA 8-row heads • 20 required • 2.5 lbs.	9998160 Heat Treated Tungsten Carbide
\$42.90 ea. KRU450BK	⑤ Metric bolt kit • To fit RU 450 6-row heads • 1 kit required per head • 10.25 lbs.	
\$92.00 ea. KRU600BK	⑤a Metric bolt kit • To fit RU 600 8-row heads • 1 kit required per head • 13.5 lbs.	
\$114.00 ea. K9961221	⑥ Drum scraper • To fit RU 450 and RU 450XTRA heads • To fit RU 600 and New Holland® RI 600 heads • 2 required per drum • .6 lbs.	9961221 Abrasion Resistant
\$6.90 ea. K9919821	⑦ Blade scraper • To fit RU 450XTRA heads & RU 450 IF using XTRA style blades • To fit RU 600 8-row heads • 15 required for 450; 20 required for 600 • .15 lbs.	9919822 Heat Treated Tungsten Carbide
\$11.95 ea. K9968071	⑧ Reinforcement • To fit RU 450 and RU 450XTRA heads • To fit RU 600 and RU 600XTRA heads • 5 required per rotor • .05 lbs.	9968071 Abrasion Resistant
\$2.35 ea.		

Claas® is a registered trademark of Claas KGaA, MBH

TO ORDER TOLL FREE CALL 1-800-522-8874

KOOIMA AG

Replacement parts produced by Kooima® Ag to fit Claas®

/ CROP DIVIDER ASSEMBLIES /

Kemper™ style Crop Dividers to fit Claas® RU 600 and New Holland® RI 600 series corn heads

The RU and RI heads are great, but have a tendency to double cut the stalk, leaving a trail of 6-8 inch long chunks lying in the field. This new Crop Divider holds the stalk up and in tighter to the drum for a single clean cut with no waste. Your customers will notice the difference and so will you! We ran them on our RU head and loved them. Call today for more details.

Order # K600PAKIT
(to fit RU 600 & RI 600 8-row)
• Uses 2 RH, 2 LH assemblies

\$2,590⁰⁰ ea.

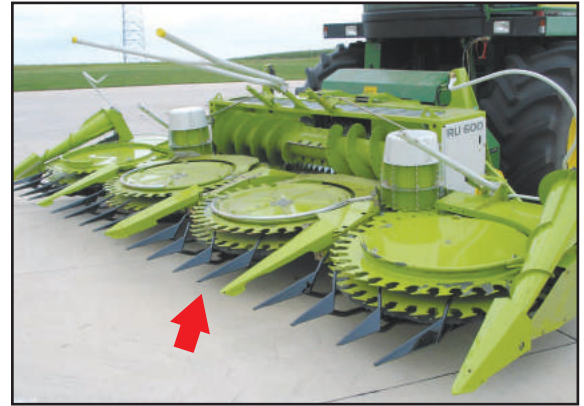
276 lbs.



Order # K450PAKIT
(to fit RU 450 6-row)
• Uses 2 RH, 1 LH assemblies

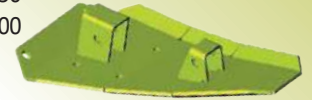
\$2,090⁰⁰ ea.

180 lbs.

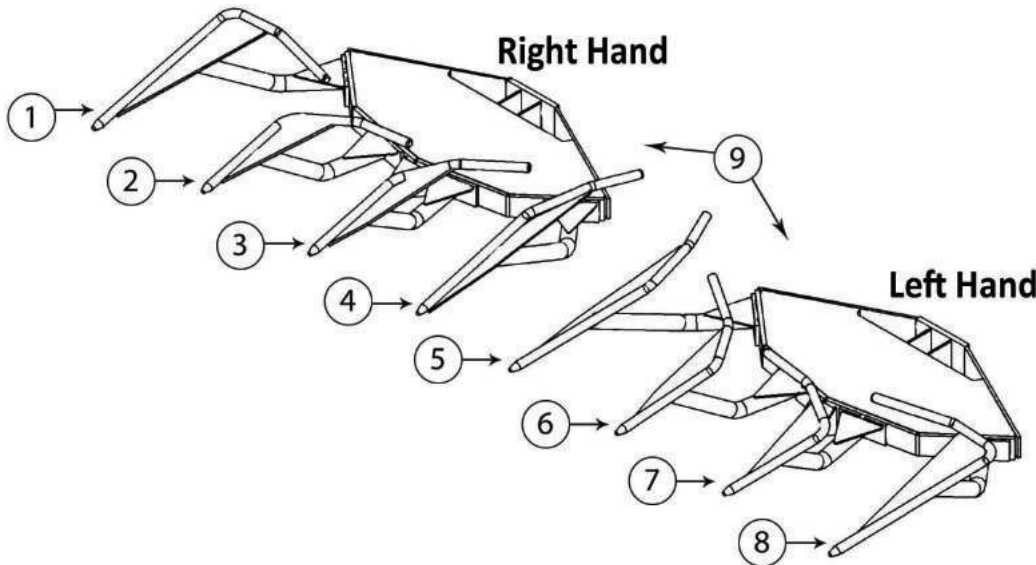


Order # K9906070

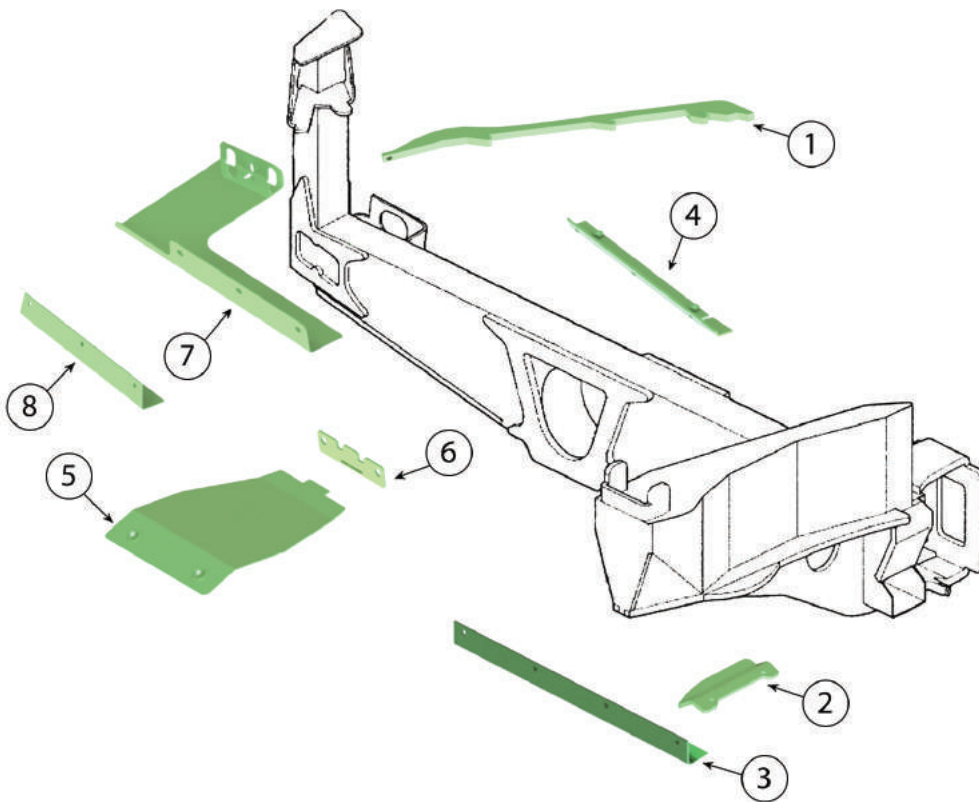
- Crop dividers use the K9906070 skid plates • 14 lbs.
- 3 required for the RU450
- 4 required for the RU600
- Replaces OEM # 9906070



\$106²⁰ ea.

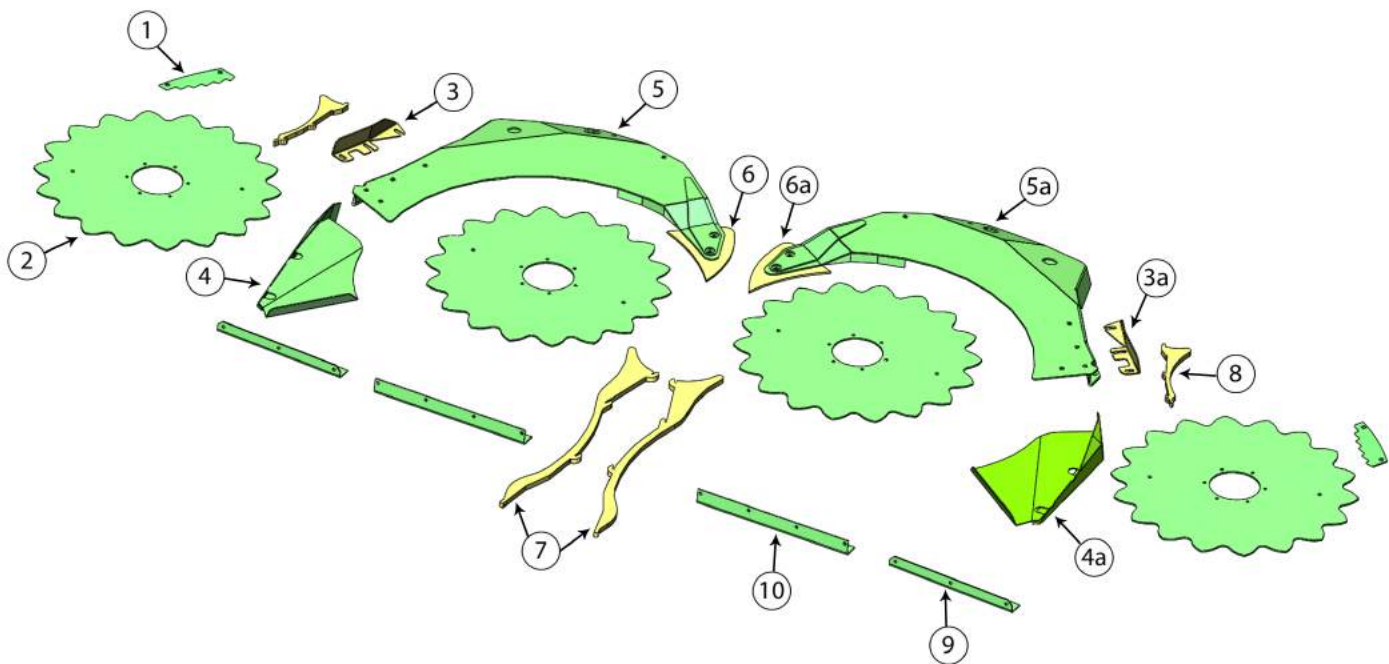


KOOIMA #	DESCRIPTION	REPLACES OEM #
K9995851 \$109.00 ea.	① • RH Point • To fit Claas® RU corn heads • 8.3 lbs.	9995851
K9995901 \$109.00 ea.	② • RH Point • To fit Claas® RU corn heads • 6.4 lbs.	9995901
K9995941 \$109.00 ea.	③ • RH Point • To fit Claas® RU corn heads • 6.6 lbs.	9995941
K9995992 \$109.00 ea.	④ • RH Point • To fit Claas® RU corn heads • 7.2 lbs.	9995992
K9996012 \$109.00 ea.	⑤ • LH Point • To fit Claas® RU corn heads • 6.9 lbs.	9996012
K9996031 \$109.00 ea.	⑥ • LH Point • To fit Claas® RU corn heads • 6.6 lbs.	9996031
K9996051 \$109.00 ea.	⑦ • LH Point • To fit Claas® RU corn heads • 6.5 lbs.	9996051
K9996071 \$109.00 ea.	⑧ • LH Point • To fit Claas® RU corn heads • 8.1 lbs.	9996071
K600PA \$365.00 ea.	⑨ • Base • To fit Claas® RU corn heads • 41.4 lbs.	

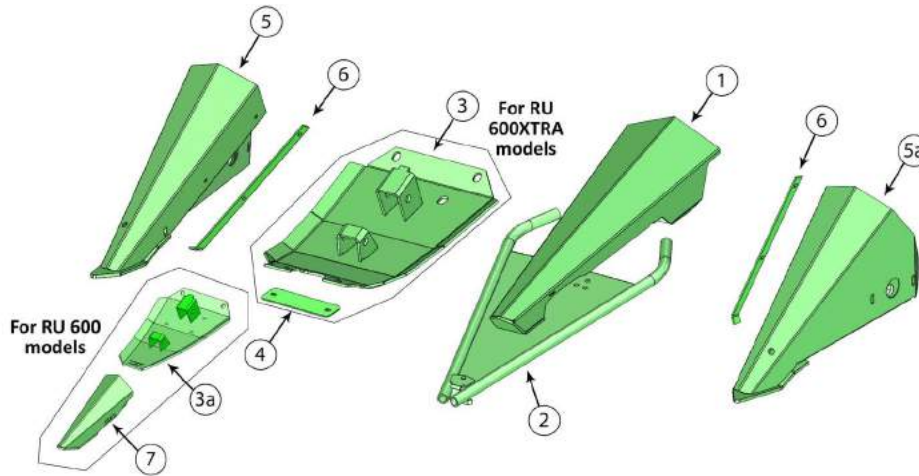


KOOIMA #	DESCRIPTION	REPLACES OEM #
K9908390	<ul style="list-style-type: none"> Wing guide bar To fit Claas® RU 600 & New Holland® RI 600 8-row heads 	9908390
\$38.00 ea.		Abrasion Resistant
K9911470 (LH)	<ul style="list-style-type: none"> Feed guide plate To fit Claas® RU 600 and New Holland® RI 600 8-row heads 	9911471
K9921810 (RH)	<ul style="list-style-type: none"> Frame wear angle To fit Claas® RU 600XTRA 8-row heads 	9921811
\$30.08 ea.		Abrasion Resistant
K9924421	<ul style="list-style-type: none"> Support angle To fit Claas® RU 600XTRA 8-row heads 	9924440
\$17.80 ea.		9901390
K9924440 (RH)	<ul style="list-style-type: none"> Skid plate cover To fit Claas® RU 600XTRA 8-row heads 	9977970
K9901390 (LH)	<ul style="list-style-type: none"> Hexagonal screw To fit K9977970 • .1 lbs. 	2360560
\$21.90 ea.		9977950
K9977970	<ul style="list-style-type: none"> Skid rail To fit Claas® RU 600XTRA 8-row heads 	2335070
\$39.35 ea.		2393910
K2360560	<ul style="list-style-type: none"> Contact washer To fit K9977950 • .1 lbs. 	4976450
\$0.75 ea.		4976440
K9977950	<ul style="list-style-type: none"> Wear plate To fit Claas® RU 600XTRA heads 	9924432
\$7.25 ea.		
K2335070	<ul style="list-style-type: none"> Wear plate To fit Claas® RU 600XTRA heads 	
\$6.50 ea.		
K2393910	<ul style="list-style-type: none"> Wear plate To fit Claas® RU 600XTRA heads 	
\$1.05 ea.		
K4976450 (LH)	<ul style="list-style-type: none"> Wear plate To fit Claas® RU 600XTRA heads 	
K4976440 (RH)	<ul style="list-style-type: none"> Wear plate To fit Claas® RU 600XTRA heads 	
\$29.80 ea.		
K9924432	<ul style="list-style-type: none"> Wear plate To fit Claas® RU 600XTRA heads 	
\$12.25 ea.		

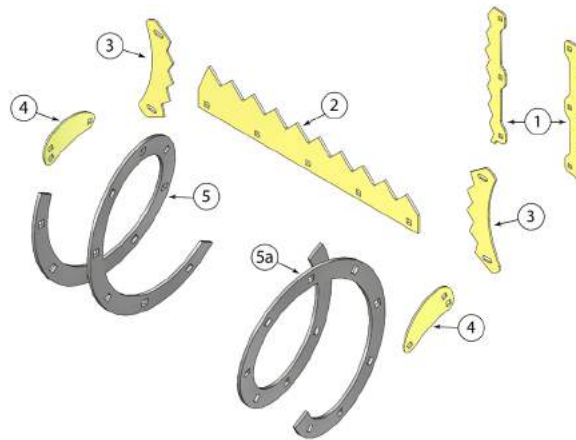
Replacement parts produced by Kooima® Ag to fit Claas®



<u>KOOIMA #</u>	<u>DESCRIPTION</u>	<u>REPLACES OEM #</u>
K9966370	① • Cutoff knife, end drum • To fit RU 600, RU 600XTRA, RI 600, RI 600XTRA 8-row heads • 2 required per head • .6 lbs.	9966370 Abrasion Resistant Tungsten Carbide
\$19.30 ea. K9965390	② • Replacement scraper disc • To fit RU 600, RU 600XTRA, RI 600, RI 600XTRA 8-row heads from SN. 66101282 • AR400 Material • 6 required • 27.9 lbs.	9965390 Abrasion Resistant
\$215.00 ea. K9916660 (RH) K9916650 (LH)	③ • Deflector • To fit RU 600, RU 600XTRA, RI 600, RI 600XTRA 8-row heads ③a • 1 required • 1.2 lbs. ea.	9916650 9916660 Abrasion Resistant
\$15.75 ea. K9903340 (RH) K9920460 (LH)	④ • Crop guide plate • To fit RU 600, RU 600XTRA, RI 600, RI 600XTRA 8-row heads ④a • 1 each required • 7.8 lbs. ea.	13117440 / 9920460 13117430 / 9903340 Abrasion Resistant
\$56.50 ea. K9916692 (RH) K9916622 (LH)	⑤ • Rotor cover • To fit RU 600, RU 600XTRA, RI 600, RI 600XTRA 8-row heads ⑤a • 1 required • 35 lbs. ea.	9916622 9916692 Abrasion Resistant
\$390.80 ea. K9908870 (RH) K9908910 (LH)	⑥ • Crop guide plate • To fit RU 600, RU 600XTRA, RI 600, RI 600XTRA 8-row heads ⑥a • 1 each required • .3 lbs. ⑥b • Bolt kit • .15 lbs. • To fit K9908910 & K9908870 crop guide plates	9908910 9908870 Abrasion Resistant
\$3.50 ea. K9908910BK K9908400	⑦ • Center guide bar • To fit RU 600, RU 600XTRA, RI 600, RI 600XTRA 8-row heads • 2 required • 9.4 lbs.	9908401 Abrasion Resistant
\$65.45 ea. K9910000	⑧ • Outside guide bar • To fit RU 600, RU 600XTRA, RI 600, RI 600XTRA 8-row heads • 2 required • 2.1 lbs.	9910001 / 9910000 Abrasion Resistant
\$36.50 ea. K9921502	⑨ • Wear angle • To fit RU 600, RU 600XTRA, RI 600, RI 600XTRA 8-row heads • 2 required • 1.8 lbs.	9921502 Abrasion Resistant
\$8.75 ea. K9921511	⑩ • Wear angle • To fit RU 600, RU 600XTRA, RI 600, RI 600XTRA 8-row heads • 2 required • 2.5 lbs.	9921511 Abrasion Resistant
\$10.75 ea.		



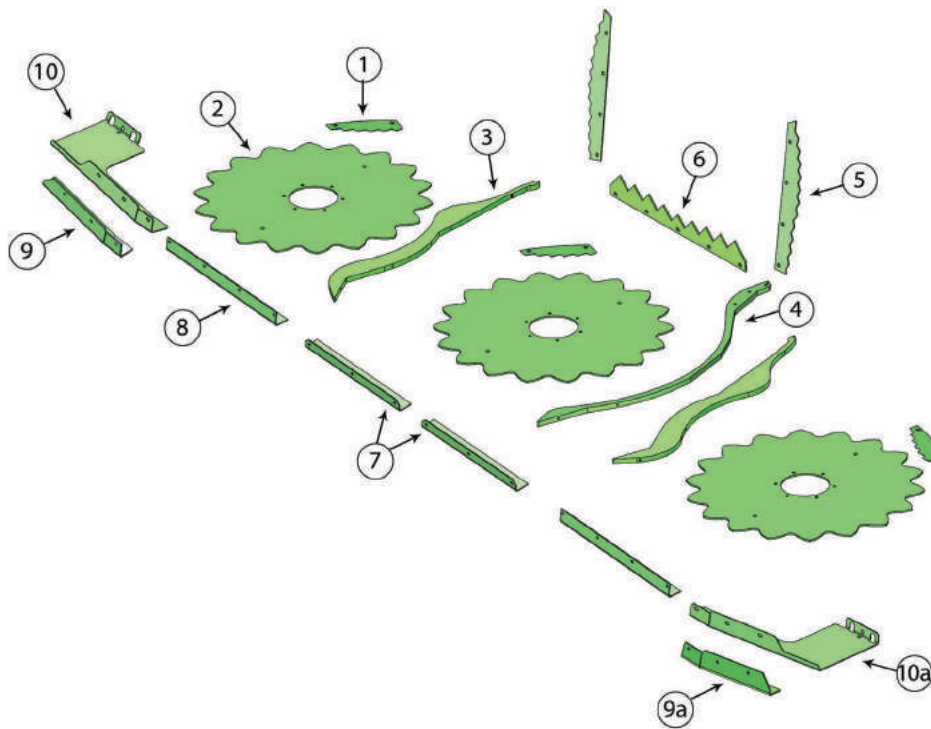
KOOIMA #	DESCRIPTION	REPLACES OEM #
K9906460 \$153.75 ea.	① • Crop divider snout • 2 required • 11.4 lbs. • To fit RU 600, RU 600XTRA, RI 600, RI 600XTRA 8-row heads	9906461
K9915641 \$120.75 ea.	② • Deflector plate • To fit crop divider #K9906460 • 7.1 lbs. • To fit RU 600, RU 600XTRA, RI 600, RI 600XTRA 8-row heads	9915642 Abrasion Resistant
K9995760 \$175.75 ea.	③ • Skid plate • To fit RU 600XTRA/RI 600XTRA • 3 required • 12.8 lbs.	9995760 Abrasion Resistant
K9906070 \$106.20 ea.	③a • Skid plate • To fit RU 600 8-row heads • 4 required • 14 lbs.	9906070 Abrasion Resistant
K9995771 \$12.75 ea.	④ • Skid plate strap • To fit RU 600XTRA skid plate • 3 required • .4 lbs.	9995771
K9922842 (RH) K9922772 (LH) \$150.75 ea.	⑤ • Outer crop divider snout • To fit RU 600, RU 600XTRA, RI 600, RI 600XTRA 8-row heads	9922842 9922776
K9921490 \$7.25 ea.	⑤a • 1 each required • 8.8 lbs. ea. • Outside snout wear plate • 2 required • .4 lbs. • To fit RU 600, RU 600XTRA, RI 600, RI 600XTRA 8-row heads	9921490 Abrasion Resistant
K9910080 \$135.75 ea.	⑦ • Crop divider snout • To fit RU 600 8-row heads • 4 required • 5.3 lbs.	9910081



KOOIMA #	DESCRIPTION	REPLACES OEM #
K9967101 \$9.15 ea.	① • Feed cone tooth • 16 required • .6 lbs. • To fit RU 600, RU 600XTRA, RI 600, RI 600XTRA 8-row heads	9967101 Abrasion Resistant
K9990370 (99mm) \$23.80 ea.	② • Auger tooth • 4 required • 3 lbs. • To fit RU 600XTRA/RI 600XTRA 8-row heads	9990370 Abrasion Resistant
K9966430 (103mm) \$19.60 ea.	②a • Auger tooth • 4 required • 3.1 lbs. • To fit RU 600, RU 600XTRA, RI 600, RI 600XTRA 8-row heads	9966431 Abrasion Resistant
K9966431 (110mm) \$19.80 ea.	②b • Auger tooth • 4 required • 3.6 lbs. • To fit RU 600XTRA/RI 600XTRA 8-row heads	9966431 Abrasion Resistant
K9321500 \$5.15 ea.	③ • Comb feeder • 6 required • .6 lbs. • To fit RU 600, RU 600XTRA, RI 600, RI 600XTRA 8-row heads	9321500 Abrasion Resistant
K9997901 \$8.30 ea.	④ • Coupler • 6 required • .5 lbs. • To fit RU 600, RU 600XTRA, RI 600, RI 600XTRA 8-row heads	9997901 Abrasion Resistant
K9923611 (RH) K9923591 (LH) \$126.80 ea.	⑤ • Auger reinforcement • To fit RU 600, RU 600XTRA, RI 600, RI 600XTRA 8-row heads	9923611 9923591
K54532835BK \$8.25 ea.	⑤a • 2 of each required • 4.5 lbs. • Auger reinforcement bolt kit ⑤b • Used with K9923611 & K9923591 • One bolt kit per set • Set includes 25 bolts and 25 nuts	

KOOIMA® AG REPLACEMENT PARTS FOR CLAAS® RU 450/RU 450XTRA HEADS

Replacement parts produced by Kooima® Ag to fit Claas®



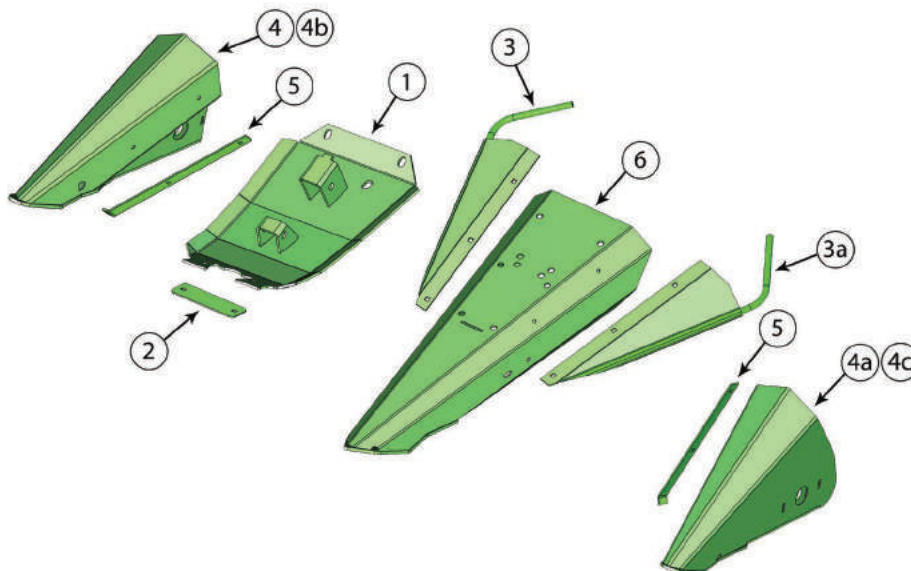
KOOIMA #	DESCRIPTION	REPLACES OEM #
K9966370	• Cutoff knife, end drum	9966370
\$19.30 ea.	• To fit RU 450, RU 450XTRA, RI 450, RI 450XTRA heads	Abrasion Resistant Tungsten Carbide
K9965390	• Replacement scraper disc	9965390
\$215.00 ea.	• To fit RU 450, RU 450XTRA, RI 450, RI 450XTRA heads	Abrasion Resistant
K9921782	• Outside feed segment • 2 required • 13.4 lbs.	9921782
\$81.75 ea.	• To fit RU 450, RU 450XTRA, RI 450, RI 450XTRA heads	Abrasion Resistant
K9921793	• Center feed segment • 8.7 lbs.	9921793
\$77.45 ea.	• To fit RU 450, RU 450XTRA, RI 450, RI 450XTRA heads	Abrasion Resistant
K9909572	• Intake cone tooth • 20 required • 1.6 lbs	9909572
\$9.15 ea.	• To fit RU 450, RU 450XTRA, RI 450, RI 450XTRA heads	Abrasion Resistant
K9990370 (99mm)	• Auger tooth • 4 required • 3 lbs.	9990370
\$23.80 ea.	• To fit RU 450, RU 450XTRA, RI 450, RI 450XTRA heads	Abrasion Resistant
K9966430 (103mm)	• Auger tooth • 4 required • 3.1 lbs.	9966431
\$19.60 ea.	• To fit RU 450, RU 450XTRA, RI 450, RI 450XTRA heads	Abrasion Resistant
K9966431 (110mm)	• Auger tooth • 4 required • 3.6 lbs.	9966431
\$19.80 ea.	• To fit RU 450, RU 450XTRA, RI 450, RI 450XTRA heads	Abrasion Resistant
K9921502	• Wear angle • 2 required • 1.8 lbs.	9921502
\$8.75 ea.	• To fit RU 450, RU 450XTRA, RI 450, RI 450XTRA heads	Abrasion Resistant
K9921511	• Wear angle • 2 required • 2.5 lbs.	9921511
\$10.75 ea.	• To fit RU 450, RU 450XTRA, RI 450, RI 450XTRA heads	Abrasion Resistant
K9321200 (RH)	• Frame wear plate	9321200
K9321190 (LH)	• To fit RU 450XTRA & RI 450XTRA heads	9321190
\$9.25 ea.	• To fit SN. 66005499 & below • 2.9 lbs.	
K4976460 (RH)	• Corn header frame wear plate	4976460
K4976470 (LH)	• To fit RU 450XTRA & RI 450XTRA heads	4976470
\$28.30 ea.	• 4.9 lbs.	

K9903150
\$175.00 ea.



• Row crop disc
• To fit Claas® MG4, MG6 and MG8 corn heads • 4.9 lbs.

XQ9903150
Heat Treated Tungsten Carbide



KOOIMA #	DESCRIPTION	REPLACES OEM #
K9995760 \$175.75 ea.	① • Skid plate • To fit RU 450XTRA/RI 450XTRA 6-row heads • 3 required • 12.8 lbs.	9995760 Abrasion Resistant
K9995771 \$12.75 ea.	② • Skid plate strap • To fit RU 450XTRA/RI 450XTRA skid plate • 3 required • .4 lbs.	9995771
K9917810 (RH) K9917800 (LH) \$45.35 ea.	③ • Feed guide • To fit RU 450, RU 450XTRA, RI 450 & RI 450XTRA 6-row heads	9917810 9917800
K9922846 (RH) K9922776 (LH) \$136.30 ea.	③a • 2 required • 2.8 lbs. ea. ④ • Outside crop divider snoot • To fit RU 450XTRA/RI 450XTRA 6-row heads	Abrasion Resistant 9922846 9922776
K9922842 (RH) K9922772 (LH) \$150.75 ea.	④a • 1 required per side • 9.8 lbs. ea. ④b • Outside crop divider snoot • To fit RU 450/RI 450 6-row heads	9922846 9922776
K9921490 \$7.25 ea.	④c • 1 required per side • 8.8 lbs. ea. ⑤ • Outside snoot wear plate • 2 required • .4 lbs. • To fit RU 450, RU 450XTRA, RI 450 & RI 450XTRA 6-row heads	9921490 Abrasion Resistant
K9322660 \$153.75 ea.	⑥ • Center crop divider snoot • To fit RU 450XTRA/RI 450XTRA 6-row heads • 2 required • 17 lbs.	9322660

/ HAY PICK-UP TEETH /

Kooima® Ag hay pick-up teeth are manufactured from hi-tensile drawn spring wire for uniform strength and durability.



.7 lbs.

- Pick-up tooth
- To fit all Claas® forage harvester hay heads
- Replaces OEM # 9862900

Order # K2126290

\$4²⁵ ea.

- Replacement bushing for Claas® pickup heads
- To be welded to 9878060, 9866000, and 9838940 support roller brace

Order # K9878060B

\$18⁵⁵ ea.

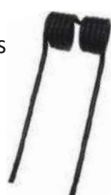
.4 lbs.



- HP Pick-up tooth • .8 lbs.
- To fit all Claas® forage harvester hay heads
- Replaces OEM # 9862900

Order # K2126290HP

\$5²⁵ ea.



HP hay pick-up teeth are "shot peened," giving them added strength!

High Quality Silage Covers



Detail of reinforced string tarps



String Tarps White/Black - 6.0 mil (R6WBK)

Part #	Price	W X L	Weight
K59X200M6	\$952.00	59.5 X 200	370 lbs.
K59X500M6	\$2,380.00	59.5 X 500	780 lbs.
K85X200M6	\$1,372.00	85.75 X 200	470 lbs.
K85X250M6	\$1,715.00	85.75 X 250	585 lbs.
K85X1000M6	\$6,860.00	85.75 X 1000	2,275 lbs.
K105X40M6	\$337.60	105.5 X 40	172 lbs.
K105X60M6	\$506.40	105.5 X 60	237 lbs.
K151X45M6	\$545.40	151.5 X 45	220 lbs.
K151X50M6	\$606.00	151.5 X 50	250 lbs.
K151X60M6	\$727.20	151.5 X 60	272 lbs.
K151X70M6	\$848.40	151.5 X 70	315 lbs.
K151X75M6	\$909.00	151.5 X 75	335 lbs.
K151X80M6	\$969.60	151.5 X 80	370 lbs.
K151X100M6	\$1,212.00	151.5 X 100	430 lbs.
K184X70M6	\$1,033.20	184.5 X 70	405 lbs.
K184X110M6	\$1,623.60	184.5 X 110	550 lbs.
K204X50M6	\$817.00	204.25 X 50	315 lbs.
K204X60M6	\$980.40	204.25 X 60	380 lbs.
K204X70M6	\$1,143.80	204.25 X 70	420 lbs.
K204X80M6	\$1,307.20	204.25 X 80	465 lbs.
K204X100M6	\$1,634.00	204.25 X 100	550 lbs.
K243X60M6	\$1,170.00	243.75 X 60	455 lbs.
K250X70M6	\$1,401.40	250.25 X 70	545 lbs.
K250X80M6	\$1,601.60	250.25 X 80	590 lbs.
K250X85M6	\$1,701.70	250.25 X 85	615 lbs.
K303X100M6	\$2,424.00	303 X 100	870 lbs.

Standard Silage Tarps White/Black - 5.0 mil (A5WB1)

Part #	Price	W X L	Weight
K57442	\$112.80	24 X 100	69 lbs.
K57443	\$150.40	32 X 100	90 lbs.
K57628	\$225.60	32 X 150	133 lbs.
K46534	\$188.00	40 X 100	110 lbs.
K57574	\$282.00	40 X 150	163 lbs.
K57575	\$376.00	40 X 200	216 lbs.
K50158	\$235.00	50 X 100	138 lbs.
K50159	\$352.50	50 X 150	203 lbs.
K54235	\$470.00	50 X 200	299 lbs.
K57576	\$282.00	60 X 100	161 lbs.
K53942	\$423.00	60 X 150	255 lbs.
K57577	\$564.00	60 X 200	346 lbs.
K58234	\$1,410.00	60 x 500	779 lbs.
K64369	\$2,820.00	60 X 1000	1,557 lbs.
K69881	\$516.00	80 X 150	325 lbs.
K69880	\$688.00	80 X 200	455 lbs.
K70463	\$860.00	80 X 250	561 lbs.
K77050	\$1,720.00	80 X 500	1,123 lbs.
K77059	\$3,440.00	80 x 1000	1,999 lbs.



800.522.8874

If you do not see the size you need, give us a call, other sizes are available upon request.

Prices are subject to change.

*** Free shipping on Silage Covers if combined with \$850 in Kooima® Ag parts on phone and internet orders**

/ HAY PICK-UP TEETH /

Kooima® Ag hay pick-up teeth are manufactured from hi-tensile drawn spring wire for uniform strength and durability.



- Pick-up tooth
- To fit most New Holland® forage harvester hay heads
- Replaces OEM # 86632007BDS

Order # **K131673** (5 lbs.)

\$2¹⁵ ea.



- Pick-up tooth
- To fit all John Deere® 5 1/2 ft. forage heads
- Replaces OEM #268SE

Order # **K268SE** (.45 lbs.)

\$2¹⁵ ea. Bolt Kit: **K268SEBK**: \$4.75 ea.



- Pick-up tooth • Replaces OEM #CC25176
- To fit all John Deere® 630, 645, 630A, 640A, 645A, 630B, 640B, 645B, 630C, 640C & 645C forage harvester hay heads

Order # **K25176** (.45 lbs.)

\$4⁰⁵ ea. Bolt Kit: **K25176BK**: \$3.05 ea.



- HP Pick-up tooth • Replaces OEM #CC25176
- To fit all John Deere® 630, 645, 630A, 640A, 645A, 630B, 640B, 645B, 630C, 640C & 645C forage harvester hay heads

Order # **K25176HP** (.45 lbs.)

\$5⁷⁵ ea. Bolt Kit: **K25176BK**: \$3.05 ea.



- Pick-up tooth - 7.40" long
- To fit New Holland® 270FP, 280FP, 290FP & 380FP hay heads
- Replaces OEM # 84390221

Order # **K84390221**

\$8⁹⁰ ea.



- Pick-up tooth • .35 lbs.
- To fit John Deere® 7 ft. hay head before SN. 550000
- Replaces OEM #E54745

Order # **K54745** NEW

\$5²⁵ ea.



- Pick-up tooth
- To fit all John Deere® 7 1/2 ft. harvester hay heads after SN. 550001
- Replaces OEM #E74678

Order # **K74678** (.5 lbs.)

\$2⁴⁵ ea. Bolt Kit: **K74678BK**: \$3.50ea.



- Pick-up tooth
- To fit all Claas® forage harvester hay heads

Order # **K2126290** (.6 lbs.)

\$4²⁵ ea.



- HP Pick-up tooth
- To fit all Claas® forage harvester hay heads

Order # **K2126290HP** (.8 lbs.)

\$5²⁵ ea.

HP hay pick-up teeth are "shot peened," giving them added strength!



- Poly Pick-up stripper - Complete with hardware
- 1/2" thick with 1/4" thick reinforced support ring
- To fit John Deere® 630A, 640A, 645A, 630B, 640B, 645B, 630C, 640C & 645C hay heads • 1.2 lbs.
- Replaces OEM # FH311772 / E85043

Order # **K85043**

\$30²⁵ ea.

Additional Bolt Kit: **K85043BK** \$3.50 ea. One required per band



- Poly Pick-up band • 1 lb.
- Complete with hardware
- To fit New Holland® 280FP, 290FP, 380FPA, 346W, 356W and 366W
- Replaces OEM # 87584380

Order # **K83592**

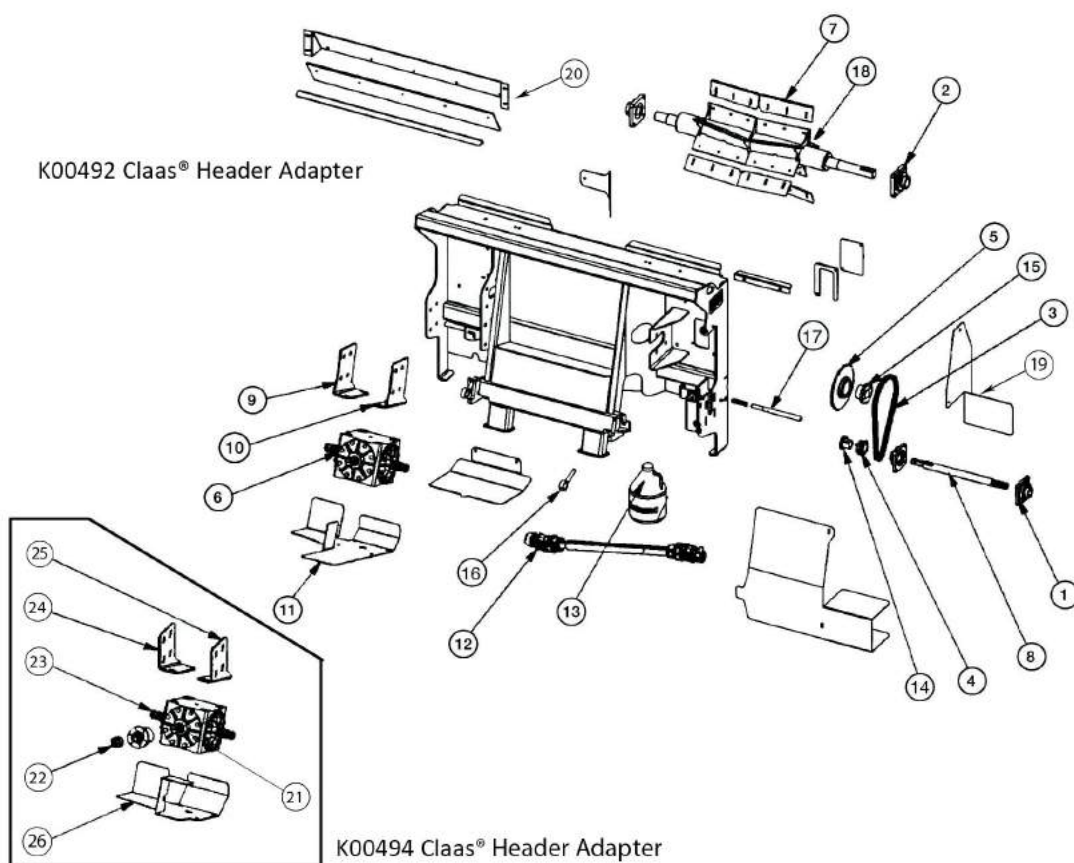
\$24⁹⁵ ea.



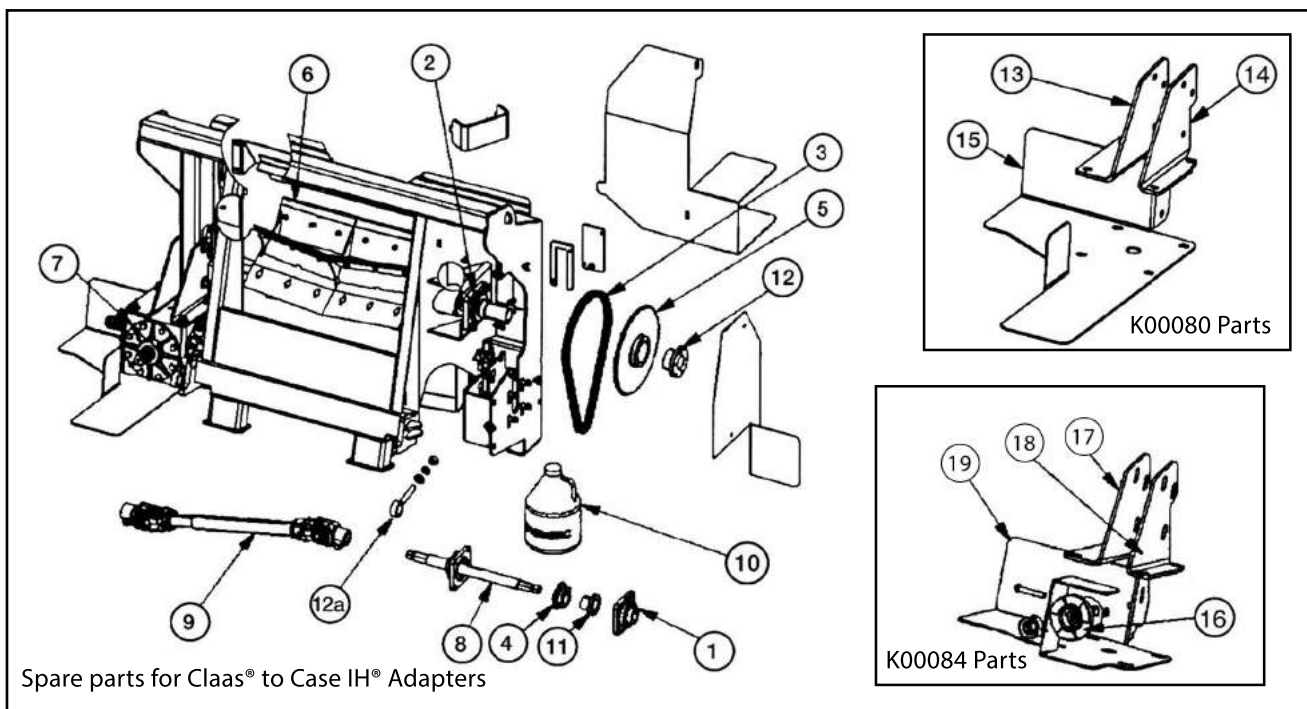
- Poly Pick-up band
- Complete with hardware
- To fit New Holland® 27P, 29P, 707W, 717W, 770W, 790W, 880W, 890W, 900W, 919W3, 919W4 and 990W
- Replaces OEM # 86625272 • 1.1 lbs.

Order # **K83489**

\$29⁹⁵ ea.



KOOIMA #	PRICE	DESCRIPTION
① 15-4BOLT-LC	\$87.50 ea.	• Bearing Ø 1.50" 4-bolt flange, lock collar • 4.75 lbs.
② 20-4BOLT-LC	\$135.00 ea.	• Bearing, ball, 4-bolt flange, lock collar, 2.00 shaft • 7.15 lbs.
③ 60H-62	\$50.35 ea.	• #60 heavy roller chain, 62 pitches • 4.8 lbs.
④ 60P13H	\$65.00 ea.	• Squeeze style sprocket, #60-13 hardened • 1.35 lbs.
⑤ 60SF42	\$72.50 ea.	• #60 sprocket, 42 tooth, QD hub • 10.5 lbs.
⑥ FH002436	\$2,100.00 ea.	• Curtis 615MA Gearbox, 1:1.5, 1.75-20 splines • 170 lbs. 🚚
⑦ FH002767	\$35.00 ea.	• Bolt-on tooth • 5 required • 5.8 lbs. • Bolt Kit: FH002767BK, \$3.50 ea.
⑧ FH002775	\$118.00 ea.	• Bottom shaft • 10.4 lbs.
⑨ FH002785	\$35.50 ea.	• Gearbox bracket - 492 left • 11.8 lbs.
⑩ FH002786	\$35.50 ea.	• Gearbox bracket - 492 right • 11.8 lbs.
⑪ FH002787	\$65.00 ea.	• PTO shield under gearbox • 23.4 lbs.
⑫ K00492PTO	\$520.00 ea.	• Middle PTO • 42 lbs.
⑬ 75W-90PS	\$14.25 ea.	• 1 quart oil • 2 lbs. • 4 quarts needed
⑭ P11.5	\$38.50 ea.	• P1 bushing, for 1-1/2 shaft • 1 lb.
⑮ SFX2.0	\$27.50 ea.	• QD bushing, 2.00 shaft • 4 lbs.
⑯ FH5000940	\$65.00 ea.	• Adapter connector weldment - fits both 492 & 494 • 2 required • .95 lbs.
⑰ FH002304	\$25.30 ea.	• Lock pin, long - fits both 492 and 494 • 2.3 lbs.
⑱ FH5000973	\$665.00 ea.	• Flap wheel • 131 lbs. 🚚
⑲ FH003270	\$35.35 ea.	• Right hand side shield • 7.8 lbs.
⑳ FH002393	\$80.80 ea.	• Front deflector • 14.62 lbs.
Claas® 494 parts below		
㉑ K302059	\$39.50 ea.	• Replacement gearbox V ring • .5 lbs.
㉑a K300459	\$18.00 ea.	• Seal • .05 lbs.
㉑b K101527	\$650.00 ea.	• 1 to 1 ratio bevel gear • 21 Tooth • 15.9 lbs.
㉒ FH5001131	\$450.00 ea.	• Quick coupler assembly • 10.2 lbs.
㉓ FH002436	\$2,100.00 ea.	• Curtis 615MA Gearbox, 1:1.5, 1.75-20 splines • 170 lbs. 🚚
㉔ FH004264	\$95.00 ea.	• 494 gearbox bracket - left • 10.6 lbs.
㉕ FH004265	\$95.00 ea.	• 494 gearbox bracket - right • 9.9 lbs.
㉖ FH002783	\$90.00 ea.	• PTO shield under gearbox • 21.7 lbs.



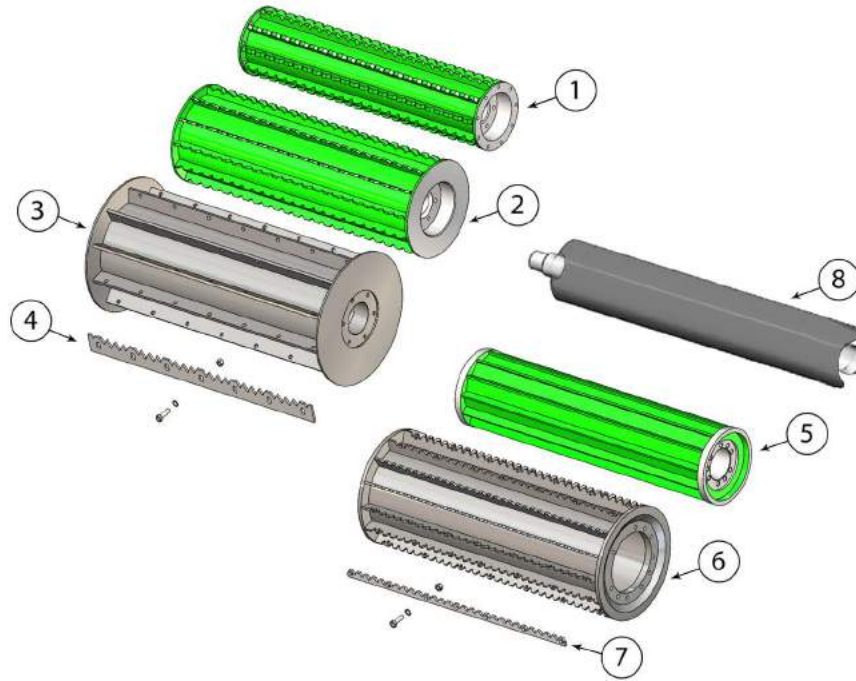
Spare parts for Claas® to Case IH® Adapters

<u>KOOIMA #</u>	<u>PRICE</u>	<u>DESCRIPTION</u>
① 15-4BOLT-LC	\$87.50 ea.	• Bearing Ø 1.50", 4-bolt flange, lock collar • 4.75 lbs.
② 20-4BOLT-LC	\$135.00 ea.	• Bearing, ball, 4-bolt flange, lock collar, 2.00 shaft • 7.15 lbs.
③ 60H-72	\$65.00 ea.	• #60 heavy roller chain, 72 pitches • 5.8 lbs.
④ 60P15H	\$75.45 ea.	• Squeeze-style sprocket, #60 15 tooth hardened • 1.4 lbs.
⑤ 60SF54	\$135.00 ea.	• #60 sprocket, 54 tooth, QD hub • 17.2 lbs.
⑥ FH002429R	\$30.35 ea.	• Bolt-on tooth • 5 required • 7.6 lbs.
⑦ FH002436	\$2,100.00 ea.	• Curtis 615MA Gearbox, 1:1.5, 1.75-20 splines • 170 lbs.
⑦a K302059	\$39.50 ea.	• Replacement gearbox V ring • .5 lbs.
⑦b K300459	\$18.00 ea.	• Seal • .05 lbs.
⑦c K101527	\$650.00 ea.	• 1 to 1 ratio bevel gear • 21 Tooth • 15.9 lbs.
⑧ FH002530	\$115.75 ea.	• 1-1/2 stub shaft • 9.4 lbs.
⑨ K00080PTO	\$520.00 ea.	• PTO for Claas®/Case-IH® adapter • 28.7 lbs.
⑩ 75W-90PS	\$14.25 ea.	• 1 quart oil • 2 lbs. • 4 quarts needed
⑪ P11.5	\$38.50 ea.	• P1 bushing, for 1-1/2 shaft • 1 lb.
⑫ SFX2.0	\$27.50 ea.	• QD bushing, 2.00 shaft • 4 lbs.
⑫a FH5000940	\$65.00 ea.	• Adapter connector weldment • 2 required • .95 lbs.
K00080 parts below		
⑬ FH002508	\$40.00 ea.	• K00080 gearbox bracket - left • 13.9 lbs.
⑭ FH002509	\$40.00 ea.	• K00080 gearbox bracket - right • 10 lbs.
⑮ FH002541	\$55.00 ea.	• PTO shield under gearbox, K00080 • 27.9 lbs.
K00084 parts below		
⑯ FH5001131	\$450.00 ea.	• Quick coupler assembly • 10.2 lbs.
⑰ FH002511	\$55.00 ea.	• K00084 gearbox bracket - left • 13.2 lbs.
⑱ FH002512	\$55.00 ea.	• K00084 gearbox bracket - right • 100.2 lbs.
⑲ FH002542	\$55.00 ea.	• PTO shield under gearbox, K00084 • 22.25 lbs.

Truck icon signifies product is shipped via truck freight.

KOOIMA[®] AG REPLACEMENT PARTS FOR KRONE[®] FORAGE HARVESTERS

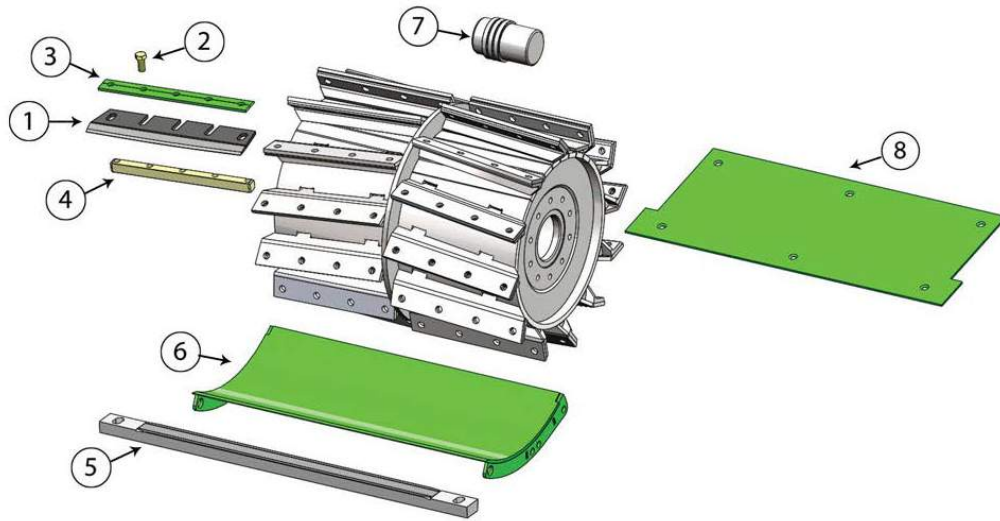
Krone[®] and Big X[®] are registered trademarks of Bernard Krone Holding, GmbH & Co. KG, which does not manufacture, distribute or endorse these parts.



**Importance of
the Upper Rear
Feed Roll**

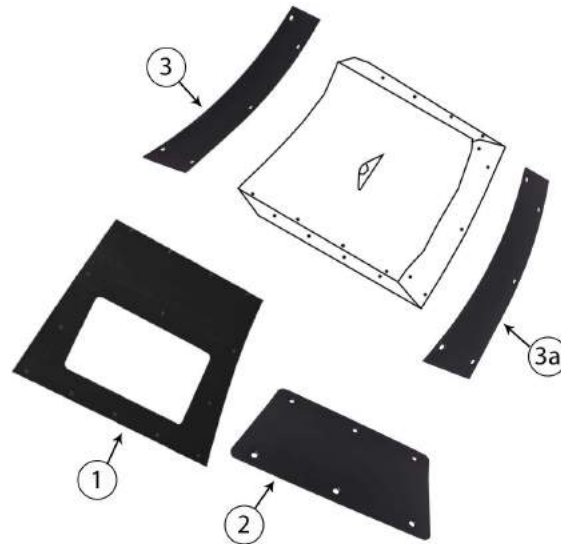
Replacement parts produced by Kooima[®] Ag to fit Krone[®]

KOOIMA #	DESCRIPTION	REPLACES OEM #
KR200223040	① • Upper rear feed roll • Fits Krone [®] 500, 600, 600-2, 600-3, 650, 700, 700-1, 700-2, 700-3, 750c, 770-1, 770-2, 770-3, 800, 850, 850-1, 850-2, 1000, 1100, 1100-1, 1100-2 models	200223040
\$490.75 ea.		
KR200259100	② • Upper intermediate roll • Fits Krone [®] 500, 600, 600-2, 600-3, 650, 700, 700-1, 700-2, 700-3, 750c, 770-1, 770-2, 770-3, 800, 850, 850-1, 850-2, 1000, 1100, 1100-1, 1100-2 models	200259100
\$590.50 ea.		
KR200258942	③ • Upper front feed roll • Fits Krone [®] 500, 600, 600-2, 600-3, 650, 700, 700-1, 700-2, 700-3, 750c, 770-1, 770-2, 770-3, 800, 850, 850-1, 850-2, 1000, 1100, 1100-1, 1100-2 models	200258942
\$2,190.00 ea.		
KR2161980	④ • Replacement upper feed roll tooth • To fit Krone [®] Big X [®] 500, 650, 800, 1000, V8, V12, LG 730mm • 10 required • 3.3 lbs.	2161981 Stainless Steel
\$27.70 ea.		
KR200261090	④a • Upper feed roll tooth • To fit Krone [®] Big X [®] 850, 700, 1100, LG 710mm • 10 required • 2.4 lbs.	200261090 Stainless Steel
\$16.80 ea.		
KR2161980BK	④b • Feed roll tooth bolt kit • To use with KR2161980 & KR200261090 • Each kit includes stainless steel bolts, washers & nuts (70 each) • 5.8 lbs.	
\$60.45 ea.		
KR200204693	⑤ • Lower intermediate roll • Fits Krone [®] 500, 600, 600-2, 600-3, 650, 700, 700-1, 700-2, 700-3, 750c, 770-1, 770-2, 770-3, 800, 850, 850-1, 850-2, 1000, 1100, 1100-1, 1100-2 models	200204693
\$490.00 ea.		
KR200259671	⑥ • Lower front feed roll • Fits Krone [®] 500, 600, 600-2, 600-3, 650, 700, 700-1, 700-2, 700-3, 750c, 770-1, 770-2, 770-3, 800, 850, 850-1, 850-2, 1000, 1100, 1100-1, 1100-2 models	200259671
\$2,240.00 ea.		
KR200224180	⑦ • Lower front feed roll tooth • To fit Krone [®] Big X [®] series forage harvesters • 14 required • .9 lbs.	
\$15.55 ea.		
KR200224180BK	⑦a • Feed roll tooth bolt kit • 3.6 lbs. • Use with lower feed roll tooth • Stainless steel bolts, washers & nuts (98 each)	
\$75.50 ea.		
KR200294470	⑧ • Lower rear feed roll • 71.4 lbs. • Fits Krone [®] 500, 600, 600-2, 600-3, 650, 700, 700-1, 700-2, 700-3, 750c, 770-1, 770-2, 770-3, 800, 850, 850-1, 850-2, 1000, 1100, 1100-1, 1100-2 models	200294470
\$890.00 ea.		



KOOIMA #	DESCRIPTION	REPLACES OEM #
KR3507730 (RH) KR3507720 (LH) \$35.25 ea.	① • Corn knife • 4.6 lbs. • To fit Krone V8, V12, 500, 580, 600, 600-2, 600-3, 650, 680, 680ST0, 700, 700-1, 700-2, 700-3, 750C, 770-1, 770-2, 770-3, 780, 780ST0, 800, 850, 850-1, 850-2, 880, 1000, 1100, 1100-1, 1100-2, 1180	3507730 / 202230960 3507720 / 202231000 Heat Treated Tungsten Carbide
KR3507710 (RH) KR3507700 (LH) \$39.50 ea.	①a • Grass knife • 4.8 lbs. • To fit Krone V8, V12, 500, 580, 600, 600-2, 600-3, 650, 680, 680ST0, 700, 700-1, 700-2, 700-3, 750C, 770-1, 770-2, 770-3, 780, 780ST0, 800, 850, 850-1, 850-2, 880, 1000, 1100, 1100-1, 1100-2, 1180	3507710 3507700 Heat Treated Tungsten Carbide
KR202251542 (RH) KR202251532 (LH) \$51.75 ea.	①b • Narrow body grass knife • To fit Krone® 480, 530, 580 & 680 series • 4.8 lbs.	202251542 / 20221182 202251532 / 202261172 Heat Treated/ Tungsten Carbide
KR202251562 (RH) KR202251552 (LH) \$51.75 ea.	①c • Narrow body corn knife • To fit Krone® 480, 530, 580 & 680 series • 4.8 lbs.	202251562 / 202261202 202251552 / 202261192 Heat Treated/ Tungsten Carbide
KR202293311 (RH) KR202293301 (LH) \$59.60 ea.	①d • Corn knife • Fits Krone® 600-2, 700-2, 770-2, 750, 850-2, and 1100-2 models	202293311 202293301
KR202293391 (RH) KR202293381 (LH) \$62.20 ea.	①e • Universal knife • Fits Krone® 600-2, 700-2, 770-2, 750, 850-2, and 1100-2 models	202293391 202293381
K9871982BK \$2.10 ea.	② • Knife bolt • .25 lbs. • To fit Krone® wide and narrow body harvesters	9003230
KR2195561 \$17.50 ea.	③ • Cutterhead knives - top strap • To fit Krone® Big X® series • 2 lbs.	2195561 Abrasion Resistant
KR204245490 \$7.75 ea.	③a • Cutterhead knives top strap • 1.7 lbs. • To fit Krone® 480, 530, 580 & 680 series	20424549.0
KR2195553 \$16.30 ea.	④ • Replacement nut • To fit Krone® Big X® series • 3.7 lbs.	2195553
KR2242613HP \$710.00 ea.	⑤ • High performance shearbar • For use in hay or corn • To fit all Krone® Big X® series harvesters • 28.8 lbs. • Bolt Kit: KR2242613HPBK, \$25.75 ea., 3.2 lbs.	2242613 Heat Treated/ Tungsten Carbide
KR270115140 \$375.00 ea.	⑤a • Grass shearbar • 21 lbs. • To fit Krone® 480, 530, 580 & 680 narrow body	270115140 Heat Treated/ Tungsten Carbide
KR270115150 \$530.80 ea.	⑤b • Koyma Klad® hi-performance corn shearbar • 22 lbs. • To fit Krone® 480, 530, 580 & 680 narrow body	270115150 Heat Treated/ Tungsten Carbide
KR2163951 \$205.05 ea.	⑥ • Cutterhead floor plate • 55.7 lbs. • To fit Krone® Big X® series • Serial # 57001-600600	2163951 Abrasion Resistant
KR2223643 \$50.00 ea.	⑦ • Sharpening stone • To fit Krone® Big X® series forage harvesters • 4.6 lbs.	2223643
KR200299891 \$127.50 ea.	⑦a • Sharpening stone - 9 7/8" long • Fits Krone® 480, 480st3, 530, 630, 680, 680st0, 780, 780st0, 880 and 1180 models	200299891
KR2156440 \$74.25 ea.	⑧ • Transfer tunnel wear plate • 26.5 lbs. • To fit Krone® Big X® series • Serial # 600601 and above • Bolt Kit: KR2156440BK, \$11.65 ea., .5 lbs.	2156440 Abrasion Resistant

Replacement parts produced by Kooima® Ag to fit Krone®



KOOIMA #
KR2157011

\$95.45 ea.
KR2157041

\$27.45 ea.
KR2157031 (RH)
KR2157021 (LH)
\$15.30 ea.

DESCRIPTION

- Grass channel wear plate • 29.4 lbs.
- To fit Krone® Big X® series forage harvesters
- Serial # 600601 and above • Bolt Kit: **KR2157011BK**, \$30.35 ea., 1.3 lbs.

REPLACES OEM #
2157011

Abrasion Resistant

①

- Grass chute wear plate • 12 lbs.
- To fit Krone® Big X® series forage harvesters
- Serial # 600601 and above • Bolt Kit: **KR2157041BK**, \$13.20 ea., 1.45 lbs.

2157041

Abrasion Resistant

②

- Grass chute liner • 8.1 lbs. ea. • Right hand shown
- To fit Krone® Big X® series forage harvesters

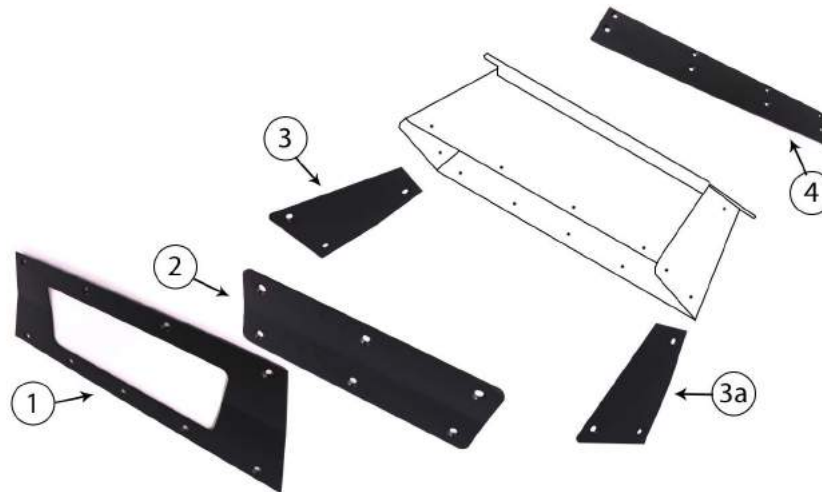
2157031

2157021

③

- Serial # 600601 and above • Bolt Kit: **KR2157031BK**, \$5.25 ea., .5 lbs. **Abrasion Resistant**

③a



KOOIMA #
KR2156710

\$27.30 ea.
KR2156740

\$17.55 ea.
KR2156721 (RH)
KR2156731 (LH)
\$7.45 ea.
KR2166941

DESCRIPTION

- Replacement wear plate for feed chute • 10.3 lbs.
- To fit Krone® Big X® series forage harvesters
- Serial # 600601 and above • Bolt Kit: **KR2156710BK**, \$17.50 ea., .8 lbs.

REPLACES OEM #
2156710

Abrasion Resistant

①

- Transition wear plate • 6.6 lbs.
- To fit Krone® Big X® series forage harvesters
- Serial # 600601 and above • Bolt Kit: **KR2156440BK**, \$11.65 ea., .5 lbs.

2156740

Abrasion Resistant

②

- Feed chute wear plate • 3.7 lbs. ea.
- To fit Krone® Big X® series forage harvesters
- Serial # 600601 and above • Bolt Kit: **KR2156721BK**, \$5.85 ea., .25 lbs

2156721

2156731

Abrasion Resistant

③

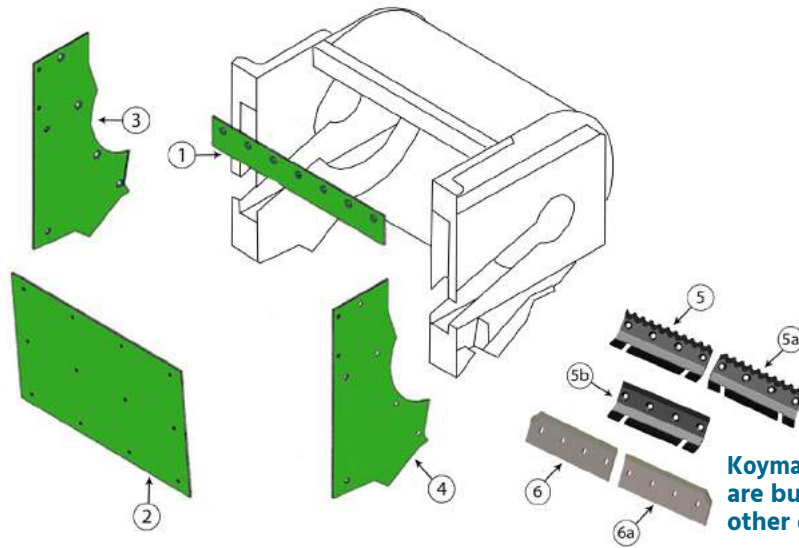
- Processor housing wear plate • 5.4 lbs.
- To fit Krone® Big X® series forage harvesters
- Serial # 600601 and above • Bolt Kit: **KR2166941BK**, \$4.00 ea., .2 lbs.

2166941

Abrasion Resistant

④

\$22.25 ea.



Koyma Klad® coatings are built to outlast any other coatings!

KOOIMA #	DESCRIPTION	REPLACES OEM #
KR2158031 \$18.55 ea.	① Accelerator housing scraper • 6.8 lbs. • To fit Krone® Big X® series forage harvesters • Serial # 600601 and above • Bolt Kit: KR2158031BK , \$5.00 ea., .3 lbs.	2158031 Abrasion Resistant
KR2157141 \$41.80 ea.	② Accelerator housing door liner • 32 lbs. • To fit Krone® Big X® series forage harvesters • Serial # 600601 and above • Bolt Kit: KR2157141BK , \$40.35 ea., 1.25 lbs.	2157141 Abrasion Resistant
KR2157231 \$22.25 ea.	③ Left hand accelerator housing side liner • 14.60 lbs. • To fit Krone® Big X® series forage harvesters • Serial # 600601 and above • Bolt Kit: KR2157231BK , \$17.00 ea., .3 lbs.	2157232 Abrasion Resistant
KR2157220 \$24.50 ea.	④ Right hand accelerator housing side liner • 14.60 lbs. • To fit Krone® Big X® series forage harvesters • Serial # 600601 and above • Bolt Kit: KR2157231BK , \$17.00 ea., .3 lbs.	2157222 Abrasion Resistant
KR2161320 (RH) KR2161330 (LH) \$13.75 ea.	⑤ Accelerator paddles • 3.4 lbs. ea. • 6 left & 6 right required • To fit Krone® Big X® series equipped with 3 paddle blower system	2161321/2161320 2161331/2161330
KR2161330HP \$25.30 ea.	⑤a • Bolt Kit: KR2161320BK , \$105.50 ea., 7.4 lbs., 1 kit = 12 paddles • Hi-performance accelerator paddle • 12 required • 3.5 lbs. ⑤b • Designed with you in mind! Just one of our many extended life products. • Koyma Klad® coating	Heat Treated/Tungsten Carbide Heat Treated/Tungsten Carbide
KR200231950 (RH) KR200231960 (LH) \$48.00 ea.	⑥ Accelerator paddles • 4 left & 4 right required • 3.3 lbs. • Koyma Klad® coating • To fit Krone® Big X® series equipped with 8 paddle blower system ⑥a • Bolt kit: KR200231950BK - \$59.00, 1 kit = 8 paddles, 6.5 lbs.	200231951/200231950 200231961/200231960 Heat Treated/ Tungsten Carbide

KOOIMA #	DESCRIPTION	REPLACES OEM #
KR2156591HPF (Fast 110 tooth) KR2156591HPS (Slow 138 tooth) \$2,325.00 ea.	⑥ Fiber Tech Chromed kernel processor roll • To fit Krone® Big X® 700, 850 & 1100 • 224 lbs. • Get the real value out of your processor with the new Chevron Series Fiber Tech High Capacity Rolls • Chromed Plated Roll	2156591 Heat Treated

NEW! Square grooves unwrap cellulose and shred your stalk which also creates a far superior process job.

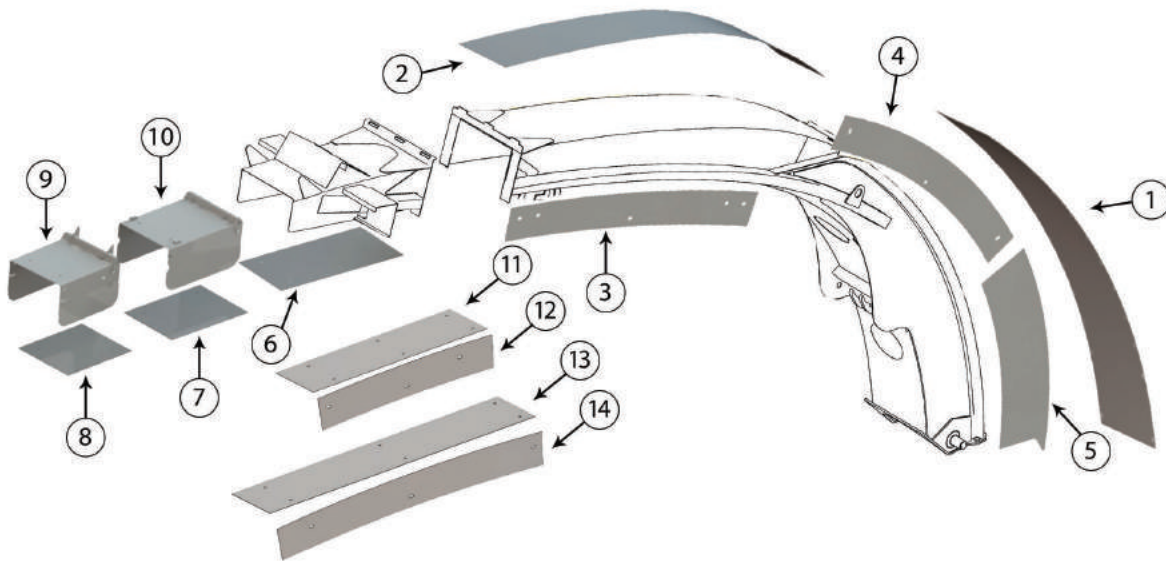
KR20223040 (Fast 110 tooth) KR20223038 (Slow 138 tooth) \$2,250.00 ea.	⑥ Fiber Tech Chromed kernel processor roll • To fit Krone® 480-630 harvesters • 169.5 lbs. • Chevron Series Fiber Tech - High Capacity Rolls • Chromed Plated Roll	202230401 202230381 Heat Treated
--	--	---

KR20426173HPF (Fast 110 tooth) KR20426173HPS (Slow 138 tooth) \$2,346.88 ea.	⑥ Fiber Tech Chromed kernel processor roll • To fit Krone® Big X® 680-1180 • 255 lbs.	
--	--	--

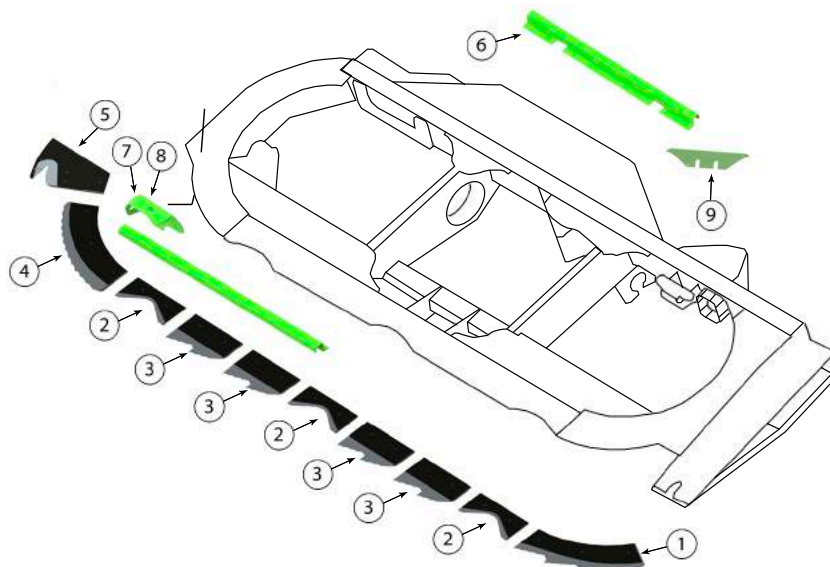
KRBEARING \$128.50 ea.		• Kernel processor bearing • To fit all Krone® harvesters • 2.6 lbs.
----------------------------------	--	---

KOOIMA® AG REPLACEMENT PARTS FOR KRONE® FORAGE HARVESTERS

Replacement parts produced by Kooima® Ag to fit Krone®

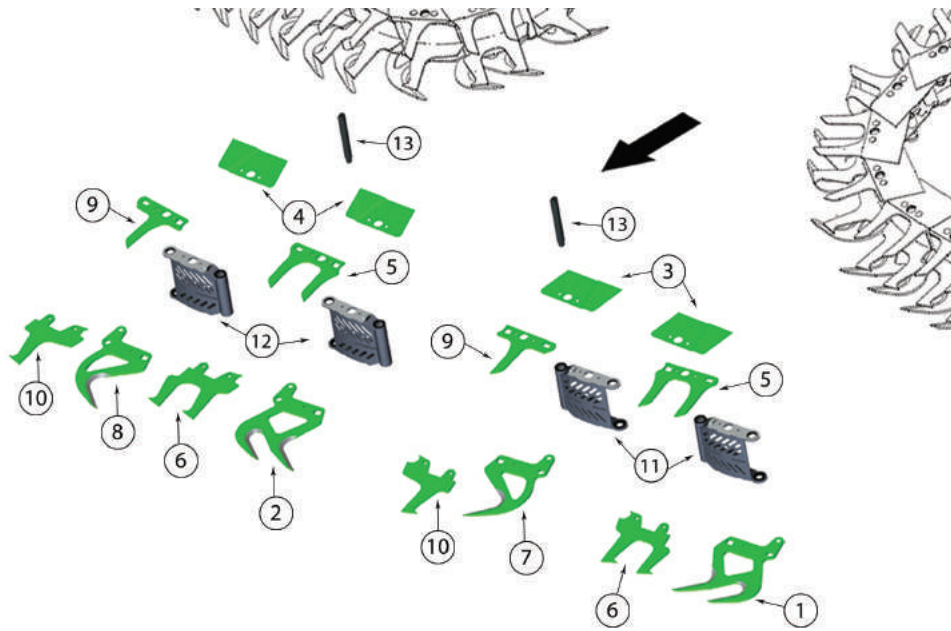


KOOIMA #	DESCRIPTION	REPLACES OEM #
KR2173473 \$121.50 ea.	① • Reversible spout back liner • 1 required • 78 lbs. • To fit Krone® factory spout • Bolt Kit: KR2173473BK , \$39.00 ea., 3.7 lbs.	2173473 Abrasion Resistant
KR2260893 \$110.00 ea.	② • Mid section wear liner • 31.3 lbs. • To fit Krone® factory spout • Bolt Kit: KR2260893BK , \$4.00 ea., .1 lbs.	2260893 Stainless Steel
KR2225922 \$37.50 ea.	③ • Upper spout side liner • 15 lbs. • To fit Krone® factory spout • Bolt Kit: KR2225922BK , \$5.75 ea., .25 lbs.	2225922 Abrasion Resistant
KR2260902 \$41.50 ea.	④ • Middle spout side liner • 13.3 lbs. • To fit Krone® factory spout • Bolt Kit: KR2260902BK , \$3.75 ea., .15 lbs.	2260902 Abrasion Resistant
KR2260882 \$52.50 ea.	⑤ • Bottom side liner • 23.3 lbs. • To fit Krone® factory spout • Bolt Kit: KR2260882BK , \$6.00 ea., .3 lbs.	2260882 Abrasion Resistant
KR2287510 \$44.90 ea.	⑥ • 30" extension liner • 9.7 lbs. • To fit Krone® factory spout • Bolt Kit: KR2287510BK , \$5.00 ea., .1 lbs.	2287510 Stainless Steel
KR2158660 \$31.50 ea.	⑦ • Spout deflector wear plate • 11.7 lbs. • To fit KR2158762 inner spout deflector	2158660 Abrasion Resistant
KBK \$4.25 ea.	⑦a • Hardware kit • .1 lbs. • To fit KR2158660 spout deflector wear plate	
KR2158770 \$37.75 ea.	⑧ • Spout deflector wear plate • 10.5 lbs. • To fit KR2158320 outer spout deflector	2158770 Abrasion Resistant
KBK \$4.25 ea.	⑧a • Hardware kit • .1 lbs. • To fit KR2158770 spout deflector wear plate	
KR2158320 \$75.00 ea.	⑨ • Outer spout deflector • 20.9 lbs. • To fit all Krone® harvesters • Non folding spouts only • Bolt Kit: KR2158320BK , \$12.00 ea., .3 lbs.	2158321
KR2158762 \$79.25 ea.	⑩ • Inner spout deflector • 22.2 lbs. • To fit all Krone® harvesters • Non folding spouts only • Bolt Kit: KR2158762BK , \$11.00 ea., .3 lbs.	2158762
KR2261163 \$34.55 ea.	⑪ • 10 row extension liner • 13.25 lbs. • To fit Krone® factory extension • 37.75" Long • Bolt Kit: KR2261163BK , \$2.90 ea.	2261163 Stainless Steel
KR2261174 \$21.85 ea.	⑫ • 10 row extension side liner • 7 lbs. • To fit Krone® factory extension • 2 required • Bolt Kit: KR2260902BK , \$3.75 ea., .15 lbs.	2261174 Stainless Steel
KR2196842 \$52.50 ea.	⑬ • 12 row extension liner • 20 lbs. • To fit Krone® factory extension • 57.50" Long • Bolt Kit: KR2261163BK , \$2.90 ea.	2196842 Stainless Steel
KR2196853 \$22.00 ea.	⑭ • 12 row extension side liner • 10.6 lbs. • To fit Krone® factory extension • 2 required • Bolt Kit: KR2260902BK , \$3.75 ea., .15 lbs.	2196853 Stainless Steel



KOOIMA #	DESCRIPTION	REPLACES OEM #
KR3523076 (LH) \$121.00 ea.	① • Knife • To fit Krone® Easycollect 6000, 7500 & 9000 series • 1 required per side for all models listed • 8.7 lbs.	3523077/3523076 3523087/3523086 Abrasion Resistant/Tungsten Carbide
KR3523086 (RH) \$3.75 ea.	①a • Bolt kit for KR3523076 & KR3523086 • .15 lbs. • To fit Krone® Easycollect 6000, 7500 & 9000 series	
KR3523094 \$52.50 ea.	② • Knife • 3.2 lbs. • To fit Krone® Easycollect 6000, 7500 & 9000 series • 6000: 6 required; 7500: 8 req.; 9000: 10 req.	3523095/3523094 Abrasion Resistant Tungsten Carbide
KR3523054BK \$1.90 ea.	②a • Bolt kit for KR3523094 • .1 lbs. • To fit Krone® Easycollect 6000, 7500 & 9000 series	
KR3523054 (LH) KR3523065 (RH) \$57.50 ea.	③ • Knife • 5.2 lbs. • To fit Krone® Easycollect 6000, 7500 & 9000 series • 6000: 4 required per side; 7500: 6 req. per side 9000: 8 required per side	3523055/3523054 3523066/3523065 Abrasion Resistant Tungsten Carbide
KR3523054BK \$1.90 ea.	③a • Bolt kit for KR3523054 & KR3523065 • .1 lbs. • To fit Krone® Easycollect 6000, 7500 & 9000 series	
KR3523133 (LH) KR3523143 (RH) \$121.00 ea.	④ • Inside Knife • To fit Krone® Easycollect 6000, 7500 & 9000 series • 1 required per side for all models listed • 9.2 lbs.	3523134/3523133 3523144/3523143 Abrasion Resistant/Tungsten Carbide
KR3523133BK \$3.75 ea.	④a • Bolt kit for KR3523133 & KR3523143 • .15 lbs. • To fit Krone® Easycollect 6000, 7500 & 9000 series	
KR3523113 (LH) KR3523103 (RH) \$121.00 ea.	⑤ • V Knife • To fit Krone® Easycollect 6000, 7500 & 9000 series • 1 required per side for all models listed • 7.1 lbs.	3523114/3523113 3523104/3523103 Abrasion Resistant/ Tungsten Carbide
KR3523103BK \$3.75 ea.	⑤a • Bolt kit for KR3523103 and KR3523113 • To fit Krone® Easycollect 6000, 7500 & 9000 series • .25 lbs.	
KR3524213 \$23.65 ea.	⑥ • Angle • To fit Krone® Easycollect 6000 series • 4 required • 17.7 lbs.	200932762/3524213
KR3524203 \$43.50 ea.	⑥a • Angle • To fit Krone® Easycollect 7500 series • 4 required • 28 lbs.	200932732/3524203
KR3524223 \$45.50 ea.	⑥b • Angle • To fit Krone® Easycollect 9000 series • 4 required • 37.6 lbs.	3524223
KR3527981 \$5.50 ea.	⑦ • Right hand guard • 1.5 lbs.	3527982/3527981
KR3527971 \$5.50 ea.	⑧ • Left hand guard • 1.5 lbs.	3527972/3527971
KH100001 \$49.50 ea.	⑨ • Knife Scraper • To fit Krone® Easycollect 6000, 7500 & 9000 series • 2 required • 3.2 lbs.	Tungsten Carbide
HEAD KITS		
KREC6000 \$1,515.00 ea.	• Head Kit - Includes knives, scrapers and bolt kits • To fit Krone® Easycollect® 6000 • 114 lbs.	
KREC7500 \$1,845.00 ea.	• Head Kit - Includes knives, scrapers and bolt kits • To fit Krone® Easycollect® 7500 • 141 lbs.	
KREC9000 \$2,179.00 ea.	• Head Kit - Includes knives, scrapers and bolt kits • To fit Krone® Easycollect® 9000 • 170 lbs.	

Replacement parts produced by Kooima® Ag to fit Krone®



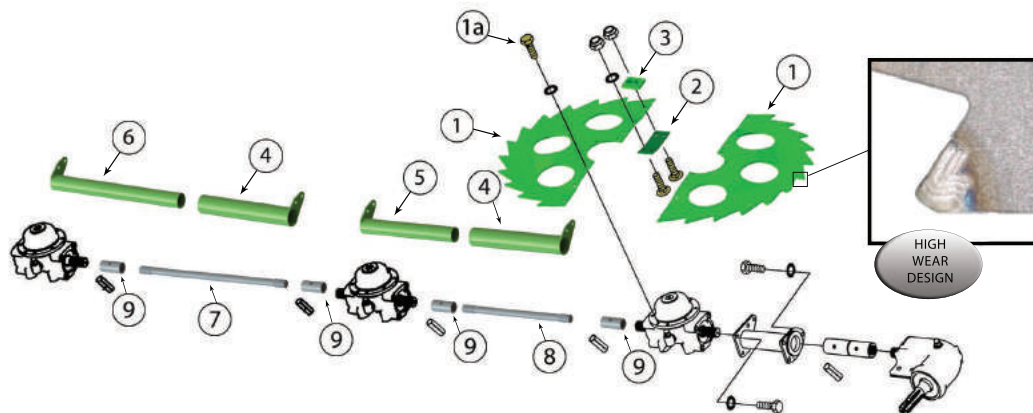
KOOIMA #	DESCRIPTION	REPLACES OEM #
KR3523033 (LH) KR3523043 (RH)	① • Blade • 4.3 lbs. • To fit Krone® Easycollect 6000, 7500 & 9000 series • 6000: 15 required per side; 7500: 19 req. per side 9000: 23 required per side	3523033 3523043 Abrasion Resistant Tungsten Carbide
\$43.50 ea.		
KR3521501 (LH) KR3521511 (RH)	③ • Cover • 1 lb. ea. • To fit Krone® Easycollect 6000, 7500 & 9000 series	3521501 3521511
\$2.50 ea.		
KR3521413	④ • 6000: 31 req. per side; 7500: 39 req. per side; 9000: 47 req. per side ⑤ • Top wrapping finger • 2 lbs. • To fit Krone® Easycollect 6000, 7500 & 9000 series • 6000: 16 req. per head; 7500: 20 req. per head; 9000: 24 req. per head	3521413 Abrasion Resistant
\$5.25 ea.		
KR3521432	⑥ • Bottom wrapping finger • 2.5 lbs. • To fit Krone® Easycollect 6000, 7500 & 9000 series • 6000: 16 req. per head; 7500: 20 req. per head; 9000: 24 req. per head	3521432 Abrasion Resistant
\$8.50 ea.		
KR3523013 (LH) KR3523023 (RH)	⑦ • Blade • 3.3 lbs. • To fit Krone® Easycollect 6000, 7500 & 9000 series • 6000: 16 req. per side; 7500: 20 req. per side 9000: 24 req. per side	3523013 3523023 Abrasion Resistant Tungsten Carbide
\$37.75 ea.		
KR3521402	⑧ • Top finger • 1.4 lbs. • To fit Krone® Easycollect 6000, 7500 & 9000 series • 6000: 15 req. per head; 7500: 19 req. per head; 9000: 23 req. per head	3521402 Abrasion Resistant
\$3.25 ea.		
KR3521422	⑨ • Bottom finger • 1.9 lbs. • To fit Krone® Easycollect 6000, 7500 & 9000 series • 6000: 15 req. per head; 7500: 19 req. per head; 9000: 23 req. per head	3521422 Abrasion Resistant
\$3.25 ea.		
KH200060 (LH) KH200061 (RH)	⑩ • Connector link • 6.22 lbs. • To fit Krone Easycollect 6000, 7500 & 9000 series • 6000: 31 req. per side; 7500: 39 req. per side; 9000: 47 req. per side	3521544 3521534 Tungsten Carbide
\$99.00 ea.		
KH100005	⑪ • Price includes bearings and seals already pressed in the link ⑫ • Collector pin • 1.55 lbs. • To fit Krone Easycollect 6000, 7500 & 9000 series • 6000: 31 req. per side; 7500: 39 req. per side; 9000: 47 req. per side	3516343 Heat Treated
\$14.25 ea.		

KOOIMA #	DESCRIPTION	REPLACES OEM #
KR3524353	• Star plate • 8 required • 17.8 lbs. • To fit Krone® Easycollect 6000, 7500 & 9000 series	3524353





KH200015-01	• Replacement plastic collector • .15 lbs. • Bolt in between KR3524353 star plates • 52 required per head	3511544
--------------------	---	---------





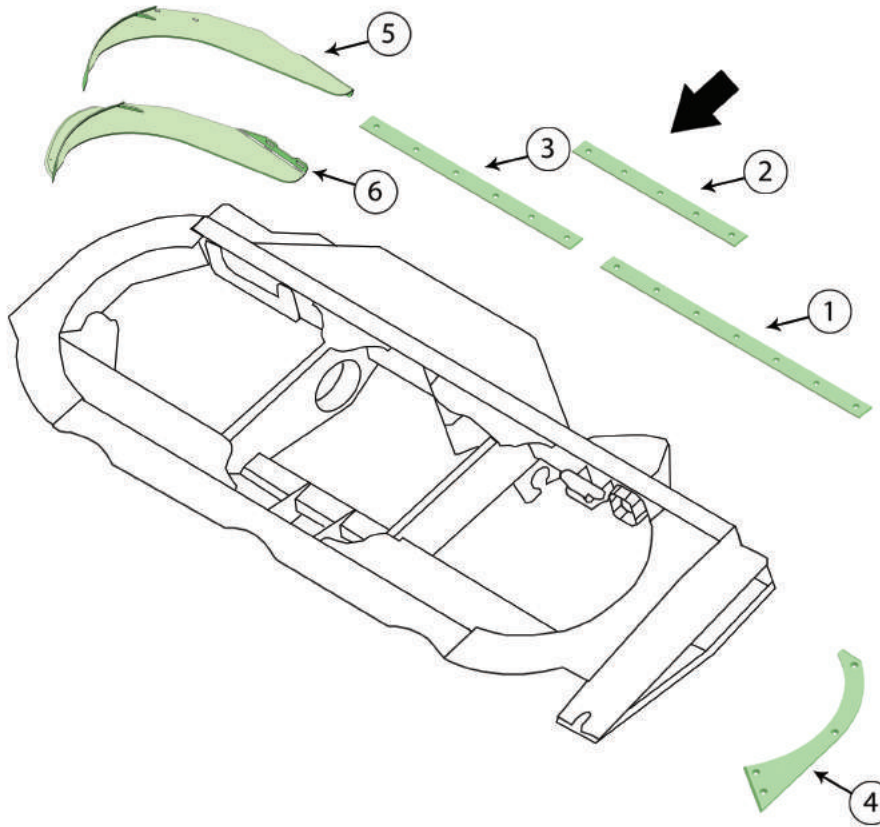
KOOIMA #	DESCRIPTION	REPLACES OEM #
KR3520753 (LH) \$41.00 ea.	① • Dresser Segment • To fit Krone® Easycollect 6000, 7500 & 9000 series • 6000: 6 required; 7500: 8 req.; 9000: 10 req. • 8.6 lbs. ea.	3520753 3520743
KR3520743 (RH) \$9.00 ea.	①a • Bolt kit for KR3520753 and KR3520743 • 1 required per set • To fit Krone® Easycollect 6000, 7500 & 9000 series • .75 lbs.	
KR3520761 \$3.85 ea.	② • Bracket • To fit Krone® Easycollect 6000, 7500 & 9000 series • 6000: 12 required; 7500: 16 req.; 9000: 20 req. • .35 lbs.	3520761
KR3520761HP \$12.50 ea.	②a • High performance bracket • To fit Krone® Easycollect 6000, 7500 & 9000 series • Koyma Klad® coating • Customer requested! • .55 lbs. • Improved heavy duty design for durability • Extra thick steel for superior performance in the field	3520761 Tungsten Carbide
KR3520761HPBK \$7.25 ea.	②b • Bolt kit for KR3520761HP • 1 bolt kit = 2 brackets • .39 lbs. • To fit Krone® Easycollect 6000, 7500 & 9000 series • Kit contains 8 bolts, 8 lock nuts & 8 spring washers	
KR3520772 \$5.50 ea.	③ • Scraper • To fit Krone® Easycollect 6000, 7500 & 9000 series • 6000: 12 required; 7500: 16 req.; 9000: 20 req. • .35 lbs.	3520774/3520772 Heat Treated
KR3520772HP \$14.75 ea.	③a • High performance scraper • Koyma Klad® coating • .5 lbs. • Thicker to protect the bolts and will last longer • To fit Krone® Easycollect 6000, 7500 & 9000 series	3520774/3520772 Heat Treated Tungsten Carbide
KR3524801 \$17.50 ea.	④ • Protective tube outside • 5.35 lbs. • To fit Krone® Easycollect 6000, 7500 & 9000 series • 6000: 4 required; 7500: 6 req.; 9000: 8 req.	3524801
KR3524811 \$16.50 ea	⑤ • Protective tube inside • 4.2 lbs. • To fit Krone® Easycollect 6000, 7500 & 9000 series • 6000: 2 required; 7500: 4 req.; 9000: 6 req.	3524811
KR3524861 \$17.75 ea.	⑥ • Protective tube inside • 5.7 lbs. • To fit Krone® Easycollect 6000, 7500 & 9000 series • 6000: 2 required; 7500: 2 req.; 9000: 2 req.	3524861
KR3521150 \$66.00 ea.	⑦ • Connecting shaft • 5.4 lbs. • To fit Krone® Easycollect 6000, 7500 & 9000 series • 2 required • 22.40" long	3521150
KR3521051 \$55.60 ea.	⑧ • Connecting shaft • 4.0 lbs. • Krone® Easycollect 6000: 2 required, 7500: 4 required, 9000: 6 required • 16.50" long	3521051
KR3521063 \$32.25 ea.	⑨ • Connecting shaft collar • .8 lbs. • Krone® Easycollect 6000: 8 required, 7500: 12 required, 9000: 16 required	3521063

KOOIMA #	DESCRIPTION	REPLACES OEM #
KR3525012 \$50.75 ea.	 • Middle point • To fit Krone® Easycollect 6000, 7500 & 9000 series • 9.8 lbs.	3525012 3525013
KR3525461 \$54.50 ea.	 • Tip • To fit Krone® Easycollect 6000, 7500 & 9000 series • 7.6 lbs.	3525461

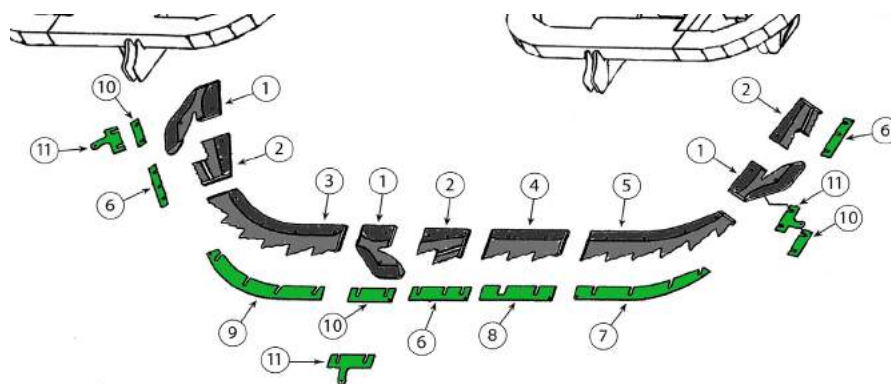
KOOIMA® AG REPLACEMENT PARTS FOR KRONE® EASYCOLLECT 6000, 7500, 9000

Replacement parts produced by Kooima® Ag to fit Krone®

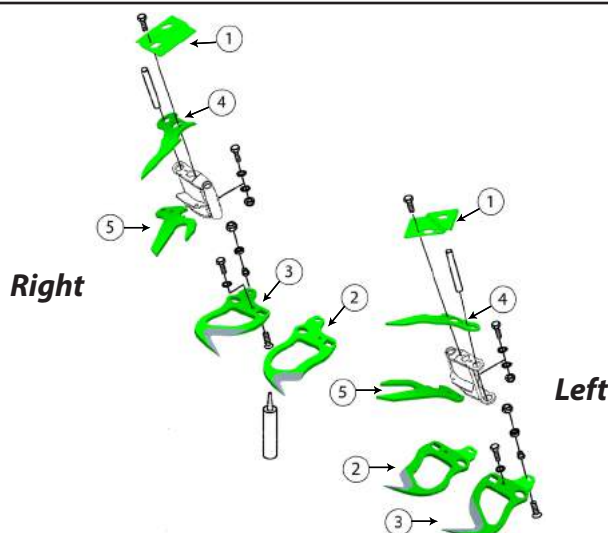
KOOIMA #	DESCRIPTION	REPLACES OEM #
KR3522314 (LH) KR3522324 (RH) \$9.50 ea.	• Guide • To fit Krone® Easycollect 6000, 7500 & 9000 series • Left hand shown • 6 lbs. ea.	3522314 3522324
KR3529770 (LH) KR3529780 (RH) \$7.00 ea.	• Adapter plate • To fit Krone® Easycollect 6000, 7500 & 9000 series • Left hand shown • .97 lb.	3529770 3529780



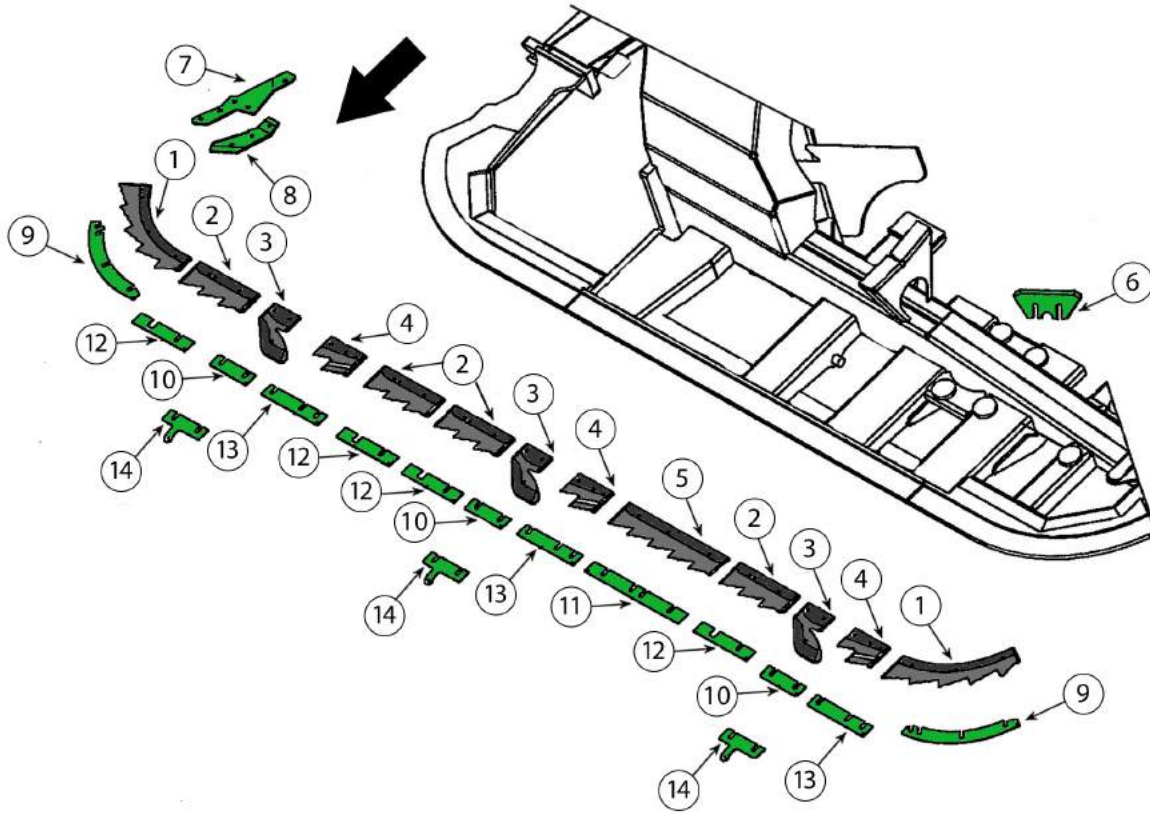
KOOIMA #	DESCRIPTION	REPLACES OEM #
KR3524002 \$44.75 ea.	① • Rail wear strip • To fit Krone® Easycollect 6000, 7500 & 9000 series • Made out of UHMW plastic • Very wear resistant • 2 required per head • 1.1 lbs.	3524002
KR3524072 \$29.75 ea.	② • Rail wear strip • To fit Krone® Easycollect 6000, 7500 & 9000 series • Made out of UHMW plastic • Very wear resistant • 2 required per head • .7 lbs.	3524072
KR3527962 \$35.75 ea.	③ • Rail wear strip • To fit Krone® Easycollect 6000, 7500 & 9000 series • Made out of UHMW plastic • Very wear resistant • 2 required per head • .9 lbs.	3527962
KR3524012 (LH) KR3524022 (RH) \$55.25 ea.	④ • Outside rail wear strip • To fit Krone® Easycollect 6000, 7500 & 9000 series • Made out of UHMW plastic • Very wear resistant • 1 required per head • .9 lbs.	3524012 3524022
KR3525785 (LH) (shown) KR3525775 (RH) \$110.00 ea.	⑤ • Lower stripper plate • To fit Krone® Easycollect 6000, 7500 & 9000 series • 29 lbs.	3525785 3525775
KR3525795 (LH) (shown) KR3525805 (RH) \$110.00 ea.	⑥ • Upper stripper plate • To fit Krone® Easycollect 6000, 7500 & 9000 series • 28 lbs.	3525795 3525805



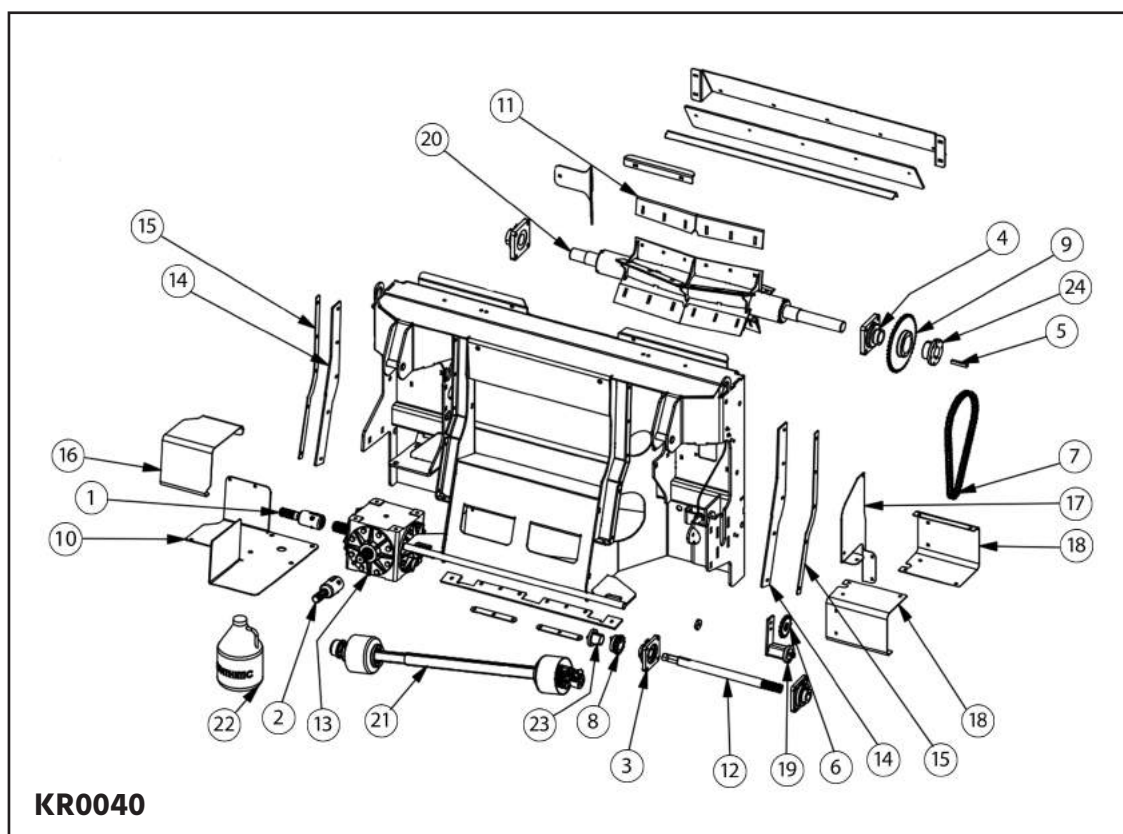
	<u>KOOIMA #</u>	<u>PRICE</u>	<u>DESCRIPTION</u>	
①	KR200936110 (LH) KR200936100 (RH)	\$71.50 ea.	• Side v knife • 3 required • 2.5 lbs.	Heat Treated/Tungsten Carbide
②	KR200936070 (LH) KR200936060 (RH)	\$47.00 ea.	• Side v knife stepped • 3 required • 1.89 lbs.	Heat Treated/Tungsten Carbide
③	KR200931310 (LH) KR200931300 (RH)	\$89.00 ea.	• Inside bow knife • 1 required • 5.34 lbs.	Heat Treated/Tungsten Carbide
④	KR200931231 (LH) KR200931221 (RH)	\$44.00 ea.	• Side ladder cutter • 1 required • 3.05 lbs.	Heat Treated/Tungsten Carbide
⑤	KR200931290 (LH) KR200931280 (RH)	\$90.00 ea.	• Outside bow knife • 1 required • 4.94 lbs.	Heat Treated/Tungsten Carbide
⑥	KR200936410	\$1.50 ea.	• .5 mm shim • To fit Krone® Easycollect 753, 903 & 1053 series • .05 lbs.	
	KR200936390	\$1.50 ea.	• 2 mm shim • To fit Krone® Easycollect 753, 903 & 1053 series • .15 lbs.	
⑦	KR200930540	\$1.50 ea.	• .5 mm shim • To fit Krone® Easycollect 753, 903 & 1053 series • .1 lbs.	
	KR200930420	\$1.50 ea.	• 2 mm shim • To fit Krone® Easycollect 753, 903 & 1053 series • .45 lbs.	
⑧	KR200930570	\$1.50 ea.	• .5 mm shim • To fit Krone® Easycollect 753, 903 & 1053 series • .10 lbs.	
	KR200930391	\$1.50 ea.	• 2 mm shim • To fit Krone® Easycollect 753, 903 & 1053 series • .35 lbs.	
⑨	KR200930590	\$1.50 ea.	• .5 mm shim • To fit Krone® Easycollect 753, 903 & 1053 series • .1 lbs.	
	KR200930430	\$1.50 ea.	• 2 mm shim • To fit Krone® Easycollect 753, 903 & 1053 series • .6 lbs.	
⑩	KR200936400	\$1.50 ea.	• .5 mm shim • To fit Krone® Easycollect 753, 903 & 1053 series • .05 lbs.	
⑪	KR200936380	\$1.50 ea.	• 2 mm shim • To fit Krone® Easycollect 753, 903 & 1053 series • .15 lbs.	



	<u>KOOIMA #</u>	<u>PRICE</u>	<u>DESCRIPTION</u>	
①	KR200903533 (LH) KR200903593 (RH)	\$4.50 ea.	• Cover plate • .7 lbs.	
②	KR200936450 (LH) KR200936480 (RH)	\$51.50 ea.	• Finger knife • To fit Krone® 753, 903 & 1053 corn heads • 2.8 lbs. • SN. 820001 and above will fit earlier models if changed to the large pin	
③	KR200936460 (LH) KR200936470 (RH)	\$51.50 ea.	• Finger knife • To fit Krone® 753, 903 & 1053 corn heads • 2.8 lbs. • SN. 820001 and above will fit earlier models if changed to the large pin	
④	KR200903522	\$6.75 ea.	• Top collector finger • SN.784901 & up; 2009 heads & newer • 753 & 903: 24 req./side • 1053: 28 req./side • 1.25 lbs.	Heat Treated
⑤	KR200924340	\$7.50 ea.	• Middle wrapping finger • SN.784901 & up; 2009 heads & newer • 753 & 903: 24 req./side • 1053: 28 req./side • 1.8 lbs.	Heat Treated



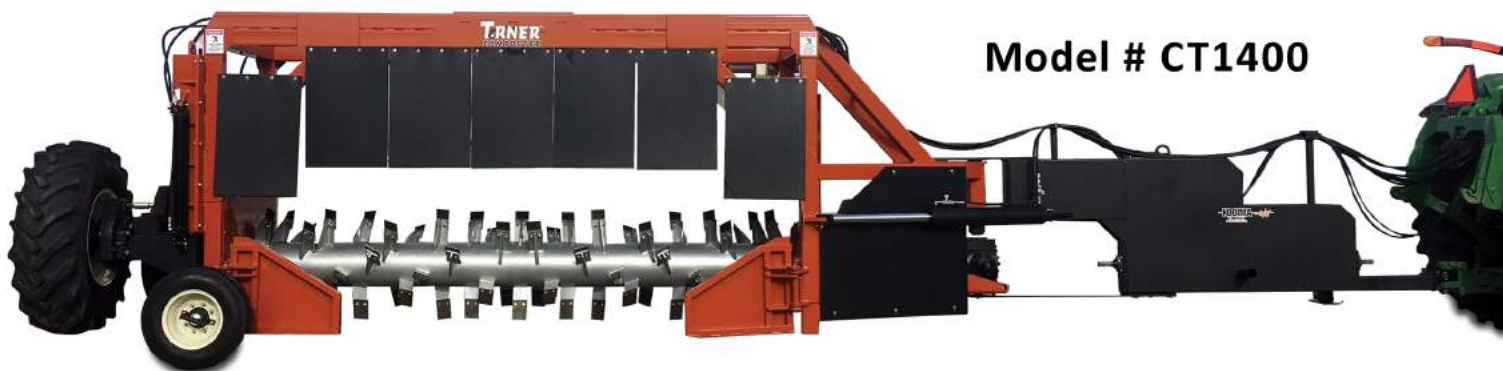
	<u>KOOIMA #</u>	<u>PRICE</u>	<u>DESCRIPTION</u>
①	KR200931270 (LH) KR200931260 (RH)	\$98.00 ea.	• Lateral bow knife • 4.18 lbs. Heat Treated/Tungsten Carbide
②	KR200931231 (LH) KR200931221 (RH)	\$44.00 ea.	• Side ladder cutter • 3.05 lbs. Heat Treated/Tungsten Carbide • 753: 2 required; 903: 4 required; 1053: 5 required
③	KR200936110 (LH) KR200936100 (RH)	\$71.50 ea.	• Side v knife • 2.5 lbs. Heat Treated/Tungsten Carbide • 753: 2 required; 903: 3 required; 1053: 4 required
④	KR200936070 (LH) KR200936060 (RH)	\$47.00 ea.	• Side v knife stepped • 1.89 lbs. Heat Treated/Tungsten Carbide • 753: 2 required; 903: 3 required; 1053: 4 required
⑤	KR200931250 (LH) KR200931240 (RH)	\$93.00 ea.	• Inner cutter knife • 5.31 lbs. Heat Treated/Tungsten Carbide • 1 required for all models
⑥	KR200931340	\$31.25 ea.	• Stripper knife • 753, 903 & 1053 corn heads SN. 784901 & above • 2 required for each side • 2.15 lbs. Heat Treated/Tungsten Carbide
⑦	KR200930471	\$6.25 ea.	• Blade plate • 1.95 lbs. • To fit Krone® 753, 903 & 1053 corn heads SN. 784901 & above
⑧	KR200915722 (LH) KR200915712 (RH)	\$16.50 ea.	• Guide disc • 1 lb. • To fit Krone® 753, 903 & 1053 corn heads SN. 784901 & above
⑨	KR200930580 KR200930380	\$1.50 ea. \$7.75 ea.	• .5 mm shim • To fit Krone® Easycollect 753, 903 & 1053 series • .1 lbs. • 2 mm shim • To fit Krone® Easycollect 753, 903 & 1053 series • .5 lbs.
⑩	KR200936400	\$1.50 ea.	• .5 mm shim • To fit Krone® Easycollect 753, 903 & 1053 series • .05 lbs.
⑪	KR200930550 KR200930410	\$1.50 ea. \$7.25 ea.	• .5 mm shim • To fit Krone® Easycollect 753, 903 & 1053 series • .15 lbs. • 2 mm shim • To fit Krone® Easycollect 753, 903 & 1053 series • .5 lbs.
⑫	KR200930570 KR200930391	\$1.50 ea. \$1.50 ea.	• .5 mm shim • To fit Krone® Easycollect 753, 903 & 1053 series • .10 lbs. • 2 mm shim • To fit Krone® Easycollect 753, 903 & 1053 series • .35 lbs.
⑬	KR200936410 KR200936390	\$1.50 ea. \$1.50 ea.	• .5 mm shim • To fit Krone® Easycollect 753, 903 & 1053 series • .05 lbs. • 2 mm shim • To fit Krone® Easycollect 753, 903 & 1053 series • .15 lbs.
⑭	KR200936380	\$1.50 ea.	• 2 mm shim • To fit Krone® Easycollect 753, 903 & 1053 series • .15 lbs.



KR0040

KOOIMA #	PRICE	DESCRIPTION
① K1172821	\$199.00 ea.	• Clamping spline adapter • 1.75 20 to 1.38 21 spline • 5.8 lbs.
② K33201476	\$187.00 ea.	• Clamping spline adapter • 1.75 20 to 1.38 6 spline • 5.8 lbs.
③ 15-4BOLT-LC	\$87.50 ea.	• Bearing Ø 1.50" 4-bolt flange, lock collar • 4.75 lbs.
④ 20-4BOLT-LC	\$135.00 ea.	• Ball bearing, 4-bolt flange, lock collar, 2" shaft • 7.15 lbs. • 2 required
⑤ 50KEY48	\$3.25 ea.	• Key square 1/2" x 3" • .25 lbs.
⑥ 60BB15X0.5	\$30.35 ea.	• 15 tooth idler sprocket • 1.12 lbs.
⑦ 60H-62	\$50.35 ea.	• #60 heavy roller chain, 62 pitches • 4.8 lbs.
⑧ 60P13H	\$65.00 ea.	• Squeeze style sprocket, #60-13 tooth hardened • 1.35 lbs.
⑨ 60SF42	\$70.45 ea.	• #60 sprocket, 42 tooth, QD hub • 10.5 lbs.
⑩ FH002477KR	\$45.00 ea.	• Gearbox bottom shield • 25.6 lbs.
⑪ FH002767	\$35.00 ea.	• Both on tooth • 5.8 lbs. • 5 required • Bolt kit: FH002767BK, \$3.50 ea.
⑫ FH002775	\$118.00 ea.	• Bottom shaft, 1-1/8 hex to 1.38-21 spline • 10.4 lbs.
⑬ FH003544	\$1,650.00 ea.	• Curtis 615MA Gearbox • 1:1 ratio • 1.75-20 spline • 170 lbs. 🚚
⑭ FH003563	\$35.00 ea.	• Belted rubber sealing flap • 1 lb. • 2 required
⑮ FH003574	\$15.30 ea.	• Side support strap • 1.5 lbs. • 2 required
⑯ FH003579	\$25.30 ea.	• Gearbox top cover • 4.75 lbs.
⑰ FH003580	\$21.30 ea.	• RH Chain and PTO Guard • 2.7 lbs.
⑱ FH003582	\$21.30 ea.	• RH PTO Shield • 6 lbs. • 2 required • 3.1 lbs. ea.
⑲ FH003613	\$140.00 ea.	• Rosta tensioner, SE-27 • 5.25 lbs.
⑳ FH5000973	\$665.00 ea.	• Flap Wheel • 128 lbs. 🚚
㉑ K00492PTO	\$520.00 ea.	• 1-3/4" 20 spline to 1-1/8" hex drive line • 42 lbs.
㉒ 75W-90PS	\$14.25 ea.	• 1 quart oil • 2 lbs. • 4 quarts needed
㉓ P11.5	\$38.50 ea.	• P1 bushing, for 1-1/2 shaft • 1 lb.
㉔ SFX2.0	\$27.50 ea.	• QD bushing, 2.00" shaft • 4 lbs.

TURNER[®] COMPOSTER



Model # CT1400



- High capacity compost turner
- Heavy duty design specifically for manure composting
- Designed for easy serviceability
- Proven in harsh conditions
- Faster ground speed - compare ours to any other
- 3" Diameter through shaft on the drum means more rigidity and higher throughput
- Box frame construction - Tough!
- High clearance to handle larger piles
- Drum designed to throw material back farther with less horsepower
- Hydraulically driven wheel - more speed and traction
- Road towable - tongue easily pivots for transport
- Patented paddle design - incorporates more oxygen into the pile

Patent # 10,617,061

S
P
E
C
S

Tunnel Dimensions:

14 ft wide x 7 ft tall

Tractor Requirements:

130 HP min. 300 HP max.

Drum: Ø 14"

Working: Ø 36"



Scan the QR code for more information and to see the Turner[®] in action!

/ HAY PICK-UP TEETH /

Kooima® Ag hay pick-up teeth are manufactured from hi-tensile drawn spring wire for uniform strength and durability.

- Pick-up tooth - 7.40" long
- To fit New Holland® 270FP, 280FP, 290FP & 380FP hay heads
- Replaces OEM # 84390221

Order # K84390221

\$8⁹⁰ ea.



- Pick-up tooth
- To fit most New Holland® forage harvester hay heads
- Replaces OEM # 86632007BDS

Order # K131673 (5 lbs.)

\$2¹⁵ ea.



- Pick-up tooth
- To fit all John Deere® 5 1/2 ft. forage heads
- Replaces OEM #268SE

Order # K268SE (.45 lbs.)
Bolt Kit: K268SEBK: \$4.75 ea.

\$2¹⁵ ea.



- Pick-up tooth • Replaces OEM #CC25176
- To fit all John Deere® 630, 645, 630A, 640A, 645A, 630B, 640B, 645B, 630C, 640C & 645C forage harvester hay heads

Order # K25176 (.45 lbs.)

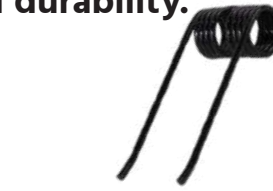
\$4⁰⁵ Bolt Kit: K25176BK: \$3.05 ea.



- HP Pick-up tooth • Replaces OEM #CC25176
- To fit all John Deere® 630, 645, 630A, 640A, 645A, 630B, 640B, 645B, 630C, 640C & 645C forage harvester hay heads

Order # K25176HP (.45 lbs.)

\$5⁷⁵ Bolt Kit: K25176BK: \$3.05 ea.



- Pick-up tooth • .35 lbs.
- To fit John Deere® 7 ft. hay head before SN. 550000
- Replaces OEM #E54745

Order # K54745 **NEW**

\$5²⁵ ea.



- Pick-up tooth
- To fit all John Deere® 7 1/2 ft. harvester hay heads after SN. 550001
- Replaces OEM #E74678

Order # K74678 (.5 lbs.)

\$2⁴⁵ Bolt Kit: K74678BK: \$3.50 ea.



- Pick-up tooth
- To fit all Claas® forage harvester hay heads

Order # K2126290 (.6 lbs.)

\$4²⁵ ea.



- HP Pick-up tooth
- To fit all Claas® forage harvester hay heads

Order # K2126290HP (.8 lbs.)

\$5²⁵ ea.



HP hay pick-up teeth are "shot peened," giving them added strength!



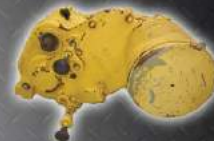
Your #1 Source For Used Parts



New Holland®
Self-Propelled
Forage Harvester
PARTS

1-877-427-6950

www.iowacuttersupply.com



Claas®

John Deere®

Kemper™

New Holland®

Krone®

Iowa Cutter Supply Inc.

1004 10th Ave

Rock Valley, IA 51247

On the corner of Hwy 18 and 10th Ave

If you have a cutter to sell:

Email pictures and a description to

sales@iowacuttersupply.com

or

Call 1-877-427-6950 and ask for Ivan

TO ORDER TOLL FREE CALL 1-800-522-8874

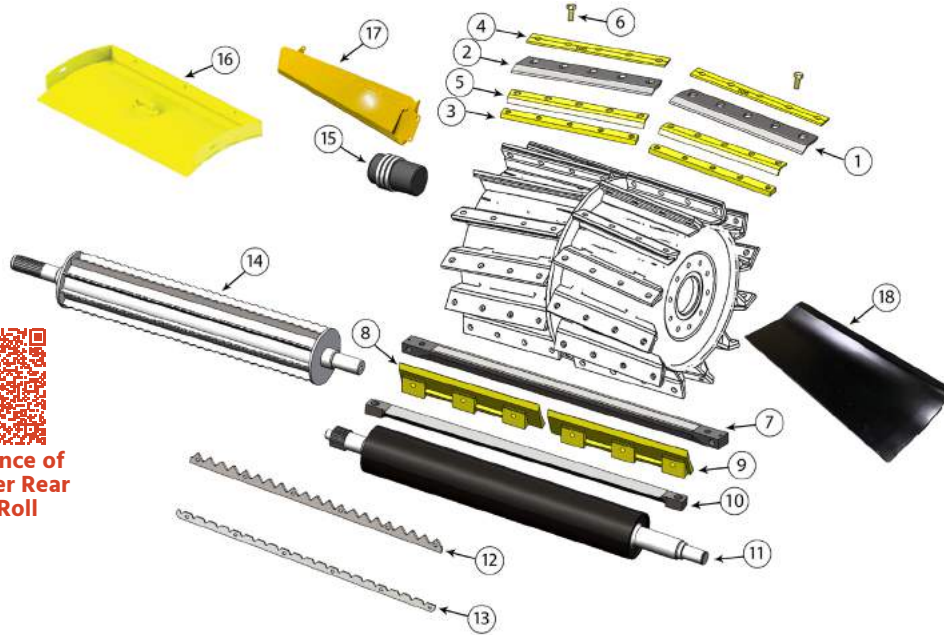
KOOIMA AG

191

Kooima[®] Ag Replacement Parts To Fit NEW HOLLAND[®]

KOOIMA[®] AG REPLACEMENT PARTS TO FIT NEW HOLLAND[®] FR FORAGE HARVESTERS

New Holland[®] is a registered trademark of CNH Industrial America, LLC, which does not manufacture, distribute or endorse these parts.



- K8000WSC** \$350.80 ea.
Windshield cover
- To fit all NH[®] FR machines
 - Eliminates cracked and broken windshields
 - Double sewn heavy duty, padded vinyl construction
 - Stainless steel dee rings
 - 13.3 lbs.



Replacement parts produced by Kooima[®] Ag to fit New Holland[®]

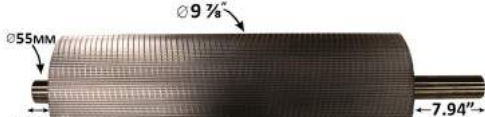

KOOIMA #	DESCRIPTION	REPLACES OEM #
K84450404 (Corn) \$45.25 ea.	① Left hand corn knife • To fit all FR series harvesters • 10 required with 20-knife cylinder, 12 required with 24-knife cylinder • 4.8 lbs.	84450404 Heat Treated Tungsten Carbide
K84450406 (Grass) \$46.25 ea.	①a Left hand grass knife • To fit all FR series harvesters • 10 required with 20-knife cylinder, 12 required with 24-knife cylinder • 4.7 lbs.	84450406 Heat Treated Tungsten Carbide
K84450405 (Corn) \$45.25 ea.	② Right hand corn knife • To fit all FR series harvesters • 10 required with 20-knife cylinder, 12 required with 24-knife cylinder • 4.8 lbs.	84450405 Heat Treated Tungsten Carbide
K84450407 (Grass) \$46.25 ea.	②a Right hand grass knife • To fit all FR series harvesters • 10 required with 20-knife cylinder, 12 required with 24-knife cylinder • 4.7 lbs.	84450407 Heat Treated Tungsten Carbide
K84458371 \$24.75 ea.	③ Nut Bar • 3.2 lbs. • To fit all 9000 FR series & FR 450, 500, 600, 700 & 850 before SN C887.	84458371 Heat Treated
K47660678 \$33.50 ea.	③a Nut Bar - 3/4" thick • 3.8 lbs. • To fit FR 450, 500, 600, 700, 850 after SN 888 • To fit FR 480, 550, 650, 780, 920	47660678
K84450403 \$18.00 ea.	④ Top strap • To fit all FR series harvesters • 2.1 lbs.	87720029/84450403
K87368863 \$18.75 ea.	⑤ Knife baffle - protects your cutter drum brackets • Will need longer bolts when using this baffle • 1.8 lbs.	87368863 Abrasion Resistant
K87517126 \$5.25 ea.	⑥ Knife bolt • .3 lbs. • To fit FR 450, 500, 600, 700 & 850 before SN C887 • To fit FR 9000 series when not using knife baffles	87517126
K84450505 \$7.00 ea.	⑥a Knife bolt • Extended length to be used with baffles on FR 9000 series • To fit FR 450, 500, 600, 700 & 850 after SN 888 • .35 lbs.	84450505 / 87517126 47660680
K87325326HP \$955.00 ea.	⑦ High performance shearbar • 33.4 lbs. • For use in hay and corn • To fit all FR series harvesters	87325326 Tungsten Carbide
K87736807 - RH K87736805 - LH \$390.00 ea.	⑧ Cast shear bar wear ledge • Fits all New Holland [®] FR series • 14.25 lbs.	87736807 87736805
K84526146 \$555.00 ea.	⑩ Smooth roll cleaner • 18 lbs. • To fit all FR series harvesters	84526146/87340658/87532939 Tungsten Carbide
K47362200 \$1,095.00 ea.	⑪ Lower rear smooth roll • 56 lbs. • To fit all 3-digit FR series, FR 9000 series after SN 724 w/ campaign H33	4736220/84253846
K84339903 \$28.80 ea.	⑫ Upper front feed roll teeth • 10 required • 1.8 lbs. Stainless Steel • To fit all FR 9000 series	84099775 / 84339903



KOOIMA® AG REPLACEMENT PARTS TO FIT NEW HOLLAND® FR FORAGE HARVESTERS


Replacement parts produced by Kooima® Ag to fit New Holland®

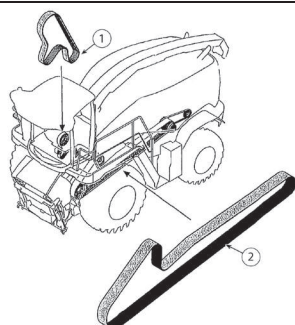
KOOIMA #	DESCRIPTION	REPLACES OEM #
K47373020 \$29.75 ea.	• Upper front feed roll teeth • 10 required • .32 lbs. • To fit NH FR "3 digit" harvesters	47373020 Stainless Steel
K84339903BK \$210.00 ea.	• Bolt kit to fit K84339903 & K47373020 tooth • 1 kit required • M10 x 45mm bolt • Above serial number D800 • Needed when using 84603422 Lath • 5.8 lbs.	84364042 / 84408059
K84099775BK \$155.00 ea.	• Bolt kit to fit K84339903 & K47373020 tooth • 1 kit required • M10 x 25mm bolt • Below serial number D800 • Needed when NO Lath is installed • 4.4 lbs.	84056909 / 84099499
K84389960 \$20.50 ea.	• Lower front feed roll teeth • 12 required • 1.3 lbs. Stainless Steel • To fit all FR 9000 series • To fit FR 450, 500, 600, 700 & 850 before SN 906	47690733 / 84389960 Stainless Steel
K47744044 \$22.50 ea.	• Lower front feed roll teeth • 12 required • 1.3 lbs. • To fit 450, 500, 600, 700, 850 after SN 907 and all other 3 digit machines	Stainless Steel
K84389960BK \$79.50 ea.	• Bolt kit for K84389960 & K47744044 tooth • 2.6 lbs. • 1 kit has 72 bolts and nuts	84390794 / 84390793
K84386708 \$1,450.00 ea.	• Upper rear feed roll • Fits all FR series • 72 lbs.	84386708/87343404
K87383779 \$98.50 ea.	• Sharpening stone • To fit all FR series harvesters • 5.5 lbs.	87383779
K84136093 \$145.75 ea.	• Cutter door • 22.4 lbs. • To fit FR 9000 series between SN 632 & 827	84136093 Abrasion Resistant
K84136093BK \$11.25 ea.	• Hardware kit for K84136093 • To fit FR 9000 series between SN 632 & 827 • .3 lbs.	
K87567972 \$505.00 ea.	• Cutterhead stone cover • 22.72 lbs. • Fits FR 9000 series, 480, 550, 650, 780 after SN 5923, and all other 3 digit machines	87567972
K84547800 \$1,550.00 ea.	• Drum bottom - Standard • Fits all FR series (FR 9000 series after SN 818) • 88.2 lbs.	84547800 Abrasion Resistant
K84232753 \$1,095.00 ea.	• Drum bottom • Fits FR 9000 Series between SN 720-817	84232753

NEW

KOOIMA #	DESCRIPTION	REPLACES OEM #
FR87348753F (Fast 110 tooth) FR87348753S (Slow 138 tooth) \$2,350.00 ea.	 <ul style="list-style-type: none"> • Fiber Tech Chromed kernel processor roll • To fit all New Holland® FR series harvesters • Get the real value out of your processor with new Chevron Series Fiber Tech High Capacity Rolls • It can increase chopper forward speed by as much as 12% over standard rolls! 	Heat Treated 236 lbs.  Chromed plated roll

FR84481096F (Fast 110 tooth) FR84481096S (Slow 138 tooth) NEW \$2,800.00 ea.	 <ul style="list-style-type: none"> • Fiber tech chromed kernel processor roll • To fit all New Holland® FR duracracker / durashredder processors • Fits FR 450-920 models • It can increase chopper forward speed by as much as 12% over standard rolls! 	236 lbs.  Heat Treated Chromed plated roll
--	---	---

K2211EC3 \$130.00 ea.	 <ul style="list-style-type: none"> • Kernel processor bearing • To fit all FR series harvesters • 4 required • 1.85 lbs. 	
---------------------------------	---	--



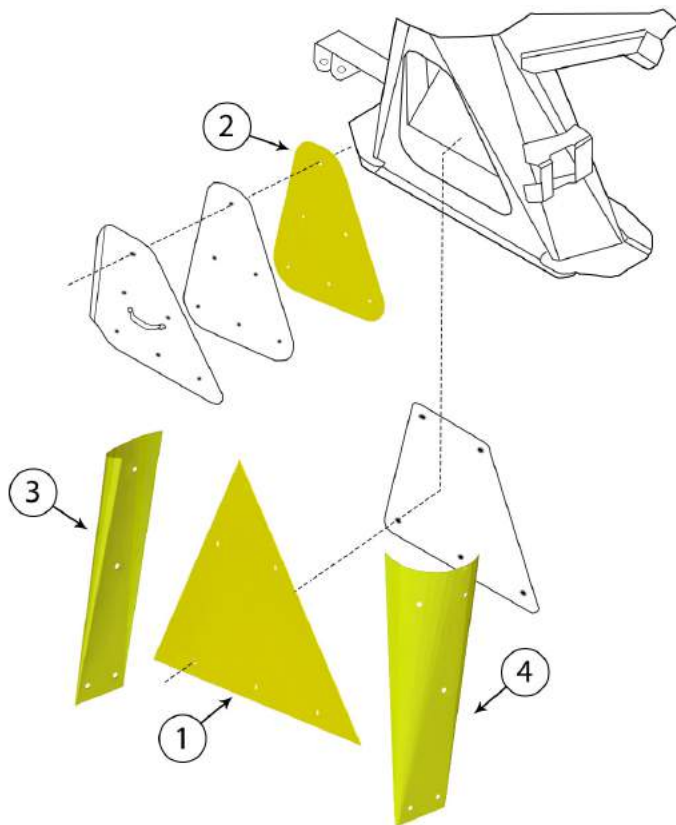
KOOIMA #	DESCRIPTION	REPLACES OEM #
K84449861 \$198.00 ea.	• Processor belt • To fit all FR series harvesters • 6 lbs.	84449861
K84458482 \$490.00 ea.	• Main belt (7 groove) • 31.6 lbs. • To fit FR9040, FR9050, FR9060 & FR450-600 machines	84458482
K84457069 \$710.00 ea.	• Main belt (9 groove) • 42 lbs. • To fit FR9080, FR9090 & FR650-850 machines	84457069

KOOIMA® AG REPLACEMENT PARTS TO FIT NEW HOLLAND® FR FORAGE HARVESTERS

Replacement parts produced by Kooima® Ag to fit New Holland®



KOOIMA #	DESCRIPTION	REPLACES OEM #
K84568340 \$725.00 ea.	① • Transition channel concave • 89 lbs. • Fits FR 450, 500, 600, 700, 850 after SN 888 • Fits FR 480, 550, 650, 780 before SN 5923	84568340 Abrasion Resistant
K84553240 \$1,050.00 ea.	② • Transition chute wear plate • 67.5 lbs. • Fits FR 480, 550, 650, 780 and 920 • Fits FR 450, 500, 600, 700, 850 after SN 888	84553240 Abrasion Resistant
K84553240LN \$890.00 ea.	②a • Transition chute wear plate - aftermarket • 66.8 lbs. • Fits FR 480, 550, 650, 780 and 920 • Fits FR 450, 500, 600, 700, 850 after SN 888	84553240 Abrasion Resistant
K47550392 \$1,995.00 ea.	②b • Heavy duty transition chute wear plate • 73 lbs. • Fits FR 480, 550, 650, 780 and 920 • Fits FR 450, 500, 600, 700, 850 after SN 888	47550392 Tungsten Carbide
K84196734 \$650.80 ea.	②c • Transition chute liner • 62 lbs. • To fit FR9000 series SN 720 and after with H33 Campaign • 450, 500, 600, 700, and 850 SN 887 & before • Bolt kit: K84196734BK , \$28.00 ea., .35 lbs.	84196734 Abrasion Resistant
NEW K87573529 \$1,000.00 ea.	②d • Transition wear liner • Fits FR 9000 series before SN 719	87573529
K47541082 \$285.00 ea.	③ • Transition chute end liner • 23 lbs. • Fits FR 450, 500, 600, 700, 850 after SN 888 • Fits FR 480, 550, 650, 780 and 920 (after SN 5924)	47541082
NEW K84471148 \$380.00 ea.	③a • Transition rear wear plate • Fits FR 9000 series • Fits FR 450, 500, 600, 700 & 850 before SN 887	84471148
K87486863 \$485.00 ea.	④ • Grass chute • 41.1 lbs. • To fit FR 9000 series after SN 620, fits 3-digit machines (FR 920 before SN 930)	87486863 Abrasion Resistant
K87476501 \$19.50 ea.	⑤ • Rubber seal for K87486863 • .7 lbs. • To fit FR 9000 series after SN 620, fits 3-digit machines (FR 920 before SN 930)	87476501
K87474515 \$12.75 ea.	⑥ • Grass chute fixing plate • To fit SN D620 and after • .65 lbs.	87474515
K87720027 \$22.00 ea.	⑦ • Outside blower paddle • Ideal for corn • 1.8 lbs. • To fit FR 9000 series before SN 799 • 12 pieces required per blower • Added wider tungsten for more adjustment	877200277 Tungsten Carbide Koyma Klad® coating
K87720026 \$22.00 ea.	⑦a • Inner blower paddle • Ideal for corn • 1.9 lbs. • To fit FR 9000 series before SN 799 • 6 pieces required per blower • Added wider tungsten for more adjustment	877200276 Tungsten Carbide Koyma Klad® coating
K87720027BK \$95.00 ea.	⑦b • Paddle hardware kit • One kit required • 7.3 lbs. • To fit all FR series harvesters	
K84397877 \$50.50 ea.	⑧ • Blower paddle • 8.3 lbs. • Fits all FR series • 6 required per blower • Ideal for grass	
K47532471 - RH K47532473 - LH \$68.00 ea.	⑨ • Blower wear plates • 3.8 lbs. • Fits FR 450, 500, 600, 700, 850 after SN 876	47532471 47532473
K84194771 \$590.80 ea.	⑨a • Fits FR 480, 550, 650, 780, 920 before SN 911	
K84196684 \$560.00 ea.	⑩ • Blower door • 64.4 lbs. Abrasion Resistant • Fits FR 9000 series after SN 720, 450, 500, 600, 700, 850, (FR 480, 550, 650, and 780 before SN 911)	84194771 84196684
NEW K87571323 \$55.25 ea.	⑪ • Transition chute top cover • Fits all FR series	87571323 47670624
NEW K87571321 \$45.25 ea.	⑫ • RH side transition channel liner • Fits FR 9000 series before SN 719 and after SN 818, and all 3 digit FR series	87571321 47670622
NEW K87571321 \$45.25 ea.	⑬ • LH side transition channel liner • Fits FR 9000 series before SN 719 and after SN 818, and all 3 digit FR series	87571321 47670622



K8000WSC \$350.80 ea.

Windshield cover

- To fit all New Holland® FR machines
- Eliminates cracked and broken windshields
- Double sewn heavy duty, padded vinyl construction
- Stainless steel dee rings
- 13.3 lbs.

KOOIMA #

K87567620

\$81.50 ea.

①

DESCRIPTION

- Transition chute liner • 17.2 lbs.
- Fits FR 9000 series, FR: 450, 500, 600, 700, and 850 SN 887 and before

REPLACES OEM #

87567620/87399325

Abrasion Resistant

K87567620BK

\$9.75 ea.

①a

- Hardware kit for K87567620
- To fit all FR series harvesters • .2 lbs.

K87515847

\$22.30 ea.

②

- Transition chute liner
- To fit all FR series harvesters • 4.7 lbs.

87515847

K87515847BK

\$10.25 ea.

②a

- Hardware kit for K87515847
- To fit all FR series harvesters • .25 lbs.

K87682538

\$114.50 ea.

③

- RH spout transition wear plate
- To fit all FR 9000 series after SN 570 & all 3-digit FR's

87682538

K87682536

\$114.50 ea.

④

- LH spout transition wear plate
- To fit all FR 9000 series after SN 570 & all 3-digit FR's

87682536

Grind Earlage with Kooima® Ag's New Dual Roll Header Adapter!

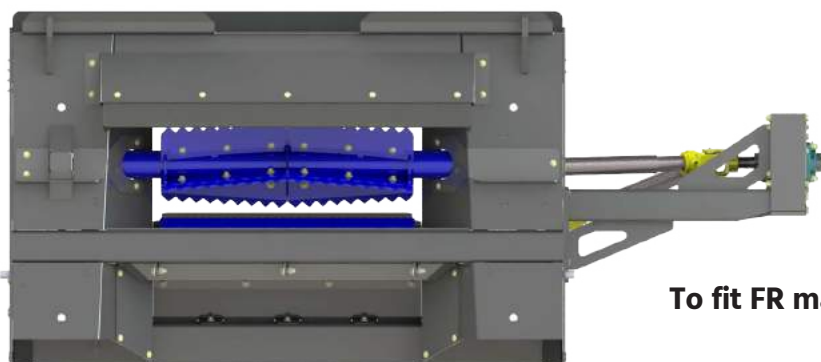
Advantages: faster clean out, more ground speed and less shelling!

Order # **KFR920** - See page 14 for more information

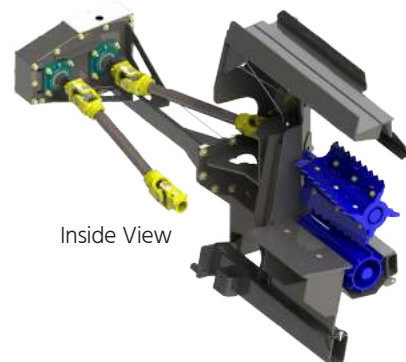
Patent # **8,376,126 & 10,743,467**



Scan for Videos!



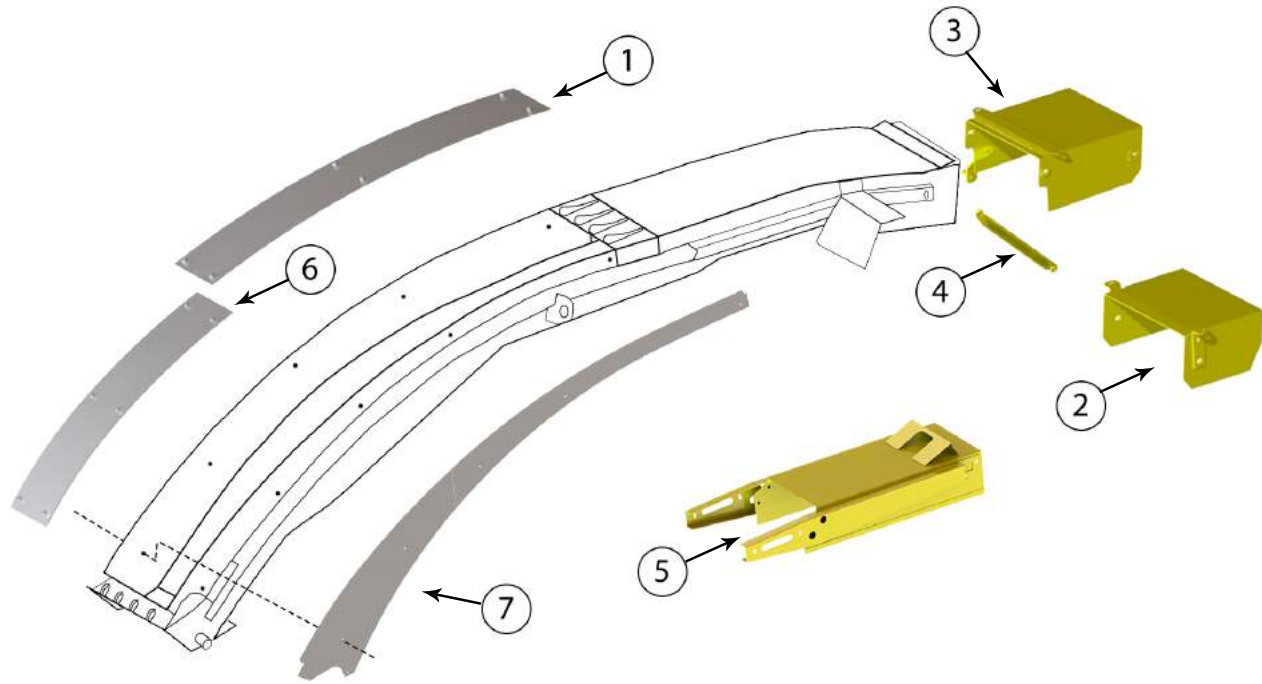
To fit FR machines



Inside View

KOOIMA® AG REPLACEMENT PARTS TO FIT NEW HOLLAND® FR FORAGE HARVESTERS

Replacement parts produced by Kooima® Ag to fit New Holland®


















KOOIMA #		DESCRIPTION	REPLACES OEM #
K84246330 \$135.00 ea.	①	<ul style="list-style-type: none"> Spout top liner • 20.2 lbs. Fits FR 9000 series standard spouts, 450, 500, 600, 700, 850 standard spouts 	84246330
K87693538BK \$9.75 ea.	①a	<ul style="list-style-type: none"> Hardware kit for K84246330 .3 lbs. 	
K84122208 \$74.50 ea.	②	<ul style="list-style-type: none"> Grass outer deflector Fits FR 9000 series 13 lbs. 	84122208/84452928 Abrasion Resistant
K84122042 \$85.50 ea.	②	<ul style="list-style-type: none"> Corn outer deflector Fits FR 9000 series 15.4 lbs. 	84122042/84453037 Abrasion Resistant
K84122042BK \$57.50 ea.	②a	<ul style="list-style-type: none"> Outer spout deflector hardware kit To fit all FR series harvesters • .65 lbs. 	
K84122206 \$137.50 ea.	③	<ul style="list-style-type: none"> Grass inner deflector Fits FR 9000 series • 19.6 lbs. 	84122206/84452921 Abrasion Resistant
K84122034BK \$19.50 ea.	③a	<ul style="list-style-type: none"> Inner spout deflector hardware kit To fit all FR series harvesters • .2 lbs. 	
K84043464 \$34.00 ea.	④	<ul style="list-style-type: none"> Spout deflector brace Fits all FR series • 1.6 lbs. 	84043464
K87694972 \$495.00 ea.	⑤	<ul style="list-style-type: none"> 3' spout extension Fits FR 9000 series • 34.7 lbs. 	87694972/87516797/84458221 Abrasion Resistant
K87694972BK \$37.50 ea.	⑤a	<ul style="list-style-type: none"> Hardware kit for K87694972 To fit harvesters after SN D500 • .55 lbs. 	
K87693538 \$195.00 ea.	⑥	<ul style="list-style-type: none"> Spout bottom liner • 28 lbs. • Abrasion Resistant Fits FR 9000 series, 450, 500, 600, 700, 850 standard spouts, FR480, 550, 650, 780, 920 long spouts 	87693538/84462153/87629935
K87693538BK \$9.75 ea.	⑥a	<ul style="list-style-type: none"> Hardware kit for K87693538 .3 lbs. 	
K87629322 \$76.50 ea.	⑦	<ul style="list-style-type: none"> Spout side liner Fits FR 9000 series, 450, 500, 600, 700, 850 standard spouts • 24 lbs. 	87629322/84462031 Abrasion Resistant
K87629322BK \$8.75 ea.	⑦a	<ul style="list-style-type: none"> Hardware kit for K87629322 To fit all FR series harvesters • .2 lbs. 	

KOOIMA® AG REPLACEMENT PARTS TO FIT NEW HOLLAND® FORAGE HARVESTERS

New Holland® is a registered trademark of CNH Industrial America, LLC, which does not manufacture, distribute or endorse these parts.

Kooima® Ag knives are:












- Manufactured to exacting specifications
- Heat treated for edge hardness and durability
- Made in the USA
- Made of high carbon steel
- Tungsten carbide edged for maximum wear

KOOIMA #	DESCRIPTION	REPLACES OEM #
K216973 \$81.75 ea. 	<ul style="list-style-type: none"> • Knife, double edged • To fit S717 SN. 128546 & up, & 718 to SN. 308390 • 6, 9 or 12 required • 5.8 lbs. 	216973 Heat Treated Tungsten Carbide
K216281 \$83.50 ea. 	<ul style="list-style-type: none"> • Knife, single edged • To fit New Holland® 770 • 6 or 12 required • 5.4 lbs. 	216281 Heat Treated Tungsten Carbide
K237519 \$137.50 ea. 	<ul style="list-style-type: none"> • Shearbar • To fit New Holland® 717, S717, 718 and 770 • 4.9 lbs. 	449017/237519 Heat Treated Tungsten Carbide
K638297 \$79.00 ea. 	<ul style="list-style-type: none"> • Knife, double edged • To fit New Holland® 782 • 12 required • 7 lbs. 	638297 Heat Treated Tungsten Carbide
K784651 \$58.25 ea. 	<ul style="list-style-type: none"> • Knife, single edged • To fit New Holland® 790 • 12 required • 6.5 lbs. 	784651B/784651 Heat Treated Tungsten Carbide
K86641949 \$34.83 ea. NEW 	<ul style="list-style-type: none"> • Knife baffle • To fit New Holland® 790 • 2.70 lbs. 	86641949/784653
K9610799 \$133.00 ea. 	<ul style="list-style-type: none"> • Shearbar • To fit New Holland® 782 and 790 • 6.7 lbs. 	9610799 Heat Treated Tungsten Carbide
K221755 \$80.75 ea. 	<ul style="list-style-type: none"> • Knife, single edged • To fit New Holland® 880 and 1880 • 6 or 9 required • 6.5 lbs. 	221755 Heat Treated Tungsten Carbide
K243725 \$76.50 ea. 	<ul style="list-style-type: none"> • Knife, single edged • 6.5 lbs. • To fit New Holland® 890, 895, 1890 to SN. 258122 and 1895 to SN. 344989 • 6, 8 or 12 required 	243725 Heat Treated Tungsten Carbide
K635411 \$96.50 ea. 	<ul style="list-style-type: none"> • Knife, double edged • To fit New Holland® 892 • 8 or 12 required • 8 lbs. 	635411 Heat Treated Tungsten Carbide
K237521 \$132.50 ea. 	<ul style="list-style-type: none"> • Shearbar • To fit New Holland® 818, 880, 890, 892, 895, 1890 and 1895 • 3.6 lbs. 	237521 Heat Treated Tungsten Carbide
K225083 \$238.00 ea. NEW 	<ul style="list-style-type: none"> • Shearbar holder • 19 lbs. • To fit New Holland® 890 & 892 	225083 / 80225083
K179470 \$27.65 ea. NEW 	<ul style="list-style-type: none"> • Shearbar adjusting nut • .1 lb. • To fit New Holland® 718, 770, 782 & S717 	179470 / 80179470
K228017 \$26.60 ea. NEW 	<ul style="list-style-type: none"> • Shearbar adjusting nut • .1 lb. • To fit New Holland® 890 & 892 	228017 / 80228017
K237521BK \$25.00 ea. NEW 	<ul style="list-style-type: none"> • Shearbar bolt kit • .5 lb. • To fit New Holland® 880, 890, 892, 900, 1880, 1890 & 1895 	707854 / 264349 / 246082 / 80246082

Replacement parts produced by Kooima® Ag to fit New Holland®

KOOIMA® AG REPLACEMENT PARTS TO FIT NEW HOLLAND® FORAGE HARVESTERS

Replacement parts produced by Kooima® Ag to fit New Holland®

<u>KOOIMA #</u>	<u>DESCRIPTION</u>	<u>REPLACES OEM #</u>
K676997 \$70.60 ea. 	<ul style="list-style-type: none"> • Knife, single edged • To fit New Holland® 900 • To fit New Holland® FP230 • 12 required • 8 lbs. 	676997 Heat Treated Tungsten Carbide
K86641950 \$16.70 ea. 	<ul style="list-style-type: none"> • Knife baffle • To fit New Holland® 900 and FP230 • 12 required • 2.95 lbs. 	86641950
K9617519 \$165.00 ea. 	<ul style="list-style-type: none"> • Shearbar • To fit New Holland® 900 to SN. 751185 • 18.4 lbs. 	9617519 Heat Treated Tungsten Carbide
K9611168 \$177.00 ea. 	<ul style="list-style-type: none"> • Shearbar • To fit New Holland® 900 SN. 751186 and up • 16.6 lbs. 	9611168 Heat Treated Tungsten Carbide
K86632788 \$280.75 ea. 	<ul style="list-style-type: none"> • Shearbar • To fit New Holland® FP230 • 15.8 lbs. 	86632788 Heat Treated Tungsten Carbide
K86624446 \$75.75 ea. 	<ul style="list-style-type: none"> • Knife • To fit New Holland® FP240 & FHX300 • Also fits Case IH® FHX 300 • 12 required • 8.5 lbs. 	86624446 Heat Treated Tungsten Carbide
K86632157 \$295.00 ea. 	<ul style="list-style-type: none"> • Shearbar • To fit New Holland® FP240 & FHX300 • Also fits Case IH® FHX 300 • 18.5 lbs. 	86632157 Heat Treated Tungsten Carbide
K86635950 \$24.90 ea. 	<ul style="list-style-type: none"> • Knife baffle • 3.4 lbs. • Fits New Holland® FP240 harvesters 	86635950
K770254 \$128.50 ea. 	<ul style="list-style-type: none"> • Knife, double edged • To fit New Holland® 1600 and 1900 • 12 required • 9.2 lbs. 	770254 Heat Treated Tungsten Carbide
K796287HP \$625.80 ea. 	<ul style="list-style-type: none"> • Hi-performance shearbar • To fit New Holland® 1900 • 22.8 lbs. 	86607735 Heat Treated Tungsten Carbide
K642472 \$42.50 ea. 	<ul style="list-style-type: none"> • Knife baffle • To fit all 1900, 1905 & 1915 series harvesters • 12 required • 3.1 lbs. 	86503030 642472
K9615439 \$116.50 ea. 	<ul style="list-style-type: none"> • Knife, double edged • To fit New Holland® 1905 & 1915 • 12 required • 10.8 lbs. 	9615439 Heat Treated Tungsten Carbide
K9861382HP \$640.00 ea. 	<ul style="list-style-type: none"> • Hi-performance shearbar • To fit New Holland® 1905 & 1915 • 26.5 lbs. • Out-performs all other shearbars 	86607734/9861382 Heat Treated Tungsten Carbide
K9616033 \$152.50 ea. 	<ul style="list-style-type: none"> • Knife, double edged • To fit all New Holland® 2115 • To fit New Holland® FX series grass knives • 8 or 12 required • 12.3 lbs. 	89819423 9616033 Heat Treated Tungsten Carbide
K679439 \$49.50 ea. 	<ul style="list-style-type: none"> • Knife baffle • To fit all 2100, 2115 & FX harvesters • 8 or 12 required • 3.6 lbs. 	86503031 679439

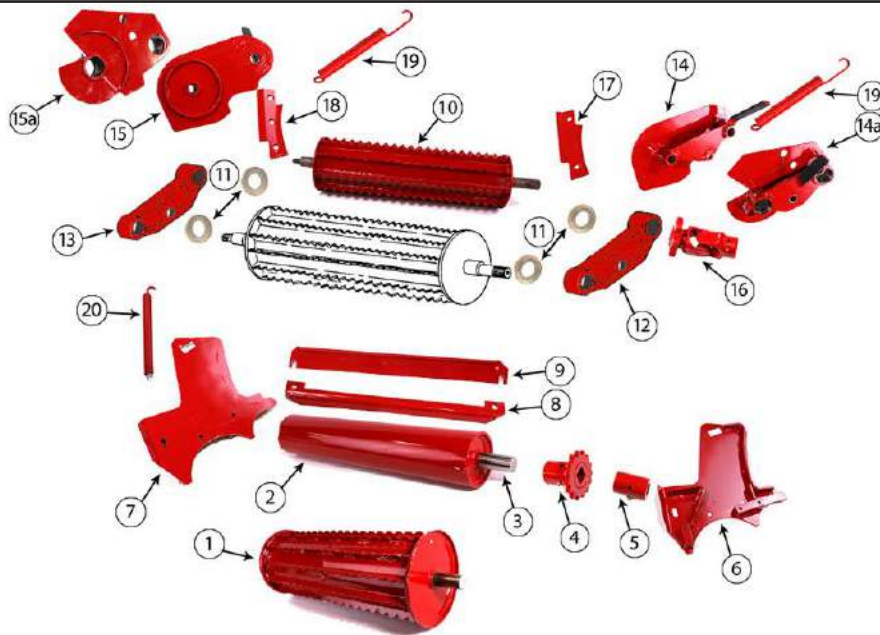
KOOIMA® AG REPLACEMENT PARTS TO FIT NEW HOLLAND® FORAGE HARVESTERS

Replacement parts produced by Kooima® Ag to fit New Holland®

KOOIMA #	DESCRIPTION	REPLACES OEM #
K84023281  \$127.50 ea.	• Knife, double edged • To fit New Holland® FX series corn knives • To fit New Holland® 2115 series harvesters • 8 or 12 required • 11.9 lbs.	84023281 Heat Treated Tungsten Carbide
K84454375  \$11.50 ea.	• Top strap • To fit New Holland® FX series harvesters • Replaces washer • 3 required per knife • .8 lbs.	84454375 Heat Treated
K9621289HP  \$597.75 ea.	• Hi-performance shearbar • To fit New Holland® 2100 • 26.1 lbs. • Out-performs all other shearbars	86607736/9621289 Tungsten Carbide
K9861383HP  \$664.00 ea.	• Hi-performance shearbar • To fit New Holland® 2115 and FX series • For use in hay or corn • 29 lbs. • Out-performs all other shearbars	84062351/9861383 Heat Treated Tungsten Carbide
K58125 - \$2.10 ea. K58150 - \$1.70 ea. K916125 - \$1.75 ea.	 • Knife bolt, 5/8" x 1 1/4" NF, grade 8 • .15 lbs. • Knife bolt, 5/8" x 1 1/2" NF, grade 8 • .2 lbs. • Knife bolt, 9/16" x 1 1/4" NF, grade 8 • .15 lbs.	
K64053  \$1.35 ea.	• Knife bolt washer • .05 lbs. • To fit New Holland® 782, 790, 892, 900, 1915 and FX series 2115	86528652/64053
K9619931  \$29.00 ea.	• Sharpening stone, 1 1/2" dia. • To fit New Holland® 782, 790, 892 1880 and 1900 • 1 lb.	9619931
K9619871  \$39.00 ea.	• Sharpening stone, 2" dia. • 1.6 lbs. • To fit New Holland® 790, 900, 1900 and 2100	9619871
K9805207  \$71.50 ea.	• Sharpening stone, 3" dia. • 3.5 lbs. • To fit New Holland® 1900, 1905, 2115, FP230, FP240 and FX series • Also fits Case IH® FHX 300	9805207
K230DC  \$1,295.00 ea.	• Fiber tech kernel processor roll • 140 lbs.  • To fit New Holland® 900 & FP230 factory processors • 100 tooth • Dual cut for better processing • 2 required	
K48548  \$24.75 ea.	• Bearings • To fit New Holland® 900, FP230 & FP240 factory processors • 8 required	
K48510  \$13.25 ea.	• Bearing race • To fit New Holland® 900, FP230 & FP240 factory processors • 8 required	
K240DC  \$1,300.00 ea.	• Fiber tech kernel processor roll • To fit New Holland® FP240 and Case IH® FHX300 factory processors • 100 tooth • 2 required • 165 lbs. 	

KOOIMA® AG REPLACEMENT PARTS TO FIT NEW HOLLAND® FORAGE HARVESTERS

Replacement parts produced by Kooima® Ag to fit New Holland®



	KOOIMA #	DESCRIPTION	REPLACES OEM #
	①	• Lower front roll feed roll • Fits New Holland® 782 & 790 • 40 lbs.	80700464
	①a	• Lower front feed roll - complete with drive sprocket • To fit New Holland® 890 & 892 • 49 lbs.	706646
	①b	• Lower front feed roll • Non metal detector roll • To fit New Holland® 900 • 50 lbs.	676587/86635470/ 47504254/641630
	①c	• Lower front feed roll • To fit New Holland® FP240 & FHX300 Case IH® • 50 lbs.	86635460
NEW	②	• Smooth roll - no shaft (K241375 is the coordinating shaft) • To fit New Holland® 717, S717, 718 & 770 • 14 lbs.	122296 / 80122296
	②a	• Smooth roll • To fit New Holland® 782 & 790 • 28 lbs.	764785
	②b	• Smooth roll • To fit New Holland® 890 & 892 • 32.4 lbs.	715964
	②c	• Smooth roll • To fit New Holland® 900 & FP230 • 34 lbs.	639349
	②d	• Smooth roll • To fit New Holland® FP240 • 37.1 lbs.	86512516
NEW	③	• Smooth roll shaft • To fit New Holland® 717, S717, 718 & 770 • 6.4 lbs.	241375 / 80241375 / 122528
NEW	④	• Smooth roll sprocket • To fit New Holland® 717, S717, 718, 782, 790 & 892 • 2.5 lbs.	122397 / 801122367
NEW	④a	• Smooth roll sprocket • To fit New Holland® 900, FP230, FP240 & FHX300 Case IH® • 3.1 lbs.	633416 / 80633416
NEW	⑤	• Square feed roll drive coupler • To fit New Holland® 900, FP230, FP240 & FHX300 Case IH® • 1.4 lbs.	86979296 / 86521513
NEW	⑥	• LH feed roll side plate • To fit New Holland® 900 • 8.1 lbs.	9842620 / 89842620 / 9825235
NEW	⑥a	• LH feed roll side plate • To fit New Holland® FP230, FP240 & FHX300 Case IH® • 8.4 lbs.	86635944 / 86635943
NEW	⑦	• RH feed roll side plate • To fit New Holland® 900 • 8.2 lbs.	9843091 / 89843091 / 9825234
NEW	⑦a	• RH feed roll side plate • To fit New Holland® FP230, FP240 & FHX300 Case IH® • 8.2 lbs.	86635946 / 86635945
NEW	⑧	• Smooth roll scraper • To fit New Holland® 718, 770, S717 after SN 179757 • 2.5 lbs.	179462 / 70179462
	⑧a	• Smooth roll scraper • To fit New Holland® 782 & 790 • 5.2 lbs.	701316
	⑧b	• Smooth roll scraper • To fit New Holland® 890 & 892 • 5 lbs.	227794
	⑧c	• Smooth roll scraper • To fit New Holland® 900 & FP230 • 13.1 lbs.	642371
	⑧d	• Smooth roll scraper • To fit New Holland® FP240 • 13.8 lbs.	86635936/86512872
NEW	⑨	• Scraper support • To fit New Holland® 782 & 790 • 2.2 lbs.	701317 / 801701317

KOOIMA® AG REPLACEMENT PARTS TO FIT NEW HOLLAND® FORAGE HARVESTERS

Replacement parts produced by Kooima® Ag to fit New Holland®

KOOIMA #	DESCRIPTION	REPLACES OEM #
K790FR \$385.50 ea. (10)	• Feed roll top back • More aggressive heavier tooth • To fit New Holland® 782 & 790 • 28 lbs.	686539
K892FR \$465.00 ea. (10a)	• Feed roll top back • More aggressive heavier tooth • To fit New Holland® 890 & 892 • 39.67 lbs.	603917
K230FR \$470.00 ea. (10b)	• Feed roll top back • Heavier tooth helps eliminate any feeding issues • To fit New Holland® 900 & FP230 • 39 lbs.	639338
K240FR \$502.00 ea. (10c)	• Feed roll top back • Heavier tooth helps eliminate any feeding issues • To fit New Holland® FP240 & FHX300 Case IH® • 43 lbs.	86635935 / 86512636
NEW K136909 \$21.70 ea. (11)	• Upper feed roll washer • .1 lb. • To fit New Holland® 1880, 1890, 1895, 880, 890, 892, 900, FP230 FP240 & FHX300 Case IH®	136909 / 80136909
NEW K86635889 \$357.00 ea. (12)	• LH bearing support • To fit New Holland® 900, FP230, FP240 & FHX300 Case IH® • 8.9 lbs.	86635889 / 642067
NEW K86635888 \$266.00 ea. (13)	• RH bearing support • To fit New Holland® 900, FP230, FP240 & FHX300 Case IH® • 8.7 lbs.	86635888 / 642066
NEW K784248 \$399.00 ea. (14)	• LH feed roll side plate • To fit New Holland® 782 & 790 • 9.2 lbs.	784248 / 80784248
NEW K632289 \$301.00 ea. (14a)	• LH feed roll side plate • To fit New Holland® 890 & 892 • 11.6 lbs.	633289 / 706466 / 80632289
NEW K784247 \$378.00 ea. (15)	• RH feed roll side plate • To fit New Holland® 782 & 790 • 9.2 lbs.	784247 / 80784247
NEW K632290 \$322.00 ea. (15a)	• RH feed roll side plate • To fit New Holland® 890 & 892 • 13.3 lbs.	632290 / 89601936 / 9601936
NEW K132898 \$166.81 ea. (16)	• Upper rear feed roll drive sprocket and yoke • To fit New Holland® 1880, 717, 718, 770, 782, 790 & S717 • 5.8 lbs.	132898 / 9806635 / 80132898
NEW K784240 \$56.00 ea. (17)	• LH crop guide • To fit New Holland® 790 • .5 lb.	784240 / 80784240
NEW K706740 \$63.00 ea. (17a)	• LH crop guide • To fit New Holland® 890 & 892 • 1.6 lbs.	706740 / 80706740
NEW K86635892 \$45.50 ea. (17b)	• LH crop guide • To fit New Holland® 900, FP230, FP240 & FHX300 Case IH® • .9 lbs.	86635892 / 642367 / 80642367
NEW K784239 \$56.00 ea. (18)	• RH crop guide • To fit New Holland® 790 • .5 lb.	784239 / 80784239
NEW K706741 \$63.00 ea. (18a)	• RH crop guide • To fit New Holland® 890 & 892 • 1.6 lbs.	706741 / 80706741
NEW K86635893 \$45.50 ea. (18b)	• RH crop guide • To fit New Holland® 900, FP230, FP240 & FHX300 Case IH® • .9 lbs.	86635893 / 642368 / 80642368
NEW K700914 \$126.70 ea. (19)	• Feed roll spring • To fit New Holland® 782 & 790 • 6 lbs.	700914 / 80700914
NEW K286527 \$203.00 ea. (19a)	• Feed roll spring • To fit New Holland® 718, 853, 855 & 858 • 4.8 lbs.	80286527
NEW K122474 \$61.25 ea. (20)	• Feed roll spring with insert bolt • To fit New Holland® 717, 770, 852, S717, 357 & TR95 • 1.7 lbs.	172088 / 122474 / 80172088

K1900FR
\$918.00 ea.



• Upper rear feed roll (non stainless steel)
• To fit New Holland® **1900, 1905 & 1915**

856197

NEW K636324
\$2,805.00 ea.



• Cutterhead assembly • 190 lbs.
• To fit New Holland® **900** harvesters

636324 / 80636324

NEW K578727
\$572.00 ea.



• Auger • 38 lbs.
• To fit New Holland® **782 & 790** harvesters

578727 / 80578727

NEW K620490
\$572.00 ea.



• Auger • 48.40 lbs.
• To fit New Holland® **890 & 892** harvesters

620490 / 225344 / 80620490

NEW K9609485
\$1,296.00 ea.



• Auger • 76" long • 50.50 lbs.
• To fit New Holland® **900 before SN 781114**

9609485 / 635883 / 8609485

NEW K9806283
\$791.00 ea.



• Auger • 81" long • 55 lbs.
• To fit New Holland® **900 after SN 781115**

9806283 / 89806283 / 9614497

NEW K86618727
\$581.76 ea.



• Auger • 67 lbs.
• To fit New Holland® **FP230, FP240 & FHX300 Case IH®**

86636607 / 86618727

NEW K245743
\$22.58 ea.


















• Auger shield and bearing • .35 lb.
• To fit New Holland® **1880, 1900, 2100, 770, 782, 790, 890, 892 & 900**

245743 / 46913 / 80245743 / 80046913














KOOIMA® AG REPLACEMENT PARTS TO FIT NEW HOLLAND® FORAGE HARVESTERS

Replacement parts produced by Kooima® Ag to fit New Holland®

KOOIMA #	DESCRIPTION	REPLACES OEM #
K713229 NEW \$406.00 ea. 	• Upper rear feedroll drive shaft • 7.30 lbs. • Fits New Holland® 782 & 790 series	713229 / 80713229
K627387 NEW \$199.50 ea.	• Smooth roll drive shaft with sprocket • 8.60 lbs. • Fits New Holland® 782 & 790 series	627387 / 80627387
K703244 NEW \$199.00 ea. 	• Corn head drive shaft • 3.70 lbs. • Fits New Holland® 782 & 790 series	703244 / 80703244
K850735 NEW \$420.00 ea. 	• Outer reversing gearbox shaft • 4.30 lbs. • Fits New Holland® 782 & 790 series	850735 / 713863 / 80850735
K850079 NEW \$240.00 ea. 	• Inner reversing gearbox shaft • 4.10 lbs. • Fits New Holland® 782 & 790 series	850079 / 701283 / 80850079
K702034 NEW \$518.00 ea. 	• Length of cut sprocket • 7.70 lbs. • Fits New Holland® 782 & 790 series	702034 / 80702034
K710984 NEW \$196.00 ea. 	• Corn head drive assembly • 5.40 lbs. • Fits New Holland® 782 & 790 series	710984 / 2978828 / 80710984
K644107 NEW \$94.50 ea. 	• Outer drive sprocket 7 tooth • 2.20 lbs. • Fits New Holland® 790, 824, 880W & 900 series	644107 / 80644107
K633389 NEW \$140.70 ea. 	• 12-19 Tooth length of cut sprocket • 2.90 lbs. • Fits New Holland® 790, 900, FP230, FP240 & FHX300 Case IH® series	633389 / 80633389
K9623892 NEW \$119.00 ea. 	• Inner drive sprocket 7 tooth • 2.30 lbs. • Fits New Holland® 772R, 790, 824 & 900 series	9623892 / 89623892
K86593056 NEW \$1,113.00 ea. 	• Cutterhead yoke and gear • 10 lbs. • Fits New Holland® 890, 892 & 900 series	86593056 / 9618047
K86635877 NEW \$179.20 ea. 	• 26-30 Tooth length of cut sprocket • 8.90 lbs. • Fits New Holland® 900, FP230, FP240 & FHX300 Case IH® series	86635877 / 633420
K633395 NEW \$137.70 ea. 	• 38 Tooth top drive sprocket • 7.60 lbs. • Fits New Holland® 900, FP230, FP240 & FHX300 Case IH® series	633395 / 80633395
K86514713 NEW \$234.50 ea. 	• Splined coupler • 2.20 lbs. • Fits New Holland® 900 series	86514713 / 636451 / 80636451
K9623846 NEW \$318.50 ea. 	• Splined shaft for head drive • 3.40 lbs. • Fits New Holland® 900 series	9623846 / 639109 / 89623846
K86514714 NEW \$427.00 ea. 	• Splined shaft • 20.80 lbs. • Fits New Holland® 900 series	86514714 / 89845469 / 9845469












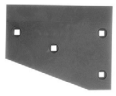


KOOIMA® AG REPLACEMENT PARTS TO FIT NEW HOLLAND® FX SERIES FORAGE HARVESTERS

Replacement parts produced by Kooima® Ag to fit New Holland®

KOOIMA #		DESCRIPTION	REPLACES OEM #
K238321		<ul style="list-style-type: none"> Fan paddle • 3 required • 6.2 lbs. To fit 890 & 892 harvesters K857758BK, hardware kit: 1 kit/paddle, \$19.80 ea., 1 lb. 	238321 Abrasion Resistant
\$31.50 ea.			
K857758		<ul style="list-style-type: none"> Fan paddle • 3 required • 5 lbs. To fit 782 & 790 harvesters K857758BK, hardware kit: 1 kit/paddle, \$19.80 ea., 1 lb. 	857758 Abrasion Resistant
\$29.00 ea.			
K9601644		<ul style="list-style-type: none"> Fan paddle • 3 required • 5.5 lbs. To fit 900 harvesters K9601644BK, hardware kit: 1 kit/paddle, \$18.30 ea., .93 lbs. 	9610638 / 9601644 Abrasion Resistant
\$39.75 ea.			
K86636606		<ul style="list-style-type: none"> Fan paddle To fit FP230 & FP240 harvesters FP230: 3 required, FP240: 4 required • 3.6 lbs. K86636606BK, mounting hardware 1 kit/paddle, \$9.55 ea., .72 lbs. 	86636606 Abrasion Resistant
\$33.00 ea.			
K253162 NEW		<ul style="list-style-type: none"> Blower band To fit New Holland® 717, 718 & S717 harvesters 35 lbs. 	253162 / 126949
\$350.00 ea.			
K798096 NEW		<ul style="list-style-type: none"> Blower band To fit New Holland® 770, 782 & 790 harvesters 30 lbs. 	798096 / 184292 80798096 / 80184292
\$224.00 ea.			
K225396 NEW		<ul style="list-style-type: none"> Blower band To fit New Holland® 1600, 890, 892, 900, FHX300, FP230 & FP240 harvesters • 22 lbs. 	225396 / 80225396 86636614 / 866270
\$199.50 ea.			
K225387		<ul style="list-style-type: none"> Blower band wear liner • 15 lbs. To fit New Holland® 1890, 890, 892, 900, FP230 & FP240 harvesters K225387BK, mounting hardware, \$10.25 ea., .25 lbs. 	225387 Abrasion Resistant
\$70.75 ea.			
K762790 NEW		<ul style="list-style-type: none"> Blower splined hub To fit New Holland® 900 harvesters 5.4 lbs. 	PA762790 / 762790
\$220.50 ea.			
K857264 NEW		<ul style="list-style-type: none"> Blower fan shaft To fit New Holland® 782 & 790 harvesters 6 lbs. 	857264 / 80857264 / 851491
\$650.00 ea.			
K269975 NEW		<ul style="list-style-type: none"> Spout liner To fit New Holland® 1600, 1890, 1895, 782, 790, 892, 900, FHX300, FP230 & FP240 harvesters • 32 lbs. Extra shipping charges may apply 	269975 / 80269975
\$280.00 ea.			
K708652		<ul style="list-style-type: none"> Wear liner To fit bottom cutterhead housing door for 2100 & 2115 harvesters Weld-in application • 28.4 lbs. 	Abrasion Resistant
\$92.50 ea.			
K643627HP (22.8 lbs.) (1900-1915) K643628HP (24.6 lbs.) (2100-2115)		<ul style="list-style-type: none"> Cracker plate To fit New Holland® 1900 & 1915 harvesters To fit New Holland® 2100 & 2115 harvesters Cracks 85-90% of kernels with minimal power requirements Bolt-in installation • No moving parts to maintain Use in whole plant corn silage or to grind earlage Patent #6,234,072 & #6,327,970 	
\$815.00 ea.			




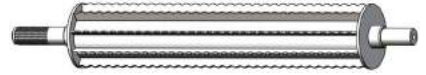






KOOIMA® AG REPLACEMENT PARTS TO FIT NEW HOLLAND® FORAGE HARVESTERS

Replacement parts produced by Kooima® Ag to fit New Holland®

KOOIMA #	DESCRIPTION	REPLACES OEM #
K9612878  \$212.00	K86507017 Wear strip: 3 req. \$25.00 ea., 2.7 lbs. K86507018 Wear strip: 1 req. \$25.00 ea., 1.2 lbs.	9612878 Abrasion Resistant • Rear fan sheet • 52 lbs. • To fit late 1900 SN. 440386 and above, all 1915, 2100 and 2115 harvesters • Wear strips are needed when ordering • K9612878BK : Bolt kit, \$4.75 ea., .35 lbs. 1 required
K630039  \$915.00 ea.	• Blower gearbox shaft • 8 lbs. • To fit New Holland® 1900, 1915, 2100 & 2115 harvesters	630039 / 287850 287851 / 80287850 8028751 / 80630039
K573730  \$297.50 ea.	• Blower gearbox shaft • 3.95 lbs. • To fit New Holland® 1900, 1915, 2100 & 2115 harvesters	573730
K643192  \$550.80 ea.	• Reversing gearbox shaft • 17.5 lbs. • Shaft only - does not include input gear or bearing • To fit all models 1900-2115 equipped w/ electric reversing gear box	643192 / 80643192 89622179 / 9622179
K573907  \$521.05 ea.	• Cutterhead clutch shaft • 22 lbs. • To fit New Holland® 1900, 1915, 2100 & 2115 harvesters	573907 Heat Treated
K9829018L  \$49.50 ea.	• Weld on spout transition liner • 5.5 lbs. • Will fit spout transitions: 9829018 - model 1915 and 2115 794464 - model 1900 and 2100, 712045 - model 2100, 9621794 - model 1905 • 1 required per transition	
K9608019  \$212.00 ea.	K86507016 Wear strip: 3 required Replaces OEM# 86507016 \$49.00 ea., 1 lb. K86507016BK : \$4.25 ea., .05 lbs 3 required	9608019 Abrasion Resistant • Front fan sheet • 36.4 lbs. • To fit late 1900 SN. 440386 & above, and all 1915 harvesters
K854979  \$290.75 ea.	• Front fan sheet • To fit all 2100 harvesters • Includes abrasion resistant wear strips • 48.5 lbs.	854979 Abrasion Resistant
K9621796  \$205.00 ea.	K86507016 Wear strip: 3 required Replaces OEM# 86507016 \$49.00 ea., 1lb. K86507016BK : \$4.25 ea., .05 lbs. 3 required	9621796 Abrasion Resistant • Front fan sheet • 49 lbs. • To fit all 2115 harvesters
KP1890  \$5.25 ea.	• Fan paddle • 4.4 lbs. • To fit 1890 harvesters • 4 required	Abrasion Resistant
KP1921  \$39.00 ea.	• Fan paddle • 3 or 4 required • To fit 1900, 1915, 2100 and 2115 harvesters • 8 lbs.	Abrasion Resistant
KP1921WP  \$28.50 ea.	• Wear plate • 2.9 lbs. • Attaches to fan paddle KP1921 • To fit 1900, 1915, 2100 and 2115 harvesters • KP1921WPBK , mounting hardware: \$4.00, .21 lbs.	9805232 Abrasion Resistant
K574597  \$121.00 ea.	• Blower band wear liner • 21 lbs. • To fit New Holland® 1900, 1915, 2100 and 2115 harvesters • K574597BK , mounting hardware: \$5.00 ea., .22 lbs.	574597 Abrasion Resistant
K683948  \$315.00 ea.	• Spout liner • To fit 1900, 1915, 2100, 2115 and FX series harvesters with New Holland® spouts • 56 lbs. • Extra shipping charges may apply	683948

KOOIMA® AG REPLACEMENT PARTS TO FIT NEW HOLLAND® FX SERIES FORAGE HARVESTERS

Replacement parts produced by Kooima® Ag to fit New Holland®

KOOIMA #		DESCRIPTION	REPLACES OEM #
K89804073		<ul style="list-style-type: none"> Lower rear smooth feed roll • 70.7 lbs. To fit FX series harvesters up to FX58 Does NOT work with Hydroloc feed roll system 	9804073/89804073
\$498.00 ea.			
NEW K84443548		<ul style="list-style-type: none"> Smooth roll To fit FX60 series harvesters 	84443548
\$1,487.50 ea.			
K84036892		<ul style="list-style-type: none"> Smooth roll cleaner • 14.8 lbs. To fit FX series harvesters up to FX58 Does NOT work with Hydroloc feed roll system 	84036892 Abrasion Resistant Heat Treated
\$175.75 ea.			
NEW K84453780		<ul style="list-style-type: none"> Upper rear feed roller • 53 lbs. To fit FX 'O' series, FX30, FX40, FX50, FX60 	84453780
\$4,400.00 ea.			
NEW K84436148		<ul style="list-style-type: none"> Upper front feed roller • 148 lbs. To fit FX 'O' series, FX30, FX40, FX50, FX60 	84436148
\$3,250.00 ea.			
K87700821		<ul style="list-style-type: none"> Blower band liner To fit FX series harvesters FX30, FX40, FX50 & FX60 (O series cutters) • 43.2 lbs. 	87700821 & 87381143
\$490.80 ea.			
K84015418		<ul style="list-style-type: none"> Rear fan sheet To fit FX series harvesters Does not fit O series cutters • 90 lbs. 	84015418 Abrasion Resistant
\$169.00 ea.			
K84004619		<ul style="list-style-type: none"> Fan paddle • 7.9 lbs. To fit all FX series harvesters 	84004619 Abrasion Resistant
\$85.45 ea.			
K84004820		<ul style="list-style-type: none"> Wear plate • To fit all FX series harvesters Attaches to fan paddle K84004619 • 3.7 lbs. Mounting hardware: K84004820BK, .2 lbs, \$5.00 ea. 	84004820/84078162 Abrasion Resistant
\$29.00 ea.			
K84023856		<ul style="list-style-type: none"> Blower band wear liner • 29 lbs. To fit FX series harvesters Will not fit an FX60 or any FR models 	84023856 Abrasion Resistant
\$150.75 ea.			

Processor rolls to fit most New Holland® models

All rolls are the saw tooth high-capacity design, heat treated, and include heavy duty 1-piece shaft. Match your processor to the descriptions below:




K84019783B (Bottom roll w/ sensor bushing)

K84019783T (Top roll)

\$1,375.00 ea.

(May have to update pulleys- order

87571365 - 87571367 from New Holland®)

- Replaces OEM 3-piece KP rolls
- Tapered keyed shaft beneath pulley
- To fit FX25, FX45, early FX28/38/58 • 151 lbs. 
- Left hand belt drive



K8445504B (Bottom)

K8445504T (Top)

\$1,515.00 ea.

K84073406 (double belt drive, 100 tooth)


\$1,375.00 ea.

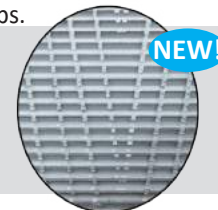
- Lower roll hydraulic drive/upper roll belt drive
- To fit FX28, FX38, FX58 harvesters
- To fit FX40, FX50, FX60 before serial # 111305111 • 151 lbs. 
- Belts on both sides of KP
- To fit late FX28, FX38, FX58 harvesters
- To fit FX40, FX50, FX60 (most common on late models) • 151 lbs. 

K84073406HPF (Front, 100 tooth)

K84073406HPR (Rear, 110 tooth)

\$1,890.00 ea.


- Belts on both sides of KP
- To fit late FX28, FX38, FX58 harvesters
- To fit FX40, FX50, FX60 (most common on late models)
- Chevron Series Fiber Tech** for extreme processing
- Heat Treated and Chromed
- Double belt drive • 168 lbs. 



K8441190 (Top) (late hydraulic drive)

K8441190DB (Bottom)

\$1,525.00 ea.

- Hydraulic drive after serial # 111306111
- Lower roll hydraulic/upper roll belt • 151 lbs. 
- Long shaft on both ends on upper roll • To fit FX40, FX50, FX60 harvesters
- Kernel processor bearing
- To fit all FX kernel processor rolls • 2 lbs.

K22208C3

\$59.80 ea.



SKF22208C3

Truck icon signifies product is shipped via truck freight.

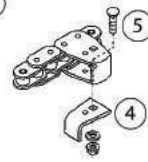
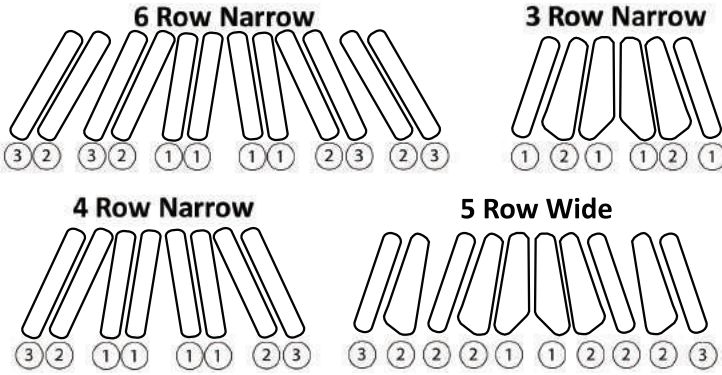
TO ORDER TOLL FREE CALL 1-800-522-8874

KOOIMA AG

205

New Holland® is a registered trademark of CNH Industrial America, LLC, which does not manufacture, distribute or endorse these parts.

New Holland® 360N/W Gathering Chains- Quality US Made Chains



- K102009** - \$36.50 ea.
- Gathering chain - 8 lug • 9.5 lbs.
 - To fit New Holland® 98D, 974 & 996 corn heads
 - Replaces OEM # AN102009/610831/176279C91

KOOIMA #	DESCRIPTION	REPLACES OEM #
K86593262 \$312.00 ea.	① • Corn head chain • 92 pitch • 20.3 lbs.	86593262 86502834
K86593264 \$327.00 ea.	② • Corn head chain • 96 pitch • 21.2 lbs.	86593264 86502835
K86593263 \$277.00 ea.	③ • Corn head chain • 88 pitch • 19.4 lbs.	86593263
K86633815 \$11.75 ea.	④ • Chain scraper • 3 required per chain (1 chain per row with scrapers) • .15 lbs.	86633815 9845441
K86633815BK \$3.90 ea.	⑤ • Bolt Kit • To fit K86633815 chain scraper • 1 kit required per scraper • .10 lbs.	

KOOIMA #	DESCRIPTION	REPLACES OEM #
K9843538 \$185.00 ea.	• Row crop disc • To fit New Holland® 360 N corn heads • 5.8 lbs.	9843538 Heat Treated Tungsten Carbide

K9843298 \$110.75 ea.	• Corn head floor extension • 25 lbs. • To fit New Holland® 360N4 and 360N6 corn heads	9843298
---------------------------------	---	---------

K9622566 \$32.00 ea.	• Pick up head floor extension • 11 lbs. • To fit New Holland® 340W and 350W pick ups	9622566
--------------------------------	--	---------

NEW K86631939 \$95.40 ea.	• Top drive sprocket • 3 lbs. • To fit New Holland® 360N, 360W5, 3PN & HDX3R pick ups	86631939 / 86500918
---	--	---------------------

NEW K86631932 \$132.30 ea.	• Sprocket with power divider mount • 5.4 lbs. • To fit New Holland® 360N, 3PN, FX38 & HDX3R	86631932 / 84012190 89849883 / 9849
--	---	--

Kooima® Ag hay pick-up teeth are manufactured from hi-tensile drawn spring wire for uniform strength and durability.

Order # **K131673**
\$2¹⁵ ea.



- Pick-up tooth • .5 lbs.
- To fit most New Holland® forage harvester hay heads
- Replaces OEM # 86632007BDS

Order # **K84390221**

\$8⁹⁰ ea.



- Pick-up tooth - 7.40" long
- To fit New Holland® 270FP, 280FP, 290FP & 380FP hay heads
- Replaces OEM # 84390221

Kemper™ style Crop Dividers to fit New Holland® RI 600 series corn heads

The RI heads are great, but have a tendency to double cut the stalk, leaving a trail of 6-8 inch long chunks lying in the field. This new Crop Divider holds the stalk up and in tighter to the drum for a single clean cut with no waste. Our customers notice the difference and so will you! We ran them on our RI head and loved them. Call today for more details.

Order # **K600PAKIT**
(to fit RI 600 8-row)
• Uses 2 RH, 2 LH assemblies

\$2,590⁰⁰ ea. 276 lbs.

K600PAKIT and K450PAKIT use existing mounting holes and no additional hardware is required.

Order # **K450PAKIT**
(to fit RI 450 6-row)
• Uses 2 RH, 1 LH assemblies

\$2,090⁰⁰ ea. 180 lbs.






See page 168 for more information on the individual parts along with a diagram.

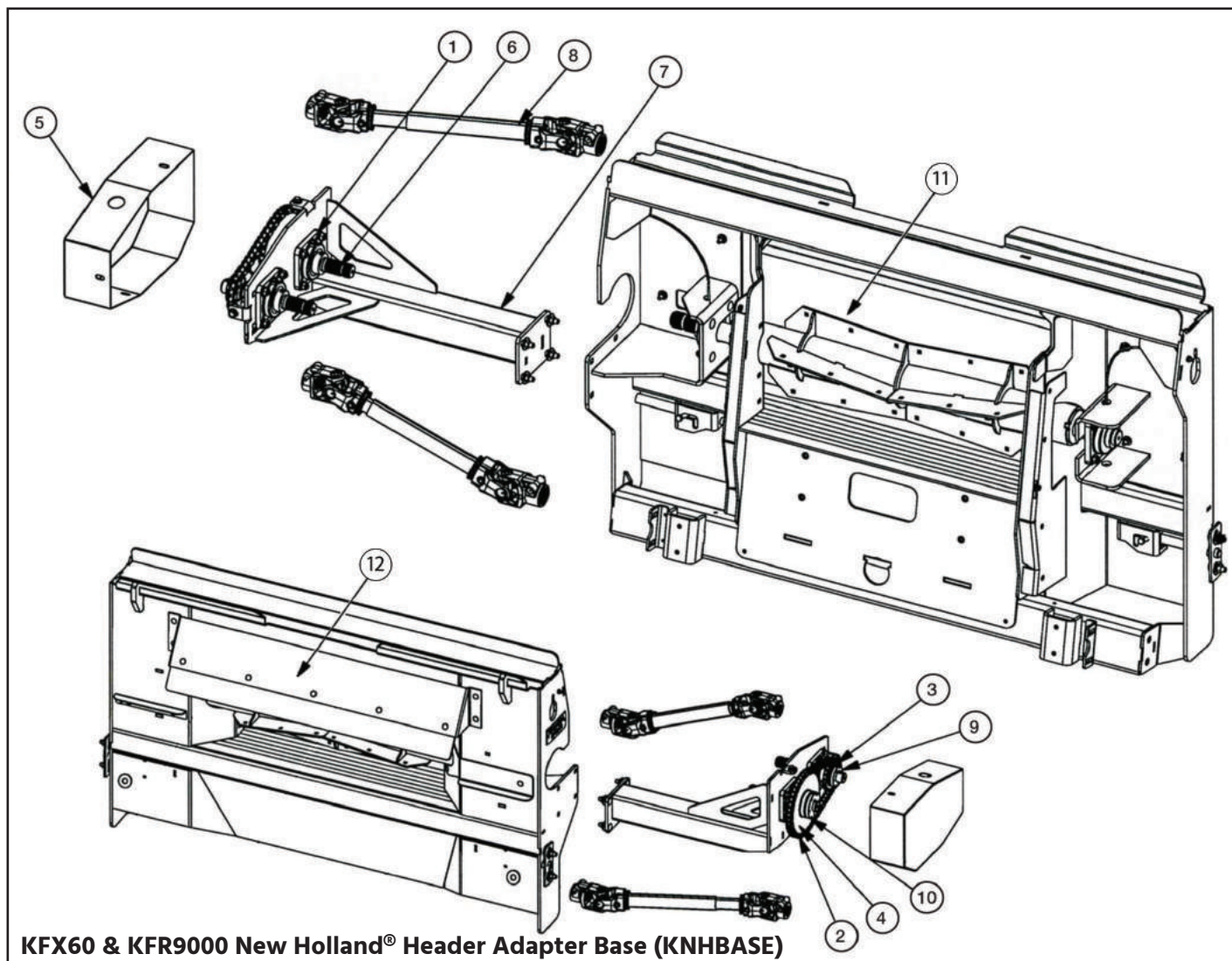
New Holland® is a registered trademark of CNH Industrial America, LLC • Kemper™ is a trademark of Maschinenfabrik KEMPER GmbH & Co. Truck icon signifies product is shipped via truck freight.

Replacement parts produced by Kooima® Ag to fit New Holland®

KOOIMA® AG REPLACEMENT PARTS TO REPLACE NEW HOLLAND® RI SERIES ROTARY HEADS

Replacement parts produced by Kooima® Ag to fit New Holland®

<u>KOOIMA #</u>	<u>DESCRIPTION</u>	<u>REPLACES OEM #</u>
K9963130 \$30.50 ea.	 <ul style="list-style-type: none"> • Flat cutting blade • To fit right hand & center drums on RI 450 & RI 450XTRA 6-row heads • 20 required on heads with SN. 66002621 & below • 10 required on heads SN. 66002622 & above • 10 required on RI 450XTRA heads • 1.7 lbs. 	9963130 Heat Treated Tungsten Carbide
K9995490 \$30.50 ea.	 <ul style="list-style-type: none"> • Flat cutting blade • To fit right hand & center drums on RI 450XTRA 6-row heads • 10 required • 1.7 lbs. 	9995490 Heat Treated Tungsten Carbide
K9963100 \$30.50 ea.	 <ul style="list-style-type: none"> • Flat cutting blade • To fit left hand drums on RI 450 & RI 450XTRA 6-row heads • 10 required on heads SN. 66002621 & below • 5 required on heads SN. 66002622 & above • 5 required on RI 450XTRA heads • 1.7 lbs. 	9963100 Heat Treated Tungsten Carbide
K9995540 \$30.50 ea.	 <ul style="list-style-type: none"> • Flat cutting blade • To fit left hand drums on RI 450XTRA 6-row heads • 5 required • 1.7 lbs. 	9995540 Heat Treated Tungsten Carbide
KRU450BK \$92.00 ea.	 <ul style="list-style-type: none"> • Metric bolt kit • To fit RI 450 6-row heads • 1 kit required per head • 10.25 lbs. 	
KRU600BK \$114.00 ea.	 <ul style="list-style-type: none"> • Metric bolt kit • To fit RI 600 8-row heads • 1 kit required per head • 13.5 lbs. 	
K9919821 \$11.95 ea.	 <ul style="list-style-type: none"> • Blade scraper • To fit RI 450XTRA heads & RI450 IF using XTRA style blades • To fit RI 600 8-row heads • 15 required for 450; 20 required for 600 • .15 lbs. 	9919822 Heat Treated Tungsten Carbide
K9961221 \$6.90 ea.	 <ul style="list-style-type: none"> • Drum scraper • 2 required per drum • To fit New Holland® RI 450 and RI 450XTRA series heads • .6 lbs. 	9961221 Abrasion Resistant
K9968071 \$2.35 ea.	 <ul style="list-style-type: none"> • Reinforcement • 5 required per rotor • To fit New Holland® RI 450 and RI 450XTRA heads • .05 lbs. 	9968071 Abrasion Resistant
K9998170 \$42.90 ea.	 <ul style="list-style-type: none"> • Flat cutting blade • To fit right hand and center drums on RI 600XTRA 8-row heads • 20 required • 2.5 lbs. 	9998170 Heat Treated Tungsten Carbide
K9998160 \$42.90 ea.	 <ul style="list-style-type: none"> • Flat cutting blade • To fit left hand and center drums on RI 600XTRA 8-row heads • 20 required • 2.5 lbs. 	9998160 Heat Treated Tungsten Carbide
K9906070 \$106.20 ea.	 <ul style="list-style-type: none"> • Skid plate • To fit RI 600 8-row heads • 4 required • 14 lbs. 	9906070 Abrasion Resistant



KFX60 & KFR9000 New Holland® Header Adapter Base (KNHBASE)

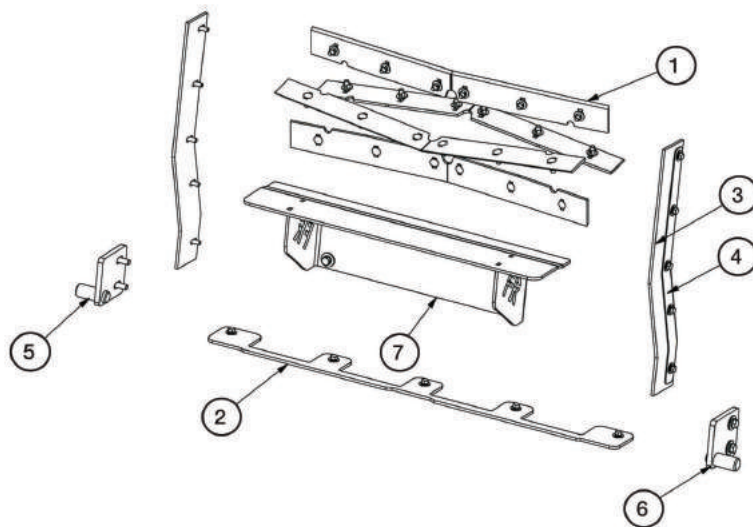
	KOOIMA #	PRICE	DESCRIPTION
①	15-4BOLT-LC	\$87.50 ea.	• Bearing Ø 1.50", 4-bolt flange, lock collar • 4 required • 4.75 lbs.
②	60H-54	\$42.50 ea.	• #60 heavy roller chain, 54 pitches • 4.2 lbs.
③	60P19H	\$75.45 ea.	• #60 sprocket, 19 tooth, QD hub • 2.6 lbs.
③	60SDS21	\$60.45 ea.	• #60 sprocket, 21 tooth, QD hub • 2.3 lbs.
④	60SK40	\$99.00 ea.	• #60 sprocket, 40 tooth, QD hub • 9.3 lbs.
⑤	FH003118	\$60.00 ea.	• Chain cover, flap drive • 9.8 lbs.
⑥	FH003259	\$80.45 ea.	• 1 1/2 - 23 splined stub shaft, flap drive • 2 required • 5.13 lbs.
⑦	FH5000990	\$245.00 ea.	• Flap drive weldment • 55 lbs.
⑧	KFXPTO	\$390.00 ea.	• PTO, FX adapter, W2400 • 2 required • 25.9 lbs.
⑨	P11.5	\$38.50 ea.	• P1 bushing, for 1-1/2 shaft • 1 lb.
⑩	SK1.5	\$45.00 ea.	• QD bushing, SK series, 1.50 shaft • 2.93 lbs.
⑪	FH5000987	\$775.00 ea.	• Flap wheel • 111 lbs.
⑫	FH003126KIT	\$95.00 ea.	• Front deflector plate • 20 lbs.

Order parts 1-10 listed above in a COMPLETE assembly

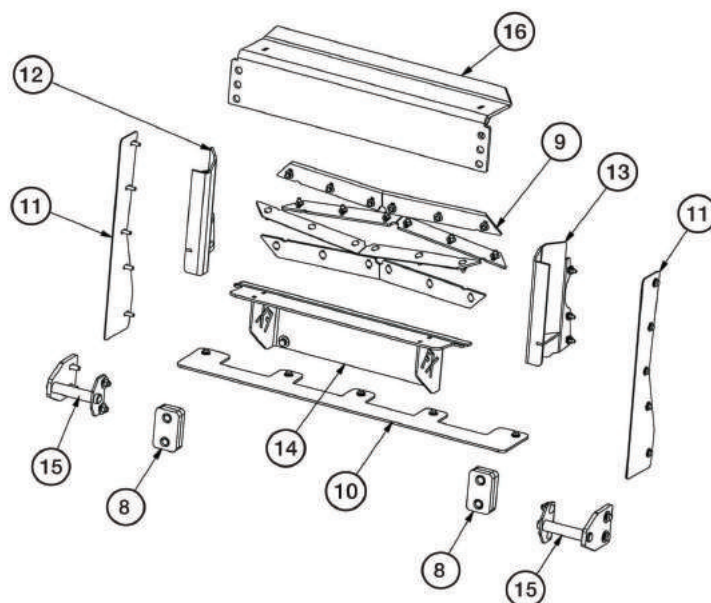
Order # FH5001158

- Ready to go
- Price includes 2 PTO shafts & 2 bearings
- 157 lbs./kit

Only
\$1,290⁰⁰ ea.



KFR9000 Kit



KFX60 Kit

	KOOIMA #	PRICE	DESCRIPTION
①	FH003026	\$37.50 ea.	• Tooth, FR flap wheel, 4 required • 5.85 lbs.
②	FH003032	\$30.30 ea.	• Bottom rubber flap • .9 lbs.
③	FH003033	\$27.50 ea.	• Side rubber flap • 1.05 lbs.
④	FH003148	\$12.50 ea.	• Flap cover plate • 1 lb.
⑤	FH5000985	\$37.50 ea.	• Left rear FR connect pin weldment • 3.9 lbs.
⑥	FH5000986	\$37.50 ea.	• Right rear FR connect pin weldment • 3.9 lbs.
⑦	FH5000989	\$87.50 ea.	• FR floor plate extension • 29.5 lbs.
⑧	FH002993	\$20.30 ea.	• FX lower contact pad • 2.9 lbs.
⑨	FH003015	\$25.30 ea.	• Tooth, FX flap wheel, 4 required • 4.7 lbs. ea.
⑩	FH003236	\$25.30 ea.	• Bottom steel plate
⑪	FH003252	\$25.30 ea.	• Side seal, FX version, 2 required
⑫	FH5000991	\$65.45 ea.	• LH FX throat narrowing plate • 8.3 lbs.
⑬	FH5000992	\$65.45 ea.	• RH FX throat narrowing plate • 8.3 lbs.
⑭	FH5000993	\$95.45 ea.	• FX floor extension
⑮	FH5000996	\$65.45 ea.	• FX lower pin weldment, 2 required • 6.4 lbs.
⑯	FH5000998	\$135.75 ea.	• Hanger weldment













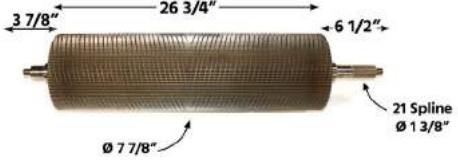

Case IH® is a registered trademark of CNH Industrial America, LLC, which does not manufacture, distribute or endorse these parts.

Replacement parts produced by Kooima® Ag to fit Case IH®

KOOIMA #		DESCRIPTION	REPLACES OEM #
K122266 \$90.60 ea.		<ul style="list-style-type: none"> Knife To fit Case IH® 674, 720 and 781 12 required • 6.5 lbs. 	127110C1 122266C1 Heat Treated / Tungsten Carbide
K127111 \$96.50 ea.		<ul style="list-style-type: none"> Knife To fit Case IH® 830 and 881 12 required • 7.7 lbs. 	127111C1 Heat Treated Tungsten Carbide
K700714442 \$97.50 ea.		<ul style="list-style-type: none"> Knife To fit Case IH® 8750 10 required • 6.4 lbs. 	700712523 700714442 Heat Treated / Tungsten Carbide
K86624446 \$75.75 ea.		<ul style="list-style-type: none"> Knife To fit Case IH® FHX300 • 8.5 lbs. 12 required • Also fits New Holland® FP240 	86624446 Heat Treated Tungsten Carbide
K122284 \$3.60 ea.		<ul style="list-style-type: none"> Knife bolt To fit Case IH® 720, 781, 830 and 881 • .6 lbs. 	122284C1
K481540 \$4.90 ea.		<ul style="list-style-type: none"> Special knife washer To fit all Case IH® harvesters • .2 lbs. 	481540R1
K122086 \$245.75 ea.		<ul style="list-style-type: none"> Shearbar • 10.3 lbs. To fit Case IH® 720 & 781 harvesters 	122086C1 Heat Treated / Tungsten Carbide
K102176 \$250.75 ea.		<ul style="list-style-type: none"> Shearbar • 11 lbs. To fit Case IH® 830 & 881 harvesters 	102176C1 Heat Treated / Tungsten Carbide
K1705136 \$135.75 ea.		<ul style="list-style-type: none"> Shearbar • 8.7 lbs. To fit Case IH® 8710, 8720 & 8730 	700714233 / 1705136 Heat Treated / Tungsten Carbide
K700713445 \$332.00 ea.		<ul style="list-style-type: none"> Shearbar • 21.8 lbs. To fit Case IH® 8750 harvesters 	700713445 Heat Treated / Tungsten Carbide
K86632157 \$295.00 ea.		<ul style="list-style-type: none"> Shearbar To fit Case IH® FHX300 series harvesters Also fits New Holland® FP240 • 18.5 lbs. 	86632157 Heat Treated Tungsten Carbide
K127195 \$61.50 ea.		<ul style="list-style-type: none"> Sharpening stone To fit Case IH® 720, 781, 830, 881 harvesters • 2.4 lbs. 	127195C1
K9805207 \$71.50 ea.		<ul style="list-style-type: none"> Sharpening stone, 3" dia. • 3.5 lbs. To fit Case IH® FHX 300, NH® 1900, 1905, 2115, FP230, FP240 and FX series 	9805207
K86635460 NEW \$395.00 ea.		<ul style="list-style-type: none"> Lower front feed roll To fit Case IH® FHX300 & New Holland® FP240 • 50 lbs. 	86635460
K240FR \$502.00 ea.		<ul style="list-style-type: none"> Feed roll top back To fit Case IH® FHX300 & New Holland® FP240 Heavier tooth helps eliminate any feeding issues • 43 lbs. 	86635935/86512636
K86512516 \$363.00 ea.		<ul style="list-style-type: none"> Smooth roll To fit Case IH® FHX300 & New Holland® FP240 • 37.1 lbs. 	86512516
K86635936 \$156.00 ea.		<ul style="list-style-type: none"> Smooth roll scraper To fit Case IH® FHX300 & New Holland® FP240 • 13.8 lbs. 	86635936/86512872
K688963 NEW \$117.60 ea.		<ul style="list-style-type: none"> Smooth roll sprocket To fit Case IH® FHX300 & NH® 900, FP230, FP240 • 3.1 lbs. 	633416 / 80633416
K86521513 NEW \$100.80 ea.		<ul style="list-style-type: none"> Square feed roll drive coupler To fit Case IH® FHX300 & NH® 900, FP230, FP240 • 1.4 lbs. 	86979296 / 86521513
K86635943 NEW \$199.50 ea.		<ul style="list-style-type: none"> LH feed roll side plate To fit Case IH® FHX300 & NH® FP230, FP240 • 8.4 lbs. 	86635944 / 86635943
K86635945 NEW \$165.20 ea.		<ul style="list-style-type: none"> RH feed roll side plate To fit Case IH® FHX300 & NH® FP230, FP240 • 8.2 lbs. 	86635946 / 86635945

Case® and Case IH® are registered trademarks of CNH Industrial America, LLC





KOOIMA® AG REPLACEMENT PARTS TO FIT CASE IH® FORAGE HARVESTERS

KOOIMA #		DESCRIPTION	REPLACES OEM #
K136909 \$21.70 ea.	 NEW	<ul style="list-style-type: none"> Upper feed roll washer • .1 lb. To fit Case IH® FHX300 & NH® 1880, 1890, 1895, 880, 890, 892, 900, FP230 FP240 	136909 / 80136909
K86635889 \$357.00 ea.	 NEW	<ul style="list-style-type: none"> LH bearing support To fit Case IH® FHX300 & NH® 900, FP230, FP240 • 8.9 lbs. 	86635889 / 642067
K86635888 \$266.00 ea.	 NEW	<ul style="list-style-type: none"> RH bearing support To fit Case IH® FHX300 & NH® 900, FP230, FP240® • 8.7 lbs. 	86635888 / 642066
K86635892 \$45.50 ea.	 NEW	<ul style="list-style-type: none"> LH crop guide To fit Case IH® FHX300 & NH® 900, FP230, FP240 • .9 lbs. 	86635892 / 642367 / 80642367
K86635893 \$45.50 ea.	 NEW	<ul style="list-style-type: none"> RH crop guide To fit Case IH® FHX300 & NH® 900, FP230, FP240 • .9 lbs. 	86635893 / 642368 / 80642368
K86618727 \$581.76 ea.	 NEW	<ul style="list-style-type: none"> Auger • 67 lbs. To fit Case IH® FHX300 & NH® FP230, FP240 	86636607 / 86618727
K633389 \$140.70 ea.	 NEW	<ul style="list-style-type: none"> 12-19 Tooth length of cut sprocket • 2.90 lbs. To fit Case IH® FHX300 & NH® 790, 900, FP230, FP240 	633389 / 80633389
K86635877 \$179.20 ea.	 NEW	<ul style="list-style-type: none"> 26-30 Tooth length of cut sprocket • 8.90 lbs. To fit Case IH® FHX300 & NH® 900, FP230, FP240 	86635877 / 633420
K633395 \$137.70 ea.	 NEW	<ul style="list-style-type: none"> 38 Tooth top drive sprocket • 7.60 lbs. To fit Case IH® FHX300 & NH® 900, FP230, FP240 	633395 / 80633395
K225396 \$199.50 ea.	 NEW	<ul style="list-style-type: none"> Blower band To fit Case IH® FHX300 & NH® 1600, 890, 892, 900, FP230 & FP240 harvesters • 22 lbs. 	225396 / 80225396 86636614 / 866270
K225387 \$70.75 ea.	 NEW	<ul style="list-style-type: none"> Blower band wear liner • 15 lbs. To fit Case IH® FHX300 K225387BK - Bolt Kit, \$10.25 ea., .25 lbs. 	225387 Abrasion Resistant
K86636606 \$33.00 ea.	 NEW	<ul style="list-style-type: none"> Fan paddle To fit Case IH® FHX300 • 4 required • 3.6 lbs. K86636606BK - Bolt kit, 1 kit/paddle, \$9.55 ea., .72 lbs. 	86636606 Abrasion Resistant
K240DC \$1,300.00 ea.		<ul style="list-style-type: none"> Fiber Tech kernel processor roll To fit Case IH® FHX300 and NH® FP240 factory processors 100 tooth Dual cut for better processing 2 required 	
K269975 \$280.00 ea.	 NEW	<ul style="list-style-type: none"> Spout liner To fit Case IH® FHX300 & NH® 1600, 1890, 1895, 782, 790, 892, 900, FHX300, FP230 & FP240 harvesters • 32 lbs. Extra shipping charges may apply 	269975 / 80269975

Replacement parts produced by Kooima® Ag to fit Case IH®

KOOIMA® AG REPLACEMENT PARTS TO FIT DION® FORAGE HARVESTERS

Dion® is a registered trademark of Dion-Ag Inc., which does not manufacture, distribute or endorse these parts.

KOOIMA #		DESCRIPTION	REPLACES OEM #
K23448 \$82.60 ea.	 NEW	<ul style="list-style-type: none"> Cutterhead knife - helix • 8.7 lbs. To fit Dion® F41, F41 Stinger, Scorpion 300 & 350 12 per drum 	23448 Heat Treated Chrome Treated
K26890 \$290.00 ea.		<ul style="list-style-type: none"> Shearbar • 13.8 lbs To fit Dion® 2430, Dion® F41 Stinger, Scorpion 300 & 350 	26890 Heat Treated/ Tungsten Carbide
K81123 \$18.95 ea.		<ul style="list-style-type: none"> Grass knife To fit Dion® 2430 model 24 required • 2 lbs. 	781123 Heat Treated Tungsten Carbide
K76801 \$7.95 ea.		<ul style="list-style-type: none"> Top strap To fit Dion® 2430 model 24 required • 1.5 lbs. 	726801 Heat Treated
K72498 \$8.35 ea.		<ul style="list-style-type: none"> Bottom nut To fit Dion® 2430 model 24 required • .95 lbs. 	72498/HXE29392/HXE121393
K69650 \$2.15 ea.		<ul style="list-style-type: none"> Knife bolt • Grade 10.9 metric To fit Dion® 2430 model • 72 required for 24 knife drum • .95 lbs. Torque bolt from 155-200 lb-ft 	761067/Z69650

Replacement parts produced by Kooima® Ag to fit Dion®

TO ORDER TOLL FREE CALL 1-800-522-8874

KOOIMA AG

KOOIMA® AG REPLACEMENT PARTS TO FIT FOX® FORAGE HARVESTERS

Fox® is a registered trademark of Hiniker Company.

Replacement parts produced by Kooima® Ag to fit Fox®

KOOIMA #	DESCRIPTION	REPLACES OEM #
K10005  \$85.75 ea.	<ul style="list-style-type: none"> • Knife • To fit all Fox® 6-knife models • 6 required • 6.4 lbs. 	F101-10005 Heat Treated Tungsten Carbide
K10013  \$85.75 ea.	<ul style="list-style-type: none"> • Knife • To fit all Fox® 8-knife models • 8 required • 6.5 lbs. 	F101-10013 Heat Treated Tungsten Carbide
K14001  \$155.00 ea.	<ul style="list-style-type: none"> • Shearbar • To fit all Fox® 6 and 8-knife models • Tungsten carbide hard faced • 6.6 lbs. 	F101-14001 Heat Treated Tungsten Carbide
K760180  \$10.75 ea.	<ul style="list-style-type: none"> • 3/4" knife bolt and nut • To fit Fox® harvesters • .6 lbs. 	760180
K301  \$99.50 ea.	<ul style="list-style-type: none"> • Sharpening stone • To fit all Fox® harvesters • 3 lbs. 	F102-10000
K11000  \$29.50 ea.	<ul style="list-style-type: none"> • Row crop knife • To fit models 2CA, 2CB, 122, 215, 236 & 763 Fox® corn heads • 1 lb. 	F101-11000 Heat Treated Tungsten Carbide
K00017  \$25.00 ea.	<ul style="list-style-type: none"> • Left hand stationary knife • To fit models 711, 725, 726, 745, 746, 751, & 753 belted corn heads • 1.6 lbs. 	101-00017 Heat Treated Tungsten Carbide
K00018  \$25.00 ea.	<ul style="list-style-type: none"> • Right hand stationary knife • To fit models 711, 725, 726, 745, 746, 751, & 753 belted corn heads • 1.6 lbs. 	101-00018 Heat Treated Tungsten Carbide
KF12016  \$45.00 ea.	<ul style="list-style-type: none"> • 5-point rotary knife • Original style preferred by many harvesters • To fit models 7234, 7334, 7430, & 7480 chain corn heads • 1 required per row • 2.7 lbs. 	101-12016 Heat Treated Tungsten Carbide
KF12018  \$40.35 ea.	<ul style="list-style-type: none"> • 10-point rotary knife • Non-beveled edge, optional with #K01388 • To fit models 7234, 7334, 7430 & 7438 chain corn heads • 1 required per row • 3.5 lbs. 	101-12018 Heat Treated
K01095  \$25.50 ea.	<ul style="list-style-type: none"> • Stationary knife • To fit models 7234, 7334, 7430, & 7438 chain corn heads • 1 required per row • .7 lbs. 	792-01095 Heat Treated Tungsten Carbide

Gehl® is a registered trademark of Manitou Americas, Inc., which does not manufacture, distribute or endorse these parts.

Replacement parts produced by Kooima® Ag to fit Gehl®

Kooima® Ag knives and shearbars are:

- Manufactured to exact specifications
- Heat treated for edge hardness and durability
- Made in the USA
- Made of high carbon steel
- Tungsten carbide edge for maximum wear

<u>KOOIMA #</u>	<u>DESCRIPTION</u>	<u>REPLACES OEM #</u>
K07777  \$105.50 ea.	<ul style="list-style-type: none"> • Knife • To fit Gehl® CB600HYD 6 required • To fit Gehl® CB700, CB750, CB760, CB800, CB860, CB865, CB1000, CB1040, CB1060, CB1065, 1075 & 1085 (SN. 14149 & below) 8 required • 8 lbs. 	077821 077777 Heat Treated Tungsten Carbide
K061840  \$110.25 ea.	<ul style="list-style-type: none"> • Knife • To fit Gehl® CB1200, CB1250, CB1260, CB1265, CB1275 & 1285 (SN. 20899 & below) 9 required • 10 lbs. 	062368 061840 Heat Treated Tungsten Carbide
K055287  \$128.00 ea.	<ul style="list-style-type: none"> • Shearbar • To fit Gehl® CB300, CB400, CB600EL, CB600HYD, CB700 & CB800 • 6.6 lbs. 	055287 Heat Treated Tungsten Carbide
K071880  \$165.00 ea.	<ul style="list-style-type: none"> • Shearbar • To fit Gehl® CB750, CB760, CB860 and CB865 • 31 3/4" long • 9.1 lbs. 	071880 Heat Treated Tungsten Carbide
K071832  \$205.00 ea.	<ul style="list-style-type: none"> • Shearbar • To fit Gehl® CB1060, CB1065, & model CB1000 SN. 1854 & above, 1075 & 1085 • 9.6 lbs. 	071832 Heat Treated Tungsten Carbide
K077237  \$219.50 ea.	<ul style="list-style-type: none"> • Shearbar • To fit Gehl® CB1250, CB1260, CB1265, CB1275 & 1285 • 11 lbs. 	077237 Heat Treated Tungsten Carbide
K301  \$99.50 ea.	<ul style="list-style-type: none"> • Sharpening stone • To fit all Gehl® harvesters except CB300, 1085 & 1285 • 3 lbs. 	076557
K061267  \$3.25 ea.	<ul style="list-style-type: none"> • Knife bolt • To fit CB600 to CB1275 • .4 lbs. 	061267

Visit kooimaag.com to learn more about the services we offer!



3-D Laser Cutting



Laser Metal Deposition



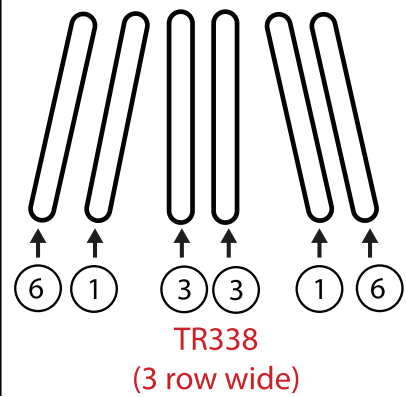
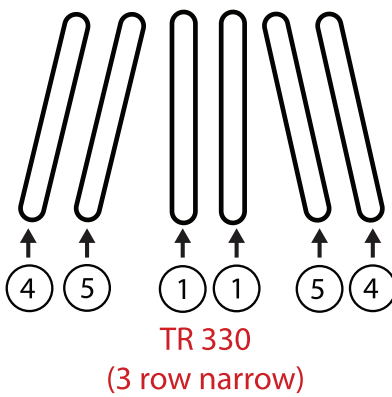
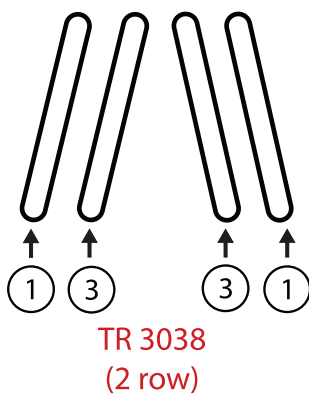
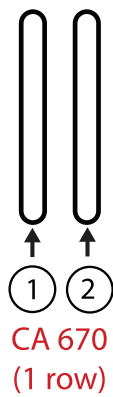
Laser Welding



Knife Design-and-Build

KOOIMA® AG REPLACEMENT PARTS TO FIT GEHL® FORAGE HARVESTERS

Replacement parts produced by Kooima® Ag to fit Gehl®



KOOIMA #
K074646

①

\$345.00 ea.



DESCRIPTION

- Gathering belt assembly
- 54 links • 19.2 lbs.
- 1 required to fit Gehl® CA670 (left hand)
- 2 required to fit Gehl® TR3038 (outside)
- 2 required to fit Gehl® TR330 (center)
- 2 required to fit Gehl® TR338 (inside)

REPLACES OEM #
074646

K074642

②

\$329.00 ea.



- Gathering belt assembly
- 52 links • 18.6 lbs.
- 1 required to fit Gehl® CA670 (right hand)

074642

K074650

③

\$289.00 ea.



- Gathering belt assembly
- 46 links • 16.2 lbs.
- 2 required to fit Gehl® TR3038 (inside)
- 2 required to fit Gehl® TR338 (center)

074650

K074658

④

\$389.00 ea.



- Gathering belt assembly
- 60 links • 21.3 lbs.
- 2 required to fit Gehl® TR330 (outside)

074658

K074654

⑤

\$329.00 ea.



- Gathering belt assembly
- 50 links • 17.8 lbs.
- 2 required to fit Gehl® TR330 (inside)

074654

K074666

⑥

\$352.75 ea.



- Gathering belt assembly
- 66 links • 24.4 lbs.
- 2 required to fit Gehl® TR338 (outside)

074666

NEW



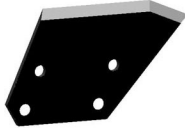


K7039

\$15.50 ea.

- Extra gathering link chain
- .5 lbs.

Gehl® is a registered trademark of Manitou Americas, Inc.

KOOIMA® AG REPLACEMENT PARTS TO FIT GEHL® FORAGE HARVESTERS

<u>KOOIMA #</u>		<u>DESCRIPTION</u>	<u>REPLACES OEM #</u>
K059076 \$114.00 ea.		<ul style="list-style-type: none"> • Rotary cutting blade • To fit Gehl® 330, 338 & 3038 corn heads • 3 required • 3.5 lbs. 	059076 Heat Treated
K073456 \$37.50 ea.		<ul style="list-style-type: none"> • Right hand stationary knife • To fit Gehl® 330 & 338 corn heads SN. 1201 & above and 3038 • 1 required • .7 lbs. 	073456 Heat Treated Tungsten Carbide
K073457 \$37.50 ea.		<ul style="list-style-type: none"> • Left hand stationary knife • To fit Gehl® 330 & 338 corn heads SN. 1201 & above and 3038 • 2 required • .7 lbs. 	073457 Heat Treated Tungsten Carbide
K057069 \$13.80 ea.		<ul style="list-style-type: none"> • Right hand stationary knife • To fit Gehl® 330 & 338 corn heads SN. 1200 and below • 1 required • .6 lbs. 	057069 Heat Treated
K057070 \$13.80 ea.		<ul style="list-style-type: none"> • Left hand stationary knife • To fit Gehl® 330 & 338 corn heads SN. 1200 & below • 2 required • .6 lbs. 	057070 Heat Treated

Replacement parts produced by Kooima® Ag to fit Gehl®

KOOIMA® AG REPLACEMENT PARTS TO FIT HESSTON® FIELD QUEEN™ FORAGE HARVESTERS

Hesston® is a registered trademark of AGCO Corporation, which does not manufacture, distribute or endorse these parts.

Kooima® Ag knives and shearbars are:

- Manufactured to exact specifications
- Made of high carbon steel
- Heat treated for edge hardness and durability
- Tungsten carbide edge for maximum wear
- Made in the USA

<u>KOOIMA #</u>		<u>DESCRIPTION</u>	<u>REPLACES OEM #</u>
K748244 \$86.50 ea.		<ul style="list-style-type: none"> • Universal Knife • 6.8 lbs. • To fit Hesston® 2000, 2000-100, 2000-150, 4000, 7000, 7140, 7150, 7600, 7650, 7655 and 7660 • 6 required 	748244 Heat Treated Tungsten Carbide
K1705136 \$135.75 ea.		<ul style="list-style-type: none"> • Shearbar • 8.7 lbs. • To fit Hesston® 2000, 2000-100, 2000-150, 4000, 7000, 7140, 7150, 7600, 7650, 7655, 7660, 7145, 7155 & 7165 	1705136 Heat Treated Tungsten Carbide
K745802 \$92.45 ea.		<ul style="list-style-type: none"> • Shearbar • 8.1 lbs. • To fit Hesston® 7020 	745802 Heat Treated Tungsten Carbide



Replacement parts produced by Kooima® Ag to fit Hesston® Field Queen™

Field Queen™ is a trademark of AGCO Corporation.

KOOIMA® AG REPLACEMENT PARTS TO FIT FORD® FORAGE HARVESTERS

Ford® is a registered trademark of Ford Motor Company, which does not manufacture, distribute or endorse these parts.

Replacement parts produced by Kooima® Ag to fit Ford®

KOOIMA #	DESCRIPTION	REPLACES OEM #
K122266 \$90.60 ea.	 <ul style="list-style-type: none"> • Knife • 6.5 lbs. • To fit Ford® 670 • 12 required 	122266C1 Heat Treated Tungsten Carbide
K127111 \$96.50 ea.	 <ul style="list-style-type: none"> • Knife • 7.7 lbs. • To fit Ford® 672 • 12 required 	127111C1 Heat Treated Tungsten Carbide

KOOIMA® AG REPLACEMENT PARTS TO FIT NEW IDEA® FORAGE HARVESTERS

New Idea® is a registered trademark of AGCO Corporation, which does not manufacture, distribute or endorse these parts.

Replacement parts produced by Kooima® Ag to fit New Idea®

KOOIMA #	DESCRIPTION	REPLACES OEM #
K122266 \$90.60 ea.	 <ul style="list-style-type: none"> • Knife • To fit New Idea® 660 and 662 • 12 required • 6.5 lbs. 	122266C1 Heat Treated Tungsten Carbide
K762178 \$103.50 ea.	 <ul style="list-style-type: none"> • Knife • To fit New Idea® 767K • 6 required • 6.3 lbs. 	762178 Heat Treated Tungsten Carbide
K764721 \$103.50 ea.	 <ul style="list-style-type: none"> • Knife • To fit New Idea® 868K & 6200 • Note: Always tighten center bolt first • 8 required • 6.5 lbs. 	764721 Heat Treated Tungsten Carbide
K762026 \$32.35 ea.	 <ul style="list-style-type: none"> • Shearbar • To fit New Idea® 760K • 5.5 lbs. 	762026 Heat Treated Tungsten Carbide
K762179 \$139.00 ea.	 <ul style="list-style-type: none"> • Shearbar • To fit New Idea® 767K • 10.9 lbs. 	762179 Heat Treated Tungsten Carbide
K764630 \$352.80 ea.	 <ul style="list-style-type: none"> • Shearbar • To fit New Idea® 868K & 6200 • 10.6 lbs. 	764630 Heat Treated Tungsten Carbide
K764630AD \$12.50 ea.	 <ul style="list-style-type: none"> • Adjusting bolt • .14 lbs. • To fit K764630 shearbar • 2 required 	
K301 \$99.50 ea.	 <ul style="list-style-type: none"> • Sharpening stone • 3 lbs • To fit New Idea® 767K and 868K harvesters • Bolt kit: KBK, \$4.25 ea., .1 lb. 	762698
K760180 \$10.75 ea.	 <ul style="list-style-type: none"> • 3/4" knife bolt and nut • To fit New Idea® 760K, 767K and 868K harvesters • .6 lbs. 	760180

Kooima® Ag Replacement No-Till Drill Parts

John Deere® and JD® are registered trademarks of Deere & Company, which does not manufacture, distribute or endorse these parts.

KOOIMA® AG REPLACEMENT PARTS TO FIT JOHN DEERE® NO TILL DRILLS

- Kooima® Ag seed boots to fit all 750, 1850 & 750A (after SN 600527) John Deere® no-till drills
- Manufactured of high quality ductile steel, our seed boots are heat treated to meet or exceed OEM specifications.
- Replaces OEM #N280446 (RH) & N280447 (LH) • 6.7 lbs. ea.

Order # K280446 (RH)

Order # K280447 (LH)

\$31⁶⁵ ea.



- Seed boot pressure spring to fit all 750, 1850 & 1895 John Deere® no-till drills
- Replaces OEM #N280485, N280455 • .2 lbs.

Order # K284055

\$4²⁵ ea.



- 18" Disc opener to fit all 750 and 1850 John Deere® no-till drills
- At .197" thick, this is without a doubt the best opener blade on the market. • 13 lbs. • Replaces OEM # N283804 / N214190

Order # K214190

\$27⁹⁰ ea.



- Poly seed flap, reduces seed bounce • To fit 750, 1590, 1690, 1850, 1890, 1895 & 1990 JD® grain drills
- 1 required per seed boot
- Replaces OEM # N219982 • .1 lbs.

Order # K219982

\$2⁰⁵ ea.



- Gauge wheel tire to fit all 750 and 1850 John Deere® no-till drills
- Replaces OEM # A22884 /A84050 • 7.4 lbs.

Order # K22884

\$28⁹⁰ ea.



SAVE When You Buy Any Kit!

Order part # K750-15 to repair your 15 ft. 750/1850 drill

• 700 lbs.

Kit contains:

- 24 Seed Boots
- 24 Disc Openers
- 24 Gauge Wheel Tires

Only **\$2,016⁷⁰** ea.



Order part # K750-20 to repair your 20 ft. 750/1850 drill

• 920 lbs.

Kit contains:

- 32 Seed Boots
- 32 Disc Openers
- 32 Gauge Wheel Tires

Only **\$2,688⁹⁰** ea.



Order part # K750-30 to repair your 30 ft. 750/1850 drill

• 1,400 lbs.

Kit contains:

- 48 Seed Boots
- 48 Disc Openers
- 48 Gauge Wheel Tires

Only **\$4,033³⁵** ea.



Kooima[®] Ag Replacement No-Till Drill Parts

KOOIMA[®] AG REPLACEMENT PARTS TO FIT JOHN DEERE[®] NO TILL DRILLS

DISC OPENER Order # K214190

\$27⁹⁰ ea.

- 18" Disc opener to fit 750, 1560, 1565, 1590, 1850, 1860, 1865, 1890, 1895 John Deere[®] no-till drills.
- At .197" thick, this is without a doubt the best opener blade on the market.
- Replaces OEM #N214190/N283804
- 13 lbs.



GAUGE WHEEL TIRE Order # K22884

\$28⁹⁰ ea.

- To fit John Deere[®] models 610, 750, 1560, 1565, 1590, 1690, 1850, 1860, 1890, 1865, 1869, 1895 grain drills and air seeders
- ALSO FITS Kinze[®] planters and White[®] 6100 series planters
- Replaces OEM #A84050/A22884
- 7.4 lbs.



BEARING Order # K281357

\$5⁹⁰ ea.

- Bearing for all rubber seed firming wheels
- To fit John Deere[®] models 1850, 1060, 730, 770, 780 air seeders
- To fit John Deere[®] models 1520, 450, 455, 515, 320, 750, 8000 and 9400 grain drills
- Replaces OEM #AN281357
- .2 lbs.



BEARING Order # K212132

\$9⁵⁰ ea.

- Closing wheel bearing
- To fit John Deere[®] models 1850, 610 and 750 grain drills and air seeders
- ALSO FITS Kinze[®] planters and White[®] 6100 series planters
- Replaces OEM #AN212132
- .5 lbs.



BEARING Order # KJRM3049

\$32⁵⁰ ea.

- DOUBLE TAPER disc opener bearing
- To fit John Deere[®] 1560, 1565, 1860, 750A, 1690, 1890, 1895 & 1590 air seeder blade
- Replaces OEM #AN281856, AN281813
- .9 lbs.



Kooima[®] Ag Replacement No-Till Drill Parts

CHECK OUT THESE GRAIN DRILL/AIR DRILL SEEDER PARTS NOW AVAILABLE!

SEED BOOT

Order # K283432 (RH)
Order # K283433 (LH)

\$27¹⁰ ea.

- To fit 1560, 1565 & 1860 John Deere[®] grain drill/air drill.
- Replaces OEM # N283432, N283433, N282883, N282884
- Right hand shown
- 2.9 lbs.



CLOSING WHEEL

Order # K38447

\$24⁸⁰ ea.

- 1x10 closing wheel to use with bearing
- To fit 750 SN. 5282, 1560, 1565, 1590, 1690, 1850, 1860, 1890 & 1990 drills.
- Replaces OEM # AA38447, AN280966, AN281359
- 3.8 lbs.



CLOSING WHEEL

Order # K213060

\$46¹⁰ ea.

- Cast iron closing wheel to fit late models 750 & 1850
- Replaces OEM # AN213060
- 18.4 lbs.



BEARING

Order # K8535

\$4⁹⁰ ea.

- CAST IRON closing wheel bearing
- To fit John Deere[®] models 750, 1850 no till drills
- Replaces OEM #AN8535/AA61722
- .15 lbs.



SEAL

Order # K213072

\$5⁵⁰ ea.

- For K213060 and early 750 with updated wheels
- Replaces OEM # AN213072
- .04 lbs.



CLOSING WHEEL

Order # K282110

\$28⁰⁰ ea.

- To fit models 1560, 1590, 1690, 1860, 1890, 1895 & 1990
- Replaces OEM # N282110
- 15.1 lbs.



HUB

Order # K281856

\$45²⁵ ea.

- Hub with bearing to fit 1560, 1590, 1690, 1835, 1860, 1890, 1895 & 1900CCS
- Replaces OEM # AN281856/N283291
- 4.2 lbs.



SPRING

Order # K282218 (RH)
Order # K282219 (LH)

\$10⁵⁰ ea.

- Torsion spring for rubber press wheel
- To fit models 1560, 1860, 1690, 1890, 1895, 1590 & 1990
- Replaces OEM # N282218, N282219
- Right hand shown
- 1.3 lbs.



Kooima® Ag Replacement No-Till Drill Parts

CHECK OUT THESE GRAIN DRILL/AIR DRILL SEEDER PARTS NOW AVAILABLE!

DEPTH SHAFT
Order # K282117

\$42⁵⁰ ea.

- To fit models 1560, 1565, 1690, 1835, 1860, 1890, 1895, 1590, 1990
- Replaces OEM # AA92485/AN282117/AA73951
- 3.1 lbs.



SPINDLE
Order # K282118 (RH)
Order # K282119 (LH)

\$28³⁰ ea.

- Gauge wheel arm spindle on models 1560, 1565, 1590, 1690, 1835, 1860, 1890, 1895, 1590, 1990
- Replaces OEM # AN282118, AN282119
- Right hand shown • 1 lb.



SEAL
Order # K281241

\$6²⁵ ea.

- Hub seal rear, triple lip 3"/16" O.D on models 1560, 1565, 1860, 1690, 1890, 1895, 1590, 1990
- Replaces OEM # AN281241 • .07 lbs.



INNER BUSHING
Order # K280648

\$9⁷⁵ ea.

- For closing wheel arm on models 750, 6001 & up, 1560, 1590, 1690, 1850, 1860, 1890, 1895, 1990
- Replaces OEM # N280648 • .4 lbs.



PIVOT PIN
Order # K282536

\$21⁰⁰ ea.

- Inner or upper for opener arm on models 1560, 1565, 1860, 1890, 1895, 1590, 1990
- Replaces OEM # N282536 • 1.8 lbs.



OUTER BUSHING
Order # K219547

\$3⁷⁵ ea.

- Outer bushing for closing wheel and press wheel arm to fit models 750, SN. 3835 & up, 1560, 1590, 1690, 1835, 1850, 1860, 1890, 1895, 1990.
- Replaces OEM # N219547 • .12 lbs.



BEARING KIT
Order # K44267

\$19⁹⁰ ea.

- For 750 grain drill and 1850 air seeder blade
- Contains bearings, cups, seals and retainer
- .7 lbs.



GAUGE WHEEL ARM
Order # K282374

\$61⁵⁰ ea.

- To fit models 750 & 1850
- Replaces OEM # AN282374
- 1.9 lbs.



OPENER SPINDLE
Order # K280725

\$65⁴⁵ ea.

- To fit models 750 & 1850
- With depth adjustment plate
- Replaces OEM # AN280725 • 2.9 lbs.



SPRING
Order # K283994 (RH)
Order # K283995 (LH)

\$7⁹⁰ ea.

- Torsion spring for cast closing wheel • 1.56 lbs.
- To fit models 1560, 1590, 1690, 1860, 1690, 1890, 1895 & 1990
- Replaces OEM # N283994, N283995, N282888, N282889
- Right hand shown





KOOIMA® AG REPLACEMENT BATTERY BOXES TO FIT JOHN DEERE® 10 and 20 Series

- Replaces rusted & corroded boxes
- Powder coat finish
- 20% heavier construction
- Laser cut to OEM specification
- Mounting brackets included
 - Early models use longer bracket
 - Late models use two smaller brackets
- Made in the USA
- 12.4 lbs. ea.

Order # JD4020BL
(left)

Order # JD4020BR
(right)

Only
\$89⁰⁰ ea.

Visit our website!
www.kooimaag.com



24/7 access to order!



Free shipping on retail orders in the Continental U.S.!

(Some exclusions may apply)



Watch videos of our products!

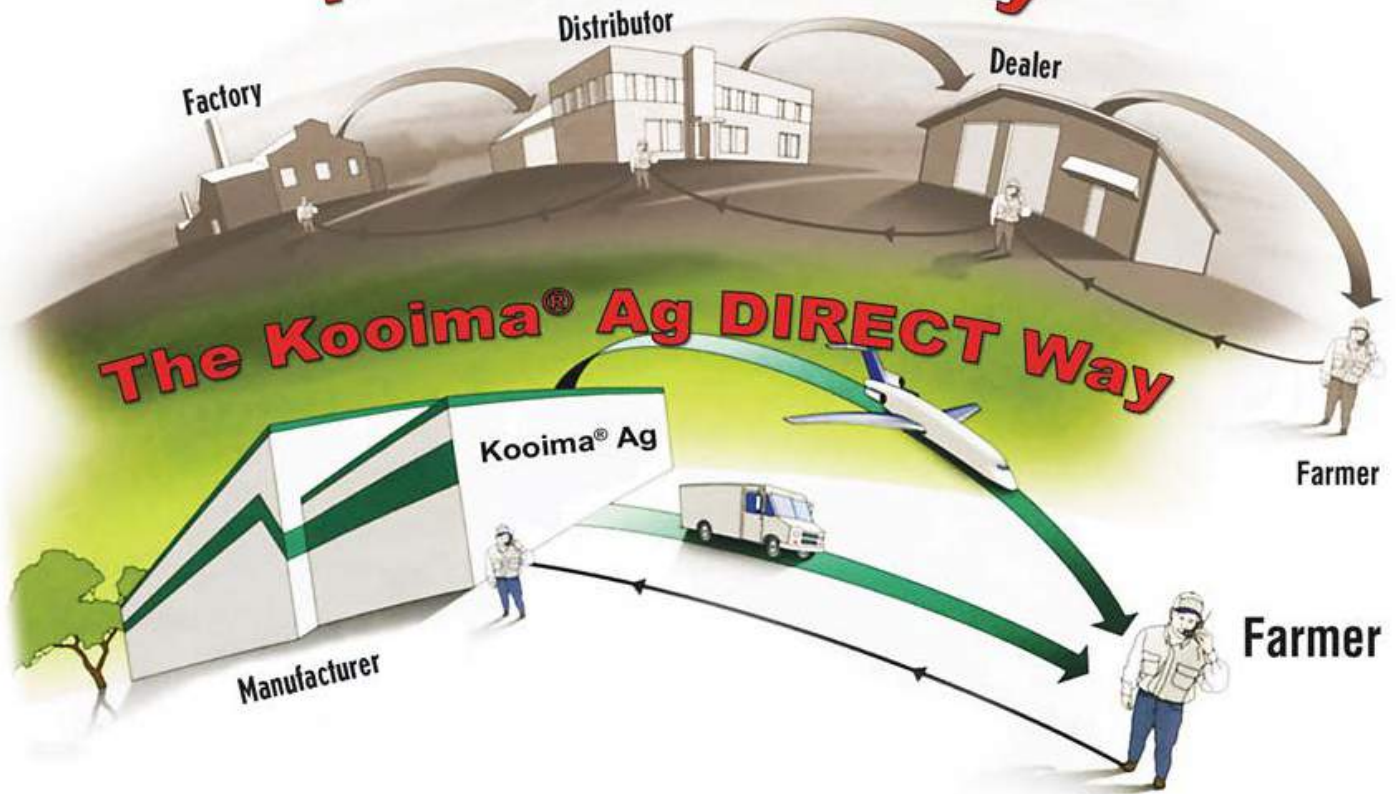
John Deere® and JD® are registered trademarks of Deere & Company

TO ORDER TOLL FREE CALL **1-800-522-8874**

KOOIMA AG

THE DIRECT ADVANTAGE

The Traditional Way



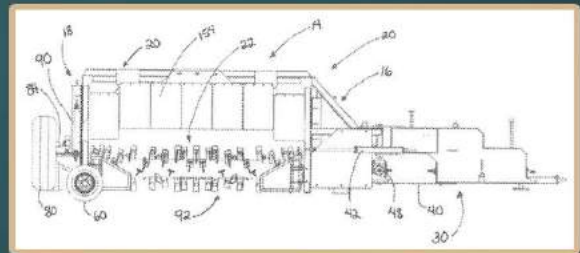
PATENTS

Kooima® Ag has a rich history of cutting-edge designs.

We currently hold 20 U.S. and International patents spanning three decades, with others pending.

Kooima® Ag is always innovating to create solutions to your problems!

U.S. Patent 10,617,061
Compost Turning Apparatus



COMBINE PARTS PRODUCT INDEX

● AC®-Gleaner® Combines (replacement parts to fit).....	224 ●
● Capello® Corn Heads (replacement parts to fit).....	224 ●
● Case IH® Combines (replacement parts to fit).....	225-227 ●
● Drago™ Corn Heads (replacement parts to fit)	228 ●
● Fantini™ Corn Heads (replacement parts to fit).....	228 ●
● Geringhoff® Rota Disc (replacement parts to fit).....	228 ●
● Harvestec™ (replacement parts to fit).....	229 ●
● John Deere® Combines (replacement parts to fit)	229-231 ●
● Lexion® CAT® Rota Disc (replacement parts to fit).....	231 ●
● Massey Ferguson® Combines (replacement parts to fit).....	232 ●
● New Holland® Combines (replacement parts to fit).....	234 ●
● New Idea® Combines (replacement parts to fit).....	235 ●
● White™ Combines (replacement parts to fit)	235 ●
● Oliver®-White™ Combines (replacement parts to fit)	235 ●

For over 30 years Kooima® Ag has been manufacturing replacement forage harvester parts, combine parts, mixer knives, header adapters and more! We are an independent manufacturer of replacement parts, because of this we are able to produce quality parts at competitive prices.

Kooima Ag

1-800-522-8874 | Fax 712-201-0819
sales@kooimaag.com | www.kooimaag.com



Address:
Kooima Ag
2642 Rock Ridge Road
Rock Valley, IA 51247

Capello® is a registered trademark of CAPELLO S.R.L. • Geringhoff® is a registered trademark of Carl Geringhoff GmbH & Co. KG. • Gleaner®, New Idea®, Hesston®, AC®, Massey Ferguson® and Oliver® are registered trademarks of AGCO Corporation • White™ and Field Queen™ are trademarks of AGCO Corporation • Allis-Chalmers™ is a trademark of Allis-Chalmers Corporation. • Case®, Case IH® and New Holland® are registered trademarks of CNH Industrial America, LLC • NH™ is a trademark of CNH America, LLC • Claas® and Lexion® are registered trademarks of Claas KGaA, MBH • CAT® is a registered trademark of CATERPILLAR INC. • Cressoni™ is a trademark of F.lli CRESSONI s.p.a • Fantini™ is a trademark of Fantini S.r.l. • John Deere® and JD® are registered trademarks of Deere & Company • Drago™ and DragoTec™ are trademarks of Dragotec USA • Koyma Klad® and Kooima® Ag are registered trademarks of Kooima® Ag.


KOOIMA® AG REPLACEMENT PARTS TO FIT AC®-GLENER®

AC® and Gleaner® are registered trademarks of AGCO Corporation, which does not manufacture, distribute or endorse these parts.

Kooima® Ag Replacement Parts To Fit AC®-GLENER® CORN HEADS

KOOIMA #	DESCRIPTION	REPLACES OEM #
KAC100 \$17.10 ea. 	<ul style="list-style-type: none"> Snapping roll flute To fit 1972 - 1976 orange low-profile quick tach To fit 1977 - present black adjustable row heads 4 required per roll 	70586591 Heat Treated 3 lbs.
KHC110 \$17.90 ea. 	<ul style="list-style-type: none"> Snapping roll flute To fit 1988 and later Hugger corn heads 3 required per roll 	71351081 Heat Treated 2.2 lbs.

Kooima® Ag Replacement Parts To Fit AC®-GLENER® STRAW CHOPPERS

SCKK100 \$18.90 per kit 	<ul style="list-style-type: none"> Straw chopper knife kit Our most popular kit! Kit includes: (3) knives (3) bushings (3) bolts (3) lock nuts 	71310275 Heat Treated 2.5 lbs./kit
SCKKHES \$9.10 per kit 	<ul style="list-style-type: none"> Straw chopper knife kit To fit AC®/Gleaner® F & K to SN. 36000 & all model G To fit White™ models 7800 & 8800 to SN. 74000 Kit includes: (3) knives (3) bushings (3) bolts (3) lock nuts 	71355851 71310274 31-7536360 Heat Treated 2.3 lbs./kit
SCKKACG \$15.25 per kit 	<ul style="list-style-type: none"> Straw chopper knife kit To fit all Gleaner® N & R series models Kit includes: (2) knives (2) bushings (2) bolts (2) lock nuts 	71376992 71355851 Heat Treated 3.1 lbs./kit
SCTK110 \$6.85 per kit 	<ul style="list-style-type: none"> Stationary chopper knife To fit many popular machines Kit includes: (1) tooth (1) bolt (1) lock washer (1) hex nut 	71174897 Heat Treated .6 lbs./kit
KAC110 \$29.50 ea. 	<ul style="list-style-type: none"> Replacement stalk roll knife • 2 lbs. To fit AGCO®/Gleaner® 3000 series corn heads 	71480856 Heat Treated/ Tungsten Carbide

KOOIMA® AG REPLACEMENT PARTS TO FIT CAPELLO® COMBINE EQUIPMENT

Capello® is a registered trademark of CAPELLO S.R.L., which does not manufacture, distribute or endorse these parts.

KOOIMA #	DESCRIPTION	REPLACES OEM #
K9350680 \$26.25 ea. 	<ul style="list-style-type: none"> Stalk roll knife 17 11/16" long To fit Lexion® 6R30, 8R30, 12R30, C506, C508, C512, C516, C158, Capello® Quasar 4 required per roll • 2.75 lbs. 	000 935 068 0 / 03.2019.00 Heat Treated / Tungsten Carbide
K3199900 \$26.25 ea. 	<ul style="list-style-type: none"> 20" row spacing stalk chopper knife • 1.1 lbs. To fit Capello® Quasar corn heads 	WN-03199900 Heat Treated/ Tungsten Carbide
K3202100 \$25.65 ea. 	<ul style="list-style-type: none"> 22" row spacing stalk chopper knife • 1.3 lbs. To fit Capello® Quasar corn heads 	WN-03202100 Heat Treated/ Tungsten Carbide
K3202101 \$25.65 ea. 	<ul style="list-style-type: none"> 30" row spacing stalk chopper knife • 1.45 lbs. To fit Capello® Quasar, CAT®, Claas®, Lexion® 30" or wider row spacing corn head 	WN-03202101/00 0527 063 0 Heat Treated/ Tungsten Carbide
K80126 \$4.10 ea. 	<ul style="list-style-type: none"> Stalk chopper knife bushing • .05 lbs. Used with K3199900, K3202100 & K3202101 knives Fits Capello®, CAT®, Claas® and Lexion® 30" or wider row spacing corn head 	WN-M1-80126/00 0560 209 1/01.0212.00 Heat Treated

KOOIMA® AG REPLACEMENT PARTS TO FIT CASE IH® CORN HEADS AND STRAW CHOPPERS




Case® and Case IH® are registered trademarks of CNH Industrial America, LLC, which does not manufacture, distribute or endorse these parts.

KOOIMA #	DESCRIPTION	REPLACES OEM #
K800 \$14.75 ea.	 • Snapping roll knife • To fit 843, 844, 854, 863, 864, 873, 874, 883, 884 series • 4 required per roll • 2.2 lbs.	176304C2 Heat Treated Tungsten Carbide
K900 \$14.50 ea.	 • Snapping roll knife • To fit 943, 944, 954, 963, 964, 983, 984, 1043, 1044, 1054, 1063, 1064, 1083, 1084 • 4 required per roll • 2 lbs.	1327126C1 Heat Treated/Tungsten Carbide
K800900BK \$0.85 ea.	 • 1/2" x 1" grade 8 bolt • To fit all 800 & 900 series blades • .1 lbs.	
K176301 \$19.25 ea.	 • Snapping roll driver • To fit all 800, 900 & 1000 series heads • 1 required per roll • 1.6 lbs.	176301C2
KD800L (Left) KD800R (Right) \$14.90 ea.	 • Deck plate • To fit all 800 series heads • Left hand shown • 8.2 lbs. ea.	176291C91 176292C91 Abrasion Resistant
KD1000L (Left) KD1000R (Right) \$17.50 ea.	 • Deck plate • To fit all 900 & 1000 series heads • Left hand shown • 6.4 lbs. ea.	199381C2 199382C2 Abrasion Resistant
K176280 \$18.00 ea.	 • Gathering chain guide • To fit all 800 series heads • 2 required per row • 2.8 lbs.	176280C1
K1347176 \$17.25 ea.	 • Gathering chain guide • To fit all 900 & 1000 series heads • 2 required per roll • 2.9 lbs.	1347176C1
K1306079C1 \$13.50 ea.	 • Rear stalk roll weed knife • 1 required per row • To fit Case IH® 1000 series corn heads • 1.55 lbs. • K1306079BK - Bolt kit, 1 required per knife, .15 lbs. - \$4.25 ea.	1306079C1 Heat Treated
K1306823 (Left) K1306824 (Right) \$14.55 ea.	 • Row unit side knife • To fit Case IH® 1000 series corn heads • Left hand shown	1306823C1 1306824C1 Heat Treated
K86977538 \$42.75 ea.	 • Snapping roll knife • To fit 2206, 2208, 2212, 2406, 2408, 2412 • 2 required per snapping roll • 2.6 lbs. • K86977538BK - Bolt kit, 1 bolt kit does two knives - \$26.75 ea., .6 lbs.	86977538 Heat Treated Tungsten Carbide
K87047540 (Left) K86978032 (Right) \$28.50 ea.	 • Deck plate • To fit all 2200 & 2400 series corn heads • Left hand shown • 9.8 lbs. ea.	87047540 Abrasion Resistant
K87047608 \$45.75 ea.	 • Deck plate for hydraulic row heads • To fit all 2200 & 2400 series corn heads • 13.1 lbs. • Use with K86978032 stationary deck plate	87047608 Abrasion Resistant
K86596059 \$35.75 ea.	 • Left side chain guide • 3.75 lbs. • Use with adjustable deck plates • Fits Case IH® 2200, 2400, 3200, 3400 & New Holland® 96C and 98C Corn heads	86596059/87108785 87108786/87108787 87108783/86579976 86596058
K86611426 \$31.50 ea.	 • Chain guide • 4.1 lbs. • To fit Case IH® 2200 & 2400 with manual deck plate or RH only with hydraulic deck plates • NH® 974 serial # 536455 and above, 996, 96C, & 98C with manual deck plates and RH only w/ hyd. deck plates	86611426/86579975 86611425/89825690
K47818715 \$17.75 ea.	 • Stalk chopper knife • 1.4 lbs. • To fit Case IH® 2606, 2608, 2612, 4406, 4408, 4412, 4416, 4418, 4408F, 4412F • To fit New Holland® 99C, 980CF, 980CR • Knife bolt K84972753 - \$6.00 • Knife bushing K322630350 - \$5.50 • Knife nut & washer K47818715BK - \$2.25	47818715/84340041/ 84976065 Heat Treated/ Tungsten Carbide

Replacement parts produced by Kooima® Ag to fit Case IH®

KOOIMA® AG REPLACEMENT PARTS TO FIT CASE IH® CORN HEADS AND STRAW CHOPPERS

Replacement parts produced by Kooima® Ag to fit Case IH®

KOOIMA #	DESCRIPTION	REPLACES OEM #
K87598741 \$21.75 ea.	 • Stalk roll knife • To fit 3206, 3208, 3212, 3406, 3408, 3412, 3416, 3418, NH 98D series • 2.1 lbs.	87598741
K87725510 (Left) K87725511 (Right) \$10.00 ea.	 • Row unit side knives • To fit 3000 series Case IH® corn heads • Left hand shown • .85 lbs.	87725510 87725511
K84410193 \$59.75 ea.	 • Left hand flat deck plate • To fit 3200-3400 series corn heads • 11.5 lbs.	84410193/84255207/84416205 87593314/84471412
K84410217 \$59.75 ea.	 • Right hand flat deck plate • To fit 3200-3400 series • 11.3 lbs. • K84410217BK : \$2.60 ea., .1 lbs. 1 required/deck plate	84410217/84255205/ 84416205 87593314/84471412
K84417359 \$62.45 ea.	 • Row unit scraper • 1.5 lbs. • To fit Case IH® 3000 series corn heads • 1 required per row • K80700 : Washer used with K84417359 • 2 required per scraper • \$0.45 ea.	84417359/47723637 80700
K87641987 \$18.80 ea.	 • Extendable stalk guide for the upper deck on 3000 series corn heads • 1.5 lbs.	87641987
K87593362 \$49.50 ea.	 • Right hand chain guide • 3.7 lbs. • To fit Case IH® 3200, 3400 & New Holland® 98D series corn heads	87593362/84416209/84416204/87617050 84416205/84471412/84471411 87593314/87593314E/87607076
K84316263 \$59.50 ea.	 • Left hand chain guide • 3.9 lbs. • To fit Case IH® 3200, 3400 & New Holland® 98D series corn heads	84316263/87593361/84416204/84416209 84416205/84471411/84471412/87593314E 87593314/87593361/8760706/87617050
K84499693 \$26.50 ea.	 • Stalk roll knife • 3.15 lbs. • To fit 2606, 2608, 2608F, 2612, 4206, 4208, 4406, 4408, 4412, 4416, 4418, 4408F, 4412F, NH: 99C, 980CF, 980CR • 8 required per row	84499693 / 322591950
SCKKIH \$24.15 per kit	 • Straw chopper knife kit • To fit 715, 815, 915, 1420, 1440, 1460, 1480, 1620, 1640, 1660, 1680, 1644, 1666, 1688, 2144, 2166, 2188, 2344, 2366 & 2388 • Kit includes: (2) hammers, (4) bolts, (4) nuts	442832A1 197124C1 Heat Treated Tungsten Carbide 2.2 lbs./kit
K442832 \$28.75 per kit	 • Milled straw chopper knife kit • To fit 715, 815, 915, 1420, 1440, 1460, 1480, 1620, 1640, 1660, 1680, 1644, 1666, 1688, 2144, 2166, 2188, 2344, 2366, 2388 & 5130-7130 • Kit includes: (2) hammers, (4) bolts, (4) nuts	442832A1 Heat Treated Tungsten Carbide 2.1 lbs./kit
K442832B \$11.25	 • Milled straw chopper blade • Individual blade • .8 lbs. • Order in any qty.	409731A1 Heat Treated Tungsten Carbide
K87280494 \$18.10 ea.	 • Milled-offset chopper blade • .8 lbs. • To fit 7010 / 8010 - 7120 / 8120 / 9120 • Sold individually	87280494 Heat Treated Tungsten Carbide
K87280494BK \$2.25 ea.	 • Bolt Kit to fit K87280494 Blade • 1 Kit required per blade • .3 lbs.	87030508 86512497
K87106692 \$4.50 ea.	 • Fine cut knife section • .27 lbs. • To fit 7010 / 8010 - 7120 / 8120 / 9120	87106692 Heat Treated
K102009 \$36.50 ea.	 • Gathering chain - 8 lug • 9.5 lbs. • To fit 800 series, 900 series, 1043, 1044, 1054, 1063, 1083, 1084, 2206, 2208, 2212, 2406, 2408, 2412, 3206* (2011 & Later), 3208* (2001 & Later), 3212, 3406, 3408, 3412, 3416	AN102009/610831/176279C91

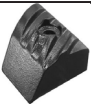

KOOIMA® AG REPLACEMENT PARTS TO FIT CASE IH® CORN HEADS AND STRAW CHOPPERS

Replacement parts produced by Kooima® Ag to fit Case IH®

KOOIMA #	DESCRIPTION	REPLACES OEM #
K385877 Milled Edge 	<ul style="list-style-type: none"> Replacement stalk chopper knife To fit Cressoni™, Case IH®, Drago™, and New Holland® heads 	Heat Treated Tungsten Carbide 1.8 lbs.
K385877B 	<ul style="list-style-type: none"> Stalk chopper knife bushing to fit Kooima® Ag chopper knife (K385877) To fit Cressoni™, Fantini™, Case IH®, Drago™ and New Holland® 	Heat Treated .1 lbs.
K385877RD 	<ul style="list-style-type: none"> Stalk chopper knife bushing with round hole to fit Kooima® Ag chopper knife (K385877) To fit Cressoni™, Fantini™, Case IH®, Drago™ and New Holland® 	Heat Treated .1 lbs.
KWB1440 	<ul style="list-style-type: none"> Wear bars • 3 required To fit 1440, 1460, 1640, 1660, 1644, 1666, 2144, 2166, 2344 & 2366 Sold per piece • KWB1440BK- Bolt kit, \$4.25 ea., .85 lbs. 	183253C4 14.8 lbs.
KWB1480 	<ul style="list-style-type: none"> Wear bars • 2 required To fit 1480, 1680, 1688, 2188 & 2388 Sold per piece • KWB1440BK- Bolt kit, \$4.25 ea. 	1309186C3 14.2 lbs.
KE1440 	<ul style="list-style-type: none"> Elephant ears • 3 required To fit 1440, 1460, 1640, 1660, 1644, 1666, 2144, 2166, 2344 & 2366 Sold per piece • KE1480BK- Bolt kit, \$4.25 ea., .5 lbs. 	1957446C3 23.6 lbs.
KE1480 	<ul style="list-style-type: none"> Elephant ears • To fit 1480, 1680, 1688, 2188 & 2388 Sold per piece • 2 required KE1480BK- Bolt kit, \$4.25 ea., .5 lbs. 	1957445C3 32 lbs.
K1302103 	<ul style="list-style-type: none"> Tooth bar • Used as required • 6 lbs. To fit all Case IH® rotary combines 	1302103C3 Abrasion Resistant

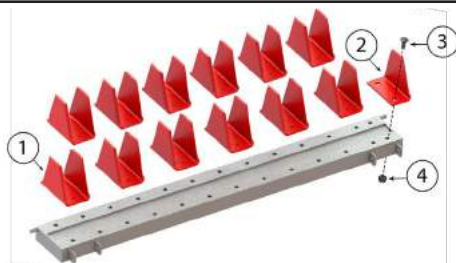
KOOIMA #	MODEL APPLICATION	BAR TYPE & PARTICULARS	REPLACES OEM
K1308829 (Helical) \$9.00 ea.	1440, 1460, 1470, 1640	12 Helical & 9 flat	1308829C2
K1308668 (Flat) \$9.25 ea.	1660, 1644, 1666, 2144, 2166, 2344, 2366	Standard 6 row soy bean rotor - 95 lbs./set	1308668C1

K130BK \$2.65 ea. Cylinder bar bolt kit - 1 kit required per bar • .15 lbs.

KR2 	Rotary-Specialty	Less spike, corn/bean rotor 1640-2366 required 54 bars 1680-2388 required 72bars	84164540 Heat Treated 2.25 lbs.
KR2HP 	Rotary-Specialty	Less spike, corn/bean rotor 1640-2366 required 54 bars 1680-2388 required 72 bars Koyma Klad® extended life wear coating applied	84164540 2.25 lbs. Heat Treated

KR2BK \$1.85 ea. Bolt kit to fit part #KR2 & KR2HP - 1 kit required per bar • .25 lbs.

87302717 / 186852C1



KOOIMA #	DESCRIPTION	REPLACES OEM #
K87315088 ①	<ul style="list-style-type: none"> Square hole style stationary chopper knife • 12 required • .55 lbs. To fit Axial Flow Combines 2377, 2388, 2399, 2577, 2588, 5088, 6088, 7088 	87315088 Heat Treated
K396960 ①a	<ul style="list-style-type: none"> Round hold style stationary chopper knife • 12 required • .55 lbs. To fit Axial Flow Combines 2377, 2388, 2399, 2577, 2588, 5088, 6088, 7088 	396960A1 Heat Treated
K87315089 ②	<ul style="list-style-type: none"> Stationary chopper knife end • 1 required • .35 lbs. To fit Axial Flow Combines 2377, 2388, 2399, 2577, 2588, 5088, 6088, 7088 	87315089 Heat Treated
K280638 ③	<ul style="list-style-type: none"> Carriage bolt • .015 lbs. 1/4 - 20 x 3/4 • 26 required 	280638
K2315344 ④	<ul style="list-style-type: none"> Flange nut • .01 lbs. 1/4 - 20 • 26 required 	

KOOIMA® AG REPLACEMENT PARTS TO FIT DRAGO™ COMBINE EQUIPMENT

Drago™ is a trademark of Dragotec USA, which does not manufacture, distribute or endorse these parts.



Replacement parts produced by Kooima® Ag to fit Drago™

KOOIMA #		DESCRIPTION	REPLACES OEM #
K11030		<ul style="list-style-type: none"> Replacement stalk roll knife • 2.4 lbs. To fit Drago™ corn heads • 4 required per roll Bolt kit: K11030BK, \$10.90 - 1 kit does 2 knives 	DR-11030 Heat Treated Tungsten Carbide
K385877		<ul style="list-style-type: none"> Replacement stalk chopper knife 2 used per roll • 1.8 lbs. 	DR-12300 Heat Treated Tungsten Carbide
K385877B		<ul style="list-style-type: none"> Stalk chopper knife bushing • .1 lbs. Use with K385877 stalk chopper knife 	DR-12310 Heat Treated
K12330		<ul style="list-style-type: none"> Stalk chopper knife bolt 1 required per blade 	DR-11070
K0052		<ul style="list-style-type: none"> 7 1/2 Stalk chopper knife • 1 lb. To fit Drago™ corn heads • 2 required 	1AC0052BM1 Heat Treated/ Tungsten Carbide
K0051		<ul style="list-style-type: none"> 8 1/2 Stalk chopper knife • 1.1 lbs. To fit Drago™ corn heads • 2 required 	1AC0051BM1 Heat Treated/ Tungsten Carbide
K0050		<ul style="list-style-type: none"> 9 1/2 Stalk chopper knife • 1 lb. To fit Drago™ corn heads • 2 required 	1AC0050BM1 Heat Treated/ Tungsten Carbide
K9090 (LH) K9100 (RH)		<ul style="list-style-type: none"> Deck plate To fit Drago™ corn heads Left hand shown • 4.7 lbs. 	DR-9090 DR-9100

KOOIMA® AG REPLACEMENT PARTS TO FIT FANTINI™ COMBINE EQUIPMENT

Fantini™ is a trademark of Fantini S.r.l., which does not manufacture, distribute or endorse these parts.





Replacement parts produced by Kooima® Ag to fit Fantini™

KOOIMA #		DESCRIPTION	REPLACES OEM #
K12133		<ul style="list-style-type: none"> Replacement stalk roll knife To fit Fantini™ corn heads 2.9 lbs. 	12133 Heat Treated Tungsten Carbide
K13741		<ul style="list-style-type: none"> Replacement stalk chopper knife To fit Fantini™ corn heads 1.8 lbs. Uses K385877RD bushing, \$6.75 ea. 	Heat Treated Tungsten Carbide

KOOIMA® AG REPLACEMENT PARTS TO FIT GERINGHOFF® COMBINE EQUIPMENT






Geringhoff® is a registered trademark of Carl Geringhoff GmbH & Co. KG, which does not manufacture, distribute or endorse these parts.

Replacement parts produced by Kooima® Ag to fit Geringhoff®

KOOIMA #		DESCRIPTION	REPLACES OEM #
K501060		<ul style="list-style-type: none"> Replacement knife To fit Geringhoff® Rota Disc cutting system • .45 lbs. 	501060 Heat Treated Tungsten Carbide
K502351		<ul style="list-style-type: none"> Replacement knife • 2.4 lbs. To fit Geringhoff® North Star corn heads To fit MS Cornstar corn head 	502350/502351/502356/502357 Heat Treated/ Tungsten Carbide
Bolt kit - K502351BK , \$2.05 - 6 kits required per snapping roll, each kit includes 1 bolt, 1 washer & 1 jam nut			
NEW K501839		<ul style="list-style-type: none"> Stationary corn head knife To fit Geringhoff® Rota Disc corn head • 1 required per roll Bolt kit - K501839BK, \$12.00, 1 kit required per knife, 3 flange bolts & 3 flange nuts 	501839
NEW K501251		<ul style="list-style-type: none"> Rotating corn head knife To fit Geringhoff® Rota Disc corn head • 3 required per roll Bolt kit - K501251BK, \$2.20, 1 kit required per knife, 2 bolts & 2 serrated washers 	501251

KOOIMA® AG REPLACEMENT PARTS TO FIT HARVESTEC™ COMBINE EQUIPMENT

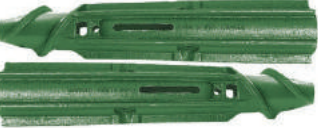













Harvestec™ is a trademark of Linamar Agriculture Inc., which does not manufacture, distribute or endorse these parts.

KOOIMA #	DESCRIPTION	REPLACES OEM #
K1356304 \$47.50 ea.	 • Snapping roll knife • 2 1/2" x 21 7/8" • 3.2 lbs. • To fit 5000 series 2004 & above • 4 required	Heat Treated Tungsten Carbide
K1356304BK \$2.15 ea.	 • Bolt kit • For K1356304 • 1 required per knife • .5 lbs.	
K1353038 \$31.85 ea.	 • Stalk chopping knife • To fit 5000 series 2004 & newer • Long style knife • 1.3 lbs.	Heat Treated Tungsten Carbide
K1353038BK \$6.25 ea.	 • Bolt kit • .5 lbs. • For K1353038 • Kit includes: 1 bolt, 1 nut, 1 lock pin	
K1319890 \$9.75 ea.	 • Bushing • .095 lbs. • To fit 5000 series 2004 & newer	

Replacement parts produced by Kooima® Ag to fit Harvestec™

KOOIMA® AG REPLACEMENT PARTS TO FIT JOHN DEERE® CORN HEADS










John Deere® and JD® are registered trademarks of Deere & Company, which does not manufacture, distribute or endorse these parts.

KOOIMA #	DESCRIPTION	REPLACES OEM #
K104090 (Right) K104091 (Left) \$93.95 ea.	 • Snapping roll • 18.5 lbs. ea. • To fit all 40 series heads • 1 right & 1 left required per row	H104090 H104091 Hard Faced Weld
K34H334 \$1.00 ea.	 • 5/16" x 2" spring pin for snapping roll heads • To fit all 40 & 90 series heads • .1 lbs. • 1 per roll	34H334
K149591 \$1.10 ea.	 • Pin fastener for snapping roll heads • To fit all 40 & 90 series heads • .1 lbs. • 1 per roll	H149591
K19M7361 \$1.90 ea.	 • M12 x 50, straight fluted • .1 lbs. • To fit 90 series heads • 2 per roll	19M7361
K19H2735 \$2.95 ea.	 • 1/2" x 2", tapered • .15 lbs. • To fit 40 series heads • 2 per roll	19H2735
K143881 \$82.50 ea.	 • Snapping roll shaft • 7.2 lbs. • To fit 40-90 series heads	AH143881 AN102001
K102009 \$36.50 ea.	 • Gathering chain - 8 lug • 9.5 lbs. • To fit 40 & 90 series corn heads	AN102009 610831 / 176279C91
K102448 \$12.25 ea.	 • Lower idler sprocket, early • Sealed bearing • 8 tooth • To fit 40 series heads up to SN. 466450 • 1.5 lbs.	AN102448
K101219 \$12.90 ea.	 • Lower idler sprocket, late • Relube bearing • 8 tooth • 1.4 lbs. • To fit 40 series heads after SN. 466451 and all 90 series heads	AH101219
K85252 \$17.30 ea.	 • Upper drive sprocket • 2.4 lbs. • 8 tooth - hex bore • To fit 40 & 90 series heads	H85252 / 102009 / CA55548C6EP Heat Treated
KJD068 (Right) KJD069 (Left) \$13.90 ea.	 • Deck plate • 9.1 lbs. ea. • To fit 40 series heads up to SN. 466450	N102068 N102069
KJD952 \$19.25 ea.	 • Deck plate, right or left • To fit 40 series heads SN. 466451 & up • 7.3 lbs.	H94952 Abrasion Resistant
K202233 \$17.50 ea.	 • Gathering chain guide • 3.7 lbs. • To fit 40 series heads	H118945 Abrasion Resistant
K146158 \$21.80 ea.	 • Chain guide, cast iron • 8 lbs. • To fit all 90 series heads • K146158BK- Bolt kit, \$3.10 ea.	H151211 H146158



Replacement parts produced by Kooima® Ag to fit John Deere®

KOOIMA® AG REPLACEMENT PARTS TO FIT JOHN DEERE®




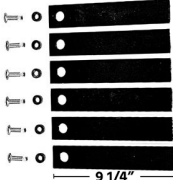
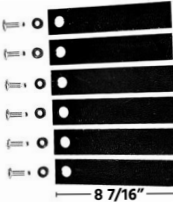


Replacement parts produced by Kooima® Ag to fit John Deere®

K150138 (Right) K150139 (Left) \$127.50 ea.		<ul style="list-style-type: none"> • Snapping roll • 24.3 lbs. ea. • To fit 90 series heads with straight cast rolls • 1 right & 1 left required per roll 	H150138 H150139 Hard Faced Weld
K154270 \$29.30 ea.		<ul style="list-style-type: none"> • Deck plate • 2 required per row • 9.3 lbs. • Hard surfaced edged • To fit 90 series heads 	H154270 Hard Faced Weld
K147773 \$82.95 ea.		<ul style="list-style-type: none"> • Left hand deck plate • 1 per row • Hard surfaced edged • 11 lbs. • To fit 90 series heads with hydraulic adjust 	AH147773 Hard Faced Weld
K237437 \$45.00 ea.		<ul style="list-style-type: none"> • Right hand deck plate • 1 per row • 5.75 lbs. • Hard faced edge • To fit JD® 606, 608 and 612 corn heads serial # 745101 and above 	H237437 Hard Faced Weld
K234656 \$65.00 ea.		<ul style="list-style-type: none"> • Left hand deck plate • 1 per row • 6.9 lbs. • Hard faced edge • To fit JD® 606, 608 and 612 corn heads serial # 745101 and above 	AH234656 Hard Faced Weld
K225719 \$51.50 ea.		<ul style="list-style-type: none"> • Right hand deck plate • 1 per row • 6.75 lbs. • Hard faced edge • To fit JD® 606, 608 and 612 corn heads serial # 745100 and below 	H225719 Hard Faced Weld
K232250 \$77.50 ea.		<ul style="list-style-type: none"> • Left hand deck plate • 1 per row • 9.25 lbs. • Hard faced edge • To fit JD® 606, 608 and 612 corn heads serial # 745100 and below 	AH232250 Hard Faced Weld
K119746 \$520.00 ea.		<ul style="list-style-type: none"> • Drive shaft • 21 spline to 1 1/8" hex • Replacement shaft for 90 series Side Hill corn heads • 33" collapsed length • 29.5 lbs. 	AH119746
K205910 \$21.95 ea.		<ul style="list-style-type: none"> • Straight fine cut blade kit • 1.8 lbs. • Each kit contains 4 blades • To fit JD® 9000 series • Uses bolt kit: K225940BK 	AH205910 Heat Treated
K205910HP \$49.00 ea.	 <p>Tungsten Hard Facing</p>	<ul style="list-style-type: none"> • Tungsten hard-faced straight fine cut blade kit • 1.8 lbs. • Each kit contains 4 blades • To fit JD® 9000 series • Uses bolt kit: K225940BK 	AH205910 Heat Treated Tungsten Carbide
K225940BK \$4.45 ea.		<ul style="list-style-type: none"> • Bolt kit for K205910/K205910HP blade kits (4 required) • Each kit contains: 1 bolt, 2 washers & 1 lock nut 	19M7935/ H156101/A51212
K156100 \$4.95 ea.		<ul style="list-style-type: none"> • Knife bushing kit (contains 4 bushings) • .4lbs. • To fit K205910 and K205910HP blades 	H156100 Heat Treated
K205908 (RH) K205907 (LH) \$11.75 ea	 <p>RH LH</p>	<ul style="list-style-type: none"> • Straw chopper blade • .65 lb. • To fit 9500, 9500SH, 9510, 9510SH, 9550, 9550SH, 9560, 9560SH, 9560STS, 9600, 9610, 9650, 9650CTS, 9650STS, 9660, 9660CTS, 9660STS, 9750STS, 9760STS, 9860STS, CTS, CTS II Combines 	AH205909 Heat Treated Tungsten Hard Faced
K167127 \$6.75 ea.		<ul style="list-style-type: none"> • Bushing for K205908 & K205907 blade • .18 lb. 	H167127 / H173055 Heat Treated

Kooima® Ag Replacement Parts To Fit JOHN DEERE® STALK CHOPPER KNIFE

KOOIMA #	DESCRIPTION	REPLACES OEM #
K36504 \$16.90 ea.	 <ul style="list-style-type: none"> • Stalk chopping knife • 1.6 lbs. • To fit JD® 606-612 (after serial # 745101) 616, 618 corn heads 	HXE36504 Heat Treated Tungsten Carbide
K24237 \$10.25 ea.	 <ul style="list-style-type: none"> • Stalk chopping knife bushing • .15 lbs. • To fit JD® 606-612 (after serial # 745101) 616, 618 corn heads 	HXE24237 Heat Treated

KOOIMA® AG REPLACEMENT PARTS TO FIT JOHN DEERE® 50 & 50A SERIES ROW CROP HEADS

KOOIMA #		DESCRIPTION	REPLACES OEM #
K139066		<ul style="list-style-type: none"> Stationary knife • 2.8 lbs. To fit all 50 & 50A series heads 1 required per row 	H139066 Heat Treated Tungsten Carbide
\$29.30 ea.			
K27079		<ul style="list-style-type: none"> Gathering belt assembly To fit John Deere® 50 series row crop bean head 2 used per row • 12.88 lbs. Now with improved heavier belting 	AE27079 AE73755
\$139.75 ea.			
K101172		<ul style="list-style-type: none"> Gathering belt assembly To fit John Deere® 50A series row crop bean head 2 used per row • 14.8 lbs. Now with improved heavier belting 	AH101172
\$179.95 ea.			
SCKKJDL		<ul style="list-style-type: none"> To fit the following machines: All models 55 (3 kits required) All models 4420 (4 kits required) Models 6620 (4 kits required) Models 3300 (3 kits required), 4400 (4 kits required), 6600 (4 kits required), with new style drum & bolt-on knife Kit includes: (6) knives (6) bushings (6) bolts (6) lock nuts 	AH126851 Heat Treated 7.1 lbs./kit
\$23.80 per kit			
SCKKJDS		<ul style="list-style-type: none"> To fit the following machines: All models 7720 (5 kits required) All models 8820 (6 kits required) Models 9400 (5 kits required) 9500 (5 kits required) 9510, 9600, 9610 (6 kits required) To fit 7700 with new style drum & bolt-on knife (5 kits required) Kit includes: (6) knives (6) bushings (6) bolts (6) lock nuts 	AH124635 Heat Treated 6.6 lbs./kit
\$23.80 per kit			
SCKKJDSB		<ul style="list-style-type: none"> Straw chopper blade only Less bushings and hardware To fit the following machines: 9400 & 9500 (30 required) • 9510, 9600, 9610 (36 required) 	Abrasion Resistant Heat Treated 1 lb. ea.
\$3.95 ea.			
K142141		<ul style="list-style-type: none"> Stationary knife To fit 9000 series combines Double edged construction 	H215004/H142141 Heat Treated .5 lbs.
\$4.95 ea.			

KOOIMA® AG REPLACEMENT PARTS TO FIT LEXION® CAT® COMBINE EQUIPMENT

Lexion® is a registered trademark of Claas KGaA, MBH, which does not manufacture, distribute or endorse these parts.

KOOIMA #		DESCRIPTION	REPLACES OEM #
K385877		<ul style="list-style-type: none"> Drago stalk chopper knife To fit Cressoni™, Case IH®, Drago™ and New Holland® heads • 1.8 lbs. 	Heat Treated Tungsten Carbide
\$19.90 ea.			
K385877B		<ul style="list-style-type: none"> Stalk chopper knife bushing to fit Kooima® Ag chopper knife (K385877) To fit Cressoni™, Fantini™, Case IH®, Drago™ and New Holland® • .1 lbs. 	Heat Treated
\$6.25 ea.			
K385877RD		<ul style="list-style-type: none"> Stalk chopper knife bushing w/ round hole to fit Kooima® Ag chopper knife (K385877) To fit Cressoni™, Fantini™, Case IH®, Drago™ and New Holland® • .1 lbs. 	Heat Treated
\$6.75 ea.			
K3531950		<ul style="list-style-type: none"> Straw chopper knife To fit Lexion® CAT® 570R .7 lbs. 	353195.0 Heat Treated
\$8.60 ea.			
K9350680		<ul style="list-style-type: none"> Stalk roll knife 17 11/16" long To fit Lexion® 6R30, 8R30, 12R30, C506, C508, C512, C516, C158, Capello® Quasar 4 required per roll • 2.75 lbs. 	000 935 068 0 / 03.2019.00 Heat Treated / Tungsten Carbide
\$26.25 ea.			
K9350680BKL (Late) K9350680BKE (Early)		<ul style="list-style-type: none"> Bolt kit for K9350680 To fit late models with poly snout • To fit early models with steel snout 1 required per knife • .25 lbs. 	
\$5.25 ea.			

Replacement parts produced by Kooima® Ag to fit Lexion® CAT®

KOOIMA® AG REPLACEMENT PARTS TO FIT MASSEY FERGUSON® CORN HEADS & STRAW CHOPPERS

Massey-Ferguson® is a registered trademark of AGCO Corporation, which does not manufacture, distribute or endorse these parts.

Kooima® Ag Replacement Parts To Fit MASSEY FERGUSON® CORN HEADS

KOOIMA #
KMF45

\$15.65 ea.



DESCRIPTION

- Snapping roll flute
- To fit all Massey Ferguson® heads
- 2 required per roll
- 2.9 lbs.

REPLACES OEM #

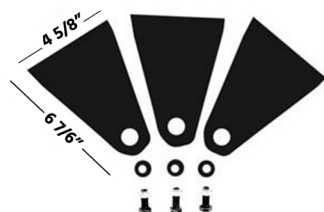
264687M2
Heat Treated

Kooima® Ag Replacement Parts To Fit MASSEY FERGUSON® STRAW CHOPPERS

KOOIMA #

SCKK100

\$18.90 per kit



DESCRIPTION

- Straw chopper knife kit • 2.5 lbs./kit
- Our most popular kit!
- Kit includes:
 - (3) knives
 - (3) bushings
 - (3) bolts (3) lock nuts

REPLACES OEM #

837030M91
Heat Treated

SCTK110

\$6.85 per kit



- Stationary chopper knife • .6 lbs./kit
- To fit many popular machines
- Kit includes:
 - (1) tooth
 - (1) bolt
 - (1) lock washer
 - (1) hex nut

041155M1
Heat Treated

Replacement parts produced by Kooima® Ag to fit Massey Ferguson®



TRACTOR ATTACHMENTS

Front Tractor Bumper

Order # K251JDT

\$1,990.00

575 lbs.

Kooima® Ag's newly designed front bumper for JD® 8000 series tractors provide full coverage from fence post, gates or the forage harvester in front of you. Easy installation on your existing weight rack and space saving weight positioning on the sides of the tractor to give you more room in the machine shed.

Tractor weights **not included**



Scan to see some Features of this Bumper!



Tractor Mud Flaps

Today's machinery is more expensive than ever, help protect your investment with a set of Kooima® Ag custom built mud flaps. Easily installed on your existing 3 point these mud flaps provide full coverage from mud, rocks or any other flying debris. To fit ALL tractors with category 3 or 4 three point hook ups.


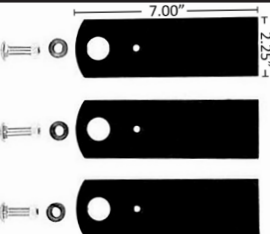
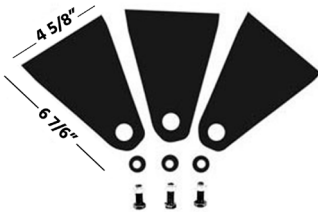





More information on Page 41



KOOIMA® AG REPLACEMENT PARTS TO FIT NEW HOLLAND® CORN HEADS & STRAW CHOPPERS

New Holland® is a registered trademark of CNH Industrial America, LLC, which does not manufacture, distribute or endorse these parts.

Replacement parts produced by Kooima® Ag to fit New Holland®

KOOIMA #	DESCRIPTION	REPLACES OEM #
KNH9825691 \$19.50 ea.	 • Deck plate, left or right • To fit all 974 series heads, 96C series and 996 series • 2 required per row • 10.6 lbs.	86611428 9825691
SCKKNH \$16.90 per kit	 • Chopper knife kit • To fit most late models • Kit includes: (3) knives (3) bushings (3) bolts (3) lock nuts • 2.5 lbs./kit	688331 Heat Treated
SCKK100 \$18.90 per kit	 • Straw chopper knife kit • Our most popular kit! • Kit includes: (3) knives (3) bushings (3) bolts (3) lock nuts • 2.5 lbs./kit	277056 88374 276819 624590 624508 Heat Treated
SCTK110 \$6.85 per kit	 • Stationary chopper knife • To fit many popular machines • Kit includes: (1) tooth (1) bolt (1) lock washer (1) hex nut • .6 lbs./kit	271580 Heat Treated
K385877 \$19.90 ea.	 • Replacement stalk chopper knife • To fit Cressoni™, Case IH®, Drago™ and New Holland® heads • 1.8 lbs.	Heat Treated Tungsten Carbide
K385877B \$6.25 ea.	 • Stalk chopper knife bushing to fit Kooima® Ag chopper knife (K385877) • To fit Cressoni™, Fantini™, Case IH®, Drago™ and New Holland® • .1 lbs.	Heat Treated
K385877RD \$6.75 ea.	 • Stalk chopper knife bushing with round hole to fit Kooima® Ag chopper knife (K385877) • To fit Cressoni™, Fantini™, Case IH®, Drago™ and New Holland® • .1 lbs.	Heat Treated
K102009 \$36.50 ea.	 • Gathering chain - 8 lug • 9.5 lbs. • To fit 98D, 974 & 996 New Holland® corn heads	AN102009/610831/176279C91

Visit kooimaag.com to learn more about the services we offer!



3-D Laser Cutting



Laser Metal Deposition



Laser Welding



Knife Design-and-Build

KOOIMA® AG REPLACEMENT PARTS TO FIT NEW IDEA® CORN HEADS

New Idea® is a registered trademark of AGCO Corporation, which does not manufacture, distribute or endorse this part.

Replacement parts produced by Kooima® Ag to fit New Idea®

KOOIMA #
K745057

\$9.90 ea.



DESCRIPTION

- Snapping roll flute
- To fit all 800 series heads
- 3 required per roll
- 2.8 lbs.

REPLACES OEM #

745057
Heat Treated

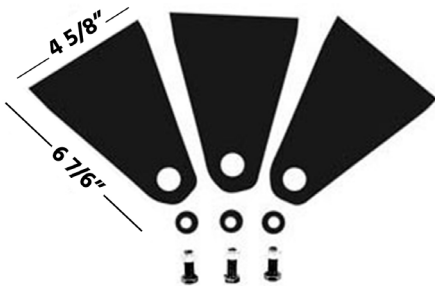
KOOIMA® AG REPLACEMENT PARTS TO FIT WHITE™ STRAW CHOPPERS

White™ is a trademark of AGCO Corporation, which does not manufacture, distribute or endorse these parts.

Replacement parts produced by Kooima® Ag to fit White™

KOOIMA #
SCKK100

\$18.90 per kit



DESCRIPTION

- Straw chopper knife kit
- Our most popular kit!
- Kit includes:
 - (3) knives
 - (3) bushings
 - (3) bolts
 - (3) lock nuts
- 2.5 lbs./kit

REPLACES OEM #

31-7536350
Heat Treated

SCTK110

\$6.85 per kit



- Stationary chopper knife
- To fit many popular machines
- Kit includes:
 - (1) tooth
 - (1) bolt
 - (1) lock washer
 - (1) hex nut
- .6 lbs./kit

7534020
Heat Treated

KOOIMA® AG REPLACEMENT PARTS TO FIT OLIVER®-WHITE™ CORN HEADS

Oliver® is a registered trademark of AGCO Corporation, which does not manufacture, distribute or endorse these parts.

Replacement parts produced by Kooima® Ag to fit Oliver®-White™

KOOIMA #
KWH200

\$19.90 ea.



DESCRIPTION

- Snapping roll flute
- To fit all 700 series heads
- 3 required per roll
- 3 lbs.

REPLACES OEM #

31-1574370
Heat Treated

Visit our website!
www.kooimaag.com



24/7 access to order!



Free shipping on retail orders in the Continental U.S.!

(Some exclusions may apply)



Watch videos of our products!



ORDER FORM

Mailing Address: 2642 Rock Ridge Road • Rock Valley, Iowa 51247 • Phone: 1-800-522-8874 • Fax: 712-201-0819

Ordered By:

Ship To:

Name: _____

Name: _____

Farm Name: _____

Farm Name: _____

Address: _____

Address: _____

City/State: _____ Zip: _____

City/State: _____ Zip: _____

Area Code/Phone #: _____

Area Code/Phone #: _____

Cell Phone #: _____

Cell Phone #: _____

E-mail: _____

E-mail: _____

Machine Information:

No. of Machines: _____

Make: _____ Make: _____ Make: _____

Model: _____ Model: _____ Model: _____

Quantity Needed	Kooima® Ag Part No.	Catalog Page No.	Part Description	Price Each	Total Amount

Type of Payment:

- Check
 VISA
 MasterCard
 Discover
 American Express
 Farm Plan

Total Amount Ordered

Shipping

TOTAL AMOUNT ENCLOSED

--	--	--	--	--	--	--	--	--	--

Card Expiration Date:

CSC ID#

(3 Digit Code on Back)

Signature _____ Date _____



IMPORTANT TERMS AND CONDITIONS OF SALE

At Kooima® Ag our goal is to manufacture quality replacement parts that meet your needs. For additional information or to place an order, telephone toll free 1-800-522-8874 or visit our website at www.kooimaag.com.

BUSINESS HOURS: 7:00 a.m. - 5:00 p.m. Monday through Friday (CST).

PRICES: All prices are in US Dollars. Prices are subject to change without notice. All shipments are billed at the prices in effect at the time of ordering. For the most current prices, go to www.kooimaag.com.

BILLING AND TERMS: Methods of payment include MasterCard®, Visa®, Discover®, American Express®, PayPal® and John Deere® Financial, and Check by Phone. Personal checks (payable to: Kooima Ag) are accepted with the understanding that the check must be received in our office before the merchandise can be shipped.



RETURN PROCEDURE: Return new or unused products to Kooima® Ag within one year of delivery. Damaged or defective products must be returned within 30 days for a refund or exchange; please keep all packing materials for inspection. Before returning parts, you must contact our sales department to acquire a Return Goods Authorization (RGA) number and shipping instructions. The RGA Number must be clearly marked on the outside of the package, with a Kooima® Ag packing list or invoice included. Return parts will be subject to a 15% restocking charge. Proper credit (for the cost of product only) will be issued to the original form of payment after the product has been received, or an exchange will be sent promptly if requested. Returns must be purchased from Kooima® Ag and in marketable condition (excluding warranty returns). Unfortunately we cannot accept packages sent freight collect or COD.

Send returns prepaid to:

Kooima Ag
2642 Rock Ridge Road
Rock Valley, IA 51247

FREIGHT POLICY: Kooima® Ag will pay all shipping charges on offline retail orders totaling \$850.00 or more, including truck freight charges, in the continental United States. Free shipping on retail internet orders in the continental U.S. (continue reading for policy on silage covers). Freight policy for silage covers: Free shipping on Silage Covers if combined with \$850.00 in Kooima® Ag parts on phone and internet orders. For orders going to Canada: Kooima® Ag will pay shipping charges only, on orders totaling \$2,000.00 U.S. dollars or more (not including other fees, taxes, duties, etc.). Shipping to Canada: Duties, taxes, and broker fees apply (no COD). Express orders do not qualify for free shipping. Dealers and Distributors do not qualify for free shipping. International & orders shipping into Mexico do not qualify for free shipping.

BACK ORDERS: All orders will be shipped the same day as received when at all possible. Occasionally items may be temporarily back-ordered due to circumstances beyond our control. These items will be shipped as soon as available and priced according to prices in effect at the time of the original order.

WARRANTY: The products sold or supplied by Kooima® Ag shall have the warranty (if any) of the manufacturer or other supplier to Kooima®. Kooima® Ag disclaims all warranties either express or implied, including but not limited to implied warranties of MERCHANTABILITY and FITNESS FOR A PARTICULAR PURPOSE with respect to any merchandise purchased from Kooima® Ag, the Kooima® Ag website or catalog. Kooima® Ag's liability in connection with a customer's purchase is expressly limited to Kooima® Ag's Return Procedure set forth above. Kooima® Ag will not assume responsibility for shipping and handling costs, loss of crop or loss of time for any warranted products. Limited warranty on knives and shearbars that ingest stones, wood, steel etc.; all claims for consequential, incidental or special damages are hereby excluded. In no event shall Kooima® Ag's liability under this warranty exceed the purchase price paid for the product.

Note: UPS does not deliver to PO Boxes. Please enter a street address for your delivery address.

ORDERING OPTIONS



Online
www.kooimaag.com
sales@kooimaag.com



Call
1-800-522-8874
Fax
712-201-0819

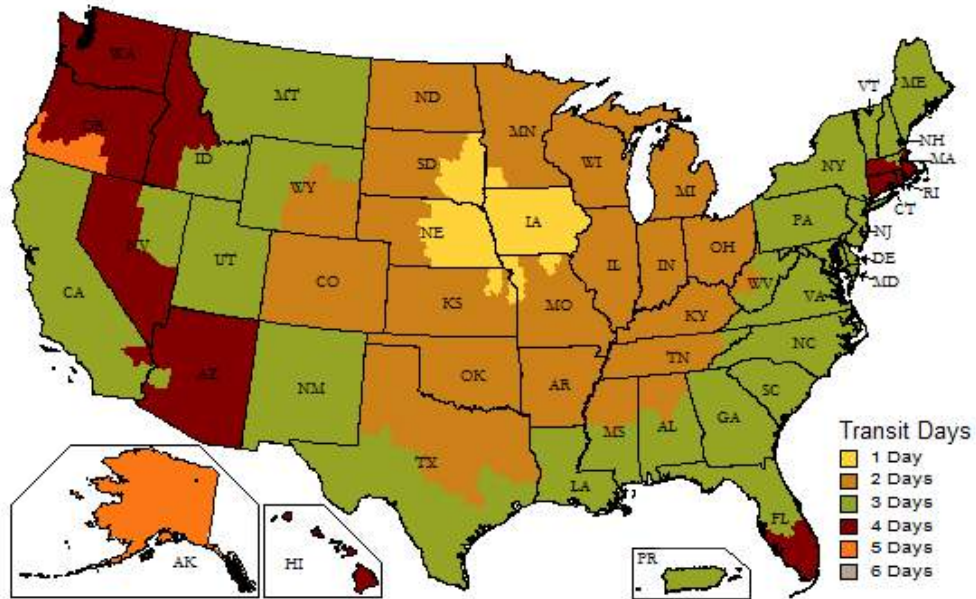


Mail
2642 Rock Ridge Road
Rock Valley, IA 51247

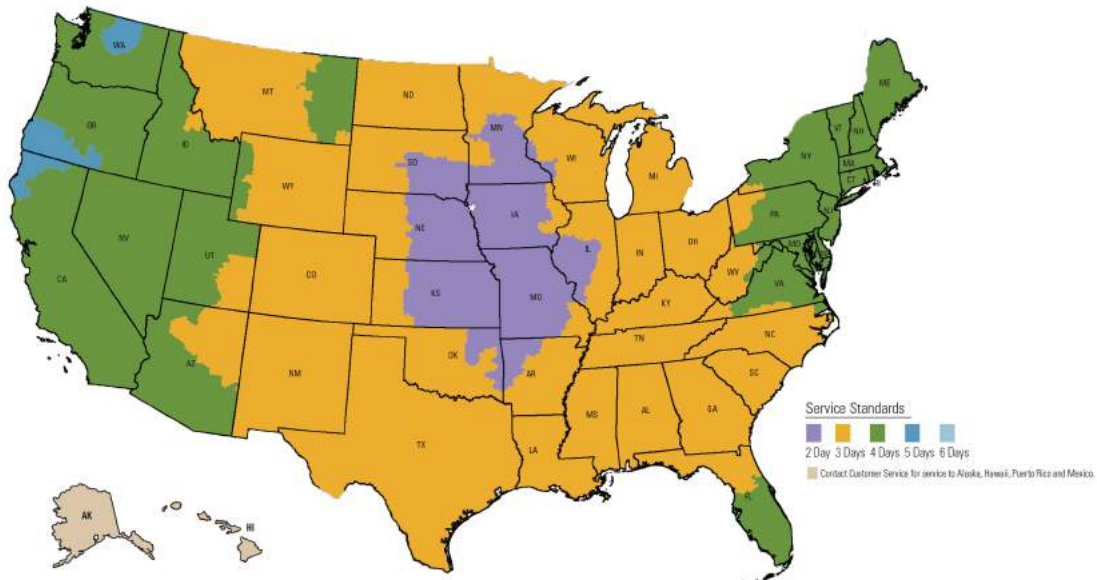


SHIPPING TIME

Estimated UPS® delivery times from Rock Valley, IA for Continental U.S.



Estimated FedEx® truck freight delivery times from Rock Valley, IA for Continental U.S.



Spee-Dee™ Service Areas



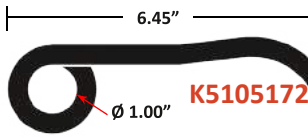
Kooima® Ag is conveniently located in the center of the United States to get your parts to you as rapidly as possible! In most instances there will be same day shipping on all in stock orders placed by 3:00 p.m. (CST).



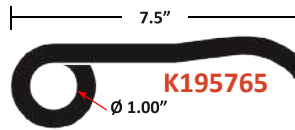


REPLACEMENT BALE PROCESSOR FLAILS

VERMEER® / HIGHLINE®



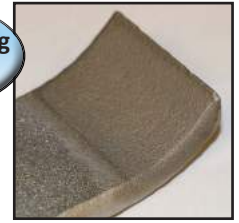
K510517232



K195765

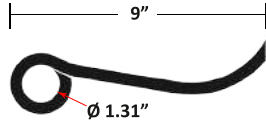


Koyma Klad® Coating
for Extended Life



Part #	DESCRIPTION
K195765 \$17.50 ea.	• Bale Flail • 2.4 lbs. • Heat Treated • To fit Vermeer® 7000 machines & Highline® 6800 & 7000 machines - 26 flails
K510517232 \$10.75 ea.	• Bale Flail • 2.2 lbs. • Heat Treated • Highline® BP4065 - 12 flails • Vermeer® BP8000, Highline® CFR650, CFR651, BP6800, BP7800, BP8000, BP8100, BP8630 - 26 flails • Vermeer® BPX9000, CPX9000, BPX9010 - 30 flails • Highline® CFR960 - 40 flails • Highline® BP7010 - 42 flails • Highline® CFR1251, BP7120 - 52 flails
K510517232HP \$16.75 ea.	• Bale Flail with Koyma Klad® coating • 2.25 lbs. • Heat Treated/ Tungsten Carbide • Fits same models as K510517232
K510517253 \$3.75 ea.	• Bushing • .23 lbs. • To fit Vermeer® 7000, 8000, 9000 & 9010 • To fit Highline® CFR650, CFR651, CFR960, CFR1251, 4065, 6800, 7000, 7010, 7120, 7700, 7800, 8000, 8100, 8630
K45099 \$8.95 ea.	• Hex Head, knurled shoulder bolt 5/8" x 3-3/4" NF • .40 lbs. • To fit Vermeer® 7000 machines & Highline® machines
K33696H \$9.50 ea.	• Carriage bolt 5/8" x 3.75" NF • .35 lbs. • To fit Vermeer® 8000 machines & a majority of Highline® machines
K27169034 \$1.85 ea.	• Bolt 5/8" x 3-1/2" gr8 NC • .35 lbs. • To fit Vermeer® 9000 machines
K396001 \$1.15 ea.	• Lock nut 5/8" NF • .05 lbs. • To fit Vermeer® 7000 & 8000 machines & Highline® machines
K250513001 \$1.00 ea.	• Lock nut 5/8" NC • .05 lbs. • To fit Vermeer® 7000 & 9000 machines

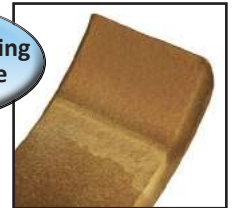
HAYBUSTER® / FAIR MFG.™



Ø 1.31"



Koyma Klad® Coating
for Extended Life



Part #	DESCRIPTION
K5200012 \$11.95 ea.	• Bale Flail (1/2" thick) • 2.8 lbs. • Heat Treated • To fit Fair MFG™ 7810, 7825, 7825TD, 7830, 7830TD - 30 flails • Haybuster® 2554 - 18 flails • Haybuster® S-2000 - 20 flails • 256+2 SN 1642-2341 - 26 flails • 2564, 2574, 2655, 2665, 2800 - 40 flails • Haybuster® 2100, 2620, 2640, 2650, 2660, 256 3pt, 256+2 SN after 2342, 256+2 SN F12743-JJ5016 - 30 flails
K5200012HP \$18.25 ea.	• Bale Flail with Koyma Klad® coating (1/2" thick) • 3 lbs. • Heat Treated / Tungsten Carbide • Fits same models as K5200012
K7500223 \$6.00 ea.	• Bushing • .5 lbs.
K4800598 \$2.00 ea.	• Bolt • .4 lbs.
K7900179 \$1.75 ea.	• Nut • .1 lbs.

BALE KING™

NEW



8.75"



7.75"

Part #	DESCRIPTION
K10223 \$20.25 ea.	• Bale Flail - 8" • To fit Bale King™ 2000, 2010, 3000, 3100, 3100HD, 3110 (8" rotor), 4000 & 4100 - 30 flails
K22412 \$19.40 ea.	• Bale Flail - 7" • To fit Bale King™ 3115, 3125 & 4105 - 30 flails • To fit Bale King™ 5100, 5100TR, 5200, 5200TR, 5225, 5300, 5300TR, 6100, 6105, 6200, 8100 & 8200 - 28 flails
K10005B \$5.75 ea.	• Bushing • To fit 880, 2000, 2010, 3000, 3100, 3100HD, 3110, 3115, 3125, 4000, 4100 & 4105 - 30 flails • To fit 5100, 5100TR, 5200, 5200TR, 5300, 5300TR, 5225, 6100, 6105, 6200, 8100 & 8200 - 28 flails • 2880 & 2881 - 18 flails
K10006 \$4.95 ea.	• Bolt • To fit 5100, 5100TR, 5200, 5200TR, 5300, 5300TR, 5225, 6100, 6105, 6200, 8100 & 8200 - 28 flails • To fit Bale King™ 880, 2000, 2010, 3000, 3100HD, 3110, 3115, 3125, 4000, 4100 & 4105 - 30 flails • To fit 2880 & 2881 - 18 flails
K10007 \$1.05 ea.	• Lock nut • To fit 5100, 5100TR, 5200, 5200TR, 5300, 5300TR, 5225, 6100, 6105, 6200, 8100 & 8200 - 28 flails • To fit 880, 2000, 2010, 3000, 3100, 3100HD, 3110, 3115, 3125, 4000, 4100 & 4105 - 30 flails • To fit 2880 & 2881 - 18 flails

VERMEER® is a registered trademark of Vermeer Manufacturing Corporation, which does not manufacture, distribute or endorse these parts. HIGHLINE® is a registered trademark of Highline Manufacturing LTD, which does not manufacture, distribute or endorse these parts. HAYBUSTER® is a registered trademark of DuraTech Industries International, Inc., which does not manufacture, distribute or endorse these parts.

High Quality Silage Covers



Detail of reinforced string tarps



String Tarps White/Black - 6.0 mil (R6WBK)

Part #	Price	W X L	Weight
K59X200M6	\$952.00	59.5 X 200	370 lbs.
K59X500M6	\$2,380.00	59.5 X 500	780 lbs.
K85X200M6	\$1,372.00	85.75 X 200	470 lbs.
K85X250M6	\$1,715.00	85.75 X 250	585 lbs.
K85X1000M6	\$6,860.00	85.75 X 1000	2,275 lbs.
K105X40M6	\$337.60	105.5 X 40	172 lbs.
K105X60M6	\$506.40	105.5 X 60	237 lbs.
K151X45M6	\$545.40	151.5 X 45	220 lbs.
K151X50M6	\$606.00	151.5 X 50	250 lbs.
K151X60M6	\$727.20	151.5 X 60	272 lbs.
K151X70M6	\$848.40	151.5 X 70	315 lbs.
K151X75M6	\$909.00	151.5 X 75	335 lbs.
K151X80M6	\$969.60	151.5 X 80	370 lbs.
K151X100M6	\$1,212.00	151.5 X 100	430 lbs.
K184X70M6	\$1,033.20	184.5 X 70	405 lbs.
K184X110M6	\$1,623.60	184.5 X 110	550 lbs.
K204X50M6	\$817.00	204.25 X 50	315 lbs.
K204X60M6	\$980.40	204.25 X 60	380 lbs.
K204X70M6	\$1,143.80	204.25 X 70	420 lbs.
K204X80M6	\$1,307.20	204.25 X 80	465 lbs.
K204X100M6	\$1,634.00	204.25 X 100	550 lbs.
K243X60M6	\$1,170.00	243.75 X 60	455 lbs.
K250X70M6	\$1,401.40	250.25 X 70	545 lbs.
K250X80M6	\$1,601.60	250.25 X 80	590 lbs.
K250X85M6	\$1,701.70	250.25 X 85	615 lbs.
K303X100M6	\$2,424.00	303 X 100	870 lbs.

Standard Silage Tarps White/Black - 5.0 mil (A5WB1)

Part #	Price	W X L	Weight
K57442	\$112.80	24 X 100	69 lbs.
K57443	\$150.40	32 X 100	90 lbs.
K57628	\$225.60	32 X 150	133 lbs.
K46534	\$188.00	40 X 100	110 lbs.
K57574	\$282.00	40 X 150	163 lbs.
K57575	\$376.00	40 X 200	216 lbs.
K50158	\$235.00	50 X 100	138 lbs.
K50159	\$352.50	50 X 150	203 lbs.
K54235	\$470.00	50 X 200	299 lbs.
K57576	\$282.00	60 X 100	161 lbs.
K53942	\$423.00	60 X 150	255 lbs.
K57577	\$564.00	60 X 200	346 lbs.
K58234	\$1,410.00	60 x 500	779 lbs.
K64369	\$2,820.00	60 X 1000	1,557 lbs.
K69881	\$516.00	80 X 150	325 lbs.
K69880	\$688.00	80 X 200	455 lbs.
K70463	\$860.00	80 X 250	561 lbs.
K77050	\$1,720.00	80 X 500	1,123 lbs.
K77059	\$3,440.00	80 x 1000	1,999 lbs.



800.522.8874

If you do not see the size you need, give us a call, other sizes are available upon request.

Prices are subject to change.

*** Free shipping on Silage Covers if combined with \$850 in Kooima® Ag parts on phone and internet orders**

TURNER[®] COMPOSTER

Patent # 10,617,061, other patents pending

Tunnel Dimensions:

8 ft wide x 4 ft tall

Skid Loader Requirements:

Min. lift capacity 1600 lbs.

Working: \varnothing 24"

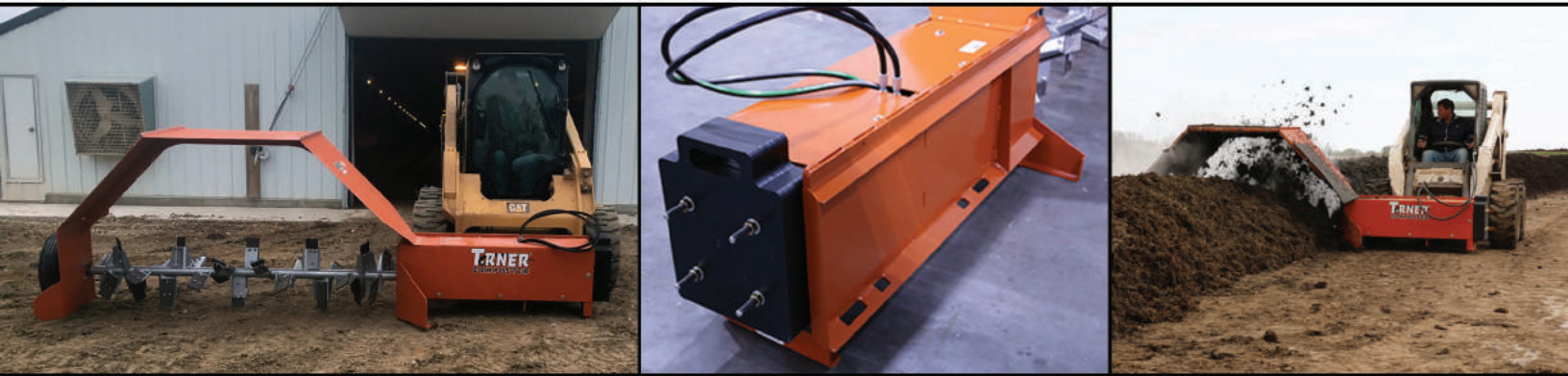
S
P
E
C
S



Skid Trner[®]

Model # CT0800

\$13,500



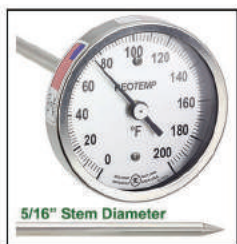
Compost anything from cattle and chicken manure to grass, leaves and garden waste.



Scan the QR code to get more information about our Skid Trner[®] and see videos of it in action!



Start your composting site with the Kooima[®] Skid Trner[®] today!



3 ft. Heavy Duty
Compost Thermometer

Order # C00416

\$119⁷⁵ ea.



www.kooimaag.com

1-800-522-8874

sales@kooimaag.com

TURNER[®] COMPOSTER



Model # CT1400



- High capacity compost turner
- Heavy duty design specifically for manure composting
- Designed for easy serviceability
- Proven in harsh conditions
- Faster ground speed - compare ours to any other
- 3" Diameter through shaft on the drum means more rigidity and higher throughput
- Box frame construction - Tough!
- High clearance to handle larger piles
- Drum designed to throw material back farther with less horsepower
- Hydraulically driven wheel - more speed and traction
- Road towable - tongue easily pivots for transport
- Patented paddle design - incorporates more oxygen into the pile

Patent # 10,617,061

S
P
E
C
S

Tunnel Dimensions:

14 ft wide x 7 ft tall

Tractor Requirements:

130 HP min. 300 HP max.

Drum: Ø 14"

Working: Ø 36"



Scan the QR code for more information and to see the Turner[®] in action!

WE HAVE THE REPLACEMENT PARTS YOU NEED!

Visit kooimaag.com to learn more about the services we offer!



3-D Laser Cutting



Laser Metal Deposition



Laser Welding



Knife Design-and-Build



800.522.8874



www.kooimaag.com



Our New Address:
Kooima Ag
2642 Rock Ridge Road
Rock Valley, IA 51247



sales@kooimaag.com
Fax: 712.201.0819



KOOIMA AG