



Current Tools

FOR THE PROFESSIONAL ELECTRICIAN

PRODUCT CATALOG



Current Tools' policy is to manufacture and market the highest quality products at reasonable prices. We will continue to expand our product line, with a mission devoted to meeting the needs of the professional electrician.



BENDING

Offset Benders.....	1-2
Mechanical Benders.....	3-4
77 Series Electric Bender with Single Shoe Groups.....	5-6
77 Series Electric Bender Single Shoe Groups.....	7-8
77 Series Electric Bender with Multi-Shoe Groups.....	9-10
77 Multi-Shoe Group Assemblies.....	11-12
77DL Pre-Fab Electric Bender.....	13
77DL Pre-Fab Bender Shoe Group Assemblies.....	14
77HRB Hi-Rise Base.....	15-16
747 Omni™ Bender.....	17-18
747 PVC Coated Rigid Shoe Group.....	18
254 Hydraulic Bender for 2½" – 4".....	19-20
252 Mobile Bending Station for 254 Bender.....	21
281 Bending Table.....	22
280 Bending Table.....	23
292 Electric Pump.....	24
450 PVC Heater for 1/2"– 2".....	25
451 PVC Heater for 1/2" – 4".....	25
452 PVC Heater for 1/2" – 6".....	26
453 PVC Heater for 1/2" – 6" Auto Rotate.....	26
PVC Heating Blankets.....	27
PVC Plugs.....	28
PVC Plug Kits.....	28

HOLEMAKING

158PM — 1/2" to 1 1/4".....	29
159PM — 1½" to 2".....	29
157PM Ratchet Knockout Set.....	30
Hydraulic Punch Driver Sets — Straight and 90°.....	31-32
Piece Maker™ Knockout Sets.....	33-34
Standard Knockout Sets.....	35-36
Drill Driven Punch Driver Knockout Sets.....	37-38
Heavy Duty Piece Maker™ SS Knockout Sets for Stainless Steel.....	39-40
Drill Driven Punch Driver Knockout Set – Stainless Steel.....	41-42
Knockout Set for Stainless Steel 166SS — 2½" to 4".....	43-44
Knockout Punch and Die Set — 156 – 2½" to 4".....	45-46
5" and 6" Punch and Die.....	47





TABLE OF CONTENTS

HOLEMAKING

1 7/32 Piece Maker Punch and Die47
 Hand Pump and Hydraulic Hose for Knockout Sets48
 Knockout Ram48
 Stud Punch49
 Knockout Set Selection Guide.....50
 Knockout Punches – Actual Hole Size Chart.....50

CABLE PULLING

High Speed Cable Puller 3,000 lb. capacity with Mobile Cart.....51-52
 3,000 lb. Capacity High Speed Cable Puller Couplings52
 6,000 lb. Mobile Cable Puller with 4 Wheel Carriage53-54
 6,000 lb. Capacity High Speed Cable Puller Couplings54
 Cable Puller — 8,000 lb. capacity.....55
 Mantis™ Mobile Cable Pulling Package — 8,000 lb. capacity56
 Mantis™ Mobile Cable Pulling Package — 8,000 lb. capacity57
 Component Listings – Mantis™ Cable Puller Packages.....58
 Two Speed Cable Puller with Carriage — 10,000 lb. capacity59
 10,000 lb. Puller with Floor Mount / Chain Mount.....60
 Component Listings – 10,000 lb. Puller60
 Model 99 Cable Feeder61-62
 Double Braided Composite Rope63
 EZ™ Rope Low Friction Pulling Rope.....64
 Cable Pulling Package Accessories65
 Cable Pulling Extras.....65-66

REEL STANDS & REEL ROLLERS

Screw Type Reel Stands67
 Ratchet Type Reel Stand.....67
 Reel Stand Spindles68
 610 Reel Roller69
 613 Reel Roller69
 615 Cable Reel Roller70

SHEAVES & CABLE ROLLERS

Hook Type Sheaves – 4,000 lb. Capacity71
 EZ Sheave™ Hook Type Sheaves.....71





SHEAVES & CABLE ROLLERS

Hook Type Sheaves – 8,000 lb. Capacity	72
EZ Sheave™ Radius Sheave.....	72
Right Angle Twin Yoke Sheave.....	73
Tray Type Sheaves.....	73
953TR Speed Mount™ Tray Roller	74
Manhole Sheaves.....	75
Wing Nut Driver.....	75
Triangle Sheave Cable Guide.....	76
Cable Feeding Sheaves.....	76
Straight Cable Rollers	77
Radius Cable Rollers.....	77
Right Angle Rollers.....	78
Four-Sided Roller with Clamp – 8" Opening.....	78
Four-Sided Roller with Clamp – 4" Opening.....	79

WIRE CARTS

501 Dolly Cart.....	80
502 Turtle Cart.....	80
503 Wire Tree.....	81
504 Reel Dolly	81
509 Armored Cable Dispenser	82
509M Mobile Armored Cable Dispenser.....	82
510 Reel Truck	83

CONDUIT STORAGE & TRANSPORT

505 Conduit Rack	84
507 Conduit Bundler.....	84
505M Conduit Rack with Mesh Base	85
505AA Conduit Rack with Adjustable Arms.....	86
516 Conduit/Material Cart	87
513 Elevator Conduit Cart	88

PULLING ACCESSORIES

Line Swivels — 00505 Series	89
Wire Grip Swivels — 00501 Series.....	89
Breakaway Swivel — 00550 Series	90
Breakaway Pin Kits.....	90





TABLE OF CONTENTS

PULLING ACCESSORIES

Can-Link Connector — 00520 Series91
 Rope to Swivel Connector — 00522 Series.....91
 Pulling Harnesses.....92
 Pulling Grips93-98
 Lube Spreader — 00510 Series98
 Conduit Checker — 08500 Series99
 Spiral Conduit Brush — 08000 Series.....99

STORAGE

Storage Boxes100

SAWING

Band Saw101

OTHER GOOD STUFF

Caster Set.....102
 General Purpose Poly Rope102

COMPARISON REFERENCE103-120

Please check with your local distributor for product updates as product specifications, materials, prices, availability, and terms of purchase are subject to change without notice.

Thank you





Our Standards

Current Tools has invested in state-of-the-art production equipment to ensure the tools we manufacture meet the demanding standards our customers have come to expect. We ship worldwide from our 200,000 square foot facility located in Greenville, SC, and from numerous stocking warehouses located throughout the United States.





Current Tools

FOR THE PROFESSIONAL ELECTRICIAN

Our Facility

- ⦿ 200,000 sq. ft. of manufacturing space
- ⦿ BLM Tube Laser
- ⦿ State of the art Powder Coating System
- ⦿ Robotic Welding Cells
- ⦿ Mitsubishi Laser with Tower
- ⦿ CNC Machining Shop
- ⦿ On hand inventory allowing us to quickly process most orders within 24 hours.
- ⦿ Ability to ship directly to customers desired locations



**Mitsubishi Laser
with Tower**



Robotic Welding Cells



Tube Laser

Advantages of Current Tools

- ☀ Full engineering staff
- ☀ Continuous product development through customer input
- ☀ State of the art manufacturing equipment and processes
- ☀ Made in the USA
- ☀ 2 year warranty
- ☀ Quick shipment of product
- ☀ No drop ship fee to job site
- ☀ In-house product training
- ☀ Contractor focus groups



Fab Shop



CNC Machining



State of the Art Powder Coating System

"Now you have a choice!"™



BENDING

Offset Benders

- Quick offset bends on EMT conduit
- Ideal for making consistent offset bends for wall mounted boxes
- Two models available for 1/2" EMT or 3/4" EMT conduit
- Compare to Greenlee® 1810/1811
- Made in the USA



Scan here for manual



Catalog Number	Description	Weight	
705	1/2" EMT Offset Bender	5.0 lbs.	UPC 811993020568
706	3/4" EMT Offset Bender	5.0 lbs.	UPC 811993020575

*Greenlee® is a registered trademark of Greenlee Tools, Inc.



Current Tools
FOR THE PROFESSIONAL ELECTRICIAN

www.currenttools.com

P.O. Box 17026 • Greenville, SC 29606 • 864.721.4230 • fax 864.721.4232 • 800.230.5421



754 Offset Bender

- Quickly make consistent offset bends in one setup
- Bends offsets and saddles
- Drill driven for labor savings and operator productivity
- Recommended drill (provided by end user) – 1/2" variable speed cordless drill with a minimum of 18 volts.
- Speedy removal of bent conduit
- Gauge rod for repeat bends
- Folds for compact transport



**BENDS: 1/2"–3/4"–1"
EMT Conduit &
1/2"–3/4" Rigid/IMC/
PVC Coated Conduit**

Optional shoe groups for bending:

- 4 pieces of 1/2" EMT Conduit
- 2 pieces of 3/4" EMT or 1/2" Rigid Conduit



SCAN HERE FOR VIDEO

SCAN HERE FOR MANUAL



Catalog Number	Description	Weight	UPC
754	Offset Bender Length: 62", Width: 20", Height: 43"	133	811993026256
754-1/2	Shoe group for bending 4 pieces of 1/2" EMT conduit	7	811993026263
754-3/4	Shoe group for bending 2 pieces 3/4" EMT or 1/2" Rigid conduit	7	811993026270

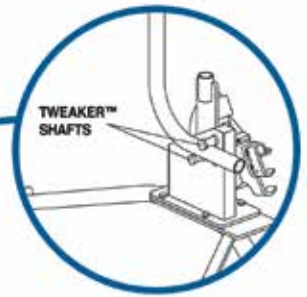


BENDING

Mechanical Bender

- Bends 1/2" to 1" RIGID/IMC conduit
- Heavy Duty, all metal construction for durability
- Ratchet action for ease in bending
- Model 750 has TWEAKER™ feature to correct overbends of 3° or less
- Compare to Greenlee® 1800
- Made in the USA

with **TWEAKER™**



**The TWEAKER™ feature allows the operator to correct overbends of 3° or less*



Scan here for manual



Catalog Number	Description	Weight	
750	1/2" to 1" Mechanical Bender for RIGID/IMC conduit	91 lbs.	UPC 811993020544

Mechanical Bender

- Bends 1 1/4" and 1 1/2" RIGID/IMC conduit
- Heavy Duty, all metal construction for durability
- Ratchet action for ease in bending
- Compare to Greenlee® 1801
- Made in the USA



Scan here for manual



Catalog Number	Description	Weight	
751	1 1/4" and 1 1/2" Mechanical Bender for RIGID/IMC conduit	105 lbs.	UPC 811993020551

*Greenlee® is a registered trademark of Greenlee Tools, Inc.



Current Tools
FOR THE PROFESSIONAL ELECTRICIAN

www.currenttools.com

P.O. Box 17026 • Greenville, SC 29606 • 864.721.4230 • fax 864.721.4232 • 800.230.5421

Combination Mechanical Bender

- Bends 1/2" to 1" RIGID/IMC conduit and 1/2" to 1 1/4" EMT
- Heavy duty construction for durability
- Ratchet action for ease in bending
- Made in the USA



**Bends
RIGID, EMT
and IMC
all on one
bender!**

Scan here for manual



Catalog Number	Description	Weight	
753	Mechanical Bender for 1/2" to 1" RIGID/IMC conduit and 1/2" to 1 1/4" EMT	129 lbs.	UPC 811993025976



BENDING

77 Series Electric Bender with Single Shoe Groups

- Only one shoe and roller support needed to bend 1/2"-2" for each type of conduit
- Rugged and dependable electrical system
- Easy to maintain and service
- Removable handle to allow for dogleg bends
- Two year warranty
- No PC boards
- Simple, reliable electrical components
- All major electrical components are interchangeable with Model #747 Omni™ Bender
- Flat free wheels
- Compare to Greenlee® 555C® Bender*
- Made in the USA



Shoes and roller support assemblies will fit Greenlee's® 555® Classic*



Scan here for manual



*Greenlee® and 555® are registered trademarks of Greenlee Tools, Inc.



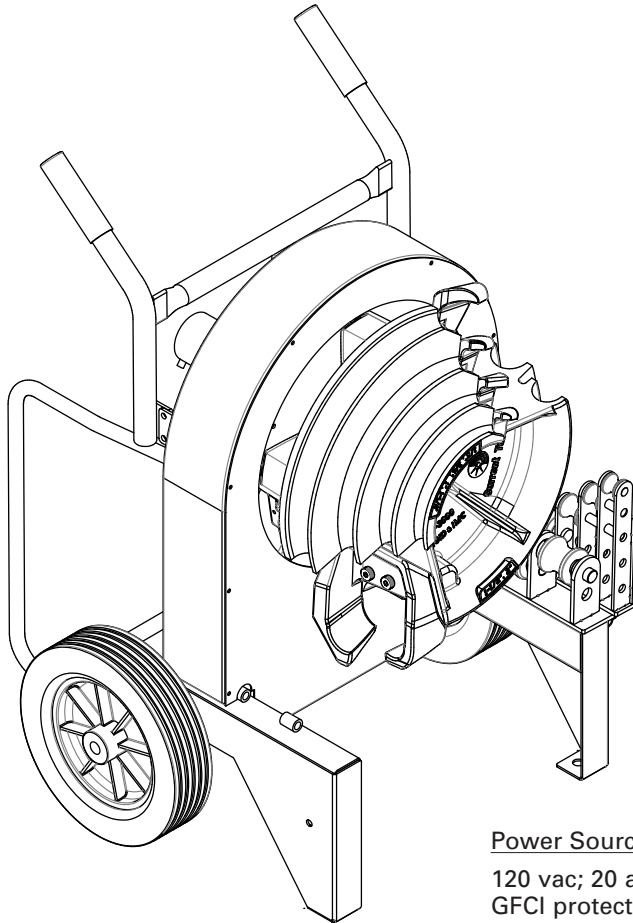
Current Tools
FOR THE PROFESSIONAL ELECTRICIAN

www.currenttools.com

P.O. Box 17026 • Greenville, SC 29606 • 864.721.4230 • fax 864.721.4232 • 800.230.5421



77 Series Electric Bender with Single Shoe Groups



Only one shoe and roller support needed to bend 1/2"-2" for each type of conduit.

Bend Radius Chart

Size	EMT	IMC	Rigid
1/2"	4 5/16"	4 1/4"	4 1/4"
3/4"	5-1/2"	5 7/16"	5 7/16"
1"	7"	6 15/16"	6 15/16"
1 1/4"	8 13/16"	8 3/4"	8 3/4"
1 1/2"	8 3/8"	8 1/4"	8 1/4"
2"	9 1/4"	9"	9"

SPECIFICATIONS

Power Source	Capacity	Dimensions
120 vac; 20 amp GFCI protected receptacle required	77SR 1/2" to 2" Rigid conduit 77SI 1/2" to 2" IMC conduit 77SE 1/2" to 2" EMT conduit 77SP 1/2" to 2" PVC coated Rigid	Height: 42" Width: 29.5" Depth: 24.5"

Catalog Number	Description	Weight	
77	77 Series Electric Bender Power Source only (no shoes)	270 lbs.	UPC 811993020261
77SR	77 Series Bender with 700SR Rigid Shoe Group	313 lbs.	UPC 811993025495
77SI	77 Series Bender with 700SI IMC Shoe Group	347 lbs.	UPC 811993025501
77SE	77 Series Bender with 700SE EMT Shoe Group	339 lbs.	UPC 811993025518
77SP	77 Series Bender with 700SP PVC Coated Rigid Shoe Group	309 lbs.	UPC 811993025525

Contact factory for specifications and availability for Model #77 – 220 Volt Bender

See pages 7-8 for single shoe groups.



BENDING

77 Series Electric Bender Single Shoe Groups

All shoes and roller supports will fit Greenlee® 555® Classic Bender*



700SR 1/2"-2" Rigid Single Shoe Group — UPC 811993025419

Item Number	Catalog Number	Description	Weight	
1	2-3000	Single shoe for Rigid and IMC	51 lbs.	UPC 811993025389
2	2-4000	Single shoe roller support for Rigid	13 lbs.	UPC 811993025457
3	8-0501	Metal storage box	36 lbs.	UPC 811993020438

NOTE: When bending 1 1/2" and 2" Rigid aluminum conduit it may be necessary to use the 2-4100 IMC single shoe roller support.



700SI 1/2" - 2" IMC Single Shoe Group — UPC 811993025426

Item Number	Catalog Number	Description	Weight	
1	2-3000	Single shoe for Rigid and IMC	51 lbs.	UPC 811993025389
2	2-4100	Single shoe roller support for IMC	48 lbs.	UPC 811993025464
3	8-0501	Metal storage box	36 lbs.	UPC 811993020438

*Greenlee® and 555® are registered trademarks of Greenlee Tools, Inc.



Current Tools
FOR THE PROFESSIONAL ELECTRICIAN

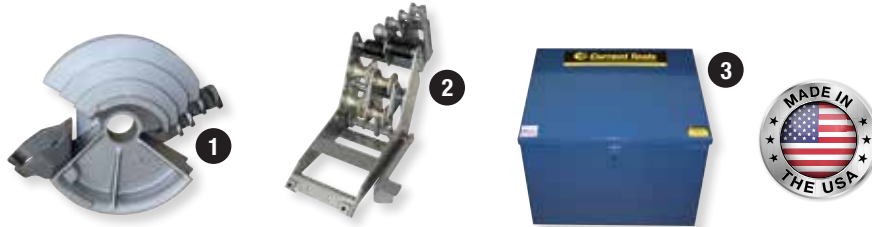
www.currenttools.com

P.O. Box 17026 • Greenville, SC 29606 • 864.721.4230 • fax 864.721.4232 • 800.230.5421



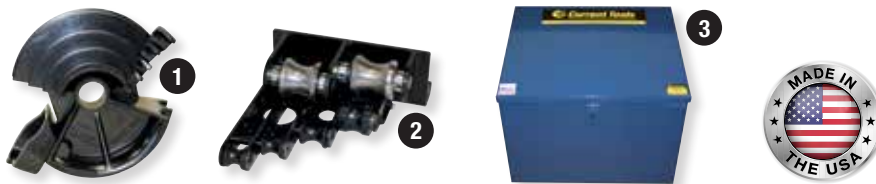
77 Series Electric Bender Single Shoe Groups

All shoes and roller supports will fit Greenlee® 555® Classic Bender*



700SE 1/2" – 2" EMT Single Shoe Group — UPC 811993025433

Item Number	Catalog Number	Description	Weight	
1	2-3100	Single shoe for EMT	43 lbs.	UPC 811993025396
2	2-4200	Single shoe roller support for EMT	48 lbs.	UPC 811993025471
3	8-0501	Metal storage box	36 lbs.	UPC 811993020438



700SP 1/2" – 2" 40 Mil PVC Coated Rigid Single Shoe Group — UPC 811993025440

Item Number	Catalog Number	Description	Weight	
1	2-3200	Single shoe for 40 Mil PVC Coated Conduit	47 lbs.	UPC 811993025402
2	2-4300	Single shoe roller support for 40 Mil PVC Coated Conduit	13 lbs.	UPC 811993025488
3	8-0501	Metal storage box	36 lbs.	UPC 811993020438

*Greenlee® and 555® are trademarks of Greenlee Tools, Inc.





BENDING

77 Series Electric Bender with Multi-Shoe Groups

- Rugged and dependable electrical system
- Easy to maintain and service
- Removable handle to allow for dogleg bends
- Two year warranty
- No PC boards
- Simple, reliable electrical components
- All major electrical components are interchangeable with Model #747 Omni™ Bender
- Flat free wheels
- Made in the USA



Shoes and roller support assemblies will fit Greenlee's® 555® Classic*



Scan here for manual



Catalog Number	Description	Weight	
77	Electric Bender Power Source only (no shoes)	270 lbs.	UPC 811993020261
77RIG	Electric Bender with No. 700R Rigid shoes & accessories	365 lbs.	UPC 811993020278
77EMT	Electric Bender with No. 700E EMT shoes & accessories	430 lbs.	UPC 811993020285
77IMC	Electric Bender with No. 700I IMC shoes & accessories	410 lbs.	UPC 811993020292
77PVC	Electric Bender with No. 700P 40 mil PVC coated conduit bending shoes & accessories	365 lbs.	UPC 811993020308

*Greenlee® and 555® are registered trademarks of Greenlee Tools, Inc.



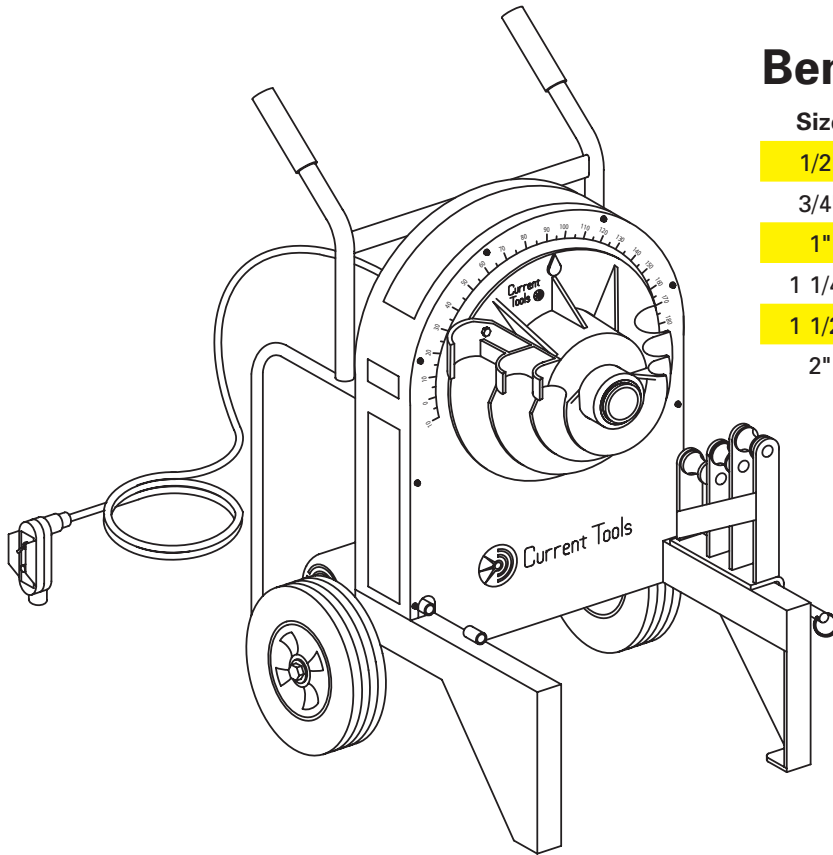
Current Tools
FOR THE PROFESSIONAL ELECTRICIAN

www.currenttools.com

P.O. Box 17026 • Greenville, SC 29606 • 864.721.4230 • fax 864.721.4232 • 800.230.5421



77 Series Electric Bender with Multi-Shoe Groups



Bend Radius Chart

Size	EMT	IMC	Rigid
1/2"	4-1/4	4-3/8	4-3/8
3/4"	5-3/8	4-1/2	4-1/2
1"	6-3/4	5-3/4	5-3/4
1 1/4"	8-3/4	7-1/4	7-1/4
1 1/2"	8-9/32	8-9/32	8-1/4
2"	9-3/16	9-3/16	9-1/2



SPECIFICATIONS

<u>Power Source</u>	<u>Capacity</u>	<u>Dimensions</u>
120 vac; 20 amp GFCI protected receptacle required	77RIG 1/2" to 2" Rigid conduit and 1/2" to 1 1/4" IMC conduit 77EMT 1/2" to 2" EMT conduit 77IMC 1 1/2" to 2" IMC conduit 77PVC 1/2" to 2" 40 mil PVC coated conduit	Height: 42" Width: 29.5" Depth: 24.5"

See pages 11-12 for shoe groups.



BENDING

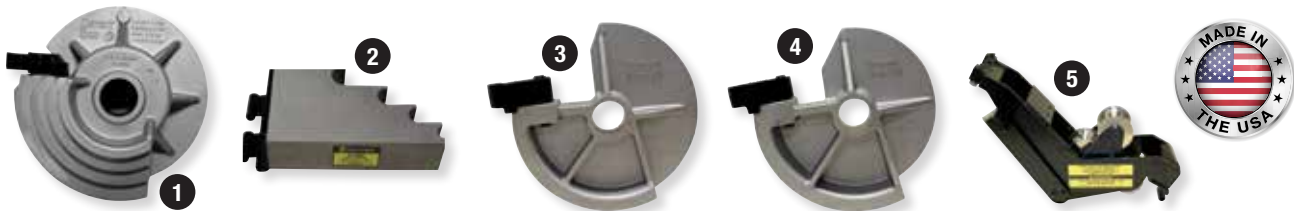
77 Multi-Shoe Group Assemblies

All shoes and roller supports will fit Greenlee® 555® Classic Bender*



700R 1/2" - 2" Rigid Shoe Group — UPC 811993020322

Item Number	Catalog Number	Description	Weight	
1	2-1301	1/2" - 1-1/4" Rigid and IMC bending shoe	23 lbs.	UPC 811993020339
2	2-1001	1/2" - 1-1/4" Rigid and IMC support roller	8 lbs.	UPC 811993020346
3	2-1401	1-1/2" and 2" Rigid bending shoe	37 lbs.	UPC 811993020353
4	2-1002	1-1/2" and 2" Rigid support roller	6 lbs.	UPC 811993020360



700E 1/2" to 2" EMT Shoe Group — UPC 811993020377

Item Number	Catalog Number	Description	Weight	
1	2-1501	1/2" - 1-1/4" EMT bending shoe	24 lbs.	UPC 811993020384
2	2-1003	1/2" - 1-1/4" EMT support unit	6 lbs.	UPC 811993020391
3	2-1601	1-1/2" EMT bending shoe	23 lbs.	UPC 811993020407
4	2-1701	2" EMT bending shoe	31 lbs.	UPC 811993020414
5	2-1100	1-1/2" - 2" EMT support roller unit	40 lbs.	UPC 811993020421
not shown	8-0501	Metal storage box (see page 100.)	36 lbs.	UPC 811993020438



700ES 1 1/2" to 2" EMT Shoe Group — UPC 811993020445

Item Number	Catalog Number	Description	Weight	
1	2-1601	1-1/2" EMT bending shoe	23 lbs.	UPC 811993020407
2	2-1701	2" EMT bending shoe	31 lbs.	UPC 811993020414
3	2-1100	1-1/2" - 2" EMT support roller unit	40 lbs.	UPC 811993020421

*Greenlee® and 555® are registered trademarks of Greenlee Tools, Inc.



Current Tools
FOR THE PROFESSIONAL ELECTRICIAN

www.currenttools.com

P.O. Box 17026 • Greenville, SC 29606 • 864.721.4230 • fax 864.721.4232 • 800.230.5421



77 Multi-Shoe Group Assemblies

All shoes and roller supports will fit Greenlee® 555® Classic Bender*



700I 1 1/2" to 2" IMC Shoe Group — UPC 811993020483

Item Number	Catalog Number	Description	Weight	
1	2-1801	1-1/2" IMC bending shoe	22 lbs.	UPC 811993020452
2	2-1901	2" IMC bending shoe	29 lbs.	UPC 811993020469
3	2-1200	1-1/2" and 2" IMC support roller unit	40 lbs.	UPC 811993020476
not shown	8-0501	Metal storage box (see page 100.)	36 lbs.	UPC 811993020438

1/2" thru 1-1/4" IMC can be bent using small rigid shoe & roller support



700P 1/2" - 2" 40mil PVC Coated Rigid Shoe Group — UPC 811993020490

Item Number	Catalog Number	Description	Weight	
1	2-2001	1/2"- 1-1/4" PVC coated rigid bending shoe	23 lbs.	UPC 811993020506
2	2-1004	1/2"- 1-1/4" PVC coated rigid support roller	8 lbs.	UPC 811993020513
3	2-2101	1-1/2" and 2" PVC coated rigid bending shoe	37 lbs.	UPC 811993020520
4	2-1005	1-1/2" and 2" PVC coated rigid support roller	6 lbs.	UPC 811993020537
not shown	8-0501	Metal storage box (see page 100.)	36 lbs.	UPC 811993020438

*Greenlee® and 555® are registered trademarks of Greenlee Tools, Inc.



BENDING

77DL Pre-Fab Electric Bender

- Rugged and dependable electrical system
- Easy to maintain and service
- Removable handle to allow for dogleg bends
- Easily make repeat stub-up bends
- Adjustable limit switch for accurate repeat bends
- Made in the USA

ADJUSTABLE LIMIT SWITCH FOR ACCURATE REPEAT BENDS

SHOE HAS POINTER TO ACTIVATE LIMIT SWITCH

STUB-UP LENGTH STOP



SPECIFICATIONS

Power Source	Capacity	Dimensions
120 vac; 20 amp GFCI protected receptacle required	77RIG-DL	1/2" to 2" Rigid conduit and 1/2" to 1 1/4" IMC conduit
	77EMT-DL	1/2" to 2" EMT conduit
	77IMC-DL	1 1/2" to 2" IMC conduit
	77PVC-DL	1/2" to 2" 40 mil PVC coated conduit
		Height: 42" Width: 29.5" Depth: 24.5"

Scan here for manual



To bend 1/2" thru 2" EMT, IMC, Rigid and 40 mil PVC coated conduit



Catalog Number	Description	Weight	
77DL	Pre-Fab Electric Bender Power Source only (no shoes)	275 lbs.	UPC 811993025037
77RIG-DL	Pre-Fab Electric Bender with No. 700R-DL Rigid shoes & accessories	370 lbs.	UPC 811993025044
77EMT-DL	Pre-Fab Electric Bender with No. 700E-DL EMT shoes & accessories	435 lbs.	UPC 811993025051
77IMC-DL	Pre-Fab Electric Bender with No. 700I-DL IMC shoes & accessories	415 lbs.	UPC 811993025068
77PVC-DL	Pre-Fab Electric Bender with No. 700P-DL 40 mil PVC coated conduit bending shoes & accessories	370 lbs.	UPC 811993025075



Current Tools
FOR THE PROFESSIONAL ELECTRICIAN

www.currenttools.com

P.O. Box 17026 • Greenville, SC 29606 • 864.721.4230 • fax 864.721.4232 • 800.230.5421



77DL Pre-Fab Bender Shoe Group Assemblies



700R-DL 1/2" - 2" Rigid Shoe Group — UPC 811993025082

For bending 1/2" thru 2" RIGID conduit, 1/2" thru 1 1/4" IMC conduit and 1/2" thru 2" schedule 40 pipe. Includes the following four items.

Catalog Number	Description	Weight	
2-1301DL	1/2"- 1-1/4" Rigid and IMC bending shoe	23 lbs.	UPC 811993025150
2-1001	1/2"- 1-1/4" Rigid and IMC roller support	8 lbs.	UPC 811993020346
2-1401DL	1-1/2" and 2" Rigid bending shoe	37 lbs.	UPC 811993025167
2-1002	1-1/2" and 2" Rigid support roller	6 lbs.	UPC 811993020360

700E-DL 1/2" to 2" EMT Shoe Group — UPC 811993025112

For bending 1/2" thru 2" EMT (Thinwall). Includes the following six items.

Catalog Number	Description	Weight	
2-1501DL	1/2" - 1-1/4" EMT bending shoe	24 lbs.	UPC 811993025174
2-1003	1/2" - 1-1/4" EMT support	6 lbs.	UPC 811993020391
2-1601DL	1-1/2" EMT bending shoe	23 lbs.	UPC 811993025181
2-1701DL	2" EMT bending shoe	31 lbs.	UPC 811993025198
2-1100	1-1/2" - 2" EMT roller support	40 lbs.	UPC 811993020421
8-0501	Metal storage box	36 lbs.	UPC 811993020438

700I-DL 1 1/2" to 2" IMC Shoe Group — UPC 811993025136

For bending 1 1/2" and 2" IMC. Includes the following four items.

Catalog Number	Description	Weight	
2-1801DL	1-1/2" IMC bending shoe	22 lbs.	UPC 811993025204
2-1901DL	2" IMC bending shoe	29 lbs.	UPC 811993025211
2-1200	1-1/2" and 2" IMC roller support unit	40 lbs.	UPC 811993020476
8-0501	Metal storage box	36 lbs.	UPC 811993020438

700P-DL 1/2" - 2" 40mil PVC Coated Rigid Shoe Group — UPC 811993025143

For bending 1/2" thru 2" 40 mil PVC coated RIGID. Includes the following five items.

Catalog Number	Description	Weight	
2-2001DL	1/2"- 1-1/4" PVC coated Rigid bending shoe	23 lbs.	UPC 811993025228
2-1004	1/2"- 1-1/4" PVC coated Rigid roller support	8 lbs.	UPC 811993020513
2-2101DL	1-1/2" and 2" PVC coated Rigid bending shoe	37 lbs.	UPC 811993025235
2-1005	1-1/2" and 2" PVC coated Rigid roller support	6 lbs.	UPC 811993020537
8-0501	Metal storage box	36 lbs.	UPC 811993020438





BENDING

77HRB Hi-Rise Base

- Increases productivity and reduces back strain by raising the bender to a more ergonomic height
- Will fit Current Tools Model 77 or Greenlee® 555®C Bender*
- Stable, heavy-duty design
- Can accommodate multi-shoe or single shoe groups
- Two rigid and two locking swivel casters for easy mobility
- Raised design allows for larger offsets
- Convenient tray for storage
- Powder coated finish



Bender not included.

Scan here for video

Scan here for manual



Catalog Number	Description	Weight	
77HRB	Hi-Rise Base for use with Current Tools 77 Bender or Greenlee® 555®C Bender*	105 lbs.	UPC 811993026225

**Greenlee® and 555® are registered trademarks of Greenlee Tools, Inc.*



Current Tools
FOR THE PROFESSIONAL ELECTRICIAN

www.currenttools.com

P.O. Box 17026 • Greenville, SC 29606 • 864.721.4230 • fax 864.721.4232 • 800.230.5421

77HRB Hi-Rise Base



*77HRB shown
without bender*



***Load and unload conduit at a
safe, ergonomic height***



***All operations are located at
a comfortable position to
minimize worker fatigue.***



BENDING

747 Omni™ Bender

- Only two shoes needed to bend 1/2" to 2" Rigid, EMT and IMC conduit. Optional shoe group bends 1/2" to 2" 40 mil PVC coated Rigid conduit
- Proven electrical control system
- All major electrical components are interchangeable with Model #77 Series Electric Bender
- Adjustable bend angle limit switch for accurate repeat bends
- Tilts for horizontal bending in a tabletop position
- Quick squeeze adjustment for conduit support rollers
- Fork pockets for easy lifting
- Lockable storage box for accessories
- Flat free tires
- Compare to Greenlee® Model 854/855
- Made in the USA



To bend 1/2" thru 2" EMT, IMC, Rigid, Rigid Aluminum and schedule 40 steel pipe. Can also bend 1/2" thru 2" 40 mil PVC coated Rigid conduit with optional shoe group.

Scan here for video

Scan here for manual



Catalog Number	Description	Weight	
747	Omni™ Bender	615 lbs.	UPC 811993025020

*Greenlee® is a registered trademark of Greenlee Tools, Inc.



Current Tools
FOR THE PROFESSIONAL ELECTRICIAN

www.currenttools.com

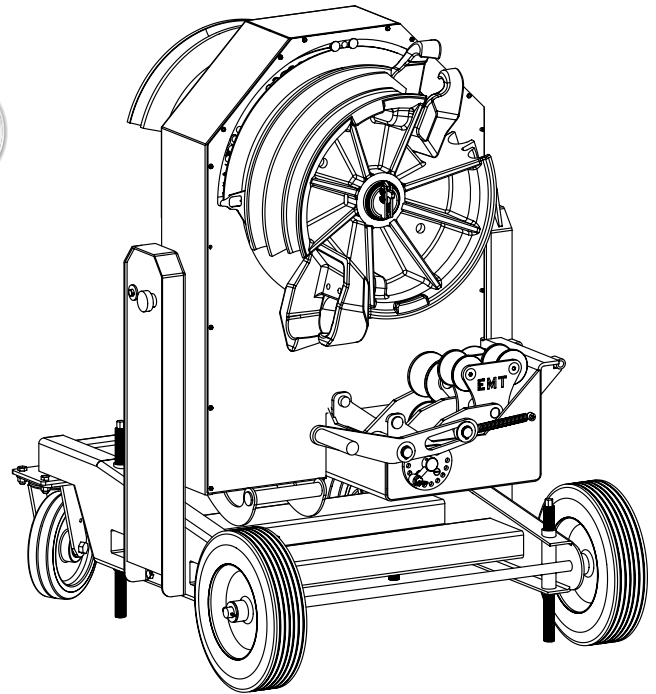
P.O. Box 17026 • Greenville, SC 29606 • 864.721.4230 • fax 864.721.4232 • 800.230.5421



747 Omni™ Bender

SPECIFICATIONS

- 1/2" thru 2" Rigid conduit
- 1/2" thru 2" EMT conduit
- 1/2" thru 2" IMC conduit
- 1/2" thru 2" Rigid aluminum conduit
- 1/2" thru 2" schedule 40 steel pipe
- 1/2" thru 2" 40 mil PVC coated Rigid conduit — with optional shoe group (shown below)



Bend Radius Chart

Size	EMT	IMC	Rigid	PVC
1/2"	4-5/16"	4-1/4"	4-1/4"	4-1/4"
3/4"	5-1/2"	5-7/16"	5-7/16"	5-7/16"
1"	7"	6-15/16"	6-15/16"	6-15/16"
1 1/4"	8-13/16"	8-3/4"	8-3/4"	8-3/4"
1 1/2"	8-3/8"	8-1/4"	8-1/4"	8-1/4"
2"	9-1/4"	9"	9"	9"

Power Source

120 vac; 20 amp
GFCI protected
receptacle required

Dimensions

height	45 1/4"
width	32 1/2"
length	44"
weight	615 lbs (with shoes)

747 PVC Coated Rigid Shoe Group



700SP-7 40 Mil PVC Coated Rigid Shoe Group — UPC 811993025556

Item Number	Catalog Number	Description	Weight	
1	2-3200-7	PVC Coated Rigid 1/2" – 2" Shoe	47 lbs.	UPC 811993025983
2	2-4300-7	1/2" – 2" 40 Mil PVC Coated Rigid Roller Support	16 lbs.	UPC 811993025549
3	8-0501	Metal Storage Box 23" length x 17" height x 20" depth	36 lbs.	UPC 811993024399



BENDING

254 Hydraulic Bender for 2 1/2" thru 4" Rigid, EMT and IMC conduit



- Bends 2 1/2" to 4" Rigid, EMT and IMC conduit
- Makes 90° bends with one extension of the hydraulic cylinder
- Can be set up and used on the floor, with Model #281 Bending Table or with Model #252 Mobile Bending Station
- Quick setup
- All major components will fit Greenlee® Model #881CT CamTrack® Bender*
- Made in the USA

SPECIFICATIONS

SIZE	BEND RADIUS	DEGREE OF BEND
2 1/2"	13 1/2"	90°
3"	16"	90°
3 1/2"	18-5/8"	90°
4"	20-7/8"	90°



For pump information see page 24



Scan here for video

Scan here for manual



Catalog Number	Description	Weight	UPC
254	Hydraulic Bender for 2 1/2", 3", 3 1/2" and 4" Rigid, EMT and IMC conduit	979 lbs.	UPC 811993026515
254L	Hydraulic Bender for 2 1/2", 3" and 4" Rigid, EMT and IMC conduit	927 lbs.	UPC 811993026577
254P	Hydraulic Bender for 2 1/2", 3", 3 1/2" and 4" Rigid, EMT and IMC conduit with #292 Electric Hydraulic Pump	1,039 lbs.	UPC 811993026584
254LP	Hydraulic Bender for 2 1/2", 3" and 4" Rigid, EMT and IMC conduit with #292 Electric Hydraulic Pump	987 lbs.	UPC 811993026591

*Greenlee® and CamTrack® are registered trademarks of Greenlee Tools, Inc.



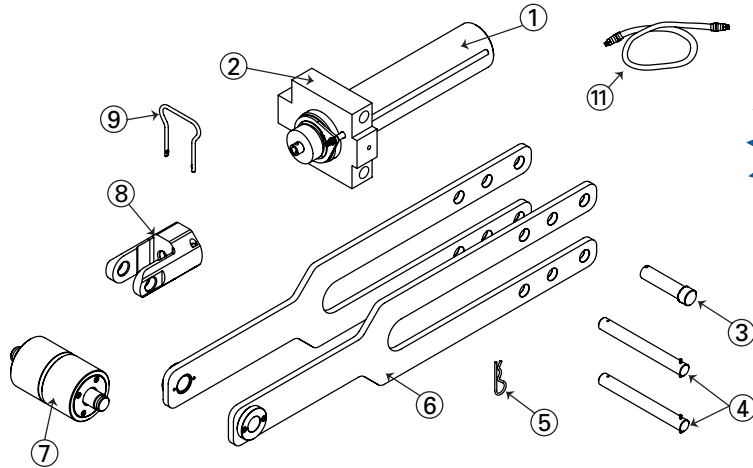
Current Tools
FOR THE PROFESSIONAL ELECTRICIAN

www.currenttools.com

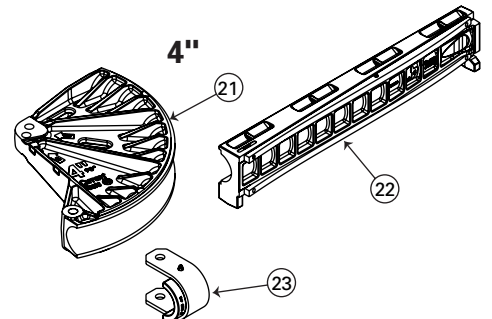
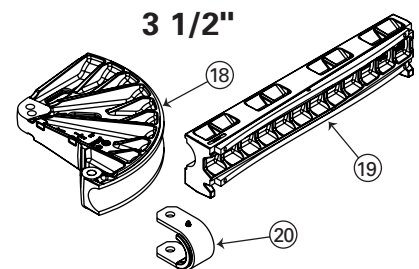
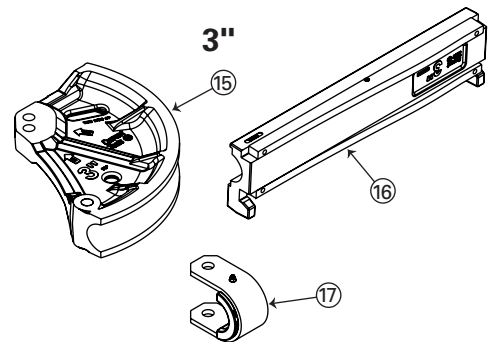
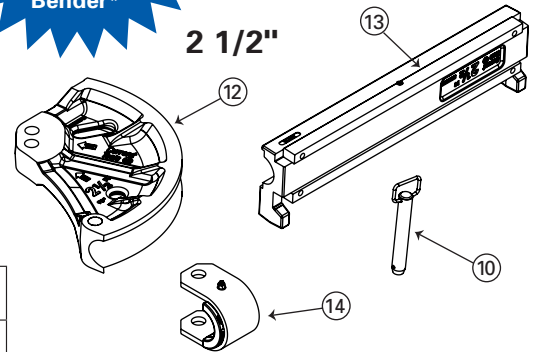
P.O. Box 17026 • Greenville, SC 29606 • 864.721.4230 • fax 864.721.4232 • 800.230.5421



254 Hydraulic Bender — Major Components



All major components will fit Greenlee® Model #881CT Cam Track® Bender*



ITEM	CURRENT PART #	GREENLEE® PART #	DESCRIPTION	QTY.
1	254-100	27416	HYDRAULIC CYLINDER (INCLUDES ITEM #2)	1
2	254-101	27417	CYLINDER MOUNTING BLOCK	1
3	254-107	26306	CLEVIS PIN	1
4	254-148	27381	CYLINDER BLOCK PIN	2
5	254-006	50302	SPRING CLIP	5
6	254-104	26309	FRAME SIDE	2
7	254-151	27364	ROLLER ASSEMBLY	1
8	254-103	30309	CLEVIS	1
9	254-108	26349	CLEVIS RETAINING CLIP	1
10	254-149	26624	SADDLE PIN	1
11	291	11289	HYDRAULIC HOSE	1
254-110 — 2 1/2" SHOE GROUP (INCLUDES ITEMS #12, #13 AND #14)				
12	254-111	26297	BENDING SHOE – 2 1/2"	1
13	254-112	26366	FOLLOW BAR – 2 1/2"	1
14	254-114	26580	SADDLE – 2 1/2"	1
254-117 — 3" SHOE GROUP (INCLUDES ITEMS #15, #16 AND #17)				
15	254-118	26300	BENDING SHOE – 3"	1
16	254-119	35400	FOLLOW BAR – 3"	1
17	254-121	26584	SADDLE – 3"	1
254-124 — 3 1/2" SHOE GROUP (INCLUDES ITEMS #18, #19 AND #20)				
18	254-125	31882	BENDING SHOE – 3 1/2"	1
19	254-126	31881	FOLLOW BAR – 3 1/2"	1
20	254-128	26588	SADDLE – 3 1/2"	1
254-131 — 4" SHOE GROUP (INCLUDES ITEMS #21, #22 AND #23)				
21	254-132	31884	BENDING SHOE – 4"	1
22	254-133	31883	FOLLOW BAR – 4"	1
23	254-135	26594	SADDLE – 4"	1
NOT SHOWN	105	23363	STORAGE BOX	1
NOT SHOWN	506	15341	CASTER SET	1

*Greenlee® and CamTrack® are registered trademarks of Greenlee Tools, Inc.



BENDING

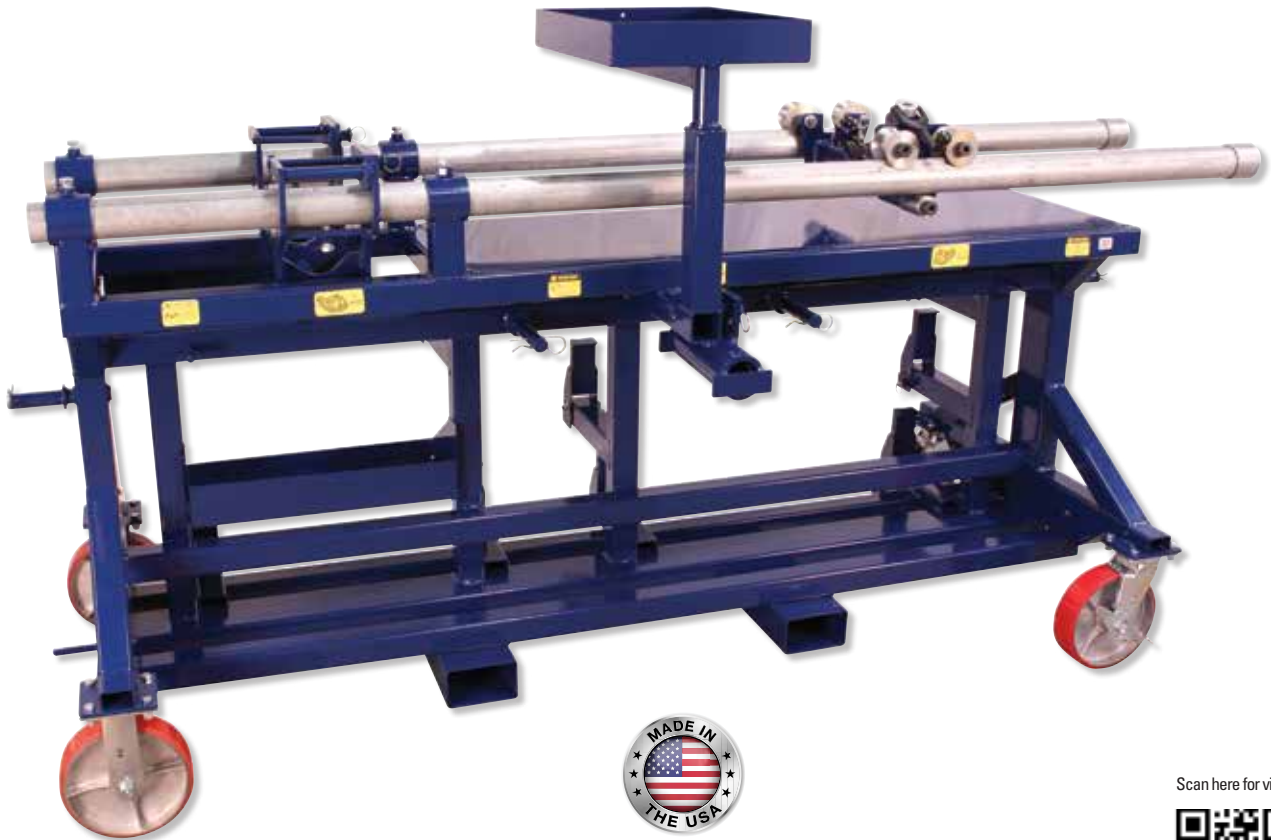
252 Mobile Bending Station for use with Model #254 Hydraulic Bender

- Mobile Bending Station to store, move and bend with the Model #254 Hydraulic Bender
- Saves time — move bender around jobsite without disassembly
- Complete bender will store on the frame
- Convenient forklift pockets
- Designed to fit through standard 36" doorway
- Heavy duty wheels — 2 rigid, 2 swivel locking
- Greenlee® Model #881 or 881 CamTrack®* Bender will fit on the Mobile Bending Station
- Made in the USA



SPECIFICATIONS

Weight — 460 lbs.
 Length — 85"
 Width — 30½"
 Height — 48"



Scan here for video



Catalog Number	Description	Weight	
252	Mobile Bending Station for use with Model #254 Hydraulic Bender	460 lbs.	UPC 811993026621

*Greenlee® and CamTrack® are registered trademarks of Greenlee Tools, Inc.



Current Tools
FOR THE PROFESSIONAL ELECTRICIAN

www.currenttools.com

P.O. Box 17026 • Greenville, SC 29606 • 864.721.4230 • fax 864.721.4232 • 800.230.5421

281 Bending Table

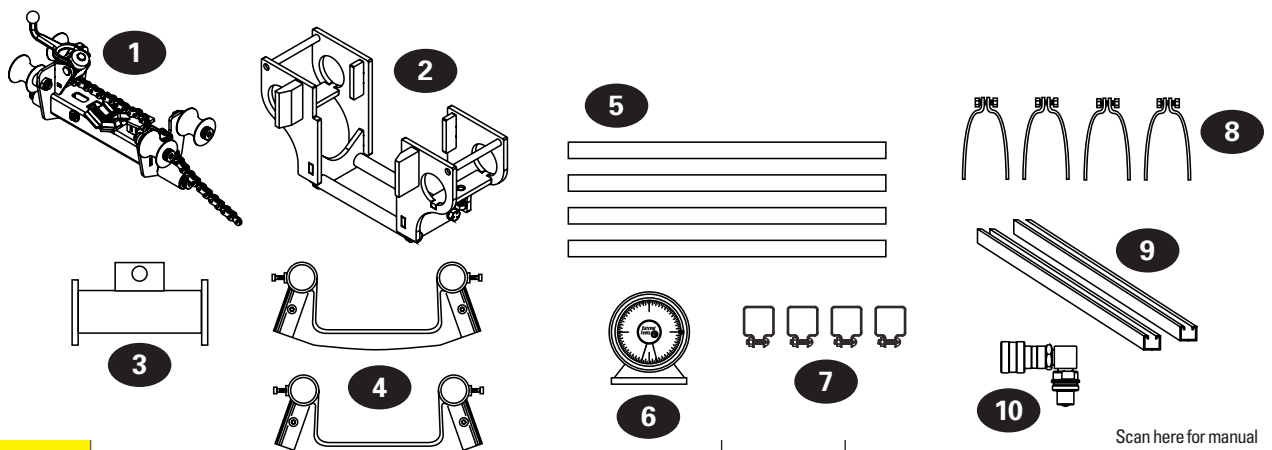
- Keeps bender off of the floor and at a comfortable working height
- Fast, easy set-up
- Reduces operator fatigue
- For use with Current Tools Model #254 Hydraulic Bender
- Capacity up to 4" conduit
- Made in the USA



Pump not included



Item Number	Catalog Number	Description	QTY	UPC
1	281-221	Carriage with vise	1	UPC 811993026645
2	281-400	Bender mounting unit	1	UPC 811993026652
3	281-3	Ram positioning unit	1	UPC 811993020865
4	280-5	Leg support	2	UPC 811993020803
5	280-6	Legs	4	UPC 811993020810
6	280-7	Magnetic protractor	1	UPC 811993020827
7	281-4	Pump mounting brackets	4	UPC 811993020872
8	281-5	Conduit clamps	4	UPC 811993020889
9	281-6	Pump mounting track	2	UPC 811993020896
10	281-CPLNGASSY	90° coupling assembly	1	UPC 811993026638
not shown	104	Storage Box (not shown)	1	UPC 811993020759



Catalog Number	Description	Weight	UPC
281	281 Bending Table (For use with Current Tools Model #254 Hydraulic Bender. Will fit Greenlee® Model #881 and 881 Cam Track® Benders)	188 lbs.	UPC 811993020742

Scan here for manual



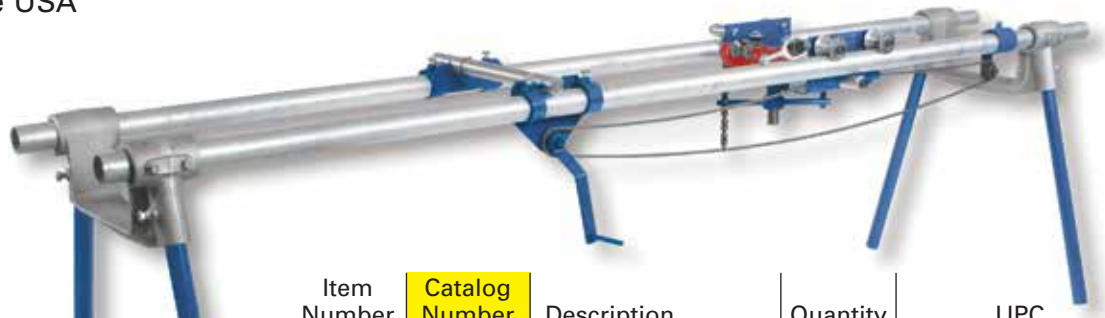
*Greenlee® and Cam Track® are registered trademarks of Greenlee Tools, Inc.



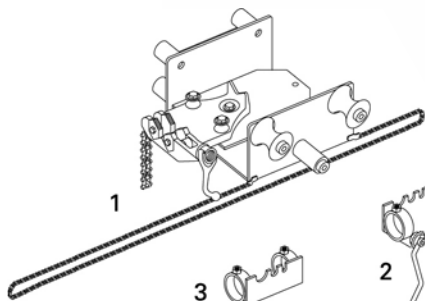
BENDING

280 Bending Table

- Keeps bender off of the floor and at a comfortable working height
- Fast, easy set-up
- Reduces operator fatigue
- For use with Greenlee®
Models 885, 884, 880, 777*
- Compare to Greenlee® Bending Table Model #1802*
- Made in the USA



Item Number	Catalog Number	Description	Quantity	UPC
1	280-1	Carriage with vise	1	UPC 811993020766
2	280-2	Hand crank unit	1	UPC 811993020773
3	280-3	Rest plate	1	UPC 811993020780
4	280-4	Idler unit	1	UPC 811993020797
5	280-5	Leg support	2	UPC 811993020803
6	280-6	Legs	4	UPC 811993020810
7	280-7	Magnetic protractor	1	UPC 811993020827
8	280-8	Support pin (1-1/2" is Standard)	2	UPC 811993020834
not shown	104	Storage box (see page 100.)	1	UPC 811993020759



1

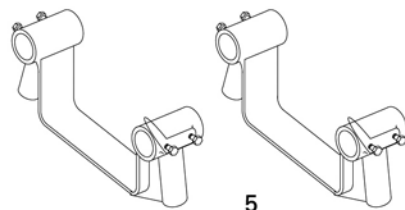
3



2

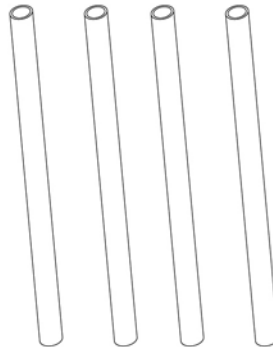


4



5

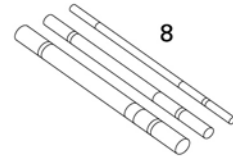
6



7



8



Scan here for manual



Catalog Number	Description	Weight	UPC
280	280 Bending Table For use with Greenlee® No. 885, 884, 880, 777	183 lbs.	UPC 811993020735

*Greenlee® is a registered trademark of Greenlee Tools, Inc.



Current Tools
FOR THE PROFESSIONAL ELECTRICIAN

www.currenttools.com

P.O. Box 17026 • Greenville, SC 29606 • 864.721.4230 • fax 864.721.4232 • 800.230.5421



Electric Pump

- Heavy duty design for long life
- Convenient pendant control for remote operation
- 2 speed operation
- For use with hydraulic benders
- Made in the USA



SPECIFICATIONS

- Power Requirement — 120 vac
- Capacity — 10,000 psi
- Oil Capacity — 2 gallons
- Volume — 480 cubic inches per min. (fast advance)
- 56 cubic inches per min. (full pressure)



Catalog Number	Description	Weight	
292	Heavy duty 1 1/2 HP electric/hydraulic pump	75 lbs.	UPC 811993026621
291	optional – high pressure hose (not shown) 3/8" x 6' with 2 each 3/8" male couplers	2 lbs.	UPC 811993020926



BENDING

450 PVC Heater for 1/2" - 2"

- Full length door allows easy loading and removal of PVC conduit
- Manual operation
- 115 vac-1700 watts - 15 amps
- Lighted ON/OFF switch
- Highly reflective interior for even heating
- Includes convenient carrying handle
- Made in the USA



Scan here for manual



Catalog Number	Description	Weight	
450	Electric Heater for 1/2" - 2" PVC conduit Dimensions – 6 3/4" width x 9 1/4" height x 26 3/8" length	22 lbs.	UPC 811993020582

451 PVC Heater for 1/2" - 4"

- Durable wheels for maximum mobility
- Full length door allows easy loading and removal of PVC conduit
- Manual operation
- 120 vac - 2300 watts - 20 amps
- Lighted ON/OFF switch
- Highly reflective interior for even heating
- Made in the USA



Scan here for manual



Catalog Number	Description	Weight	
451	Electric Heater for 1/2" - 4" PVC conduit Dimensions – 9" width x 12 3/4" height x 56 7/8" length	52 lbs.	UPC 811993020599



Current Tools
FOR THE PROFESSIONAL ELECTRICIAN

www.currenttools.com

P.O. Box 17026 • Greenville, SC 29606 • 864.721.4230 • fax 864.721.4232 • 800.230.5421



452 PVC Heater for 1/2" – 6"

- Durable wheels for maximum mobility
- Double doors allow heating of shorter lengths of PVC conduit with one door open
- Manual Operation
- 230 vac - 6400 watts - 28 amps
- Power indicator light
- Stainless steel doors
- Made in the USA



Scan here for manual



Catalog Number	Description	Weight	
452	Manual Electric Heater for 1/2" - 6" PVC conduit Dimensions – 12" width x 16 1/4" height x 79 1/4" length	77 lbs.	UPC 811993020605

453 PVC Heater for 1/2" – 6" Auto Rotate

- Includes drive to automatically rotate the conduit for even heating
- Double doors allow heating of shorter lengths of PVC conduit with one door open
- Durable wheels for maximum mobility
- 230 vac - 6400 watts - 28 amps
- Power indicator light
- Stainless steel doors
- Made in the USA



Scan here for manual



Catalog Number	Description	Weight	
453	Auto Rotate Electric Heater for 1/2" - 6" PVC conduit Dimensions – 12" width x 16 1/4" height x 79 1/4" length	87 lbs.	UPC 811993020612



BENDING

PVC Heating Blankets

- Fast, economical way to heat PVC Conduit for bending
- Two built-in stiffeners to hold blanket tightly against conduit
- Strap holds blanket in place while heating
- All blankets come in storage bag with grommet for hanging
- All models are 120 vac
- Made in the USA



Scan here for manual



Catalog Number	Description	Watts	Amps	Weight	
441	PVC Heating Blanket for 1/2" to 1 1/2" Dimensions – 8 1/2" x 18"	300	2.5	1.5 lbs.	UPC 811993020254
442	PVC Heating Blanket for 2" to 3" Dimensions – 13 1/2" x 30"	800	6.7	2 lbs.	UPC 811993020629
443	PVC Heating Blanket for 3 1/2" to 4" Dimensions – 16 1/2" x 38"	1300	10.8	3.5 lbs.	UPC 811993020636



Current Tools
FOR THE PROFESSIONAL ELECTRICIAN

www.currenttools.com

P.O. Box 17026 • Greenville, SC 29606 • 864.721.4230 • fax 864.721.4232 • 800.230.5421



PVC Plugs

- Plugs reduce heating time by trapping hot air inside PVC conduit
- Plugs help prevent conduit from collapsing while making the bend



PVC Plug Kits

Catalog Number	Description	Weight	UPC
460	2"-4" Plug Kit - Each kit consists of 2 each plugs for 2" , 2 1/2" , 3" and 3 1/2" , 4"	5 lbs.	UPC 811993020643
461	2"-6" Plug Kit - Each kit consists of 2 each plugs for 2" , 2 1/2" , 3" and 3 1/2" , 4" , 5" , 6"	6 lbs.	UPC 811993020643

Sold Individually

Catalog Number	Size	Weight	UPC
46-2	2"	.5 lb.	811993020667
46-2.5	2 1/2"	.5 lb.	811993020674
46-3	3" – 3-1/2"	.5 lb.	811993020681
46-4	4"	1 lb.	811993020698
46-5	5"	1 lb.	811993020704
46-6	6"	1 lb.	811993020711

PVC Conduit Support Stand

- Supports PVC conduit while heating when using 452 or 453 PVC Heaters
- Height adjustment range 7 1/4" – 10"
- Made in the USA



Catalog Number	Description	Weight	UPC
454	PVC Conduit Support Stand	2 lbs.	UPC 811993020728



HOLEMAKING

Manual Knockout Sets

158PM — 1/2" to 1 1/4"

159PM — 1 1/2" to 2"

- Features Piece Maker™ punches
- High strength steel punches and dies for long life
- Convenient storage case
- Designed to punch a maximum of 10 gauge (.134") mild steel
- Compare with Greenlee® Slug-Buster® Models 7235BB and 7237BB*
- Made in the USA



158PM

159PM

All items including punches & dies will fit Greenlee® Knockout Sets!

Catalog Number	Description	Weight	
158PM	Manual Knockout Set – 1/2" to 1 1/4"	3 lbs.	UPC 811993021237
159PM	Manual Knockout Set – 1 1/2" to 2"	5 lbs.	UPC 811993021244

Catalog Number	Description	158PM	159PM	
1524	1/2" Piece Maker™ Punch	1	–	UPC 811993020032
1525	1/2" Die	1	–	UPC 811993020049
1526	3/4" Piece Maker™ Punch	1	–	UPC 811993020056
1527	3/4" Die	1	–	UPC 811993020063
1528	1" Piece Maker™ Punch	1	–	UPC 811993020070
1529	1" Die	1	–	UPC 811993020087
1530	1 1/4" Piece Maker™ Punch	1	–	UPC 811993020094
1531	1 1/4" Die	1	–	UPC 811993020100
1532	1 1/2" Piece Maker™ Punch	–	1	UPC 811993020117
1533	1 1/2" Die	–	1	UPC 811993020124
1534	2" Piece Maker™ Punch	–	1	UPC 811993020131
1535	2" Die	–	1	UPC 811993020148
1557	Draw Bolt – 3/8" x 1 5/8"	1	–	UPC 811993020155
1558	Draw Bolt – 3/4" x 2 15/16"	–	1	UPC 811993020162
1559	Draw Bolt – 3/4" x 2 1/8"	1	–	UPC 811993020179
1502	Case – 1/2" to 1 1/4" Set	1	–	UPC 811993021381
1503	Case – 1 1/2" to 2" Set	–	1	UPC 811993021398



Piece Maker™ Punches are designed to split the slug into two pieces for easy removal from die after punch completion

Scan here for manual



*Greenlee® and Slug-Buster® are registered trademarks of Greenlee Tools, Inc.



Current Tools
FOR THE PROFESSIONAL ELECTRICIAN

www.currenttools.com

P.O. Box 17026 • Greenville, SC 29606 • 864.721.4230 • fax 864.721.4232 • 800.230.5421

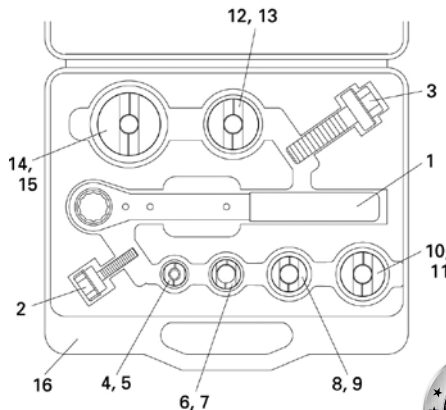


157PM Ratchet Knockout Set

- Features Piece Maker™ punches
- 1" hex ratchet wrench fits both 3/8" and 3/4" draw bolts
- Heavy duty plastic carrying case
- Designed to punch a maximum of 10 gauge (.134") mild steel
- Compare with Greenlee® Slug-Buster® Model 7238SB*
- Made in the USA



Piece Maker™ Punches are designed to split the slug into two pieces for easy removal from die after punch completion



All items including punches & dies will fit Greenlee® Knockout Sets!

Catalog Number	Description	Weight	UPC
157PM	Ratchet Knockout Set 1/2" – 2"	9 lbs.	811993021251

Item Number	Catalog Number	Qty	Description	UPC
1	1556	1	1" Ratchet Wrench	811993021602
2	1557	1	Draw Bolt – 3/8" x 1 5/8"	811993020155
3	1558	1	Draw Bolt – 3/4" x 2 15/16"	811993020162
4	1524	1	1/2" Piece Maker™ Punch	811993020032
5	1525	1	1/2" Die	811993020049
6	1526	1	3/4" Piece Maker™ Punch	811993020056
7	1527	1	3/4" Die	811993020063
8	1528	1	1" Piece Maker™ Punch	811993020070
9	1529	1	1" Die	811993020087
10	1530	1	1 1/4" Piece Maker™ Punch	811993020094
11	1531	1	1 1/4" Die	811993020100
12	1532	1	1 1/2" Piece Maker™ Punch	811993020117
13	1533	1	1 1/2" Die	811993020124
14	1534	1	2" Piece Maker™ Punch	811993020131
15	1535	1	2" Die	811993020148
16	157-PC	1	Plastic Case	811993021619

Scan here for manual



*Greenlee® and Slug-Buster® are registered trademarks of Greenlee Tools, Inc.



HOLEMAKING

Hydraulic Punch Driver Sets — Straight and 90°

- Designed to punch a maximum of 10 gauge (.134") mild steel up to 2" and, with optional Piece Maker SS Punches and Dies, 10 gauge (.134") stainless steel up to 1 1/4"
- Designed to split the slug into two pieces for easy removal
- High strength steel punches and dies for long life
- Requires less force than conventional punches
- 90° punch driver incorporates rotating head for numerous operating positions
- Compare with Greenlee® Quick Draw® Models 7806SB and 7906SB*
- Superior pressure relief valve minimizes wear and leakage
- Made in the USA

All items including punches & dies will fit Greenlee® Knockout Sets!



Piece Maker™ Punches are designed to split the slug into two pieces for easy removal from die after punch completion



Model 170PM
Straight Punch Driver Set



Model 179PM
90° Punch Driver Set

Scan here for manual



Catalog Number	Description	Weight	
170PM	1/2" to 2" Straight Hydraulic Punch Driver Set	16 lbs.	UPC 811993020940
179PM	1/2" to 2" 90° Hydraulic Punch Driver Set	17 lbs.	UPC 811993020964
170	Straight Driver with Accessories	11 lbs.	UPC 811993020988
179	90° Driver with Accessories	12 lbs.	UPC 811993020995

*Greenlee® and Quick Draw® are registered trademarks of Greenlee Tools, Inc.



Current Tools
FOR THE PROFESSIONAL ELECTRICIAN

www.currenttools.com

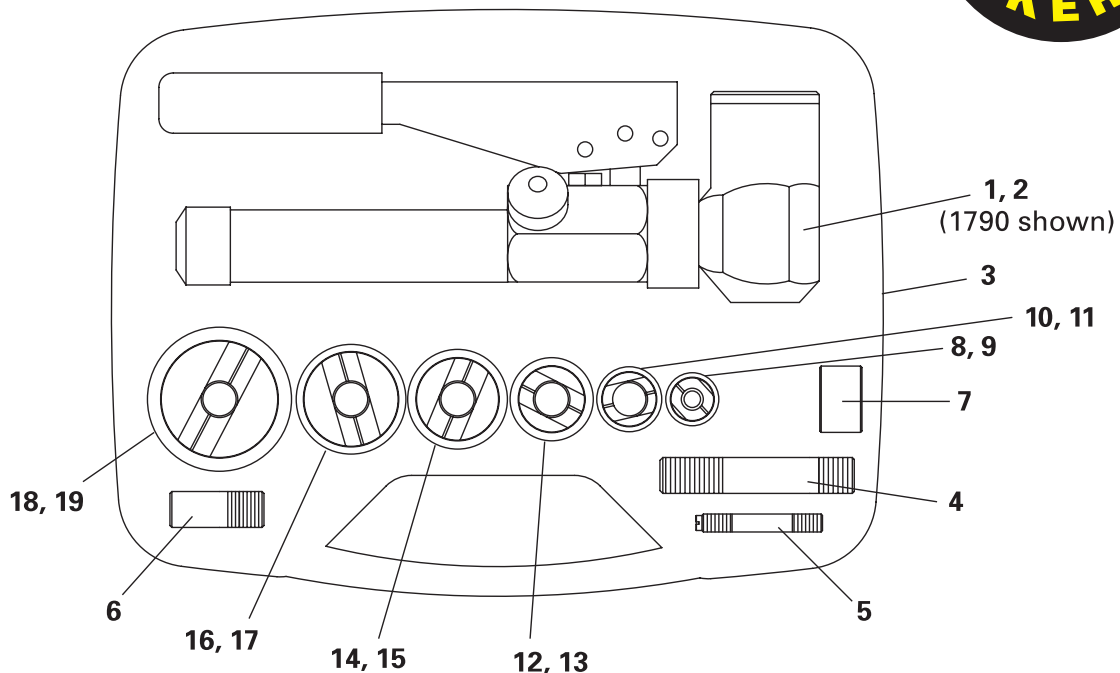
P.O. Box 17026 • Greenville, SC 29606 • 864.721.4230 • fax 864.721.4232 • 800.230.5421



Hydraulic Punch Driver Sets — Straight and 90°

Item Number	Catalog Number	Description	#170	#170PM	#179	#179PM	
1	1700	Punch Driver – Straight	1	1			UPC 811993021008
2	1790	Punch Driver – 90°			1	1	UPC 811993021015
3	1701	Plastic Case	1	1	1	1	UPC 811993021022
4	1702	3/4"x 4 1/8" Draw Stud	1	1	1	1	UPC 811993020186
5	1550	3/8" Draw Stud	1	1	1	1	UPC 811993020193
6	1703	Adapter Stud	1	1	1	1	UPC 811993020209
7	1553	Short Spacer – S	1	1	1	1	UPC 811993020001
8	1524	1/2" Piece Maker™ Punch		1		1	UPC 811993020032
9	1525	1/2" Die		1		1	UPC 811993020049
10	1526	3/4" Piece Maker™ Punch		1		1	UPC 811993020056
11	1527	3/4" Die		1		1	UPC 811993020063
12	1528	1" Piece Maker™ Punch		1		1	UPC 811993020070
13	1529	1" Die		1		1	UPC 811993020087
14	1530	1 1/4" Piece Maker™ Punch		1		1	UPC 811993020094
15	1531	1 1/4" Die		1		1	UPC 811993020100
16	1532	1 1/2" Piece Maker™ Punch		1		1	UPC 811993020117
17	1533	1 1/2" Die		1		1	UPC 811993020124
18	1534	2" Piece Maker™ Punch		1		1	UPC 811993020131
19	1535	2" Die		1		1	UPC 811993020148

Piece Maker™ Punches are designed to split the slug into two pieces for easy removal from die after punch completion





HOLEMAKING

Piece Maker™ Knockout Sets

- Designed to split the slug into two pieces for easy removal
- Requires less force than conventional punches
- Fast set-up
- High-strength steel punches and dies for long life
- Reduces punch time versus manual or ratchet methods
- Unique hand pump design with heavy duty ram
- Designed to punch a maximum of 10 gauge (.134") mild steel
- Compare with Greenlee® Slug-Buster® Models 7306SB and 7310SB*
- Made in the USA

All items including punches & dies will fit Greenlee® Knockout Sets!



Model 152PM



Piece Maker™ Punches are designed to split the slug into two pieces for easy removal from die after punch completion

Scan here for manual



Catalog Number	Description	Weight	
152PM	1/2" – 2" Piece Maker™ Hydraulic Knockout Set with plastic case	27 lbs.	UPC 811993021268
152PM-MC	1/2" – 2" Piece Maker™ Hydraulic Knockout Set with metal case	29 lbs.	UPC 811993021275
154PM	1/2" – 4" Piece Maker™ Hydraulic Knockout Set with metal case	54 lbs.	UPC 811993021282

*Greenlee® and Slug-Buster® are registered trademarks of Greenlee Tools, Inc.



Current Tools
FOR THE PROFESSIONAL ELECTRICIAN

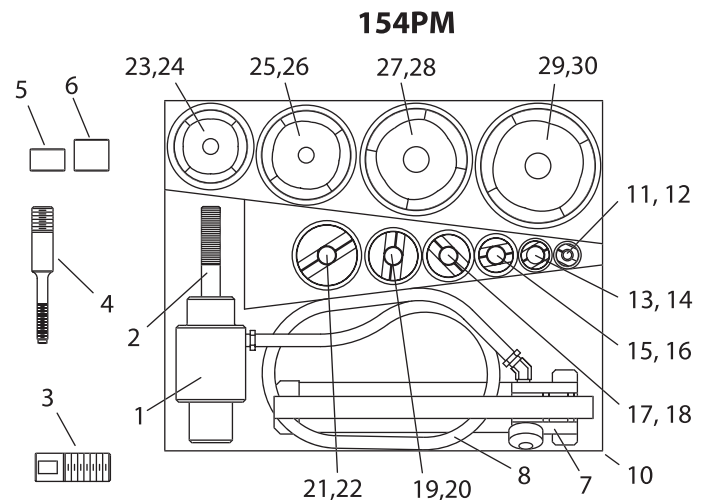
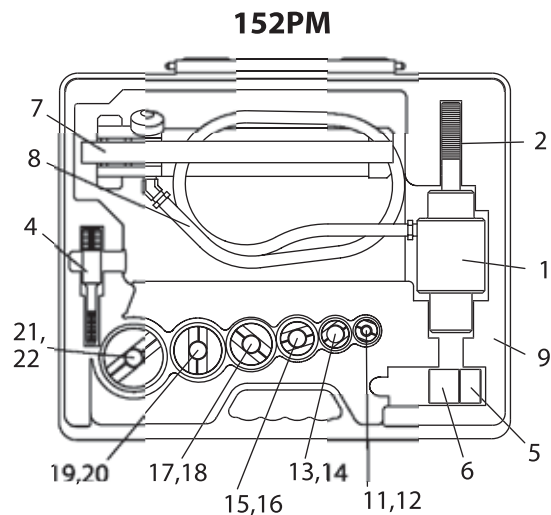
www.currenttools.com

P.O. Box 17026 • Greenville, SC 29606 • 864.721.4230 • fax 864.721.4232 • 800.230.5421



Piece Maker™ Knockout Sets

Item Number	Catalog Number	Description	#152PM 1/2" to 2"	#154PM 1/2" to 4"	UPC
1	1522	Ram (Includes #2)	1	1	UPC 811993021411
2	1582	3/4" Draw Stud	1	1	UPC 811993021107
3	1552	1 1/8" Adapter		1	UPC 811993021589
4	1581	3/8" Draw Stud	1	1	UPC 811993021091
5	1553	Short Spacer - S	1	1	UPC 811993020001
6	1554	Medium Spacer - M	1	1	UPC 811993020018
7	1521	Hydraulic Hand Pump	1	1	UPC 811993021404
8	1523	1/4" x 3' Hydraulic Hose	1	1	UPC 811993021428
9	1500-PC	Plastic Carrying Case -1/2" to 2" Set	1		UPC 811993021367
10	1501	Metal Carrying Case -1/2" to 4" Set		1	UPC 811993021374
11	1524	1/2" Piece Maker™ Punch	1	1	UPC 811993020032
12	1525	1/2" Die	1	1	UPC 811993020049
13	1526	3/4" Piece Maker™ Punch	1	1	UPC 811993020056
14	1527	3/4" Die	1	1	UPC 811993020063
15	1528	1" Piece Maker™ Punch	1	1	UPC 811993020070
16	1529	1" Die	1	1	UPC 811993020087
17	1530	1 1/4" Piece Maker™ Punch	1	1	UPC 811993020094
18	1531	1 1/4" Die	1	1	UPC 811993020100
19	1532	1 1/2" Piece Maker™ Punch	1	1	UPC 811993020117
20	1533	1 1/2" Die	1	1	UPC 811993020124
21	1534	2" Piece Maker™ Punch	1	1	UPC 811993020131
22	1535	2" Die	1	1	UPC 811993020148
23	1566	2 1/2" Punch		1	UPC 811993021121
24	1567	2 1/2" Die		1	UPC 811993021138
25	1568	3" Punch		1	UPC 811993021145
26	1569	3" Die		1	UPC 811993021152
27	1570	3 1/2" Punch		1	UPC 811993021169
28	1571	3 1/2" Die		1	UPC 811993021176
29	1572	4" Punch		1	UPC 811993021183
30	1573	4" Die		1	UPC 811993021190
—	155-SET	Spacer Set S-M-L			UPC 811993021596
—	1500	Metal Carrying Case for 1/2" – 2" Set			UPC 811993021350





HOLEMAKING

Standard Knockout Sets

- 4 point punch design for easy slug removal
- Fast set-up
- High strength steel punches and dies for long life
- Reduces punch time versus manual or ratchet methods
- Unique hand pump design with heavy duty ram
- Designed to punch a maximum of 10 gauge (.134") mild steel
- Compare with Greenlee® Models 7306 and 7310*
- Made in the USA



All items including punches & dies will fit Greenlee® Knockout Sets!



Model 154

Scan here for manual



Catalog Number	Description	Weight	
152	1/2" – 2" Standard Hydraulic Knockout Set	29 lbs.	UPC 811993021299
154	1/2" – 4" Standard Hydraulic Knockout Set	54 lbs.	UPC 811993021312

*Greenlee® is a registered trademark of Greenlee Tools, Inc.



Current Tools
FOR THE PROFESSIONAL ELECTRICIAN

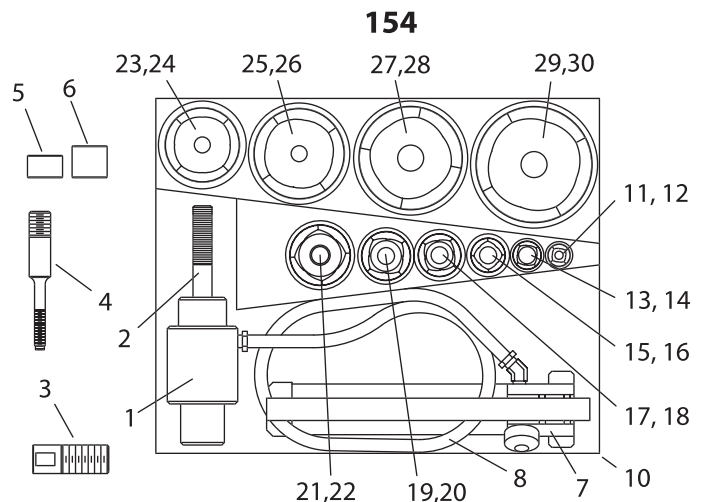
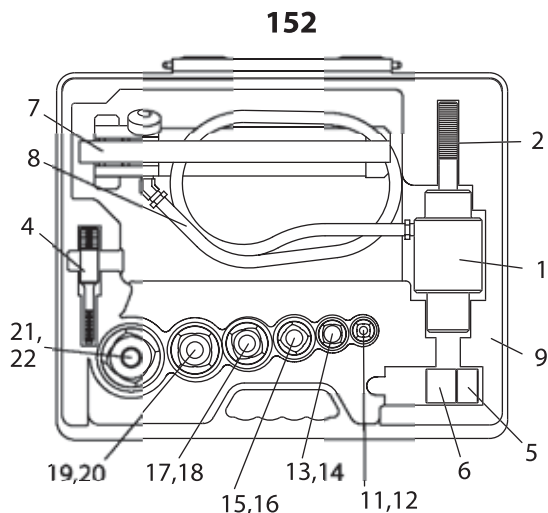
www.currenttools.com

P.O. Box 17026 • Greenville, SC 29606 • 864.721.4230 • fax 864.721.4232 • 800.230.5421



Standard Knockout Sets

Item Number	Catalog Number	Description	#152 1/2" to 2"	#154 1/2" to 4"	
1	1522	Ram (Includes #2)	1	1	UPC 811993021411
2	1582	3/4" Draw Stud	1	1	UPC 811993021107
3	1552	1 1/8" Adapter		1	UPC 811993021589
4	1581	3/8" Draw Stud	1	1	UPC 811993021091
5	1553	Short Spacer - S	1	1	UPC 811993020001
6	1554	Medium Spacer - M	1	1	UPC 811993020018
7	1521	Hydraulic Hand Pump	1	1	UPC 811993021404
8	1523	1/4" x 3' Hydraulic Hose	1	1	UPC 811993021428
9	1500-PC	Plastic Carrying Case -1/2" to 2" Set	1		UPC 811993021367
10	1501	Metal Carrying Case -1/2" to 4" Set		1	UPC 811993021374
11	1560	1/2" Standard Punch	1	1	UPC 811993021626
12	1525	1/2" Die	1	1	UPC 811993020049
13	1561	3/4" Standard Punch	1	1	UPC 811993021633
14	1527	3/4" Die	1	1	UPC 811993020063
15	1562	1" Standard Punch	1	1	UPC 811993021640
16	1529	1" Die	1	1	UPC 811993020087
17	1563	1 1/4" Standard Punch	1	1	UPC 811993021657
18	1531	1 1/4" Die	1	1	UPC 811993020100
19	1564	1 1/2" Standard Punch	1	1	UPC 811993021664
20	1533	1 1/2" Die	1	1	UPC 811993020124
21	1565	2" Standard Punch	1	1	UPC 811993021671
22	1535	2" Die	1	1	UPC 811993020148
23	1566	2 1/2" Punch		1	UPC 811993021121
24	1567	2 1/2" Die		1	UPC 811993021138
25	1568	3" Punch		1	UPC 811993021145
26	1569	3" Die		1	UPC 811993021152
27	1570	3 1/2" Punch		1	UPC 811993021169
28	1571	3 1/2" Die		1	UPC 811993021176
29	1572	4" Punch		1	UPC 811993021183
30	1573	4" Die		1	UPC 811993021190
—	155-SET	Spacer Set S-M-L			UPC 811993021596





HOLEMAKING

Drill Driven Punch Driver Knockout Sets

- Punch up to a 4" conduit size hole in a maximum of 10 gauge mild steel
- No hydraulic oil
- 1/2" to 2" punches designed to split the slug into two pieces for easy removal
- High strength steel punches and dies for long life
- Recommended drill – (provided by end user) – 1/2" cordless drill with a minimum of 18 volts
- Fast, easy punching – no ratcheting
- Compare to Southwire® Max Punch®**
- Made in the USA



Piecemaker™ Punches are designed to split the slug into two pieces for easy removal from die after punch completion

Current Tools™ Punch Driver may be used with Greenlee* Punches and dies



Model 162PM

Scan here for manual



Catalog Number	Description	Weight	
165	Drill Driven Punch Driver	6 lbs.	UPC 811993021046
162PM	1/2" – 2" Drill Driven Punch Driver Set	19 lbs.	UPC 811993021053
164PM	1/2" – 4" Drill Driven Punch Driver Set	53 lbs.	UPC 811993021060

*Greenlee is a registered trademark of Greenlee Tools, Inc.

**Southwire® and Max Punch® are registered trademarks of Southwire Company, LLC.



Current Tools
FOR THE PROFESSIONAL ELECTRICIAN

www.currenttools.com

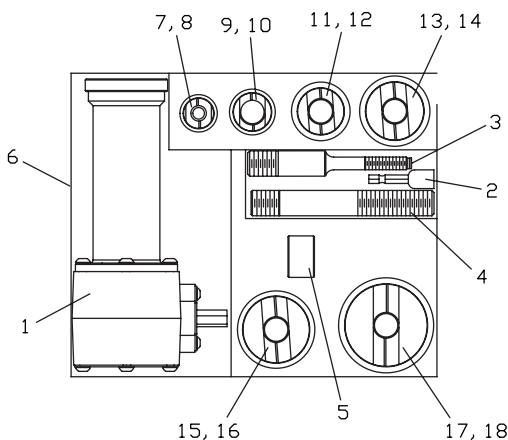
P.O. Box 17026 • Greenville, SC 29606 • 864.721.4230 • fax 864.721.4232 • 800.230.5421



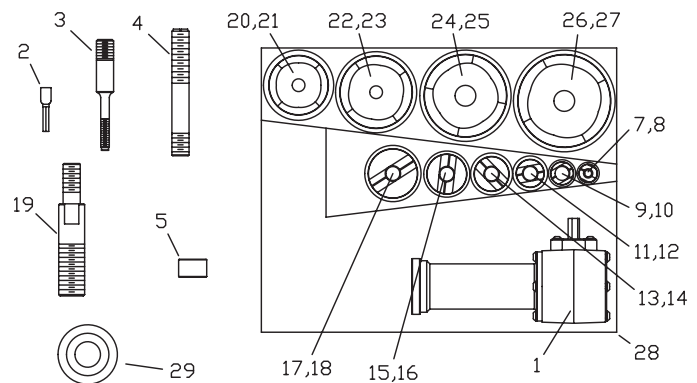
Drill Driven Punch Driver Knockout Sets

Item Number	Catalog Number	Description	165	162PM 1/2" to 2"	164PM 1/2" to 4"	
1	165	Punch Driver	1	1	1	UPC 811993021046
2	163-14	Nut Driver (3/8")		1	1	UPC 811993021084
3	1581	3/8" Draw Stud		1	1	UPC 811993021091
4	1582	3/4" Draw Stud		1	1	UPC 811993021107
5	1553	Short Spacer		1	1	UPC 811993020001
6	165-5	Carrying Case		1		UPC 811993021220
7	1524	1/2" Piece Maker™ Punch		1	1	UPC 811993020032
8	1525	1/2" Die		1	1	UPC 811993020049
9	1526	3/4" Piece Maker™ Punch		1	1	UPC 811993020056
10	1527	3/4" Die		1	1	UPC 811993020063
11	1528	1" Piece Maker™ Punch		1	1	UPC 811993020070
12	1529	1" Die		1	1	UPC 811993020087
13	1530	1 1/4" Piece Maker™ Punch		1	1	UPC 811993020094
14	1531	1 1/4" Die		1	1	UPC 811993020100
15	1532	1 1/2" Piece Maker™ Punch		1	1	UPC 811993020117
16	1533	1 1/2" Die		1	1	UPC 811993020124
17	1534	2" Piece Maker™ Punch		1	1	UPC 811993020131
18	1535	2" Die		1	1	UPC 811993020148
19	1580	3/4" X 1 1/8" Draw Stud			1	UPC 811993021114
20	1566	2 1/2" Punch			1	UPC 811993021121
21	1567	2 1/2" Die			1	UPC 811993021138
22	1568	3" Punch			1	UPC 811993021145
23	1569	3" Die			1	UPC 811993021152
24	1570	3 1/2" Punch			1	UPC 811993021169
25	1571	3 1/2" Die			1	UPC 811993021176
26	1572	4" Punch			1	UPC 811993021183
27	1573	4" Die			1	UPC 811993021190
28	1501	Metal Storage Box			1	UPC 811993021206
29	163-766	3 1/2" & 4" Die Adapter			1	UPC 811993021213

162PM



164PM





HOLEMAKING

Heavy Duty Piece Maker™ SS Knockout Sets for Stainless Steel

- Punch up to 2" holes in a maximum of 10 gauge stainless steel
- Punch 2½" to 4" holes with optional Model #166SS (see pages 43 and 44)
- Designed to split the slug into two pieces for easy removal
- Punches are manufactured from tool steel for high strength and long life
- Requires less force than conventional punches
- Compare with Greenlee® Slug-Splitter® Models 7307 and 7506*
- Made in the USA



*Piece Maker™ SS
Punches are designed
to split the slug into
two pieces for easy
removal from die
after punch completion*



**All items
including punches
& dies will fit
Greenlee®
Slug-Splitter®
Knockout Sets!**



Model 160SS



Model 161SS

Scan here for manual



Catalog Number	Description	Weight	
160SS	1/2" to 2" Heavy Duty Piece Maker™ SS Knockout Set for Stainless Steel	11 lbs.	UPC 811993021336
161SS	1/2" to 2" Heavy Duty Piece Maker™ SS Hydraulic Knockout Set for Stainless Steel	33 lbs.	UPC 811993021343

*Greenlee® and Slug-Splitter® are registered trademarks of Greenlee Tools, Inc.



Current Tools
FOR THE PROFESSIONAL ELECTRICIAN

www.currenttools.com

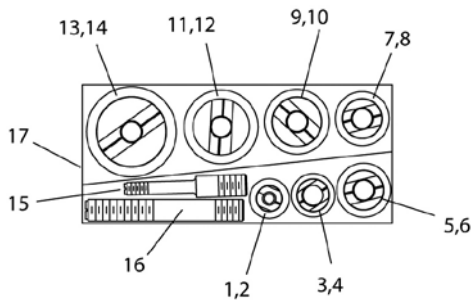
P.O. Box 17026 • Greenville, SC 29606 • 864.721.4230 • fax 864.721.4232 • 800.230.5421



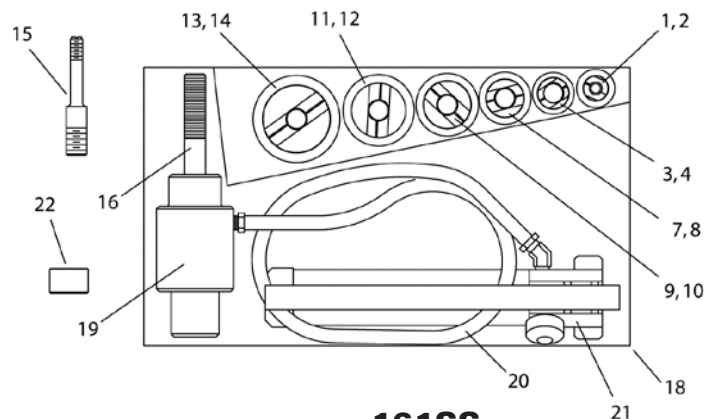
Heavy Duty Piece Maker™ SS Knockout Sets



Item Number	Catalog Number	Description	#160SS	#161SS	
1	1536	1/2" SS Punch	1	1	UPC 811993021435
2	1537	1/2" SS Die	1	1	UPC 811993021442
3	1538	3/4" SS Punch	1	1	UPC 811993021459
4	1539	3/4" SS Die	1	1	UPC 811993021466
5	1540	1 7/32" SS Punch	1		UPC 811993021473
6	1541	1 7/32" SS Die	1		UPC 811993021480
7	1542	1" SS Punch	1	1	UPC 811993021497
8	1543	1" SS Die	1	1	UPC 811993021503
9	1544	1 1/4" SS Punch	1	1	UPC 811993021510
10	1545	1 1/4" SS Die	1	1	UPC 811993021527
11	1546	1 1/2" SS Punch	1	1	UPC 811993021534
12	1547	1 1/2" SS Die	1	1	UPC 811993021541
13	1548	2" SS Punch	1	1	UPC 811993021558
14	1549	2" SS Die	1	1	UPC 811993021565
15	1574	3/4"- 7/16"x 4 1/4" SS Draw Stud	1	1	UPC 811993021688
16	1575	3/4"x 5 1/2" SS Draw Stud	1	1	UPC 811993021695
17	1600	Metal Case - 160SS	1		UPC 811993021749
18	1500	Metal Case - 161SS		1	UPC 811993021350
19	1522	Ram		1	UPC 811993021411
20	1523	1/4" x 3' Hydraulic Hose		1	UPC 811993021428
21	1521	Hydraulic Hand Pump		1	UPC 811993021404
22	1553	Spacer - S		1	UPC 811993020001



160SS



161SS





HOLEMAKING

Drill Driven Punch Driver Knockout Set for Stainless Steel

- Punch up to 2" holes in a maximum of 10 gauge stainless steel
- Punch 2 1/2" to 4" with optional Model #166SS Set (see pages 43 and 44)
- No hydraulic oil
- 1/2" to 2" punches designed to split the slug into two pieces for easy removal
- Punches are manufactured from tool steel for high strength and long life
- Recommended drill – (provided by end user) – 1/2" cordless drill with a minimum of 18 volts
- Fast, easy punching – no ratcheting
- Compare to Southwire Max Punch® Pro**
- Made in the USA



Piecemaker™ SS
Punches are designed to split the slug into two pieces for easy removal from die after punch completion

Current Tools™
Punch Driver
may be used with
Greenlee* Punches
and dies

Model 162SS



Scan here for manual



Catalog Number	Description	Weight	
165	Drill Driven Punch Driver	6 lbs.	UPC 811993021046
162SS	1/2" – 2" Piecemaker™ SS Drill Driven Knockout Set	19 lbs.	UPC 811993021077

*Greenlee is a registered trademark of Greenlee Tools, Inc.
**Southwire® and Max Punch® are registered trademarks of Southwire Company, LLC.



Current Tools
FOR THE PROFESSIONAL ELECTRICIAN

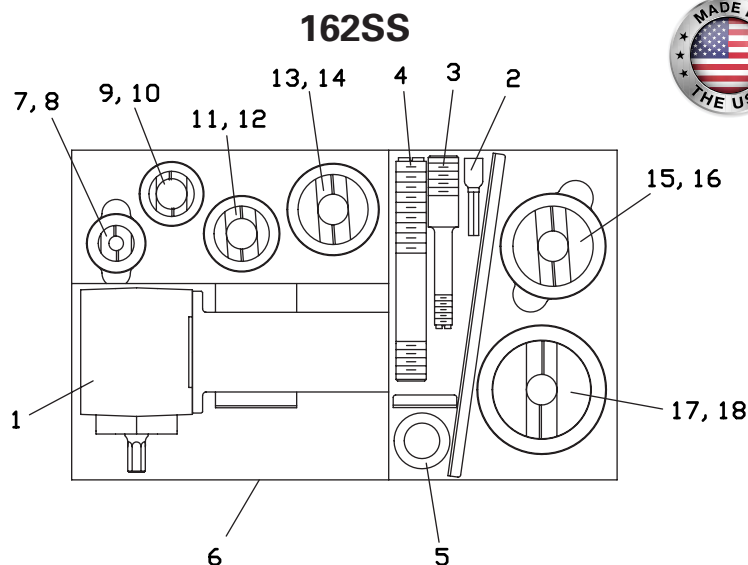
www.currenttools.com

P.O. Box 17026 • Greenville, SC 29606 • 864.721.4230 • fax 864.721.4232 • 800.230.5421



Drill Driven Punch Driver Knockout Set for Stainless Steel

Item Number	Catalog Number	Description	165	162SS 1/2" to 2"	
1	165	Punch Driver	1	1	UPC 811993021046
2	163-14	Nut Driver		1	UPC 811993021084
3	1574	3/4"-7/16" X 4 1/4" SS Draw Stud		1	UPC 811993021688
4	1575	3/4" X 5 1/2" SS Draw Stud		1	UPC 811993021695
5	1553	Spacer – S		1	UPC 811993020001
6	1505	Metal Case – 162SS		1	UPC 811993025303
7	1536	1/2" SS Punch		1	UPC 811993021435
8	1537	1/2" SS Die		1	UPC 811993021442
9	1538	3/4" SS Punch		1	UPC 811993021459
10	1539	3/4" SS Die		1	UPC 811993021466
11	1542	1" SS Punch		1	UPC 811993021497
12	1543	1" SS Die		1	UPC 811993021503
13	1544	1 1/4" SS Punch		1	UPC 811993021510
14	1545	1 1/4" SS Die		1	UPC 811993021527
15	1546	1 1/2" SS Punch		1	UPC 811993021534
16	1547	1 1/2" SS Die		1	UPC 811993021541
17	1548	2" SS Punch		1	UPC 811993021558
18	1549	2" SS Die		1	UPC 811993021565





HOLEMAKING

Knockout Set for Stainless Steel 166SS — 2½", 3", 3½" and 4"

- 4 point punch design for easy slug removal
- Designed to punch a maximum of 10 gauge stainless steel
- Metal Case
- Compare with Greenlee® Model 7308*
- Made in the USA

All items
including punches
& dies will fit
Greenlee®
Knockout Sets!



Scan here for manual



Catalog Number	Description	Weight	
166SS	2½"-4" Knockout Punch and Die Set for Stainless Steel	23 lbs.	UPC 811993024467

*Greenlee® is a registered trademark of Greenlee Tools, Inc.



Current Tools
FOR THE PROFESSIONAL ELECTRICIAN

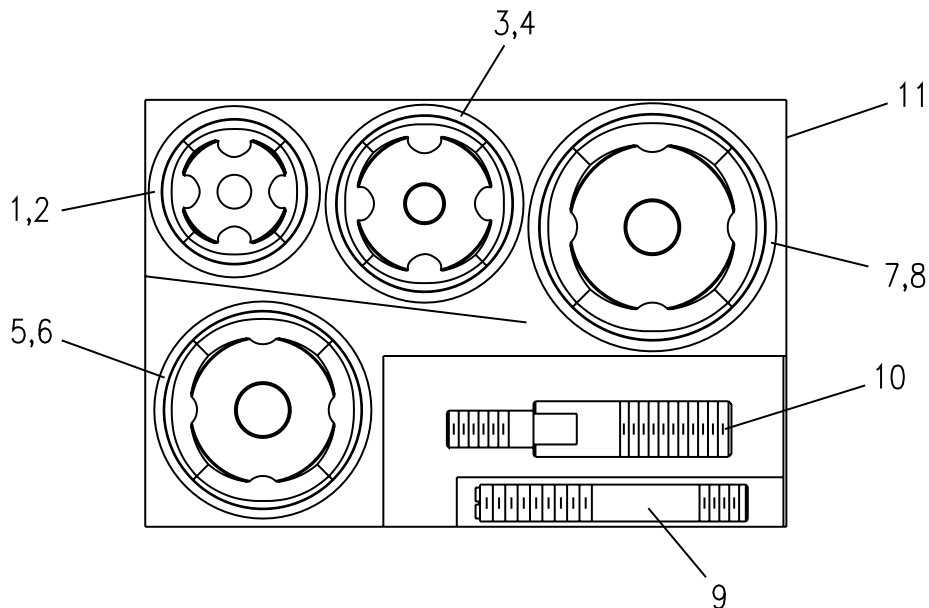
www.currenttools.com

P.O. Box 17026 • Greenville, SC 29606 • 864.721.4230 • fax 864.721.4232 • 800.230.5421



Knockout Punch and Die Set for Stainless Steel 166SS — 2½" to 4"

Item Number	Catalog Number	Description	UPC
1	1583	2½" SS Punch	811993024474
2	1584	2½" SS Die	811993024481
3	1585	3" SS Punch	811993024498
4	1586	3" SS Die	811993024504
5	1587	3½" SS Punch	811993024511
6	1588	3½" SS Die	811993024528
7	1589	4" SS Punch	811993024535
8	1590	4" SS Die	811993024542
9	1575	¾" x 5½" SS Draw Stud	811993021695
10	1580	1 1/8" Adapter Draw Stud	811993021114
11	1504	Metal Case	811993021206



NOTE: Catalog #163-766 Die Adapter and Catalog #1580 Draw Stud are required to use the 3½" and 4" Punch and Die with the #165 Drill Driven Punch Driver.





HOLEMAKING

Knockout Punch and Die Set 156 — 2 1/2" to 4"

- 4 point punch design for easy slug removal
- Fast set-up
- High strength steel punches and dies for long life
- Designed to punch a maximum of 10 gauge (.134") mild steel
- Compare with Greenlee® Model 7304*
- Metal case
- Made in the USA

All items including punches & dies will fit Greenlee® Knockout Sets!



Catalog Number	Description	Weight	
156	2 1/2" – 4" Knockout Punch and Die Set	25 lbs.	UPC 811993021329

*Greenlee® is a registered trademark of Greenlee Tools, Inc.

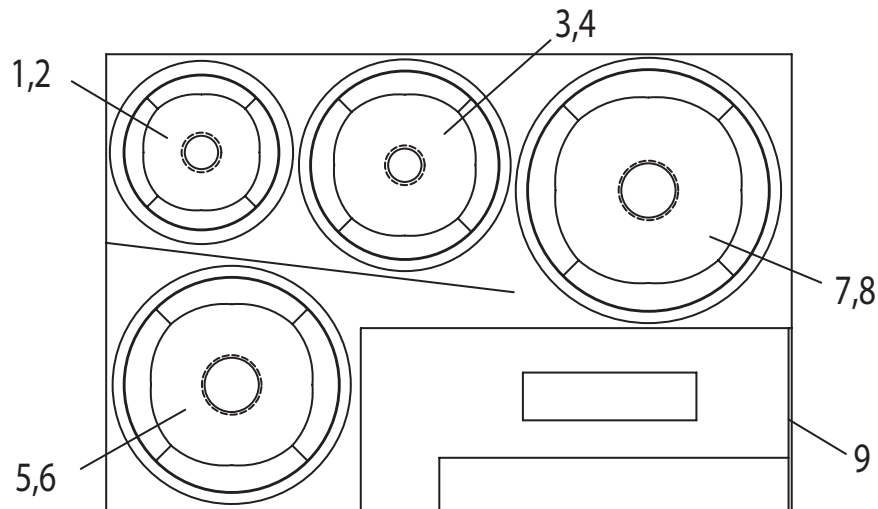


Current Tools
FOR THE PROFESSIONAL ELECTRICIAN

www.currenttools.com

P.O. Box 17026 • Greenville, SC 29606 • 864.721.4230 • fax 864.721.4232 • 800.230.5421

Knockout Punch and Die Set 156 — 2 1/2" to 4"



Item Number	Catalog Number	Qty	Description	
1	1566	1	2 1/2" Punch	UPC 811993021121
2	1567	1	2 1/2" Die	UPC 811993021138
3	1568	1	3" Punch	UPC 811993021145
4	1569	1	3" Die	UPC 811993021152
5	1570	1	3 1/2" Punch	UPC 811993021169
6	1571	1	3 1/2" Die	UPC 811993021176
7	1572	1	4" Punch	UPC 811993021183
8	1573	1	4" Die	UPC 811993021190
9	1504	1	Metal Storage Box	UPC 811993021206



HOLEMAKING

5" and 6" Punch and Die

- 4 point punch design for easy slug removal
- Designed to punch a maximum of 10 gauge (.134) mild steel
- High strength steel punches and dies for long life
- For use with Current Tools or Greenlee® Knockout hand pump and ram*
- Made in the USA



Catalog Number	Description	Weight	
1576	5" Punch	6 lbs.	UPC 811993021701
1577	5" Die	6.5 lbs.	UPC 811993021718
1578	6" Punch	9 lbs.	UPC 811993021725
1579	6" Die	10.5 lbs.	UPC 811993021732
1580	Draw Stud – 3/4" x 1 1/8" x 5 3/4" long	0.5 lb.	UPC 811993021114



Catalog Number	Description	Weight	Capacity
1591	1 7/32" Piece Maker Punch	.20 lbs.	Up to 10 gauge mild steel
1592	1 7/32" Die	.15 lbs.	Up to 10 gauge mild steel

*Greenlee® is a registered trademark of Greenlee Tools, Inc.



Current Tools
FOR THE PROFESSIONAL ELECTRICIAN

www.currenttools.com

P.O. Box 17026 • Greenville, SC 29606 • 864.721.4230 • fax 864.721.4232 • 800.230.5421



Hand Pump and Hydraulic Hose for Knockout Sets

- Unique stainless steel and aluminum construction for light weight and rugged use
- Operates in any position
- 6,500 PSI (max) pressure
- For use ONLY with Hydraulic Knockout Sets & Cable Cutters
- Compare with Greenlee® Model #767*
- Made in the USA



SPECIFICATIONS

Oil Capacity — 16 cu. in.
Oil Volume — .069 cu. in. per stroke



Knockout Ram

- Will work with Greenlee® punches and dies*
- Proven heavy duty design
- For use only with 6,500 PSI maximum hand pumps
- Compare with Greenlee® Model #746*
- Made in the USA



Catalog Number	Description	Weight	
1521	6,500 PSI (max) hydraulic hand pump Dimensions – 2 7/8" width x 3 7/8" height x 12 3/4" length	4.7 lbs.	UPC 811993021404
1522	Hydraulic Knockout Ram Dimensions – 5 3/4" length x 2 7/8" diameter	6 lbs.	UPC 811993021411
1523	1/4" x 3' Hydraulic Hose — 1/4" NPT male fittings on both ends, one end swivels	1 lb.	UPC 811993021428

*Greenlee® is a registered trademark of Greenlee Tools, Inc.



HOLEMAKING

Stud Punch

- Punches steel studs up to 20 gauge
- Self-clearing mechanism to help avoid punch hang-up
- Handle designed to allow for tight clearances
- Self-centering on standard width studs
- Lightweight aluminum body
- Ergonomic handle design
- Handle designed for greater leverage
- Compare to Greenlee® Model #709 & 710*
- Made in the USA



Scan here for manual



Catalog Number	Description	Weight	
140	Stud Punch – 7/8" hole Capacity – Minimum stud width 1 5/8" – Up to 20 gauge steel studs	6.5 lbs.	UPC 811993021756
141	Stud Punch – 1 11/32" hole Capacity – Minimum stud width 2 1/2" – Up to 20 gauge steel studs	7.0 lbs.	UPC 811993021763

*Greenlee® is a registered trademark of Greenlee Tools, Inc.



Current Tools
FOR THE PROFESSIONAL ELECTRICIAN

www.currenttools.com

P.O. Box 17026 • Greenville, SC 29606 • 864.721.4230 • fax 864.721.4232 • 800.230.5421



Knockout Set Selection Guide

KNOCKOUT TYPE	CONDUIT SIZE HOLE RANGE	PART NUMBER	PAGE NO.
Manual	1/2" To 1 1/4"	158PM	29
	1 1/2" To 2"	159PM	29
Ratchet	1/2" To 2"	157PM	30
Hydraulic Punch Driver Straight & 90 Deg.	1/2" To 2"	170PM	31, 32
	1/2" To 2"	179PM	31, 32
Hydraulic, With Standard Punches	1/2" To 2"	152	35, 36
	1/2" To 4"	154	35, 36
Hydraulic, With Piece Maker Punches	1/2" To 2"	152PM	33,34
	1/2" To 4"	154PM	33, 34
Cordless Drill Punch Driver	1/2" To 2"	162PM	37, 38
	1/2" To 4"	164PM	37, 38
Hydraulic, Heavy Duty For Stainless Steel	1/2" To 2"	160SS	39, 40
	1/2" To 2"	161SS	39, 40
Punch and Die Set for 2 1/2" to 4" S.S.	2 1/2"to 4"	166SS	43, 44
Cordless Drill Punch Driver, Heavy Duty For Stainless Steel	1/2" to 2"	162SS	41, 42
Punch And Die Set 2 1/2" to 4"	2 1/2"to 4"	156	45, 46
Punches And Dies For 5" And 6"	5" And 6"	1576, 1577	47
		1578, 1579	47
Hydraulic Pump, Ram, Hose		1521, 1522, 1523	48
Stud Punch	7/8" Actual Hole Size	140	49
	1 11/32" Actual Hole Size	141	49

Knockout Punches – Actual Hole Size Chart

Catalog Number		Piece Maker™ SS	Punch and Conduit Size	Actual Punched Hole Diameter (in.)
Standard	Piece Maker™			
1560	1524	1536	1/2"	.885
1561	1526	1538	3/4"	1.115
1562	1528	1542	1"	1.362
1563	1530	1544	1 1/4"	1.701
1564	1532	1546	1 1/2"	1.948
1565	1534	1548	2"	2.415
1566			2 1/2"	2.910
1568			3"	3.545
1570			3 1/2"	4.048
1572			4"	4.550
1576			5"	5.660
1578			6"	6.750



CABLE PULLING

High Speed Cable Puller 3,000 lb. capacity with Mobile Cart

- Mobile cart for easy mobility around jobsite
- Folds for compact transport and storage
- 8' reach when fully extended
- Quick release conduit couplings
- Integral heavy duty 2-speed motor
- Permanently lubricated vent free gearbox
- Integral foot switch
- Lightweight – Less than 75 lbs. without mobile cart
- 3,000 lb. pulling capacity
- Complete system – no extra parts to purchase
- Stronger, more durable gear box
- Integrated wheels
- Higher pulling capacity than competition
- Compare to Greenlee® Model #G3 Tugger® and Southwire® M3KM Cable Puller**



See Pages 63 and 64 for Pulling Rope

Scan here for manual



Catalog Number	Description	Weight	
33	High Speed Cable Puller 3000 lb. Capacity with Mobile Cart (Comes with complete set of couplings)	75 lbs. — Cable Puller only 121 lbs. — Cable Puller mounted on mobile cart	UPC 811993021770

*Greenlee® is a registered trademark of Greenlee Tools, Inc.

**Southwire® is a registered trademark of Southwire Company, LLC.



Current Tools
FOR THE PROFESSIONAL ELECTRICIAN

www.currenttools.com

P.O. Box 17026 • Greenville, SC 29606 • 864.721.4230 • fax 864.721.4232 • 800.230.5421



High Speed Cable Puller — 3,000 lb. capacity

*High Speed Cable Puller
3,000 lb. Capacity in use*



maximum pulling force: 3,000 lbs.

speeds: no load
Low — 22 ft./min.
High — 84 ft./min.

motor: 120 volt AC, 60 hertz, 13 amps

3,000 lb. Capacity High Speed Cable Puller Couplings



Catalog Number	Description	Weight	
33-520	1" Conduit coupling	.5 lbs.	UPC 811993021787
33-534	1 1/4" Conduit coupling	.7 lbs.	UPC 811993021794
33-522	1 1/2" Conduit coupling	.9 lbs.	UPC 811993021800
33-523	2" Conduit coupling	1.0 lbs.	UPC 811993021817
33-524	2 1/2" Conduit coupling	1.2 lbs.	UPC 811993021824
33-525	3" Conduit coupling	1.3 lbs.	UPC 811993021831
33-526	3 1/2" Conduit coupling	1.4 lbs.	UPC 811993021848
33-527	4" Conduit coupling	1.5 lbs.	UPC 811993021855

www.currenttools.com

P.O. Box 17026 • Greenville, SC 29606 • 864.721.4230 • fax 864.721.4232 • 800.230.5421

Current Tools
FOR THE PROFESSIONAL ELECTRICIAN

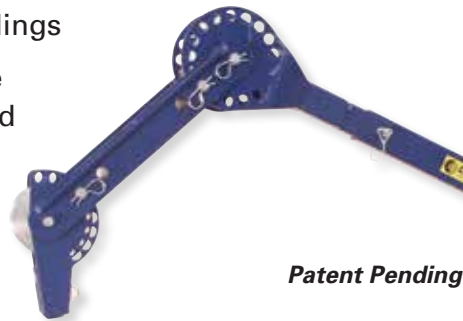




CABLE PULLING

6,000 lb Mobile Cable Puller with 4 Wheel Carriage

- Unique design features quick one man setup
- Puller mounted on 4 wheel carriage for easy mobility
- Complete system-no extra parts to purchase
- Permanently lubricated vent free gear box
- Puller may be used on or off the carriage
- 8' reach when fully extended
- Heavy duty 2 speed motor
- Built-in foot switch
- Quick release couplings
- Convenient storage for all couplings and foot switch
- Flat free tires



Patent Pending



Scan here for video

Scan here for manual



Catalog Number	Description	Weight	
66	Mobile Cable Puller, 6,000 lb capacity with 4 wheel carriage (comes with complete set of couplings 2" to 4")	190 lbs.	UPC 811993021862



Current Tools
FOR THE PROFESSIONAL ELECTRICIAN

www.currenttools.com

P.O. Box 17026 • Greenville, SC 29606 • 864.721.4230 • fax 864.721.4232 • 800.230.5421



Mobile Cable Puller — 6,000 lb. Capacity

*Mobile Cable Puller
6,000 lb. Capacity in use*



maximum pulling force: 6,000 lbs.

speeds: no load
Low — 12 ft./min.
High — 44 ft./min.

motor: 120 volt AC, 60 hertz, 13 amps

6,000 lb. Capacity Mobile Cable Puller Couplings



Catalog Number	Description	Weight	
66-51	2" Conduit coupling	.5 lbs.	UPC 811993021879
66-52	2 1/2" Conduit coupling	.7 lbs.	UPC 811993021886
66-53	3" Conduit coupling	1.0 lbs.	UPC 811993021893
66-54	3 1/2" Conduit coupling	1.3 lbs.	UPC 811993021909
66-55	4" Conduit coupling	1.5 lbs.	UPC 811993021916



CABLE PULLING

Cable Puller — 8,000 lb. capacity

- Heavy duty unitized construction
- Built in force gauge
- No tools required for set-up
- Right angle roller for operator safety
- Circuit breaker to protect puller motor
- Tapered capstan for rope alignment and to help avoid rope overlap
- 8,000 lb. pulling capacity
- Reliable jobsite-proven drive train
- Compare to Greenlee 6001, 6800 & 6801*
- Made in the USA



See Pages 63 and 64
for Pulling Rope

maximum pulling force: 8,000 lbs.

speeds (approx.): no load — 16 ft./min.
4,000 lbs. — 9 ft./min.
6,000 lbs. — 7 ft./min.

motor: 120 volt AC, 60 hertz, 15 amps

See Page 58 for Complete
Package Component Listing



Scan here for manual



Catalog Number	Description	Weight	
88	Cable Puller with chains — 8,000 lb. capacity	101 lbs.	UPC 811993021923
8845	Cable Puller with chains and Model 8045 Floor Mount — 8,000 Capacity	116 lbs.	UPC 811993021930
8045	88 Cable Puller Floor Mount with 4 each 5/8" x 6 wedge anchors	16 lbs.	UPC 811993022005

*Greenlee® is a registered trademark of Greenlee Tools, Inc.



Current Tools
FOR THE PROFESSIONAL ELECTRICIAN

www.currenttools.com

P.O. Box 17026 • Greenville, SC 29606 • 864.721.4230 • fax 864.721.4232 • 800.230.5421



Mantis™ Mobile Cable Pulling Package 8,000 lb. capacity

- Excellent Mobility
- Easy set-up
- Transport without complete disassembly
- Pulls up to 20' extra cable
- 8,000 lb. pulling capacity
- Fits through 32" doorway
- Will accept Greenlee® Model 6001 Super Tugger® and 640 Tugger®*
- Snap-in couplings for quick and easy set-up
- Flat-free urethane wheels
- Made in the USA

See Pages 58 for Complete Package Component Listing



See Pages 63 and 64 for Pulling Rope

Catalog Number	Description	Weight	
8890A	Mantis™ Mobile Cable Pulling Package w/Model 88 Cable Puller 8,000 lb. capacity, less storage box	482 lbs.	UPC 811993021961
8890AS	Mantis™ Mobile Cable Pulling Package w/Model 88 Cable Puller 8,000 lb. capacity, with metal storage box	670 lbs.	UPC 811993021978

**Greenlee® and Tugger® are registered trademarks of Greenlee Tools, Inc.*

www.currenttools.com

P.O. Box 17026 • Greenville, SC 29606 • 864.721.4230 • fax 864.721.4232 • 800.230.5421

Current Tools
FOR THE PROFESSIONAL ELECTRICIAN





CABLE PULLING

Mantis™ Mobile Cable Pulling Package — 8,000 lb. capacity

- Excellent Mobility
- Easy set-up
- Transport without complete disassembly
- Pulls up to 20' (Model 8090) or 10' (Model 8885) extra cable
- Fits through 32" doorway
- Will accept Greenlee® Model 6001 Super Tugger® and 640 Tugger®
- Flat-free urethane wheels
- Made in the USA



Model 8885

See Pages 58 for Complete Package Component Listing



Model 8090



See Pages 63 and 64 for Pulling Rope

Scan here for manual



Catalog Number	Description	Weight	
8090	Mantis™ Mobile Cable Pulling Carriage w/two Boom sections	355 lbs.	UPC 811993021992
8885	Mantis™ Cable Puller Package – Basic – 8,000 lb. capacity	346 lbs.	UPC 811993021947
8885S	Mantis™ Cable Puller Package – Basic – 8,000 lb. capacity with storage box	534 lbs.	UPC 811993021954

*Greenlee®, Super Tugger®, and Tugger® are registered trademarks of Greenlee Tools, Inc.



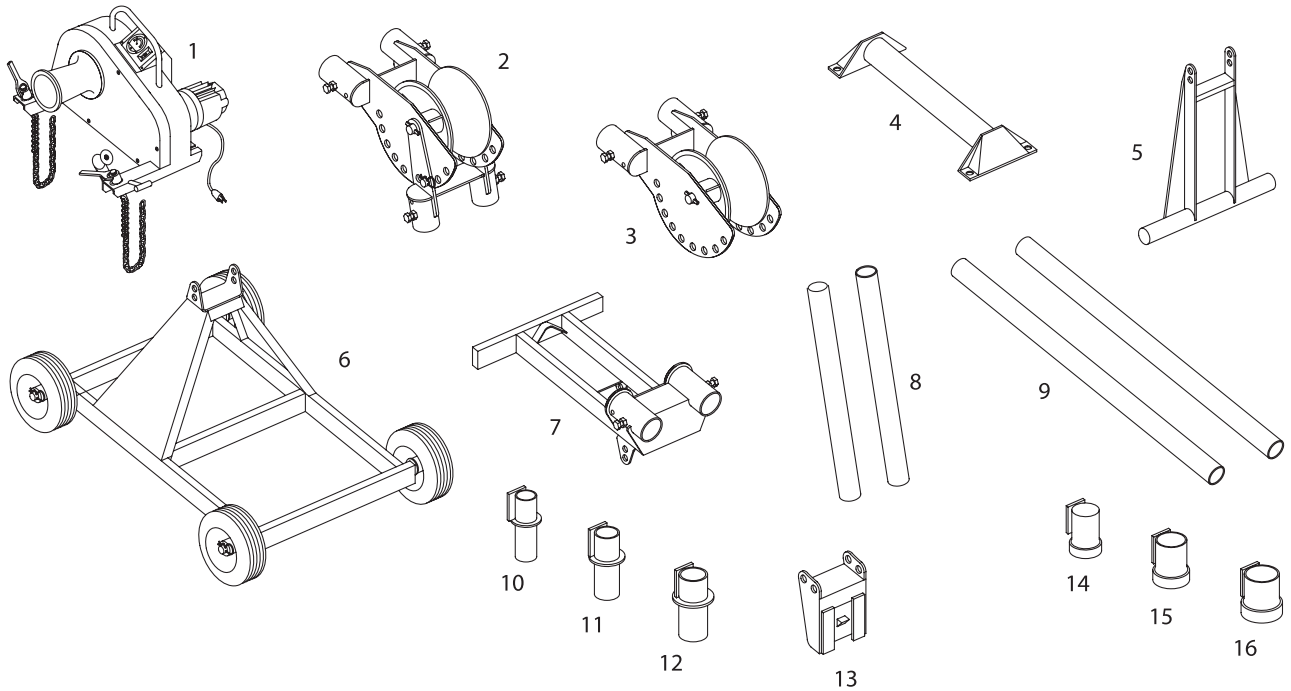
Current Tools
FOR THE PROFESSIONAL ELECTRICIAN

www.currenttools.com

P.O. Box 17026 • Greenville, SC 29606 • 864.721.4230 • fax 864.721.4232 • 800.230.5421



Component Listings – Mantis™ Cable Puller Packages



Item Number	Catalog Number	Description	88	8845	8890A PACKAGE	8890AS PACKAGE	8090 CARRIAGE	8885 BASIC PACKAGE	8885S BASIC PACKAGE	Weight	
1	88	Cable Puller w/chains	1	1	1	1		1	1	101 lbs.	UPC 811993021923
2	8093	Elbow Unit			1	1	1			53 lbs.	UPC 811993022050
3	8094	Nose Unit			1	1	1	1	1	38 lbs.	UPC 811993022067
4	8045	Floor Mount		1	1	1		1	1	20 lbs.	UPC 811993025310
5	8100	T - Stand			1	1				12 lbs.	UPC 811993022203
6	8091	Mobile Carriage			1	1	1	1	1	85 lbs.	UPC 811993022036
7	8092	Puller Mount			1	1	1	1	1	39 lbs.	UPC 811993022043
8	8095	3' Boom Tubes			2	2	2			11 lbs.	UPC 811993022074
9	8096	4' Boom Tubes			2	2	2	2	2	15 lbs.	UPC 811993022081
not shown	8097-2	Slip-In Coupling – 2"			(optional)	(optional)	(optional)	(optional)	(optional)	4 lbs.	UPC 811993026461
not shown	8097-2.5	Slip-In Coupling – 2 1/2"			(optional)	(optional)	(optional)	(optional)	(optional)	4.5 lbs.	UPC 811993022098
10	8097-3	Slip-In Coupling – 3"			1	1	1	1	1	5.5 lbs.	UPC 811993022104
11	8097-3.5	Slip-In Coupling – 3 1/2"			1	1	1	1	1	6.5 lbs.	UPC 811993022111
12	8097-4	Slip-In Coupling – 4"			1	1	1	1	1	8 lbs.	UPC 811993022128
not shown	8097-5	Slip-In Coupling – 5"			(optional)	(optional)	(optional)	(optional)	(optional)	9 lbs.	UPC 811993022135
13	8099	Coupling Adapter			1	1	1	1	1	8 lbs.	UPC 811993022197
not shown	8098-2	Screw-On Coupling – 2"			(optional)	(optional)	(optional)	(optional)	(optional)	4 lbs.	UPC 811993022142
not shown	8098-2.5	Screw-On Coupling – 2 1/2"			(optional)	(optional)	(optional)	1	1	4.5 lbs.	UPC 811993022159
14	8098-3	Screw-On Coupling – 3"			1	1	1	1	1	5 lbs.	UPC 811993022166
15	8098-3.5	Screw-On Coupling – 3 1/2"			1	1	1	1	1	6 lbs.	UPC 811993022173
16	8098-4	Screw-On Coupling – 4"			1	1	1	1	1	6.5 lbs.	UPC 811993022180
see page 90	101	Storage Box				1			1	188 lbs.	UPC 811993024375
see page 91	506	Caster Set - 6" (2 swivel, 2 fixed)				1			1	20 lbs.	UPC 811993024405



CABLE PULLING

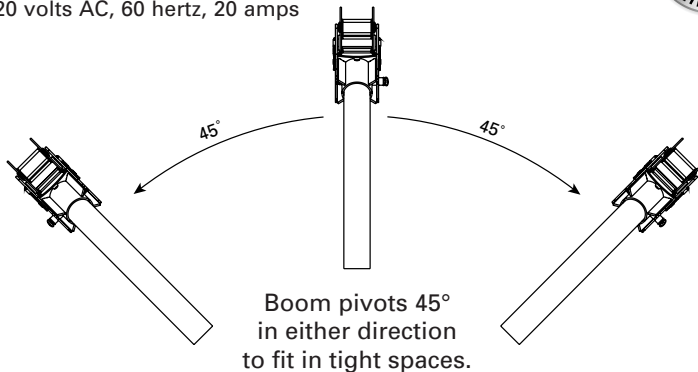
Two Speed Cable Puller with Carriage — featuring **ROTABOOM™** 10,000 lb. capacity

- 10,000lb. pulling capacity
- Built-in force gauge with digital read out
- One person set up
- Four wheel carriage for stability and ease of transport
- Patented 45° horizontal pivot (Rotaboom™) allows for use of puller in tight spaces
- Two speeds allow for fast pulling on low force pulls and increased torque for heavier pulls
- Boom height adjustment handle allows for easy vertical positioning of boom sections with little effort
- Snap-in couplings for quick and easy set-up
- Fits through 32" doorway
- Flat-free urethane wheels
- Compare to Greenlee® Model 6906, 6900 and 6901*

maximum pulling force — 10,000 lbs.

	Low Speed	High Speed
speeds (approx.)	no load — 12 FPM	no load — 33 FPM
	2,000 lbs. — 11 FPM	1,000 lbs. — 26 FPM
	4,000 lbs. — 10 FPM	1,500 lbs. — 20 FPM
	6,500 lbs. — 8 FPM	2,000 lbs. — 18 FPM

motor — 120 volts AC, 60 hertz, 20 amps



with patented **ROTABOOM™**
Patent # 9,899,811



See Pages 63 and 64 for Pulling Rope

Scan here for video

Scan here for manual



Catalog Number	Description	Weight	
100	Two Speed Cable Puller with Carriage – Comes standard with Item Numbers 1-12	400 lbs.	UPC 811993025341
110	Two Speed Cable Puller with Floor Mount – Comes standard with Model #2280 Floor Mount	159 lbs.	UPC 811993026089
120	Two Speed Cable Puller with Chain Mount – Comes standard with Model #2281 Chain Mount	169 lbs.	UPC 811993026096

*Greenlee® is a registered trademark of Greenlee Tools, Inc.



Current Tools
FOR THE PROFESSIONAL ELECTRICIAN

www.currenttools.com

P.O. Box 17026 • Greenville, SC 29606 • 864.721.4230 • fax 864.721.4232 • 800.230.5421



Puller with Floor Mount

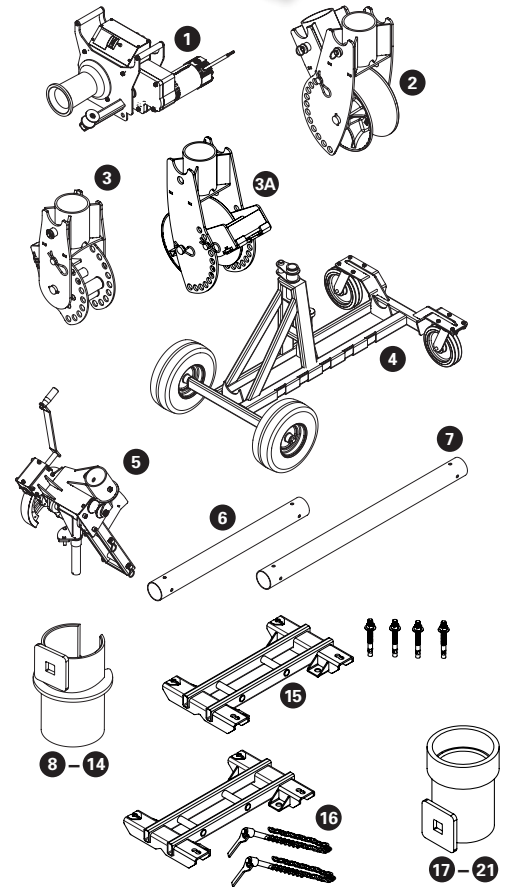


Puller with Chain Mount



Component Listings – 10,000 lb. Puller

Item Number	Catalog Number	Description	Weight	UPC
1	1450	Cable Puller – 10,000 lb Capacity	119 lbs.	UPC 811993025822
2	1710	Elbow Unit	43 lbs.	UPC 811993025839
3	1840	Nose Unit (optional)	33 lbs.	UPC 811993025846
3A	1840-S	Nose Unit with Sheave	34 lbs.	UPC 811993026478
4	1000	Mobile Carriage	75 lbs.	UPC 811993025853
5	1190	Puller Mount	89 lbs.	UPC 811993025860
6	1850	Boom Tube – 3' Long	13 lbs.	UPC 811993025877
7	1860	Boom Tube – 4' Long	17 lbs.	UPC 811993025884
8	198	Coupling – 2"	1.6 lbs.	UPC 811993025891
9	199	Coupling – 2 1/2"	1.9 lbs.	UPC 811993025907
10	200	Coupling – 3"	2.4 lbs.	UPC 811993025914
11	201	Coupling – 3 1/2"	3.8 lbs.	UPC 811993025921
12	202	Coupling – 4"	4.3 lbs.	UPC 811993025938
13	230	Coupling – 5" (optional)	4.8 lbs.	UPC 811993025945
14	255	Coupling – 6" (optional)	5.5 lbs.	UPC 811993026102
15	2280	Floor Mount and four 5/8" x 6" wedge anchors (optional)	40 lbs.	UPC 811993025952
16	2281	Chain Mount with chains (optional)	50 lbs.	UPC 811993026058
17	259	Screw-on Coupling – 2" (optional)	2.1 lbs.	UPC 811993025990
18	260	Screw-on Coupling – 2 1/2" (optional)	2.4 lbs.	UPC 811993026003
19	261	Screw-on Coupling – 3" (optional)	2.9 lbs.	UPC 811993026010
20	262	Screw-on Coupling – 3 1/2" (optional)	4.3 lbs.	UPC 811993026027
21	263	Screw-on Coupling – 4" (optional)	4.8 lbs.	UPC 811993026034





CABLE PULLING

Cable Feeder

- Hinged upper drive to allow for easy side loading
- High grip tires can accommodate no lube or regular cable
- Dual drive motors for maximum grip on cables
- Cable separator guides cables to ensure positive grip on tires
- Heavy duty transport caster with quick release mechanism
- Variable speed control
- May be operated with remote pendant or optional foot switch
- Self-lubricating drive chains reduce maintenance
- Flat-free transport wheels
- Compare to Greenlee® Model 6810*
- Made in the USA

Can be used with SIMpull®** and other cables that do not require lubrication



Catalog Number	Description	Weight	
99	Cable Feeder	345 lbs.	UPC 811993022210
99-122	Foot Switch (optional)	3 lbs.	UPC 811993022227

*Greenlee® is a registered trademark of Greenlee Tools, Inc.

**SIMPull® is a registered trademark of Southwire Company, LLC.



Current Tools
FOR THE PROFESSIONAL ELECTRICIAN

www.currenttools.com

P.O. Box 17026 • Greenville, SC 29606 • 864.721.4230 • fax 864.721.4232 • 800.230.5421



Model 99 Cable Feeder Features and Specifications

Hinged for
easy loading
from side without
disassembly



FEATURES

- Hinged upper drive with gas spring assist for ease of cable loading from side
- Each wheel independently driven for maximum pulling power
- Variable speed control
- Low voltage hand control pendant with 8' cable
- Ratcheting tension adjustment provides tension on cable from 1/4" to 3 1/2" diameter
- Removable cable separator
- Self-lubricating drive chains reduce maintenance

SPECIFICATIONS

- Weight: 345 lbs.
- Dimensions: 26"W X 42"L X 43"H
- Power requirements: 115 VAC, 15 amps, 60 Hz
- Feeding speed: 0 ft./min to 36 ft./min.
- Cable capacity:
Cable size — .25" to 3.5" dia. max.
Total width of all cables — 6" max.
- Maximum pulling force:
Single cable – Approximately 250 lbs.
All cables – Approximately 1,000 lbs.
- Maximum reel capacity – 25,000 lbs.
- Tire pressure – 50 PSI





CABLE PULLING

Double Braided Composite Rope

- Composite rope gives strength with low stretch
- Pulling eye on each end
- Double braided jacket and inner core
- Made in the USA



Larger sizes and lengths available upon request

Please contact us with your special order needs.

Rope Diameter	Catalog Number	Length	Avg. Breaking Strength	Weight	
9/16" <i>for up to 4,000 lb. cable pullers</i>	916300 PR	300'	16,000 lbs.	31 lbs.	UPC 811993022234
	916600 PR	600'	16,000 lbs.	63 lbs.	UPC 811993022241
	9161200 PR	1200'	16,000 lbs.	129 lbs.	UPC 811993022258
3/4" <i>for up to 8,000 lb. cable pullers</i>	34300 PR	300'	26,000 lbs.	59 lbs.	UPC 811993022265
	34600 PR	600'	26,000 lbs.	115 lbs.	UPC 811993022272
	341200 PR	1200'	26,000 lbs.	232 lbs.	UPC 811993022289
7/8" <i>for up to 10,000 lb. cable pullers</i>	78300 PR	300'	32,000 lbs.	91 lbs.	UPC 811993022296
	78600 PR	600'	32,000 lbs.	175 lbs.	UPC 811993022302
	781200 PR	1200'	32,000 lbs.	360 lbs.	UPC 811993022319





EZ™ Rope

Low Friction — Lightweight Pulling Rope

- Significant reduction of friction compared to standard pulling rope
- Breaking strength — 32,000 lbs.
Pound for pound stronger than steel
- Available in 3 lengths: 300' – 600' – 1200'
- Extremely low stretch
- Superior pulling rope made from ultra-high molecular weight fibers
- Weighs much less than standard pulling rope
- UV resistant
- Factory installed eyes on each end



Only one rope needed for all your cable pulls up to 10,000 lbs.

Catalog Number	Description	Weight	
EZRP9163	9/16" × 300' EZ™ Rope	39 lbs.	UPC 811993026225
EZRP9166	9/16" × 600' EZ™ Rope	78 lbs.	UPC 811993026393
EZRP91612	9/16" × 1200' EZ™ Rope	156 lbs.	UPC 811993026409





CABLE PULLING

Cable Pulling Package Accessories

Rope Stands

- For organizing and rewinding rope
- Strong welded frame with washer and spring clip to contain rope reel



Catalog Number	Description	Weight	
8051	Pulling Rope Stand for 3/4" dia. x 300' or 7/8" dia. x 300' Rope	15 lbs.	UPC 811993022012
8052	Pulling Rope Stand for 3/4" dia. x 600' or 7/8" dia. x 600' Rope	25 lbs.	UPC 811993022029

Cable Pulling Extras Polyester Measuring / Pulling Tape

- Large printed footage markings
- Use in many applications with various tensile strengths
- 3000' spools



Catalog Number	Description	Weight	
ST1250	Poly Measuring / Pull Tape – 1,250 lb. Breaking Strength – 1/2" wide	26 lbs.	UPC 811993022326
ST1800	Poly Measuring / Pull Tape – 1,800 lb. Breaking Strength – 5/8" wide	33 lbs.	UPC 811993022333
ST2500	Poly Measuring / Pull Tape – 2,500 lb. Breaking Strength – 3/4" wide	45 lbs.	UPC 811993022340

Conduit Measuring Tape

- Easy to read measurements from 0' to 3000'
- Use to fish and measure conduit in one step
- Dispenser available to pay out and cut tape



Catalog Number	Description	Weight	
CMT30	Conduit Measuring Tape - 3/16" x 3000'	4 lbs.	UPC 811993022357
CMT30D	Dispenser for Conduit Measuring Tape	2 lbs.	UPC 811993022364





Spiral Wrap Poly Line (Rat Line)

- Dispenses directly from the container
- Virtually tangle free when dispensing
- Pre-punched hole in lid ready for use
- Reusable plastic dispenser
- For pulling rope through conduit



Catalog Number	Description	Weight	
SPL65	Spiral Wrap Poly Line - 6500'	11 lbs.	UPC 811993022371

Conduit Pistons (Rats)

- Flexible foam body provides air tight seal
- For use with blower or vacuum fishing systems
- Steel center rod for strength with loops on both sides
- Sizes available for up to 6" conduit



Catalog Number	Description	Weight	
R05	Conduit Piston for 1/2" conduit	.04 lbs.	UPC 811993022388
R75	Conduit Piston for 3/4" conduit	.04 lbs.	UPC 811993022395
R10	Conduit Piston for 1" conduit	.1 lbs.	UPC 811993022401
R12	Conduit Piston for 1 1/4" conduit	.12 lbs.	UPC 811993022418
R15	Conduit Piston for 1 1/2" conduit	.15 lbs.	UPC 811993022425
R20	Conduit Piston for 2" conduit	.2 lbs.	UPC 811993022432
R25	Conduit Piston for 2 1/2" conduit	.2 lbs.	UPC 811993022449
R30	Conduit Piston for 3" conduit	.4 lbs.	UPC 811993022456
R35	Conduit Piston for 3 1/2" conduit	.5 lbs.	UPC 811993022463
R40	Conduit Piston for 4" conduit	.6 lbs.	UPC 811993022470
R50	Conduit Piston for 5" conduit	.7 lbs.	UPC 811993022487
R60	Conduit Piston for 6" conduit	.8 lbs.	UPC 811993022494



REEL STANDS & REEL ROLLERS

Screw Type Reel Stands

- All steel construction
- Rugged design for job site use
- Wide base for added stability
- Adjustment pins wired to stands
- Roller heads have self-lubricating bearings
- Made in the USA



Model #660



Model #670

Sold individually, two required

Scan here for manual



Catalog Number	Description	Weight	UPC
660	Small Screw Type Reel Stand Capacity – 2,500 lb. each, 28"-56" Reel Diameter Height – 13" min. to 27" max.	27 lbs.	811993022500
670	Medium Screw Type Reel Stand Capacity – 2,500 lb. each, 46"-96" Reel Diameter Height – 21" min. to 54" max.	46 lbs.	811993022517

Ratchet Type Reel Stand

- Heavy duty stands for large reel projects
- All steel construction
- Ratchet mechanism to raise and lower the height
- Wide base for added stability
- Roller heads have self-lubricating bearings
- Made in the USA



Sold individually, two required

Scan here for manual



Catalog Number	Description	Weight	UPC
680	Large Ratchet Type Reel Stand Capacity – 3,750 lb. each, 58"-90" Reel Diameter Height – 28" min. to 45" max.	99 lbs.	811993022524



Current Tools
FOR THE PROFESSIONAL ELECTRICIAN

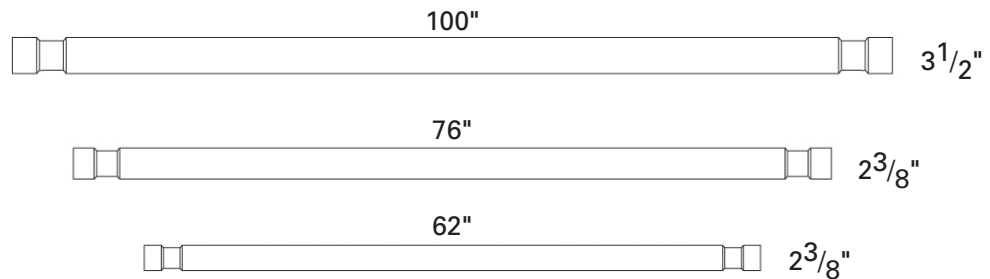
www.currenttools.com

P.O. Box 17026 • Greenville, SC 29606 • 864.721.4230 • fax 864.721.4232 • 800.230.5421



Reel Stand Spindles

- For use with reel stands
- Groove on each end keeps spindle in place on reel stands
- Made in the USA



Catalog Number	Diameter	Length	Capacity lbs.	use w/ reel stand no.	Weight	
661	2-3/8"	62"	5,000	660/670	39 lbs.	UPC 811993022531
671	2-3/8"	76"	5,000	660/670	47 lbs.	UPC 811993022548
681	3-1/2"	100"	7,500	680	119 lbs.	UPC 811993022555



670 Reel Stands with 671 Spindle



REEL STANDS & REEL ROLLERS

610 Reel Roller

- Easy set-up for ground level cable reel pay out
- Integral ramp for reel loading
- Roller lock for reel removal
- 5-position roll adjustment for various reel diameters
- Heavy duty permanently lubricated ball bearing rollers
- Made in the USA



Sold individually, two required.

Scan here for manual



Catalog Number	Description	Weight	
610	Cable Reel Roller Capacity – 2000 lbs. per pair, 42" maximum reel width Dimensions – 10 3/8" x 25 1/4"	40 lbs. each	UPC 811993022562

613 Reel Roller

- Easy set-up for ground level cable reel pay out
- Integral ramp for reel loading
- Roller lock for reel removal
- 5-position roll adjustment for various reel diameters
- Heavy duty permanently lubricated ball bearing rollers
- Made in the USA



Scan here for manual



Catalog Number	Description	Weight	
613	Cable Reel Roller Capacity – 2500 lbs., 30" maximum reel width Dimensions – 31 3/4" x 37"	75 lbs.	UPC 811993022579



Current Tools
FOR THE PROFESSIONAL ELECTRICIAN

www.currenttools.com

P.O. Box 17026 • Greenville, SC 29606 • 864.721.4230 • fax 864.721.4232 • 800.230.5421



615 Cable Reel Roller

- Heavy duty all welded construction
- Handles up to 15 ton cable reels
- One roller adjusts for various reel sizes
- Speed control adjustment
- Foot control for remote operation
- Heavy duty 10 amp. motor for long service life
- Convenient fork pockets on sides
- Made in the USA



Scan here for manual



Catalog Number	Description	Weight	
615	15 ton Cable Reel Roller Capacity – 15 ton, 96" wide, and 12' diameter reels (max.) Dimensions – 122" wide x 19" height x 60 3/4" length	2,800 lbs.	UPC 811993022586



SHEAVES & CABLE ROLLERS

Hook Type Sheaves – 4,000 lb. Capacity

- 4,000 lb. capacity
- Forged steel hooks with 1" opening
- Welded steel frames
- 5" wide aluminum sheaves with self-lubricating bearings
- Made in the USA



Scan here for manual



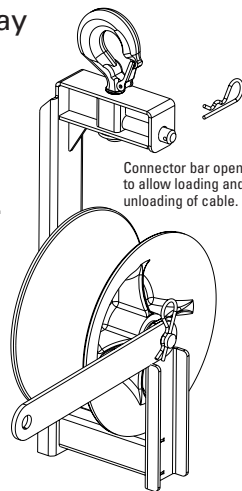
Catalog Number	Description	Weight	UPC
406	6" Diameter hook sheave	11.5 lbs	811993022593
412	12" Diameter hook sheave	18.5 lbs	811993022609
418	18" Diameter hook sheave	28.0 lbs	811993022616
424	24" Diameter hook sheave	38.0 lbs	811993022623

Replacement Parts

Catalog Number	Sheave	Sheave Pin	Spring Clip	Yoke Frame
406	406-4	406-362	406-3	406-190
412	412-4	406-362	406-3	412-191
418	418-4	406-362	406-3	418-192
424	424-4	406-362	406-3	424-193

EZ Sheave™ Hook Type Sheaves – 4,000 lb. Capacity

- Labor saving design with swing-away connector bar allows unloading of cable without having to disassemble the hook sheave
- 4,000 lb. capacity
- Forged steel hooks with 1" opening.
- 5" wide aluminum sheaves with self-lubricating bearings
- Sizes include 12", 18" and 24" diameter sheaves
- Made in the USA



Scan here for manual



Catalog Number	Description	Weight	UPC
412EZ	12" diameter EZ Sheave™ hook type sheave	26 lbs.	811993025259
418EZ	18" diameter EZ Sheave™ hook type sheave	38 lbs.	811993025266
424EZ	24" diameter EZ Sheave™ hook type sheave	53 lbs.	811993025273



Current Tools
FOR THE PROFESSIONAL ELECTRICIAN

www.currenttools.com

P.O. Box 17026 • Greenville, SC 29606 • 864.721.4230 • fax 864.721.4232 • 800.230.5421



Hook Type Sheaves – 8,000 lb. Capacity

- 8,000 lb. capacity
- Forged steel hooks with 1 3/8" opening
- Heavy duty welded steel frame
- Self lubricating bearings
- 4 sizes available: 12"– 5" wide
18"– 6" wide
24"– 6 1/2" wide
36"– 6 3/4" wide



Scan here for manual

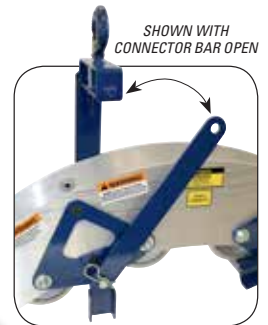


- Made in the USA

Catalog Number	Description	Weight	
812	12" Diameter HD hook sheave	24 lbs.	UPC 811993022630
818	18" Diameter HD hook sheave	46 lbs.	UPC 811993022647
824	24" Diameter HD hook sheave	69 lbs.	UPC 811993022654
836	36" Diameter HD hook sheave	101 lbs.	UPC 811993022661

EZ Sheave™ Radius Sheave

- Labor saving design with swing-away connector bar allows unloading of cable without disassembly
- 4,000 lb. capacity
- Heavy-duty design with aluminum sheaves and frame
- Aluminum sheaves 5" wide with self-lubricating bearings
- EZ Sheave™ available in 24", 36" and 48" sizes
- 60" Radius Sheave available in standard design
- Sheaves spaced to help prevent cable damage
- Made in the USA



Scan here for manual



Catalog Number	Description	Weight	
12024EZ	EZ Sheave™ 24" Radius Sheave with 6 Sheaves	72 lbs.	UPC 811993025358
12036EZ	EZ Sheave™ 36" Radius Sheave with 9 Sheaves	100 lbs.	UPC 811993025365
12048EZ	EZ Sheave™ 48" Radius Sheave with 12 Sheaves	150 lbs.	UPC 811993025372

60" Radius Sheave – Standard

Catalog Number	Description	Weight	
12060	60" Radius Sheaves with 16 Sheaves	143 lbs.	UPC 811993022814



SHEAVES & CABLE ROLLERS

Right Angle Twin Yoke Sheave

- 4,000 lbs. Capacity
- Forged steel hooks with 1" opening
- Yokes rotate independently for various setups
- Welded steel yoke frames
- 5" wide aluminum sheave with self lubricating bearings
- Made in the USA



Catalog Number	Description	Weight	
4424	Right Angle Twin Yoke Sheave	50 lbs.	UPC 811993022678

Tray Type Sheaves

- Attaches to cable tray up to 2" thick
- 5" wide aluminum sheave with self lubricating bearings
- Makes tray pulls easier by helping guide and roll cable
- Channel bracket and mounting hardware included
- Made in the USA



**See page 75 for
9500 Wing Nut Driver**

Scan here for manual



Catalog Number	Description/Size	Weight	
951TR	Small Tray-Type Sheave/12" long	11 lbs.	UPC 811993022685
952TR	Large Tray-Type Sheave/22" long	17 lbs.	UPC 811993022692



Current Tools
FOR THE PROFESSIONAL ELECTRICIAN

www.currenttools.com

P.O. Box 17026 • Greenville, SC 29606 • 864.721.4230 • fax 864.721.4232 • 800.230.5421



953TR Speed Mount™ Tray Roller

- Quickly installs into cable tray
- Install and remove through the bottom of the tray
- Easily repositions while in the tray
- No loose parts
- Fits ladder trays with 9" rung spacing
- No assembly required
- Welded steel frame
- Made in the USA



Scan here for video

Scan here for manual



Catalog Number	Description	Weight	UPC
953TR	Speed Mount™ Tray Roller	12 lbs.	811993026492

www.currenttools.com

Current Tools
FOR THE PROFESSIONAL ELECTRICIAN



P.O. Box 17026 • Greenville, SC 29606 • 864.721.4230 • fax 864.721.4232 • 800.230.5421



SHEAVES & CABLE ROLLERS

Manhole Sheaves

- 4,000 lb. Capacity
- Easy set-up for manhole pulls
- Aluminum alloy frame for extra strength and light weight
- Adjustable sheave positions
- 8' unit has 12" sheaves, 10' and 12' units have 18" sheaves
- Made in the USA



Scan here for manual



Catalog Number	Description	Weight	
308	8' Manhole Sheave	81 lbs.	UPC 811993022821
310	10' Manhole Sheave	102 lbs.	UPC 811993022838
312	12' Manhole Sheave	140 lbs.	UPC 811993022845

Wing Nut Driver

- Cuts installation time
- Designed to quickly install or remove wing nuts on tray sheaves, radius and straight rollers
- Available in two sizes
 - 9500-WND - 3/8" Drive for use with all straight and radius rollers with 3/8" wing nuts
 - 9500-WNDL - 3/8" Drive for use with all tray sheaves with 7/16" wing nuts
- Made in the USA



Catalog Number	Description	Weight	
9500-WND	3/8" Drive – Wing Nut Driver for 3/8" wing nuts	1 lb.	UPC 811993025334
9500-WNDL	3/8" Drive – Wing Nut Driver for 7/16" wing nuts	1 lb.	UPC 811993025808



Current Tools
FOR THE PROFESSIONAL ELECTRICIAN

www.currenttools.com

P.O. Box 17026 • Greenville, SC 29606 • 864.721.4230 • fax 864.721.4232 • 800.230.5421



Triangle Sheave Cable Guide

- 6,500 lbs. Capacity
- Adjustable center sheave to vary pulling radius from 19 1/2" to 36"
- Pinned steel yoke for easy removal
- Aluminum frame for light weight
- Made in the USA



Catalog Number	Description	Weight	
333	Triangle sheave Cable Guide	26 lbs.	UPC 811993022708

Cable Feeding Sheaves

- Tube designed to fit into standard sizes of all types of conduit
- Tube is split for easy removal of cable after installation
- 5" wide aluminum sheaves with self-lubricating bearings
- For feeding of cable into conduit
- Made in the USA



Scan here for manual



Catalog Number	Description	Weight	
520FS	Feeding sheave for 2" conduit	8 lbs.	UPC 811993022715
525FS	Feeding sheave for 2-1/2" conduit	11 lbs.	UPC 811993022722
530FS	Feeding sheave for 3" conduit	14 lbs.	UPC 811993022739
535FS	Feeding sheave for 3-1/2" conduit	17 lbs.	UPC 811993022746
540FS	Feeding sheave for 4" conduit	19 lbs.	UPC 811993022753
550FS	Feeding sheave for 5" conduit	26 lbs.	UPC 811993022760
560FS	Feeding sheave for 6" conduit	30 lbs.	UPC 811993022777



SHEAVES & CABLE ROLLERS

Cable Rollers

- Installs through bottom of tray for easy removal after installation
- Welded steel frames
- Length adjustment slots
- Long life steel ball bearing rollers
- Each roller supplied with 2 each J-hooks and hardware
- Made in the USA

**Two styles —
Straight and Radius**



**See page 75 for
9500 Wing Nut Driver**

Straight Cable Rollers

Catalog Number	Description	Weight	
9518SR	Straight Cable Roller for 12"-18" Tray	7.5 lbs.	UPC 811993022852
9524SR	Straight Cable Roller for 20"-24" Tray	9 lbs.	UPC 811993022869
9530SR	Straight Cable Roller for 24"-30" Tray	12.5 lbs.	UPC 811993022876
9536SR	Straight Cable Roller for 30"-36" Tray	14.5 lbs.	UPC 811993022883



Radius Cable Rollers

Catalog Number	Description	Weight	
9518RR	Radius Cable Roller for 12"-18" Tray	10 lbs.	UPC 811993022890
9524RR	Radius Cable Roller for 20"-24" Tray	10.5 lbs.	UPC 811993022906
9530RR	Radius Cable Roller for 24"-30" Tray	12 lbs.	UPC 811993022913
9536RR	Radius Cable Roller for 30"-36" Tray	13 lbs.	UPC 811993022920



Current Tools
FOR THE PROFESSIONAL ELECTRICIAN

www.currenttools.com

P.O. Box 17026 • Greenville, SC 29606 • 864.721.4230 • fax 864.721.4232 • 800.230.5421



Right Angle Rollers

- Welded steel frames
- Long life steel ball bearing rollers
- Easy set-up
- Made in the USA



Catalog Number	Description/Size	Weight	
95024RA	90° Right Angle Roller - 24" Radius	41 lbs.	UPC 811993022937
95036RA	90° Right Angle Roller - 36" Radius	53 lbs.	UPC 811993022944

Four-Sided Roller with Clamp

- Designed for multi-directional pulling
- Easily clamps to most styles of cable tray
- Low friction rollers for ease of pulling
- Quick release pin for fast loading/unloading of cable
- 8" opening
- Made in the USA



Scan here for manual



Catalog Number	Description	Weight	
9548	Four Sided Roller – 8" Opening Capacity – 100 lbs.	9.5 lbs.	UPC 811993022951

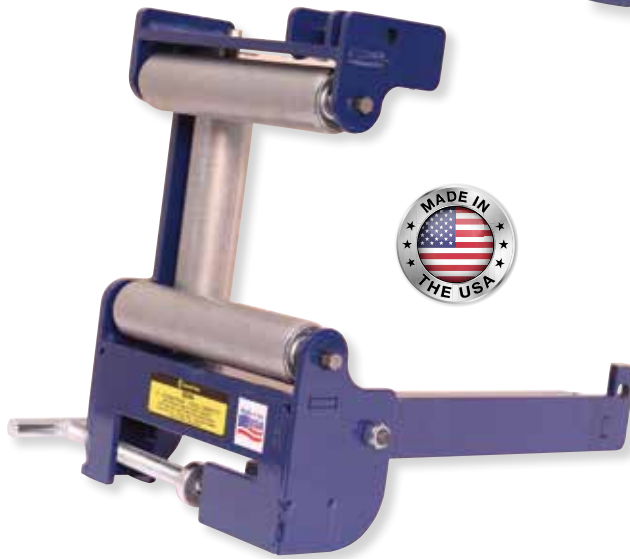




SHEAVES & CABLE ROLLERS

9544 Four-Sided Roller

- Designed for multi-directional pulling
- Easily clamps to most styles of cable tray
- 4" Opening
- Quick release pin for fast loading/unloading of cable
- Built-in clamp
- No loose parts
- Made in the USA



Sidearm opens for fast loading/unloading of cable.

Scan here for video

Scan here for manual



Catalog Number	Description	Weight	
9544	Four Sided Roller – 4" Opening Capacity – 100 lbs.	10.5 lbs.	UPC 811993026508



Current Tools
FOR THE PROFESSIONAL ELECTRICIAN

www.currenttools.com

P.O. Box 17026 • Greenville, SC 29606 • 864.721.4230 • fax 864.721.4232 • 800.230.5421

501 Dolly Cart

- Heavy duty dolly type cart can be used vertically or horizontally
- Rods to hold wire reels have spring clips on each end for easy loading/unloading
- Large 8" wheels for easy mobility
- Wire guide on handle for horizontal dispensing
- Will fit through 28" door
- Made in the USA



Scan here for manual



Catalog Number	Description	Weight	
501	Dolly Cart Capacity — Will hold 6 – 2,500' spools up to 16" diameter or 15 – 500' spools Dimensions — 54 3/4" length x 27" width x 24" height	62 lbs.	UPC 811993022968

502 Turtle Cart

- Heavy duty frame
- Wire guide permanently mounted to front of cart
- Spindle designed to reduce backlash
- Will fit thru 30" door
- Large wheels for easy mobility
 - front swivel/brake caster
 - semi pneumatic rear wheels
- Made in the USA



Scan here for manual



**Better than the rest!
Arms designed with
one piece construction**

Catalog Number	Description	Weight	
502	Turtle Cart Capacity — will hold 6 – 2,500' spools up to 18" diameter Dimensions — 41" length x 29 1/2" width x 32 1/2" height	86 lbs.	UPC 811993022975



WIRE CARTS

503 Wire Tree

- Heavy duty tree type wire dispenser
- Spindles designed to reduce backlash
- Wire guide mounted on front of cart - swivels 360° for up or down pulls
- T-handle for ease of transporting
- Will fit through 32" door
- Large 8" wheels for easy mobility - front wheels swivel and brake
- Made in the USA



**Better than the rest!
Arms designed with
one piece construction**

Scan here for manual



Catalog Number	Description	Weight	
503	Wire Tree Capacity — holds up to 10 – 2,5000 ft. spools of wire up to 18" diameter Dimensions — 36" length x 31 1/2" width x 59" height	175 lbs.	UPC 811993022982

504 Reel Dolly

- Designed to easily move and dispense reels of wire around the job site
- Heavy duty design for years of service
- Folding handles to save space
- 8" Diameter molded-on rubber wheels
- Made in the USA



Scan here for manual



Catalog Number	Description	Weight	
504	Reel Dolly Capacity — Maximum 300 lbs. Holds reel of cable up to 20" wide and 40" in diameter Dimensions — 64" length x 30 1/4" width x 29 7/8" height	114 lbs.	UPC 811993022999



Current Tools
FOR THE PROFESSIONAL ELECTRICIAN

www.currenttools.com

P.O. Box 17026 • Greenville, SC 29606 • 864.721.4230 • fax 864.721.4232 • 800.230.5421



509 Armored Cable Dispenser

- Sturdy steel construction for rugged use
- Includes cable guide to prevent tangles
- Adjustable spring to prevent overfeeding
- Made in the USA



Scan here for manual



Catalog Number	Description	Weight	UPC
509	Armored Cable Dispenser Dispensing Capacity – 1 coil, 250' 14/2, 14/3, 12/2, 12/3 Armored cable or unboxed Romex®	25 lbs.	811993023002

509M Mobile Armored Cable Dispenser

- Can transport up to 3 coils weighing up to 250 lbs. total
- Sturdy steel construction for rugged use
- Convenient T-handle and durable wheels for easy mobility
- Fits through standard doorway
- Includes cable guide to prevent tangles
- Adjustable spring to prevent overfeeding
- Made in the USA



Scan here for manual



Catalog Number	Description	Weight	UPC
509M	Mobile Armored Cable Dispenser Transport Capacity – up to 3 coils armored cable weighing up to 250 lbs. Dispensing Capacity – 1 coil 250' 14/2, 14/3, 12/2 or 12/3 Armored cable or unboxed Romex®	48 lbs.	811993023019

*Romex® is a registered trademark of Southwire Company, LLC.





WIRE CARTS

510 Reel Truck

- Standard unit has five 5/8" diameter spindles
- Stores and dispenses up to fifteen spools of #14 THHN wire
- Integral wire guide to help organize wire while dispensing
- Less than 24" wide
- Convenient storage for up to 3 spindles when not in use
- Optional expansion kit (#511) will increase cart capacity up to 60%
- Made in the USA



Model 511
Expansion Kit (optional)

Model 510
Reel Truck

Scan here for manual



Catalog Number	Description	Weight	
510	Reel Truck Dimensions — 47" length x 24" width x 24" height	47 lbs.	UPC 811993023026
511	Expansion Kit	17 lbs.	UPC 811993023033

Spool Capacity Chart

Spool Diameter	Spool Width	Model 510 Maximum # of Spools	w/ 511 Expansion Kit Maximum # of Spools
7"	5 3/8"	15	24
7"	8"	10	16
12"	16 3/8"	3	5
14"	16 3/8"	3	3
22"	16 3/8"	2	2



Current Tools
FOR THE PROFESSIONAL ELECTRICIAN

www.currenttools.com

P.O. Box 17026 • Greenville, SC 29606 • 864.721.4230 • fax 864.721.4232 • 800.230.5421



507 Conduit Bundler

- Designed for easy movement of large bundles of conduit on the job site
- Welded construction for years of job site use
- Provided with large 6" casters; 2 swivel and 2 fixed
- Made in the USA



Scan here for manual



Catalog Number	Description	Weight	
507	Conduit Bundler with casters Capacity — 1,000 lbs. Dimensions — 58 1/2" length x 34" width x 42 1/4" height	112 lbs.	UPC 811993023057

505 Conduit Rack with Casters

- For organizing conduit or pipe
- 7 spaces for sorting
- Arms fold down to save space
- Provided with large 6" casters; 2 swivel and 2 fixed
- Made in the USA



Scan here for manual



Better than the rest!
Arms designed with
one piece construction

Catalog Number	Description	Weight	
505	Conduit Rack with casters Capacity — 1,000 lbs. Dimensions — 58 1/2" length x 34" width x 61" height	111 lbs.	UPC 811993023040



CONDUIT STORAGE & TRANSPORT

505M Conduit Rack with Mesh Base

- Mesh base for added storage
- For organizing conduit or pipe
- 7 spaces for sorting
- Arms fold down to save space and allow for stacking
- Provided with large 6" casters; 2 swivel and 2 fixed
- Made in the USA



*Better than the rest!
Arms designed with
one piece construction*



Scan here for manual



Catalog Number	Description	Weight	
505M	Conduit Rack with Mesh Base Capacity — 1,000 lbs. Dimensions — 58 1/2" length x 34" width x 61" height	121 lbs.	UPC 811993026195



Current Tools
FOR THE PROFESSIONAL ELECTRICIAN

www.currenttools.com

P.O. Box 17026 • Greenville, SC 29606 • 864.721.4230 • fax 864.721.4232 • 800.230.5421



Conduit Racks with Adjustable Arms

- Arms adjust quickly to hold bent conduit
- Arms fold down to save space and allow for stacking of the carts
- Arms adjust with pull pins (no loose parts)
- Large 6" casters for easy mobility
- Fits through 36" doorway
- Made in the USA



Model 505AA



Model 505MAA



Scan here for manual



Catalog Number	Description	Weight	
505AA	Conduit Rack with Adjustable Arms Capacity — 1,000 lbs Dimensions — 58 1/2" length x 34" width x 61" height	123 lbs.	UPC 8119930262379
505MAA	Conduit Rack with Mesh Base and Adjustable Arms Capacity — 1,000 lbs Dimensions — 58 1/2" length x 34" width x 61" height	129 lbs.	UPC 811993026430

www.currenttools.com

P.O. Box 17026 • Greenville, SC 29606 • 864.721.4230 • fax 864.721.4232 • 800.230.5421

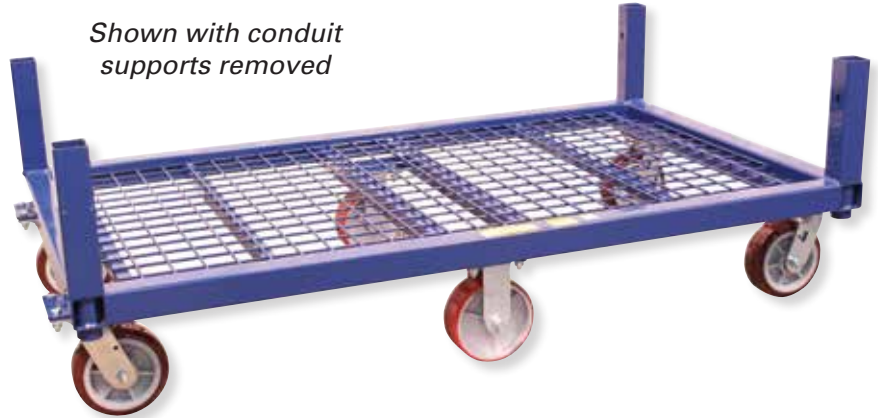


CONDUIT STORAGE & TRANSPORT

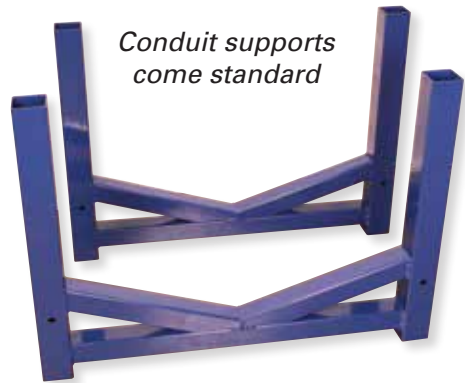
516 Conduit/ Material Cart

- Easily transport conduit and material around the job site
- Removable conduit supports
- 2,000 lb. capacity
- Conduit support design provides clearance under conduit for loading/unloading
- Stackable when not in use for compact storage
- Compare to Sumner Pipe Mac™*

Shown with conduit supports removed



Conduit supports come standard



Shown with conduit supports installed

Scan here for manual



Catalog Number	Description	Weight	
516	Conduit/Material Cart — Capacity 2,000 lbs.	176 lbs.	UPC 811993026454

*Sumner® and Pipe Mac™ are trademarks of Southwire, Inc.



Current Tools
FOR THE PROFESSIONAL ELECTRICIAN

www.currenttools.com

P.O. Box 17026 • Greenville, SC 29606 • 864.721.4230 • fax 864.721.4232 • 800.230.5421



513 Elevator Conduit Cart

- Tilts to allow for easy access into and out of elevators and doorways
- 500 lb. capacity
- Load and unload conduit with bed in raised or lowered position
- Holds standard 10' lengths of conduit
- Will fit through standard 36" doorway
- Convenient storage tray
- Two rigid and two locking swivel casters for ease of mobility
- Powder coated finish

Scan here for video Scan here for manual



Catalog Number	Description	Weight	
513	Elevator conduit cart	200 lbs.	UPC 811993026218

www.currenttools.com

P.O. Box 17026 • Greenville, SC 29606 • 864.721.4230 • fax 864.721.4232 • 800.230.5421

Current Tools 
FOR THE PROFESSIONAL ELECTRICIAN



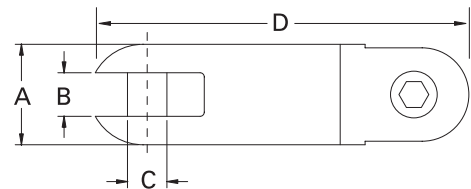
PULLING ACCESSORIES

Line Swivels — 00505 Series

- Current Tools line swivels are constructed with a thrust bearing for tensile load and a radial bearing for bending load. They combine a high safe working load with a compact design.
- All sizes incorporate an oil seal and are manufactured from high strength stainless steel.
- Sizes 00505-020 and larger are supplied with a grease point for lubrication.
- Sizes 00505-025 and larger are supplied with hexagon Clevis Pins.



CAUTION
Line swivels are not designed to run around sheaves.



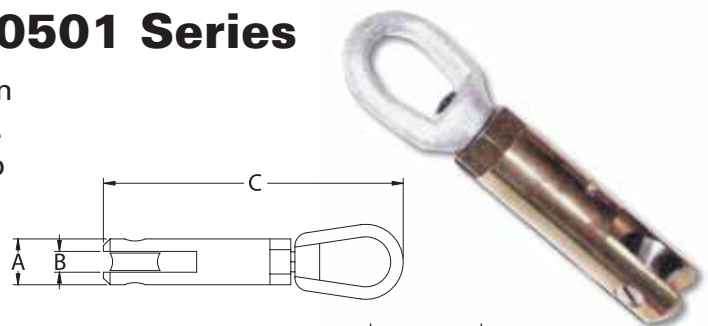
Catalog Number	*Underground Safe Working Load	**Overhead Safe Working Load	A	B	C	D	Standard Clevis Pins	Weight	UPC
00505-005	750 lb.	450 lbs.	5/8"	9/32"	3/16"	2-1/2"	00005-SLT	.13 lb.	811993023064
00505-010	2,250 lb.	1,350 bs.	7/8"	3/8"	5/16"	3-3/8"	00010-SLT	.34 lb.	811993023071
00505-015	3,500 lb.	2,100 lbs.	1"	13/32"	3/8"	3-7/8"	00015-SLT	.50 lb.	811993023088
00505-020	5,000 lb.	3,000 lbs.	1-1/4"	17/32"	13/32"	4-3/4"	00020-SLT	1.00 lb.	811993023095
00505-025	7,000 lb.	4,200 lbs.	1-3/8"	9/16"	1/2"	5-1/8"	00025-HEX	1.40 lbs.	811993023101
00505-027	9,000 lb.	5,400 lbs.	1-1/2"	19/32"	1/2"	5-5/8"	00025-HEX	1.70 lbs.	811993023118
00505-030	10,000 lb.	6,000 lbs.	1-5/8"	11/16"	5/8"	6"	00030-HEX	2.10 lbs.	811993023125
00505-035	15,000 lb.	9,000 lbs.	2"	25/32"	11/16"	7"	00035-HEX	3.80 lbs.	811993023132
00505-040	25,000 lb.	15,000 lbs.	2-3/8"	1-1/32"	7/8"	10"	00040-HEX	7.60 lbs.	811993023149
00505-045	50,000 lb.	30,000 lbs.	3"	1-3/16"	1-1/8"	13"	00045-HEX	17.00 lbs.	811993023156

*Safety Factor of 3:1 — horizontal pull only

**Safety Factor of 5:1

Wire Grip Swivels — 00501 Series

These swivels may be used in conjunction with any non-rotary head wire mesh grip. They will allow the wire being installed to "unwind" as it is being pulled in, but like the Rotary Heads, these swivels will not rotate under load.



Catalog Number	Min. Breaking Strength	A	B	C	Weight	UPC
00501-010	10,000 lbs.	1 1/4"	9/16"	7"	1.5 lbs.	811993023163
00501-025	25,000 lbs.	1 5/8"	9/16"	8 5/8"	3.3 lbs.	811993023170



Current Tools
FOR THE PROFESSIONAL ELECTRICIAN

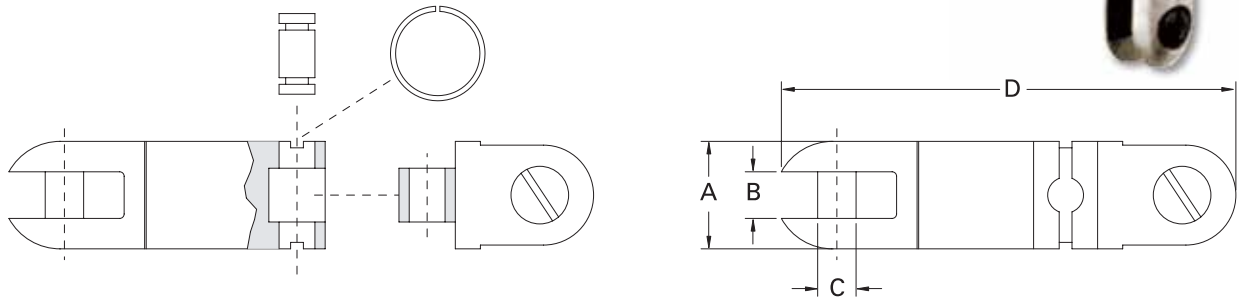
www.currenttools.com

P.O. Box 17026 • Greenville, SC 29606 • 864.721.4230 • fax 864.721.4232 • 800.230.5421



Breakaway Swivel — 00550 Series

- The purpose of this product is to protect the cable being installed from overload as well as providing the function of a regular Line Swivel. Typically, they are used during the installation of Fiber Optic cable where the swivel can be pre-set to breakaway at a pre-determined load, thus protecting the fibers or the conduit.
- Breakaway pin kits are ordered separately from breakaway swivels.
- Breakaway pin load ratings are within +/-10%.
- The Swivel is constructed of stainless steel and the breakaway pins are color coded for easy identification.



Note: Breakaway pin kits not included with breakaway swivels and must be ordered from chart below.

Catalog Number	A	B	C	D	Use Breakaway Pin Kits in:	Weight	
00550-005	5/8"	9/32"	3/16"	3-1/4"	GROUP A	0.17 lb.	UPC 811993023187
00550-010	7/8"	3/8"	5/16"	4-1/16"	GROUP B	0.42 lb.	UPC 811993023194
00550-020	1-1/4"	17/32"	13/32"	5-9/16"	GROUP C	1.20 lbs.	UPC 811993023200

Breakaway Pin Kits

Must be purchased in standard package quantity

Catalog Number	Breaking Point	Color Code		Standard Pack	
00555-002	200 lbs.	WHITE	Group A use with 00550-005	10	UPC 811993023217
00555-0034	340 lbs.	RED			UPC 811993023224
00555-004	400 lbs.	YELLOW			UPC 811993023231
00555-0045	450 lbs.	BLUE			UPC 811993023248
00555-006	600 lbs.	ORANGE			UPC 811993023255
00555-007	675 lbs.	BLACK			UPC 811993023262
00535-002	200 lbs.	WHITE			Group B use with 00550-010
00535-004	400 lbs.	YELLOW	UPC 811993023309		
00535-006	600 lbs.	ORANGE	UPC 811993023316		
00535-008	800 lbs.	GREY	UPC 811993023323		
00535-010	1000 lbs.	RED	UPC 811993023330		
00555-018	1,800 lbs.	GREEN	Group C use with 00550-020	5	UPC 811993023279
00555-020	2,000 lbs.	BLUE			UPC 811993023286

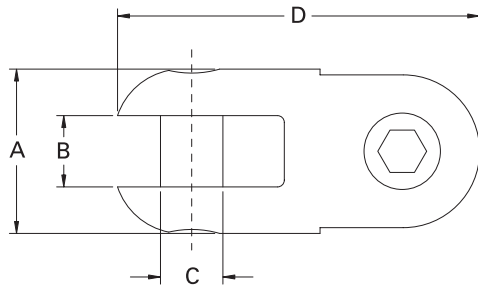
Various break points available up to 4000 lbs. upon request



PULLING ACCESSORIES

Can-Link Connector — 00520 Series

- The 00520 Connector is used to connect two items with lugs or wire loop fittings. A common use is to connect a wire mesh grip to the pulling wire. The connectors are manufactured from high strength Stainless Steel with hardened Clevis Pins. The two smaller sizes have slotted Clevis Pins while the larger ones have hexagon Clevis Pins.



Catalog Number	*Safe Working Load	A	B	C	D	E	Weight	
00520-010	2,500 lbs.	7/8"	3/8"	5/16"	2 1/8"		0.19 lbs.	UPC 811993023347
00520-020	5,000 lbs.	1 1/4"	17/32"	13/32"	2 7/8"		0.50 lbs.	UPC 811993023354
00520-027	9,000 lbs.	1 1/2"	19/32"	1/2"	3 3/8"		0.80 lbs.	UPC 811993023361
00520-035	15,000 lbs.	2"	25/32"	11/16"	4 9/16"		2.00 lbs.	UPC 811993023378

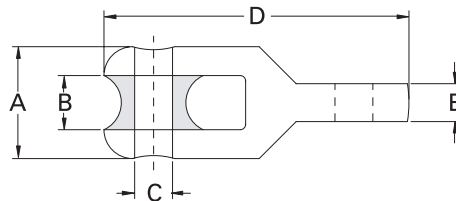
*Safety Factor of 3:1

Rope to Swivel Connector — 00522 Series

- This product is used to connect a swivel to pulling rope. The entire product, including sheave, is manufactured from stainless steel.

Line Swivel Selection

Connector #	Use with these Line Swivels
00522-025:	00505-020 00505-025 00505-027
00522-035:	00505-030 00505-035



Catalog Number	*Safe Working Load	Maximum Rope Diameter	A	B	C	D	E	Weight	
00522-025	7,000 lbs.	7/8"	2"	15/16"	11/16"	5 5/16"	1/2"	2.10 lbs.	UPC 811993023385
00522-035	15,000 lbs.	7/8"	2"	15/16"	11/16"	5 3/8"	21/32"	2.30 lbs.	UPC 811993023392
00522-040	30,000 lbs.	7/8"	2"	15/16"	11/16"	5 3/8"	21/32"	3.9 lbs.	UPC 811993026485

*Safety Factor of 3:1



Current Tools
FOR THE PROFESSIONAL ELECTRICIAN

www.currenttools.com

P.O. Box 17026 • Greenville, SC 29606 • 864.721.4230 • fax 864.721.4232 • 800.230.5421



Pulling Harnesses

- Designed to pull in 2" and larger conduit
- Harness legs are 1/4" galvanized aircraft cable
- Staggered grips on each double leg harness to avoid interference with each other
- Harnesses available in long and short lengths
- Grips have 5/8" diameter opening and are supplied with 2 jam screws
- See maximum capacities listing below
- Made in the USA



Pulling Harness Kits

Catalog Number	Description	Weight	UPC
2500	Includes 1 each of the following: 2502 – Clevis 2500-1 – Double Leg Pulling Harness – long 2500-2 – Double Leg Pulling Harness – short 2500-3 – Allen Wrench 3/8" 2500-4 – Allen Wrench 1/4"	5 lbs.	UPC 811993023408
2501	Includes 1 each of the following: 2500-1 – Double Leg Pulling Harness – long 2500-2 – Double Leg Pulling Harness – short 2500-3 – Allen Wrench 3/8"	2 lbs.	UPC 811993023415

Individual Harnesses

Catalog Number	Description	Weight	UPC
2500-1	Double Leg Pulling Harness – long	2 lbs.	UPC 811993023439
2500-2	Double Leg Pulling Harness – short	2 lbs.	UPC 811993023446

Clevis

Catalog Number	Description	Weight	UPC
2502	Clevis Max. Rated Capacity – 6,500 lbs.	1.2 lbs.	UPC 811993023422

The following are MAXIMUM pulling capacities:

- 1,750 lbs. maximum when using 1 grip of a double leg pulling harness
- 3,250 lbs. maximum per double leg pulling harness when using both grips of a double leg pulling harness
- 6,500 lbs. maximum when using both (Model 2500-1 and Model 2500-2) double leg pulling harnesses
- Clevis maximum capacity is 6,500 lbs.



PULLING ACCESSORIES

Pulling Grips

Current Tools cable grips are hand-woven by experienced trades people and this guarantees a consistent level of high quality. **Current Tools** grips are reverse woven, creating a loop at the end of the grip instead of being soldered or crimped together.

The looped pulling head is actually a separate wire rope eye which is placed inside the swage sleeve along with the wire mesh strands. The swage sleeve is then crimped forming an extremely effective anchor point for both the looped head and the wire mesh. Testing proves this is never the weakest link of the product. The flexible eye allows cable to be pulled more easily through smaller conduit.

The **Current Tools** cable grips enclose the cable firmly over the entire length of the mesh. They are made of high tensile steel strands. Depending on the type of grip, the strand comprises 7, 12 or 19 wires. By selecting the most suitable strand, the tension distribution characteristics can be adjusted to suit the requirements.

All **Current Tools** grips meet the highest standards in terms of material and workmanship and we are pleased to offer a wide range of grips with different designs and eye arrangements for onsite, underground or overhead installations.

In addition to the grips listed in this catalog, **Current Tools** can also supply special products for particular fields of application. Information on these will be supplied upon request.

Some of the grips offered in this catalog have Rotating Heads which allow the grip to rotate while not under load.



Current Tools also offers the 00501 Series swivel, designed specifically for use with flexible eye grips, it is easily interchangeable but it will also not rotate under load.

All capacities indicated are Approximate Breaking Strength. Each user must decide what safety factor they require for each specific operation before selecting which grip to use. Due to metal fatigue and possible in-use damage, quoted values only apply to new grips.

Please refer to the following pages for information on **Current Tools** pulling grips. Line Swivels, Breakaway Swivels and Connectors suitable for use with the grips may also be found in this catalog.

Grip Selection Chart — For cables of equal diameter in one grip.

2 Cables Dia. Range ea Cable (in)	3 Cables Dia. Range ea Cable (in)	4 Cables Dia. Range ea Cable (in)	5 Cables Dia. Range ea Cable (in)	6&7 Cables Dia. Range ea Cable (in)	8 Cables Dia. Range ea Cable (in)	9 Cables Dia. Range ea Cable (in)	Required Grip Diameter Range
.30-.38	.25-.31	.22-.27	.19-.24	.17-.22	.15-.19	.14-.18	.50-.61
.38-.44	.31-.36	.27-.31	.24-.29	.22-.26	.19-.23	.18-.21	.62-.74
.44-.59	.36-.49	.31-.42	.29-.38	.26-.34	.23-.31	.21-.28	.75-.99
.59-.75	.49-.63	.42-.54	.38-.48	.34-.43	.31-.39	.28-.35	1.00-1.24
.75-.90	.63-.76	.54-.65	.48-.58	.43-.52	.39-.46	.35-.42	1.25-1.49
.90-1.07	.76-.89	.65-.77	.58-.67	.52-.60	.46-.54	.42-.49	1.50-1.74
1.07-1.22	.89-1.02	.77-.88	.67-.77	.60-.69	.54-.62	.49-.56	1.75-1.99
1.22-1.53	1.02-1.28	.88-1.10	.77-.96	.69-.86	.62-.77	.56-.71	2.00-2.49
1.53-1.83	1.28-1.53	1.10-1.32	.96-1.16	.86-1.03	.77-.93	.71-.85	2.50-2.99
1.83-2.14	1.53-1.79	1.32-1.54	1.16-1.35	1.03-1.20	.93-1.08	.85-.99	3.00-3.49
2.14-2.44	1.79-2.05	1.54-1.76	1.35-1.54	1.20-1.37	1.08-1.24	.99-1.13	3.50-3.99
2.44-2.75	2.05-2.30	1.76-1.98	1.54-1.74	1.37-1.55	1.24-1.39	1.13-1.27	4.00-4.49
2.75-3.06	2.30-2.56	1.98-2.20	1.74-1.93	1.55-1.72	1.39-1.55	1.27-1.41	4.50-4.99



Current Tools
FOR THE PROFESSIONAL ELECTRICIAN

www.currenttools.com

P.O. Box 17026 • Greenville, SC 29606 • 864.721.4230 • fax 864.721.4232 • 800.230.5421



Pulling Grips — 00661 Series

SINGLE WEAVE – GALVANIZED WIRE – SINGLE EYE – LIGHT DUTY

These grips offer a Flexible Eye with Single Weave galvanized wire construction for light duty applications.

Catalog Number	Size Range	Mesh Length	Approx. Breaking Strength	Weight	
00661-004	0.15" to 0.24"	6 1/2"	400 lbs.	0.1 lb.	UPC 811993023453
00661-006	0.25" to 0.37"	6 1/2"	460 lbs.	0.2 lb.	UPC 811993023460
00661-010	0.38" to 0.49"	7 1/2"	860 lb.	0.3 lb.	UPC 811993023477
00661-013	0.50" to 0.62"	9"	1,250 lbs.	0.4 lb.	UPC 811993023484
00661-016	0.63" to 0.74"	12"	1,790 lbs.	0.8 lb.	UPC 811993023491
00661-019	0.75" to 0.99"	12"	2,580 lbs.	1.2 lbs.	UPC 811993023507
00661-025	1.00" to 1.24"	12"	4,090 lbs.	2.1 lbs.	UPC 811993023514



Pulling Grips — 00662 & 00664 Series

NON CONDUCTIVE – SINGLE/DOUBLE WEAVE – SINGLE EYE

These grips are non-conductive and may be used to install fiber optic cable. Smaller sizes are Single Weave and larger sizes are Double Weave.

Catalog Number	Size Range	Weave	Approx. Breaking Strength	Weight	
00662-010	0.38" to 0.74"	Single	2,500 lbs.	0.2 lb.	UPC 811993023521
00662-020	0.75" to 1.12"	Single	3,700 lbs.	0.2 lb.	UPC 811993023538
00664-030	1.13" to 1.49"	Double	9,800 lbs.	0.3 lb.	UPC 811993023545
00664-040	1.50" to 1.99"	Double	11,800 lbs.	0.4 lb.	UPC 811993023552



Pulling Grips — 00670 & 00671 Series

DOUBLE WEAVE – GALVANIZED WIRE – SINGLE EYE

These grips offer a Flexible Eye and Double Weave galvanized wire construction for regular load pulls.

Catalog Number	Size Range	Mesh Length	Approx. Breaking Strength	Weight	
00670-025	0.24" to 0.37"	18"	4,250 lbs.	0.3 lb.	UPC 811993023569
00670-038	0.38" to 0.74"	18"	5,000 lbs.	0.3 lb.	UPC 811993023576
00670-050	0.75" to 1.12"	18"	6,600 lbs.	0.4 lb.	UPC 811993023583
00670-100	1.13" to 1.49"	21"	10,000 lbs.	0.6 lb.	UPC 811993023590
00670-125	1.50" to 1.99"	23"	13,800 lbs.	1.3 lbs.	UPC 811993023606
00670-200	2.00" to 2.49"	24"	14,200 lbs.	1.4 lbs.	UPC 811993023613
00670-250	2.50" to 2.99"	28"	17,500 lbs.	1.7 lbs.	UPC 811993023620
00671-080	3.00" to 3.74"	30"	18,000 lbs.	1.9 lbs.	UPC 811993023637
00671-095	3.75" to 4.24"	32"	26,500 lbs.	2.3 lbs.	UPC 811993023644



Always read Breaking Strength, safety and technical data information.





PULLING ACCESSORIES

Pulling Grips — 00674 & 00675 Series

DOUBLE WEAVE – SINGLE EYE – SLACK GRIP – CLOSED MESH

These grips offer a Flexible Eye and Double Weave galvanized wire construction for those times when a side loaded pulling rope is easier. If the cable end is available, then the Closed Mesh is preferred.



Catalog Number	Size Range	Mesh Length	Approx. Breaking Strength	Weight	
00674-010	0.38" to 0.74"	14"	2,500 lbs.	0.44 lb.	UPC 811993023651
00674-020	0.75" to 1.12"	17"	3,000 lbs.	0.48 lb.	UPC 811993023668
00674-030	1.13" to 1.49"	18"	5,000 lbs.	0.84 lb.	UPC 811993023675
00674-040	1.50" to 1.99"	20"	10,000 lbs.	1.41 lbs.	UPC 811993023682
00675-050	2.00" to 2.49"	21"	11,000 lbs.	2.56 lbs.	UPC 811993023699
00675-065	2.50" to 2.99"	22"	12,000 lbs.	2.64 lbs.	UPC 811993023699
00675-080	3.00" to 3.74"	23"	15,000 lbs.	2.95 lbs.	UPC 811993023712
00675-095	3.75" to 4.24"	24"	15,000 lbs.	4.63 lbs.	UPC 811993023729

Pulling Grips — 00678 & 00679 Series

DOUBLE WEAVE – SINGLE EYE – SLACK GRIP – SPLIT MESH (Lace-Up)

These grips offer a Flexible Eye and Double Weave galvanized wire construction for those times when a side loaded pulling rope is easier. If the cable end is not available, then the Split Mesh is preferred.



Catalog Number	Size Range	Mesh Length	Approx. Breaking Strength	Weight	
00678-010	0.38" to 0.74"	14"	4,100 lbs.	0.44 lb.	UPC 811993023736
00678-020	0.75" to 1.12"	17"	4,970 lbs.	0.55 lb.	UPC 811993023743
00678-030	1.13" to 1.49"	18"	8,150 lbs.	0.82 lb.	UPC 811993023750
00678-040	1.50" to 1.99"	20"	12,100 lbs.	1.39 lbs.	UPC 811993023767
00679-050	2.00" to 2.49"	21"	16,140 lbs.	1.92 lbs.	UPC 811993023774
00679-065	2.50" to 2.99"	22"	16,140 lbs.	2.00 lbs.	UPC 811993023781
00679-080	3.00" to 3.74"	23"	20,170 lbs.	2.20 lbs.	UPC 811993023798
00679-095	3.75" to 4.24"	24"	23,400 lbs.	3.09 lbs.	UPC 811993023804

Always read Breaking Strength, safety and technical data information.



Current Tools
FOR THE PROFESSIONAL ELECTRICIAN

www.currenttools.com

P.O. Box 17026 • Greenville, SC 29606 • 864.721.4230 • fax 864.721.4232 • 800.230.5421



Pulling Grips — 00680 Series

DOUBLE WEAVE – SINGLE EYE – SHOULDERS

These grips offer a FLExible Eye with Shoulders and Double Weave galvanized wire construction. The shoulders offer added protection to the cable being pulled in as well as protecting the leading wire strands.



Catalog Number	Size Range	Mesh Length	Approx. Breaking Strength	Weight	
00680-025	0.25" to 0.49"	18"	4,800 lbs.	0.4 lb.	UPC 811993023811
00680-038	0.50" to 0.74"	24"	5,800 lbs.	0.4 lb.	UPC 811993023828
00680-050	0.75" to 1.12"	24"	6,700 lbs.	0.5 lb.	UPC 811993023835
00680-100	1.13" to 1.49"	24"	10,000 lbs.	0.6 lb.	UPC 811993023842
00680-125	1.50" to 1.99"	24"	16,400 lbs.	1.3 lbs.	UPC 811993023859
00680-200	2.00" to 2.49"	24"	18,500 lbs.	1.5 lbs.	UPC 811993023866
00680-250	2.50" to 2.99"	36"	24,500 lbs.	2.5 lbs.	UPC 811993023873
00680-300	3.00" to 3.74"	36"	24,500 lbs.	2.7 lbs.	UPC 811993023880
00680-350	3.75" to 4.24"	42"	31,000 lbs.	4.2 lbs.	UPC 811993023897
00680-400	4.25" to 4.99"	48"	31,000 lbs.	4.9 lbs.	UPC 811993023903

Pulling Grips — 00681 Series

TRIPLE WEAVE – SINGLE EYE – SHOULDERS

These grips offer a Flexible Eye with Shoulders and Triple Weave galvanized wire construction. The shoulders help to protect the leading edge of the cable and this type should be used for heavy duty applications.



Catalog Number	Size Range	Mesh Length	Approx. Breaking Strength	Weight	
00681-006	0.25" to 0.49"	28"	6,500 lb.	0.5 lb.	UPC 811993023910
00681-012	0.50" to 0.74"	33"	10,400 lb.	0.9 lb.	UPC 811993023927
00681-019	0.75" to 0.99"	41"	16,000 lb.	1.8 lbs.	UPC 811993023934
00681-025	1.00" to 1.24"	51"	25,400 lb.	3.1 lbs.	UPC 811993023941
00681-032	1.25" to 1.49"	60"	31,700 lb.	4.0 lbs.	UPC 811993023958
00681-038	1.50" to 1.99"	70"	32,000 lb.	4.5 lbs.	UPC 811993023965
00681-048	2.00" to 2.49"	75"	44,600 lb.	4.7 lbs.	UPC 811993023972

Always read Breaking Strength, safety and technical data information.

www.currenttools.com

P.O. Box 17026 • Greenville, SC 29606 • 864.721.4230 • fax 864.721.4232 • 800.230.5421



PULLING ACCESSORIES

Pulling Grips — 00682 Series

TRIPLE WEAVE – ROTARY HEAD – SHOULDERS

These grips offer a Stainless Steel Rotary Head with Shoulders and Triple Weave galvanized wire construction. The shoulders help to protect the leading edge of the cable and this type should be used for heavy duty applications.



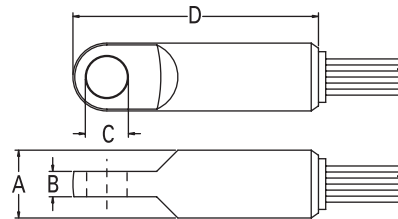
Note: The Rotating Head does not replace the use of a Line Swivel, Series 00505. There are no bearings to allow rotation under load and severe damage may occur to the cable being installed if this product is used without the correct swivel.

Catalog Number	Size Range	Mesh Length	A	B	C	D	Approx. Breaking Strength	Weight	
00682-006	0.25" to 0.49"	28"	7/8"	5/16"	1/2"	2 3/4"	6,500 lbs.	1.5 lbs.	UPC 811993023989
00682-012	0.50" to 0.74"	33"	1"	1/2"	9/16"	3 7/8"	10,400 lbs.	1.9 lbs.	UPC 811993023996
00682-019	0.75" to 0.99"	41"	1"	1/2"	9/16"	3 7/8"	16,000 lbs.	3.2 lbs.	UPC 811993024009
00682-025	1.00" to 1.24"	51"	1 3/8"	1/2"	11/16"	5 3/8"	25,400 lbs.	5.1 lbs.	UPC 811993024016
00682-032	1.25" to 1.49"	60"	1 5/8"	9/16"	7/8"	6 1/8"	31,700 lbs.	6.0 lbs.	UPC 811993024023
00682-038	1.50" to 1.99"	70"	1 7/8"	11/16"	1"	7 1/4"	32,000 lbs.	6.5 lbs.	UPC 811993024030
00682-048	2.00" to 2.49"	75"	1 7/8"	11/16"	1"	7 1/4"	44,600 lbs.	6.7 lbs.	UPC 811993024047

Pulling Grips — 00690 Series

DOUBLE WEAVE – ROTARY HEAD – SHOULDERS

These grips offer a Rotating Eye with Shoulders and Double Weave galvanized wire construction. The shoulders help to protect the leading edge of the cable and this type should be used for heavy duty applications.



Note: The Rotating Head does not replace the use of a Line Swivel. There are no bearings to allow rotation under load and severe damage may occur to the cable being installed if this product is used without the correct swivel.

Catalog Number	Size Range	Mesh Length	A	B	C	D	Approx. Breaking Strength	Weight	
00690-038	0.50" to 0.74"	16"	7/8"	5/16"	1/2"	2 3/4"	5,800 lbs.	1.5 lbs.	UPC 811993024054
00690-050	0.75" to 1.12"	24"	7/8"	5/16"	1/2"	2 3/4"	6,700 lbs.	1.6 lbs.	UPC 811993024061
00690-100	1.13" to 1.49"	33"	1 3/8"	1/2"	11/16"	5 3/8"	13,000 lbs.	1.9 lbs.	UPC 811993024078
00690-125	1.50" to 1.99"	36"	1 3/8"	1/2"	11/16"	5 3/8"	16,500 lbs.	2.3 lbs.	UPC 811993024085
00690-200	2.00" to 2.49"	36"	1 5/8"	9/16"	7/8"	6 1/8"	27,000 lbs.	3.8 lbs.	UPC 811993024092
00690-250	2.50" to 2.99"	38"	1 7/8"	11/16"	1"	7 1/4"	33,000 lbs.	5.0 lbs.	UPC 811993024108
00690-300	3.00" to 3.74"	39"	1 7/8"	11/16"	1"	7 1/4"	41,000 lbs.	5.2 lbs.	UPC 811993024115
00690-350	3.75" to 4.24"	42"	1-7/8"	11/16"	1"	7 1/4"	48,000 lbs.	9.2 lbs.	UPC 811993024122
00690-400	4.25" to 4.99"	58"	1-7/8"	11/16"	1"	7 1/4"	48,000 lbs.	9.9 lbs.	UPC 811993024139

Always read Breaking Strength, safety and technical data information.



Current Tools
FOR THE PROFESSIONAL ELECTRICIAN

www.currenttools.com

P.O. Box 17026 • Greenville, SC 29606 • 864.721.4230 • fax 864.721.4232 • 800.230.5421



Pulling Grips — 00695 Series

DUAL WIRE – DOUBLE WEAVE – HIGH STRENGTH – SHOULDERS
 These extra high strength grips feature a dual wire, double woven construction. This type of grip should be used for heavy duty applications such as overhead transmission wire. The grips are particularly suited to bare conductor and synthetic rope applications.



Catalog Number	Conductor Size Range	Rope Size Range	Mesh Length	Head Length	Approx. Breaking Strength	Weight	
00695-019	0.19" to 0.37"	0.25" to 0.65"	24"	10"	6,800 lb.	1.0 lb.	UPC 811993025594
00695-038	0.38" to 0.62"	0.50" to 0.90"	36"	12"	14,500 lb.	1.5 lbs.	UPC 811993025600
00695-063	0.63" to 0.87"	0.75" to 1.10"	48"	13"	21,500 lb.	3.0 lbs.	UPC 811993025617
00695-088	0.88" to 1.12"	1.00" to 1.50"	60"	15"	32,000 lb.	6.0 lbs.	UPC 811993025624
00695-113	1.13" to 1.37"	1.25" to 1.70"	76"	18"	48,000 lb.	13.5 lbs.	UPC 811993025631
00695-138	1.38" to 1.90"	1.50" to 2.10"	89"	24"	68,000 lb.	21.0 lbs.	UPC 811993025648

Always read Breaking Strength, safety and technical data information.

Lube Spreader — 00510 Series

This product is designed to spread the lubricant around the walls and along the length of the conduit, while also acting as a connector.

The body is constructed out of Stainless Steel and the polyurethane disc has angular grooves which allow better distribution of lubricant.



Table A: Spreader Disc

Spreader Disc Catalog Number	Conduit Size	Disc Diameter	Connector Body	Weight	
00515-200	2"	1 7/8"	00510-025	0.045 lb.	UPC 811993024146
00515-250	2 1/2"	2 3/16"	00510-025	0.066 lb.	UPC 811993024153
00515-300	3"	2 13/16"	00510-025	0.110 lb.	UPC 811993024160
00515-350	3 1/2"	3 1/4"	00510-035	0.170 lb.	UPC 811993024177
00515-400	4"	3 3/4"	00510-035	0.240 lb.	UPC 811993024184
00515-500	5"	4 11/16"	00510-035	0.450 lb.	UPC 811993024191
00515-640	6"	5 13/16"	00510-035	0.670 lb.	UPC 811993024207

How to Order:

1. Select disc from table (A) to fit the internal diameter of conduit to be lubricated.
2. Select connector assembly from table (B) to match selected disc from table (A).

Table B: Connector Body

Connector Catalog Number	*Safe Working Load	Body Diameter	Overall Length	Clevis Pin	Weight	
00510-025	4,000 lbs.	1 3/8"	4 5/8"	00025-HEX	0.70 lb.	UPC 811993024214
00510-035	7,200 lbs.	2"	6 1/4"	00035-HEX	2.50 lbs.	UPC 811993024221

*Safety Factor of 3:1



PULLING ACCESSORIES

Conduit Checker — 08500 Series

Following initial installation of the conduit it is often found that debris or partial collapse of the conduit will impede installation of the cable.

These products are designed to ensure the conduit is clear before installing the cable.

The discs are manufactured from high density polyurethane giving them the toughness to clear the conduit without scraping or scratching the interior walls. The discs are spaced with gaps to allow passage through tight bends. The wire rope running through the mandrel is high quality, galvanized wire.



Catalog Number	Conduit Size	Disc Diameter	*Safe Working Load	Weight	
08500-150	1 1/2"	1 7/16"	1,400 lbs.	.5 lbs.	UPC 811993026065
08500-200	2"	1 7/8"	2,300 lbs.	0.92 lb.	UPC 811993024238
08500-250	2 1/2"	2 3/16"	2,300 lbs.	1.10 lbs.	UPC 811993024245
08500-300	3"	2 13/16"	2,300 lbs.	1.60 lbs.	UPC 811993024252
08500-350	3 1/2"	3 1/4"	4,800 lbs.	2.70 lbs.	UPC 811993024269
08500-400	4"	3 3/4"	4,800 lbs.	3.60 lbs.	UPC 811993024276
08500-500	5"	4 11/16"	4,800 lbs.	4.80 lbs.	UPC 811993024283
08500-640	6"	5 13/16"	4,800 lbs.	7.30 lbs.	UPC 811993024290

*Safety Factor is 3:1 (horizontal pulls only)

Spiral Conduit Brush — 08000 Series

Flat steel bristles spiraled onto heavy duty wire spindle with a Pulling Eye on one end only. This product will quickly remove grit or light dirt within the conduit before installing your cable.

Catalog Number	Nominal Conduit Size	Weight	
08000-200	2"	0.38 lb.	UPC 811993024306
08000-250	2 1/2"	0.42 lb.	UPC 811993024313
08000-300	3"	0.48 lb.	UPC 811993024320
08000-350	3 1/2"	0.50 lb.	UPC 811993024337
08000-400	4"	0.53 lb.	UPC 811993024344
08000-500	5"	0.62 lb.	UPC 811993024351
08000-600	6"	0.68 lb.	UPC 811993024368



Current Tools
FOR THE PROFESSIONAL ELECTRICIAN

www.currenttools.com

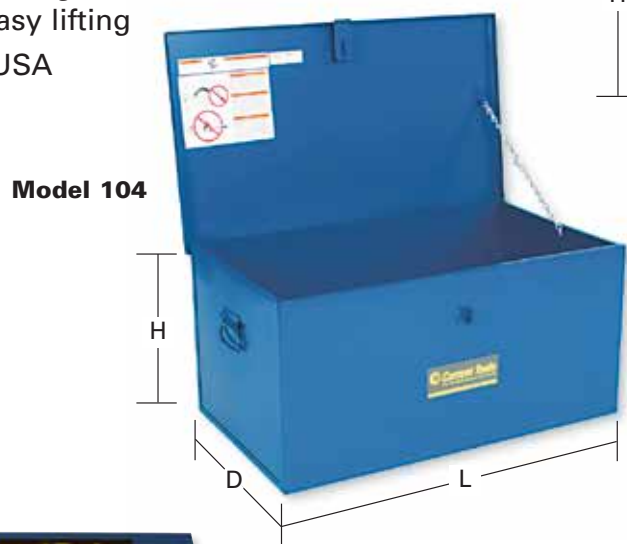
P.O. Box 17026 • Greenville, SC 29606 • 864.721.4230 • fax 864.721.4232 • 800.230.5421

Storage Boxes

- Secure storage for job site tools
- Heavy duty hinges for durability
- Side handles for easy lifting
- Heavy duty - 16 gauge construction
- Models #101 and #105 have pre-drilled holes for caster mounting and large bottom runners for easy lifting
- Made in the USA



Model 101



Model 104



Model 8-0501



Model 105

Catalog Number	Description	L	H	D	Weight	
101	Storage Box —	48" length	30" height	30" depth	188 lbs.	UPC 811993024375
104	Storage Box —	31" length	15" height	18" depth	51 lbs.	UPC 811993024382
8-0501	Storage Box —	23" length	17" height	20" depth	36 lbs.	UPC 811993024399
105	Storage Box —	60" length	28.5" height	24" depth	175 lbs.	UPC 811993026560



SAWING

Band Saw

- Convertible (Horizontal/Vertical)
- Mobile Transfer System including: Pull-out handle that automatically locks saw head assembly in "down" position plus a foot-actuated jacking lever to position wheels for easy mobility
- Vertical Work Table
- Stock Stop Assembly
- Ball Bearing Blade Guides
- Three-speed V-Belt Drive
- Blade Brush
- Under Voltage and Overload Protection
- Power Interruption Breaker Switch
- Precision Ground Bed
- Quick Acting Vise
- Adjustable Pressure Gravity Feed
- Auto Shutoff at Cut Completion
- Blade Guards
- Made in the USA



Catalog Number	Description	Weight	
BSD95	Heavy Duty Band Saw	350 lbs.	UPC 811993020933

SPECIFICATIONS

Capacity

Round	9 1/2"
Flat	11"
Rectangular.....	9 1/2" H x 11" W
45° angle.....	5.5" H x 5.5" W

Vertical Capacity

Throat Height.....	9.5"
Throat Depth625"
Work Table	8" x 10"
Blade Size.....	1/2" x .025" x 7'9"
Blade speeds	76 -141 - 268 FPM
Blade Guides	Ball Bearing
Blade Tension.....	Manual Take-up
Motor, Blade Drive.....	1/2 HP, 115/60/1



Current Tools
FOR THE PROFESSIONAL ELECTRICIAN

www.currenttools.com

P.O. Box 17026 • Greenville, SC 29606 • 864.721.4230 • fax 864.721.4232 • 800.230.5421



Caster Set

Capacity — Set of 4 casters – 2,000 lbs.

- Heavy duty design to move storage boxes around the job site
- Each set has 2 swivel and 2 fixed casters
- Mounting bolts are provided with each caster set



Catalog Number	Description	Capacity Set of 4 casters	Weight	
506	6" wheel set; 2 swivel and 2 fixed	2,000 lbs.	20 lbs.	UPC 811993024405

General Purpose Poly Rope

- High visibility yellow
- Great for roping off areas within construction sites
- Resistant to weather, rot and mildew
- For general purpose use

• NOT FOR CABLE PULLING.

See page 63 and 64 for ropes used with cable pullers.



NOT FOR CABLE PULLING.

Rope Diameter	Catalog Number	Length	Avg. Breaking Strength	Weight	
1/4"	GPR143	300'	1,250 lbs.	5 lbs.	UPC 811993024412
	GPR146	600'	1,250 lbs.	9 lbs.	UPC 811993024429
	GPR1412	1200'	1,250 lbs.	13 lbs.	UPC 811993024436
3/8"	GPR383	300'	2,700 lbs.	11 lbs.	UPC 811993024443
	GPR386	600'	2,700 lbs.	19 lbs.	UPC 811993024450



COMPARISON REFERENCE

Description	Greenlee® Item #	Current Tools Item #	Page #
OFFSET BENDERS			
1/2" EMT Offset Bender	1810	705	1
3/4" EMT Offset Bender	1811	706	1
Drill Driven Offset Bender for 1/2" to 1" EMT and 1/2" to 3/4" Rigid/IMC	N/A	753	2
MECHANICAL BENDERS			
1/2" To 1" Mechanical Bender for RIGID/IMC Conduit and Schedule 40 pipe	1800	750	3
1¼" To 1½" Mechanical Bender for RIGID/IMC Conduit and Schedule 40 pipe	1801	751	3
Combination Mechanical Bender for 1/2" to 1" Rigid/IMC and 1/2" to 1 1/4" EMT	N/A	753	4
CONDUIT BENDERS			
Electric Bender-Power unit only without bending attachments	555C	77	6, 9
Electric Bender with single shoe and roller support for 1/2" to 2" Rigid Conduit	555RSC	77SR	6
Electric Bender with single shoe and roller support for 1/2" to 2" EMT Conduit	555ESC	77SE	6
Electric Bender with single shoe and roller support for 1/2" to 2" IMC Conduit	555C + 02548 + 01323	77SI	6
Electric Bender with single shoe and roller support for 1/2" to 2" 40 Mil PVC Coated Conduit	555C + 12586	77SP	6
Electric Bender with bending attachments to bend 1/2" to 2" rigid conduit and Schedule 40 pipe. Includes shoe group #700R	555RC	77RIG	9
Electric Bender with bending attachments to bend 1/2" to 2" EMT conduit. Includes shoe group #700E	555EC	77EMT	9
Electric Bender with bending attachments to bend 1½" to 2" IMC conduit. Includes shoe group #700I	555IC	77IMC	9
Electric Bender with bending attachments to bend 1/2" to 2" 40 mil PVC coated conduit. Includes shoe group #700P	N/A	77PVC	9
Deluxe Electric Bender – Power unit only without bending attachments	N/A	77DL	13
Deluxe Electric Bender with No. 700R Rigid Shoes and accessories	N/A	77RIG-DL	13
Deluxe Electric Bender with No. 700E EMT Shoes and accessories	N/A	77EMT-DL	13
Deluxe Electric Bender with No. 700I IMC Shoes and accessories EMT Shoes and accessories	N/A	77IMC-DL	13
Deluxe Electric Bender with No. 700P 40mil PVC Coated Conduit Bending Shoes and accessories	N/A	77PVC-DL	13
OMNI™ Bender – Electric bender with accessories to bend 1/2" to 2" EMT, IMC, & Rigid conduit	854 / 855	747	17
SHOE GROUPS			
700SR 1/2" TO 2" RIGID SINGLE SHOE GROUP	28008	700SR	7
Single shoe for Rigid and IMC – 1/2" to 2"	02548	2-3000	7
Single shoe roller support for Rigid – 1/2" to 2"	02549	2-4000	7
Metal storage box	23818	8-0501	100

*Greenlee® is a registered trademark of Greenlee Tools, Inc.



Current Tools
FOR THE PROFESSIONAL ELECTRICIAN

www.currenttools.com

P.O. Box 17026 • Greenville, SC 29606 • 864.721.4230 • fax 864.721.4232 • 800.230.5421

COMPARISON REFERENCE



Description	Greenlee® Item #	Current Tools Item #	Page #
700SI 1/2" TO 2" IMC SINGLE SHOE GROUP	02548 + 01323	700SI	7
Single shoe for Rigid and IMC – 1/2" to 2"	02548	2-3000	7
Single shoe roller support for IMC – 1/2" to 2"	01323	2-4100	7
Metal storage box	23818	8-0501	100
700SE 1/2" TO 2" EMT SINGLE SHOE GROUP	23803	700SE	8
Single shoe for EMT – 1/2" to 2"	02543	2-3100	8
Single shoe roller support for EMT – 1/2" to 2"	02544	2-4200	8
Metal storage box	23818	8-0501	100
700SP 1/2" TO 2" 40 MIL PVC COATED SINGLE SHOE GROUP	12586	700SP	8
Single shoe for 40 Mil PVC Coated Conduit – 1/2" to 2"	02553	2-3200	8
Single shoe roller support for 40 Mil PVC Coated Conduit – 1/2" to 2"	02554	2-4300	8
Metal storage box	23818	8-0501	100
700R 1/2" TO 2" RIGID SHOE GROUP	28007	700R	11
1/2" thru 1 1/4" Rigid & IMC Bending Shoe	17935	2-1301	11
1/2" thru 1 1/4" Support Roller	17979	2-1001	11
1½" and 2" Rigid Bending Shoe	17937	2-1401	11
1½" and 2" Support Roller	17984	2-1002	11
700E 1/2 TO 2" EMT SHOE GROUP	23802	700E	11
1/2" Thru 1 1/4" EMT Bending Shoe	17944	2-1501	11
1/2" Thru 1 1/4" Support Unit	17986	2-1003	11
1½" EMT Bending Shoe	23499	2-1601	11
2" EMT Bending Shoe	23505	2-1701	11
1½" and 2" Support Roller Unit	23541	2-1100	11
Metal Storage Box	23818	8-0501	100
700ES 1 1/2" TO 2" EMT BENDING SHOE GROUP	23816	700ES	11
1½" EMT Bending Shoe	23499	2-1601	11
2" EMT Bending Shoe	23505	2-1701	11
1½" and 2" Support Roller Unit	23541	2-1100	11
700I 1 1/2" TO 2" IMC BENDING SHOE GROUP	26330	700I	12
1½" IMC Bending Shoe	25263	2-1801	12
2" IMC Bending Shoe	25268	2-1901	12
1½" and 2" Support Roller Unit	25273	2-1200	12
Metal Storage Box	23818	8-0501	100

*Greenlee® is a registered trademark of Greenlee Tools, Inc.

www.currenttools.com

P.O. Box 17026 • Greenville, SC 29606 • 864.721.4230 • fax 864.721.4232 • 800.230.5421

Current Tools 
FOR THE PROFESSIONAL ELECTRICIAN



COMPARISON REFERENCE

Description	Greenlee® Item #	Current Tools Item #	Page #
700P 1/2" TO 2" 40 MIL PVC COATED RIGID SHOE GROUP	37279	700P	12
1/2" Thru 1 1/4" PVC Bending Shoe	37280	2-2001	12
1/2" Thru 1 1/4" Support Roller	37575	2-1004	12
1½" and 2" PVC Bending Shoe	37281	2-2101	12
1½" and 2" Support Roller	37282	2-1005	12
Metal Storage Box	23818	8-0501	100
700R-DL 1/2" TO 2" RIGID SHOE GROUP	N/A	700R-DL	14
1/2" Thru 1 1/4" Rigid & IMC Bending Shoe	N/A	2-1301 DL	14
1/2" Thru 1 1/4" Support Roller	17979	2-1001	11, 14
1½" and 2" Rigid Bending Shoe	N/A	2-1401 DL	12
1½" and 2" Support Roller	17984	2-1002	11, 14
700E-DL 1/2 TO 2" EMT SHOE GROUP	N/A	700E-DL	14
1/2" Thru 1 1/4" EMT Bending Shoe	N/A	2-1501 DL	14
1/2" Thru 1 1/4" Support Unit	17986	2-1003	11, 14
1½" EMT Bending Shoe	N/A	2-1601 DL	14
2" EMT Bending Shoe	N/A	2-1701 DL	11, 14
1½" and 2" Support Roller Unit	23541	2-1100	11, 14
Metal Storage Box	23818	8-0501	100
700I-DL 1 1/2" TO 2" IMC BENDING SHOE GROUP	N/A	700I-DL	N/A
1½" IMC Bending Shoe	N/A	2-1801 DL	14
2" IMC Bending Shoe	N/A	2-1901 DL	14
1½" and 2" Support Roller Unit	25273	2-1200	12, 14
Metal Storage Box	23818	8-0501	100
700P-DL 1/2" TO 2" 40 MIL PVC COATED RIGID SHOE GROUP	N/A	700P-DL	14
1/2" Thru 1 1/4" PVC Bending Shoe	N/A	2-2001 DL	14
1/2" Thru 1 1/4" Support Roller	37575	2-1004	12, 14
1½" and 2" PVC Bending Shoe	N/A	2-2101 DL	14
1½" and 2" Support Roller	37282	2-1005	12, 14
Metal Storage Box	23818	8-0501	100
HYDRAULIC BENDER			
Hydraulic Bender for 2 1/2" thru 4" EMT, IMC and RIGID Conduit	881CT	254	19
Hydraulic Bender for 2 1/2", 3" and 4" EMT, IMC and Rigid Conduit	881CTD	254L	19
Hydraulic Bender for 2 1/2" thru 4" EMT, IMC and RIGID Conduit with # 292 Hydraulic Pump	881CTE980	254P	19
Hydraulic Bender for 2 1/2", 3" and 4" EMT, IMC and Rigid Conduit with # 292 Hydraulic Pump	881CTDE980	254LP	19

*Greenlee® is a registered trademark of Greenlee Tools, Inc.



Current Tools
FOR THE PROFESSIONAL ELECTRICIAN

www.currenttools.com

P.O. Box 17026 • Greenville, SC 29606 • 864.721.4230 • fax 864.721.4232 • 800.230.5421

COMPARISON REFERENCE



Description	Greenlee® Item #	Current Tools Item #	Page #
HYDRAULIC BENDER - SHOE / FOLLOW BAR / SADDLE			
Bending Shoe for 2 1/2"	26297	254-111	20
Follow Bar for 2 1/2"	26366	254-112	20
Saddle for 2 1/2"	26580	254-114	20
Bending Shoe for 3"	26300	254-118	20
Follow Bar for 3"	35400	254-119	20
Saddle for 3"	26584	254-121	20
Bending Shoe for 3 1/2"	31882	254-125	20
Follow Bar for 3 1/2"	31881	254-126	20
Saddle for 3 1/2"	26588	254-128	20
Bending shoe for 4"	31884	254-132	20
Follow Bar for 4 "	31883	254-133	20
Saddle for 4"	26594	254-135	20
HYDRAULIC BENDER - COMPONENTS			
Hydraulic Cylinder with mounting block	27416	254-100	20
Cylinder mounting block	27417	254-101	20
Clevis pin	26306	254-107	20
Cylinder block pin	27381	254-148	20
Spring clip	50302	254-006	20
Frame side	26309	254-104	20
Roller Assembly	27364	254-151	20
Clevis	30309	254-103	20
Clevis retaining clip	26349	254-108	20
Saddle pin	26624	254-149	20
Hydraulic hose	11289	291	20
MOBILE BENDING STATION FOR HYDRAULIC BENDER			
Mobile Bending Station for use with hydraulic bender	881-MBT	252	21
BENDING TABLES			
Bending Table w/Storage Box	1813	281	22
Bending Table w/Storage Box	1802	280	23
BENDING TABLE PARTS			
Storage Box	1531	104	22, 100
Carriage with vise	21544	280-1	23
Hand Crank Unit	21543	280-2	23
Rest Plate	21545	280-3	23
Idler Unit	21542	280-4	23

*Greenlee® is a registered trademark of Greenlee Tools, Inc.

www.currenttools.com

Current Tools
FOR THE PROFESSIONAL ELECTRICIAN



P.O. Box 17026 • Greenville, SC 29606 • 864.721.4230 • fax 864.721.4232 • 800.230.5421



COMPARISON REFERENCE

Description	Greenlee® Item #	Current Tools Item #	Page #
Leg Support	21541	280-5	23
Legs	21346	280-6	23
Magnetic Protractor	1895	280-7	23
Support pin - 1 1/2"	21360	280-8	23
Carriage with vise	28900	281-221	22
Bender Mount Unit	28885	281-400	22
Ram Positioning Unit	29022	281-3	22
Pump Mounting Hardware	53824/51185	281-4	22
Conduit Clamps	53014	281-5	22
Pump Mounting Brackets	29004	281-6	22
90 Degree Coupling Assembly	29014	281-CPLNGASY	22
ELECTRIC PUMP			
Electric Pump 1 1/2 HP	960 / 980	292	24
High-Pressure Hose — 3/8" x 6' with 2 each 3/8" male couplers	11289	291	24
PVC HEATERS			
1/2" Thru 2" PVC Heater	849	450	25
1/2" Thru 4" PVC Heater	851	451	25
1/2" Thru 6" PVC Heater	847	452	26
1/2" Thru 6" PVC Automatic Rotating Heater	848	453	26
PVC HEATING BLANKETS			
1/2" to 1 1/2" PVC Heating Blanket	860-1 1/2	441	27
2" to 3" PVC Heating Blanket	860-3	442	27
3" to 4" PVC Heating Blanket	860-4	443	27
PLUG KITS			
Expanding Plug Kit 2"-4"	859-4	460	28
Expanding Plug Kit 2"-6"	N/A	461	28
SINGLE PLUGS			
2" PVC Plug	30976	46-2	28
2 1/2" PVC Plug	30977	46-2.5	28
3" and 3 1/2" PVC Plug	30978	46-3	28
4" PVC Plug	30979	46-4	28
5" PVC Plug	30980	46-5	28
6" PVC Plug	30981	46-6	28
Rolling Stand for PVC	857	454	28

*Greenlee® is a registered trademark of Greenlee Tools, Inc.



Current Tools
FOR THE PROFESSIONAL ELECTRICIAN

www.currenttools.com

P.O. Box 17026 • Greenville, SC 29606 • 864.721.4230 • fax 864.721.4232 • 800.230.5421

COMPARISON REFERENCE



Description	Greenlee® Item #	Current Tools Item #	Page #
MANUAL KNOCKOUT SETS			
1/2"-1 1/4" Manual Knockout Set	7235BB	158PM	29
1 1/2"-2" Manual Knockout Set	7237BB	159PM	29
RATCHET KNOCKOUT SET			
1/2" - 2" Ratchet Knockout Set	7238SB	157PM	30
HYDRAULIC PUNCH DRIVER SETS			
1/2"-2" Piece Maker™ Set - Straight	7806SB	170PM	31
1/2"-2" Piece maker™ Set - 90°	7906SB	179PM	31
Straight Driver with accessories	7804SB	170	32
90° Driver with accessories	7904SB	179	32
HYDRAULIC PUNCH DRIVER SET PARTS			
Punch Driver - Straight	34288	1700	32
Punch Driver - 90°	33796	1790	32
Plastic Case	N/A	1701	32
Metal Case	N/A	1701-MC	32
3/4" x 4 1/8" Draw Stud	31872	1702	32
3/8" Draw Stud	1614SS	1550	32
Adapter Stud	33967	1703	32
Short Spacer - S	1924AA	1553	32
1/2" Piece Maker Punch	721-1/2	1524	32
1/2" Die	14722	1525	32
3/4" Piece Maker Punch	721-3/4	1526	32
3/4" Die	124AV	1527	32
1" Piece Maker Punch	721-1	1528	32
1" Die	126AV	1529	32
1 1/4" Piece Maker Punch	721-1 1/4	1530	32
1 1/4" Die	128AV	1531	32
1 1/2" Piece Maker Punch	721-1 1/2	1532	32
1 1/2" Die	440AV	1533	32
2" Piece Maker Punch	721-2	1534	32
2" Die	442AV	1535	32
PIECE MAKER™ KNOCKOUT SETS			
1/2"-2" Piece Maker™ Hyd K.O. Set	7306SB	152PM	33, 34
152PM with Metal Case	N/A	152PM-MC	33, 34
1/2"-4" Piece Maker™ Hyd K.O. Set	7310SB	154PM	33, 34

*Greenlee® is a registered trademark of Greenlee Tools, Inc.

www.currenttools.com

Current Tools 
FOR THE PROFESSIONAL ELECTRICIAN

P.O. Box 17026 • Greenville, SC 29606 • 864.721.4230 • fax 864.721.4232 • 800.230.5421



COMPARISON REFERENCE

Description	Greenlee® Item #	Current Tools Item #	Page #
STANDARD KNOCKOUT SETS			
1/2"-2" Standard Hyd. K.O. Set	7306	152	35, 36
1/2"-4" Standard Hyd K.O. Set	7310	154	35, 36
CORDLESS DRILL PUNCH DRIVER SETS			
Punch Driver	N/A	165	37,38,41,42
1/2"-2" Punch Driver Set	N/A	162PM	37,38
1/2"-4" Punch Driver Set	N/A	164PM	37,38
1/2"-2" Heavy Duty Set for Stainless Steel	N/A	162SS	41,42
CORDLESS DRILL PUNCH DRIVER SET PARTS			
Nut Driver (3/8")	N/A	163-14	38,42
3/8" Adapter Draw Stud	20963	1581	38
3/4" Draw Stud	2113B	1582	38
Short Spacer	1924AA	1553	38
Carrying Case	N/A	165-5	38
1/2" Piece Maker Punch	721-1/2	1524	38
1/2" Die	14722	1525	38
3/4" Piece Maker Punch	721-3/4	1526	38
3/4" Die	124AV	1527	38
1" Piece Maker Punch	721-1	1528	38
1" Die	126AV	1529	38
1 1/4" Piece Maker Punch	721-1 1/4	1530	38
1 1/4" Die	128AV	1531	38
1 1/2" Piece Maker Punch	721-1 1/2	1532	38
1 1/2" Die	440AV	1533	38
2" Piece Maker Punch	721-2	1534	38
2" Die	442AV	1535	38
3/4" X 1 1/8" Draw Stud	N/A	1580	38
2 1/2" Punch	1429AV	1566	38
2 1/2" Die	1430AV	1567	38
3" Punch	1431AV	1568	38
3" Die	1432AV	1569	38
3 1/2" Punch	2982AV	1570	38
3 1/2" Die	2981AV	1571	38
4" Punch	2984AV	1572	38
4" Die	2983AV	1573	38
Metal Storage Box	N/A	1501	38
3 1/2" & 4" Die Adapter	N/A	163-766	38

*Greenlee® is a registered trademark of Greenlee Tools, Inc.



Current Tools
FOR THE PROFESSIONAL ELECTRICIAN

www.currenttools.com

P.O. Box 17026 • Greenville, SC 29606 • 864.721.4230 • fax 864.721.4232 • 800.230.5421

COMPARISON REFERENCE



Description	Greenlee® Item #	Current Tools Item #	Page #
KNOCKOUT SETS FOR STAINLESS STEEL - PIECEMAKER™ SS			
1/2" TO 2" Knockout Set for SS	7307	160SS	39
1/2" TO 2" Hydraulic K.O.Set for SS	7506	161SS	39
2 1/2" TO 4" Punch and Die Set for SS	7308	166SS	43
PUNCH AND DIE SET 2 1/2" TO 4"			
2 1/2"-4" K.O. Punch and Die Set	7304	156	45
KNOCKOUT SET PARTS			
Metal Case for 161SS	31068	1500	40
2" Plastic Case	30206	1500-PC	34,36
4" Metal Case	18402	1501	34,36
Case- 1/2" to 1 1/4" Set	31880	1502	29
Case- 1 1/2" to 2" Set	32012	1503	29
Hydraulic Hand Pump	767	1521	34,36,40,48
Knockout Ram	746	1522	34,36,40,48
1/2" Piece Maker Punch	721-1/2	1524	29,30,32,34,38
1/2" Die	14722	1525	29,30,32,34,38
3/4" Piece Maker Punch	721-3/4	1526	29,30,32,34,38
3/4" Die	124AV	1527	29,30,32,34,38
1" Piece Maker Punch	721-1	1528	29,30,32,34,38
1" Die	126AV	1529	29,30,32,34,38
1 7/32" Piece Maker Punch	60246	1591	47
1 7/32" Die	36508	1592	47
1 1/4" Piece Maker Punch	721-1 1/4	1530	29,30,32,34,38
1 1/4" Die	128AV	1531	29,30,32,34,38
1 1/2" Piece Maker Punch	721-1 1/2	1532	29,30,32,34,38
1 1/2" Die	440AV	1533	29,30,32,34,38
2" Piece Maker Punch	721-2	1534	29,30,32,34,38
2" Die	442AV	1535	29,30,32,34,38
1/2" SS Punch	28154	1536	40,42
1/2" SS Die	28155	1537	40,42
3/4" SS Punch	28156	1538	40,42
3/4" SS Die	28157	1539	40,42
1 7/32" SS Punch - Oiltight	36490	1540	40
1 7/32" SS Die - Oiltight	36489	1541	40
1" SS Punch	28158	1542	40,42
1" SS Die	28159	1543	40,42
1 1/4" SS Punch	28160	1544	40,42

*Greenlee® is a registered trademark of Greenlee Tools, Inc.

www.currenttools.com

Current Tools 
FOR THE PROFESSIONAL ELECTRICIAN

P.O. Box 17026 • Greenville, SC 29606 • 864.721.4230 • fax 864.721.4232 • 800.230.5421



COMPARISON REFERENCE

Description	Greenlee® Item #	Current Tools Item #	Page #
1 1/4" SS Die	28161	1545	40,42
1 1/2" SS Punch	28162	1546	40,42
1 1/2" SS Die	28163	1547	40,42
2" SS Punch	28165	1548	40,42
2" SS Die	28166	1549	40,42
2 1/2" SS Punch	00622	1583	44
2 1/2" SS Die	00626	1584	44
3" SS Punch	00623	1585	44
3" SS Die	00627	1586	44
3 1/2" SS Punch	00624	1587	44
3 1/2" SS Die	00629	1588	44
4" SS Punch	00625	1589	44
4" SS Die	00630	1590	44
3/8" Draw Stud	1614SS	1550	32
3/4" Draw Stud	2113AA	1551	NOT SHOWN
1 1/8" Adapter Sleeve	1557AA	1552	34,36
Spacer, Short	1924AA	1553	32,34,36,38,40
Spacer, Medium	1925AA	1554	34,36
Spacer, Long	1926AA	1555	NOT SHOWN
Spacer Set	15908	155-SET	34
1" Ratchet Wrench	34941	1556	30
Draw Bolt - 3/8" x 1 5/8"	00042	1557	29,30
Plastic Case	34758	157-PC	30
Draw Bolt - 3/4" x 2 15/16"	304AVBB	1558	29,20
Draw Bolt - 3/4" x 2 1/8"	249AVBB	1559	29
1/2" Standard Punch	121AV	1560	36
3/4" Standard Punch	123AV	1561	36
1" Standard Punch	125AV	1562	36
1 1/4" Standard Punch	127AV	1563	36
1 1/2" Standard Punch	439AV	1564	36
2" Standard Punch	441AV	1565	36
2 1/2" Punch	1429AV	1566	36,38,46
2 1/2" Die	1430AV	1567	36,38,46
3" Punch	1431AV	1568	36,38,46
3" Die	1432AV	1569	36,38,46
3 1/2" Punch	2982AV	1570	36,38,46
3 1/2" Die	2981AV	1571	36,38,46
4" Punch	2984AV	1572	36,38,46
4" Die	2983AV	1573	36,38,46

*Greenlee® is a registered trademark of Greenlee Tools, Inc.



Current Tools
FOR THE PROFESSIONAL ELECTRICIAN

www.currenttools.com

P.O. Box 17026 • Greenville, SC 29606 • 864.721.4230 • fax 864.721.4232 • 800.230.5421

COMPARISON REFERENCE



Description	Greenlee® Item #	Current Tools Item #	Page #
3/4" - 7/16" x 4 1/4" SS Draw Stud	29451	1574	40,42
3/4" x 5/2" SS Draw Stud	29452	1575	40,42
5" Punch	5135AV	1576	47
5" Die	5136AV	1577	47
6" Punch	5137AV	1578	47
6" Die	5138AV	1579	47
3/4" x 1 1/8" x 5 3/4" Draw Stud	N/A	1580	47
3/8" Adapter Draw Stud	20963	1581	34,36,38
3/4" Draw Stud - Solid	2113B	1582	34,36,38
Metal Case - 160SS	29529	1600	40
STUD PUNCHES			
Stud Punch - 7/8"	709	140	49
Stud Punch - 1 11/32"	710	141	49
3000 LB. HIGH SPEED CABLE PULLER			
High Speed 3000 lb. Cable Puller with Cart	G3	33	51
3000 LB. HIGH SPEED CABLE PULLER ACCESSORIES			
1" Conduit Coupling	N/A	33-520	52
1 1/4" Conduit Coupling	N/A	33-534	52
1 1/2" Conduit Coupling	N/A	33-522	52
2" Conduit Coupling	N/A	33-523	52
2 1/2" Conduit Coupling	N/A	33-524	52
3" Conduit Coupling	N/A	33-525	52
3 1/2" Conduit Coupling	N/A	33-526	52
4" Conduit Coupling	N/A	33-527	52
6000 LB. TWO SPEED CABLE PULLER			
Two Speed 6000 lb. Cable Puller with Cart	UT4	66	53
6000 LB. TWO SPEED CABLE PULLER ACCESSORIES			
2" Conduit Coupling	N/A	66-51	54
2 1/2" Conduit Coupling	N/A	66-52	54
3" Conduit Coupling	N/A	66-53	54
3 1/2" Conduit Coupling	N/A	66-54	54
4" Conduit Coupling	N/A	66-55	54
8000 LB. CABLE PULLER AND PACKAGES			
Cable Puller with Chains	6801 & 6001	88	55,58

*Greenlee® is a registered trademark of Greenlee Tools, Inc.

www.currenttools.com

P.O. Box 17026 • Greenville, SC 29606 • 864.721.4230 • fax 864.721.4232 • 800.230.5421

Current Tools 
FOR THE PROFESSIONAL ELECTRICIAN



COMPARISON REFERENCE

Description	Greenlee® Item #	Current Tools Item #	Page #
Cable Puller w/ Floor Mount	6800	8845	55,58
Mantis™ Cable Puller Package, Basic	6004	8885	57,58
Mantis™ Cable Puller Package, Basic w/ Box	N/A	8885S	57,58
Mantis™ Cable Puller Package	6806 & 6005	8890A	56,58
Mantis™ Cable Puller Package w/ Box	N/A	8890AS	56,58
Mobile Cable Puller Carriage	11147	8090	57,58
8000 LB. CABLE PULLER PACKAGE ACCESSORIES			
Floor Mount	6037	8045	55,58
Rope Reel Stand for 300' Rope	644	8051	58
Rope Reel Stand for 600' Rope	654	8052	58
Mobile Carriage	N/A	8091	58
Puller Mount	N/A	8092	58
Elbow Unit	N/A	8093	58
Nose Unit	N/A	8094	58
3' Boom	N/A	8095	58
4' Boom	N/A	8096	58
Slip-in coupling 2.5"	N/A	8097-2.5	58
Slip-in coupling 3"	N/A	8097-3	58
Slip-in coupling 3.5"	N/A	8097-3.5	58
Slip-in coupling 4"	N/A	8097-4	58
Slip-in coupling 5"	N/A	8097-5	58
Screw-on coupling 2"	N/A	8098-2	58
Screw-on coupling 2.5"	N/A	8098-2.5	58
Screw-on coupling 3"	N/A	8098-3	58
Screw-on coupling 3.5"	N/A	8098-3.5	58
Screw-on coupling 4"	N/A	8098-4	58
Coupling Adapter	N/A	8099	58
T-stand	N/A	8100	58
10,000 LB. TWO SPEED CABLE PULLER			
10,000 lb. capacity, two speed cable puller only	UT10-2S	1450	60
10,000 lb. capacity, two speed cable puller with Mobile Carriage	6900	100	59
10,000 lb. capacity, two speed cable puller with Floor Mount	6901	110	59,60
10,000 lb. capacity, two speed cable puller with Chain Mount	6906	120	59,60
CABLE FEEDER			
Cable Feeder	6810	99	61,62
Foot Switch	N/A	99-122	61

*Greenlee® is a registered trademark of Greenlee Tools, Inc.



Current Tools
FOR THE PROFESSIONAL ELECTRICIAN

www.currenttools.com

P.O. Box 17026 • Greenville, SC 29606 • 864.721.4230 • fax 864.721.4232 • 800.230.5421

COMPARISON REFERENCE



Description	Greenlee® Item #	Current Tools Item #	Page #
PULLING ROPE (EYE EACH END)			
9/16" × 300' Double Braided Rope	35283	916300PR	63
9/16" × 600' Double Braided Rope	35284	916600PR	63
9/16" × 1200' Double Braided Rope	35285	9161200PR	63
3/4" × 300' Double Braided Rope	35098	34300PR	63
3/4" × 600' Double Braided Rope	35100	34600PR	63
3/4" × 1200' Double Braided Rope	35101	341200PR	63
7/8" × 300' Double Braided Rope	34136	78300PR	63
7/8" × 600' Double Braided Rope	34137	78600PR	63
7/8" × 1200' Double Braided Rope	34138	781200PR	63
	Southwire®** Item		
EZ™ Rope low friction, lightweight pulling rope - 9/16" x 300'	SPR963	EZRP9163	64
EZ™ Rope low friction, lightweight pulling rope - 9/16" x 600'	SPR966	EZRP9166	64
EZ™ Rope low friction, lightweight pulling rope - 9/16" x 1200'	SPR9612	EZRP91612	64
PULL TAPE			
Polyester Measure/Pull Tape-1250 lb. Break Strength	4435	ST1250	65
Polyester Measure/Pull Tape-1800 lb. Break Strength	4436	ST1800	65
Polyester Measure/Pull Tape-2500 lb. Break Strength	4437	ST2500	65
MEASURING TAPE			
Conduit Measuring Tape - 3000'	435	CMT30	65
Conduit Measuring Tape Dispenser	434	CMT30D	65
RAT LINE			
Spiral Wrap Poly Rat Line - 6,500'	430	SPL65	66
RATS			
1/2" Conduit Rat	608	R05	66
3/4" Conduit Rat	609	R75	66
1" Conduit Rat	610	R10	66
1 1/4" Conduit Rat	611	R12	66
1 1/2" Conduit Rat	612	R15	66
2" Conduit Rat	613	R20	66
2 1/2" Conduit Rat	614	R25	66
3" Conduit Rat	615	R30	66
3 1/2" Conduit Rat	616	R35	66
4" Conduit Rat	617	R40	66
5" Conduit Rat	618	R50	66
6" Conduit Rat	619	R60	66

*Greenlee® is a registered trademark of Greenlee Tools, Inc. / ** Southwire® is a registered trademark of Southwire Company, LLC

www.currenttools.com

Current Tools
FOR THE PROFESSIONAL ELECTRICIAN



P.O. Box 17026 • Greenville, SC 29606 • 864.721.4230 • fax 864.721.4232 • 800.230.5421



COMPARISON REFERENCE

Description	Greenlee® Item #	Current Tools Item #	Page #
REEL STANDS AND SPINDLES			
Screw Type Telescoping Reel Stand - Small	687	660	67
Screw Type Telescoping Reel Stand - Medium	683	670	67
Ratchet Type Reel Stand - Large	656	680	67
Spindle for Small Reel Stand	647	661	68
Spindle for Medium Reel Stand	684	671	68
Spindle for Large Reel Stand	657	681	68
CABLE REEL ROLLERS			
Reel Roller	39666	610	69
30" Reel Roller	39660	613	69
Large Cable Reel Roller - motorized	N/A	615	70
SHEAVES AND ROLLERS			
EZ SHEAVE™ HOOK TYPE			
12" EZ Sheave™ Hook Type Sheave - 4,000lb capacity	N/A	412EZ	71
18" EZ Sheave™ Hook Type Sheave - 4,000lb capacity	N/A	418EZ	71
24" EZ Sheave™ Hook Type Sheave - 4,000lb capacity	N/A	424EZ	71
HOOK TYPE - 4,000 LB. CAPACITY			
6" Hook Type Cable Sheave	650	406	71
12" Hook Type Cable Sheave	651	412	71
18" Hook Type Cable Sheave	652	418	71
24" Hook Type Cable Sheave	653	424	71
HOOK TYPE - 8,000 LB CAPACITY			
12" Heavy Duty Hook Type Cable Sheave	8012	812	72
18" Heavy Duty Hook Type Cable Sheave	8018	818	72
24" Heavy Duty Hook Type Cable Sheave	8024	824	72
36" Heavy Duty Hook Type Cable Sheave	N/A	836	72
RADIUS SHEAVES			
24" Radius Sheave	4024	12024EZ	72
36" Radius Sheave	4036	12036EZ	72
48" Radius Sheave	4048	12048EZ	72
60" Radius Sheave	N/A	12060	72
RIGHT ANGLE TWIN YOKE SHEAVE			
Right Angle Twin Yoke Sheave	639	4424	73
TRAY SHEAVES			
Tray Sheave - Small	658	951TR	73

*Greenlee® is a registered trademark of Greenlee Tools, Inc.



Current Tools
FOR THE PROFESSIONAL ELECTRICIAN

www.currenttools.com

P.O. Box 17026 • Greenville, SC 29606 • 864.721.4230 • fax 864.721.4232 • 800.230.5421

COMPARISON REFERENCE



Description	Greenlee® Item #	Current Tools Item #	Page #
Tray Sheave - Large	659	952TR	73
Tray Roller – Speed Mount	660QA	953TR	74
Triangle Sheave	6036	333	76
MANHOLE SHEAVES			
8' Manhole Sheave	N/A	308	75
10' Manhole Sheave	N/A	310	75
12' Manhole Sheave	6072	312	75
CABLE FEEDING SHEAVES			
2" Cable Feeding Sheave	441-2	520FS	76
2 1/2" Cable Feeding Sheave	441-2 1/2	525FS	76
3" Cable Feeding Sheave	441-3	530FS	76
3 1/2" Cable Feeding Sheave	441-3 1/2	535FS	76
4" Cable Feeding Sheave	441-4	540FS	76
5" Cable Feeding Sheave	441-5	550FS	76
6" Cable Feeding Sheave	441-6	560FS	76
STRAIGHT ROLLERS			
Straight Cable Roller 12" - 18"	2018S	9518SR	77
Straight Cable Roller 20" - 24"	2024S	9524SR	77
Straight Cable Roller 24" - 30"	2030S	9530SR	77
Straight Cable Roller 30" - 36"	2036S	9536SR	77
RADIUS CABLE ROLLERS			
Radius Cable Roller 12" - 18"	2018R	9518RR	77
Radius Cable Roller 20" - 24"	2024R	9524RR	77
Radius Cable Roller 24" - 30"	2030R	9530RR	77
Radius Cable Roller 30" - 36"	2036R	9536RR	77
RIGHT ANGLE ROLLERS			
90° Right Angle Roller - 24" Radius	20249R	95024RA	78
90° Right Angle Roller - 36" Radius	20369R	95036RA	78
4-SIDED ROLLER			
8" 4-sided Roller	N/A	9548	78
4" 4-sided Cable Tray Roller	CTR100	9544	79
WIRE CARTS/DISPENSERS			
Dolly Type Cart	911	501	80
6 Reel Turtle Cart with Casters	909	502	80
10 Reel Wire Tree with Casters	910	503	81
Reel Dolly with wheels	916	504	81
Armored Cable Dispenser	37218	509	82

*Greenlee® is a registered trademark of Greenlee Tools, Inc.

www.currenttools.com

P.O. Box 17026 • Greenville, SC 29606 • 864.721.4230 • fax 864.721.4232 • 800.230.5421

Current Tools
FOR THE PROFESSIONAL ELECTRICIAN





COMPARISON REFERENCE

Description	Greenlee® Item #	Current Tools Item #	Page #
Mobile Armored Cable Dispenser	37202	509M	82
Reel Truck	38733	510	83
Expansion Kit	10462	511	83
CONDUIT STORAGE & TRANSPORT			
Conduit/Pipe Rack with Casters	668	505	84
Conduit Bundler with Casters	N/A	507	84
Conduit/Pipe Rack with Mesh Base	N/A	505M	85
Conduit/Pipe Rack with Adjustable Arms	553	505AA	86
Conduit/Pipe Rack with Adjustable Arms and Mesh Base	N/A	505MAA	86
Conduit/Material Cart	GMX-670K	516	87
Elevator Conduit Cart	N/A	513	88
LINE SWIVELS			
Line Swivel - 750 lbs	N/A	00505-005	89
Line Swivel - 2,250 lbs	39106	00505-010	89
Line Swivel - 3,500 lbs	N/A	00505-015	89
Line Swivel - 5,000 lbs	39107	00505-020	89
Line Swivel - 7,000 lbs	39108	00505-025	89
Line Swivel - 9,000 lbs	N/A	00505-027	89
Line Swivel - 10,000 lbs	39109	00505-030	89
Line Swivel - 15,000 lbs	39110	00505-035	89
Line Swivel - 25,000 lbs	39111	00505-040	89
Line Swivel - 50,000 lbs	N/A	00505-045	89
WIRE GRIP SWIVELS			
1 1/4" Wire Grip Swivel	N/A	00501-010	89
1 5/8" Wire Grip Swivel	N/A	00501-025	89
BREAKAWAY SWIVELS			
5/8" Breakaway Swivel	39290	00550-005	90
7/8" Breakaway Swivel	39298	00550-010	90
1 1/4" Breakaway Swivel	N/A	00550-020	90
BREAKAWAY PIN KITS			
200 lb Breakaway Pin	39294	00555-002	90
340 lb Breakaway Pin	N/A	00555-0034	90
400 lb Breakaway Pin	39295	00555-004	90
450 lb Breakaway Pin	N/A	00555-0045	90
600 lb Breakaway Pin	39296	00555-006	90

*Greenlee® is a registered trademark of Greenlee Tools, Inc.



Current Tools
FOR THE PROFESSIONAL ELECTRICIAN

www.currenttools.com

P.O. Box 17026 • Greenville, SC 29606 • 864.721.4230 • fax 864.721.4232 • 800.230.5421

COMPARISON REFERENCE



Description	Greenlee® Item #	Current Tools Item #	Page #
675 lb Breakaway Pin	39297	00555-007	90
1,800 lb Breakaway Pin	N/A	00555-018	90
2,000 lb Breakaway Pin	N/A	00555-020	90
200 lb Breakaway Pin	39302	00535-002	90
400 lb Breakaway Pin	39303	00535-004	90
600 lb Breakaway Pin	39304	00535-006	90
800 lb Breakaway Pin	39306	00535-008	90
1,000 lb Breakaway Pin	39308	00535-010	90
CAN-LINK CONNECTOR			
Can-Link Connector - 2,500 lbs.	N/A	00520-010	91
Can-Link Connector - 5,000 lbs.	N/A	00520-020	91
Can-Link Connector - 9,000 lbs.	N/A	00520-027	91
Can-Link Connector - 15,000 lbs.	N/A	00520-035	91
ROPE TO SWIVEL CONNECTOR			
Swivel Connector - 7,000 lbs	39904	00522-025	91
Swivel Connector - 15,000 lbs	39902 / 39903	00522-035	91
PULLING HARNESS KITS			
Pulling Harness Kit - Includes 1 each:	629	2500	92
2500-1 Double Leg Pulling Harness - Long			
2500-2 Double Leg Pulling Harness - Short			
2502 Clevis			
Pulling Harness Kit - Includes 1 each:	624	2501	92
2500-1 Double Leg Pulling Harness - Long			
2500-2 Double Leg Pulling Harness - Short			
CLEVIS			
Clevis	678	2502	92
INDIVIDUAL HARNESSES			
Double Leg Pulling Harness - Long	624L	2500-1	92
Double Leg Pulling Harness - Short	624S	2500-2	92
PULLING GRIPS			
Light Duty/Sgl. Weave,Sgl. Eye	30596	00661-004	94
Light Duty/Sgl. Weave,Sgl. Eye	30584	00661-006	94
Light Duty/Sgl. Weave,Sgl. Eye	30586	00661-010	94
Light Duty/Sgl. Weave,Sgl. Eye	30588	00661-013	94
Light Duty/Sgl. Weave,Sgl. Eye	30590	00661-016	94

*Greenlee® is a registered trademark of Greenlee Tools, Inc.

www.currenttools.com

P.O. Box 17026 • Greenville, SC 29606 • 864.721.4230 • fax 864.721.4232 • 800.230.5421

Current Tools
FOR THE PROFESSIONAL ELECTRICIAN





COMPARISON REFERENCE

Description	Greenlee® Item #	Current Tools Item #	Page #
Light Duty/Sgl. Weave,Sgl. Eye	30592	00661-019	94
Light Duty/Sgl. Weave,Sgl. Eye	30594	00661-025	94
Non-Cond. Sgl.Weave Sgl. Eye	N/A	00662-010	94
Non-Cond. Sgl.Weave Sgl. Eye	N/A	00662-020	94
Non-Cond. Dbl. Weave Sgl. Eye	N/A	00664-030	94
Non-Cond. Dbl. Weave Sgl. Eye	N/A	00664-040	94
Light Duty Single Eye Dbl Weave	N/A	00670-025	94
Light Duty Single Eye Dbl Weave	30536	00670-038	94
Light Duty Single Eye Dbl Weave	30540	00670-050	94
Light Duty Single Eye Dbl Weave	30542	00670-100	94
Light Duty Single Eye Dbl Weave	30546	00670-125	94
Light Duty Single Eye Dbl Weave	30548	00670-200	94
Light Duty Single Eye Dbl Weave	30550	00670-250	94
Light Duty Single Eye Dbl Weave	30552	00671-080	94
Light Duty Single Eye Dbl Weave	30554	00671-095	94
Slack Grip Closed Mesh Dbl Weave, Sgl. Eye	N/A	00674-010	95
Slack Grip Closed Mesh Dbl Weave, Sgl. Eye	N/A	00674-020	95
Slack Grip Closed Mesh Dbl Weave, Sgl. Eye	N/A	00674-030	95
Slack Grip Closed Mesh Dbl Weave, Sgl. Eye	N/A	00674-040	95
Slack Grip Closed Mesh Dbl Weave, Sgl. Eye	N/A	00675-050	95
Slack Grip Closed Mesh Dbl Weave, Sgl. Eye	N/A	00675-065	95
Slack Grip Closed Mesh Dbl Weave, Sgl. Eye	NA	00675-080	95
Slack Grip Closed Mesh Dbl Weave, Sgl. Eye	N/A	00675-095	95
Split Mesh Lace - Dbl. Weave, Sgl. Eye	N/A	00678-010	95
Split Mesh Lace - Dbl. Weave, Sgl. Eye	N/A	00678-020	95
Split Mesh Lace - Dbl. Weave, Sgl. Eye	N/A	00678-030	95
Split Mesh Lace - Dbl. Weave, Sgl. Eye	N/A	00678-040	95
Split Mesh Lace - Dbl. Weave, Sgl. Eye	N/A	00679-050	95
Split Mesh Lace - Dbl. Weave, Sgl. Eye	N/A	00679-065	95
Split Mesh Lace - Dbl. Weave, Sgl. Eye	NA	00679-080	95
Split Mesh Lace - Dbl. Weave, Sgl. Eye	N/A	00679-095	95
Dbl Weave, Sgl. Eye	N/A	00680-025	96
Dbl Weave, Sgl. Eye	30558 / 30560	00680-038	96
Dbl Weave, Sgl. Eye	30562	00680-050	96
Dbl Weave, Sgl. Eye	30564	00680-100	96
Dbl Weave, Sgl. Eye	30566	00680-125	96
Dbl Weave, Sgl. Eye	30568	00680-200	96
Dbl Weave, Sgl. Eye	30570	00680-250	96
Dbl Weave, Sgl. Eye	30572	00680-300	96
Dbl Weave, Sgl. Eye	30574	00680-350	96

*Greenlee® is a registered trademark of Greenlee Tools, Inc.



Current Tools
FOR THE PROFESSIONAL ELECTRICIAN

www.currenttools.com

P.O. Box 17026 • Greenville, SC 29606 • 864.721.4230 • fax 864.721.4232 • 800.230.5421

COMPARISON REFERENCE



Description	Greenlee® Item #	Current Tools Item #	Page #
Dbl Weave, Sgl. Eye	N/A	00680-400	96
Triple Weave, Single Flexible Eye	N/A	00681-006	96
Triple Weave, Single Flexible Eye	N/A	00681-012	96
Triple Weave, Single Flexible Eye	N/A	00681-019	96
Triple Weave, Single Flexible Eye	N/A	00681-025	96
Triple Weave, Single Flexible Eye	N/A	00681-032	96
Triple Weave, Single Flexible Eye	N/A	00681-038	96
Triple Weave, Single Flexible Eye	N/A	00681-048	96
Triple Weave, Rotary Head	N/A	00682-006	97
Triple Weave, Rotary Head	30474	00682-012	97
Triple Weave, Rotary Head	30476	00682-019	97
Triple Weave, Rotary Head	30478	00682-025	97
Triple Weave, Rotary Head	30480	00682-032	97
Triple Weave, Rotary Head	30482	00682-038	97
Triple Weave, Rotary Head	30484	00682-048	97
Double Weave, Rotary Head	30486 / 30502	00690-038	97
Double Weave, Rotary Head	30442 / 30998	00690-050	97
Double Weave, Rotary Head	30460	00690-100	97
Double Weave, Rotary Head	31000	00690-125	97
Double Weave, Rotary Head	30462	00690-200	97
Double Weave, Rotary Head	30464	00690-250	97
Double Weave, Rotary Head	31004	00690-300	97
Double Weave, Rotary Head	30466	00690-350	97
Double Weave, Rotary Head	31006 / 30468	00690-400	97
LUBE SPREADERS			
2" Lube Spreader	N/A	00515-200	98
2 1/2" Lube Spreader	N/A	00515-250	98
3" Lube Spreader	N/A	00515-300	98
3 1/2" Lube Spreader	N/A	00515-350	98
4" Lube Spreader	N/A	00515-400	98
5" Lube Spreader	N/A	00515-500	98
6" Lube Spreader	N/A	00515-640	98
CONNECTOR BODY - FOR LUBE SPREADERS			
1 3/8" Connector Body	N/A	00510-025	98
2" Connector Body	N/A	00510-035	98
CONDUIT CHECKER			
Flexible Mandrel for 1 1/2" conduit	N/A	08500-150	99

*Greenlee® is a registered trademark of Greenlee Tools, Inc.

www.currenttools.com



P.O. Box 17026 • Greenville, SC 29606 • 864.721.4230 • fax 864.721.4232 • 800.230.5421



COMPARISON REFERENCE

Description	Greenlee® Item #	Current Tools Item #	Page #
Flexible Mandrel for 2" conduit	39265	08500-200	99
Flexible Mandrel for 2 1/2" conduit	39263	08500-250	99
Flexible Mandrel for 3" conduit	39261	08500-300	99
Flexible Mandrel for 3.5" conduit	39259	08500-350	99
Flexible Mandrel for 4" conduit	39257	08500-400	99
Flexible Mandrel for 5" conduit	39255	08500-500	99
Flexible Mandrel for 6" conduit	39288	08500-640	99
SPIRAL DUCT BRUSH			
Spiral Duct Brush 2" Duct	39274	08000-200	99
Spiral Duct Brush 2 1/2" Duct	39276	08000-250	99
Spiral Duct Brush 3" Duct	39278	08000-300	99
Spiral Duct Brush 3 1/2" Duct	39280	08000-350	99
Spiral Duct Brush 4" Duct	39282	08000-400	99
Spiral Duct Brush 5" Duct	39284	08000-500	99
Spiral Duct Brush 6" Duct	39286	08000-600	99
STORAGE BOXES AND CASTERS			
Storage Box 48" x 30" x 30"	3048	101	100
Storage Box 31" x 18" x 15"	1531	104	100
Storage Box 60" x 24" x 28 1/2"	2460	105	100
Storage Box 23" x 17" x 20"	23818	8-0501	100
Caster Set - 2 Rigid, 2 Swivel	695 / 603	506	102
BAND SAW			
Band Saw	1399	BS095	101
GENERAL PURPOSE POLY ROPE			
General Purpose Rope - 1/4" x 300'	412	GPR143	102
General Purpose Rope - 1/4" x 600'	413	GPR146	102
General Purpose Rope - 1/4" x 1200'	414	GPR1412	102
General Purpose Rope - 3/8" x 300'	417	GPR383	102
General Purpose Rope - 3/8" x 600'	418	GPR386	102

*Greenlee® is a registered trademark of Greenlee Tools, Inc.



Current Tools
FOR THE PROFESSIONAL ELECTRICIAN

www.currenttools.com

P.O. Box 17026 • Greenville, SC 29606 • 864.721.4230 • fax 864.721.4232 • 800.230.5421



Current Tools, Inc. Limited Warranty

Current Tools, Inc. extends the following Limited Warranty to the original owner:

If the Current Tools, Inc. equipment shall prove to be defective in materials or workmanship during the **Limited Warranty period of two (2) years after original delivery**, Current Tools, Inc. at its option will repair or replace the defective equipment.

The warranty on any replacement equipment supplied hereunder will be limited to the unexpired term of the original warranty. Failures due to misuse and abuse are not covered by this warranty. No other warranty expressed or implied, applies, including merchantability or fitness for a particular purpose. No employee, agent, dealer, or other person is authorized to alter this or make any other warranty on behalf of Current Tools, Inc.

To obtain the benefit of this warranty deliver the complete product prepaid to Current Tools, Inc. or any Current Tools, Inc. authorized repair center.



PRODUCT CATALOG

JACKSON





TABLE OF CONTENTS

Model 186 Chain Vise Stand 1/8" to 6" Capacity.....	2
Model 186 Parts Cross Reference with Ridgid®* #460	3
Model 436 V-Head Pipe Stand.....	4
Optional Heads for Model 436 Pipe Stand	5
Model 436DL Deluxe V-Head Pipe Stand.....	6
Model 536 Pipe Horse™ Pipe Stand	7
Model 636 Jumbo Jack™ Pipe Stand	8
Model 301 – 302 – 303 Tri-Clamp™ Pipe Alignment Tool	9
Model 5050 Pipe / Conduit Rack	10
Model 5070 Pipe / Conduit Bundler	11
Model 5080 Pipe / Material Cart.....	12
Model 458 Pipe Wagon	13
Model 2508 Yard Dog™ Pipe Hauler	14
Model 5050H Pipe Hanger Cart.....	15
Model 5400 Wire Cage.....	16
Model 224 Rolling Threader Stand with tray	17
Model 235 Rolling Threader Stand with storage box	17
Model 246 Adapter Set	17
Model 142 JP Jaws for PVC coated conduit.....	18
Comparison Reference	19

*RIDGID® is a registered trademark of Emerson Electric, Inc.

JACKSON

Model 186 Chain Vise Stand $\frac{1}{8}$ " to 6" Capacity

- Heavy duty jaws provide strong grip and long life
- Collapsible tool tray provides stability when open and folds up for ease of transport
- Large head unit that will handle up to 6" diameter pipe and includes ceiling brace screw
- Slots cast into head unit to hang tools during use
- Jaws for PVC coated conduit available (optional)
- Comes completely assembled and ready for use
- Powder coated
- Compare to Ridgid®* Model #460



* See Page 18 for JP Jaw Set for use with Ridgid®* 40A Tri-Stand Yoke Vise

SCAN HERE FOR MANUAL



CATALOG NUMBER	DESCRIPTION	CAPACITY	WEIGHT	
186	Chain Vise Stand	Up to 6" Diameter Pipe	48 lbs.	UPC# 811993024580

*RIDGID® is a registered trademark of Emerson Electric, Inc.

JACKSON

Model 436 V-Head Pipe Stand

- 1/2"-12" diameter pipe capacity
- 2,500 lb. working load capacity per stand
- Quick height adjustment tube
- Height adjustment nut for fine tuning height
- Sight hole to help avoid over extension of height adjustment tube
- Safety feature allows V-Head to be secured for transport
- Powder coated



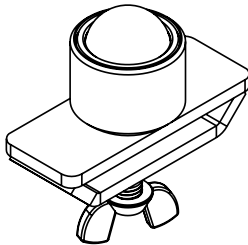
SCAN HERE FOR MANUAL



CATALOG NUMBER	DESCRIPTION	CAPACITY	WEIGHT	
436	V-Head Pipe Stand	Load – 2,500 lbs.	21 lbs.	UPC# 811993025327
		1/2"-12" Pipe diameter		

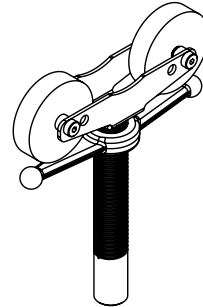
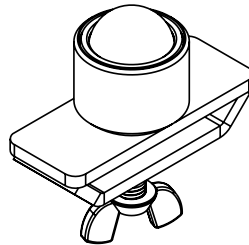
JACKSON

Optional Heads for Model 436 Pipe Stands



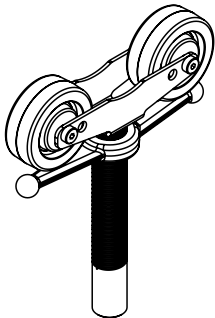
436BT — Steel
436BTS — Stainless Steel
BALL TRANSFER HEAD ATTACHMENT SET

Capacity: 1,000 lbs/set
 3/8" to 12" diameter pipe or tube



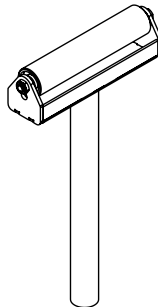
438 — Steel
438SS — Stainless Steel
STEEL WHEEL HEAD

Capacity: 2,000 lbs
 1½" to 12" diameter pipe on inside roller setting
 12" to 24" diameter pipe on outside roller setting



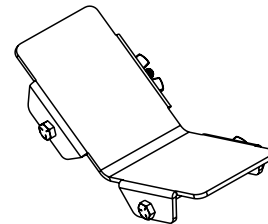
437
PLASTIC WHEEL HEAD

Capacity: 1,000 lbs
 1½" to 12" diameter pipe on inside roller setting
 12" to 24" on outside roller setting



439
BAR STOCK HEAD

Capacity: 2,000 lbs.
 1/8" to 10" wide flats, bars and beams



436V
STAINLESS STEEL V-HEAD SLEEVE ATTACHMENT

Capacity: 2,500 lbs
 1/2"–12" diameter pipe

SCAN HERE FOR MANUAL



CATALOG NUMBER	DESCRIPTION	CAPACITY	UPC#
436BT	Ball transfer head attachment set — steel	1,000 lbs/set	UPC# 811993026300
436BTS	Ball transfer head attachment set — stainless steel	1,000 lbs/set	UPC# 811993026317
438	Wheel head — steel	2,000 lbs	UPC# 811993026324
438SS	Wheel head — stainless steel	2,000 lbs	UPC# 811993026171
437	Wheel head — plastic	1,000 lbs	UPC# 811993026331
439	Bar stock head	2,000 lbs	UPC# 811993026348
436V	V-Head sleeve attachment — stainless steel	2,500 lbs	UPC# 811993026355

JACKSON

Model 436DL *Deluxe V-Head Pipe Stand*

- V-Head assembly secured to quick height adjustment tube to help prevent pinch points
- Height adjustment tube has 5" clearance when fully lowered to help avoid pinch points
- 1/2"-12" diameter pipe capacity
- 2,500 lb. working load capacity per stand
- Permanently secured lock ring
- Sight hole to help prevent over extension of height adjustment tube
- Safety feature allows V-Head to be secured for transport
- Powder coated finish
- Optional pipe hold down device



CATALOG NUMBER	DESCRIPTION	CAPACITY	WEIGHT	
436DL	Deluxe V-Head Pipe Stand	Load – 2,500 lbs.	21 lbs.	UPC# 811993026201
		1/2"-12" Pipe diameter		

JACKSON

Model 536 Pipe Horse™ Pipe Stand

- Holds 1/2" to 36" Diameter Pipe
- 2,500 lb. capacity per stand
- Locking screw on both rollers
- Nut on both ends of unit for easy adjustment
- Powder coated
- Available with steel or phenolic wheels
- Compare to Sumner® Manufacturing Adjust-A-Roll™* #780365 and #780367



SCAN HERE FOR MANUAL



CATALOG NUMBER	DESCRIPTION	CAPACITY	WEIGHT	
536	Pipe Horse™ Pipe Stand	Load – 2,500 lbs.	35 lbs.	UPC# 811993024559
		1/2"-36" Pipe diameter		
536P	Pipe Horse™ Pipe Stand with Phenolic Wheels	Load – 2,500 lbs.	35 lbs.	UPC# 811993026287
		1/2"-36" Pipe diameter		

*Adjust-A-Roll™ is a trademark of Southwire, Inc.

JACKSON

Model 636 Jumbo Jack™ Pipe Stand

- Holds 4" to 36" Diameter Pipe
- 2,500 lb. capacity per stand
- 5 heavy duty swivel casters with locking brake
- Optional Hold Down Device to secure pipe to stand
- Extra wide rollers on V-Head provide additional stability
- Powder coated
- Compare to Sumner® Manufacturing Max Jax™* #781403



Optional Hold Down Device
Part #636-851



SCAN HERE FOR MANUAL



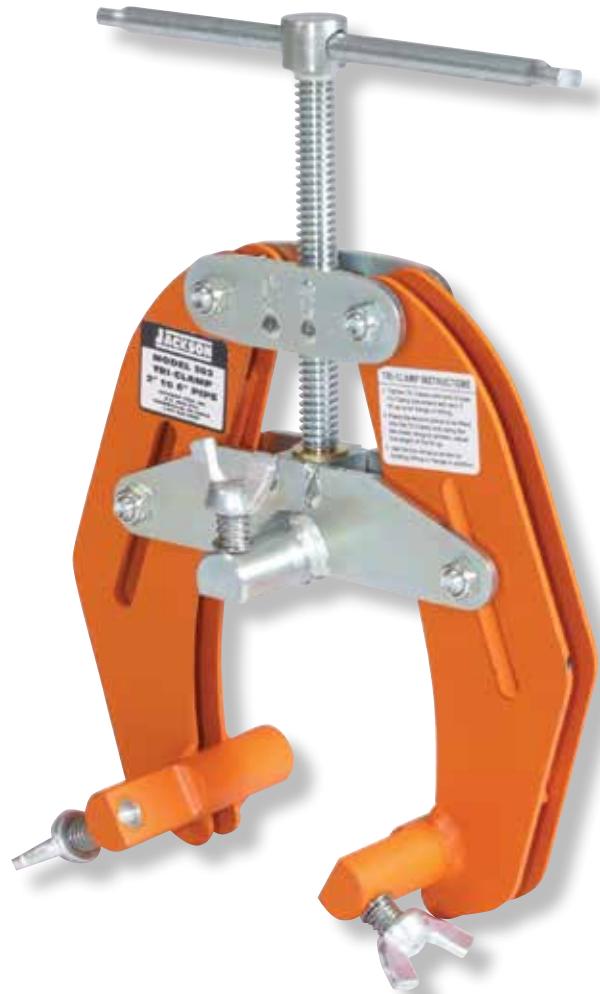
CATALOG NUMBER	DESCRIPTION	CAPACITY	WEIGHT	
636	Jumbo Jack™ Pipe Stand	Load – 2,500 lbs.	130 lbs.	UPC# 811993024566
		4"-36" Pipe diameter		
636-851	Hold Down Device (optional)	Up to 36" Pipe	5 lbs.	UPC# 811993024993

*Max Jax™ is a trademark of Southwire, Inc.

JACKSON

Model 301 – 302 – 303 Tri-Clamp™ Pipe Alignment Tool

- Three size ranges covering 1" through 12" diameters
- Durable steel frame is ideal for job site use as well as shop use
- Strong and lightweight for increased productivity and long tool life
- Versatile tool can be used for multiple fit-ups, including Pipe to Pipe, Pipe to Fitting, Pipe to Flange and Pipe to Tee
- Powder coated
- Compare to Sumner® Manufacturing Ultra Clamp™* 781130, 781150, 781170



SCAN HERE FOR MANUAL



CATALOG NUMBER	DESCRIPTION	CAPACITY	WEIGHT	
301	Tri-clamp, small	1" to 2½" diameter	3 lbs.	UPC# 811993024955
302	Tri-clamp, medium	2" to 6" diameter	9 lbs.	UPC# 811993024962
303	Tri-clamp, large	5" to 12" diameter	15 lbs.	UPC# 811993024979

*Ultra Clamp™ is a trademark of Southwire, Inc.

JACKSON

Model 5050 Pipe / Conduit Rack

- For organizing pipe or conduit
- 7 spaces for sorting
- Arms fold down to save space
- Provided with large 6" casters; 2 swivel and 2 fixed
- Powder coated
- Caster plates inset to allow stacking of carts with casters attached
- Compare to Greenlee®* 668
- Compare to Sumner®** 783317



***Better than the rest!
Arms designed with
one piece construction***

SCAN HERE FOR MANUAL



CATALOG NUMBER	DESCRIPTION	CAPACITY	WEIGHT	
5050	Pipe/Conduit Rack	1,000 lbs.	111 lbs.	UPC# 811993024573

*Greenlee® is a registered trademark of Greenlee Tools, Inc.
**Sumner® is a registered trademark of Southwire, Inc..

JACKSON

Model 5070 Pipe / Conduit Bundler with Casters

- Designed for easy movement of large bundles of pipe or conduit on the job site
- Welded construction for years of job site use
- Provided with large 6" casters; 2 swivel and 2 fixed
- Powder coated
- Caster plates inset to allow stacking of carts with casters attached
- Compare to Greenlee®* GMX670K
- Compare to Sumner®** 783320



SCAN HERE FOR MANUAL



CATALOG NUMBER	DESCRIPTION	CAPACITY	WEIGHT	
5070	Pipe/Conduit Bundler with Casters	1,000 lbs.	112 lbs.	UPC# 811993025099

*Greenlee® is a registered trademark of Greenlee Tools, Inc.
 **Sumner® is a registered trademark of Southwire, Inc..

JACKSON

Model 5080 Pipe/Material Cart



Shown with 4 corner post inserts and pipe supports

- Easily transport pipe and material around the job site
- 2,000 lb. capacity
- Removable pipe supports
- Pipe support design provides clearance under pipe for loading/unloading
- 6 heavy duty casters — 2 center casters for ease of rolling and making tight turns
- Corner post inserts allow transporting of material up to 34" in height
- Stackable when not in use for compact storage
- Compare to Sumner Pipe Mac™*



Corner post inserts come standard



Pipe supports come standard



Stackable



SCAN HERE FOR MANUAL



CATALOG NUMBER	DESCRIPTION	CAPACITY	WEIGHT	
5080	Pipe/Material Cart	2,000 lbs.	176 lbs.	UPC# 811993026188

*Sumner® and Pipe Mac™ are trademarks of Southwire, Inc..

JACKSON

Model 458 Pipe Wagon

- Transports up to 20' lengths of pipe
- 1000 lb. capacity
- Large pneumatic tires move load with ease
- Ergonomically designed handle
- Heavy duty construction
- Powder coated
- Compare to Greenlee® 36745



SCAN HERE FOR MANUAL



CATALOG NUMBER	DESCRIPTION	WEIGHT	
458	Pipe Wagon Capacity – 1,000 lbs.	92 lbs	UPC# 811993024986

*Greenlee® is a registered trademark of Greenlee Tools, Inc.

JACKSON

Model 2508 Yard Dog™ Pipe Hauler



- Ability for one person to lift and transport up to 2000 lb. loads
- Durable wheels and tires to handle the abuse of constant job site use
- Variable load lengths accomodated by sliding chain blocks
- Cushioned grips help ease operator fatigue
- Powder coated
- Compare to Sumner® Grasshopper™* 780351



SCAN HERE FOR MANUAL



CATALOG NUMBER	DESCRIPTION	CAPACITY	WEIGHT	
2508	Yard Dog Pipe Hauler	20" diameter pipe up to 20' long 2000 lbs. maximum	184 lbs.	UPC# 811993024894

*Sumner™ and Grasshopper™ are trademarks of Southwire, Inc.

JACKSON

Model 5050H Pipe Hanger Cart



- Organize and move pipe hangers around the jobsite
- Holds 120 – 2" to 4" pipe hangers or 40 – 6" to 8" pipe hangers
- Solid thru-bar construction
- Fast set up
- Fits through standard 36" doorway
- Provided with large 6" casters, 2 swivel and 2 fixed
- Folds for compact storage
- Convenient forklift pockets
- Mesh base is standard
- Stackable design saves space when not in use
- Compare to Sumner® Hanger Mac™



SCAN HERE FOR VIDEO



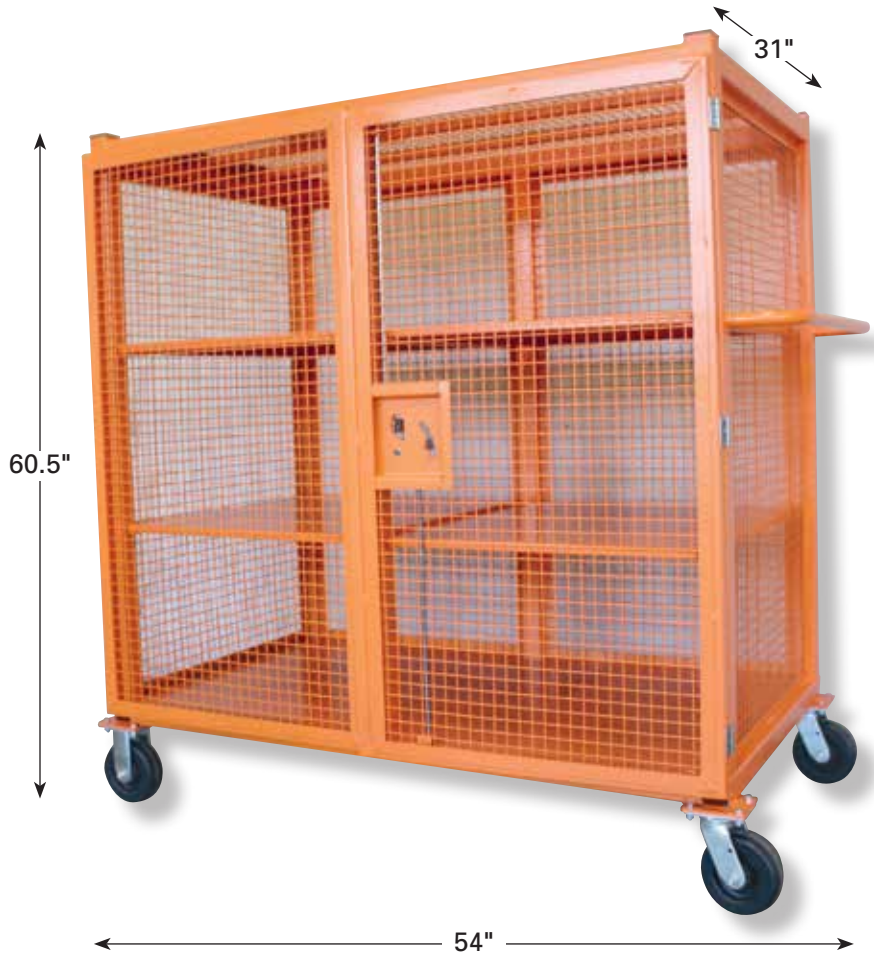
CATALOG NUMBER	DESCRIPTION	CAPACITY	WEIGHT	
5050H	Pipe Hanger Cart	1,000 lbs. (evenly distributed)	208 lbs.	UPC# 811993026669

*Sumner® and Hanger Mac™ are trademarks of Southwire Company, LLC.

JACKSON

Model 5400 Wire Cage

- Heavy duty wire mesh cage, great for storage on or off the jobsite
- Door frames made of square tubing; much sturdier than the competition
- Lockable doors for added security
- Removable steel shelves that will also slide out for easy access to product
- Heavy duty casters (2 swivel, 2 fixed)
- Load capacity 1,500 lbs.
- Durable powder coated finish
- Compare to Sumner® Stor Mac™*



SCAN HERE FOR MANUAL



CATALOG NUMBER	DESCRIPTION	CAPACITY	WEIGHT	
5400	Wire Cage	1,500 lbs.	385 lbs	UPC# 811993026447

*Stor Mac™ is a trademark of Southwire, Inc.

JACKSON

Jackson Tool Threader Stands

Model 224 Rolling Stand with tray

Model 235 Rolling Stand with storage box

Model 246 Adapter Set

- All metal construction
- Will fit RIDGID®* 535 and 1224 threaders
- Large 15" Heavy Duty solid tires on all models
- Available with tray or lockable storage box
- Rear roller arm to help prevent tip-over while rolling
- Powder coated



SCAN HERE FOR MANUAL



CATALOG #	DESCRIPTION	WILL FIT RIDGID® MODEL #	WEIGHT	
224	Rolling Stand with tray	535 – Prior to 2001	100 lbs.	UPC# 811993024900
224W	Rolling Stand with tray	1224 535 – 2001 and newer	102 lbs.	UPC# 811993024917
235	Rolling Stand with storage box	535 – Prior to 2001	127 lbs.	UPC# 811993024924
235W	Rolling Stand with storage box	1224 535 – 2001 and newer	129 lbs.	UPC# 811993024931
246	Adapter set for 224 or 235 stand	pre-1996 535	12 lbs.	UPC# 811993024948

*RIDGID® is a registered trademark of Emerson Electric, Inc.

JACKSON

Model 142 JP Jaw For PVC coated conduit

- JP Jaw Set is designed to hold 1/2"-2" PVC coated conduit
- JP Jaw Set helps protect PVC coating from damage
- Made from high-strength alloy
- Jaws are 6" long for firm grip
- For use with Ridgid®* 40-A Tri-Stand Yoke Vise or Ridgid®* 22 Bench Yoke Vise



SCAN HERE FOR MANUAL



CATALOG NUMBER	DESCRIPTION	CAPACITY	WEIGHT	
142	JP Jaw Set	1/2"-2"	5 lbs.	UPC# 811993025105

*RIDGID® is a registered trademark of Emerson Electric, Inc.



COMPARISON REFERENCE

Description	Sumner* Item #	RIDGID®** Item #	Greenlee*** Item #	Jackson Tool Item #	Page #
Chain Vise Stand	—	460-6	—	186	2
V-Head Pipe Stand	780375	56662	—	436	4
Pipe Horse™ Pipe Stand	780365	AR-99	—	536	7
Jumbo Jack™ Pipe Stand	781403	—	—	636	8
Tri-Clamp Pipe Alignment Tool	781130	—	—	301	9
	781150	—	—	302	9
	781170	—	—	303	9
Conduit Rack	783317	—	668	5050	10
Conduit Bundler	783320	—	GMX-670K	5070	11
Pipe/Material Cart	783230	—	—	5080	12
Pipe Wagon	—	—	36745	458	13
Yard Dog™ Pipe Hauler	780351	—	—	2508	14
Pipe Hanger Cart	785651	—	—	5050H	15
Wire Cage	784920	—	—	5400	16
THREADER STANDS					
Rolling Stand with tray	—	150A	—	224	17
Rolling Stand with tray, wide	—	150A	—	224W	17
Rolling Stand with storage box	—	200A	—	235	17
Rolling Stand with storage box, wide	—	200A	—	235W	17
Adapter Set — for 524 or 526 Rolling Stand	—	58007	—	246	17

* Sumner® is a registered trademark of Southwire, Inc.

** RIDGID® is a registered trademark of Emerson Electric, Inc.

*** Greenlee® is a registered trademark of Greenlee Tools, Inc.

Jackson Tool Limited Warranty

Jackson Tool extends the following Limited Warranty to the original owner:

If the Jackson Tool equipment shall prove to be defective in materials or workmanship during the **Limited Warranty period of two (2) years after the original delivery**, Jackson Tool, at its option, will repair or replace the defective equipment.

The warranty on any replacement equipment supplied hereunder will be limited to the unexpired term of the original warranty. Failures due to misuse and abuse are not covered by this warranty. No other warranty, expressed or implied, applies, including merchantability or fitness for a particular purpose. No employee, agent, dealer or another person is authorized to alter this or make any other warranty on behalf of Jackson Tool.

To obtain the benefit of this warranty, deliver the complete product, prepaid, to Jackson Tool or any Jackson Tool authorized repair center.

JACKSON

P.O. BOX 5701 • GREENVILLE, SC 29606

877.522.8995 OR 864.721.4235

FAX 864.721.4236

www.jacksontoolinc.com

