

# Cisco ISR 4000 Series Routers with MACsec

## *Firmware version:*

Cisco IOS-XE 16.12

## *Hardware versions:*

ISR 4321, ISR 4331, ISR 4351 and ISR 4451

## *Network Interface Module versions:*

NIM-2GE-CU-SFP

## **FIPS-140 Non-Proprietary Security Policy- Security Level 1**

---

Cisco Systems, Inc.

Version 1.4

## Table of Contents

1	Introduction.....	1
1.1	References .....	1
1.2	FIPS 140-2 Submission Package.....	1
2	Module Description .....	2
2.1	Cisco ISR (4321, 4331, 4351 and 4451) .....	2
2.2	Network Interface Module (NIM-2GE-CU-SFP) .....	4
2.3	Validated & Vendor Affirmed Hardware.....	5
2.4	FIPS and non-FIPS modes of operation.....	5
2.5	Module Validation Level .....	6
3	Cryptographic Boundary.....	7
4	Cryptographic Module Ports and Interfaces .....	7
5	Roles, Services, and Authentication .....	12
5.1	User Services.....	12
5.2	Cryptographic Officer Services.....	13
5.3	Unauthenticated User Services.....	14
6	Cryptographic Key/CSP Management.....	15
6.1	User Services and CSP Access.....	22
6.2	Crypto Officer Services and CSP Access .....	23
7	Cryptographic Algorithms .....	25
7.1	Approved Cryptographic Algorithms.....	25
7.2	Non-Approved Algorithms allowed for use in FIPS-mode .....	26
7.3	Non-Approved Algorithms .....	27
7.4	Self-Tests.....	27
8	Physical Security.....	29
9	Secure Operation.....	30

9.1	System Initialization and Configuration .....	30
9.2	IPsec Requirements and Cryptographic Algorithms .....	31
9.3	Protocols.....	32
9.4	Remote Access .....	32
9.5	Key Strength.....	32
10	Related Documentation.....	32
11	Definitions List .....	33

# 1 Introduction

This is a non-proprietary Cryptographic Module Security Policy for Cisco ISR 4K network router modules. This security policy describes how modules meet the security requirements of FIPS 140-2 and how to run the modules in a FIPS 140-2 mode of operation.

FIPS 140-2 (Federal Information Processing Standards Publication 140-2 — Security Requirements for Cryptographic Modules) details the U.S. Government requirements for cryptographic modules. More information about the FIPS 140-2 standard and validation program is available on the NIST website at <http://csrc.nist.gov/groups/STM/cmvp/index.html>.

## 1.1 References

This document deals only with operations and capabilities of the module in the technical terms of a FIPS 140-2 cryptographic module security policy. More information is available on the module from the following sources:

- The Cisco Systems website (<http://www.cisco.com>) contains information on the full line of products from Cisco Systems.
- The NIST Cryptographic Module Validation Program website (<http://csrc.nist.gov/groups/STM/cmvp/index.html>) contains contact information for answers to technical or sales-related questions for the module.

## 1.2 FIPS 140-2 Submission Package

The security policy document is one document in a FIPS 140-2 Submission Package. In addition to this document, the submission package includes:

- Vendor Evidence
- Finite State Machine
- Other supporting documentation as additional references

With the exception of this non-proprietary security policy, the FIPS 140-2 validation documentation is proprietary to Cisco Systems, Inc. and is releasable only under appropriate non-disclosure agreements. For access to these documents, please contact Cisco Systems, Inc. See “Obtaining Technical Assistance” section for more information.

## 2 Module Description

### 2.1 Cisco ISR (4321, 4331, 4351 and 4451)

The Cisco ISR 4000 Series Routers (4321, 4331, 4351 and 4451) revolutionize WAN communications in the enterprise branch. With new levels of built-in intelligent network capabilities and convergence, it specifically addresses the growing need for application-aware networking in distributed enterprise sites. These locations tend to have lean IT resources. But they often also have a growing need for direct communication with both private data centers and public clouds across diverse links, including Multiprotocol Label Switching (MPLS) VPNs and the Internet.

Cisco 4000 Family ISRs provide you with Cisco® Software Defined WAN (SDWAN) software features and a converged branch infrastructure. Along with superior throughput, these capabilities form the building blocks of next-generation branch-office WAN solutions.

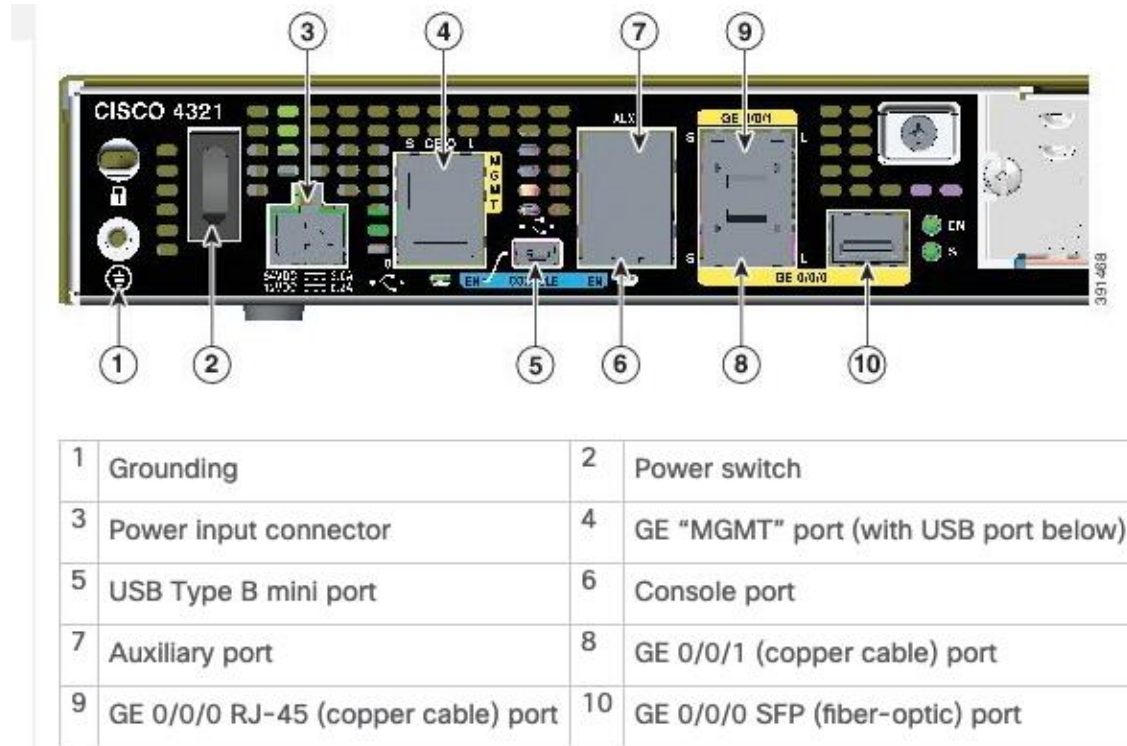
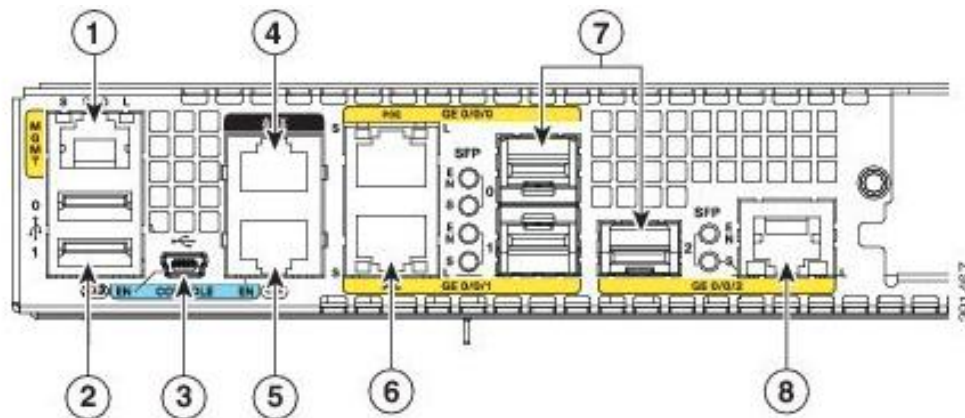


Figure 1: ISR 4321



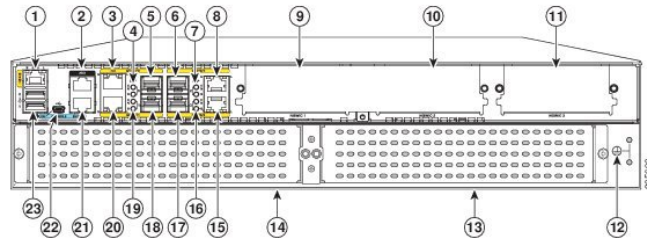
1	USB Type B mini port	2	Serial console port
3	AUX port	4	USB Type A port
5	Management port	6	LEDs

Figure 2: ISR 4331



1	GE management port	2	USB Type A port
3	USB Type B mini port	4	Auxiliary port
5	Console port	6	RJ-45 port (GE 0/0/1)
7	SFP port (GE 0/0/0)	8	RJ-45 port (GE/0/0/2)

Figure 3: ISR 4351

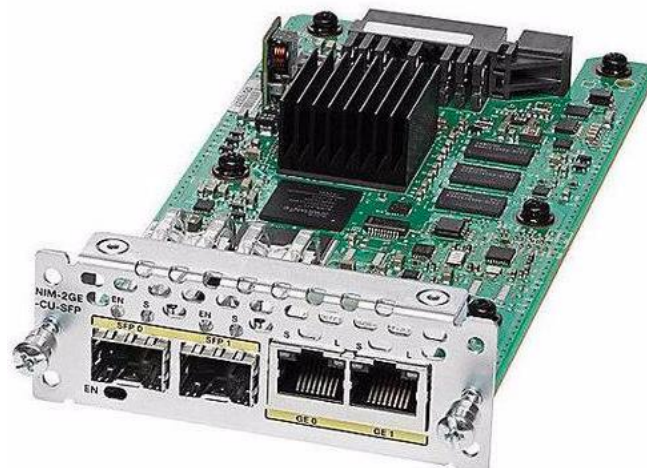


1	GE 0 management port	2	Auxiliary port
3	RJ-45 Gigabit Ethernet port (GE 0/0/0)	4	LEDs for the GE 0/0/0 interface (See Table 1-1 for detailed LED Information)
5	SFP/Gigabit Ethernet port (GE 0/0/0)	6	SFP/Gigabit Ethernet port (GE 0/0/2)
7	LEDs for the GE 0/0/2 interface	8	RJ-45 Gigabit Ethernet port (GE 0/0/2)
9	NIM slot 1 (shown with slot divider removed).	10	NIM slot 2 (shown with slot divider removed).
11	NIM slot 3	12	Ground connection
13	Enhanced Service Module (SM-X) 2	14	Enhanced Service Module (SM-X) 1
15	RJ-45 Gigabit Ethernet port GE 0/0/3	16	LEDs for the GE 0/0/3 interface
17	SFP/Gigabit Ethernet GE 0/0/3	18	SFP Gigabit Ethernet GE 0/0/1
19	LEDs for the GE 0/0/1 interface	20	RJ-45 Gigabit Ethernet port GE 0/0/1
21	Serial console port	22	USB Type B mini port
23	USB 0 and USB 1		

**Figure 4: ISR 4451**

## 2.2 Network Interface Module (NIM-2GE-CU-SFP)

The 2GE-CU-SFP Network Interface Module (NIM) are software-configurable high-speed connectivity routing port network interface modules for the Cisco ISR 4000 Series Integrated Services Routers (ISR). This network interface modules provide increased density of Ethernet interfaces on the Cisco ISR 4000 Series. Figure 5 shows the network interface module.



**Figure 5: NIM-2GE-CU-SFP**

## 2.3 Validated & Vendor Affirmed Hardware

The validated configurations are comprised of the following components:

Chassis	Hardware Configurations
	Line Card
ISR 4321	NIM-2GE-CU-SFP
ISR 4331	
ISR 4351	
ISR 4451	

**Table 1: Module Hardware Configurations running Cisco IOS-XE 16.12**

The vendor affirmed configurations are comprised of the following components:

Chassis	Vendor Affirmed Hardware Configurations
	Line Card
ISR 4221	NIM-1GE-CU-SFP, NIM-ES2-8
ISR 4431	
ISR 4461	

**Table 2: Vendor Affirmed Models<sup>1</sup>**

## 2.4 FIPS and non-FIPS modes of operation

The ISR 4000 Series supports a FIPS and non-FIPS mode of operation. The non-FIPS mode of operation is not a recommended operational mode but because the module allows for non-approved algorithms and non-approved key sizes, a non-approved mode of operation exists. The following services are available in a FIPS-Approved mode of operation:

- SSH
- IPsec
- SNMPv3
- MACsec

The following services are available in a non-FIPS-Approved mode of operation:

- SSH
- TLS
- IPsec
- SNMPv3
- MACsec

---

<sup>1</sup> Vendor affirmed devices use the same firmware image (Cisco IOS-XE 16.12) as the modules tested. No claim to conformance can be made as these models were not tested by a CSTL or reviewed by CMVP.



When the services are used in non-FIPS mode they are considered to be non-compliant.

If the device is in the non-FIPS mode of operation, the Cryptographic Officer must follow the instructions in section 9.1 of this security policy to transfer into a FIPS approved mode of operation.

## **2.5 Module Validation Level**

The following table lists the level of validation for each area in the FIPS PUB 140-2.

<b>No.</b>	<b>Area Title</b>	<b>Level</b>
1	Cryptographic Module Specification	1
2	Cryptographic Module Ports and Interfaces	1
3	Roles, Services, and Authentication	3
4	Finite State Model	1
5	Physical Security	1
6	Operational Environment	N/A
7	Cryptographic Key management	1
8	Electromagnetic Interface/Electromagnetic Compatibility	1
9	Self-Tests	1
10	Design Assurance	3
11	Mitigation of Other Attacks	N/A
<b>Overall</b>	<b>Overall module validation level</b>	<b>1</b>

**Table 3: Module Validation Level**

### 3 Cryptographic Boundary

The cryptographic boundary for the Cisco ISR 4321, 4331, 4351 and ISR 4451 are defined as encompassing the “top,” “bottom,” “front,” “back,” “left” and “right” surfaces of the case; all portions of the "backplane" of the case.

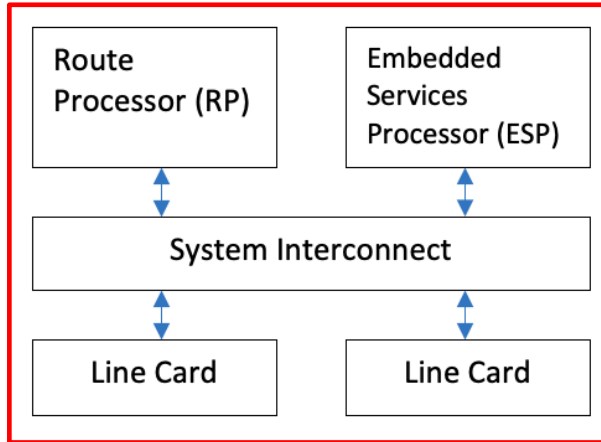


Figure 6: Cryptographic Boundary

### 4 Cryptographic Module Ports and Interfaces

Each module provides a number of physical and logical interfaces to the device, and the physical interfaces provided by the module are mapped to four FIPS 140-2 defined logical interfaces: data input, data output, control input, and status output. The logical interfaces and their mapping are described in the following tables:

Physical Interfaces	FIPS 140-2 Logical Interfaces
Ethernet Ports (2) Backplane (2) SFP Port (1) Network Interface Module (2) Console (1) Auxiliary Port (1) 10/100/1000 Management Ethernet Port (1)	Data Input Interface
Ethernet Ports (2) Backplane (2) SFP Port (1) Network Interface Module (2) Console/Auxiliary Port (1) 10/100/1000 Management Ethernet Port (1)	Data Output Interface
Ethernet Ports (2) Backplane (2) SFP Port (1) Network Interface Module (2) Console/Auxiliary Port (1)	Control Input Interface

Physical Interfaces	FIPS 140-2 Logical Interfaces
USB Port (1) 10/100/1000 Management Ethernet Port (1) Power Switch (1)	
Ethernet Ports (2) Backplane (2) SFP Port (1) Network Interface Module (2) LEDs USB Port (1) Console/Auxiliary Port (1) 10/100/1000 Management Ethernet Port (1)	Status Output Interface
Power Plug	Power interface

Table 4: ISR 4321

Physical Interfaces	FIPS 140-2 Logical Interfaces
Ethernet Ports (3) Backplane (2) SFP Port (2) Network Interface Module (2) Console Port (1) Auxiliary Port (1) 10/100/1000 Management Ethernet Port (1)	Data Input Interface
Ethernet Ports (3) Backplane (2) SFP Port (2) Network Interface Module (2) Console Port (1) Auxiliary Port (1) 10/100/1000 Management Ethernet Port (1)	Data Output Interface
Ethernet Ports (3) Backplane (2) SFP Port (2) Network Interface Module (2) Console Port (1) Auxiliary Port (1) USB Port (1) 10/100/1000 Management Ethernet Port (1) Power Switch (1)	Control Input Interface
Ethernet Ports (3)	Status Output Interface

Physical Interfaces	FIPS 140-2 Logical Interfaces
SFP Port (2) Network Interface Module (2) Console Port (1) Auxiliary Port (1) 10/100/1000 Management Ethernet Port (1) LEDs USB Port (1)	
Power Plug	Power interface

**Table 5: ISR 4331**

Physical Interfaces	FIPS 140-2 Logical Interfaces
Ethernet Ports (3) SFP Port (3) Network Interface Module (3) Console Port (1) Auxiliary Port (1) 10/100/1000 Management Ethernet Port (1)	Data Input Interface
Ethernet Ports (3) SFP Port (3) Network Interface Module (3) Console Port (1) Auxiliary Port (1) 10/100/1000 Management Ethernet Port (1)	Data Output Interface
Ethernet Ports (3) SFP Port (3) Network Interface Module (3) Console Port (1) Auxiliary Port (1) 10/100/1000 Management Ethernet Port (1) Power Switch	Control Input Interface

Ethernet Ports (3) SFP Port (3) Network Interface Module (3) Console Port (1) Auxiliary Port (1) 10/100/1000 Management Ethernet Port (1) LEDs USB (2)	Status Output Interface
Power Plug	Power interface

**Table 6: ISR 4351**

<b>Physical Interfaces</b>	<b>FIPS 140-2 Logical Interfaces</b>
Ethernet Ports (4) SFP Port (4) Network Interface Module (3) Console Port (1) Auxiliary Port (1) 10/100/1000 Management Ethernet Port (1)	Data Input Interface
Ethernet Ports (4) SFP Port (4) Network Interface Module (3) Console Port (1) Auxiliary Port (1) 10/100/1000 Management Ethernet Port (1)	Data Output Interface
Ethernet Ports (4) SFP Port (4) Network Interface Module (3) Console Port (1) Auxiliary Port (1) 10/100/1000 Management Ethernet Port (1) Power Switch	Control Input Interface
Ethernet Ports (4) SFP Port (4) Network Interface Module (3) Console Port (1) Auxiliary Port (1) 10/100/1000 Management Ethernet Port (1) LEDs USB (2)	Status Output Interface
Power Plug	Power interface

**Table 7: ISR 4451**

Physical Interfaces	FIPS 140-2 Logical Interfaces
RJ45 Ethernet Ports (2) SFP Ports (2)	Data Input Interface
RJ45 Ethernet Ports (2) SFP Ports (2)	Data Output Interface
RJ45 Ethernet Ports (2) SFP Ports (2)	Control Input Interface
RJ45 Ethernet Ports (2) SFP Ports (2)	Status Output Interface

**Table 8: NIM-2GE-CU-SFP**

## 5 Roles, Services, and Authentication

Authentication is identity-based. Each user is authenticated upon initial access to the module. There are two main roles in the router that operators may assume: the Crypto Officer role and the User role. The administrator of the router assumes the Crypto Officer role in order to configure and maintain the router using Crypto Officer services, while the Users exercise only the basic User services. The module supports RADIUS and TACACS+ for authentication. A complete description of all the management and configuration capabilities of the modules can be found in the Cisco ISR 4000 Series Integrated Services Routers Software Configuration Guide Manual<sup>2</sup> and in the online help for the modules.

The User and Crypto Officer passwords and all shared secrets must each be at least eight (8) characters long, including at least one letter and at least one number character, in length (enforced procedurally). See the Secure Operation section for more information. If six (6) integers, one (1) special character and one (1) alphabet are used without repetition for an eight (8) digit PIN, the probability of randomly guessing the correct sequence is one (1) in 251,596,800 (this calculation is based on the assumption that the typical standard American QWERTY computer keyboard has 10 Integer digits, 52 alphabetic characters, and 32 special characters providing 94 characters to choose from in total. Since it is claimed to be for 8 characters with no repetition, then the calculation should be,  $10 \times 9 \times 8 \times 7 \times 6 \times 5 \times 32 \times 52$ . In order to successfully guess the sequence in one minute would require the ability to make over 4,193,280 guesses per second, which far exceeds the operational capabilities of the module.

Additionally, when using RSA-based authentication, RSA key pair has a modulus size of either 2048 or 3072 bits, thus providing at least 112 bits of strength. Assuming the low end of that range (2048 bits), an attacker would have a 1 in  $2^{112}$  chance of randomly obtaining the key, which is much stronger than the one-in-a-million chance required by FIPS 140-2. To exceed a one in 100,000 probability of a successful random key guess in one minute, an attacker would have to be capable of approximately  $8.6 \times 10^{31}$  ( $5.2 \times 10^{33} / 60 = 8.6 \times 10^{31}$ ) attempts per second, which far exceeds the operational capabilities of the modules to support.

It should be noted that the same services are available to both Users and Cryptographic officers, regardless of whether or not they are in a non-FIPS approved mode of operation or a FIPS approved mode of operation.

### 5.1 User Services

A User enters the system by accessing the console/auxiliary port with a terminal program or SSH v2 session to a LAN port or the 10/100/1000 Management Ethernet Port. The module prompts the User for their username/password combination. If the username/password combination is correct, the User is allowed entry to the module

---

<sup>2</sup> Link located in Section 10.

management functionality. The services available to the User role consist of the following:

- Status Functions - View state of interfaces and protocols, firmware version
- Terminal Functions - Adjust the terminal session (e.g., lock the terminal, adjust flow control)
- Directory Services - Display directory of files kept in memory
- Perform Self-Tests – Perform the FIPS 140 start-up tests on demand
- Perform Cryptography – Use the cryptography provided by the module:
  - SSH
  - IPSec
  - SNMPv3
  - MACsec

## **5.2 Cryptographic Officer Services**

A Crypto Officer enters the system by accessing the console/auxiliary port with a terminal program or SSH v2 session to a LAN port or the 10/100/1000 Management Ethernet Port. The Crypto Officer authenticates in the same manner as a User. The Crypto Officer is identified by accounts that have a privilege level 15 (versus the privilege level 1 for users). A Crypto Officer may assign permission to access the Crypto Officer role to additional accounts, thereby creating additional Crypto Officers.

The Crypto Officer role is responsible for the configuration and maintenance of the router. The Crypto Officer services consist of the following:

- Configure the module - Define network interfaces and settings, create command aliases, set the protocols the router will support, enable interfaces and network services, set system date and time, and load authentication information.
- Define Rules and Filters - Create packet Filters that are applied to User data streams on each interface. Each Filter consists of a set of Rules, which define a set of packets to permit or deny based characteristics such as protocol ID, addresses, ports, TCP connection establishment, or packet direction.
- Status Functions - View the module configuration, routing tables, active sessions, use get commands to view SNMP MIB statistics, health, temperature, memory status, voltage, packet statistics, review accounting logs, and view physical interface status.
- Manage the module - Log off users, shutdown or reload the router, manually back up router configurations, view complete configurations, manage user rights, initiate power-on self-tests on demand and restore router configurations.
- Set Encryption - Set up the configuration tables for IP tunneling. Set keys and algorithms to be used for each IP range or allow plaintext packets to be set from specified IP address.



- Perform Self-Tests – Perform the FIPS 140 start-up tests on demand.
- Zeroization – Erasing electronically stored data, cryptographic keys, and CSPs by altering or deleting the contents of the data storage to prevent recovery of the data.

### **5.3 Unauthenticated User Services**

The services for someone without an authorized role are to view the status output from the module's LED pins and cycle power.

## 6 Cryptographic Key/CSP Management

The module securely administers both cryptographic keys and other critical security parameters such as passwords. All keys and CSPs are protected by the password-protection of the Crypto Officer role login and can be zeroized by the Crypto Officer. Zeroization consists of overwriting the memory that stored the key or refreshing the volatile memory. Keys are exchanged and entered electronically via Internet Key Exchange (IKE) or SSH.

The module supports the following critical security parameters (CSPs):

Key/CSP Name	Key Type	Description	Storage	Generation /Input	Output	Zeroization
<b>General Keys/CSPs</b>						
DRBG entropy input	CTR (using AES-256) 256-bit	This is the entropy for SP 800-90 RNG.	DRAM (plaintext)	Generated internally via a call to the DRBG.	Never output from the module	Power cycle the device
DRBG Seed (IOS XE)	CTR (using AES-256) 384-bits	This DRBG seed is collected from the onboard Act2Lite cryptographic processor.	DRAM (plaintext)	Generated internally via a call to the DRBG.	Never output from the module	Automatically every 400 bytes or turn off the router.
DRBG V	CTR (using AES-256) 256-bit	Internal V value used as part of SP 800-90 CTR_DRBG	DRAM (plaintext)	Generated internally via a call to the DRBG.	Never output from the module	Power cycle the device
DRBG Key	CTR (using AES-256) 256-bit	Internal Key value used as part of SP 800-90 CTR_DRBG	DRAM (plaintext)	Generated internally via a call to the DRBG.	Never output from the module	Power cycle the device
Diffie-Hellman Shared Secret	DH 2048 – 4096 bits	The shared exponent used in Diffie-Hellman (DH) exchange. Created per the Diffie-Hellman protocol.	DRAM (plaintext)	Generated internally via a call to the DRBG.	Never output from the module	Zeroized upon deletion.

Key/CSP Name	Key Type	Description	Storage	Generation /Input	Output	Zeroization
Diffie Hellman private key	DH 224-379 bits	The private exponent used in Diffie-Hellman (DH) exchange. This CSP is created using the SP 800-90 CTR_DRBG.	DRAM (plaintext)	Generated internally via a call to the DRBG.	Never output from the module	Zeroized upon deletion.
Diffie Hellman public key	DH 2048 – 4096 bits	The p used in Diffie-Hellman (DH) exchange. This CSP is created using the SP 800-90 CTR_DRBG.	DRAM (plaintext)	Generated internally via a call to the DRBG.	Never output from the module	Zeroized upon deletion.
EC Diffie-Hellman private key	ECDH (Curves: P-256, P-384)	Used for key agreement	DRAM (plaintext)	Generated internally via a call to the DRBG.	Never output from the module	Power cycle the device
EC Diffie-Hellman public key	ECDH (Curves: P-256, P-384)	Used for key agreement	DRAM (plaintext)	Generated internally via a call to the DRBG.	Never output from the module	Power cycle the device
EC Diffie-Hellman shared secret	ECDH (Curves: P-256, P-384)	Used for key agreement	DRAM (plaintext)	Generated internally via a call to the DRBG.	Never output from the module	Power cycle the device
Operator password	Password, at least eight characters	The password of the operator. This CSP is entered by the Cryptographic Officer.	NVRAM (plaintext)	Externally generated and entered by the User and/or CO when logging in	Never output from the module	Overwrite with new password
Enable password	Password, at least eight characters	The plaintext password of the CO role. This CSP is entered by the Cryptographic Officer.	NVRAM (plaintext)	Externally generated and entered by the CO.	Never output from the module	Overwrite with new password

Key/CSP Name	Key Type	Description	Storage	Generation /Input	Output	Zeroization
Enable secret	Password, at least eight characters	The obfuscated password of the CO role. However, the algorithm used to obfuscate this password is not FIPS approved. Therefore, this password is considered plaintext for FIPS purposes. This password is zeroized by overwriting it with a new password. The Cryptographic Operator optionally configures the module to obfuscate the Enable password. This CSP is entered by the Cryptographic Officer.	NVRAM (plaintext)	Externally generated and entered by the CO.	Never output from the module	Overwrite with new password
RADIUS secret	Shared Secret, 16 characters	The RADIUS shared secret. This CSP is entered by the Cryptographic Officer.	NVRAM (plaintext), DRAM (plaintext)	Externally generated and entered by the CO.	Never output from the module	# no radius-server key
RADIUSOverIP SecEncryptionKey	AES-CBC, AES-GCM, AES-KW	AES-128/AES-256 encryption/decryption key, used in IPsec tunnel between module and RADIUS to encrypt/decrypt EAP keys.	NVRAM (plaintext), DRAM (plaintext)	Generated internally via a call to the DRBG.	Never output from the module	Power Cycle

Key/CSP Name	Key Type	Description	Storage	Generation /Input	Output	Zeroization
RADIUSOverIP SecIntegrityKey	HMAC	Integrity/authenticati cation key, used in IPSec tunnel between module and RADIUS	NVRAM (plaintext), DRAM (plaintext)	Generated internally via a call to the DRBG.	Never output from the module	Power Cycle
TACACS+ secret	Shared Secret, 16 characters	The TACACS+ shared secret. This CSP is entered by the Cryptographic Officer.	NVRAM (plaintext), DRAM (plaintext)	Externally generated and entered by the CO.	Never output from the module	# no tacacs- server key
<b>IKE/IPSec</b>						
skeyid	HMAC SHA-1 160-bits	Value derived per the IKE protocol based on the peer authentication SSH method chosen.	DRAM (plaintext)	Generated internally via a call to the DRBG.	Never output from the module	Automatically after IKE session terminated.
skeyid_a	HMAC SHA-1 160-bits	The IKE key derivation key for non ISAKMP security associations.	DRAM (plaintext)	Generated internally via a call to the DRBG.	Never output from the module	Automatically after IKE session terminated.
skeyid_d	HMAC SHA-1 160-bits	The IKE key derivation key for non ISAKMP security associations.	DRAM (plaintext)	Generated internally via a call to the DRBG.	Never output from the module	Automatically after IKE session terminated.
skeyid_e	HMAC SHA-1 160-bits	The IKE key derivation key for non ISAKMP security associations.	DRAM (plaintext)	Generated internally via a call to the DRBG.	Never output from the module	Automatically after IKE session terminated.
IKE session encrypt key	AES -128, 192, or 256 bits	The IKE session encrypt key. This key is created per the Internet Key Exchange Key Establishment protocol.	DRAM (plaintext)	Generated internally via a call to the DRBG.	Never output from the module	Automatically after IKE session terminated.

Key/CSP Name	Key Type	Description	Storage	Generation /Input	Output	Zeroization
IKE session authentication key	SHA-1 HMAC 160-bits	The IKE session authentication key. This key is created per the Internet Key Exchange Key Establishment protocol.	DRAM (plaintext)	Generated internally via a call to the DRBG.	Never output from the module	Automatically after IKE session terminated.
ISAKMP preshared	Secret At least eight characters	The key used to generate IKE skeyid during preshared-key authentication. # <b>no crypto isakmp key</b> command zeroizes it. This key can have two forms based on whether the key is related to the hostname or the IP address. This CSP is entered by the Cryptographic Officer.	NVRAM (plaintext)	Externally generated and entered by the CO.	Never output from the module	# no crypto isakmp key
IKE RSA Private Key	RSA (Private Key) 2048 – 3072 bits	The key used in IKE authentication. # <b>crypto key zeroize rsa</b> command zeroizes it.	NVRAM (plaintext)	Generated internally via a call to the DRBG.	Never output from the module	# crypto key zeroize rsa
IKE RSA Public Key	RSA (Public Key) 2048 – 3072 bits	The key used in IKE authentication. # <b>crypto key zeroize rsa</b> command zeroizes it.	NVRAM (plaintext)	Generated internally via a call to the DRBG.	Never output from the module	# crypto key zeroize rsa

Key/CSP Name	Key Type	Description	Storage	Generation /Input	Output	Zeroization
IPsec encryption key	AES -128, 192, or 256 bits	The IPsec encryption key. This key is created per the Internet Key Exchange Key Establishment protocol.	DRAM (plaintext)	Generated internally via a call to the DRBG.	Never output from the module	Automatically when IPsec session terminated.
IPsec authentication key	SHA-1 HMAC 160-bits	The IPsec authentication key. This key is created per the Internet Key Exchange Key Establishment protocol.	DRAM (plaintext)	Generated internally via a call to the DRBG.	Never output from the module	Automatically when IPsec session terminated.
<b>SSH</b>						
SSH Private Key	RSA (Private Key) 2048 – 3072 bits	The SSH private key for the module.	NVRAM (plaintext)	Generated internally via a call to the DRBG.	Never output from the module	SSH private key is zeroized by either deletion (via # <b>crypto key zeroize rsa</b> ) or by overwriting with a new value of the key
	EC Diffie-Hellman P-256, P-384					
	AES 128-, 192-, or 256-bits					
SSH Public Key	RSA (Public Key) 2048 – 3072 bits	The SSH public key for the module.	NVRAM (plaintext)	Generated internally via a call to the DRBG.	Never output from the module	Zeroized upon deletion.
	EC Diffie-Hellman P-256, P-384					
	AES 128-, 192-, or 256- bits					

Key/CSP Name	Key Type	Description	Storage	Generation /Input	Output	Zeroization
SSH Session Key	AES 128-, 192-, or 256- bits	The SSH session key. This key is created through SSH key establishment.	DRAM (plaintext)	Generated internally via a call to the DRBG.	Never output from the module	Automatically when the SSH session is terminated.
SSH Integrity Key	SHA-1 HMAC 160-bits	Used for SSH connections integrity to assure the traffic integrity.	DRAM (plaintext)	Generated internally via a call to the DRBG.	Never output from the module	Automatically when the SSH session is terminated.
<b>SNMPv3</b>						
SNMPv3 Password	Secret 256 bits	This secret is used to derive HMAC-SHA1 key for SNMPv3 Authentication	DRAM	Externally generated and entered by the CO.	Never output from the module	Powercycle
snmpEngineID	Shared secret 32-bits	Unique string to identify the SNMP engine	NVRAM	Externally generated and entered by the CO.	Never output from the module	# no snmp-server engineID local engineid-string, overwritten with new engine ID
SNMP session key	AES 128-bit	Encrypts SNMP traffic	DRAM	Internally generated via SNMP KDF	Never output from the module	Power cycle
<b>MACSec</b>						
MACsec Security Association Key (SAK)	AES-GCM 128/256 bits	Used for creating Security Associations (SA) for encrypting/decrypting the MACSec traffic in the MACSec hardware.	MACsec PHY (plaintext)	Derived from the CAK using the SP800-108 KDF.	Output from the module to other members of a MACsec connectivity association when encrypted by the KEK	Automatically when session expires



Key/CSP Name	Key Type	Description	Storage	Generation /Input	Output	Zeroization
MACsec Connectivity Association Key (CAK)	AES-GCM 128/256 bits	A secret key possessed by members of a MACSec connectivity association.	MACsec PHY (plaintext)	Externally generated and entered by the CO.	Never output from the module	Automatically when session expires
MACsec KEK	AES-GCM 128/256 bits	Used to transmit SAKs to other members of a MACSec connectivity association	MACsec PHY (plaintext)	Derived from the CAK using the SP800-108 KDF.	Never output from the module	Automatically when session expires
MACsec ICK	Secret	Used to verify the integrity and authenticity.	MACsec PHY (plaintext)	Derived from the CAK using the SP800-108 KDF.	Never output from the module	Automatically when session expires

**Table 9: CSPs**

## 6.1 User Services and CSP Access

The services accessing the CSPs, the type of access – read (r), write (w) and zeroized/delete (d) – and which role accesses the CSPs are listed below.

Services & Access	Description	Keys & CSPs
View Status Functions	View state of interfaces and protocols, firmware version.	Operator password – r
Terminal Functions	Adjust the terminal session (e.g., lock the terminal, adjust flow control).	Operator password – r
Directory Services	Display directory of files kept in memory.	Operator password – r
Self-Tests	Execute the FIPS 140 start-up tests on demand	N/A
Random Number Generation	Key generation and seeds for asymmetric key generation	DRBG entropy input, DRBG seed, DRBG V, DRBG Key – r, w, d
Key Exchange	Key exchange over Diffie-Hellman and EC Diffie-Hellman	Diffie-Hellman public key, Diffie-Hellman private key, Diffie-Hellman shared secret, EC Diffie-Hellman Public Key, EC Diffie-Hellman Private Key, EC Diffie-Hellman shared secret – w, d
TACACS+	User & CO authentication to the module using TACACS+.	TACACS+ secret, – r

RADIUS Key Wrap	Establishment and subsequent receive 802.11 PMK from the RADIUS server.	RADIUSOverIPSecEncryptionKey, RADIUSOverIPSecIntegrityKey, RADIUS Server Shared Secret – w, d
SSH Functions	Negotiation and encrypted data transport via SSH	Operator password, SSH private key, SSH public key, SSH integrity key, SSH Session Key – r
Module Read-only Configuration	Viewing of configuration settings	Operator password – r

**Table 10: User CSP Access**

## 6.2 Crypto Officer Services and CSP Access

Services & Access	Description	Keys & CSPs <sup>3</sup>
View Status Functions	View the switch configuration, routing tables, active sessions, health, temperature, memory status, voltage, packet statistics, review accounting logs, and view physical interface status.	Operator password, Enable password – r, w, d
Define Rules and Filters	Create packet Filters that are applied to User data streams on each interface. Each Filter consists of a set of Rules, which define a set of packets to permit or deny based on characteristics such as protocol ID, addresses, ports, TCP connection establishment, or packet direction.	Operator password, Enable password – r, w, d
Self-Tests	Execute the FIPS 140 start-up tests on demand	N/A
Random Number Generation	Key generation and seeds for asymmetric key generation	DRBG entropy input, DRBG seed, DRBG V, DRBG Key – r, w, d
Key Exchange	Key exchange over Diffie-Hellman and EC Diffie-Hellman	Diffie-Hellman public key, Diffie-Hellman private key, Diffie-Hellman shared secret, EC Diffie-Hellman Public Key, EC Diffie-Hellman Private Key, EC Diffie-Hellman shared secret – w, d
TACACS+	User & CO authentication to the module using TACACS+.	TACACS+ secret – w, d

<sup>3</sup> r = CSP is read by module, w = CSP is generated, derived and/or used by module =, d = CSP is zeroized by module.

Zeroization	Zeroize CSPs and cryptographic keys by cycling power to zeroize all cryptographic keys stored in SDRAM. The CSPs (password, secret, engineID) stored in Flash can be zeroized by overwriting with a new value.	All Keys and CSPs will be destroyed
Module Configuration	Selection of non-cryptographic configuration settings	N/A
SNMPv3	Non-security related monitoring by the CO using SNMPv3	snmpEngineID, SNMPv3 Password, SNMP session key – w, d
SSH	Establishment and subsequent data transfer of an SSH session for use between the module and the CO.	Operator password, SSH private key, SSH public key, SSH integrity key, Session Key – w, d
IPsec	Configure IPsec VPN parameters, provide entry and output of CSPs.	skeyid, skeyid_a, skeyid_d, skeyid_e, IKE session encrypt key, IKE session authentication key, ISAKMP preshared, IKE RSA private Key, IKE RSA public key, IPsec encryption key, IPsec authentication key, DRBG entropy input, DRBG V, DRBG Key – w, d
RADIUS Key Wrap	Establishment and subsequent receipt of 802.11 PMK from the RADIUS server.	RADIUSOverIPSecEncryptionKey, RADIUSOverIPSecIntegrityKey, RADIUS Server Shared Secret – w, d
MACSec Functions	Establishment and subsequent data transfer of an MACSec session for use between the module and the CO	MACsec Security Association Key, MACsec Connectivity Association Key, MACsec KEK, MACsec ICK – w, d

**Table 11: CO services and CSPs**

## 7 Cryptographic Algorithms

### 7.1 Approved Cryptographic Algorithms

The Cisco ISR 4000 supports many different cryptographic algorithms. However, only FIPS approved algorithms may be used while in the FIPS mode of operation. The following table identifies the approved algorithms included in the ISR 4000 for use in the FIPS mode of operation.

Algorithm <sup>4</sup>	Supported Mode	Cert. #
<b>IC2M</b>		
AES	ECB (128 , 192 , 256); CBC (128 , 192 , 256); CMAC (128 , 192 , 256); GMAC (128 , 192 , 256); CFB128 (128 , 192 , 256); GCM (128, 192, 256); KW (128, 256)	A1462
SHS	SHA-1, -256, -384, and -512 (Byte Oriented)	A1462
HMAC	SHA-1, -256, -384, and -512	A1462
DRBG	CTR (using AES-256)	A1462
ECDSA	KeyGen, KeyVer, SigGen, SigVer (P-256, P-384)	A1462
RSA	Key Generation (2048-3072 bits); PKCS#1 v.1.5, 1024-4096 bit key SigGen, SigVer <ul style="list-style-type: none"> <li>• 1024-bit keys allowed for signature verification only.</li> </ul>	A1462
CVL	IKEv2 KDF, SSH KDF, SNMP KDF  Note: The IKEv2, SSH, and SNMP protocols have not been reviewed or tested by the CAVP and CMVP.	A1462
KAS-ECC-SSC (NIST SP 800-56Arev3)	KAS-ECC-SSC: - Curves: <ul style="list-style-type: none"> <li>o P-256</li> <li>o P-384</li> </ul>	A1462
KAS-FFC-SSC (SP 800-56Arev3)	KAS-FFC-SSC: - modp-2048 - modp-3072 - modp-4096	A1462
KBKDF (SP800-108) <sup>5</sup>	HMAC-SHA1	A1462
CKG		Vendor affirmed

<sup>4</sup> Not all algorithms/modes tested on the CAVP validation certificates are implemented in the module.

<sup>5</sup> KBKDF tested in counter mode

Algorithm <sup>4</sup>	Supported Mode	Cert. #
<b>Microsemi VSC 8584/ NIM-2GE-CU-SFP</b>		
AES	ECB (128, 256), GCM (128, 256), GMAC (128, 256)	3504

**Table 12: FIPS -Approved Algorithms**

- The module's AES-GCM implementation conforms to IG A.5 scenario #1 following RFC 7296 for IPSec/IKEv2. The module uses RFC 7296 compliant IKEv2 to establish the shared secret from which the AES GCM encryption keys are derived. When the IV exhausts the maximum number of possible values for a given session key, the first party, client or server, to encounter this condition will trigger a handshake to establish a new encryption key. In case the module's power is lost and then restored, a new key for use with the AES GCM encryption/decryption shall be established.
- When supporting the MACsec protocol in the FIPS approved modes of operation the implementation (see CAVP cert # AES 4853) conforms to IG A.5, scenario #3, when operating in a FIPS approved mode of operation. AES GCM, IVs are generated both internally and deterministically and are a minimum of 96-bits in length as specified in SP 800-38D, Section 8.2.1.
- KTS (AES Cert. #A1462; key wrapping; key establishment methodology provides between 128 and 256 bits of encryption strength)
- KAS (KAS-SSC Cert. #A1462, CVL Cert. #A1462; key establishment methodology provides between 128 and 192 bits of encryption strength)
- KAS (KAS-SSC Cert. #A1462, CVL Cert. #A1462; key establishment methodology provides between 112 and 152 bits of encryption strength)

The KAS FFC and KAS ECC strengths are as follows:

KAS-ECC-SSC: 128 and 192 bits of encryption strength

KAS-FFC-SSC: 112 and 152 bits of encryption strength

## **7.2 Non-Approved Algorithms allowed for use in FIPS-mode**

The ISR 4000 cryptographic module implements the following non-Approved algorithms that are allowed for use in FIPS-mode:

- NDRNG to seed FIPS approved DRBG (256 bits)

### 7.3 Non-Approved Algorithms

The ISR 4000 cryptographic module implements the following non-approved algorithms that are not permitted for use in FIPS 140-2 mode of operations:

Service	Non-Approved Algorithm
SSH (non-compliant)	Hashing: MD5 MACing: HMAC MD5 Symmetric: DES, Triple-DES Asymmetric: 1024-bit RSA, 1024-bit Diffie-Hellman
TLS (non-compliant)	Hashing: MD5, SHA MACing: HMAC MD5, HMAC SHA Symmetric: AES, DES, RC4, Triple-DES Asymmetric: ECDSA, RSA, DH, ECDH KDF: TLS KDF
IPsec (non-compliant)	Hashing: MD5 MACing: HMAC MD5 Symmetric: DES, RC4, Triple-DES Asymmetric: 1024-bit RSA, 1024-bit Diffie-Hellman
SNMP (non-compliant)	Hashing: MD5 MACing: HMAC MD5 Symmetric: DES, RC4 Asymmetric: 1024-bit RSA, 1024-bit Diffie-Hellman
RSA Key Wrapping	RSA Key Wrapping (Key establishment providing 112 or 128 bits of security strength)

Table 13: Non-Approved Algorithms

### 7.4 Self-Tests

The modules include an array of self-tests that are run during startup and periodically during operations to prevent any secure data from being released and to ensure all components are functioning correctly. The modules implement the following power-on self-tests:

- Known Answer Tests:
  - IC2M:
    - AES KAT,

- AES-GCM KAT,
- SHA-1 KAT,
- SHA-256 KAT,
- SHA-384 KAT,
- SHA-512 KAT,
- HMAC SHA-1 KAT,
- HMAC SHA-256 KAT,
- HMAC SHA-384 KAT,
- HMAC SHA-512 KAT,
- DRBG KAT,
- KAS ECC Primitive “Z” KAT (NIST SP 800-56Arev3),
- KAS FFC Primitive “Z” KAT (NIST SP 800-56Arev3),
- IKEv2 KDF KAT,
- SNMP KDF KAT,
- SRTP KDF KAT,
- SSH KDF KAT,
- RSA KAT.
- Firmware Integrity Test (RSA 2048 w/ SHA-256)
- NIM-2GE-CU-SFP (MACsec):
  - AES-GCM KAT

The modules perform all power-on self-tests automatically at boot. All power-on self-tests must be passed before any operator can perform cryptographic services. The power-on self-tests are performed after the cryptographic systems are initialized but prior any other operations; this prevents the module from passing any data during a power-on self-test failure. In addition, the modules also provide the following conditional self-tests:

- Continuous Random Number Generator test for the FIPS-approved DRBG
- Continuous Random Number Generator test for the non-approved RNG
- Pair-Wise Consistency Test for RSA signature keys
- Pair-Wise Consistency Test for RSA keys used in key establishment
- Firmware Load Test

## 8 Physical Security

The modules are production grade multi-chip standalone cryptographic modules that meet level 1 physical security requirements.



## 9 Secure Operation

The module meets all the Level 1 requirements for FIPS 140-2. The module is shipped only to authorized operators by the vendor, and the module is shipped in Cisco boxes with Cisco adhesive, so if tampered with the recipient will notice. Follow the setting instructions provided below to place the module in FIPS-approved mode. Operating this module without maintaining the following settings will remove the module from the FIPS approved mode of operation.

Upon initial boot from the factory, the ISR is in a non-FIPS mode of operation. To transition from a non-FIPS mode of operation to a FIPS mode of operation, the Cryptographic Officer must follow all steps detailed in section 9.1 of this security policy

### 9.1 System Initialization and Configuration

Step1 - The value of the boot field must be 0x2102. This setting disables break from the console to the ROM monitor and automatically boots. From the “configure terminal” command line, the Crypto Officer enters the following syntax:

```
config-register 0x2102
```

Step 2 - The Crypto Officer must create the “enable” password for the Crypto Officer role. Procedurally, the password must be at least 8 characters, including at least one letter and at least one number, and is entered when the Crypto Officer first engages the “enable” command. The Crypto Officer enters the following syntax at the “#” prompt:

```
enable secret [PASSWORD]
```

Step 3 - The Crypto Officer must set up the operators of the module. The Crypto Officer enters the following syntax at the “#” prompt:

```
Username [USERNAME]
```

```
Password [PASSWORD]
```

Step 4 – For the created operators, the Crypto Officer must always assign passwords (of at least 8 characters, including at least one letter and at least one number) to users. Identification and authentication on the console/auxiliary port is required for Users. From the “configure terminal” command line, the Crypto Officer enters the following syntax:

```
line con 0
```

```
password [PASSWORD]
```

```
login local
```

Step 5 - The Crypto Officer may configure the module to use RADIUS or TACACS+ for authentication. Configuring the module to use RADIUS or TACACS+ for authentication is optional. If the module is configured to use RADIUS or TACACS+, the Crypto-Officer

must define RADIUS or TACACS+ shared secret keys that are at least 16 characters long, including at least one letter and at least one number.

Step 6 - Dual IOS mode is not allowed. ROMMON variable IOSXE\_DUAL\_IOS must be set to 0.

Step 7 - In service software upgrade (ISSU) is not allowed. The operator should not perform in service software upgrade of an ISR4000 FIPS validated firmware image

Step 8 - Use of the debug.conf file is not allowed. The operator should not create the bootflash:/debug.conf file and use it for setting environment variables values.

Step 9 – Execute the “platform ipsec fips-mode” command.

Step 10 – After executing reload/ reboot command. The device will enter the FIPS mode.

**NOTE:** The keys and CSPs generated in the cryptographic module during FIPS mode of operation cannot be used when the module transitions to non-FIPS mode and vice versa. While the module transitions from FIPS to non-FIPS mode or from non-FIPS to FIPS mode, all the keys and CSPs are to be zeroized by the Crypto Officer.

## **9.2 IPsec Requirements and Cryptographic Algorithms**

Step 1 - The only type of key management that is allowed in FIPS mode is Internet Key Exchange (IKE).

Step 2 - Although the IOS implementation of IKE allows a number of algorithms, only the following algorithms are allowed in a FIPS 140-2 configuration:

- ah-sha-hmac
- ah-sha256-hmac
- ah-sha384-hmac
- ah-sha512-hmac
- esp-sha-hmac
- esp-sha256-hmac
- esp-sha384-hmac
- esp-sha512-hmac
- esp-aes
- esp-gcm

Step 3 - The following algorithms shall not be used:

- MD-5 for signing
- MD-5 HMAC
- DES

### **9.3 Protocols**

Secure DNS and GDOI is not allowed in FIPS mode of operation and shall not be configured.

### **9.4 Remote Access**

SSH access to the module is allowed in FIPS approved mode of operation, using SSH v2 and a FIPS approved algorithm.

SNMPv3 communications with the module are allowed in FIPS approved mode.

### **9.5 Key Strength**

Key sizes with security strength of less than 112-bits shall not be used in FIPS mode.

## **10 Related Documentation**

This document deals only with operations and capabilities of the security appliances in the technical terms of a FIPS 140-2 cryptographic device security policy. More information is available on the security appliances from the sources listed in this section and from the following source:

- The NIST Cryptographic Module Validation Program website (<http://csrc.nist.gov/groups/STM/cmvp/index.html>) contains contact information for answers to technical or sales-related questions for the security appliances.
- Software Configuration Guide (<https://www.cisco.com/c/en/us/td/docs/routers/access/4400/software/configuration/guide/isr4400swcfg.html>)
- For LED related information please read the following document ([https://www.cisco.com/c/en/us/td/docs/routers/access/4400/hardware/installation/guide4400-4300/C4400\\_isr/Overview.html?bookSearch=true](https://www.cisco.com/c/en/us/td/docs/routers/access/4400/hardware/installation/guide4400-4300/C4400_isr/Overview.html?bookSearch=true))

## 11 Definitions List

ACL	Access Control List
AES	Advanced Encryption Standard
AH	Authentication Header
ISR	Aggregation Services Router
CMVP	Cryptographic Module Validation Program
CSE	Communications Security Establishment (Canada)
CSP	Critical Security Parameter
DRAM	Dynamic RAM
DRBG	Deterministic random bit generator
EDC	Error Detection Code
ESP	Encapsulating Security Payload
FIPS	Federal Information Processing Standard
Gbps	Gigabits per second
GigE	Gigabit Ethernet
HMAC	Hash Message Authentication Code
HTTP	Hyper Text Transfer Protocol
IKE	Internet Key Exchange
IP	Internet Protocol
ISAKMP	Internet Security Association and Key Management Protocol
ISSU	In service software upgrade
KAT	Known Answer Test
KDF	Key Derivation Function
LAN	Local Area Network
LED	Light Emitting Diode
MAC	Message Authentication Code
MPLS	Multiprotocol Label Switching
NIST	National Institute of Standards and Technology
NVRAM	Non-Volatile Random Access Memory
PIN	Personal Identification Number
QoS	Quality of Service
RADIUS	Remote Authentication Dial-In User Service

RAM	Random Access Memory
RNG	Random Number Generator
RP	Route Processor
RSA	Rivest Shamir and Adleman method for asymmetric encryption
SHA	Secure Hash Algorithm
SNMP	Simple Network Management Protocol
SSH	Secure Shell
TACACS	Terminal Access Controller Access Control System
TCP	Transmission Control Protocol
TLS	Transport Layer Security
USB	Universal Serial Bus
VPN	Virtual Private Network