

PUMP CUTAWAYS AND DRAWINGS

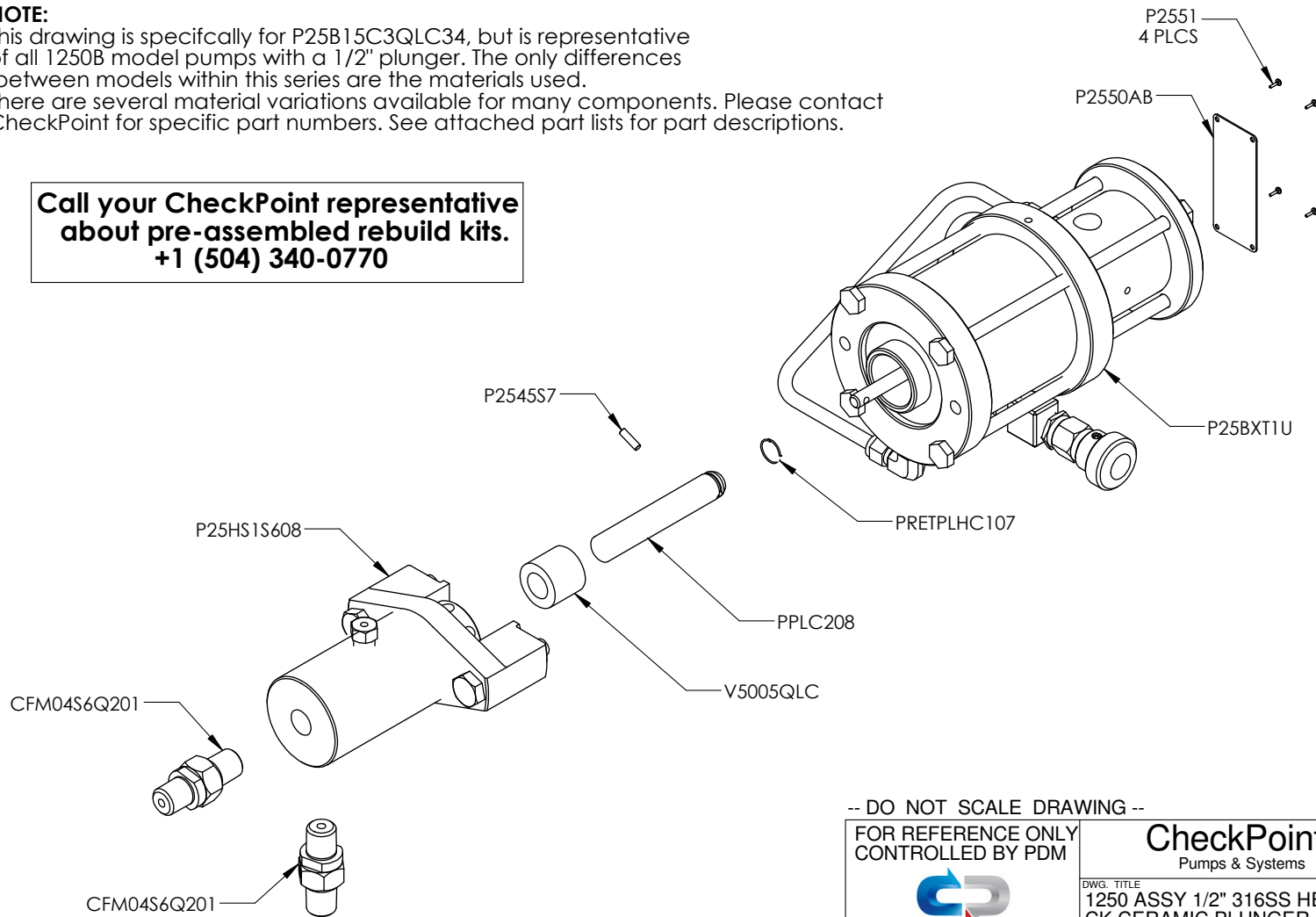
On the following pages are external and internal pump drawings with part numbers and material codes.
The following table identifies each material code.

| MATERIAL CODES | |
|---|----|
| 303 Stainless Steel | S3 |
| 304 Stainless Steel | S4 |
| 316 Stainless Steel | S6 |
| 17-4 PH Stainless Steel - HH 1150 | S7 |
| 420 Stainless Steel | S0 |
| 6061 Aluminum | A6 |
| Acetal | AC |
| Aflas® | AF |
| Buna-N® | BU |
| Ceramic - EverWear™ | CE |
| Ceramic - NBD200™ | CN |
| Delrin® | DL |
| Duplex 2205 | D4 |
| Super Duplex 2507 | D5 |
| Elgiloy® | EL |
| FKM | PF |
| FFKM | FK |
| Hastelloy® C276 | HC |
| HNBR | HN |
| Iron | FE |
| Low carbon steel | ST |
| Monel® | MO |
| PVC | PV |
| PEEK | PK |
| Teflon® - Bronze Filled | TB |
| Teflon® - Carbon Filled | TC |
| Teflon® - Glass Filled | TG |
| Teflon® - Mica Filled | TM |
| Teflon® - Polyimide Filled | TP |
| Teflon® - Virgin | TF |
| Titanium | TI |
| Ultra High Molecular Weight Polyethylene (UHMWPE) | UH |
| Urethane | UR |
| Viton® | VI |
| XWL | XL |

NOTE:

This drawing is specifically for P25B15C3QLC34, but is representative of all 1250B model pumps with a 1/2" plunger. The only differences between models within this series are the materials used. There are several material variations available for many components. Please contact CheckPoint for specific part numbers. See attached part lists for part descriptions.

**Call your CheckPoint representative
about pre-assembled rebuild kits.
+1 (504) 340-0770**



-- DO NOT SCALE DRAWING --

FOR REFERENCE ONLY
CONTROLLED BY PDM



CheckPoint
Pumps & Systems

DWG. TITLE
1250 ASSY 1/2" 316SS HEAD
CK CERAMIC PLUNGER

| | | | |
|------|------|---------------|-----------|
| REV. | -.03 | P25B15C3QLC34 | SIZE A |
|------|------|---------------|-----------|

DRAWING NUMBER

PROPRIETARY AND CONFIDENTIAL

THE INFORMATION CONTAINED HEREIN IS PROPRIETARY TO CHECKPOINT SYSTEMS AND SHALL NOT BE REPRODUCED OR DISCLOSED IN WHOLE OR IN PART OR USED FOR ANY PURPOSE EXCEPT WHEN SUCH USER POSSESSES DIRECT WRITTEN AUTHORIZATION FROM CHECKPOINT SYSTEMS

| PART NUMBER | DESCRIPTION | QTY. | MATERIAL CODES | TEMPERATURE (°C) MIN/MAX |
|-------------|--|------|----------------|----------------------------|
| P25BXT1U | 1250 SS MOTOR SUB-ASSY UNIVERSAL | 1 | NA | NA |
| P25HS1S608 | 1250 HEAD SUB-ASSY - 1/2" 316SS | 1 | NA | NA |
| CFM04S6Q201 | 1/4" SS 2-PIECE FAILSAFE CHECK SUB-ASSY - PFE 1PSIG - 1250 | 2 | S6/PF | -29/204 |
| V5005QLC | 1/2" X 7/8" PFE-PEEK-TEFLON PACKING - ADJUSTABLE | 1 | PF/TM/PK | -29/204, -268/288, -73/288 |
| P2545S7 | CROSS PIN - PLUNGER - 1250 - H | 1 | S7 | NA |
| PPLC208 | PLUNGER HEAD | 1 | CE | NA |
| PRETPLHC107 | CROSS PIN RETAINER - 1250 SERIES PLUNGER | 1 | HC | NA |
| P2550AB | 1250 AB Serial # Plate | 1 | S6 | NA |
| P2551 | 1250-1500 SERIAL PLATE U-DRIVE | 4 | S6 | NA |

K25PLRCU08

Call your CheckPoint representative about pre-assembled rebuild kits.
+1 (504) 340-0770

Plunger Kit - K25PLRCU08

Check Valve Rebuild Kit - KFM04S6Q201


Motor Rebuild - K25MRU

Spool kit - K25SPT16

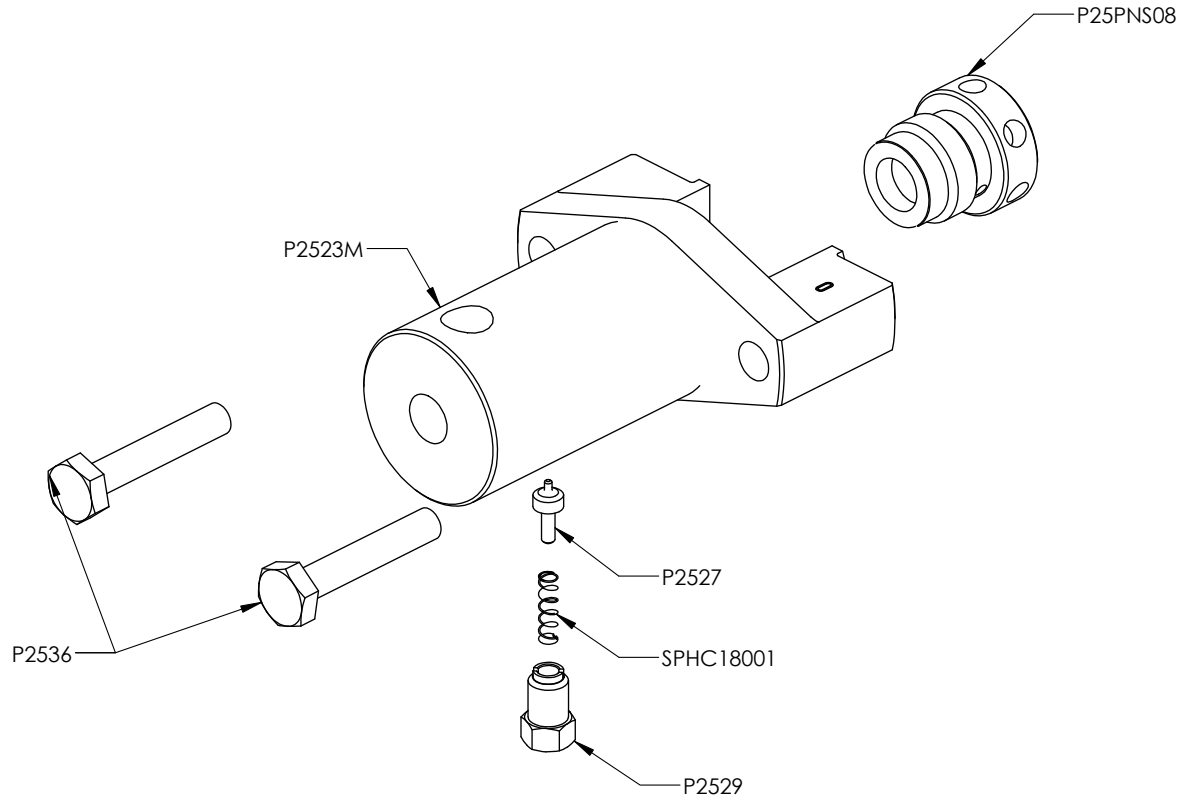
Complete Rebuild - KS12515CQ34

- Includes Motor Rebuild Kit
- Check Valve Rebuild Kit
- Packing
- Spool Kit
- D-Slides


-- DO NOT SCALE DRAWING --

| | |
|---|--|
| <p>FOR REFERENCE ONLY CONTROLLED BY PDM</p>  <p>CHECKPOINT PUMPS & SYSTEMS <small>21356 MARION LANE MANDÉVILLE, LA 70571 USA TEL 504.340.0770 -- FAX 888.217.6402</small></p> | <p>CheckPoint Pumps & Systems</p> <p>DWG. TITLE 1250 ASSY 1/2" 316SS HEAD CK CERAMIC PLUNGER</p> |
| <p>REV. -.03</p> | <p>P25B15C3QLC34</p> |
| <p>DRAWING NUMBER</p> | <p>SIZE A</p> |

PROPRIETARY AND CONFIDENTIAL
THE INFORMATION CONTAINED HEREIN IS PROPRIETARY TO CHECKPOINT SYSTEMS AND SHALL NOT BE REPRODUCED OR DISCLOSED IN WHOLE OR IN PART OR USED FOR ANY PURPOSE EXCEPT WHEN SUCH USER POSSESSES DIRECT WRITTEN AUTHORIZATION FROM CHECKPOINT SYSTEMS



-- DO NOT SCALE DRAWING --


| | | | |
|--|--|--|------------|
| FOR REFERENCE ONLY CONTROLLED BY PDM | | CheckPoint Pumps & Systems | |
|  <small>21356 MARION LANE MANDRILLE, LA 70471 USA TEL 504.340.0770 -- FAX 888.217.6402</small> | | DWG. TITLE 1250 HEAD SUB-ASSY 1/2" 316SS | |
| | | REV. -.03 | P25HS1S608 |
| | | DRAWING NUMBER | |

PROPRIETARY AND CONFIDENTIAL

THE INFORMATION CONTAINED HEREIN IS PROPRIETARY TO CHECKPOINT SYSTEMS AND SHALL NOT BE REPRODUCED OR DISCLOSED IN WHOLE OR IN PART OR USED FOR ANY PURPOSE EXCEPT WHEN SUCH USER POSSESSES DIRECT WRITTEN AUTHORIZATION FROM CHECKPOINT SYSTEMS

| PART NUMBER | DESCRIPTION | QTY. | MATERIAL CODE | TEMPERATURE (°C) MIN/MAX | NOTES |
|-------------|---|------|---------------|--------------------------|-------------------|
| P2523M | 1 PIECE INJECTION HEAD MACHINED - 1250 | 1 | S6 | NA | UP TO 12,000 PSIG |
| P2527 | BLEED POPPET - 1250 - 316SS | 1 | S6 | NA | |
| P2529 | BLEED SCREW | 1 | S6 | NA | |
| P2536 | HH Bolt - 5/16 - 18 x 1.75" Bolt 1250 316SS | 2 | S6 | NA | |
| SPHC18001 | SPRING - 1250-1500 BLEED | 1 | HC | NA | |
| P25PNS08 | PACKING NUTS | 1 | S6 | NA | |

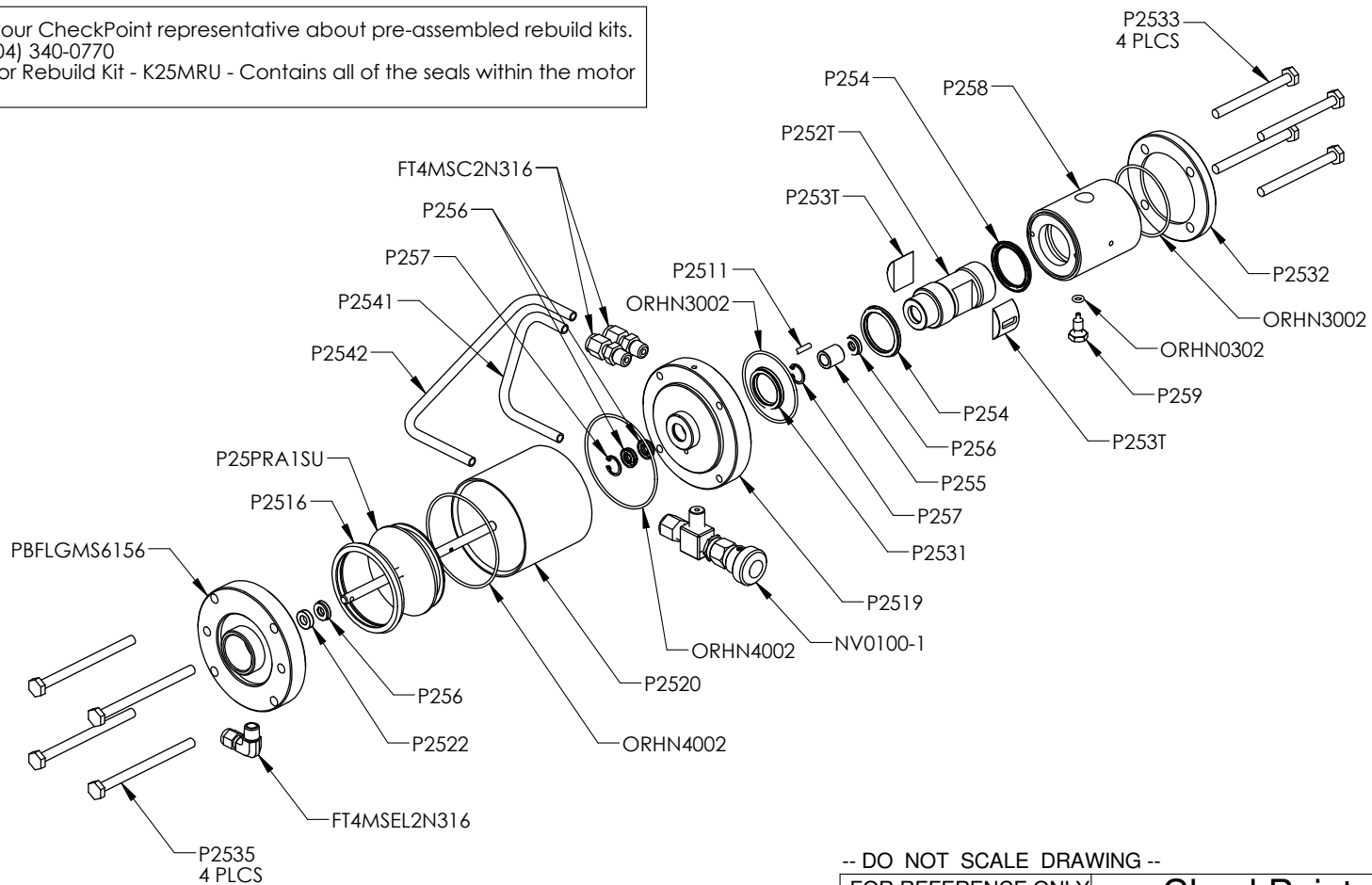
-- DO NOT SCALE DRAWING --

| | | | |
|---|------|--|-----------|
| FOR REFERENCE ONLY CONTROLLED BY PDM | | CheckPoint Pumps & Systems | |
|  | | DWG. TITLE 1250 HEAD SUB-ASSY 1/2" 316SS | |
| REV. | -.03 | P25HS1S608 | SIZE A |
| DRAWING NUMBER | | | |

PROPRIETARY AND CONFIDENTIAL

THE INFORMATION CONTAINED HEREIN IS PROPRIETARY TO CHECKPOINT SYSTEMS AND SHALL NOT BE REPRODUCED OR DISCLOSED IN WHOLE OR IN PART OR USED FOR ANY PURPOSE EXCEPT WHEN SUCH USER POSSESSES DIRECT WRITTEN AUTHORIZATION FROM CHECKPOINT SYSTEMS

Call your CheckPoint representative about pre-assembled rebuild kits.
+1 (504) 340-0770
- Motor Rebuild Kit - K25MRU - Contains all of the seals within the motor



-- DO NOT SCALE DRAWING --

FOR REFERENCE ONLY
CONTROLLED BY PDM



CheckPoint
Pumps & Systems

DWG. TITLE
1250 SS MOTOR
SUB-ASSY UNIVERSAL

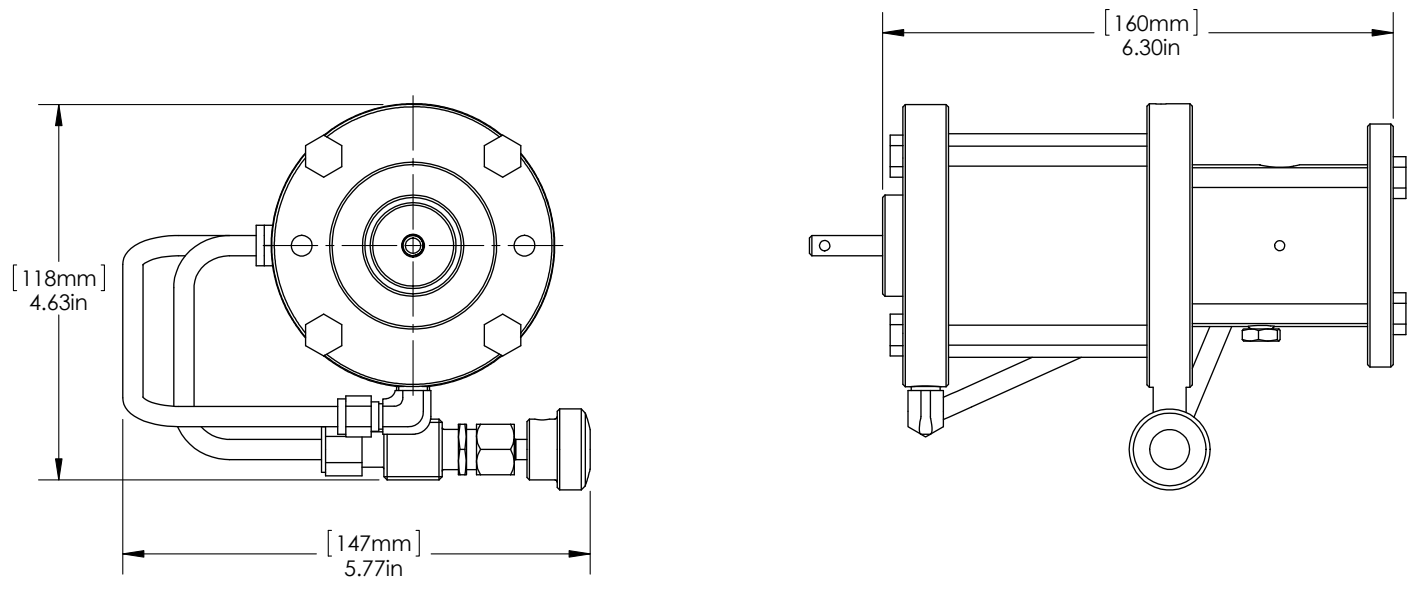
REV. -.03 P25BXT1U

SIZE
A


DRAWING NUMBER

PROPRIETARY AND CONFIDENTIAL

THE INFORMATION CONTAINED HEREIN IS PROPRIETARY TO CHECKPOINT SYSTEMS AND SHALL NOT BE REPRODUCED OR DISCLOSED IN WHOLE OR IN PART OR USED FOR ANY PURPOSE EXCEPT WHEN SUCH USER POSSESSES DIRECT WRITTEN AUTHORIZATION FROM CHECKPOINT SYSTEMS



-- DO NOT SCALE DRAWING --

| | | | |
|---|------|--|------------------|
| FOR REFERENCE ONLY CONTROLLED BY PDM | | CheckPoint Pumps & Systems | |
|  | | DWG. TITLE 1250 SS MOTOR SUB-ASSY UNIVERSAL | |
| REV. | -.03 | P25BXT1U | SIZE A |
| | | DRAWING NUMBER | |

PROPRIETARY AND CONFIDENTIAL
THE INFORMATION CONTAINED HEREIN IS PROPRIETARY TO CHECKPOINT SYSTEMS AND SHALL NOT BE REPRODUCED OR DISCLOSED IN WHOLE OR IN PART OR USED FOR ANY PUPOSE EXCEPT WHEN SUCH USER POSSESSES DIRECT WRITTEN AUTHORIZATION FROM CHECKPOINT SYSTEMS

| PART NUMBER | DESCRIPTION | QTY. | Material Codes | Temperature (°C) Min/Max | NOTES |
|--------------|---|------|----------------|--------------------------|------------------------|
| NV0100-1 | ASSY - NEEDLE VALVE | 1 | NA | NA | |
| P2532 | TOP COVER | 1 | S6 | NA | |
| P2519 | TOP FLANGES 1250&1500 - MOTOR | 1 | S6 | NA | |
| P2520 | MOTOR CYLINDERS | 1 | S6 | NA | |
| P259 | ALIGNMENT SCREW -- 1250 | 1 | S6 | NA | |
| P2511 | ALIGNMENT PIN - 1250-1500 - 420 SS | 1 | S0 | N/A | |
| P2533 | HH BOLT - HOUSING 1/4" X 2.75" | 4 | S6 | NA | |
| P2535 | HH BOLT - CYLINDER 1/4" - 20 X 3.50" | 4 | S6 | NA | |
| P2541 | TOP TUBE | 1 | S6 | NA | |
| P2542 | BOTTOM TUBE | 1 | S6 | NA | |
| P252T | SPOOL | 1 | TC | -184 TO +260 | FULL STROKE (1") |
| P255 | SPOOL SPACER | 1 | TC | -184 TO +260 | |
| P256 | SEAL - PISTON ROD - 1250-1500 | 4 | UR | -40/100 | |
| P257 | SNAP RING - INTERNAL 1250-1500 | 2 | S6 | N/A | |
| P2522 | ROD BUSHING - 1250 - UHMWPE - ANNEALED | 1 | AC | -50 TO +90 | |
| P2516 | CROWN SEAL - PISTON 1250 UR95 - P2516 PER MAS | 1 | UR | -40 TO +100 | |
| P2531 | SEAL - TOP FLANGE 1250-1500 - UR95 | 1 | UR | -40/100 | |
| P254 | SEAL - SPOOL 1250-1500 | 2 | UR | -40/100 | |
| ORHN0302 | O-RING ALIGNMENT SCREW 1250-1500 HNBR | 1 | HN | -29/160 | |
| ORHN3002 | O-RING HOUSING 1250-1500 | 2 | HN | -29/160 | |
| ORHN4002 | O-RING CYLINDER - 1250 | 2 | HN | -29/160 | |
| P258 | HOUSING | 1 | S6 | NA | |
| FT4MSEL2N316 | 1/4" TUBE X 1/8" MNPT ELBOW | 1 | S6 | NA | |
| FT4MSC2N316 | 1/4" TUBE X 1/8" MNPT CONNECTOR | 2 | S6 | NA | |
| P253T | D-SLIDE | 2 | TC | -184 TO +260 | |
| PBFLGMS6156 | BTTM FLANGE - 1250&1500 MOTOR | 1 | S6 | NA | |
| P25PRA1SU | Friction Weld Piston - 1250 | 1 | S6 | NA | NEW STYLE ¹ |

K25SPT16

K25MRU


¹PISTON/ROD SUBASSY (P25PRA2SU) IS NOW AN INTEGRAL WELDED COMPONENT AND REPLACES PARTS LABELED AS P2579 ON PRIOR PARTS LIST.

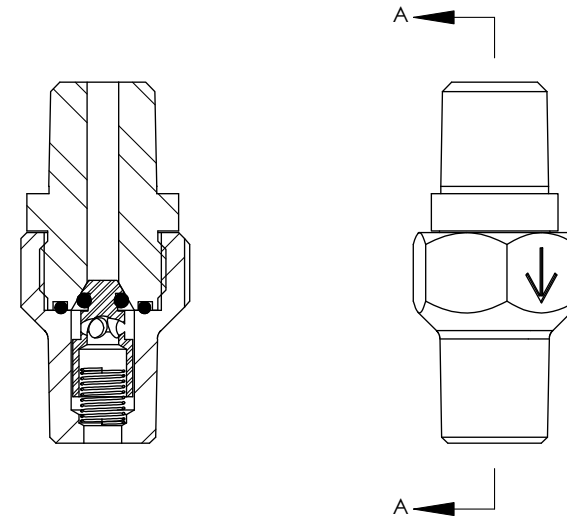
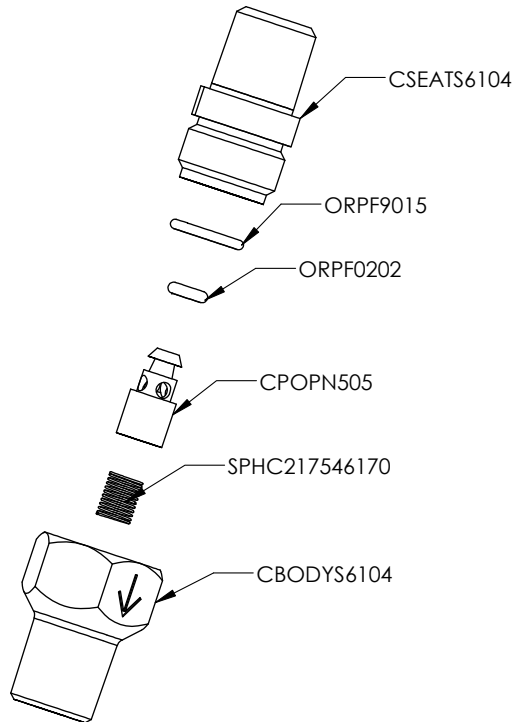
Call your CheckPoint representative about pre-assembled rebuild kits. +1 (504) 340-0770
 Motor Rebuild Kit - K25MRU - Contains all of the seals in the motor (air) end of the 1250 series pump
 Spool Kit - K25SPT16

PROPRIETARY AND CONFIDENTIAL

THE INFORMATION CONTAINED HEREIN IS PROPRIETARY TO CHECKPOINT SYSTEMS AND SHALL NOT BE REPRODUCED OR DISCLOSED IN WHOLE OR IN PART OR USED FOR ANY PURPOSE EXCEPT WHEN SUCH USER POSSESSES DIRECT WRITTEN AUTHORIZATION FROM CHECKPOINT SYSTEMS

-- DO NOT SCALE DRAWING --


| | | | |
|--|--|---|----------|
| FOR REFERENCE ONLY CONTROLLED BY PDM | | CheckPoint Pumps & Systems | |
|  CHECKPOINT PUMPS & SYSTEMS <small>21356 MARION LANE MONROEVILLE, LA 70571 USA TEL 504.340.0770 -- FAX 888.217.6402</small> | | DWG. TITLE 1250 SS MOTOR SUB-ASSY UNIVERSAL | |
| | | REV. -.03 | P25BXT1U |
| | | DRAWING NUMBER | |



SECTION A-A

Call your CheckPoint representative about pre-assembled rebuild kits.
+1 (504) 340-0770
Check Valve Rebuild Kits - KFM04S6Q201

-- DO NOT SCALE DRAWING --

| | | | |
|--|--|---|--------------------------------------|
| FOR REFERENCE ONLY CONTROLLED BY PDM | | CheckPoint Pumps & Systems | |
|  <small>21356 MARION LANE MANDRILLE, LA 70471 USA TEL 504.340.0770 -- FAX 888.217.6402</small> | | DWG. TITLE ASSEMBLY - 1/4" FAILSAFE - CHECK | |
| | | REV. -.03 | DRAWING NUMBER CFM04S6Q201 |


PROPRIETARY AND CONFIDENTIAL

THE INFORMATION CONTAINED HEREIN IS PROPRIETARY TO CHECKPOINT SYSTEMS AND SHALL NOT BE REPRODUCED OR DISCLOSED IN WHOLE OR IN PART OR USED FOR ANY PURPOSE EXCEPT WHEN SUCH USER POSSESSES DIRECT WRITTEN AUTHORIZATION FROM CHECKPOINT SYSTEMS

| PART NUMBER | DESCRIPTION | QTY. | Material Code | Temperature (°C) Min/Max | NOTES |
|-----------------|--|--------------------|---------------|-----------------------------|--------------------------|
| CSEATS6104 | CHECK SEAT - SUCT | 1 | S6 | NA | UP TO 10,000 PSIG |
| CBODYS6104 | CHECK BODY - SUCT | 1 | S6 | NA | UP TO 10,000 PSIG |
| CPOPN5205 | POPPET - CHECK | 1 | XL | NA | |
| SPHC217546170 * | SPRING, COMP, Ø.156 x 1.6 | KFM04S6Q201 | HC | NA | 1 PSIG CRACKING PRESSURE |
| ORPF0202 * | O-RING 1/4" Failsafe Check -- OR-006FC75 - FLUROCHEM 75 O-RING | | PF | -40/225 | |
| ORPF9015 * | O-RING 1/4" FAILSAFE BODY FACE | | PF | -40/225 | |

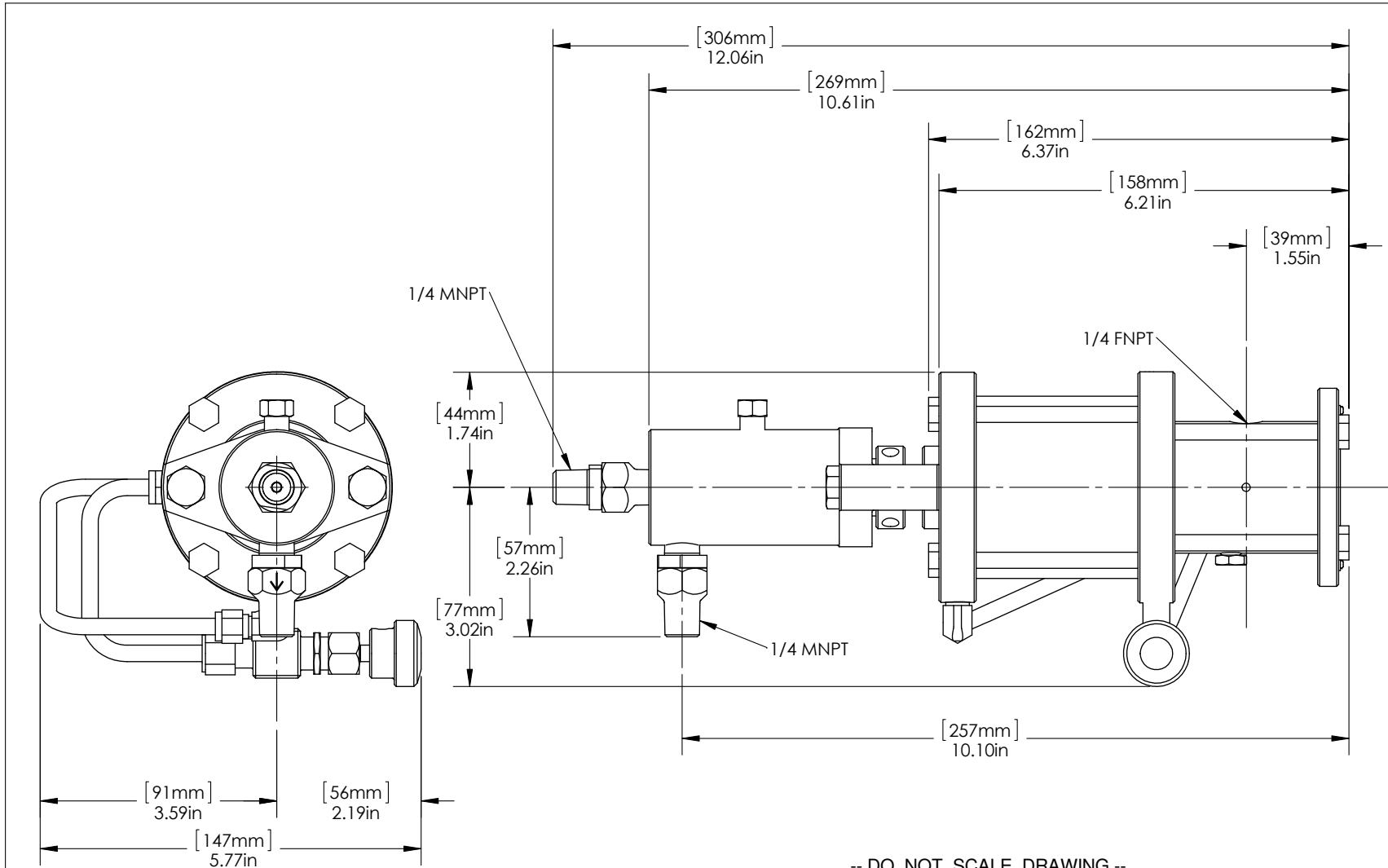
Call your CheckPoint representative about pre-assembled rebuild kits.
+1 (504) 340-0770
*Check Valve Rebuild Kit - KFM04S6Q201 - Contains both o-rings and springs

-- DO NOT SCALE DRAWING --

| | |
|--|---|
| FOR REFERENCE ONLY CONTROLLED BY PDM  <small>21356 MARION LANE MANDRVILLE, LA 70471 USA TEL 504.340.0770 -- FAX 888.217.6402</small> | CheckPoint Pumps & Systems <hr/> <small>DWG. TITLE</small> ASSEMBLY - 1/4" FAILSAFE - CHECK <hr/> <small>REV.</small> -.03 CFM04S6Q201 <small>SIZE</small> A <hr/> <small>DRAWING NUMBER</small> |
|--|---|

PROPRIETARY AND CONFIDENTIAL

THE INFORMATION CONTAINED HEREIN IS PROPRIETARY TO CHECKPOINT SYSTEMS AND SHALL NOT BE REPRODUCED OR DISCLOSED IN WHOLE OR IN PART OR USED FOR ANY PURPOSE EXCEPT WHEN SUCH USER POSSESSES DIRECT WRITTEN AUTHORIZATION FROM CHECKPOINT SYSTEMS



-- DO NOT SCALE DRAWING --

FOR REFERENCE ONLY
CONTROLLED BY PDM



CheckPoint
Pumps & Systems

DWG. TITLE
1250 ASSY 1/2" 316SS HEAD
CK CERAMIC PLUNGER

REV.
-.03

P25B15C3QLC34

SIZE
A

DRAWING NUMBER

PROPRIETARY AND CONFIDENTIAL

THE INFORMATION CONTAINED HEREIN IS PROPRIETARY TO CHECKPOINT SYSTEMS AND SHALL NOT BE REPRODUCED OR DISCLOSED IN WHOLE OR IN PART OR USED FOR ANY PURPOSE EXCEPT WHEN SUCH USER POSSESSES DIRECT WRITTEN AUTHORIZATION FROM CHECKPOINT SYSTEMS