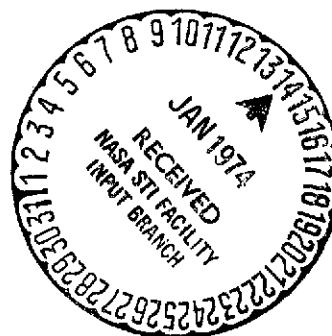


NASA TECHNICAL NOTE



NASA TN D-7422

NASA TN D-7422



(NASA-TN-D-7422) MULTIPLE REGRESSION
TECHNIQUE FOR Pth DEGREE POLYNOMIALS
WITH AND WITHOUT LINEAR CROSS PRODUCTS
(NASA) 197 p HC \$0 25
CSSL 12A

H1/19
Unclas
25287

N74-14254

MULTIPLE REGRESSION TECHNIQUE
FOR Pth DEGREE POLYNOMIALS WITH
AND WITHOUT LINEAR CROSS PRODUCTS

by *John William Davis*

*George C. Marshall Space Flight Center
Marshall Space Flight Center, Ala. 35812*

1. REPORT NO. NASA TN D-7422	2. GOVERNMENT ACCESSION NO.	3. RECIPIENT'S CATALOG NO.	
4. TITLE AND SUBTITLE Multiple Regression Technique for Pth Degree Polynomials With and Without Linear Cross Products		5. REPORT DATE December 1973	6. PERFORMING ORGANIZATION CODE 7944
		8. PERFORMING ORGANIZATION REPORT # M109	
7. AUTHOR(S) John William Davis		10. WORK UNIT NO.	11. CONTRACT OR GRANT NO.
9. PERFORMING ORGANIZATION NAME AND ADDRESS George C. Marshall Space Flight Center Marshall Space Flight Center, Alabama 35812 Attn: S&E-AERO-A		13. TYPE OF REPORT & PERIOD COVERED Technical Note	
		14. SPONSORING AGENCY CODE	
12. SPONSORING AGENCY NAME AND ADDRESS National Aeronautics and Space Administration Washington, D.C. 20546			
15. SUPPLEMENTARY NOTES Prepared by Aero-Astrodynamics Laboratory, Science and Engineering			
16. ABSTRACT <p>A multiple regression technique has been developed by which the nonlinear behavior of specified independent variables can be related to a given dependent variable. The polynomial expression can be of Pth degree and can incorporate N independent variables. Two cases are treated such that mathematical models can be studied both with and without linear cross products. The resulting surface fits can be used to summarize trends for a given phenomenon and provide a mathematical relationship for subsequent analysis.</p> <p>To implement this technique, separate computer programs have been developed for the case without linear cross products and for the case incorporating such cross products which evaluate the various constants in the model regression equation. In addition, the significance of the estimated regression equation is considered and the standard deviation, the F statistic, the maximum absolute percent error, and the average of the absolute values of the percent of error evaluated.</p> <p>The computer programs and their manner of utilization are described. Sample problems are included to illustrate the use and capability of the technique which show the output formats and typical plots comparing computer results to each set of input data.</p>			
17. KEY WORDS Multiple Regression Statistic Computer Programs		18. DISTRIBUTION STATEMENT	
19. SECURITY CLASSIF. (of this report) Unclassified	20. SECURITY CLASSIF. (of this page) Unclassified	21. NO. OF PAGES 106 / 07	22. PRICE Domestic, \$4.25 Foreign, \$6.75

ACKNOWLEDGMENT

The author gratefully acknowledges the efforts of Mr. Bobby G. Junkin, Mr. Dietwald A. Gerstner and Miss Mary V. Darby in the development of the computer programs presented herein.

TABLE OF CONTENTS

	Page
I. INTRODUCTION	1
II. MULTIPLE REGRESSION TECHNIQUE WITHOUT CROSS PRODUCTS	2
A. Introduction	2
B. Regression Analysis Development	2
C. Discussion	8
III. MULTIPLE REGRESSION TECHNIQUE WITH CROSS PRODUCTS	8
A. Introduction	8
B. Regression Analysis Development with Linear Cross Products	9
C. Comments	18
IV. SIGNIFICANCE OF THE ESTIMATED REGRESSION EQUATIONS	18
A. Introduction	18
B. Analysis of Variance	19
C. Interpretation Diagnostics	20
D. Output Data	20
V. SUMMARY	22
APPENDIX A – MULTIPLE REGRESSION PROGRAM FOR CASE WITHOUT CROSS PRODUCTS	23
A. Input Data	23
B. Program	25
C. Output Data	25
D. Illustrative Problem	56
APPENDIX B – MULTIPLE REGRESSION PROGRAM FOR CASE WITH CROSS PRODUCTS	60
A. Input Data	60
B. Program	62
C. Output Data	62
D. Illustrative Problem	63
REFERENCES	99

LIST OF ILLUSTRATIONS

Figure	Title	Page
1.	Program deck sequence	26
2.	Operation of the computer program (noncross product)	44
3.	Comparison of input and computer values for illustrative problem without cross products	59
4.	Operation of the computer program (cross product)	82
5.	Comparison of input and computed values for illustrative problem with cross products	97

LIST OF TABLES

Table	Title	Page
1.	Analysis of Variance (With and Without Cross Products)	19
2.	Program Listing (Without Cross Products)	27
3.	Input Data, Dependent Variable Values	57
4.	Output Data Listing for Illustrative Problem (Case Without Cross Products)	58
5.	Program Listing (With Cross Products)	64
6.	Input Data, Dependent Variable Values	95
7.	Output Data Listing for Illustrative Problem (Case With Cross Products)	96

DEFINITION OF SYMBOLS

Symbol	Definition
A_0	model equation intercept coefficient
B_N	matrix quantity
B_p	model equation coefficients
b_0	defined quantity
b_{NP}	regression model coefficients
$c_{N-1,N}$	regression model cross product coefficients
F	F statistic
K_N	cross product model equation terms
k	cross product technique parameter pertaining to degrees of freedom
N	number of independent variables
n	number of data points
P	degree of equation
R	multiple correlation coefficient
S_{NN}	matrix quantity
S_{NY}	matrix quantity
S_{YY}	total sum of squares
S(Reg)	regression sum of squares
S(Res)	residual sum of squares
s	variance
Y	value of dependent variable

DEFINITION OF SYMBOLS (Concluded)

Symbol	Definition
y	difference in observed and mean value of dependent variable
Z_N	value of Nth independent variable
z_{NP}	difference in observed and mean values to the Pth power for the Nth independent variable
$ \epsilon _{AVG}$	average absolute percent error
$\sum_{i=1}^n$	$\sum_{i=1}^n$, summation from the first to the nth term
Superscript	
c	calculated value
$-$	mean value
Subscript	
i	$i = 1, 2, \dots n$
j	$j = 1, 2, \dots N$

MULTIPLE REGRESSION TECHNIQUE FOR Pth DEGREE POLYNOMIALS WITH AND WITHOUT LINEAR CROSS PRODUCTS

I. INTRODUCTION

The investigation of physical processes and requirements for data analysis methods frequently requires the use of mathematical models which describe the processes. The model can be formulated such that certain variables interact according to physical theories associated with the particular process, or it may contain identified independent variables and unknown parameters. The relationship of the parameters identified in the model can be evaluated using the statistical tool commonly referred to as regression analysis. In principle, it should be possible to establish complex curves or surfaces for higher order multiple variable functions by regression techniques to summarize trends in data and to provide a means of predicting similar phenomena. Furthermore, such a technique might be used to establish unknown laws or relationships.

Most statistical textbooks treat the problem of linear multiple variable regression and of nonlinear regression of one independent variable. However, the study of many complex physical problems requires a method capable of determining nonlinear regression of multiple independent variables. By this means, an analytical representation of the observed data is provided which can be used in subsequent analysis.

The general procedure in regression analysis is to take partial derivatives of a specific model-dependent minimizing function. The set of equations obtained by setting these partial derivatives equal to zero is frequently referred to as the normal equations. If the normal equations are not transcendental in any of the unknown parameters, they can be solved by the usual algebraic methods. It is this situation which is of concern here.

Within this report a method is presented for evaluating multiple variable regression for Pth degree polynomials with and without linear cross products. Implementation of the technique, including error diagnostics has been accomplished on the UNIVAC 1108 computer. Program listings and illustrative example problems are given in the appendices.

The method developed is used in problems requiring the determination of mathematical relationships describing complex curves or surfaces from known physical data. Initial applications of this technique have concerned the external aerodynamics of aircraft and space vehicles and the internal aerodynamics of transonic wind tunnels and have produced excellent results. Applications in almost any other field of study should be expected to be equally as useful.

II. MULTIPLE REGRESSION TECHNIQUE WITHOUT CROSS PRODUCTS

A. Introduction

The derivation of a matrix solution for evaluating multiple variable regression for Pth degree polynomials without cross products is presented in Reference 1. In this section this solution is discussed for the general case where the polynomial expression can be of Pth degree with N independent variables. The mathematical procedures represent a rigorous least squares evolution of input data centered about the mean.

B. Regression Analysis Development

Assuming the observed dependent variable is to be estimated by the following model:

$$\begin{aligned} Y_i^c = & A_0 + (b_{11} Z_{1i} + b_{12} Z_{1i}^2 + \dots + b_{1P} Z_{1i}^P) \\ & + (b_{21} Z_{2i} + b_{22} Z_{2i}^2 + \dots + b_{2P} Z_{2i}^P) \\ & + \dots + (b_{N1} Z_{Ni} + b_{N2} Z_{Ni}^2 + \dots + b_{NP} Z_{Ni}^P) \end{aligned} \quad (1)$$

where $i = 1, 2, \dots, n$ th set of data, and the intercept $A_0 = b_{10} + b_{20} + \dots + b_{N0}$

For any given independent variable Z_N , the mean value is given by

$$\bar{Z}_N = \frac{\sum Z_{Ni}}{n} \quad (2)$$

If the input data are centered about the mean the model equation (1) becomes

$$\begin{aligned} Y_i^c = & b_0 + (b_{11} z_{11i} + b_{12} z_{12i} + \dots + b_{1P} z_{1Pi}) \\ & + (b_{21} z_{21i} + b_{22} z_{22i} + \dots + b_{2P} z_{2Pi}) \end{aligned} \quad (3)$$

$$+ \dots + (b_{N1} z_{N1i} + b_{N2} z_{N2i} + \dots + b_{NP} z_{NPi}) \quad (3)$$

(Concluded)

Where, for convenience, the following quantities, which are indicated in equation (3), are defined by

$$b_0 = (b_{10} + b_{11} \bar{Z}_1 + b_{12} \bar{Z}_1^2 + \dots + b_{1P} \bar{Z}_1^P) \\ + (b_{20} + b_{21} \bar{Z}_2 + b_{22} \bar{Z}_2^2 + \dots + b_{2P} \bar{Z}_2^P) \\ + \dots + (b_{N0} + b_{N1} \bar{Z}_N + b_{N2} \bar{Z}_N^2 + \dots + b_{NP} \bar{Z}_N^P) \quad (4)$$

$$\left. \begin{array}{l} z_{11i} = Z_{1i} - \bar{Z}_1 \\ z_{12i} = Z_{1i}^2 - \bar{Z}_1^2 \\ \vdots \\ z_{1Pi} = Z_{1i}^P - \bar{Z}_1^P \\ \vdots \\ z_{21i} = Z_{2i} - \bar{Z}_2 \\ z_{22i} = Z_{2i}^2 - \bar{Z}_2^2 \\ \vdots \\ z_{2Pi} = Z_{2i}^P - \bar{Z}_2^P \\ \vdots \\ z_{N1i} = Z_{Ni} - \bar{Z}_N \\ z_{N2i} = Z_{Ni}^2 - \bar{Z}_N^2 \\ \vdots \\ z_{NPi} = Z_{Ni}^P - \bar{Z}_N^P \end{array} \right\} \quad (5)$$

The classical form of the least squares minimizing function is

$$M = \sum (Y_i - Y_i^c)^2 \quad (6)$$

This result follows from the least squares principle that the best representation of the input data is that which makes the sum of the squares of the residuals a minimum. The condition which fulfills this requirement is that the partial derivatives of this function with respect to each of the unknowns be zero. Hence, the following normal equations for $i = 1, 2, \dots, n$ are written:

$$\left. \begin{array}{l} \frac{\partial M}{\partial b_0} = 0 \\ \frac{\partial M}{\partial b_{11}} = 0 \\ \frac{\partial M}{\partial b_{12}} = 0 \\ \vdots \\ \frac{\partial M}{\partial b_{1P}} = 0 \end{array} \right\} \quad \left. \begin{array}{l} \frac{\partial M}{\partial b_{21}} = 0 \\ \frac{\partial M}{\partial b_{22}} = 0 \\ \vdots \\ \frac{\partial M}{\partial b_{2P}} = 0 \end{array} \right\} \quad \dots \quad \left. \begin{array}{l} \frac{\partial M}{\partial b_{N1}} = 0 \\ \frac{\partial M}{\partial b_{N2}} = 0 \\ \vdots \\ \frac{\partial M}{\partial b_{NP}} = 0 \end{array} \right\} \quad (7)$$

Through the use of the normal equation $\frac{\partial M}{\partial b_0} = 0$ it can be shown that

$$b_0 = \bar{Y} = \frac{\sum Y_i}{m} \quad (8)$$

The following quantity is now defined for the difference in the observed value of Y_i and the mean value of the observed values:

$$y_i = Y_i - \bar{Y} \quad (9)$$

Then, through the use of the remaining normal equations, the following matrix solution for the unknown constant of the independent variables is obtained.

$$\begin{array}{c}
 \begin{bmatrix} B_1 \\ B_2 \\ \vdots \\ B_N \end{bmatrix} = \begin{bmatrix} S_{11} & S_{12} & \cdots & S_{1N} \\ S_{21} & S_{22} & \cdots & S_{2N} \\ \vdots & \vdots & \ddots & \vdots \\ S_{N1} & S_{N2} & \cdots & S_{NN} \end{bmatrix}^{-1} \begin{bmatrix} S_{1y} \\ S_{2y} \\ \vdots \\ S_{ny} \end{bmatrix} \\
 \begin{array}{ccc}
 [NP \times 1] & [NP \times NP] & [NP \times 1]
 \end{array}
 \end{array} \quad (10)$$

where the following matrix quantities are given by:

$$\begin{array}{c}
 B_1 = \begin{bmatrix} b_{11} \\ b_{12} \\ \vdots \\ b_{1P} \end{bmatrix} \\
 B_2 = \begin{bmatrix} b_{21} \\ b_{22} \\ \vdots \\ b_{2P} \end{bmatrix} \\
 \vdots \\
 B_N = \begin{bmatrix} b_{N1} \\ b_{N2} \\ \vdots \\ b_{NP} \end{bmatrix}
 \end{array} \quad (11)$$

$$\left. \begin{aligned}
S_{1j} &= \begin{bmatrix} \sum z_{11i} z_{j1i} & \sum z_{11i} z_{j2i} & \cdots & \sum z_{11i} z_{jPi} \\ \sum z_{12i} z_{j1i} & \sum z_{12i} z_{j2i} & \cdots & \sum z_{12i} z_{jPi} \\ \vdots & \vdots & & \vdots \\ \sum z_{1Pi} z_{j1i} & \sum z_{1Pi} z_{j2i} & \cdots & \sum z_{1Pi} z_{jPi} \end{bmatrix} \text{ for } j = 1, 2, \dots, N \\
S_{2j} &= \begin{bmatrix} \sum z_{21i} z_{j1i} & \sum z_{21i} z_{j2i} & \cdots & \sum z_{21i} z_{jPi} \\ \sum z_{22i} z_{j1i} & \sum z_{22i} z_{j2i} & \cdots & \sum z_{22i} z_{jPi} \\ \vdots & \vdots & & \vdots \\ \sum z_{2Pi} z_{j1i} & \sum z_{2Pi} z_{j2i} & \cdots & \sum z_{2Pi} z_{jPi} \end{bmatrix} \text{ for } j = 1, 2, \dots, N \\
&\vdots \\
S_{Nj} &= \begin{bmatrix} \sum z_{N1i} z_{j1i} & \sum z_{N1i} z_{j2i} & \cdots & \sum z_{N1i} z_{jPi} \\ \sum z_{N2i} z_{j1i} & \sum z_{N2i} z_{j2i} & \cdots & \sum z_{N2i} z_{jPi} \\ \vdots & \vdots & & \vdots \\ \sum z_{NPi} z_{j1i} & \sum z_{NPi} z_{j2i} & \cdots & \sum z_{NPi} z_{jPi} \end{bmatrix} \text{ for } j = 1, 2, \dots, N
\end{aligned} \right\} \tag{12}$$

$$\begin{array}{l}
 S_{1y} = \left[\begin{array}{c} \sum z_{11i} y_i \\ \sum z_{12i} y_i \\ \vdots \\ \sum z_{1Pi} y_i \end{array} \right] \\
 \\
 S_{2y} = \left[\begin{array}{c} \sum z_{21i} y_i \\ \sum z_{22i} y_i \\ \vdots \\ \sum z_{2Pi} y_i \end{array} \right] \\
 \\
 \vdots \\
 \\
 S_{Ny} = \left[\begin{array}{c} \sum z_{N1i} y_i \\ \sum z_{N2i} y_i \\ \vdots \\ \sum z_{NPi} y_i \end{array} \right]
 \end{array} \quad (13)$$

Having determined the matrix solution indicated by equation (10), the intercept A_0 of the fitted model expression may be determined as:

$$\begin{aligned}
 A_0 = \bar{Y} - (b_{11} \bar{Z}_1 + b_{12} \bar{Z}_1^2 + \dots + b_{1P} \bar{Z}_1^P) - (b_{21} \bar{Z}_2 + b_{22} \bar{Z}_2^2 + \dots \\
 + b_{2P} \bar{Z}_2^P) - \dots - (b_{N1} \bar{Z}_N + b_{N2} \bar{Z}_N^2 + \dots + b_{NP} \bar{Z}_N^P)
 \end{aligned} \quad (14)$$

C. Discussion

As noted by Graybill [2], there are an infinite number of solutions to the model relationship. However, only one solution must be found to have a useful result. Also note that the solution presented to the higher order multiple regression problem is a function of parameters such as the sum of the squares, cross products, and linear values similar to previously developed solutions for linear regression. In this case, one finds a more complex result with nested matrices, which becomes practical only in combination with digital computer techniques.

As discussed in Appendix A, a computer program has been developed to evaluate the unknown constants in the model equation with the solution specified by equation (10), as well as certain diagnostics reflecting the significance of the estimated regression equation which will be considered in Section IV.

It is required in the application of this technique that the S matrix be nonsingular and that the input data are reasonably well behaved. It is also required that $n \geq NP$. That is, the number of data points n must be equal to or greater than the number of unknown parameters in the model equation.

Many sets of physical data have been studied using the previously mentioned computer program. Results have generally been excellent and it is felt that the technique can be highly useful in many fields of endeavor.

III. MULTIPLE REGRESSION TECHNIQUE WITH CROSS PRODUCTS

A. Introduction

The regression technique developed in Section II for Pth degree polynomials with N independent variables has proven to be extremely useful in correlating experimental wind tunnel data and aiding subsequent analysis. However, in certain applications the inclusion of cross products for the various independent variables can enhance the value of the technique. Such a case occurs when it is desired to optimize the dependent variable of the fitted mathematical expression with respect to the various independent variables. In such a case the determination of maximum and minimum values by solving for the critical points through the use of the necessary and sufficient conditions (that the first and second partial derivation of the response variable with respect to each of the independent variables be identically equal to zero) can only be determined when cross products are included in the model equation; otherwise the effect of all other independent variables is lost when the partial derivative with respect to a given independent variable is evaluated.

To deal with this and other similar problems, a method is developed in this section which treats all combinations of linear cross products for each of the N independent variables as well as the polynomial terms previously discussed in Section II. Higher order cross product terms could, in principle, be treated, although such a development is beyond the scope of the present work. The method for fitting polynomials with linear cross products is presented without formal derivation. However, the development is similar to that shown in Reference 1.

B. Regression Analysis Development with Linear Cross Products

Consider the following model:

$$\begin{aligned}
 Y_i^c = & A_0 + (b_{11} Z_{1i} + b_{12} Z_{1i}^2 + \dots + b_{1P} Z_{1i}^P) \\
 & + (b_{21} Z_{2i} + b_{22} Z_{2i}^2 + \dots + b_{2P} Z_{2i}^P) \\
 & + \dots + (b_{N1} Z_{Ni} + b_{N2} Z_{Ni}^2 + \dots + b_{NP} Z_{Ni}^P) \\
 & + (C_{12} Z_{1i} Z_{2i} + c_{13} Z_{1i} Z_{3i} + \dots + C_{1N} Z_{1i} Z_{Ni}) \\
 & + (C_{23} Z_{2i} Z_{3i} + C_{24} Z_{2i} Z_{4i} + \dots + C_{2N} Z_{2i} Z_{Ni}) \\
 & + \dots + (C_{N-1,N} Z_{(N-1)i} Z_{Ni})
 \end{aligned} \tag{15}$$

where $i = 1, 2, \dots, n$ th set of data, and the intercept $A_0 = b_{10} + b_{20} + \dots + b_{n0}$. This model represents a polynomial expression of P th degree with N independent variables and contains all combinations of linear cross products for each of the N independent variables.

If equal quantities are added and subtracted in equation (15), namely, those of the form $b_{NP} \bar{Z}_N^P$ and $C_{ji} \bar{Z}_j \bar{Z}_i$, (where $j = 1, 2, \dots, N-1$) it can be shown that the model equation is equivalent to:

$$Y_i^C = K_{1i} + B_{1i} + K_{2i} + B_{2i} + \dots + K_{Ni} + B_{Ni} \quad (16)$$

where

$$\left. \begin{aligned} K_{1i} &= b_{10} + b_{11} \bar{Z}_1 + b_{12} \bar{Z}_1^2 + \dots + b_{1P} \bar{Z}_1^P + C_{12} \overline{Z_1 Z_2} + C_{13} \overline{Z_1 Z_3} + \dots + C_{1N} \overline{Z_1 Z_N} \\ K_{2i} &= b_{20} + b_{21} \bar{Z}_2 + b_{22} \bar{Z}_2^2 + \dots + b_{2P} \bar{Z}_2^P + C_{23} \overline{Z_2 Z_3} + C_{24} \overline{Z_2 Z_4} + \dots + C_{2N} \overline{Z_2 Z_N} \\ &\vdots \\ K_{Ni} &= b_{N0} + b_{N1} \bar{Z}_N + b_{N2} \bar{Z}_N^2 + \dots + b_{NP} \bar{Z}_N^P + C_{N-1,N} \overline{Z_{N-1} Z_N} \end{aligned} \right\} \quad (17)$$

$$\left. \begin{aligned} B_{1i} &= b_{11} z_{11i} + b_{12} z_{12i} + \dots + b_{1P} z_{1Pi} + C_{12}^+ z_{12i}^+ + C_{13}^+ z_{13i}^+ + \dots + C_{1N}^+ z_{1Ni}^+ \\ B_{2i} &= b_{21} z_{21i} + b_{22} z_{22i} + \dots + b_{2P} z_{2Pi} + C_{23}^+ z_{23i}^+ + C_{24}^+ z_{24i}^+ + \dots + C_{2N}^+ z_{2Ni}^+ \\ &\vdots \\ B_{Ni} &= b_{N1} z_{N1i} + b_{N2} z_{N2i} + \dots + b_{NP} z_{NPi} + C_{N-1,N}^+ z_{N-1,Ni}^+ \end{aligned} \right\} \quad (18)$$

The j th mean value terms in equation (18) are given by

$$\bar{Z}_j = \sum \frac{Z_{ji}}{n} \quad (19)$$

$$\overline{Z_j Z_N} = \sum \frac{Z_{ji} Z_{Ni}}{n} \quad (20)$$

and for convenience z and z^+ terms in equation (18) have been defined as:

$$\left. \begin{aligned}
z_{11i} &= Z_{1i} - \bar{Z}_1 \\
z_{12i} &= Z_{1i}^2 - \bar{Z}_1^2 \\
&\vdots \\
z_{1Pi} &= Z_{1i}^P - Z_1^P \\
\\
z_{21i} &= Z_{2i} - \bar{Z}_2 \\
z_{22i} &= Z_{2i}^2 - \bar{Z}_2^2 \\
&\vdots \\
z_{2Pi} &= Z_{2i}^P - Z_2^P \\
\\
z_{N1i} &= Z_{Ni} - Z_N \\
z_{N2i} &= Z_{Ni}^2 - Z_N^2 \\
&\vdots \\
z_{NPi} &= Z_{Ni}^P - Z_N^P
\end{aligned} \right\} \quad (21)$$

$$\left. \begin{aligned}
z_{12i}^+ &= Z_{1i} Z_{2i} - \overline{Z_1 Z_2} \\
z_{13i}^+ &= Z_{1i} Z_{3i} - \overline{Z_1 Z_3} \\
&\vdots \\
z_{1Ni}^+ &= Z_{1i} Z_{Ni} - \overline{Z_1 Z_N}
\end{aligned} \right\} \quad (22)$$

Then the following matrix solution for the unknown constants of the model equation can be obtained through the use of the normal equations:

$$\begin{bmatrix} B_1 \\ B_2 \\ \vdots \\ B_N \end{bmatrix} = \begin{bmatrix} S_{11} & S_{12} & \cdots & S_{1N} \\ S_{21} & S_{22} & \cdots & S_{2N} \\ \vdots & \vdots & \ddots & \vdots \\ S_{N1} & S_{N2} & \cdots & S_{NN} \end{bmatrix}^{-1} \begin{bmatrix} S_{1Y} \\ S_{2Y} \\ \vdots \\ S_{NY} \end{bmatrix} \quad (27)$$

$[M \times 1] \qquad \qquad [M \times M] \qquad \qquad [M \times 1]$

where

$$M = NP + N!/2(N-2)! \quad (28)$$

and the various matrix quantities are given by:

$$\left. \begin{aligned} B_1 &= \begin{bmatrix} b_{11} \\ \vdots \\ b_{1P} \\ c_{12} \\ \vdots \\ c_{1N} \end{bmatrix} \\ B_2 &= \begin{bmatrix} b_{21} \\ \vdots \\ b_{2P} \\ c_{23} \\ \vdots \\ c_{2N} \end{bmatrix} \end{aligned} \right\} \quad (29)$$

$$B_N = \begin{bmatrix} b_{N1} \\ \vdots \\ b_{NP} \\ \vdots \\ c_{N-1,N} \end{bmatrix}$$

(29)
(Concluded)

$$\begin{aligned}
 S_{11} &= \begin{bmatrix} \sum z_{11i} z_{11i} & \cdots & \sum z_{11i} z_{1Pi} & \sum z_{11i} z_{12i}^+ & \cdots & \sum z_{11i} z_{1Ni}^+ \\ \vdots & & & & & \\ \sum z_{1Pi} z_{11i} & \cdots & \sum z_{1Pi} z_{1Pi} & \sum z_{1Pi} z_{12i}^+ & \cdots & \sum z_{1Pi} z_{1Ni}^+ \\ \vdots & & & & & \\ \sum z_{12i}^+ z_{11i} & \cdots & \sum z_{12i}^+ z_{1Pi} & \sum z_{12i}^+ z_{12i}^+ & \cdots & \sum z_{12i}^+ z_{1Ni}^+ \\ \vdots & & & & & \\ \sum z_{1Ni}^+ z_{11i} & \cdots & \sum z_{1Ni}^+ z_{1Pi} & \sum z_{1Ni}^+ z_{12i}^+ & \cdots & \sum z_{1Ni}^+ z_{1Ni}^+ \end{bmatrix} \\
 S_{21} &= \begin{bmatrix} \sum z_{21i} z_{11i} & \cdots & \sum z_{21i} z_{1Pi} & \sum z_{21i}^+ z_{12i}^+ & \cdots & \sum z_{21i}^+ z_{1Ni}^+ \\ \vdots & & & & & \\ \sum z_{2Pi} z_{11i} & \cdots & \sum z_{2Pi} z_{1Pi} & \sum z_{2Pi}^+ z_{12i}^+ & \cdots & \sum z_{2Pi}^+ z_{1Ni}^+ \\ \vdots & & & & & \\ \sum z_{23i}^+ z_{11i} & \cdots & \sum z_{23i}^+ z_{1Pi} & \sum z_{23i}^+ z_{12i}^+ & \cdots & \sum z_{23i}^+ z_{1Ni}^+ \\ \vdots & & & & & \\ \sum z_{2Ni}^+ z_{11i} & \cdots & \sum z_{2Ni}^+ z_{1Pi} & \sum z_{2Ni}^+ z_{12i}^+ & \cdots & \sum z_{2Ni}^+ z_{1Ni}^+ \end{bmatrix} \\
 \vdots & \\
 S_{N1} &= \begin{bmatrix} \sum z_{N1i} z_{11i} & \cdots & \sum z_{N1i} z_{1Pi} & \sum z_{N1i}^+ z_{12i}^+ & \cdots & \sum z_{N1i}^+ z_{1Ni}^+ \\ \vdots & & & & & \\ \sum z_{NPi} z_{11i} & \cdots & \sum z_{NPi} z_{1Pi} & \sum z_{NPi}^+ z_{12i}^+ & \cdots & \sum z_{NPi}^+ z_{1Ni}^+ \\ \vdots & & & & & \\ \sum z_{N-1,Ni}^+ z_{11i} & \cdots & \sum z_{N-1,Ni}^+ z_{1Pi} & \sum z_{N-1,Ni}^+ z_{12i}^+ & \cdots & \sum z_{N-1,Ni}^+ z_{1Ni}^+ \end{bmatrix}
 \end{aligned} \tag{30}$$

$$\begin{aligned}
S_{12} &= \left[\begin{array}{cc} \sum z_{11i} z_{21i} \cdots \sum z_{11i} z_{2Pi} & \sum z_{11i} z_{23i}^+ \cdots \sum z_{11i} z_{2Ni}^+ \\ \vdots & \vdots \\ \sum z_{1Pi} z_{21i} \cdots \sum z_{1Pi} z_{2Pi} & \sum z_{1Pi} z_{23i}^+ \cdots \sum z_{1Pi} z_{2Ni}^+ \\ \vdots & \vdots \\ \sum z_{12i}^+ z_{21i} \cdots \sum z_{12i}^+ z_{1Pi} & \sum z_{12i}^+ z_{23i}^+ \cdots \sum z_{12i}^+ z_{2Ni}^+ \\ \vdots & \vdots \\ \sum z_{1Ni}^+ z_{21i} \cdots \sum z_{1Ni}^+ z_{2Pi} & \sum z_{1Ni}^+ z_{23i}^+ \cdots \sum z_{1Ni}^+ z_{2Ni}^+ \end{array} \right] \dots \\
S_{22} &= \left[\begin{array}{cc} \sum z_{21i} z_{21i} \cdots \sum z_{21i} z_{2Pi} & \sum z_{21i} z_{23i}^+ \cdots \sum z_{21i} z_{2Ni}^+ \\ \vdots & \vdots \\ \sum z_{2Pi} z_{21i} \cdots \sum z_{2Pi} z_{2Pi} & \sum z_{2Pi} z_{23i}^+ \cdots \sum z_{2Pi} z_{2Ni}^+ \\ \vdots & \vdots \\ \sum z_{23i}^+ z_{21i} \cdots \sum z_{23i}^+ z_{2Pi} & \sum z_{23i}^+ z_{23i}^+ \cdots \sum z_{23i}^+ z_{2Ni}^+ \\ \vdots & \vdots \\ \sum z_{2Ni}^+ z_{21i} \cdots \sum z_{2Ni}^+ z_{2Pi} & \sum z_{2Ni}^+ z_{23i}^+ \cdots \sum z_{2Ni}^+ z_{2Ni}^+ \end{array} \right] \dots \\
\vdots & \\
S_{N2} &= \left[\begin{array}{cc} \sum z_{N1i} z_{21i} \cdots \sum z_{N1i} z_{2Pi} & \sum z_{N1i} z_{23i}^+ \cdots \sum z_{N1i} z_{2Ni}^+ \\ \vdots & \vdots \\ \sum z_{NPi} z_{21i} \cdots \sum z_{NPi} z_{2Pi} & \sum z_{NPi} z_{23i}^+ \cdots \sum z_{NPi} z_{2Ni}^+ \\ \vdots & \vdots \\ \sum z_{N-1,Ni}^+ z_{21i} \cdots \sum z_{N-1,Ni}^+ z_{2Pi} & \sum z_{N-1,Ni}^+ z_{23i}^+ \cdots \sum z_{N-1,Ni}^+ z_{2Ni}^+ \end{array} \right] \dots
\end{aligned}
\tag{30}$$

(Continued)

$$\begin{array}{l}
S_{1N} = \left[\begin{array}{ccc} \sum z_{11i} z_{N1i} \dots \sum z_{11i} z_{NPi} & \sum z_{11i} z_{N-1,Ni}^+ \\ \vdots & \\ \sum z_{1Pi} z_{N1i} \dots \sum z_{1Pi} z_{NPi} & \sum z_{1Pi} z_{N-1,Ni}^+ \\ \vdots & \\ \sum z_{12i}^+ z_{N1i} \dots \sum z_{12i}^+ z_{NPi} & \sum z_{12i}^+ z_{N-1,Ni}^+ \\ \vdots & \\ \sum z_{1Ni}^+ z_{N1i} \dots \sum z_{1Ni}^+ z_{NPi} & \sum z_{1Ni}^+ z_{N-1,Ni}^+ \end{array} \right] \\
S_{2N} = \left[\begin{array}{ccc} \sum z_{21i} z_{N1i} \dots \sum z_{21i} z_{NPi} & \sum z_{21i} z_{N-1,Ni}^+ \\ \vdots & \\ \sum z_{2Pi} z_{N1i} \dots \sum z_{2Pi} z_{NPi} & \sum z_{2Pi} z_{N-1,Ni}^+ \\ \vdots & \\ \sum z_{23i}^+ z_{N1i} \dots \sum z_{23i}^+ z_{NPi} & \sum z_{23i}^+ z_{N-1,Ni}^+ \\ \vdots & \\ \sum z_{2Ni}^+ z_{N1i} \dots \sum z_{2Ni}^+ z_{NPi} & \sum z_{2Ni}^+ z_{N-1,Ni}^+ \end{array} \right] \\
\vdots \\
S_{NN} = \left[\begin{array}{ccc} \sum z_{N1i} z_{N1i} \dots \sum z_{N1i} z_{NPi} & \sum z_{N1i} z_{N-1,Ni}^+ \\ \vdots & \\ \sum z_{NPi} z_{N1i} \dots \sum z_{NPi} z_{NPi} & \sum z_{NPi} z_{N-1,Ni}^+ \\ \vdots & \\ \sum z_{N-1,Ni}^+ z_{N1i} \dots \sum z_{N-1,Ni}^+ z_{NPi} & \sum z_{N-1,Ni}^+ z_{N-1,Ni}^+ \end{array} \right]
\end{array} \quad \left. \vphantom{\begin{array}{l} S_{1N} \\ S_{2N} \\ S_{NN} \end{array}} \right\} \begin{array}{l} (30) \\ \text{(Concluded)} \end{array}$$

$$\begin{array}{l}
 S_{1y} = \left[\begin{array}{c} \sum z_{11i} y_i \\ \vdots \\ \sum z_{1Pi} y_i \\ \sum z_{12}^+ y_i \\ \vdots \\ \sum z_{1Ni}^+ y_i \end{array} \right] \\
 S_{2y} = \left[\begin{array}{c} \sum z_{21i} y_i \\ \vdots \\ \sum z_{2Pi} y_i \\ \sum z_{23i}^+ y_i \\ \vdots \\ \sum z_{2Ni}^+ y_i \end{array} \right] \\
 \vdots \\
 S_{Ny} = \left[\begin{array}{c} \sum z_{Ni} y_i \\ \vdots \\ \sum z_{NPi} y_i \\ \sum z_{N-1, Ni}^+ y_i \end{array} \right]
 \end{array}
 \quad \left. \vphantom{\begin{array}{l} S_{1y} \\ S_{2y} \\ \vdots \\ S_{Ny} \end{array}} \right\} \quad (31)$$

Once the matrix solution given by equation (27) has been determined the intercept A_0 of the fitted model expression may be calculated as

$$\begin{aligned}
A_0 = & \bar{Y} - (b_{11} \bar{Z}_1 + b_{12} \bar{Z}_1^2 + \dots + b_{1P} \bar{Z}_1^P + c_{12} \overline{\bar{Z}_1 \bar{Z}_2} + c_{13} \overline{\bar{Z}_1 \bar{Z}_3} + \dots + c_{1N} \overline{\bar{Z}_1 \bar{Z}_N}) \\
& - (b_{21} \bar{Z}_2 + b_{22} \bar{Z}_2^2 + \dots + b_{2P} \bar{Z}_2^P + c_{23} \overline{\bar{Z}_2 \bar{Z}_3} + c_{24} \overline{\bar{Z}_2 \bar{Z}_4} + \dots + c_{2N} \overline{\bar{Z}_2 \bar{Z}_N}) \\
& - \dots - (b_{N1} \bar{Z}_N + b_{N2} \bar{Z}_N^2 + \dots + b_{NP} \bar{Z}_N^P + c_{N-1,N} \overline{\bar{Z}_{N-1} \bar{Z}_N})
\end{aligned} \tag{32}$$

C. Comments

The solution developed for evaluating multiple variable regression for Pth degree polynomials with linear cross products is similar to that developed in Section II for the case without cross products. However, in this case, the nested matrices contain additional terms to account for the cross products and hence it is required that $n \geq NP + \frac{N!}{2(N-2)!}$, which again indicates that the number of data points n must be equal to or greater than the number of unknown parameters in the model equation.

As discussed in Appendix B, a computer program has been developed to treat this case. It should be noted that while contrived problems have yielded excellent results, experience with several sets of physical data have generally yielded poorer results. This is evidently due to the larger matrices being manipulated and due to unknowns as to whether true linear cross coupling exists in the given physical process.

IV. SIGNIFICANCE OF THE ESTIMATED REGRESSION EQUATIONS

A. Introduction

To determine if the fitted regression equation obtained from the solution matrix is indeed a useful representation of the input data, it is desirable that certain diagnostics be evaluated. To this end the computer programs discussed in Appendix A and Appendix B determine the standard deviation of the observed data with respect to the fitted equation, the multiple correlation coefficient, and the F statistic as well as the average error and the maximum error of the observed data with respect to the fitted result.

Using these parameters, it is possible to assess the usefulness of the fitted expression for each given application.

B. Analysis of Variance

The significance of the estimated regression equation can be considered from the viewpoint of an analysis of variance as summarized in Table 1, where the total sum of squares is resolved into a component measuring the residual fitting error, and a component which measures the regression variation being tested.

TABLE 1. ANALYSIS OF VARIANCE (WITH AND WITHOUT CROSS PRODUCTS)

A. Analysis of Variance (without Cross Products)

Degrees of Freedom	Type Variation	Sum of Squares (SS)	Mean Square (MS)	F Value
n-1	Total	$S_{yy} = \sum (Y_i - \bar{Y})^2$		
NP-1	Residual	$S(\text{RES}) = \sum (Y_i - Y_i^c)^2$	$M(\text{RES}) = \frac{S(\text{RES})}{NP-1}$	
n-NP	Regression	$S(\text{REG}) = \sum (Y_i^c - \bar{Y})^2$	$M(\text{REG}) = \frac{S(\text{REG})}{n-NP}$	$\frac{M(\text{REG})}{M(\text{RES})}$

B. Analysis of Variance (with Cross Products)

Degrees of Freedom	Type Variation	Sum of Squares (SS)	Mean Square (MS)	F Value
	Total	$S_{yy} = \sum (Y_i - \bar{Y})^2$		
K-1	Residual	$S(\text{RES}) = \sum (Y_i - Y_i^c)^2$	$M(\text{RES}) = \frac{S(\text{RES})}{k-1}$	
n-k	Regression	$S(\text{REG}) = \sum (Y_i^c - \bar{Y})^2$	$M(\text{REG}) = \frac{S(\text{REG})}{n-k}$	$\frac{M(\text{REG})}{M(\text{RES})}$

where MS = SS/degrees of freedom

$$S_{yy} = S(\text{RES}) + S(\text{REG})$$

\bar{Y} = average of observed values

$$k = NP + (N-1) + (N-2) + \dots + 1$$

C. Interpretation Diagnostics

As noted by Smille [3], the results of such an analysis of variance can be used to test the combined effect of all of the independent variables on the dependent variable. That is, the hypothesis that all of the population regression coefficients in the model regression equation are zero can be tested since the ratios of the regression mean square to the residual mean square are distributed in an F distribution as shown below:

$$F = \frac{S(\text{REG})/\text{Regression degrees of freedom}}{S(\text{RES})/\text{Residual degrees of freedom}} \quad (33)$$

where it is assumed that the observations are selected at random from a normally distributed population with zero mean and constant variance, that Z_1, Z_2, \dots, Z_N are independent variables following χ^2 distributions, and that only random errors are associated with the observations.

The F ratio calculated from equation (33) can be used to test the statistical significance of the regression equation under consideration by comparing it with the appropriate F_{TABLE} value at the desired probability level with the specified numerator and denominator degrees of freedom; that is, the following test of the null hypothesis may be performed:

$$H_0 : b_{10} = b_{12} = \dots b_{NP} = 0$$

$$\text{accept when } F_c > F_{\text{TABLE}} \quad (34)$$

$$\text{reject when } F_c < F_{\text{TABLE}}$$

D. Output Data

The desired coefficients of the model equation are outputted in E notation where A_0 is the computed intercept of the fitted polynomial expression and the B coefficients are printed out in ascending order of degree with the first P coefficients indicating b coefficients of the first independent variable, the second set of P coefficients indicating the b coefficient of the second independent variable, etc.

Also included in the output data are the number of independent variables N, the degree of the model equation P, and the number of input data points (sets) n. Further, the significance of the estimated regression equation is indicated by the standard deviation, the multiple correlation coefficient, the F ratio, the maximum percent error, and the average percent error.

The values of the dependent variable are also shown for the input data and for the computed values obtained from the fitted expression for each set of data input, as well as the residual difference in the input values and the computed values.

When called for, plotted results can also be obtained which compare the input and computed dependent variables as ordinates to the point interval along the abscissa (which is normally one of the physical independent variables, but which can be a unit indication of each data set in order of input to program). All computed points are connected by straight lines and are plotted with * symbols. The input points are plotted with + symbols and the points are not connected with lines.

Another useful parameter in testing the significance of the regression equation is the standard deviation which is estimated by:

$$s = \left[\frac{\sum (Y_i - Y_i^c)^2}{\text{Regression degrees of freedom} - 1} \right]^{1/2} = \left[\frac{S(\text{RES})}{\text{Regression degrees of freedom} - 1} \right]^{1/2} \quad (35)$$

This result stems from the work of Junkin [4].

Earlier, the analysis of variance technique was used to test the combined effect of the independent variables on the dependent variable using the F statistic. A closely related statistic is the multiple correlation coefficient. R. Smille [3] defines this statistic as the simple correlation coefficient between the observed values of the dependent variable and those estimated by the multiple regression function as given by:

$$R = \frac{S(\text{REG})}{S_{YY}}^{1/2} \quad (36)$$

If the observed and estimated values are completely unrelated, R will be zero and, if they are identical the multiple correlation coefficient will be unity. Values in between these limits represent different degrees of correlation or the closeness within which the regression equation describes the original data.

Also of interest is the average of the absolute values of the percent error of the dependent variable, considering each fitted observation:

$$|e|_{\text{AVG}} = \frac{1}{n} \sum \left| \frac{Y_i - Y_i^c}{Y_i} \right| \times 100$$

During this calculation the maximum absolute error condition can be determined for evaluation purposes.

V. SUMMARY

A powerful multiple regression technique for Pth degree polynomials with and without linear cross products has been developed with which the nonlinear behavior of identified independent variables can be related to a given dependent variable. The polynomial expression can be of the Pth degree and can incorporate N independent variables. The resulting surface fit can be used to summarize trends for a given phenomenon and the analytic results provide a mathematical basis for subsequent analysis.

It is required in the application of this technique that the S matrix be nonsingular and that the input data are reasonably well behaved. It is also required that the number of data points being fitted be equal to or greater than the number of unknown parameters in the model equation.

Two computer programs have been developed to implement this technique for the cases with and without linear cross products. These programs perform matrix operations in double precision and evaluate the various unknown constants in the model regression equation as well as the standard deviation, the multiple regression coefficient, the F statistic, the maximum absolute percent error, and the average of the absolute values of the percent error. Further included in these programs is the solution for the identity matrix to identify any problems in the original matrix inversion process and a means of obtaining machine plots, comparing the computer results to each set of input data.

Studies of many sets of physical data using the technique without cross products have generally yielded excellent results. However, much less experience has been obtained using the program with cross products, although test programs have shown very good correlation. It is, therefore, felt that the technique developed herein can be highly useful to many fields of endeavor.

APPENDIX A

MULTIPLE REGRESSION PROGRAM FOR CASE WITHOUT CROSS PRODUCTS

A. Input Data

The regression subroutine is called with the following statement:

```
CALL REGRES(Z,YO,LN,N,IP)
```

where:

Z is a two-dimensional array containing the independent variables used. The first subscript denotes the independent variable and the second subscript denotes the data set.

YO is an array containing the dependent variables which correspond to the independent variables.

LN is the number of data sets.

N is the number of independent variables used.

IP is the degree of the polynomial curve fit.

These arguments must be assigned a value in a driver program.

The regression subroutine incorporates several special routines: RDWT, IOWR, INVRT, and DMATML.

RDWT is a general FORTRAN I/O package which is capable of reading and/or writing on magnetic tape or drum in FORTRAN or non-FORTRAN format.

IOWR is an assembly language I/O routine called by RDWT.

INVRT is a double precision matrix inversion and simultaneous equation solver. The call to this routine is:

```
CALL INVRT(A,N,M,DETER)
```

where:

A is the input matrix for inversion or augmented matrix for simultaneous equations.

N is the order of the coefficient matrix.

M=0 for inversion only; otherwise, M is the number of constant vectors.

DETER is the determinant of the coefficient matrix.

DMATML is a double precision matrix multiplication routine with transpose options. The call to this routine is:

```
CALL DMATML(C,A,B,M,N,K)
```

where:

C is the product of matrix A times matrix B,

A is the first input matrix,

B is the second input matrix,

M is the number of rows of A,

N is the number of rows of B, and

K is the number of columns of B.

Certain variables have dimension changes that vary depending on the number of data points (LN), the number of independent variables (N), and the degree of the polynomial curve fit (IP). These will be dimensioned as follows:

```
DSN(NIP2), DSHAT(NIP,1), DB(NIP,1), Y(LN), RESID(LN), Z(N,LN),  
SHAT(NIP,NIP), ZBAR(N,IP), YO(LN), BZ(LN), B(N,IP), SVHAT(NIP,1),  
SH(NIP,NIP), XX(LN), PMAX(LN)
```

where:

LN,N,IP are as defined above and NIP is computed as: $NIP = N * IP$; NIP2 is NIP raised to the second power.

SMALLZ, SMALZ1, and SMALZ2 should be dimensioned greater than the number of data points and the dimension is set in a PARAMETER statement; for example:

PARAMETER IDIM = 100

B. Program

In order to run this program on the UNIVAC 1108, the deck is set up as follows:

```
@RUN,//T JBNAME,320590,VDARBYBIN406, 01, 100
@ASG,T 10,F/1/POS/2
@FOR,IS MAIN, MAIN
    (Source deck for inputting data)
@FOR,IS REGRES, REGRES
    (Source deck)
@FOR,IS RDWT, RDWT
    (Source deck)
@ASM,IS IOWR, IOWR
    (Source deck)
@FOR,IS INVRT, INVRT
    (source deck)
@FOR,IS DMATML, DMATML
    (Source deck)
@MAP,I AA, AA
    LIB SYSS*MSFC $.
@XQT AA
    (Input data)
@FIN
```

as illustrated in Figure 1.

A complete program listing for the case without cross products is shown in Table 2 and a flow chart indicating the operation of this computer program is indicated in Figure 2.

C. Output Data

The desired coefficients of the model equation are outputted in E notation where AO is the computed intercept of the fitted polynomial expression and the B coefficients are printed out in ascending order of degree (P) with the first P coefficients indicating the b coefficients of the first independent variable, the second set of P coefficients indicating the b coefficients of the second independent variable, etc.

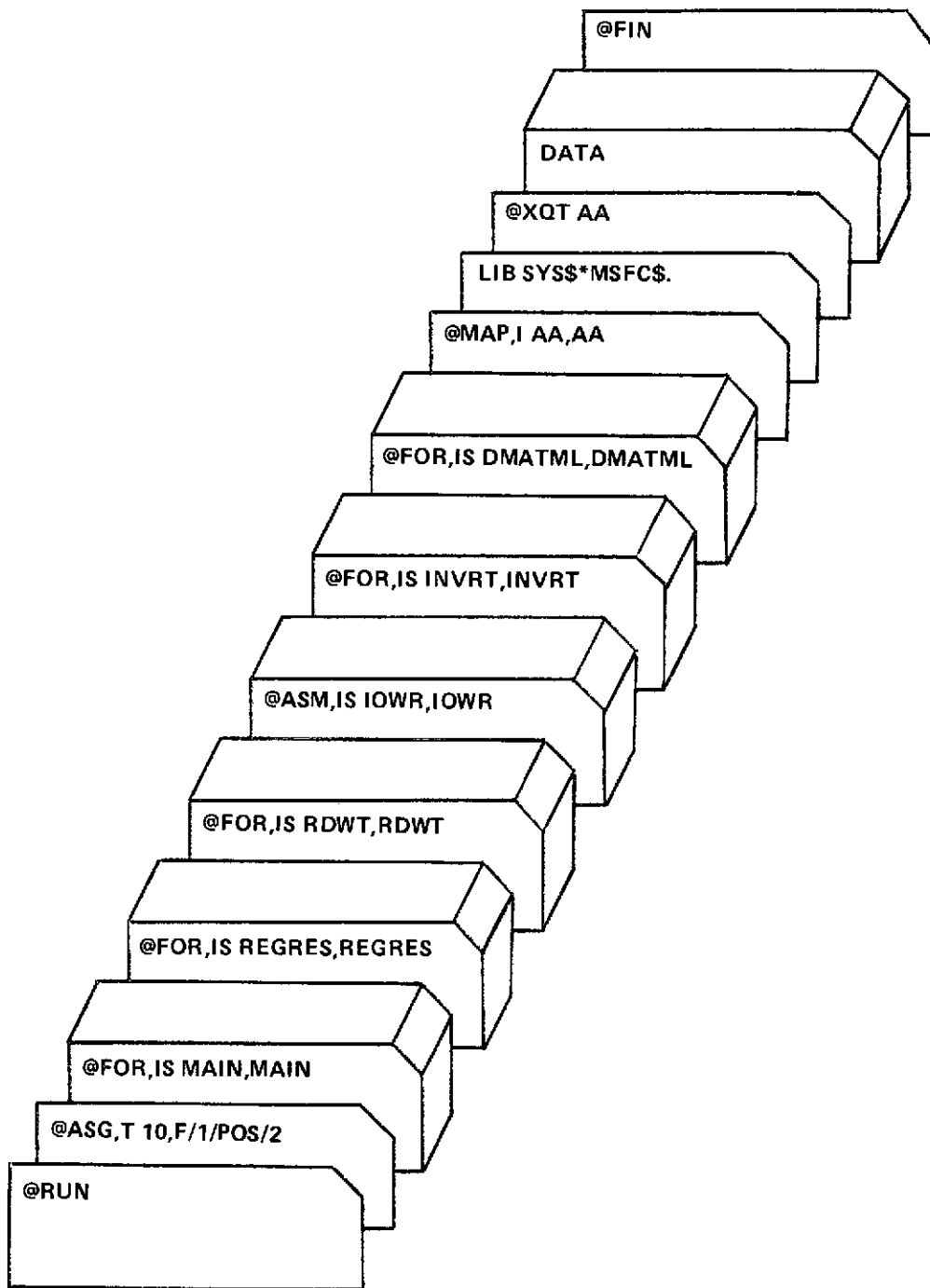


Figure 1. Program deck sequence.

TABLE 2. PROGRAM LISTING (WITHOUT CROSS PRODUCTS)

VV	VV	DDDDDDDDDD	AAAAAAAA	RRRRRRRRRR	BBBBBBBbbb	YY	YY
VV	VV	DDDDDDDDDD	AAAAAAAAAA	RRRRRRRRRR	BBBBBBBbbb	YY	YY
VV	VV	DD DD	AA AA	RR RR	BB BB	YY	YY
VV	VV	DD DD	AA AA	RR RR	BB BB	YY	YY
VV	VV	DD DD	AA AA	RR RR	BB BB	YY	YY
VV	VV	DD DD	AAAAAAAAAA	RRRRRRRRRR	BBBBBBBbbb	YY	YY
VV	VV	DD DD	AAAAAAAAAA	RRRRRRRRRR	BBBBBBBbbb	YY	YY
VV	VV	DD DD	AA AA	RR RR	BB BB	YY	YY
VVVV	VVVV	DD DD	AA AA	RR RR	BB BB	YY	YY
VVVV	VVVV	DD DD	AA AA	RR RR	BB BB	YY	YY
VV	VV	DDDDDDDDDD	AA AA	RR RR	BBBBBBBbbb	YY	YY
VV	VV	DDDDDDDDDD	AA AA	RR RR	BBBBBBBbbb	YY	YY
bbbbb	bbbbb	11111	NN NN	44 44	0000	66666	
bbbbb	bbbbb	11111	NNN NN	44 44	0000000	666666666	
bb	bb	11	NNNN NN	44 44	000 000	666 66	
bb	bb	11	NNNN NN	44 44	000 000	66 66	
bb	bb	11	NN NN	44 44	00 00	66	
bbbbb	bbbbb	11	NN NN NN	4444444444	00 00	66 6666666	
bbbbb	bbbbb	11	NN NN NN	4444444444	00 00	6666666666	
bb	bb	11	NN NN NN	44	00 00	66 66	
bb	bb	11	NN NN NN	44	000 000	66 66	
bb	bb	11	NN NN NN	44	000 000	66 66	
bbbbb	bbbbb	11111	NN NN	44	0000000	666666666	
bbbbb	bbbbb	11111	NN NN	44	0000	666666	
0000	0000	11	11	999999	7777777777	333333	
0000000	0000000	111	111	999999999	7777777777	333333333	
000	000	1111	1111	99 99	777	333 333	
000	000	11	11	99 99	777	33 33	
00	00	11	11	99 99	777	33 33	
00	00	11	11	9999999999	777	333	
00	00	11	11	99999999	777	333	
00	00	11	11	99	777	33 33	
000	000	11	11	99	777	33 33	
000	000	11	11	99	777	333 333	
0000000	0000000	11111	11111	9999999999	777	333333333	
0000	0000	11111	11111	999999	777	333333	
0000	0000	44 44	0000	666666	222222	7777777777	
0000000	0000000	44 44	0000000	6666666666	2222222222	7777777777	
000	000	44 44	000 000	666 66	222 222	777	
000	000	44 44	000 000	66 66	22 222	777	
00	00	44 44	00 00	66	222	777	
00	00	4444444444	00 00	66 6666666	222	777	
00	00	4444444444	00 00	6666666666	222	777	
00	00	44	00 00	66 66	222	777	
000	000	44	000 000	66 66	222	777	
000	000	44	000 000	66 66	222	777	
0000000	0000000	44	0000000	6666666666	2222222222	777	
0000	0000	44	0000	666666	2222222222	777	

TABLE 2. (Continued)

R056,N

REMOVE AT CARD READER

01-18-73

CLOCK NO. 0093

R050,1 10,F/1/POS/2

%FOR,15 MAIN,MAIN

R050-009-01/17-00:56..(,0)

MAIN PROGRAM

STORAGE USED: CODE(1) 000021; DATA(0) 000101; BLANK COMMON(2) 000000

EXTERNAL REFERENCES (BLOCK, NAME)

0003 REGRES

0004 NINTR%

0005 WRNLS

0006 WSTOP%

STORAGE ASSIGNMENT (BLOCK, TYPE, RELATIVE LOCATION, NAME)

0000 I 000002 IP 0000 I 000050 LN 0000 I 000051 N 0000 .. 000055 NAMI 0000 R 000036 YU

0000 R 000000 Z

00101	1*	DIMENSION Z(3,10),Y0(10)
00103	2*	NAMELIST/NAMI/Z,Y0,LN,N,IP
00104	3*	READ(5,NAMI)
00107	4*	CALL REGRES(Z,Y0,LN,N,IP)
00110	5*	STOP
00111	6*	END

END OF COMPILATION:

NO DIAGNOSTICS.

TABLE 2. (Continued)

WFOR, IS REGRES, REGRES

H50-009-01/19-00159.(1,0)

SUBROUTINE REGRES ENTRY POINT C01240

STORAGE USLU; CODE(1) 001310; DATA(0) 001662; BLANK COMMON(2) 000000

EXTERNAL REFERENCES (BLOCK, NAME)

0003 IDENT
 0004 TORDR
 0005 INVRT
 0006 DMATNL
 0007 OUKJL
 0010 CNDJUR
 0011 NADUS
 0012 NIGZS
 0013 NEAPS5
 0014 SORT
 0015 NIGIS
 0016 NEHR55

STORAGE ASSIGNMENT (BLOCK, TYPE, RELATIVE LOCATION, NAME)

0000	001501	1000F	0000	001470	1000F	0000	001541	10003F	0000	001552	10021F	0001	000075	137G
0001	000076	142L	0001	000106	150G	0000	001531	1500F	0001	000112	155G	0001	000113	160G
0001	000123	166G	0001	000127	173G	0001	000144	206G	0001	000146	211G	0001	000150	214G
0000	001524	2222F	0001	000215	227G	0001	000217	232G	0001	000222	235G	0000	001476	24F
0001	000264	250G	0000	001526	2500F	0000	001537	2502F	0001	000274	253G	0001	000320	261G
0001	000300	267G	0001	000350	271G	0001	000422	314G	0001	000423	317G	0001	000451	330G
0001	001470	340G	0001	000500	343G	0001	000532	350G	0001	000567	364G	0001	000570	367G
0001	000610	377G	0001	000411	402G	0001	000633	414G	0001	000635	417G	0001	000637	422G
0001	000667	431G	0001	000725	444G	0001	001004	460G	0001	001100	503G	0001	001101	505G
0001	001175	505L	0001	001127	521G	0001	001145	536G	0001	001167	546G	0000	R 001331	ADANT
0000	R 001466	AMAX	0000	R 001468	AO	0000	R 000644	B	0000	R 000432	BZ	0000	D 000264	DB
0000	D 000300	DETER	0000	D 000242	DSHAT	0000	D 000000	DSN	0000	R 001371	FLDX	0000	R 001405	FLDY
0000	R 001460	FARTJO	0000	I 001421	I	0000	I 001452	ICL	0000	I 001445	ICDL	0000	I 001443	IERR
0000	I 001476	IA	0000	R 001611	INJPS	0000	I 001454	IR	0000	I 001444	IRON	0000	I 001442	ISECT
0000	I 001440	INUIT	0000	I 001451	I2	0000	I 001430	J	0000	I 001431	K	0000	I 001447	L
0000	I 001461	LI	0000	I 001462	LI	0000	I 001463	L2	0000	I 001463	M	0000	I 001427	NIP
0000	I 001490	OR	0000	I 001441	ISECT	0000	I 001422	NHDS	0000	R 001465	PERAVG	0000	R 001467	PERMAX
0000	R 001357	PHAX	0000	K 000322	RESID	0000	R 001457	RHAT	0000	R 001434	RR	0000	R 001176	5H
0000	R 000500	SHAT	0000	R 000334	SHALLZ	0000	K 000666	SHALZ1	0000	R 001032	SHALZ2	0000	R 001435	SREG
0000	R 001437	SHES	0000	R 001456	STAVEV	0000	K 001464	SUM	0000	K 000655	SVHAT	0000	R 001436	SY
0000	R 001423	XL	0000	R 001474	XR	0000	K 001317	XX	0000	R 000310	Y	0000	R 001425	YB
0000	R 001432	YBARC	0000	R 001433	YBARO	0000	R 001426	YI	0000	R 000621	ZBAR			

00101 1* SUBROUTINE REGRES(ZIYO, LN, N, IPI)

00101 2* C THIS SUBROUTINE IS DESIGNED TO DETERMINE SPECIFIED MODEL

TABLE 2. (Continued)

CO101	3*	C	PARAMETERS USING REGRESSION TECHNIQUES
CO103	4*		PARAMETER DIM=100
CO104	5*		DOUBLE PRECISION DSM(8),DSHAT(9,1),DD(9,1)
CO105	6*		DOUBLE PRECISION DETER
CO106	7*		DIMENSION Y(10),RESID(10),Z(3,10),SMALLZ(10IM),SHAT(9,9),
CO106	8*		*ZBAR(3,3),Y0(10),BZ(10),B(3,3),SVHAT(9,1),
CO106	9*		*SMALZ1(10IM),SMALZ2(10IM)
CO107	10*		DIMENSION SM(9,9),XA(10)
CO110	11*		DIMENSION ADARY(22)
CO111	12*		DIMENSION PRAX(10)
CO112	13*		DIMENSION FLOX(12),FLOY(12)
CO113	14*		DATA FLOY/72H
CO113	15*		Y VALUES
CO115	16*		DATA FLDX/72H
CO115	17*		POINT INTERVALS
CO117	18*		DATA (ADARY(I),I=1,3)/6HONE ,6H COPY,6HFLO /
CO121	19*		CALL IDENT(Y,ADARY)
CO122	20*		NDDS=1DIM
CO123	21*		XL=0.0
CO124	22*		XP=11.0
CO125	23*		YE=4.0
CO126	24*		YT=12.0
CO127	25*		WRJ1E(6,10000) N,IP,LN
CO134	26*	10000	FORMAT(1H1,2HN=14,3X,2HP=14,3X,3HLN=14)
CO135	27*		NIP=N*IP
CO136	28*		DO 1234 I=1,N
CO141	29*		DO 1234 J=1,IP
CO144	30*	1234	ZBAR(I,J)=0.0
CO147	31*		DO 1235 K=1,10IM
CO152	32*	1235	SMALLZ(K)=0.0
CO154	33*		DO 1236 I=1,NIP
CO157	34*		DO 1236 J=1,IP
CO162	35*	1236	SH.T(I,J)=0.0
CO165	36*		DO 1237 I=1,NIP
CO170	37*	1237	SVHAT(I,1)=0.0
CO172	38*		DO 1238 I=1,LN
CO175	39*	1238	BZ(I)=0.0
CO177	40*		YPARC=0.0
CO200	41*		YBARJ=0.0
CO201	42*		RPE=0.0
CO202	43*		SREG=0.0
CO203	44*		SYT=0.0
CO204	45*		SRES=0.0
CO204	46*	C	DETERMINE THE SMALL Z VALUES FOR THE ASSUMED MODEL FORM
CO204	47*	C	
CO205	48*		DO 225 I=1,N
CO210	49*		DO 225 J=1,IP
CO213	50*		DO 210 K=1,10IM
CO216	51*	210	ZBAR(I,J)=ZBAR(I,J)+Z(I,K)*J
CO220	52*	225	ZBAR(I,J)=ZBAR(I,J)/LN
CO223	53*		IUNIT=10
CO224	54*		NSECT=(N*NS*27)/28
CO225	55*		ISECT=1
CO226	56*		DO 250 I=1,N
CO231	57*		DO 250 J=1,IP
CO234	58*		DO 245 K=1,10IM

TABLE 2. (Continued)

```

00237 59* 245 SMALLZ(K)=Z(I,K)**J-ZBAR(I,J)
00241 60* 240 CALL IORDNR(1,IUNIT,ISECT,SMALLZ,NWDS,IERR)
00242 61* 250 ISECT=ISECT+NSECT
00242 62* C
00242 63* C COMPUTE SHAT MATRICES FOR USE IN THE LEAST SQUARES SOLUTION
00242 64* C OF FINDING THE B'S.
00242 65* C
00242 66* C
00245 67* IROW=0
00246 68* ICOL=1
00247 69* DO 450 IK=1,N
00252 70* DO 400 L=1,IP
00255 71* ISECT=(IK-1)*IP+NSECT+(L-1)*NSECT+1
0025A 72* CALL IORDNR(2,IUNIT,ISECT,SMALLZ,NWDS,IERR)
00257 73* IROW=IROW+1
00260 74* DO 350 J=1,N
00263 75* DO 350 K=1,IP
00266 76* ISECT=(J-1)*IP+NSECT+(K-1)*NSECT+1
00267 77* CALL IORDNR(2,IUNIT,ISECT,SMALLZ,NWDS,IERR)
00270 78* DO 310 I=1,LN
00273 79* 300 SHAT(I,ROW,ICOL)=SHAT(IROW,ICOL)+SMALLZ(I)*SMALLZ(I)
00274 80* SH(IROW,ICOL)=SHAT(IROW,ICOL)
00275 81* 310 CONTINUE
00277 82* IF(ICOL.EQ.N*IP) ICOL=0
00301 83* 350 ICOL=ICOL+1
00304 84* 400 CONTINUE
00306 85* 450 CONTINUE
00310 86* NR=IROW
00311 87* I2=1
00312 88* ICL=N*IP
00313 89* DO 1322 I=1,ICL
00316 90* DO 1322 J=1,IROW
00321 91* DS(I2)=SH(J,I)
00322 92* 1322 I2=I2+1
00325 93* M=0
00326 94* CALL INVRT(DSN,NR,M,DETER)
00327 95* DO 850 I=1,LN
00332 96* 850 YBARO=YBARO*Y0(I)
00334 97* YBARO=YBARO/LN
00335 98* NIP=N*IP+1
00336 99* IROW=1
00337 100* DO 710 I=1,N
00342 101* DO 710 J=1,IP
00345 102* ISECT=(I-1)*IP+NSECT+(J-1)*NSECT+1
00346 103* CALL IORDNR(2,IUNIT,ISECT,SMALLZ,NWDS,IERR)
00347 104* DO 700 K=1,LN
00352 105* SVHAT(IROW,I)=SVHAT(IROW,I)+SMALLZ(K)*(Y0(K)-YBARO)
00353 106* 700 DSHAT(IROW,I)=SVHAT(IROW,I)
00355 107* 710 IROW=IROW+1
00355 108* C COMPUTE B'S FOR THE ASSUMED MODEL.
00355 109* C
00360 110* IR=IROW-1
00361 111* CALL DMATNL(UB,DSH,DSHAT,IR,IR,I)
00362 112* I2=J
00363 113* DO 1331 I=1,N
00366 114* DO 1331 J=1,IP

```

TABLE 2. (Continued)

```

00371 115*      B(I,J)=DB(I2,I)
00372 116*      1331 I2=I2+1
00375 117*      AO=YBARO
00376 118*      DO 23 I=1,N
00401 119*      DO 23 J=1,JP
00404 120*      23 AO=AO-B(I,J)*ZPAR(I+J)
00407 121*      WRITE(6,24) AO
00412 122*      24 FORMAT(1H0,3HAO=,E10.7)
00413 123*      DO 750 I=1,LN
00416 124*      DO 750 J=1,N
00421 125*      DO 750 K=1,JP
00424 126*      750 BZ(I)=BZ(I)+B(J,K)*Z(J,I)**K
00424 127*      C
00424 128*      C   COMPUTE THE Y POINTS
00424 129*      C
00430 130*      DO 775 I=1,LN
00433 131*      Y(I)=AO+DZ(I)
00434 132*      YBARC=YBARC+Y(I)
00435 133*      RESID(I)=Y0(I)-Y(I)
00436 134*      RR=RR+RESID(I)**2
00437 135*      775 CONTINUE
00441 136*      YBARC=YBARC/LN
00441 137*      C
00441 138*      C   COMPUTE THE STANDARD DEVIATION.
00441 139*      C
00442 140*      STADEV=SQRT(RR/(LN-N*IP))
00442 141*      C
00442 142*      C   COMPUTE THE MULTIPLE CORRELATION COEFFICIENT,RHAT,AND
00442 143*      C   THE F RATIO,FRAATIO.
00442 144*      C
00443 145*      DO 800 I=1,LN
00446 146*      SREG=SREG+(Y(I)-YBARC)**2
00447 147*      SY=SY+(Y0(I)-YBARO)**2
00450 148*      800 SRES=SRES+RESID(I)**2
00452 149*      RHAT=SQRT(SREG/SY)
00453 150*      F(RHAT*.GT*.3) RHAT=2.0-RHAT
00455 151*      FRAATIO=(SREG/(LN*IP-1))/(SRES/(LN-N*IP))
00456 152*      XX(I)=1.
00457 153*      DO 83 LI=2,LN
00462 154*      83 XX(LI)=XX(LI-1)+1.
00464 155*      LI=1
00465 156*      L2=0
00466 157*      CALL QUIK3L(L1,XL,XR,YB,YY,90,FLDX,FLDY)=LN,XX,Y)
00467 158*      CALL QUIK3L(L2,XL,XR,YB,YY,34,FLDX,FLDY)=LN,XX,Y0)
00470 159*      WRITE(6,1000) STADEV,RHAT,FRAATIO
00475 160*      1000 FORMAT(1H0,19HSTANDARD DEVIATION=E16.9,4X,33HMULTIPLE CORRELATION
00475 161*      *COEFFICIENT=E16.9,4X,8HF RATIO=E16.9)
00476 162*      WRITE(6,2222)
00500 163*      2222 FORMAT(1H0,'B COEFFICIENTS')
00501 164*      WRITE(6,2500) ((B(I+J),J=1,JP),I=1,N)
00512 165*      2500 FORMAT(1H0,5E21.7)
00513 166*      WRITE(6,1500)
00515 167*      WRITE(6,10000)
00517 168*      1500 FORMAT(1H0,16X,2HYO=16X,2HXC=15X,5HYO=YC)
00520 169*      DO 2000 I=1,LN
00523 170*      WRITE(6,2502) Y0(I)+Y(I),RESID(I)

```

TABLE 2. (Continued)

```

00530 171* 2532 FORMAT(1H0,3E21.9)
00531 172* 2533 CONTINUE
00533 173* 10003 FORMAT(1H0,12X,8HOBERVED,12X,8HCOMPUTED,12X,8HRESIDUAL)
00534 174* SUM=0.
00535 175* DO 501 L=1,LN
00540 176* PHAX(L)=ABS((YO(L)-Y(L))/Y(L))
00541 177* 501 SUM=SUM+PHAX(L)
00543 178* PERAVG=(SUM/LN)*100.
00544 179* AMAX=PHAX(L)
00545 180* DO 505 L=2,LN
00550 181* IF(AMAX-PHAX(L)) 506,505,505
00553 182* 506 AMAX=PHAX(L)
00554 183* 505 CONTINUE
00556 184* PERMAX=AMAX*100.
00557 185* WRITE(6,10021) PERMAX,PERAVG
00563 186* 10021 FORMAT(1H0,22HMAXIMUM PERCENT ERROR=E16.9,6X,22HAVERAGE PERCENT LR
00563 187* *ROR=E16.9)
00564 188* CALL ENDJOB
00565 189* RETURN
00566 190* END

```

END OF COMPILATION: NO DIAGNOSTICS.

TABLE 2. (Continued)

```

WFOR,IS RDWT,NDWT
MSO 007-01/19-01:00-(,0)
-----
SUBROUTINE RDWT      ENTRY POINT 000270
  REDTFR             ENTRY POINT 000273
  WRITER             ENTRY POINT 000320
  CLOSE              ENTRY POINT 000342
  OPEN               ENTRY POINT 000351
  IORDWR             ENTRY POINT 000360
-----

STORAGE USED: CODE(1) 000402; DATA(0) 000127; BLANK COMMON(2) 000000
-----

EXTERNAL REFERENCES (BLOCK, NAME)
-----
0003  IORDW
0004  NENR2$
0005  NRDUS
0006  NIG15
0007  NIG25
0010  N5IOP$
0011  NENR3$
-----

STORAGE ASSIGNMENT (BLOCK, TYPE, RELATIVE LOCATION, NAME)
-----
0001  000071 1GL      0000  000070 10GF      0001  000116 26L      0001  000140 21L      0001  000242 215G
0001  000144 22L      0001  000211 24L      0001  000227 25L      0001  000234 26L      0001  000033 6L
0001  000035 7L       0001  000050 8L       0000  000064 1       0000  000065 1BLANK 0000  000000 1CWD
0000  000000 1FLD    0000  000111 1NUPS   0000  000069 10P     0000  000046 1PACKT 0000  000067 1TWD
0000  000062 11      0000  000063 12      0000  000064 13      0000  000056 1KTRD   0000  000040 1KODE
-----

00100  1*  C*****
00100  2*  C  GENERAL FORTRAN I/O PACKAGE          EXEC VIII  APRIL,1970
00100  3*  C  READ/WRITE MAG TAPE OR DRUM IN FORTRAN OR NON-FORTRAN FORMAT.
00100  4*  C*****
00101  5*  SUBROUTINE RDWT
00103  6*  DIMENSION ARRAY( 11,1CWD(3),1FLD(29),KODE(6),1PACKT(8),KNTWD(3)
00104  7*  DATA (1FLD(1),1=1,29)/1H1,1M2,1M3,1M4,1M5,1M6,1M7,1M8,1M9,2H10,
00104  8*  12H11,2H12,2H13,2H14,2H15,2H16,2H17,2H18,2H19,2H20,2H21,2H22,2H23,
00104  9*  22H24,2H25,2H26,2H27,2H28,2H29/
00104  10* DATA (KODE(1),1=1,6)/000130000000,000200000000,000150000000,
00106  11* 1 000100000000,000110000000,000400000000/
00110  12* DATA 11/262144/,12/1073741824/,13/0010001/
00114  13* DATA 1BLANK/6H
00119  14* C*****
00116  15* ENTRY REDTFR(IUNIT,MODE,IERR,NR,NRDS,ARRAY)
00120  16* 10P=MODE 1=READ FTN FORMAT 2=READ NON-FTN.
00120  17* C*****
00121  18* GO TO 10
00122  19* ENTRY WRITER(IUNIT,MODE,IERR,NR,NRDS,ARRAY)

```

TABLE 2. (Continued)

00124	20*	IOP=MODE*2	% #3,WRITE FTN FORMAT. #4,WRITE NON-FTN.
00125	21*	KNTWD(1)=N*DS*11+13	% BUILD FORTRAN RECORD-CONTRDL WORD.
00126	22*	KNTWD(2)=1BLANK	% DUMMY CHECKSUM ERROR WORD.
00127	23*	KNTWD(3)=KNTWD(1)	
00130	24*	GO TO 10	
00130	25*	C*****	
00131	26*	ENTRY CLOSE(IUNIT,JOP)	
00133	27*	ITWO=1	
00134	28*	GO TO (6,6,7,25),JOP	% JOP=4, NO ACTION,RETURN.
00135	29*	6 ITWO=2	% JOP=1,2, WRITE EOF AND REWIND IUNIT.
00136	30*	7 IOP=5	% #5, WRITE END-OF-FILE.
00137	31*	GO TO 10	
00137	32*	C*****	
00140	33*	ENTRY OPEN(IUNIT,JOP)	
00142	34*	IF(JOP.GT.1) RETURN	% JOP=2,3, NO ACTION,RETURN.
00144	35*	6 IOP=6	% #6, REWIND IUNIT.
00145	36*	GO TO 10	
00145	37*	C*****	
00146	38*	ENTRY IDRW(RICODE,IUNIT,IADRS,ARRAY,NRDS,IERR)	
00150	39*	IF(RICODE.EQ.1) IOP=4	% #4, SEQUENTIAL WRITE.
00152	40*	IF(RICODE.EQ.2) IOP=2	% #2, SEQUENTIAL READ.
00154	41*	IPACKT(6)=IADRS	% BEGINNING DRUM-SECTOR ADDRESS.
00154	42*	C*****	
00155	43*	12 CONTINUE	
00156	44*	IPACKT(1)=IFLD(IUNIT)	% IUNIT IN FIELD-DATA.
00157	45*	IPACKT(2)=1BLANK	
00160	46*	IPACKT(3)=0	
00161	47*	11 IPACKT(4)=KODE(IOP)	% OPERATION CODE TO IOWS.
00162	48*	GO TO (20,21,20,21,22,22),IOP	
00163	49*	20 ICWD(1)= 1+11*LOC(KNTWD(1))	% FIRST CONTROL ACCESS WORD.
00164	50*	*DIAGNOSTIC* THE VARIABLE ARRAY IS DIMENSIONED.	
00164	50*	ICWD(2)=N*DS*11+LOC(ARRAY)	% SECOND CONTROL ACCESS WORD.
00165	51*	ICWD(3)= 2*11*LOC(KNTWD(2))	% THIRD CONTROL ACCESS WORD.
00166	52*	IPACKT(5)= 3+11*LOC(ICWD(1))	% NMBR AND LOC OF 1ST C/A WORD.
00167	53*	GO TO 22	
00170	54*	*DIAGNOSTIC* THE VARIABLE ARRAY IS DIMENSIONED.	
00170	54*	21 IPACKT(5)=N*DS*11+LOC(ARRAY)	% NMBR AND LOC OF DATA WORDS.
00171	55*	22 CALL IOWR(IPACKT)	% ROUTINE TO ISSUE EXEC REQUEST.
00172	56*	IF(IOP.EQ.6) RETURN	% RETURN AFTER REWINDING IUNIT.
00174	57*	IF(IOP.EQ.5) GO TO (25,6),ITWO	% ITWO=1,RETURN. #2,REWIND IUNIT.
00176	58*	IERR=IPACKT(4)/12	% ERROR STATUS IN S1 PORTION.
00177	59*	IF(IERR.EQ.0) GO TO 24	% NORMAL OPERATION,NO ERROR.
00201	60*	IF(IERR.GE.3) GO TO 26	% TERMINATING ERROR.
00203	61*	IERR=2	% END-OF-FILE OR END-OF-TAPE.
00204	62*	RETURN	
00205	63*	24 NR=KNTWD(1)/11	% NR FROM FTN CONTROL WORD.
00206	64*	IF(MODE.EQ.1) GO TO 25	
00210	65*	NR=IPACKT(4)-IPACKT(4)/11*11	% NA FROM IOWS.
00211	66*	25 IERR=1	
00212	67*	RETURN	
00213	68*	26 WRITE(6,100) (IPACKT(I),I=1,6)	
00221	69*	100 FORMAT(///50H*****EXECUTION TERMINATED IN 'RDWT' I/O ROUTINE. //	
00221	70*	114H I/O PACKET IS 6016)	
00222	71*	STOP	
00223	72*	END	

TABLE 2. (Continued)

END OF COMPILATION:

2 DIAGNOSTICS.

WASM, IS IOWR, IOWR

ASMIIF-01/19-01:00-L.D)

1.

2. 01 000000 27 00 14 13 0 000000

3. U 000001 72 11 00 00 0 000000

4. 000002 74 04 00 13 0 000002

5.

END ASM ERRORS : NONE

\$()	AXRS	
IOWR*	L	AO,0,X11
	ER	IOWS
	J	2,X11
	END	

TABLE 2. (Continued)

FOR, IS INVRT, INVRT
MSO-00Y-01/19-01100-(,0)

SUBROUTINE INVRT ENTRY POINT 000370

STORAGE USED: CODE(1) 000114; DATA(3) 000334; BLANK COMMON(2) 000000

EXTERNAL REFERENCES (BLOCK, NAME)

0003 HERR3*

STORAGE ASSIGNMENT (BLOCK, TYPE, RELATIVE LOCATION, NAME)

0001	000016	1116	0001	000144	115L	0001	000027	1176	0001	000034	1236	0001	000042	1316					
0001	000114	1626	0001	000260	181L	0001	000166	2016	0001	000206	2076	0001	000230	2206					
0001	000266	2346	0001	000336	235L	0001	000312	2456	0001	000346	250L	0001	000071	75L					
0001	000073	76L	0001	000110	90L	0000	0	000002	AMAX	0000	0	000273	1	0000	0	000276	1C		
0000	0	000274	IND	0000	0	000100	INDEX	CC00	0	000300	IND2	0000	0	000306	INJPS	0000	0	000004	IPly
0000	0	000275	IK	0000	0	000270	J	0000	0	000272	K	0000	0	000277	L	0000	0	000271	NN
0000	0	000030	SIGN																

```

00101 1* SUBROUTINE INVRT(A,N,M,DETER)
00103 2* PARAMETER IOH=60
00103 3* C MATRIX INVERSION AND SIMULTANEOUS EQUATIONS SOLVER
00103 4* C A=INPUT MATRIX FOR INVERSION OR AUGMENTED MATRIX FOR SIME EQS 16500030
00103 5* C M=NUMBER OF COEFFICIENT MATRIX 16500040
00103 6* C M=M FOR INVERSION ONLY
00103 7* C M=NUMBER OF CONSTANT VECTORS
00103 8* C DETER=DETERMINANT OF COEFFICIENT MATRIX
00104 9* DOUBLE PRECISION A(I),DETER,SIGN,AMAX
00105 10* DIMENSION IPIV(IOH),INDEX(IOH,2)
00106 11* DETER=1.000
00107 12* SIGN=1.000
00110 13* DO 20 J=1,N
00113 14* IPIV(J)=0
00115 15* NN=N+M
00118 16* DO 102 K=1,N
00121 17* AMAX=0.000
00122 18* DO 76 I=1,N
00125 19* IF (IPIV(I)-1)50,76,50
00130 20* DO 75 J=1,N
00133 21* IF (IPIV(IJ)-1)55,75,250
00136 22* 55 IND=IJ-1+N*I
00137 23* IF(AMAX=DABS(A(IND))) 60,75,75
00142 24* 60 IR=J
00143 25* IC=J.
00144 26* AMAX=DABS(A(IND))
00145 27* 75 CONTINUE
00147 28* 76 CONTINUE
    
```

TABLE 2. (Continued)

```

C0151 29*      IPIV(IC)=IPIV(IC)+1
C0152 30*      IF (IR-IC)190,115,90
C0155 *DIAGNOSTIC* CONTROL CAN NEVER REACH THE NEXT STATEMENT
C0155 31*      IF (IN-IC)190,115,90
C0160 32*      90 SIGN=-SIGN
C0161 33*      DO 110 L=1,MN
C0164 34*      IND=(L-1)*N+IR
C0165 35*      IND2=(L-1)*N+IC
C0166 36*      AMAX=A(IND)
C0167 37*      A(IND)=A(IND2)
C0170 38*      110 A(IND2)=AMAX
C0172 39*      115 INDEX(K,1)=IR
C0173 40*      INDEX(K,2)=IC
C0174 41*      INL=(IC-1)*N+IC
C0175 42*      AMAX=A(IND)
C0176 43*      DETER=DETER*AMAX
C0177 44*      190 A(IND)=1.0DD
C0200 45*      DO 150 L=1,MN
C0203 46*      IND=(L-1)*N+IC
C0204 47*      150 A(IND)=A(IND)/AMAX
C0206 48*      DO 181 L=1,N
C0211 49*      IF (L-IC)165,181,165
C0214 50*      165 IND=(IC-1)*N+L
C0215 51*      AMAX=A(IND)
C0216 52*      A(IND)=0.0DD
C0217 53*      DO 180 I=1,MN
C0222 54*      IND=(I-1)*N+L
C0223 55*      IND2=(I-1)*N+IC
C0224 56*      A(IND)=A(IND)-A(IND2)*AMAX
C0225 57*      180 CONTINUE
C0227 58*      181 CONTINUE
C0231 59*      192 CONTINUE
C0233 60*      DO 235 I=1,N
C0236 61*      L=N+1-I
C0237 62*      IR=INDEX(L,1)
C0240 63*      IC=INDEX(L,2)
C0241 64*      IF (IR-IC)210,235,210
C0244 65*      210 DO 230 K=1,N
C0247 66*      IND=(IR-1)*N+K
C0250 67*      IND2=(IC-1)*N+K
C0251 68*      AMAX=A(IND)
C0252 69*      A(IND)=A(IND2)
C0253 70*      230 A(IND2)=AMAX
C0255 71*      235 CONTINUE
C0257 72*      DETER=SIGN*DETER
C0260 73*      RETURN
C0261 74*      250 M=-1
C0262 75*      255 RETURN
C0263 76*      END

```

END OF COMPILATION:

1 DIAGNOSTICS.

TABLE 2. (Continued)

6FOR,IS DMATML,DMATML
 H50-009-01/19-01:00-(1,0)

SUBROUTINE DMATML ENTRY POINT 000140	
STORAGE USED: CODE(1)-000176; DATA(0) 000093; BLANK COMMON(2)-000000	
EXTERNAL REFERENCES (BLOCK, NAME)	
0003 NERRJ5	
STORAGE ASSIGNMENT (BLOCK, TYPE, RELATIVE LOCATION, NAME)	
0001 000031 1L	0001 000061 130G
0001 000046 3L	0001 000052 4L
0001 000002 IA3	0000 000007 1B1
0001 000004 IN	0000 000022 INJP5
0001 000011 LN	0000 000017 LN
0001 000067 135G	0001 000102 143G
0000 000000 00	0000 000005 1A1
0000 000010 1B2	0000 000013 1B3
0000 000015 1A	0000 000016 1B
0000 000014 1P	0000 000012 1C

00101	1*	SUBROUTINE DMATML(C,A,B,M,N,K)
00101	2*	C* ABSTRACT
00101	3*	C GENERAL MATRIX MULTIPLICATION ROUTINE WITH TRANSPOSE OPTIONS
00101	4*	C WHERE, M IS THE NUMBER OF ROWS OF (A)
00101	5*	C N IS THE NUMBER OF ROWS OF (B)
00101	6*	C K IS THE NUMBER OF COLUMNS OF (B) OR (B1)
00101	7*	C TRANSPOSE OPTIONS ARE CONTROLLED BY THE SIGNS OF M AND N.
00101	8*	C THE FOLLOWING PRODUCTS MAY BE OBTAINED
00101	9*	C (C)=(A)(B) M AND N POSITIVE
00101	10*	C (C)=(A)T(B) M NEGATIVE FOR (A)T
00101	11*	C (C)=(A)(B)T M NEGATIVE FOR (B)T
00101	12*	C (C)=(A)T(B)T M AND N NEGATIVE
00101	13*	C WHERE T INDICATES TRANSPOSE
00101	14*	C IF M IS NEGATIVE, M IS THE NUMBER OF ROWS OF (A)T
00101	15*	C IF N IS NEGATIVE, N IS THE NUMBER OF ROWS OF (B)T
00101	16*	C
00101	17*	C* OUTPUT ARGUMENT * C
00103	16*	DIMENSION C(1)
00103	19*	C
00103	20*	C* INPUT ARGUMENTS * A,B,M,N,K
00104	21*	DIMENSION A(1),B(1)
00104	22*	C
00104	23*	C*****
00105	24*	DOUBLE PRECISION CD,C,A,B
00106	25*	IA3=1
00107	26*	IN=IABS(M)
00110	27*	IN=IABS(N)
00111	28*	IF(M.LT.0)GO TO 1
00113	29*	IA1=IN
00114	30*	IA2=1

TABLE 2. (Continued)

```

00115 31*      GO TO 2
00116 32* 1----- IA1 = 1
00117 33*      IA2=IN
00120 34* 2----- IF(N'.LT. 0)GO TO 3
00122 35*      IB1=1
00123 36*      IB2=IN
00124 37*      GO TO 4
00125 38* 3----- IB1=K
00126 39*      IB2=1
00127 40* 4----- DO 7 LM=1,IM
00132 41*      LC=LM
00133 42*      IB3=1
00134 43*      DO 6 LP=1,K
00137 44*      CD = 0.000
00140 45*      LA=IA3
00141 46*      LB=IB3
00142 47*      DO 5 LN=1,IN
00145 48*      CD = CD + A(LA)*B(LB)
00146 49*      LA=LA+IA1
00147 50* 5----- LB=LB+IB1
00151 51*      C(LC) = CD
00152 52*      LC = LC + IM
00153 53* 6----- IB3=IB3+IB2
00155 54* 7----- IA3=IA3+IA2
00157 55*      RETURN
00160 56*      END

```

END OF COMPILATION: NO DIAGNOSTICS.

TABLE 2. (Continued)

MAP-15 AAAA

MAP-17M2=01/1V-01:00--1,01

1. LIB SYSS=MSFCS.

ADDRESS LIMITS 001000 033207 040000 054642
 STARTING ADDRESS 033167

WORDS DECIMAL 13448 IBANK 6563 OBANK

SEGMENT	MAIN	001000 033207	040000 054642
MSHTCS/FOH	1	001000 001021	
MKHLKS/MSFCS5	1	001022 001110	0 040000 040001
MLXPHS/MSFCS7	1	001111 001303	2 040002 040053
ALOGS/FOH51	1	001304 001421	2 040054 040114
CSIG6V/SC4020	1	001422 001710	0 040115 040153
CERMRK/SC4020	1	001711 001740	2 BLANKSCOMMON 0 040154 040167
CLASBLV/SC4020	1	001741 003033	2 BLANKSCOMMON 0 040170 040276
MKX005/FOH50	1	003034 003063	2 BLANKSCOMMON 2 040277 040310
NAEFS/MSFC55	1	003064 003320	2 040311 040331
AFTCHS/FOH57	1	003321 003620	2 040332 040367
CYH00V/SC4020	1	003621 003646	0 040370 040376 2 BLANKSCOMMON
CACC0Y/SC4020	1	003647 003670	0 040377 040407 2 BLANKSCOMMON
CXM00V/SC4020	1	003671 003716	0 040410 040416 2 BLANKSCOMMON
CONCAT/MSFC	1	003717 004070	0 040417 040440
SETINT/SC4020	1	004071 004123	0 040441 040446 2 BLANKSCOMMON
CH0LLV/SC4020	1	004124 004206	0 040447 040463 2 BLANKSCOMMON
CH0NLN/SC4020	1	004207 004614	0 040464 040535 2 BLANKSCOMMON
CLINRV/SC4020	1	004615 005470	0 040536 040651 3 000 2 BLANKSCOMMON
CYSCLV/SC4020	1	005471 005673	0 040652 040700 3 000 2 BLANKSCOMMON
CXSCLV/SC4020	1	005674 006076	0 040701 040727 3 000 2 BLANKSCOMMON
CLRNLY/SC4020	1	006077 006253	0 040730 040742

TABLE 2. (Continued)

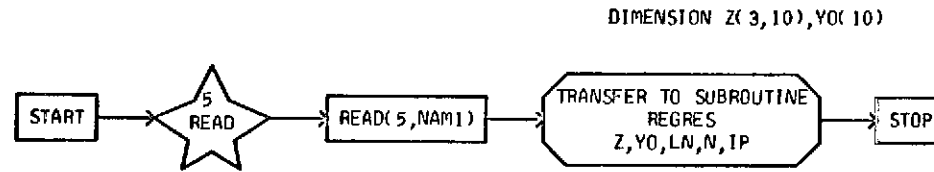
CERRLN/SC4020	1	009254	006363	2	BLANKSCOMMON
				0	040743 040760
CSETCV/SC4020	1	009364	006424	2	BLANKSCOMMON
				0	040761 040771
CSETHV/SC4020	1	009425	006503	2	BLANKSCOMMON
				0	040772 041006
CXAXIS/SC4020	1	009504	006707	2	BLANKSCOMMON
				0	041007 041042
VCHARV/SC4020	1	009710	007153	2	BLANKSCOMMON
				0	041043 041062
RITEZ/SC4020	1	007154	007404	2	BLANKSCOMMON
				0	041063 041111
BPLOTK/SC4020	1	007405	007465	2	BLANKSCOMMON
				0	041112 041471
CFRAM/SC4020	1	007466	007705	2	BLANKSCOMMON
				0	041472 041556
CCAMRA/SC402L	3	GGG		2	BLANKSCOMMON
				0	041557 041570
TABLIV/SC4020	3	GGG		2	BLANKSCOMMON
				0	041571 042111
HSDCVS/F0457	1	007760	010113	2	042112 042151
NFTVS/FOR	1	010114	010136		
NCLOS*/HSFC57	1	010137	010305	2	042152 042177
NARLK*/HSFC57	1	010306	010474	0	042201 042201
NBSGL*/FOR	1	010475	010532		
NUPOAS*/FOR	1	010533	010566		
NBFOAS*/FOR				2	042202 044403
NCNVT*/F0457	1	010567	011021	2	044404 044473
KJNIN*/HSFC55	1	011022	011253	2	044474 044515
CPLOTV/SC4020	1	011254	011436	0	044516 044554
				2	BLANKSCOMMON
CLINEV/SC4020	1	011437	012022	0	044555 044633
				2	BLANKSCOMMON
YSCLV1/SC4020	1	012023	012141	0	044634 044644
				2	BLANKSCOMMON
XSCLV1/SC4020	1	012142	012257	0	044645 044655
				2	BLANKSCOMMON
CAPLOT/SC4020	1	012260	012533	0	044656 044711
				2	BLANKSCOMMON
CAPRNV/SC4020	1	012534	012616	0	044732 044750
				2	BLANKSCOMMON
CPNNTV/SC4020	1	012617	013210	0	044751 045005
				2	BLANKSCOMMON
CGRDIV/SC4020	1	013211	014115	0	045006 045121
				2	BLANKSCOMMON
COXDYM/SC4020	1	014116	014710	0	045122 045206
				2	BLANKSCOMMON
CHRITY/SC4020	1	014711	015012	0	045207 045222
				2	BLANKSCOMMON
CHARGW/SC4020	1	015013	015071	0	045223 045264
				2	BLANKSCOMMON
CMBLNK/SC4020	1	015072	015141	0	045265 045300
				2	BLANKSCOMMON
BMDV/HSFC	1	015142	015222	0	045301 045311
				2	BLANKSCOMMON
TRACE	1	015223	015346	0	045312 045317
				2	045320 045402
SPCFRMA/HSFC				0	045403 045456

TABLE 2. (Concluded)

CTOBCU/MSFC	1	015347	015045	0	045457	045630
BOXLTR/ACSC	1	015646	016500	0	045631	045647
CIDENT/SC4020	1	016501	017653	0	045650	046033
	3	GGG		2	BLANKSCOMMON	
NOTINS/MSFC55	1	017654	020204	2	046034	046044
ROUTS/MSFC57	1	020205	021166	2	046045	046076
NFMTS/MSFC57	1	021167	022074	2	046077	046115
NIDERS/MSFC57	1	022075	022254	2	046116	046240
NFCHKP/MSFC57	1	022255	023073	2	046241	046415
				4	046416	046467
NTABS/MSFC55				2	046470	046556
NLINPS/MSFC57	1	023074	024640	2	046557	046770
SQRTS/FORS5	1	024641	024700	2	046771	047002
NEXPS/FORS7	1	024701	024764	2	047003	047012
GGG (COMMON BLOCK)					047013	047144
CQUIKL/SC4020	1	024765	025402	0	047147	047231
	3	GGG		2	BLANKSCOMMON	
IDENT/SC4020	1	025403	026645	0	047232	051027
HSMONITOR/MSFC55	1	026646	027755	2	051030	051614
NIDERS/FORS2	1	027756	030040	2	051615	051744
NODIFS/FORS1	1	030041	030100			
CRUS/MSFC55						
NERKS/FORS7	1	030101	030435	2	051745	052121
BLANKSCOMMON (COMMON BLOCK)						
DHATKL	1	030436	030633	0	052122	052174
				2	BLANKSCOMMON	
INVRT	1	030634	031251	0	052175	052530
				2	BLANKSCOMMON	
IOWR	1	031252	031254			
KDWT	1	031255	031656	0	052531	052657
				2	BLANKSCOMMON	
REGRES	1	031657	033166	0	052660	054541
				2	BLANKSCOMMON	
MAIN	1	033167	033207	0	054542	054642
				2	BLANKSCOMMON	

SYSSRLIBS, LEVEL MS7-5
 END OF COLLECTION - TIME 3.518 SECONDS

EXIT AA



D I M E N S I O N E D V A R I A B L E S

SYMBOL	STORAGES	SYMBOL	STORAGES	SYMBOL	STORAGES	SYMBOL	STORAGES	SYMBOL	STORAGES
Y	10	RESID	10	Z	3,10	SMALLZ	IDIM	SHAT	9,9
ZBAR	3,3	YO	10	BZ	10	B	3,3	SVHAT	9,1
SMALZ1	IDIM	SMALZ2	IDIM	SH	9,9	XX	10	ADARY	22
PMAX	10	FLDX	12	FLDY	12				

Figure 2. Operation of the computer program (noncross product).

SUBROUTINE REGRES(Z,YD,LN,N,IP)

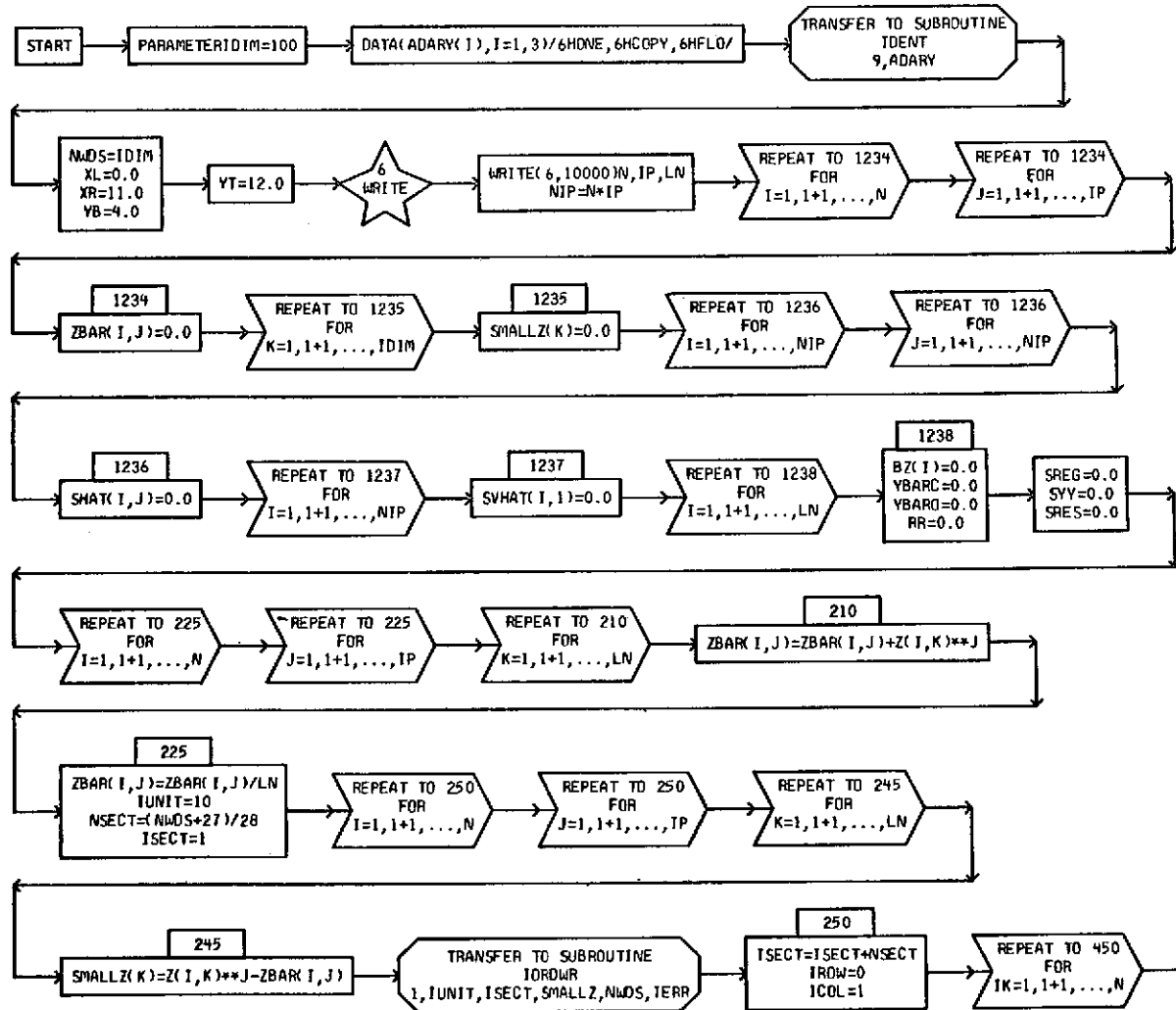


Figure 2. (Continued)

SUBROUTINE REGRES Z, Y0, LN, N, IP)

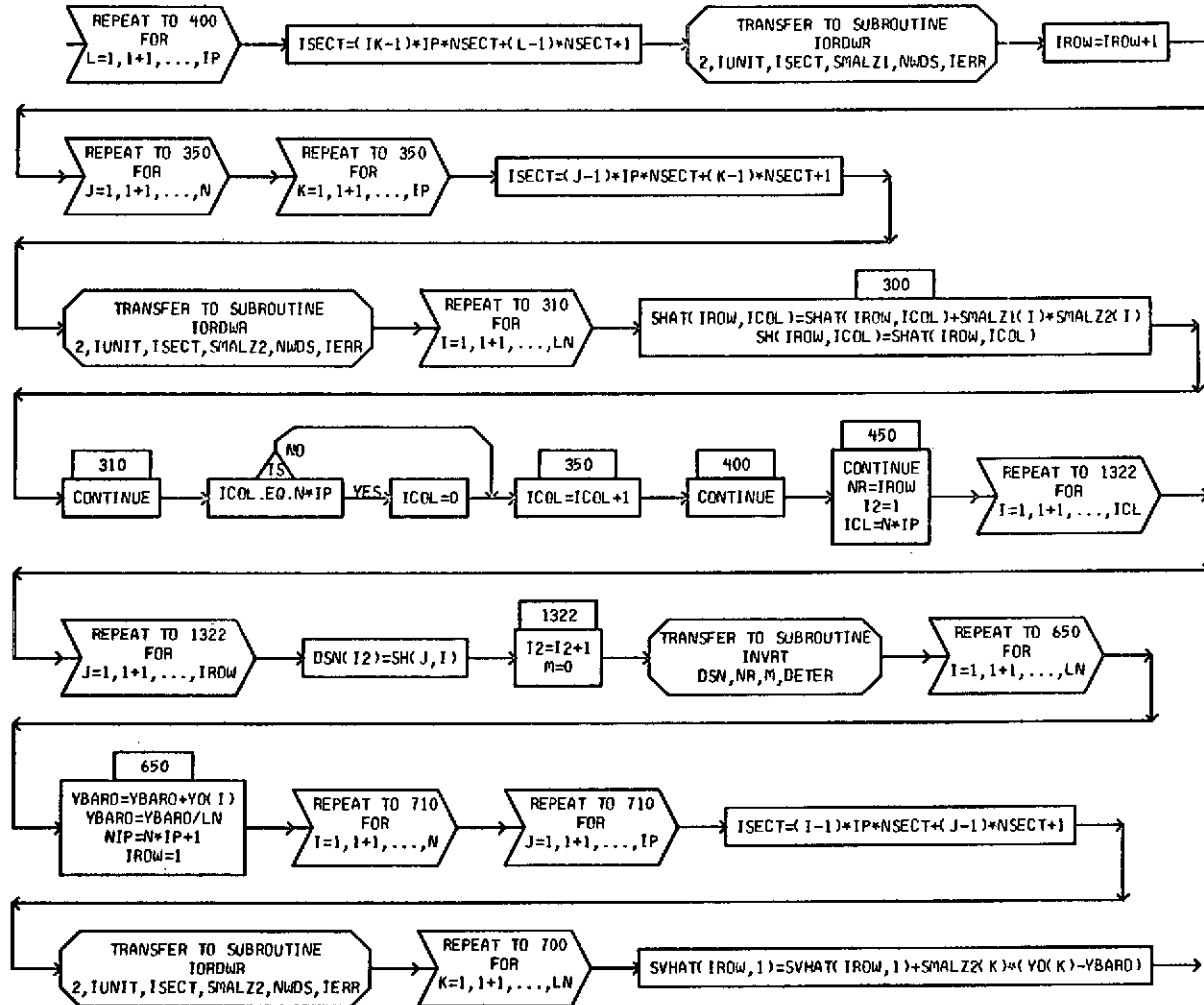


Figure 2. (Continued)

SUBROUTINE REGRES(Z, YD, LN, N, IP)

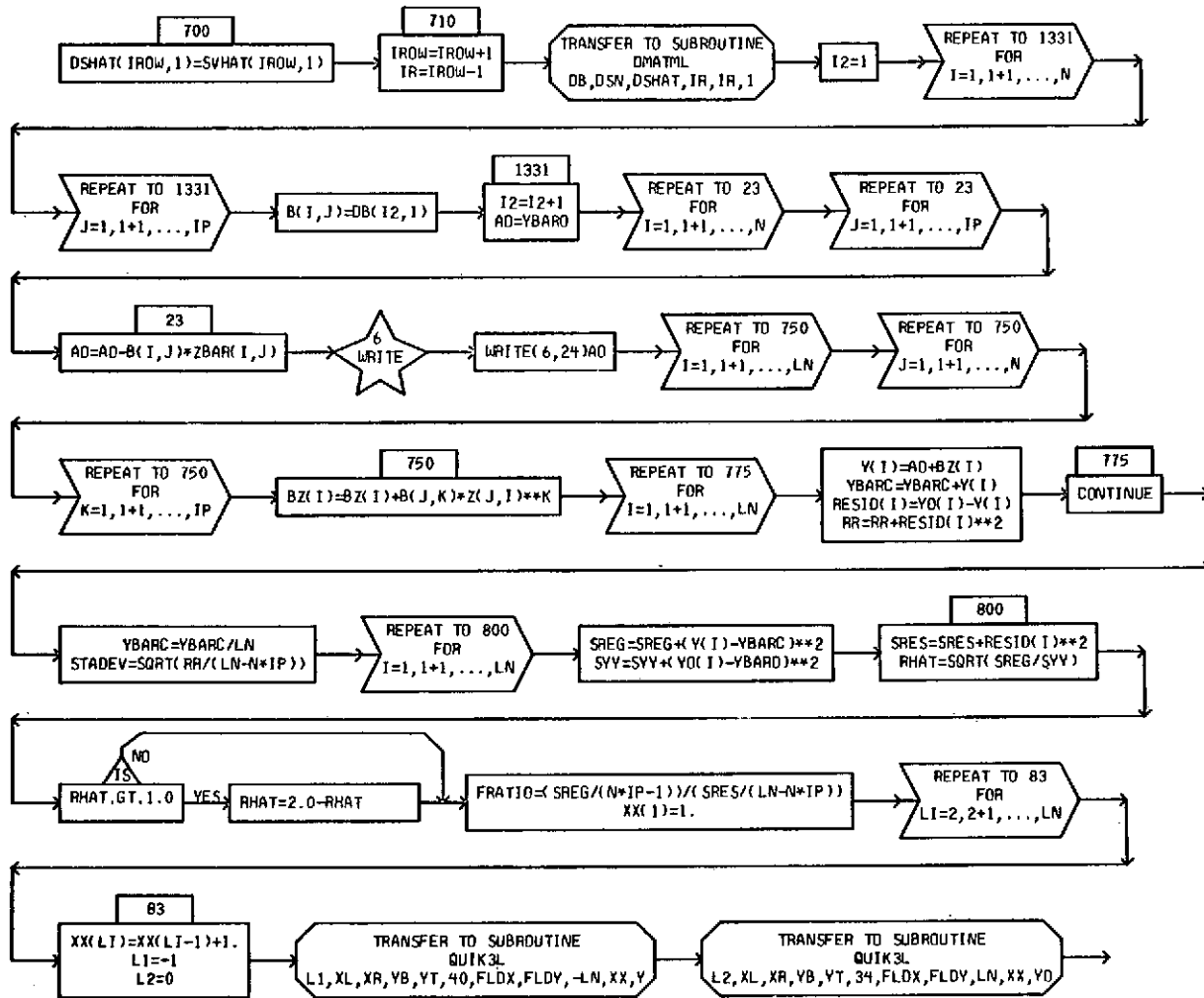


Figure 2. (Continued)

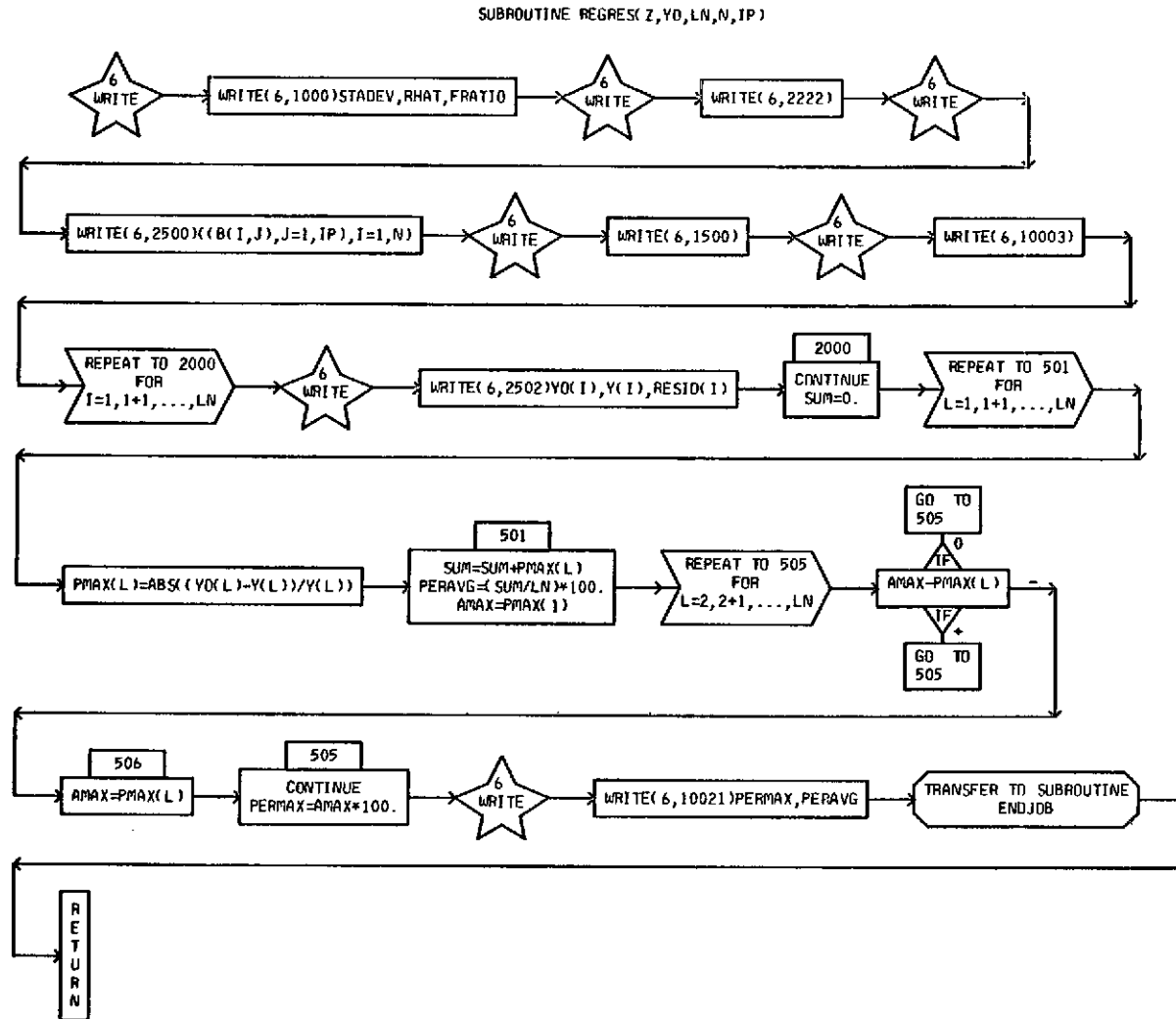


Figure 2. (Continued)

GENERAL FORTRAN I/O PACKAGE EXEC VIII APRIL, 1970
 READ/WRITE MAG TAPE OR DRUM IN FORTRAN OR NON-FORTRAN FORMAT.

D I M E N S I O N E D V A R I A B L E S									
SYMBOL	STORAGES	SYMBOL	STORAGES	SYMBOL	STORAGES	SYMBOL	STORAGES	SYMBOL	STORAGES
ARRAY	1	ICWD	3	IFLD	29	KODE	6	IPACKT	8
NTWD	3								

Figure 2. (Continued)

SUBROUTINE RDWT

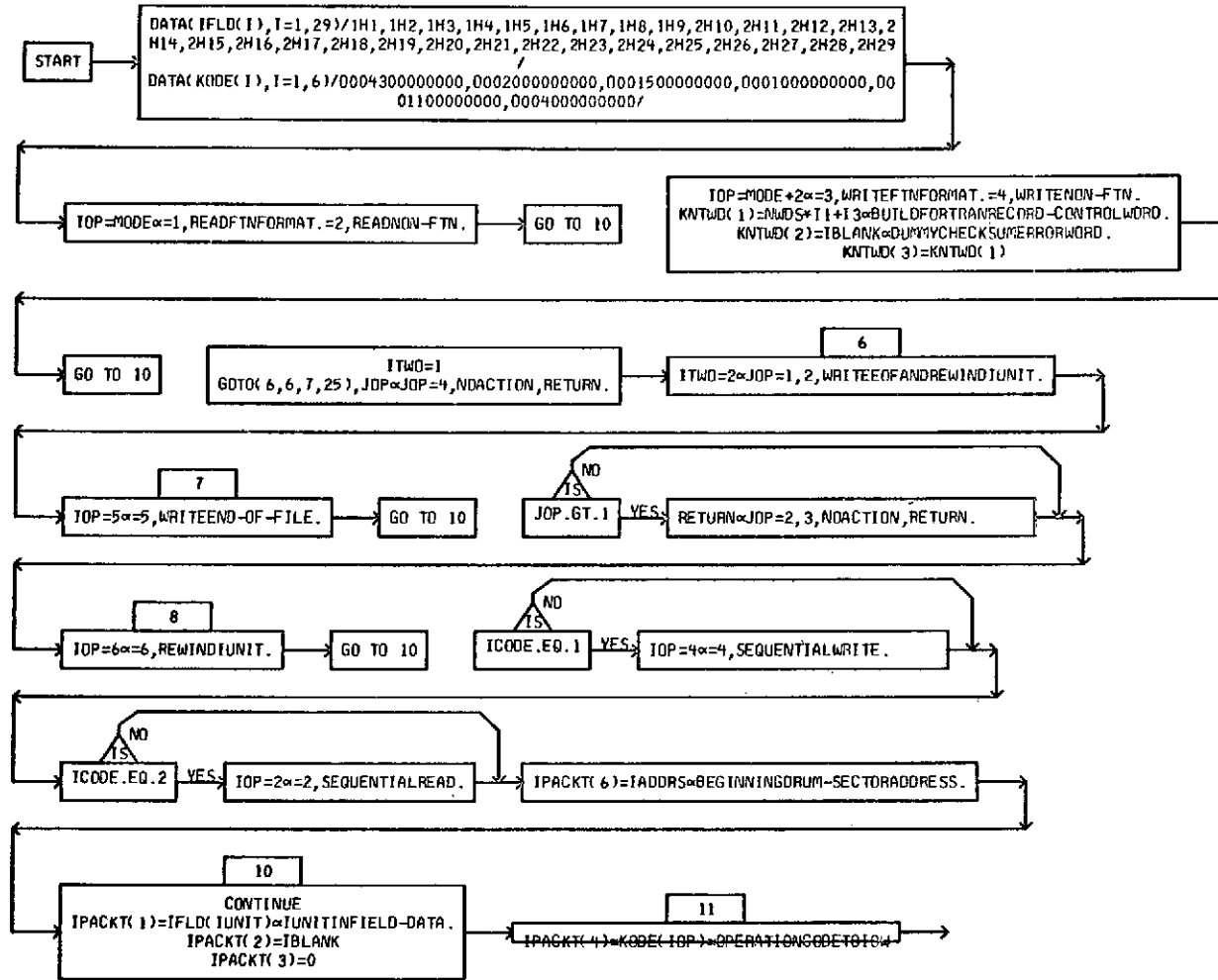


Figure 2. (Continued)

SUBROUTINE ROWT

COMPUTED GO TO IF THE VALUE OF TOP IS		
IS	TRANSFER TO	STATEMENT
1	20	
2	21	
3	20	
4	21	
5	22	
6	22	

20
 $ICWD(1) = 1 * I1 + LOC(KNTWD(1)) \ominus$ FIRST CONTROL ACCESSWORD.
 $ICWD(2) = NWDS * I1 + LOC(ARRAY) \ominus$ SECOND CONTROL ACCESSWORD.
 $ICWD(3) = 2 * I1 + LOC(KNTWD(2)) \ominus$ THIRD CONTROL ACCESSWORD.
 $IPACKT(5) = 3 * I1 + LOC(ICWD(1)) \ominus$ BRANDLOC OF 1STC/AWORD.
 GO TO 22

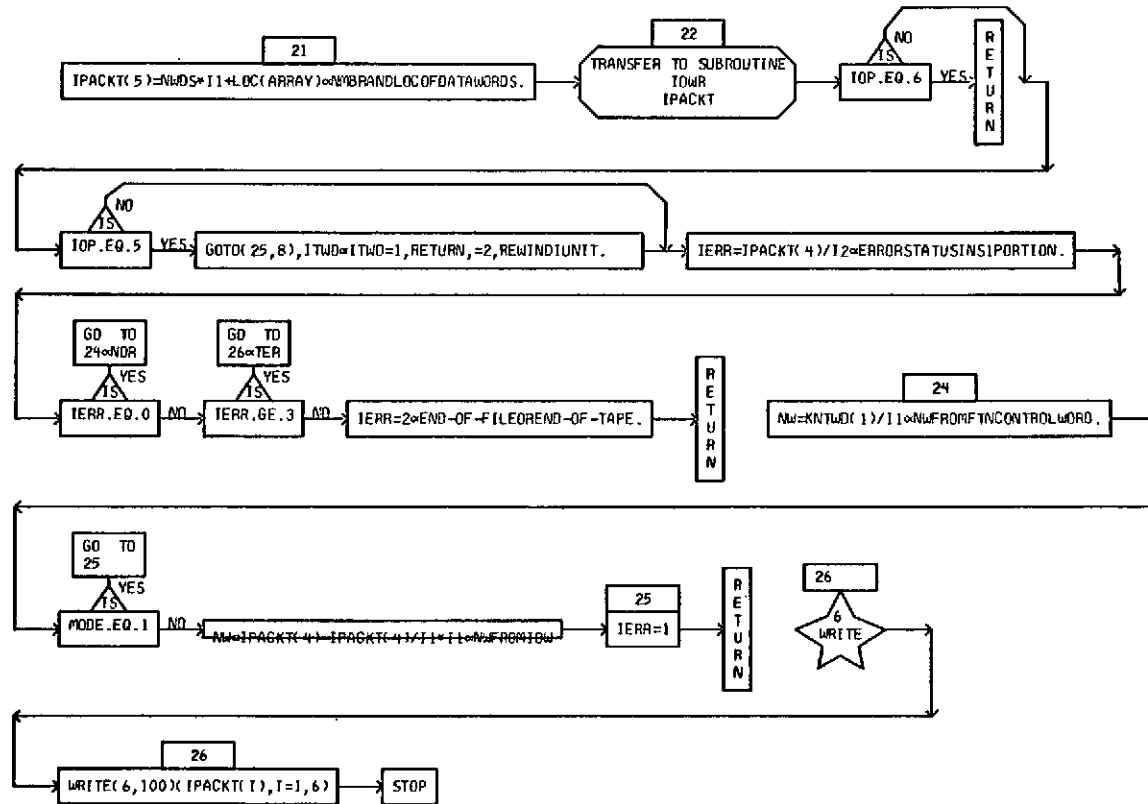


Figure 2. (Continued)

D I M E N S I O N E D V A R I A B L E S									
SYMBOL	STORAGES	SYMBOL	STORAGES	SYMBOL	STORAGES	SYMBOL	STORAGES	SYMBOL	STORAGES
IPIV	IDIM	INDEX	IDIM,2						

Figure 2. (Continued)

SUBROUTINE INVRT(A,N,M,DETER)

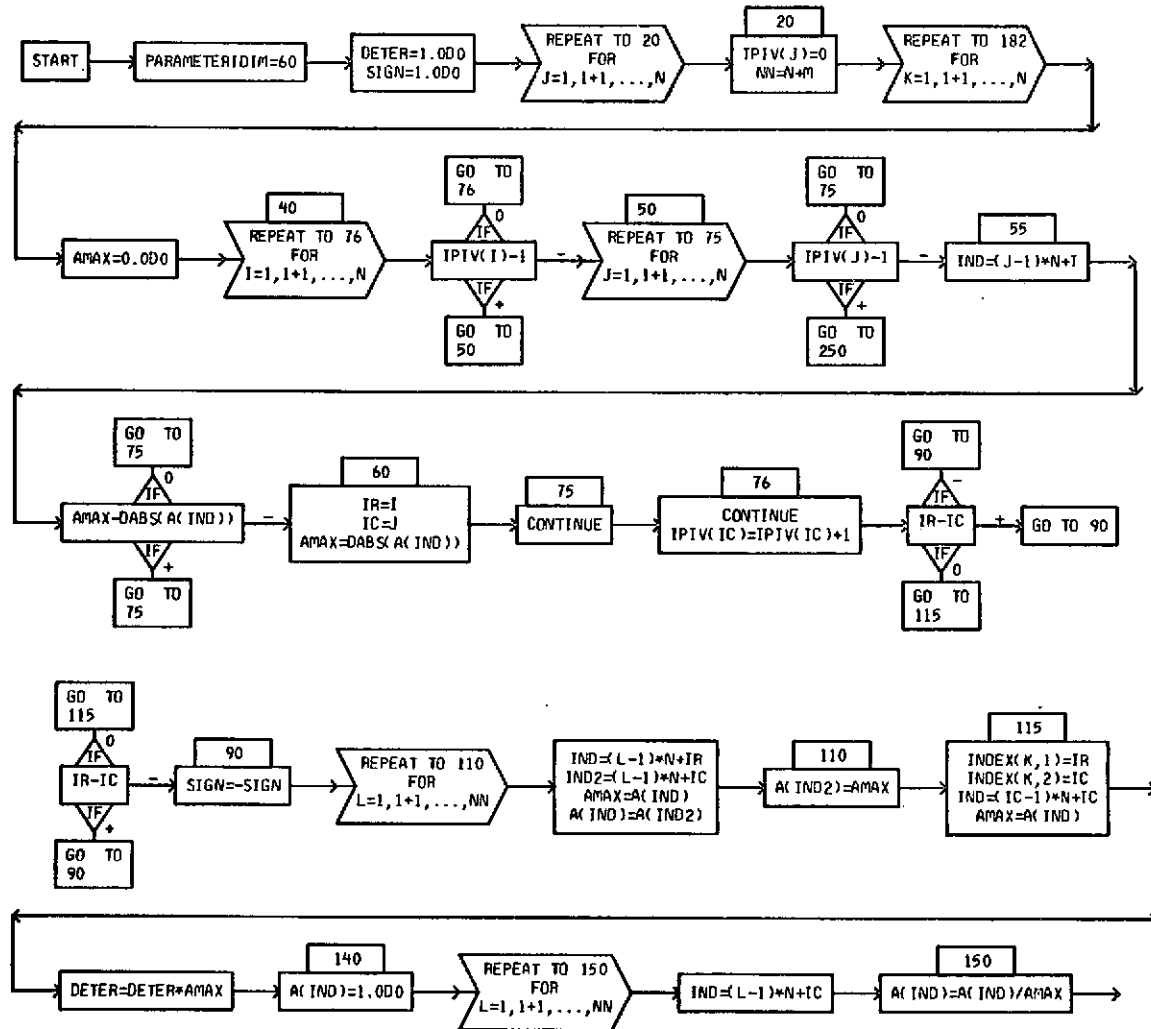


Figure 2. (Continued)

SUBROUTINE INVAT(A,N,M,DETER)

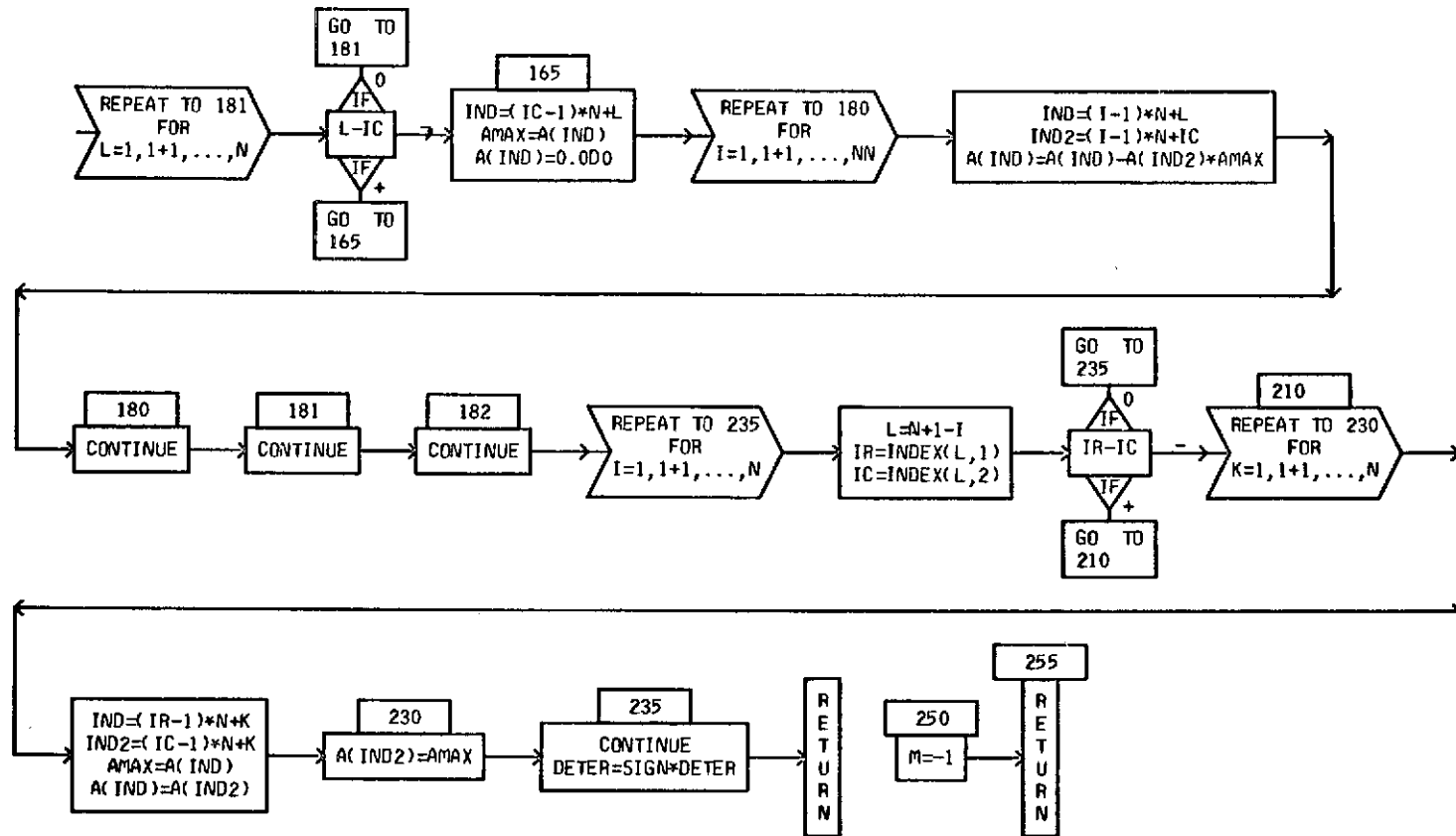


Figure 2. (Continued)

D I M E N S I O N E D V A R I A B L E S

SYMBOL	STORAGES	SYMBOL	STORAGES	SYMBOL	STORAGES	SYMBOL	STORAGES	SYMBOL	STORAGES
C	1	A	1	B	1				

SUBROUTINE DMATML(C,A,B,M,N,K)

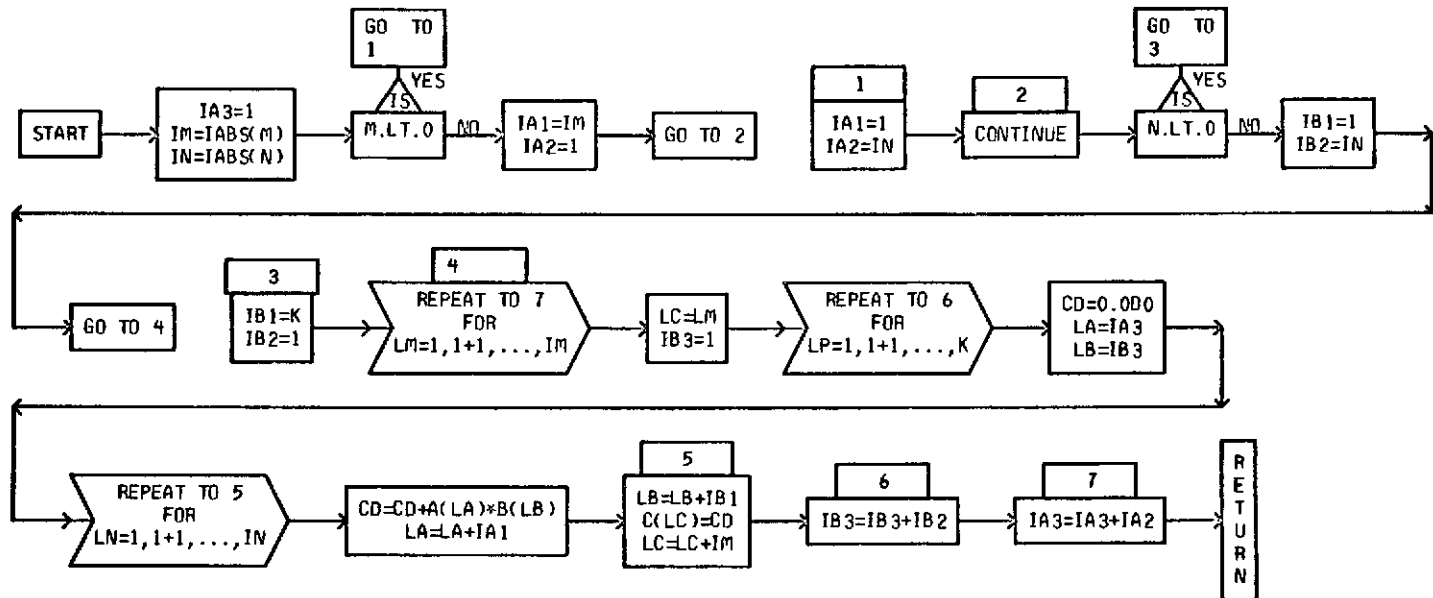


Figure 2. (Concluded)

Also included in the output are the number of independent variables N, the degree of the model equation P, and the number of input data points (sets) n denoted in the output as LN. Further, the significance of the estimated regression equation is indicated by the standard deviation, the multiple correlation coefficient, the F ratio, the maximum percent error, and the average percent error.

The values of the dependent variable are also shown for the input data and for the computed values obtained from the fitted expression for each set of data input, as well as for the residual difference in the input values and the computed values.

Plotted results are also obtained which compare the input and the computed dependent variables as ordinates to the point interval along the abscissa (which is normally one of the physical independent variables, but which can be a unit indication of each data set in order of input to the program). The computed points are connected by straight lines and are plotted with * symbols. The input points are plotted with + symbols and these points are not connected with lines.

D. Illustrative Problem

For the purpose of illustrating the use of the program and its capabilities the following arbitrary equation was selected for use:

$$\begin{aligned} Y = & 9 - 6X_1 + 7X_1^2 + 5X_1^3 \\ & - 4X_2 + 1X_2^2 + 7X_2^3 \\ & - 6X_3 + 7X_3^2 - 6X_3^3 \end{aligned} \tag{37}$$

From equation (37) the following set of input data (Table 3) was developed containing exact dependent variable values (to three decimal places) for arbitrary values of the three independent variables.

TABLE 3. INPUT DATA, DEPENDENT VARIABLE VALUES

Data Point Number	Y	X ₁	X ₂	X ₃
1	5.719	0.5	0.4	0.4
2	7.111	0.6	0.3	0.2
3	5.216	0.2	0.6	0.6
4	5.592	0.2	0.6	0.5
5	10.915	0.9	0.0	0.5
6	7.569	0.7	0.0	0.6
7	7.450	0.3	0.9	0.7
8	9.618	0.9	0.3	0.6
9	5.019	0.5	0.6	0.7
10	8.021	0.3	0.8	0.2

The input for this sample problem was read in through namelist NAMI as follows:

```
Col. 2
$NAMI
  Z = 0.5, 0.4, ..., 0.2,
  YO = 5.719, 7.111, ..., 8.021,
  LN = 10,
  N = 3,
  IP = 3,
$
```

The computed results are shown in Table 4 for this example problem and the plotted results are shown in Figure 3.

The plot graphs the point intervals on the X axis against the exact and computed dependent variables. The exact dependent variables are plotted with (+) and the points are not connected with lines. The computed dependent variables are plotted with (*) and the points are connected by straight line segments.

Inspection of the digital and plotted results reveals that the computed regression relation yields an almost exact representation of the input data for this arbitrary case. Experience with many sets of physical data have also shown excellent results.

TABLE 4. OUTPUT DATA LISTING FOR ILLUSTRATIVE PROBLEM (CASE WITHOUT CROSS PRODUCTS)

N= 3 P= 3 LN= 10

AQ= .897989665+01

STANDARD DEVIATION= .149373568-04 MULTIPLE CORRELATION COEFFICIENT= .999999970+00 F RATIO= +190450271+11

B COEFFICIENTS

	YU	YC	YU-YC	
	OBSERVED	COMPUTED	RESIDUAL	
	.579752072+01	.679866400+01	.500090784+01	-.400001669+01
	.700004459+01	-.579887073+01	.699684674+01	-.599740386+01
	.571899998+01	.571900237+01	-.238418579-05	
	.711100000+01	.711100280+01	-.280141830-05	
	.521600002+01	.521600103+01	-.101327896-05	
	.559200001+01	.559199802+01	.119209290-05	
	.109150000+02	.109150084+02	-.846385956-05	
	.750700001+01	.7506899226+01	.774860382-05	
	.744999999+01	.745000219+01	-.220537186-05	
	.961800003+01	.961799359+01	.643730164-05	
	.501899999+01	.501900327+01	-.327025546-05	
	.802100003+01	.802099574+01	.429153442-05	
MAXIMUM PERCENT ERROR=	.102372990-03			AVERAGE PERCENT ERROR= .517097560-04

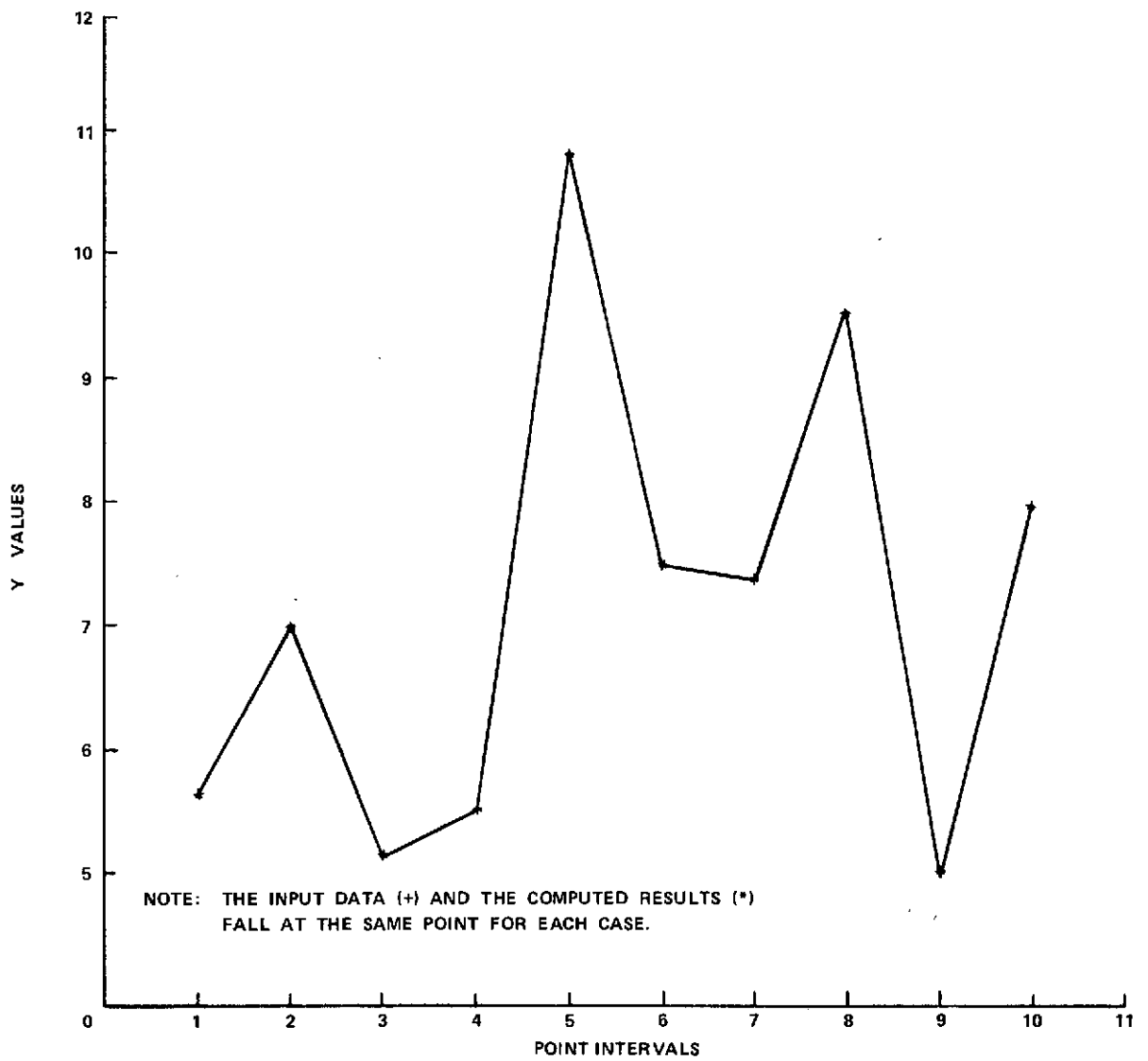


Figure 3. Comparison of input and computed values for illustrative problem without cross products.

APPENDIX B

MULTIPLE REGRESSION PROGRAM FOR CASE WITH CROSS PRODUCTS

A. Input Data

The regression subroutine is called with the following statement:

```
CALL REGRES(Z, YO, LN, N, IP)
```

where:

Z is a two-dimensional array containing the independent variables used. The first subscript denotes the independent variable and the second subscript denotes the data set.

YO is an array containing the dependent variables which correspond to the independent variables.

LN is the number of data sets.

N is the number of independent variables used.

IP is the degree of the polynomial curve fit.

These arguments must be assigned a value in a driver program.

The regression subroutine incorporates several special routines: RDWT, IOWR, INVRT, and DMATML.

RDWT is a general FORTRAN I/O package which is capable of reading and/or writing on magnetic tape or drum in FORTRAN or non-FORTRAN format.

IOWR is an assembly language I/O routine used by RDWT.

INVRT is a double precision matrix inversion and simultaneous equations solver. The call to this routine is:

```
CALL INVRT(A,N,M,DETER)
```

where:

A is the input matrix for inversion or augmented matrix for simultaneous equations.

N is the order of the coefficient matrix.

M=0 for inversion only; otherwise, M is the number of constant vectors.

DETER is the determinant of the coefficient matrix.

DMATML is a double precision matrix multiplication routine with transpose options. The call to this routine is:

```
CALL DMATML(C,A,B,M,N,K)
```

where:

C is the product of matrix A times matrix B.

A is the first input matrix,

B is the second input matrix,

M is the number of rows of A,

N is the number of rows of B, and

K is the number of columns of B.

Certain variables have dimension changes that vary depending on the number of data points (LN), the number of independent variables (N), and the degree of the polynomial curve fit (IP). These will be dimensioned as follows:

```
DSN(NCL2), DSVHAT(NCL,1), DB(NCL,1), X(LN), Z(N,LN), ZBAR(N,IP),  
ZZBAR(NN,IP), SHAT(NCL,NCL), YO(LN), SVHAT(NCL,1), YC(LN), BZ(LN),  
RESID(LN), B(N,IP), A(NN,IP)
```

where:

LN,N,IP are as defined above and

NCL is computed as follows:

$$NCL = N*IP + N!/[2*(N-2)!]$$

NCL2 is NCL raised to the second power.

NN is N minus 1.

SMALLZ, SMALZ1, and SMALZ2 should be dimensioned greater than the number of data points and the dimension is set in a PARAMETER statement; for example,

PARAMETER IDIM = 100

B. Program

In order to run this program on the UNIVAC 1108, the deck is set up as follows:

```
@RUN, //T JBNAME, 320590, UDARBYBIN406, 01.100
@ASG, T 10, F/1/POS/2
@FOR, IS MAIN, MAIN
    (Source deck for inputting data)
@FOR, IS REGRES, REGRES
    (Source deck)
@FOR, IS RDWT, RDWT
    (Source deck)
@ASM, IS IOWR, IOWR
    (Source deck)
@FOR, IS INVRT, INVRT
    (Source deck)
@FOR, IS DMATML, DMATML
    (Source deck)
@MAP, I AA, AA
    LIB SYSS*MSFCS.
@XQT AA
    (Input data)
@FIN
```

as illustrated in Figure 1.

A complete program listing for the case with linear cross products is shown in Table 5 and a flow chart indicating the operation of this computer program is indicated in Figure 4.

C. Output Data

The desired coefficients of the model equation are outputted in E notation where BHAT is the computed intercept A_0 of the fitted polynomial expression and the B coefficients are printed out in ascending order of degree (P) with the first P coefficients indicating the b coefficients of the first independent variable, the second set of P coefficients indicating the b coefficients of the second independent variable, etc. The A coefficient designation represents the C coefficients of the various cross products in the following order:

$C_{12}, C_{13}, \dots, C_{1N}$

$C_{23}, C_{24}, \dots, C_{2N}$

$C_{N-1,N}$

Also included in the output are the number of independent variables N , the degree of the model equation P , and the number of input data points (sets) n denoted in the output as LN . Further, the significance of the estimated regression equation is indicated by the standard deviation, the multiple correlation coefficient, the F ratio, the maximum percent error, and the average percent error.

The values of the dependent variable are also shown for the input data and for the computed values obtained from the fitted expression for each set of data input, as well as for the residual difference in the input values and the computed values.

Plotted results are also obtained which compare the input and the computed dependent variables as ordinates to the point interval along the abscissa (which is normally one of the physical independent variables, but which can be a unit indication of each data set in order of input to the program). The computed points are connected by straight lines and are plotted with * symbols. The input points are plotted with + symbols and the points are not connected with lines.

D. Illustrative Problem

For the purposes of illustrating the use of the cross product program and its capabilities, the following arbitrary equation was selected for use:

$$\begin{aligned} Y = & 9 - 6X_1 + 7X_1^2 + 5X_1^3 \\ & - 4X_2 + 1X_2^2 + 7X_2^3 \\ & - 6X_3 + 7X_3^2 - 6X_3^3 \\ & + 5X_1X_2 + 5X_1X_3 - 6X_2X_3 \end{aligned} \tag{38}$$

TABLE 5. (Continued)

MSG,N REMOVE AT CARD READER 01-18-73 CLOCK NO. 9353

MSG,T 10,F/1/POS/2

WOP,IS MAIN,MAIN
MSG 009-01/16-13:51 (.0)

MAIN PROGRAM

STORAGE USED: CODE(1) 000021; DATA(0) 000125; BLANK COMMON(2) 000000

EXTERNAL REFERENCES (BLOCK, NAME)

0003 REGRES
0004 NINTR\$
0005 MNLS
0006 NSTOP\$

STORAGE ASSIGNMENT (BLOCK, TYPE, RELATIVE LOCATION, NAME)

0000 I 000074 IP 0000 I 000074 LN 0000 I 000075 N 0000 000101 NAMI 0000 R 000055 YO
0000 R 000000 Z

00101 1* DIMENSION Z(3,15),YO(15)
00102 2* NAMELIST/NAMI/Z,YO,LN,N,IP
00103 3* READ(S,NAMI)
00104 4* CALL REGRES(Z,YO,LN,N,IP)
00105 5* STOP
00106 6* END

END OF COMPILATION: NO DIAGNOSTICS.

TABLE 5. (Continued)

FOR, IS REGRES, REGRES
 HSC 009-01/16-13:51 (.0)

SUBROUTINE REGRES ENTRY POINT 001617

STORAGE USED: CODE(1) 001665; DATA(0) 002140; BLANK COMMON(2) 000000

LITERAL REFERENCES (BLOCK, NAME)

0003 IDENT
 0004 JORDNR
 0005 JAVRT
 0006 JMATML
 0007 JOK3L
 0010 LNDJSD
 0011 NDBUS
 0012 NIGZS
 0013 NEXP55
 0014 SINT
 0015 NIG15
 0016 NSTOP5
 0017 NGR35

STORAGE ASSIGNMENT (BLOCK, TYPE, RELATIVE LOCATION, NAME)

0000	001744	10000F	0000	001752	10006F	0000	001755	10009F	0000	001776	10010F	0000	002002	10011F
0000	002005	10012F	0000	002011	10014F	0000	002013	10026F	0000	002024	10027F	0000	002027	10033F
0001	000119	1426	0001	000119	1456	0001	000126	1536	0001	000127	1566	0001	000137	1646
0001	000143	1716	0001	000149	1746	0001	000154	2026	0001	000160	2076	0001	000200	2256
0001	000202	2306	0001	000209	2336	0001	000240	2946	0001	000267	2506	0001	000270	2536
0001	000327	2496	0001	000331	2716	0001	000334	2746	0001	000375	3066	0001	000422	3126
0001	000424	3156	0001	000462	3276	0001	000505	3406	0001	000542	3516	0001	000556	3576
0001	000575	3436	0001	000623	3766	0001	000649	4056	0001	000654	4116	0001	000676	4226
0001	000677	4256	0001	000742	4426	0001	000743	4456	0001	000764	4566	0001	000777	4626
0001	001015	4726	0001	001016	4756	0001	001033	5046	0001	001235	505L	0001	001046	5106
0001	001316	513L	0001	001066	5226	0001	001070	5256	0001	001072	5306	0001	001121	5376
0001	001126	5436	0001	001147	5476	0001	001167	5566	0001	001205	5676	0001	001227	5776
0001	001246	6116	0001	001240	6216	0001	001333	6346	0001	001422	6606	0001	001423	6626
0001	001444	6756	0001	001457	7016	0001	001501	7166	0001	001521	7346	0000	R 001653	A
0000	R 000522	AXARY	0000	R 001731	AXAX	0000	R 001642	B	0000	R 001726	RHAT	0000	R 001604	BZ
0000	D 000472	BF	0000	D 000600	BETER	0000	D 000002	BSM	0000	D 000442	BSVHAT	0000	R 000567	FLDX
0000	R 001603	FLDY	0000	R 001737	FRATIO	0000	I 001662	I	0000	I 001720	ICOL	0000	I 001711	IERR
0000	R 02066	INJPS	0000	I 001717	IRCA	0000	I 001740	IS	0000	I 001710	ISECT	0000	I 001721	ISECT1
0000	I 001706	JUNIT	0000	I 001661	IZERO	0000	I 001722	I2	0000	I 001724	I21	0000	I 001672	J
0000	I 001704	K	0000	I 001734	KHAT	0000	I 001712	KK	0000	I 001705	L	0000	I 001743	L1
0000	I 001741	L1	0000	I 001742	L2	0000	I 001725	M	0000	I 001714	NCOL	0000	I 001713	NFACT
0000	I 001714	NFACT2	0000	I 001733	NI	0000	J 001671	NIP	0000	I 001670	NN	0000	I 001723	NR
0000	I 001707	NSECT	0000	I 001665	NADS	0000	I 001715	N4	0000	R 001730	PERAVG	0000	R 001732	PERMAX
0000	R 000550	PXAX	0000	R 001701	R	0000	R 001623	RESIO	0000	R 001736	RHAT	0000	R 001674	RR
0000	K 001331	SFAT	0000	R 000655	SFALLZ	0000	R 001021	SMALZ1	0000	R 001165	SMALZ2	0000	K 001675	SREG
0000	R 001676	SRES	0000	R 001703	SS	0000	R 001735	STADEV	0000	R 001727	SUM	0000	K 001551	SVHAT
0000	R 001700	SYT	0000	R 001677	VAR	0000	R 000617	X	0000	R 001664	XL	0000	R 001665	XR

TABLE 5. (Continued)

```

0000 R 001666 YB      0000 R 001673 YBAR      0000 R 001665 YC      0000 R 001667 YT      0000 R 001702 YY
0000 R 000636 ZBAR    0000 R 000647 ZZBAR
-----
00101  1*  SUBROUTINE REGRES(Z,YO,LN,N,IP)
00103  2*  PARAMETER IDIM=100
00104  3*  DOUBLE PRECISION DETER
00105  4*  DOUBLE PRECISION DSN(144),DSVHAT(12,11),PB(12,11)
00106  5*  DIMENSION ADARY(22)
00107  6*  DIMENSION PMAK(15)
00110  7*  DIMENSION FLDX(12),FLDY(12)
00111  8*  DIMENSION X(15)
00112  9*  DIMENSION Z(3,15),ZBAR(3,3),ZZBAR(2,3),SMALLZ(10IM),
00112 10*  *SMALLZ(10IM),SMALZ2(10IM),SHAT(12,12),YG(15),SVHAT(12,11),
00112 11*  *YC(15),BZ(15),RESID(15),B(3,3),A(2,3)
00113 12*  DATA IZKO/0/
00115 13*  DATA FLDY/72H          Y VALUES
00116 14*  *
00117 15*  DATA FLDX/72H          POINT INTERVALS
00117 16*  *
00121 17*  DATA (ADARY(I),I=1,31)/6HORE ,6H CDPY,6HFLO /
00123 18*  CALL IDENT(9,ADARY)
00124 19*  NNDS=IDEN
00125 20*  XL=0.
00126 21*  XR=16.
00127 22*  Yb=1.
00130 23*  Yt=17.
00131 24*  KR=1E(6,10000) N,IP,LN
00136 25* 10000 FORMAT(1H1,2HN=14,3X,2NP=14,3X,3MLN=14)
00136 26*  C INITIALIZE VARIABLES
00137 27*  MN=N-1
00140 28*  NIP=N*JP
00141 29*  DO 15 I=1,N
00144 30*  DO 15 J=1,IP
00147 31* 15 ZBAR(I,J)=0.0
00152 32*  DO 16 I=1,NN
00155 33*  DO 16 J=1,IP
00160 34* 16 ZZBAR(I,J)=0.0
00163 35*  DO 7 I=1,10IM
00166 36* 7 SMALLZ(I)=0.0
00170 37*  DO 8 I=1,NIP
00173 38*  DO 8 J=1,NIP
00176 39* 8 SHAT(I,J)=0.0
00181 40*  DO 9 I=1,NIP
00184 41* 9 SVHAT(I,1)=0.0
00186 42*  DO 5 I=1,LN
00211 43* 5 BZ(I)=0.0
00213 44*  YB/A=0.0
00215 45*  HR=0.0
00216 46*  SPLG=0.0
00216 47*  SRES=0.0
00217 48*  VAR=0.0
00220 49*  SYY=0.0
00221 50*  S=0.0

```

TABLE 5. (Continued)

```

00222 51*      YY=0.0
00223 52*      SS=0.0
00223 53*      C      COMPUTE ZBAR
00224 54*      DO 125 I=1,N
00227 55*      DO 125 J=1,IP
00232 56*      DO 100 K=1,LN
00235 57*      100 ZBAR(I,J)= ZBAR(I,J)+ Z(I,K)**J
00237 58*      125 ZBAR(I,J)= ZBAR(I,J)/LN
00237 59*      C      COMPUTE ZZBAR
00242 60*      K=1
00243 61*      DO 150 I=1,NN
00246 62*      K=K+1
00247 63*      DO 150 J=K,N
00252 64*      DO 130 L=1,LN
00255 65*      100 ZZBAR(I,J)=ZZBAR(I,J)+Z(I,L)*Z(J,L)
00257 66*      150 ZZBAR(I,J)=ZZBAR(I,J)/LN
00257 67*      C      COMPUTE SMALLZ*S
00262 68*      IUNIT=10
00263 69*      ISECT=(N*ND5+271)/28
00264 70*      ISECT = 1
00265 71*      DO 200 I=1,N
00270 72*      DO 200 J=1,IP
00273 73*      DO 175 K=1,LN
00276 74*      175 SMALLZ(K)=Z(I,K)*J-ZBAR(I,J)
00300 75*      CALL IORDWR(1,IUNIT,ISECT,SMALLZ,N*ND5,IERR)
00301 76*      200 ISECT=ISECT+NSECT
00304 77*      KK=1
00305 78*      DO 230 I=1,NN
00310 79*      KK=KK+1
00311 80*      DO 230 J=KK,N
00314 81*      DO 225 K=1,LN
00317 82*      225 SMALLZ(K)=Z(I,K)*Z(J,K)-ZZBAR(I,J)
00321 83*      CALL IORDWR(1,IUNIT,ISECT,SMALLZ,N*ND5,IERR)
00322 84*      230 ISECT=ISECT+NSECT
00322 85*      C      COMPUTE NUMBER OF COLUMNS
00325 86*      NFACT=1
00326 87*      DO 250 I=1,N
00331 88*      250 NFACT=NFACT*I
00333 89*      NFACT2=1
00334 90*      N2=N-2
00335 91*      IF (N2.EQ.0) N2=1
00337 92*      DO 275 I=1,N2
00342 93*      275 NFACT2=NFACT2*I
00344 94*      NCOL=N+IP+(NFACT/12*NFACT2)
00344 95*      C      COMPUTE ELEMENTS OF THE SHAT MATRIX
00345 96*      ISECT=1
00346 97*      NSECT=(N*ND5 + 271)/28
00347 98*      INO=1
00350 99*      DO 310 J=1,NCOL
00353 100*      CALL IORDWR(2,IUNIT,ISECT,SMALL1,N*ND5,IERR)
00354 101*      ICOL=1
00355 102*      ISECT=1
00356 103*      DO 305 K=1,NCOL
00361 104*      CALL IORDWR(2,IUNIT,ISECT1,SMALL2,N*ND5,IERR)
00362 105*      DO 300 I=1,LN
00365 106*      300 SHAT(IPOW,ICOL)=SHAT(INO,ICOL)*SMALL1(I)*SMALL2(I)

```

TABLE 5. (Continued)

```

00367 107*      ICOL=ICOL+1
00370 108*      305 ISECT=ISECT1+NSECT
00372 109*      IKOR=IKOR+1
00373 110*      310 ISECT=ISECT+NSECT
00373 111*      C      COMPUTE SVHAT
00375 112*      DO 325 I=1,LN
00400 113*      325 YBAR=YBAR+Y(I)
00402 114*      YBAR=YBAR/LN
00403 115*      ISECT=1
00405 116*      DO 350 K=1,NCOL
00407 117*      CALL IGRGAR(2,UNIT,ISECT,SMALZ1,NWDS,IERR)
00410 118*      DO 330 I=1,LN
00413 119*      SVHAT(K,I)=SVHAT(K,I)+SMALZ1(I)*(Y(I)-YBAR)
00419 120*      330 DSVHAT(K,I)=SVHAT(K,I)
00416 121*      350 ISECT=ISECT+NSECT
00420 122*      I2=1
00421 123*      DO 375 I=1,NCOL
00424 124*      DO 375 J=1,NCOL
00427 125*      DSN(I2)=SHAT(I,J)
00430 126*      375 I2=I2+1
00433 127*      NR=NCOL
00434 128*      I2=I2-1
00434 129*      C      FIND SHAT MATRIX INVERSE
00435 130*      N=0
00436 131*      CALL INVRT(DSN,NR,M,DETER)
00436 132*      C      COMPUTE B AND A COEFFICIENTS FOR THE ASSUMED MODEL
00437 133*      CALL BHATML(OB,DSN,DSVHAT,NR,NR,I)
00440 134*      I2=1
00441 135*      DO 400 I=1,N
00444 136*      DO 400 J=1,IP
00447 137*      B(I,J)=OB(I2,I)
00450 138*      400 I2=I2+1
00453 139*      I2=I2
00454 140*      K=1
00455 141*      DO 410 I=1,NN
00460 142*      K=K+1
00461 143*      DO 410 J=K,N
00464 144*      A(I,J)=OB(I2,I)
00465 145*      410 I2=I2+1
00470 146*      BHAT=YBAR
00471 147*      DO 420 I=1,N
00474 148*      DO 420 J=1,IP
00477 149*      420 BHAT=BHAT-B(I,J)*ZBAR(I,J)
00502 150*      K=1
00503 151*      DO 425 I=1,NN
00506 152*      K=K+1
00507 153*      DO 425 J=K,N
00512 154*      425 BHAT=BHAT-A(I,J)*ZBAR(I,J)
00515 155*      WRITE(6,10006) BHAT
00520 156*      10006 FORMAT(1H0,5BHAT#E16.9)
00521 157*      DO 450 I=1,LN
00524 158*      DO 450 J=1,N
00527 159*      DO 450 K=1,IP
00532 160*      450 BZ(I)=BZ(I)+B(J,K)*Z(I,J)*K
00536 161*      DO 475 I=1,LN
00541 162*      K=1

```

TABLE 5. (Continued)

```

00542 163*      DO 475 J=1,NN
00545 164*          KK=KK+1
00546 165*          DO 475 L=KK,N
00551 166*      475 BZ(I)=BZ(I)+A*(J,L)*Z(I,J)*Z(L,I)
00551 167*      C      COMPUTE THE Y POINTS
00555 168*          DO 500 I=1,LN
00560 169*              YC(I)=BHAT+BZ(I)
00561 170*              RESID(I)=Y(I)-YC(I)
00562 171*              RR=RR+RESID(I)**2
00563 172*          500 CONTINUE
00565 173*              SUM=0.
00566 174*              DO 501 L=1,LN
00571 175*                  PMAX(L)=ABS((Y(L)-YC(L))/YC(L))
00572 176*          501 SUM=SUM+PMAX(L)
00574 177*              PERAVG=(SUM/LN)*100.
00575 178*              AMAX=PMAX(1)
00576 179*              DO 505 L=2,LN
00581 180*                  IF(AMAX-PMAX(L)) 506,505,505
00584 181*          506 AMAX=PMAX(L)
00585 182*          505 CONTINUE
00607 183*              PERMAX=AMAX*100.
00610 184*              DO 507 L=1,LN
00613 185*                  R=R+ABS(RESID(L))
00614 186*                  YY=YY+Y(I)
00615 187*          507 CONTINUE
00615 188*      C      COMPUTE STANDARD DEVIATION
00617 189*          N2=0
00620 190*          DO 510 I=1,NN
00623 191*              NI=N+1
00624 192*          510 N2=N2+NI
00626 193*              KHAT=N*IP+N2
00627 194*              IF(LN-KHAT=1).LE.5) GO TO 513
00631 195*              STDEV=SQRT(RR/(LN-KHAT-1))
00632 196*          513 CONTINUE
00632 197*      C      COMPUTE THE MULTIPLE CORRELATION COEFFICIENT, AND FRATIO
00633 198*          DO 525 I=1,LN
00636 199*              SREG=SREG+(Y(I)-YBAR)**2
00637 200*              SYY=SYY+(Y(I)-YBAR)**2
00640 201*              SS=SS+(Y(I)-YJARI*(Y(I)-YC(I)))
00641 202*          525 SRES=SRES+RESID(I)**2
00643 203*              RHMAT=SREG/SYY
00644 204*              FRATIO=(SREG/(KHAT-1))/(SRES/(LN-KHAT))
00645 205*              WRITE(6,10009) STDEV,KHAT,FRATIO
00652 206*      10009 FORMAT(1H0,19HSTANDARD DEVIATION=E16.9,4X,33HMULTIPLE CORRELATION
00652 207*          *COEFFICIENT=E16.9,4X,8HF RATIO=E16.9)
00653 208*              WRITE(6,10010)
00653 209*          10010 FORMAT(1H0,19HB COEFFICIENTS)
00656 210*              WRITE(6,10011) ((B(I,J),J=1,(P);I=1,N)
00667 211*          10011 FORMAT(1H ,5621,9Z)
00670 212*              WRITE(6,10012)
00672 213*          10012 FORMAT(1H0,19HA COEFFICIENTS)
00673 214*              K=1
00674 215*              DO 530 I=1,NN
00677 216*                  K=K+1
00700 217*                  DO 530 J=K,N
00703 218*                      WRITE(6,10014) A(I,J)

```

TABLE 5. (Continued)

```

00706 219* 10014 FORMAT(1H ,E21.9)
00707 220* 530 CONTINUE
00712 221* WRITE(6,10026)
00714 222* 10026 FORMAT(1H0,12X,8HOBSERVED,12X,8MCOMPUTED,12X,8HRESIDUAL)
00715 223* DO 1233 IS=1,LN
00720 224* WRITE(6,10027) Y0(IS),YC(IS),RESID(IS)
00725 225* 1233 CONTINUE
00727 226* 10027 FORMAT(1H ,3E21.9/)
00730 227* L1=-1
00731 228* L2=0
00732 229* X(1)=1.
00733 230* DO 549 LI=2,LN
00736 231* 649 X(LI)=X(LI-1)+1.
00740 232* CALL QUIK3L(L1,XL,XR,YB,YT,40,FLDX,FLDY,-LN,X,YC)
00741 233* CALL QUIK3L(L2,XL,XR,YB,YT,34,FLDX,FLDY,LN,X,YD)
00742 234* WRITE(6,10033) PERMAX,PERAVG
00746 235* 10033 FORMAT(1H0,22HMAXIMUM PERCENT ERROR=E16.9,6X,22HAVERAGE PERCENT ER
00746 236* *ROR=E16.9)
00747 237* 1234 CONTINUE
00750 238* CALL ENDJOB
00751 239* STOP
00752 240* END

```

END OF COMPILATION: NO DIAGNOSTICS.

TABLE 5. (Continued)

FOR, IS, KORT, RDAT
 HSD 009-01716-13:51 1.0)

SUBROUTINE KORT ENTRY POINT 000270
 REDIPH ENTRY POINT 000273
 WRITER ENTRY POINT 000370
 CLOSE ENTRY POINT 000342
 OPEN ENTRY POINT 000351
 IORERR ENTRY POINT 000360

STORAGE USED: 0002(1) 0000041 DATA(1) 000127; BLANK COMMON(2) 000000

EXTERNAL REFERENCES (BLOCK, NAME)

0003 IORT
 0004 NERR25
 0005 NERR5
 0006 NERR13
 0007 NERR25
 0010 NSTOP5
 0011 NERR35

STORAGE ASSIGNMENT (BLOCK, TYPE, RELATIVE LOCATION, NAME)

0001	000071	10L	0000	000070	100F	0001	000116	20L	0001	000140	21L	0001	000242	2156
0001	000144	22L	0001	000211	24L	0001	000227	25L	0001	000234	26L	0001	000033	4L
0001	000235	7L	0001	000050	9L	0000	000061	1	0000	000065	1BLANK	0000	000000	1CWD
0000	000007	1FLD	0000	000111	1NUPS	0000	000066	10F	0000	000046	1PACKT	0000	000067	1TWO
0001	000062	11	0000	000063	12	0000	000064	13	0000	000056	1KNTWO	0000	000040	1KODE

```

00100    1*    C    * * * * *
00100    2*    C    GENERAL FORTRAN I/O PACKAGE      EXEC YIII      APRIL, 1970
00100    3*    C    READ/WRITL MAG TAPE OR DRUM IN FORTRAN OR NON-FORTRAN FORMAT.
00100    4*    C    * * * * *
00101    5*    C    SUBROUTINE RDAT
00103    6*    C    DIMENSION ARRAY(1), ICWD(3), IFLO(29), KCODE(1), IPACKT(8), KNTWO(3)
00104    7*    C    DATA 11(FLD(1)), 1=1, 29)/1H1, 1H2, 1H3, 1H4, 1H5, 1H6, 1H7, 1H8, 1H9, 2H10,
00104    8*    C    12H11, 2H12, 2H13, 2H14, 2H15, 2H16, 2H17, 2H18, 2H19, 2H20, 2H21, 2H22, 2H23,
00104    9*    C    2H24, 2H25, 2H26, 2H27, 2H28, 2H29/
00106    10*    C    DATA 1(KODE(1)), 1=1, 61/000133000000, 000200000000, 000150200000,
00106    11*    C    000100000000, 000110000001, 000400000000/
00110    12*    C    DATA 11/262144/, 12/1073741424/, 13/0810051/
00114    13*    C    DATA 1BLANK/6H
00114    14*    C    * * * * *
00116    15*    C    ENTRY REDTR(UNIT, MODE, IERR, N, NADS, ARRAY)
00120    16*    C    IOP=MODE      N = 1, READ FTN FORMAT. = 2, READ NON-FTN.
00120    17*    C    * * * * *
00121    18*    C    GO TO 10
00122    19*    C    ENTRY WRITER(UNIT, MODE, IERR, NADS, ARRAY)

```

TABLE 5. (Continued)

```

00124 20*      IOP=MODE+2          $ =3, WRITE FTN FORMAT. =4, WRITE NON-FTN.
00125 21*      KNTWD(1)=NMS+J1+I3  $ BUILD FORTRAN RECORD-CONTROL WORD.
00125 22*      KNTWD(2)=BLANK      $ DUMMY CHECKSUM ERROR WORD.
00127 23*      KNTWD(3)=KNTWD(1)
00130 24*      GO TO 10
00131 25*      C*****
00131 26*      ENTRY CLOSE(IUNIT,JOP)
00133 27*      ITA=1
00134 28*      GO TO (6,6,7,25),JOP  $ JOP=4, NO ACTION, RETURN.
00135 29*      6 ITA=2              $ JOP=1,2, WRITE EOF AND REWIND IUNIT.
00136 30*      7 IOP=5              $ =5, WRITE END-OF-FILE.
00137 31*      GO TO 10
00137 32*      C*****
00140 33*      ENTRY OPEN(IUNIT,JOP)
00142 34*      IF(JOP.GT.1) RETURN  $ JOP=2,3, NO ACTION, RETURN.
00144 35*      8 IOP=6              $ =6, REWIND IUNIT.
00145 36*      GO TO 10
00145 37*      C*****
00146 38*      ENTRY (ORDWR,ICODE,IUNIT, IADDRS,ARRAY,NMS,IERR)
00150 39*      IF(ICODE.EQ.1) IOP=4  $ =4, SEQUENTIAL WRITE.
00152 40*      IF(ICODE.EQ.2) IOP=2  $ =2, SEQUENTIAL READ.
00154 41*      IPACKT(0)=IADDRS    $ BEGINNING DRUM-SECTOR ADDRESS.
00154 42*      C*****
00159 43*      10 CONTINUE
00155 44*      IPACKT(1)=IFLD(IUNIT)  $ IUNIT IN FIELD-DATA.
00157 45*      IPACKT(2)=BLANK
00160 46*      IPACKT(3)=0
00161 47*      11 IPACKT(4)=KODE(IOP)  $ OPERATION CODE TO IOP'S.
00162 48*      GO TO (20,21,20,21,22,22),IOP
00163 49*      20 ICAD(1)= 1*J1+LOC(KNTWD(1))  $ FIRST CONTROL ACCESS WORD.
00164 50*      *DIAGNOSTIC THE VARIABLE ARRAY IS DIMENSIONED.
00164 50*      ICAD(2)=NMS+J1+LOC(ARRAY)  $ SECOND CONTROL ACCESS WORD.
00165 51*      ICAD(3)= 2*J1+LOC(KNTWD(2))  $ THIRD CONTROL ACCESS WORD.
00166 52*      IPACKT(5)= 3*J1+LOC(ICAD(1))  $ NMSR AND LOC OF 1ST C/A WORD.
00167 53*      GO TO 22
00170 54*      *DIAGNOSTIC THE VARIABLE ARRAY IS DIMENSIONED.
00170 54*      21 IPACKT(5)=NMS+J1+LOC(ARRAY)  $ NMSR AND LOC OF DATA WORDS.
00171 55*      22 CALL IONK(IPACKT)  $ ROUTINE TO ISSUE EXEC REQUEST.
00172 56*      IF(IOP.EQ.6) RETURN  $ RETURN AFTER REWINDING IUNIT.
00174 57*      IF(IOP.EQ.5) GO TO (25,8),IFA  $ IFA=1, RETURN; =2, REWIND IUNIT.
00176 58*      IERR=(IPACKT(4))/12  $ ERROR STATUS IN S1 PORTION.
00177 59*      IF(IERR.EQ.0) GO TO 24  $ NORMAL OPERATION, NO ERROR.
00201 60*      IF(IERR.GE.3) GO TO 26  $ TERMINATING ERROR.
00203 61*      IERR=2  $ END-OF-FILE OR END-OF-TAPE.
00204 62*      RETURN
00205 63*      24 N=KNTWD(1)/11  $ N FROM FTN CONTROL WORD.
00205 64*      IF(MODE.EQ.1) GO TO 25
00210 65*      N=IPACKT(4)-IPACKT(4)/11*11  $ N FROM IOP'S.
00211 66*      25 IERR=1
00212 67*      RETURN
00213 68*      26 WR,TE(A,100) (IPACKT(1),1=1,6)
00221 69*      100 FORMAT(///50*****EXECUTION TERMINATED IN 'RDW' I/O ROUTINE. //
00221 70*      LINK I/O PACKET IS 6016 1
00222 71*      STOP
00223 72*      END

```


TABLE 5. (Continued)

END OF COMPILATION: 2 DIAGNOSTICS.

SASM, IS IOAR, IOAR

ASMIIF 01/16-13:51-(,0)

1.						S(1)	AXRS		
2.	01	000000	27	00	14	13	0	000000	IOAR* L AO,0,X11
3.	U	000001	72	11	00	00	0	000000	ER IOAS
4.		000002	74	04	00	13	0	000002	J 2,X11
5.									END

1045
END ASM ERRORS : NONE

TABLE 5. (Continued)

GFDR,IS INVRT,INVRT
 HSD 009-01/14-13151 (,0)

SUBROUTINE INVRT ENTRY POINT 000364

STORAGE USED: CODE(1) 000412; DATA(1) 000202; BLANK COMMON(2) 000000

EXTERNAL REFERENCES (BLOCK, NAME)

0003 NERKJ*

STORAGE ASSIGNMENT (BLOCK, TYPE, RELATIVE LOCATION, NAME)

0001	000016	111G	0001	000140	115L	0001	000027	117G	0001	000034	123G	0001	000042	131G	
0001	000110	157S	0001	000162	176G	0001	000254	181L	0001	000202	204G	0001	000224	215G	
0001	000262	231G	0001	000332	235L	0001	000305	242G	0001	000342	250L	0001	000071	75L	
0001	000071	76L	0000	0	000002	AMAX	0000	1	000141	1	0000	1	000144	1C	
0000	1	000042	INDEX	0000	1	000146	IND2	0000	1	000154	INJPS	0000	1	000004	PIV
0000	1	000136	J	0000	1	000140	K	0000	1	000145	L	0000	1	000137	NN
				0000	0	000000	SIGN								

```

00101 1* SUBROUTINE INVRT(A,N,M,DETER)
00103 2* PARAMETER IOIM=30
00103 3* C MATRIX INVERSION AND SIMULTANEOUS EQUATIONS SOLVER
00103 4* C A=INPUT MATRIX FOR INVERISON OR AUGUMENTED MATRIX FOR SIME. EQS. 16500030
00103 5* C N=ORDER OF COEFFICIENT MATRIX 16500040
00103 6* C M=0 FOR INVERISON ONLY
00103 7* C M=NUMBER OF CONSTANT VECTORS
00103 8* C DETER=DETERMINANT OF COEFFICIENT MATRIX
00104 9* C DOUBLE PRECISION A(1),DETER,SIGN,AMAX
00105 10* DIMENSION IPIV(10IM),INDEX(10IM,2)
00106 11* DETER=1.000
00107 12* SIGN=1.000
00110 13* DO 20 J=1,N
00113 14* 20 IPIV(J)=0
00115 15* NN=N*M
00116 16* DO 182 K=1,N
00121 17* AMAX=0.000
00122 18* 40 DO 76 J=1,N
00125 19* IF (IPIV(J)-1)50,76,50
00130 20* 50 DO 75 J=1,N
00133 21* IF (IPIV(J)-1)55,75,250
00136 22* 55 IND=(J-1)*N+1
00137 23* IF(AMAX-0ABS(A(IND))) 60,75,75
00142 24* 60 IR=1
00143 25* IC=J
00144 26* AMAX=0ABS(A(IND))
00145 27* 75 CONTINUE
00147 28* 76 CONTINUE
00151 29* IPIV(IC)=IPIV(IC)+1
  
```

TABLE 5. (Continued)

```

00152 30*      IF (IR-IC)90,115,90
00155 31*      90 SIGN=-SIGN
00156 32*      DO 110 L=1,NN
00161 33*      IND=(L-1)*N+IR
00162 34*      IND2=(L-1)*N+IC
00163 35*      AMAX=A(IND)
00164 36*      A(IND)=A(IND2)
00165 37*      110 A(IND2)=AMAX
00167 38*      115 INDEX(K,1)=IK
00170 39*      INDEX(K,2)=IC
00171 40*      IND=(IC-1)*N+IC
00172 41*      AMAX=A(IND)
00173 42*      DETER=DETER*AMAX
00174 43*      140 A(IND)=1.000
00175 44*      DO 150 L=1,NN
00200 45*      IND=(L-1)*N+IC
00201 46*      150 A(IND)=A(IND)/AMAX
00203 47*      DO 181 L=1,N
00206 48*      IF (L-IC)165,161,165
00211 49*      165 IND=(IC-1)*N+L
00212 50*      AMAX=A(IND)
00213 51*      A(IND)=0.000
00214 52*      DO 180 I=1,NN
00217 53*      IND=(I-1)*N+L
00220 54*      IND2=(I-1)*N+IC
00221 55*      A(IND)=A(IND)-A(IND2)*AMAX
00222 56*      180 CONTINUE
00224 57*      181 CONTINUE
00226 58*      182 CONTINUE
00230 59*      DO 235 I=1,N
00233 60*      L=I+1
00234 61*      IK=INDEX(L,1)
00235 62*      IC=INDEX(L,2)
00236 63*      IF (IR-IC)210,235,210
00241 64*      210 DO 230 K=1,N
00244 65*      IND=(IR-1)*N+K
00245 66*      IND2=(IC-1)*N+K
00246 67*      AMAX=A(IND)
00247 68*      A(IND)=A(IND2)
00250 69*      230 A(IND2)=AMAX
00252 70*      235 CONTINUE
00254 71*      DETER=SIGN*DETER
00255 72*      RETURN
00256 73*      250 M=-1
00257 74*      255 RETURN
00260 75*      END

```

END OF COMPILATION: NO DIAGNOSTICS.

TABLE 5. (Continued)

```

PROGRAM IS DMATML,DMATML
HSD 009-01/16-13:51 (.0)

SUBROUTINE DMATML ENTRY POINT 000160

STORAGE USED: CODE(1) 000170; DATA(0) 000053; BLANK COMMON(2) 000000

EXTERNAL REFERENCES (BLOCK, NAME)

0003 NERR35

STORAGE ASSIGNMENT (BLOCK, TYPE, RELATIVE LOCATION, NAME)

0001 000031 IL 0001 000061 I306 0001 000067 I356 0001 000102 I436 0001 000035 2L
0001 000046 3L 0001 000052 4L 0000 000000 00 0000 000005 IA1 0000 000006 IA2
0000 000002 IA3 0000 000007 IB1 0000 000010 IB2 0000 000013 IB3 0000 000003 IM
0000 000004 IN 0000 000022 INJPS 0000 000019 LA 0000 000016 LB 0000 000012 LC
0000 000011 LM 0000 000017 LN 0000 000014 LP

00101 1* SUBROUTINE DMATML(C,A,B,M,N,K)
00101 2* C* ABSTRACT
00101 3* C GENERAL MATRIX MULTIPLICATION ROUTINE WITH TRANSPOSE OPTIONS
00101 4* C WHERE M IS THE NUMBER OF ROWS OF (A)
00101 5* C N IS THE NUMBER OF ROWS OF (B)
00101 6* C K IS THE NUMBER OF COLUMNS OF (B) OR (B)T
00101 7* C TRANSPOSE OPTIONS ARE CONTROLLED BY THE SIGNS OF M AND N*
00101 8* C THE FOLLOWING PRODUCTS MAY BE OBTAINED
00101 9* C (C)=(A)(B) M AND N POSITIVE
00101 10* C (C)=(A)T(B) M NEGATIVE FOR (A)T
00101 11* C (C)=(A)(B)T N NEGATIVE FOR (B)T
00101 12* C (C)=(A)T(B)T M AND N NEGATIVE
00101 13* C WHERE T INDICATES TRANSPOSE
00101 14* C IF M IS NEGATIVE, M IS THE NUMBER OF ROWS OF (A)T
00101 15* C IF N IS NEGATIVE, N IS THE NUMBER OF ROWS OF (B)T
00101 16* C
00101 17* C* OUTPUT ARGUMENT * C
00103 18* C DIMENSION C(1)
00103 19* C
00103 20* C* INPUT ARGUMENTS * A,B,M,N,K
00104 21* C DIMENSION A(1),B(1)
00104 22* C
00104 23* C*****
00105 24* C DOUBLE PRECISION CB,C,A,B
00106 25* C IAS=1
00107 26* C IP=IABS(IP)
00110 27* C IN=IABS(IN)
00111 28* C IF IP .LT. DIGO TO 1
00113 29* C IA1=IM
00114 30* C IA2=I

```

TABLE 5. (Continued)

```

00115 31*      GO TO 2 -----
00116 32*      1      IA1 = 1
00117 33*      IA2=IN
00120 34*      2      IF (N .LT. 0)GO TO 3
00122 35*      IB1=1
00123 36*      IB2=IN -----
00124 37*      GO TO 4
00125 38*      3      IB1=K
00126 39*      IB2=1
00127 40*      4      DO 7 LM=1,IM
00132 41*      LC=LM
00133 42*      IB3=1 -----
00134 43*      DO 6 LP=1,K
00137 44*      CD = 0.000
00140 45*      LA=IA3
00141 46*      LB=IB3
00142 47*      DO 5 LN=1,IN
00145 48*      CW = CD + A(LA)*B(LB) -----
00146 49*      LA=LA+IA1
00147 50*      LB=LB+IB1 -----
00151 51*      5      C(LC) = CW
00152 52*      LC = LC + IM
00153 53*      6      IB3=IB3+IB2
00155 54*      7      IA3=IA3+IA2 -----
00157 55*      RETURN
00160 56*      END

```

END OF COMPILATION: NO DIAGNOSTICS.

TABLE 5. (Continued)

GMAP:J AA,AA
 MAP 17M2-01/16-13:51-(,0)

1. LIB SYS*MSFCS.

ADDRESS LIMITS 001000 033560 040000 055012
 STARTING ADDRESS 033540
 WORDS DECIMAL 13601 1BANK 6667 0BANK

SEGMENT	MAIN	001000	033560	040000	055012
MSATCS/FDR	1	001000	001021		
MSBLKS/MSFCS5	1	001022	001110	0	040000 040001
MSLAPS/MSFCS7	1	001111	001303	2	040002 040053
MSLQSS/FDR51	1	001304	001421	2	040054 040114
MS16QV/SC4020	1	001422	001710	0	040115 040153
				2	BLANK\$COMMON
MSRFRK/SC4020	1	001711	001740	0	040154 040167
				2	BLANK\$COMMON
MSLGLV/SC4020	1	001741	003003	0	040170 040276
				2	BLANK\$COMMON
MSRND3/FDR50	1	003004	003063	2	040277 040310
MSRFS/MSFCS5	1	003064	003320	2	040311 040331
MSRFS/FDR57	1	003321	003620	2	040332 040367
MSRQV/SC4020	1	003621	003646	0	040370 040376
				2	BLANK\$COMMON
MSRCCBY/SC4020	1	003647	003670	0	040377 040407
				2	BLANK\$COMMON
MSRCCBY/SC4020	1	003671	003716	0	040410 040416
				2	BLANK\$COMMON
MSRCONCAT/MSFC	1	003717	004070	0	040417 040440
MSRSETINT/SC4020	1	004071	004123	0	040441 040446
				2	BLANK\$COMMON
MSRCHLLV/SC4020	1	004124	004206	0	040447 040463
				2	BLANK\$COMMON
MSRDBLN/SC4020	1	004207	004614	0	040464 040535
				2	BLANK\$COMMON
MSRCLTRV/SC4020	1	004615	005470	0	040536 040651
	3	666		2	BLANK\$COMMON
MSRCSCLV/SC4020	1	005471	005673	0	040652 040700
	3	666		2	BLANK\$COMMON
MSRCSCLV/SC4020	1	005674	006076	0	040701 040727
	3	666		2	BLANK\$COMMON
MSRERNLV/SC4020	1	006077	006253	0	040730 040742

TABLE 5. (Continued)

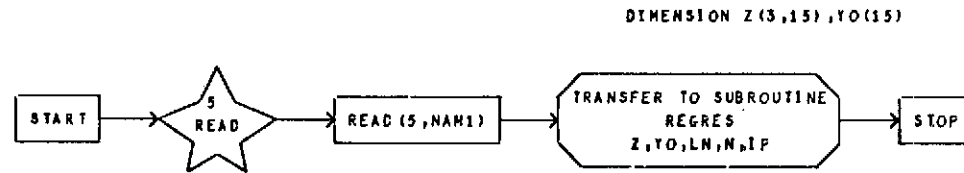
CERRLN/SC4020	1	006254	006363	2	BLANKSCOMMON
				0	040743 040760
				2	BLANKSCOMMON
CSETCV/SC4020	1	006364	006424	0	040761 040771
				2	BLANKSCOMMON
CSEIMV/SC4020	1	006425	006503	0	040772 041006
				2	BLANKSCOMMON
CAAXIS/SC4020	1	006504	006707	0	041007 041042
				2	BLANKSCOMMON
VCHARV/SC4020	1	006710	007153	0	041043 041062
RITE2V/SC4020	1	007154	007404	0	041063 041111
SPLOTK/SC4020	1	007405	007465	0	041112 041471
				2	BLANKSCOMMON
CFRAX/SC4020	1	007466	007705	0	041472 041556
	3	GGG		2	BLANKSCOMMON
CCANRA/SC4020	1	007706	007757	0	041557 041570
	3	GGG		2	BLANKSCOMMON
TABLIV/SC4020	1	007760	010113	0	041571 042111
NBDCV4/FOR57	1	010114	010136	2	042112 042151
NFTV4/FOR	1	010137	010305	2	042152 042177
MCLESA/MSFC57	1	010306	010474	0	042200 042201
MSBLK5/MSFC57	1	010475	010532		
NBDCV4/FOR	1	010533	010566		
NBDCV4/FOR	1	010567	011021	2	042202 044403
NBDCV4/FOR57	1	011022	011253	2	044404 044473
MININ5/MSFC55	1	011254	011436	0	044474 044515
CPLOT7/SC4020	1	011437	012022	0	044516 044554
	3	GGG		2	BLANKSCOMMON
CLICV4/SC4020	1	012023	012141	0	044555 044633
	3	GGG		2	BLANKSCOMMON
YSELV1/SC4020	1	012142	012257	0	044634 044644
	3	GGG		2	BLANKSCOMMON
ASELV1/SC4020	1	012240	012533	0	044645 044655
	3	GGG		2	BLANKSCOMMON
CAPLOT/SC4020	1	012534	012616	0	044656 044731
	3	GGG		2	BLANKSCOMMON
CAPRN7/SC4020	1	012617	013210	0	044732 044750
	3	GGG		2	BLANKSCOMMON
CPRINT7/SC4020	1	013211	014115	0	044751 045005
	3	GGG		2	BLANKSCOMMON
CGR0TV/SC4020	1	014116	014710	0	045006 045121
	3	GGG		2	BLANKSCOMMON
COXDY7/SC4020	1	014711	015012	0	045122 045206
	3	GGG		2	BLANKSCOMMON
CRP1TV/SC4020	1	015013	015071	0	045207 045222
	3	GGG		2	BLANKSCOMMON
CMRGN/SC4020	1	015072	015141	0	045223 045264
	3	GGG		2	BLANKSCOMMON
CNBLNK/SC4020	1	015142	015222	0	045265 045300
	3	GGG		2	BLANKSCOMMON
BNQV/MSFC	1	015223	015316	0	045301 045311
	3	GGG		2	BLANKSCOMMON
TRAC6	1	015317	015370	0	045312 045317
	3	GGG		2	045370 045407
SPCFR0/MSFC	1	015408	015456	0	045408 045456

TABLE 5. (Concluded)

CTOBCD/MSFC	1	015347	015645	0	045457	045630
BOXLTR/CSC	1	015646	014500	0	045631	045647
CIDENT/SC4020	1	016501	017653	0	045650	046033
	3	GGG		2	BLANK\$COMMON	
NOTINS/MSFC55	1	017654	020204	2	046034	046044
NOJTS/MSFC57	1	020205	021166	2	046045	046076
NFMTS/MSFC57	1	021167	022074	2	046077	046115
NIUBRS/MSFC57	1	022075	022254	2	046116	046240
NFCHRS/MSFC57	1	022255	023073	2	046241	046415
				4	046415	046467
NTABS/MSFC55				2	046470	046556
RLIOP3/MSFC57	1	023074	024640	2	046557	046770
SCR15/FOR55	1	024641	024700	2	046771	047002
REXP55/FOR57	1	024701	024764	2	047003	047012
GGG (COMMON BLOCK)					047013	047146
CNOJKL/SC4020	1	024765	025402	0	047147	047231
	3	GGG		2	BLANK\$COMMON	
TOEAT/SC4020	1	025403	026645	0	047232	051027
RESPONITER/MSFC55	1	026646	027755	2	051030	051614
NTERS/FOR52	1	027756	030040	2	051615	051744
MUSDP5/FOR51	1	030041	030100			
EROS/MSFC55						
REARS/FOR57	1	030101	030435	2	051745	052121
BLANK\$COMMON (COMMON BLOCK)						
DMATML	1	030436	030633	0	052122	052174
				2	BLANK\$COMMON	
INVRT	1	030634	031245	0	052175	052376
				2	BLANK\$COMMON	
IOKR	1	031246	031250			
ROMT	1	031251	031652	0	052377	052525
				2	BLANK\$COMMON	
REGRES	1	031653	033537	0	052526	054665
				2	BLANK\$COMMON	
MAIN	1	033540	033560	0	054666	055012
				2	BLANK\$COMMON	

SYSTEM LEVEL MS7-W
 END OF COLLECTION - TIME 3.887 SECONDS

EXOT AA



D I M E N S I O N E D V A R I A B L E S

SYMBOL	STORAGES	SYMBOL	STORAGES	SYMBOL	STORAGES	SYMBOL	STORAGES	SYMBOL	STORAGES
ADARY	22	PMAX	15	FLDX	12	FLDY	12	X	15
Z	3,15	ZBAR	3,3	ZZBAR	2,3	SMALLZ	IDIM	SMALZ1	IDIM
SMALZ2	IDIM	SHAT	12,12	YO	15	SVHAT	12,1	YC	15
BZ	15	RESID	15	B	3,3	A	2,3		

Figure 4. Operation of the computer program (cross product).

SUBROUTINE REGRES (Z,TO,LN,N,IP)

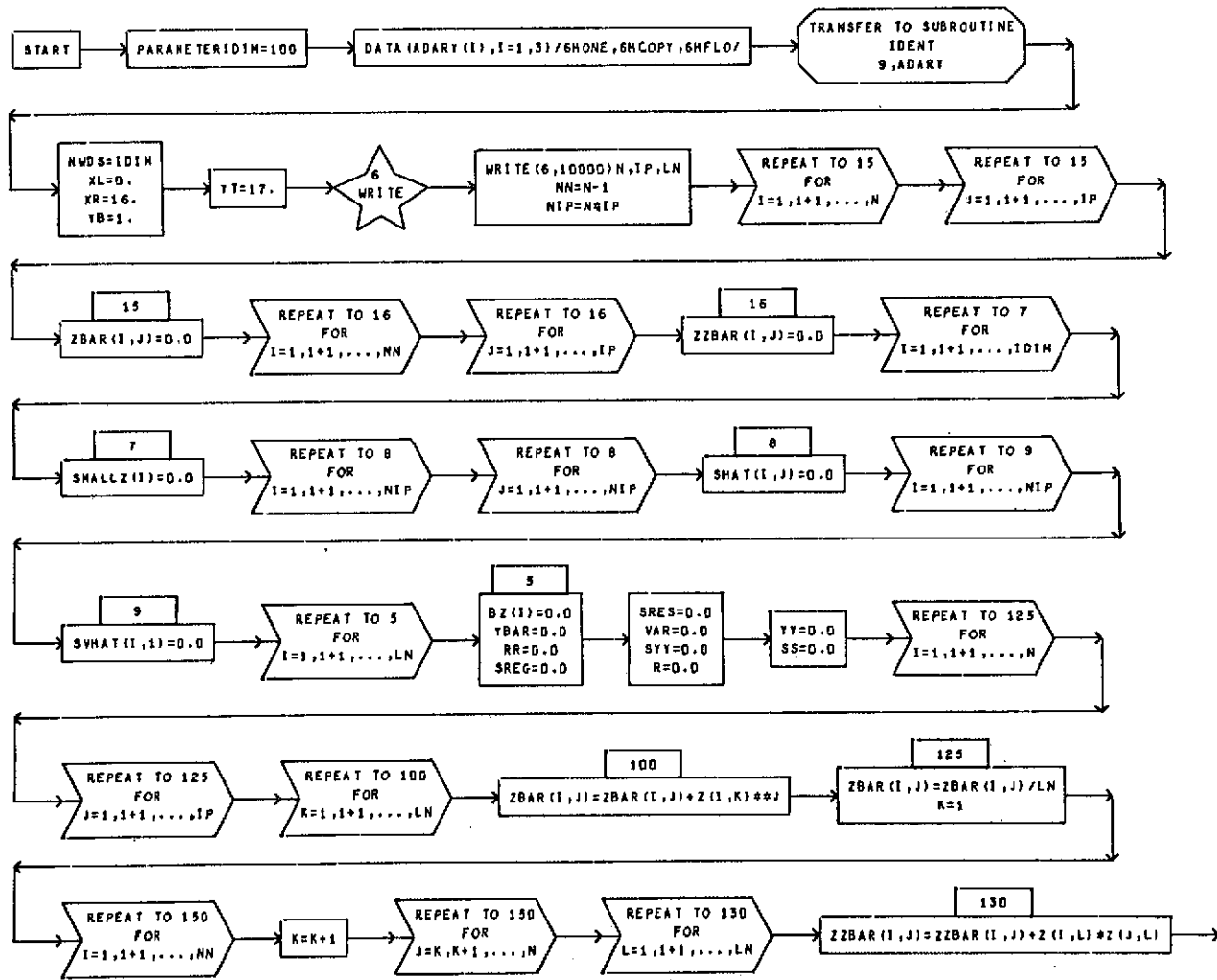


Figure 4. (Continued)

SUBROUTINE REGRES(Z,YO,LN,N,IP)

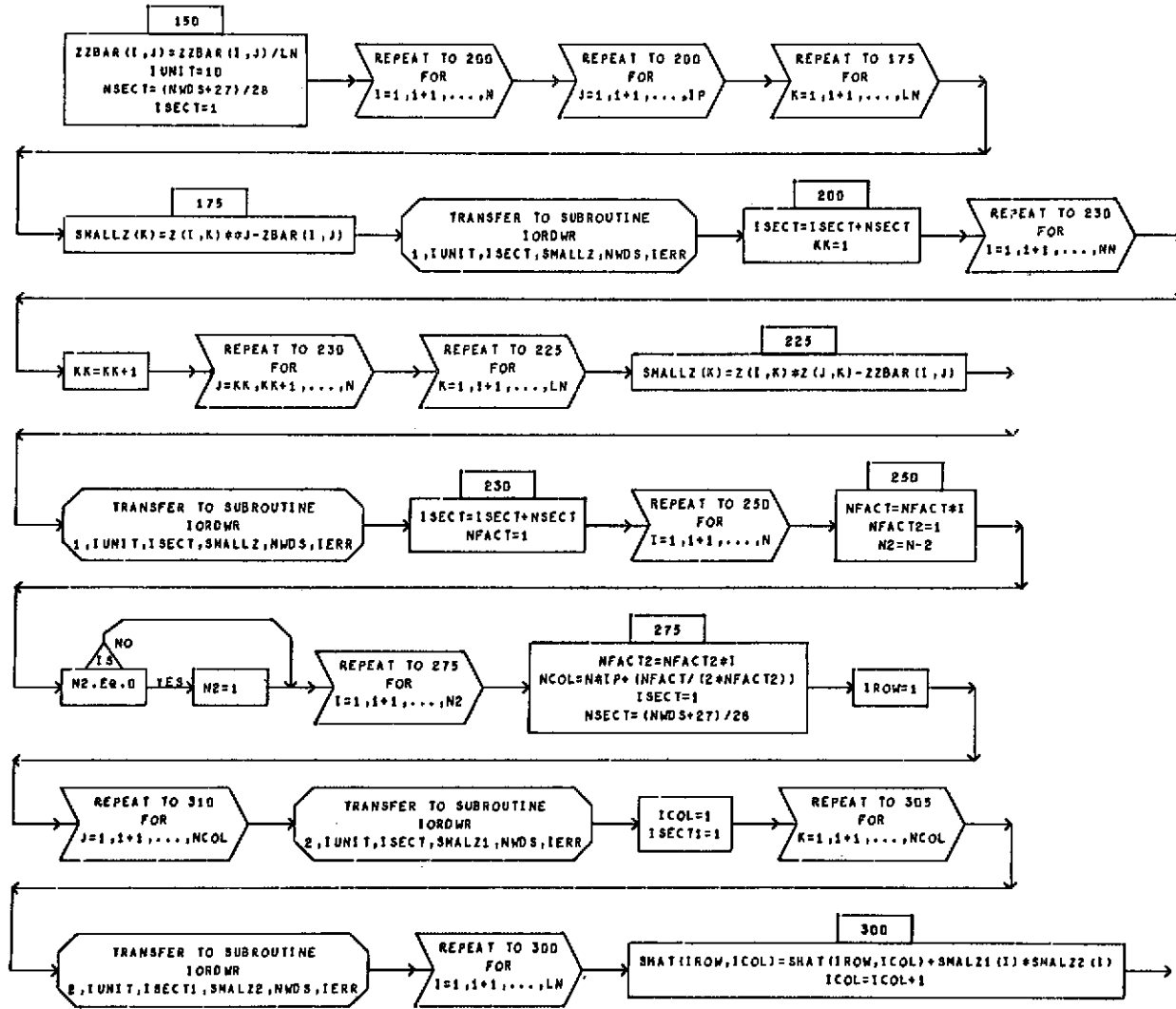


Figure 4. (Continued)

SUBROUTINE REGRES (Z, YO, LN, N, IP)

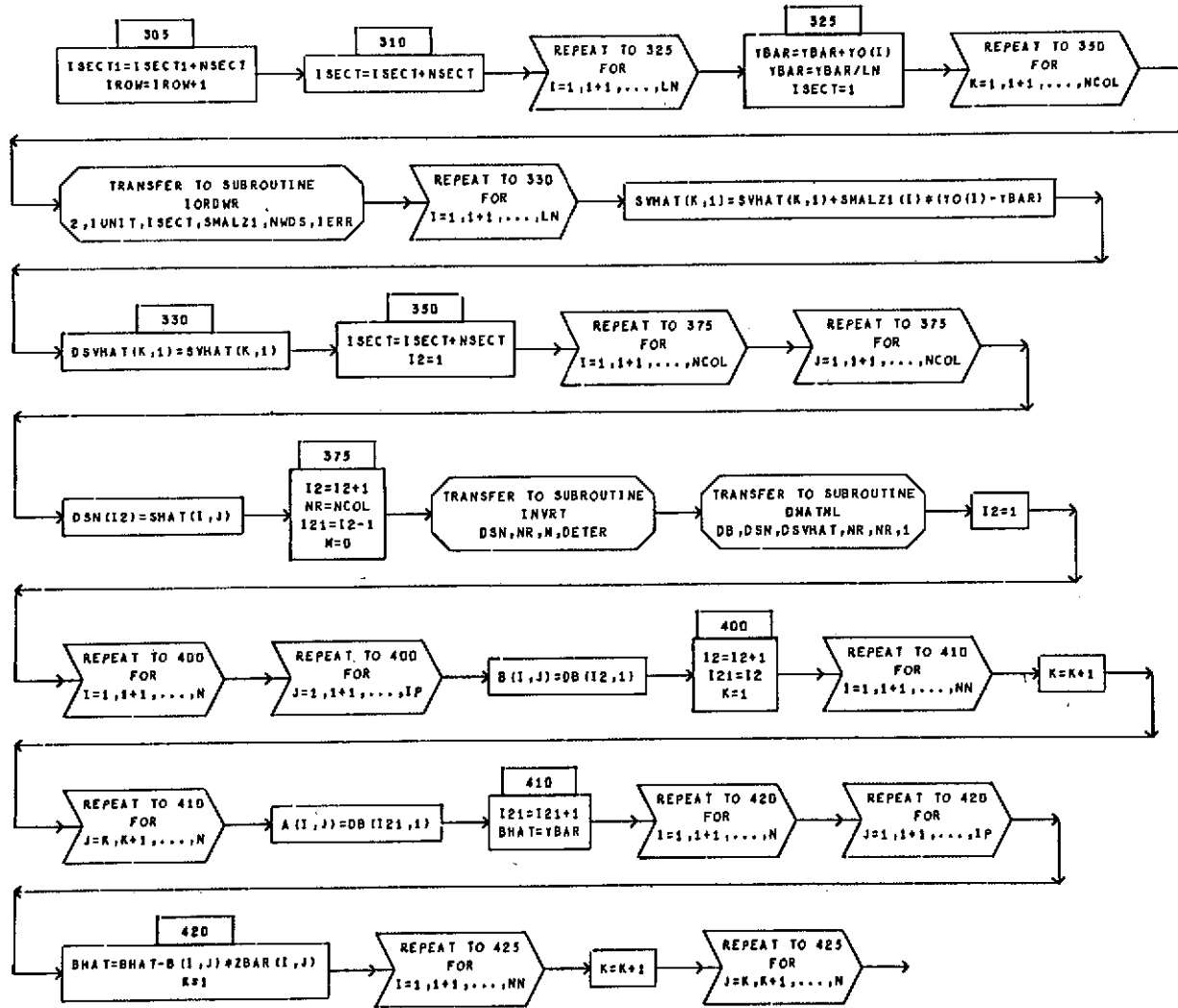


Figure 4. (Continued)

SUBROUTINE REGRES (Z,YO,LN,N,IP)

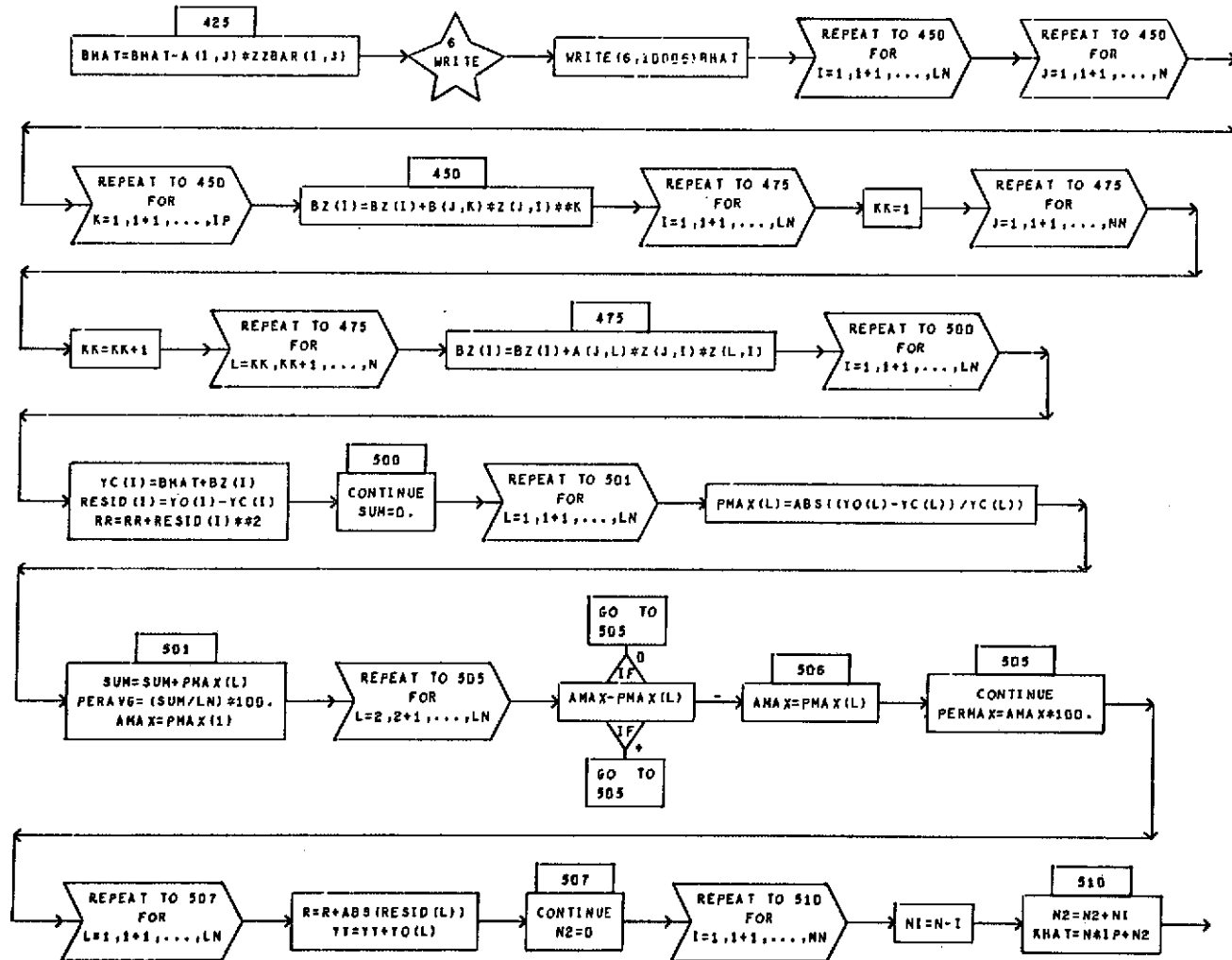


Figure 4. (Continued)

SUBROUTINE REGRES(2,TO,LN,K,IP)

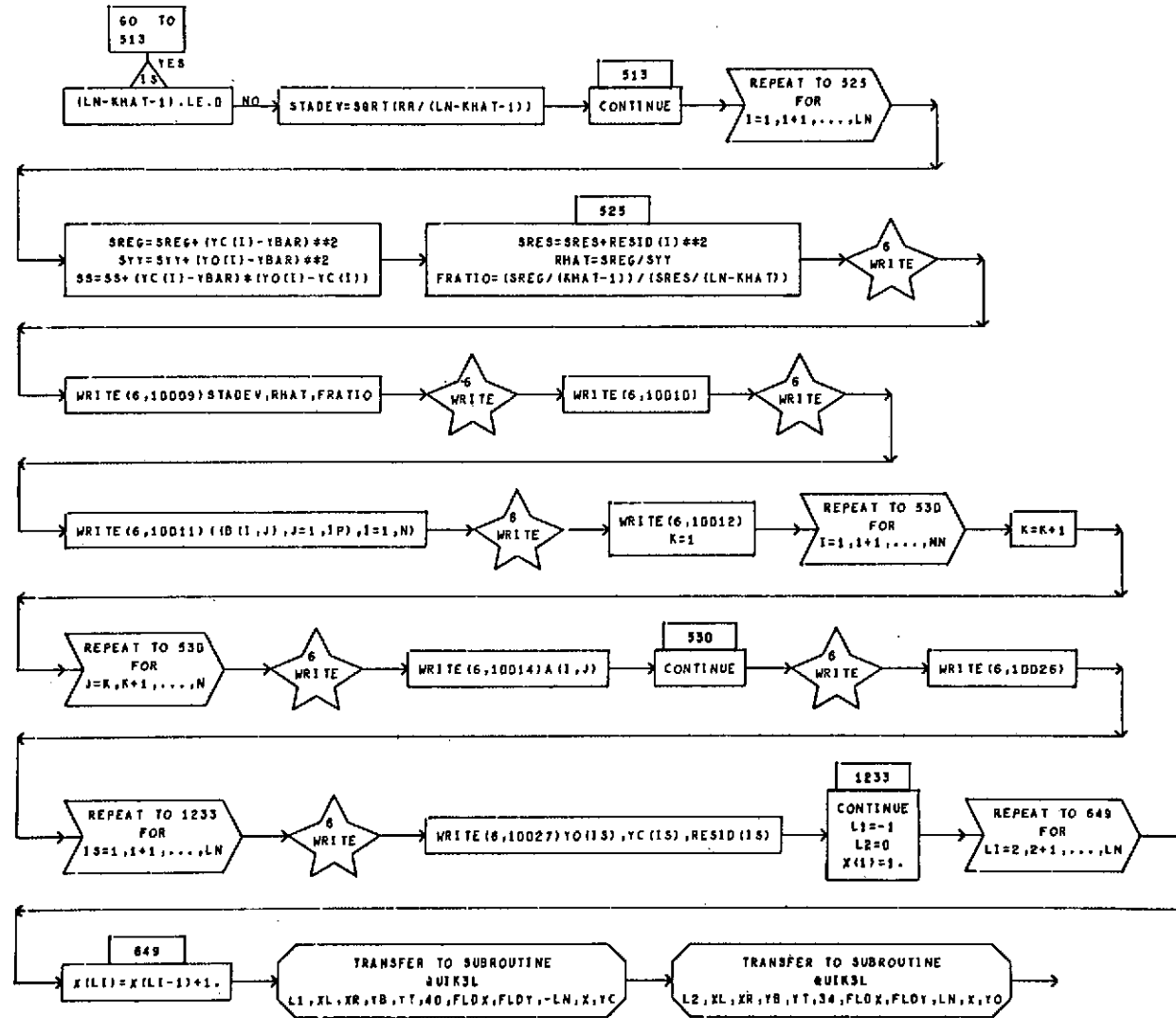
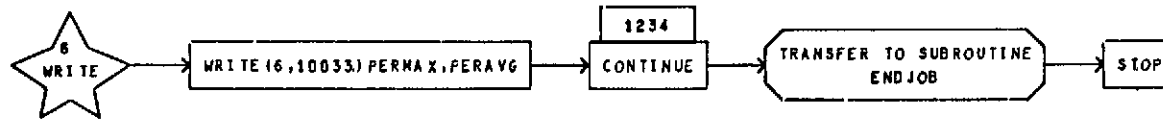


Figure 4. (Continued)

SUBROUTINE REGRES (Z, Y0, LN, N, IP)



GENERAL FORTRAN I/O PACKAGE .EXEC VIII .APRIL, 1970
 READ/WRITE MAG TAPE OR DRUM IN FORTRAN OR NON-FORTRAN FORMAT.

D I M E N S I O N E D V A R I A B L E S

SYMBOL	STORAGES	SYMBOL	STORAGES	SYMBOL	STORAGES	SYMBOL	STORAGES	SYMBOL	STORAGES
ARRAY	1	ICWD	3	IFLD	29	KODE	6	.IPACKT	6
NTWD	3								

Figure 4. (Continued)

SUBROUTINE RDWT

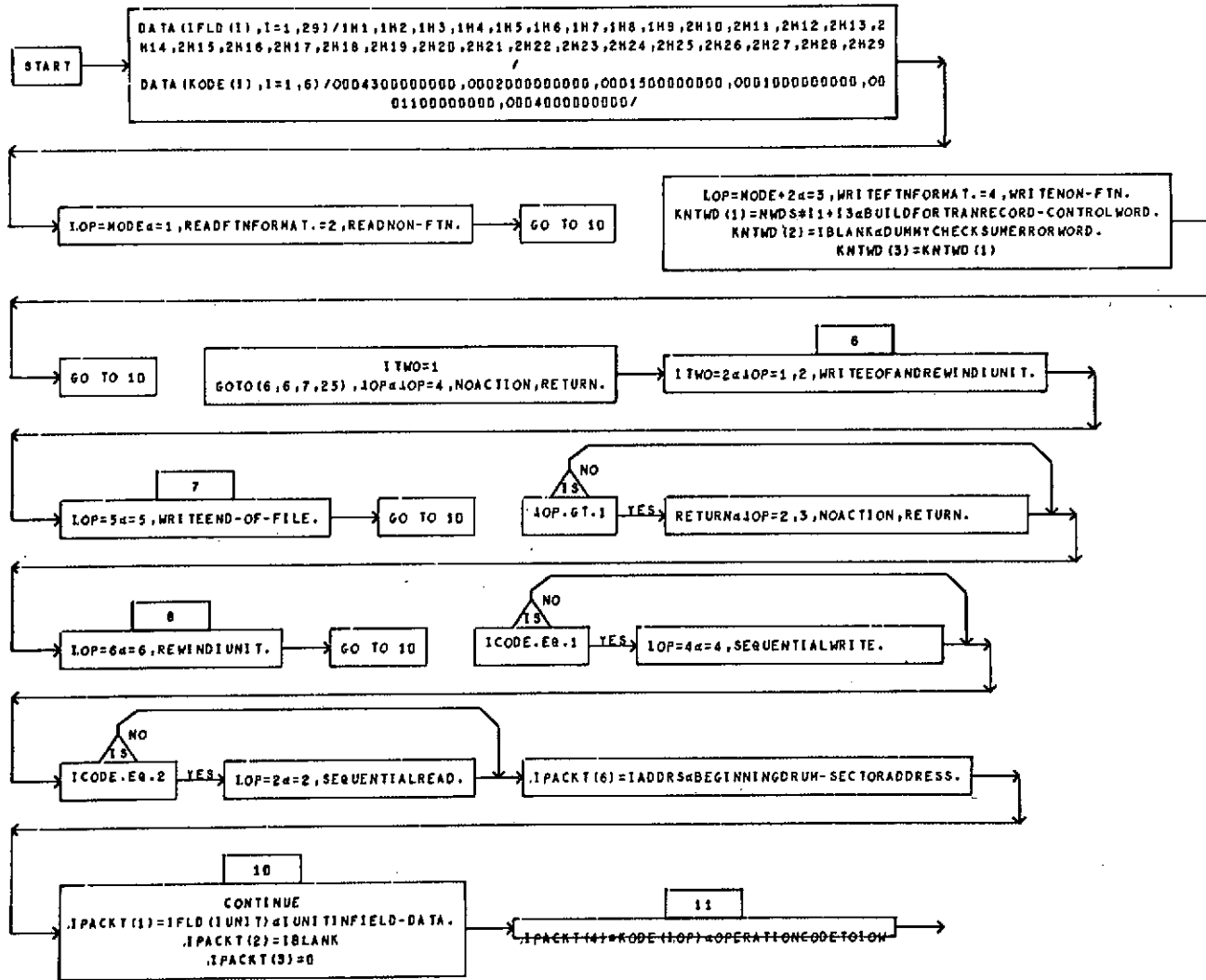


Figure 4. (Continued)

SUBROUTINE RDWT

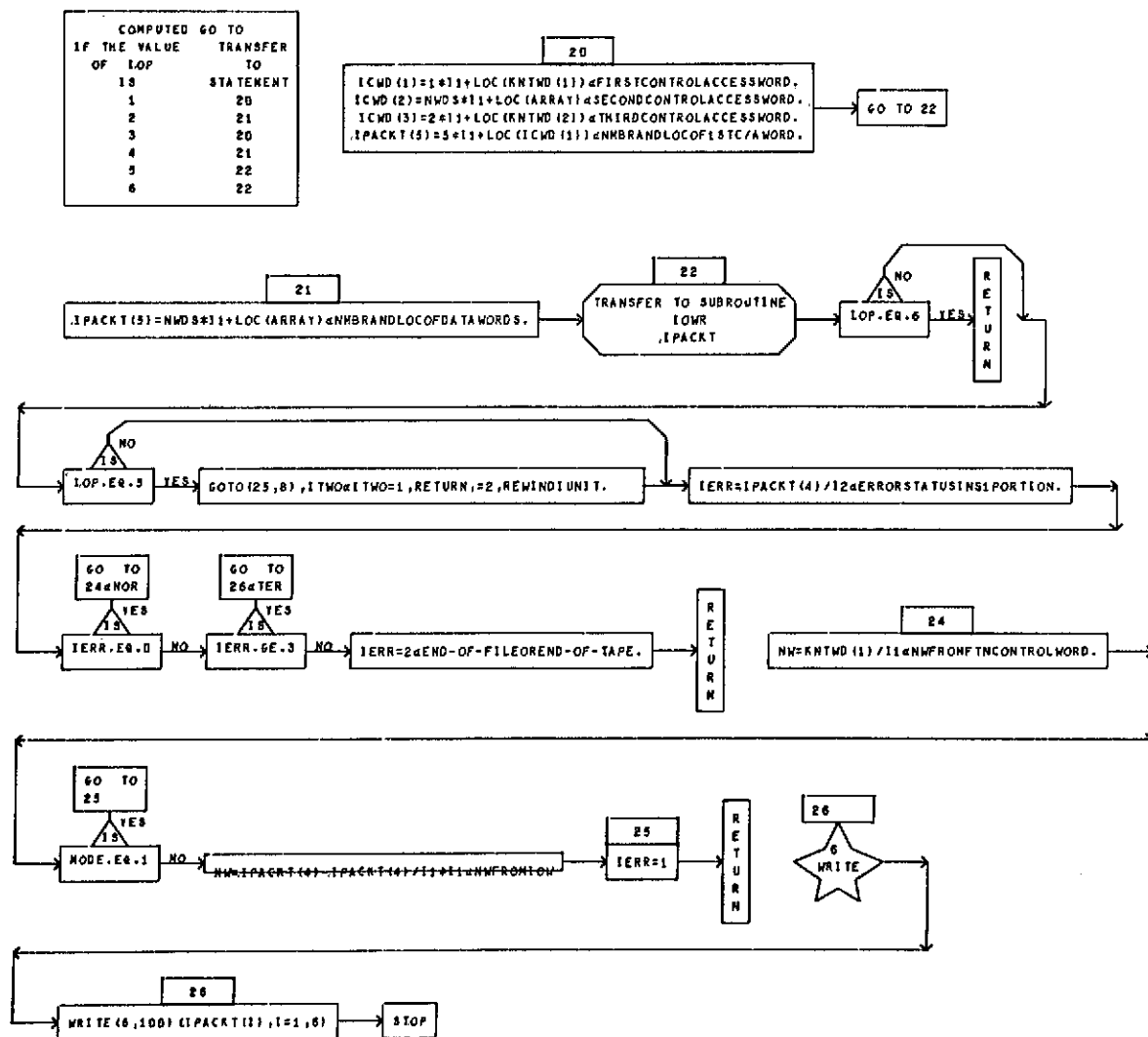


Figure 4. (Continued)

D I M E N S I O N E D V A R I A B L E S

SYMBOL	STORAGES	SYMBOL	STORAGES	SYMBOL	STORAGES	SYMBOL	STORAGES	SYMBOL	STORAGES
.IPIV	IDIM	INDEX	IDIM,2						

Figure 4. (Continued)

SUBROUTINE INVRT(A,N,M,DETER)

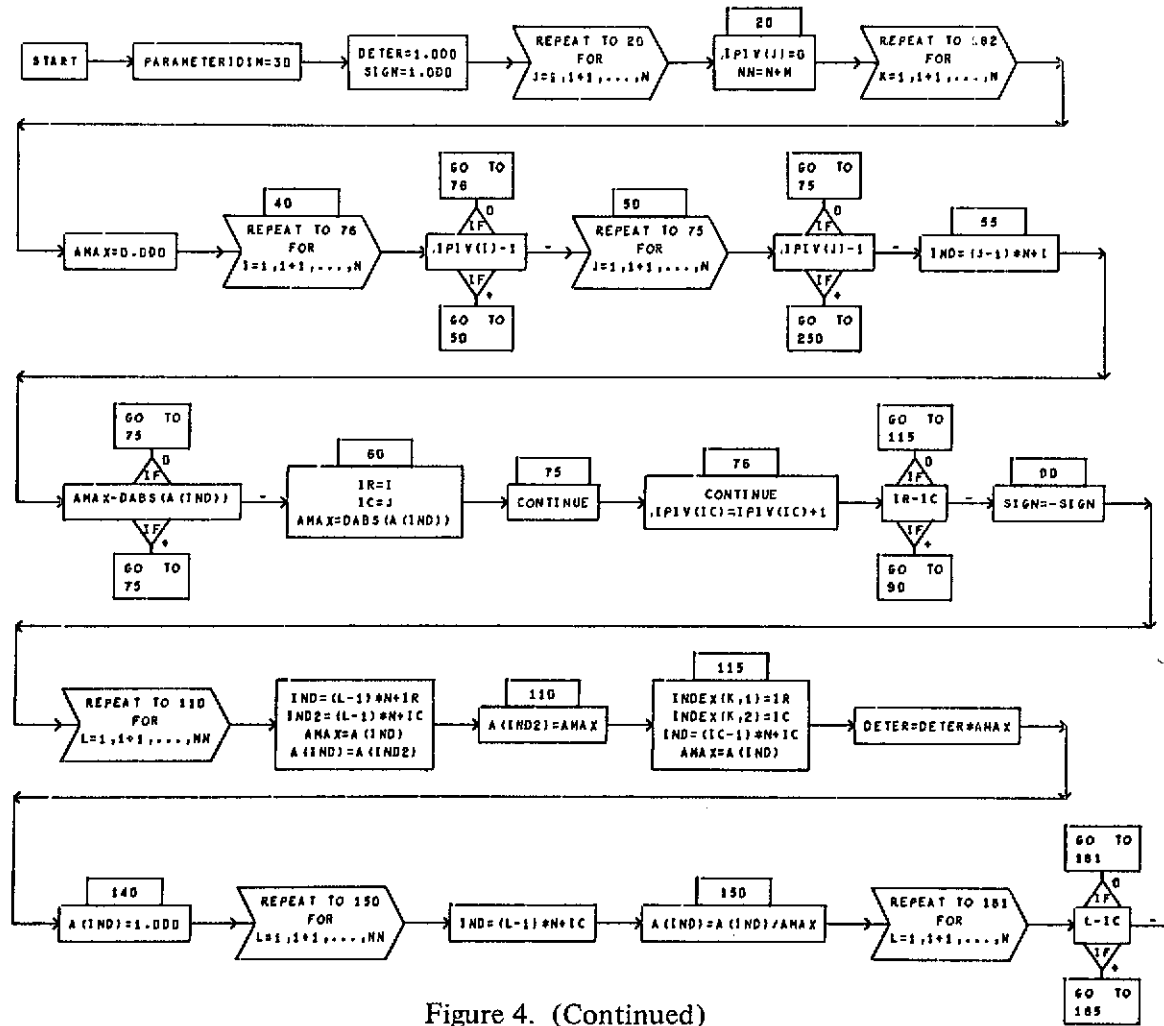


Figure 4. (Continued)

SUBROUTINE INVRT(A,N,M,DETER)

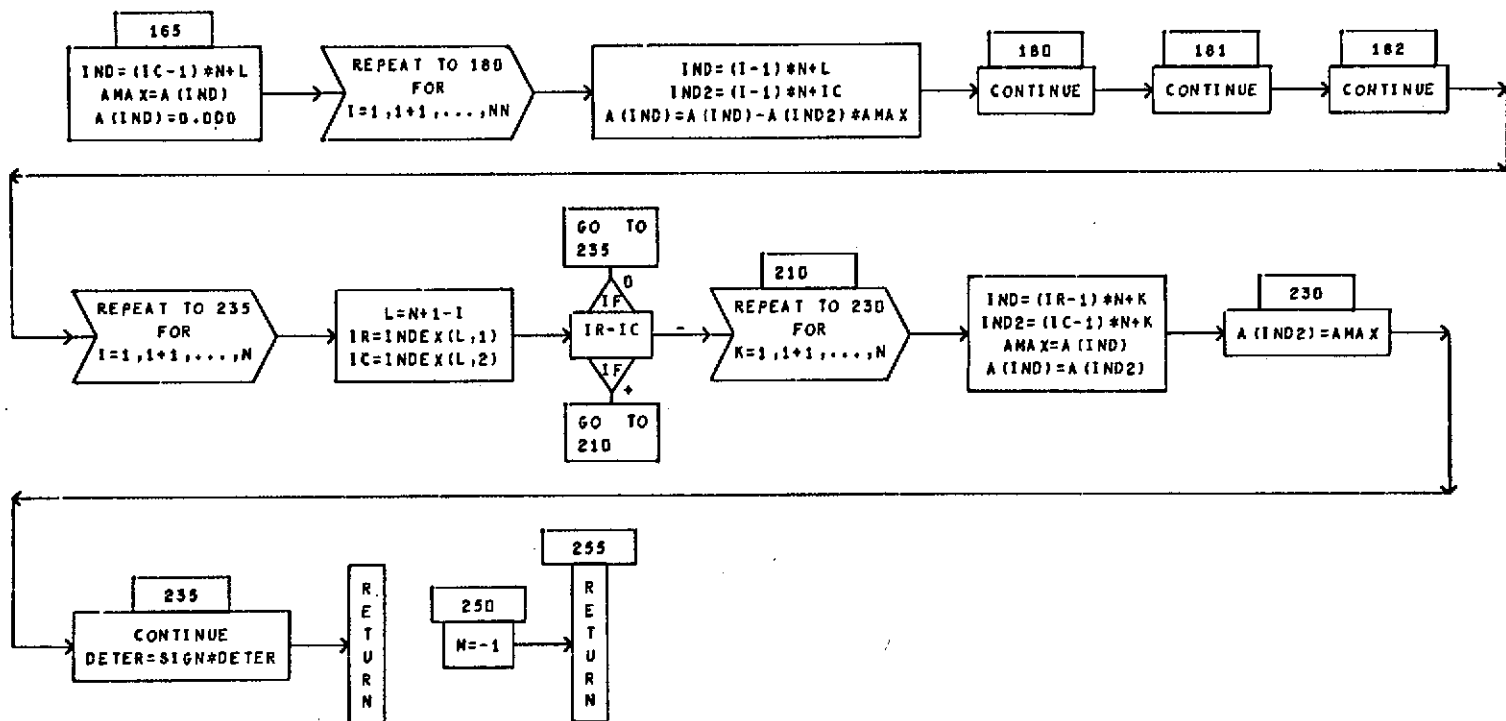


Figure 4. (Continued)

D I M E N S I O N E D V A R I A B L E S

SYMBOL	STORAGES	SYMBOL	STORAGES	SYMBOL	STORAGES	SYMBOL	STORAGES	SYMBOL	STORAGES
C	1	A	1	B	1				

SUBROUTINE DNATML (C, A, B, N, N, K)

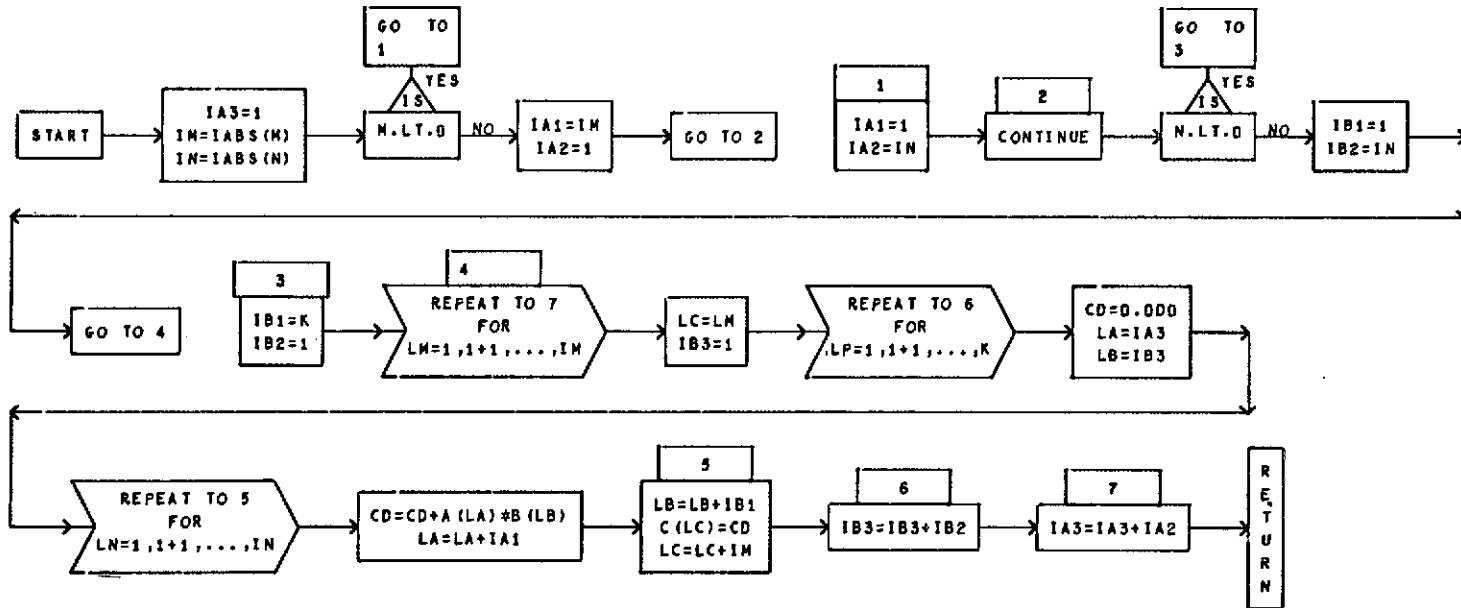


Figure 4. (Concluded)

From equation (38) the following set of input data (Table 6) was developed, containing exact dependent variable values (to three decimal places) for arbitrary values of the three independent variables. In as far as was possible the problem selected in Appendix A was duplicated for comparison purposes.

TABLE 6. INPUT DATA, DEPENDENT VARIABLE VALUES

Data Point Number	Y	X ₁	X ₂	X ₃
1	6.759	0.5	0.4	0.4
2	8.251	0.6	0.3	0.2
3	4.256	0.2	0.6	0.6
4	4.892	0.2	0.6	0.5
5	13.165	0.9	0.0	0.5
6	9.669	0.7	0.0	0.6
7	6.070	0.3	0.9	0.7
8	12.588	0.9	0.3	0.6
9	5.749	0.5	0.6	0.7
10	8.561	0.3	0.8	0.2
11	11.333	0.2	0.9	0.0
12	10.589	0.8	0.5	0.6
13	16.117	0.9	0.8	0.3
14	3.525	0.1	0.4	0.7
15	2.333	0.0	0.5	0.8

The input for this sample program was read in through namelist NAM1 as follows:

```

Col. 2
$NAM1

    Z = 0.5, 0.4, ..., 0.8,
    YO = 6.759, 8.251, ..., 2.333,
    LN = 15,
    N = 3,
    IP = 3,
$

```

The computed results are shown in Table 7 for this example problem and the plotted results are shown in Figure 5.

TABLE 7. OUTPUT DATA LISTING FOR ILLUSTRATIVE PROBLEM (CASE WITH CROSS PRODUCTS)

N= 3 P= 3 LN= 15			
BHAT= .900033772+01			
STANDARD DEVIATION= .945426711-05		MULTIPLE CORRELATION COEFFICIENT= .100000000+01 F RATIO= .335245672+12	
B COEFFICIENTS			
.600040036+01	.699976504+01	.500027460+01	.400052220+01
.699985909+01	.600018770+01	.699929118+01	.599932355+01
A COEFFICIENTS			
.300028425+01			
.500044143+01			
.599971730+01			
OBSERVED	COMPUTED	RESIDUAL	
.675900000+01	.675099339+01	.661611557-05	
.825100005+01	.825100231+01	-.226477650-05	
.425599998+01	.425599325+01	.673532486-05	
.489200002+01	.489205270+01	-.268220901-05	
.131650000+02	.131649994+02	.596046448-06	
.966900003+01	.966900027+01	-.238418579-06	
.606999999+01	.607000053+01	-.536441803-06	
.125880001+02	.125880008+02	-.715255737-06	
.575000001+01	.574900067+01	-.655651093-06	
.856099999+01	.856100559+01	-.560283661-05	
.113329999+02	.113329972+02	.274181366-05	
.105890000+02	.105890003+02	-.357627869-06	
.161170001+02	.161169991+02	.953674316-06	
.352500001+01	.352500546+01	-.545382500-05	
.233300000+01	.233299756+01	.244379044-05	
MAXIMUM PERCENT ERROR= .158255063-03		AVERAGE PERCENT ERROR= .486492650-04	

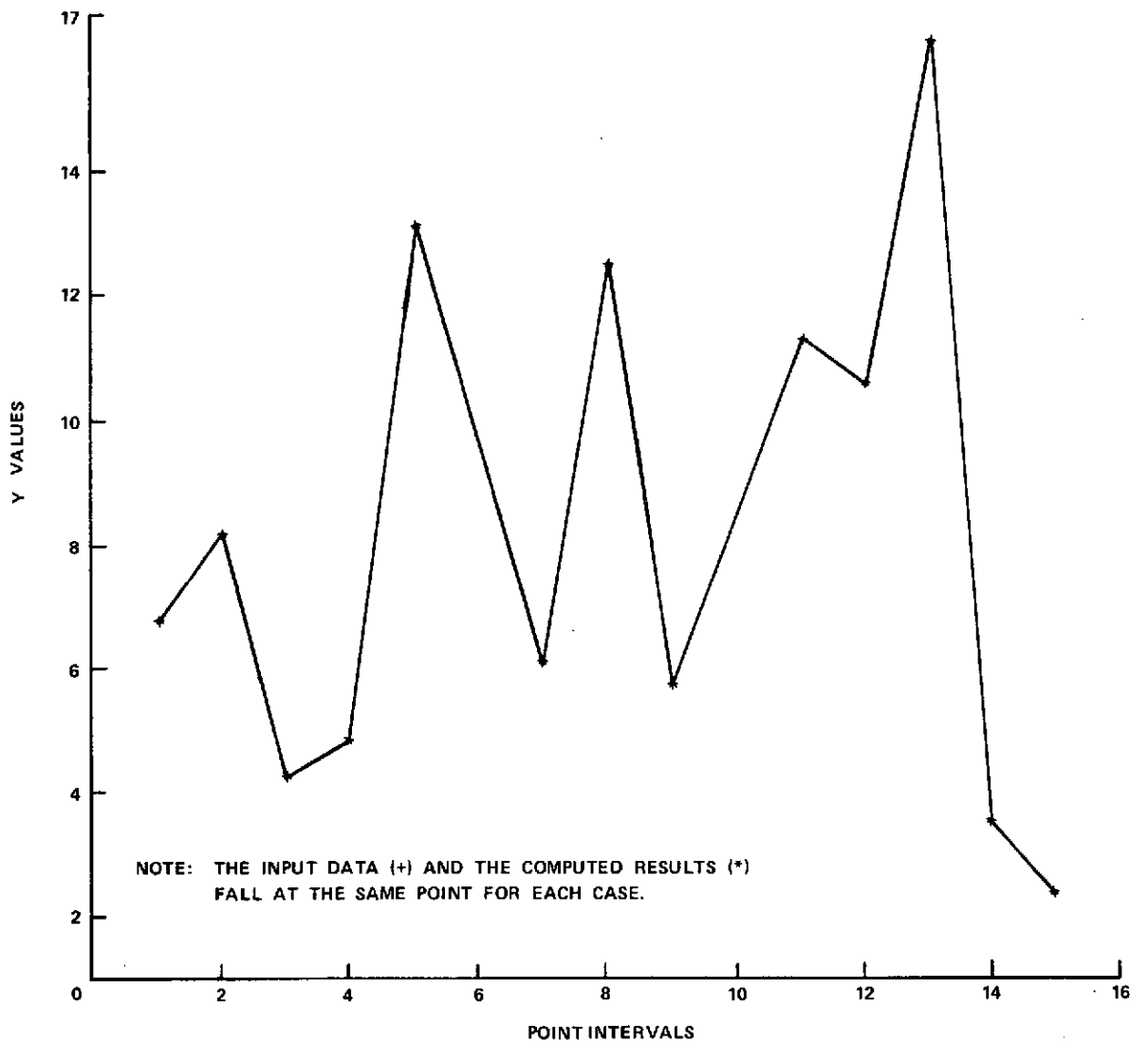


Figure 5. Comparison of input and computed values for illustrative problem with cross products.

The plot graphs the point intervals on the X axis against the exact and computed dependent variables. The exact dependent variables are plotted with (+) and the points are not connected by line segments. The computed dependent variables are plotted with (*) and the points are connected by straight line segments.

Inspection of the digital and plotted results reveals that the computed regression relation yields an almost exact representation of the input data for this arbitrary case. However, experience with several sets of physical data have generally yielded poorer results evidently due to the larger matrices being manipulated and due to unknowns as to whether true linear cross coupling exists in the physical process.

REFERENCES

1. Davis, J.W.: Optimization of Wave Cancellation in Variable Porosity Transonic Wind Tunnel Flows. NASA TN D-7432, 1973.
2. Graybill, F.A.: An Introduction to Linear Statistical Models. Volume I, McGraw-Hill, New York, 1961.
3. Smille, K.W.: An Introduction to Regression and Correlation. The Ryerson Press, New York, 1966.
4. Junkin, B.G.: Regression Analysis Procedures for the Evaluation of Tracking System Measurement Errors. NASA TN D-4826, 1968.