

General Disclaimer

One or more of the Following Statements may affect this Document

- This document has been reproduced from the best copy furnished by the organizational source. It is being released in the interest of making available as much information as possible.
- This document may contain data, which exceeds the sheet parameters. It was furnished in this condition by the organizational source and is the best copy available.
- This document may contain tone-on-tone or color graphs, charts and/or pictures, which have been reproduced in black and white.
- This document is paginated as submitted by the original source.
- Portions of this document are not fully legible due to the historical nature of some of the material. However, it is the best reproduction available from the original submission.



NATIONAL AERONAUTICS AND SPACE ADMINISTRATION



(NASA-CR-144616) RESULTS OF AN AERODYNAMIC INVESTIGATION OF A SPACE SHUTTLE ORBITER/747 CARRIER FLIGHT TEST CONFIGURATION TO DETERMINE SEPARATION CHARACTERISTICS UTILIZING 0.0125-SCALE MODELS (CHRYSLER

N76-25326
HC \$18.75

UNCLAS
63/18 41825

SPACE SHUTTLE

AEROTHERMODYNAMIC DATA REPORT



JOHNSON SPACE CENTER
HOUSTON, TEXAS

DATA Management services



April, 1976

DMS-DR-2273
NASA CR-144,616
VOLUME 5 OF 5

RESULTS OF AN AERODYNAMIC INVESTIGATION OF A
SPACE SHUTTLE ORBITER/747 CARRIER FLIGHT TEST
CONFIGURATION TO DETERMINE SEPARATION CHARACTERISTICS
UTILIZING 0.0125-SCALE MODELS (48-0/AX1318I-1) IN
THE LTV 4 x 4-FOOT HIGH SPEED WIND TUNNEL (CA26)

by

R. L. Gillins
Shuttle Aerosciences
Rockwell International Space Division

Prepared Under NASA Contract Number NAS9-13247

by

Data Management Services
Chrysler Corporation Space Division
New Orleans, La. 70189

for

Engineering Analysis Division
Johnson Space Center
National Aeronautics and Space Administration
Houston, Texas

WIND TUNNEL TEST SPECIFICS:

Test Number: LTV HSWT 559
NASA Series Number: CA26
Model Number: 48-0 Orbiter/AX1318I-1 747
Test Dates: August 1 through August 15, 1975
Occupancy Hours: 95

FACILITY COORDINATOR:

Mr. Tom Baker
Vought Systems Division
Gas Dynamics Laboratories
P. O. Box 1046
Grand Prairie, Texas 75050
Phone: (214) 266-4462

PROJECT ENGINEERS:

R. L. Gillins, V. Esparza	Carl Ziegler
Rockwell International	Gas Dynamics Laboratories
Space Division	P. O. Box 1046
12214 Lakewood Blvd.	Grand Prairie, Texas 75050
Mail Code AC07	Phone: (214) 266-4462
Downey, Calif. 90241	
Phone: (213) 922-4994	

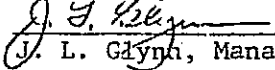
AERODYNAMICS ANALYSIS ENGINEERS:

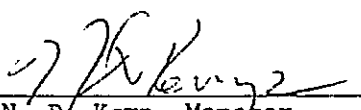
P. H. Kief, A. L. Mena	C. R. Mullen	L. Perez, D. Homan
Rockwell International	The Boeing Company	NASA/JSC
Space Division	Orgn. B-8241 OL-21	Bldg. 13, EX33
12214 Lakewood Blvd.	Seattle, Washington	Houston, Texas
Mail Code AC07	98007	77058
Downey, Calif. 90241	Phone: (206) 342-1112	Phone: (713)
Phone: (213) 922-4771		483-4701

DATA MANAGEMENT SERVICES:

Prepared by: Liaison--J. W. Ball, T. L. Mulkey, D. A. Sarver
Operations--G. W. Klug

Reviewed by: D. E. Poucher

Approved: 
J. L. Glynn, Manager
Data Operations

Concurrence: 
N. D. Kemp, Manager
Data Management Services

Chrysler Corporation Space Division assumes no responsibility for the data presented other than display characteristics.

RESULTS OF AN AERODYNAMIC INVESTIGATION OF A
SPACE SHUTTLE ORBITER/747 CARRIER FLIGHT TEST
CONFIGURATION TO DETERMINE SEPARATION CHARACTERISTICS
UTILIZING 0.0125-SCALE MODELS (48-0/AX1318I-1) IN THE
LTV 4 x 4-FOOT HIGH SPEED WIND TUNNEL (CA26)

by

R. L. Gillins
Shuttle Aerosciences
Rockwell International Space Division

ABSTRACT

This report presents results of tests conducted on a 0.0125-scale model of the VC70-000002 Space Shuttle Orbiter and a 0.0125-scale model of the 747 CAM configuration in the LTV 4 x 4-foot High Speed Wind Tunnel. Force and moment data were obtained for each vehicle separately at a Mach number of 0.6 and for each vehicle in proximity to the other at Mach numbers of 0.3, 0.5, 0.6 and 0.7.

The enclosed data present the proximity effects of each vehicle on the other at separation distances (from the mated configuration) ranging from 1.5 feet to 75 feet; 747 Carrier angles of attack from 0 degrees to 6 degrees and angles of sideslip of 0° and -5° were tested. The Orbiter was tested in proximity to the 747 at incidence angles of 4 degrees, 6 degrees and 8 degrees and angles of sideslip of 0 degrees and ±5 degrees. The Orbiter alone was tested at angles of attack from 0 degrees to 17 degrees at angles of sideslip of 0 degrees and -5 degrees.

ABSTRACT (Concluded)

Model variables include orbiter elevon, aileron and body flap deflections, orbiter tailcone on and off, and 747 stabilizer and rudder deflections. The tests, designated CA26, were conducted from August 1 through August 15, 1975.

TABLE OF CONTENTS

	Page
ABSTRACT	iii
INDEX OF MODEL FIGURES	2
INDEX OF DATA FIGURES	3
NOMENCLATURE	24
REMARKS	28
CONFIGURATION INVESTIGATED	29
INSTRUMENTATION	32
TEST FACILITY DESCRIPTION	33
DATA REDUCTION	35
REFERENCES	36
TABLES	
I. TEST CONDITIONS	37
II. DATA SET/RUN NUMBER COLLATION SUMMARY	38
III. MODEL DIMENSIONAL DATA	
A. ORBITER MODEL	49
B. CARRIER MODEL	62
IV. CA26 DATA SET DESCRIPTION	76
FIGURES	
MODEL	77
DATA	97
VOLUME 1 (FIGURES 4 - 83)	
VOLUME 2 (FIGURES 84 - 164)	
VOLUME 3 (FIGURES 165 - 240)	
APPENDIX - TABULATED SOURCE DATA	97
VOLUME 4 (ORBITER)	
VOLUME 5 (CARRIER)	

INDEX OF MODEL FIGURES

Figures	Title	Page
1	Axis systems	
	a. General	77
	b. Orbiter/747 Angular Relations	78
	c. Orbiter/747 Flight Test Configuration Reference Dimensions	79
2.	Model Instrumentation Sketches	
	a. SSV Orbiter Configuration (VC70-000002)	80
	b. Orbiter Tail Cone -- TC ₄ (X _{3B})	81
	c. Elevon - E ₄₄	82
	d. 747-100 Configuration (Model AX1318I-1)	83
	e. In-flight Spoiler Configuration	84
	f. Simulated Attach Structure AT ₉₆ and AT ₉₉ (AT _x)	85
	g. Simulated Attach Structure AT ₁₁₂ and AT ₁₁₃ (AT _y)	86
	h. Orbiter Alone Installation Sketches	87
	i. Carrier and Separation Installation Sketches	88
	j. Orbiter Base Pressure Tap Locations	89
	k. Sting and Strut Pressure Tap Locations	90
	l. Orbiter/747 Moment Transfers (Mated)	91
3	Model Installation Photographs	
	a. Orbiter Alone	92
	b. 747 Alone	93
	c. Front View, Orbiter Separating From 747	94
	d. Rear View, Orbiter Separating From 747	95

INDEX OF DATA FIGURES

FIGURE NUMBER	TITLE	COEFFICIENT SCHEDULE	PAGES
<u>VOLUME 1</u>			
4	ORBITER ISOLATED, ALPHA SWEEP, AFE001	F	1-8
5	ORBITER ISOLATED, ALPHA SWEEP, AFE002	F	9-16
6	ORBITER ISOLATED, ALPHA SWEEP, AFE003	F	17-24
7	ORBITER ISOLATED, ALPHA SWEEP, AFE004	F	25-32
8	ORBITER ISOLATED, ALPHA SWEEP, AFE005	F	33-40
9	ORBITER ISOLATED, ALPHA SWEEP, AFE006	F	41-48
10	ORBITER ISOLATED, DELZ SWEEP, AFE007	C	49-56
11	ORBITER ISOLATED, ALPHA SWEEP, AFE008	F	57-64
12	ORBITER ISOLATED, ALPHA SWEEP, AFE009	F	65-72
13	ORBITER ISOLATED, ALPHA SWEEP, AFE010	F	73-80
14	ORBITER ISOLATED, ALPHA SWEEP, AFE011	F	81-88
15	ORBITER ISOLATED, ALPHA SWEEP, AFE012	F	89-96
16	ORBITER ISOLATED, ALPHA SWEEP, AFE013	F	97-104
17	ORBITER ISOLATED, ALPHA SWEEP, AFE014	G	105-112
18	ORBITER ISOLATED, ALPHA SWEEP, AFE015	G	113-120
19	ORBITER ISOLATED, ALPHA SWEEP, AFE131	G	121-128
20	ORBITER ISOLATED, ALPHA SWEEP, AFE132	G	129-136

INDEX OF DATA FIGURES (Continued)

FIGURE NUMBER	TITLE	COEFFICIENT SCHEDULE	PAGES
21	ORBITER ISOLATED, ALPHA SWEEP, AFE133	G	137-144
22	ORBITER ISOLATED, ALPHA SWEEP, AFE134	F	145-152
23	ORB. DATA, CARRIER PROXIMITY, ALPHAC = 0, IORB = 4, BETAC = 0, BETAO = 0, AFE030	C	153-160
24	ORB. DATA, CARRIER PROXIMITY, ALPHAC = 0, IORB = 6, BETAC = 0, BETAO = 0, AFE031	C	161-168
25	ORB. DATA, CARRIER PROXIMITY, ALPHAC = 0, IORB = 6, BETAC = 0, BETAO = 0, AFE032	C	169-176
26	ORB. DATA, CARRIER PROXIMITY, ALPHAC = 0, IORB = 6, BETAC = 0, BETAO = 0, AFE033	C	177-184
27	ORB. DATA, CARRIER PROXIMITY, ALPHAC = 0, IORB = 8, BETAC = 0, BETAO = 0, AFE034	C	185-192
28	ORB. DATA, CARRIER PROXIMITY, ALPHAC = 0, IORB = 4, BETAC = 0, BETAO = 5, AFE035	C	193-200
29	ORB. DATA, CARRIER PROXIMITY, ALPHAC = 0, IORB = 6, BETAC = 0, BETAO = 5, AFE036	C	201-208
30	ORB. DATA, CARRIER PROXIMITY, ALPHAC = 0, IORB = 8, BETAC = 0, BETAO = 5, AFE037	C	209-216
31	ORB. DATA, CARRIER PROXIMITY, ALPHAC = 0, IORB = 4, BETAC = 0, BETAO = 0, AFE038	C	217-224
32	ORB. DATA, CARRIER PROXIMITY, ALPHAC = 0, IORB = 6, BETAC = 0, BETAO = 0, AFE039	C	225-232

INDEX OF DATA FIGURES (Continued)

FIGURE NUMBER	TITLE	COEFFICIENT SCHEDULE	PAGES
33	ORB. DATA, CARRIER PROXIMITY, ALPHAC = 0, IORB = 8, BETAC = 0, BETAO = 0, AFE040	C	233-240
34	ORB. DATA, CARRIER PROXIMITY, ALPHAC = 2, IORB = 4, BETAC = 0, BETAO = 0, AFE041	C	241-248
35	ORB. DATA, CARRIER PROXIMITY, ALPHAC = 2, IORB = 6, BETAC = 0, BETAO = 0, AFE042	C	249-256
36	ORB. DATA, CARRIER PROXIMITY, ALPHAC = 2, IORB = 4, BETAC = 0, BETAO = 0, AFE045	C	257-264
37	ORB. DATA, CARRIER PROXIMITY, ALPHAC = 2, IORB = 6, BETAC = 0, BETAO = 0, AFE046	C	265-272
38	ORB. DATA, CARRIER PROXIMITY, ALPHAC = 2, IORB = 8, BETAC = 0, BETAO = 0, AFE047	C	273-280
39	ORB. DATA, CARRIER PROXIMITY, ALPHAC = 2, IORB = 4, BETAC = 0, BETAO = 5, AFE048	C	281-288
40	ORB. DATA, CARRIER PROXIMITY, ALPHAC = 2, IORB = 6, BETAC = 0, BETAO = 5, AFE049	C	289-296
41	ORB. DATA, CARRIER PROXIMITY, ALPHAC = 2, IORB = 8, BETAC = 0, BETAO = 5, AFE050	C	297-304
42	ORB. DATA, CARRIER PROXIMITY, ALPHAC = 2, IORB = 4, BETAC = 0, BETAO = 0, AFE051	C	305-312
43	ORB. DATA, CARRIER PROXIMITY, ALPHAC = 2, IORB = 6, BETAC = 0, BETAO = 0, AFE052	C	313-320

INDEX OF DATA FIGURES (Continued)

FIGURE NUMBER	TITLE	COEFFICIENT SCHEDULE	PAGES
44	ORB. DATA, CARRIER PROXIMITY, ALPHAC = 2, IORB = 6, BETAC = 0, BETAO = 0, AFE053	E	321-328
45	ORB. DATA, CARRIER PROXIMITY, ALPHAC = 2, IORB = 6, BETAC = 0, BETAO = 0, AFE054	E	329-336
46	ORB. DATA, CARRIER PROXIMITY, ALPHAC = 2, IORB = 6, BETAC = 0, BETAO = 0, AFE055	E	337-344
47	ORB. DATA, CARRIER PROXIMITY, ALPHAC = 2, IORB = 6, BETAC = 0, BETAO = 5, AFE056	E	345-352
48	ORB. DATA, CARRIER PROXIMITY, ALPHAC = 2, IORB = 6, BETAC = 0, BETAO = 5, AFE057	E	353-360
49	ORB. DATA, CARRIER PROXIMITY, ALPHAC = 2, IORB = 6, BETAC = 0, BETAO = 5, AFE058	E	361-368
50	ORB. DATA, CARRIER PROXIMITY, ALPHAC = 2, IORB = 6, BETAC = 0, BETAO = 0, AFE059	E	369-376
51	ORB. DATA, CARRIER PROXIMITY, ALPHAC = 2, IORB = 6, BETAC = 0, BETAO = 0, AFE060	E	377-384
52	ORB. DATA, CARRIER PROXIMITY, ALPHAC = 2, IORB = 6, BETAC = 0, BETAO = 0, AFE061	E	385-392
53	ORB. DATA, CARRIER PROXIMITY, ALPHAC = 2, IORB = 6, BETAC = 0, BETAO = 0, AFE062	D	393-400
54	ORB. DATA, CARRIER PROXIMITY, ALPHAC = 2, IORB = 6, BETAC = 0, BETAO = 0, AFE063	D	401-408

INDEX OF DATA FIGURES (Continued)

FIGURE NUMBER	TITLE	COEFFICIENT SCHEDULE	PAGES
55	ORB. DATA, CARRIER PROXIMITY, ALPHAC = 2, IORB = 6, BETAC = 0, BETAO = 0, AFE064	D	409-416
56	ORB. DATA, CARRIER PROXIMITY, ALPHAC = 2, IORB = 6, BETAC = 0, BETAO = 5, AFE065	D	417-424
57	ORB. DATA, CARRIER PROXIMITY, ALPHAC = 2, IORB = 6, BETAC = 0, BETAO = 5, AFE066	D	425-432
58	ORB. DATA, CARRIER PROXIMITY, ALPHAC = 2, IORB = 6, BETAC = 0, BETAO = 5, AFE067	D	433-440
59	ORB. DATA, CARRIER PROXIMITY, ALPHAC = 2, IORB = 4, BETAC = 0, BETAO = 0, AFE068	C	441-448
60	ORB. DATA, CARRIER PROXIMITY, ALPHAC = 2, IORB = 6, BETAC = 0, BETAO = 0, AFE069	C	449-456
61	ORB. DATA, CARRIER PROXIMITY, ALPHAC = 2, IORB = 8, BETAC = 0, BETAO = 0, AFE070	C	457-464
62	ORB. DATA, CARRIER PROXIMITY, ALPHAC = 2, IORB = 4, BETAC = 0, BETAO = 0, AFE071	C	465-472
63	ORB. DATA, CARRIER PROXIMITY, ALPHAC = 2, IORB = 6, BETAC = 0, BETAO = 0, AFE072	C	473-480
64	ORB. DATA, CARRIER PROXIMITY, ALPHAC = 2, IORB = 8, BETAC = 0, BETAO = 0, AFE073	C	481-488
65	ORB. DATA, CARRIER PROXIMITY, ALPHAC = 2, IORB = 4, BETAC = 0, BETAO = 0, AFE074	C	489-496

INDEX OF DATA FIGURES (Continued)

FIGURE NUMBER	TITLE	COEFFICIENT SCHEDULE	PAGES
66	ORB. DATA, CARRIER PROXIMITY, ALPHAC = 2, IORB = 6, BETAC = 0, BETAO = 0, AFE075	C	497-504
67	ORB. DATA, CARRIER PROXIMITY, ALPHAC = 2 IORB = 8, BETAC = 0, BETAO = 0, AFE076	C	505-512
68	ORB. DATA, CARRIER PROXIMITY, ALPHAC = 2, IORB = 6, BETAC = 0, BETAO = 0, AFE077	C	513-520
69	ORB. DATA, CAR. PROXIMITY, ALPHAC = 2, IORB = 6 BETAC=BETAO = 0, AILRON = -5, AFE078	C	521-528
70	ORB. DATA, CAR. PROXIMITY, ALPHAC = 2, IORB = 6 BETAC=BETAO = 0, RUDDER = 10, AFE079	C	529-536
71	ORB. DATA, CARRIER PROXIMITY, ALPHAC = 2, IORB = 4, BETAC = -5, BETAO = -5, AFE080	C	537-544
72	ORB. DATA, CARRIER PROXIMITY, ALPHAC = 2, IORB = 6, BETAC = -5, BETAO = -5, AFE081	C	545-552
73	ORB. DATA, CARRIER PROXIMITY, ALPHAC = 2, IORB = 8, BETAC = -5, BETAO = -5, AFE082	C	553-560
74	ORB. DATA, CARRIER PROXIMITY, ALPHAC = 2, IORB = 6, BETAC = -5, BETAO = 0, AFE083	D	561-568
75	ORB. DATA, CARRIER PROXIMITY, ALPHAC = 2, IORB = 6, BETAC = -5, BETAO = 0, AFE084	D	569-576
76	ORB. DATA, CARRIER PROXIMITY, ALPHAC = 2, IORB = 6, BETAC = -5, BETAO = 0, AFE085	D	577-584

88

INDEX OF DATA FIGURES (Continued)

FIGURE NUMBER	TITLE	COEFFICIENT SCHEDULE	PAGES
77	ORB. DATA, CARRIER PROXIMITY, ALPHAC = 2, IORB = 6, BETAC = -5, BETAO = 0, AFE086	E	585-592
78	ORB. DATA, CARRIER PROXIMITY, ALPHAC = 2, IORB = 6, BETAC = -5, BETAO = 0, AFE087	E	593-600
79	ORB. DATA, CARRIER PROXIMITY, ALPHAC = 2, IORB = 6, BETAC = -5, BETAO = 0, AFE088	E	601-608
80	ORB. DATA, CARRIER PROXIMITY, ALPHAC = 4, IORB = 4, BETAC = 0, BETAO = 0, AFE089	C	609-616
81	ORB. DATA, CARRIER PROXIMITY, ALPHAC = 4, IORB = 6, BETAC = 0, BETAO = 0, AFE090	C	617-624
82	ORB. DATA, CARRIER PROXIMITY, ALPHAC = 4, IORB = 8, BETAC = 0, BETAO = 0, AFE091	C	625-632
83	ORB. DATA, CARRIER PROXIMITY, ALPHAC = 4, IORB = 4, BETAC = 0, BETAO = 5, AFE092	C	633-640
<u>VOLUME 2</u>			
84	ORB. DATA, CARRIER PROXIMITY, ALPHAC = 4, IORB = 6, BETAC = 0, BETAO = 5, AFE093	C	641-648
85	ORB. DATA, CARRIER PROXIMITY, ALPHAC = 4, IORB = 8, BETAC = 0, BETAO = 5, AFE094	C	649-656
86	ORB. DATA, CARRIER PROXIMITY, ALPHAC = 4, IORB = 4, BETAC = 0, BETAO = 0, AFE095	C	657-664
87	ORB. DATA, CARRIER PROXIMITY, ALPHAC = 4, IORB = 6, BETAC = 0, BETAO = 0, AFE096	C	665-672

INDEX OF DATA FIGURES (Continued)

FIGURE NUMBER	TITLE	COEFFICIENT SCHEDULE	PAGES
88	ORB. DATA, CARRIER PROXIMITY, ALPHAC = 4, IORB = 8, BETAC = 0, BETAO = 0, AFE097	C	673-680
89	ORB. DATA, CARRIER PROXIMITY, ALPHAC = 4, IORB = 4, BETAC = 0, BETAO = 0, AFE098	C	681-688
90	ORB. DATA, CARRIER PROXIMITY, ALPHAC = 4, IORB = 6, BETAC = 0, BETAO = 0, AFE099	C	689-696
91	ORB. DATA, CARRIER PROXIMITY, ALPHAC = 4, IORB = 8, BETAC = 0, BETAO = 0, AFE100	C	697-704
92	ORB. DATA, CARRIER PROXIMITY, ALPHAC = 4, IORB = 4, BETAC = -5, BETAO = -5, AFE101	C	705-712
93	ORB. DATA, CARRIER PROXIMITY, ALPHAC = 4, IORB = 6, BETAC = -5, BETAO = -5, AFE102	C	713-720
94	ORB. DATA, CARRIER PROXIMITY, ALPHAC = 4 IORB = 8, BETAC = -5, BETAO = -5, AFE103	C	721-728
95	ORB. DATA, CARRIER PROXIMITY, ALPHAC = 5.5, IORB = 6, BETAC = 0, BETAO = 0, AFE104	C	729-736
96	ORB. DATA, CARRIER PROXIMITY, ALPHAC = 0, IORB = 4, BETAC = -5, BETAO = -5, AFE105	C	737-744
97	ORB. DATA, CARRIER PROXIMITY, ALPHAC = 0, IORB = 6, BETAC = -5, BETAO = -5, AFE106	C	745-752
98	ORB. DATA, CARRIER PROXIMITY, ALPHAC = 0, IORB = 8, BETAC = -5, BETAO = -5, AFE107	C	753-760

INDEX OF DATA FIGURES (Continued)

FIGURE NUMBER	TITLE	COEFFICIENT SCHEDULE	PAGES
99	ORB. DATA, CARRIER PROXIMITY, ALPHAC = 2, IORB = 6, BETAC = 0, BETAO = 0, AFE108	C	761-768
100	ORB. DATA, CARRIER PROXIMITY, ALPHAC = 2, IORB = 4, BETAC = 0, BETAO = 0, AFE109	C	769-776
101	ORB. DATA, CARRIER PROXIMITY, ALPHAC = 2, IORB = 6, BETAC = 0, BETAO = 0, AFE110	C	777-784
102	ORB. DATA, CARRIER PROXIMITY, ALPHAC = 2, IORB = 8, BETAC = 0, BETAO = 0, AFE111	C	785-792
103	ORB. DATA, CARRIER PROXIMITY, ALPHAC = 2, IORB = 5, BETAC = 0, BETAO = 0, AFE112	D	793-800
104	ORB. DATA, CARRIER PROXIMITY, ALPHAC = 2, IORB = 6, BETAC = 0, BETAO = 0, AFE113	D	801-808
105	ORB. DATA, CARRIER PROXIMITY, ALPHAC = 2, IORB = 6, BETAC = 0, BETAO = 0, AFE114	D	809-816
106	ORB. DATA, CARRIER PROXIMITY, ALPHAC = 2, IORB = 6, BETAC = 0, BETAO = 0, AFE115	E	817-824
107	ORB. DATA, CARRIER PROXIMITY, ALPHAC = 2, IORB = 6, BETAC = 0, BETAO = 0, AFE116	E	825-832
108	ORB. DATA, CARRIER PROXIMITY, ALPHAC = 2, IORB = 6, BETAC = 0, BETAO = 0, AFE117	E	833-840
109	ORB. DATA, CARRIER PROXIMITY, ALPHAC = 2, IORB = 6, BETAC = 0, BETAO = 0, AFE118	C	841-848

INDEX OF DATA FIGURES (Continued)

FIGURE NUMBER	TITLE	COEFFICIENT SCHEDULE	PAGES
110	ORB. DATA, CARRIER PROXIMITY, ALPHAC = 2, IORB = 6, BETAC = 0, BETAO = 0, AFE119	C	849-856
111	ORB. DATA, CARRIER PROXIMITY, ALPHAC = 2, IORB = 6, BETAC = -5, BETAO = -5, AFE120	C	857-864
112	ORB. DATA, CARRIER PROXIMITY, ALPHAC = 4, IORB = 4, BETAC = 0, BETAO = 0, AFE121	C	865-872
113	ORB. DATA, CARRIER PROXIMITY, ALPHAC = 4, IORB = 6, BETAC = 0, BETAO = 0, AFE122	C	873-880
114	ORB. DATA, CARRIER PROXIMITY, ALPHAC = 4, IORB = 8, BETAC = 0, BETAO = 0, AFE123	C	881-888
115	ORB. DATA, CARRIER PROXIMITY, ALPHAC = 0, IORB = 4, BETAC = 0, BETAO = 0, AFE124	C	889-896
116	ORB. DATA, CARRIER PROXIMITY, ALPHAC = 0, IORB = 6, BETAC = 0, BETAO = 0, AFE125	C	897-904
117	ORB. DATA, CARRIER PROXIMITY, ALPHAC = 0, IORB = 8, BETAC = 0, BETAO = 0, AFE126	C	905-912
118	ORB. DATA, CAR. PROXIM., ALPHAC = 2, IORB = 6, BETAC = 0, BETAO = 0, DELPHI = 7.5, AFE127	C	913-920
119	ORB. DATA, CAR. PROXIM., ALPHAC = 2, IORB = 6, BETAC = 0, BETAO = 0, DELPHI = 7.5, AFE128	C	921-928
120	ORB. DATA, CAR. PROXIM., ALPHAC = 2, IORB = 6, BETAC = 0, BETAO = 5, DELPHI = 7.5, AFE129	C	929-936

12

INDEX OF DATA FIGURES (Continued)

FIGURE NUMBER	TITLE	COEFFICIENT SCHEDULE	PAGES
121	ORB. DATA, CAR. PROXIM., ALPHAC = 2, IORB = 6, BETAC = -5, BETAO = 0, DELPHI = 7.5, AFE130	C	937-944
122	CARRIER ISOLATED, RFE016	B	945-952
123	CARRIER ISOLATED, RFE017	B	953-960
124	CARRIER ISOLATED, RFE018	B	961-968
125	CARRIER ISOLATED, RFE019	B	969-976
126	CARRIER ISOLATED, RFE020	B	977-984
127	CARRIER ISOLATED, RFE021	B	985-992
128	CARRIER ISOLATED, RFE022	B	993-1000
129	CARRIER ISOLATED, RFE023	B	1001-1008
130	CARRIER ISOLATED, DELZ SWEEP, RFE024	C	1009-1016
131	CARRIER ISOLATED, DELX SWEEP, RFE025	D	1017-1024
132	CARRIER ISOLATED, RFE026	B	1025-1032
133	CARRIER ISOLATED, RFE027	B	1033-1040
134	CARRIER ISOLATED, RFE028	B	1041-1048
135	CARRIER ISOLATED, RFE029	B	1049-1056
136	CARRIER DATA, ORB. PROXIMITY, ALPHAC = 0, IORB = 4, BETAC = 0, BETAO = 0, RFE030	C	1057-1064

13

INDEX OF DATA FIGURES (Continued)

FIGURE NUMBER	TITLE	COEFFICIENT SCHEDULE	PAGES
137	CARRIER DATA, ORB. PROXIMITY, ALPHAC = 0, IORB = 6, BETAC = 0, BETAO = 0, RFEO31	C	1065-1072
138	CARRIER DATA, ORB. PROXIMITY, ALPHAC = 0, IORB = 6, BETAC = 0, BETAO = 0, RFEO32	C	1073-1080
139	CARRIER DATA, ORB. PROXIMITY, ALPHAC = 0, IORB = 6, BETAC = 0, BETAO = 0, RFEO33	C	1081-1088
140	CARRIER DATA, ORB. PROXIMITY, ALPHAC = 0, IORB = 8, BETAC = 0, BETAO = 0, RFEO34	C	1089-1096
141	CARRIER DATA, ORB. PROXIMITY, ALPHAC = 0, IORB = 4, BETAC = 0, BETAO = 5, RFEO35	C	1097-1104
142	CARRIER DATA, ORB. PROXIMITY, ALPHAC = 0, IORB = 6, BETAC = 0, BETAO = 5, RFEO36	C	1105-1112
143	CARRIER DATA, ORB. PROXIMITY, ALPHAC = 0, IORB = 8, BETAC = 0, BETAO = 5, RFEO37	C	1113-1120
144	CARRIER DATA, ORB. PROXIMITY, ALPHAC = 0, IORB = 4, BETAC = 0, BETAO = 0, RFEO38	C	1121-1128
145	CARRIER DATA, ORB. PROXIMITY, ALPHAC = 0, IORB = 6, BETAC = 0, BETAO = 0, RFEO39	C	1129-1136
146	CARRIER DATA, ORB. PROXIMITY, ALPHAC = 0, IORB = 8, BETAC = 0, BETAO = 0, RFEO40	C	1137-1144
147	CARRIER DATA, ORB. PROXIMITY, ALPHAC = 2, IORB = 4, BETAC = 0, BETAO = 0, RFEO41	C	1145-1152

INDEX OF DATA FIGURES (Continued)

FIGURE NUMBER	TITLE	COEFFICIENT SCHEDULE	PAGES
148	CARRIER DATA, ORB. PROXIMITY, ALPHAC = 2, IORB = 6, BETAC = 0, BETAO = 0, RFE042	C	1153-1160
149	CARRIER DATA, ORB. PROXIMITY, ALPHAC = 2, IORB = 4, BETAC = 0, BETAO = 0, RFE045	C	1161-1168
150	CARRIER DATA, ORB. PROXIMITY, ALPHAC = 2, IORB = 6, BETAC = 0, BETAO = 0, RFE046	C	1169-1176
151	CARRIER DATA, ORB. PROXIMITY, ALPHAC = 2, IORB = 8, BETAC = 0, BETAO = 0, RFE047	C	1177-1184
152	CARRIER DATA, ORB. PROXIMITY, ALPHAC = 2, IORB = 4, BETAC = 0, BETAO = 5, RFE048	C	1185-1192
153	CARRIER DATA, ORB. PROXIMITY, ALPHAC = 2, IORB = 6, BETAC = 0, BETAO = 5, RFE049	C	1193-1200
154	CARRIER DATA, ORB. PROXIMITY, ALPHAC = 2, IORB = 8, BETAC = 0, BETAO = 5, RFE050	C	1201-1208
155	CARRIER DATA, ORB. PROXIMITY, ALPHAC = 2, IORB = 4, BETAC = 0, BETAO = 0, RFE051	C	1209-1216
156	CARRIER DATA, ORB. PROXIMITY, ALPHAC = 2, IORB = 6, BETAC = 0, BETAO = 0, RFE052	C	1217-1224
157	CARRIER DATA, ORB. PROXIMITY, ALPHAC = 2, IORB = 6, BETAC = 0, BETAO = 0, RFE053	E	1225-1232
158	CARRIER DATA, ORB. PROXIMITY, ALPHAC = 2, IORB = 6, BETAC = 0, BETAO = 0, RFE054	E	1233-1240

INDEX OF DATA FIGURES (Continued)

FIGURE NUMBER	TITLE	COEFFICIENT SCHEDULE	PAGES
159	CARRIER DATA, ORB. PROXIMITY, ALPHAC = 2, IORB = 6, BETAC = 0, BETAO = 0, RFE055	E	1241-1248
160	CARRIER DATA, ORB. PROXIMITY, ALPHAC = 2, IORB = 6, BETAC = 0, BETAO = 5, RFE056	E	1249-1256
161	CARRIER DATA, ORB. PROXIMITY, ALPHAC = 2, IORB = 6, BETAC = 0, BETAO = 5, RFE057	E	1257-1264
162	CARRIER DATA, ORB. PROXIMITY, ALPHAC = 2, IORB = 6, BETAC = 0, BETAO = 5, RFE058	E	1265-1272
163	CARRIER DATA, ORB. PROXIMITY, ALPHAC = 2, IORB = 6, BETAC = 0, BETAO = 0, RFE059	E	1273-1280
164	CARRIER DATA, ORB. PROXIMITY, ALPHAC = 2, IORB = 6, BETAC = 0, BETAO = 0, RFE060	E	1281-1288
<u>VOLUME 3</u>			
165	CARRIER DATA, ORB. PROXIMITY, ALPHAC = 2, IORB = 6, BETAC = 0, BETAO = 0, RFE061	E	1289-1296
166	CARRIER DATA, ORB. PROXIMITY, ALPHAC = 2, IORB = 6, BETAC = 0, BETAO = 0, RFE062	D	1297-1304
167	CARRIER DATA, ORB. PROXIMITY, ALPHAC = 2, IORB = 6, BETAC = 0, BETAO = 0, RFE063	D	1305-1312
168	CARRIER DATA, ORB. PROXIMITY, ALPHAC = 2, IORB = 6, BETAC = 0, BETAO = 0, RFE064	D	1313-1320
169	CARRIER DATA, ORB. PROXIMITY, ALPHAC = 2, IORB = 6, BETAC = 0, BETAO = 5, RFE065	D	1321-1328

INDEX OF DATA FIGURES (Continued)

FIGURE NUMBER	TITLE	COEFFICIENT SCHEDULE	PAGES
170	CARRIER DATA, ORB. PROXIMITY, ALPHAC = 2, IORB = 6, BETAC = 0, BETAO = 5, RFE066	D	1329-1336
171	CARRIER DATA, ORB. PROXIMITY, ALPHAC = 2, IORB = 6, BETAC = 0, BETAO = 5, RFE067	D	1337-1344
172	CARRIER DATA, ORB. PROXIMITY, ALPHAC = 2, IORB = 4, BETAC = 0, BETAO = 0, RFE068	C	1345-1352
173	CARRIER DATA, ORB. PROXIMITY, ALPHAC = 2, IORB = 6, BETAC = 0, BETAO = 0, RFE069	C	1353-1360
174	CARRIER DATA, ORB. PROXIMITY, ALPHAC = 2, IORB = 8, BETAC = 0, BETAO = 0, RFE070	C	1361-1368
175	CARRIER DATA, ORB. PROXIMITY, ALPHAC = 2, IORB = 4, BETAC = 0, BETAO = 0, RFE071	C	1369-1376
176	CARRIER DATA, ORB. PROXIMITY, ALPHAC = 2, IORB = 6, BETAC = 0, BETAO = 0, RFE072	C	1377-1384
177	CARRIER DATA, ORB. PROXIMITY, ALPHAC = 2, IORB = 8, BETAC = 0, BETAO = 0, RFE073	C	1385-1392
178	CARRIER DATA, ORB. PROXIMITY, ALPHAC = 2, IORB = 4, BETAC = 0, BETAO = 0, RFE074	C	1393-1400
179	CARRIER DATA, ORB. PROXIMITY, ALPHAC = 2, IORB = 6, BETAC = 0, BETAO = 0, RFE075	C	1401-1408
180	CARRIER DATA, ORB. PROXIMITY, ALPHAC = 2, IORB = 8, BETAC = 0, BETAO = 0, RFE076	C	1409-1416

INDEX OF DATA FIGURES (Continued)

FIGURE NUMBER	TITLE	COEFFICIENT SCHEDULE	PAGES
181	CARRIER DATA, ORB. PROXIMITY, ALPHAC = 2, IORB = 6, BETAC = 0, BETAO = 0, RFE077	C	1417-1424
182	CAR. DATA, ORB. PROXIMITY, ALPHAC = 2, IORB=6, BETAC=BETAO = 0, AILRON = -5, RFE078	C	1425-1432
183	CAR. DATA, ORB. PROXIMITY, ALPHAC = 2, IORB=6, BETAC=BETAO = 0, RUDDER = 10, RFE079	C	1433-1440
184	CARRIER DATA, ORB. PROXIMITY, ALPHAC = 2, IORB = 4, BETAC = -5, BETAO = -5, RFE080	C	1441-1448
185	CARRIER DATA, ORB. PROXIMITY, ALPHAC = 2, IORB = 6, BETAC = -5, BETAO = -5, RFE081	C	1449-1456
186	CARRIER DATA, ORB. PROXIMITY, ALPHAC = 2, IORB = 8, BETAC = -5, BETAO = -5, RFE082	C	1457-1464
187	CARRIER DATA, ORB. PROXIMITY, ALPHAC = 2, IORB = 6, BETAC = -5, BETAO = 0, RFE083	D	1465-1472
188	CARRIER DATA, ORB, PROXIMITY, ALPHAC = 2, IORB = 6, BETAC = -5, BETAO = 0, RFE084	D	1473-1480
189	CARRIER DATA, ORB. PROXIMITY, ALPHAC = 2, IORB = 6, BETAC = -5, BETAO = 0, RFE085	D	1481-1488
190	CARRIER DATA, ORB, PROXIMITY, ALPHAC = 2, IORB = 6, BETAC = -5, BETAO = 0, RFE086	E	1489-1496
191	CARRIER DATA, ORB. PROXIMITY, ALPHAC = 2, IORB = 6, BETAC = -5, BETAO = 0, RFE087	E	1497-1504

INDEX OF DATA FIGURES (Continued)

FIGURE NUMBER	TITLE	COEFFICIENT SCHEDULE	PAGES
192	CARRIER DATA, ORB. PROXIMITY, ALPHAC = 2, IORB = 6, BETAC = -5, BETAO = 0, RFE088	E	1505-1512
193	CARRIER DATA, ORB. PROXIMITY, ALPHAC = 4, IORB = 4, BETAC = 0, BETAO = 0, RFE089	C	1513-1520
194	CARRIER DATA, ORB. PROXIMITY, ALPHAC = 4, IORB = 6, BETAC = 0, BETAO = 0, RFE090	C	1521-1528
195	CARRIER DATA, ORB. PROXIMITY, ALPHAC = 4, IORB = 8, BETAC = 0, BETAO = 0, RFE091	C	1529-1536
196	CARRIER DATA, ORB. PROXIMITY, ALPHAC = 4, IORB = 4, BETAC = 0, BETAO = 5, RFE092	C	1537-1544
197	CARRIER DATA, ORB. PROXIMITY, ALPHAC = 4, IORB = 6, BETAC = 0, BETAO = 5, RFE093	C	1545-1552
198	CARRIER DATA, ORB. PROXIMITY, ALPHAC = 4, IORB = 8, BETAC = 0, BETAO = 5, RFE094	C	1553-1560
199	CARRIER DATA, ORB. PROXIMITY, ALPHAC = 4, IORB = 4, BETAC = 0, BETAO = 0, RFE095	C	1561-1568
200	CARRIER DATA, ORB. PROXIMITY, ALPHAC = 4, IORB = 6, BETAC = 0, BETAO = 0, RFE096	C	1569-1576
201	CARRIER DATA, ORB. PROXIMITY, ALPHAC = 4, IORB = 8, BETAC = 0, BETAO = 0, RFE097	C	1577-1584
202	CARRIER DATA, ORB. PROXIMITY, ALPHAC = 4, IORB = 4, BETAC = 0, BETAO = 0, RFE098	C	1585-1592

INDEX OF DATA FIGURES (Continued)

FIGURE NUMBER	TITLE	COEFFICIENT SCHEDULE	PAGES
203	CARRIER DATA, ORB. PROXIMITY, ALPHAC = 4, IORB = 6, BETAC = 0, BETAO = 0, RFE099	C	1593-1600
204	CARRIER DATA, ORB. PROXIMITY, ALPHAC = 4, IROB = 8, BETAC = 0, BETAO = 0, RFE100	C	1601-1608
205	CARRIER DATA, ORB. PROXIMITY, ALPHAC = 4, IORB = 4, BETAC = -5, BETAO = -5, RFE101	C	1609-1616
206	CARRIER DATA, ORB. PROXIMITY, ALPHAC = 4, IORB = 6, BETAC = -5, BETAO = -5, RFE102	C	1617-1624
207	CARRIER DATA, ORB. PROXIMITY, ALPHAC = 4, IORB = 8, BETAC = -5, BETAO = -5, RFE103	C	1625-1632
208	CARRIER DATA, ORB. PROXIMITY, ALPHAC = 5.5, IORB = 6, BETAC = 0, BETAO = 0, RFE104	C	1633-1640
209	CARRIER DATA, ORB. PROXIMITY, ALPHAC = 0, IORB = 4, BETAC = -5, BETAO = -5, RFE105	C	1641-1648
210	CARRIER DATA, ORB. PROXIMITY, ALPHAC = 0, IORB = 6, BETAC = -5, BETAO = -5, RFE106	C	1649-1656
211	CARRIER DATA, ORB. PROXIMITY, ALPHAC = 0, IORB = 8, BETAC = -5, BETAO = -5, RFE107	C	1657-1664
212	CARRIER DATA, ORB. PROXIMITY, ALPHAC = 2, IORB = 6, BATAAC = 0, BETAO = 0, RFE108	C	1665-1672
213	CARRIER DATA, ORB. PROXIMITY, ALPHAC = 2 IORB = 4, BETAC = 0, BETAO = 0, RFE109	C	1673-1680

INDEX OF DATA FIGURES (Continued)

FIGURE NUMBER	TITLE	COEFFICIENT SCHEDULE	PAGES
214	CARRIER DATA, ORB. PROXIMITY, ALPHAC = 2, IORB = 6, BETAC = 0, BETAO = 0, RFE110	C	1681-1688
215	CARRIER DATA, ORB. PROXIMITY, ALPHAC = 2, IORB = 8, BETAC = 0, BETAO = 0, RFE111	C	1689-1696
216	CARRIER DATA, ORB. PROXIMITY, ALPHAC = 2, IORB = 6, BETAC = 0, BETAO = 0, RFE112	D	1697-1704
217	CARRIER DATA, ORB. PROXIMITY, ALPHAC = 2, IORB = 6, BETAC = 0, BETAO = 0, RFE113	D	1705-1712
218	CARRIER DATA, ORB. PROXIMITY, ALPHAC = 2, IORB = 6, BETAC = 0, BETAO = 0, RFE114	D	1713-1720
219	CARRIER DATA, ORB. PROXIMITY, ALPHAC = 2, IORB = 6, BETAC = 0, BETAO = 0, RFE115	E	1721-1728
220	CARRIER DATA, ORB. PROXIMITY, ALPHAC = 2, IORB = 6, BETAC = 0, BETAO = 0, RFE116	E	1729-1736
221	CARRIER DATA, ORB. PROXIMITY, ALPHAC = 2, IORB = 6, BETAC = 0, BETAO = 0, RFE117	E	1737-1744
222	CARRIER DATA, ORB. PROXIMITY, ALPHAC = 2, IORB = 6, BETAC = 0, BETAO = 0, RFE118	C	1745-1752
223	CARRIER DATA, ORB. PROXIMITY, ALPHAC = 2, IORB = 6, BETAC = 0, BETAO = 0, RFE119	C	1753-1760
224	CARRIER DATA, ORB. PROXIMITY, ALPHAC = 2, IORB = 6, BETAC = -5, BETAO = -5, RFE120	C	1761-1768

INDEX OF DATA FIGURES (Continued)

FIGURE NUMBER	TITLE	COEFFICIENT SCHEDULE	PAGES
225	CARRIER DATA, ORB. PROXIMITY, ALPHAC = 4, IORB = 4, BETAC = 0, BETAO = 0, RFE121	C	1769-1776
226	CARRIER DATA, ORB. PROXIMITY, ALPHAC = 4, IORB = 6, BETAC = 0, BETAO = 0, RFE122	C	1777-1784
227	CARRIER DATA, ORB. PROXIMITY, ALPHAC = 4, IORB = 8, BETAC = 0, BETAO = 0, RFE123	C	1785-1792
228	CARRIER DATA, ORB. PROXIMITY, ALPHAC = 0, IORB = 4, BETAC = 0, BETAO = 0, RFE124	C	1793-1800
229	CARRIER DATA, ORB. PROXIMITY, ALPHAC = 0, IORB = 6, BETAC = 0, BETAO = 0, RFE125	C	1801-1808
230	CARRIER DATA, ORB. PROXIMITY, ALPHAC = 0, IORB = 8, BETAC = 0, BETAO = 0, RFE126	C	1809-1816
231	CAR. DATA, ORB. PROXIM., ALPHAC = 2, IORB = 6, BETAC = 0, BETAO = 0, DELPHI = 7.5, RFE127	C	1817-1824
232	CAR. DATA, ORB. PROXIM., ALPHAC = 2, IORB = 6, BETAC = 0, BETAO = 0, DELPHI = 7.5, RFE128	C	1825-1832
233	CAR. DATA, ORB. PROXIM., ALPHAC = 2, IORB = 6, BETAC = 0, BETAO = 5, DELPHI = 7.5, RFE129	C	1833-1840
234	CAR. DATA, ORB. PROXIM., ALPHAC = 2, IORB = 6, BETAC = -5, BETAO = 0, DELPHI = 7.5, RFE130	C	1841-1848

INDEX OF DATA FIGURES (Concluded)

FIGURE NUMBER	TITLE	COEFFICIENT SCHEDULE	CONDITIONS VARYING	PAGES
235	LAT-DIRECT AERO VS DELZ, ALPHA747 = 0.0	A	BETA0, BETAC	1849-1863
236	LAT-DIRECT AERO VS DELZ, ALPHA747 = 2.0	A	BETA0, BETAC	1864-1878
237	LAT-DIRECT AERO VS DELZ, ALPHA747 = 4.0	A	BETA0, BETAC	1879-1893
238	LAT-DIRECT AERO VS DELZ, ALPHA747 = 0.0, DELBETA = 5.0	A	BETA0, BETAC	1894-1908
239	LAT-DIRECT AERO VS DELZ. ALPHA747 = 2.0, DELBETA = 5.0	A	BETA0, BETAC	1909-1923
240	LAT-DIRECT AERO VS DELZ. ALPHA747 = 4.0, DELBETA = 5.0	A	BETA0, BETAC	1924-1938

COEFFICIENT SCHEDULE:

- | | | | |
|-----|---|-----|--|
| (A) | CY, CYN, CBL, CPS1, CPS2, CYB, CYNB,
CBLB, DCPSB versus DZ | (E) | CN, CLM, CA, CY, CYN, CBL, CL,
CD versus DY |
| (B) | CN, CLM, CA, CY, CYN, CBL, CL,
CD versus ALPHAC | (F) | CN, CLM, CA, CY, CYN, CBL, CL,
CD versus ALPHAO |
| (C) | CN, CLM, CA, CY, CYN, CBL, CL,
CD versus DZ | (G) | CN, CLM, CA, CY, CYN, CBL, CL,
CD versus INCID |
| (D) | CN, CLM, CA, CY, CYN, CBL, CL,
CD versus DX | | |

NOMENCLATURE
General

<u>SYMBOL</u>	<u>PLOT SYMBOL</u>	<u>DEFINITION</u>
a		speed of sound; m/sec, ft/sec
C_p	CP	pressure coefficient; $(p_1 - p_\infty)/q$
M	MACH	Mach number; V/a
p		pressure; N/m^2 , psf
q	Q(NSM) Q(PSF)	dynamic pressure; $1/2\rho V^2$, N/m^2 , psf
RN/L	RN/L	unit Reynolds number; per m, per ft
V		velocity; m/sec, ft/sec
α	ALPHA	angle of attack, degrees
β	BETA	angle of sideslip, degrees
ψ	PSI	angle of yaw, degrees
ϕ	PHI	angle of roll, degrees
ρ		mass density; kg/m^3 , slugs/ft ³

Reference & C.G. Definitions

A_b		base area; m^2 , ft^2
b	BREF	wing span or reference span; m, ft
c.g.		center of gravity
$\frac{l}{c}$	LREF	reference length or wing mean aerodynamic chord; m, ft
S	SREF	wing area or reference area; m^2 , ft^2
	MRP	moment reference point
	XMRP	moment reference point on X axis
	YMRP	moment reference point on Y axis
	ZMRP	moment reference point on Z axis

SUBSCRIPTS

b	base
l	local
s	static conditions
t	total conditions
∞	free stream
w	wing

NOMENCLATURE (Continued)

Body-Axis System

<u>SYMBOL</u>	<u>PLOT SYMBOL</u>	<u>DEFINITION</u>
C_N	CN	normal-force coefficient; $\frac{\text{normal force}}{qS}$
C_A	CA	axial-force coefficient; $\frac{\text{axial force}}{qS}$
C_Y	CY	side-force coefficient; $\frac{\text{side force}}{qS}$
A_b	CAB	base-force coefficient; $\frac{\text{base force}}{qS}$ $-A_b(P_b - P_{co})/qS$
C_{Af}	CAF	forebody axial force coefficient, $C_A - C_{Ab}$
C_m	CIM	pitching-moment coefficient; $\frac{\text{pitching moment}}{qS l_{REF}}$
C_n	CYN	yawing-moment coefficient; $\frac{\text{yawing moment}}{qS b}$
C_l	CBL	rolling-moment coefficient; $\frac{\text{rolling moment}}{qS b}$

Stability-Axis System

C_L	CL	lift coefficient; $\frac{\text{lift}}{qS}$
C_D	CD	drag coefficient; $\frac{\text{drag}}{qS}$
C_{D_b}	CDB	base-drag coefficient; $\frac{\text{base drag}}{qS}$
C_{D_f}	CDF	forebody drag coefficient; $C_D - C_{D_b}$
C_Y	CY	side-force coefficient; $\frac{\text{side force}}{qS}$
C_m	CIM	pitching-moment coefficient; $\frac{\text{pitching moment}}{qS l_{REF}}$
C_n	CLN	yawing-moment coefficient; $\frac{\text{yawing moment}}{qS b}$
C_l	CSL	rolling-moment coefficient; $\frac{\text{rolling moment}}{qS b}$
L/D	L/D	lift-to-drag ratio; C_L/C_D
L/D _f	L/DF	lift to forebody drag ratio; C_L/C_{D_f}

NOMENCLATURE (Continued)

<u>SYMBOL</u>	<u>PLOT SYMBOL</u>	<u>DEFINITION</u>
BSTA		Longitudinal carrier station, in.
BWL		Vertical carrier station, in.
BL		Lateral carrier station, in.
δ_a	AILRON	Orbiter aileron deflection angle, $\delta_a = \frac{\delta_{eL} - \delta_{eR}}{2}$, degrees
δ_{BF}	BDFLAP	Orbiter body flap surface deflection angle, positive deflection trailing edge down, degrees
δ_e	ELEVON	Orbiter elevon surface deflection angle, positive deflection trailing edge down, degrees
δ_r	RUDDER	747 rudder surface deflection angle, positive deflection trailing edge to the left, degrees
δ_s	STAB	747 stabilizer surface deflection angle, positive deflection trailing edge down, degrees
$C_{y\beta}$	CYB	Side force coefficient due to beta
$C_{n\beta}$	CYNB	Yawing moment coefficient due to beta
$C_{l\beta}$	CBLB	Rolling moment coefficient due to beta
$\Delta C_{pS\beta}$	DCPSB	Differential right hand and left hand strut pressure coefficient due to beta

ORBITER

$C_{p_{B1}}$	CPB1	Orbiter (tail cone off) base pressure coefficient, 1
$C_{p_{B2}}$	CPB2	Orbiter (tail cone off) base pressure coefficient, 2
$C_{p_{B3}}$	CPB3	Orbiter (tail cone off) base pressure coefficient, 3

NOMENCLATURE (Concluded)

<u>SYMBOL</u>	<u>PLOT SYMBOL</u>	<u>DEFINITION</u>
C_{PCO}	CPCO	Orbiter balance cavity pressure coefficient
C_{PS1}	CPS1	Orbiter strut L. H. side pressure coefficient
C_{PS2}	CPS2	Orbiter strut R. H. side pressure coefficient
C_{PCC}	CPCO	747 cavity pressure coefficient
C_{PSB1}	CPSB1	747 upper forward sting cavity pressure coefficient
C_{PSB2}	CPSB2	747 upper center sting cavity pressure coefficient
C_{PSB3}	CPSB3	747 upper aft sting cavity exit pressure coefficient
<u>SEPARATION PARAMETERS</u>		
Δx	DELX	Orbiter longitudinal displacement from mated position, positive aft, feet
Δy	DELY	Orbiter lateral displacement from mated position, positive right, feet
Δz	DELZ	Orbiter vertical displacement from mated position, positive up, feet
$\Delta\phi$	DPHI DELPHI	Incremental roll angle, Orbiter FRP, degrees
i_o	IORB	Orbiter incidence angle, orbiter FRL to 747 FRL ($i_o = \alpha_o - \alpha_c$), degrees
	INCID	Orbiter incidence angle (accounts for tunnel flow angularity variation from tunnel \mathcal{C} to tunnel wall) $i_o = \alpha_o - \alpha_c - \Delta Z(-.0059)$, degrees
α_o	ALPHAO	Orbiter angle of attack (tunnel flow angularity from tunnel \mathcal{C} to tunnel wall not applied), degrees
α_c	ALPHAC	Carrier FRL angle of attack, degrees
$\Delta\beta$	DELBETA	Incremental sideslip angle, orbiter to 747 FRL, degrees

REMARKS

The model component surface deflection angles called out in the run summary are nominal values. The actual angles tested are outlined below.

	<u>Nominal</u>	<u>Actual</u>
Orbiter Elevon:	0°	0°
	+5°	+5.0°
	+10°	+9.8°
Orbiter Aileron: ($\delta_e = 5, \delta_a = -5$)	0°/10°	0°/+9.8°
747 Stabilizer:	-1°	-0.75°
	+3°	3.27°
	+5°	5.32°
747 Rudder:	+10°	+10.7°

During the early separation Δz sweep runs, it was noted that for Δz in the 0 to 15 foot range, the coefficient polars had different characteristics for Δz decreasing than for Δz increasing. Subsequent pitch/pause data runs demonstrated that there was a proximity hysteresis effect. All runs thereafter were made with pitch/pause points in close proximity and constant sweep beyond 10 feet.

CONFIGURATIONS INVESTIGATED

The orbiter model, 48-0, was an 0.0125-scale representation of the Space Shuttle Orbiter VC70-000002 lines, illustrated in figure 2a. The Orbiter model was tested both with and without a tail cone fairing which covered the MPS nozzles and the OMS pod base as shown in figure 2b. Orbiter alone runs were made with a base sting mount, the sting replacing the upper MPS nozzle, figure 2h. The following orbiter configurations were tested:

$$O_2 = B_{64} C_{14} F_{14} E_{44} M_{18} N_{94} N_{92} W_{116}$$

$$O_4 = B_{64} C_{14} F_{14} E_{44} M_{18} N_{105} N_{92} R_{18} V_{23} W_{116} \text{ (upper MPS nozzle off)}$$

$$O_6 = B_{64} C_{14} F_{14} E_{44} M_{18} W_{116} TC_4$$

where:

<u>Component</u>	<u>Description</u>
B ₆₄	Orbiter fuselage per Rockwell lines VC70-000002, Model drawing SS-A01377
C ₁₄	Orbiter canopy per Rockwell lines VC70-000002, Model drawing SS-A01377
E ₄₄	Orbiter full span, unswept hingeline, 6-inch gapped elevons per Rockwell lines VC70-000002, Model drawing SS-A01377
F ₁₄	Orbiter body flap per Rockwell lines VC70-000002, Model drawing SS-A01377
M ₁₈	Orbiter OMS/RCS pods per Rockwell lines VC70-000002, Model drawing SS-A01377
N ₉₂	Orbiter OMS engine nozzles per Rockwell lines VC70-000002, Model drawing SS-A01377
N ₉₄	Orbiter main engine nozzles per Rockwell lines VC70-000002, Model drawing SS-A01377
N ₁₀₅	Same as N ₉₄ with upper nozzle removed

CONFIGURATIONS INVESTIGATED - (Continued)

<u>Component</u>	<u>Description</u>
R ₁₈	Orbiter rudder per Rockwell lines VC70-000002, Model drawing SS-A01377
V ₂₃	Orbiter vertical tail per Rockwell lines VC70-000002, Model drawing SS-A01377
W ₁₁₆	Orbiter double delta wing per Rockwell lines VC70-000002, Model drawing SS-A01377
TC ₄	Orbiter tail cone fairing which covers the MPS nozzles and the OMS nozzles and base

Orbiter elevon, aileron and body flap deflection angles were varied. Configuration O₄ was the sting mounted orbiter configuration, and O₂ and O₆ were blade mounted configurations.

Orbiter-to-carrier attach structure was simulated. These included faired and unfaired strut members as identified below and illustrated in figures 2f and 2g.

$$AT_y = AT_{112} + AT_{113}$$

$$AT_x = AT_{96} + AT_{99}$$

where:

<u>Component</u>	<u>Description</u>
AT ₁₁₂	Fwd. attach structure, short fairing, $i_o = 4^\circ$
AT ₁₁₃	Aft attach structure, unfaired draglink, other members faired
AT ₉₆	Fwd attach structure, faired, $i_o = 4^\circ$
AT ₉₉	Aft attach structure, faired

CONFIGURATIONS INVESTIGATED - (Concluded)

The carrier model, AX1318I-1, was an 0.0125-scale representation of the Boeing 747-100 aircraft with surface contours built to represent the 747 under loads it would experience with a 600,000 pound gross weight flying at Mach 0.86 at an altitude of 5,000 feet. The CAM (Carrier Aircraft Modification) kit tested on the model included 200 square foot tip fins on the horizontal tail panels and simulated orbiter-to-carrier attach structure. In-flight speed brakes were deployed for most runs in the configuration shown in figure 2e. Stabilizer and rudder deflections were varied during the test. The carrier was tested both isolated and in proximity to the orbiter. Configurations investigated were:

747/1 = B27.8 W44.1 V9.1 H15.6 M25 M26 N57 N58 S1-12 T14 AT()
 747/4 = Same as 747/1 except no H15.6

where:

<u>Component</u>	<u>Description</u>
B27.8	Fuselage
W44.1	Wing
V9.1	Vertical Tail
H15	Horizontal tail, basic
H15.6	Horizontal tail, with 200 ft. ² tip fins
M25	Inboard nacelle struts
M26	Outboard nacelle struts
N57	Inboard nacelles
N58	Outboard nacelles
S1-12	Spoiler Panels
T14	Flap track fairings

INSTRUMENTATION

Force instrumentation consisted of a six-component internal force balance mounted in each model. The orbiter balance measured orbiter forces and the carrier balance measured carrier data.

Pressure instrumentation for the orbiter consisted of 3 base pressure orifices (tailcone off only) and 1 balance cavity orifice. Pressure instrumentation for the carrier consisted of 1 balance cavity orifice and 3 sting/boattail cavity pressure orifices as shown below. Also, see figure 2k. All pressures were measured by individual pressure transducers.

	<u>Pressure</u>
Orbiter pressures:	PC ₀
	PB ₁
	PB ₂
	PB ₃
Carrier pressures:	PCC
	PSB1
	PSB2
	PSB3
Strut pressures:	PS1
	PS2
Tailcone pressure:	PTC

TEST FACILITY DESCRIPTION

The Vought Aeronautics Company High Speed Wind Tunnel is a blowdown-to-atmosphere, transonic-supersonic adjustable Mach number facility.

Six tanks with a total of 28,000 cubic feet air storage capacity receive the reheated air until a maximum storage pressure of 600 psia is reached. The compressor discharge is then vented to atmosphere until the tank pressure is reduced below 400 psia. An alumina pebble bed in each tank absorbs heat during pump up and dissipates heat during air discharge to maintain a near constant supply temperature.

The time required to recharge the air storage tanks following a run varies from 15 to 45 minutes depending upon the final tank pressure. A nominal tank pressure increase rate is 9 psi per minute.

Mach number control at the supersonic test section velocities is accomplished with an adjustable contour nozzle. Two flexible stainless steel plates, 3/4-inch thick, 48 inches wide, and 453 inches long, are contoured to produce a uniform test section flow using 28 nozzle jacks on each plate spaced at 10- to 18-inch intervals. During nozzle changes the plates are hydraulically extended to permit positioning of the threaded nozzle jacks. After the nozzle jacks are properly set, the plates are retracted against the nozzle jack stops. Microswitches on the stops indicate plate contact. Strain indicators at each jack position protect the nozzle plate from excessive stresses.

During each run the hydraulic cylinders are charged with high pressure to hold each plate support rigidly against the nozzle jack stops.

TEST FACILITY DESCRIPTION (Concluded)

For transonic operation the supersonic diffuser is removed and the transonic test section and ejector section are set in place. The model cart is relocated downstream approximately 11 feet into the transonic test section. Test section window locations relative to the model cart are the same for either section. Conversion time is nominally 2 hours.

The transonic test section has normal hole perforated walls with 22.5% porosity. Test section size is nominal 4 x 4 feet with each side wall converged 25 minutes. Subsonic Mach number control is accomplished with hydraulic servo-actuated choking flaps downstream of the test section. A control system maintains the preset ratio of static to total pressure during each run by causing small changes in choking area. Above Mach number 0.9, approximately, the choking flaps are fully open and Mach control is switched to a set of plenum chamber bleed control flaps. These hydraulically-actuated, servo-controlled "Mach flaps" remove test section air through the porous walls by ejection pumping of the plenum chamber. A maximum Mach number of 1.15 can be attained with a sonic nozzle. To obtain Mach numbers greater than 1.5, it is necessary to contour the nozzle plates in addition to utilizing plenum pumping. A maximum Mach number of 1.8 is possible in the transonic test section, although the supersonic test section is recommended for Mach numbers of 1.4 and greater.

DATA REDUCTION

Force and moment data were reduced in both body and stability axes using standard data reduction procedures. Coefficient data for each vehicle were computed based on their respective reference dimensions. Separation distances Δx , Δy , and Δz were computed in the carrier body axis system and represent the movement of the orbiter from the base (mated) position.

<u>Symbol</u>	<u>Carrier</u>		<u>Orbiter</u>		<u>Description</u>
	<u>Model Scale</u>	<u>Full Scale</u>	<u>Model Scale</u>	<u>Full Scale</u>	
S	0.859	5500	0.420	2690	reference area, ft. ²
b	29.351	2348.04	11.709	936.68	reference span, in.
\bar{c}	4.097	327.78	5.935	474.81	reference MAC, in.
MRC					moment reference center, in.
X_c or X_o	16.749	1339.90	13.862	1109	
Y_c or Y_o	0.0	0.0	0.0	0.0	
Z_c or Z_o	2.385	190.75	4.687	375	

No base or cavity pressure corrections were applied to the data.

Wind tunnel data were interpolated versus angle of attack, angle of sideslip, orbiter incidence angle and separation distances Δx , Δy and Δz . Both basic and interpolated data are presented in this report.

REFERENCES

- SD75-SH-0054, "Pretest Information for a Test of an 0.0125-scale Model 48-0 orbiter/747 Flight Test Configuration in the LTV 4 x 4-foot High Speed Wind Tunnel (CA23)," February 17, 1975
- VC70-000002, "Design Geometry - Orbiter," June 10, 1974
- SS-A01377, "Orbiter Assembly - #48-0, 0.0125-Scale SSV, Ferry/Separation," August 9, 1974
- SS-A01378, "Model Installation - 0.0125-Scale SSV Orbiter Ferry/Separation (LTV)"
- SS-A01452, "Tail Cone Assy - 0.0125-Scale SSV Orbiter, #48-0"
- SS-A01559, "Fwd and Aft attach Supports, 48-0, 0.0125-Scale SSV Orbiter, March 11, 1975
- W-1132SA, "Sting Assy - 48-0 SSV, Carrier, Ferry/Separation," August 9, 1974
- W-1133SA "Sting Assy - Orbiter Ferry Separation, #48-0," January 13, 1975
- The Boeing Company - 747 Carrier
- 747-MD-461, "General Arrangement - 747 Space Shuttle Orbiter Carrier Aircraft (Piggyback Configuration)," July 15, 1974
- 747-MD-654, "Forward Support Structure Instl. -747 CAM"
- 747-MD-658, "Support Structure Instl. -Aft"
- AX 1318I-1, "747 Model Drawings 0.0125-Scale."
- 65C13609, "Model Assy AX1318I-1"
- 65-89588, "Body Lines AX1318I-1"

TABLE I.

TEST : CA26		DATE : Post Test	
TEST CONDITIONS			
MACH NUMBER	REYNOLDS NUMBER (per unit length)	DYNAMIC PRESSURE PSF	STAGNATION TEMPERATURE (degrees Fahrenheit)
0.3	2.6×10^6 /ft	200	119
0.5	4.0×10^6 /ft	445	115
0.6	$4.3-4.9 \times 10^6$ /ft	570 - 625	89 - 132
0.7	5.1×10^6 /ft	720	96

BALANCE UTILIZED: Orbiter: Task 1.0-inch MK XIV
 Carrier: LIV 1.5-inch VB-21

CAPACITY:

	Orbiter	Carrier	Accuracy
NF	<u>800 lb.</u>	<u>1000 lb.</u>	<u>0.2%</u>
SF	<u>400 lb.</u>	<u>800 lb.</u>	<u>0.2%</u>
AF	<u>100 lb.</u>	<u>200 lb.</u>	<u>0.2%</u>
PM	<u> </u>	<u>1000 in.-lb.</u>	<u>0.2%</u>
RM	<u>250 in.-lb.</u>	<u>400 in.-lb.</u>	<u>0.2%</u>
YM	<u> </u>	<u>1200 in.-lb.</u>	<u>0.2%</u>

COMMENTS:

TABLE II

TEST: CA26		DATA SET/RUN NUMBER COLLATION SUMMARY											DATE: POST TEST			
DATA SET IDENTIFIER	CONFIGURATION	CARRIER				ORBITER							MACH NUMBERS			
		α	β	δ_A	δ_r	δ_e	δ_{SF}	δ_o	ΔX	ΔY	ΔZ	α_o	β_o	ϕ_o	0.6	
AFE001	04*					0	0	0				\triangle 2	0	0		1
02						0	16.3	0				\triangle 2	0	0		2
03						5	0	0				\triangle 2	0	0		4.1
04						5	0	0				\triangle 2	-5	0		4.2
05	02 S1					5	0	0				\triangle 2	0	0		7.1
06						5	0	0				\triangle 2	-5	0		7.2
07						5	0	0			\triangle X	8	0	0		8
08						0	0	0				\triangle 2	0	0		9
09						0	16.3	0				\triangle 2	0	0		10
10						0	-11.7	0				\triangle 2	0	0		11
11						0	5	0				\triangle 2	0	0		12
12	06 S1					0	-11.7	0				\triangle 2	0	0		14
13						0	-11.7	0				\triangle 2	-5	0		15
14						5	-11.7	0				\triangle 2	0	0		16.1
15						5	-11.7	0				\triangle 2	-5	0		16.2

TEST RUN NUMBERS

38

1 7 13 19 25 31 37 43 49 55 61 67 75 76

COEFFICIENTS

α OR β SCHEDULES \triangle $\alpha_o = 0^\circ$ to 16° \triangle $Z = 0$ to 72 feet

IDVAR(1) IDVAR(2) NDV

NASA-MSFC-MAF

SEE PAGE 46 FOR COEFFICIENT SCHEDULE

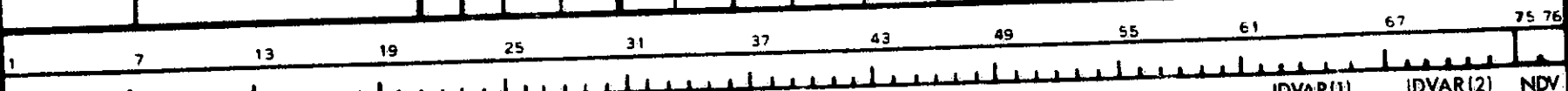
* STINGRAY WHEEL

TABLE II (Continued)

TEST: CA26		DATA SET/RUN NUMBER COLLATION SUMMARY												DATE: POST TEST			
DATA SET IDENTIFIER	CONFIGURATION	CARRIER				ORBITER									MACH NUMBERS		
		α	β	δ_r	δ_l	δ_e	δ_{BF}	δ_a	ΔX	ΔY	ΔZ	α_0	β_0	ϕ_0			
RFED16	747/1 ATY	0	0	5	0											0.6	
17		2	0	5	0											17	
18		4	0	5	0											25.1	
19		5	0	5	0											24	
20		0	0	-1	0											29	
21		2	0	-1	0											18	
22		4	0	-1	0											27	
23		2	-5	5	0											23	
24		2	0	5	0											28	
25		2	0	5	0											25.2	
26	747/1	0	0	-1	0											25.3	
27		0	0	3	0											19	
28		0	0	5	0											21	
29	747/4	0	0	-	0											20	
																22	

39

TEST RUN NUMBERS



α OR β
SCHEDULES

$Z = 0$ to 53 feet
 $X = 0$ to 40 feet

COEFFICIENTS

TABLE II (Continued)

TEST: CAZ6		DATA SET/RUN NUMBER COLLATION SUMMARY													DATE: POST TEST			
DATA SET IDENTIFIER	CONFIGURATION	CARRIER				ORBITER									MACH NUMBERS			
		α	β	δ_A	δ_r	δ_e	δ_{BF}	δ_a	ΔX	ΔY	ΔZ	z_0	β_0	ϕ_0	0.3	0.5	0.6	0.7
R/AFF030	747/1 ATY $\delta z s_1$	0	0	5	0	5	-11.7	0	0	0	\triangle^1	4	0	0				30.1
31											\triangle^2	6						30.2
32											\triangle^1	6						30.3
33											\triangle^3	6						34.2
34											\triangle^1	8						31
35		0	0	5	0	5	-11.7	0	0	0	\triangle^1	4	5	0				33.1
36											\triangle^1	6						33.2
37											\triangle^1	8						34.1
38		0	0	-1	0	5	-11.7	0	0	0	\triangle^1	4	0	0				35.1
39											\triangle^1	6						35.2
40											\triangle^1	8						36
41		2	0	-1	0	5	-11.7	0	0	0	\triangle^4	4	0	0				37.1
42											\triangle^3	6						37.2
43	NO DATA AVAILABLE										\triangle^4	8						38.1
44	NO DATA AVAILABLE										\triangle^3	8						38.2
45		2	0	5	0	5	-11.7	0	0	0	\triangle^1	4	0	0				39.1
46											\triangle^1	6			44	43	39.2	42
47											\triangle^1	8						40.1

TEST RUN NUMBERS

40

1 7 13 19 25 31 37 43 49 55 61 67 73 75 76

OR SCHEDULES
 \triangle^1 ΔZ increasing, no pauses
 \triangle^2 ΔZ decreasing, no pauses
 \triangle^3 ΔZ increasing, with pauses
 \triangle^4 ΔZ decreasing, with pauses
 IDVAR(1), IDVAR(2) NDV

\triangle^3 ΔZ increasing, decreasing, with pauses NASA-MSFC-MAF

TABLE II (Continued)

TEST: CA26		DATA SET/RUN NUMBER COLLATION SUMMARY												DATE: POST TEST		
DATA SET IDENTIFIER	CONFIGURATION	CARRIER					ORBITER							MACH NUMBERS		
		α	β	δ_a	δ_r	δ_e	δ_{BF}	δ_a	ΔX	ΔY	ΔZ	i_0	β_0	ϕ_0		0.6
R/AFED48	747/1 ATY $\phi_2 S_1$	2	0	5	0	5	0	0	0	0	$\triangle 3$	4	5	0		41.1
49											$\triangle 3$	6				41.2
50											$\triangle 3$	8				40.2
51	747/1 ATX $\phi_2 S_1$	2	0	5	0	5	0	0	0	0	$\triangle 3$	4	0	0		45.1
52											$\triangle 3$	6				45.2
53	747/1 ATY $\phi_2 S_1$	2	0	5	0	5	0	0	0	$\triangle 4$	0	6	0	0		46.1
54											15					46.2
55											60					46.3
56		2	0	5	0	5	0	0	0	$\triangle 4$	0	6	5	0		47.1
57											15					47.2
58											60					47.3
59		2	0	5	0	5	0	0	10	$\triangle 4$	0	6	0	0		48.1
60											15					48.2
61											60					48.3
62		2	0	5	0	5	0	0	$\triangle 5$	0	0	6	0	0		49.1
63											15					49.2
64											60					49.3

TEST RUN NUMBERS

41

1 7 13 19 25 31 37 43 49 55 61 67 75 76

α OR β
SCHEDULES

$\triangle 4$ $\Delta Y = -10$ to 10 feet

COEFFICIENTS

$\triangle 5$ $\Delta X = 0$ to 20 feet

IDVAR (1)

IDVAR (2)

NDV

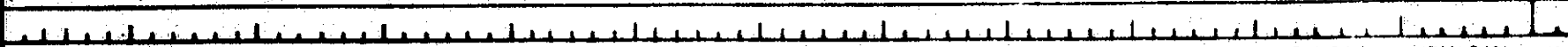
TABLE II (Continued)

TEST: CA26		DATA SET/RUN NUMBER COLLATION SUMMARY													DATE: POST TEST	
DATA SET IDENTIFIER	CONFIGURATION	CARRIER					ORBITER						MACH NUMBERS			
		α	β	δ_a	δ_r	δ_e	δ_{BF}	δ_a	ΔX	ΔY	ΔZ	l_0	B_0	ϕ_0		O.E.
R/AFFD65	747/1 ATY 02 S1	2	0	5	0	5	0	0	Δ	0	0	6	5	0		50.1
66											15					50.2
67											60					50.3
68		2	0	5	0	0	16.3	0	0	0	Δ	4	0	0		51.1
69												6				51.2
70												8				52
71		2	0	5	0	0	5	0	0	0	Δ	4	0	0		53.1
72												6				53.2
73												8				54
74		2	0	5	0	0	0	0	0	0	Δ	4	0	0		55.1
75												6				55.2
76												8				56
77		2	0	5	0	10	0	0	0	0	Δ	6	0	0		57
78		2	0	5	0	5	0	-5	0	0	Δ	6	0	0		58
79		2	0	5	10	5	0	0	0	0	Δ	6	0	0		59
80		2	-5	5	0	5	0	0	0	0	Δ	4	-5	0		60.1
81												6				60.2
82												8				61

TEST RUN NUMBERS

42

1 7 13 19 25 31 37 43 49 55 61 67 73 79



COEFFICIENTS

IDVAR(1) IDVAR(2) NDV

α OR β _____
 SCHEDULES _____

TABLE II (Continued)

TEST: CAZ6		DATA SET/RUN NUMBER COLLATION SUMMARY													DATE: POST TEST	
DATA SET IDENTIFIER	CONFIGURATION	CARRIER				ORBITER									MACH NUMBERS	
		α	β	δ_a	δ_r	δ_e	δ_{θ}	δ_a	Δx	Δy	Δz	ϕ_0	β_0	ϕ_0		
8/AFE083	747/1 ATY $\phi_2 S_1$	2	5	5	0	5	0	0	$\triangle 5$	0	0	6	0	0		0.6
84																62.1
85																62.2
86		2	5	5	0	5	0	0	0	$\triangle 4$	0	6	0	0		62.3
87																63.1
88																63.2
89		4	0	5	0	5	0	0	0	0	$\triangle 3$	4	0	0		63.3
90												6				64.1
91												8				64.2
92		4	0	5	0	5	0	0	0	0	$\triangle 3$	4	5	0		65
93												6				66.1
94												8				66.2
95		4	0	-1	0	5	0	0	0	0	$\triangle 3$	4	0	0		67
96												6				68.1
97												8				68.2
98		4	0	5	0	0	0	0	0	0	$\triangle 3$	4	0	0		69
99												6				70.1
100												8				70.2
																71

TEST RUN NUMBERS

43

1 7 13 19 25 31 37 43 49 55 61 67 73 76

COEFFICIENTS

IDVAR(1) IDVAR(2) NDV

α OR β _____

SCHEDULES _____

TABLE II (Continued)

TEST: CA26		DATA SET/RUN NUMBER COLLATION SUMMARY													DATE: POST TEST	
DATA SET IDENTIFIER	CONFIGURATION	CARRIER					ORBITER							MACH NUMBERS		
		α	β	δ_a	δ_r	δ_e	δ_{BF}	δ_a	ΔX	ΔY	ΔZ	ζ_0	β_0	ϕ_0		
R/AEE101	747/1 ATy $\phi_2 S_1$	4	-5	5	0	5	0	0	0	0	$\triangle 3$	4	-5	0		0.6
102												6				72.1
103												8				72.2
104		55	0	5	0	5	0	0	0	0	$\triangle 3$	6	0	0		73
105		0	-5	5	0	5	0	0	0	0	$\triangle 3$	4	-5	0		74
106												6				75.1
107												8				75.2
108	747/1 ATy $\phi_6 S_1$	2	0	5	0	5	-11.7	0	0	0	$\triangle 3$	6	0	0		76
109		2	0	5	0	0	-11.7	0	0	0	$\triangle 3$	4	0	0		77
110												6				78.1
111												8				78.2
112		2	0	5	0	0	-11.7	0	$\triangle 5$	0	0	6	0	0		79
113												15				81.1
114												60				81.2
115		2	0	5	0	0	-11.7	0	0	$\triangle 4$	0	6	0	0		81.3
116												15				82.1
117												60				82.2
																82.3

TEST RUN NUMBERS

44

1 7 13 19 25 31 37 43 49 55 61 67 75 76

COEFFICIENTS

IDVAR(1) IDVAR(2) NDV

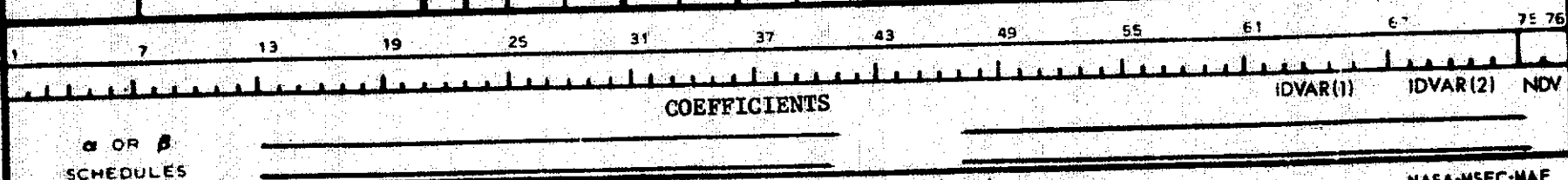
α OR β
SCHEDULES

TABLE II (Continued)

TEST: CA26		DATA SET/RUN NUMBER COLLATION SUMMARY													DATE: POST TEST		
DATA SET IDENTIFIER	CONFIGURATION	CARRIER				ORBITER									MACH NUMBERS		
		α	β	δ_A	δ_r	δ_e	δ_{BF}	δ_a	ΔX	ΔY	ΔZ	i_0	β_0	ϕ_0			0.6
R/AFE118	747/1 ATy $\phi_6 S_1$	2	0	-1	0	0	-11.7	0	0	0	△3	6	0	0			83
119		2	0	5	10	0	-11.7	0	0	0	△3	6	0	0			84
120		2	-5	5	0	0	-11.7	0	0	0	△3	6	-5	0			85
121		4	0	5	0	0	-11.7	0	0	0	△3	4	0	0			86.1
122												6					86.2
123												8					87
124		0	0	5	0	0	-11.7	0	0	0	△3	4	0	0			88.1
125												6					88.2
126												8					89
127		2	0	5	0	0	-11.7	0	0	0	△3	6	0	7.5			90
128	747/1 ATy $\phi_2 S_1$	2	0	5	0	5	0	0	0	0	△3	6	0	7.5			91
129		2	0	5	0	5	0	0	0	0	△3	6	5	7.5			92
130		2	0	5	0	5	0	0	0	0	△3	6	0	7.5			93
AFF 131	$\phi_2 S_1$					5	0	0				△2	5	0			94.1
132						5	0	0				△2	0	0			94.2
133						5	0	0				△2	-5	0			94.3
134						0	0	0				△2	0	0			13*

TEST RUN NUMBERS

45



* Vertical strut blade/orbiter gap sealed

TABLE II (Continued)

DATA SET 1st CHARACTER IDENTIFIER	DATA SET NUMBER	INDEPENDENT VARIABLE		DEPENDENT VARIABLES
		FIRST	SECOND	
AW	1-6	MACH	ALPHAO	BETAO, CN, CLM, CA, CY, CYN, CBL, CL, CD
AW	7	MACH	DZ	DY, DX, CN, CLM, CA, CY, CYN, CBL, CL, CD
AW	8-13	MACH	ALPHAO	BETAO, CN, CLM, CA, CY, CYN, CBL, CL, CD
AW	14-15	MACH	INCID	CN, CLM, CA, CY, CYN, CBL, CL, CD
AWRY	30-52	MACH	DZ	DY, DX, CN, CLM, CA, CY, CYN, CBL, CL, CD
AWRY	53-61	MACH	DY	DX, DZ, CN, CLM, CA, CY, CYN, CBL, CL, CD
AWRY	62-67	MACH	DX	DY, DZ, CN, CLM, CA, CY, CYN, CBL, CL, CD
AWRY	68-82	MACH	DZ	DY, DX, CN, CLM, CA, CY, CYN, CBL, CL, CD
AWRY	83-85	MACH	DX	DY, DZ, CN, CLM, CA, CY, CYN, CBL, CL, CD
AWRY	86-88	MACH	DY	DX, DZ, CN, CLM, CA, CY, CYN, CBL, CL, CD
AWRY	89-111	MACH	DZ	DY, DX, CN, CLM, CA, CY, CYN, CBL, CL, CD
AWRY	112-114	MACH	DX	DY, DZ, CN, CLM, CA, CY, CYN, CBL, CL, CD
AWRY	115-117	MACH	DY	DX, DZ, CN, CLM, CA, CY, CYN, CBL, CL, CD
AWRY	118-130	MACH	DZ	DY, DX, CN, CLM, CA, CY, CYN, CBL, CL, CD
AW	131-133	MACH	INCID	CN, CLM, CA, CY, CYN, CBL, CL, CD
AW	134	MACH	ALPHAO	BETAO, CN, CLM, CA, CY, CYN, CBL, CL, CD
BX	1-4	MACH	ALPHAO	CPCO, CPB1, CPB2, CPB3
BX	5-6	MACH	ALPHAO	CPCO, CPB1, CPB2, CPB3, CPS1, CPS2
BX	7	MACH	DZ	CPCO, CPB1, CPB2, CPB3, CPS1, CPS2, ALPHAO, BETAO
BX	8-11	MACH	ALPHAO	CPCO, CPB1, CPB2, CPB3, CPS1, CPS2
BX	12-13	MACH	ALPHAO	CPCO, CPS1, CPS2
BX	14-15	MACH	INCID	CPCO, CPS1, CPS2
BX	30-52	MACH	DZ	CPCO, CPB1, CPB2, CPB3, CPS1, CPS2, ALPHAO, BETAO, INCID, ALPHAC
BX	53-61	MACH	DY	CPCO, CPB1, CPB2, CPB3, CPS1, CPS2, ALPHAO, BETAO, INCID, ALPHAC
BX	62-67	MACH	DX	CPCO, CPB1, CPB2, CPB3, CPS1, CPS2, ALPHAO, BETAO, INCID, ALPHAC

ORIGINAL PAGE IS
OF POOR QUALITY

TABLE II (Continued)

DATA SET 1st CHARACTER IDENTIFIER	DATA SET NUMBER	INDEPENDENT VARIABLE		DEPENDENT VARIABLES
		FIRST	SECOND	
BX	68-82	MACH	DZ	CPCO, CPB1, CPB2, CPB3, CPS1, CPS2, ALPHAO, BETAO, INCID, ALPHAC
BX	83-85	MACH	DX	CPCO, CPB1, CPB2, CPB3, CPS1, CPS2, ALPHAO, BETAO, INCID, ALPHAC
BX	86-88	MACH	DY	CPCO, CPB1, CPB2, CPB3, CPS1, CPS2, ALPHAO, BETAO, INCID, ALPHAC
BX	89-111	MACH	DZ	CPCO, CPB1, CPB2, CPB3, CPS1, CPS2, ALPHAO, BETAO, INCID, ALPHAC
BX	112-114	MACH	DX	CPCO, CPS1, CPS2, ALPHAO, BETAO, INCID, ALPHAC
BX	115-117	MACH	DY	CPCO, CPS1, CPS2, ALPHAO, BETAO, INCID, ALPHAC
BX	118-130	MACH	DZ	CPCO, CPS1, CPS2, ALPHAO, BETAO, INCID, ALPHAC
BX	131-133	MACH	INCID	CPCO, CPS1, CPS2
BX	134	MACH	ALPHAO	CPCO, CPB1, CPB2, CPB3, CPS1, CPS2
RY	16-23	MACH	ALPHAC	BETAC, CN, CLM, CA, CY, CYN, CBL, CL, CD
RY	24	MACH	DZ	DY, DX, CN, CLM, CA, CY, CYN, CBL, CL, CD
RY	25	MACH	DX	DY, DZ, CN, CLM, CA, CY, CYN, CBL, CL, CD
RY	26-29	MACH	ALPHAC	BETAC, CN, CLM, CA, CY, CYN, CBL, CL, CD
SZ	16-23	MACH	ALPHAC	CPCC, CPSB1, CPSB2, CPSB3, Q(PSF)
SZ	24	MACH	DZ	CPCC, CPSB1, CPSB2, CPSB3, Q(PSF), ALPHAC, BETAC
SZ	25	MACH	DX	CPCC, CPSB1, CPSB2, CPSB3, Q(PSF), ALPHAC, BETAC
SZ	26-29	MACH	ALPHAC	CPCC, CPSB1, CPSB2, CPSB3, Q(PSF)
SZ	30-52	MACH	DZ	CPCC, CPSB1, CPSB2, CPSB3, Q(PSF), ALPHAC, BETAC, ALPHAO, BETAO, INCID
SZ	53-61	MACH	DY	CPCC, CPSB1, CPSB2, CPSB3, Q(PSF), ALPHAC, BETAC, ALPHAO, BETAO, INCID
SZ	62-67	MACH	DX	CPCC, CPSB1, CPSB2, CPSB3, Q(PSF), ALPHAC, BETAC, ALPHAO, BETAO, INCID

TABLE II (Concluded)

DATA SET 1st CHARACTER IDENTIFIER	DATA SET NUMBER	INDEPENDENT VARIABLE		DEPENDENT VARIABLES
		FIRST	SECOND	
SZ	68-82	MACH	DZ	CPCC, CPSB1, CPSB2, CPSB3, Q(PSF), ALPHAC, BETAC, ALPHAO, BETAO, INCID
SZ	83-85	MACH	DX	CPCC, CPSB1, CPSB2, CPSB3, Q(PSF), ALPHAC, BETAC, ALPHAO, BETAO, INCID
SZ	86-88	MACH	DY	CPCC, CPSB1, CPSB2, CPSB3, Q(PSF), ALPHAC, BETAC, ALPHAO, BETAO, INCID
SZ	89-111	MACH	DZ	CPCC, CPSB1, CPSB2, CPSB3, Q(PSF), ALPHAC, BETAC, ALPHAO, BETAO, INCID
SZ	112-114	MACH	DX	CPCC, CPSB1, CPSB2, CPSB3, Q(PSF), ALPHAC, BETAC, ALPHAO, BETAO, INCID
SZ	115-117	MACH	DY	CPCC, CPSB1, CPSB2, CPSB3, Q(PSF), ALPHAC, BETAC, ALPHAO, BETAO, INCID
SZ	118-130	MACH	DZ	CPCC, CPSB1, CPSB2, CPSB3, Q(PSF), ALPHAC, BETAC, ALPHAO, BETAO, INCID

TABLE III (MODEL DIMENSIONAL DATA)

a. Orbiter Model

MODEL COMPONENT : BODY - CML - B₄₁

GENERAL DESCRIPTION : The body is an elongated structure containing the Crew Module and Cargo Bay. Same as IML plus 1" TPS.

MODEL SCALE: 0.0125

DRAWING NUMBER : VC70-000002, SS-A01377

DIMENSIONS :	FULL SCALE	MODEL SCALE
Length ($X_0 = 235$ to 1519), In.	<u>1284.0</u>	<u>16.050</u>
Max Width ($X_0 = 1516.8$), In.	<u>262.718</u>	<u>3.284</u>
Max Depth ($X_0 = 1463.316$), In.	<u>248.575</u>	<u>3.107</u>
Fineness Ratio	<u>5.1365</u>	<u>5.1365</u>
Area - Ft ²	<u> </u>	<u> </u>
Max. Cross-Sectional	<u>340.82</u>	<u>0.053</u>
Planform	<u> </u>	<u> </u>
Wetted	<u> </u>	<u> </u>
Base	<u> </u>	<u> </u>

TABLE III (Cont'd)

a. Orbiter Model

MODEL COMPONENT : CANOPY (OUTER MOLD LINE) - C₁₄

GENERAL DESCRIPTION : The canopy is that part of the forward fuselage which covers the Crew Module. One inch TPS thickness on the canopy.

Configuration 140C.

MODEL SCALE: 0.0125

DRAWING NUMBER: VC70-000002, SS-A01377

DIMENSIONS :	FULL SCALE	MODEL SCALE
Length ($X_0 = 435.196 - 670.0$), In.	<u>234.80</u>	<u>2.935</u>
Max Width ($X_0 = 594.0$), In.	<u>195.58</u>	<u>2.445</u>
Max Depth	<u> </u>	<u> </u>
Fineness Ratio	<u> </u>	<u> </u>
Area	<u> </u>	<u> </u>
Max. Cross-Sectional	<u> </u>	<u> </u>
Planform	<u> </u>	<u> </u>
Wetted	<u> </u>	<u> </u>
Base	<u> </u>	<u> </u>

WINDSHIELD PLANES:

$$\begin{aligned}
 .7012 X_0 - .2552 Y_0 - .6656 Z_0 - 6.1789 &= 0 \\
 .5710 X_0 - .5641 Y_0 - .5965 Z_0 + 32.7354 &= 0 \\
 .2636 X_0 - .7564 Y_0 - .5965 Z_0 + 189.4099 &= 0
 \end{aligned}$$

TABLE III (Cont'd)

a. Orbiter Model

MODEL COMPONENT : ELEVON - E₁₁

GENERAL DESCRIPTION : 6.0 In. F.S. gaps machined into E₂₆ elevon.

Flipper doors, centerbody pieces, and tipseals are not simulated. (Data are for one side.)

MODEL SCALE: 0.0125

DRAWING NUMBER Not available.

DIMENSIONS :	FULL SCALE	MODEL SCALE
Area - Ft ²	<u>210.00</u>	<u>0.033</u>
Span (equivalent), In.,	<u>349.2</u>	<u>4.365</u>
Inb'd equivalent chord, In.	<u>118.0</u>	<u>1.475</u>
Outb'd equivalent chord, In.	<u>55.19</u>	<u>0.690</u>
Ratio movable surface chord/ total surface chord		
At Inb'd equiv. chord	<u>0.2096</u>	<u>0.2096</u>
At Outb'd equiv. chord	<u>0.4004</u>	<u>0.4004</u>
Sweep Back Angles, degrees		
Leading Edge	<u>0.00</u>	<u>0.00</u>
Trailing Edge	<u>- 10.056</u>	<u>- 10.056</u>
Hingeline	<u>0.00</u>	<u>0.00</u>
(Product of area & c)		
Area Moment (Normalized to hinge axis), Ft ³	<u>1587.25</u>	<u>0.003</u>
Mean Aerodynamic Chord, In.	<u>90.7</u>	<u>1.134</u>

ORIGINAL PAGE IS
OF POOR QUALITY

TABLE III (Cont'd)

a. Orbiter Model

MODEL COMPONENT: BODY FLAP - F₁₁

GENERAL DESCRIPTION: The body flap is a secondary movable airfoil located at the aft end of the body.

MODEL SCALE: 0.0125

DRAWING NUMBER: VC70-000002

<u>DIMENSIONS:</u>	<u>FULL-SCALE</u>	<u>MODEL SCALE</u>
Area - Ft ²	<u>135.75</u>	<u>0.021</u>
Span (equivalent), In.	<u>241.33</u>	<u>3.017</u>
Inb'd equivalent chord, In.	<u>81.0</u>	<u>1.013</u>
Outb'd equivalent chord, In.	<u>81.0</u>	<u>1.013</u>
Ratio movable surface chord/ total surface chord		
At Inb'd equiv. chord	<u>0.0</u>	<u>0.0</u>
At Outb'd equiv. chord	<u>0.0</u>	<u>0.0</u>
Sweep Back Angles, degrees		
Leading Edge	<u>0.0</u>	<u>0.0</u>
Tailing Edge	<u>0.0</u>	<u>0.0</u>
Hingeline	<u>0.0</u>	<u>0.0</u>
Area Moment (Product of Area & \bar{c}) (Normal to hinge chord), Ft ³	<u>916.31</u>	<u>0.0018</u>
Mean Aerodynamic Chord, In.	<u>81.0</u>	<u>1.013</u>

TABLE III (Cont'd)

a. Orbiter Model

MODEL COMPONENT : OMS PODS (OML) - M₁₈

GENERAL DESCRIPTION : The OMS pods are nacelles housing the maneuvering engines and are located on the fuselage on either side of the vertical tail. Same as IML plus 1/2" TPS.

MODEL SCALE: 0.0125

DRAWING NUMBER : VC70-000002, VL70-843001

DIMENSIONS :	FULL SCALE	MODEL SCALE
Length ($X_0=1311 - 1511$), In.	<u>200.00</u>	<u>2.500</u>
Max Width ($X_0 = 304$), In.	<u>135.75</u>	<u>1.697</u>
Max Depth ($X_0 = 304$), In.	<u>74.5</u>	<u>0.931</u>
Fineness Ratio	<u> </u>	<u> </u>
Area - Ft ²	<u> </u>	<u> </u>
Max. Cross-Sectional	<u>58.169</u>	<u>0.009</u>
Planform	<u> </u>	<u> </u>
Wetted	<u> </u>	<u> </u>
Base	<u> </u>	<u> </u>

TABLE III (Cont'd)

a. Orbiter Model

MODEL COMPONENT: NOZZLES - N₀₂

GENERAL DESCRIPTION: The two orbiter maneuvering system nozzles are level-bell shaped and are located at the aft end of the OMS pods. These dimensions are external and are not to be used for plume tests.

MODEL SCALE: 0.0125

DRAWING NUMBER: MC62100009, VC70-000002, VL70-008401, Aerojet 1181900

DIMENSIONS:	<u>FULL SCALE</u>	<u>MODEL SCALE</u>
MACH NO.		
Length - In.		
Gimbal Point to Exit Plane	<u>56.00</u>	<u>0.700</u>
Throat to Exit Plane	<u>56.00</u>	<u>0.700</u>
Diameter - In.		
Exit	<u>45.09</u>	<u>0.564</u>
Throat	<u> </u>	<u> </u>
Inlet	<u> </u>	<u> </u>
Area - ft ²		
Exit	<u>11.09</u>	<u>0.139</u>
Throat	<u> </u>	<u> </u>
Gimbal Point (Station) - In.		
X	<u>1518.0</u>	<u>18.975</u>
Y	<u>88.0</u>	<u>1.100</u>
Z	<u>492.0</u>	<u>6.150</u>
	<u> </u>	<u> </u>
	<u> </u>	<u> </u>
	<u> </u>	<u> </u>
Null Position - Deg.		
Pitch	<u>15.82°</u>	<u>15.82°</u>
Yaw	<u>6.5°</u>	<u>6.5°</u>
	<u> </u>	<u> </u>
	<u> </u>	<u> </u>

TABLE III (Cont'd)

a. Orbiter Model

MODEL COMPONENT: MPS NOZZLES - N₉₄

GENERAL DESCRIPTION: The main propulsion nozzles are Laval-bell shaped and are located on the aft planes of the orbiter. These dimensions are external and are not to be scaled for plume tests.

MODEL SCALE: 0.0125

DRAWING NUMBER: VC70-000002, VL70-008144; RSC09169, RS009107, 13M15000

DIMENSIONS:	<u>FULL SCALE</u>	<u>MODEL SCALE</u>
MACH NO.		
Length - In.		
Gimbal Point to Exit Plane	<u>157.00</u>	<u>1.963</u>
Throat to Exit Plane	<u> </u>	<u> </u>
Diameter - In..		
Exit	<u>97.914</u>	<u>1.224</u>
Throat	<u> </u>	<u> </u>
Inlet	<u> </u>	<u> </u>
Area - ft ²		
Exit	<u>52.290</u>	<u>0.008</u>
Throat	<u> </u>	<u> </u>
Gimbal Point (Station) - In.		
Upper Nozzle		
X ₀	<u>1445.0</u>	<u>18.063</u>
Y ₀	<u>0.0</u>	<u>0.0</u>
Z ₀	<u>443.0</u>	<u>5.538</u>
Lower Nozzles		
X ₀	<u>1468.170</u>	<u>18.352</u>
Y ₀	<u>53.00</u>	<u>0.663</u>
Z ₀	<u>342.640</u>	<u>4.283</u>
Null Position - Deg.		
Upper Nozzle		
Pitch	<u>16.0</u>	<u>16.0</u>
Yaw	<u>0.0</u>	<u>0.0</u>
Lower Nozzle		
Pitch	<u>10.0</u>	<u>10.0</u>
Yaw	<u>3.5</u>	<u>3.5</u>

TABLE III (Cont'd)

MODEL COMPONENT: MPS NOZZLES - N₁₀₅ a. Orbiter Model

GENERAL DESCRIPTION: Same as N₉₄ except the upper nozzle is removed.

MODEL SCALE: 0.0125

DRAWING NUMBER: VC70-000002, VL70-008144; RS009169, RS009107, 13M15000

DIMENSIONS:	<u>FULL SCALE</u>	<u>MODEL SCALE</u>
MACH NO.		
Length - In.		
Gimbal Point to Exit Plane	<u>157.00</u>	<u>1.963</u>
Throat to Exit Plane	<u> </u>	<u> </u>
Diameter - In.		
Exit	<u>97.914</u>	<u>1.224</u>
Throat	<u> </u>	<u> </u>
Inlet	<u> </u>	<u> </u>
Area - ft ²		
Exit	<u>52.290</u>	<u>0.008</u>
Throat	<u> </u>	<u> </u>
Gimbal Point (Station) - In.		
Upper Nozzle		
X	<u> </u>	<u> </u>
Y	<u> </u>	<u> </u>
Z	<u> </u>	<u> </u>
Lower Nozzles		
X ₀	<u>1468.170</u>	<u>18.352</u>
Y ₀	<u>53.00</u>	<u>0.663</u>
Z ₀	<u>342.640</u>	<u>4.283</u>
Null Position - Deg.		
Upper Nozzle		
Pitch	<u> </u>	<u> </u>
Yaw	<u> </u>	<u> </u>
Lower Nozzle		
Pitch	<u>10.0</u>	<u>10.0</u>
Yaw	<u>3.5</u>	<u>3.5</u>

TABLE III (Cont'd)

a. Orbiter model

MODEL COMPONENT: RUDDER - R₁₈

GENERAL DESCRIPTION: The rudder is a secondary movable airfoil at the trailing edge of the vertical fin that imparts yaw forces. This dimensional data was calculated from the OML master dimensions 7-19-74.

MODEL SCALE: 0.0125

DRAWING NUMBER _____

DIMENSIONS	FULL SCALE	MODEL SCALE
Area = Ft ²	<u>97.148</u>	<u>0.015</u>
Span (equivalent) , In.	<u>198.614</u>	<u>2.483</u>
Inb'd equivalent chord, In.	<u>90.07</u>	<u>1.126</u>
Outb'd equivalent chord , In.	<u>50.80</u>	<u>0.635</u>
Ratio movable surface chord/ total surface chord	<u> </u>	<u> </u>
At Inb'd equiv. chord	<u>0.400</u>	<u>0.400</u>
At Outb'd equiv. chord	<u>0.400</u>	<u>0.400</u>
Sweep Back Angles, degrees	<u> </u>	<u> </u>
Leading Edge	<u>34.833</u>	<u>34.833</u>
Trailing Edge	<u>26.249</u>	<u>26.249</u>
Hingeline	<u>34.833</u>	<u>34.833</u>
(MAC X AREA, Ft ³)	<u> </u>	<u> </u>
Area Moment (Maximum chordwise)	<u>584.99</u>	<u>0.0011</u>
Mean Aerodynamic Chord, In.	<u>72.260</u>	<u>0.903</u>

TABLE III (Cont'd)

a. Orbiter Model

MODEL COMPONENT : ORBITER TAILCONE - TC₁

GENERAL DESCRIPTION : Fairing mounted on orbiter fuselage base for
ferry missions configuration.

MODEL SCALE: 0.0125

DRAWING NUMBER : SS-A01452

DIMENSIONS :	FULL SCALE	MODEL SCALE
Length	<u>435.76</u>	<u>5.447</u>
Max Width	<u>300.80</u>	<u>3.76</u>
Max Depth Height	<u>266.40</u>	<u>3.33</u>
Fineness Ratio	<u> </u>	<u> </u>
Area - Ft ²	<u> </u>	<u> </u>
Max. Cross-Sectional	<u>462.37</u>	<u>0.0722</u>
Planform	<u>635.803</u>	<u>0.0993</u>
Wetted	<u> </u>	<u> </u>
Base	<u> </u>	<u> </u>

TABLE III (Cont'd)

a. Orbiter Model

MODEL COMPONENT: VERTICAL - V₂₃ (Outer Mold Lines)

GENERAL DESCRIPTION: The vertical tail is double-wedge shaped and mounted dorsally on the aft fuselage. These data correspond to configuration 140C.

MODEL SCALE: 0.0125

DRAWING NUMBER: VC70-000002, master dimensions.

DIMENSIONS: FULL SCALE MODEL SCALE

TOTAL DATA

Area (Theo) - Ft ²		
Planform	<u>113.253</u>	<u>0.065</u>
Span (Theo) - In.	<u>315.72</u>	<u>3.947</u>
Aspect Ratio	<u>1.675</u>	<u>1.675</u>
Rate of Taper	<u>0.507</u>	<u>0.507</u>
Taper Ratio	<u>0.404</u>	<u>0.404</u>
Sweep-Back Angles, Degrees.		
Leading Edge	<u>45.000</u>	<u>45.000</u>
Trailing Edge	<u>26.25</u>	<u>26.25</u>
0.25 Element Line	<u>41.13</u>	<u>41.13</u>
Chords:		
Root (Theo) WP	<u>268.50</u>	<u>3.356</u>
Tip (Theo) WP	<u>108.47</u>	<u>1.356</u>
MAC	<u>199.81</u>	<u>2.498</u>
Fus. Sta. of .25 MAC	<u>1463.50</u>	<u>18.294</u>
W.P. of .25 MAC	<u>635.52</u>	<u>7.944</u>
B.L. of .25 MAC	<u>0.0</u>	<u>0.0</u>
Airfoil Section		
Leading Wedge Angle - Deg.	<u>10.00</u>	<u>10.00</u>
Trailing Wedge Angle - Deg.	<u>14.92</u>	<u>14.92</u>
Leading Edge Radius	<u>2.00</u>	<u>0.0250</u>
Void Area	<u>13.17</u>	<u>0.0002</u>
Blanketed Area	<u>0.0</u>	<u>0.0</u>

TABLE III (Cont'd)

a. Orbiter Model

MODEL COMPONENT: WING-W₁₁₆

GENERAL DESCRIPTION: _____

NOTE: Identical to W₁₁₄ except airfoil thickness. Dihedral angle is along
trailing edge of wing. Geometric twist = 0.

MODEL SCALE: 0.0125

TEST NO. _____

DWG. NO. VITC-0001404 -000200

DIMENSIONS:

FULL-SCALE

MODEL SCALE

TOTAL DATAArea (Theo) Ft²

Planform

2690.000.420

Span (Theo) In.

936.6811.709

Aspect Ratio

2.2652.265

Rate of Taper

1.1771.177

Taper Ratio

0.2000.200

Dihedral Angle, degrees

3.5003.500

Incidence Angle, degrees

0.5000.500

Aerodynamic Twist, degrees

Sweep Back Angles, degrees

Leading Edge

45.0045.00

Trailing Edge

- 10.056- 10.056

0.25 Element Line

35.20935.209

Chords:

Root (Theo) B.P.O.O.

689.248.616

Tip, (Theo) B.P.

137.851.723

MAC

474.815.935

Fus. Sta. of .25 MAC

1136.8314.210

W.P. of .25 MAC

290.583.632

B.L. of .25 MAC

182.132.277EXPOSED DATAArea (Theo) Ft²1751.500.274

Span, (Theo) In. BP108

720.689.009

Aspect Ratio

2.0592.059

Taper Ratio

0.2450.245

Chords

Root BP108

562.097.026Tip $1.00 \frac{b}{2}$ 137.851.723

MAC

392.834.910

Fus. Sta. of .25 MAC

1185.9814.825

W.P. of .25 MAC

294.303.679

B.L. of .25 MAC

251.773.147Airfoil Section (Rockwell Mod NASA)
XXXX-64Root $\frac{b}{2}$ =0.1130.113Tip $\frac{b}{2}$ =0.1200.120

Data for (1) of (2) Sides

Leading Edge Cuff

117.100.0177Planform Area Ft²200.06.250

Leading Edge Intersects Fus M. L. @ Sta

1024.012.800

Leading Edge Intersects Wing @ Sta

TABLE III (MODEL DIMENSIONAL DATA)

a. Orbiter Model (Concluded)

MODEL COMPONENT : Mounting Strut - S₁

GENERAL DESCRIPTION : Blade strut attachment to orbiter aft upper fuselage where vertical tail is normally mounted. Strut leading edge and lower trailing edge conform to the vertical tail planform. Airfoil section is blunted diamond. The tip of the strut mounts to a sting.

MODEL SCALE: 0.0125
DRAWING NUMBER: Rockwell W-11335H

DIMENSIONS :

MODEL SCALE

Theoretical intersection of L.E.
with fuselage ML, in.

x_0

15.973

z_0

6.250

Leading edge sweep angle, deg.

45.0

Trailing edge sweep angle, deg.

45.0

chord length, in.

2.38

maximum thickness, in.

0.52

distance from L.E. to maximum
thickness, in.

1.42

position of sting ζ , in. z_0

12.835

TABLE III (MODEL DIMENSIONAL DATA)

b. Carrier Model

MODEL COMPONENT: ATTACH STRUCTURE - AT96

GENERAL DESCRIPTION: Forward attach structure between the Orbiter and Carrier, faired struts, $i_0 = 4^\circ$

MODEL SCALE: 0.0125

DRAWING NO.: Boeing Dwg. 747-MD-654, SS-A01559-4, -18, -35

DIMENSIONS:		<u>FULL SCALE</u>	<u>MODEL SCALE</u>
i_0 , Incidence angle, deg. (Orbiter FRL to 747 FRL)		4.0	4.0
Fairing chord, right and left, In.		31.0	0.388
Fairing T/C		0.226	0.226
Carrier attach points, In.	BSTA	689.4	8.617
	BWL	372.0	4.650
	BL	66.3	0.829
Orbiter attach points, In.	X_0	388.15	4.852
	Z_0	283.11	3.539
	Y_0	0.0	0.0
	BSTA	681.52	8.519
	BWL	480.4	6.005

TABLE III (Cont'd)

b. Carrier Model

MODEL COMPONENT: ATTACH STRUCTURE - AT₉₉

GENERAL DESCRIPTION: Aft attach structure between orbiter and carrier, same as AT₉₅ with a single fairing covering the main strut and drag strut on each side, and a fairing on the sway brace.

MODEL SCALE: 0.0125

DRAWING NO.: Boeing Dwg 747-MD-658, W-1135A-11, -12, SS-A01559-33, -34, -35

DIMENSIONS:

		<u>FULL SCALE</u>	<u>MODEL SCALE</u>
Orbiter attach points, In.	X ₀	1317.0	16.462
	Y ₀	± 96.51	± 1.206
	Z ₀ , BL	267.5	3.344
	BSTA	1607.0	20.087
	BWL	400.0	5.000
Main fairing:			
Root chord, In.		250.0	3.125
T/c of root chord		0.09	0.09
Tip chord, In.		120.0	1.500
T/c of tip chord		0.14	0.14
Sway brace:			
Chord, In.		31.0	0.388
T/c		0.226	0.226

TABLE III (Cont'd)

b. Carrier Model

MODEL COMPONENT: ATTACH STRUCTURE - AT₁₁₂

GENERAL DESCRIPTION: Forward attach structure between the Orbiter and Carrier with truncated strut fairings. The Orbiter/strut attach point is covered with a "bathtub" fairing, and the 747/strut attach points are also faired over. Struts are set in the $i_0 = 4^\circ$ position.

MODEL SCALE: 0.0125

DRAWING NO.: Boeing Dwg. 747-MD-680 (Modified), AX 1319-224

DIMENSIONS:	<u>FULL SCALE</u>	<u>MODEL SCALE</u>
i_0 , Incidence angle, deg. (Orbiter FRL to 747 FRL)	4.0	4.0
Strut Fairing		
Chord, In.	18.667	0.233
t/c	0.480	0.480
Length, (Each side), In.	112.0	1.400
Orbiter/Strut "Bathtub" Fairing		
Chord, In.	87.20	1.09
t/c	0.275	0.275
Carrier Attach Points, In.		
BSTA	680.0	8.500
BWL	372.0	4.650
BL	106.3	1.329
Orbiter Attach Point, In.		
X_0	388.15	4.852
Z_0	233.11	3.539
Y_0	0.0	0.0
BSTA	680.0	8.500
BWL	430.4	6.005

TABLE III (Cont'd)

b. Carrier Model

MODEL COMPONENT: ATTACH STRUCTURE - AT₁₁₃

GENERAL DESCRIPTION: Aft attach structure between Orbiter and Carrier, all components except the drag struts are faired. Consists of two faired vertical members, two sway braces, and two drag struts. There are fairing blisters at each end of the sway braces and on the forward end of the drag struts.

MODEL SCALE: 0.0125

DRAWING NO.: Boeing Dwgs. 747-MD-683, AX 1319-213

DIMENSIONS:		<u>FULL SCALE</u>	<u>MODEL SCALE</u>
Orbiter Attach Points, In.			
	X _o	1317.0	16.462
	Y _o	+96.51	+1.206
	Z _o	267.5	3.344
	BSTA	1607.0	20.087
	BWL	400.0	5.000
747 Attach Points, In.			
	BSTA	1607.0	20.087
	BWL	320.0	4.000
	BL	+96.51	+1.206
Main Strut Fairings			
Root chord (BWL 320-358.8), In.		80.0	
t/c, Root chord		0.183	0.183
Tip chord, Theoretical (BWL 398), In.		137.0	1.713
t/c, Tip chord, Theoretical		0.250	0.250
Sway Brace Fairings			
Chord, In.		40.28	0.504
t/c		0.180	0.180
Length (Each side), In.		56.0	0.700
Drag Struts			
Fwd attach points			
	BSTA, in.	1443	18.038
	BWL, in.	320	4.000
	BL, in.	+96.51	+1.206
Diameter, In.		12.0	0.150

TABLE III (Cont'd)

MODEL COMPONENT : BODY - ^{b.} Carrier Model
B_{27.8}

GENERAL DESCRIPTION : Body 74-7 Project with A.P.V.

MODEL SCALE: 0.0125 MODEL DWG: 1318I-1

DRAWING NUMBER: 65C13609, 1318-54

DIMENSIONS :	FULL SCALE	MODEL SCALE
Length , In.	<u>2702.0</u>	<u>33.78</u>
Max Width , In.	<u>255.3</u>	<u>3.19</u>
Max Depth	<u> </u>	<u> </u>
Fineness Ratio	<u>9.73</u>	<u>9.73</u>
Area - Ft ²	<u> </u>	<u> </u>
Max. Cross-Sectional	<u> </u>	<u> </u>
Planform	<u> </u>	<u> </u>
Wetted	<u>14.093</u>	<u>2.20</u>
Base	<u> </u>	<u> </u>

TABLE III (Cont'd)

b. Carrier Model

MODEL COMPONENT: HORIZONTAL TAIL - H_{15.6}

GENERAL DESCRIPTION: Horizontal tail, H₁₅, with vertical fins on each
tip at body B.L. 427.3

MODEL SCALE: 0.0125

MODEL DWG: 1318I-1

DRAWING NO.: 65C13609, 1318-5, 1318-70

DIMENSIONS:

Fin Exposed Data (one side):

Area = Ft²

Span, In.

Chord, In.

FULL SCALE

MODEL SCALE

200.0

252.0

113.6

0.0312

3.15

1.42

TABLE III (Cont'd)

b. Carrier Model

MODEL COMPONENT: M₂₅

GENERAL DESCRIPTION: Inboard 747, JT9D nacelle strut

MODEL SCALE: 0.0125

MODEL DWG: 1318I-1

DRAWING NO.: 65013609, 1318-60

DIMENSIONS:

FULL SCALE

MODEL SCALE

Wing B.L. of nacelle C_L, In.

470.0

5.875

Cant angle deg., inboard

2.0

2.0

TABLE III (Cont'd)

b. Carrier Model

MODEL COMPONENT: M₂₆

GENERAL DESCRIPTION: Outboard 747, JT9D

Strut

MODEL SCALE: 0.0125

MODEL DWG: 1318I-1

DRAWING NO.: 65C13609, 1318-60

DIMENSIONS:

	<u>FULL SCALE</u>	<u>MODEL SCALE</u>
W L of C _L , In.	834.0	10.425
Cant angle, deg. inboard	2.0	2.0

TABLE III (Cont'd).

b. Carrier Model

MODEL COMPONENT: N₅₇

GENERAL DESCRIPTION: Inboard fan cowl and primary 747 nacelle, flow-through type.

MODEL SCALE: 0.0125

MODEL DWG: 1318I-1

DRAWING NO.: 65C13609, 1318-60

TABLE III (Cont'd)

b. Carrier Model

MODEL COMPONENT: N58

MODEL DESCRIPTION: Outboard fan cowl and primary 747 nacelle, flow-through type.

MODEL SCALE: 0.0125

MODEL DWG: 1318I-1

DRAWING NO.: 65C13609, 1318-60

TABLE III (Cont'd)

b. Carrier Model

MODEL COMPONENT: SPOILERS - S₁₋₁₂

GENERAL DESCRIPTION: Multi-panel flight spoilers. Four outboard and two inboard spoilers per side. Subscript denotes spoiler panel S₁ is the most outboard L.H. panel and S₁₂ is most outboard R.H. panel.

MODEL SCALE: 0.0125

MODEL DWG: 1318I-1

DRAWING NO.: 65C13609, 1318-56

DIMENSIONS: (ONE PANEL)	<u>FULL SCALE</u>	<u>MODEL SCALE</u>
Outboard S ₁₋₄ and S ₉₋₁₂ (Ft ²)	21.48	0.0034
Span (equivalent), In.	75.00	0.94
Chord, In.	41.28	0.52
Inboard, S ₅₋₆ and S ₇₋₈ (Ft ²)	35.31	0.0055
Span (equivalent), In.	90.00	1.130
Chord, In.	56.52	0.71

TABLE III (Cont'd)

b. Carrier Model

MODEL COMPONENT: T₁₄

GENERAL DESCRIPTION: Flap track fairings, four on each side

MODEL SCALE: 0.0125

DRAWING NO.: 65C13609, 1318-67

DIMENSIONS:	<u>FULL SCALE</u>	<u>MODEL SCALE</u>
WBL of Track No. 1, In.	235.3	2.94
2, In.	353.0	4.41
3, In.	585.0	7.31
4, In.	743.6	9.30
Distance from wing Trailing edge to:		
Track trailing edge, In.	44.0	0.55

TABLE III (Cont'd)

b. Carrier Model

MODEL COMPONENT: VERTICAL - V_{9.1}

GENERAL DESCRIPTION: Swept vertical tail

MODEL SCALE: 0.0125

MODEL DWG: 1318I-1

DRAWING NO.: 65C13609, 1318-8

DIMENSIONS:

FULL SCALE

MODEL SCALE

TOTAL DATA

Area (Theo), Ft ²	630.0	0.098
Span (Theo), In.	386.5	4.830
Sweepback angles, deg., L.E.	50.12	50.12
Aspect ratio	1.25	1.25
Chord:		
Root (Theo), WP, In.	461.67	5.77
Tip (Theo), WP, In.	157.0	1.96
Mean Aerodynamic Chord, In.	334.16	0.43
Fus. Sta. of 0.25 MAC	2529.6	31.62
W.P. of 0.25 MAC	528.0	6.60

TABLE III (Concluded)

b. Carrier Model

MODEL COMPONENT: WING - W_{44.1}

GENERAL DESCRIPTION: Sweet 747 wing

MODEL SCALE: 0.0125

MODEL DWG: 1318I-1

DRAWING NO.: 65C13609, 1318-46

DIMENSIONS:

FULL SCALE MODEL SCALE

Total Data:

Area (Theo.), Ft ²		
Planform	5500.00	0.860
Span (Theo.), In.	2348.0	29.35
Aspect ratio	6.96	6.96
Incidence angle, deg.	7.0	7.0
Chords, In.:		
MAC	327.8	4.10
Fus. sta. of 0.25 MAC	1339.87	16.75
W.P. of 0.25 MAC	190.42	2.38

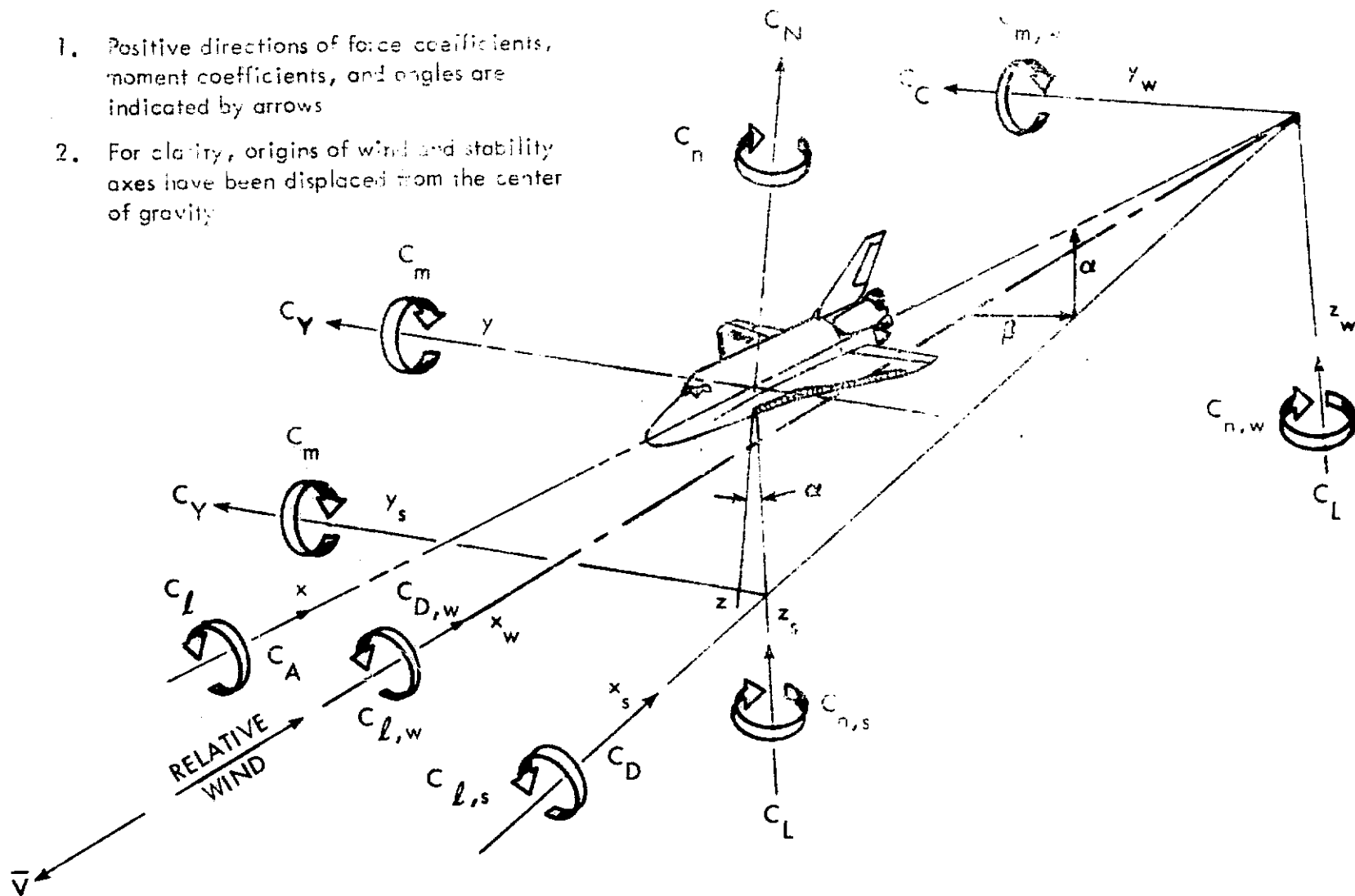
TABLE IV.

CA-26 DATASET DESCRIPTION

Dataset Type	Description
RFEXXX YFEXXX SFEXXX ZFEXXX	Carrier main balance data. Due to the large amount of data, alternate points were placed in corresponding datasets, e.g., R + S = total. Y and Z contain additional variables supplementary to R and S, respectively.
AFEXXX WFEXXX BFEXXX XFEXXX	Orbiter balance data. Data were separated similar to the carrier data where W and X contain the supplementary variables.

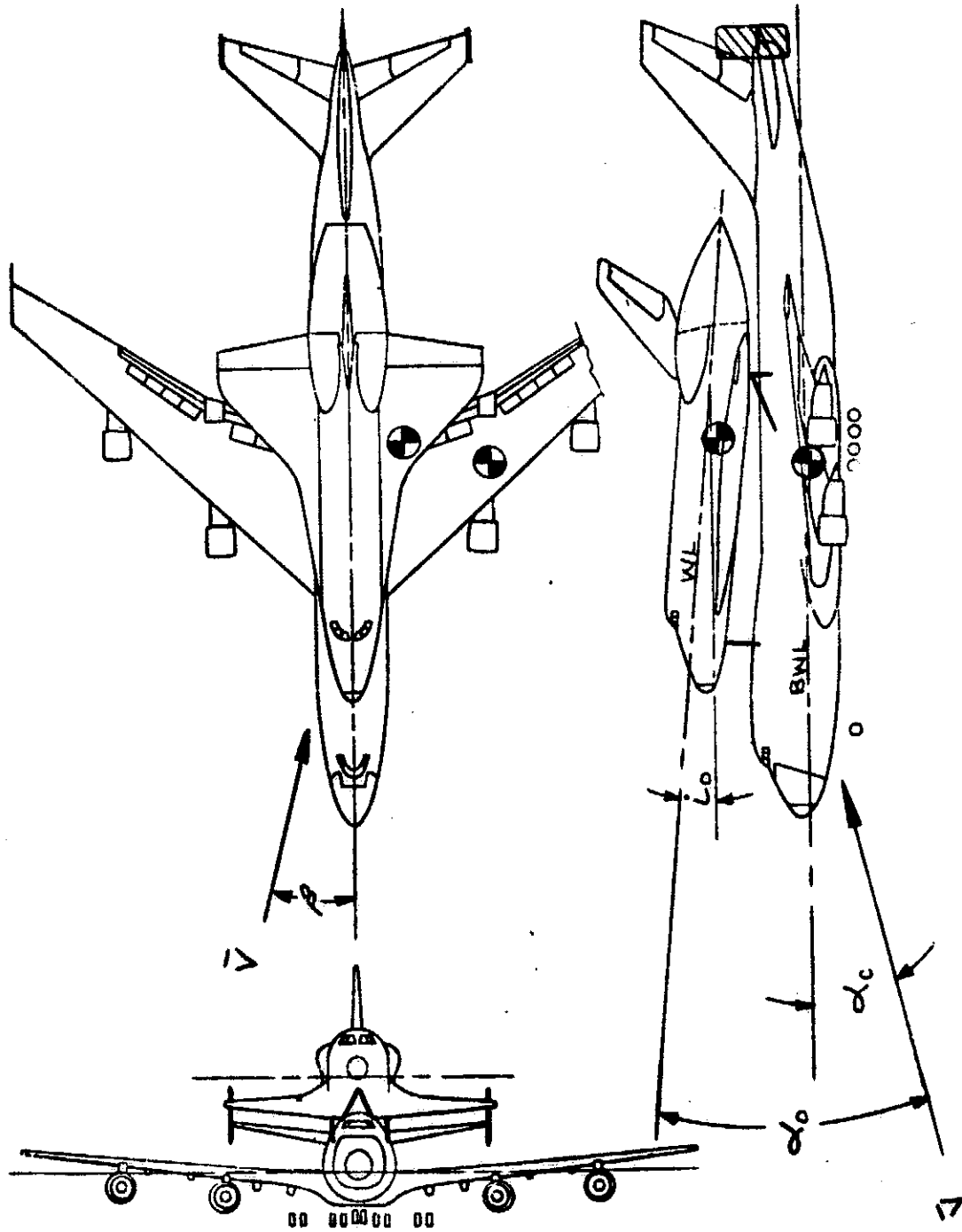
Notes:

1. Positive directions of force coefficients, moment coefficients, and angles are indicated by arrows
2. For clarity, origins of wind and stability axes have been displaced from the center of gravity



a. General

Figure 1. Axis systems.

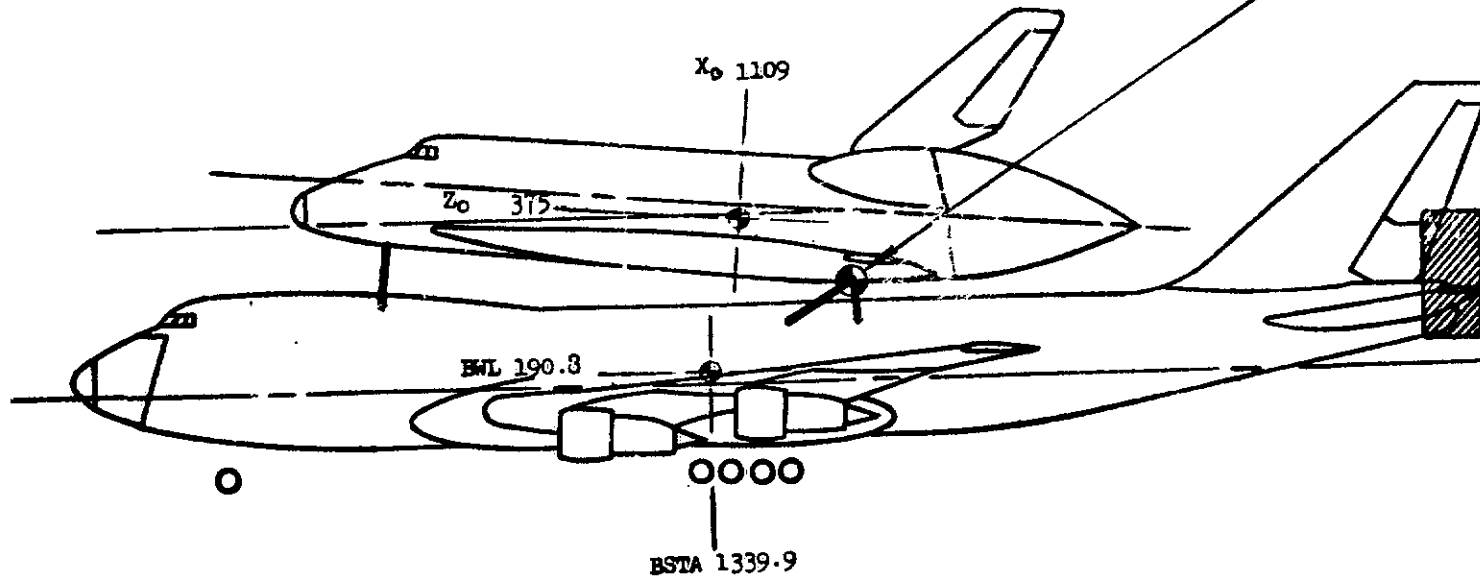


b. Orbiter/747 Angular Relations
Figure 1. Axis systems

REFERENCE DIMENSIONS (FS)

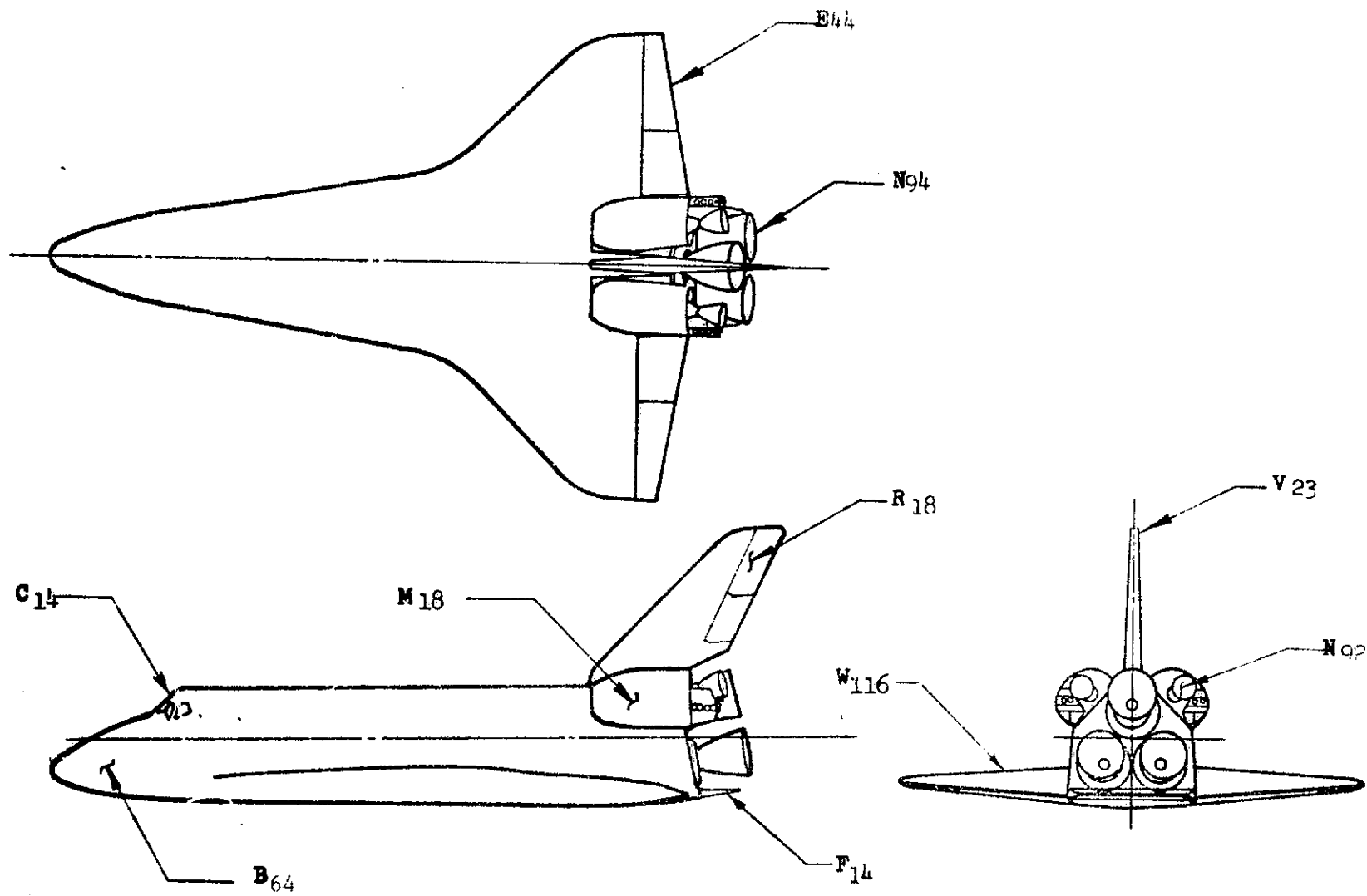
	ORBITER	747 CARRIER
WING AREA ~ Ft ²	2690	5500
MAC (\bar{c}) ~ INCHES	474.81	327.75
SPAN (b) ~ INCHES	936.68	2346.04
MOMENT REFERENCE CENTER	67.5% LB	25.0 % \bar{c}
F.S. ~ INCHES	1109.0	1339.9
W.P. ~ INCHES	375.0	190.8

BWL 400 (X_0 96 51)
 BSTA 1607 (Z_0 267.5)
 (X_0 1317)

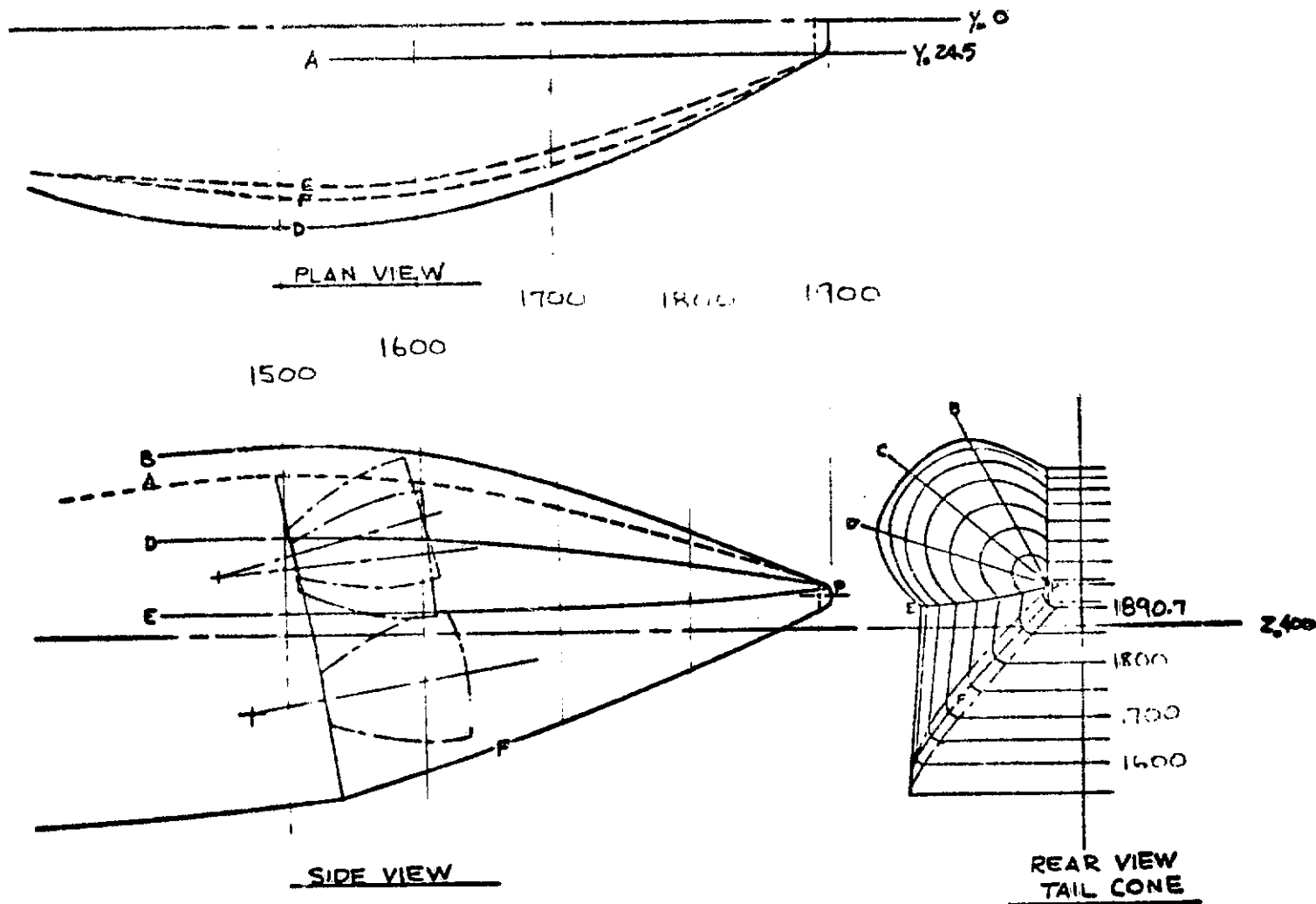


c. Orbiter/747 Flight Test Configuration Reference Dimensions

Figure 1. Axis systems



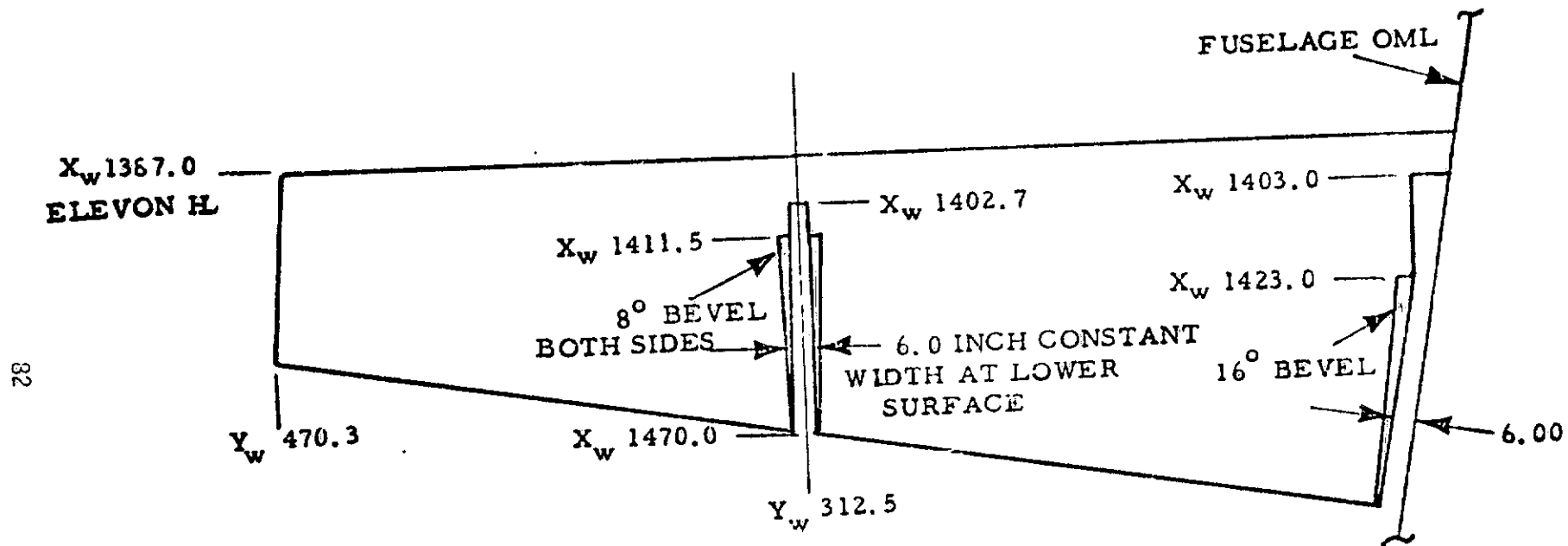
a. SSV Orbiter Configuration (VC70-000002)
Figure 2. Model Instrumentation Sketches



81

b. Orbiter Tail Cone -- TC₄ (X_{3B})
 Figure 2. Model Instrumentation Sketches

E₄₄ elevon with 6.0 inch gaps installed. Flipper doors, centerbody pieces, and tip seals are not simulated.



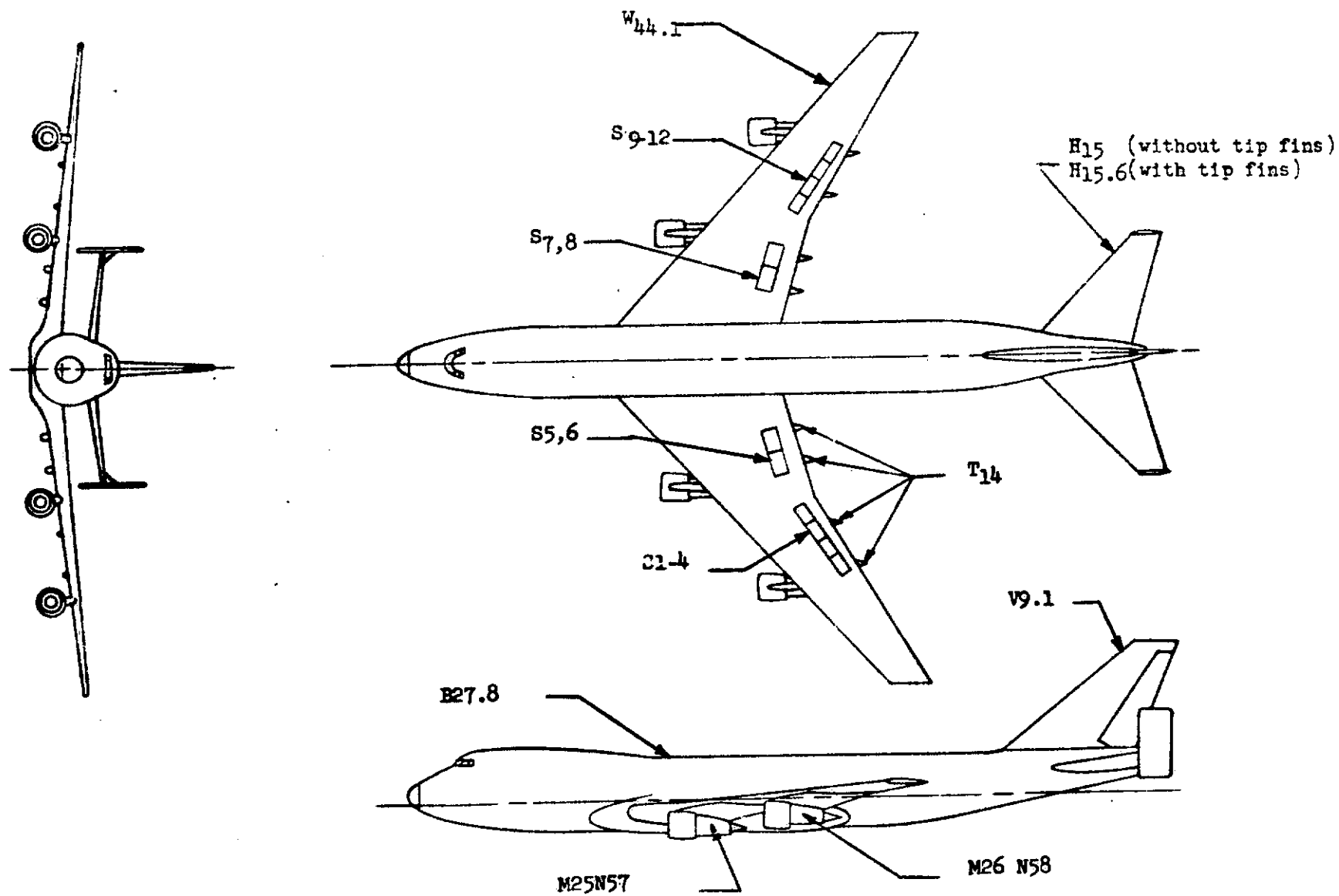
82

(ALL DIMENSIONS ARE FULL SCALE, INCHES)

(VIEW IS PERPENDICULAR TO WING
REFERENCE PLANE)

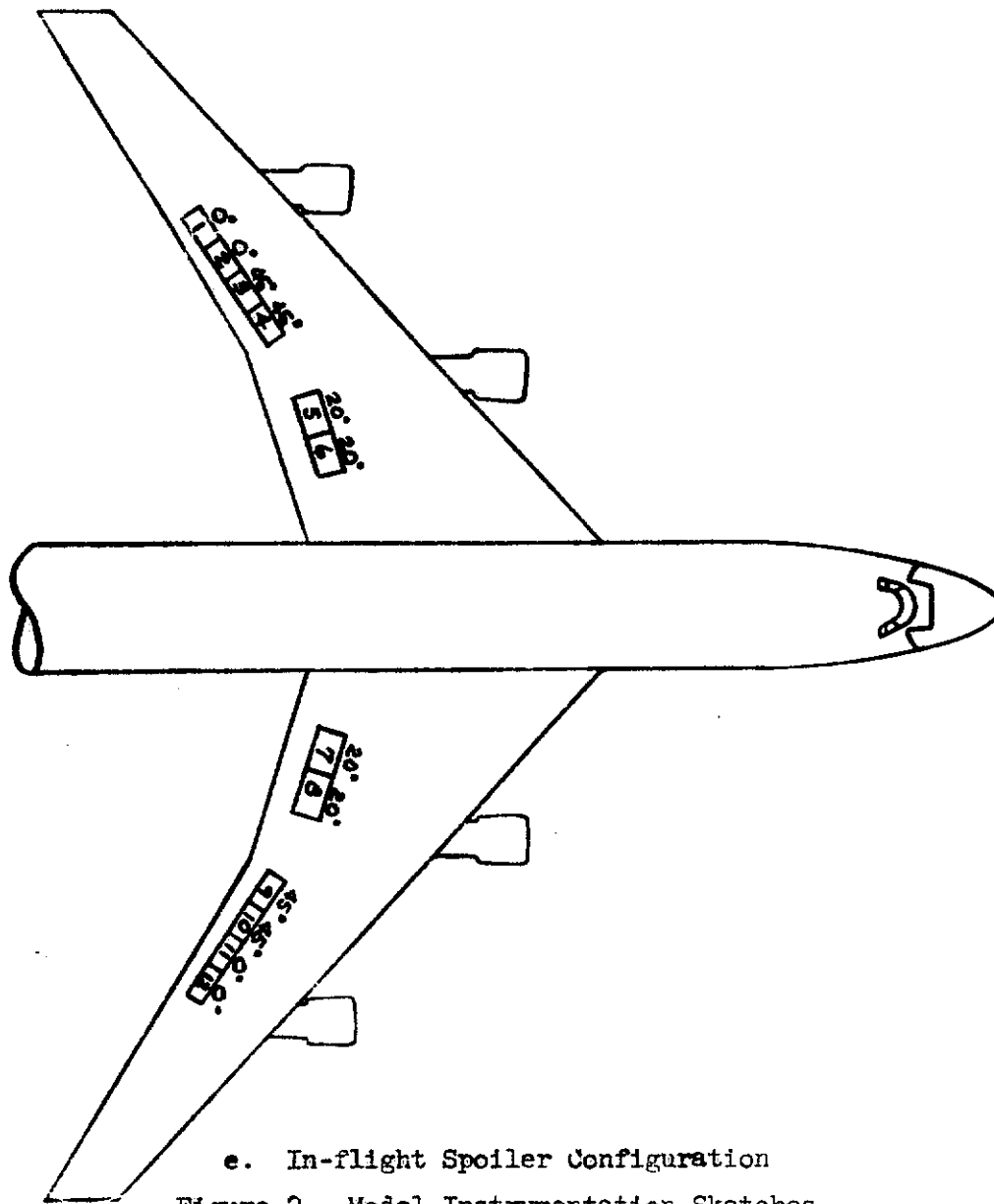
c. Elevon - E₄₄

Figure 2. Model Instrumentation Sketches

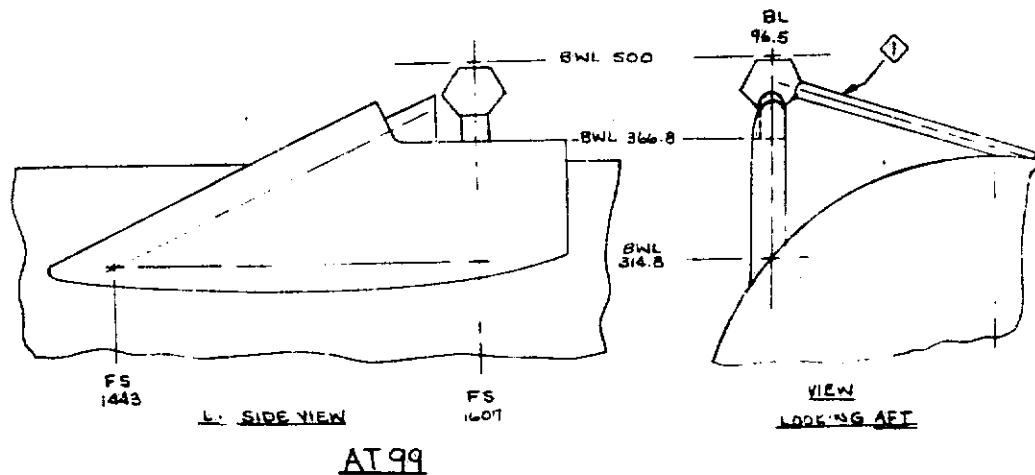
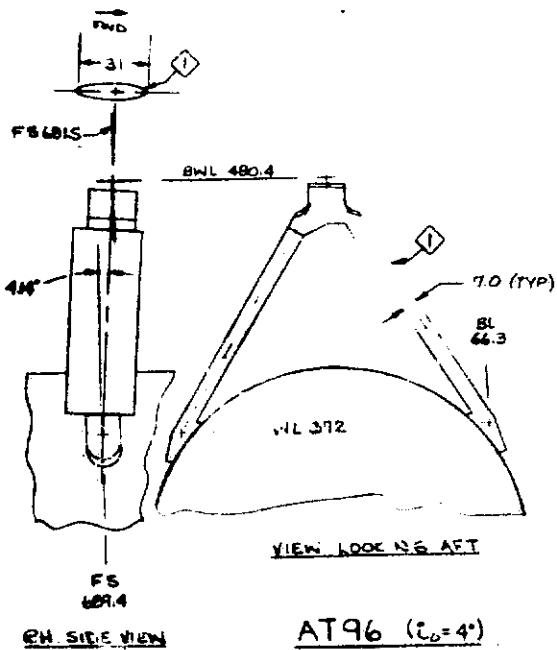


d. 747-100 Configuration (Model AX1318I-1)

Figure 2. Model Instrumentation Sketches

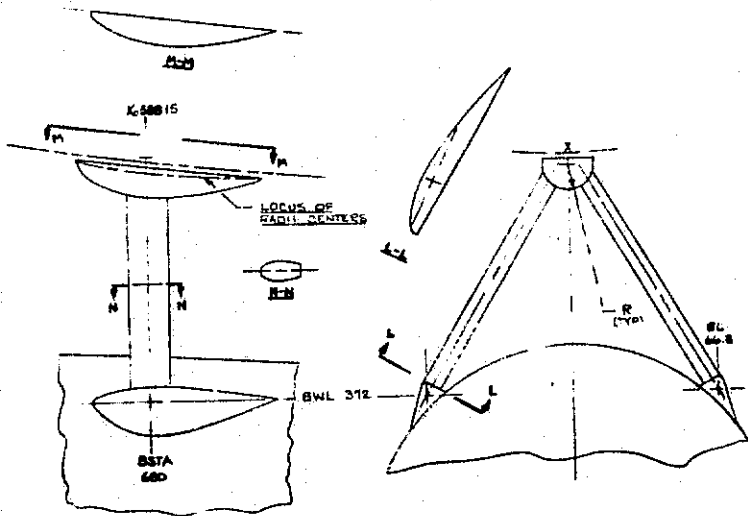


e. In-flight Spoiler Configuration
 Figure 2. Model Instrumentation Sketches

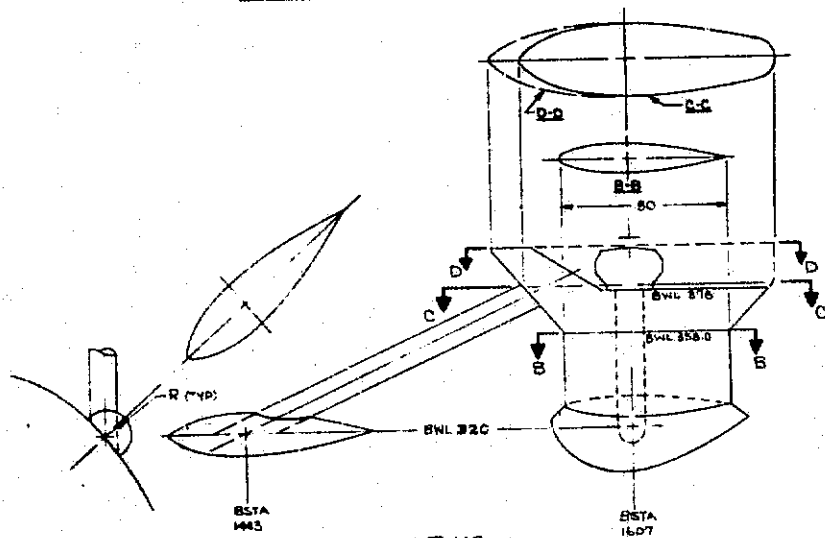


f. Simulated Attach Structure AT₉₆ and AT₉₉ (AT_x)
 Figure 2. Model Instrumentation Sketches

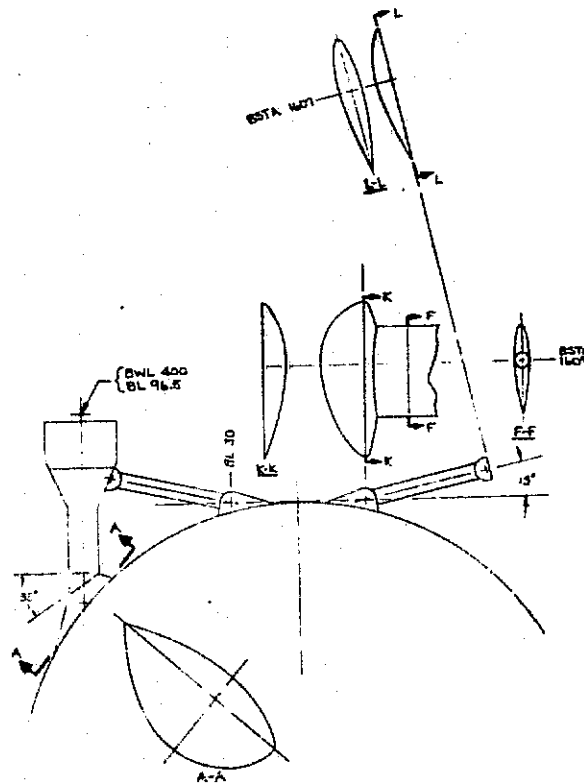
ORIGINAL PAGE IS
OF POOR QUALITY



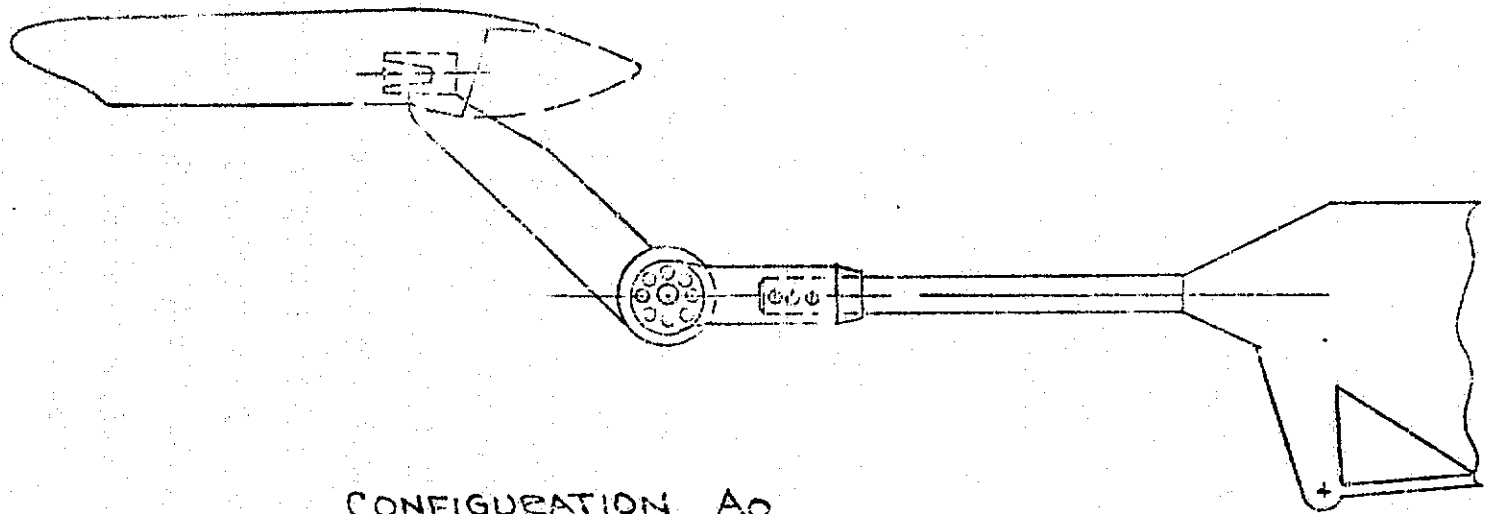
AT112



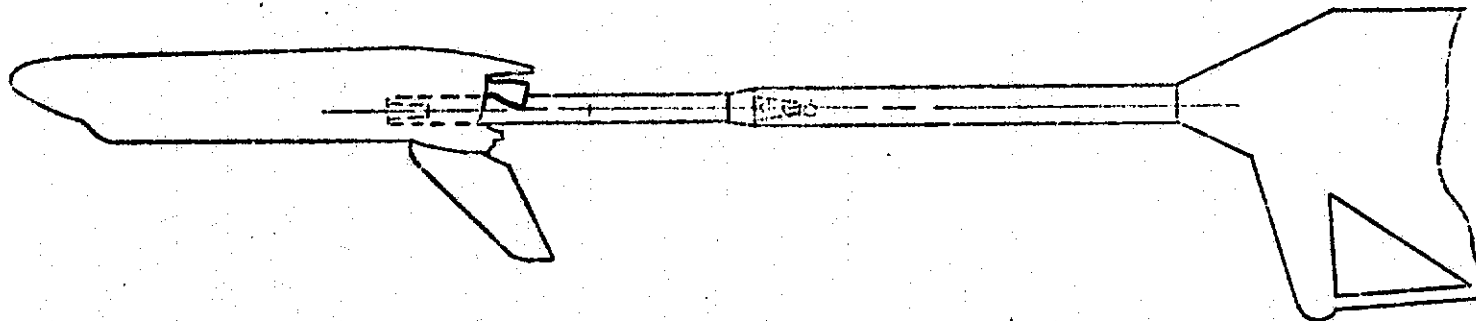
AT113



g. Simulated Attach Structure AT₁₁₂ and AT₁₁₃ (AT_y)
Figure 2. Model Instrumentation Sketches



CONFIGURATION A0

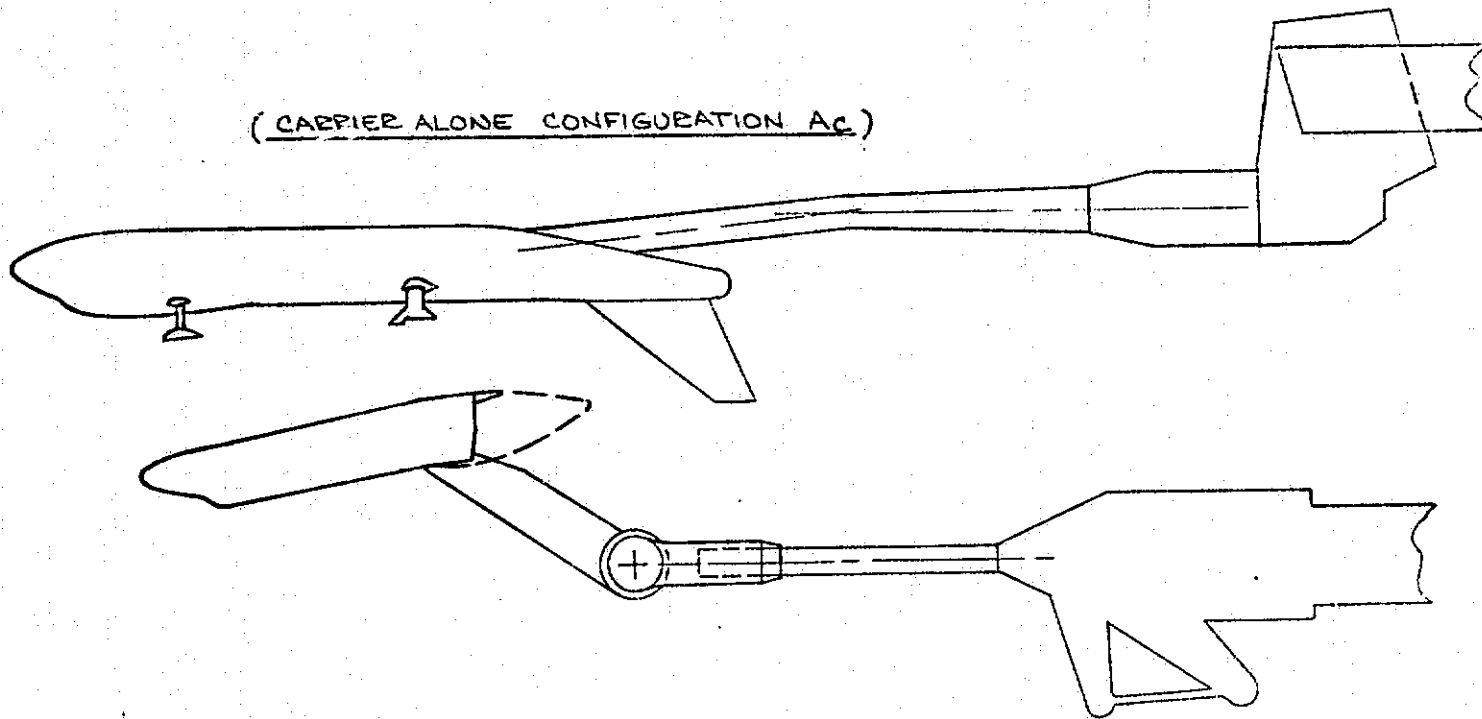


CONFIGURATION A5

h. Orbiter Alone Installation Sketches

Figure 2. Model Instrumentation Sketches

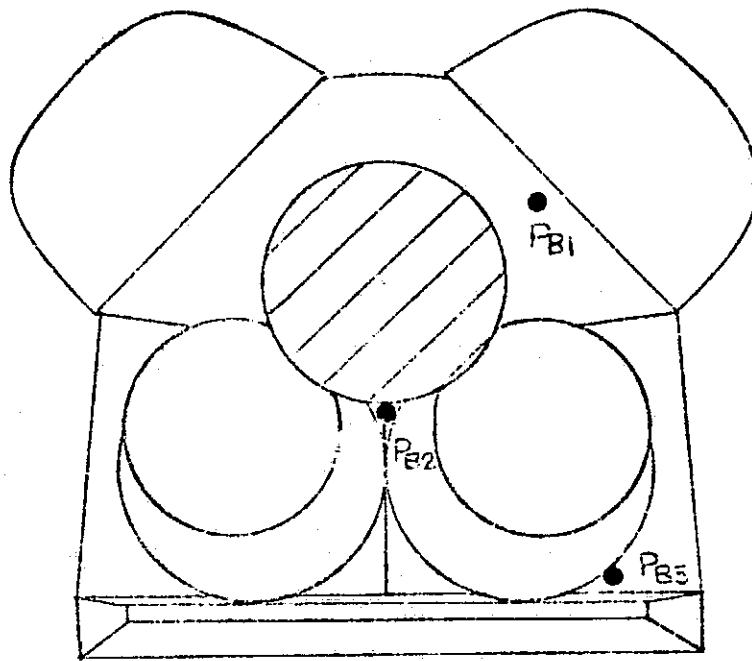
(CARRIER ALONE CONFIGURATION A_c)



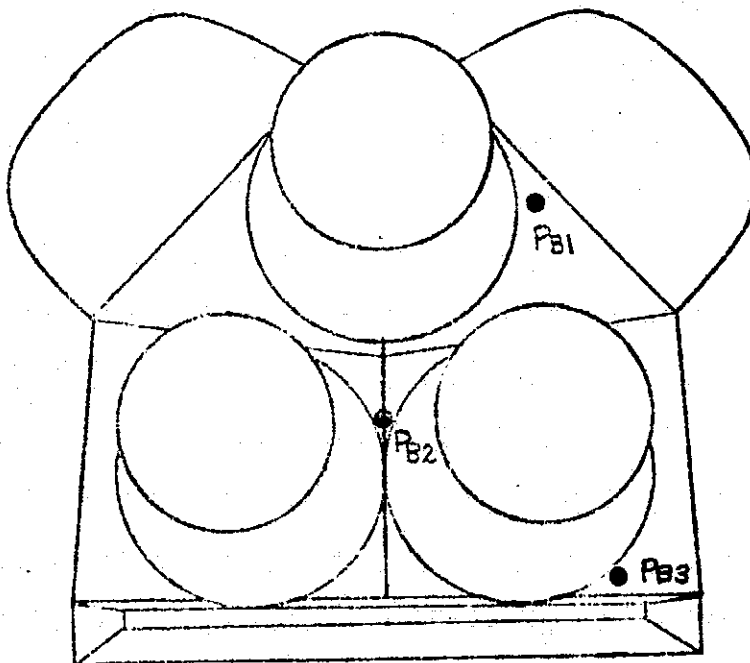
88

CONFIGURATION A₁

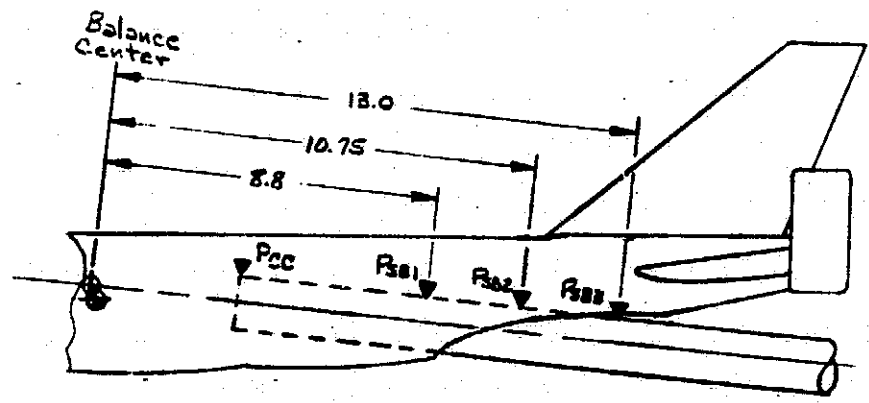
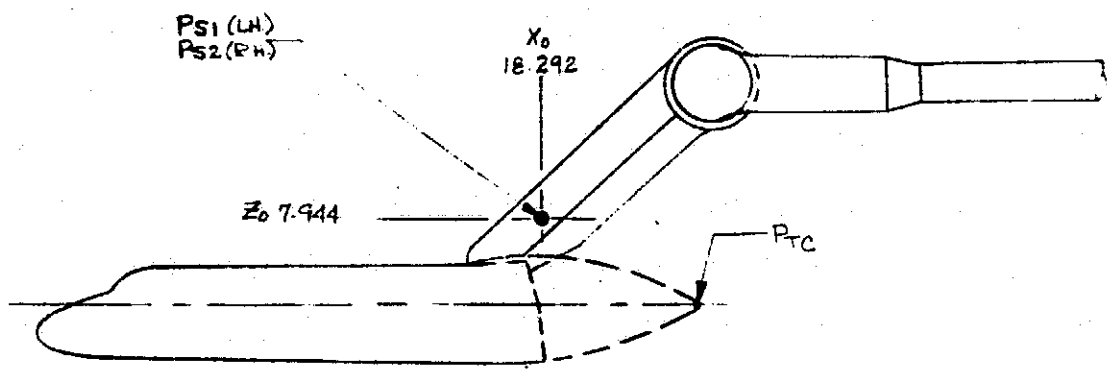
1. Carrier and Separation Installation Sketches
- Figure 2. Model Instrumentation Sketches



STING MOUNTED



j. Orbiter Base Pressure Tap Locations
Figure 2. Model Instrumentation Sketches



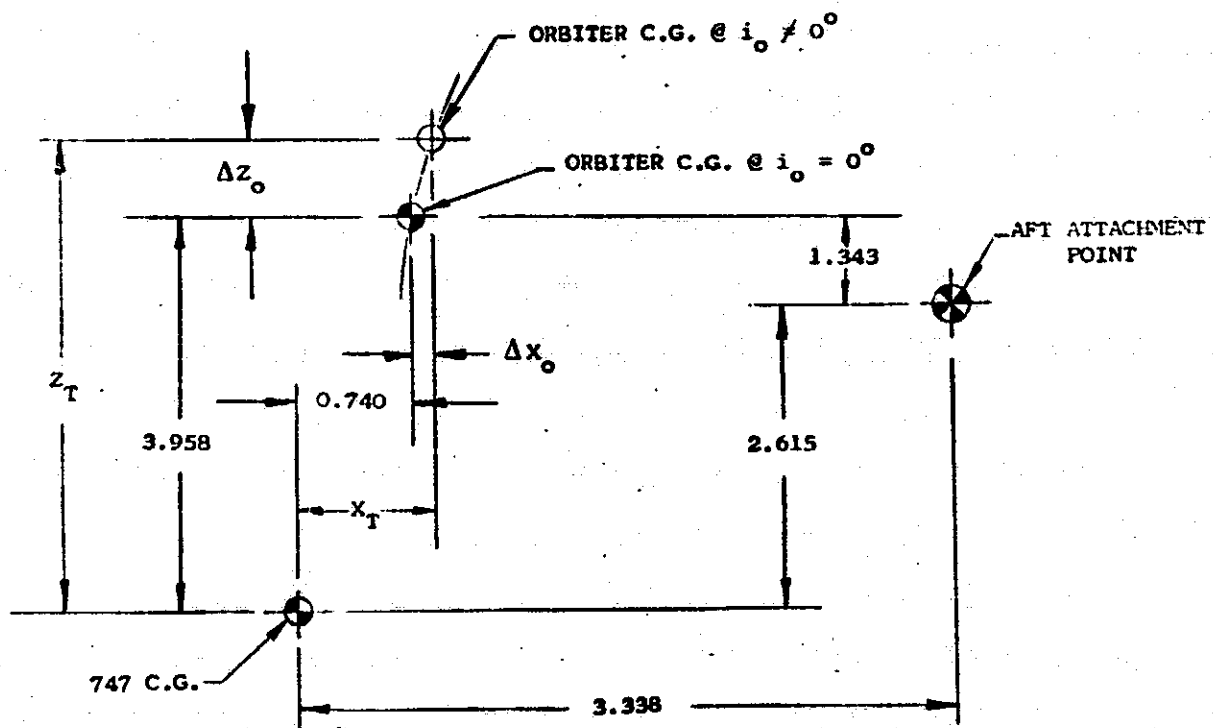
k. Sting and Strut Pressure Tap Locations
 Figure 2. Model Instrumentation Sketches

$$\Delta x_0 = 2.925 \cos(i_0 + 27.336)$$

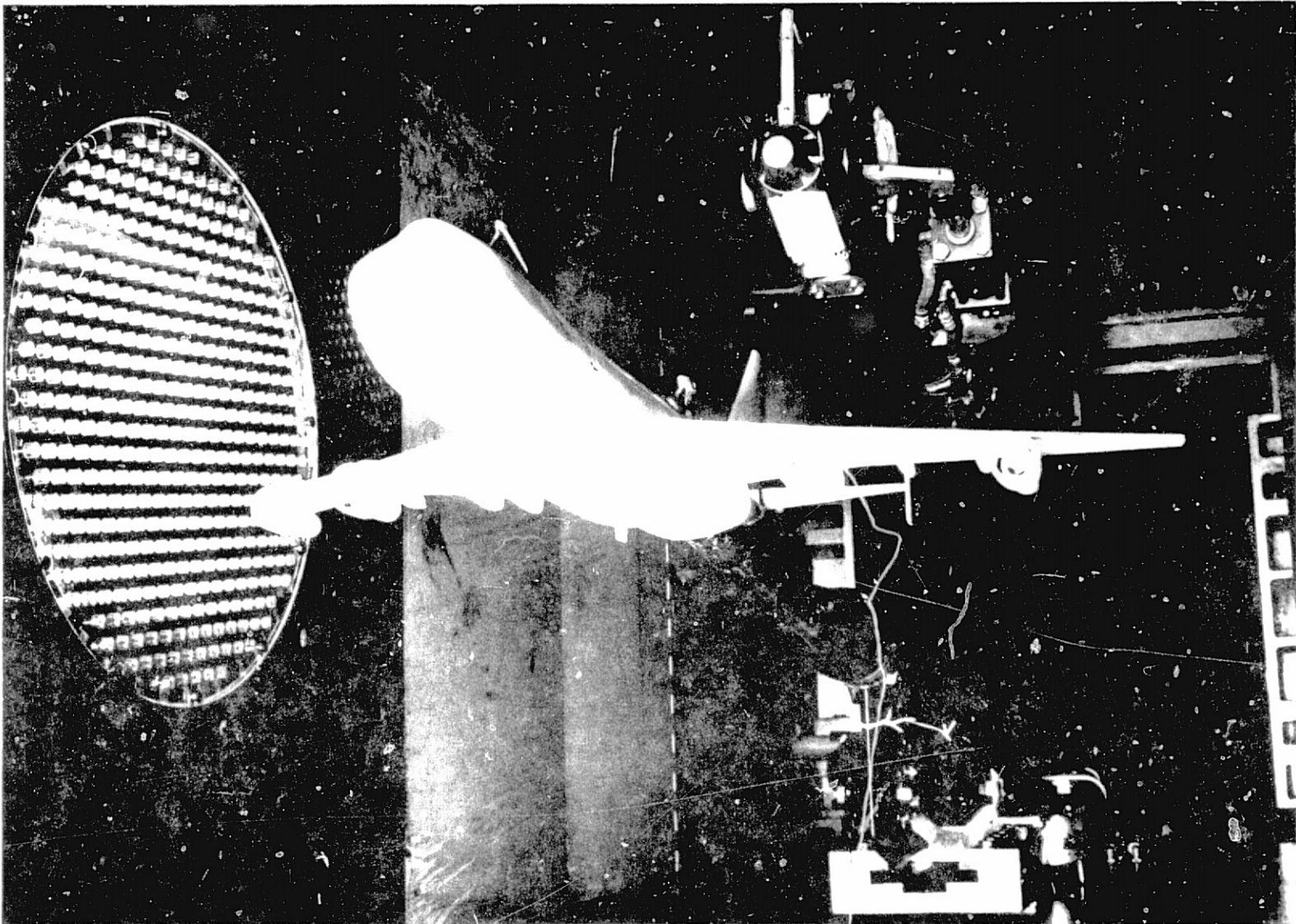
$$\Delta z_0 = 2.925 \sin(i_0 + 27.336) - 1.343$$

$$x_{\text{TRANSFER}} = 0.740 + \Delta x_0$$

$$z_{\text{TRANSFER}} = 3.958 + \Delta z_0$$



1. Orbiter/747 Moment Transfers (United)
 Figure 2. Model Instrumentation Sketches



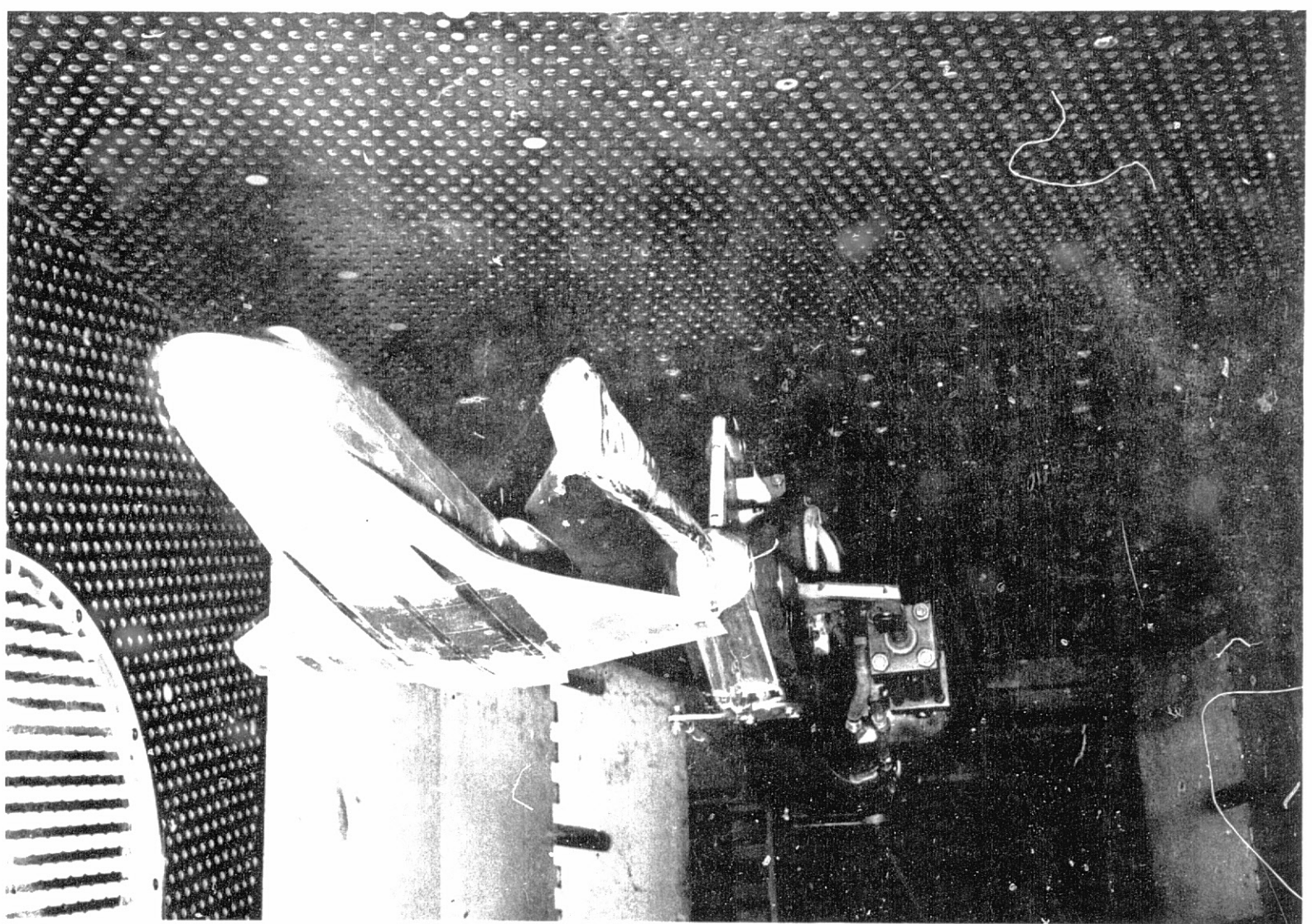
b. 747 Alone

Figure 3. Model Installation

C 2

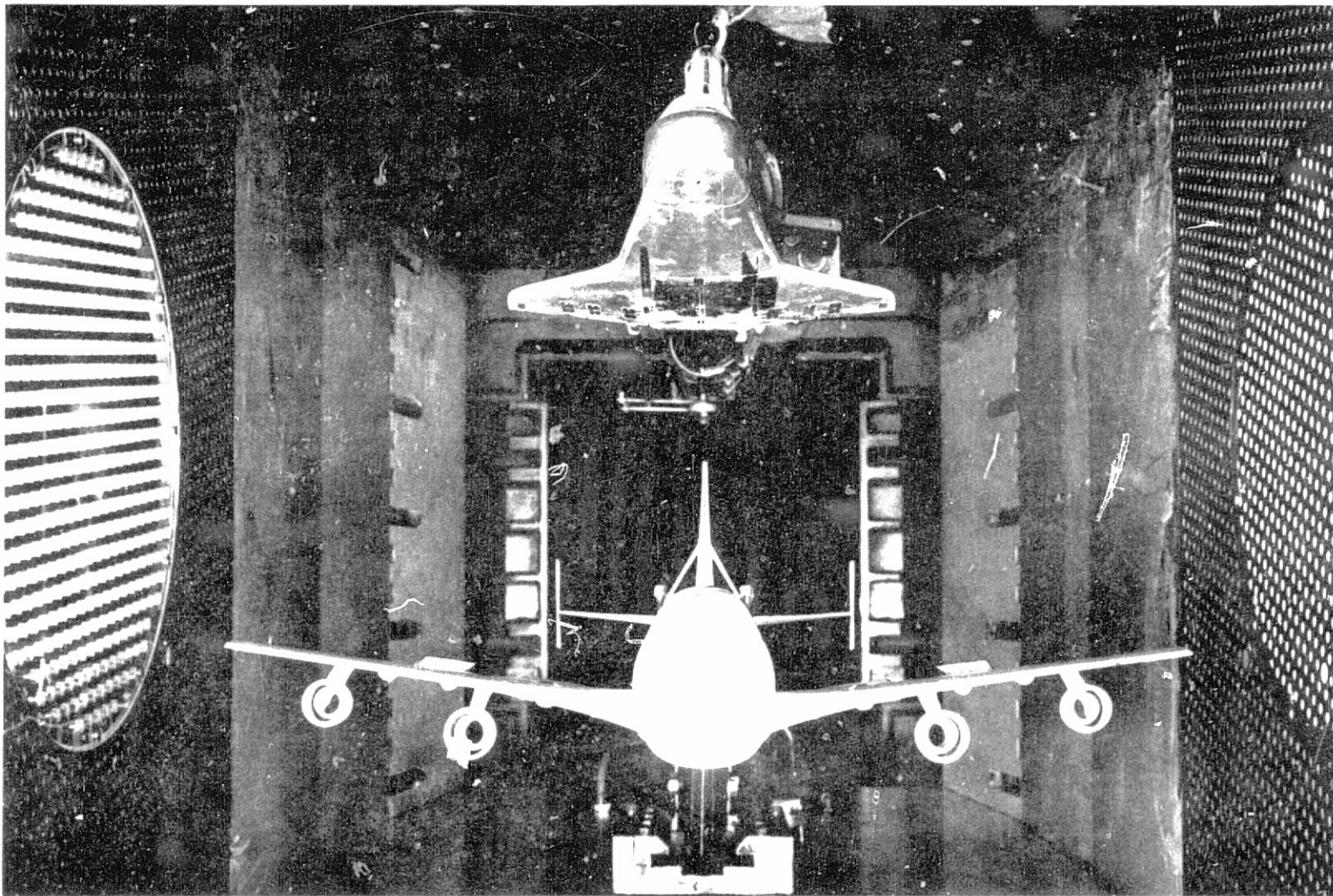
ORIGINAL PAGE IS
OF POOR
QUALITY

93



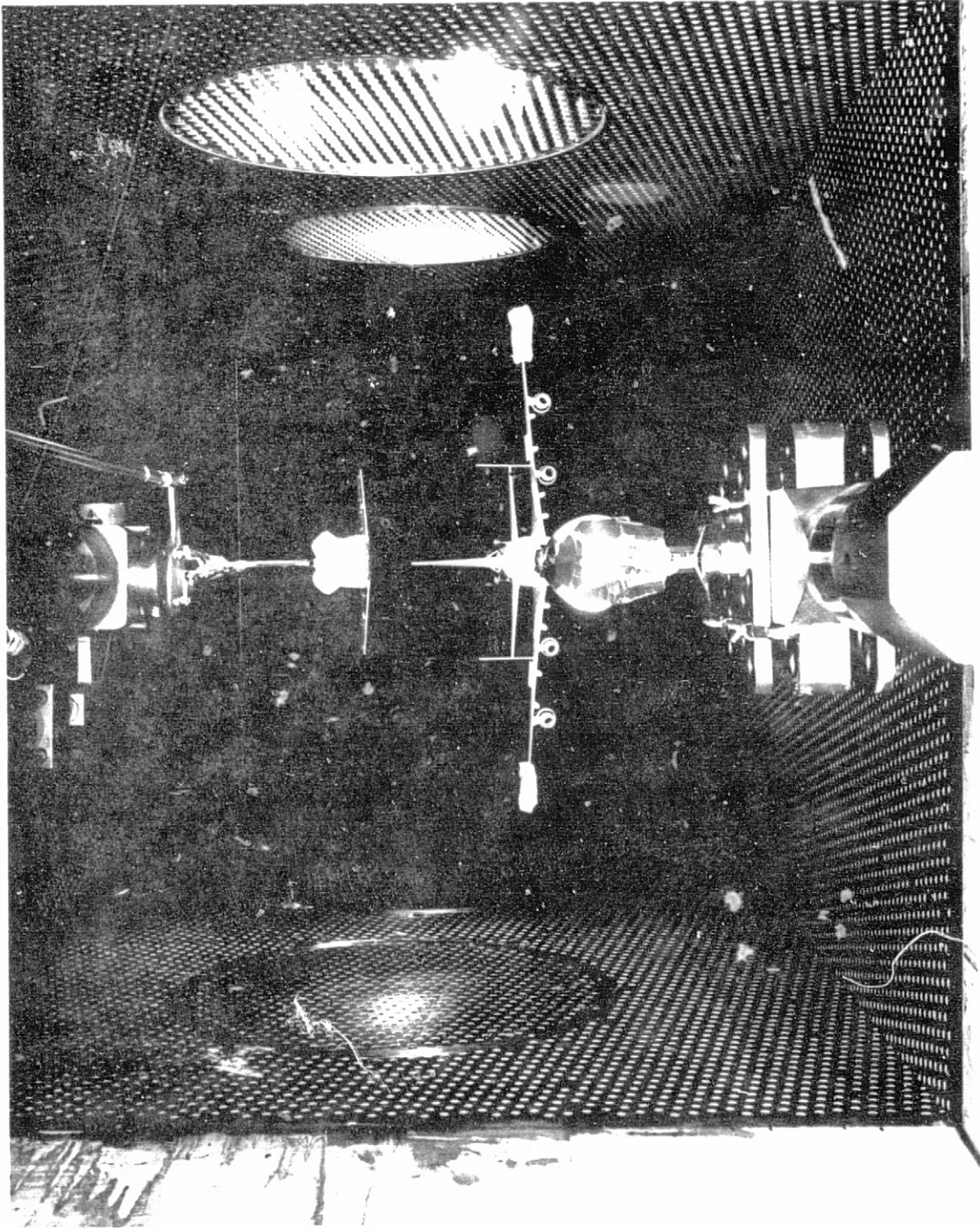
2. orbiter Alone

Figure 3. - Model Installation



c. Front View, Orbiter Separating From 747

Figure 3. - Model installation



d. Rear View, Orbiter Separating From 747

Figure 3. Model installation

ORIGINAL PAGE IS
OF POOR QUALITY

APPENDIX

TABULATED SOURCE DATA

PRECEDING PAGE BLANK NOT FILMED

Tabulated listing of plotted data are available on request from
Data Management Services.

DATE 29 MAR 76

CA-26 FORCE SOURCE DATA TABULATION

PAGE 697

LTV44-559(CA26) 747/1 ATY

(RFE016) (18 NOV 75)

REFERENCE DATA

SREF = 5500.0000 SQ.FT. XMRP = 1339.9000 IN. XC
 LREF = 327.7800 IN. YMRP = .0000 IN. YC
 BREF = 2348.0400 IN. ZMRP = 190.7500 IN. ZC
 SCALE = .0125

PARAMETRIC DATA

BETAC = .000 STAB = 5.000
 RUDDER = .000

RUN NO. 17/ 0 RN/L = .00 GRADIENT INTERVAL = -5.00/ 5.00

MACH	ALPHAC	BETAC	CN	CLM	CA	CY	CYN	CBL	CL	CD
.599	.110	.00000	.10120	-.19020	.04640	.00430	-.00160	.00020	.10110	.04660
.599	.100	.00000	.09980	-.19120	.04650	.00470	-.00150	.00020	.09980	.04670
.599	.110	.00000	.10150	-.18840	.04640	.00390	-.00160	.00000	.10140	.04660
.599	.110	.00000	.10240	-.18800	.04610	.00450	-.00170	-.00020	.10230	.04630
.600	.110	.00000	.10140	-.18820	.04630	.00380	-.00160	-.00010	.10130	.04650
.598	.110	.00000	.10070	-.18850	.04630	.00400	-.00160	.00000	.10060	.04650
.600	.100	.00000	.09940	-.19040	.04680	.00370	-.00160	-.00010	.10230	.04700
.600	.100	.00000	.09920	-.19090	.04640	.00410	-.00170	-.00030	.09930	.04660
.600	.100	.00000	.09970	-.19170	.04630	.00470	-.00170	-.00020	.09910	.04640
.596	.100	.00000	.10120	-.19230	.04680	.00440	-.00170	-.00010	.09860	.04650
GRADIENT	.00000	.00000	.19400	.25331	-.00766	-.03667	.00433	.00467	.19200	-.00566

LTV44-559(CA26) 747/1 ATY

(RFE017) (18 NOV 75)

REFERENCE DATA

SREF = 5500.0000 SQ.FT. XMRP = 1339.9000 IN. XC
 LREF = 327.7800 IN. YMRP = .0000 IN. YC
 BREF = 2348.0400 IN. ZMRP = 190.7500 IN. ZC
 SCALE = .0125

PARAMETRIC DATA

BETAC = .000 STAB = 5.000
 RUDDER = .000

RUN NO. 25/ 0 RN/L = .00 GRADIENT INTERVAL = -5.00/ 5.00

MACH	ALPHAC	BETAC	CN	CLM	CA	CY	CYN	CBL	CL	CD
.597	2.690	.00000	.32470	-.20940	.03830	.00190	-.00100	.00010	.32260	.05350
.598	2.680	.00000	.32240	-.21100	.03780	.00240	-.00100	.00010	.32030	.05290
.599	2.680	.00000	.32140	-.21220	.03780	.00210	-.00110	.00000	.31920	.05280
.598	2.680	.00000	.32120	-.21290	.03780	.00220	-.00110	.00000	.31910	.05280
.598	2.680	.00000	.32170	-.21180	.03780	.00210	-.00100	.00000	.31960	.05290
.599	2.680	.00000	.32410	-.21200	.03790	.00160	-.00100	.00000	.32200	.05300
.598	2.690	.00000	.32170	-.21090	.03780	.00160	-.00110	.00010	.31960	.05280
.599	2.680	.00000	.32430	-.20950	.03770	.00160	-.00100	.00020	.32260	.05290
.599	2.680	.00000	.32300	-.21050	.03770	.00250	-.00100	.00020	.32090	.05280
.599	2.680	.00000	.32160	-.21180	.03760	.00210	-.00110	.00010	.31950	.05270
.600	2.680	.00000	.32180	-.21180	.03760	.00180	-.00110	.00000	.31970	.05260
GRADIENT	.00000	.00000	.25823	.21296	.02398	-.02858	.00539	.00917	.25514	.03807

ORIGINAL PAGE IS
OF POOR QUALITY

DATE 29 MAR 76

CA-26 FORCE SOURCE DATA TABULATION

PAGE 699

LTV44-559(CA26) 747/1 ATY

(RFE020) (18 NOV 75)

REFERENCE DATA

SREF = 5500.0000 SQ.FT. XMRP = 1339.9000 IN. XC
 LREF = 327.7800 IN. YMRP = .0000 IN. YC
 BREF = 2348.0400 IN. ZMRP = 190.7500 IN. ZC
 SCALE = .0125

PARAMETRIC DATA

BETAC = .000 STAB = -1.000
 RUDDER = .000

RUN NO. 18/ 0 RN/L = .00 GRADIENT INTERVAL = -5.00/ 5.00

MACH	ALPHAC	BETAC	CN	CLM	CA	CY	CYN	CBL	CL	CD
.605	.440	.01000	.04010	.13810	.04370	.00320	-.00180	.00010	.03980	.04400
.605	.440	.01000	.04190	.13850	.04370	.00310	-.00190	.00000	.04160	.04400
.606	.430	.01000	.04040	.13790	.04380	.00380	-.00200	.00000	.04010	.04410
.606	.440	.01000	.03810	.13540	.04380	.00290	-.00190	.00000	.03770	.04410
.605	.440	.01000	.03870	.13720	.04370	.00270	-.00190	.00010	.03840	.04400
.605	.440	.01000	.04060	.13680	.04370	.00290	-.00200	.00010	.04030	.04400
.606	.440	.01000	.04160	.13670	.04370	.00350	-.00190	.00040	.04130	.04410
.606	.440	.01000	.03910	.13760	.04380	.00380	-.00190	.00010	.03970	.04410
.606	.440	.01000	.04010	.13800	.04380	.00370	-.00200	-.00020	.03970	.04410
.606	.440	.01000	.04010	.13750	.04390	.00410	-.00200	-.00020	.03970	.04420
.606	.440	.01000	.03880	.13720	.04360	.00320	-.00190	-.00020	.03340	.04390
	GRADIENT	.00001	.20394	.23487	-.00596	.04998	-.00300	.00200	.20996	-.00497

LTV44-559(CA26) 747/1 ATY

(RFE021) (18 NOV 75)

REFERENCE DATA

SREF = 5500.0000 SQ.FT. XMRP = 1339.9000 IN. XC
 LREF = 327.7800 IN. YMRP = .0000 IN. YC
 BREF = 2348.0400 IN. ZMRP = 190.7500 IN. ZC
 SCALE = .0125

PARAMETRIC DATA

BETAC = .000 STAB = -1.000
 RUDDER = .000

RUN NO. 27/ 0 RN/L = .00 GRADIENT INTERVAL = -5.00/ 5.00

MACH	ALPHAC	BETAC	CN	CLM	CA	CY	CYN	CBL	CL	CD
.602	2.990	.01000	.25820	.09690	.03440	.00100	-.00120	.00000	.25600	.04780
.601	2.990	.01000	.25960	.09550	.03460	.00120	-.00120	.00010	.25740	.04810
.601	2.990	.01000	.26090	.09690	.03450	.00070	-.00130	.00010	.25880	.04810
.602	2.990	.01000	.25730	.09590	.03420	.00080	-.00120	.00010	.25510	.04760
.601	2.990	.01000	.25670	.09600	.03440	.00040	-.00120	.00010	.25450	.04770
.602	2.990	.01000	.25920	.09530	.03440	.00070	-.00130	.00000	.25710	.04790
.600	2.990	.01000	.26000	.09660	.03370	.00050	-.00130	-.00010	.25790	.04730
.603	2.990	.01000	.25830	.09750	.03400	.00110	-.00130	.00000	.25670	.04750
.601	2.990	.01000	.25970	.09650	.03450	.00040	-.00120	.00020	.25750	.04800
.600	2.990	.01000	.26020	.09690	.03440	.00020	-.00120	.00010	.25810	.04790
.602	2.990	.01000	.25820	.09540	.03430	.00030	-.00120	.00010	.25600	.04780
	GRADIENT	.00000	.00000	-.03125	.00781	.00012	-.00049	-.00002	-.12500	-.01563

LTV44-559(CA26) 747/1 ATY

(RFE022) (18 NOV 75)

REFERENCE DATA

SREF = 5500.0000 SQ.FT. XMRP = 1339.9000 IN. XC
 LREF = 327.7800 IN. YMRP = .0000 IN. YC
 BREF = 2348.0400 IN. ZMRP = 190.7500 IN. ZC
 SCALE = .0125

PARAMETRIC DATA

BETAC = .000 STAB = -1.000
 RUDDER = .000

RUN NO. 23/ 0 RN/L = .00 GRADIENT INTERVAL = -5.00/ 5.00

MACH	ALPHAC	BETAC	CN	CLM	CA	CY	CYN	CBL	CL	CD
.602	4.120	.01000	.35800	.07460	.02620	-.00010	-.00120	-.00010	.35520	.05190
.601	4.120	.01000	.35820	.07400	.02640	.00010	-.00120	.00000	.35540	.05210
.601	4.120	.01000	.35850	.07420	.02650	.00040	-.00120	.00000	.35570	.05220
.601	4.120	.01000	.35720	.07370	.02640	.00020	.00110	.00000	.35440	.05200
.600	4.120	.01000	.35780	.07420	.02640	.00020	-.00120	.00010	.35490	.05210
.602	4.120	.01000	.35630	.07450	.02620	.00030	-.00120	.00000	.35350	.05180
.601	4.120	.01000	.35840	.07480	.02620	.00040	-.00120	.00020	.35560	.05190
.601	4.120	.01000	.35740	.07470	.02600	.00070	-.00110	.00020	.35460	.05160
.602	4.120	.01000	.35870	.07590	.02610	.00000	-.00120	.00000	.35590	.05180
.602	4.120	.01000	.35960	.07540	.02630	.00000	-.00120	-.00010	.35680	.05210
.602	4.120	.01000	.35940	.07440	.02650	.00040	-.00120	-.00010	.35650	.05230
.602	4.120	.01000	.35940	.07440	.02650	.00040	-.00120	-.00010	.35650	.05230
GRADIENT		.00000	.06250	.01563	.00781	.00009	-.00024	.00000	.00000	.00781

LTV44-559(CA26) 747/1 ATY

(RFE023) (18 NOV 75)

REFERENCE DATA

SREF = 5500.0000 SQ.FT. XMRP = 1339.9000 IN. XC
 LREF = 327.7800 IN. YMRP = .0000 IN. YC
 BREF = 2348.0400 IN. ZMRP = 190.7500 IN. ZC
 SCALE = .0125

PARAMETRIC DATA

BETAC = -5.000 STAB = 5.000
 RUDDER = .000

RUN NO. 28/ 0 RN/L = .00 GRADIENT INTERVAL = -3.00/ 5.00

MACH	ALPHAC	BETAC	CN	CLM	CA	CY	CYN	CBL	CL	CD
.599	2.680	-4.97000	.33940	-.22470	.03610	.09310	-.02060	.01480	.33730	.05200
.599	2.680	-4.96000	.34160	-.22590	.03620	.09340	-.02070	.01500	.33950	.05210
.600	2.690	-4.97000	.33990	-.22250	.03600	.09320	-.02050	.01490	.33780	.05200
.599	2.680	-4.97000	.34060	-.22510	.03620	.09360	-.02070	.01500	.33850	.05210
.600	2.690	-4.97000	.34060	-.22320	.03620	.09350	-.02050	.01500	.33850	.05210
.600	2.680	-4.97000	.33940	-.22430	.03640	.09380	-.02060	.01500	.33730	.05230
.599	2.680	-4.96000	.33940	-.22480	.03610	.09360	-.02070	.01490	.33730	.05200
.600	2.680	-4.96000	.33910	-.22370	.03600	.09370	-.02070	.01490	.33700	.05190
.599	2.680	-4.96000	.34030	-.22630	.03660	.09340	-.02070	.01460	.33820	.05250
.599	2.680	-4.97000	.33870	-.22450	.03640	.09380	-.02060	.01460	.33660	.05220
.600	2.680	-4.96000	.33800	-.22580	.03640	.09330	-.02070	.01440	.33590	.05210
.600	2.680	-4.96000	.33800	-.22580	.03640	.09330	-.02070	.01440	.33590	.05210
GRADIENT		-.60082	.06327	.20833	-.01595	-.01080	.01598	.01685	.06430	-.00772

DATE 29 MAR 76

CA-26 FORCE SOURCE DATA TABULATION

PAGE 701

LTV44-559(CA26) 747/1 ATY

(RFE024) (18 NOV 75)

REFERENCE DATA

SREF = 5500.0000 SQ.FT. XMRP = 1339.9000 IN. XC
 LREF = 327.7800 IN. YMRP = .0000 IN. YC
 BREF = 2348.0400 IN. ZMRP = 190.7500 IN. ZC
 SCALE = .0125

PARAMETRIC DATA

ALPHAC = 2.000 BETAC = .000
 STAB = 5.000 RUDDER = .000

RUN NO. 1025/ 0 RN/L = .00 GRADIENT INTERVAL = -5.00/ 5.00

MACH	DZ	DY	DX	CN	CLM	CA	CY	CYN	CBL	CL	CD
.600	.460	.00000	.00000	.32220	-.21160	.03780	.00190	-.00120	.00010	.32010	.05290
.600	1.400	.00000	.00000	.32190	-.21300	.03800	.00190	-.00100	.00030	.31980	.05300
.601	2.350	.00000	.00000	.32310	-.21190	.03790	.00190	-.00090	.00000	.32100	.05300
.600	3.300	.00000	.00000	.32150	-.21240	.03760	.00160	-.00110	.00000	.31940	.05270
.601	4.240	.00000	.00000	.32040	-.21020	.03770	.00180	-.00110	.00010	.31830	.05260
.600	5.180	.00000	.00000	.32500	-.21000	.03770	.00180	-.00090	.00030	.32290	.05300
.601	6.130	.00000	.00000	.32410	-.21040	.03760	.00160	-.00100	.00000	.32200	.05270
.599	7.080	.00000	.00000	.32370	-.21240	.03800	.00190	-.00110	.00000	.32160	.05310
.601	8.020	.00000	.00000	.32130	-.21350	.03800	.00190	-.00120	-.00010	.31920	.05300
.600	8.970	.00000	.00000	.32260	-.21310	.03820	.00190	-.00100	.00000	.32050	.05320
.601	9.910	.00000	.00000	.32450	-.21290	.03810	.00180	-.00100	.00010	.32230	.05330
.602	10.850	.00000	.00000	.32300	-.21060	.03800	.00180	-.00100	.00010	.32230	.05330
.602	11.800	.00000	.00000	.32010	-.21220	.03790	.00140	-.00100	.00030	.32090	.05310
.601	12.750	.00000	.00000	.32160	-.21200	.03820	.00170	-.00090	.00000	.31800	.05280
.601	13.690	.00000	.00000	.32140	-.21240	.03820	.00170	-.00090	.00030	.31950	.05320
.601	14.640	.00000	.00000	.32360	-.21420	.03840	.00210	-.00100	.00010	.31930	.05320
.602	15.580	.00000	.00000	.32010	-.21360	.03820	.00150	-.00090	.00010	.31800	.05360
.602	16.530	.00000	.00000	.32300	-.21380	.03840	.00150	-.00090	.00010	.31800	.05320
.602	17.480	.00000	.00000	.32460	-.21240	.03820	.00170	-.00090	.00020	.32080	.05350
.602	18.420	.00000	.00000	.32340	-.21320	.03830	.00180	-.00100	.00000	.32250	.05340
.603	19.360	.00000	.00000	.32260	-.21220	.03830	.00190	-.00100	.00010	.32120	.05340
.603	20.310	.00000	.00000	.32250	-.21330	.03840	.00160	-.00100	.00010	.32050	.05330
.603	21.260	.00000	.00000	.32370	-.21340	.03800	.00150	-.00100	.00000	.32040	.05350
.603	22.200	.00000	.00000	.32040	-.21320	.03820	.00190	-.00100	.00000	.32110	.05310
.603	23.150	.00000	.00000	.32140	-.21400	.03850	.00180	-.00100	.00020	.31820	.05310
.603	24.090	.00000	.00000	.32010	-.21330	.03860	.00200	-.00090	.00010	.31920	.05350
.604	25.030	.00000	.00000	.32210	-.21310	.03830	.00200	-.00090	.00000	.31800	.05350
.602	25.980	.00000	.00000	.32380	-.21500	.03820	.00180	-.00100	.00010	.32000	.05340
.602	26.930	.00000	.00000	.32220	-.21500	.03870	.00200	-.00110	.00000	.32160	.05330
.603	27.870	.00000	.00000	.32310	-.21300	.03830	.00200	-.00110	.00000	.32000	.05370
.602	28.820	.00000	.00000	.32730	-.21450	.03840	.00120	-.00110	.00000	.32090	.05340
.603	29.760	.00000	.00000	.32600	-.21410	.03840	.00130	-.00110	-.00020	.32510	.05370
.603	30.710	.00000	.00000	.32430	-.21620	.03870	.00150	-.00100	-.00010	.32380	.05370
.603	31.660	.00000	.00000	.32150	-.21480	.03850	.00170	-.00100	.00000	.32210	.05380
.602	32.600	.00000	.00000	.32450	-.21570	.03890	.00170	-.00100	.00010	.31940	.05350
.602	33.540	.00000	.00000	.32410	-.21710	.03870	.00190	-.00100	.00010	.32230	.05400
.602	34.490	.00000	.00000	.32510	-.21770	.03860	.00180	-.00110	.00020	.32190	.05380
.603	35.440	.00000	.00000	.32360	-.21790	.03870	.00200	-.00100	.00000	.32290	.05380
.604	36.390	.00000	.00000	.32130	-.21600	.03840	.00200	-.00100	.00000	.32140	.05380
.604	37.330	.00000	.00000	.32220	-.21570	.03850	.00200	-.00100	.00000	.31910	.05380
.602	38.270	.00000	.00000	.32520	-.21630	.03870	.00170	-.00110	.00000	.32090	.05360
.604	39.210	.00000	.00000	.32250	-.21550	.03870	.00230	-.00100	.00010	.32300	.05410
.603	40.150	.00000	.00000	.32210	-.21650	.03860	.00160	-.00090	.00000	.32030	.05380
									.00020	.31990	.05360

LTV44-559(CA26) 747/1 ATY

(RFE024) (18 NOV 75)

REFERENCE DATA

SREF = 5500.0000 SQ.FT. XMRP = 1339.9000 IN. XC
 LREF = 327.7800 IN. YMRP = .0000 IN. YC
 BREF = 2348.0400 IN. ZMRP = 190.7500 IN. ZC
 SCALE = .0125

PARAMETRIC DATA

ALPHAC = 2.000 BETAC = .000
 STAB = 5.000 RUDDER = .000

RUN NO. 1025/ 0 RN/L = .00 GRADIENT INTERVAL = -5.00/ 5.00

MACH	DZ	DY	DX	CN	CLM	CA	CY	CYN	CBL	CL	CD
.603	41.110	.00000	.00000	.32380	-.21700	.03890	.00160	-.00100	.00030	.32160	.05400
.604	42.050	.00000	.00000	.32190	-.21720	.03880	.00180	-.00100	.00010	.31980	.05380
.602	43.000	.00000	.00000	.32400	-.21750	.03900	.00170	-.00090	.00000	.32190	.05410
.602	43.940	.00000	.00000	.32510	-.21600	.03890	.00150	-.00090	.00000	.32290	.05410
.603	44.890	.00000	.00000	.32440	-.21610	.03890	.00150	-.00100	-.00010	.32220	.05400
.604	45.830	.00000	.00000	.32240	-.21610	.03910	.00140	-.00100	-.00020	.32020	.05410
.604	46.780	.00000	.00000	.32240	-.21600	.03900	.00160	-.00090	.00010	.32020	.05410
	GRADIENT	.00000	.00000	-.00042	.00036	-.00006	-.00005	.00001	-.00003	-.00042	-.00010

LTV44-559(CA26) 747/1 ATY

(RFE025) (18 NOV 75)

REFERENCE DATA

SREF = 5500.0000 SQ.FT. XMRP = 1339.9000 IN. XC
 LREF = 327.7800 IN. YMRP = .0000 IN. YC
 SREF = 2349.0400 IN. ZMRP = 196.7500 IN. ZC
 SCALE = .0125

PARAMETRIC DATA

ALPHAC = 2.000 BETAC = .000
 STAB = 5.000 RUDDER = .000

RUN NO. 2025/ 0 RN/L = .00 GRADIENT INTERVAL = -5.00/ 5.00

MACH	DX	DY	DZ	CN	CLM	CA	CY	CYN	CBL	CL	CO
.602	.000	.00000	51.98000	.32320	-.21960	.03920	.00150	-.00100	.00010	.32100	.05430
.603	.670	.00000	51.98000	.32410	-.21930	.04010	.00160	-.00100	.00010	.32190	.05520
.603	1.350	.00000	51.98000	.32530	-.21780	.04000	.00140	-.00100	.00000	.32300	.05520
.605	2.000	.00000	51.98000	.32380	-.22000	.03950	.00190	-.00100	.00000	.32160	.05460
.603	2.680	.00000	51.98000	.32590	-.21950	.03960	.00140	-.00100	.00000	.32370	.05480
.604	3.330	.00000	51.98000	.32480	-.22070	.03900	.00170	-.00100	.00000	.32250	.05410
.603	4.010	.00000	51.98000	.32490	-.22150	.03880	.00150	-.00100	.00000	.32270	.05400
.604	4.680	.00000	51.98000	.32170	-.22130	.03910	.00140	-.00100	.00000	.31950	.05410
.604	5.330	.00000	51.98000	.32330	-.22110	.03920	.00130	-.00100	.00000	.32110	.05430
.604	6.010	.00000	51.98000	.32590	-.22300	.03910	.00150	-.00100	.00000	.32370	.05430
.605	6.660	.00000	51.98000	.32490	-.22130	.03910	.00160	-.00100	-.00010	.32270	.05420
.604	7.340	.00000	51.98000	.32610	-.22240	.03930	.00170	-.00100	-.00010	.32390	.05450
.603	8.020	.00000	51.98000	.32570	-.22400	.03920	.00190	-.00080	.00000	.32350	.05430
.604	8.670	.00000	51.98000	.32400	-.22290	.03920	.00190	-.00080	.00010	.32180	.05430
.605	9.340	.00000	51.98000	.32190	-.22340	.03920	.00160	-.00090	.00010	.31980	.05420
.603	10.000	.00000	51.98000	.32610	-.22570	.03970	.00180	-.00090	.00020	.32380	.05490
.604	10.670	.00000	51.98000	.32450	-.22400	.03960	.00150	-.00090	.00010	.32230	.05470
.602	11.350	.00000	51.98000	.32480	-.22570	.03970	.00160	-.00100	.00010	.32260	.05480
.603	12.000	.00000	51.98000	.32390	-.22560	.03940	.00150	-.00100	.00000	.32180	.05440
.602	12.680	.00000	51.98000	.32520	-.22610	.03960	.00150	-.00100	-.00030	.32300	.05470
.603	13.330	.00000	51.98000	.32400	-.22670	.03990	.00150	-.00100	-.00010	.32180	.05490
.604	14.010	.00000	51.98000	.32490	-.22420	.03920	.00130	-.00100	.00010	.32270	.05440
.603	14.680	.00000	51.98000	.32870	-.22440	.03940	.00140	-.00090	.00000	.32600	.05470
.603	15.330	.00000	51.98000	.32720	-.22610	.03950	.00160	-.00100	.00000	.32500	.05470
.603	16.010	.00000	51.98000	.32730	-.22490	.03910	.00120	-.00100	-.00020	.32510	.05440
.603	16.660	.00000	51.98000	.32760	-.22710	.03940	.00130	-.00100	.00020	.32540	.05470
.603	17.340	.00000	51.98000	.32770	-.22590	.03940	.00110	-.00090	-.00010	.32550	.05470
.604	18.020	.00000	51.98000	.32680	-.22470	.03940	.00110	-.00100	-.00010	.32460	.05460
.603	18.670	.00000	51.98000	.32780	-.22770	.03960	.00130	-.00100	-.00010	.32560	.05490
.603	19.340	.00000	51.98000	.32850	-.22530	.03950	.00110	-.00100	.00000	.32630	.05480
.604	20.000	.00000	51.98000	.32850	-.22600	.04010	.00120	-.00090	.00000	.32620	.05540
.603	20.670	.00000	51.98000	.32990	-.22660	.04000	.00110	-.00090	.00010	.32770	.05540
.604	21.350	.00000	51.98000	.32910	-.22750	.03960	.00120	-.00090	.00020	.32690	.05490
.603	22.000	.00000	51.98000	.32900	-.22760	.03990	.00110	-.00090	.00010	.32580	.05510
.604	22.680	.00000	51.98000	.32710	-.22740	.03960	.00130	-.00090	.00020	.32420	.05470
.604	23.330	.00000	51.98000	.32620	-.22720	.03950	.00140	-.00100	.00020	.32400	.05470
.602	24.010	.00000	51.98000	.33040	-.22830	.03990	.00130	-.00100	.00010	.32820	.05430
.603	24.660	.00000	51.98000	.32600	-.22830	.03960	.00130	-.00100	.00010	.32380	.05470
.603	25.330	.00000	51.98000	.32560	-.22970	.04000	.00140	-.00100	.00000	.32340	.05520
.602	26.010	.00000	51.98000	.32650	-.23090	.03980	.00130	-.00090	.00000	.32440	.05500
.603	26.660	.00000	51.98000	.32420	-.23020	.03950	.00120	-.00100	-.00010	.32200	.05460
.602	27.340	.00000	51.98000	.32740	-.22900	.03990	.00120	-.00090	.00000	.32520	.05510
.603	27.990	.00000	51.98000	.32550	-.23210	.03910	.00140	-.00110	.00000	.32330	.05420

LTV44-559(CA26) 747/1 ATY

(RFE023) (18 NOV 75)

REFERENCE DATA

SREF = 5500.0000 SQ.FT. XMRP = 1339.9000 IN. XC
 LREF = 327.7800 IN. YMRP = .0000 IN. YC
 BREF = 2348.0400 IN. ZMRP = 190.7500 IN. ZC
 SCALE = .0125

PARAMETRIC DATA

ALPHAC = 2.000 BETAC = .000
 STAB = 5.000 RUDDER = .000

RUN NO. 2025/ 0 RN/L = .00 GRADIENT INTERVAL = -5.00/ 5.00

MACH	DX	DY	DZ	CN	CLM	CA	CY	CYN	CBL	CL	CD
.603	28.670	.00000	51.98000	.32690	-.23170	.03960	.00140	-.00100	.00000	.32470	.05470
.603	29.340	.00000	51.98000	.32640	-.23100	.03950	.00140	-.00090	.00010	.32420	.05470
.603	30.000	.00000	51.98000	.32650	-.23180	.04010	.00140	-.00090	.00000	.32420	.05530
.604	30.670	.00000	51.98000	.32630	-.23180	.04000	.00110	-.00090	.00000	.32410	.05520
.602	31.320	.00000	51.98000	.32710	-.23180	.04000	.00140	-.00090	.00000	.32490	.05510
.602	32.000	.00000	51.98000	.32580	-.23230	.03980	.00160	-.00100	.00010	.32360	.05490
.602	32.680	.00000	51.98000	.32850	-.23190	.03980	.00110	-.00100	.00000	.32630	.05500
	GRADIENT	.00000	.00000	-.00010	-.00055	-.00018	-.00001	-.00000	-.00002	-.00010	-.00019

LTV44-559(CA26) 747/1

(RFE026) (18 NOV 75)

REFERENCE DATA

SREF = 5500.0000 SQ.FT. XMRP = 1339.9000 IN. XC
 LREF = 327.7800 IN. YMRP = .0000 IN. YC
 BREF = 2348.0400 IN. ZMRP = 190.7500 IN. ZC
 SCALE = .0125

PARAMETRIC DATA

BETAC = .000 STAB = -1.000
 RUDDER = .000

RUN NO. 19/ 0 RN/L = .00 GRADIENT INTERVAL = -5.00/ 5.00

MACH	ALPHAC	BETAC	CN	CLM	CA	CY	CYN	CBL	CL	CD
.608	.430	.01000	.04680	.12300	.03820	.00510	-.00170	-.00010	.04650	.03850
.608	.430	.01000	.04660	.12270	.03850	.00500	-.00170	-.00020	.04630	.03880
.606	.430	.01000	.04590	.12410	.03830	.00560	-.00170	-.00010	.04560	.03860
.608	.430	.01000	.04590	.12480	.03810	.00470	-.00170	-.00020	.04560	.03840
.609	.440	.00000	.04900	.12520	.03810	.00530	-.00160	-.00010	.04870	.03850
.608	.440	.01000	.05030	.12510	.03820	.00500	-.00170	-.00030	.05000	.03860
.609	.440	.01000	.05160	.12520	.03820	.00580	-.00170	-.00020	.05130	.03860
.609	.440	.01000	.04990	.12520	.03830	.00570	-.00170	-.00030	.04960	.03860
.610	.430	.01000	.04710	.12190	.03800	.00440	-.00180	-.00030	.04680	.03830
.609	.430	.01000	.04630	.12300	.03810	.00480	-.00180	-.00040	.04600	.03850
.609	.430	.01000	.04700	.12230	.03810	.00450	-.00170	-.00030	.04670	.03840
	GRADIENT	-.24994	.36851	.20610	.00145	.05784	.00535	.00036	.36850	.00751

ORIGINAL PAGE IS OF POOR QUALITY

DATE 29 MAR 76

CA-26 FORCE SOURCE DATA TABULATION

PAGE 705

LTV44-559(CA26) 747/1

(RFE027) (18 NOV 75)

REFERENCE DATA

SREF = 5500.0000 SQ.FT. XMRP = 1339.9000 IN. XC
 LREF = 327.7800 IN. YMRP = .0000 IN. YC
 BREF = 2348.0400 IN. ZMRP = 190.7500 IN. ZC
 SCALE = .0125

PARAMETRIC DATA

BETAC = .000 STAB = 3.000
 RUDDER = .000

RUN NO. 21/ 0 RN/L = .00 GRADIENT INTERVAL = -5.00/ 5.00

MACH	ALPHAC	BETAC	CN	CLM	CA	CY	CYN	CBL	CL	CD
.604	.220	.00000	.08870	-.08660	.03940	.00430	-.00150	-.00060	.08860	.03980
.604	.220	.00000	.08840	-.08630	.03950	.00390	-.00150	-.00050	.08820	.03980
.603	.210	.00000	.08840	-.08790	.03960	.00490	-.00150	-.00070	.08820	.04000
.603	.220	.00000	.08830	-.08680	.03980	.00480	-.00140	-.00060	.08820	.04010
.604	.220	.00000	.08760	-.08620	.03970	.00520	-.00140	-.00040	.08740	.04010
.604	.220	.00000	.08800	-.08670	.03950	.00430	-.00140	-.00020	.08790	.03990
.606	.220	.00000	.08930	-.08530	.03950	.00500	-.00140	.00000	.08920	.03980
.604	.220	.00000	.08940	-.08580	.03940	.00490	-.00140	.00000	.08920	.03980
.606	.220	.00000	.09000	-.08540	.03960	.00440	-.00140	-.00010	.08920	.03970
.606	.220	.00000	.08960	-.08430	.03960	.00490	-.00150	.00000	.08940	.04000
.606	.220	.00000	.08910	-.08510	.03950	.00440	-.00140	-.00010	.08940	.04000
GRADIENT	.00000	.04405	.20500	-.00502	-.02900	.00700	.04500	.04801	-.00898	

LTV44-559(CA26) 747/1

REFERENCE DATA

SREF = 5500.0000 SQ.FT. XMRP = 1339.9000 IN. XC
 LREF = 327.7800 IN. YMRP = .0000 IN. YC
 BREF = 2348.0400 IN. ZMRP = 190.7500 IN. ZC
 SCALE = .0125

(RFE028) (18 NOV 75)

PARAMETRIC DATA

BETAC = .000 STAB = 5.000
 RUDDER = .000

RUN NO. 20/ 0 RN/L = .00 GRADIENT INTERVAL = -5.00/ 5.00

MACH	ALPHAC	BETAC	CN	CLM	CA	CY	CYN	CBL	CL	CD
.606	.110	.00000	.10870	-.19200	.04150	.00430	-.00140	.00000	.10860	.04180
.605	.100	.00000	.10810	-.19490	.04220	.00500	-.00140	.00020	.10810	.04240
.606	.100	.00000	.10720	-.19470	.04150	.00360	-.00140	.00020	.10710	.04170
.605	.100	.00000	.10510	-.19660	.04190	.00340	-.00130	.00000	.10500	.04210
.607	.100	.00000	.10460	-.19480	.04170	.00420	-.00140	-.00010	.10450	.04190
.606	.100	.00000	.10620	-.19570	.04190	.00330	-.00130	.00000	.10620	.04210
.607	.100	.00000	.10610	-.19490	.04170	.00350	-.00130	.00000	.10600	.04190
.607	.100	.00000	.10770	-.19490	.04170	.00300	-.00140	-.00020	.10710	.04190
.607	.100	.00000	.10830	-.19460	.04170	.00320	-.00130	-.00010	.10870	.04190
.607	.100	.00000	.10750	-.19380	.04160	.00470	-.00140	.00000	.10740	.04180
.608	.100	.00000	.10780	-.19530	.04180	.00440	-.00140	-.00020	.10780	.04200
GRADIENT	.00000	.18403	.30187	-.02699	.04600	-.00400	-.00400	.00200	.18102	-.01698

DATE 29 MAR 76

CA-26 FORCE SOURCE DATA TABULATION

PAGE 706

LTV44-559(CA26) 747/4

(RFE029) (18 NOV 75)

REFERENCE DATA

SREF = 5500.0000 SQ.FT. XMRP = 1339.9000 IN. XC
 LREF = 327.7800 IN. YMRP = .0000 IN. YC
 BREF = 2348.0400 IN. ZMRP = 190.7500 IN. ZC
 SCALE = .0125

PARAMETRIC DATA

BETAC = .000 RUDDER = .000

RUN NO. 22/ D RN/L = .00 GRADIENT INTERVAL = -5.00/ 5.00

MACH	ALPHAC	BETAC	CN	CLM	CA	CY	CYN	CBL	CL	CD
.601	.330	.00000	.06860	.02550	.03510	.00490	-.00130	.00000	.06640	.03550
.601	.330	.00000	.06930	.02690	.03510	.00470	-.00130	.00000	.06910	.03550
.602	.330	.00000	.06930	.02610	.03500	.00460	-.00130	.00000	.06910	.03510
.602	.330	.00000	.06890	.02680	.03480	.00550	-.00140	-.00020	.06870	.03520
.603	.330	.00000	.06840	.02520	.03500	.00470	-.00140	-.00030	.06820	.03540
.602	.340	.00000	.07090	.02790	.03480	.00520	-.00150	-.00030	.07070	.03520
.602	.340	.00000	.07200	.02860	.03470	.00480	-.00150	-.00010	.07180	.03520
.601	.340	.00000	.07290	.03070	.03480	.00450	-.00150	-.00020	.07260	.03520
.600	.340	.00000	.07280	.03090	.03490	.00450	-.00140	-.00010	.07260	.03530
.602	.330	.00000	.07020	.02600	.03490	.00500	-.00130	.00010	.07000	.03530
.600	.330	.00000	.06810	.02620	.03490	.00570	-.00140	.00000	.06790	.03530
GRADIENT		.00000	.31783	.34245	-.01712	-.02612	-.01321	-.01178	.31532	-.01462

DATE 29 MAR 76

CA-26 FORCE SOURCE DATA TABULATION

PAGE 707

LTV44-559(CA26) 747/1 ATY 02 S1 (CARRIER DATA)

(RFE030) (18 NOV 75)

REFERENCE DATA

SREF = 5500.0000 SQ.FT. XMRP = 1339.9000 IN. XC
 LREF = 327.7900 IN. YMRP = .0000 IN. YC
 BREF = 2348.0400 IN. ZMRP = 190.7500 IN. ZC
 SCALE = .0125

PARAMETRIC DATA

ALPHAC = .000 BETAC = .000
 STAB = 5.000 ELEVON = 5.000
 BDFLAP = .000 DX = .000
 DY = .000 IORB = 4.000
 BETA0 = .000 RUDDER = .000

RUN NO. 30/ 0 RN/L = .00 GRADIENT INTERVAL = -5.00/ 5.00

MACH	DZ	DY	DX	CN	CLM	CA	CY	CYN	CBL	CL	CD
.627	1.460	.00000	-.06000	.00470	-.12440	.04570	.00710	-.00260	.00050	.00470	.04580
.625	2.760	.00000	-.05000	.00310	-.12450	.04620	.00620	-.00270	.00060	.00300	.04620
.625	4.050	.00000	-.05000	.00870	-.12610	.04670	.00690	-.00270	.00060	.00870	.04680
.626	5.350	.00000	-.05000	.01290	-.12640	.04620	.00640	-.00290	.00060	.01280	.04630
.624	6.650	.00000	-.05000	.01470	-.13100	.04650	.00600	-.00310	.00040	.01460	.04650
.624	7.950	.00000	-.03000	.01650	-.13220	.04640	.00660	-.00310	.00060	.01640	.04640
.627	9.240	.00000	-.03000	.02340	-.13270	.04660	.00730	-.00330	.00020	.02340	.04660
.628	10.540	.00000	-.03000	.02380	-.13830	.04620	.00650	-.00310	.00070	.02370	.04620
.625	11.830	.00000	-.02000	.02830	-.14240	.04670	.00640	-.00290	.00070	.02830	.04670
.624	13.130	.00000	-.02000	.03060	-.14730	.04670	.00590	-.00280	.00100	.03060	.04670
.623	14.420	.00000	-.02000	.03220	-.14770	.04680	.00590	-.00270	.00070	.03220	.04690
.625	15.720	.00000	-.02000	.03240	-.15060	.04610	.00530	-.00260	.00050	.03230	.04620
.625	17.020	.00000	-.01000	.03520	-.15270	.04670	.00580	-.00240	.00060	.03520	.04670
.627	18.320	.00000	-.01000	.03840	-.15490	.04650	.00470	-.00220	.00040	.03830	.04660
.625	19.610	.00000	-.01000	.03880	-.15500	.04650	.00480	-.00200	.00060	.03880	.04650
.623	20.910	.00000	-.01000	.04280	-.15770	.04690	.00490	-.00180	.00050	.04280	.04700
.624	23.490	.00000	.00000	.04420	-.15930	.04710	.00390	-.00150	.00040	.04420	.04720
.624	24.790	.00000	.00000	.04650	-.16110	.04690	.00280	-.00150	.00020	.04640	.04700
.625	25.080	.00000	.00000	.05300	-.16060	.04680	.00370	-.00140	.00070	.05290	.04680
.627	27.380	.00000	.01000	.05150	-.16200	.04710	.00380	-.00120	.00050	.05150	.04720
.625	26.690	.00000	.01000	.05750	-.16090	.04670	.00240	-.00130	.00000	.05740	.04680
.626	29.970	.00000	.01000	.05510	-.16330	.04690	.00340	-.00120	-.00020	.05500	.04700
.625	31.270	.00000	.01000	.05630	-.16590	.04680	.00320	-.00110	.00000	.05620	.04690
.626	32.570	.00000	.02000	.05520	-.16840	.04670	.00240	-.00100	.00040	.05510	.04680
.625	33.860	.00000	.02000	.05900	-.16700	.04680	.00350	-.00100	.00030	.05900	.04680
.628	35.160	.00000	.02000	.05840	-.16910	.04690	.00330	-.00110	.00010	.05830	.04700
.626	36.460	.00000	.02000	.05830	-.17030	.04650	.00310	-.00100	.00010	.05830	.04660
.629	37.750	.00000	.03000	.06200	-.16900	.04680	.00370	-.00090	.00020	.06190	.04690
.625	39.050	.00000	.03000	.06110	-.17120	.04650	.00360	-.00100	.00000	.06110	.04660
.627	40.340	.00000	.03000	.06250	-.17260	.04640	.00240	-.00100	.00030	.06240	.04650
.626	41.640	.00000	.03000	.06260	-.17230	.04660	.00340	-.00090	.00020	.06260	.04670
.623	42.940	.00000	.05000	.06590	-.17290	.04730	.00320	-.00110	.00000	.06590	.04740
.625	44.240	.00000	.05000	.06550	-.17630	.04730	.00360	-.00110	-.00010	.06540	.04740
.625	45.530	.00000	.05000	.06640	-.17660	.04700	.00340	-.00110	-.00020	.06630	.04710
.625	46.830	.00000	.06000	.06670	-.17810	.04690	.00250	-.00100	.00040	.06660	.04700
.625	48.120	.00000	.06000	.06890	-.17600	.04700	.00390	-.00100	.00050	.06880	.04710
GRADIENT	.00000	.00000	.00387	.00154	-.00066	.00039	-.00008	-.00004	.00020	.00154	.00039

LTV44-559(CA26) 747/1 ATY 02 S1 (CARRIER DATA)

(RFE031) (18 NOV 75)

REFERENCE DATA

SREF = 5500.0000 SQ.FT. XMRP = 1339.9000 IN. XC
 LREF = 327.7800 IN. YMRP = .0000 IN. YC
 BREF = 2348.0400 IN. ZMRP = 190.7500 IN. ZC
 SCALE = .0125

PARAMETRIC DATA

ALPHAC = .000 BETAC = .000
 STAB = 5.000 ELEVON = 5.000
 BDFLAP = .000 DX = .000
 DY = .000 TORB = 6.000
 BETA0 = .000 RUDDER = .000

RUN NO. 1030/ 0 RN/L = .00 GRADIENT INTERVAL = -5.00/ 5.00

MACH	DZ	DY	DX	CN	CLM	CA	CY	CYN	CBL	CL	CD
.622	1.480	.00000	-.03000	-.02220	-.06700	.04330	.00650	-.00310	.00030	-.02230	.04320
.625	2.050	.00000	-.03000	-.01670	-.06740	.04320	.00610	-.00310	.00030	-.01670	.04320
.625	3.210	.00000	-.03000	-.01510	-.07200	.04330	.00600	-.00320	.00080	-.01520	.04320
.623	4.370	.00000	-.03000	-.00890	-.07510	.04380	.00660	-.00350	.00080	-.00900	.04380
.625	5.530	.00000	-.03000	-.00490	-.08050	.04360	.00680	-.00330	.00060	-.00500	.04360
.621	6.690	.00000	-.03000	-.00720	-.08650	.04400	.00700	-.00330	.00090	-.00720	.04400
.625	7.850	.00000	-.03000	-.00290	-.09440	.04400	.00680	-.00300	.00080	-.00290	.04400
.623	9.010	.00000	-.03000	.00080	-.09930	.04450	.00590	-.00290	.00100	.00070	.04450
.626	10.170	.00000	-.03000	.00360	-.10330	.04470	.00650	-.00290	.00060	.00350	.04470
.625	11.330	.00000	-.02000	.00770	-.10630	.04490	.00540	-.00290	.00050	.00760	.04490
.626	12.480	.00000	-.02000	.01120	-.11030	.04530	.00500	-.00280	.00040	.01120	.04530
.626	13.640	.00000	-.02000	.01650	-.11190	.04490	.00570	-.00270	.00080	.01640	.04490
.624	14.800	.00000	-.02000	.01690	-.11650	.04510	.00510	-.00260	.00060	.01690	.04520
.624	15.960	.00000	-.02000	.01880	-.12050	.04510	.00600	-.00230	.00070	.01880	.04510
.625	17.120	.00000	-.01000	.01700	-.12590	.04510	.00570	-.00220	.00030	.01690	.04510
.625	18.280	.00000	-.01000	.02320	-.12600	.04510	.00460	-.00210	.00040	.02310	.04520
.625	19.440	.00000	-.01000	.02630	-.12910	.04530	.00420	-.00200	.00060	.02620	.04540
.623	21.750	.00000	.00000	.02690	-.13250	.04530	.00380	-.00170	.00050	.02680	.04540
.623	22.910	.00000	.00000	.02890	-.13530	.04560	.00360	-.00170	.00020	.02880	.04570
.623	24.070	.00000	.00000	.03040	-.13830	.04540	.00310	-.00150	.00030	.03030	.04550
.624	25.230	.00000	.00000	.03260	-.13990	.04550	.00300	-.00140	.00020	.03250	.04550
.623	26.390	.00000	.00000	.03130	-.14390	.04580	.00310	-.00110	.00050	.03120	.04590
.624	26.390	.00000	.00000	.03660	-.14450	.04580	.00250	-.00120	.00020	.03660	.04590
.624	27.550	.00000	.01000	.03990	-.14440	.04600	.00230	-.00100	.00020	.03990	.04600
.624	28.710	.00000	.01000	.04190	-.14700	.04600	.00220	-.00100	.00020	.04180	.04600
.625	29.870	.00000	.01000	.04120	-.14750	.04550	.00300	-.00100	.00010	.04110	.04550
.623	31.030	.00000	.01000	.04160	-.15290	.04610	.00320	-.00100	.00000	.04150	.04620
.624	32.190	.00000	.02000	.04510	-.15330	.04610	.00240	-.00090	.00020	.04500	.04610
.624	33.340	.00000	.02000	.04380	-.15430	.04590	.00300	-.00090	.00010	.04380	.04600
.624	34.500	.00000	.02000	.04650	-.15590	.04590	.00330	-.00090	.00000	.04650	.04600
.625	35.660	.00000	.02000	.04500	-.15740	.04570	.00200	-.00090	.00000	.04500	.04580
.625	36.820	.00000	.03000	.04920	-.15720	.04600	.00170	-.00080	.00000	.04920	.04610
.623	37.980	.00000	.03000	.05520	-.15690	.04610	.00260	-.00090	.00030	.05510	.04620
.625	39.140	.00000	.03000	.05400	-.15810	.04600	.00210	-.00100	.00040	.05390	.04600
.623	40.300	.00000	.03000	.05450	-.16120	.04630	.00280	-.00090	.00030	.05440	.04640
.624	41.460	.00000	.03000	.05450	-.16090	.04630	.00320	-.00090	.00020	.05440	.04640
.627	42.610	.00000	.05000	.05560	-.16300	.04610	.00260	-.00100	.00030	.05560	.04620
.625	43.780	.00000	.05000	.05370	-.16450	.04510	.00260	-.00080	.00020	.05370	.04610
.625	44.940	.00000	.05000	.06190	-.16100	.04510	.00320	-.00100	.00000	.06180	.04620
.623	46.100	.00000	.05000	.06130	-.16370	.04540	.00320	-.00100	.00010	.06120	.04650
.624	47.260	.00000	.06000	.06080	-.16530	.04650	.00320	-.00110	.00020	.06070	.04650
.626	48.420	.00000	.06000	.05990	-.16610	.04630	.00300	-.00110	.00000	.05980	.04640

DATE 29 MAR 76

CA-26 FORCE SOURCE DATA TABULATION

PAGE 709

LTV44-559(CA26) 747/1 ATY 02 S1 (CARRIER DATA)

(RFE031) (18 NOV 75)

REFERENCE DATA

SREF = 5500.0000 SQ.FT. XMRP = 1339.9000 IN. XC
 LREF = 327.7800 IN. YMRP = .0000 IN. YC
 BREF = 2348.0400 IN. ZMRP = 190.7500 IN. ZC
 SCALE = .0125

PARAMETRIC DATA

ALPHAC = .000 BETAC = .000
 STAB = 5.000 ELEVON = 5.000
 BDFLAP = .000 DX = .000
 DY = .000 IORB = 6.000
 BETA0 = .000 RUDDER = .000

RUN NO. 1030/ 0 RN/L = .00 GRADIENT INTERVAL = -5.00/ 5.00

MACH	DZ	DY	DX	CN	CLM	CA	CY	CYN	CPL	CL	CD
.623	49.570	.00000	.06000	.05960	-.16950	.04670	.00280	-.00110	.00000	.05950	.04680
.624	50.730	.00000	.06000	.06050	-.16880	.04660	.00280	-.00110	.00020	.06040	.04670
.623	51.890	.00000	.06000	.06460	-.16920	.04650	.00220	-.00110	.00030	.06450	.04660
.623	53.050	.00000	.06000	.06770	-.16730	.04610	.00230	-.00100	.00040	.06770	.04620
.625	54.210	.00000	.07000	.06680	-.16940	.04640	.00320	-.00110	.00000	.06680	.04650
	GRADIENT	.00000	-.00000	.00410	-.00299	.00018	.00005	-.00014	.00021	.00409	.00019

ORIGINAL PAGE IS
OF POOR QUALITY

LTV44-559(CA26) 747/1 ATY 02 S1 (CARRIER DATA)

(RFE032) (18 NOV 75)

REFERENCE DATA

SREF = 5500.0000 SQ.FT. XMRP = 1339.9000 IN. XC
 LREF = 327.7800 IN. YMRP = .0000 IN. YC
 BREF = 2348.0400 IN. ZMRP = 190.7500 IN. ZC
 SCALE = .0125

PARAMETRIC DATA

ALPHAC = .000 BETAC = .000
 STAB = 5.000 ELEVON = 5.000
 BOFLAP = .000 DX = .000
 DY = .000 TORB = 6.000
 BETAG = .000 RUDDER = .000

RUN NO. 2030/ 0 RN/L = .00 GRADIENT INTERVAL = -5.00/ 5.00

MACH	DZ	DY	DX	CN	CLM	CA	CY	CYN	CBL	CL	CD
.622	2.050	.00000	-.05000	-.02470	-.06740	.04320	.00710	-.00280	.00070	-.02480	.04310
.624	3.210	.00000	-.03000	-.02860	-.06590	.04320	.00650	-.00280	.00080	-.02860	.04320
.626	4.370	.00000	-.03000	-.02410	-.06700	.04290	.00590	-.00290	.00040	-.02420	.04290
.625	5.530	.00000	-.03000	-.01480	-.06930	.04340	.00640	-.00340	.00020	-.01490	.04340
.626	6.690	.00000	-.03000	-.01370	-.07250	.04340	.00710	-.00350	.00060	-.01380	.04330
.624	7.850	.00000	-.03000	-.01300	-.08030	.04370	.00650	-.00350	.00030	-.01310	.04370
.624	9.010	.00000	-.03000	-.00890	-.08520	.04420	.00650	-.00340	.00020	-.00900	.04420
.626	10.170	.00000	-.02000	-.00400	-.09000	.04370	.00680	-.00340	.00040	-.00410	.04370
.624	11.330	.00000	-.02000	-.00050	-.09490	.04440	.00710	-.00320	.00080	-.00060	.04440
.627	12.490	.00000	-.02000	.00320	-.09910	.04390	.00680	-.00310	.00080	.00310	.04390
.625	13.650	.00000	-.02000	.00510	-.10540	.04450	.00720	-.00300	.00100	.00500	.04450
.625	14.810	.00000	-.02000	.00960	-.10880	.04510	.00650	-.00300	.00070	.00950	.04510
.627	15.970	.00000	-.02000	.01000	-.11360	.04470	.00650	-.00290	.00050	.00990	.04470
.626	17.130	.00000	-.01000	.01150	-.11890	.04500	.00630	-.00270	.00080	.01140	.04500
.624	18.280	.00000	-.01000	.01290	-.12250	.04520	.00660	-.00250	.00100	.01290	.04520
.624	19.440	.00000	-.01000	.01540	-.12440	.04520	.00660	-.00250	.00070	.01530	.04520
.623	20.600	.00000	-.01000	.02360	-.12700	.04570	.00570	-.00240	.00080	.02350	.04570
.621	21.750	.00000	.00000	.02350	-.12860	.04580	.00520	-.00210	.00110	.02340	.04580
.627	22.910	.00000	.00000	.02570	-.13070	.04520	.00450	-.00190	.00050	.02560	.04520
.626	24.080	.00000	.00000	.02640	-.13330	.04530	.00470	-.00180	.00050	.02630	.04530
.626	25.240	.00000	.00000	.02800	-.13700	.04600	.00450	-.00150	.00060	.02790	.04600
.626	26.400	.00000	.00000	.03040	-.13700	.04550	.00410	-.00150	.00050	.03030	.04550
.624	27.560	.00000	.01000	.03250	-.14010	.04560	.00360	-.00140	.00020	.03240	.04560
.624	28.710	.00000	.01000	.03380	-.14370	.04580	.00390	-.00140	.00010	.03370	.04580
.626	29.870	.00000	.01000	.03500	-.14450	.04580	.00340	-.00120	.00000	.03490	.04580
.626	31.030	.00000	.01000	.03550	-.14520	.04550	.00330	-.00100	.00010	.03540	.04550
.624	32.190	.00000	.02000	.03750	-.14900	.04570	.00300	-.00120	.00010	.03750	.04570
.626	33.350	.00000	.02000	.04070	-.15010	.04580	.00320	-.00100	.00000	.04060	.04580
.626	34.520	.00000	.02000	.04030	-.15320	.04570	.00320	-.00100	.00000	.04030	.04570
.627	35.670	.00000	.02000	.04150	-.15240	.04580	.00330	-.00100	.00030	.04150	.04580
.627	36.830	.00000	.03000	.04100	-.15590	.04530	.00310	-.00110	.00020	.04100	.04540
.626	37.990	.00000	.03000	.04360	-.15540	.04610	.00280	-.00100	.00000	.04360	.04610
.628	39.150	.00000	.03000	.04580	-.15460	.04560	.00330	-.00090	.00040	.04580	.04570
.624	40.310	.00000	.03000	.04630	-.16030	.04610	.00340	-.00100	.00040	.04620	.04610
.623	41.470	.00000	.05000	.04890	-.16110	.04670	.00290	-.00090	.00030	.04880	.04680
.626	42.630	.00000	.05000	.04850	-.16190	.04590	.00320	-.00090	.00020	.04840	.04590
.624	43.790	.00000	.05000	.05070	-.16430	.04620	.00340	-.00100	.00020	.05060	.04630
.625	44.950	.00000	.05000	.05330	-.16280	.04580	.00300	-.00090	.00020	.05320	.04590
.627	46.110	.00000	.05000	.05380	-.16280	.04600	.00330	-.00100	.00000	.05370	.04610
.627	47.270	.00000	.06000	.05290	-.16430	.04590	.00340	-.00120	.00000	.05280	.04600
.624	48.430	.00000	.06000	.05520	-.16720	.04570	.00330	-.00110	.00000	.05510	.04670
.626	49.590	.00000	.06000	.05420	-.16590	.04610	.00400	-.00110	.00010	.05410	.04620

LTV44-559(CA26) 747/1 ATY 02 S1 (CARRIER DATA)

(RFE032) (18 NOV 75)

REFERENCE DATA

SREF = 5500.0000 SQ.FT. XMRP = 1339.9000 IN. XC
 LREF = 327.7800 IN. YMRP = .0000 IN. YC
 BREF = 2349.0400 IN. ZMRP = 190.7500 IN. ZC
 SCALE = .0125

PARAMETRIC DATA

ALPHAC = .000 BETAC = .000
 STAB = 5.000 ELEVON = 5.000
 BDFLAP = .000 DX = .000
 DY = .000 TORB = 6.000
 BETAO = .000 RUDDER = .000

RUN NO. 2030/ 0 RN/L = .00 GRADIENT INTERVAL = -5.00/ 5.00

MACH	DZ	DY	DX	CN	CLM	CA	CY	CYN	CBL	CL	CD
.626	50.750	.00000	.07000	.05360	-.16710	.04610	.00380	-.00100	.00020	.05350	.04620
.626	51.900	.00000	.07000	.05580	-.16640	.04600	.00330	-.00110	.00010	.05570	.04610
.623	53.060	.00000	.07000	.05610	-.17000	.04650	.00360	-.00110	.00000	.05600	.04660
.625	54.220	.00000	.07000	.05810	-.16970	.04650	.00350	-.00110	-.00020	.05800	.04660
.622	54.800	.00000	.09000	.05750	-.17310	.04690	.00370	-.00120	-.00010	.05740	.04700
	GRADIENT	.00000	.00862	.00026	.00017	-.00013	-.00052	-.00004	-.00013	.00026	-.00009

LTV44-559(CA26) 747/1 ATY 02 S1 (CARRIER DATA)

(RFE033) (18 NOV 75)

REFERENCE DATA

SREF = 5500.0000 SQ.FT. XMRP = 1339.9000 IN. XC
 LREF = 327.7800 IN. YMRP = .0000 IN. YC
 BREF = 2349.0400 IN. ZMRP = 190.7500 IN. ZC
 SCALE = .0125

PARAMETRIC DATA

ALPHAC = .000 BETAC = .000
 STAB = 5.000 ELEVON = 5.000
 BDFLAP = .000 DX = .000
 DY = .000 TORB = 6.000
 BETAO = .000 RUDDER = .000

RUN NO. 1034/ 0 RN/L = .00 GRADIENT INTERVAL = -5.00/ 5.00

MACH	DZ	DY	DX	CN	CLM	CA	CY	CYN	CBL	CL	CD
.617	1.480	.00000	-.05000	-.02600	-.06910	.04530	.00430	-.00210	.00040	-.02610	.04520
.619	1.680	.00000	-.05000	-.02210	-.06870	.04550	.00470	-.00200	.00060	-.02220	.04540
.619	2.080	.00000	-.05000	-.02370	-.07520	.04500	.00520	-.00200	.00060	-.02380	.04500
.617	2.480	.00000	-.03000	-.01370	-.07570	.04570	.00470	-.00230	.00040	-.01380	.04560
.619	3.290	.00000	-.03000	-.01460	-.07320	.04620	.00490	-.00210	.00030	-.01470	.04520
.617	4.110	.00000	-.03000	-.01470	-.07860	.04620	.00530	-.00200	.00050	-.01480	.04610
.620	4.910	.00000	-.03000	-.01430	-.08280	.04540	.00530	-.00240	.00040	-.01440	.04540
.617	5.730	.00000	-.03000	-.00840	-.08400	.04590	.00520	-.00240	.00090	-.00850	.04590
.617	5.540	.00000	-.03000	-.00690	-.08530	.04590	.00450	-.00240	.00040	-.00690	.04590
.616	7.350	.00000	-.03000	-.00360	-.08990	.04630	.00500	-.00250	.00070	-.00370	.04630
.617	8.170	.00000	-.03000	-.00050	-.09400	.04620	.00510	-.00260	.00070	-.00060	.04620
.620	8.990	.00000	-.03000	.00490	-.10060	.04610	.00480	-.00240	.00070	.00470	.04610
	GRADIENT	.00000	.00669	.00319	-.00349	.00011	.00018	-.00006	-.00003	.00319	.00013

LTV44-559(CA26) 747/1 ATY 02 S1 (CARRIER DATA)

(RFE034) (18 NOV 75)

REFERENCE DATA

SREF = 5500.0000 SQ.FT. XMRP = 1339.9000 IN. XC
 LREF = 327.7800 IN. YMRP = .0000 IN. YC
 BREF = 2348.0400 IN. ZMRP = 190.7500 IN. ZC
 SCALE = .0125

PARAMETRIC DATA

ALPHAC = .000 BETAC = .000
 STAB = 5.000 ELEVON = 5.000
 BDFLAP = .000 DX = .000
 DY = .000 TORB = 8.000
 BETA0 = .000 RUDDER = .000

RUN NO. 31/ 0 RN/L = .00 GRADIENT INTERVAL = -5.00/ 5.00

MACH	OZ	DY	DX	CN	CLM	CA	CY	CYN	CBL	CL	CD
.624	1.460	.00000	-.03000	-.06170	-.00630	.04110	.00510	-.00280	.00070	-.06180	.04090
.625	2.770	.00000	-.02000	-.05600	-.00650	.04100	.00480	-.00280	.00070	-.05610	.04090
.625	4.070	.00000	-.02000	-.05440	-.01310	.04140	.00560	-.00300	.00070	-.05450	.04120
.625	5.370	.00000	-.02000	-.04830	-.01710	.04170	.00560	-.00300	.00090	-.04840	.04160
.626	6.680	.00000	-.02000	-.04190	-.02050	.04140	.00600	-.00320	.00100	-.04200	.04130
.626	7.990	.00000	-.02000	-.03420	-.02650	.04240	.00570	-.00320	.00070	-.03440	.04230
.625	9.290	.00000	-.02000	-.03170	-.03670	.04280	.00570	-.00330	.00090	-.03180	.04270
.626	10.600	.00000	-.02000	-.01880	-.04030	.04290	.00560	-.00290	.00080	-.01890	.04260
.624	11.900	.00000	-.02000	-.01730	-.05320	.04370	.00620	-.00290	.00090	-.01740	.04360
.625	13.200	.00000	-.02000	-.01350	-.05870	.04340	.00450	-.00280	.00050	-.01360	.04340
.625	14.510	.00000	-.01000	-.01170	-.06860	.04420	.00500	-.00260	.00070	-.01180	.04420
.626	15.810	.00000	-.01000	-.00730	-.07550	.04380	.00510	-.00280	.00070	-.00740	.04380
.625	17.110	.00000	-.01000	-.00830	-.08060	.04450	.00480	-.00240	.00070	-.00840	.04450
.624	19.420	.00000	-.01000	-.00270	-.08510	.04520	.00460	-.00210	.00080	-.00280	.04520
.625	19.720	.00000	-.01000	.00250	-.08620	.04500	.00360	-.00220	.00060	.00240	.04500
.625	21.030	.00000	-.01000	.00270	-.09380	.04540	.00370	-.00200	.00070	.00260	.04540
.626	22.330	.00000	.00000	.00680	-.09820	.04520	.00340	-.00190	.00050	.00670	.04520
.625	23.630	.00000	.00000	.00790	-.10370	.04590	.00300	-.00160	.00040	.00780	.04590
.624	24.940	.00000	.00000	.01440	-.10560	.04650	.00320	-.00130	.00060	.01430	.04650
.625	26.240	.00000	.00000	.01440	-.10980	.04600	.00260	-.00130	.00040	.01430	.04600
.627	27.540	.00000	.01000	.02030	-.11400	.04600	.00280	-.00140	.00050	.02020	.04600
.624	28.850	.00000	.01000	.02340	-.12020	.04620	.00270	-.00140	.00040	.02330	.04620
.623	30.150	.00000	.01000	.02450	-.12360	.04630	.00220	-.00120	.00040	.02440	.04630
.626	31.460	.00000	.0100	.02560	-.12910	.04610	.00220	-.00130	.00020	.02560	.04610
.624	32.760	.00000	.02000	.02900	-.13110	.04680	.00240	-.00110	.00020	.02910	.04680
.623	34.070	.00000	.02000	.02870	-.13570	.04680	.00210	-.00090	.00000	.02870	.04680
.627	35.370	.00000	.02000	.03190	-.13630	.04610	.00180	-.00080	.00040	.03180	.04620
.624	36.680	.00000	.02000	.03210	-.13990	.04650	.00180	-.00090	.00030	.03200	.04650
.624	37.980	.00000	.03000	.03610	-.14140	.04680	.00090	-.00070	-.00030	.03600	.04680
.625	39.280	.00000	.03000	.03760	-.14210	.04630	.00130	-.00090	.00000	.03760	.04630
.627	40.590	.00000	.03000	.04310	-.14390	.04680	.00170	-.00090	-.00010	.04310	.04690
.625	41.890	.00000	.03000	.04310	-.14590	.04650	.00150	-.00080	.00000	.04310	.04660
.627	43.200	.00000	.05000	.04140	-.14790	.04640	.00170	-.00080	.00010	.04130	.04640
.627	44.500	.00000	.05000	.04790	-.14720	.04670	.00170	-.00080	.00040	.04790	.04680
.625	45.800	.00000	.05000	.04750	-.14950	.04650	.00090	-.00090	.00010	.04740	.04660
.625	47.110	.00000	.05000	.05220	-.15040	.04680	.00140	-.00090	.00010	.05210	.04690
.624	48.420	.00000	.06000	.05010	-.15480	.04780	.00140	-.00090	.00020	.05000	.04710
.626	49.720	.00000	.06000	.05040	-.15650	.04710	.00180	-.00070	.00050	.05040	.04720
.625	51.030	.00000	.07000	.04950	-.15880	.04690	.00160	-.00100	.00020	.04940	.04700
.625	52.330	.00000	.07000	.05180	-.16070	.04720	.00190	-.00090	.00000	.05180	.04730
.626	53.630	.00000	.07000	.05130	-.16030	.04700	.00180	-.00110	-.00020	.05130	.04710
.627	54.940	.00000	.07000	.05660	-.16000	.04780	.00200	-.00090	.00000	.05660	.04710

DATE 29 MAR 76

CA-26 FORCE SOURCE DATA TABULATION

PAGE 713

LTV44-559(CA26) 747/1 ATY 02 S1 (CARRIER DATA)

(RFE034) (18 NOV 75)

REFERENCE DATA

SREF = 5500.0000 SQ.FT. XMRP = 1339.9000 IN. XC
 LREF = 327.7800 IN. YMRP = .0000 IN. YC
 BREF = 2348.0400 IN. ZMRP = 190.7500 IN. ZC
 SCALE = .0125

PARAMETRIC DATA

ALPHAC = .000 BETAC = .000
 STAB = 5.000 ELEVON = 5.000
 BDFLAP = .000 DX = .000
 DY = .000 IORB = 8.000
 BETAO = .000 RUDDER = .000

RUN NO. 31/ 0 RN/L = .00 GRADIENT INTERVAL = -5.00/ 5.00

MACH	DZ	DY	DX	CN	CLM	CA	CY	CYN	CBL	CL	CD
.626	56.240	.00000	.09000	.05410	-.16260	.04690	.00210	-.00090	.00000	.05400	.04700
.625	57.540	.00000	.09000	.05680	-.16480	.04750	.00150	-.00110	-.00030	.05680	.04750
.624	58.850	.00000	.09000	.06360	-.16270	.04750	.00170	-.00090	.00000	.06350	.04760
.626	60.150	.00000	.09000	.06100	-.16210	.04760	.00220	-.00100	.00030	.06090	.04770
.626	61.460	.00000	.09000	.06140	-.16600	.04730	.00180	-.00100	-.00010	.06130	.04740
	GRADIENT	.00000	.00384	.00280	-.00260	.00011	.00019	-.00008	.00000	.00280	.00011

LTV44-559(CA26) 747/1 ATY 02 S1 (CARRIER DATA)

(RFE035) (18 NOV 75)

REFERENCE DATA

SREF = 5500.0000 SQ.FT. XMRP = 1339.9000 IN. XC
 LREF = 327.7800 IN. YMRP = .0000 IN. YC
 BREF = 2348.0400 IN. ZMRP = 190.7500 IN. ZC
 SCALE = .0125

PARAMETRIC DATA

ALPHAC = .000 BETAC = .000
 STAB = 5.000 ELEVON = 5.000
 BDFLAP = .000 DX = .000
 DY = .000 IORB = 4.000
 BETA0 = 5.000 RUDDER = .000

RUN NO. 33/ 0 RN/L = .00 GRADIENT INTERVAL = -5.00/ 5.00

MACH	DZ	DY	DX	CLM	CA	CY	CYN	CBL	CL	CD
.628	1.460	.00000	-.05000	.00800	-.12540	.04770	-.00960	-.00340	.00790	.04770
.627	2.760	.00000	-.05000	.01000	-.12610	.04770	-.00960	.00340	.00990	.04770
.627	4.050	.00000	-.05000	.01200	-.12690	.04770	-.00960	.00370	.01200	.04770
.628	5.350	.00000	-.05000	.01730	-.12810	.04780	-.00920	.00370	.01720	.04780
.629	6.650	.00000	-.05000	.01960	-.13220	.04790	-.00930	.00350	.01950	.04790
.627	7.950	.00000	-.03000	.02210	-.13550	.04820	-.00980	.00370	.02200	.04820
.627	9.240	.00000	-.03000	.03000	-.13640	.04830	-.00920	.00370	.02990	.04830
.628	10.540	.00000	-.03000	.03130	-.14060	.04820	-.00830	.00310	.03120	.04820
.627	11.830	.00000	-.03000	.03220	-.14570	.04830	-.00840	.00330	.03210	.04830
.628	13.130	.00000	-.02000	.03420	-.14570	.04860	-.00760	.00330	.03410	.04870
.627	14.420	.00000	-.02000	.03970	-.14990	.04900	-.00720	.00340	.03960	.04900
.627	15.720	.00000	-.02000	.04230	-.15180	.04870	-.00630	.00330	.03960	.04900
.627	17.020	.00000	-.01000	.04520	-.15350	.04860	-.00550	.00360	.04220	.04880
.627	18.320	.00000	-.01000	.04800	-.15670	.04920	-.00420	.00300	.04510	.04870
.629	19.610	.00000	-.01000	.04630	-.15820	.04860	-.00360	.00250	.04790	.04930
.628	20.910	.00000	-.01000	.04920	-.16110	.04890	-.00230	.00280	.04620	.04870
.628	22.200	.00000	.00000	.05040	-.16240	.04880	-.00170	.00260	.04910	.04960
.629	23.490	.00000	.00000	.05370	-.16420	.04890	-.00020	.00220	.05040	.04890
.629	24.790	.00000	.00000	.05520	-.16470	.04910	-.00140	.00200	.05360	.04900
.628	26.080	.00000	.00000	.05480	-.16640	.04870	-.00130	.00160	.05510	.04920
.627	27.380	.00000	.01000	.05780	-.16610	.04900	-.00250	.00150	.05480	.04880
.628	28.680	.00000	.01000	.05650	-.17020	.04910	-.00370	.00100	.05770	.04910
.630	29.970	.00000	.01000	.05740	-.16920	.04870	-.00290	.00060	.05650	.04920
.627	31.270	.00000	.02000	.06030	-.17270	.04880	-.00340	.00100	.05740	.04880
.629	32.570	.00000	.02000	.06430	-.17270	.04910	-.00430	.00100	.06020	.04880
.628	33.860	.00000	.02000	.06320	-.17570	.04880	-.00460	.00060	.06420	.04920
.628	35.160	.00000	.02000	.06670	-.17570	.04920	-.00500	.00040	.06310	.04890
.630	36.460	.00000	.03000	.06890	-.17300	.04880	-.00540	.00010	.06660	.04930
.629	37.750	.00000	.03000	.06660	-.17680	.04870	-.00480	.00040	.06880	.04890
.627	39.050	.00000	.03000	.06810	-.17740	.04880	-.00480	.00060	.06660	.04890
.627	40.340	.00000	.05000	.06930	-.18040	.04900	-.00490	.00040	.06810	.04890
.629	41.640	.00000	.05000	.07210	-.17850	.04860	-.00480	.00070	.06930	.04910
.628	42.940	.00000	.05000	.07110	-.19060	.04860	-.00400	.00060	.07200	.04870
.629	44.240	.00000	.05000	.07050	-.18330	.04880	-.00440	.00050	.07100	.04870
.628	45.530	.00000	.06000	.07070	-.18310	.04880	-.00420	.00010	.07040	.04890
.627	46.830	.00000	.06000	.07250	-.18490	.04880	-.00480	.00030	.07060	.04880
.627	48.120	.00000	.06000	.07280	-.18460	.04850	-.00410	.00040	.07250	.04890
GRADIENT	.00000	.00387	.00154	-.00058	.00000	.00015	-.00004	.00012	.00159	.00000

DATE 29 MAR 76

CA-26 FORCE SOURCE DATA TABULATION

PAGE 715

LTV44-559(CA26) 747/1 ATY 02 S1 (CARRIER DATA)

(RFE036) (18 NOV 75)

REFERENCE DATA

SREF = 5500.0000 SQ.FT. XMRP = 1339.9000 IN. XC
 LREF = 327.7800 IN. YMRP = .0000 IN. YC
 BREF = 2348.0400 IN. ZMRP = 190.7500 IN. ZC
 SCALE = .0125

PARAMETRIC DATA

ALPHAC = .000 BETAC = .000
 STAB = 5.000 ELEVON = 5.000
 BDFLAP = .000 DX = .000
 DY = .000 ICRB = 6.000
 BETA0 = 5.000 RUDDER = .000

RUN NO. 1033/ 0 RN/L = .00 GRADIENT INTERVAL = -5.00/ 5.00

MACH	DZ	DY	DX	CN	CLM	CA	CY	CYN	CBL	CL	CD
.628	2.050	.00000	-.03000	-.01470	-.07130	.04430	.00720	-.00510	.00300	-.01480	.04430
.624	3.210	.00000	-.03000	-.01620	-.07050	.04430	.00820	-.00530	.00300	-.01630	.04480
.625	4.370	.00000	-.03000	-.01700	-.07220	.04470	.00810	-.00510	.00320	-.01710	.04460
.625	5.530	.00000	-.03000	-.01550	-.08050	.04510	.00830	-.00520	.00340	-.01560	.04510
.626	6.690	.00000	-.03000	-.01010	-.08270	.04510	.00800	-.00570	.00340	-.01020	.04510
.627	7.850	.00000	-.03000	-.00220	-.08640	.04540	.00790	-.00600	.00360	-.00230	.04540
.626	9.010	.00000	-.03000	.00030	-.09230	.04600	.00930	-.00630	.00330	.00020	.04600
.629	10.170	.00000	-.02000	.00400	-.09800	.04590	.00840	-.00620	.00330	.00390	.04590
.626	11.330	.00000	-.02000	.00670	-.10250	.04610	.00850	-.00620	.00350	.00660	.04610
.626	12.490	.00000	-.02000	.00750	-.10920	.04630	.01010	-.00600	.00330	.00740	.04630
.626	13.650	.00000	-.02000	.01360	-.11420	.04690	.00810	-.00610	.00320	.01350	.04690
.626	14.810	.00000	-.02000	.01590	-.11660	.04690	.00840	-.00590	.00310	.01580	.04690
.626	15.970	.00000	-.02000	.01870	-.12020	.04700	.00780	-.00570	.00340	.01860	.04700
.629	17.130	.00000	-.01000	.02000	-.12340	.04680	.00710	-.00540	.00310	.01990	.04680
.628	18.280	.00000	-.01000	.02720	-.12600	.04690	.00610	-.00500	.00290	.02710	.04700
.626	19.440	.00000	-.01000	.02610	-.13170	.04740	.00640	-.00470	.00310	.02600	.04740
.627	20.600	.00000	-.01000	.02800	-.13490	.04720	.00460	-.00400	.00300	.02790	.04720
.629	21.750	.00000	.00000	.03100	-.13640	.04730	.00350	-.00360	.00250	.03090	.04740
.628	22.910	.00000	.00000	.03220	-.13750	.04700	.00260	-.00300	.00230	.03210	.04700
.626	24.080	.00000	.00000	.03830	-.13840	.04770	.00140	-.00240	.00200	.03620	.04770
.626	25.240	.00000	.00000	.03810	-.14360	.04800	.00000	-.00190	.00200	.03610	.04800
.627	26.400	.00000	.00000	.03900	-.14320	.04760	-.00100	-.00110	.00170	.03690	.04770
.626	27.560	.00000	.01000	.04540	-.14560	.04840	-.00090	-.00060	.00130	.04530	.04840
.628	28.710	.00000	.01000	.04110	-.14720	.04760	-.00300	-.00020	.00120	.04110	.04760
.629	29.970	.00000	.01000	.04380	-.14880	.04770	-.00310	.00010	.00130	.04380	.04780
.627	31.030	.00000	.01000	.04760	-.14930	.04790	-.00340	.00050	.00110	.04750	.04800
.627	32.190	.00000	.02000	.04930	-.15450	.04790	-.00380	.00060	.00120	.04920	.04800
.627	33.350	.00000	.02000	.05090	-.15330	.04800	-.00450	.00080	.00050	.05080	.04800
.628	34.510	.00000	.02000	.05290	-.15440	.04790	-.00390	.00090	.00040	.05280	.04800
.629	35.670	.00000	.02000	.05420	-.15790	.04790	-.00480	.00120	.00040	.05410	.04790
.627	36.830	.00000	.02000	.05400	-.15630	.04750	-.00510	.00130	.00070	.05400	.04760
.629	37.990	.00000	.03000	.05770	-.15970	.04810	-.00500	.00120	.00040	.05770	.04820
.627	39.150	.00000	.03000	.05800	-.16160	.04800	-.00540	.00130	.00060	.05800	.04810
.629	40.310	.00000	.03000	.05570	-.16500	.04810	-.00490	.00140	.00050	.05570	.04810
.629	41.470	.00000	.05000	.05680	-.16530	.04770	-.00490	.00130	.00040	.05670	.04800
.628	42.630	.00000	.05000	.05750	-.16750	.04790	-.00500	.00150	.00060	.05740	.04800
.628	43.790	.00000	.05000	.05670	-.16860	.04800	-.00480	.00130	.00060	.05660	.04810
.628	44.950	.00000	.05000	.06080	-.16930	.04790	-.00500	.00120	.00020	.06070	.04800
.626	46.110	.00000	.06000	.06250	-.17030	.04790	-.00510	.00130	.00000	.06250	.04800
.627	47.270	.00000	.06000	.06410	-.16980	.04810	-.00400	.00120	.00020	.06400	.04810
.627	48.430	.00000	.06000	.06570	-.16910	.04800	-.00450	.00120	.00030	.06560	.04810
.626	49.590	.00000	.06000	.06630	-.17120	.04810	-.00370	.00120	.00050	.06620	.04820

DATE 29 MAR 76

CA-26 FORCE SOURCE DATA TABULATION

PAGE 716

LTV44-559(CA26) 747/1 ATY 02 S1 (CARRIER DATA)

(RFE036) 1 18 NOV 75

REFERENCE DATA

SREF =	5500.0000 SO.FT.	XMRP =	1339.9000 IN. XC
LREF =	327.7800 IN.	YMRP =	.0000 IN. YC
BREF =	2348.0400 IN.	ZMRP =	190.7500 IN. ZC
SCALE =	.0125		

PARAMETRIC DATA

ALPHAC =	.000	BETAC =	.000
STAB =	5.000	ELEVON =	5.000
BDFLAP =	.000	DX =	.000
DY =	.000	IORB =	6.000
BETA0 =	5.000	RUDDER =	.000

RUN NO. 1033/ 0 RN/L = .00 GRADIENT INTERVAL = -5.00/ 5.00

MACH	DZ	DY	DX	CN	CLM	CA	CY	CYN	CBL	CL	CO
.628	50.750	.00000	.06000	.06830	-.17040	.04800	-.00390	.00100	.00020	.06820	.04820
.627	51.900	.00000	.06000	.07060	-.17270	.04830	-.00380	.00100	-.00010	.07050	.04840
.629	53.050	.00000	.07000	.06780	-.17440	.04810	-.00350	.00100	.00020	.06780	.04820
.631	54.220	.00000	.07000	.06790	-.17300	.04790	-.00320	.00090	.00010	.06790	.04800
.628	54.800	.00000	.07000	.06950	-.17540	.04830	-.00330	.00100	.00010	.06940	.04840
	GRADIENT	.00000	.00000	-.00099	-.00039	.00017	.00039	.00000	.00009	-.00099	-.00013

LTV44-559(CA26) 747/1 ATY O2 S1 (CARRIER DATA)

(RFE037) (18 NOV 75)

REFERENCE DATA

SREF = 9500.0000 SQ.FT. XMRP = 1339.9000 IN. XC
 LREF = 327.7800 IN. YMRP = .0000 IN. YC
 BREF = 2348.0400 IN. ZMRP = 190.7500 IN. ZC
 SCALE = .0125

PARAMETRIC DATA

ALPHAC = .000 BETAC = .000
 STAB = 5.000 ELEVON = 5.000
 BDFLAP = .000 DX = .000
 DY = .000 IORB = 8.000
 BETA0 = 5.000 RUDDER = .000

RUN NO. 34/ 0 RN/L = .00 GRADIENT INTERVAL = -5.00/ 5.00

MACH	DZ	DY	DX	CN	CLM	CA	CY	CYN	CBL	CL	CD
.617	1.460	.00000	-.02000	-.05220	-.01030	.04180	.01030	-.00550	.00320	-.05230	.04170
.619	2.770	.00000	-.02000	-.05340	-.01240	.04150	.00920	-.00540	.00310	-.05350	.04130
.617	4.070	.00000	-.02000	-.05070	-.01660	.04170	.00900	-.00550	.00310	-.05080	.04160
.618	5.370	.00000	-.02000	-.04540	-.02030	.04170	.00980	-.00570	.00310	-.04550	.04160
.616	6.680	.00000	-.02000	-.03710	-.02610	.04280	.01140	-.00630	.00320	-.03720	.04270
.619	7.990	.00000	-.02000	-.03260	-.03540	.04270	.01030	-.00670	.00320	-.03270	.04260
.616	9.290	.00000	-.02000	-.02860	-.04510	.04330	.01130	-.00690	.00300	-.02880	.04320
.620	10.600	.00000	-.02000	-.02380	-.05520	.04380	.01160	-.00660	.00300	-.02390	.04370
.620	11.900	.00000	-.02000	-.01900	-.06290	.04400	.01180	-.00630	.00310	-.01910	.04430
.619	13.200	.00000	-.02000	-.01360	-.07170	.04480	.01010	-.00610	.00350	-.01370	.04470
.620	14.510	.00000	-.02000	-.01230	-.07790	.04460	.01000	-.00610	.00310	-.01240	.04460
.618	15.810	.00000	-.01000	-.00920	-.08460	.04510	.01000	-.00600	.00310	-.00930	.04510
.618	17.110	.00000	-.01000	-.00580	-.09180	.04530	.00910	-.00580	.00320	-.00590	.04530
.619	18.420	.00000	-.01000	.00010	-.09720	.04570	.00950	-.00570	.00320	.00000	.04570
.621	19.720	.00000	-.01000	.00450	-.10230	.04560	.00830	-.00550	.00280	.00480	.04560
.620	21.030	.00000	-.01000	.00730	-.10610	.04620	.00830	-.00510	.00230	.00720	.04620
.618	22.330	.00000	.00000	.01390	-.10880	.04650	.00730	-.00480	.00240	.01370	.04650
.619	23.630	.00000	.00000	.01160	-.11670	.04630	.00520	-.00420	.00260	.01150	.04640
.618	24.940	.00000	.00000	.01490	-.12190	.04680	.00460	-.00360	.00220	.01490	.04680
.620	26.240	.00000	.00000	.01960	-.12230	.04680	.00330	-.00290	.00210	.01950	.04680
.620	27.540	.00000	.01000	.02060	-.12620	.04660	.00220	-.00230	.00120	.02070	.04670
.619	28.850	.00000	.01000	.02390	-.12850	.04680	.00030	-.00170	.00150	.02390	.04680
.620	30.150	.00000	.01000	.03040	-.13040	.04700	-.00070	-.00110	.00100	.03030	.04700
.617	31.460	.00000	.01000	.02780	-.13580	.04720	-.00090	-.00030	.00110	.02780	.04720
.620	32.760	.00000	.02000	.03110	-.13660	.04740	-.00190	.00000	.00120	.03100	.04740
.619	34.070	.00000	.02000	.03460	-.13960	.04750	-.00290	.00050	.00100	.03450	.04760
.618	35.370	.00000	.02000	.03380	-.14300	.04750	-.00370	.00070	.00070	.03370	.04750
.617	36.680	.00000	.02000	.03580	-.14470	.04760	-.00350	.00090	.00070	.03580	.04770
.617	37.980	.00000	.03000	.03960	-.14890	.04770	-.00350	.00100	.00080	.03950	.04770
.619	39.290	.00000	.03000	.03730	-.15120	.04780	-.00360	.00110	.00040	.03730	.04790
.619	40.590	.00000	.03000	.04080	-.15220	.04770	-.00450	.00110	.00020	.04070	.04780
.618	41.890	.00000	.05000	.04110	-.15580	.04760	-.00350	.00120	.00060	.04100	.04760
.618	43.200	.00000	.05000	.04550	-.15530	.04790	-.00440	.00130	.00050	.04540	.04790
.618	44.500	.00000	.05000	.04710	-.15570	.04790	-.00390	.00130	.00040	.04710	.04800
.618	45.800	.00000	.05000	.04740	-.15680	.04770	-.00350	.00120	.00040	.04740	.04770
.619	47.110	.00000	.06000	.04780	-.16100	.04780	-.00400	.00120	.00000	.04770	.04790
.619	48.420	.00000	.06000	.05170	-.16350	.04780	-.00350	.00120	.00010	.05170	.04790
.619	49.720	.00000	.06000	.04920	-.16420	.04760	-.00340	.00120	.00030	.04920	.04760
.619	51.030	.00000	.07000	.05170	-.16420	.04760	-.00290	.00120	.00050	.05170	.04760
.617	52.330	.00000	.07000	.05850	-.16400	.04800	-.00300	.00110	.00060	.05850	.04810
.620	53.630	.00000	.07000	.05540	-.16430	.04770	-.00340	.00080	.00020	.05540	.04810
.619	54.940	.00000	.07000	.05610	-.16680	.04800	-.00340	.00080	-.00010	.05610	.04800

LTV44-559(CA26) 747/1 ATY 02 S1 (CARRIER DATA)

(RFE037) (18 NOV 75)

REFERENCE DATA

SREF = 5500.0000 SQ.FT. XMRP = 1339.9000 IN. XC
 LREF = 327.7800 IN. YMRP = .0000 IN. YC
 BREF = 2348.0400 IN. ZMRP = 190.7500 IN. ZC
 SCALE = .0125

PARAMETRIC DATA

ALPHAC = .000 BETAC = .000
 STAB = 5.000 ELEVON = 5.000
 BOFLAP = .000 DX = .000
 DY = .000 IORB = 8.000
 BETAD = 5.000 RUDDER = .000

RUN NO. 34/ 0 RN/L = .00 GRADIENT INTERVAL = -5.00/ 5.00

MACH	DZ	DY	DX	CN	CLM	CA	CY	CYN	CBL	CL	CD
.619	56.240	.00000	.09000	.05660	-.17010	.04780	-.00290	.00090	-.00010	.05650	.04790
.618	57.540	.00000	.09000	.06320	-.16990	.04840	-.00300	.00080	.00030	.06310	.04850
.618	58.850	.00000	.09000	.06180	-.17210	.04840	-.00270	.00080	.00000	.06170	.04850
.616	60.150	.00000	.09000	.06470	-.17280	.04860	-.00250	.00070	.00030	.06460	.04870
.617	61.460	.00000	.10000	.06390	-.17350	.04820	-.00250	.00070	.00040	.06380	.04830
	GRADIENT	.00000	.00000	.00057	-.00249	-.00004	-.00050	.00000	-.00004	.00057	-.00004

DATE 29 MAR 76

CA-26 FORCE SOURCE DATA TABULATION

PAGE 719

LTV44-559(CA26) 747/1 ATY 02 S1 (CARRIER DATA)

(REF038) (18 NOV 75)

REFERENCE DATA

SREF = 5500.0000 SQ.FT. XMRP = 1339.9000 IN. XC
 LREF = 327.7800 IN. YMRP = .0000 IN. YC
 BREF = 2348.0400 IN. ZMRP = 190.7500 IN. ZC
 SCALE = .0125

PARAMETRIC DATA

ALPHAC = .000 BETAC = .000
 STAB = -1.000 ELEVON = 5.000
 BOFLAP = .000 DX = .000
 DY = .000 IORB = 4.000
 BETAO = .000 RUDDER = .000

RUN NO. 35/ 0 RN/L = .00 GRADIENT INTERVAL = -5.00/ 5.00

MACH	DZ	DY	DX	CN	CLM	CA	CY	CYN	CBL	CL	CD
.625	1.460	.00000	.05000	-.04660	.18230	.04720	.00360	-.00170	.00020	-.04690	.04690
.625	2.760	.00000	.05000	-.04510	.18170	.04710	.00390	-.00180	.00010	-.04540	.04680
.627	4.050	.00000	.05000	-.04340	.18280	.04660	.00340	-.00200	.00020	-.04370	.04630
.625	5.350	.00000	.05000	-.04250	.18700	.04690	.00390	-.00230	.00050	-.04280	.04660
.626	6.650	.00000	.03000	-.03690	.18600	.04700	.00400	-.00270	.00050	-.03720	.04670
.624	7.950	.00000	.03000	-.03510	.18220	.04740	.00480	-.00300	.00050	-.03540	.04720
.626	9.240	.00000	.03000	-.03310	.17920	.04660	.00470	-.00290	.00070	-.03350	.04630
.624	10.540	.00000	.02000	-.03110	.17350	.04660	.00500	-.00300	.00070	-.03150	.04640
.627	11.830	.00000	.02000	-.02890	.17290	.04690	.00470	-.00290	.00040	-.02930	.04670
.626	13.130	.00000	.02000	-.02210	.16740	.04660	.00450	-.00280	.00060	-.02240	.04640
.625	14.420	.00000	.01000	-.02080	.16680	.04670	.00390	-.00270	.00060	-.02110	.04650
.625	15.720	.00000	.01000	-.01690	.16520	.04710	.00460	-.00260	.00070	-.01730	.04700
.626	17.020	.00000	.01000	-.01570	.16370	.04680	.00350	-.00240	.00040	-.01600	.04670
.627	18.320	.00000	.00000	-.01350	.16050	.04690	.00410	-.00220	.00070	-.01380	.04680
.627	19.610	.00000	.00000	-.01330	.15790	.04680	.00280	-.00200	.00040	-.01360	.04670
.625	20.910	.00000	.00000	-.01200	.15410	.04680	.00260	-.00180	.00060	-.01240	.04670
.627	22.200	.00000	-.01000	-.01000	.15360	.04710	.00290	-.00170	.00040	-.01030	.04700
.627	23.490	.00000	-.01000	-.00630	.15320	.04670	.00210	-.00150	.00040	-.00670	.04670
.628	24.790	.00000	-.01000	-.00510	.15060	.04660	.00180	-.00150	.00040	-.00540	.04650
.625	26.080	.00000	-.02000	-.00400	.14840	.04650	.00220	-.00150	.00020	-.00440	.04650
.627	27.380	.00000	-.02000	-.00630	.14730	.04720	.00230	-.00130	.00020	-.00660	.04710
.626	28.680	.00000	-.02000	-.00380	.14630	.04640	.00130	-.00120	.00000	-.00420	.04640
.629	29.970	.00000	-.03000	-.00070	.14470	.04690	.00150	-.00120	.00000	-.00110	.04690
.627	31.270	.00000	-.03000	.00160	.14560	.04640	.00090	-.00110	.00000	.00120	.04640
.626	32.570	.00000	-.03000	.00120	.14240	.04690	.00110	-.00120	-.00010	.00090	.04690
.627	33.860	.00000	-.05000	.00070	.14440	.04650	.00130	-.00120	.00010	.00040	.04650
.629	35.160	.00000	-.05000	.00280	.14310	.04690	.00130	-.00180	.00010	.00170	.04690
.627	36.460	.00000	-.05000	.00340	.14090	.04630	.00090	-.00110	.00020	.00300	.04640
.629	37.750	.00000	-.06000	.00930	.14220	.04700	.00120	-.00120	-.00010	.00890	.04700
.629	39.050	.00000	-.06000	.00850	.14210	.04640	.00010	-.00110	.00030	.00820	.04650
.628	40.340	.00000	-.06000	.01150	.14190	.04650	.00020	-.00110	.00010	.01120	.04660
.626	41.640	.00000	-.07000	.00890	.13970	.04620	.00040	-.00110	.00010	.00850	.04630
.626	42.940	.00000	-.07000	.01050	.14070	.04690	.00090	-.00120	.00000	.01020	.04700
.627	44.240	.00000	-.07000	.01210	.13980	.04660	.00030	-.00120	.00010	.01180	.04670
.627	45.530	.00000	-.09000	.01220	.13680	.04620	.00060	-.00120	.00020	.01180	.04630
.629	46.830	.00000	-.09000	.01210	.13590	.04620	.00110	-.00120	.00010	.01180	.04630
.625	48.120	.00000	-.09000	.01390	.13860	.04660	.00120	-.00110	.00020	.01360	.04680
GRADIENT		.00000	.00000	.00124	.00019	-.00023	-.00008	-.00012	-.00000	.00124	-.00023

ORIGINAL PAGE IS OF POOR QUALITY

LTV44-559(CA26) 747/1 ATY 02 S1 (CARRIER DATA)

(RFE039) (18 NOV 75)

REFERENCE DATA

SREF = 5500.0000 SQ.FT. XMRP = 1339.9000 IN. XC
 LREF = 327.7800 IN. YMRP = .0000 IN. YC
 BREF = 2348.0400 IN. ZMRP = 190.7500 IN. ZC
 SCALE = .0125

ALPHAC = .000
 STAB = -1.000
 BDFLAP = .000
 DY = .000
 BETA0 = .000

BETAC = .000
 ELEVON = 5.000
 DX = .000
 TORB = 5.000
 RUDDER = .000

RUN NO. 1035/ 0 RVAL = .00 GRADIENT INTERVAL = -5.00/ 5.00

YACH	DZ	DY	DX	CN	CLM	CA	CY	CYN	CBL	CL	CD
.627	2.050	.00000	.06000	-.06880	.23060	.04320	.00430	-.00260	.00060	-.06910	.04260
.625	3.210	.00000	.06000	-.07380	.23170	.04310	.00490	-.00250	.00060	-.07410	.04250
.623	4.370	.00000	.06000	-.07010	.23360	.04360	.00410	-.00270	.00050	-.07050	.04300
.626	5.530	.00000	.05000	-.06940	.22860	.04320	.00440	-.00290	.00050	-.06970	.04270
.625	6.690	.00000	.05000	-.06710	.22830	.04300	.00460	-.00310	.00060	-.06740	.04250
.627	7.850	.00000	.05000	-.06050	.22480	.04330	.00430	-.00320	.00070	-.06080	.04290
.626	9.010	.00000	.03000	-.05310	.21950	.04380	.00450	-.00330	.00090	-.05280	.04340
.625	11.330	.00000	.02000	-.05380	.20660	.04370	.00520	-.00320	.00090	-.05410	.04330
.626	12.490	.00000	.02000	-.04760	.20210	.04450	.00490	-.00300	.00070	-.04790	.04420
.625	13.650	.00000	.02000	-.04410	.19780	.04460	.00440	-.00290	.00070	-.04450	.04420
.626	14.810	.00000	.01000	-.04100	.19450	.04460	.00390	-.00290	.00060	-.04130	.04440
.625	15.970	.00000	.01000	-.03640	.19130	.04460	.00360	-.00290	.00060	-.03680	.04440
.627	17.130	.00000	.01000	-.03430	.18370	.04470	.00400	-.00290	.00060	-.03470	.04450
.629	18.290	.00000	.00000	-.03340	.18210	.04520	.00310	-.00260	.00030	-.03380	.04500
.627	15.440	.00000	.00000	-.03040	.18200	.04520	.00290	-.00250	.00050	-.03070	.04490
.627	20.600	.00000	.00000	-.02750	.18000	.04490	.00260	-.00230	.00050	-.02790	.04470
.627	21.750	.00000	.01000	-.02650	.17400	.04510	.00290	-.00220	.00040	-.02640	.04510
.627	22.910	.00000	.01000	-.02610	.17170	.04530	.00200	-.00200	.00000	-.02270	.04500
.628	24.080	.00000	.01000	-.02230	.17130	.04530	.00140	-.00160	.00010	-.01840	.04520
.629	25.240	.00000	.01000	-.01810	.16840	.04530	.00130	-.00150	.00020	-.01780	.04560
.626	26.400	.00000	.02000	-.01540	.16830	.04550	.00180	-.00150	.00000	-.01580	.04540
.625	27.560	.00000	.02000	-.01500	.16550	.04550	.00180	-.00150	.00000	-.01580	.04540
.623	28.710	.00000	.02000	-.01330	.16360	.04580	.00030	-.00140	.00000	-.01360	.04590
.629	29.870	.00000	.03000	-.01120	.16470	.04600	.00100	-.00130	.00000	-.01160	.04590
.626	31.030	.00000	.03000	-.01430	.16170	.04530	.00130	-.00120	.00010	-.01460	.04520
.625	32.190	.00000	.03000	-.01080	.15910	.04570	.00000	-.00120	.00040	-.01110	.04560
.625	33.350	.00000	.05000	-.00820	.15990	.04590	.00040	-.00110	.00030	-.00850	.04580
.627	34.510	.00000	.05000	-.00410	.16010	.04530	.00110	-.00120	.00020	-.00440	.04520
.627	35.670	.00000	.05000	-.00360	.15650	.04580	.00000	-.00120	.00020	-.00390	.04570
.626	36.830	.00000	.06000	-.00460	.15710	.04560	.00000	-.00110	.00010	-.00260	.04560
.627	37.990	.00000	.06000	-.00230	.15540	.04480	.00090	-.00110	.00010	-.00260	.04480
.628	40.310	.00000	.06000	-.00160	.15460	.04560	.00030	-.00110	.00010	-.00190	.04550
.625	41.470	.00000	.07000	-.00110	.15320	.04570	.00110	-.00110	.00000	-.00140	.04570
.627	42.630	.00000	.07000	.00120	.15030	.04580	.00050	-.00110	.00000	-.00080	.04580
.624	43.790	.00000	.07000	-.00080	.15160	.04600	.00000	-.00120	.00000	-.00110	.04600
.627	44.950	.00000	.07000	-.00090	.14850	.04560	.00010	-.00120	.00000	-.00130	.04560
.628	46.110	.00000	.09000	.00060	.14870	.04560	.00090	-.00120	.00000	-.00020	.04560
.630	47.270	.00000	.09000	.00220	.14650	.04560	.00020	-.00110	.00020	.00010	.04560
.627	48.430	.00000	.10000	.00540	.14780	.4570	.00020	-.00110	.00000	.00510	.04570
.628	49.590	.00000	.10000	.00330	.14680	.04560	.00030	-.00110	.00010	.00310	.04560

DATE 29 MAR 76

CA-26 FORCE SOURCE DATA TABULATION

PAGE 21

LTV44-559(CA26) 747/1 ATY 02 S1 (CARRIER DATA)

(RFE039) (18 NOV 75)

REFERENCE DATA

SREF = 5500.0000 SQ.FT. XMRP = 1339.9000 IN. XC
 LREF = 327.7800 IN. YMRP = .0000 IN. YC
 BREF = 2348.0400 IN. ZMRP = 190.7500 IN. ZC
 SCALE = .0125

PARAMETRIC DATA

ALPHAC = .000 BETAC = .000
 STAB = -1.000 ELEVON = 5.000
 BDFLAP = .000 DX = .000
 DY = .000 IORB = 6.000
 BETA0 = .000 RUDDER = .000

RUN NO. 1035/ 0 RN/L = .00 GRADIENT INTERVAL = -5.00/ 5.00

MACH	DZ	DY	DX	CN	CLM	CA	CY	CYN	CBL	CL	CD
.628	50.750	.00000	-.10000	.00630	.14690	.04590	.00000	-.00110	.00030	.00590	.04590
.628	51.900	.00000	-.11000	.00800	.14740	.04570	.00040	-.00110	.00010	.00760	.04580
.627	53.060	.00000	-.11000	.00940	.14650	.04570	.00020	-.00120	.00020	.00910	.04580
.625	54.220	.00000	-.11000	.00770	.14640	.04590	.00040	-.00120	.00010	.00740	.04600
.626	54.800	.00000	-.11000	.00950	.14730	.04580	.00050	-.00120	.00000	.00910	.04590
	GRADIENT	.00000	.00000	-.00055	.00129	.00017	-.00009	-.00004	-.00004	-.00060	.00017

LTV44-559(CA26) 747/1 ATY 02 S1 (CARRIER DATA)

(RFE040) (18 NOV 75)

REFERENCE DATA

SREF = 5500.0000 SQ.FT. XMRP = 1339.9000 IN. XC
 LREF = 327.7800 IN. YMRP = .0000 IN. YC
 BREF = 2348.0400 IN. ZMRP = 190.7500 IN. ZC
 SCALE = .0125

PARAMETRIC DATA

ALPHAC = .000 BETAC = .000
 STAB = -1.000 ELEVON = 5.000
 BDFLAP = .000 DX = .000
 DY = .000 TORB = 8.000
 BETA0 = .000 RUDDER = .000

RUN NO. 36/0 RN/L = .00 GRADIENT INTERVAL = -5.00/ 5.00

MACH	DZ	DY	DX	CN	CLM	CA	CY	*CYN	CBL	CL	CD
.622	1.460	.00000	.07000	-.10480	.28550	.04070	.00440	-.00240	.00080	-.10510	.03990
.623	2.770	.00000	.06000	-.10850	.28160	.04040	.00360	-.00250	.00080	-.10880	.03950
.620	4.070	.00000	.06000	-.10500	.28000	.04090	.00490	-.00250	.00090	-.10530	.04010
.622	5.370	.00000	.06000	-.09870	.27870	.04080	.00410	-.00280	.00110	-.09910	.04000
.623	6.680	.00000	.05000	-.09330	.27280	.04090	.00540	-.00330	.00110	-.09360	.04010
.621	7.990	.00000	.05000	-.08950	.26850	.04140	.00550	-.00350	.00120	-.08990	.04060
.621	9.290	.00000	.03000	-.08700	.26100	.04160	.00600	-.00370	.00090	-.08730	.04090
.621	10.600	.00000	.03000	-.07920	.25240	.04230	.00650	-.00350	.00090	-.07950	.04170
.621	11.900	.00000	.02000	-.07350	.24480	.04260	.00580	-.00310	.00100	-.07380	.04210
.621	13.200	.00000	.02000	-.07120	.23690	.04310	.00500	-.00280	.00090	-.07150	.04250
.624	14.510	.00000	.02000	-.06640	.22850	.04320	.00380	-.00270	.00070	-.06680	.04270
.621	15.810	.00000	.01000	-.06100	.22490	.04360	.00410	-.00270	.00100	-.06130	.04320
.624	17.110	.00000	.01000	-.05900	.21620	.04360	.00360	-.00250	.00090	-.05930	.04310
.624	18.420	.00000	.00000	-.05310	.21360	.04380	.00330	-.00270	.00090	-.05350	.04330
.623	19.720	.00000	.00000	-.04860	.20970	.04430	.00450	-.00260	.00100	-.04890	.04390
.622	21.030	.00000	.00000	-.04910	.20620	.04430	.00380	-.00240	.00090	-.04940	.04340
.622	22.330	.00000	-.01000	-.04440	.20130	.04470	.00400	-.00230	.00050	-.04470	.04440
.622	23.630	.00000	-.01000	-.04140	.19810	.04510	.00300	-.00220	.00070	-.04170	.04480
.625	24.940	.00000	-.01000	-.04080	.19600	.04480	.00430	-.00200	.00090	-.04120	.04450
.622	26.240	.00000	-.02000	-.03780	.19050	.04420	.00340	-.00200	.00060	-.03810	.04390
.623	27.540	.00000	-.02000	-.03530	.18910	.04510	.00270	-.00160	.00050	-.03550	.04490
.622	28.850	.00000	-.02000	-.03520	.18430	.04510	.00230	-.00150	.00030	-.03550	.04490
.621	30.150	.00000	-.03000	-.03120	.18210	.04530	.00130	-.00130	.00030	-.03150	.04500
.621	31.460	.00000	-.03000	-.02900	.18200	.04550	.00220	-.00120	.00030	-.02930	.04530
.622	32.760	.00000	-.03000	-.02850	.17810	.04550	.00180	-.00110	.00020	-.02880	.04530
.623	34.070	.00000	-.05000	-.02270	.17850	.04550	.00170	-.00110	.00000	-.02310	.04530
.623	35.370	.00000	-.05000	-.02090	.17390	.04540	.00080	-.00100	.00000	-.02130	.04520
.623	36.680	.00000	-.05000	-.01970	.17200	.04540	.00050	-.00090	.00000	-.02010	.04530
.621	37.980	.00000	-.06000	-.01980	.17160	.04560	.00150	-.00080	.00000	-.02010	.04550
.623	39.280	.00000	-.06000	-.01460	.16910	.04560	.00080	-.00090	-.00020	-.01490	.04550
.623	40.590	.00000	-.07000	-.01080	.16820	.04560	.00060	-.00090	-.00040	-.01120	.04550
.622	41.890	.00000	-.07000	-.01410	.16770	.04540	.00150	-.00080	.00000	-.01440	.04530
.621	43.200	.00000	-.07000	-.01250	.16460	.04590	.00090	-.00080	.00000	-.01300	.04580
.623	44.500	.00000	-.09000	-.00740	.16250	.04640	.00170	-.00090	-.00010	-.00770	.04640
.623	45.800	.00000	-.09000	-.00730	.16060	.04560	.00060	-.00080	-.00010	-.00760	.04550
.621	47.110	.00000	-.09000	-.00440	.16140	.04600	.00180	-.00100	.00000	-.00480	.04600
.620	48.420	.00000	-.10000	-.00470	.16130	.04600	.00170	-.00090	.00000	-.00510	.04600
GRADIENT		.00000	-.00384	-.00008	-.00211	.00008	.00019	-.00004	.00004	-.00008	.00008

LTV44-559(CA26) 747/1 ATY 02 S1 (CARRIER DATA)

(RFE041) (18 NOV 75)

REFERENCE DATA

SREF = 5500.0000 SQ.FT. XMRP = 1339.9000 IN. XC
 LREF = 327.7800 IN. YMRP = .0000 IN. YC
 BREF = 2348.0400 IN. ZMRP = 190.7500 IN. ZC
 SCALE = .0125

PARAMETRIC DATA

ALPHAC = 2.000 BETAC = .000
 STAB = -1.000 ELEVON = 5.000
 BOFLAP = .000 DX = .000
 DY = .000 TORB = 4.000
 BETA0 = .000 RUDDER = .000

RUN NO. 37/ 0 RN/L = .00 GRADIENT INTERVAL = -5.00/ 5.00

MACH	DZ	DY	DX	CN	CLM	CA	CY	CYN	CBL	CL	CO
.595	1.470	.00000	.10000	.12070	.17270	.03910	.00800	-.00400	.00240	.11850	.04530
.597	1.770	.00000	.11000	.15330	.14940	.04070	.00580	-.00390	.00110	.15090	.04860
.596	2.370	.00000	.10000	.15500	.14830	.04070	.00530	-.00390	.00110	.15270	.04880
.594	2.970	.00000	.10000	.15550	.14840	.04080	.00580	-.00390	.00130	.15320	.04880
.597	3.970	.00000	.10000	.16140	.14730	.04050	.00620	-.00410	.00110	.15910	.04890
.596	4.960	.00000	.09000	.16080	.14870	.04090	.00620	-.00410	.00110	.15850	.04920
.594	6.210	.00000	.09000	.16930	.14120	.04050	.00430	-.00360	.00110	.16690	.04930
.592	7.460	.00000	.07000	.17170	.13800	.04110	.00540	-.00350	.00100	.16930	.05000
.595	8.710	.00000	.06000	.17240	.13570	.04040	.00520	-.00340	.00120	.17000	.04940
.592	9.960	.00000	.06000	.17370	.13570	.04100	.00450	-.00340	.00100	.17130	.05000
.583	11.170	.00000	.05000	.17650	.13020	.04070	.00390	-.00310	.00110	.17420	.04980
.581	12.370	.00000	.05000	.18390	.12890	.04050	.00320	-.00290	.00110	.18160	.05000
.581	13.570	.00000	.03000	.18410	.12550	.04010	.00310	-.00260	.00130	.18170	.04960
.580	14.770	.00000	.02000	.18700	.12490	.04060	.00240	-.00220	.00110	.18460	.05030
.580	15.970	.00000	.02000	.18800	.12240	.04060	.00160	-.00210	.00110	.18570	.05030
.582	17.170	.00000	.01000	.19030	.12220	.04030	.00180	-.00190	.00090	.18800	.05000
.582	18.370	.00000	.01000	.19290	.12110	.04020	.00140	-.00180	.00100	.19050	.05020
.587	19.570	.00000	.00000	.19540	.11910	.04060	.00180	-.00170	.00100	.19410	.05080
.590	20.770	.00000	.00000	.19650	.11850	.04030	.00090	-.00160	.00060	.19410	.05050
.596	21.970	.00000	-.01000	.19790	.11400	.03990	.00080	-.00140	.00030	.19560	.05020
.600	23.170	.00000	-.01000	.20070	.11270	.04030	.00080	-.00120	.00050	.19930	.05070
.603	24.370	.00000	-.02000	.20220	.11210	.04040	.00000	-.00110	.00050	.19980	.05100
.608	25.570	.00000	-.02000	.20660	.11150	.04050	-.00030	-.00120	.00060	.20420	.05140
.611	26.770	.00000	-.03000	.20540	.10880	.04010	.00000	-.00100	.00050	.20300	.05090
.610	27.970	.00000	-.05000	.21240	.10890	.04050	-.00030	-.00090	.00060	.21000	.05160
.608	29.170	.00000	-.05000	.21220	.10680	.04030	.00000	-.00100	.00040	.20980	.05140
.612	30.370	.00000	-.06000	.21300	.10870	.04000	-.00020	-.00090	.00070	.21060	.05110
.613	31.570	.00000	-.06000	.21240	.10610	.04010	.00050	-.00080	.00040	.21000	.05120
.611	32.780	.00000	-.07000	.21710	.10730	.04000	.00030	-.00090	.00040	.21470	.05140
.612	33.980	.00000	-.09000	.21490	.10610	.03950	-.00060	-.00110	.00010	.21250	.05080
.613	35.180	.00000	-.09000	.21730	.10690	.03940	-.00060	-.00090	.00000	.21490	.05080
.611	36.390	.00000	-.10000	.21900	.10380	.03980	-.00020	-.00090	.00040	.21660	.05120
.612	37.590	.00000	-.10000	.21710	.10370	.03960	-.00050	-.00100	.00030	.21480	.05090
.612	38.790	.00000	-.11000	.22220	.10260	.03970	-.00050	-.00090	.00000	.21990	.05140
.613	39.990	.00000	-.13000	.22370	.10250	.03940	-.00050	-.00090	.00000	.22130	.05110
.610	41.180	.00000	-.13000	.22270	.10130	.03980	-.00010	-.00090	.00010	.22030	.05150
.611	42.380	.00000	-.14000	.22500	.10330	.03970	-.00030	-.00100	.00020	.22260	.05150
.611	43.580	.00000	-.15000	.22590	.10110	.03980	.00000	-.00100	.00050	.22350	.05170
.613	44.780	.00000	-.15000	.22450	.09990	.03940	.00000	-.00090	.00070	.22210	.05120
GRADIENT	.00000	.00000	-.00355	.00781	-.00413	.00028	-.00025	-.00005	-.00021	.00780	.00069

LTV44-559(CA26) 747/1 ATY O2 S1 (CARRIER DATA)

(RFC042) (18 NOV 75)

REFERENCE DATA

SREF = 5500.0000 SQ.FT. XMRP = 1339.9000 IN. XC
 LREF = 327.7800 IN. YMRP = .0000 IN. YC
 BREF = 2348.0400 IN. ZMRP = 190.7500 IN. ZC
 SCALE = .0125

PARAMETRIC DATA

ALPHAC = 2.000 BETAC = .000
 STAB = -1.000 ELEVON = 5.000
 BDFLAP = .000 DX = .000
 DY = .000 IORB = 6.000
 BETAO = .000 RUDDER = .000

RUN NO. 1037/ 0 RN/L = .00 GRADIENT INTERVAL = -5.00/ 5.00

MACH	DZ	DY	DX	CN	CLM	CA	CY	CYN	CBL	CL	CD
.592	1.470	.00000	.10000	-.01130	.29490	.02370	.01690	-.00580	.00740	-.01260	.02300
.596	2.070	.00000	.10000	-.02970	.30450	.02130	.01620	-.00590	.00800	-.03080	.01980
.595	2.670	.00000	.10000	-.01600	.30090	.03110	.01580	-.00540	.00720	-.01760	.03020
.595	3.470	.00000	.10000	.12540	.19830	.03790	.00560	-.00420	.00100	.12320	.04440
.597	4.470	.00000	.10000	.12470	.19570	.03780	.00600	-.00410	.00130	.12250	.04430
.596	5.600	.00000	.09000	.12970	.19290	.03780	.00500	-.00430	.00130	.12750	.04460
.593	6.850	.00000	.09000	.13380	.19310	.03830	.00510	-.00440	.00120	.13160	.04530
.594	8.100	.00000	.07000	.13800	.18820	.03870	.00500	-.00420	.00130	.13580	.04590
.594	9.350	.00000	.06000	.13960	.18200	.03870	.00500	-.00390	.00120	.13740	.04600
.596	10.580	.00000	.06000	.14870	.17200	.03880	.00410	-.00340	.00120	.14650	.04650
.594	11.800	.00000	.05000	.15130	.17130	.03920	.00480	-.00330	.00120	.14900	.04700
.595	13.020	.00000	.05000	.15470	.16610	.03900	.00370	-.00320	.00120	.15250	.04700
.595	14.240	.00000	.03000	.15470	.16190	.03920	.00380	-.00310	.00110	.15640	.04740
.596	15.460	.00000	.02000	.15940	.15830	.03930	.00340	-.00300	.00110	.15710	.04770
.594	16.680	.00000	.02000	.16280	.15490	.03950	.00360	-.00300	.00090	.16050	.04800
.594	17.900	.00000	.01000	.16760	.15260	.03950	.00360	-.00280	.00110	.16520	.04830
.598	19.120	.00000	.01000	.16890	.14700	.03930	.00320	-.00240	.00120	.16660	.04810
.596	20.340	.00000	.00000	.17010	.14470	.03950	.00230	-.00240	.00120	.16660	.04810
.592	21.560	.00000	-.01000	.17620	.14530	.03990	.00170	-.00220	.00130	.16780	.04840
.595	22.780	.00000	-.01000	.17780	.14060	.03980	.00180	-.00200	.00120	.17390	.04910
.597	24.000	.00000	-.02000	.17820	.13830	.03970	.00230	-.00170	.00100	.17590	.04890
.596	25.220	.00000	-.02000	.18160	.13740	.03970	.00210	-.00170	.00100	.17930	.04910
.596	26.440	.00000	-.03000	.18410	.13720	.03950	.00070	-.00140	.00060	.18180	.04910
.597	27.660	.00000	-.03000	.18270	.13510	.03940	.00150	-.00120	.00040	.18040	.04890
.595	28.880	.00000	-.05000	.18500	.13030	.04000	.00150	-.00120	.00070	.18270	.04960
.596	30.100	.00000	-.05000	.18360	.12780	.03950	.00050	-.00100	.00090	.18120	.04910
.595	31.330	.00000	-.06000	.18880	.12670	.03970	.00070	-.00080	.00050	.18540	.04950
.597	32.540	.00000	-.07000	.18760	.12510	.03940	-.00040	-.00080	.00040	.18530	.04920
.595	33.770	.00000	-.07000	.19330	.12590	.03950	.00010	-.00070	.00010	.18090	.04960
.595	34.980	.00000	-.09000	.19430	.12320	.03980	-.00090	-.00050	.00040	.19200	.04990
.596	36.210	.00000	-.09000	.19720	.12250	.03930	.00010	-.00050	.00040	.19490	.04960
.595	37.430	.00000	-.10000	.19870	.12320	.03940	.00010	-.00060	.00040	.19640	.04980
.595	38.650	.00000	-.11000	.20040	.12110	.03960	.00020	-.00050	.00030	.19810	.05010
.535	41.090	.00000	-.13000	.20090	.11970	.04010	.00040	-.00040	.00040	.19860	.05050
.595	42.310	.00000	-.13000	.20100	.11930	.03940	-.00030	-.00050	.00020	.19870	.04990
.594	43.530	.00000	-.14000	.20450	.11960	.03920	.00000	-.00050	.00040	.20210	.04980
.596	44.750	.00000	-.14000	.20920	.11840	.03950	.00030	-.00060	.00050	.20680	.05050
.595	45.970	.00000	-.15000	.20560	.11440	.03950	-.00010	-.00050	.00050	.20420	.05020
.597	47.190	.00000	-.15000	.20740	.11420	.03940	.00030	-.00050	.00050	.20510	.05020
.597	48.420	.00000	-.16000	.20500	.11330	.03930	-.00080	-.00030	.00030	.20270	.05000
.594	49.630	.00000	-.16000	.20960	.11410	.03890	-.00080	-.00050	.00020	.20730	.04990
			-.18000	.21230	.11470	.03970	.00090	-.00050	.00040	.20990	.05030

DATE 29 MAR 76

CA-26 FORCE SOURCE DATA TABULATION

PAGE 725

LTV44-559(CA26) 747/1 ATY 02 S1 (CARRIER DATA)

(RFE042) (18 NOV 75)

REFERENCE DATA

SREF = 5500.0000 SQ.FT. XMRP = 1339.9000 IN. XC
 LREF = 327.7800 IN. YMRP = .0000 IN. YC
 BREF = 2348.0400 IN. ZMRP = 190.7500 IN. ZC
 SCALE = .0125

PARAMETRIC DATA

ALPHAC = 2.000 BETAC = .000
 STAB = -1.000 ELEVON = 5.000
 BDFLAP = .000 DX = .000
 DY = .000 IORB = 6.000
 BETA0 = .000 RUDDER = .000

RUN NO: 1037/ 0 RN/L = .00 GRADIENT INTERVAL = -5.00/ 5.00

MACH	DZ	DY	DX	CN	CLM	CA	CY	CYN	CBL	CL	CD
.597	50.860	.00000	-.19000	.21560	.11420	.03890	-.00040	-.00060	.00060	.21320	.05020
.596	51.470	.00000	-.19000	.21550	.11380	.03910	.00090	-.00060	.00040	.21310	.05040
	GRADIENT	.00000	.00000	.05859	-.04193	.00592	-.00439	.00069	-.00262	.05820	.00899

LTV44-559(CA26) 747/1 ATY 02 S1 (CARRIER DATA)

(RFE045) (18 NOV 75)

REFERENCE DATA

SREF = 5500.0000 SQ.FT. XMRP = 1339.9000 IN. XC
 LREF = 327.7800 IN. YMRP = .0000 IN. YC
 BREF = 2348.0400 IN. ZMRP = 190.7500 IN. ZC
 SCALE = .0125

PARAMETRIC DATA

ALPHAC = 2.000 BETAC = .000
 STAB = 5.000 ELEVON = 5.000
 BDFLAP = .000 DX = .000
 DY = .000 TORB = 4.000
 BETA0 = .000 RUDDER = .000

RUN NO. 39/ 0 RN/L = .00 GRADIENT INTERVAL = -5.00/ 5.00

MACH	DZ	DY	DX	CN	CLM	CA	CY	CYN	CBL	CL	CD
.600	1.470	.00000	.01000	.22160	-.18010	.04450	.00890	-.00380	.00100	.21930	.05480
.600	1.770	.00000	.01000	.22810	-.18210	.04510	.00590	-.00410	.00110	.22570	.05560
.601	2.370	.00000	.01000	.22900	-.18180	.04520	.00580	-.00400	.00100	.22660	.05590
.604	2.970	.00000	.01000	.22760	-.18180	.04500	.00560	-.00390	.00110	.22620	.05560
.601	3.970	.00000	.01000	.23490	-.18840	.04480	.00600	-.00370	.00100	.23260	.05570
.602	4.960	.00000	.01000	.23100	-.18560	.04500	.00640	-.00380	.00100	.22870	.05570
.601	6.210	.00000	.01000	.23890	-.19240	.04490	.00520	-.00330	.00120	.23660	.05600
.601	7.460	.00000	.01000	.24330	-.19420	.04500	.00520	-.00330	.00120	.24090	.05630
.601	8.710	.00000	.01000	.24560	-.19810	.04470	.00550	-.00330	.00110	.24330	.05610
.601	9.960	.00000	.00000	.24700	-.19540	.04490	.00470	-.00320	.00120	.24470	.05640
.599	11.170	.00000	.00000	.25280	-.20020	.04540	.00410	-.00270	.00080	.25040	.05710
.602	12.370	.00000	.00000	.2530	-.20250	.04480	.00430	-.00260	.00080	.24990	.05650
.603	13.570	.00000	.00000	.25510	-.20470	.04410	.00390	-.00240	.00070	.25270	.05590
.601	14.770	.00000	.00000	.26260	-.20500	.04490	.00300	-.00210	.00080	.26020	.05720
.600	15.970	.00000	.00000	.26030	-.21070	.04520	.00310	-.00190	.00080	.25790	.05720
.603	17.170	.00000	.00000	.25660	-.20930	.04450	.00250	-.00170	.00070	.25420	.05640
.601	18.370	.00000	.00000	.26340	-.21250	.04500	.00160	-.00150	.0008	.26100	.05730
.600	19.570	.00000	.00000	.26710	-.21340	.04530	.00210	-.00140	.00070	.26470	.05770
.603	20.770	.00000	.00000	.26790	-.21130	.04450	.00160	-.00120	.00060	.26550	.05700
.603	21.970	.00000	-.01000	.26860	-.21420	.04450	.00180	-.00110	.00030	.26630	.05700
.602	23.170	.00000	-.01000	.26950	-.21530	.04420	.00140	-.00090	.00030	.26710	.05680
.601	24.370	.00000	-.01000	.27360	-.21650	.04460	-.00010	-.00080	.00060	.27120	.05730
.601	25.570	.00000	-.01000	.27520	-.21520	.04390	.00020	-.00060	.00040	.27280	.05670
.600	26.770	.00000	-.01000	.27740	-.21920	.04430	-.00020	-.00060	.00040	.27500	.05720
.599	27.970	.00000	-.01000	.27910	-.22000	.04480	.00010	-.00050	.00050	.27670	.05780
.602	29.170	.00000	-.01000	.27480	-.21790	.04360	.00050	-.00040	.00040	.27240	.05640
.599	30.370	.00000	-.01000	.28300	-.22000	.04440	-.00020	-.00040	.00050	.28060	.05760
.600	31.570	.00000	-.01000	.28060	-.22090	.04410	.00050	-.00040	.00040	.28060	.05720
.598	32.780	.00000	-.02000	.28230	-.22580	.04470	.00000	-.00050	.00040	.27830	.05720
.601	33.980	.00000	-.02000	.28240	-.22510	.04440	.00110	-.00050	.00030	.27990	.05790
.601	35.180	.00000	-.02000	.28190	-.22430	.04440	.00080	-.00050	.00020	.28000	.05760
.602	36.380	.00000	-.02000	.28650	-.22330	.04430	.00010	-.00040	.00030	.27950	.05760
.602	37.580	.00000	-.02000	.28640	-.22550	.04380	.00110	-.00050	.00030	.28410	.05770
.602	38.780	.00000	-.02000	.28790	-.22810	.04430	.00030	-.00050	.00030	.28410	.05720
.603	39.980	.00000	-.02000	.28620	-.22690	.04390	.00070	-.00050	.00010	.28550	.05770
.602	41.180	.00000	-.02000	.28890	-.22830	.04390	.00090	-.00040	.00030	.28660	.05730
.602	42.380	.00000	-.03000	.29130	-.22790	.04410	.00000	-.00040	.00030	.28650	.05730
.601	43.580	.00000	-.03000	.29320	-.22840	.04410	.00040	-.00040	.00030	.28950	.05770
.601	44.780	.00000	-.03000	.29320	-.22840	.04390	.00050	-.00040	.00020	.28750	.05760
GRADIENT		.00000	.00000	.00244	-.00187	.00003	-.00003	.00006	-.00001	.00246	.00014

DATE 29 MAR 76

CA-26 FORCE SOURCE DATA TABULATION

PAGE 727

LTV44-559(CA26) 747/1 ATY 02 S1 (CARRIER DATA)

(RFEO46) (18 NOV 75)

REFERENCE DATA

SREF = 5500.0000 SQ.FT. XMRP = 1339.9000 IN. XC
 LREF = 327.7800 IN. YMRP = .0000 IN. YC
 BREF = 2348.0400 IN. ZMRP = 190.7500 IN. ZC
 SCALE = .0125

METRIC DATA

ALPHAC = 2.000 BETAC = .000
 STAB = 5.000 ELEVON = 5.000
 BDFLAP = .000 DX = .000
 DY = .000 TORB = 6.000
 BETAO = .000 RUDDER = .000

RUN NO. 44/ 0 RN/L = .00 GRADIENT INTERVAL = -5.00/ 5.00

MACH	DZ	DY	DX	CN	CLM	CA	CY	CYN	CBL	CL	CD
.329	1.460	.00000	.00000	.18790	-.08480	.03660	.00100	-.00190	.00090	.18600	.04540
.325	2.060	.00000	.00000	.19110	-.08890	.03730	-.00110	-.00200	.00110	.18920	.04620
.324	2.660	.00000	.00000	.19440	-.08840	.03760	-.00050	-.00210	.00100	.19240	.04660
.315	3.360	.00000	.00000	.19460	-.09550	.03780	-.00060	-.00210	.00090	.19260	.04680
.315	4.160	.00000	.00000	.19450	-.10060	.03910	-.00110	-.00200	.00100	.19240	.04820
.317	4.960	.00000	.00000	.19650	-.09920	.03620	-.00060	-.00180	.00100	.19450	.04530
.312	5.960	.00000	.00000	.20060	-.09360	.03720	-.00180	-.00210	.00070	.19860	.04660
.310	6.960	.00000	.00000	.20720	-.10640	.03770	-.00080	-.00170	.00100	.20520	.04740
.309	7.970	.00000	.00000	.20920	-.11500	.03810	.00010	-.00150	.00110	.20720	.04780
.311	8.960	.00000	.00000	.20130	-.11570	.03770	.00040	-.00190	.00100	.19930	.04700
.308	9.960	.00000	.00000	.21380	-.12630	.03820	-.00200	-.00160	.00100	.21180	.04820
.309	11.150	.00000	.00000	.20700	-.12580	.03800	-.00090	-.00150	.00120	.20500	.04770
.305	12.330	.00000	.00000	.22140	-.13020	.03840	-.00150	-.00160	.00060	.21930	.04860
.309	13.520	.00000	.00000	.22190	-.12400	.03920	-.00230	-.00130	.00100	.21990	.04950
.306	14.700	.00000	.00000	.22800	-.13490	.03890	.00080	-.00120	.00120	.22590	.04950
.309	15.900	.00000	.00000	.21720	-.14300	.03770	-.00270	-.00090	.00070	.21530	.04770
.306	17.080	.00000	.00000	.22510	-.14530	.03890	-.00210	-.00090	.00060	.22300	.04940
.306	18.270	.00000	.00000	.23510	-.14350	.03780	-.00560	-.00070	.00070	.23300	.04870
.311	19.450	.00000	.00000	.22620	-.13850	.03760	-.00410	-.00040	.00080	.22420	.04810
.312	20.640	.00000	.00000	.23000	-.13750	.03750	-.00480	-.00030	.00060	.22800	.04820
.307	21.810	.00000	-.01000	.23590	-.14860	.03860	-.00340	-.00030	.00130	.23390	.04950
.312	23.000	.00000	-.01000	.22940	-.14380	.03760	-.00400	-.00000	.00070	.22740	.04920
.307	24.190	.00000	-.01000	.23730	-.15720	.03820	-.00510	-.00030	.00050	.23530	.04920
.308	25.370	.00000	-.01000	.22920	-.15410	.03640	-.00240	.00010	.00080	.22730	.04700
.305	26.560	.00000	-.01000	.24010	-.15460	.03810	-.00540	.00030	.00060	.23800	.04920
.309	27.740	.00000	-.01000	.23370	-.15050	.03700	-.00540	.00040	.00050	.23170	.04790
.309	28.930	.00000	-.01000	.24780	-.16540	.03840	-.00440	.00040	.00060	.24580	.04990
.310	30.110	.00000	-.01000	.24630	-.16850	.03830	-.00510	.00020	.00000	.24420	.04970
.311	31.310	.00000	-.01000	.24540	-.16720	.03700	-.00580	.00080	.00040	.24340	.04840
.309	32.490	.00000	-.01000	.25010	-.16640	.03880	-.00620	.00040	.00060	.24810	.05040
.312	33.680	.00000	-.01000	.25060	-.16750	.03780	-.00590	.00090	.00030	.24850	.04940
.315	34.860	.00000	-.01000	.24700	-.16440	.03680	-.00510	.00100	.00000	.24500	.04820
.314	36.050	.00000	-.01000	.24850	-.17020	.03700	-.00620	.00180	.00010	.24650	.04850
.315	37.230	.00000	-.01000	.24530	-.16870	.03760	-.00710	.00070	.00000	.24330	.04900
.309	38.420	.00000	-.01000	.25410	-.18480	.03880	-.00640	.00110	.00050	.25210	.05060
.313	39.610	.00000	-.01000	.25780	-.17420	.03840	-.00610	.00060	.00040	.25580	.05040
.313	40.790	.00000	-.01000	.25290	-.17350	.03750	-.00670	.00100	.00040	.25090	.04920
.314	41.980	.00000	-.01000	.25640	-.17430	.03790	-.00640	.00110	.00030	.25480	.04980
.317	43.160	.00000	-.01000	.25710	-.16840	.03760	-.00780	.00070	.00000	.25910	.04950
.313	44.350	.00000	-.01000	.26910	-.17830	.03760	-.00530	.00100	.00040	.25810	.04960
.313	45.530	.00000	-.01000	.26210	-.18300	.03850	-.00480	.00090	.00020	.26010	.05070
.314	46.720	.00000	-.01000	.25840	-.18090	.03700	-.00490	.00090	.00050	.25640	.04900

ORIGINAL PAGE IS OF POOR QUALITY

LTV44-559(CA26) 747/1 ATY 02 S1 (CARRIER DATA)

(RFE046) (18 NOV 75)

REFERENCE DATA

SREF = 5500.0000 SQ.FT. XMRP = 1339.9000 IN. XC
 LREF = 327.7800 IN. YMRP = .0000 IN. YC
 BREF = 2348.0400 IN. ZMRP = 190.7500 IN. ZC
 SCALE = .0125

PARAMETRIC DATA

ALPHAC = 2.000 BETAC = .000
 STAB = 5.000 ELEVON = 5.000
 BOFLAP = .000 DX = .000
 DY = .000 IORB = 6.000
 BETA0 = .000 RUDDER = .000

RUN NO. 44/ 0 RN/L = .00 GRADIENT INTERVAL = -5.00/ 5.00

MACH	OZ	DY	DX	CN	CLM	CA	CY	CYN	CBL	CL	CD
.314	47.910	.00000	-.01000	.26850	-.17340	.03840	-.00800	.00080	.00030	.26640	.05090
.313	49.090	.00000	-.01000	.26470	-.18030	.03850	-.00580	.00070	.00040	.26260	.05080
.314	50.280	.00000	-.01000	.25780	-.17840	.03780	-.00700	.00070	.00000	.25570	.04970
.311	51.450	.00000	-.01000	.26890	-.18330	.03820	-.00460	.00090	.00030	.26680	.05060
	GRADIENT	.00000	.00000	.00212	-.00464	.00012	-.00031	.00003	.00000	.00207	.00020

DATE 29 MAR 76

CA-26 FORCE SOURCE DATA TABULATION

PAGE 729

LTV44-559(CA26) 747/1 ATY 02 S1 (CARRIER DATA)

(RFE046) (18 NOV 75)

REFERENCE DATA

SREF = 5500.0000 SQ.FT. XMRP = 1339.9000 IN. XC
 LREF = 327.7800 IN. YMRP = .0000 IN. YC
 BREF = 2348.0400 IN. ZMRP = 190.7500 IN. ZC
 SCALE = .0125

PARAMETRIC DATA

ALPHAC = 2.000 BETAC = .000
 STAB = 5.000 ELEVON = 5.000
 BOFLAP = .000 DX = .000
 DY = .000 TORB = 6.000
 BETAO = .000 RUDDER = .000

RUN NO. 43/ 0 PV/L = .00 GRADIENT INTERVAL = -5.00/ 5.00

MACH	DZ	DY	DX	CN	CLM	CA	CY	CYN	CBL	CL	CD
.501	1.460	.00000	.01000	.19380	-.12220	.04060	.00300	-.00300	.00090	.19160	.04970
.512	2.060	.00000	.01000	.18900	-.11830	.03920	.00280	-.00270	.00090	.18700	.04800
.506	2.660	.00000	.01000	.19410	-.12460	.04030	.00270	-.00300	.00080	.19200	.04940
.510	3.360	.00000	.01000	.19680	-.12540	.04000	.00280	-.00280	.00070	.19470	.04920
.508	4.160	.00000	.00000	.19760	-.12750	.04020	.00300	-.00310	.00080	.19550	.04950
.506	4.960	.00000	.00000	.20150	-.13490	.04060	.00240	-.00300	.00110	.19930	.04960
.506	5.960	.00000	.00000	.20660	-.13570	.04020	.00300	-.00290	.00080	.20450	.05020
.506	6.960	.00000	.00000	.20640	-.13820	.04060	.00240	-.00290	.00060	.20420	.05000
.505	7.970	.00000	.00000	.21080	-.14240	.04040	.00340	-.00290	.00090	.20860	.05080
.507	8.960	.00000	.00000	.20930	-.14920	.04090	.00250	-.00290	.00100	.20710	.05120
.506	9.960	.00000	.00000	.21810	-.15610	.04140	.00330	-.00270	.00100	.20710	.05140
.506	11.150	.00000	.00000	.22030	-.15350	.04120	.00250	-.00260	.00100	.21600	.05140
.505	12.330	.00000	.00000	.22420	-.15970	.04120	.00190	-.00260	.00070	.21810	.05140
.506	13.520	.00000	.00000	.22410	-.16360	.04130	.00280	-.00260	.00080	.21810	.05150
.505	14.700	.00000	.00000	.23120	-.16670	.04130	.00290	-.00240	.00110	.22190	.05180
.508	15.900	.00000	.00000	.22890	-.16980	.04180	.00240	-.00250	.00090	.22970	.05260
.505	17.080	.00000	.00000	.23130	-.17590	.04110	.00160	-.00230	.00090	.22670	.05170
.508	18.270	.00000	.00000	.23370	-.17750	.04180	.00150	-.00230	.00070	.22910	.05260
.509	19.450	.00000	.00000	.23520	-.17860	.04160	.00160	-.00190	.00080	.23150	.05250
.504	20.640	.00000	.00000	.23890	-.18470	.04130	.00080	-.00170	.00080	.23300	.05220
.506	21.810	.00000	-.01000	.24360	-.18450	.04180	.00070	-.00150	.00080	.23660	.05290
.507	23.000	.00000	-.01000	.24350	-.18840	.04140	.00000	-.00130	.00040	.24140	.05270
.508	24.190	.00000	-.01000	.24860	-.18970	.04160	-.00010	-.00130	.00040	.24130	.05290
.508	25.370	.00000	-.01000	.24590	-.19190	.04180	-.00060	-.00110	.00030	.24630	.05340
.506	26.560	.00000	-.01000	.25480	-.19410	.04170	-.00070	-.00080	.00040	.24370	.05310
.505	27.740	.00000	-.01000	.25490	-.19720	.04170	-.00150	-.00070	.00050	.25260	.05360
.505	28.930	.00000	-.01000	.25540	-.19930	.04200	-.00150	-.00060	.00030	.25260	.05390
.506	30.110	.00000	-.01000	.25460	-.20190	.04190	-.00200	-.00040	.00020	.25320	.05380
.507	31.310	.00000	-.01000	.25860	-.20130	.04190	-.00180	-.00030	.00030	.25240	.05370
.507	32.490	.00000	-.01000	.26250	-.20510	.04190	-.00190	-.00030	.00030	.25630	.05390
.505	33.680	.00000	-.01000	.26290	-.20700	.04220	-.00220	-.00010	.00000	.26030	.05440
.508	34.860	.00000	-.01000	.26290	-.20700	.04200	-.00220	.00000	.00000	.26030	.05440
.507	36.050	.00000	-.01000	.26540	-.20730	.04220	-.00290	.00000	.00030	.26070	.05420
.507	37.230	.00000	-.01000	.26370	-.20460	.04160	-.00190	-.00010	.00030	.26320	.05450
.506	38.420	.00000	-.01000	.26940	-.20540	.04170	-.00290	-.00010	.00030	.26140	.05390
.506	39.610	.00000	-.01000	.26990	-.20940	.04170	-.00330	.00020	.00020	.26620	.05420
.505	40.790	.00000	-.01000	.26680	-.21140	.04167	-.00330	.00020	.00020	.26620	.05420
.507	41.980	.00000	-.01000	.27370	-.20950	.04170	-.00190	.00000	.00010	.26460	.05400
.506	43.160	.00000	-.01000	.26870	-.21080	.04170	-.00200	-.00010	.00010	.27150	.05470
.507	44.350	.00000	-.01000	.26950	-.21500	.04180	-.00300	.00000	.00030	.26640	.05420
.509	45.530	.00000	-.01000	.27440	-.21660	.04120	-.00210	.00000	.00000	.26740	.05370
.510	46.720	.00000	-.02000	.27370	-.21080	.04160	-.00270	.00000	.00000	.27210	.05440
				.27600	-.21060	.04130	-.00290	.00000	.00010	.27150	.05410
						.04130	-.00270	.00000	.00000	.27370	.05420

LTV44-559(CA26) 747/1 ATY 02 S1 (CARRIER DATA)

(RFE046) (18 NOV 75)

REFERENCE DATA

SREF = 5500.0000 SQ.FT. XMRP = 1339.9000 IN. XC
 LREF = 327.7800 IN. YMRP = .0000 IN. YC
 BREF = 2348.0400 IN. ZMRP = 190.7500 IN. ZC
 SCALE = .0125

PARAMETRIC DATA

ALPHAC = 2.000 BETAC = .000
 STAB = 5.000 ELEVON = 5.000
 BDFLAP = .000 DX = .000
 DY = .000 IORB = 6.000
 BETAO = .000 RUDDER = .000

RUN NO. 43/ 0 RN/L = .00 GRADIENT INTERVAL = -5.00/ 5.00

MACH	DZ	DY	DX	CN	CLM	CA	CY	CYN	CEL	CL	CD
.508	47.910	.00000	-.02000	.28070	-.21420	.04140	-.00300	.00000	.00030	.27840	.05450
.508	49.090	.00000	-.02000	.28180	-.21500	.04140	-.00280	.00000	.00020	.27950	.05460
.508	50.280	.00000	-.01000	.27640	-.21720	.04110	-.00280	-.00010	.00000	.27420	.05400
.508	51.460	.00000	-.01000	.27970	-.21790	.04080	-.00200	-.00020	.00000	.27750	.05380
	GRADIENT	.00000	-.00337	.00277	-.00382	.00003	.00003	-.00002	.00003	.00276	.00016

DATE 29 MAR 76

CA-26 FORCE SOURCE DATA TABULATION

PAGE 731

LTV44-559(CA26) 747/1 ATY 02 S1 (CARRIER DATA)

(RFE046) (18 NOV 75)

REFERENCE DATA

SREF = 5500.0000 SQ.FT. XMRP = 1339.9000 IN. XC
 LREF = 327.7200 IN. YMRP = .0000 IN. YC
 BREF = 2348.0400 IN. ZMRP = 190.7500 IN. ZC
 SCALE = .0125

PARAMETRIC DATA

ALPHAC = 2.000 BETAC = .000
 STAB = 5.000 ELEVON = 5.000
 BDFLAP = .000 DX = .000
 DY = .000 IORB = 6.000
 BETA0 = .000 RUDDER = .000

RUN NO. 1039/ 0 RN/L = .00 GRADIENT INTERVAL = -5.00/ 5.00

MACH	DZ	DY	DX	CN	CLM	CA	CY	CYN	CBL	CL	CD
.604	1.470	.00000	.02000	.19200	-.11500	.04150	.00490	-.00370	.00120	.10380	.05060
.602	2.070	.00000	.02000	.19020	-.11630	.04180	.00490	-.00400	.10100	.10910	.05080
.601	2.670	.00000	.02000	.19320	-.12160	.04210	.00640	-.00410	.00130	.19100	.05120
.600	3.470	.00000	.01000	.19580	-.12530	.04220	.00630	-.00400	.00140	.19460	.05150
.600	4.470	.00000	.01000	.19900	-.12780	.04220	.00560	-.00400	.00120	.19680	.05150
.603	5.000	.00000	.01000	.20300	-.13270	.04240	.00540	-.00400	.00090	.20070	.05200
.601	6.850	.00000	.01000	.20350	-.13560	.04270	.00630	-.00400	.00120	.20120	.05220
.604	8.100	.00000	.01000	.20860	-.13620	.04230	.00600	-.00370	.00140	.20630	.05220
.603	9.350	.00000	.01000	.21400	-.14380	.04290	.00500	-.00360	.00130	.21170	.05300
.601	10.580	.00000	.01000	.21940	-.15380	.04300	.00440	-.00340	.00120	.21710	.05330
.601	11.800	.00000	.00000	.22080	-.15580	.04340	.00470	-.00330	.00110	.21850	.05380
.601	13.020	.00000	.00000	.22520	-.16020	.04340	.00460	-.00330	.00120	.21850	.05390
.600	14.240	.00000	.00000	.22850	-.16460	.04340	.00410	-.00320	.00090	.22290	.05410
.600	15.460	.00000	.00000	.23210	-.17010	.04360	.00420	-.00300	.00090	.22980	.05450
.601	16.680	.00000	.00000	.23730	-.17200	.04370	.00380	-.00280	.00120	.23500	.05480
.601	17.900	.00000	.00000	.23820	-.17750	.04370	.00420	-.00260	.00110	.23590	.05480
.602	19.120	.00000	.00000	.23860	-.17980	.04360	.00340	-.00240	.00100	.23630	.05470
.602	20.340	.00000	.00000	.23950	-.18380	.04380	.00350	-.00230	.00110	.23720	.05490
.601	21.560	.00000	-.01000	.24330	-.18800	.04390	.00270	-.00200	.00090	.24100	.05520
.601	22.780	.00000	-.01000	.24960	-.18690	.04390	.00180	-.00170	.00080	.24730	.05560
.603	24.000	.00000	-.01000	.24860	-.18690	.04390	.00140	-.00160	.00060	.24630	.05550
.604	25.220	.00000	-.01000	.24910	-.19280	.04330	.00120	-.00150	.00060	.24680	.05490
.600	26.440	.00000	-.01000	.25790	-.19470	.04420	.00080	-.00110	.00060	.25550	.05620
.602	27.660	.00000	-.01000	.25590	-.19880	.04390	.00070	-.00090	.00030	.25350	.05580
.603	28.880	.00000	-.01000	.25740	-.19820	.04380	.00030	-.00080	.00020	.25500	.05590
.602	30.100	.00000	-.01000	.25890	-.20310	.04370	.00060	-.00070	.00030	.25650	.05570
.605	31.330	.00000	-.01000	.25920	-.20060	.04340	-.00010	-.00040	.00040	.25690	.05550
.603	32.540	.00000	-.02000	.25920	-.20270	.04340	.00000	-.00040	.00040	.25940	.05560
.603	33.770	.00000	-.02000	.26170	-.20270	.04340	.00000	-.00040	.00040	.25940	.05560
.600	34.980	.00000	-.02000	.26570	-.20570	.04360	-.00010	-.00030	.00010	.26340	.05600
.603	36.210	.00000	-.02000	.26750	-.21060	.04360	-.00050	-.00030	.00000	.26510	.05600
.600	37.430	.00000	-.02000	.26440	-.20840	.04330	-.00050	-.00020	.00010	.26210	.05560
.602	38.650	.00000	-.02000	.26750	-.21040	.04360	-.00050	-.00030	.00010	.26520	.05610
.600	39.870	.00000	-.02000	.26920	-.21170	.04290	-.00040	-.00020	.00000	.26690	.05540
.600	41.090	.00000	-.02000	.27300	-.21180	.04350	-.00060	-.00010	.00020	.27060	.05630
.602	42.310	.00000	-.02000	.27430	-.21400	.04350	-.00100	-.00020	.00030	.27190	.05630
.600	43.520	.00000	-.03000	.27340	-.21570	.04280	-.00080	-.00040	.00030	.27110	.05560
.602	44.750	.00000	-.03000	.27930	-.21800	.04370	-.00050	-.00020	.00010	.27700	.05670
.601	45.970	.00000	-.03000	.27830	-.21650	.04330	-.00050	-.00020	.00010	.27600	.05630
.601	47.190	.00000	-.03000	.27910	-.21860	.04370	-.00050	-.00030	.00010	.27670	.05620
.603	48.420	.00000	-.03000	.28070	-.21860	.04380	-.00070	-.00020	.00000	.27830	.05690
.603	49.630	.00000	-.03000	.28100	-.21860	.04300	-.00090	-.00040	.00010	.27860	.05610
.603	49.630	.00000	-.03000	.27980	-.22030	.04300	.00020	-.00030	.00030	.27740	.05610

DATE 29 MAR 76

CA-26 FORCE SOURCE DATA TABULATION

PAGE 732

LTV44-559(CA26) 747/1 ATY 02 S1 (CARRIER DATA)

(RFED46) (18 NOV 75)

REFERENCE DATA

SREF = 5500.0000 SQ.FT.	XMRP = 1339.9000 IN. XC
LREF = 327.7800 IN.	YMRP = .0000 IN. YC
BREF = 2348.0400 IN.	ZMRP = 190.7500 IN. ZC
SCALE = .0125	

PARAMETRIC DATA

ALP1:AC = 2.000	BETAC = .000
STAB = 5.000	ELEVON = 5.000
BDFLAP = .000	DX = .000
DY = .000	IORB = 6.000
BETA0 = .000	RUDDER = .000

RUN NO. 1039/ 0 RN/L = .00 GRADIENT INTERVAL = -5.00/ 5.00

MACH	DZ	DY	DX	CN	CLM	CA	CY	CYN	CBL	CL	CD
.603	50.860	.00000	-.03000	.28400	-.21920	.04320	-.00010	-.00030	.00010	.28170	.05650
.603	51.470	.00000	-.05000	.28670	-.22070	.04340	-.00010	-.00020	.00010	.28440	.05680
	GRADIENT	.00000	-.00411	.00283	-.00460	.00023	.00032	-.00007	.00005	.00282	.00032

DATE 29 MAR 76

CA-26 FORCE SOURCE DATA TABULATION

PAGE 733

LTV44-559(CA26) 747/1 ATY 02 S1 (CARRIER DATA)

(RFED046) (18 NOV 75)

REFERENCE DATA

SREF = 5500.0000 SQ.FT. XMRP = 1339.9000 IN. XC
 LREF = 327.7800 IN. YMRP = .0000 IN. YC
 BREF = 2348.0400 IN. ZMRP = 190.7500 IN. ZC
 SCALE = .0125

PARAMETRIC DATA

ALPHAC = 2.000
 STAB = 5.000
 BDFLAP = .000
 DY = .000
 BETA0 = .000
 BETAC = .000
 ELEVON = 5.000
 DX = .000
 TORR = 6.000
 RUDDER = .000

RUN NO. 42/ 0 RN/L = .00 GRADIENT INTERVAL = -5.00/ 5.00

MACH	DZ	DY	DX	CN	CLM	CA	CY	CYN	CBL	CL	CD
.698	1.460	.00000	.00000	.18100	-.3460	.04410	.00500	-.00350	.00100	.17870	.05260
.696	2.060	.00000	.00000	.18150	-.13710	.04470	.00530	-.00370	.00080	.17920	.05320
.695	3.660	.00000	.00000	.18770	-.14040	.04520	.00550	-.00370	.00080	.18540	.05400
.698	4.160	.00000	.00000	.19260	-.14560	.04510	.00560	-.00360	.00100	.19050	.05410
.700	4.860	.00000	.00000	.19880	-.14580	.04490	.00580	-.00360	.00100	.19080	.05390
.699	5.960	.00000	.00000	.19860	-.15300	.04510	.00570	-.00350	.00110	.19650	.05440
.700	6.960	.00000	.00000	.19900	-.15180	.04520	.00520	-.00340	.00100	.19620	.05450
.703	7.970	.00000	.00000	.20350	-.15570	.04520	.00570	-.00350	.00100	.19670	.05440
.698	8.960	.00000	.00000	.20610	-.15830	.04560	.00600	-.00340	.00100	.20110	.05510
.698	9.960	.00000	.00000	.21760	-.16200	.04510	.00530	-.00340	.00070	.20370	.05470
.699	11.150	.00000	.00000	.21460	-.17240	.04590	.00510	-.00320	.00090	.21520	.05600
.699	12.330	.00000	.00000	.21750	-.17260	.04560	.00530	-.00320	.00110	.21230	.05560
.698	13.520	.00000	.00000	.22200	-.17610	.04560	.00550	-.00330	.00110	.21520	.05570
.698	14.700	.00000	.00000	.22580	-.17920	.04580	.00480	-.00320	.00090	.21960	.05610
.699	15.900	.00000	.00000	.23110	-.18340	.04550	.00480	-.00310	.00100	.22340	.05670
.698	17.080	.00000	.00000	.23400	-.18430	.04590	.00460	-.00270	.00100	.22870	.05700
.698	18.270	.00000	.00000	.23510	-.18840	.04520	.00440	-.00250	.00110	.23160	.05700
.698	19.450	.00000	.00000	.23880	-.1910	.04590	.00370	-.00230	.00110	.23270	.05680
.699	20.640	.00000	.00000	.24000	-.19410	.04600	.00330	-.00210	.00100	.23540	.05710
.699	21.810	.00000	.00000	.24050	-.19800	.04600	.00270	-.00190	.00070	.23760	.05720
.699	23.000	.00000	.00000	.24580	-.20200	.04570	.00220	-.00170	.00070	.23810	.05720
.699	24.190	.00000	.00000	.24860	-.20370	.04570	.00160	-.00140	.00070	.24340	.05710
.700	25.370	.00000	.00000	.24890	-.20420	.04590	.00150	-.00120	.00070	.24620	.05750
.699	26.560	.00000	.00000	.25200	-.20680	.04610	.00150	-.00100	.00040	.24640	.05760
.701	27.740	.00000	.00000	.25450	-.21070	.04600	.00120	-.00070	.00040	.24950	.05770
.700	28.930	.00000	.00000	.25570	-.21520	.04600	.00040	-.00050	.00030	.24990	.05770
.699	30.110	.00000	.00000	.26200	-.21610	.04560	.00000	-.00040	.00030	.25210	.05800
.699	31.310	.00000	.00000	.26680	-.21950	.04570	.00020	-.00000	.00030	.25330	.05750
.700	32.490	.00000	.00000	.26680	-.22150	.04560	.00040	-.00010	.00050	.25860	.05810
.698	33.580	.00000	.00000	.26680	-.22330	.04610	.00040	-.00000	.00020	.25650	.05770
.698	34.860	.00000	.00000	.26680	-.22530	.04610	.00040	-.00000	.00010	.26440	.05850
.699	36.050	.00000	.00000	.26700	-.22620	.04550	.00070	-.00000	.00010	.26430	.05840
.700	37.230	.00000	.00000	.26700	-.22710	.04560	.00070	-.00000	.00020	.26450	.05790
.699	38.420	.00000	.00000	.27370	-.22710	.04560	.00040	-.00000	.00000	.26590	.05810
.699	39.610	.00000	.00000	.27600	-.22730	.04570	.00080	-.00020	.00000	.27120	.05880
.699	41.860	.00000	.00000	.27560	-.22810	.04570	.00070	-.00010	.00010	.27350	.05860
.699	43.160	.00000	.00000	.27540	-.23110	.04590	.00040	-.00000	.00010	.27320	.05850
.699	44.350	.00000	.00000	.27980	-.23130	.04580	.00040	-.00000	.00010	.27340	.05860
.699	45.530	.00000	.00000	.27980	-.23280	.04590	.00090	-.00010	.00020	.27740	.05890
.697	46.720	.00000	.00000	.28030	-.23570	.04590	.00050	-.00000	.00000	.27780	.05890

DATE 29 MAR 76

CA-26 FORCE SOURCE DATA TABULATION

PAGE 734

LTV44-559(CA26) 747/1 ATY 02 S1 (CARRIER DATA)

(RFE046) (18 NOV 75)

REFERENCE DATA

SREF =	5500.0000	SQ.FT.	XMRP =	1339.9000	IN. XC
LREF =	327.7800	IN.	YMRP =	.0000	IN. YC
BREF =	2348.0400	IN.	ZMRP =	190.7500	IN. ZC
SCALE =	.0125				

PARAMETRIC DATA

ALPHAC =	2.000	BETAC =	.000
STAB =	5.000	ELEVON =	5.000
SCFLAP =	.000	DX =	.000
DY =	.000	IORB =	6.000
BETAO =	.000	RUDDER =	.000

		RUN NO.	42/ 0	RN/L =	.00	GRADIENT INTERVAL =	-5.00/ 5.00				
MACH	DZ	DY	DX	CN	CLM	CA	CY	CYN	CSL	CL	CD
.700	47.910	.00000	-.01000	.28110	-.23330	.04570	.00000	.00010	.00000	.27870	.05870
.699	49.090	.00000	-.01000	.28350	-.23300	.04550	-.00010	.00000	-.00010	.28100	.05870
.698	50.280	.00000	-.01000	.28440	-.23350	.04540	.00000	.00000	.00000	.28200	.05970
.697	51.460	.00000	-.02000	.28990	-.23570	.04620	.00010	.00010	.00010	.28750	.05970
	GRADIENT	.00000	.00000	.00523	-.00503	.00021	.00020	-.00000	.00006	.00523	.00044

DATE 29 MAR 76

CA-26 FORCE SOURCE DATA TABULATION

LTV44-559(CA26) 747/1 ATY 02 S1 (CARRIER DATA)

(RFEO47) (18 NOV 75)

REFERENCE DATA

SREF = 5500.0000 SQ.FT. XMRP = 1333.9000 IN. XC
 LREF = 327.7800 IN. YMRP = .0000 IN. YC
 BREF = 2348.0400 IN. ZMRP = 190.7500 IN. ZC
 SCALE = .0125

PARAMETRIC DATA

ALPHAC = 2.000 BETAC = .000
 STAC = 5.000 ELEVON = 5.000
 BDFLAP = .000 DX = .000
 DY = .000 TORB = 8.000
 BETAO = .000 RUDDER = .000

RUN NO. 40/ 0 RN/L = .00 GRADIENT INTERVAL = -5.00/ 5.00

MACH	DZ	DY	DX	CN	CLM	CA	CY	CYN	GBL	GL	CD
.599	1.480	.00000	-.02000	.14010	-.04660	.03680	.00280	-.00340	.00190	.13820	.04350
.600	1.770	.00000	-.02000	.15370	-.06310	.03850	.00230	-.00360	.00100	.15170	.04580
.598	2.370	.00000	-.02000	.16210	-.06740	.03900	.00310	-.00350	.00100	.16010	.04670
.599	2.970	.00000	-.02000	.15930	-.06720	.03930	.00260	-.00350	.00100	.15730	.04690
.598	3.980	.00000	-.01000	.16740	-.07780	.03950	.00210	-.00350	.00120	.16530	.04740
.598	4.970	.00000	-.01000	.17180	-.07620	.03960	.00270	-.00350	.00140	.16970	.04780
.599	6.220	.00000	-.01000	.18110	-.09750	.04030	.00180	-.00310	.00140	.17900	.04890
.600	7.470	.00000	-.01000	.18180	-.09750	.04050	.00260	-.00290	.00140	.17970	.04900
.601	8.720	.00000	-.01000	.18520	-.10540	.04090	.00170	-.00270	.00110	.18310	.04960
.602	9.970	.00000	-.01000	.18850	-.11110	.04080	.00100	-.00220	.00120	.18640	.04970
.600	11.390	.00000	.00000	.19990	-.12950	.04140	.00220	-.00250	.00100	.19780	.05080
.600	12.800	.00000	.00000	.20410	-.13470	.04150	.00160	-.00240	.00100	.20190	.05110
.599	14.220	.00000	.00000	.20720	-.13840	.04170	.00100	-.00230	.00090	.20500	.05140
.599	15.640	.00000	.00000	.21170	-.14810	.04240	.00140	-.00210	.00100	.20950	.05230
.601	17.050	.00000	.00000	.21520	-.14950	.04220	.00090	-.00210	.00090	.21300	.05230
.599	18.470	.00000	.00000	.21980	-.15690	.04210	.00090	-.00180	.00110	.21760	.05240
.599	19.890	.00000	.00000	.22200	-.16190	.04240	.00070	-.00170	.00090	.21970	.05280
.600	21.310	.00000	.00000	.22280	-.16590	.04200	.00020	-.00160	.00070	.22060	.05240
.597	22.710	.00000	.01000	.23020	-.16920	.04300	-.00010	-.00150	.00070	.22790	.05370
.599	24.130	.00000	.01000	.23230	-.17090	.04250	-.00060	-.00130	.00070	.23000	.05330
.600	25.540	.00000	.01000	.23270	-.17660	.04230	-.00020	-.00110	.00050	.23050	.05320
.600	26.960	.00000	.01000	.23870	-.17960	.04290	-.00040	-.00090	.00050	.23640	.05400
.597	28.380	.00000	.01000	.24290	-.18160	.04270	-.00150	-.00070	.00050	.24060	.05400
.599	29.800	.00000	.01000	.24770	-.18500	.04260	-.00100	-.00050	.00040	.24140	.05400
.596	31.210	.00000	.01000	.24820	-.19060	.04330	-.00170	-.00040	.00030	.24590	.05490
.598	32.630	.00000	.01000	.24550	-.19220	.04290	-.00150	-.00030	.00050	.24320	.05430
.600	34.050	.00000	.01000	.25080	-.19630	.04300	-.00090	-.00020	.00050	.24850	.05460
.600	35.450	.00000	.01000	.24990	-.19350	.04240	-.00020	-.00010	.00010	.24770	.05410
.602	36.880	.00000	.01000	.25520	-.19830	.04320	-.00130	-.00020	.00020	.25290	.05510
.501	38.230	.00000	.01000	.25810	-.20070	.04250	-.00190	.00000	.00050	.25580	.05510
.598	39.710	.00000	.01000	.25940	-.20410	.04320	-.00200	-.00010	.00010	.25710	.05520
.600	41.120	.00000	.01000	.26180	-.20520	.04310	-.00200	-.00030	.00000	.25950	.05530
.601	42.540	.00000	.01000	.26200	-.20680	.04290	-.00140	-.00010	.00030	.25970	.05500
.600	43.960	.00000	.01000	.26640	-.20670	.04300	-.00170	-.00020	.00010	.26410	.05540
.600	45.370	.00000	.01000	.26730	-.20840	.04300	-.00130	-.00030	.00030	.26500	.05540
.600	46.790	.00000	.02000	.27190	-.20990	.04260	-.00190	-.00030	-.00010	.26960	.05520
.602	48.210	.00000	.01000	.27190	-.20990	.04280	-.00110	-.00040	.00000	.26370	.05510
.599	49.630	.00000	.02000	.26600	-.21230	.04280	-.00210	-.00040	.00000	.26820	.05560
.598	51.040	.00000	.02000	.27050	-.21050	.04300	-.00110	-.00040	.00000	.26370	.05510
.598	52.460	.00000	.02000	.27000	-.21460	.04250	-.00100	-.00050	.00020	.26870	.05560
.597	53.870	.00000	.02000	.27080	-.21550	.04280	-.00110	-.00040	.00030	.26850	.05540
.597	55.290	.00000	.02000	.27680	-.21640	.04340	-.00150	-.00050	.00000	.27450	.05630
				.27680	-.21700	.04290	-.00110	-.00040	.00000	.27590	.05590

ORIGINAL PAGE IS
OF POOR QUALITY

DATE 29 MAR 76

CA-26 FORCE SOURCE DATA TABULATION

PAGE 736

LTV44-559(CA26) 747/1 ATY 02 S1 (CARRIER DATA)

(RFE047) (18 NOV 75)

REFERENCE DATA

SREF = 5500.0000 SQ.FT.	XMRP = 1339.9000 IN. XC
LREF = 327.7800 IN.	YMRP = .0000 IN. YC
BREF = 2348.0400 IN.	ZMRP = 190.7500 IN. ZC
SCALE = .0125	

PARAMETRIC DATA

ALPHAC = 2.000	BETAC = .000
STAB = 5.000	ELEVON = 5.000
BDFLAP = .000	DX = .000
DY = .000	IORB = 8.000
BETA0 = .000	RUDDER = .000

RUN NO. 40/ 0 RN/L = .00 GRADIENT INTERVAL = -5.00/ 5.00

MACH	DZ	DY	DX	CN	CLM	CA	CY	CYN	CBL	CL	CD
.597	56.710	.00000	.02000	.27830	-.21830	.04300	-.00080	-.00040	.00010	.27600	.05600
.598	58.120	.00000	.02000	.27450	-.21680	.04250	-.00050	-.00060	.00020	.27220	.05530
	GRADIENT	.00000	.00344	.00740	-.00709	.00061	-.00006	-.00009	-.00003	.00735	.00096

LTV44-559(CA26) 747/1 ATY 02 S1 (CARRIER DATA)

(RFE048) (18 NOV 75)

REFERENCE DATA

SREF = 5500.0000 SQ.FT. XMRP = 1339.9000 IN. XC
 LREF = 327.7800 IN. YMRP = .0000 IN. YC
 BREF = 2348.0400 IN. ZMRP = 190.7500 IN. ZC
 SCALE = .0125

PARAMETRIC DATA

ALPHAC = 2.000 BETAC = .000
 STAB = 5.000 ELEVON = 5.000
 BDFLAP = .000 DX = .000
 DY = .000 IORB = 4.000
 BETA0 = 5.000 RUDDER = .000

RUN NO. 41/ 0 RN/L = .00 GRADIENT INTERVAL = -5.00/ 5.00

MACH	DZ	DY	DX	CN	CLM	CA	CY	CYN	CBL	CL	CD
.603	1.460	.00000	.00000	.21700	-.18130	.04380	.00730	-.00580	.00410	.21480	.05380
.601	2.060	.00000	.00000	.21750	-.18350	.04330	.00730	-.00580	.00410	.21530	.05330
.600	2.660	.00000	.00000	.21950	-.18300	.04330	.00780	-.00570	.00410	.21720	.05350
.601	3.360	.00000	.00000	.22090	-.18060	.04370	.00760	-.00600	.00380	.21860	.05390
.604	4.160	.00000	.00000	.22040	-.18730	.04370	.00770	-.00600	.00390	.21820	.05390
.604	4.960	.00000	.00000	.22810	-.19370	.04380	.00750	-.00590	.00400	.22580	.05430
.602	6.960	.00000	.00000	.22900	-.19380	.04380	.00720	-.00530	.00380	.22670	.05440
.604	8.960	.00000	.00000	.23010	-.19880	.04390	.00760	-.00600	.00390	.22790	.05450
.602	10.460	.00000	.00000	.24110	-.20490	.04390	.00680	-.00570	.00380	.23880	.05510
.601	11.460	.00000	.00000	.24190	-.20450	.04440	.00580	-.00560	.00380	.23960	.05560
.602	12.450	.00000	.00000	.24490	-.20480	.04400	.00520	-.00540	.00380	.24260	.05530
.601	13.450	.00000	.00000	.24420	-.21020	.04400	.00470	-.00520	.00370	.24190	.05530
.601	14.440	.00000	.00000	.24730	-.20850	.04400	.00440	-.00490	.00370	.24500	.05540
.603	15.440	.00000	.00000	.24730	-.20900	.04430	.00400	-.00440	.00350	.24500	.05570
.602	15.430	.00000	.00000	.25270	-.21090	.04420	.00290	-.00410	.00320	.25040	.05590
.602	17.430	.00000	.00000	.25470	-.21440	.04420	.00240	-.00370	.00300	.25230	.05600
.602	18.420	.00000	.00000	.25470	-.21500	.04440	.00100	-.00330	.00280	.25240	.05620
.601	19.420	.00000	.00000	.25460	-.21610	.04430	.00050	-.00280	.00260	.25230	.05610
.602	20.410	.00000	.00000	.25860	-.21770	.04430	-.00020	-.00230	.00230	.25630	.05620
.604	21.410	.00000	.00000	.25960	-.21970	.04410	-.00150	-.00160	.00220	.25730	.05610
.605	22.390	.00000	.01000	.25940	-.21900	.04410	-.00340	-.00090	.00190	.25710	.05610
.605	23.390	.00000	.01000	.26010	-.21790	.04390	-.00490	-.00050	.00190	.25780	.05590
.602	24.390	.00000	.01000	.26200	-.21970	.04420	-.00520	.00000	.00200	.25960	.05630
.602	25.390	.00000	.01000	.26450	-.22000	.04410	-.00590	.00020	.00160	.26230	.05640
.602	26.380	.00000	.01000	.26780	-.22380	.04420	-.00560	.00030	.00110	.26540	.05660
.604	27.370	.00000	.01000	.26750	-.22220	.04360	-.00600	.00090	.00150	.26510	.05590
.602	28.370	.00000	.01000	.26860	-.22300	.04350	-.00650	.00120	.00120	.26630	.05590
.603	29.360	.00000	.01000	.26830	-.22490	.04380	-.00650	.00130	.00120	.26690	.05630
.603	30.360	.00000	.01000	.26970	-.22310	.04370	-.00770	.00140	.00110	.26740	.05620
.604	31.350	.00000	.01000	.27110	-.22550	.04350	-.00710	.00160	.00110	.26880	.05600
.603	32.340	.00000	.01000	.27320	-.22390	.04300	-.00820	.00170	.00090	.27090	.05570
.600	33.340	.00000	.01000	.27390	-.22640	.04370	-.00810	.00180	.00070	.27150	.05640
.599	34.340	.00000	.01000	.27870	-.22650	.04390	-.00790	.00180	.00070	.27640	.05690
.600	35.340	.00000	.01000	.27780	-.22810	.04400	-.00810	.00180	.00060	.27540	.05690
.603	36.330	.00000	.01000	.27760	-.22800	.04380	-.00840	.00180	.00060	.27530	.05660
.602	37.320	.00000	.01000	.27740	-.22850	.04350	-.00830	.00190	.00050	.27510	.05630
.603	38.320	.00000	.01000	.27970	-.23030	.04350	-.00770	.00190	.00060	.27730	.05640
.604	39.310	.00000	.01000	.28160	-.22880	.04340	-.00730	.00170	.00060	.27930	.05650
.604	40.310	.00000	.01000	.28120	-.22990	.04360	-.00740	.00170	.00060	.27890	.05670
.603	41.310	.00000	.01000	.28380	-.23120	.04370	-.00770	.00160	.00060	.28140	.05690
.603	42.300	.00000	.01000	.28300	-.23260	.04330	-.00740	.00170	.00050	.28060	.05640
.604	43.290	.00000	.01000	.28250	-.23140	.04340	-.00790	.00170	.00050	.28010	.05650

DATE 29 MAR 76

CA-26 FORCE SOURCE DATA TABULATION

PAGE 738

LTV44-559(CA26) 747/1 ATY 02 S1 (CARRIER DATA)

(RFE048) (18 NOV 75)

REFERENCE DATA

SREF = 5500.0000 SQ.FT.	XMRP = 1339.9000 IN. XC
LREF = 327.7800 IN.	YMRP = .0000 IN. YC
BREF = 2348.0400 IN.	ZMRP = 190.7500 IN. ZC
SCALE = .0125	

PARAMETRIC DATA

ALPHAC = 2.000	BETAC = .000
STAB = 5.000	ELEVON = 5.000
BDF_LAP = .000	DX = .000
DY = .000	IORB = 4.000
BETA0 = 5.000	RUDDER = .000

RUN NO. 41/ 0 RN/L = .00 GRADIENT INTERVAL = -5.00/ 5.00

MACH	DZ	DY	DX	CN	CLM	CA	CY	CYN	CBL	CL	CD
.603	44.290	.00000	.01000	.28450	-.23310	.04330	-.00750	.00160	.00040	.28220	.05650
.603	44.790	.00000	.01000	.28500	-.23020	.04300	-.00720	.00150	.00050	.28370	.05630
	GRADIENT	.00000	.00000	.00272	-.00331	.00007	.00007	-.00006	-.00005	.00270	.00020

LTV44-559(CA26) 747/1 ATY 02 S1 (CARRIER DATA)

(RFE049) (18 NOV 75)

REFERENCE DATA

SREF = 5500.0000 SQ.FT. XMRP = 1339.9000 IN. XC
 LREF = 327.7800 IN. YMRP = .0000 IN. YC
 BREF = 2348.0400 IN. ZMRP = 190.7500 IN. ZC
 SCALE = .0125

PARAMETRIC DATA

ALPHAC = 2.000 BETAC = .000
 STAB = 5.000 ELEVON = 5.000
 BDFLAP = .000 DX = .000
 DY = .000 TORB = 6.000
 BETAO = 5.000 RUDDER = .000

RUN NO. 1041/ 0 RN/L = .00 GRADIENT INTERVAL = -5.00/ 5.00

MACH	DZ	DY	DX	CN	CLM	CA	CY	CYN	CBL	CL	CD
.602	1.470	.00000	-.01000	.18500	-.12100	.04360	.00840	-.00550	.00390	.18290	.04930
.603	2.070	.00000	-.01000	.18800	-.12550	.04090	.00730	-.00610	.00380	.18580	.04970
.601	2.670	.00000	-.01000	.19040	-.13010	.04130	.00830	-.00610	.00390	.18830	.05020
.604	3.370	.00000	-.01000	.19530	-.13370	.04100	.00940	-.00660	.00350	.19310	.05010
.601	4.170	.00000	-.01000	.19920	-.13730	.04140	.00870	-.00570	.00340	.19700	.05070
.603	4.960	.00000	.00000	.19650	-.13730	.04130	.00850	-.00680	.00330	.19430	.05050
.601	6.970	.00000	.00000	.20800	-.16280	.04230	.00840	-.00650	.00360	.20580	.05200
.600	8.970	.00000	.00000	.21310	-.16370	.04250	.00770	-.00640	.00360	.21090	.05240
.601	10.600	.00000	.00000	.22180	-.17210	.04280	.00650	-.00630	.00310	.21960	.05320
.604	11.880	.00000	.00000	.22150	-.17150	.04270	.00630	-.00600	.00350	.21930	.05300
.603	13.160	.00000	.00000	.22470	-.17740	.04270	.00580	-.00540	.00330	.22240	.05320
.600	14.440	.00000	.00000	.22690	-.18020	.04300	.00520	-.00510	.00310	.22470	.05350
.600	15.710	.00000	.00000	.23100	-.18620	.04310	.00410	-.00470	.00300	.22870	.05380
.600	16.990	.00000	.00000	.23520	-.18990	.04290	.00230	-.0410	.00300	.23300	.05380
.600	18.270	.00000	.00000	.23700	-.19340	.04340	.00030	-.00360	.00270	.23470	.05440
.602	19.540	.00000	.00000	.24060	-.19250	.04320	-.00020	-.00270	.00240	.23830	.05440
.601	20.820	.00000	.00000	.24310	-.19630	.04310	-.00200	-.00200	.00200	.24080	.05430
.602	22.090	.00000	.01000	.24410	-.19570	.04310	-.00400	-.00130	.00220	.24190	.05440
.602	23.360	.00000	.01000	.24910	-.19900	.04320	-.00490	-.00070	.00180	.24680	.05480
.604	24.650	.00000	.01000	.25060	-.20220	.04360	-.00540	.00000	.00140	.24830	.05520
.602	25.920	.00000	.01000	.25080	-.20300	.04340	-.00560	.00040	.00130	.24850	.05500
.602	27.200	.00000	.01000	.25340	-.20630	.04330	-.00580	.00090	.00130	.25110	.05510
.604	28.470	.00000	.01000	.25750	-.20800	.04350	-.00680	.00110	.00110	.25520	.05550
.601	29.750	.00000	.01000	.25640	-.20520	.04310	-.00760	.00150	.00110	.25410	.05500
.604	31.030	.00000	.01000	.26050	-.21030	.04320	-.00770	.00180	.00100	.25820	.05530
.602	32.300	.00000	.01000	.26100	-.21020	.04280	-.00810	.00190	.00090	.25870	.05490
.600	33.580	.00000	.01000	.26300	-.21310	.04320	-.00770	.00180	.00070	.26070	.05540
.601	34.850	.00000	.01000	.26720	-.21510	.04320	-.00660	.00200	.00080	.26490	.05560
.600	36.130	.00000	.01000	.26470	-.21590	.04310	-.00740	.00190	.00060	.26240	.05540
.600	37.410	.00000	.01000	.26850	-.21590	.04300	-.00740	.00190	.00050	.26620	.05550
.600	38.690	.00000	.01000	.27030	-.21620	.04320	-.00700	.00190	.00060	.26800	.05580
.600	39.960	.00000	.01000	.27130	-.22130	.04320	-.00650	.00180	.00100	.26900	.05580
.603	41.240	.00000	.01000	.27390	-.22090	.04330	-.00740	.00180	.00080	.27160	.05610
.602	42.520	.00000	.01000	.27350	-.21690	.04270	-.00770	.00190	.00070	.27120	.05540
.602	43.790	.00000	.01000	.27680	-.21910	.04270	-.00740	.00180	.00050	.27450	.05560
.604	45.070	.00000	.01000	.27320	-.22380	.04300	-.00660	.00170	.00030	.27090	.05570
.603	46.340	.00000	.01000	.27450	-.22160	.04300	-.00680	.00160	.00030	.27220	.05580
.603	47.620	.00000	.01000	.27710	-.22360	.04300	-.00660	.00140	.00040	.27480	.05590
.602	48.900	.00000	.01000	.27990	-.22550	.04290	-.00640	.00150	.00060	.27750	.05600
.602	50.180	.00000	.01000	.27970	-.22720	.04330	-.00630	.00140	.00050	.27740	.05630
.601	51.460	.00000	.01000	.28100	-.22570	.04320	-.00670	.00130	.00040	.27870	.05630
GRADIENT		.00000	.00215	.00386	-.00484	.00319	.00020	-.00035	-.00019	.00384	.00036

LTV44-559(CA26) 747/1 ATY 02 S1 (CARRIER DATA)

(RFE050) (18 NOV 75)

REFERENCE DATA

SREF = 5500.0000 SQ.FT. XMRP = 1339.9000 IN. XC
 LREF = 327.7800 IN. YMRP = .0000 IN. YC
 BREF = 2348.0400 IN. ZMRP = 190.7500 IN. ZC
 SCALE = .0125

PARAMETRIC DATA

ALPHAC = 2.000 BETAC = .000
 STAU = 5.000 ELEVON = 5.000
 BDFLAP = .000 DX = .000
 DY = .000 TORB = 8.000
 BETA0 = 5.000 RUDDER = .000

RUN NO. 1040/ 0 RN/L = .00 GRADIENT INTERVAL = -5.00/ 5.00

MACH	DZ	DY	DX	CN	CLM	CA	CY	CYN	CBL	CL	CD
.600	1.480	.00000	-.02000	.15370	-.05590	.03790	.00660	-.00530	.00360	.15170	.04520
.600	2.070	.00000	-.02000	.14960	-.05650	.03750	.00710	-.00510	.00350	.14760	.04460
.600	2.670	.00000	-.02000	.15530	-.05920	.03810	.00610	-.00540	.00370	.15330	.04550
.599	3.470	.00000	-.02000	.15890	-.06800	.03870	.00660	-.00570	.00360	.15690	.04620
.599	4.480	.00000	-.01000	.16030	-.06890	.03840	.00750	-.00580	.00340	.15830	.04610
.601	5.810	.00000	-.01000	.16940	-.07730	.03890	.00670	-.00560	.00330	.16730	.04680
.601	7.480	.00000	-.01000	.17180	-.08120	.03940	.00650	-.00560	.00310	.16970	.04750
.601	9.140	.00000	-.01000	.17820	-.09320	.03970	.00620	-.00510	.00300	.17610	.04810
.602	10.600	.00000	.00000	.18960	-.11040	.04030	.00590	-.00490	.00310	.18750	.04930
.600	11.830	.00000	.00000	.18860	-.11470	.04060	.00530	-.00490	.00290	.18640	.04950
.599	13.060	.00000	.00000	.19390	-.12110	.04090	.00470	-.00490	.00290	.19170	.05000
.599	14.300	.00000	.00000	.19590	-.12840	.04140	.00530	-.00510	.00310	.19370	.05060
.599	15.530	.00000	.00000	.19910	-.13390	.04150	.00600	-.00510	.00320	.19700	.05080
.598	16.770	.00000	.00000	.20770	-.13900	.04160	.00510	-.00510	.00320	.20550	.05140
.600	18.000	.00000	.00000	.20900	-.14390	.04180	.00520	-.00520	.00290	.20680	.05160
.600	19.240	.00000	.00000	.20950	-.15130	.04200	.00460	-.00500	.00300	.20730	.05160
.600	20.470	.00000	.00000	.21590	-.15260	.04210	.00430	-.00490	.00280	.21370	.05220
.600	21.700	.00000	.01000	.21930	-.15890	.04240	.00390	-.00450	.00270	.21700	.05260
.599	22.940	.00000	.01000	.21950	-.16230	.04190	.00360	-.00410	.00290	.21730	.05220
.599	24.170	.00000	.01000	.22690	-.16720	.04270	.00360	-.00370	.00280	.22470	.05330
.600	25.410	.00000	.01000	.22900	-.16840	.04260	.00140	-.00330	.00270	.22680	.05330
.600	26.640	.00000	.01000	.23250	-.17160	.04280	.00080	-.00270	.00210	.23020	.05370
.601	27.870	.00000	.01000	.23130	-.17400	.04250	-.00060	-.00200	.00200	.22910	.05330
.601	29.110	.00000	.01000	.23390	-.17810	.04280	-.00030	-.00140	.00190	.23150	.05370
.601	30.350	.00000	.01000	.23660	-.17970	.04290	-.00260	-.00080	.00180	.23430	.05390
.602	31.590	.00000	.01000	.23930	-.18240	.04290	-.00360	-.00020	.00150	.23700	.05410
.601	32.820	.00000	.01000	.24130	-.18380	.04290	-.00440	.00030	.00140	.23900	.05390
.600	34.050	.00000	.01000	.24470	-.18810	.04290	-.00500	.00070	.00090	.24240	.05430
.599	35.290	.00000	.01000	.24790	-.18860	.04300	-.00600	.00090	.00080	.24560	.05460
.601	36.520	.00000	.01000	.24480	-.18990	.04260	-.00590	.00130	.00080	.24260	.05400
.599	37.750	.00000	.01000	.25000	-.19470	.04310	-.00690	.00150	.00070	.24770	.05470
.599	38.990	.00000	.01000	.25300	-.19680	.04280	-.00720	.00160	.00070	.25070	.05460
.601	40.230	.00000	.01000	.25470	-.19610	.04290	-.00720	.00170	.00040	.25240	.05480
.600	41.460	.00000	.01000	.25580	-.19870	.04290	-.00610	.00170	.00060	.25350	.05480
.600	42.700	.00000	.01000	.25840	-.20200	.04300	-.00610	.00180	.00060	.25610	.05500
.600	43.940	.00000	.01000	.25840	-.20200	.04300	-.00610	.00180	.00060	.25610	.05500
.601	45.170	.00000	.01000	.25800	-.20230	.04270	-.00760	.00170	.00020	.25570	.05470
.601	46.400	.00000	.02000	.26020	-.20410	.04270	-.00730	.00170	.00070	.25790	.05480
.599	47.640	.00000	.02000	.26480	-.20460	.04270	-.00550	.00180	.00090	.26250	.05500
.600	48.870	.00000	.02000	.26540	-.20740	.04290	-.00700	.00170	.00060	.26310	.05530
.601	50.110	.00000	.02000	.26460	-.20940	.04270	-.00690	.00170	.00050	.26230	.05510
.599	51.340	.00000	.02000	.26590	-.20740	.04260	-.00590	.00160	.00020	.26360	.05500
.599				.26920	-.21070	.04290	-.00660	.00150	.00020	.26690	.05550

DATE 29 MAR 76

CA-25 FORCE SOURCE DATA TABULATION

PAGE 741

LTV44-559(CA26) 747/1 ATY 02 S1 (CARRIER DATA)

(RFE050) (18 NOV 75)

REFERENCE DATA

SREF = 5500.0000 SQ.FT.	XMRP = 1339.9000 IN. XC
LREF = 327.7800 IN.	YMRP = .0000 IN. YC
BREF = 2348.0400 IN.	ZMRP = 190.7500 IN. ZC
SCALE = .0125	

PARAMETRIC DATA

ALPHAC = 2.000	BETAC = .000
STAB = 5.000	ELEVON = 5.000
BOFLAP = .000	OX = .000
DY = .000	TORB = 8.000
BETA0 = 5.000	PUDDER = .000

		RUN NO. 1040/ 0	RN/L = .00	GRADIENT INTERVAL = -5.00/ 5.00							
MACH	DZ	DY	DX	CN	CLM	CA	CY	CYN	CBL	CL	CD
.599	52.580	.00000	.02000	.27260	-.21100	.04300	-.00530	.00150	.00050	.27020	.05570
.600	53.810	.00000	.02000	.26960	-.21470	.04280	-.00650	.00130	.00000	.26740	.05540
.600	55.050	.00000	.02000	.27260	-.21340	.04280	-.00510	.00140	.00030	.27030	.05550
.601	56.290	.00000	.02000	.27380	-.21450	.04280	-.00590	.00130	.00050	.27150	.05560
.600	57.520	.00000	.02000	.27370	-.21390	.04260	-.00460	.00130	.00050	.27140	.05540
	58.140	.00000	.02000	.27540	-.21450	.04260	-.00480	.00120	.00050	.27310	.05540
	GRADIENT	.00000	.00296	.00307	-.00505	.00029	.00021	-.00022	-.00005	.00307	.00045

LTV44-559(CA26) 747/1 ATX 02 S1 (CARRIER DATA)

(RFE051) (18 NOV 75)

REFERENCE DATA

SREF = 5500.0000 SQ.FT. XMRP = 1339.9000 IN. XC
 LREF = 327.7800 IN. YMRP = .0000 IN. YC
 BREF = 2348.0400 IN. ZMRP = 190.7500 IN. ZC
 SCALE = .0125

PARAMETRIC DATA

ALPHAC = 2.000 BETAC = .000
 STAB = 5.000 ELEVON = 5.000
 BDFLAP = .000 DX = .000
 DY = .000 TORB = 4.000
 BETA0 = .000 RUDDER = .000

RUN NO. 45/ D RN/L = .00 GRADIENT INTERVAL = -5.00/ 5.00

MACH	DZ	DY	DX	CN	CLM	CA	CY	CYN	CBL	CL	CD
.603	1.460	.00000	.00000	.22340	-.19060	.04360	.00800	-.00290	.00090	.22110	.05390
.604	2.060	.00000	.00000	.22390	-.18820	.04310	.00750	-.00290	.00100	.22170	.05350
.604	2.660	.00000	.00000	.22380	-.19130	.04350	.00830	-.00290	.00110	.22150	.05380
.603	3.360	.00000	.00000	.22770	-.19450	.04360	.00700	-.00290	.00090	.22550	.05410
.603	4.160	.00000	.00000	.22920	-.19420	.04330	.00700	-.00300	.00080	.22700	.05390
.604	4.960	.00000	.00000	.23390	-.19600	.04280	.00740	-.00290	.00080	.23160	.05360
.603	6.960	.00000	.00000	.23500	-.19850	.04350	.00800	-.00280	.00080	.23280	.05430
.604	8.960	.00000	.00000	.23510	-.20340	.04280	.00760	-.00270	.00110	.23280	.05360
.605	10.460	.00000	.00000	.24360	-.20910	.04280	.00720	-.00250	.00060	.24130	.05410
.605	11.460	.00000	.00000	.24630	-.20940	.04310	.00640	-.00220	.00070	.24400	.05450
.603	12.450	.00000	.00000	.24970	-.21290	.04340	.00600	-.00230	.00080	.24740	.05500
.604	13.450	.00000	.00000	.24730	-.21520	.04300	.00640	-.00200	.00070	.24510	.05440
.603	14.440	.00000	.00000	.25370	-.21570	.04340	.00550	-.00190	.00070	.25140	.05520
.606	15.440	.00000	.00000	.25000	-.21580	.04320	.00580	-.00170	.00090	.24770	.05470
.603	16.430	.00000	.00000	.25470	-.21820	.04270	.00530	-.00150	.00070	.25240	.05450
.605	17.430	.00000	.00000	.25760	-.22000	.04290	.00460	-.00120	.00070	.25530	.05480
.610	18.420	.00000	.00000	.25420	-.22010	.04230	.00420	-.00120	.00060	.25200	.05410
.604	19.420	.00000	.00000	.26370	-.22280	.04330	.00420	-.00090	.00070	.26140	.05550
.605	20.410	.00000	.00000	.26240	-.22470	.04300	.00430	-.00090	.00050	.26010	.05510
.606	21.410	.00000	.00000	.26140	-.22540	.04290	.00360	-.00060	.00050	.25910	.05490
.605	22.390	.00000	-.01000	.26410	-.22670	.04260	.00310	-.00050	.00060	.26180	.05480
.606	23.390	.00000	-.01000	.26460	-.22880	.04270	.00250	-.00040	.00050	.26230	.05490
.605	24.390	.00000	-.01000	.26550	-.23010	.04260	.00240	-.00030	.00050	.26320	.05490
.602	25.380	.00000	-.01000	.27140	-.23260	.04300	.00260	.00000	.00030	.26910	.05560
.604	26.380	.00000	-.01000	.26930	-.23050	.04260	.00190	-.00010	.00000	.26710	.05500
.604	27.370	.00000	-.01000	.27110	-.23160	.04240	.00160	.00000	.00010	.26690	.05490
.602	28.370	.00000	.00000	.26830	-.23930	.04220	.00230	.00000	.00020	.26610	.05460
.604	29.360	.00000	-.01000	.27470	-.23510	.04290	.00280	.00010	.00010	.27240	.05560
.605	30.360	.00000	-.01000	.27430	-.23470	.04270	.00250	.00010	.00000	.27200	.05530
.603	31.350	.00000	-.01000	.27590	-.23680	.04270	.00200	.00020	.00020	.27360	.05550
.604	32.350	.00000	-.01000	.27880	-.23680	.04270	.00230	.00020	.00010	.27650	.05560
.603	33.340	.00000	-.01000	.27730	-.23670	.04260	.00200	.00020	.00020	.27500	.05540
.604	34.340	.00000	-.01000	.27740	-.24080	.04250	.00140	.00030	.00030	.27510	.05530
.604	35.340	.00000	-.01000	.27930	-.23910	.04250	.00200	.00030	.00020	.27700	.05540
.604	35.330	.00000	-.01000	.28070	-.23870	.04280	.00180	.00030	.00020	.27840	.05580
.604	37.320	.00000	-.01000	.28190	-.23910	.04250	.00250	.00030	.00030	.27960	.05550
.604	38.320	.00000	-.01000	.28260	-.23920	.04250	.00200	.00030	.00020	.28040	.05560
.603	39.310	.00000	-.01000	.28280	-.24020	.04240	.00190	.00030	.00030	.28060	.05550
.604	40.310	.00000	-.01000	.28630	-.24000	.04190	.00150	.00020	.00000	.28410	.05520
.604	41.310	.00000	-.01000	.28500	-.24040	.04190	.00140	.00030	.00010	.28270	.05510
.603	42.300	.00000	-.01000	.28760	-.24140	.04260	.00160	.00030	.00010	.28530	.05590
.603	43.290	.00000	-.01000	.28820	-.24280	.04230	.00230	.00020	.00020	.28590	.05560

DATE 29 MAR 76

CA-26 FORCE SOURCE DATA TABULATION

PAGE 743

LTV44-559(CA26) 747/1 ATX 02 S1 (CARRIER DATA)

(RFE051) (18 NOV 75)

REFERENCE DATA

SREF = 5500.0000 SQ.FT. XMRP = 1339.9000 IN. XC
LREF = 327.7800 IN. YMRP = .0000 IN. YC
BREF = 2348.0400 IN. ZMRP = 190.7500 IN. ZC
SCALE = .0125

PARAMETRIC DATA

ALPHAC = 2.000 BETAC = .000
STAB = 5.000 ELEVON = 5.000
BDFLAP = .000 DX = .000
DY = .000 TORB = 4.000
BETA0 = .000 RUDDER = .000

RUN NO. 45/ 0 RN/L = .00 GRADIENT INTERVAL = -5.00/ 5.00

MACH	DZ	DY	DX	CN	CLM	CA	CY	CYN	CBL	CL	CD
.602	44.290	.00000	-.01000	.29010	-.24390	.04250	.00180	.00020	.00000	.28780	.05590
.605	44.790	.00000	-.01000	.28660	-.24330	.04190	.00170	.00020	.00000	.28430	.05520
	GRADIENT	.00000	.00000	.00300	-.00197	-.00014	-.00023	-.00001	-.00006	.00301	-.00000

LTV44-559(CA26) 747/1 ATX 02 S1 (CARRIER DATA)

(RFE052) (18 NOV 75)

REFERENCE DATA

SREF = 5500.0000 SQ.FT. XMRP = 1339.9000 IN. XC
 LREF = 327.7800 IN. YMRP = .0000 IN. YC
 BREF = 2348.0400 IN. ZMRP = 190.7500 IN. ZC
 SCALE = .0125

PARAMETRIC DATA

ALPHAC = 2.000 BETAC = .000
 STAB = 5.000 ELEVON = 5.000
 BDFLAP = .000 DX = .000
 DY = .000 ICRB = 6.000
 BETA0 = .000 RUDDER = .000

RUN NO. 1045/ 0 RN/L = .00 GRADIENT INTERVAL = -5.00/ 5.00

MACH	DZ	DY	DX	CN	CLM	CA	CY	CYN	CBL	CL	CD
.604	1.470	.00000	.01000	.18970	-.13210	.04000	.00580	-.00280	.00070	.18650	.04880
.603	2.070	.00000	.00000	.19320	-.13820	.04050	.00640	-.00300	.00100	.19100	.04950
.604	2.670	.00000	.01000	.19740	-.13830	.04040	.00660	-.00300	.00090	.19530	.04960
.602	3.370	.00000	.00000	.20250	-.14700	.04110	.00620	-.00280	.00070	.20030	.05050
.602	4.170	.00000	.00000	.20360	-.14700	.04090	.00670	-.00280	.00100	.20150	.05040
.602	4.960	.00000	.00000	.20300	-.14720	.04110	.00660	-.00270	.00100	.20080	.05060
.605	6.970	.00000	.00000	.21660	-.16600	.04150	.00590	-.00230	.00110	.21440	.05160
.604	8.970	.00000	.00000	.21840	-.16840	.04130	.00560	-.00250	.00070	.21620	.05150
.603	10.600	.00000	.00000	.22270	-.17760	.04150	.00550	-.00210	.00090	.22050	.05180
.604	11.880	.00000	.00000	.22630	-.18230	.04180	.00500	-.00200	.00090	.22410	.05230
.604	13.160	.00000	.00000	.23000	-.18420	.04170	.00530	-.00170	.00090	.22780	.05230
.603	14.440	.00000	.00000	.23320	-.19030	.04200	.00440	-.00160	.00070	.23100	.05280
.601	15.710	.00000	.00000	.23930	-.19410	.04240	.00410	-.00140	.00060	.23710	.05350
.603	16.990	.00000	.00000	.24040	-.19570	.04220	.00380	-.00130	.00040	.23820	.05330
.602	18.270	.00000	.00000	.24230	-.19870	.04200	.00420	-.00120	.00030	.24010	.05320
.603	19.540	.00000	.00000	.24730	-.20200	.04210	.00390	-.00090	.00030	.24510	.05360
.602	20.820	.00000	.00000	.24640	-.20490	.04220	.00280	-.00050	.00020	.24420	.05360
.601	22.090	.00000	-.01000	.25110	-.20770	.04180	.00260	-.00030	.00040	.24890	.05350
.603	23.360	.00000	-.01000	.25180	-.21010	.04220	.00230	-.00020	.00040	.24960	.05390
.605	24.650	.00000	-.01000	.24850	-.21280	.04180	.00220	-.00010	.00010	.24530	.05330
.604	25.920	.00000	-.01000	.25670	-.21310	.04240	.00170	.00000	.00020	.25440	.05430
.606	27.200	.00000	-.01000	.25590	-.21340	.04190	.00080	.00030	.00010	.25360	.05380
.603	28.470	.00000	-.01000	.25750	-.21800	.04190	.00050	.00040	.00040	.25530	.05380
.602	29.750	.00000	-.01000	.26140	-.22110	.04230	.00060	.00050	.00010	.25910	.05440
.604	31.030	.00000	-.01000	.26420	-.21910	.04210	.00000	.00060	.00040	.26190	.05440
.605	32.300	.00000	-.01000	.26340	-.22270	.04160	.00060	.00070	.00060	.26120	.05390
.604	33.580	.00000	-.01000	.26280	-.22360	.04160	.00070	.00060	.00020	.26060	.05370
.603	34.850	.00000	-.01000	.26670	-.22700	.04210	.00080	.00060	.00000	.26450	.05440
.605	36.130	.00000	-.01000	.27000	-.22630	.04180	.00090	.00050	.00000	.26780	.05430
.602	37.410	.00000	-.01000	.27130	-.22830	.04240	.00070	.00050	.00070	.26900	.05490
.603	38.690	.00000	-.01000	.27160	-.23050	.04190	.00080	.00060	.00020	.26940	.05440
.605	39.960	.00000	-.01000	.27300	-.23050	.04130	.00160	.00060	.00010	.27080	.05390
.602	41.240	.00000	-.01000	.27600	-.22970	.04200	.00190	.00040	.00030	.27380	.05480
.602	42.520	.00000	-.01000	.27900	-.23050	.04180	.00150	.00050	.00010	.27670	.05480
.604	43.790	.00000	-.01000	.27740	-.23150	.04150	.00130	.00050	.00000	.27520	.05440
.601	45.070	.00000	-.01000	.28170	-.23590	.04200	.00100	.00050	.00000	.27940	.05510
.605	46.340	.00000	-.01000	.28300	-.23470	.04160	.00130	.00050	.00020	.28070	.05480
.602	47.620	.00000	-.01000	.28500	-.23700	.04190	.00170	.00030	.00000	.28270	.05510
.602	48.900	.00000	-.01000	.28280	-.23810	.04210	.00140	.00030	.00020	.28060	.05520
.606	50.180	.00000	-.01000	.28230	-.23520	.04170	.00060	.00040	.00010	.28000	.05480
.605	51.460	.00000	-.01000	.28260	-.23650	.04190	.00040	.00040	.00000	.28040	.05500
GRADIENT		.00000	-.00244	.00430	-.00444	.00030	.00018	.00006	.00005	.00423	.00051

DATE 28 MAR 76

CA-26 FORCE SOURCE DATA TABULATION

PAGE 745

LTV44-559(CA26) 747/1 ATY 02 S1 (CARRIER DATA)

(INFO53) (18 NOV 76)

REFERENCE DATA

SREF = 5500.0000 SO.FT. XTRP = 1339.9000 IN. XC
 LREF = 327.7800 IN. YTRP = .0000 IN. YC
 BREF = 2348.0400 IN. ZTRP = 190.7500 IN. ZC
 SCALE = .0125

PARAMETRIC DATA

ALPHAC = 2.000 BETAC = .000
 STAB = 5.000 ELEVON = 5.000
 BOFLAP = .000 DX = .000
 DZ = .000 TORS = 6.000
 BETA0 = .000 RUDDER = 6.000

RUN NO. 48/ 0 RNL/L = .00 GRADIENT INTERVAL = -5.00/ 5.00

MACH	DX	DY	DZ	CN	CLM	CA	CY	CYN	CBL	CL	CD
.598	.01000	-10.000	1.45000	.18940	-14720	.04290	.00290	.00270	-.00420	.19320	.05200
.600	.01000	-9.420	1.45000	.19210	-14210	.04220	.00300	.00280	-.00400	.19760	.05120
.602	.01000	-8.850	1.45000	.19150	-14070	.04220	.00130	.00290	-.00370	.19330	.05110
.604	.01000	-8.280	1.45000	.19160	-13740	.04240	.00070	.00310	-.00340	.18340	.05140
.606	.02000	-7.710	1.45000	.19080	-13170	.04180	.00060	.00320	-.00320	.18660	.05070
.608	.02000	-7.140	1.45000	.18920	-13050	.04190	-.00010	.00330	-.00280	.18700	.05070
.610	.02000	-6.560	1.45000	.18630	-12710	.04150	.00060	.00330	-.00220	.18460	.05020
.612	.02000	-5.990	1.45000	.18830	-12810	.04190	-.00070	.00290	-.00210	.18760	.05080
.614	.02000	-5.420	1.45000	.18830	-12640	.04170	.00060	.00240	-.00170	.18670	.05050
.616	.02000	-4.850	1.45000	.18740	-12710	.04170	.00060	.00170	-.00120	.18520	.05060
.618	.02000	-4.280	1.45000	.18740	-12530	.04170	.00090	.00090	-.00100	.18520	.05040
.620	.02000	-3.710	1.45000	.19080	-12710	.04190	.00020	.00070	-.00070	.18870	.05090
.622	.01000	-3.130	1.45000	.19050	-12450	.04160	.00260	.00070	-.00020	.18830	.05050
.624	.01000	-2.570	1.45000	.18930	-12660	.04200	.00340	.00160	-.00030	.18710	.05080
.626	.01000	-1.990	1.45000	.18810	-12550	.04180	.00250	.00250	-.00080	.18590	.05060
.628	.01000	-1.420	1.45000	.19010	-12890	.04200	.00390	.00330	-.00180	.18790	.05090
.630	.02000	-.850	1.45000	.19340	-12700	.04250	.00410	.00410	-.00160	.19120	.05160
.632	.02000	-.270	1.45000	.19080	-12940	.04280	.00460	.00460	-.00180	.18950	.05170
.634	.02000	.270	1.45000	.19500	-12730	.04200	.00490	.00550	-.00200	.18770	.05090
.636	.02000	.850	1.45000	.19170	-13010	.04240	.00590	.00610	-.00260	.18950	.05140
.638	.02000	1.420	1.45000	.19050	-12660	.04200	.00500	.00640	-.00300	.18870	.05090
.640	.02000	2.000	1.45000	.19500	-13240	.04240	.00420	.00650	-.00350	.18740	.05130
.642	.02000	2.560	1.45000	.19080	-13270	.04260	.00330	.00660	-.00360	.18660	.05160
.644	.02000	3.130	1.45000	.19230	-13320	.04260	.00200	.00630	-.00380	.19000	.05160
.646	.01000	3.710	1.45000	.19420	-13800	.04300	.00160	.00600	-.00400	.19200	.05170
.648	.01000	4.280	1.45000	.19020	-13920	.04280	.00110	.00570	-.00440	.18800	.05170
.650	.01000	4.850	1.45000	.19330	-14240	.04330	.00000	.00550	-.00470	.19100	.05230
.652	.01000	5.420	1.45000	.19320	-14510	.04400	.00000	.00540	-.00500	.19000	.05320
.654	.01000	6.000	1.45000	.20000	-14690	.04390	-.00130	.00530	-.00540	.19770	.05320
.656	.01000	6.560	1.45000	.19620	-15000	.04350	.00310	.00520	-.00570	.19400	.05260
.658	.01000	7.140	1.45000	.19790	-15400	.04400	.00250	.00510	-.00610	.19570	.05320
.660	.01000	7.700	1.45000	.19790	-15900	.04410	.00250	.00520	-.00630	.19560	.05330
.662	.01000	8.280	1.45000	.19650	-16500	.04420	.00350	.00540	-.00670	.19660	.05400
.664	.01000	8.850	1.45000	.19890	-16280	.04480	.00470	.00550	-.00680	.19660	.05390
.666	.01000	9.420	1.45000	.19930	-16150	.04470	.00430	.00570	-.00660	.19450	.05340
.668	.01000	10.000	1.45000	.19670	-16510	.04440	.00410	.00560	-.00650	.19450	.05340
.670	.00007	.00007	-.00000	.00041	-.00148	.00013	-.00003	-.00083	.00053	.00040	.00015

GRADIENT

LTV44-559(CA25) 747/1 ATY 02 51 (CARRIER DATA)

(RFE054) (18 NOV 75)

REFERENCE DATA

SREF = 5500.0000 SQ.FT. XMRP = 1339.9000 IN. XC
 LREF = 327.7800 IN. YMRP = .0000 IN. YC
 BREF = 2348.0400 IN. ZMRP = 190.7500 IN. ZC
 SCALE = .0125

PARAMETRIC DATA

ALPHAC = 2.000 BETAC = .000
 STAB = 5.000 ELEVON = 5.000
 BOFLAP = .000 DX = .000
 DZ = 15.000 IORB = 6.000
 BETAO = .000 RUDDER = .000

RUN NO. 1046/ 0 RN/L = .00 GRADIENT INTERVAL = -5.00/ 5.00

MACH	DY	DX	DZ	CN	CLM	CA	CY	CYN	CBL	CL	CD
.599	-9.420	.01000	16.46000	.23640	-.18410	.04370	.00430	.00020	-.00290	.23410	.05470
.600	-8.850	.01000	16.46000	.23500	-.18530	.04350	.00450	.00010	-.00300	.23270	.05440
.599	-8.280	.01000	16.46000	.24010	-.18710	.04400	.00420	.00010	-.00260	.23780	.05520
.600	-7.710	.01000	16.46000	.23950	-.18560	.04370	.00470	.00000	-.00260	.23620	.05480
.601	-7.140	.01000	16.46000	.23570	-.18560	.04340	.00350	.00010	-.00270	.23350	.05430
.603	-6.560	.01000	16.46000	.23590	-.18560	.04330	.00390	.00020	-.00250	.23360	.05430
.602	-5.990	.01000	16.46000	.23720	-.18420	.04340	.00370	.00020	-.00200	.23490	.05440
.601	-5.420	.01000	16.46000	.23580	-.18580	.04400	.00210	.00040	-.00170	.23350	.05490
.599	-4.850	.01000	16.46000	.23650	-.18540	.04410	.00180	.00050	-.00180	.23420	.05510
.601	-4.280	.01000	16.46000	.23660	-.18430	.04330	.00160	.00050	-.00150	.23430	.05430
.603	-3.710	.01000	16.46000	.23440	-.18180	.04310	.00040	.00040	-.00120	.23210	.05400
.601	-3.140	.01000	16.46000	.23620	-.18200	.04340	-.00020	.00030	-.00110	.23390	.05440
.601	-2.570	.01000	16.46000	.23450	-.18310	.04330	.00000	.00010	-.00070	.23220	.05420
.600	-1.990	.00000	16.46000	.23480	-.18410	.04390	.00000	.00000	-.00070	.23250	.05480
.602	-1.420	.00000	16.46000	.23300	-.18090	.04320	.00110	-.00040	-.00040	.23070	.05400
.600	-.850	.00000	16.46000	.23500	-.18200	.04370	.00040	-.00080	-.00020	.23270	.05460
.602	-.280	.00000	16.46000	.23500	-.18150	.04370	.00060	-.00110	.00000	.23270	.05470
.601	.270	.01000	16.46000	.23560	-.18210	.04370	.00140	-.00140	.00030	.23330	.05470
.602	.850	.01000	16.46000	.23460	-.18150	.04360	.00060	-.00170	.00070	.23230	.05450
.603	1.410	.01000	16.46000	.23460	-.18080	.04350	.00060	-.00210	.00090	.23230	.05440
.603	1.990	.01000	16.46000	.23400	-.17990	.04330	.00080	-.00240	.00080	.23170	.05420
.603	2.560	.01000	16.46000	.23330	-.18160	.04310	.00150	-.00240	.00100	.23110	.05400
.602	3.130	.01000	16.46000	.23620	-.17950	.04340	.00090	-.00260	.00140	.23390	.05440
.602	3.700	.01000	16.46000	.23690	-.18040	.04330	.00110	-.00280	.00170	.23450	.05450
.600	4.270	.01000	16.46000	.23730	-.18190	.04380	.00070	-.00280	.00190	.23500	.05480
.602	4.850	.01000	16.46000	.23220	-.18450	.04330	.00120	-.00270	.00210	.22990	.05410
.602	5.420	.01000	16.46000	.23270	-.18340	.04360	.00060	-.00280	.00210	.23040	.05440
.602	5.990	.01000	16.46000	.23350	-.18370	.04320	.00050	-.00270	.00250	.23120	.05400
.600	6.560	.01000	16.46000	.23630	-.18400	.04340	-.00020	-.00260	.00260	.23400	.05440
.599	7.130	.01000	16.46000	.23670	-.18380	.04360	-.00030	-.00260	.00270	.23450	.05460
.601	7.700	.01000	16.46000	.23780	-.18340	.04380	-.00220	-.00240	.00280	.23550	.05490
.599	8.270	.01000	16.46000	.23780	-.18410	.04360	-.00220	-.00230	.00300	.23550	.05460
.599	8.840	.01000	16.46000	.23900	-.18440	.04400	-.00260	-.00220	.00310	.23660	.05520
.601	9.420	.01000	16.46000	.23530	-.18330	.04370	-.00320	-.00210	.00320	.23300	.05460
.599	9.990	.01000	16.46000	.23830	-.18510	.04420	-.00420	-.00190	.00340	.23590	.05530
	GRADIENT	.00029	.00000	-.00007	.00026	-.00001	.00003	-.00041	.00039	-.00007	-.00001

DATE 29 MAR 78

CA-26 FORCE SOURCE DATA TABULATION

PAGE 747

LTV44-559(CA26) 747/1 ATY 02 S1 (CARRIER DATA)

(REF055) (18 NOV 75)

REFERENCE DATA

SREF = 5500.0000 SQ.FT. XMRP = 1339.9000 IN. XC
 LREF = 327.7800 IN. YMRP = .0000 IN. YC
 BREF = 2348.0400 IN. ZMRP = 190.7500 IN. ZC
 SCALE = .0125

PARAMETRIC DATA

ALPHAAC = 2.000 BETAC = .000
 STAB = 5.000 ELEVON = 5.000
 BOXFLAP = .000 DX = .000
 DZ = 60.000 TORR = 6.000
 BETA0 = .000 RUDDER = .000

RUN NO. 2046/ 0 RV/L = .00 GRADIENT INTERVAL = -5.00/ 5.00

MACH	DX	DY	DZ	CN	CLM	CA	CY	CYN	CEL	CL	CD
.598	-.01000	-10.000	51.46000	.28490	-.22910	.04340	.00420	-.00240	-.00820	.28260	.05670
.600	-.01000	-9.430	51.46000	.28360	-.22920	.04330	.00380	-.00200	-.00010	.28030	.05640
.600	-.01000	-8.860	51.46000	.28210	-.22750	.04330	.00370	-.00210	.00000	.27970	.05640
.599	-.01000	-8.280	51.46000	.28240	-.22850	.04310	.00350	-.00180	.00000	.28000	.05630
.600	-.01000	-7.710	51.46000	.28440	-.22880	.04310	.00240	-.00170	.00000	.28210	.05630
.599	-.01000	-7.140	51.46000	.28220	-.22760	.04300	.00290	-.00160	.00000	.27990	.05620
.598	-.01000	-6.570	51.46000	.28360	-.22800	.04330	.00190	-.00140	-.00020	.28130	.05620
.600	-.02000	-5.420	51.46000	.28510	-.22830	.04360	.00070	-.00120	.00000	.28270	.05680
.600	-.02000	-4.860	51.46000	.28660	-.22580	.04340	.00050	-.00090	.00000	.28360	.05680
.601	-.02000	-4.290	51.46000	.28430	-.22630	.04340	.00050	-.00110	.00000	.28510	.05680
.601	-.02000	-3.710	51.46000	.28530	-.22630	.04350	-.00040	-.00080	.00010	.28200	.05620
.601	-.02000	-3.140	51.46000	.28480	-.22640	.04360	-.00070	-.00070	.00000	.28300	.05680
.603	-.01000	-2.570	51.46000	.28510	-.22690	.04370	-.00070	-.00050	.00000	.28240	.05690
.601	-.01000	-2.000	51.46000	.28200	-.22830	.04340	-.00100	-.00020	.00000	.28280	.05700
.603	-.01000	-1.430	51.46000	.28310	-.22830	.04340	-.00120	-.00000	.00000	.27970	.05660
.601	-.02000	-.850	51.46000	.28440	-.22470	.04330	-.00120	-.00000	.00000	.28070	.05660
.601	-.02000	-.280	51.46000	.28660	-.22560	.04350	-.00250	-.00020	.00030	.28200	.05660
.598	-.01000	.840	51.46000	.28430	-.22770	.04370	-.00230	-.00020	.00030	.28420	.05670
.601	-.02000	1.410	51.46000	.28510	-.22620	.04320	-.00340	-.00040	.00020	.28190	.05690
.601	-.02000	1.990	51.46000	.28400	-.22690	.04330	-.00450	-.00070	.00020	.28170	.05640
.602	-.02000	2.560	51.46000	.28300	-.22650	.04330	-.00450	-.00070	.00020	.28280	.05660
.600	-.02000	3.130	51.46000	.28490	-.22610	.04360	-.00560	-.00110	.00010	.28070	.05610
.600	-.02000	3.700	51.46000	.28520	-.22700	.04330	-.00570	-.00130	.00020	.28250	.05680
.599	-.01000	4.270	51.46000	.28310	-.22770	.04340	-.00590	-.00130	.00010	.28280	.05650
.600	-.01000	4.850	51.46000	.28150	-.22650	.04330	-.00590	-.00130	.00020	.28080	.05660
.601	-.02000	5.410	51.46000	.28200	-.22490	.04290	-.00670	-.00160	.00020	.27920	.05630
.600	-.02000	5.980	51.46000	.28460	-.22620	.04350	-.00730	-.00190	.00040	.27970	.05600
.600	-.02000	6.560	51.46000	.28540	-.22750	.04340	-.00690	-.00200	.00040	.28230	.05670
.602	-.01000	7.130	51.46000	.28620	-.22730	.04350	-.00760	-.00220	.00050	.28310	.05690
.601	-.01000	7.700	51.46000	.28190	-.22640	.04320	-.00780	-.00230	.00080	.27960	.05630
.601	-.01000	8.270	51.46000	.28400	-.22810	.04380	-.00820	-.00240	.00070	.28160	.05700
.602	-.02000	8.840	51.46000	.28550	-.22730	.04320	-.00850	-.00240	.00050	.28160	.05650
.631	-.02000	9.420	51.46000	.28350	-.22760	.04330	-.00860	-.00250	.00030	.28320	.05660
	.00940		-.00000	-.00021	-.00009	-.00001	-.00074	.00025	.00002	-.00021	-.00003

ORIGINAL PAGE IS OF POOR QUALITY

LTV44-559(CA26) 747/1 ATY 02 S1 (CARRIER DATA)

(RFE056) (18 NOV 75)

REFERENCE DATA

SREF = 5500.0000 SQ.FT. XMRP = 1339.9000 IN. XC
 LREF = 327.7800 IN. YMRP = .0000 IN. YC
 BREF = 2348.0400 IN. ZMRP = 190.7500 IN. ZC
 SCALE = .0125

PARAMETRIC DATA

ALPHAC = 2.000 BETAC = .000
 STAF = 5.000 ELEVON = 5.000
 BDFLAP = .000 DX = .000
 DZ = .000 TORB = 6.000
 BETAO = 5.000 RUDDER = .000

RUN NO. 47/ 0 RN/L = .00 GRADIENT INTERVAL = -5.00/ 5.00

MACH	DY	DX	DZ	CN	CLM	CA	CY	CYN	CBL	CL	CD
.611	-10.000	.02000	1.46000	.18880	-.12880	.04100	.00650	.00000	-.00160	.18670	.04990
.610	-9.420	.02000	1.46000	.18770	-.12410	.04130	.00600	.00010	-.00140	.18560	.05010
.609	-8.850	.02000	1.46000	.18740	-.12390	.04140	.00600	.00010	-.00100	.18530	.05020
.608	-8.280	.02000	1.46000	.18630	-.12200	.04110	.00560	.00010	-.00080	.18420	.04980
.609	-7.710	.02000	1.46000	.18710	-.11960	.04090	.00510	.00020	-.00050	.18500	.04970
.609	-7.140	.02000	1.46000	.18350	-.11720	.04040	.00390	.00000	-.00010	.18140	.04910
.607	-6.560	.02000	1.46000	.18440	-.11890	.04060	.00520	-.00020	.00020	.18230	.04930
.610	-5.990	.01000	1.46000	.18510	-.12080	.04060	.00570	-.00060	.00050	.18300	.04930
.609	-5.420	.01000	1.46000	.18570	-.12170	.04050	.00600	-.00110	.00080	.18360	.04920
.608	-4.850	.01000	1.46000	.18630	-.12230	.04060	.00600	-.00180	.00130	.18410	.04930
.608	-4.280	.01000	1.46000	.18370	-.12300	.04040	.00730	-.00250	.00170	.18160	.04900
.609	-3.710	.01000	1.46000	.18540	-.12150	.04060	.00740	-.00320	.00190	.18330	.04930
.610	-3.130	.01000	1.46000	.18500	-.12270	.04050	.00810	-.00390	.00220	.18290	.04910
.611	-2.570	.01000	1.46000	.18630	-.12370	.04070	.00770	-.00470	.00250	.18420	.04940
.610	-1.990	.01000	1.46000	.18720	-.12150	.04050	.00840	-.00520	.00300	.18500	.04920
.609	-1.420	.01000	1.46000	.18650	-.12410	.04040	.00910	-.00580	.00360	.18440	.04920
.608	-.850	.01000	1.46000	.19290	-.12380	.04090	.00860	-.00630	.00410	.18680	.05000
.611	-.270	.01000	1.46000	.18820	-.12470	.04060	.00890	-.00690	.00460	.18610	.04940
.610	.270	.02000	1.46000	.18820	-.12560	.04070	.00860	-.00750	.00480	.18600	.04950
.610	.850	.02000	1.46000	.18740	-.12820	.04090	.00790	-.00790	.00510	.18530	.04960
.608	1.420	.02000	1.46000	.18970	-.12980	.04130	.00700	-.00800	.00560	.18660	.05010
.608	1.990	.02000	1.46000	.18920	-.13140	.04180	.00620	-.00770	.00610	.18710	.05070
.610	2.560	.01000	1.46000	.19080	-.13610	.04170	.00480	-.00750	.00640	.18670	.05060
.610	3.130	.01000	1.46000	.19170	-.13720	.04180	.00360	-.00720	.00660	.18950	.05070
.610	3.710	.01000	1.46000	.19080	-.14210	.04220	.00240	-.00710	.00670	.18870	.05110
.609	4.280	.01000	1.46000	.19250	-.14700	.04250	.00060	-.00700	.00680	.19030	.05140
.610	4.850	.01000	1.46000	.19210	-.15080	.04290	.00030	-.00680	.00700	.18980	.05180
.611	5.420	.01000	1.46000	.19300	-.15430	.04280	-.00070	-.00650	.00730	.19080	.05170
.609	5.990	.01000	1.46000	.19490	-.15990	.04320	-.00220	-.00640	.00770	.19260	.05220
.609	6.560	.01000	1.46000	.19850	-.16460	.04370	-.00330	-.00630	.00810	.19630	.05280
.607	7.140	.01000	1.46000	.20040	-.16680	.04380	-.00440	-.00650	.00850	.19810	.05310
.609	7.700	.01000	1.46000	.19970	-.17180	.04420	-.00470	-.00650	.00890	.19750	.05330
.609	8.280	.01000	1.46000	.20190	-.17330	.04420	-.00530	-.00650	.00910	.19950	.05350
.608	8.850	.01000	1.46000	.20170	-.17200	.04440	-.00620	-.00660	.00920	.19950	.05370
.638	9.420	.00000	1.46000	.20070	-.17510	.04430	-.00570	-.00660	.00940	.19840	.05350
.611	10.000	.01000	1.46000	.20090	-.17390	.04440	-.00590	-.00650	.00910	.19860	.05360
GRADIENT		.00029	-.00000	.00077	-.00271	.00023	-.00066	-.00054	.00064	.00076	.00026

DATE 29 MAR 76

CA-26 FORCE SOURCE DATA TABULATION

PAGE 749

LTV44-559(CA26) 747/1 ATY 02 S1 (CARRIER DATA)

(RFE057) (18 NOV 75)

REFERENCE DATA

SREF = 5500.0000 SQ.FT. XMRP = 1339.9000 IN. XC
 LREF = 327.7800 IN. YMRP = .0000 IN. YC
 BREF = 2348.0400 IN. ZMRP = 190.7500 IN. ZC
 SCALE = .0125

PARAMETRIC DATA

ALPHAC = 2.000 BETAC = .000
 STAB = 5.000 ELEVON = 5.000
 BDFLAP = .000 DX = .000
 OZ = 15.000 TORB = 6.000
 BETA0 = 5.000 RUDDER = .000

RUN NO. 1047/ 0 RN/L = .00 GRADIENT INTERVAL = -5.00/ 5.00

MACH	DY	DX	OZ	CN	CLM	CA	CY	CYN	CBL	CL	CD
.609	-9.420	.01000	15.00000	.22700	-.17370	.04200	.00520	-.00060	-.00090	.22480	.05250
.610	-8.850	.01000	15.00000	.22820	-.17530	.04190	.00520	-.00070	-.00080	.22590	.05280
.608	-8.280	.00000	15.00000	.23010	-.17730	.04240	.00400	-.00060	-.00080	.22790	.05310
.609	-7.710	.00000	15.00000	.23020	-.17740	.04200	.00310	-.00070	-.00070	.22800	.05270
.607	-7.140	.00000	15.00000	.23170	-.17650	.04250	.00340	-.00090	-.00070	.22940	.05330
.610	-6.560	.00000	15.00000	.22900	-.17710	.04200	.00410	-.00100	-.00040	.22680	.05270
.608	-5.990	.00000	15.00000	.23260	-.17720	.04230	.00340	-.00130	-.00010	.23030	.05350
.609	-5.420	.00000	15.00000	.22940	-.17640	.04260	.00450	-.00160	.00000	.22720	.05300
.607	-4.850	.00000	15.00000	.23140	-.17550	.04270	.00410	-.00200	.00030	.22920	.05350
.609	-4.280	.00000	15.00000	.22900	-.17700	.04230	.00470	-.00230	.00070	.22680	.05290
.610	-3.710	.00000	15.00000	.22640	-.17540	.04210	.00550	-.00280	.00100	.22410	.05260
.607	-3.140	.00000	15.00000	.23210	-.17710	.04290	.00460	-.00320	.00130	.22980	.05370
.610	-2.570	.00000	15.00000	.22730	-.17490	.04200	.00640	-.00360	.00160	.22510	.05260
.609	-1.990	.00000	15.00000	.23020	-.17670	.04210	.00630	-.00390	.00170	.22800	.05280
.608	-1.420	.00000	15.00000	.23240	-.17750	.04250	.00690	-.00420	.00220	.23010	.05330
.608	-.850	.00000	15.00000	.23050	-.17680	.04220	.00700	-.00450	.00240	.22830	.05290
.610	-.280	.00000	15.00000	.23270	-.17900	.04280	.00700	-.00450	.00250	.23040	.05370
.611	.270	.01000	15.00000	.22700	-.17770	.04180	.00650	-.00470	.00280	.22480	.05240
.610	.850	.01000	15.00000	.22610	-.17830	.04200	.00670	-.00510	.00280	.22390	.05250
.608	1.410	.01000	15.00000	.22830	-.17940	.04250	.00580	-.00500	.00300	.22610	.05310
.609	1.990	.01000	15.00000	.22890	-.17980	.04250	.00570	-.00490	.00320	.22660	.05310
.610	2.560	.01000	15.00000	.23080	-.18080	.04280	.00450	-.00480	.00320	.22850	.05360
.609	3.130	.01000	15.00000	.23070	-.17910	.04280	.00380	-.00470	.00350	.22840	.05350
.609	3.700	.01000	15.00000	.23120	-.18080	.04240	.00390	-.00470	.00360	.22900	.05320
.611	4.270	.01000	15.00000	.22750	-.17980	.04220	.00350	-.00450	.00380	.22530	.05280
.610	4.850	.01000	15.00000	.23020	-.18060	.04240	.00270	-.00430	.00390	.22800	.05310
.611	5.420	.01000	15.00000	.22900	-.18160	.04230	.00290	-.00420	.00410	.22680	.05300
.609	5.980	.01000	15.00000	.23440	-.18220	.04310	.00000	-.00390	.00440	.23210	.05410
.608	6.560	.01000	15.00000	.23460	-.18230	.04330	-.00090	-.00350	.00450	.23230	.05420
.609	7.130	.01000	15.00000	.23280	-.18160	.04290	-.00240	-.00330	.00450	.23050	.05370
.610	7.700	.01000	15.00000	.23550	-.18370	.04310	-.00240	-.00310	.00440	.23320	.05410
.608	8.270	.01000	15.00000	.23510	-.18530	.04330	-.00350	-.00270	.00450	.23280	.05430
.610	8.840	.01000	15.00000	.23290	-.18350	.04270	-.00420	-.00230	.00480	.23060	.05360
.610	9.420	.01000	15.00000	.23190	-.18560	.04300	-.00510	-.00200	.00490	.22960	.05380
.611	9.990	.01000	15.00000	.23300	-.18780	.04270	-.00640	-.00160	.00510	.23080	.05350
GRADIENT		.00147	-.00000	-.00002	-.00056	.00001	-.00017	-.00025	.00036	-.00002	.00001

ORIGINAL PAGE IS
OF POOR QUALITY

LTV44-559(CA26) 747/1 ATY 02 S1 (CARRIER DATA)

(RFE058) (18 NOV 75)

REFERENCE DATA

SREF = 5500.0000 SQ.FT. XMRP = 1339.9000 IN. XC
 LREF = 327.7800 IN. YMRP = .0000 IN. YC
 BREF = 2348.0400 IN. ZMRP = 190.7500 IN. ZC
 SCALE = .0125

PARAMETRIC DATA

ALPHAC = 2.000 BETAC = .000
 STAB = 5.000 ELEVON = 5.000
 BDFLAP = .000 DX = .000
 DZ = 60.000 IORB = 6.000
 BETA0 = 5.000 RUDDER = .000

RUN NO. 2047/ 0 RN/L = .00 GRADIENT INTERVAL = -5.00/ 5.00

MACH	DY	DX	DZ	CN	CLM	CA	CY	CYN	CBL	CL	CD
.607	-10.000	-.02000	51.46000	.28430	-.22690	.04260	.00000	-.00040	-.00020	.28200	.05580
.611	-9.430	-.02000	51.46000	.28040	-.22380	.04230	.00000	-.00040	-.00020	.27810	.05530
.608	-8.860	-.02000	51.46000	.28380	-.22680	.04250	-.00150	-.00010	-.00020	.28150	.05570
.607	-8.280	-.02000	51.46000	.28310	-.22520	.04230	-.00090	.00000	-.00010	.28080	.05550
.609	-7.710	-.02000	51.46000	.28150	-.22440	.04220	-.00140	.00000	.00000	.27930	.05530
.607	-7.140	-.02000	51.46000	.28470	-.22670	.04280	-.00210	.00010	-.00020	.28240	.05600
.609	-6.570	.00000	51.46000	.28020	-.22550	.04240	-.00210	.00040	.00000	.27790	.05550
.606	-6.000	.00000	51.46000	.28280	-.22840	.04270	-.00300	.00060	.00000	.27970	.05580
.610	-5.420	.00000	51.46000	.27750	-.22510	.04220	-.00340	.00060	-.00010	.27530	.05510
.608	-4.860	.00000	51.46000	.28320	-.22930	.04270	-.00420	.00080	-.00010	.28090	.05590
.608	-4.290	.00000	51.46000	.28050	-.22840	.04250	-.00400	.00100	.00010	.27830	.05550
.611	-3.710	.00000	51.46000	.27770	-.22560	.04230	-.00450	.00110	.00020	.27550	.05520
.611	-3.140	.00000	51.46000	.28140	-.22600	.04250	-.00560	.00130	.00010	.27910	.05560
.611	-2.570	-.01000	51.46000	.27970	-.22430	.04220	-.00560	.00140	.00020	.27740	.05520
.611	-2.000	-.01000	51.46000	.28100	-.22300	.04220	-.00610	.00160	.00020	.27870	.05530
.611	-1.430	.00000	51.46000	.28170	-.22640	.04260	-.00630	.00170	.00030	.27940	.05570
.610	-.850	.00000	51.46000	.28230	-.22660	.04230	-.00600	.00200	.00040	.28000	.05540
.608	-.280	.00000	51.46000	.28420	-.22840	.04260	-.00640	.00200	.00040	.28190	.05580
.609	.270	-.01000	51.46000	.28250	-.22870	.04260	-.00690	.00210	.00020	.28020	.05570
.609	.840	-.01000	51.46000	.28200	-.22940	.04260	-.00710	.00220	.00020	.27970	.05570
.609	1.410	-.01000	51.46000	.28420	-.22790	.04290	-.00770	.00220	.00000	.28190	.05610
.612	1.990	-.02000	51.46000	.28360	-.22610	.04250	-.00820	.00260	.00000	.28130	.05570
.610	2.560	-.01000	51.46000	.28350	-.22890	.04260	-.00840	.00270	.00030	.28120	.05570
.611	3.130	-.01000	51.46000	.28500	-.22880	.04280	-.00930	.00290	.00050	.28270	.05610
.610	3.700	-.01000	51.46000	.28410	-.22910	.04270	-.00940	.00310	.00060	.28180	.05590
.612	4.270	-.01000	51.46000	.28110	-.22770	.04230	-.00960	.00320	.00050	.27880	.05530
.610	4.850	-.02000	51.46000	.28500	-.22710	.04250	-.01020	.00320	.00040	.28270	.05570
.611	5.410	-.01000	51.46000	.28340	-.22700	.04220	-.01140	.00340	.00050	.28110	.05530
.609	5.980	-.01000	51.46000	.28500	-.22970	.04300	-.01080	.00350	.00060	.28270	.05630
.611	6.560	-.01000	51.46000	.28170	-.22960	.04230	-.01080	.00370	.00050	.27940	.05540
.609	7.130	-.02000	51.46000	.28690	-.22880	.04300	-.01190	.00380	.00040	.28460	.05630
.611	7.700	-.01000	51.46000	.28340	-.22800	.04260	-.01220	.00390	.00040	.28110	.05580
.609	8.270	-.02000	51.46000	.28470	-.22780	.04250	-.01220	.00410	.00050	.28240	.05580
.608	8.840	-.02000	51.46000	.28560	-.22840	.04290	-.01280	.00420	.00060	.28330	.05620
.610	9.420	-.01000	51.46000	.28480	-.22930	.04250	-.01270	.00420	.00080	.28260	.05570
	GRADIENT	-.00161	-.00000	.00041	-.00023	.00002	-.00062	.00025	.00004	.00040	.00000

DATE 29 MAR 76

CA-26 FORCE SOURCE DATA TABULATION

PAGE 751

LTV44-559(CA26) 747/1 ATY 02 S1 (CARRIER DATA)

(RFE059) (18 NOV 75)

REFERENCE DATA

SREF = 5500.0000 SQ.FT. XMRP = 1339.9000 IN. XC
 LREF = 327.7800 IN. YMRP = .0000 IN. YC
 BREF = 2348.0400 IN. ZMRP = 190.7500 IN. ZC
 SCALE = .0125

PARAMETRIC DATA

ALPHAC = 2.000 BETAC = .000
 STAB = 5.000 ELEVON = 5.000
 BDFLAP = .000 DX = 10.000
 DZ = .000 TORB = 6.000
 BETAO = .000 RUDDER = .000

RUN NO. 48/ 0 RN/L = .00 GRADIENT INTERVAL = -5.00/ 5.00

MACH	DY	DX	DZ	CN	CLM	CA	CY	CYN	CEL	CL	CD
.603	-10.000	9.97000	1.46000	.21590	-.4280	.04070	.00190	.00270	-.00350	.21390	.05090
.605	-9.420	9.97000	1.46000	.21550	-.3740	.04050	.00040	.00280	-.00330	.21330	.05080
.604	-8.850	9.97000	1.46000	.21650	-.3770	.04070	-.00010	.00300	-.00300	.21430	.05100
.605	-8.280	9.97000	1.46000	.21530	-.3550	.04050	-.00140	.00320	-.00290	.21310	.05070
.603	-7.710	9.97000	1.46000	.21500	-.3430	.04060	-.00180	.00350	-.00270	.21280	.05080
.604	-7.140	9.97000	1.46000	.21330	-.3300	.04020	-.00200	.00380	-.00240	.21110	.05020
.607	-6.560	9.97000	1.46000	.20990	-.2960	.03980	-.00250	.00360	-.00220	.20770	.04990
.605	-5.990	9.97000	1.46000	.21080	-.2790	.03990	-.00200	.00350	-.00190	.20860	.04970
.606	-5.420	9.97000	1.46000	.21210	-.2710	.04010	-.00130	.00290	-.00160	.20990	.05010
.607	-4.850	9.97000	1.46000	.21080	-.2710	.03990	-.00060	.00210	-.00120	.20870	.04980
.605	-4.280	9.97000	1.46000	.21080	-.2740	.04000	.00020	.00120	-.00090	.20870	.05000
.608	-3.710	9.97000	1.46000	.20790	-.2790	.04010	.00160	.00010	-.00040	.20570	.04990
.606	-3.130	9.98000	1.46000	.21200	-.2800	.04050	.00250	-.00080	.00000	.20980	.05050
.606	-2.560	9.98000	1.46000	.21180	-.2850	.04030	.00380	-.00190	.00040	.20960	.05030
.608	-1.990	9.98000	1.46000	.21010	-.2870	.04040	.00480	-.00300	.00080	.20790	.05030
.605	-1.410	9.98000	1.46000	.20920	-.2830	.04020	.00570	-.00400	.00110	.20710	.05010
.608	-.840	9.98000	1.46000	.21200	-.2890	.04050	.00670	-.00480	.00140	.20990	.05050
.608	-.260	9.98000	1.46000	.21350	-.2890	.04030	.00690	-.00580	.00170	.21140	.05040
.606	.290	9.97000	1.46000	.21330	-.2880	.04010	.00800	-.00640	.00190	.21120	.05020
.608	.860	9.97000	1.46000	.21490	-.3080	.04020	.00770	-.00700	.00220	.21280	.05040
.609	1.430	9.97000	1.46000	.21070	-.3020	.04000	.00710	-.00720	.00260	.20860	.05000
.608	2.010	9.97000	1.46000	.21250	-.2940	.04030	.00670	-.00730	.00290	.21040	.05040
.607	2.570	9.97000	1.46000	.21150	-.3110	.04070	.00640	-.00720	.00330	.20930	.05070
.606	3.150	9.97000	1.46000	.21190	-.3200	.04060	.00560	-.00700	.00350	.20980	.05060
.607	3.720	9.97000	1.46000	.21550	-.3290	.04090	.00420	-.00660	.00370	.21330	.05110
.609	4.290	9.97000	1.46000	.21460	-.3590	.04090	.00340	-.00610	.00380	.21240	.05100
.607	4.860	9.97000	1.46000	.21340	-.3950	.04100	.00240	-.00610	.00400	.21120	.05110
.606	5.430	9.97000	1.46000	.21520	-.4340	.04130	.00190	-.00600	.00440	.21300	.05140
.605	6.000	9.97000	1.46000	.21920	-.4630	.04180	.00140	-.00580	.00470	.21700	.05210
.608	6.580	9.97000	1.46000	.21880	-.4960	.04180	-.00020	-.00600	.00470	.21660	.05210
.608	7.150	9.97000	1.46000	.21550	-.5310	.04170	.00050	-.00600	.00510	.21330	.05180
.607	7.720	9.97000	1.46000	.21680	-.5640	.04210	.00010	-.00610	.00520	.21460	.05220
.605	8.290	9.97000	1.46000	.21670	-.5800	.04220	-.00020	-.00620	.00550	.21450	.05240
.605	8.860	9.97000	1.46000	.22080	-.5920	.04250	-.00070	-.00630	.00570	.21850	.05280
.605	9.440	9.97000	1.46000	.22040	-.5880	.04250	-.00060	-.00630	.00560	.21820	.05280
.607	10.010	9.98000	1.46000	.21700	-.5890	.04200	-.00060	-.00640	.00570	.21480	.05220
.607	GRADIENT	-.00065	.00000	.00041	-.00089	.00008	.00039	-.00092	.00055	.00041	.00010

LTV44-559(CA26) 747/1 ATY 02 S1 (CARRIER DATA)

(RFE060) (18 NOV 75)

REFERENCE DATA

SREF = 1000.0000 SQ.FT. XMRP = 1339.9000 IN. XC
 LREF = 327.7800 IN. YMRP = .0000 IN. YC
 BREF = 2348.0400 IN. ZMRP = 190.7500 IN. ZC
 SCALE = .0125

PARAMETRIC DATA

ALPHAC = 2.000 BETAC = .000
 STAB = 5.000 ELEVON = 5.000
 BDFLAP = .000 DX = 10.000
 DZ = 15.000 TORB = 6.000
 BETAO = .000 RUDDER = .000

RUN NO. 1049/ 0 RN/L = .00 GRADIENT INTERVAL = -5.00/ 5.00

MACH	DY	DX	DZ	CN	CLM	CA	CY	CYN	CBL	CL	CD
.608	-9.420	9.98000	15.00000	.24450	-.18780	.04290	.00150	.00120	-.00280	.24220	.05430
.608	-8.850	9.98000	15.00000	.24760	-.19010	.04340	.00120	.00110	-.00260	.24530	.05500
.606	-9.280	9.98000	15.00000	.24600	-.19010	.04330	.00190	.00100	-.00240	.24370	.05480
.607	-7.710	9.98000	15.00000	.24770	-.19110	.04320	.00150	.00110	-.00240	.24540	.05480
.606	-7.140	9.98000	15.00000	.24530	-.18970	.04290	.00100	.00110	-.00230	.24300	.05440
.607	-6.560	9.98000	15.00000	.24680	-.19040	.04300	.00010	.00130	-.00220	.24450	.05450
.605	-5.990	9.98000	15.00000	.24660	-.19050	.04290	.00050	.00140	-.00220	.24430	.05440
.606	-5.420	9.98000	15.00000	.24620	-.18860	.04290	.00000	.00140	-.00200	.24390	.05440
.608	-4.850	9.98000	15.00000	.24340	-.18960	.04260	-.00040	.00150	-.00180	.24110	.05400
.608	-4.280	9.98000	15.00000	.24170	-.18970	.04250	-.00070	.00140	-.00150	.23940	.05380
.607	-3.710	9.98000	15.00000	.24130	-.18930	.04250	-.00090	.00140	-.00110	.23900	.05380
.606	-3.140	9.98000	15.00000	.24490	-.18960	.04290	-.00070	.00110	-.00100	.24260	.05430
.608	-2.570	9.98000	15.00000	.24320	-.18830	.04290	-.00200	.00070	-.00100	.24090	.05420
.607	-1.990	9.98000	15.00000	.24240	-.18900	.04290	-.00110	.00040	-.00090	.24020	.05420
.607	-1.410	10.00000	15.00000	.24250	-.18680	.04310	-.00190	.00000	-.00050	.24030	.05440
.606	-.850	10.00000	15.00000	.24520	-.18680	.04280	.00000	-.00040	-.00010	.24290	.05420
.606	-.270	10.00000	15.00000	.24310	-.18800	.04280	.00080	-.00100	.00010	.24090	.05420
.608	.280	9.98000	15.00000	.24170	-.18880	.04300	.00040	-.00140	.00050	.23940	.05420
.607	.850	9.98000	15.00000	.24460	-.18830	.04340	.00080	-.00190	.00080	.24230	.05480
.607	1.420	9.98000	15.00000	.24600	-.18790	.04320	.00180	-.00240	.00100	.24370	.05470
.605	1.990	9.98000	15.00000	.24760	-.18880	.04360	.00290	-.00280	.00120	.24530	.05520
.606	2.570	9.98000	15.00000	.24680	-.18870	.04340	.00270	-.00310	.00130	.24440	.05490
.608	3.140	9.98000	15.00000	.24380	-.18630	.04280	.00190	-.00340	.00130	.24160	.05420
.607	3.710	9.98000	15.00000	.24190	-.18840	.04290	.00310	-.00360	.00160	.23950	.05420
.605	4.280	9.98000	15.00000	.24590	-.18900	.04340	.00290	-.00380	.00200	.24360	.05490
.606	4.850	9.98000	15.00000	.24380	-.18840	.04270	.00280	-.00370	.00220	.24160	.05400
.605	5.420	9.98000	15.00000	.24630	-.18940	.04330	.00200	-.00370	.00240	.24460	.05480
.607	5.990	9.98000	15.00000	.24440	-.18840	.04280	.00220	-.00370	.00270	.24210	.05420
.607	6.560	9.98000	15.00000	.24670	-.18800	.04290	.00160	-.00360	.00280	.24450	.05440
.607	7.140	9.98000	15.00000	.24700	-.18810	.04300	.00150	-.00350	.00290	.24470	.05450
.608	7.710	9.98000	15.00000	.24510	-.18840	.04300	.00090	-.00340	.00290	.24280	.05440
.605	8.280	9.98000	15.00000	.24820	-.18970	.04360	-.00050	-.00330	.00300	.24590	.05510
.607	8.850	9.98000	15.00000	.24440	-.18800	.04310	-.00080	-.00310	.00320	.24210	.05440
.606	9.420	9.98000	15.00000	.24640	-.19100	.04310	-.00180	-.00300	.00340	.24410	.05460
.637	10.000	9.98000	15.00000	.24780	-.18910	.04310	-.00150	-.00300	.00340	.24550	.05470
GRADIENT		-.00632	-.00000	.00027	.00012	.00006	.00051	-.00064	.00041	.00027	.00007

DATE 29 MAR 76

CA-26 FORCE SOURCE DATA TABULATION

PAGE 753

LTV44-559(CA26) 747/1 ATY 02 S1 (CARRIER DATA)

(RFE061) (18 NOV 75)

REFERENCE DATA

SREF = 5500.0000 SQ.FT. XMRP = 1339.9000 IN. XC
 LREF = 327.7800 IN. YMRP = .0000 IN. YC
 BREF = 2348.0400 IN. ZMRP = 190.7500 IN. ZC
 SCALE = .0125

PARAMETRIC DATA

ALPHAC = 2.000 BETAC = .000
 STAB = 5.000 ELEVON = 5.000
 BDFLAP = .000 DX = 10.000
 DZ = 50.000 IORB = 6.000
 BETAO = .000 RUDDER = .000

RUN NO. 2048/ 0 RN/L = .00 GRADIENT INTERVAL = -5.00/ 5.00

MACH	DY	DX	DZ	CN	CLM	CA	CY	CYN	CBL	CL	CD
.607	-10.000	10.02000	51.46000	.28990	-.23270	.04330	.00340	-.00180	-.00010	.28760	.05680
.607	-9.420	10.02000	51.46000	.29200	-.23300	.04360	.00190	-.00160	.00000	.28970	.05720
.605	-8.850	10.01000	51.46000	.28960	-.23310	.04330	.00260	-.00150	.00000	.28730	.05670
.607	-8.280	10.02000	51.46000	.29200	-.23220	.04350	.00150	-.00150	.00000	.28960	.05710
.606	-7.790	10.02000	51.46000	.29310	-.23280	.04350	.00170	-.00140	.00000	.29070	.05710
.605	-7.140	10.02000	51.46000	.29460	-.23250	.04360	.00140	-.00130	.00000	.29230	.05730
.607	-6.560	10.02000	51.46000	.29360	-.23240	.04350	.00130	-.00110	.00010	.29130	.05720
.606	-5.990	10.02000	51.46000	.29070	-.23140	.04310	.00090	-.00090	.00010	.28940	.05670
.605	-5.420	10.02000	51.46000	.29470	-.23420	.04380	.00090	-.00080	.00000	.29240	.05750
.607	-4.850	10.01000	51.46000	.28990	-.23340	.04340	.00000	-.00060	-.00010	.28750	.05690
.604	-4.280	10.01000	51.46000	.29050	-.23680	.04340	.00000	-.00040	-.00010	.28920	.05690
.603	-3.710	10.01000	51.46000	.29160	-.23540	.04390	-.00110	-.00030	.00000	.28930	.05750
.605	-3.130	10.01000	51.46000	.28880	-.23420	.04340	-.00130	-.00030	-.00020	.28650	.05690
.607	-2.560	10.02000	51.46000	.29000	-.23080	.04370	-.00190	-.00020	-.00010	.28760	.05720
.606	-2.000	10.01000	51.46000	.29030	-.23350	.04320	-.00180	.00000	.00000	.28800	.05680
.608	-1.430	10.01000	51.46000	.28740	-.23290	.04240	-.00230	.00010	.00010	.28510	.05580
.607	-.850	10.01000	51.46000	.28880	-.23400	.04330	-.00230	.00020	.00010	.28650	.05670
.605	-.280	10.02000	51.46000	.29060	-.23300	.04360	-.00350	.00030	.00000	.28830	.05710
.608	.270	10.02000	51.46000	.28900	-.23120	.04320	-.00390	.00050	-.00010	.28670	.05670
.607	.840	10.02000	51.46000	.29180	-.23380	.04350	-.00470	.00070	.00000	.28940	.05710
.606	1.410	10.01000	51.46000	.29040	-.23460	.04340	-.00370	.00070	.00020	.28800	.05690
.608	1.990	10.02000	51.46000	.29020	-.23190	.04360	-.00450	.00090	.00020	.28780	.05710
.605	2.560	10.02000	51.46000	.29240	-.23300	.04390	-.00480	.00100	.00010	.29000	.05750
.607	3.130	10.02000	51.46000	.29200	-.23110	.04360	-.00550	.00110	.00000	.28960	.05720
.606	3.700	10.01000	51.46000	.29030	-.23400	.04330	-.00500	.00110	.00020	.28800	.05680
.607	4.270	10.01000	51.46000	.28990	-.23420	.04340	-.00560	.00150	.00010	.28760	.05690
.607	4.850	10.01000	51.46000	.29110	-.23590	.04360	-.00620	.00160	.00010	.28870	.05720
.607	5.410	10.02000	51.46000	.29210	-.23410	.04350	-.00590	.00170	.00020	.28970	.05710
.607	5.980	10.02000	51.46000	.29320	-.23070	.04370	-.00740	.00180	.00030	.29080	.05740
.607	6.560	10.02000	51.46000	.29240	-.23360	.04340	-.00710	.00200	.00040	.29010	.05700
.608	7.130	10.02000	51.46000	.29060	-.23060	.04340	-.00790	.00200	.00060	.28830	.05690
.605	7.700	10.01000	51.46000	.29360	-.23570	.04360	-.00760	.00220	.00040	.29120	.05730
.607	8.270	10.01000	51.46000	.29210	-.23480	.04340	-.00840	.00230	.00020	.28970	.05700
.606	8.840	10.01000	51.46000	.29110	-.23530	.04350	-.00820	.00230	.00030	.28870	.05710
.607	9.420	10.01000	51.46000	.28870	-.23410	.04350	-.00850	.00240	.00030	.28640	.05690
.607	GRADIENT	.00038	-.00000	.00013	.00006	.00001	-.00063	.00022	.00003	.00013	.00002

LT44-559(CA26) 747/1 ATY 02 S1 (CARRIER DATA)

(RFE062) (18 NOV 75)

REFERENCE DATA

SREF = 5500.0000 SQ.FT. XMRP = 1339.9000 IN. XC
 LREF = 327.7800 IN. YMRP = .0000 IN. YC
 BREF = 2348.0400 IN. ZMRP = 190.7500 IN. ZC
 SCALE = .0125

PARAMETRIC DATA

ALPHAC = 2.000 BETAC = .000
 STAB = 5.000 ELEVON = 5.000
 BDFLAP = .000 DY = .000
 DZ = .000 TORB = 6.000
 BETA0 = .000 RUDDER = .000

RUN NO. 49/ 0 RN/L = .00 GRADIENT INTERVAL = -5.00/ 5.00

MACH	DX	DY	DZ	CN	CLM	CA	CY	CYN	CBL	CL	CD
.608	-.010	.00000	1.46000	.19240	-.13300	.04220	.00470	-.00310	.00150	.19020	.05120
.609	.550	.00000	1.46000	.19100	-.13250	.04220	.00490	-.00300	.00150	.18880	.05120
.608	1.130	.00000	1.46000	.19090	-.13140	.04290	.00540	-.00310	.00140	.18870	.05180
.611	1.700	.00000	1.46000	.19250	-.13040	.04250	.00430	-.00310	.00110	.19030	.05160
.609	2.270	.00000	1.46000	.19140	-.13230	.04200	.00500	-.00310	.00120	.18920	.05100
.609	2.850	.00000	1.46000	.19390	-.13230	.04200	.00400	-.00310	.00130	.19170	.05110
.608	3.420	.00000	1.46000	.19330	-.13030	.04170	.00460	-.00310	.00130	.19110	.05080
.610	3.990	.00100	1.46000	.19460	-.13150	.04130	.00440	-.00300	.00130	.19250	.05040
.609	4.570	.00000	1.46000	.19700	-.13320	.04180	.00470	-.00300	.00130	.19480	.05100
.609	5.140	.00000	1.46000	.20020	-.12970	.04180	.00440	-.00300	.00150	.19800	.05120
.608	5.710	.00000	1.46000	.20280	-.13130	.04150	.00420	-.00300	.00130	.20060	.05110
.608	6.280	.00000	1.46000	.20320	-.13190	.04140	.00510	-.00310	.00120	.20100	.05100
.610	6.860	.00000	1.46000	.20270	-.13040	.04130	.00500	-.00320	.00090	.20060	.05080
.611	7.430	.00000	1.46000	.20290	-.12890	.04130	.00440	-.00340	.00080	.20080	.05090
.610	8.000	.00000	1.46000	.20110	-.13050	.04060	.00550	-.00330	.00110	.19890	.05000
.609	8.580	.00000	1.46000	.20620	-.13140	.04100	.00540	-.00320	.00130	.20400	.05070
.607	9.150	.00000	1.46000	.20860	-.13090	.04120	.00440	-.00310	.00120	.20640	.05100
.607	9.700	.00000	1.46000	.20560	-.13090	.04060	.00560	-.00330	.00120	.20350	.05030
.608	10.270	.00000	1.46000	.20760	-.13170	.04100	.00520	-.00340	.00100	.20540	.05080
.610	10.840	.00000	1.46000	.20600	-.13040	.04030	.00500	-.00330	.00110	.20390	.05000
.608	11.410	.00000	1.45000	.21050	-.13060	.04050	.00520	-.00340	.00090	.20830	.05050
.609	11.990	.00000	1.45000	.21070	-.13010	.04010	.00570	-.00340	.00090	.20850	.05000
.608	12.560	.00000	1.45000	.21220	-.12960	.03990	.00580	-.00350	.00080	.21010	.05000
.609	13.130	.00000	1.45000	.21290	-.13130	.04010	.00570	-.00350	.00110	.21070	.05020
.607	13.710	.00000	1.45000	.21470	-.13190	.04040	.00510	-.00340	.00120	.21250	.05060
.608	14.280	.00000	1.45000	.21200	-.13220	.03980	.00580	-.00350	.00120	.20990	.04980
.608	14.850	.00000	1.45000	.21220	-.13090	.04020	.00560	-.00360	.00110	.21000	.05020
.609	15.420	.01000	1.45000	.21310	-.13150	.04000	.00500	-.00360	.00100	.21100	.05010
.608	16.000	.00000	1.45000	.21460	-.13280	.03980	.00480	-.00360	.00120	.21250	.04990
.608	16.560	.01000	1.44000	.21820	-.13070	.04000	.00540	-.00370	.00110	.21610	.05030
.610	17.140	.01000	1.44000	.21620	-.13310	.03930	.00600	-.00360	.00120	.21410	.04960
.608	17.720	.01000	1.44000	.21660	-.13290	.03950	.00640	-.00360	.00110	.21440	.04970
.607	18.290	.01000	1.44000	.21950	-.13330	.03920	.00620	-.00370	.00110	.21750	.04960
.610	18.820	.01000	1.44000	.22060	-.13120	.03930	.00640	-.00370	.00120	.21850	.04970
.639	19.400	.01000	1.44000	.22330	-.13230	.03940	.00610	-.00370	.00120	.22110	.05000
.610	19.970	.01000	1.44000	.22400	-.13490	.03920	.00680	-.00370	.00100	.22180	.04980
GRADIENT		.00000	.00000	.00103	.00007	-.00021	-.00010	.00002	-.00004	.00104	.00017

DATE 29 MAR 76

CA-26 FORCE SOURCE DATA TABULATION

PAGE 755

LTV44-559(CA26) 747/1 ATY 02 S1 (CARRIER DATA)

(RFE063) (18 NOV 75)

REFERENCE DATA

SREF = 5500.0000 SQ.FT. XMRP = 1339.9000 IN. XC
 LREF = 327.7800 IN. YMRP = .0000 IN. YC
 BREF = 2348.0400 IN. ZMRP = 190.7500 IN. ZC
 SCALE = .0125

ALPHAC =
 STAB =
 BDFLAP =
 DZ =
 BETA =

PARAMETRIC DATA

2.000 BETA
 5.000 ELEVON
 .000 DY
 15.000 LORB
 .000 RUDDER

RUN NO. 1049/ 0 RN/L = .00 GRADIENT INTERVAL = -5.00/ 5.00

MACH	DX	DY	DZ	CN	CLM	CA	CY	CYN	CBL	CL	CD
.609	.570	.00000	15.00000	.23260	-.18130	.04360	.00350	-.00210	.00110	.23030	.05470
.608	1.140	.00000	15.00000	.23400	-.18260	.04580	.00380	-.00210	.00110	.23160	.05670
.609	1.710	.00000	15.00000	.23460	-.18210	.04520	.00340	-.00200	.00100	.23220	.05610
.611	2.280	.00000	15.00000	.23320	-.18160	.04420	.00210	-.00200	.00090	.23090	.05510
.610	3.430	.00000	15.00000	.23450	-.18080	.04350	.00160	-.00190	.00080	.22860	.05420
.611	4.010	.00000	15.00000	.23460	-.18190	.04350	.00220	-.00190	.00090	.23220	.05450
.608	4.580	.00000	15.00000	.23380	-.18290	.04330	.00280	-.00200	.00100	.23230	.05420
.610	5.150	.00000	15.00000	.23520	-.18450	.04380	.00360	-.00210	.00110	.23150	.05460
.608	5.720	.00000	15.00000	.23620	-.18260	.04330	.00360	-.00200	.00110	.23290	.05460
.609	6.300	.00000	15.00000	.23460	-.18310	.04290	.00240	-.00190	.00130	.23230	.05360
.609	6.870	.00000	15.00000	.23620	-.18220	.04300	.00250	-.00200	.00120	.23390	.05400
.609	7.420	.00000	15.00000	.24010	-.18440	.04360	.00340	-.00190	.00120	.23780	.05460
.610	7.990	.00000	15.00000	.23850	-.18390	.04350	.00200	-.00190	.00130	.23620	.05460
.609	8.560	.00000	15.00000	.23730	-.18450	.04310	.00220	-.00190	.00120	.23500	.05420
.608	9.140	.00000	15.00000	.23830	-.18680	.04320	.00290	-.00210	.00100	.23610	.05430
.610	9.710	.00000	15.00000	.24180	-.18680	.04340	.00370	-.00210	.00100	.23950	.05470
.609	10.280	.00000	15.00000	.24110	-.18450	.04280	.00240	-.00210	.00100	.23880	.05460
.608	10.850	.00000	15.00000	.23830	-.16680	.04280	.00260	-.00220	.00110	.23600	.05390
.610	11.430	.00000	15.00000	.24110	-.16600	.04320	.00350	-.00220	.00110	.23910	.05450
.612	12.000	.00000	15.00000	.24040	-.16740	.04310	.00330	-.00220	.00130	.23820	.05430
.609	12.570	.00000	14.99000	.24220	-.16860	.04300	.00270	-.00220	.00120	.23990	.05420
.608	13.150	.00000	14.99000	.24630	-.18660	.04280	.00280	-.00230	.00120	.23900	.05420
.610	13.720	.00000	14.99000	.24640	-.18670	.04300	.00340	-.00220	.00100	.24400	.05430
.610	14.290	.00000	14.99000	.24590	-.18730	.04270	.00340	-.00230	.00090	.24360	.05420
.610	14.860	.00000	14.99000	.24620	-.18760	.04280	.00370	-.00230	.00100	.24390	.05430
.610	15.440	.00000	14.99000	.24560	-.18660	.04270	.00340	-.00220	.00100	.24330	.05410
.609	16.010	.00000	14.99000	.24640	-.18890	.04280	.00390	-.00220	.00110	.24630	.05440
.609	16.560	.00000	14.99000	.24640	-.18900	.04290	.00340	-.00220	.00100	.24630	.05440
.608	17.130	.00000	14.99000	.24960	-.19150	.04280	.00310	-.00230	.00080	.24420	.05440
.610	17.700	.00000	14.99000	.24450	-.18970	.04250	.00360	-.00230	.00090	.24730	.05460
.610	18.280	.00000	14.99000	.24620	-.19160	.04240	.00270	-.00230	.00100	.24220	.05390
.609	18.850	.00000	14.99000	.25030	-.19270	.04260	.00270	-.00240	.00100	.24400	.05390
.609	19.420	.00000	14.99000	.25050	-.19220	.04230	.00290	-.00230	.00100	.24600	.05420
.610	20.000	.00000	14.99000	.25170	-.19110	.04270	.00360	-.00240	.00110	.24820	.05400
.610	GRADIENT	.00000	.00000	.00018	-.00047	-.00036	-.00035	.00003	-.00002	.00020	-.00039

LTV44-559(CA26) 747/1 ATY 02 S1 (CARRIER DATA)

(RFE054) (18 NOV 75)

REFERENCE DATA

SREF = 5500.0000 SQ.FT. XMRP = 1339.9000 IN. XC
 LREF = 327.7800 IN. YMRP = .0000 IN. YC
 BREF = 2348.0400 IN. ZMRP = 190.7500 IN. ZC
 SCALE = .0125

PARAMETRIC DATA

ALPHAC = 2.000 BETAC = .000
 STAB = 5.000 ELEVON = 5.000
 BDFL. = .000 DY = .000
 DZ = 60.000 TORB = 6.000
 BETAO = .000 RUDDER = .000

RUN NO. 2049/ 0 RN/L = .00 GRADIENT INTERVAL = -5.00/ 5.00

MACH	DX	DY	DZ	CN	CLM	CA	CY	CYN	CBL	CL	CD
.611	.590	.00000	51.46000	.28250	-.22610	.04330	-.00070	.00010	.00020	.28020	.05650
.609	1.170	.00000	51.46000	.28390	-.22640	.04490	.00000	.00010	.00040	.28150	.05820
.611	1.740	.00000	51.46000	.28470	-.22580	.04420	-.00130	.00030	.00030	.28240	.05750
.610	2.310	.00000	51.46000	.28430	-.22670	.04370	-.00080	.00020	.00040	.28190	.05690
.608	2.870	.00000	51.46000	.28220	-.22820	.04350	-.00100	.00010	.00020	.27980	.05660
.610	3.450	.00000	51.46000	.28220	-.22740	.04350	-.00120	.00020	.00020	.27990	.05660
.609	4.020	.00000	51.46000	.28190	-.22800	.04330	-.00110	.00020	.00020	.27960	.05640
.611	4.590	.00000	51.46000	.28040	-.22820	.04300	-.00080	.00020	.00030	.27800	.05600
.611	5.180	.00000	51.46000	.28400	-.22490	.04280	-.00100	.00020	.00020	.28170	.05600
.610	5.720	.00000	51.46000	.28470	-.22640	.04300	-.00140	.00010	.00020	.28230	.05620
.610	6.280	.00000	51.46000	.28450	-.22850	.04310	-.00060	.00020	.00010	.28220	.05640
.609	6.860	.00000	51.46000	.28510	-.23040	.04340	-.00070	.00020	.00020	.28270	.05670
.611	7.430	.00000	51.46000	.28090	-.22980	.04320	-.00060	.00000	.00020	.27850	.05620
.608	8.000	.00000	51.46000	.28310	-.23140	.04310	-.00050	.00000	.00020	.28070	.05630
.609	8.580	.00000	51.46000	.28410	-.23140	.04340	-.00050	.00000	.00010	.28180	.05660
.608	9.150	.00000	51.46000	.28420	-.23150	.04330	-.00030	.00000	.00000	.28180	.05650
.610	9.720	.00000	51.46000	.28210	-.23060	.04290	-.00060	.00000	.00000	.27980	.05610
.611	10.290	.00000	51.46000	.28250	-.23090	.04310	-.00080	.00020	.00000	.28020	.05620
.610	10.870	.00000	51.46000	.28290	-.23190	.04310	-.00100	.00030	.00010	.28050	.05630
.610	11.440	.00000	51.46000	.28360	-.23190	.04340	-.00110	.00020	.00020	.28120	.05660
.607	12.010	.00000	51.46000	.28500	-.23460	.04330	-.00090	.00020	.00020	.28270	.05650
.610	12.590	.00000	51.46000	.28240	-.23150	.04290	-.00130	.00020	.00010	.28010	.05600
.610	13.160	.00000	51.46000	.28260	-.23170	.04290	-.00090	.00030	.00010	.28030	.05600
.610	13.730	.00000	51.46000	.28230	-.23170	.04300	-.00080	.00010	.00010	.28000	.05610
.610	14.300	.00000	51.46000	.28500	-.23050	.04300	-.00080	.00030	.00030	.28270	.05620
.608	14.860	.00000	51.45000	.29020	-.23290	.04310	-.00060	.00020	.00040	.28790	.05660
.611	15.420	.00000	51.45000	.28750	-.23090	.04310	-.00060	.00010	.00000	.28520	.05640
.608	16.000	.00000	51.46000	.28690	-.23350	.04300	-.00050	.00010	-.00010	.28460	.05630
.610	16.570	.00000	51.45000	.28690	-.23240	.04300	-.00090	.00010	-.00010	.28460	.05630
.611	17.140	.00000	51.45000	.28400	-.23380	.04300	-.00060	.00000	.00010	.28170	.05620
.610	17.720	.00000	51.46000	.28660	-.23450	.04300	-.00070	.00020	.00010	.28420	.05630
.611	18.290	.00000	51.45000	.28690	-.23110	.04290	-.00070	.00030	.00020	.28460	.05620
.609	18.880	.00000	51.45000	.29090	-.23330	.04310	-.00100	.00030	.00030	.28840	.05660
.609	19.440	.00000	51.45000	.29020	-.23340	.04310	-.00110	.00010	.00030	.28790	.05650
.608	20.010	.00000	51.45000	.28910	-.23480	.04320	-.00120	.00010	.00020	.28670	.05670
GRADIENT		.00000	.00000	-.00071	-.00060	-.00026	-.00013	.00002	-.00002	-.00072	-.00032

LTV44-559(CA26) 747/1 ATY 02 S1 (CARRIER DATA)

(RFE065) (18 NOV 75)

REFERENCE DATA

SREF = 5500.0000 SQ.FT. XMRP = 1339.9000 IN. XC
 LREF = 327.7800 IN. YMRP = .0000 IN. YC
 BREF = 2348.0400 IN. ZMRP = 190.7500 IN. ZC
 SCALE = .0125

PARAMETRIC DATA

ALPHAC = 2.000 BETAC = .000
 STAB = 5.000 ELEVON = 5.000
 BDFLAP = .000 DY = .000
 DZ = .000 TORB = 6.000
 BETA0 = 5.000 RUDDER = .000

RUN NO. 50/ 0 RN/L = .00 GRADIENT INTERVAL = -5.00/ 5.00

MACH	DX	DY	DZ	CN	CLM	CA	CY	CYN	CBL	CL	CD
.609	-.010	.00000	1.46000	.18910	-.12630	.04130	.00820	-.00530	.00350	.18690	.05020
.608	.550	.00000	1.46000	.18980	-.12630	.04140	.00780	-.00530	.00350	.18760	.05030
.609	1.130	.00000	1.46000	.18800	-.12610	.04200	.00890	-.00520	.00360	.18580	.05080
.610	1.700	.00000	1.46000	.18920	-.12640	.04130	.00850	-.00540	.00350	.18600	.05010
.610	2.270	.00000	1.46000	.18950	-.12610	.04110	.00900	-.00540	.00360	.18730	.04990
.610	2.850	.00000	1.46000	.18930	-.12590	.04120	.00870	-.00520	.00360	.18710	.05000
.610	3.420	.00000	1.46000	.18990	-.12870	.04100	.00850	-.00540	.00360	.18770	.04980
.609	3.990	.00000	1.46000	.19270	-.12690	.04070	.00880	-.00540	.00370	.19050	.04970
.610	4.570	.00000	1.46000	.19470	-.12680	.04070	.00860	-.00530	.00380	.19260	.04980
.610	5.140	.00000	1.46000	.19460	-.12680	.04040	.00880	-.00540	.00360	.19250	.04950
.608	5.710	.00000	1.46000	.19550	-.12720	.04050	.00880	-.00530	.00340	.19330	.04960
.608	6.280	.00000	1.46000	.19690	-.12720	.04040	.00810	-.00540	.00340	.19470	.04960
.608	6.860	.00000	1.46000	.19830	-.12560	.04020	.00830	-.00540	.00340	.19620	.04960
.609	7.430	.00000	1.46000	.20090	-.12640	.04030	.00900	-.00540	.00340	.19880	.04980
.608	8.000	.00000	1.46000	.20160	-.12600	.04000	.00850	-.00550	.00320	.19950	.04950
.611	8.580	.00000	1.46000	.20120	-.12600	.04000	.00920	-.00560	.00310	.19910	.04950
.609	9.150	.00000	1.46000	.20200	-.12630	.03990	.00900	-.00570	.00310	.20190	.04950
.610	9.700	.00000	1.46000	.20250	-.12560	.03960	.00880	-.00560	.00310	.19990	.04920
.609	10.270	.00000	1.46000	.20250	-.12670	.03960	.00910	-.00570	.00320	.20040	.04920
.608	10.840	.01000	1.46000	.20820	-.12680	.03970	.00900	-.00570	.00330	.20600	.04960
.608	11.410	.01000	1.45000	.20830	-.12710	.04000	.00960	-.00570	.00330	.20620	.04990
.610	11.990	.01000	1.45000	.20380	-.12570	.03930	.00970	-.00580	.00310	.20180	.04890
.610	12.560	.01000	1.45000	.20830	-.12470	.03910	.00930	-.00570	.00300	.20620	.04900
.608	13.130	.01000	1.45000	.21030	-.12610	.03960	.00950	-.00580	.00310	.20820	.04950
.608	13.690	.01000	1.45000	.21300	-.12550	.03930	.00930	-.00590	.00300	.21090	.04940
.608	14.270	.01000	1.45000	.21360	-.12620	.03920	.00970	-.00590	.00300	.21150	.04930
.608	14.840	.01000	1.45000	.21510	-.12690	.03930	.01010	-.00590	.00300	.21300	.04950
.610	15.410	.01000	1.44000	.21370	-.12390	.03880	.00940	-.00610	.00280	.21160	.04890
.610	15.980	.01000	1.44000	.21500	-.12660	.03910	.01030	-.00610	.00290	.21290	.04930
.609	16.560	.01000	1.44000	.21600	-.12700	.03890	.00980	-.00610	.00290	.21390	.04920
.608	17.130	.01000	1.44000	.21630	-.12790	.03910	.01000	-.00610	.00270	.21410	.04930
.610	17.700	.01000	1.44000	.21650	-.12790	.03880	.00970	-.00610	.00280	.21450	.04910
.609	18.280	.01000	1.44000	.21740	-.12790	.03860	.01010	-.00620	.00270	.21540	.04890
.608	18.820	.01000	1.44000	.21710	-.12900	.03870	.00990	-.00620	.00270	.21500	.04900
.637	19.400	.01000	1.44000	.21780	-.12960	.03890	.01010	-.00630	.00280	.21570	.04920
.608	19.980	.01000	1.44000	.21730	-.13030	.03870	.01040	-.00640	.00270	.21520	.04900
GRADIENT		.00000	.00000	.00105	-.00025	-.00019	.00012	-.00001	.00006	.00106	-.00016

ORIGINAL PAGE IS
OF POOR QUALITY

LTV44-559(CA26) 747/1 ATY 02 S1 (CARRIER DATA)

(RFE066) (18 NOV 75)

REFERENCE DATA

SREF = 5500.0000 SQ.FT. XMRP = 1339.9000 IN. XC
 LREF = 327.7800 IN. YMRP = .0000 IN. YC
 BREF = 2348.0400 IN. ZMRP = 190.7500 IN. ZC
 SCALE = .0125

PARAMETRIC DATA

ALPHAC = 2.000 BETAC = .000
 STAB = 5.000 ELEVON = 5.000
 BDFLAP = .000 DY = .000
 DZ = 15.000 TORB = 6.000
 BETAO = 5.000 RUDDER = .000

RUN NO. 1050/ 0 RN/L = .00 GRADIENT INTERVAL = -5.00/ 5.00

MACH	DX	DY	DZ	CN	CLM	CA	CY	CYN	CBL	CL	CD
.610	.570	.00000	15.00000	.22790	-.13120	.04280	.00860	-.00480	.00320	.22570	.05340
.610	1.140	.00000	15.00000	.22920	-.19070	.04470	.00590	-.00470	.00310	.22690	.05530
.612	1.710	.00000	15.00000	.23000	-.18170	.04430	.00490	-.00460	.00310	.22760	.05500
.609	2.290	.00000	15.00000	.23380	-.18300	.04390	.00520	-.00470	.00320	.23150	.05480
.610	2.860	.00000	15.00000	.23070	-.18330	.04290	.00600	-.00460	.00330	.22840	.05360
.609	3.430	.00000	15.00000	.23250	-.18330	.04300	.00550	-.00470	.00320	.23020	.05380
.609	4.010	.00000	15.00000	.23510	-.18440	.04330	.00510	-.00480	.00320	.23280	.05420
.610	4.580	.00000	15.00000	.23670	-.18240	.04330	.00530	-.00470	.00330	.23450	.05430
.609	5.150	.00000	15.00000	.23190	-.18500	.04290	.00590	-.00480	.00320	.22960	.05370
.610	5.720	.00000	15.00000	.23340	-.18400	.04290	.00410	-.00450	.00300	.23110	.05380
.609	6.300	.00000	15.00000	.23270	-.18570	.04290	.00630	-.00470	.00310	.23040	.05370
.610	6.870	.00000	15.00000	.23240	-.18590	.04260	.00560	-.00470	.00310	.23010	.05340
.608	7.420	.00000	15.00000	.23540	-.18660	.04310	.00550	-.00480	.00300	.23310	.05410
.610	7.990	.00000	15.00000	.23610	-.18640	.04270	.00510	-.00480	.00300	.23390	.05370
.610	8.560	.00000	15.00000	.23650	-.18650	.04240	.00540	-.00480	.00290	.23330	.05340
.609	9.140	.00000	15.00000	.23780	-.18570	.04270	.00640	-.00470	.00300	.23550	.05370
.608	9.710	.00000	15.00000	.23930	-.18500	.04280	.00560	-.00490	.00290	.23700	.05400
.608	10.280	.00000	15.00000	.23850	-.18800	.04260	.00610	-.00480	.00300	.23620	.05370
.608	10.850	.00000	15.00000	.23970	-.18770	.04290	.00560	-.00470	.00300	.23740	.05400
.608	11.430	.00000	15.00000	.24100	-.18730	.04240	.00570	-.00470	.00300	.23870	.05360
.609	12.000	.01000	15.00000	.24160	-.18680	.04240	.00600	-.00480	.00280	.23940	.05370
.608	12.570	.01000	14.99000	.24240	-.18870	.04250	.00610	-.00490	.00280	.24020	.05380
.610	13.150	.01000	15.00000	.24050	-.18720	.04220	.00600	-.00490	.00270	.23820	.05340
.609	13.720	.01000	14.99000	.24250	-.18950	.04240	.00630	-.00500	.00280	.24020	.05370
.610	14.290	.01000	14.99000	.24160	-.18050	.04240	.00660	-.00480	.00300	.23940	.05360
.607	14.860	.01000	14.99000	.24240	-.18960	.04250	.00660	-.00490	.00300	.24010	.05380
.607	15.440	.01000	14.99000	.24350	-.19200	.04250	.00680	-.00510	.00310	.24130	.05380
.607	16.010	.01000	14.99000	.24480	-.19250	.04250	.00670	-.00500	.00310	.24260	.05390
.607	16.560	.01000	14.99000	.24500	-.19220	.04250	.00670	-.00500	.00290	.24270	.05390
.609	17.130	.01000	14.99000	.24440	-.19220	.04220	.00590	-.00510	.00270	.24210	.05360
.610	17.700	.01000	14.99000	.24380	-.19030	.04230	.00620	-.00510	.00280	.24160	.05370
.609	18.280	.01000	14.99000	.24480	-.19180	.04230	.00680	-.00510	.00280	.24250	.05370
.607	18.850	.01000	14.99000	.24690	-.19460	.04210	.00720	-.00510	.00280	.24460	.05360
.609	19.420	.01000	14.99000	.24750	-.19240	.04240	.00720	-.00520	.00290	.24530	.05390
.611	20.000	.01000	14.99000	.24850	-.19320	.04200	.00660	-.00500	.00290	.24630	.05360
	GRADIENT	.00000	.00000	.00198	-.00066	-.00017	-.00022	-.00000	.00003	.00199	-.00008

DATE 29 MAR 76

CA-26 FORCE SOURCE DATA TABULATION

PAGE 759

LTV44-559(CA26) 747/1 ATY 02 S1 (CARRIER DATA)

(RFE067) (18 NOV 75)

REFERENCE DATA

SREF = 5500.0000 SQ.FT. XMRP = 1339.9000 IN. XC
 LREF = 327.7800 IN. YMRP = .0000 IN. YC
 BREF = 2348.0400 IN. ZMRP = 190.7500 IN. ZC
 SCALE = .0125

PARAMETRIC DATA

ALPHAC = 2.000 BETAC = .000
 STAB = 5.000 ELEVON = 5.000
 BOFLAP = .000 DY = .000
 OZ = 60.000 TORB = 6.000
 BETAO = 5.000 RUDDER = .000

RUN NO. 2050/ 0 RN/L = .00 GRADIENT INTERVAL = -5.00/ 5.00

MACH	DX	DY	OZ	CN	CLM	CA	CY	CYN	CBL	CL	CD
.609	.580	.00000	51.46000	.28090	-.22960	.04350	-.00540	.00190	.00040	.27860	.05660
.607	1.150	.00000	51.46000	.28380	-.23220	.04520	-.00500	.00190	.00030	.26140	.05830
.607	1.730	.00000	51.46000	.28380	-.22950	.04440	-.00530	.00190	.00030	.28140	.05760
.608	2.300	.00000	51.46000	.28350	-.22930	.04370	-.00540	.00190	.00030	.28120	.05690
.609	2.870	.00000	51.46000	.28290	-.23080	.04340	-.00510	.00190	.00020	.28060	.05660
.609	3.450	.00000	51.46000	.28090	-.23000	.04290	-.00560	.00190	.00020	.27860	.05600
.608	4.020	.00000	51.46000	.28340	-.22970	.04300	-.00530	.00180	.00010	.28110	.05610
.607	4.590	.00000	51.46000	.28680	-.23120	.04330	-.00620	.00180	.00010	.28450	.05660
.607	5.160	.00000	51.46000	.28410	-.23180	.04310	-.00680	.00190	.00020	.28180	.05630
.608	5.710	.00000	51.46000	.28160	-.23150	.04320	-.00600	.00180	.00020	.27930	.05620
.608	6.280	.00000	51.46000	.28050	-.23150	.04300	-.00560	.00180	.00010	.27820	.05600
.611	6.860	.00000	51.46000	.28170	-.23080	.04300	-.00510	.00170	.00020	.27940	.05600
.608	7.430	.00000	51.46000	.28320	-.23400	.04350	-.00530	.00170	.00010	.28080	.05660
.610	8.000	.00000	51.46000	.28190	-.23050	.04260	-.00610	.00170	.00010	.27960	.05570
.609	8.580	.00000	51.46000	.28530	-.23120	.04310	-.00640	.00190	.00020	.28300	.05630
.607	9.150	.00000	51.46000	.28590	-.23120	.04330	-.00520	.00180	.00010	.28360	.05650
.607	9.720	.00000	51.46000	.28600	-.23160	.04310	-.00560	.00180	.00010	.28370	.05640
.609	10.290	.00000	51.46000	.28830	-.23270	.04310	-.00550	.00190	.00000	.28600	.05650
.609	10.870	.00000	51.46000	.28350	-.23200	.04270	-.00420	.00200	.00000	.28120	.05590
.607	11.440	.00000	51.46000	.28440	-.23320	.04300	-.00470	.00170	.00020	.28210	.05620
.609	12.010	.00000	51.46000	.28550	-.23420	.04310	-.00570	.00170	.00020	.28320	.05630
.607	12.590	.00000	51.46000	.28550	-.23310	.04270	-.00530	.00170	.00020	.28320	.05600
.609	13.160	.00000	51.46000	.28760	-.23380	.04300	-.00580	.00170	.00010	.28530	.05640
.609	13.730	.00000	51.46000	.28790	-.23370	.04290	-.00490	.00170	.00010	.28160	.05600
.609	14.300	.00000	51.46000	.28680	-.23320	.04290	-.00460	.00170	.00000	.28450	.05620
.609	14.850	.00000	51.46000	.28750	-.23270	.04300	-.00460	.00170	.00010	.28520	.05630
.609	15.420	.00000	51.45000	.28890	-.23200	.04300	-.00480	.00170	.00020	.28660	.05640
.610	16.000	.00000	51.46000	.28390	-.23300	.04250	-.00530	.00170	.00020	.28160	.05570
.610	16.570	.00000	51.46000	.28570	-.23350	.04260	-.00460	.00160	.00000	.28340	.05590
.609	17.140	.00000	51.46000	.28880	-.23550	.04300	-.00510	.00160	.00000	.28640	.05640
.609	17.720	.00000	51.46000	.28510	-.23730	.04290	-.00520	.00160	.00020	.28280	.05610
.610	18.290	.00000	51.45000	.28770	-.23460	.04270	-.00460	.00160	.00010	.28540	.05600
.610	18.860	.00000	51.46000	.28840	-.23590	.04280	-.00440	.00140	.00000	.28610	.05620
.610	19.440	.00000	51.45000	.28740	-.23380	.04280	-.00430	.00160	.00000	.28510	.05610
.609	20.010	.00000	51.45000	.28830	-.23710	.04300	-.00480	.00160	.00010	.28600	.05640
GRADIENT		.00000	.00000	.00062	-.00003	-.00036	-.00016	-.00002	-.00007	.00064	-.00033

LTV44-559(CA26) 747/1 ATY 02 S1 (CARRIER DATA)

(RFE089) (18 NOV 75)

REFERENCE DATA

SREF = 5500.0000 SQ.FT. XMRP = 1339.9000 IN. XC
 LREF = 327.7800 IN. YMRP = .0000 IN. YC
 BREF = 2348.0400 IN. ZMRP = 190.7500 IN. ZC
 SCALE = .0125

PARAMETRIC DATA

ALPHAC = 2.000 BETAC = .000
 STAB = 5.000 ELEVON = .000
 SOFLAP = 16.300 DX = .000
 DY = .000 IORB = 4.000
 BETAO = .000 RUDDER = .000

RUN NO. S1/D RN/L = .00 GRADIENT INTERVAL = -5.00/ 5.00

MACH	DZ	DY	DX	CN	CLM	CA	CY	CYN	CEL	CL	CD
.602	1.460	.00000	.00000	.21650	-.17910	.04480	.00050	-.00140	.00090	.21420	.05480
.599	2.060	.00000	.00000	.21520	-.18230	.04510	.00040	-.00140	.00090	.21290	.05500
.602	2.660	.00000	.00000	.21740	-.18210	.04510	-.00050	-.00140	.00090	.21510	.05510
.600	3.360	.00000	.00000	.22120	-.19170	.04460	-.00030	-.00110	.00090	.21890	.05480
.600	4.160	.00000	.01000	.22460	-.19690	.04490	-.00010	-.00110	.00070	.22230	.05520
.599	4.960	.00000	.01000	.23410	-.20600	.04520	.00000	-.00100	.00070	.23170	.05600
.600	6.960	.00000	.01000	.23050	-.20240	.04500	-.00070	-.00100	.00060	.22820	.05560
.602	8.960	.00000	.01000	.23680	-.20840	.04480	-.00100	-.00070	.00050	.23450	.05570
.604	10.460	.00000	.01000	.24160	-.21900	.04500	-.00010	-.00070	.00070	.23920	.05610
.603	11.460	.00000	.01000	.24850	-.21810	.04490	.00010	-.00060	.00070	.24620	.05640
.604	12.450	.00000	.00000	.25340	-.21710	.04460	-.00090	-.00060	.00040	.25110	.05630
.601	13.450	.00000	.00000	.25550	-.22140	.04500	-.00060	-.00070	.00040	.25310	.05680
.600	14.440	.00000	.00000	.25480	-.22260	.04490	-.00100	-.00060	.00060	.25240	.05670
.600	15.440	.00000	.00000	.26050	-.22420	.04470	-.00190	-.00040	.00070	.25820	.05670
.600	16.430	.00000	.00000	.26050	-.22630	.04500	-.00130	-.00050	.00060	.25820	.05700
.604	17.430	.00000	.00000	.25920	-.22360	.04440	-.00110	-.00030	.00040	.25680	.05640
.600	18.420	.00000	.01000	.26160	-.22910	.04490	-.00120	-.00020	.00050	.25920	.05690
.602	19.420	.00000	.01000	.26060	-.22500	.04480	-.00170	-.00020	.00060	.25830	.05680
.601	20.410	.00000	.01000	.26300	-.23340	.04450	-.00130	.00000	.00050	.26070	.05660
.601	21.410	.00000	.00000	.26640	-.23210	.04480	-.00170	.00000	.00040	.26410	.05710
.601	22.390	.00000	.00000	.26490	-.23090	.04440	-.00170	.00000	.00040	.26260	.05670
.601	23.390	.00000	.00000	.26410	-.23200	.04450	-.00170	.00010	.00030	.26180	.05670
.598	24.390	.00000	.00000	.27120	-.23690	.04510	-.00220	.00020	.00020	.26880	.05760
.602	25.380	.00000	.01000	.27130	-.23360	.04450	-.00250	.00020	.00020	.26890	.05710
.602	26.380	.00000	.01000	.27480	-.23390	.04490	-.00240	.00040	.00030	.27250	.05760
.603	27.370	.00000	.01000	.27450	-.23410	.04450	-.00200	.00050	.00030	.27210	.05720
.601	28.370	.00000	.01000	.27860	-.23590	.04500	-.00230	.00050	.00030	.27620	.05790
.602	29.360	.00000	.01000	.27470	-.23630	.04420	-.00230	.00050	.00030	.27230	.05690
.601	30.360	.00000	.01000	.27580	-.23660	.04450	-.00260	.00070	.00000	.27350	.05730
.603	31.350	.00000	.01000	.27870	-.23580	.04440	-.00260	.00050	-.00020	.27630	.05730
.601	32.350	.00000	.01000	.27910	-.23720	.04430	-.00210	.00040	.00000	.27670	.05720
.601	33.340	.00000	.01000	.28210	-.23820	.04420	-.00230	.00050	.00020	.27980	.05720
.600	34.340	.00000	.01000	.28250	-.23700	.04410	-.00240	.00060	.00010	.28010	.05720
.600	35.340	.00000	.01000	.28300	-.23820	.04420	-.00230	.00050	.00020	.28060	.05730
.632	36.330	.00000	.01000	.28440	-.23820	.04410	-.00170	.00030	.00020	.28200	.05720
.601	37.320	.00000	.01000	.28590	-.23610	.04400	-.00160	.00040	.00020	.28360	.05730
.602	38.320	.00000	.01000	.28270	-.23540	.04490	-.00180	.00030	.00010	.28040	.05700
.602	39.310	.00000	.01000	.28740	-.23810	.04430	-.00180	.00020	.00000	.28500	.05760
.603	40.310	.00000	.01000	.28660	-.23670	.04390	-.00200	.00020	.00000	.28620	.05730
.600	41.310	.00000	.01000	.29150	-.23910	.04440	-.00220	.00020	.00000	.28920	.05790
.599	42.300	.00000	.01000	.28920	-.24010	.04420	-.00140	.00000	.00000	.28680	.05760
.600	43.290	.00000	.01000	.29260	-.23890	.04430	-.00220	.00000	.00000	.29020	.05790

DATE 29 MAR 76

CA-26 FORCE SOURCE DATA TABULATION

PAGE 781

LTV44-559(CA26) 747/1 ATY 02 S1 (CARRIER DATA)

(RFE068) (18 NOV 75)

REFERENCE DATA

SREF = 5500.0000 SQ.FT.	XMRP = 1339.9000 IN. XC
LREF = 327.7800 IN.	YMRP = .0000 IN. YC
BREF = 2348.0400 IN.	ZMRP = 190.7500 IN. ZC
SCALE = .0125	

PARAMETRIC DATA

ALPHAC = 2.000	BETAC = .000
STAB = 5.000	ELEVON = .000
BOFLAP = 16.300	DX = .000
DY = .000	ICRB = 4.000
BETA0 = .000	RJDDER = .000

		RUN NO.	S1/ 0	RN/L =	.00	GRADIENT INTERVAL = -5.00/ 5.00					
MACH	DZ	DY	DX	CN	CLM	CA	CY	CYN	CBL	CL	CO
.601	44.290	.00000	.01000	.29110	-.23650	.04400	-.00120	.00000	.00010	.28880	.05750
.602	44.790	.00000	.01000	.29130	-.23980	.04410	-.00140	.00000	.00030	.28990	.05760
	GRADIENT	.00000	.00337	.00501	-.00776	.00004	-.00014	.00013	-.00007	.00499	.00027

LTV44-559(CA26) 747/1 ATY 02 S1 (CARRIER DATA)

(RFE069) (18 NOV 75)

REFERENCE DATA

SREF = 5500.0000 SQ.FT. XMRP = 1339.9000 IN. XC
 LREF = 327.7800 IN. YMRP = .0000 IN. YC
 BREF = 2348.0400 IN. ZMRP = 190.7500 IN. ZC
 SCALE = .0125

PARAMETRIC DATA

ALPHAC = 2.000 BETAC = .000
 STAB = 5.000 ELEVON = .000
 BDFLAP = 16.300 DX = .000
 DY = .000 IORB = 6.000
 BETA0 = .000 RUDDER = .000

RUN NO. 1051/ 0 RN/L = .00 GRADIENT INTERVAL = -5.00/ 5.00

MACH	DZ	DY	DX	CN	CLM	CA	CY	CYN	CBL	CL	CD
.603	1.470	.00000	-.01000	.18190	-.12230	.04240	-.00040	-.00150	.00130	.17970	.05090
.603	2.070	.00000	-.01000	.19010	-.13350	.04250	-.00070	-.00110	.00120	.18790	.05140
.601	2.670	.00000	.00000	.19080	-.13420	.04240	-.00090	-.00110	.00120	.18860	.05130
.601	3.370	.00000	.00000	.20030	-.14510	.04280	-.00170	-.00080	.00110	.19810	.05210
.600	4.170	.00000	.00000	.19730	-.15020	.04270	-.00150	-.00090	.00090	.19510	.05120
.600	4.960	.00000	.00000	.19990	-.15140	.04290	-.00070	-.00090	.00090	.19770	.05290
.601	6.970	.00000	.00000	.21720	-.17320	.04350	-.00160	-.00050	.00080	.21490	.05360
.600	8.970	.00000	.00000	.21970	-.17450	.04380	-.00150	-.00070	.00050	.21740	.05400
.603	10.600	.00000	.00000	.22340	-.18430	.04330	-.00160	-.00040	.00060	.22110	.05360
.601	11.880	.00000	.00000	.23030	-.18940	.04380	-.00140	-.00040	.00070	.22800	.05450
.600	13.160	.00000	.00000	.23370	-.19240	.04370	-.00170	-.00020	.00070	.23140	.05450
.600	14.440	.00000	.00000	.23690	-.19710	.04340	-.00210	-.00010	.00070	.23460	.05430
.601	15.710	.00000	.00000	.23820	-.20190	.04390	-.00220	-.00010	.00040	.23590	.05490
.602	16.990	.00000	.00000	.23860	-.20230	.04300	-.00260	-.00010	.00030	.23640	.05400
.601	18.270	.00000	.00000	.24550	-.20350	.04370	-.00230	.00000	.00050	.24320	.05510
.601	19.540	.00000	.00000	.24770	-.20650	.04330	-.00200	.00020	.00050	.24550	.05480
.600	20.820	.00000	.00000	.25080	-.21320	.04370	-.00230	.00040	.00040	.24850	.05530
.601	22.090	.00000	.01000	.25440	-.21190	.04390	-.00300	.00040	.00050	.25200	.05560
.600	23.360	.00000	.01000	.25780	-.21270	.04380	-.00390	.00060	.00010	.25550	.05580
.600	24.650	.00000	.01000	.25630	-.21520	.04340	-.00320	.00060	.00030	.25400	.05520
.600	25.920	.00000	.01000	.26230	-.21860	.04390	-.00400	.00070	.00040	.26000	.05610
.602	27.200	.00000	.01000	.26140	-.22130	.04360	-.00330	.00060	.00040	.25910	.05570
.601	28.470	.00000	.01000	.26350	-.22230	.04360	-.00280	.00060	.00030	.26120	.05580
.602	29.750	.00000	.01000	.26250	-.22220	.04340	-.00310	.00070	.00010	.26020	.05550
.602	31.030	.00000	.01000	.26510	-.22200	.04330	-.00360	.00080	.00000	.26280	.05560
.600	32.300	.00000	.01000	.26500	-.22390	.04330	-.00360	.00070	.00020	.26270	.05550
.601	33.580	.00000	.01000	.26890	-.22570	.04370	-.00380	.00070	.00030	.26660	.05620
.600	34.850	.00000	.01000	.27020	-.22830	.04370	-.00210	.00060	.00020	.26790	.05620
.598	36.130	.00000	.01000	.27540	-.22890	.04450	-.00210	.00060	.00000	.27300	.05720
.600	37.410	.00000	.01000	.27680	-.22730	.04350	-.00300	.00060	.00030	.27450	.05630
.602	38.690	.00000	.01000	.27730	-.22780	.04390	-.00200	.00040	.00020	.27490	.05670
.602	39.960	.00000	.01000	.27860	-.22890	.04380	-.00170	.00040	.00030	.27620	.05670
.601	41.240	.00000	.01000	.27790	-.22840	.04320	-.00260	.00030	.00010	.27550	.05610
.600	42.520	.00000	.01000	.28240	-.22800	.04360	-.00240	.00030	.00020	.28010	.05670
.600	43.790	.00000	.01000	.28250	-.22950	.04320	-.00150	.00020	.00030	.28020	.05640
.600	45.070	.00000	.01000	.28890	-.22910	.04360	-.00210	.00020	.00060	.28650	.05710
.600	46.340	.00000	.01000	.28710	-.23290	.04370	-.00150	.00000	.00010	.28470	.05700
.602	47.620	.00000	.01000	.27900	-.22990	.04270	-.00060	.00000	.00000	.27670	.05560
.600	48.900	.00000	.01000	.28830	-.23200	.04370	-.00110	.00000	.00020	.28500	.05710
.602	50.180	.00000	.01000	.28270	-.23240	.04370	-.00170	.00010	.00020	.28040	.05680
.602	51.460	.00000	.01000	.28170	-.23220	.04330	-.00220	.00010	.00010	.27940	.05640
.602	GRADIENT	.00000	.00314	.00483	-.00935	.00814	-.00017	.00015	-.00012	.00483	.00035

LTV44-559(CA26) 747/1 ATY 02 51 (CARRIER DATA)

(RFE070) (18 NOV 75)

REFERENCE DATA

SREF = 5500.0000 SQ.FT. XMRP = 1339.9000 IN. XC
 LREF = 327.7800 IN. YMRP = .0000 IN. YC
 BREF = 2348.0400 IN. ZMRP = 190.7500 IN. ZC
 SCALE = .0125

PARAMETRIC DATA

ALPHAC = 2.000 BETAC = .000
 STAB = 5.000 ELEVON = .000
 BDFLAP = 16.300 DX = .000
 DY = .000 IORB = 8.000
 BETA0 = .000 RUDDER = .000

RUN NO. 52/ 0 RN/L = .00 GRADIENT INTERVAL = -5.00/ 5.00

MACH	OZ	DY	DX	CN	CLM	CA	CY	CYN	CBL	CL	CD
.597	1.460	.00000	-.01000	.15950	-.10370	.04140	.00030	-.00230	.00130	.15730	.04890
.600	2.060	.00000	-.01000	.16060	-.09930	.04130	.00000	-.00230	.00120	.15840	.04880
.599	2.660	.00000	-.01000	.16470	-.09680	.04110	-.00020	-.00210	.00130	.16260	.04880
.602	3.460	.00000	-.01000	.16570	-.09490	.04090	-.00010	-.00160	.00130	.16360	.04860
.601	4.460	.00000	-.01000	.16800	-.09570	.04110	-.00090	-.00160	.00100	.16590	.04900
.601	5.590	.00000	-.01000	.17770	-.10730	.04140	-.00160	-.00110	.00070	.17550	.04970
.600	6.840	.00000	-.01000	.17880	-.11100	.04120	-.00060	-.00100	.00100	.17660	.04950
.601	8.090	.00000	-.01000	.18550	-.11610	.04150	-.00180	-.00090	.00090	.18330	.05020
.600	9.340	.00000	.00000	.18670	-.12680	.04150	-.00140	-.00080	.00070	.18450	.05020
.600	10.580	.00000	.00000	.19590	-.13650	.04190	-.00180	-.00050	.00070	.19370	.05100
.601	11.810	.00000	.00000	.19970	-.13820	.04240	-.00250	-.00050	.00060	.19750	.05180
.600	13.050	.00000	.00000	.20310	-.14460	.04230	-.00170	-.00030	.00020	.20090	.05180
.600	14.290	.00000	.00000	.20910	-.14900	.04290	-.00230	-.00030	.00080	.20690	.05260
.600	15.520	.00000	.00000	.21100	-.15540	.04220	-.00160	-.00020	.00080	.20870	.05200
.599	16.750	.00000	.00000	.21710	-.15840	.04310	-.00230	-.00020	.00060	.21480	.05320
.599	17.990	.00000	.00000	.21800	-.16430	.04300	-.00290	-.00010	.00040	.21580	.05310
.602	19.230	.00000	.00000	.21830	-.16700	.04250	-.00140	.00000	.00050	.21610	.05270
.600	20.460	.00000	.00000	.22370	-.17320	.04290	-.00150	.00000	.00050	.22140	.05330
.599	21.690	.00000	.01000	.22960	-.17980	.04320	-.00210	.00010	.00040	.22740	.05390
.600	22.930	.00000	.01000	.23240	-.18370	.04310	-.00220	.00010	.00040	.23010	.05390
.601	24.160	.00000	.01000	.23460	-.18400	.04330	-.00370	.00020	.00020	.23230	.05420
.601	25.390	.00000	.01000	.23650	-.18370	.04310	-.00280	.00030	.00040	.23430	.05410
.603	26.630	.00000	.01000	.23980	-.18350	.04310	-.00320	.00050	.00020	.23750	.05430
.601	27.860	.00000	.01000	.24720	-.19450	.04370	-.00370	.00050	.00000	.24480	.05520
.600	29.100	.00000	.01000	.24620	-.19720	.04360	-.00350	.00060	.00020	.24390	.05510
.601	30.340	.00000	.01000	.25040	-.19780	.04330	-.00270	.00070	.00010	.24810	.05500
.599	31.570	.00000	.01000	.25060	-.20130	.04380	-.00320	.00070	-.00010	.24830	.05550
.598	32.800	.00000	.01000	.25310	-.20450	.04340	-.00310	.00080	.00000	.25080	.05520
.600	34.040	.00000	.01000	.25460	-.20720	.04370	-.00370	.00080	.00000	.25230	.05500
.600	35.280	.00000	.01000	.25760	-.20630	.04350	-.00340	.00070	-.00030	.25530	.05550
.602	36.510	.00000	.01000	.25750	-.20840	.04340	-.00300	.00070	-.00030	.25520	.05530
.599	37.740	.00000	.01000	.26160	-.21160	.04370	-.00340	.00070	-.00020	.25920	.05580
.602	38.980	.00000	.01000	.26170	-.21170	.04300	-.00310	.00080	.00010	.25940	.05520
.600	40.220	.00000	.01000	.26550	-.21200	.04340	-.00290	.00080	.00020	.26320	.05580
.631	41.450	.00000	.01000	.26540	-.21460	.04370	-.00250	.00060	.00020	.26310	.05600
.601	42.690	.00000	.01000	.26520	-.21450	.04350	-.00330	.00050	.00020	.26290	.05580
.601	43.920	.00000	.01000	.26900	-.21370	.04330	-.00360	.00060	.00000	.26660	.05580
.599	45.150	.00000	.01000	.27350	-.21630	.04350	-.00290	.00050	.00000	.27110	.05620
.597	46.390	.00000	.01000	.27600	-.22180	.04430	-.00260	.00040	.00000	.27360	.05710
.601	47.630	.00000	.01000	.27410	-.21980	.04330	-.00270	.00040	.00000	.27180	.05610
.600	48.860	.00000	.01000	.27800	-.22080	.04350	-.00260	.00020	.00000	.27570	.05640
.601	50.090	.00000	.02000	.27540	-.21850	.04320	-.00200	.00010	.00000	.27310	.05600

LTV44-559(CA26) 747/1 ATY 02 S1 (CARRIER DATA)

(RFE070) (18 NOV 75)

REFERENCE DATA

SREF = 5500.0000 SQ.FT. XMRP = 1339.9000 IN. XC
 LREF = 327.7800 IN. YMRP = .0000 IN. YC
 BREF = 2348.0400 IN. ZMRP = 190.7500 IN. ZC
 SCALE = .0125

PARAMETRIC DATA

ALPHAC = 2.000 BETAC = .000
 STAB = 5.000 ELEVON = .000
 BDFLAP = 16.300 DX = .000
 DY = .000 IORB = 8.000
 BETAO = .000 RUDDER = .000

RUN NO. 52/ 0 RN/L = .00 GRADIENT INTERVAL = -5.00/ 5.00

MACH	DZ	DY	DX	CN	CLM	CA	CY	CYN	CBL	CL	CD
.601	51.330	.00000	.02000	.27660	-.22050	.04340	-.00120	.00010	-.00020	.27430	.05630
.600	52.570	.00000	.01000	.27820	-.22380	.04360	-.00110	.00000	.00010	.27590	.05650
.599	53.800	.00000	.02000	.27930	-.22240	.04350	-.00170	.00010	-.00020	.27690	.05650
.601	55.040	.00000	.02000	.27780	-.22230	.04270	-.00210	.00000	-.00020	.27550	.05570
.601	56.270	.00000	.02000	.27900	-.22360	.04310	-.00150	.00000	.00000	.27670	.05610
.599	57.500	.00000	.02000	.28070	-.22720	.04340	-.00170	.00000	.00020	.27840	.05650
.600	58.120	.00000	.02000	.28340	-.22600	.04340	-.00230	.00000	.00020	.28100	.05650
	GRADIENT	.00000	-.00000	.00293	.00184	-.00012	-.00035	.00028	-.00007	.00296	.00001

LTV44-559(CA26) 747/1 ATY 02 S1 (CARRIER DATA)

(RFE071) (18 NOV 75)

REFERENCE DATA

SREF = 5500.0000 SQ.FT. XMRP = 1339.9000 IN. XC
 LREF = 327.7800 IN. YMRP = .0000 IN. YC
 BREF = 2348.0400 IN. ZMRP = 190.7500 IN. ZC
 SCALE = .0125

PARAMETRIC DATA

ALPHAC = 2.000 BETAC = .000
 STAB = 5.000 ELEVON = .000
 BDFLAP = 5.000 DX = .000
 DY = .000 IORB = 4.000
 BETA0 = .000 RUDDER = .000

RUN NO. 53/ 0 RN/L = .00 GRADIENT INTERVAL = -5.00/ 5.00

MACH	DZ	DY	DX	CN	CLM	CA	CY	CYN	CBL	CL	CD
.600	1.460	.00000	.01000	.22790	-.21450	.04620	.00120	-.00190	.00080	.22550	.05660
.599	2.060	.00000	.01000	.23030	-.21500	.04620	.00060	-.00180	.00060	.22790	.05670
.600	2.660	.00000	.01000	.23540	-.21450	.04700	.00080	-.00160	.00100	.23300	.05780
.597	3.360	.00000	.01000	.24010	-.22230	.04680	.00130	-.00150	.00100	.23770	.05780
.600	4.160	.00000	.01000	.23740	-.22040	.04630	.00110	-.00160	.00090	.23500	.05720
.601	4.520	.00000	.01000	.24110	-.22460	.04620	.00060	-.00140	.00080	.23870	.05720
.597	6.960	.00000	.01000	.24150	-.22790	.04650	.00140	-.00140	.00080	.23910	.05760
.601	6.960	.00000	.01000	.24700	-.22620	.04620	.00000	-.00130	.00070	.24470	.05760
.598	10.460	.00000	.01000	.25520	-.23160	.04620	.00000	-.00130	.00070	.25280	.05790
.595	11.460	.00000	.01000	.25790	-.23260	.04600	.00100	-.00130	.00070	.25550	.05790
.597	12.450	.00000	.01000	.25980	-.23310	.04660	.00090	-.00120	.00070	.25740	.05850
.598	13.450	.00000	.01000	.25910	-.23290	.04590	.00100	-.00120	.00070	.25670	.05780
.599	14.440	.00000	.01000	.26060	-.23410	.04560	.00070	-.00110	.00070	.25820	.05760
.597	15.440	.00000	.01000	.26520	-.23450	.04600	.00080	-.00100	.00060	.26280	.05820
.597	16.430	.00000	.01000	.26790	-.23510	.04580	-.00010	-.00100	.00060	.26550	.05810
.598	17.430	.00000	.01000	.26900	-.23610	.04600	-.00060	-.00070	.00050	.26660	.05840
.600	18.420	.00000	.00000	.27240	-.23350	.04620	-.00100	-.00060	.00040	.26990	.05880
.600	19.420	.00000	.00000	.27490	-.23510	.04580	-.00080	-.00050	.00050	.27240	.05850
.598	20.410	.00000	.00000	.27540	-.23800	.04580	-.00210	-.00030	.00040	.27290	.05850
.599	21.410	.00000	.00000	.27440	-.23720	.04540	-.00170	-.00020	.00020	.27200	.05810
.597	22.390	.00000	.01000	.27810	-.23890	.04600	-.00270	-.00020	.00020	.27560	.05880
.600	23.390	.00000	.01000	.27580	-.23630	.04540	-.00180	.00000	.00020	.27340	.05820
.597	24.390	.00000	.01000	.28170	-.23700	.04560	-.00220	.00000	.00020	.27920	.05860
.597	25.380	.00000	.01000	.27820	-.23810	.04530	-.00250	.00000	.00030	.27580	.05820
.600	26.380	.00000	.01000	.27830	-.23670	.04480	-.00250	.00020	.00040	.27600	.05770
.596	27.370	.00000	.01000	.28190	-.23950	.04540	-.00160	.00020	.00030	.27950	.05840
.598	28.370	.00000	.01000	.28310	-.23840	.04500	-.00230	.00020	.00020	.28070	.05810
.598	29.360	.00000	.01000	.28350	-.23790	.04490	-.00220	.00010	.00030	.28110	.05800
.600	30.360	.00000	.01000	.28330	-.23560	.04480	-.00230	.00020	.00020	.28090	.05790
.599	31.350	.00000	.01000	.28680	-.23790	.04490	-.00210	.00010	.00020	.28440	.05820
.595	32.350	.00000	.01000	.29130	-.23750	.04500	-.00250	.00000	.00010	.28890	.05860
.600	33.340	.00000	.01000	.28700	-.23580	.04420	-.00210	.00010	.00010	.28460	.05750
.598	34.340	.00000	.01000	.28990	-.23650	.04490	-.00260	.00000	.00020	.28740	.05830
.597	35.340	.00000	.01000	.29040	-.23990	.04500	-.00270	.00000	.00000	.28800	.05840
.598	36.330	.00000	.01000	.29280	-.23810	.04480	-.00230	.00000	.00010	.29040	.05840
.599	37.320	.00000	.01000	.29260	-.23980	.04450	-.00140	.00010	.00020	.29020	.05810
.598	38.320	.00000	.01000	.29350	-.24060	.04430	-.00180	.00100	.00010	.29110	.05790
.599	39.310	.00000	.01000	.29560	-.24030	.04420	-.00230	.00010	.00000	.29320	.05800
.597	40.310	.00000	.01000	.29550	-.24040	.04440	-.00210	.00010	.00030	.29310	.05810
.597	41.310	.00000	.01000	.29870	-.23780	.04450	-.00280	.00000	.00030	.29630	.05850
.599	42.300	.00000	.01000	.29540	-.23920	.04430	-.00080	.00000	.00010	.29300	.05810
.598	43.290	.00000	.01000	.29670	-.24040	.04420	-.00220	.00000	.00000	.29430	.05800

DATE 29 MAR 76

CA-26 FORCE SOURCE DATA TABULATION

PAGE 766

LTV44-559(CA26) 747/1 ATY 02 S1 (CARRIER DATA)

(RFE071) (18 NOV 75)

REFERENCE DATA

SREF =	5500.0000 SQ.FT.	XMRP =	1339.9000 IN. XC
LREF =	327.7800 IN.	YMRP =	.0000 IN. YC
BREF =	2348.0400 IN.	ZMRP =	190.7500 IN. ZC
SCALE =	.0125		

PARAMETRIC DATA

ALPHAC =	2.000	BETAC =	.000
STAB =	5.000	ELEVON =	.000
BDFLAP =	5.000	DX =	.000
DY =	.000	IGRB =	4.000
BETA0 =	.000	RUDDER =	.000

RUN NO. 53/ 0 RN/L = .00 GRADIENT INTERVAL = -5.00/ 5.00

MACH	OZ	DY	DX	CN	CLM	CA	CY	CYN	CBL	CL	CD
.599	44.290	.00000	.01000	.29670	-.23680	.04389	-.00250	.00010	.00010	.29430	.05760
.602	44.790	.00000	.01000	.29460	-.23640	.04378	-.00190	.00000	.00010	.29230	.05740
	GRADIENT	.00000	.00000	.00366	-.00305	-.00001	-.00004	.00013	.00003	.00366	.00016

LTV44-559(CA26) 747/1 ATY 02 S1 (CARRIER DATA)

(RFE072) (18 NOV 75)

REFERENCE DATA

SREF = 5500.0000 SQ.FT. XMRP = 1339.9000 IN. XC
 LREF = 327.7800 IN. YMRP = .0000 IN. YC
 BREF = 2348.0400 IN. ZMRP = 190.7500 IN. ZC
 SCALE = .0125

PARAMETRIC DATA

ALPHAC = 2.000 BETAC = .000
 STAB = 5.000 ELEVON = .000
 BDFLAP = 5.000 DX = .000
 DY = .000 IORB = 6.000
 BETA0 = .000 RUDDER = .000

RUN NO. 1053/ 0 RN/L = .00 GRADIENT INTERVAL = -5.00/ 5.00

MACH	DZ	DY	DX	CN	CLM	CA	CY	CYN	CBL	CL	CD
.598	1.470	.00000	.00000	.19430	-.14770	.04360	-.00110	-.00170	.00090	.19200	.05260
.598	2.070	.00000	.00000	.20450	-.16470	.04430	-.00040	-.00160	.00100	.20220	.05380
.599	2.670	.00000	.00000	.20670	-.16470	.04380	-.00100	-.00160	.00080	.20440	.05340
.598	3.370	.00000	.00000	.21480	-.17220	.04410	-.00150	-.00120	.00090	.21250	.05400
.599	4.170	.00000	.00000	.21310	-.17570	.04380	-.00100	-.00110	.00070	.21090	.05360
.598	4.960	.00000	.00000	.21270	-.17620	.04390	-.00200	-.00110	.00080	.21050	.05370
.599	6.970	.00000	.00000	.22960	-.19300	.04440	-.00170	-.00080	.00070	.22730	.05500
.599	8.970	.00000	.00000	.23150	-.19420	.04440	-.00210	-.00080	.00040	.22920	.05510
.599	10.600	.00000	.00000	.23530	-.20280	.04430	-.00140	-.00080	.00080	.23300	.05510
.599	11.880	.00000	.00000	.24000	-.20340	.04440	-.00170	-.00050	.00060	.23770	.05550
.598	13.160	.00000	.00000	.24240	-.20600	.04460	-.00190	-.00050	.00050	.24000	.05580
.597	14.440	.00000	.00000	.24490	-.20940	.04390	-.00200	-.00050	.00050	.24260	.05520
.598	15.710	.00000	.00000	.24640	-.20980	.04430	-.00180	-.00050	.00040	.24410	.05570
.598	16.990	.00000	.00000	.25420	-.21130	.04480	-.00300	-.00020	.00020	.25190	.05650
.598	18.270	.00000	.00000	.25330	-.21220	.04430	-.00290	.00000	.00060	.25100	.05600
.598	19.540	.00000	.00000	.25460	-.21420	.04410	-.00270	.00010	.00070	.25230	.05540
.598	20.820	.00000	.00000	.25700	-.21610	.04450	-.00310	.00020	.00040	.25470	.05640
.599	22.090	.00000	.01000	.25990	-.21690	.04440	-.00330	.00040	.00040	.25750	.05640
.599	23.360	.00000	.01000	.26480	-.21750	.04410	-.00320	.00040	.00030	.26250	.05640
.599	24.650	.00000	.01000	.26930	-.21600	.04430	-.00410	.00050	.00010	.26700	.05680
.598	25.920	.00000	.01000	.26720	-.21940	.04430	-.00380	.00050	.00000	.26480	.05670
.598	27.200	.00000	.01000	.26810	-.22120	.04430	-.00360	.00040	.00000	.26580	.05630
.599	28.470	.00000	.01000	.27040	-.22070	.04420	-.00410	.00050	.00000	.26800	.05670
.599	29.750	.00000	.01000	.27460	-.22190	.04420	-.00430	.00070	.00010	.27230	.05690
.600	31.030	.00000	.01000	.27250	-.22350	.04360	-.00340	.00060	.00010	.27010	.05620
.597	32.300	.00000	.01000	.27420	-.22580	.04420	-.00370	.00050	.00010	.27180	.05690
.598	33.580	.00000	.01000	.27380	-.22640	.04400	-.00320	.00050	.00010	.27150	.05670
.597	34.850	.00000	.01000	.27670	-.22560	.04390	-.00370	.00050	.00010	.27430	.05680
.599	36.130	.00000	.01000	.27900	-.22710	.04400	-.00310	.00030	.00000	.27670	.05700
.596	37.410	.00000	.01000	.28300	-.22950	.04330	-.00270	.00030	-.00010	.28060	.05750
.598	38.690	.00000	.01000	.28210	-.22880	.04400	-.00270	.00030	.00000	.27980	.05710
.597	39.960	.00000	.01000	.28380	-.22710	.04370	-.00290	.00030	.00010	.28150	.05690
.598	41.240	.00000	.01000	.28650	-.22710	.04390	-.00270	.00030	.00030	.28430	.05720
.599	42.520	.00000	.01000	.28730	-.22720	.04370	-.00330	.00020	.00010	.28490	.05710
.537	43.790	.00000	.01000	.28690	-.22930	.04360	-.00270	.00020	.00010	.28460	.05700
.597	45.070	.00000	.01000	.29080	-.22900	.04380	-.00280	.00020	.00000	.28850	.05740
.598	46.340	.00000	.01000	.29100	-.23090	.04370	-.00250	.00010	.00020	.28870	.05730
.598	47.620	.00000	.01000	.29250	-.23260	.04380	-.00240	.00000	.00010	.29020	.05740
.603	48.900	.00000	.02000	.28810	-.22880	.04320	-.00250	.00000	.00000	.28580	.05660
.598	50.180	.00000	.02000	.29410	-.23120	.04410	-.00220	.00020	.00020	.29170	.05790
.599	51.460	.00000	.01000	.28830	-.23110	.04310	-.00280	.00010	.00000	.28600	.05650
GRADIENT		.00000	.00000	.00496	-.00730	.00001	-.00028	.00020	-.00005	.00500	.00021

ORIGINAL PAGE IS OF POOR QUALITY

LTV44-559(CA26) 747/1 ATY 02 S1 (CARRIER DATA)

(RFE073) (18 NOV 75)

REFERENCE DATA

SREF = 5500.0000 SQ.FT. XMRP = 1339.9000 IN. XC
 LREF = 327.7800 IN. YMRP = .0000 IN. YC
 BREF = 2348.0400 IN. ZMRP = 190.7500 IN. ZC
 SCALE = .0125

PARAMETRIC DATA

ALPHAC = 2.000 BETAC = .000
 STAB = 5.000 ELEVON = .000
 BDFLAP = 5.000 DX = .000
 DY = .000 IORB = 8.000
 BETA0 = .000 RUDDER = .000

RUN NO. 54/ 0 RN/L = .00 GRADIENT INTERVAL = -5.00/ 5.00

MACH	DZ	DY	DX	CN	CLM	CA	CY	CYN	CBL	CL	CD
.599	1.460	.00000	-.01000	.15980	-.09800	.04130	.00000	-.00200	.00090	.15770	.04880
.599	2.060	.00000	-.01000	.16080	-.09990	.04130	.00120	-.00210	.00110	.15860	.04880
.599	2.660	.00000	-.01000	.16390	-.10130	.04140	.00120	-.00210	.00130	.16180	.04900
.599	3.460	.00000	-.01000	.17200	-.10610	.04170	.00000	-.00170	.00090	.16980	.04980
.599	4.460	.00000	-.01000	.17380	-.10800	.04160	.00000	-.00170	.00090	.17170	.04980
.600	5.590	.00000	.00000	.18280	-.12180	.04200	-.00040	-.00150	.00090	.18060	.05060
.599	6.840	.00000	.00000	.18430	-.12550	.04240	-.00020	-.00140	.00100	.18210	.05100
.601	8.090	.00000	.00000	.18580	-.12980	.04210	-.00040	-.00130	.00090	.18360	.05070
.599	9.340	.00000	.00000	.19430	-.13940	.04250	-.00130	-.00120	.00050	.19210	.05160
.602	10.580	.00000	.00000	.20090	-.15060	.04250	-.00040	-.00100	.00080	.19870	.05180
.601	11.810	.00000	.00000	.20520	-.15020	.04270	-.00070	-.00100	.00060	.20300	.05230
.598	13.050	.00000	.00000	.20700	-.15640	.04280	.00000	-.00090	.00090	.20480	.05240
.601	14.290	.00000	.00000	.20870	-.16030	.04270	-.00120	-.00080	.00080	.20650	.05240
.599	15.520	.00000	.00000	.21600	-.16800	.04330	-.00110	-.00080	.00080	.21380	.05330
.598	16.750	.00000	.00000	.21810	-.17170	.04310	-.00070	-.00070	.00070	.21590	.05320
.597	17.990	.00000	.00000	.22400	-.17570	.04360	-.00100	-.00060	.00090	.22170	.05400
.597	19.230	.00000	.00000	.22410	-.18070	.04330	-.00130	-.00050	.00060	.22190	.05370
.598	20.460	.00000	.00000	.22750	-.18450	.04330	-.00150	-.00030	.00060	.22520	.05380
.600	21.690	.00000	.01000	.23130	-.18740	.04360	-.00240	-.00020	.00070	.22900	.05430
.598	22.930	.00000	.01000	.23270	-.19270	.04400	-.00190	-.00020	.00070	.23040	.05480
.601	24.160	.00000	.01000	.23430	-.19360	.04350	-.00210	-.00010	.00030	.23200	.05440
.600	25.390	.00000	.01000	.23850	-.19660	.04390	-.00290	.00010	.00030	.23620	.05490
.601	26.630	.00000	.01000	.24060	-.19830	.04370	-.00300	.00010	.00000	.23830	.05480
.599	27.860	.00000	.01000	.24330	-.19910	.04370	-.00320	.00030	.00000	.24100	.05490
.600	29.100	.00000	.01000	.24740	-.20150	.04380	-.00320	.00040	.00000	.24500	.05530
.602	30.340	.00000	.01000	.24830	-.20330	.04360	-.00300	.00060	.00020	.24600	.05510
.602	31.570	.00000	.01000	.24950	-.20400	.04330	-.00340	.00070	.00010	.24720	.05490
.600	32.800	.00000	.01000	.25230	-.20890	.04380	-.00300	.00070	-.00010	.25000	.05550
.601	34.040	.00000	.01000	.25740	-.21000	.04360	-.00350	.00070	.00000	.25510	.05560
.601	35.280	.00000	.01000	.25680	-.20970	.04340	-.00360	.00070	.00010	.25450	.05530
.599	36.510	.00000	.01000	.26390	-.21220	.04380	-.00370	.00090	.00020	.26150	.05610
.601	37.740	.00000	.01000	.26010	-.21180	.04340	-.00360	.00070	.00000	.25780	.05550
.602	38.980	.00000	.01000	.25930	-.21340	.04340	-.00340	.00070	.00000	.25700	.05540
.600	40.220	.00000	.01000	.26400	-.21590	.04340	-.00280	.00060	.00010	.26170	.05570
.538	41.450	.00000	.01000	.26700	-.21600	.04360	-.00310	.00060	.00000	.26470	.05600
.600	42.690	.00000	.01000	.26510	-.21630	.04310	-.00310	.00040	.00000	.26280	.05540
.602	43.920	.00000	.01000	.26710	-.21670	.04350	-.00270	.00050	.00010	.26470	.05590
.599	45.150	.00000	.01000	.27030	-.22000	.04360	-.00280	.00050	.00030	.26790	.05610
.598	46.390	.00000	.01000	.27180	-.22200	.04330	-.00270	.00030	.00030	.26950	.05600
.601	47.630	.00000	.01000	.27270	-.21960	.04330	-.00260	.00030	.00030	.27040	.05600
.599	48.860	.00000	.01000	.27570	-.22270	.04350	-.00230	.00030	.00020	.27330	.05630
.599	50.090	.00000	.01000	.27690	-.22370	.04350	-.00210	.00020	.00010	.27460	.05630

DATE 29 MAR 76

CA-26 FORCE SOURCE DATA TABULATION

PAGE 769

LTV44-559(CA26) 747/1 ATY 02 S1 (CARRIER DATA)

(RFE073) (18 NOV 75)

REFERENCE DATA

SREF = 5500.0000 SQ.FT. XMRP = 1339.9000 IN. XC
 LREF = 327.7800 IN. YMRP = .0000 IN. YC
 BREF = 2348.0400 IN. ZMRP = 190.7500 IN. ZC
 SCALE = .0125

PARAMETRIC DATA

ALPHAC = 2.000 BETAC = .000
 STAB = 5.000 ELEVON = .000
 BDFLAP = 5.000 DX = .000
 DY = .000 TORB = 8.000
 BETA0 = .000 RUDDER = .000

RUN NO. 54/ 0 RN/L = .00 GRADIENT INTERVAL = -5.00/ 5.00

MACH	OZ	DY	DX	CN	CLM	CA	CY	CYN	CBL	CL	CD
.599	51.330	.00000	.01000	.27860	-.22420	.04360	-.00210	.00030	.00020	.27630	.05660
.599	52.570	.00000	.02000	.27970	-.22590	.04340	-.00240	.00010	.00000	.27740	.05640
.602	53.800	.00000	.01000	.27500	-.22360	.04300	-.00190	.00010	.00030	.27270	.05570
.601	55.040	.00000	.01000	.27790	-.22570	.04320	-.00200	.00010	.00030	.27560	.05610
.601	56.270	.00000	.02000	.28040	-.22610	.04320	-.00210	.00020	.00030	.27810	.05630
.599	57.500	.00000	.02000	.28200	-.22770	.04350	-.00210	.00000	.00010	.27970	.05660
.599	58.120	.00000	.02000	.28250	-.22880	.04350	-.00150	.00000	.00030	.28020	.05670
	GRADIENT	.00000	-.00000	.00529	-.00353	.00013	-.00020	.00014	-.00004	.00529	.00040

LTV44-559(CA26) 747/1 ATY 02 S1 (CARRIER DATA)

(RFE074) (18 NOV 75)

REFERENCE DATA

SREF = 5500.0000 SQ.FT. XMRP = 1339.9000 IN. XC
 LREF = 327.7800 IN. YMRP = .0000 IN. YC
 BREF = 2348.0400 IN. ZMRP = 190.7500 IN. ZC
 SCALE = .0125

PARAMETRIC DATA

ALPHAC = 2.000 BETAC = .000
 STAB = 5.000 ELEVON = .000
 BDFLAP = .000 DX = .000
 DY = .000 IORR = 4.000
 BETA0 = .000 RUDDER = .000

RUN NO. 55/ 0 RN/L = .00 GRADIENT INTERVAL = -5.00/ 5.00

MACH	DZ	DY	DX	CN	CLM	CA	CY	CYN	CBL	CL	CD
.602	1.460	.00000	.02000	.22640	-.22900	.04610	.00240	-.00200	.00070	.22410	.05640
.602	2.060	.00000	.01000	.22880	-.22550	.04590	.00230	-.00210	.00050	.22650	.05630
.601	2.660	.00000	.01000	.23300	-.22890	.04590	.00200	-.00210	.00070	.23060	.05650
.602	3.360	.00000	.01000	.23730	-.23230	.04640	.00210	-.00190	.00070	.23490	.05720
.602	4.160	.00000	.01000	.23480	-.23360	.04630	.00190	-.00200	.00050	.23850	.05700
.602	4.960	.00000	.01000	.24130	-.23560	.04630	.00150	-.00190	.00070	.23290	.05730
.602	6.960	.00000	.01000	.24120	-.23540	.04580	.00090	-.00180	.00080	.23880	.05680
.602	8.960	.00000	.01000	.24600	-.23600	.04590	.00110	-.00190	.00080	.24370	.05710
.602	10.460	.00000	.01000	.25300	-.23750	.04550	.00130	-.00160	.00080	.25060	.05710
.601	11.460	.00000	.01000	.25710	-.23800	.04590	.00130	-.00170	.00080	.25470	.05760
.601	12.450	.00000	.01000	.25620	-.23980	.04570	.00160	-.00170	.00080	.25380	.05740
.602	13.450	.00000	.01000	.26010	-.23670	.04550	.00040	-.00170	.00060	.25770	.05740
.602	14.440	.00000	.01000	.26170	-.23930	.04580	.00080	-.00160	.00040	.25930	.05780
.602	15.440	.00000	.01000	.26060	-.23680	.04530	.00120	-.00150	.00060	.25820	.05760
.601	16.430	.00000	.01000	.26410	-.23920	.04550	.00010	-.00120	.00030	.26170	.05730
.601	17.430	.00000	.01000	.26560	-.23780	.04550	.00000	-.00110	.00010	.26320	.05770
.601	18.420	.00000	.01000	.26870	-.23940	.04540	.00020	-.00100	.00040	.26630	.05770
.603	19.420	.00000	.01000	.26660	-.23860	.04490	-.00050	-.00070	.00050	.26420	.05720
.602	20.410	.00000	.01000	.26900	-.23850	.04470	-.00040	-.00070	.00060	.26660	.05700
.602	21.410	.00000	.01000	.27140	-.23820	.04490	-.00040	-.00060	.00040	.26910	.05740
.601	22.390	.00000	.00000	.27160	-.23940	.04470	-.00070	-.00050	.00030	.26920	.05720
.602	23.390	.00000	.00000	.27250	-.23870	.04470	-.00120	-.00030	.00030	.27010	.05720
.602	24.390	.00000	.01000	.27540	-.23830	.04480	-.00150	-.00030	.00010	.27310	.05750
.600	25.380	.00000	.01000	.27790	-.24010	.04500	-.00120	-.00030	.00010	.27550	.05780
.602	26.380	.00000	.01000	.27710	-.24000	.04470	-.00140	-.00010	.00010	.27470	.05750
.601	27.370	.00000	.01000	.27850	-.23590	.04440	-.00220	-.00020	.00000	.27610	.05720
.600	28.370	.00000	.01000	.27710	-.23810	.04430	-.00190	-.00000	.00010	.27470	.05710
.601	29.360	.00000	.01000	.28060	-.23870	.04430	-.00150	-.00010	-.00020	.27830	.05730
.601	30.360	.00000	.01000	.28050	-.23900	.04400	-.00160	.00000	.00010	.27810	.05700
.602	31.350	.00000	.01000	.28010	-.23760	.04390	-.00170	.00000	.00030	.27780	.05680
.603	32.350	.00000	.01000	.28430	-.23850	.04390	-.00150	-.00010	.00030	.28190	.05700
.602	33.340	.00000	.01000	.28470	-.23920	.04420	-.00210	-.00010	.00010	.28240	.05740
.601	34.340	.00000	.01000	.28460	-.24050	.04390	-.00190	-.00010	.00000	.28230	.05710
.602	35.340	.00000	.01000	.28660	-.24000	.04390	-.00150	.00000	.00000	.28430	.05720
.602	35.330	.00000	.01000	.28710	-.23830	.04380	-.00190	.00000	.00010	.28470	.05710
.601	37.320	.00000	.01000	.29040	-.23900	.04390	-.00220	.00000	.00000	.28810	.05730
.602	38.320	.00000	.01000	.28860	-.23880	.04360	-.00190	.00000	.00000	.28630	.05700
.601	39.310	.00000	.01000	.28940	-.24100	.04390	-.00160	-.00010	-.00010	.28710	.05730
.601	40.310	.00000	.01000	.29110	-.24000	.04360	-.00190	.00000	.00010	.28880	.05710
.603	41.310	.00000	.01000	.28960	-.23920	.04350	-.00150	-.00010	.00010	.28720	.05690
.601	42.300	.00000	.01000	.29230	-.23920	.04340	-.00210	.00000	.00000	.29000	.05700
.601	43.290	.00000	.01000	.29410	-.23930	.04330	-.00200	.00000	.00010	.29170	.05700

DATE 29 MAR 76

CA-25 FORCE SOURCE DATA TABULATION

PAGE 771

LTV44-559(CA26) 747/1 ATY 02 S1 (CARRIER DATA)

(RFE074) (18 NOV 75)

REFERENCE DATA

SREF = 5500.0000 SQ.FT. XMRP = 1339.9000 IN. XC
 LREF = 327.7800 IN. YMRP = .0000 IN. YC
 BREF = 2348.0400 IN. ZMRP = 190.7500 IN. ZC
 SCALE = .0125

PARAMETRIC DATA

ALPHAC = 2.000 BETAC = .000
 STAB = 5.000 ELEVON = .000
 BDFLAP = .000 DX = .000
 DY = .000 IORB = 4.000
 BETAO = .000 RUDDER = .000

MACH		DZ	RUN NO.	S5/ 0	RN/L =	.00	GRADIENT INTERVAL = -5.00/ 5.00				CBL	CL	CD
.600		44.290	.00000		.01000	.29610	CLM	CA	CY	CYN	.00010	.29380	.05750
.603		44.790	.00000		.01000	.29390	-.24110	.04330	-.00170	-.00010	.00000	.29150	.05700
	GRADIENT		.00000		-.00192	.00390	-.00243	.00011	-.00023	.00004	.00000	.00388	.00030

LTV44-559(CA26) 747/1 ATY 02 S1 (CARRIER DATA)

(RFE075) (18 NOV 75)

REFERENCE DATA

SREF = 5500.0000 SQ.FT. XMRP = 1339.9000 IN. XC
 LREF = 327.7800 IN. YMRP = .0000 IN. YC
 BREF = 2348.0400 IN. ZMRP = 190.7500 IN. ZC
 SCALE = .0125

PARAMETRIC DATA

ALPHAC = 2.000 BETAC = .000
 STAB = 5.000 ELEVON = .000
 BDFLAP = .000 DX = .000
 DY = .000 IOFB = 6.000
 BETAO = .000 RUDDER = .000

RUN NO. 1055/ 0 RN/L = .00 GRADIENT INTERVAL = -5.00/ 5.00

MACH	DZ	DY	DX	CN	CLM	CA	CY	CYN	CBL	CL	CD
.603	1.470	.00000	.00000	.19290	-.16270	.04310	.00180	-.00220	.00100	.19070	.05200
.601	2.070	.00000	.00000	.20350	-.17510	.04360	.00090	-.00210	.00090	.20120	.05300
.602	2.670	.00000	.00000	.20500	-.17360	.04320	.00050	-.00220	.00060	.20280	.05260
.601	3.370	.00000	.00000	.21320	-.18340	.04330	.00020	-.00190	.00090	.21100	.05310
.602	4.170	.00000	.01000	.21260	-.18620	.04340	.00030	-.00190	.00070	.21030	.05320
.600	4.960	.00000	.00000	.21350	-.18640	.04370	.00060	-.00190	.00080	.21120	.05350
.601	6.970	.00000	.01000	.22680	-.20080	.04410	.00010	-.00160	.00040	.22450	.05450
.602	8.970	.00000	.00000	.22790	-.19960	.04360	-.00010	-.00150	.00050	.22570	.05410
.601	10.600	.00000	.01000	.23370	-.20710	.04390	.00010	-.00150	.00070	.23140	.05470
.602	11.880	.00000	.00000	.23800	-.20570	.04320	-.00030	-.00130	.00080	.23570	.05480
.602	13.160	.00000	.00000	.24270	-.20900	.04390	-.00060	-.00120	.00040	.24040	.05510
.601	14.440	.00000	.01000	.24270	-.21410	.04430	-.00040	-.00100	.00060	.24040	.05550
.600	15.710	.00000	.00000	.24560	-.21380	.04410	-.00090	-.00080	.00050	.24330	.05540
.601	16.990	.00000	.00000	.24720	-.21580	.04390	-.00120	-.00090	.00030	.24490	.05530
.601	18.270	.00000	.00000	.25060	-.21570	.04400	-.00170	-.00060	.00040	.24830	.05550
.600	19.540	.00000	.00000	.25550	-.21790	.04420	-.00210	-.00030	.00030	.25310	.05600
.599	20.820	.00000	.00000	.25550	-.21950	.04400	-.00240	-.00020	.00040	.25320	.05580
.600	22.090	.00000	.01000	.25740	-.21790	.04380	-.00290	.00000	.00010	.25510	.05570
.601	23.360	.00000	.01000	.26220	-.22010	.04400	-.00280	.00000	-.00020	.25980	.05620
.603	24.650	.00000	.01000	.26210	-.21960	.04360	-.00310	.00010	.00010	.25970	.05570
.603	25.920	.00000	.01000	.26300	-.22030	.04350	-.00300	.00020	.00010	.26070	.05570
.602	27.200	.00000	.01000	.26660	-.22400	.04350	-.00290	.00010	.00000	.26430	.05580
.602	28.470	.00000	.01000	.26770	-.22350	.04360	-.00290	.00020	.00010	.26530	.05600
.602	29.750	.00000	.01000	.26650	-.22540	.04340	-.00280	.00020	.00000	.26430	.05580
.602	31.030	.00000	.01000	.27050	-.22470	.04330	-.00260	.00020	.00000	.26820	.05580
.599	32.300	.00000	.01000	.27150	-.22670	.04350	-.00290	.00030	-.00020	.26920	.05610
.600	33.580	.00000	.01000	.27400	-.22780	.04360	-.00280	.00030	-.00010	.27170	.05630
.600	34.850	.00000	.01000	.27530	-.22660	.04330	-.00320	.00030	.00000	.27300	.05600
.604	36.130	.00000	.01000	.27290	-.22470	.04280	-.00290	.00020	.00000	.27060	.05540
.603	37.410	.00000	.01000	.27570	-.22660	.04300	-.00250	.00020	.00030	.27340	.05580
.600	38.690	.00000	.01000	.28170	-.22900	.04320	-.00240	.00020	.00010	.27940	.05630
.599	39.960	.00000	.01000	.28260	-.23050	.04340	-.00240	.00010	.00000	.28030	.05660
.600	41.240	.00000	.01000	.28060	-.23070	.04320	-.00230	.00010	.00010	.27830	.05620
.603	42.520	.00000	.01000	.28080	-.22920	.04300	-.00250	.00000	.00000	.27850	.05610
.602	43.790	.00000	.01000	.28450	-.23110	.04320	-.00240	.00010	.00010	.28210	.05640
.603	45.070	.00000	.01000	.28150	-.23150	.04290	-.00270	.00000	.00010	.27920	.05590
.601	46.340	.00000	.01000	.28910	-.23.40	.04280	-.00260	.00010	.00010	.28580	.05620
.603	47.620	.00000	.01000	.28470	-.23140	.04260	-.00180	.00000	.00020	.28240	.05580
.600	46.900	.00000	.01000	.28880	-.23320	.04310	-.00180	.00000	-.00010	.28640	.05650
.601	50.180	.00000	.01000	.28670	-.23140	.04260	-.00220	-.00010	-.00010	.28440	.05590
.602	51.450	.00000	.01000	.28830	-.23160	.04290	-.00260	.00000	-.00010	.28600	.05640
GRADIENT		.00000	.00123	.00551	-.00633	.00011	-.00031	.00010	-.00004	.00548	.00035

DATE 29 MAR 76

CA-26 FORCE SOURCE DATA TABULATION

PAGE 773

LTV44-559(CA26) 747/1 ATY 02 S1 (CARRIER DATA)

(RFE076) (18 NOV 75)

REFERENCE DATA

SREF = 5500.0000 SQ.FT. XMRP = 1339.9000 IN. XC
 LREF = 327.7800 IN. YMRP = .0000 IN. YC
 BREF = 2348.0400 IN. ZMRP = 190.7500 IN. ZC
 SCALE = .0125

PARAMETRIC DATA

ALPHAC = 2.000 BETAC = .000
 STAB = 5.000 ELEVON = .000
 BDFLAP = .000 DX = .000
 DY = .000 IORB = 8.000
 BETA0 = .000 RUDDER = .000

RUN NO. 56/ 0 RN/L = .00 GRADIENT INTERVAL = -5.00/ 5.00

MACH	DZ	DY	DX	CN	CLM	CA	CY	CYN	CBL	CL	CD
.599	1.460	.00000	-.01000	.16840	-.11280	.04160	.00270	-.00230	.00060	.16620	.04940
.599	2.060	.00000	-.01000	.16880	-.11460	.04200	.00330	-.00220	.00070	.16670	.04990
.599	2.660	.00000	-.01000	.17500	-.11330	.04190	.00300	-.00220	.00070	.17280	.05010
.598	3.460	.00000	-.01000	.17850	-.11950	.04220	.00280	-.00210	.00070	.17640	.05060
.598	4.460	.00000	.00000	.18020	-.12060	.04210	.00310	-.00210	.00070	.17800	.05050
.599	5.590	.00000	.00000	.19000	-.13180	.04240	.00210	-.00180	.00050	.18780	.05130
.600	6.840	.00000	.00000	.18870	-.13630	.04250	.00250	-.00180	.00070	.18650	.05130
.598	8.090	.00000	.00000	.19290	-.14300	.04300	.00190	-.00160	.00080	.19070	.05200
.598	9.340	.00000	.00000	.19980	-.14810	.04290	.00220	-.00160	.00070	.19760	.05220
.596	10.580	.00000	.00000	.20870	-.15810	.04360	.00200	-.00150	.00060	.20650	.05330
.599	11.810	.00000	.00000	.20930	-.15980	.04320	.00230	-.00160	.00070	.20700	.05300
.599	13.050	.00000	.00000	.21150	-.16410	.04330	.00220	-.00150	.00070	.20930	.05320
.597	14.290	.00000	.00000	.21620	-.17210	.04380	.00150	-.00130	.00060	.21390	.05360
.599	15.520	.00000	.00000	.21760	-.17390	.04340	.00140	-.00120	.00040	.21300	.05350
.599	16.750	.00000	.00000	.22550	-.17650	.04370	.00050	-.00120	.00030	.23200	.05420
.599	17.990	.00000	.00000	.22870	-.18230	.04370	.00120	-.00100	.00030	.22640	.05430
.600	19.230	.00000	.00000	.23230	-.18440	.04380	.00090	-.00090	.00060	.23000	.05460
.600	20.460	.00000	.00000	.23560	-.18670	.04390	.00150	-.00070	.00070	.23330	.05480
.599	21.690	.00000	.01000	.23890	-.19060	.04410	.00080	-.00060	.00050	.23650	.05520
.598	22.930	.00000	.01000	.23910	-.19460	.04380	.00000	-.00040	.00060	.23680	.05490
.598	24.160	.00000	.01000	.24390	-.19610	.04390	-.00010	-.00040	.00030	.24150	.05530
.600	25.390	.00000	.01000	.24360	-.19810	.04400	-.00120	-.00010	.00020	.24120	.05530
.599	26.630	.00000	.01000	.24830	-.20120	.04440	-.00100	.00000	.00030	.24600	.05590
.600	27.860	.00000	.01000	.24810	-.20280	.04410	-.00140	.00000	.00020	.24580	.05580
.601	29.100	.00000	.01000	.25190	-.20340	.04380	-.00040	.00010	.00010	.24950	.05550
.599	30.340	.00000	.01000	.25390	-.20630	.04400	-.00110	.00030	.00000	.25160	.05580
.598	31.570	.00000	.01000	.25390	-.20630	.04380	-.00130	.00040	.00000	.25370	.05570
.598	32.800	.00000	.01000	.25600	-.20630	.04380	-.00130	.00040	.00000	.25600	.05610
.599	34.040	.00000	.01000	.25840	-.20940	.04410	-.00210	.00040	.00000	.25600	.05610
.598	35.280	.00000	.01000	.26080	-.21110	.04390	-.00150	.00030	.00000	.25840	.05600
.600	36.510	.00000	.01000	.26310	-.21370	.04440	-.00170	.00030	.00020	.26070	.05660
.599	37.740	.00000	.01000	.26130	-.21490	.04390	-.00170	.00030	.00000	.25890	.05600
.599	38.980	.00000	.01000	.26480	-.21530	.04390	-.00190	.00040	.00000	.26250	.05610
.599	40.220	.00000	.01000	.26650	-.21680	.04390	-.00200	.00040	.00000	.26430	.05630
.599	41.450	.00000	.01000	.26860	-.21570	.04370	-.00070	.00030	.00000	.26620	.05620
.600	42.690	.00000	.01000	.27070	-.21660	.04370	-.00070	.00020	.00010	.26840	.05630
.600	43.920	.00000	.01000	.27310	-.21690	.04360	-.00140	.00030	.00010	.27080	.05630
.599	45.150	.00000	.01000	.27270	-.22020	.04370	-.00250	.00030	.00000	.27030	.05640
.600	46.390	.00000	.01000	.27350	-.22110	.04390	-.00120	.00020	.00010	.27120	.05660
.600	47.630	.00000	.01000	.27410	-.22070	.04370	-.00110	.00020	.00000	.27170	.05650
.598	48.860	.00000	.01000	.27750	-.22130	.04370	-.00080	.00020	.00010	.27510	.05660
.600	50.090	.00000	.02000	.28180	-.22220	.04350	-.00140	.00020	.00000	.27950	.05660
.600		.00000	.02000	.27960	-.22170	.04320	-.00200	.00010	.00010	.27720	.05620

DATE 29 MAR 78

CA-26 FORCE SOURCE DATA TABULATION

PAGE 774

LTV44-559(CA26) 747/1 ATY 02 S1 (CARRIER DATA)

(RFE075) (18 NOV 75)

REFERENCE DATA

SREF = 5500.0000 SQ.FT. XMRP = 1339.9000 IN. XC
 LREF = 327.7800 IN. YMRP = .0000 IN. YC
 BREF = 2348.0400 IN. ZMRP = 190.7500 IN. ZC
 SCALE = .0125

PARAMETRIC DATA

ALPHAC = 2.000 BETAC = .000
 STAB = 5.000 ELEVON = .000
 SDFLAP = .000 DX = .000
 DY = .000 IORB = 8.000
 BETA0 = .000 RUDDER = .000

RUN NO. 55/ 0 RN/L = .00 GRADIENT INTERVAL = -5.00/ 5.00

MACH	DZ	DY	DX	CN	CLM	CA	CY	CYN	CBL	CL	CD
.598	51.330	.00000	.01000	.28040	-.22440	.04370	-.00090	.00010	.00010	.27800	.05670
.599	52.570	.00000	.02000	.28250	-.22550	.04330	-.00170	.00010	.00030	.28020	.05650
.598	53.800	.00000	.02000	.28300	-.22520	.04340	-.00150	.00010	.00010	.28060	.05660
.602	55.040	.00000	.02000	.28210	-.22260	.04320	-.00030	.00000	.00010	.27980	.05640
.598	56.270	.00000	.02000	.28930	-.22440	.04370	-.00030	.00010	.00010	.28650	.05720
.601	57.500	.00000	.02000	.28580	-.22430	.04310	-.00050	.00000	.00010	.28350	.05650
.596	58.120	.00000	.02000	.28900	-.22940	.04380	-.00110	.00000	.00000	.28660	.05730
	GRADIENT	.00000	.00295	.00440	-.00282	.00015	.00004	.00007	.00002	.00440	.00037

DATE 29 MAR 76

CA-26 FORCE SOURCE DATA TABULATION

PAGE 775

LTV44-559(CA26) 747/1 ATY 02 S1 (CARRIER DATA)

(RFE077) (18 NOV 75)

REFERENCE DATA

SREF = 5500.0000 SQ.FT. XMRP = 1339.9000 IN. XC
 LREF = 327.7800 IN. YMRP = .0000 IN. YC
 BREF = 2348.0400 IN. ZMRP = 190.7500 IN. ZC
 SCALE = .0125

PARAMETRIC DATA

ALPHAC = 2.000 BETAC = .000
 STAB = 5.000 ELEVON = 10.000
 BDFLAP = .000 DX = .000
 DY = .000 TORB = 6.000
 BETA0 = .000 RUDDER = .000

RUN NO. 57/ 0 RN/L = .00 GRADIENT INTERVAL = -5.00/ 5.00

MACH	OZ	DY	DX	CN	CLM	CA	CY	CYN	CBL	CL	CD
.602	1.460	.00000	-.03000	.17850	-.05810	.03880	.00370	-.00270	.00110	.17640	.04740
.601	2.060	.00000	-.02000	.17620	-.05910	.03890	.00420	-.00270	.00100	.17410	.04740
.603	2.660	.00000	-.02000	.17830	-.06160	.03920	.00430	-.00260	.00090	.17620	.04770
.604	3.360	.00000	-.02000	.17990	-.06810	.03960	.00390	-.00260	.00100	.17780	.04820
.602	4.160	.00000	-.02000	.18260	-.07000	.03960	.00340	-.00280	.00100	.18050	.04830
.602	4.960	.00000	-.02000	.19070	-.07940	.03990	.00370	-.00300	.00090	.18650	.04910
.603	5.960	.00000	-.02000	.18990	-.08190	.03970	.00420	-.00280	.00090	.18780	.04890
.603	6.960	.00000	-.01000	.18860	-.08650	.03950	.00440	-.00290	.00100	.18650	.04850
.603	7.970	.00000	-.01000	.19090	-.09290	.04060	.00480	-.00290	.00120	.18870	.04570
.602	8.960	.00000	-.01000	.19670	-.09900	.04090	.00440	-.00270	.00110	.19450	.05030
.603	9.960	.00000	-.01000	.20340	-.10920	.04100	.00350	-.00230	.00070	.20120	.05070
.604	11.150	.00000	-.01000	.20360	-.10990	.04090	.00350	-.00230	.00070	.20150	.05060
.606	12.330	.00000	.00000	.20480	-.11370	.04080	.00330	-.00240	.00120	.20260	.05050
.598	13.520	.00000	.00000	.21230	-.12080	.04180	.00270	-.00230	.00100	.21000	.05190
.604	14.700	.00000	.00000	.21330	-.12360	.04150	.00360	-.00230	.00100	.21110	.05160
.601	15.900	.00000	.00000	.21640	-.12740	.04160	.00280	-.00220	.00090	.21410	.05190
.601	17.080	.00000	.00000	.22070	-.13550	.04230	.00350	-.00220	.00100	.21850	.05270
.600	18.270	.00000	.00000	.22290	-.14190	.04280	.00330	-.00190	.00100	.22060	.05330
.601	19.450	.00000	.00000	.22440	-.14540	.04180	.00200	-.00180	.00080	.22210	.05230
.600	20.640	.00000	.00000	.22920	-.14950	.04250	.00140	-.00150	.00100	.22690	.05330
.600	21.810	.00000	.01000	.23300	-.15390	.04260	.00220	-.00140	.00090	.23070	.05350
.601	23.000	.00000	.01000	.23310	-.15970	.04300	.00080	-.00110	.00070	.23080	.05400
.602	24.190	.00000	.01000	.23640	-.16050	.04260	.00110	-.00110	.00080	.23410	.05370
.602	25.370	.00000	.01000	.23890	-.16240	.04250	.00060	-.00090	.00050	.23650	.05370
.601	26.560	.00000	.01000	.24220	-.16630	.04270	.00050	-.00060	.00030	.23990	.05410
.602	27.740	.00000	.01000	.24470	-.17050	.04270	-.00020	-.00040	.00040	.24240	.05420
.603	28.930	.00000	.01000	.24330	-.17540	.04270	-.00060	-.00030	.00030	.24100	.05410
.598	30.110	.00000	.01000	.25020	-.18220	.04330	-.00100	-.00030	.00010	.24790	.05510
.602	31.310	.00000	.01000	.25140	-.18040	.04320	.00000	-.00010	.00020	.24910	.05500
.602	32.490	.00000	.01000	.25070	-.18310	.04310	-.00080	.00000	.00020	.24840	.05490
.601	33.680	.00000	.01000	.25300	-.18610	.04330	-.00040	.00000	.00040	.25070	.05520
.600	34.860	.00000	.01000	.25550	-.18810	.04280	-.00160	.00010	.00040	.25320	.05480
.604	36.050	.00000	.01000	.25830	-.18750	.04290	-.00130	.00010	.00040	.25600	.05500
.602	37.230	.00000	.01000	.25850	-.19140	.04310	-.00100	.00000	.00050	.25620	.05520
.602	38.420	.00000	.01000	.26150	-.19200	.04300	-.00140	.00020	.00040	.25920	.05520
.602	39.610	.00000	.02000	.26430	-.19600	.04340	-.00200	.00000	.00020	.26200	.05580
.602	40.790	.00000	.02000	.26130	-.19790	.04280	-.00160	.00020	.00020	.25900	.05510
.601	41.980	.00000	.02000	.26770	-.19800	.04310	-.00170	.00020	.00000	.26540	.05560
.602	43.160	.00000	.02000	.26390	-.19980	.04270	-.00160	.00030	.00000	.26160	.05510
.603	44.350	.00000	.02000	.26490	-.20150	.04300	-.00120	.00020	.00000	.26260	.05540
.601	45.530	.00000	.02000	.26680	-.20400	.04290	-.00100	.00030	.00020	.26450	.05530
.600	46.720	.00000	.02000	.27050	-.20580	.04310	-.00060	.00020	.00030	.26820	.05580

LTV44-559(CA26) 747/1 ATY 02 S1 (CARRIER DATA)

(RFE077) (18 NOV 75)

REFERENCE DATA

SREF = 5500.0000 SQ.FT. XMRP = 1339.9000 IN. XC
 LREF = 327.7800 IN. YMRP = .0000 IN. YC
 BREF = 2348.0400 IN. ZMRP = 190.7500 IN. ZC
 SCALE = .0125

PARAMETRIC DATA

ALPHAC = 2.000 BETAC = .000
 STAB = 5.000 ELEVON = 10.000
 BDFLAP = .000 DX = .000
 DY = .000 TORB = 6.000
 BETA0 = .000 RUDDER = .000

RUN NO. 57/ 0 RN/L = .00 GRADIENT INTERVAL = -5.00/ 5.00

MACH	DZ	DY	DX	CN	CLM	CA	CY	CYN	CBL	CL	CD
.601	47.910	.00000	.02000	.27580	-.20300	.04280	-.00190	.00010	.00010	.27350	.05570
.601	49.090	.00000	.02000	.27360	-.20670	.04310	-.00150	.00020	.00020	.27130	.05590
.602	50.280	.00000	.02000	.27410	-.20740	.04290	-.00110	.00010	.00020	.27180	.05570
.605	51.460	.00000	.02000	.27220	-.20920	.04250	-.00050	.00010	.00010	.26990	.05520
	GRADIENT	.00000	.00192	.00345	-.00601	.00032	-.00012	-.00008	-.00003	.00343	.00048

DATE 29 MAR 76

CA-26 FORCE SOURCE DATA TABULATION

PAGE 777

LTV44-559(CA26) 747/1 ATY 02 S1 (CARRIER DATA)

(RFE078) (18 NOV 75)

REFERENCE DATA

SREF = 5500.0000 SQ.FT. XMRP = 1339.9000 IN. XC
 LREF = 327.7800 IN. YMRP = .0000 IN. YC
 BREF = 2348.0400 IN. ZMRP = 190.7500 IN. ZC
 SCALE = .0125

PARAMETRIC DATA

ALPHAC = 2.000 BETAC = .000
 STAB = 5.000 ELEVON = 5.000
 AILRON = -5.000 DX = .000
 DY = .000 IORB = 6.000
 BETAO = .000 DPHI = .000

RUN NO. 58/ 0 RN/L = .00 GRADIENT INTERVAL = -5.00/ 5.00

MACH	OZ	DY	DX	CN	CLN	CA	CY	CYN	CBL	CL	CD
.599	1.460	.00000	-.01000	.18990	-.10810	.04150	.00130	-.00430	.00240	.18760	.05050
.594	2.060	.00000	-.01000	.19260	-.11120	.04230	.00060	-.00430	.00240	.19040	.05130
.598	2.660	.00000	-.01000	.19220	-.11360	.04150	.00110	-.00430	.00260	.19000	.05060
.600	3.360	.00000	-.01000	.19910	-.12010	.04160	.00140	-.00440	.00240	.19690	.05100
.597	4.160	.00000	-.01000	.19920	-.12340	.04220	.00160	-.00440	.00280	.19700	.05160
.598	4.960	.00000	-.01000	.20540	-.13310	.04200	.00060	-.00410	.00270	.20320	.05160
.597	5.960	.00000	-.01000	.20570	-.13400	.04230	.00090	-.00400	.00270	.20350	.05190
.599	6.960	.00000	-.01000	.20750	-.13720	.04200	.00060	-.00380	.00240	.20530	.05170
.597	7.970	.00000	.00000	.21130	-.14340	.04270	.00020	-.00330	.00240	.20910	.05260
.598	8.960	.00000	.00000	.21360	-.15080	.04220	-.00200	-.00270	.00240	.21130	.05220
.599	9.960	.00000	.00000	.22200	-.15880	.04310	-.00280	-.00130	.00190	.21980	.05350
.599	11.150	.00000	.00000	.22170	-.15970	.04220	-.00430	-.00130	.00180	.21950	.05260
.600	12.330	.00000	.00000	.21940	-.16230	.04280	-.00410	-.00090	.00190	.21710	.05300
.595	13.520	.00000	.00000	.22800	-.16990	.04350	-.00550	-.00030	.00180	.22570	.05410
.599	14.700	.00000	.00000	.22680	-.16990	.04260	-.00630	.00010	.00140	.22460	.05320
.597	15.900	.00000	.00000	.23460	-.17580	.04370	-.00610	.00080	.00130	.23230	.05460
.599	17.080	.00000	.00000	.23250	-.17930	.04260	-.00800	.00130	.00110	.23030	.05350
.598	18.270	.00000	.00000	.23830	-.18090	.04350	-.00780	.00190	.00090	.23600	.05460
.600	19.450	.00000	.00000	.23860	-.18400	.04320	-.00960	.00250	.00070	.23630	.05430
.596	20.640	.00000	.00000	.23880	-.18850	.04310	-.01060	.00300	.00060	.23660	.05420
.599	21.810	.00000	.01000	.24600	-.18940	.04340	-.01150	.00360	.00050	.24370	.05490
.599	23.000	.00000	.01000	.24850	-.19030	.04350	-.01200	.00400	.00010	.24620	.05510
.597	24.190	.00000	.01000	.25120	-.19750	.04370	-.01250	.00450	.00010	.24890	.05530
.599	25.370	.00000	.01000	.25370	-.19870	.04390	-.01210	.00470	-.00010	.25130	.05570
.596	26.560	.00000	.01000	.25370	-.19990	.04330	-.01280	.00480	-.00010	.25140	.05510
.600	27.740	.00000	.01000	.25910	-.20400	.04360	-.01330	.00490	-.00010	.25680	.05570
.599	28.930	.00000	.01000	.25770	-.20310	.04320	-.01310	.00490	-.00020	.25540	.05520
.599	30.110	.00000	.01000	.25980	-.20700	.04350	-.01290	.00490	-.00030	.25750	.05570
.597	31.310	.00000	.01000	.26100	-.20950	.04370	-.01300	.00480	-.00020	.25870	.05590
.599	32.490	.00000	.01000	.26480	-.21330	.04350	-.01280	.00470	-.00040	.26250	.05580
.600	33.680	.00000	.01000	.26540	-.21000	.04340	-.01120	.00450	-.00070	.26310	.05580
.598	34.860	.00000	.01000	.26980	-.21420	.04380	-.01100	.00440	-.00070	.26750	.05640
.600	36.050	.00000	.01000	.26870	-.21450	.04370	-.01010	.00420	-.00050	.26640	.05620
.599	37.230	.00000	.01000	.26770	-.21530	.04320	-.01070	.00400	-.00060	.26540	.05560
.537	38.420	.00000	.01000	.27330	-.21710	.04380	-.01010	.00370	-.00030	.27090	.05650
.598	39.610	.00000	.01000	.27500	-.21760	.04370	-.00900	.00360	-.00010	.27260	.05650
.598	40.790	.00000	.01000	.27420	-.21930	.04360	-.00900	.00320	-.00010	.27180	.05640
.597	41.980	.00000	.01000	.27450	-.22270	.04370	-.00870	.00290	-.00030	.27210	.05650
.599	43.160	.00000	.01000	.27610	-.22080	.04350	-.00880	.00270	.00000	.27380	.05630
.598	44.350	.00000	.01000	.27630	-.22150	.04330	-.00750	.00260	.00010	.27410	.05620
.596	45.530	.00000	.01000	.27950	-.22530	.04360	-.00750	.00230	-.00020	.27710	.05660
.598	46.720	.00000	.02070	.28430	-.22200	.04330	-.00640	.00210	-.00040	.28190	.05660

LTV44-559(CA26) 747/1 ATY 02 S1 (CARRIER DATA)

(RFE078) (18 NOV 75)

REFERENCE DATA

SREF = 5500.0000 SQ.FT. XMRP = 1339.9000 IN. XC
 LREF = 327.7800 IN. YMRP = .0000 IN. YC
 BREF = 2348.0400 IN. ZMRP = 190.7500 IN. ZC
 SCALE = .0125

PARAMETRIC DATA

ALPHAC = 2.000 BETAC = .000
 STAB = 5.000 ELEVON = 5.000
 AILRON = -5.000 DX = .000
 DY = .000 IORB = 6.000
 BETAG = .000 OPFI = .000

RUN NO. 58/ 0 RN/L = .00 GRADIENT INTERVAL = -5.00/ 5.00

MACH	DZ	DY	DX	CN	CLM	CA	CY	CYN	CBL	CL	CD
.597	47.910	.00000	.01000	.28280	-.22590	.04350	-.00690	.00210	.00000	.28050	.05670
.600	49.090	.00000	.02000	.28350	-.22340	.04330	-.00600	.00190	.00000	.28120	.05650
.600	50.280	.00000	.02000	.28550	-.22590	.04350	-.00580	.00160	.00000	.28310	.05680
.598	51.460	.00000	.02000	.28690	-.22480	.04360	-.00490	.00150	.00000	.28450	.05700
	GRADIENT	.00000	.00000	.00430	-.00692	.00010	-.00002	.00003	.00010	.00430	.00028

DATE 29 MAR 76

CA-26 FORCE SOURCE DATA TABULATION

PAGE 779

LTV44-559(CA26) 747/1 ATY 02 S1 (CARRIER DATA)

(RFE079) (18 NOV 75)

REFERENCE DATA

SREF = 5500.0000 SQ.FT. XMRP = 1339.9000 IN. XC
 LREF = 327.7800 IN. YMRP = .0000 IN. YC
 BREF = 2348.0400 IN. ZMRP = 190.7500 IN. ZC
 SCALE = .0125

PARAMETRIC DATA

ALPHAC = 2.000 BETAC = .000
 STAB = 5.000 RUDDER = 10.000
 ELEVON = 5.000 DX = .000
 DY = .000 TORB = 6.000
 BETAO = .000 DPHI = .000

RUN NO. 59/ 0 RN/L = .00 GRADIENT INTERVAL = -5.00/ 5.00

MACH	DZ	DY	DX	CN	CLM	CA	CY	CYN	CBL	CL	CD
.599	1.460	.00000	-.01000	.18990	-.12500	.04310	.03280	-.01710	.00350	.18760	.05200
.599	2.060	.00000	-.01000	.19070	-.12510	.04330	.03300	-.01720	.00340	.18840	.05230
.599	2.660	.00000	-.01000	.19380	-.12820	.04340	.03310	-.01720	.00350	.19150	.05250
.597	3.360	.00000	-.01000	.20060	-.13500	.04400	.03350	-.01780	.00350	.19830	.05340
.598	4.160	.00000	-.01000	.20270	-.13420	.04370	.03350	-.01780	.00330	.20040	.05330
.600	4.960	.00000	-.01000	.20570	-.14150	.04410	.03430	-.01840	.00350	.20340	.05380
.599	5.960	.00000	-.01000	.20220	-.14260	.04410	.03530	-.01840	.00350	.19990	.05360
.597	6.960	.00000	.00000	.20790	-.14680	.04460	.03620	-.01890	.00390	.20560	.05430
.598	7.970	.00000	.00000	.21140	-.14880	.04460	.03580	-.01930	.00390	.20910	.05450
.597	8.960	.00000	.00000	.21440	-.15170	.04480	.03740	-.01980	.00370	.21200	.05480
.596	9.960	.00000	.00000	.22060	-.16140	.04510	.03850	-.02060	.00390	.21830	.05540
.598	11.150	.00000	.00000	.22040	-.15800	.04500	.03910	-.02050	.00390	.21810	.05530
.600	12.330	.00000	.00000	.22700	-.16080	.04510	.03920	-.02060	.00440	.22470	.05570
.598	13.520	.00000	.00000	.23070	-.16720	.04590	.03920	-.02100	.00430	.22830	.05670
.599	14.700	.00000	.00000	.23000	-.16860	.04530	.03990	-.02110	.00410	.22760	.05610
.596	15.900	.00000	.00000	.23640	-.17410	.04640	.03980	-.02110	.00440	.23400	.05740
.598	17.080	.00000	.00000	.23750	-.17830	.04610	.04040	-.02150	.00460	.23510	.05720
.598	18.270	.00000	.00000	.23970	-.18030	.04580	.04010	-.02170	.00440	.23630	.05700
.598	19.450	.00000	.00000	.24060	-.18400	.04620	.04050	-.02170	.00440	.23810	.05740
.600	20.640	.00000	.00000	.24570	-.18730	.04650	.03980	-.02190	.00440	.24320	.05800
.599	21.810	.00000	.01000	.24530	-.18700	.04570	.04100	-.02160	.00430	.24280	.05720
.598	23.000	.00000	.01000	.24890	-.19260	.04610	.04070	-.02160	.00440	.24650	.05770
.600	24.190	.00000	.01000	.25210	-.19510	.04620	.04020	-.02180	.00440	.24970	.05800
.599	25.370	.00000	.01000	.25060	-.19430	.04590	.03990	-.02140	.00460	.24820	.05760
.598	26.560	.00000	.01000	.25510	-.19780	.04610	.04040	-.02140	.00430	.25260	.05800
.598	27.740	.00000	.01000	.26010	-.19840	.04630	.04060	-.02170	.00460	.25770	.05840
.598	28.930	.00000	.01000	.26110	-.19970	.04640	.04080	-.02170	.00460	.25860	.05860
.596	30.110	.00000	.01000	.26520	-.20310	.04650	.04050	-.02180	.00450	.26270	.05890
.596	31.310	.00000	.01000	.26660	-.20470	.04710	.03970	-.02180	.00440	.26410	.05960
.601	32.490	.00000	.01000	.26470	-.20310	.04580	.04090	-.02160	.00420	.26220	.05810
.598	33.680	.00000	.01000	.26830	-.20680	.04650	.04070	-.02180	.00440	.26580	.05900
.600	34.860	.00000	.01000	.26820	-.20710	.04600	.04110	-.02170	.00430	.26580	.05850
.595	36.050	.00000	.01000	.27440	-.21190	.04670	.04030	-.02210	.00430	.27190	.05950
.600	37.230	.00000	.01000	.27040	-.20970	.04560	.04050	-.02150	.00460	.26790	.05830
.598	38.420	.00000	.01000	.27420	-.21280	.04610	.04100	-.02160	.00470	.27170	.05890
.597	39.610	.00000	.01000	.27720	-.21370	.04660	.04040	-.02180	.00460	.27470	.05950
.598	40.790	.00000	.01000	.27620	-.21630	.04650	.04030	-.02190	.00450	.27370	.05930
.597	41.980	.00000	.01000	.27870	-.21820	.04650	.04050	-.02190	.00460	.27620	.05960
.598	43.160	.00000	.01000	.27990	-.21750	.04640	.04040	-.02180	.00480	.27740	.05950
.599	44.350	.00000	.02000	.28120	-.21760	.04640	.04020	-.02180	.00440	.27870	.05950
.599	45.530	.00000	.02000	.27920	-.21800	.04580	.04140	-.02180	.00420	.27680	.05890
.597	46.720	.00000	.02000	.28530	-.21910	.04630	.04040	-.02180	.00440	.28280	.05960

ORIGINAL PAGE IS
OF POOR QUALITY

DATE 29 MAR 76

CA-26 FORCE SOURCE DATA TABULATION

PAGE 780

LTV44-559(CA26) 747/1 ATY 02 S1 (CARRIER DATA)

(RFE079) (18 NOV 75)

REFERENCE DATA

SREF = 5500.0000 SQ.FT. XMRP = 1339.9000 IN. XC
 LREF = 327.7800 IN. YMRP = .0000 IN. YC
 BREF = 2348.0400 IN. ZMRP = 190.7500 IN. ZC
 SCALE = .0125

PARAMETRIC DATA

ALPHAC = 2.000 BETAC = .000
 STAB = 5.000 RUDDER = 10.000
 ELEVON = 5.000 DX = .000
 DY = .000 TORB = 6.000
 BETAO = .000 DPHI = .000

RUN NO. 59/ 0 RN/L = .00 GRADIENT INTERVAL = -5.00/ 5.00

MACH	DZ	DY	DX	CN	CLM	CA	CY	CYN	CSL	CL	CD
.597	47.910	.00000	.02000	.28360	-.22030	.04600	.04040	-.02170	.00440	.28110	.05920
.597	49.090	.00000	.02000	.28570	-.22260	.04630	.04050	-.02180	.00460	.28320	.05970
.59	50.280	.00000	.02000	.28530	-.22130	.04590	.04080	-.02170	.00440	.28280	.05920
.600	51.460	.00000	.02000	.28630	-.22250	.04560	.04150	-.02160	.00490	.28390	.05900
	GRADIENT	.00000	.00000	.00496	-.00478	.00027	.00039	-.00037	-.00001	.00496	.00052

LTV44-559(CA26) 747/1 ATY G3 S1 (CARRIER DATA)

(RFE080) (18 NOV 75)

REFERENCE DATA

SREF = 5500.0000 SQ.FT. XMRP = 1339.9000 IN. XC
 LREF = 327.7800 IN. YMRP = .0000 IN. YC
 BREF = 2348.0400 IN. ZMRP = 190.7500 IN. ZC
 SCALE = .0125

PARAMETRIC DATA

ALPHAC = 2.000 BETAC = -5.000
 STAB = 5.000 ELEVON = 5.000
 BDFLAP = .000 DX = .000
 DY = .000 TORB = 4.000
 BETA0 = -5.000 RUDDER = .000

RUN NO. 60/ 0 RN/L = .00 GRADIENT INTERVAL = -5.00/ 5.00

MACH	DZ	DY	DX	CN	CLM	CA	CY	CYN	CBL	CL	CO
.589	1.460	.00000	.00000	.24520	-.20060	.04370	.09780	-.01130	.00800	.24290	.05500
.592	2.060	.00000	.00000	.24030	-.20100	.04290	.09770	-.01130	.00810	.23800	.05400
.592	2.660	.00000	.00000	.24330	-.20330	.04290	.09690	-.01160	.00830	.24100	.05420
.592	3.360	.00000	.00000	.24940	-.20740	.04240	.09740	-.01260	.00900	.24720	.05390
.591	4.160	.00000	.00000	.25310	-.20960	.04260	.09730	-.01290	.00890	.25090	.05430
.591	4.960	.00000	.00000	.25660	-.21110	.04230	.09700	-.01450	.00930	.25430	.05420
.591	6.960	.00000	.00000	.25710	-.21170	.04230	.09760	-.01430	.00960	.25490	.05420
.593	8.960	.00000	.00000	.25700	-.21460	.04160	.09680	-.01520	.01000	.25470	.05350
.589	10.460	.00000	.00000	.26610	-.21730	.04120	.09880	-.01770	.01100	.26390	.05350
.592	11.460	.00000	.00000	.26890	-.21950	.04140	.09960	-.01790	.01110	.26670	.05380
.592	12.450	.00000	.00000	.26710	-.22090	.04110	.09870	-.01830	.01120	.26490	.05350
.591	13.450	.00000	.00000	.27590	-.22310	.04140	.09970	-.01900	.01150	.27360	.05420
.592	14.440	.00000	.00000	.27250	-.22350	.04110	.10050	-.01940	.01170	.27030	.05370
.590	15.440	.00000	.00000	.27550	-.22650	.04140	.10110	-.02000	.01200	.27330	.05420
.593	16.430	.00000	.00000	.27520	-.22370	.04090	.10010	-.02020	.01220	.27300	.05370
.593	17.430	.00000	.00000	.27580	-.22650	.04100	.10050	-.02070	.01240	.27350	.05380
.590	18.420	.00000	.00000	.27850	-.23170	.04120	.10320	-.02130	.01290	.27630	.05410
.589	19.420	.00000	.00000	.28090	-.23240	.04110	.10300	-.02160	.01290	.27870	.05410
.590	20.410	.00000	.00000	.28450	-.23240	.04130	.10270	-.02180	.01310	.28230	.05450
.591	21.410	.00000	.00000	.28280	-.23370	.04100	.10230	-.02200	.01320	.28060	.05410
.592	22.390	.00000	.01000	.28530	-.23410	.04110	.10230	-.02220	.01310	.28310	.05430
.592	23.390	.00000	.01000	.29040	-.23360	.04100	.10190	-.02220	.01340	.28820	.05450
.591	24.390	.00000	.01000	.28700	-.23500	.04080	.10190	-.02250	.01340	.28480	.05410
.592	25.380	.00000	.01000	.29290	-.23640	.04110	.10200	-.02250	.01350	.29060	.05470
.593	26.380	.00000	.01000	.29200	-.23790	.04080	.10210	-.02250	.01360	.28980	.05440
.593	27.370	.00000	.01000	.29310	-.23510	.04080	.10120	-.02230	.01360	.29090	.05450
.591	28.370	.00000	.01000	.29510	-.23690	.04070	.10110	-.02240	.01360	.29290	.05450
.591	29.360	.00000	.01000	.29770	-.24240	.04130	.10130	-.02270	.01400	.29540	.05510
.594	30.360	.00000	.01000	.29560	-.23800	.04090	.10030	-.02240	.01350	.29340	.05470
.591	31.350	.00000	.01000	.29750	-.24140	.04070	.10160	-.02240	.01350	.29530	.05450
.593	32.350	.00000	.01000	.29860	-.24000	.04090	.10000	-.02230	.01380	.29640	.05480
.592	33.340	.00000	.01000	.29830	-.24390	.04070	.10150	-.02230	.01410	.29610	.05450
.591	34.340	.00000	.01000	.30100	-.24220	.04090	.10100	-.02250	.01380	.29870	.05490
.590	35.340	.00000	.01000	.30110	-.24410	.04080	.10030	-.02250	.01410	.29870	.05480
.530	36.330	.00000	.01000	.30350	-.24300	.04100	.10000	-.02220	.01410	.3020	.05510
.591	37.320	.00000	.01000	.30230	-.24290	.04070	.09920	-.02210	.01400	.30010	.05480
.592	38.320	.00000	.01000	.30590	-.24390	.04100	.09940	-.02220	.01400	.30370	.05530
.591	39.310	.00000	.01000	.30420	-.24460	.04060	.09900	-.02190	.01400	.30200	.05470
.591	40.310	.00000	.01000	.30650	-.24540	.04080	.09950	-.02190	.01400	.30430	.05500
.592	41.310	.00000	.01000	.30820	-.24520	.04070	.09880	-.02190	.01400	.30600	.05510
.592	42.310	.00000	.01000	.31070	-.24620	.04060	.09870	-.02190	.01410	.30840	.05510
.593	43.290	.00000	.01000	.30710	-.24520	.04010	.09840	-.02170	.01410	.30490	.05440

LTV44-559(CA26) 747/1 ATY 02 S1 (CARRIER DATA)

(RFED80) (18 NOV 75)

REFERENCE DATA

SREF = 5500.0000 SQ.FT. XMRP = 1339.9000 IN. XC
 LREF = 327.7800 IN. YMRP = .0000 IN. YC
 BREF = 2348.0400 IN. ZMRP = 190.7500 IN. ZC
 SCALE = .0125

PARAMETRIC DATA

ALPHAC = 2.000 BETAC = -5.000
 STAB = 5.000 ELEVON = 5.000
 BCF_LAP = .000 DX = .000
 DY = .000 IORB = 4.000
 BETA0 = -5.000 RUDDER = .000

RUN NO. 60/ 0 RN/L = .00 GRADIENT INTERVAL = -5.00/ 5.00

MACH	DZ	DY	DX	CN	CLM	CA	CY	CYN	CBL	CL	CD
.591	44.290	.00000	.01000	.30950	-.24640	.04090	.09830	-.02200	.01410	.30730	.05530
.590	44.790	.00000	.01000	.31020	-.24540	.04040	.09900	-.02180	.01420	.30800	.05480
	GRADIENT	.00000	.00000	.00423	-.00336	-.00033	-.00019	-.00090	.00039	.00424	-.00013

LTV44-559(CA26) 747/1 ATY 02 S1 (CARRIER DATA)

(RFE081) (18 NOV 75)

REFERENCE DATA

SREF = 5500.0000 SQ.FT. XMRP = 1339.9000 IN. XC
 LREF = 327.7800 IN. YMRP = .0000 IN. YC
 BREF = 2348.0400 IN. ZMRP = 190.7500 IN. ZC
 SCALE = .0125

PARAMETRIC DATA

ALPHAC = 2.000 BETAC = -5.000
 STAB = 5.000 ELEVON = 5.000
 BDFLAP = .000 DX = .000
 DY = .000 IORB = 6.000
 BETAO = -5.000 RUDDER = .000

RUN NO. 1060/ 0 RN/L = .00 GRADIENT INTERVAL = -5.00/ 5.00

MACH	DZ	DY	DX	CN	CLM	CA	CY	CYN	CBL	CL	CD
.592	1.470	.00000	.00000	.21210	-.15400	.04090	.09590	-.01240	.00850	.21000	.05080
.591	2.070	.00000	.00000	.21930	-.16080	.04070	.09610	-.01330	.00900	.21710	.05060
.591	2.570	.00000	.00000	.22060	-.16340	.04060	.09580	-.01340	.00930	.21850	.05090
.589	3.370	.00000	.00000	.22840	-.16520	.04030	.09630	-.01410	.01010	.22630	.05100
.589	4.170	.00000	.00000	.22990	-.16880	.04050	.09570	-.01450	.00980	.22770	.05120
.593	4.960	.00000	.00000	.22530	-.16640	.03990	.09480	-.01430	.00970	.22320	.05040
.592	6.970	.00000	.00000	.24230	-.18570	.04040	.09540	-.01660	.01120	.24020	.05170
.590	8.970	.00000	.00000	.24710	-.19550	.04030	.09520	-.01690	.01130	.24490	.05180
.592	10.600	.00000	.00000	.24940	-.19280	.04030	.09610	-.01770	.01150	.24730	.05200
.590	11.880	.00000	.00000	.25440	-.19800	.04040	.09760	-.01820	.01200	.25220	.05230
.592	13.160	.00000	.00000	.25470	-.19850	.04010	.09780	-.01860	.01190	.25250	.05230
.590	14.440	.00000	.00000	.26040	-.20400	.04050	.09870	-.01910	.01220	.25830	.05270
.592	15.710	.00000	.00000	.26130	-.20580	.04030	.09820	-.01960	.01220	.25920	.05240
.592	16.990	.00000	.00000	.26680	-.20660	.04040	.09820	-.02000	.01250	.26460	.05290
.592	18.270	.00000	.00000	.26760	-.20960	.04040	.09910	-.02040	.01280	.26540	.05290
.592	19.540	.00000	.00000	.26680	-.21310	.04010	.09950	-.02090	.01310	.26460	.05250
.590	20.820	.00000	.00000	.27080	-.21790	.04050	.10030	-.02150	.01310	.26860	.05300
.590	22.090	.00000	.01000	.27370	-.21920	.04070	.10170	-.02170	.01340	.27150	.05340
.590	23.360	.00000	.01000	.27750	-.22120	.04070	.10050	-.02190	.01350	.27530	.05360
.593	24.650	.00000	.01000	.27500	-.22090	.04020	.09950	-.02180	.01380	.27280	.05300
.590	25.920	.00000	.01000	.27970	-.22540	.04080	.10060	-.02210	.01400	.27750	.05380
.589	27.200	.00000	.01000	.28250	-.22550	.04070	.10050	-.02200	.01390	.28030	.05380
.591	28.470	.00000	.01000	.28250	-.22760	.04060	.09970	-.02210	.01400	.28030	.05370
.589	29.750	.00000	.01000	.28690	-.22730	.04080	.09980	-.02180	.01410	.28460	.05420
.591	31.030	.00000	.01000	.28700	-.22900	.04020	.09860	-.02180	.01380	.28490	.05350
.591	32.300	.00000	.01000	.28460	-.23020	.04030	.09910	-.02180	.01400	.28240	.05350
.590	33.580	.00000	.01000	.29230	-.23040	.04070	.09820	-.02140	.01390	.29010	.05430
.589	34.950	.00000	.01000	.29090	-.23440	.04050	.09730	-.02180	.01380	.28870	.05410
.589	36.130	.00000	.01000	.29230	-.23300	.04060	.09840	-.02140	.01410	.29000	.05420
.592	37.410	.00000	.01000	.29080	-.23260	.04000	.09730	-.02140	.01400	.28860	.05350
.592	38.690	.00000	.01000	.29280	-.23460	.04020	.09730	-.02130	.01400	.29060	.05380
.590	39.960	.00000	.01000	.29670	-.23440	.04060	.09770	-.02140	.01380	.29450	.05440
.591	41.240	.00000	.01000	.29950	-.23650	.04060	.09730	-.02130	.01390	.29730	.05460
.593	42.520	.00000	.01000	.29840	-.23560	.03990	.09650	-.02110	.01400	.29620	.05380
.593	43.790	.00000	.01000	.30020	-.23520	.03980	.09680	-.02120	.01430	.29800	.05380
.592	45.070	.00000	.01000	.30230	-.23970	.04030	.09710	-.02130	.01420	.30010	.05440
.593	46.340	.00000	.02000	.30220	-.23550	.03990	.09640	-.02120	.01410	.30000	.05400
.592	47.620	.00000	.01000	.30140	-.23800	.04020	.09660	-.02140	.01410	.29920	.05430
.593	48.900	.00000	.01000	.30140	-.23920	.04010	.09670	-.02120	.01410	.29920	.05410
.593	50.180	.00000	.02000	.30060	-.23940	.04000	.09670	-.02120	.01420	.29840	.05400
.590	51.460	.00000	.02000	.30340	-.23970	.04030	.09750	-.02140	.01450	.30120	.05450
	GRADIENT	.00000	.00000	.00417	-.00348	-.00020	-.00027	-.00055	.00036	.00417	-.00001

LTV44-559(CA26) 747/1 ATY 02 S1 (CARRIER DATA)

(RF082) (18 NOV 75)

REFERENCE DATA

SREF = 5500.0000 SQ.FT. XMRP = 1334.9000 IN. XC
 LREF = 327.7000 IN. YMRP = .0000 IN. YC
 BREF = 2348.0400 IN. ZMRP = 190.7500 IN. ZC
 SCALE = .0125

PARAMETRIC DATA

ALPHAC = 2.000 BETAC = -5.000
 STAB = 5.000 ELEVON = 5.000
 BDFLAP = .000 DX = .000
 DY = .000 TORB = 8.000
 BETA0 = -5.000 RUDDER = .000

RUN NO. 61/0 RN/L = .00 GRADIENT INTERVAL = -5.00/ 5.00

MACH	DZ	DY	DX	CN	CLM	CA	CY	CYN	CBL	CL	CD
.594	1.460	.00000	-.01000	.18320	-.10000	.03950	.09570	-.01370	.00950	.18110	.04810
.592	2.060	.00000	-.01000	.18110	-.10070	.03970	.09700	-.01390	.00960	.17900	.04820
.594	2.660	.00000	-.01000	.18470	-.10520	.03910	.09660	-.01400	.00980	.18260	.04780
.592	3.460	.00000	-.01000	.19160	-.11060	.03990	.09770	-.01470	.01000	.18950	.04790
.590	4.460	.00000	-.01000	.19620	-.11430	.03930	.09900	-.01500	.01010	.19420	.04850
.593	5.590	.00000	-.01000	.20210	-.12320	.03900	.10050	-.01570	.01060	.20000	.04860
.593	6.840	.00000	-.01000	.20220	-.12680	.03890	.09620	-.01570	.01070	.20010	.04840
.591	8.090	.00000	-.01000	.20870	-.13170	.03920	.09450	-.01600	.01060	.20660	.04900
.593	9.340	.00000	.00000	.21410	-.13920	.03900	.09360	-.01620	.01070	.20660	.04910
.594	10.580	.00000	.00000	.21820	-.14990	.03910	.09340	-.01660	.01100	.21610	.04930
.592	11.810	.00000	.00000	.22470	-.15170	.03960	.09330	-.01670	.01110	.22260	.05010
.592	13.050	.00000	.00000	.22780	-.15920	.03970	.09440	-.01700	.01150	.22570	.05040
.593	14.290	.00000	.00000	.22920	-.16430	.03970	.09390	-.01720	.01150	.22710	.05040
.593	15.520	.00000	.00000	.23490	-.16840	.03980	.09380	-.01730	.01180	.23280	.05080
.593	16.750	.00000	.00000	.23710	-.17440	.04000	.09420	-.01770	.01200	.23500	.05110
.593	17.990	.00000	.00000	.24330	-.17490	.03990	.09370	-.01770	.01190	.24120	.05130
.594	19.230	.00000	.00000	.24310	-.17740	.03970	.09350	-.01830	.01210	.24100	.05100
.593	20.460	.00000	.00000	.24430	-.18370	.03970	.09450	-.01890	.01230	.24220	.05110
.591	21.690	.00000	.01000	.24860	-.18860	.04010	.09500	-.01940	.01250	.24640	.05170
.591	22.930	.00000	.01000	.25270	-.19060	.04000	.09580	-.01970	.01290	.25050	.05180
.591	24.160	.00000	.01000	.25490	-.19290	.04010	.09610	-.02000	.01290	.25270	.05200
.592	25.390	.00000	.01000	.25590	-.19760	.04020	.09630	-.02030	.01320	.25370	.05210
.593	26.630	.00000	.01000	.25660	-.19900	.04000	.09670	-.02030	.01340	.25640	.05210
.594	27.860	.00000	.01000	.26000	-.20060	.04010	.09570	-.02060	.01320	.25780	.05220
.594	29.100	.00000	.01000	.26240	-.20270	.04000	.09630	-.02070	.01330	.26030	.05220
.594	30.340	.00000	.01000	.26620	-.20500	.04020	.09700	-.02110	.01350	.26400	.05260
.595	31.570	.00000	.01000	.26850	-.20480	.04000	.09610	-.02090	.01350	.26630	.05250
.594	32.800	.00000	.01000	.27100	-.20850	.04030	.09620	-.02110	.01340	.26880	.05290
.593	34.040	.00000	.01000	.27330	-.21130	.04030	.09620	-.02120	.01360	.27110	.05310
.592	35.280	.00000	.01000	.27460	-.21530	.04040	.09670	-.02110	.01380	.27240	.05320
.593	36.510	.00000	.01000	.27470	-.21310	.03990	.09590	-.02110	.01380	.27250	.05270
.593	37.740	.00000	.01000	.27520	-.21510	.03990	.09540	-.02090	.01370	.27310	.05270
.592	38.980	.00000	.01000	.28190	-.21640	.04030	.09600	-.02090	.01370	.27970	.05350
.591	40.220	.00000	.01000	.28340	-.21710	.04030	.09580	-.02100	.01370	.28120	.05350
.593	41.450	.00000	.01000	.28300	-.21900	.04000	.09510	-.02080	.01360	.28080	.05320
.591	42.690	.00000	.01000	.28740	-.22130	.04040	.09560	-.02080	.01410	.28520	.05390
.594	43.920	.00000	.02000	.28660	-.21990	.04030	.09490	-.02050	.01390	.28440	.05360
.592	45.150	.00000	.02000	.29000	-.22360	.04020	.09530	-.02080	.01420	.28780	.05370
.593	46.390	.00000	.02000	.29050	-.22370	.04010	.09500	-.02070	.01400	.28830	.05360
.594	47.630	.00000	.02000	.28860	-.22530	.03990	.09460	-.02080	.01400	.28640	.05340
.593	48.860	.00000	.02000	.28820	-.22570	.03980	.09440	-.02080	.01370	.28600	.05320
.593	50.090	.00000	.02000	.29170	-.22660	.04030	.09510	-.02090	.01390	.28950	.05390

DATE 29 MAR 76

CA-26 FORCE SOURCE DATA TABULATION

PAGE 785

LTV44-559(CA26) 747/1 ATY 02 S1 (CARRIER DATA)

(RFE082) (18 NOV 75)

REFERENCE DATA

SREF = 5500.0000 SQ.FT. XMRP = 1339.9000 IN. XC
 LREF = 327.7800 IN. YMRP = .0000 IN. YC
 BREF = 2348.0400 IN. ZMRP = 190.7500 IN. ZC
 SCALE = .0125

PARAMETRIC DATA

ALPHAC = 2.000 BETAC = -5.000
 STAB = 5.000 ELEVON = 5.000
 BDFLAP = .000 DX = .000
 DY = .000 IORB = 8.000
 BETA0 = -5.000 RUDDER = .000

RUN NO. 61/ 0 RN/L = .00 GRADIENT INTERVAL = -5.00/ 5.00

MACH	DZ	DY	DX	CN	CLM	CA	CY	CYN	CBL	CL	CD
.595	51.330	.00000	.02000	.29180	-.22720	.03980	.09450	-.02090	.01380	.28970	.05350
.593	52.570	.00000	.02000	.29560	-.22830	.04030	.09470	-.02080	.01400	.29340	.05410
.594	53.800	.00000	.02000	.29620	-.22850	.03990	.09440	-.02070	.01410	.29400	.05380
.593	55.040	.00000	.02000	.29730	-.23260	.04010	.09490	-.02100	.01450	.29510	.05390
	GRADIENT	.00000	-.00000	.00505	-.00522	-.00014	.00030	-.00046	.00021	.00508	.00009

LTV44-559(CA26) 747/1 ATY 02 S1 (CARRIER DATA)

(RFE083) (18 NOV 75)

REFERENCE DATA

SREF = 5500.0000 SQ.FT. XMRP = 1339.9000 IN. XC
 LREF = 327.7800 IN. YMRP = .0000 IN. YC
 BREF = 2348.0400 IN. ZMRP = 190.7500 IN. ZC
 SCALE = .0125

PARAMETRIC DATA

ALPHAC = 2.000 BETAC = -5.000
 STAB = 5.000 ELEVON = 5.000
 BOFLAP = .000 DY = .000
 DZ = .000 IORB = 6.000
 BETAO = .000 RUDDER = .000

RUN NO. 62/ 0 RN/L = .00 GRADIENT INTERVAL = -5.00/ 5.00

MACH	DX	DY	DZ	CN	CLM	CA	CY	CYN	CBL	CL	CD
.596	.000	.00000	1.46000	.21400	-.16270	.04030	.10130	-.01600	.01250	.21190	.05030
.597	.570	.00000	1.46000	.21480	-.16080	.04040	.10120	-.01610	.01240	.21270	.05040
.596	1.140	.00000	1.46000	.21640	-.16020	.04140	.10130	-.01600	.01250	.21430	.05150
.597	1.710	.00000	1.46000	.21630	-.15970	.04070	.10090	-.01610	.01260	.21420	.05080
.600	2.290	.00000	1.46000	.21760	-.16050	.04010	.10000	-.01600	.01260	.21550	.05080
.599	2.860	.00000	1.46000	.22090	-.16140	.04050	.10120	-.01620	.01290	.21870	.05080
.600	3.430	.00000	1.46000	.21880	-.16240	.03980	.10130	-.01600	.01280	.21670	.05000
.598	4.010	.00000	1.46000	.22170	-.16230	.04020	.10140	-.01640	.01280	.21960	.05060
.598	4.570	.00000	1.46000	.22210	-.15980	.03980	.10110	-.01640	.01280	.21950	.05020
.600	5.140	.00000	1.46000	.22510	-.16050	.03970	.10040	-.01620	.01280	.22300	.05020
.600	5.710	.00000	1.46000	.22240	-.15930	.03950	.10000	-.01620	.01290	.22080	.04990
.597	6.300	.00000	1.46000	.22260	-.16230	.03930	.10150	-.01670	.01290	.22050	.04970
.600	6.860	.00000	1.46000	.22460	-.15850	.03910	.09970	-.01660	.01250	.22250	.04970
.599	7.430	.00000	1.46000	.22660	-.15790	.03920	.10020	-.01670	.01270	.22450	.04980
.598	8.000	.00000	1.46000	.22870	-.15800	.03920	.10080	-.01690	.01290	.22650	.04990
.601	8.580	.00000	1.46000	.22570	-.15680	.03880	.10050	-.01680	.01300	.22360	.04940
.599	9.150	.00000	1.46000	.22880	-.15690	.03890	.10110	-.01700	.01290	.22680	.04960
.599	9.700	.00000	1.46000	.23060	-.15580	.03870	.10060	-.01710	.01280	.22850	.04950
.597	10.270	.00000	1.46000	.23400	-.15630	.03880	.10070	-.01720	.01310	.23190	.04980
.598	10.840	.00000	1.46000	.23250	-.15760	.03850	.10130	-.01710	.01320	.23040	.04940
.598	11.410	.00000	1.46000	.23560	-.15530	.03880	.10010	-.01730	.01320	.23350	.04990
.598	11.990	.00000	1.46000	.23410	-.15640	.03810	.10100	-.01740	.01320	.23200	.04910
.597	12.560	.00000	1.45000	.23840	-.15410	.03850	.10070	-.01760	.01330	.23630	.04970
.598	13.130	.00000	1.45000	.23580	-.15540	.03780	.10110	-.01750	.01330	.23370	.04890
.599	13.710	.00000	1.45000	.23470	-.15430	.03830	.10020	-.01760	.01320	.23270	.04930
.598	14.280	.00000	1.45000	.23660	-.15340	.03810	.09980	-.01780	.01320	.23460	.04920
.597	14.850	.00000	1.45000	.23830	-.15320	.03800	.09990	-.01800	.01320	.23620	.04920
.597	15.420	.00000	1.45000	.23810	-.15280	.03810	.10050	-.01830	.01330	.23610	.04930
.598	16.000	.00000	1.45000	.23730	-.15320	.03770	.10020	-.01820	.01330	.23520	.04890
.599	16.570	.00000	1.45000	.23900	-.15190	.03770	.09920	-.01830	.01320	.23690	.04900
.598	17.140	.00000	1.44000	.24110	-.15160	.03790	.09980	-.01850	.01340	.23910	.04930
.597	17.720	.00000	1.44000	.24270	-.15170	.03760	.10060	-.01850	.01380	.24070	.04910
.597	18.290	.00000	1.44000	.24550	-.15260	.03790	.10040	-.01860	.01370	.24340	.04960
.599	18.840	.00000	1.44000	.24370	-.15290	.03740	.10010	-.01840	.01350	.24160	.04890
.538	19.410	.00000	1.44000	.24390	-.15260	.03730	.10000	-.01850	.01340	.24180	.04890
.597	19.980	.00000	1.44000	.24750	-.15410	.03810	.10000	-.01870	.01360	.24540	.04980
GRADIENT		.00000	.00000	.00182	.00003	-.00017	.00000	-.00008	.00010	.00181	-.00008

DATE 29 MAR 76

CA-26 FORCE SOURCE DATA TABULATION

PAGE 787

LTV44-559(CA26) 747/1 ATY 02 S1 (CARRIER DATA)

(RFE084) (18 NOV 75)

REFERENCE DATA

SREF = 5500.0000 SQ.FT. XMRP = 1339.9000 IN. XC
 LREF = 327.7900 IN. YMRP = .0000 IN. YC
 BREF = 2348.0400 IN. ZMRP = 190.7500 IN. ZC
 SCALE = .0125

PARAMETRIC DATA

ALPHAC = 2.000 BETAC = -5.000
 STAB = 5.000 ELEVON = 5.000
 BDFLAP = .000 DY = .000
 DZ = 15.000 IORB = 6.000
 BETAO = .000 RUDDER = .000

RUN NO. 1062/ 0 RN/L = .00 GRADIENT INTERVAL = -5.00/ 5.00

MACH	DX	DY	DZ	CN	CLM	CA	CY	CYN	CBL	CL	CD
.599	.570	.00000	15.00000	.25700	-.20230	.04050	.09720	-.02050	.01430	.25480	.05240
.599	1.140	.00000	15.00000	.25760	-.20190	.04220	.09740	-.02060	.01450	.25530	.05420
.598	1.710	.00000	15.00000	.25620	-.20340	.04190	.09670	-.02060	.01450	.25390	.05380
.598	2.290	.00000	15.00000	.25630	-.20350	.04140	.09720	-.02070	.01470	.25410	.05330
.596	2.860	.00000	15.00000	.25660	-.20430	.04130	.09880	-.02090	.01460	.25440	.05330
.596	3.430	.00000	15.00000	.25870	-.20420	.04090	.09780	-.02090	.01450	.25660	.05300
.597	4.010	.00000	15.00000	.26020	-.20510	.04100	.09740	-.02090	.01460	.25800	.05310
.598	4.580	.00000	15.00000	.25760	-.20330	.04050	.09750	-.02070	.01470	.25540	.05250
.599	5.150	.00000	15.00000	.25860	-.20430	.04050	.09680	-.02070	.01470	.25640	.05250
.600	5.720	.00000	15.00000	.25970	-.20440	.04050	.09720	-.02090	.01470	.25760	.05260
.599	6.300	.00000	15.00000	.25890	-.20460	.04040	.09750	-.02100	.01460	.25670	.05240
.599	6.870	.00000	15.00000	.26080	-.20580	.04060	.09690	-.02100	.01470	.25860	.05270
.597	7.420	.00000	15.00000	.26130	-.20820	.04040	.09810	-.02100	.01490	.25910	.05260
.598	7.990	.00000	15.00000	.26080	-.20800	.04020	.09870	-.02110	.01500	.25860	.05230
.599	8.560	.00000	15.00000	.26160	-.20680	.04050	.09730	-.02100	.01490	.25940	.05260
.601	9.140	.00000	15.00000	.26070	-.20740	.03990	.09720	-.02090	.01500	.25860	.05220
.600	9.710	.00000	15.00000	.26180	-.20500	.04000	.09730	-.02100	.01500	.25960	.05220
.600	10.280	.00000	15.00000	.26350	-.20610	.04020	.09710	-.02110	.01480	.26130	.05250
.599	10.850	.00000	15.00000	.26270	-.20700	.03950	.09710	-.02100	.01470	.26050	.05180
.600	11.430	.01000	15.00000	.26350	-.20590	.04000	.09720	-.02120	.01470	.26140	.05230
.598	12.000	.01000	15.00000	.26460	-.20450	.03980	.09610	-.02110	.01450	.26240	.05210
.599	12.570	.01000	15.00000	.26540	-.20920	.03970	.09870	-.02140	.01470	.26320	.05210
.598	13.150	.01000	15.00000	.26500	-.20670	.04000	.09650	-.02140	.01440	.26280	.05230
.598	13.720	.01000	15.00000	.26420	-.20810	.03960	.09760	-.02140	.01450	.26210	.05190
.599	14.290	.01000	14.99000	.26580	-.20830	.03950	.09790	-.02140	.01460	.26370	.05190
.598	14.860	.01000	14.99000	.26530	-.20810	.03960	.09850	-.02150	.01490	.26310	.05130
.599	15.440	.01000	14.99000	.26650	-.20980	.03940	.09830	-.02160	.01490	.26440	.05180
.600	16.010	.01000	14.99000	.26690	-.20830	.03950	.09740	-.02150	.01480	.26480	.05200
.600	16.580	.01000	14.99000	.26520	-.20980	.03910	.09850	-.02160	.01490	.26310	.05150
.599	17.130	.01000	14.99000	.27000	-.20890	.03960	.09760	-.02160	.01510	.26790	.05220
.599	17.700	.01000	14.99000	.26870	-.20960	.03930	.09920	-.02170	.01520	.26650	.05190
.599	18.280	.01000	14.99000	.27080	-.21010	.03930	.09820	-.02170	.01510	.26870	.05200
.599	18.850	.01000	14.99000	.27230	-.21040	.03970	.09850	-.02180	.01510	.27010	.05240
.597	19.420	.01000	14.99000	.27530	-.21200	.03970	.09910	-.02200	.01520	.27310	.05260
.601	20.000	.01000	14.99000	.27080	-.20930	.03870	.09830	-.02170	.01500	.26870	.05130
GRADIENT	.00000	.00000	.00000	.00052	-.00054	-.00019	.00015	-.00008	.00007	.00054	-.00015

LTV44-559(CA26) 747/1 ATY 02 S1 (CARRIER DATA)

(RFE085) (18 NOV 75)

REFERENCE DATA

SREF = 5500.0000 SQ.FT. XMRP = 1339.9000 IN. XC
 LREF = 327.7800 IN. YMRP = .0000 IN. YC
 BREF = 2348.0400 IN. ZMRP = 190.7500 IN. ZC
 SCALE = .0125

PARAMETRIC DATA

ALPHAC = 2.000 BETAC = -5.000
 STAB = 5.000 ELEVON = 5.000
 BDFLAP = .000 DY = .000
 DZ = 60.000 IORB = 6.000
 BETA0 = .000 RUDDER = .000

RUN NO. 2062/ 0 RN/L = .00 GRADIENT INTERVAL = -5.00/ 5.00

MACH	DX	DY	DZ	CN	CLM	CA	CY	CYN	CBL	CL	CD
.597	.590	.00000	51.46000	.30350	-.24110	.04050	.09110	-.01890	.01440	.30120	.05470
.598	1.170	.00000	51.46000	.30420	-.24000	.04200	.09100	-.01890	.01440	.30190	.05620
.601	1.740	.00000	51.46000	.30130	-.23880	.04110	.09010	-.01890	.01430	.29900	.05510
.599	2.310	.00000	51.46000	.30430	-.23770	.04060	.09050	-.01890	.01430	.30210	.05490
.599	2.890	.00000	51.46000	.30400	-.24050	.04050	.09120	-.01900	.01420	.30180	.05470
.601	3.460	.00000	51.46000	.30450	-.23690	.03990	.09030	-.01890	.01420	.30230	.05410
.599	4.030	.00000	51.46000	.30650	-.23990	.04050	.09140	-.01900	.01430	.30430	.05480
.602	4.600	.00000	51.46000	.30320	-.23760	.03990	.08980	-.01880	.01390	.30100	.05400
.601	5.180	.00000	51.46000	.30240	-.23860	.04000	.09010	-.01890	.01400	.30020	.05410
.599	5.720	.00000	51.46000	.30420	-.24070	.04040	.09040	-.01890	.01410	.30200	.05460
.600	6.260	.00000	51.46000	.30210	-.24210	.04010	.09090	-.01900	.01420	.29990	.05410
.600	6.870	.00000	51.46000	.30210	-.24130	.03980	.09060	-.01910	.01420	.29990	.05390
.601	7.440	.00000	51.46000	.30170	-.23920	.03990	.09020	-.01900	.01420	.29950	.05390
.600	8.020	.00000	51.46000	.30130	-.24040	.03980	.09020	-.01890	.01430	.29910	.05380
.600	8.590	.00000	51.46000	.30310	-.23960	.03980	.09010	-.01890	.01410	.30090	.05400
.601	9.160	.00000	51.46000	.30540	-.23970	.03990	.08970	-.01900	.01390	.30320	.05410
.597	9.730	.00000	51.46000	.30350	-.24120	.03990	.09030	-.01900	.01400	.30130	.05400
.597	10.310	.00000	51.46000	.30660	-.24260	.04010	.09120	-.01940	.01440	.30440	.05440
.598	10.880	.00000	51.46000	.30730	-.24310	.04000	.09130	-.01940	.01450	.30510	.05430
.598	11.450	.00000	51.46000	.30700	-.24290	.03990	.09110	-.01920	.01430	.30470	.05420
.598	12.030	.00000	51.46000	.30740	-.24240	.03980	.09100	-.01910	.01450	.30520	.05420
.598	12.600	.00000	51.46000	.30820	-.24320	.03990	.09070	-.01900	.01460	.30600	.05430
.597	13.170	.00000	51.46000	.30670	-.24410	.04010	.09130	-.01900	.01450	.30450	.05440
.597	13.750	.00000	51.45000	.30660	-.24330	.04000	.09060	-.01910	.01450	.30440	.05430
.596	14.320	.00000	51.45000	.30870	-.24270	.03990	.09080	-.01910	.01450	.30650	.05430
.598	14.860	.00000	51.45000	.30680	-.24380	.03980	.09030	-.01920	.01430	.30460	.05410
.599	15.440	.01000	51.45000	.30740	-.24520	.03990	.09090	-.01920	.01440	.30520	.05420
.599	16.010	.01000	51.45000	.30630	-.24390	.04000	.09070	-.01910	.01430	.30410	.05430
.599	16.580	.01000	51.45000	.30610	-.24420	.04010	.09040	-.01900	.01420	.30390	.05430
.601	17.140	.01000	51.45000	.30300	-.24280	.03960	.09000	-.01900	.01430	.30080	.05370
.595	17.720	.01000	51.45000	.30910	-.24760	.04060	.09170	-.01930	.01460	.30690	.05500
.599	18.290	.01000	51.45000	.30680	-.24660	.04000	.09040	-.01930	.01450	.30460	.05430
.600	18.880	.01000	51.45000	.30840	-.24390	.03960	.08980	-.01910	.01440	.30620	.05400
.599	19.440	.01000	51.45000	.30670	-.24740	.03990	.09080	-.01930	.01460	.30450	.05420
.598	20.010	.01000	51.45000	.30620	-.24760	.03980	.09100	-.01930	.01460	.30400	.05410
GRADIENT		.00000	.00000	.00039	.00058	-.00032	-.00012	.00007	-.00009	.00042	-.00031

DATE 29 MAR 76

CA-26 FORCE SOURCE DATA TABULATION

PAGE 789

LTV44-559(CA26) 747/1 ATY 02 S1 (CARRIER DATA)

(RFE086) (18 NOV 75)

REFERENCE DATA

SREF = 5500.0000 SQ.FT. XMRP = 1339.9000 IN. XC
 LREF = 327.7800 IN. YMRP = .0000 IN. YC
 BREF = 2348.0400 IN. ZMRP = 190.7500 IN. ZC
 SCALE = .0125

PARAMETRIC DATA

ALPHAC = 2.000 BETAC = -5.000
 STAB = 5.000 ELEVON = 5.000
 BDFLAP = .000 DX = .000
 OZ = .000 TORB = 6.000
 BETAO = .000 RUDDER = .000

RUN NO. 63/ 0 RN/L = .00 GRADIENT INTERVAL = -5.00/ 5.00

MACH	DY	DX	DZ	CN	CLM	CA	CY	CYN	CBL	CL	CD
.594	-10.000	-.02000	1.46000	.21660	-.13830	.04060	.09640	-.01000	.00650	.21440	.05080
.594	-9.420	-.02000	1.46000	.21560	-.13790	.04010	.09730	-.01050	.00690	.21340	.05030
.592	-8.850	-.02000	1.46000	.21630	-.13620	.04030	.09820	-.01100	.00750	.21420	.05050
.594	-8.280	-.02000	1.46000	.21270	-.13540	.03970	.09820	-.01150	.00780	.21060	.04980
.592	-7.710	-.02000	1.46000	.21590	-.13380	.04030	.09940	-.01210	.00840	.21380	.05050
.593	-7.140	-.02000	1.46000	.21890	-.13410	.04020	.10000	-.01270	.00880	.21680	.05050
.592	-6.560	-.02000	1.46000	.21730	-.13700	.03970	.10150	-.01340	.00920	.21640	.05050
.593	-5.990	-.02000	1.46000	.21590	-.13830	.03950	.10160	-.01420	.00940	.21520	.05000
.594	-5.420	-.02000	1.46000	.21550	-.13930	.03950	.10250	-.01480	.00990	.21380	.04960
.594	-4.850	-.02000	1.46000	.21660	-.14140	.04000	.10260	-.01570	.01030	.21340	.04960
.593	-4.280	-.02000	1.46000	.21920	-.14280	.03960	.10200	-.01580	.01070	.21440	.05020
.591	-3.710	-.02000	1.46000	.22250	-.14720	.04010	.10270	-.01590	.01110	.21710	.04990
.594	-3.130	-.02000	1.46000	.22140	-.14990	.03950	.10050	-.01570	.01160	.22030	.05050
.595	-2.570	-.02000	1.46000	.22030	-.15200	.03950	.10020	-.01550	.01190	.21930	.04990
.593	-1.990	-.01000	1.46000	.21760	-.15930	.04020	.10040	-.01570	.01240	.21820	.04980
.595	-1.420	-.01000	1.46000	.21890	-.16320	.04010	.09880	-.01580	.01250	.21540	.05030
.593	-.850	-.01000	1.46000	.21710	-.16680	.04040	.09980	-.01600	.01300	.21680	.05030
.593	-.270	.00000	1.46000	.21910	-.17010	.04040	.09920	-.01610	.01340	.21500	.05050
.594	.270	.00000	1.46000	.22060	-.17250	.04050	.09790	-.01620	.01350	.21850	.05080
.596	.850	.00000	1.46000	.22170	-.17120	.04050	.09770	-.01620	.01380	.21950	.05080
.593	1.420	.00000	1.46000	.22030	-.17530	.04060	.09770	-.01660	.01410	.21820	.05080
.594	2.560	.00000	1.46000	.22180	-.18060	.04070	.09670	-.01680	.01430	.21970	.05100
.593	3.130	.00000	1.46000	.22010	-.18510	.04090	.09680	-.01700	.01460	.21800	.05110
.595	3.710	.00000	1.46000	.21960	-.18450	.04090	.09570	-.01720	.01500	.21750	.05100
.594	4.280	.00000	1.46000	.22000	-.19130	.04130	.09580	-.01770	.01530	.21790	.05150
.595	4.850	.00000	1.46000	.22060	-.19210	.04110	.09480	-.01780	.01550	.21850	.05130
.593	5.420	.00000	1.46000	.22520	-.19840	.04160	.09530	-.01820	.01600	.22300	.05190
.595	5.990	.00000	1.46000	.22300	-.19900	.04170	.09360	-.01830	.01640	.22090	.05190
.594	6.560	.00000	1.46000	.22500	-.20340	.04180	.09360	-.01870	.01690	.22290	.05210
.594	7.140	.00000	1.46000	.22660	-.20430	.04200	.09300	-.01900	.01710	.22440	.05240
.592	7.700	.00000	1.46000	.22580	-.20700	.04210	.09290	-.01930	.01740	.22350	.05240
.595	8.280	.00000	1.46000	.22570	-.20710	.04200	.09290	-.01960	.01770	.22350	.05230
.595	8.850	.00000	1.46000	.22290	-.20770	.04180	.09210	-.01950	.01780	.22070	.05200
.595	9.420	.00000	1.46000	.22400	-.20710	.04170	.09210	-.01940	.01780	.22190	.05200
.594	10.000	.00000	1.46000	.22390	-.20830	.04220	.09180	-.01970	.01780	.22170	.05240
GRADIENT		.00277	-.00000	.00027	-.00567	.00017	-.00081	-.00022	.00051	.00027	.00016

ORIGINAL PAGE IS
OF POOR QUALITY

63

LTV44-559(CA26) 747/1 ATY 02 S1 (CARRIER DATA)

(RFE087) (18 NOV 75)

REFERENCE DATA

SREF = 5500.0000 SQ.FT. XMRP = 1339.9000 IN. XC
 LREF = 327.7800 IN. YMRP = .0000 IN. YC
 BREF = 2348.0400 IN. ZMRP = 190.7500 IN. ZC
 SCALE = .0125

PARAMETRIC DATA

ALPHAC = 2.000 BETAC = -5.000
 STAB = 5.000 ELEVON = 5.000
 BDFLAP = .000 DX = .000
 DZ = 15.000 IORB = 6.000
 BETAO = .000 RUDDER = .000

RUN NO. 1063/ 0 RN/L = .00 GRADIENT INTERVAL = -5.00/ 5.00

MACH	DY	DX	DZ	CN	CLM	CA	CY	CYN	CBL	CL	CD
.594	-9.420	.00000	15.00000	.25790	-.18470	.04000	.09830	-.01800	.01070	.25570	.05210
.592	-8.850	.00000	15.00000	.26140	-.18590	.04030	.09880	-.01830	.01070	.25920	.05250
.594	-8.280	.00000	15.00000	.25890	-.18750	.04000	.09820	-.01860	.01070	.25670	.05210
.595	-7.710	.00000	15.00000	.25780	-.18780	.04010	.09840	-.01880	.01090	.25560	.05210
.595	-7.140	.00000	15.00000	.25750	-.18880	.03990	.09810	-.01900	.01120	.25530	.05190
.594	-6.560	.00000	15.00000	.25730	-.18920	.04010	.09870	-.01940	.01140	.25520	.05220
.594	-5.990	.00000	15.00000	.25980	-.18740	.04010	.09900	-.01950	.01180	.25760	.05230
.593	-5.420	.00000	15.00000	.26080	-.19150	.04000	.09970	-.02000	.01200	.25870	.05220
.593	-4.850	.00000	15.00000	.25920	-.19410	.03990	.09990	-.02030	.01220	.25710	.05200
.593	-4.280	.00000	15.00000	.26000	-.19470	.03990	.09990	-.02040	.01250	.25790	.05200
.593	-3.710	.00000	15.00000	.25910	-.19370	.04000	.09990	-.02060	.01280	.25690	.05210
.593	-3.140	.00000	15.00000	.25990	-.19500	.04010	.10010	-.02070	.01300	.25770	.05220
.595	-2.570	.00000	15.00000	.25730	-.19380	.04000	.09920	-.02050	.01310	.25520	.05200
.592	-1.990	.00000	15.00000	.26020	-.19650	.04040	.09960	-.02070	.01340	.25910	.05260
.593	-1.420	.00000	15.00000	.25710	-.19910	.04010	.09930	-.02080	.01370	.25490	.05210
.593	-.850	.00000	15.00000	.25580	-.19970	.04010	.09900	-.02090	.01380	.25370	.05210
.593	-.280	.00000	15.00000	.25770	-.20000	.04030	.09870	-.02090	.01420	.25550	.05230
.595	.270	-.01000	15.00000	.25690	-.19960	.03990	.09790	-.02070	.01450	.25480	.05190
.593	.850	-.01000	15.00000	.25810	-.20230	.04020	.09910	-.02080	.01440	.25590	.05220
.593	1.410	-.01000	15.00000	.26090	-.20240	.04080	.09740	-.02060	.01460	.25870	.05300
.594	1.990	-.01000	15.00000	.25710	-.20210	.04050	.09650	-.02050	.01480	.25490	.05240
.595	2.560	-.01000	15.00000	.25700	-.20190	.04050	.09600	-.02060	.01490	.25480	.05240
.593	3.130	-.01000	15.00000	.26160	-.20610	.04110	.09580	-.02050	.01520	.25940	.05330
.592	3.700	-.01000	15.00000	.26000	-.20850	.04100	.09590	-.02060	.01530	.25780	.05310
.593	4.270	-.01000	15.00000	.25770	-.20770	.04080	.09510	-.02050	.01550	.25650	.05280
.595	4.850	-.01000	15.00000	.25590	-.20850	.04050	.09390	-.02040	.01550	.25370	.05240
.595	5.420	-.01000	15.00000	.25910	-.21030	.04130	.09330	-.02020	.01580	.25690	.05330
.595	5.990	-.01000	15.00000	.25560	-.21100	.04080	.09310	-.02020	.01590	.25440	.05270
.595	6.550	-.01000	15.00000	.25560	-.21190	.04100	.09260	-.02010	.01600	.25340	.05280
.594	7.130	-.01000	15.00000	.25670	-.21610	.04130	.09200	-.02010	.01620	.25450	.05310
.595	7.700	-.01000	15.00000	.25790	-.21410	.04130	.09140	-.01980	.01640	.25570	.05320
.594	8.270	-.01000	15.00000	.25790	-.21680	.04130	.09070	-.01980	.01660	.25570	.05320
.595	8.840	-.01000	15.00000	.25930	-.21550	.04140	.08970	-.01940	.01680	.25710	.05340
.594	9.420	-.01000	15.00000	.25930	-.21910	.04160	.08900	-.01950	.01690	.25710	.05360
.593	9.990	-.01000	15.00000	.26190	-.22090	.04160	.08810	-.01920	.01700	.25970	.05380
GRADIENT		-.00147	-.00000	-.00011	-.00166	.00010	-.00061	.00000	.00034	-.00012	.00009

LTV44-559(CA26) 747/1 ATY 02 S1 (CARRIER DATA)

(RFE089) (18 NOV 75)

REFERENCE DATA

SREF = 5500.0000 SQ.FT. XMRP = 1339.9000 IN. XC
 LREF = 327.7800 IN. YMRP = .0000 IN. YC
 BREF = 2348.0400 IN. ZMRP = 190.7500 IN. ZC
 SCALE = .0125

PARAMETRIC DATA

ALPHAC = 2.000 BETAC = -5.000
 STAB = 5.000 ELEVON = 5.000
 BDFLAP = .000 DX = .000
 DZ = 60.000 TORR = 6.000
 BETA0 = .000 RUDDER = .000

RUN NO. 2063/ 0 RN/L = .00 GRADIENT INTERVAL = -5.00/ 5.00

MACH	DY	DX	DZ	CN	CLM	CA	CY	CYN	CBL	CL	CD
.594	-10.000	.02000	51.46000	.30550	-.23850	.03960	.09590	-.02100	.01410	.30330	.05390
.596	-9.430	.02000	51.46000	.30420	-.23750	.03970	.09480	-.02090	.01390	.30200	.05390
.593	-8.860	.02000	51.46000	.30280	-.23990	.03960	.09540	-.02090	.01380	.30060	.05370
.594	-8.280	.02000	51.46000	.30490	-.23890	.03970	.09450	-.02080	.01370	.30270	.05390
.594	-7.710	.02000	51.46000	.30310	-.23870	.03960	.09430	-.02050	.01400	.30090	.05380
.595	-7.140	.02000	51.46000	.30300	-.23930	.03970	.09430	-.02040	.01420	.30080	.05390
.595	-6.570	.02000	51.46000	.30250	-.23840	.03990	.09380	-.02030	.01420	.30030	.05400
.594	-6.000	.02000	51.46000	.30380	-.24010	.04020	.09330	-.02020	.01420	.30150	.05430
.593	-5.420	.02000	51.46000	.30390	-.23870	.04010	.09290	-.02010	.01420	.30170	.05430
.594	-4.860	.02000	51.46000	.30430	-.23750	.04010	.09220	-.02000	.01410	.30210	.05430
.595	-4.290	.02000	51.46000	.30270	-.23910	.03960	.09130	-.01950	.01400	.30050	.05380
.595	-3.710	.02000	51.46000	.30300	-.23770	.03970	.09200	-.01950	.01410	.30090	.05380
.594	-3.140	.02000	51.46000	.30500	-.23660	.04010	.09110	-.01940	.01430	.30280	.05440
.595	-2.570	.02000	51.46000	.30070	-.23770	.03950	.09080	-.01920	.01420	.29850	.05350
.594	-2.000	.02000	51.46000	.30540	-.23820	.04030	.09060	-.01930	.01430	.30320	.05450
.594	-1.430	.02000	51.46000	.30540	-.23670	.04030	.08920	-.01900	.01400	.30310	.05460
.592	-.850	.02000	51.46000	.30360	-.23940	.04000	.09040	-.01880	.01410	.30140	.05420
.594	-.280	.02000	51.46000	.30640	-.23640	.04050	.08840	-.01850	.01420	.30420	.05480
.594	.270	.01000	51.46000	.30380	-.23590	.04010	.08860	-.01850	.01400	.30160	.05430
.594	.840	.01000	51.46000	.30340	-.23890	.04050	.08880	-.01850	.01420	.30120	.05460
.594	1.410	.01000	51.46000	.30350	-.23820	.04030	.08820	-.01840	.01400	.30120	.05450
.594	1.990	.01000	51.46000	.30370	-.23890	.04020	.08730	-.01810	.01400	.30150	.05430
.594	2.560	.01000	51.46000	.30560	-.23800	.04050	.08650	-.01800	.01420	.30340	.05480
.593	3.130	.01000	51.46000	.30590	-.23820	.04040	.08660	-.01780	.01420	.30360	.05470
.595	3.700	.01000	51.46000	.30300	-.23580	.03990	.08610	-.01750	.01420	.30070	.05410
.594	4.270	.01000	51.46000	.30810	-.23620	.04040	.08540	-.01740	.01440	.30590	.05480
.594	4.850	.01000	51.46000	.770	-.23740	.04020	.08510	-.01710	.01460	.30550	.05460
.593	5.410	.01000	51.46000	.3.990	-.23810	.04060	.08530	-.01720	.01460	.30770	.05510
.594	5.980	.01000	51.46000	.30390	-.23680	.04060	.08470	-.01710	.01440	.30470	.05490
.595	6.560	.01000	51.46000	.30260	-.23730	.03990	.08440	-.01680	.01440	.30040	.05410
.595	7.130	.01000	51.46000	.30290	-.23560	.04040	.09390	-.01690	.01430	.30050	.05460
.594	7.700	.01000	51.46000	.30300	-.23680	.04050	.09330	-.01670	.01430	.30070	.05460
.594	8.270	.01000	51.46000	.30530	-.23710	.04050	.08350	-.01650	.01420	.30310	.05480
.594	8.840	.01000	51.46000	.30400	-.23730	.04030	.08400	-.01650	.01440	.30180	.05450
.533	9.420	.01000	51.46000	.30370	-.23880	.04020	.08410	-.01650	.01450	.30140	.05440
GRADIENT		-.00146	-.00000	.00030	.00007	.00005	-.00374	.00027	.00002	.00030	.00007

LTV44-559(CA26) 747/1 ATY 02 S1 (CARRIER DATA)

(RFE089) (18 NOV 75)

REFERENCE DATA

SREF = 5500.0000 SQ.FT. XMRP = 1339.9000 IN. XC
 LREF = 327.7800 IN. YMRP = .0000 IN. YC
 BREF = 2348.0400 IN. ZMRP = 190.7500 IN. ZC
 SCALE = .0125

PARAMETRIC DATA

ALPHAC = 4.000 BETAC = .000
 STAB = 5.000 ELEVON = 5.000
 BDFLAP = .000 DX = .000
 DY = .000 IORB = 4.000
 BETAO = .000 RUDDER = .000

RUN NO. 64/ 0 RN/L = .00 GRADIENT INTERVAL = -5.00/ 5.00

MACH	DZ	DY	DX	CN	CLM	CA	CY	CYN	CBL	CL	CD
.599	1.460	.00000	-.02000	.30870	-.20440	.03890	.00070	-.00180	.00030	.30550	.05890
.599	2.060	.00000	-.02000	.31120	-.20400	.03900	.00050	-.00160	.00020	.30800	.05910
.599	2.660	.00000	-.02000	.31330	-.20700	.03940	.00070	-.00170	.00020	.31010	.05970
.597	3.360	.00000	-.01000	.31490	-.20760	.03920	.00110	-.00150	.00030	.31170	.05960
.598	4.160	.00000	-.01000	.31310	-.20710	.03910	.00070	-.00170	.00020	.30990	.05940
.602	4.960	.00000	-.01000	.31410	-.20490	.03840	.00040	-.00150	.00010	.31100	.05980
.600	6.960	.00000	-.01000	.31980	-.20790	.03860	.00070	-.00150	.00020	.31660	.05940
.597	8.960	.00000	-.01000	.32770	-.21040	.03910	.00000	-.00150	.00030	.32440	.06040
.601	10.460	.00000	-.01000	.33130	-.21520	.03850	.00030	-.00140	.00030	.32810	.06010
.599	11.460	.00000	-.01000	.33380	-.21670	.03850	.00040	-.00130	.00060	.33050	.06030
.599	12.450	.00000	-.01000	.33520	-.21800	.03850	.00060	-.00140	.00030	.33190	.06030
.600	13.450	.00000	.00000	.33650	-.21890	.03890	.00040	-.00140	.00020	.33320	.06080
.595	14.440	.00000	.00000	.34020	-.22430	.03890	.00030	-.00130	.00040	.33690	.06100
.597	15.440	.00000	.00000	.34300	-.22380	.03910	.00000	-.00130	.00020	.33970	.06140
.598	16.430	.00000	.00000	.33960	-.22390	.03830	.00050	-.00120	.00010	.33660	.06040
.599	17.430	.00000	.00000	.34210	-.22390	.03830	.00000	-.00110	.00020	.33890	.06060
.598	18.420	.00000	.00000	.34730	-.22770	.03870	-.00020	-.00100	.00020	.34400	.06130
.599	19.420	.00000	.00000	.34580	-.22770	.03830	-.00100	-.00090	.00020	.34260	.06080
.600	20.410	.00000	.00000	.35050	-.22670	.03820	-.00170	-.00070	.00040	.34730	.06110
.600	21.410	.00000	.00000	.35430	-.22710	.03830	-.00090	-.00070	.00020	.35100	.06140
.597	22.390	.00000	.01000	.35670	-.23120	.03860	-.00170	-.00070	.00020	.35350	.06190
.599	23.390	.00000	.01000	.35450	-.22980	.03810	-.00080	-.00060	.00000	.35120	.06120
.600	24.390	.00000	.01000	.35480	-.23020	.03800	-.00190	-.00040	.00000	.35160	.06110
.599	25.380	.00000	.01000	.35710	-.23160	.03770	-.00120	-.00040	.00000	.35390	.06100
.600	26.380	.00000	.01000	.36010	-.23320	.03800	-.00110	-.00030	.00000	.35680	.06150
.597	27.370	.00000	.01000	.35940	-.23540	.03800	-.00280	-.00030	.00010	.35610	.06140
.597	28.370	.00000	.01000	.36190	-.23770	.03820	-.00230	-.00020	.00010	.35860	.06180
.599	29.360	.00000	.02000	.36110	-.23570	.03790	-.00300	-.00010	.00000	.35780	.06150
.599	30.360	.00000	.02000	.36340	-.23770	.03800	-.00230	-.00010	.00000	.36010	.06170
.598	31.350	.00000	.02000	.36960	-.23730	.03800	-.00100	-.00010	.00000	.36630	.06210
.597	32.350	.00000	.02000	.36660	-.23710	.03760	-.00290	.00000	.00010	.36330	.06180
.599	33.340	.00000	.02000	.36920	-.23720	.03760	-.00200	-.00010	-.00030	.36600	.06150
.597	34.340	.00000	.02000	.37300	-.23980	.03810	-.00160	-.00010	-.00010	.36970	.06240
.600	35.340	.00000	.02000	.36620	-.23730	.03700	-.00280	-.00010	.00030	.36300	.06090
.600	36.330	.00000	.03000	.37050	-.23910	.03730	-.00230	-.00010	.00000	.36720	.06140
.598	37.320	.00000	.03000	.37590	-.24020	.03750	-.00160	-.00010	.00000	.37270	.06210
.600	38.320	.00000	.03000	.37280	-.23740	.03690	-.00250	.00000	-.00010	.36960	.06130
.595	39.310	.00000	.03000	.37760	-.24280	.03730	-.00240	-.00010	.00000	.37430	.06200
.597	40.310	.00000	.03000	.37690	-.24280	.03710	-.00280	-.00010	.00010	.37560	.06190
.598	41.310	.00000	.03000	.37550	-.24270	.03700	-.00300	.00000	.00000	.37230	.06160
.600	42.300	.00000	.03000	.37420	-.24160	.03690	-.00300	.00000	.00000	.37100	.06140
.597	43.290	.00000	.05000	.38090	-.24150	.03750	-.00210	.00000	.00020	.37760	.06240

DATE 29 MAR 76

CA-26 FORCE SOURCE DATA TABULATION

PAGE 793

LTV44-559(CA26) 747/1 ATY 02 S1 (CARRIER DATA)

(RFE089) (18 NOV 75)

REFERENCE DATA

SREF = 5500.0000 SQ.FT.	XMRP = 1339.9000 IN. XC
LREF = 327.7800 IN.	YMRP = .0000 IN. YC
BREF = 2348.0400 IN.	ZMRP = 190.7500 IN. ZC
SCALE = .0125	

PARAMETRIC DATA

ALPHAC = 4.000	BETAC = .000
STAB = 0.000	ELEVON = 5.000
BDFLAP = .000	DX = .000
DY = .000	TORB = 4.000
BETA0 = .000	RUDDER = .000

RUN NO. 64/ 0 RN% = .00 GRADIENT INTERVAL = -5.00/ 5.00

MACH	DZ	DY	DX	CN	CLM	CA	CY	CYN	CBL	CL	CD
.500	44.290	.00000	.05000	.37730	-.24140	.03680	-.00320	-.00010	.00010	.37410	.05150
.599	44.790	.00000	.05000	.38000	-.24140	.03700	-.00170	-.00010	.00000	.37670	.05180
	GRADIENT	.00000	.00366	.00133	-.00044	-.00011	-.00003	.00005	-.00004	.00135	-.00001

LTV44-559(CA26) 747/1 ATY 02 S1 (CARRIER DATA)

(RFE080) (18 NOV 75)

REFERENCE DATA

SREF = 5500.0000 SQ.FT. XMRP = 1339.9000 IN. XC
 LREF = 327.7800 IN. YMRP = .0000 IN. YC
 BREF = 2348.0400 IN. ZMRP = 190.7500 IN. ZC
 SCALE = .0125

PARAMETRIC DATA

ALPHAC = 4.000 BETAC = .000
 STAB = 5.000 ELEVON = 5.000
 BDFLAP = .000 DX = .000
 DY = .000 TORB = 6.000
 BETAO = .000 RUDDER = .000

RUN NO. 1064/ 0 RN/L = .00 GRADIENT INTERVAL = -5.00/ 5.00

MACH	DZ	DY	DX	CN	CLM	CA	CY	CYN	CBL	CL	CD
.598	1.470	.00000	-.02000	.27480	-.14720	.03700	.00150	-.00190	.00030	.27170	.05500
.599	2.070	.00000	-.02000	.28010	-.15250	.03650	.00040	-.00180	.00040	.27710	.05480
.598	2.670	.00000	-.02000	.27950	-.15530	.03660	-.00040	-.00180	.00050	.27660	.05490
.598	3.370	.00000	-.02000	.28650	-.16060	.03700	.00090	-.00170	.00040	.28350	.05570
.598	4.170	.00000	-.02000	.28880	-.15970	.03670	.00010	-.00180	.00050	.28570	.05560
.598	4.960	.00000	-.02000	.28990	-.16210	.03680	-.00030	-.00150	.00040	.28680	.05570
.598	6.970	.00000	-.02000	.30520	-.17840	.03740	.00030	-.00150	.00050	.30210	.05730
.598	8.970	.00000	-.01000	.30460	-.18010	.03730	.00010	-.00140	.00060	.30150	.05720
.599	10.600	.00000	-.01000	.31180	-.18460	.03760	-.00110	-.00090	.00060	.30860	.05800
.598	11.880	.00000	-.01000	.31690	-.18900	.03770	-.00090	-.00090	.00050	.31370	.05840
.598	13.160	.00000	-.01000	.31910	-.19210	.03760	-.00100	-.00090	.00040	.31600	.05840
.598	14.440	.00000	.00000	.32350	-.19690	.03770	-.00160	-.00080	.00030	.32030	.05880
.597	15.710	.00000	.00000	.32750	-.19940	.03770	-.00100	-.00070	.00040	.32430	.05890
.598	16.990	.00000	.00000	.32890	-.20050	.03760	-.00180	-.00080	.00010	.32570	.05910
.598	18.270	.00000	.00000	.33220	-.20330	.03790	-.00320	-.00060	.00020	.32900	.05960
.597	19.540	.00000	.00000	.33410	-.20680	.03750	-.00170	-.00060	.00030	.33090	.05930
.598	20.820	.00000	.00000	.33500	-.21050	.03780	-.00180	-.00040	.00040	.33180	.05960
.598	22.090	.00000	.01000	.33570	-.21090	.03790	-.00280	-.00040	.00010	.33250	.05980
.599	23.360	.00000	.01000	.33910	-.21110	.03760	-.00250	-.00020	.00010	.33590	.05980
.599	24.650	.00000	.01000	.34200	-.21200	.03730	-.00260	-.00010	.00000	.33690	.05960
.598	25.920	.00000	.01000	.34490	-.21170	.03740	-.00290	.00000	.00000	.34170	.05990
.599	27.200	.00000	.01000	.34610	-.21190	.03760	-.00250	.00000	.00010	.34290	.06010
.597	28.470	.00000	.01000	.35090	-.21100	.03760	-.00280	.00000	.00000	.34770	.06050
.597	29.750	.00000	.02000	.35040	-.22130	.03740	-.00340	.00000	.00000	.34770	.06050
.599	31.030	.00000	.02000	.35130	-.22060	.03740	-.00310	.00010	.00000	.34810	.06030
.599	32.300	.00000	.02000	.35270	-.22580	.03700	-.00310	.00000	.00000	.34950	.06000
.597	33.580	.00000	.02000	.35750	-.22770	.03730	-.00260	.00000	-.00010	.35430	.06060
.600	34.850	.00000	.02000	.36110	-.22470	.03710	-.00250	.00010	-.00010	.35690	.06060
.598	36.130	.00000	.03000	.36110	-.22720	.03700	-.00300	.00010	-.00020	.35790	.06060
.597	37.410	.00000	.03000	.36250	-.23060	.03740	-.00290	.00010	-.00020	.35930	.06110
.599	38.690	.00000	.03000	.36140	-.22830	.03680	-.00300	.00000	-.00010	.35820	.06050
.598	39.960	.00000	.03000	.36450	-.22990	.03700	-.00280	.00000	.00000	.36130	.06080
.598	41.240	.00000	.03000	.36510	-.23260	.03670	-.00260	.00000	.00010	.36130	.06060
.598	42.520	.00000	.03000	.36540	-.23340	.03670	-.00210	.00000	.00010	.36220	.06060
.597	43.790	.00000	.05000	.36900	-.23660	.03690	-.00230	.00000	.00010	.36580	.06160
.597	45.070	.00000	.05000	.37500	-.23910	.03710	-.00260	.00000	.00030	.37180	.06160
.598	46.340	.00000	.05000	.37520	-.23840	.03710	-.00320	.00000	.00000	.37200	.06160
.598	47.620	.00000	.05000	.37390	-.23990	.03690	-.00200	.00000	.00010	.37070	.06130
.597	48.900	.00000	.05000	.37420	-.23950	.03680	-.00210	.00000	.00030	.37090	.06120
.598	50.180	.00000	.06000	.36980	-.23700	.03650	-.00190	.00000	.00000	.36650	.06060
.597	51.460	.00000	.06000	.37500	-.23680	.03750	-.00280	.00000	.00000	.37170	.06200
GRADIENT		.00000	-.00000	.00440	-.00402	.00000	-.00030	.00004	.00003	.00433	.00027

DATE 29 MAR 76

CA-26 FORCE SOURCE DATA TABULATION

PAGE 785

LTV44-559(CA26) 7-7/1 ATY 02 S1 (CARRIER DATA)

(RFE091) (18 NOV 75)

REFERENCE DATA

SREF = 5500.0000 SQ.FT. XMRP = 1339.9000 IN. XC
 LREF = 327.7800 IN. YMRP = .0000 IN. YC
 BREF = 2348.0400 IN. ZMRP = 190.7500 IN. ZC
 SCALE = .0125

PARAMETRIC DATA

ALPHAC = 4.000 BETAC = .000
 STAB = 5.000 ELEVON = 5.000
 BDFLAP = .000 DX = .000
 DY = .000 IORB = 8.000
 BETAO = .000 RUDDER = .000

RUN NO. 65/ 0 RN/L = .00 GRADIENT INTERVAL = -5.00/ 5.00

MACH	DZ	DY	DX	CN	CLM	CA	CY	CYN	CEB	CL	CD
.600	1.460	.00000	-.05000	.24200	-.07880	.03420	.00110	-.00190	.00040	.23910	.05030
.598	2.060	.00000	-.05000	.24070	-.07790	.03440	.00110	-.00210	.00040	.23790	.05030
.595	3.460	.00000	-.05000	.24770	-.06310	.03490	.00080	-.00220	.00040	.24490	.05130
.599	4.460	.00000	-.03000	.25320	-.09160	.03520	.00000	-.00180	.00030	.25030	.05190
.598	5.590	.00000	-.03000	.24990	-.09350	.03460	.00070	-.00170	.00040	.24700	.05110
.598	6.840	.00000	-.02000	.26060	-.10520	.03560	.00000	-.00150	.00040	.25760	.05280
.599	8.090	.00000	-.02000	.26470	-.10730	.03540	.00010	-.00170	.00030	.26170	.05280
.599	9.340	.00000	-.02000	.26790	-.11460	.03560	.00000	-.00150	.00040	.26500	.05330
.601	10.560	.00000	-.02000	.27230	-.12090	.03610	.00000	-.00150	.00030	.26940	.05400
.599	11.740	.00000	-.01000	.27810	-.13200	.03640	.00000	-.00120	.00040	.27910	.05510
.600	14.110	.00000	-.01000	.28210	-.13850	.03640	.00050	-.00130	.00030	.28130	.05510
.599	14.110	.00000	-.01000	.28440	-.14620	.03660	.00050	-.00130	.00040	.28770	.05570
.597	15.290	.00000	-.01000	.29070	-.15190	.03700	.00080	-.00120	.00020	.29030	.05620
.599	16.480	.00000	-.00000	.29340	-.15410	.03670	.00100	-.00120	.00050	.29490	.05620
.597	17.660	.00000	.00000	.30110	-.16350	.03710	.00080	-.00120	.00050	.29800	.05650
.598	18.840	.00000	.00000	.30610	-.16830	.03740	.00070	-.00120	.00050	.30290	.05750
.602	20.030	.00000	.00000	.30890	-.17140	.03700	.00070	-.00120	.00030	.30080	.05690
.600	21.210	.00000	.00000	.30890	-.17570	.03740	.00070	-.00100	.00030	.30570	.05790
.597	22.390	.00000	.00000	.31210	-.17890	.03750	.00100	-.00100	.00040	.30890	.05830
.597	23.570	.00000	.00000	.31500	-.18540	.03780	.00050	-.00080	.00040	.31180	.05860
.600	25.940	.00000	.00000	.32280	-.18380	.03780	.00050	-.00080	.00040	.31590	.05900
.600	27.130	.00000	.00000	.32440	-.19170	.03780	.00060	-.00080	.00010	.31960	.05880
.601	28.310	.00000	.00000	.32380	-.19460	.03780	.00120	-.00070	.00020	.31930	.05860
.598	28.490	.00000	.02000	.32930	-.20040	.03780	.00150	-.00060	.00030	.32060	.05930
.600	30.670	.00000	.02000	.33040	-.19790	.03750	.00230	-.00040	.00030	.32730	.05910
.598	33.040	.00000	.02000	.33160	-.20050	.03740	.00110	-.00040	.00020	.32850	.05970
.597	34.230	.00000	.02000	.33620	-.20510	.03780	.00200	-.00030	.00000	.33300	.05990
.599	35.410	.00000	.03000	.33910	-.20650	.03720	.00130	-.00020	.00010	.33550	.05930
.599	36.590	.00000	.03000	.34300	-.20940	.03760	.00160	-.00020	.00020	.33980	.06010
.598	37.780	.00000	.03000	.34250	-.21370	.03760	.00280	-.00010	.00010	.33930	.06000
.600	40.150	.00000	.03000	.34900	-.21510	.03770	.00130	-.00010	.00010	.34580	.06050
.598	41.330	.00000	.03000	.34760	-.21820	.03740	.00130	-.00010	.00030	.34440	.06010
.600	42.520	.00000	.05000	.35260	-.21840	.03780	.00270	-.00010	.00020	.34930	.06080
.599	43.700	.00000	.05000	.35440	-.22090	.03740	.00240	-.00010	.00000	.34620	.06020
.601	44.880	.00000	.05000	.35570	-.22180	.03710	.00290	-.00010	.00000	.35110	.06060
.598	46.060	.00000	.05000	.35940	-.22170	.03750	.00160	-.00010	.00030	.35250	.06040
.601	47.250	.00000	.05000	.35830	-.21390	.03720	.00120	-.00010	.00030	.35510	.06070
.599	48.430	.00000	.06000	.36150	-.22190	.03760	.00180	-.00010	.00020	.35830	.06130

ORIGINAL PAGE IS OF POOR QUALITY

LTV44-559(CA26) 747/1 ATY 02 S1 (CARRIER DATA)

(RFE091) (18 NOV 75)

REFERENCE DATA

SREF = 5500.0000 SQ.FT. XMRP = 1339.9000 IN. XC
 LREF = 327.7800 IN. YMRP = .0000 IN. YC
 BREF = 2348.0400 IN. ZMRP = 190.7500 IN. ZC
 SCALE = .0125

PARAMETRIC DATA

ALPHAC = 4.000 BETAC = .000
 STAB = 5.000 ELEVON = 5.000
 BOFLAP = .000 DX = .000
 DY = .000 TORB = 8.000
 BETAD = .000 RUDDER = .000

RUN NO. 65/ 0 RN/L = .00 GRADIENT INTERVAL = -5.00/ 5.00

MACH	DZ	DY	DX	CN	CLM	CA	CY	CYN	CBL	CL	CB
.600	49.620	.00000	.06000	.36250	-.22310	.03730	-.00120	-.00020	.00000	.35920	.06100
.599	50.800	.00000	.06000	.36480	-.22600	.03710	-.00270	-.00020	-.00020	.36160	.06100
.600	51.990	.00000	.06000	.36240	-.22680	.03690	-.00260	-.00020	.00000	.35920	.06060
.599	53.170	.00000	.06000	.36800	-.22810	.03740	-.00130	-.00010	.00020	.36470	.06150
.600	54.350	.00000	.06000	.36500	-.22740	.03670	-.00300	-.00020	.00000	.36180	.06060
.600	55.540	.00000	.07000	.36600	-.22860	.03680	-.00280	-.00010	.00000	.36280	.06080
.599	56.130	.00000	.07000	.36910	-.23010	.03680	-.00260	-.00010	.00010	.36580	.06100
	GRADIENT	.00000	.00821	.00364	-.00582	.00019	-.00024	.00011	-.00001	.00362	.00039

DATE 29 MAR 76

CA-26 FORCE SOURCE DATA TABULATION

PAGE 797

LTV44-559(CA26) 747/1 ATY 02 S1 (CARRIER DATA)

(RFE092) (18 NOV 75)

REFERENCE DATA

SREF = 5500.0000 SQ.FT. XMRP = 1339.9000 IN. XC
 LREF = 327.7800 IN. YMRP = .0000 IN. YC
 BREF = 2348.0400 IN. ZMRP = 190.7500 IN. ZC
 SCALE = .0125

PARAMETRIC DATA

ALPHAC = 4.000 BETAC = .000
 STAB = 5.000 ELEVON = 5.000
 BDFLAP = .000 DX = .000
 DY = .000 IORB = 4.000
 BETAO = 5.000 RUDDER = .000

RUN NO. 66/ 0 RN/L = .00 GRADIENT INTERVAL = -5.00/ 5.00

MACH	OZ	DY	DX	CN	CLM	CA	CY	CYN	CBL	CL	CD
.599	1.450	.00000	-.02000	.31060	-.20010	.03890	.00410	-.00310	.00240	.30740	.05910
.595	2.060	.00000	-.02000	.31090	-.20440	.03900	.00420	-.00300	.00270	.30770	.05920
.597	2.660	.00000	-.02000	.31260	-.20290	.03880	.00510	-.00300	.00280	.30940	.05910
.595	3.360	.00000	-.02000	.31720	-.20710	.03920	.00440	-.00340	.00280	.31400	.05980
.596	4.160	.00000	-.01000	.31820	-.20690	.03890	.00460	-.00350	.00270	.31500	.05960
.597	4.960	.00000	-.01000	.32180	-.20800	.03880	.00510	-.00380	.00290	.31860	.05970
.594	6.960	.00000	-.01000	.32390	-.21270	.03910	.00380	-.00390	.00270	.32060	.06020
.595	8.960	.00000	-.01000	.32710	-.21350	.03900	.00360	-.00390	.00280	.32390	.06020
.594	10.430	.00000	-.01000	.33640	-.21990	.03930	.00320	-.00380	.00250	.33310	.06110
.597	11.370	.00000	-.01000	.33340	-.21820	.03900	.00250	-.00360	.00240	.33010	.06070
.596	12.310	.00000	-.01000	.33830	-.22040	.03970	.00300	-.00350	.00250	.33500	.06170
.595	13.250	.00000	.00000	.33700	-.22230	.03880	.00110	-.00340	.00220	.33370	.06070
.596	14.180	.00000	.00000	.34260	-.22480	.03920	.00060	-.00300	.00240	.33930	.06150
.597	15.120	.00000	.00000	.34360	-.22570	.03920	.00000	-.00270	.00240	.34030	.06160
.598	16.060	.00000	.00000	.34370	-.22660	.03890	.00000	-.00230	.00230	.34040	.06120
.596	17.000	.00000	.00000	.34520	-.22830	.03910	-.00020	-.00180	.00210	.34190	.06150
.595	17.940	.00000	.00000	.34870	-.22800	.03890	-.00160	-.00150	.00190	.34540	.06160
.595	18.880	.00000	.00000	.35190	-.23260	.03930	-.00210	-.00100	.00170	.34860	.06220
.595	19.810	.00000	.00000	.35290	-.23340	.03910	-.00310	-.00070	.00160	.34960	.06210
.596	20.750	.00000	.00000	.35490	-.23450	.03920	-.00430	-.00020	.00150	.35150	.06230
.599	21.680	.00000	.01000	.35580	-.23100	.03870	-.00520	.00000	.00120	.35250	.06190
.596	22.620	.00000	.01000	.35920	-.23290	.03860	-.00460	.00050	.00100	.35590	.06200
.595	23.560	.00000	.01000	.35630	-.23430	.03860	-.00530	.00080	.00080	.35300	.06180
.597	24.500	.00000	.01000	.35700	-.23340	.03830	-.00580	.00100	.00080	.35370	.06150
.595	25.440	.00000	.01000	.36010	-.23470	.03850	-.00660	.00130	.00080	.35680	.06190
.596	26.380	.00000	.01000	.36340	-.23550	.03850	-.00830	.00150	.00080	.36010	.06220
.594	27.310	.00000	.01000	.36800	-.23720	.03860	-.00850	.00160	.00060	.36470	.06260
.594	28.250	.00000	.01000	.36800	-.23580	.03840	-.00820	.00170	.00080	.36470	.06240
.598	29.190	.00000	.02000	.36880	-.23920	.03840	-.00780	.00207	.00070	.36550	.06250
.598	30.130	.00000	.02000	.36780	-.23930	.03810	-.00790	.00210	.00060	.36450	.06210
.598	31.050	.00000	.02000	.36750	-.23860	.03820	-.00770	.00200	.00050	.36420	.06210
.599	32.000	.00000	.02000	.36880	-.23820	.03770	-.00790	.00210	.00020	.36550	.06180
.599	32.940	.00000	.02000	.36860	-.23920	.03770	-.00760	.00210	.00020	.36540	.06170
.535	33.820	.00000	.02000	.36870	-.24020	.03770	-.00760	.00210	.00050	.36550	.06170
.527	35.760	.00000	.02000	.37470	-.24100	.03800	-.00790	.00200	.00050	.37140	.06250
.597	36.700	.00000	.03000	.37480	-.24020	.03780	-.00810	.00210	.00040	.37150	.06230
.596	37.630	.00000	.03000	.37350	-.24170	.03810	-.00800	.00210	.00040	.37020	.06240
.596	38.570	.00000	.03000	.37640	-.24220	.03740	-.00760	.00200	.00020	.37310	.06200
.594	39.510	.00000	.03000	.37950	-.24420	.03800	-.00660	.00200	.00030	.37620	.06280
.595	40.450	.00000	.03000	.37930	-.24390	.03790	-.00770	.00200	.00030	.37600	.06270
.596	41.380	.00000	.03000	.33080	-.24340	.03740	-.00740	.00200	.00020	.37750	.06230
				.38100	-.24630	.03770	-.00750	.00200	.00030	.37770	.06260

LTV44-559(CA26) 747/1 ATY 02 S1 (CARRIER DATA)

(RFE092) (18 NOV 75)

REFERENCE DATA

SREF = 5500.0000 SQ.FT. XMRP = 1339.9000 IN. XC
 LREF = 327.7800 IN. YMRP = .0000 IN. YC
 BREF = 2348.0400 IN. ZMRP = 190.7500 IN. ZC
 SCALE = .0125

PARAMETRIC DATA

ALPHAC = 4.000 BETAC = .000
 STAB = 5.000 ELEVON = 5.000
 SDFLAP = .000 DX = .000
 DY = .000 TORB = 4.000
 BETA0 = 5.000 RUDDER = .000

RUN NO. 66/ 0 RN/L = .00 GRADIENT INTERVAL = -5.00/ 5.00

MACH	OZ	DY	DX	CN	CLM	CA	CY	CYN	CBL	CL	CD
.598	42.320	.00000	.03000	.38020	-.24520	.03770	-.00760	.00190	.00030	.37690	.06250
.597	42.790	.00000	.05000	.38040	-.24530	.03760	-.00770	.00170	.00030	.37710	.06250
	GRADIENT	.00000	.00337	.00338	-.00206	-.00002	.00022	-.00023	.00010	.00338	.00020

LTV44-559(CA26) 747/1 ATY 02 S1 (CARRIER DATA)

(RFE03) (18 NOV 75)

REFERENCE DATA

SREF = 5500.0000 SQ.FT. XMRP = 1339.9000 IN. XC
 LREF = 327.7800 IN. YMRP = .0000 IN. YC
 BREF = 2348.0400 IN. ZMRP = 190.7500 IN. ZC
 SCALE = .0125

PARAMETRIC DATA

ALPHAC = 4.000 BETAC = .000
 STAB = 5.000 ELEVON = 5.000
 BDFLAP = .000 DX = .000
 DY = .000 IORB = 6.000
 BETAO = 5.000 RUDDER = .000

RUN NO. 1066/ 0 RN/L = .00 GRADIENT INTERVAL = -5.00/ 5.00

MACH	OZ	DY	DX	CN	CLM	CA	CY	CYN	CBL	CL	CD
.594	1.480	.00000	-.03000	.28170	-.14590	.03640	.00420	-.00320	.00220	.27870	.05480
.595	2.070	.00000	-.02000	.28260	-.15440	.03610	.00470	-.00370	.00200	.27960	.05460
.595	2.670	.00000	-.02000	.28540	-.15380	.03660	.00430	-.00370	.00200	.28230	.05520
.595	3.390	.00000	-.02000	.29360	-.15840	.03670	.00540	-.00390	.00220	.29050	.05600
.595	4.170	.00000	-.02000	.29150	-.16030	.03670	.00510	-.00400	.00210	.28850	.05580
.597	4.970	.00000	-.02000	.29210	-.15870	.03670	.00460	-.00400	.00210	.28910	.05590
.594	6.970	.00000	-.02000	.30720	-.18030	.03760	.00470	-.00430	.00220	.30410	.05760
.596	8.980	.00000	-.01000	.30750	-.18160	.03740	.00430	-.00420	.00240	.30440	.05740
.596	10.580	.00000	-.01000	.31280	-.18890	.03750	.00390	-.00420	.00210	.30960	.05790
.597	11.790	.00000	-.01000	.31740	-.19130	.03770	.00320	-.00390	.00230	.31420	.05840
.596	13.010	.00000	-.01000	.32000	-.19410	.03760	.00300	-.00370	.00240	.31690	.05840
.593	14.220	.00000	.00000	.32560	-.20130	.03790	.00200	-.00350	.00220	.32240	.05910
.597	15.440	.00000	.00000	.32740	-.20070	.03770	.00110	-.00310	.00190	.32420	.05910
.594	16.660	.00000	.00000	.32850	-.20780	.03800	.00040	-.00290	.00180	.32530	.05940
.595	17.870	.00000	.00000	.33050	-.20630	.03790	.00030	-.00220	.00150	.32730	.05950
.596	19.090	.00000	.00000	.33020	-.20980	.03770	-.00180	-.00170	.00140	.32710	.05920
.594	20.300	.00000	.00000	.33780	-.21490	.03820	-.00250	-.00120	.00130	.33460	.06020
.596	21.510	.00000	.01000	.33990	-.21500	.03790	-.00360	-.00060	.00110	.33660	.06010
.595	22.730	.00000	.01000	.34180	-.21540	.03780	-.00490	.00000	.00120	.33860	.06010
.594	23.940	.00000	.01000	.34540	-.21770	.03790	-.00630	.00040	.00110	.34220	.06040
.596	25.150	.00000	.01000	.34630	-.21760	.03770	-.00660	.00090	.00090	.34310	.06030
.595	26.370	.00000	.01000	.35060	-.22350	.03800	-.00640	.00110	.00070	.34730	.06080
.595	27.590	.00000	.01000	.35130	-.22300	.03790	-.00710	.00120	.00070	.34810	.06080
.596	28.800	.00000	.01000	.35150	-.22380	.03770	-.00810	.00130	.00050	.34820	.06060
.597	30.020	.00000	.02000	.35140	-.22460	.03750	-.00740	.00170	.00040	.34820	.06050
.597	31.230	.00000	.02000	.35450	-.22730	.03760	-.00730	.00180	.00020	.35130	.06070
.595	32.450	.00000	.02000	.35740	-.22820	.03780	-.00800	.00180	.00040	.35410	.06110
.595	33.660	.00000	.02000	.36180	-.22990	.03790	-.00830	.00180	.00030	.35850	.06150
.596	34.880	.00000	.02000	.35830	-.22990	.03730	-.00760	.00200	.00030	.35500	.06070
.594	36.090	.00000	.02000	.36480	-.23330	.03750	-.00750	.00210	.00050	.3615	.06130
.595	37.310	.00000	.03000	.36350	-.23250	.03730	-.00750	.00200	.00020	.36020	.06100
.594	38.530	.00000	.03000	.36700	-.23350	.03740	-.00730	.00180	.00030	.36380	.06130
.593	39.740	.00000	.03000	.36850	-.23490	.03780	-.00790	.00170	.00030	.36530	.06180
.595	40.950	.00000	.03000	.36760	-.23570	.03720	-.00720	.00170	.00040	.36440	.06120
.595	42.170	.00000	.05000	.37300	-.23580	.03750	-.00780	.00180	.00020	.36980	.06170
.594	43.380	.00000	.05000	.37230	-.23930	.03740	-.00750	.00160	.00020	.36900	.06180
.594	44.600	.00000	.05000	.37480	-.23780	.03710	-.00700	.00180	.00040	.37160	.06160
.597	45.820	.00000	.05000	.37410	-.23690	.03720	-.00670	.00170	.00020	.37080	.06160
.597	47.030	.00000	.05000	.37380	-.23660	.03710	-.00690	.0010	.00010	.37050	.06150
.595	48.250	.00000	.05000	.37720	-.24010	.03730	-.00720	.00160	.00010	.37400	.06200
.597	49.460	.00000	.06000	.37320	-.23750	.03720	-.00730	.00150	.00010	.37000	.06160
GRADIENT		.00000	.00191	.00348	-.00342	.00014	.00016	-.00020	.00000	.00348	.00038

LTV44-559(CA26) 747/1 ATY 02 S1 (CARRIER DATA)

(RFE094) (18 NOV 75)

REFERENCE DATA

SREF = 5500.0000 SQ.FT. XMRP = 1339.9000 IN. XC
 LREF = 327.7800 IN. YMRP = .0000 IN. YC
 BREF = 2348.0400 IN. ZMRP = 190.7500 IN. ZC
 SCALE = .0125

PARAMETRIC DATA

ALPHAC = 4.000 BETAC = .000
 STAB = 5.000 ELEVON = 5.000
 BOFLAP = .000 DX = .000
 DY = .000 LORE = 8.000
 BETAO = 5.000 RUDDER = .000

RUN NO. 67/ 0 RN/L = .00 GRADIENT INTERVAL = -5.00/ 5.00

MACH	DZ	OY	DX	CN	CLM	CA	CY	CYN	CBL	CL	CD
.602	1.460	.00000	-.03000	.23880	-.08630	.03330	.00440	-.00220	.00140	.23600	.04910
.602	2.060	.00000	-.03000	.23700	-.08730	.03290	.00370	-.00220	.00130	.23430	.04850
.601	2.650	.00000	-.03000	.24160	-.09010	.03340	.00430	-.00230	.00150	.23980	.04930
.603	3.460	.00000	-.03000	.24590	-.09560	.03330	.00370	-.00280	.00150	.24320	.04950
.601	4.460	.00000	-.03000	.24960	-.09810	.03410	.00560	-.00280	.00140	.24680	.05060
.601	5.590	.00000	-.02000	.25450	-.11180	.03410	.00410	-.00320	.00150	.25170	.05090
.601	6.840	.00000	-.02000	.25740	-.11370	.03440	.00410	-.00330	.00140	.25460	.05130
.602	8.090	.00000	-.02000	.26270	-.12030	.03490	.00470	-.00360	.00150	.25980	.05220
.601	9.340	.00000	-.02000	.26780	-.12820	.03480	.00470	-.00370	.00170	.26500	.05240
.600	10.560	.00000	-.01000	.27650	-.13870	.03550	.00530	-.00420	.00180	.27360	.05370
.601	11.740	.00000	-.01000	.27760	-.14140	.03590	.00560	-.00420	.00190	.27470	.05410
.600	12.920	.00000	-.01000	.28400	-.14630	.03630	.00610	-.00430	.00200	.28100	.05490
.602	14.110	.00000	-.01000	.28200	-.15140	.03580	.00490	-.00440	.00200	.27900	.05430
.603	15.290	.00000	.00000	.28570	-.15720	.03570	.00450	-.00450	.00190	.28270	.05440
.602	16.480	.00000	.00000	.29210	-.16250	.03620	.00510	-.00450	.00190	.28910	.05530
.601	17.660	.00000	.00000	.29580	-.16730	.03680	.00450	-.00460	.00190	.29270	.05620
.600	18.840	.00000	.00000	.29990	-.17210	.03710	.00530	-.00440	.00180	.29680	.05670
.602	20.030	.00000	.00000	.30000	-.17550	.03630	.00360	-.00410	.00190	.29700	.05590
.602	21.210	.00000	.00000	.30260	-.17950	.03650	.00330	-.00390	.00180	.29960	.05620
.601	22.390	.00000	.01000	.30880	-.18350	.03710	.00410	-.00350	.00190	.30570	.05730
.603	23.570	.00000	.01000	.31090	-.18600	.03720	.00290	-.00310	.00160	.30780	.05720
.604	24.760	.00000	.01000	.30920	-.18900	.03670	.00070	-.00260	.00160	.30610	.05690
.603	25.940	.00000	.01000	.31350	-.19250	.03690	-.00010	-.00220	.00120	.31040	.05740
.604	27.130	.00000	.01000	.31570	-.19500	.03690	-.00070	-.00170	.00120	.31260	.05750
.603	28.310	.00000	.01000	.31950	-.19800	.03700	-.00220	-.00120	.00120	.31640	.05780
.602	29.490	.00000	.02000	.32400	-.20010	.03700	-.00280	-.00060	.00110	.32090	.05810
.602	30.670	.00000	.02000	.32250	-.20090	.03660	-.00390	-.00010	.00090	.31940	.05760
.601	31.860	.00000	.02000	.32900	-.20210	.03700	-.00340	.00020	.00070	.32590	.05850
.601	33.040	.00000	.02000	.33070	-.20530	.03690	.00480	.00040	.00050	.32750	.05850
.601	34.230	.00000	.02000	.33100	-.20660	.03650	.00450	.00080	.00040	.32790	.05810
.600	35.410	.00000	.02000	.33640	-.21090	.03710	-.00690	.00100	.00020	.33320	.05900
.600	36.590	.00000	.03000	.33780	-.21270	.03690	-.00600	.00100	.00000	.33460	.05890
.601	37.780	.00000	.03000	.33970	-.21320	.03710	-.00550	.00120	.00030	.33650	.05920
.601	38.960	.00000	.03000	.34110	-.21690	.03670	-.00710	.00130	.00020	.33800	.05900
.600	40.150	.00000	.03000	.34630	-.21770	.03690	-.00680	.00130	.00000	.34220	.05940
.602	41.330	.00000	.03000	.34340	-.21660	.03680	-.00670	.00150	.00010	.34020	.05920
.601	42.520	.00000	.03000	.34540	-.22140	.03700	-.00700	.00150	.00030	.34220	.05950
.602	43.700	.00000	.05000	.34820	-.21840	.03670	-.00590	.00150	.00000	.34500	.05940
.600	44.880	.00000	.05000	.35030	-.22240	.03670	-.00680	.00140	.00000	.34710	.05950
.601	46.060	.00000	.05000	.35340	-.22240	.03670	-.00640	.00140	.00000	.35030	.05980
.603	47.250	.00000	.05000	.35400	-.22150	.03660	-.00630	.00140	.00010	.35080	.05970
.604	48.430	.00000	.05000	.35250	-.22520	.03650	-.00660	.00130	.00010	.34940	.05950

DATE 29 MAR 76

CA-26 FORCE SOURCE DATA TABULATION

PAGE 801

LTV44-559(CA26) 747/1 ATY 02 S1 (CARRIER DATA)

(RFE094) (18 NOV 75)

REFERENCE DATA

SREF = 5500.0000 SQ.FT. XMRP = 1339.9000 IN. XC
 LREF = 327.7800 IN. YMRP = .0000 IN. YC
 BREF = 2348.0400 IN. ZMRP = 190.7500 IN. ZC
 SCALE = .0125

PARAMETRIC DATA

ALPHAC = 4.000 BETAC = .000
 STAB = 5.000 ELEVON = 5.000
 BDFLAP = .000 DX = .000
 DY = .000 TORB = 8.000
 BETA0 = 5.000 RUDDER = .000

RUN NO. 67/ 0 RN/L = .00 GRADIENT INTERVAL = -5.00/ 5.00

AACH	DZ	DY	DX	CN	CLM	CA	CY	CYN	CEL	CL	CD
.604	49.620	.00000	.05000	.35340	-.22540	.03660	-.00640	.00120	.00000	.35030	.05970
.601	50.800	.00000	.06000	.35880	-.22830	.03710	-.00590	.00120	.00020	.35560	.06060
.603	51.990	.00000	.06000	.35630	-.22650	.03600	-.00590	.00140	.00020	.35320	.05930
.602	53.170	.00000	.06000	.35920	-.22730	.03640	-.00590	.00110	.00010	.35600	.05980
.602	54.350	.00000	.06000	.35810	-.23040	.03620	-.00610	.00110	.00010	.35490	.05960
.602	55.540	.00000	.06000	.35780	-.23040	.03610	-.00630	.00110	.00010	.35470	.05940
.601	55.130	.00000	.06000	.36180	-.23100	.03650	-.00550	.00110	.00020	.35860	.06010
	GRADIENT	.00000	-.00000	.00417	-.00431	.00029	.00037	-.00022	.00002	.00417	.00057

ORIGINAL PAGE IS
OF POOR QUALITY

LTV44-559(CA26) 747/1 ATY 02 S1 (CARRIER DATA)

(RFE095) (18 NOV 75)

REFERENCE DATA

SREF = 5500.0000 SQ.FT. XMRP = 1339.9000 IN. XC
 LREF = 327.7800 IN. YMRP = .0000 IN. YC
 BREF = 2348.0400 IN. ZMRP = 190.7500 IN. ZC
 SCALE = .0125

PARAMETRIC DATA

ALPHAC = 4.000 BETAC = .000
 STAB = -1.000 ELEVON = 5.000
 BDFLAP = .000 DX = .000
 DY = .000 TORB = 4.000
 BETAO = .000 RUDDER = .000

RUN NO. 69/ 0 RN/L = .00 GRADIENT INTERVAL = -5.00/ 5.00

MACH	DZ	DY	DX	CN	CLM	CA	CY	CYN	CBL	CL	CO
.597	1.460	.00000	-.14000	.24810	.12510	.03460	.00210	-.00180	.00000	.24500	.05210
.598	2.060	.00000	-.13000	.24330	.12440	.03430	.00210	-.00170	.00000	.24030	.05140
.597	2.660	.00000	-.13000	.24990	.12820	.03450	.00240	-.00170	.00000	.24680	.05210
.597	3.360	.00000	-.13000	.25240	.12380	.03400	.00170	-.00170	.00000	.24940	.05180
.597	4.160	.00000	-.11000	.25100	.12320	.03410	.00090	-.00170	.00000	.24800	.05180
.596	4.960	.00000	-.11000	.25720	.12330	.03420	.00070	-.00140	.00020	.25410	.05240
.596	6.960	.00000	-.10000	.25760	.12080	.03440	.00140	-.00150	.00000	.25450	.05260
.596	8.960	.00000	-.07000	.26050	.12000	.03410	.00190	-.00160	.00010	.25740	.05250
.596	10.430	.00000	-.07000	.26890	.11180	.03400	.00060	-.00150	.00000	.26580	.05300
.594	11.370	.00000	-.06000	.27050	.11230	.03410	.00060	-.00160	.00010	.26740	.05320
.595	12.310	.00000	-.06000	.27490	.11060	.03390	.00090	-.00150	.00030	.27180	.05340
.597	13.250	.00000	-.05000	.27160	.10810	.03370	.00140	-.00140	.00020	.26860	.05290
.598	14.180	.00000	-.05000	.27360	.10490	.03360	.00020	-.00140	.00000	.27050	.05300
.596	15.120	.00000	-.03000	.27920	.10430	.03390	.00160	-.00140	.00000	.27610	.05360
.598	16.060	.00000	-.03000	.27630	.10330	.03330	.00070	-.00140	.00000	.27320	.05280
.596	17.000	.00000	-.02000	.28270	.10350	.03370	.00130	-.00200	.00020	.27960	.05360
.594	17.940	.00000	-.01000	.28670	.10240	.03390	.00130	-.00130	.00010	.28360	.05420
.595	18.880	.00000	-.01000	.28490	.10080	.03360	.00100	-.00110	.00010	.28180	.05370
.598	19.810	.00000	.00000	.28230	.09780	.03320	.00040	-.00090	.00030	.27920	.05320
.594	20.750	.00000	.00000	.29060	.09790	.03370	.00000	-.00100	.00020	.28750	.05430
.596	21.680	.00000	.01000	.28880	.09670	.03390	.00030	-.00100	.00010	.28570	.05320
.596	22.620	.00000	.01000	.29430	.09500	.03350	-.00060	-.00100	.00000	.29120	.05430
.597	23.560	.00000	.02000	.29610	.09490	.03320	.00000	-.00100	.00000	.29300	.05420
.595	24.500	.00000	.02000	.29790	.09440	.03350	.00090	-.00080	.00000	.29470	.05460
.597	25.440	.00000	.03000	.29850	.09310	.03330	-.00060	-.00080	.00010	.29540	.05440
.599	26.380	.00000	.03000	.29790	.09090	.03340	.00000	-.00060	.00000	.29480	.05450
.598	27.310	.00000	.05000	.30030	.09220	.03270	.00010	-.00080	.00000	.29720	.05400
.600	28.250	.00000	.05000	.29690	.09070	.03230	-.00020	-.00070	-.00010	.29390	.05330
.597	29.190	.00000	.06000	.30510	.09140	.03290	.00030	-.00080	.00000	.29200	.05450
.599	30.130	.00000	.06000	.30290	.08930	.03280	.00020	-.00060	.00000	.29980	.05420
.599	31.060	.00000	.07000	.30170	.08880	.03210	.00040	-.00070	.00000	.29870	.05350
.597	32.000	.00000	.09000	.30500	.08710	.03230	.00070	-.00060	.00000	.30190	.05390
.595	32.940	.00000	.09000	.30730	.08880	.03240	.00030	-.00070	-.00010	.30420	.05410
.596	33.880	.00000	.10000	.30830	.08650	.03230	-.00100	-.00080	.00010	.30520	.05410
.597	34.820	.00000	.10000	.30340	.08640	.03210	-.00010	-.00070	.00000	.30040	.05360
.597	35.760	.00000	.11000	.30720	.08590	.03210	-.00020	-.00070	.00000	.30420	.05390
.596	36.700	.00000	.11000	.30910	.08430	.03210	-.00130	-.00070	.00000	.30600	.05400
.596	37.630	.00000	.13000	.31160	.08620	.03180	-.00090	-.00060	.00000	.30860	.05390
.594	38.570	.00000	.13000	.31500	.08490	.03220	-.00010	-.00060	.00010	.31190	.05450
.598	39.510	.00000	.14000	.31120	.08350	.03170	-.00120	-.00060	.00000	.30820	.05380
.597	40.450	.00000	.14000	.31020	.08390	.03170	-.00040	-.00060	.00000	.30710	.05370
.597	41.380	.00000	.15000	.31350	.08360	.03170	-.00010	-.00070	-.00010	.31050	.05390

DATE 29 MAR 76

CA-26 FORCE SOURCE DATA T RULATION

PAGE 003

LTV44-559(CA26) 7-7/1 ATY 02 S1 (CARRIER DATA)

(RFE095) (18 NOV 75)

REFERENCE DATA

SREF = 5500.0000 SQ.FT. XMRP = 1339.9000 IN. XC
LREF = 327.7800 IN. YMRP = .0000 IN. YC
BREF = 2348.0400 IN. ZMRP = 190.7500 IN. ZC
SCALE = .0125

PARAMETRIC DATA

ALPHAC = 4.000 BETAC = .000
STAB = -1.000 ELEVON = 5.000
BDFLAP = .000 DY = .000
DY = .000 TORB = 4.000
BETA0 = .000 RUDDER = .000

RUN NO. 68/ 0 RN/L = .00 GRADIENT INTERVAL = -5.00/ 5.00

MACH	DZ	DY	DX	CN	CLM	CA	CY	CYN	CBL	CL	CD
.597	42.320	.00000	.16000	.31610	.08190	.03180	-.00130	-.00070	.00010	.31300	.05420
.599	42.790	.00000	.16000	.31500	.08160	.03110	-.00060	-.00070	.00000	.31200	.05340
	GRADIENT	.00000	.00865	.00292	-.00063	-.00012	-.00047	.00008	.00000	.00293	.00010

LTV44-559(CA26) 747/1 ATY 02 S1 (CARRIER DATA)

(RFE096) (18 NOV 75)

REFERENCE DATA

SREF = 5500.0000 SQ.FT. XMRP = 1339.9000 IN. XC
 LREF = 327.7800 IN. YMRP = .0000 IN. YC
 BREF = 2348.0400 IN. ZMRP = 190.7500 IN. ZC
 SCALE = .0125

PARAMETRIC DATA

ALPHAC = 4.000 BETAC = .000
 STAB = -1.000 ELEVON = 5.000
 BDFLAP = .000 DX = .000
 DY = .000 IGRB = 6.000
 BETA0 = .000 RUDDER = .000

RUN NO. 1068/ 0 RN/L = .00 GRADIENT INTERVAL = -5.00/ 5.00

MACH	DZ	DY	DX	CN	CLM	CA	CY	CYN	CBL	CL	CD
.597	1.480	.00000	-.14000	.21710	.16300	.03200	.00050	-.00200	.00020	.21420	.04740
.599	2.070	.00000	-.14000	.22250	.16300	.03180	.00120	-.00180	.00040	.21970	.04750
.596	2.670	.00000	-.13000	.22030	.16450	.03170	.00130	-.00180	.00020	.21750	.04730
.596	3.380	.00000	-.13000	.22750	.16040	.03230	.00010	-.00180	.00000	.22460	.04840
.597	4.170	.00000	-.11000	.22660	.15920	.03190	.00150	-.00190	.00030	.22370	.04800
.597	4.970	.00000	-.11000	.23070	.15880	.03270	.00050	-.00180	.00010	.22780	.04910
.593	6.970	.00000	-.10000	.24390	.14280	.03270	.00050	-.00150	.00030	.24100	.05000
.597	8.980	.00000	-.09000	.24220	.13920	.03250	.00100	-.00150	.00030	.23930	.04960
.597	10.580	.00000	-.07000	.25040	.13180	.03290	.00010	-.00160	.00010	.24740	.05060
.596	11.790	.00000	-.06000	.25500	.12940	.03310	.00050	-.00150	.00030	.25200	.05110
.595	13.010	.00000	-.05000	.25610	.12750	.03290	.00100	-.00130	.00020	.25310	.05100
.595	14.220	.00000	-.05000	.25860	.12370	.03280	.00080	-.00130	.00000	.25570	.05110
.597	15.440	.00000	-.03000	.26120	.12090	.03280	-.00040	-.00110	.00020	.25820	.05130
.595	16.660	.00000	-.02000	.26500	.11870	.03280	.00010	-.00120	.00010	.26200	.05150
.595	17.870	.00000	-.02000	.26620	.11690	.03320	-.00020	-.00100	.00010	.26310	.05200
.595	19.090	.00000	-.01000	.26770	.11450	.03260	-.00010	-.00090	.00000	.26470	.05150
.595	20.300	.00000	.00000	.27380	.11570	.03270	-.00020	-.00100	.00020	.27080	.05210
.596	21.510	.00000	.01000	.27570	.11050	.03300	-.00040	-.00080	.00010	.27270	.05250
.596	22.730	.00000	.01000	.28120	.11140	.03280	-.00080	-.00080	.00020	.27810	.05270
.599	23.940	.00000	.02000	.27900	.10690	.03250	-.00140	-.00080	.00010	.27600	.05220
.597	25.150	.00000	.03000	.28330	.10810	.03230	-.00020	-.00070	.00020	.28030	.05230
.595	26.370	.00000	.03000	.28260	.10560	.03210	-.00060	-.00060	.00010	.27960	.05210
.595	27.590	.00000	.05000	.28600	.10470	.03240	-.00020	-.00060	.00010	.28300	.05260
.598	28.800	.00000	.06000	.28800	.10240	.03240	-.00200	-.00060	.00000	.28500	.05280
.597	30.020	.00000	.06000	.28970	.10080	.03230	-.00140	-.00070	.00000	.28670	.05280
.599	31.230	.00000	.07000	.28950	.10050	.03190	-.00110	-.00060	.00000	.28750	.05240
.596	32.450	.00000	.09000	.29280	.10000	.03210	-.00010	-.00060	.00000	.28980	.05280
.596	33.660	.00000	.10000	.29650	.09980	.03220	-.00100	-.00060	-.00010	.29340	.05320
.595	34.880	.00000	.10000	.29750	.09840	.03210	-.00090	-.00060	.00010	.29440	.05320
.596	36.090	.00000	.11000	.29710	.09670	.03190	-.00140	-.00070	.00000	.29410	.05290
.596	37.310	.00000	.13000	.30070	.09560	.03220	-.00110	-.00070	-.00010	.29760	.05350
.598	38.530	.00000	.13000	.29880	.09560	.03160	-.00140	-.00050	-.00020	.29580	.05280
.597	39.740	.00000	.14000	.30290	.09350	.03160	-.00080	-.00060	.00010	.29980	.05300
.597	40.950	.00000	.15000	.30360	.09330	.03120	-.00100	-.00060	.00000	.30060	.05270
.598	42.170	.00000	.16000	.30340	.09240	.03130	-.00160	-.00060	.00020	.30040	.05280
.598	43.380	.00000	.16000	.30280	.09020	.03160	-.00140	-.00050	.00020	.29970	.05300
.597	44.600	.00000	.18000	.30800	.09030	.03170	-.00140	-.00070	.00010	.30490	.05350
.598	45.820	.00000	.19000	.31120	.09120	.03150	-.00110	-.00050	.00010	.30810	.05360
.596	47.030	.00000	.19000	.31150	.09000	.03130	-.00110	-.00060	.00020	.30850	.05350
.597	48.250	.00000	.20000	.30770	.08910	.03120	-.00130	-.00060	.00010	.30470	.05310
.594	49.460	.00000	.22000	.31380	.08780	.03180	-.00010	-.00060	.00010	.31070	.05400
	GRADIENT	.00000	.00988	.00356	-.00292	.00019	-.00002	.00003	-.00004	.00354	.00046

LTV44-559(CA26) 747/1 ATY 02 S1 (CARRIER DATA)

(RFE097) (18 NOV 75)

REFERENCE DATA

SREF = 5500.0000 SQ.FT. XMRP = 1339.9000 IN. XC
 LREF = 327.7800 IN. YMRP = .0000 IN. YC
 BREF = 2348.0400 IN. ZMRP = 190.7500 IN. ZC
 SCALE = .0125

PARAMETRIC DATA

ALPHAC = 4.000 BETAC = .000
 STAB = -1.000 ELEVON = 5.000
 BDFLAP = .000 DX = .000
 DY = .000 10RB = 8.000
 BETAO = .000 RUDDER = .000

RUN NO. 59/ 0 RN/L = .00 GRADIENT INTERVAL = -5.00/ 5.00

MACH	DZ	DY	DX	CN	CLM	CA	CY	CYN	CBL	CL	CD
.594	1.460	.00000	-.15000	.17880	.23170	.02980	.00080	-.00270	.00020	.17620	.04260
.595	2.060	.00000	-.15000	.17940	.23000	.02990	.00080	-.00260	.00040	.17680	.04270
.597	2.660	.00000	-.14000	.17890	.22630	.02950	.00150	-.00270	.00020	.17630	.04230
.594	3.460	.00000	-.14000	.18700	.22590	.03020	.00090	-.00270	.00040	.18430	.04350
.596	4.450	.00000	-.13000	.18580	.22130	.03000	.00160	-.00260	.00050	.18310	.04320
.597	5.590	.00000	-.11000	.19470	.21380	.03070	.00010	-.00230	.00040	.19200	.04460
.595	6.840	.00000	-.11000	.19660	.21320	.03060	-.00010	-.00220	.00060	.19390	.04460
.595	8.090	.00000	-.10000	.20220	.20400	.03120	.00010	-.00220	.00040	.19950	.04560
.597	9.340	.00000	-.09000	.20370	.19560	.03120	.00020	-.00210	.00030	.20090	.04570
.598	10.560	.00000	-.07000	.21320	.18330	.03160	.00000	-.00180	.00020	.21040	.04680
.597	11.740	.00000	-.06000	.21670	.18510	.03180	-.00090	-.00170	.00020	.21380	.04730
.597	12.920	.00000	-.06000	.21750	.17630	.03160	-.00060	-.00180	.00020	.21470	.04710
.595	14.110	.00000	-.05000	.22061	.16960	.03210	-.00010	-.00170	.00020	.21770	.04770
.593	15.290	.00000	-.03000	.22620	.16730	.03230	-.00030	-.00160	.00020	.22330	.04830
.595	16.480	.00000	-.02000	.23120	.16140	.03270	-.00100	-.00150	.00020	.22830	.04910
.595	17.660	.00000	-.02000	.23720	.15790	.03260	-.00120	-.00150	.00040	.23420	.04950
.597	18.840	.00000	-.01000	.23890	.15280	.03270	-.00100	-.00150	.00040	.23600	.04970
.598	20.030	.00000	.00000	.24160	.14960	.03290	-.00050	-.00160	.00030	.23870	.05000
.597	21.210	.00000	.00000	.24200	.14650	.03280	-.00090	-.00160	.00020	.23900	.05090
.596	22.390	.00000	.01000	.24690	.14110	.03280	-.00100	-.00140	.00020	.24400	.05020
.595	23.570	.00000	.02000	.24770	.13870	.03260	-.00070	-.00140	.00010	.24480	.05040
.595	24.760	.00000	.02000	.25230	.13580	.03280	-.00050	-.00130	.00020	.24930	.05070
.596	25.940	.00000	.03000	.25530	.13610	.03310	-.00100	-.00140	.00010	.25230	.05120
.592	27.130	.00000	.05000	.26130	.13320	.03310	-.00070	-.00120	.00020	.25830	.05160
.598	28.310	.00000	.05000	.26030	.13070	.03280	-.00210	-.00110	.00010	.25730	.05120
.595	29.490	.00000	.06000	.26370	.13000	.03260	-.00120	-.00120	.00010	.26070	.05120
.597	30.670	.00000	.07000	.26630	.12710	.03240	-.00190	-.00100	.00000	.26330	.05130
.596	31.860	.00000	.09000	.26950	.12800	.03290	-.00180	-.00090	.00000	.26640	.05200
.595	33.040	.00000	.09000	.27280	.12510	.03280	-.00100	-.00090	.00020	.26980	.05220
.597	34.230	.00000	.10000	.27160	.12120	.03220	-.00140	-.00080	.00020	.26870	.05140
.597	35.410	.00000	.11000	.27540	.11920	.03240	-.00170	-.00080	.00010	.27240	.05200
.595	36.590	.00000	.11000	.27970	.12110	.03290	-.00220	-.00070	.00000	.27670	.05280
.595	37.780	.00000	.13000	.27990	.11900	.03260	-.00260	-.00080	-.00010	.27680	.05250
.595	38.960	.00000	.14000	.28100	.11640	.03280	-.00250	-.00080	.00000	.27790	.05270
.537	40.150	.00000	.14000	.28280	.11320	.03190	-.00160	-.00070	.00000	.27980	.05200
.597	41.330	.00000	.15000	.28380	.11350	.03200	-.00160	-.00060	.00010	.28080	.05210
.596	42.520	.00000	.16000	.28530	.11280	.03240	-.00240	-.00070	.00000	.28220	.05260
.594	43.700	.00000	.16000	.28840	.11140	.03230	-.00230	-.00070	-.00010	.28530	.05280
.596	44.880	.00000	.18000	.28910	.11130	.03210	-.00250	-.00080	.00000	.28610	.05260
.595	46.060	.00000	.19000	.29100	.11030	.03200	-.00260	-.00070	.00000	.28800	.05270
.594	47.250	.00000	.26000	.29310	.10800	.03230	-.00200	-.00070	.00000	.29010	.05310
.598	48.430	.00000	.20000	.29230	.10600	.03220	-.00240	-.00080	.00000	.28930	.05290

LTV44-559(CA26) 747/1 ATY 02 S1 (CARRIER DATA)

(RFE097) (18 NOV 75)

REFERENCE DATA

SREF = 5500.0000 SQ.FT. XMRP = 1339.9000 IN. XC
 LREF = 327.7800 IN. YMRP = .0000 IN. YC
 BREF = 2348.0400 IN. ZMRP = 190.7500 IN. ZC
 SCALE = .0125

PARAMETRIC DATA

ALPHAC = 4.000 BETAC = .000
 STAB = -1.000 ELEVON = 5.000
 BDFLAP = .000 DX = .000
 DY = .000 IORB = 8.000
 BETAO = .000 RUDDER = .000

RUN NO. 69/ 0 RN/L = .00 GRADIENT INTERVAL = -5.00/ 5.00

MACH	DZ	DY	DX	CN	CLM	CA	CY	CYN	CBL	CL	CD
.596	49.620	.00000	.22000	.29280	.10520	.03190	-.00100	-.00070	.00000	.28970	.05270
.596	50.800	.00000	.23000	.29640	.10590	.03190	-.00150	-.00080	.00000	.29340	.05290
.597	51.990	.00000	.23000	.29850	.10410	.03200	-.00210	-.00080	.00010	.29540	.05330
.596	53.170	.00000	.24000	.29820	.10260	.03160	-.00130	-.00080	.00010	.29520	.05280
.599	54.350	.00000	.26000	.29810	.10120	.03180	-.00270	-.00070	.00000	.29510	.05290
.595	55.540	.00000	.27000	.30410	.10150	.03220	-.00250	-.00080	.00000	.30100	.05380
.595	56.130	.00000	.27000	.30300	.10270	.03190	-.00260	-.00080	.00000	.30000	.05350
	GRADIENT	.00000	.00677	.00293	-.00335	.00010	.00023	.00002	.00003	.00289	.00028

LTV44-559(CA26) 747/1 ATY 02 S1 (CARRIER DATA)

(RFE09B) (18 NOV 75)

REFERENCE DATA

SREF = 5500.0003 SQ.FT. XMRP = 1339.9000 IN. XC
 LREF = 327.7800 IN. YMRP = .0000 IN. YC
 BREF = 2348.0400 IN. ZMRP = 190.7500 IN. ZC
 SCALE = .0125

PARAMETRIC DATA

ALPHAC = 4.000 BETAC = .000
 STAB = 5.000 ELEVON = .000
 BDFLAP = .000 DX = .000
 DY = .000 IORB = 4.000
 BETAO = .000 RUDDER = .000

RUN NO. 70/ 0 RN/L = .00 GRADIENT INTERVAL = -5.00/ 5.00

MACH	OZ	DY	DX	GN	CLM	CA	CY	CYN	CBL	CL	CD
.599	1.460	.00000	-.01000	.32377	-.24260	.04180	.00220	-.00130	.00010	.32030	.06260
.600	2.060	.00000	-.01000	.31860	-.24240	.04180	.00070	-.00130	.00010	.31520	.06220
.602	2.660	.00000	-.01000	.32240	-.23840	.04120	.00170	-.00130	.00020	.31900	.06190
.599	3.360	.00000	-.01000	.32660	-.24380	.04150	.00080	-.00120	.00010	.32320	.06250
.599	4.160	.00000	-.01000	.32980	-.24510	.04150	.00180	-.00130	.00020	.32650	.06280
.599	4.960	.00000	-.01000	.33720	-.24400	.04180	.00020	-.00110	.00000	.33380	.06350
.599	6.960	.00000	-.01000	.33790	-.24500	.04160	.00060	-.00110	.00020	.33450	.06340
.600	8.960	.00000	.00000	.33750	-.24560	.04090	.00100	-.00100	.00010	.33420	.06270
.600	10.430	.00000	-.01000	.34590	-.24500	.04110	.00000	-.00100	.00010	.34250	.06340
.599	11.370	.00000	.00000	.34760	-.24720	.04080	.00020	-.00000	.00010	.34420	.06330
.600	12.310	.00000	.00000	.34470	-.24510	.04050	.00110	-.00090	.00020	.34140	.06280
.600	13.250	.00000	.00000	.34870	-.24620	.04080	.00000	-.00090	.00000	.34530	.06330
.599	14.180	.00000	.00000	.34970	-.24690	.04050	.00000	-.00080	.00000	.34630	.06310
.598	15.120	.00000	.00000	.35220	-.24750	.04080	.00010	-.00090	.00020	.34880	.06360
.599	16.060	.00000	.00000	.35110	-.24820	.04000	.00030	-.00080	.00010	.34770	.06270
.598	17.000	.00000	.00000	.35560	-.24760	.04030	-.00020	-.00080	.00000	.35220	.06330
.599	17.940	.00000	.00000	.35430	-.24720	.03970	.00020	-.00080	.00000	.35090	.06270
.600	18.880	.00000	.00000	.35840	-.24640	.04020	.00030	-.00070	.00000	.35510	.06340
.599	19.810	.00000	.00000	.35880	-.24920	.03970	.00020	.00060	.00000	.35540	.06300
.599	20.750	.00000	.00000	.36070	-.24650	.03950	-.00060	.00070	-.00010	.35400	.06290
.603	21.680	.00000	.01000	.35840	-.24450	.03930	-.00060	-.00050	.00000	.35500	.06250
.599	22.620	.00000	.01000	.36320	-.24910	.03970	-.00030	-.00060	.00000	.35980	.06330
.600	23.560	.00000	.01000	.36340	-.24840	.03940	.00000	-.00060	.00000	.36010	.06300
.601	24.500	.00000	.01000	.36530	-.24820	.03920	-.00030	-.00060	-.00010	.36200	.06290
.602	25.440	.00000	.01000	.36480	-.24850	.03990	.00030	-.00060	.00000	.36140	.06260
.597	26.380	.00000	.01000	.37220	-.25080	.03950	-.00050	-.00060	.00000	.36140	.06260
.599	27.310	.00000	.01000	.37210	-.24920	.03930	-.00010	-.00060	-.00010	.36880	.06390
.601	28.250	.00000	.01000	.37500	-.24770	.03930	-.00050	-.00070	-.00010	.36880	.06350
.599	29.190	.00000	.02000	.37490	-.24670	.03880	-.00010	-.00070	-.00010	.37170	.06370
.598	30.130	.00000	.02000	.37590	-.24770	.03890	-.00020	-.00080	.00000	.37160	.06330
.601	31.060	.00000	.02000	.37510	-.24660	.03850	-.00040	-.00070	.00000	.37250	.06340
.600	32.000	.00000	.02000	.37450	-.24740	.03840	.00000	-.00080	.00000	.37180	.06290
.600	32.940	.00000	.02000	.37650	-.24590	.03840	-.00070	-.00080	.00000	.37120	.06280
.599	33.880	.00000	.02000	.37910	-.24710	.03870	-.00040	-.00070	-.00010	.37320	.06300
.599	34.820	.00000	.02000	.37660	-.24820	.03840	-.00020	-.00070	-.00010	.37570	.06340
.597	35.760	.00000	.02000	.38080	-.25030	.03850	.00000	-.00090	-.00010	.37320	.06290
.599	36.700	.00000	.03000	.38030	-.24890	.03850	-.00060	-.00080	-.00010	.37750	.06330
.599	37.630	.00000	.03000	.38110	-.24930	.03840	-.00010	-.00080	-.00010	.37700	.06330
.599	38.570	.00000	.03000	.37950	-.24830	.03790	.00000	-.00030	.00000	.37780	.06330
.598	39.510	.00000	.03000	.38400	-.24990	.03810	.00000	-.00080	-.00020	.37620	.06270
.599	40.450	.00000	.03000	.38600	-.24820	.03810	.00000	-.00070	-.00010	.38060	.06320
.600	41.380	.00000	.03000	.38070	-.24750	.03780	.00000	-.00080	.00000	.37740	.06260

ORIGINAL PAGE IS
 OF POOR QUALITY

DATE 29 MAR 76

CA-26 FORCE SOURCE DATA TABULATION

PAGE 808

LTV44-559(CA26) 747/1 ATY 02 S1 (CARRIER DATA)

(RFE098) (18 NOV 75)

REFERENCE DATA

SREF = 5500.0000 SQ.FT.	XMRP = 1339.9000 IN. XC
LREF = 327.7800 IN.	YMRP = .0000 IN. YC
BREF = 2348.0400 IN.	ZMRP = 190.7500 IN. ZC
SCALE = .0125	

PARAMETRIC DATA

ALPHAC = 4.000	BETAC = .000
STAB = 5.000	ELEVON = .000
BDFLAP = .000	DX = .000
DY = .000	10RB = 4.000
BETA0 = .000	RUDDER = .000

RUN NO. 70/ 0 RN/L = .00 GRADIENT INTERVAL = -5.00/ 5.00

MACH	DZ	DY	DX	CN	CLM	CA	CY	CYN	CBL	CL	CD
.598	42.320	.00000	.05000	.38680	-.24820	.03810	-.00010	-.00070	.00020	.38340	.06340
.601	42.790	.00000	.05000	.38500	-.24680	.03750	.00000	-.00090	.00000	.38170	.06270
	GRADIENT	.00000	.00000	.00442	-.00689	-.00001	-.00031	.00005	-.00001	.00443	.0003C

LTV44-559(CA26) 747/1 ATY 02 S1 (CARRIER DATA)

(RFE099) (18 NOV 75)

REFERENCE DATA

SREF = 5500.0000 SQ.FT. XMRP = 1333.9000 IN. XC
 LREF = 327.7800 IN. YMRP = .0000 IN. YC
 BREF = 2348.0400 IN. ZMRP = 190.7500 IN. ZC
 SCALE = .0125

PARAMETRIC DATA

ALPHAC = 4.000 BETAC = .000
 STAB = 5.000 ELEVON = .000
 BDFLAP = .000 DX = .000
 DY = .000 IORB = 6.000
 BETAO = .000 RUDDER = .000

RUN NO. 1070/ 0 RN/L = .00 GRADIENT INTERVAL = -5.00/ 5.00

MACH	DZ	DY	DX	CN	CLM	CA	CY	CYN	CBL	CL	CD
.599	1.480	.00000	-.02000	.28750	-.18570	.03870	.00070	-.00150	.00020	.28440	.05740
.600	2.070	.00000	-.01000	.29530	-.19580	.03900	.00010	-.00140	.00000	.29210	.05810
.598	2.670	.00000	-.01000	.29430	-.19650	.03950	-.00010	-.00140	.00000	.29120	.05790
.599	3.380	.00000	-.01000	.30070	-.20130	.03950	-.00070	-.00130	.00020	.29750	.05900
.600	4.170	.00000	-.01000	.30350	-.20280	.03910	-.00030	-.00130	.00020	.30030	.05870
.599	4.970	.00000	-.01000	.30270	-.20310	.03900	-.00010	-.00120	.00010	.29960	.05860
.601	6.970	.00000	-.01000	.31740	-.21440	.03920	-.00050	-.00100	.00000	.31410	.05980
.600	8.980	.00000	-.01000	.31780	-.21460	.03900	-.00040	-.00100	.00010	.31460	.05960
.599	10.590	.00000	-.01000	.32520	-.21940	.03930	-.00040	-.00100	.00030	.32190	.06040
.599	11.790	.00000	-.01000	.32890	-.21960	.03930	-.00060	-.00090	.00020	.32570	.06060
.599	13.010	.00000	.00000	.33060	-.22070	.03920	-.00050	-.00080	.00000	.32740	.06060
.597	14.220	.00000	.00000	.33520	-.22500	.03920	-.00070	-.00080	.00010	.33200	.06100
.597	15.440	.00000	.00000	.34010	-.22520	.03950	-.00140	-.00070	.00000	.33680	.06160
.597	16.660	.00000	.00000	.34130	-.22550	.03940	-.00120	-.00070	.00000	.33800	.06160
.600	17.870	.00000	.00000	.34080	-.22330	.03900	-.00100	-.00070	.00000	.33750	.06110
.598	19.090	.00000	.00000	.34470	-.22670	.03850	-.00120	-.00040	-.00010	.34150	.06160
.598	20.300	.00000	.00000	.34880	-.22920	.03930	-.00100	-.00040	.00010	.34550	.06200
.598	21.510	.00000	.01000	.34920	-.22740	.03910	-.00090	-.00040	.00010	.34590	.06180
.597	22.730	.00000	.01000	.35470	-.23030	.03900	-.00180	-.00040	.00000	.35140	.06220
.599	23.940	.00000	.01000	.35300	-.23080	.03850	-.00070	-.00040	.00000	.34980	.06150
.598	25.150	.00000	.01000	.35750	-.23290	.03900	-.00180	-.00040	-.00010	.35420	.06230
.601	26.370	.00000	.01000	.35280	-.23270	.03820	-.00080	-.00050	.00000	.34950	.06110
.600	27.590	.00000	.01000	.35680	-.23240	.03830	-.00090	-.00060	-.00010	.35350	.06160
.601	28.800	.00000	.02000	.36120	-.23170	.03830	-.00090	-.00050	-.00010	.35790	.06180
.599	30.020	.00000	.02000	.36280	-.23400	.03810	-.00000	-.00040	.00020	.35960	.06180
.601	31.230	.00000	.02000	.35990	-.23280	.03770	-.00090	-.00060	.00000	.35670	.06120
.597	32.450	.00000	.02000	.36690	-.23820	.03850	-.00050	-.00050	.00010	.36360	.06240
.598	33.660	.00000	.02000	.36510	-.23550	.03810	-.00120	-.00050	.00010	.36180	.06200
.600	34.880	.00000	.02000	.36560	-.23490	.03820	-.00110	-.00060	-.00010	.36230	.06210
.600	36.090	.00000	.03000	.36770	-.23560	.03800	-.00050	-.00050	.00000	.36440	.06200
.598	37.310	.00000	.03000	.37160	-.23640	.03770	-.00080	-.00060	.00000	.36840	.06200
.599	38.530	.00000	.03000	.37190	-.23940	.03800	-.00070	-.00070	.00010	.36670	.06230
.598	39.740	.00000	.03000	.37530	-.23930	.03800	-.00080	-.00060	.00000	.37190	.06250
.599	40.950	.00000	.03000	.37210	-.23800	.03770	-.00080	-.00070	.00010	.36880	.06200
.599	42.170	.00000	.03000	.37160	-.23990	.03800	.00000	-.00060	.00000	.36830	.06230
.600	43.380	.00000	.05000	.37290	-.24060	.03780	-.00010	-.00070	.00010	.36960	.06220
.597	44.600	.00000	.05000	.37520	-.23910	.03770	-.00050	-.00050	.00010	.37330	.06230
.600	45.820	.00000	.05000	.37520	-.23870	.03730	-.00040	-.00060	.00010	.37200	.06190
.599	47.030	.00000	.05000	.37800	-.23770	.03720	-.00100	-.00060	.00010	.37470	.06190
.597	48.250	.00000	.05000	.38000	-.24120	.03790	-.00020	-.00050	.00020	.37670	.06280
.598	49.460	.00000	.06000	.38130	-.24110	.03740	-.00040	-.00070	.00000	.37810	.06230
GRADIENT	.00000	.00000	.00191	.00430	-.00449	.00009	-.00022	.00008	.00001	.00429	.00035

LTV44-559(CA26) 747/1 ATY 02 S1 (CARRIER DATA)

(RFE100) (18 NOV 75)

REFERENCE DATA

SREF = 5500.0000 SQ.FT. XMRP = 1339.9000 IN. XC
 LREF = 327.7800 IN. YMRP = .0000 IN. YC
 BREF = 2348.0400 IN. ZMRP = 190.7500 IN. ZC
 SCALE = .0125

PARAMETRIC DATA

ALPHAC = 4.000 BETAC = .000
 STAB = 5.000 ELEVON = .000
 BDFLAP = .000 DX = .000
 DY = .000 TORB = 8.000
 BETAO = .000 RUDDER = .000

RUN NO. 71/ 0 RN/L = .00 GRADIENT INTERVAL = -5.00/ 5.00

MACH	OZ	DY	DX	CN	CLM	CA	CY	CYN	CEL	CL	CD
.597	1.460	.00000	-.03000	.25370	-1.2580	.03690	-.00020	-.00180	.00040	.25070	.05350
.597	2.060	.00000	-.03000	.25450	-1.2490	.03680	.00000	-.00180	.00040	.25150	.05350
.597	2.660	.00000	-.02000	.25860	-1.2730	.03710	.00100	-.00170	.00040	.25560	.05400
.598	3.460	.00000	-.02000	.26050	-1.3240	.03730	-.00050	-.00150	.00030	.25750	.05430
.599	4.460	.00000	-.02000	.26270	-1.3440	.03730	.00040	-.00150	.00030	.25960	.05450
.598	5.590	.00000	-.02000	.27280	-1.4390	.03750	.00040	-.00150	.00040	.26970	.05530
.598	6.840	.00000	-.02000	.27740	-1.4640	.03820	.00000	-.00150	.00030	.27430	.05630
.598	8.090	.00000	-.01000	.27640	-1.5230	.03750	-.00070	-.00140	.00030	.27330	.05560
.596	9.340	.00000	-.01000	.28270	-1.5950	.03770	-.00060	-.00140	.00010	.27960	.05610
.599	10.560	.00000	-.01000	.29240	-1.6820	.03830	-.00070	-.00120	.00030	.28930	.05730
.598	11.740	.00000	-.01000	.29300	-1.6950	.03820	-.00080	-.00120	.00030	.28980	.05730
.599	12.920	.00000	-.01000	.29520	-1.7460	.03790	-.00040	-.00110	.00020	.29210	.05710
.599	14.110	.00000	-.01000	.30300	-1.7890	.03860	-.00090	-.00110	.00020	.29980	.05840
.598	15.290	.00000	.00000	.30540	-1.8290	.03860	-.00120	-.00100	.00010	.30220	.05850
.598	16.480	.00000	.00000	.30960	-1.8640	.03870	-.00130	-.00090	.00020	.30640	.05890
.598	17.660	.00000	.00000	.31430	-1.9040	.03890	-.00170	-.00070	.00020	.31110	.05940
.599	18.840	.00000	.00000	.31810	-1.9210	.03900	-.00170	-.00070	.00000	.31490	.05980
.597	20.030	.00000	.00000	.32020	-1.9730	.03880	-.00100	-.00070	.00000	.31700	.05960
.601	21.210	.00000	.00000	.31810	-1.9650	.03800	-.00060	-.00040	.00010	.31500	.05870
.599	22.390	.00000	.01000	.32520	-1.9990	.03870	-.00200	-.00040	-.00010	.32200	.05990
.596	23.570	.00000	.01000	.32750	-2.0390	.03850	-.00190	-.00020	.00000	.32420	.05990
.598	24.760	.00000	.01000	.33100	-2.0440	.03880	-.00160	-.00040	-.00010	.32770	.06040
.602	25.940	.00000	.01000	.32960	-2.0300	.03830	-.00210	-.00030	.00000	.32640	.05980
.598	27.130	.00000	.01000	.33150	-2.0960	.03820	-.00180	-.00020	.00000	.32830	.05980
.598	28.310	.00000	.01000	.33410	-2.0960	.03840	-.00180	-.00030	.00000	.33090	.06020
.598	29.490	.00000	.02000	.34070	-2.1220	.03850	-.00140	-.00020	.00010	.33750	.06080
.599	30.670	.00000	.02000	.34330	-2.1010	.03870	-.00230	-.00020	.00000	.34000	.06110
.599	31.850	.00000	.02000	.34440	-2.1320	.03840	-.00260	-.00020	.00000	.34110	.06090
.598	33.040	.00000	.02000	.34440	-2.1620	.03810	-.00170	-.00020	-.00010	.34120	.06060
.597	34.230	.00000	.02000	.34580	-2.1700	.03800	-.00210	-.00010	-.00010	.34260	.06050
.597	35.410	.00000	.02000	.35050	-2.1920	.03810	-.00180	-.00040	.00000	.34720	.06100
.597	36.590	.00000	.03000	.34930	-2.2050	.03800	-.00150	-.00020	.00010	.34610	.06080
.599	37.780	.00000	.03000	.35540	-2.1980	.03790	-.00220	-.00040	-.00020	.35210	.06110
.597	38.960	.00000	.03000	.35600	-2.2270	.03820	-.00210	-.00030	-.00010	.35270	.06140
.598	40.150	.00000	.03000	.35730	-2.2190	.03770	-.00210	-.00030	-.00010	.35410	.06100
.597	41.330	.00000	.03000	.35820	-2.2250	.03780	-.00110	-.00040	-.00010	.35500	.06120
.599	42.520	.00000	.05000	.36050	-2.2410	.03820	-.00110	-.00040	.00000	.35720	.06180
.600	43.700	.00000	.05000	.35950	-2.2350	.03760	-.00170	-.00030	.00000	.35630	.06110
.598	44.880	.00000	.05000	.36060	-2.2590	.03740	-.00110	-.00040	.00000	.35740	.06100
.598	46.060	.00000	.05000	.36200	-2.2740	.03740	-.00150	-.00050	-.00010	.36090	.06120
.597	47.250	.00000	.05000	.36590	-2.2700	.03740	-.00160	-.00040	.00000	.36270	.06130
.596	48.430	.00000	.06000	.36900	-2.2850	.03720	-.00210	-.00050	.00000	.36580	.06140

DATE 29 MAR 76

CA-26 FORCE SOURCE DATA TABULATION

PAGE 811

LTV44-559(CA26) 747/1 ATY 02 S1 (CARRIER DATA)

(RFE100) (18 NOV 75)

REFERENCE DATA

SREF = 5500.0000 SQ.FT. XMRP = 1339.5000 IN. XC
 LREF = 327.7800 IN. YMRP = .0000 IN. YC
 BREF = 2348.0400 IN. ZMRP = 190.7500 IN. ZC
 SCALE = .0125

PARAMETRIC DATA

ALPHAC = 4.000 BETAC = .000
 STAB = 5.000 ELEVON = .000
 BOFLAP = .000 DX = .000
 DY = .000 IORB = 8.000
 BETAD = .000 RUDDER = .000

RUN NO. 71/ 0 RN/L = .00 GRADIENT INTERVAL = -5.00/ 5.00

MACH	DZ	DY	DX	CN	CLM	CA	CY	CYN	CBL	CL	CD
.596	49.620	.00000	.06000	.37020	-.22910	.03760	-.00170	-.00040	.00000	.36720	.06190
.597	50.800	.00000	.06000	.37170	-.22910	.03740	-.00170	-.00040	.00010	.36840	.06170
.598	51.990	.00000	.06000	.36840	-.22890	.03730	-.00110	-.00050	.00020	.36520	.06140
.598	53.170	.00000	.06000	.37160	-.22910	.03720	-.00140	-.00040	.00020	.36840	.06160
.600	54.350	.00000	.07000	.37440	-.22940	.03740	-.00180	-.00060	.00000	.37110	.06200
.600	55.540	.00000	.07000	.37260	-.22910	.03700	-.00170	-.00060	-.00010	.36930	.06150
.601	56.130	.00000	.07000	.37230	-.22950	.03700	-.00140	-.00050	.00000	.36910	.06140
	GRADIENT	.00000	.00382	.00319	-.00338	.00017	.00008	.00012	-.00004	.00316	.00037

LTV44-559(CA26) 747.1 4TY 02 S1 (CARRIER DATA)

(RFE101) (18 NOV 75)

REFERENCE DATA

SREF = 5500.0000 SQ.FT. XMRP = 1339.9000 IN. XC
 LREF = 327.7800 IN. YMRP = .0000 IN. YC
 BREF = 2348.0400 IN. ZMRP = 190.7500 IN. ZC
 SCALE = .0125

PARAMETRIC DATA

ALPHAC = 4.000 BETAC = -5.000
 STAB = 5.000 ELEVON = 5.000
 BDFLAP = .000 DX = .000
 DY = .000 IORB = 4.000
 BETA0 = -5.000 RUDDER = .000

RUN NO. 72/ 0 RN/L = .00 GRADIENT INTERVAL = -5.00/ 5.00

MACH	DZ	DY	DX	CLM	CA	CY	CYN	CBL	CL	CD	
.593	1.460	.00000	-.02000	.33630	-.21070	.03470	.09460	-.01090	.00920	.33330	.05660
.595	2.060	.00000	-.02000	.33750	-.21060	.03470	.09410	-.01080	.00930	.33450	.05670
.595	2.660	.00000	-.02000	.34280	-.21400	.03480	.09380	-.01110	.00960	.33970	.05710
.596	3.360	.00000	-.02000	.34410	-.22140	.03440	.09420	-.01240	.00990	.34120	.05680
.597	4.160	.00000	-.02000	.34380	-.22350	.03410	.09350	-.01250	.00990	.34080	.05640
.597	4.960	.00000	-.01000	.34740	-.22820	.03390	.09200	-.01380	.01020	.34450	.05650
.596	5.960	.00000	-.01000	.34660	-.22770	.03390	.09190	-.01390	.01040	.34360	.05640
.594	8.960	.00000	-.01000	.35310	-.22900	.03370	.09320	-.01480	.01070	.35010	.05670
.595	10.430	.00000	-.01000	.36030	-.23320	.03380	.09470	-.01690	.01190	.35730	.05730
.596	11.370	.00000	-.01000	.36000	-.23630	.03350	.09360	-.01710	.01200	.35710	.05690
.596	12.310	.00000	-.01000	.36230	-.23760	.03360	.09430	-.01750	.01220	.35930	.05720
.596	13.250	.00000	-.01000	.36380	-.23810	.03350	.09490	-.01820	.01210	.36090	.05720
.595	14.180	.00000	.00000	.36600	-.23960	.03340	.09630	-.01870	.01250	.36310	.05720
.596	15.120	.00000	.00000	.36560	-.24100	.03320	.09630	-.01880	.01260	.36260	.05700
.596	16.060	.00000	.00000	.36610	-.23990	.03290	.09690	-.01930	.01270	.36320	.05680
.596	17.000	.00000	.00000	.37170	-.24070	.03330	.09700	-.01970	.01320	.36870	.05760
.595	17.940	.00000	.00000	.37320	-.24370	.03360	.09790	-.02030	.01350	.37020	.05790
.596	18.880	.00000	.00000	.37290	-.24350	.03350	.09840	-.02060	.01350	.36990	.05790
.594	19.810	.00000	.00000	.37600	-.24690	.03360	.09770	-.02090	.01390	.37300	.05810
.595	20.750	.00000	.00000	.37430	-.24760	.03320	.09770	-.02110	.01390	.37130	.05760
.593	21.680	.00000	.01000	.38020	-.25030	.03380	.10000	-.02140	.01420	.37710	.05860
.597	22.620	.00000	.01000	.37520	-.24730	.03320	.09740	-.02140	.01420	.37220	.05770
.594	23.560	.00000	.01000	.37790	-.24950	.03330	.09960	-.02160	.01420	.37490	.05790
.594	24.500	.00000	.01000	.38520	-.25030	.03360	.09840	-.02180	.01440	.38210	.05870
.593	25.440	.00000	.01000	.38570	-.25050	.03350	.09900	-.02190	.01440	.38270	.05870
.595	26.380	.00000	.01000	.38280	-.25060	.03320	.09870	-.02180	.01430	.37980	.05820
.596	27.310	.00000	.01000	.38540	-.25090	.03330	.09740	-.02180	.01450	.38240	.05850
.593	28.250	.00000	.01000	.38820	-.25310	.03350	.10030	-.02180	.01480	.38520	.05880
.595	29.190	.00000	.02000	.38910	-.25120	.03340	.09740	-.02160	.01470	.38610	.05880
.595	30.130	.00000	.02000	.39030	-.25240	.03320	.09580	-.02180	.01470	.38720	.05870
.593	31.060	.00000	.02000	.39010	-.25550	.03340	.09790	-.02170	.01480	.38710	.05880
.594	32.000	.00000	.02000	.38920	-.25530	.03320	.09740	-.02150	.01480	.38620	.05860
.594	32.940	.00000	.02000	.39500	-.25500	.03360	.09610	-.02150	.01460	.39200	.05940
.596	33.880	.00000	.02000	.39110	-.25520	.03310	.09730	-.02140	.01480	.38810	.05860
.595	34.920	.00000	.02000	.39140	-.25630	.03320	.09660	-.02120	.01480	.38840	.05870
.594	35.760	.00000	.03000	.39630	-.25580	.03340	.09620	-.02130	.01450	.39320	.05940
.595	36.700	.00000	.03000	.39580	-.25450	.03350	.09510	-.02140	.01490	.39270	.05940
.594	37.630	.00000	.03000	.40020	-.25750	.03340	.09620	-.02170	.01490	.39720	.05960
.597	38.570	.00000	.03000	.39870	-.25440	.03290	.09500	-.02100	.01470	.39570	.05900
.597	39.510	.00000	.03000	.39640	-.25410	.03290	.09520	-.02090	.01460	.39340	.05890
.594	40.450	.00000	.03000	.39860	-.25770	.03290	.09570	-.02110	.01480	.39560	.05900
.598	41.380	.00000	.03000	.39790	-.25640	.03280	.09430	-.02080	.01470	.39490	.05880

DATE 29 MAR 76

CA-26 FORCE SOURCE DATA TABULATION

PAGE 813

LTV44-559(CA26) 747/1 ATY 02 S1 (CARRIER DATA)

(RFE101) (18 NOV 75)

REFERENCE DATA

SREF	=	5500.0000	SQ.FT.	XMRP	=	1339.9000	IN.	XC
LREF	=	327.7800	IN.	YMRP	=	.0000	IN.	YC
BREF	=	2348.0400	IN.	ZMRP	=	190.7500	IN.	ZC
SCALE	=	.0125						

PARAMETRIC DATA

ALPHAC	=	4.000	BETAC	=	-5.000
STAB	=	5.000	ELEVON	=	5.000
BDFLAP	=	.000	DX	=	.000
OY	=	.000	IORB	=	4.000
BETA0	=	-5.000	RUDDER	=	.000

RUN NO. 72/ 0 RN/L = .00 GRADIENT INTERVAL = -5.00/ 5.00

MACH	DZ	DY	DX	CN	CLM	CA	CY	CYN	CBL	CL	CD
.596	42.320	.00000	.05000	.40070	-.25780	.03290	.09480	-.02080	.01480	.39770	.05920
.594	42.790	.00000	.05000	.40070	-.25800	.03250	.09470	-.02090	.01450	.39770	.05880
	GRADIENT	.00000	.00215	.00304	-.00548	-.00026	-.00060	-.00085	.00029	.00307	-.00008

ORIGINAL PAGE IS
OF POOR QUALITY

LTV44-559(CA26) 747/1 ATY 02 S1 (CARRIER DATA)

(RFE102) (18 NOV 75)

REFERENCE DATA

SREF = 5500.0000 SQ.FT. XMRP = 1339.9000 IN. XC
 LREF = 327.7800 IN. YMRP = .0000 IN. YC
 BREF = 2349.0400 IN. ZMRP = 190.7500 IN. ZC
 SCALE = .0125

PARAMETRIC DATA

ALPHAC = 4.000 BETAC = -5.000
 STAB = 5.000 ELEVON = 5.000
 BDFLAP = .000 DX = .000
 DY = .000 TORB = 6.000
 BETA0 = -5.000 RUDDER = .000

RUN NO. 1072/ 0 RN/L = .00 GRADIENT INTERVAL = -5.00/ 5.00

MACH	DZ	DY	DX	CN	CLM	CA	CY	CYN	CSL	CL	CD
.593	1.480	.00000	-.03000	.31150	-.16110	.03230	.09390	-.01240	.01040	.30870	.05280
.600	2.070	.00000	-.03000	.31550	-.16950	.03220	.09250	-.01320	.01060	.31260	.05300
.596	2.670	.00000	-.03000	.31540	-.16880	.03200	.09290	-.01340	.01060	.31260	.05270
.592	3.380	.00000	-.03000	.32390	-.17570	.03250	.09200	-.01410	.01080	.32100	.05390
.595	4.170	.00000	-.02000	.32040	-.17650	.03200	.09130	-.01410	.01100	.31760	.05300
.596	4.970	.00000	-.02000	.32200	-.17580	.03210	.09190	-.01410	.01110	.31920	.05330
.594	6.670	.00000	-.02000	.33910	-.19690	.03240	.09020	-.01610	.01210	.33630	.05460
.596	8.980	.00000	-.01000	.33620	-.19590	.03230	.09120	-.01620	.01190	.33340	.05430
.594	10.580	.00000	-.01000	.34460	-.20480	.03230	.09200	-.01700	.01220	.34170	.05480
.593	11.790	.00000	-.01000	.34980	-.20600	.03250	.09270	-.01730	.01240	.34690	.05540
.594	13.010	.00000	-.01000	.35170	-.20920	.03270	.09350	-.01770	.01250	.34880	.05580
.593	14.220	.00000	-.01000	.35100	-.21250	.03270	.09350	-.01810	.01280	.34810	.05560
.595	15.440	.00000	.00000	.35420	-.21600	.03260	.09380	-.01850	.01320	.35120	.05580
.595	16.660	.00000	.00000	.35550	-.21710	.03230	.09350	-.01890	.01330	.35270	.05560
.595	17.870	.00000	.00000	.36130	-.22010	.03260	.09330	-.01950	.01360	.35830	.05630
.595	19.090	.00000	.00000	.35910	-.22390	.03260	.09440	-.01980	.01380	.35620	.05610
.595	20.300	.00000	.00000	.36380	-.22480	.03260	.09500	-.02010	.01410	.36080	.05640
.594	21.510	.00000	.01000	.36680	-.22800	.03280	.09520	-.02050	.01410	.36380	.05680
.596	22.730	.00000	.01000	.36380	-.22820	.03230	.09550	-.02050	.01420	.36090	.05610
.596	23.940	.00000	.01000	.36830	-.23140	.03260	.09590	-.02070	.01440	.36540	.05670
.595	25.150	.00000	.01000	.37090	-.23300	.03280	.09520	-.02080	.01450	.36800	.05700
.594	26.370	.00000	.01000	.37120	-.23510	.03270	.09530	-.02100	.01460	.36820	.05700
.594	27.590	.00000	.01000	.37540	-.23750	.03270	.09540	-.02090	.01470	.37240	.05730
.594	28.800	.00000	.02000	.37230	-.23710	.03280	.09460	-.02090	.01460	.37530	.05760
.594	30.020	.00000	.02000	.37840	-.23710	.03290	.09400	-.02090	.01470	.37540	.05760
.594	31.230	.00000	.02000	.37820	-.23860	.03250	.09500	-.02090	.01480	.37530	.05730
.592	32.450	.00000	.02000	.38020	-.24020	.03260	.09430	-.02070	.01470	.37730	.05750
.594	33.660	.00000	.02000	.37910	-.24070	.03220	.09420	-.02050	.01460	.37620	.05700
.594	34.880	.00000	.02000	.38350	-.24110	.03260	.09300	-.02040	.01460	.38060	.05770
.594	36.090	.00000	.03000	.38230	-.24340	.03250	.09430	-.02050	.01460	.37930	.05750
.593	37.310	.00000	.03000	.38660	-.24460	.03260	.09350	-.02040	.01490	.38370	.05790
.595	38.530	.00000	.03000	.39030	-.24440	.03250	.09330	-.02040	.01490	.38730	.05810
.595	39.740	.00000	.03000	.38710	-.24390	.03210	.09340	-.02020	.01480	.38410	.05750
.595	40.950	.00000	.03000	.38910	-.24410	.03220	.09320	-.02010	.01490	.38620	.05770
.593	42.170	.00000	.05000	.39350	-.24570	.03250	.09390	-.02040	.01490	.39050	.05830
.595	43.380	.00000	.05000	.39190	-.24530	.03260	.09360	-.02040	.01490	.38890	.05830
.596	44.600	.00000	.05000	.39280	-.24740	.03230	.09270	-.02030	.01470	.38980	.05800
.595	45.820	.00000	.05000	.39430	-.24640	.03250	.09250	-.02050	.01470	.39130	.05840
.595	47.030	.00000	.05000	.39490	-.24910	.03240	.09310	-.02040	.01480	.39200	.05830
.597	48.250	.00000	.06000	.39680	-.24780	.03240	.09270	-.02020	.01470	.39380	.05840
.596	49.460	.00000	.06000	.39540	-.24830	.03260	.09270	-.02030	.01510	.39240	.05850
GRADIENT		.00000	.00337	.00302	-.00403	-.00005	-.00058	-.00047	.00020	.00303	.00014

DATE 29 MAR 76

CA-26 FORCE SOURCE DATA TABULATION

PAGE 815

LTV44-559(CA26) 747/1 ATY 02 S1 (CARRIER DATA)

(RFE103) (18 NOV 75)

REFERENCE DATA

SREF = 5500.0000 SQ.FT. XMRP = 1339.9000 IN. XC
 LREF = 327.7800 IN. YMRP = .0000 IN. YC
 BREF = 2348.0400 IN. ZMRP = 190.7500 IN. ZC
 SCALE = .0125

PARAMETRIC DATA

ALPHAC = 4.000 BETAC = -5.000
 STAB = 5.000 ELEVON = 5.000
 BDFLAP = .000 DX = .000
 DY = .000 TORB = 8.000
 BETA0 = -5.000 RUDDER = .000

RUN NO. 73/0 RN/L = .00 GRADIENT INTERVAL = -5.00/ 5.00

MACH	DZ	DY	DX	CN	CLM	CA	CY	CYN	CEL	CL	CD
.600	1.450	.00000	-.03000	.26180	-.10870	.03430	.09670	-.01400	.01100	.25900	.05150
.601	2.050	.00000	-.03000	.26350	-.10660	.03450	.09540	-.01390	.01100	.26060	.05190
.601	2.650	.00000	-.03000	.26740	-.11020	.03470	.09520	-.01440	.01090	.26450	.05230
.599	3.450	.00000	-.03000	.27600	-.11770	.03390	.09700	-.01500	.01150	.27320	.05210
.599	4.450	.00000	-.03000	.27820	-.12050	.03430	.09600	-.01510	.01140	.27540	.05260
.602	5.590	.00000	-.03000	.28730	-.13010	.03380	.09430	-.01510	.01180	.28440	.05270
.600	6.840	.00000	-.02000	.28810	-.13460	.03370	.09460	-.01520	.01170	.28520	.05260
.601	8.090	.00000	-.02000	.29260	-.14030	.03410	.09290	-.01520	.01200	.28970	.05340
.601	9.340	.00000	-.02000	.29660	-.14690	.03440	.09200	-.01540	.01200	.29370	.05390
.601	10.560	.00000	-.01000	.30570	-.15880	.03430	.09190	-.01570	.01220	.30280	.05440
.601	11.740	.00000	-.01000	.30340	-.16080	.03410	.09190	-.01580	.01210	.30050	.05410
.600	12.920	.00000	-.01000	.30880	-.16600	.03450	.09230	-.01600	.01230	.30580	.05480
.600	14.110	.00000	-.01000	.31120	-.17180	.03440	.09220	-.01620	.01250	.30830	.05480
.601	15.290	.00000	.00000	.31510	-.17260	.03450	.09250	-.01640	.01260	.31210	.05510
.601	16.480	.00000	.00000	.31780	-.17710	.03440	.09090	-.01670	.01260	.31480	.05520
.600	17.660	.00000	.00000	.32330	-.18170	.03450	.09150	-.01700	.01280	.32040	.05570
.600	18.840	.00000	.00000	.32570	-.18570	.03450	.09220	-.01730	.01320	.32270	.05580
.599	20.030	.00000	.00000	.33160	-.19090	.03470	.09320	-.01770	.01330	.32860	.05650
.600	21.210	.00000	.00000	.33150	-.19180	.03460	.09300	-.01790	.01320	.32850	.05630
.601	22.390	.00000	.01000	.33550	-.19370	.03480	.09210	-.01820	.01340	.33250	.05680
.601	23.570	.00000	.01000	.33980	-.19670	.03480	.09250	-.01850	.01370	.33580	.05700
.599	24.760	.00000	.01000	.34110	-.19890	.03470	.09440	-.01890	.01430	.33810	.05700
.601	25.940	.00000	.01000	.34200	-.20100	.03440	.09420	-.01910	.01420	.33900	.05680
.599	27.130	.00000	.01000	.34460	-.20660	.03470	.09500	-.01950	.01430	.34160	.05720
.601	28.310	.00000	.02000	.34960	-.20700	.03510	.09380	-.01960	.01450	.34650	.05800
.600	29.490	.00000	.02000	.35230	-.20970	.03500	.09470	-.01970	.01480	.34920	.05810
.601	30.670	.00000	.02000	.35180	-.21290	.03450	.09510	-.01980	.01490	.34870	.05750
.600	31.860	.00000	.02000	.35410	-.21340	.03450	.09450	-.01980	.01470	.35110	.05760
.600	33.040	.00000	.02000	.35960	-.21480	.03500	.09440	-.02010	.01460	.35660	.05860
.600	34.230	.00000	.02000	.36020	-.21660	.03470	.09380	-.01990	.01490	.35710	.05830
.601	35.410	.00000	.03000	.36150	-.21900	.03470	.09460	-.01980	.01480	.35940	.05840
.601	36.590	.00000	.03000	.36290	-.22140	.03470	.09510	-.02010	.01480	.35990	.05840
.601	37.780	.00000	.03000	.36370	-.22180	.03450	.09480	-.02000	.01480	.36060	.05830
.601	38.960	.00000	.03000	.37020	-.22270	.03490	.09430	-.02010	.01460	.36710	.05920
.601	40.150	.00000	.03000	.37010	-.22180	.03460	.09420	-.01990	.01490	.36700	.05890
.600	41.330	.00000	.05000	.37300	-.22610	.03460	.09400	-.01990	.01500	.37020	.05910
.601	42.520	.00000	.05000	.37040	-.22860	.03450	.09340	-.01980	.01500	.36740	.05870
.602	43.700	.00000	.05000	.37480	-.22650	.03490	.09310	-.01980	.01490	.37170	.05950
.601	44.880	.00000	.05000	.37420	-.22880	.03450	.09290	-.01970	.01470	.37110	.05910
.601	46.060	.00000	.05000	.37610	-.23050	.03440	.09370	-.01970	.01500	.37310	.05900
.601	47.250	.00000	.06000	.37900	-.22920	.03450	.09300	-.01980	.01490	.37590	.05940
.601	48.430	.00000	.06000	.37970	-.23210	.03440	.09380	-.01970	.01480	.37660	.05930

DATE 29 MAR 76

CA-26 FORCE SOURCE DATA TABULATION

PAGE 816

LTV44-559(CA26) 747/1 ATY 02 SI (CARRIER DATA)

(RFE103) (18 NOV 75)

REFERENCE DATA

SREF = 5500.0000 SQ.FT. XMRP = 1339.9000 IN. XC
 LREF = 327.7800 IN. YMRP = .0000 IN. YC
 BREF = 2348.0400 IN. ZMRP = 190.7500 IN. ZC
 SCALE = .0125

PARAMETRIC DATA

ALPHAC = 4.000 BETAC = -5.000
 STAB = 5.000 ELEVON = 5.000
 BDFLAP = .000 DX = .000
 DY = .000 TORB = 8.000
 BETAO = -5.000 RUDDER = .000

RUN NO. 73/ 0 RN/L = .00 GRADIENT INTERVAL = -5.00/ 5.00

MACH	OZ	DY	DX	CN	CLM	CA	CY	CYN	CBL	CL	CD
.600	49.620	.00000	.06000	.38150	-.23220	.03440	.09360	-.01990	.01490	.37840	.05950
.600	50.800	.00000	.06000	.38170	-.23200	.03440	.09330	-.02000	.01490	.37880	.05950
.601	51.990	.00000	.06000	.38140	-.23360	.03440	.09320	-.02000	.01500	.37830	.05940
.602	53.170	.00000	.07000	.38520	-.23180	.03420	.09250	-.01990	.01510	.38210	.05950
.601	54.350	.00000	.07000	.38550	-.23520	.03430	.09270	-.02000	.01490	.38240	.05960
.601	55.540	.00000	.07000	.38450	-.23720	.03420	.09300	-.02000	.01510	.38140	.05940
.600	56.130	.00000	.07000	.38610	-.23890	.03440	.09450	-.02020	.01510	.38300	.05970
	GRADIENT	.00000	-.00000	.00609	-.00480	-.00009	.00005	-.00044	.00018	.00610	.00032

LTV44-559(CA26) 747/1 ATY 02 S1 (CARRIER DATA)

(RFE104) (18 NOV 75)

REFERENCE DATA

SREF = 5500.0000 SQ.FT. XMRP = 1339.9000 IN. XC
 LREF = 327.7800 IN. YMRP = .0000 IN. YC
 BREF = 2348.0400 IN. ZMRP = 190.7500 IN. ZC
 SCALE = .0125

PARAMETRIC DATA

ALPHAC = 5.500 BETAC = .000
 STAB = 5.000 ELEVON = 5.000
 BDFLAP = .000 DX = .000
 DY = .000 IORB = 6.000
 BETA0 = .000 RUDDER = .000

RUN NO. 747 0 RN/L = .00 GRADIENT INTERVAL = -5.00/ 5.00

MACH	DZ	DY	DX	CN	CLM	CA	CY	CYN	CBL	CL	CD
.599	1.460	.00000	-.09000	.44390	-.16290	.02020	-.00250	-.00180	.00000	.43940	.06590
.597	2.060	.00000	-.09000	.44940	-.16410	.02070	-.00170	-.00170	.00000	.44480	.06700
.599	2.660	.00000	-.07000	.44730	-.16370	.02070	-.00210	-.00180	.00000	.44280	.06670
.598	3.360	.00000	-.07000	.45080	-.17220	.02080	-.00240	-.00160	.00000	.44630	.06720
.597	4.160	.00000	-.07000	.45330	-.17580	.02110	-.00230	-.00160	-.00010	.44870	.06770
.596	4.960	.00000	-.06000	.46400	-.17980	.02110	-.00160	-.00140	.00000	.45930	.06890
.600	5.960	.00000	-.05000	.45900	-.17870	.02100	-.00120	-.00140	.00000	.45440	.06820
.599	6.960	.00000	-.05000	.46190	-.18010	.02110	-.00170	-.00140	.00000	.45730	.06860
.598	7.970	.00000	-.05000	.46560	-.18280	.02130	-.00220	-.00140	.00000	.46090	.06930
.597	8.960	.00000	-.05000	.47060	-.18760	.02120	-.00200	-.00130	.00010	.46590	.06960
.599	9.960	.00000	-.05000	.47510	-.19430	.02140	-.00160	-.00130	.00010	.47040	.07030
.598	11.150	.00000	-.03000	.47830	-.19500	.02160	-.00250	-.00130	.00010	.47360	.07090
.599	12.330	.00000	-.03000	.47910	-.19720	.02160	-.00240	-.00130	.00020	.47430	.07090
.595	13.520	.00000	-.02000	.48460	-.20070	.02170	-.00320	-.00120	.00000	.47980	.07160
.597	14.700	.00000	-.02000	.48550	-.20510	.02180	-.00350	-.00130	.00000	.48070	.07180
.598	15.900	.00000	-.01000	.48850	-.20510	.02170	-.00270	-.00120	.00000	.48370	.07200
.597	17.080	.00000	-.01000	.49170	-.21010	.02180	-.00310	-.00120	.00000	.48680	.07240
.597	18.270	.00000	-.01000	.49820	-.21170	.02200	-.00300	-.00120	.00020	.49330	.07330
.596	19.450	.00000	.00000	.49840	-.21430	.02170	-.00380	-.00110	.00000	.49350	.07300
.598	20.640	.00000	.00000	.50560	-.21650	.02200	-.00230	-.00110	-.00010	.50060	.07410
.598	21.810	.00000	.01000	.50350	-.21340	.02180	-.00310	-.00090	.00010	.49850	.07370
.597	23.000	.00000	.01000	.50840	-.22020	.02200	-.00250	-.00090	.00000	.50340	.07440
.599	24.190	.00000	.01000	.50590	-.22110	.02160	-.00320	-.00070	.00000	.50100	.07370
.598	25.370	.00000	.02000	.50970	-.22340	.02180	-.00410	-.00070	.00000	.50470	.07430
.596	26.560	.00000	.02000	.51540	-.22510	.02130	-.00450	-.00060	.00000	.51050	.07440
.598	27.740	.00000	.03000	.51540	-.22550	.02120	-.00420	-.00060	.00000	.51040	.07420
.596	28.930	.00000	.03000	.52240	-.22740	.02150	-.00320	-.00050	.00000	.51740	.07540
.599	30.110	.00000	.05000	.51790	-.22730	.02120	-.00510	-.00040	-.00020	.51290	.07450
.596	31.310	.00000	.05000	.52030	-.22970	.02050	-.00550	-.00030	.00000	.51540	.07410
.598	32.490	.00000	.06000	.52560	-.23230	.02130	-.00470	-.00050	-.00010	.52060	.07540
.598	33.680	.00000	.06000	.52820	-.23450	.02130	-.00590	-.00050	-.00020	.52320	.07570
.598	34.860	.00000	.06000	.52890	-.23540	.02080	-.00400	-.00040	-.00010	.52400	.07540
.598	36.050	.00000	.07000	.53160	-.23580	.02050	-.00190	-.00040	-.00030	.52660	.07540
.599	37.230	.00000	.07000	.53040	-.23570	.02060	-.00470	-.00030	-.00020	.52540	.07530
.598	38.420	.00000	.09000	.53260	-.23740	.02060	-.00410	-.00030	-.00020	.52760	.07550
.595	39.610	.00000	.09000	.53760	-.23970	.02090	-.00410	-.00030	-.00020	.53260	.07640
.598	40.790	.00000	.10000	.53470	-.24060	.02050	-.00520	-.00040	-.00010	.52970	.07560
.599	41.980	.00000	.10000	.53570	-.24040	.02030	-.00440	-.00030	-.00010	.53070	.07550
.599	43.160	.00000	.11000	.54250	-.24100	.02050	-.00410	-.00040	.00000	.53750	.07650
.599	44.350	.00000	.11000	.54150	-.24310	.02040	-.00440	-.00040	.00000	.53650	.07620
.599	45.530	.00000	.11000	.54030	-.24240	.02030	-.00430	-.00040	-.00010	.53530	.07600
.597	46.710	.00000	.13000	.54810	-.24550	.02060	-.00420	-.00060	-.00020	.54300	.07710

ORIGINAL PAGE IS
 OF POOR QUALITY

LTV44-559(CA26) 747/1 ATY 02 S1 (CARRIER DATA)

(RFE104) (18 NOV 75)

REFERENCE DATA

SREF = 5500.0000 SQ.FT. XMRP = 1339.9000 IN. XC
 LREF = 327.7800 IN. YMRP = .0000 IN. YC
 BREF = 2348.0400 IN. ZMRP = 190.7500 IN. ZC
 SCALE = .0125

PARAMETRIC DATA

ALPHAC = 5.500 BETAC = .000
 STAB = 5.000 ELEVON = 5.000
 BOFLAP = .000 DX = .000
 DY = .000 IORB = 6.000
 BETA0 = .000 RUDDER = .000

RUN NO. 747 0 RN/L = .00 GRADIENT INTERVAL = -5.00/ 5.00

MACH	DZ	DY	DX	CN	CLM	CA	CY	CYN	CBL	CL	CD
.597	47.910	.00000	.14000	.54970	-.24550	.02050	-.00360	-.00060	.00000	.54460	.07720
.597	49.090	.00000	.14000	.54720	-.24800	.02030	-.00410	-.00060	-.00010	.54220	.07680
.599	50.280	.00000	.14000	.54790	-.24530	.02010	-.00280	-.00050	-.00030	.54290	.07670
.600	51.460	.00000	.15000	.54710	-.24620	.01970	-.00460	-.00050	-.00010	.54210	.07620
	GRADIENT	.00000	.00842	.00481	-.00513	.00023	.00010	.00010	-.00001	.00477	.00073

DATE 29 MAR 76

CA-26 FORCE SOURCE DATA TABULATION

PAGE 819

LTV44-559(CA26) 747/1 ATY 02 S1 (CARRIER DATA)

(RFE105) (18 NOV 75)

REFERENCE DATA

SREF = 5500.0000 SQ.FT. XMRP = 1339.9000 IN. XC
 LREF = 327.7800 IN. YMRP = .0000 IN. YC
 BR.F = 2348.0400 IN. ZMRP = 190.7500 IN. ZC
 SCALE = .0125

PARAMETRIC DATA

ALPHAC = .000 BETAC = -5.000
 STAB = 5.000 ELEVON = 5.000
 BDFLAP = .000 DX = .000
 DY = .000 IORB = 4.000
 BETAO = -5.000 RUDDER = .000

RUN NO. 75/ 0 RN/L = .00 GRADIENT INTERVAL = -5 00/ 5.00

MACH	DZ	DY	DX	CN	GLM	CA	CY	CYN	CBL	CL	CD
.602	1.460	.00000	.05000	.03840	-.14970	.04650	.09780	-.01160	.00610	.03840	.04650
.603	2.060	.00000	.05000	.03860	-.14770	.04670	.09820	-.01170	.00590	.03860	.04670
.602	2.660	.00000	.05000	.04000	-.15080	.04650	.09840	-.01210	.00610	.04000	.04550
.602	3.360	.00000	.05000	.04560	-.15460	.04590	.09830	-.01360	.00690	.04560	.04590
.602	4.160	.00000	.05000	.04100	-.15460	.04530	.09870	-.01410	.00670	.04100	.04530
.603	4.960	.00000	.05000	.04820	-.15640	.04540	.09960	-.01570	.00800	.04820	.04540
.601	6.960	.00000	.03000	.04750	-.15960	.04560	.10070	-.01570	.00780	.04750	.04570
.604	8.960	.00000	.03000	.04910	-.16040	.04560	.09980	-.01670	.00810	.04910	.04560
.601	10.460	.00000	.03000	.06250	-.16520	.04520	.10240	-.01930	.00940	.06250	.04520
.601	11.460	.00000	.02000	.05980	-.16700	.04530	.10180	-.01960	.00910	.05980	.04530
.603	12.450	.00000	.02000	.05660	-.16950	.04500	.10290	-.02020	.00930	.05660	.04500
.601	13.450	.00000	.02000	.06150	-.17260	.04510	.10400	-.02080	.01000	.06150	.04520
.603	14.440	.00000	.02000	.06840	-.17320	.04570	.10340	-.02140	.01040	.06840	.04580
.601	15.440	.00000	.02000	.06540	-.17660	.04510	.10470	-.02210	.01020	.06540	.04510
.601	16.430	.00000	.01000	.06880	-.17750	.04560	.10420	-.02250	.01040	.06880	.04560
.602	17.430	.00000	.01000	.07100	-.17800	.04570	.10440	-.02290	.01060	.07100	.04570
.603	18.420	.00000	.01000	.07070	-.18060	.04500	.10570	-.02330	.01040	.07070	.04500
.602	19.420	.00000	.01000	.07330	-.17880	.04510	.10570	-.02350	.01070	.07330	.04510
.603	20.410	.00000	.01000	.07420	-.18080	.04520	.10600	-.02380	.01080	.07420	.04520
.602	21.410	.00000	.01000	.07370	-.18410	.04520	.10670	-.02420	.01090	.07370	.04520
.603	22.390	.00000	.00000	.07720	-.18430	.04530	.10630	-.02430	.01120	.07720	.04530
.604	23.390	.00000	.00000	.07880	-.18380	.04490	.10590	-.02440	.01150	.07880	.04490
.605	24.390	.00000	.00000	.07600	-.18610	.04470	.10550	-.02460	.01120	.07600	.04470
.601	25.380	.00000	.00000	.08250	-.18620	.04540	.10570	-.02490	.01140	.08250	.04540
.603	26.380	.00000	.00000	.08040	-.18800	.04490	.10580	-.02470	.01140	.08040	.04490
.604	27.370	.00000	-.01000	.08010	-.18820	.04500	.10510	-.02470	.01160	.08010	.04500
.601	28.370	.00000	-.01000	.08180	-.19210	.04550	.10640	-.02490	.01180	.08180	.04550
.603	29.360	.00000	-.01000	.08390	-.18960	.04500	.10580	-.02480	.01230	.08390	.04500
.604	30.360	.00000	-.01000	.08870	-.18710	.04530	.10400	-.02460	.01200	.08870	.04530
.604	31.350	.00000	-.01000	.09020	-.18730	.04540	.10420	-.02460	.01230	.09020	.04540
.605	32.350	.00000	-.02000	.08980	-.19130	.04550	.10450	-.02480	.01200	.08980	.04550
.605	33.340	.00000	-.02000	.08670	-.19060	.04520	.10350	-.02480	.01180	.08670	.04520
.602	34.340	.00000	-.02000	.09230	-.19450	.04600	.10440	-.02480	.01180	.09230	.04600
.602	35.340	.00000	-.02000	.08980	-.19460	.04540	.10430	-.02480	.01190	.08980	.04540
.603	36.330	.00000	-.02000	.08880	-.19480	.04520	.10480	-.02460	.01220	.08880	.04520
.601	37.320	.00000	-.02000	.09110	-.19330	.04580	.10360	-.02460	.01210	.09110	.04580
.602	38.320	.00000	-.03000	.09120	-.19680	.04540	.10410	-.02460	.01210	.09120	.04540
.602	39.310	.00000	-.03000	.09110	-.19710	.04530	.10410	-.02460	.01160	.09110	.04530
.601	40.310	.00000	-.03000	.09050	-.19580	.04560	.10450	-.02460	.01190	.09050	.04560
.602	41.310	.00000	-.03000	.09610	-.19610	.04580	.10310	-.02440	.01210	.09610	.04580
.602	42.300	.00000	-.05000	.09130	-.19910	.04530	.10360	-.02440	.01220	.09130	.04530
.605	43.290	.00000	-.05000	.09370	-.19620	.04510	.10210	-.02410	.01220	.09370	.04510

DATE 29 MAR 76

CA-26 FORCE SOURCE DATA TABULATION

PAGE 020

LTV44-559(CA26) 747/1 ATY 02 S1 (CARRIER DATA)

(RFE105) (18 NOV 75)

REFERENCE DATA

SREF = 5500.0000 SQ.FT.	XMRP = 1339.9000 IN. XC
LREF = 327.7800 IN.	YMRP = .0000 IN. YC
BREF = 2348.0400 IN.	ZMRP = 190.7500 IN. ZC
SCALE = .0125	

PARAMETRIC DATA

ALPHAC = .000	BETAC = -5.000
STAB = 5.000	ELEVON = 5.000
BDFLAP = .000	DX = .000
DY = .000	IORB = 4.000
BETA0 = -5.000	RUDDER = .000

RUN NO. 75/ 0 RN/L = .00 GRADIENT INTERVAL = -5.00/ 5.00

MACH	DZ	DY	DX	CN	CLM	CA	CY	CYN	CBL	CL	CD
.604	44.290	.00000	-.05000	.09610	-.19620	.04510	.10260	-.02400	.01210	.09610	.04510
.604	44.790	.00000	-.05000	.09660	-.19450	.04510	.10150	-.02400	.01200	.09660	.04510
	GRADIENT	.00000	.00000	.00252	-.00236	-.00042	.00043	-.00120	.00053	.00252	-.00042

LTV44-559(CA26) 747/1 ATY 02 S1 (CARRIER DATA)

(RFE108) (18 NOV 75)

REFERENCE DATA

SREF = 5500.0000 SQ.FT. XMRP = 1339.9000 IN. XC
 LREF = 327.7800 IN. YMRP = .0000 IN. YC
 BREF = 2348.0400 IN. ZMRP = 190.7500 IN. ZC
 SCALE = .0125

PARAMETRIC DATA

ALPHAC = .000 BETAC = -5.000
 STAB = 5.000 ELEVON = 5.000
 BDFLAP = .000 DX = .000
 DY = .000 IORB = 6.000
 BETAO = -5.000 RUDDER = .000

RUN NO. 1075/ 0 RN/L = .00 GRADIENT INTERVAL = -5.00/ 5.00

MACH	DZ	DY	DX	CN	CLM	CA	CY	CYN	CBL	CL	CD
.603	1.470	.00000	.05000	.00660	-.10240	.04420	.09710	-.01240	.00710	.00660	.04420
.601	2.070	.00000	.03000	.01840	-.10570	.04400	.09770	-.01390	.00710	.01840	.04400
.600	2.670	.00000	.03000	.01860	-.10730	.04400	.09760	-.01400	.00730	.01860	.04410
.600	3.370	.00000	.03000	.02040	-.10690	.04370	.09800	-.01540	.00780	.02030	.04370
.603	4.170	.00000	.03000	.01870	-.11300	.04320	.09810	-.01590	.00800	.01870	.04320
.603	4.960	.00000	.03000	.02070	-.11200	.04350	.09840	-.01570	.00780	.02070	.04350
.604	6.970	.00000	.03000	.03550	-.12740	.04330	.09840	-.01860	.00900	.03550	.04330
.605	8.970	.00000	.03000	.03530	-.13080	.04330	.09810	-.01880	.00890	.03530	.04330
.603	10.600	.00000	.02000	.04310	-.13650	.04320	.10060	-.01990	.00980	.04310	.04320
.603	11.890	.00000	.02000	.04570	-.14270	.04370	.10100	-.02040	.01000	.04570	.04370
.602	13.160	.00000	.02000	.04890	-.14770	.04410	.10170	-.02110	.01010	.04890	.04410
.600	14.440	.00000	.02000	.05300	-.14990	.04410	.10230	-.02170	.01020	.05300	.04410
.601	15.710	.00000	.01000	.05860	-.14890	.04410	.10180	-.02210	.01080	.05860	.04410
.602	16.990	.00000	.01000	.05790	-.15440	.04410	.10340	-.02270	.01090	.05790	.04410
.600	18.270	.00000	.01000	.05920	-.15850	.04440	.10450	-.02310	.01080	.05920	.04440
.603	19.540	.00000	.01000	.05860	-.16050	.04400	.10350	-.02350	.01090	.05860	.04400
.601	20.820	.00000	.01000	.06140	-.16440	.04410	.10480	-.02300	.01140	.06140	.04420
.604	22.090	.00000	.00000	.06220	-.16480	.04390	.10370	-.02390	.01130	.06220	.04390
.603	23.360	.00000	.00000	.06480	-.16700	.04410	.10490	-.02410	.01180	.06470	.04420
.603	24.650	.00000	.00000	.06470	-.17010	.04400	.10440	-.02420	.01180	.06470	.04400
.601	25.920	.00000	.00000	.06710	-.17290	.04450	.10460	-.02440	.01180	.06710	.04450
.603	27.200	.00000	-.01000	.07060	-.17430	.04450	.10420	-.02450	.01170	.07060	.04450
.601	28.470	.00000	-.01000	.07550	-.17500	.04510	.10440	-.02450	.01160	.07550	.04510
.602	29.750	.00000	-.01000	.07450	-.17790	.04470	.10400	-.02450	.01230	.07450	.04470
.602	31.030	.00000	-.01000	.07480	-.17780	.04460	.10370	-.02430	.01200	.07480	.04460
.604	32.300	.00000	-.02000	.07480	-.17930	.04440	.10330	-.02430	.01200	.07480	.04450
.601	33.580	.00000	-.02000	.08110	-.18090	.04520	.10350	-.02440	.01210	.08110	.04520
.604	34.850	.00000	-.02000	.07710	-.18150	.04470	.10150	-.02410	.01180	.07710	.04470
.602	36.130	.00000	-.02000	.08010	-.18390	.04490	.10280	-.02410	.01210	.08010	.04490
.601	37.410	.00000	-.02000	.08430	-.18370	.04510	.10260	-.02410	.01170	.08430	.04510
.601	38.690	.00000	-.03000	.08390	-.18600	.04510	.10260	-.02410	.01230	.08390	.04510
.603	39.960	.00000	-.03000	.08170	-.18550	.04470	.10170	-.02400	.01200	.08170	.04470
.601	41.240	.00000	-.03000	.08350	-.18780	.04490	.10250	-.02420	.01210	.08350	.04490
.603	42.520	.00000	-.03000	.08570	-.18640	.04500	.10190	-.02390	.01220	.08570	.04500
.603	43.790	.00000	-.05000	.08820	-.18660	.04480	.10060	-.02380	.01220	.08820	.04490
.602	45.070	.00000	-.05000	.08450	-.18810	.04470	.10150	-.02370	.01230	.08450	.04470
.602	46.340	.00000	-.05000	.08610	-.18810	.04460	.10120	-.02380	.01200	.08610	.04460
.600	47.620	.00000	-.05000	.09390	-.18660	.04510	.10180	-.02380	.01240	.09390	.04510
.602	48.900	.00000	-.05000	.09120	-.18850	.04490	.10090	-.02380	.01220	.09120	.04500
.602	50.180	.00000	-.06000	.09460	-.18760	.04510	.10070	-.02370	.01240	.09460	.04510
.601	51.460	.00000	-.06000	.09000	-.19060	.04510	.10170	-.02380	.01240	.09000	.04510
	GRADIENT	.00000	-.00384	.00285	-.00289	-.00025	.00033	-.00096	.00027	.00284	-.00026

LTV44-559(CA26) 747/1 ATY 02 S1 (CARRIER DATA)

(RFE107) (18 NOV 75)

REFERENCE DATA

SREF = 5500.0000 SQ.FT. XMRP = 1339.9000 IN. XC
 LREF = 327.7800 IN. YMRP = .0000 IN. YC
 BREF = 2348.0400 IN. ZMRP = 190.7500 IN. ZC
 SCALE = .0125

PARAMETRIC DATA

ALPHAC = .000 BETAC = -5.000
 STAB = 5.000 ELEVON = 5.000
 DEFAP = .000 DX = .000
 DY = .000 IORB = 8.000
 BETA0 = -5.000 RUDDER = .000

RUN NO. 76/ 0 RN/L = .00 GRADIENT INTERVAL = -5.00/ 5.00

MACH	DZ	DY	DX	CN	CLM	CA	CY	CYN	CBL	CL	CD
.600	1.460	.00000	.03000	-.02360	-.06170	.04290	.09940	-.01470	.00740	-.02360	.04290
.601	2.060	.00000	.03000	-.01980	-.05940	.04310	.09930	-.01460	.00750	-.01980	.04310
.600	2.660	.00000	.03000	-.02130	-.06340	.04270	.09850	-.01520	.00760	-.02130	.04270
.601	3.460	.00000	.03000	-.01360	-.06560	.04240	.10020	-.01590	.00820	-.01360	.04240
.600	4.460	.00000	.03000	-.01270	-.06700	.04250	.10020	-.01620	.00810	-.01270	.04250
.601	5.590	.00000	.03000	-.00270	-.07520	.04210	.10050	-.01750	.00810	-.00270	.04210
.602	6.840	.00000	.02000	-.00130	-.07870	.04260	.09940	-.01770	.00820	-.00130	.04260
.601	8.090	.00000	.02000	.00070	-.08640	.04250	.09940	-.01820	.00870	.00070	.04250
.601	9.340	.00000	.02000	.00630	-.09060	.04260	.09960	-.01850	.00890	.00620	.04260
.602	10.580	.00000	.02000	.01350	-.10280	.04300	.09960	-.01940	.00930	.01350	.04300
.600	11.810	.00000	.02000	.01620	-.10310	.04300	.10180	-.01950	.00980	.01620	.04300
.600	13.050	.00000	.02000	.01950	-.10960	.04310	.10080	-.02000	.00940	.01950	.04310
.600	14.290	.00000	.02000	.02340	-.11360	.04310	.10200	-.02040	.00970	.02340	.04310
.602	15.520	.00000	.01000	.02410	-.11980	.04300	.10200	-.02080	.00980	.02410	.04300
.601	16.750	.00000	.01000	.02660	-.12660	.04330	.10180	-.02120	.00980	.02660	.04330
.602	17.990	.00000	.01000	.03010	-.12910	.04320	.10220	-.02150	.00990	.03010	.04320
.602	19.230	.00000	.01000	.03070	-.13510	.04330	.10250	-.02200	.01020	.03070	.04330
.601	20.460	.00000	.01000	.03730	-.14010	.04340	.10380	-.02230	.01070	.03730	.04340
.600	21.620	.00000	.00000	.03900	-.14330	.04420	.10270	-.02280	.01100	.03900	.04420
.600	22.930	.00000	.00000	.04020	-.14760	.04370	.10300	-.02320	.01070	.04020	.04370
.602	24.160	.00000	.00000	.04420	-.14980	.04390	.10220	-.02330	.01100	.04420	.04390
.600	25.390	.00000	.00000	.04910	-.15360	.04440	.10410	-.02410	.01120	.04910	.04440
.602	26.630	.00000	.00000	.05120	-.15540	.04410	.10400	-.02400	.01130	.05120	.04410
.601	27.860	.00000	-.01000	.05140	-.15810	.04410	.10450	-.02440	.01150	.05140	.04410
.600	29.100	.00000	-.01000	.05420	-.16020	.04430	.10600	-.02440	.01180	.05420	.04430
.601	30.340	.00000	-.01000	.05720	-.16350	.04430	.10450	-.02480	.01160	.05720	.04430
.600	31.570	.00000	-.01000	.05860	-.16590	.04460	.10410	-.02490	.01180	.05860	.04460
.600	32.800	.00000	-.02000	.06210	-.16670	.04460	.10500	-.02490	.01200	.06210	.04470
.601	34.040	.00000	-.02000	.06270	-.16920	.04450	.10440	-.02470	.01200	.06270	.04450
.601	35.280	.00000	-.02000	.06270	-.17050	.04430	.10370	-.02470	.01190	.06270	.04430
.600	35.510	.00000	-.02000	.06820	-.17180	.04500	.10430	-.02470	.01190	.06820	.04500
.601	37.740	.00000	-.02000	.07090	-.17150	.04490	.10350	-.02440	.01220	.07090	.04490
.602	38.980	.00000	-.03000	.06860	-.17320	.04470	.10340	-.02440	.01170	.06860	.04470
.601	40.220	.00000	-.03000	.06950	-.17610	.04490	.10300	-.02430	.01210	.06950	.04490
.601	41.450	.00000	-.03000	.07140	-.17770	.04490	.10320	-.02430	.01210	.07140	.04490
.600	42.690	.00000	-.05000	.07290	-.18020	.04490	.10380	-.02420	.01220	.07290	.04490
.602	43.920	.00000	-.05000	.07520	-.17860	.04510	.10240	-.02410	.01200	.07520	.04510
.601	45.150	.00000	-.05000	.07480	-.17990	.04480	.10230	-.02400	.01210	.07480	.04480
.602	46.390	.00000	-.05000	.07900	-.17900	.04490	.10160	-.02390	.01240	.07900	.04490
.601	47.630	.00000	-.05000	.07920	-.18110	.04490	.10130	-.02380	.01250	.07920	.04490
.601	48.860	.00000	-.06000	.07800	-.18440	.04490	.10290	-.02400	.01210	.07800	.04490
.600	50.710	.00000	-.06000	.08130	-.18310	.04480	.10180	-.02410	.01180	.08130	.04490

DATE 29 MAR 76

CA-26 FORCE SOURCE DATA TABULATION

PAGE 823

LTV44-559(CA26) 747/1 ATY 02 S1 (CARRIER DATA)

(RFE107) (18 NOV 75)

REFERENCE DATA

SREF = 5500.0000 SQ.FT. XMRP = 1339.9000 IN. XC
 LREF = 327.7800 IN. YMRP = .0000 IN. YC
 BREF = 2348.0400 IN. ZMRP = 190.7500 IN. ZC
 SCALE = .0125

PARAMETRIC DATA

ALPHAC = .000 BETAC = -5.000
 STAB = 5.000 ELEVON = 5.000
 BDFLAP = .000 DX = .000
 DY = .000 IORS = 8.000
 BETAO = -5.000 RUDDER = .000

RUN NO. 76/ 0 RN/L = .00 GRADIENT INTERVAL = -5.00/ 5.00

MACH	DZ	DY	DX	CN	CLM	CA	CY	CYN	CBL	CL	CD
.601	51.950	.00000	-.06000	.08320	-.18380	.04510	.10100	-.02390	.01210	.08320	.04510
.602	53.180	.00000	-.06000	.08270	-.18320	.04510	.10100	-.02380	.01220	.08270	.04510
.602	54.420	.00000	-.07000	.08430	-.18560	.04510	.10160	-.02390	.01230	.08430	.04510
.601	55.650	.00000	-.07000	.08660	-.18740	.04560	.10220	-.02400	.01260	.08660	.04560
.602	56.890	.00000	-.07000	.08500	-.18790	.04500	.10110	-.02380	.01270	.08500	.04500
.600	58.120	.00000	-.07000	.08590	-.19000	.04520	.10230	-.02390	.01260	.08580	.04520
	GRADIENT	.00000	.00000	.00379	-.00227	-.00020	.00037	-.00058	.00028	.00379	-.00020

ORIGINAL PAGE IS
OF POOR QUALITY

LTV44-559(CA26) 747/1 ATY 06 S1 (CARRIER DATA)

(RFE108) (18 NOV 75)

REFERENCE DATA

SREF = 5500.0000 SQ.FT. XMRP = 1339.9000 IN. XC
 LREF = 327.7800 IN. YMRP = .0000 IN. YC
 BREF = 2348.0400 IN. ZMRP = 190.7500 IN. ZC
 SCALE = .0125

PARAMETRIC DATA

ALPHAC = 2.000 BETAC = .000
 STAB = 5.000 ELEVON = 5.000
 AIRLON = .000 DX = .000
 DY = .000 TORB = 6.000
 BETAO = .000 DPHI = .000

RUN NO. 77/ 0 RNVL = .00 GRADIENT INTERVAL = -5.00/ 5.0

MACH	JZ	DY	DX	CN	CLM	CA	CY	CYN	CBL	CL	CD
.600	1.460	.00000	-.02000	.19290	-.10550	.04160	.00440	-.00260	.00070	.19070	.05070
.602	2.060	.00000	-.01000	.19090	-.10660	.04150	.00420	-.00260	.00050	.18880	.05060
.601	2.660	.00000	-.01000	.19120	-.11060	.04120	.00490	-.00270	.00050	.18900	.05030
.600	3.360	.00000	-.01000	.19590	-.11630	.04170	.00450	-.00250	.00050	.19370	.05090
.602	4.160	.00000	-.01000	.19340	-.11540	.04110	.00470	-.00260	.00050	.19120	.05020
.600	4.960	.00000	-.01000	.20210	-.12550	.04120	.00400	-.00230	.00020	.20000	.05070
.603	5.960	.00000	-.01000	.19890	-.12190	.04130	.00450	-.00230	.00070	.19680	.05070
.601	6.960	.00000	-.01000	.20510	-.12670	.04219	.00380	-.00230	.00070	.20290	.05180
.598	7.970	.00000	-.01000	.21120	-.12990	.04230	.00360	-.00210	.00060	.20890	.05230
.603	8.960	.00000	-.01000	.21120	-.13410	.04190	.00400	-.00210	.00050	.20890	.05160
.600	9.960	.00000	.00000	.21650	-.14460	.04220	.00350	-.00180	.00050	.21430	.05230
.602	11.150	.00000	.00000	.21600	-.14120	.04210	.00260	-.00190	.00010	.21370	.05230
.606	12.330	.00000	.00000	.21730	-.14350	.04180	.00280	-.00190	.00030	.21510	.05200
.602	13.520	.00000	.00000	.22340	-.15050	.04250	.00300	-.00180	.00060	.22110	.05300
.601	14.700	.00000	.00000	.22370	-.15350	.04220	.00280	-.00170	.00070	.22150	.05270
.601	15.900	.00000	.00000	.22900	-.15810	.04270	.00280	-.00160	.00060	.22680	.05340
.598	17.080	.00000	.00000	.23330	-.16260	.04260	.00310	-.00140	.00050	.23110	.05350
.601	18.270	.00000	.00000	.23450	-.16490	.04230	.00300	-.00130	.00040	.23220	.05330
.599	19.450	.00000	.00000	.23900	-.16770	.04290	.00270	-.00130	.00030	.23670	.05410
.601	20.640	.00000	.00000	.24010	-.17040	.04310	.00260	-.00140	.00040	.23780	.05440
.600	21.810	.00000	.01000	.24460	-.17240	.04270	.00220	-.00140	.00020	.24230	.05420
.603	23.000	.00000	.01000	.24700	-.17480	.04300	.00210	-.00140	.00020	.24470	.05450
.601	24.190	.00000	.01000	.24610	-.17730	.04230	.00210	-.00120	.00010	.24380	.05390
.602	25.370	.00000	.01000	.24870	-.18250	.04290	.00170	-.00120	.00010	.24640	.05460
.603	26.560	.00000	.01000	.24910	-.18470	.04280	.00220	-.00120	.00050	.24680	.05450
.601	27.740	.00000	.01000	.25150	-.18420	.04260	.00190	-.00120	.00040	.24920	.05430
.603	28.930	.00000	.01000	.25590	-.18680	.04250	.00160	-.00100	.00020	.25360	.05440
.601	30.110	.00000	.01000	.25500	-.18940	.04240	.00180	-.00110	.00040	.25270	.05440
.603	31.310	.00000	.01000	.25810	-.19100	.04250	.00130	-.00090	.00020	.25680	.05460
.602	32.490	.00000	.01000	.26230	-.19320	.04270	.00110	-.00090	.00040	.26000	.05490
.600	33.680	.00000	.01000	.26190	-.19520	.04260	.00120	-.00090	.00040	.25960	.05490
.602	34.860	.00000	.01000	.26200	-.19480	.04220	.00080	-.00070	.00010	.25970	.05450
.602	36.050	.00000	.01000	.26490	-.19570	.04260	.00080	-.00050	.00030	.26250	.05500
.602	37.230	.00000	.01000	.26760	-.19670	.04220	.00070	-.00050	.00020	.26540	.05470
.602	38.420	.00000	.01000	.26770	-.19820	.04240	.00070	-.00050	.00020	.26540	.05490
.600	39.610	.00000	.01000	.26770	-.20030	.04190	.00070	-.00060	.00000	.26540	.05440
.599	40.790	.00000	.02000	.27340	-.20300	.04270	.00120	-.00030	.00020	.27110	.05550
.602	41.980	.00000	.02000	.27260	-.20410	.04230	.00130	-.00040	.00000	.27040	.05510
.600	43.160	.00000	.02000	.27110	-.20540	.04230	.00110	-.00060	.00010	.26880	.05500
.598	44.350	.00000	.02000	.27570	-.20490	.04230	.00110	-.00050	.00000	.27340	.05520
.598	45.530	.00000	.02000	.27830	-.20870	.04270	.00100	-.00050	.00010	.27600	.05580
.602	46.720	.00000	.02000	.27720	-.20770	.04220	.00030	-.00060	.00000	.27490	.05520

DATE 29 MAR 76

CA-26 FORCE SOURCE DATA TABULATION

PAGE 825

LTV44-559(CA26) 747/1 ATY 06 S1 (CARRIER DATA)

(RFE108) (18 NOV 75)

REFERENCE DATA

SREF =	5500.0000 SQ.FT.	XMRP =	1339.9000 IN. XC
LREF =	327.7800 IN.	YMRP =	.0000 IN. YC
BREF =	2348.0400 IN.	ZMRP =	190.7500 IN. ZC
SCALE =	.0125		

PARAMETRIC DATA

ALPHAC =	2.000	BETAC =	.000
STAB =	5.000	ELEVON =	5.000
AILRON =	.000	DX =	.000
DY =	.000	IORB =	6.000
BETA0 =	.000	DPHI =	.000

RUN NO. 77/ 0 RN/L = .00 GRADIENT INTERVAL = -5.00/ 5.00

MACH	DZ	DY	DX	CN	CLM	CA	CY	CYN	CBL	CL	CD
.602	47.910	.00000	.02000	.27530	-.20870	.04210	.00060	-.00060	.00020	.27300	.05500
.602	49.090	.00000	.02000	.27700	-.20950	.04180	.00090	-.00060	.00020	.27470	.05470
.601	50.280	.00000	.02000	.28180	-.20840	.04220	.00100	-.00060	.00030	.27950	.05540
.601	51.460	.00000	.02000	.28210	-.21290	.04210	.00100	-.00050	.00010	.27980	.05530
	GRADIENT	.00000	.00192	.00246	-.00541	-.00011	-.00005	.00007	-.00010	.00247	-.00002

LTV44-559(CA26) 747/1 ATY 06 S1 (CARRIER DATA)

(RFE109) (18 NOV 75)

REFERENCE DATA

SREF = 5500.0000 SQ.FT. XMRP = 1339.9000 IN. XC
 LREF = 327.7800 IN. YMRP = .0000 IN. YC
 BREF = 2348.0400 IN. ZMRP = 190.7500 IN. ZC
 SCALE = .0125

PARAMETRIC DATA

ALPHAC = 2.000 BETAC = .000
 STAB = 5.000 ELEVON = .000
 AILRON = .000 DX = .000
 DY = .000 IORB = 4.000
 BETA0 = .000 DPHI = .000

RUN NO. 78/ 0 RN/L = .00 GRADIENT INTERVAL = -5.00/ 5.00

MACH	DZ	DY	DX	CN	CLM	CA	CY	CYN	CBL	CL	CD
.601	1.460	.00000	.01000	.23640	-.23010	.04680	.00290	-.00190	.00030	.23400	.05750
.603	2.060	.00000	.01000	.23730	-.22670	.04660	.00300	-.00180	.00050	.23490	.05740
.600	2.660	.00000	.01000	.24080	-.23040	.04660	.00250	-.00180	.00040	.23840	.05760
.602	3.360	.00000	.01000	.23990	-.23260	.04630	.00260	-.00150	.00060	.23750	.05720
.601	4.160	.00000	.01000	.24400	-.23430	.04640	.00250	-.00160	.00050	.24160	.05750
.602	4.960	.00000	.01000	.24700	-.23200	.04570	.00160	-.00140	.00020	.24470	.05700
.600	6.960	.00000	.01000	.24920	-.23510	.04610	.00210	-.00130	.00060	.24680	.05750
.601	8.960	.00000	.01000	.25290	-.23220	.04600	.00160	-.00130	.00030	.25060	.05760
.600	10.460	.00000	.01000	.26180	-.23100	.04550	.00200	-.00100	.00040	.25940	.05750
.602	11.460	.00000	.01000	.26130	-.22880	.04540	.00170	-.00100	.00030	.25890	.05740
.604	12.450	.00000	.01000	.26090	-.23000	.04500	.00140	-.00110	.00030	.25850	.05700
.600	13.450	.00000	.01000	.26420	-.23220	.04550	.00180	-.00100	.00010	.26180	.05770
.601	14.440	.00000	.00000	.26470	-.23130	.04530	.00170	-.00110	.00010	.26230	.05750
.600	15.440	.00000	.00000	.26760	-.23190	.04530	.00120	-.00100	.00000	.26520	.05770
.601	16.430	.00000	.00000	.27090	-.23160	.04550	.00070	-.00100	.00000	.26850	.05800
.602	17.430	.00000	.00000	.27030	-.23060	.04480	.00080	-.00090	.00000	.26790	.05730
.603	18.420	.00000	.00000	.27080	-.23040	.04440	.00160	-.00070	.00020	.26840	.05690
.602	19.420	.00000	.00000	.27360	-.23160	.04500	.00180	-.00090	.00020	.27120	.05760
.603	20.410	.00000	.00000	.27070	-.23190	.04430	.00110	-.00100	.00000	.26840	.05660
.602	21.410	.00000	.00000	.27490	-.23290	.04430	.00100	-.00090	.00010	.27250	.05700
.601	22.390	.00000	.01000	.27630	-.23460	.04450	.00170	-.00070	.00020	.27390	.05730
.602	23.390	.00000	.01000	.27860	-.23250	.04440	.00120	-.00070	.00000	.27620	.05730
.601	24.390	.00000	.01000	.27990	-.23230	.04460	.00100	-.00070	.00010	.27750	.05760
.600	25.380	.00000	.01000	.28240	-.23430	.04450	.00110	-.00060	.00020	.28000	.05760
.601	26.380	.00000	.01000	.28440	-.23320	.04450	.00130	-.00090	.00020	.28200	.05770
.603	27.370	.00000	.01000	.28390	-.23300	.04420	.00160	-.00080	.00030	.28150	.05740
.603	28.370	.00000	.01000	.28140	-.23260	.04380	.00170	-.00070	.00010	.27910	.05690
.602	29.360	.00000	.01000	.28280	-.23300	.04390	.00150	-.00090	.00000	.28040	.05700
.601	30.360	.00000	.01000	.28810	-.23350	.04400	.00170	-.00070	.00000	.28580	.05740
.605	31.350	.00000	.01000	.28570	-.22950	.04330	.00110	-.00070	.00000	.28330	.05660
.602	32.350	.00000	.01000	.28800	-.23360	.04370	.00120	-.00080	.00000	.28560	.05710
.601	33.340	.00000	.01000	.29070	-.23250	.04390	.00070	-.00090	.00010	.28830	.05750
.601	34.340	.00000	.01000	.29420	-.23260	.04400	.00070	-.00070	.00000	.29180	.05770
.602	35.340	.00000	.01000	.28790	-.23380	.04360	.00100	-.00090	.00010	.28550	.05700
.600	36.330	.00000	.01000	.29460	-.23470	.04370	.00120	-.00060	.00000	.29220	.05740
.599	37.320	.00000	.01000	.29540	-.23440	.04370	.00100	-.00090	.00010	.29310	.05750
.602	38.320	.00000	.01000	.29460	-.23170	.04330	.00050	-.00080	.00010	.29230	.05700
.600	39.310	.00000	.01000	.29430	-.23550	.04350	.00140	-.00070	.00020	.29190	.05720
.605	40.310	.00000	.01000	.29260	-.22940	.04310	.00050	-.00060	.00000	.29030	.05680
.601	41.310	.00000	.01000	.29590	-.23400	.04340	.00100	-.00060	.00000	.29350	.05720
.604	42.300	.00000	.01000	.29590	-.23290	.04300	.00160	-.00040	.00000	.29360	.05680
.603	43.290	.00000	.01000	.29880	-.23420	.04280	.00120	-.00040	.00010	.29650	.05680

DATE 29 MAR 76

CA-26 FORCE SOURCE DATA TABULATION

PAGE 827

LTV44-559(CA26) 747/1 ATY 06 S1 (CARRIER DATA)

(RFE'09) (18 NOV 75)

REFERENCE DATA

SREF =	5500.0000 SQ.FT.	XMRP =	1339.9000 IN. XC
LREF =	327.7800 IN.	YMRP =	.0000 IN. YC
BREF =	2348.0400 IN.	ZMRP =	190.7500 IN. ZC
SCALE =	.0125		

PARAMETRIC DATA

ALPHAC =	2.000	BETAC =	.000
STAB =	5.000	ELEVON =	.000
AILRON =	.000	DX =	.000
DY =	.000	ICRB =	4.000
BETA0 =	.000	DPHI =	.000

RUN NO. 78/ 0 RN/L = .00 GRADIENT INTERVAL = -5.00/ 5.00

MACH	DZ	DY	DX	CN	CLM	CA	CY	CYN	CBL	CL	CD
.603	44.290	.00000	.02000	.29750	-.23220	.04300	.00050	-.00070	.00000	.29510	.05690
.603	44.790	.00000	.01000	.29640	-.23410	.04300	.00100	-.00080	.00010	.29410	.05690
	GRADIENT	.00000	.00000	.00296	-.00140	-.00026	-.00033	.00014	-.00002	.00299	-.00011

LTV44-559(CA26) 747/1 ATY 06 SI (CARRIER DATA)

(RFE110) (18 NOV 75)

REFERENCE DATA

SREF = 5500.0000 SQ.FT. XMRP = 1339.9000 IN. XC
 LREF = 327.7800 IN. YMRP = .0000 IN. YC
 BREF = 2348.0400 IN. ZMRP = 190.7500 IN. ZC
 SCALE = .0125

PARAMETRIC DATA

ALPHAC = 2.000 BETAC = .000
 STAB = 5.000 ELEVON = .000
 AJLRON = .000 DX = .000
 DY = .000 IORB = 6.000
 BETAO = .000 DPHI = .000

RUN NO. 1078/ 0 RN/L = .00 GRADIENT INTERVAL = -5.00/ 5.00

MACH	DZ	DY	DX	CN	CLM	CA	CY	CYN	CBL	CL	CD
.602	1.470	.00000	.00000	.20270	-.16570	.04370	.00270	-.00240	.00050	.20050	.05310
.602	2.070	.00000	.00000	.20940	-.17490	.04370	.00160	-.00190	.00060	.20720	.05340
.601	2.670	.00000	.00000	.20920	-.17570	.04370	.00170	-.00190	.00060	.20700	.05340
.601	3.370	.00000	.00000	.21400	-.18220	.04390	.00100	-.00170	.00050	.21180	.05370
.600	4.170	.00000	.00000	.21620	-.18520	.04400	.00080	-.00170	.00050	.21390	.05400
.599	4.960	.00000	.00000	.21740	-.18400	.04380	.00130	-.00180	.00030	.21510	.05390
.602	6.970	.00000	.00000	.23240	-.19430	.04390	.00120	-.00120	.00000	.23020	.05460
.601	8.970	.00000	.00000	.23260	-.19570	.04380	.00060	-.00110	.00020	.23030	.05450
.601	10.600	.00000	.00000	.23770	-.19830	.04350	.00000	-.00080	.00040	.23540	.05450
.599	11.880	.00000	.00000	.24750	-.20270	.04480	.00100	-.00070	.00030	.24520	.05620
.602	13.160	.00000	.00000	.24680	-.20130	.04390	.00000	-.00070	.00030	.24450	.05530
.599	14.440	.00000	.00000	.25140	-.20520	.04410	.00080	-.00070	.00010	.24900	.05570
.601	15.710	.00000	.00000	.25200	-.20670	.04380	.00080	-.00050	.00010	.24970	.05540
.599	16.990	.00000	.00000	.25490	-.20770	.04370	-.00060	-.00050	.00010	.25260	.05560
.600	18.270	.00000	.00000	.25940	-.20810	.04310	.00020	-.00050	.00020	.25710	.05520
.602	19.540	.00000	.00000	.25900	-.21000	.04340	.00090	-.00030	.00030	.25670	.05540
.599	20.820	.00000	.00000	.25940	-.21300	.04360	-.00020	-.00030	.00000	.25710	.05570
.600	22.090	.00000	.01000	.26390	-.21340	.04360	-.00020	-.00050	.00000	.26160	.05590
.599	23.360	.00000	.01000	.26860	-.21480	.04400	.00030	-.00060	.00010	.26630	.05650
.600	24.650	.00000	.01000	.26730	-.21580	.04390	.00030	-.00080	.00000	.26500	.05620
.604	25.920	.00000	.01000	.26680	-.21540	.04350	-.00030	-.00070	.00000	.26450	.05590
.601	27.200	.00000	.01000	.26940	-.21870	.04350	.00050	-.00040	.00010	.26710	.05600
.601	28.470	.00000	.01000	.27250	-.21650	.04360	.00100	-.00050	.00010	.27020	.05630
.601	29.750	.00000	.01000	.27370	-.21900	.04330	-.00020	-.00060	.00000	.27100	.05600
.603	31.030	.00000	.01000	.27620	-.21870	.04300	-.00030	-.00060	.00020	.27390	.05590
.600	32.300	.00000	.01000	.27840	-.22080	.04390	.00000	-.00050	.00020	.27600	.05680
.601	33.580	.00000	.01000	.27980	-.22070	.04330	.00070	-.00060	.00010	.27740	.05630
.599	34.850	.00000	.01000	.28240	-.22150	.04320	.00080	-.00070	.00000	.28010	.05640
.599	36.130	.00000	.01000	.28250	-.22250	.04320	.00080	-.00050	.00030	.28020	.05640
.600	37.410	.00000	.01000	.28200	-.22220	.04320	.00070	-.00050	.00020	.27970	.05640
.598	38.690	.00000	.01000	.28510	-.22330	.04310	.00080	-.00050	.00020	.28280	.05640
.598	39.960	.00000	.01000	.28840	-.22330	.04290	.00120	-.00040	.00030	.28610	.05640
.600	41.240	.00000	.01000	.28950	-.22270	.04280	.00120	-.00040	.00030	.28730	.05640
.600	42.520	.00000	.01000	.28600	-.22430	.04280	.00080	-.00060	.00010	.28370	.05610
.600	43.790	.00000	.01000	.28930	-.22550	.04280	.00030	-.00070	-.00010	.28700	.05630
.602	45.070	.00000	.02000	.28990	-.22580	.04280	-.00010	-.00050	.00000	.28760	.05640
.601	46.340	.00000	.02000	.29150	-.22760	.04290	-.00010	-.00050	.00000	.28920	.05650
.601	47.620	.00000	.02000	.29120	-.22860	.04270	.00010	-.00060	.00000	.28890	.05620
.604	48.900	.00000	.02000	.28910	-.22440	.04240	.00090	-.00060	.00030	.28680	.05590
.601	50.180	.00000	.02000	.29390	-.22670	.04270	.00060	-.00050	.00000	.29160	.05650
.600	51.460	.00000	.02000	.29260	-.22790	.04250	.00120	-.00060	.00020	.29030	.05620
	GRADIENT	.00000	.00000	.00398	-.00516	.00006	-.00040	.00015	-.00006	.00395	.00025

REFERENCE DATA

SREF = 5500.0000 SQ.FT. XMRP = 1339.9000 IN. XC
 LREF = 327.7800 IN. YMRP = .0000 IN. YC
 BREF = 2348.0400 IN. ZMRP = 190.7500 IN. ZC
 SCALE = .0125

PARAMETRIC DATA

ALPHAC = 2.000 BETAC = .000
 STAB = 5.000 ELEVON = .000
 AILRON = .000 DX = .000
 DY = .000 TORB = 8.000
 BETAO = .000 DPHI = .000

RUN NO. 79/ 0 RN/L = .00 GRADIENT INTERVAL = -5.00/ 5.00

MACH	DZ	DY	DX	CN	CLM	CA	CY	CYN	CBL	CL	CD
.600	1.460	.00000	-.01000	.17750	-.11200	.04210	.00210	-.00220	.00090	.17530	.05050
.601	2.060	.00000	-.01000	.17770	-.11310	.04190	.00160	-.00220	.00060	.17550	.05020
.599	2.660	.00000	-.01000	.17930	-.11490	.04210	.00210	-.00220	.00060	.17710	.05050
.601	3.460	.00000	-.01000	.18400	-.11850	.04210	.00160	-.00200	.00070	.18180	.05080
.600	4.460	.00000	-.01000	.18480	-.12160	.04190	.00220	-.00190	.00070	.18260	.05060
.601	5.590	.00000	-.01000	.19040	-.12730	.04190	.00140	-.00150	.00070	.18830	.05080
.600	6.840	.00000	.00000	.19490	-.12920	.04250	.00020	-.00150	.00020	.19260	.05160
.599	8.090	.00000	.00000	.20020	-.13520	.04280	.00100	-.00120	.00050	.19800	.05210
.601	9.340	.00000	.00000	.20430	-.14100	.04270	.00020	-.00120	.00040	.20210	.05220
.600	10.590	.00000	.00000	.21120	-.14900	.04300	.00020	-.00110	.00040	.20900	.05290
.601	11.810	.00000	.00000	.21160	-.15080	.04300	.00030	-.00090	.00040	.20930	.05290
.601	13.050	.00000	.00000	.21640	-.15560	.04290	-.00030	-.00070	.00050	.21420	.05300
.601	14.290	.00000	.00000	.21710	-.16270	.04300	.00000	-.00060	.00040	.21490	.05310
.599	15.520	.00000	.00000	.22120	-.16780	.04300	.00030	-.00060	.00050	.21900	.05330
.602	16.750	.00000	.00000	.22630	-.16950	.04330	-.00100	-.00050	.00040	.22410	.05390
.601	17.990	.00000	.00000	.22960	-.17280	.04300	-.00070	-.00040	.00010	.22730	.05370
.601	19.230	.00000	.00000	.23230	-.17510	.04310	.00030	-.00020	.00020	.23000	.05390
.602	20.460	.00000	.00000	.23790	-.17800	.04340	-.00110	-.00020	.00030	.23560	.05450
.600	21.690	.00000	.01000	.24090	-.18110	.04310	-.00060	-.00030	.00020	.23860	.05430
.601	22.930	.00000	.01000	.24160	-.18270	.04310	-.00070	-.00020	.00020	.23940	.05440
.601	24.160	.00000	.01000	.24390	-.18600	.04300	-.00050	-.00020	.00030	.24170	.05440
.601	25.390	.00000	.01000	.24680	-.18770	.04330	-.00140	-.00020	.00020	.24450	.05480
.600	26.630	.00000	.01000	.24860	-.19060	.04310	-.00130	-.00020	.00020	.24630	.05470
.599	27.860	.00000	.01000	.25170	-.19130	.04330	-.00120	-.00020	.00010	.24940	.05500
.604	29.100	.00000	.01000	.25040	-.19230	.04270	-.00070	-.00020	.00010	.24810	.05440
.597	30.340	.00000	.01000	.25690	-.19940	.04350	-.00130	-.00030	.00000	.25450	.05550
.601	31.570	.00000	.01000	.25660	-.19590	.04270	-.00080	-.00030	.00000	.25440	.05470
.600	32.800	.00000	.01000	.25840	-.19980	.04300	.00000	-.00040	.00000	.25610	.05510
.599	34.040	.00000	.01000	.26110	-.19960	.04300	-.00110	-.00020	.00010	.25880	.05520
.599	35.280	.00000	.01000	.26380	-.20290	.04310	-.00040	-.00030	.00010	.26150	.05540
.600	36.510	.00000	.01000	.26590	-.20320	.04280	-.00120	-.00030	.00000	.26360	.05520
.599	37.740	.00000	.01000	.26740	-.20620	.04270	-.00020	-.00040	.00020	.26510	.05520
.598	38.980	.00000	.01000	.26990	-.20740	.04300	-.00050	-.00040	.00030	.26750	.05560
.602	40.220	.00000	.01000	.26900	-.20630	.04270	-.00100	-.00040	.00010	.26670	.05530
.601	41.450	.00000	.01000	.27230	-.20810	.04300	-.00090	-.00040	.00000	.27000	.05570
.602	42.690	.00000	.02000	.27330	-.20890	.04270	-.00070	-.00040	-.00010	.27100	.05550
.602	43.920	.00000	.02000	.27620	-.20790	.04240	-.00060	-.00050	.00010	.27390	.05530
.599	45.150	.00000	.02000	.27850	-.21160	.04290	-.00030	-.00050	.00010	.27520	.05590
.601	46.390	.00000	.02000	.27780	-.21240	.04270	.00000	-.00050	.00000	.27550	.05570
.602	47.630	.00000	.02000	.27880	-.20970	.04240	-.00060	-.00050	.00010	.27650	.05550
.600	48.860	.00000	.02000	.27950	-.21140	.04300	-.00040	-.00050	.00010	.27710	.05610
.601	50.090	.00000	.02000	.28110	-.21220	.04250	-.00040	-.00030	.00020	.27880	.05570

ORIGINAL PAGE IS
 OF POOR QUALITY

LTV44-559(CA26) 747/1 ATY 06 S1 (CARRIER DATA)

(RFE111) (18 NOV 75)

REFERENCE DATA

SREF = 5500.0000 SQ.FT. XMRP = 1339.9000 IN. XC
 LREF = 327.7800 IN. YMRP = .0000 IN. YC
 BREF = 2348.0400 IN. ZMRP = 190.7500 IN. ZC
 SCALE = .0125

PARAMETRIC DATA

ALPHAC = 2.000 BETAC = .000
 STAB = 5.000 ELEVON = .000
 AILRON = .000 DX = .000
 DY = .000 IOPB = 8.000
 BETA0 = .000 DPHI = .000

RUN NO. 79/ 0 RN/L = .00 GRADIENT INTERVAL = -5.00/ 5.00

MACH	DZ	DY	DX	CN	CLM	CA	CY	CYN	CBL	CL	CD
.603	51.330	.00000	.02000	.28100	-.21340	.04220	-.00070	-.00040	.00000	.27870	.05530
.602	52.570	.00000	.02000	.28330	-.21420	.04200	-.00020	-.00050	.00000	.28100	.05520
.599	53.800	.00000	.02000	.28410	-.21560	.04260	-.00040	-.00040	.00000	.28180	.05590
.600	55.040	.00000	.02000	.28560	-.21580	.04220	.00020	-.00060	-.00020	.28330	.05560
.599	56.270	.00000	.03000	.28920	-.21600	.04250	-.00060	-.00060	.00000	.28690	.05610
.602	57.500	.00000	.03000	.28690	-.21670	.04210	.00000	-.00060	.00020	.28460	.05550
.602	58.120	.00000	.03000	.28740	-.21650	.04260	.00020	-.00070	.00030	.28500	.05610
	GRADIENT	.00000	-.00000	.00283	-.00335	-.00003	.00004	.00011	-.00003	.00283	.00011

DATE 29 MAR 76

CA-26 FORCE SOURCE DATA TABULATION

PAGE 831

LTV-4-559(CA26) 747/1 ATY 06 S1 (CARRIER DATA)

(RFE112) (18 NOV 75)

REFERENCE DATA

SREF = 5500.0000 SQ.FT. XMRP = 1339.9000 IN. XC
 LREF = 327.7800 IN. YMRP = .0000 IN. YC
 BREF = 2348.0400 IN. ZMRP = 190.7500 IN. ZC
 SCALE = .0125

PARAMETRIC DATA

ALPHAC = 2.000 BETAC = .000
 STAB = 5.000 RUDDER = .000
 ELEVON = .000 DY = .000
 OZ = .000 IORB = 6.000
 BETAG = .000 DPHI = .000

RUN NO. 81/ 0 RN/L = .00 GRADIENT INTERVAL = -5.00/ 5.00

MACH	DX	DY	OZ	CN	CLM	CA	CY	CYN	CBL	CL	CD
.601	.000	.00000	1.46000	.20580	-.16550	.04410	.00200	-.00190	.00060	.20350	.05360
.600	.390	.00000	1.46000	.20490	-.16730	.04450	.00230	-.00180	.00060	.20260	.05390
.601	.780	.00000	1.46000	.20390	-.16750	.04510	.00230	-.00190	.00050	.20160	.05450
.599	1.140	.00000	1.46000	.20590	-.16790	.04490	.00220	-.00200	.00050	.20360	.05440
.600	1.530	.00000	1.46000	.20580	-.16620	.04410	.00180	-.00180	.00060	.20350	.05360
.601	1.920	.00000	1.46000	.20600	-.16640	.04400	.00250	-.00190	.00090	.20380	.05360
.601	2.290	.00000	1.46000	.21060	-.16710	.04440	.00200	-.00190	.00080	.20830	.05420
.602	2.680	.00000	1.46000	.20690	-.16700	.04400	.00200	-.00190	.00080	.20460	.05360
.602	3.070	.00000	1.46000	.20560	-.16860	.04390	.00240	-.00200	.00060	.20330	.05340
.600	3.430	.00000	1.46000	.20650	-.16890	.04370	.00220	-.00200	.00050	.20430	.05330
.598	3.820	.00000	1.46000	.21100	-.17010	.04440	.00230	-.00210	.00060	.20870	.05410
.602	4.190	.00000	1.46000	.21170	-.16710	.04380	.00210	-.00200	.00060	.20940	.05360
.600	4.580	.00000	1.46000	.21000	-.16760	.04360	.00210	-.00220	.00050	.20770	.05330
.600	4.970	.00000	1.46000	.21130	-.16810	.04380	.00200	-.00200	.00060	.20910	.05360
.601	5.330	.00000	1.46000	.21090	-.16800	.04320	.00180	-.00190	.00050	.20860	.05300
.601	5.720	.00000	1.46000	.21330	-.17060	.04360	.00190	-.00160	.00050	.21100	.05350
.602	6.110	.00000	1.46000	.21140	-.16940	.04300	.00180	-.00180	.00060	.20920	.05280
.602	6.480	.00000	1.46000	.21400	-.16810	.04330	.00160	-.00160	.00060	.21180	.05320
.601	6.870	.00000	1.46000	.21360	-.17060	.04300	.00180	-.00170	.00060	.21130	.05290
.600	7.230	.00000	1.46000	.21530	-.16930	.04330	.00160	-.00160	.00070	.21300	.05330
.601	7.630	.00000	1.46000	.21560	-.16910	.04310	.00140	-.00160	.00060	.21330	.05310
.602	8.020	.00000	1.46000	.21470	-.17020	.04290	.00130	-.00170	.00050	.21250	.05290
.601	8.380	.00000	1.46000	.21730	-.17140	.04300	.00100	-.00170	.00050	.21500	.05310
.602	8.770	.00000	1.46000	.21820	-.17090	.04320	.00170	-.00150	.00050	.21600	.05330
.602	9.160	.00000	1.46000	.21750	-.16880	.04300	.00100	-.00150	.00050	.21530	.05310
.601	9.530	.00000	1.46000	.21920	-.17190	.04280	.00120	-.00160	.00040	.21690	.05300
.602	9.920	.00000	1.46000	.21930	-.16920	.04270	.00140	-.00140	.00060	.21710	.05300
.602	10.280	.00000	1.46000	.22490	-.16970	.04280	.00100	-.00140	.00060	.22260	.05330
.602	10.670	.00000	1.46000	.22420	-.17020	.04240	.00120	-.00150	.00060	.22200	.05280
.603	11.060	.00000	1.46000	.22350	-.17020	.04220	.00060	-.00150	.00050	.22130	.05260
.603	11.430	.00000	1.46000	.22520	-.16830	.04220	.00090	-.00150	.00040	.22040	.05270
.601	11.820	.00000	1.46000	.22630	-.17090	.04260	.00090	-.00150	.00040	.22300	.05270
.602	12.210	.00000	1.46000	.22410	-.17090	.04220	.00100	-.00150	.00040	.22400	.05310
.600	12.570	.00000	1.46000	.22410	-.17270	.04220	.00090	-.00160	.00040	.22180	.05260
.600	12.960	.00000	1.46000	.22360	-.17110	.04240	.00090	-.00150	.00030	.22190	.05270
.602	13.330	.00000	1.46000	.22480	-.17080	.04200	.00090	-.00160	.00040	.22260	.05250
GRADIENT		.00000	.00000	.00134	-.00040	-.00018	-.00001	-.00005	-.00001	.00134	-.00011

LTV44-559(CA26) 747/1 ATY 06 S1 (CARRIER DATA)

(RFE113) (18 NOV 75)

REFERENCE DATA

SREF = 5500.0000 SQ.FT. XMRP = 1339.9000 IN. XC
 LREF = 327.7800 IN. YMRP = .0000 IN. YC
 BREF = 2348.0400 IN. ZMRP = 190.7500 IN. ZC
 SCALE = .0125

PARAMETRIC DATA

ALPHAC = 2.000 BETAC = .000
 STAB = 5.000 RUDDER = .000
 ELEVON = .000 DY = .00
 DZ = 15.000 IORB = 6.000
 BETA0 = .000 DPHI = .000

RUN NO. 1081/ 0 RN/L = .00 GRADIENT INTERVAL = -5.00/ 5.00

MACH	DX	DY	DZ	CN	CLM	CA	CY	CYN	CBL	CL	CD
.600	.390	.00000	15.00000	.25180	-.20553	.04470	-.00070	-.00070	.00040	.24950	.05630
.602	.780	.00000	15.00000	.24710	-.20623	.04530	-.00040	-.00080	.00050	.24480	.05670
.601	1.140	.00000	15.00000	.25090	-.20413	.04560	-.00060	-.00070	.00030	.24850	.05720
.602	1.530	.00000	15.00000	.24950	-.20433	.04460	-.00060	-.00060	.00020	.24720	.05610
.602	1.900	.00000	15.00000	.24650	-.20510	.04390	-.00060	-.00070	.00010	.24420	.05530
.602	2.290	.00000	15.00000	.24850	-.20380	.04400	-.00100	-.00060	.00010	.24610	.05550
.600	2.680	.00000	15.00000	.24940	-.20590	.04420	-.00110	-.00070	.00010	.24700	.05580
.602	3.040	.00000	15.00000	.25120	-.20620	.04430	-.00090	-.00070	.00010	.24890	.05590
.602	3.430	.00000	15.00000	.24790	-.20600	.04370	-.00070	-.00080	.00010	.24560	.05520
.601	3.820	.00000	15.00000	.25100	-.20710	.04440	-.00050	-.00080	.00020	.24870	.05600
.600	4.190	.00000	15.00000	.25100	-.20660	.04430	-.00050	-.00070	.00020	.24860	.05590
.599	4.580	.00000	15.00000	.25100	-.20710	.04410	-.00080	-.00060	.00030	.24860	.05570
.600	4.940	.00000	15.00000	.24940	-.20920	.04420	-.00040	-.00060	.00040	.24710	.05580
.599	5.330	.00000	15.00000	.25050	-.20900	.04400	-.00050	-.00050	.00040	.24820	.05560
.601	5.720	.00000	15.00000	.25140	-.20870	.04420	-.00060	-.00060	.00020	.24910	.05580
.601	6.090	.00000	15.00000	.25050	-.20780	.04390	-.00110	-.00070	.00000	.24820	.05550
.599	6.480	.00000	15.00000	.24970	-.21000	.04410	-.00070	-.00080	.00010	.24740	.05570
.599	6.870	.00000	15.00000	.25270	-.20980	.04420	-.00050	-.00060	.00010	.25040	.05590
.602	7.230	.00000	15.00000	.25110	-.20620	.04360	-.00100	-.00060	.00010	.24880	.05520
.601	7.630	.00000	15.00000	.25340	-.20750	.04400	-.00090	-.00060	.00020	.25110	.05570
.602	7.990	.00000	15.00000	.25170	-.20740	.04360	-.00130	-.00050	.00020	.24940	.05530
.598	8.380	.00000	15.00000	.25350	-.21150	.04420	-.00070	-.00070	.00020	.25110	.05590
.603	8.770	.00000	15.00000	.25260	-.20680	.04370	-.00110	-.00060	.00030	.25020	.05540
.597	9.140	.00000	15.00000	.25730	-.21450	.04460	-.00060	-.00070	.00030	.25490	.05660
.602	9.530	.00000	15.00000	.25290	-.21080	.04370	-.00030	-.00060	.00020	.25060	.05540
.601	9.920	.00000	15.00000	.25460	-.21280	.04420	-.00070	-.00070	.00020	.25230	.05600
.603	10.280	.00000	15.00000	.25290	-.21220	.04380	-.00040	-.00050	.00030	.25050	.05550
.603	10.670	.00000	15.00000	.25320	-.21070	.04380	.00000	-.00060	.00040	.25090	.05560
.602	11.040	.00000	15.00000	.25510	-.20970	.04390	-.00080	-.00070	.00040	.25280	.05570
.603	11.430	.00000	15.00000	.25480	-.21090	.04360	-.00040	-.00070	.00040	.25250	.05540
.602	11.820	.00000	15.00000	.25590	-.20960	.04340	-.00070	-.00070	.00030	.25360	.05520
.600	12.180	.00000	15.00000	.25760	-.21100	.04380	-.00110	-.00070	.00020	.25530	.05580
.602	12.570	.00000	15.00000	.25640	-.21280	.04360	-.00080	-.00070	.00030	.25410	.05590
.603	12.960	.00000	15.00000	.25720	-.21140	.04340	-.00060	-.00070	.00010	.25490	.05530
.630	13.330	.00000	15.00000	.26040	-.21140	.04350	-.00090	-.00060	.00020	.25810	.05560
	GRADIENT	.00000	.00000	.00022	-.00071	-.00022	.00091	.00001	-.00002	.00022	-.00019

LTV44-559(CA26) 747/1 ATY 06 S1 (CARRIER DATA)

(RFE114) (18 NOV 75)

REFERENCE DATA

SREF = 5500.0000 SQ.FT. XMRP = 1339.9000 IN. XC
 LREF = 327.7800 IN. YMRP = .0000 IN. YC
 BREF = 2348.0400 IN. ZMRP = 190.7500 IN. ZC
 SCALE = .0125

PARAMETRIC DATA

ALPHAC = 2.000 BETAC = .000
 STAB = 5.000 RUDDER = .000
 ELEVON = .000 DY = .000
 DZ = 60.000 IORB = 6.000
 BETA0 = .000 DPHI = .000

RUN NO. 2081/ 0 RN/L = .00 GRADIENT INTERVAL = -5.00/ 5.00

MACH	DX	DY	DZ	CN	CLM	CA	CY	CYN	CBL	CL	CD
.604	.410	.00000	51.46000	.29490	-.22800	.04300	-.00030	-.00090	.00000	.29260	.05670
.604	.780	.00000	51.46000	.29130	-.22770	.04340	-.00010	-.00100	.00000	.28890	.05700
.602	1.170	.00000	51.46000	.29430	-.23040	.04400	-.00010	-.00080	.00010	.29190	.05780
.600	1.560	.00000	51.46000	.29450	-.22970	.04360	-.00070	-.00100	.00000	.29210	.05740
.601	1.920	.00000	51.46000	.29540	-.23010	.04340	-.00100	-.00090	.00000	.28770	.05720
.603	2.310	.00000	51.46000	.29520	-.22720	.04320	-.00090	-.00090	.00000	.29280	.05700
.603	2.680	.00000	51.46000	.29300	-.22770	.04260	-.00030	-.00090	.00020	.29070	.05630
.601	3.070	.00000	51.46000	.29420	-.22920	.04270	-.00010	-.00100	.00020	.29190	.05650
.603	3.460	.00000	51.46000	.29380	-.22710	.04310	-.00070	-.00100	.00010	.29140	.05680
.600	3.820	.00000	51.46000	.29400	-.22780	.04300	-.00060	-.00100	.00000	.29170	.05670
.600	4.210	.00000	51.46000	.29580	-.23120	.04290	-.00030	-.00080	.00000	.29350	.05670
.601	4.600	.00000	51.46000	.29620	-.23140	.04300	.00000	-.00090	.00020	.29380	.05680
.602	4.970	.00000	51.46000	.29480	-.22830	.04300	-.00040	-.00100	.00020	.29240	.05680
.601	5.360	.00000	51.46000	.29520	-.23220	.04280	.00040	-.00090	.00020	.29290	.05660
.600	5.720	.00000	51.46000	.29650	-.23140	.04290	.00030	-.00080	.00030	.29420	.05680
.600	6.110	.00000	51.46000	.29500	-.23050	.04280	-.00010	-.00080	.00040	.29270	.05650
.602	6.510	.00000	51.46000	.29600	-.22950	.04290	-.00080	-.00080	.00030	.29370	.05680
.601	6.870	.00000	51.46000	.29670	-.23190	.04290	-.00050	-.00080	.00020	.29440	.05670
.600	7.260	.00000	51.46000	.29800	-.23280	.04270	.00000	-.00080	.00020	.29560	.05660
.600	7.650	.00000	51.46000	.29730	-.23180	.04320	-.00050	-.00080	.00020	.29490	.05710
.602	8.020	.00000	51.46000	.29350	-.22990	.04260	-.00100	-.00080	.00020	.29120	.05630
.599	8.410	.00000	51.46000	.29580	-.23400	.04280	-.00020	-.00080	.00020	.29450	.05670
.601	8.770	.00000	51.46000	.29360	-.23090	.04300	-.00090	-.00090	.00020	.29130	.05670
.599	9.160	.00000	51.46000	.29510	-.23180	.04290	-.00050	-.00080	.00020	.29270	.05670
.600	9.550	.00000	51.46000	.29490	-.23270	.04280	-.00070	-.00070	.00030	.29250	.05660
.600	9.920	.00000	51.46000	.29700	-.23240	.04300	-.00060	-.00090	.00020	.29470	.05690
.600	10.310	.00000	51.46000	.29790	-.23380	.04310	-.00040	-.00090	.00020	.29560	.05700
.603	10.700	.00000	51.46000	.29850	-.23430	.04310	-.00010	-.00090	.00010	.29610	.05710
.600	11.060	.00000	51.46000	.29420	-.23350	.04270	-.00080	-.00080	.00000	.29190	.05640
.600	11.450	.00000	51.46000	.29300	-.23440	.04280	.00000	-.00100	.00000	.29070	.05650
.603	11.800	.00000	51.46000	.29180	-.23490	.04270	-.00030	-.00090	.00000	.28950	.05630
.601	12.210	.00000	51.46000	.29330	-.23480	.04270	-.00010	-.00100	.00000	.29090	.05640
.603	12.590	.00000	51.46000	.29290	-.23540	.04260	-.00020	-.00100	.00000	.29050	.05620
.605	12.960	.00000	51.46000	.29270	-.23380	.04260	-.00080	-.00090	.00000	.29040	.05620
.603	13.350	.00000	51.46000	.29390	-.23550	.04270	-.00030	-.00080	.00000	.29160	.05640
	GRADIENT	.00000	.00000	.00035	-.00020	-.00013	.00001	-.00001	.00003	.00035	-.00012

LTV44-559(CA26) 747/1 ATY 06 S1 (CARRIER DATA)

(REF115) (18 NOV 75)

REFERENCE DATA

SREF = 5500.0000 SQ.FT. XMRP = 1339.9000 IN. XC
 LREF = 327.7800 IN. YMRP = .0000 IN. YC
 BREF = 2348.0400 IN. ZMRP = 190.7500 IN. ZC
 SCALE = .0125

PARAMETRIC DATA

ALPHAC = 2.000 BETAC = .000
 STAB = 5.000 RUDDER = .000
 ELEVON = .000 DX = .000
 DZ = .000 IORB = 6.000
 BETA0 = .000 DPHI = .000

RUN NO. 82/ 0 RN/L = .00 GRADIENT INTERVAL = -5.00/ 5.00

MACH	DY	DX	DZ	CN	CLM	CA	CY	CYN	CBL	CL	CD
.605	-10.000	-.01000	1.46000	.21030	-.17370	.04480	.0J790	.00090	-.00370	.20800	.05460
.605	-9.420	-.01000	1.46000	.20540	-.17260	.04460	.00730	.00090	-.00350	.20310	.05410
.605	-8.850	-.01000	1.46000	.20510	-.17080	.04450	.00680	.00080	-.00330	.20280	.05400
.605	-8.280	-.01000	1.46000	.20720	-.16890	.04460	.00590	.00090	-.00310	.20490	.05420
.605	-7.710	-.01000	1.46000	.20610	-.16950	.04430	.00540	.00090	-.00290	.20380	.05390
.607	-7.140	-.01000	1.46000	.20640	-.16550	.04430	.00420	.00100	-.00270	.20420	.05390
.606	-6.560	-.01000	1.46000	.20800	-.16680	.04420	.00410	.00100	-.00230	.20570	.05380
.605	-5.990	-.01000	1.46000	.20860	-.16770	.04440	.00300	.00110	-.00200	.20630	.05410
.606	-5.420	-.01000	1.46000	.20940	-.16660	.04430	.00260	.00090	-.00160	.20710	.05410
.606	-4.850	-.01000	1.46000	.20900	-.16600	.04440	.00260	.00060	-.00130	.20670	.05410
.605	-4.280	-.01000	1.46000	.20660	-.16560	.04420	.00280	.00030	-.00090	.20430	.05380
.605	-3.710	-.01000	1.46000	.20440	-.16410	.04420	.00270	-.00010	-.00080	.20210	.05370
.605	-3.130	.00000	1.46000	.20420	-.16620	.04410	.00340	-.00070	-.00060	.20190	.05360
.607	-2.570	.00000	1.46000	.20250	-.16460	.04380	.00350	-.00100	-.00030	.20020	.05310
.604	-1.990	.00000	1.46000	.20750	-.16530	.04450	.00330	-.00170	.00000	.20520	.05420
.603	-1.420	.00000	1.46000	.20560	-.16610	.04420	.00330	-.00220	.00030	.20340	.05370
.603	-.850	.00000	1.46000	.20360	-.16470	.04430	.00360	-.00290	.00080	.20130	.05370
.605	-.270	.00000	1.46000	.20370	-.16450	.04430	.00300	-.00320	.00110	.20140	.05370
.605	.270	-.01000	1.46000	.20450	-.16510	.04440	.00390	-.00380	.00150	.20220	.05390
.605	.850	-.01000	1.46000	.20550	-.16460	.04470	.00380	-.00420	.00180	.20320	.05420
.605	1.420	-.01000	1.46000	.20580	-.16280	.04450	.00280	-.00430	.00200	.20350	.05410
.605	1.990	-.01000	1.46000	.20390	-.16480	.04440	.00250	-.00450	.00230	.20160	.05380
.605	2.560	-.01000	1.46000	.20660	-.16250	.04460	.00170	-.00470	.00250	.20430	.05420
.605	3.130	-.01000	1.46000	.20610	-.16340	.04480	.00130	-.00450	.00260	.20380	.05440
.604	3.710	-.01000	1.46000	.20740	-.16620	.04500	.00070	-.00410	.00300	.20510	.05460
.605	4.280	-.01000	1.46000	.20740	-.15550	.04520	-.00030	-.00380	.00320	.20510	.05490
.605	4.850	-.01000	1.46000	.20650	-.16690	.04510	-.00070	-.00370	.00340	.20420	.05470
.605	5.420	-.01000	1.46000	.20940	-.16890	.04530	-.00180	-.00380	.00350	.20700	.05500
.605	5.990	-.01000	1.46000	.21180	-.16870	.04520	-.00210	-.00380	.00390	.20950	.05510
.605	6.560	-.01000	1.46000	.20980	-.17110	.04530	-.00220	-.00370	.00410	.20750	.05500
.605	7.140	-.01000	1.46000	.20630	-.17430	.04550	-.00200	-.00390	.00440	.20400	.05500
.605	7.700	-.01000	1.46000	.20710	-.17600	.04530	-.00240	-.00390	.00470	.20480	.05510
.606	8.280	-.01000	1.46000	.20890	-.17500	.04550	-.00330	-.00390	.00490	.20650	.05510
.606	8.850	-.01000	1.46000	.20890	-.17740	.04580	-.00370	-.00400	.00500	.20660	.05540
.605	9.420	-.01000	1.46000	.21100	-.17970	.04610	-.00310	-.00400	.00510	.20870	.05580
.605	10.000	-.01000	1.46000	.21140	-.18010	.04590	-.00420	-.00410	.00490	.20910	.05570
	GRADIENT	-.00065	-.00060	.00009	.00006	.00010	-.00032	-.00054	.00051	.00009	.00010

LTV44-559(CA26) 747/1 ATY 06 S1 (CARRIER DATA)

(RFE116) (18 NOV 75)

REFERENCE DATA

SREF = 5500.0000 SQ.FT. XMRP = 1339.9000 IN. XC
 LREF = 327.7800 IN. YMRP = .0000 IN. YC
 BREF = 2348.0400 IN. ZMRP = 190.7500 IN. ZC
 SCALE = .0125

PARAMETRIC DATA

ALPHAC = 2.000 BETAC = .000
 STAB = 5.000 RUDDER = .000
 ELEVON = .000 DX = .000
 DZ = 15.000 IORB = 6.000
 BETAO = .000 DPHI = .000

RUN NO. 1082/ 0 RN/L = .00 GRADIENT INTERVAL = -5.00/ 5.00

MACH	DY	DX	DZ	CN	CLM	CA	CY	CYN	CBL	CL	CD
.606	-9.420	.00000	15.00000	.24770	-.20550	.04430	.00820	-.00140	-.00230	.24540	.05530
.607	-8.850	.00000	15.00000	.24730	-.20530	.04400	.00730	-.00140	-.00230	.24500	.05540
.606	-8.280	.00000	15.00000	.24820	-.20450	.04400	.00870	-.00150	-.00190	.24590	.05550
.606	-7.710	.00000	15.00000	.25130	-.20620	.04410	.00830	-.00150	-.00190	.24890	.05580
.606	-7.140	.00000	15.00000	.24870	-.20540	.04380	.00730	-.00130	-.00190	.24640	.05540
.606	-6.560	.00000	15.00000	.24940	-.20330	.04400	.00630	-.00130	-.00160	.24700	.05560
.606	-5.990	.00000	15.00000	.24580	-.20460	.04380	.00640	-.00130	-.00170	.24350	.05520
.606	-5.420	.00000	15.00000	.24870	-.20580	.04380	.00560	-.00110	-.00160	.24640	.05540
.605	-4.850	.00000	15.00000	.24730	-.20380	.04380	.00520	-.00110	-.00160	.24500	.05520
.605	-4.280	.00000	15.00000	.24860	-.20700	.04360	.00440	-.00090	-.00160	.24630	.05510
.606	-3.710	.00000	15.00000	.24560	-.20220	.04380	.00400	-.00080	-.00120	.24350	.05520
.606	-3.140	.00000	15.00000	.24720	-.20320	.04400	.00280	-.00060	-.00120	.24490	.05550
.605	-2.570	.00000	15.00000	.24890	-.20400	.04420	.00190	-.00060	-.00100	.24660	.05570
.605	-1.990	.00000	15.00000	.24530	-.20370	.04370	.00220	-.00050	-.00070	.24300	.05510
.606	-1.420	.00000	15.00000	.24590	-.20410	.04380	.00180	-.00050	-.00070	.24360	.05520
.607	-.850	.00000	15.00000	.24430	-.20430	.04390	.00020	-.00050	-.00070	.24200	.05520
.607	-.280	.00000	15.00000	.24450	-.20310	.04380	-.00010	-.00060	-.00030	.24220	.05510
.606	.270	-.01000	15.00000	.24840	-.20290	.04410	.00080	-.00060	.00000	.24600	.05560
.606	.850	-.01000	15.00000	.24790	-.20440	.04400	-.00010	-.00080	.00000	.24550	.05550
.605	1.410	-.01000	15.00000	.24920	-.20480	.04430	.00000	-.00100	.00010	.24690	.05580
.604	1.990	-.01000	15.00000	.24890	-.20510	.04400	.00020	-.00110	.00020	.24660	.05550
.604	2.560	-.01000	15.00000	.24760	-.20400	.04410	.00010	-.00110	.00040	.24530	.05560
.605	3.130	-.01000	15.00000	.24670	-.20420	.04390	-.00080	-.00120	.00060	.24430	.05530
.603	3.700	-.01000	15.00000	.24620	-.20660	.04440	-.00140	-.00130	.00080	.24380	.05580
.603	4.270	-.01000	15.00000	.24520	-.20520	.04410	-.00130	-.00120	.00090	.24290	.05550
.603	4.850	-.01000	15.00000	.24410	-.20430	.04390	-.00210	-.00140	.00100	.24180	.05520
.605	5.420	-.01000	15.00000	.24540	-.20390	.04380	-.00140	-.00130	.00110	.24310	.05520
.604	5.990	-.01000	15.00000	.24750	-.20610	.04410	-.00300	-.00120	.00130	.24510	.05550
.604	6.560	-.01000	15.00000	.24760	-.20660	.04390	-.00340	-.00110	.00160	.24530	.05540
.606	7.130	-.01000	15.00000	.24890	-.20140	.04390	-.00350	-.00090	.00170	.24650	.05540
.603	7.700	-.01000	15.00000	.25120	-.20600	.04430	-.00380	-.00070	.00190	.24890	.05590
.605	8.270	-.01000	15.00000	.25030	-.20590	.04410	-.00520	-.00050	.00210	.24790	.05570
.606	8.840	-.01000	15.00000	.25130	-.20420	.04400	-.00630	-.00040	.00230	.24900	.05560
.605	9.420	-.01000	15.00000	.25330	-.20470	.04460	-.00600	-.00040	.00230	.25100	.05630
.605	9.990	-.01000	15.00000	.24780	-.20430	.04390	-.00680	-.00050	.00220	.24550	.05540
	GRADIENT	-.00147	-.00000	-.00011	-.00011	.00004	-.00065	-.00006	.00028	-.00012	.00003

ORIGINAL PAGE IS
 OF POOR QUALITY

LTV44-559(CA26) 747/1 ATY 06 S1 (CARRIER DATA)

(RFE117) (18 NOV 75)

REFERENCE DATA

SREF = 5500.0000 SQ.FT. XMRP = 1339.9000 IN. XC
 LREF = 327.7800 IN. YMRP = .0000 IN. YC
 BREF = 2348.0400 IN. ZMRP = 190.7500 IN. ZC
 SCALE = .0125

PARAMETRIC DATA

ALPHAC = 2.000 BETAC = .000
 STAB = 5.000 RUDDER = .000
 ELEVON = .000 DX = .000
 OZ = 60.000 IORB = 6.000
 BETA0 = .000 DPH1 = .000

RUN NO. 2082/ 0 RN/L = .00 GRADIENT INTERVAL = -5.00/ 5.00

MACH	DY	DX	DZ	CN	CLM	CA	CY	CYN	CBL	CL	CD
.604	-10.000	.02000	51.46000	.29730	-.22580	.04240	.00430	-.00260	.00000	.29500	.05640
.605	-9.430	.02000	51.46000	.29630	-.22470	.04270	.00400	-.00260	.00010	.29390	.05660
.604	-8.860	.02000	51.46000	.29470	-.22600	.04250	.00330	-.00250	-.00010	.29230	.05630
.606	-8.280	.02000	51.46000	.29410	-.22630	.04270	.00340	-.00240	-.00010	.29180	.05650
.604	-7.710	.02000	51.46000	.29720	-.22850	.04310	.00310	-.00240	.00000	.29490	.05700
.606	-7.140	.02000	51.46000	.29430	-.22700	.04280	.00250	-.00230	.00000	.29200	.05650
.603	-6.570	.02000	51.46000	.29580	-.22910	.04280	.00260	-.00210	-.00010	.29350	.05670
.605	-6.000	.02000	51.46000	.29070	-.22760	.04250	.00310	-.00200	-.00010	.28840	.05600
.604	-5.420	.02000	51.46000	.29270	-.22940	.04270	.00230	-.00190	-.00010	.29040	.05630
.604	-4.860	.02000	51.46000	.29360	-.22580	.04240	.00250	-.00180	.00010	.29120	.05620
.604	-4.290	.02000	51.46000	.29470	-.22600	.04270	.00110	-.00170	.00000	.29230	.05640
.603	-3.710	.02000	51.46000	.29490	-.22700	.04260	.00230	-.00160	.00010	.29260	.05640
.604	-3.140	.02000	51.46000	.29750	-.22640	.04280	.00140	-.00160	.00010	.29520	.05670
.606	-2.570	.02000	51.46000	.29550	-.22380	.04280	.00020	-.00150	.00010	.29320	.05670
.605	-2.000	.02000	51.46000	.29310	-.22700	.04270	.00010	-.00130	.00030	.29080	.05640
.603	-1.430	.02000	51.46000	.29570	-.22700	.04270	.00000	-.00110	.00050	.29340	.05660
.605	-.850	.02000	51.46000	.29350	-.22630	.04280	.00000	-.00100	.00030	.29110	.05650
.606	-.280	.02000	51.46000	.29270	-.22520	.04270	-.00120	-.00080	.00020	.29040	.05640
.606	.270	.01000	51.46000	.29360	-.22720	.04270	-.00140	-.00080	.00000	.29120	.05660
.605	.840	.01000	51.46000	.29590	-.22550	.04280	-.00080	-.00080	.00010	.29350	.05670
.604	1.410	.01000	51.46000	.29690	-.22590	.04280	-.00080	-.00060	.00040	.29460	.05670
.606	1.990	.01000	51.46000	.29540	-.22580	.04240	-.00160	-.00050	.00030	.29310	.05630
.604	2.560	.01000	51.46000	.29320	-.22750	.04260	-.00140	-.00050	.00030	.29080	.05630
.607	3.130	.01000	51.46000	.29430	-.22600	.04270	-.00320	-.00020	.00020	.29200	.05650
.606	3.700	.01000	51.46000	.29350	-.22730	.04240	-.00270	-.00020	.00030	.29120	.05610
.606	4.270	.01000	51.46000	.29250	-.22640	.04210	-.00240	-.00010	.00040	.29020	.05580
.603	4.850	.01000	51.46000	.29820	-.22690	.04300	-.00350	.00000	.00030	.29580	.05700
.605	5.410	.01000	51.46000	.29610	-.22720	.04250	-.00330	.00000	.00030	.29370	.05640
.605	5.980	.01000	51.46000	.29530	-.22590	.04230	-.00370	.00010	.00020	.29300	.05610
.605	6.560	.01000	51.46000	.29650	-.22760	.04250	-.00420	.00020	.00020	.29420	.05630
.608	7.130	.02000	51.46000	.29320	-.22590	.04220	-.00400	.00040	.00050	.29090	.05590
.606	7.700	.01000	51.46000	.29650	-.22580	.04260	-.00460	.00030	.00060	.29420	.05640
.607	8.270	.02000	51.46000	.29140	-.22640	.04220	-.00420	.00060	.00070	.28910	.05590
.606	8.840	.02000	51.46000	.29450	-.22840	.04230	-.00450	.00060	.00060	.29220	.05610
.606	9.420	.02000	51.46000	.29660	-.22600	.04310	-.00520	.00050	.00060	.29420	.05700
GRADIENT		-.00146	-.00000	.00000	-.00008	-.00001	-.00055	.00019	.00002	.00000	-.00001

LTV44-559(CA26) 747/1 ATY 06 S1 (CARRIER DATA)

(RFE118) (18 NOV 75)

REFERENCE DATA

SREF = 5500.0000 SQ.FT. XMRP = 1339.9000 IN. XC
 LREF = 327.7800 IN. YMRP = .0000 IN. YC
 BREF = 2348.0400 IN. ZMRP = 190.7500 IN. ZC
 SCALE = .0125

PARAMETRIC DATA

ALPHAC = 2.000 BETAC = .000
 STAB = -1.000 RUDDER = .000
 ELEVON = .000 OX = .000
 OY = .000 IORB = 6.000
 BETAO = .000 DPHI = .000

RUN NO. 83/ 0 RN/L = .00 GRADIENT INTERVAL = -5.00/ 5.00

MACH	DZ	DY	DX	CN	CLM	CA	CY	CYN	CBL	CL	CD
.605	1.460	.00000	-.11000	.14030	.14980	.03960	.00260	-.00210	.00060	.13800	.04690
.604	2.060	.00000	-.10000	.14230	.15190	.04030	.00270	-.00230	.00060	.14000	.04770
.604	2.660	.00000	-.10000	.14440	.15180	.04000	.00160	-.00230	.00060	.14210	.04750
.603	3.360	.00000	-.10000	.14710	.14850	.04020	.00160	-.00220	.00040	.14480	.04780
.603	4.160	.00000	-.09000	.15160	.14820	.04020	.00190	-.00220	.00060	.14930	.04810
.603	4.960	.00000	-.09000	.15660	.14470	.04040	.00080	-.00190	.00050	.15430	.04850
.603	5.960	.00000	-.09000	.15710	.14270	.04020	.00100	-.00190	.00050	.15470	.04830
.607	6.960	.00000	-.07000	.15750	.13890	.03950	.00090	-.00170	.00050	.15530	.04770
.606	7.970	.00000	-.07000	.16120	.14050	.03980	.00010	-.00150	.00070	.15890	.04820
.608	8.960	.00000	-.06000	.16430	.13520	.03950	.00040	-.00140	.00070	.16200	.04810
.603	9.960	.00000	-.06000	.17190	.13570	.03980	-.00040	-.00110	.00010	.16960	.04890
.604	11.150	.00000	-.05000	.17160	.13390	.03960	-.00040	-.00120	.00020	.16930	.04850
.603	12.330	.00000	-.05000	.17590	.13160	.03980	-.00030	-.00120	.00020	.17350	.04880
.605	13.520	.00000	-.03000	.17680	.12800	.03960	-.00050	-.00120	.00030	.17450	.04880
.605	14.700	.00000	-.03000	.17990	.12600	.04030	-.00010	-.00090	.00040	.17750	.04960
.605	15.900	.00000	-.02000	.18320	.12410	.03990	-.00060	-.00080	.00040	.18090	.04940
.604	17.080	.00000	-.02000	.18530	.12490	.03950	-.00100	-.00070	.00010	.18300	.04920
.602	18.270	.00000	-.01000	.18960	.12210	.03990	-.00070	-.00090	.00000	.18720	.04980
.604	19.450	.00000	.00000	.18970	.12110	.03940	-.00110	-.00090	.00020	.19730	.04920
.605	20.640	.00000	.00000	.19010	.11960	.03930	-.00130	-.00080	.00010	.18770	.04920
.602	21.810	.00000	.01000	.19400	.11710	.03970	-.00070	-.00090	.00030	.19160	.04980
.605	23.000	.00000	.01000	.19770	.11540	.03940	-.00110	-.00080	.00030	.19530	.04970
.605	24.190	.00000	.02000	.19720	.11310	.03920	-.00060	-.00080	.00020	.19480	.04950
.603	25.370	.00000	.02000	.20400	.11430	.03990	-.00070	-.00070	.00010	.20170	.05050
.603	26.560	.00000	.03000	.20460	.11310	.03940	-.00060	-.00070	.00010	.20220	.05000
.605	27.740	.00000	.05000	.20490	.11430	.03860	-.00120	-.00090	.00000	.20260	.04930
.604	28.930	.00000	.05000	.20900	.11170	.03900	-.00070	-.00090	.00030	.20570	.04990
.603	30.110	.00000	.06000	.20810	.10980	.03890	-.00080	-.00090	.00010	.20680	.04980
.605	31.310	.00000	.06000	.20860	.11160	.03850	-.00080	-.00080	.00020	.20630	.04940
.606	32.490	.00000	.07000	.20920	.10710	.03860	-.00090	-.00070	.00020	.20590	.04950
.604	33.680	.00000	.07000	.21120	.10740	.03850	-.00120	-.00070	.00000	.20890	.04950
.604	34.860	.00000	.09000	.21400	.10770	.03840	-.00110	-.00070	.00010	.21170	.04960
.605	36.050	.00000	.10000	.21830	.10840	.03850	-.00120	-.00080	.00000	.21600	.04990
.603	37.230	.00000	.10000	.21680	.10820	.03940	-.00080	-.00100	.00020	.21450	.04980
.605	38.420	.00000	.11000	.21870	.10950	.03820	-.00090	-.00080	.00040	.21640	.04970
.603	39.610	.00000	.11000	.22010	.10600	.03830	-.00030	-.00100	.00020	.21780	.04980
.604	40.790	.00000	.13000	.22050	.10380	.03840	-.00070	-.00100	.00020	.21810	.04980
.605	41.980	.00000	.14000	.21930	.10480	.03820	-.00080	-.00090	.00020	.21700	.04970
.609	43.160	.00000	.14000	.21870	.10270	.03780	-.00050	-.00090	.00020	.21640	.04930
.602	44.350	.00000	.15000	.22340	.10420	.03820	-.00030	-.00100	.00010	.22110	.04990
.602	45.530	.00000	.15000	.22420	.10440	.03790	-.00090	-.00100	.00010	.22180	.04970
.606	46.720	.00000	.15000	.22840	.10300	.03830	-.00070	-.00090	.00040	.22610	.05030

LTV44-559(CA26) 747/1 ATY 06 S1 (CARRIER DATA)

(RFE118) (18 NOV 75)

REFERENCE DATA

SREF = 5500.0000 SQ.FT. XMRP = 1339.9000 IN. XC
 LREF = 327.7800 IN. YMRP = .0000 IN. YC
 BREF = 2348.0400 IN. ZMRP = 190.7500 IN. ZC
 SCALE = .0125

PARAMETRIC DATA

ALPHAC = 2.000 BETAC = .000
 STAB = -1.000 RUDDER = .000
 ELEVON = .000 DX = .000
 DY = .000 TORB = 6.000
 BETAG = .000 DPHI = .000

RUN NO. 83/ 0 RN/L = .00 GRADIENT INTERVAL = -5.00/ 5.00

MACH	DZ	DY	DX	CN	CLM	CA	CY	CYN	CBL	CL	CD
.603	47.910	.00000	.18000	.22630	.10370	.03790	-.00080	-.00100	.00030	.22400	.04970
.603	49.090	.00000	.18000	.22800	.10460	.03780	-.00090	-.00090	.00020	.22570	.04980
.605	50.280	.00000	.19000	.22970	.10440	.03750	-.00110	-.00100	.00020	.22740	.04960
.602	51.460	.00000	.19000	.23260	.10170	.03820	-.00060	-.00090	.00020	.23030	.05040
	GRADIENT	.00000	.00528	.00462	-.00169	.00016	-.00047	.00006	-.00003	.00452	.00039

DATE 29 MAR 76

CA-26 FORCE SOURCE DATA TABULATION

PAGE 839

LTV44-559(CA26) 747/1 ATY 06 SI (CARRIER DATA)

(RFE119) (18 NOV 75)

REFERENCE DATA

SREF = 5500.0000 SQ.FT. XMRP = 1339.9000 IN. XC
 LREF = 327.7800 IN. YMRP = .0000 IN. YC
 BREF = 2348.0400 IN. ZMRP = 190.7500 IN. ZC
 SCALE = .0125

PARAMETRIC DATA

ALPHAC = 2.000 BETAC = .000
 STAB = 5.000 RUDDER = 10.000
 ELEVON = .000 DX = .000
 DY = .000 IORB = 6.000
 BETA0 = .000 DPHI = .000

RUN NO. 84/ 0 RN/L = .00 GRADIENT INTERVAL = -5.00/ 5.00

MACH	DZ	DY	DX	CN	CLM	CA	CY	CYN	CBL	CL	CD
.603	1.460	.00000	.00000	.20570	-.15860	.04590	.03200	-.01810	.00370	.20340	.05540
.603	2.060	.00000	.00000	.20810	-.15870	.04600	.03150	-.01820	.00370	.20570	.05570
.604	2.660	.00000	.00000	.21110	-.16070	.04620	.03260	-.01830	.00370	.20870	.05600
.605	3.360	.00000	.00000	.21420	-.16700	.04570	.03230	-.01830	.00360	.21190	.05570
.607	4.160	.00000	.00000	.21710	-.16670	.04630	.03280	-.01840	.00350	.21470	.05640
.606	4.960	.00000	.00000	.22490	-.17400	.04610	.03230	-.01870	.00370	.22250	.05660
.605	5.960	.00000	.00000	.22610	-.17260	.04650	.03350	-.01880	.00380	.22360	.05710
.607	6.960	.00000	.00000	.22520	-.17290	.04610	.03220	-.01860	.00380	.22280	.05660
.606	7.970	.00000	.00000	.22850	-.17580	.04600	.03210	-.01890	.00380	.22210	.05670
.605	8.960	.00000	.00000	.22990	-.17970	.04600	.03250	-.01920	.00380	.22750	.05670
.602	9.960	.00000	.00000	.24080	-.18610	.04730	.03520	-.01950	.00400	.23830	.05850
.603	11.150	.00000	.00000	.23900	-.18520	.04640	.03370	-.01950	.00410	.23660	.05760
.605	12.330	.00000	.00000	.23890	-.18540	.04640	.03370	-.01930	.00390	.23640	.05750
.605	13.520	.00000	.00000	.24490	-.18760	.04660	.03370	-.01930	.00380	.24240	.05800
.603	14.700	.00000	.00000	.25070	-.19160	.04690	.03560	-.01990	.00380	.24820	.05860
.606	15.900	.00000	.00000	.24960	-.19190	.04690	.03430	-.01990	.00390	.24710	.05850
.604	17.080	.00000	.00000	.25200	-.19540	.04680	.03500	-.02010	.00400	.24960	.05860
.605	18.270	.00000	.00000	.25610	-.19520	.04660	.03460	-.02020	.00380	.25360	.05860
.608	19.450	.00000	.00000	.25720	-.19550	.04650	.03470	-.02020	.00390	.25470	.05850
.606	20.640	.00000	.00000	.26160	-.19690	.04660	.03630	-.02040	.00410	.25910	.05890
.607	21.810	.00000	.01000	.25850	-.19850	.04620	.03600	-.02040	.00410	.25610	.05820
.606	23.000	.00000	.01000	.26280	-.20130	.04660	.03720	-.02090	.00420	.26290	.05900
.604	24.190	.00000	.01000	.26540	-.20360	.04660	.03720	-.02090	.00420	.26300	.05890
.605	25.370	.00000	.01000	.26540	-.20240	.04640	.03710	-.02100	.00420	.26300	.05890
.604	26.560	.00000	.01000	.27100	-.20400	.04650	.03730	-.02120	.00420	.26850	.05920
.606	27.740	.00000	.01000	.27260	-.20350	.04600	.03670	-.02120	.00420	.27010	.05880
.606	28.930	.00000	.01000	.27240	-.20200	.04600	.03700	-.02120	.00400	.27000	.05870
.603	30.110	.00000	.01000	.27270	-.20540	.04620	.03740	-.02120	.00410	.27020	.05900
.604	31.310	.00000	.01000	.27750	-.20740	.04610	.03770	-.02150	.00430	.27500	.05920
.604	32.490	.00000	.01000	.28010	-.20540	.04580	.03740	-.02130	.00450	.27770	.05900
.603	33.680	.00000	.01000	.28180	-.20790	.04610	.03760	-.02150	.00440	.27930	.05940
.606	34.860	.00000	.01000	.27890	-.20970	.04540	.03780	-.02150	.00450	.27650	.05850
.607	36.050	.00000	.01000	.28140	-.20660	.04570	.03760	-.02140	.00430	.27900	.05890
.606	37.230	.00000	.01000	.28180	-.21170	.04600	.03850	-.02150	.00430	.27930	.05920
.604	38.420	.00000	.02000	.28530	-.21020	.04600	.03820	-.02160	.00450	.28280	.05940
.605	39.610	.00000	.02000	.28700	-.20880	.04570	.03800	-.02150	.00440	.28450	.05920
.606	40.790	.00000	.02000	.28700	-.21000	.04550	.03800	-.02150	.00440	.28450	.05900
.604	41.980	.00000	.02000	.28830	-.21290	.04580	.03820	-.02170	.00460	.28580	.05930
.608	43.160	.00000	.02000	.28880	-.21100	.04520	.03770	-.02160	.00450	.28630	.05880
.605	44.350	.00000	.02000	.29370	-.21400	.04590	.03820	-.02160	.00430	.29120	.05970
.605	45.530	.00000	.02000	.29220	-.21570	.04550	.03840	-.02170	.00420	.28980	.05930
.605	46.720	.00000	.02000	.29520	-.21250	.04560	.03800	-.02150	.00440	.29270	.05950

LTV44-559(CA26) 747/1 ATY 06 S1 (CARRIER DATA)

(RFE119) (18 NOV 75)

REFERENCE DATA

SREF = 5500.0000 SQ.FT. XMRP = 1339.9000 IN. XC
 LREF = 327.7800 IN. YMRP = .0000 IN. YC
 BREF = 2348.0400 IN. ZMRP = 190.7500 IN. ZC
 SCALE = .0125

PARAMETRIC DATA

ALPHAC = 2.000 BETAC = .000
 STAB = 5.000 RUDDER = 10.000
 ELEVON = .000 DX = .000
 DY = .000 TORB = 6.000
 BETA0 = .000 DPHI = .000

RUN NO. 84/ 0 RN/L = .00 GRADIENT INTERVAL = -5.00/ 5.00

MACH	DZ	DY	DX	CN	GLM	CA	CY	CYN	CBL	CL	CD
.605	47.910	.00000	.02000	.29560	-.21470	.04560	.03790	-.02150	.00440	.29310	.05960
.606	49.090	.00000	.03000	.29490	-.21350	.04550	.03790	-.02150	.00430	.29250	.05930
.605	50.280	.00000	.03000	.29430	-.21450	.04520	.03820	-.02150	.00430	.29180	.05910
.605	51.460	.00000	.03000	.29540	-.21510	.04500	.03790	-.02150	.00430	.29290	.05890
	GRADIENT	.00000	.00000	.00518	-.00442	.00006	.00020	-.00015	-.00003	.00517	.00032

REFERENCE DATA

SREF = 5500.0000 SQ.FT. XMRP = 1339.5000 IN. XC
LREF = 327.7800 IN. YMRP = .0000 IN. YC
BREF = 2348.0400 IN. ZMRP = 190.7500 IN. ZC
SCALE = .0125

PARAMETRIC DATA

ALPHAC = 2.000 BETAC = -5.000
STAB = 5.000 RUDDER = .000
ELEVON = .000 DX = .000
DY = .000 LORB = 6.000
BETA0 = -5.000 DPH1 = .000

RUN NO. 85/ 0 RN/L = .00 GRADIENT INTERVAL = -5.00/ 5.00

MACH	DZ	DY	DX	CN	CLM	CA	CY	CYN	CBL	CL	CD
.600	1.460	.00000	.00000	.26680	-.18260	.04270	.09800	-.01390	.00970	.22450	.05320
.601	2.060	.00000	.00000	.22760	-.18120	.04260	.09800	-.01400	.00960	.22540	.05320
.598	2.660	.00000	.00000	.23100	-.18400	.04270	.09840	-.01430	.01000	.22870	.05350
.599	3.360	.00000	.00000	.23620	-.18560	.04240	.09870	-.01510	.01060	.23390	.05340
.599	4.160	.00000	.00000	.23620	-.18570	.04230	.09830	-.01510	.01070	.23390	.05330
.600	4.960	.00000	.00000	.23920	-.18700	.04150	.09610	-.01600	.01000	.23700	.05270
.599	5.960	.00000	.00000	.24210	-.18770	.04180	.09620	-.01610	.01100	.23990	.05310
.599	6.960	.00000	.00000	.24330	-.19110	.04160	.09630	-.01630	.01110	.24100	.05290
.597	7.970	.00000	.00000	.24730	-.19290	.04180	.09520	-.01650	.01120	.24230	.05320
.598	9.960	.00000	.00000	.25620	-.19560	.04160	.09700	-.01670	.01140	.24510	.05310
.599	11.150	.00000	.00000	.26000	-.20200	.04170	.09470	-.01720	.01160	.24940	.05360
.600	12.330	.00000	.00000	.25600	-.20180	.04150	.09460	-.01720	.01170	.25380	.05340
.598	13.520	.00000	.00000	.26040	-.20340	.04130	.09530	-.01730	.01150	.25550	.05330
.598	14.700	.00000	.00000	.26160	-.20460	.04130	.09520	-.01740	.01180	.25960	.05350
.598	15.900	.00000	.00000	.26520	-.20870	.04170	.09450	-.01770	.01190	.26300	.05400
.600	17.080	.00000	.00000	.26570	-.20930	.04120	.09450	-.01770	.01180	.26350	.05360
.600	18.270	.00000	.00000	.26940	-.21090	.04110	.09480	-.01780	.01200	.26720	.05370
.600	19.450	.00000	.00000	.27110	-.21210	.04090	.09380	-.01810	.01190	.26890	.05360
.600	20.640	.00000	.00000	.27540	-.21230	.04100	.09480	-.01810	.01240	.27320	.05390
.598	21.810	.00000	.00000	.27750	-.21390	.04070	.09570	-.01850	.01240	.27200	.05370
.598	23.000	.00000	.01000	.28190	-.21810	.04100	.09670	-.01910	.01280	.27530	.05360
.598	24.190	.00000	.01000	.28330	-.21820	.04070	.09560	-.01950	.01300	.27970	.05420
.600	25.370	.00000	.01000	.28440	-.22100	.04060	.09660	-.01980	.01340	.28100	.05390
.600	26.560	.00000	.01000	.28590	-.22250	.04050	.09680	-.01980	.01340	.28220	.05390
.598	27.740	.00000	.01000	.28690	-.22410	.04050	.09700	-.02040	.01350	.28470	.05390
.598	28.930	.00000	.01000	.28780	-.22410	.04010	.09790	-.02080	.01360	.28580	.05410
.598	30.110	.00000	.01000	.29240	-.22410	.04050	.09650	-.02090	.01340	.28920	.05410
.598	31.310	.00000	.01000	.29440	-.22690	.04050	.09690	-.02100	.01360	.29020	.05430
.599	32.490	.00000	.01000	.29400	-.22730	.04050	.09720	-.02120	.01370	.29220	.05430
.598	33.680	.00000	.01000	.29460	-.22830	.04050	.09580	-.02130	.01360	.29230	.05430
.599	34.860	.00000	.01000	.29710	-.22750	.04050	.09690	-.02120	.01360	.29490	.05440
.599	36.050	.00000	.01000	.29890	-.22890	.04030	.09670	-.02120	.01380	.29570	.05430
.599	37.230	.00000	.01000	.30030	-.23020	.04060	.09650	-.02120	.01370	.29800	.05450
.600	38.420	.00000	.01000	.30160	-.23040	.04030	.09660	-.02130	.01390	.29930	.05440
.600	39.610	.00000	.01000	.30370	-.23070	.04020	.09660	-.02120	.01400	.30140	.05440
.601	40.790	.00000	.02000	.30280	-.22930	.04000	.09620	-.02120	.01420	.30060	.05420
.597	41.980	.00000	.02000	.30420	-.23340	.03990	.09750	-.02130	.01410	.30200	.05420
.597	43.160	.00000	.02000	.30720	-.23270	.04020	.09740	-.02150	.01400	.30500	.05460
.601	44.350	.00000	.02000	.30310	-.23060	.04020	.09630	-.02130	.01360	.30090	.05360
.599	45.530	.00000	.02000	.30940	-.23160	.04000	.09700	-.02130	.01410	.30710	.05450
.597	46.720	.00000	.02000	.31100	-.23360	.03990	.09660	-.02150	.01440	.30880	.05440

ORIGINAL PAGE IS
OF POOR QUALITY

DATE 29 MAR 76

CA-26 FORCE SOURCE DATA TABULATION

PAGE 842

LTV44-559(CA26) 747/1 ATY 05 S1 (CARRIER DATA)

(RFE120) (18 NOV 75

REFERENCE DATA

SREF = 5500.0000 SQ.FT. XMRP = 1339.9000 IN. XC
 LREF = 327.7800 IN. YMRP = .0000 IN. YC
 BREF = 2348.0400 IN. ZMRP = 190.7500 IN. ZC
 SCALE = .0125

PARAMETRIC DATA

ALPHAC = 2.000 BETAC = -5.000
 STAB = 5.000 RUDDER = .000
 ELEVON = .000 DX = .000
 DY = .000 TORB = 6.000
 BETAO = -5.000 DPHI = .000

RUN NO. 85/ 0 RN/L = .00 GRADIENT INTERVAL = -5.00/ 5.00

MACH	DZ	DY	DX	CN	CLM	CA	CY	CYN	CBL	CL	CD
.597	47.910	.00000	.02000	.30960	-.23370	.03970	.09730	-.02130	.01440	.30740	.05420
.598	49.090	.00000	.02000	.31290	-.23510	.03990	.09740	-.02150	.01410	.31070	.05460
.599	50.280	.00000	.02000	.31180	-.23330	.04000	.09640	-.02150	.01410	.30960	.05470
.598	51.460	.00000	.02000	.31360	-.23530	.03990	.09780	-.02160	.01440	.31140	.05460
	GRADIENT	.00000	.00000	.00376	-.00147	-.00030	-.00042	-.00060	.00038	.00377	-.00311

LTV44-559(CA26) 747/1 ATY 06 S1 (CARRIER DATA)

(RFE121) (18 NOV 75)

REFERENCE DATA

SREF = 5500.0000 SQ.FT. XHRP = 1339.9000 IN. XC
 LREF = 327.7800 IN. YHRP = .0000 IN. YC
 BREF = 2348.0400 IN. ZHRP = 190.7500 IN. ZC
 SCALE = .0125

ALPHAC = 4.000 BETAC = .000
 STAB = 5.000 RUDDER = .000
 ELEVON = .000 DX = .000
 DY = .000 TORB = 4.000
 BETA0 = .000 DPHI = .000

PARAMETRIC DATA

MACH	DZ	DY	DX	GN	CLM	CA	CY	CYN	CBL	CL	CO
.603	1.460	.0000	-.01000	.32650	-.23930	.04180	.00150	-.00140	.00030	.32310	.06280
.604	2.060	.00000	-.01000	.32310	-.23810	.04140	.00180	-.00130	.00040	.31970	.06220
.603	2.660	.00000	-.01000	.32670	-.23870	.04170	.00090	-.00150	.00020	.32330	.06270
.603	3.360	.00060	-.01000	.32930	-.24030	.04120	.00100	-.00120	.00010	.32590	.06240
.602	4.160	.00000	-.01000	.32970	-.24020	.04120	.00080	-.00130	.00010	.32640	.06250
.601	4.960	.00000	-.01000	.33870	-.24210	.04110	.00030	-.00120	.00030	.33540	.06300
.602	5.960	.00000	-.01000	.33730	-.24160	.04120	.00020	-.00110	.00030	.33390	.06300
.603	6.960	.00000	-.01000	.33590	-.24280	.04070	.00070	-.00090	.00040	.33260	.06240
.602	7.970	.00000	-.01000	.33850	-.24010	.04060	.00010	-.00080	.00030	.33510	.06240
.604	8.960	.00000	-.01000	.34170	-.24260	.04070	.00000	-.00100	.00020	.33640	.06280
.603	9.960	.00000	-.01000	.34770	-.24090	.04020	.00030	-.00070	.00010	.34440	.06290
.604	10.900	.00000	-.01000	.35070	-.24060	.04020	.00030	-.00070	.00010	.34740	.06290
.603	11.810	.00000	-.01000	.35040	-.24140	.04000	.00080	-.00070	.00000	.34700	.06280
.604	12.780	.00000	-.01000	.35210	-.24110	.03990	.00050	-.00070	.00000	.34870	.06290
.603	13.710	.00000	-.01000	.35380	-.24170	.03990	.00030	-.00060	.00010	.34870	.06280
.604	14.650	.00000	-.01000	.35500	-.24130	.03980	.00010	-.00050	.00000	.35040	.06280
.603	15.590	.00000	-.01000	.35840	-.24190	.03970	.00010	-.00060	.00000	.35160	.06300
.604	16.530	.00000	-.01000	.36150	-.24330	.03960	.00030	-.00070	.00020	.35500	.06310
.598	17.470	.00000	-.01000	.36710	-.24380	.03990	.00060	-.00050	.00020	.35370	.06380
.602	18.410	.00000	-.01000	.36290	-.24220	.03950	.00050	-.00070	.00000	.35950	.06310
.601	19.350	.00000	-.01000	.36380	-.24300	.03970	.00020	-.00060	.00030	.36040	.06340
.602	20.280	.00000	-.01000	.36470	-.24310	.03920	.00050	-.00070	.00000	.36130	.06300
.603	21.220	.00000	-.01000	.36410	-.24280	.03890	.00010	-.00080	.00000	.36080	.06260
.606	22.150	.00000	-.01000	.36230	-.24280	.03870	.00030	-.00090	.00000	.35900	.06230
.603	23.090	.00000	-.01000	.37450	-.24370	.03890	.00040	-.00080	.00010	.37110	.06330
.604	24.030	.00000	-.01000	.37170	-.24240	.03840	.00000	-.00090	.00010	.36840	.06270
.604	24.960	.00000	-.01000	.36980	-.24190	.03830	.00010	-.00080	.00020	.36650	.06240
.604	25.910	.00000	-.01000	.37140	-.24220	.03820	.00010	-.00080	.00000	.36810	.06250
.604	26.850	.00000	-.01000	.37300	-.24220	.03870	.00000	-.00090	.00010	.36970	.06300
.604	27.780	.00000	-.01000	.37420	-.24390	.03850	.00030	-.00080	.00010	.37080	.06290
.603	28.720	.00000	-.01000	.37370	-.24280	.03800	.00060	-.00080	.00020	.37040	.06240
.603	29.660	.00000	-.01000	.37670	-.24230	.03810	.00050	-.00080	.00010	.37340	.06270
.603	30.600	.00000	-.01000	.37990	-.24270	.03780	.00060	-.00080	.00010	.37650	.06260
.604	31.530	.00000	-.01000	.37920	-.24360	.03780	.00010	-.00080	.00020	.37590	.06260
.602	32.470	.00000	-.01000	.38210	-.24270	.03770	.00000	-.00100	.00000	.37880	.06220
.603	33.410	.00000	-.01000	.38430	-.24330	.03770	.00010	-.00090	.00000	.38100	.06280
.602	34.350	.00000	-.01000	.38150	-.24350	.03790	.00040	-.00080	.00010	.37820	.06290
.602	35.290	.00000	-.01000	.38430	-.24350	.03790	.00020	-.00080	.00010	.38100	.06270
.602	36.230	.00000	-.01000	.38310	-.24480	.03770	.00000	-.00090	.00010	.37980	.06270
.602	37.170	.00000	-.01000	.38360	-.24440	.03770	.00000	-.00080	.00010	.38020	.06280
.603	38.100	.00000	-.01000	.38330	-.24440	.03750	.00020	-.00090	.00030	.38000	.06260
.603	39.040	.00000	-.01000	.38520	-.24400	.03790	.00010	-.00080	.00020	.38180	.06310

LTV44-559(CA26) 747/1 ATY 06 S1 (CARRIER DATA)

(RFE121) (18 NOV 75)

REFERENCE DATA

SREF = 5500.0000 SQ.FT. XMRP = 1339.9000 IN. XC
 LREF = 327.7800 IN. YMRP = .0000 IN. YC
 BREF = 2348.0400 IN. ZMRP = 190.7500 IN. ZC
 SCALE = .0125

PARAMETRIC DATA

ALPHAC = 4.000 BETAC = .000
 STAB = 5.000 RUDDER = .000
 ELEVON = .000 DX = .000
 DY = .000 IORB = 4.000
 BETA0 = .000 DPHI = .000

RUN NO. 86/ 0 RN/L = .00 GRADIENT INTERVAL = -5.00/ 5.00

MACH	DZ	DY	DX	CN	GLM	CA	CY	CYN	CBL	CL	CD
.603	39.980	.00000	.03000	.38550	-.24490	.03740	.00000	-.00090	.00020	.38220	.06270
.603	40.920	.00000	.03000	.38660	-.24580	.03760	.00000	-.00090	.00020	.38330	.06290
.605	41.850	.00000	.05000	.38440	-.24560	.03710	.00000	-.00110	.00000	.38110	.06220
.604	42.790	.00000	.05000	.38920	-.24450	.03660	.00000	-.00100	.00020	.38600	.06220
	GRADIENT	.00000	.00000	.00350	-.00092	-.00019	-.00036	.00005	-.00004	.00353	.00007

DATE 29 MAR 76

CA-26 FORCE SOURCE DATA TABULATION

PAGE 845

LTV44-559(CA26) 747/1 ATY 06 S1 (CARRIER DATA)

(RFE122) (18 NOV 75 .)

REFERENCE DATA

SREF = 5500.0000 SQ.FT. XMRP = 1339.9000 IN. XC
 LREF = 327.7600 IN. YMRP = .0000 IN. YC
 BREF = 2348.0400 IN. ZMRP = 190.7500 IN. ZC
 SCALE = .0125

PARAMETRIC DATA

ALPHAC = 4.000 BETAC = .000
 STAB = 5.000 RUDDER = .000
 ELEVON = .000 DX = .000
 DY = .000 TORB = 6.000
 BETA0 = .000 DPHI = .000

RUN NO. 1086/ 0 RN/L = .00 GRADIENT INTERVAL = -5.00/ 5.00

MACH	DZ	DY	DX	CN	CLM	CA	CY	CYN	CBL	CL	CD
.602	1.490	.00000	-.02000	.29150	-.18670	.03920	.00170	-.00160	.00070	.28830	.05810
.604	2.070	.00000	-.02000	.29750	-.19110	.03910	.00040	-.00150	.00040	.29430	.05840
.604	2.670	.00000	-.02000	.30050	-.19430	.03950	.00030	-.00150	.00040	.29730	.05900
.603	3.380	.00000	-.02000	.30370	-.19660	.03880	.00040	-.00120	.00030	.30050	.05850
.602	4.180	.00000	-.01000	.30730	-.19950	.03910	.00020	-.00120	.00030	.30410	.05910
.600	4.980	.00000	-.01000	.30860	-.19850	.03890	-.00010	-.00120	.00030	.30560	.05900
.605	5.970	.00000	-.01000	.31000	-.20370	.03890	-.00010	-.00090	.00010	.30680	.05900
.602	6.980	.00000	-.01000	.32180	-.20720	.03920	-.00120	-.00070	.00020	.31850	.06020
.604	7.970	.00000	-.01000	.31970	-.20780	.03860	-.00040	-.00050	.00030	.31650	.05940
.603	8.920	.00000	-.01000	.32050	-.20890	.03850	-.00040	-.00050	.00010	.31730	.05930
.602	9.970	.00000	-.01000	.32100	-.21160	.03930	.00010	-.00060	.00030	.31780	.06020
.604	11.290	.00000	-.01000	.33190	-.21190	.03870	-.00140	-.00040	.00000	.32870	.06030
.602	12.610	.00000	-.01000	.33850	-.21550	.03890	-.00030	-.00030	.00010	.33520	.06100
.605	13.920	.00000	.00000	.33390	-.21780	.03850	-.00140	-.00020	.00000	.33060	.06030
.601	15.240	.00000	.00000	.34000	-.22110	.03870	-.00040	-.00030	.00000	.33680	.06080
.602	16.550	.00000	.00000	.34090	-.22040	.03860	-.00120	-.00030	.00010	.33770	.06080
.603	17.870	.00000	.00000	.34250	-.22420	.03830	-.00070	-.00030	.00000	.33920	.06060
.606	19.190	.00000	.00000	.34430	-.21990	.03820	-.00100	-.00030	.00020	.34110	.06060
.600	20.500	.00000	.00000	.35100	-.22490	.03820	-.00010	-.00040	.00010	.34770	.06100
.602	21.810	.00000	.01000	.35490	-.22410	.03800	-.00070	-.00050	.00000	.35160	.06120
.602	23.130	.00000	.01000	.35600	-.22720	.03810	-.00090	-.00040	.00000	.35270	.06140
.603	24.450	.00000	.01000	.35510	-.23000	.03800	-.00080	-.00060	.00000	.35190	.06120
.606	25.770	.00000	.01000	.35460	-.22730	.03770	-.00050	-.00060	.00000	.35140	.06080
.602	27.080	.00000	.01000	.36230	-.22990	.03770	-.00040	-.00050	.00010	.35540	.06140
.605	28.400	.00000	.02000	.36690	-.22970	.03770	-.00040	-.00050	.00010	.36360	.06170
.602	29.710	.00000	.02000	.36310	-.22810	.03620	-.00050	-.00070	.00020	.35990	.06090
.602	31.030	.00000	.02000	.36500	-.22840	.03700	-.00040	-.00060	.00030	.36180	.06090
.602	32.350	.00000	.02000	.36850	-.23160	.03760	-.00060	-.00060	.00010	.36520	.06180
.605	33.660	.00000	.02000	.37080	-.23440	.03760	-.00040	-.00060	.00000	.36750	.06190
.604	34.980	.00000	.02000	.36840	-.22940	.03690	-.00030	-.00080	-.00010	.36510	.06100
.601	36.290	.00000	.02000	.37560	-.23290	.03730	-.00010	-.00070	-.00010	.37230	.06190
.604	37.610	.00000	.03000	.37260	-.23340	.03710	-.00010	-.00080	.00010	.36930	.06150
.605	38.930	.00000	.03000	.37370	-.23370	.03740	-.00010	-.00080	.00000	.37040	.06180
.602	40.240	.00000	.03000	.37990	-.23680	.03720	-.00020	-.00070	.00010	.37660	.06210
.606	41.550	.00000	.03000	.37620	-.23350	.03700	-.00010	-.00070	.00010	.37290	.06170
.606	42.870	.00000	.03000	.37690	-.23520	.03710	-.00010	-.00080	.00010	.37360	.06180
.605	44.200	.00000	.05000	.38040	-.23840	.03680	.00000	-.00100	.00000	.37710	.06170
.604	45.510	.00000	.05000	.38150	-.23820	.03700	.00050	-.00080	.00020	.37830	.06210
.604	46.830	.00000	.05000	.38440	-.23600	.03680	.00020	-.00070	.00020	.38110	.06210
.602	48.140	.00000	.05000	.38450	-.23860	.03690	-.00020	-.00080	.00000	.38120	.06200
.603	49.450	.00000	.05000	.38350	-.23940	.03660	.00000	-.00080	.00020	.38020	.06190
GRADIENT		.00000	.00000	.00478	-.00344	-.00009	-.00037	.00013	-.00009	.00478	.00024

LTV44-559(CA26) 747/1 ATY 06 S1 (CARRIER DATA)

(RFE123) (18 NOV 75)

REFERENCE DATA

SREF = 5500.0000 SQ.FT. XMRP = 1339.9000 IN. XC
 LREF = 327.7800 IN. YMRP = .0000 IN. YC
 BREF = 2348.0400 IN. ZMRP = 190.7500 IN. ZC
 SCALE = .0125

PARAMETRIC DATA

ALPHAC = 4.000 BETAC = .000
 STAB = 5.000 RUDDER = .000
 ELEVON = .000 DX = .000
 DY = .000 IORB = 8.000
 BETA0 = .000 DPH1 = .000

RUN NO. 87/ 0 RN/L = .00 GRADIENT INTERVAL = -5.00/ 5.00

MACH	DZ	DY	DX	CN	CLM	CA	CY	CYN	CBL	CL	CD
.603	1.460	.00000	-.03000	.26080	-.12940	.03740	-.00090	-.00200	.00050	.25780	.05450
.603	2.060	.00000	-.03000	.25080	-.13060	.03750	-.00020	-.00200	.00060	.25780	.05450
.603	2.660	.00000	-.02000	.26350	-.13340	.03750	-.00040	-.00190	.00060	.26050	.05480
.602	3.360	.00000	-.02000	.27210	-.13660	.03750	-.00100	-.00170	.00050	.26900	.05540
.602	4.160	.00000	-.02000	.27310	-.13550	.03750	-.00090	-.00170	.00050	.27000	.05540
.602	4.960	.00000	-.02000	.27870	-.14650	.03780	-.00120	-.00120	.00040	.27560	.05600
.602	5.960	.00000	-.02000	.27840	-.14660	.03770	-.00180	-.00120	.00040	.27530	.05590
.601	6.960	.00000	-.02000	.28500	-.14840	.03800	-.00190	-.00120	.00050	.28190	.05670
.602	7.970	.00000	-.02000	.28810	-.15430	.03800	-.00230	-.00090	.00040	.28490	.05680
.601	8.960	.00000	-.01000	.29370	-.15970	.03820	-.00220	-.00090	.00030	.28030	.05740
.601	9.960	.00000	-.01000	.30180	-.16760	.03820	-.00290	-.00070	.00020	.29860	.05800
.602	11.120	.00000	-.01000	.30100	-.16890	.03810	-.00240	-.00060	.00020	.29790	.05780
.601	12.270	.00000	-.01000	.30460	-.17240	.03790	-.00230	-.00050	.00040	.30140	.05790
.603	13.430	.00000	-.01000	.30810	-.17340	.03800	-.00280	-.00030	.00030	.30490	.05820
.603	14.580	.00000	-.01000	.31110	-.17730	.03800	-.00260	-.00030	.00010	.30790	.05840
.600	15.730	.00000	.00000	.31470	-.18500	.03820	-.00310	-.00020	.00020	.31160	.05870
.600	16.890	.00000	.00000	.32060	-.18820	.03830	-.00310	-.00020	.00020	.31730	.05990
.601	18.040	.00000	.00000	.32280	-.18890	.03830	-.00320	-.00020	.00010	.31960	.05940
.603	19.200	.00000	.00000	.32220	-.19110	.03780	-.00290	-.00010	.00020	.31900	.05990
.601	20.360	.00000	.00000	.32660	-.19500	.03790	-.00330	.00000	.00020	.32340	.05920
.603	21.500	.00000	.01000	.33030	-.19640	.03820	-.00330	.00000	.00000	.32710	.05980
.601	22.650	.00000	.01000	.33110	-.20000	.03830	-.00310	-.00010	.00000	.32790	.05990
.601	23.810	.00000	.01000	.33520	-.20000	.03920	-.00270	-.00010	.00010	.33200	.06020
.600	24.960	.00000	.01000	.34030	-.20440	.03620	-.00290	-.00010	.00010	.33710	.06040
.600	26.120	.00000	.01000	.34150	-.20600	.03820	-.00360	-.00010	.00000	.33830	.06060
.603	27.270	.00000	.01000	.33970	-.20690	.03790	-.00350	-.00010	.00000	.33650	.06010
.602	28.430	.00000	.02000	.34290	-.21110	.03820	-.00240	-.00010	.00000	.33950	.06060
.600	29.580	.00000	.02000	.34790	-.21150	.03830	-.00280	-.00030	.00000	.34470	.06100
.602	30.730	.00000	.02000	.34840	-.21380	.03810	-.00280	-.00020	.00000	.34510	.06090
.602	31.890	.00000	.02000	.35160	-.21570	.03830	-.00260	-.00020	.00000	.34840	.06130
.604	33.040	.00000	.02000	.35130	-.21390	.03770	-.00320	-.00030	-.00010	.34810	.06070
.601	34.200	.00000	.02000	.35570	-.21720	.03790	-.00270	-.00050	.00000	.35350	.06130
.602	35.360	.00000	.03000	.35540	-.21760	.03770	-.00240	-.00050	.00000	.35210	.06100
.601	36.510	.00000	.03000	.35800	-.21780	.03760	-.00240	-.00030	.00040	.35480	.06110
.601	37.660	.00000	.03000	.35300	-.21750	.03760	-.00250	-.00030	.00020	.35970	.06150
.601	39.810	.00000	.03000	.35320	-.22010	.03750	-.00280	-.00040	-.00020	.36000	.06140
.601	39.970	.00000	.03000	.36490	-.22270	.03760	-.00290	-.00040	-.00010	.36160	.06150
.603	41.120	.00000	.05000	.36380	-.22010	.03720	-.00260	-.00040	-.00010	.36060	.06100
.603	42.280	.00000	.05000	.36530	-.22210	.03780	-.00250	-.00040	.00010	.36200	.06180
.604	43.430	.00000	.05000	.36700	-.22350	.03700	-.00250	-.00060	.00010	.36370	.06100
.602	44.590	.00000	.05000	.37270	-.22320	.03760	-.00220	-.00040	.00010	.36940	.06210
.603	45.740	.00000	.05000	.37070	-.22560	.03740	-.00170	-.00060	.00010	.36750	.06170

DATE 29 MAR 76

CA-26 FORCE SOURCE DATA TABULATION

PAGE 847

LTV44-559(CA26) 747/1 ATY 06 S1 (CARRIER DATA)

(RFE123) (18 NOV 75)

REFERENCE DATA

SREF = 5500.0000 SQ.FT. XMRP = 1339.9000 IN. XC
 LREF = 327.7800 IN. YMRP = .0000 IN. YC
 BREF = 2348.0400 IN. ZMRP = 190.7500 IN. ZC
 SCALE = .0125

PARAMETRIC DATA

ALPHAC = 4.000 BETAC = .000
 STAB = 5.000 RUDDER = .000
 ELEVON = .000 DX = .000
 DY = .000 IORB = 8.000
 BETA0 = .000 DPHI = .000

RUN NO. 87/ 0 RN/L = .00 GRADIENT INTERVAL = -5.00/ 5.00

MACH	DZ	DY	DX	CN	GLM	CA	CY	CYN	CBL	CL	CD
.603	46.900	.00000	.05000	.36970	-.22640	.03740	-.00190	-.00060	.00000	.36640	.06160
.600	48.050	.00000	.06000	.37670	-.22820	.03770	-.00210	-.00040	.00000	.37340	.06240
.601	49.200	.00000	.06000	.37450	-.22810	.03710	-.00220	-.00060	.00000	.37130	.06150
.600	50.360	.00000	.06000	.37730	-.22960	.03710	-.00140	-.00060	.00010	.37410	.06190
.600	51.510	.00000	.06000	.37700	-.23060	.03730	-.00190	-.00060	.00000	.37370	.06200
.602	52.670	.00000	.07000	.37960	-.22920	.03670	-.00210	-.00060	.00010	.37640	.06160
.601	53.820	.00000	.07000	.38200	-.22890	.03710	-.00180	-.00050	.00010	.37870	.06220
.601	54.980	.00000	.07000	.38500	-.22980	.03730	-.00230	-.00060	.00010	.38170	.06260
	GRADIENT	.00000	.00313	.00553	-.00427	.00008	-.00018	.00021	-.00004	.00549	.00044

ORIGINAL PAGE IS
 OF POOR QUALITY

LTV44-559(CA26) 747/1 ATY 06 SI (CARRIER DATA)

(RFE124) (18 NOV 75)

REFERENCE DATA

SREF = 5500.0000 SQ.FT. XMRP = 1339.9000 IN. XC
 LREF = 327.7800 IN. YMRP = .0000 IN. YC
 BREF = 2348.0400 IN. ZMRP = 190.7500 IN. ZC
 SCALE = .0125

PARAMETRIC DATA

ALPHAC = .000 BETAC = .000
 STAB = 5.000 RUDDER = .000
 ELEVON = .000 DX = .000
 DY = .000 TORB = 4.000
 BETA0 = .000 DPHI = .000

RUN NO. 88/ 0 RN/L = .00 GRADIENT INTERVAL = -5.00/ 5.00

MACH	DZ	DY	DX	CN	CLM	CA	CY	CYN	CBL	CL	CD
.600	1.460	.00000	.07000	.02880	-.18490	.05060	.00370	-.00170	.00040	.02890	.05060
.599	2.060	.00000	.06000	.03380	-.18290	.05150	.00530	-.00180	.00020	.03380	.05140
.599	2.660	.00000	.06000	.03700	-.18320	.05100	.00540	-.00170	.00040	.03700	.05100
.601	3.360	.00000	.06000	.03680	-.18720	.05050	.00370	-.00170	.00010	.03680	.05040
.598	4.160	.00000	.06000	.03740	-.18760	.05070	.00550	-.00180	.00030	.03750	.05060
.597	4.960	.00000	.06000	.04300	-.18700	.05070	.00530	-.00170	.00070	.04300	.05060
.597	6.960	.00000	.05000	.04270	-.18870	.05060	.00500	-.00170	.00070	.04270	.05060
.598	8.960	.00000	.05000	.04350	-.18590	.05020	.00400	-.00160	.00060	.04350	.05020
.602	10.510	.00000	.03000	.05030	-.18490	.04950	.00370	-.00150	.00010	.05030	.04950
.601	11.600	.00000	.03000	.04800	-.18580	.04950	.00290	-.00150	.00020	.04800	.04950
.600	12.690	.00000	.03000	.05350	-.18700	.04970	.00370	-.00170	.00000	.05350	.04960
.599	13.780	.00000	.02000	.05120	-.18900	.04970	.00340	-.00140	.00040	.05120	.04970
.599	14.870	.00000	.02000	.05450	-.18940	.04980	.00350	-.00140	.00020	.05450	.04970
.601	15.960	.00000	.02000	.05990	-.18550	.04950	.00370	-.00140	.00000	.05990	.04950
.598	17.050	.00000	.02000	.05560	-.18920	.04940	.00280	-.00140	.00020	.05570	.04940
.601	18.140	.00000	.01000	.05890	-.18860	.04960	.00440	-.00130	.00040	.05890	.04960
.599	19.240	.00000	.01000	.06220	-.18710	.04960	.00360	-.00130	.00040	.06220	.04960
.598	20.320	.00000	.01000	.06200	-.19030	.04920	.00310	-.00140	.00030	.06200	.04920
.601	21.420	.00000	.01000	.06490	-.18780	.04900	.00290	-.00140	.00040	.06490	.04900
.599	22.500	.00000	.00000	.06890	-.18800	.04940	.00260	-.00140	.00020	.06890	.04940
.602	23.590	.00000	.00000	.07110	-.18170	.04860	.00380	-.00140	.00060	.07110	.04860
.598	24.680	.00000	.00000	.06900	-.18660	.04880	.00300	-.00140	.00020	.06900	.04880
.599	25.770	.00000	.00000	.07080	-.18730	.04900	.00380	-.00140	.00030	.07080	.04900
.600	26.860	.00000	-.01000	.06910	-.18850	.04930	.00370	-.00120	.00040	.06910	.04930
.599	27.950	.00000	-.01000	.06950	-.18920	.04890	.00340	-.00140	.00000	.06950	.04890
.605	29.040	.00000	-.01000	.06920	-.18570	.04790	.00390	-.00130	.00030	.06920	.04790
.599	30.130	.00000	-.01000	.07430	-.19000	.04900	.00290	-.00130	.00020	.07430	.04900
.603	31.220	.00000	-.01000	.07340	-.18600	.04810	.00320	-.00130	.00030	.07340	.04810
.599	32.310	.00000	-.02000	.07390	-.18960	.04910	.00390	-.00130	.00020	.07390	.04910
.603	33.400	.00000	-.02000	.07340	-.18690	.04840	.00260	-.00130	.00020	.07340	.04840
.600	34.500	.00000	-.02000	.07680	-.18970	.04890	.00400	-.00130	.00010	.07680	.04890
.602	35.580	.00000	-.02000	.07560	-.19110	.04820	.00280	-.00130	.00020	.07560	.04820
.601	36.580	.00000	-.03000	.07490	-.18990	.04790	.00330	-.00140	.00020	.07490	.04790
.601	37.760	.00000	-.03000	.07770	-.18940	.04860	.00310	-.00140	.00050	.07770	.04860
.598	38.860	.00000	-.03000	.07960	-.19140	.04950	.00270	-.00130	.00030	.07960	.04950
.598	39.950	.00000	-.03000	.07970	-.19160	.04890	.00370	-.00140	.00000	.07970	.04890
.598	41.040	.00000	-.03000	.08110	-.19130	.04920	.00400	-.00140	.00010	.08110	.04920
.599	42.130	.00000	-.05000	.07940	-.19160	.04860	.00370	-.00140	.00000	.07940	.04860
.601	43.220	.00000	-.05000	.08110	-.18820	.04850	.00390	-.00130	.00050	.08110	.04850
.599	44.310	.00000	-.05000	.08270	-.19120	.04880	.00250	-.00150	.00020	.08270	.04880
.601	45.400	.00000	-.05000	.08330	-.19030	.04820	.00280	-.00130	.00030	.08330	.04820
.602	46.490	.00000	-.05000	.08170	-.19080	.04850	.00270	-.00120	.00020	.08170	.04850

DATE 29 MAR 76

CA-26 FORCE SOURCE DATA TABULATION

PAGE 849

LTV44-559(CA26) 747/1 ATY 06 SI (CARRIER DATA)

(RFE124) (18 NOV 75)

REFERENCE DATA

SREF = 5500.0000 SQ.FT. XMRP = 1339.9000 IN. XC
LREF = 327.7800 IN. YMRP = .0000 IN. YC
BREF = 2348.0400 IN. ZMRP = 190.7500 IN. ZC
SCALE = .0125

PARAMETRIC DATA

ALPHAC = .000 BETAC = .000
STAB = 5.000 RUDDER = .000
ELEVON = .000 DX = .000
DY = .000 IORB = 4.000
BETAG = .000 DPHI = .000

RUN NO. 88/ 0 RN/L = .00 GRADIENT INTERVAL = -5.00/ 5.00

MACH	OZ	DY	DX	CN	CLM	CA	CY	CYN	CBL	CL	CD
.601	47.590	.00000	-.06000	.08350	-.19140	.04840	.00260	-.00130	.00040	.08350	.04840
.600	48.120	.00000	-.06000	.08470	-.18890	.04830	.00310	-.00110	.00050	.08470	.04840
	GRADIENT	.00000	-.00192	.00329	-.00118	-.00010	.00028	-.00000	.00007	.00328	-.00012

LTV44-559(CA26) 747/1 ATY 06 S1 (CARRIER DATA)

(RFE125) (18 NOV 75)

REFERENCE DATA

SREF = 5500.0000 SQ.FT. XMRP = 1339.9000 IN. XC
 LREF = 327.7800 IN. YMRP = .0000 IN. YC
 BREF = 2348.0400 IN. ZMRP = 190.7500 IN. ZC
 SCALE = .0125

PARAMETRIC DATA

ALPHAC = .000 BETAC = .000
 STAB = 5.000 RUDDER = .000
 ELEVON = .000 DX = .000
 DY = .000 IORB = 6.000
 BETAO = .000 DPHI = .000

RUN NO. 1088/ 0 RN/L = .00 GRADIENT INTERVAL = -5.00/ 5.00

MACH	DZ	DY	DX	CN	CLM	CA	CY	CYN	CBL	CL	CO
.604	1.480	.00000	.06000	-.00240	-.12000	.04690	.00510	-.00180	.00050	-.00240	.04690
.600	2.070	.00000	.05000	.00480	-.12360	.04730	.00420	-.00180	.00050	.00460	.04730
.597	2.670	.00000	.05000	.00560	-.12410	.04740	.00430	-.00180	.00080	.00560	.04740
.597	3.300	.00000	.05000	.00980	-.12990	.04740	.00490	-.00190	.00050	.00980	.04740
.600	4.170	.00000	.05000	.01530	-.13150	.04760	.00410	-.00210	.00030	.01530	.04760
.600	4.970	.00000	.05000	.01370	-.13200	.04770	.00340	-.00200	.00040	.01360	.04770
.600	6.970	.00000	.03000	.02830	-.14420	.04820	.00230	-.00170	-.00010	.02830	.04820
.602	8.980	.00000	.03000	.02660	-.14470	.04760	.00310	-.00170	.00030	.02660	.04760
.600	10.660	.00000	.03000	.02950	-.15270	.04810	.00390	-.00120	.00050	.02950	.04810
.601	12.040	.00000	.02000	.03430	-.15420	.04750	.00340	-.00140	.00030	.03430	.04750
.600	13.200	.00000	.02000	.03900	-.15530	.04800	.00230	-.00130	.00010	.03900	.04800
.594	14.800	.00000	.02000	.04440	-.15970	.04870	.00240	-.00130	.00010	.04440	.04870
.603	16.180	.00000	.02000	.04540	-.15450	.04730	.00280	-.00120	.00030	.04530	.04730
.601	17.560	.00000	.01000	.04750	-.15660	.04760	.00190	-.00110	.00040	.04750	.04760
.598	18.940	.00000	.01000	.04580	-.16350	.04770	.00270	-.00110	.00030	.04580	.04770
.600	20.320	.00000	.01000	.05030	-.16460	.04790	.00210	-.00100	.00050	.05030	.04790
.599	21.690	.00000	.00000	.04900	-.16690	.04780	.00260	-.00100	.00050	.04900	.04780
.598	23.070	.00000	.00000	.05090	-.16760	.04770	.00270	-.00110	.00030	.05090	.04770
.601	24.450	.00000	.00000	.05370	-.16750	.04750	.00210	-.00100	.00030	.05370	.04750
.598	25.830	.00000	.00000	.05640	-.17060	.04800	.00270	-.00120	.00050	.05640	.04800
.595	27.200	.00000	-.01000	.05810	-.17430	.04870	.00270	-.00120	.00040	.05810	.04870
.601	28.580	.00000	-.01000	.05760	-.17340	.04770	.00300	-.00110	.00040	.05760	.04770
.601	29.960	.00000	-.01000	.06260	-.17200	.04760	.00250	-.00100	.00000	.06260	.04760
.601	31.340	.00000	-.01000	.06020	-.17320	.04770	.00290	-.00130	.00040	.06020	.04770
.595	32.730	.00000	-.02000	.06610	-.17760	.04860	.00250	-.00120	.00050	.06610	.04860
.598	34.110	.00000	-.02000	.06560	-.17420	.04800	.00250	-.00110	.00040	.06560	.04800
.600	35.490	.00000	-.02000	.06940	-.17470	.04760	.00290	-.00120	.00050	.06940	.04760
.601	36.870	.00000	-.02000	.06990	-.17390	.04780	.00310	-.00110	.00020	.06990	.04780
.600	38.250	.00000	-.03000	.06920	-.17770	.04770	.00350	-.00100	.00050	.06920	.04780
.602	39.630	.00000	-.03000	.07090	-.17340	.04720	.00280	-.00120	.00010	.07090	.04730
.601	41.000	.00000	-.03000	.07100	-.17610	.04740	.00250	-.00130	-.00020	.07100	.04750
.601	42.380	.00000	-.05000	.07110	-.17880	.04770	.00280	-.00120	.00020	.07110	.04770
.600	43.760	.00000	-.05000	.07250	-.17860	.04770	.00280	-.00110	.00030	.07250	.04770
.599	45.140	.00000	-.05000	.07360	-.17720	.04770	.00270	-.00120	.00020	.07360	.04770
.600	46.520	.00000	-.05000	.07290	-.18100	.04760	.00240	-.00120	.00000	.07290	.04760
.600	47.900	.00000	-.06000	.07260	-.17970	.04750	.00290	-.00120	.00000	.07260	.04750
.600	49.270	.00000	-.06000	.07410	-.18120	.04750	.00340	-.00120	.00010	.07410	.04750
.597	50.650	.00000	-.06000	.07620	-.18330	.04820	.00300	-.00140	-.00020	.07620	.04820
.601	52.030	.00000	-.06000	.07530	-.18330	.04780	.00300	-.00130	.00000	.07530	.04780
.601	53.420	.00000	-.06000	.07840	-.18210	.04770	.00260	-.00120	.00020	.07840	.04770
.602	54.790	.00000	-.07000	.08080	-.18010	.04770	.00340	-.00130	.00020	.08080	.04770
GRADIENT		.00000	-.00191	.00470	-.00062	.00020	-.00034	-.00008	-.00006	.00068	.00020

LTV44-559(CA26) 747/1 ATY 05 S1 (CARRIER DATA)

(RFE126) (18 NOV 75)

REFERENCE DATA

SREF = 5500.0000 SQ.FT. XMRP = 1339.9000 IN. XC
 LPEF = 327.7600 IN. YMRP = .0000 IN. YC
 BREF = 2348.0400 IN. ZMRP = 190.7500 IN. ZC
 SCALE = .0125

PARAMETRIC DATA

ALPHAC = .000 BETAC = .000
 STAB = 5.000 RUDDER = .000
 ELEVON = .000 OX = .000
 DY = .000 TORB = 8.000
 BETAO = .000 OPHI = .000

RUN NO. 89/ 0 RN/L = .00 GRADIENT INTERVAL = -5.00/ 5.00

MACH	DZ	DY	DX	CN	CLM	CA	CY	CYN	CBL	CL	CD
.600	1.460	.00000	.05000	-.03220	-.07110	.04500	.00560	-.00250	.00040	-.03220	.04500
.599	2.060	.00000	.05000	-.03090	-.07090	.04550	.00550	-.00250	.00060	-.03090	.04550
.601	2.660	.00000	.05000	-.03110	-.07140	.04500	.00530	-.00240	.00060	-.03110	.04500
.598	3.260	.00000	.03000	-.02020	-.07290	.04560	.00570	-.00240	.00090	-.02020	.04560
.600	4.460	.00000	.03000	-.01630	-.07130	.04530	.00530	-.00240	.00060	-.01630	.04550
.600	5.590	.00000	.03000	-.01240	-.07910	.04480	.00460	-.00240	.00050	-.01250	.04580
.598	6.840	.00000	.03000	-.00840	-.08140	.04580	.00450	-.00210	.00090	-.00840	.04580
.600	8.090	.00000	.03000	-.00690	-.08610	.04550	.00450	-.00200	.00050	-.00690	.04550
.602	9.340	.00000	.02000	-.00020	-.09130	.04540	.00330	-.00160	.00050	-.00030	.04540
.600	10.620	.00000	.02000	.00710	-.10180	.04620	.00300	-.00150	.00040	.00700	.04620
.599	11.940	.00000	.02000	.00760	-.10570	.04680	.00350	-.00160	.00030	.00760	.04680
.599	13.270	.00000	.02000	.01240	-.10750	.04680	.00270	-.00150	.00030	.01230	.04660
.600	14.590	.00000	.02000	.01550	-.11490	.04670	.00310	-.00130	.00040	.01550	.04670
.598	15.910	.00000	.01000	.01780	-.11980	.04700	.00250	-.00120	.00030	.01780	.04700
.599	17.220	.00000	.01000	.01890	-.12530	.04720	.00290	-.00110	.00010	.01890	.04720
.599	18.560	.00000	.01000	.02510	-.12830	.04710	.00280	-.00100	.00000	.02500	.04710
.597	19.970	.00000	.01000	.02790	-.13170	.04750	.00270	-.00100	.00020	.02790	.04760
.601	21.190	.00000	.01000	.03140	-.13290	.04730	.00190	-.00090	.00020	.03140	.04730
.601	22.500	.00000	.00000	.03400	-.13640	.04770	.00170	-.00100	-.00010	.03400	.04770
.600	23.830	.00000	.00000	.03400	-.13910	.04720	.00240	-.00090	.00000	.03400	.04720
.600	25.150	.00000	.00000	.03640	-.14170	.04740	.00270	-.00090	.00020	.03630	.04740
.600	26.470	.00000	.00000	.04220	-.14570	.04830	.00200	-.00100	.00050	.04220	.04830
.601	27.790	.00000	-.01000	.04360	-.14460	.04750	.00270	-.00090	.00030	.04360	.04750
.599	29.110	.00000	-.01000	.04240	-.14750	.04770	.00210	-.00100	-.00010	.04240	.04770
.599	30.430	.00000	-.01000	.04300	-.14920	.04750	.00260	-.00100	.00030	.04300	.04750
.600	31.750	.00000	-.01000	.04770	-.15320	.04770	.00200	-.00090	.00020	.04770	.04770
.600	33.070	.00000	-.02000	.05020	-.15250	.04790	.00160	-.00110	.00000	.05010	.04790
.599	34.390	.00000	-.02000	.05250	-.15270	.04780	.00250	-.00110	.00010	.05250	.04780
.600	35.710	.00000	-.02000	.05400	-.15620	.04770	.00240	-.00090	.00000	.05400	.04770
.600	37.030	.00000	-.02000	.05970	-.15770	.04760	.00210	-.00100	.00000	.05970	.04760
.600	38.350	.00000	-.02000	.05830	-.15690	.04760	.00170	-.00100	.00010	.05830	.04760
.599	39.670	.00000	-.03000	.05640	-.16200	.04780	.00250	-.00080	.00030	.05640	.04780
.601	40.990	.00000	-.03000	.05070	-.16100	.04780	.00230	-.00100	.00020	.05000	.04780
.599	42.310	.00000	-.03000	.06270	-.16200	.04800	.00210	-.00110	.00000	.06270	.04800
.600	43.640	.00000	-.05000	.06000	-.16430	.04830	.00230	-.00110	.00010	.06000	.04800
.600	44.960	.00000	-.05000	.06120	-.16680	.04780	.00240	-.00100	.00000	.06110	.04780
.599	46.270	.00000	-.05000	.06250	-.16860	.04790	.00320	-.00100	.00030	.06250	.04790
.598	47.590	.00000	-.05000	.06450	-.16850	.04770	.00280	-.00120	.00030	.06450	.04820
.600	48.920	.00000	-.05000	.06710	-.16930	.04770	.00210	-.00120	.00000	.06710	.04770
.599	50.240	.00000	-.05000	.06790	-.16980	.04790	.00270	-.00120	.00000	.06780	.04790
.601	51.560	.00000	-.06000	.06590	-.16810	.04760	.00280	-.00120	.00030	.06690	.04760
.601	52.880	.00000	-.06300	.07000	-.16270	.04770	.00240	-.00110	.00010	.07000	.04770

LTV44-559(CA26) 747/1 ATY 06 S1 (CARRIER DATA)

(RFE126) (18 NOV 75)

REFERENCE DATA

SREF = 5500.0000 SQ.FT. XMRP = 1339.9000 IN. XC
 LPEF = 327.7800 IN. YMRP = .0000 IN. YC
 BREF = 2348.0400 IN. ZMRP = 190.7500 IN. ZC
 SCALE = .0125

PARAMETRIC DATA

ALPHAC = .000 BETAC = .000
 STAB = 5.000 RUDDER = .000
 ELEVON = .000 DX = .000
 DY = .000 TORB = 8.000
 BETAQ = .000 DPHI = .000

RUN NO. 89/ 0 RN/L = .00 GRADIENT INTERVAL = -5.00/ 5.00

MACH	DZ	DY	DX	CN	CLM	CA	CY	CYN	CBL	CL	CD
.599	54.200	.00000	-.06000	.07280	-.17110	.04760	.00270	-.00120	-.00020	.07280	.04770
.599	55.520	.00000	-.07000	.06970	-.17500	.04790	.00300	-.00120	-.00010	.06970	.04790
.599	56.840	.00000	-.07000	.07060	-.17130	.04780	.00290	-.00120	.00010	.07060	.04790
.600	58.160	.00000	-.07000	.07170	-.17450	.04800	.00300	-.00120	.00000	.07170	.04800
.599	59.480	.00000	-.09000	.07200	-.17570	.04800	.00290	-.00130	.00000	.07200	.04800
.599	60.800	.00000	-.09000	.07450	-.17500	.04830	.00300	-.00120	.00000	.07450	.04830
.599	61.460	.00000	-.09000	.07600	-.17460	.04850	.00290	-.00120	.00010	.07590	.04850
	GRADIENT	.00000	-.00821	.00587	-.00029	.00015	-.00005	.00004	.00008	.00587	.00015

DATE 29 MAR 76

CA-26 FORCE SOURCE DATA TABULATION

PAGE 853

LTV44-559(CA26) 747/1 ATY 06 S1 (CARRIER DATA)

(RFE127) (18 NOV 75)

REFERENCE DATA

SREF = 5500.0000 SQ.FT. XMRP = 1339.9000 IN. XC
 LREF = 327.7900 IN. YMRP = .0000 IN. YC
 BRFP = 2348.0400 IN. ZMRP = 190.7500 IN. ZC
 SCALE = .0125

PARAMETRIC DATA

ALPHAC = 2.000 BETAC = .000
 STAB = 5.000 RUDDER = .000
 ELEVON = .000 DX = .000
 OY = .000 IORB = 6.000
 BETAO = .000 DPHI = 7.500

RUN NO. 90/ 0 RN/L = .00 GRADIENT INTERVAL = -5.00/ 5.00

MACH	DZ	DY	DX	CN	CLM	CA	CY	CYN	CBL	CL	CD
.605	1.460	.00000	.00000	.19760	-.15880	.04400	-.00680	.00210	-.00040	.19540	.05310
.604	2.060	.00000	.00000	.20510	-.15840	.04480	-.00770	.00200	-.00050	.20280	.05430
.604	2.660	.00000	.00000	.20620	-.16260	.04470	-.00740	.00170	-.00050	.20390	.05430
.605	3.360	.00000	.00000	.21200	-.16360	.04470	-.00560	.00110	-.00020	.20970	.05460
.602	4.160	.00000	.00000	.21260	-.16800	.04490	-.00480	.00110	.00000	.21020	.05470
.608	4.960	.00000	.00000	.21770	-.16900	.04410	-.00440	.00070	.00000	.21540	.05420
.604	5.950	.00000	.00000	.21890	-.17320	.04450	-.00450	.00070	-.00010	.21660	.05470
.605	6.950	.00000	.00000	.21940	-.17440	.04440	-.00420	.00040	-.00010	.21710	.05460
.605	7.970	.00000	.00000	.22210	-.17650	.04390	-.00310	.00020	.00000	.21980	.05420
.605	8.950	.00000	.00000	.22790	-.17800	.04440	-.00290	.00000	.00010	.22560	.05500
.605	9.960	.00000	.00000	.23580	-.18390	.04470	-.00150	-.00020	-.00010	.23350	.05560
.605	11.150	.00000	.00000	.23490	-.18300	.04440	-.00240	-.00010	-.00010	.23250	.05540
.605	12.330	.00000	.00000	.23540	-.18470	.04450	-.00220	-.00010	.00020	.23300	.05550
.604	13.520	.00000	.00000	.24060	-.18980	.04490	-.00140	-.00010	.00010	.23830	.05610
.604	14.700	.00000	.00000	.24420	-.18950	.04410	-.00180	.00000	-.00020	.24180	.05550
.607	15.900	.00000	.00000	.24230	-.18870	.04360	-.00200	.00000	.00000	.24000	.05490
.604	17.080	.00000	.00000	.24850	-.19470	.04440	-.00190	.00010	.00000	.24610	.05600
.604	18.270	.00000	.00000	.25140	-.19850	.04430	-.00120	.00010	.00000	.24900	.05600
.605	19.450	.00000	.00000	.25270	-.19920	.04440	-.00100	.00010	-.00010	.25030	.05620
.605	20.640	.00000	.00000	.25490	-.19780	.04420	-.00220	.00000	-.00020	.25250	.05610
.607	21.810	.00000	.01000	.25610	-.19880	.04410	-.00220	.00000	-.00030	.25380	.05610
.605	23.000	.00000	.01000	.25800	-.19990	.04390	-.00080	.00000	-.00020	.25560	.05590
.604	24.190	.00000	.01000	.26120	-.20220	.04400	-.00100	.00000	-.00010	.25880	.05620
.606	25.370	.00000	.01000	.26040	-.20300	.04370	-.00130	.00010	.00000	.25810	.05590
.604	26.550	.00000	.01000	.26620	-.20560	.04420	-.00220	.00010	-.00020	.26390	.05660
.604	27.740	.00000	.01000	.27030	-.20370	.04420	-.00230	.00030	.00000	.26790	.05690
.604	28.930	.00000	.01000	.26800	-.20720	.04400	-.00160	.00010	-.00020	.26560	.05650
.607	30.110	.00000	.01000	.26870	-.20950	.04370	-.00180	.00020	-.00030	.26630	.05620
.607	31.310	.00000	.01000	.27190	-.20830	.04390	-.00230	.00010	-.00020	.26960	.05660
.605	32.490	.00000	.01000	.27380	-.20990	.04400	-.00170	.00000	-.00010	.27140	.05680
.605	33.680	.00000	.01000	.27700	-.20920	.04390	-.00130	.00000	.00000	.27460	.05690
.605	34.850	.00000	.01000	.27760	-.21340	.04350	-.00010	-.00010	-.00010	.27520	.05650
.605	36.050	.00000	.01000	.27510	-.21320	.04360	-.00040	-.00010	-.00010	.27280	.05640
.607	37.230	.00000	.01000	.27910	-.21310	.04350	-.00090	-.00020	-.00010	.27670	.05650
.607	38.420	.00000	.01000	.28090	-.21150	.04350	-.00030	-.00030	.00000	.27850	.05660
.606	39.610	.00000	.01000	.28090	-.21450	.04310	.00030	-.00030	.00000	.27860	.05620
.605	40.790	.00000	.02000	.28280	-.21450	.04330	.00010	-.00040	.00000	.28040	.05650
.604	41.980	.00000	.02000	.28390	-.21570	.04300	.00050	-.00060	-.00010	.28150	.05630
.606	43.160	.00000	.02000	.28340	-.21700	.04310	.00090	-.00070	.00000	.28100	.05630
.604	44.350	.00000	.02000	.28830	-.21780	.04350	.00070	-.00050	.00000	.28590	.05700
.605	45.530	.00000	.02000	.28450	-.21510	.04300	.00070	-.00040	.00010	.28220	.05630
.605	46.720	.00000	.02000	.28550	-.21650	.04290	.00070	-.00050	-.00010	.28320	.05630

LTV44-559(CA26) 747/1 ATY 06 S1 (CARRIER DATA)

(RFE127) (18 NOV 75)

REFERENCE DATA

SREF = 5500.0000 SQ.FT. XMRP = 1339.9000 IN. XC
 LREF = 327.7800 IN. YMRP = .0000 IN. YC
 BREF = 2348.0400 IN. ZMRP = 190.7500 IN. ZC
 SCALE = .0125

PARAMETRIC DATA

ALPHAC = 2.000 BETAC = .000
 STAB = 5.000 RUDDER = .000
 ELEVON = .000 DX = .000
 DY = .000 IORB = 6.000
 BETAO = .000 DPHI = 7.500

RUN NO. 90/ 0 RN/L = .00 GRADIENT INTERVAL = -5.00/ 5.00

MACH	DZ	DY	DX	CN	CLM	CA	CY	CYN	CBL	CL	CD
.603	47.910	.00000	.02000	.29060	-.21880	.04340	.00030	-.00050	.00000	.28820	.05700
.605	49.090	.00000	.20000	.29050	-.21850	.04300	.00040	-.00050	.00000	.28810	.05650
.606	50.280	.00000	.02000	.29020	-.22000	.04330	.00050	-.00050	.00000	.28780	.05690
.604	51.460	.00000	.02000	.29420	-.21960	.04340	.00000	-.00060	.00000	.29180	.05720
	GRADIENT	.00000	.00000	.00520	-.00330	.00002	.00093	-.00042	.00016	.00517	.00027

LTV44-559(CA26) 747/1 ATY 02 S1 (CARRIER DATA)

(RFE128) (18 NOV 75)

REFERENCE DATA

SREF = 5590.0000 SQ.FT. XMRP = 1339.9000 IN. XC
 LREF = 327.7800 IN. YMRP = .0000 IN. YC
 BREF = 2348.0400 IN. ZMRP = 190.7500 IN. ZC
 SCALE = .0125

PARAMETRIC DATA

ALPHAC = 2.000 BETAC = .000
 STAB = 5.000 ELEVON = 5.000
 RUDDER = .000 DX = .000
 DY = .000 IORB = 6.000
 BETA0 = .000 DPHI = 7.500

RUN NO. 91/ 0 RN/L = .00 GRADIENT INTERVAL = -5.00/ 5.00

MACH	DZ	DY	DX	CN	CLM	CA	CY	CYN	CBL	CL	CD
.606	1.460	.00000	-.01000	.18760	-.12690	.04140	-.00510	.00130	-.00060	.18550	.05020
.606	2.060	.00000	-.01000	.18680	-.12600	.04150	-.00590	.00130	-.00080	.18460	.05020
.605	2.660	.00000	-.01000	.18950	-.12670	.04150	-.00460	.00100	-.00040	.18730	.05040
.605	3.360	.00000	-.01000	.19350	-.12890	.04170	-.00420	.00040	-.00040	.19130	.05070
.606	4.160	.00000	-.01000	.19750	-.12890	.04180	-.00330	.00010	-.00020	.19530	.05100
.606	4.960	.00000	-.01000	.20280	-.13450	.04180	-.00240	-.00070	-.00030	.20060	.05130
.608	5.960	.00000	.00000	.19840	-.13520	.04140	-.00230	-.00060	-.00020	.19620	.05070
.606	6.960	.00000	.00000	.20450	-.13830	.04240	-.00080	-.00100	.00000	.20230	.05200
.606	7.970	.00000	.00000	.20760	-.14100	.04200	-.00130	-.00130	.00010	.20540	.05170
.607	8.980	.00000	.00000	.21210	-.14440	.04260	.00040	-.00150	-.00010	.20990	.05250
.605	9.960	.00000	.00000	.21930	-.15320	.04220	.00000	-.00160	.00010	.21700	.05250
.605	11.150	.00000	.00000	.22250	-.15490	.04280	-.00030	-.00160	.00030	.22020	.05330
.608	12.330	.00000	.00000	.21730	-.15620	.04220	.00040	-.00160	.00020	.21510	.05230
.608	13.520	.00000	.00000	.22370	-.16110	.04240	.00120	-.00160	.00030	.22140	.05280
.607	14.700	.00000	.00000	.23010	-.16570	.04260	.00100	-.00130	.00020	.22780	.05340
.608	15.900	.00000	.00000	.23040	-.16610	.04260	-.00020	-.00130	.00000	.22820	.05340
.606	17.080	.00000	.00000	.23240	-.17190	.04230	-.00060	-.00110	.00000	.23020	.05320
.605	18.270	.00000	.00000	.23640	-.17530	.04310	.00000	-.00080	.00000	.23410	.05410
.606	19.450	.00000	.00000	.23870	-.17950	.04290	.00010	-.00050	.00000	.23640	.05400
.607	20.640	.00000	.00000	.24160	-.17960	.04290	-.00080	-.00020	.00000	.23930	.05420
.606	21.810	.00000	.01000	.24590	-.18130	.04330	-.00100	.00000	.00040	.24360	.05480
.607	23.000	.00000	.01000	.24670	-.18470	.04290	-.00110	-.00010	.00010	.24440	.05450
.608	24.190	.00000	.01000	.24950	-.18680	.04260	-.00260	.00000	-.00010	.24720	.05420
.605	25.370	.00000	.01000	.25150	-.18730	.04280	-.00110	.00010	-.00010	.24930	.05460
.606	26.560	.00000	.01000	.25200	-.19220	.04280	-.00180	.00010	-.00040	.24970	.05460
.607	27.740	.00000	.01000	.25220	-.19510	.04260	-.00200	.00030	-.00040	.25000	.05440
.607	28.930	.00000	.01000	.25640	-.19360	.04320	-.00170	.00020	-.00040	.25410	.05520
.606	30.110	.00000	.01000	.25800	-.19600	.04280	-.00200	.00040	-.00020	.25570	.05490
.606	31.310	.00000	.01000	.26210	-.19770	.04280	-.00200	.00040	-.00030	.25980	.05500
.607	32.490	.00000	.01000	.26110	-.19770	.04300	-.00190	.00030	-.00030	.25880	.05520
.605	33.680	.00000	.01000	.26750	-.20060	.04300	-.00140	.00030	-.00010	.26520	.05550
.606	34.860	.00000	.01000	.26550	-.20310	.04250	-.00200	.00030	-.00010	.26320	.05490
.607	36.050	.00000	.01000	.26550	-.20440	.04250	-.00150	.00010	-.00020	.26330	.05490
.607	37.230	.00000	.01000	.26720	-.20440	.04290	-.00090	.00010	-.00010	.26490	.05540
.605	38.420	.00000	.01000	.26850	-.20570	.04310	-.00080	.00000	-.00020	.26620	.05560
.606	39.610	.00000	.01000	.27320	-.20620	.04270	-.00160	.00000	-.00010	.27070	.05550
.608	40.790	.00000	.02000	.27420	-.20670	.04280	-.00190	-.00020	.00000	.27190	.05560
.607	41.980	.00000	.02000	.27320	-.20680	.04290	-.00030	-.00010	.00000	.27080	.05570
.606	43.160	.00000	.02000	.27540	-.20880	.04250	-.00060	-.00020	.00000	.27310	.05540
.605	44.350	.00000	.02000	.27600	-.21130	.04320	.00030	-.00040	.00000	.27370	.05610
.606	45.530	.00000	.02000	.27610	-.20940	.04270	-.00050	-.00030	.00000	.27380	.05560
.606	46.720	.00000	.02000	.27760	-.21100	.04280	.00010	-.00040	.00000	.27530	.05580

ORIGINAL PAGE IS OF POOR QUALITY

LTV44-559(CA26) 747/1 ATY 02 S1 (CARRIER DATA)

(RFE128) (18 NOV 75)

REFERENCE DATA

SREF = 5500.0000 SQ.FT. XMRP = 1339.9000 IN. XC
 LREF = 327.7800 IN. YMRP = .0000 IN. YC
 BREF = 2348.0400 IN. ZMRP = 190.7500 IN. ZC
 SCALE = .0125

PARAMETRIC DATA

ALPHAC = 2.000 BETAC = .000
 STAB = 5.000 ELEVON = 5.000
 RUDDER = .00 DX = .000
 DY = .000 TORB = 6.000
 BETAO = .000 DPHI = 7.500

RUN NO. 91/ 0 RN/L = .00 GRADIENT INTERVAL = -5.00/ 5.00

MACH	OZ	DY	DX	CN	CLM	CA	CY	CYN	CBL	CL	CD
.607	47.910	.00000	.02000	.28100	-.20950	.04250	.00010	-.00050	.00000	.27870	.05560
.606	49.090	.00000	.02000	.28320	-.21170	.04300	.00000	-.00060	-.00010	.28080	.05530
.606	50.290	.00000	.02000	.27930	-.21400	.04240	.00080	-.00040	.00020	.27700	.05540
.606	51.460	.00000	.02000	.27850	-.21470	.04230	.00120	-.00050	.00000	.27620	.05530
	GRADIENT	.00000	.00000	.00464	-.00206	.00013	.00090	-.00059	.00013	.00462	.00034

LTV44-559(CA26) 747/1 ATY 02 S1 (CARRIER DATA)

(RFE129) (18 NOV 75)

REFERENCE DATA

SREF = 5500.0000 SQ.FT. XMRP = 1339.9000 IN. XC
 LREF = 327.7800 IN. YMRP = .0000 IN. YC
 BREF = 2348.0400 IN. ZMRP = 190.7500 IN. ZC
 SCALE = .0125

PARAMETRIC DATA

ALPHAC = 2.000 BETAC = .000
 STAB = 5.000 ELEVON = 5.000
 RUDDER = .000 DX = .000
 DY = .000 LOBB = 6.000
 BETAO = 5.000 DPHI = 7.500

RUN NO. 92/ 0 RN/L = .00 GRADIENT INTERVAL = -5.00/ 5.00

MACH	DZ	DY	DX	CN	CLM	CA	CY	CYN	CBL	CL	CD
.603	1.460	.00000	-.01000	.20050	-.13740	.04130	-.00150	-.00150	.00280	.19840	.05070
.605	2.060	.00000	-.01000	.20130	-.13640	.04090	-.00170	-.00150	.00280	.19920	.05040
.604	2.660	.00000	-.01000	.20550	-.13740	.04140	-.00150	-.00190	.00260	.20340	.05100
.606	3.360	.00000	-.01000	.20710	-.13950	.04140	.00080	-.00260	.00280	.20490	.05120
.604	4.160	.00000	-.01000	.20690	-.13890	.04150	.00040	-.00270	.00300	.20470	.05120
.605	4.960	.00000	-.01000	.21390	-.14400	.04180	.00220	-.00390	.00280	.21160	.05180
.603	5.960	.00000	.00000	.21090	-.14560	.04170	.00260	-.00380	.00310	.20870	.05160
.605	6.960	.00000	.00000	.21410	-.14570	.04180	.00300	-.00420	.00310	.21190	.05190
.605	7.970	.00000	.00000	.22090	-.14830	.04210	.00360	-.00450	.00300	.21870	.05250
.606	8.960	.00000	.00000	.22410	-.15200	.04190	.00430	-.00490	.00320	.22180	.05240
.605	9.960	.00000	.00000	.22710	-.16210	.04240	.00490	-.00490	.00300	.22490	.05300
.605	11.150	.00000	.00000	.22660	-.16120	.04220	.00470	-.00480	.00320	.22410	.05280
.604	12.330	.00000	.00000	.22610	-.16630	.04210	.00440	-.00460	.00290	.22380	.05270
.605	13.520	.00000	.00000	.23140	-.16740	.04230	.00430	-.00440	.00300	.22910	.05320
.604	14.700	.00000	.00000	.23610	-.17150	.04260	.00410	-.00420	.00260	.23380	.05360
.604	15.900	.00000	.00000	.23870	-.17530	.04260	.00240	-.00380	.00270	.23640	.05380
.603	17.080	.00000	.00000	.24410	-.17810	.04270	.00290	-.00330	.00280	.24180	.05410
.604	18.270	.00000	.00000	.24410	-.18030	.04300	.00160	-.00290	.00270	.24180	.05440
.605	19.450	.00000	.00000	.24140	-.18350	.04240	.00120	-.00220	.00220	.23310	.05370
.605	20.640	.00000	.00000	.24530	-.18500	.04280	-.00040	-.00160	.00210	.24300	.05430
.605	21.810	.00000	.01000	.25080	-.18710	.04320	-.00170	-.00100	.00190	.24850	.05490
.604	23.000	.00000	.01000	.25420	-.18880	.04320	-.00190	-.00020	.00150	.25180	.05510
.605	24.190	.00000	.01000	.25250	-.19190	.04300	-.00390	.00030	.00120	.25020	.05480
.604	25.370	.00000	.01000	.25790	-.19300	.04300	-.00500	.00070	.00120	.25560	.05510
.605	26.560	.00000	.01000	.25800	-.19380	.04290	-.00540	.00130	.00110	.25570	.05480
.606	27.740	.00000	.01000	.25670	-.19480	.04250	-.00560	.00180	.00110	.25440	.05450
.605	28.930	.00000	.01000	.25890	-.19850	.04300	-.00720	.00200	.00070	.25660	.05500
.606	30.110	.00000	.01000	.25940	-.19890	.04250	-.00630	.00220	.00060	.25710	.05460
.605	31.310	.00000	.01000	.26590	-.19970	.04280	-.00720	.00230	.00060	.26360	.05530
.605	32.490	.00000	.01000	.26490	-.19940	.04250	-.00720	.00260	.00070	.26260	.05490
.605	33.680	.00000	.01000	.27110	-.19900	.04240	-.00680	.00250	.00060	.26880	.05520
.604	34.860	.00000	.01000	.27100	-.20230	.04260	-.00680	.00250	.00030	.26870	.05530
.605	36.050	.00000	.01000	.26940	-.20350	.04250	-.00790	.00260	.00020	.26710	.05510
.604	37.230	.00000	.01000	.26760	-.20610	.04250	-.00760	.00260	.00030	.26530	.05500
.604	38.420	.00000	.01000	.27280	-.20740	.04260	-.00690	.00240	.00030	.27050	.05540
.605	39.610	.00000	.01000	.27230	-.20680	.04240	-.00730	.00240	.00020	.27000	.05510
.605	40.790	.00000	.02000	.27610	-.20790	.04240	-.00610	.00240	.00030	.27380	.05530
.606	41.980	.00000	.01000	.27270	-.20910	.04230	-.00710	.00220	.00040	.27040	.05510
.605	43.160	.00000	.02000	.27780	-.20850	.04220	-.00660	.00210	.00040	.27550	.05520
.604	44.350	.00000	.02000	.27930	-.20920	.04240	-.00640	.00220	.00050	.27700	.05540
.605	45.530	.00000	.02000	.27970	-.20900	.04240	-.00690	.00200	.00030	.27740	.05560
.604	46.720	.00000	.02000	.28090	-.21340	.04240	-.00540	.00200	.00030	.27860	.05550

LTV44-559(CA26) 747/1 ATY 02 S1 (CARRIER DATA)

(RFE129) (18 NOV 75)

REFERENCE DATA

SREF = 5500.0000 SQ.FT. XMRP = 1339.9000 IN. XC
 LREF = 327.7800 IN. YMRP = .0000 IN. YC
 BREF = 2348.0400 IN. ZMRP = 190.7500 IN. ZC
 SCALE = .0125

PARAMETRIC DATA

ALPHAC = 2.000 BETAC = .000
 STAB = 5.000 ELEVON = 5.000
 RUDDER = .000 DX = .000
 DY = .000 IORB = 6.000
 BETAO = 5.000 DPFI = 7.500

RUN NO. 92/ 0 RN/L = .00 GRADIENT INTERVAL = -5.00/ 5.00

MACH	DZ	DY	DX	CN	CLM	CA	CY	CYN	CSL	CL	CD
.605	47.910	.00000	.02000	.28160	-.21230	.04240	-.00420	.00180	.00010	.27930	.05560
.606	49.090	.00000	.02000	.28070	-.21360	.04230	-.00520	.00180	.00010	.27840	.05540
.604	50.280	.00000	.02000	.28400	-.21440	.04270	-.00390	.00160	.00030	.28170	.05600
.604	51.460	.00000	.02000	.28310	-.21560	.04200	-.00490	.00130	.00000	.28080	.05530
	GRADIENT	.00000	.00000	.00347	-.00178	.00018	.00112	-.00065	.00003	.00343	.00033

LTV44-559(CA26) 747/1 ATY 02 S1 (CARRIER DATA)

(RFE130) (18 NOV 75)

REFERENCE DATA

SREF = 5500.0000 SQ.FT. XMRP = 1339.9000 IN. XC
 LREF = 327.7800 IN. YMRP = .0000 IN. YC
 BREF = 2348.0400 IN. ZMRP = 190.7500 IN. ZC
 SCALE = .0125

PARAMETRIC DATA

ALPHAC = 2.000 BETAC = -5.000
 STAB = 5.000 ELEVON = 5.000
 RUDDER = .000 DX = .000
 DY = .000 IORB = 6.000
 BETAC = .000 DPFI = 7.500

RUN NO. 93/ 0 RN/L = .00 GRADIENT INTERVAL = -5.00/ 5.00

MACH	DZ	DY	DX	CN	CLM	CA	CY	CYN	CBL	CL	CD
.602	1.460	10.00000	.00000	.21840	-.15770	.04000	.09140	-.01360	.01210	.21620	.05020
.602	2.060	10.00000	.00000	.21550	-.15020	.03980	.09700	-.01360	.01220	.21340	.04980
.603	2.660	10.00000	.00000	.21840	-.15910	.03980	.09200	-.01400	.01200	.21630	.05000
.600	3.360	10.00000	-.01000	.22660	-.16110	.03930	.09250	-.01500	.01270	.22450	.04990
.602	4.160	10.00000	-.01000	.23030	-.16100	.03990	.09110	-.01510	.01280	.22820	.05070
.604	4.960	10.00000	-.01000	.23100	-.16520	.03930	.09160	-.01660	.01330	.22890	.05010
.603	5.960	10.00000	-.01000	.23160	-.16520	.03970	.09230	-.01680	.01310	.22950	.05060
.603	6.960	10.00000	-.01000	.23540	-.16720	.03940	.09140	-.01720	.01330	.23330	.05040
.602	7.970	10.00000	-.01000	.23540	-.17320	.03940	.09190	-.01790	.01350	.23330	.05040
.602	8.960	10.00000	-.01000	.23800	-.17400	.03950	.09300	-.01840	.01360	.23590	.05070
.602	9.960	10.00000	-.01000	.24290	-.18040	.03940	.09270	-.01920	.01400	.24080	.05080
.603	11.150	10.00000	-.01000	.24480	-.18090	.03950	.09320	-.01910	.01400	.24260	.05090
.602	12.330	10.00000	-.01000	.24820	-.18310	.03980	.09360	-.01930	.01410	.24600	.05140
.602	13.520	10.00000	-.01000	.24960	-.18700	.03970	.09310	-.01950	.01420	.24750	.05140
.604	14.700	10.00000	-.01000	.25020	-.18840	.03960	.09170	-.01940	.01440	.24870	.05130
.603	15.900	10.00000	-.01000	.25310	-.19080	.03980	.09260	-.01960	.01430	.25100	.05160
.604	17.080	10.00000	-.01000	.25490	-.19330	.03950	.09260	-.01950	.01450	.25270	.05140
.603	18.270	10.00000	-.01000	.26210	-.19610	.04020	.09220	-.01940	.01460	.25000	.05240
.602	19.450	10.00000	-.01000	.26420	-.19910	.03970	.09180	-.01920	.01410	.26200	.05210
.601	20.640	10.00000	-.01000	.26560	-.20270	.04000	.09110	-.01920	.01400	.26340	.05240
.603	21.810	10.00000	.00000	.26180	-.20270	.03950	.09000	-.01880	.01400	.25960	.05170
.600	23.000	10.00000	.00000	.26960	-.20640	.03990	.09050	-.01860	.01450	.26750	.05250
.602	24.190	10.00000	.00000	.26930	-.20450	.04000	.08850	-.01830	.01410	.26720	.05260
.601	25.370	10.00000	.00000	.27000	-.20780	.03990	.08920	-.01810	.01390	.26790	.05250
.601	26.560	10.00000	.00000	.27510	-.20890	.04020	.08850	-.01800	.01410	.27290	.05300
.602	27.740	10.00000	.00000	.27210	-.20890	.03970	.08830	-.01780	.01390	.26990	.05240
.602	28.930	10.00000	.00000	.27630	-.21010	.03990	.08740	-.01770	.01390	.27410	.05280
.604	30.110	10.00000	.00000	.27960	-.21210	.04000	.08820	-.01760	.01390	.27740	.05310
.604	31.310	10.00000	.00000	.27620	-.21340	.03960	.08720	-.01760	.01350	.27400	.05250
.604	32.490	10.00000	.00000	.28040	-.21210	.03960	.08680	-.01750	.01360	.27820	.05270
.603	33.680	10.00000	.00000	.28500	-.21540	.03980	.08760	-.01750	.01390	.28290	.05310
.603	34.860	10.00000	.00000	.28510	-.21570	.03990	.08740	-.01760	.01400	.28300	.05320
.604	36.050	10.00000	.00000	.28320	-.21530	.03950	.08680	-.01760	.01370	.28100	.05270
.604	37.230	10.00000	.00000	.29000	-.21540	.03970	.08700	-.01770	.01350	.28780	.05330
.603	38.420	10.00000	.00000	.28860	-.21440	.03950	.08680	-.01770	.01350	.28640	.05300
.604	39.610	10.00000	.01000	.29020	-.21710	.03950	.08770	-.01790	.01360	.28810	.05320
.603	40.790	10.00000	.01000	.29320	-.21810	.03970	.08830	-.01820	.01380	.29100	.05340
.602	41.980	10.00000	.01000	.29170	-.22040	.03900	.08820	-.01820	.01400	.28960	.05270
.602	43.160	10.00000	.01000	.29340	-.22050	.03950	.08830	-.01810	.01390	.29120	.05330
.602	44.350	10.00000	.01000	.29400	-.22180	.03990	.08910	-.01820	.01390	.29180	.05280
.603	45.530	10.00000	.01000	.29330	-.22400	.03900	.08990	-.01820	.01400	.29120	.05260
.604	46.720	10.00000	.01000	.29540	-.22430	.03920	.08890	-.01850	.01410	.29320	.05300

LTV44-559(CA26) 747/1 ATY 02 S1 (CARRIER DATA)

(RFE130) (18 NOV 75)

REFERENCE DATA

SREF = 5500.0000 SQ.FT. XMRP = 1339.9000 IN. XC
 LREF = 327.7800 IN. YMRP = .0000 IN. YC
 BREF = 2348.0400 IN. ZMRP = 190.7500 IN. ZC
 SCALE = .0125

PARAMETRIC DATA

ALPHAC = 2.000 BETAC = -5.000
 STAB = 5.000 ELEVON = 5.000
 RUDDER = .000 DX = .000
 DY = .000 IORB = 6.000
 BETAO = .000 DPHI = 7.500

RUN NO. 93/ 0 RN/L = .00 GRADIENT INTERVAL = -5.00/ 5.00

MACH	OZ	DY	DX	ON	CLM	CA	CY	CYN	CBL	CL	CD
.601	47.910	10.00000	.01000	.30140	-.22320	.03950	.08850	-.01870	.01400	.29920	.05360
.601	49.090	10.00000	.01000	.29940	-.22820	.03900	.09000	-.01880	.01420	.29720	.05300
.601	50.280	10.00000	.01000	.30050	-.22630	.03920	.08920	-.01900	.01420	.29830	.05330
.602	51.460	10.00000	.01000	.30400	-.22830	.03930	.09050	-.01910	.01410	.30180	.05350
	GRADIENT	-.00000	-.00366	.00475	-.00173	-.00015	-.00007	-.00085	.00035	.00477	.00009

LTV44-559(CA26) 747/1 ATY

(SFE016) (19 NOV 75)

REFERENCE DATA

SREF = 5500.0000 SQ.FT. XMRP = 1339.9000 IN. XC
 LREF = 327.7800 IN. YMRP = .0000 IN. YC
 BREF = 2348.0400 IN. ZMRP = 190.7500 IN. ZC
 SCALE = .0125

PARAMETRIC DATA

BETAC = .000 STAB = 5.000
 RUDDER = .000

RUN NO. 17/ 0 RN/L = .00 GRADIENT INTERVAL = -5.00/ 5.00

MACH	ALPHAC	CPCC	CPSB1	CPSB2	CPSB3	Q(PSF)
.599	.110	.00000	-.01900	-.00600	.11700	577.56000
.599	.100	.00300	-.01800	-.00400	.12000	577.69000
.599	.110	.00100	-.02000	-.00300	.11500	578.10000
.599	.110	.00200	-.02100	-.00400	.11700	578.64000
.599	.110	.00300	-.01900	-.00300	.11700	578.78000
.600	.110	.00300	-.02000	-.00200	.11900	579.80000
.598	.110	.00000	-.01900	-.00500	.11800	577.33000
.600	.100	.00400	-.01800	-.00200	.12000	580.67000
.600	.100	.00200	-.02000	-.00400	.11700	581.21000
.600	.100	.00300	-.02000	-.00400	.11800	581.34000
.596	.100	.00000	-.02000	-.00700	.11500	576.19000
	GRADIENT	-.09000	-.04667	.03667	-.08332	-85.12226

DATE 29 MAR 76

CA-26 FORCE SOURCE DATA TABULATION

PAGE 96:

LTV44-559(CA26) 747/1 ATY

(SFE017) (19 NOV 75)

REFERENCE DATA

SREF = 5500.0000 SQ.FT. XMRP = 1339.9000 IN. XC
 LREF = 327.7800 IN. YMRP = .0000 IN. YC
 BREF = 2348.0400 IN. ZMRP = 190.7500 IN. ZC
 SCALE = .0125

PARAMETRIC DATA

BETAC = .000 STAB = 5.000
 RUDDER = .000

RUN NO. 25/ 0 RN/L = .00 GRADIENT INTERVAL = -5.00/ 5.00

MACH	ALPHAC	CPCC	CPSB1	CPSB2	CPSB3	Q(PSF)
.597	2.690	.00900	.00000	.00300	.12200	580.41000
.598	2.680	.00600	-.00200	.00200	.12200	581.43000
.599	2.680	.00800	.00000	.00200	.11900	583.90000
.598	2.680	.00800	.00000	.00100	.12000	582.20000
.598	2.680	.00700	-.00300	.00000	.11900	582.47000
.598	2.680	.00700	-.00100	.00200	.12200	579.89000
.599	2.680	.00800	-.00100	-.00100	.12000	583.24000
.598	2.690	.00700	.00000	.00300	.12300	581.27000
.599	2.680	.00600	-.00300	-.00100	.12100	583.04000
.599	2.680	.00700	-.00200	.00000	.12200	582.70000
.600	2.680	.00900	.00000	.00100	.12100	583.93000
GRADIENT		.06478	.12945	.22655	.17901	-160.13169

LTV44-559(CA26) 747/1 ATY

(SFE018) (19 NOV 75)

REFERENCE DATA

SREF = 5500.0000 SQ.FT. XMRP = 1339.9000 IN. XC
 LREF = 327.7800 IN. YMRP = .0000 IN. YC
 BREF = 2348.0400 IN. ZMRP = 190.7500 IN. ZC
 SCALE = .0125

PARAMETRIC DATA

BETAC = .000 STAB = 5.000
 RUDDER = .000

RUN NO. 24/ 0 RN/L = .00 GRADIENT INTERVAL = -5.00/ 5.00

MACH	ALPHAC	CPCC	CPSB1	CPSB2	CPSB3	Q(PSF)
.599	3.810	-.00100	-.00500	-.00400	.11000	582.61000
.600	3.810	-.00400	-.01000	-.00500	.10300	583.07000
.606	3.810	.00000	-.00500	-.00200	.10800	592.42000
.607	3.820	.00400	-.00100	-.00200	.12000	597.89000
.603	3.820	.00500	.00000	-.00200	.12700	593.94000
.598	3.810	.00000	-.00500	-.00600	.11700	586.48000
.600	3.810	-.00200	-.01200	-.00800	.10700	586.74000
.607	3.810	.00000	-.00300	-.00600	.10700	598.74000
.607	3.820	.00300	-.00200	-.00100	.11800	601.29000
.599	3.810	.00000	-.00400	.00000	.12100	589.33000
.599	3.810	-.00400	-.01200	-.00800	.10600	587.38000
GRADIENT		.52510	.67161	.32563	1.15256	917.46584

ORIGINAL PAGE IS
OF POOR QUALITY

LTV44-559(CA26) 747/1 ATY

(SFE019) (19 NOV 75)

REFERENCE DATA

SREF = 5503.0000 SQ.FT. XMRP = 1339.9000 IN. XC
 LREF = 327.7800 IN. YMRP = .0000 IN. YC
 BREF = 2348.0400 IN. ZMRP = 190.7500 IN. ZC
 SCALE = .0125

PARAMETRIC DATA

BETAC = .000 STAB = 5.000
 RUDDER = .000

RUN NO. 29/ 0 RN/L = .00 GRADIENT INTERVAL = -5.00/ 5.00

MACH	ALPHAC	CPCC	CPSB1	CPSB2	CPSB3	Q(PSF)
.600	6.000	.00400	.00000	.00200	.11200	582.89000
.598	6.000	.00100	-.00100	-.00200	.11000	579.55000
.598	6.000	.00100	-.00200	-.00200	.11000	578.79000
.597	6.000	.00300	-.00200	.00000	.11000	577.50000
.600	6.000	.00200	.00000	.00300	.11000	582.70000
.599	6.000	.00300	-.00200	-.00100	.10900	580.38000
.600	6.000	.00100	-.00200	.00000	.11200	581.14000
.600	6.000	.00100	.00000	.00200	.11000	582.91000
.599	6.000	.00100	.00000	.00100	.11400	580.93000
.600	6.000	.00100	.00000	.00200	.11300	581.00000
.600	6.000	.00100	.00000	.00200	.11000	582.64000
	GRADIENT	.00000	.00000	.00000	.00000	.00000

LTV44-559(CA26) 747/1 ATY

(SFE020) (19 NOV 75)

REFERENCE DATA

SREF = 5500.0000 SQ.FT. XMRP = 1339.9000 IN. XC
 LREF = 327.7800 IN. YMRP = .0000 IN. YC
 BREF = 2348.0400 IN. ZMRP = 190.7500 IN. ZC
 SCALE = .0125

PARAMETRIC DATA

BETAC = .000 STAB = -1.000
 RUDDER = .000

RUN NO. 18/ 0 RN/L = .00 GRADIENT INTERVAL = -5.00/ 5.00

MACH	ALPHAC	CPCC	CPSB1	CPSB2	CPSB3	Q(PSF)
.605	.440	-.00600	-.02700	.00600	.09600	595.14000
.605	.440	-.00500	-.02400	.00600	.09500	593.92000
.605	.440	-.00800	-.02700	.00400	.09500	594.81000
.606	.430	-.00500	-.02500	.00500	.09600	595.49000
.606	.440	-.00400	-.02400	.00400	.09600	595.01000
.605	.440	-.00900	-.02800	.00200	.09400	595.01000
.605	.440	-.00500	-.02300	.00600	.09600	594.41000
.506	.440	-.00200	-.02300	.00600	.09600	594.75000
.606	.440	-.00400	-.02300	.00600	.09600	595.66000
.606	.440	-.00300	-.02300	.00600	.09600	595.29000
.606	.440	-.00800	-.02700	.00300	.09400	596.30000
	GRADIENT	-.04999	.00999	-.00999	-.05982	-47.10010

DATE 29 MAR 76

CA-26 FORCE SOURCE DATA TABULATION

PAGE 853

LTV44-559(CA25) 747/1 ATY

(SFE021) (19 NOV 75)

REFERENCE DATA

SREF * 5500.0000 SQ.FT. XMRP * 1339.9000 IN. XC
 LREF * 327.7800 IN. YMRP * .0000 IN. YC
 BREF * 2348.0400 IN. ZMRP * 190.7500 IN. ZC
 SCALE * .0125

PARAMETRIC DATA

BETAC = .030 STAB = -1.000
 RUDDER = .000

RUN NO. 27/ 0 RN/L = .00 GRADIENT INTERVAL = -5.00/ 5.00

MACH	ALPHAC	CPCC	CPSB1	CPSB2	CPSB3	Q(PSF)
.602	2.990	-.00800	-.02300	.00500	.10000	591.14000
.601	2.990	-.00800	-.02400	.00700	.10200	589.44000
.601	2.990	-.00700	-.02300	.00600	.10100	588.56000
.602	2.990	-.01000	-.02300	.00500	.09600	588.78000
.601	2.990	-.00900	-.02400	.00400	.09600	588.91000
.602	2.990	-.00900	-.02200	.01000	.09800	590.21000
.600	2.990	-.00800	-.02300	.00700	.10000	585.72000
.603	2.990	-.00700	-.02100	.00900	.09900	590.50000
.601	2.990	-.00700	-.02400	.00700	.10000	586.75000
.600	2.990	-.01000	-.02600	.00300	.09800	585.17000
.602	2.990	-.00900	-.02300	.00400	.09600	587.64000
	GRADIENT	.00391	.00781	-.00195	-.06250	128.00000

LTV44-559(CA26) 747/1 ATY

(SFE022) (19 NOV 75)

REFERENCE DATA

SREF * 5500.0000 SQ.FT. XMRP * 1339.9000 IN. XC
 LREF * 327.7800 IN. YMRP * .0000 IN. YC
 BREF * 2348.0400 IN. ZMRP * 190.7500 IN. ZC
 SCALE * .0125

PARAMETRIC DATA

BETAC = .000 STAB = -1.000
 RUDDER = .000

RUN NO. 23/ 0 RN/L = .00 GRADIENT INTERVAL = -5.00/ 5.00

MACH	ALPHAC	CPCC	CPSB1	CPSB2	CPSB3	Q(PSF)
.602	4.120	-.00800	-.02100	.00500	.09700	585.66000
.601	4.120	-.00600	-.02300	.00200	.09700	584.77000
.601	4.120	-.00700	-.02300	.00100	.09600	584.02000
.601	4.120	-.01000	-.02300	.00000	.09300	584.83000
.600	4.120	-.00600	-.02200	.00300	.09600	583.48000
.602	4.120	-.00900	-.02100	.00400	.09400	585.52000
.601	4.120	-.00700	-.02300	.00400	.09500	583.69000
.601	4.120	-.00800	-.02200	.00500	.09400	585.12000
.602	4.120	-.00800	-.02200	.00500	.09500	586.29000
.602	4.120	-.00700	-.02300	.00400	.09600	585.60000
.602	4.120	-.00700	-.02200	.00300	.09700	586.01000
	GRADIENT	-.00195	.01172	.00098	.01563	128.00000

LTV44-559(CA26) 747/1 ATY

(SFE023) (19 NOV 75)

REFERENCE DATA

SREF = 5500.0000 SQ.FT. XMRP = 1339.9000 IN. XC
 LREF = 327.7800 IN. YMRP = .0000 IN. YC
 BREF = 2348.0400 IN. ZMRP = 190.7500 IN. ZC
 SCALE = .0125

PARAMETRIC DATA

BETAC = -5.000 STAB = 5.000
 RUDDER = .000

RUN NO. 28/ 0 RN/L = .00 GRADIENT INTERVAL = -5.00/ 5.00

MACH	ALPHAC	CPCC	CPSB1	CPSB2	CPSB3	Q(PSF)
.599	2.680	-.00700	-.01700	-.00200	.10700	582.38000
.599	2.680	-.00900	-.02000	-.00400	.10600	582.80000
.600	2.690	-.00900	-.02000	-.00900	.10200	585.18000
.599	2.680	-.00900	-.02100	-.00600	.10700	581.77000
.600	2.690	-.00800	-.01700	-.00400	.10500	584.70000
.600	2.680	-.00900	-.01800	-.00300	.10600	584.29000
.599	2.680	-.00900	-.02200	-.00900	.10400	583.19000
.600	2.690	-.00700	-.01700	-.00300	.10600	584.84000
.599	2.680	-.00900	-.02000	-.00600	.10700	582.99000
.599	2.680	-.00900	-.01800	-.00400	.10600	583.54000
.600	2.680	-.00900	-.01800	-.00300	.10500	584.23000
	GRADIENT	.00532	.04842	-.19964	-.24203	158.02469

DATE 29 MAR 76

CA-26 FORCE SOURCE DATA TABULATION

PAGE 865

LTV44-559(CA26) 7471 ATY

(SF024) (19 NOV 75)

REFERENCE DATA

SREF = 5500.0000 SQ.FT. XMRP = 1339.9000 IN. XC
 LREF = 327.7800 IN. YMRP = .0000 IN. YC
 BREF = 2348.0400 IN. ZMRP = 190.7500 IN. ZC
 SCALE = .0125

PARAMETRIC DATA

ALPHAC = 2.000 BETAC = .000
 STAB = 5.000 RUDDER = .000

RUN NO. 1025/ 0 RV/L = .00 GRADIENT INTERVAL = -5.00/ 5.00

MACH	DZ	CPC	CPSB1	CPSB2	CPSB3	Q (PSF)	ALPHAC	BETAC
.600	1.400	.00800	.00000	.00200	.12100	584.68000	2.68000	.00000
.600	2.350	.00900	.00000	.00300	.12300	584.13000	2.68000	.00000
.600	3.300	.00900	.00100	.00300	.12300	586.23000	2.68000	.00000
.601	4.240	.00700	.00200	.00400	.12400	586.29000	2.68000	.00000
.601	5.180	.00600	.00300	.00500	.11800	588.27000	2.68000	.00000
.601	6.130	.00500	.00400	.00600	.11900	585.15000	2.69000	.00000
.599	7.080	.00500	.00300	.00600	.12000	582.22000	2.68000	.00000
.601	8.020	.00800	.00000	.00200	.12200	585.10000	2.68000	.00000
.600	8.970	.00500	.00200	.00300	.12200	583.94000	2.68000	.00000
.601	9.910	.00700	.00100	.00200	.12200	585.78000	2.68000	.00000
.602	10.850	.00600	.00400	.00100	.12000	588.09000	2.68000	.00000
.602	11.800	.00700	.00200	.00000	.12000	588.49000	2.68000	.00000
.601	12.750	.00600	.00400	.00200	.11700	587.52000	2.68000	.00000
.601	13.690	.00500	.00200	.00100	.11600	587.80000	2.68000	.00000
.601	14.640	.00500	.00300	.00200	.11900	586.25000	2.68000	.00000
.601	15.580	.00500	.00400	.00100	.11700	586.79000	2.68000	.00000
.602	16.530	.00500	.00300	.00100	.12000	587.95000	2.68000	.00000
.602	17.480	.00500	.00300	.00100	.11800	588.02000	2.68000	.00000
.602	18.420	.00500	.00200	.00200	.11700	588.57000	2.68000	.00000
.603	19.360	.00500	.00200	.00000	.11600	580.00000	2.68000	.00000
.603	20.310	.00500	.00400	.00100	.11800	588.71000	2.68000	.00000
.603	21.260	.00500	.00200	.00200	.11700	589.19000	2.68000	.00000
.603	22.200	.00500	.00200	.00100	.11600	589.74000	2.68000	.00000
.603	23.150	.00500	.00300	.00200	.11600	589.53000	2.68000	.00000
.603	24.090	.00500	.00300	.00000	.11700	580.14000	2.68000	.00000
.604	25.030	.00400	.00200	.00000	.11500	581.17000	2.68000	.00000
.602	25.980	.00500	.00500	.00200	.11600	587.90000	2.68000	.00000
.602	26.930	.00500	.00600	.00200	.11600	587.22000	2.68000	.00000
.603	27.870	.00400	.00400	.00200	.11400	589.79000	2.68000	.00000
.602	28.820	.00300	.00500	.00200	.11700	587.22000	2.68000	.00000
.603	29.760	.00300	.00600	.00400	.11400	589.26000	2.68000	.00000
.603	30.710	.00300	.00600	.00000	.11500	589.31000	2.68000	.00000
.603	31.660	.00400	.00300	.00000	.11500	589.34000	2.68000	.00000
.602	32.610	.00500	.00400	.00000	.11700	586.75000	2.68000	.00000
.602	33.560	.00400	.00700	.00100	.11600	586.40000	2.68000	.00000
.602	34.510	.00300	.00600	.00200	.11400	585.94000	2.68000	.00000
.603	35.460	.00200	.00600	.00300	.11400	589.78000	2.68000	.00000
.604	36.410	.00400	.00500	.00100	.11600	580.83000	2.68000	.00000
.602	37.360	.00300	.00600	.00100	.11500	580.95000	2.68000	.00000
.602	38.310	.00300	.00700	.00500	.11300	588.64000	2.68000	.00000
.604	39.260	.00200	.00700	.00200	.11300	581.23000	2.68000	.00000
.603	40.210	.00500	.00600	.00000	.11600	582.53000	2.68000	.00000

LTV44-559(CA26) 747/1 ATY

(SFE024) (19 NOV 75)

REFERENCE DATA

SREF = 5500.0000 SQ.FT. XMRP = 1339.9000 IN. XC
 LREF = 327.7800 IN. YMRP = .0000 IN. YC
 BREF = 2349.0400 IN. ZMRP = 190.7500 IN. ZC
 SCALE = .0125

PARAMETRIC DATA

ALPHAC = 2.000 BETAC = .000
 STAB = 5.000 RUDDER = .000

RUN NO. 1025/ 0 RN/L = 00 GRADIENT INTERVAL = -5.00/ 5.00

MACH	DZ	CPCC	CPSB1	CPSB2	CPSB3	Q(PSF)	ALPHAC	BETAC
.603	41.110	.00100	-.00500	-.00300	.11200	590.14000	2.68000	.00000
.604	42.050	.00300	-.00600	-.00000	.11400	591.43000	2.68000	.00000
.602	43.000	.00100	-.00600	-.00200	.11300	588.77000	2.68000	.00000
.602	43.940	.00000	-.00700	-.00300	.11000	587.69000	2.68000	.00000
.603	44.890	.00100	-.00600	-.00400	.11100	589.26000	2.68000	.00000
.604	45.830	.00300	-.00600	-.00100	.11300	590.77000	2.68000	.00000
.604	46.780	.00300	-.00600	.00000	.11400	591.25000	2.68000	.00000
	GRADIENT	-.00042	-.00053	-.00032	-.00053	.98747	.00000	.00000

LTV44-559(CA26) 747/1 ATY

(SFE025) (19 NOV 75)

REFERENCE DATA

SREF = 5500.0000 SQ.FT. XMRP = 1339.9000 IN. XC
 LREF = 327.7800 IN. YMRP = .0000 IN. YC
 BREF = 2348.0400 IN. ZMRP = 190.7500 IN. ZC
 SCALE = .0125

PARAMETRIC DATA

ALPHAC = 2.000 BETAC = .000
 STAB = 5.000 RUDDER = .000

RUN NO. 2025/ 0 RN/L = .00 GRADIENT INTERVAL = -5.00/ 5.00

MACH	DX	CPCC	CPSB1	CPSB2	CPSB3	Q(PSF)	ALPHAC	BETAC
.602	.000	.00000	-.00700	-.00500	.11100	589.77000	2.67000	.00000
.603	.670	.00000	-.00700	-.00500	.11100	590.81000	2.68000	.00000
.603	1.350	.00300	-.00900	-.00300	.11400	590.87000	2.68000	.00000
.605	2.000	.00100	-.00800	-.00100	.11200	593.73000	2.68000	.00000
.603	2.680	.00200	-.00800	-.00500	.11200	590.39000	2.68000	.00000
.604	3.330	.00200	-.00600	-.00100	.11200	591.36000	2.68000	.00000
.603	4.010	.00000	-.01000	-.00700	.10800	589.52000	2.67000	.00000
.604	4.680	.00100	-.00700	-.00100	.11100	591.24000	2.67000	.00000
.604	5.330	.00200	-.00700	-.00200	.11000	591.52000	2.67000	.00000
.604	6.010	.00100	-.00900	-.00500	.10800	589.95000	2.67000	.00000
.605	6.660	.00100	-.00700	-.00200	.10800	592.14000	2.67000	.00000
.604	7.340	.00000	-.00900	-.00600	.10900	588.94000	2.67000	.00000
.603	8.020	.00100	-.00900	-.00600	.11000	587.86000	2.67000	.00000
.604	8.670	.00100	-.01000	-.00600	.11200	589.22000	2.67000	.00000
.605	9.340	.00000	-.00800	-.00500	.10900	591.47000	2.67000	.00000
.603	10.000	.00100	-.01000	-.00600	.11000	587.99000	2.67000	.00000
.604	10.670	.00100	-.00800	-.00200	.11100	588.81000	2.67000	.00000
.602	11.350	.00200	-.00900	-.00300	.11300	586.56000	2.67000	.00000
.603	12.000	.00100	-.00900	-.00700	.10800	587.51000	2.67000	.00000
.602	12.680	.00100	-.00900	-.00400	.11200	586.62000	2.67000	.00000
.603	13.330	.00000	-.01100	-.00600	.11000	588.18000	2.67000	.00000
.604	14.010	.00000	-.00900	-.00600	.10800	591.04000	2.67000	.00000
.603	14.680	.00000	-.01000	-.00400	.11200	588.72000	2.67000	.00000
.603	15.330	.00000	-.00900	-.00400	.11200	588.58000	2.67000	.00000
.603	16.010	.00000	-.00800	-.00500	.10900	590.01000	2.67000	.00000
.603	16.660	-.00100	-.01100	-.00500	.10900	589.19000	2.67000	.00000
.603	17.340	.00000	-.00900	-.00400	.10800	590.14000	2.67000	.00000
.604	18.020	-.00200	-.01100	-.00900	.10500	590.95000	2.67000	.00000
.603	18.670	-.00100	-.00900	-.00500	.10900	589.12000	2.67000	.00000
.603	19.340	.00000	-.01000	-.00800	.10700	590.34000	2.67000	.00000
.604	20.000	-.00100	-.01000	-.00700	.10600	591.84000	2.67000	.00000
.603	20.670	-.00100	-.01000	-.00400	.10900	590.07000	2.67000	.00000
.604	21.350	-.00200	-.01400	-.00900	.10600	591.90000	2.67000	.00000
.603	22.000	-.00200	-.01300	-.00800	.10800	590.67000	2.67000	.00000
.604	22.680	-.00100	-.01100	-.00800	.10600	592.58000	2.67000	.00000
.604	23.330	-.00100	-.01100	-.00900	.10600	592.03000	2.67000	.00000
.602	24.010	-.00100	-.00900	-.00500	.11000	588.09000	2.67000	.00000
.603	24.660	-.00100	-.01100	-.00900	.10500	590.95000	2.67000	.00000
.603	25.330	.00000	-.01100	-.00700	.10600	589.65000	2.66000	.00000
.602	26.010	-.00400	-.01500	-.01000	.10400	587.61000	2.66000	.00000
.603	26.660	-.00100	-.01100	-.00700	.10400	589.66000	2.66000	.00000
.602	27.340	-.00400	-.01400	-.00800	.10500	588.43000	2.67000	.00000
.603	27.990	-.00300	-.01100	-.00500	.10800	588.58000	2.66000	.00000

LTV44-559(CA26) 747/1 ATY

(SFE025) (19 NOV 75)

REFERENCE DATA

SREF = 5500.0000 SQ.FT. XMRP = 1339.9000 IN. XC
 LREF = 327.7800 IN. YMRP = .0000 IN. YC
 BREF = 2348.0400 IN. ZMRP = 190.7500 IN. ZC
 SCALE = .0125

PARAMETRIC DATA

ALPHAC = 2.000 BETAC = .000
 STAB = 5.000 RUDDER = .000

RUN NO. 2025/ 0 RN/L = .00 GRADIENT INTERVAL = -5.00/ 5.00

MACH	DX	CPCC	CPSB1	CPSB2	CPSB3	Q(PSF)	ALPHAC	BETAC
.603	29.670	-.00100	-.01000	-.00600	.10700	589.39000	2.66000	.00000
.603	29.340	-.00400	-.01500	-.01100	.10400	589.79000	2.66000	.00000
.603	30.000	-.00300	-.01100	-.00600	.10800	589.25000	2.66000	.00000
.604	30.670	-.00200	-.01000	-.00700	.10600	591.50000	2.66000	.00000
.602	31.320	-.00300	-.01300	-.00700	.10700	588.64000	2.66000	.00000
.602	32.000	-.00400	-.01500	-.00900	.10500	588.71000	2.66000	.00000
.602	32.680	-.00100	-.01100	-.00800	.10500	588.44000	2.66000	.00000
	GRADIENT	.00009	-.00011	.00035	-.00037	.15894	-.00089	.00000

LTV44-559(CA26) 747/1

(SFE026) (19 NOV 75)

REFERENCE DATA

SREF = 5500.0000 SQ.FT. XMRP = 1339.9000 IN. XC
 LREF = 327.7800 IN. YMRP = .0000 IN. YC
 BREF = 2348.0400 IN. ZMRP = 190.7500 IN. ZC
 SCALE = .0125

PARAMETRIC DATA

BETAC = .000 STAB = -1.000
 RUDDER = .000

RUN NO. 19/ 0 RN/L = .00 GRADIENT INTERVAL = -5.00/ 5.00

MACH	ALPHAC	CPCC	CPSB1	CPSB2	CPSB3	Q(PSF)
.608	.430	-.00700	-.02500	.00400	.09800	599.76000
.608	.430	-.00700	-.02500	.00600	.09800	601.12000
.608	.430	-.00700	-.02700	.00300	.09500	601.05000
.608	.430	-.00700	-.02700	.00400	.09700	601.19000
.609	.440	-.00700	-.02500	.00400	.09600	602.47000
.608	.440	-.00700	-.02500	.00600	.09600	601.66000
.608	.440	-.00600	-.02400	.00500	.09500	602.88000
.608	.440	-.00700	-.02500	.00400	.09400	601.52000
.610	.430	-.00600	-.02300	.00600	.09600	603.70000
.609	.430	-.00700	-.02700	.00200	.09500	601.80000
.609	.430	-.00800	-.02500	.00400	.09600	602.41000
	GRADIENT	.02489	.08210	.06070	-.11775	55.87673

LTV44-559(CA26) 747/1

(SFE027) (19 NOV 75)

REFERENCE DATA

SREF = 5500.0000 SQ.FT. XMRP = 1339.9000 IN. XC
 LREF = 327.7800 IN. YMRP = .0000 IN. YC
 BREF = 2348.0400 IN. ZMRP = 190.7500 IN. ZC
 SCALE = .0125

PARAMETRIC DATA

BETAC = .000 STAB = 3.000
 RUDDER = .000

RUN NO. 21/ 0 RN/L = .00 GRADIENT INTERVAL = -5.00/ 5.00

MACH.	ALPHAC	CPCC	CPSB1	CPSB2	CPSB3	Q(PSF)
.604	.220	-.00600	-.02100	-.00800	.10400	593.36000
.604	.220	-.00500	-.02000	-.00700	.10600	592.34000
.603	.210	-.00800	-.02200	-.00900	.10300	591.32000
.603	.220	-.00700	-.02200	-.00800	.10300	591.66000
.604	.220	-.00700	-.02200	-.00600	.10300	592.34000
.604	.220	-.00600	-.02000	-.00700	.10500	592.61000
.605	.220	-.00400	-.01900	-.00600	.10600	595.54000
.606	.220	-.00400	-.02000	-.00500	.10600	596.43000
.604	.220	-.00800	-.02300	-.00700	.10100	593.23000
.606	.220	-.00500	-.02200	-.00500	.10400	595.96000
.606	.220	-.00500	-.01900	-.00600	.10600	596.29000
.606	.220	-.00500	-.01900	-.00600	.14000	265.85672
GRADIENT		.22999	.11999	.24998	.14000	

LTV44-559(CA26) 747/1

(SFE028) (19 NOV 75)

REFERENCE DATA

SREF = 5500.0000 SQ.FT. XMRP = 1339.9000 IN. XC
 LREF = 327.7800 IN. YMRP = .0000 IN. YC
 BREF = 2348.0400 IN. ZMRP = 190.7500 IN. ZC
 SCALE = .0125

PARAMETRIC DATA

BETAC = .000 STAB = 5.000
 RUDDER = .000

RUN NO. 20/ 0 RN/L = .00 GRADIENT INTERVAL = -5.00/ 5.00

MACH.	ALPHAC	CPCC	CPSB1	CPSB2	CPSB3	Q(PSF)
.606	.110	-.00200	-.01300	-.00500	.11200	597.85000
.605	.100	-.00600	-.01400	-.01000	.11000	596.55000
.606	.100	-.00400	-.01300	-.00800	.11000	596.76000
.605	.100	-.00300	-.01300	-.01000	.11000	596.35000
.607	.100	-.00200	-.01400	-.00700	.11300	598.80000
.606	.100	-.00500	-.01500	-.01000	.11000	596.82000
.607	.100	-.00400	-.01400	-.00800	.11100	598.66000
.607	.100	-.00500	-.01400	-.00800	.10900	600.02000
.607	.100	-.00300	-.01400	-.00800	.11300	600.02000
.607	.100	-.00300	-.01400	-.01000	.11200	599.27000
.608	.100	-.00400	-.01400	-.01000	.11200	600.77000
GRADIENT		.18998	.08999	.38997	.10005	-54.92744

ORIGINAL PAGE IS
 OF POOR QUALITY

LTV44-558(CA26) 747/4

(SFE029) (19 NOV 75)

REFERENCE DATA

SREF = 5500.0000 SQ.FT. XMRP = 1339.9000 IN. XC
 LREF = 327.7800 IN. YMRP = .0000 IN. YC
 BREF = 2348.0400 IN. ZMRP = 190.7500 IN. ZC
 SCALE = .0125

PARAMETRIC DATA

SETAC = .000 RUDDER = .000

RUN NO. 22/ 0 RN/L = .00 GRADIENT INTERVAL = -5.00/ 5.00

MACH	ALPHAC	CPCC	CPSB1	CPSB2	CPSB3	Q(PSF)
.601	.330	-.01300	-.02700	-.00600	.09200	584.62000
.601	.330	-.01300	-.02800	-.00400	.09300	585.17000
.602	.330	-.01100	-.02500	-.00100	.09400	585.45000
.602	.330	-.01300	-.02800	-.00400	.09200	585.79000
.603	.330	-.00900	-.02400	-.00300	.09300	587.29000
.602	.340	-.01100	-.02700	-.00400	.09300	586.40000
.602	.340	-.01000	-.02700	-.00400	.09200	586.12000
.601	.340	-.01300	-.02900	-.00500	.09200	584.48000
.600	.340	-.01400	-.02800	-.00400	.09400	583.66000
.602	.330	-.00900	-.02500	-.00200	.09300	586.72000
.600	.330	-.01400	-.02800	-.00300	.09500	584.67000
	GRADIENT	-.02857	-.13214	-.09641	-.03924	-50.56360

LTV44-559(CA26) 747/1 /TY 02 S1 (CARRIER DATA)

(SFE030) (24 MAR 78)

REFERENCE DATA

SREF = 5500.0000 SQ.FT. XMRP = 1339.9000 IN. XC
 LREF = 327.7800 IN. YMRP = .0000 IN. YC
 BREF = 2348.0400 IN. ZMRP = 190.7500 IN. ZC
 SCALE = .0125

PARAMETRIC DATA

ALPHAC = .000 BETAC = .000
 STAB = 5.000 ELEVON = 5.000
 BDFLAP = .000 DX = .000
 DY = .000 IORB = 4.000
 BETAO = .000 RUDDER = .000

RUN NO. 30/ 0 RI-/L = .00 GRADIENT INTERVAL = -5.00/ 5.00

MACH	OZ	CPCC	CPSB1	CPSB2	CPSB3	Q(PSP)	ALPHAC	BETAC	ALPHAO	BETAO	INCID
.627	1.460	.00200	-.01000	-.00700	.13400	627.20000	.07000	.01000	3.94000	.05000	3.85755
.625	2.760	.00100	-.01600	-.01200	.13300	622.02000	.07000	.01000	3.92000	.04000	3.82988
.625	4.050	.00100	-.01500	-.01200	.13300	622.56000	.07000	.01000	3.92000	.05000	3.82227
.626	5.350	.00300	-.01000	-.00700	.13400	624.38000	.08000	.01000	3.92000	.06000	3.80460
.624	6.650	.00100	-.01300	-.00700	.13600	620.07000	.07000	.01000	3.89000	.07000	3.77693
.624	7.950	.00100	-.01300	-.00800	.13600	620.88000	.07000	.01000	3.92000	.08000	3.79932
.627	9.240	.00300	-.01200	-.01000	.13100	627.87000	.08000	.01000	3.91000	.08000	3.77165
.628	10.540	.00500	-.00800	-.00600	.13500	629.61000	.07000	.01000	3.88000	.04000	3.74404
.625	11.830	.00300	-.00900	-.00500	.13600	625.51000	.07000	.01000	3.89000	.08000	3.74637
.624	13.130	.00200	-.01100	-.00500	.13100	622.42000	.07000	.01000	3.86000	.06000	3.70870
.623	14.420	.00500	-.00900	-.00600	.13000	618.45000	.07000	.01000	3.89000	.08000	3.73103
.625	15.720	.00300	-.01000	-.00700	.12900	621.75000	.07000	.01000	3.88000	.07000	3.71342
.625	17.020	.00300	-.01100	-.00600	.12800	621.89000	.07000	.01000	3.84000	.05000	3.66575
.627	18.320	.00000	-.01600	-.01000	.12700	625.59000	.07000	.01000	3.86000	.06000	3.67814
.627	19.610	.00300	-.01300	-.00800	.12900	625.45000	.07000	.00000	3.80000	.05000	3.61047
.625	20.910	-.00100	-.01600	-.00900	.12700	622.29000	.07000	.00000	3.84000	.06000	3.64266
.623	22.200	.00400	-.01100	-.00600	.12800	617.65000	.07000	.00000	3.82000	.08000	3.61524
.624	23.490	-.00100	-.01500	-.00800	.12600	619.80000	.07000	.00000	3.79000	.02000	3.57757
.624	24.790	.00400	-.01200	-.00600	.12600	620.61000	.08000	.00000	3.78000	.04000	3.54990
.625	26.080	-.00100	-.01500	-.00700	.12500	621.49000	.08000	.00000	3.80000	.05000	3.56223
.627	27.380	.00400	-.01000	-.00600	.12600	624.71000	.08000	.00000	3.81000	.04000	3.56462
.626	28.680	.00400	-.01200	-.00800	.12400	625.05000	.08000	.00000	3.77000	.05000	3.51695
.626	29.970	.00300	-.01200	-.00700	.12400	625.79000	.08000	.00000	3.80000	.04000	3.53934
.625	31.270	.00300	-.01000	-.00400	.12800	624.91000	.07000	.00000	3.78000	.03000	3.52167
.626	32.570	.00000	-.01600	-.00900	.12200	626.72000	.08000	.00000	3.75000	.01000	3.47406
.626	33.860	.00200	-.01460	-.00700	.12100	625.92000	.07000	.00000	3.74000	.02000	3.46639
.628	35.160	.00100	-.01300	-.00700	.12000	629.95000	.07000	.00000	3.75000	.03000	3.46878
.626	36.460	.00300	-.01200	-.00500	.12300	625.85000	.08000	.00000	3.74000	.05000	3.44105
.628	37.750	-.00300	-.01700	-.01000	.11800	629.88000	.07000	.00000	3.73000	.03000	3.43344
.625	39.050	.00000	-.01500	-.00900	.11800	624.17000	.07000	.00000	3.73000	.03000	3.42577
.627	40.340	.00000	-.01500	-.00900	.11900	625.92000	.07000	.00000	3.73000	.04000	3.41816
.626	41.640	.00000	-.01200	-.00500	.12200	624.44000	.08000	.00000	3.71000	.02000	3.39049
.623	42.940	.00000	-.01400	-.00900	.12000	619.06000	.07000	.00000	3.69000	.00000	3.36288
.626	44.240	.00000	-.01300	-.00800	.11800	624.91000	.07000	.00000	3.68000	.01000	3.34521
.625	45.530	.00000	-.01400	-.00600	.11900	623.17000	.07000	.00000	3.70000	.05000	3.35754
.625	46.830	-.00100	-.01500	-.00900	.12000	623.43000	.08000	.00000	3.69000	.04000	3.32993
.626	48.120	.00000	-.01700	-.00700	.11400	624.91000	.08000	.00000	3.67000	.02000	.00000
GRADIENT		-.00039	-.00193	-.00193	-.00039	-1.79434	-.00000	-.00000	-.00773	-.00001	-.01363

LTV44-559(CA26) 747/1 ATY 02 S1 (CARRIER DATA)

(SFE031) (24 MAR 76)

REFERENCE DATA

SREF = 5500.0000 SQ.FT. XMRP = 1339.9000 IN. XC
 LREF = 327.7800 IN. YMRP = .0000 IN. YC
 BREF = 2348.0400 IN. ZMRP = 190.7500 IN. ZC
 SCALE = .0125

PARAMETRIC DATA

ALPHAC = .000 BETAC = .000
 STAB = 5.000 ELEVON = 5.000
 BDFLAP = .000 DX = .000
 DY = .000 TORB = 6.000
 BETAO = .000 RUDDER = .000

RUN NO. 1030/ 0 RN/L = .00 GRADIENT INTERVAL = -5.00/ 5.00

MACH	DZ	CPC	CPSB1	CPSB2	CPSB3	Q(PSF)	ALPHAC	BETAC	ALPHAO	BETAO	INCID
.622	1.480	.00400	-.01100	-.00200	.13300	616.84000	.12000	.01000	5.99000	.03000	.00000
.625	2.050	.01000	-.01000	.00000	.13700	621.62000	.12000	.01000	5.97000	.04000	5.84127
.625	3.210	.01000	-.00800	.00000	.13800	621.55000	.12000	.01000	5.99000	.05000	5.85448
.623	4.370	.00600	-.00900	-.00100	.13400	618.80000	.12000	.01000	5.98000	.03000	5.83764
.625	5.530	.00900	-.00700	-.00100	.13700	621.62000	.12000	.01000	5.94000	.06000	5.79080
.621	6.690	.00600	-.00900	-.00200	.13500	615.29000	.10000	.01000	5.95000	.04000	5.81395
.625	7.850	.00900	-.01000	.00000	.13400	623.70000	.10000	.01000	5.92000	.04000	5.77711
.623	9.010	.00600	-.00900	.00000	.13200	621.61000	.10000	.01000	5.93000	.05000	5.78026
.626	10.170	.00600	-.01100	.00000	.13300	626.52000	.10000	.01000	5.90000	.02000	5.74342
.625	11.330	.00500	-.00800	-.00300	.13600	624.50000	.10000	.01000	5.90000	.03000	5.73658
.626	12.490	.00600	-.00600	-.00100	.13600	624.71000	.10000	.01000	5.92000	.05000	5.74979
.623	13.640	.01000	-.00700	.00000	.13500	623.04000	.10000	.01000	5.88000	.05000	5.70295
.624	14.800	.00700	-.00700	.00000	.13300	618.06000	.10000	.01000	5.87000	.03000	5.68610
.624	15.960	.00500	-.01100	-.00100	.12700	618.06000	.09000	.00000	5.88000	.04000	5.69926
.624	17.120	.00500	-.01100	-.00100	.12800	619.54000	.08000	.00000	5.88000	.04000	5.70241
.626	18.280	.00800	-.01000	-.00100	.13000	622.63000	.09000	.01000	5.84000	.03000	5.64557
.625	19.440	.00900	-.00900	.00000	.13200	622.16000	.09000	.00000	5.84000	.02000	5.63873
.625	20.600	.00700	-.00800	-.00100	.12900	622.23000	.09000	.00000	5.83000	.02000	5.62188
.623	21.750	.00500	-.01400	-.00200	.12400	617.85000	.09000	.00000	5.85000	.04000	5.63504
.623	22.910	.00500	-.01200	.00000	.12500	619.46000	.08000	.00000	5.81000	.03000	5.59825
.623	24.070	.00400	-.00800	-.00200	.12800	620.47000	.08000	.00000	5.80000	.02000	5.58141
.624	25.230	.00700	-.01100	.00000	.12700	620.47000	.08000	.00000	5.81000	.04000	5.58457
.623	26.390	.00500	-.01400	-.00200	.12300	619.46000	.08000	.00000	5.82000	.03000	5.58772
.624	27.550	.00300	-.01100	-.00200	.12400	619.74000	.09000	.00000	5.78000	.05000	5.53088
.624	28.710	.00300	-.01100	-.00400	.12400	620.20000	.08000	.00000	5.79000	.04000	5.54403
.626	29.870	.00600	-.01000	-.00200	.12700	625.72000	.08000	.00000	5.76000	.05000	5.50719
.623	31.030	.00300	-.01300	-.00400	.12400	619.60000	.08000	.00000	5.79000	.00000	5.53035
.624	32.180	.00200	-.01100	-.00300	.12500	620.21000	.08000	.00000	5.75000	.06000	5.48350
.624	33.340	.00300	-.01300	-.00300	.12200	620.81000	.08000	.00000	5.76000	.00000	5.48672
.624	34.500	.00500	-.01200	-.00100	.12300	621.15000	.08000	.00000	5.72000	.01000	5.43987
.625	35.660	.00200	-.00900	-.00400	.12300	621.22000	.07000	.00000	5.74000	.05000	5.46303
.625	36.820	.00400	-.00900	-.00400	.12400	622.97000	.08000	.00000	5.76000	.00000	5.46618
.623	37.980	.00200	-.01400	-.00500	.11900	618.52000	.09000	.00000	5.73000	.00000	5.41934
.625	39.140	.00400	-.01200	-.00300	.12300	623.70000	.08000	.00000	5.75000	.01000	5.44250
.623	40.300	.00000	-.01300	-.00700	.12100	620.14000	.08000	.00000	5.73000	.03000	5.41565
.624	41.460	.00000	-.01200	-.00500	.12000	619.74000	.08000	.00000	5.69000	.04000	5.36881
.627	42.610	.00400	-.01200	-.00500	.12200	625.45000	.08000	.00000	5.72000	.01000	5.39202
.625	43.780	.00300	-.01100	-.00400	.12500	623.70000	.07000	.00000	5.67000	.07000	5.34518
.626	44.940	.00000	-.01500	-.00500	.11700	621.84000	.09000	.00000	5.72000	.01000	5.36828
.623	46.100	-.00100	-.01400	-.00500	.11800	619.19000	.09000	.00000	5.67000	.05000	5.31143
.624	47.260	.00000	-.01200	-.00500	.12000	621.08000	.08000	.00000	5.67000	.06000	5.31459
.626	48.420	.00000	-.01200	-.00600	.12100	624.38000	.08000	.00000	5.69000	.00000	5.32774

DATE 29 MAR 76

CA-26 FORCE SOURCE DATA TABULATION

PAGE 873

LTV44-559(CA26) 747/1 ATY 02 S1 (CARRIER DATA)

(SFE031) (24 MAR 76)

REFERENCE DATA

SREF = 5500.0000 SQ.FT. XMRP = 1339.9000 IN. XC
 LREF = 327.7800 IN. YMRP = .0000 IN. YC
 BREF = 2348.0400 IN. ZMRP = 190.7500 IN. ZC
 SCALE = .0125

PARAMETRIC DATA

ALPHAC = .000 BETAC = .000
 STAB = 5.000 ELEVON = 5.000
 BDFLAP = .000 DX = .000
 DY = .000 IORB = 6.000
 BETAO = .000 RUDDER = .000

RUN NO. 1030/ 0 RN/L = .00 GRADIENT INTERVAL = -5.00/ 5.00

MACH	DZ	CPCC	CPSB1	CPSB2	CPSB3	Q(PSF)	ALPHAC	BETAC	ALPHAO	BETAO	INC10
.623	49.570	.00000	-.01700	-.00600	.11700	619.46000	.08000	.00000	5.65000	.00000	5.28096
.624	50.730	.00000	-.01600	-.00700	.11800	620.14000	.08000	.00000	5.69000	.03000	5.31412
.623	51.890	.00000	-.01700	-.00600	.11500	619.67000	.08000	.00000	5.64000	-.01000	5.25727
.623	53.050	-.00200	-.01600	-.00800	.11400	620.20000	.09000	.00000	5.66000	.06000	5.26043
.625	54.210	-.00100	-.01300	-.00800	.11900	622.29000	.08000	.00000	5.44000	.03000	5.04358
	GRADIENT	.00029	.00076	.00020	.00017	.34055	.00000	.00000	-.00028	.00028	1.53549

LTV44-559(CA26) 747/1 ATY 02 S1 (CARRIER DATA)

(SFE032) (24 MAR 76)

REFERENCE DATA

SREF = 5500.0000 SQ.FT. XMRP = 1339.9000 IN. XC
 LREF = 327.7800 IN. YMRP = .0000 IN. YC
 BREF = 2348.0400 IN. ZMRP = 190.7500 IN. ZC
 SCALE = .0125

PARAMETRIC DATA

ALPHAC = .000 BETAC = .000
 STAB = 5.000 ELEVON = 5.000
 BDFLAP = .000 DX = .000
 DY = .000 TORB = 6.000
 BETAL = .000 RUDDER = .000

RUN NO. 2030/ 0 RN/L = .00 GRADIENT INTERVAL = -5.00/ 5.00

MACH	OZ	CPCC	CPSB1	CPSB2	CPSB3	Q(PFS)	ALPHAC	BETAC	ALPHAO	BETAO	INCID
.622	2.050	.00500	-.00900	-.00300	.13500	616.71000	.11000	.01000	6.00000	.06000	5.87448
.624	3.210	.01000	-.00900	.00000	.13700	618.94000	.11000	.01000	5.98000	.03000	5.84764
.626	4.370	.00900	-.00900	.00000	.13600	621.56000	.11000	.01000	5.94000	.04000	5.80080
.625	5.530	.01200	-.00700	.00000	.13900	620.01000	.12000	.02000	5.95000	.05000	5.79395
.626	6.690	.01100	-.00800	.00200	.13700	621.76000	.12000	.01000	5.95000	.04000	5.78711
.624	7.850	.00700	-.00900	-.00200	.13700	617.53000	.11000	.02000	5.94000	.04000	5.78026
.624	9.010	.00700	-.00700	-.00200	.13700	617.66000	.11000	.02000	5.94000	.04000	5.77342
.626	10.170	.00800	-.00800	.00000	.13600	620.35000	.11000	.01000	5.91000	.06000	5.73658
.624	11.330	.00600	-.00800	-.00100	.13500	617.32000	.10000	.01000	5.89000	.05000	5.71979
.627	12.490	.00900	-.00900	.00100	.13500	622.84000	.10000	.01000	5.91000	.04000	5.73289
.625	13.650	.00900	-.01000	.00000	.13600	619.21000	.10000	.01000	5.89000	.04000	5.70604
.625	14.810	.00800	-.00900	-.00300	.13100	619.54000	.10000	.01000	5.87000	.03000	5.67920
.627	15.970	.01000	-.00900	.00000	.13400	623.04000	.09000	.01000	5.89000	.04000	5.70236
.626	17.130	.00600	-.00800	-.00100	.12900	620.28000	.09000	.01000	5.87000	.05000	5.67551
.624	18.290	.00600	-.00800	.00000	.13700	618.27000	.08000	.01000	5.85000	.06000	5.65873
.624	19.440	.00700	-.01300	-.00400	.13100	617.39000	.08000	.01000	5.82000	.03000	5.62168
.623	20.600	.01100	-.00900	.00000	.13400	615.51000	.09000	.01000	5.83000	.03000	5.61504
.621	21.750	.00700	-.01000	-.00400	.12900	612.41000	.09000	.00000	5.86000	.04000	5.63825
.627	22.910	.00800	-.00900	.00100	.13100	622.44000	.09000	.00000	5.80000	.05000	5.57135
.626	24.080	.00900	-.00900	.00100	.13000	620.42000	.08000	.00000	5.82000	.04000	5.59451
.626	25.240	.00700	-.01000	.00100	.13100	619.35000	.08000	.00000	5.81000	.05000	5.57766
.626	26.400	.00900	-.00900	.00100	.13200	619.55000	.08000	.00000	5.81000	.05000	5.57082
.624	27.560	.00600	-.01000	-.00300	.12600	617.12000	.08000	.00000	5.78000	.03000	5.53397
.624	28.710	.00700	-.01100	-.00200	.12800	615.98000	.08000	.00000	5.77000	.06000	5.51719
.626	29.870	.00800	-.00700	.00000	.12600	620.89000	.08000	.00000	5.79000	.04000	5.53035
.626	31.030	.00700	-.00700	.00200	.12800	621.36000	.08000	.00000	5.75000	.03000	5.49357
.624	32.190	.00600	-.01200	-.00300	.12500	617.40000	.08000	.00000	5.79000	.03000	5.51666
.626	33.350	.00600	-.01200	-.00200	.12500	620.56000	.08000	.00000	5.76000	.03000	5.47981
.626	34.520	.00600	-.00900	.00100	.12700	619.08000	.08000	.00000	5.78000	.04000	5.47297
.627	35.670	.00700	-.00900	.00000	.12500	621.50000	.08000	.00000	5.76000	.06000	5.46613
.627	36.830	.00700	-.01000	-.00200	.12300	622.71000	.07000	.00000	5.74000	.03000	5.44928
.626	37.990	.00600	-.00900	.00100	.12600	619.48000	.08000	.00000	5.71000	.01000	5.40244
.620	39.150	.00300	-.01300	-.00300	.12300	624.79000	.08000	.00000	5.73000	.04000	5.41559
.624	40.310	.00400	-.01100	-.00200	.12500	616.79000	.07000	.00000	5.72000	.01000	5.40875
.623	41.470	.00500	-.01000	.00000	.12700	614.37000	.08000	.00000	5.71000	.04000	5.38191
.626	42.630	.00800	-.00900	-.00200	.12200	619.95000	.07000	.00000	5.69000	.00000	5.36506
.624	43.790	.00500	-.01000	.00000	.12400	615.45000	.07000	.00000	5.71000	.02000	5.37822
.625	44.950	.00900	-.00700	.00000	.12400	617.33000	.08000	.00000	5.68000	.01000	5.33143
.627	46.110	.00600	-.01000	.00000	.12200	621.03000	.08000	.00000	5.69000	.00000	5.33453
.627	47.270	.00400	-.01000	-.00200	.12200	620.63000	.07000	.00000	5.69000	.05000	5.33769
.624	48.430	.00700	-.01100	-.00200	.12300	613.70000	.08000	.00000	5.65000	-.01000	5.28084
.626	49.590	.00400	-.01200	-.00300	.12100	619.82000	.07000	.00000	5.65000	.04000	5.28400

DATE 29 MAR 76

CA-26 FORCE SOURCE DATA TABULATION

PAGE 875

LTV44-559(CA26) 747/1 ATY 02 S1 (CARRIER DATA)

(SFE032) (24 MAR 76)

REFERENCE DATA

SREF = 5500.0000 SQ.FT. XMRP = 1339.9000 IN. XC
 LREF = 327.7800 IN. YMRP = .0000 IN. YC
 BREF = 2348.0400 IN. ZMRP = 190.7500 IN. ZC
 SCALE = .0125

PARAMETRIC DATA

ALPHAC = .000 BETAC = .000
 STAB = 5.000 ELEVON = 5.000
 BDFLAP = .000 DX = .000
 DY = .000 TORB = 6.000
 BETAO = .000 RUDDER = .000

RUN NO. 2030/ 0 RN/L = .00 GRADIENT INTERVAL = -5.00/ 5.00

MACH	OZ	CPCC	CPSB1	CPSB2	CPSB3	Q(PSF)	ALPHAC	BETAC	ALPHAO	BETAO	INC1D
.626	50.750	.00200	-.01300	-.00400	.12100	618.54000	.07000	.00000	5.64000	.02000	5.26715
.626	51.900	.00200	-.01300	-.00400	.12000	618.81000	.08000	.00000	5.65000	-.01000	5.26037
.625	53.060	.00300	-.01300	-.00300	.12200	614.04000	.07000	.00000	5.66000	.03000	5.27352
.623	54.220	.00600	-.01000	-.00200	.12200	616.73000	.07000	.00000	5.62000	.04000	5.22668
.622	54.890	.00500	-.01100	-.00300	.12200	611.68000	.07000	.00000	5.64000	.02000	.00000
	GRADIENT	.00172	.00000	.00129	.00043	2.09051	.00000	-.00000	-.02586	-.00862	-.03176

LTV44-559(CA26) 747/1 ATY 02 S1 (CARRIER DATA)

(SFE033) (24 MAR 76)

REFERENCE DATA

SREF = 5500.0000 SQ.FT. XMRP = 1339.9000 IN. XC
 LREF = 327.7800 IN. YMRP = .0000 IN. YC
 BREF = 2348.0400 IN. ZMRP = 190.7500 IN. ZC
 SCALE = .0125

PARAMETRIC DATA

ALPHAC = .000 BETAC = .000
 STAB = 5.000 ELEVON = 5.000
 BDFLAP = .000 DX = .000
 DY = .000 TORB = 6.000
 BETAO = .000 RUDDER = .000

RUN NO. 1034/ 0 RN/L = .00 GRADIENT INTERVAL = -5.00/ 5.00

MACH	OZ	CPCC	CPSB1	CPSB2	CPSB3	Q(PSF)	ALPHAC	BETAC	ALPHAO	BETAO	INC1D
.617	1.480	-.01500	-.02500	-.02100	.11400	603.74000	.11000	.01000	6.00000	.04000	5.89000
.619	1.680	-.01400	-.02600	-.02100	.11400	607.12000	.11000	.00000	5.94000	.04000	5.83000
.619	2.080	-.01300	-.02600	-.01900	.12000	607.19000	.10000	.00000	5.96000	.04000	5.86000
.617	2.480	-.02100	-.03000	-.02500	.11000	604.34000	.12000	.01000	5.95000	.06000	5.84000
.619	3.290	-.01700	-.02500	-.02200	.11700	608.26000	.12000	.01000	5.99000	.07000	5.88000
.617	4.110	-.01900	-.02800	-.02400	.11500	604.74000	.11000	.00000	5.96000	.05000	5.87000
.620	4.910	-.01800	-.02800	-.02200	.11200	610.48000	.11000	.01000	5.93000	.09000	5.85000
.617	5.730	-.01800	-.03200	-.02200	.11100	604.74000	.11000	.01000	5.95000	.03000	5.87000
.617	6.540	-.02000	-.03000	-.02300	.11000	605.08000	.11000	.01000	5.95000	.04000	5.87000
.616	7.350	-.01900	-.02800	-.02500	.11000	602.59000	.11000	.01000	5.96000	.09000	5.89000
.617	8.170	-.01900	-.02800	-.02300	.11200	603.61000	.11000	.01000	5.91000	.05000	5.85000
.620	8.980	-.01800	-.02800	-.02100	.11200	608.80000	.10000	.01000	5.90000	.06000	5.84000
	GRADIENT	-.00125	-.00060	-.00070	-.00047	1.00757	.00083	.00071	-.00887	.00997	.00022

ORIGINAL PAGE IS
OF POOR QUALITY

LTV44-559(CA26) 747/1 ATY 02 S1 (CARRIER DATA)

(SFE034) (24 MAR 76)

REFERENCE DATA

SREF = 5500.0000 SQ.FT. YMRP = 1339.9000 IN. XC
 LREF = 327.7800 IN. YMRP = .0000 IN. YC
 BREF = 2348.0400 IN. ZMRP = 190.7500 IN. ZC
 SCALE = .0125

PARAMETRIC DATA

ALPHAC = .000 BETAC = .000
 STAB = 5.000 ELEVON = 5.000
 BDFLAP = .000 DX = .000
 DY = .000 IORB = 8.000
 BETAO = .000 RUDDER = .000

RUN NO. 31/ 0 RN/L = .00 GRADIENT INTERVAL = -5.00/ 5.00

MACH.	DZ	CPCC	CPSB1	CPSB2	CPSB3	Q(PSF)	ALPHAC	BETAC	ALPHA0	BETA0	INC10
.624	1.460	-.00300	-.01600	.00100	.12800	623.49000	.15000	.01000	8.02000	.02000	7.88000
.625	2.770	-.00100	-.01700	-.00100	.12800	625.45000	.15000	.01000	7.99000	.00000	7.84000
.625	4.070	-.00300	-.01500	.00000	.13100	624.91000	.15000	.01000	7.99000	.01000	7.86000
.625	5.370	-.00400	-.01800	.00000	.13000	624.57000	.15000	.01000	7.98000	.04000	7.85000
.626	6.680	-.00500	-.01200	-.00300	.12700	631.42000	.15000	.01000	7.96000	.02000	7.85000
.626	7.990	.00000	-.01600	-.00200	.12700	625.38000	.15000	.02000	7.99000	.02000	7.88000
.625	9.290	-.00100	-.01600	-.00100	.13000	625.04000	.14000	.02000	7.99000	.04000	7.90000
.626	10.600	-.00200	-.01800	-.00200	.12700	625.65000	.15000	.01000	7.93000	.00000	7.84000
.624	11.900	-.00500	-.01800	-.00200	.12800	623.16000	.14000	.01000	7.96000	.04000	7.89000
.625	13.200	-.00400	-.02000	-.00400	.12600	624.98000	.13000	.01000	7.91000	.00000	7.85000
.625	14.510	.00000	-.01500	-.00200	.12700	622.42000	.12000	.01000	7.92000	.03000	7.87000
.626	15.810	-.00600	-.02000	-.00400	.12400	626.46000	.12000	.01000	7.88000	-.01000	7.85000
.625	17.110	-.00500	-.01800	-.00300	.12600	624.44000	.11000	.01000	7.91000	.02000	7.89000
.624	18.420	-.00300	-.01700	-.00200	.12700	622.15000	.11000	.01000	7.88000	.03000	7.87000
.626	19.720	-.00800	-.02200	-.00700	.12100	626.39000	.12000	.01000	7.85000	.04000	7.88000
.625	21.030	-.00100	-.01600	-.00200	.12600	623.37000	.11000	.01000	7.88000	.01000	7.87000
.626	22.330	-.00700	-.02000	-.00500	.12300	626.19000	.11000	.01000	7.87000	.03000	7.89000
.625	23.630	-.00800	-.02200	-.00600	.12300	624.71000	.10000	.00000	7.82000	.02000	7.86000
.624	24.940	-.00200	-.01600	-.00200	.12400	621.68000	.11000	.00000	7.84000	.03000	7.87000
.625	26.240	-.00800	-.02100	-.00600	.12200	623.77000	.10000	.00000	7.83000	.02000	7.88000
.627	27.540	-.00500	-.01800	-.00300	.11900	627.67000	.10000	.00000	7.84000	.03000	7.90000
.624	28.850	-.00800	-.02100	-.00700	.12100	621.55000	.10000	.00000	7.83000	.02000	7.89000
.623	30.150	-.00900	-.02300	-.00700	.12100	620.74000	.09000	.00000	7.81000	.02000	7.89000
.626	31.460	-.00500	-.01600	-.00400	.11900	625.85000	.09000	.00000	7.79000	.00000	7.88000
.624	32.760	-.00700	-.02200	-.00800	.11900	623.16000	.09000	.00000	7.78000	.00000	7.88000
.623	34.070	-.00500	-.02200	-.00800	.12000	620.67000	.08000	.00000	7.75000	.00000	7.86000
.627	35.370	-.00700	-.01900	-.00500	.11700	628.13000	.09000	.00000	7.76000	.00000	7.88000
.624	36.680	-.00700	-.02200	-.00900	.11600	621.08000	.08000	.00000	7.75000	.00000	7.87000
.624	37.980	-.00800	-.01900	-.00700	.11600	621.28000	.09000	.00000	7.75000	.03000	7.88000
.626	39.280	-.00400	-.02000	-.00300	.12000	623.84000	.09000	.00000	7.71000	-.02000	7.86000
.627	40.590	-.00300	-.01900	-.00400	.12100	625.85000	.09000	.00000	7.72000	-.03000	7.87000
.626	41.890	-.00800	-.01800	-.00700	.11700	626.45000	.09000	.00000	7.75000	.03000	7.91000
.627	43.200	-.00500	-.02000	-.00500	.11900	628.60000	.08000	.00000	7.73000	.01000	7.90000
.627	44.500	-.00400	-.01900	-.00500	.11700	628.47000	.09000	.00000	7.70000	.00000	7.87000
.625	45.800	-.00600	-.02100	-.00400	.11600	625.11000	.09000	.00000	7.71000	.00000	7.88000
.626	47.110	-.00800	-.02000	-.00600	.11400	627.06000	.09000	.00000	7.71000	.00000	7.90000
.624	48.420	-.00700	-.02200	-.01000	.11400	622.49000	.08000	.00000	7.68000	-.03000	7.88000
.626	49.720	-.00800	-.02100	-.00600	.11500	625.58000	.08000	.00000	7.66000	-.01000	7.87000
.625	51.030	-.00600	-.02200	-.00800	.11700	624.10000	.08000	.00000	7.69000	-.02000	7.91000
.625	52.330	-.01000	-.02200	-.00800	.11300	624.57000	.08000	.00000	7.63000	-.01000	7.86000
.626	53.630	-.01000	-.02200	-.00800	.11400	626.46000	.08000	.00000	7.63000	.00000	7.87000
.627	54.940	-.00800	-.02300	-.00700	.11400	628.27000	.08000	.00000	7.61000	-.01000	7.85000

DATE 29 MAR 76

CA-26 FORCE SOURCE DATA TABULATION

PAGE 877

LTV44-559(CA26) 747/1 ATY 02 SI (CARRIER DATA)

(SFE034) (24 MAR 76)

REFERENCE DATA

SREF = 5500.0000 SQ.FT. XMRP = 1339.9000 IN. XC
 LREF = 77.7800 IN. YMRP = .0000 IN. YC
 BREF = 2048.0400 IN. ZMRP = 190.7500 IN. ZC
 SCALE = .0125

PARAMETRIC DATA

ALPHAC = .000 BETAC = .000
 STAB = 5.000 ELEVON = 5.000
 BDFLAP = .000 DX = .000
 DY = .000 IORB = 8.000
 BETAO = .000 RUDDER = .000

RUN NO. 31/ 0 RN/L = .00 GRADIENT INTERVAL = -5.00/ 5.00

MACH	OZ	CPC	CPSB1	CPSB2	CPSB3	Q(PSF)	ALPHAC	BETAC	ALPHAO	BETAO	INCID
.626	56.240	-.00700	-.02100	-.00600	.11600	626.66000	.08000	.00000	7.61000	.00000	7.66000
.625	57.540	-.00800	-.02000	-.01000	.11500	623.30000	.08000	.00000	7.61000	-.02000	7.86000
.624	58.850	-.00700	-.02000	-.00800	.11700	622.42000	.09000	.00000	7.59000	.00000	7.84000
.626	60.150	-.00700	-.02200	-.00700	.11600	625.85000	.09000	.00000	7.60000	.00000	7.87000
.626	61.460	-.00700	-.02000	-.00800	.11600	624.78000	.08000	.00000	7.63000	-.01000	7.90000
	GRADIENT	.00000	.00038	-.00038	.00115	.54528	.00000	.00000	-.01151	-.00385	-.00769

LTV44-559(CA26) 747/1 ATY 02 S1 (CARRIER DATA)

(SFEO35) (24 MAR 76)

REFERENCE DATA

SREF = 5500.0000 SQ.FT. XMRP = 1339.9000 IN. XC
 LREF = 327.7800 IN. YMRP = .0000 IN. YC
 BREF = 2348.0400 IN. ZMRP = 190.7500 IN. ZC
 SCALE = .0125

PARAMETRIC DATA

ALPHAC = .000 BETAC = .000
 STAB = 5.000 ELEVON = 5.000
 BDFLAP = .000 DX = .000
 DY = .000 IORB = 4.000
 BETAO = 5.000 RUDDER = .000

RUN NO. 33/ 0 RN/L = .00 GRADIENT INTERVAL = -5.00/ 5.00

MACH	DZ	CPCC	CPSB1	CPSB2	CPSB3	Q(PSF)	ALPHAC	BETAC	ALPHA0	BETA0	INCID
.628	1.460	-.01200	-.02600	-.02200	.12200	629.24000	.07000	.03000	3.97000	4.90000	3.90000
.627	2.760	-.01500	-.02800	-.02200	.12300	627.70000	.07000	.03000	3.94000	4.90000	3.87000
.627	4.050	-.01500	-.02800	-.02300	.12400	628.17000	.07000	.03000	3.92000	4.92000	3.87070
.628	5.350	-.01100	-.02500	-.02100	.12300	629.78000	.08000	.03000	3.94000	4.93000	3.89000
.629	6.650	-.01300	-.02600	-.02100	.12300	631.46000	.08000	.03000	3.92000	4.91000	3.88000
.627	7.950	-.01300	-.02600	-.02000	.12200	627.90000	.07000	.03000	3.91000	4.94000	3.88000
.627	9.240	-.01000	-.02300	-.01900	.12200	628.17000	.08000	.03000	3.92000	4.91000	3.89000
.628	10.540	-.01300	-.02600	-.02200	.12100	630.72000	.08000	.03000	3.89000	4.89000	3.87000
.627	11.830	-.01000	-.02400	-.02000	.12100	626.89000	.07000	.03000	3.89000	4.94000	3.88000
.628	13.130	-.00900	-.02300	-.01900	.12000	628.50000	.08000	.03000	3.90000	4.94000	3.89000
.627	14.420	-.01000	-.02300	-.01900	.11900	627.16000	.08000	.03000	3.89000	4.91000	3.89000
.627	15.720	-.01200	-.02500	-.01900	.11800	627.29000	.08000	.02000	3.90000	4.89000	3.91000
.627	17.020	-.01100	-.02500	-.01900	.11700	627.29000	.08000	.02000	3.89000	4.92000	3.91000
.627	18.320	-.01200	-.02500	-.01900	.11500	627.16000	.08000	.02000	3.89000	4.90000	3.92000
.629	19.610	-.01300	-.02500	-.02100	.11300	630.79000	.07000	.01000	3.85000	4.88000	3.89000
.628	20.910	-.01300	-.02500	-.02000	.11600	628.50000	.07000	.01000	3.82000	4.90000	3.86000
.628	22.200	-.01400	-.02600	-.02000	.11300	628.64000	.07000	.01000	3.85000	4.87000	3.90000
.628	23.490	-.01700	-.02900	-.02100	.11000	628.37000	.07000	.00000	3.80000	4.89000	3.86000
.629	24.790	-.01500	-.02700	-.02000	.11300	629.65000	.07000	.00000	3.82000	4.86000	3.88000
.628	26.080	-.01100	-.02500	-.01800	.11200	628.77000	.07000	.00000	3.81000	4.87000	3.88000
.627	27.380	-.01200	-.02400	-.01900	.11200	627.50000	.08000	.00000	3.81000	4.90000	3.89000
.628	28.680	-.01300	-.02300	-.01700	.11200	629.11000	.07000	.00000	3.79000	4.89000	3.89000
.630	29.970	-.01400	-.02800	-.02200	.11000	632.60000	.07000	.00000	3.76000	4.91000	3.86000
.627	31.270	-.01600	-.02800	-.02000	.11100	627.90000	.07000	.00000	3.79000	4.83000	3.90000
.628	32.570	-.01200	-.02600	-.02100	.10900	630.72000	.07000	.00000	3.75000	4.89000	3.86000
.628	33.860	-.01200	-.02400	-.01800	.10900	630.31000	.07000	.00000	3.79000	4.85000	3.91000
.628	35.160	-.01600	-.02900	-.02100	.10900	630.31000	.07000	.00000	3.75000	4.90000	3.88000
.630	36.460	-.01200	-.02700	-.02100	.11100	634.54000	.08000	.00000	3.74000	4.93000	3.87000
.628	37.750	-.01400	-.02800	-.02300	.10700	631.25000	.07000	.00000	3.76000	4.82000	3.90000
.627	39.050	-.01500	-.02800	-.02100	.11100	628.50000	.07000	.00000	3.72000	4.91000	3.87000
.627	40.340	-.01600	-.02900	-.02000	.10800	627.23000	.07000	.00000	3.72000	4.91000	3.82000
.629	41.640	-.01500	-.02600	-.02100	.10500	631.92000	.07000	.00000	3.71000	4.91000	3.88000
.628	42.940	-.01600	-.02800	-.02400	.10400	631.19000	.07000	.00000	3.70000	4.89000	3.87000
.629	44.240	-.01400	-.02700	-.01900	.10900	631.46000	.07000	.00000	3.72000	4.86000	3.91000
.628	45.530	-.01500	-.02900	-.02200	.10700	629.71000	.07000	.00000	3.67000	4.89000	3.87000
.627	46.830	-.01600	-.03000	-.02000	.10500	627.90000	.07000	.00000	3.69000	4.91000	3.89000
.627	48.120	-.01600	-.02900	-.02300	.10300	627.23000	.07000	.00000	3.67000	4.90000	3.88000
GRADIENT		-.00116	-.00077	-.00039	.00077	-.41412	-.00000	.00000	-.01931	.00777	-.01160

LTV44-559(CA26) 747/1 ATY 02 S1 (CARRIER DATA)

(SFE036) (24 MAR 76)

REFERENCE DATA

SREF = 5500.0000 SQ.FT. XMRP = 1339.9000 IN. XC
 LREF = 327.7800 IN. YMRP = .0000 IN. YC
 BREF = 2348.0400 IN. ZMRP = 190.7500 IN. ZC
 SCALE = .0125

PARAMETRIC DATA

ALPHAC = .000 BETAC = .000
 STAB = 5.000 ELEVON = 5.000
 BDFLAP = .000 DX = .000
 DY = .000 IORB = 6.000
 BETAO = 5.000 RUDDER = .000

RUN NO. 1033/ 0 RN/L = .00 GRADIENT INTERVAL = -5.00/ 5.00

MACH	DZ	CPCC	CPSB1	CPSB2	CPSB3	Q(PSF)	ALPHAC	BETAC	ALPHAO	BETAO	INCID
.628	2.050	-.00600	-.02200	-.01500	.12600	626.69000	.12000	.03000	5.96000	4.87000	5.85000
.624	3.210	-.01200	-.02200	-.01600	.12200	620.31000	.12000	.03000	5.98000	4.86000	5.87000
.625	4.370	-.00900	-.02200	-.01500	.12500	621.99000	.11000	.02000	5.98000	4.86000	5.89000
.625	5.530	-.00800	-.02200	-.01700	.12600	621.32000	.10000	.03000	5.96000	4.85000	5.89000
.628	6.690	-.00700	-.02300	-.01500	.12500	625.49000	.11000	.03000	5.94000	4.86000	5.86000
.627	7.850	-.00500	-.02100	-.01500	.12600	625.55000	.11000	.03000	5.98000	4.91000	5.86000
.626	9.010	-.01100	-.02600	-.01600	.12200	622.73000	.11000	.03000	5.93000	4.88000	5.91000
.629	10.170	-.00600	-.02300	-.01400	.12000	629.11000	.10000	.03000	5.92000	4.89000	5.87000
.626	11.330	-.01100	-.02200	-.01900	.12200	624.81000	.10000	.03000	5.95000	4.89000	5.92000
.626	12.490	-.01000	-.02600	-.01700	.12100	624.00000	.09000	.03000	5.92000	4.88000	5.90000
.626	13.650	-.01200	-.02300	-.01900	.11900	624.07000	.09000	.03000	5.91000	4.88000	5.90000
.626	14.810	-.01300	-.02400	-.01900	.11800	623.07000	.09000	.03000	5.89000	4.89000	5.88000
.626	15.970	-.01170	-.02600	-.01700	.11600	624.07000	.09000	.03000	5.88000	4.89000	5.88000
.629	17.130	-.00900	-.02200	-.01800	.12100	628.04000	.09000	.03000	5.90000	4.89000	5.91000
.629	18.290	-.01200	-.02300	-.01600	.11600	627.43000	.09000	.03000	5.87000	4.88000	5.89000
.622	19.440	-.01000	-.02300	-.01900	.11700	623.33000	.09000	.02000	5.87000	4.88000	5.90000
.627	20.600	-.00800	-.02500	-.01600	.11700	624.75000	.08000	.02000	5.83000	4.85000	5.85000
.629	21.750	-.00800	-.02300	-.01400	.11700	627.50000	.08000	.02000	5.87000	4.86000	5.91000
.628	22.910	-.01200	-.02300	-.01600	.11500	626.43000	.08000	.01000	5.82000	4.86000	5.87000
.628	24.080	-.00700	-.02300	-.01500	.11700	626.70000	.09000	.01000	5.81000	4.87000	5.86000
.626	25.240	-.01200	-.02600	-.02100	.11400	623.00000	.08000	.01000	5.84000	4.86000	5.87000
.627	26.400	-.01000	-.02300	-.01800	.11600	625.22000	.08000	.00000	5.80000	4.85000	5.90000
.626	27.560	-.01200	-.02400	-.01900	.11000	623.67000	.09000	.00000	5.83000	4.88000	5.90000
.628	28.710	-.01400	-.02400	-.01900	.11000	626.49000	.08000	.00000	5.83000	4.85000	5.91000
.629	29.870	-.01200	-.02200	-.01500	.11200	628.98000	.08000	.00000	5.80000	4.84000	5.89000
.627	31.030	-.01000	-.02500	-.01700	.11300	625.28000	.09000	.00000	5.80000	4.87000	5.90000
.627	32.190	-.01100	-.02600	-.01700	.11200	623.14000	.08000	.00000	5.76000	4.85000	5.86000
.627	33.350	-.01200	-.02800	-.02100	.10900	623.47000	.09000	.00000	5.80000	4.85000	5.91000
.627	34.510	-.01300	-.02700	-.01900	.10800	624.61000	.09000	.00000	5.76000	4.85000	5.87000
.628	35.670	-.00900	-.02400	-.01900	.10900	627.37000	.08000	.00000	5.75000	4.84000	5.89000
.629	36.830	-.01000	-.02400	-.01900	.10900	629.92000	.08000	.00000	5.78000	4.85000	5.91000
.627	37.990	-.01500	-.02700	-.02000	.10800	626.16000	.08000	.00000	5.76000	4.87000	5.89000
.629	39.150	-.01100	-.02400	-.01900	.10700	629.71000	.08000	.00000	5.74000	4.83000	5.88000
.627	40.310	-.01100	-.02300	-.01600	.11000	626.02000	.08000	.00000	5.72000	4.86000	5.89000
.629	41.470	-.01500	-.02800	-.02100	.10600	629.51000	.08000	.00000	5.71000	4.83000	5.87000
.628	42.630	-.01200	-.02300	-.01600	.10900	627.10000	.07000	.00000	5.73000	4.86000	5.90000
.628	43.790	-.01400	-.02800	-.02000	.10800	628.97000	.07000	.00000	5.71000	4.85000	5.89000
.628	44.950	-.01800	-.02800	-.01900	.10400	628.03000	.08000	.00000	5.71000	4.85000	5.89000
.628	46.110	-.01300	-.02300	-.01800	.10600	627.97000	.08000	.00000	5.70000	4.84000	5.90000
.626	47.270	-.01400	-.02900	-.02200	.10600	624.27000	.08000	.00000	5.68000	4.84000	5.87000
.627	48.430	-.01700	-.02600	-.02100	.10300	626.42000	.08000	.00000	5.67000	4.86000	5.87000
.626	49.590	-.01300	-.02800	-.02100	.10600	623.87000	.08000	.00000	5.67000	4.86000	5.88000

LTV44-559(CA26) 747/1 ATY 02 S1 (CARRIER DATA)

(SFED36) (24 MAR 76)

REFERENCE DATA

SREF = 5500.0000 SQ.FT. XMRP = 1339.9000 IN. XC
 LREF = 327.7800 IN. YMRP = .0000 IN. YC
 BREF = 2348.0400 IN. ZMRP = 190.7500 IN. ZC
 SCALE = .0125

PARAMETRIC DATA

ALPHAC = .000 BETAC = .000
 STAB = 5.000 ELEVON = 5.000
 BDFLAP = .000 DX = .000
 DY = .000 IORB = 6.000
 BETAO = 5.000 RUDDER = .000

RUN NO. 1033/ 0 RN/L = .00 GRADIENT INTERVAL = -5.00/ 5.00

MACH	DZ	CPCC	CPSB1	CPSB2	CPSB3	Q(PSF)	ALPHAC	BETAC	ALPHAO	BETAO	INCID
.628	50.750	-.01600	-.02500	-.01700	.10200	626.96000	.08000	.00000	5.66000	4.89000	5.87000
.627	51.900	-.01200	-.02400	-.01600	.10900	624.68000	.08000	.00000	5.68000	4.85000	5.90000
.629	53.060	-.01300	-.02400	-.01300	.10800	628.51000	.08000	.00000	5.65000	4.86000	5.88000
.631	54.220	-.01300	-.02400	-.01600	.10700	631.52000	.08000	.00000	5.63000	4.87000	5.87000
.628	54.800	-.01700	-.03000	-.02400	.10300	626.69000	.08000	.00000	5.60000	4.86000	5.84000
	GRADIENT	-.00129	.00000	.00000	-.00043	-2.02586	-.00431	-.00431	.00862	-.00862	.01724

LTV44-559(CA26) 747/1 ATY 02 S1 (CARRIER DATA)

(SFE037) (24 MAR 76)

REFERENCE DATA

SREF = 5500.0000 SQ.FT. XMRP = 1339.9000 IN. XC
 LREF = 327.7800 IN. YMRP = .0000 IN. YC
 BREF = 2348.0400 IN. ZMRP = 190.7500 IN. ZC
 SCALE = .0125

PARAMETRIC DATA

ALPHAC = .000 BETAC = .000
 STAB = 5.000 ELEVON = 5.000
 BDFLAP = .000 DX = .000
 DY = .000 LORR = 8.000
 BETAO = 5.000 RUDDER = .000

ORIGINAL PAGE IS
 OF POOR QUALITY

		RUN NO.	34/ 0	RN/L =	.00	GRADIENT INTERVAL =	-5.00/	5.00			
MACH	DZ	CPC	CPSB1	CPSB2	CPSB3	Q(PSF)	ALPHAC	BETAC	ALPHA0	BETA0	INCID
.617	1.460	-.00800	-.02200	-.00600	.11700	606.35000	.15000	.02000	8.05000	4.84000	7.90000
.619	2.770	-.00800	-.01800	-.00600	.11500	611.54000	.15000	.03000	8.01800	4.89000	7.87000
.617	4.070	-.00700	-.02300	-.00800	.11900	607.42000	.15000	.03000	8.01000	4.86000	7.88000
.618	5.370	-.00500	-.02100	-.00700	.11600	608.51000	.15000	.03000	7.97000	4.90000	7.84000
.616	6.680	-.00900	-.02300	-.01200	.11300	604.19000	.15000	.03000	8.01000	4.86000	7.89000
.618	7.990	-.00900	-.02200	-.00700	.11500	608.32000	.14000	.04000	8.02000	4.92000	7.92000
.616	9.290	-.01100	-.02300	-.01400	.11100	604.20000	.14000	.04000	7.98000	4.86000	7.90000
.620	10.600	-.00800	-.02200	-.00900	.11500	608.93000	.13000	.03000	7.97000	4.95000	7.90000
.620	11.900	-.00800	-.02400	-.01100	.11400	609.61000	.13000	.03000	7.93000	4.88000	7.87000
.618	13.200	-.01000	-.02400	-.01400	.11300	606.63000	.12000	.03000	7.96000	4.94000	7.91000
.620	14.510	-.01000	-.02300	-.01000	.11200	610.41000	.11000	.03000	7.89000	4.88000	7.87000
.620	15.810	-.01100	-.02300	-.01100	.11100	610.01000	.11000	.03000	7.89000	4.90000	7.87000
.619	17.110	-.01300	-.02400	-.01200	.11000	607.37000	.10000	.03000	7.91000	4.90000	7.91000
.618	18.420	-.00900	-.02400	-.01300	.11400	607.30000	.10000	.03000	7.87000	4.86000	7.87000
.619	19.720	-.00900	-.02400	-.01100	.11100	609.67000	.10000	.03000	7.88000	4.91000	7.89000
.621	21.030	-.00800	-.02300	-.01100	.11300	611.29000	.10000	.02000	7.87000	4.90000	7.89000
.620	22.330	-.01000	-.02300	-.01100	.10800	610.14000	.10000	.02000	7.87000	4.91000	7.89000
.618	23.630	-.01100	-.02300	-.01400	.11200	607.17000	.09000	.02000	7.85000	4.90000	7.89000
.619	24.940	-.01000	-.02400	-.01100	.11000	609.33000	.09000	.02000	7.83000	4.89000	7.88000
.618	26.240	-.01300	-.02500	-.01400	.10600	606.70000	.09000	.01000	7.82000	4.84000	7.87000
.620	27.540	-.01000	-.02500	-.01300	.10900	608.37000	.09000	.01000	7.79000	4.86000	7.85000
.620	28.850	-.01100	-.02500	-.01200	.10600	608.80000	.09000	.01000	7.81000	4.85000	7.88000
.619	30.150	-.01100	-.02500	-.01300	.10500	609.00000	.10000	.00000	7.79000	4.86000	7.87000
.620	31.460	-.01100	-.02300	-.01300	.10900	610.96000	.08000	.00000	7.77000	4.85000	7.87000
.617	32.760	-.01500	-.02500	-.01600	.10300	605.69000	.09000	.00000	7.81000	4.89000	7.91000
.620	34.070	-.01300	-.02200	-.01700	.10600	609.81000	.09000	.00000	7.77000	4.84000	7.88000
.619	35.370	-.01300	-.02200	-.01600	.10600	608.59000	.08000	.00000	7.76000	4.84000	7.88000
.618	36.680	-.01300	-.02800	-.01500	.10100	605.83000	.08000	.00000	7.77000	4.86000	7.90000
.617	37.980	-.01700	-.02900	-.01900	.10100	603.80000	.08000	.00000	7.71000	4.83000	7.85000
.617	39.280	-.01600	-.02800	-.01700	.10300	604.54000	.08000	.00000	7.72000	4.83000	7.87000
.619	40.590	-.01300	-.02500	-.01600	.10300	608.53000	.08000	.00000	7.72000	4.88000	7.87000
.619	41.890	-.01500	-.02300	-.01600	.10600	609.20000	.07000	.00000	7.73000	4.87000	7.90000
.618	43.200	-.01600	-.02600	-.01800	.10400	607.91000	.08000	.00000	7.71000	4.86000	7.88000
.618	44.500	-.01700	-.02800	-.01900	.10100	607.84000	.08000	.00000	7.72000	4.88000	7.90000
.618	45.800	-.01600	-.02700	-.01900	.10000	608.38000	.08000	.00000	7.72000	4.87000	7.90000
.619	47.110	-.01500	-.02700	-.01700	.10200	608.93000	.08000	.00000	7.71000	4.83000	7.90000
.618	48.420	-.01700	-.02800	-.01800	.10000	606.76000	.08000	.00000	7.67000	4.87000	7.87000
.619	49.720	-.01600	-.02400	-.01700	.10400	609.27000	.07000	.00000	7.67000	4.84000	7.88000
.619	51.030	-.01700	-.02600	-.01700	.10200	608.86000	.08000	-.01000	7.67000	4.89000	7.89000
.617	52.330	-.01900	-.02100	-.02100	.09600	605.89000	.08000	.00000	7.66000	4.83000	7.88000
.620	53.630	-.01700	-.02500	-.01900	.10100	611.22000	.08000	.00000	7.63000	4.84000	7.86000
.619	54.940	-.01900	-.02700	-.02000	.10000	607.98000	.08000	.00000	7.63000	4.84000	7.88000

LTV44-559(CA2E) 747/1 ATY 02 S1 (CARRIER DATA)

(SFE037) (24 MAR 76)

REFERENCE DATA

SREF = 5500.0000 SQ.FT. XMRP = 1339.9000 IN. XC
 LREF = 327.7800 IN. YMRP = .0000 IN. YC
 BRFP = 2348.0400 IN. ZMRP = 190.7500 IN. ZC
 SCALE = .0125

PARAMETRIC DATA

ALPHAC = .000 BETAC = .000
 STAB = 5.000 ELEVON = 5.000
 SDFLAP = .000 DX = .000
 DY = .000 IORB = 8.000
 BETAO = 5.000 RUDDER = .000

RUN NO. 34/ 0 RN/L = .00 GRADIENT INTERVAL = -5.00/ 5.00

MACH	OZ	CPCC	CPSB1	CPSB2	CPSB3	Q(PSF)	ALPHAC	BETAC	ALPHAO	BETAO	INC10
.619	56.240	-.01500	-.02700	-.01700	.10100	608.79000	.07000	.00000	7.60000	4.87000	7.86000
.618	57.540	-.01800	-.03000	-.01900	.09700	607.10000	.08000	.00000	7.61000	4.86000	7.86000
.618	58.850	-.02000	-.02800	-.02000	.09300	608.71000	.08000	.00000	7.62000	4.86000	7.89000
.616	60.150	-.02200	-.03100	-.02100	.09300	605.67000	.08000	.00000	7.60000	4.83000	7.87000
.617	61.460	-.02200	-.03200	-.02100	.09400	606.35000	.08000	.00000	7.60000	4.86000	7.88000
	GRADIENT	.00038	-.00038	-.00077	.00376	.41451	.00000	.00384	-.01535	.00769	-.00768

LTV44-559(CA26) 747/1 ATY 02 S1 (CARRIER DATA)

(SFE038) (24 MAR 76)

REFERENCE DATA

SREF = 5500.0000 SQ.FT. XMRP = 1339.9000 IN. XC
 LREF = 327.7800 IN. YMRP = .0000 IN. YC
 BREF = 2348.0400 IN. ZMRP = 190.7500 IN. ZC
 SCALE = .0125

PARAMETRIC DATA

ALPHAC = .000 BETAC = .000
 STAB = -1.000 ELEVON = 5.000
 SOFLAP = .000 DX = .000
 DY = .000 TORB = 4.000
 BETA0 = .000 RUDDER = .000

		RUN NO. 35/ 0		RN/L = .00		GRADIENT INTERVAL = -5.00/ 5.00					
MACH	DZ	CPCC	CPSB1	CPSB2	CPSB3	Q(PSF)	ALPHAC	BETAC	ALPHA0	BETA0	INCID
.625	1.460	-.03700	-.03300	-.00700	.09600	623.53000	.41000	.01000	4.32000	.00000	3.92000
.625	2.760	-.03400	-.03100	-.00600	.09800	623.13000	.41000	.01000	4.31000	.00000	3.92000
.627	4.050	-.03200	-.03200	-.00100	.10000	626.56000	.41000	.01000	4.31000	.01000	3.92000
.625	5.350	-.03400	-.03300	-.00500	.09700	623.19000	.41000	.01000	4.29000	.00000	3.90000
.626	6.650	-.03600	-.03100	-.00400	.09400	625.41000	.42000	.02000	4.30000	.00000	3.91000
.624	7.950	-.03500	-.03200	-.00400	.09500	620.17000	.42000	.02000	4.26000	.00000	3.89000
.626	9.240	-.03600	-.03100	-.00300	.09300	624.27000	.42000	.02000	4.26000	.00000	3.89000
.627	10.540	-.03000	-.03100	.00000	.09800	624.61000	.41000	.02000	4.28000	.02000	3.92000
.624	11.830	-.03300	-.03000	-.00300	.09400	620.91000	.42000	.02000	4.24000	.01000	3.89000
.627	13.130	-.03300	-.03000	.00200	.09400	626.56000	.42000	.02000	4.26000	.03000	3.92000
.626	14.420	-.03500	-.02900	-.00100	.09100	624.07000	.42000	.02000	4.23000	.00000	3.89000
.625	15.720	-.03100	-.03000	.00000	.09300	621.52000	.42000	.01000	4.23000	.03000	3.90000
.626	17.020	-.03700	-.03000	-.00100	.08800	623.54000	.42000	.02000	4.21000	.00000	3.89000
.626	18.320	-.03300	-.03100	.00000	.09200	623.20000	.42000	.01000	4.21000	.01000	3.89000
.627	19.610	-.03600	-.03000	.00000	.08700	627.23000	.42000	.01000	4.21000	.01000	3.91000
.627	20.910	-.03000	-.03000	.00000	.09200	625.82000	.41000	.01000	4.21000	.01000	3.92000
.625	22.200	-.03700	-.03000	-.00100	.08600	623.87000	.41000	.01000	4.17000	.00000	3.86000
.627	23.490	-.03000	-.03000	.00300	.09100	627.43000	.42000	.01000	4.20000	.03000	3.92000
.627	24.790	-.03100	-.03100	.00400	.08800	626.29000	.42000	.01000	4.20000	.03000	3.93000
.628	26.080	-.03300	-.03200	.00000	.08600	627.36000	.41000	.01000	4.18000	.00000	3.91000
.625	27.380	-.03200	-.03200	.00200	.08800	621.18000	.41000	.01000	4.15000	.00000	3.90000
.627	28.680	-.03200	-.03000	.00400	.08700	624.28000	.41000	.01000	4.17000	.02000	3.93000
.626	29.970	-.03600	-.03000	.00000	.08400	622.53000	.41000	.01000	4.13000	.01000	3.89000
.629	31.270	-.03300	-.03400	.00200	.08700	628.24000	.42000	.01000	4.16000	.03000	3.92000
.627	32.570	-.03600	-.03800	-.00500	.08700	625.28000	.41000	.01000	4.12000	-.02000	3.90000
.626	33.860	-.03400	-.04000	-.00500	.08700	624.00000	.41000	.01000	4.12000	-.01000	3.90000
.627	35.160	-.03100	-.03900	-.00200	.09000	625.68000	.41000	.01000	4.12000	.01000	3.90000
.629	36.460	-.03200	-.04200	-.00500	.08700	630.32000	.41000	.01000	4.12000	.00000	3.92000
.627	37.750	-.03700	-.04200	-.00300	.08300	627.03000	.42000	.01000	4.09000	.01000	3.89000
.629	39.050	-.03200	-.04000	-.00100	.08800	630.05000	.42000	.01000	4.12000	.02000	3.93000
.628	40.340	-.03200	-.04100	.00000	.08700	629.04000	.42000	.01000	4.12000	.01000	3.93000
.628	41.640	-.03100	-.04100	-.00100	.08900	630.45000	.42000	.01000	4.10000	.02000	3.93000
.626	42.940	-.03300	-.04200	-.00500	.08700	626.48000	.42000	.01000	4.07000	.01000	3.90000
.627	44.240	-.03300	-.04300	-.00200	.08400	628.10000	.42000	.01000	4.09000	.00000	3.92000
.627	45.530	-.03600	-.04300	-.00200	.08000	627.50000	.42000	.01000	4.09000	.01000	3.93000
.629	46.830	-.03300	-.04100	-.00200	.08200	630.52000	.42000	.01000	4.07000	.02000	3.93000
.626	48.120	-.03500	-.04200	-.00700	.08100	624.47000	.42000	.01000	4.03000	.00000	3.89000
GRADIENT		.00193	.00039	.00231	.00154	1.16799	.00000	-.00000	-.00387	.00386	-.00000

LTV44-559(CA26) 747/1 ATY 02 S1 (CARRIER DATA)

(SFE039) (24 MAR 76)

REFERENCE DATA

SREF = 5500.000 SQ.FT. XMRP = 1339.9000 IN. XC
 LREF = 327.7800 IN. YMRP = .0000 IN. YC
 BREF = 2348.0400 IN. ZMRP = 190.7500 IN. ZC
 SCALE = .0125

PARAMETRIC DATA

ALPHAC = .000 BETAC = .000
 STAB = -1.000 ELEVON = 5.000
 BDFLAP = .000 DX = .000
 OY = .000 TORB = 6.000
 BETAO = .000 RUDDER = .000

RUN NO. 1035/ 0 RN/L = .00 GRADIENT INTERVAL = -5.00/ 5.00

MACH	OZ	CPCC	CPSB1	CPSR2	CPSB3	Q(PSF)	ALPHAC	BETAC	ALPHAO	BETAO	INCID
.627	2.050	-.03000	-.02700	.00000	.09800	625.02000	.45000	.02000	6.27000	.00000	5.83000
.625	3.210	-.03100	-.02800	.00100	.10000	621.39000	.44000	.01000	6.31000	.05000	5.89000
.623	4.370	-.03100	-.02900	.00000	.09900	617.08000	.45000	.02000	6.29000	.00000	5.86000
.626	5.530	-.03000	-.02600	.00100	.09600	622.53000	.44000	.02000	6.30000	.06000	5.89000
.625	6.690	-.03200	-.02800	.00000	.09800	621.66000	.44000	.02000	6.27000	.09000	5.87000
.627	7.850	-.03300	-.03000	.00000	.09700	625.01000	.45000	.02000	6.27000	.03000	5.87000
.626	9.010	-.03000	-.02800	.00100	.09600	623.54000	.44000	.02000	6.28000	.06000	5.89000
.627	10.170	-.03300	-.02800	.00000	.09500	624.81000	.44000	.02000	6.28000	.01000	5.90000
.626	11.330	-.03000	-.02800	.00000	.09400	622.94000	.43000	.02000	6.25000	.05000	5.88000
.626	12.490	-.02900	-.02500	.00300	.09600	620.52000	.43000	.02000	6.21000	.06000	5.85000
.625	13.650	-.03900	-.03500	-.00400	.08800	621.45000	.43000	.02000	6.25000	.04000	5.90000
.626	14.810	-.02900	-.02600	.00400	.09500	621.93000	.43000	.02000	6.20000	.06000	5.85000
.626	15.970	-.02800	-.02600	.00300	.09400	621.66000	.43000	.02000	6.20000	.06000	5.85000
.627	17.130	-.03400	-.03000	.00000	.09000	624.14000	.43000	.02000	6.23000	.01000	5.90000
.629	18.290	-.02800	-.02400	.00200	.09100	628.17000	.42000	.02000	6.22000	.02000	5.90000
.627	19.440	-.03100	-.02800	.00100	.09200	625.08000	.43000	.02000	6.20000	.07000	5.88000
.627	20.600	-.03000	-.02700	.00200	.08800	624.21000	.43000	.02000	6.19000	.05000	5.88000
.627	21.750	-.02800	-.02600	.00200	.08900	623.20000	.42000	.01000	6.17000	.03000	5.87000
.627	22.910	-.03300	-.03000	-.00100	.08700	624.61000	.42000	.01000	6.19000	.05000	5.91000
.628	24.080	-.02900	-.02500	.00300	.08900	626.36000	.42000	.01000	6.16000	.06000	5.88000
.629	25.240	-.03400	-.02900	.00300	.08700	627.90000	.42000	.01000	6.16000	.04000	5.88000
.627	26.400	-.03300	-.02900	.00300	.08900	621.86000	.42000	.01000	6.15000	.05000	5.88000
.626	27.560	-.02900	-.02500	.00300	.08800	621.06000	.42000	.01000	6.13000	.00000	5.86000
.629	28.710	-.03200	-.02900	.00200	.08700	626.76000	.42000	.01000	6.16000	.04000	5.90000
.628	29.870	-.02800	-.03000	.00300	.09400	627.30000	.43000	.01000	6.13000	.01000	5.88000
.627	31.030	-.03500	-.03900	-.00400	.09000	627.90000	.42000	.01000	6.10000	.02000	5.86000
.626	32.190	-.03000	-.03500	.00000	.09000	623.94000	.42000	.01000	6.12000	.05000	5.89000
.626	33.350	-.02900	-.03500	.00000	.08700	624.07000	.42000	.01000	6.13000	.03000	5.90000
.627	34.510	-.03400	-.04100	-.00200	.08400	625.55000	.43000	.01000	6.10000	.00000	5.87000
.627	35.670	-.02900	-.03400	.00000	.08700	623.47000	.42000	.01000	6.12000	.03000	5.90000
.626	36.830	-.03000	-.03700	-.00100	.08600	623.20000	.43000	.01000	6.11000	.00000	5.90000
.629	37.990	-.03500	-.04100	-.00200	.08500	625.89000	.42000	.01000	6.08000	.00000	5.88000
.627	39.150	-.03000	-.03800	-.00200	.08400	623.61000	.42000	.01000	6.10000	-.02000	5.90000
.628	40.310	-.03000	-.03700	-.00300	.08400	625.22000	.42000	.01000	6.09000	-.03000	5.90000
.625	41.470	-.03500	-.03900	-.00200	.08700	620.85000	.42000	.01000	6.05000	.04000	5.87000
.627	42.630	-.03300	-.04000	-.00500	.08400	625.49000	.42000	.01000	6.07000	-.03000	5.90000
.624	43.790	-.03100	-.04000	-.00400	.08400	618.90000	.42000	.01000	6.07000	-.03000	5.90000
.627	44.950	-.03200	-.04100	-.00500	.08300	624.95000	.42000	.01000	6.05000	-.02000	5.89000
.628	46.110	-.03500	-.04000	-.00300	.08300	625.92000	.42000	.01000	6.02000	.06000	5.87000
.620	47.270	-.03200	-.04000	-.00400	.08200	628.71000	.42000	.01000	6.03000	-.01000	5.88000
.627	48.430	-.03100	-.03800	-.00200	.08400	623.74000	.42000	.01000	6.03000	.00000	5.89000
.628	49.590	-.03300	-.04200	-.00500	.08300	624.68000	.42000	.01000	6.02000	.00000	5.89000

DATE 29 MAR 76

CA-26 FORCE SOURCE DATA TABULATION

PAGE 685

LTV44-559(CA26) 747/1 ATY 02 S1 (CARRIER DATA)

(SFE039) (24 MAR 76)

REFERENCE DATA

SREF = 5500.0000 SQ.FT. XMRP = 1339.9000 IN. XC
 LREF = 327.7800 IN. YMRP = .0000 IN. YC
 BREF = 2348.0400 IN. ZMRP = 190.7500 IN. ZC
 SCALE = .0125

PARAMETRIC DATA

ALPHAC = .000 BETAC = .000
 STAB = -1.000 ELEVON = 5.000
 BOFLAP = .000 DX = .000
 DY = .000 TORB = 6.000
 BETAD = .000 RUDDER = .000

RUN NO. 1035/ 0 RN/L = .00 GRADIENT INTERVAL = -5.00/ 5.00

MACH	DZ	CPC	CPS81	CPS82	CPS83	Q(PSF)	ALPHAC	BETAC	ALPHAD	BETAD	INCLD
.628	50.750	-.03400	-.04300	-.00600	.08200	625.42000	.42000	.01000	6.02000	-.01000	5.90000
.628	51.900	-.03100	-.03800	-.00300	.08200	624.48000	.43000	.01000	6.03000	-.02000	5.90000
.627	53.050	-.03400	-.04200	-.00600	.08000	624.48000	.43000	.01000	5.99000	.00000	5.87000
.625	54.220	-.03600	-.04500	-.00700	.08200	620.45000	.42000	.01000	5.97000	.04000	5.85000
.626	54.800	-.03300	-.03900	-.00100	.08400	621.73000	.43000	.01000	6.01000	-.01000	5.90000
	GRADIENT	-.00043	-.00086	.00000	.00043	-3.42240	.00000	.00000	.00862	.00000	.01293

ORIGINAL PAGE IS
 OF POOR QUALITY

LTV44-559(CA26) 747/1 ATY 02 S1 (CARRIER DATA)

(SFE040) (24 MAR 76)

REFERENCE DATA

SREF = 5500.0000 SQ.FT. XMRP = 1339.9000 IN. XC
 LREF = 327.7800 IN. YMRP = .0000 IN. YC
 BREF = 2348.0400 IN. ZMRP = 190.7500 IN. ZC
 SCALE = .0125

PARAMETRIC DATA

ALPHAC = .000 BETAC = .000
 STAB = -1.000 ELEVON = 5.000
 BDFLAP = .000 DX = .000
 DY = .000 TORB = 8.000
 BETA0 = .000 RUDDER = .000

		RUN NO.	36/ 0	RN/L =	.00	GRADIENT INTERVAL =	-5.00/ 5.00				
MACH	OZ	CPCC	CPSB1	CPSB2	CPSB3	Q(PSF)	ALPHAC	BETAC	ALPHA0	BETA0	INC1D
.622	1.460	-.02500	-.02700	.00400	.09500	616.93000	.47000	.01000	8.34000	.03000	7.87000
.623	2.770	-.02300	-.02700	.00200	.09900	617.95000	.46000	.02000	8.32000	.00000	7.87000
.620	4.070	-.02800	-.02900	.00000	.09400	613.63000	.46000	.01000	8.30000	.04000	7.86000
.622	5.370	-.02700	-.02400	.00000	.09600	616.00000	.47000	.02000	8.31800	.05000	7.87000
.623	6.680	-.02300	-.02400	.00300	.10100	618.22000	.47000	.02000	8.28000	.00000	7.85000
.621	7.990	-.02700	-.02400	.00000	.09800	616.05000	.47000	.02000	8.31000	.04000	7.89000
.621	9.290	-.02900	-.02500	.00000	.09400	614.92000	.46000	.02000	8.30000	.05000	7.89000
.621	10.600	-.02800	-.02800	.00200	.09300	613.91000	.46000	.02000	8.26000	.04000	7.86000
.621	11.900	-.03000	-.02900	.00100	.09300	614.24000	.46000	.02000	8.25000	.02000	7.86000
.621	13.200	-.02800	-.02900	.00000	.09200	615.52000	.45000	.02000	8.24000	.00000	7.86000
.624	14.510	-.02500	-.02400	.00100	.09600	620.04000	.44000	.02000	8.26000	.01000	7.90000
.621	15.810	-.02700	-.02800	.00100	.09100	615.05000	.44000	.02000	8.25000	.02000	7.89000
.624	17.110	-.02600	-.02200	.00200	.09600	619.90000	.44000	.02000	8.20000	.05000	7.86000
.624	18.420	-.02600	-.02400	.00200	.09300	619.83000	.44000	.02000	8.20000	.04000	7.87000
.623	19.720	-.03000	-.02700	.00100	.09000	617.88000	.44000	.01000	8.20000	.04000	7.87000
.623	21.030	-.02600	-.02300	.00300	.09400	618.89000	.43000	.01000	8.17000	.03000	7.85000
.622	22.330	-.02900	-.02800	.00100	.08900	616.60000	.43000	.01000	8.20000	.02000	7.90000
.622	23.630	-.02800	-.02900	.00000	.08900	616.76000	.43000	.01000	8.17000	.03000	7.87000
.622	24.940	-.03000	-.02700	.00200	.08700	616.60000	.43000	.01000	8.16000	.02000	7.87000
.625	26.240	-.02900	-.02600	.00300	.09000	620.91000	.43000	.01000	8.14000	.03000	7.86000
.622	27.540	-.03000	-.02700	.00100	.08900	615.33000	.43000	.01000	8.14000	.00000	7.87000
.623	28.850	-.02800	-.02600	.00100	.08900	618.63000	.42000	.01000	8.12000	.00000	7.87000
.622	30.150	-.02900	-.03100	.00000	.08400	617.95000	.42000	.01000	8.12000	.05000	7.87000
.621	31.460	-.03100	-.02900	.00000	.08700	614.51000	.42000	.01000	8.11000	.02000	7.87000
.621	32.760	-.03300	-.02900	-.00100	.08400	615.12000	.42000	.01000	8.11000	.02000	7.88000
.622	34.070	-.02900	-.02600	.00000	.08600	615.53000	.43000	.01000	8.10000	.02000	7.87000
.623	35.370	-.03000	-.02600	.00000	.08800	618.56000	.42000	.01000	8.10000	.04000	7.88000
.623	36.680	-.02800	-.03100	.00200	.08300	617.82000	.42000	.01000	8.07000	.01000	7.86000
.621	37.980	-.03300	-.03200	-.00100	.08100	614.31000	.42000	.00000	8.06000	.00000	7.86000
.623	39.280	-.03100	-.02800	-.00100	.09500	618.09000	.43000	.01000	8.09000	.05000	7.89000
.623	40.590	-.03000	-.02900	.00100	.08400	619.09000	.43000	.01000	8.07000	.05000	7.87000
.623	41.890	-.03100	-.02600	.00000	.08700	619.43000	.42000	.00000	8.06000	.00000	7.86000
.622	43.200	-.03200	-.03200	-.00200	.08200	616.87000	.42000	.00000	8.03000	.00000	7.86000
.621	44.500	-.03400	-.03200	-.00300	.08000	615.79000	.42000	.00000	8.05000	.04000	7.88000
.623	45.800	-.03000	-.02800	.00000	.09500	619.77000	.42000	.01000	8.03000	.03000	7.87000
.621	47.110	-.03200	-.02800	-.00100	.08400	615.66000	.43000	.00000	8.03000	.05000	7.88000
.620	48.420	-.03500	-.03300	-.00200	.07900	613.43000	.42000	.00000	8.03000	.04000	7.88000
	GRADIENT	-.00115	-.00076	-.00153	-.00038	-1.26174	-.00384	.00001	-.01533	.00360	-.00383

C-14
3

DATE 29 MAR 76

CA-26 FORCE SOURCE DATA TABULATION

PAGE 887

LTV44-559(CA26) 747/1 ATY 02 S1 (CARRIER DATA)

(SFE041) (24 MAR 76)

REFERENCE DATA

SREF = 5500.0000 SQ.FT. XMRP = 1339.9000 IN. XC
 LREF = 327.7800 IN. YMRP = .0000 IN. YC
 BREF = 2348.0400 IN. ZMRP = 190.7500 IN. ZC
 SCALE = .0125

PARAMETRIC DATA

ALPHAC = 2.000 BETAC = .000
 STAB = -1.000 ELEVON = 5.000
 BDFLAP = .000 DX = .000
 DY = .000 TORB = 4.000
 BETAO = .000 RUDDER = .000

PUN NO. 37/ 0 RN/L = .00 GRADIENT INTERVAL = -5.00/ 5.00

MACH	OZ	CPC	CPSB1	CPSB2	CPSB3	Q(PSF)	ALPHAC	BETAC	ALPHAO	BETAO	INCID
.595	1.470	-.02300	-.04000	-.00700	.08100	576.31000	2.98000	.02000	6.94000	.12000	3.96000
.597	1.770	-.02200	-.03900	-.00500	.08300	579.72000	2.99000	.02000	6.89000	.11000	3.91000
.596	2.370	-.02400	-.04000	-.00600	.08200	575.92000	2.98000	.02000	6.88000	.11000	3.91000
.594	2.970	-.02200	-.04300	-.00800	.08400	575.07000	2.98000	.02000	6.87000	.10000	3.90000
.597	3.970	-.02300	-.04000	-.00100	.08700	578.38000	2.99000	.02000	6.86000	.07000	3.89000
.596	4.960	-.02500	-.04400	-.00900	.08400	576.92000	2.99000	.02000	6.89000	.09000	3.92000
.594	6.210	-.02500	-.04300	-.00600	.07900	571.36000	2.99000	.02000	6.84000	.08000	3.89000
.592	7.460	-.02500	-.04400	-.00900	.07700	568.68000	2.98000	.02000	6.88000	.09000	3.94000
.595	8.710	-.02400	-.04100	-.00700	.07500	575.24000	2.99000	.02000	6.86000	.06000	3.92000
.592	9.960	-.02100	-.04200	-.00200	.08000	568.19000	2.98000	.02000	6.83000	.08000	3.90000
.583	11.170	-.02600	-.04500	-.00600	.07000	558.61000	2.97000	.02000	6.82000	.06000	3.90000
.581	12.370	-.02100	-.04400	-.00400	.07500	557.70000	2.98000	.02000	6.84000	.10000	3.93000
.581	13.570	-.02100	-.04500	-.00600	.07700	559.14000	2.98000	.02000	6.82000	.05000	3.92000
.580	14.770	-.02400	-.04300	-.00500	.07200	558.41000	2.98000	.01000	6.80000	.08000	3.90000
.580	15.970	-.02400	-.04300	-.00400	.07400	560.24000	2.98000	.01000	6.79000	.07000	3.91000
.582	17.170	-.02200	-.04200	-.00600	.07800	562.39000	2.98000	.01000	6.79000	.10000	3.91000
.582	18.370	-.02300	-.04100	-.00400	.07800	562.74000	2.98000	.01000	6.81000	.12000	3.93000
.587	19.570	-.02400	-.04200	-.00200	.07900	569.55000	2.99000	.01000	6.81000	.10000	3.93000
.590	20.770	-.02400	-.04500	-.00200	.07800	573.72000	2.99000	.01000	6.76000	.10000	3.89000
.596	21.970	-.02100	-.03900	-.00400	.08300	583.57000	2.99000	.01000	6.81000	.09000	3.94000
.600	23.170	-.01900	-.04200	-.00200	.08500	588.02000	3.00000	.01000	6.79000	.10000	3.92000
.603	24.370	-.02300	-.04500	-.00300	.07800	589.64000	3.00000	.01000	6.76000	.06000	3.91000
.608	25.570	-.02200	-.03900	-.00500	.08000	597.23000	3.01000	.01000	6.80000	.10000	3.94000
.611	26.770	-.02300	-.04100	-.00400	.07900	602.54000	3.01000	.01000	6.78000	.11000	3.93000
.610	27.970	-.02200	-.04200	-.00300	.07900	599.43000	3.01000	.01000	6.77000	.04000	3.92000
.608	29.170	-.02400	-.04700	-.00400	.07400	596.23000	3.01000	.01000	6.76000	.04000	3.92000
.612	30.370	-.02300	-.04000	-.00300	.07800	602.68000	3.01000	.01000	6.75000	.03000	3.91000
.613	31.570	-.02400	-.04400	-.00200	.07600	604.04000	3.01000	.01000	6.74000	.10000	3.91000
.611	32.780	-.02600	-.04700	-.00600	.07100	600.37000	3.02000	.01000	6.76000	.08000	3.93000
.612	33.980	-.02300	-.04200	-.00400	.07700	602.21000	3.01000	.01000	6.74000	.04000	3.93000
.613	35.180	-.02100	-.04300	-.00100	.07600	603.37000	3.02000	.01000	6.71000	.05000	3.90000
.611	36.380	-.02200	-.04100	-.00200	.07600	600.46000	3.01000	.01000	6.75000	.08000	3.95000
.612	37.580	-.02500	-.04400	-.00500	.07600	602.08000	3.01000	.01000	6.72000	.02000	3.93000
.612	38.780	-.02300	-.04600	-.00300	.07300	601.74000	3.02000	.01000	6.71000	.09000	3.92000
.613	39.980	-.02300	-.04400	-.00300	.07500	603.71000	3.02000	.01000	6.70000	.04000	3.91000
.610	41.180	-.02800	-.04600	-.00800	.07200	598.82000	3.01000	.01000	6.72000	.07000	3.95000
.611	42.380	-.02800	-.04600	-.00800	.07000	600.86000	3.02000	.01000	6.72000	.10000	3.95000
.611	43.580	-.02900	-.04800	-.00700	.07000	599.45000	3.02000	.01000	6.71000	.07000	3.95000
.613	44.780	-.02500	-.04800	-.00400	.06900	603.04000	3.02000	.01000	6.69000	.09000	3.93000
	GRADIENT	-.00051	-.00105	-.00007	.00108	-.12186	.00216	.00000	-.01106	-.01100	-.00818

LTV44-559(CA26) 747/1 ATY 02 S1 (CARRIER DATA)

(SFE042) (24 MAR 76)

REFERENCE DATA

SREF = 5500.0000 SQ.FT. XMRP = 1339.9000 IN. XC
 LREF = 327.7800 IN. YMRP = .0000 IN. YC
 BREF = 2348.0400 IN. ZMRP = 190.7500 IN. ZC
 SCALE = .0125

PARAMETRIC DATA

ALPHAC = 2.000 BETAC = .000
 STAB = -1.000 ELEVON = 5.000
 BDFLAP = .000 DX = .000
 DY = .000 TORB = 6.000
 BETAO = .000 RUDDER = .000

RUN NO. 1037/ 0 RN/L = .00 GRADIENT INTERVAL = -5.00/ 5.00

MACH	DZ	CPC	CPSB1	CPSB2	CPSB3	Q(PSF)	ALPHAC	BETAC	ALPHAO	BETAO	INCID
.592	1.470	-.02100	-.03400	.00600	.08600	571.16000	2.98000	.02000	8.96000	.08000	5.99000
.596	2.070	-.01600	-.02300	.01400	.08800	576.53000	2.97000	.02000	8.97000	.09000	6.00000
.595	2.670	-.01700	-.02600	.01000	.08600	574.89000	2.98000	.02000	8.98000	.11000	5.91000
.595	3.470	-.01500	-.02400	.01000	.08400	574.47000	3.01000	.03000	8.87000	.12000	5.87000
.597	4.470	-.01800	-.02900	.00400	.08000	579.26000	3.01000	.03000	8.87000	.09000	5.88000
.596	5.600	-.01400	-.02400	.01000	.08000	577.13000	3.01000	.03000	8.90000	.12000	5.92000
.593	6.850	-.01800	-.02500	.00900	.08200	572.28000	3.01000	.03000	8.87000	.08000	5.89000
.594	8.100	-.01700	-.02700	.01000	.08400	573.17000	3.01000	.03000	8.90000	.12000	5.93000
.594	9.350	-.01500	-.02600	.01100	.08300	574.26000	3.01000	.02000	8.86000	.11000	5.90000
.596	10.580	-.01200	-.02200	.01300	.08100	577.15000	3.01000	.02000	8.85000	.09000	5.90000
.594	11.800	-.01800	-.02700	.01000	.08200	573.04000	3.01000	.02000	8.85000	.11000	5.91000
.595	13.020	-.01700	-.02600	.00900	.07900	575.57000	3.00000	.02000	8.84000	.10000	5.90000
.595	14.240	-.01200	-.02200	.01400	.07900	574.69000	3.00000	.02000	8.84000	.10000	5.92000
.596	15.460	-.01700	-.02700	.00900	.07700	576.88000	3.00000	.02000	8.85000	.12000	5.93000
.594	16.680	-.01900	-.02900	.00900	.07700	572.57000	3.00000	.02000	8.82000	.08000	5.92000
.594	17.900	-.01600	-.03200	.00800	.08000	572.57000	3.00000	.02000	8.81000	.08000	5.91000
.598	19.120	-.01300	-.03300	.00900	.08200	580.50000	3.00000	.01000	8.79000	.10000	5.90000
.596	20.340	-.01600	-.03800	.00500	.08000	577.02000	3.00000	.02000	8.79000	.07000	5.91000
.592	21.560	-.01100	-.03400	.00800	.08300	569.63000	3.00000	.01000	8.78000	.08000	5.90000
.595	22.780	-.01400	-.03600	.00800	.08300	574.21000	3.00000	.01000	8.79000	.08000	5.92000
.597	24.000	-.01200	-.03700	.00400	.08000	577.70000	3.00000	.01000	8.75000	.09000	5.89000
.596	25.220	-.01200	-.03700	.00500	.07800	575.12000	3.00000	.01000	8.74000	.07000	5.89000
.596	26.440	-.01700	-.03900	.00500	.07800	576.15000	3.00000	.01000	8.75000	.09000	5.90000
.597	27.660	-.01200	-.03700	.00400	.07900	577.44000	3.00000	.01000	8.74000	.07000	5.90000
.595	28.880	-.01500	-.03800	.00500	.08200	575.38000	2.99000	.01000	8.74000	.07000	5.91000
.596	30.100	-.01200	-.03700	.00500	.07900	576.21000	2.99000	.01000	8.72000	.06000	5.90000
.595	31.330	-.01000	-.03300	.00800	.07900	574.10000	2.99000	.00000	8.70000	.08000	5.89000
.597	32.540	-.00800	-.03100	.01000	.08300	578.20000	2.99000	.01000	8.71000	.07000	5.91000
.595	33.770	-.01300	-.03800	.00300	.07800	575.78000	3.00000	.01000	8.70000	.05000	5.90000
.595	34.980	-.01100	-.03600	.00700	.07900	575.10000	2.99000	.01000	8.70000	.07000	5.91000
.596	36.210	-.01400	-.03700	.00700	.07700	577.22000	3.00000	.00000	8.72000	.08000	5.93000
.596	37.430	-.01200	-.03500	.00700	.07800	577.43000	3.00000	.00000	8.71000	.06000	5.92000
.595	38.650	-.01100	-.03600	.01000	.07900	575.03000	3.00000	.00000	8.67000	.06000	5.89000
.595	39.870	-.01600	-.03700	.00600	.07700	574.41000	3.00000	.00000	8.65000	.04000	5.89000
.535	41.090	-.01400	-.03500	.00600	.07800	573.81000	3.00000	.00000	8.67000	.05000	5.91000
.596	42.310	-.01100	-.03900	.00800	.07600	577.36000	3.00000	.00000	8.66000	.05000	5.90000
.594	43.530	-.01500	-.04100	.00600	.07500	572.84000	3.00000	.00000	8.68000	.06000	5.92000
.596	44.750	-.01100	-.03500	.00800	.08000	575.66000	3.00000	.00000	8.63000	.05000	5.89000
.595	45.970	-.01400	-.03600	.00700	.07700	574.30000	3.00000	.00000	8.67000	.08000	5.91000
.597	47.190	-.01200	-.03400	.00800	.08000	577.37000	3.00000	.00000	8.64000	.09000	5.92000
.597	48.420	-.01200	-.03500	.00600	.07900	577.16000	3.00000	.00000	8.65000	.08000	5.93000
.594	49.630	-.01200	-.04000	.00700	.07500	573.26000	3.00000	.00000	8.61000	.06000	5.90000

DATE 29 MAR 76

CA-26 FORCE SOURCE DATA TABULATION

PAGE 889

LTV44-559(CA26) 747/1 ATY 02 S1 (CARRIER DATA)

(SFE042) (24 MAR 76)

REFERENCE DATA

SREF = 5500.0000 SQ.FT. XMRP = 1339.9000 IN. XC
LREF = 327.7800 IN. YMRP = .0000 IN. YC
BREF = 2348.0400 IN. ZMRP = 190.7500 IN. ZC
SCALE = .0125

PARAMETRIC DATA

ALPHAC = 2.000 BETAC = .000
STAB = -1.000 ELEVON = 5.000
BDFLAP = .000 DX = .000
DY = .000 IORB = 6.000
BETAO = .000 RUDDER = .000

RUN NO. 1037/ 0 RN/L = .00 GRADIENT INTERVAL = -5.00/ 5.00

MACH	DZ	CPCC	CPSB1	CPSB2	CPSB3	Q(PSF)	ALPHAC	BETAC	ALPHAO	BETAO	INCID
.597	50.860	-.01200	-.03600	.00600	.07700	578.12000	3.01000	.00000	8.62000	.06000	5.91000
.596	51.470	-.01200	-.03900	.00600	.07530	575.80000	3.01000	.00000	8.63000	.03000	5.92000
	GRADIENT	.00078	.00089	-.00134	-.00228	1.93163	.01369	.00411	-.03602	.00533	-.04539

LTV44-559(CA26) 747/1 ATY 02 S1 (CARRIER DATA)

(SFE045) (24 MAR 76)

REFERENCE DATA

SREF = 5500.0000 SQ.FT. XMRP = 1339.9000 IN. XC
 LREF = 327.7800 IN. YMRP = .0000 IN. YC
 BREF = 2348.0400 IN. ZMRP = 190.7500 IN. ZC
 SCALE = .0125

PARAMETRIC DATA

ALPHAC = 2.000 BETAC = .000
 STAB = 5.000 ELEVON = 5.000
 BDFLAP = .000 DX = .000
 DY = .000 TORB = 4.000
 BETAO = .000 RUDDER = .000

		RUN NO.	39/ 0	RN/L =	.00	GRADIENT INTERVAL =	-5.00/	5.00			
MACH	DZ	CPCC	CPSB1	CPSB2	CPSB3	Q(PSF)	ALPHAC	BETAC	ALPHAO	BETAO	INCID
.600	1.470	-.01000	-.02300	-.02400	.11000	584.68000	2.66000	.02000	6.64000	.01000	3.98000
.600	1.770	-.01100	-.02400	-.02500	.11000	585.49000	2.67000	.02000	6.65000	.04000	3.99000
.601	2.370	-.01100	-.02400	-.02400	.11100	585.63000	2.67000	.02000	6.66000	.04000	4.00000
.604	2.970	-.01100	-.02300	-.02400	.10900	591.70000	2.67000	.02000	6.63000	.02000	3.98000
.601	3.970	-.01100	-.02400	-.02200	.11100	585.72000	2.67000	.02000	6.62000	.02000	3.97000
.602	4.960	-.01100	-.02400	-.02600	.10800	587.42000	2.67000	.02000	6.64000	.04000	4.00000
.601	6.210	-.01400	-.02500	-.02500	.10900	587.06000	2.67000	.01000	6.61000	.01000	3.97000
.601	7.460	-.01000	-.02300	-.02400	.10900	586.99000	2.67000	.01000	6.62000	.05000	3.99000
.601	8.710	-.01100	-.02300	-.02100	.11200	586.11000	2.67000	.01000	6.61000	.04000	3.99000
.601	9.960	-.01000	-.02300	-.02200	.10800	586.05000	2.67000	.01000	6.63000	.04000	4.01000
.599	11.170	-.01100	-.02400	-.02300	.10800	584.19000	2.67000	.01000	6.60000	.05000	3.99000
.602	12.370	-.01400	-.02500	-.02400	.10600	588.89000	2.67000	.01000	6.60000	.04000	4.00000
.603	13.570	-.01400	-.02400	-.02200	.10600	591.49000	2.67000	.01000	6.58000	.01000	3.99000
.601	14.770	-.01000	-.02400	-.02200	.10500	585.91000	2.38000	.01000	6.59000	.07000	4.00000
.600	15.970	-.01100	-.02100	-.02000	.10600	585.01000	2.67000	.01000	6.55000	.01000	3.97000
.603	17.170	-.01400	-.02300	-.02300	.10200	590.32000	2.66000	.01000	6.55000	.00000	3.98000
.601	18.370	-.01000	-.02300	-.02300	.10400	587.26000	2.67000	.00000	6.57000	.03000	4.00000
.600	19.570	-.01500	-.02500	-.02300	.10400	586.43000	2.67000	.00000	6.55000	.00000	3.99000
.603	20.770	-.01400	-.02500	-.02300	.10200	590.73000	2.67000	.00000	6.56000	.04000	4.00000
.603	21.970	-.00800	-.02000	-.01700	.10600	589.79000	2.67000	.00000	6.56000	.03000	4.01000
.602	23.170	-.01500	-.02400	-.02200	.10100	590.11000	2.67000	.00000	6.53000	.00000	3.99000
.601	24.370	-.00900	-.02200	-.01900	.10300	587.45000	2.67000	.00000	6.53000	.00000	4.00000
.601	25.570	-.01300	-.02400	-.02100	.10100	589.01000	2.68000	.00000	6.52000	.00000	3.99000
.600	26.770	-.00900	-.02200	-.02100	.10200	585.95000	2.67000	.00000	6.51000	.00000	3.99000
.599	27.970	-.01000	-.02300	-.02000	.10200	584.38000	2.68000	.00000	6.50000	.02000	3.99000
.602	29.170	-.01300	-.02300	-.02000	.10100	590.65000	2.67000	.00000	6.48000	.00000	3.98000
.599	30.370	-.00800	-.02100	-.02000	.10200	584.04000	2.68000	.00000	6.50000	.00000	3.99000
.600	31.570	-.01500	-.02500	-.02200	.10100	586.96000	2.68000	.00000	6.51000	.03000	4.01000
.599	32.780	-.00800	-.01900	-.02000	.10300	583.00000	2.67000	.00000	6.48000	.02000	4.00000
.601	33.980	-.00900	-.02200	-.01900	.10200	587.58000	2.67000	.00000	6.49000	.01000	4.02000
.601	35.180	-.01300	-.02300	-.02000	.10100	587.51000	2.67000	.00000	6.50000	.02000	4.02000
.602	36.380	-.00700	-.02000	-.01800	.10300	588.49000	2.68000	.00000	6.48000	.04000	4.01000
.602	37.580	-.01200	-.02300	-.01900	.10200	589.11000	2.68000	.00000	6.44000	.00000	3.98000
.602	38.780	-.01000	-.02100	-.02100	.10100	588.30000	2.68000	.00000	6.46000	.00000	4.00000
.603	39.980	-.01300	-.02100	-.01900	.10100	590.00000	2.68000	.00000	6.44000	.00000	4.00000
.602	41.180	-.01000	-.02100	-.02000	.10100	588.43000	2.68000	.00000	6.41000	.00000	3.97000
.602	42.380	-.01100	-.02400	-.02200	.09700	589.65000	2.68000	.00000	6.41000	.00000	3.98000
.601	43.580	-.01100	-.02100	-.02200	.09700	588.34000	2.68000	.00000	6.42000	.00000	4.00000
.601	44.780	-.01300	-.02400	-.02000	.09700	589.14000	2.68000	.00000	6.44000	.02000	4.02000
	GRADIENT	-.00016	-.00016	-.00009	-.00040	.62259	.00161	.00000	-.00489	.00238	.00087

DATE 29 MAR 76

CA-26 FORCE SOURCE DATA TABULATION

PAGE 891

LTV44-559(CA26) 747/1 ATY 02 S1 (CARRIER DATA)

(SFE046) (24 MAR 76)

REFERENCE DATA

SREF = 5500.0000 SQ.FT. XMRP = 1339.9000 IN. XC
 LREF = 327.7800 IN. YMRP = .0000 IN. YC
 BREF = 2348.0400 IN. ZMRP = 190.7500 IN. ZC
 SCALE = .0125

PARAMETRIC DATA

ALPHAC = 2.000 BETAC = .000
 STAB = 5.000 ELEVON = 5.000
 BDFLAP = .000 DX = .000
 DY = .000 IORB = 6.000
 BETAO = .000 RUDDER = .000

RUN NO. 44/ 0 RN/L = .00 GRADIENT INTERVAL = -5.00/ 5.00

MACH	DZ	CPCC	CPSB1	CPSB2	CPSB3	Q(PSF)	ALPHAC	BETAC	ALPHAO	BFTAO	INCID
.329	1.460	.04200	.02400	.05700	.14900	209.30000	2.68000	.00000	8.63000	.05000	5.95000
.325	2.060	.04800	.02700	.05500	.15300	204.75000	2.68000	.00000	8.65000	.05000	5.98000
.324	2.660	.04900	.02700	.05200	.15400	204.16000	2.68000	.00000	8.63000	.02000	5.96000
.315	3.360	.03700	.03400	.04900	.15100	195.03000	2.68000	.00000	8.64000	.03000	5.98000
.315	4.160	.03600	.03000	.04700	.14600	194.58000	2.67000	.00000	8.62000	.03000	5.97000
.317	4.960	.05400	.03000	.06400	.15300	197.63000	2.67000	.00000	8.60000	.00000	5.95000
.312	5.960	.04300	.02900	.06000	.14200	192.99000	2.68000	.00000	8.59000	.00000	5.94000
.310	6.960	.03600	.03500	.05400	.14100	190.56000	2.67000	.00000	8.59000	.01000	5.95000
.309	7.970	.03200	.02500	.05000	.14200	188.37000	2.67000	.00000	8.60000	.00000	5.97000
.311	8.960	.04800	.03100	.05200	.15200	190.65000	2.67000	.00000	8.56000	.00000	5.94000
.308	9.960	.05000	.02600	.05400	.14900	187.39000	2.67000	.00000	8.60000	.01000	5.99000
.309	11.150	.05200	.02900	.05600	.14900	188.17000	2.67000	.00000	8.58000	.02000	5.97000
.306	12.330	.03900	.02800	.04700	.13900	184.82000	2.67000	.00000	8.56000	.00000	5.95000
.309	13.520	.03600	.02600	.05400	.13200	187.64000	2.67000	.00000	8.55000	.00000	5.95000
.306	14.700	.03400	.02700	.04300	.13100	184.06000	2.67000	.00000	8.53000	-.01000	5.94000
.309	15.900	.05100	.02700	.05500	.14900	186.39000	2.66000	.00000	8.56000	.02000	5.98000
.306	17.080	.04500	.02600	.04900	.14200	182.35000	2.66000	.00000	8.54000	.01000	5.97000
.306	18.270	.04200	.02800	.04600	.13400	182.63000	2.67000	.00000	8.52000	.00000	5.95000
.311	19.450	.04100	.03600	.05800	.13100	188.48000	2.67000	.00000	8.51000	.02000	5.95000
.312	20.640	.04400	.03800	.06300	.13600	188.27000	2.67000	.00000	8.53000	.04000	5.97000
.307	21.810	.02700	.01200	.04400	.13300	182.01000	2.67000	.00000	8.47000	.01000	5.93000
.312	23.000	.04900	.03300	.05700	.12900	187.17000	2.67000	.00000	8.51000	.02000	5.97000
.307	24.190	.05500	.04000	.06300	.14000	181.78000	2.66000	.00000	8.50000	.02000	5.97000
.308	25.370	.04200	.02100	.04900	.13300	182.28000	2.66000	.00000	8.45000	.01000	5.93000
.305	26.560	.03500	.02300	.05400	.13800	178.63000	2.67000	.00000	8.46000	.01000	5.95000
.309	27.740	.02800	.01400	.04500	.13300	183.10000	2.67000	.00000	8.48000	.04000	5.97000
.309	28.930	.04700	.03300	.05400	.14300	182.82000	2.66000	.00000	8.43000	.02000	5.93000
.310	30.110	.04300	.03800	.05700	.14600	183.94000	2.66000	.00000	8.47000	.03000	5.98000
.311	31.310	.03300	.01300	.04100	.14000	186.26000	2.66000	.00000	8.42000	.01000	5.93000
.309	32.490	.04100	.02900	.06100	.15500	183.35000	2.67000	.00000	8.43000	.04000	5.95000
.312	33.680	.03000	.02100	.04400	.14000	188.33000	2.67000	.00000	8.44000	.04000	5.97000
.315	34.860	.04400	.03400	.05900	.14400	191.47000	2.67000	.00000	8.42000	.04000	5.96000
.314	36.050	.04400	.03200	.05300	.14400	191.09000	2.66000	.00000	8.39000	.01000	5.94000
.315	37.230	.02500	.01000	.03600	.12800	193.07000	2.66000	.00000	8.43000	.03000	5.98000
.309	38.420	.03000	.01900	.05000	.14500	185.38000	2.66000	.00000	8.39000	.04000	5.95000
.313	39.610	.03000	.02100	.04600	.14200	190.57000	2.67000	.00000	8.40000	.05000	5.96000
.313	40.790	.03600	.02100	.04500	.14200	190.68000	2.66000	.00000	8.38000	.02000	5.95000
.314	41.980	.03700	.02500	.04600	.14000	192.11000	2.67000	.00000	8.39000	.03000	5.97000
.317	43.160	.02700	.01900	.04400	.13500	196.16000	2.67000	.00000	8.36000	.00000	5.94000
.313	44.350	.04200	.02700	.04800	.14200	191.16000	2.66000	.00000	8.37000	.04000	5.97000
.313	45.530	.04000	.02300	.05100	.14000	191.05000	2.66000	.00000	8.35000	.07000	5.95000
.314	46.720	.02800	.01700	.04300	.14000	192.12000	2.66000	.00000	8.35000	-.01000	5.96000

ORIGINAL PAGE IS
 OF POOR QUALITY

DATE 29 MAR 76

CA-26 FORCE SOURCE DATA TABULATION

PAGE 892

LTV44-559(CA26) 747/1 ATY 02 S1 (CARRIER DATA)

(SFE046) (24 MAR 76)

REFERENCE DATA

SREF = 5500.0000 SQ.FT. XMRP = 1339.9000 IN. XC
 LREF = 327.7800 IN. YMRP = .0000 IN. YC
 BREF = 2348.0400 IN. ZMRP = 190.7500 IN. ZC
 SCALE = .0125

PARAMETRIC DATA

ALPHAC = 2.000 BETAC = .000
 STAB = 5.000 ELEVON = 5.000
 BDFLAP = .000 DX = .000
 DY = .000 LORR = 6.000
 BETAO = .000 RUDDER = .000

RUN NO. 44/ 0 RN/L = .00 GRADIENT INTERVAL = -5.00/ 5.00

MACH	DZ	CPCC	CPSB1	CPSB2	CPSB3	Q(PSF)	ALPHAC	BETAC	ALPHAO	BETAO	INCID
.314	47.910	.03900	.02500	.05000	.13900	191.71000	2.67000	.00000	8.34000	.08000	5.94000
.313	49.090	.02900	.01700	.04300	.13800	190.94000	2.67000	.00000	8.32000	.00000	5.94000
.314	50.280	.02900	.01500	.04400	.13800	192.80000	2.66000	.00000	8.34000	.01000	5.97000
.311	51.460	.03300	.02900	.05600	.14200	189.09000	2.67000	.00000	8.33000	.02000	5.96000
	GRADIENT	.00060	.00179	.00056	-.00020	-3.89117	-.00337	.00000	-.00981	-.01219	-.00087

DATE 29 MAR 76

CA-26 FORCE SOURCE DATA TABULATION

PAGE 893

LTV44-559(CA26) 747/1 ATY 02 S1 (CARRIER DATA)

(SFE046) (24 MAR 76)

REFERENCE DATA

SREF = 5500.0000 SQ.FT. XMRP = 1339.9000 IN. XC
 LREF = 327.7800 IN. YMRP = .0000 IN. YC
 BREF = 2348.0400 IN. ZMRP = 190.7500 IN. ZC
 SCALE = .0125

PARAMETRIC DATA

ALPHAC = 2.000 BETAC = .000
 STAB = 5.000 ELEVON = 5.000
 BDFLAP = .600 DX = .000
 DY = .000 ICRB = 6.000
 BETAO = .000 RUDDER = .000

RUN NO. 43/ 0 RN/L = .00 GRADIENT INTERVAL = -5.00/ 5.00

MACH	DZ	CPCC	CPSB1	CPSB2	CPSB3	Q(PSF)	ALPHAC	BETAC	ALPHAO	BETAO	INCID
.501	1.460	.00400	-.01100	.00300	.12500	436.30000	2.69000	.01000	8.64000	.05000	5.96000
.512	2.060	.00600	-.01200	.00000	.11630	454.14000	2.69000	.01000	8.62000	.03000	5.94000
.506	2.660	-.00100	-.01900	-.00100	.11870	444.11000	2.69000	.01000	8.65000	.04000	5.97000
.510	3.360	.00000	-.01800	-.00300	.11600	450.37000	2.69000	.01000	8.62000	.03000	5.95000
.508	4.160	-.00100	-.01900	-.00400	.11900	447.08000	2.69000	.01000	8.64000	.04000	5.97000
.506	4.960	.00400	-.01100	.00300	.12400	444.38000	2.68000	.01000	8.62000	.06000	5.96000
.506	5.960	.00200	-.01100	.00400	.12100	444.93000	2.69000	.01000	8.64000	.08000	5.98000
.506	6.960	.00600	-.01200	.00000	.12000	444.60000	2.68000	.01000	8.61000	.04000	5.96000
.505	7.970	.00000	-.01500	.00200	.12200	442.39000	2.68000	.01000	8.61000	.06000	5.97000
.507	8.960	.00500	-.01000	.00300	.12000	444.67000	2.68000	.01000	8.61000	.07000	5.98000
.506	9.960	.00300	-.01300	.00400	.12400	444.38000	2.68000	.01000	8.58000	.02000	5.95000
.506	11.150	.00100	-.01600	-.00200	.11800	444.70000	2.68000	.01000	8.58000	.06000	5.96000
.505	12.330	.00400	-.01500	.00300	.12300	443.16000	2.68000	.01000	8.55000	.03000	5.94000
.506	13.520	.00400	-.01300	.00500	.12300	444.03000	2.68000	.01000	8.53000	.02000	5.93000
.505	14.700	.00100	-.01600	-.00200	.11800	442.61000	2.68000	.01000	8.56000	.08000	5.96000
.508	15.900	.00200	-.01300	.00300	.11500	447.85000	2.67000	.01000	8.53000	.02000	5.94000
.505	17.080	.00000	-.01700	.00000	.11700	441.52000	2.67000	.01000	8.56000	.06000	5.98000
.508	18.270	.00300	-.01300	.00300	.12100	446.98000	2.67000	.01000	8.50000	.02000	5.93000
.509	19.450	.00600	-.01000	.00400	.11700	448.76000	2.67000	.00000	8.53000	.07000	5.97000
.504	20.640	.00000	-.01600	.00000	.11700	440.37000	2.67000	.00000	8.52000	.08000	5.97000
.506	21.810	.00300	-.01200	.00300	.11800	442.89000	2.67000	.00000	8.52000	.09000	5.97000
.507	23.000	-.00100	-.01800	-.00100	.11400	445.03000	2.67000	.00000	8.50000	.05000	5.96000
.508	24.190	.00000	-.01700	.00000	.11400	447.64000	2.67000	.00000	8.47000	.02000	5.93000
.508	25.370	.00200	-.01200	.00200	.11630	446.82000	2.67000	.00000	8.46000	.05000	5.94000
.506	26.560	.00100	-.01600	.00000	.11630	444.19000	2.67000	.00000	8.48000	.03000	5.96000
.505	27.740	.00200	-.01200	.00300	.11500	442.24000	2.67000	.00000	8.45000	.05000	5.94000
.505	28.930	.00500	-.01100	.00200	.11600	442.11000	2.67000	.00000	8.45000	.05000	5.95000
.506	30.110	.00500	-.01000	.00200	.11700	444.32000	2.67000	.00000	8.44000	.03000	5.94000
.507	31.310	.00100	-.01400	.00100	.11700	445.39000	2.67000	.00000	8.43000	.01000	5.94000
.507	32.490	.00200	-.01300	.00000	.11600	446.05000	2.67000	.00000	8.42000	.01000	5.94000
.505	33.680	.00400	-.01300	.00000	.11800	442.06000	2.67000	.00000	8.42000	.04000	5.95000
.508	34.860	.00500	-.01200	.00100	.11500	446.24000	2.67000	.00000	8.41000	.06000	5.94000
.507	36.050	.00500	-.01200	.00100	.11700	445.44000	2.67000	.00000	8.39000	.03000	5.93000
.507	37.230	.00600	-.01000	.00300	.11900	446.88000	2.67000	.00000	8.42000	.05000	5.97000
.506	38.420	.00100	-.01200	.00200	.11700	446.30000	2.67000	.00000	8.40000	.03000	5.95000
.506	39.610	-.00400	-.01900	-.00100	.11300	445.19000	2.67000	.00000	8.40000	.00000	5.96000
.506	40.790	.00600	-.01000	.00200	.11400	444.40000	2.67000	.00000	8.37000	.06000	5.93000
.507	41.980	.00400	-.01300	.00000	.11200	447.27000	2.67000	.00000	8.39000	.05000	5.96000
.506	43.160	-.00200	-.01700	.00000	.11300	445.77000	2.67000	.00000	8.39000	.00000	5.97000
.507	44.350	.00400	-.01100	.00100	.11500	446.54000	2.67000	.00000	8.35000	.06000	5.94000
.509	45.530	-.00200	-.01800	-.00300	.11000	450.66000	2.67000	.00000	8.37000	.04000	5.96000
.510	46.720	-.00200	-.01900	-.00300	.11000	451.68000	2.67000	.00000	8.37000	.05000	5.96000

LTV44-559(CA26) 747/1 ATY 02 S1 (CARRIER DATA)

(SFE046) (24 MAR 76)

REFERENCE DATA

SREF = 5500.0000 SQ.FT. XMRP = 1339.9000 IN. XC
 LREF = 327.7800 IN. YMRP = .0000 IN. YC
 BREF = 2348.0400 IN. ZMRP = 190.7500 IN. ZC
 SCALE = .0125

PARAMETRIC DATA

ALPHAC = 2.000 BETAC = .000
 STAB = 5.000 ELEVON = 5.000
 BDFLAP = .000 DX = .000
 DY = .000 TORB = 6.000
 BETAO = .000 RUDDER = .000

RUN NO. 43/ 0 RN/L = .00 GRADIENT INTERVAL = -5.00/ 5.00

MACH	DZ	CPCC	CPSB1	CPSB2	CPSB3	Q(PSF)	ALPHAC	BETAC	ALPHAO	BETAO	INCID
.508	47.910	.00000	-.01900	-.00200	.10900	447.55000	2.68000	.00000	8.35000	.06000	0.95000
.508	49.090	-.00300	-.02100	-.00400	.10800	446.82000	2.68000	.00000	8.36000	.04000	5.97000
.508	50.280	-.00200	-.01900	-.00300	.11000	447.40000	2.67000	.00000	8.35000	.05000	5.97000
.508	51.460	-.00200	-.01900	-.00100	.11000	446.52000	2.67000	.00000	8.32000	.04000	5.95000
	GRADIENT	-.00071	-.00064	-.00045	.00026	.87500	-.00215	.00000	-.00296	.00331	.00284

LTV44-559(CA26) 747/1 ATY 02 S1 (CARRIER DATA)

(SFE046) (24 MAR 76)

REFERENCE DATA

SREF = 5500.0000 SQ.FT. XMRP = 1339.9000 IN. XC
 LREF = 327.7800 IN. YMRP = .0000 IN. YC
 BREF = 2348.0400 IN. ZMRP = 190.7500 IN. ZC
 SCALE = .0125

PARAMETRIC DATA

ALPHAC = 2.000 BETAC = .000
 STAB = 5.000 ELEVON = 5.000
 BDFLAP = .000 DX = .000
 DY = .000 IORB = 6.000
 BETAO = .000 RUDDER = .000

RUN NO. 1039/ 0 RN/L = .00 GRADIENT INTERVAL = -5.00/ 5.00

MACH	DZ	CPCC	CPSB1	CPSB2	CPSB3	Q(PSF)	ALPHAC	BETAC	ALPHAO	BETAO	INCID
.604	1.470	-.01200	-.02500	-.02200	.10500	592.50000	2.71000	.02000	8.64000	.04000	5.93000
.602	2.070	-.01200	-.02600	-.02200	.10600	589.04000	2.71000	.02000	8.67000	.03000	5.97000
.601	2.670	-.00900	-.02400	-.02000	.10900	586.33000	2.70000	.02000	8.66000	.04000	5.97000
.600	3.470	-.00900	-.02200	-.02100	.10900	584.28000	2.70000	.02000	8.66000	.03000	5.97000
.600	4.470	-.00800	-.01900	-.01700	.11400	584.48000	2.70000	.02000	8.66000	.04000	5.97000
.603	5.600	-.00800	-.02100	-.01800	.10800	589.47000	2.70000	.02000	8.66000	.03000	5.99000
.601	6.850	-.00800	-.02400	-.02200	.10900	584.49000	2.70000	.02000	8.62000	.04000	5.96000
.601	8.100	-.00800	-.02300	-.02100	.10500	591.38000	2.70000	.02000	8.63000	.05000	5.97000
.603	9.350	-.00900	-.02000	-.01600	.10900	588.32000	2.70000	.02000	8.64000	.03000	5.99000
.603	10.580	-.00900	-.02000	-.01700	.10800	588.92000	2.69000	.02000	8.61000	.02000	5.97000
.601	11.800	-.01000	-.02200	-.02100	.10600	585.17000	2.69000	.02000	8.61000	.03000	5.98000
.601	13.020	-.01000	-.02200	-.02100	.10600	585.92000	2.69000	.02000	8.58000	.03000	5.96000
.601	14.240	-.01000	-.02100	-.01900	.10600	585.51000	2.69000	.02000	8.59000	.04000	5.98000
.600	15.460	-.00700	-.02000	-.01900	.11000	584.20000	2.69000	.01000	8.54000	.06000	5.99000
.600	16.680	-.00700	-.02100	-.01900	.10800	584.55000	2.69000	.01000	8.58000	.05000	5.98000
.601	17.900	-.01000	-.02100	-.01800	.10500	585.51000	2.68000	.01000	8.58000	.03000	6.00000
.602	19.120	-.01000	-.02000	-.01700	.10400	587.14000	2.68000	.01000	8.56000	.04000	5.99000
.602	20.340	-.00500	-.02100	-.01500	.10700	586.54000	2.68000	.01000	8.54000	.04000	5.97000
.602	21.560	-.00600	-.02100	-.01500	.10800	586.27000	2.68000	.01000	8.52000	.03000	5.96000
.601	22.780	-.00700	-.02200	-.01800	.10600	584.98000	2.68000	.01000	8.52000	.03000	5.96000
.603	24.000	-.00500	-.02200	-.01500	.10700	588.13000	2.68000	.01000	8.53000	.02000	5.99000
.604	25.220	-.00800	-.02100	-.01600	.10500	589.35000	2.68000	.01000	8.53000	.02000	6.00000
.600	26.440	-.00700	-.02200	-.01700	.10700	583.82000	2.68000	.00000	8.52000	.04000	5.99000
.602	27.660	-.00700	-.02200	-.01800	.10500	586.68000	2.68000	.00000	8.50000	.01000	5.98000
.603	28.880	-.00600	-.02200	-.01600	.10500	589.14000	2.68000	.00000	8.52000	.03000	6.00000
.602	30.100	-.01100	-.02100	-.01600	.10200	586.61000	2.67000	.00000	8.50000	.01000	6.00000
.605	31.330	-.00600	-.02000	-.01500	.10500	593.34000	2.68000	.00000	8.49000	.02000	6.00000
.603	32.540	-.00700	-.02200	-.01500	.10400	589.67000	2.68000	.00000	8.48000	.01000	5.99000
.603	33.770	-.00600	-.02300	-.01700	.10600	589.19000	2.68000	.00000	8.48000	.01000	6.00000
.600	34.980	-.01200	-.02000	-.01800	.10300	585.76000	2.67000	.00000	8.43000	.03000	5.96000
.603	36.210	-.01000	-.02100	-.01500	.10200	590.40000	2.67000	.00000	8.44000	.02000	5.98000
.600	37.430	-.01200	-.02200	-.01800	.09800	585.96000	2.67000	.00000	8.43000	.01000	5.97000
.602	38.650	-.00500	-.02000	-.01600	.10400	588.43000	2.68000	.00000	8.42000	.02000	5.97000
.600	39.870	-.01200	-.02200	-.01800	.10000	585.69000	2.68000	.00000	8.42000	.03000	5.97000
.600	41.090	-.01200	-.02200	-.01800	.09800	585.00000	2.68000	.00000	8.42000	.00000	5.98000
.602	42.310	-.00900	-.02000	-.01800	.10000	587.94000	2.67000	.00000	8.43000	.00000	6.00000
.600	43.530	-.01200	-.02100	-.01700	.09800	585.09000	2.68000	.00000	8.40000	.02000	5.98000
.602	44.750	-.01100	-.02200	-.01500	.09900	587.88000	2.68000	.00000	8.38000	.03000	5.96000
.601	45.970	-.00600	-.02100	-.01700	.10100	596.33000	2.68000	.00000	8.39000	.01000	5.98000
.601	47.190	-.01200	-.02400	-.01800	.09600	585.25000	2.68000	.00000	8.39000	.01000	5.98000
.603	48.420	-.00700	-.02100	-.01500	.10100	587.71000	2.68000	.00000	8.38000	.02000	5.98000
.603	49.630	-.00700	-.02200	-.01700	.10200	588.32000	2.68000	.00000	8.36000	.02000	5.97000

DATE 29 MAR 76

CA-26 FORCE SOURCE DATA TABULATION

PAGE 896

LTV44-559(CA26) 747/1 ATY 02 S1 (CARRIER DATA)

(SFE046) (24 MAR 76)

REFERENCE DATA

SREF = 5500.0000 SQ.FT. XMRP = 1339.9000 IN. XC
 LREF = 327.7800 IN. YMRP = .0000 IN. YC
 BREF = 2348.0400 IN. ZMRP = 190.7500 IN. ZC
 SCALE = .0125

PARAMETRIC DATA

ALPHAC = 2.000 BETAC = .000
 STAB = 5.000 ELEVON = 5.000
 BOFLAP = .000 DX = .000
 DY = .000 IORB = 6.000
 BETAC = .000 RUDDER = .000

RUN NO. 1039/ 0 RN/L = .00 GRADIENT INTERVAL = -5.00/ 5.00

MACH	DZ	CPC	CPSB1	CPSB2	CPSB3	Q(PSF)	ALPHAC	BETAC	ALPHA0	BETA0	INCID
.603	50.860	-.01300	-.02300	-.01800	.09600	589.20000	2.68000	.00000	8.35000	.00000	5.97000
.603	51.470	-.00700	-.02000	-.01600	.10300	587.98000	2.68000	.00000	8.35000	.01000	5.96000
	GRADIENT	.00144	.00223	.00153	.00287	-2.66514	-.00382	-.00000	.00353	.00022	.01275

DATE 29 MAR 76

CA-26 FORCE SOURCE DATA TABULATION

PAGE 897

LTV44-559(CA26) 747/1 ATY 02 S1 (CARRIER DATA)

(SFE046) (24 MAR 76)

REFERENCE DATA

SREF = 5500.0000 SQ.FT. XMRP = 1339.9000 IN. XC
 LREF = 327.7800 IN. YMRP = .0000 IN. YC
 BREF = 2348.0400 IN. ZMRP = 190.7500 IN. ZC
 SCALE = .0125

PARAMETRIC DATA

ALPHAC = 2.000 BETAC = .000
 STAB = 5.000 ELEVON = 5.000
 BDFLAP = .000 DX = .000
 DY = .000 IORB = 6.000
 BETAO = .000 RUDDER = .000

RUN NO. 42/ 0 RN/L * .00 GRADIENT INTERVAL = -5.00/ 5.00

MACH	DZ	CPCC	CPSB1	CPSB2	CPSB3	Q(PSF)	ALPHAC	BETAC	ALPHAO	BETAO	INCID
.698	1.460	-.01900	-.03100	-.02600	.10900	723.21000	2.68000	.02000	8.63000	.05000	5.95000
.696	2.060	-.02000	-.03200	-.02800	.11000	719.29000	2.68000	.02000	8.65000	.04000	5.98000
.695	2.660	-.01900	-.03000	-.02500	.11100	715.33000	2.68000	.02000	8.63000	.04000	5.96000
.698	3.360	-.01900	-.03000	-.02500	.11000	721.78000	2.68000	.02000	8.62000	.04000	5.95000
.697	4.160	-.02000	-.03200	-.02600	.10800	721.19000	2.68000	.02000	8.60000	.03000	5.94000
.700	4.960	-.02000	-.03100	-.02500	.11000	726.55000	2.68000	.02000	8.61000	.05000	5.96000
.699	5.960	-.01800	-.02900	-.02400	.10900	724.14000	2.68000	.02000	8.62000	.09000	5.97000
.700	6.960	-.01800	-.03000	-.02500	.11000	725.21000	2.67000	.02000	8.58000	.02000	5.94000
.700	7.970	-.01800	-.02900	-.02500	.11100	725.47000	2.68000	.02000	8.57000	.02000	5.94000
.703	8.960	-.02000	-.03100	-.02600	.10700	730.91000	2.67000	.02000	8.57000	.05000	5.94000
.698	9.960	-.01800	-.02900	-.02400	.10900	721.10000	2.67000	.02000	8.59000	.07000	5.97000
.699	11.150	-.02000	-.03000	-.02400	.10900	724.32000	2.67000	.02000	8.54000	.05000	5.93000
.699	12.330	-.01900	-.03100	-.02400	.10900	723.28000	2.67000	.02000	8.57000	.06000	5.97000
.698	13.520	-.01600	-.02800	-.02400	.10900	721.40000	2.67000	.02000	8.57000	.06000	5.97000
.698	14.700	-.01700	-.02900	-.02400	.10800	719.18000	2.67000	.02000	8.56000	.06000	5.97000
.699	15.900	-.01700	-.02800	-.02200	.11000	721.23000	2.67000	.01000	8.54000	.07000	5.95000
.699	17.080	-.01800	-.02800	-.02300	.10900	722.74000	2.67000	.01000	8.51000	.03000	5.94000
.698	18.270	-.01600	-.02800	-.02300	.10900	721.06000	2.66000	.01000	8.52000	.08000	5.95000
.698	19.450	-.01600	-.02700	-.02300	.10700	719.96000	2.66000	.01000	8.51000	.04000	5.95000
.698	20.640	-.01600	-.02600	-.02100	.10800	719.49000	2.66000	.01000	8.49000	.00000	5.94000
.699	21.810	-.02000	-.03100	-.02500	.10300	722.52000	2.66000	.01000	8.46000	.01000	5.93000
.700	23.000	-.01700	-.02900	-.02300	.10600	723.79000	2.66000	.00000	8.49000	.02000	5.96000
.699	24.190	-.01500	-.02600	-.02100	.10700	721.35000	2.67000	.00000	8.47000	.03000	5.94000
.700	25.370	-.02100	-.03000	-.02500	.10400	723.22000	2.66000	.00000	8.49000	.04000	5.97000
.699	26.560	-.02000	-.02900	-.02200	.10500	722.63000	2.66000	.00000	8.47000	.01000	5.96000
.701	27.740	-.01600	-.02500	-.02100	.10500	725.66000	2.66000	.00000	8.45000	.00000	5.95000
.700	28.930	-.02100	-.03000	-.02200	.10500	724.61000	2.66000	.00000	8.46000	.03000	5.97000
.702	30.110	-.01500	-.02700	-.02200	.10300	730.20000	2.66000	.00000	8.46000	.04000	5.95000
.699	31.310	-.02000	-.02900	-.02100	.10200	723.47000	2.67000	.00000	8.45000	.03000	5.96000
.700	32.490	-.01900	-.02900	-.02300	.10200	726.22000	2.66000	.00000	8.45000	.02000	5.96000
.700	33.680	-.01700	-.02700	-.02200	.10300	724.94000	2.66000	.00000	8.44000	.03000	5.98000
.698	34.860	-.01700	-.02500	-.02100	.10300	720.60000	2.66000	.00000	8.40000	.00000	5.95000
.698	36.050	-.02000	-.02800	-.02300	.10300	720.84000	2.66000	.00000	8.42000	.03000	5.97000
.699	37.230	-.01800	-.02900	-.02300	.10200	722.58000	2.66000	.00000	8.40000	.03000	5.96000
.700	38.420	-.01800	-.03000	-.02400	.10200	723.68000	2.66000	.00000	8.40000	.03000	5.96000
.699	39.610	-.02100	-.02800	-.02100	.10400	723.12000	2.66000	.00000	8.39000	.01000	5.96000
.699	40.790	-.02000	-.02900	-.02000	.10300	723.93000	2.67000	.00000	8.39000	.03000	5.95000
.699	41.980	-.01600	-.02500	-.02000	.10200	722.48000	2.67000	.00000	8.38000	.04000	5.95000
.699	43.160	-.02100	-.02800	-.02000	.10200	722.02000	2.66000	.00000	8.38000	.02000	5.93000
.699	44.350	-.02000	-.02900	-.02200	.10100	722.60000	2.66000	.00000	8.38000	.05000	5.97000
.699	45.530	-.02000	-.02800	-.02100	.10200	722.29000	2.66000	.00000	8.38000	.03000	5.96000
.697	46.720	-.01700	-.02800	-.02300	.10200	718.56000	2.66000	.00000	8.35000	.01000	5.96000

LTV44-559(CA26) 747/1 ATY 02 S1 (CARRIER DATA)

(SFE046) (24 MAR 76)

REFERENCE DATA

SREF = 5500.0000 SQ.FT. XMRP = 1339.9000 IN. XC
 LREF = 327.7800 IN. YMRP = .0000 IN. YC
 BREF = 2348.0400 IN. ZMRP = 190.7500 IN. ZC
 SCALE = .0125

PARAMETRIC DATA

ALPHAC = 2.000 BETAC = .000
 STAB = 5.000 ELEVON = 5.000
 BDFLAP = .000 DX = .000
 DY = .000 TORB = 6.000
 BETAO = .000 RUDDER = .000

RUN NO. 42/ 0 RN/L = .00 GRADIENT INTERVAL = -5.00/ 5.00

MACH	DZ	CPC	CPSB1	CPSB2	CPSB3	Q(PSF)	ALPHAC	BETAC	ALPHAO	BETAO	INCID
.700	47.910	-.02100	-.03100	-.02400	.10000	725.08000	2.67000	.00000	8.35000	.03000	5.96000
.699	49.090	-.01600	-.02500	-.01900	.10200	722.68000	2.67000	.00000	8.33000	.00000	5.95000
.698	50.280	-.01800	-.02600	-.01800	.10200	721.32000	2.67000	.00000	8.34000	.04000	5.96000
.697	51.460	-.01900	-.02600	-.02000	.10100	719.45000	2.67000	.00000	8.30000	.01000	5.93000
	GRADIENT	-.00021	-.00002	.00019	-.00010	1.31894	.00000	.00000	-.01068	-.00099	-.00325

LTV44-559(CA26) 747/1 ATY 02 S1 (CARRIER DATA)

(SFE047) (24 MAR 76)

REFERENCE DATA

SREF = 5500.0000 SQ.FT. XMRP = 1339.9000 IN. XC
 LREF = 327.7800 IN. YMRP = .0000 IN. YC
 BREF = 2348.0400 IN. ZMRP = 190.7500 IN. ZC
 SCALE = .0125

PARAMETRIC DATA

ALPHAC = 2.000 BETAC = .000
 STAB = 5.000 ELEVON = 5.000
 BOFLAP = .000 DX = .000
 DY = .000 IORB = 8.000
 BETAO = .000 RUDDER = .000

RUN NO. 40/ 0 RN/L = .00 GRADIENT INTERVAL = -5.00/ 5.00

MACH	DZ	CPCC	CPSB1	CPSB2	CPSB3	Q(PSF)	ALPHAC	BETAC	ALPHAO	BETAO	INCID
.599	1.480	.00000	-.02100	-.00100	.11700	582.53000	2.74000	.02000	10.73000	.02000	8.00000
.600	1.770	.00100	-.01900	-.00300	.11300	584.70000	2.73000	.02000	10.68000	.06000	7.95000
.598	2.370	.00000	-.02300	-.00200	.11600	580.19000	2.73000	.02000	10.66000	.02000	7.94000
.599	2.970	.00200	-.01800	.00100	.11700	582.10000	2.73000	.02000	10.66000	.02000	7.94000
.598	3.980	.00200	-.01600	.00000	.11600	583.16000	2.73000	.02000	10.64000	.03000	7.93000
.598	4.970	.00300	-.01500	.00000	.11600	581.86000	2.73000	.02000	10.64000	.03000	7.93000
.599	6.220	-.00100	-.02200	-.00400	.11900	584.20000	2.72000	.02000	10.61000	.02000	7.93000
.600	7.470	.00200	-.01600	.00000	.11800	585.78000	2.71000	.02000	10.61000	.03000	7.94000
.601	8.720	.00200	-.01600	.00000	.11900	586.05000	2.71000	.02000	10.62000	.04000	7.96000
.602	9.970	.00300	-.01700	-.00300	.11700	588.10000	2.71000	.02000	10.62000	.01000	7.96000
.600	11.390	.00200	-.01600	-.00100	.11800	583.47000	2.70000	.01000	10.59000	.01000	7.95000
.600	12.800	.00000	-.02200	-.00600	.11500	584.42000	2.70000	.01000	10.58000	.00000	7.95000
.599	14.220	-.00200	-.02400	-.00400	.11300	583.46000	2.70000	.01000	10.53000	.00000	7.91000
.599	15.640	.00000	-.01800	.00000	.11700	582.10000	2.69000	.01000	10.54000	.05000	7.93000
.601	17.050	-.00300	-.02400	-.00500	.11200	587.47000	2.69000	.01000	10.51000	.02000	7.92000
.599	18.470	-.00300	-.02200	-.00300	.11300	583.44000	2.69000	.01000	10.54000	.05000	7.95000
.599	19.890	-.00200	-.02100	-.00300	.11600	583.78000	2.69000	.01000	10.50000	.08000	7.93000
.600	21.310	-.00100	-.02100	-.00400	.11300	585.98000	2.68000	.01000	10.51000	.04000	7.95000
.597	22.710	.00000	-.01800	-.00100	.11500	579.34000	2.68000	.01000	10.47000	.00000	7.92000
.599	24.130	.00100	-.01600	.00000	.11600	584.66000	2.68000	.01000	10.46000	.01000	7.92000
.600	25.540	.00000	-.02000	-.00300	.11500	586.10000	2.68000	.00000	10.48000	.04000	7.95000
.600	26.960	.00000	-.01700	-.00100	.11700	585.15000	2.68000	.00000	10.47000	.04000	7.94000
.597	28.380	-.00200	-.02000	-.00400	.11500	580.49000	2.68000	.00000	10.45000	.01000	7.93000
.599	29.800	.00000	-.01900	-.00500	.11200	584.10000	2.68000	.00000	10.44000	.03000	7.93000
.596	31.210	-.00100	-.02000	-.00400	.11600	579.40000	2.68000	.00000	10.44000	.01000	7.94000
.599	32.630	-.00200	-.01900	-.00800	.11100	584.10000	2.67000	.00000	10.40000	.01000	7.91000
.598	34.050	-.00300	-.02000	-.00800	.11100	583.08000	2.67000	.00000	10.39000	.00000	7.91000
.600	35.460	-.00100	-.01800	-.00200	.11400	586.16000	2.68000	.00000	10.43000	.06000	7.95000
.600	36.880	.00000	-.01900	-.00600	.11400	587.05000	2.68000	.00000	10.42000	.01000	7.95000
.602	38.290	-.00200	-.01900	-.00200	.11500	588.50000	2.68000	.00000	10.39000	.00000	7.94000
.601	39.710	-.00100	-.02100	-.00400	.11400	585.92000	2.67000	.00000	10.41000	.03000	7.97000
.598	41.120	-.00200	-.02200	-.00800	.11000	581.75000	2.67000	.00000	10.40000	.01000	7.96000
.600	42.540	-.00600	-.02300	-.00600	.11100	585.36000	2.67000	.00000	10.37000	-.01000	7.94000
.601	43.960	-.00100	-.02100	-.00800	.10700	587.54000	2.68000	.00000	10.38000	.05000	7.96000
.600	45.370	-.00700	-.02400	-.00700	.10900	585.83000	2.68000	.00000	10.35000	.02000	7.93000
.600	46.790	-.00100	-.01700	-.00400	.11000	585.63000	2.68000	.00000	10.35000	.00000	7.94000
.600	48.210	-.00700	-.02400	-.00700	.10900	586.03000	2.67000	.00000	10.33000	-.01000	7.94000
.599	49.630	-.00700	-.02500	-.00900	.10800	585.12000	2.68000	.00000	10.32000	-.01000	7.93000
.598	51.040	-.00500	-.02300	-.00900	.10800	584.30000	2.67000	.00000	10.31000	-.01000	7.94000
.598	52.460	-.00100	-.01900	-.00500	.10800	584.30000	2.67000	.00000	10.31000	.01000	7.94000
.597	53.870	-.00200	-.01900	-.00700	.10800	581.62000	2.68000	.00000	10.30000	.01000	7.93000
.597	55.290	-.00100	-.01700	-.00400	.11000	582.16000	2.68000	.00000	10.28000	.00000	7.92000

DATE 29 MAR 76

CA-26 FORCE SOURCE DATA TABULATION

PAGE 900

LTV44-559(CAE 747/1 ATY 02 S1 (CARRIER DATA)

(SFE047) (24 MAR 76)

REFERENCE DATA

SREF = 5500.0000 SQ.FT. XMRP = 1339.9000 IN. XC
 LREF = 327.7800 IN. YMRP = .0000 IN. YC
 BREF = 2348.0400 IN. ZMRP = 190.7500 IN. ZC
 SCALE = .0125

PARAMETRIC DATA

ALFHAC = 2.000 BETAC = .000
 STAB = 5.000 ELEVON = 5.000
 BDFLAP = .000 DX = .000
 DY = .000 IORB = 8.000
 BETAO = .000 RUDDER = .000

RUN NO. 40/ 0 RN/L = .00 GRADIENT INTERVAL = -5.00/ 5.00

MACH	DZ	CPC	CPSB1	CPSB2	CPSB3	Q(PSF)	ALPHAC	BETAC	ALPHA0	BETA0	INCID
.597	56.710	-.00400	-.01900	-.00500	.11100	581.61000	2.68000	.00000	10.30000	.02000	7.96000
.598	58.120	-.00700	-.02500	-.00900	.10700	584.68000	2.67000	.00000	10.27000	.01000	7.94000
	GRADIENT	.00080	.00183	.00067	.00046	-.21418	-.00160	.00000	-.02062	-.00167	-.01431

LTV44-559(CA26) 747/1 ATY 02 S1 (CARRIER DATA)

(SFE048) (24 MAR 76)

REFERENCE DATA

SREF = 5500.0000 SQ.FT. XMRP = 1339.9000 IN. XC
 LREF = 327.7800 IN. YMRP = .0000 IN. YC
 BREF = 2348.0400 IN. ZMRP = 190.7500 IN. ZC
 SCALE = .0125

PARAMETRIC DATA

ALPHAC = 2.000 BETAC = .000
 STAB = 5.000 ELEVON = 5.000
 BDFLAP = .000 DX = .000
 DY = .000 IORB = 4.000
 BETAO = 5.000 RUDDER = .000

RUN NO. 41/ 0 RN/L = .00 GRADIENT INTERVAL = -5.00/ 5.00

MACH	DZ	CPCC	CPSB1	CPSB2	CPSB3	Q(PSF)	ALPHAC	BETAC	ALPHA0	BETA0	INCID
.603	1.460	-.00800	-.02000	-.02000	.11700	588.31000	2.66000	.03000	6.62000	4.91000	3.97000
.601	2.060	-.00800	-.02200	-.01800	.11600	585.08000	2.65000	.03000	6.61000	4.91000	3.96000
.600	2.660	-.00900	-.02300	-.01800	.11200	584.94000	2.66000	.03000	6.59000	4.94000	3.94000
.601	3.360	-.01200	-.02500	-.02000	.11400	582.86000	2.65000	.03000	6.60000	4.92000	3.97000
.604	4.160	-.00700	-.02100	-.01800	.11500	588.12000	2.65000	.03000	6.57000	4.93000	3.93000
.604	4.960	-.00900	-.02400	-.01900	.11300	587.32000	2.65000	.03000	6.60000	4.93000	3.97000
.602	6.960	-.01300	-.02300	-.02200	.11200	584.60000	2.65000	.03000	6.54000	4.93000	3.93000
.604	8.960	-.00800	-.02100	-.02000	.11800	588.20000	2.65000	.03000	6.55000	4.93000	3.95000
.602	10.460	-.00900	-.02000	-.02000	.11400	587.15000	2.65000	.03000	6.56000	4.93000	3.97000
.601	11.460	-.01200	-.02200	-.02000	.10800	584.82000	2.65000	.03000	6.56000	4.92000	3.97000
.602	12.450	-.00800	-.02100	-.01900	.11200	586.27000	2.66000	.03000	6.53000	4.91000	3.94000
.601	13.450	-.01000	-.02000	-.02000	.11200	583.41000	2.65000	.03000	6.53000	4.92000	3.96000
.601	14.440	-.01200	-.02100	-.01800	.10900	583.74000	2.66000	.03000	6.55000	4.92000	3.98000
.603	15.440	-.00800	-.02100	-.01500	.11200	588.72000	2.65000	.02000	6.53000	4.92000	3.95000
.602	16.430	-.01200	-.02400	-.01900	.10700	585.78000	2.66000	.02000	6.53000	4.92000	3.96000
.602	17.430	-.01300	-.02300	-.01800	.10400	585.18000	2.65000	.02000	6.53000	4.92000	3.97000
.602	18.420	-.00900	-.02100	-.01600	.10600	585.73000	2.66000	.02000	6.54000	4.92000	3.99000
.602	19.420	-.01000	-.02000	-.01800	.10800	586.26000	2.65000	.01000	6.51000	4.94000	3.97000
.601	20.410	-.01100	-.02100	-.02000	.10700	584.90000	2.66000	.01000	6.49000	4.90000	3.95000
.602	21.410	-.01100	-.02100	-.01800	.10500	585.05000	2.65000	.01000	6.51000	4.89000	3.97000
.604	22.390	-.00600	-.02100	-.01600	.10600	588.14000	2.66000	.01000	6.50000	4.89000	3.97000
.605	23.390	-.00500	-.02000	-.01400	.10800	589.97000	2.65000	.00000	6.53000	4.90000	3.98000
.605	24.390	-.00500	-.02000	-.01400	.11500	590.90000	2.66000	.00000	6.50000	4.89000	3.98000
.602	25.380	-.01200	-.02200	-.01600	.10400	587.55000	2.66000	.00000	6.49000	4.91000	3.97000
.602	26.380	-.01300	-.02100	-.01800	.10300	586.19000	2.66000	.00000	6.45000	4.88000	3.94000
.602	27.370	-.01000	-.02000	-.01700	.10500	585.79000	2.66000	.00000	6.46000	4.88000	3.96000
.604	28.370	-.00800	-.01800	-.01600	.10900	588.86000	2.66000	.00000	6.46000	4.89000	3.96000
.602	29.360	-.01000	-.01900	-.01800	.10700	586.12000	2.66000	.00000	6.42000	4.88000	3.93000
.603	30.360	-.00900	-.02200	-.01400	.10300	588.65000	2.66000	.00000	6.44000	4.88000	3.95000
.603	31.350	-.00900	-.02000	-.01700	.10500	587.02000	2.66000	.00000	6.43000	4.88000	3.95000
.604	32.350	-.00700	-.02100	-.01400	.10400	589.54000	2.66000	.00000	6.47000	4.88000	3.99000
.603	33.340	-.00800	-.02100	-.01400	.10500	588.97000	2.66000	.00000	6.45000	4.87000	3.98000
.600	34.340	-.01200	-.02000	-.01600	.10300	585.07000	2.67000	.00000	6.44000	4.89000	3.97000
.599	35.340	-.01300	-.02300	-.01600	.09900	582.06000	2.66000	.00000	6.43000	4.88000	3.97000
.600	36.330	-.01100	-.02300	-.01500	.09800	583.79000	2.66000	.00000	6.41000	4.87000	3.95000
.603	37.320	-.00800	-.02200	-.01300	.10100	587.22000	2.66000	.00000	6.41000	4.88000	3.96000
.602	38.320	-.01000	-.02000	-.01600	.10300	584.57000	2.66000	.00000	6.39000	4.87000	3.95000
.603	39.310	-.00700	-.01900	-.01500	.10600	588.05000	2.67000	.00000	6.37000	4.86000	3.93000
.604	40.310	-.00800	-.02100	-.01300	.10600	589.21000	2.67000	.00000	6.38000	4.89000	3.95000
.603	41.310	-.01200	-.02200	-.01500	.09600	587.44000	2.67000	.00000	6.41000	4.88000	3.98000
.603	42.300	-.01000	-.02000	-.01700	.10200	586.02000	2.66000	.00000	6.36000	4.87000	3.94000
.604	43.290	-.00800	-.02000	-.01600	.10400	588.61000	2.67000	.00000	6.38000	4.89000	3.95000

ORIGINAL PAGE IS
 OF POOR QUALITY

DATE 29 MAR 76

CA-26 FORCE SOURCE DATA TABULATION

PAGE 902

LTV44-559(CA26) 747/1 ATY 02 S1 (CARRIER DATA)

(SFE048) (24 MAR 76)

REFERENCE DATA

SREF = 5500.0000 SQ.FT. XMRP = 1339.9000 IN. XC
 LREF = 327.7900 IN. YMRP = .0000 IN. YC
 BREF = 2348.0400 IN. ZMRP = 190.7500 IN. ZC
 SCALE = .0125

PARAMETRIC DATA

ALPHAC = 2.000 BETAC = .000
 STAB = 5.000 ELEVON = 5.000
 BDFLAP = .000 OX = .000
 DY = .000 TORB = 4.000
 BETAO = 5.000 RUDDER = .000

RUN NO. 41/ 0 RN/L = .00 GRADIENT INTERVAL = -5.00/ 5.00

MACH	DZ	CPCC	CPSB1	CPSB2	CPSB3	Q(PSF)	ALPHAC	BETAC	ALPHAO	BETAO	INC10
.603	44.290	-.00900	-.01300	-.01700	.10300	586.70000	2.67000	.00000	6.35000	4.88000	3.94000
.603	44.790	-.00800	-.02000	-.01300	.10400	588.91000	2.67000	.00000	6.35000	4.87000	3.95000
	GRADIENT	-.00016	-.00073	.00011	-.00021	.17582	-.00244	.00000	-.00818	.00546	-.00209

LTV44-559(CA26) 747/1 ATY 02 S1 (CARRIER DATA)

(SFE049) (24 MAR 76)

REFERENCE DATA

SREF = 5500.0000 SQ.FT. XMRP = 1339.9000 IN. XC
 LREF = 327.7800 IN. YMRP = .0000 IN. YC
 BREF = 2348.0400 IN. ZMRP = 190.7500 IN. ZC
 SCALE = .0125

PARAMETRIC DATA

ALPHAC = 2.000 BETAC = .000
 STAB = 5.000 ELEVON = 5.000
 BDFLAP = .000 DX = .000
 DY = .000 IORB = 6.000
 BETAO = 5.000 RUDDER = .000

RUN NO. 1041/ 0 RN/L = .00 GRADIENT INTERVAL = -5.00/ 5.00

MACH	DZ	CPCC	CPSB1	CPSB2	CPSB3	Q(PSF)	ALPHAC	BETAC	ALPHAO	BETAO	INCID
.602	1.470	-.00500	-.01700	-.01100	.11600	582.51000	2.69000	.03000	8.65000	4.92000	5.96000
.603	2.070	-.00500	-.01900	-.01100	.11300	584.95000	2.69000	.03000	8.63000	4.92000	5.95000
.601	2.670	-.00700	-.02000	-.01500	.11200	581.81000	2.69000	.03000	8.63000	4.94000	5.95000
.604	3.370	-.00200	-.01900	-.01100	.11700	586.71000	2.69000	.04000	8.62000	4.92000	5.95000
.601	4.170	-.00400	-.01900	-.01500	.11500	581.26000	2.69000	.04000	8.60000	4.92000	5.93000
.603	4.960	-.00200	-.01900	-.01200	.11700	584.55000	2.69000	.04000	8.64000	4.93000	5.97000
.601	6.970	-.00900	-.02100	-.01700	.10700	581.41000	2.67000	.04000	8.58000	4.91000	5.95000
.600	8.970	-.00700	-.02000	-.01700	.11000	580.17000	2.67000	.03000	8.55000	4.92000	5.93000
.601	10.600	-.00600	-.01800	-.01400	.11300	582.49000	2.67000	.04000	8.54000	4.93000	5.92000
.604	11.880	-.00500	-.01900	-.01200	.10900	587.60000	2.67000	.03000	8.57000	4.93000	5.96000
.603	13.160	-.00300	-.01900	-.01100	.11300	584.75000	2.67000	.03000	8.54000	4.92000	5.95000
.603	14.440	-.00400	-.01900	-.00800	.11100	584.28000	2.67000	.03000	8.53000	4.93000	5.94000
.600	15.710	-.00800	-.02000	-.01500	.10500	579.15000	2.66000	.03000	8.50000	4.91000	5.92000
.600	16.990	-.00900	-.02000	-.01300	.10400	579.76000	2.66000	.02000	8.52000	4.90000	5.95000
.600	18.270	-.00700	-.01800	-.01200	.10800	580.16000	2.66000	.02000	8.49000	4.90000	5.93000
.602	19.540	-.00800	-.01800	-.01100	.10700	584.60000	2.67000	.02000	8.48000	4.92000	5.92000
.601	20.820	-.00800	-.01900	-.01500	.10300	582.62000	2.67000	.01000	8.45000	4.91000	5.91000
.602	22.090	-.00400	-.02000	-.01000	.10800	585.34000	2.67000	.01000	8.49000	4.90000	5.95000
.602	23.360	-.00400	-.01800	-.01300	.11000	585.05000	2.67000	.01000	8.48000	4.88000	5.94000
.601	24.650	-.00500	-.01800	-.01500	.10600	584.37000	2.67000	.00000	8.47000	4.89000	5.94000
.604	25.920	-.00700	-.01900	-.01200	.10300	589.62000	2.67000	.00000	8.47000	4.89000	5.96000
.602	27.200	-.00800	-.01800	-.01400	.10600	584.92000	2.66000	.00000	8.46000	4.88000	5.95000
.602	28.470	-.00500	-.02000	-.01200	.10800	584.65000	2.67000	.00000	8.44000	4.86000	5.94000
.604	29.750	-.00600	-.01800	-.00800	.10500	587.79000	2.67000	.00000	8.45000	4.87000	5.95000
.601	31.030	-.00800	-.01800	-.01300	.10100	583.56000	2.67000	.00000	8.41000	4.90000	5.92000
.604	32.300	-.00500	-.01800	-.01300	.10500	588.33000	2.67000	.00000	8.44000	4.89000	5.96000
.602	33.580	-.00900	-.02000	-.01200	.10200	585.87000	2.67000	.00000	8.44000	4.86000	5.97000
.600	34.850	-.00900	-.01800	-.01400	.10000	582.39000	2.67000	-.01000	8.40000	4.88000	5.94000
.601	36.130	-.01000	-.01900	-.01300	.09700	583.01000	2.66000	.00000	8.40000	4.86000	5.95000
.600	37.410	-.01000	-.01800	-.01500	.10100	581.70000	2.67000	.00000	8.39000	4.86000	5.94000
.600	38.690	-.00800	-.01700	-.01300	.10300	581.65000	2.67000	.00000	8.38000	4.87000	5.93000
.600	39.960	-.01000	-.02000	-.01400	.10300	580.62000	2.67000	.00000	8.40000	4.86000	5.97000
.600	41.240	-.01000	-.02000	-.01400	.09900	581.03000	2.67000	.00000	8.35000	4.86000	5.92000
.603	42.520	-.00400	-.01800	-.01000	.10200	587.85000	2.67000	.00000	8.40000	4.90000	5.97000
.602	43.790	-.00500	-.02100	-.01100	.10400	585.12000	2.67000	.00000	8.38000	4.87000	5.96000
.602	45.070	-.01000	-.02100	-.01700	.10200	586.61000	2.66000	.00000	8.36000	4.88000	5.96000
.604	46.340	-.00800	-.01900	-.01100	.10300	589.15000	2.67000	.00000	8.35000	4.90000	5.95000
.603	47.620	-.01100	-.02000	-.01300	.10100	586.42000	2.67000	.00000	8.33000	4.86000	5.93000
.603	48.900	-.00500	-.01900	-.01100	.10500	586.42000	2.67000	.00000	8.33000	4.89000	5.95000
.602	50.180	-.00900	-.01800	-.01400	.10400	584.58000	2.67000	.00000	8.32000	4.88000	5.94000
.601	51.460	-.01200	-.01900	-.01400	.10000	583.82000	2.67000	.00000	8.32000	4.87000	5.95000
GRADIENT		.00096	-.00033	-.00050	.00070	.14637	.00000	.00367	-.00567	.00116	-.00008

LTV44-559(CA26) 747/1 ATY 02 S1 (CARRIER DATA)

(SFE050) (24 MAR 76)

REFERENCE DATA

SREF = 5500.0000 SQ.FT. XMRP = 1339.9000 IN. XC
 LREF = 327.7800 IN. YMRP = .0000 IN. YC
 9REF = 2348.0400 IN. ZMRP = 190.7500 IN. ZC
 SCALE = .0125

PARAMETRIC DATA

ALPHAC = 2.000 BETAC = .000
 STAB = 5.000 ELEVON = 5.000
 BDFLAP = .000 DX = .000
 DY = .000 IORB = 8.000
 BETA0 = 5.000 RUDDER = .000

RUN NO. 1040/ 0 RN/L = .00 GRADIENT INTERVAL = -5.00/ 5.00

MACH	DZ	CPCC	CPSB1	CPSB2	CPSB3	Q(PSF)	ALPHAC	BETAC	ALPHA0	BETA0	INCID
.600	1.480	.00600	-.01400	.00100	.11600	585.24000	2.74000	.03000	10.67000	4.88000	7.93000
.600	2.070	.00400	-.02000	.00000	.11500	585.11000	2.73000	.03000	10.69000	4.92000	7.96000
.600	2.670	.00200	-.01900	.00000	.11800	583.20000	2.74000	.03000	10.68000	4.89000	7.95000
.599	3.470	.00200	-.02000	.00000	.11900	581.62000	2.73000	.03000	10.68000	4.89000	7.96000
.599	4.480	.00500	-.01500	.00200	.11900	582.45000	2.73000	.03000	10.64000	4.87000	7.93000
.601	5.810	.00500	-.01500	.00400	.11900	586.07000	2.73000	.03000	10.64000	4.88000	7.94000
.601	7.480	.00400	-.01400	.00300	.12000	585.85000	2.73000	.03000	10.62000	4.87000	7.93000
.601	9.140	.00400	-.01600	.00400	.11900	586.00000	2.72000	.03000	10.62000	4.88000	7.94000
.603	10.600	.00500	-.01600	.00000	.11800	588.99000	2.71000	.03000	10.59000	4.92000	7.94000
.600	11.830	.00100	-.02000	.00000	.11900	584.75000	2.71000	.03000	10.60000	4.85000	7.96000
.599	13.060	.00100	-.02000	.00000	.12000	584.74000	2.70000	.03000	10.59000	4.89000	7.96000
.599	14.300	.00000	-.02100	-.00100	.11800	583.37000	2.70000	.03000	10.56000	4.87000	7.94000
.599	15.530	.00100	-.02100	-.00200	.11700	582.43000	2.69000	.03000	10.58000	4.88000	7.98000
.599	16.770	.00300	-.01700	.00000	.11700	583.32000	2.70000	.03000	10.53000	4.91000	7.92000
.598	18.000	.00000	-.02400	-.00600	.11300	581.74000	2.69000	.03000	10.57000	4.88000	7.98000
.600	19.240	.00300	-.01600	.00000	.11600	584.21000	2.68000	.03000	10.50000	4.91000	7.92000
.600	20.470	.00000	-.02300	-.00400	.11400	584.82000	2.69000	.03000	10.52000	4.92000	7.95000
.600	21.700	.00200	-.01700	.00100	.12000	584.22000	2.69000	.03000	10.51000	4.89000	7.95000
.599	22.940	.00100	-.01700	.00100	.11700	582.58000	2.68000	.02000	10.48000	4.88000	7.93000
.598	24.170	.00000	-.02200	-.00200	.11500	580.60000	2.68000	.02000	10.47000	4.87000	7.92000
.600	25.410	.00100	-.02000	-.00300	.11100	583.95000	2.68000	.02000	10.51000	4.90000	7.97000
.600	26.640	.00000	-.02200	-.00400	.11100	583.82000	2.68000	.01000	10.51000	4.86000	7.98000
.601	27.870	.00100	-.02200	-.00500	.10600	586.21000	2.68000	.01000	10.49000	4.86000	7.97000
.601	29.110	.00000	-.01900	.00000	.11500	584.25000	2.68000	.01000	10.45000	4.88000	7.93000
.601	30.350	.00100	-.02100	-.00400	.11100	584.99000	2.68000	.00000	10.45000	4.85000	7.94000
.602	31.590	.00000	-.02100	-.00500	.11200	587.49000	2.68000	.00000	10.44000	4.83000	7.94000
.601	32.820	.00100	-.01600	.00100	.11600	585.71000	2.68000	.00000	10.43000	4.89000	7.94000
.600	34.050	.00000	-.01800	.00000	.11100	584.43000	2.68000	.00000	10.41000	4.90000	7.93000
.599	35.290	.00200	-.01800	.00000	.11400	580.70000	2.68000	.00000	10.40000	4.85000	7.92000
.601	36.520	.00100	-.01700	-.00200	.10900	585.13000	2.67000	.00000	10.44000	4.85000	7.97000
.599	37.760	.00000	-.02100	-.00300	.11300	581.64000	2.67000	.00000	10.39000	4.83000	7.93000
.598	38.990	.00000	-.02100	-.00100	.11700	580.81000	2.68000	.00000	10.38000	4.88000	7.93000
.601	40.230	.00100	-.01700	.00100	.11400	586.06000	2.68000	.00000	10.40000	4.90000	7.96000
.600	41.460	.00000	-.01700	.00100	.11300	584.63000	2.68000	.00000	10.40000	4.87000	7.96000
.630	42.700	.00100	-.01700	.00100	.11100	584.63000	2.67000	.00000	10.37000	4.89000	7.95000
.600	43.940	.00000	-.02100	-.00500	.10900	584.83000	2.67000	.00000	10.39000	4.81000	7.97000
.601	45.170	.00000	-.01900	-.00500	.10800	586.47000	2.67000	.00000	10.35000	4.82000	7.93000
.601	46.400	.00000	-.01800	.00000	.11100	584.51000	2.68000	.00000	10.36000	4.88000	7.95000
.599	47.640	.00000	-.02100	-.00200	.11300	582.73000	2.68000	.00000	10.36000	4.85000	7.96000
.600	48.870	.00000	-.02200	-.00700	.10800	584.42000	2.67000	.00000	10.34000	4.82000	7.95000
.601	50.110	.00000	-.01700	-.00400	.10800	587.08000	2.68000	.00000	10.34000	4.83000	7.95000
.599	51.340	-.00100	-.02100	-.00200	.11200	583.13000	2.68000	.00000	10.32000	4.88000	7.94000

DATE 29 MAR 76

CA-26 FORCE SOURCE DATA TABULATION

PAGE 905

LTV44-559(CA26) 747/1 ATY 02 S1 (CARRIER DATA)

(SFE050) (24 MAR 76)

REFERENCE DATA

SREF = 5500.0000 SQ.FT. XMRP = 1339.9000 IN. XC
 LREF = 327.7800 IN. YMRP = .0000 IN. YC
 BREF = 2348.0400 IN. ZMRP = 190.7500 IN. ZC
 SCALE = .0125

PARAMETRIC DATA

ALPHAC = 2.000 BETAC = .000
 STAB = 5.000 ELEVON = 5.000
 BDFLAP = .000 DX = .000
 DY = .000 TORB = 8.000
 BETAO = 5.000 RUDDER = .000

RUN NO. 1040/ 0 RN/L = .00 GRADIENT INTERVAL = -5.00/ 5.00

MACH	DZ	CPCC	CPSB1	CPSB2	CPSB3	Q(PSF)	ALPHAC	BETAC	ALPHAO	BETAO	INCIO
.599	52.580	.00000	-.02000	.00000	.11200	582.78000	2.68000	.00000	10.30000	4.89000	7.93000
.600	53.810	.00000	-.02200	-.00600	.11000	584.15000	2.67000	.00000	10.28000	4.82000	7.92000
.600	55.050	.00000	-.02000	-.00100	.11100	583.95000	2.68000	.00000	10.31000	4.90000	7.95000
.600	56.290	-.00100	-.02000	-.00100	.11100	583.54000	2.68000	.00000	10.33000	4.87000	7.98000
.601	57.520	.00000	-.01800	-.00400	.10700	585.85000	2.68000	.00000	10.28000	4.82000	7.93000
.600	58.140	.00000	-.01900	-.00400	.10700	585.58000	2.68000	.00000	10.27000	4.81000	7.93000
	GRADIENT	-.00036	-.00001	.00035	.00131	-1.16246	-.00273	.00000	-.01079	-.00761	-.00128

LTV44-559(CA26) 747/1 ATX 02 S1 (CARRIER DATA)

(SFE051) (24 MAR 76)

REFERENCE DATA

SREF = 5500.0000 SQ.FT. XMRP = 1339.9000 IN. XC
 LREF = 327.7800 IN. YMRP = .0000 IN. YC
 BREF = 2348.0400 IN. ZMRP = 190.7500 IN. ZC
 SCALE = .0125

PARAMETRIC DATA

ALPHAC = 2.000 BETAC = .000
 STAB = 5.000 ELEVON = 5.000
 BDFLAP = .000 DX = .000
 DY = .000 IORB = 4.000
 BETAO = .000 RUDDER = .000

RUN NO. 45/ 0 RN/L = .00 GRADIENT INTERVAL = -5.00/ 5.00

MACH	DZ	CPCC	CPSB1	CPSB2	CPSB3	Q(PSF)	ALPHAC	BETAC	ALPHA0	BETA0	INC10
.603	1.460	-.00730	-.01900	-.01800	.11200	589.38000	2.65000	.01000	6.62000	.00000	3.97000
.604	2.060	-.00800	-.02000	-.01800	.11000	591.42000	2.66000	.01000	6.60000	.04000	3.96000
.604	2.660	-.00800	-.01900	-.01600	.11100	590.88000	2.65000	.01000	6.58000	.01000	3.94000
.603	3.360	-.01100	-.02200	-.02000	.11300	588.09000	2.65000	.01000	6.60000	.04000	3.96000
.603	4.160	-.00700	-.01600	-.01500	.11500	589.77000	2.65000	.01000	6.58000	.02000	3.94000
.604	4.960	-.00800	-.01800	-.01700	.10900	591.22000	2.66000	.01000	6.60000	.04000	3.96000
.603	6.960	-.00900	-.02300	-.02000	.10900	587.82000	2.65000	.01000	6.56000	.03000	3.94000
.604	8.960	-.00700	-.01700	-.01800	.11000	590.75000	2.65000	.01000	6.59000	.03000	3.99000
.605	10.460	-.00700	-.01700	-.01200	.11100	590.16000	2.65000	.01000	6.58000	.01000	3.96000
.605	11.460	-.00700	-.01500	-.01400	.10900	590.09000	2.65000	.01000	6.55000	.05000	3.96000
.603	12.450	-.00700	-.02000	-.01500	.11200	586.69000	2.65000	.01000	6.52000	.08000	3.94000
.604	13.450	-.00800	-.01800	-.01800	.10900	589.41000	2.65000	.00000	6.52000	.07000	3.95000
.603	14.440	-.00600	-.01900	-.01700	.11100	586.42000	2.65000	.00000	6.53000	.03000	3.97000
.606	15.440	-.00900	-.01800	-.01400	.10700	592.21000	2.65000	.00000	6.50000	.03000	3.95000
.603	16.430	-.00900	-.01800	-.01700	.10800	586.96000	2.65000	.00000	6.50000	.09000	3.97000
.605	17.430	-.00400	-.01500	-.01500	.11000	590.50000	2.65000	.00000	6.52000	.04000	3.96000
.610	18.420	-.00400	-.01600	-.01300	.10800	600.14000	2.65000	.00000	6.48000	.03000	3.94000
.604	19.420	-.00800	-.01700	-.01500	.10700	589.54000	2.66000	.00000	6.47000	.03000	3.92000
.605	20.410	-.00800	-.01600	-.01400	.11100	591.52000	2.65000	.00000	6.49000	.09000	3.95000
.605	21.410	-.00800	-.01700	-.01300	.10700	592.53000	2.65000	.00000	6.46000	.02000	3.93000
.605	22.390	-.00800	-.01600	-.01200	.10700	592.33000	2.65000	.00000	6.45000	.04000	3.93000
.606	23.390	-.00300	-.01600	-.01200	.11100	594.29000	2.65000	.00000	6.48000	.07000	3.97000
.605	24.390	-.00900	-.01700	-.01200	.10400	591.30000	2.65000	.00000	6.48000	.07000	3.94000
.602	25.380	-.00400	-.01800	-.01300	.11000	586.74000	2.65000	.00000	6.45000	.09000	3.94000
.604	26.380	-.00700	-.01700	-.01500	.10300	590.20000	2.65000	.00000	6.46000	.05000	3.95000
.604	27.370	-.00700	-.01700	-.01600	.10400	590.88000	2.65000	.00000	6.42000	.04000	3.92000
.602	28.370	-.00800	-.01900	-.01300	.10800	586.86000	2.64000	.00000	6.41000	.03000	3.94000
.604	29.360	-.00700	-.01700	-.01100	.10800	590.61000	2.65000	.00000	6.44000	.06000	3.96000
.605	30.360	-.00500	-.01400	-.01000	.10700	593.86000	2.65000	.00000	6.43000	.06000	3.95000
.603	31.350	-.00800	-.01700	-.01000	.10600	589.25000	2.65000	.00000	6.42000	.07000	3.95000
.604	32.350	-.01100	-.02100	-.01400	.10100	589.19000	2.65000	.00000	6.39000	.02000	3.92000
.603	33.340	-.00500	-.01600	-.01100	.10500	587.63000	2.65000	.00000	6.40000	.04000	3.94000
.604	34.340	-.01100	-.02100	-.01500	.10500	590.62000	2.65000	.00000	6.38000	.03000	3.93000
.604	35.340	-.00800	-.01900	-.01300	.10300	590.82000	2.65000	.00000	6.37000	.04000	3.92000
.604	36.330	-.00700	-.01700	-.01100	.10400	589.47000	2.65000	.00000	6.38000	.05000	3.94000
.604	37.320	-.01000	-.02100	-.01400	.10200	590.15000	2.66000	.00000	6.37000	.05000	3.93000
.604	38.320	-.01000	-.01900	-.01400	.10200	590.15000	2.66000	.00000	6.36000	.05000	3.92000
.603	39.310	-.00900	-.01900	-.01200	.10300	587.16000	2.66000	.00000	6.39000	.06000	3.96000
.604	40.310	-.00700	-.01800	-.01300	.10300	589.41000	2.66000	.00000	6.38000	.05000	3.95000
.604	41.310	-.01000	-.01700	-.01400	.10200	589.94000	2.66000	.00000	6.36000	.03000	3.94000
.603	42.310	-.00700	-.01400	-.01200	.10200	587.83000	2.66000	.00000	6.36000	.07000	3.94000
.603	43.290	-.00800	-.01600	-.01300	.10500	588.31000	2.66000	.00000	6.35000	.01000	3.94000

DATE 29 MAR 76

CA-26 FORCE SOURCE DATA TABULATION

PAGE 907

LTV44-559(CA26) 747/1 ATX 02 S1 (CARRIER DATA)

(SFE051) (24 MAR 76)

REFERENCE DATA

SREF = 5500.0000 SQ.FT. XMRP = 1339.9000 IN. XC
 LREF = 327.7800 IN. YMRP = .0000 IN. YC
 BREF = 2348.0400 IN. ZMRP = 190.7500 IN. ZC
 SCALE = .0125

PARAMETRIC DATA

ALPHAC = 2.000 BETAC = .000
 STAB = 5.000 ELEVON = 5.000
 BDFLAP = .000 DX = .000
 DY = .000 IORB = 4.000
 BETAD = .000 RUDDER = .000

+

RUN NO. 45/ 0 RN/L = .00 GRADIENT INTERVAL = -5.00/ 5.00

MACH	DZ	CPCC	CPSB1	CPSB2	CPSB3	Q(PSF)	ALPHAC	BETAC	ALPHA0	BETA0	INCID
.602	44.290	-.00900	-.02100	-.01100	.10107	586.94000	2.66000	.00000	6.32000	.02000	3.92000
.605	44.790	-.00800	-.01700	-.01300	.10300	591.57000	2.66000	.00000	6.36000	-.01000	3.96000
	GRADIENT	-.00016	.00062	.00042	.00005	-.04364	.00093	.00000	-.00522	.00679	-.00331

ORIGINAL PAGE IS
OF POOR QUALITY

LTV44-559(CA26) 747/1 ATX 02 S1 (CARRIER DATA)

(SFE052) (24 MAR 76)

REFERENCE DATA

SREF = 5500.0000 SQ.FT. XMRP = 1339.9000 IN. XC
 LREF = 327.7800 IN. YMRP = .0000 IN. YC
 BREF = 2348.0400 IN. ZMRP = 190.7500 IN. ZC
 SCALE = .0125

PARAMETRIC DATA

ALPHAC = 2.000 BETAC = .000
 STAB = 5.000 ELEVON = 5.000
 BOFLAP = .000 DX = .000
 DY = .000 IORB = 6.000
 BETAO = .000 RUDDER = .000

RUN NO. 1045/ 0 RN/L = .00 GRADIENT INTERVAL = -5.00/ 5.00

MACH	DZ	CPCC	CPSB1	CPSB2	CPSB3	Q(PSF)	ALPHAC	BETAC	ALPHAO	BETAO	INC10	
.604	1.470	-.00400	-.01900	-.01200	.10800	587.26000	2.69000	.01000	8.62000	.03000	5.94000	
.603	2.070	-.00200	-.01600	-.01000	.11100	587.24000	2.66000	.01000	8.63000	.06000	5.95000	
.604	2.670	-.00100	-.01400	-.01100	.11100	587.78000	2.69000	.01000	8.63000	.08000	5.95000	
.602	3.370	-.00400	-.02100	-.01500	.11100	584.24000	2.68000	.01000	8.62000	.06000	5.96000	
.602	4.170	-.00500	-.02200	-.01300	.11200	583.83000	2.68000	.01000	8.58000	.05000	5.91000	
.602	4.960	-.00300	-.01800	-.01300	.11200	583.91000	2.68000	.01000	8.61000	.08000	5.95000	
.605	6.970	-.00400	-.01600	-.00900	.11000	589.76000	2.67000	.01000	8.58000	.08000	5.94000	
.604	8.970	-.00300	-.01700	-.01000	.11200	587.78000	2.67000	.01000	8.56000	.05000	5.93000	
.603	10.600	-.00600	-.01700	-.01100	.10800	585.96000	2.67000	.00000	8.54000	.05000	5.94000	
.604	11.880	-.00500	-.01600	-.01100	.10900	587.94000	2.66000	.00000	8.53000	.04000	5.93000	
.604	13.160	-.00500	-.01600	-.00900	.10900	587.87000	2.67000	.00000	8.51000	.04000	5.91000	
.603	14.440	-.00600	-.01600	-.01100	.10700	585.09000	2.66000	.00000	8.53000	.05000	5.95000	
.601	15.710	-.00300	-.01700	-.01100	.10900	580.66000	2.66000	.00000	8.53000	.04000	5.93000	
.603	16.990	-.00100	-.01600	-.00900	.11000	585.10000	2.66000	.00000	8.50000	.05000	5.93000	
.602	18.270	-.00600	-.01800	-.01300	.10400	584.13000	2.66000	.00000	8.48000	.03000	5.92000	
.603	19.540	-.00500	-.01600	-.01300	.10300	586.42000	2.66000	.00000	8.47000	.05000	5.92000	
.602	20.820	-.00600	-.01700	-.01100	.10300	584.77000	2.66000	.00000	8.46000	.04000	5.92000	
.601	22.090	-.00300	-.01700	-.01000	.10700	584.97000	2.66000	.00000	8.48000	.04000	5.94000	
.603	23.360	-.00200	-.01600	-.00900	.10900	588.44000	2.66000	.00000	8.46000	.04000	5.93000	
.605	24.650	-.00200	-.01500	-.00600	.10900	590.63000	2.65000	.00000	8.45000	.04000	5.94000	
.604	25.920	-.00200	-.01500	-.00800	.11000	589.00000	2.66000	.00000	8.44000	.03000	5.93000	
.606	27.200	-.00300	-.01400	-.01000	.10600	593.15000	2.66000	.00000	8.43000	.04000	5.93000	
.603	28.470	-.00300	-.01500	-.01000	.10600	587.37000	2.65000	.00000	8.42000	.02000	5.93000	
.602	29.750	-.00500	-.01600	-.01200	.10500	585.93000	2.66000	.00000	8.41000	.02000	5.93000	
.604	31.030	-.00300	-.01700	-.00700	.10400	589.54000	2.66000	.00000	8.44000	.02000	5.95000	
.605	32.300	-.00100	-.01500	-.00600	.10900	590.43000	2.66000	.00000	8.40000	.05000	5.93000	
.604	33.580	-.00300	-.01400	-.00900	.10800	588.25000	2.65000	.00000	8.39000	.02000	5.93000	
.603	34.850	-.00500	-.01800	-.00800	.10200	587.91000	2.65000	.00000	8.41000	.02000	5.95000	
.605	36.130	-.00200	-.01400	-.00800	.10600	589.96000	2.66000	.00000	8.40000	.02000	5.95000	
.602	37.410	-.00800	-.01600	-.01100	.10400	585.52000	2.66000	.00000	8.38000	.02000	5.94000	
.603	38.690	-.00400	-.01400	-.00800	.10800	587.98000	2.65000	.00000	8.38000	.00000	5.95000	
.605	39.960	-.00700	-.01400	-.01100	.10300	590.29000	2.66000	.00000	8.39000	.02000	5.97000	
.602	41.240	-.00700	-.01600	-.01100	.10000	587.08000	2.65000	.00000	8.37000	.02000	5.95000	
.602	42.520	-.00600	-.01600	-.00900	.10300	586.52000	2.66000	.00000	8.36000	.02000	5.96000	
.604	43.790	-.00500	-.01300	-.00900	.10500	589.53000	2.66000	.00000	8.36000	.02000	5.96000	
.601	45.070	-.00700	-.02000	-.01000	.10100	585.91000	2.66000	.00000	8.31000	.03000	5.92000	
.605	45.340	-.00300	-.01400	-.00700	.10700	591.24000	2.66000	.00000	8.33000	.03000	5.93000	
.602	47.620	-.00500	-.01800	-.00900	.10100	585.05000	2.66000	.00000	8.32000	.03000	5.94000	
.602	48.900	-.00700	-.01400	-.00900	.10500	585.20000	2.66000	.00000	8.33000	.01000	5.96000	
.606	50.180	-.00400	-.01300	-.00900	.10300	591.33000	2.66000	.00000	8.29000	.02000	5.92000	
.605	51.460	-.00400	-.01400	-.01000	.10300	590.23000	2.66000	.00000	8.29000	.03000	5.93000	
.605		GRADIENT	-.00031	-.00084	-.00072	.00091	-1.25306	-.00244	.00000	-.00880	.00779	-.00269

LTV44-559(CA26) 747/1 ATY 02 SI (CARRIER DATA)

(SFE053) (24 MAR 76)

REFERENCE DATA

SREF = 5500.0000 SQ.FT. XMRP = 1339.9000 IN. XC
 LREF = 327.7800 IN. YMRP = .0000 IN. YC
 BREF = 2348.0400 IN. ZMRP = 190.7500 IN. ZC
 SCALE = .0125

PARAMETRIC DATA

ALPHAC = 2.000 BETAC = .000
 STAB = 5.000 ELEVON = 5.000
 BDFLAP = .000 DX = .000
 DZ = .000 IORB = 6.000
 BETAO = .000 RUDDER = .000

RUN NO. 46/ 0 RN/L = .00 GRADIENT INTERVAL = -5.00/ 5.00

MACH	DY	CPCC	CPSB1	CPSB2	CPSB3	Q(PSF)	ALPHAC	BETAC	ALPHA0	BETA0	INCID
.598	-10.000	-.01200	-.03000	-.02500	.10800	578.57000	2.67000	-.02000	8.60000	.06000	5.93000
.600	-9.420	-.01000	-.02800	-.02000	.11100	582.33000	2.68000	-.02000	8.62000	.09000	5.94000
.600	-8.850	-.01000	-.02600	-.01800	.11000	582.47000	2.68000	-.02000	8.64000	.08000	5.96000
.597	-8.280	-.01400	-.03000	-.02300	.10600	577.60000	2.68000	-.02000	8.62000	.03000	5.94000
.600	-7.710	-.01100	-.02500	-.01700	.10900	582.66000	2.69000	-.02000	8.62000	.03000	5.93000
.598	-7.140	-.00900	-.02700	-.02100	.11100	578.84000	2.69000	-.02000	8.61000	.03000	5.93000
.601	-6.560	-.00700	-.02500	-.01700	.11200	583.96000	2.69000	-.02000	8.61000	.03000	5.92000
.598	-5.990	-.01200	-.02700	-.01800	.10900	577.82000	2.69000	-.02000	8.63000	.09000	5.94000
.599	-5.420	-.01200	-.02900	-.01800	.10900	580.69000	2.69000	-.01000	8.61000	.01000	5.92000
.601	-4.850	-.01000	-.02200	-.01800	.11400	584.38000	2.69000	-.01000	8.65000	.07000	5.96000
.601	-4.280	-.00700	-.02700	-.01600	.11000	583.15000	2.69000	.00000	8.64000	.09000	5.96000
.602	-3.710	-.00900	-.02300	-.01700	.11300	585.41000	2.69000	.00000	8.63000	.10000	5.94000
.602	-3.130	-.01000	-.02400	-.01700	.11400	584.87000	2.70000	.00000	8.60000	.07000	5.90000
.603	-2.570	-.01100	-.02600	-.01600	.10900	586.63000	2.69000	.00000	8.61000	.06000	5.93000
.604	-1.990	-.00300	-.01900	-.01200	.12000	588.21000	2.69000	.01000	8.64000	.05000	5.95000
.602	-1.420	-.00900	-.02300	-.01700	.11600	584.32000	2.69000	.02000	8.63000	.11000	5.95000
.602	-.850	-.00800	-.02600	-.01600	.11500	585.29000	2.70000	.02000	8.62000	.11000	5.93000
.602	-.270	-.00700	-.02400	-.01500	.11700	583.39000	2.69000	.03000	8.61000	.13000	5.92000
.603	.270	-.00900	-.02300	-.01300	.11200	585.64000	2.69000	.03000	8.63000	.08000	5.94000
.601	.850	-.01100	-.02700	-.01600	.11200	581.27000	2.69000	.04000	8.61000	.08000	5.92000
.601	1.420	-.01200	-.02500	-.01900	.10800	583.03000	2.69000	.04000	8.65000	.04000	5.96000
.600	1.990	-.01500	-.02900	-.01800	.10900	580.77000	2.69000	.04000	8.63000	.02000	5.95000
.600	2.560	-.01200	-.02800	-.02100	.10900	580.70000	2.69000	.04000	8.62000	.03000	5.93000
.602	3.130	-.01000	-.02200	-.01600	.10900	585.48000	2.69000	.04000	8.61000	.05000	5.93000
.600	3.710	-.01000	-.02700	-.01900	.11100	581.66000	2.68000	.04000	8.62000	.00000	5.94000
.602	4.280	-.01000	-.02100	-.01400	.11100	584.80000	2.68000	.04000	8.63000	.00000	5.96000
.600	4.850	-.01200	-.02700	-.01800	.11100	580.57000	2.68000	.04000	8.64000	.05000	5.96000
.599	5.420	-.01100	-.02700	-.01900	.11100	579.68000	2.68000	.04000	8.63000	.01000	5.93000
.599	5.990	-.01300	-.02500	-.01600	.10500	580.30000	2.68000	.04000	8.61000	.00000	5.93000
.601	6.560	-.01000	-.02500	-.02000	.10800	583.09000	2.67000	.04000	8.61000	.04000	5.94000
.599	7.140	-.01400	-.02800	-.02200	.10900	580.01000	2.67000	.04000	8.62000	.03000	5.96000
.601	7.700	-.01000	-.02400	-.02000	.10800	583.56000	2.66000	.04000	8.62000	.04000	5.95000
.600	8.280	-.01300	-.02800	-.02300	.10500	582.06000	2.66000	.04000	8.61000	.00000	5.95000
.600	8.850	-.00800	-.02200	-.01900	.10800	580.37000	2.66000	.04000	8.60000	.03000	5.94000
.600	9.420	-.01300	-.02700	-.02200	.10600	581.38000	2.66000	.04000	8.61000	.03000	5.96000
.600	10.000	-.01700	-.02900	-.02000	.10700	581.71000	2.65000	.04000	8.60000	.08000	5.95000
	GRADIENT	-.00038	-.00023	-.00014	-.00045	-.36872	-.00107	.00568	-.00042	-.00756	.00067

LTV44-559(CA26) 747/1 ATY O2 S1 (CARRIER DATA)

(SFE054) (24 MAR 76)

REFERENCE DATA

SREF = 5500.0000 SQ.FT. XMRP = 1339.9000 IN. XC
 LREF = 327.7800 IN. YMRP = .0000 IN. YC
 BREF = 2348.0400 IN. ZMRP = 190.7500 IN. ZC
 SCALE = .0125

PARAMETRIC DATA

ALPHAC = 2.000 BETAC = .000
 STAB = 5.000 ELEVON = 5.000
 BDFLAP = .000 DX = .000
 DZ = 15.000 TORB = 6.000
 BETAO = .000 RUDDER = .000

RUN NO. 1046/ 0 RN/L = .00 GRADIENT INTERVAL = -5.00/ 5.00

MACH	DY	CPCC	CPSB1	CPSB2	CPSB3	Q(PSF)	ALPHAC	BETAC	ALPHA0	BETA0	INCID
.599	-9.420	-.01100	-.02600	-.01600	.10800	579.94000	2.67000	.00000	8.51000	.10000	5.93000
.600	-8.850	-.01000	-.02600	-.01600	.10800	581.86000	2.67000	.00000	8.53000	.05000	5.95000
.599	-8.290	-.01300	-.02700	-.01600	.10700	579.13000	2.67000	.00000	8.51000	.12000	5.93000
.600	-7.710	-.01300	-.02400	-.01700	.10900	582.00000	2.67000	.00000	8.53000	.05000	5.95000
.601	-7.140	-.01000	-.02600	-.01500	.10800	582.41000	2.67000	.00000	8.53000	.10000	5.95000
.603	-6.560	-.01000	-.02100	-.01500	.11300	586.03000	2.67000	.00000	8.52000	.06000	5.94000
.602	-5.990	-.00900	-.02500	-.01600	.11200	584.79000	2.67000	.00000	8.54000	.07000	5.96000
.601	-5.420	-.01000	-.02600	-.01600	.11000	582.88000	2.67000	.00000	8.54000	.04000	5.96000
.599	-4.850	-.01200	-.02800	-.01500	.10800	579.40000	2.67000	.00000	8.52000	.08000	5.94000
.601	-4.280	-.00900	-.02200	-.01300	.11100	582.28000	2.67000	.00000	8.54000	.06000	5.96000
.603	-3.710	-.01000	-.02200	-.01600	.11000	586.92000	2.67000	.00000	8.52000	.07000	5.93000
.601	-3.140	-.01700	-.02700	-.02100	.10600	582.61000	2.68000	.00000	8.53000	.07000	5.95000
.601	-2.570	-.01200	-.02400	-.01600	.11100	582.22000	2.67000	.00000	8.53000	.05000	5.95000
.600	-1.990	-.01300	-.02600	-.01700	.10800	580.44000	2.67000	.00000	8.52000	.03000	5.94000
.602	-1.420	-.01000	-.02200	-.01500	.11200	584.95000	2.67000	.00000	8.54000	.06000	5.95000
.600	-.850	-.01200	-.02400	-.01600	.10900	580.59000	2.67000	.00000	8.52000	.04000	5.96000
.602	-.280	-.01200	-.02300	-.01600	.11000	584.40000	2.68000	.00000	8.54000	.05000	5.94000
.601	.270	-.01100	-.02100	-.01500	.11000	582.15000	2.67000	.00000	8.51000	.05000	5.93000
.602	.850	-.01100	-.02700	-.01400	.10800	584.26000	2.67000	.01000	8.53000	.04000	5.95000
.603	1.410	-.00900	-.02400	-.01400	.11200	586.43000	2.68000	.01000	8.55000	.04000	5.96000
.603	1.990	-.00900	-.02400	-.01600	.11300	587.37000	2.68000	.01000	8.53000	.05000	5.95000
.603	2.560	-.00700	-.01600	-.01100	.11900	587.24000	2.67000	.01000	8.51000	.05000	5.93000
.602	3.130	-.01000	-.02200	-.01500	.11300	587.02000	2.68000	.01000	8.52000	.05000	5.93000
.602	3.700	-.00600	-.02300	-.01400	.11300	586.00000	2.68000	.02000	8.55000	.06000	5.96000
.600	4.270	-.01000	-.02200	-.01500	.11200	583.34000	2.68000	.02000	8.49000	.07000	5.90000
.602	4.850	-.00900	-.02200	-.01300	.11300	587.36000	2.67000	.01000	8.52000	.05000	5.95000
.602	5.420	-.01100	-.02600	-.01500	.11000	586.74000	2.67000	.02000	8.54000	.03000	5.96000
.602	5.980	-.00900	-.02400	-.01500	.11100	587.76000	2.67000	.01000	8.52000	.04000	5.95000
.600	6.560	-.01300	-.02500	-.01900	.10800	584.48000	2.67000	.02000	8.54000	.05000	5.96000
.599	7.130	-.01500	-.02700	-.01800	.10500	581.35000	2.67000	.01000	8.54000	.03000	5.95000
.601	7.700	-.01100	-.02400	-.01600	.10800	583.82000	2.68000	.02000	8.53000	.04000	5.94000
.598	8.270	-.01300	-.02500	-.01800	.10600	579.19000	2.67000	.01000	8.54000	.03000	5.96000
.599	8.840	-.01200	-.02500	-.01700	.11300	578.79000	2.67000	.01000	8.53000	.04000	5.95000
.601	9.420	-.00900	-.02500	-.01300	.10800	582.76000	2.67000	.01000	8.54000	.02000	5.96000
.539	9.990	-.01400	-.02500	-.01900	.10600	578.66000	2.67000	.01000	8.52000	.03000	5.94000
	GRADIENT	.00040	.00039	.00029	.00058	.53873	.00071	.00195	-.00096	-.00121	-.00112

LTV44-559(CA26) 747/1 ATY 02 S1 (CARRIER DATA)

(SFE055) (24 MAR 76)

REFERENCE DATA

SREF = 5500.0000 SQ.FT. XMRP = 1339.9000 IN. XC
 LREF = 327.7800 IN. YMRP = .0000 IN. YC
 BREF = 2348.0400 IN. ZMRP = 190.7500 IN. ZC
 SCALE = .0125

PARAMETRIC DATA

ALPHAC = 2.000 BETAC = .000
 STAB = 5.000 ELEVON = 5.000
 BDFLAP = .000 DX = .000
 DZ = 60.000 IORB = 6.000
 BETAO = .000 RUDDER = .000

RUN NO. 2046/ 0 RN/L = .00 GRADIENT INTERVAL = -5.00/ 5.00

MACH	DY	CPCC	CPSB1	CPSB2	CPSB3	Q(PSF)	ALPHAC	BETAC	ALPHA0	BETA0	INCID
.599	-10.000	-.01600	-.02800	-.01900	.10200	581.02000	2.67000	.01000	8.31000	.06000	5.94000
.600	-9.430	-.01100	-.02500	-.01600	.10400	581.98000	2.67000	.01000	8.31000	.04000	5.94000
.599	-8.860	-.01600	-.02700	-.01700	.10500	581.42000	2.67000	.01000	8.32000	.09000	5.95000
.600	-8.280	-.01300	-.02400	-.01500	.10600	581.57000	2.67000	.01000	8.33000	.09000	5.96000
.599	-7.710	-.01000	-.02400	-.01600	.10500	580.15000	2.67000	.01000	8.31000	.07000	5.94000
.600	-7.140	-.01400	-.02500	-.01600	.10300	581.99000	2.67000	.00000	8.34000	.05000	5.96000
.599	-6.570	-.01100	-.02400	-.01500	.10300	580.02000	2.67000	.00000	8.33000	.04000	5.96000
.598	-6.000	-.01700	-.03000	-.02100	.09900	578.77000	2.67000	.00000	8.34000	.04000	5.96000
.600	-5.420	-.01000	-.02200	-.01400	.10500	581.52000	2.68000	.00000	8.34000	.02000	5.97000
.600	-4.860	-.01200	-.02400	-.01700	.10400	582.40000	2.68000	.00000	8.32000	.01000	5.95000
.600	-4.290	-.01700	-.02900	-.01900	.10100	582.48000	2.67000	.00000	8.32000	.04000	5.94000
.601	-3.710	-.01400	-.02600	-.01600	.10300	583.91000	2.67000	.00000	8.34000	.03000	5.96000
.601	-3.140	-.01400	-.02600	-.01600	.10300	583.10000	2.67000	.00000	8.32000	.02000	5.94000
.601	-2.570	-.01400	-.02500	-.01700	.10500	583.65000	2.67000	.00000	8.34000	.00000	5.96000
.603	-2.000	-.00900	-.02000	-.01200	.10900	586.26000	2.67000	.00000	8.34000	-.02000	5.96000
.601	-1.430	-.01000	-.02300	-.01400	.10500	581.56000	2.67000	.00000	8.34000	.02000	5.96000
.603	-.850	-.01400	-.02600	-.01700	.10100	584.49000	2.68000	.00000	8.33000	.00000	5.96000
.601	-.280	-.01300	-.02600	-.01800	.10100	581.02000	2.68000	.00000	8.34000	.04000	5.97000
.601	.270	-.01400	-.02600	-.01700	.10200	580.34000	2.67000	.00000	8.31000	.00000	5.94000
.598	.840	-.01500	-.02700	-.01800	.10200	576.31000	2.67000	.00000	8.33000	.03000	5.96000
.601	1.410	-.01400	-.02600	-.01600	.10100	582.17000	2.67000	.00000	8.31000	-.01000	5.93000
.601	1.990	-.01400	-.02600	-.01500	.10200	581.83000	2.67000	.00000	8.32000	.00000	5.94000
.602	2.560	-.01400	-.02700	-.01700	.10000	584.35000	2.67000	.00000	8.34000	.00000	5.97000
.601	3.130	-.01200	-.02500	-.01600	.10200	581.14000	2.68000	.00000	8.34000	.04000	5.97000
.600	3.700	-.01400	-.02500	-.01700	.10200	579.72000	2.67000	.00000	8.32000	.03000	5.95000
.599	4.270	-.01700	-.03000	-.02100	.09900	578.54000	2.67000	.00000	8.32000	.00000	5.95000
.600	4.850	-.01200	-.02400	-.01600	.10300	579.57000	2.67000	.00000	8.29000	-.03000	5.92000
.601	5.410	-.01400	-.02700	-.01800	.10100	582.36000	2.67000	.00000	8.33000	-.02000	5.96000
.600	5.980	-.01200	-.02400	-.01500	.10200	579.90000	2.67000	.00000	8.35000	.00000	5.96000
.600	6.560	-.01400	-.02700	-.01800	.10000	580.03000	2.67000	.00000	8.33000	-.03000	5.95000
.600	7.130	-.01500	-.02800	-.01800	.10200	580.50000	2.67000	-.01000	8.32000	.00000	5.95000
.602	7.700	-.01500	-.02600	-.01700	.10200	584.73000	2.67000	-.01000	8.31000	.00000	5.94000
.601	8.270	-.01600	-.02800	-.01800	.10200	582.35000	2.67000	-.01000	8.31000	-.03000	5.94000
.602	8.840	-.01400	-.02600	-.01800	.10200	583.58000	2.67000	-.01000	8.32000	-.03000	5.94000
.601	9.420	-.01600	-.02600	-.01800	.10200	582.90000	2.67000	-.01000	8.35000	.01000	5.98000
GRADIENT		-.00007	-.00012	-.00011	-.00033	-.41577	-.00018	.00000	-.00157	-.00185	-.00070

ORIGINAL PAGE IS
OF POOR QUALITY

LTV44-559(CA26) 747/1 ATY 02 S1 (CARRIER DATA)

(SFE056) (24 MAR 76)

REFERENCE DATA

SREF = 5500.0000 SQ.FT. XMRP = 1339.9000 IN. XC
 LREF = 327.7800 IN. YMRP = .0000 IN. YC
 BREF = 2348.0400 IN. ZMRP = 190.7500 IN. ZC
 SCALE = .0125

PARAMETRIC DATA

ALPHAC = 2.000 BETAC = .000
 STAB = 5.000 ELEVON = 5.000
 BDFLAP = .000 DX = .000
 DZ = .000 IORB = 6.000
 BETAO = 5.000 RUDDER = .000

RUN NO. 47/ 0 RN/L = .00 GRADIENT INTERVAL = -5.00/ 5.00

MACH	DY	CPC	CPSB1	CPSB2	CPSB3	Q(PSF)	ALPHAC	BETAC	ALPHA0	BETA0	INCID
.611	-10.000	-.00200	-.02200	-.01100	.11700	602.41000	2.69000	.00000	8.68000	4.89000	5.99000
.610	-9.420	-.00800	-.02300	-.01400	.10900	599.35000	2.70000	.00000	8.65000	4.88000	5.95000
.609	-8.850	-.00900	-.02300	-.01600	.11100	597.45000	2.70000	.00000	8.68000	4.86000	5.98000
.608	-8.280	-.00900	-.02400	-.01500	.11000	597.18000	2.70000	.00000	8.66000	4.86000	5.97000
.609	-7.710	-.00700	-.02200	-.01400	.11100	598.20000	2.70000	.00000	8.67000	4.86000	5.98000
.611	-7.140	-.00400	-.02300	-.01000	.11300	602.20000	2.70000	.00000	8.68000	4.86000	5.99000
.609	-6.560	-.00600	-.02500	-.01300	.11100	598.73000	2.70000	.00000	8.67000	4.86000	5.98000
.607	-5.990	-.00800	-.02200	-.01300	.11100	596.55000	2.70000	.00000	8.67000	4.87000	5.97000
.610	-5.420	-.00400	-.02200	-.00900	.11400	601.37000	2.70000	.00000	8.64000	4.86000	5.94000
.609	-4.850	-.00600	-.02200	-.01200	.11400	601.49000	2.70000	.00000	8.63000	4.87000	5.94000
.608	-4.280	-.00900	-.02400	-.01100	.11200	600.13000	2.69000	.00000	8.68000	4.86000	6.00000
.609	-3.710	-.00600	-.02000	-.01100	.11700	601.62000	2.70000	.01000	8.65000	4.90000	5.95000
.610	-3.130	-.00500	-.02100	-.01100	.11800	603.66000	2.69000	.02000	8.67000	4.88000	5.98000
.611	-2.570	-.00400	-.02100	-.00900	.12000	603.74000	2.69000	.02000	8.65000	4.88000	5.96000
.610	-1.990	-.00600	-.02000	-.01000	.11800	601.44000	2.70000	.03000	8.65000	4.89000	5.96000
.609	-1.420	-.00700	-.02200	-.01100	.11400	599.34000	2.69000	.03000	8.66000	4.95000	5.97000
.608	-.850	-.00900	-.02100	-.01300	.11200	597.71000	2.70000	.03000	8.63000	4.92000	5.93000
.611	-.270	-.00700	-.02400	-.00900	.11200	602.13000	2.69000	.04000	8.66000	4.88000	5.97000
.610	.270	-.00600	-.02200	-.01000	.11500	601.04000	2.69000	.04000	8.65000	4.89000	5.96000
.610	.850	-.00500	-.02300	-.01100	.11500	601.24000	2.69000	.05000	8.66000	4.88000	5.97000
.608	1.420	-.00900	-.02200	-.01400	.11300	598.11000	2.69000	.05000	8.63000	4.88000	5.94000
.608	1.990	-.01000	-.02200	-.01500	.11200	597.63000	2.69000	.05000	8.62000	4.88000	5.94000
.610	2.560	-.00500	-.02200	-.01100	.11500	602.12000	2.68000	.05000	8.64000	4.87000	5.96000
.610	3.130	-.01000	-.02500	-.01300	.11100	601.50000	2.68000	.05000	8.62000	4.87000	5.94000
.610	3.710	-.00700	-.02200	-.01100	.11600	602.32000	2.68000	.05000	8.63000	4.89000	5.96000
.609	4.280	-.00800	-.02200	-.01400	.11300	599.67000	2.67000	.05000	8.61000	4.87000	5.94000
.610	4.850	-.00700	-.02200	-.01200	.11500	602.05000	2.67000	.05000	8.63000	4.90000	5.96000
.611	5.420	-.00600	-.02300	-.01000	.11100	603.35000	2.66000	.05000	8.62000	4.86000	5.96000
.609	5.990	-.00900	-.02200	-.01300	.11100	599.96000	2.66000	.05000	8.62000	4.85000	5.97000
.609	6.560	-.00800	-.02300	-.01300	.11100	599.34000	2.66000	.05000	8.63000	4.88000	5.97000
.607	7.140	-.01400	-.02600	-.01600	.10500	596.21000	2.65000	.05000	8.59000	4.85000	5.93000
.609	7.700	-.00900	-.02300	-.01600	.11100	599.00000	2.65000	.05000	8.61000	4.89000	5.97000
.609	8.280	-.01200	-.02500	-.01400	.10900	600.41000	2.65000	.05000	8.60000	4.85000	5.96000
.608	8.850	-.01300	-.02300	-.01700	.10900	598.65000	2.65000	.05000	8.59000	4.89000	5.95000
.608	9.420	-.01400	-.02400	-.01600	.10800	599.12000	2.64000	.05000	8.59000	4.85000	5.95000
.611	10.000	-.01100	-.02400	-.01300	.10900	604.35000	2.65000	.05000	8.61000	4.86000	5.97000
	GRADIENT	-.00018	-.00012	-.00024	-.00025	-.09025	-.00248	.00547	-.00403	-.00036	-.00190

DATE 29 MAR 76

CA-26 FORCE SOURCE DATA TABULATION

PAGE 913

LTV44-559(CA26) 747/1 ATY 02 S1 (CARRIER DATA)

(SFE057) (24 MAR 76)

REFERENCE DATA

SREF = 5500.0000 SQ.FT. XMRP = 1339.9000 IN. XC
 LRF = 327.7800 IN. YMRP = .0000 IN. YC
 BRP = 2348.0400 IN. ZMRP = 190.7500 IN. ZC
 SCALE = .0125

PARAMETRIC DATA

ALPHAC = 2.000 BETAC = .000
 STAB = 5.000 ELEVON = 5.000
 BDFLAP = .000 DX = .000
 DZ = 15.000 IORB = 6.000
 BETAO = 5.000 RUDDER = .000

RUN NO. 1047/ 0 RN/L = .00 GRADIENT INTERVAL = -5.00/ 5.00

MACH	OY	CPCC	CPSB1	CPSB2	CPSB3	Q(PSF)	ALPHAC	BETAC	ALPHAO	BETAO	INCIO
.609	-9.420	-.00800	-.02100	-.01000	.11100	599.74000	2.68000	.00000	8.54000	4.88000	5.94000
.610	-8.850	-.00600	-.02200	-.00900	.11000	601.70000	2.68000	.00000	8.55000	4.89000	5.96000
.608	-8.280	-.01100	-.02000	-.00900	.11200	598.18000	2.68000	.00000	8.55000	4.88000	5.95000
.609	-7.710	-.01100	-.02400	-.01000	.10600	599.26000	2.68000	.00000	8.57000	4.89000	5.98000
.607	-7.140	-.01100	-.02200	-.01200	.10800	596.55000	2.68000	.00000	8.56000	4.90000	5.96000
.610	-6.560	-.00800	-.02400	-.00900	.10900	601.17000	2.67000	.00000	8.58000	4.91000	5.99000
.608	-5.990	-.00900	-.02000	-.01200	.11300	597.64000	2.68000	.00000	8.54000	4.89000	5.94000
.609	-5.420	-.00600	-.02100	-.01100	.11300	600.15000	2.68000	.00000	8.54000	4.91000	5.94000
.607	-4.850	-.01300	-.02400	-.01300	.10600	597.29000	2.68000	.01000	8.57000	4.91000	5.98000
.609	-4.280	-.01100	-.02400	-.01000	.10600	599.13000	2.67000	.01000	8.57000	4.89000	5.98000
.610	-3.710	-.00600	-.02200	-.00500	.11100	601.04000	2.67000	.01000	8.55000	4.90000	5.96000
.607	-3.140	-.01200	-.02100	-.01200	.10800	596.02000	2.68000	.01000	8.56000	4.89000	5.97000
.610	-2.570	-.00600	-.02300	-.00800	.11100	600.03000	2.68000	.02000	8.54000	4.90000	5.95000
.609	-1.990	-.00500	-.02300	-.00700	.11000	599.62000	2.68000	.02000	8.53000	4.91000	5.93000
.608	-1.420	-.01000	-.02400	-.01000	.10600	596.42000	2.68000	.02000	8.53000	4.91000	5.93000
.610	-.850	-.00700	-.02300	-.00900	.10900	600.71000	2.68000	.02000	8.53000	4.89000	5.93000
.608	-.280	-.01100	-.02200	-.01200	.11000	596.63000	2.68000	.02000	8.54000	4.87000	5.94000
.610	.270	-.00700	-.02300	-.00700	.11100	601.52000	2.67000	.02000	8.57000	4.92000	5.98000
.611	.850	-.00800	-.02300	-.00700	.10900	602.06000	2.67000	.03000	8.55000	4.91000	5.97000
.610	1.410	-.01200	-.02400	-.00900	.10600	600.36000	2.67000	.03000	8.57000	4.87000	5.98000
.608	1.990	-.01200	-.02600	-.01000	.10800	597.78000	2.67000	.03000	8.56000	4.89000	5.97000
.609	2.560	-.01300	-.02400	-.01200	.10700	599.27000	2.67000	.03000	8.54000	4.92000	5.95000
.610	3.130	-.01100	-.02000	-.01300	.10900	601.92000	2.67000	.03000	8.54000	4.89000	5.96000
.609	3.700	-.01200	-.02600	-.01100	.10600	599.81000	2.67000	.03000	8.56000	4.89000	5.98000
.611	4.270	-.00800	-.02400	-.01200	.11000	601.99000	2.67000	.03000	8.56000	4.88000	5.98000
.610	4.850	-.00800	-.02300	-.00800	.11000	601.85000	2.67000	.02000	8.54000	4.90000	5.95000
.611	5.420	-.00800	-.02300	-.00900	.11000	602.26000	2.67000	.02000	8.56000	4.90000	5.98000
.609	5.980	-.01200	-.02200	-.01600	.10900	598.33000	2.67000	.02000	8.56000	4.84000	5.97000
.608	6.560	-.01300	-.02200	-.01400	.10700	597.64000	2.67000	.02000	8.56000	4.89000	5.97000
.609	7.130	-.00700	-.02200	-.01300	.11200	599.21000	2.67000	.02000	8.53000	4.86000	5.95000
.610	7.700	-.00800	-.02200	-.01100	.11100	600.70000	2.67000	.02000	8.55000	4.87000	5.97000
.608	8.270	-.01200	-.02400	-.01500	.10700	597.85000	2.67000	.02000	8.55000	4.82000	5.96000
.610	8.840	-.00800	-.02200	-.00700	.11200	600.98000	2.67000	.02000	8.54000	4.89000	5.95000
.610	9.420	-.00900	-.02500	-.01200	.11000	601.31000	2.67000	.01000	8.53000	4.86000	5.95000
.611	9.990	-.00800	-.02200	-.00900	.11000	602.19000	2.66000	.01000	8.54000	4.89000	5.95000
GRADIENT		-.00010	-.00010	-.00014	.00005	.32243	-.00096	.00215	-.00026	-.00091	.00059

REFERENCE DATA

SREF = 5500.0000 SQ.FT. XMRP = 1339.9000 IN. XC
 LREF = 327.7800 IN. YMRP = .0000 IN. YC
 BREF = 2348.0400 IN. ZMRP = 190.7500 IN. ZC
 SCALE = .0125

PARAMETRIC DATA

ALPHAC = 2.000 BETAC = .000
 STAB = 5.000 ELEVON = 5.000
 BDFLAP = .000 DX = .000
 OZ = 60.000 TORB = 6.000
 BETAO = 5.000 RUDDER = .000

RUN NO. 2047/ 0 RN/L = .00 GRADIENT INTERVAL = -5.00/ 5.00

MACH	DY	CPCC	CPSB1	CPSB2	CPSB3	Q(PSF)	ALPHAC	BETAC	ALPHA0	BETA0	INCID
.607	-10.000	-.01600	-.02400	-.01400	.10100	595.68000	2.67000	.00000	8.32000	4.80000	5.95000
.611	-9.430	-.00900	-.02400	-.01100	.10200	602.26000	2.67000	.00000	8.35000	4.85000	5.98000
.608	-8.860	-.01200	-.02500	-.01300	.10200	596.69000	2.67000	.00000	8.35000	4.87000	5.97000
.607	-8.280	-.01500	-.02400	-.01400	.09900	595.46000	2.67000	.00000	8.36000	4.84000	5.98000
.609	-7.710	-.01200	-.02500	-.01100	.09900	599.67000	2.67000	.00000	8.35000	4.87000	5.98000
.607	-7.140	-.01600	-.02400	-.01600	.09900	595.93000	2.67000	.00000	8.37000	4.86000	5.99000
.609	-6.570	-.01000	-.02500	-.01200	.09900	600.68000	2.67000	.00000	8.35000	4.84000	5.98000
.606	-6.000	-.01600	-.02400	-.01500	.09900	596.19000	2.67000	.00000	8.34000	4.82000	5.97000
.610	-5.420	-.01000	-.02200	-.01300	.10500	602.10000	2.67000	.00000	8.35000	4.83000	5.98000
.608	-4.860	-.01400	-.02300	-.01500	.10400	598.98000	2.67000	.00000	8.37000	4.84000	6.00000
.608	-4.290	-.01500	-.02300	-.01500	.10200	599.12000	2.67000	.00000	8.37000	4.83000	5.98000
.611	-3.710	-.01100	-.02300	-.01000	.10300	603.81000	2.67000	.00000	8.38000	4.82000	6.01000
.611	-3.140	-.00900	-.02300	-.01400	.10400	603.27000	2.67000	.00000	8.32000	4.85000	5.95000
.611	-2.570	-.01000	-.02300	-.01200	.10400	603.34000	2.67000	.00000	8.36000	4.83000	5.98000
.611	-2.000	-.00800	-.02300	-.01000	.10500	603.21000	2.67000	.00000	8.33000	4.83000	5.96000
.611	-1.430	-.01000	-.02500	-.01200	.10300	603.07000	2.67000	.00000	8.33000	4.81000	5.95000
.610	-.850	-.01400	-.02200	-.01400	.10300	600.36000	2.67000	-.01000	8.35000	4.82000	5.98000
.608	-.280	-.01600	-.02400	-.01500	.10000	597.99000	2.67000	.00000	8.35000	4.83000	5.98000
.609	.270	-.01400	-.02200	-.01400	.10000	599.35000	2.67000	-.01000	8.34000	4.82000	5.97000
.609	.840	-.01600	-.02300	-.01500	.10000	598.67000	2.67000	-.01000	8.35000	4.81000	5.92000
.609	1.410	-.01600	-.02600	-.01500	.09800	599.89000	2.67000	.00000	8.37000	4.78000	5.99000
.612	1.990	-.01000	-.02400	-.01100	.10400	604.24000	2.67000	-.01000	8.33000	4.79000	5.96000
.610	2.560	-.01600	-.02400	-.01600	.10100	600.03000	2.67000	-.01000	8.34000	4.80000	5.97000
.611	3.130	-.01700	-.02700	-.01600	.09700	601.12000	2.67000	-.01000	8.32000	4.80000	5.94000
.610	3.700	-.01500	-.02400	-.01600	.10000	599.70000	2.67000	-.01000	8.37000	4.80000	6.00000
.612	4.270	-.01100	-.02600	-.01300	.10100	604.57000	2.67000	-.01000	8.35000	4.78000	5.98000
.610	4.850	-.01600	-.02500	-.01700	.09800	600.23000	2.67000	-.01000	8.34000	4.80000	5.96000
.611	5.410	-.01100	-.02400	-.01100	.10300	603.42000	2.67000	-.01000	8.34000	4.80000	5.97000
.609	5.980	-.01400	-.02300	-.01400	.10100	599.96000	2.67000	-.01000	8.31000	4.77000	5.94000
.611	6.560	-.01200	-.02600	-.01100	.09900	603.82000	2.67000	-.01000	8.35000	4.75000	5.98000
.609	7.130	-.01500	-.02500	-.01400	.09800	599.27000	2.67000	-.01000	8.33000	4.79000	5.96000
.611	7.700	-.01300	-.02100	-.01000	.10400	602.06000	2.67000	-.01000	8.32000	4.79000	5.95000
.609	8.270	-.01200	-.02200	-.01100	.10400	599.42000	2.67000	-.02000	8.34000	4.76000	5.97000
.608	8.840	-.01500	-.02300	-.01400	.10200	597.52000	2.67000	-.02000	8.32000	4.79000	5.95000
.610	9.420	-.01100	-.02200	-.01100	.10500	600.24000	2.67000	-.02000	8.31000	4.78000	5.94000
	GRADIENT	-.00039	-.00029	-.00030	-.00054	-.02911	-.00000	-.00132	-.00114	-.00539	-.00149

LTV44-559(CA26) 747/1 ATY 02 S1 (CARRIER DATA)

(SFE059) (24 MAR 76)

REFERENCE DATA

SREF = 5500.0000 SQ.FT. XMRP = 1339.9000 IN. XC
 LREF = 327.7800 IN. YMRP = .0000 IN. YC
 BREF = 2348.0400 IN. ZMRP = 190.7500 IN. ZC
 SCALE = .0125

PARAMETRIC DATA

ALPHAC = 2.000 BETAC = .000
 STAB = 5.000 ELEVON = 5.000
 BDFLAP = .000 DX = 10.000
 DZ = .000 TORB = 6.000
 BETAC = .000 RUDDER = .000

		RUN NO.	48/ 0	RN/L =	.00	GRADIENT	INTERVAL =	-5.00/	5.00			
MACH	DY	CPC	CPSB1	CPSB2	CPSB3	Q(PSF)	ALPHAC	BETAC	ALPHAO	BETAO	INCLD	
.603	-10.000	-.02000	-.03600	-.02600	.09800	589.40000	2.70000	-.02000	8.65000	.00000	5.95000	
.605	-9.420	-.01600	-.03400	-.02000	.10300	592.27000	2.71000	-.02000	8.66000	.04000	5.95000	
.604	-8.850	-.01700	-.03500	-.02200	.10200	590.57000	2.71000	-.02000	8.68000	.01000	5.98000	
.605	-8.280	-.01700	-.03600	-.02200	.10400	591.86000	2.71000	-.02000	8.68000	.01000	5.98000	
.603	-7.710	-.02100	-.03900	-.02900	.09800	588.92000	2.71000	-.02000	8.68000	.00000	5.97000	
.604	-7.140	-.01800	-.03500	-.02500	.10200	591.04000	2.71000	-.02000	8.66000	.01000	5.95000	
.607	-6.560	-.01800	-.03300	-.01800	.10400	595.94000	2.71000	.02000	8.66000	.00000	5.95000	
.605	-5.990	-.01700	-.03300	-.02300	.10400	592.74000	2.72000	-.02000	8.67000	.00000	5.95000	
.606	-5.420	-.01700	-.03400	-.02300	.10400	593.36000	2.72000	-.02000	8.68000	.00000	5.97000	
.607	-4.850	-.01600	-.03100	-.01800	.10400	596.22000	2.72000	-.01000	8.65000	-.02000	5.94000	
.605	-4.280	-.01800	-.03300	-.02200	.10300	592.75000	2.72000	.00000	8.67000	.01000	5.96000	
.608	-3.710	-.01800	-.03200	-.01800	.10400	598.05000	2.71000	.00000	8.66000	.01000	5.95000	
.607	-3.130	-.01600	-.03300	-.01800	.10800	595.81000	2.72000	.00000	8.69000	.03000	5.98000	
.606	-2.560	-.01800	-.03300	-.02200	.10500	593.36000	2.72000	.01000	8.69000	.02000	5.98000	
.606	-1.990	-.02100	-.03300	-.02100	.10300	593.42000	2.71000	.01000	8.65000	.02000	5.94000	
.608	-1.410	-.01700	-.03000	-.01400	.10800	597.31000	2.71000	.02000	8.68000	.07000	5.97000	
.605	-.840	-.01900	-.03400	-.02100	.10300	591.39000	2.72000	.03000	8.68000	.04000	5.96000	
.608	-.260	-.01300	-.02900	-.01400	.10900	595.15000	2.72000	.03000	8.68000	.05000	5.97000	
.608	.290	-.01800	-.03100	-.01800	.10300	596.36000	2.72000	.04000	8.64000	.02000	5.93000	
.606	.860	-.01700	-.03300	-.02100	.10500	591.94000	2.72000	.04000	8.68000	.04000	5.96000	
.608	1.430	-.01900	-.03100	-.01600	.10500	596.50000	2.71000	.05000	8.67000	.05000	5.96000	
.609	2.010	-.01800	-.03000	-.01600	.10400	598.87000	2.72000	.05000	8.67000	.06000	5.95000	
.608	2.570	-.02100	-.03200	-.02100	.10000	597.37000	2.71000	.05000	8.64000	.01000	5.93000	
.607	3.150	-.01800	-.03300	-.02000	.10700	595.06000	2.71000	.04000	8.67000	.04000	5.97000	
.606	3.720	-.01800	-.03100	-.02300	.10700	593.09000	2.71000	.04000	8.67000	.05000	5.96000	
.607	4.290	-.02000	-.03000	-.02100	.10300	595.40000	2.71000	.04000	8.66000	.01000	5.96000	
.609	4.860	-.02000	-.03000	-.01800	.10400	592.26000	2.70000	.04000	8.64000	.00000	5.94000	
.607	5.430	-.02200	-.03300	-.02300	.10100	595.67000	2.70000	.04000	8.66000	-.01000	5.96000	
.606	6.000	-.02100	-.03300	-.02500	.10200	593.29000	2.70000	.04000	8.64000	.00000	5.95000	
.606	6.580	-.01800	-.03300	-.02200	.10800	594.38000	2.70000	.04000	8.66000	.02000	5.96000	
.608	7.150	-.01900	-.03100	-.02000	.10700	596.36000	2.69000	.04000	8.64000	.02000	5.96000	
.608	7.720	-.02200	-.03100	-.02000	.10300	596.89000	2.69000	.04000	8.63000	.00000	5.95000	
.607	8.290	-.02000	-.03100	-.01900	.10700	596.69000	2.68000	.04000	8.66000	.02000	5.98000	
.605	8.860	-.02000	-.03200	-.02600	.10500	591.79000	2.69000	.04000	8.63000	.00000	5.94000	
.605	9.440	-.01900	-.03300	-.02500	.10500	591.39000	2.69000	.04000	8.63000	.01000	5.95000	
.607	10.010	-.02200	-.03600	-.02500	.10200	594.79000	2.68000	.05000	8.66000	.03000	5.98000	
	GRADIENT	-.00024	.00018	-.00008	-.00004	.13489	-.00112	.00586	-.00146	.00187	-.00081	

LTV44-559(CA26) 747/1 ATY 02 S1 (CARRIER DATA)

(SFE060) (24 MAR 76)

REFERENCE DATA

SREF = 5500.0000 SQ.FT. XMRP = 1339.9000 IN. XC
 LREF = 327.7800 IN. YMRP = .0000 IN. YC
 BREF = 2348.0400 IN. ZMRP = 190.7500 IN. ZC
 SCALE = .0125

PARAMETRIC DATA

ALPHAC = 2.000 BETAC = .000
 STAB = 5.000 ELEVON = 5.000
 BDFLAP = .000 DX = 10.000
 DZ = 15.000 IORB = 6.000
 BETAO = .000 RUDDER = .000

RUN NO. 1048/ 0 RN/L = .00 GRADIENT INTERVAL = -5.00/ 5.00

MACH	DY	CPCC	CPS81	CPS82	CPS83	Q(PSF)	ALF IAC	BETAC	ALPHAO	BETAO	INCID
.608	-9.420	-.01900	-.02900	-.01700	.10300	598.45000	2.68000	.00000	8.55000	.01000	5.95000
.608	-8.850	-.01800	-.02700	-.01400	.10400	598.85000	2.68000	.00000	8.54000	.04000	5.95000
.606	-8.280	-.02000	-.02900	-.01700	.10100	595.59000	2.68000	.00000	8.54000	.01000	5.95000
.607	-7.710	-.01800	-.03300	-.01600	.10200	596.41000	2.68000	-.01000	8.55000	.04000	5.95000
.606	-7.140	-.01900	-.03000	-.01700	.10200	594.37000	2.68000	.00000	8.53000	.01000	5.94000
.607	-6.560	-.01900	-.03100	-.01600	.10100	595.67000	2.68000	.00000	8.53000	.01000	5.94000
.605	-5.990	-.01900	-.03200	-.02000	.10100	590.98000	2.68000	-.01000	8.55000	.03000	5.96000
.606	-5.420	-.01600	-.02900	-.01800	.10500	592.75000	2.68000	-.01000	8.57000	.04000	5.98000
.608	-4.850	-.01300	-.02900	-.01500	.10800	598.12000	2.68000	-.01000	8.56000	.03000	5.97000
.608	-4.280	-.01200	-.02800	-.01400	.10900	597.37000	2.67000	-.01000	8.57000	.01000	5.98000
.607	-3.710	-.01400	-.03000	-.01600	.10600	596.89000	2.67000	-.01000	8.56000	.04000	5.97000
.606	-3.140	-.01600	-.02900	-.01900	.10400	593.70000	2.68000	.00000	8.58000	.03000	5.98000
.608	-2.570	-.01600	-.02900	-.01500	.10200	596.96000	2.68000	.00000	8.54000	.00000	5.94000
.607	-1.990	-.01300	-.02800	-.01400	.10800	596.35000	2.67000	.00000	8.56000	.01000	5.97000
.607	-1.410	-.02000	-.03000	-.01600	.10200	595.53000	2.68000	.00000	8.52000	.00000	5.92000
.606	-.850	-.01300	-.02700	-.01600	.10700	592.96000	2.68000	.00000	8.57000	.04000	5.97000
.606	-.270	-.01400	-.03000	-.01700	.10600	593.57000	2.68000	.00000	8.57000	.04000	5.98000
.608	.280	-.01700	-.03200	-.01600	.10100	596.16000	2.67000	.01000	8.55000	.00000	5.96000
.607	.850	-.02000	-.03000	-.01400	.10100	594.25000	2.68000	.01000	8.54000	.00000	5.94000
.607	1.420	-.01400	-.02800	-.01300	.10700	594.12000	2.68000	.01000	8.58000	.06000	5.98000
.605	1.990	-.01500	-.02700	-.01500	.10600	591.40000	2.68000	.01000	8.56000	.03000	5.97000
.606	2.570	-.01500	-.02900	-.01600	.10600	592.56000	2.68000	.02000	8.57000	.06000	5.98000
.608	3.140	-.01800	-.02900	-.01400	.10200	597.65000	2.68000	.02000	8.54000	.02000	5.95000
.607	3.710	-.01400	-.02900	-.01600	.10700	595.75000	2.67000	.02000	8.58000	.03000	5.99000
.605	4.280	-.01800	-.03000	-.01900	.10400	591.87000	2.68000	.02000	8.57000	.00000	5.97000
.606	4.850	-.02000	-.03100	-.01500	.10500	594.38000	2.68000	.02000	8.57000	.00000	5.98000
.605	5.420	-.02100	-.03200	-.01900	.10000	591.12000	2.68000	.02000	8.56000	.00000	5.96000
.607	5.990	-.01600	-.03100	-.01300	.10400	595.68000	2.68000	.02000	8.55000	.01000	5.96000
.607	6.560	-.01800	-.02900	-.01400	.10200	595.75000	2.68000	.02000	8.54000	.00000	5.94000
.607	7.140	-.01600	-.03000	-.01400	.10500	594.79000	2.68000	.02000	8.56000	.00000	5.96000
.608	7.710	-.01700	-.03000	-.01400	.10400	596.42000	2.68000	.02000	8.54000	.01000	5.95000
.605	8.280	-.02000	-.02900	-.01900	.10200	592.68000	2.68000	.02000	8.56000	.00000	5.96000
.607	8.850	-.01400	-.02300	-.01200	.10500	596.22000	2.68000	.02000	8.54000	.00000	5.95000
.606	9.420	-.01900	-.03000	-.01500	.10300	594.11000	2.68000	.02000	8.52000	.00000	5.93000
.607	10.000	-.01800	-.02900	-.01400	.10100	595.61000	2.68000	.02000	8.58000	.00000	5.98000
GRADIENT		-.00042	-.00008	-.00003	-.00020	-.34792	.00038	.00345	.00081	-.00014	.00090

DATE 29 MAR 76

CA-26 FORCE SOURCE DATA TABULATION

PAGE 917

LTV44-559(CA26) 747/I ATY 02 S1 (CARRIER DATA)

(SFE061) (24 MAR 76)

REFERENCE DATA

SREF = 5500.0000 SQ.FT. XMRP = 1339.9000 IN. XC
 LREF = 327.7800 IN. YMRP = .0000 IN. YC
 BREF = 2348.6400 IN. ZMRP = 190.7500 IN. ZC
 SCALE = .0125

PARAMETRIC DATA

ALPHAC = 2.000 BETAC = .000
 STAB = 5.000 ELEVON = 5.000
 BDFLAP = .000 DX = 10.000
 DZ = 50.000 IORB = 6.000
 BETAO = .000 RUDDER = .000

RUN NO. 2048/ 0 RN/L = .00 GRADIENT INTERVAL = -5.00/ 5.00

MACH	DY	CPCC	CPSB1	CPSB2	CPSB3	Q(PSF)	ALPHAC	BETAC	ALPHA0	BETA0	INCID
.607	-10.000	-.01700	-.02800	-.01700	.09900	594.27000	2.67000	.01000	8.31000	.01000	5.94000
.607	-9.420	-.01600	-.02900	-.01500	.10100	593.58000	2.67000	.01000	8.32000	.01000	5.95000
.605	-8.850	-.02000	-.02900	-.01500	.09700	590.93000	2.67000	.00000	8.32000	.02000	5.95000
.607	-8.280	-.01300	-.02800	-.01200	.10200	593.45000	2.68000	.01000	8.32000	.03000	5.95000
.606	-7.700	-.01400	-.02800	-.01200	.10000	593.78000	2.68000	.00000	8.35000	.04000	5.97000
.605	-7.140	-.02000	-.02900	-.01600	.09700	590.64000	2.68000	.00000	8.34000	.04000	5.96000
.607	-6.560	-.01400	-.02900	-.01400	.10100	594.59000	2.68000	.00000	8.32000	.00000	5.94000
.606	-5.990	-.01600	-.02800	-.01400	.09800	594.24000	2.67000	.00000	8.34000	.01000	5.97000
.605	-5.420	-.01800	-.03100	-.01600	.09800	591.52000	2.68000	.00000	8.34000	.02000	5.96000
.607	-4.850	-.01700	-.02700	-.01300	.09800	596.01000	2.67000	.00000	8.34000	-.01000	5.97000
.604	-4.280	-.01900	-.03000	-.01600	.10000	589.34000	2.67000	.00000	8.35000	.03000	5.98000
.603	-3.710	-.02000	-.02800	-.01900	.09900	588.32000	2.67000	.00000	8.33000	-.02000	5.96000
.605	-3.130	-.01900	-.02800	-.01600	.09800	591.80000	2.67000	.00000	8.33000	-.02000	5.96000
.607	-2.560	-.01000	-.02100	-.01000	.10700	594.81000	2.67000	.00000	8.32000	-.04000	5.94000
.606	-2.000	-.01300	-.02700	-.01400	.10100	593.44000	2.67000	.00000	8.35000	-.02000	5.97000
.608	-1.430	-.01400	-.02600	-.01300	.10100	596.42000	2.67000	.00000	8.33000	-.04000	5.96000
.607	-.850	-.01500	-.02900	-.01400	.09700	595.53000	2.67000	.00000	8.35000	-.02000	5.98000
.605	-.280	-.01800	-.02600	-.01600	.10000	591.51000	2.67000	.00000	8.35000	-.03000	5.97000
.608	.270	-.01300	-.02800	-.01100	.10100	598.04000	2.67000	.00000	8.35000	-.02000	5.97000
.607	.840	-.01500	-.02800	-.01100	.10000	595.73000	2.67000	.00000	8.32000	-.01000	5.95000
.606	1.410	-.01700	-.02600	-.01500	.10200	593.83000	2.67000	.00000	8.36000	-.03000	5.99000
.608	1.990	-.01200	-.02600	-.01200	.10300	596.83000	2.67000	.00000	8.33000	-.04000	5.95000
.605	2.560	-.01800	-.02700	-.01500	.09900	591.59000	2.67000	.00000	8.31000	-.02000	5.94000
.607	3.130	-.01700	-.02900	-.01400	.09900	594.12000	2.68000	.00000	8.31000	-.03000	5.93000
.606	3.700	-.01700	-.02600	-.01700	.10000	593.51000	2.67000	.00000	8.34000	-.02000	5.97000
.607	4.270	-.01500	-.02300	-.01300	.10300	594.33000	2.67000	.00000	8.34000	-.02000	5.97000
.607	4.850	-.01800	-.02400	-.01400	.10100	593.52000	2.67000	.00000	8.33000	-.05000	5.96000
.607	5.410	-.01500	-.02500	-.01500	.10200	594.13000	2.67000	.00000	8.34000	-.06000	5.97000
.607	5.980	-.01700	-.02800	-.01400	.09700	593.72000	2.68000	.00000	8.34000	-.05000	5.96000
.607	6.560	-.01700	-.02400	-.01600	.10100	593.52000	2.67000	.00000	8.33000	-.04000	5.96000
.608	7.130	-.01400	-.02700	-.01300	.09900	596.58000	2.68000	.00000	8.35000	-.05000	5.97000
.605	7.700	-.01900	-.02700	-.01800	.09700	590.93000	2.67000	-.01000	8.32000	-.06000	5.95000
.607	8.270	-.01600	-.02400	-.01600	.10000	593.66000	2.67000	.00000	8.35000	-.06000	5.97000
.606	8.840	-.01800	-.02900	-.01500	.09500	593.11000	2.67000	.00000	8.33000	-.07000	5.96000
.607	9.420	-.01700	-.02800	-.01300	.09500	594.47000	2.67000	-.01000	8.36000	-.04000	5.99000
GRADIENT		.00005	.00023	.00009	.00014	.20680	.00020	.00000	-.00105	-.00256	-.00109

LTV44-559(CA26) 747/1 ATY 02 S1 (CARRIER DATA)

(SFE062) (24 MAR 76)

REFERENCE DATA

SREF = 5500.0000 SQ.FT. XMRP = 1339.9000 IN. XC
 LREF = 327.7800 IN. YMRP = .0000 IN. YC
 BREF = 2348.0400 IN. ZMRP = 190.7500 IN. ZC
 SCALE = .0125

PARAMETRIC DATA

ALPHAC = 2.000 BETAC = .000
 STAB = 5.000 ELEVON = 5.000
 BOFLAP = .000 DY = .000
 DZ = .000 IORB = 6.000
 BETAO = .000 RUDDER = .000

		RUN NO. 49/ 0		RN/L = .00		GRADIENT INTERVAL = -5.00/ 5.00					
MACH	DX	CPCC	CPSB1	CPSB2	CPSB3	Q(PSF)	ALPHAC	BETAC	ALPHAO	BETAO	INCID
.608	-.010	-.01200	-.02500	-.01800	.11100	601.36000	2.69000	.01000	8.63000	.07000	5.94000
.609	.550	-.01400	-.02700	-.02200	.10600	603.20000	2.69000	.01000	8.62000	.03000	5.93000
.608	1.130	-.01400	-.02800	-.02100	.10700	601.84000	2.69000	.01000	8.63000	.05000	5.95000
.611	1.700	-.00900	-.02300	-.01700	.10800	606.93000	2.69000	.02000	8.63000	.03000	5.94000
.609	2.270	-.01400	-.02800	-.02200	.10500	603.07000	2.69000	.01000	8.62000	.02000	5.93000
.609	2.850	-.01300	-.02800	-.02200	.10500	602.06000	2.69000	.02000	8.63000	.02000	5.94000
.608	3.420	-.01500	-.03000	-.02300	.10400	600.50000	2.69000	.01000	8.66000	.05000	5.97000
.610	3.990	-.01200	-.02600	-.02000	.10600	603.36000	2.69000	.01000	8.63000	.04000	5.94000
.609	4.570	-.01600	-.03000	-.02300	.10400	601.19000	2.69000	.01000	8.66000	.04000	5.96000
.609	5.140	-.01600	-.02700	-.02300	.10600	600.44000	2.70000	.01000	8.64000	.03000	5.94000
.608	5.710	-.01600	-.02900	-.02200	.10600	598.67000	2.70000	.01000	8.64000	.02000	5.94000
.608	6.280	-.01100	-.02500	-.01900	.10700	599.56000	2.70000	.01000	8.65000	.04000	5.96000
.610	6.860	-.01200	-.02600	-.02000	.10400	603.83000	2.70000	.02000	8.65000	.05000	5.95000
.611	7.430	-.01600	-.03000	-.02200	.10400	604.51000	2.71000	.02000	8.66000	.01000	5.95000
.610	8.000	-.01400	-.02700	-.02100	.10500	604.37000	2.70000	.02000	8.65000	.02000	5.95000
.609	8.580	-.01300	-.02700	-.02000	.10500	602.13000	2.71000	.01000	8.67000	.07000	5.97000
.607	9.150	-.01900	-.03100	-.02200	.10400	598.80000	2.71000	.02000	8.64000	.07000	5.93000
.607	9.700	-.01800	-.03100	-.02500	.10200	599.27000	2.71000	.01000	8.65000	.05000	5.95000
.608	10.270	-.01300	-.02700	-.02100	.10500	600.23000	2.71000	.02000	8.65000	.00000	5.95000
.610	10.840	-.01700	-.03200	-.02400	.10400	604.10000	2.71000	.02000	8.66000	.03000	5.96000
.608	11.410	-.01400	-.02800	-.02100	.10500	600.43000	2.71000	.02000	8.64000	.01000	5.94000
.609	11.990	-.01700	-.03100	-.02500	.10200	601.32000	2.71000	.02000	8.67000	.06000	5.96000
.608	12.560	-.01600	-.02900	-.02300	.10200	598.96000	2.72000	.02000	8.66000	.05000	5.95000
.609	13.130	-.02100	-.03400	-.02600	.10000	601.73000	2.71000	.02000	8.67000	.03000	5.96000
.607	13.710	-.02300	-.03600	-.02500	.09500	597.51000	2.71000	.02000	8.67000	.05000	5.96000
.608	14.280	-.01600	-.03000	-.02400	.10100	599.49000	2.71000	.02000	8.67000	.04000	5.97000
.608	14.850	-.02500	-.03900	-.03200	.09500	600.09000	2.71000	.02000	8.65000	.02000	5.94000
.609	15.420	-.02000	-.03300	-.02500	.10000	601.45000	2.71000	.02000	8.68000	.05000	5.97000
.608	16.000	-.01800	-.03100	-.02200	.10100	600.91000	2.71000	.02000	8.68000	.04000	5.97000
.608	16.560	-.02000	-.03400	-.02400	.09800	600.22000	2.72000	.02000	8.67000	.04000	5.95000
.610	17.140	-.01900	-.03300	-.02400	.09900	604.22000	2.72000	.02000	8.67000	.06000	5.96000
.608	17.720	-.01900	-.03300	-.02300	.09800	601.57000	2.72000	.02000	8.67000	.03000	5.96000
.607	18.290	-.02200	-.03500	-.02600	.09500	599.67000	2.72000	.02000	8.65000	.02000	5.93000
.610	18.820	-.02100	-.03400	-.02400	.09500	604.83000	2.72000	.02000	8.66000	.00000	5.94000
.609	19.400	-.02000	-.03300	-.02300	.09600	602.73000	2.72000	.02000	8.65000	.00000	5.93000
.610	19.970	-.02000	-.03400	-.02400	.09400	603.81000	2.72000	.02000	8.65000	.01000	5.93000
GRADIENT		-.00047	-.00076	-.00067	-.00108	-.22708	.00000	.00000	.00612	-.00289	.00437

LTV44-559(CA26) 747/1 ATY 02 S1 (CARRIER DATA)

(SFE063) (24 MAR 76)

REFERENCE DATA

SREF = 5500.0000 SQ.FT. XMRP = 1339.9000 IN. XC
 LREF = 327.7800 IN. YMRP = .0000 IN. YC
 BREF = 2348.0400 IN. ZMRP = 190.7500 IN. ZC
 SCALE = .0125

PARAMETRIC DATA

ALPHAC = 2.000 BETAC = .000
 STAB = 5.000 ELEVON = 5.000
 BOFLAP = .000 DY = .000
 DZ = 15.000 IORB = 6.000
 BETAO = .000 RUDDER = .000

RUN NO. 1049/ 0 RN/L = .00 GRADIENT INTERVAL = -5.00/ 5.00

MACH	DX	CPCC	CPSB1	CPSB2	CPSB3	Q(PSF)	ALPHAC	BETAC	ALPHAO	BETAO	INCLD
.609	.570	-.01500	-.02800	-.02200	.10200	601.38000	2.67000	.01000	8.55000	.04000	5.96000
.606	1.140	-.01300	-.02300	-.01600	.10600	595.01000	2.67000	.01000	8.55000	.00000	5.96000
.608	1.710	-.01400	-.02700	-.01700	.10700	598.34000	2.67000	.01000	8.55000	.02000	5.96000
.609	2.290	-.01300	-.02400	-.01600	.10500	600.10000	2.67000	.01000	8.55000	.00000	5.96000
.611	2.860	-.01000	-.02000	-.01600	.10600	604.92000	2.67000	.01000	8.52000	.02000	5.94000
.610	3.430	-.01100	-.02000	-.01500	.10800	604.77000	2.68000	.01000	8.53000	.00000	5.94000
.611	4.010	-.01200	-.02300	-.01900	.10400	607.00000	2.67000	.01000	8.53000	.00000	5.93000
.608	4.580	-.01500	-.02600	-.02100	.10200	601.01000	2.67000	.01000	8.56000	.05000	5.97000
.610	5.150	-.00900	-.02000	-.01100	.11100	603.95000	2.67000	.01000	8.56000	.03000	5.97000
.608	5.720	-.01400	-.02800	-.02100	.10000	602.18000	2.67000	.01000	8.51000	.06000	5.92000
.609	6.300	-.01300	-.02500	-.02000	.09900	602.26000	2.68000	.01000	8.52000	.02000	5.93000
.609	6.870	-.01500	-.02500	-.01700	.10100	600.64000	2.68000	.01000	8.53000	.00000	5.94000
.608	7.420	-.01600	-.02800	-.02000	.10200	599.90000	2.68000	.01000	8.58000	.03000	5.99000
.610	7.990	-.01500	-.02800	-.02300	.09900	602.61000	2.67000	.01000	8.53000	.05000	5.93000
.609	8.560	-.01600	-.03000	-.02500	.09700	601.18000	2.67000	.01000	8.54000	.05000	5.95000
.608	9.140	-.01700	-.03100	-.02200	.10200	598.81000	2.68000	.01000	8.55000	.06000	5.96000
.610	9.710	-.01500	-.02500	-.01900	.10200	601.94000	2.68000	.01000	8.52000	.00000	5.93000
.609	10.280	-.01700	-.03200	-.02500	.09900	601.45000	2.67000	.01000	8.55000	.04000	5.96000
.608	10.850	-.01800	-.03300	-.02600	.10000	600.83000	2.67000	.01000	8.55000	.05000	5.96000
.610	11.430	-.01500	-.02700	-.02300	.09800	604.37000	2.68000	.01000	8.53000	.04000	5.96000
.612	12.000	-.01600	-.02500	-.02000	.09900	606.74000	2.67000	.01000	8.55000	.03000	5.95000
.609	12.570	-.01800	-.03300	-.02600	.09600	602.53000	2.68000	.01000	8.54000	.05000	5.95000
.608	13.150	-.01800	-.03000	-.02100	.09900	600.03000	2.68000	.01000	8.57000	.00000	5.97000
.610	13.720	-.01700	-.02900	-.02300	.09400	603.76000	2.68000	.01000	8.52000	.03000	5.92000
.611	14.290	-.01700	-.03000	-.02400	.09500	603.29000	2.68000	.01000	8.54000	.05000	5.94000
.610	14.860	-.01600	-.02800	-.02300	.09700	604.03000	2.68000	.01000	8.53000	.07000	5.93000
.610	15.440	-.01700	-.02700	-.02200	.09500	603.97000	2.68000	.01000	8.55000	.04000	5.96000
.609	16.010	-.01700	-.02800	-.02300	.09700	602.13000	2.68000	.01000	8.52000	.08000	5.93000
.609	16.580	-.01900	-.03100	-.02300	.09700	600.78000	2.68000	.01000	8.56000	.07000	5.97000
.608	17.130	-.02000	-.03200	-.02300	.09700	599.15000	2.68000	.01000	8.55000	.02000	5.96000
.610	17.700	-.01800	-.02900	-.02400	.09400	602.95000	2.68000	.01000	8.53000	.04000	5.94000
.610	18.280	-.01500	-.02600	-.01600	.10300	601.40000	2.68000	.01000	8.56000	.00000	5.97000
.609	18.850	-.01800	-.02900	-.01900	.09900	600.65000	2.68000	.01000	8.55000	.03000	5.97000
.609	19.420	-.01800	-.02800	-.01900	.10000	601.59000	2.68000	.01000	8.57000	.05000	5.98000
.610	20.000	-.01800	-.02700	-.02000	.09700	603.90000	2.68000	.01000	8.54000	.06000	5.94000
	GRADIENT	.00035	.00081	-.00004	-.00013	1.69330	.00062	.00000	-.00249	.00062	-.00332

LTV44-559(CA26) 747/1 ATY 02 51 (CARRIER DATA)

(SFE064) (24 MAR 76)

REFERENCE DATA

SREF = 5500.0000 SQ.FT. XMRP = 1339.9000 IN. XC
 LREF = 327.7800 IN. YMRP = .0000 IN. YC
 BREF = 2348.0400 IN. ZMRP = 190.7500 IN. ZC
 SCALE = .0125

PARAMETRIC DATA

ALPHAC = 2.000 BETAC = .000
 STAB = 5.000 ELEVON = 5.000
 BDFLAP = .000 DY = .000
 DZ = 60.000 IORB = 6.000
 BETAO = .000 RUDDER = .000

RUN NO. 2049/ 0 RN/L = .00 GRADIENT INTERVAL = -5.00/ 5.00

MACH	DX	CPCC	CPSB1	CPSB2	CPSB3	Q(PSF)	ALPHAC	BETAC	ALPHAO	BETAO	INCID
.611	.590	-.01600	-.02400	-.01600	.09600	604.79000	2.67000	.00000	8.31000	.09000	5.94000
.609	1.170	-.01800	-.02400	-.02100	.09400	601.46000	2.67000	.00000	8.34000	.02000	5.96000
.611	1.740	-.01300	-.02500	-.01600	.09800	603.84000	2.68000	.00000	8.30000	.08000	5.93000
.610	2.310	-.01400	-.02400	-.01600	.09600	603.30000	2.67000	.00000	8.32000	.05000	5.95000
.608	2.870	-.01800	-.02500	-.02300	.09200	599.49000	2.67000	.00000	8.32000	.01000	5.95000
.610	3.450	-.01800	-.02600	-.02300	.09400	601.40000	2.67000	.00000	8.31000	.00000	5.94000
.609	4.020	-.02000	-.02700	-.02200	.09300	600.11000	2.67000	.00000	8.31000	.00000	5.94000
.611	4.590	-.01600	-.02700	-.01800	.09500	603.84000	2.67000	.00000	8.32000	.00000	5.95000
.611	5.180	-.01400	-.02600	-.01700	.09400	604.59000	2.68000	.00000	8.32000	.00000	5.95000
.610	5.720	-.01200	-.02000	-.01600	.10100	601.88000	2.67000	.00000	8.33000	.06000	5.95000
.610	6.280	-.01900	-.02800	-.02100	.09200	602.27000	2.67000	.00000	8.31000	.00000	5.94000
.609	6.860	-.02000	-.02800	-.02200	.09200	601.32000	2.67000	.00000	8.30000	.02000	5.92000
.611	7.430	-.01300	-.02600	-.01800	.09600	605.33000	2.67000	.00000	8.30000	.01000	5.93000
.608	8.000	-.01800	-.02600	-.02200	.09400	600.03000	2.67000	.00000	8.33000	.06000	5.97000
.609	8.580	-.01800	-.02700	-.02200	.09200	600.77000	2.67000	.00000	8.32000	.09000	5.95000
.608	9.150	-.01900	-.02700	-.02200	.09300	599.28000	2.67000	.00000	8.32000	.06000	5.96000
.610	9.720	-.01600	-.02500	-.02100	.09800	602.75000	2.67000	.00000	8.29000	.03000	5.92000
.611	10.290	-.01500	-.02200	-.02100	.09800	603.77000	2.67000	.00000	8.28000	.08000	5.91000
.610	10.870	-.01600	-.02400	-.02000	.09900	603.16000	2.67000	.00000	8.28000	.06000	5.92000
.610	11.440	-.01800	-.02500	-.02100	.09700	601.94000	2.67000	.00000	8.29000	.06000	5.92000
.607	12.010	-.01800	-.03000	-.02300	.09200	596.37000	2.66000	.00000	8.30000	.02000	5.93000
.610	12.590	-.01400	-.02300	-.02000	.09600	603.10000	2.67000	.00000	8.32000	.05000	5.95000
.610	13.160	-.01600	-.02900	-.02100	.09300	601.54000	2.67000	.00000	8.31000	.08000	5.94000
.610	13.730	-.01500	-.02300	-.02000	.09700	602.69000	2.67000	.00000	8.33000	.05000	5.96000
.610	14.300	-.01400	-.02800	-.01900	.09700	601.67000	2.67000	.00000	8.32000	.03000	5.95000
.608	14.860	-.01700	-.02900	-.02000	.09400	598.61000	2.67000	.00000	8.30000	.05000	5.93000
.611	15.420	-.01400	-.02600	-.02100	.09600	603.98000	2.67000	.00000	8.29000	.01000	5.92000
.608	16.000	-.01600	-.02800	-.02200	.09600	598.82000	2.67000	.00000	8.29000	.06000	5.92000
.610	16.570	-.01500	-.02800	-.02100	.09500	601.81000	2.67000	.00000	8.32000	.09000	5.95000
.611	17.140	-.01800	-.02800	-.01900	.09300	603.58000	2.66000	.00000	8.30000	.04000	5.94000
.610	17.720	-.01700	-.02800	-.02300	.09500	600.66000	2.67000	.00000	8.33000	.06000	5.96000
.611	18.290	-.01800	-.02600	-.02000	.09300	604.05000	2.67000	.00000	8.31000	.06000	5.93000
.609	18.880	-.02000	-.02600	-.02300	.09100	600.66000	2.67000	.00000	8.28000	.04000	5.90000
.609	19.440	-.01900	-.02800	-.02500	.09200	600.10000	2.67000	.00000	8.31000	.04000	5.94000
.608	20.010	-.01800	-.02900	-.02400	.09600	599.90000	2.67000	.00000	8.29000	.04000	5.92000
GRADIENT		-.00060	-.00083	-.00098	-.00058	-.51082	-.00062	.00000	-.00104	-.02107	.00000

LTV44-559(CA26) 747/1 ATY 02 S1 (CARRIER DATA)

(SFE065) (24 MAR 76)

REFERENCE DATA

SREF = 5500.0000 SQ.FT. XMRP = 1339.9000 IN. XC
 LREF = 327.7800 IN. YMRP = .0000 IN. YC
 BREF = 2348.0400 IN. ZMRP = 190.7500 IN. ZC
 SCALE = .0125

PARAMETRIC DATA

ALPHAC = 2.000 BETAC = .000
 STAB = 5.000 ELEVON = 5.000
 BDFLAP = .000 DY = .000
 DZ = .000 IORB = 6.000
 BETAO = 5.000 RUDDER = .000

RUN NO. 50/ 0 RN/L = .00 GRADIENT INTERVAL = -5.00/ 5.00

MACH	DX	CPCC	CPSB1	CPSB2	CPSB3	Q(PSF)	ALPHAC	BETAC	ALPHAO	BETAO	INCIO
.609	.010	-.01500	-.02700	-.01600	.11200	601.12000	2.69000	.03000	8.66000	4.88000	5.97000
.608	.550	-.01200	-.02200	-.01300	.11500	599.43000	2.69000	.03000	8.65000	4.90000	5.96000
.609	1.130	-.01500	-.02600	-.01500	.11300	601.60000	2.69000	.02000	8.65000	4.92000	5.96000
.610	1.700	-.01000	-.02300	-.01400	.11400	601.94000	2.69000	.03000	8.66000	4.91000	5.98000
.608	2.270	-.01500	-.02600	-.01700	.11500	599.50000	2.69000	.03000	8.63000	4.91000	5.94000
.610	2.850	-.01400	-.02600	-.01700	.11200	602.14000	2.69000	.03000	8.66000	4.91000	5.97000
.610	3.420	-.01300	-.02500	-.01700	.11200	601.74000	2.69000	.03000	8.68000	4.92000	6.00000
.610	3.990	-.01600	-.02900	-.02000	.11100	602.27000	2.70000	.03000	8.63000	4.86000	5.94000
.609	4.570	-.01600	-.02800	-.01800	.11200	601.66000	2.70000	.03000	8.63000	4.88000	5.94000
.610	5.140	-.01400	-.02800	-.01400	.11000	603.08000	2.70000	.03000	8.66000	4.88000	5.96000
.610	5.710	-.01700	-.02900	-.01900	.11000	602.74000	2.70000	.03000	8.64000	4.91000	5.95000
.608	6.280	-.01600	-.02900	-.01600	.11400	599.96000	2.70000	.03000	8.64000	4.94000	5.94000
.608	6.860	-.01700	-.02800	-.01800	.11300	599.42000	2.70000	.03000	8.65000	4.90000	5.95000
.609	7.430	-.01900	-.03300	-.02100	.10900	601.18000	2.71000	.03000	8.66000	4.91000	5.95000
.608	8.000	-.02000	-.03100	-.01900	.10900	600.16000	2.71000	.03000	8.67000	4.92000	5.97000
.611	8.580	-.01900	-.03200	-.02000	.10500	604.51000	2.71000	.03000	8.66000	4.87000	5.96000
.609	9.150	-.01600	-.02700	-.01600	.11000	600.37000	2.71000	.03000	8.65000	4.88000	5.94000
.610	9.700	-.01500	-.02700	-.01800	.10800	602.54000	2.71000	.03000	8.67000	4.92000	5.97000
.609	10.270	-.01500	-.02800	-.01900	.10900	602.13000	2.71000	.03000	8.68000	4.91000	5.97000
.608	10.840	-.01800	-.02900	-.01900	.11100	599.69000	2.71000	.03000	8.65000	4.90000	5.94000
.608	11.410	-.02000	-.03400	-.02200	.10900	600.09000	2.71000	.03000	8.65000	4.91000	5.94000
.610	11.990	-.02000	-.03300	-.02700	.10600	604.57000	2.71000	.03000	8.68000	4.91000	5.97000
.610	12.560	-.02000	-.03000	-.01900	.11100	603.28000	2.72000	.03000	8.66000	4.89000	5.95000
.608	13.130	-.02100	-.03400	-.02300	.10700	600.62000	2.72000	.03000	8.65000	4.88000	5.94000
.608	13.690	-.01600	-.02900	-.01500	.10900	600.96000	2.72000	.03000	8.65000	4.88000	5.93000
.608	14.270	-.01900	-.03100	-.01900	.10700	599.74000	2.72000	.03000	8.65000	4.88000	5.93000
.608	14.840	-.02300	-.03400	-.02100	.10600	600.22000	2.72000	.03000	8.66000	4.87000	5.94000
.610	15.410	-.01700	-.03000	-.01900	.10400	603.15000	2.72000	.03000	8.67000	4.91000	5.95000
.610	15.980	-.01900	-.03100	-.02000	.10300	604.03000	2.72000	.03000	8.66000	4.90000	5.94000
.609	16.560	-.02000	-.03100	-.01800	.10400	601.60000	2.72000	.03000	8.68000	4.91000	5.96000
.609	17.130	-.02300	-.03600	-.02100	.10400	598.41000	2.72000	.03000	8.66000	4.92000	5.94000
.610	17.700	-.01900	-.03200	-.02100	.10000	601.40000	2.72000	.03000	8.67000	4.93000	5.95000
.609	18.280	-.02100	-.03400	-.02300	.09900	600.31000	2.72000	.03000	8.67000	4.91000	5.95000
.608	18.820	-.02100	-.03300	-.02100	.09900	599.03000	2.72000	.03000	8.68000	4.94000	5.96000
.607	19.400	-.02300	-.03700	-.02400	.09900	596.38000	2.72000	.03000	8.69000	4.87000	5.97000
.608	19.980	-.02200	-.03500	-.02300	.09900	597.60000	2.72000	.03000	8.70000	4.88000	5.98000
GRADIENT		-.00047	-.00076	-.00105	-.00047	.32562	.00204	.00058	-.00348	-.00350	-.00319

ORIGINAL PAGE IS
 OF POOR QUALITY

LTV44-559(CA26) 747/1 ATY 02 S1 (CARRIER DATA)

(SFE065) (24 MAR 76)

REFERENCE DATA

SREF = 5500.0000 SQ.FT. XMRP = 1339.9000 IN. XC
 LREF = 327.7800 IN. YMRP = .0000 IN. YC
 BREF = 2348.0400 IN. ZMRP = 190.7500 IN. ZC
 SCALE = .0125

PARAMETRIC DATA

ALPHAC = 2.000 BETAC = .000
 STAB = 5.000 ELEVON = 5.000
 BDFLAP = .000 DY = .000
 DZ = 15.000 TORB = 6.000
 BETAO = 5.000 RUDDER = .000

RUN NO. 1050/ 0 RN/L = .00 GRADIENT INTERVAL = -5.00/ 5.00

MACH	DX	CPC	CPSB1	CPSB2	CPSB3	Q(PSF)	ALPHAC	BETAC	ALPHAO	BETAO	INCID
.610	.570	-.01400	-.02600	-.01600	.10700	602.14000	2.67000	.02000	8.57000	4.90000	5.98000
.610	1.140	-.01400	-.02600	-.01500	.10800	603.63000	2.67000	.02000	8.56000	4.88000	5.97000
.612	1.710	-.01400	-.02500	-.01200	.10900	605.40000	2.67000	.03000	8.56000	4.87000	5.97000
.609	2.290	-.01900	-.02700	-.01700	.10400	600.58000	2.67000	.03000	8.54000	4.86000	5.95000
.610	2.860	-.01100	-.02600	-.01500	.11000	602.02000	2.67000	.02000	8.54000	4.90000	5.96000
.609	3.430	-.01600	-.02500	-.01700	.10900	599.30000	2.67000	.02000	8.55000	4.88000	5.96000
.609	4.010	-.01500	-.02300	-.01400	.11100	600.39000	2.67000	.03000	8.56000	4.90000	5.97000
.610	4.580	-.01800	-.02600	-.01700	.10400	601.81000	2.68000	.03000	8.58000	4.86000	5.99000
.609	5.150	-.01500	-.02600	-.01700	.11000	600.12000	2.67000	.02000	8.53000	4.88000	5.95000
.610	5.720	-.01300	-.02600	-.01500	.10300	602.29000	2.67000	.03000	8.53000	4.88000	5.94000
.609	6.300	-.01600	-.03000	-.01700	.10500	600.79000	2.67000	.02000	8.53000	4.83000	5.94000
.610	6.870	-.01600	-.02800	-.01600	.10800	601.68000	2.67000	.02000	8.52000	4.89000	5.93000
.609	7.420	-.01700	-.02900	-.02100	.10900	597.87000	2.67000	.03000	8.56000	4.85000	5.97000
.610	7.990	-.02000	-.02900	-.02000	.10500	602.35000	2.67000	.03000	8.53000	4.85000	5.95000
.610	8.560	-.01900	-.02600	-.01800	.10700	604.10000	2.67000	.03000	8.54000	4.86000	5.95000
.610	9.140	-.01800	-.02700	-.01800	.10700	604.84000	2.67000	.02000	8.52000	4.88000	5.93000
.609	9.710	-.01500	-.02600	-.01700	.10800	602.80000	2.68000	.03000	8.55000	4.87000	5.96000
.608	10.280	-.01900	-.02800	-.01900	.10300	600.77000	2.67000	.02000	8.52000	4.86000	5.93000
.608	10.850	-.01600	-.02800	-.02100	.10500	599.21000	2.67000	.02000	8.56000	4.88000	5.97000
.608	11.430	-.01600	-.02800	-.02000	.10600	599.29000	2.68000	.02000	8.55000	4.84000	5.96000
.609	12.000	-.01700	-.02800	-.01800	.10600	600.24000	2.68000	.03000	8.56000	4.86000	5.97000
.608	12.570	-.01800	-.02800	-.02000	.10500	598.61000	2.67000	.03000	8.56000	4.87000	5.97000
.610	13.150	-.01500	-.02800	-.01600	.10700	602.35000	2.67000	.03000	8.55000	4.87000	5.96000
.610	13.720	-.01700	-.02900	-.01600	.10500	602.69000	2.67000	.03000	8.55000	4.87000	5.96000
.609	14.290	-.01600	-.02900	-.01800	.10600	600.79000	2.67000	.02000	8.53000	4.89000	5.94000
.610	14.860	-.01600	-.02900	-.01300	.10500	602.62000	2.67000	.03000	8.56000	4.87000	5.97000
.607	15.440	-.02100	-.02900	-.02100	.10200	596.44000	2.67000	.03000	8.55000	4.87000	5.96000
.607	16.010	-.02300	-.03000	-.02100	.10100	596.71000	2.67000	.03000	8.53000	4.87000	5.94000
.607	16.580	-.02200	-.03100	-.01700	.10000	597.12000	2.67000	.03000	8.53000	4.85000	5.94000
.609	17.130	-.01500	-.02800	-.01600	.10400	600.45000	2.67000	.03000	8.54000	4.87000	5.95000
.610	17.700	-.01700	-.02700	-.01600	.10400	601.34000	2.67000	.03000	8.55000	4.94000	5.96000
.609	18.280	-.01700	-.02800	-.01800	.10400	600.25000	2.67000	.03000	8.52000	4.91000	5.93000
.607	18.850	-.02200	-.02800	-.02000	.10100	596.85000	2.67000	.03000	8.56000	4.88000	5.98000
.609	19.420	-.02100	-.03200	-.01800	.09800	599.50000	2.68000	.03000	8.55000	4.88000	5.96000
.611	20.000	-.01700	-.02600	-.01400	.10600	603.91000	2.68000	.03000	8.54000	4.92000	5.95000
	GRADIENT	-.00064	.00033	-.00031	-.00000	-.73556	.00145	.00166	.00083	-.00228	.00104

LTV44-559(CA26) 747/1 ATY 02 S1 (CARRIER DATA)

(SFE067) (24 MAR 76)

REFERENCE DATA

SREF = 5500.0000 SQ.FT. XMRP = 1339.9000 IN. XC
 LREF = 327.7800 IN. YMRP = .0000 IN. YC
 BREF = 2348.0400 IN. ZMRP = 190.7500 IN. ZC
 SCALE = .0125

PARAMETRIC DATA

ALPHAC = 2.000 BETAC = .000
 STAB = 5.000 ELEVON = 5.000
 BDFLAF = .000 DY = .000
 DZ = 60.000 IORB = 6.000
 BETAO = 5.000 RUDDER = .000

RUN NO. 2050/ 0 RN/L = .00 GRADIENT INTERVAL = -5.00/ 5.00

MACH	DX	CPCC	CPSB1	CPSB2	CPSB3	Q(PSF)	ALPHAC	BETAC	ALPHAO	BETAO	INCLD
.609	.580	-.01900	-.02500	-.01900	.09800	602.06000	2.67000	-.01000	8.34000	4.87000	5.97000
.607	1.150	-.02300	-.02800	-.01700	.09900	598.26000	2.67000	-.01000	8.32000	4.81000	5.96000
.607	1.730	-.02000	-.02800	-.01700	.09800	598.39000	2.67000	-.01000	8.34000	4.83000	5.97000
.608	2.300	-.01800	-.02900	-.01600	.09800	599.14000	2.67000	-.01000	8.35000	4.81000	5.98000
.609	2.870	-.01900	-.02500	-.01600	.10000	600.51000	2.67000	-.01000	8.35000	4.84000	5.98000
.609	3.450	-.01600	-.02300	-.01600	.10100	600.45000	2.67000	.00000	8.35000	4.85000	5.98000
.608	4.020	-.01900	-.02600	-.01300	.10000	599.23000	2.67000	.00000	8.34000	4.87000	5.97000
.607	4.590	-.01900	-.03000	-.01800	.09700	596.57000	2.67000	.00000	8.31000	4.87000	5.94000
.607	5.160	-.01800	-.03000	-.01700	.09900	596.44000	2.67000	.00000	8.34000	4.88000	5.97000
.608	5.710	-.01800	-.02700	-.01800	.10100	598.68000	2.66000	.00000	8.33000	4.86000	5.97000
.608	6.280	-.01900	-.02500	-.01700	.10200	599.63000	2.66000	.00000	8.35000	4.83000	5.98000
.610	6.860	-.01800	-.02500	-.02000	.10100	603.70000	2.67000	.00000	8.32000	4.86000	5.96000
.608	7.430	-.01900	-.02900	-.01800	.09700	598.94000	2.66000	.00000	8.35000	4.82000	5.98000
.610	8.000	-.01700	-.02500	-.01400	.10100	602.47000	2.67000	.00000	8.33000	4.86000	5.96000
.609	8.580	-.01800	-.02400	-.01400	.10200	600.44000	2.67000	.00000	8.31000	4.91000	5.94000
.607	9.150	-.02000	-.02700	-.01900	.09700	596.90000	2.67000	.00000	8.32000	4.85000	5.95000
.607	9.720	-.02000	-.02500	-.01900	.09900	597.24000	2.67000	.00000	8.32000	4.88000	5.94000
.607	10.290	-.02300	-.02800	-.01900	.09700	597.04000	2.67000	.00000	8.35000	4.88000	5.98000
.609	10.870	-.01700	-.02800	-.01500	.10200	600.38000	2.67000	-.01000	8.33000	4.86000	5.96000
.609	11.440	-.01800	-.02800	-.01600	.09700	601.67000	2.67000	-.01000	8.34000	4.84000	5.98000
.607	12.010	-.02100	-.02800	-.02100	.09700	596.03000	2.67000	.00000	8.35000	4.85000	5.98000
.609	12.590	-.01800	-.02800	-.01700	.10400	598.70000	2.67000	.00000	8.34000	4.84000	5.97000
.607	13.160	-.02300	-.02900	-.02000	.09500	596.32000	2.67000	.00000	8.32000	4.85000	5.95000
.609	13.730	-.01800	-.02800	-.01700	.09900	597.82000	2.66000	.00000	8.32000	4.88000	5.96000
.609	14.300	-.01700	-.02700	-.01400	.10000	599.52000	2.67000	.00000	8.34000	4.89000	5.97000
.609	14.850	-.01600	-.02800	-.01500	.10000	599.45000	2.67000	.00000	8.36000	4.90000	5.99000
.609	15.420	-.01600	-.02700	-.01700	.09900	599.11000	2.67000	.00000	8.32000	4.88000	5.95000
.610	16.000	-.02000	-.02600	-.01600	.09800	601.55000	2.67000	.00000	8.36000	4.87000	5.99000
.610	16.570	-.02100	-.02800	-.01900	.09600	601.55000	2.67000	.00000	8.32000	4.83000	5.96000
.609	17.140	-.01800	-.02800	-.01700	.10000	598.09000	2.67000	.00000	8.30000	4.87000	5.93000
.609	17.720	-.01800	-.02900	-.01700	.10000	599.18000	2.66000	.00000	8.34000	4.90000	5.98000
.610	18.290	-.02000	-.02800	-.02000	.09700	601.55000	2.67000	.00000	8.31000	4.88000	5.94000
.610	18.860	-.01800	-.02500	-.01600	.10100	601.07000	2.67000	.00000	8.31000	4.91000	5.94000
.610	19.440	-.01900	-.02500	-.01600	.10000	601.89000	2.67000	.00000	8.32000	4.85000	5.95000
.609	20.010	-.01900	-.02900	-.01700	.10100	599.31000	2.67000	.00000	8.34000	4.88000	5.98000
GRADIENT		.00065	-.00012	.00062	.00019	-.54000	.00000	.00312	-.00165	-.00231	-.00269

LTV44-559(CA26) 747/1 ATY 02 S1 (CARRIER DATA)

(SFE068) (24 MAR 76)

REFERENCE DATA

SREF = 5500.0000 SQ.FT. XMRP = 1339.9000 IN. XC
 LREF = 327.7800 IN. YMRP = .0000 IN. YC
 BREF = 2348.0400 IN. ZMRP = 190.7500 IN. ZC
 SCALE = .0125

PARAMETRIC DATA

ALPHAC = 2.000 BETAC = .000
 STAB = 5.000 ELEVON = .000
 BOFLAP = 15.300 DX = .000
 DY = .000 TORB = 4.000
 BETA0 = .000 RUDDER = .000

RUN NO. 51/ 0 RN/L = .00 GRADIENT INTERVAL = -5.00/ 5.00

MACH	OZ	CPC	CPSB1	CPSB2	CPSB3	Q(PSF)	ALPHAC	BETAC	ALPHA0	BETA0	INCID
.602	1.460	-.01600	-.03200	-.02100	.10900	586.73000	2.66000	.00000	6.61000	.01000	3.96000
.599	2.060	-.01600	-.03000	-.02100	.11300	581.92000	2.65000	.01000	6.62000	.00000	3.98000
.602	2.660	-.01300	-.02700	-.02000	.10900	588.06000	2.66000	.01000	6.62000	.01000	3.98000
.600	3.360	-.01700	-.03100	-.02100	.10700	585.45000	2.65000	.00000	6.61000	.00000	3.98000
.600	4.160	-.01400	-.03000	-.02000	.11100	583.28000	2.65000	.00000	6.59000	.01000	3.97000
.598	4.960	-.01700	-.03200	-.02100	.10800	577.06000	2.64000	.00000	6.58000	-.01000	3.96000
.600	6.960	-.01200	-.02800	-.01800	.10800	579.83000	2.64000	.00000	6.57000	.04000	3.96000
.602	8.960	-.01600	-.02900	-.01800	.10800	583.98000	2.64000	.00000	6.54000	.03000	3.95000
.604	10.460	-.01400	-.02700	-.01800	.10800	586.09000	2.64000	.00000	6.55000	.06000	3.97000
.603	11.460	-.01200	-.02600	-.01500	.10900	584.80000	2.64000	.00000	6.50000	.01000	3.92000
.604	12.450	-.01200	-.02600	-.01600	.11000	588.20000	2.65000	.00000	6.54000	.05000	3.96000
.601	13.450	-.01400	-.02700	-.01600	.11200	583.41000	2.65000	.00000	6.53000	.00000	3.95000
.600	14.440	-.01400	-.02800	-.01700	.11300	582.22000	2.65000	.00000	6.51000	.00000	3.94000
.600	15.440	-.01300	-.02800	-.01700	.11000	583.85000	2.65000	.00000	6.50000	.02000	3.93000
.600	16.430	-.01200	-.02600	-.01200	.11100	582.96000	2.65000	.00000	6.50000	.00000	3.94000
.604	17.430	-.01100	-.02700	-.01600	.10800	591.88000	2.65000	.00000	6.50000	.01000	3.95000
.600	18.420	-.01300	-.02900	-.01800	.10700	583.64000	2.65000	.00000	6.48000	.00000	3.94000
.602	19.420	-.01000	-.02300	-.01300	.10700	585.16000	2.64000	.00000	6.52000	.04000	3.98000
.601	20.410	-.01000	-.02000	-.01000	.10900	583.94000	2.64000	.00000	6.51000	.05000	3.98000
.601	21.410	-.01000	-.02200	-.00900	.11100	584.74000	2.65000	.00000	6.50000	.03000	3.97000
.601	22.390	-.00900	-.02100	-.01000	.10800	584.33000	2.65000	.00000	6.47000	-.01000	3.95000
.601	23.390	-.01200	-.02600	-.01300	.10700	584.68000	2.64000	.00000	6.49000	.04000	3.98000
.598	24.390	-.01000	-.02500	-.01100	.10700	577.32000	2.65000	.00000	6.48000	.03000	3.98000
.602	25.380	-.00800	-.02100	-.00900	.10700	585.10000	2.65000	.00000	6.47000	.02000	3.96000
.602	26.380	-.01200	-.02600	-.01300	.10600	586.32000	2.65000	.00000	6.48000	.01000	3.98000
.603	27.370	-.01300	-.02500	-.01300	.10600	587.53000	2.65000	.00000	6.47000	.02000	3.98000
.601	28.370	-.00600	-.01900	-.00800	.11000	584.26000	2.66000	.00000	6.47000	.03000	3.97000
.602	29.360	-.00700	-.02100	-.01100	.10600	587.93000	2.65000	.00000	6.44000	.00000	3.95000
.601	30.360	-.00800	-.02000	-.00900	.11100	585.68000	2.65000	.00000	6.45000	.00000	3.97000
.603	31.350	-.00800	-.02100	-.00800	.10500	588.34000	2.66000	.00000	6.42000	-.02000	3.95000
.601	32.350	-.01000	-.02200	-.00500	.10600	584.88000	2.65000	.00000	6.42000	-.01000	3.95000
.601	33.340	-.01100	-.02300	-.01300	.10300	583.99000	2.66000	.00000	6.42000	.01000	3.96000
.600	34.340	-.00800	-.02300	-.00900	.11000	583.65000	2.66000	.00000	6.41000	-.01000	3.95000
.600	35.340	-.00900	-.02400	-.00800	.10700	583.24000	2.66000	.00000	6.42000	.00000	3.97000
.602	36.330	-.00800	-.02200	-.00500	.10800	585.22000	2.66000	.00000	6.39000	-.02000	3.94000
.601	37.320	-.01000	-.02100	-.00700	.10300	584.68000	2.66000	.00000	6.40000	-.01000	3.96000
.602	38.320	-.01000	-.02100	-.00600	.10400	585.37000	2.66000	.00000	6.41000	.01000	3.97000
.602	39.310	-.00800	-.02300	-.00800	.10900	584.56000	2.66000	.00000	6.39000	-.01000	3.95000
.603	40.310	-.01100	-.02200	-.00800	.10500	588.29000	2.67000	.00000	6.41000	.00000	3.98000
.600	41.310	-.01100	-.02100	-.01000	.10400	582.62000	2.67000	.00000	6.38000	.01000	3.96000
.599	42.300	-.01100	-.02300	-.01000	.10400	580.92000	2.66000	.00000	6.37000	-.01000	3.96000
.600	43.290	-.01100	-.02300	-.01000	.10200	581.48000	2.67000	.00000	6.39000	-.01000	3.97000

DATE 29 MAR 76

CA-26 FORCE SOURCE DATA TABULATION

PAGE 925

LTV44-559(CA26) 747/1 ATY 02 S1 (CARRIER DATA)

(SFE068) (24 MAR 76)

REFERENCE DATA

SREF = 5500.0000 SQ.FT. XMRP = 1339.9000 IN. XC
LREF = 327.7800 IN. YMRP = .0000 IN. YC
BREF = 2348.0400 IN. ZMRP = 190.7500 IN. ZC
SCALE = .0125

PARAMETRIC DATA

ALPHAC = 2.000 BETAC = .000
STAB = 5.000 ELEVON = .000
BDFLAP = 16.300 DX = .000
DY = .000 IORB = 4.000
BETA0 = .000 RUDDER = .000

RUN NO. 51/ 0 RN/L = .00 GRADIENT INTERVAL = -5.00/ 5.00

MACH	DZ	CPCC	CPSB1	CSB2	CPSB3	Q(PSF)	ALPHAC	BETAC	ALPHA0	BETA0	INC10
.601	44.290	-.01200	-.02100	-.00900	.10200	582.78000	2.67000	.00000	6.40000	.00000	3.99000
.602	44.790	-.00800	-.02100	-.00600	.10700	585.65000	2.66000	.00000	6.37000	-.04000	3.97000
	GRADIENT	-.00016	-.00023	.00007	-.00095	-2.01741	-.00459	-.00174	-.01062	-.00337	-.00168

LTV44-559(CA26) 747/1 ATY 02 S1 (CARRIER DATA)

(SFE069) (24 MAR 76)

11

REFERENCE DATA

SREF = 5500.0000 SQ.FT. XMRP = 1339.9000 IN. XC
 LREF = 327.7800 IN. YMRP = .0000 IN. YC
 BREF = 2348.0400 IN. ZMRP = 190.7500 IN. ZC
 SCALE = .0125

PARAMETRIC DATA

ALPHAC = 2.000 BETAC = .000
 STAB = 5.000 ELEVON = .000
 BDFLAP = 16.300 DX = .000
 DY = .000 TORB = 6.000
 BETAO = .000 RUDDER = .000

RUN NO. 1051/ 0 RN/L = .00 GRADIENT INTERVAL = -5.00/ 5.00

MACH	OZ	CPC	CPSB1	CPSB2	CPSB3	Q(PSF)	ALPHAC	BETAC	ALPHA0	BETA0	INCID
.603	1.470	-.01300	-.03200	-.01800	.10400	584.53000	2.69000	.01000	8.61000	.01000	5.93000
.603	2.070	-.01000	-.02800	-.01300	.10900	585.00000	2.68000	.00000	8.62000	.08000	5.94000
.601	2.670	-.00900	-.02600	-.01200	.11000	581.18000	2.68000	.01000	8.62000	.04000	5.94000
.601	3.370	-.00900	-.02700	-.01300	.11000	580.78000	2.68000	.00000	8.61000	.05000	5.94000
.600	4.170	-.00600	-.02500	-.01000	.11100	579.63000	2.67000	.00000	8.59000	.03000	5.93000
.600	4.960	-.00900	-.02600	-.01200	.10900	578.74000	2.67000	.00000	8.58000	.02000	5.93000
.601	6.970	-.00800	-.02500	-.00900	.11100	580.78000	2.67000	.00000	8.57000	.08000	5.94000
.600	8.970	-.00800	-.02500	-.01000	.10900	580.23000	2.67000	.00000	8.54000	.04000	5.92000
.603	10.600	-.00900	-.02600	-.01000	.11000	586.96000	2.66000	.00000	8.53000	.04000	5.92000
.601	11.620	-.00500	-.02300	-.00800	.11200	582.26000	2.66000	.00000	8.54000	.05000	5.94000
.600	13.160	-.00800	-.02400	-.00900	.11000	579.94000	2.66000	.00000	8.51000	.08000	5.92000
.600	14.440	-.00800	-.02400	-.00800	.11000	581.44000	2.66000	.00000	8.52000	.06000	5.94000
.601	15.710	-.00500	-.02200	-.00600	.11000	582.73000	2.65000	.00000	8.51000	.00000	5.95000
.602	16.990	-.00800	-.02300	-.00700	.10800	584.22000	2.65000	.00000	8.49000	.07000	5.94000
.601	18.270	-.00500	-.02100	-.00600	.10700	583.06000	2.66000	.00000	8.48000	.06000	5.92000
.601	19.540	-.00800	-.02300	-.00600	.10800	582.52000	2.66000	.00000	8.49000	.00000	5.94000
.600	20.820	-.00700	-.02000	-.00500	.11000	581.15000	2.65000	.00000	8.47000	.05000	5.93000
.601	22.090	-.00400	-.01900	-.00600	.10700	583.20000	2.66000	.00000	8.45000	.05000	5.92000
.600	23.360	-.00600	-.01900	-.00400	.11000	581.50000	2.66000	.00000	8.46000	.00000	5.93000
.601	24.650	-.00800	-.02400	-.00700	.10800	582.92000	2.66000	.00000	8.45000	.03000	5.94000
.600	25.920	-.00700	-.02000	-.00400	.10800	581.97000	2.66000	.00000	8.46000	.02000	5.95000
.602	27.200	-.00400	-.02000	-.00500	.10800	585.85000	2.65000	.00000	8.41000	.06000	5.91000
.601	28.470	-.00500	-.01800	-.00200	.11100	584.00000	2.66000	.00000	8.41000	.06000	5.92000
.602	29.750	-.00400	-.01900	-.00600	.10600	586.73000	2.66000	.00000	8.43000	.01000	5.95000
.602	31.030	-.00400	-.02000	-.00500	.10600	584.96000	2.66000	.00000	8.43000	.01000	5.95000
.600	32.300	-.00800	-.02300	-.00700	.10600	583.45000	2.66000	.00000	8.39000	.06000	5.92000
.601	33.580	-.00400	-.01600	-.00100	.11000	584.54000	2.66000	.00000	8.41000	.03000	5.94000
.600	34.850	-.00900	-.02300	-.00600	.10700	582.16000	2.66000	.00000	8.40000	.00000	5.95000
.598	36.130	-.00800	-.02300	-.00600	.10700	577.52000	2.66000	.00000	8.41000	.00000	5.95000
.600	37.410	-.00700	-.02000	-.00200	.10900	582.50000	2.66000	.00000	8.36000	.04000	5.91000
.602	38.690	-.00400	-.01900	-.00500	.10600	586.38000	2.66000	.00000	8.37000	.05000	5.93000
.602	39.960	-.00400	-.01600	-.00300	.10900	585.37000	2.63000	.00000	8.38000	.04000	5.95000
.601	41.240	-.00400	-.02000	-.00400	.10600	583.61000	2.66000	.00000	8.38000	.02000	5.96000
.600	42.520	-.00300	-.01900	-.00400	.10700	581.97000	2.67000	.00000	8.37000	.02000	5.95000
.600	43.790	-.00700	-.01700	-.00200	.10800	580.61000	2.67000	.00000	8.34000	.05000	5.93000
.600	45.070	-.00600	-.02000	-.00600	.10600	581.56000	2.67000	.00000	8.33000	.06000	5.91000
.600	46.340	-.00700	-.02100	-.00300	.10600	580.68000	2.67000	.00000	8.34000	.10000	5.94000
.602	47.620	-.00600	-.02000	-.00100	.10600	586.12000	2.66000	.00000	8.33000	.00000	5.94000
.600	48.900	-.00400	-.02000	-.00300	.10900	582.64000	2.67000	.00000	8.31000	.00000	5.95000
.602	50.180	-.00900	-.02000	-.00700	.10400	585.64000	2.66000	.00000	8.32000	.03000	5.94000
.602	51.460	-.00300	-.02000	-.00100	.10800	585.10000	2.66000	.00000	8.31000	.04000	5.95000
	GRADIENT	.00126	.00149	.00149	.00118	-1.83617	-.00529	-.00244	-.01064	-.00435	-.00145

LTV44-559(CA26) 747/1 ATY 02 S1 (CARRIER DATA)

(SFE070) (24 MAR 76)

REFERENCE DATA

SREF = 5500.0000 SQ.FT. XMRP = 1339.9000 IN. XC
 LREF = 327.7800 IN. YMRP = .0000 IN. YC
 BREF = 2348.0400 IN. ZMRP = 190.7500 IN. ZC
 SCALE = .0125

PARAMETRIC DATA

ALPHAC = 2.000 BETAC = .000
 STAB = 5.000 ELEVON = .000
 BDFLAP = 16.300 DX = .000
 DY = .000 IORB = 8.000
 BETAO = .000 RUCDER = .000

RUN NO. 52/ 0 RN/L = .00 GRADIENT INTERVAL = -5.00/ 5.00

MACH	OZ	CPCC	CPSB1	CPSB2	CPSB3	Q(PSF)	ALPHAC	BETAC	ALPHAO	BETAO	INCID
.597	1.460	-.01200	-.02300	-.01500	.10800	575.46000	2.69000	.01000	10.60000	.04000	7.91000
.600	2.060	-.01100	-.02300	-.01400	.10800	581.82000	2.69000	.01000	10.63000	.01000	7.94000
.599	2.660	-.00900	-.02200	-.01500	.10800	580.92000	2.70000	.01000	10.62000	.04000	7.93000
.602	3.460	-.01000	-.02300	-.01500	.10800	583.34000	2.71000	.01000	10.61000	.07000	7.92000
.601	4.460	-.01200	-.02500	-.01600	.10800	582.45000	2.71000	.01000	10.63000	.00000	7.95000
.601	5.590	-.01400	-.02500	-.01600	.10800	583.59000	2.70000	.01000	10.60000	.03000	7.93000
.600	6.840	-.01100	-.02400	-.01500	.10900	581.40000	2.70000	.00000	10.60000	.80000	7.93000
.601	8.090	-.01300	-.02400	-.01500	.10800	584.87000	2.70000	.00000	10.55000	.07000	7.90000
.600	9.340	-.01100	-.02300	-.01400	.11000	582.07000	2.69000	.00000	10.57000	.00000	7.93000
.600	10.580	-.01400	-.02500	-.01300	.10800	580.93000	2.69000	.00000	10.54000	.01000	7.91000
.601	11.810	-.00800	-.02100	-.01100	.11000	582.98000	2.69000	.00000	10.57000	.04000	7.95000
.600	13.050	-.00500	-.01700	-.01000	.11300	582.96000	2.69000	.00000	10.56000	.04000	7.95000
.600	14.290	-.01200	-.02400	-.01300	.10900	583.17000	2.69000	.00000	10.54000	.03000	7.93000
.600	15.520	-.00700	-.02000	-.01200	.10900	580.73000	2.68000	.00000	10.51000	.06000	7.91000
.599	16.750	-.00800	-.01800	-.00900	.11100	580.39000	2.68000	.00000	10.52000	-.01000	7.93000
.599	17.990	-.00900	-.02000	-.01000	.10900	579.84000	2.68000	.00000	10.52000	.00000	7.94000
.602	19.230	-.00600	-.01900	-.01200	.10800	584.36000	2.67000	.00000	10.49000	.06000	7.93000
.600	20.460	-.00900	-.02100	-.01100	.11000	580.40000	2.67000	.00000	10.50000	.01000	7.94000
.599	21.690	-.01000	-.02000	-.01000	.11200	577.68000	2.67000	.00000	10.46000	.03000	7.92000
.600	22.930	-.01100	-.02100	-.01000	.11000	581.29000	2.67000	.00000	10.48000	.00000	7.94000
.601	24.160	-.00700	-.02000	-.01000	.10900	582.99000	2.67000	.00000	10.48000	.00000	7.94000
.601	25.390	-.00600	-.01700	-.00700	.10800	583.06000	2.67000	.00000	10.46000	.02000	7.93000
.603	26.630	-.00800	-.02000	-.01000	.10700	586.12000	2.67000	.00000	10.45000	.02000	7.93000
.601	27.860	-.00900	-.01800	-.00800	.11100	582.18000	2.67000	.00000	10.43000	.04000	7.92000
.600	29.100	-.00200	-.01700	-.00800	.11200	581.97000	2.67000	.00000	10.43000	.04000	7.93000
.601	30.340	-.00700	-.01800	-.01000	.10800	583.32000	2.67000	.00000	10.40000	.05000	7.90000
.599	31.570	-.00900	-.01900	-.00900	.10800	576.35000	2.67000	.00000	10.43000	.00000	7.94000
.598	32.800	-.00800	-.02000	-.00900	.11000	577.60000	2.67000	.00000	10.38000	.06000	7.91000
.600	34.040	-.00700	-.01500	-.00400	.11100	580.06000	2.66000	.00000	10.41000	.00000	7.94000
.600	35.280	-.00500	-.01700	-.01000	.10700	581.56000	2.67000	.00000	10.37000	.05000	7.91000
.602	36.510	-.00800	-.01800	-.00800	.10900	585.44000	2.67000	.00000	10.41000	.00000	7.95000
.599	37.740	-.00700	-.01800	-.00700	.11100	580.39000	2.67000	.00000	10.39000	.00000	7.94000
.602	38.980	-.00600	-.01500	-.00700	.10800	585.69000	2.67000	.00000	10.39000	.00000	7.94000
.600	40.220	-.00700	-.01400	-.00400	.10800	582.09000	2.67000	.00000	10.36000	.06000	7.92000
.601	41.450	-.00600	-.01700	-.00900	.10600	583.31000	2.67000	.00000	10.37000	-.01000	7.94000
.601	42.690	-.00700	-.01400	-.00500	.10800	583.05000	2.67000	.00000	10.37000	.02000	7.95000
.601	43.920	-.00700	-.01600	-.01000	.10500	583.92000	2.67000	.00000	10.35000	.01000	7.93000
.599	45.150	-.00700	-.01900	-.01000	.10700	579.76000	2.67000	.00000	10.30000	.05000	7.89000
.597	46.390	-.00700	-.01500	-.00500	.10900	575.07000	2.67000	.00000	10.34000	.01000	7.94000
.601	47.630	-.00700	-.01500	-.00300	.10800	582.85000	2.67000	.00000	10.33000	.00000	7.94000
.600	48.860	-.00800	-.01600	-.00900	.10400	580.67000	2.67000	.00000	10.30000	.04000	7.91000
.601	50.090	-.00800	-.01500	-.00600	.10500	583.46000	2.67000	.00000	10.30000	.07000	7.91000

ORIGINAL PAGE IS
OF POOR QUALITY

LTV44-559(CA26) 747/1 ATY 02 S1 (CARRIER DATA)

(SFE070) (24 MAR 76)

REFERENCE DATA

SREF = 5500.0000 SQ.FT. XMRP = 1339.9000 IN. XC
 LREF = 327.7800 IN. YMRP = .0000 IN. YC
 BREF = 2348.0400 IN. ZMRP = 190.7500 IN. ZC
 SCALE = .0125

PARAMETRIC DATA

ALPHAC = 2.000 BETAC = .000
 STAB = 5.000 ELEVON = .000
 BDFLAP = 16.300 DX = .000
 DY = .000 TORB = 8.000
 BETAO = .000 RUDDER = .000

RUN NO. 52/ 0 RN/L = .00 GRADIENT INTERVAL = -5.00/ 5.00

MACH	DZ	CPCC	CPSB1	CPSB2	CPSB3	Q(PSF)	ALPHAC	BETAC	ALPHAO	BETAO	INC1D
.601	51.330	-.00800	-.01500	-.00800	.10500	584.14000	2.67000	.00000	10.31000	.06000	7.93000
.600	52.570	-.00700	-.01700	-.01100	.10500	580.86000	2.67000	.00000	10.30000	-.01000	7.93000
.599	53.800	-.00800	-.01700	-.01100	.10400	580.38000	2.67000	.00000	10.30000	.03000	7.94000
.601	55.040	-.00800	-.01500	-.00800	.10400	582.85000	2.67000	.00000	10.30000	.04000	7.95000
.601	56.270	-.00700	-.01700	-.01200	.10500	582.38000	2.67000	.00000	10.27000	.00000	7.92000
.599	57.500	-.01000	-.01700	-.01200	.10500	578.55000	2.67000	.00000	10.24000	.02000	7.90000
.600	58.120	-.00900	-.01600	-.01000	.10400	579.99000	2.67000	.00000	10.25000	.02000	7.92000
	GRADIENT	.00001	-.00062	-.00043	.00000	1.94521	.00793	.00000	.00533	-.00425	.00829

LTV44-559(CA26) 747/1 ATY 02 S1 (CARRIER DATA)

(SFE071) (24 MAR 76)

REFERENCE DATA

SREF = 5500.0000 SQ.FT. XMRP = 1339.9000 IN. XC
 LREF = 327.7800 IN. YMRP = .0000 IN. YC
 BREF = 2348.0400 IN. ZMRP = 190.7500 IN. ZC
 SCALE = .0125

PARAMETRIC DATA

ALPHAC = 2.000 BETAC = .000
 STAB = 5.000 ELEVON = .000
 BDFLAP = 5.000 DX = .000
 DY = .000 IORB = 4.000
 BETA = .000 RUDDER = .000

RUN NO. 53/ 0 RN/L = .00 GRADIENT INTERVAL = -5.00/ 5.00

MACH	DZ	CPCC	CPSB1	CPSB2	CPSB3	Q(PSF)	ALPHAC	BETAC	ALPHAO	BETAO	INCID
.600	1.460	-.01600	-.02800	-.02600	.10900	584.89000	2.63000	.01000	6.55000	.03000	3.93000
.599	2.060	-.01900	-.03100	-.02700	.10400	583.32000	2.63000	.01000	6.54000	.05000	3.92000
.600	2.660	-.02000	-.03000	-.02800	.10300	584.08000	2.64000	.01000	6.57000	.06000	3.95000
.597	3.360	-.01900	-.03000	-.02600	.10700	578.62000	2.63000	.00000	6.57000	.03000	3.95000
.600	4.160	-.01700	-.02700	-.02500	.11000	584.76000	2.63000	.01000	6.56000	.06000	3.95000
.601	4.960	-.01600	-.02600	-.02500	.11000	587.15000	2.63000	.00000	6.56000	.06000	3.95000
.597	6.960	-.01900	-.03200	-.02600	.10600	580.04000	2.63000	.00000	6.51000	.09000	3.92000
.601	8.960	-.01500	-.02600	-.02400	.11000	587.07000	2.63000	.01000	6.53000	.03000	3.95000
.598	10.460	-.01600	-.03100	-.02600	.10300	582.42000	2.64000	.00000	6.52000	.05000	3.94000
.595	11.460	-.01500	-.03000	-.02300	.10600	574.94000	2.64000	.00000	6.53000	.04000	3.95000
.597	12.450	-.01700	-.02600	-.02200	.11000	571.14000	2.64000	.00000	6.49000	.04000	3.92000
.598	13.450	-.01900	-.02700	-.02300	.10800	580.00000	2.64000	.00000	6.48000	.07000	3.92000
.598	14.440	-.01800	-.02800	-.02500	.10800	579.86000	2.64000	.00000	6.49000	.04000	3.93000
.597	15.440	-.01900	-.03100	-.02500	.10300	577.20000	2.64000	.00000	6.49000	.05000	3.93000
.597	16.430	-.01800	-.03100	-.02300	.10200	577.28000	2.65000	.00000	6.50000	.04000	3.95000
.598	17.430	-.01700	-.02700	-.02300	.10500	578.51000	2.65000	.00000	6.47000	.06000	3.92000
.600	18.420	-.01400	-.02600	-.02100	.10700	583.16000	2.65000	.00000	6.47000	.06000	3.92000
.600	19.420	-.01600	-.03000	-.02100	.10200	582.20000	2.65000	.00000	6.50000	.06000	3.95000
.598	20.410	-.01900	-.02900	-.02300	.10200	579.81000	2.65000	.00000	6.48000	.05000	3.95000
.599	21.410	-.01800	-.03100	-.02200	.10100	581.24000	2.65000	.00000	6.48000	.06000	3.95000
.597	22.390	-.02000	-.02800	-.02300	.10300	578.23000	2.65000	.00000	6.47000	.03000	3.95000
.600	23.390	-.01300	-.02700	-.02000	.10700	585.45000	2.65000	.00000	6.45000	.04000	3.93000
.597	24.390	-.02000	-.03000	-.02300	.10200	579.89000	2.66000	.00000	6.46000	.03000	3.95000
.597	25.380	-.01700	-.03000	-.01900	.10200	580.57000	2.65000	.00000	6.45000	.05000	3.94000
.600	26.380	-.01300	-.02700	-.02000	.10400	585.03000	2.65000	.00000	6.43000	.05000	3.93000
.596	27.370	-.01600	-.02600	-.02100	.10400	577.60000	2.65000	.00000	6.45000	.05000	3.95000
.598	28.370	-.01700	-.02700	-.02000	.10200	579.72000	2.66000	.00000	6.45000	.04000	3.96000
.598	29.360	-.01800	-.02900	-.01900	.10100	581.89000	2.66000	.00000	6.43000	.05000	3.94000
.600	30.360	-.01600	-.02900	-.01700	.10200	584.62000	2.66000	.00000	6.40000	.08000	3.91000
.599	31.350	-.01500	-.02800	-.01700	.10300	582.71000	2.66000	.00000	6.40000	.05000	3.91000
.596	32.350	-.02000	-.02900	-.02300	.10000	577.78000	2.67000	.00000	6.42000	.04000	3.94000
.600	33.340	-.01500	-.02800	-.01700	.10100	584.35000	2.66000	.00000	6.40000	.04000	3.93000
.598	34.340	-.01500	-.02700	-.02000	.10300	580.53000	2.67000	.00000	6.43000	.04000	3.96000
.597	35.340	-.01800	-.02700	-.02000	.09900	579.23000	2.66000	.00000	6.39000	.03000	3.93000
.598	36.330	-.01900	-.02700	-.02000	.09800	581.82000	2.67000	.00000	6.37000	.05000	3.91000
.599	37.320	-.01700	-.02700	-.02000	.10000	583.11000	2.67000	.00000	6.38000	.04000	3.93000
.598	38.320	-.01500	-.02700	-.02100	.10100	581.34000	2.67000	.00000	6.38000	.03000	3.93000
.598	39.310	-.01700	-.02700	-.02200	.09900	580.65000	2.67000	.00000	6.37000	.04000	3.92000
.597	40.310	-.01900	-.02700	-.02100	.09900	580.30000	2.67000	.00000	6.38000	.06000	3.94000
.597	41.310	-.01400	-.02600	-.01700	.10300	579.89000	2.67000	.00000	6.37000	.07000	3.93000
.599	42.300	-.01600	-.02700	-.01600	.10100	584.20000	2.67000	.00000	6.34000	.02000	3.92000
.598	43.290	-.01400	-.02700	-.01700	.10200	581.28000	2.67000	.00000	6.35000	.05000	3.93000

LTV44-559(CA26) 747/1 ATY 02 S1 (CARRIER DATA)

(SFE071) (24 MAR 76)

REFERENCE DATA

SREF =	5500.0000 SQ.FT.	XMRP =	1339.9000 IN. XC
LREF =	327.7800 IN.	YMRP =	.0000 IN. YC
BREF =	2348.0400 IN.	ZMRP =	190.7500 IN. ZC
SCALE =	.0125		

PARAMETRIC DATA

ALPHAC =	2.000	BETAC =	.000
STAB =	5.000	ELEVON =	.000
BDFLAP =	5.000	DX =	.000
DY =	.000	IORB =	4.000
BETA0 =	.000	RUDDER =	.000

RUN NO. 53/ 0 RN/L = .00 GRADIENT INTERVAL = -5.00/ 5.00

MACH	OZ	CPCC	CPSB1	CPSB2	CPSB3	Q(PSF)	ALPHAC	BETAC	ALPHA0	BETA0	INCID
.599	44.290	-.01800	-.02800	-.01600	.09800	582.92000	2.67000	.00000	6.33000	.06000	3.91000
.602	44.790	-.01600	-.02400	-.01700	.09800	588.84000	2.67000	.00000	6.37000	.05000	3.95000
	GRADIENT	.00037	.00096	.00056	.00120	.52120	-.00052	-.00244	.00412	.00609	.00749

LTV44-559(CA26) 747/1 ATY 02 S1 (CARRIER DATA)

(SFE072) (24 MAR 76)

REFERENCE DATA

SREF = 5500.0000 SQ.FT. XMRP = 1339.9000 IN. XC
 LREF = 327.7800 IN. YMRP = .0000 IN. YC
 BREF = 2348.0400 IN. ZMRP = 190.7500 IN. ZC
 SCALE = .0125

PARAMETRIC DATA

ALPHAC = 2.000 BETAC = .000
 STAB = 5.000 ELEVON = .000
 BDFLAP = 5.000 DX = .000
 DY = .000 IORB = 6.000
 BETAO = .000 RUDDER = .000

RUN NO. 1053/ 0 RN/L = .00 GRADIENT INTERVAL = -5.00/ 5.00

MACH	OZ	CPCC	CPSB1	CPSB2	CPSB3	Q(PSF)	ALPHAC	BETAC	ALPHAO	BETAO	INCID
.598	1.470	-.01400	-.03000	-.02500	.10500	578.47000	2.67000	.01000	8.60000	.10000	5.93000
.598	2.070	-.01700	-.03200	-.02400	.10700	578.46000	2.66000	.01000	8.57000	.09000	5.91000
.599	2.670	-.01500	-.03200	-.02500	.10600	579.69000	2.66000	.01000	8.59000	.08000	5.94000
.599	3.370	-.01300	-.02800	-.02300	.10900	578.44000	2.66000	.01000	8.58000	.01000	5.93000
.599	4.170	-.01600	-.02900	-.02400	.10800	580.91000	2.66000	.01000	8.56000	.07000	5.92000
.598	4.960	-.01200	-.02600	-.02100	.10900	578.12000	2.66000	.01000	8.57000	.05000	5.94000
.599	6.970	-.01300	-.02700	-.02100	.10700	580.24000	2.65000	.00000	8.55000	.03000	5.93000
.599	8.970	-.01400	-.02900	-.02200	.10600	579.29000	2.66000	.00000	8.53000	.07000	5.93000
.599	10.600	-.01500	-.02900	-.02200	.10600	579.50000	2.65000	.00000	8.54000	.03000	5.94000
.599	11.880	-.01400	-.02800	-.02100	.10600	579.42000	2.65000	.00000	8.52000	.01000	5.93000
.598	13.160	-.01600	-.02900	-.02200	.10500	579.54000	2.65000	.00000	8.51000	.06000	5.93000
.597	14.440	-.01400	-.02700	-.02000	.10600	576.47000	2.65000	.00000	8.48000	.04000	5.91000
.599	15.710	-.01300	-.02600	-.01900	.10600	578.85000	2.65000	.00000	8.51000	.04000	5.95000
.598	16.990	-.01400	-.02800	-.01700	.10500	578.25000	2.66000	.00000	8.48000	.04000	5.91000
.598	18.270	-.01400	-.02700	-.01900	.10500	578.05000	2.66000	.00000	8.47000	.06000	5.92000
.598	19.540	-.01300	-.02700	-.01800	.10400	579.61000	2.66000	.00000	8.46000	.01000	5.92000
.598	20.820	-.01500	-.02700	-.01800	.10400	579.19000	2.66000	.00000	8.46000	.06000	5.92000
.599	22.090	-.01300	-.02500	-.01800	.10400	582.67000	2.66000	.00000	8.48000	.06000	5.95000
.599	23.360	-.01500	-.02700	-.01900	.10100	582.05000	2.66000	.00000	8.46000	.06000	5.92000
.599	24.650	-.01200	-.02500	-.01600	.10400	581.57000	2.67000	.00000	8.43000	.03000	5.90000
.598	25.920	-.01200	-.02500	-.01700	.10500	580.75000	2.66000	.00000	8.43000	.02000	5.91000
.598	27.200	-.01300	-.02600	-.01600	.10300	579.39000	2.66000	.00000	8.44000	.03000	5.93000
.599	28.470	-.01400	-.02600	-.01700	.10300	580.76000	2.67000	.00000	8.46000	.03000	5.95000
.599	29.750	-.01400	-.02600	-.01600	.10400	582.06000	2.67000	.00000	8.42000	.02000	5.92000
.600	31.030	-.01300	-.02500	-.01600	.10400	581.66000	2.66000	.00000	8.42000	.01000	5.93000
.597	32.300	-.01100	-.02300	-.01400	.10200	577.90000	2.65000	.00000	8.42000	.04000	5.94000
.598	33.580	-.01500	-.02800	-.01800	.10000	580.42000	2.66000	.00000	8.38000	.01000	5.91000
.599	34.850	-.01500	-.02700	-.01800	.10100	578.57000	2.67000	.00000	8.39000	.07000	5.92000
.597	36.130	-.01600	-.02700	-.01800	.10100	581.91000	2.67000	.00000	8.40000	.05000	5.94000
.596	37.410	-.01400	-.02700	-.01900	.10100	576.79000	2.67000	.00000	8.41000	.04000	5.95000
.598	38.690	-.01600	-.02800	-.01600	.10100	580.19000	2.67000	.00000	8.37000	.00000	5.92000
.597	39.960	-.01100	-.02300	-.01400	.10300	580.05000	2.67000	.00000	8.39000	.05000	5.95000
.598	41.240	-.01600	-.02800	-.01800	.10100	581.54000	2.67000	.00000	8.35000	.01000	5.91000
.599	42.520	-.01100	-.02300	-.01600	.10000	582.44000	2.68000	.00000	8.36000	.04000	5.93000
.597	43.790	-.01100	-.02200	-.01500	.10100	578.68000	2.67000	.00000	8.35000	.04000	5.93000
.597	45.070	-.01600	-.02600	-.01500	.10300	579.23000	2.68000	.00000	8.34000	.06000	5.93000
.598	46.340	-.01600	-.02600	-.01600	.10100	579.79000	2.67000	.00000	8.36000	.05000	5.95000
.598	47.620	-.01600	-.02700	-.01700	.10100	580.33000	2.67000	.00000	8.34000	.06000	6.03000
.603	48.900	-.01100	-.02200	-.01600	.09900	590.09000	2.68000	.00000	8.33000	.04000	5.93000
.598	50.180	-.01600	-.02800	-.01800	.09800	580.74000	2.68000	.00000	8.31000	.05000	5.93000
.599	51.460	-.01200	-.02200	-.01300	.10100	581.65000	2.67000	.00000	8.29000	.00000	5.92000
GRADIENT		.00063	.00139	.00092	.00105	.16060	-.00192	.00000	-.00774	-.01479	.00284

LTV44-559(CA26) 747/1 ATY 02 S1 (CARRIER DATA)

(SFE073) (24 MAR 76)

REFERENCE DATA

SREF = 5500.0000 SQ.FT. XMRP = 1339.9000 IN. XC
 LREF = 327.7800 IN. YMRP = .0000 IN. YC
 BREF = 2348.0400 IN. ZMRP = 190.7500 IN. ZC
 SCALE = .0125

PARAMETRIC DATA

ALPHAC = 2.000 BETAC = .000
 STAB = 5.000 ELEVON = .000
 BDFLAP = 5.000 DX = .000
 DY = .000 IORB = 8.000
 BETAO = .000 RUDDER = .000

RUN NO. 54/ 0 RN/L = .00 GRADIENT INTERVAL = -5.00/ 5.00

MACH	OZ	CPC	CPSB1	CPSB2	CPSB3	Q(PSF)	ALPHAC	BETAC	ALPHAO	BETAO	INCID
.599	1.460	-.01100	-.02600	-.01900	.11000	582.17000	2.70000	.01000	10.62000	.05000	7.93000
.599	2.060	-.01100	-.02200	-.01400	.11200	582.31000	2.69000	.01000	10.63000	.11000	7.90000
.599	2.660	-.01100	-.02500	-.01900	.10800	582.04000	2.70000	.01000	10.60000	.06000	7.92000
.599	3.460	-.01200	-.02400	-.02000	.11200	583.13000	2.70000	.01000	10.57000	.09000	7.89000
.599	4.460	-.00900	-.02500	-.01700	.11400	581.84000	2.70000	.01000	10.60000	.04000	7.93000
.600	5.590	-.01400	-.02200	-.01800	.11000	584.21000	2.69000	.01000	10.59000	.04000	7.92000
.599	6.840	-.01400	-.02300	-.01900	.11000	582.31000	2.69000	.01000	10.58000	.03000	7.92000
.601	8.090	-.01200	-.02300	-.01500	.10900	585.40000	2.68000	.01000	10.54000	.08000	7.89000
.599	9.340	-.01000	-.02300	-.01800	.11200	581.18000	2.68000	.01000	10.54000	.06000	7.91000
.602	10.580	-.01600	-.02200	-.01400	.11400	590.46000	2.68000	.00000	10.54000	.06000	7.93000
.601	11.810	-.00700	-.02100	-.01300	.11400	588.89000	2.68000	.00000	10.51000	.11000	7.90000
.598	13.050	-.01300	-.02300	-.01800	.11000	582.42000	2.68000	.00000	10.48000	.06000	7.88000
.601	14.290	-.00800	-.02200	-.01200	.11300	587.02000	2.67000	.00000	10.52000	.08000	7.93000
.599	15.520	-.00800	-.02100	-.01400	.11500	582.79000	2.67000	.00000	10.50000	.09000	7.92000
.598	16.750	-.00800	-.02200	-.01500	.11300	579.94000	2.67000	.00000	10.48000	.08000	7.90000
.597	17.990	-.00800	-.02100	-.01400	.11400	578.17000	2.67000	.00000	10.47000	.11000	7.90000
.597	19.230	-.01300	-.02200	-.01700	.11000	577.08000	2.66000	.00000	10.45000	.06000	7.90000
.598	20.460	-.01300	-.02100	-.01500	.10800	579.34000	2.66000	.00000	10.46000	.04000	7.92000
.600	21.690	-.01000	-.02200	-.01200	.11000	582.63000	2.66000	.00000	10.46000	.03000	7.92000
.598	22.930	-.01100	-.02100	-.01600	.11100	577.58000	2.66000	.00000	10.42000	.06000	7.89000
.601	24.160	-.00800	-.02100	-.01300	.11100	582.91000	2.66000	.00000	10.44000	.09000	7.92000
.600	25.390	-.01200	-.02000	-.01300	.11100	582.75000	2.66000	.00000	10.42000	.05000	7.90000
.601	26.630	-.00800	-.01900	-.01300	.11400	584.99000	2.66000	.00000	10.44000	.09000	7.93000
.599	27.860	-.01300	-.02200	-.01400	.10700	583.00000	2.66000	.00000	10.39000	.09000	7.89000
.600	29.100	-.01300	-.02200	-.01500	.10600	583.22000	2.66000	.00000	10.39000	.06000	7.89000
.602	30.340	-.00700	-.02000	-.01300	.11000	585.77000	2.66000	.00000	10.41000	.05000	7.92000
.602	31.570	-.00900	-.02100	-.01200	.10800	584.95000	2.66000	.00000	10.37000	.05000	7.88000
.600	32.800	-.01200	-.02100	-.01500	.10800	582.76000	2.66000	.00000	10.37000	.06000	7.90000
.601	34.040	-.01100	-.02200	-.01200	.10800	583.91000	2.66000	.00000	10.36000	.06000	7.89000
.601	35.280	-.00700	-.01900	-.01200	.11100	583.65000	2.66000	.00000	10.36000	.04000	7.90000
.599	36.510	-.01100	-.02100	-.01100	.10800	580.71000	2.67000	.00000	10.36000	.08000	7.90000
.601	37.740	-.01000	-.02100	-.01100	.10900	586.62000	2.67000	.00000	10.35000	.05000	7.90000
.602	38.980	-.00800	-.02100	-.01100	.10800	587.69000	2.66000	.00000	10.34000	.09000	7.90000
.600	40.220	-.00900	-.01900	-.01400	.11100	583.88000	2.66000	.00000	10.34000	.05000	7.91000
.598	41.450	-.01300	-.02000	-.01500	.10700	579.85000	2.67000	.00000	10.34000	.02000	7.92000
.600	42.690	-.00800	-.02000	-.01100	.10800	584.43000	2.67000	.00000	10.31000	.06000	7.89000
.602	43.920	-.00800	-.02000	-.01100	.10800	587.36000	2.67000	.00000	10.32000	.09000	7.91000
.599	45.150	-.01000	-.02200	-.01300	.10500	582.24000	2.67000	.00000	10.32000	.08000	7.92000
.598	46.390	-.01200	-.01900	-.01400	.10800	579.93000	2.67000	.00000	10.31000	.03000	7.91000
.601	47.630	-.00900	-.02200	-.01200	.10600	584.78000	2.67000	.00000	10.32000	.07000	7.93000
.598	48.860	-.01200	-.02000	-.01400	.10700	580.62000	2.67000	.00000	10.28000	.03000	7.89000
.599	50.090	-.01200	-.02000	-.01500	.10600	582.31000	2.67000	.00000	10.30000	.06000	7.92000

DATE 29 MAR 76

CA-26 FORCE SOURCE DATA TABULATION

PAGE 933

LTV44-559(CA26) 747/1 ATY 02-51 (CARRIER DATA)

(SFE073) (24 MAR 76)

REFERENCE DATA

SREF = 5500.0000 SQ.FT. XMRP = 1339.9000 IN. XC
 LREF = 327.7800 IN. YMRP = .0000 IN. YC
 BREF = 2348.0400 IN. ZMRP = 190.7500 IN. ZC
 SCALE = .0125

PARAMETRIC DATA

ALPHAC = 2.000 BETAC = .000
 STAB = 5.000 ELEVON = .000
 BDFLAP = 5.000 DX = .000
 DY = .000 TORB = 8.000
 BETAO = .000 RUDDER = .000

		RUN NO.	54/ 0	RN/L =	.00	GRADIENT INTERVAL = -5.00/ 5.00					
MACH	DZ	CPCC	CPSB1	CPSB2	CPSB3	Q(PSF)	ALPHAC	BETAC	ALPHAO	BETAO	INCID
.599	51.330	-.01300	-.02000	-.01400	.10800	582.86000	2.67000	.00000	10.25000	.04000	7.88000
.599	52.570	-.01200	-.02000	-.01400	.10700	581.84000	2.67000	.00000	10.25000	.04000	7.88000
.602	53.800	-.01000	-.01800	-.01300	.10800	585.89000	2.67000	.00000	10.27000	.10000	7.91000
.601	55.040	-.01100	-.01900	-.01300	.10900	585.00000	2.67000	.00000	10.24000	.09000	7.89000
.601	56.270	-.01200	-.01900	-.01400	.10900	584.79000	2.67000	.00000	10.26000	.09000	7.92000
.599	57.500	-.01200	-.02200	-.01500	.10600	581.04000	2.67000	.00000	10.23000	.07000	7.90000
.599	58.120	-.01200	-.02000	-.01200	.10700	581.45000	2.67000	.00000	10.26000	.04000	7.92000
	GRADIENT	.00048	-.00005	-.00021	.00120	-.00220	.00137	.00000	-.00699	-.00684	-.00022

LTV44-559(CA26) 747/1 ATY 02 S1 (CARRIER DATA)

(SFE074) (24 MAR 76)

REFERENCE DATA

SREF = 5500.0000 SQ.FT. XMRP = 1339.9000 IN. XC
 LREF = 327.7800 IN. YMRP = .0000 IN. YC
 BREF = 2348.0400 IN. ZMRP = 190.7500 IN. ZC
 SCALE = .0125

PARAMETRIC DATA

ALPHAC = 2.000 BETAC = .000
 STAB = 5.000 ELEVON = .000
 BOFLAP = .000 DX = .000
 DY = .000 IORB = 4.000
 BETAD = .000 RUDDER = .000

RUN NO. 55/ 0 RN/L = .00 GRADIENT INTERVAL = -5.00/ 5.00

MACH	OZ	CPCC	CPSB1	CPSB2	CPSB3	Q(PSF)	ALPHAC	BETAC	ALPHAO	BETAO	INC10
.602	1.460	-.01500	-.02600	-.02400	.11400	588.10000	2.61000	.01000	6.57000	.01000	3.96000
.602	2.060	-.01500	-.02500	-.02200	.11400	589.19000	2.61000	.01000	6.55000	.07000	3.94000
.601	2.660	-.01600	-.02600	-.02400	.11400	585.99000	2.62000	.01000	6.56000	.01000	3.96000
.602	3.360	-.01600	-.02400	-.02500	.11100	586.29000	2.62000	.01000	6.54000	.01000	3.94000
.602	4.160	-.01500	-.02200	-.02000	.11500	587.65000	2.61000	.01000	6.54000	.07000	3.94000
.602	4.960	-.01600	-.02500	-.02500	.11100	588.19000	2.62000	.01000	6.55000	.03000	3.96000
.602	6.960	-.01500	-.02200	-.02100	.11200	588.26000	2.62000	.01000	6.51000	.04000	3.93000
.602	8.960	-.01400	-.02100	-.02100	.11300	587.25000	2.62000	.01000	6.51000	.02000	3.94000
.602	10.460	-.01500	-.02500	-.02200	.11200	587.99000	2.63000	.01000	6.53000	.00000	3.96000
.601	11.460	-.01600	-.02300	-.02000	.11500	584.65000	2.63000	.01000	6.51000	.04000	3.95000
.601	12.450	-.01400	-.02100	-.01900	.11400	585.00000	2.63000	.01000	6.50000	.06000	3.94000
.602	13.450	-.01900	-.02700	-.02300	.11000	586.63000	2.64000	.01000	6.52000	.00000	3.95000
.602	14.440	-.01500	-.02100	-.01700	.11300	585.48000	2.63000	.01000	6.49000	.03000	3.94000
.602	15.440	-.01500	-.02400	-.02000	.11200	587.04000	2.64000	.00000	6.49000	.05000	3.94000
.601	16.430	-.01600	-.02300	-.01800	.11400	584.85000	2.64000	.00000	6.50000	.01000	3.95000
.601	17.430	-.01900	-.02700	-.02100	.11000	586.07000	2.64000	.00000	6.50000	.02000	3.96000
.601	18.420	-.01500	-.02200	-.01800	.11300	585.40000	2.64000	.00000	6.49000	.00000	3.95000
.603	19.420	.01500	-.02400	-.02000	.11100	588.40000	2.64000	.00000	6.46000	.07000	3.93000
.602	20.410	-.01300	-.02100	-.01800	.11200	586.43000	2.64000	.00000	6.47000	.01000	3.94000
.602	21.410	-.0800	-.02400	-.01800	.11000	586.22000	2.65000	.00000	6.48000	.01000	3.95000
.601	22.390	-.0500	-.02200	-.01700	.11200	585.28000	2.64000	.00000	6.46000	.01000	3.94000
.602	23.390	-.01700	-.02300	-.01700	.11000	587.18000	2.65000	.00000	6.45000	.01000	3.94000
.602	24.390	-.01500	-.02100	-.01700	.11100	586.55000	2.65000	.00000	6.44000	.04000	3.93000
.600	25.380	-.01200	-.02000	-.01600	.11300	584.09000	2.65000	.00000	6.45000	.04000	3.95000
.602	26.380	-.01500	-.02100	-.01700	.11100	588.90000	2.65000	.00000	6.43000	.06000	3.93000
.601	27.370	-.01800	-.02500	-.01900	.10600	588.63000	2.66000	.00000	6.45000	.02000	3.95000
.600	28.370	-.01300	-.02100	-.01600	.10800	584.98000	2.65000	.00000	6.43000	.05000	3.94000
.601	29.360	-.01700	-.02500	-.02000	.10600	585.80000	2.65000	.00000	6.44000	.00000	3.96000
.601	30.360	-.01600	-.02300	-.01700	.10600	584.92000	2.65000	.00000	6.41000	.04000	3.93000
.602	31.350	-.01700	-.02300	-.01600	.10700	587.11000	2.66000	.00000	6.41000	.04000	3.93000
.603	32.350	-.01600	-.02200	-.01600	.10900	589.62000	2.66000	.00000	6.41000	.01000	3.94000
.602	33.340	-.01400	-.02000	-.01400	.11000	587.90000	2.66000	.00000	6.43000	.03000	3.97000
.601	34.340	-.01500	-.02200	-.01600	.10700	586.61000	2.66000	.00000	6.41000	.02000	3.95000
.602	35.340	-.01500	-.02200	-.01700	.10600	587.71000	2.66000	.00000	6.39000	.03000	3.94000
.602	36.330	-.01800	-.02500	-.01800	.10400	588.12000	2.66000	.00000	6.41000	.03000	3.96000
.601	37.320	-.01700	-.02300	-.01600	.11100	585.80000	2.65000	.00000	6.37000	.02000	3.92000
.602	38.320	-.01500	-.02200	-.01400	.10600	587.58000	2.66000	.00000	6.40000	.06000	3.96000
.601	39.310	-.01500	-.01900	-.01400	.10700	585.54000	2.66000	.00000	6.39000	.04000	3.96000
.601	40.310	-.01800	-.02600	-.01700	.10500	585.14000	2.66000	.00000	6.37000	.04000	3.94000
.603	41.310	-.01600	-.02500	-.01700	.10500	588.54000	2.66000	.00000	6.36000	.02000	3.94000
.601	42.300	-.01400	-.01900	-.01400	.10700	586.21000	2.67000	.00000	6.37000	.04000	3.95000
.601	43.290	-.01400	-.01900	-.01400	.10800	586.27000	2.67000	.00000	6.36000	.04000	3.94000

DATE 29 MAR 76

CA-26 FORCE SOURCE DATA TABULATION

PAGE 935

LTV44-559(CA26) 747/1 ATY 02 S1 (CARRIER DATA)

(SFE074) (24 MAR 76)

REFERENCE DATA

SREF = 5500.0000 SQ.FT.	XMRP = 1339.9000 IN. XC
LREF = 327.7800 IN.	YMRP = .0000 IN. YC
BREF = 2348.0400 IN.	ZMRP = 190.7500 IN. ZC
SCALE = .0125	

PARAMETRIC DATA

ALPHAC = 2.000	BETAC = .000
STAB = 5.000	ELEVON = .000
BDFLAP = .000	DX = .000
OY = .000	IORB = 4.000
BETA0 = .000	RUDDER = .000

RUN NO. 55/ 0 RN/L = .00 GRADIENT INTERVAL = -5.00/ 5.00

MACH	DZ	CPCC	CPSB1	CPSB2	CPSB3	Q(PSF)	ALPHAC	BETAC	ALPHA0	BETA0	INC10
.600	44.290	-.01600	-.02100	-.01500	.10700	584.35000	2.67000	.00000	6.34000	.00000	3.93000
.603	44.790	-.01700	-.02300	-.01700	.10600	588.21000	2.67000	.00000	6.34000	.00000	3.94000
	GRADIENT	-.00019	.00064	-.00000	-.00061	-.11069	.00192	.00000	-.00586	.00429	-.00058

ORIGINAL PAGE IS
OF POOR QUALITY

LTV44-559(CA26) 747/1 ATY 02 S1 (CARRIER DATA)

(SFE075) (24 MAR 76)

REFERENCE DATA

SREF = 5500.0000 SQ.FT. XMRP = 1339.9000 IN. XC
 LREF = 327.7800 IN. YMRP = .0000 IN. YC
 BREF = 2348.0400 IN. ZMRP = 190.7500 IN. ZC
 SCALE = .0125

PARAMETRIC DATA

ALPHAC = 2.000 BETAC = .000
 STAB = 5.000 ELEVON = .000
 BDFLAP = .000 DX = .000
 DY = .000 IORB = 6.000
 BETA0 = .000 RUDDER = .000

RUN NO. 1055/ 0 RN/L = .00 GRADIENT INTERVAL = -5.00/ 5.00

MACH	OZ	CPCC	CPSB1	CPSB2	CPSB3	Q(PSF)	ALPHAC	BETAC	ALPHA0	BETA0	INCID
.603	1.470	-.01900	-.02800	-.02500	.11300	585.65000	2.65000	.01000	8.57000	.02000	5.92000
.601	2.070	-.01700	-.02500	-.02300	.11300	581.97000	2.65000	.01000	8.58000	.03000	5.93000
.602	2.670	-.01900	-.02800	-.02400	.11000	583.54000	2.65000	.01000	8.56000	.03000	5.92000
.601	3.370	-.01300	-.02200	-.02000	.11200	583.73000	2.65000	.01000	8.58000	.04000	5.95000
.602	4.170	-.01700	-.02600	-.02300	.11100	585.01000	2.65000	.01000	8.56000	.04000	5.93000
.600	4.960	-.01800	-.02600	-.02300	.11300	582.14000	2.65000	.01000	8.55000	.02000	5.93000
.601	6.970	-.01700	-.02500	-.01900	.11400	582.64000	2.64000	.01000	8.54000	.04000	5.93000
.602	8.970	-.01200	-.02100	-.01900	.11200	584.82000	2.65000	.01000	8.54000	.05000	5.94000
.601	10.600	-.01700	-.02400	-.01800	.11200	593.59000	2.64000	.01000	8.54000	.05000	5.95000
.602	11.880	-.01100	-.02100	-.01700	.11200	586.18000	2.65000	.01000	8.52000	.05000	5.94000
.602	13.160	-.01200	-.02100	-.01700	.11000	586.65000	2.65000	.01000	8.51000	.03000	5.94000
.601	14.440	-.01400	-.02100	-.01500	.11400	583.31000	2.64000	.00000	8.52000	.04000	5.95000
.603	15.710	-.01300	-.02000	-.01500	.11400	582.56000	2.65000	.00000	8.51000	.04000	5.95000
.601	16.990	-.01700	-.02400	-.01900	.11200	583.11000	2.65000	.00000	8.50000	.03000	5.95000
.601	18.270	-.01400	-.02400	-.02000	.11000	582.37000	2.65000	.00000	8.51000	.05000	5.96000
.600	19.540	-.01400	-.02400	-.01900	.10800	582.23000	2.65000	.00000	8.49000	.01000	5.94000
.599	20.820	-.01700	-.02600	-.02000	.10700	581.25000	2.65000	.00000	8.49000	.05000	5.95000
.600	22.090	-.01600	-.02500	-.01900	.10700	583.15000	2.65000	.00000	8.44000	.01000	5.91000
.601	23.360	-.01200	-.01900	-.01500	.10900	585.95000	2.66000	.00000	8.45000	.02000	5.93000
.603	24.650	-.01200	-.01800	-.01300	.11000	588.81000	2.66000	.00000	8.44000	.01000	5.92000
.603	25.920	-.01300	-.02000	-.01500	.10800	588.81000	2.66000	.00000	8.44000	.02000	5.93000
.602	27.200	-.01300	-.01900	-.01200	.11300	586.51000	2.66000	.00000	8.43000	.03000	5.93000
.602	28.470	-.01400	-.02300	-.01700	.10700	585.01000	2.66000	.00000	8.46000	.02000	5.96000
.602	29.750	-.01300	-.01900	-.01400	.10600	586.99000	2.66000	.00000	8.44000	.00000	5.95000
.602	31.030	-.01300	-.02100	-.01500	.10500	586.10000	2.66000	.00000	8.43000	.02000	5.95000
.599	32.300	-.01500	-.02300	-.01800	.10400	582.20000	2.66000	.00000	8.42000	.03000	5.95000
.600	33.580	-.01400	-.02300	-.01700	.10600	583.69000	2.66000	.00000	8.42000	.01000	5.95000
.600	34.850	-.01400	-.02200	-.01400	.10900	583.83000	2.66000	.00000	8.40000	.00000	5.94000
.604	36.130	-.01300	-.01900	-.01100	.10800	590.71000	2.66000	.00000	8.39000	.02000	5.94000
.603	37.410	-.01300	-.01900	-.01500	.10500	589.36000	2.66000	.00000	8.40000	.03000	5.96000
.600	38.690	-.01300	-.02200	-.01500	.10800	583.43000	2.67000	.00000	8.39000	.01000	5.95000
.599	39.960	-.01400	-.02300	-.01600	.10500	581.86000	2.67000	.00000	8.38000	.02000	5.95000
.600	41.240	-.01200	-.02100	-.01400	.10800	582.76000	2.66000	.00000	8.37000	.02000	5.95000
.603	42.520	-.01400	-.02000	-.01600	.10200	587.94000	2.67000	.00000	8.37000	.03000	5.95000
.602	43.790	-.01300	-.02100	-.01200	.10800	586.02000	2.67000	.00000	8.33000	.00000	5.92000
.603	45.070	-.01300	-.01900	-.01300	.10500	588.46000	2.66000	.00000	8.36000	.00000	5.95000
.601	46.340	-.01400	-.02200	-.01300	.10800	585.53000	2.67000	.00000	8.36000	.02000	5.95000
.603	47.620	-.01400	-.02000	-.01200	.10600	589.62000	2.67000	.00000	8.33000	.01000	5.94000
.600	48.900	-.01400	-.02200	-.01400	.10700	585.32000	2.67000	.00000	8.33000	.02000	5.94000
.601	50.180	-.01400	-.02000	-.01100	.10700	587.62000	2.67000	.00000	8.31000	.00000	5.93000
.602	51.460	-.01200	-.01800	-.01300	.10500	587.56000	2.67000	.00000	8.30000	.00000	5.93000
GRADIENT		.00039	.00048	.00052	-.00012	-.32834	.00000	.00000	-.00593	.00129	.00303

LTV44-559(CA26) 747/1 ATY 02 S1 (CARRIER DATA)

(SFE076) (24 MAR 76)

REFERENCE DATA

SREF = 5500.0000 SQ.FT. XMRP = 1339.9000 IN. XC
 LREF = 327.7800 IN. YMRP = .0000 IN. YC
 BREF = 2348.0400 IN. ZMRP = 190.7500 IN. ZC
 SCALE = .0125

PARAMETRIC DATA

ALPHAC = 2.000 BETAC = .000
 STAB = 5.000 ELEVON = .000
 BDFLAP = .000 DX = .000
 DY = .000 IORB = 8.000
 BETA = .000 RUDDER = .000

RUN NO. 56/ 0 RN/L = .00 GRADIENT INTERVAL = -5.00/ 5.00

MACH	DZ	CPC	CPSR1	CPSR2	CPSR3	Q(PSF)	ALPHAC	BETAC	ALPHA0	BETA0	INCID
.599	1.460	-.00700	-.02300	-.01600	.10800	579.89000	2.69000	.01000	10.60000	.04000	7.92000
.599	2.060	-.00800	-.02400	-.01700	.10700	580.03000	2.68000	.01000	10.60000	.06000	7.93000
.599	2.660	-.01000	-.02300	-.01600	.10800	580.92000	2.69000	.01000	10.60000	.06000	7.91000
.598	3.460	-.01000	-.02400	-.01400	.11100	579.40000	2.69000	.01000	10.61000	.07000	7.93000
.598	4.460	-.00900	-.02700	-.01800	.11100	580.35000	2.69000	.01000	10.59000	.05000	7.92000
.599	5.590	-.01200	-.02600	-.01900	.11000	581.92000	2.69000	.01000	10.56000	.03000	7.90000
.600	6.840	-.01100	-.02600	-.01800	.10900	582.33000	2.68000	.01000	10.58000	.05000	7.94000
.598	8.090	-.00800	-.02300	-.01600	.11100	579.80000	2.68000	.01000	10.54000	.02000	7.91000
.598	9.340	-.00900	-.02300	-.01500	.11000	579.12000	2.68000	.00000	10.56000	.03000	7.93000
.596	10.580	-.00900	-.02200	-.01400	.11300	576.25000	2.67000	.00000	10.55000	.05000	7.93000
.599	11.810	-.00600	-.02100	-.01500	.11100	581.50000	2.67000	.00000	10.54000	.00000	7.94000
.599	13.050	-.00900	-.02500	-.01700	.10900	581.16000	2.67000	.00000	10.52000	.00000	7.92000
.597	14.290	-.01100	-.02400	-.01600	.10900	577.40000	2.67000	.00000	10.52000	.07000	7.93000
.599	15.520	-.00600	-.02200	-.01600	.10800	580.70000	2.67000	.00000	10.52000	.02000	7.95000
.599	16.750	-.00800	-.02300	-.01600	.10700	580.23000	2.67000	.00000	10.51000	.01000	7.93000
.599	17.990	-.00700	-.02300	-.01600	.10800	579.89000	2.67000	.00000	10.51000	.04000	7.94000
.600	19.230	-.01000	-.02500	-.01700	.10800	583.09000	2.67000	.00000	10.51000	.05000	7.95000
.600	20.460	-.00800	-.02300	-.01600	.10800	582.95000	2.67000	.00000	10.47000	.06000	7.91000
.599	21.690	-.00700	-.02200	-.01600	.10500	580.84000	2.67000	.00000	10.45000	.06000	7.90000
.598	22.930	-.01300	-.02600	-.01500	.10500	579.01000	2.66000	.00000	10.47000	.00000	7.94000
.598	24.160	-.01000	-.02600	-.01700	.10600	577.17000	2.67000	.00000	10.47000	.01000	7.94000
.600	25.390	-.00700	-.02200	-.01600	.10600	580.60000	2.66000	.00000	10.46000	.00000	7.94000
.599	26.630	-.01300	-.02700	-.01700	.10400	579.64000	2.67000	.00000	10.42000	.02000	7.91000
.600	27.860	-.00900	-.02300	-.01500	.10500	581.42000	2.66000	.00000	10.44000	.00000	7.94000
.601	29.100	-.00700	-.01900	-.01400	.10600	583.18000	2.67000	.00000	10.44000	.01000	7.94000
.599	30.340	-.01000	-.02500	-.01600	.10500	580.04000	2.66000	.00000	10.40000	.06000	7.91000
.598	31.570	-.01000	-.02500	-.01700	.10500	578.95000	2.67000	.00000	10.39000	.06000	7.90000
.598	32.800	-.00800	-.02000	-.01200	.10700	578.33000	2.67000	.00000	10.40000	.00000	7.93000
.599	34.040	-.01100	-.02300	-.01400	.10600	580.65000	2.67000	.00000	10.42000	.00000	7.95000
.598	35.280	-.00900	-.02200	-.01600	.10500	578.67000	2.67000	.00000	10.41000	-.01000	7.95000
.600	36.510	-.00900	-.02100	-.01500	.10400	582.01000	2.66000	.00000	10.37000	.04000	7.91000
.599	37.740	-.01100	-.02500	-.01800	.10300	581.25000	2.67000	.00000	10.39000	.01000	7.94000
.599	38.980	-.00900	-.02400	-.01700	.10300	580.51000	2.67000	.00000	10.39000	.02000	7.94000
.599	40.220	-.01000	-.02100	-.01400	.10300	580.85000	2.67000	.00000	10.36000	.02000	7.92000
.599	41.450	-.01000	-.02300	-.01600	.10000	580.44000	2.67000	.00000	10.37000	-.02000	7.94000
.600	42.690	-.01000	-.02000	-.01200	.10300	582.89000	2.67000	.00000	10.35000	.04000	7.93000
.600	43.920	-.00900	-.01900	-.01000	.10600	582.41000	2.67000	.00000	10.36000	.04000	7.94000
.599	45.150	-.00900	-.02200	-.01300	.10700	581.59000	2.67000	.00000	10.33000	.04000	7.92000
.600	46.390	-.01000	-.02200	-.01200	.10500	583.50000	2.67000	.00000	10.34000	.00000	7.93000
.600	47.630	-.01100	-.02100	-.01100	.10200	582.83000	2.67000	.00000	10.32000	.00000	7.92000
.598	48.860	-.01000	-.02300	-.01300	.10400	578.53000	2.68000	.00000	10.31000	.01000	7.91000
.600	50.090	-.01000	-.02000	-.01200	.10400	582.55000	2.67000	.00000	10.30000	.04000	7.92000

LTV44-559(CA26) 747/1 ATY 02 S1 (CARRIER DATA)

(SFE076) (24 MAR 76)

REFERENCE DATA

SREF = 5500.0000 SQ.FT. XMRP = 1339.9000 IN. XC
 LREF = 327.7800 IN. YMRP = .0000 IN. YC
 BREF = 2348.0400 IN. ZMRP = 190.7500 IN. ZC
 SCALE = .0125

PARAMETRIC DATA

ALPHAC = 2.000 BETAC = .000
 STAB = 5.000 ELEVON = .000
 BDFLAP = .000 DX = .000
 DY = .000 TORB = 8.000
 BETAO = .000 RUDDER = .000

RUN NO. 56/ 0 RN/L = .00 GRADIENT INTERVAL = -5.00/ 5.00

MACH	DZ	CPCC	CPSB1	CPSB2	CPSB3	Q(PSF)	ALPHAC	BETAC	ALPHAO	BETAO	INCID
.598	51.330	-.00800	-.02300	-.01400	.10600	580.15000	2.67000	.00000	10.29000	.03000	7.91000
.599	52.570	-.01200	-.02300	-.01600	.10000	581.10000	2.67000	.00000	10.29000	.01000	7.93000
.598	53.800	-.01100	-.02400	-.01800	.13200	578.85000	2.67000	.00000	10.26000	.03000	7.90000
.602	55.040	-.01100	-.02200	-.01300	.10000	586.51000	2.68000	.00000	10.30000	.00000	7.94000
.598	56.270	-.01300	-.02200	-.01600	.10100	579.55000	2.68000	.00000	10.25000	.05000	7.89000
.601	57.500	-.01000	-.02300	-.01300	.10100	583.51000	2.68000	.00000	10.24000	.02000	7.90000
.596	58.120	-.01400	-.02400	-.01900	.10000	574.91000	2.67000	.00000	10.28000	.03000	7.94000
	GRADIENT	-.00071	-.00116	-.00022	.00137	.03057	.00137	.00000	-.00180	.00310	.00007

LTV44-559(CA26) 747/1 ATY 02 S1 (CARRIER DATA)

(SFE077) (24 MAR 76)

REFERENCE DATA

SREF = 5500.0000 SQ.FT. XMRP = 1339.9000 IN. XC
 LREF = 327.7800 IN. YMRP = .0000 IN. YC
 BREF = 2348.0400 IN. ZMRP = 190.7500 IN. ZC
 SCALE = .0125

PARAMETRIC DATA

ALPHAC = 2.000 BETAC = .000
 STAB = 5.000 ELEVON = 10.000
 BDFLAP = .000 DX = .000
 DY = .000 IORB = 6.000
 BETAO = .000 RUDDER = .000

RUN NO. 57/ 0 RN/L = .00 GRADIENT INTERVAL = -5.00/ 5.00

MACH	DZ	CPCC	CPSB1	CPSB2	CPSB3	Q(PSF)	ALPHAC	BETAC	ALPHAO	BETAO	INCLD
.602	1.460	.00100	-.01300	.00100	.11500	587.89000	2.76000	.01000	8.72000	.06000	5.96000
.601	2.060	-.00500	-.02000	-.00400	.11200	585.42000	2.76000	.01000	8.71000	.06000	5.96000
.603	2.660	.00100	-.01100	.00300	.11700	588.43000	2.76000	.01000	8.69000	.08000	5.94000
.604	3.360	.00000	-.01400	.00300	.11900	590.94000	2.75000	.01000	8.68000	.01000	5.94000
.602	4.160	.00000	-.01500	-.00100	.11500	588.95000	2.75000	.01000	8.68000	.00000	5.94000
.602	4.960	-.00300	-.01700	-.00200	.11100	587.54000	2.75000	.02000	8.65000	.09000	5.92000
.603	5.960	.00000	-.01600	.00300	.11600	588.43000	2.75000	.01000	8.66000	.06000	5.94000
.603	6.960	.00000	-.01700	.00200	.11800	589.25000	2.74000	.01000	8.65000	.07000	5.95000
.603	7.970	.00000	-.01800	.00200	.11800	588.91000	2.74000	.01000	8.64000	.07000	5.95000
.602	8.960	.00000	-.01600	.00000	.11900	587.21000	2.73000	.01000	8.62000	.06000	5.94000
.603	9.960	.00100	-.01600	.00000	.11900	589.66000	2.73000	.01000	8.61000	.07000	5.93000
.604	11.150	.00000	-.01400	.00000	.12000	590.47000	2.73000	.01000	8.57000	.08000	5.90000
.606	12.330	.00400	-.01100	.00600	.12300	593.55000	2.73000	.01000	8.58000	.08000	5.92000
.598	13.520	-.00400	-.01800	-.00400	.11400	580.71000	2.72000	.01000	8.58000	.05000	5.93000
.604	14.700	-.00400	-.01600	.00000	.11300	590.61000	2.72000	.01000	8.59000	.11000	5.95000
.601	15.900	-.00200	-.01800	-.00300	.11400	585.77000	2.72000	.01000	8.54000	.11000	5.91000
.601	17.080	-.00200	-.01800	.00000	.11600	585.16000	2.72000	.01000	8.57000	.11000	5.92000
.600	18.270	-.00400	-.02000	-.00200	.11300	584.20000	2.71000	.01000	8.51000	.08000	5.90000
.601	19.450	-.00500	-.01600	.00000	.11400	585.70000	2.71000	.01000	8.54000	.08000	5.94000
.600	20.640	-.00600	-.02000	-.00200	.11300	583.17000	2.71000	.01000	8.49000	.07000	5.89000
.600	21.810	-.00300	-.01500	.00100	.11500	583.45000	2.71000	.00000	8.52000	.09000	5.93000
.601	23.000	-.00400	-.02000	-.00200	.11100	585.43000	2.70000	.00000	8.49000	.09000	5.92000
.602	24.190	-.00600	-.02100	-.00500	.11100	587.06000	2.70000	.00000	8.51000	.08000	5.95000
.602	25.370	-.00700	-.02000	-.00300	.11000	587.00000	2.70000	.00000	8.47000	.07000	5.92000
.601	26.560	-.00700	-.02100	-.00400	.10900	585.71000	2.70000	.00000	8.48000	.07000	5.93000
.602	27.740	-.00800	-.02100	-.00300	.10900	585.99000	2.70000	.00000	8.46000	.12000	5.92000
.603	28.930	-.00400	-.01600	.00000	.11400	587.63000	2.69000	.00000	8.44000	.05000	5.92000
.598	30.110	-.00400	-.01400	.00000	.11400	579.91000	2.69000	.00000	8.47000	.07000	5.95000
.602	31.310	-.00200	-.01700	.00000	.11100	585.85000	2.69000	.00000	8.47000	.08000	5.95000
.602	32.490	-.00400	-.02100	-.00200	.10700	585.72000	2.69000	.00000	8.43000	.04000	5.93000
.601	33.680	-.00300	-.01900	-.00100	.11000	584.35000	2.69000	.00000	8.45000	.07000	5.95000
.600	34.860	-.00600	-.01900	-.00200	.10900	583.19000	2.69000	.00000	8.41000	.05000	5.92000
.604	36.050	-.00400	-.01500	-.00200	.11300	589.93000	2.69000	.00000	8.43000	.09000	5.94000
.602	37.230	-.00400	-.01900	-.00200	.11200	587.07000	2.69000	.00000	8.41000	.08000	5.94000
.602	38.420	-.00600	-.01600	-.00300	.11000	587.41000	2.69000	.00000	8.40000	.00000	5.93000
.602	39.610	-.00700	-.01800	-.00400	.10900	587.80000	2.69000	.00000	8.42000	.02000	5.96000
.602	40.790	-.00400	-.02000	-.00100	.11100	589.75000	2.68000	.00000	8.36000	.06000	5.91000
.601	41.980	-.00700	-.01800	-.00400	.10800	588.73000	2.69000	.00000	8.37000	.06000	5.92000
.602	43.160	-.00500	-.01600	-.00300	.11100	589.22000	2.68000	.00000	8.37000	.06000	5.93000
.603	44.350	-.00600	-.01700	-.00400	.10800	590.46000	2.68000	.00000	8.38000	.01000	5.95000
.601	45.530	-.00800	-.01600	-.00400	.10900	586.37000	2.68000	.00000	8.34000	.05000	5.92000
.600	46.720	-.00600	-.02100	-.00300	.10900	586.61000	2.68000	.00000	8.37000	.00000	5.96000

LTV44-559(CA26) 747/1 ATY 02 S1 (CARRIER DATA)

(SFED77) (24 MAR 76)

REFERENCE DATA

SREF =	5500.0000	SQ.FT.	XMRP =	1339.9000	IN. XC
LREF =	327.7800	IN.	YMRP =	.0000	IN. YC
BREF =	2348.0400	IN.	ZMRP =	190.7500	IN. ZC
SCALE =	.0125				

PARAMETRIC DATA

ALPHAC =	2.000	BETAC =	.000
STAB =	5.000	ELEVON =	10.000
BDFLAP =	.000	DX =	.000
DY =	.000	IORB =	6.000
BETAO =	.000	RUDDER =	.000

		RUN NO.	577 0	RN/L =	.00	GRADIENT INTERVAL =	-5.00/ 5.00				
MACH	DZ	CPC	CPSB1	CPSB2	CPSB3	Q(PSF)	ALPHAC	BETAC	ALPHAO	BETAO	INCID
.601	47.910	-.00800	-.01800	-.00400	.10800	588.52000	2.69000	.00000	8.36000	.02000	5.94000
.601	49.090	-.00700	-.01800	-.00500	.10700	587.11000	2.69000	.00000	8.32000	.03000	5.92000
.602	50.280	-.00700	-.01700	-.00500	.10800	588.16000	2.69000	.00000	8.34000	.04000	5.94000
.605	51.460	-.00900	-.01700	-.00500	.10700	591.71000	2.68000	.00000	8.32000	.05000	5.94000
	GRADIENT	-.00028	-.00038	-.00033	-.00048	.41539	-.00366	.00215	-.01828	-.00337	-.01056

LTV44-559(CA26) 747/1 ATY 02 S1 (CARRIER DATA)

(SFE078) (24 MAR 76)

REFERENCE DATA

SREF = 5500.0000 SQ.FT. XMRP = 1339.9000 IN. XC
 LREF = 327.7800 IN. YMRP = .0000 IN. YC
 BREF = 2348.0400 IN. ZMRP = 190.7500 IN. ZC
 SCALE = .0125

PARAMETRIC DATA

ALPHAC = 2.000 BETAC = .000
 STAB = 5.000 ELEVON = 5.000
 AILRON = -5.000 DX = .000
 DY = .000 IORB = 6.000
 BETAO = .000 DPHI = .000

RUN NO. 58/ 0 RN/L = .00 GRADIENT INTERVAL = -5.00/ 5.00

MACH	DZ	CPCC	CPSB1	CPSB2	CPSB3	Q(PSF)	ALPHAC	BETAC	ALPHAO	BETAO	INCID
.599	1.460	-.00700	-.02200	-.01800	.10700	579.92000	2.71000	.03000	.03000	.59000	5.91000
.594	2.060	-.00900	-.02600	-.02200	.10800	571.44000	2.71000	.03000	.03000	.59000	5.94000
.598	2.660	-.00400	-.02500	-.01800	.11400	578.15000	2.71000	.03000	.03000	.59000	5.93000
.600	3.360	-.00700	-.02000	-.01700	.11100	583.85000	2.71000	.03000	.03000	.60000	5.94000
.597	4.160	-.00700	-.02300	-.02100	.11000	578.85000	2.71000	.03000	.03000	.59000	5.91000
.598	4.960	-.00600	-.02100	-.01600	.11500	580.30000	2.70000	.03000	.03000	.59000	5.91000
.597	5.960	-.00600	-.02500	-.02200	.11300	578.99000	2.70000	.03000	.03000	.59000	5.91000
.599	6.960	-.00600	-.02400	-.01700	.11400	562.14000	2.70000	.02000	.02000	.59000	5.93000
.597	7.970	-.00600	-.02400	-.01900	.11200	577.97000	2.70000	.02000	.02000	.59000	5.94000
.598	8.960	-.00700	-.02100	-.01500	.11200	580.72000	2.69000	.02000	.02000	.59000	5.93000
.599	9.960	-.00700	-.02000	-.01400	.11300	581.62000	2.69000	.01000	.01000	.59000	5.94000
.599	11.150	-.00600	-.02200	-.01800	.11200	581.75000	2.69000	.01000	.01000	.59000	5.90000
.600	12.330	-.00800	-.02100	-.01500	.11100	583.31000	2.68000	.01000	.01000	.60000	5.91000
.595	13.520	-.00800	-.02600	-.02100	.11100	574.29000	2.68000	.00000	.00000	.59000	5.93000
.599	14.700	-.00800	-.02000	-.01400	.10900	581.13000	2.68000	.00000	.00000	.59000	5.93000
.597	15.900	-.00800	-.02400	-.01700	.11100	577.86000	2.68000	.00000	.00000	.59000	5.92000
.599	17.080	-.00800	-.02200	-.01900	.10600	581.06000	2.67000	.00000	.00000	.59000	5.91000
.598	18.270	-.00600	-.02300	-.01700	.11000	579.50000	2.68000	.00000	.00000	.59000	5.91000
.600	19.450	-.00700	-.01900	-.01300	.11000	582.97000	2.68000	.00000	.00000	.60000	5.95000
.596	20.640	-.00800	-.02400	-.01900	.11000	576.07000	2.67000	-.01000	-.01000	.59000	5.95000
.599	21.810	-.00700	-.01800	-.01300	.10700	580.66000	2.68000	-.01000	-.01000	.59000	5.91000
.599	23.000	-.00700	-.01800	-.01400	.10600	581.14000	2.68000	-.01000	-.01000	.59000	5.92000
.597	24.190	-.00900	-.02400	-.01900	.10700	577.10000	2.67000	-.02000	-.02000	.59000	5.94000
.597	25.370	-.00900	-.02300	-.02100	.10400	577.03000	2.67000	-.02000	-.02000	.59000	5.94000
.599	26.560	-.00800	-.01900	-.01500	.10600	590.46000	2.67000	-.02000	-.02000	.59000	5.91000
.596	27.740	-.00800	-.02400	-.01700	.10800	575.81000	2.67000	-.02000	-.02000	.59000	5.95000
.600	28.930	-.00700	-.01800	-.01500	.10500	582.71000	2.67000	-.02000	-.02000	.60000	5.92000
.599	30.110	-.00700	-.01800	-.01200	.10800	581.96000	2.67000	-.02000	-.02000	.59000	5.96000
.599	31.310	-.01000	-.01900	-.01400	.10500	580.92000	2.67000	-.02000	-.02000	.59000	5.95000
.597	32.490	-.01000	-.02500	-.01700	.10500	577.65000	2.67000	-.02000	-.02000	.59000	5.92000
.600	33.680	-.00700	-.01700	-.01200	.10900	582.91000	2.67000	-.02000	-.02000	.60000	5.94000
.598	34.860	-.00800	-.02200	-.01800	.10700	581.58000	2.67000	-.02000	-.02000	.59000	5.91000
.600	36.050	-.00700	-.01800	-.01500	.10500	584.71000	2.67000	-.02000	-.02000	.60000	5.94000
.599	37.230	-.00800	-.01900	-.01300	.10400	583.43000	2.67000	-.01000	-.01000	.59000	5.95000
.537	38.420	-.01300	-.02300	-.01700	.10600	578.65000	2.67000	-.01000	-.01000	.59000	5.91000
.598	39.610	-.00800	-.02100	-.01900	.10200	581.85000	2.67000	-.01000	-.01000	.59000	5.93000
.593	40.790	-.00800	-.01800	-.01300	.10600	581.12000	2.67000	-.01000	-.01000	.59000	5.91000
.597	41.980	-.01300	-.02500	-.01900	.10400	579.40000	2.67000	-.01000	-.01000	.59000	5.91000
.599	43.160	-.00900	-.02300	-.01700	.10100	582.69000	2.67000	-.01000	-.01000	.59000	5.91000
.598	44.350	-.01200	-.02400	-.01500	.10400	580.58000	2.67000	-.01000	-.01000	.59000	5.92000
.596	45.530	-.00900	-.02000	-.01300	.10600	575.95000	2.67000	.00000	.00000	.59000	5.94000
.598	46.720	-.01200	-.02300	-.01600	.10300	579.64000	2.68000	.00000	.00000	.59000	5.93000

LTV44-559(CA26) 747/1 ATY 02 S1 (CARRIER DATA)

(SFE078) (24 MAR 76)

REFERENCE DATA

SREF = 5500.0000 SQ.FT. XMRP = 1339.9000 IN. XC
 LREF = 327.7800 IN. YMRP = .0000 IN. YC
 BREF = 2348.0400 IN. ZMRP = 190.7500 IN. ZC
 SCALE = .0125

PARAMETRIC DATA

ALPHAC = 2.000 BETAC = .000
 STAB = 5.000 ELEVON = 5.000
 AILRON = -5.000 DX = .000
 DY = .000 IORB = 6.000
 BETAU = .000 DPHI = .000

RUN NO. 58/ 0 RN/L = .00 GRADIENT INTERVAL = -5.00/ 5.00

MACH	DZ	CPCC	CPSB1	CPSB2	CPSB3	Q(PSF)	ALPHAC	BETAC	ALPHA0	BETA0	INCID
.597	47.910	-.01200	-.02600	-.01800	.10200	577.72000	2.67000	.00000	.00000	.59000	5.91000
.600	49.090	-.00700	-.01900	-.01400	.10400	583.39000	2.68000	.00000	.00000	.60000	5.90000
.600	50.280	-.00700	-.01900	-.01600	.10500	583.25000	2.68000	.00000	.00000	.60000	5.94000
.598	51.460	-.01000	-.02100	-.01500	.10500	578.42000	2.68000	.00000	.00000	.59000	5.93000
	GRADIENT	.00030	.00080	.00058	.00171	1.19125	-.00215	.00000	.00000	.00029	-.00383

LTV44-559(CA26) 747/1 ATY 02 S1 (CARRIER DATA)

(SFE079) (24 MAR 76)

REFERENCE DATA

SREF = 5500.0000 SQ.FT. XMRP = 1339.9000 IN. XC
 LREF = 327.7800 IN. YMRP = .0000 IN. YC
 BREF = 2348.0400 IN. ZMRP = 190.7500 IN. ZC
 SCALE = .0125

PARAMETRIC DATA

ALPHAC = 2.000 BETAC = .000
 STAB = 5.000 RUDDER = 10.000
 ELEVON = 5.000 DX = .000
 DY = .000 IORB = 6.000
 BETAO = .000 DPHI = .000

RUN NO. 59/ 0 RN/L = .00 GRADIENT INTERVAL = -5.00/ 5.00

MACH	DZ	CPCG	CPSB1	CPSB2	CPSB3	Q(PSF)	ALPHAC	BETAC	ALPHAO	BETAO	INC10
.599	1.460	-.00900	-.02200	-.01200	.12100	580.79000	2.70000	.09000	7.89000	.12000	5.20000
.599	2.060	-.00800	-.02500	-.01100	.11700	581.27000	2.70000	.09000	7.90000	.10000	5.21000
.599	2.660	-.01000	-.02400	-.01200	.11800	581.14000	2.70000	.09000	7.89000	.09000	5.21000
.597	3.360	-.01400	-.03000	-.01700	.11400	577.83000	2.70000	.10000	7.89000	.11000	5.21000
.598	4.160	-.01200	-.02600	-.01300	.11600	579.82000	2.70000	.10000	7.90000	.15000	5.22000
.600	4.960	-.00900	-.02200	-.01300	.12100	585.13000	2.69000	.10000	7.91000	.13000	5.24000
.599	5.960	-.01200	-.02100	-.01300	.12000	583.22000	2.69000	.10000	7.87000	.16000	5.22000
.597	6.960	-.01400	-.02600	-.01400	.11700	578.51000	2.69000	.10000	7.86000	.11000	5.21000
.598	7.970	-.01000	-.02200	-.01300	.12100	580.57000	2.69000	.11000	7.88000	.13000	5.24000
.597	8.960	-.01300	-.02600	-.01300	.11500	577.70000	2.69000	.11000	7.86000	.13000	5.22000
.596	9.960	-.01300	-.02300	-.01400	.11500	575.59000	2.69000	.11000	7.87000	.10000	5.24000
.598	11.150	-.01200	-.02500	-.01100	.11400	580.18000	2.69000	.11000	7.85000	.14000	5.22000
.600	12.330	-.00900	-.02300	-.00800	.11600	583.05000	2.69000	.11000	7.84000	.14000	5.21000
.598	13.520	-.01000	-.02300	-.01300	.12000	580.15000	2.69000	.12000	7.82000	.12000	5.20000
.599	14.700	-.01000	-.02400	-.01000	.11700	583.50000	2.69000	.12000	7.83000	.13000	5.23000
.596	15.900	-.01400	-.02400	-.01300	.11300	575.58000	2.69000	.12000	7.81000	.14000	5.21000
.596	17.080	-.01500	-.02500	-.01300	.11200	576.48000	2.68000	.12000	7.79000	.12000	5.21000
.598	18.270	-.00900	-.02200	-.01100	.11700	579.03000	2.68000	.12000	7.79000	.12000	5.21000
.598	19.450	-.01400	-.02200	-.01200	.11200	579.23000	2.68000	.12000	7.78000	.08000	5.21000
.598	20.640	-.01300	-.02000	-.01300	.11500	580.71000	2.68000	.12000	7.77000	.12000	5.20000
.600	21.810	-.01200	-.02200	-.00600	.11400	584.93000	2.68000	.12000	7.78000	.12000	5.22000
.599	23.000	-.01300	-.02300	-.00900	.11200	581.26000	2.68000	.12000	7.76000	.12000	5.22000
.598	24.190	-.01400	-.02300	-.01400	.11000	578.67000	2.68000	.12000	7.77000	.14000	5.23000
.600	25.370	-.01600	-.02400	-.01200	.10900	582.64000	2.68000	.12000	7.73000	.11000	5.20000
.599	26.560	-.01400	-.02200	-.00900	.11000	580.94000	2.68000	.12000	7.75000	.15000	5.22000
.598	27.740	-.00900	-.02200	-.00900	.11700	580.04000	2.68000	.12000	7.72000	.10000	5.19000
.598	28.930	-.00900	-.02400	-.00900	.11500	579.97000	2.68000	.12000	7.73000	.14000	5.22000
.596	30.110	-.01100	-.02300	-.01000	.11400	576.42000	2.68000	.12000	7.71000	.09000	5.20000
.596	31.310	-.01200	-.02300	-.01000	.11400	576.42000	2.68000	.12000	7.69000	.14000	5.18000
.601	32.490	-.01000	-.02100	-.00600	.11400	585.63000	2.68000	.12000	7.70000	.09000	5.21000
.598	33.680	-.01000	-.02200	-.01000	.11600	580.22000	2.68000	.12000	7.68000	.10000	5.19000
.600	34.860	-.01000	-.02300	-.00700	.11400	583.77000	2.68000	.12000	7.67000	.10000	5.19000
.595	36.050	-.01300	-.02300	-.01200	.11100	574.47000	2.68000	.12000	7.67000	.10000	5.20000
.600	37.230	-.01300	-.02300	-.00600	.11200	583.91000	2.68000	.12000	7.66000	.17000	5.19000
.538	38.420	-.01500	-.02500	-.00900	.10800	581.24000	2.68000	.12000	7.65000	.14000	5.19000
.597	39.610	-.01000	-.02200	-.01100	.11300	579.20000	2.68000	.12000	7.64000	.10000	5.18000
.598	40.790	-.01200	-.02200	-.01100	.11100	580.50000	2.68000	.12000	7.64000	.08000	5.20000
.597	41.980	-.01400	-.02300	-.01200	.11000	578.38000	2.68000	.12000	7.65000	.08000	5.21000
.598	43.160	-.01400	-.02500	-.01300	.10800	580.02000	2.68000	.12000	7.62000	.08000	5.19000
.599	44.350	-.01100	-.02300	-.01200	.11000	582.82000	2.68000	.12000	7.61000	.09000	5.18000
.599	45.530	-.01500	-.02600	-.00900	.10800	581.73000	2.68000	.12000	7.58000	.14000	5.17000
.597	46.720	-.01300	-.02300	-.01200	.10900	579.07000	2.68000	.12000	7.60000	.08000	5.19000

LTV44-559(CA26) 747/1 ATY 02 S1 (CARRIER DATA)

(SFE079) (24 MAR 76)

REFERENCE DATA

SREF = 5500.0000 SQ.FT. XMRP = 1339.9000 IN. XC
 LREF = 327.7800 IN. YMRP = .0000 IN. YC
 BREF = 2348.0400 IN. ZMRP = 190.7500 IN. ZC
 SCALE = .0125

PARAMETRIC DATA

ALPHAC = 2.000 BETAC = .000
 STAB = 3.000 RUDDER = 10.000
 ELEVON = 5.000 DX = .000
 DY = .000 TORB = 6.000
 BETA0 = .000 DPHI = .000

		RUN NO.	59/ 0	RN/L =	.00	GRADIENT INTERVAL = -5.00/ 5.00					
MACH	DZ	CPCC	CPSB1	CPSB2	CPSB3	Q(PSF)	ALPHAC	BETAC	ALPHA0	BETA0	INCID
.597	47.910	-.01600	-.02500	-.01100	.10500	577.78000	2.68000	.12000	7.61000	.11000	5.21000
.597	49.090	-.01600	-.02300	-.01100	.10800	577.51000	2.68000	.12000	7.59000	.11000	5.20000
.598	50.280	-.01600	-.02400	-.01000	.10700	580.25000	2.68000	.12000	7.58000	.14000	5.19000
.600	51.460	-.01200	-.02400	-.00800	.11200	582.83000	2.68000	.12000	7.57000	.11000	5.18000
	GRADIENT	-.00058	-.00025	-.00060	-.00017	.65108	-.00215	.00366	.00430	.00952	.00958

LTV44-559(CA26) 747/1 ATY 02 S1 (CARRIER DATA)

(SFE080) (24 MAR 76)

REFERENCE DATA

SREF = 5500.0000 SQ.FT. XMRP = 1339.9000 IN. XC
 LREF = 327.7800 IN. YMRP = .0000 IN. YC
 BREF = 2348.0400 IN. ZMRP = 190.7500 IN. ZC
 SCALE = .0125

PARAMETRIC DATA

ALPHAC = 2.000 BETAC = -5.000
 STAB = 5.000 ELEVON = 5.000
 BDFLAP = .000 DX = .000
 DY = .000 IORB = 4.000
 BETAO = -5.000 RUDDER = .000

RUN NO. 60/ 0 RN/L = .00 GRADIENT INTERVAL = -5.00/ 5.00

MACH	OZ	CPCC	CPSB1	CPSB2	CPSB3	Q(PSF)	ALPHAC	BETAC	ALPHAO	BETAO	INCID
.589	1.460	-.03000	-.03800	-.03300	.10000	566.13000	2.66000	-5.04000	6.14000	-4.84000	3.48000
.592	2.060	-.02600	-.03000	-.02500	.10700	572.10000	2.65000	-5.04000	6.13000	-4.87000	3.48000
.592	2.660	-.02300	-.03200	-.02700	.10300	572.25000	2.66000	-5.04000	6.14000	-4.86000	3.50000
.592	3.360	-.02300	-.02800	-.02600	.11100	570.58000	2.66000	-5.03000	6.14000	-4.82000	3.49000
.591	4.160	-.02300	-.03200	-.02700	.10400	567.63000	2.66000	-5.03000	6.13000	-4.86000	3.49000
.591	4.960	-.02300	-.03200	-.02600	.10300	568.73000	2.66000	-5.02000	6.13000	-4.83000	3.49000
.591	6.960	-.02200	-.03100	-.02500	.10700	569.07000	2.66000	-5.02000	6.11000	-4.83000	3.48000
.593	8.960	-.02400	-.02800	-.02600	.10500	572.21000	2.66000	-5.01000	6.12000	-4.84000	3.51000
.591	10.460	-.02400	-.03000	-.02200	.10300	568.64000	2.66000	-4.99000	6.08000	-4.78000	3.47000
.589	11.460	-.02400	-.03400	-.02300	.10000	565.75000	2.66000	-4.99000	6.08000	-4.81000	3.48000
.592	12.450	-.02400	-.02800	-.02400	.10600	570.49000	2.66000	-4.99000	6.07000	-4.78000	3.47000
.591	13.450	-.02300	-.03100	-.02300	.10200	567.89000	2.67000	-4.99000	6.07000	-4.78000	3.48000
.592	14.440	-.02400	-.02900	-.02300	.10200	570.36000	2.66000	-4.98000	6.08000	-4.77000	3.50000
.590	15.440	-.02400	-.03300	-.02300	.10000	566.37000	2.66000	-4.98000	6.02000	-4.78000	3.45000
.593	16.430	-.02300	-.02600	-.02300	.10900	572.48000	2.66000	-4.98000	6.03000	-4.76000	3.46000
.593	17.430	-.02400	-.02400	-.02300	.10100	574.51000	2.66000	-4.97000	6.04000	-4.77000	3.47000
.590	18.420	-.02400	-.03300	-.02300	.10200	570.16000	2.66000	-4.97000	6.02000	-4.76000	3.47000
.589	19.420	-.02400	-.03200	-.02200	.09700	567.70000	2.66000	-4.97000	5.98000	-4.77000	3.43000
.590	20.410	-.02500	-.03100	-.02300	.09600	566.57000	2.66000	-4.97000	5.97000	-4.78000	3.42000
.591	21.410	-.02400	-.02700	-.02200	.09900	567.70000	2.66000	-4.97000	5.99000	-4.77000	3.45000
.590	22.390	-.02400	-.02700	-.02400	.09900	566.54000	2.66000	-4.96000	5.99000	-4.76000	3.45000
.592	23.390	-.02500	-.02700	-.02300	.10000	568.88000	2.67000	-4.96000	5.98000	-4.76000	3.44000
.592	24.390	-.02200	-.02600	-.02000	.10200	570.44000	2.66000	-4.96000	5.99000	-4.75000	3.46000
.591	25.380	-.02500	-.02800	-.01900	.09900	568.92000	2.67000	-4.96000	5.96000	-4.78000	3.44000
.592	26.380	-.02300	-.02800	-.01800	.10000	571.12000	2.67000	-4.96000	5.98000	-4.74000	3.47000
.593	27.370	-.02400	-.02600	-.01900	.10000	571.53000	2.67000	-4.96000	5.97000	-4.74000	3.46000
.593	28.370	-.02200	-.02700	-.01900	.09900	571.53000	2.67000	-4.96000	5.97000	-4.72000	3.46000
.591	29.360	-.02600	-.03300	-.02200	.09500	568.50000	2.67000	-4.96000	5.93000	-4.78000	3.43000
.594	30.360	-.02200	-.02600	-.02000	.10000	573.37000	2.67000	-4.96000	5.95000	-4.73000	3.45000
.591	31.350	-.02500	-.03100	-.02000	.09700	569.47000	2.67000	-4.96000	5.92000	-4.76000	3.43000
.593	32.350	-.02300	-.02700	-.01800	.10100	571.80000	2.67000	-4.96000	5.94000	-4.74000	3.46000
.592	33.340	-.02600	-.02900	-.01900	.09400	570.36000	2.67000	-4.96000	5.91000	-4.75000	3.43000
.591	34.340	-.02400	-.03000	-.01900	.09800	570.14000	2.67000	-4.96000	5.89000	-4.75000	3.41000
.590	35.340	-.02500	-.03200	-.02000	.09400	568.34000	2.67000	-4.96000	5.90000	-4.76000	3.43000
.530	36.330	-.02500	-.03200	-.01900	.09500	568.28000	2.67000	-4.96000	5.88000	-4.75000	3.42000
.591	37.320	-.02400	-.03000	-.02000	.09400	570.20000	2.67000	-4.96000	5.87000	-4.78000	3.41000
.589	38.320	-.02400	-.03300	-.02100	.09300	566.76000	2.67000	-4.96000	5.87000	-4.77000	3.42000
.591	39.310	-.02400	-.02900	-.01900	.09500	569.18000	2.67000	-4.96000	5.89000	-4.77000	3.45000
.591	40.310	-.02500	-.03100	-.02100	.09300	569.73000	2.67000	-4.96000	5.86000	-4.79000	3.44000
.590	41.310	-.02500	-.03300	-.02100	.09200	568.14000	2.67000	-4.96000	5.85000	-4.76000	3.42000
.590	42.300	-.02500	-.03200	-.01900	.09500	568.20000	2.67000	-4.96000	5.85000	-4.74000	3.42000
.593	43.290	-.02500	-.02800	-.01900	.09900	573.42000	2.67000	-4.96000	5.87000	-4.75000	3.45000

LTV44-559(CA26) 747/1 ATY 02 S1 (CARRIER DATA)

(SFE080) (24 MAR 76)

REFERENCE DATA

SREF = 5500.0000 SQ.FT. XMRP = 1339.9000 IN. XC
 LREF = 327.7800 IN. YMRP = .0000 IN. YC
 BREF = 2348.0400 IN. ZMRP = 190.7500 IN. ZC
 SCALE = .0125

PARAMETRIC DATA

ALPHAC = 2.000 BETAC = -5.000
 STAB = 5.000 ELEVON = 5.000
 BDFLAP = .000 DX = .000
 DY = .000 TORB = 4.000
 BETAO = -5.000 RUDDER = .000

RUN NO. 60/ 0 RN/L = .00 GRADIENT INTERVAL = -5.00/ 5.00

MACH	DZ	CPCC	CPSB1	CPSB2	CPSB3	Q(PSF)	ALPHAC	BETAC	ALPHAO	BETAO	INCID
.591	44.290	-.02600	-.03500	-.02000	.09200	569.65000	2.67000	-4.96000	5.87000	-4.77000	3.45000
.590	44.790	-.02700	-.03100	-.02000	.09900	567.60000	2.68000	-4.96000	5.86000	-4.77000	3.45000
	GRADIENT	.00171	.00102	.00115	.00044	-.17701	.00122	.00580	-.00215	.00499	.00261

LTV44-559(CA26) 747/1 ATY 02 S1 (CARRIER DATA)

(SFE081) (24 MAR 76)

REFERENCE DATA

SREF = 5500.0000 SQ.FT. XMRP = 1339.9000 IN. XC
 LREF = 327.7800 IN. YMRP = .0000 IN. YC
 BREF = 2348.0400 IN. ZMRP = 190.7500 IN. ZC
 SCALE = .0125

PARAMETRIC DATA

ALPHAC = 2.000 BETAC = -5.000
 STAB = 5.000 ELEVON = 5.000
 BDFLAP = .000 DX = .000
 DY = .000 TORB = 6.000
 BETAO = -5.000 RUDDER = .000

RUN NO. 1060/ 0 RN/L = .00 GRADIENT INTERVAL = -5.00/ 5.00

MACH	DZ	CPC	CPSB1	CPSB2	CPSB3	Q(PSF)	ALPHAC	BETAC	ALPHAQ	BETAQ	INCID
.592	1.470	-.02000	-.03500	-.02900	.10000	569.04000	2.68000	-5.03000	7.96000	-4.84000	5.28000
.591	2.070	-.01800	-.03000	-.02800	.10700	565.71000	2.68000	-5.02000	7.96000	-4.83000	5.29000
.591	2.670	-.01900	-.03400	-.02800	.10200	565.68000	2.68000	-5.02000	7.95000	-4.86000	5.29000
.589	3.370	-.02100	-.03600	-.02800	.10000	565.16000	2.68000	-5.02000	7.93000	-4.80000	5.26000
.589	4.170	-.02100	-.03500	-.02800	.10100	564.73000	2.68000	-5.02000	7.93000	-4.82000	5.26000
.593	4.960	-.01700	-.03000	-.02600	.10700	571.27000	2.68000	-5.02000	7.93000	-4.82000	5.27000
.592	6.970	-.01900	-.03300	-.02600	.10200	569.77000	2.68000	-5.00000	7.90000	-4.81000	5.26000
.590	8.970	-.02300	-.03300	-.02700	.10000	565.93000	2.68000	-5.00000	7.88000	-4.78000	5.25000
.592	10.600	-.02100	-.02800	-.02500	.10100	568.69000	2.67000	-4.99000	7.89000	-4.76000	5.27000
.590	11.880	-.02200	-.03100	-.02600	.10100	565.66000	2.67000	-4.99000	7.85000	-4.76000	5.24000
.592	13.160	-.01800	-.03100	-.02400	.10500	569.36000	2.67000	-4.99000	7.86000	-4.76000	5.26000
.590	14.440	-.01900	-.03100	-.02400	.10300	566.00000	2.67000	-4.98000	7.83000	-4.76000	5.24000
.592	15.710	-.01800	-.03200	-.02200	.09800	569.29000	2.67000	-4.98000	7.85000	-4.77000	5.26000
.592	16.990	-.01600	-.02700	-.02200	.10400	568.68000	2.68000	-4.98000	7.83000	-4.74000	5.24000
.592	18.270	-.01600	-.02600	-.02200	.10300	568.06000	2.67000	-4.97000	7.79000	-4.73000	5.22000
.592	19.540	-.01600	-.02700	-.02000	.10200	568.75000	2.67000	-4.97000	7.78000	-4.75000	5.22000
.590	20.820	-.02200	-.02900	-.02400	.09400	565.40000	2.67000	-4.97000	7.78000	-4.77000	5.23000
.590	22.090	-.02200	-.02700	-.02400	.09500	564.83000	2.67000	-4.97000	7.78000	-4.76000	5.23000
.590	23.360	-.02300	-.02700	-.02600	.09700	566.74000	2.67000	-4.96000	7.77000	-4.76000	5.23000
.593	24.650	-.02000	-.02900	-.02200	.09700	570.99000	2.67000	-4.96000	7.74000	-4.75000	5.22000
.590	25.920	-.02400	-.02900	-.02400	.09600	566.67000	2.67000	-4.96000	7.75000	-4.79000	5.23000
.589	27.200	-.02400	-.03100	-.02200	.09600	565.02000	2.67000	-4.96000	7.75000	-4.77000	5.23000
.591	28.470	-.02100	-.02700	-.02200	.09900	567.36000	2.67000	-4.96000	7.72000	-4.77000	5.22000
.589	29.750	-.02400	-.02900	-.02400	.09500	565.36000	2.67000	-4.96000	7.71000	-4.78000	5.21000
.591	31.030	-.01900	-.02700	-.02300	.10000	568.31000	2.67000	-4.96000	7.69000	-4.76000	5.19000
.591	32.300	-.02200	-.03000	-.01800	.09700	567.42000	2.67000	-4.96000	7.72000	-4.75000	5.24000
.590	33.580	-.02200	-.03100	-.01800	.09800	567.68000	2.67000	-4.97000	7.70000	-4.75000	5.21000
.589	34.850	-.02400	-.02800	-.02100	.09700	565.00000	2.67000	-4.96000	7.71000	-4.77000	5.24000
.589	36.130	-.02300	-.03000	-.01900	.09500	565.69000	2.67000	-4.97000	7.71000	-4.74000	5.25000
.592	37.410	-.01900	-.02700	-.01800	.09900	569.88000	2.67000	-4.96000	7.67000	-4.76000	5.21000
.592	38.690	-.01800	-.02600	-.01600	.10100	570.49000	2.67000	-4.97000	7.64000	-4.76000	5.19000
.590	39.960	-.02400	-.02700	-.02000	.09600	566.30000	2.67000	-4.96000	7.66000	-4.77000	5.21000
.591	41.240	-.02300	-.02800	-.01900	.09700	567.89000	2.67000	-4.97000	7.62000	-4.76000	5.18000
.593	42.520	-.01900	-.02500	-.01700	.10100	571.93000	2.67000	-4.97000	7.63000	-4.74000	5.20000
.593	43.790	-.01900	-.02800	-.01700	.09400	572.29000	2.68000	-4.97000	7.64000	-4.74000	5.21000
.592	45.070	-.02200	-.03000	-.01600	.09500	569.48000	2.67000	-4.97000	7.65000	-4.75000	5.24000
.593	46.340	-.01900	-.02700	-.01700	.09700	570.93000	2.68000	-4.96000	7.61000	-4.75000	5.20000
.592	47.620	-.02100	-.02600	-.01800	.09700	569.89000	2.68000	-4.96000	7.62000	-4.75000	5.22000
.593	48.900	-.01900	-.02900	-.01600	.09600	571.05000	2.67000	-4.97000	7.61000	-4.78000	5.22000
.593	50.180	-.02200	-.03000	-.01900	.09600	571.52000	2.67000	-4.97000	7.60000	-4.78000	5.22000
.590	51.460	-.02400	-.03200	-.01800	.09500	568.14000	2.68000	-4.97000	7.61000	-4.78000	5.24000
GRADIENT		.00020	.00038	.00062	.00067	.29690	.00000	.00192	-.01048	.00774	-.00693

ORIGINAL PAGE IS OF POOR QUALITY

LTV44-559(CA26) 747/1 ATY 02 S1 (CARRIER DATA)

(SFE082) (24 MAR 76)

REFERENCE DATA

SREF = 5500.0000 SQ.FT. XMRP = 1339.9000 IN. XC
 LREF = 327.7800 IN. YMRP = .0000 IN. YC
 BREF = 2348.0400 IN. ZMRP = 190.7500 IN. ZC
 SCALE = .0125

PARAMETRIC DATA

ALPHAC = 2.000 BETAC = -5.000
 STAB = 5.000 ELEVON = 5.000
 BOFLAP = .000 DX = .000
 DY = .000 TORB = 8.000
 BETAO = -5.000 RUDDER = .000

RUN NO. 617 0 RN/L = .00 GRADIENT INTERVAL = -5.00/ 5.00

MACH	OZ	CPCC	CPSB1	CPSB2	CPSB3	Q(PSF)	ALPHAC	BETAC	ALPHAO	BETAO	INCID
.594	1.460	-.02500	-.02800	-.01700	.10400	574.25000	2.72000	-5.02000	9.69000	-4.81000	6.98000
.592	2.060	-.02300	-.02600	-.02000	.10700	570.89000	2.71000	-5.02000	9.72000	-4.83000	7.02000
.594	2.660	-.02100	-.02700	-.01700	.10700	574.25000	2.71000	-5.02000	9.73000	-4.82000	7.03000
.592	3.460	-.02100	-.02700	-.01700	.11000	571.95000	2.71000	-5.02000	9.71000	-4.80000	7.01000
.590	4.460	-.02500	-.02600	-.01900	.10400	569.75000	2.71000	-5.01000	9.71000	-4.79000	7.02000
.593	5.590	-.02200	-.02700	-.01500	.10500	573.49000	2.71000	-5.00000	9.71000	-4.79000	7.03000
.593	6.840	-.02500	-.02700	-.01600	.10100	573.90000	2.70000	-5.01000	9.70000	-4.80000	7.04000
.591	8.090	-.02400	-.02700	-.01900	.10500	569.38000	2.70000	-5.00000	9.69000	-4.80000	7.03000
.593	9.340	-.02500	-.02600	-.01500	.10400	573.21000	2.70000	-5.00000	9.66000	-4.79000	7.01000
.594	10.580	-.02400	-.02700	-.01600	.10500	574.99000	2.69000	-5.00000	9.66000	-4.79000	7.02000
.592	11.810	-.02600	-.02800	-.02600	.10200	571.91000	2.70000	-4.99000	9.63000	-4.78000	6.99000
.592	13.050	-.02300	-.02900	-.02000	.10500	570.48000	2.69000	-4.99000	9.64000	-4.78000	7.02000
.593	14.290	-.02400	-.02700	-.02000	.10300	572.93000	2.69000	-4.99000	9.64000	-4.80000	7.03000
.593	15.520	-.02200	-.02800	-.01800	.10600	574.16000	2.69000	-4.99000	9.63000	-4.77000	7.03000
.593	16.750	-.02300	-.02800	-.02000	.10300	573.13000	2.68000	-4.99000	9.62000	-4.77000	7.00000
.593	17.990	-.02200	-.02700	-.01700	.10500	573.89000	2.69000	-4.99000	9.58000	-4.73000	7.00000
.594	19.230	-.02300	-.02500	-.01500	.10500	575.47000	2.69000	-4.98000	9.57000	-4.75000	6.99000
.593	20.460	-.02300	-.02500	-.01400	.10400	572.96000	2.68000	-4.98000	9.59000	-4.77000	7.03000
.591	21.690	-.02800	-.02800	-.01900	.10100	567.95000	2.68000	-4.98000	9.54000	-4.76000	6.99000
.591	22.930	-.02400	-.02900	-.02000	.10300	567.28000	2.68000	-4.98000	9.54000	-4.77000	6.99000
.591	24.160	-.02400	-.02900	-.01900	.10500	567.76000	2.68000	-4.97000	9.53000	-4.76000	6.99000
.592	25.390	-.02500	-.02700	-.01600	.10500	570.97000	2.68000	-4.97000	9.54000	-4.76000	7.01000
.593	26.630	-.02600	-.03000	-.01900	.09900	571.59000	2.68000	-4.97000	9.53000	-4.74000	7.01000
.594	27.860	-.02500	-.02600	-.01900	.09800	573.38000	2.68000	-4.97000	9.53000	-4.74000	7.01000
.594	29.100	-.02600	-.02500	-.01500	.10200	573.05000	2.68000	-4.97000	9.52000	-4.75000	7.01000
.594	30.340	-.02400	-.02600	-.01500	.10500	573.72000	2.68000	-4.97000	9.50000	-4.75000	6.99000
.595	31.570	-.02500	-.02500	-.01700	.10100	576.37000	2.68000	-4.97000	9.49000	-4.72000	6.99000
.594	32.800	-.02600	-.02600	-.02000	.09700	575.13000	2.68000	-4.96000	9.50000	-4.72000	7.01000
.593	34.040	-.02600	-.02700	-.02100	.09600	573.90000	2.68000	-4.96000	9.49000	-4.72000	7.01000
.592	35.280	-.02600	-.02800	-.01500	.10300	571.58000	2.67000	-4.97000	9.46000	-4.75000	6.99000
.593	36.510	-.02600	-.02500	-.01700	.09800	573.15000	2.68000	-4.96000	9.48000	-4.76000	7.01000
.593	37.740	-.02500	-.02400	-.01600	.09900	573.02000	2.68000	-4.97000	9.45000	-4.75000	6.99000
.592	38.980	-.02700	-.03000	-.01900	.10100	570.49000	2.68000	-4.97000	9.46000	-4.74000	7.00000
.591	40.220	-.02600	-.02900	-.02000	.09900	569.67000	2.68000	-4.97000	9.44000	-4.73000	6.99000
.533	41.450	-.02700	-.02600	-.01500	.09900	572.96000	2.68000	-4.97000	9.43000	-4.73000	6.99000
.591	42.690	-.02800	-.03000	-.02100	.09700	570.34000	2.68000	-4.97000	9.44000	-4.73000	7.00000
.594	43.920	-.02700	-.02700	-.02100	.09500	574.93000	2.68000	-4.97000	9.39000	-4.74000	6.97000
.592	45.150	-.02800	-.02700	-.01800	.09900	571.64000	2.68000	-4.97000	9.42000	-4.73000	7.00000
.593	46.390	-.02800	-.02900	-.01700	.09300	573.07000	2.68000	-4.97000	9.38000	-4.73000	6.97000
.594	47.630	-.02800	-.02900	-.02300	.09100	574.92000	2.68000	-4.97000	9.39000	-4.75000	6.99000
.593	48.860	-.02700	-.02900	-.02100	.09400	574.03000	2.68000	-4.97000	9.36000	-4.72000	6.97000
.593	50.090	-.03100	-.03300	-.02400	.09100	572.46000	2.68000	-4.97000	9.38000	-4.75000	7.00000

DATE 29 MAR 76

CA-26 FORCE SOURCE DATA TABULATION

PAGE 949

LTV44-559(CA26) 747/1 ATY 02 S1 (CARRIER DATA)

(SFE082) (24 MAR 76)

REFERENCE DATA

SREF = 5500.0000 SQ.FT. XMRP = 1339.9000 IN. XC
 LREF = 327.7800 IN. YMRP = .0000 IN. YC
 BREF = 2348.0400 IN. ZMRP = 190.7500 IN. ZC
 SCALE = .0125

PARAMETRIC DATA

ALPHAC = 2.000 BETAC = -5.000
 STAB = 5.000 ELEVON = 5.000
 SDFLAP = .000 DX = .000
 DY = .000 IORB = 8.000
 BETA0 = -5.000 RUDDER = .000

RUN NO. 61/ 0 RN/L = .00 GRADIENT INTERVAL = -5.00/ 5.00

MACH	DZ	CPCC	CPSB1	CPSB2	CPSB3	Q(PSF)	ALPHAC	BETAC	ALPHA0	BETA0	INC10
.595	51.330	-.02600	-.02700	-.02400	.09200	576.71000	2.68000	-4.96000	9.34000	-4.71000	5.96000
.593	52.570	-.03000	-.03100	-.02300	.09300	573.14000	2.68000	-4.97000	9.37000	-4.72000	6.99000
.594	53.800	-.02700	-.02800	-.02700	.09100	574.86000	2.68000	-4.97000	9.35000	-4.74000	6.98000
.593	55.040	-.03200	-.03200	-.02400	.09200	572.20000	2.68000	-4.96000	9.36000	-4.74000	7.01000
GRADIENT		.00007	.00040	-.00018	.00019	-1.13444	-.00245	.00295	.00295	.01009	.00836

LTV44-559(CA26) 747/1 ATY 02 S1 (CARRIER DATA)

(SFE083) (24 MAR 76)

REFERENCE DATA

SREF = 5500.0000 SQ.FT. XMRP = 1339.9000 IN. XC
 LREF = 327.7800 IN. YMRP = .0000 IN. YC
 BREF = 2348.0400 IN. ZMRP = 190.7500 IN. ZC
 SCALE = .0125

PARAMETRIC DATA

ALPHAC = 2.000 BETAC = -5.000
 STAB = 5.000 ELEVON = 5.000
 BOFLAP = .000 DY = .000
 DZ = .000 IORB = 6.000
 BETAO = .000 RUDDER = .000

RUN NO. 62/ 0 RN/L = .00 GRADIENT INTERVAL = -5.00/ 5.00

MACH	DX	CPCC	CPSB1	CPSB2	CPSB3	Q(PSF)	ALPHAC	BETAC	ALPHAO	BETAO	INCID
.596	.000	-.02100	-.03100	-.01500	.10600	580.07000	2.67000	-5.01000	7.89000	-.34000	5.22000
.597	.570	-.01600	-.02700	-.01400	.11300	581.17000	2.68000	-5.01000	7.89000	-.32000	5.22000
.596	1.140	-.02200	-.02800	-.01700	.11000	579.25000	2.68000	-5.01000	7.88000	-.32000	5.21000
.597	1.710	-.02400	-.03000	-.01900	.10700	581.37000	2.68000	-5.01000	7.86000	-.34000	5.19000
.600	2.290	-.02100	-.03000	-.01600	.10700	586.64000	2.68000	-5.01000	7.88000	-.38000	5.20000
.599	2.860	-.01700	-.03000	-.01600	.11300	583.51000	2.68000	-5.01000	7.89000	-.32000	5.22000
.600	3.430	-.02300	-.03000	-.01600	.10800	586.09000	2.68000	-5.01000	7.89000	-.37000	5.22000
.598	4.010	-.01900	-.02900	-.01900	.11200	582.89000	2.68000	-5.01000	7.89000	-.31000	5.21000
.598	4.570	-.02400	-.03000	-.02200	.10800	582.94000	2.68000	-5.01000	7.87000	-.34000	5.19000
.600	5.140	-.02200	-.03200	-.01800	.10900	585.87000	2.69000	-5.01000	7.90000	-.38000	5.22000
.600	5.710	-.02000	-.03100	-.01600	.11000	587.51000	2.69000	-5.01000	7.91000	-.34000	5.23000
.597	6.300	-.02500	-.03300	-.02300	.10800	581.91000	2.68000	-5.01000	7.88000	-.33000	5.20000
.600	6.860	-.01900	-.03300	-.01600	.11100	587.04000	2.69000	-5.01000	7.92000	-.33000	5.23000
.599	7.430	-.02100	-.03400	-.02000	.11000	584.85000	2.69000	-5.01000	7.89000	-.30000	5.20000
.598	8.000	-.02400	-.03400	-.02200	.10800	583.41000	2.69000	-5.01000	7.89000	-.34000	5.20000
.601	8.580	-.02500	-.03200	-.01900	.10700	589.21000	2.69000	-5.01000	7.92000	-.37000	5.23000
.599	9.150	-.02800	-.03400	-.02300	.10400	584.77000	2.70000	-5.01000	7.91000	-.37000	5.22000
.599	9.700	-.02200	-.03500	-.01900	.11000	584.85000	2.70000	-5.00000	7.90000	-.30000	5.20000
.597	10.270	-.02700	-.03600	-.02300	.10500	582.31000	2.70000	-5.00000	7.91000	-.36000	5.21000
.598	10.840	-.02300	-.03600	-.01900	.10800	583.42000	2.70000	-5.00000	7.89000	-.30000	5.20000
.598	11.410	-.02900	-.03700	-.02400	.10200	584.30000	2.70000	-5.00000	7.93000	-.37000	5.23000
.598	11.990	-.02400	-.03700	-.02100	.10700	582.94000	2.70000	-5.00000	7.91000	-.34000	5.21000
.597	12.560	-.02600	-.03600	-.02400	.10500	580.41000	2.71000	-5.00000	7.91000	-.32000	5.20000
.598	13.130	-.02400	-.03700	-.02100	.10700	582.73000	2.70000	-5.00000	7.91000	-.32000	5.21000
.599	13.710	-.02800	-.03600	-.02000	.10400	585.87000	2.71000	-5.00000	7.93000	-.32000	5.23000
.598	14.280	-.03000	-.03500	-.02400	.10100	583.54000	2.71000	-5.00000	7.94000	-.38000	5.24000
.597	14.850	-.02800	-.04000	-.02400	.10300	581.76000	2.71000	-4.99000	7.94000	-.38000	5.24000
.597	15.420	-.02600	-.03800	-.02300	.10300	581.70000	2.71000	-4.99000	7.95000	-.38000	5.24000
.598	16.000	-.02700	-.03800	-.02100	.10300	583.88000	2.71000	-4.99000	7.94000	-.35000	5.23000
.599	16.570	-.02800	-.03700	-.02000	.10100	585.45000	2.71000	-4.99000	7.93000	-.31000	5.22000
.598	17.140	-.02800	-.03900	-.02200	.10000	583.33000	2.72000	-4.99000	7.94000	-.34000	5.23000
.597	17.720	-.03200	-.04000	-.02800	.09600	581.14000	2.72000	-4.99000	7.95000	-.35000	5.24000
.597	18.290	-.02900	-.03800	-.02300	.10000	580.95000	2.72000	-4.99000	7.96000	-.36000	5.25000
.599	18.840	-.03200	-.03600	-.02300	.09500	584.71000	2.72000	-4.99000	7.93000	-.29000	5.22000
.538	19.410	-.02900	-.03700	-.01900	.10000	583.76000	2.72000	-4.99000	7.96000	-.36000	5.25000
.597	19.980	-.03100	-.03900	-.02400	.09700	580.74000	2.72000	-4.99000	7.94000	-.32000	5.23000
	GRADIENT	-.00046	-.00017	-.00111	.00021	.94596	.00116	-.50000	-.00086	-.00145	-.00290

LTV44-559(CA25) 747/1 ATY 02 S1 (CARRIER DATA)

(SFE084) (24 MAR 76)

REFERENCE DATA

SREF = 5500.0000 SQ. FT. XMRP = 1339.9000 IN. XC
 LREF = 327.7800 IN. YMRP = .0000 IN. YC
 BREF = 2348.0400 IN. ZMRP = 190.7500 IN. ZC
 SCALE = .0125

PARAMETRIC DATA

ALPHAC = 2.000 BETAC = -5.000
 STAB = 5.000 ELEVON = 5.000
 BDFLAP = .000 DY = .000
 DZ = 15.000 ICRB = 6.000
 BETA0 = .000 RUDDER = .000

RUN NO. 1062/ 0 RN/L = .00 GRADIENT INTERVAL = -5.00/ 5.00

MACH	DX	CPCC	CPSB1	CPSB2	CPSB3	Q(PSF)	ALPHAC	BETAC	ALPHA0	BETA0	INCID
.599	.570	-.02000	-.02700	-.01400	.11100	585.85000	2.67000	-4.97000	7.78000	-.32000	5.20000
.599	1.140	-.02200	-.03300	-.02000	.10800	585.58000	2.67000	-4.97000	7.79000	-.34000	5.21000
.599	1.710	-.02200	-.02700	-.01600	.10600	583.82000	2.67000	-4.97000	7.81000	-.32000	5.23000
.598	2.290	-.01700	-.02600	-.01100	.11400	581.12000	2.67000	-4.97000	7.78000	-.25000	5.19000
.596	2.860	-.02100	-.03200	-.01700	.11100	578.31000	2.67000	-4.97000	7.78000	-.26000	5.19000
.596	3.430	-.02500	-.03500	-.01900	.10600	578.92000	2.67000	-4.97000	7.77000	-.29000	5.19000
.597	4.010	-.02100	-.03000	-.01500	.11100	579.21000	2.67000	-4.97000	7.79000	-.26000	5.20000
.598	4.580	-.02200	-.02700	-.01200	.11100	581.94000	2.67000	-4.97000	7.80000	-.30000	5.21000
.599	5.150	-.02300	-.02600	-.01400	.10800	583.99000	2.67000	-4.97000	7.81000	-.32000	5.23000
.600	5.720	-.02200	-.02600	-.01300	.11000	584.67000	2.67000	-4.97000	7.81000	-.34000	5.22000
.599	6.300	-.02300	-.03000	-.02000	.10800	583.36000	2.67000	-4.97000	7.79000	-.28000	5.20000
.599	6.870	-.02200	-.02900	-.01400	.11200	583.71000	2.67000	-4.97000	7.81000	-.32000	5.20000
.597	7.420	-.02300	-.03300	-.02100	.10700	581.31000	2.67000	-4.97000	7.78000	-.26000	5.19000
.598	7.990	-.02700	-.03700	-.02100	.10300	582.12000	2.67000	-4.97000	7.79000	-.32000	5.21000
.599	8.560	-.02500	-.03000	-.02000	.10500	584.85000	2.67000	-4.97000	7.78000	-.25000	5.20000
.601	9.140	-.02500	-.02800	-.01700	.10400	588.67000	2.67000	-4.97000	7.82000	-.32000	5.23000
.600	9.710	-.02300	-.02900	-.01500	.10900	587.24000	2.67000	-4.97000	7.81000	-.33000	5.22000
.600	10.280	-.02400	-.03000	-.01600	.10700	585.95000	2.67000	-4.97000	7.80000	-.34000	5.21000
.600	10.850	-.02500	-.02900	-.01800	.10700	585.41000	2.67000	-4.97000	7.81000	-.31000	5.22000
.599	11.430	-.02500	-.03000	-.01700	.10400	584.39000	2.67000	-4.97000	7.81000	-.33000	5.22000
.600	12.000	-.02600	-.03000	-.01700	.10300	586.31000	2.68000	-4.97000	7.82000	-.32000	5.23000
.598	12.570	-.02500	-.03300	-.01800	.10700	581.47000	2.67000	-4.97000	7.80000	-.29000	5.21000
.599	13.150	-.02700	-.03000	-.02000	.10200	584.60000	2.67000	-4.96000	7.80000	-.25000	5.21000
.598	13.720	-.02700	-.03300	-.02700	.10200	581.59000	2.67000	-4.96000	7.80000	-.26000	5.21000
.599	14.290	-.02700	-.03100	-.01700	.10300	583.99000	2.67000	-4.97000	7.79000	-.25000	5.20000
.598	14.860	-.02700	-.03300	-.02000	.10300	581.73000	2.67000	-4.97000	7.79000	-.26000	5.20000
.599	15.440	-.02600	-.03000	-.01700	.10200	583.17000	2.67000	-4.96000	7.82000	-.32000	5.23000
.600	16.010	-.02600	-.03100	-.01500	.10200	585.08000	2.67000	-4.96000	7.79000	-.26000	5.20000
.600	16.560	-.02500	-.02800	-.01600	.10200	585.02000	2.67000	-4.96000	7.79000	-.25000	5.20000
.600	17.130	-.02800	-.03700	-.02300	.10000	585.55000	2.68000	-4.96000	7.79000	-.27000	5.20000
.599	17.700	-.03100	-.03400	-.02300	.09800	584.12000	2.67000	-4.97000	7.79000	-.26000	5.20000
.599	18.280	-.02500	-.03300	-.01500	.10400	583.58000	2.68000	-4.96000	7.81000	-.31000	5.22000
.599	18.850	-.02500	-.03400	-.01700	.10300	582.83000	2.68000	-4.96000	7.81000	-.31000	5.22000
.597	19.420	-.02700	-.03500	-.02100	.10100	580.50000	2.68000	-4.96000	7.83000	-.34000	5.23000
.631	20.000	-.02900	-.03100	-.01700	.09800	586.45000	2.68000	-4.96000	7.80000	-.25000	5.20000
GRADIENT		-.00045	-.00031	.00050	.00025	-1.59348	.00000	-.00000	.00041	.01290	-.00208

LTV44-559(CA26) 747/1 ATY 02 S1 (CARRIER DATA)

(SFE085) (24 MAR 76)

REFERENCE DATA

SREF = 5500.0000 SQ.FT. XMRP = 1339.9000 IN. XC
 LREF = 327.7800 IN. YMRP = .0000 IN. YC
 BREF = 2348.0400 IN. ZMRP = 190.7500 IN. ZC
 SCALE = .0125

PARAMETRIC DATA

ALPHAC = 2.000 BETAC = -5.000
 STAB = 5.000 ELEVON = 5.000
 BOFLAP = .000 DY = .000
 OZ = 60.000 IORB = 6.000
 BETAO = .000 RUDDER = .000

RUN NO. 2062/ 0 RN/L = .00 GRADIENT INTERVAL = -5.00/ 5.00

MACH	DX	CPC	CPSB1	CPSB2	CPSB3	Q(PSF)	ALPHAC	BETAC	ALPHAO	BETAO	INCLD
.597	.590	-.02700	-.03100	-.01800	.09800	580.43000	2.67000	-4.98000	7.57000	-.27000	5.19000
.598	1.170	-.02500	-.02700	-.01700	.10300	580.99000	2.68000	-4.98000	7.56000	-.32000	5.19000
.601	1.740	-.01800	-.02600	-.01100	.10500	586.26000	2.67000	-4.98000	7.53000	-.30000	5.16000
.599	2.310	-.02300	-.02500	-.01400	.10300	581.76000	2.68000	-4.98000	7.56000	-.31000	5.18000
.599	2.890	-.02600	-.03200	-.01700	.09800	583.04000	2.68000	-4.98000	7.54000	-.28000	5.17000
.601	3.460	-.02300	-.02700	-.01700	.10300	586.66000	2.68000	-4.98000	7.53000	-.29000	5.15000
.599	4.030	-.02200	-.02800	-.01500	.10400	582.49000	2.68000	-4.98000	7.57000	-.28000	5.19000
.602	4.600	-.01900	-.02600	-.01300	.10500	588.64000	2.68000	-4.98000	7.53000	-.27000	5.15000
.601	5.180	-.02300	-.03100	-.01500	.10000	587.33000	2.68000	-4.98000	7.55000	-.25000	5.17000
.599	5.720	-.02400	-.03100	-.01500	.10000	584.12000	2.68000	-4.98000	7.56000	-.24000	5.19000
.600	6.280	-.02300	-.03100	-.01500	.10200	585.82000	2.67000	-4.98000	7.55000	-.26000	5.18000
.600	6.870	-.02400	-.03100	-.01600	.10100	586.16000	2.67000	-4.97000	7.55000	-.27000	5.18000
.600	7.440	-.02100	-.02900	-.01500	.10300	586.97000	2.67000	-4.97000	7.55000	-.27000	5.18000
.601	8.020	-.02300	-.02700	-.01500	.10400	588.61000	2.67000	-4.98000	7.55000	-.27000	5.17000
.600	8.590	-.02200	-.02900	-.01400	.10300	586.90000	2.68000	-4.98000	7.56000	-.27000	5.18000
.600	9.160	-.02300	-.03100	-.01400	.09900	586.21000	2.68000	-4.97000	7.55000	-.29000	5.17000
.601	9.730	-.02400	-.02700	-.01500	.10400	588.06000	2.67000	-4.97000	7.57000	-.27000	5.19000
.597	10.310	-.02400	-.03300	-.01700	.09700	581.09000	2.68000	-4.97000	7.54000	-.33000	5.16000
.597	10.880	-.02600	-.03400	-.01800	.09700	580.27000	2.68000	-4.97000	7.53000	-.32000	5.15000
.598	11.450	-.02200	-.03000	-.01800	.10100	581.79000	2.68000	-4.97000	7.57000	-.26000	5.19000
.598	12.030	-.02200	-.03000	-.01800	.10100	582.01000	2.68000	-4.98000	7.57000	-.28000	5.19000
.599	12.600	-.02700	-.03100	-.01800	.09800	581.94000	2.68000	-4.98000	7.54000	-.30000	5.16000
.597	13.170	-.02400	-.03100	-.02000	.10100	580.51000	2.67000	-4.98000	7.57000	-.26000	5.19000
.597	13.750	-.02800	-.03300	-.01800	.09800	579.20000	2.67000	-4.97000	7.56000	-.24000	5.18000
.596	14.320	-.02700	-.03500	-.01800	.09800	578.24000	2.68000	-4.98000	7.57000	-.28000	5.19000
.598	14.860	-.02700	-.03100	-.01800	.09900	580.85000	2.67000	-4.97000	7.54000	-.33000	5.17000
.598	15.440	-.02500	-.03000	-.01900	.09900	581.26000	2.67000	-4.97000	7.56000	-.28000	5.18000
.599	16.010	-.02200	-.03000	-.01800	.10000	583.31000	2.67000	-4.97000	7.57000	-.31000	5.20000
.599	16.580	-.02400	-.02700	-.01800	.10000	584.27000	2.67000	-4.98000	7.55000	-.25000	5.18000
.601	17.140	-.02200	-.02800	-.01800	.10000	586.93000	2.67000	-4.97000	7.54000	-.32000	5.17000
.595	17.720	-.03400	-.03700	-.02400	.09200	576.86000	2.67000	-4.98000	7.56000	-.28000	5.19000
.598	18.290	-.02800	-.03300	-.01900	.09500	581.12000	2.67000	-4.97000	7.57000	-.25000	5.20000
.600	18.880	-.02100	-.02900	-.01700	.10300	585.77000	2.68000	-4.97000	7.55000	-.26000	5.17000
.599	19.440	-.02500	-.03100	-.01600	.10100	584.20000	2.67000	-4.97000	7.53000	-.30000	5.16000
.598	20.010	-.02800	-.03300	-.01800	.09700	581.39000	2.67000	-4.97000	7.54000	-.32000	5.17000
GRADIENT		.00110	.00041	.00050	.00089	1.40187	.00208	.00000	-.00520	.00539	-.00665

LTV44-559(CA26) 747/1 ATY 02 S1 (CARRIER DATA)

(SFE086) (24 MAR 76)

REFERENCE DATA

SREF = 5500.0000 SQ.FT. XMRP = 1339.9000 IN. XC
 LREF = 327.7800 IN. YMRP = .0000 IN. YC
 BREF = 2348.0400 IN. ZMRP = 190.7500 IN. ZC
 SCALE = .0125

PARAMETRIC DATA

ALPHAC = 2.000 BETAC = -5.000
 STAB = 5.000 ELEVON = 5.000
 BOFLAP = .000 DX = .000
 DZ = .000 IORB = 6.000
 BETA0 = .000 RUDDER = .000

RUN NO. 63/ 0 RN/L = .00 GRADIENT INTERVAL = -5.00/ 5.00

MACH	DY	CPCC	CPSB1	CPSB2	CPSB3	Q(PSF)	ALPHAC	BETAC	ALPHA0	BETA0	INCID
.594	-10.000	-.02800	-.03600	-.02600	.10000	575.26000	2.71000	-5.05000	7.90000	-.35000	5.20000
.594	-9.420	-.02600	-.03100	-.01900	.10400	574.93000	2.70000	-5.05000	7.89000	-.35000	5.19000
.592	-8.850	-.02700	-.03600	-.02400	.10200	572.39000	2.71000	-5.05000	7.92000	-.34000	5.21000
.594	-8.280	-.02500	-.03100	-.02000	.10200	575.82000	2.70000	-5.04000	7.89000	-.34000	5.19000
.592	-7.710	-.02700	-.03500	-.02200	.10300	573.07000	2.71000	-5.04000	7.93000	-.29000	5.23000
.593	-7.140	-.02500	-.03100	-.01600	.10600	573.29000	2.71000	-5.04000	7.92000	-.30000	5.21000
.592	-6.560	-.02500	-.03400	-.02300	.10200	571.43000	2.71000	-5.03000	7.91000	-.32000	5.20000
.593	-5.990	-.02400	-.03000	-.01600	.10500	573.83000	2.71000	-5.03000	7.91000	-.34000	5.20000
.594	-5.420	-.02400	-.02900	-.01900	.10200	576.63000	2.70000	-5.02000	7.93000	-.31000	5.23000
.594	-4.850	-.02200	-.02900	-.02100	.10300	576.15000	2.70000	-5.02000	7.91000	-.35000	5.21000
.593	-4.280	-.02400	-.03300	-.02200	.10400	574.17000	2.70000	-5.02000	7.91000	-.34000	5.21000
.594	-3.710	-.02300	-.03200	-.02300	.10300	576.77000	2.70000	-5.01000	7.90000	-.35000	5.20000
.591	-3.130	-.03000	-.03900	-.02800	.10400	570.04000	2.70000	-5.01000	7.91000	-.31000	5.21000
.594	-2.570	-.02300	-.02800	-.01900	.10700	576.37000	2.70000	-5.01000	7.88000	-.36000	5.19000
.595	-1.990	-.02400	-.02900	-.01900	.10800	576.51000	2.69000	-5.02000	7.89000	-.37000	5.20000
.593	-1.420	-.02300	-.03100	-.02000	.11000	573.37000	2.68000	-5.01000	7.90000	-.34000	5.22000
.595	-.850	-.02200	-.02900	-.02200	.10600	576.72000	2.68000	-5.01000	7.91000	-.32000	5.23000
.593	-.270	-.02400	-.03400	-.02300	.10800	573.23000	2.67000	-5.01000	7.89000	-.33000	5.22000
.593	.270	-.02500	-.03400	-.02600	.10400	572.96000	2.67000	-5.01000	7.91000	-.35000	5.24000
.594	.850	-.02400	-.03300	-.02600	.10500	574.81000	2.67000	-5.01000	7.90000	-.34000	5.24000
.596	1.420	-.02400	-.03100	-.02000	.10600	577.56000	2.67000	-5.01000	7.86000	-.37000	5.19000
.593	1.990	-.02300	-.03100	-.02200	.10900	573.05000	2.66000	-5.01000	7.87000	-.36000	5.21000
.594	2.560	-.02500	-.03200	-.02900	.10300	573.79000	2.66000	-5.00000	7.89000	-.35000	5.24000
.593	3.130	-.02500	-.03200	-.02900	.10600	572.70000	2.65000	-5.00000	7.88000	-.32000	5.23000
.595	3.710	-.02500	-.02900	-.02900	.10200	576.53000	2.65000	-5.00000	7.87000	-.36000	5.22000
.594	4.280	-.02400	-.03100	-.02700	.10700	574.06000	2.64000	-5.00000	7.86000	-.38000	5.22000
.596	4.850	-.02400	-.02700	-.02700	.10400	578.09000	2.64000	-4.99000	7.87000	-.35000	5.23000
.593	5.420	-.02500	-.03200	-.03200	.10800	572.61000	2.64000	-4.99000	7.84000	-.36000	5.20000
.595	5.990	-.02400	-.02800	-.03100	.10500	576.79000	2.64000	-4.99000	7.86000	-.34000	5.23000
.594	6.560	-.02500	-.03000	-.03700	.10300	574.53000	2.63000	-4.99000	7.86000	-.35000	5.23000
.594	7.140	-.02400	-.02900	-.03100	.10400	574.69000	2.64000	-4.98000	7.85000	-.33000	5.22000
.594	7.700	-.02300	-.02900	-.02600	.10700	574.21000	2.63000	-4.98000	7.85000	-.36000	5.22000
.592	8.280	-.02400	-.03100	-.03100	.10500	571.52000	2.63000	-4.98000	7.83000	-.35000	5.20000
.595	8.850	-.02400	-.02700	-.02500	.10500	576.66000	2.63000	-4.98000	7.86000	-.34000	5.24000
.595	9.420	-.02400	-.02800	-.02900	.10400	576.18000	2.63000	-4.98000	7.85000	-.34000	5.23000
.594	10.000	-.02100	-.02800	-.02800	.10600	575.15000	2.63000	-4.98000	7.86000	-.37000	5.24000
GRADIENT		-.00005	.00021	-.00071	.00003	.04521	-.00682	.00219	-.00436	-.00164	.00251

ORIGINAL PAGE IS OF POOR QUALITY

LTV44-559(CA26) 747/1 ATY 02 S1 (CARRIER DATA)

(SFE087) (24 MAR 76)

REFERENCE DATA

SREF = 5500.0000 SQ.FT. XMRP = 1339.9000 IN. XC
 LREF = 327.7800 IN. YMRP = .0000 IN. YC
 BREF = 2348.0400 IN. ZMRP = 190.7500 IN. ZC
 SCALE = .0125

PARAMETRIC DATA

ALPHAC = 2.000 BETAC = -5.000
 STAB = 5.000 ELEVON = 5.000
 BDFLAP = .000 DX = .000
 DZ = 15.000 IORB = 6.000
 BETA0 = .000 RUDDER = .000

RUN NO. 1063/ 0 RN/L = .00 GRADIENT INTERVAL = -5.00/ 5.00

MACH	DY	CPC	CPSB1	CPSB2	CPSB3	Q(PSF)	ALPHAC	BETAC	ALPHA0	BETA0	INCID
.594	-9.420	-.02800	-.03400	-.02000	.10200	575.03000	2.69000	-4.99000	7.81000	-.27000	5.20000
.592	-8.850	-.02400	-.03200	-.01700	.10600	571.13000	2.70000	-4.99000	7.78000	-.28000	5.17000
.594	-8.280	-.02200	-.02700	-.01500	.10500	574.22000	2.69000	-4.99000	7.80000	-.28000	5.20000
.595	-7.710	-.02000	-.02600	-.01200	.11100	574.36000	2.69000	-4.98000	7.79000	-.29000	5.19000
.595	-7.140	-.02200	-.03000	-.01900	.10200	576.46000	2.69000	-4.98000	7.83000	-.24000	5.23000
.594	-6.560	-.02100	-.02700	-.01700	.10300	574.14000	2.69000	-4.98000	7.80000	-.27000	5.19000
.594	-5.990	-.02500	-.03200	-.02100	.10100	573.86000	2.69000	-4.98000	7.81000	-.25000	5.21000
.593	-5.420	-.02700	-.03400	-.02100	.10500	571.87000	2.69000	-4.98000	7.83000	-.24000	5.22000
.593	-4.850	-.02600	-.03300	-.01900	.10700	572.14000	2.68000	-4.97000	7.82000	-.25000	5.22000
.593	-4.280	-.02600	-.03200	-.01900	.10900	571.87000	2.68000	-4.97000	7.81000	-.23000	5.21000
.593	-3.710	-.02400	-.03100	-.01800	.10800	572.83000	2.68000	-4.97000	7.81000	-.27000	5.21000
.593	-3.140	-.02400	-.03100	-.01700	.10800	571.74000	2.68000	-4.97000	7.83000	-.26000	5.23000
.595	-2.570	-.02300	-.03100	-.02000	.10300	575.98000	2.68000	-4.97000	7.78000	-.29000	5.19000
.592	-1.990	-.02100	-.02700	-.01600	.10800	570.98000	2.68000	-4.97000	7.81000	-.27000	5.21000
.593	-1.420	-.02700	-.03400	-.02300	.10300	572.62000	2.67000	-4.97000	7.80000	-.29000	5.21000
.593	-.850	-.02700	-.03500	-.02100	.10500	572.83000	2.67000	-4.97000	7.81000	-.25000	5.22000
.593	-.280	-.02700	-.03300	-.02000	.10500	573.38000	2.67000	-4.97000	7.81000	-.27000	5.22000
.595	.270	-.02300	-.03100	-.01900	.10500	575.99000	2.67000	-4.97000	7.78000	-.27000	5.19000
.593	.850	-.02900	-.03600	-.02400	.10300	572.69000	2.67000	-4.97000	7.80000	-.28000	5.21000
.593	1.410	-.02600	-.03300	-.02100	.10700	572.50000	2.67000	-4.97000	7.79000	-.30000	5.20000
.594	1.990	-.02800	-.03500	-.02200	.10600	574.63000	2.67000	-4.97000	7.78000	-.29000	5.20000
.595	2.560	-.02500	-.03300	-.02200	.10400	575.52000	2.67000	-4.97000	7.79000	-.31000	5.21000
.593	3.130	-.02400	-.02900	-.01800	.10700	571.49000	2.67000	-4.97000	7.81000	-.26000	5.23000
.592	3.700	-.02600	-.03300	-.02200	.10600	570.32000	2.67000	-4.97000	7.80000	-.31000	5.21000
.593	4.270	-.02500	-.03100	-.02000	.10700	571.84000	2.66000	-4.97000	7.80000	-.32000	5.22000
.595	4.850	-.02500	-.03100	-.02300	.10100	574.64000	2.66000	-4.97000	7.80000	-.31000	5.22000
.595	5.420	-.02800	-.03300	-.02300	.10400	575.05000	2.66000	-4.97000	7.78000	-.32000	5.20000
.595	5.980	-.02600	-.03300	-.02300	.10400	575.25000	2.66000	-4.97000	7.79000	-.33000	5.21000
.595	6.560	-.02400	-.03000	-.02200	.10400	575.04000	2.66000	-4.97000	7.81000	-.30000	5.23000
.594	7.130	-.02300	-.02700	-.01900	.10800	574.29000	2.65000	-4.97000	7.81000	-.32000	5.24000
.595	7.700	-.02600	-.03200	-.02300	.10400	575.65000	2.66000	-4.97000	7.78000	-.32000	5.20000
.594	8.270	-.02500	-.03200	-.02300	.10400	574.83000	2.65000	-4.97000	7.81000	-.31000	5.24000
.595	8.840	-.02200	-.02800	-.02100	.10500	576.40000	2.66000	-4.97000	7.80000	-.31000	5.23000
.594	9.420	-.02600	-.03000	-.02100	.10900	574.94000	2.65000	-4.97000	7.77000	-.35000	5.20000
.593	9.990	-.02400	-.03000	-.02100	.11000	573.90000	2.65000	-4.97000	7.78000	-.35000	5.20000
GRADIENT		-.00010	-.00005	-.00037	-.00029	.05354	-.00188	-.00000	-.00193	-.00607	.00028

LTV44-559(CA26) 747/1 ATY 02 S1 (CARRIER DATA)

(SFE088) (24 MAR 76)

REFERENCE DATA

SREF = 5500.0000 SQ.FT. XMRP = 1339.9000 IN. XC
 LREF = 327.7800 IN. YMRP = .0000 IN. YC
 BREF = 2348.0400 IN. ZMRP = 190.7500 IN. ZC
 SCALE = .0125

PARAMETRIC DATA

ALPHAC = 2.000 BETAC = -5.000
 STAB = 5.000 ELEVON = 5.000
 BDFLAP = .000 DX = .000
 OZ = 60.000 IORB = 6.000
 BETAO = .000 RUDDER = .000

RUN NO. 2063/ 0 RN/L = .00 GRADIENT INTERVAL = -5.00/ 5.00

MACH	DY	CPCC	CPSB1	CPSB2	CPSB3	Q(PSF)	ALPHAC	BETAC	ALPHAO	BETAO	INCID
.594	-10.000	-.02700	-.03100	-.02100	.09800	574.34000	2.68000	-4.97000	7.55000	-.27000	5.17000
.596	-9.430	-.02300	-.02700	-.01700	.10200	577.78000	2.68000	-4.96000	7.55000	-.27000	5.17000
.593	-8.860	-.03100	-.03600	-.02700	.09200	572.41000	2.57000	-4.97000	7.56000	-.32000	5.18000
.594	-8.280	-.02500	-.03100	-.02200	.09700	573.67000	2.68000	-4.97000	7.58000	-.28000	5.20000
.594	-7.710	-.02300	-.02900	-.02000	.09900	574.15000	2.68000	-4.97000	7.57000	-.31000	5.19000
.595	-7.140	-.02500	-.03000	-.02000	.09800	575.93000	2.68000	-4.97000	7.55000	-.31000	5.18000
.595	-6.570	-.02600	-.03200	-.02100	.09800	574.91000	2.68000	-4.97000	7.58000	-.31000	5.21000
.594	-6.000	-.02500	-.03100	-.02100	.09900	573.82000	2.68000	-4.97000	7.58000	-.33000	5.20000
.593	-5.420	-.02500	-.03100	-.02200	.09900	572.31000	2.68000	-4.97000	7.58000	-.28000	5.20000
.594	-4.860	-.02400	-.03000	-.02100	.09800	573.68000	2.68000	-4.97000	7.58000	-.32000	5.20000
.595	-4.290	-.02400	-.02900	-.02000	.09800	575.05000	2.68000	-4.97000	7.57000	-.26000	5.19000
.595	-3.710	-.02800	-.03300	-.02300	.09600	575.38000	2.68000	-4.97000	7.56000	-.26000	5.13000
.594	-3.140	-.02200	-.02900	-.01900	.09900	573.54000	2.68000	-4.97000	7.55000	-.31000	5.17000
.595	-2.570	-.02800	-.03300	-.02300	.09600	576.46000	2.67000	-4.97000	7.57000	-.27000	5.19000
.594	-2.000	-.02400	-.02900	-.02000	.09900	573.73000	2.68000	-4.97000	7.56000	-.35000	5.18000
.594	-1.430	-.02600	-.03000	-.01900	.09800	574.68000	2.68000	-4.97000	7.58000	-.26000	5.19000
.592	-.850	-.02700	-.03300	-.02200	.09700	570.58000	2.68000	-4.98000	7.57000	-.34000	5.19000
.594	-.280	-.02500	-.02800	-.01800	.10000	573.74000	2.68000	-4.98000	7.58000	-.27000	5.20000
.594	.270	-.02400	-.02900	-.01900	.09900	574.43000	2.68000	-4.98000	7.58000	-.32000	5.20000
.594	.840	-.02800	-.03200	-.02200	.09700	573.54000	2.68000	-4.98000	7.57000	-.36000	5.19000
.594	1.410	-.02600	-.03100	-.02100	.09700	574.43000	2.68000	-4.98000	7.56000	-.34000	5.18000
.594	1.990	-.02500	-.03100	-.02000	.09800	573.41000	2.68000	-4.98000	7.58000	-.32000	5.20000
.594	2.560	-.02600	-.03100	-.01900	.09400	573.27000	2.68000	-4.98000	7.58000	-.31000	5.20000
.593	3.130	-.02600	-.03200	-.02100	.10000	572.24000	2.68000	-4.98000	7.57000	-.32000	5.19000
.595	3.700	-.02500	-.03100	-.02100	.09800	576.61000	2.68000	-4.98000	7.56000	-.38000	5.18000
.594	4.270	-.02900	-.03400	-.02400	.09600	573.94000	2.68000	-4.98000	7.55000	-.34000	5.17000
.594	4.850	-.02600	-.03100	-.02100	.09800	574.76000	2.68000	-4.98000	7.55000	-.38000	5.17000
.593	5.410	-.02400	-.03000	-.02000	.10000	572.18000	2.68000	-4.98000	7.58000	-.34000	5.20000
.594	5.980	-.02500	-.03000	-.02000	.10000	572.59000	2.68000	-4.98000	7.57000	-.33000	5.19000
.595	6.560	-.02600	-.03000	-.02100	.09700	573.66000	2.68000	-4.99000	7.55000	-.35000	5.17000
.595	7.130	-.02500	-.03100	-.02000	.09700	574.58000	2.68000	-4.98000	7.58000	-.37000	5.20000
.594	7.700	-.02900	-.03400	-.02300	.09800	574.29000	2.68000	-4.99000	7.54000	-.32000	5.16000
.594	8.270	-.02400	-.03100	-.02000	.09900	573.54000	2.68000	-4.99000	7.58000	-.30000	5.20000
.594	8.840	-.02600	-.03200	-.02100	.09900	573.33000	2.68000	-4.99000	7.53000	-.37000	5.15000
.533	9.420	-.02600	-.03200	-.02200	.09900	573.10000	2.68000	-4.99000	7.57000	-.32000	5.19000
GRADIENT		-.00019	-.00018	-.00006	-.00004	-.03502	.00016	-.00139	-.00083	-.00823	-.00074

LTV44-559(CA26) 747/1 ATY 02 S1 (CARRIER DATA)

(SFE089) (24 MAR 76)

REFERENCE DATA

SREF = 5500.0000 SQ.FT. XMRP = 1339.9000 IN. XC
 LREF = 327.7800 IN. YMRP = .0000 IN. YC
 BREF = 2348.0400 IN. ZMRP = 190.7500 IN. ZC
 SCALE = .0125

PARAMETRIC DATA

ALPHAC = 4.000 BETAC = .000
 STAB = 5.000 ELEVON = 5.000
 BOFLAP = .000 DX = .000
 DY = .000 IORB = 4.000
 BETA0 = .000 RUDDER = .000

RUN NO. 64/ 0 RN/L = .00 GRADIENT INTERVAL = -5.00/ 5.00

MACH	DZ	CPCC	CPSB1	CPSB2	CPSB3	Q(PFSF)	ALPHAC	BETAC	ALPHAO	BETA0	INCID
.599	1.460	-.00800	-.02000	-.01500	.11100	584.71000	3.73000	.01000	7.12000	-.01000	3.40000
.599	2.060	-.00700	-.01900	-.01500	.11200	584.30000	3.73000	.01000	7.11000	-.01000	3.39000
.598	2.660	-.00900	-.01700	-.01300	.11400	581.43000	3.73000	.01000	7.13000	.02000	3.42000
.597	3.360	-.00900	-.02200	-.01500	.11300	580.74000	3.73000	.01000	7.12000	.01000	3.41000
.598	4.160	-.01100	-.02000	-.01600	.11000	581.56000	3.73000	.01000	7.10000	.00000	3.40000
.602	4.960	-.00700	-.01600	-.01100	.11200	589.56000	3.73000	.01000	7.11000	.03000	3.40000
.600	6.960	-.00700	-.01800	-.01400	.11100	584.52000	3.73000	.01000	7.07000	-.01000	3.37000
.597	8.960	-.01100	-.02000	-.01300	.11400	579.74000	3.74000	.01000	7.06000	-.01000	3.37000
.601	10.460	-.01100	-.02000	-.01300	.11200	586.83000	3.74000	.01000	7.07000	.02000	3.39000
.599	11.460	-.01000	-.01800	-.01100	.11400	584.50000	3.74000	.01000	7.07000	.01000	3.39000
.599	12.450	-.01100	-.01900	-.01100	.11300	584.02000	3.74000	.01000	7.05000	.02000	3.38000
.600	13.450	-.00800	-.01600	-.01100	.11200	586.14000	3.74000	.01000	7.06000	.01000	3.39000
.596	14.440	-.00500	-.01600	-.01100	.11200	577.68000	3.74000	.01000	7.03000	-.03000	3.38000
.597	15.440	-.01000	-.01900	-.01000	.11300	580.21000	3.74000	.01000	7.02000	.02000	3.37000
.598	16.430	-.00900	-.01900	-.01200	.11000	582.19000	3.74000	.01000	6.99000	.00000	3.34000
.599	17.430	-.00800	-.01900	-.01200	.10900	582.68000	3.74000	.00000	6.99000	-.02000	3.35000
.598	18.420	-.01300	-.02200	-.01100	.11000	581.03000	3.74000	.00000	6.97000	.01000	3.34000
.599	19.420	-.00700	-.01400	-.00600	.11200	582.20000	3.74000	.00000	7.01000	.01000	3.38000
.600	20.410	-.00800	-.01800	-.01000	.10800	584.79000	3.74000	.00000	7.01000	.00000	3.38000
.600	21.410	-.00900	-.01600	-.00800	.11000	584.92000	3.75000	.00000	6.97000	-.01000	3.34000
.597	22.390	-.01000	-.01800	-.00900	.11200	579.85000	3.74000	.00000	6.97000	-.01000	3.35000
.599	23.390	-.00800	-.01900	-.01100	.10800	584.36000	3.74000	.00000	6.95000	.01000	3.34000
.600	24.390	-.00800	-.01600	-.00700	.10700	585.73000	3.75000	.00000	6.94000	.01000	3.34000
.599	25.380	-.00900	-.01700	-.00600	.11100	584.43000	3.75000	.00000	6.97000	-.03000	3.36000
.600	26.380	-.00900	-.01600	-.00700	.11000	586.33000	3.75000	.00000	6.95000	.00000	3.35000
.597	27.370	-.01000	-.02200	-.01000	.10900	582.02000	3.74000	.00000	6.91000	.00000	3.33000
.597	28.370	-.01000	-.02100	-.01000	.10900	580.06000	3.74000	.00000	6.90000	.01000	3.32000
.599	29.360	-.00900	-.01800	-.00700	.10700	584.24000	3.74000	.00000	6.93000	.00000	3.35000
.599	30.360	-.01000	-.01800	-.00600	.10900	584.37000	3.74000	.00000	6.92000	-.03000	3.35000
.598	31.350	-.00900	-.02000	-.01000	.11000	583.19000	3.75000	.00000	6.91000	-.01000	3.34000
.597	32.350	-.00900	-.02000	-.01300	.10500	581.21000	3.75000	.00000	6.91000	.00000	3.35000
.599	33.340	-.00900	-.01800	-.00700	.10700	583.29000	3.75000	.00000	6.87000	-.03000	3.32000
.597	34.340	-.01100	-.01600	-.00900	.10700	580.61000	3.75000	.00000	6.89000	.00000	3.34000
.600	35.340	-.01100	-.01700	-.00800	.10600	586.41000	3.75000	.00000	6.89000	.00000	3.34000
.600	36.330	-.01100	-.01800	-.01100	.10400	586.21000	3.75000	.00000	6.88000	.00000	3.34000
.598	37.320	-.01100	-.01900	-.01200	.10400	582.66000	3.75000	.00000	6.84000	-.03000	3.30000
.600	38.320	-.01100	-.01800	-.00700	.10400	586.09000	3.76000	.00000	6.86000	-.02000	3.32000
.595	39.310	-.01100	-.01900	-.01200	.10500	576.25000	3.75000	.00000	6.82000	-.02000	3.30000
.597	40.310	-.01300	-.01900	-.01000	.10300	580.01000	3.75000	.00000	6.81000	-.01000	3.29000
.598	41.310	-.00900	-.01900	-.00900	.10800	581.32000	3.75000	.00000	6.85000	.00000	3.34000
.600	42.300	-.00700	-.01800	-.00800	.10600	584.72000	3.75000	.00000	6.83000	-.04000	3.33000
.597	43.290	-.01200	-.01800	-.01300	.10000	580.01000	3.76000	.00000	6.84000	.03000	3.33000

DATE 29 MAR 76

CA-26 FORCE SOURCE DATA TABULATION

PAGE 957

L.V44-559(CA26) 747/1 ATY 02 S1 (CARRIER DATA)

(SFE089) (24 MAR 76)

REFERENCE DATA

SREF =	5500.0000 SQ.FT.	XMRP =	1339.9000 IN. XC
LREF =	327.7800 IN.	YMRP =	.0000 IN. YC
BREF =	2348.0400 IN.	ZMRP =	190.7500 IN. ZC
SCALE =	.0125		

PARAMETRIC DATA

ALPHAC =	4.000	BETAC =	.000
STAB =	5.000	ELEVON =	5.000
BDFLAP =	.000	DX =	.000
DY =	.000	IORB =	4.000
BETAO =	.000	RUDDER =	.000

RUN NO. 64/ 0 RN/L = .00 GRADIENT INTERVAL = -5.00/ 5.00

MACH	DZ	CPCC	CPSB1	CPSB2	CPSB3	Q(PSF)	ALPHAC	BETAC	ALPHAO	BETAO	INC10
.600	44.290	-.01000	-.02000	-.00700	.10100	584.12000	3.76000	.00000	6.82000	.00000	3.32000
.599	44.790	-.01000	-.01700	-.01000	.10700	582.89000	3.76000	.00000	6.82000	.00000	3.32000
	GRADIENT	-.00025	.00052	.00082	-.00013	.76367	.00000	.00000	-.00389	.00882	.00046

LTV44-559(CA26) 747/1 ATY 02 S1 (CARRIER DATA)

(SFE090) (24 MAR 76)

REFERENCE DATA

SREF = 5500.0000 SQ.FT. XMRP = 1339.9000 IN. XC
 LREF = 327.7800 IN. YMRP = .0000 IN. YC
 BREF = 2348.0400 IN. ZMRP = 190.7500 IN. ZC
 SCALE = .0125

PARAMETRIC DATA

ALPHAC = 4.000 BETAC = .000
 STAB = 5.000 ELEVON = 5.000
 BDFLAP = .000 DX = .000
 DY = .000 LORB = 6.000
 BETAO = .000 RUDDER = .000

RUN NO. 1064/ 0 RN/L = .00 GRADIENT INTERVAL = -5.00/ 5.00

MACH	OZ	CPC	CPSB1	CPSB2	CPSB3	Q(PSF)	ALPHAC	BETAC	ALPHAO	BETAO	INCID
.598	1.470	-.00800	-.02300	-.01300	.11100	578.42000	3.76000	.01000	8.87000	.01000	5.12000
.599	2.070	-.00800	-.02200	-.01200	.11100	580.60000	3.76000	.01000	8.88000	.02000	5.13000
.598	2.670	-.00200	-.01500	-.00700	.11400	579.65000	3.75000	.01000	8.88000	.03000	5.14000
.598	3.370	-.00600	-.01800	-.00900	.11300	578.42000	3.75000	.01000	8.86000	.00000	5.12000
.598	4.170	-.00700	-.01800	-.00900	.11400	579.71000	3.76000	.01000	8.89000	.00000	5.15000
.599	4.960	-.00400	-.01600	-.00800	.11300	579.79000	3.76000	.01000	8.87000	.00000	5.13000
.598	6.970	-.00500	-.01600	-.00700	.11500	578.29000	3.75000	.01000	8.87000	.01000	5.15000
.598	8.970	-.00600	-.01700	-.00800	.11400	578.08000	3.75000	.01000	8.86000	.03000	5.16000
.599	10.600	-.01000	-.02000	-.01000	.11200	580.73000	3.75000	.00000	8.84000	.03000	5.15000
.598	11.880	-.00800	-.02000	-.00900	.11200	580.25000	3.75000	.00000	8.81000	.02000	5.13000
.598	13.160	-.00300	-.01400	-.00400	.11200	579.71000	3.75000	.00000	8.82000	.02000	5.14000
.598	14.440	-.00300	-.01400	-.00600	.11000	579.50000	3.75000	.00000	8.80000	.01000	5.13000
.597	15.710	-.00900	-.02000	-.00900	.11000	577.91000	3.75000	.00000	8.80000	.01000	5.14000
.598	16.990	-.00500	-.01400	-.00400	.11300	579.91000	3.75000	.00000	8.77000	.00000	5.11000
.598	18.270	-.00300	-.01500	-.00800	.10900	580.05000	3.75000	.00000	8.75000	.00000	5.10000
.597	19.540	-.00600	-.01900	-.00900	.10900	578.12000	3.75000	.00000	8.74000	.01000	5.10000
.598	20.820	-.00600	-.01600	-.00900	.10900	580.10000	3.75000	.00000	8.74000	.02000	5.11000
.598	22.090	-.00600	-.01400	-.00500	.10900	580.51000	3.75000	.00000	8.74000	.00000	5.12000
.599	23.360	-.00600	-.01600	-.00600	.10800	582.55000	3.75000	.00000	8.70000	.01000	5.08000
.599	24.650	-.00600	-.01400	-.00300	.10900	582.08000	3.75000	.00000	8.70000	.00000	5.09000
.598	25.920	-.00600	-.01400	-.00200	.10900	580.50000	3.75000	.00000	8.68000	.00000	5.08000
.599	27.200	-.00600	-.01400	-.00300	.11100	583.37000	3.75000	.00000	8.67000	.00000	5.08000
.597	28.470	-.00700	-.01800	-.00900	.10800	579.06000	3.75000	.00000	8.69000	.00000	5.10000
.597	29.750	-.00600	-.01700	-.00800	.10900	578.66000	3.75000	.00000	8.66000	-.01000	5.08000
.599	31.030	-.00800	-.01700	-.00500	.10700	582.47000	3.75000	.00000	8.69000	.00000	5.11000
.599	32.300	-.00700	-.01500	-.00400	.10800	583.22000	3.75000	.00000	8.67000	-.01000	5.11000
.597	33.580	-.00900	-.01700	-.00900	.10500	581.69000	3.75000	.00000	8.66000	.00000	5.10000
.600	34.850	-.00800	-.01500	-.00300	.10800	585.87000	3.76000	.00000	8.62000	.02000	5.06000
.598	36.130	-.01100	-.01600	-.00700	.10500	581.92000	3.75000	.00000	8.63000	.01000	5.08000
.597	37.410	-.01000	-.01600	-.00700	.10500	579.19000	3.75000	.00000	8.60000	.00000	5.06000
.599	38.690	-.00500	-.01600	-.00600	.10900	583.30000	3.75000	.00000	8.63000	.00000	5.10000
.598	39.960	-.00600	-.01600	-.00700	.10800	580.98000	3.75000	.00000	8.62000	.00000	5.09000
.598	41.240	-.00800	-.01700	-.00400	.10500	580.31000	3.75000	.00000	8.61000	.00000	5.10000
.598	42.520	-.00800	-.01900	-.00500	.10500	580.64000	3.75000	.00000	8.59000	-.01000	5.09000
.537	43.790	-.01100	-.01600	-.00900	.10600	579.21000	3.75000	.00000	8.57000	.00000	5.07000
.597	45.070	-.01200	-.02100	-.00700	.10200	578.46000	3.75000	.00000	8.57000	.00000	5.08000
.598	46.340	-.01000	-.01900	-.00800	.10300	579.35000	3.76000	.00000	8.58000	-.01000	5.09000
.598	47.620	-.00800	-.02000	-.00700	.10200	579.42000	3.75000	.00000	8.58000	.00000	5.10000
.597	48.900	-.00800	-.02200	-.00600	.10100	578.85000	3.75000	.00000	8.56000	-.01000	5.09000
.598	50.180	-.00800	-.01500	-.00600	.10700	582.66000	3.75000	.00000	8.53000	.00000	5.07000
.597	51.460	-.01000	-.01800	-.00800	.10400	581.15000	3.76000	.00000	8.53000	.01000	5.07000
	GRADIENT	.00073	.00172	.00125	.00070	.12160	.00023	.00000	.00041	-.00593	.00356

LTV44-559(CA26) 747/1 ATY 02 S1 (CARRIER DATA)

(SFE091) (24 MAR 76)

REFERENCE DATA

SREF = 5500.0000 SQ.FT. XMRP = 1339.9000 IN. XC
 LREF = 327.7800 IN. YMRP = .0000 IN. YC
 BREF = 2348.0400 IN. ZMRP = 190.7500 IN. ZC
 SCALE = .0125

PARAMETRIC DATA

ALPHAC = 4.000 BETAC = .000
 STAB = 5.000 ELEVON = 5.000
 BOFLAP = .000 DX = .000
 DY = .000 IORB = 8.000
 BETAO = .000 RUDDER = .000

RUN NO. 65/ 0 RN/L = .00 GRADIENT INTERVAL = -5.00/ 5.00

MACH	DZ	CPCC	CPSB1	CPSB2	CPSB3	Q(PSF)	ALPHAC	BETAC	ALPHAO	BETAO	INCLD
.600	1.460	-.00200	-.01500	-.00400	.11600	584.52000	3.81000	.01000	10.69000	.02000	6.88000
.598	2.060	.00000	-.01400	-.00500	.11500	581.58000	3.81000	.01000	10.69000	.03000	6.89000
.597	2.660	-.00300	-.01500	-.00700	.11400	579.06000	3.81000	.01000	10.69000	.03000	6.89000
.595	3.460	-.00600	-.01500	-.00700	.11000	577.45000	3.80000	.01000	10.68000	.03000	6.90000
.599	4.460	-.00200	-.01600	-.00200	.11400	584.91000	3.80000	.01000	10.67000	.03000	6.89000
.598	5.590	-.00500	-.01500	-.00900	.11300	580.63000	3.79000	.01000	10.64000	.03000	6.87000
.598	6.840	-.00700	-.01600	-.00800	.11200	581.92000	3.80000	.01000	10.62000	.02000	6.86000
.599	8.090	-.00500	-.01700	-.00900	.11200	581.94000	3.79000	.01000	10.64000	.03000	6.89000
.599	9.340	-.00400	-.01600	-.00900	.11300	580.73000	3.79000	.01000	10.64000	.05000	6.91000
.601	10.560	-.00400	-.01800	-.00600	.11400	585.97000	3.78000	.01000	10.61000	.04000	6.88000
.599	11.740	-.00500	-.01700	-.00500	.11300	583.51000	3.78000	.01000	10.61000	.03000	6.89000
.600	12.920	-.00300	-.01800	-.00400	.11200	583.64000	3.78000	.01000	10.60000	.03000	6.89000
.599	14.110	-.00700	-.01600	-.00600	.11000	581.87000	3.78000	.01000	10.60000	.04000	6.90000
.597	15.290	-.00900	-.01900	-.00900	.11000	578.18000	3.77000	.01000	10.57000	.01000	6.88000
.599	16.480	-.00800	-.01700	-.00800	.11100	581.60000	3.78000	.01000	10.57000	.02000	6.89000
.597	17.660	-.00900	-.01700	-.00700	.11100	578.66000	3.77000	.01000	10.54000	.01000	6.87000
.598	18.840	-.00700	-.01900	-.00600	.11100	580.63000	3.77000	.01000	10.54000	.02000	6.88000
.602	20.030	.00000	-.00900	-.00200	.12000	587.95000	3.76000	.01000	10.51000	-.01000	6.86000
.600	21.210	-.00800	-.01500	-.00900	.11200	584.26000	3.76000	.01000	10.52000	.00000	6.88000
.600	22.390	-.00700	-.01400	-.00700	.11300	583.92000	3.76000	.01000	10.50000	.02000	6.86000
.597	23.570	-.00700	-.02000	-.00800	.10900	578.59000	3.76000	.01000	10.51000	.02000	6.89000
.597	24.760	-.00800	-.02100	-.00700	.10900	578.53000	3.76000	.00000	10.48000	.01000	6.87000
.600	25.940	-.00500	-.01400	-.00600	.11300	584.35000	3.76000	.00000	10.49000	.03000	6.88000
.600	27.130	-.00800	-.01600	-.00900	.11000	582.98000	3.76000	.00000	10.48000	.04000	6.88000
.601	28.310	-.00600	-.01300	-.00600	.11300	584.69000	3.75000	.00000	10.45000	.02000	6.86000
.598	29.490	-.00700	-.01900	-.00600	.10800	579.16000	3.75000	.00000	10.46000	.03000	6.88000
.600	30.670	-.00600	-.01300	-.00600	.11200	583.47000	3.76000	.00000	10.43000	.00000	6.85000
.600	31.860	-.00700	-.01700	-.00700	.10800	582.84000	3.76000	.00000	10.42000	.00000	6.85000
.598	33.040	-.00900	-.01700	-.00900	.11000	579.90000	3.75000	.00000	10.44000	.02000	6.88000
.597	34.230	-.01000	-.01800	-.00900	.10900	578.87000	3.75000	.00000	10.41000	.01000	6.86000
.599	35.410	-.00600	-.01700	-.00700	.10900	582.77000	3.76000	.00000	10.41000	.01000	6.86000
.599	36.590	-.00900	-.01500	-.00900	.10900	581.67000	3.76000	.00000	10.39000	-.01000	6.84000
.600	37.780	-.00600	-.01700	-.00600	.11100	584.34000	3.75000	.00000	10.38000	.01000	6.85000
.598	38.960	-.01000	-.01500	-.00900	.11000	580.98000	3.76000	.00000	10.38000	-.01000	6.85000
.600	40.150	-.00500	-.01700	-.00500	.11100	584.74000	3.76000	.00000	10.38000	-.01000	6.85000
.598	41.330	-.01100	-.01700	-.00900	.10700	579.96000	3.76000	.00000	10.38000	.01000	6.86000
.600	42.520	-.01200	-.01700	-.01100	.10600	583.31000	3.75000	.00000	10.36000	.03000	6.85000
.599	43.700	-.01000	-.01900	-.00800	.10600	581.82000	3.75000	.00000	10.32000	-.01000	6.82000
.601	44.880	-.00500	-.01500	-.00600	.11000	586.12000	3.75000	.00000	10.35000	-.01000	6.85000
.598	46.060	-.01200	-.01800	-.01000	.10500	580.24000	3.76000	.00000	10.32000	-.03000	6.83000
.601	47.250	-.00900	-.01700	-.00700	.10500	585.36000	3.76000	.00000	10.34000	.01000	6.85000
.599	48.430	-.00500	-.01700	-.00800	.10800	582.97000	3.76000	.00000	10.33000	-.03000	6.85000

ORIGINAL PAGE IS
OF POOR QUALITY

LTV44-559(CA26) 747/1 ATY 02 S1 (CARRIER DATA)

(SFE091) (24 MAR 76)

REFERENCE DATA

SREF = 5500.0000 SQ.FT. XMRP = 1339.9000 IN. XC
 LREF = 327.7800 IN. YMRP = .0000 IN. YC
 BREF = 2348.0400 IN. ZMRP = 190.7500 IN. ZC
 SCALE = .0125

PARAMETRIC DATA

ALPHAC = 4.000 BETAC = .000
 STAB = 5.000 ELEVON = 5.000
 BDFLAP = .000 DX = .000
 DY = .000 IORB = 8.000
 BETAO = .000 RUDDER = .000

RUN NO. 65/ 0 RN/L = .00 GRADIENT INTERVAL = -5.00/ 5.00

MACH	DZ	CPC	CPSB1	CPSB2	CPSB3	Q(PSF)	ALPHAC	BETAC	ALPHAO	BETAO	INCID
.600	49.620	-.00600	-.01600	-.00700	.11000	584.54000	3.76000	.00000	10.30000	-.01000	6.83000
.598	50.800	-.01200	-.01800	-.01000	.10500	581.38000	3.76000	.00000	10.32000	.00000	6.86000
.600	51.990	-.00600	-.01800	-.00600	.10900	583.64000	3.76000	.00000	10.28000	-.02000	6.83000
.598	53.170	-.00900	-.01700	-.01100	.10600	579.48000	3.76000	.00000	10.30000	.02000	5.85000
.600	54.350	-.00900	-.01700	-.00700	.10500	583.86000	3.76000	.00000	10.27000	.00000	6.83000
.600	55.540	-.00700	-.01900	-.00900	.10700	583.11000	3.76000	.00000	10.27000	.00000	6.83000
.599	56.130	-.00900	-.01900	-.00700	.10600	582.09000	3.76000	.00000	10.27000	-.03000	6.83000
	GRADIENT	-.00071	-.00043	.00047	-.00109	-.13998	-.00411	.00000	-.00706	.00245	.00360

LTV44-559(CA26) 747/1 ATY 02 S1 (CARRIER DATA)

(SFE092) (24 MAR 76)

REFERENCE DATA

SREF = 5500.0000 SQ.FT. XMRP = 1339.9000 IN. XC
 LREF = 327.7800 IN. YMRP = .0000 IN. YC
 BREF = 2348.0400 IN. ZMRP = 190.7500 IN. ZC
 SCALE = .0125

PARAMETRIC DATA

ALPHAC = 4.000 BETAC = 4.000
 STAB = 5.000 ELEVON = 5.000
 BDFLAP = .000 DX = .000
 DY = .000 IORB = 4.000
 BETAO = 5.000 RUDDER = .000

		RUN NO.	66/ 0	RN/L =	.00	GRADIENT INTERVAL =	-5.00/	5.00			
MACH	DZ	CPC	CPSB1	CPSB2	CPSB3	Q(PSF)	ALPHAC	BETAC	ALPHA0	BETA0	INCID
.599	1.460	-.00800	-.01800	-.01700	.11300	584.37000	3.73000	.01000	7.12000	4.45000	3.39000
.595	2.060	-.01100	-.02500	-.01900	.10200	577.04000	3.73000	.01000	7.08000	4.47000	3.36000
.597	2.660	-.00900	-.02000	-.01700	.11400	581.02000	3.73000	.01000	7.07000	4.47000	3.35000
.595	3.360	-.00900	-.02500	-.01800	.10600	577.80000	3.73000	.01000	7.08000	4.50000	3.37000
.596	4.160	-.01000	-.01900	-.01700	.11200	578.43000	3.73000	.02000	7.07000	4.48000	3.35000
.597	4.960	-.01000	-.01800	-.01700	.11200	579.72000	3.74000	.02000	7.06000	4.43000	3.35000
.594	6.960	-.01100	-.02500	-.01800	.10700	575.14000	3.73000	.02000	7.05000	4.47000	3.35000
.595	8.960	-.01000	-.02400	-.01600	.10800	577.46000	3.73000	.02000	7.02000	4.47000	3.34000
.594	10.430	-.01400	-.02400	-.01900	.10300	575.14000	3.74000	.02000	7.02000	4.47000	3.34000
.597	11.370	-.00700	-.01900	-.01600	.11500	580.35000	3.74000	.02000	7.03000	4.49000	3.35000
.596	12.310	-.01200	-.02000	-.01600	.10900	577.68000	3.74000	.02000	7.00000	4.48000	3.33000
.598	13.250	-.01000	-.02100	-.01400	.10900	580.36000	3.73000	.02000	7.03000	4.42000	3.37000
.596	14.180	-.01000	-.02300	-.01400	.11100	578.03000	3.74000	.02000	7.00000	4.50000	3.34000
.597	15.120	-.01100	-.02200	-.01400	.10700	579.33000	3.74000	.02000	6.99000	4.44000	3.34000
.598	16.060	-.01200	-.01900	-.01400	.10900	580.77000	3.74000	.01000	6.98000	4.46000	3.34000
.596	17.000	-.01300	-.02000	-.01600	.10800	577.69000	3.74000	.01000	6.98000	4.41000	3.34000
.596	17.940	-.00900	-.02300	-.01400	.10700	577.34000	3.74000	.01000	6.95000	4.45000	3.32000
.595	18.880	-.01300	-.02400	-.01500	.10500	575.70000	3.74000	.01000	6.98000	4.42000	3.35000
.595	19.810	-.01200	-.02500	-.01500	.10400	575.62000	3.74000	.00000	6.96000	4.45000	3.33000
.596	20.750	-.01100	-.02100	-.01400	.10600	578.14000	3.74000	.00000	6.97000	4.44000	3.35000
.599	21.680	-.01100	-.01800	-.01200	.11000	585.56000	3.74000	.00000	6.93000	4.41000	3.31000
.596	22.620	-.01200	-.02400	-.01500	.10700	581.71000	3.75000	.00000	6.94000	4.42000	3.33000
.595	23.560	-.01000	-.02300	-.01400	.10400	579.72000	3.74000	.00000	6.94000	4.42000	3.34000
.597	24.500	-.00700	-.01800	-.01200	.10700	581.54000	3.74000	.00000	6.93000	4.41000	3.33000
.595	25.440	-.01000	-.02200	-.01300	.10200	576.37000	3.74000	.00000	6.93000	4.44000	3.33000
.596	26.380	-.01300	-.02000	-.01500	.10400	577.28000	3.75000	.00000	6.90000	4.40000	3.31000
.594	27.310	-.01400	-.02400	-.01300	.10100	572.90000	3.75000	.00000	6.89000	4.43000	3.30000
.596	28.250	-.01400	-.01900	-.01700	.10600	577.48000	3.75000	.00000	6.89000	4.43000	3.30000
.594	29.190	-.01200	-.02400	-.01400	.10200	574.59000	3.75000	.00000	6.88000	4.42000	3.30000
.598	30.130	-.01200	-.02000	-.01400	.10600	582.31000	3.75000	.00000	6.89000	4.42000	3.32000
.598	31.060	-.01600	-.02300	-.01800	.10400	583.24000	3.75000	.00000	6.86000	4.41000	3.29000
.598	32.000	-.00800	-.02000	-.01300	.10500	583.05000	3.75000	.00000	6.88000	4.40000	3.31000
.599	32.940	-.01200	-.02100	-.01400	.10500	584.28000	3.75000	.00000	6.87000	4.40000	3.31000
.598	33.880	-.01100	-.01900	-.01400	.10800	583.87000	3.75000	.00000	6.86000	4.40000	3.30000
.595	34.820	-.01100	-.02100	-.01400	.10300	576.77000	3.75000	.00000	6.83000	4.41000	3.27000
.597	35.760	-.01100	-.02100	-.01400	.10400	579.46000	3.75000	.00000	6.85000	4.42000	3.30000
.597	36.700	-.01100	-.02000	-.01100	.10200	578.73000	3.75000	.00000	6.85000	4.43000	3.32000
.596	37.630	-.01400	-.01900	-.01400	.10400	577.50000	3.75000	.00000	6.82000	4.40000	3.28000
.596	38.570	-.01400	-.02300	-.01500	.10200	576.94000	3.75000	.00000	6.81000	4.41000	3.28000
.594	39.510	-.01600	-.02200	-.01600	.10200	574.54000	3.75000	.00000	6.80000	4.43000	3.27000
.595	40.450	-.01500	-.02100	-.01400	.10200	576.25000	3.75000	.00000	6.79000	4.41000	3.27000
.596	41.380	-.01500	-.02100	-.01600	.10400	578.55000	3.75000	.00000	6.78000	4.40000	3.27000

LTV44-559(CA26) 747/1 ATY 02 S1 (CARRIER DATA)

(SFE092) (24 MAR 76)

REFERENCE DATA

SREF = 5500.0000 SQ.FT. XMRP = 1339.9000 IN. XC
 LREF = 327.7800 IN. YMRP = .0000 IN. YC
 BREF = 2348.0400 IN. ZMRP = 190.7500 IN. ZC
 SCALE = .0125

PARAMETRIC DATA

ALPHAC = 4.000 BETAC = .000
 STAB = 5.000 ELEVON = 5.000
 BDFLAP = .000 DX = .000
 DY = .000 TORB = 4.000
 BETA0 = 5.000 RUDDER = .000

RUN NO. 66/ 0 RN/L = .00 GRADIENT INTERVAL = -5.00/ 5.00

MACH	DZ	CPC	CPSB1	CPSB2	CPSB3	Q(PSF)	ALPHAC	BETAC	ALPHA0	BETA0	INC10
.598	42.320	-.01300	-.01900	-.01300	.10500	581.96000	3.75000	.00000	6.79000	4.41000	3.28000
.597	42.790	-.01200	-.02100	-.01500	.10400	577.97000	3.75000	.00000	6.77000	4.41000	3.27000
	GRADIENT	-.00028	.00063	.00021	-.00005	-.84480	.00215	.00337	-.01265	-.00267	-.00830

LTV44-559(CA26) 747/1 ATY 02 S1 (CARRIER DATA)

(SFE093) (24 MAR 76)

REFERENCE DATA

SREF = 5500.0000 SQ.FT. XMRP = 1339.9000 IN. XC
 LREF = 327.7800 IN. YMRP = .0000 IN. YC
 BREF = 2348.0400 IN. ZMRP = 190.7500 IN. ZC
 SCALE = .0125

PARAMETRIC DATA

ALPHAC = 4.000 BETAC = .000
 STAB = 5.000 ELEVON = 5.000
 BDFLAP = .000 DX = .000
 DY = .000 TORB = 6.000
 BETAO = 5.000 RUDDER = .000

RUN NO. 1066/ 0 RN/L = .00 GRADIENT INTERVAL = -5.00/ 5.00

MACH	DZ	CPCC	CPSB1	CPSB2	CPSB3	Q(PSF)	ALPHAC	BETAC	ALPHAO	BETAO	INCID
.594	1.480	-.00700	-.02300	-.01400	.11300	572.47000	3.77000	.01000	8.86000	4.46000	5.10000
.595	2.070	-.00700	-.02100	-.01600	.10500	575.03000	3.76000	.02000	8.87000	4.46000	5.12000
.595	2.670	-.00700	-.02100	-.01300	.11400	575.52000	3.76000	.02000	8.84000	4.44000	5.09000
.596	3.380	-.00700	-.02100	-.01300	.11300	575.59000	3.76000	.02000	8.84000	4.47000	5.09000
.596	4.170	-.00900	-.02000	-.01300	.11400	574.85000	3.76000	.02000	8.83000	4.49000	5.09000
.597	4.970	-.00700	-.01900	-.01200	.11800	576.23000	3.76000	.02000	8.83000	4.48000	5.10000
.594	6.970	-.00900	-.02300	-.01300	.11200	572.93000	3.75000	.02000	8.81000	4.48000	5.09000
.596	8.980	-.00800	-.01900	-.01000	.11100	576.29000	3.75000	.02000	8.79000	4.46000	5.09000
.596	10.580	-.00800	-.02000	-.01000	.11100	575.06000	3.75000	.02000	8.77000	4.46000	5.09000
.597	11.790	-.00800	-.01800	-.01000	.10800	577.37000	3.75000	.02000	8.77000	4.46000	5.09000
.596	13.010	-.00900	-.02000	-.01300	.10600	576.81000	3.75000	.02000	8.76000	4.49000	5.08000
.593	14.220	-.00800	-.02100	-.01500	.10900	571.88000	3.75000	.02000	8.76000	4.48000	5.10000
.597	15.440	-.00800	-.01700	-.01100	.10600	577.64000	3.75000	.02000	8.77000	4.50000	5.11000
.594	16.660	-.00900	-.02200	-.01300	.10600	572.44000	3.74000	.02000	8.73000	4.46000	5.08000
.595	17.870	-.00800	-.01700	-.01000	.10400	576.39000	3.75000	.01000	8.74000	4.49000	5.10000
.596	19.090	-.00900	-.01800	-.01100	.10400	578.70000	3.74000	.01000	8.70000	4.47000	5.07000
.594	20.300	-.00900	-.02100	-.01000	.10700	575.01000	3.74000	.01000	8.71000	4.45000	5.08000
.596	21.510	-.01000	-.01700	-.01200	.10400	578.77000	3.75000	.00000	8.72000	4.45000	5.09000
.595	22.730	-.00800	-.02000	-.01100	.10900	575.65000	3.75000	.00000	8.68000	4.45000	5.07000
.594	23.940	-.00900	-.02100	-.01600	.10500	573.87000	3.75000	.00000	8.66000	4.43000	5.05000
.596	25.150	-.00900	-.02000	-.01000	.10800	576.55000	3.75000	.00000	8.67000	4.44000	5.06000
.595	26.370	-.01000	-.02100	-.01500	.10300	573.54000	3.75000	.00000	8.69000	4.42000	5.10000
.595	27.590	-.01100	-.02100	-.01400	.10000	575.52000	3.75000	.00000	8.62000	4.43000	5.03000
.596	28.800	-.01100	-.01900	-.01200	.10200	576.67000	3.75000	.00000	8.64000	4.41000	5.06000
.597	30.020	-.01000	-.01900	-.00700	.10500	579.00000	3.75000	.00000	8.61000	4.43000	5.04000
.597	31.230	-.01100	-.01900	-.00800	.10100	578.65000	3.75000	.00000	8.61000	4.43000	5.05000
.595	32.450	-.01200	-.02000	-.01500	.10000	575.09000	3.75000	.00000	8.63000	4.44000	5.07000
.595	33.660	-.00600	-.01900	-.01000	.10600	575.58000	3.75000	.00000	8.60000	4.43000	5.04000
.596	34.880	-.01200	-.02200	-.01100	.10300	577.96000	3.75000	.00000	8.62000	4.43000	5.07000
.594	36.090	-.01000	-.02000	-.01300	.10400	573.84000	3.75000	.00000	8.61000	4.42000	5.06000
.595	37.310	-.00900	-.01900	-.01100	.10700	576.11000	3.75000	.00000	8.59000	4.41000	5.06000
.594	38.530	-.01100	-.02000	-.01400	.10300	573.86000	3.75000	.00000	8.55000	4.43000	5.02000
.593	39.740	-.01400	-.02100	-.01300	.09900	572.42000	3.75000	.00000	8.57000	4.41000	5.04000
.595	40.950	-.00800	-.02000	-.01100	.10500	575.99000	3.75000	.00000	8.58000	4.41000	5.06000
.535	42.170	-.01200	-.02000	-.01300	.09900	575.62000	3.76000	.00000	8.57000	4.42000	5.06000
.594	43.380	-.01300	-.02300	-.01300	.10200	574.79000	3.75000	.00000	8.57000	4.42000	5.07000
.594	44.600	-.01400	-.02100	-.01200	.09600	575.88000	3.75000	.00000	8.54000	4.41000	5.05000
.597	45.820	-.00900	-.02000	-.01000	.10400	580.75000	3.76000	.00000	8.51000	4.42000	5.02000
.537	47.030	-.01000	-.02100	-.01000	.10400	579.87000	3.76000	.00000	8.54000	4.41000	5.06000
.596	48.250	-.01000	-.01800	-.01200	.10400	577.35000	3.76000	.00000	8.53000	4.42000	5.05000
.597	49.460	-.00900	-.02000	-.01000	.10300	580.02000	3.75000	.00000	8.50000	4.42000	5.03000
	GRADIENT	-.00024	.00093	.00077	.00213	.71692	-.00191	.00191	-.01088	.00931	-.00344

LTV44-559(CA26) 747/1 ATY 02 S1 (CARRIER DATA)

(SFE094) (24 MAR 76)

REFERENCE DATA

SREF = 5500.0000 SQ.FT. XMRP = 1339.9000 IN. XC
 LREF = 327.7800 IN. YMRP = .0000 IN. YC
 BREF = 2348.0400 IN. ZMRP = 190.7500 IN. ZC
 SCALE = .0125

PARAMETRIC DATA

ALPHAC = 4.000 BETAC = .000
 STAB = 5.000 ELEVON = 5.000
 BDFLAP = .000 DX = .000
 DY = .000 IORB = 8.000
 BETAO = 5.000 RUDDER = .000

RUN NO. 67/ 0 RN/L = .00 GRADIENT INTERVAL = -5.00/ 5.00

MACH	DZ	CPCC	CPSB1	CPSB2	CPSB3	Q(PSF)	ALPHAC	BETAC	ALPHA0	BETA0	INC1D
.602	1.460	.00200	-.00600	.00300	.12000	588.06000	3.80000	.01000	10.65000	4.47000	6.86000
.602	2.060	.00300	-.00600	.00100	.11700	589.63000	3.79000	.01000	10.66000	4.44000	6.88000
.601	2.660	.00300	-.00800	-.00100	.11500	587.05000	3.79000	.01000	10.64000	4.46000	6.86000
.603	3.460	.00100	-.00700	-.00100	.11600	590.59000	3.79000	.01000	10.66000	4.44000	6.88000
.601	4.460	.00200	-.00900	.00100	.12100	587.38000	3.79000	.01000	10.63000	4.49000	6.85000
.601	5.590	.00000	-.01200	-.00500	.11600	587.11000	3.78000	.02000	10.60000	4.49000	6.85000
.601	6.840	.00000	-.01200	-.00500	.11500	586.63000	3.78000	.02000	10.58000	4.49000	6.83000
.602	8.090	.00100	-.01000	-.00200	.12000	588.62000	3.78000	.02000	10.59000	4.46000	6.85000
.601	9.340	.00000	-.01000	-.00400	.11900	587.53000	3.78000	.02000	10.59000	4.48000	6.87000
.600	10.560	-.00100	-.01200	-.00400	.11400	585.54000	3.77000	.02000	10.54000	4.49000	6.83000
.601	11.740	-.00100	-.01200	-.00500	.11400	586.83000	3.77000	.02000	10.56000	4.48000	6.85000
.600	12.920	-.00100	-.01200	-.00400	.11600	584.85000	3.77000	.02000	10.55000	4.52000	6.85000
.602	14.110	.00000	-.00700	.00000	.11500	589.43000	3.76000	.03000	10.55000	4.49000	6.86000
.603	15.290	.00000	-.00700	.00000	.11900	590.65000	3.76000	.03000	10.51000	4.46000	6.83000
.602	16.480	.00000	-.00700	.00000	.11600	589.56000	3.76000	.03000	10.53000	4.49000	6.87000
.601	17.660	.00000	-.00900	-.00300	.11700	586.56000	3.76000	.03000	10.51000	4.52000	6.85000
.600	18.840	-.00100	-.01200	-.00500	.11500	585.20000	3.76000	.02000	10.48000	4.51000	6.83000
.602	20.030	.00000	-.00900	-.00300	.11200	587.26000	3.75000	.02000	10.48000	4.46000	6.84000
.602	21.210	-.00100	-.01000	-.00500	.11200	591.20000	3.75000	.02000	10.46000	4.46000	6.83000
.601	22.390	-.00200	-.01200	-.00500	.11300	586.12000	3.75000	.02000	10.45000	4.48000	6.82000
.603	23.570	-.00200	-.00900	-.00300	.11200	589.52000	3.75000	.02000	10.47000	4.45000	6.85000
.604	24.760	-.00300	-.01000	-.00100	.11500	590.28000	3.75000	.02000	10.47000	4.49000	6.87000
.603	25.940	-.00300	-.01000	-.00100	.11500	588.99000	3.75000	.01000	10.46000	4.51000	6.86000
.604	27.130	-.00300	-.00700	-.00200	.11300	591.09000	3.75000	.01000	10.43000	4.48000	6.84000
.603	28.310	-.00300	-.00900	-.00200	.11800	591.41000	3.75000	.01000	10.38000	4.50000	6.80000
.602	29.490	-.00400	-.01200	-.00500	.11600	590.02000	3.75000	.00000	10.37000	4.47000	6.79000
.602	30.670	-.00300	-.01000	.00000	.11000	589.47000	3.75000	.00000	10.40000	4.46000	6.83000
.601	31.860	-.00200	-.00900	.00000	.11400	588.26000	3.75000	.00000	10.38000	4.49000	6.81000
.601	33.040	-.00300	-.00900	-.00300	.11300	587.18000	3.75000	.00000	10.39000	4.43000	6.83000
.601	34.230	-.00300	-.01100	-.00300	.11100	587.32000	3.75000	.00000	10.39000	4.44000	6.84000
.600	35.410	-.00100	-.00900	-.00200	.11400	585.69000	3.75000	.00000	10.38000	4.50000	6.83000
.600	36.590	-.00400	-.01300	-.00800	.11000	584.93000	3.75000	.00000	10.35000	4.42000	6.81000
.601	37.780	-.00400	-.01100	-.00800	.10800	586.36000	3.75000	.00000	10.36000	4.41000	6.83000
.601	38.960	-.00500	-.01100	-.00200	.11100	586.78000	3.75000	.00000	10.35000	4.47000	6.83000
.600	40.150	-.00400	-.01200	-.00600	.11100	586.56000	3.75000	.00000	10.31000	4.42000	6.79000
.602	41.330	-.00400	-.00900	-.00300	.11100	589.97000	3.75000	.00000	10.34000	4.46000	6.83000
.601	42.520	-.00500	-.01400	-.00700	.10900	586.91000	3.75000	.00000	10.32000	4.45000	6.82000
.602	43.700	-.00600	-.01200	-.00600	.10700	587.26000	3.75000	.00000	10.29000	4.40000	6.79000
.600	44.880	-.00600	-.01400	-.00700	.10900	584.54000	3.75000	.00000	10.31000	4.41000	6.82000
.601	46.060	-.00500	-.01300	-.00800	.11000	586.44000	3.75000	.00000	10.30000	4.43000	6.82000
.603	47.250	-.00500	-.01000	-.00500	.10900	590.81000	3.76000	.00000	10.31000	4.41000	6.83000
.604	48.430	-.00600	-.01000	-.00400	.11100	591.69000	3.75000	.00000	10.31000	4.44000	6.84000

DATE 29 MAR 76

CA-26 FORCE SOURCE DATA TABULATION

PAGE 965

LTV44-559(CA26) 747/1 ATY 02 S1 (CARRIER DATA)

(SFE094) (24 MAR 76)

REFERENCE DATA

SREF = 5500.0000 SQ.FT. XMRP = 1339.9000 IN. XC
 LREF = 327.7800 IN. YMRP = .0000 IN. YC
 BREF = 2348.0400 IN. ZMRP = 190.7500 IN. ZC
 SCALE = .0125

PARAMETRIC DATA

ALPHAC = 4.000 BETAC = .000
 STAB = 5.000 ELEVON = 5.000
 BDFLAP = .000 DX = .000
 DY = .000 IORB = 8.000
 BETAO = 5.000 RUDDER = .000

RUN NO. 67/ 0 RN/L = .00 GRADIENT INTERVAL = -5.00/ 5.00

MACH	DZ	CPCC	CPSB1	CPSB2	CPSB3	Q(PSF)	ALPHAC	BETAC	ALPHAO	BETAO	INC10
.604	49.620	-.00400	-.00800	-.00400	.11000	591.42000	3.75000	.00000	10.27000	4.45000	6.81000
.601	50.860	-.00600	-.01400	-.00500	.11100	585.96000	3.75000	.00000	10.25000	4.47000	6.79000
.603	51.990	-.00600	-.01100	-.00300	.11000	589.99000	3.75000	.00000	10.25000	4.47000	6.80000
.602	53.170	-.00600	-.01100	-.00700	.10700	588.28000	3.75000	.00000	10.25000	4.40000	6.80000
.602	54.350	-.00600	-.01100	-.00500	.10700	587.06000	3.75000	.00000	10.22000	4.42000	6.79000
.602	55.540	-.00600	-.01100	-.00500	.10800	586.39000	3.75000	.00000	10.22000	4.41000	6.80000
.601	56.130	-.00700	-.01200	-.00400	.11100	584.62000	3.75000	.00000	10.24000	4.45000	6.81000
	GRADIENT	-.00028	-.00094	-.00066	.00039	-.09502	-.00245	.00000	-.00584	.00684	-.00339

LTV44-559(CA26) 747/1 ATY 02 S1 (CARRIER DATA)

(SFE095) (24 MAR 76)

REFERENCE DATA

SREF = 5500.0000 SQ.FT. XMRP = 1339.9000 IN. XC
 LREF = 327.7800 IN. YMRP = .0000 IN. YC
 BREF = 2348.0400 IN. ZMRP = 190.7500 IN. ZC
 SCALE = .0125

PARAMETRIC DATA

ALPHAC = 4.000 BETAC = .000
 STAB = -1.000 ELEVON = 5.000
 BDFLAP = .000 DX = .000
 OY = .000 IORB = 4.000
 BETAO = .000 RUDDER = .000

RUN NO. 68/ 0 RN/L = .00 GRADIENT INTERVAL = -5.00/ 5.00

MACH	DZ	CPCC	CPSB1	CPSB2	CPSB3	Q (PSF)	ALPHAC	BETAC	ALPHAO	BETAO	INCID
.597	1.460	-.01900	-.03600	-.00500	.09200	579.80000	4.06000	.01000	7.44000	.01000	3.39000
.598	2.060	-.01900	-.03600	-.00500	.09300	581.58000	4.05000	.01000	7.42000	.00000	3.37000
.597	2.660	-.01700	-.03500	-.00500	.09300	579.32000	4.06000	.01000	7.40000	-.01000	3.35000
.597	3.360	-.02200	-.03400	-.00700	.09100	580.00000	4.06000	.01000	7.42000	-.01000	3.37000
.597	4.160	-.02000	-.03300	-.00500	.09400	579.81000	4.06000	.01000	7.43000	.01000	3.39000
.596	4.960	-.02100	-.03400	-.00500	.09000	577.70000	4.06000	.01000	7.38000	-.01000	3.35000
.596	6.960	-.02200	-.03700	-.00400	.08900	576.33000	4.06000	.01000	7.39000	.00000	3.37000
.596	8.930	-.01900	-.03200	-.00500	.09600	576.20000	4.06000	.01000	7.40000	.00000	3.39000
.596	10.430	-.02000	-.03800	-.00400	.08900	578.63000	4.06000	.01000	7.34000	-.04000	3.33000
.594	11.370	-.02600	-.04100	-.00800	.08500	574.99000	4.06000	.01000	7.34000	-.01000	3.34000
.595	12.310	-.02300	-.03600	-.00600	.08900	575.69000	4.07000	.01000	7.36000	.01000	3.36000
.597	13.250	-.01800	-.03300	-.00400	.09100	580.21000	4.06000	.01000	7.34000	-.02000	3.35000
.598	14.180	-.01700	-.03500	-.00200	.09200	581.17000	4.06000	.01000	7.31000	-.02000	3.32000
.596	15.120	-.02000	-.03200	-.00400	.09200	578.63000	4.06000	.01000	7.33000	-.03000	3.35000
.598	16.060	-.01800	-.03500	-.00400	.09100	581.71000	4.06000	.01000	7.30000	-.01000	3.33000
.596	17.000	-.02200	-.03400	-.00500	.08900	577.46000	4.07000	.01000	7.31000	.00000	3.34000
.594	17.940	-.02300	-.03400	-.00500	.08600	575.20000	4.07000	.01000	7.32000	.00000	3.35000
.595	18.880	-.02000	-.03400	-.00500	.08900	577.13000	4.07000	.01000	7.28000	.00000	3.32000
.598	19.810	-.01600	-.03600	-.00200	.09000	582.13000	4.06000	.01000	7.28000	-.01000	3.33000
.594	20.750	-.02400	-.03700	-.00400	.08500	574.81000	4.07000	.01000	7.30000	-.03000	3.35000
.596	21.680	-.02100	-.03400	-.00500	.08700	576.61000	4.06000	.01000	7.27000	-.02000	3.33000
.596	22.620	-.02200	-.03900	-.00400	.08400	576.13000	4.07000	.01000	7.27000	.00000	3.33000
.597	23.560	-.02400	-.03800	-.00500	.08200	578.39000	4.07000	.01000	7.28000	-.03000	3.35000
.595	24.500	-.02500	-.03800	-.00700	.08400	574.02000	4.07000	.01000	7.26000	-.03000	3.33000
.597	25.440	-.02300	-.03900	-.00300	.08400	578.67000	4.07000	.01000	7.25000	.00000	3.32000
.599	26.380	-.02000	-.03400	-.00200	.09100	582.75000	4.07000	.01000	7.22000	-.01000	3.29000
.598	27.310	-.02200	-.03300	-.00400	.08800	581.03000	4.07000	.01000	7.24000	-.02000	3.30000
.600	28.250	-.01900	-.03300	-.00100	.09000	586.07000	4.07000	.01000	7.23000	-.05000	3.32000
.597	29.190	-.02300	-.03500	-.00300	.08500	580.66000	4.08000	.01000	7.23000	.00000	3.32000
.599	30.130	-.02000	-.03800	-.00100	.08600	584.34000	4.07000	.01000	7.20000	-.03000	3.30000
.599	31.060	-.01900	-.03300	-.00200	.09000	584.61000	4.07000	.01000	7.19000	-.01000	3.30000
.597	32.000	-.01900	-.03400	-.00400	.08900	582.62000	4.07000	.00000	7.20000	-.02000	3.31000
.595	32.940	-.02200	-.03400	-.00400	.08600	578.59000	4.08000	.01000	7.20000	-.02000	3.32000
.596	33.880	-.02200	-.03800	-.00200	.08300	579.14000	4.07000	.01000	7.19000	-.02000	3.31000
.537	34.820	-.01800	-.03500	-.00400	.08700	582.01000	4.07000	.01000	7.17000	-.01000	3.29000
.597	35.760	-.01800	-.03600	-.00300	.08600	581.20000	4.07000	.01000	7.15000	.00000	3.28000
.596	36.700	-.02100	-.03900	-.00200	.08200	579.16000	4.07000	.01000	7.17000	-.04000	3.30000
.596	37.630	-.02200	-.03800	-.00200	.08300	579.03000	4.08000	.01000	7.16000	-.03000	3.30000
.594	38.570	-.02500	-.03800	-.00300	.08000	575.61000	4.05000	.01000	7.15000	.00000	3.30000
.598	39.510	-.01700	-.03700	-.00000	.08400	580.43000	4.07000	.01000	7.13000	-.02000	3.28000
.597	40.450	-.01900	-.03600	-.00200	.08700	579.68000	4.07000	.01000	7.12000	-.03000	3.29000
.597	41.380	-.02100	-.03500	-.00400	.08500	579.13000	4.08000	.01000	7.14000	-.04000	3.30000

DATE 29 MAR 76

CA-26 FORCE SOURCE DATA TABULATION

PAGE 957

LTV44-559(CA26) 747/1 ATY 02 S1 (CARRIER DATA)

(SFE095) (24 MAR 76)

REFERENCE DATA

SREF =	5500.0000 SQ.FT.	XMRP =	1339.9000 IN. XC
LREF =	327.7800 IN.	YMRP =	.0000 IN. YC
BREF =	2348.0400 IN.	ZMRP =	190.7500 IN. ZC
SCALE =	.0125		

PARAMETRIC DATA

ALPHAC =	4.000	BETAC =	.000
STAS =	-1.000	ELEVON =	5.000
BDFLAP =	.000	DX =	.000
DY =	.000	IORB =	4.000
BETAO =	.000	RUDDER =	.000

RUN NO. 68/ 0 RN/L = .00 GRADIENT INTERVAL = -5.00/ 5.00

MACH	DZ	CPC	CPSB1	CPSB2	CPSB3	Q(PSF)	ALPHAC	BETAC	ALPHAO	BETAO	INCID
.597	42.320	-.02400	-.04000	-.00300	.08000	579.19000	4.08000	.01000	7.14000	-.04000	3.31000
.599	42.790	-.01800	-.03600	-.00200	.08700	581.27000	4.08000	.01000	7.11000	-.06000	3.28000
	GRADIENT	-.00074	.00080	-.00006	-.00039	-.63580	.00122	.00000	-.01016	-.00251	-.00464

ORIGINAL PAGE IS
OF POOR QUALITY

LTV44-559(CA26) 747/1 ATY 02 S1 (CARRIER DATA)

(SFE096) (24 MAR 76)

REFERENCE DATA

SREF = 5500.0000 SQ.FT. XMRP = 1339.9000 IN. XC
 LREF = 327.7800 IN. YMRP = .0000 IN. YC
 BREF = 2348.0400 IN. ZMRP = 190.7500 IN. ZC
 SCALE = .0125

PARAMETRIC DATA

ALPHAC = 4.000 BETAC = .000
 STAB = -1.000 ELEVON = 5.000
 BDFLAP = .000 DX = .000
 DY = .000 TORB = 6.000
 BETAO = .000 RUDDER = .000

RUN NO. 1068/ 0 RN/L = .00 GRADIENT INTERVAL = -5.00/ 5.00

MACH	DZ	CPCC	CPSB1	CPSB2	CPSB3	Q(PSF)	ALPHAC	BETAC	ALPHA0	BETA0	INCID
.597	1.480	-.01800	-.03200	-.00300	.09400	576.85000	4.07000	.02000	9.21000	.00000	5.14000
.599	2.070	-.01800	-.03300	-.00100	.09200	581.82000	4.08000	.01000	9.18000	.00000	5.10000
.596	2.670	-.02300	-.03200	-.00500	.09100	575.54000	4.07000	.01000	9.22000	.00000	5.16000
.596	3.380	-.01900	-.03500	-.00400	.09000	576.49000	4.08000	.02000	9.19000	-.01000	5.13000
.597	4.170	-.02000	-.03500	-.00100	.08900	578.80000	4.07000	.01000	9.19000	.01000	5.13000
.597	4.970	-.02000	-.03000	-.00200	.09400	577.93000	4.08000	.02000	9.18000	.00000	5.12000
.593	6.970	-.02700	-.04000	-.01000	.08400	571.69000	4.07000	.01000	9.18000	.00000	5.14000
.597	8.980	-.01700	-.03500	-.00200	.09100	578.06000	4.07000	.01000	9.15000	.00000	5.13000
.597	10.580	-.01700	-.03500	.00000	.08700	577.05000	4.07000	.01000	9.14000	.00000	5.13000
.596	11.790	-.02300	-.03700	-.00400	.08400	575.19000	4.07000	.01000	9.11000	-.02000	5.11000
.595	13.010	-.02100	-.03300	-.00400	.08800	574.30000	4.06000	.01000	9.11000	.00000	5.12000
.595	14.220	-.02300	-.03400	-.00300	.08700	574.78000	4.06000	.01000	9.11000	.00000	5.12000
.597	15.440	-.01800	-.03200	.00000	.09200	578.48000	4.07000	.01000	9.11000	.01000	5.13000
.595	16.660	-.02300	-.03400	-.00300	.08600	573.89000	4.06000	.01000	9.09000	.00000	5.12000
.595	17.870	-.01900	-.03500	-.00200	.09000	574.78000	4.06000	.01000	9.08000	.00000	5.12000
.596	19.090	-.01900	-.03300	-.00200	.09100	575.73000	4.06000	.01000	9.04000	.00000	5.09000
.595	20.300	-.02200	-.03700	-.00200	.08400	574.49000	4.07000	.01000	9.05000	.00000	5.10000
.596	21.510	-.01900	-.03900	-.00300	.08700	577.02000	4.07000	.01000	9.03000	-.04000	5.09000
.596	22.730	-.02100	-.03700	-.00100	.08400	577.84000	4.07000	.01000	9.03000	.00000	5.09000
.599	23.940	-.01700	-.03500	.00100	.08800	582.08000	4.07000	.01000	9.04000	.00000	5.11000
.597	25.150	-.02400	-.03700	-.00400	.08300	578.52000	4.07000	.01000	9.01000	.00000	5.08000
.598	26.370	-.01700	-.03400	-.00100	.08800	580.72000	4.07000	.01000	8.98000	-.04000	5.06000
.595	27.590	-.02200	-.03600	-.00300	.08400	574.89000	4.07000	.01000	8.98000	-.02000	5.09000
.598	28.800	-.01700	-.03500	.00100	.08600	581.17000	4.07000	.01000	9.00000	.00000	5.08000
.597	30.020	-.02000	-.03700	.00000	.08300	580.35000	4.07000	.01000	8.99000	-.03000	5.07000
.599	31.230	-.01600	-.03400	.00100	.08900	582.34000	4.07000	.01000	8.95000	-.02000	5.06000
.596	32.450	-.02000	-.03500	-.00300	.08600	577.54000	4.07000	.00000	8.96000	.00000	5.07000
.596	33.660	-.02200	-.03600	-.00200	.08300	577.26000	4.08000	.01000	8.97000	-.03000	5.09000
.595	34.880	-.02400	-.03600	-.00100	.08200	575.70000	4.07000	.01000	8.95000	-.06000	5.08000
.596	36.090	-.02400	-.03900	-.00100	.08100	577.28000	4.07000	.01000	8.95000	-.04000	5.09000
.596	37.310	-.02200	-.03700	.00000	.08100	576.95000	4.08000	.01000	8.95000	.00000	5.09000
.598	38.530	-.01700	-.03600	.00000	.08400	581.25000	4.08000	.01000	8.91000	-.05000	5.06000
.597	39.740	-.01600	-.03500	.00000	.08700	579.20000	4.08000	.01000	8.90000	-.04000	5.05000
.597	40.950	-.01800	-.03600	-.00100	.08700	579.28000	4.08000	.01000	8.90000	-.07000	5.06000
.598	42.170	-.01900	-.03500	.00100	.08600	582.13000	4.08000	.01000	8.92000	-.02000	5.08000
.598	43.380	-.01600	-.03500	.00000	.08800	581.25000	4.07000	.01000	8.91000	-.04000	5.09000
.597	44.600	-.02300	-.03800	-.00300	.08100	579.20000	4.08000	.01000	8.87000	-.03000	5.05000
.598	45.820	-.02000	-.03600	.00000	.08200	579.89000	4.08000	.01000	8.88000	.01000	5.07000
.596	47.030	-.02000	-.03800	.00000	.08100	578.37000	4.08000	.01000	8.86000	-.02000	5.05000
.597	48.250	-.01800	-.03700	.00000	.08400	578.86000	4.08000	.01000	8.85000	.00000	5.05000
.594	49.460	-.02000	-.03600	-.00400	.08500	574.00000	4.08000	.01000	8.87000	.00000	5.07000
GRADIENT		-.00044	.00010	.00029	-.00033	-.08129	.00122	.00054	-.00634	.00092	-.00197

LTV44-559(CA26) 747/1 ATY 02 S1 (CARRIER DATA)

(SFE097) (24 MAR 76)

REFERENCE DATA

SREF = 5500.0000 SQ.FT. XMRP = 1339.9000 IN. XC
 LREF = 327.7800 IN. YMRP = .0000 IN. YC
 BREF = 2348.0400 IN. ZMRP = 190.7500 IN. ZC
 SCALE = .0125

PARAMETRIC DATA

ALPHAC = 4.000 BETAC = .000
 STAB = -1.000 ELEVON = 5.000
 BDFLAP = .000 DX = .000
 DY = .000 IORB = 8.000
 BETAO = .000 RUDDER = .000

RUN NO. 69/ 0 RN/L = .00 GRADIENT INTERVAL = -5.00/ 5.00

MACH	DZ	CPCC	CPSB1	CPSB2	CPSB3	Q(PSF)	ALPHAC	BETAC	ALPHAO	BETAO	INC10
.594	1.460	-.02400	-.03000	.00200	.08500	574.64000	4.11000	.02000	10.96000	.04000	6.85000
.595	2.060	-.02200	-.03100	.00200	.08200	577.02000	4.11000	.02000	10.95000	.04000	6.84000
.597	2.660	-.01700	-.03100	.00400	.08500	580.60000	4.11000	.02000	10.94000	.05000	6.84000
.594	3.460	-.02400	-.03100	.00100	.08200	575.00000	4.11000	.02000	10.94000	.05000	6.85000
.596	4.460	-.02000	-.03000	.00100	.08600	578.84000	4.11000	.02000	10.96000	.04000	6.88000
.597	5.590	-.02100	-.03300	.00000	.08700	581.20000	4.11000	.02000	10.93000	.04000	6.85000
.595	6.840	-.02200	-.03300	-.00100	.08200	575.75000	4.11000	.02000	10.92000	.03000	6.85000
.595	8.090	-.02500	-.03400	-.00200	.08100	575.36000	4.10000	.02000	10.90000	.03000	6.84000
.597	9.340	-.02500	-.03600	.00000	.08000	579.61000	4.09000	.02000	10.90000	.05000	6.86000
.599	10.560	-.02200	-.03500	.00100	.08600	581.10000	4.09000	.02000	10.90000	.05000	6.86000
.597	11.740	-.02100	-.03100	.00100	.08800	579.51000	4.10000	.02000	10.88000	.04000	6.85000
.597	12.920	-.02800	-.03700	-.00100	.08100	581.26000	4.09000	.02000	10.87000	.04000	6.85000
.596	14.110	-.02500	-.03600	.00000	.08100	579.62000	4.08000	.02000	10.86000	.04000	6.85000
.593	15.290	-.02500	-.03600	-.00400	.08100	574.36000	4.08000	.01000	10.84000	.05000	6.85000
.595	16.480	-.02200	-.03500	-.00200	.08300	576.10000	4.08000	.01000	10.84000	.06000	6.85000
.595	17.660	-.02300	-.03500	-.00100	.08300	574.68000	4.08000	.01000	10.84000	.04000	6.86000
.597	18.840	-.02200	-.03500	-.00100	.08500	577.91000	4.08000	.01000	10.83000	.03000	6.86000
.598	20.030	-.02300	-.03700	.00000	.08300	580.63000	4.08000	.02000	10.80000	.03000	6.83000
.597	21.210	-.02200	-.03700	.00000	.08300	579.87000	4.08000	.02000	10.79000	.05000	6.84000
.596	22.390	-.02300	-.03500	-.00200	.08400	577.89000	4.07000	.01000	10.80000	.05000	6.85000
.595	23.570	-.02700	-.03700	-.00400	.08100	575.35000	4.07000	.01000	10.77000	.03000	6.83000
.595	24.760	-.02700	-.03700	-.00400	.08100	575.70000	4.07000	.01000	10.76000	.02000	6.83000
.595	25.940	-.02600	-.03800	-.00100	.08000	577.20000	4.08000	.01000	10.74000	.03000	6.81000
.592	27.130	-.02800	-.03800	-.00400	.07900	569.48000	4.07000	.01000	10.73000	.03000	6.81000
.598	28.310	-.02200	-.03800	-.00200	.08200	579.96000	4.08000	.01000	10.74000	.03000	6.83000
.595	29.490	-.02700	-.03700	-.00400	.07900	574.42000	4.08000	.01000	10.74000	.02000	6.83000
.597	30.670	-.02200	-.03600	.00000	.08200	579.27000	4.08000	.01000	10.72000	.06000	6.82000
.596	31.860	-.02600	-.03900	.00000	.07900	576.33000	4.08000	.01000	10.70000	.03000	6.80000
.595	33.040	-.02900	-.03700	-.00400	.08100	576.79000	4.08000	.01000	10.71000	.04000	6.82000
.597	34.230	-.02300	-.03700	-.00300	.08300	579.81000	4.08000	.01000	10.71000	.03000	6.83000
.597	35.410	-.02400	-.03700	-.00400	.08200	578.66000	4.08000	.01000	10.71000	.04000	6.83000
.595	36.590	-.02900	-.03900	-.00500	.07800	575.30000	4.08000	.01000	10.70000	.02000	6.82000
.595	37.780	-.03000	-.04100	-.00700	.07800	576.11000	4.08000	.01000	10.70000	.00000	6.83000
.595	38.960	-.02900	-.03900	-.00600	.07700	575.50000	4.08000	.01000	10.68000	.01000	6.82000
.537	40.150	-.02400	-.03700	-.00300	.08100	579.60000	4.08000	.01000	10.67000	.02000	6.82000
.597	41.330	-.02700	-.04100	-.00300	.07800	579.58000	4.08000	.01000	10.63000	.02000	6.79000
.596	42.520	-.02700	-.03800	-.00600	.08100	579.03000	4.08000	.01000	10.66000	.01000	6.82000
.594	43.700	-.02900	-.04300	-.00500	.07500	574.18000	4.08000	.01000	10.64000	.01000	6.82000
.595	44.880	-.02600	-.03800	-.00500	.07900	576.93000	4.08000	.01000	10.63000	.01000	6.81000
.595	46.060	-.02700	-.03900	-.00500	.07900	576.05000	4.08000	.01000	10.63000	.03000	6.82000
.594	47.250	-.02800	-.04100	-.00700	.07700	574.14000	4.08000	.01000	10.64000	.03000	6.83000
.598	48.430	-.02500	-.03900	-.00600	.07900	579.55000	4.08000	.01000	10.59000	.00000	6.79000

LTV44-559(CA26) 747/1 ATY 02 S1 (CARRIER DATA)

(SFE097) (24 MAR 76)

REFERENCE DATA

SREF = 5500.0000 SQ.FT. XMRP = 1339.9000 IN. XC
 LREF = 327.7800 IN. YMRP = .0000 IN. YC
 BREF = 2348.0400 IN. ZMRP = 190.7500 IN. ZC
 SCALE = .0125

PARAMETRIC DATA

ALPHAC = 4.000 BETAC = .000
 STAB = -1.000 ELEVON = 5.000
 BDFLAP = .000 DX = .000
 DY = .000 YORB = 8.000
 BETA0 = .000 RUDDER = .000

RUN NO. 69/ 0 RN/L = .00 GRADIENT INTERVAL = -5.00/ 5.00

MACH	DZ	CPCC	CPSB1	CPSB2	CPSB3	Q(PSF)	ALPHAC	BETAC	ALPHA0	BETA0	INCID
.596	49.620	-.02800	-.04000	-.00700	.07900	576.88000	4.08000	.01000	10.59000	.01000	6.80000
.596	50.800	-.02800	-.04300	-.00500	.07600	576.40000	4.08000	.01000	10.60000	.01000	6.81000
.597	51.990	-.02600	-.04200	-.00500	.07600	578.58000	4.08000	.01000	10.56000	.01000	6.78000
.596	53.170	-.03100	-.04100	-.00700	.07700	578.03000	4.08000	.01000	10.58000	.02000	6.80000
.599	54.350	-.02600	-.04100	-.00600	.07700	583.15000	4.08000	.01000	10.57000	.00000	6.80000
.595	55.540	-.03000	-.04600	-.00800	.07200	575.02000	4.08000	.01000	10.57000	.00000	6.81000
.595	56.130	-.03000	-.04300	-.00700	.07300	574.96000	4.09000	.01000	10.57000	.00000	6.81000
	GRADIENT	.00071	.00005	-.00047	.00036	.78459	.00000	.00000	-.00036	.00086	.01052

LTV44-559(CA26) 747/1 ATY 02 S1 (CARRIER DATA)

(SFE098) (24 MAR 76)

REFERENCE DATA

SREF = 5500.0000 SQ.FT. XMRP = 1339.9000 IN. XC
 LREF = 327.7800 IN. YMRP = .0000 IN. YC
 BREF = 2348.0400 IN. ZMRP = 190.7500 IN. ZC
 SCALE = .0125

PARAMETRIC DATA

ALPHAC = 4.000 BETAC = .000
 STAB = 5.000 ELEVON = .000
 BDFLAP = .000 DX = .000
 DY = .000 IORB = 4.000
 BETAO = .000 RUDDER = .000

RUN NO. 70/ 0 RN/L = .00 GRADIENT INTERVAL = -5.00/ 5.00

MACH	DZ	CPCC	CPSB1	CPSB2	CPSB3	Q(PSF)	ALPHAC	BETAC	ALPHAO	BETAO	INCID
.599	1.460	-.01100	-.02100	-.02200	.10600	582.81000	3.70000	.00000	7.18000	-.03000	3.49000
.600	2.060	-.01200	-.02600	-.02500	.10400	585.40000	3.69000	.01000	7.18000	.01000	3.50000
.602	2.660	-.01300	-.02300	-.02100	.10600	588.14000	3.70000	.00000	7.18000	.00000	3.49000
.599	3.360	-.01000	-.01900	-.02000	.10900	582.62000	3.70000	.00000	7.17000	.00000	3.49000
.599	4.160	-.01500	-.02600	-.02400	.10700	583.63000	3.70000	.00000	7.16000	-.04000	3.48000
.599	4.960	-.01200	-.02100	-.02000	.11000	583.57000	3.71000	.00000	7.16000	.02000	3.47000
.599	6.960	-.00900	-.01900	-.01800	.11000	582.41000	3.71000	.00000	7.17000	.01000	3.50000
.600	8.960	-.00900	-.01900	-.01900	.10800	585.14000	3.71000	.00000	7.14000	-.03000	3.48000
.600	10.430	-.01400	-.02500	-.02200	.10700	584.99000	3.72000	.00000	7.12000	-.01000	3.46000
.599	11.370	-.01200	-.02000	-.01800	.10900	583.63000	3.72000	.00000	7.13000	.02000	3.47000
.600	12.310	-.01600	-.02500	-.02000	.10600	585.26000	3.72000	.00000	7.10000	.00000	3.45000
.600	13.250	-.01300	-.02300	-.01900	.10600	585.74000	3.72000	.00000	7.12000	-.04000	3.48000
.599	14.180	-.01000	-.01900	-.01600	.10900	583.35000	3.72000	.00000	7.11000	.02000	3.47000
.598	15.120	-.01300	-.02400	-.02100	.10600	582.66000	3.72000	.00000	7.11000	.02000	3.47000
.599	16.060	-.01500	-.02500	-.01800	.10500	583.35000	3.72000	.00000	7.08000	.00000	3.45000
.598	17.000	-.01300	-.02100	-.01600	.10700	580.83000	3.72000	.00000	7.10000	.02000	3.47000
.599	17.940	-.01500	-.02400	-.02000	.10600	583.90000	3.72000	.00000	7.07000	-.01000	3.45000
.600	18.880	-.01600	-.02400	-.01900	.10500	585.33000	3.73000	.00000	7.07000	.00000	3.44000
.599	19.810	-.01300	-.02300	-.01800	.10600	583.34000	3.73000	.00000	7.06000	.00000	3.45000
.599	20.750	-.01600	-.02500	-.02100	.10400	584.84000	3.73000	.00000	7.08000	.01000	3.47000
.603	21.690	-.01600	-.02600	-.01800	.10200	591.32000	3.73000	.00000	7.06000	.02000	3.47000
.599	22.620	-.01100	-.02000	-.01600	.10500	584.44000	3.73000	.00000	7.05000	-.04000	3.44000
.600	23.560	-.01100	-.01900	-.01400	.10600	585.67000	3.73000	.00000	7.04000	.00000	3.44000
.601	24.500	-.01100	-.02000	-.01500	.10300	586.49000	3.73000	.00000	7.06000	-.01000	3.46000
.602	25.440	-.01200	-.02100	-.01400	.10100	587.93000	3.74000	.00000	7.05000	.02000	3.46000
.597	26.380	-.01500	-.02300	-.01800	.10100	580.75000	3.74000	.00000	7.04000	-.01000	3.45000
.599	27.310	-.01300	-.02400	-.01900	.10100	583.55000	3.74000	.00000	7.01000	-.01000	3.42000
.601	28.250	-.01300	-.02200	-.01400	.10700	586.90000	3.75000	.00000	7.01000	-.01000	3.43000
.599	29.190	-.01300	-.02100	-.01900	.10000	584.71000	3.75000	.00000	7.00000	.00000	3.42000
.598	30.130	-.01300	-.02200	-.01400	.10100	581.72000	3.75000	.00000	7.02000	.00000	3.45000
.601	31.060	-.01300	-.02100	-.01300	.10200	585.49000	3.75000	.00000	7.02000	.00000	3.45000
.600	32.000	-.01500	-.02200	-.01800	.09900	585.14000	3.75000	.00000	6.97000	-.02000	3.41000
.600	32.940	-.01200	-.02700	-.01300	.10600	584.18000	3.75000	.00000	7.01000	.00000	3.45000
.599	33.880	-.01400	-.02300	-.01500	.10500	583.21000	3.75000	.00000	6.99000	.00000	3.44000
.599	34.820	-.01400	-.02500	-.01800	.10200	583.47000	3.75000	.00000	6.99000	.00000	3.44000
.597	35.760	-.01200	-.02300	-.01900	.10100	580.61000	3.75000	.00000	6.96000	-.01000	3.42000
.599	36.700	-.01100	-.01900	-.01400	.10100	584.04000	3.75000	.00000	6.95000	-.03000	3.41000
.599	37.630	-.01600	-.02300	-.01400	.10200	583.14000	3.75000	.00000	6.94000	-.02000	3.41000
.599	38.570	-.01600	-.02600	-.01700	.10100	584.35000	3.75000	.00000	6.95000	-.01000	3.42000
.598	39.510	-.01700	-.02400	-.01600	.10200	582.44000	3.75000	.00000	6.93000	-.04000	3.40000
.599	40.450	-.01200	-.01900	-.01300	.10200	583.48000	3.76000	.00000	6.93000	-.02000	3.40000
.600	41.380	-.01500	-.02400	-.01800	.10000	585.52000	3.75000	.00000	6.92000	-.02000	3.41000

LTV44-559(CA26) 747/1 ATY 02 S1 (CARRIER DATA)

(SFEO98) (24 MAR 76)

REFERENCE DATA

SREF = 5500.0000 SQ.FT. XMRP = 1339.9000 IN. XC
 LREF = 327.7800 IN. YMRP = .0000 IN. YC
 BREF = 2348.0400 IN. ZMRP = 190.7500 IN. ZC
 SCALE = .0125

PARAMETRIC DATA

ALPHAC = 4.000 BETAC = .000
 STAB = 5.000 ELEVON = .000
 BDFLAP = .000 DX = .000
 DY = .000 IORB = 4.000
 BETA0 = .000 RUDDER = .000

RUN NO. 70/ 0 RN/L = .00 GRADIENT INTERVAL = -5.00/ 5.00

MACH	DZ	CPCC	CPSB1	CPSB2	CPSB3	Q(PSF)	ALPHAC	BETAC	ALPHA0	BETA0	INCID
.598	42.320	-.01500	-.02200	-.01500	.10100	580.96000	3.76000	.00000	6.91000	-.03000	3.40000
.601	42.790	-.01400	-.02400	-.01700	.09700	585.36000	3.76000	.00000	6.94000	-.02000	3.43000
	GRADIENT	-.00045	.00016	.00056	.00131	-.33642	.08337	-.00122	-.00702	.00395	-.00673

LTV44-559(CA26) 747/1 ATY 02 S1 (CARRIER DATA)

(SFE099) (24 MAR 76)

REFERENCE DATA

SREF = 5500.0000 SQ.FT. XMRP = 1339.9000 IN. XC
 LREF = 327.7800 IN. YMRP = .0000 IN. YC
 BREF = 2348.0400 IN. ZMRP = 190.7500 IN. ZC
 SCALE = .0125

PARAMETRIC DATA

ALPHAC = 4.000 BETAC = .000
 STAB = 5.000 ELEVON = .000
 BDFLAP = .000 DX = .000
 DY = .000 LORR = 6.000
 BETAO = .000 RUDDER = .000

RUN NO. 1070/ 0 RN/L = .00 GRADIENT INTERVAL = -5.00/ 5.00

MACH	DZ	CPCC	CPSB1	CPSB2	CPSB3	Q(PSF)	ALPHAC	BETAC	ALPHAO	BETAO	INCID
.599	1.460	-.01100	-.02500	-.02500	.10600	589.31000	3.73000	.01000	8.97000	.01000	5.25000
.600	2.070	-.01500	-.02200	-.02300	.10800	585.27000	3.72000	.01000	8.96000	-.03000	5.25000
.598	2.670	-.01100	-.01900	-.02000	.11000	579.71000	3.72000	.01000	8.95000	-.03000	5.24000
.599	3.380	-.01100	-.02300	-.02100	.11000	582.50000	3.72000	.01000	8.99000	.00000	5.28000
.600	4.170	-.00900	-.02300	-.01900	.11000	584.35000	3.72000	.01000	8.98000	-.01000	5.28000
.599	4.970	-.01300	-.02600	-.02100	.10400	582.49000	3.72000	.00000	8.98000	.00000	5.28000
.601	6.970	-.01000	-.02100	-.01900	.10900	584.56000	3.72000	.00000	8.95000	-.01000	5.27000
.600	8.980	-.01000	-.01900	-.01900	.11100	583.00000	3.72000	.00000	8.95000	-.01000	5.28000
.599	10.580	-.01300	-.02300	-.02100	.10700	580.40000	3.73000	.00000	8.90000	-.03000	5.24000
.599	11.790	-.01000	-.02300	-.01800	.10800	581.49000	3.73000	.00000	8.90000	-.03000	5.24000
.599	13.010	-.00900	-.02200	-.01800	.10700	580.75000	3.73000	.00000	8.88000	-.01000	5.22000
.597	14.220	-.01500	-.02300	-.02100	.10200	577.59000	3.73000	.00000	8.91000	-.02000	5.26000
.597	15.440	-.01200	-.02300	-.02000	.10600	577.24000	3.73000	.00000	8.90000	.00000	5.25000
.597	16.660	-.01000	-.02200	-.01900	.10600	578.81000	3.74000	.00000	8.90000	.00000	5.26000
.600	17.870	-.01000	-.02400	-.01600	.10400	583.79000	3.74000	.00000	8.86000	-.03000	5.22000
.598	19.090	-.01500	-.02300	-.01500	.10300	580.30000	3.74000	.00000	8.85000	-.03000	5.22000
.598	20.300	-.01200	-.02100	-.01700	.10600	579.08000	3.74000	.00000	8.87000	.00000	5.25000
.598	21.510	-.01100	-.02200	-.01800	.10400	580.51000	3.74000	.00000	8.86000	.00000	5.24000
.597	22.730	-.01600	-.02300	-.02100	.09900	578.92000	3.74000	.00000	8.85000	-.01000	5.24000
.599	23.940	-.00900	-.02100	-.01500	.10800	582.82000	3.74000	.00000	8.83000	-.01000	5.22000
.598	25.150	-.01500	-.02000	-.01700	.10300	580.69000	3.74000	.00000	8.83000	.00000	5.23000
.601	26.370	-.00800	-.02000	-.01100	.10600	587.53000	3.74000	.00000	8.80000	-.04000	5.21000
.600	27.590	-.01400	-.02100	-.01400	.10600	587.53000	3.74000	.00000	8.80000	-.04000	5.22000
.601	28.800	-.01100	-.02000	-.01200	.10100	584.72000	3.74000	.00000	8.79000	-.03000	5.20000
.599	30.020	-.01200	-.02500	-.01600	.10200	587.18000	3.75000	.00000	8.78000	-.02000	5.21000
.601	31.230	-.01000	-.01900	-.01100	.10300	584.91000	3.75000	.00000	8.78000	-.02000	5.22000
.597	32.450	-.01300	-.02300	-.01600	.10100	579.27000	3.75000	.00000	8.79000	-.02000	5.22000
.598	33.660	-.01000	-.02300	-.01600	.10300	581.59000	3.75000	.00000	8.78000	-.01000	5.22000
.600	34.880	-.01100	-.02300	-.01700	.10300	584.58000	3.75000	.00000	8.75000	-.02000	5.20000
.600	36.090	-.01300	-.02200	-.01700	.09800	585.88000	3.75000	.00000	8.75000	-.01000	5.21000
.598	37.310	-.01300	-.02400	-.01600	.10300	581.65000	3.75000	.00000	8.75000	-.01000	5.22000
.599	38.530	-.01300	-.02100	-.01200	.10400	581.67000	3.75000	.00000	8.76000	-.01000	5.23000
.598	39.740	-.01300	-.02300	-.01700	.10000	581.05000	3.75000	.00000	8.76000	-.01000	5.20000
.599	40.950	-.01200	-.02300	-.01700	.09800	582.28000	3.75000	.00000	8.72000	-.01000	5.20000
.599	42.170	-.01100	-.01900	-.00900	.10500	582.20000	3.75000	.00000	8.70000	-.02000	5.18000
.600	43.380	-.01100	-.01900	-.01000	.10300	584.45000	3.75000	.00000	8.71000	-.02000	5.21000
.597	44.600	-.01700	-.02600	-.02100	.09300	581.28000	3.76000	.00000	8.71000	-.02000	5.18000
.600	45.820	-.01200	-.02200	-.01700	.09600	585.12000	3.76000	.00000	8.68000	-.03000	5.18000
.599	47.030	-.01000	-.02000	-.01600	.09900	584.30000	3.76000	.00000	8.67000	-.02000	5.18000
.597	48.250	-.01500	-.02300	-.01400	.10300	581.02000	3.76000	.00000	8.67000	-.02000	5.18000
.598	49.460	-.01500	-.02300	-.01300	.10400	581.16000	3.76000	.00000	8.67000	-.01000	5.19000
GRADIENT		.00030	-.00060	.00120	-.00028	-1.27236	-.00191	.00000	.00625	.00213	.01153

LTV44-559(CA26) 747/1 ATY 02 S1 (CARRIER DATA)

(SFE100) (24 MAR 76)

REFERENCE DATA

SREF = 5500.0000 SQ.FT. XMRP = 1339.5000 IN. XC
 LREF = 327.7800 IN. YMRP = .0000 IN. YC
 BREF = 2348.0400 IN. ZMRP = 190.7500 IN. ZC
 SCALE = .0125

PARAMETRIC DATA

ALPHAC = 4.000 BETAC = .000
 STAB = 5.000 ELEVON = .000
 BDFLAP = .000 DX = .000
 DY = .000 LORB = 8.000
 BETA0 = .000 RUDDER = .000

RUN NO. 71/ 0 RN/L = .00 GRADIENT INTERVAL = -5.00/ 5.00

MACH	DZ	CPC	CPSB1	CPSB2	CPSB3	Q(PSF)	ALPHAC	BETAC	ALPHA0	BETA0	INC10
.597	1.460	-.00900	-.02400	-.01400	.11000	579.44000	3.76000	.01000	10.74000	.01000	6.98000
.597	2.060	-.00800	-.02500	-.01300	.11000	579.51000	3.76000	.01000	10.73000	.02000	6.97000
.597	2.660	-.01000	-.02300	-.01200	.10900	579.32000	3.77000	.01000	10.73000	.00000	6.98000
.598	3.460	-.00900	-.01900	-.01100	.11100	581.89000	3.76000	.01000	10.75000	-.01000	7.00000
.599	4.460	-.00800	-.02100	-.01600	.10600	585.29000	3.76000	.01000	10.73000	.05000	6.99000
.598	5.590	-.00700	-.01900	-.01000	.11200	582.17000	3.76000	.01000	10.75000	.00000	7.02000
.596	6.840	-.01000	-.02100	-.01100	.11300	579.16000	3.76000	.01000	10.72000	.05000	6.99000
.598	8.090	-.00700	-.02000	-.01400	.10900	582.17000	3.75000	.01000	10.75000	.00000	7.04000
.596	9.340	-.00700	-.01900	-.01200	.11100	579.09000	3.75000	.01000	10.74000	-.01000	7.04000
.598	10.560	-.00700	-.02100	-.01400	.10800	581.68000	3.75000	.01000	10.71000	.02000	7.02000
.598	11.740	-.00700	-.02100	-.01400	.10800	582.85000	3.75000	.01000	10.71000	.01000	7.02000
.599	12.920	-.01100	-.02500	-.01600	.10800	583.60000	3.75000	.01000	10.69000	.00000	7.01000
.598	14.110	-.00700	-.02000	-.01200	.10800	581.84000	3.75000	.01000	10.67000	.01000	7.00000
.598	15.290	-.01300	-.02300	-.00900	.10800	582.44000	3.75000	.01000	10.68000	.01000	7.01000
.598	16.480	-.00900	-.02000	-.01100	.11000	582.10000	3.75000	.01000	10.68000	.01000	7.02000
.598	17.660	-.01100	-.02300	-.01300	.10900	581.22000	3.75000	.01000	10.67000	.00000	7.02000
.599	18.840	-.01400	-.02300	-.01400	.10900	583.94000	3.75000	.00000	10.66000	.04000	7.01000
.597	20.030	-.00900	-.02000	-.01000	.10900	581.07000	3.75000	.00000	10.64000	-.01000	7.01000
.601	21.210	-.00900	-.02000	-.01000	.10700	587.42000	3.75000	.00000	10.62000	-.01000	6.99000
.599	22.390	-.01300	-.02500	-.01500	.10400	583.20000	3.75000	.00000	10.62000	.04000	7.00000
.596	23.570	-.00700	-.01800	-.01000	.10800	577.34000	3.75000	.00000	10.60000	.00000	6.99000
.598	24.760	-.01200	-.02300	-.01300	.10600	580.68000	3.75000	.00000	10.60000	.04000	6.99000
.602	25.940	-.01000	-.02300	-.01400	.10300	583.80000	3.75000	.00000	10.58000	.05000	6.98000
.598	27.130	-.01400	-.02300	-.01300	.10500	581.16000	3.74000	.00000	10.60000	.00000	7.01000
.598	28.310	-.00900	-.02200	-.01300	.10500	580.69000	3.75000	.00000	10.56000	.02000	6.97000
.598	29.490	-.00900	-.02000	-.01000	.10500	580.96000	3.75000	.00000	10.55000	.01000	6.96000
.599	30.670	-.01100	-.01900	-.01100	.10500	583.95000	3.76000	.00000	10.54000	.03000	6.96000
.599	31.860	-.01200	-.02100	-.01100	.10500	583.53000	3.75000	.00000	10.57000	.00000	7.00000
.598	33.040	-.00900	-.02000	-.01100	.10400	581.90000	3.75000	.00000	10.52000	.01000	6.96000
.597	34.230	-.01200	-.02300	-.01100	.10300	580.67000	3.75000	.00000	10.53000	.03000	6.97000
.597	35.410	-.01000	-.02000	-.01000	.10500	579.04000	3.75000	.00000	10.53000	.04000	6.98000
.597	36.590	-.00800	-.01900	-.01000	.10500	579.18000	3.75000	.00000	10.50000	-.01000	6.96000
.599	37.780	-.01100	-.02000	-.01000	.10400	582.86000	3.76000	.00000	10.51000	.03000	6.97000
.597	38.960	-.00900	-.01900	-.01000	.10500	581.68000	3.75000	.00000	10.49000	.00000	6.96000
.598	40.150	-.01000	-.02100	-.01100	.10400	583.45000	3.76000	.00000	10.49000	.03000	6.97000
.597	41.330	-.00800	-.01900	-.01100	.10400	581.74000	3.75000	.00000	10.47000	.01000	6.95000
.599	42.520	-.01300	-.02500	-.01300	.10100	584.41000	3.76000	.00000	10.48000	-.01000	6.97000
.600	43.700	-.01100	-.02300	-.01200	.10000	585.57000	3.76000	.00000	10.45000	-.01000	6.95000
.598	44.880	-.01400	-.02300	-.01200	.10200	583.39000	3.76000	.00000	10.45000	-.04000	6.95000
.598	46.060	-.01400	-.02200	-.01200	.10200	582.77000	3.76000	.00000	10.45000	-.02000	6.96000
.597	47.250	-.01300	-.02200	-.01100	.10200	580.31000	3.76000	.00000	10.46000	.01000	6.97000
.596	48.430	-.00900	-.02100	-.01000	.10200	579.02000	3.76000	.00000	10.47000	.01000	6.99000

DATE 29 MAR 76

CA-26 FORCE SOURCE DATA TABULATION

PAGE 975

LTV44-559(CA26) 747/1 ATY 02 S1 (CARRIER DATA)

(SFE100) (24 MAR 76)

REFERENCE DATA

SREF = 5500.0000 SQ.FT. XMRP = 1339.9000 IN. XC
 LREF = 327.7800 IN. YMRP = .0000 IN. YC
 BREF = 2348.0400 IN. ZMRP = 190.7500 IN. ZC
 SCALE = .0125

PARAMETRIC DATA

ALPHAC = 4.000 BETAC = .000
 STAB = 5.000 ELEVON = .000
 BDFLAP = .000 DX = .000
 DY = .000 TORB = 8.000
 BETAO = .000 RUDDER = .000

RUN NO. 71/ 0 RN/L = .00 GRADIENT INTERVAL = -5.00/ 5.00

MACH	DZ	CPCC	CPSB1	CPSB2	CPSB3	Q(PSF)	ALPHAC	BETAC	ALPHA0	BETA0	INCID
.596	49.620	-.00900	-.02100	-.01100	.10300	576.98000	3.76000	.00000	10.46000	.02000	6.98000
.597	50.800	-.01000	-.02000	-.00900	.10300	579.86000	3.76000	.00000	10.45300	.01000	6.98000
.598	51.990	-.01300	-.02500	-.01400	.09800	580.69000	3.76000	.00000	10.42000	-.02000	6.96000
.598	53.170	-.01100	-.02200	-.01100	.10000	580.22000	3.76000	.00000	10.44000	.02000	6.98000
.600	54.350	-.01200	-.02300	-.01300	.09800	584.04000	3.77000	.00000	10.40000	-.03000	6.95000
.600	55.540	-.01300	-.02300	-.01300	.09800	584.45000	3.77000	.00000	10.42000	.01000	6.98000
.601	56.130	-.01100	-.02100	-.01100	.10000	586.36000	3.76000	.00000	10.39000	-.03000	6.95000
GRADIENT		.00019	.00157	-.00044	-.00104	2.00436	-.00029	.00000	-.00014	.00843	.00663

ORIGINAL PAGE IS
 OF POOR QUALITY

LTV44-559(CA26) 747/1 ATY 02 S1 (CARRIER DATA)

(SFE101) (24 MAR 76)

REFERENCE DATA

SREF = 5500.0000 SQ.FT. XMRP = 1339.9000 IN. XC
 LREF = 327.7800 IN. YMRP = .0000 IN. YC
 BREF = 2348.0400 IN. ZMRP = 190.7500 IN. ZC
 SCALE = .0125

PARAMETRIC DATA

ALPHAC = 4.000 BETAC = -5.000
 STAB = 5.000 ELEVEN = 5.000
 BDFLAP = .000 DX = .000
 DY = .000 TORB = 4.000
 BETAO = -5.000 RUDDER = .000

RUN NO. 72/ 0 RN/L = .00 GRADIENT INTERVAL = -5.00/ 5.00

MACH	DZ	CPCC	CPSB1	CPSB2	CPSB3	Q(PSF)	ALPHAC	BETAC	ALPHA0	BETA0	INCID
.593	1.460	-.03000	-.03000	-.02600	.09300	570.80000	3.74000	-5.04000	7.18000	-4.97000	3.44000
.595	2.060	-.02500	-.03100	-.02900	.08900	574.29000	3.75000	-5.04000	7.16000	-4.94000	3.42000
.595	2.660	-.02900	-.03200	-.02500	.09200	573.13000	3.75000	-5.04000	7.18000	-4.95000	3.44000
.596	3.360	-.02600	-.03200	-.02900	.08800	574.51000	3.74000	-5.03000	7.14000	-4.91000	3.42000
.597	4.160	-.02800	-.02800	-.02400	.09400	575.95000	3.74000	-5.03000	7.15000	-4.92000	3.43000
.597	4.960	-.02600	-.02800	-.02500	.09600	576.95000	3.74000	-5.02000	7.16000	-4.94000	3.45000
.596	6.960	-.02800	-.03100	-.02900	.09200	575.65000	3.74000	-5.02000	7.14000	-4.91000	3.44000
.594	8.960	-.02700	-.03000	-.02700	.09500	573.11000	3.74000	-5.01000	7.14000	-4.89000	3.45000
.595	10.430	-.02300	-.02900	-.02400	.09600	574.83000	3.74000	-5.00000	7.11000	-4.88000	3.43000
.596	11.370	-.02100	-.02500	-.01900	.09800	575.05000	3.74000	-4.99000	7.11000	-4.86000	3.44000
.596	12.310	-.02400	-.02800	-.02100	.09900	575.52000	3.74000	-4.99000	7.10000	-4.87000	3.42000
.596	13.250	-.01700	-.02200	-.01600	.10300	574.99000	3.74000	-4.99000	7.07000	-4.89000	3.40000
.595	14.180	-.02000	-.02800	-.01900	.09900	573.00000	3.74000	-4.98000	7.07000	-4.85000	3.40000
.596	15.120	-.02200	-.02600	-.01600	.09900	575.54000	3.74000	-4.98000	7.07000	-4.86000	3.41000
.596	16.060	-.02100	-.02400	-.01900	.09800	575.13000	3.74000	-4.98000	7.05000	-4.89000	3.40000
.596	17.000	-.02100	-.02300	-.01600	.09900	574.18000	3.75000	-4.98000	7.07000	-4.87000	3.42000
.595	17.940	-.02200	-.02600	-.02000	.10000	572.12000	3.74000	-4.97000	7.05000	-4.85000	3.41000
.596	18.880	-.02100	-.02500	-.01500	.10000	574.44000	3.74000	-4.97000	7.03000	-4.87000	3.39000
.594	19.810	-.02800	-.02600	-.01900	.09700	571.68000	3.74000	-4.97000	7.05000	-4.85000	3.41000
.595	20.750	-.02200	-.02900	-.01700	.09800	573.60000	3.74000	-4.97000	7.01000	-4.86000	3.39000
.593	21.680	-.02700	-.02600	-.01800	.09800	571.34000	3.74000	-4.97000	7.03000	-4.85000	3.41000
.597	22.620	-.02000	-.02700	-.01500	.09800	577.56000	3.74000	-4.96000	6.99000	-4.87000	3.38000
.594	23.560	-.02100	-.02500	-.01800	.09900	571.69000	3.74000	-4.97000	6.98000	-4.89000	3.37000
.594	24.500	-.02100	-.02600	-.01400	.09600	570.88000	3.75000	-4.96000	6.99000	-4.84000	3.38000
.593	25.440	-.02100	-.02900	-.01500	.09600	570.74000	3.75000	-4.96000	7.00000	-4.85000	3.39000
.595	26.380	-.02400	-.02400	-.01500	.09800	574.36000	3.75000	-4.96000	6.98000	-4.86000	3.38000
.596	27.310	-.01800	-.02400	-.01400	.10000	575.60000	3.75000	-4.96000	6.98000	-4.87000	3.39000
.593	28.250	-.02100	-.02800	-.01500	.09500	570.26000	3.75000	-4.97000	6.98000	-4.84000	3.39000
.595	29.190	-.02100	-.02500	-.01700	.09900	572.87000	3.75000	-4.96000	6.94000	-4.90000	3.36000
.595	30.130	-.02200	-.02400	-.01500	.09900	573.75000	3.75000	-4.96000	6.95000	-4.89000	3.37000
.593	31.060	-.02600	-.02600	-.01600	.09400	571.61000	3.75000	-4.96000	6.93000	-4.87000	3.36000
.594	32.000	-.02500	-.02500	-.01400	.09700	573.05000	3.75000	-4.96000	6.93000	-4.90000	3.37000
.594	32.940	-.02200	-.02500	-.01500	.09500	572.30000	3.75000	-4.96000	6.93000	-4.86000	3.37000
.596	33.880	-.02100	-.02600	-.01200	.09600	575.52000	3.75000	-4.96000	6.92000	-4.88000	3.37000
.595	34.820	-.02400	-.02600	-.01400	.09400	573.67000	3.75000	-4.96000	6.90000	-4.91000	3.35000
.594	35.760	-.01800	-.02500	-.01600	.09800	571.98000	3.75000	-4.96000	6.94000	-4.86000	3.39000
.595	36.700	-.02000	-.02600	-.01700	.09700	572.94000	3.75000	-4.96000	6.93000	-4.87000	3.39000
.594	37.630	-.02300	-.02600	-.01700	.09500	570.82000	3.76000	-4.96000	6.92000	-4.88000	3.38000
.597	38.570	-.01900	-.02600	-.01200	.09600	575.68000	3.76000	-4.96000	6.88000	-4.90000	3.34000
.597	39.510	-.02000	-.02500	-.01100	.09700	577.04000	3.76000	-4.97000	6.86000	-4.90000	3.33000
.594	40.450	-.02500	-.02500	-.01500	.09400	572.03000	3.75000	-4.97000	6.87000	-4.88000	3.35000
.598	41.380	-.01800	-.02500	-.01000	.09800	578.67000	3.76000	-4.97000	6.87000	-4.88000	3.35000

DATE 29 MAR 76

CA-26 FORCE SOURCE DATA TABULATION

PAGE 977

LTV44-559(CA26) 747/1 ATY 02 S1 (CARRIER DATA)

(SFE101) (24 MAR 76)

REFERENCE DATA

SREF = 5500.0000 SQ.FT. XMRP = 1339.9000 IN. XC
 LREF = 327.7800 IN. YMRP = .0000 IN. YC
 BREF = 2348.0400 IN. ZMRP = 190.7500 IN. ZC
 SCALE = .0125

PARAMETRIC DATA

ALPHAC = 4.000 BETAC = -5.000
 STAB = 5.000 ELEVON = 5.000
 BOFLAP = .000 DX = .000
 DY = .000 IORB = 4.000
 BETAO = -5.000 RUDDER = .000

RUN NO. 72/ 0 RN/L = .00 GRADIENT INTERVAL = -5.00/ 5.00

MACH	DZ	CPC	CPSB1	CPSB2	CPSB3	Q(PSF)	ALPHAC	BETAC	ALPHAO	BETAO	INCID
.596	42.320	-.01900	-.02400	-.01100	.09800	576.07000	3.76000	-4.97000	6.88000	-4.90000	3.37000
.594	42.790	-.01900	-.02500	-.01300	.09900	571.95000	3.76000	-4.96000	6.88000	-4.88000	3.37000
	GRADIENT	.00056	.00084	.00068	.00116	1.50896	-.00174	.00580	-.00667	.00958	.00279

LTV44-559(CA26) 747/1 ATY 02 S1 (CARRIER DATA)

(SFE102) (24 MAR 76)

REFERENCE DATA

SREF = 5500.0000 SQ.FT. XMRP = 1339.9000 IN. XC
 LREF = 327.7800 IN. YMRP = .0000 IN. YC
 BREF = 2348.0400 IN. ZMRP = 190.7500 IN. ZC
 SCALE = .0125

PARAMETRIC DATA

ALPHAC = 4.000 BETAC = -5.000
 STAB = 5.000 ELEVON = 5.000
 BDFLAP = .000 DX = .000
 DY = .000 TORB = 6.000
 BETAO = -5.000 RUDDER = .000

RUN NO. 1072/ 0 RIN/L = .00 GRADIENT INTERVAL = -5.00/ 5.00

MACH	DZ	CPCC	CPSB1	CPSB2	CPSB3	Q(PSF)	ALPHAC	BETAC	ALPHA0	BETA0	INCID
.593	1.480	-.02400	-.03600	-.03200	.09200	570.29000	3.78000	-5.03000	8.93000	-4.97000	5.15000
.600	2.070	-.02900	-.02400	-.02700	.09900	583.64000	3.77000	-5.02000	8.96000	-4.94000	5.19000
.596	2.670	-.02500	-.02600	-.03000	.09900	573.71000	3.77000	-5.02000	8.97000	-4.94000	5.21000
.592	3.380	-.02100	-.03500	-.02900	.10100	567.26000	3.77000	-5.01000	8.95000	-4.90000	5.19000
.595	4.170	-.02100	-.03000	-.02500	.10000	573.15000	3.77000	-5.01000	8.97000	-4.96000	5.22000
.596	4.970	-.01700	-.02800	-.02400	.10200	574.06000	3.77000	-5.01000	8.96000	-4.90000	5.21000
.594	6.970	-.01800	-.02800	-.02500	.10200	570.28000	3.76000	-5.00000	8.92000	-4.88000	5.19000
.596	8.980	-.01800	-.02700	-.02000	.09900	574.32000	3.76000	-5.00000	8.93000	-4.93000	5.22000
.594	10.580	-.01700	-.02900	-.01800	.10500	569.87000	3.76000	-4.99000	8.90000	-4.93000	5.20000
.593	11.790	-.02000	-.02900	-.02200	.10100	569.86000	3.76000	-4.99000	8.87000	-4.86000	5.17000
.594	13.010	-.01700	-.02900	-.02100	.10300	569.60000	3.76000	-4.99000	8.86000	-4.84000	5.17000
.593	14.220	-.02000	-.03000	-.02200	.10200	568.51000	3.76000	-4.98000	8.84000	-4.87000	5.16000
.595	15.440	-.02000	-.02800	-.02100	.09800	571.66000	3.76000	-4.98000	8.83000	-4.92000	5.16000
.595	16.660	-.01800	-.02500	-.02000	.09800	572.01000	3.76000	-4.98000	8.86000	-4.89000	5.19000
.595	17.870	-.01700	-.02700	-.01900	.09900	570.38000	3.76000	-4.98000	8.80000	-4.89000	5.14000
.595	19.090	-.01400	-.02200	-.01300	.10200	571.21000	3.75000	-4.97000	8.83000	-4.90000	5.18000
.595	20.300	-.01200	-.02300	-.01600	.10000	572.56000	3.76000	-4.97000	8.79000	-4.88000	5.15000
.594	21.510	-.01600	-.02700	-.01600	.10300	570.83000	3.76000	-4.97000	8.78000	-4.84000	5.15000
.596	22.730	-.01200	-.02000	-.01200	.10100	574.99000	3.75000	-4.97000	8.79000	-4.88000	5.17000
.596	23.940	-.01500	-.02000	-.01000	.10200	575.06000	3.75000	-4.97000	8.79000	-4.87000	5.17000
.595	25.150	-.01600	-.02000	-.01100	.10200	573.76000	3.75000	-4.97000	8.75000	-4.87000	5.14000
.594	26.370	-.01600	-.02200	-.01000	.10100	571.38000	3.75000	-4.97000	8.76000	-4.88000	5.16000
.594	27.590	-.02100	-.02700	-.01300	.09700	570.48000	3.75000	-4.97000	8.77000	-4.88000	5.17000
.594	28.800	-.01900	-.02700	-.01400	.10000	571.78000	3.76000	-4.96000	8.74000	-4.89000	5.15000
.594	30.020	-.02000	-.02700	-.01500	.09800	571.63000	3.76000	-4.96000	8.75000	-4.91000	5.16000
.594	31.230	-.01900	-.02700	-.01300	.09900	570.95000	3.75000	-4.97000	8.74000	-4.92000	5.16000
.592	32.450	-.01300	-.02100	-.01100	.10000	568.21000	3.75000	-4.97000	8.69000	-4.87000	5.13000
.594	33.660	-.01900	-.02600	-.01400	.09800	571.48000	3.75000	-4.97000	8.73000	-4.89000	5.17000
.594	34.880	-.01900	-.02600	-.01400	.09900	572.64000	3.76000	-4.97000	8.69000	-4.87000	5.13000
.594	36.090	-.01400	-.02200	-.01000	.09900	571.62000	3.75000	-4.97000	8.70000	-4.82000	5.15000
.593	37.310	-.01700	-.02200	-.01100	.10000	571.47000	3.76000	-4.97000	8.66000	-4.84000	5.12000
.595	38.530	-.02100	-.02400	-.01100	.09300	574.00000	3.76000	-4.97000	8.67000	-4.85000	5.13000
.595	39.740	-.01500	-.02000	-.00900	.10100	573.81000	3.76000	-4.97000	8.65000	-4.89000	5.12000
.595	40.950	-.01900	-.02100	-.01000	.10100	574.84000	3.76000	-4.97000	8.65000	-4.89000	5.13000
.533	42.170	-.02300	-.02600	-.01300	.09500	570.11000	3.76000	-4.97000	8.64000	-4.85000	5.12000
.595	43.380	-.02100	-.02600	-.01300	.09800	573.35000	3.76000	-4.97000	8.61000	-4.86000	5.10000
.596	44.600	-.02000	-.02800	-.01800	.09500	574.73000	3.76000	-4.97000	8.65000	-4.89000	5.14000
.595	45.820	-.01900	-.02500	-.01200	.09700	572.88000	3.76000	-4.97000	8.64000	-4.84000	5.14000
.595	47.030	-.01500	-.02000	-.00900	.10000	572.27000	3.76000	-4.97000	8.57000	-4.87000	5.08000
.597	48.250	-.02000	-.02600	-.01200	.09700	576.23000	3.76000	-4.97000	8.56000	-4.86000	5.10000
.596	49.460	-.02300	-.02800	-.01500	.09400	574.72000	3.76000	-4.97000	8.58000	-4.88000	5.10000
GRADIENT		.00263	.00048	.00194	.00217	-.74934	-.00191	.00558	.00613	.01310	.01456

LTV44-559(CA26) 747/1 ATY 02 S1 (CARRIER DATA)

(SFE103) (24 MAR 76)

REFERENCE DATA

SREF = 5500.0000 SQ.FT. XMRP = 1339.9000 IN. XC
 LREF = 327.7800 IN. YMRP = .0000 IN. YC
 BREF = 2348.0400 IN. ZMRP = 190.7500 IN. ZC
 SCALE = .0125

PARAMETRIC DATA

ALPHAC = 4.000 BETAC = -5.000
 STAB = 5.000 ELEVON = 5.000
 SDFLAP = .000 DX = .000
 DY = .000 IORB = 8.000
 BETAO = -5.000 RUDDER = .000

RUN NO. 73/ 0 RN/L = .00 GRADIENT INTERVAL = -5.00/ 5.00

MACH	OZ	CPC	CPSB1	CPSB2	CPSB3	Q(P5F)	ALPHAC	BETAC	ALPHAO	BETAO	INCID
.600	1.460	-.01500	-.03200	-.01600	.10700	579.48000	3.79000	-5.02000	10.70000	-4.94000	6.92000
.601	2.060	-.00900	-.02900	-.01300	.10600	581.12000	3.79000	-5.02000	10.73000	-4.94000	6.95000
.601	2.660	-.01300	-.03300	-.01600	.10400	582.21000	3.79000	-5.02000	10.71000	-4.97000	6.92000
.599	3.460	-.01100	-.02800	-.01000	.10900	576.42000	3.79000	-5.01000	10.72000	-4.91000	6.94000
.599	4.460	-.01300	-.03000	-.01100	.10800	577.38000	3.79000	-5.01000	10.74000	-4.92000	6.97000
.602	5.590	-.00900	-.02900	-.01300	.10600	582.22000	3.79000	-5.01000	10.71000	-4.93000	6.94000
.600	6.840	-.01500	-.03100	-.01200	.10400	578.66000	3.79000	-5.01000	10.67000	-4.97000	6.92000
.600	8.090	-.00800	-.02800	-.01200	.10800	580.24000	3.78000	-5.01000	10.70000	-4.94000	6.95000
.601	9.340	-.00800	-.02600	-.01000	.10700	581.26000	3.78000	-5.00000	10.70000	-4.92000	6.97000
.601	10.560	-.00900	-.03000	-.01100	.11000	581.12000	3.78000	-5.00000	10.63000	-4.91000	6.91000
.601	11.740	-.00500	-.02600	-.00900	.11000	580.58000	3.77000	-5.00000	10.65000	-4.92000	6.95000
.600	12.920	-.00800	-.02700	-.00900	.10900	579.29000	3.77000	-5.00000	10.62000	-4.92000	6.92000
.600	14.110	-.00500	-.02400	-.00600	.11000	578.07000	3.77000	-5.00000	10.62000	-4.93000	6.93000
.601	15.290	-.00500	-.02500	-.00800	.10900	580.72000	3.77000	-5.00000	10.59000	-4.92000	6.91000
.601	16.480	-.00400	-.02100	-.00600	.10900	581.41000	3.77000	-4.99000	10.60000	-4.92000	6.92000
.600	17.660	-.00500	-.02200	-.00500	.11000	579.77000	3.77000	-4.99000	10.58000	-4.93000	6.91000
.600	18.840	-.00500	-.02200	-.00600	.11000	579.02000	3.76000	-4.99000	10.56000	-4.92000	6.90000
.599	20.030	-.00700	-.02600	-.00600	.10900	577.31000	3.77000	-4.99000	10.56000	-4.89000	6.91000
.600	21.210	-.00300	-.02200	-.00300	.11000	578.90000	3.76000	-4.99000	10.55000	-4.92000	6.91000
.601	22.390	-.00600	-.02100	-.00500	.10600	580.31000	3.77000	-4.98000	10.54000	-4.91000	6.90000
.601	23.570	-.00700	-.02400	-.00700	.10700	581.74000	3.77000	-4.98000	10.54000	-4.91000	6.90000
.599	24.760	-.01100	-.02600	-.00800	.10700	577.97000	3.76000	-4.98000	10.52000	-4.88000	6.90000
.601	25.940	-.00600	-.02700	-.00900	.10900	580.17000	3.76000	-4.98000	10.53000	-4.87000	6.92000
.599	27.130	-.00700	-.02400	-.00700	.11100	577.72000	3.76000	-4.98000	10.53000	-4.90000	6.92000
.601	28.310	-.00300	-.01900	-.00500	.10900	579.84000	3.76000	-4.97000	10.48000	-4.87000	6.88000
.600	29.490	-.00300	-.02000	-.00300	.10900	578.62000	3.76000	-4.98000	10.46000	-4.89000	6.87000
.601	30.670	-.01000	-.02600	-.00800	.10500	581.13000	3.76000	-4.97000	10.52000	-4.89000	6.93000
.600	31.860	-.01200	-.02700	-.00900	.10500	580.16000	3.76000	-4.97000	10.48000	-4.89000	6.90000
.600	33.040	-.00400	-.02100	-.00600	.10700	579.43000	3.77000	-4.97000	10.47000	-4.86000	6.89000
.600	34.230	-.00700	-.02600	-.00700	.10800	578.68000	3.76000	-4.97000	10.47000	-4.91000	6.90000
.601	35.410	-.00400	-.02200	-.00600	.10500	579.71000	3.76000	-4.97000	10.49000	-4.86000	6.93000
.601	36.590	-.00300	-.01900	-.00300	.10500	579.24000	3.76000	-4.97000	10.45000	-4.85000	6.90000
.601	37.780	-.00800	-.02100	-.00200	.10700	580.11000	3.76000	-4.97000	10.43000	-4.88000	6.88000
.601	38.960	-.00900	-.02300	-.00400	.10600	580.38000	3.77000	-4.97000	10.43000	-4.89000	6.89000
.601	40.150	-.01000	-.02500	-.00700	.10300	581.74000	3.77000	-4.97000	10.43000	-4.90000	6.89000
.600	41.330	-.00700	-.02000	-.00400	.10600	579.01000	3.77000	-4.97000	10.39000	-4.86000	6.86000
.601	42.520	-.01000	-.02600	-.00900	.10100	581.46000	3.76000	-4.97000	10.44000	-4.91000	6.92000
.602	43.700	-.00600	-.02200	-.00700	.10200	583.51000	3.77000	-4.97000	10.40000	-4.84000	6.89000
.601	44.880	-.00700	-.02400	-.00500	.10400	581.40000	3.76000	-4.97000	10.37000	-4.89000	6.87000
.601	46.060	-.00700	-.02600	-.00800	.10500	581.18000	3.76000	-4.97000	10.38000	-4.90000	6.88000
.601	47.250	-.00800	-.02400	-.00500	.10200	581.19000	3.77000	-4.97000	10.36000	-4.90000	6.86000
.601	48.430	-.01100	-.02600	-.00700	.10200	581.86000	3.77000	-4.97000	10.36000	-4.90000	6.87000

LTV44-559(CA26) 747/1 ATY 02 S1 (CARRIER DATA)

(SFE103) (24 MAR 76)

REFERENCE DATA

SREF = 5500.0000 SQ.FT. XMRP = 1339.9000 IN. XC
 LREF = 327.7800 IN. YMRP = .0000 IN. YC
 BREF = 2348.0400 IN. ZMRP = 190.7500 IN. ZC
 SCALE = .0125

PARAMETRIC DATA

ALPHAC = 4.000 BETAC = -5.000
 STAB = 5.000 ELEVON = 5.000
 BDFLAP = .000 DX = .000
 DY = .000 IORB = 8.000
 BETA0 = -5.000 RUDDER = .000

RUN NO. 73/ 0 RN/L = .00 GRADIENT INTERVAL = -5.00/ 5.00

MACH	DZ	CPCC	CPSB1	CPSB2	CPSB3	Q(PSF)	ALPHAC	BETAC	ALPHA0	BETA0	INCID
.600	49.620	-.00400	-.01900	-.00200	.10500	580.84000	3.77000	-4.97000	10.37000	-4.87000	6.89000
.600	50.800	-.00800	-.02400	-.00300	.10600	580.02000	3.77000	-4.97000	10.36000	-4.83000	6.88000
.601	51.990	.00000	-.02100	-.00500	.10300	580.17000	3.77000	-4.97000	10.35000	-4.86000	6.89000
.602	53.170	-.00900	-.02700	-.00800	.09900	583.44000	3.77000	-4.97000	10.35000	-4.85000	6.89000
.601	54.350	-.01000	-.02600	-.00600	.10000	582.28000	3.77000	-4.97000	10.34000	-4.85000	6.89000
.602	55.540	-.00600	-.02500	-.00500	.10500	582.83000	3.77000	-4.97000	10.33000	-4.86000	6.89000
.600	56.130	-.00500	-.02300	-.00300	.10400	579.70000	3.76000	-4.97000	10.30000	-4.88000	6.86000
	GRADIENT	.00017	.00067	.00176	.00075	-1.27620	.00000	.00411	.00973	.01023	.01297

LTV44-559(CA26) 747/1 ATY 02 S1 (CARRIER DATA)

(SFE104) (24 MAR 76)

REFERENCE DATA

SREF = 5500.0000 SQ.FT. XMRP = 1339.9000 IN. XC
 LREF = 327.7800 IN. YMRP = .0000 IN. YC
 BREF = 2348.0400 IN. ZMRP = 190.7500 IN. ZC
 SCALE = .0125

PARAMETRIC DATA

ALPHAC = 5.500 BETAC = .000
 STAB = 5.000 ELEVON = 5.000
 BDFLAP = .000 DX = .000
 DY = .000 IORB = 6.000
 BETAO = .000 RUDDER = .000

RUN NO. 74/ 0 RN/L = .00 GRADIENT INTERVAL = -5.00/ 5.00											
MACH	DZ	CPCC	CPSB1	CPSB2	CPSB3	Q(PSF)	ALPHAC	BETAC	ALPHA0	BETA0	INCID
.599	1.460	-.00300	-.02100	-.01400	.10900	580.58000	5.92000	.02000	10.90000	-.04000	4.98000
.597	2.060	-.00900	-.02300	-.01500	.11000	577.42000	5.92000	.02000	10.90000	-.03000	4.98000
.599	2.660	-.00500	-.02100	-.01200	.11000	581.73000	5.92000	.02000	10.90000	-.02000	4.99000
.598	3.360	-.00100	-.01600	-.00800	.11100	578.74000	5.92000	.01000	10.89000	-.03000	4.99000
.597	4.160	-.00100	-.01900	-.01300	.10700	576.62000	5.91000	.01000	10.89000	-.02000	4.99000
.596	4.960	-.00300	-.02100	-.01300	.11000	575.52000	5.92000	.01000	10.85000	-.03000	4.97000
.600	5.960	-.00200	-.01700	-.00800	.11000	582.50000	5.92000	.01000	10.85000	-.05000	4.96000
.599	6.960	-.00100	-.01700	-.00900	.10700	580.45000	5.92000	.01000	10.86000	-.03000	4.97000
.598	7.970	-.00100	-.01600	-.00500	.11300	578.48000	5.92000	.01000	10.84000	-.04000	4.97000
.597	8.960	-.00600	-.01800	-.00600	.11100	576.57000	5.92000	.01000	10.85000	.00000	4.98000
.599	9.960	-.00500	-.01500	-.00200	.10900	581.13000	5.92000	.01000	10.83000	-.02000	4.97000
.598	11.150	-.00200	-.01700	-.00500	.11200	578.60000	5.92000	.01000	10.83000	-.01000	4.98000
.599	12.330	-.00100	-.01800	-.00800	.10800	581.80000	5.92000	.01000	10.83000	-.02000	4.98000
.595	13.520	-.01000	-.02400	-.01500	.10000	574.60000	5.92000	.01000	10.78000	-.03000	4.94000
.597	14.700	-.00300	-.01800	-.01000	.10300	577.36000	5.91000	.01000	10.80000	.00000	4.97000
.598	15.900	-.00200	-.01700	-.00400	.10700	579.43000	5.92000	.01000	10.77000	-.05000	4.94000
.597	17.080	-.00100	-.01900	-.00600	.10800	577.45000	5.91000	.01000	10.77000	-.02000	4.95000
.597	18.270	-.00200	-.01700	-.00500	.11100	576.28000	5.92000	.01000	10.75000	-.01000	4.95000
.596	19.450	-.00100	-.01800	-.00900	.10600	574.78000	5.91000	.01000	10.74000	-.05000	4.94000
.597	20.640	-.00400	-.01800	-.00800	.10500	577.10000	5.92000	.01000	10.75000	.00000	4.94000
.598	21.810	-.00500	-.01700	-.00400	.10900	579.96000	5.92000	.01000	10.73000	-.01000	4.94000
.597	23.000	-.00300	-.01900	-.00800	.10400	578.19000	5.92000	.01000	10.73000	-.02000	4.94000
.599	24.190	-.00100	-.01600	-.00200	.10600	580.94000	5.92000	.01000	10.71000	-.06000	4.93000
.598	25.370	-.00300	-.01600	-.00300	.10400	578.82000	5.92000	.01000	10.71000	-.04000	4.93000
.596	26.560	-.00600	-.01700	-.00700	.10100	575.54000	5.92000	.01000	10.70000	-.05000	4.93000
.598	27.740	-.00200	-.01600	-.00200	.10700	577.59000	5.92000	.01000	10.69000	-.03000	4.93000
.596	28.930	-.00300	-.01700	-.00600	.10400	573.96000	5.92000	.01000	10.69000	-.03000	4.93000
.599	30.110	-.00400	-.01600	-.00200	.10300	579.91000	5.92000	.01000	10.67000	.00000	4.92000
.598	31.310	-.00700	-.01600	-.00400	.10100	579.83000	5.92000	.01000	10.64000	-.06000	4.90000
.598	32.490	-.00200	-.01600	-.00300	.10800	578.19000	5.92000	.01000	10.66000	-.05000	4.92000
.598	33.680	-.00300	-.01600	-.00600	.10200	578.67000	5.92000	.01000	10.64000	-.02000	4.91000
.598	34.860	-.00600	-.01500	-.00600	.10100	579.69000	5.92000	.01000	10.59000	-.03000	4.87000
.598	36.050	-.00700	-.01600	-.00500	.10100	578.26000	5.93000	.01000	10.58000	-.05000	4.86000
.599	37.230	-.00700	-.01700	-.00400	.10100	580.44000	5.93000	.01000	10.58000	-.04000	4.87000
.538	38.420	-.00700	-.01600	-.00500	.10100	579.62000	5.92000	.01000	10.58000	-.05000	4.88000
.595	39.610	-.00400	-.01900	-.00600	.10400	574.36000	5.92000	.01000	10.60000	-.05000	4.90000
.598	40.790	-.00300	-.01700	-.00200	.10500	577.92000	5.92000	.01000	10.59000	-.03000	4.90000
.599	41.980	-.00300	-.01600	.00000	.10400	579.84000	5.92000	.01000	10.58000	-.01000	4.90000
.599	43.160	-.00300	-.01600	-.00100	.10300	580.39000	5.93000	.01000	10.54000	-.08000	4.86000
.599	44.350	-.00300	-.01600	-.00100	.10500	579.64000	5.93000	.01000	10.57000	-.07000	4.89000
.599	45.530	-.00500	-.01800	-.00400	.10100	580.59000	5.93000	.01000	10.54000	-.03000	4.88000
.597	46.720	-.00200	-.01900	-.00600	.10400	575.55000	5.93000	.01000	10.53000	-.09000	4.87000

LTV44-559(CA26) 747/1 ATY 02 S1 (CARRIER DATA)

(SFE104) (24 MAR 76)

REFERENCE DATA

SREF = 5500.0000 SQ.FT. XMRP = 1339.9000 IN. XC
 LREF = 327.7800 IN. YMRP = .0000 IN. YC
 BREF = 2348.0400 IN. ZMRP = 190.7500 IN. ZC
 SCALE = .0125

PARAMETRIC DATA

ALPHAC = 5.500 BETAC = .000
 STAB = 5.000 ELEVON = 5.000
 BDFLAP = .000 OX = .000
 DY = .000 TORB = 6.000
 BETAO = .000 RUDDER = .000

RUN NO. 74/ 0 RN/L = .00 GRADIENT INTERVAL = -5.00/ 5.00

MACH	DZ	CPCC	CPSB1	CPSB2	CPSB3	Q(PSF)	ALPHAC	BETAC	ALPHAO	BETAO	INC10
.597	47.910	-.00500	-.01800	-.00600	.09900	575.89000	5.93000	.01000	10.51000	-.05000	4.86000
.597	49.090	-.00400	-.01800	-.00600	.10300	575.14000	5.93000	.01000	10.50000	-.08000	4.86000
.599	50.280	-.00700	-.01700	-.00300	.10000	579.64000	5.93000	.01000	10.51000	-.01000	4.87000
.600	51.460	.00000	-.01300	.00200	.10700	581.10000	5.93000	.01000	10.50000	-.06000	4.87000
	GRADIENT	.00114	.00063	.00053	-.00015	-1.29755	-.00122	-.00366	-.01010	.00354	-.00116

LTV44-559(CA26) 747/1 ATY 02 S1 (CARRIER DATA)

(SFE105) (24 MAR 76)

REFERENCE DATA

SREF = 5500.0000 SQ.FT. XMRP = 1339.9000 IN. XC
 LREF = 327.7800 IN. YMRP = .0000 IN. YC
 BREF = 2348.0400 IN. ZMRP = 190.7500 IN. ZC
 SCALE = .0125

PARAMETRIC DATA

ALPHAC = .000 BETAC = -5.000
 STAB = 5.000 ELEVON = 5.000
 BDFLAP = .000 DX = .000
 DY = .000 IORB = 4.000
 BETAO = -5.000 RUDDER = .000

RUN NO. 75/ 0 RN/L = .00 GRADIENT INTERVAL = -5.00/ 5.00

MACH	DZ	CPCC	CPSB1	CPSB2	CPSB3	Q(PSF)	ALPHAC	BETAC	ALPHA0	BETA0	INC10
.602	1.460	-.01900	-.02900	-.02400	.10900	586.73000	.00000	-5.04000	3.65000	-4.91000	3.66000
.603	2.060	-.01900	-.02700	-.02400	.11000	587.75000	.00000	-5.04000	3.66000	-4.91000	3.66000
.602	2.660	-.02000	-.02900	-.02400	.11300	586.25000	.00000	-5.04000	3.64000	-4.91000	3.65000
.602	3.360	-.01700	-.02400	-.02600	.11000	588.28000	.00000	-5.03000	3.67000	-4.93000	3.68000
.602	4.160	-.01700	-.02700	-.02700	.10900	587.53000	.00000	-5.02000	3.67000	-4.95000	3.69000
.603	4.960	-.01500	-.02600	-.02100	.11200	587.83000	.00000	-5.01000	3.67000	-4.90000	3.70000
.601	6.960	-.01900	-.03000	-.02500	.11500	584.89000	.00000	-5.01000	3.60000	-4.93000	3.64000
.604	8.960	-.01700	-.02600	-.02200	.11300	589.73000	.00000	-5.00000	3.64000	-4.89000	3.68000
.601	10.460	-.01500	-.03300	-.02400	.11300	586.30000	.01000	-4.98000	3.62000	-4.86000	3.67000
.601	11.460	-.01100	-.02900	-.02000	.11400	585.10000	.00000	-4.98000	3.60000	-4.85000	3.66000
.603	12.450	-.01200	-.02400	-.01900	.11000	587.90000	.00000	-4.98000	3.62000	-4.89000	3.69000
.601	13.450	-.01400	-.03100	-.02200	.11100	584.97000	.00000	-4.97000	3.60000	-4.90000	3.68000
.603	14.440	-.01500	-.02600	-.01700	.11100	588.04000	.00000	-4.97000	3.59000	-4.82000	3.66000
.601	15.440	-.01500	-.03000	-.02100	.11100	584.09000	.00000	-4.97000	3.59000	-4.89000	3.68000
.601	16.430	-.01700	-.03200	-.02400	.10900	584.21000	.00000	-4.96000	3.59000	-4.88000	3.68000
.602	17.430	-.01500	-.02900	-.01800	.10900	586.41000	.00000	-4.96000	3.55000	-4.81000	3.64000
.603	18.420	-.01400	-.02900	-.02000	.10800	587.70000	.00000	-4.96000	3.55000	-4.83000	3.65000
.602	19.420	-.01500	-.02800	-.02000	.10900	586.54000	.00000	-4.95000	3.54000	-4.79000	3.65000
.603	20.410	-.01500	-.02800	-.02100	.10800	587.36000	.00000	-4.95000	3.54000	-4.81000	3.65000
.602	21.410	-.01800	-.03200	-.02100	.10500	585.78000	.00000	-4.95000	3.53000	-4.83000	3.65000
.603	22.390	-.01500	-.02500	-.01700	.10800	567.96000	.00000	-4.95000	3.54000	-4.87000	3.66000
.604	23.390	-.02000	-.02800	-.01600	.10400	590.20000	.00000	-4.95000	3.52000	-4.83000	3.65000
.605	24.390	-.01400	-.02500	-.01300	.10800	591.37000	.00000	-4.95000	3.52000	-4.83000	3.66000
.601	25.380	-.01400	-.02900	-.02000	.10700	585.37000	.01000	-4.94000	3.52000	-4.87000	3.66000
.603	26.380	-.01600	-.02800	-.01400	.10500	588.09000	.00000	-4.95000	3.52000	-4.86000	3.67000
.604	27.370	-.01700	-.02500	-.01400	.10200	590.47000	.00000	-4.94000	3.48000	-4.78000	3.64000
.601	28.370	-.01800	-.03300	-.01900	.10500	586.17000	.00000	-4.94000	3.48000	-4.83000	3.65000
.603	29.360	-.01900	-.02800	-.01900	.10000	588.97000	.00000	-4.95000	3.49000	-4.84000	3.66000
.604	30.350	-.01400	-.02800	-.01400	.10400	590.00000	.01000	-4.94000	3.46000	-4.79000	3.62000
.604	31.350	-.01800	-.02800	-.01700	.10100	591.08000	.01000	-4.94000	3.49000	-4.86000	3.66000
.605	32.350	-.01500	-.02900	-.01400	.10300	591.84000	.00000	-4.94000	3.45000	-4.79000	3.63000
.605	33.340	-.01900	-.02600	-.01500	.09900	592.51000	.00000	-4.94000	3.47000	-4.83000	3.66000
.602	34.340	-.02300	-.03000	-.02000	.10000	588.74000	.00000	-4.94000	3.44000	-4.85000	3.63000
.602	35.340	-.02200	-.02800	-.01600	.09900	589.76000	.00000	-4.94000	3.42000	-4.82000	3.62000
.603	36.330	-.01600	-.02900	-.01600	.10200	589.43000	.00000	-4.95000	3.46000	-4.85000	3.66000
.601	37.320	-.01200	-.03300	-.01900	.10200	585.70000	.01000	-4.94000	3.42000	-4.86000	3.63000
.602	38.320	-.01100	-.03000	-.01700	.10000	585.31000	.00000	-4.94000	3.45000	-4.86000	3.67000
.602	39.310	-.01100	-.03000	-.01600	.10500	585.24000	.00000	-4.94000	3.40000	-4.85000	3.63000
.601	40.310	-.01600	-.02900	-.01800	.10200	584.97000	.00000	-4.95000	3.39000	-4.84000	3.62000
.602	41.310	-.01800	-.02700	-.01600	.10200	587.41000	.01000	-4.95000	3.39000	-4.83000	3.63000
.602	42.300	-.01800	-.02900	-.01700	.10200	567.34000	.00000	-4.95000	3.40000	-4.80000	3.65000
.605	43.290	-.01500	-.02700	-.01400	.09900	591.10000	.00000	-4.95000	3.43000	-4.84000	3.67000

ORIGINAL PAGE IS
OF POOR QUALITY

DATE 29 MAR 76

CA-26 FORCE SOURCE DATA TABULATION

PAGE 984

LTV44-559(CA26) 747/1 ATY 02 S1 (CARRIER DATA)

(SFE105) (24 MAR 76)

REFERENCE DATA

SREF = 5500.0000 SQ.FT. XMRP = 1339.9000 IN. XC
 LREF = 327.7800 IN. YMRP = .0000 IN. YC
 BREF = 2348.0400 IN. ZMRP = 190.7500 IN. ZC
 SCALE = .0125

PARAMETRIC DATA

ALPHAC = .000 BETAC = -5.000
 STAB = 5.000 ELEVON = 5.000
 BCFLAP = .000 DX = .000
 DY = .000 IORB = 4.000
 BETA0 = -5.000 RUDDER = .000

RUN NO. 75/ 0 RN/L = .00 GRADIENT INTERVAL = -5.00/ 5.00

MACH	DZ	CPCC	CPSB1	CPSB2	CPSB3	Q(PSF)	ALPHAC	BETAC	ALPHA0	BETA0	INCID
.604	44.290	-.01800	-.02900	-.01700	.09900	590.27000	.01000	-4.95000	3.38000	-4.88000	3.63000
.604	44.790	-.01700	-.02700	-.01100	.09700	591.28000	.01000	-4.95000	3.37000	-4.84000	3.62000
	GRADIENT	.00121	.00079	.00022	.00034	.27946	.00000	.00917	.00662	-.00331	.01335

LTV44-559(CA26) 747/1 ATY 02 S1 (CARRIER DATA)

(SFE106) (24 MAR 76)

REFERENCE DATA

SREF = 5500.0000 SO.FT. XMRP = 1339.9000 IN. XC
 LREF = 327.7800 IN. YMRP = .0000 IN. YC
 BREF = 2348.0400 IN. ZMRP = 190.7500 IN. ZC
 SCALE = .0125

PARAMETRIC DATA

ALPHAC = .000 BETAC = -5.000
 STAB = 5.000 ELEVON = 5.000
 BDFLAP = .000 DX = .000
 DY = .000 IORB = 6.000
 BETAO = -5.000 RUDDER = .000

RUN NO. 1075/ 0 RN/L = .00 GRADIENT INTERVAL = -5.00/ 5.00

MACH	DZ	CPCC	CPSB1	CPSB2	CPSB3	Q(PSF)	ALPHAC	BETAC	ALPHA	BETA	INCID
.603	1.470	-.00400	-.02400	-.01800	.11500	584.94000	.02000	-5.03000	5.45000	-4.90000	5.43000
.601	2.070	-.00600	-.02400	-.01600	.11300	581.80000	.03000	-5.02000	5.44000	-4.88000	5.41000
.600	2.670	-.00800	-.02500	-.01700	.11100	580.50000	.03000	-5.02000	5.46000	-4.87000	5.40000
.600	3.370	-.00700	-.02500	-.01800	.11200	581.22000	.03000	-5.01000	5.44000	-4.84000	5.42000
.603	4.170	-.00900	-.02100	-.01700	.11300	587.22000	.02000	-5.01000	5.42000	-4.90000	5.41000
.603	4.960	-.00700	-.02400	-.01700	.11600	587.22000	.03000	-5.01000	5.45000	-4.87000	5.45000
.604	6.970	-.01000	-.02100	-.01500	.11200	588.86000	.03000	-4.98000	5.40000	-4.86000	5.42000
.605	8.970	-.00700	-.01900	-.01400	.11400	591.52000	.02000	-4.98000	5.42000	-4.84000	5.45000
.603	10.600	-.00900	-.02300	-.01400	.11200	587.04000	.02000	-4.98000	5.40000	-4.86000	5.44000
.603	11.880	-.01000	-.02200	-.01300	.11200	587.51000	.02000	-4.97000	5.42000	-4.81000	5.46000
.602	13.160	-.01000	-.02700	-.01400	.10700	583.97000	.02000	-4.97000	5.37000	-4.86000	5.42000
.600	14.440	-.00900	-.02900	-.01700	.10500	581.10000	.02000	-4.97000	5.37000	-4.84000	5.43000
.601	15.710	-.00700	-.02500	-.01400	.11000	583.76000	.02000	-4.96000	5.35000	-4.79000	5.42000
.602	16.990	-.00700	-.02700	-.01200	.10700	585.32000	.02000	-4.96000	5.37000	-4.83000	5.45000
.600	18.270	-.01100	-.02500	-.01600	.10500	581.56000	.01000	-4.96000	5.33000	-4.86000	5.42000
.603	19.540	-.00700	-.02400	-.01200	.10700	587.08000	.01000	-4.95000	5.34000	-4.78000	5.44000
.601	20.820	-.00900	-.02900	-.01200	.10400	584.76000	.01000	-4.95000	5.32000	-4.85000	5.43000
.604	22.090	-.00900	-.02400	-.01000	.10900	589.46000	.01000	-4.95000	5.31000	-4.80000	5.43000
.603	23.360	-.01000	-.02700	-.01100	.10900	587.76000	.01000	-4.95000	5.29000	-4.80000	5.41000
.603	24.650	-.00900	-.02400	-.01000	.11400	588.38000	.00000	-4.95000	5.29000	-4.79000	5.43000
.601	25.920	-.00900	-.02800	-.00900	.10500	584.22000	.00000	-4.95000	5.30000	-4.81000	5.44000
.603	27.200	-.01000	-.02500	-.00900	.10500	588.04000	.01000	-4.95000	5.28000	-4.79000	5.42000
.601	28.470	-.01400	-.02700	-.01100	.09800	585.03000	.01000	-4.95000	5.27000	-4.83000	5.42000
.602	29.750	-.01200	-.02300	-.01100	.10700	585.80000	.01000	-4.95000	5.27000	-4.85000	5.44000
.602	31.030	-.01300	-.02400	-.01100	.10600	586.54000	.01000	-4.95000	5.26000	-4.85000	5.43000
.604	32.300	-.00800	-.02600	-.00900	.10200	589.07000	.00000	-4.95000	5.29000	-4.81000	5.47000
.601	33.580	-.01000	-.02600	-.01400	.10400	583.07000	.01000	-4.95000	5.27000	-4.84000	5.45000
.604	34.850	-.00700	-.02600	-.01000	.10500	589.60000	.00000	-4.94000	5.22000	-4.80000	5.42000
.602	36.130	-.01400	-.02500	-.01200	.10400	586.46000	.00000	-4.95000	5.25000	-4.86000	5.45000
.601	37.410	-.01500	-.02600	-.01100	.10000	583.80000	.01000	-4.95000	5.24000	-4.80000	5.44000
.601	38.690	-.01400	-.02600	-.01200	.10000	583.13000	.01000	-4.95000	5.24000	-4.81000	5.45000
.603	39.960	-.01000	-.02800	-.00900	.10100	587.42000	.00000	-4.95000	5.20000	-4.81000	5.42000
.601	41.240	-.01600	-.02700	-.01100	.10000	584.01000	.00000	-4.95000	5.22000	-4.84000	5.45000
.603	42.520	-.01100	-.02400	-.01100	.10400	586.41000	.01000	-4.95000	5.21000	-4.82000	5.45000
.603	43.790	-.00800	-.02500	-.00800	.10500	587.84000	.01000	-4.95000	5.19000	-4.85000	5.43000
.603	45.070	-.00800	-.02800	-.00800	.10300	588.38000	.00000	-4.95000	5.16000	-4.83000	5.42000
.602	46.340	-.01200	-.02800	-.00700	.10000	586.19000	.01000	-4.95000	5.19000	-4.86000	5.46000
.600	47.620	-.01800	-.02600	-.01300	.09600	583.25000	.02000	-4.95000	5.19000	-4.82000	5.45000
.602	48.900	-.01200	-.02400	-.01000	.10200	583.99000	.01000	-4.95000	5.19000	-4.86000	5.46000
.602	50.180	-.00900	-.02500	-.01100	.10300	585.86000	.02000	-4.95000	5.14000	-4.85000	5.42000
.601	51.460	-.01100	-.02500	-.01100	.10200	584.70000	.01000	-4.95000	5.15000	-4.85000	5.44000
GRADIENT		-.00089	.00039	.00004	.00033	1.27568	.00070	.00559	-.00327	.00419	.00347

LTV44-559(CA26) 747/1 ATY 02 S1 (CARRIER DATA)

(SFE107) (24 MAR 76)

REFERENCE DATA

SREF = 5500.0000 SQ.FT. XMRP = 1339.9000 IN. XC
 LREF = 327.7800 IN. YMRP = .0000 IN. YC
 BREF = 2348.0400 IN. ZMRP = 190.7500 IN. ZC
 SCALE = .0125

PARAMETRIC DATA

ALPHAC = .000 BETAC = -5.000
 STAB = 5.000 ELEVON = 5.000
 BDFLAP = .000 DX = .000
 OY = .000 IORB = 8.000
 BETAO = -5.000 RUDDER = .000

RUN NO. 76/ 0 RN/L = .00 GRADIENT INTERVAL = -5.00/ 5.00

MACH	DZ	CPC	CPSB1	CPSB2	CPSB3	Q(PSF)	ALPHAC	BETAC	ALPHA0	BETA0	INCID
.600	1.460	-.01800	-.02800	-.02000	.11300	583.95000	.04000	-5.02000	7.24000	-4.92000	7.21000
.601	2.060	-.01600	-.02800	-.01900	.11200	584.66000	.05000	-5.02000	7.23000	-4.88000	7.18000
.600	2.660	-.01900	-.02900	-.01700	.11400	582.91000	.04000	-5.01000	7.22000	-4.92000	7.19000
.601	3.460	-.01800	-.02700	-.01700	.11200	584.74000	.05000	-5.01000	7.26000	-4.93000	7.22000
.600	4.460	-.02000	-.02600	-.01500	.11200	585.07000	.05000	-5.01000	7.24000	-4.69000	7.21000
.601	5.590	-.01800	-.03400	-.01900	.10900	584.68000	.05000	-5.00000	7.26000	-4.93000	7.24000
.602	6.840	-.01500	-.03000	-.01800	.11100	585.51000	.05000	-4.99000	7.23000	-4.95000	7.20000
.601	8.090	-.01600	-.02900	-.01500	.11300	583.67000	.04000	-4.99000	7.23000	-4.90000	7.23000
.601	9.340	-.01600	-.02700	-.01700	.11500	584.35000	.04000	-4.99000	7.23000	-4.89000	7.24000
.602	10.580	-.01900	-.03500	-.01900	.10800	587.00000	.03000	-4.98000	7.18000	-4.92000	7.21000
.600	11.810	-.01800	-.03100	-.01400	.11400	582.11000	.03000	-4.98000	7.21000	-4.85000	7.24000
.600	13.050	-.01900	-.03500	-.01800	.10700	582.38000	.03000	-4.98000	7.18000	-4.87000	7.23000
.600	14.290	-.01800	-.03000	-.01300	.11100	581.84000	.03000	-4.97000	7.19000	-4.87000	7.24000
.602	15.520	-.01800	-.02900	-.01600	.10700	586.20000	.02000	-4.97000	7.17000	-4.93000	7.23000
.601	16.750	-.02300	-.03300	-.01800	.10700	585.63000	.02000	-4.97000	7.14000	-4.87000	7.22000
.602	17.990	-.01900	-.03100	-.01700	.10600	587.12000	.02000	-4.97000	7.14000	-4.89000	7.22000
.602	19.230	-.01800	-.03200	-.01700	.10600	586.92000	.01000	-4.96000	7.12000	-4.90000	7.22000
.601	20.460	-.01700	-.03300	-.01900	.10600	585.83000	.01000	-4.96000	7.13000	-4.83000	7.23000
.600	21.690	-.01900	-.03300	-.01500	.11000	583.59000	.01000	-4.96000	7.14000	-4.86000	7.25000
.600	22.930	-.02100	-.03500	-.01600	.10200	584.13000	.01000	-4.95000	7.11000	-4.84000	7.24000
.602	24.160	-.01800	-.03300	-.01400	.11000	586.04000	.01000	-4.95000	7.12000	-4.89000	7.25000
.600	25.390	-.01700	-.03200	-.01400	.11100	581.96000	.01000	-4.95000	7.11000	-4.83000	7.25000
.602	26.630	-.01400	-.03200	-.01700	.10600	586.19000	.01000	-4.95000	7.11000	-4.87000	7.25000
.601	27.860	-.01500	-.03200	-.01600	.10700	584.77000	.01000	-4.95000	7.07000	-4.88000	7.22000
.600	29.100	-.01800	-.03200	-.01700	.10800	582.44000	.01000	-4.95000	7.06000	-4.84000	7.22000
.601	30.340	-.01900	-.03100	-.01600	.10400	584.22000	.01000	-4.94000	7.08000	-4.89000	7.25000
.600	31.570	-.02300	-.03600	-.01800	.10400	582.71000	.00000	-4.94000	7.05000	-4.84000	7.23000
.600	32.800	-.02000	-.03100	-.01300	.10700	581.97000	.01000	-4.94000	7.04000	-4.82000	7.22000
.601	34.040	-.01800	-.03000	-.01300	.10600	585.37000	.00000	-4.94000	7.07000	-4.89000	7.27000
.601	35.280	-.01600	-.03000	-.01500	.10700	585.37000	.00000	-4.94000	7.05000	-4.89000	7.25000
.600	36.510	-.01600	-.02900	-.01200	.10900	582.25000	.01000	-4.94000	7.05000	-4.83000	7.25000
.601	37.740	-.02100	-.03500	-.01600	.10400	584.01000	.01000	-4.95000	7.04000	-4.88000	7.25000
.601	38.980	-.02000	-.03400	-.01600	.10400	584.62000	.01000	-4.95000	7.04000	-4.88000	7.26000
.602	40.220	-.01600	-.03100	-.02000	.10400	586.74000	.00000	-4.95000	6.99000	-4.88000	7.22000
.601	41.450	-.02300	-.03500	-.01700	.10100	585.16000	.00000	-4.95000	7.03000	-4.90000	7.27000
.600	42.690	-.02200	-.03200	-.01400	.10500	582.98000	.00000	-4.95000	7.01000	-4.85000	7.25000
.602	43.920	-.01800	-.03300	-.01700	.10400	586.59000	.01000	-4.95000	7.00000	-4.89000	7.25000
.601	45.150	-.01800	-.03100	-.01500	.10800	584.61000	.00000	-4.95000	6.97000	-4.86000	7.23000
.602	46.390	-.01800	-.03400	-.01700	.10200	586.04000	.01000	-4.95000	6.96000	-4.87000	7.22000
.601	47.630	-.01500	-.03000	-.01400	.10000	585.03000	.01000	-4.95000	6.99000	-4.87000	7.26000
.601	48.860	-.01600	-.02900	-.01200	.10600	583.27000	.00000	-4.95000	6.96000	-4.83000	7.24000
.600	50.710	-.01900	-.03100	-.01300	.10400	583.32000	.01000	-4.95000	6.95000	-4.84000	7.24000

DATE 29 MAR 76

CA-26 FORCE SOURCE DATA TABULATION

PAGE 997

LTV44-559(CA26) 747/1 ATY 02 S1 (CARRIER DATA)

(SFE107) (24 MAR 76)

REFERENCE DATA

SREF = 5500.0000 SQ.FT. XMRP = 1339.9000 IN. XC
 LREF = 327.7800 IN. YMRP = .0000 IN. YC
 BREF = 2348.0400 IN. ZMRP = 190.7500 IN. ZC
 SCALE = .0125

PARAMETRIC DATA

ALPHAC = .000 BETAC = -5.000
 STAB = 5.000 ELEVON = 5.000
 BDFLAP = .000 DX = .000
 DY = .000 IORB = 8.000
 BETAU = -5.000 RUDDER = .000

RUN NO. 76/ 0 RN/L = .00 GRADIENT INTERVAL = -5.00/ 5.00

MACH	DZ	CPCC	CPSB1	CPSB2	CPSB3	Q(PSF)	ALPHAC	BETAC	ALPHA0	BETA0	INCID
.601	51.950	-.02000	-.03300	-.01500	.10100	585.03000	.01000	-4.95000	6.97000	-4.88000	7.26000
.602	53.180	-.01800	-.03500	-.01800	.10100	587.19000	.01000	-4.95000	6.95000	-4.88000	7.25000
.602	54.420	-.01900	-.03600	-.01800	.10300	586.25000	.01000	-4.95000	6.94000	-4.88000	7.25000
.601	55.650	-.01900	-.03100	-.01400	.10500	584.42000	.01000	-4.95000	6.91000	-4.82000	7.23000
.602	56.890	-.01700	-.03100	-.01500	.09800	585.98000	.01000	-4.95000	6.94000	-4.89000	7.26000
.600	58.120	-.01600	-.03200	-.01200	.10500	582.58000	.00000	-4.95000	6.91000	-4.82000	7.25000
	GRADIENT	-.00084	.00073	.00160	-.00030	.38712	.00274	.00382	.00425	.00223	.00584

LTV44-559(CA26) 747/1 ATY 06 S1 (CARRIER DATA)

(SFE108) (24 MAR 76)

REFERENCE DATA

SREF = 5500.0000 SQ.FT. XMRP = 1339.9000 IN. XC
 LREF = 327.7800 IN. YMRP = .0000 IN. YC
 BREF = 2348.0400 IN. ZMRP = 190.7500 IN. ZC
 SCALE = .0125

PARAMETRIC DATA

ALPHAC = 2.000 BETAC = .000
 STAB = 5.000 FLEVON = 5.000
 AILRON = .000 DX = .000
 DY = .000 IORB = 6.000
 BETAO = .000 DPHI = .000

RUN NO. 77/ 0 RN/L = .00 GRADIENT INTERVAL = -5.00/ 5.00

MACH	DZ	CPC	CPSB1	CPSB2	CPSB3	Q(PSF)	ALPHAC	BETAC	ALPHA0	BETA0	INCID
.600	1.460	-.00100	-.01000	-.00300	.11500	582.95000	2.72000	.01000	7.93000	-.04000	5.21000
.602	2.060	.00200	-.00500	-.00200	.11900	586.36000	2.72000	.01000	7.93000	-.05000	5.22000
.601	2.660	.00000	-.00900	.00000	.11400	585.68000	2.71000	.01000	7.94000	-.05000	5.24000
.600	3.360	.00200	-.01100	-.00200	.11700	583.54000	2.71000	.01000	7.92000	-.02000	5.22000
.602	4.160	.00500	-.00800	-.00200	.11800	587.85000	2.71000	.01000	7.90000	-.06000	5.21000
.600	4.960	.00800	-.00900	-.00400	.11600	583.49000	2.71000	.01000	7.93000	-.04000	5.24000
.603	5.960	.00400	-.01000	.00000	.11600	588.13000	2.71000	.01000	7.90000	-.02000	5.23000
.601	6.960	.00000	-.00800	-.00400	.11600	584.51000	2.71000	.01000	7.92000	-.04000	5.25000
.598	7.970	-.00300	-.01000	-.00500	.11500	580.27000	2.71000	.01000	7.92000	-.05000	5.25000
.603	8.960	.00400	-.01000	-.00200	.11800	588.26000	2.71000	.01000	7.89000	.04000	5.23000
.600	9.960	.00000	-.01100	-.00500	.11400	583.14000	2.70000	.01000	7.86000	-.04000	5.22000
.602	11.150	.00100	-.01000	.00000	.11500	587.38000	2.70000	.01000	7.87000	-.02000	5.22000
.606	12.330	.00200	-.01000	-.00100	.11500	594.46000	2.70000	.01000	7.87000	-.05000	5.23000
.602	13.520	-.00300	-.01100	-.00300	.11100	587.29000	2.70000	.01000	7.85000	-.04000	5.23000
.601	14.700	.00300	-.01100	.00000	.11600	585.40000	2.70000	.01000	7.84000	-.05000	5.22000
.601	15.900	.00200	-.01200	-.00300	.11500	585.61000	2.70000	.00000	7.83000	-.06000	5.22000
.598	17.080	-.00200	-.01100	-.00500	.11300	580.61000	2.70000	.00000	7.83000	-.05000	5.24000
.601	18.270	.00000	-.01100	.00000	.11300	584.65000	2.69000	.00000	7.83000	-.02000	5.24000
.599	19.450	.00000	-.01100	-.00400	.11100	581.38000	2.70000	.00000	7.82000	-.02000	5.24000
.601	20.640	.00100	-.01100	-.00200	.11300	583.31000	2.69000	.00000	7.79000	-.05000	5.22000
.600	21.810	.00000	-.01200	-.00600	.11300	582.21000	2.70000	.00000	7.77000	.00000	5.20000
.600	23.000	.00000	-.01300	-.00600	.11000	582.96000	2.70000	.00000	7.78000	-.05000	5.22000
.603	24.190	-.00100	-.01000	-.00300	.10800	587.13000	2.69000	.00000	7.77000	-.04000	5.22000
.601	25.370	.00100	-.01200	-.00300	.11200	583.66000	2.69000	.00000	7.76000	-.05000	5.21000
.602	26.560	-.00100	-.01200	-.00500	.11000	585.01000	2.69000	.00000	7.76000	-.04000	5.22000
.603	27.740	-.00200	-.01200	-.00700	.10800	589.43000	2.69000	.00000	7.76000	-.04000	5.22000
.601	28.930	-.00400	-.01100	-.00400	.10800	585.34000	2.69000	.00000	7.74000	-.05000	5.21000
.603	30.110	.00000	-.01100	-.00100	.11200	588.14000	2.69000	.00000	7.72000	-.06000	5.20000
.603	31.310	-.00300	-.01200	-.00200	.10800	587.99000	2.69000	.00000	7.70000	-.07000	5.19000
.602	32.490	-.00200	-.01200	-.00600	.10700	586.49000	2.69000	.00000	7.72000	-.04000	5.21000
.600	33.680	-.00300	-.01200	-.00600	.10800	584.50000	2.69000	.00000	7.71000	-.07000	5.22000
.602	34.860	-.00200	-.01000	-.00300	.10800	587.24000	2.69000	.00000	7.68000	-.07000	5.19000
.602	36.050	-.00200	-.01000	-.00200	.10800	587.31000	2.69000	.00000	7.70000	-.05000	5.22000
.602	37.230	-.00200	-.01100	-.00200	.10800	587.51000	2.69000	.00000	7.66000	-.11000	5.18000
.632	38.420	.00000	-.01400	-.00500	.10800	587.45000	2.69000	.00000	7.68000	-.05000	5.21000
.602	39.610	-.00300	-.01100	-.00400	.10700	586.02000	2.69000	.00000	7.64000	-.07000	5.18000
.600	40.790	-.00300	-.01300	-.00600	.10800	583.14000	2.69000	.00000	7.66000	-.07000	5.21000
.599	41.980	-.00100	-.01300	-.00600	.10900	581.99000	2.69000	.00000	7.64000	-.05000	5.19000
.602	43.160	-.00100	-.01000	-.00300	.10600	586.36000	2.68000	.00000	7.64000	-.05000	5.20000
.600	44.350	-.00200	-.01400	-.00800	.10400	583.36000	2.69000	.00000	7.61000	-.06000	5.18000
.598	45.530	-.00400	-.01600	-.00700	.10600	579.13000	2.69000	.00000	7.63000	-.06000	5.21000
.602	46.720	-.00600	-.01300	-.00300	.10500	587.17000	2.69000	.00000	7.62000	-.04000	5.20000

DATE 29 MAR 76

CA-26 FORCE SOURCE DATA TABULATION

PAGE 999

LTV44-559(CA26) 747/1 ATY 06 S1 (CARRIER DATA)

(SFE108) (24 MAR 76)

REFERENCE DATA

SREF = 5500.0000 SQ.FT. XMRP = 1339.9000 IN. XC
 LREF = 327.7800 IN. YMRP = .0000 IN. YC
 BREF = 2348.0400 IN. ZMRP = 190.7500 IN. ZC
 SCALE = .0125

PARAMETRIC DATA

ALPHAC = 2.000 BETAC = .000
 STAB = 5.000 ELEVON = 5.000
 AILRON = .000 DX = .000
 DY = .000 IORB = 6.000
 BETAO = .000 DPHI = .000

RUN NO. 77/ 0 RN/L = .00 GRADIENT INTERVAL = -5.00/ 5.00

MACH	DZ	CPCC	CPSB1	CPSB2	CPSB3	Q(PSF)	ALPHAC	BETAC	ALPHA0	BETA0	INC10
.602	47.910	-.00600	-.01100	-.00400	.10600	588.59000	2.69000	.00000	7.63000	-.06000	5.22000
.602	49.090	-.00300	-.01300	-.00300	.10800	587.78000	2.69000	.00000	7.61000	-.09000	5.21000
.601	50.280	-.00100	-.01600	-.00600	.10600	584.38000	2.69000	.00000	7.58000	-.07000	5.18000
.601	51.460	-.00400	-.01400	-.00800	.10300	584.47000	2.69000	.00000	7.58000	-.08000	5.19000
	GRADIENT	.00062	-.00011	-.00034	.00020	.17210	-.00313	.00000	-.00447	-.00012	.00395

LTV44-559(CA26) 747/1 ATY 06 S1 (CARRIER DATA)

(SFE109) (24 MAR 76)

REFERENCE DATA

SREF = 5500.0000 SQ.FT. XMRP = 1339.9000 IN. XC
 LREF = 327.7800 IN. YMRP = .0000 IN. YC
 BREF = 2348.0400 IN. ZMRP = 190.7500 IN. ZC
 SCALE = .0125

PARAMETRIC DATA

ALPHAC = 2.000 BETAC = .000
 STAB = 5.000 ELEVON = .000
 AILRON = .000 DX = .000
 DY = .000 IORB = 4.000
 BETAC = .000 DPHI = .000

RUN NO. 76/ 0 RN/L = .00 GRADIENT INTERVAL = -5.00/ 5.00

MACH	DZ	CPC	CPSB1	CPSB2	CPSB3	Q(PSF)	ALPHAC	BETAC	ALPHA0	BETA0	INC10
.601	1.460	-.00800	-.02300	-.01900	.11400	586.73000	2.62000	.01000	6.24000	-.15000	3.62000
.603	2.060	-.00700	-.01900	-.01500	.11400	590.48000	2.62000	.01000	6.21000	-.11000	3.59000
.600	2.660	-.00700	-.02200	-.02000	.11300	585.36000	2.62000	.01000	6.20000	-.15000	3.59000
.602	3.360	-.00500	-.01900	-.01300	.11700	588.32000	2.62000	.00000	6.21000	-.13000	3.60000
.601	4.160	-.00600	-.02200	-.02000	.11600	585.25000	2.62000	.00000	6.21000	-.13000	3.61000
.602	4.960	-.00700	-.01900	-.01400	.11500	589.06000	2.63000	.00000	6.20000	-.13000	3.60000
.600	6.960	-.00800	-.02000	-.01800	.11400	584.54000	2.63000	.00000	6.19000	-.14000	3.60000
.601	8.960	-.00400	-.02000	-.01500	.11600	586.05000	2.63000	.00000	6.20000	-.14000	3.62000
.600	10.460	-.00800	-.02200	-.01500	.11100	584.70000	2.64000	.00000	6.19000	-.14000	3.61000
.602	11.460	-.00400	-.02200	-.01500	.11400	587.85000	2.65000	.00000	6.16000	-.15000	3.58000
.604	12.450	-.00700	-.02000	-.01100	.11300	592.41000	2.64000	.00000	6.15000	-.17000	3.58000
.600	13.450	-.01100	-.02100	-.02000	.11100	584.28000	2.64000	.00000	6.18000	-.13000	3.61000
.601	14.440	-.00900	-.02100	-.01800	.11100	587.01000	2.65000	.00000	6.15000	-.15000	3.59000
.600	15.440	-.00900	-.02200	-.01800	.11000	584.49000	2.65000	.00000	6.16000	-.14000	3.60000
.601	16.430	-.00800	-.02100	-.01600	.10900	585.65000	2.65000	.00000	6.14000	-.13000	3.58000
.602	17.430	-.00900	-.02200	-.01500	.10900	588.05000	2.65000	.00000	6.13000	-.16000	3.57000
.603	18.420	-.00400	-.02100	-.01200	.11200	588.20000	2.65000	.00000	6.11000	-.16000	3.56000
.602	19.420	-.00400	-.01900	-.01500	.11200	586.77000	2.66000	.00000	6.14000	-.13000	3.59000
.603	20.410	-.00600	-.02100	-.01200	.11100	589.29000	2.65000	.00000	6.11000	-.18000	3.57000
.602	21.410	-.01000	-.02200	-.01300	.10900	587.50000	2.66000	.00000	6.10000	-.18000	3.57000
.601	22.390	-.00500	-.02100	-.01200	.11100	584.65000	2.66000	.00000	6.09000	-.17000	3.56000
.602	23.390	-.01100	-.01800	-.01400	.10600	589.13000	2.66000	.00000	6.10000	-.17000	3.57000
.601	24.390	-.00800	-.02100	-.01500	.11200	585.71000	2.66000	.00000	6.08000	-.13000	3.56000
.600	25.380	-.00900	-.02100	-.01700	.10900	583.95000	2.66000	.00000	6.09000	-.11000	3.57000
.601	26.380	-.00900	-.02100	-.01700	.10500	586.68000	2.67000	.00000	6.10000	-.15000	3.58000
.603	27.370	-.00800	-.02100	-.01100	.10900	589.46000	2.67000	.00000	6.06000	-.18000	3.55000
.603	28.370	-.00900	-.02000	-.01200	.10700	590.69000	2.68000	.00000	6.07000	-.16000	3.57000
.602	29.360	-.00900	-.02100	-.01200	.10600	588.78000	2.66000	.00000	6.06000	-.16000	3.57000
.601	30.360	-.00500	-.02200	-.01300	.11000	586.61000	2.67000	.00000	6.03000	-.17000	3.53000
.605	31.350	-.00500	-.02200	-.01100	.10600	593.29000	2.67000	.00000	6.05000	-.17000	3.56000
.602	32.350	-.00600	-.02000	-.01100	.10900	588.25000	2.67000	.00000	6.05000	-.14000	3.57000
.601	33.340	-.00900	-.01900	-.01500	.10500	585.86000	2.67000	.00000	6.04000	-.14000	3.56000
.601	34.340	-.01100	-.02000	-.01400	.10400	586.34000	2.68000	.00000	6.03000	-.13000	3.55000
.602	35.340	-.00700	-.02200	-.01100	.10600	588.46000	2.67000	.00000	6.04000	-.17000	3.58000
.600	36.330	-.01000	-.02100	-.01300	.10600	584.43000	2.67000	.00000	6.00000	-.15000	3.53000
.602	37.320	-.01200	-.02300	-.01500	.10300	582.92000	2.68000	.00000	6.00000	-.16000	3.54000
.602	38.320	-.00700	-.02100	-.01000	.10500	587.36000	2.68000	.00000	6.01000	-.17000	3.55000
.600	39.310	-.01000	-.02000	-.01500	.10600	583.74000	2.67000	.00000	6.00000	-.16000	3.55000
.605	40.310	-.00700	-.02100	-.01300	.10200	593.62000	2.68000	.00000	5.98000	-.17000	3.54000
.601	41.310	-.01300	-.02000	-.01500	.10400	585.92000	2.68000	.00000	5.98000	-.13000	3.54000
.604	42.300	-.00900	-.02100	-.01200	.10500	592.11000	2.68000	.00000	5.98000	-.17000	3.55000
.603	43.290	-.00900	-.01900	-.00900	.10900	591.55000	2.68000	.00000	5.95000	-.18000	3.52000

DATE 29 MAR 76

CA-26 FORCE SOURCE DATA TABULATION

PAGE 991

LTV44-559(CA26) 747/1 ATY 06 S1 (CARRIER DATA)

(SFE109) (24 MAR 76 1

REFERENCE DATA

SREF = 5500.0000 SQ.FT. XMRP = 1339.9000 IN. XC
 LREF = 327.7800 IN. YMRP = .0000 IN. YC
 BREF = 2348.0400 IN. ZMRP = 190.7500 IN. ZC
 SCALE = .0125

PARAMETRIC DATA

ALPHAC = 2.000 BETAC = .000
 STAB = 5.000 ELEVON = .000
 AILRON = .000 DX = .000
 DY = .000 IORB = 4.000
 BETAO = .000 DPHI = .000

RUN NO. 78/ 0 RN/L = .00 GRADIENT INTERVAL = -5.00/ 5.00

MACH	DZ	CPC	CPSB1	CPSB2	CPSB3	Q(PSF)	ALPHAC	BETAC	ALPHAO	BETAO	INCID
.603	44.290	-.00500	-.02000	-.01200	.10600	590.27000	2.68000	.00000	5.97000	-.16000	3.54000
.603	44.790	-.00800	-.02100	-.01100	.10600	589.00000	2.68000	.00000	5.98000	-.16000	3.56000
	GRADIENT	.00037	.00056	.00069	.00060	-.01938	.00215	-.00366	-.00737	.00244	-.00087

ORIGINAL PAGE IS
OF POOR QUALITY

LTV44-559(CA26) 747/1 ATY 06 S1 (CARRIER DATA)

(SFE110) (24 MAR 76)

REFERENCE DATA

SREF = 5500.0000 SQ.FT. XMRP = 1339.9000 IN. XC
 LREF = 327.7800 IN. YMRP = .0000 IN. YC
 BREF = 2348.0400 IN. ZMRP = 190.7500 IN. ZC
 SCALE = .0125

PARAMETRIC DATA

ALPHAC = 2.000 BETAC = .000
 STAB = 5.000 ELEVON = .000
 AILRON = .000 DX = .000
 DY = .000 IORB = 6.000
 BETAO = .000 DPHI = .000

RUN NO. 1078/ 0 RN/L = .00 GRADIENT INTERVAL = -5.00/ 5.00

MACH	DZ	CPC	CPSB1	CPSB2	CPSB3	Q(PSF)	ALPHAC	BETAC	ALPHAO	BETAO	INCID
.602	1.470	-.00300	-.01800	-.00800	.11700	585.03000	2.66000	.01000	7.99000	-.11000	5.33000
.602	2.070	-.00200	-.01900	-.01000	.11600	584.14000	2.66000	.01000	8.01000	-.09000	5.36000
.601	2.670	.00000	-.02100	-.01600	.11200	584.27000	2.65000	.01000	7.99000	-.10000	5.34000
.601	3.370	-.00600	-.01900	-.01100	.11600	585.27000	2.65000	.01000	7.98000	-.11000	5.34000
.600	4.170	-.00700	-.02100	-.01500	.11500	582.88000	2.65000	.01000	7.98000	-.07000	5.35000
.599	4.960	-.00600	-.02100	-.01600	.11400	580.10000	2.65000	.01000	7.97000	-.12000	5.34000
.602	6.970	-.00400	-.02100	-.01100	.11200	585.76000	2.66000	.00000	7.95000	-.12000	5.33000
.601	8.970	-.00500	-.02000	-.01300	.11500	583.92000	2.66000	.00000	7.95000	-.14000	5.34000
.601	10.600	-.00400	-.02100	-.01100	.11200	583.73000	2.66000	.00000	7.93000	-.16000	5.33000
.599	11.880	-.00600	-.02200	-.01200	.11100	579.02000	2.66000	.00000	7.94000	-.09000	5.35000
.602	13.160	-.00200	-.01400	-.01100	.11500	584.28000	2.66000	.00000	7.95000	-.08000	5.36000
.599	14.440	-.00400	-.01900	-.01200	.11300	579.63000	2.66000	.00000	7.94000	-.12000	5.36000
.601	15.710	-.00300	-.01800	-.01100	.11300	584.40000	2.66000	.00000	7.91000	-.12000	5.33000
.599	16.990	-.00300	-.02300	-.01200	.10700	580.84000	2.66000	.00000	7.92000	-.11000	5.35000
.600	18.270	-.00400	-.02000	-.01000	.11000	583.84000	2.67000	.00000	7.92000	-.12000	5.35000
.602	19.540	-.00500	-.01700	-.00900	.11300	586.89000	2.67000	.03000	7.87000	-.15000	5.31000
.600	20.820	-.00800	-.02100	-.00900	.10800	581.70000	2.66000	.00000	7.89000	-.11000	5.34000
.600	22.090	-.00400	-.02100	-.00900	.10700	583.70000	2.67000	.00000	7.89000	-.12000	5.35000
.599	23.360	-.00600	-.02200	-.01100	.10800	580.77000	2.67000	.00000	7.86000	-.15000	5.32000
.600	24.650	-.01000	-.02300	-.01200	.10600	583.89000	2.67000	.00000	7.86000	-.17000	5.33000
.604	25.920	-.00300	-.01800	-.00900	.11100	589.63000	2.67000	.00000	7.87000	-.14000	5.35000
.601	27.200	-.00400	-.01800	-.01000	.11000	584.73000	2.67000	.00000	7.86000	-.14000	5.35000
.601	28.470	-.00900	-.02000	-.01200	.10400	585.19000	2.67000	.00000	7.85000	-.15000	5.34000
.601	29.750	-.00300	-.01700	-.00900	.11000	584.18000	2.67000	.00000	7.83000	-.13000	5.33000
.603	31.030	-.00500	-.01900	-.00700	.10800	588.55000	2.67000	.00000	7.82000	-.14000	5.32000
.600	32.300	-.00900	-.02100	-.00900	.10700	582.96000	2.67000	.00000	7.81000	-.12000	5.32000
.601	33.580	-.00500	-.01600	-.00800	.10800	584.54000	2.68000	.00000	7.81000	-.15000	5.33000
.599	34.850	-.00700	-.02000	-.01200	.10400	581.32000	2.68000	.00000	7.82000	-.17000	5.35000
.599	36.130	-.00600	-.02200	-.00800	.10400	581.59000	2.68000	.00000	7.80000	-.14000	5.34000
.600	37.410	-.00500	-.02100	-.01100	.10300	583.83000	2.68000	.00000	7.80000	-.15000	5.34000
.598	38.690	-.00700	-.02100	-.01000	.10500	580.94000	2.68000	.00000	7.78000	-.10000	5.33000
.598	39.960	-.00900	-.01900	-.01000	.10500	581.07000	2.68000	.00000	7.78000	-.11000	5.33000
.600	41.240	-.01000	-.01900	-.01100	.10200	585.50000	2.68000	.00000	7.78000	-.17000	5.33000
.600	42.520	-.00900	-.01900	-.01300	.10400	584.56000	2.68000	.00000	7.77000	-.12000	5.34000
.630	43.790	-.00700	-.02000	-.01000	.10600	584.29000	2.68000	.00000	7.74000	-.13000	5.32000
.602	45.070	-.00500	-.01900	-.00800	.10800	586.75000	2.68000	.00000	7.75000	-.15000	5.33000
.601	46.340	-.00400	-.01900	-.00900	.10500	585.40000	2.68000	.00000	7.75000	-.17000	5.34000
.601	47.620	-.00500	-.01900	-.01100	.10500	584.78000	2.68000	.00000	7.70000	-.18000	5.30000
.604	48.900	-.00700	-.02100	-.01200	.10100	591.92000	2.68000	.00000	7.72000	-.12000	5.32000
.601	50.180	-.00800	-.02000	-.00900	.10200	585.72000	2.68000	.00000	7.71000	-.16000	5.32000
.601	51.460	-.01000	-.01900	-.01200	.10200	584.21000	2.68000	.00000	7.71000	-.18000	5.33000
.600	GRADIENT	-.00150	-.00076	-.00200	-.00054	-1.16648	-.00314	.00000	-.00826	-.00021	.00070

LTV44-559(CA26) 747/1 ATY 06 SI (CARRIER DATA)

(SFE111) (24 MAR 76)

REFERENCE DATA

SREF = 5500.0000 SQ.FT. XMRP = 1339.9000 IN. XC
 LREF = 327.7800 IN. YMRP = .0000 IN. YC
 BRFE = 2348.0400 IN. ZMRP = 190.7500 IN. ZC
 SCALE = .0125

PARAMETRIC DATA

ALPHAC = 2.000 BETAC = .000
 STAB = 5.000 ELEVON = .000
 AILRON = .000 DX = .000
 DY = .000 IORB = 8.000
 BETAO = .000 DPHI = .000

RUN NO. 79/ 0 RN/L = .00 GRADIENT INTERVAL = -5.00/ 5.00

MACH	DZ	CPCC	CFSB1	CPSB2	CPSB3	Q(PSF)	ALPHAC	BETAC	ALPHA0	BETA0	INCID
.600	1.460	-.00800	-.02000	-.01200	.11100	584.60000	2.70000	.01000	9.79000	-.14000	7.09000
.601	2.050	-.00700	-.02000	-.01200	.11100	586.23000	2.70000	.01000	9.78000	-.13000	7.09000
.599	2.660	-.01000	-.02100	-.01200	.11300	583.02000	2.70000	.01000	9.79000	-.09000	7.10000
.601	3.460	-.00900	-.02200	-.01300	.11200	588.45000	2.70000	.01000	9.81000	-.06000	7.12000
.600	4.460	-.00800	-.02300	-.01300	.11200	586.14000	2.69000	.01000	9.78000	-.14000	7.11000
.601	5.590	-.01200	-.02200	-.01500	.11100	590.59000	2.69000	.01000	9.76000	-.11000	7.09000
.600	6.840	-.00400	-.02300	-.01400	.11200	587.07000	2.70000	.01000	9.76000	-.07000	7.10000
.599	8.030	-.00300	-.02400	-.01300	.11200	583.22000	2.69000	.00000	9.73000	-.10000	7.08000
.601	9.340	-.00800	-.02500	-.01500	.11000	585.82000	2.69000	.01000	9.78000	-.12000	7.14000
.600	10.580	-.00700	-.01900	-.01300	.10900	584.06000	2.69000	.00000	9.75000	-.13000	7.12000
.600	11.810	-.01000	-.02300	-.01500	.10800	584.53000	2.69000	.00000	9.73000	-.11000	7.11000
.601	13.050	-.01100	-.02500	-.01400	.11100	585.35000	2.69000	.00000	9.72000	-.10000	7.11000
.601	14.290	-.01200	-.02500	-.01400	.11000	586.17000	2.68000	.00000	9.74000	-.13000	7.14000
.599	15.520	-.01300	-.02600	-.01500	.10900	582.69000	2.68000	.00000	9.70000	-.11000	7.11000
.602	16.750	-.01000	-.02300	-.01500	.10800	587.12000	2.68000	.00000	9.68000	-.10000	7.09000
.601	17.990	-.01200	-.02100	-.01100	.11000	586.78000	2.68000	.00000	9.68000	-.06000	7.10000
.601	19.230	-.01500	-.02700	-.01500	.10900	586.49000	2.68000	.00000	9.67000	-.07000	7.10000
.602	20.460	-.01200	-.02500	-.01400	.10800	587.52000	2.68000	.00000	9.66000	-.07000	7.09000
.600	21.690	-.01400	-.02400	-.01200	.10900	584.94000	2.68000	.00000	9.66000	-.09000	7.10000
.601	22.930	-.01200	-.02200	-.01200	.10900	585.82000	2.68000	.00000	9.67000	-.15000	7.12000
.601	24.160	-.01300	-.02300	-.01300	.10900	586.16000	2.68000	.00000	9.65000	-.12000	7.11000
.601	25.390	-.01200	-.02500	-.01500	.10500	586.97000	2.68000	.00000	9.63000	-.10000	7.09000
.600	26.630	-.01300	-.02400	-.01500	.10400	585.80000	2.68000	.00000	9.61000	-.09000	7.09000
.599	27.860	-.01100	-.02200	-.01000	.10800	583.63000	2.68000	.00000	9.63000	-.12000	7.11000
.604	29.100	-.01200	-.02400	-.01300	.10600	592.08000	2.68000	.00000	9.62000	-.14000	7.11000
.597	30.340	-.01300	-.02600	-.01800	.10500	579.65000	2.68000	.00000	9.61000	-.14000	7.11000
.601	31.570	-.01200	-.02400	-.01600	.10400	588.19000	2.68000	.00000	9.61000	-.15000	7.11000
.600	32.800	-.01500	-.02200	-.01200	.10600	585.66000	2.68000	.00000	9.56000	-.07000	7.07000
.599	34.040	-.01300	-.02800	-.01700	.10400	585.04000	2.68000	.00000	9.58000	-.15000	7.10000
.599	35.280	-.00900	-.02400	-.01200	.10700	582.61000	2.68000	.00000	9.55000	-.09000	7.07000
.600	36.510	-.00900	-.02100	-.01100	.10500	583.92000	2.68000	.00000	9.58000	-.12000	7.11000
.599	37.740	-.01300	-.02700	-.01600	.10300	582.62000	2.68000	.00000	9.54000	-.10000	7.08000
.598	38.980	-.01100	-.02300	-.01400	.10300	580.38000	2.68000	.00000	9.57000	-.15000	7.11000
.602	40.220	-.01000	-.02300	-.01700	.10100	587.68000	2.68000	.00000	9.55000	-.13000	7.10000
.601	41.450	-.01800	-.02600	-.01300	.10400	586.30000	2.68000	.00000	9.51000	-.05000	7.07000
.602	42.690	-.01400	-.02200	-.01200	.10500	587.66000	2.68000	.00000	9.52000	-.11000	7.08000
.602	43.920	-.01200	-.02100	-.01200	.10400	588.28000	2.69000	.00000	9.53000	-.14000	7.10000
.599	45.150	-.01300	-.02200	-.01500	.10300	581.52000	2.68000	.00000	9.53000	-.14000	7.10000
.601	46.390	-.01400	-.02400	-.01500	.10400	585.55000	2.68000	.00000	9.49000	-.09000	7.08000
.602	47.630	-.01300	-.02200	-.01500	.09900	588.20000	2.69000	.00000	9.51000	-.14000	7.10000
.600	48.860	-.01500	-.02800	-.01900	.09900	585.40000	2.69000	.00000	9.51000	-.15000	7.11000
.601	50.090	-.01500	-.02300	-.01400	.10100	587.04000	2.69000	.00000	9.49000	-.15000	7.10000

LTV44-559(CA26) 747/1 ATY 06 SI (CARRIER DATA)

(SFE111) (24 MAR 76)

REFERENCE DATA

SREF = 5500.0000 SQ.FT. XMRP = 1339.9000 IN. XC
 LREF = 327.7800 IN. YMRP = .0000 IN. YC
 BREF = 2348.0400 IN. ZMRP = 190.7500 IN. ZC
 SCALE = .0125

PARAMETRIC DATA

ALPHAC = 2.000 BETAC = .000
 STAB = 5.000 ELEVON = .000
 AILRON = .000 DX = .000
 DY = .000 IORB = 8.000
 BETAO = .000 OPHI = .000

RUN-NO. 79/ 0 RN/L = .00 GRADIENT INTERVAL = -5.00/ 5.00

MACH	DZ	CPC	CPSB1	CPSB2	CPSB3	Q(PSF)	ALPHAC	BETAC	ALPHAO	BETAO	INCID
.603	51.330	-.01400	-.02100	-.01300	.10000	590.44000	2.69000	.00000	9.46000	-.10000	7.07000
.602	52.570	-.01500	-.02300	-.01600	.09900	589.82000	2.69000	.00000	9.47000	-.13000	7.09000
.599	53.800	-.01600	-.02600	-.01500	.10200	583.81000	2.69000	.00000	9.49000	-.13000	7.11000
.600	55.040	-.01400	-.02800	-.01800	.10000	584.71000	2.69000	.00000	9.47000	-.12000	7.10000
.599	56.270	-.01300	-.02700	-.01900	.09700	583.22000	2.69000	.00000	9.44000	-.08000	7.07000
.602	57.500	-.01200	-.02300	-.01500	.09800	587.12000	2.69000	.00000	9.43000	-.07000	7.08000
.602	58.120	-.01200	-.02200	-.01400	.10000	587.60000	2.69000	.00000	9.45000	-.12000	7.10000
	GRADIENT	-.00019	-.00109	-.00041	.00035	.72111	-.00295	.00000	.00072	.00209	.00908

LTV44-559(CA26) 747/1 ATY 06 S1 (CARRIER DATA)

(SFE112) (24 MAR 76)

REFERENCE DATA

SREF = 5500.0000 SQ.FT. XMRP = 1339.9000 IN. XC
 LREF = 327.7800 IN. YMRP = .0000 IN. YC
 BREF = 2348.0400 IN. ZMRP = 190.7500 IN. ZC
 SCALE = .0125

PARAMETRIC DATA

ALPHAC = 2.000 BETAC = .000
 STAB = 5.000 RUDDER = .000
 ELEVON = .000 DY = .000
 DZ = .000 TORB = 6.000
 BETAD = .000 DPHI = .000

		RUN NO.		81/ 0		RN/L = .00		GRADIENT INTERVAL = -5.00/ 5.00				
MACH	DX	CPC	CPSB1	CPSB2	CPSB3	Q(PSF)	ALPHAC	BETAC	ALPHA0	BETA0	INCID	
.601	.000	-.01300	-.02700	-.02000	.11300	585.58000	2.66000	.01000	8.02000	-.15000	5.35000	
.600	.390	-.00600	-.02100	-.01500	.11700	583.69000	2.66000	.01000	7.97000	-.11000	5.31000	
.601	.780	-.01100	-.02700	-.02100	.11200	586.20000	2.66000	.01000	8.02000	-.08000	5.36000	
.599	1.140	-.01100	-.02600	-.02000	.11400	581.37000	2.66000	.01000	8.02000	-.08000	5.32000	
.600	1.530	-.00600	-.02100	-.01500	.11600	582.53000	2.66000	.01000	7.98000	-.11000	5.36000	
.601	1.920	-.00900	-.02300	-.01900	.11300	584.10000	2.66000	.01000	8.00000	-.10000	5.34000	
.601	2.290	-.00500	-.02200	-.01800	.11300	583.83000	2.67000	.01000	8.01000	-.08000	5.35000	
.602	2.680	-.01100	-.02700	-.02300	.11000	586.96000	2.66000	.01000	8.01000	-.10000	5.35000	
.602	3.070	-.00800	-.02100	-.01600	.11800	585.41000	2.66000	.01000	7.99000	-.13000	5.33000	
.600	3.430	-.01400	-.02600	-.02100	.11300	582.74000	2.66000	.01000	7.99000	-.13000	5.33000	
.598	3.820	-.01600	-.03000	-.02400	.11200	579.18000	2.66000	.01000	8.00000	-.12000	5.34000	
.602	4.190	-.01400	-.02800	-.02200	.11200	586.01000	2.67000	.01000	7.99000	-.10000	5.33000	
.600	4.580	-.01600	-.02900	-.02500	.11000	583.69000	2.67000	.01000	7.99000	-.12000	5.32000	
.600	4.970	-.01700	-.02900	-.02400	.11200	584.03000	2.67000	.01000	8.00000	-.13000	5.34000	
.601	5.330	-.01600	-.03100	-.02600	.11000	585.87000	2.67000	.01000	7.99000	-.13000	5.33000	
.601	5.720	-.01100	-.02500	-.02100	.11300	583.63000	2.67000	.01000	8.02000	-.09000	5.36000	
.602	6.110	-.01400	-.03100	-.02700	.10900	586.62000	2.66000	.01000	8.00000	-.12000	5.34000	
.602	6.480	-.01600	-.02900	-.02500	.10800	586.89000	2.67000	.01000	7.98000	-.12000	5.32000	
.601	6.870	-.01700	-.03300	-.02700	.11100	583.96000	2.67000	.01000	8.01000	-.09000	5.35000	
.600	7.230	-.01400	-.02900	-.02400	.11300	582.82000	2.67000	.01000	8.02000	-.08000	5.36000	
.601	7.630	-.01300	-.02900	-.02500	.10900	583.30000	2.67000	.01000	8.02000	-.10000	5.35000	
.602	8.020	-.01200	-.02800	-.02500	.11000	586.44000	2.67000	.01000	8.00000	-.12000	5.34000	
.601	8.380	-.01700	-.02900	-.02400	.11100	583.10000	2.67000	.01000	8.02000	-.08000	5.36000	
.602	8.770	-.01700	-.03400	-.03000	.10700	585.61000	2.67000	.01000	8.02000	-.10000	5.35000	
.602	9.160	-.01600	-.03300	-.03000	.10800	585.82000	2.67000	.01000	8.03000	-.06000	5.36000	
.601	9.530	-.01700	-.03100	-.02500	.11100	584.46000	2.67000	.01000	8.01000	-.11000	5.34000	
.602	9.920	-.01700	-.03300	-.02900	.11000	586.35000	2.67000	.00000	8.00000	-.12000	5.33000	
.602	10.280	-.02000	-.03500	-.03100	.10600	586.70000	2.68000	.01000	8.03000	-.09000	5.36000	
.602	10.670	-.02000	-.02800	-.02600	.10900	586.02000	2.68000	.01000	8.00000	-.10000	5.33000	
.603	11.060	-.01900	-.03100	-.03000	.10600	587.35000	2.68000	.01000	8.03000	-.08000	5.36000	
.603	11.430	-.02100	-.03500	-.03200	.10500	587.92000	2.68000	.01000	8.02000	-.12000	5.34000	
.601	11.820	-.02000	-.03200	-.02700	.11000	585.12000	2.68000	.01000	8.01000	-.12000	5.33000	
.602	12.210	-.02100	-.03300	-.03000	.10700	587.64000	2.68000	.01000	8.04000	-.07000	5.37000	
.600	12.570	-.02100	-.03300	-.02900	.10800	584.30000	2.67000	.01000	8.05000	-.10000	5.37000	
.630	12.960	-.02200	-.03400	-.02900	.10900	583.89000	2.68000	.01000	8.00000	-.13000	5.33000	
.602	13.330	-.01600	-.03400	-.02900	.11100	586.63000	2.68000	.01000	8.02000	-.11000	5.34000	
	GRADIENT	-.00154	-.00101	-.00130	-.00062	-.16571	.00184	.00000	-.00248	-.00300	-.00311	

LTV44-559(CA26) 747/1 ATY 06 S1 (CARRIER DATA)

(SFE113) (24 MAR 76)

REFERENCE DATA

SREF = 5500.0000 SQ.FT. XMRP = 1339.9000 IN. XC
 LREF = 327.7800 IN. YMRP = .0000 IN. YC
 BREF = 2348.0400 IN. ZMRP = 190.7500 IN. ZC
 SCALE = .0125

PARAMETRIC DATA

ALPHAC = 2.000 BETAC = .000
 STAB = 5.000 RUDDER = .000
 ELEVON = .000 DY = .000
 DZ = 15.000 TORB = 6.000
 BETAO = .000 DPHI = .000

RUN NO. 1081/ 0 RN/L = .00 GRADIENT INTERVAL = -5.00/ 5.00

MACH	DX	CPC	CPSB1	CPSB2	CPSB3	Q(PSF)	ALPHAC	BETAC	ALPHA0	BETA0	INCID
.600	.390	-.01400	-.02600	-.02000	.11100	582.87000	2.66000	.00000	7.91000	-.08000	5.33000
.602	.780	-.01600	-.02500	-.01500	.11000	586.96000	2.66000	.00000	7.92000	-.12000	5.35000
.601	1.140	-.01500	-.02700	-.02100	.10600	586.53000	2.66000	.00000	7.92000	-.11000	5.33000
.602	1.530	-.01600	-.02200	-.01500	.10900	588.17000	2.66000	.00000	7.93000	-.09000	5.35000
.602	1.900	-.01500	-.02400	-.01600	.10900	588.58000	2.66000	.00000	7.93000	-.11000	5.35000
.602	2.290	-.01500	-.02800	-.02000	.10700	588.91000	2.66000	.00000	7.90000	-.10000	5.32000
.600	2.680	-.01400	-.02800	-.02000	.11000	584.49000	2.66000	.00000	7.90000	-.12000	5.32000
.602	3.040	-.01300	-.02500	-.01600	.11100	587.29000	2.66000	.00000	7.93000	-.09000	5.35000
.602	3.430	-.01500	-.02500	-.01700	.10900	587.15000	2.66000	.00000	7.93000	-.11000	5.36000
.601	3.820	-.01200	-.02500	-.01700	.11100	586.13000	2.66000	.00000	7.92000	-.12000	5.34000
.600	4.190	-.01200	-.02800	-.02100	.11000	583.40000	2.66000	.00000	7.92000	-.12000	5.35000
.599	4.580	-.01300	-.02900	-.02300	.11000	582.78000	2.66000	.00000	7.92000	-.12000	5.34000
.600	4.940	-.01400	-.02800	-.02300	.10900	583.40000	2.66000	.00000	7.91000	-.12000	5.33000
.599	5.330	-.01600	-.02900	-.02300	.10900	582.85000	2.66000	.00000	7.89000	-.11000	5.32000
.601	5.720	-.01300	-.02700	-.02000	.11300	585.03000	2.66000	.00000	7.93000	-.10000	5.36000
.601	6.090	-.01500	-.02900	-.02000	.11100	586.40000	2.66000	.00000	7.93000	-.11000	5.35000
.599	6.480	-.01500	-.03100	-.02600	.10800	582.71000	2.66000	.00000	7.92000	-.12000	5.35000
.599	6.870	-.01300	-.03100	-.02400	.11000	581.97000	2.66000	.00000	7.94000	-.09000	5.36000
.602	7.230	-.01400	-.02700	-.01900	.11000	586.49000	2.66000	.00000	7.91000	-.07000	5.33000
.601	7.630	-.01200	-.03000	-.02100	.10900	584.86000	2.66000	.00000	7.93000	-.09000	5.35000
.602	7.990	-.01400	-.02700	-.02100	.10800	585.27000	2.66000	.00000	7.89000	-.09000	5.31000
.598	8.380	-.01700	-.03700	-.03000	.10400	579.26000	2.66000	.00000	7.94000	-.10000	5.36000
.603	8.770	-.01600	-.02700	-.02200	.10500	587.25000	2.66000	.00000	7.91000	-.11000	5.33000
.597	9.140	-.01700	-.03100	-.02600	.10800	575.72000	2.66000	.00000	7.94000	-.12000	5.36000
.602	9.530	-.01900	-.03000	-.02300	.10600	586.57000	2.66000	.00000	7.90000	-.11000	5.33000
.601	9.920	-.01700	-.03100	-.02600	.10800	593.57000	2.66000	.00000	7.93000	-.10000	5.36000
.603	10.280	-.01900	-.03100	-.02200	.10900	587.38000	2.66000	.00000	7.91000	-.07000	5.33000
.603	10.670	-.02100	-.03300	-.02700	.10600	588.73000	2.66000	.00000	7.90000	-.11000	5.33000
.602	11.040	-.02400	-.03100	-.02900	.10300	588.24000	2.66000	.00000	7.94000	-.11000	5.36000
.603	11.430	-.02200	-.03200	-.02400	.10700	590.49000	2.66000	.00000	7.91000	-.12000	5.33000
.602	11.820	-.02300	-.03100	-.02700	.10300	588.44000	2.66000	.00000	7.92000	-.12000	5.34000
.600	12.180	-.02000	-.03400	-.03000	.10500	584.15000	2.66000	.00000	7.93000	-.11000	5.35000
.602	12.570	-.01500	-.03200	-.02500	.10800	586.21000	2.66000	.00000	7.91000	-.11000	5.34000
.603	12.960	-.01700	-.03300	-.02400	.10500	587.99000	2.66000	.00000	7.92000	-.12000	5.34000
.630	13.330	-.01900	-.03400	-.02900	.10200	583.42000	2.67000	.00000	7.94000	-.11000	5.36000
GRADIENT		.00059	-.00064	-.00087	.00020	-.59220	.00000	.00000	-.00001	-.00522	.00072

LTV44-559(CA26) 747/1 ATY 06 S1 (CARRIER DATA)

(SFE114) (24 MAR 76)

REFERENCE DATA

SREF = 5500.0000 SQ.FT. XMRP = 1339.9000 IN. XC
 LREF = 327.7800 IN. YMRP = .0000 IN. YC
 BREF = 2348.0400 IN. ZMRP = 190.7500 IN. ZC
 SCALE = .0125

PARAMETRIC DATA

ALPHAC = 2.000 BETAC = .000
 STAB = 5.000 RUDDER = .000
 ELEVON = .000 DY = .000
 DZ = 60.000 IORB = 6.000
 BETA0 = .000 DPHI = .000

RUN NO. 2081/ 0 RN/L = .00 GRADIENT INTERVAL = -5.00/ 5.00

MACH	DX	CPCC	CPSB1	CPSB2	CPSB3	Q(PSF)	ALPHAC	BETAC	ALPHA0	BETA0	INCID
.604	.410	-.01300	-.02700	-.01600	.10400	589.36000	2.68000	.00000	7.70000	-.09000	5.31000
.604	.780	-.01300	-.02500	-.01400	.10400	589.77000	2.68000	.00000	7.69000	-.12000	5.31000
.602	1.170	-.01700	-.02800	-.01700	.10200	586.63000	2.68000	.00000	7.68000	-.11000	5.30000
.600	1.560	-.02000	-.02800	-.02200	.10000	583.42000	2.68000	.00000	7.68000	-.14000	5.30000
.601	1.920	-.01700	-.02600	-.02000	.10300	585.19000	2.68000	.00000	7.70000	-.14000	5.31000
.603	2.310	-.01500	-.02600	-.01900	.10300	588.12000	2.68000	.00000	7.70000	-.12000	5.32000
.603	2.680	-.01600	-.02600	-.01700	.10100	588.12000	2.68000	.00000	7.68000	-.12000	5.30000
.601	3.070	-.01900	-.02500	-.02000	.10200	584.78000	2.68000	.00000	7.69000	-.11000	5.30000
.603	3.460	-.01300	-.02600	-.02000	.10300	587.72000	2.68000	.00000	7.70000	-.13000	5.32000
.603	3.820	-.01400	-.02800	-.02000	.10300	587.65000	2.68000	.00000	7.69000	-.13000	5.31000
.600	4.210	-.02000	-.02700	-.02100	.10000	583.83000	2.68000	.00000	7.67000	-.10000	5.29000
.601	4.600	-.01900	-.02900	-.02000	.09900	584.71000	2.68000	.00000	7.67000	-.12000	5.28000
.602	4.970	-.01700	-.02900	-.01900	.10000	587.10000	2.68000	.00000	7.69000	-.12000	5.30000
.601	5.360	-.01900	-.02700	-.02100	.10200	584.16000	2.68000	.00000	7.69000	-.11000	5.31000
.600	5.720	-.01900	-.02600	-.02000	.10200	583.82000	2.68000	.00000	7.70000	-.11000	5.32000
.600	6.110	-.02300	-.02900	-.02000	.09800	584.56000	2.68000	.00000	7.66000	-.10000	5.28000
.602	6.510	-.01700	-.02700	-.02100	.10100	588.45000	2.68000	.00000	7.70000	-.11000	5.32000
.601	6.870	-.01800	-.02600	-.02100	.10200	584.97000	2.68000	.00000	7.70000	-.13000	5.32000
.600	7.260	-.01800	-.02600	-.02000	.10000	583.81000	2.68000	.00000	7.70000	-.13000	5.32000
.600	7.650	-.02200	-.03100	-.02100	.09700	584.75000	2.68000	.00000	7.67000	-.15000	5.28000
.602	8.020	-.01700	-.02800	-.01900	.10100	587.76000	2.68000	.00000	7.69000	-.14000	5.31000
.599	8.410	-.01900	-.02800	-.02200	.10100	582.63000	2.68000	.00000	7.71000	-.12000	5.33000
.601	8.770	-.01800	-.03100	-.01900	.09900	586.32000	2.68000	.00000	7.68000	-.15000	5.30000
.599	9.160	-.02000	-.03000	-.02700	.09800	582.85000	2.68000	.00000	7.71000	-.16000	5.33000
.600	9.550	-.01600	-.03100	-.02200	.10000	584.56000	2.68000	.00000	7.71000	-.15000	5.33000
.600	9.920	-.02000	-.03100	-.02200	.09700	583.06000	2.68000	.00000	7.70000	-.16000	5.32000
.600	10.310	-.01900	-.03000	-.02200	.09700	583.13000	2.68000	.00000	7.69000	-.16000	5.31000
.600	10.700	-.01800	-.02900	-.02100	.10000	583.96000	2.68000	.00000	7.70000	-.13000	5.32000
.603	11.060	-.01300	-.02900	-.02000	.10100	583.60000	2.68000	.00000	7.68000	-.15000	5.30000
.600	11.450	-.02000	-.02900	-.02500	.09700	583.76000	2.67000	.00000	7.70000	-.14000	5.33000
.603	11.800	-.01500	-.02800	-.02200	.10200	587.72000	2.67000	.00000	7.70000	-.12000	5.33000
.601	12.210	-.02000	-.02800	-.02300	.09900	583.56000	2.67000	.00000	7.69000	-.11000	5.32000
.603	12.590	-.01600	-.02800	-.02200	.10100	587.73000	2.67000	.00000	7.71000	-.14000	5.33000
.605	12.960	-.01600	-.02800	-.02000	.10100	592.62000	2.67000	.00000	7.67000	-.13000	5.30000
.633	13.350	-.01900	-.02600	-.02200	.10200	587.65000	2.67000	.00000	7.69000	-.10000	5.32000
	GRADIENT	-.00064	-.00039	-.00085	-.00071	-.51737	.00000	.00000	-.00250	-.00115	-.00318

LTV44-559(CA26) 747/1 ATY 06 S1 (CARRIER DATA)

(SFE115) (24 MAR 76)

REFERENCE DATA

SREF = 5500.0000 SQ.FT. XMRP = 1339.9000 IN. XC
 LREF = 327.7800 IN. YMRP = .0000 IN. YC
 BREF = 2348.0400 IN. ZMRP = 190.7500 IN. ZG
 SCALE = .0125

PARAMETRIC DATA

ALPHAC = 2.000 BETAC = .000
 STAB = 5.000 RUDDER = .000
 ELEVON = .000 DX = .000
 DZ = .000 IORB = 6.000
 BETAO = .000 DPHI = .000

RUN NO. 82/ 0 RN/L = .00 GRADIENT INTERVAL = -5.00/ 5.00

MACH	DY	CPC	CPSB1	CPSB2	CPSB3	Q(PSF)	ALPHAC	BETAC	ALPHAO	BETAO	INCID
.605	-10.000	-.00700	-.02600	-.01800	.11000	594.16000	2.66000	-.01000	8.00000	.00000	5.34000
.605	-9.420	-.00700	-.02600	-.01900	.11100	593.81000	2.65000	-.01000	8.01000	-.10000	5.36000
.605	-8.850	-.00500	-.02300	-.01600	.11300	593.47000	2.66000	-.01000	7.98000	-.13000	5.33000
.605	-8.280	-.01000	-.02500	-.01800	.11000	595.37000	2.66000	-.01000	8.00000	-.14000	5.34000
.605	-7.710	-.00800	-.02200	-.01600	.11100	595.44000	2.66000	-.01000	7.99000	-.08000	5.33000
.607	-7.140	-.01100	-.02400	-.01700	.10900	598.09000	2.66000	-.01000	8.01000	-.09000	5.35000
.606	-6.560	-.00800	-.02300	-.01600	.11100	596.61000	2.66000	-.01000	8.01000	-.10000	5.35000
.605	-5.990	-.00800	-.02500	-.01600	.11200	594.43000	2.66000	-.01000	8.01000	-.08000	5.35000
.606	-5.420	-.01000	-.02800	-.01900	.10800	595.58000	2.67000	-.01000	8.00000	-.14000	5.34000
.606	-4.850	-.00800	-.02500	-.01600	.11200	595.25000	2.67000	.00000	7.99000	-.14000	5.32000
.605	-4.280	-.00800	-.02400	-.01600	.11100	594.57000	2.66000	.00000	7.98000	-.09000	5.32000
.605	-3.710	-.01000	-.02400	-.01500	.11300	594.84000	2.66000	.00000	7.97000	-.06000	5.31000
.606	-3.130	-.01000	-.02400	-.01600	.11200	595.31000	2.66000	.00000	7.98000	-.11000	5.32000
.607	-2.570	-.00600	-.02200	-.01400	.11300	597.09000	2.66000	.00000	7.97000	-.12000	5.31000
.604	-1.990	-.00700	-.02400	-.01500	.11200	590.97000	2.67000	.01000	8.00000	-.13000	5.34000
.603	-1.420	-.01000	-.02500	-.01700	.11000	590.75000	2.66000	.01000	7.97000	-.13000	5.32000
.603	-.850	-.00800	-.02500	-.01700	.11200	590.62000	2.66000	.01000	8.01000	-.10000	5.35000
.605	-.270	-.00900	-.02300	-.01400	.11400	594.56000	2.66000	.02000	7.97000	-.12000	5.31000
.605	.270	-.01100	-.02300	-.01600	.11200	594.83000	2.66000	.02000	8.00000	-.07000	5.34000
.605	.850	-.01000	-.02300	-.01400	.11200	593.68000	2.66000	.02000	7.98000	-.12000	5.32000
.605	1.420	-.00900	-.02100	-.01200	.11300	594.03000	2.67000	.03000	7.99000	-.10000	5.32000
.605	1.990	-.00800	-.02200	-.01400	.11300	593.69000	2.66000	.03000	7.99000	-.14000	5.33000
.605	2.560	-.00800	-.02300	-.01500	.11200	594.37000	2.67000	.03000	8.01000	-.12000	5.34000
.605	3.130	-.00800	-.02200	-.01400	.11300	593.14000	2.67000	.03000	8.01000	-.10000	5.34000
.604	3.710	-.01400	-.02900	-.02000	.10700	592.92000	2.66000	.03000	8.00000	-.10000	5.34000
.605	4.280	-.00600	-.02100	-.01100	.11200	592.80000	2.66000	.03000	7.97000	-.09000	5.31000
.605	4.850	-.00500	-.02200	-.01200	.11200	593.35000	2.66000	.02000	7.97000	-.12000	5.31000
.605	5.420	-.00600	-.02400	-.01300	.11100	592.74000	2.66000	.03000	8.00000	-.12000	5.35000
.605	5.990	-.00800	-.02500	-.01500	.11000	594.77000	2.67000	.03000	7.97000	-.16000	5.31000
.605	6.560	-.00800	-.02400	-.01400	.11100	594.76000	2.66000	.03000	7.96000	-.16000	5.30000
.605	7.140	-.00500	-.02200	-.01300	.11100	594.36000	2.65000	.03000	7.99000	-.13000	5.34000
.605	7.700	-.00700	-.02200	-.01400	.11100	594.96000	2.65000	.03000	7.96000	-.14000	5.32000
.606	8.280	-.01100	-.02400	-.01500	.11000	597.06000	2.65000	.03000	7.97000	-.09000	5.32000
.606	8.850	-.00800	-.02200	-.01400	.11000	595.91000	2.65000	.03000	7.98000	-.14000	5.33000
.605	9.420	-.00700	-.02000	-.01100	.11200	594.42000	2.65000	.03000	7.95000	-.14000	5.30000
.605	10.000	-.01100	-.02300	-.01200	.11100	595.10000	2.65000	.03000	7.99000	-.17000	5.34000
GRADIENT		.00004	.00015	.00024	-.00007	-.15846	.00002	.00371	.00101	-.00001	.00078

LTV44-559(CA26) 747/1 ATY 05 S1 (CARRIER DATA)

(SFE116) (24 MAR 76)

REFERENCE DATA

SREF = 5500.0000 SQ.FT. XMRP = 1339.9000 IN. XC
 LREF = 327.7800 IN. YMRP = .0000 IN. YC
 BREF = 2348.0400 IN. ZMRP = 190.7500 IN. ZC
 SCALE = .0125

PARAMETRIC DATA

ALPHAC = 2.000 BETAC = .000
 STAB = 5.000 RUDDER = .000
 ELEVON = .000 DX = .000
 DZ = 15.000 IORB = 6.000
 BETAO = .000 DPFI = .000

RUN NO. 1082/ 0 RN/L = .00 GRADIENT INTERVAL = -5.00/ 5.00

MACH	DY	CPCC	CPSB1	CPSB2	CPSB3	Q(PSF)	ALPHAC	BETAC	ALPHAO	BETAO	INCID
.606	-9.420	-.01200	-.02700	-.01700	.11000	595.53000	2.66000	.00000	7.93000	-.11000	5.35000
.607	-8.850	-.00600	-.02100	-.01300	.11100	597.10000	2.66000	.00000	7.90000	-.05000	5.32000
.606	-8.280	-.01200	-.02500	-.01600	.11000	594.50000	2.66000	.00000	7.89000	-.05000	5.31000
.606	-7.710	-.01200	-.02300	-.01400	.11200	594.37000	2.66000	.00000	7.91000	-.05000	5.33000
.606	-7.140	-.01000	-.02200	-.01300	.11000	595.73000	2.66000	.00000	7.91000	-.08000	5.33000
.606	-6.560	-.00900	-.02100	-.01200	.11200	595.93000	2.66000	.00000	7.91000	-.08000	5.33000
.606	-5.990	-.01000	-.02200	-.01300	.11200	595.25000	2.66000	.00000	7.92000	-.09000	5.34000
.606	-5.420	-.00900	-.02100	-.01200	.11100	595.39000	2.66000	.00000	7.92000	-.10000	5.35000
.605	-4.850	-.01300	-.02500	-.01500	.11000	594.22000	2.66000	.00000	7.92000	-.09000	5.34000
.605	-4.280	-.01300	-.02400	-.01400	.11000	593.48000	2.66000	.00000	7.93000	-.12000	5.36000
.606	-3.710	-.00900	-.02000	-.01200	.11000	596.40000	2.66000	.00000	7.91000	-.07000	5.33000
.606	-3.140	-.01000	-.02000	-.01300	.10900	596.13000	2.66000	.00000	7.89000	-.03000	5.32000
.605	-2.570	-.01300	-.02800	-.01800	.10600	594.69000	2.66000	.00000	7.91000	-.08000	5.33000
.605	-1.990	-.01300	-.02600	-.01700	.10600	594.42000	2.66000	.00000	7.92000	-.13000	5.34000
.606	-1.420	-.01000	-.02600	-.01700	.10800	596.80000	2.66000	.00000	7.92000	-.11000	5.34000
.607	-.850	-.00900	-.02200	-.01400	.10900	597.55000	2.66000	.00300	7.90000	-.08000	5.32000
.607	-.280	-.01300	-.02700	-.01700	.10900	598.02000	2.66000	.00000	7.92000	-.13000	5.35000
.605	.270	-.01300	-.02500	-.01300	.11000	594.28000	2.66000	.00000	7.91000	-.07000	5.33000
.606	.850	-.01200	-.02600	-.01600	.10900	596.59000	2.66000	.00000	7.92000	-.10000	5.34000
.605	1.410	-.01400	-.02700	-.01800	.10700	595.56000	2.66000	.00000	7.89000	-.08000	5.31000
.604	1.990	-.01300	-.02300	-.01200	.11200	593.73000	2.66000	.00000	7.92000	-.12000	5.34000
.604	2.560	-.01300	-.02700	-.01600	.11100	593.80000	2.66000	.00000	7.90000	-.08000	5.32000
.605	3.130	-.00900	-.02200	-.01300	.10900	595.30000	2.66000	.01000	7.92000	-.14000	5.35000
.603	3.700	-.01100	-.02700	-.01500	.11000	590.75000	2.66000	.01000	7.92000	-.12000	5.35000
.603	4.270	-.01000	-.02600	-.01400	.11200	590.01000	2.66000	.01000	7.92000	-.09000	5.35000
.603	4.850	-.00900	-.02800	-.01700	.11000	590.15000	2.66000	.01000	7.92000	-.13000	5.35000
.605	5.420	-.00700	-.02400	-.01700	.10700	593.49000	2.66000	.01000	7.90000	-.11000	5.33000
.604	5.980	-.01000	-.02800	-.01700	.10900	590.84000	2.66000	.01000	7.91000	-.11000	5.33000
.604	6.560	-.01100	-.02600	-.01500	.11000	590.98000	2.66000	.01000	7.93000	-.16000	5.35000
.606	7.130	-.01000	-.02300	-.01400	.10700	594.38000	2.67000	.01000	7.89000	-.07000	5.31000
.603	7.700	-.01300	-.02500	-.01300	.11000	590.09000	2.66000	.00000	7.91000	-.14000	5.33000
.605	8.270	-.01100	-.02100	-.01100	.11100	592.00000	2.66000	.00000	7.89000	-.09000	5.31000
.606	8.840	-.00900	-.02200	-.01100	.10900	593.97000	2.66000	.00000	7.89000	-.08000	5.31000
.605	9.420	-.01100	-.02200	-.01000	.11000	592.20000	2.67000	.00000	7.89000	-.09000	5.31000
.605	9.990	-.01200	-.02300	-.01200	.10900	593.69000	2.66000	.01000	7.90000	-.14000	5.32000
.605	GRADIENT	.00013	-.00032	-.00005	.00020	-.41533	.00000	.00101	.00022	-.00339	.00075

LTV44-559(CA26) 747/1 ATY 06 SI (CARRIER DATA)

(SFE117) (24 MAR 76)

REFERENCE DATA

SREF = 5500.0000 SQ.FT. XMRP = 1339.9000 IN. XC
 LREF = 327.7800 IN. YMRP = .0000 IN. YC
 BREF = 2348.0400 IN. ZMRP = 190.7500 IN. ZC
 SCALE = .0125

PARAMETRIC DATA

ALPHAC = 2.000 BETAC = .000
 STAB = 5.000 RUDDER = .000
 ELEYON = .000 DX = .000
 DZ = 60.000 IORB = 6.000
 BETAO = .000 DPHI = .000

RUN NO. 2082/ 0 RN/L = .00 GRADIENT INTERVAL = -5.00/ 5.00

MACH	DY	CPCC	CPSB1	CPSB2	CPSB3	Q(PSF)	ALPHAC	BETAC	ALPHAO	BETAO	INCID
.604	-10.000	-.01600	-.02500	-.01600	.10000	593.26000	2.69000	.01000	7.72000	-.11000	5.33000
.605	-9.430	-.01600	-.03100	-.01600	.09900	595.57000	2.69000	.01000	7.67000	-.17000	5.27000
.604	-8.860	-.01200	-.02700	-.01300	.10400	593.20000	2.68000	.01000	7.69000	-.16000	5.30000
.606	-8.280	-.01700	-.02700	-.01300	.10000	595.51000	2.69000	.01000	7.69000	-.14000	5.30000
.604	-7.710	-.01100	-.02800	-.01400	.10500	592.11000	2.69000	.01000	7.69000	-.16000	5.30000
.606	-7.140	-.01300	-.02600	-.01100	.10300	595.45000	2.68000	.01000	7.69000	-.15000	5.30000
.603	-6.570	-.01500	-.02500	-.01500	.10100	591.56000	2.68000	.01000	7.72000	-.12000	5.33000
.605	-6.000	-.01300	-.02400	-.01600	.10200	593.34000	2.68000	.01000	7.69000	-.13000	5.31000
.604	-5.420	-.01200	-.02800	-.01600	.10300	591.30000	2.68000	.01000	7.67000	-.16000	5.29000
.604	-4.860	-.01500	-.02700	-.01700	.09900	592.79000	2.68000	.01000	7.68000	-.13000	5.30000
.604	-4.290	-.01300	-.02800	-.01400	.10300	592.38000	2.69000	.01000	7.70000	-.17000	5.32000
.603	-3.710	-.01600	-.02800	-.01800	.10000	590.46000	2.68000	.01000	7.68000	-.18000	5.30000
.604	-3.140	-.01700	-.02500	-.01600	.09900	593.32000	2.69000	.01000	7.72000	-.14000	5.33000
.606	-2.570	-.01700	-.02400	-.01100	.10200	596.12000	2.69000	.01000	7.70000	-.16000	5.31000
.605	-2.000	-.01500	-.02700	-.01400	.10300	593.54000	2.68000	.01000	7.69000	-.18000	5.31000
.603	-1.430	-.02300	-.03100	-.02300	.09400	590.60000	2.69000	.00000	7.69000	-.15000	5.30000
.605	-.850	-.01700	-.02600	-.01700	.09800	592.87000	2.68000	.00000	7.69000	-.17000	5.30000
.606	-.280	-.01300	-.02500	-.01100	.10400	594.72000	2.68000	.00000	7.68000	-.18000	5.30000
.606	.270	-.01300	-.02600	-.01100	.10400	594.86000	2.68000	.00000	7.69000	-.17000	5.31000
.605	.840	-.01600	-.02600	-.01600	.09900	592.13000	2.69000	.00000	7.70000	-.15000	5.31000
.604	1.410	-.01600	-.02700	-.01500	.09800	591.11000	2.69000	.00000	7.68000	-.18000	5.29000
.606	1.990	-.01100	-.02600	-.01300	.10300	593.91000	2.69000	.00000	7.72000	-.17000	5.33000
.604	2.560	-.01300	-.02700	-.01700	.10100	590.50000	2.68000	.00000	7.69000	-.19000	5.31000
.607	3.130	-.00900	-.02400	-.00900	.10400	596.63000	2.69000	.00000	7.72000	-.16000	5.33000
.606	3.700	-.01000	-.02700	-.01400	.10400	594.58000	2.68000	.00000	7.68000	-.16000	5.30000
.606	4.270	-.01200	-.02700	-.01600	.10200	595.25000	2.68000	.00000	7.70000	-.16000	5.32000
.603	4.850	-.01800	-.02900	-.01700	.09700	590.00000	2.69000	.00000	7.72000	-.19000	5.33000
.605	5.410	-.01400	-.02400	-.01500	.10400	594.57000	2.69000	.00000	7.73000	-.22000	5.34000
.605	5.980	-.01600	-.02600	-.01700	.10200	593.27000	2.69000	.00000	7.70000	-.23000	5.32000
.605	6.560	-.01500	-.02700	-.01300	.10100	593.07000	2.69000	.00000	7.68000	-.21000	5.29000
.608	7.130	-.01200	-.02300	-.00800	.10400	597.98000	2.68000	.00000	7.67000	-.21000	5.29000
.606	7.700	-.01800	-.02600	-.01600	.09900	595.67000	2.69000	.00000	7.69000	-.20000	5.30000
.607	8.270	-.01100	-.02700	-.01200	.10200	596.63000	2.68000	.00000	7.68000	-.20000	5.30000
.606	8.840	-.01000	-.02600	-.01300	.10500	595.07000	2.68000	.00000	7.71000	-.17000	5.32000
.606	9.420	-.01500	-.02700	-.01600	.09900	595.13000	2.69000	.00000	7.71000	-.20000	5.32000
.606											
	GRADIENT	.00042	.00001	.00019	.00013	.06887	.00005	-.00130	.00143	-.00201	.00116

LTV44-559(CA26) 747/1 ATY 06 S1 (CARRIER DATA)

(SFE118) (24 MAR 76)

REFERENCE DATA

SREF = 5500.0000 SQ.FT. XMRP = 1339.9000 IN. XC
 LREF = 327.7800 IN. YMRP = .0000 IN. YC
 BREF = 2348.0400 IN. ZMRP = 190.7500 IN. ZC
 SCALE = .0125

PARAMETRIC DATA

ALPHAC = 2.000 BETAC = .000
 STAB = -1.000 RUDDER = .000
 ELEVON = .000 DX = .000
 DY = .000 TORB = 6.000
 BETAO = .000 DPHI = .000

RUN NO. 83/ 0 RN/L = .00 GRADIENT INTERVAL = -5.00/ 5.00

MACH	OZ	CPC	CPSB1	CPSB2	CPSB3	Q(PSF)	ALPHAC	BETAC	ALPHAO	BETAO	INCID
.605	1.460	-.02100	-.03000	-.00500	.09700	595.43000	2.98000	.01000	8.31000	-.10000	5.33000
.604	2.060	-.02000	-.03300	-.00600	.09700	593.24000	2.98000	.02000	8.27000	-.12000	5.30000
.604	2.660	-.01900	-.03300	-.00400	.09700	593.25000	2.99000	.02000	8.30000	-.10000	5.32000
.603	3.360	-.02000	-.03700	-.00400	.09200	591.35000	2.98000	.02000	8.29000	-.10000	5.32000
.603	4.160	-.02200	-.03900	-.00600	.09000	592.03000	2.99000	.02000	8.30000	-.10000	5.33000
.603	4.960	-.02500	-.03700	-.00600	.09200	590.73000	2.99000	.01000	8.30000	-.10000	5.33000
.603	5.960	-.02300	-.03700	-.00600	.09300	590.94000	2.99000	.01000	8.29000	-.11000	5.33000
.607	6.960	-.01400	-.03000	.00000	.09900	597.08000	2.99000	.01000	8.26000	-.12000	5.31000
.606	7.970	-.01700	-.03500	-.00400	.09300	596.19000	2.99000	.01000	8.26000	-.11000	5.31000
.608	8.960	-.01800	-.03400	-.00400	.09400	600.47000	2.99000	.01000	8.26000	-.11000	5.32000
.603	9.960	-.02300	-.03800	-.00500	.08900	591.90000	3.00000	.01000	8.24000	-.12000	5.30000
.604	11.150	-.02200	-.03300	-.00500	.09300	593.19000	2.99000	.01000	8.27000	-.10000	5.34000
.603	12.330	-.02500	-.03600	-.00400	.09100	591.55000	2.99000	.01000	8.23000	-.10000	5.31000
.605	13.520	-.01800	-.03300	-.00300	.09600	595.71000	2.99000	.01000	8.26000	-.10000	5.34000
.605	14.700	-.01900	-.03500	-.00300	.09500	595.10000	2.99000	.01000	8.22000	-.09000	5.31000
.605	15.900	-.01900	-.03500	-.00400	.09300	594.08000	3.00000	.01000	8.23000	-.11000	5.32000
.604	17.080	-.01900	-.03500	-.00400	.09300	593.40000	3.00000	.01000	8.22000	-.10000	5.31000
.602	18.270	-.02300	-.03700	-.00600	.09000	589.45000	3.00000	.01000	8.19000	-.12000	5.29000
.604	19.450	-.02000	-.03900	-.00200	.08900	593.26000	3.00000	.01000	8.22000	-.11000	5.33000
.605	20.640	-.01900	-.03600	-.00400	.09200	593.54000	3.00000	.01000	8.18000	-.13000	5.30000
.602	21.810	-.02500	-.03500	-.00500	.09000	589.30000	3.00000	.01000	8.16000	-.13000	5.29000
.605	23.000	-.01800	-.03600	-.00400	.09100	593.88000	3.00000	.01000	8.18000	-.11000	5.31000
.605	24.190	-.01900	-.03500	-.00300	.09100	593.60000	3.00000	.01000	8.15000	-.08000	5.29000
.603	25.370	-.02200	-.03900	-.00100	.08800	591.35000	3.00000	.01000	8.16000	-.10000	5.30000
.603	26.560	-.02200	-.04000	-.00200	.08700	591.35000	3.00000	.01000	8.16000	-.10000	5.31000
.605	27.740	-.02400	-.04200	-.00500	.08400	594.48000	3.01000	.01000	8.13000	-.12000	5.29000
.604	28.930	-.02100	-.04000	-.00200	.08800	593.47000	3.01000	.01000	8.16000	-.12000	5.31000
.603	30.110	-.02300	-.03900	-.00700	.08600	590.68000	3.00000	.01000	8.12000	-.13000	5.29000
.605	31.310	-.01900	-.03700	-.00100	.08700	594.36000	3.01000	.01000	8.10000	-.11000	5.27000
.606	32.490	-.02200	-.03900	-.00100	.08700	597.21000	3.00000	.01000	8.10000	-.12000	5.29000
.604	33.680	-.02200	-.03800	-.00500	.08700	592.79000	3.00000	.01000	8.09000	-.15000	5.28000
.604	34.860	-.02700	-.04000	-.00400	.08300	592.51000	3.01000	.01000	8.11000	-.12000	5.30000
.605	36.050	-.02100	-.03900	-.00200	.08600	594.48000	3.01000	.01000	8.09000	-.11000	5.26000
.603	37.230	-.02500	-.04100	-.00800	.08300	590.53000	3.01000	.01000	8.06000	-.14000	5.27000
.635	38.420	-.01700	-.04000	-.00400	.08600	594.77000	3.02000	.01000	8.06000	-.13000	5.27000
.603	39.610	-.02500	-.04100	-.00200	.08300	590.21000	3.01000	.01000	8.08000	-.13000	5.30000
.604	40.790	-.02200	-.03800	-.00600	.08600	590.56000	3.01000	.01000	8.07000	-.14000	5.30000
.605	41.980	-.02000	-.03800	-.00300	.08700	594.10000	3.01000	.01000	8.04000	-.14000	5.28000
.605	43.160	-.02200	-.04000	-.00300	.08400	601.36000	3.01000	.01000	8.03000	-.12000	5.26000
.602	44.350	-.03100	-.04000	-.00700	.08200	584.16000	3.01000	.01000	8.02000	-.14000	5.27000
.602	45.530	-.02900	-.04200	-.00600	.08200	590.45000	3.01000	.01000	8.04000	-.13000	5.29000
.606	46.720	-.02000	-.04000	-.00100	.08600	595.78000	3.02000	.01000	8.03000	-.11000	5.28000

ORIGINAL PAGE IS
 OF POOR QUALITY

LTV44-559(CA26) 747/1 ATY 06 S1 (CARRIER DATA)

(SFE118) (.24 MAR 76)

REFERENCE DATA

SREF =	5500.0000 SQ.FT.	XMRP =	1339.9000 IN. XC
LREF =	327.7800 IN.	YMRP =	.0000 IN. YC
BREF =	2348.0400 IN.	ZMRP =	190.7500 IN. ZC
SCALE =	.0125		

PARAMETRIC DATA

ALPHAC =	2.000	BETAC =	.000
STAB =	-1.000	RUDDER =	.000
ELEVON =	.000	DX =	.000
DY =	.000	TORB =	6.000
BETA0 =	.000	DPHI =	.000

RUN NO. 83/ 0 RN/L = .00 GRADIENT INTERVAL = -5.00/ 5.00

MACH	DZ	CPCC	CPSB1	CPSB2	CPSB3	Q(PSF)	ALPHAC	BETAC	ALPHA0	BETA0	INCID
.603	47.910	-.02500	-.04100	-.00700	.08100	590.60000	3.01000	.01000	8.03000	-.12000	5.29000
.603	49.090	-.02600	-.04000	-.00700	.08300	591.29000	3.02000	.01000	8.00000	-.10000	5.27000
.605	50.280	-.02600	-.04200	-.00300	.08200	595.84000	3.02000	.01000	7.99000	-.12000	5.28000
.602	51.460	-.02200	-.04100	-.00700	.08400	588.30000	3.02000	.01000	8.00000	-.13000	5.28000
	GRADIENT	-.00118	-.00228	-.00024	-.00207	-1.16130	.00284	-.00023	.00145	.00244	.00389

DATE 29 MAR 76

CA-26 FORCE SOURCE DATA TABULATION

PAGE 1003

LTV44-559(CA26) 747/1 ATY 06 S1 (CARRIER DATA)

(SFE119) (24 MAR 76)

REFERENCE DATA

SREF = 5500.0000 SQ.FT. XMRP = 1339.9000 IN. XC
 LREF = 327.7800 IN. YMRP = .0000 IN. YC
 BREF = 2348.0400 IN. ZMRP = 190.7500 IN. ZC
 SCALE = .0125

PARAMETRIC DATA

ALPHAC = 2.000 BETAC = .000
 STAB = 5.000 RUDDER = 10.000
 ELEVON = .000 DX = .000
 DY = .000 IORB = 6.000
 BETAC = .000 DPHI = .000

RUN NO. 84/ 0 RN/L = .00 GRADIENT INTERVAL = -5.00/ 5.00

MACH	DZ	CPCC	CPSB1	CPSB2	CPSB3	Q(PSF)	ALPHAC	BETAC	ALPHA0	BETA0	INCID
.603	1.460	-.00900	-.02600	-.02400	.11600	592.03000	2.67000	.10000	7.96000	.00000	5.29000
.603	2.060	-.00800	-.02200	-.01800	.11800	590.13000	2.68000	.11000	7.98000	.01000	5.31000
.604	2.660	-.01200	-.02500	-.02200	.11400	592.38000	2.68000	.10000	7.99000	.02000	5.32000
.605	3.360	-.01200	-.02300	-.01900	.11600	595.10000	2.67000	.11000	7.95000	.00000	5.30000
.607	4.160	-.01100	-.02000	-.01900	.11200	598.22000	2.68000	.11000	7.98000	.02000	5.32000
.606	4.960	-.01100	-.02000	-.01600	.11800	597.47000	2.68000	.11000	7.98000	.03000	5.33000
.605	5.960	-.01100	-.02400	-.02300	.11400	595.56000	2.68000	.11000	7.96000	.01000	5.31000
.607	6.960	-.01000	-.01700	-.01500	.11600	599.23000	2.68000	.11000	7.96000	.04000	5.32000
.606	7.970	-.01100	-.01700	-.01400	.11600	597.05000	2.68000	.11000	7.96000	.04000	5.32000
.605	8.960	-.01100	-.01800	-.01500	.11500	596.64000	2.67000	.11000	7.94000	.01000	5.31000
.602	9.960	-.01100	-.02400	-.02300	.11500	590.91000	2.68000	.11000	7.92000	.02000	5.30000
.603	11.150	-.00900	-.02500	-.02100	.11400	592.29000	2.68000	.11000	7.93000	.01000	5.31000
.605	12.330	-.01100	-.02100	-.01500	.11500	595.77000	2.68000	.11000	7.91000	.04000	5.30000
.605	13.520	-.01000	-.02200	-.01800	.11500	595.84000	2.68000	.12000	7.91000	.03000	5.30000
.603	14.700	-.01200	-.02400	-.01900	.11200	590.93000	2.68000	.11000	7.92000	.06000	5.32000
.606	15.900	-.01200	-.02000	-.01200	.11300	597.88000	2.68000	.12000	7.91000	.06000	5.32000
.604	17.080	-.01300	-.02000	-.01700	.10900	593.73000	2.68000	.12000	7.90000	.04000	5.32000
.605	18.270	-.01200	-.02200	-.01800	.11300	596.24000	2.68000	.12000	7.86000	.02000	5.28000
.608	19.450	-.01200	-.02000	-.01400	.11100	599.85000	2.68000	.12000	7.87000	.04000	5.30000
.606	20.640	-.01200	-.02400	-.02000	.10900	596.59000	2.69000	.12000	7.88000	.06000	5.31000
.607	21.810	-.01300	-.02200	-.01500	.11100	599.45000	2.68000	.12000	7.84000	.00000	5.28000
.606	23.000	-.01200	-.02100	-.01700	.10700	597.00000	2.68000	.12000	7.86000	.04000	5.31000
.604	24.190	-.01500	-.02700	-.02100	.10700	593.66000	2.68000	.12000	7.84000	.00000	5.29000
.605	25.370	-.01300	-.02200	-.01700	.11000	595.37000	2.68000	.12000	7.83000	.00000	5.29000
.604	26.560	-.01600	-.02100	-.01800	.10800	592.71000	2.69000	.12000	7.81000	-.01000	5.28000
.606	27.740	-.01200	-.02000	-.01500	.11100	596.58000	2.69000	.12000	7.84000	.06000	5.31000
.606	28.930	-.01400	-.02000	-.01600	.10900	598.13000	2.69000	.12000	7.81000	.03000	5.28000
.606	30.110	-.01700	-.02000	-.01700	.10700	599.00000	2.69000	.12000	7.79000	-.01000	5.28000
.603	31.310	-.01900	-.02300	-.01500	.10600	594.70000	2.69000	.13000	7.82000	.02000	5.30000
.604	32.490	-.01200	-.02300	-.01600	.11000	596.55000	2.70000	.12000	7.81000	.00000	5.30000
.603	33.680	-.01400	-.02500	-.01800	.10400	593.97000	2.70000	.12000	7.78000	.02000	5.28000
.606	34.860	-.01200	-.02100	-.01600	.10500	598.88000	2.69000	.13000	7.76000	.00000	5.27000
.607	36.050	-.01500	-.02200	-.01500	.10500	599.63000	2.70000	.13000	7.76000	-.02000	5.27000
.606	37.230	-.01400	-.02400	-.01500	.10500	599.15000	2.69000	.12000	7.76000	.00000	5.28000
.604	38.420	-.01500	-.02400	-.02000	.10600	594.53000	2.70000	.13000	7.74000	.00000	5.26000
.605	39.610	-.01500	-.02100	-.01600	.10600	595.97000	2.70000	.13000	7.74000	.06000	5.27000
.606	40.790	-.01400	-.02100	-.01400	.10700	596.66000	2.70000	.12000	7.74000	.07000	5.28000
.604	41.980	-.01700	-.02300	-.01600	.10300	594.34000	2.70000	.13000	7.71000	.01000	5.26000
.608	43.160	-.01200	-.02000	-.01400	.10900	600.67000	2.70000	.13000	7.73000	.05000	5.28000
.605	44.350	-.01800	-.02400	-.01900	.10400	595.08000	2.70000	.13000	7.69000	.00000	5.25000
.605	45.530	-.01800	-.02300	-.01800	.10500	595.83000	2.70000	.13000	7.69000	-.02000	5.26000
.605	46.720	-.01700	-.02700	-.01700	.09800	596.51000	2.71000	.12000	7.71000	.00000	5.28000

DATE 29 MAR 76

CA-26 FORCE SOURCE DATA TABULATION

PAGE 1004

LTV44-559(CA26) 747/1 ATY 06 S1 (CARRIER DATA)

(SFE119) (24 MAR 76)

REFERENCE DATA

SREF = 5500.0000 SQ.FT. XMRP = 1339.9000 IN. XC
 LREF = 327.7800 IN. YMRP = .0000 IN. YC
 BREF = 2348.0400 IN. ZMRP = 190.7500 IN. ZC
 SCALE = .0125

PARAMETRIC DATA

ALPHAC = 2.000 BETAC = .000
 STAB = 5.000 RUDDER = 10.000
 ELEVON = .000 DX = .000
 DY = .000 IORB = 6.000
 BETAO = .000 DPHI = .000

RUN NO. 84/ 0 RN/L = .00 GRADIENT INTERVAL = -5.00/ 5.00

MACH	DZ	CPCC	CPSB1	CPSB2	CPSB3	Q(PSF)	ALPHAC	BETAC	ALPHAO	BETAO	INCID
.605	47.910	-.01800	-.02100	-.01600	.10500	596.38000	2.70000	.12000	7.67000	.00000	5.25000
.606	49.890	-.01700	-.02400	-.01300	.10300	597.39000	2.70000	.13000	7.71000	.03000	5.29000
.605	50.280	-.01600	-.02500	-.01500	.10300	597.18000	2.70000	.12000	7.70000	.05000	5.29000
.605	51.460	-.01700	-.02100	-.01300	.10500	595.62000	2.70000	.13000	7.67000	.01000	5.26000
	GRADIENT	-.00073	.00157	.00164	-.00020	2.22503	.00163	.00244	.00244	.00662	.00853

LTV44-559(CA26) 747/1 ATY 06 S1 (CARRIER DATA)

(SFE120) (24 MAR 76)

REFERENCE DATA

SREF = 5500.0000 SQ.FT. XMRP = 1339.9000 IN. XC
 LREF = 327.7800 IN. YMRP = .0000 IN. YC
 BREF = 2348.0400 IN. ZMRP = 190.7500 IN. ZC
 SCALE = .0125

PARAMETRIC DATA

ALPHAC = 2.000 BETAC = -5.000
 STAB = 5.000 RUDDER = .000
 ELEVON = .000 DK = .000
 DY = .000 IORB = 6.000
 BETAO = -5.000 OPHI = .000

RUN NO. 85/ 0 RN/L = .00 GRADIENT INTERVAL = -5.00/ 5.00

MACH	DZ	CPCC	CPSB1	CPSB2	CPSB3	Q(PSF)	ALPHAC	BETAC	ALPHAO	BETAO	INCID
.600	1.460	-.02100	-.02600	-.02100	.10900	583.62000	2.66000	-5.02000	8.00000	-4.62000	5.34000
.601	2.060	-.01500	-.02400	-.01700	.11000	584.71000	2.67000	-5.02000	8.03000	-4.67000	5.37000
.598	2.660	-.01900	-.02500	-.01800	.11200	580.67000	2.67000	-5.02000	8.04000	-4.62000	5.39000
.598	3.360	-.01700	-.02700	-.01900	.11200	579.71000	2.67000	-5.02000	8.02000	-4.65000	5.37000
.599	4.160	-.01700	-.02400	-.01700	.11000	582.44000	2.67000	-5.02000	8.02000	-4.60000	5.38000
.600	4.960	-.01100	-.02400	-.01700	.11100	582.81000	2.67000	-5.00000	8.04000	-4.63000	5.39000
.599	5.960	-.01500	-.02200	-.01500	.11100	580.28000	2.67000	-5.00000	8.02000	-4.59000	5.37000
.599	6.960	-.01500	-.02400	-.01600	.11100	580.35000	2.67000	-5.00000	8.02000	-4.63000	5.39000
.599	7.970	-.01400	-.02300	-.01700	.10800	582.18000	2.67000	-5.00000	7.97000	-4.63000	5.35000
.597	8.960	-.02100	-.02700	-.02100	.10600	578.82000	2.67000	-5.00000	7.96000	-4.58000	5.34000
.598	9.960	-.01800	-.02900	-.01800	.10900	580.00000	2.67000	-4.99000	7.99000	-4.57000	5.37000
.599	11.150	-.01700	-.02900	-.01900	.10900	581.37000	2.67000	-4.99000	7.93000	-4.57000	5.32000
.600	12.330	-.02000	-.02800	-.01900	.10400	582.86000	2.68000	-4.99000	7.93000	-4.59000	5.32000
.598	13.520	-.01900	-.02900	-.02100	.10600	580.53000	2.67000	-4.99000	7.96000	-4.56000	5.36000
.598	14.700	-.01500	-.02500	-.01700	.11300	579.79000	2.67000	-4.99000	7.96000	-4.57000	5.37000
.600	15.900	-.01700	-.02900	-.01900	.10700	583.00000	2.67000	-4.99000	7.92000	-4.56000	5.34000
.600	17.080	-.01900	-.02500	-.01700	.10500	583.96000	2.67000	-4.99000	7.91000	-4.62000	5.33000
.600	18.270	-.02100	-.02600	-.01800	.10100	583.06000	2.67000	-4.98000	7.89000	-4.56000	5.32000
.600	19.450	-.01800	-.02600	-.01900	.10200	583.41000	2.68000	-4.99000	7.90000	-4.60000	5.34000
.600	20.640	-.01500	-.02600	-.01500	.10900	582.60000	2.68000	-4.98000	7.88000	-4.61000	5.32000
.598	21.810	-.01700	-.02500	-.01600	.10600	578.85000	2.67000	-4.98000	7.89000	-4.55000	5.34000
.598	23.000	-.01600	-.02500	-.01400	.10900	578.52000	2.68000	-4.98000	7.89000	-4.58000	5.34000
.599	24.190	-.01900	-.02700	-.01900	.10100	578.70000	2.68000	-4.98000	7.90000	-4.53000	5.35000
.600	25.370	-.02200	-.02400	-.01500	.10400	583.14000	2.68000	-4.98000	7.84000	-4.60000	5.31000
.600	26.560	-.02500	-.02500	-.01600	.09900	584.21000	2.68000	-4.97000	7.85000	-4.57000	5.32000
.598	27.740	-.02500	-.02500	-.01600	.09900	580.64000	2.68000	-4.97000	7.86000	-4.54000	5.34000
.598	28.930	-.01700	-.02800	-.02000	.10200	580.11000	2.68000	-4.97000	7.82000	-4.58000	5.31000
.598	30.110	-.01300	-.02500	-.01500	.10700	578.91000	2.68000	-4.97000	7.86000	-4.58000	5.35000
.598	31.310	-.01200	-.02500	-.01100	.10900	579.06000	2.68000	-4.97000	7.83000	-4.53000	5.32000
.599	32.490	-.01600	-.02400	-.01200	.10400	581.83000	2.68000	-4.97000	7.81000	-4.59000	5.32000
.598	33.680	-.02100	-.02300	-.01300	.10000	579.38000	2.68000	-4.96000	7.82000	-4.59000	5.33000
.599	34.860	-.01700	-.02600	-.01300	.10300	580.35000	2.68000	-4.96000	7.80000	-4.61000	5.32000
.599	36.050	-.01800	-.02400	-.01500	.09900	580.35000	2.68000	-4.96000	7.78000	-4.58000	5.31000
.599	37.230	-.01700	-.02700	-.01800	.10000	580.82000	2.68000	-4.96000	7.79000	-4.58000	5.32000
.600	38.420	-.02200	-.02200	-.01400	.09700	584.22000	2.69000	-4.96000	7.78000	-4.58000	5.31000
.600	39.610	-.02500	-.02400	-.01500	.09400	584.54000	2.69000	-4.96000	7.79000	-4.59000	5.32000
.601	40.790	-.02300	-.02400	-.01400	.09700	587.06000	2.68000	-4.96000	7.77000	-4.58000	5.33000
.597	41.980	-.01700	-.02800	-.01800	.10100	579.02000	2.68000	-4.97000	7.77000	-4.52000	5.33000
.597	43.160	-.01100	-.03100	-.01900	.10500	577.20000	2.69000	-4.96000	7.73000	-4.56000	5.29000
.601	44.350	-.01300	-.02400	-.01100	.10200	583.65000	2.69000	-4.96000	7.74000	-4.53000	5.31000
.599	45.530	-.02100	-.02600	-.01700	.09400	581.71000	2.69000	-4.96000	7.73000	-4.55000	5.30000
.597	46.720	-.01900	-.02900	-.01700	.10100	578.02000	2.69000	-4.96000	7.71000	-4.54000	5.29000

LTV44-559(CA26) 747/1 ATY 06 SI (CARRIER DATA)

(SFE120) (24 MAR 76)

REFERENCE DATA

SREF = 5500.0000 SQ.FT. XMRP = 1339.9000 IN. XC
 LREF = 327.7800 IN. YMRP = .0000 IN. YC
 BREF = 2348.0400 IN. ZMRP = 190.7500 IN. ZC
 SCALE = .0125

PARAMETRIC DATA

ALPHAC = 2.000 BETAC = -5.000
 STAB = 5.000 RUDDER = .000
 ELEVON = .000 DX = .000
 DY = .000 IORB = 6.000
 BETAO = -5.000 DPFI = .000

RUN NO. 85/ 0 RN/L = .00 GRADIENT INTERVAL = -5.00/ 5.00

MACH	DZ	CPCC	CPSB1	CPSB2	CPSB3	Q(PSF)	ALPHAC	BETAC	ALPHAO	BETAO	INCID
.597	47.910	-.01700	-.02800	-.01700	.10100	576.33000	2.69000	-4.97000	7.72000	-4.53000	5.30000
.598	49.090	-.02000	-.02900	-.01900	.09800	578.10000	2.69000	-4.96000	7.73000	-4.54000	5.32000
.599	50.280	-.02100	-.02700	-.01500	.09700	581.24000	2.69000	-4.96000	7.70000	-4.54000	5.30000
.598	51.460	-.02100	-.02700	-.01800	.10000	578.31000	2.69000	-4.96000	7.72000	-4.59000	5.32000
	GRADIENT	.00019	.00035	.00076	.00036	-.40998	.00192	.00429	.00586	.00551	.01021

LTV44-559(CA26) 747/1 ATY 06 S1 (CARRIER DATA)

(SFE121) (24 MAR 76)

REFERENCE DATA

SREF = 5500.0000 SQ.FT. XMRP = 1339.9000 IN. XC
 LREF = 327.7800 IN. YMRP = .0000 IN. YC
 BREF = 2348.0400 IN. ZMRP = 190.7500 IN. ZC
 SCALE = .0125

PARAMETRIC DATA

ALPHAC = 4.000 BETAC = .000
 STAB = 5.000 RUDDER = .000
 ELEVON = .000 DX = .000
 DY = .000 IORB = 4.000
 BETAO = .000 DPHI = .000

RUN NO. 86/ 0 RN/L = .00 GRADIENT INTERVAL = -5.00/ 5.00

MACH	DZ	CPCC	CPSB1	CPSB2	CPSB3	Q(PSF)	ALPHAC	BETAC	ALPHAO	BETAO	INCID
.603	1.460	-.00300	-.01600	-.01500	.11400	590.35000	3.70000	.00000	7.22000	-.10000	3.52000
.604	2.060	-.00700	-.01800	-.01600	.11400	592.04000	3.70000	.00000	7.18000	-.11000	3.49000
.603	2.660	-.00700	-.02000	-.01900	.11300	590.00000	3.70000	.01000	7.20000	-.11000	3.51000
.603	3.360	-.00500	-.01900	-.01600	.11400	590.81000	3.71000	.00000	7.20000	-.09000	3.51000
.603	4.160	-.00600	-.01900	-.01700	.11200	590.27000	3.71000	.00000	7.22000	-.10000	3.53000
.602	4.960	-.00900	-.01900	-.01700	.11300	589.57000	3.71000	.00000	7.20000	-.13000	3.51000
.601	5.960	-.00500	-.01600	-.01500	.11400	587.20000	3.71000	.00000	7.18000	-.14000	3.50000
.602	6.960	-.00300	-.01500	-.01300	.11500	588.30000	3.71000	.00000	7.18000	-.12000	3.51000
.603	7.970	-.00700	-.02100	-.01800	.11100	590.75000	3.72000	.00000	7.20000	-.11000	3.52000
.602	8.960	-.00600	-.01800	-.01600	.11400	587.55000	3.72000	.00000	7.15000	-.14000	3.48000
.604	9.960	-.00200	-.01500	-.01100	.11400	591.72000	3.73000	.00000	7.19000	-.11000	3.52000
.603	10.900	-.00600	-.01900	-.01300	.11500	589.07000	3.73000	.00000	7.15000	-.13000	3.48000
.603	11.840	-.00600	-.01700	-.01300	.11400	588.92000	3.73000	.00000	7.14000	-.15000	3.48000
.604	12.780	-.00900	-.01500	-.01000	.11100	592.11000	3.73000	.00000	7.16000	-.09000	3.50000
.603	13.710	-.01400	-.01900	-.01300	.11200	591.95000	3.73000	.00000	7.13000	-.13000	3.48000
.604	14.650	-.01200	-.01800	-.01500	.11000	595.47000	3.73000	.00000	7.12000	-.14000	3.47000
.603	15.590	-.01000	-.02000	-.01600	.11000	593.50000	3.74000	.00000	7.14000	-.10000	3.49000
.600	16.530	-.00300	-.01600	-.01300	.11300	585.68000	3.74000	.00000	7.13000	-.14000	3.49000
.598	17.470	-.00300	-.02400	-.01500	.11200	580.72000	3.74000	.00000	7.12000	-.13000	3.47000
.602	18.410	-.00100	-.01800	-.01000	.11200	586.69000	3.74000	.00000	7.12000	-.13000	3.49000
.601	19.350	-.00400	-.02400	-.01600	.10900	585.53000	3.74000	.00000	7.11000	-.13000	3.48000
.602	20.280	-.00400	-.02200	-.01600	.10800	586.70000	3.74000	.00000	7.10000	-.11000	3.47000
.603	21.220	-.00800	-.01900	-.01400	.10600	588.94000	3.74000	.00000	7.08000	-.13000	3.46000
.606	22.150	-.01100	-.01900	-.01400	.10600	594.64000	3.74000	.00000	7.10000	-.11000	3.49000
.603	23.090	-.01100	-.01700	-.01100	.11000	589.80000	3.75000	.00000	7.07000	-.15000	3.46000
.604	24.030	-.00700	-.01900	-.01300	.10800	591.17000	3.75000	.00000	7.06000	-.13000	3.45000
.604	24.960	-.00900	-.02200	-.01500	.10600	591.51000	3.75000	.00000	7.05000	-.13000	3.45000
.604	25.910	-.00500	-.01600	-.01000	.10800	591.04000	3.75000	.00000	7.06000	-.13000	3.46000
.604	26.850	-.01100	-.02000	-.01400	.10400	591.91000	3.75000	.00000	7.07000	-.09000	3.47000
.604	27.780	-.01500	-.02100	-.01300	.10700	592.85000	3.75000	.00000	7.05000	-.14000	3.46000
.604	28.720	-.00700	-.01900	-.01000	.10900	592.18000	3.75000	.00000	7.01000	-.13000	3.43000
.603	29.660	-.00500	-.01600	-.00900	.10700	590.83000	3.75000	.00000	7.02000	-.10000	3.43000
.603	30.600	-.01100	-.02100	-.01100	.10500	590.75000	3.76000	.00000	7.03000	-.13000	3.45000
.602	31.530	-.00800	-.01700	-.01100	.10600	589.25000	3.76000	.00000	7.04000	-.13000	3.46000
.604	32.470	-.01000	-.01700	-.01100	.10600	593.12000	3.76000	.00000	7.04000	-.13000	3.47000
.602	33.410	-.01200	-.01700	-.01100	.10500	589.76000	3.76000	.00000	7.03000	-.13000	3.46000
.602	34.350	-.01000	-.01800	-.01200	.10700	591.32000	3.76000	.00000	7.02000	-.12000	3.46000
.600	35.290	-.00700	-.02200	-.01400	.10700	585.55000	3.76000	.00000	6.95000	-.15000	3.43000
.602	36.230	-.00100	-.01700	-.01000	.10800	587.42000	3.76000	.00000	6.97000	-.17000	3.42000
.602	37.170	-.00500	-.01900	-.01100	.10500	587.96000	3.76000	.00000	6.97000	-.16000	3.42000
.603	38.100	-.01000	-.02300	-.01400	.10200	590.35000	3.76000	.00000	7.00000	-.13000	3.46000
.603	39.040	-.00900	-.02100	-.01300	.10300	590.08000	3.76000	.00000	6.97000	-.14000	3.44000

ORIGINAL PAGE IS
OF POOR QUALITY

LTV44-559(CA26) 747/1 ATY 06 S1 (CARRIER DATA)

(SFE121) (24 MAR 76)

REFERENCE DATA

SREF = 5500.0000 SQ.FT. XMRP = 1339.9000 IN. XC
 LREF = 327.7800 IN. YMRP = .0000 IN. YC
 BREF = 2348.0400 IN. ZMRP = 190.7500 IN. ZC
 SCALE = .0125

PARAMETRIC DATA

ALPHAC = 4.000 BETAC = .000
 STAB = 5.000 RUDDER = .000
 ELEVON = .000 DX = .000
 DY = .000 IORB = 4.000
 BETA0 = .000 DPHI = .000

RUN NO. 86/ 0 RN/L = .00 GRADIENT INTERVAL = -5.00/ 5.00

MACH	DZ	CPCC	CPSB1	CPSB2	CPSB3	Q(PSF)	ALPHAC	BETAC	ALPHA0	BETA0	INC10
.603	39.980	-.00500	-.01700	-.01100	.10500	588.73000	3.76000	.00000	6.98000	-.14000	3.45000
.603	40.920	-.00600	-.01700	-.01000	.10700	588.66000	3.76000	.00000	6.97000	-.15000	3.45000
.605	41.850	-.00800	-.01900	-.01200	.10300	593.22000	3.76000	.00000	6.96000	-.14000	3.44000
.604	42.790	-.01000	-.02000	-.01100	.10100	592.19000	3.77000	.00000	6.94000	-.15000	3.42000
	GRADIENT	-.00102	-.00064	-.00037	-.00041	-.35157	.00366	-.00052	.00104	-.00441	.00296

LTV44-559(CA26) 747/1 ATY 06 S1 (CARRIER DATA)

(SFE122) (24 MAR 76)

REFERENCE DATA

SREF = 5500.0000 SQ.FT. XMRP = 1339.9000 IN. XC
 LREF = 327.7800 IN. YMRP = .0000 IN. YC
 BREF = 2348.0400 IN. ZMRP = 190.7500 IN. ZC
 SCALE = .0125

PARAMETRIC DATA

ALPHAC = 4.000 BETAC = .000
 STAB = 5.000 RUDDER = .000
 ELEVON = .000 DX = .000
 DY = .000 TORB = 6.000
 BETAO = .000 DPHI = .000

RUN NO. 1086/ 0 RN/L = .00 GRADIENT INTERVAL = -5.00/ 5.00

MACH	OZ	CPCC	CPSB1	CPSB2	CPSB3	Q(PSF)	ALPHAC	BETAC	ALPHA0	BETA0	INCLD
.602	1.480	-.00400	-.01700	-.01100	.11400	586.64000	3.73000	.01000	9.01000	-.12000	5.28000
.604	2.070	.00000	-.01900	-.00900	.11700	588.37000	3.73000	.01000	9.01000	-.13000	5.28000
.604	2.670	.00000	-.01700	-.01100	.11600	587.75000	3.73000	.01000	8.98000	-.14000	5.26000
.603	3.380	-.00300	-.01600	-.01000	.11300	587.32000	3.73000	.01000	8.98000	-.14000	5.26000
.602	4.180	-.00200	-.01700	-.01300	.11200	585.61000	3.73000	.00000	9.00000	-.12000	5.29000
.600	4.980	.00200	-.01800	-.01100	.11700	583.49000	3.73000	.01000	8.99000	-.14000	5.28000
.605	5.970	-.01000	-.01500	-.00800	.11600	595.61000	3.73000	.00000	8.98000	-.11000	5.28000
.602	6.980	-.02100	-.01700	-.01500	.10400	589.91000	3.74000	.00000	8.99000	-.11000	5.29000
.604	7.970	-.00300	-.01500	-.00500	.11500	589.50000	3.73000	.00000	8.94000	-.15000	5.24000
.603	8.980	-.00200	-.01700	-.00800	.11600	587.11000	3.73000	.00000	8.95000	-.13000	5.26000
.602	9.970	-.00200	-.01700	-.00800	.11700	586.70000	3.73000	.00000	8.94000	-.14000	5.26000
.604	11.290	-.00500	-.01600	-.00900	.11000	590.37000	3.74000	.00000	8.94000	-.13000	5.25000
.602	12.610	-.00700	-.01800	-.01200	.11000	587.23000	3.75000	.00000	8.94000	-.11000	5.26000
.605	13.920	-.00400	-.01600	-.00800	.11100	592.08000	3.74000	.00000	8.90000	-.15000	5.24000
.601	15.240	-.00400	-.01900	-.01200	.11300	585.47000	3.74000	.00000	8.91000	-.14000	5.25000
.602	16.550	-.00900	-.01700	-.01200	.10700	587.23000	3.74000	.00000	8.91000	-.13000	5.26000
.603	17.870	-.00200	-.01700	-.00700	.11300	588.21000	3.74000	.00000	8.88000	-.16000	5.24000
.606	19.190	-.00100	-.01500	-.00600	.10900	594.19000	3.75000	.00000	8.87000	-.14000	5.23000
.600	20.500	.00000	-.02000	-.01100	.11000	583.56000	3.75000	.00000	8.89000	-.13000	5.25000
.602	21.810	-.00200	-.01700	-.01000	.10700	587.36000	3.75000	.00000	8.88000	-.13000	5.25000
.602	23.130	-.00300	-.01900	-.00800	.11100	587.96000	3.75000	.00000	8.85000	-.15000	5.23000
.603	24.450	-.00500	-.01700	-.01100	.10600	590.13000	3.75000	.00000	8.86000	-.12000	5.26000
.606	25.770	.00000	-.00900	-.00100	.11200	596.27000	3.75000	.00000	8.83000	-.15000	5.23000
.602	27.080	-.00600	-.01900	-.00800	.11000	588.29000	3.75000	.00000	8.84000	-.11000	5.24000
.602	28.400	-.00800	-.01700	-.01000	.10500	588.90000	3.76000	.00000	8.84000	-.10000	5.24000
.605	29.710	-.00900	-.01600	-.00500	.10800	594.23000	3.76000	.00000	8.83000	-.12000	5.24000
.605	31.030	-.00800	-.01900	-.00900	.10700	592.94000	3.76000	.00000	8.78000	-.17000	5.20000
.602	32.350	-.00900	-.01900	-.01100	.10400	587.15000	3.76000	.00000	8.81000	-.14000	5.24000
.602	33.660	-.00800	-.01900	-.01100	.10300	587.03000	3.76000	.00000	8.80000	-.13000	5.24000
.605	34.980	-.00500	-.01900	-.00800	.10600	592.62000	3.76000	.00000	8.80000	-.11000	5.24000
.601	36.290	-.00300	-.01900	-.01000	.10600	584.45000	3.76000	.00000	8.78000	-.13000	5.23000
.604	37.610	-.00100	-.01400	-.00600	.10700	591.25000	3.76000	.00000	8.73000	-.16000	5.19000
.605	38.930	-.00400	-.01500	-.00500	.10800	592.94000	3.76000	.00000	8.74000	-.16000	5.21000
.602	40.240	-.00800	-.02000	-.01100	.10400	588.02000	3.76000	.00000	8.76000	-.14000	5.22000
.606	41.560	-.00700	-.01400	-.00600	.10400	596.47000	3.77000	.00000	8.71000	-.14000	5.19000
.606	42.870	-.00800	-.01500	-.00900	.10200	595.11000	3.76000	.00000	8.71000	-.14000	5.19000
.605	44.200	-.00800	-.01600	-.00600	.10500	592.40000	3.76000	.00000	8.70000	-.17000	5.19000
.604	45.510	-.00800	-.01700	-.00900	.10200	591.85000	3.77000	.00000	8.69000	-.14000	5.19000
.604	46.830	-.00600	-.01700	-.01100	.10100	590.43000	3.77000	.00000	8.71000	-.14000	5.21000
.602	48.140	-.00800	-.02100	-.01100	.10500	587.57000	3.77000	.00000	8.72000	-.13000	5.23000
.603	49.460	-.00700	-.02000	-.01100	.10000	588.45000	3.77000	.00000	8.70000	-.14000	5.22000
GRADIENT		.00086	-.00006	-.00046	-.00010	-1.05093	.00000	-.00122	-.00480	-.00259	.00169

LTV44-559(CA26) 747/1 ATY 06 51 (CARRIER DATA)

(SFE123) (24 MAR 76)

REFERENCE DATA

SREF = 5500.0000 SQ.FT. XMRP = 1339.9000 IN. XC
 LREF = 327.7800 IN. YMRP = .0000 IN. YC
 BREF = 2348.0400 IN. ZMRP = 190.7500 IN. ZC
 SCALE = .0125

PARAMETRIC DATA

ALPHAC = 4.000 BETAC = .000
 STAB = 5.000 RUDDER = .000
 ELEVON = .000 DX = .000
 DY = .000 IORB = 8.000
 BETAD = .000 DPHI = .000

RUN NO. 87/ 0 RN/L = .00 GRADIENT INTERVAL = -5.00/ 5.00

MACH	DZ	CPCC	CPSB1	CPSB2	CPSB3	Q(PSF)	ALPHAC	BETAC	ALPHAQ	BETAQ	INC10
.603	1.460	-.00200	-.01500	-.00600	.11700	590.15000	3.77000	.01000	10.76000	-.11000	7.00000
.603	2.060	-.00400	-.01700	-.00500	.11500	590.21000	3.77000	.01000	10.78000	-.11000	7.02000
.603	2.660	-.00300	-.01600	-.00700	.11800	590.21000	3.77000	.01000	10.75000	-.10000	6.99000
.602	3.360	-.00500	-.01500	-.00600	.11800	588.63000	3.77000	.01000	10.77000	-.08000	7.01000
.602	4.160	-.00400	-.01500	-.00600	.11700	587.82000	3.77000	.01000	10.78000	-.09000	7.02000
.602	4.960	-.00300	-.01600	-.00800	.11700	587.36000	3.77000	.01000	10.75000	-.08000	7.01000
.602	5.960	-.00500	-.01600	-.00900	.11700	587.98000	3.76000	.01000	10.76000	-.10000	7.02000
.601	6.960	-.00600	-.02200	-.01000	.11200	585.45000	3.77000	.01000	10.75000	-.08000	7.02000
.602	7.970	-.00500	-.01600	-.00900	.11600	587.16000	3.77000	.01000	10.72000	-.07000	7.00000
.601	8.960	-.00700	-.01800	-.01000	.11500	585.80000	3.76000	.01000	10.72000	-.08000	7.00000
.601	9.960	-.01000	-.02000	-.01100	.11000	586.26000	3.76000	.01000	10.73000	-.06000	7.01000
.602	11.120	-.00500	-.01700	-.00800	.11600	587.83000	3.76000	.00000	10.69000	-.06000	6.99000
.601	12.270	-.00900	-.01900	-.01100	.11500	585.71000	3.76000	.00000	10.71000	-.08000	7.02000
.603	13.430	-.00600	-.01800	-.00600	.11400	590.82000	3.76000	.00000	10.58000	-.07000	6.99000
.603	14.580	-.00800	-.01800	-.00500	.11300	590.54000	3.76000	.00000	10.57000	-.06000	6.99000
.600	15.730	-.01100	-.02200	-.01000	.11000	584.47000	3.76000	.00000	10.69000	-.09000	7.02000
.600	16.890	-.00900	-.02000	-.00800	.11200	583.94000	3.76000	.00000	10.67000	-.08000	7.01000
.601	18.040	-.00600	-.01900	-.00900	.11400	586.12000	3.76000	.00000	10.64000	-.08000	6.98000
.603	19.200	-.00500	-.02000	-.00800	.11400	590.21000	3.76000	.00000	10.66000	-.08000	7.01000
.601	20.360	-.00500	-.02000	-.00800	.11400	585.79000	3.76000	.00000	10.66000	-.09000	7.01000
.603	21.500	-.00800	-.02100	-.00600	.11100	590.15000	3.76000	.00000	10.64000	-.10000	7.00000
.601	22.650	-.01300	-.02000	-.00900	.10700	587.06000	3.76000	.00000	10.63000	-.06000	7.00000
.601	23.810	-.00800	-.02000	-.00800	.10900	585.99000	3.76000	.00000	10.62000	-.06000	7.00000
.600	24.960	-.00600	-.02000	-.00600	.11200	582.73000	3.76000	.00000	10.62000	-.09000	7.00000
.600	26.120	-.00700	-.02100	-.01000	.11200	583.96000	3.76000	.00000	10.58000	-.07000	6.97000
.603	27.270	-.00700	-.02000	-.00900	.11100	589.34000	3.76000	.00000	10.60000	-.07000	7.00000
.602	28.430	-.00800	-.02200	-.00700	.11200	587.58000	3.76000	.00000	10.55000	-.09000	6.96000
.600	29.580	-.00800	-.02100	-.01200	.11000	583.42000	3.76000	.00000	10.58000	-.08000	6.99000
.602	30.730	-.00700	-.02200	-.00800	.11100	585.68000	3.76000	.00000	10.58000	-.07000	6.99000
.602	31.890	-.01300	-.02100	-.01000	.10700	586.89000	3.76000	.00000	10.56000	-.09000	6.99000
.604	33.040	-.01500	-.01800	-.00600	.10700	591.91000	3.76000	.00000	10.54000	-.10000	6.97000
.601	34.200	-.01600	-.02000	-.00800	.10700	586.86000	3.76000	.00000	10.53000	-.10000	6.97000
.602	35.360	-.01300	-.01900	-.00600	.10800	589.38000	3.76000	.00000	10.55000	-.06000	6.99000
.601	36.510	-.00900	-.01900	-.00900	.10600	587.28000	3.76000	.00000	10.53000	-.07000	6.98000
.601	37.660	-.00700	-.02300	-.01000	.10900	584.84000	3.77000	.00000	10.51000	-.10000	6.96000
.601	38.810	-.00900	-.02300	-.01200	.10400	584.97000	3.77000	.00000	10.50000	-.10000	6.96000
.601	39.970	-.01300	-.02500	-.01500	.10300	585.65000	3.76000	.00000	10.50000	-.11000	6.97000
.603	41.120	-.00900	-.02000	-.00800	.10700	587.92000	3.77000	.00000	10.50000	-.10000	6.97000
.603	42.280	-.01000	-.02000	-.00800	.10900	587.85000	3.77000	.00000	10.50000	-.10000	6.98000
.604	43.430	-.01100	-.01900	-.00800	.10500	590.03000	3.77000	.00000	10.47000	-.08000	6.95000
.602	44.590	-.01100	-.02400	-.01100	.10600	586.15000	3.77000	.00000	10.47000	-.09000	6.95000
.603	45.740	-.01600	-.01800	-.00600	.10400	590.29000	3.77000	.00000	10.44000	-.09000	6.94000

DATE 29 MAR 76

CA-26 FORCE SOURCE DATA TABULATION

PAGE 1011

LTV44-559(CA26) 747/1 ATY 06 S1 (CARRIER DATA)

(SFE123) (24 MAR 76)

REFERENCE DATA

SREF = 5500.0000 SQ.FT. XMRP = 1339.9000 IN. XC
 LREF = 327.7800 IN. YMRP = .0000 IN. YC
 BREF = 2348.0400 IN. ZMRP = 190.7500 IN. ZC
 SCALE = .0125

PARAMETRIC DATA

ALPHAC = 4.000 BETAC = .000
 STAB = 5.000 RUDDER = .000
 ELEVON = .000 OX = .000
 DY = .000 IORB = 8.000
 BETA0 = .000 OPHI = .000

RUN NO. 87/ 0 RN/L = .00 GRADIENT INTERVAL = -5.00/ 5.00

MACH	DZ	CPCC	CPSB1	CPSB2	CPSB3	Q(PSF)	ALPHAC	BETAC	ALPHA0	BETA0	INC10
.603	46.900	-.01700	-.02200	-.01200	.10100	591.49000	3.77000	.00000	10.46000	-.11000	6.96000
.600	48.050	-.01500	-.02500	-.01300	.10500	584.94000	3.77000	.00000	10.45000	-.08000	6.96000
.601	49.200	-.01000	-.02200	-.00800	.10700	585.37000	3.77000	.00000	10.45000	-.09000	6.96000
.600	50.360	-.01200	-.02500	-.01000	.10700	584.29000	3.77000	.00000	10.43000	-.13000	6.95000
.600	51.510	-.01100	-.02400	-.01100	.10500	584.08000	3.77000	.00000	10.41000	-.11000	6.94000
.602	52.670	-.01100	-.02100	-.01100	.10300	588.38000	3.77000	.00000	10.42000	-.10000	6.96000
.601	53.820	-.01500	-.02600	-.01300	.10400	585.45000	3.78000	.00000	10.40000	-.11000	6.94000
.601	54.980	-.01300	-.02600	-.01300	.10200	586.20000	3.78000	.00000	10.40000	-.11000	6.95000
	GRADIENT	-.00025	.00008	-.00050	.00022	-.93764	.00000	.00000	-.00133	.00923	.00296

ORIGINAL PAGE IS
 OF POOR QUALITY

LTV44-559(CA26) 747/1 ATY 06 S1 (CARRIER DATA)

(SFE124) (24 MAR 76)

REFERENCE DATA

SREF = 5500.0000 SQ.FT. XMRP = 1339.9000 IN. XC
 LREF = 327.7800 IN. YMRP = .0000 IN. YC
 BREF = 2348.0400 IN. ZMRP = 190.7500 IN. ZC
 SCALE = .0125

PARAMETRIC DATA

ALPHAC = .000 BETAC = .000
 STAB = 5.000 RUDDER = .000
 ELEVON = .000 DX = .000
 DY = .000 TORB = 4.000
 BETAO = .000 DPHI = .000

RUN NO. 88/ 0 RN/L = .00 GRADIENT INTERVAL = -5.00/ 5.00

MACH	DZ	CPCC	CPSB1	CPSB2	CPSB3	Q(PSF)	ALPHAC	BETAC	ALPHA0	BETA0	INCID
.600	1.460	-.01300	-.02500	-.02100	.12000	582.72000	-.04000	.00000	3.69000	-.05000	3.74000
.599	2.060	-.01600	-.02700	-.02200	.11900	580.88000	-.03000	.00000	3.64000	-.11000	3.69000
.599	2.660	-.01600	-.02700	-.02400	.11700	582.17000	-.03000	.00000	3.68000	-.10000	3.73000
.601	3.360	-.01300	-.02300	-.02100	.11600	586.13000	-.03000	.00000	3.68000	-.08000	3.74000
.598	4.160	-.01400	-.02600	-.02300	.11800	580.74000	-.03000	.00000	3.68000	-.10000	3.74000
.597	4.960	-.01600	-.02600	-.02200	.12000	578.55000	-.03000	.00000	3.69000	-.08000	3.75000
.597	6.960	-.01300	-.02600	-.02300	.11900	578.15000	-.03000	.00000	3.69000	-.09000	3.76000
.598	8.960	-.01300	-.02500	-.01900	.12200	578.63000	-.02000	.00000	3.67000	-.09000	3.75000
.602	10.510	-.01200	-.02100	-.01600	.11700	585.82000	-.02000	.00000	3.65000	-.12000	3.73000
.601	11.600	-.01100	-.02100	-.01800	.11600	584.46000	-.02000	.00000	3.66000	-.09000	3.75000
.600	12.690	-.01400	-.02500	-.02300	.11400	583.02000	-.02000	.00000	3.66000	-.08000	3.75000
.599	13.780	-.01800	-.02800	-.02300	.11400	581.24000	-.02000	.00000	3.64000	-.09000	3.74000
.599	14.870	-.01800	-.02700	-.02300	.11300	581.98000	-.02000	.00000	3.64000	-.09000	3.75000
.601	15.960	-.01700	-.02400	-.01800	.11300	585.46000	-.01000	.00000	3.64000	-.08000	3.74000
.598	17.050	-.01600	-.02800	-.01900	.11600	580.47000	-.02000	.00000	3.61000	-.12000	3.73000
.601	18.140	-.01200	-.02200	-.02000	.11300	584.58000	-.01000	.00000	3.64000	-.08000	3.76000
.599	19.240	-.01300	-.02700	-.02000	.11500	580.53000	-.01000	.00000	3.60000	-.12000	3.72000
.598	20.320	-.01700	-.02700	-.02200	.11100	580.27000	-.01000	.00000	3.60000	-.13000	3.74000
.601	21.420	-.01700	-.02300	-.01600	.11300	585.39000	-.01000	.00000	3.62000	-.08000	3.76000
.599	22.500	-.01800	-.02800	-.02300	.10900	581.62000	.00000	.00000	3.59000	-.11000	3.72000
.602	23.590	-.01900	-.02600	-.02200	.10600	581.25000	.00000	.00000	3.60000	-.13000	3.73000
.598	24.680	-.01600	-.02600	-.01700	.11500	580.60000	.00000	.00000	3.60000	-.07000	3.75000
.599	25.770	-.01400	-.02500	-.01700	.11200	582.05000	.00000	.00000	3.57000	-.14000	3.73000
.600	26.860	-.01900	-.02600	-.02000	.10600	584.08000	.00000	.00000	3.58000	-.09000	3.74000
.599	27.950	-.01600	-.02600	-.01500	.11300	582.16000	.00000	.00000	3.57000	-.12000	3.74000
.605	29.040	-.01600	-.02400	-.01600	.11100	593.82000	.00000	.00000	3.57000	-.07000	3.74000
.599	30.130	-.01600	-.02500	-.02000	.10800	582.24000	.00000	.00000	3.55000	-.13000	3.73000
.603	31.220	-.01400	-.02500	-.01700	.11000	588.25000	.00000	.00000	3.57000	-.08000	3.75000
.599	32.310	-.01600	-.02800	-.02000	.10800	582.72000	.00000	.00000	3.56000	-.08000	3.76000
.603	33.400	-.01500	-.02600	-.01700	.11100	590.15000	.00000	.00000	3.56000	-.09000	3.76000
.600	34.500	-.01600	-.02500	-.02000	.10600	583.68000	.00000	.00000	3.51000	-.12000	3.71000
.602	35.580	-.01500	-.02500	-.01400	.11100	586.55000	.00000	.00000	3.53000	-.08000	3.75000
.601	36.680	-.01600	-.02300	-.01500	.10800	585.32000	.00000	.00000	3.51000	-.09000	3.73000
.601	37.760	-.01800	-.02600	-.01800	.10400	585.59000	.00000	.00000	3.51000	-.10000	3.73000
.598	38.860	-.01500	-.02700	-.02100	.10800	579.60000	.00000	.00000	3.48000	-.12000	3.70000
.598	39.950	-.01600	-.02800	-.02200	.10600	579.94000	.00000	.00000	3.53000	-.10000	3.76000
.598	41.040	-.01700	-.02900	-.02000	.10700	580.21000	.00000	.00000	3.51000	-.12000	3.75000
.599	42.130	-.01700	-.02800	-.01900	.10800	580.62000	.00000	.00000	3.48000	-.13000	3.72000
.601	43.220	-.02000	-.02700	-.02100	.10100	585.73000	.00000	.00000	3.47000	-.11000	3.72000
.599	44.310	-.01600	-.02900	-.02100	.10500	581.49000	.00000	.00000	3.46000	-.13000	3.72000
.601	45.400	-.01600	-.02600	-.01600	.10800	585.05000	.00000	.00000	3.48000	-.11000	3.75000
.602	46.490	-.01700	-.02800	-.02100	.10400	587.91000	.00000	.00000	3.44000	-.10000	3.71000

DATE 29 MAR 76

CA-26 FORCE SOURCE DATA TABULATION

PAGE 1013

LTV44-559(CA26) 747/1 ATY 06 S1 (CARRIER DATA)

(SFE124) (24 MAR 76)

REFERENCE DATA

SREF = 5500.0000 SQ.FT. XMRP = 1339.9000 IN. XC
 LREF = 327.7800 IN. YMRP = .0000 IN. YC
 BREF = 2348.0400 IN. ZMRP = 190.7500 IN. ZC
 SCALE = .0125

PARAMETRIC DATA

ALPHAC = .000 BETAC = .000
 STAB = 5.000 RUDDER = .000
 ELEVON = .000 DX = .000
 DY = .000 IORB = 4.000
 BETAO = .000 OPFI = .000

RUN NO. 88/ 0 RN/L = .00 GRADIENT INTERVAL = -5.00/ 5.00

MACH	DZ	CPCC	CPSB1	CPSB2	CPSB3	Q(PSF)	ALPHAC	BETAC	ALPHAO	BETAO	INCID
.601	47.580	-.01600	-.02800	-.01800	.10500	585.59000	.00000	.00000	3.48000	-.11000	3.75000
.600	48.120	-.01500	-.02600	-.01500	.10700	583.83000	.01000	.00000	3.44000	-.11000	3.71000
	GRADIENT	-.00024	.00007	-.00018	-.00008	-.78484	.00192	.00000	.00511	-.00348	.00876

LTV44-559(CA26) 747/1 ATY 06 S1 (CARRIER DATA)

(SFE125) (24 MAR 76)

REFERENCE DATA

SREF = 5500.0000 SQ.FT. XMRP = 1339.9000 IN. XC
 LREF = 327.7800 IN. YMRP = .0000 IN. YC
 BREF = 2348.0400 IN. ZMRP = 190.7500 IN. ZC
 SCALE = .0125

PARAMETRIC DATA

ALPHAC = .000 BETAC = .000
 STAB = 5.000 RUDDER = .000
 ELEVON = .000 DX = .000
 DY = .000 IORB = 6.000
 BETAO = .000 DPHI = .000

RUN NO. 1089/ 0 RN/L = .00 GRADIENT INTERVAL = -5.00/ 5.00

MACH	DZ	CPCC	CPSB1	CPSB2	CPSB3	Q(PSF)	ALPHAC	BETAC	ALPHA0	BETA0	INCID
.604	1.480	-.01800	-.02600	-.01200	.11900	589.43000	.00000	.00000	5.48000	-.13000	5.49000
.600	2.070	-.00800	-.02100	-.02000	.11800	580.85000	.00000	.00000	5.49000	-.14000	5.50000
.597	2.670	-.01100	-.02400	-.02000	.12200	576.81000	.00000	.00000	5.49000	-.07000	5.50000
.597	3.380	-.01500	-.02800	-.01800	.12000	577.55000	.00000	.00000	5.49000	-.14000	5.51000
.600	4.170	-.01200	-.02100	-.01400	.12200	580.71000	.00000	.01000	5.51000	-.13000	5.53000
.600	4.970	-.01400	-.02300	-.01400	.12200	582.00000	.00000	.01000	5.49000	-.13000	5.51000
.600	6.970	-.01600	-.02200	-.01800	.11400	581.88000	.00000	.00000	5.51000	-.14000	5.54000
.602	8.980	-.01600	-.02400	-.01300	.11400	584.88000	.00000	.00000	5.48000	-.11000	5.53000
.600	10.660	-.01700	-.02400	-.01800	.11300	580.05000	.00000	.00000	5.43000	-.06000	5.50000
.601	12.040	-.01400	-.02300	-.01800	.11200	582.17000	.00000	.00000	5.44000	-.07000	5.51000
.600	13.420	-.01300	-.02200	-.01900	.11200	580.26000	.00000	.00000	5.44000	-.08000	5.52000
.594	14.800	-.01400	-.02400	-.02100	.11300	569.65000	.00000	.00000	5.47000	-.14000	5.55000
.603	16.180	-.01300	-.02200	-.01800	.11000	588.07000	.00000	.00000	5.44000	-.08000	5.53000
.601	17.560	-.01100	-.02400	-.01600	.11400	583.43000	.00000	.00000	5.43000	-.11000	5.53000
.598	18.940	-.02000	-.02700	-.01900	.10700	579.52000	.00000	.00000	5.40000	-.10000	5.51000
.600	20.320	-.01600	-.02500	-.01600	.11000	581.72000	.00000	.00000	5.43000	-.14000	5.54000
.599	21.690	-.01200	-.02500	-.01500	.11500	579.67000	.00000	.00000	5.39000	-.07000	5.52000
.598	23.070	-.01800	-.02600	-.01800	.10700	578.78000	.00000	.00000	5.40000	-.15000	5.54000
.601	24.450	-.00700	-.02200	-.01400	.11400	583.36000	.00000	.00000	5.41000	-.11000	5.55000
.598	25.830	-.01600	-.02700	-.01800	.10800	579.92000	.00000	.00000	5.35000	-.11000	5.50000
.595	27.200	-.02100	-.02700	-.02000	.10900	573.84000	.00000	.00000	5.36000	-.08000	5.52000
.601	28.580	-.01400	-.02400	-.01700	.11200	583.96000	.00000	.00000	5.36000	-.14000	5.53000
.601	29.960	-.01200	-.02600	-.01300	.11000	585.33000	.00000	.00000	5.34000	-.13000	5.51000
.601	31.340	-.01000	-.02300	-.01500	.11100	584.93000	.00000	.00000	5.33000	-.14000	5.52000
.595	32.730	-.01800	-.02300	-.01900	.11000	572.90000	.00000	.00000	5.36000	-.14000	5.54000
.598	34.110	-.01700	-.02500	-.01700	.10600	579.87000	.00000	.00000	5.35000	-.11000	5.54000
.600	35.490	-.01400	-.02200	-.01700	.11000	581.86000	.01000	.00000	5.33000	-.07000	5.53000
.601	36.860	-.00900	-.02400	-.01500	.10900	584.04000	.01000	.00000	5.31000	-.10000	5.51000
.600	38.240	-.01500	-.02600	-.01600	.10700	583.00000	.00000	.00000	5.30000	-.05000	5.52000
.602	39.620	-.01400	-.02400	-.01400	.11000	586.88000	.01000	.00000	5.28000	-.09000	5.50000
.601	41.000	-.01700	-.02400	-.01700	.10800	585.69000	.01000	.00000	5.27000	-.13000	5.50000
.601	42.380	-.01500	-.02500	-.01500	.10700	585.39000	.00000	.00000	5.27000	-.11000	5.52000
.600	43.760	-.01500	-.02800	-.01600	.10400	583.07000	.00000	.00000	5.29000	-.09000	5.54000
.599	45.140	-.01400	-.02700	-.01600	.10400	581.98000	.01000	.00000	5.28000	-.09000	5.53000
.600	46.510	-.01300	-.02600	-.01400	.10600	582.19000	.00000	.00000	5.26000	-.07000	5.53000
.600	47.890	-.01000	-.02300	-.01400	.10700	583.42000	.00000	.00000	5.27000	-.09000	5.54000
.600	49.270	-.01300	-.02200	-.01600	.10800	584.30000	.00000	.00000	5.26000	-.09000	5.54000
.597	50.650	-.01700	-.03000	-.01700	.10200	577.72000	.00000	.00000	5.23000	-.15000	5.52000
.601	52.030	-.01200	-.02500	-.01300	.10600	584.84000	.00000	.00000	5.24000	-.11000	5.54000
.601	53.420	-.01400	-.02100	-.01400	.10800	586.41000	.01000	.00000	5.23000	-.10000	5.53000
.602	54.790	-.01700	-.02300	-.01600	.10500	587.76000	.01000	.00000	5.21000	-.14000	5.52000
GRADIENT		.00009	.00048	.00055	.00100	-1.29707	.00000	.00337	.00435	-.00224	.00802

LTV44-559(CA26) 747/1 ATY 05 S1 (CARRIER DATA)

(SFE126) (24 MAR 76)

REFERENCE DATA

SREF = 5500.0000 SQ.FT. XMRP = 1339.9000 IN. XC
 LREF = 327.7800 IN. YMRP = .0000 IN. YC
 BREF = 2348.0400 IN. ZMRP = 190.7500 IN. ZC
 SCALE = .0125

PARAMETRIC DATA

ALPHAC = .000 BETAC = .000
 STAB = 5.000 RUDDER = .000
 ELEVON = .000 DX = .000
 DY = .000 IORB = 8.000
 BETAO = .000 DPHI = .000

RUN NO. 89/ 0 RN/L = .00 GRADIENT INTERVAL = -5.00/ 5.00

MACH	DZ	CPCC	CPSB1	CPSB2	CPSB3	Q(PSF)	ALPHAC	BETAC	ALPHAO	BETAO	INC10
.600	1.460	-.00600	-.02100	-.01300	.11700	581.79000	.02000	.01000	7.28000	-.08000	7.27000
.598	2.060	-.01200	-.02600	-.01400	.11800	578.85000	.03000	.01000	7.31000	-.11000	7.29000
.601	2.660	-.00800	-.02100	-.01100	.11800	583.43000	.02000	.01000	7.29000	-.13000	7.28000
.598	3.460	-.01400	-.03100	-.01600	.11800	579.45000	.03000	.01000	7.31000	-.14000	7.29000
.600	4.460	-.01200	-.02500	-.01100	.11900	582.87000	.04000	.01000	7.28000	-.08000	7.26000
.600	5.590	-.01100	-.02700	-.01500	.11500	583.54000	.03000	.01000	7.31000	-.14000	7.30000
.598	6.840	-.01000	-.02500	-.01100	.12000	579.38000	.04000	.00000	7.27000	-.05000	7.27000
.600	8.090	-.01200	-.02900	-.01600	.11300	584.01000	.03000	.00000	7.30000	-.13000	7.31000
.602	9.340	-.01400	-.02900	-.01500	.11100	589.19000	.03000	.00000	7.27000	-.11000	7.28000
.600	10.620	-.01000	-.02300	-.01300	.11700	583.02000	.03000	.00000	7.27000	-.12000	7.30000
.598	11.940	-.01200	-.02800	-.01700	.11100	579.11000	.02000	.00000	7.27000	-.13000	7.31000
.599	13.270	-.01300	-.02700	-.01500	.11500	581.43000	.03000	.00000	7.27000	-.10000	7.31000
.600	14.590	-.01000	-.02600	-.01800	.11300	582.40000	.02000	.00000	7.25000	-.08000	7.31000
.598	15.910	-.01700	-.03100	-.02000	.10900	580.00000	.02000	.00000	7.21000	-.08000	7.28000
.598	17.220	-.01100	-.02700	-.01500	.11300	578.64000	.01000	.00000	7.24000	-.14000	7.32000
.599	18.550	-.01100	-.02600	-.01700	.11200	581.37000	.02000	.00000	7.22000	-.14000	7.31000
.597	19.870	-.01000	-.02400	-.01400	.11400	575.91000	.02000	.00000	7.20000	-.11000	7.29000
.601	21.190	-.01200	-.02600	-.01700	.11200	583.70000	.02000	.00000	7.22000	-.14000	7.32000
.601	22.500	-.01500	-.02900	-.01900	.10900	584.38000	.01000	.00000	7.20000	-.14000	7.31000
.600	23.830	-.01400	-.02600	-.01600	.11200	583.42000	.01000	.00000	7.20000	-.12000	7.32000
.600	25.150	-.01600	-.02900	-.01800	.10900	581.99000	.01000	.00000	7.16000	-.11000	7.29000
.597	26.460	-.01300	-.02800	-.01500	.11000	576.12000	.01000	.00000	7.19000	-.11000	7.32000
.600	27.780	-.01600	-.02900	-.01700	.10800	583.89000	.01000	.00000	7.17000	-.08000	7.31000
.599	29.110	-.01300	-.02800	-.01600	.10900	580.62000	.01000	.00000	7.17000	-.13000	7.33000
.599	30.430	-.01300	-.02700	-.01700	.10800	581.51000	.01000	.00000	7.16000	-.09000	7.33000
.599	31.750	-.01300	-.02600	-.01600	.11000	579.54000	.01000	.00000	7.11000	-.06000	7.29000
.600	33.070	-.01500	-.02800	-.01700	.10700	581.65000	.01000	.00000	7.13000	-.15000	7.31000
.598	34.390	-.01500	-.02800	-.01600	.10900	579.26000	.02000	.00000	7.10000	-.09000	7.29000
.600	35.710	-.01400	-.02800	-.01700	.10600	582.87000	.01000	.00000	7.11000	-.12000	7.30000
.598	37.030	-.01700	-.03000	-.01800	.10600	578.77000	.02000	.00000	7.11000	-.13000	7.30000
.600	38.350	-.01100	-.02600	-.01300	.11100	582.13000	.02000	.00000	7.11000	-.09000	7.32000
.598	39.670	-.01400	-.02800	-.01700	.10700	578.30000	.01000	.00000	7.09000	-.13000	7.31000
.601	40.990	-.01600	-.03000	-.01800	.10300	586.14000	.01000	.00000	7.10000	-.11000	7.33000
.599	42.310	-.02200	-.03700	-.02200	.10200	581.89000	.01000	.00000	7.05000	-.10000	7.29000
.599	43.640	-.01600	-.02900	-.01700	.10800	582.25000	.01000	.00000	7.04000	-.11000	7.29000
.599	44.950	-.01300	-.02600	-.01700	.10900	580.56000	.01000	.00000	7.06000	-.09000	7.31000
.599	46.270	-.01500	-.02600	-.01800	.10500	580.49000	.01000	.00000	7.05000	-.13000	7.31000
.598	47.590	-.01300	-.02400	-.01700	.10600	578.86000	.01000	.00000	7.06000	-.08000	7.33000
.599	48.920	-.01600	-.02700	-.01900	.10300	581.45000	.02000	.00000	7.04000	-.12000	7.30000
.599	50.240	-.02100	-.03200	-.02300	.10100	580.83000	.01000	.00000	7.05000	-.11000	7.33000
.601	51.560	-.01900	-.03000	-.01800	.10100	584.79000	.01000	.00000	7.04000	-.11000	7.33000
.601	52.880	-.02100	-.03400	-.01900	.10100	584.30000	.01000	.00000	7.02000	-.13000	7.31000

LTV44-559(CA26) 747/1 ATY 06 S1 (CARRIER DATA)

(SFE126) (24 MAR 76)

REFERENCE DATA

SREF = 5500.0000 SQ.FT. XMRP = 1339.9000 IN. XC
 LREF = 327.7800 IN. YMRP = .0000 IN. YC
 BREF = 2348.0400 IN. ZMRP = 190.7500 IN. ZC
 SCALE = .0125

PARAMETRIC DATA

ALPHAC = .000 BETAC = .000
 STAB = 5.000 RUDDER = .000
 ELEVON = .000 DX = .000
 DY = .000 TORB = 8.000
 BETAO = .000 DPFI = .000

		RUN NO.	89/ 0	RN/L =	.00	GRADIENT INTERVAL = -5.00/ 5.00					
MACH	DZ	CPCC	CPSB1	CPSB2	CPSB3	Q(PSF)	ALPHAC	BETAC	ALPHA0	BETA0	INCID
.599	54.200	-.01500	-.02700	-.01700	.10700	581.11000	.01000	.00000	7.01000	-.13000	7.31000
.599	55.520	-.01300	-.02500	-.01900	.10600	579.41000	.01000	.00000	7.00000	-.13000	7.31000
.599	56.840	-.01800	-.03100	-.02100	.09900	580.90000	.01000	.00000	6.97000	-.15000	7.29000
.600	58.160	-.02100	-.03400	-.02200	.10000	582.12000	.01000	.00000	7.00000	-.14000	7.33000
.599	59.480	-.01600	-.02900	-.01700	.10500	581.10000	.01000	.00000	6.99000	-.11000	7.33000
.598	60.800	-.01700	-.03000	-.01900	.10500	580.21000	.01000	.00000	6.99000	-.11000	7.33000
.599	61.460	-.02100	-.03500	-.02400	.10000	582.66000	.01000	.00000	6.95000	-.12000	7.30000
	GRADIENT	-.00182	-.00165	.00032	.00054	.40447	.00569	.00000	-.00094	-.00137	-.00367

LTV44-559(CA26) 747/1 ATY 06 S1 (CARRIER DATA)

(SFE127) (24 MAR 76)

REFERENCE DATA

SREF = 5500.0000 SQ.FT. XMRP = 1339.9000 IN. XC
 LREF = 327.7800 IN. YMRP = .0000 IN. YC
 BREF = 2348.0400 IN. ZMRP = 190.7500 IN. ZC
 SCALE = .0125

PARAMETRIC DATA

ALPHAC = 2.000 BETAC = .000
 STAB = 5.000 RUDDER = .000
 ELEVON = .000 DX = .000
 DY = .000 IORB = 6.000
 BETAO = .000 DPHI = 7.500

RUN NO. 90/ 0 RN/L = .00 GRADIENT INTERVAL = -5.00/ 5.00

MACH	DZ	CPC	CPSB1	CPSB2	CPSB3	Q(PSF)	ALPHAC	BETAC	ALPHA0	BETA0	INCID
.605	1.460	-.00400	-.02000	-.01100	.11300	593.48000	2.66000	.00000	7.97000	.00000	5.31000
.604	2.060	-.00300	-.02100	-.01200	.11300	591.24000	2.67000	.00000	7.98000	-.02000	5.32000
.604	2.660	-.00100	-.01800	-.01000	.11400	591.11000	2.67000	.00000	7.98000	-.01000	5.32000
.605	3.360	-.00800	-.02100	-.01000	.11200	594.62000	2.67000	.00000	8.01000	.00000	5.35000
.602	4.160	-.00400	-.01800	-.01000	.11600	589.65000	2.67000	.00000	7.98000	-.02000	5.33000
.608	4.960	-.00300	-.01900	-.01000	.11300	600.13000	2.67000	.00000	7.99000	-.01000	5.34000
.604	5.960	.00000	-.01800	-.00900	.11500	592.12000	2.67000	.00000	7.97000	.00000	5.34000
.606	6.960	.00000	-.01900	-.01000	.11300	594.64000	2.67000	.00000	7.96000	-.01000	5.33000
.605	7.970	-.00600	-.02200	-.01300	.11100	594.16000	2.67000	.00000	7.97000	-.02000	5.35000
.605	8.960	-.00800	-.02200	-.01300	.11100	594.49000	2.67000	.00000	7.97000	.00000	5.34000
.605	9.960	-.00200	-.01700	-.00800	.11400	592.74000	2.67000	.00000	7.96000	.00000	5.34000
.605	11.150	-.00200	-.02100	-.01100	.11300	592.74000	2.67000	.00000	7.93000	-.01000	5.32000
.606	12.330	.00000	-.01700	-.00700	.11400	593.97000	2.67000	.00000	7.96000	.00000	5.35000
.604	13.520	-.00200	-.01600	-.00700	.11200	591.52000	2.67000	.00000	7.92000	.00000	5.33000
.604	14.700	-.00600	-.01600	-.00800	.11100	593.00000	2.68000	.00000	7.94000	-.01000	5.34000
.607	15.900	-.00500	-.01800	-.00900	.11100	598.71000	2.67000	.00000	7.90000	.00000	5.31000
.604	17.080	-.00200	-.02100	-.01000	.11300	590.76000	2.67000	.00000	7.90000	.00000	5.32000
.604	18.270	.00000	-.01700	-.00800	.11200	590.70000	2.67000	.00000	7.91000	.00000	5.34000
.605	19.450	-.00100	-.01700	-.00700	.11100	593.49000	2.67000	.00000	7.91000	.00000	5.34000
.605	20.640	-.01100	-.02400	-.01200	.10700	593.47000	2.68000	.00000	7.86000	.00000	5.30000
.607	21.810	-.00400	-.01800	-.00700	.11100	597.15000	2.68000	.00000	7.86000	-.01000	5.31000
.605	23.000	-.00100	-.01600	-.00700	.11000	594.09000	2.68000	.00000	7.87000	.00000	5.33000
.604	24.190	-.00500	-.02200	-.01200	.10800	591.03000	2.68000	.00000	7.87000	-.02000	5.32000
.606	25.370	.00000	-.01900	-.00900	.10800	595.40000	2.68000	.00000	7.84000	.00000	5.30000
.604	26.560	-.00100	-.02000	-.01000	.10700	589.76000	2.68000	.00000	7.84000	-.02000	5.33000
.604	27.740	-.00600	-.02200	-.00900	.10700	591.25000	2.69000	.00000	7.84000	.00000	5.31000
.604	28.930	-.00900	-.02400	-.01100	.10600	591.18000	2.68000	.00000	7.84000	-.01000	5.33000
.607	30.110	-.00600	-.01900	-.00900	.10600	595.94000	2.68000	.00000	7.84000	-.01000	5.34000
.607	31.310	-.00800	-.02000	-.00800	.10500	596.34000	2.68000	.00000	7.80000	-.01000	5.30000
.605	32.490	-.01000	-.02400	-.01000	.10400	593.34000	2.68000	.00000	7.79000	.00000	5.30000
.605	33.680	-.01000	-.02300	-.00900	.10400	593.48000	2.69000	.00000	7.80000	-.04000	5.31000
.605	34.860	-.00500	-.02300	-.00900	.10800	593.70000	2.68000	.00000	7.80000	-.01000	5.31000
.605	36.050	-.00800	-.02300	-.00800	.10700	593.56000	2.68000	.00000	7.79000	.00000	5.32000
.607	37.230	-.00600	-.02100	-.01000	.10300	597.16000	2.68000	.00000	7.77000	-.02000	5.30000
.637	38.420	-.00700	-.02000	-.00800	.10300	596.95000	2.69000	.00000	7.76000	-.02000	5.29000
.606	39.610	-.01300	-.02000	-.00500	.10300	597.00000	2.69000	.00000	7.73000	.00000	5.27000
.605	40.790	-.00800	-.02100	-.00800	.10300	594.35000	2.69000	.00000	7.73000	.00000	5.28000
.604	41.980	-.00800	-.02400	-.01200	.10300	592.37000	2.69000	.00000	7.73000	-.01000	5.28000
.606	43.160	-.00200	-.01700	-.00700	.10800	596.06000	2.68000	.00000	7.72000	-.01000	5.29000
.604	44.350	-.00800	-.02100	-.00800	.10500	592.78000	2.69000	.00000	7.72000	.00000	5.28000
.605	45.530	-.00300	-.01800	-.00600	.10600	594.96000	2.69000	.00000	7.72000	-.02000	5.29000
.605	46.720	.00000	-.02000	-.00700	.10800	593.48000	2.69000	.00000	7.71000	-.02000	5.29000

ORIGINAL PAGE IS OF POOR QUALITY

LTV44-559(CA26) 747/1 ATY 06 SI (CARRIER DATA)

(SFE127) (24 MAR 76)

REFERENCE DATA

SREF = 5500.0000 SQ.FT. XMRP = 1339.9000 IN. XC
 LREF = 327.7800 IN. YMRP = .0000 IN. YC
 BREF = 2348.0400 IN. ZMRP = 190.7500 IN. ZC
 SCALE = .0125

PARAMETRIC DATA

ALPHAC = 2.000 BETAC = .000
 STAB = 5.000 RUDDER = .000
 ELEVON = .000 DX = .000
 DY = .000 TORB = 6.000
 ZPHI = .000 DPHI = 7.500

RUN NO. 90/ 0 RN/L = .00 GRADIENT INTERVAL = -5.00/ 5.00

MACH	DZ	CPC	CPSB1	CPSB2	CPSB3	Q(PSF)	ALPHAC	BETAC	ALPHA0	BETA0	INCLD
.603	47.910	-.00200	-.02400	-.01000	.10800	589.35000	2.69000	.00000	7.71000	-.01000	5.29000
.605	49.090	.00100	-.01900	-.00300	.11000	592.84000	2.69000	.00000	7.72000	.00000	5.31000
.606	50.280	-.00800	-.02200	-.00600	.10300	594.38000	2.69000	.00000	7.71000	-.02000	5.31000
.604	51.460	-.00800	-.02400	-.01200	.10100	590.64000	2.69000	.00000	7.68000	.00000	5.29000
	GRADIENT	-.00018	.00045	.00044	.00028	1.39112	.00192	.00000	.00493	-.00163	.00830

LTV44-559(CA26) 747/1 ATY 02 S1 (CARRIER DATA)

(SFE128) (24 MAR 76)

REFERENCE DATA

SREF = 5500.0000 SQ.FT. XMRP = 1339.9000 IN. XC
 LREF = 327.7800 IN. YMRP = .0000 IN. YC
 BREF = 2348.0400 IN. ZMRP = 190.7500 IN. ZC
 SCALE = .0125

PARAMETRIC DATA

ALPHAC = 2.000 BETAC = .000
 STAB = 5.000 ELEVON = 5.000
 RUDDER = .000 DX = .000
 DY = .000 IORB = 6.000
 BETAO = .000 DPHI = 7.500

RUN NO. 91/ 0 RN/L = .00 GRADIENT INTERVAL = -5.00/ 5.00

MACH	DZ	CPCC	CPSB1	CPSB2	CPSB3	Q(PSF)	ALPHAC	BETAC	ALPHA0	BETA0	INC10
.606	1.460	-.01000	-.02300	-.01200	.11200	596.92000	2.69000	.00000	7.86000	.02000	5.17000
.606	2.060	-.00700	-.01900	-.01400	.11200	598.01000	2.69000	.00000	7.85000	.02000	5.17000
.605	2.660	-.00700	-.01900	-.01300	.11300	594.82000	2.69000	.00000	7.87000	-.01000	5.19000
.605	3.360	-.00200	-.02000	-.01200	.11300	594.97000	2.70000	.00000	7.87000	.00000	5.19000
.606	4.160	-.00700	-.02600	-.01900	.10900	596.94000	2.70000	.00000	7.85000	.01000	5.17000
.606	4.960	-.00800	-.02300	-.01500	.11300	595.25000	2.70000	.01000	7.85000	.03000	5.17000
.608	5.960	-.00700	-.02300	-.01500	.11100	599.66000	2.69000	.00000	7.85000	.01000	5.19000
.606	6.960	-.01100	-.02200	-.01200	.11200	596.60000	2.70000	.01000	7.83000	.03000	5.17000
.606	7.970	-.01200	-.02300	-.01300	.11200	597.48000	2.70000	.01000	7.83000	.03000	5.18000
.607	8.960	-.01200	-.02300	-.01600	.10900	599.98000	2.70000	.01000	7.84000	.01000	5.19000
.605	9.960	-.00400	-.01900	-.00900	.11400	594.03000	2.69000	.01000	7.82000	.01000	5.18000
.605	11.150	-.00500	-.02200	-.01100	.11300	593.69000	2.69000	.01000	7.82000	.03000	5.19000
.608	12.330	-.00400	-.02000	-.01600	.10900	598.99000	2.69000	.01000	7.82000	.00000	5.20000
.608	13.520	-.00400	-.01700	-.01200	.11100	599.13000	2.69000	.01000	7.80000	.04000	5.18000
.607	14.700	-.00500	-.01700	-.00800	.11300	596.82000	2.69000	.00000	7.78000	.08000	5.17000
.609	15.900	-.00500	-.01900	-.01300	.10800	598.99000	2.69000	.01000	7.79000	.01000	5.19000
.606	17.080	-.00700	-.02400	-.01500	.10900	596.95000	2.68000	.01000	7.79000	.00000	5.20000
.605	18.270	-.01000	-.02200	-.01200	.11200	593.21000	2.68000	.00000	7.77000	.00000	5.19000
.606	19.450	-.00300	-.01800	-.00900	.11200	594.85000	2.68000	.00000	7.76000	.00000	5.19000
.607	20.640	-.00500	-.01800	-.01000	.10800	598.18000	2.69000	.00000	7.72000	.06000	5.16000
.606	21.810	-.01100	-.02300	-.01100	.10800	596.47000	2.69000	.00000	7.72000	.05000	5.16000
.607	23.000	-.00800	-.02300	-.01300	.10800	598.10000	2.68000	.00000	7.71000	.05000	5.15000
.608	24.190	-.00900	-.02300	-.01300	.10500	599.26000	2.69000	.00000	7.71000	.04000	5.16000
.606	25.370	-.00700	-.01800	-.00800	.10900	595.39000	2.69000	.00000	7.72000	.00000	5.18000
.606	26.560	-.00600	-.02400	-.01300	.10800	595.59000	2.68000	.00000	7.71000	.00000	5.19000
.607	27.740	.00000	-.01700	-.00900	.10900	596.29000	2.68000	.00000	7.69000	.00000	5.17000
.607	28.930	-.00500	-.02000	-.01200	.10600	597.44000	2.68000	.00000	7.69000	.00000	5.17000
.606	30.110	-.00500	-.01800	-.00900	.10800	595.26000	2.68000	.00000	7.67000	.03000	5.16000
.606	31.310	-.00700	-.01800	-.01000	.10600	595.94000	2.69000	.00000	7.65000	.04000	5.15000
.607	32.490	-.00900	-.01900	-.01100	.10300	597.89000	2.68000	.00000	7.66000	.04000	5.16000
.605	33.680	-.00900	-.01700	-.00800	.10700	594.83000	2.69000	.00000	7.66000	.00000	5.17000
.606	34.860	-.00600	-.01800	-.00800	.10800	596.97000	2.68000	.00000	7.65000	-.01000	5.17000
.607	36.050	-.00800	-.02000	-.01000	.10600	598.03000	2.68000	.00000	7.62000	.00000	5.14000
.607	37.230	-.00700	-.02100	-.01000	.10700	598.91000	2.68000	.00000	7.60000	.06000	5.14000
.606	38.420	-.00500	-.01800	-.00900	.10500	595.93000	2.68000	.00000	7.62000	-.01000	5.16000
.606	39.610	-.00500	-.01800	-.00900	.10500	596.88000	2.69000	.00000	7.60000	.01000	5.14000
.608	40.790	-.01100	-.01900	-.01100	.10100	601.28000	2.69000	.00000	7.61000	-.03000	5.15000
.607	41.980	-.01400	-.02200	-.01200	.10200	600.86000	2.69000	.00000	7.60000	.00000	5.16000
.606	43.160	-.00600	-.02000	-.01100	.10600	597.07000	2.69000	.00000	7.60000	-.01000	5.16000
.605	44.350	-.00100	-.01800	-.01000	.10800	594.97000	2.68000	.00000	7.59000	.02000	5.16000
.606	45.530	-.00500	-.01900	-.01100	.10500	595.85000	2.69000	.00000	7.58000	.00000	5.15000
.606	46.720	-.00400	-.01800	-.00900	.10600	595.39000	2.69000	.00000	7.57000	-.01000	5.16000

DATE 29 MAR 76

CA-26 FORCE SOURCE DATA TABULATION

PAGE 1020

LTV44-559(CA26) 747/1 ATY 02 S1 (CARRIER DATA)

(SFE128) (24 MAR 76)

REFERENCE DATA

SREF = 5500.0000 SQ.FT. XMRP = 1339.9000 IN. XC
 LREF = 327.7800 IN. YMRP = .0000 IN. YC
 BREF = 2348.0400 IN. ZMRP = 190.7500 IN. ZC
 SCALE = .0125

PARAMETRIC DATA

ALPHAC = 2.000 BETAC = .000
 STAB = 5.000 ELEVON = 5.000
 RUDDER = .000 DX = .000
 DY = .000 TORB = 6.000
 BETAO = .000 DPHI = 7.500

RUN NO. 91/ 0 RN/L = .00 GRADIENT INTERVAL = -5.00/ 5.00

MACH	DZ	CPCC	CPSB1	CPSB2	CPSB3	Q(P5F)	ALPHAC	BETAC	ALPHA0	BETA0	INC10
.607	47.910	-.01100	-.02000	-.01000	.10300	599.45000	2.69000	.00000	7.55000	.05000	5.14000
.606	49.090	-.00800	-.02000	-.01200	.10300	597.68000	2.69000	.00000	7.54000	.00000	5.13000
.606	50.280	-.00500	-.02000	-.01100	.10600	595.65000	2.68000	.00000	7.53000	.06000	5.14000
.606	51.460	-.01100	-.02200	-.01300	.10200	597.61000	2.68000	.00000	7.53000	-.03000	5.15000
	GRADIENT	.00050	-.00098	-.00120	-.00017	-.43591	.00366	.00215	-.00238	.00192	-.00046

LTV44-559(CA26) 747/1 ATY 02 S1 (CARRIER DATA)

(SFE129) (24 MAR 76)

REFERENCE DATA

SREF = 5500.0000 SQ.FT. XMRP = 1339.9000 IN. XC
 LREF = 327.7800 IN. YMRP = 0000 IN. YC
 BREF = 2348.0400 IN. ZMRP = 190.7500 IN. ZC
 SCALE = .0125

PARAMETRIC DATA

ALPHAC = 2.000 BETAC = .000
 STAB = 5.000 ELEVON = 5.000
 RUDDER = .000 DX = .000
 DY = .000 IORB = 6.000
 BETAO = 5.000 DPHI = 7.500

RUN NO. 92/ 0 RN/L = .00 GRADIENT INTERVAL = -5.00/ 5.00

MACH	DZ	CPCC	CPSB1	CPSB2	CPSB3	Q(P5F)	ALPHAC	BETAC	ALPHA0	BETA0	INCID
.603	1.460	-.01200	-.02300	-.01500	.11400	589.55000	2.69000	.01000	7.99000	4.40000	5.30000
.605	2.060	-.00900	-.02400	-.01500	.11400	591.87000	2.69000	.01000	7.94000	4.42000	5.25000
.604	2.660	-.00800	-.02300	-.01600	.11700	589.50000	2.70000	.01000	7.95000	4.39000	5.27000
.606	3.360	-.00500	-.02200	-.01500	.11300	593.73000	2.70000	.01000	7.95000	4.46000	5.27000
.604	4.160	-.01100	-.02200	-.01400	.11400	590.32000	2.70000	.01000	7.94000	4.39000	5.26000
.605	4.960	-.00700	-.02100	-.01400	.11200	590.80000	2.70000	.02000	7.97000	4.46000	5.29000
.603	5.960	-.00900	-.02000	-.01200	.11500	588.08000	2.69000	.02000	7.95000	4.43000	5.29000
.605	6.960	-.00900	-.02400	-.01600	.11300	592.23000	2.70000	.02000	7.95000	4.39000	5.29000
.605	7.970	-.01100	-.02300	-.01500	.11200	592.36000	2.70000	.03000	7.95000	4.42000	5.29000
.606	8.960	-.00900	-.02300	-.01300	.11200	592.77000	2.70000	.03000	7.94000	4.42000	5.29000
.605	9.960	-.01000	-.02400	-.01400	.11300	591.00000	2.69000	.03000	7.91000	4.40000	5.27000
.605	11.150	-.01000	-.02300	-.01200	.11100	592.76000	2.69000	.03000	7.91000	4.41000	5.28000
.604	12.330	-.00600	-.01900	-.01100	.11200	590.32000	2.68000	.03000	7.90000	4.42000	5.28000
.605	13.520	-.00700	-.02100	-.01200	.11000	592.56000	2.69000	.02000	7.90000	4.40000	5.29000
.604	14.700	-.00700	-.01800	-.00800	.11400	588.69000	2.69000	.02000	7.87000	4.48000	5.26000
.604	15.900	-.00700	-.02400	-.01300	.11100	590.73000	2.69000	.02000	7.88000	4.40000	5.28000
.603	17.080	-.00800	-.02200	-.01100	.11300	588.21000	2.69000	.02000	7.84000	4.41000	5.25000
.604	18.270	-.00900	-.02100	-.01000	.10900	591.68000	2.68000	.01000	7.85000	4.44000	5.28000
.605	19.450	-.00700	-.01700	-.00800	.10900	592.63000	2.68000	.01000	7.82000	4.40000	5.26000
.605	20.640	-.00800	-.02200	-.01300	.10900	591.89000	2.69000	.00000	7.82000	4.38000	5.26000
.605	21.810	-.00500	-.02200	-.01300	.11200	588.84000	2.69000	.00000	7.80000	4.44000	5.25000
.604	23.000	-.00500	-.02000	-.00900	.11200	590.61000	2.68000	.00000	7.80000	4.41000	5.26000
.605	24.190	-.00400	-.02100	-.01200	.10900	587.15000	2.69000	.00000	7.80000	4.44000	5.23000
.604	25.370	-.00500	-.02000	-.00900	.11100	589.06000	2.68000	.00000	7.79000	4.38000	5.26000
.605	26.560	-.00500	-.01800	-.00800	.11000	593.19000	2.68000	.00000	7.79000	4.37000	5.26000
.606	27.740	-.00700	-.01900	-.01100	.10400	591.01000	2.68000	.00000	7.76000	4.42000	5.25000
.605	28.930	-.01200	-.02100	-.01000	.10500	593.31000	2.68000	-.01000	7.76000	4.38000	5.25000
.606	30.110	-.01300	-.02200	-.01200	.10700	593.17000	2.69000	-.01000	7.74000	4.43000	5.24000
.605	31.310	-.01300	-.02200	-.01200	.10400	592.76000	2.69000	-.01000	7.73000	4.38000	5.23000
.605	32.490	-.01000	-.02100	-.01100	.10500	592.28000	2.69000	-.01000	7.72000	4.39000	5.22000
.605	33.680	-.01000	-.02200	-.01300	.10500	590.98000	2.69000	-.01000	7.72000	4.40000	5.24000
.604	34.860	-.01200	-.02300	-.01300	.10300	592.49000	2.69000	-.01000	7.72000	4.41000	5.24000
.605	36.050	-.00600	-.02000	-.01100	.10500	589.65000	2.68000	-.01000	7.74000	4.36000	5.27000
.604	37.230	-.00500	-.01700	-.00600	.11100	589.56000	2.68000	-.01000	7.72000	4.38000	5.26000
.604	38.420	-.00500	-.02200	-.01100	.10800	590.81000	2.68000	-.01000	7.70000	4.42000	5.24000
.605	39.610	-.00400	-.02000	-.01200	.10500	590.06000	2.69000	-.01000	7.72000	4.34000	5.27000
.605	40.790	-.00700	-.02100	-.00700	.10800	593.25000	2.68000	-.01000	7.67000	4.41000	5.23000
.606	41.980	-.00800	-.01900	-.01100	.10200	591.83000	2.69000	-.01000	7.69000	4.40000	5.25000
.605	43.160	-.00600	-.02100	-.01100	.10400	590.32000	2.69000	-.01000	7.66000	4.41000	5.23000
.604	44.350	-.01200	-.02400	-.01200	.10000	591.75000	2.69000	.00000	7.66000	4.42000	5.23000
.605	45.530	-.00800	-.02000	-.01200	.10200	589.99000	2.69000	-.01000	7.66000	4.37000	5.24000
.604	46.720	-.00800	-.02300	-.01100	.10700						

LTV44-559(CA26) 747/1 ATY 02 S1 (CARRIER DATA)

(SFE129) (24 MAR 76)

REFERENCE DATA

SREF = 5500.0000 SQ.FT. XMRP = 1339.9000 IN. XC
 LREF = 327.7800 IN. YMRP = .0000 IN. YC
 BREF = 2348.0400 IN. ZMRP = 190.7500 IN. ZC
 SCALE = .0125

PARAMETRIC DATA

ALPHAC = 2.000 BETAC = .000
 STAB = 5.000 ELEVON = 5.000
 RUDDER = .000 DX = .000
 DY = .000 IORB = 6.000
 BETAO = 5.000 DPHI = 7.500

RUN NO. 92/ 0 RN/L = .00 GRADIENT INTERVAL = -5.00/ 5.00

MACH	DZ	CPC	CPSB1	CPSB2	CPSB3	Q(PSF)	ALPHAC	BETAC	ALPHAO	BETAO	INCID
.605	47.910	-.00600	-.01900	-.00600	.10700	590.41000	2.69000	-.01000	7.66000	4.34000	5.25000
.606	49.090	-.00600	-.01600	-.00800	.10500	592.93000	2.69000	.00000	7.63000	4.41000	5.23000
.604	50.280	-.00700	-.01800	-.00700	.10700	588.51000	2.69000	.00000	7.65000	4.34000	5.26000
.604	51.460	-.01200	-.02300	-.01000	.10200	589.84000	2.69000	.00000	7.65000	4.35000	5.26000
	GRADIENT	.00082	.00070	.00039	-.00062	.20344	.00313	.00215	-.00337	.01149	-.00023

LTV44-559(CA26) 747/1 ATY 02 S1 (CARRIER DATA)

(SFE130) (24 MAR 76)

REFERENCE DATA

SREF = 5500.0000 SQ.FT. XMRP = 1339.9000 IN. XC
 LREF = 327.7800 IN. YMRP = .0000 IN. YC
 BREF = 2348.0400 IN. ZMRP = 190.7500 IN. ZC
 SCALE = .0125

PARAMETRIC DATA

ALPHAC = 2.000 BETAC = -5.000
 STAB = 5.000 ELEVON = 5.000
 RUDDER = .000 DX = .000
 DY = .000 TORB = 6.000
 BETAO = .000 DPH1 = 7.500

RUN NO. 93/ 0 RN/L = .00 GRADIENT INTERVAL = -5.00/ 5.00

MACH	DZ	CPCC	CPSB1	CPSB2	CPSB3	Q(PSF)	ALPHAC	BETAC	ALPHA0	BETA0	INCID
.602	1.460	-.01200	-.02200	-.00900	.11000	590.85000	2.68000	-5.02000	7.92000	-.08000	5.24000
.602	2.060	-.00800	-.02200	-.01000	.11100	589.77000	2.68000	-5.02000	7.91000	-.08000	5.24000
.603	2.660	-.01000	-.02500	-.01300	.11200	592.36000	2.68000	-5.02000	7.91000	-.07000	5.24000
.600	3.360	-.01200	-.02800	-.01200	.11300	588.25000	2.69000	-5.01000	7.89000	-.04000	5.22000
.602	4.160	-.00300	-.02400	-.01100	.12000	589.09000	2.69000	-5.01000	7.91000	-.07000	5.24000
.604	4.960	-.00600	-.02400	-.00800	.11600	591.57000	2.69000	-5.00000	7.89000	.01000	5.23000
.603	5.960	-.00800	-.02400	-.01100	.11400	589.73000	2.69000	-5.00000	7.89000	-.02000	5.23000
.603	6.960	-.01100	-.02800	-.01400	.10800	590.82000	2.69000	-4.99000	7.88000	-.02000	5.23000
.603	7.970	-.00900	-.02100	-.00400	.11600	589.20000	2.68000	-4.99000	7.85000	-.04000	5.21000
.602	8.960	-.01700	-.02700	-.00900	.10800	589.65000	2.69000	-4.98000	7.86000	.00000	5.22000
.602	9.960	-.00700	-.02300	-.00300	.11200	589.18000	2.68000	-4.98000	7.85000	.01000	5.22000
.603	11.150	-.00600	-.02300	-.00400	.11400	590.89000	2.68000	-4.98000	7.84000	-.04000	5.21000
.602	12.330	-.01000	-.02300	-.00600	.11400	588.70000	2.69000	-4.98000	7.83000	.01000	5.22000
.602	13.520	-.01300	-.02200	-.00800	.11100	588.63000	2.68000	-4.97000	7.82000	-.03000	5.21000
.604	14.700	-.00900	-.02100	-.00400	.11200	592.72000	2.68000	-4.97000	7.86000	.00000	5.26000
.603	15.900	-.00600	-.01900	-.00300	.11700	591.23000	2.68000	-4.97000	7.82000	.01000	5.23000
.604	17.080	-.00600	-.02100	-.00400	.11500	592.80000	2.68000	-4.97000	7.83000	-.03000	5.24000
.603	18.270	-.01500	-.02200	-.00500	.10600	590.60000	2.68000	-4.97000	7.78000	.00000	5.20000
.602	19.450	-.01400	-.02200	-.00500	.10700	589.37000	2.68000	-4.97000	7.78000	.02000	5.21000
.601	20.640	-.00800	-.02100	-.00500	.11200	586.32000	2.68000	-4.97000	7.76000	-.02000	5.20000
.603	21.810	-.00100	-.02000	-.00300	.11700	590.70000	2.68000	-4.98000	7.75000	-.01000	5.20000
.600	23.000	-.01000	-.02200	-.00400	.10900	585.10000	2.68000	-4.98000	7.74000	-.02000	5.20000
.602	24.190	-.01000	-.02300	-.00300	.10800	599.12000	2.68000	-4.98000	7.74000	-.02000	5.19000
.601	25.370	-.00800	-.02200	-.00500	.11000	587.01000	2.68000	-4.98000	7.75000	-.01000	5.21000
.601	26.560	-.00600	-.02100	-.00500	.10600	585.11000	2.68000	-4.98000	7.74000	-.02000	5.21000
.602	27.740	-.01100	-.02100	-.00400	.10700	588.92000	2.68000	-4.98000	7.71000	-.04000	5.19000
.602	28.930	-.01000	-.02200	-.00500	.10700	588.03000	2.68000	-4.98000	7.70000	-.02000	5.19000
.602	30.110	-.01100	-.02300	-.00400	.10700	588.57000	2.68000	-4.98000	7.72000	-.01000	5.21000
.604	31.310	-.01100	-.02100	.00000	.10700	592.73000	2.68000	-4.98000	7.71000	-.01000	5.21000
.604	32.490	-.01000	-.02000	-.00200	.10200	593.54000	2.68000	-4.98000	7.70000	-.01000	5.21000
.603	33.680	-.01400	-.02600	-.00600	.10500	590.13000	2.69000	-4.98000	7.70000	-.01000	5.21000
.603	34.860	-.00900	-.02000	-.00100	.10700	590.54000	2.69000	-4.98000	7.68000	-.01000	5.19000
.604	36.050	-.01200	-.02500	-.00400	.10500	593.54000	2.68000	-4.98000	7.69000	-.01000	5.21000
.604	37.230	-.00700	-.01900	.00000	.10600	592.45000	2.69000	-4.98000	7.70000	-.02000	5.22000
.605	38.420	-.01200	-.02100	-.00100	.10300	594.69000	2.69000	-4.98000	7.69000	.00000	5.22000
.604	39.610	-.01600	-.02100	-.00100	.09900	594.19000	2.69000	-4.98000	7.69000	.00000	5.23000
.603	40.790	-.01500	-.02000	-.00100	.09900	592.96000	2.69000	-4.98000	7.66000	-.01000	5.20000
.602	41.980	-.01400	-.02300	-.00200	.10300	590.45000	2.69000	-4.98000	7.65000	.00000	5.21000
.602	43.160	-.01100	-.02400	-.00300	.10600	589.78000	2.69000	-4.98000	7.61000	.00000	5.17000
.602	44.350	-.01000	-.02300	-.00300	.10800	590.26000	2.69000	-4.98000	7.62000	.01000	5.19000
.603	45.530	-.00500	-.01900	.00000	.11000	590.68000	2.68000	-4.98000	7.63000	-.01000	5.20000
.604	46.720	-.01100	-.02400	-.00400	.10100	593.78000	2.69000	-4.98000	7.59000	.02000	5.18000

ORIGINAL PAGE IS OF POOR QUALITY

LTV44-559(CA26) 747/1 ATY 02 S1 (CARRIER DATA)

(SFE130) (24 MAR 76)

REFERENCE DATA

SREF = 5500.0000 SQ.FT. XMRP = 1339.9000 IN. XC
 LREF = 327.7800 IN. YMRP = .0000 IN. YC
 BREF = 2348.0400 IN. ZMRP = 190.7500 IN. ZC
 SCALE = .0125

PARAMETRIC DATA

ALPHAC = 2.000 BETAC = -5.000
 STAR = 5.000 ELEVON = 5.000
 RUDDER = .000 DX = .000
 DY = .000 IORB = 6.000
 BETAO = .000 DPHI = 7.500

RUN NO. 93/ 0 RN/L = .00 GRADIENT INTERVAL = -5.00/ 5.00

MACH	DZ	CPCC	CPSB1	CPSB2	CPSB3	Q(PSF)	ALPHAC	BETAC	ALPHA0	BETA0	INCID
.601	47.910	-.01500	-.02300	-.00300	.10000	589.56000	2.69000	-4.97000	7.60000	.00000	5.19000
.601	49.090	-.01200	-.02800	-.00200	.10000	587.72000	2.69000	-4.98000	7.58000	.02000	5.18000
.601	50.280	-.00400	-.02500	-.00600	.10800	587.34000	2.69000	-4.97000	7.60000	-.04000	5.21000
.602	51.460	-.01200	-.02600	-.00600	.10100	589.19000	2.69000	-4.97000	7.56000	-.04000	5.17000
	GRADIENT	.00179	-.00069	.00021	.00237	-.08258	.00366	.00580	-.00679	.02118	-.00213

LTV44-559(CA26) 747/1 ATY

(YFE016) (18 NOV 75)

REFERENCE DATA

SREF = 5500.0000 SQ.FT. XMRP = 1339.9000 IN. XC
 LREF = 327.7800 IN. YMRP = .0000 IN. YC
 BREF = 2348.0400 IN. ZMRP = 190.7500 IN. ZC
 SCALE = .0125

PARAMETRIC DATA

BETAC = .000 STAB = 5.000
 RUDDER = .000

RUN NO. 17/ 0 RN/L = .00 GRADIENT INTERVAL = -5.00/ 5.00

MACH	ALPHAC	BETAC	CN	CLM	CA	CY	CYN	CBL	CL	CD
.599	.110	.00000	.10120	-.19020	.04640	.00430	-.00160	.00020	.10110	.04660
.599	.100	.00000	.09980	-.19120	.04650	.00470	-.00150	.00020	.09980	.04670
.599	.110	.00000	.10150	-.18840	.04640	.00390	-.00160	.00000	.10140	.04660
.599	.110	.00000	.10240	-.18800	.04610	.00450	-.00170	-.00020	.10230	.04630
.599	.110	.00000	.10140	-.18820	.04630	.00380	-.00160	-.00010	.10130	.04650
.600	.110	.00000	.10070	-.18850	.04630	.00400	-.00160	.00000	.10060	.04650
.598	.110	.00000	.10240	-.18930	.04680	.00370	-.00160	-.00010	.10230	.04700
.600	.100	.00000	.09940	-.19040	.04640	.00410	-.00170	-.00030	.09930	.04660
.600	.100	.00000	.09920	-.19090	.04630	.00470	-.00170	-.00020	.09910	.04640
.600	.100	.00000	.09870	-.19170	.04630	.00440	-.00170	-.00010	.09860	.04650
.596	.100	.00000	.10120	-.19230	.04680	.00410	-.00170	.00000	.10110	.04700
	GRADIENT	.00000	.19400	.25331	-.00766	-.03667	.00433	.00467	.19200	-.00566

DATE 29 MAR 76

CA-26 FORCE SOURCE DATA TABULATION

PAGE 1025

LTV44-559(CA2E) 747/1 ATY

(YFE017) (18 NOV 75)

REFERENCE DATA

SREF = 5500.0000 SQ.FT. XMRP = 1339.9000 IN. XC
 LREF = 327.7800 IN. YMRP = .0000 IN. YC
 BREF = 2348.0400 IN. ZMRP = 190.7500 IN. ZC
 SCALE = .0125

PARAMETRIC DATA

BETAC = .000 STAB = 5.000
 RUDDER = .000

RUN NO. 25/ 0 RN/L = .00 GRADIENT INTERVAL = -5.00/ 5.00

MACH	ALPHAC	BETAC	CN	CLM	CA	CY	CYN	CBL	CL	CD
.597	2.690	.00000	.32470	-.20940	.03830	.00190	-.00100	.00010	.32260	.05350
.598	2.680	.00000	.32240	-.21100	.03780	.00240	-.00100	.00010	.32030	.05290
.599	2.680	.00000	.32140	-.21220	.03780	.00210	-.00110	.00000	.31920	.05280
.598	2.680	.00000	.32120	-.21290	.03780	.00220	-.00110	.00000	.31910	.05280
.598	2.680	.00000	.32170	-.21180	.03780	.00210	-.00100	.00000	.31960	.05290
.598	2.680	.00000	.32410	-.21200	.03790	.00160	-.00100	.00000	.32200	.05300
.599	2.680	.00000	.32170	-.21090	.03780	.00160	-.00110	.00010	.31960	.05280
.598	2.690	.00000	.32480	-.20950	.03770	.00160	-.00100	.00020	.32260	.05290
.599	2.680	.00000	.32300	-.21050	.03770	.00250	-.00100	.00020	.32090	.05280
.599	2.680	.00000	.32160	-.21180	.03760	.00210	-.00110	.00010	.31950	.05270
.600	2.680	.00000	.32180	-.21180	.03760	.00180	-.00110	.00000	.31970	.05260
	GRADIENT	.00000	.25823	.21296	.02398	-.02858	.00539	.00917	.25514	.03807

LTV44-559(CA26) 747/1 ATY

(YFE018) (18 NOV 75)

REFERENCE DATA

SREF = 5500.0000 SQ.FT. XMRP = 1339.9000 IN. XC
 LREF = 327.7800 IN. YMRP = .0000 IN. YC
 BREF = 2348.0400 IN. ZMRP = 190.7500 IN. ZC
 SCALE = .0125

PARAMETRIC DATA

BETAC = .000 STAB = 5.000
 RUDDER = .000

RUN NO. 24/ 0 RN/L = .00 GRADIENT INTERVAL = -5.00/ 5.00

MACH	ALPHAC	BETAC	CN	CLM	CA	CY	CYN	CBL	CL	CD
.599	3.810	.00000	.41970	-.23460	.03250	-.00030	-.00070	.00000	.41660	.06040
.600	3.810	.00000	.41480	-.23180	.03220	-.00040	-.00070	.00000	.41170	.05970
.606	3.810	.00000	.41540	-.23050	.03200	-.00040	-.00070	.00000	.41240	.05960
.607	3.820	.00000	.42330	-.23330	.03230	.00000	-.00090	-.00010	.42020	.06050
.603	3.820	.01000	.42970	-.23640	.03290	-.00050	-.00090	-.00030	.42650	.06150
.598	3.810	.00000	.42240	-.23580	.03300	-.00050	-.00090	-.00030	.41930	.06100
.600	3.810	.00000	.41740	-.23420	.03280	-.00030	-.00080	-.00020	.41420	.06040
.607	3.810	.00000	.41460	-.23060	.03210	-.00030	-.00080	-.00020	.41150	.05960
.607	3.820	.00000	.42340	-.23240	.03240	-.00050	-.00070	-.00010	.42030	.06060
.599	3.810	.00000	.42520	-.23760	.03270	-.00040	-.00080	-.00010	.42210	.06100
.599	3.810	.00000	.41650	-.23400	.03260	-.00010	-.00060	.00010	.41340	.06020
	GRADIENT	.32565	.70652	-.03843	.00461	.00041	-.00814	-.00773	.70419	.06163

LTV44-559(CA26) 747/1 ATY

(YFE019) (18 NOV 75)

REFERENCE DATA

SREF = 5500.0000 SQ.FT. XMRP = 1339.9000 IN. XC
 LREF = 327.7800 IN. YMRP = .0000 IN. YC
 BREF = 2348.0400 IN. ZMRP = 190.7500 IN. ZC
 SCALE = .0125

PARAMETRIC DATA

BETAC = .000 STAB = 5.000
 RUDDER = .000

RUN NO. 29/ 0 RN/L = .00 GRADIENT INTERVAL = -5.00/ 5.00

MACH	ALPHAC	BETAC	CN	CLM	CA	CY	CYN	CBL	CL	CD
.600	6.000	.01000	.60720	-.24600	.01360	-.00120	-.00080	.00030	.60240	.07700
.598	6.000	.01000	.61160	-.24640	.01360	-.00080	-.00090	.00030	.60690	.07750
.598	6.000	.01000	.61210	-.24700	.01340	-.00090	-.00080	.00040	.60740	.07730
.597	6.000	.01000	.61500	-.24650	.01380	-.00110	-.00070	.00050	.61010	.07810
.600	6.000	.01000	.60770	-.24330	.01330	-.00140	-.00080	.00040	.60300	.07680
.599	6.000	.01000	.61280	-.24610	.01390	-.00240	-.00080	.00020	.60800	.07800
.600	6.000	.01000	.61300	-.24610	.01410	-.00210	-.00080	.00020	.60810	.07810
.600	6.000	.01000	.61030	-.24720	.01380	-.00080	-.00090	.00030	.60550	.07760
.599	6.000	.01000	.61330	-.24670	.01420	-.00170	-.00090	.00040	.60850	.07830
.600	6.000	.01000	.61070	-.24650	.01390	-.00180	-.00090	.00030	.60590	.07770
.600	6.000	.01000	.60900	-.24680	.01370	-.00150	-.00080	.00030	.60430	.07730
	GRADIENT	.00000	.00000	.00000	.00000	.00000	.00000	.00000	.00000	.00000

LTV44-559(CA26) 747/1 ATY

(YFE020) (18 NOV 75)

REFERENCE DATA

SREF = 5500.0000 SQ.FT. XMRP = 1339.9000 IN. XC
 LREF = 327.7800 IN. YMRP = .0000 IN. YC
 BREF = 2348.0400 IN. ZMRP = 190.7500 IN. ZC
 SCALE = .0125

PARAMETRIC DATA

BETAC = .000 STAB = -1.000
 RUDDER = .000

RUN NO. 18/ 0 RN/L = .00 GRADIENT INTERVAL = -5.00/ 5.00

MACH	ALPHAC	BETAC	CN	CLM	CA	CY	CYN	CBL	CL	CD
.605	.440	.01000	.04010	.13810	.04370	.00320	-.00180	.00010	.03980	.04400
.605	.440	.01000	.04190	.13850	.04370	.00310	-.00190	.00000	.04160	.04400
.605	.440	.01000	.04040	.13790	.04380	.00380	-.00200	.00000	.04010	.04410
.606	.430	.01000	.03810	.13540	.04380	.00290	-.00190	.00000	.03770	.04410
.606	.440	.01000	.03870	.13720	.04370	.00270	-.00190	.00010	.03840	.04400
.605	.440	.01000	.04060	.13680	.04370	.00290	-.00200	.00010	.04030	.04400
.605	.440	.01000	.04160	.13870	.04370	.00350	-.00190	.00040	.04130	.04410
.606	.440	.01000	.03910	.13760	.04380	.00380	-.00190	.00010	.03870	.04410
.606	.440	.01000	.04010	.13800	.04380	.00370	-.00200	-.00020	.03970	.04410
.606	.440	.01000	.04010	.13750	.04390	.00410	-.00200	-.00020	.03970	.04420
.606	.440	.01000	.03880	.13720	.04360	.00320	-.00190	-.00020	.03840	.04390
	GRADIENT	.00001	.20394	.23487	-.00596	.04998	-.00300	.00200	.20996	-.00497

DATE 29 MAR 76

CA-26 FORCE SOURCE DATA TABULATION

PAGE 1027

LTV44-559(CA26) 747/1 ATY

(YFE021) (18 NOV 75)

REFERENCE DATA

SREF = 5500.0000 SQ.FT. XMRP = 1339.9000 IN. XC
 LREF = 327.7800 IN. YMRP = .0000 IN. YC
 BREF = 2348.0400 IN. ZMRP = 190.7500 IN. ZC
 SCALE = .0125

PARAMETRIC DATA

BETAC = .000 STAB = -1.000
 RUDDER = .000

RUN NO. 27/ 0 RN/L = .00 GRADIENT INTERVAL = -5.00/ 5.00

MACH	ALPHAC	BETAC	CN	CLM	CA	CY	CYN	CBL	CL	CD
.602	2.990	.01000	.25820	.09690	.03440	.00100	-.00120	.00000	.25600	.04780
.601	2.990	.01000	.25960	.09550	.03460	.00120	-.00120	.00010	.25740	.04810
.601	2.990	.01000	.26090	.09690	.03450	.00070	-.00130	.00010	.25880	.04810
.602	2.990	.01000	.25730	.09590	.03420	.00080	-.00120	.00010	.25900	.04760
.601	2.990	.01000	.25670	.09600	.03440	.00040	-.00120	.00010	.25450	.04770
.602	2.990	.01000	.25920	.09530	.03440	.00070	-.00130	.00000	.25710	.04790
.600	2.990	.01000	.26000	.09660	.03370	-.00050	-.00130	-.00010	.25790	.04730
.603	2.990	.01000	.25880	.09750	.03400	.00110	-.00130	.00000	.25670	.04750
.601	2.990	.01000	.25970	.09650	.03450	.00040	-.00120	.00020	.25750	.04800
.600	2.990	.01000	.26020	.09690	.03440	.00020	-.00120	.00010	.25810	.04790
.602	2.990	.01000	.25820	.09540	.03430	.00030	-.00120	.00010	.25600	.04780
	GRADIENT	.00000	.00000	-.03125	.00781	.00012	-.00049	-.00002	-.12500	-.01563

LTV44-559(CA26) 747/1 ATY

(YFE022) (18 NOV 75)

REFERENCE DATA

SREF = 5500.0000 SQ.FT. XMRP = 1339.9000 IN. XC
 LREF = 327.7800 IN. YMRP = .0000 IN. YC
 BREF = 2348.0400 IN. ZMRP = 190.7500 IN. ZC
 SCALE = .0125

PARAMETRIC DATA

BETAC = .000 STAB = -1.000
 RUDDER = .000

RUN NO. 23/ 0 RN/L = .00 GRADIENT INTERVAL = -5.00/ 5.00

MACH	ALPHAC	BETAC	CN	CLM	CA	CY	CYN	CBL	CL	CD
.602	4.120	.01000	.35800	.07460	.02620	-.00010	-.00120	-.00010	.35520	.05190
.601	4.120	.01000	.35820	.07400	.02640	.00010	-.00120	.00000	.35540	.05210
.601	4.120	.01000	.35850	.07420	.02650	.00040	-.00120	.00000	.35570	.05220
.601	4.120	.01000	.35720	.07370	.02640	.00020	-.00110	.00000	.35440	.05200
.600	4.120	.01000	.35780	.07420	.02640	.00020	-.00120	.00010	.35490	.05210
.602	4.120	.01000	.35630	.07450	.02620	.00030	-.00120	.00000	.35350	.05180
.601	4.120	.01000	.35940	.07480	.02620	.00040	-.00120	.00020	.35560	.05190
.601	4.120	.01000	.35740	.07470	.02600	.00070	-.00110	.00020	.35460	.05160
.602	4.120	.01000	.35870	.07590	.02610	.00000	-.00120	.00000	.35590	.05180
.602	4.120	.01000	.35960	.07540	.02630	.00000	-.00120	-.00010	.35680	.05210
.602	4.120	.01000	.35940	.07440	.02650	.00040	-.00120	-.00010	.35650	.05230
.602	4.120	.01000	.35940	.07440	.02650	.00040	-.00120	-.00024	.00000	.00781
	GRADIENT	.00000	.06250	.01563	.00781	.00009	-.00024	.00000	.00000	.00781

DATE 29 MAR 76

CA-26 FORCE SOURCE DATA TABULATION

PAGE 1028

LTV44-559(CA26) 747/1 ATY

(YFE023) (18 NOV 75)

REFERENCE DATA

SREF = 5500.0000 SQ.FT. XMRP = 1339.9000 IN. XC
 LREF = 327.7800 IN. YMRP = .0000 IN. YC
 BREF = 2348.0400 IN. ZMRP = 190.7500 IN. ZC
 SCALE = .0125

PARAMETRIC DATA

BETAC = -5.000 STAB = 5.000
 RUDDER = .000

		RUN NO.	28/ 0	RN/L =	.00	GRADIENT INTERVAL =		-5.00/	5.00		
MACH	ALPHAC	BETAC	CN	CLM	CA	CY	CYN	CBL	CL	CD	
.599	2.680	-4.97000	.33940	-.22470	.03610	.09310	-.02060	.01480	.33730	.05200	
.599	2.680	-4.96000	.34160	-.22590	.03620	.09340	-.02070	.01500	.33950	.05210	
.600	2.690	-4.97000	.33990	-.22250	.03600	.09320	-.02050	.01490	.33780	.05200	
.599	2.680	-4.97000	.34060	-.22510	.03620	.09360	-.02070	.01500	.33850	.05210	
.600	2.690	-4.97000	.34060	-.22320	.03620	.09350	-.02050	.01500	.33850	.05210	
.600	2.680	-4.97000	.33940	-.22430	.03640	.09380	-.02060	.01500	.33730	.05230	
.599	2.680	-4.96000	.33940	-.22480	.03610	.09360	-.02070	.01490	.33700	.05200	
.600	2.680	-4.96000	.33910	-.22370	.03600	.09320	-.02070	.01470	.33700	.05190	
.599	2.680	-4.96000	.34030	-.22630	.03660	.09340	-.02070	.01460	.33820	.05250	
.599	2.680	-4.97000	.33870	-.22450	.03640	.09380	-.02060	.01460	.33660	.05220	
.600	2.680	-4.96000	.33800	-.22580	.03640	.09330	-.02070	.01440	.33590	.05210	
	GRADIENT	-.60082	.06327	.20833	-.01595	-.01080	.01598	.01685	.06430	-.00772	

DATE 29 MAR 76

CA-26 FORCE SOURCE DATA TABULATION

PAGE 1029

LTV44-559(CA26) 747/1 ATY

(YFE024) (18 NOV 75)

REFERENCE DATA

SREF = 5500.0000 SQ.FT. XMRP = 1339.9000 IN. XC
 LREF = 327.7800 IN. YMRP = .0000 IN. YC
 BREF = 2348.0400 IN. ZMRP = 190.7500 IN. ZC
 SCALE = .0125

PARAMETRIC DATA

ALPHAC = 2.000 BETAC = .000
 STAB = 5.000 RUDDER = .000

RUN NO. 1025/ 0 RN/L = .00 GRADIENT INTERVAL = -5.00/ 5.00

MACH	DZ	DY	DX	CN	CLM	CA	CY	CYN	CBL	CL	CD
.600	.930	.00000	.00000	.32200	-.21220	.03760	.00200	-.00110	.00020	.31990	.05270
.601	1.880	.00000	.00000	.32070	-.21280	.03780	.00180	-.00100	.00010	.31860	.05280
.600	2.820	.00000	.00000	.32320	-.21170	.03790	.00170	-.00100	.00000	.32110	.05300
.600	3.760	.00000	.00000	.32380	-.21220	.03800	.00160	-.00100	.00010	.32170	.05310
.600	4.720	.00000	.00000	.32460	-.21220	.03790	.00210	-.00100	.00020	.32250	.05300
.600	5.660	.00000	.00000	.32450	-.21010	.03750	.00180	-.00100	.00010	.32240	.05270
.600	6.600	.00000	.00000	.32400	-.21240	.03760	.00170	-.00110	.00000	.32190	.05270
.599	7.550	.00000	.00000	.32220	-.21310	.03810	.00180	-.00120	.00000	.32010	.05310
.600	8.490	.00000	.00000	.32000	-.21240	.03800	.00210	-.00110	.00000	.31780	.05290
.601	9.440	.00000	.00000	.32250	-.21260	.03800	.00220	-.00110	.00010	.32030	.05310
.601	10.390	.00000	.00000	.32360	-.21120	.03810	.00200	-.00110	.00030	.32150	.05330
.603	11.330	.00000	.00000	.32000	-.21240	.03800	.00180	-.00090	.00030	.31790	.05300
.600	12.270	.00000	.00000	.32250	-.21180	.03820	.00160	-.00090	.00040	.32030	.05330
.601	13.220	.00000	.00000	.32030	-.21310	.03790	.00160	-.00100	.00010	.31820	.05280
.602	14.170	.00000	.00000	.32060	-.21200	.03810	.00190	-.00100	.00000	.31840	.05300
.602	15.110	.00000	.00000	.32090	-.21230	.03830	.00160	-.00090	.00010	.31880	.05330
.601	16.060	.00000	.00000	.32120	-.21330	.03850	.00150	-.00080	.00020	.31900	.05350
.601	17.000	.00000	.00000	.32450	-.21150	.03820	.00160	-.00100	.00000	.32230	.05340
.602	17.940	.00000	.00000	.32270	-.21220	.03830	.00170	-.00100	.00000	.32050	.05340
.603	18.890	.00000	.00000	.32320	-.21310	.03810	.00160	-.00090	.00010	.32110	.05320
.602	19.840	.00000	.00000	.32490	-.21460	.03840	.00150	-.00090	.00010	.32280	.05360
.602	20.780	.00000	.00000	.32280	-.21450	.03850	.00120	-.00100	.00000	.32060	.05350
.602	21.730	.00000	.00000	.32570	-.21290	.03840	.00160	-.00100	.00010	.32350	.05360
.603	22.670	.00000	.00000	.32150	-.21400	.03830	.00190	-.00120	.00000	.31930	.05330
.602	23.620	.00000	.00000	.32050	-.21640	.03870	.00190	-.00110	.00010	.31830	.05360
.602	24.570	.00000	.00000	.32110	-.21520	.03830	.00210	-.00100	.00010	.31890	.05320
.604	25.510	.00000	.00000	.32270	-.21280	.03840	.00140	-.00100	.00000	.32050	.05350
.603	26.450	.00000	.00000	.32000	-.21340	.03810	.00190	-.00100	.00000	.31780	.05310
.602	27.400	.00000	.00000	.32340	-.21540	.03870	.00180	-.00100	.00000	.32120	.05380
.602	28.350	.00000	.00000	.32600	-.21470	.03840	.00140	-.00100	-.00010	.32380	.05360
.603	29.290	.00000	.00000	.32490	-.21280	.03820	.00140	-.00110	-.00020	.32280	.05340
.603	30.240	.00000	.00000	.32500	-.21520	.03870	.00180	-.00100	.00000	.32280	.05390
.603	31.180	.00000	.00000	.32180	-.21430	.03860	.00150	-.00090	.00000	.31970	.05360
.602	32.120	.00000	.00000	.32380	-.21640	.03870	.00180	-.00100	.00010	.32160	.05380
.602	33.070	.00000	.00000	.32330	-.21770	.03880	.00200	-.00110	.00020	.32110	.05390
.602	34.020	.00000	.00000	.32470	-.21610	.03860	.00210	-.00100	.00020	.32250	.05380
.603	34.960	.00000	.00000	.32300	-.21570	.03840	.00160	-.00100	.00000	.32080	.05340
.604	35.910	.00000	.00000	.32110	-.21730	.03860	.00190	-.00110	.00000	.31890	.05360
.604	36.850	.00000	.00000	.32050	-.21660	.03860	.00180	-.00110	.00000	.31830	.05360
.603	37.800	.00000	.00000	.32520	-.21610	.03870	.00190	-.00100	.00000	.32300	.05390
.603	38.750	.00000	.00000	.32340	-.21670	.03880	.00180	-.00110	.00000	.32120	.05390
.603	39.690	.00000	.00000	.32340	-.21770	.03880	.00170	-.00100	.00010	.32120	.05390
.604	40.630	.00000	.00000	.32290	-.21640	.03880	.00170	-.00100	.00030	.32070	.05390

ORIGINAL PAGE IS
OF POOR QUALITY

LTV44-559(CA26) 747/1 ATY

(YFE024) (18 NOV 75)

REFERENCE DATA

SREF = 5500.0000 SQ.FT. XMRP = 1339.9000 IN. XC
 LREF = 327.7800 IN. YMRP = .0000 IN. YC
 BREF = 2348.0400 IN. ZMRP = 190.7500 IN. ZC
 SCALE = .0125

PARAMETRIC DATA

ALPHAC = 2.000 BETAC = .000
 STAB = 5.000 RUDDER = .000

RUN NO. 1025/ 0 RN/L = .00 GRADIENT INTERVAL = -5.00/ 5.00

MACH	DZ	DY	DX	CN	CLM	CA	CY	CYN	CBL	CL	CD
.603	41.580	.00000	.00000	.32410	-.21660	.03870	.00130	-.00100	.00000	.32190	.05380
.603	42.530	.00000	.00000	.32250	-.21710	.03900	.00180	-.00090	.00020	.32040	.05400
.601	43.470	.00000	.00000	.32380	-.21740	.03890	.00150	-.00100	.00000	.32160	.05400
.602	44.420	.00000	.00000	.32530	-.21620	.03890	.00140	-.00100	.00000	.32310	.05410
.602	45.360	.00000	.00000	.32480	-.21830	.03910	.00160	-.00100	-.00020	.32260	.05420
.603	46.300	.00000	.00000	.32400	-.21700	.03900	.00130	-.00090	-.00010	.32180	.05410
.602	47.250	.00000	.00000	.32540	-.21890	.03930	.00160	-.00090	.00030	.32320	.05450
	GRADIENT	.00000	.00000	.00088	.00006	.00008	.00000	.00002	.00000	.00088	.00009

LTV44-559(CA26) 747/1 ATY

(YFE025) (18 NOV 75)

REFERENCE DATA

SREF = 5500.0000 SQ.FT. XMRP = 1339.9000 IN. XC
 LREF = 327.7800 IN. YMRP = .0000 IN. YC
 BREF = 2348.0400 IN. ZMRP = 190.7500 IN. ZC
 SCALE = .0125

PARAMETRIC DATA

ALPHAC = 2.000 BETAC = .000
 STAB = 5.000 RUDDER = .000

RUN NO. 2025/ 0 RN/L = .00 GRADIENT INTERVAL = -5.00/ 5.00

MACH	DX	DY	DZ	CN	CLM	CA	CY	CYN	CBL	CL	CD
.603	.670	.00000	51.98000	.32410	-.21930	.04010	.00160	-.00100	.00010	.32190	.05520
.603	1.350	.00000	51.98000	.32530	-.21780	.04000	.00140	-.00100	.00000	.32300	.05520
.605	2.000	.00000	51.98000	.32380	-.22000	.03950	.00190	-.00100	.00000	.32160	.05460
.603	2.680	.00000	51.98000	.32590	-.21950	.03960	.00140	-.00100	.00000	.32370	.05480
.604	3.330	.00000	51.98000	.32480	-.22070	.03900	.00170	-.00100	.00010	.32260	.05410
.603	4.010	.00000	51.98000	.32490	-.22150	.03880	.00150	-.00100	.00000	.32270	.05400
.604	4.680	.00000	51.98000	.32170	-.22130	.03910	.00140	-.00100	.00000	.31950	.05410
.604	5.330	.00000	51.98000	.32330	-.22110	.03920	.00130	-.00100	.00000	.32110	.05430
.604	6.010	.00000	51.98000	.32590	-.22300	.03910	.00150	-.00100	.00000	.32370	.05430
.605	6.660	.00000	51.98000	.32490	-.22130	.03910	.00160	-.00100	-.00010	.32270	.05420
.604	7.340	.00000	51.98000	.32610	-.22240	.03930	.00170	-.00100	-.00010	.32390	.05450
.603	8.020	.00000	51.98000	.32570	-.22400	.03920	.00190	-.00080	.00000	.32350	.05430
.604	8.670	.00000	51.98000	.32400	-.22290	.03920	.00190	-.00080	.00010	.32180	.05430
.605	9.340	.00000	51.98000	.32190	-.22340	.03920	.00160	-.00090	.00010	.31980	.05420
.603	10.000	.00000	51.98000	.32610	-.22570	.03970	.00180	-.00090	.00020	.32380	.05490
.604	10.670	.00000	51.98000	.32450	-.22400	.03960	.00150	-.00090	.00010	.32230	.05470
.602	11.350	.00000	51.98000	.32480	-.22570	.03970	.00160	-.00100	.00010	.32260	.05480
.603	12.000	.00000	51.98000	.32390	-.22560	.03940	.00150	-.00100	.00000	.32180	.05440
.602	12.680	.00000	51.98000	.32520	-.22610	.03960	.00150	-.00100	-.00030	.32300	.05470
.603	13.330	.00000	51.98000	.32400	-.22670	.03990	.00150	-.00100	-.00010	.32180	.05490
.604	14.010	.00000	51.98000	.32490	-.22420	.03920	.00130	-.00100	.00010	.32270	.05440
.603	14.680	.00000	51.98000	.32820	-.22440	.03940	.00140	-.00090	.00000	.32600	.05470
.603	15.330	.00000	51.98000	.32720	-.22610	.03950	.00160	-.00100	.00000	.32500	.05470
.603	16.010	.00000	51.98000	.32730	-.22490	.03910	.00120	-.00100	-.00020	.32510	.05440
.603	16.660	.00000	51.98000	.32760	-.22710	.03940	.00130	-.00100	-.00020	.32540	.05470
.603	17.340	.00000	51.98000	.32770	-.22590	.03940	.00110	-.00090	-.00010	.32550	.05470
.604	18.020	.00000	51.98000	.32680	-.22470	.03940	.00110	-.00100	-.00010	.32460	.05460
.603	18.670	.00000	51.98000	.32780	-.22770	.03960	.00130	-.00100	-.00010	.32560	.05490
.603	19.340	.00000	51.98000	.32850	-.22530	.03950	.00110	-.00100	.00000	.32630	.05480
.604	20.000	.00000	51.98000	.32850	-.22600	.04010	.00120	-.00090	.00000	.32620	.05540
.603	20.670	.00000	51.98000	.32990	-.22660	.04000	.00110	-.00090	.00010	.32770	.05540
.604	21.350	.00000	51.98000	.32910	-.22750	.03960	.00120	-.00090	.00020	.32690	.05490
.603	22.000	.00000	51.98000	.32800	-.22760	.03990	.00110	-.00090	.00010	.32580	.05510
.604	22.680	.00000	51.98000	.32640	-.22740	.03960	.00130	-.00090	.00020	.32420	.05470
.604	23.330	.00000	51.98000	.32620	-.22720	.03950	.00140	-.00100	.00020	.32400	.05470
.632	24.010	.00000	51.98000	.33040	-.22830	.03990	.00130	-.00100	.00010	.32820	.05530
.603	24.660	.00000	51.98000	.32600	-.22830	.03960	.00130	-.00100	.00010	.32380	.05470
.603	25.330	.00000	51.98000	.32560	-.22970	.04000	.00140	-.00100	.00000	.32340	.05520
.602	26.010	.00000	51.98000	.32660	-.23090	.03980	.00130	-.00090	.00000	.32440	.05500
.603	26.660	.00000	51.98000	.32420	-.23020	.03950	.00120	-.00100	-.00010	.32200	.05460
.602	27.340	.00000	51.98000	.32740	-.22900	.03990	.00120	-.00090	.00000	.32520	.05510
.603	27.990	.00000	51.98000	.32550	-.23210	.03910	.00140	-.00110	.00000	.32330	.05420
.603	28.670	.00000	51.98000	.32690	-.23170	.03960	.00140	-.00100	.00000	.32470	.05470

LTV44-559(CA26) 747/1 ATY

(YFE025) (18 NOV 75)

REFERENCE DATA

SREF = 5500.0000 SQ.FT. XMRP = 1339.9000 IN. XC
 LREF = 327.7800 IN. YMRP = .0000 IN. YC
 BREF = 2348.0400 IN. ZMRP = 190.7500 IN. ZC
 SCALE = .0125

PARAMETRIC DATA

ALPHAC = 2.000 BETAC = .000
 STAB = 5.000 RUDDER = .000

RUN NO. 2025/ 0 RN/L = .00 GRADIENT INTERVAL = -5.00/ 5.00

MACH	DX	DY	DZ	CN	CLM	CA	CY	CYN	CBL	CL	CD
.603	29.340	.00000	51.98000	.32640	-.23100	.03950	.00140	-.00090	.00010	.32420	.05470
.603	30.000	.00000	51.98000	.32650	-.23180	.04010	.00140	-.00090	.00000	.32420	.05530
.604	30.670	.00000	51.98000	.32630	-.23180	.04000	.00110	-.00090	.00000	.32410	.05520
.602	31.320	.00000	51.98000	.32710	-.23180	.04000	.00140	-.00090	.00000	.32490	.05510
.602	32.000	.00000	51.98000	.32580	-.23230	.03980	.00160	-.00100	.00010	.32360	.05490
.602	32.680	.00000	51.98000	.32850	-.23190	.03980	.00110	-.00100	.00000	.32630	.05500
.603	33.330	.00000	51.98000	.32750	-.23210	.04000	.00160	-.00100	.00020	.32530	.05520
	GRADIENT	.00000	.00000	-.00037	-.00075	-.00032	-.00003	-.00000	-.00001	-.00036	-.00033

LTV44-559(CA26) 747/1

(YFE026) (18 NOV 75)

REFERENCE DATA

SREF = 5500.0000 SQ.FT. XMRP = 1339.9000 IN. XC
 LREF = 327.7800 IN. YMRP = .0000 IN. YC
 BREF = 2348.0400 IN. ZMRP = 190.7500 IN. ZC
 SCALE = .0125

PARAMETRIC DATA

BETAC = .000 STAB = -1.000
 RUDDER = .000

RUN NO. 19/ 0 RN/L = .00 GRADIENT INTERVAL = -5.00/ 5.00

MACH	ALPHAC	BETAC	CN	CLM	CA	CY	CYN	CBL	CL	CD
.608	.430	.01000	.04680	.12300	.03820	.00510	-.00170	-.00010	.04650	.03850
.608	.430	.01000	.04660	.12270	.03850	.00500	-.00170	-.00020	.04630	.03880
.606	.430	.01000	.04590	.12410	.03830	.00560	-.00170	-.00010	.04560	.03860
.608	.430	.01000	.04590	.12480	.03810	.00470	-.00170	-.00020	.04560	.03840
.609	.440	.00000	.04900	.12520	.03810	.00530	-.00160	-.00010	.04870	.03850
.608	.440	.01000	.05030	.12510	.03820	.00500	-.00170	-.00030	.05000	.03860
.609	.440	.01000	.05160	.12520	.03820	.00580	-.00170	-.00020	.05130	.03860
.608	.440	.01000	.04990	.12520	.03830	.00570	-.00170	-.00030	.04960	.03860
.610	.430	.01000	.04710	.12190	.03800	.00440	-.00180	-.00030	.04680	.03830
.609	.430	.01000	.04630	.12300	.03810	.00480	-.00180	-.00040	.04600	.03850
.609	.430	.01000	.04700	.12230	.03810	.00450	-.00170	-.00030	.04670	.03840
	GRADIENT	-.24994	.36851	.20610	.00145	.05784	.00535	.00036	.36850	.00751

DATE 29 MAR 76

CA-26 FORCE SOURCE DATA TABULATION

PAGE 1033

LTV44-559(CA26) 747/1

(YFE027) (18 NOV 75)

REFERENCE DATA

SREF = 5500.0000 SQ.FT. XMRP = 1339.9000 IN. XC
 LREF = 327.7800 IN. YMRP = .0000 IN. YC
 BREF = 2348.0400 IN. ZMRP = 190.7500 IN. ZC
 SCALE = .0125

PARAMETRIC DATA

BETAC = .000 STAB = 3.000
 RUDDER = .000

RUN NO. 21/ 0 RN/L = .00 GRADIENT INTERVAL = -5.00/ 5.00

MACH	ALPHAC	BETAC	CN	CLM	CA	CY	CYN	CBL	CL	CD
.604	.220	.00000	.08870	-.08660	.03940	.00430	-.00150	-.00060	.08860	.03980
.604	.220	.00000	.08840	-.08630	.03950	.00390	-.00150	-.00050	.08820	.03980
.603	.210	.00000	.08840	-.08790	.03960	.00490	-.00150	-.00070	.08820	.04000
.603	.220	.00000	.08830	-.08680	.03980	.00480	-.00140	-.00060	.08820	.04010
.604	.220	.00000	.08760	-.08620	.03970	.00520	-.00140	-.00040	.08740	.04010
.604	.220	.00000	.08800	-.08670	.03950	.00430	-.00140	-.00020	.08790	.03990
.605	.220	.00000	.08930	-.08530	.03950	.00500	-.00140	.00000	.08920	.03980
.606	.220	.00000	.08940	-.08580	.03940	.00490	-.00140	.00000	.08920	.03970
.604	.220	.00000	.09000	-.08540	.03960	.00440	-.00140	-.00010	.08980	.04000
.606	.220	.00000	.08960	-.08430	.03960	.00490	-.00150	.00000	.08940	.04000
.606	.220	.00000	.08910	-.08510	.03950	.00440	-.00140	-.00010	.08890	.03990
	GRADIENT	.00000	.04405	.20500	-.00502	-.02900	.00700	.04500	.04801	-.00898

LTV44-559(CA26) 747/1

(YFE028) (18 NOV 75)

REFERENCE DATA

SREF = 5500.0000 SQ.FT. XMRP = 1339.9000 IN. XC
 LREF = 327.7800 IN. YMRP = .0000 IN. YC
 BREF = 2348.0400 IN. ZMRP = 190.7500 IN. ZC
 SCALE = .0125

PARAMETRIC DATA

BETAC = .000 STAB = 5.000
 RUDDER = .000

RUN NO. 20/ 0 RN/L = .00 GRADIENT INTERVAL = -5.00/ 5.00

MACH	ALPHAC	BETAC	CN	CLM	CA	CY	CYN	CBL	CL	CD
.606	.110	.00000	.10870	-.19200	.04150	.00430	-.00140	.00000	.10860	.04180
.605	.100	.00000	.10810	-.19490	.04220	.00500	-.00140	.00020	.10810	.04240
.606	.100	.00000	.10720	-.19470	.04150	.00360	-.00140	.00020	.10710	.04170
.605	.100	.00000	.10510	-.19660	.04190	.00340	-.00130	.00000	.10500	.04210
.607	.100	.00000	.10460	-.19480	.04170	.00420	-.00140	-.00010	.10450	.04190
.606	.100	.00000	.10620	-.19570	.04190	.00330	-.00130	.00000	.10620	.04210
.607	.100	.00000	.10610	-.19490	.04170	.00360	-.00130	.00000	.10600	.04190
.607	.100	.00000	.10720	-.19490	.04170	.00300	-.00140	-.00020	.10710	.04190
.607	.100	.00000	.10880	-.19460	.04170	.00320	-.00130	-.00010	.10870	.04190
.607	.100	.00000	.10750	-.19380	.04160	.00470	-.00140	.00000	.10740	.04180
.608	.100	.00000	.10780	-.19530	.04180	.00440	-.00140	-.00020	.10780	.04200
	GRADIENT	.00000	.18403	.30187	-.02699	.04600	-.00400	.00200	.18102	-.01698

LTV44-559(CA26) 747/4

(YFE029) (18 NOV 75)

REFERENCE DATA

SREF = 5500.0000 SQ.FT. XMRP = 1339.9000 IN. XC
 LREF = 327.7800 IN. YMRP = .0000 IN. YC
 BREF = 2348.0400 IN. ZMRP = 190.7500 IN. ZC
 SCALE = .0125

PARAMETRIC DATA

BETAC = .000 RUDDER = .000

RUN NO. 22/ 0 RN/L = .00 GRADIENT INTERVAL = -5.00/ 5.00

MACH	ALPHAC	BETAC	CN	CLM	CA	CY	CYN	CBL	CL	CD
.601	.330	.00000	.06860	.02550	.03510	.00490	-.00130	.00000	.06840	.03550
.601	.330	.00000	.06930	.02690	.03510	.00470	-.00130	.00000	.06910	.03550
.602	.330	.00000	.06930	.02610	.03500	.00460	-.00130	.00000	.06910	.03540
.602	.330	.00000	.06890	.02680	.03480	.00550	-.00140	-.00020	.06870	.03520
.603	.330	.00000	.06840	.02520	.03500	.00470	-.00140	-.00030	.06820	.03540
.602	.340	.00000	.07090	.02790	.03480	.00520	-.00150	-.00030	.07070	.03520
.602	.340	.00000	.07200	.02860	.03470	.00480	-.00150	-.00010	.07180	.03520
.601	.340	.00000	.07290	.03070	.03480	.00450	-.00150	-.00020	.07260	.03520
.600	.340	.00000	.07280	.03090	.03490	.00450	-.00140	-.00010	.07260	.03530
.602	.330	.00000	.07020	.02600	.03490	.00500	-.00130	.00010	.07000	.03530
.600	.330	.00000	.06810	.02620	.03490	.00570	-.00140	.00000	.06790	.03530
	GRADIENT	.00000	.31783	.34245	-.01712	-.02642	-.01321	-.01178	.31532	-.01462

LTV44-559(CA26) 747/1 ATY 02 S1 (CARRIER DATA)

(YFE030) (19 NOV 75)

REFERENCE DATA

SREF = 5500.0000 SQ.FT. XMRP = 1339.9000 IN. XC
 LREF = 327.7800 IN. YMRP = .0000 IN. YC
 BREF = 2348.0400 IN. ZMRP = 190.7500 IN. ZC
 SCALE = .0125

PARAMETRIC DATA

ALPHAC = .000 BETAC = .000
 STAB = 5.000 ELEVON = 5.000
 BDFLAP = .000 DX = .000
 DY = .000 IORB = 4.000
 BETA0 = .000 RUDDER = .000

RUN NO. 30/ 0 RN/L = .00 GRADIENT INTERVAL = -5.00/ 5.00

MACH	DZ	DY	DX	CN	CLM	CA	CY	CYN	CBL	CL	CD
.622	2.110	.00000	-.05000	.00870	-.12310	.04700	.00720	-.00270	.00070	.00860	.04700
.626	3.410	.00000	-.05000	.00430	-.12750	.04610	.00600	-.00250	.00060	.00420	.04610
.626	4.700	.00000	-.05000	.01240	-.12700	.04670	.00590	-.00280	.00060	.01240	.04670
.625	6.000	.00000	-.05000	.01310	-.12810	.04640	.00710	-.00310	.00040	.01300	.04640
.626	7.300	.00000	-.03000	.01850	-.13020	.04640	.00610	-.00310	.00040	.01840	.04640
.625	8.590	.00000	-.03000	.01910	-.13340	.04630	.00620	-.00320	.00030	.01900	.04640
.627	9.890	.00000	-.03000	.02300	-.13610	.04650	.00650	-.00330	.00040	.02300	.04650
.626	11.180	.00000	-.03000	.02460	-.14110	.04650	.00640	-.00290	.00080	.02450	.04650
.624	12.480	.00000	-.02000	.02520	-.14230	.04630	.00600	-.00290	.00070	.02510	.04630
.626	13.780	.00000	-.02000	.03400	-.14370	.04700	.00720	-.00270	.00110	.03390	.04700
.622	15.080	.00000	-.02000	.03410	-.15100	.04690	.00580	-.00270	.00040	.03410	.04700
.625	16.370	.00000	-.02000	.03300	-.15180	.04660	.00570	-.00250	.00050	.03300	.04670
.626	17.670	.00000	-.01000	.03500	-.15320	.04650	.00470	-.00220	.00040	.03500	.04660
.626	18.960	.00000	-.01000	.03830	-.15490	.04690	.00600	-.00220	.00070	.03830	.04700
.627	20.260	.00000	-.01000	.03960	-.15460	.04650	.00570	-.00190	.00050	.03950	.04660
.625	21.550	.00000	.00000	.04080	-.15600	.04650	.00490	-.00160	.00070	.04080	.04660
.624	22.840	.00000	.00000	.04510	-.15990	.04690	.00290	-.00160	.00020	.04500	.04690
.626	24.140	.00000	.00000	.04760	-.15790	.04660	.00360	-.00140	.00030	.04750	.04670
.624	25.440	.00000	.00000	.05450	-.16010	.04700	.00420	-.00130	.00080	.05440	.04710
.626	26.740	.00000	.01000	.05260	-.16120	.04660	.00230	-.00130	.00030	.05260	.04670
.626	28.030	.00000	.01000	.05420	-.16300	.04670	.00230	-.00120	-.00010	.05410	.04680
.626	29.330	.00000	.01000	.05420	-.16500	.04670	.00350	-.00110	-.00020	.05420	.04680
.627	30.620	.00000	.01000	.05500	-.16710	.04680	.00230	-.00100	.00020	.05490	.04680
.624	31.920	.00000	.02000	.05700	-.17000	.04720	.00280	-.00100	.00040	.05700	.04730
.626	33.210	.00000	.02000	.05700	-.16890	.04670	.00320	-.00100	.00020	.05700	.04680
.627	34.510	.00000	.02000	.06040	-.16910	.04670	.00190	-.00100	.00020	.06030	.04680
.626	35.800	.00000	.03000	.05890	-.17100	.04690	.00340	-.00090	.00010	.05890	.04700
.622	37.110	.00000	.03000	.06250	-.17140	.04730	.00400	-.00100	.00010	.06240	.04740
.624	38.400	.00000	.03000	.06290	-.17220	.04680	.00310	-.00100	.00000	.06290	.04690
.626	39.700	.00000	.03000	.06190	-.17200	.04640	.00280	-.00090	.00020	.06180	.04650
.625	40.990	.00000	.05000	.06270	-.17370	.04690	.00370	-.00100	.00010	.06270	.04700
.625	42.290	.00000	.05000	.06500	-.17520	.04650	.00220	-.00110	-.00020	.06490	.04660
.624	43.580	.00000	.05000	.06560	-.17710	.04720	.00260	-.00100	-.00030	.06550	.04730
.626	44.880	.00000	.05000	.06420	-.17780	.04670	.00220	-.00100	.00000	.06410	.04680
.622	46.180	.00000	.06000	.06900	-.17760	.04730	.00340	-.00100	.00070	.06900	.04740
.622	47.470	.00000	.06000	.06660	-.17810	.04710	.00250	-.00110	.00020	.06660	.04720
.626	48.120	.00000	.06000	.06970	-.17690	.04680	.00230	-.00100	.00020	.06970	.04690
GRADIENT		.00000	-.00000	.00142	-.00151	-.00012	-.00050	-.00000	-.00004	.00146	-.00012

LTV44-559(CA26) 747/1 ATY 02 S1 (CARRIER DATA)

(YFE031) (18 NOV 75)

REFERENCE DATA

SREF = 5500.0000 SQ.FT. XMRP = 1339.9000 IN. XC
 LREF = 327.7800 IN. YMRP = .0000 IN. YC
 BREF = 2348.0400 IN. ZMRP = 190.7500 IN. ZC
 SCALE = .0125

PARAMETRIC DATA

ALPHAC = .000 BETAC = .000
 STAB = 5.000 ELEVON = 5.000
 BDFLAP = .000 DX = .000
 DY = .000 IORB = 6.000
 BETA0 = .000 RUDDER = .000

RUN NO. 1030/ 0 RN/L = .00 GRADIENT INTERVAL = -5.00/ 5.00

MACH	DZ	DY	DX	CN	CLM	CA	CY	CYN	CBL	CL	CD
.622	1.480	.00000	-.03000	-.02220	-.06700	.04330	.00650	-.00310	.00030	-.02230	.04320
.624	2.630	.00000	-.03000	-.01520	-.06900	.04310	.00660	-.00310	.00070	-.01520	.04310
.623	3.790	.00000	-.03000	-.01400	-.07240	.04340	.00690	-.00340	.00080	-.01410	.04340
.624	4.950	.00000	-.03000	-.00940	-.07710	.04370	.00630	-.00330	.00090	-.00950	.04370
.626	6.110	.00000	-.03000	-.00430	-.08350	.04370	.00630	-.00320	.00080	-.00440	.04370
.625	7.270	.00000	-.03000	-.00560	-.09190	.04370	.00700	-.00320	.00070	-.00560	.04370
.624	8.430	.00000	-.03000	-.00150	-.09720	.04430	.00640	-.00290	.00080	-.00160	.04430
.625	9.590	.00000	-.03000	.00280	-.10120	.04410	.00600	-.00290	.00070	.00270	.04420
.625	10.750	.00000	-.02000	.00500	-.10410	.04460	.00630	-.00290	.00050	.00490	.04460
.626	11.900	.00000	-.02000	.00720	-.10920	.04470	.00570	-.00280	.00050	.00710	.04470
.627	13.060	.00000	-.02000	.01340	-.11100	.04490	.00520	-.00280	.00060	.01330	.04490
.624	14.220	.00000	-.02000	.01360	-.11630	.04480	.00580	-.00260	.00070	.01350	.04490
.625	15.380	.00000	-.02000	.01910	-.11840	.04500	.00560	-.00250	.00060	.01910	.04500
.625	16.540	.00000	-.01000	.02020	-.12010	.04440	.00530	-.00230	.00050	.02020	.04500
.629	16.540	.00000	-.01000	.02080	-.12570	.04500	.00480	-.00220	.00020	.02070	.04500
.626	17.700	.00000	-.01000	.02080	-.12570	.04500	.00480	-.00200	.00030	.02380	.04570
.622	18.860	.00000	-.01000	.02390	-.13050	.04560	.00440	-.00200	.00060	.02830	.04540
.626	20.020	.00000	-.01000	.02840	-.12910	.04530	.00400	-.00180	.00060	.02830	.04550
.626	21.180	.00000	-.01000	.02580	-.13530	.04540	.00360	-.00160	.00040	.02580	.04590
.622	22.330	.00000	.00000	.03200	-.13670	.04590	.00380	-.00160	.00020	.03190	.04510
.624	23.490	.00000	.00000	.03090	-.14090	.04510	.00350	-.00140	.00030	.03090	.04510
.625	24.650	.00000	.00000	.03450	-.14000	.04590	.00240	-.00130	.00030	.03450	.04600
.626	25.810	.00000	.00000	.03420	-.14240	.04570	.00260	-.00120	.00030	.03420	.04580
.624	26.970	.00000	.01000	.04020	-.14430	.04560	.00290	-.00110	.00010	.04010	.04570
.626	28.130	.00000	.01000	.04260	-.14450	.04560	.00370	-.00100	.00040	.04250	.04570
.624	29.290	.00000	.01000	.03950	-.14910	.04570	.00230	-.00100	.00030	.03940	.04570
.623	30.450	.00000	.01000	.04110	-.15050	.04610	.00260	-.00090	.00000	.04110	.04610
.623	31.610	.00000	.02000	.04270	-.15320	.04620	.00270	-.00100	.00010	.04260	.04620
.625	32.760	.00000	.02000	.04450	-.15390	.04610	.00210	-.00090	.00030	.04440	.04610
.625	33.920	.00000	.02000	.04760	-.15480	.04620	.00230	-.00090	.00000	.04750	.04630
.623	35.080	.00000	.02000	.04620	-.15840	.04630	.00200	-.00090	.00010	.04610	.04640
.624	36.240	.00000	.02000	.04680	-.15700	.04630	.00330	-.00090	.00000	.04680	.04640
.625	37.400	.00000	.03000	.05210	-.15700	.04590	.00180	-.00080	.00010	.05200	.04590
.626	38.560	.00000	.03000	.05270	-.15790	.04600	.00180	-.00100	.00030	.05260	.04610
.626	39.720	.00000	.03000	.05290	-.15900	.04590	.00190	-.00080	.00020	.05280	.04600
.629	40.880	.00000	.03000	.05410	-.15900	.04570	.00230	-.00080	.00030	.05410	.04580
.624	42.030	.00000	.05000	.05480	-.16100	.04630	.00330	-.00090	.00010	.05480	.04630
.624	43.190	.00000	.05000	.05660	-.16380	.04640	.00310	-.00090	.00040	.05650	.04650
.625	44.360	.00000	.05000	.05710	-.16360	.04600	.00190	-.00090	.00000	.05700	.04610
.626	45.520	.00000	.05000	.05940	-.16230	.04600	.00250	-.00100	.00000	.05930	.04610
.623	46.680	.00000	.05000	.05970	-.16530	.04650	.00260	-.00110	.00010	.05970	.04650
.625	47.840	.00000	.06000	.06060	-.16540	.04610	.00210	-.00110	.00010	.06050	.04620
.624	48.990	.00000	.06000	.05920	-.16800	.04640	.00240	-.00100	.00020	.05920	.04650

DATE 29 MAR 76

CA-26 FORCE SOURCE DATA TABULATION

PAGE 1037

LTV44-559(CA26) 747/1 ATY 02 S1 (CARRIER DATA)

(YFE031) (18 NOV 75)

REFERENCE DATA

SREF = 5500.0000 SQ.FT. XMRP = 1339.9000 IN. XC
 LREF = 327.7800 IN. YMRP = .0000 IN. YC
 BREF = 2348.0400 IN. ZMRP = 190.7500 IN. ZC
 SCALE = .0125

PARAMETRIC DATA

ALPHAC = .000 BETAC = .000
 STAB = 5.000 ELEVON = 5.000
 BCFLAP = .000 DX = .000
 DY = .000 IORB = 6.000
 BETA0 = .000 RUDDER = .000

RUN NO. 1030/ 0 RN/L = .00 GRADIENT INTERVAL = -5.00/ 5.00

MACH	DZ	DY	DX	CN	CLM	CA	CY	CYN	CBL	CL	CD
.624	50.150	.00000	.06000	.05870	-.16810	.04660	.00300	-.00110	.00000	.05870	.04670
.624	51.310	.00000	.07000	.06150	-.16960	.04620	.00240	-.00110	.00030	.06150	.04630
.625	52.470	.00000	.06000	.06430	-.16600	.04640	.00270	-.00100	.00020	.06430	.04650
.623	53.630	.00000	.07000	.06540	-.17000	.04640	.00250	-.00090	.00030	.06530	.04640
	GRADIENT	.00000	-.00000	.00342	-.00291	.00013	-.00003	-.00008	.00016	.00341	.00016

ORIGINAL PAGE IS
OF POOR QUALITY

LTV44-559(CA26) 747/1 ATY 02 S1 (CARRIER DATA)

(YFE032) (18 NOV 75)

REFERENCE DATA

SREF = 5500.0000 SQ.FT. XMRP = 1339.9000 IN. XC
 LREF = 327.7300 IN. YMRP = .0000 IN. YC
 BREF = 2348.0400 IN. ZMRP = 190.7500 IN. ZC
 SCALE = .0125

PARAMETRIC DATA

ALPHAC = .000 BETAC = .000
 STAB = 5.000 ELEVON = 5.000
 BDFLAP = .000 DX = .000
 DY = .000 IORB = 6.000
 BETA0 = .000 RUDDER = .000

RUN NO. 2030/ 0 RN/L = .00 GRADIENT INTERVAL = -5.00/ 5.00

MACH	OZ	DY	DX	CN	CLM	CA	CY	CYN	CBL	CL	CD
.624	2.630	.00000	-.03000	-.02780	-.06410	.04310	.00700	-.00280	.00110	-.02790	.04310
.624	3.790	.00000	-.03000	-.02870	-.06710	.04290	.00680	-.00280	.00070	-.02880	.04280
.622	4.950	.00000	-.03000	-.02030	-.06950	.04360	.00610	-.00310	.00030	-.02040	.04360
.625	6.110	.00000	-.03000	-.01610	-.07220	.04330	.00620	-.00330	.00030	-.01620	.04330
.624	7.270	.00000	-.03000	-.01360	-.07780	.04320	.00630	-.00350	.00020	-.01370	.04320
.625	8.430	.00000	-.03000	-.01170	-.08380	.04350	.00690	-.00340	.00040	-.01180	.04350
.626	9.590	.00000	-.02000	-.00580	-.08800	.04330	.00690	-.00350	.00010	-.00590	.04330
.625	10.750	.00000	-.02000	-.00260	-.09230	.04440	.00740	-.00330	.00070	-.00270	.04440
.626	11.900	.00000	-.02000	.00200	-.09720	.04390	.00700	-.00320	.00090	.00190	.04390
.626	13.070	.00000	-.02000	.00540	-.10230	.04410	.00680	-.00310	.00070	.00390	.04410
.625	14.230	.00000	-.02000	.00940	-.10830	.04460	.00740	-.00300	.00100	.00530	.04460
.628	15.390	.00000	-.02000	.01050	-.10930	.04450	.00600	-.00290	.00050	.01040	.04450
.625	16.550	.00000	-.01000	.00980	-.11580	.04490	.00620	-.00290	.00070	.00970	.04490
.625	17.710	.00000	-.01000	.01160	-.11820	.04510	.00610	-.00270	.00070	.01160	.04520
.626	18.860	.00000	-.01000	.01420	-.12220	.04490	.00630	-.00260	.00080	.01420	.04500
.624	20.020	.00000	-.01000	.01780	-.12550	.04520	.00520	-.00240	.00050	.01770	.04520
.625	21.180	.00000	-.01000	.02260	-.12550	.04550	.00540	-.00200	.00120	.02260	.04560
.625	22.330	.00000	.00000	.02430	-.12970	.04560	.00520	-.00210	.00060	.02420	.04560
.625	23.500	.00000	.00000	.02580	-.13200	.04540	.00440	-.00200	.00040	.02570	.04540
.625	24.660	.00000	.00000	.02770	-.13610	.04580	.00440	-.00160	.00040	.02760	.04580
.625	25.820	.00000	.00000	.02790	-.13990	.04580	.00460	-.00160	.00050	.02780	.04590
.627	26.980	.00000	.01000	.03320	-.13670	.04580	.00340	-.00150	.00020	.03320	.04580
.623	28.140	.00000	.01000	.03510	-.14280	.04600	.00310	-.00150	.00000	.03510	.04600
.625	29.290	.00000	.01000	.03410	-.14260	.04570	.00340	-.00130	.00020	.03400	.04570
.624	30.450	.00000	.01000	.03560	-.14640	.04580	.00330	-.00120	.00000	.03550	.04590
.624	31.610	.00000	.01000	.03960	-.14880	.04610	.00310	-.00110	.00000	.03950	.04610
.626	32.770	.00000	.02000	.03880	-.14900	.04560	.00310	-.00120	.00000	.03870	.04560
.625	33.930	.00000	.02000	.04240	-.15070	.04600	.00320	-.00110	.00000	.04240	.04610
.625	35.090	.00000	.02000	.04070	-.15470	.04640	.00310	-.00100	.00010	.04070	.04640
.627	36.250	.00000	.03000	.04050	-.15470	.04560	.00290	-.00100	.00030	.04040	.04570
.627	37.410	.00000	.03000	.04360	-.15550	.04580	.00310	-.00110	.00020	.04350	.04590
.626	38.570	.00000	.03000	.04590	-.15650	.04590	.00250	-.00100	.00000	.04580	.04600
.625	39.730	.00000	.03000	.04680	-.15860	.04590	.00340	-.00100	.00060	.04680	.04600
.626	40.890	.00000	.03000	.04630	-.15790	.04550	.00280	-.00090	.00030	.04620	.04560
.624	42.050	.00000	.05000	.04830	-.16180	.04640	.00320	-.00090	.00040	.04820	.04650
.625	43.210	.00000	.05000	.04890	-.16100	.04580	.00310	-.00080	.00020	.04880	.04590
.625	44.370	.00000	.05000	.05210	-.16270	.04610	.00310	-.00090	.00020	.05210	.04620
.625	45.520	.00000	.05000	.05300	-.16270	.04630	.00370	-.00100	.00000	.05290	.04630
.627	46.690	.00000	.06000	.05540	-.16350	.04590	.00250	-.00110	-.00010	.05540	.04600
.626	47.850	.00000	.06000	.05400	-.16550	.04620	.00350	-.00110	.00010	.05390	.04630
.627	49.010	.00000	.05000	.05080	-.16590	.04570	.00380	-.00110	.00000	.05070	.04580
.627	50.170	.00000	.05000	.05690	-.16500	.04610	.00370	-.00100	.00020	.05680	.04620

DATE 29 MAR 76

CA-26 FORCE SOURCE DATA TABULATION

PAGE 1039

LTV44-559(CA26) 747/1 ATY 02 S1 (CARRIER DATA)

(YFE032) (18 NOV 75)

REFERENCE DATA

SREF = 5500.0000 SQ.FT. XMRP = 1339.9000 IN. XC
 LREF = 327.7800 IN. YMRP = .0000 IN. YC
 BREF = 2348.0400 IN. ZMRP = 190.7500 IN. ZC
 SCALE = .0125

PARAMETRIC DATA

ALPHAC = .000 BETAC = .000
 STAB = 5.000 ELEVON = 5.000
 BDFLAP = .000 DX = .000
 DY = .000 TORB = 6.000
 BETAO = .000 RUDDER = .000

RUN NO. 2030/ 0 RN/L = .00 GRADIENT INTERVAL = -5.00/ 5.00

MACH	DZ	DY	DX	CN	CLM	CA	CY	CYN	CBL	CL	CD
.626	51.330	.00000	.07000	.05380	-.16830	.04610	.00380	-.00100	.00010	.05380	.04610
.626	52.480	.00000	.07000	.05560	-.16770	.04610	.00340	-.00110	.00000	.05550	.04620
.626	53.640	.00000	.07000	.05510	-.16960	.04610	.00380	-.00110	-.00010	.05510	.04610
.622	54.800	.00000	.09000	.05750	-.17310	.04690	.00370	-.00120	-.00010	.05740	.04700
	GRADIENT	.00000	.00000	.00323	-.00233	.00022	-.00039	-.00013	-.00034	.00323	.00022

LTV44-559(CA26) 747/1 ATY 02 S1 (CARRIER DATA)

(YFE033) (18 NOV 75)

REFERENCE DATA

SREF = 5500.0000 SQ.FT. XMRP = 1339.9000 IN. XC
 LREF = 327.7800 IN. YMRP = .0000 IN. YC
 BREF = 2348.0400 IN. ZMRP = 190.7500 IN. ZC
 SCALE = .0125

PARAMETRIC DATA

ALPHAC = .000 BETAC = .000
 STAB = 5.000 ELEVON = 5.000
 BDFLAP = .000 DX = .000
 DY = .000 TORB = 6.000
 BETAO = .000 RUDDER = .000

RUN NO. 1034/ 0 RN/L = .00 GRADIENT INTERVAL = -5.00/ 5.00

MACH	DZ	DY	DX	CN	CLM	CA	CY	CYN	CBL	CL	CD
.619	1.580	.00000	-.03000	-.02250	-.06760	.04520	.00380	-.00210	.00040	-.02260	.04510
.618	1.780	.00000	-.05000	-.02240	-.07140	.04550	.00450	-.00200	.00070	-.02250	.04550
.618	1.980	.00000	-.05000	-.02360	-.07470	.04520	.00450	-.00200	.00050	-.02370	.04520
.620	2.180	.00000	-.05000	-.02000	-.07620	.04520	.00490	-.00210	.00020	-.02010	.04520
.618	2.880	.00000	-.03000	-.01490	-.07500	.04560	.00530	-.00200	.00030	-.01490	.04560
.618	3.700	.00000	-.03000	-.01530	-.07670	.04570	.00540	-.00210	.00050	-.01540	.04570
.620	4.510	.00000	-.03000	-.01680	-.08040	.04530	.00490	-.00200	.00030	-.01690	.04520
.617	5.320	.00000	-.03000	-.00920	-.08110	.04610	.00490	-.00230	.00070	-.00930	.04600
.617	6.140	.00000	-.03000	-.00670	-.08540	.04590	.00540	-.00230	.00080	-.00670	.04590
.616	6.940	.00000	-.03000	-.00590	-.08920	.04600	.00470	-.00250	.00040	-.00600	.04590
.616	7.760	.00000	-.03000	-.00490	-.09220	.04850	.00550	-.00260	.00080	-.00500	.04650
.622	8.570	.00000	-.02000	.00350	-.09240	.04560	.00460	-.00260	.00060	.00340	.04570
.620	8.980	.00000	-.03000	.00480	-.10060	.04610	.00480	-.00240	.00070	.00470	.04610
	GRADIENT	.00000	.00567	.00267	-.00314	.00007	.00034	.00001	-.00005	.00267	.00006

LTV44-559(CA26) 747/1 ATY 02 S1 (CARRIER DATA)

(YFE034) (18 NOV 75)

REFERENCE DATA

SREF = 5500.0000 SQ.FT. XMRP = 1339.9000 IN. XC
 LREF = 327.7800 IN. YMRP = .0000 IN. YC
 BREF = 2348.0400 IN. ZMRP = 190.7500 IN. ZC
 SCALE = .0125

PARAMETRIC DATA

ALPHAC = .000 BETAC = .000
 STAB = 5.000 ELEVON = 5.000
 BDFLAP = .000 DX = .000
 DY = .000 TORB = 8.000
 BETA0 = .000 RUDDER = .000

RUN NO. 31/ 0 RN/L = .00 GRADIENT INTERVAL = -5.00/ 5.00

MACH	DZ	DY	DX	CN	CLM	CA	CY	CYN	CBL	CL	CD
.623	2.110	.00000	-.03000	-.06300	-.00750	.04130	.00540	-.00280	.00060	-.06320	.04120
.625	3.420	.00000	-.02000	-.05430	-.00820	.04140	.00510	-.00280	.00090	-.05440	.04120
.625	4.720	.00000	-.02000	-.05060	-.01580	.04170	.00570	-.00300	.00080	-.05070	.04160
.624	6.030	.00000	-.02000	-.04500	-.01800	.04180	.00590	-.00300	.00090	-.04520	.04170
.625	7.330	.00000	-.02000	-.03690	-.02370	.04210	.00560	-.00330	.00090	-.03700	.04200
.626	8.647	.00000	-.02000	-.03420	-.03260	.04240	.00590	-.00330	.00070	-.03430	.04230
.625	9.940	.00000	-.02000	-.02480	-.02480	.04320	.00580	-.00310	.00080	-.02490	.04310
.625	11.250	.00000	-.02000	-.01750	-.04620	.04350	.00570	-.00290	.00070	-.01760	.04340
.624	12.550	.00000	-.02000	-.01580	-.05770	.04380	.00560	-.00290	.00030	-.01590	.04380
.625	13.860	.00000	-.02000	-.01330	-.06640	.04400	.00510	-.00280	.00050	-.01340	.04400
.625	15.160	.00000	-.01000	-.01030	-.07110	.04420	.00490	-.00270	.00080	-.01040	.04420
.626	16.460	.00000	-.01000	-.00560	-.07590	.04460	.00490	-.00250	.00080	-.00570	.04460
.625	17.770	.00000	-.01000	-.00640	-.08150	.04470	.00430	-.00230	.00060	-.00640	.04460
.628	19.070	.00000	-.01000	.00050	-.08620	.04460	.00470	-.00210	.00060	.00040	.04460
.622	20.370	.00000	-.01000	.00350	-.09250	.04600	.00380	-.00210	.00050	.00340	.04600
.623	21.680	.00000	.00000	.00550	-.09550	.04580	.00350	-.00200	.00070	.00540	.04580
.625	22.980	.00000	.00000	.00910	-.10100	.04580	.00320	-.00170	.00040	.00900	.04580
.624	24.280	.00000	.00000	.01330	-.10290	.04610	.00320	-.00150	.00060	.01330	.04610
.625	25.590	.00000	.00000	.01470	-.10730	.04590	.00260	-.00130	.00050	.01460	.04600
.625	26.890	.00000	.00000	.01600	-.11020	.04580	.00220	-.00120	.00040	.01590	.04590
.626	28.190	.00000	.01000	.02320	-.11610	.04590	.00280	-.00130	.00060	.02310	.04590
.624	29.500	.00000	.01000	.02350	-.12290	.04610	.00230	-.00140	.00040	.02340	.04610
.624	30.800	.00000	.01000	.02800	-.12630	.04650	.00240	-.00120	.00040	.02790	.04650
.627	32.110	.00000	.01000	.02710	-.12990	.04600	.00220	-.00120	.00020	.02700	.04610
.624	33.420	.00000	.02000	.03240	-.13180	.04660	.00160	-.00090	.00000	.03230	.04670
.625	34.720	.00000	.02000	.03140	-.13580	.04680	.00200	-.00080	.00020	.03130	.04690
.626	36.030	.00000	.02000	.03380	-.13760	.04670	.00160	-.00070	.00050	.03370	.04680
.627	37.330	.00000	.03000	.03340	-.14100	.04610	.00160	-.00080	.00000	.03330	.04620
.627	38.630	.00000	.03000	.03600	-.14120	.04640	.00160	-.00080	.00000	.03590	.04650
.627	39.940	.00000	.03000	.04110	-.14240	.04630	.00170	-.00080	-.00010	.04110	.04630
.629	41.240	.00000	.03000	.04550	-.14170	.04670	.00130	-.00100	-.00020	.04540	.04670
.625	42.540	.00000	.05000	.04490	-.14670	.04700	.00110	-.00080	.00000	.04490	.04700
.625	43.850	.00000	.05000	.04460	-.15060	.04720	.00210	-.00080	.00030	.04450	.04730
.625	45.150	.00000	.05000	.04960	-.15040	.04680	.00180	-.00080	.00040	.04950	.04690
.626	46.460	.00000	.05000	.04880	-.15190	.04670	.00130	-.00090	.00000	.04870	.04680
.627	47.760	.00000	.05000	.05410	-.15150	.04680	.00120	-.00080	.00000	.05400	.04690
.625	49.070	.00000	.06000	.04850	-.15430	.04630	.00120	-.00080	.00020	.04850	.04640
.626	50.370	.00000	.06000	.04960	-.15700	.04710	.00180	-.00090	.00030	.04950	.04720
.626	51.680	.00000	.07000	.05080	-.15860	.04690	.00180	-.00100	.00020	.05070	.04690
.624	52.980	.00000	.07000	.05380	-.16170	.04740	.00190	-.00090	.00000	.05370	.04750
.627	54.290	.00000	.07000	.05600	-.15930	.04710	.00200	-.00090	-.00010	.05590	.04720
.625	55.590	.00000	.07000	.05420	-.16090	.04710	.00170	-.00090	.00000	.05410	.04720

DATE 29 MAR 76

CA-26 FORCE SOURCE DATA TABULATION

PAGE 1041

LTV44-559(CA26) 747/1 ATY 02 S1 (CARRIER DATA)

(YFE034) (18 NOV 75)

REFERENCE DATA

SREF = 5500.0000 SQ.FT. XMRP = 1339.9000 IN. XC
 LREF = 327.7800 IN. YMRP = .0000 IN. YC
 BREF = 2348.0400 IN. ZMRP = 190.7500 IN. ZC
 SCALE = .0125

PARAMETRIC DATA

ALPHAC = .000 BETAC = .000
 STAB = 5.000 ELEVON = 5.000
 BDFLAP = .000 DX = .000
 DY = .000 IORB = 8.000
 BETAO = .000 RUDDER = .000

RUN NO. 31/ 0 RN/L = .00 GRADIENT INTERVAL = -5.00/ 5.00

MACH	DZ	DY	DX	CN	CLM	CA	CY	CYN	CBL	CL	CD
.624	56.890	.00000	.09000	.05510	-.16530	.04740	.00200	-.00100	-.00020	.05500	.04740
.623	58.200	.00000	.09000	.05730	-.16430	.04730	.00200	-.00100	-.00020	.05730	.04740
.625	59.500	.00000	.09000	.06210	-.16320	.04710	.00230	-.00110	.00010	.06200	.04720
.627	60.800	.00000	.09000	.06110	-.16220	.04720	.00200	-.00110	.00030	.06110	.04730
.626	61.460	.00000	.09000	.06140	-.16600	.04730	.00180	-.00100	-.00010	.06130	.04740
	GRADIENT	.00000	.00384	.00475	-.00318	.00015	.00011	.00008	.00008	.00479	.00015

LTV44-559(CA26) 747/1 ATY 02 S1 (CARRIER DATA)

(YFE035) (19 NOV 75)

REFERENCE DATA

SREF = 5500.0000 SQ.FT. XMRP = 1339.9000 IN. XC
 LREF = 327.7800 IN. YMRP = .0000 IN. YC
 BREF = 2348.0400 IN. ZMRP = 190.7500 IN. ZC
 SCALE = .0125

PARAMETRIC DATA

ALPHAC = .000 BETAC = .000
 STAB = 5.000 ELEVON = 5.000
 BDFLAP = .000 DX = .000
 DY = .000 TORB = 4.000
 BETA0 = 5.000 RUDDER = .000

RUN NO. 33/ 0 RN/L = .00 GRADIENT INTERVAL = -5.00/ 5.00

MACH	DZ	DY	DX	CN	CLM	CA	CY	CYN	CBL	CL	CD
.628	2.110	.00000	-.06000	.00830	-.12450	.04750	.00930	-.00580	.00350	.00820	.04760
.628	3.410	.00000	-.05000	.01200	-.12580	.04770	.00960	-.00570	.00350	.01190	.04770
.627	4.700	.00000	-.05000	.01740	-.12720	.04820	.00930	-.00590	.00360	.01730	.04830
.629	6.000	.00000	-.05000	.01830	-.12880	.04770	.00930	-.00620	.00360	.01820	.04770
.627	7.300	.00000	-.03000	.01970	-.13470	.04820	.00960	-.00630	.00350	.01960	.04820
.627	8.590	.00000	-.03000	.02670	-.13290	.04820	.00940	-.00620	.00380	.02660	.04820
.627	9.890	.00000	-.03000	.02700	-.14020	.04860	.00950	-.00620	.00330	.02700	.04860
.629	11.180	.00000	-.03000	.02970	-.14290	.04810	.00840	-.00600	.00320	.02970	.04810
.627	12.480	.00000	-.02000	.03460	-.14500	.04850	.00820	-.00580	.00320	.03450	.04850
.627	13.780	.00000	-.02000	.03610	-.14780	.04860	.00730	-.00550	.00330	.03600	.04870
.627	15.080	.00000	-.02000	.04050	-.15050	.04870	.00640	-.00520	.00350	.04040	.04880
.628	16.370	.00000	-.02000	.04290	-.15220	.04850	.00580	-.00480	.00340	.04290	.04850
.627	17.670	.00000	-.01000	.04850	-.15440	.04920	.00480	-.00420	.00270	.04850	.04920
.628	18.960	.00000	-.01000	.04340	-.15840	.04850	.00410	-.00350	.00270	.04330	.04850
.628	20.260	.00000	-.01000	.04710	-.15980	.04890	.00340	-.00290	.00280	.04710	.04890
.628	21.550	.00000	.00000	.04890	-.16080	.04880	.00270	-.00230	.00250	.04880	.04880
.627	22.840	.00000	.00000	.05310	-.16150	.04920	.00090	-.00160	.00220	.05300	.04930
.630	24.140	.00000	.00000	.05180	-.16230	.04850	-.00010	-.00100	.00160	.05170	.04860
.627	25.440	.00000	.00000	.05630	-.16680	.04930	-.00090	-.00050	.00180	.05620	.04930
.628	26.740	.00000	.01000	.05860	-.16610	.04880	-.00230	.00000	.00140	.05850	.04890
.628	28.030	.00000	.01000	.05680	-.16810	.04890	-.00250	.00030	.00150	.05670	.04990
.629	29.330	.00000	.01000	.06070	-.17010	.04930	-.00320	.00070	.00120	.06070	.04940
.628	30.620	.00000	.01000	.05950	-.17230	.04900	-.00340	.00100	.00120	.05940	.04910
.628	31.920	.00000	.02000	.06100	-.17230	.04870	-.00380	.00110	.00080	.06000	.04880
.628	33.210	.00000	.02000	.06400	-.17360	.04890	-.00440	.00120	.00040	.06390	.04900
.628	34.510	.00000	.02000	.06270	-.17430	.04880	-.00470	.00120	.00020	.06260	.04890
.630	35.800	.00000	.03000	.06600	-.17490	.04890	-.00550	.00130	.00020	.06590	.04900
.629	37.110	.00000	.03000	.06730	-.17540	.04860	-.00460	.00120	.00050	.06720	.04870
.627	38.400	.00000	.03000	.06520	-.17830	.04870	-.00480	.00120	.00050	.06520	.04880
.627	39.700	.00000	.03000	.07080	-.17910	.04900	-.00530	.00120	.00050	.07080	.04910
.627	40.990	.00000	.05000	.07050	-.17810	.04890	-.00490	.00130	.00060	.07040	.04900
.628	42.290	.00000	.05000	.07320	-.17990	.04880	-.00450	.00120	.00030	.07310	.04890
.629	43.580	.00000	.05000	.06930	-.18120	.04850	-.00370	.00130	.00050	.06930	.04850
.629	44.880	.00000	.06000	.07060	-.18320	.04860	-.00460	.00120	.00010	.07050	.04870
.629	46.180	.00000	.06000	.07240	-.18080	.04830	-.00530	.00100	.00030	.07240	.04840
.628	47.470	.00000	.06000	.07360	-.18240	.04900	-.00440	.00110	.00040	.07360	.04910
.627	48.120	.00000	.06000	.07280	-.18460	.04850	-.00410	.00110	.00040	.07270	.04860
	GRADIENT	.00000	.00387	.00351	-.00104	.00027	.00000	-.00004	.00004	.00351	.00027

LTV44-559(CA26) 747/1 ATY 02 S1 (CARRIER DATA)

(YFE036) (18 NOV 75)

REFERENCE DATA

SREF = 5500.0000 SQ.FT. XMRP = 1339.9000 IN. XC
 LREF = 327.7800 IN. YMRP = .0000 IN. YC
 BREF = 2348.0400 IN. ZMRP = 190.7500 IN. ZC
 SCALE = .0125

PARAMETRIC DATA

ALPHAC = .000 BETAC = .000
 STAB = 5.000 ELEVON = 5.000
 BDFLAP = .000 DX = .000
 DY = .000 IORB = 6.000
 BETA0 = 5.000 RUDDER = .000

RUN NO. 1033/ 0 RN/L = .00 GRADIENT INTERVAL = -5.00/ 5.00

MACH	DZ	DY	DX	CN	CLM	CA	CY	CYN	CBL	CL	CD
.625	2.630	.00000	-.03000	-.01560	-.06990	.04480	.00880	-.00520	.00290	-.01570	.04480
.627	3.790	.00000	-.03000	-.01560	-.07010	.04470	.00720	-.00520	.00300	-.01570	.04470
.628	4.950	.00000	-.03000	-.01440	-.07550	.04480	.00740	-.00510	.00330	-.01450	.04480
.627	5.110	.00000	-.03000	-.01070	-.07920	.04510	.00780	-.00540	.00350	-.01080	.04510
.626	7.270	.00000	-.03000	-.00280	-.08410	.04550	.00910	-.00600	.00350	-.00290	.04540
.628	8.430	.00000	-.03000	-.00220	-.08900	.04530	.00820	-.00630	.00340	-.00230	.04530
.627	9.590	.00000	-.03000	-.00170	-.09610	.04580	.00960	-.00630	.00310	-.00170	.04570
.629	10.750	.00000	-.02000	.00630	-.09850	.04580	.00850	-.00620	.00360	.00620	.04580
.625	11.900	.00000	-.02000	.00710	-.10620	.04620	.00900	-.00610	.00330	.00710	.04630
.628	13.070	.00000	-.02000	.01210	-.11080	.04630	.00900	-.00600	.00330	.01200	.04640
.627	14.230	.00000	-.02000	.01320	-.11410	.04640	.00820	-.00600	.00310	.01320	.04650
.626	15.390	.00000	-.02000	.01740	-.11890	.04680	.00800	-.00580	.00320	.01730	.04680
.626	16.550	.00000	-.01000	.02150	-.12290	.04710	.00750	-.00540	.00330	.02150	.04710
.627	17.710	.00000	-.01000	.02190	-.12740	.04690	.00750	-.00520	.00300	.02180	.04690
.626	18.860	.00000	-.01000	.02630	-.12760	.04720	.00660	-.00490	.00310	.02620	.04720
.629	20.020	.00000	-.01000	.02930	-.13060	.04720	.00480	-.00430	.00300	.02920	.04720
.628	21.180	.00000	-.01000	.02950	-.13440	.04710	.00380	-.00370	.00260	.02940	.04720
.626	22.330	.00000	.00000	.03710	-.14200	.04800	.00370	-.00320	.00240	.03700	.04810
.627	23.490	.00000	.00000	.03780	-.13840	.04760	.00250	-.00270	.00230	.03770	.04760
.629	24.660	.00000	.00000	.03660	-.14020	.04720	.00120	-.00220	.00200	.03660	.04720
.626	25.820	.00000	.00000	.03900	-.14420	.04770	-.00070	-.00140	.00200	.03890	.04780
.628	26.980	.00000	.01000	.04000	-.14610	.04770	-.00090	-.00090	.00150	.03990	.04770
.630	28.140	.00000	.01000	.04070	-.14670	.04740	-.00180	-.00050	.00120	.04060	.04750
.627	29.290	.00000	.01000	.04280	-.14770	.04780	-.00290	.00000	.00150	.04270	.04790
.628	30.450	.00000	.01000	.04590	-.14960	.04800	-.00310	.00020	.00120	.04590	.04810
.628	31.610	.00000	.01000	.04940	-.15270	.04780	-.00350	.00060	.00110	.04930	.04780
.627	32.770	.00000	.02000	.04850	-.15480	.04790	-.00430	.00080	.00080	.04840	.04800
.629	33.930	.00000	.02000	.05190	-.15520	.04780	-.00440	.00090	.00030	.05180	.04780
.628	35.090	.00000	.02000	.05240	-.15760	.04800	-.00460	.00110	.00060	.05230	.04810
.630	36.250	.00000	.03000	.05130	-.16030	.04760	-.00490	.00130	.00050	.05130	.04770
.627	37.410	.00000	.03000	.05810	-.15840	.04790	-.00510	.00120	.00060	.05800	.04800
.628	38.570	.00000	.03000	.05660	-.16090	.04760	-.00560	.00130	.00050	.05650	.04770
.627	39.730	.00000	.03000	.05420	-.16510	.04810	-.00490	.00140	.00060	.05420	.04820
.628	40.890	.00000	.05000	.05630	-.16480	.04790	-.00470	.00130	.00050	.05620	.04800
.629	42.050	.00000	.05000	.05540	-.16810	.04790	-.00470	.00140	.00050	.05530	.04800
.628	43.210	.00000	.05000	.05830	-.16840	.04810	-.00470	.00150	.00070	.05820	.04820
.623	44.370	.00000	.05000	.06050	-.16900	.04810	-.00490	.00120	.00040	.06040	.04810
.628	45.520	.00000	.05000	.06140	-.16840	.04780	-.00490	.00130	.00000	.06140	.04790
.627	46.690	.00000	.06000	.06160	-.17180	.04800	-.00420	.00130	.00010	.06160	.04810
.626	47.850	.00000	.06000	.06660	-.17020	.04820	-.00400	.00120	.00050	.06650	.04830
.628	49.010	.00000	.06000	.06850	-.16920	.04800	-.00420	.00120	.00040	.06840	.04810
.626	50.170	.00000	.06000	.06880	-.17250	.04830	-.00350	.00120	.00030	.06870	.04840

ORIGINAL PAGE IS
 OF POOR QUALITY

LTV44-559(CA26) 747/1 ATY 02 S1 (CARRIER DATA)

(YFE036) (18 NOV 75)

REFERENCE DATA

SREF = 5500.0000 SQ.FT. XMRP = 1339.9000 IN. XC
 LREF = 327.7800 IN. YMRP = .0000 IN. YC
 BREF = 2348.0400 IN. ZMRP = 190.7500 IN. ZC
 SCALE = .0125

PARAMETRIC DATA

ALPHAC = .000 BETAC = .000
 STAB = 5.000 ELEVON = 5.000
 BDFLAP = .000 DX = .000
 DY = .000 IORB = 6.000
 BETAO = 5.000 RUDDER = .000

RUN NO. 1033/ 0 RN/L = .00 GRADIENT INTERVAL = -5.00/ 5.00

MACH	DZ	DY	DX	CN	CLM	CA	CY	CYN	CBL	CL	CD
.627	51.330	.00000	.06000	.07000	-.17160	.04820	-.00410	.00100	.00000	.06990	.04830
.628	52.480	.00000	.07000	.07010	-.17120	.04820	-.00430	.00100	.00000	.07000	.04830
.627	53.640	.00000	.07000	.06800	-.17480	.04830	-.00410	.00100	.00020	.06790	.04830
.628	54.800	.00000	.07000	.06950	-.17540	.04830	-.00330	.00100	.00010	.06940	.04840
	GRADIENT	.00000	.00000	.00052	-.00241	.00000	-.00060	.00004	.00017	.00052	.00000

DATE 29 MAR 76

CA-26 FORCE SOURCE DATA TABULATION

PAGE 1045

LTV44-559(CA26) 747/1 ATY 02 S1 (CARRIER DATA)

(YFE037) (18 NOV 75)

REFERENCE DATA

SREF = 5500.0000 SQ.FT. XMRP = 1339.9000 IN. XC
 LREF = 327.7800 IN. YMRP = .0000 IN. YC
 BREF = 2348.0400 IN. ZMRP = 190.7500 IN. ZC
 SCALE = .0125

PARAMETRIC DATA

ALPHAC = .000 BETAC = .000
 STAB = 5.000 ELEVON = 5.000
 BDFLAP = .000 DX = .000
 DY = .000 IORB = 8.000
 BETAO = 5.000 RUDDER = .000

RUN NO. 34/ 0 RN/L = .00 GRADIENT INTERVAL = -5.00/ 5.00

MACH	DZ	DY	DX	CN	CLM	CA	CY	CYN	CBL	CL	CD
.619	2.110	.00000	-.02000	-.05530	-.00000	.04130	.00910	-.00540	.00320	-.05540	.04110
.618	3.420	.00000	-.02000	-.05130	-.01100	.04200	.00990	-.00550	.00300	-.05140	.04190
.616	4.720	.00000	-.02000	-.04750	-.01910	.04180	.00900	-.00560	.00310	-.04760	.04170
.619	6.030	.00000	-.02000	-.03930	-.02250	.04210	.01050	-.00590	.00310	-.03950	.04200
.616	7.330	.00000	-.02000	-.03810	-.02940	.04260	.01030	-.00650	.00320	-.03820	.04250
.618	8.640	.00000	-.02000	-.03290	-.03990	.04270	.01060	-.00690	.00310	-.03300	.04260
.619	9.940	.00000	-.02000	-.02690	-.05000	.04340	.01100	-.00670	.00290	-.02700	.04340
.620	11.250	.00000	-.02000	-.01990	-.05660	.04410	.01170	-.00640	.00310	-.02000	.04410
.619	12.550	.00000	-.02000	-.01680	-.06710	.04450	.01110	-.00620	.00330	-.01690	.04450
.620	13.860	.00000	-.02000	-.01080	-.07350	.04480	.01080	-.00620	.00310	-.01090	.04480
.620	15.160	.00000	-.01000	-.00800	-.08240	.04500	.00920	-.00610	.00300	-.00810	.04490
.620	16.460	.00000	-.01000	-.00930	-.08990	.04470	.00920	-.00590	.00320	-.00940	.04460
.617	17.770	.00000	-.01000	-.00180	-.09680	.04600	.00890	-.00580	.00330	-.00190	.04600
.619	19.070	.00000	-.01000	.00300	-.09980	.04600	.00850	-.00560	.00290	.00290	.04600
.620	20.370	.00000	-.01000	.00670	-.10410	.04610	.00740	-.00530	.00250	.00660	.04610
.620	21.680	.00000	.00000	.01090	-.10870	.04610	.00770	-.00500	.00240	.01080	.04610
.619	22.980	.00000	.00000	.01250	-.11250	.04610	.00600	-.00450	.00270	.01250	.04620
.618	24.280	.00000	.00000	.01400	-.11830	.04670	.00600	-.00390	.00230	.01390	.04670
.618	25.590	.00000	.00000	.01890	-.12170	.04670	.00390	-.00330	.00210	.01880	.04670
.617	26.890	.00000	.01000	.01950	-.12450	.04690	.00310	-.00270	.00200	.01940	.04690
.617	28.190	.00000	.01000	.02210	-.12730	.04690	.00190	-.00210	.00170	.02200	.04700
.617	29.500	.00000	.01000	.02620	-.13170	.04750	-.00050	-.00130	.00110	.02620	.04750
.618	30.800	.00000	.01000	.03000	-.13410	.04760	-.00090	-.00070	.00100	.02630	.04760
.619	32.110	.00000	.02000	.02680	-.13780	.04710	-.00160	-.00010	.00130	.02680	.04710
.617	33.420	.00000	.02000	.03240	-.13900	.04750	-.00190	.00020	.00110	.03230	.04760
.618	34.720	.00000	.02000	.03470	-.14190	.04760	-.00200	.00060	.00100	.03460	.04770
.616	36.030	.00000	.02000	.03370	-.14360	.04740	-.00320	.00080	.00070	.03360	.04750
.618	37.330	.00000	.03000	.03650	-.14500	.04750	-.00320	.00090	.00060	.03650	.04750
.617	38.630	.00000	.03000	.03960	-.15020	.04780	-.00300	.00100	.00070	.03960	.04780
.619	39.940	.00000	.03000	.03820	-.15040	.04750	-.00330	.00110	.00020	.03810	.04760
.618	41.240	.00000	.03000	.04010	-.15270	.04770	-.00460	.00120	.00040	.04010	.04780
.619	42.540	.00000	.05000	.04480	-.15330	.04760	-.00350	.00120	.00070	.04480	.04770
.621	43.850	.00000	.05000	.04480	-.15420	.04750	-.00350	.00130	.00030	.04470	.04750
.618	45.150	.00000	.05000	.04720	-.15680	.04780	-.00310	.00120	.00070	.04710	.04790
.617	46.460	.00000	.06000	.04820	-.16190	.04800	-.00340	.00120	.00020	.04810	.04800
.618	47.760	.00000	.06000	.04950	-.16260	.04800	-.00460	.00130	.00000	.04940	.04810
.617	49.070	.00000	.06000	.05170	-.16210	.04820	-.00440	.00120	.00020	.05160	.04820
.618	50.370	.00000	.06000	.05120	-.16440	.04820	-.00260	.00110	.00050	.05110	.04830
.617	51.680	.00000	.07000	.05520	-.16470	.04800	-.00270	.00110	.00050	.05520	.04800
.619	52.980	.00000	.07000	.05710	-.16590	.04800	-.00340	.00100	.00040	.05710	.04810
.619	54.290	.00000	.07000	.05540	-.16690	.04760	-.00250	.00080	.00000	.05530	.04770
.619	55.590	.00000	.07000	.05930	-.16900	.04790	-.00250	.00090	.00000	.05920	.04800

LTV44-559(CA26) 747/1 ATY 02 S1 (CARRIER DATA)

(YFE037) (18 NOV 75)

REFERENCE DATA

SREF = 5500.0000 SQ.FT. XMRP = 1339.9000 IN. XC
 LREF = 327.7800 IN. YMRP = .0000 IN. YC
 BREF = 2348.0400 IN. ZMRP = 190.7500 IN. ZC
 SCALE = .0125

PARAMETRIC DATA

ALPHAC = .000 BETAC = .000
 STAB = 5.000 ELEVON = 5.000
 BDFLAP = .000 DX = .000
 DY = .000 IORB = 8.000
 BETAO = 5.000 RUDDER = .000

RUN NO. 34/ 0 RN/L = .00 GRADIENT INTERVAL = -5.00/ 5.00

MACH	DZ	DY	DX	CN	CLM	CA	CY	CYN	CBL	CL	CD
.619	56.890	.00000	.09000	.05730	-.17000	.04770	-.00290	.00080	.00000	.05720	.04770
.619	58.200	.00000	.09000	.06170	-.17060	.04810	-.00270	.00080	.00040	.06170	.04820
.619	59.500	.00000	.09000	.06040	-.17230	.04820	-.00240	.00070	.00000	.06040	.04820
.618	60.800	.00000	.09000	.06400	-.17280	.04840	-.00290	.00070	.00030	.06400	.04850
.617	61.460	.00000	.10000	.06390	-.17350	.04820	-.00250	.00070	.00040	.06380	.04830
	GRADIENT	.00000	.00000	.00299	-.00364	.00019	-.00004	-.00008	-.00004	.00299	.00023

LTV44-559(CA26) 747/1 ATY O2 S1 (CARRIER DATA)

(YFE038) (18 NOV 75)

REFERENCE DATA

SREF = 5500.0000 SQ.FT. XMRP = 1339.9000 IN. XC
 LREF = 327.7800 IN. YMRP = .0000 IN. YC
 BREF = 2348.0400 IN. ZMRP = 190.7500 IN. ZC
 SCALE = .0125

PARAMETRIC DATA

ALPHAC = .000 BETAC = .000
 STAB = -1.000 ELEVON = 5.000
 BDFLAP = .000 DX = .000
 DY = .000 IORB = 4.000
 BETAO = .000 RUDDER = .000

RUN NO. 35/ 0 RN/L = .00 GRADIENT INTERVAL = -5.00/ 5.00

MACH	DZ	DY	DX	CN	CLM	CA	CY	CYN	CBL	CL	CD
.627	2.110	.00000	.05000	-.04880	.17970	.04670	.00410	-.00180	.00020	-.04920	.04630
.626	3.410	.00000	.05000	-.04360	.18290	.04670	.00360	-.00190	.00000	-.04390	.04640
.626	4.700	.00000	.05000	-.04150	.18590	.04690	.00320	-.00200	.00040	-.04180	.04660
.627	6.000	.00000	.03000	-.04180	.18310	.04640	.00430	-.00250	.00050	-.04210	.04610
.626	7.300	.00000	.03000	-.03560	.18440	.04670	.00420	-.00290	.00050	-.03590	.04640
.626	8.590	.00000	.03000	-.03470	.18020	.04670	.00490	-.00300	.00070	-.03500	.04650
.626	9.890	.00000	.02000	-.03340	.17560	.04650	.00530	-.00300	.00070	-.03380	.04630
.627	11.180	.00000	.02000	-.03010	.17190	.04660	.00490	-.00300	.00040	-.03040	.04640
.626	12.480	.00000	.02000	-.02540	.17040	.04660	.00420	-.00280	.00060	-.02580	.04640
.626	13.780	.00000	.01000	-.02260	.16630	.04680	.00430	-.00280	.00040	-.02300	.04660
.627	15.080	.00000	.01000	-.02010	.16440	.04680	.00460	-.00260	.00030	-.02050	.04660
.626	16.370	.00000	.01000	-.01360	.16380	.04740	.00410	-.00250	.00060	-.01400	.04730
.626	17.670	.00000	.00000	-.01380	.15970	.04720	.00350	-.00230	.00050	-.01420	.04710
.626	18.960	.00000	.00000	-.01290	.15840	.04700	.00390	-.00220	.00060	-.01320	.04690
.628	20.260	.00000	.00000	-.01410	.15500	.04660	.00310	-.00180	.00040	-.01440	.04650
.625	21.550	.00000	-.01000	-.01110	.15640	.04720	.00280	-.00180	.00060	-.01140	.04710
.627	22.840	.00000	-.01000	-.00570	.15320	.04680	.00210	-.00160	.00040	-.00610	.04680
.629	24.140	.00000	-.01000	-.00570	.15120	.04670	.00180	-.00150	.00040	-.00600	.04660
.627	25.440	.00000	-.02000	-.00270	.15050	.04660	.00150	-.00140	.00030	-.00310	.04660
.627	26.740	.00000	-.02000	-.00290	.14740	.04660	.00150	-.00150	.00010	-.00320	.04680
.627	28.030	.00000	-.02000	-.00430	.14670	.04630	.00160	-.00130	.00000	-.00460	.04630
.627	29.330	.00000	-.02000	-.00100	.14500	.04660	.00110	-.00130	.00000	-.00140	.04680
.626	30.620	.00000	-.03000	-.00030	.14370	.04730	.00160	-.00120	.00000	-.00070	.04730
.629	31.920	.00000	-.03000	.00290	.14470	.04650	.00070	-.00110	-.00010	.00250	.04650
.627	33.210	.00000	-.03000	.00020	.14420	.04670	.00100	-.00110	-.00010	.00000	.04670
.627	34.510	.00000	-.05000	.00200	.14550	.04660	.00170	-.00120	.00010	.00170	.04660
.627	35.800	.00000	-.05000	.00490	.14240	.04650	.00060	-.00110	.00020	.00450	.04650
.628	37.110	.00000	-.06000	.00730	.14220	.04670	.00060	-.00120	.00000	.00700	.04670
.625	38.400	.00000	-.06000	.00690	.14330	.04680	.00050	-.00110	-.00010	.00650	.04680
.629	39.700	.00000	-.06000	.01020	.14230	.04640	.00040	-.00110	.00010	.00930	.04650
.626	40.990	.00000	-.07000	.01020	.14100	.04670	.00110	-.00110	.00010	.00980	.04670
.627	42.290	.00000	-.07000	.00870	.14040	.04690	.00120	-.00120	.00000	.00830	.04700
.627	43.580	.00000	-.07000	.01160	.14040	.04700	.00050	-.00120	.00000	.01130	.04700
.625	44.880	.00000	-.09000	.01300	.13830	.04650	.00120	-.00120	.00020	.01270	.04660
.626	46.180	.00000	-.09000	.01480	.13830	.04670	.00050	-.00110	.00020	.01440	.04680
.627	47.470	.00000	-.09000	.01330	.13750	.04650	.00080	-.00120	.00020	.01290	.04660
.626	48.120	.00000	-.09000	.01390	.13860	.04660	.00120	-.00110	.00020	.01360	.04680
	GR/DIENT	.00000	.00000	.00282	.00239	.00008	-.00035	-.00008	.00008	.00286	.00012

LTV44-559(CA26) 747/1 ATY 02 S1 (CARRIER DATA)

(YFE039) (18 NOV 75)

REFERENCE DATA

SREF = 5500.0000 SQ.FT. XMRP = 1339.9000 IN. XC
 LREF = 327.7800 IN. YMRP = .0000 IN. YC
 BREF = 2348.0400 IN. ZMRP = 190.7500 IN. ZC
 SCALE = .0125

PARAMETRIC DATA

ALPHAC = .000 BETAC = .000
 STAB = -1.000 ELEVON = 5.000
 BDFLAP = .000 DX = .000
 DY = .000 IORB = 6.000
 BETAO = .000 RUDDER = .000

RUN NO. 1035/ 0 RN/L = .00 GRADIENT INTERVAL = -5.00/ 5.00

MACH	DZ	DY	DX	CN	CLM	CA	CY	CYN	CBL	CL	CD
.627	2.630	.00000	.06000	-.07510	.23150	.04280	.00430	-.00260	.00060	-.07540	.04220
.628	3.790	.00000	.06000	-.07090	.23330	.04290	.00440	-.00270	.00060	-.07120	.04240
.626	4.950	.00000	.05000	-.07060	.23050	.04320	.00400	-.00280	.00030	-.07090	.04260
.625	6.110	.00000	.05000	-.06980	.22940	.04310	.00470	-.00300	.00070	-.07010	.04260
.626	7.270	.00000	.05000	-.06130	.22770	.04330	.00390	-.00320	.00060	-.06160	.04280
.626	8.430	.00000	.03000	-.06180	.22170	.04330	.00560	-.00330	.00090	-.06210	.04280
.626	9.590	.00000	.03000	-.05670	.21530	.04360	.00540	-.00340	.00100	-.05710	.04310
.626	10.750	.00000	.03000	-.05300	.21080	.04400	.00480	-.00330	.00090	-.05330	.04360
.626	11.900	.00000	.02000	-.05250	.20400	.04390	.00490	-.00310	.00080	-.05280	.04350
.626	13.070	.00000	.02000	-.04740	.20130	.04450	.00430	-.00300	.00070	-.04780	.04410
.627	14.230	.00000	.01000	-.04410	.19410	.04420	.00420	-.00280	.00080	-.04440	.04390
.625	15.390	.00000	.01000	-.03960	.19220	.04500	.00400	-.00290	.00070	-.04000	.04470
.626	16.550	.00000	.01000	-.03620	.18980	.04480	.00390	-.00290	.00040	-.03660	.04460
.628	17.710	.00000	.01000	-.03350	.18360	.04490	.00360	-.00280	.00060	-.03380	.04470
.628	18.860	.00000	.00000	-.03240	.18060	.04480	.00330	-.00260	.00040	-.03270	.04460
.626	20.020	.00000	.00000	-.02970	.18000	.04530	.00300	-.00240	.00060	-.03010	.04510
.630	21.180	.00000	.00000	-.02450	.17560	.04480	.00210	-.00230	.00040	-.02480	.04460
.627	22.330	.00000	-.01000	-.02750	.17410	.04530	.00300	-.00210	.00060	-.02780	.04510
.627	23.490	.00000	-.01000	-.02400	.17100	.04500	.00230	-.00200	-.00010	-.02440	.04490
.627	24.660	.00000	-.01000	-.02240	.17050	.04540	.00140	-.00180	.00000	-.02280	.04520
.627	25.820	.00000	-.02000	-.01720	.16980	.04580	.00150	-.00160	.00040	-.01750	.04560
.627	26.980	.00000	-.02000	-.01650	.16610	.04570	.00200	-.00150	.00010	-.01690	.04550
.626	28.140	.00000	-.02000	-.01150	.16700	.04600	.00030	-.00140	.00000	-.01180	.04590
.628	29.290	.00000	-.02000	-.01670	.16200	.04540	.00080	-.00120	.00010	-.01700	.04530
.628	30.450	.00000	-.03000	-.01250	.16190	.04560	.00090	-.00140	-.00020	-.01290	.04550
.626	31.610	.00000	-.03000	-.01140	.16080	.04580	-.00040	-.00110	-.00050	-.01170	.04570
.626	32.770	.00000	-.03000	-.01130	.15900	.04540	.00100	-.00120	.00000	-.01160	.04530
.627	33.930	.00000	-.05000	-.00690	.15920	.04550	.00130	-.00110	.00030	-.00730	.04540
.627	35.090	.00000	-.05000	-.00280	.15920	.04550	.00000	-.00120	-.00010	-.00310	.04550
.627	36.250	.00000	-.06000	-.00010	.15910	.04570	.00050	-.00120	-.00020	-.00050	.04570
.627	37.410	.00000	-.06000	-.00190	.15730	.04530	.00050	-.00110	.00000	-.00220	.04530
.627	38.570	.00000	-.06000	-.00160	.15510	.04580	.00070	-.00110	.00010	-.00190	.04570
.626	39.730	.00000	-.06000	.00230	.15550	.04560	.00060	-.00110	-.00010	.00250	.04560
.627	40.890	.00000	-.07000	-.00040	.15170	.04570	.00060	-.00120	-.00020	-.00070	.04570
.626	42.050	.00000	-.07000	-.00030	.15080	.04580	.00100	-.00110	.00000	-.00070	.04580
.626	43.210	.00000	-.07000	.00060	.15220	.04560	.00060	-.00120	.00000	.00030	.04560
.626	44.370	.00000	-.07000	.00050	.14920	.04580	.00120	-.00120	.00010	.00010	.04580
.626	45.520	.00000	-.09000	-.00080	.14930	.04580	.00140	-.00120	-.00010	-.00110	.04570
.627	46.680	.00000	-.09000	.00030	.14890	.04560	.00020	-.00120	-.00010	.00000	.04560
.627	47.850	.00000	-.09000	.00300	.14990	.04550	.00100	-.00110	-.00020	.00020	.04550
.628	49.010	.00000	-.10000	.00350	.14830	.04530	.00090	-.00110	.00010	.00320	.04530
.626	50.170	.00000	-.10000	.00310	.14870	.04580	.00120	-.00110	.00020	.00270	.04580

DATE 29 MAR 76

CA-26 FORCE SOURCE DATA TABULATION

PAGE 1049

LTV44-559(CA26) 747/1 ATY 02 S1 (CARRIER DATA)

(YFE039) (18 NOV 75)

REFERENCE DATA

SREF = 5500.0000 SQ.FT. XMRP = 1339.9000 IN. XC
 LREF = 327.7800 IN. YMRP = .0000 IN. YC
 BREF = 2348.0400 IN. ZMRP = 190.7500 IN. ZC
 SCALE = .0125

PARAMETRIC DATA

ALPHAC = .000 BETAC = .000
 STAB = -1.000 ELEVON = 5.000
 BDFLAP = .000 DX = .000
 DY = .000 IORB = 6.000
 BETAO = .000 RUDDER = .000

RUN NO. 1035/ 0 RN/L = .00 GRADIENT INTERVAL = -5.00/ 5.00

MACH	DZ	DY	DX	CN	CLM	CA	CY	CYN	CBL	CL	CD
.626	51.330	.00000	-.10000	.00860	.14840	.04610	.00050	-.00110	.00030	.00830	.04610
.627	52.480	.00000	-.11000	.00820	.14900	.04550	.00120	-.00110	.00020	.00780	.04550
.627	53.640	.00000	-.11000	.00830	.14450	.04590	.00110	-.00130	.00000	.00790	.04560
.626	54.800	.00000	-.11000	.00950	.14730	.04590	.00050	-.00120	.00000	.00910	.04590
	GRADIENT	.00000	-.00431	.00194	-.00043	.00017	-.00013	-.00009	-.00013	.00194	.00017

ORIGINAL PAGE IS
OF POOR QUALITY

LTV44-559(CA26) 747/1 ATY 02 S1 (CARRIER DATA)

(YFE040) (18 NOV 75)

REFERENCE DATA

SREF = 5500.0000 SQ.FT. XMRP = 1339.9000 IN. XC
 LREF = 327.7800 IN. YMRP = .0000 IN. YC
 BREF = 2348.0400 IN. ZMRP = 190.7500 IN. ZC
 SCALE = .0125

PARAMETRIC DATA

ALPHAC = .000 BETAC = .000
 STAB = -1.000 ELEVON = 5.000
 BDFLAP = .000 DX = .000
 DY = .000 IORB = 8.000
 BETAC = .000 RUDDER = .000

RUN NO. 36/ 0 RN/L = .00 GRADIENT INTERVAL = -5.00/ 5.00

MACH	DZ	DY	DX	CN	CLM	CA	CY	CYN	CBL	CL	CD
.619	2.110	.00000	.07000	-.10930	.28700	.04060	.00340	-.00240	.00090	-.10960	.03970
.621	3.420	.00000	.06000	-.10680	.28230	.04100	.00350	-.00250	.00080	-.10710	.04010
.621	4.720	.00000	.06000	-.10240	.28040	.04060	.00480	-.00270	.00110	-.10280	.03980
.621	6.030	.00000	.05000	-.09560	.27520	.04060	.00530	-.00310	.00090	-.09590	.03990
.621	7.330	.00000	.05000	-.09210	.27210	.04120	.00510	-.00340	.00120	-.09240	.04050
.619	8.640	.00000	.05000	-.08970	.26520	.04180	.00590	-.00370	.00110	-.09000	.04110
.624	9.940	.00000	.03000	-.08280	.25450	.04150	.00590	-.00360	.00090	-.08310	.04090
.621	11.250	.00000	.03000	-.07450	.24990	.04260	.00580	-.00330	.00090	-.07480	.04200
.624	12.550	.00000	.02000	-.0720J	.23950	.04230	.00430	-.00290	.00090	-.07240	.04180
.621	13.860	.00000	.02000	-.06850	.23520	.04320	.00490	-.00280	.00090	-.06890	.04260
.621	15.160	.00000	.01000	-.06600	.22880	.04330	.00490	-.00260	.00090	-.06630	.04280
.621	16.460	.00000	.01000	-.05980	.22090	.04380	.00440	-.00260	.00100	-.06010	.04330
.620	17.770	.00000	.01000	-.05650	.21720	.04410	.00480	-.00270	.00090	-.05680	.04370
.623	19.070	.00000	.00000	-.05340	.21140	.04430	.00330	-.00260	.00090	-.05370	.04380
.621	20.370	.00000	.00000	-.04810	.21050	.04450	.00360	-.00260	.00090	-.04840	.04410
.622	21.680	.00000	-.01000	-.04950	.20440	.04460	.00390	-.00230	.00070	-.04980	.04420
.623	22.980	.00000	-.01000	-.04670	.19880	.04440	.00440	-.00220	.00060	-.04710	.04400
.621	24.280	.00000	-.01000	-.04270	.19720	.04490	.00330	-.00220	.00080	-.04300	.04460
.622	25.590	.00000	-.02000	-.03860	.19150	.04510	.00330	-.00210	.00080	-.03890	.04480
.623	26.890	.00000	-.02000	-.03450	.18970	.04490	.00250	-.00180	.00070	-.03490	.04460
.621	28.190	.00000	-.02000	-.03350	.18510	.04540	.00200	-.00160	.00050	-.03380	.04510
.625	29.500	.00000	-.03000	-.03340	.18300	.04470	.00260	-.00130	.00020	-.03370	.04440
.624	30.800	.00000	-.03000	-.02810	.18080	.04480	.00250	-.00130	.00030	-.02840	.04460
.621	32.110	.00000	-.03000	-.02850	.17980	.04560	.00200	-.00120	.00040	-.02900	.04540
.624	33.420	.00000	-.05000	-.02240	.17640	.04530	.00080	-.00110	.00020	-.02270	.04510
.624	34.720	.00000	-.05000	-.01820	.17570	.04520	.00130	-.00110	.00000	-.01860	.04510
.624	36.030	.00000	-.05000	-.01890	.17270	.04530	.00090	-.00090	.00000	-.01930	.04520
.624	37.330	.00000	-.06000	-.01590	.17230	.04530	.00160	-.00080	.00000	-.01620	.04510
.621	38.630	.00000	-.06000	-.01800	.17080	.04570	.00090	-.00080	-.00010	-.01830	.04550
.624	39.940	.00000	-.06000	-.01530	.16820	.04540	.00000	-.00030	-.00040	-.01570	.04530
.622	41.240	.00000	-.07000	-.01190	.16850	.04580	.00050	-.00080	-.00020	-.01220	.04570
.623	42.540	.00000	-.07000	-.01210	.16430	.04570	.00120	-.00080	.00010	-.01250	.04560
.624	43.850	.00000	-.07000	-.01000	.16210	.04540	.00090	-.00090	-.00010	-.01030	.04530
.622	45.150	.00000	-.09000	-.00720	.16300	.04580	.00090	-.00060	-.00020	-.00750	.04570
.623	46.460	.00000	-.09000	-.00560	.16070	.04560	.00070	-.00050	.00000	-.00600	.04560
.621	47.760	.00000	-.10000	-.00410	.16110	.04600	.00200	-.00100	.00010	-.00450	.04600
.620	48.420	.00000	-.10000	-.00470	.16100	.04600	.00170	-.00090	.00000	-.00510	.04600
	GRADIENT	.00000	-.00384	.00264	-.00253	.00000	.00054	-.00011	.00008	.00260	.00004

LTV44-559(CA26) 747/1 ATY 02 S1 (CARRIER DATA)

(YFE041) (18 NOV 75)

REFERENCE DATA

SREF = 5500.0000 SQ.FT. XMRP = 1339.9000 IN. XC
 LREF = 327.7800 IN. YMRP = .0000 IN. YC
 BREF = 2348.0400 IN. ZMRP = 190.7500 IN. ZC
 SCALE = .0125

PARAMETRIC DATA

ALPHAC = 2.000 BETAC = .000
 STAB = -1.000 ELEVON = 5.000
 BDFLAP = .000 DX = .000
 DY = .000 IORB = 4.000
 BETAD = .000 RUDDER = .000

RUN NO. 37/ 0 RN/L = .00 GRADIENT INTERVAL = -5.00/ 5.00

MACH	DZ	DY	DX	CN	CLM	CA	CY	CYN	CBL	CL	CD
.595	1.470	.00000	.10000	.12070	.17270	.03910	.00800	-.00400	.00240	.11850	.04530
.595	2.070	.00000	.10000	.15610	.14920	.04070	.00500	-.00390	.00110	.15380	.04880
.594	2.670	.00000	.10000	.15640	.14930	.04090	.00550	-.00410	.00120	.15400	.04900
.596	3.470	.00000	.10000	.15630	.14930	.04030	.00570	-.00410	.00120	.15390	.04840
.596	4.470	.00000	.09000	.16130	.14820	.04040	.00570	-.00410	.00110	.15900	.04880
.595	5.590	.00000	.09000	.16230	.14390	.04020	.00530	-.00370	.00130	.16000	.04860
.592	6.840	.00000	.07000	.17220	.14000	.04100	.00430	-.00360	.00100	.16980	.05000
.593	8.090	.00000	.07000	.17070	.13700	.04080	.00420	-.00350	.00120	.16840	.04970
.590	9.340	.00000	.06000	.17450	.13630	.04100	.00510	-.00330	.00120	.17210	.05000
.584	10.560	.00000	.05000	.17630	.13090	.04110	.00500	-.00310	.00110	.17390	.05020
.583	11.770	.00000	.05000	.18160	.12950	.04070	.00360	-.00290	.0020	.17920	.05010
.580	12.970	.00000	.03000	.18250	.12730	.04040	.00320	-.00260	.00130	.18010	.04990
.581	14.170	.00000	.03000	.18460	.12440	.04050	.00260	-.00240	.00130	.18220	.05010
.580	15.370	.00000	.02000	.18710	.12370	.04030	.00220	-.00220	.00110	.18470	.05000
.583	16.570	.00000	.02000	.18690	.12190	.03980	.00170	-.00210	.00100	.19460	.04940
.581	17.770	.00000	.01000	.19210	.12120	.04070	.00160	-.00190	.00100	.18970	.05060
.587	18.980	.00000	.01000	.19370	.12010	.04000	.00140	-.00160	.00120	.19130	.05010
.591	20.170	.00000	.00000	.19560	.11580	.04010	.00150	-.00160	.00080	.19330	.05030
.593	21.370	.00000	.00000	.20060	.11790	.04060	.00080	-.00140	.00050	.19820	.05100
.600	22.570	.00000	-.01000	.19950	.11410	.04010	.00070	-.00120	.00040	.19710	.05050
.604	23.770	.00000	-.02000	.19950	.11190	.03980	.00040	-.00120	.00050	.19720	.05020
.608	24.970	.00000	-.02000	.20240	.11260	.04000	-.00060	-.00110	.00050	.20000	.05060
.610	26.170	.00000	-.03000	.20650	.10970	.04070	.00000	-.00110	.00060	.20410	.05150
.609	27.370	.00000	-.03000	.20790	.11110	.04040	-.00010	-.00100	.00050	.20550	.05130
.611	28.570	.00000	-.05000	.21080	.10980	.04010	.00000	-.00090	.00050	.20840	.05110
.610	29.780	.00000	-.06000	.21290	.10920	.04050	-.00010	-.00090	.00060	.21050	.05160
.613	30.970	.00000	-.06000	.21180	.10590	.03990	.00000	-.00080	.00060	.20940	.05100
.613	32.180	.00000	-.07000	.21320	.10630	.03990	-.00040	-.00090	.00040	.21080	.05110
.612	33.380	.00000	-.07000	.21670	.10830	.03970	-.00070	-.00100	.00020	.21430	.05110
.610	34.570	.00000	-.09000	.21710	.10590	.04010	-.00050	-.00090	.00020	.21470	.05140
.611	35.780	.00000	-.10000	.22170	.10520	.04010	-.00060	-.00080	.00010	.21930	.05170
.610	36.980	.00000	-.10000	.22090	.10450	.03980	-.00010	-.00080	.00040	.21850	.05140
.612	38.180	.00000	-.11000	.21810	.10430	.03950	-.00040	-.00100	.00020	.21570	.05100
.613	39.380	.00000	-.11000	.22030	.10460	.03930	-.00060	-.00090	.00010	.21800	.05080
.610	40.570	.00000	-.13000	.22240	.10330	.03940	-.00040	-.00090	.00020	.22000	.05100
.614	41.780	.00000	-.14000	.22300	.10350	.03920	-.00090	-.00100	.00000	.22070	.05090
.614	42.990	.00000	-.14000	.22490	.10310	.03920	-.00070	-.00100	.00030	.22250	.05100
.612	44.180	.00000	-.15000	.22600	.10070	.03970	-.00020	-.00090	.00060	.22360	.05160
GRADIENT		.00000	.00295	.01022	-.00591	.00025	-.00046	-.00005	-.00031	.01019	.00081

LTV44-559(CA26) 747/1 ATY 02 S1 (CARRIER DATA)

(YFEO42) (18 NOV 75)

REFERENCE DATA

SREF = 5500.0000 SQ.FT. XMRP = 1339.9000 IN. XC
 LREF = 327.7800 IN. YMRP = .0000 IN. YC
 BREF = 2348.0400 IN. ZMRP = 190.7500 IN. ZC
 SCALE = .0125

PARAMETRIC DATA

ALPHAC = 2.000 BETAC = .000
 STAB = -1.000 ELEVON = 5.000
 BDFLAP = .000 DX = .000
 DY = .000 IORB = 6.000
 BETA0 = .000 RUDDER = .000

RUN NO. 1037/ 0 RN/L = .00 GRADIENT INTERVAL = -5.00/ 5.00

MACH	DZ	DY	DX	CN	CLM	CA	CY	CYN	CEL	CL	CD
.595	1.770	.00000	.10000	-.02230	.29960	.01970	.01780	-.00600	.00780	-.02330	.01850
.595	2.370	.00000	.10000	-.02680	.31000	.02770	.01610	-.00560	.00780	-.02820	.02620
.594	2.970	.00000	.11000	.12250	.19820	.03760	.00490	-.00420	.00120	.12040	.04400
.593	3.970	.00000	.10000	.12520	.19690	.03800	.00450	-.00420	.00100	.12300	.04460
.593	4.970	.00000	.10000	.13190	.19230	.03840	.00530	-.00440	.00140	.12970	.04530
.593	6.220	.00000	.09000	.13490	.19500	.03830	.00540	-.00440	.00130	.13270	.04520
.596	7.470	.00000	.07000	.13380	.18990	.03820	.00640	-.00420	.00120	.13160	.04550
.597	8.720	.00000	.07000	.13730	.18150	.03830	.00570	-.00390	.00130	.13510	.04640
.595	9.970	.00000	.06000	.14820	.17290	.03870	.00390	-.00340	.00100	.14600	.04610
.595	11.190	.00000	.05000	.14900	.17230	.03840	.00390	-.00330	.00120	.14580	.04640
.596	12.410	.00000	.05000	.15380	.16880	.03830	.00340	-.00330	.00130	.15160	.04660
.598	13.630	.00000	.03000	.15300	.16290	.03860	.00370	-.00310	.00120	.15080	.04750
.594	14.850	.00000	.03000	.15810	.16050	.03930	.00340	-.00310	.00120	.15590	.04800
.595	16.070	.00000	.02000	.16390	.15690	.03940	.00320	-.00300	.00100	.16160	.04820
.594	17.300	.00000	.01000	.16470	.15330	.03970	.00370	-.00290	.00100	.16240	.04820
.596	18.510	.00000	.01000	.16850	.14990	.03950	.00360	-.00260	.00120	.16620	.04880
.595	19.740	.00000	.00000	.17160	.14710	.03990	.00350	-.00240	.00140	.16930	.04820
.596	20.950	.00000	.00000	.17240	.14160	.03920	.00180	-.00230	.00110	.17010	.04860
.596	22.170	.00000	-.01000	.17620	.14310	.03940	.00200	-.00210	.00130	.17390	.04880
.595	23.390	.00000	-.01000	.17570	.13940	.03960	.00160	-.00180	.00120	.17340	.04890
.595	24.610	.00000	-.02000	.17860	.13770	.03960	.00240	-.00170	.00100	.17630	.04920
.595	25.830	.00000	-.03000	.18180	.13770	.03970	.00110	-.00150	.00070	.17950	.04940
.596	27.050	.00000	-.03000	.18590	.13560	.03970	.00040	-.00130	.00060	.18350	.04950
.592	28.270	.00000	-.05000	.18700	.13250	.04040	.00050	-.00130	.00040	.18460	.04960
.596	29.500	.00000	-.05000	.18320	.12960	.03990	.00050	-.00100	.00100	.18090	.04960
.594	30.710	.00000	-.06000	.18700	.12780	.03980	.00100	-.00090	.00070	.18470	.04940
.596	31.940	.00000	-.06000	.18790	.12400	.03960	-.00010	-.00090	.00030	.18560	.04950
.595	33.150	.00000	-.07000	.19290	.12620	.04010	.00000	-.00080	.00020	.19060	.04950
.595	34.380	.00000	-.09000	.19170	.12530	.03950	-.00050	-.00060	.00010	.18940	.04950
.593	35.600	.00000	-.09000	.19890	.12490	.04010	.00010	-.00050	.00050	.19650	.04960
.596	36.820	.00000	-.10000	.19840	.12360	.03930	.00000	-.00050	.00040	.19610	.04980
.596	38.040	.00000	-.10000	.19920	.12130	.03940	.00020	-.00050	.00060	.19690	.04980
.593	39.260	.00000	-.11000	.19920	.12100	.03960	-.00090	-.00050	.00030	.19690	.05000
.594	40.480	.00000	-.13000	.20130	.12080	.03960	.00000	-.00050	.00030	.19890	.05000
.595	41.700	.00000	-.13000	.20170	.11880	.03940	-.00030	-.00050	.00030	.19940	.05010
.593	42.920	.00000	-.14000	.20560	.11900	.03940	-.00030	-.00050	.00040	.20330	.05040
.594	44.140	.00000	-.14000	.20760	.11760	.03960	.00070	-.00060	.00050	.20530	.05010
.595	45.360	.00000	-.15000	.20660	.11600	.03930	-.00020	-.00040	.00050	.20420	.05010
.596	46.590	.00000	-.15000	.20690	.11430	.03930	.00000	-.00040	.00050	.20460	.05040
.593	47.800	.00000	-.16000	.21160	.11670	.03930	.00020	-.00040	.00020	.20920	.04990
.597	49.030	.00000	-.18000	.20990	.11370	.03890	-.00050	-.00040	.00030	.20760	.05020
.596	50.240	.00000	-.18000	.21300	.11460	.03910	.00060	-.00050	.00050	.21060	.05020

DATE 29 MAR 76

CA-26 FORCE SOURCE DATA TABULATION

PAGE 1053

LTV44-559(CA26) 747/1 ATY 02 S1 (CARRIER DATA)

(YFE042) (18 NOV 75)

REFERENCE DATA

SREF = 5500.0000 SQ.FT. XMRP = 1339.9000 IN. XC
LREF = 327.7800 IN. YMRP = .0000 IN. YC
BREF = 2348.0400 IN. ZMRP = 190.7500 IN. ZC
SCALE = .0125

PARAMETRIC DATA

ALPHAC = 2.000 BETAC = .000
STAB = -.000 ELEVON = 5.000
BDFLAP = .000 DX = .000
DY = .000 IORB = 6.000
BETAO = .000 RUDDER = .000

RUN NO. 1037/ 0 RN/L = .00 GRADIENT INTERVAL = -5.00/ 5.00

MACH	DZ	DY	DX	CN	CLM	CA	CY	CYN	CBL	CL	CD
.596	51.470	.00000	-.19000	.21550	.11380	.03910	.00090	-.00060	.00040	.21310	.05040
	GRADIENT	.00000	-.00037	.05413	-.03859	.00550	-.00424	.00052	-.00228	.05376	.00836

LTV44-559(CA26) 747/1 ATY 02 S1 (CARRIER DATA)

(YFE045) (18 NOV 75)

REFERENCE DATA

SREF = 5500.0000 SQ.FT. XMRP = 1339.9000 IN. XC
 LREF = 327.7800 IN. YMRP = .0000 IN. YC
 BREF = 2348.0400 IN. ZMRP = 190.7500 IN. ZC
 SCALE = .0125

PARAMETRIC DATA

ALPHAC = 2.000 BETAC = .000
 STAB = 5.000 ELEVON = 5.000
 BOFLAP = .000 DX = .000
 DY = .000 IORB = 4.000
 BETAO = .000 RUDDER = .000

RUN NO. 39/ 0 RN/L = .00 GRADIENT INTERVAL = -5.00/ 5.00

MACH	DZ	DY	DX	CN	CLM	CA	CY	CYN	CBL	CL	CD
.600	1.470	.00000	.01000	.22160	-.18010	.04450	.00690	-.00380	.00100	.21930	.05480
.600	2.070	.00000	.01000	.22730	-.18200	.04460	.00690	-.00400	.00100	.22500	.05520
.602	2.670	.00000	.01000	.22580	-.18260	.04480	.00650	-.00390	.00110	.22350	.05530
.602	3.470	.00000	.01000	.23120	-.18500	.04460	.00650	-.00380	.00100	.22880	.05530
.601	4.470	.00000	.01000	.23340	-.18800	.04480	.00550	-.00360	.00100	.23110	.05570
.603	5.590	.00000	.01000	.23740	-.19150	.04500	.00490	-.00340	.00100	.23500	.05600
.605	6.840	.00000	.01000	.24020	-.19120	.04460	.00510	-.00310	.00120	.23780	.05580
.600	8.090	.00000	.01000	.24520	-.19530	.04510	.00560	-.00320	.00110	.24280	.05650
.601	9.340	.00000	.00000	.24320	-.19830	.04480	.00470	-.00320	.00110	.24090	.05610
.601	10.560	.00000	.00000	.25090	-.20150	.04480	.00480	-.00290	.00080	.24650	.05640
.600	11.770	.00000	.00000	.25360	-.20290	.04500	.00330	-.00270	.00060	.25120	.05680
.600	12.970	.00000	.00000	.25710	-.20630	.04540	.00330	-.00260	.00080	.25470	.05740
.601	14.170	.00000	.00000	.25960	-.20420	.04470	.00390	-.00240	.00080	.25730	.05680
.601	15.370	.00000	.00000	.26050	-.20740	.04510	.00320	-.00210	.00090	.25810	.05720
.599	16.570	.00000	.00000	.26220	-.21100	.04520	.00290	-.00190	.00070	.25980	.05740
.602	17.770	.00000	.00000	.26110	-.20980	.04480	.00230	-.00160	.00070	.25880	.05690
.603	18.980	.00000	.00000	.26330	-.21040	.04470	.00140	-.00140	.00080	.26090	.05690
.601	20.170	.00000	.00000	.26450	-.21420	.04470	.00130	-.00120	.00050	.26220	.05700
.601	21.370	.00000	.00000	.27000	-.21550	.04490	.00100	-.00110	.00060	.26770	.05750
.603	22.570	.00000	-.01000	.26710	-.21520	.04440	.00140	-.00090	.00030	.26480	.05680
.601	23.770	.00000	-.01000	.27450	-.21520	.04460	.00120	-.00080	.00050	.27210	.05740
.601	24.970	.00000	-.01000	.27420	-.21850	.04440	.00020	-.00070	.00040	.27180	.05720
.599	26.170	.00000	-.01000	.27910	-.21570	.04460	.00000	-.00060	.00050	.27670	.05770
.600	27.370	.00000	-.01000	.27680	-.22000	.04430	.00050	-.00050	.00040	.27450	.05720
.601	28.570	.00000	-.01000	.27860	-.21810	.04430	-.00020	-.00050	.00040	.27620	.05730
.599	29.780	.00000	-.01000	.28200	-.21970	.04440	.00040	-.00050	.00050	.27960	.05750
.600	30.970	.00000	-.01000	.28070	-.22090	.04420	-.00020	-.00030	.00060	.27830	.05730
.599	32.180	.00000	-.02000	.28190	-.22140	.04450	.00040	-.00040	.00040	.27950	.05770
.599	33.380	.00000	-.02000	.28250	-.22450	.04460	.00010	-.00050	.00020	.28020	.05770
.602	34.570	.00000	-.02000	.28250	-.22340	.04410	-.00030	-.00050	.00020	.28010	.05720
.600	35.780	.00000	-.02000	.28510	-.22770	.04430	.00070	-.00050	.00020	.28270	.05760
.603	36.980	.00000	-.02000	.28680	-.22590	.04440	.00010	-.00030	.00030	.28440	.05780
.603	38.180	.00000	-.02000	.28610	-.22720	.04390	.00040	-.00050	.00040	.28370	.05730
.602	39.380	.00000	-.02000	.28890	-.22920	.04430	.00040	-.00060	.00030	.28650	.05780
.603	40.580	.00000	-.02000	.29040	-.22630	.04410	.00040	-.00050	.00010	.28800	.05770
.602	41.780	.00000	-.03000	.29090	-.22650	.04380	.00110	-.00050	.00030	.28860	.05740
.602	42.990	.00000	-.03000	.29020	-.22640	.04390	.00040	-.00050	.00030	.28780	.05740
.602	44.180	.00000	-.03000	.28910	-.22630	.04380	.00120	-.00050	.00020	.28670	.05720
	GRADIENT	.00000	-.00000	.00369	-.00257	.00008	-.00045	.00009	-.00000	.00368	.00025

LTV44-559(CA26) 747/1 ATY 02 S1 (CARRIER DATA)

(YFE046) (18 NOV 75)

REFERENCE DATA

SREF = 5500.0000 SQ.FT. XMRP = 1339.9000 IN. XC
 LREF = 327.7800 IN. YMRP = .0000 IN. YC
 BREF = 2348.0400 IN. ZMRP = 190.7500 IN. ZC
 SCALE = .0125

PARAMETRIC DATA

ALPHAC = 2.000 BETAC = .000
 STAB = 5.000 ELEVON = 5.000
 BDFLAP = .000 DX = .000
 DY = .000 !ORB = 6.000
 BETA0 = .000 RUDDER = .000

RUN NO. 44/ 0 RN/L = .00 GRADIENT INTERVAL = -5.00/ 5.00

MACH	DZ	DY	DX	CN	CLM	CA	CY	CYN	CBL	CL	CD
.326	1.760	.00000	.00000	.18960	-.02870	.03730	.00120	-.00190	.00110	.18770	.04610
.325	2.360	.00000	.00000	.18250	-.02820	.03610	.00120	-.00190	.00110	.18060	.04460
.317	2.970	.00000	.00000	.20010	-.02050	.03750	.00010	-.00220	.00100	.19810	.04680
.313	3.760	.00000	.00000	.19160	-.02780	.03850	.00050	-.00180	.00110	.18960	.04740
.314	4.560	.00000	.00000	.19540	-.02670	.03760	-.00040	-.00200	.00100	.19350	.04670
.314	5.470	.00000	.00000	.19860	-.10320	.03600	.00150	-.00160	.00110	.19670	.04520
.311	6.460	.00000	.00000	.20530	-.10360	.03700	-.00180	-.00180	.00070	.20340	.04660
.314	7.460	.00000	.00000	.19540	-.11040	.03660	.00030	-.00200	.00110	.19350	.04560
.315	8.460	.00000	.00000	.19880	-.11410	.03730	.00020	-.00190	.00080	.19680	.04650
.312	9.460	.00000	.00000	.20520	-.11080	.03650	-.00170	-.00160	.00110	.20330	.04600
.302	10.560	.00000	.00000	.21760	-.12680	.03850	-.00360	-.00160	.00090	.21560	.04860
.310	11.740	.00000	.00000	.21860	-.12890	.03770	-.00340	-.00130	.00070	.21660	.04790
.309	12.930	.00000	.00000	.21840	-.11970	.03850	-.00170	-.00150	.00070	.21630	.04870
.308	14.110	.00000	.00000	.22100	-.12910	.03790	-.00110	-.00110	.00100	.21900	.04820
.311	15.300	.00000	.00000	.21170	-.13070	.03690	-.00410	-.00110	.00060	.20970	.04680
.310	16.490	.00000	.00000	.22030	-.13770	.03800	-.00330	-.00110	.00080	.21820	.04830
.307	17.670	.00000	.00000	.22390	-.13980	.03820	-.00360	-.00090	.00070	.22190	.04860
.311	18.860	.00000	.00000	.21950	-.14190	.03650	-.00350	-.00080	.00080	.21750	.04670
.310	20.040	.00000	.00000	.23250	-.14290	.03830	-.00380	-.00040	.00070	.23040	.04910
.310	21.230	.00000	.00000	.23110	-.14890	.03760	-.00320	-.00070	.00100	.22910	.04830
.310	22.410	.00000	-.01000	.22240	-.14690	.03700	-.00280	-.00040	.00100	.22040	.04730
.310	23.600	.00000	-.01000	.22710	-.15530	.03740	-.00310	-.00030	.00070	.22520	.04790
.306	24.780	.00000	-.01000	.24240	-.15580	.03890	-.00520	-.00010	.00040	.24040	.05020
.308	25.970	.00000	-.01000	.23540	-.15300	.03770	-.00460	.00010	.00080	.23340	.04860
.306	27.150	.00000	-.01000	.24600	-.15950	.03850	-.00610	.00010	.00030	.24400	.05000
.308	28.340	.00000	-.01000	.24470	-.16040	.03800	-.00570	.00010	.00060	.24270	.04940
.308	29.520	.00000	-.01000	.24340	-.15960	.03730	-.00660	.00050	.00020	.24140	.04860
.310	30.710	.00000	-.01000	.24650	-.16230	.03750	-.00610	.00070	.00010	.24450	.04900
.308	31.900	.00000	-.01000	.24740	-.16830	.03780	-.00530	.00050	.00040	.24540	.04930
.309	33.080	.00000	-.01000	.25250	-.16680	.03850	-.00710	.00050	.00060	.25040	.05020
.312	34.270	.00000	-.01000	.24970	-.17000	.03810	-.00530	.00070	.00020	.24770	.04970
.310	35.450	.00000	-.01000	.25160	-.16800	.03800	-.00740	.00070	.00000	.24950	.04960
.311	36.640	.00000	-.01000	.25600	-.17780	.03850	-.00680	.00100	.00010	.25390	.05040
.314	37.820	.00000	-.01000	.25170	-.17410	.03810	-.00680	.00130	.00030	.24970	.04980
.316	39.010	.00000	-.01000	.24790	-.16470	.03700	-.00670	.00060	.00020	.24590	.04850
.313	40.200	.00000	-.01000	.26000	-.17660	.03810	-.00700	.00090	.00040	.25800	.05010
.314	41.380	.00000	-.01000	.25830	-.17540	.03820	-.00770	.00100	.00030	.25620	.05020
.315	42.570	.00000	-.01000	.25150	-.17410	.03800	-.00510	.00070	.00010	.24940	.04970
.313	43.750	.00000	-.01000	.25790	-.17970	.03730	-.00580	.00080	.00030	.25590	.04930
.317	44.940	.00000	-.01000	.25210	-.17640	.03680	-.00620	.00110	.00010	.25010	.04850
.313	46.130	.00000	-.01000	.26070	-.17800	.03780	-.00720	.00110	.00020	.25860	.04990
.314	47.310	.00000	-.01000	.26970	-.17660	.03830	-.00690	.00070	.00040	.26760	.05090

LTV44-559(CA26) 747/1 ATY 02 S1 (CAPRIER DATA)

(YFE046) (18 NOV 75)

REFERENCE DATA

SREF =	5500.0000 SQ.FT.	XMRP =	1339.9000 IN. XC
LREF =	327.7800 IN.	YMRP =	.0000 IN. YC
BREF =	2348.0400 IN.	ZMRP =	190.7500 IN. ZC
SCALE =	.0125		

PARAMETRIC DATA

ALPHAC =	2.000	BETAC =	.000
STAB =	5.000	ELEVON =	5.000
BDFLAP =	.000	DX =	.000
DY =	.000	IORB =	6.000
BETA0 =	.000	RUDDER =	.000

RUN NO. 44/ 0 RN/L = .00 GRADIENT INTERVAL = -5.00/ 5.00

MACH	DZ	DY	DX	CN	CLM	CA	CY	CYN	CBL	CL	CD
.313	48.500	.00000	-.01000	.26390	-.17750	.03830	-.00820	.00090	.00030	.26180	.05060
.311	49.680	.00000	-.01000	.25890	-.18660	.03720	-.00650	.00090	.00010	.25690	.04920
.312	50.870	.00000	-.01000	.26470	-.17550	.03850	-.00720	.00060	-.00010	.26260	.05080
.311	51.460	.00000	-.01000	.26890	-.16330	.03820	-.00460	.00090	.00030	.26680	.05060
	GRADIENT	.00000	.00000	.00282	-.00369	.00043	-.00055	-.00001	-.00003	.00281	.00056

LTV44-559(CA26) 747/1 ATY 02 S1 (CARRIER DATA)

(YFE046) (18 NOV 75)

REFERENCE DATA

SREF = 5500.0000 SQ.FT. XMRP = 1339.9000 IN. XC
 LREF = 327.7800 IN. YMRP = .0000 IN. YC
 BREF = 2348.0400 IN. ZMRP = 190.7500 IN. ZC
 SCALE = .0125

PARAMETRIC DATA

ALPHAC = 2.000 BETAC = .000
 STAB = 5.000 ELEVON = 5.000
 BDFLAP = .000 DX = .000
 DY = .000 IORB = 6.000
 BETAO = .000 RUDDER = .000

RUN NO. 43/ 0 RN/L = .00 GRADIENT INTERVAL = -5.00/ 5.00

MACH	DZ	DY	DX	CN	CLM	CA	CY	CYN	CBL	CL	CD
.505	1.760	.00000	.01000	.19130	-.12060	.04040	.00360	-.00280	.00100	.19910	.04930
.506	2.360	.00000	.01000	.19460	-.12210	.04030	.00270	-.00280	.00090	.19250	.04940
.507	2.970	.00000	.01000	.19990	-.12590	.03980	.00270	-.00300	.00070	.19780	.04920
.510	3.760	.00000	.00000	.19570	-.12570	.03990	.00250	-.00310	.00060	.19360	.04900
.509	4.560	.00000	.00000	.19930	-.12830	.04030	.00250	-.00300	.00080	.19720	.04960
.508	5.470	.00000	.00000	.20610	-.13500	.04000	.00290	-.00270	.00110	.20400	.04960
.507	6.460	.00000	.00000	.20960	-.13780	.04060	.00250	-.00290	.00060	.20740	.05040
.507	7.460	.00000	.00000	.21050	-.14010	.04040	.00290	-.00280	.00080	.20830	.05020
.507	8.460	.00000	.00000	.21300	-.14590	.04110	.00250	-.00270	.00090	.21080	.05110
.507	9.460	.00000	.00000	.21610	-.15000	.04130	.00190	-.00270	.00070	.21390	.05140
.508	10.560	.00000	.00000	.21660	-.15670	.04090	.00270	-.00270	.00090	.21440	.05100
.507	11.740	.00000	.00000	.21970	-.15580	.04110	.00270	-.00250	.00070	.21760	.05140
.507	12.930	.00000	.00000	.22330	-.16210	.04100	.00270	-.00240	.00100	.22120	.05140
.504	14.110	.00000	.00000	.22950	-.16550	.04190	.00280	-.00250	.00090	.22730	.05260
.508	15.300	.00000	.00000	.22900	-.16590	.04160	.00210	-.00230	.00090	.22680	.05220
.504	16.490	.00000	.00000	.23100	-.17370	.04150	.00170	-.00240	.00070	.22880	.05230
.503	17.670	.00000	.00000	.23490	-.17770	.04210	.00170	-.00200	.00080	.23270	.05300
.508	18.860	.00000	.00000	.23650	-.17860	.04170	.00090	-.00180	.00080	.23430	.05270
.506	20.040	.00000	.00000	.23800	-.18280	.04180	.00110	-.00170	.00070	.23580	.05280
.506	21.230	.00000	.00000	.24180	-.18380	.04160	-.00020	-.00160	.00050	.23960	.05290
.507	22.410	.00000	-.01000	.24330	-.18590	.04130	.00030	-.00140	.00040	.24110	.05260
.503	23.600	.00000	-.01000	.25080	-.19130	.04210	.00000	-.00100	.00050	.24860	.05370
.507	24.780	.00000	-.01000	.24530	-.19050	.04160	-.00020	-.00100	.00030	.24310	.05300
.507	25.970	.00000	-.01000	.25050	-.19150	.04130	-.00190	-.00080	.00050	.24830	.05300
.506	27.150	.00000	-.01000	.25420	-.19300	.04170	-.00150	-.00070	.00050	.25200	.05350
.507	28.340	.00000	-.01000	.25430	-.19440	.04150	-.00290	-.00050	.00000	.25200	.05340
.507	29.520	.00000	-.01000	.25630	-.19960	.04190	-.00230	-.00030	.00020	.25410	.05390
.508	30.710	.00000	-.01000	.25880	-.20150	.04170	-.00190	-.00030	.00040	.25660	.05370
.508	31.900	.00000	-.01000	.25690	-.20390	.04150	-.00110	-.00000	.00020	.25470	.05350
.508	33.080	.00000	-.01000	.26330	-.20300	.04180	-.00330	-.00010	.00010	.26110	.05410
.507	34.270	.00000	-.01000	.26490	-.20480	.04210	-.00290	-.00000	.00030	.26260	.05440
.508	35.450	.00000	-.01000	.26270	-.20580	.04150	-.00210	-.00000	.00030	.26040	.05370
.506	36.640	.00000	-.01000	.27080	-.20590	.04200	-.00310	-.00010	.00010	.26860	.05460
.507	37.820	.00000	-.01000	.26850	-.20930	.04150	-.00260	-.00010	.00030	.26630	.05400
.507	39.010	.00000	-.01000	.26650	-.20780	.04140	-.00240	-.00000	.00020	.26430	.05380
.506	40.200	.00000	-.01000	.26820	-.20990	.04150	-.00190	-.00010	.00010	.26600	.05390
.506	41.380	.00000	-.01000	.27260	-.21320	.04210	-.00260	-.00010	.00020	.27030	.05480
.508	42.570	.00000	-.01000	.26730	-.21040	.04110	-.00200	-.00000	.00020	.26510	.05350
.507	43.750	.00000	-.01000	.27140	-.21620	.04140	-.00120	-.00000	.00010	.26920	.05400
.506	44.940	.00000	-.01000	.27310	-.21560	.04140	-.00190	-.00010	.00010	.27090	.05410
.506	46.130	.00000	-.01000	.27460	-.21750	.04120	-.00220	-.00000	.00000	.27240	.05400
.507	47.310	.00000	-.01000	.27620	-.22120	.04140	-.00230	-.00000	.00020	.27400	.05420

ORIGINAL PAGE IS
 OF POOR QUALITY

LTV44-559(CA26) 747/1 ATY 02 S1 (CARRIER DATA)

(YFE046) (18 NOV 75)

REFERENCE DATA

SREF = 5500.0000 SQ.FT. XMRP = 1339.9000 IN. XC
 LREF = 327.7800 IN. YMRP = .0000 IN. YC
 BREF = 2348.0400 IN. ZMRP = 190.7500 IN. ZC
 SCALE = .0125

PARAMETRIC DATA

ALPHAC = 2.000 BETAC = .000
 STAB = 5.000 ELEVON = 5.000
 BDFLAP = .000 DX = .000
 DY = .000 IORB = 6.000
 BETAO = .000 RUDDER = .000

RUN NO. 43/ 0 RN/L = .00 GRADIENT INTERVAL = -5.00/ 5.00

MACH	DZ	DY	DX	CN	CLM	CA	CY	CYN	CBL	CL	CD
.508	48.500	.00000	-.01000	.27860	-.21490	.04100	-.00280	.00000	.00020	.27640	.05400
.508	49.680	.00000	-.01000	.28100	-.21680	.04150	-.00260	.00000	.00020	.27880	.05450
.507	50.870	.00000	-.02000	.28030	-.21790	.04160	-.00320	.00000	.00010	.27800	.05460
.508	51.460	.00000	-.01000	.27970	-.21790	.04080	-.00200	-.00020	.00000	.27750	.05380
	GRADIENT	.00000	-.00438	.00233	-.00267	-.00007	-.00033	-.00010	-.00009	.00235	.00004

DATE 29 MAR 76

CA-26 FORCE SOURCE DATA TABULATION

PAGE 1059

LTV44-559(CA26) 747/1 ATY 02 51 (CARRIER DATA)

(YFE046) (18 NOV 75)

REFERENCE DATA

SREF = 5500.0000 SQ.FT. XMRP = 1339.9000 IN. XC
 LREF = 327.7800 IN. YMRP = .0000 IN. YC
 BREF = 2348.0400 IN. ZMRP = 190.7500 IN. ZC
 SCALE = .0125

PARAMETRIC DATA

ALPHAC = 2.000 BETAC = .000
 STAB = 5.000 ELEVON = 5.000
 BDFLAP = .000 DX = .000
 DY = .000 IORB = 6.000
 BETA0 = .000 RUDDER = .000

RUN NO. 1039/ 0 RN/L = .00 GRADIENT INTERVAL = -5.00/ 5.00

MACH	DZ	DY	DX	CN	CLM	CA	CY	CYN	CBL	CL	CD
.601	1.770	.00000	.02000	.19330	-.11620	.04220	.00500	-.00390	.00120	.19119	.05130
.603	2.370	.00000	.02000	.19050	-.11740	.04140	.00510	-.00400	.00110	.18840	.05040
.601	2.970	.00000	.02000	.19610	-.12380	.04220	.00650	-.00410	.00140	.19390	.05140
.601	3.970	.00000	.02000	.19880	-.12490	.04240	.00560	-.00400	.00130	.19660	.05170
.600	4.970	.00000	.01000	.20650	-.13570	.04270	.00620	-.00390	.00110	.20430	.05240
.606	6.220	.00000	.01000	.19980	-.13240	.04200	.00530	-.00390	.00100	.19750	.05140
.603	7.470	.00000	.01000	.21000	-.13620	.04240	.00530	-.00380	.00120	.20780	.05220
.603	8.720	.00000	.01000	.21120	-.14180	.04270	.00530	-.00360	.00150	.20890	.05260
.604	9.970	.00000	.01000	.21680	-.15390	.04260	.00430	-.00320	.00100	.21460	.05270
.603	11.190	.00000	.01000	.22120	-.15460	.04310	.00440	-.00330	.00120	.21890	.05340
.602	12.410	.00000	.00000	.22320	-.15890	.04310	.00460	-.00320	.00100	.22090	.05360
.603	13.630	.00000	.00000	.22460	-.16360	.04310	.00480	-.00320	.00120	.22240	.05360
.603	14.850	.00000	.00000	.22790	-.16790	.04340	.00470	-.00310	.00100	.22560	.05400
.602	16.070	.00000	.00000	.23070	-.17100	.04340	.00430	-.00300	.00110	.22840	.05410
.604	17.300	.00000	.00000	.23450	-.17390	.04320	.00440	-.00270	.00140	.23220	.05410
.600	18.510	.00000	.00000	.24030	-.17970	.04380	.00380	-.00260	.00100	.23800	.05500
.601	19.740	.00000	.00000	.24020	-.18330	.04390	.00350	-.00230	.00120	.23790	.05510
.603	20.950	.00000	.00000	.24060	-.18640	.04350	.00290	-.00210	.00100	.23830	.05470
.602	22.170	.00000	-.01000	.24680	-.18640	.04370	.00210	-.00190	.00090	.24440	.05520
.601	23.390	.00000	-.01000	.25100	-.18850	.04410	.00170	-.00170	.00070	.24870	.05580
.601	24.610	.00000	-.01000	.24970	-.19300	.04350	.00130	-.00140	.00060	.24740	.05510
.604	25.830	.00000	-.01000	.25210	-.19150	.04390	.00130	-.00120	.00080	.24980	.05570
.603	27.050	.00000	-.01000	.25340	-.19580	.04340	.00080	-.00100	.00060	.25110	.05520
.602	28.270	.00000	-.01000	.25600	-.19750	.04340	.00020	-.00090	.00020	.25370	.05530
.605	29.500	.00000	-.01000	.25570	-.19910	.04340	.00030	-.00060	.00040	.25340	.05530
.602	30.710	.00000	-.01000	.26220	-.20190	.04420	.00020	-.00050	.00020	.25980	.05640
.600	31.940	.00000	-.01000	.26200	-.20610	.04360	-.00020	-.00050	.00040	.25970	.05580
.601	33.150	.00000	-.02000	.26510	-.20610	.04390	.00010	-.00030	.00040	.26270	.05620
.605	34.380	.00000	-.02000	.26490	-.20540	.04350	-.00080	-.00040	.00000	.26260	.05590
.603	35.600	.00000	-.02000	.26640	-.20710	.04350	-.00040	-.00020	.00010	.26400	.05600
.600	36.820	.00000	-.02000	.26760	-.21370	.04360	.00000	-.00020	.00020	.26530	.05610
.598	38.040	.00000	-.02000	.27260	-.21480	.04390	-.00040	-.00030	.00010	.27020	.05660
.603	39.260	.00000	-.02000	.26990	-.21110	.04340	-.00040	-.00020	.00020	.26750	.05590
.601	40.480	.00000	-.02000	.27280	-.21170	.04330	-.00050	-.00020	.00030	.27050	.05600
.602	41.700	.00000	-.02000	.27220	-.21520	.04310	-.00060	-.00030	.00030	.26990	.05580
.603	42.920	.00000	-.03000	.27410	-.21340	.04280	-.00070	-.00020	.00020	.27180	.05560
.601	44.140	.00000	-.03000	.27870	-.21830	.04330	-.00010	-.00040	.00000	.27630	.05630
.602	45.360	.00000	-.03000	.27900	-.21600	.04340	-.00070	-.00020	.00010	.27670	.05640
.602	46.590	.00000	-.03000	.27790	-.21640	.04300	-.00060	-.0020	.00020	.27560	.05600
.602	47.800	.00000	-.03000	.27980	-.21920	.04310	-.00060	-.00030	.00000	.27750	.05610
.600	49.030	.00000	-.03000	.28210	-.22250	.04350	-.00010	-.00040	.00010	.27980	.05660
.602	50.240	.00000	-.03000	.28350	-.22120	.04350	-.00020	-.00030	.00030	.28120	.05670

DATE 29 MAR 76

CA-26 FORCE SOURCE DATA TABULATION

PAGE 1060

LTV44-559(CA26) 747/1 ATY 02 S1 (CARRIER DATA)

(YFE046) (18 NOV 75

REFERENCE DATA

SREF = 5500.0000 SQ.FT. XMRP = 1339.9000 IN. XC
LREF = 327.7800 IN. YMRP = .0000 IN. YC
BREF = 2348.0400 IN. ZMRP = 190.7500 IN. ZC
SCALE = .0125

PARAMETRIC DATA

ALPHAC = 2.000 BETAC = .000
STAB = 5.000 ELEVON = 5.000
BOFLAP = .000 DX = .000
DY = .000 IORB = 6.000
BETAO = .000 RUDDER = .000

RUN NO. 1039/ 0 RN/L = .00 GRADIENT INTERVAL = -5.00/ 5.00

MACH	DZ	DY	DX	CN	CLM	CA	CY	CYN	CBL	CL	CD
.603	51.470	.00000	-.05000	.28670	-.22070	.04340	-.00010	-.00020	.00010	.28440	.05680
	GRADIENT	.00000	-.00270	.00447	-.00585	.00026	.00033	.00001	-.00001	.00445	.00046

LTV44-559(CA26) 747/1 ATY 02 S1 (CARRIER DATA)

(YFE046) (18 NOV 75)

REFERENCE DATA

SREF = 5500.0000 SQ.FT. XMRP = 1339.9000 IN. XC
 LREF = 327.7800 IN. YMRP = .0000 IN. YC
 BREF = 2348.0400 IN. ZMRP = 190.7500 IN. ZC
 SCALE = .0125

PARAMETRIC DATA

ALPHAC = 2.000 BETAC = .000
 STAB = 5.000 ELEVON = 5.000
 BDFLAP = .000 DX = .000
 DY = .000 IORB = 6.000
 BETAO = .000 RUDDER = .000

RUN NO. 42/ 0 RN/L = .00 GRADIENT INTERVAL = -5.00/ 5.00

MACH	DZ	DY	DX	CN	CLM	CA	CY	CYN	CSL	CL	CD
.697	1.760	.00000	.01000	.18550	-.13590	.04460	.00510	-.00360	.00080	.18320	.05330
.696	2.360	.00000	.00000	.18380	-.13860	.04470	.00570	-.00360	.00100	.18150	.05330
.698	2.970	.00000	.00000	.19050	-.14420	.04510	.00530	-.00360	.00100	.18820	.05400
.699	3.760	.00000	.00000	.19270	-.14430	.04460	.00560	-.00370	.00100	.19040	.05360
.698	4.560	.00000	.00000	.19420	-.14690	.04480	.00550	-.00370	.00110	.19190	.05380
.699	5.470	.00000	.00000	.19910	-.15230	.04490	.00560	-.00360	.00100	.19680	.05420
.700	6.460	.00000	.00000	.19700	-.15330	.04500	.00520	-.00350	.00100	.19470	.05410
.700	7.460	.00000	.00000	.20210	-.15760	.04540	.00590	-.00340	.00110	.19970	.05480
.698	8.460	.00000	.00000	.20680	-.16160	.04560	.00530	-.00350	.00070	.20450	.05520
.699	9.460	.00000	.00000	.21180	-.16560	.04580	.00510	-.00330	.00080	.20940	.05570
.699	10.560	.00000	.00000	.21390	-.17240	.04570	.00530	-.00320	.00110	.21150	.05570
.699	11.740	.00000	.00000	.21930	-.17340	.04590	.00540	-.00330	.00110	.21690	.05610
.699	12.930	.00000	.00000	.21910	-.17730	.04560	.00500	-.00320	.00110	.21670	.05580
.697	14.110	.00000	.00000	.22360	-.18290	.04590	.00510	-.00310	.00100	.22120	.05630
.699	15.300	.00000	.00000	.22780	-.18380	.04570	.00540	-.00280	.00110	.22540	.05630
.700	16.490	.00000	.00000	.23180	-.18670	.04590	.00460	-.00270	.00090	.22940	.05660
.698	17.670	.00000	.00000	.23360	-.19060	.04610	.00400	-.00240	.00110	.23120	.05690
.698	18.860	.00000	.00000	.23890	-.19500	.04630	.00360	-.00210	.00130	.23650	.05740
.698	20.040	.00000	.00000	.23900	-.19770	.04590	.00330	-.00210	.00070	.23660	.05700
.698	21.230	.00000	.00000	.24010	-.20050	.04610	.00280	-.00180	.00070	.23770	.05720
.699	22.410	.00000	-.01000	.24590	-.20210	.04620	.00220	-.00140	.00070	.24350	.05760
.700	23.600	.00000	-.01000	.24970	-.20380	.04610	.00180	-.00130	.00070	.24720	.05770
.699	24.780	.00000	-.01000	.24840	-.20580	.04590	.00160	-.00110	.00060	.24600	.05740
.699	25.970	.00000	-.01000	.25260	-.21020	.04630	.00130	-.00080	.00050	.25020	.05800
.700	27.150	.00000	-.01000	.25210	-.21050	.04610	.00060	-.00070	.00040	.24960	.05780
.699	28.340	.00000	-.01000	.25440	-.21430	.04620	.00080	-.00040	.00040	.25200	.05800
.699	29.520	.00000	-.01000	.25780	-.21450	.04600	.00010	-.00020	.00030	.25530	.05790
.700	30.710	.00000	-.01000	.25800	-.21690	.04590	-.00010	-.00020	.00040	.25560	.05780
.698	31.900	.00000	-.01000	.26250	-.22030	.04620	-.00010	-.00010	.00030	.26010	.05840
.700	33.080	.00000	-.01000	.26100	-.22100	.04580	-.00030	.00000	.00030	.25850	.05790
.699	34.270	.00000	-.01000	.26280	-.22290	.04590	.00000	.00000	.00010	.26040	.05800
.698	35.450	.00000	-.01000	.26510	-.22320	.04590	-.00080	.00000	.00000	.26270	.05820
.699	36.640	.00000	-.01000	.26630	-.22500	.04600	-.00050	.00010	.00010	.26390	.05830
.699	37.820	.00000	-.01000	.27200	-.22620	.04610	-.00110	.00020	.00010	.26950	.05870
.699	39.010	.00000	-.01000	.27330	-.22600	.04570	-.00090	.00020	-.00010	.27080	.05840
.701	40.200	.00000	-.01000	.27240	-.22770	.04560	-.00040	.00010	.00000	.27000	.05820
.700	41.380	.00000	-.01000	.27540	-.22840	.04570	-.00040	.00000	-.00010	.27290	.05840
.697	42.570	.00000	-.01000	.27720	-.22910	.04580	-.00080	.00010	.00000	.27480	.05870
.697	43.750	.00000	-.01000	.27850	-.23230	.04640	-.00100	.00020	.00000	.27600	.05930
.699	44.940	.00000	-.01000	.27760	-.23170	.04570	-.00100	.00000	-.00020	.27520	.05860
.701	46.130	.00000	-.01000	.27690	-.23170	.04560	-.00050	.00010	-.00010	.27450	.05840
.699	47.310	.00000	-.01000	.27950	-.23310	.04560	-.00050	.00010	.00000	.27710	.05850

ORIGINAL PAGE IS OF POOR QUALITY

DATE 29 MAR 76

CA-26 FORCE SOURCE DATA TABULATION

PAGE 1062

LTV44-559(CA26) 747/1 ATY 02 S1 (CARRIER DATA)

(YFE046) (18 NOV 75)

REFERENCE DATA

SREF = 5500.0000 SQ.FT. XMRP = 1339.9000 IN. XC
 LREF = 327.7800 IN. YMRP = .0000 IN. YC
 BREF = 2348.0400 IN. ZMRP = 190.7500 IN. ZC
 SCALE = .0125

PARAMETRIC DATA

ALPHAC = 2.000 BETAC = .000
 STAB = 5.000 ELEVON = 5.000
 BDFLAP = .000 DX = .000
 DY = .000 IORB = 6.000
 BETA0 = .000 RUDDER = .000

RUN NO. 42/ 0 RN/L = .00 GRADIENT INTERVAL = -5.00/ 5.00

MACH	DZ	DY	DX	CN	CLM	CA	CY	CYN	CBL	CL	CD
.702	48.500	.00000	-.01000	.28330	-.23190	.04540	-.00050	.00000	.00000	.28080	.05850
.700	49.680	.00000	-.01000	.28410	-.23130	.04560	.00010	.00000	.00000	.28170	.05880
.699	50.870	.00000	-.01000	.28650	-.23530	.04580	.00020	.00010	.00000	.28410	.05910
.697	51.460	.00000	-.02000	.28990	-.23570	.04620	.00010	.00010	.00010	.28750	.05970
	GRADIENT	.00000	-.00268	.00374	-.00387	.00003	.00010	-.00004	.00008	.00374	.00018

LTV44-559(CA26) 747/1 ATY O2 S1 (CARRIER DATA)

(YFE047) (18 NOV 75)

REFERENCE DATA

SREF = 5500.0000 SQ.FT. XMRP = 1339.9000 IN. XC
 LREF = 327.7800 IN. YMRP = .0000 IN. YC
 BREF = 2348.0400 IN. ZMRP = 190.7500 IN. ZC
 SCALE = .0125

PARAMETRIC DATA

ALPHAC = 2.000 BETAC = .000
 STAB = 5.000 ELEVON = 5.000
 BDFLAP = .000 DX = .000
 DY = .000 LOBB = 8.000
 BETAC = .000 RUDDER = .000

RUN NO. 40/ 0 RN/L = .00 GRADIENT INTERVAL = -5.00/ 5.00

MACH	DZ	DY	DX	CN	CLM	CA	CY	CYN	CBL	CL	CD
.599	1.480	.00000	-.02000	.14010	-.04560	.03680	.00280	-.00340	.00190	.13820	.04350
.598	2.070	.00000	-.02000	.15860	-.06500	.03910	.00160	-.00360	.00100	.15650	.04660
.598	2.670	.00000	-.02000	.16010	-.06810	.03920	.00260	-.00350	.00110	.15810	.04680
.589	3.470	.00000	-.02000	.16700	-.07670	.03960	.00200	-.00360	.00120	.16490	.04750
.598	4.480	.00000	-.01000	.16890	-.07880	.03950	.00270	-.00340	.00130	.16690	.04750
.599	5.600	.00000	-.01000	.17640	-.09370	.04030	.00250	-.00320	.00140	.17420	.04860
.599	6.850	.00000	-.01000	.18290	-.10160	.04060	.00260	-.00310	.00130	.18070	.04920
.601	8.100	.00000	-.01000	.18430	-.10780	.04080	.00230	-.00290	.00110	.18220	.04950
.600	9.350	.00000	-.01000	.18610	-.10980	.04060	.00200	-.00280	.00110	.18390	.04940
.601	10.680	.00000	.00000	.19360	-.12390	.04090	.00260	-.00260	.00110	.19150	.05000
.601	12.100	.00000	.00000	.20370	-.13070	.04190	.00110	-.00250	.00090	.20150	.05150
.599	13.510	.00000	.00000	.20760	-.13610	.04200	.00160	-.00250	.00090	.20540	.05170
.600	14.930	.00000	.00000	.21090	-.14360	.04190	.00110	-.00230	.00090	.20870	.05180
.600	16.340	.00000	.00000	.21400	-.14850	.04240	.00110	-.00220	.00080	.21180	.05240
.601	17.760	.00000	.00000	.21690	-.15340	.04190	.00100	-.00180	.00100	.21460	.05210
.597	19.180	.00000	.00000	.22180	-.15910	.04250	.00070	-.00180	.00090	.21950	.05240
.600	20.600	.00000	.00000	.22290	-.16340	.04220	.00020	-.00170	.00070	.22070	.05260
.600	22.000	.00000	.01000	.22410	-.16740	.04210	.00070	-.00150	.00070	.22190	.05280
.597	23.420	.00000	.01000	.23220	-.17270	.04280	.00020	-.00130	.00080	.22990	.05370
.599	24.840	.00000	.01000	.23410	-.17390	.04220	-.00070	-.00110	.00060	.23190	.05310
.598	26.250	.00000	.01000	.23500	-.17700	.04290	-.00060	-.00110	.00060	.23270	.05390
.597	27.670	.00000	.01000	.24210	-.17940	.04300	-.00050	-.00070	.00060	.23980	.05430
.598	29.090	.00000	.01000	.24530	-.18330	.04290	-.00180	-.00070	.00030	.24300	.05430
.600	30.500	.00000	.01000	.24340	-.18590	.04250	-.00100	-.00050	.00040	.24120	.05380
.600	31.920	.00000	.01000	.24190	-.18920	.04240	-.00090	-.00040	.00050	.23970	.05370
.598	33.340	.00000	.01000	.24890	-.19410	.04260	-.00150	-.00030	.00060	.24660	.05420
.599	34.750	.00000	.01000	.25100	-.19600	.04260	-.00150	-.00030	.00030	.24870	.05430
.601	36.170	.00000	.01000	.25280	-.19670	.04270	-.00260	-.00020	.00000	.25050	.05440
.602	37.590	.00000	.01000	.25530	-.19830	.04270	-.00210	-.00020	.00030	.25300	.05460
.600	39.000	.00000	.01000	.25820	-.20130	.04280	-.00190	-.00010	.00030	.25590	.05480
.602	40.420	.00000	.01000	.25820	-.20270	.04270	-.00180	-.00030	.00010	.25590	.05470
.598	41.830	.00000	.01000	.26550	-.20780	.04290	-.00190	-.00010	.00010	.26320	.05520
.601	43.250	.00000	.01000	.26420	-.20670	.04290	-.00140	-.00010	.00040	.26190	.05520
.603	44.670	.00000	.02000	.26690	-.20590	.04250	-.00170	-.00020	.00030	.26460	.05490
.631	46.090	.00000	.02000	.26900	-.20810	.04270	-.00140	-.00020	.00000	.26670	.05530
.600	47.500	.00000	.01000	.26650	-.21230	.04280	-.00080	-.00040	.00010	.26420	.05520
.600	48.920	.00000	.02000	.26900	-.21230	.04290	-.00130	-.00040	.00010	.26670	.05550
.599	50.340	.00000	.02000	.26950	-.21150	.04270	-.00170	-.00040	.00020	.26720	.05520
.599	51.750	.00000	.02000	.27010	-.21270	.04260	-.00130	-.00040	.00030	.26780	.05520
.597	53.170	.00000	.02000	.27100	-.21670	.04240	-.00140	-.00040	.00010	.26870	.05500
.596	54.580	.00000	.02000	.27530	-.21750	.04310	-.00080	-.00040	.00010	.27300	.05600
.598	56.000	.00000	.02000	.27600	-.21580	.04250	-.00130	-.00050	.00000	.27370	.05530

LTV44-559(CA26) 747/1 ATY 02 S1 (CARRIER DATA)

(YFE047) (18 NOV 75)

REFERENCE DATA

SREF	=	5500.0000	SQ.FT.	XMRP	=	1339.9000	IN. XC
LREF	=	327.7800	IN.	YMRP	=	.0000	IN. YC
BREF	=	2348.0400	IN.	ZMRP	=	190.7500	IN. ZC
SCALE	=	.0125					

PARAMETRIC DATA

ALPHAC	=	2.000	BETAC	=	.000
STAB	=	5.000	ELEVON	=	5.000
BDFLAP	=	.000	DX	=	.000
DY	=	.000	IORB	=	8.000
BETA0	=	.000	RUDDER	=	.000

RUN NO. 40/ 0 RN/L = .00 GRADIENT INTERVAL = -5.00/ 5.00

MACH	DZ	DY	DX	CN	CLM	CA	CY	CYN	CBL	CL	CD
.598	57.410	.00000	.02000	.27720	-.21670	.04260	-.00110	-.00050	.00010	.27490	.05550
	GRADIENT	.00000	.00296	.00847	-.00982	.00073	.00005	.00001	-.00011	.00845	.00112

LTV44-559(CA26) 747/1 ATY OR SI (CARRIER DATA)

(YFE048) (18 NOV 75)

REFERENCE DATA

SREF = 5500.0000 SQ.FT. XMRP = 1339.9000 IN. XC
 LREF = 327.7800 IN. YMRP = .0000 IN. YC
 RREF = 2348.0400 IN. ZMRP = 190.7500 IN. ZC
 SCALE = .0125

PARAMETRIC DATA

ALPHAC = 2.000 BETAC = .000
 STAB = 5.000 ELEVON = 5.000
 BDFLAP = .000 DX = .000
 DY = .000 TORB = 4.000
 BETAO = 5.000 RUDDER = .000

RUN NO. 41/ 0 RN/L = .00 GRADIENT INTERVAL = -5.00/ 5.00

MACH	DZ	DY	DX	CN	CLM	CA	CY	CYN	CBL	CL	CD
.600	1.760	.00000	.00000	.21780	-.18630	.04370	.00810	-.00570	.00420	.21550	.05380
.598	2.360	.00000	.00000	.21920	-.18390	.04360	.00740	-.00580	.00420	.21690	.05370
.602	2.970	.00000	.00000	.22220	-.18770	.04370	.00690	-.00600	.00400	.21990	.05390
.601	3.760	.00000	.00000	.22170	-.19020	.04390	.00760	-.00600	.00380	.21940	.05420
.601	4.560	.00000	.00000	.22720	-.18980	.04420	.00690	-.00610	.00420	.22490	.05470
.604	5.960	.00000	.00000	.22750	-.19360	.04360	.00730	-.00610	.00390	.22520	.05470
.603	7.970	.00000	.00000	.22850	-.19460	.04370	.00700	-.00620	.00380	.22620	.05430
.601	9.960	.00000	.00000	.24040	-.20440	.04410	.00600	-.00570	.00390	.23810	.05520
.601	10.960	.00000	.00000	.24160	-.20490	.04430	.00520	-.00580	.00360	.23930	.05550
.602	11.960	.00000	.00000	.24240	-.20400	.04390	.00550	-.00540	.00390	.24000	.05510
.603	12.950	.00000	.00000	.24360	-.20420	.04400	.00460	-.00530	.00370	.24130	.05530
.602	13.940	.00000	.00000	.24640	-.20840	.04400	.00400	-.00490	.00370	.24410	.05530
.601	14.940	.00000	.00000	.24910	-.21180	.04430	.00450	-.00470	.00370	.24680	.05580
.603	15.930	.00000	.00000	.24970	-.21030	.04390	.00330	-.00430	.00320	.24740	.05540
.603	16.930	.00000	.00000	.25280	-.21060	.04420	.00170	-.00390	.00300	.25050	.05590
.602	17.930	.00000	.00000	.25210	-.21410	.04400	.00170	-.00350	.00290	.24980	.05570
.604	18.920	.00000	.00000	.25130	-.21570	.04380	.00050	-.00290	.00270	.24900	.05540
.601	19.910	.00000	.00000	.25510	-.21720	.04430	.00040	-.0030	.00240	.25270	.05610
.601	20.910	.00000	.00000	.25850	-.21790	.04410	-.00080	-.00200	.00230	.25620	.05600
.602	21.900	.00000	.01000	.25970	-.22000	.04410	-.00130	-.00110	.00200	.25740	.05610
.604	22.890	.00000	.01000	.26010	-.22100	.04390	-.00360	-.00070	.00190	.25780	.05600
.605	23.890	.00000	.01000	.25930	-.21970	.04390	-.00450	-.00020	.00200	.25700	.05590
.603	24.890	.00000	.01000	.26340	-.22090	.04440	-.00490	.00020	.00190	.26100	.05660
.603	25.880	.00000	.01000	.26510	-.22240	.04420	-.00630	.00030	.00130	.26280	.05650
.602	26.870	.00000	.01000	.26650	-.22250	.04400	-.00590	.00060	.00140	.26410	.05630
.604	27.870	.00000	.01000	.27040	-.22010	.04380	-.00690	.00100	.00130	.26800	.05630
.602	28.860	.00000	.01000	.27080	-.22500	.04410	-.00640	.00120	.00120	.26840	.05670
.604	29.860	.00000	.01000	.26970	-.22360	.04380	-.00770	.00140	.00100	.26740	.05630
.603	30.860	.00000	.01000	.27170	-.22240	.04430	-.00770	.00150	.00100	.26930	.05690
.602	31.850	.00000	.01000	.27230	-.22480	.04340	-.00740	.00160	.00100	.27000	.05600
.604	32.840	.00000	.01000	.27410	-.22430	.04350	-.00790	.00170	.00080	.27180	.05630
.604	33.840	.00000	.01000	.27560	-.22550	.04360	-.00800	.00170	.00060	.27320	.05640
.599	34.830	.00000	.01000	.27810	-.22630	.04400	-.00770	.00180	.00070	.27580	.05690
.599	35.830	.00000	.01000	.27710	-.22760	.04360	-.00750	.00190	.00060	.27470	.05650
.601	36.830	.00000	.01000	.27590	-.23090	.04340	-.00720	.00200	.00060	.27350	.05620
.602	37.820	.00000	.01000	.27770	-.23030	.04330	-.00770	.00190	.00050	.27530	.05620
.600	38.820	.00000	.01000	.28120	-.23260	.04370	-.00730	.00170	.00060	.27880	.05680
.601	39.810	.00000	.01000	.28200	-.23040	.04350	-.00680	.00170	.00060	.27960	.05660
.603	40.800	.00000	.01000	.28230	-.22980	.04390	-.00680	.00170	.00060	.28000	.05700
.604	41.800	.00000	.01000	.28300	-.23010	.04340	-.00760	.00170	.00050	.28060	.05650
.604	42.800	.00000	.01000	.28310	-.23170	.04340	-.00780	.00170	.00050	.28080	.05660
.605	43.790	.00000	.01000	.28420	-.23070	.04330	-.00750	.00170	.00060	.28190	.05660

LTV44-559(CA26) 747/1 ATY 02 S1 (CARRIER DATA)

(YFE048) (18 NOV 75)

REFERENCE DATA

SREF =	5500.0000 SQ.FT.	XMRP =	1339.9000 IN. XC
LREF =	327.7800 IN.	YMRP =	.0000 IN. YC
BREF =	2348.0400 IN.	ZMRP =	190.7500 IN. ZC
SCALE =	.0125		

PARAMETRIC DATA

ALPHAC =	2.000	BETAC =	.000
STAB =	5.000	ELEVON =	5.000
BDFLAP =	.000	DX =	.000
DY =	.000	IORB =	4.000
BETA0 =	5.000	RUDDER =	.000

RUN NO.	41/ 0	RN/L =	.00	GRADIENT INTERVAL =	-5.00/ 5.00
---------	-------	--------	-----	---------------------	-------------

MACH	DZ	DY	DX	CN	CLM	CA	CY	CYN	CBL	CL	CD
.603	44.790	.00000	.01000	.28600	-.23020	.04300	-.00720	.00150	.00050	.28370	.05630
	GRADIENT	.00000	.00000	.00305	-.0091	.00019	-.00030	-.00014	-.00005	.00305	.00034

LTV44-559(CA25) 747/1 ATY 02 SI (CARRIER DATA)

(YFE049) (18 NOV 75)

REFERENCE DATA

SREF = 5500.0000 SQ.FT. XMRP = 1339.9000 IN. XC
 LREF = 327.7800 IN. YMRP = .0000 IN. YC
 BREF = 2348.0400 IN. ZMRP = 190.7500 IN. ZC
 SCALE = .0125

PARAMETRIC DATA

ALPHAC = 2.000 BETAC = .000
 STAB = 5.000 ELEVON = 5.000
 BDFLAP = .000 DX = .000
 DY = .000 IORB = 6.000
 BETAO = 5.000 RUDDER = .000

RUN NO. 1041/ 0 RN/L = .00 GRADIENT INTERVAL = -5.00/ 5.00

MACH	OZ	DY	DX	CN	CLM	CA	CY	CYN	CBL	CL	CD
.602	1.470	.00000	-.01000	.18500	-.12100	.04060	.00840	-.00550	.00390	.18290	.04930
.604	1.770	.00000	-.01000	.18830	-.12480	.04070	.00740	-.00600	.00370	.18620	.04960
.602	2.370	.00000	-.01000	.19010	-.12610	.04100	.00800	-.00600	.00390	.18800	.04990
.601	2.970	.00000	-.01000	.18930	-.12770	.04100	.00840	-.00610	.00370	.18720	.04990
.602	3.770	.00000	.00000	.19730	-.13760	.04110	.00950	-.00670	.00350	.19510	.05040
.601	4.570	.00000	.00000	.19700	-.13870	.04150	.00890	-.00670	.00330	.19490	.05080
.601	5.970	.00000	.00000	.20700	-.15850	.04230	.00850	-.00650	.00350	.20480	.05190
.602	7.970	.00000	.00000	.21020	-.16170	.04230	.00650	-.00650	.00360	.20790	.05200
.604	9.960	.00000	.00000	.21080	-.16000	.04230	.00730	-.00640	.00340	.20860	.05210
.604	11.240	.00000	.00000	.22230	-.17020	.04250	.00690	-.00600	.00330	.22010	.05290
.603	12.520	.00000	.00000	.22460	-.17500	.04280	.00580	-.00580	.00340	.22240	.05330
.603	13.800	.00000	.00000	.22460	-.18140	.04280	.00610	-.00540	.00330	.22230	.05320
.601	15.080	.00000	.00000	.23040	-.18370	.04310	.00390	-.00500	.00300	.22810	.05380
.601	16.350	.00000	.00000	.23370	-.18580	.04300	.00270	-.00450	.00290	.23140	.05390
.599	17.630	.00000	.00000	.23740	-.19140	.04310	.00080	-.00370	.00290	.23520	.05420
.602	18.900	.00000	.00000	.24010	-.19180	.04330	.00040	-.00320	.00260	.23780	.05440
.600	20.180	.00000	.00000	.24240	-.19600	.04310	-.00090	-.00230	.00230	.24020	.05440
.601	21.460	.00000	.00000	.24460	-.19760	.04330	-.00320	-.00170	.00200	.24230	.05460
.603	22.730	.00000	.01000	.24630	-.19900	.04330	-.00290	-.00090	.00220	.24400	.05470
.603	24.000	.00000	.01000	.24800	-.19840	.04320	-.00430	-.00030	.00170	.24570	.05470
.602	25.280	.00000	.01000	.25160	-.20350	.04330	-.00500	.00010	.00140	.24930	.05500
.601	26.560	.00000	.01000	.25110	-.20440	.04350	-.00680	.00050	.00130	.24880	.05520
.604	27.840	.00000	.01000	.25450	-.20610	.04340	-.00640	.00090	.00130	.25220	.05520
.604	29.110	.00000	.01000	.25660	-.20710	.04340	-.00630	.00150	.00120	.25430	.05530
.602	30.390	.00000	.01000	.25840	-.20800	.04300	-.00800	.00160	.00090	.25610	.05500
.604	31.660	.00000	.01000	.26140	-.20970	.04310	-.00800	.00180	.00080	.25910	.05530
.602	32.940	.00000	.01000	.26300	-.21260	.04300	-.00790	.00200	.00060	.26070	.05520
.602	34.220	.00000	.01000	.26570	-.21230	.04330	-.00800	.00190	.00080	.26340	.05570
.600	35.490	.00000	.01000	.26800	-.21600	.04350	-.00840	.00180	.00060	.26560	.05600
.600	36.770	.00000	.01000	.26660	-.21720	.04310	-.00720	.00190	.00060	.26430	.05540
.602	38.050	.00000	.01000	.26980	-.21490	.04300	-.00750	.00190	.00050	.26750	.05550
.600	39.330	.00000	.01000	.27040	-.21940	.04310	-.00700	.00180	.00070	.26810	.05570
.601	40.600	.00000	.01000	.27020	-.21790	.04300	-.00740	.00180	.00090	.26790	.05550
.601	41.880	.00000	.01000	.27190	-.21880	.04300	-.00740	.00180	.00070	.26960	.05570
.601	43.150	.00000	.01000	.27700	-.22040	.04270	-.00680	.00180	.00070	.27470	.05560
.603	44.430	.00000	.01000	.27250	-.22070	.04290	-.00720	.00170	.00040	.27020	.05560
.602	45.710	.00000	.01000	.27570	-.22480	.04310	-.00660	.00170	.00030	.27340	.05590
.605	46.990	.00000	.01000	.27450	-.22210	.04270	-.00710	.00160	.00030	.27220	.05540
.604	48.260	.00000	.01000	.27750	-.22460	.04270	-.00660	.00150	.00060	.27520	.05560
.601	49.540	.00000	.01000	.28030	-.22690	.04310	-.00670	.00140	.00050	.27800	.05610
.602	50.820	.00000	.01000	.27980	-.22470	.04290	-.00650	.00140	.00040	.27750	.05600
GRADIENT		.00000	.00379	.00387	-.00570	.00026	.00044	-.00036	-.00018	.00386	.00045

LTV44-559(CA26) 747/1 ATY 02 S1 (CARRIER DATA)

(YFE050) (18 NOV 75)

REFERENCE DATA

SREF = 5500.0000 SQ.FT. XMRP = 1339.9000 IN. XC
 LREF = 327.7800 IN. YMRP = .0000 IN. YC
 BREF = 2348.0400 IN. ZMRP = 190.7500 IN. ZC
 SCALE = .0125

PARAMETRIC DATA

ALPHAC = 2.000 BETAC = .000
 STAB = 5.000 ELEVON = 5.000
 BOFLAP = .000 DX = .000
 DY = .000 IORB = 8.000
 BETAO = 5.000 RUDDER = .000

RUN NO. 1040/ 0 RN/L = .00 GRADIENT INTERVAL = -5.00/ 5.00

MACH	DZ	DY	DX	CN	CLM	CA	CY	CYN	CBL	CL	CD
.599	1.770	.00000	-.02000	.15220	-.05780	.03800	.00610	-.00520	.00350	.15020	.04520
.599	2.370	.00000	-.02000	.15620	-.05760	.03810	.00610	-.00520	.00350	.15420	.04560
.600	2.970	.00000	-.02000	.15880	-.06710	.03830	.00720	-.00560	.00360	.15670	.04590
.599	3.980	.00000	-.01000	.15770	-.06390	.03850	.00620	-.00570	.00330	.15570	.04590
.599	4.960	.00000	-.01000	.16810	-.07920	.03690	.00670	-.00550	.00330	.16600	.04690
.601	6.640	.00000	-.01000	.16980	-.07780	.03890	.00720	-.00550	.00320	.16780	.04700
.602	8.310	.00000	-.01000	.17240	-.08580	.03920	.00690	-.00530	.00320	.17030	.04740
.603	9.980	.00000	.00000	.18820	-.11130	.04030	.00610	-.00490	.00320	.18610	.04820
.602	11.210	.00000	.00000	.18930	-.11130	.04030	.00610	-.00490	.00300	.18720	.04920
.600	12.450	.00000	.00000	.19120	-.11700	.04080	.00450	-.00490	.00310	.18910	.04980
.599	13.680	.00000	.00000	.19690	-.12570	.04110	.00550	-.00500	.00300	.19470	.05040
.599	14.910	.00000	.00000	.20080	-.13190	.04170	.00630	-.00520	.00310	.19860	.05110
.599	16.150	.00000	.00000	.20540	-.13620	.04140	.00530	-.00510	.00330	.20320	.05110
.599	17.390	.00000	.00000	.20710	-.14230	.04190	.00480	-.00510	.00300	.20490	.05160
.598	18.620	.00000	.00000	.20880	-.14800	.04190	.00610	-.00510	.00300	.20660	.05170
.599	19.850	.00000	.00000	.21160	-.15220	.04200	.00490	-.00490	.00300	.20940	.05190
.601	21.090	.00000	.00000	.21800	-.15550	.04220	.00430	-.00470	.00270	.21570	.05240
.600	22.320	.00000	.01000	.22010	-.15950	.04240	.00330	-.00430	.00280	.21790	.05270
.598	23.550	.00000	.01000	.22240	-.16400	.04230	.00350	-.00390	.00300	.22020	.05270
.601	24.790	.00000	.01000	.22500	-.16650	.04240	.00190	-.00350	.00270	.22270	.05290
.600	26.030	.00000	.01000	.22840	-.17020	.04250	.00070	-.00290	.00230	.22620	.05320
.601	27.260	.00000	.01000	.23130	-.17290	.04260	.00060	-.00230	.00200	.22900	.05340
.601	28.490	.00000	.01000	.23040	-.17730	.04270	-.00080	-.00160	.00200	.22820	.05340
.601	29.730	.00000	.01000	.23480	-.17380	.04300	-.00100	-.00110	.00190	.23250	.05390
.600	30.970	.00000	.01000	.23790	-.18120	.04300	-.00210	-.00040	.00160	.23560	.05410
.602	32.200	.00000	.01000	.24110	-.18250	.04250	-.00410	.00020	.00140	.23880	.05380
.601	33.430	.00000	.01000	.24130	-.18470	.04260	-.00520	.00050	.00110	.23900	.05390
.601	34.670	.00000	.01000	.24290	-.18970	.04280	-.00510	.00080	.00090	.24060	.05410
.599	35.900	.00000	.01000	.24830	-.18990	.04280	-.00520	.00120	.00080	.24600	.05440
.600	37.140	.00000	.01000	.24680	-.19140	.04280	-.00700	.00140	.00080	.24450	.05430
.599	38.380	.00000	.01000	.25050	-.19490	.04270	-.00690	.00150	.00080	.24830	.05440
.600	39.610	.00000	.01000	.25550	-.19530	.04290	-.00660	.00160	.00040	.25330	.05480
.601	40.840	.00000	.01000	.25430	-.19880	.04290	-.00690	.00170	.00050	.25200	.05470
.600	42.080	.00000	.01000	.25740	-.20090	.04290	-.00690	.00180	.00050	.25510	.05490
.599	43.320	.00000	.01000	.25890	-.20160	.04290	-.00750	.00170	.00040	.25660	.05500
.599	44.550	.00000	.01000	.26040	-.20440	.04260	-.00830	.00170	.00040	.25810	.05470
.599	45.780	.00000	.01000	.26030	-.20520	.04270	-.00700	.00180	.00080	.25800	.05480
.600	47.020	.00000	.02000	.26690	-.20480	.04280	-.00690	.00170	.00050	.26460	.05530
.601	48.260	.00000	.02000	.26280	-.20610	.04250	-.00660	.00170	.00050	.26050	.05480
.600	49.490	.00000	.01000	.26410	-.20920	.04270	-.00650	.00170	.00030	.26180	.05500
.601	50.730	.00000	.02000	.26890	-.20790	.04280	-.00520	.00170	.00020	.26660	.05540
.601	51.960	.00000	.02000	.26850	-.20960	.04280	-.00590	.00150	.00030	.26620	.05530

DATE 29 MAR 76

CA-26 FORCE SOURCE DATA TABULATION

PAGE 1069

LTV44-559(CA26) 747/1 ATY 02 S1 (CARRIER DATA)

(YFE050) (18 NOV 75)

REFERENCE DATA

SREF = 5500.0000 SQ.FT. XMRP = 1339.9000 IN. XC
 LREF = 327.7800 IN. YMRP = .0000 IN. YC
 BREF = 2348.0400 IN. ZMRP = 190.7500 IN. ZC
 SCALE = .0125

PARAMETRIC DATA

ALPHAC = 2.000 BETAC = .000
 STAB = 5.000 ELEVON = 5.000
 BDFLAP = .000 DX = .000
 DY = .000 IORB = 8.000
 BETA0 = 5.000 RUDDER = .000

RUN NO. 1040/ 0 RN/L = .00 GRADIENT INTERVAL = -5.00/ 5.00

MACH	DZ	DY	DX	CN	CLM	CA	CY	CYN	CBL	CL	CD
.600	53.190	.00000	.02000	.27060	-.21180	.04280	-.00710	.00140	.00050	.26830	.05540
.599	54.430	.00000	.02000	.27140	-.21350	.04280	-.00680	.00130	.00010	.26910	.05540
.600	55.670	.00000	.02000	.27360	-.21390	.04280	-.00670	.00120	.00040	.27130	.05560
.601	56.900	.00000	.02000	.27260	-.21380	.04260	-.00480	.00120	.00050	.27030	.05530
.E80	58.140	.00000	.02000	.27540	-.21450	.04260	-.00480	.00120	.00050	.27310	.05540
	GRADIENT	.00000	.00386	.00416	-.00673	.00028	.00013	-.00012	-.00008	.00414	.00046

LTV44-559(CA26) 747/1 ATX 02 S1 (CARRIER DATA)

(YFE051) (18 NOV 75)

REFERENCE DATA

SREF = 5500.0000 SQ.FT. XMRP = 1339.9000 IN. XC
 LREF = 327.7800 IN. YMRP = .0000 IN. YC
 BREF = 2348.0400 IN. ZMRP = 190.7500 IN. ZC
 SCALE = .0125

PARAMETRIC DATA

ALPHAC = 2.000 BETAC = .000
 STAB = 5.000 ELEVON = 5.000
 BDFLAP = .000 DX = .000
 DY = .000 TORB = 4.000
 BETAO = .000 RUDDER = .000

RUN NO. 45/ 0 RN/L = .00 GRADIENT INTERVAL = -5.00/ 5.00

MACH	DZ	DY	DX	CN	CLM	CA	CY	CYN	CBL	CL	CD
.605	1.760	.0000	.0000	.22140	-.18870	.04310	.00790	-.00290	.00100	.21920	.05330
.603	2.360	.00000	.00000	.22420	-.18900	.04360	.00700	-.00290	.00110	.22200	.05400
.604	2.970	.00000	.00000	.22700	-.19340	.04310	.00730	-.00290	.00090	.22470	.05360
.603	3.760	.00000	.00000	.22720	-.19310	.04290	.00790	-.00300	.00080	.22490	.05340
.604	4.560	.00000	.00000	.22800	-.19320	.04300	.00770	-.00290	.00080	.22580	.05350
.602	5.960	.00000	.00000	.23230	-.19830	.04290	.00670	-.00290	.00060	.23010	.05360
.602	7.970	.00000	.00000	.23400	-.20020	.04380	.00760	-.00270	.00100	.23180	.05160
.605	9.960	.00000	.00000	.24130	-.20890	.04260	.00730	-.00240	.00070	.23900	.05380
.603	10.960	.00000	.00000	.24720	-.20810	.04340	.00700	-.00230	.00080	.24490	.05480
.603	11.960	.00000	.00000	.24500	-.21140	.04310	.00700	-.00230	.00080	.24280	.05440
.606	12.950	.00000	.00000	.24630	-.21330	.04310	.00600	-.00210	.00060	.24410	.05440
.606	13.940	.00000	.00000	.25040	-.21250	.04310	.00590	-.00210	.00080	.24810	.05460
.603	14.940	.00000	.00000	.25250	-.21600	.04330	.00470	-.00180	.00070	.25020	.05600
.605	15.930	.00000	.00000	.25420	-.21870	.04300	.00530	-.00170	.00080	.25190	.05470
.605	16.930	.00000	.00000	.25390	-.21990	.04290	.00500	-.00140	.00070	.25160	.05490
.604	17.930	.00000	.00000	.25690	-.22020	.04300	.00390	-.00110	.00060	.25460	.05470
.606	18.920	.00000	.00000	.25970	-.22290	.04290	.00450	-.0010	.00060	.25750	.05490
.605	19.910	.00000	.00000	.26320	-.22160	.04280	.00420	-.00090	.00060	.26090	.05500
.607	20.910	.00000	.00000	.26120	-.22490	.04270	.00370	-.00070	.00050	.25890	.05470
.605	21.900	.00000	-.01000	.26580	-.22510	.04280	.00350	-.00050	.00060	.26350	.05510
.603	22.890	.00000	-.01000	.26590	-.22990	.04290	.00240	-.00060	.00050	.26370	.05520
.605	23.890	.00000	-.01000	.26580	-.22960	.04290	.00260	-.00040	.00040	.26360	.05520
.606	24.890	.00000	-.01000	.26640	-.23130	.04240	.00300	-.00020	.00040	.26420	.05470
.607	25.860	.00300	-.01000	.26670	-.22670	.04200	.00180	-.00010	.00010	.26450	.05430
.604	26.870	.00000	-.01000	.26840	-.23070	.04270	.00180	.00000	.00000	.26610	.05510
.603	27.870	.00000	-.01000	.26880	-.23340	.04230	.00140	.00000	.00010	.26660	.05470
.604	28.860	.00000	-.01000	.27240	-.23580	.04270	.00230	.00000	.00010	.27010	.05520
.605	29.860	.00000	-.01000	.27450	-.23490	.04270	.00170	.00010	.00000	.27230	.05540
.605	30.860	.00000	-.01000	.27340	-.23470	.04220	.00130	.00010	.00010	.27110	.05490
.604	31.850	.00000	-.01000	.27490	-.23620	.04260	.00170	.00020	.00010	.27260	.05530
.604	32.840	.00000	-.01000	.27860	-.23690	.04270	.00230	.00020	.00010	.27630	.05560
.605	33.840	.00000	-.01000	.27780	-.23710	.04270	.00240	.00030	.00020	.27550	.05550
.604	34.830	.00000	-.01000	.27930	-.23920	.04250	.00160	.00030	.00020	.27710	.05540
.606	35.830	.00000	-.01000	.27790	-.23990	.04220	.00060	.00020	.00000	.27560	.05500
.604	36.830	.00000	-.01000	.27890	-.24000	.04230	.00170	.00030	.00030	.27660	.05520
.604	37.820	.00000	-.01000	.28280	-.24110	.04230	.00130	.00030	.00020	.28060	.05540
.604	38.820	.00000	-.01000	.28020	-.24140	.04190	.00140	.00030	.00040	.27800	.05480
.604	39.810	.00000	-.01000	.28370	-.23980	.04230	.00220	.00030	.00020	.28140	.05540
.604	40.800	.00000	-.01000	.28630	-.24160	.04210	.00100	.00030	.00010	.28400	.05570
.604	41.800	.00000	-.01000	.28610	-.24050	.04240	.00180	.00040	.00010	.28390	.05570
.606	42.800	.00000	-.01000	.28690	-.24010	.04210	.00200	.00020	.00030	.28460	.05540
.605	43.790	.00000	-.01000	.28880	-.24280	.04200	.00150	.00010	.00010	.28650	.05540

DATE 29 MAR 76

CA-26 FORCE SOURCE DATA TABULATION

PAGE 1071

LTV44-559(CA26) 747/1 ATX 02 S1 (CARRIER DATA)

(YFE051) (18 NOV 75)

REFERENCE DATA

SREF = 5500.0000 SQ.FT.	XMRP = 1339.9000 IN. XC
LREF = 327.7800 IN.	YMRP = .0000 IN. YC
BREF = 2348.0400 IN.	ZMRP = 190.7500 IN. ZC
SCALE = .0125	

PARAMETRIC DATA

ALPHAC = 2.000	BETAC = .000
STAB = 5.000	ELEVON = 5.000
BDFLAP = .000	DX = .000
OY = .000	IORB = 4.000
BETA0 = .000	RUDDER = .000

RUN NO. 45/ 0 RN/L = .00 GRADIENT INTERVAL = -5.00/ 5.00

MACH .605	DZ 44.790	OY .00000	DX -.01000	CN .28660	CLM -.24330	CA .04190	CY .00170	CYN .00020	CBL .00000	CL .28430	CD .05520
	GRADIENT	.00000	.00000	.00224	-.00181	-.00013	.00009	-.00003	-.00010	.00223	-.00004

ORIGINAL PAGE IS
OF POOR QUALITY

LTV44-559(CA26) 747/1 ATX 02 S1 (CARRIER DATA)

(YFE052) (18 NOV 75)

REFERENCE DATA

SREF = 5500.0000 SQ.FT. XMRP = 1339.9000 IN. XC
 LREF = 327.7800 IN. YMRP = .0000 IN. YC
 BREF = 2348.0400 IN. ZMRP = 190.7500 IN. ZC
 SCALE = .0125

PARAMETRIC DATA

ALPHAC = 2.000 BETAC = .000
 STAB = 5.000 ELEVON = 5.000
 BDFLAP = .000 DX = .000
 DY = .000 IORB = 6.000
 BETAO = .000 RUDDER = .000

RUN NO. 1045/ 0 RN/L = .00 GRADIENT INTERVAL = -5.00/ 5.00

MACH	DZ	DY	DX	CN	CLM	CA	CY	CYN	CBL	CL	CD
.604	1.470	.00000	.01000	.18870	-.13210	.04000	.00580	-.00280	.00070	.18660	.04880
.602	1.770	.00000	.01000	.19420	-.13730	.04050	.00620	-.00290	.00090	.19210	.04960
.602	2.370	.00000	.01000	.19700	-.13740	.04070	.00650	-.00290	.00110	.19490	.04990
.602	2.970	.00000	.00000	.19730	-.13690	.04050	.00670	-.00300	.00080	.19520	.04980
.603	3.770	.00000	.00000	.20020	-.14740	.04090	.00650	-.00290	.00090	.19800	.05020
.603	4.570	.00000	.00000	.20350	-.14790	.04120	.00650	-.00280	.00100	.20130	.05070
.602	5.970	.00000	.00000	.21560	-.16560	.04100	.00580	-.00250	.00110	.21340	.05100
.604	7.970	.00000	.00000	.21600	-.16870	.04120	.00560	-.00250	.00090	.21380	.05120
.606	9.960	.00000	.00000	.21730	-.16640	.04100	.00600	-.00220	.00070	.21510	.05110
.606	11.240	.00000	.00000	.22260	-.17750	.04150	.00550	-.00190	.00080	.22040	.05180
.605	12.520	.00000	.00000	.22620	-.18400	.04200	.00550	-.00190	.00100	.22400	.05250
.602	13.800	.00000	.00000	.23290	-.18850	.04240	.00500	-.00170	.00090	.23060	.05320
.604	15.080	.00000	.00000	.23420	-.19130	.04180	.00460	-.00150	.00080	.23200	.05270
.601	16.350	.00000	.00000	.23920	-.19450	.04220	.00410	-.00130	.00050	.23700	.05330
.603	17.630	.00000	.00000	.24250	-.19910	.04240	.00420	-.00130	.00030	.24020	.05360
.605	18.900	.00000	.00000	.24210	-.19770	.04190	.00350	-.00100	.00050	.23990	.05310
.602	20.180	.00000	.00000	.24540	-.20410	.04200	.00350	-.00070	.00020	.24320	.05340
.603	21.460	.00000	.00000	.24870	-.20380	.04190	.00250	-.00030	.00010	.24650	.05350
.603	22.730	.00000	-.01000	.25060	-.20790	.04160	.00210	-.00020	.00050	.24940	.05320
.602	24.000	.00000	-.01000	.25320	-.21070	.04230	.00130	-.00010	.00030	.25090	.05400
.602	25.280	.00000	-.01000	.25320	-.21380	.04210	.00160	.00000	.00010	.25090	.05380
.605	26.560	.00000	-.01000	.25410	-.21340	.04180	.00200	.00010	.00020	.25190	.05360
.604	27.840	.00000	-.01000	.25770	-.21590	.04210	.00050	.00040	.00020	.25550	.05400
.605	29.110	.00000	-.01000	.26050	-.21760	.04210	.00040	.00040	.00030	.25830	.05420
.601	30.390	.00000	-.01000	.26590	-.22210	.04270	.00010	.00050	.00020	.26360	.05500
.605	31.660	.00000	-.01000	.26460	-.21930	.04190	.00010	.00070	.00060	.26240	.05420
.604	32.940	.00000	-.01000	.26550	-.22190	.04200	.00050	.00060	.00040	.26320	.05420
.604	34.220	.00000	-.01000	.26740	-.22600	.04210	.00110	.00050	.00010	.26520	.05450
.602	35.490	.00000	-.01000	.26850	-.22700	.04210	.00050	.00050	-.00010	.26630	.05450
.604	36.770	.00000	-.01000	.26950	-.22780	.04170	.00120	.00050	.00010	.26730	.05410
.602	38.050	.00000	-.01000	.27040	-.22990	.04200	.00140	.00050	.00010	.26810	.05450
.604	39.330	.00000	-.01000	.27140	-.22880	.04170	.00180	.00050	.00020	.25920	.05430
.602	40.600	.00000	-.01000	.27690	-.23180	.04180	.00180	.00050	.00020	.27460	.05470
.601	41.880	.00000	-.01000	.27820	-.23220	.04180	.00170	.00050	.00020	.27590	.05470
.602	43.150	.00000	-.01000	.27700	-.23220	.04170	.00180	.00050	.00000	.27470	.05450
.601	44.430	.00000	-.01000	.28080	-.23350	.04200	.00040	.00050	.00000	.27860	.05500
.604	45.710	.00000	-.01000	.28050	-.23410	.04150	.00170	.00050	.00030	.27820	.05450
.603	46.980	.00000	-.01000	.28720	-.23680	.04180	.00130	.00040	.00000	.27990	.05490
.605	48.260	.00000	-.01000	.28280	-.23320	.04150	.00090	.00030	.00010	.28060	.05470
.603	49.540	.00000	-.01000	.28140	-.23510	.04180	.00210	.00030	.00020	.27910	.05480
.605	50.820	.00000	-.01000	.28110	-.23510	.04150	.00100	.00040	.00000	.27890	.05460
GRADIENT		.00000	-.00401	.00402	-.00499	.00031	.00018	.00000	.00005	.00398	.00049

DATE 29 MAR 76

CA-26 FORCE SOURCE DATA TABULATION

PAGE 1073

LTV44-559(CA26) 747/1 ATY 02 SI (CARRIER DATA)

(YFE053) (18 NOV 75)

REFERENCE DATA

SREF = 5500.0000 SQ.FT. XMRP = 1339.9000 IN. XC
 LREF = 327.7800 IN. YMRP = .0000 IN. YC
 BREF = 2348.0400 IN. ZMRP = 190.7500 IN. ZC
 SCALE = .0125

PARAMETRIC DATA

ALPHAC = 2.000 BETAC = .000
 STAB = 5.000 ELEVON = 5.000
 BDFLAP = .000 DX = .000
 DZ = .000 TORB = 6.000
 BETAO = .000 RUDDER = .000

RUN NO. 46/ 0 RN/L = .00 GRADIENT INTERVAL = -5.00/ 5.00

MACH	DY	DX	DZ	CN	CLM	CA	CY	CYN	CBL	CL	CD
.598	-10.000	.01000	1.46000	.19540	-.14720	.04290	.00290	.00270	-.00420	.19320	.05200
.600	-9.420	.01000	1.46000	.19210	-.14210	.04220	.00300	.00280	-.00400	.18990	.05120
.600	-8.850	.01000	1.46000	.19150	-.14070	.04220	.00130	.00290	-.00370	.18930	.05110
.597	-8.280	.01000	1.46000	.19160	-.13740	.04240	.00070	.00310	-.00340	.18940	.05140
.600	-7.710	.02000	1.46000	.19080	-.13170	.04180	.00060	.00320	-.00320	.18860	.05070
.598	-7.140	.02000	1.46000	.18920	-.13050	.04180	-.00010	.00330	-.00280	.18700	.05070
.601	-6.560	.02000	1.46000	.18680	-.12710	.04150	-.00060	.00330	-.00220	.18460	.05020
.598	-5.990	.02000	1.46000	.18980	-.12810	.04190	-.00070	.00290	-.00210	.18760	.05080
.599	-5.420	.02000	1.46000	.18880	-.12640	.04170	-.00020	.00240	-.00170	.18670	.05050
.601	-4.850	.02000	1.46000	.18740	-.12710	.04180	.00060	.00170	-.00120	.18520	.05060
.602	-4.280	.02000	1.46000	.18740	-.12530	.04170	.00090	.00090	-.00100	.18520	.05040
.602	-3.710	.02000	1.46000	.19080	-.12710	.04190	.00220	.00000	-.00070	.18870	.05090
.602	-3.130	.01000	1.46000	.19050	-.12450	.04160	.00260	-.00070	-.00020	.18930	.05050
.603	-2.570	.01000	1.46000	.18930	-.12660	.04200	.00340	-.00160	.00030	.18710	.05090
.604	-1.990	.01000	1.46000	.18810	-.12550	.04180	.00390	-.00250	.00080	.18590	.05060
.602	-1.420	.01000	1.46000	.19010	-.12890	.04200	.00490	-.00330	.00130	.18790	.05090
.602	-.850	.01000	1.46000	.19340	-.12700	.04250	.00410	-.00410	.00160	.19120	.05160
.603	-.270	.02000	1.46000	.19080	-.12940	.04280	.00460	-.00480	.00180	.18850	.05170
.601	.850	.02000	1.46000	.19170	-.12780	.04200	.00490	-.00550	.00200	.18770	.05090
.601	1.420	.02000	1.46000	.19050	-.13010	.04240	.00590	-.00610	.00260	.18950	.05140
.600	1.990	.02000	1.46000	.18960	-.12860	.04200	.00500	-.00640	.00300	.18830	.05090
.600	2.560	.02000	1.46000	.19080	-.13240	.04240	.00420	-.00660	.00350	.18740	.05130
.602	3.130	.02000	1.46000	.19230	-.13270	.04240	.00330	-.00660	.00360	.18860	.05130
.600	3.710	.02000	1.46000	.19080	-.13320	.04260	.00200	-.00630	.00380	.19000	.05160
.602	4.280	.01000	1.46000	.19420	-.13800	.04300	.00160	-.00600	.00400	.19200	.05210
.600	4.850	.01000	1.46000	.19020	-.13920	.04280	.00110	-.00570	.00440	.18900	.05170
.599	5.420	.01000	1.46000	.19330	-.14240	.04330	.00000	-.00550	.00470	.19100	.05230
.599	5.990	.01000	1.46000	.19820	-.14510	.04400	-.00120	-.00540	.00500	.19600	.05320
.601	6.560	.01000	1.46000	.20000	-.14690	.04390	-.00130	-.00530	.00540	.19770	.05330
.599	7.140	.01000	1.46000	.19620	-.15000	.04350	-.00310	-.00520	.00570	.19400	.05260
.601	7.700	.01000	1.46000	.19790	-.15400	.04400	-.00250	-.00510	.00610	.19570	.05320
.600	8.280	.01000	1.46000	.19790	-.15640	.04410	-.00270	-.00520	.00630	.19560	.05330
.607	8.850	.01000	1.46000	.19660	-.15900	.04420	-.00350	-.00540	.00630	.19430	.05330
.600	9.420	.01000	1.46000	.19890	-.16280	.04480	-.00470	-.00550	.00670	.19660	.05400
.600	10.000	.01000	1.46000	.19890	-.16150	.04470	-.00430	-.00570	.00660	.19660	.05390
GRADIENT		.00007	-.00000	.00041	-.00148	.00013	-.00003	-.00083	.00063	.00040	.00015

LTV44-559(CA26) 747/1 ATY 02 S1 (CARRIER DATA)

(YFE054) (18 NOV 75)

REFERENCE DATA

SREF = 5500.0000 SQ.FT. XMRP = 1339.9000 IN. XC
 LREF = 327.7800 IN. YMRP = .0000 IN. YC
 BREF = 2348.0400 IN. ZMRP = 190.7500 IN. ZC
 SCALE = .0125

PARAMETRIC DATA

ALPHAC = 2.000 BETAC = .000
 STAB = 5.000 ELEVON = 5.000
 BDFLAP = .000 DX = .000
 DZ = 15.000 IORB = 6.000
 BETAO = .000 RUDDER = .000

RUN NO. 1046/ 0 RN/L = .00 GRADIENT INTERVAL = -5.00/ 5.00

MACH	DY	DX	DZ	CN	CLM	CA	CY	CYN	CBL	CL	CD
.599	-9.420	.01000	16.46000	.23640	-.18410	.04370	.00430	.00020	-.00290	.23410	.05470
.600	-8.850	.01000	16.46000	.23500	-.18530	.04350	.00460	.00010	-.00300	.23270	.05440
.599	-8.280	.01000	16.46000	.24010	-.18710	.04400	.00420	.00010	-.00260	.23780	.05520
.600	-7.710	.01000	16.46000	.23850	-.19560	.04370	.00470	.00000	-.00260	.23620	.05480
.601	-7.140	.01000	16.46000	.23570	-.18560	.04340	.00350	.00010	-.00270	.23350	.05430
.603	-6.560	.01000	16.46000	.23590	-.18560	.04330	.00390	.00020	-.00250	.23360	.05430
.602	-5.990	.01000	16.46000	.23720	-.18420	.04340	.00370	.00020	-.00200	.23490	.05440
.601	-5.420	.01000	16.46000	.23580	-.18580	.04400	.00210	.00040	-.00170	.23350	.05490
.599	-4.850	.01000	16.46000	.23550	-.18540	.04410	.00180	.00050	-.00180	.23420	.05510
.601	-4.280	.01000	16.46000	.23360	-.18430	.04330	.00160	.00050	-.00150	.23430	.05430
.603	-3.710	.01000	16.46000	.23440	-.18180	.04310	.00040	.00040	-.00120	.23210	.05400
.601	-3.140	.01000	16.46000	.23620	-.18200	.04340	-.00020	.00030	-.00110	.23390	.05440
.601	-2.570	.01000	16.46000	.23450	-.18310	.04330	.00000	.00010	-.00070	.23220	.05420
.600	-1.990	.00000	16.46000	.23480	-.18410	.04390	.00000	.00000	-.00070	.23250	.05480
.602	-1.420	.00000	16.46000	.23300	-.18090	.04320	.00110	-.00040	-.00040	.23070	.05400
.600	-.850	.00000	16.46000	.23500	-.18200	.04370	.00040	-.00080	-.00020	.23270	.05460
.602	-.280	.00000	16.46000	.23500	-.18150	.04370	.00060	-.00110	.00000	.23270	.05470
.601	.270	.01000	16.46000	.23560	-.18210	.04370	.00140	-.00140	.00030	.23330	.05470
.602	.850	.01000	16.46000	.23460	-.18150	.04360	.00060	-.00170	.00070	.23230	.05450
.603	1.410	.01000	16.46000	.23460	-.18080	.04350	.00060	-.00210	.00090	.23230	.05440
.603	1.990	.01000	16.46000	.23400	-.17990	.04330	.00080	-.00240	.00080	.23170	.05420
.603	2.560	.01000	16.46000	.23330	-.18160	.04310	.00150	-.00240	.00100	.23110	.05400
.602	3.130	.01000	16.46000	.23620	-.17950	.04340	.00090	-.00260	.00140	.23390	.05440
.602	3.700	.01000	16.46000	.23690	-.18040	.04350	.00110	-.00280	.00170	.23450	.05450
.600	4.270	.01000	16.46000	.23730	-.18190	.04380	.00070	-.00280	.00190	.23500	.05480
.602	4.850	.01000	16.46000	.23220	-.18450	.04330	.00120	-.00270	.00210	.22990	.05410
.602	5.420	.01000	16.46000	.23270	-.18340	.04360	.00060	-.00280	.00210	.23040	.05440
.602	5.990	.01000	16.46000	.23350	-.18370	.04320	.00050	-.00270	.00250	.23120	.05400
.600	6.560	.01000	16.46000	.23630	-.18400	.04340	-.00020	-.00260	.00260	.23400	.05440
.599	7.130	.01000	16.46000	.23670	-.18380	.04360	-.00030	-.00260	.00270	.23450	.05460
.601	7.700	.01000	16.46000	.23780	-.18340	.04380	-.00220	-.00240	.00280	.23550	.05490
.598	8.270	.01000	16.46000	.23780	-.18410	.04360	-.00220	-.00230	.00300	.23550	.05460
.599	8.840	.01000	16.46000	.23900	-.18440	.04400	-.00260	-.00220	.00310	.23660	.05520
.601	9.420	.01000	16.46000	.23530	-.18330	.04370	-.00320	-.00210	.00320	.23300	.05460
.539	9.990	.01000	16.46000	.23830	-.18510	.04420	-.00420	-.00190	.00340	.23590	.05530
GRADIENT		.00029	.00000	-.00007	.00026	-.00001	.00003	-.00041	.00039	-.00007	-.00001

LTV44-559(CA26) 747/1 ATY 02 S1 (CARRIER DATA)

(YFE055) (18 NOV 75)

REFERENCE DATA

SREF = 5500.0000 SQ.FT. XMRP = 1339.9000 IN. XC
 LREF = 327.7800 IN. YMRP = .0000 IN. YC
 BREF = 2348.0400 IN. ZMRP = 190.7500 IN. ZC
 SCALE = .0125

PARAMETRIC DATA

ALPHAC = 2.000 BETAC = .000
 STAB = 5.000 ELEVON = 5.000
 BDFLAP = .000 DX = .000
 DZ = 60.000 TORB = 6.000
 BETAD = .000 RUDDER = .000

RUN NO. 2046/ 0 RN/L = .00 GRADIENT INTERVAL = -5.00/ 5.00

MACH	DY	DX	DZ	CN	CLM	CA	CY	CYN	CBL	CL	CD
.599	-10.000	-.01000	51.46000	.28490	-.22910	.04340	.00420	-.00240	-.00020	.28260	.05670
.600	-9.430	-.01000	51.46000	.28260	-.22920	.04330	.00380	-.00200	-.00010	.28030	.05640
.599	-8.860	-.01000	51.46000	.28210	-.22750	.04330	.00370	-.00210	.00000	.27970	.05640
.600	-8.280	-.01000	51.46000	.28240	-.22850	.04310	.00350	-.00180	.00000	.28000	.05630
.599	-7.710	-.01000	51.46000	.28440	-.22880	.04310	.00240	-.00170	.00000	.28210	.05630
.600	-7.140	-.01000	51.46000	.28220	-.22760	.04300	.00290	-.00160	.00000	.27990	.05620
.599	-6.570	-.01000	51.46000	.28360	-.22800	.04330	.00190	-.00140	-.00020	.28130	.05650
.598	-6.000	-.01000	51.46000	.28510	-.22830	.04360	.00120	-.00120	.00000	.28270	.05680
.600	-5.420	-.02000	51.46000	.28600	-.22590	.04340	.00070	-.00110	.00000	.28360	.05680
.600	-4.860	-.02000	51.46000	.28750	-.22580	.04340	.00050	-.00090	.00000	.28510	.05680
.600	-4.290	-.02000	51.46000	.28430	-.22630	.04300	.00110	-.00080	.00010	.28200	.05620
.601	-3.710	-.02000	51.46000	.28530	-.22630	.04350	-.00040	-.00070	.00000	.28300	.05680
.601	-3.140	-.02000	51.46000	.28480	-.22640	.04360	-.00070	-.00050	.00000	.28240	.05690
.601	-2.570	-.02000	51.46000	.28510	-.22690	.04370	-.00070	-.00050	-.00010	.28280	.05700
.603	-2.000	-.01000	51.46000	.28200	-.22690	.04340	-.00100	-.00020	.00000	.27970	.05660
.601	-1.430	-.01000	51.46000	.28310	-.22830	.04340	-.00120	.00000	.00000	.28070	.05660
.603	-.850	-.02000	51.46000	.28440	-.22470	.04330	-.00210	.00000	.00010	.28200	.05660
.601	-.280	-.01000	51.46000	.28660	-.22560	.04350	-.00250	.00020	.00030	.28420	.05690
.601	.270	-.02000	51.46000	.28500	-.22770	.04350	-.00230	.00030	.00030	.28270	.05670
.598	.840	-.01000	51.46000	.28430	-.22820	.04370	-.00340	.00040	.00020	.28190	.05690
.601	1.410	-.02000	51.46000	.28400	-.22690	.04320	-.00340	.00060	.00020	.28170	.05640
.601	1.990	-.02000	51.46000	.28510	-.22650	.04330	-.00450	.00070	.00020	.28260	.05660
.602	2.560	-.02000	51.46000	.28300	-.22610	.04300	-.00450	.00100	.00010	.28070	.05610
.601	3.130	-.02000	51.46000	.28490	-.22500	.04360	-.00560	.00110	.00020	.28250	.05680
.600	3.700	-.02000	51.46000	.28520	-.22770	.04330	-.00570	.00130	.00020	.28280	.05650
.599	4.270	-.01000	51.46000	.28310	-.22650	.04340	-.00590	.00130	.00010	.28080	.05660
.600	4.850	-.01000	51.46000	.28150	-.22850	.04330	-.00580	.00150	.00020	.27920	.05630
.601	5.410	-.02000	51.46000	.28200	-.22490	.04290	-.00670	.00160	.00040	.27970	.05600
.600	5.980	-.02000	51.46000	.28460	-.22620	.04350	-.00730	.00190	.00040	.28230	.05670
.600	6.560	-.02000	51.46000	.28540	-.22750	.04340	-.00690	.00200	.00040	.28310	.05670
.600	7.130	-.02000	51.46000	.28620	-.22730	.04350	-.00760	.00220	.00050	.28380	.05690
.602	7.700	-.01000	51.46000	.28190	-.22640	.04320	-.00780	.00230	.00080	.27960	.05630
.601	8.270	-.01000	51.46000	.28400	-.22810	.04380	-.00820	.00240	.00070	.28160	.05700
.602	8.840	-.02000	51.46000	.28550	-.22730	.04320	-.00850	.00240	.00050	.28320	.05650
.601	9.420	-.02000	51.46000	.28550	-.22760	.04330	-.00860	.00250	.00030	.28320	.05660
.601	GRADIENT	.00040	-.00000	-.00021	-.00009	-.00001	-.00074	.00025	.00002	-.00021	-.00003

ORIGINAL PAGE IS
 OF POOR QUALITY

LTV44-559(CA26) 747/1 ATY 02 S1 (CARRIER DATA)

(YFE056) (18 NOV 75)

REFERENCE DATA

SREF = 5500.0000 SQ.FT. XMRP = 1339.9000 IN. XC
 LREF = 327.7800 IN. YMRP = .0000 IN. YC
 BREF = 2348.0400 IN. ZMRP = 190.7500 IN. ZC
 SCALE = .0125

PARAMETRIC DATA

ALPHAC = 2.000 BETAC = .000
 STAB = 5.000 ELEVON = 5.000
 BDFLAP = .000 DX = .000
 DZ = .000 10RB = 6.000
 BETAO = 5.000 RUDDER = .000

RUN NO. 47/ 0 RN/L = .00 GRADIENT INTERVAL = -5.00/ 5.00

MACH	DY	DX	DZ	CN	CLM	CA	CY	CYN	CBL	CL	CD
.611	10.000	.02000	1.46000	.18880	-.12680	.04100	.00660	.00000	-.00160	.18670	.04990
.610	-9.420	.02000	1.46000	.18770	-.12410	.04130	.00600	.00010	-.00140	.18550	.05010
.609	-8.850	.02000	1.46000	.18740	-.12390	.04140	.00600	.00010	-.00100	.18530	.05020
.608	-8.280	.02000	1.46000	.18630	-.12200	.04110	.00560	.00010	-.00080	.18420	.04980
.609	-7.710	.02000	1.46000	.18710	-.11960	.04090	.00510	.00020	-.00050	.18500	.04970
.611	-7.140	.02000	1.46000	.18350	-.11720	.04040	.00390	.00000	-.00010	.18140	.04910
.609	-6.560	.02000	1.46000	.18440	-.11890	.04060	.00520	-.00020	.00020	.18230	.04930
.607	-5.990	.02000	1.46000	.18510	-.12080	.04060	.00570	-.00060	.00050	.18300	.04930
.610	-5.420	.01000	1.46000	.18570	-.12170	.04050	.00600	-.00110	.00080	.18360	.04920
.609	-4.850	.01000	1.46000	.18630	-.12230	.04060	.00600	-.00180	.00130	.18410	.04930
.608	-4.280	.01000	1.46000	.18370	-.12300	.04040	.00730	-.00250	.00170	.18160	.04900
.609	-3.710	.01000	1.46000	.18540	-.12150	.04060	.00740	-.00320	.00190	.18330	.04930
.610	-3.130	.01000	1.46000	.18500	-.12270	.04050	.00810	-.00390	.00220	.18290	.04910
.611	-2.570	.01000	1.46000	.18630	-.12370	.04070	.00770	-.00470	.00250	.18420	.04940
.610	-1.990	.01000	1.46000	.18720	-.12150	.04050	.00840	-.00520	.00300	.18500	.04920
.609	-1.420	.01000	1.46000	.18650	-.12410	.04040	.00910	-.00580	.00360	.18440	.04920
.608	-.850	.01000	1.46000	.19290	-.12380	.04090	.00860	-.00630	.00410	.19080	.05000
.611	-.270	.01000	1.46000	.18820	-.12470	.04060	.00890	-.00690	.00460	.18610	.04940
.610	.270	.02000	1.46000	.18820	-.12560	.04070	.00860	-.00750	.00480	.18600	.04950
.610	.850	.02000	1.46000	.18740	-.12820	.04090	.00790	-.00790	.00510	.18530	.04960
.608	1.420	.02000	1.46000	.18870	-.12980	.04130	.00700	-.00800	.00560	.18660	.05010
.608	1.990	.02000	1.46000	.18920	-.13140	.04180	.00620	-.00770	.00610	.18710	.05070
.610	2.560	.01000	1.46000	.19080	-.13610	.04170	.00480	-.00750	.00640	.18970	.05060
.610	3.130	.01000	1.46000	.19170	-.13720	.04180	.00360	-.00720	.00660	.18950	.05070
.610	3.710	.01000	1.46000	.19080	-.14210	.04220	.00240	-.00710	.00670	.18870	.05110
.609	4.280	.01000	1.46000	.19250	-.14700	.04250	.00060	-.00700	.00680	.19030	.05140
.610	4.850	.01000	1.46000	.19210	-.15080	.04290	.00030	-.00680	.00700	.18980	.05180
.611	5.420	.01000	1.46000	.19300	-.15430	.04280	-.00070	-.00650	.00730	.19080	.05170
.609	5.990	.01000	1.46000	.19490	-.15990	.04320	-.00220	-.00640	.00770	.19260	.05220
.609	6.560	.01000	1.46000	.19850	-.16460	.04370	-.00330	-.00630	.00810	.19630	.05280
.607	7.140	.01000	1.46000	.20040	-.16680	.04380	-.00440	-.00650	.00850	.19810	.05310
.609	7.700	.01000	1.46000	.19970	-.17180	.04420	-.00470	-.00660	.00890	.19750	.05330
.609	8.280	.01000	1.46000	.20180	-.17330	.04420	-.00530	-.00650	.00910	.19950	.05350
.608	8.850	.01000	1.46000	.20170	-.17200	.04440	-.00620	-.00660	.00920	.19950	.05370
.608	9.420	.00000	1.46000	.20070	-.17510	.04430	-.00570	-.00660	.00940	.19840	.05350
.611	10.000	.01000	1.46000	.20090	-.17390	.04440	-.00590	-.00650	.00910	.19860	.05360
	GRADIENT	.00029	-.00000	.00077	-.00271	.00023	-.00066	-.00054	.00064	.00076	.00026

DATE 29 MAR 76

CA-26 FORCE SOURCE DATA TABULATION

PAGE 1077

LTV44-559(CA26) 747/1 ATY 02 S1 (CARRIER DATA)

(YFE057) (18 NOV 75)

REFERENCE DATA

SREF = 5500.0000 SQ.FT. XMRP = 1339.9000 IN. XC
 LREF = 327.7800 IN. YMRP = .0000 IN. YC
 BREF = 2348.0400 IN. ZMRP = 190.7500 IN. ZC
 SCALE = .0125

PARAMETRIC DATA

ALPHAC = 2.000 BETAC = .000
 STAB = 5.000 ELEVON = 5.000
 BDFLAP = .000 DX = .000
 DZ = 15.000 IORB = 6.000
 BETA0 = 5.000 RUDDER = .000

RUN NO. 1047/ 0 RN/L = .00 GRADIENT INTERVAL = -5.00/ 5.00

MACH	DY	DX	DZ	CN	CLM	CA	CY	CYN	CBL	CL	CD
.609	-9.420	.01000	15.00000	.22700	-.17370	.04200	.00520	-.00060	-.00090	.22480	.05250
.610	-8.850	.01000	15.00000	.22820	-.17530	.04190	.00520	-.00070	-.00080	.22590	.05260
.608	-6.280	.00000	15.00000	.23010	-.17730	.04240	.00400	-.00060	-.00080	.22790	.05310
.609	-7.710	.00000	15.00000	.23020	-.17740	.04200	.00310	-.00070	-.00070	.22800	.05270
.607	-7.140	.00000	15.00000	.23170	-.17650	.04250	.00340	-.00090	-.00070	.22940	.05330
.610	-6.560	.00000	15.00000	.22900	-.17710	.04200	.00410	-.00100	-.00040	.22680	.05270
.608	-5.990	.00000	15.00000	.23260	-.17720	.04260	.00340	-.00130	-.00010	.23030	.05350
.609	-5.420	.00000	15.00000	.22940	-.17640	.04230	.00450	-.00160	.00000	.22720	.05300
.607	-4.850	.00000	15.00000	.23140	-.17550	.04270	.00410	-.00200	.00030	.22920	.05350
.609	-4.280	.00000	15.00000	.22900	-.17700	.04230	.00470	-.00230	.00070	.22680	.05290
.610	-3.710	.00000	15.00000	.22640	-.17540	.04210	.00550	-.00280	.00100	.22410	.05260
.607	-3.140	.00000	15.00000	.23210	-.17710	.04290	.00460	-.00320	.00130	.22920	.05370
.610	-2.570	.00000	15.00000	.22730	-.17490	.04200	.00640	-.00360	.00160	.22510	.05260
.609	-1.990	.00000	15.00000	.23020	-.17670	.04210	.00630	-.00390	.00170	.22800	.05280
.608	-1.420	.00000	15.00000	.23240	-.17750	.04250	.00690	-.00420	.00220	.23010	.05330
.610	-.850	.00000	15.00000	.23050	-.17680	.04220	.00700	-.00450	.00240	.22830	.05290
.608	-.280	.00000	15.00000	.23270	-.17900	.04280	.00650	-.00470	.00250	.23040	.05370
.610	.270	.01000	15.00000	.22700	-.17770	.04180	.00670	-.00480	.00280	.22480	.05240
.611	.850	.01000	15.00000	.22610	-.17830	.04200	.00780	-.00510	.00280	.22390	.05250
.610	1.410	.01000	15.00000	.22830	-.17940	.04250	.00580	-.00500	.00300	.22610	.05310
.608	1.990	.01000	15.00000	.22890	-.17980	.04250	.00570	-.00490	.00320	.22660	.05310
.609	2.560	.01000	15.00000	.23080	-.18080	.04280	.00450	-.00480	.00320	.22850	.05360
.610	3.130	.01000	15.00000	.23070	-.17910	.04280	.00380	-.00470	.00350	.22640	.05350
.609	3.700	.01000	15.00000	.23120	-.18080	.04240	.00390	-.00470	.00360	.22900	.05320
.611	4.270	.01000	15.00000	.22750	-.17980	.04220	.00350	-.00450	.00380	.22530	.05280
.610	4.850	.01000	15.00000	.23020	-.18060	.04240	.00270	-.00430	.00390	.22800	.05310
.611	5.420	.01000	15.00000	.22900	-.18160	.04230	.00290	-.00420	.00410	.22680	.05300
.609	5.980	.01000	15.00000	.23440	-.18220	.04310	.00000	-.00390	.00440	.23210	.05410
.608	6.560	.01000	15.00000	.23460	-.18230	.04330	-.00090	-.00350	.00450	.23230	.05420
.609	7.130	.01000	15.00000	.23280	-.18160	.04290	-.00240	-.00330	.00450	.23050	.05370
.610	7.700	.01000	15.00000	.23550	-.18370	.04310	-.00240	-.00310	.00440	.23320	.05410
.608	8.270	.01000	15.00000	.23510	-.18530	.04330	-.00350	-.00270	.00450	.23290	.05430
.610	8.840	.01000	15.00000	.23290	-.18350	.04270	-.00420	-.00230	.00480	.23060	.05360
.610	9.420	.01000	15.00000	.23190	-.18560	.04300	-.00510	-.00200	.00490	.22960	.05380
.611	9.990	.01000	15.00000	.23300	-.18780	.04270	-.00640	-.00160	.00510	.23080	.05350
GRADIENT	.00147	-.00000	-.00002	-.00056	.00001	-.00017	-.00025	.00036	-.00002	.00001	

LTV44-559(CA26) 747/1 ATY 02 S1 (CARRIER DATA)

(YFE058) (18 NOV 75)

REFERENCE DATA

SREF = 5500.0000 SQ.FT. XMRP = 1339.9000 IN. XC
 LREF = 327.7800 IN. YMRP = .0000 IN. YC
 BREF = 2348.0400 IN. ZMRP = 190.7500 IN. ZC
 SCALE = .0125

PARAMETRIC DATA

ALPHAC = 2.000 BETAC = .000
 STAB = 5.000 ELEVON = 5.000
 SDFLAP = .000 DX = .000
 DZ = 60.000 TORB = 6.000
 BETAO = 5.000 RUDDER = .000

RUN NO. 2047/ 0 RN/L = .00 GRADIENT INTERVAL = -5.00/ 5.00

MACH	DY	DX	DZ	CN	CLM	CA	CY	CYN	CBL	CL	CD
.607	-10.000	-.02000	51.46000	.28430	-.22690	.04260	.00000	-.00040	-.00020	.28200	.05580
.611	-9.430	-.02000	51.46000	.28040	-.22380	.04230	.00000	-.00040	-.00020	.27810	.05530
.608	-8.860	-.02000	51.46000	.28380	-.22680	.04250	-.00150	-.00010	-.00020	.28150	.05570
.607	-8.280	-.02000	51.46000	.28310	-.22520	.04230	-.00090	.00000	-.00010	.28080	.05550
.609	-7.710	-.02000	51.46000	.28150	-.22440	.04220	-.00140	.00000	.00000	.27930	.05530
.607	-7.140	-.02000	51.46000	.28470	-.22670	.04280	-.00210	.00010	-.00020	.28240	.05600
.609	-6.570	.00000	51.46000	.28020	-.22550	.04240	-.00210	.00040	.00000	.27790	.05550
.606	-6.000	.00000	51.46000	.28200	-.22840	.04270	-.00300	.00060	.00000	.27970	.05580
.610	-5.420	.00000	51.46000	.27750	-.22510	.04220	-.00340	.00060	-.00010	.27530	.05510
.608	-4.860	.00000	51.46000	.28320	-.22830	.04270	-.00420	.00080	-.00010	.28090	.05590
.608	-4.290	.00000	51.46000	.28050	-.22840	.04250	-.00400	.00100	.00010	.27830	.05550
.611	-3.710	.00000	51.46000	.27770	-.22560	.04230	-.00450	.00110	.00020	.27550	.05520
.611	-3.140	.00000	51.46000	.28140	-.22600	.04250	-.00560	.00130	.00010	.27910	.05560
.611	-2.570	-.01000	51.46000	.27970	-.22400	.04220	-.00560	.00140	.00020	.27740	.05520
.611	-2.000	-.01000	51.46000	.28100	-.22300	.04220	-.00610	.00160	.00020	.27870	.05530
.611	-1.430	.00000	51.46000	.28170	-.22640	.04260	-.00630	.00170	.00030	.27940	.05570
.610	-.850	.00000	51.46000	.28230	-.22660	.04230	-.00600	.00200	.00000	.28000	.05540
.608	-.280	.00000	51.46000	.28420	-.22840	.04260	-.00640	.00200	.00000	.28190	.05580
.609	.270	-.01000	51.46000	.28250	-.22870	.04260	-.00690	.00210	.00020	.28020	.05570
.609	.840	-.01000	51.46000	.28200	-.22940	.04260	-.00710	.00220	.00020	.27970	.05570
.609	1.410	-.01000	51.46000	.28420	-.22790	.04290	-.00770	.00220	.00000	.28190	.05610
.612	1.990	-.02000	51.46000	.28360	-.22610	.04250	-.00820	.00260	.00000	.28130	.05570
.610	2.560	-.01000	51.46000	.28350	-.22890	.04260	-.00840	.00270	.00030	.28120	.05580
.611	3.130	-.01000	51.46000	.28500	-.22880	.04280	-.00930	.00290	.00050	.28270	.05610
.610	3.700	-.01000	51.46000	.28410	-.22910	.04270	-.00940	.00310	.00060	.28180	.05590
.612	4.270	-.01000	51.46000	.28110	-.22770	.04230	-.00960	.00320	.00050	.27880	.05530
.610	4.850	-.02000	51.46000	.28500	-.22710	.04250	-.01020	.00320	.00040	.28270	.05570
.611	5.410	-.01000	51.46000	.28340	-.22700	.04220	-.01140	.00340	.00050	.28110	.05530
.609	5.980	-.01000	51.46000	.28500	-.22970	.04300	-.01080	.00350	.00060	.28270	.05630
.611	6.560	-.01000	51.46000	.28170	-.22960	.04230	-.01080	.00370	.00050	.27940	.05540
.609	7.130	-.02000	51.46000	.28690	-.22880	.04300	-.01190	.00380	.00040	.28460	.05630
.611	7.700	-.01000	51.46000	.28340	-.22800	.04260	-.01220	.00390	.00040	.28110	.05580
.609	8.270	-.02000	51.46000	.28470	-.22780	.04250	-.01220	.00410	.00050	.28240	.05580
.608	8.840	-.02000	51.46000	.28560	-.22840	.04290	-.01280	.00420	.00060	.28330	.05620
.610	9.420	-.01000	51.46000	.28480	-.22930	.04250	-.01270	.00420	.00080	.28260	.05570
	GRADIENT	-.00161	-.00000	.00041	-.00023	.00002	-.00062	.00025	.00004	.00040	.00003

LTV44-559(CA26) 747/1 ATY 02 S1 (CARRIER DATA)

(YFE059) (18 NOV 75)

REFERENCE DATA

SREF = 5500.0000 SQ.FT. XMRP = 1339.9000 IN. XC
 LREF = 327.7800 IN. YMRP = .0000 IN. YC
 BREF = 2348.0400 IN. ZMRP = 190.7500 IN. ZC
 SCALE = .0125

PARAMETRIC DATA

ALPHAC = 2.000 BETAC = .000
 STAB = 5.000 ELEVON = 5.000
 BDFLAP = .000 DX = 10.000
 DZ = .000 TORB = 6.000
 BETA0 = .000 RUDDER = .000

RUN NO. 48/ 0 RN/L = .00 GRADIENT INTERVAL = -5.00/ 5.00

MACH	DY	DX	DZ	CN	CLM	CA	CY	CYN	CBL	CL	CD
.603	-10.000	9.97000	1.46000	.21590	-.14280	.04070	.00190	.00270	-.00350	.21380	.05090
.605	-9.420	9.97000	1.46000	.21550	-.13740	.04060	.00040	.00280	-.00330	.21330	.05080
.604	-8.850	9.97000	1.46000	.21650	-.13770	.04070	-.00010	.00300	-.00300	.21430	.05100
.605	-8.280	9.97000	1.46000	.21530	-.13550	.04050	-.00140	.00320	-.00290	.21310	.05070
.603	-7.710	9.97000	1.46000	.21500	-.13420	.04060	-.00180	.00350	-.00270	.21280	.05080
.604	-7.140	9.97000	1.46000	.21330	-.13030	.04020	-.00200	.00380	-.00240	.21110	.05020
.607	-6.560	9.97000	1.46000	.20980	-.12960	.03980	-.00250	.00360	-.00220	.20770	.04970
.605	-5.990	9.97000	1.46000	.21080	-.12790	.03990	-.00200	.00350	-.00190	.20860	.04990
.606	-5.420	9.97000	1.46000	.21210	-.12710	.04010	-.00130	.00290	-.00160	.20990	.05010
.607	-4.850	9.97000	1.46000	.21080	-.12710	.03990	-.00060	.00210	-.00120	.20870	.04980
.605	-4.280	9.97000	1.46000	.21080	-.12740	.04000	.00020	.00120	-.00090	.20870	.05000
.608	-3.710	9.97000	1.46000	.20790	-.12790	.04010	.00160	.00010	-.00040	.20570	.04990
.607	-3.130	9.98000	1.46000	.21200	-.12800	.04050	.00250	-.00080	.00000	.20980	.05050
.606	-2.560	9.98000	1.46000	.21180	-.12850	.04030	.00380	-.00190	.00040	.20960	.05030
.606	-1.990	9.98000	1.46000	.21010	-.12870	.04040	.00480	-.00300	.00080	.20790	.05030
.608	-1.410	9.98000	1.46000	.20920	-.12830	.04020	.00570	-.00400	.00110	.20710	.05010
.605	-.840	9.98000	1.46000	.21200	-.12890	.04050	.00670	-.00480	.00140	.20990	.05050
.608	-.260	9.98000	1.46000	.21350	-.12890	.04030	.00690	-.00580	.00170	.21140	.05040
.608	.290	9.97000	1.46000	.21330	-.12880	.04010	.00800	-.00640	.00190	.21120	.05020
.606	.860	9.97000	1.46000	.21490	-.13080	.04020	.00770	-.00700	.00220	.21280	.05040
.608	1.430	9.97000	1.46000	.21070	-.13020	.04000	.00710	-.00720	.00260	.20860	.05000
.609	2.010	9.97000	1.46000	.21250	-.12940	.04030	.00670	-.00730	.00290	.21040	.05040
.608	2.570	9.97000	1.46000	.21150	-.13110	.04070	.00640	-.00720	.00330	.20930	.05070
.607	3.150	9.97000	1.46000	.21190	-.13200	.04060	.00560	-.00700	.00350	.20980	.05060
.606	3.720	9.97000	1.46000	.21550	-.13290	.04090	.00420	-.00660	.00370	.21330	.05110
.607	4.290	9.97000	1.46000	.21460	-.13550	.04090	.00340	-.00640	.00380	.21240	.05100
.609	4.860	9.97000	1.46000	.21340	-.13950	.04100	.00240	-.00610	.00400	.21120	.05110
.607	5.430	9.97000	1.46000	.21520	-.14340	.04130	.00190	-.00600	.00440	.21300	.05140
.606	6.000	9.97000	1.46000	.21920	-.14630	.04180	.00140	-.00580	.00470	.21700	.05210
.606	6.580	9.97000	1.46000	.21880	-.14960	.04180	-.00020	-.00600	.00470	.21660	.05210
.608	7.150	9.97000	1.46000	.21550	-.15310	.04170	.00050	-.00600	.00510	.21330	.05180
.608	7.720	9.97000	1.46000	.21680	-.15640	.04210	.00010	-.00610	.00520	.21460	.05220
.607	8.290	9.97000	1.46000	.21670	-.15800	.04220	-.00020	-.00620	.00550	.21450	.05240
.605	8.860	9.97000	1.46000	.22080	-.15920	.04250	-.00070	-.00630	.00570	.21850	.05280
.605	9.440	9.97000	1.46000	.22040	-.15880	.04250	-.00060	-.00630	.00560	.21820	.05280
.607	10.010	9.98000	1.46000	.21700	-.15890	.04200	-.00060	-.00640	.00570	.21480	.05220
GRADIENT	-.00065	.00000	.00000	.00041	-.00089	.00008	.00039	-.00092	.00055	.00041	.00010

LTV44-559(CA26) 747/1 ATY 02 S1 (CARRIER DATA)

(YFE060) (18 NOV 75)

REFERENCE DATA

SREF = 5500.0000 SQ.FT. XMRP = 1339.9000 IN. XC
 LREF = 327.7800 IN. YMRP = .0000 IN. YC
 BREF = 2348.0400 IN. ZMRP = 190.7500 IN. ZC
 SCALE = .0125

PARAMETRIC DATA

ALPHAC = 2.000 BETAC = .000
 STAB = 5.000 ELEVON = 5.000
 BDFLAP = .000 DX = 10.000
 DZ = 15.000 TORB = 6.000
 BETAO = .000 RUDDER = .000

RUN NO. 1048/ 0 RN/L = .00 GRADIENT INTERVAL = -5.00/ 5.00

MACH	DY	DX	DZ	CN	CLM	CA	CY	CYN	CBL	CL	CD
.608	-9.420	9.98000	15.00000	.24450	-.18780	.04290	.00150	.00120	-.00280	.24220	.05430
.608	-8.850	9.98000	15.00000	.24760	-.19010	.04340	.00120	.00110	-.00260	.24530	.05500
.606	-8.280	9.98000	15.00000	.24600	-.19010	.04330	.00190	.00100	-.00240	.24370	.05480
.607	-7.710	9.98000	15.00000	.24770	-.19110	.04320	.00150	.00110	-.00240	.24540	.05480
.606	-7.140	9.98000	15.00000	.24530	-.18970	.04290	.00100	.00110	-.00230	.24300	.05440
.607	-6.560	9.98000	15.00000	.24680	-.19040	.04300	.00010	.00130	-.00220	.24450	.05450
.605	-5.990	9.98000	15.00000	.24660	-.19050	.04290	.00050	.00140	-.00220	.24430	.05440
.606	-5.420	9.98000	15.00000	.24620	-.18860	.04290	.00000	.00140	-.00200	.24390	.05440
.608	-4.850	9.98000	15.00000	.24340	-.18960	.04260	-.00040	.00150	-.00180	.24110	.05400
.608	-4.280	9.98000	15.00000	.24170	-.18970	.04250	-.00070	.00140	-.00150	.23940	.05380
.607	-3.710	9.98000	15.00000	.24130	-.18930	.04250	-.00090	.00140	-.00110	.23900	.05380
.606	-3.140	9.98000	15.00000	.24490	-.18960	.04290	-.00070	.00110	-.00100	.24260	.05430
.603	-2.570	9.98000	15.00000	.24320	-.18830	.04290	-.00200	.00070	-.00100	.24090	.05420
.607	-1.990	9.98000	15.00000	.24240	-.18900	.04290	-.00110	.00040	-.00090	.24020	.05420
.607	-1.410	10.00000	15.00000	.24250	-.18680	.04310	-.00190	.00000	-.00050	.24030	.05440
.606	-.850	10.00000	15.00000	.24520	-.18680	.04280	.00300	-.00040	-.00010	.24290	.05420
.606	-.270	10.00000	15.00000	.24310	-.18800	.04280	.00080	-.00100	.00010	.24090	.05420
.608	.280	9.98000	15.00000	.24170	-.18880	.04300	.00040	-.00140	.00050	.23940	.05420
.607	.850	9.98000	15.00000	.24460	-.18830	.04340	.00080	-.00190	.00080	.24230	.05480
.607	1.420	9.98000	15.00000	.24600	-.18790	.04320	.00180	-.00240	.00100	.24370	.05470
.605	1.990	9.98000	15.00000	.24760	-.18880	.04360	.00290	-.00280	.00120	.24530	.05520
.606	2.570	9.98000	15.00000	.24680	-.18870	.04340	.00270	-.00310	.00130	.24440	.05490
.608	3.140	9.98000	15.00000	.24380	-.18630	.04280	.00190	-.00340	.00130	.24160	.05420
.607	3.710	9.98000	15.00000	.24190	-.18840	.04290	.00310	-.00360	.00160	.23950	.05420
.605	4.280	9.98000	15.00000	.24590	-.18900	.04340	.00290	-.00380	.00200	.24360	.05490
.606	4.850	9.98000	15.00000	.24380	-.18840	.04270	.00280	-.00370	.00220	.24160	.05400
.605	5.420	9.98000	15.00000	.24690	-.18940	.04330	.00200	-.00370	.00240	.24460	.05480
.607	5.990	9.98000	15.00000	.24440	-.18840	.04280	.00220	-.00370	.00270	.24210	.05420
.607	6.560	9.98000	15.00000	.24670	-.18800	.04290	.00160	-.00360	.00280	.24450	.05440
.607	7.140	9.98000	15.00000	.24700	-.18810	.04300	.00150	-.00350	.00290	.24470	.05450
.608	7.710	9.98000	15.00000	.24510	-.18840	.04300	.00090	-.00340	.00290	.24280	.05440
.605	8.280	9.98000	15.00000	.24820	-.18970	.04360	-.00050	-.00330	.00300	.24590	.05510
.607	8.850	9.98000	15.00000	.24440	-.18800	.04310	-.00080	-.00310	.00320	.24210	.05440
.606	9.420	9.98000	15.00000	.24640	-.19100	.04310	-.00180	-.00300	.00340	.24410	.05460
.607	10.000	9.98000	15.00000	.24780	-.18910	.04310	-.00150	-.00300	.00340	.24550	.05470
	GRADIENT	-.00032	-.00000	.00027	.00012	.00006	.00051	-.00064	.00041	.00027	.00007

LTV44-559(CA26) 747/1 ATY 02 S1 (CARRIER DATA)

(YFE061) (18 NOV 75)

REFERENCE DATA

SREF = 5500.0000 SQ.FT. XMRP = 1339.9000 IN. XC
 LREF = 327.7800 IN. YMRP = .0000 IN. YC
 BREF = 2348.0400 IN. ZMRP = 190.7500 IN. ZC
 SCALE = .0125

PARAMETRIC DATA

ALPHAC = 2.000 BETAC = .000
 STAB = 5.000 ELEVON = 5.000
 BDFLAP = .000 DX = 10.000
 DZ = 60.000 IORB = 6.000
 BETAO = .000 RUDDER = .000

RUN NO. 2048/ 0 RN/L = .00 GRADIENT INTERVAL = -5.00/ 5.00

MACH	DY	DX	DZ	CN	CLM	CA	CY	CYN	CBL	CL	CD
.607	-10.000	10.02000	51.46000	.28990	-.23270	.04330	.00340	-.00180	-.00010	.28760	.05680
.607	-9.420	10.02000	51.46000	.29200	-.23300	.04360	.00190	-.00160	.00000	.28970	.05720
.605	-8.850	10.01000	51.46000	.28960	-.23310	.04330	.00260	-.00150	.00000	.28730	.05670
.607	-8.280	10.02000	51.46000	.29200	-.23220	.04350	.00150	-.00150	.00000	.28960	.05710
.606	-7.700	10.02000	51.46000	.29310	-.23280	.04350	.00170	-.00140	.00000	.29070	.05710
.605	-7.140	10.02000	51.46000	.29460	-.23250	.04360	.00140	-.00130	.00000	.29230	.05730
.607	-6.560	10.02000	51.46000	.29360	-.23240	.04350	.00130	-.00110	.00010	.29130	.05720
.606	-5.990	10.02000	51.46000	.29070	-.23140	.04310	.00090	-.00090	.00010	.28840	.05670
.605	-5.420	10.02000	51.46000	.29470	-.23420	.04380	.00090	-.00080	.00000	.29240	.05750
.607	-4.850	10.01000	51.46000	.28990	-.23340	.04340	.00000	-.00060	-.00010	.28750	.05690
.604	-4.280	10.01000	51.46000	.29050	-.23680	.04340	.00000	-.00040	-.00010	.28820	.05690
.603	-3.710	10.01000	51.46000	.29160	-.23540	.04390	-.00110	-.00030	.00000	.28930	.05750
.605	-3.130	10.01000	51.46000	.28880	-.23420	.04340	-.00130	-.00030	-.00020	.28650	.05690
.607	-2.560	10.02000	51.46000	.29000	-.23080	.04370	-.00150	-.00020	-.00010	.28760	.05720
.606	-2.000	10.01000	51.46000	.29030	-.23350	.04320	-.00180	.00000	.00000	.28800	.05680
.608	-1.430	10.01000	51.46000	.28740	-.23290	.04240	-.00230	.00010	.00010	.28510	.05580
.607	-.850	10.01000	51.46000	.28880	-.23400	.04330	-.00230	.00020	.00010	.28650	.05670
.605	-.280	10.02000	51.46000	.29060	-.23300	.04360	-.00350	.00030	.00000	.28830	.05710
.608	.270	10.02000	51.46000	.28900	-.23120	.04320	-.00390	.00050	-.00010	.28670	.05670
.607	.840	10.02000	51.46000	.29180	-.23380	.04350	-.00470	.00070	.00000	.28940	.05710
.606	1.410	10.01000	51.46000	.29040	-.23460	.04340	-.00370	.00070	.00020	.28800	.05690
.608	1.990	10.02000	51.46000	.29020	-.23190	.04360	-.00450	.00090	.00020	.28780	.05710
.605	2.560	10.02000	51.46000	.29240	-.23300	.04390	-.00480	.00100	.00010	.29000	.05750
.607	3.130	10.02000	51.46000	.29200	-.23110	.04360	-.00550	.00110	.00000	.28960	.05720
.606	3.700	10.01000	51.46000	.29030	-.23400	.04330	-.00500	.00130	.00020	.28800	.05680
.607	4.270	10.01000	51.46000	.28990	-.23420	.04340	-.00560	.00150	.00010	.28760	.05690
.607	4.850	10.01000	51.46000	.29110	-.23590	.04360	-.00620	.00160	.00010	.28870	.05720
.607	5.410	10.02000	51.46000	.29210	-.23410	.04350	-.00590	.00170	.00020	.28970	.05710
.607	5.980	10.02000	51.46000	.29320	-.23070	.04370	-.00740	.00180	.00030	.29080	.05740
.607	6.560	10.02000	51.46000	.29240	-.23360	.04340	-.00710	.00200	.00040	.29010	.05700
.608	7.130	10.02000	51.46000	.29060	-.23060	.04340	-.00790	.00200	.00060	.28830	.05690
.605	7.700	10.01000	51.46000	.29360	-.23570	.04360	-.00760	.00220	.00040	.29120	.05730
.607	8.270	10.01000	51.46000	.29210	-.23480	.04340	-.00840	.00230	.00020	.28970	.05700
.606	8.840	10.01000	51.46000	.29110	-.23530	.04350	-.00820	.00230	.00030	.28970	.05710
.637	9.420	10.01000	51.46000	.28870	-.23410	.04350	-.00850	.00240	.00030	.28640	.05690
GRADIENT		.00038	-.00000	.00013	.00006	.00001	-.00063	.00022	.00003	.00013	.00002

ORIGINAL PAGE IS OF POOR QUALITY

LTV44-559(CA26) 747/1 ATY 02 S1 (CARRIER DATA)

(YFE062) (18 NOV 75)

REFERENCE DATA

SREF = 5500.0000 SQ.FT. XMRP = 1339.9000 IN. XC
 LREF = 327.7800 IN. YMRP = .0000 IN. YC
 BREF = 2348.0400 IN. ZMRP = 190.7500 IN. ZC
 SCALE = .0125

PARAMETRIC DATA

ALPHAC = 2.000 BETAC = .000
 STAB = 5.000 ELEVON = 5.000
 BDFLAP = .000 DY = .000
 DZ = .000 IORB = 6.000
 BETAO = .000 RUDDER = .000

RUN NO. 49/ 0 RN/L = .00 GRADIENT INTERVAL = -5.00/ 5.00

MACH	DX	DY	DZ	CN	CLM	CA	CY	CYN	CBL	CL	CD
.608	-.010	.00000	1.46000	.19240	-.13300	.04220	.00470	-.00310	.00150	.19020	.05120
.609	.550	.00000	1.46000	.19100	-.13250	.04220	.00490	-.00300	.00150	.18880	.05120
.608	1.130	.00000	1.46000	.19090	-.13140	.04290	.00540	-.00310	.00140	.18870	.05180
.611	1.700	.00000	1.46000	.19250	-.13040	.04250	.00430	-.00310	.00110	.19030	.05160
.609	2.270	.00000	1.46000	.19140	-.13230	.04200	.00500	-.00310	.00120	.18920	.05100
.609	2.850	.00000	1.46000	.19390	-.13230	.04200	.00400	-.00310	.00130	.19170	.05110
.608	3.420	.00000	1.46000	.19330	-.13030	.04170	.00460	-.00310	.00130	.19110	.05080
.610	3.990	.00000	1.46000	.19460	-.13150	.04130	.00440	-.00290	.00130	.19250	.05040
.609	4.570	.00000	1.46000	.19700	-.13320	.04180	.00470	-.00300	.00130	.19480	.05100
.609	5.140	.00000	1.46000	.20280	-.12970	.04180	.00440	-.00300	.00150	.19800	.05120
.608	5.710	.00000	1.46000	.20280	-.13130	.04150	.00420	-.00300	.00130	.20060	.05110
.608	6.280	.00000	1.46000	.20320	-.13190	.04140	.00510	-.00310	.00120	.20100	.05100
.610	6.860	.00000	1.46000	.20270	-.13040	.04130	.00500	-.00320	.00090	.20060	.05080
.611	7.430	.00000	1.46000	.20290	-.12890	.04130	.00440	-.00340	.00080	.20080	.05090
.610	8.000	.00000	1.46000	.20110	-.13050	.04060	.00550	-.00330	.00110	.19890	.05000
.609	8.580	.00000	1.46000	.20620	-.13140	.04100	.00540	-.00320	.00130	.20400	.05070
.607	9.150	.00000	1.46000	.20860	-.13090	.04120	.00440	-.00310	.00120	.20640	.05100
.607	9.700	.00000	1.46000	.20560	-.13090	.04060	.00560	-.00330	.00120	.20350	.05030
.608	10.270	.00000	1.46000	.20760	-.13170	.04100	.00520	-.00340	.00100	.20540	.05080
.610	10.840	.00000	1.46000	.20600	-.13040	.04030	.00500	-.00330	.00110	.20390	.05000
.608	11.410	.00000	1.45000	.21050	-.13060	.04050	.00520	-.00340	.00090	.20830	.05050
.609	11.990	.00000	1.45000	.21070	-.13010	.04010	.00570	-.00340	.00090	.20850	.05000
.608	12.560	.00000	1.45000	.21220	-.12960	.03990	.00580	-.00350	.00080	.21010	.05000
.609	13.130	.00000	1.45000	.21290	-.13130	.04010	.00570	-.00350	.00110	.21070	.05020
.607	13.710	.00000	1.45000	.21470	-.13190	.04040	.00510	-.00340	.00120	.21250	.05060
.608	14.280	.00000	1.45000	.21200	-.13220	.03980	.00580	-.00350	.00120	.20990	.04980
.608	14.850	.00000	1.45000	.21220	-.13090	.04020	.00560	-.00360	.00110	.21000	.05020
.609	15.420	.01000	1.45000	.21310	-.13150	.04000	.00500	-.00360	.00100	.21100	.05010
.608	16.000	.00000	1.45000	.21460	-.13280	.03980	.00580	-.00360	.00120	.21250	.04990
.608	16.560	.01000	1.44000	.21820	-.13070	.04000	.00540	-.00370	.00110	.21610	.05030
.610	17.140	.01000	1.44000	.21620	-.13310	.03930	.00600	-.00360	.00120	.21410	.04960
.608	17.720	.01000	1.44000	.21660	-.13290	.03950	.00640	-.00360	.00110	.21440	.04970
.607	18.290	.01000	1.44000	.21960	-.13330	.03920	.00520	-.00370	.00110	.21750	.04960
.610	18.820	.01000	1.44000	.22060	-.13120	.03930	.00640	-.00370	.00120	.21850	.04970
.609	19.400	.01000	1.44000	.22330	-.13230	.03940	.00610	-.00370	.00120	.22110	.05000
.610	19.970	.01000	1.44000	.22400	-.13490	.03920	.00660	-.00370	.00100	.22180	.04980
GRADIENT		.00000	.00000	.00103	.00007	-.00021	-.00010	.00000	-.00004	.00104	-.00017

DATE 29 MAR 76

CA-26 FORCE SOURCE DATA TABULATION

PAGE 1083

LTV44-559(CA26) 747/1 ATY 02 S1 (CARRIER DATA)

(YFE053) (18 NOV 75)

REFERENCE DATA

SREF = 5500.0000 SQ.FT. XMRP = 1339.9000 IN. XC
 LREF = 327.7800 IN. YMRP = .0000 IN. YC
 BREF = 2348.0400 IN. ZMRP = 190.7500 IN. ZC
 SCALE = .0125

PARAMETRIC DATA

ALPHAC = 2.000 BETAC = .000
 STAB = 5.000 ELEVON = 5.000
 BDFLAP = .000 DY = .000
 DZ = 15.000 TORB = 6.000
 BETA0 = .000 RUDDER = .000

RUN NO. 1049/ 0 RN/L = .00 GRADIENT INTERVAL = -5.00/ 5.00

MACH	DX	DY	DZ	CN	CLM	CA	CY	CYN	CEL	CL	CD
.609	.570	.00000	15.00000	.23260	-.18130	.04380	.00350	-.00210	.00110	.23030	.05470
.606	1.140	.00000	15.00000	.23400	-.18260	.04580	.00380	-.00210	.00110	.23160	.05670
.608	1.710	.00000	15.00000	.23460	-.18210	.04520	.00340	-.00200	.00100	.23220	.05610
.609	2.290	.00000	15.00000	.23320	-.18160	.04420	.00210	-.00200	.00090	.23090	.05510
.611	2.860	.00000	15.00000	.23090	-.18080	.04350	.00160	-.00190	.00080	.22860	.05420
.610	3.430	.00000	15.00000	.23450	-.18190	.04350	.00220	-.00190	.00090	.23220	.05450
.611	4.010	.00000	15.00000	.23460	-.18290	.04330	.00220	-.00200	.00100	.23230	.05420
.608	4.580	.00000	15.00000	.23380	-.18450	.04380	.00280	-.00200	.00110	.23150	.05460
.610	5.150	.00000	15.00000	.23520	-.18260	.04330	.00360	-.00210	.00110	.23290	.05420
.608	5.720	.00000	15.00000	.23460	-.18310	.04290	.00240	-.00190	.00130	.23230	.05380
.609	6.300	.00000	15.00000	.23620	-.18220	.04300	.00250	-.00200	.00120	.23390	.05400
.609	6.870	.00000	15.00000	.24010	-.18440	.04360	.00340	-.00190	.00120	.23780	.05480
.608	7.420	.00000	15.00000	.23850	-.18390	.04350	.00340	-.00200	.00130	.23620	.05460
.610	7.990	.00000	15.00000	.23730	-.18450	.04310	.00220	-.00190	.00120	.23500	.05420
.609	8.560	.00000	15.00000	.23830	-.18680	.04320	.00200	-.00200	.00100	.23610	.05430
.608	9.140	.00000	15.00000	.24180	-.18680	.04340	.00290	-.00210	.00100	.23950	.05470
.610	9.710	.00000	15.00000	.24110	-.18450	.04340	.00370	-.00210	.00100	.23880	.05460
.609	10.280	.00000	15.00000	.23830	-.18680	.04280	.00240	-.00210	.00100	.23600	.05390
.608	10.850	.00000	15.00000	.24140	-.18900	.04320	.00260	-.00220	.00110	.23910	.05450
.610	11.430	.00000	15.00000	.24110	-.18600	.04320	.00350	-.00220	.00110	.23880	.05450
.612	12.000	.00000	15.00000	.24040	-.18740	.04310	.00330	-.00220	.00130	.23820	.05430
.609	12.570	.00000	14.99000	.24220	-.18900	.04300	.00270	-.00220	.00120	.23990	.05420
.608	13.150	.00000	14.99000	.24630	-.18860	.04280	.00280	-.00230	.00120	.24400	.05430
.610	13.720	.00000	14.99000	.24640	-.18670	.04300	.00340	-.00220	.00100	.24410	.05450
.610	14.290	.00000	14.99000	.24590	-.18730	.04270	.00340	-.00230	.00090	.24360	.05420
.610	14.860	.00000	14.99000	.24620	-.18760	.04280	.00370	-.00230	.00100	.24390	.05430
.610	15.440	.00000	14.99000	.24560	-.18660	.04270	.00340	-.00220	.00100	.24330	.05410
.609	16.010	.00000	14.99000	.24850	-.18890	.04280	.00390	-.00220	.00110	.24630	.05440
.609	16.560	.00000	14.99000	.24640	-.18900	.04290	.00340	-.00220	.00100	.24420	.05440
.608	17.130	.00000	14.99000	.24960	-.19150	.04290	.00310	-.00230	.00080	.24730	.05460
.610	17.700	.00000	14.99000	.24450	-.18970	.04250	.00380	-.00230	.00090	.24220	.05390
.610	18.280	.00000	14.99000	.24620	-.19180	.04240	.00270	-.00230	.00100	.24400	.05390
.609	18.850	.00000	14.99000	.25030	-.19270	.04260	.00270	-.00240	.00100	.24800	.05420
.609	19.420	.00000	14.99000	.25050	-.19220	.04230	.00290	-.00230	.00100	.24820	.05400
.610	20.000	.00000	14.99000	.25170	-.19110	.04270	.00360	-.00240	.00110	.24940	.05440
GRADIENT		.00000	.00000	.00018	-.00047	-.00038	-.00035	.00003	-.00002	.00020	-.00039

ORIGINAL PAGE IS
OF POOR QUALITY

LTV44-559(CA26) 747/1 ATY 02 S1 (CARRIER DATA)

(YFE064) (18 NOV 75)

REFERENCE DATA

SREF = 5500.0000 SQ.FT. XMRP = 1339.9000 IN. XC
 LREF = 327.7800 IN. YMRP = .0000 IN. YC
 BREF = 2348.0400 IN. ZMRP = 190.7500 IN. ZC
 SCALE = .0125

PARAMETRIC DATA

ALPHAC = 2.000 BETAC = .000
 STAB = 5.000 ELEVON = 5.000
 BDFLAP = .000 DY = .000
 DZ = 60.000 IORB = 6.000
 BETA0 = .000 RUDDER = .000

RUN NO. 2049/ 0 RN/L = .00 GRADIENT INTERVAL = -5.00/ 5.00

MACH	DX	DY	DZ	CN	CLM	CA	CY	CYN	CBL	CL	CD
.611	.590	.00000	51.46000	.28250	-.22610	.04330	-.00070	.00010	.00020	.28020	.05650
.609	1.170	.00000	51.46000	.28390	-.22640	.04490	.00000	.00010	.00040	.28150	.05820
.611	1.740	.00000	51.46000	.28470	-.22580	.04420	-.00130	.00030	.00030	.28240	.05750
.610	2.310	.00000	51.46000	.28430	-.22670	.04370	-.00080	.00020	.00040	.28190	.05690
.608	2.870	.00000	51.46000	.28220	-.22820	.04350	-.00100	.00010	.00020	.27980	.05660
.610	3.450	.00000	51.46000	.28220	-.22740	.04350	-.00120	.00020	.00020	.27990	.05660
.609	4.020	.00000	51.46000	.28190	-.22800	.04330	-.00110	.00020	.00020	.27960	.05640
.611	4.590	.00000	51.46000	.28040	-.22820	.04300	-.00080	.00020	.00030	.27800	.05600
.611	5.180	.00000	51.46000	.28400	-.22490	.04280	-.00100	.00020	.00020	.28170	.05600
.610	5.720	.00000	51.46000	.28470	-.22640	.04300	-.00140	.00010	.00020	.28230	.05620
.610	6.280	.00000	51.46000	.28450	-.22650	.04310	-.00060	.00020	.00010	.28220	.05640
.609	6.860	.00000	51.46000	.28510	-.23040	.04340	-.00070	.00020	.00020	.28270	.05670
.611	7.430	.00000	51.46000	.28090	-.22980	.04320	-.00060	.00000	.00020	.27850	.05620
.608	8.000	.00000	51.46000	.28310	-.23140	.04310	-.00050	.00000	.00020	.28070	.05630
.609	8.580	.00000	51.46000	.28410	-.23140	.04340	-.00050	.00000	.00010	.28180	.05660
.608	9.150	.00000	51.46000	.28420	-.23150	.04330	-.00030	.00000	.00000	.28180	.05650
.610	9.720	.00000	51.46000	.28210	-.23060	.04290	-.00060	.00000	.00000	.27980	.05610
.611	10.290	.00000	51.46000	.28250	-.23090	.04310	-.00080	.00020	.00000	.28020	.05620
.610	10.870	.00000	51.46000	.28290	-.23190	.04310	-.00110	.00030	.00010	.28050	.05630
.610	11.440	.00000	51.46000	.28360	-.23190	.04340	-.00100	.00020	.00020	.28120	.05660
.607	12.010	.00000	51.46000	.28500	-.23460	.04330	-.00090	.00020	.00020	.28270	.05650
.610	12.590	.00000	51.46000	.28240	-.23150	.04290	-.00130	.00020	.00010	.28010	.05600
.610	13.160	.00000	51.46000	.28260	-.23170	.04290	-.00090	.00030	.00010	.28030	.05600
.610	13.730	.00000	51.46000	.28230	-.23170	.04300	-.00090	.00010	.00010	.28000	.05610
.610	14.300	.00000	51.46000	.28500	-.23050	.04300	-.00080	.00030	.00030	.28270	.05620
.608	14.860	.00000	51.45000	.29020	-.23290	.04310	-.00060	.00020	.00040	.28790	.05660
.611	15.420	.00000	51.45000	.28750	-.23090	.04310	-.00060	.00010	.00000	.28520	.05640
.608	16.000	.00000	51.46000	.28690	-.23350	.04300	-.00050	.00010	-.00010	.28460	.05630
.610	16.570	.00000	51.45000	.28690	-.23240	.04300	-.00090	.00010	-.00010	.28460	.05630
.611	17.140	.00000	51.46000	.28400	-.23380	.04300	-.00060	.00000	.00010	.28170	.05620
.610	17.720	.00000	51.46000	.28660	-.23450	.04300	-.00070	.00020	.00010	.28420	.05630
.611	18.290	.00000	51.45000	.28690	-.23110	.04290	-.00070	.00030	.00020	.28460	.05620
.609	18.880	.00000	51.45000	.29080	-.23330	.04310	-.00100	.00030	.00030	.28840	.05660
.609	19.440	.00000	51.45000	.29020	-.23340	.04310	-.00110	.00010	.00030	.28790	.05660
.608	20.010	.00000	51.45000	.28910	-.23480	.04320	-.00120	.00010	.00020	.28670	.05670
GRADIENT		.00000	.00000	-.00071	-.00060	-.00026	-.00013	.00002	-.00002	-.00072	-.00032

LTV44-559(CA26) 747/1 ATY 02 S1 (CARRIER DATA)

(YFE065) (18 NOV 75)

REFERENCE DATA

SREF = 5500.0000 SQ.FT. XMRP = 1339.9000 IN. XC
 LREF = 327.7800 IN. YMRP = .0000 IN. YC
 BREF = 2348.0400 IN. ZMRP = 190.7500 IN. ZC
 SCALE = .0125

PARAMETRIC DATA

ALPHAC = 2.000 BETAC = .000
 STAB = 5.000 ELEVON = 5.000
 BDFLAP = .000 DY = .000
 DZ = .000 IORB = 6.000
 BETAO = 5.000 RUDDER = .000

RUN NO. 50/ 0 RN/L = .00 GRADIENT INTERVAL = -5.00/ 5.00

MACH	DX	DY	DZ	CN	CLM	CA	CY	CYN	CBL	CL	CD
.608	.550	.00000	1.46000	.18980	-.12630	.04140	.00780	-.00530	.00350	.18760	.05030
.609	1.130	.00000	1.46000	.18900	-.12610	.04200	.00890	-.00520	.00360	.18580	.05080
.610	1.700	.00000	1.46000	.18820	-.12640	.04130	.00850	-.00540	.00350	.18600	.05010
.608	2.270	.00000	1.46000	.18950	-.12610	.04110	.00900	-.00540	.00360	.18730	.04990
.610	2.850	.00000	1.46000	.18930	-.12590	.04120	.00870	-.00520	.00360	.18710	.05000
.610	3.420	.00000	1.46000	.18990	-.12870	.04100	.00850	-.00540	.00360	.18770	.04980
.610	3.990	.00000	1.46000	.19270	-.12690	.04070	.00880	-.00540	.00370	.19050	.04970
.609	4.570	.00000	1.46000	.19470	-.12680	.04070	.00860	-.00530	.00380	.19260	.04980
.610	5.140	.00000	1.46000	.19460	-.12680	.04040	.00880	-.00540	.00360	.19250	.04950
.610	5.710	.00000	1.46000	.19550	-.12720	.04050	.00880	-.00530	.00340	.19330	.04960
.608	6.280	.00000	1.46000	.19690	-.12720	.04040	.00810	-.00540	.00340	.19470	.04960
.608	6.860	.00000	1.46000	.19830	-.12560	.04020	.00830	-.00540	.00340	.19620	.04960
.609	7.430	.00000	1.46000	.20090	-.12680	.04030	.00900	-.00540	.00340	.19880	.04980
.608	8.000	.00000	1.46000	.20160	-.12640	.04000	.00850	-.00550	.00320	.19950	.04950
.611	8.580	.00000	1.46000	.20120	-.12600	.04000	.00920	-.00560	.00310	.19910	.04950
.609	9.150	.00000	1.46000	.20400	-.12630	.03990	.00900	-.00570	.00310	.20190	.04950
.610	9.700	.00000	1.46000	.20200	-.12560	.03960	.00880	-.00560	.00310	.19990	.04920
.609	10.270	.00000	1.46000	.20250	-.12670	.03960	.00910	-.00570	.00320	.20040	.04920
.608	10.840	.01000	1.46000	.20820	-.12680	.03970	.00900	-.00570	.00330	.20600	.04960
.608	11.410	.01000	1.45000	.20830	-.12710	.04000	.00960	-.00570	.00330	.20620	.04990
.610	11.990	.01000	1.45000	.20380	-.12570	.03930	.00970	-.00580	.00310	.20180	.04890
.610	12.560	.01000	1.45000	.20830	-.12470	.03910	.00930	-.00570	.00300	.20620	.04900
.608	13.130	.01000	1.45000	.21030	-.12610	.03960	.00950	-.00580	.00310	.20820	.04950
.608	13.690	.01000	1.45000	.21700	-.12550	.03930	.00930	-.00590	.00300	.21090	.04940
.608	14.270	.01000	1.45000	.21360	-.12620	.03920	.00970	-.00590	.00300	.21150	.04930
.608	14.840	.01000	1.45000	.21510	-.12690	.03930	.01010	-.00590	.00300	.21300	.04950
.610	15.410	.01000	1.44000	.21370	-.12390	.03880	.00940	-.00610	.00280	.21160	.04890
.610	15.980	.01000	1.44000	.21500	-.12660	.03910	.01030	-.00610	.00290	.21290	.04930
.609	16.560	.01000	1.44000	.21600	-.12700	.03890	.00980	-.00610	.00290	.21390	.04920
.608	17.130	.01000	1.44000	.21830	-.12790	.03910	.01000	-.00610	.00300	.21410	.04930
.610	17.700	.01000	1.44000	.21650	-.12670	.03880	.00970	-.00610	.00280	.21450	.04910
.609	18.280	.01000	1.44000	.21740	-.12790	.03860	.01010	-.00620	.00270	.21540	.04890
.608	18.820	.01000	1.44000	.21710	-.12900	.03870	.00990	-.00620	.00270	.21500	.04900
.607	19.400	.01000	1.44000	.21780	-.12960	.03890	.01010	-.00630	.00280	.21570	.04920
.608	19.980	.01000	1.44000	.21730	-.13030	.03870	.01040	-.00640	.00270	.21520	.04900
	GRADIENT	.00000	.00000	.00130	-.00029	-.00025	.00010	-.00002	.00006	.00132	-.00020

LTV44-559(CA26) 747/1 ATY 02 S1 (CARRIER DATA)

(YFE066) (18 NOV 75)

REFERENCE DATA

SREF = 5500.0000 SQ.FT. XMRP = 1339.9000 IN. XC
 LREF = 327.7800 IN. YMRP = .0000 IN. YC
 BREF = 2348.0400 IN. ZMRP = 190.7500 IN. ZC
 SCALE = .0125

PARAMETRIC DATA

ALPHAC = 2.000 BETAC = .000
 STAB = 5.000 ELEVON = 5.000
 BDFLAP = .000 DY = .000
 DZ = 15.000 IORB = 6.000
 BETAO = 5.000 RUDDER = .000

RUN NO. 1050/ 0 RN/L = .00 GRADIENT INTERVAL = -5.00/ 5.00

MACH	DX	DY	DZ	CN	CLM	CA	CY	CYN	CBL	CL	CD
.610	.570	.00000	15.00000	.22790	-.18120	.04280	.00660	-.00480	.00320	.22570	.05340
.610	1.140	.00000	15.00000	.22920	-.18070	.04470	.00590	-.00470	.00310	.22690	.05530
.612	1.710	.00000	15.00000	.23000	-.18170	.04430	.00490	-.00460	.00310	.22760	.05500
.609	2.290	.00000	15.00000	.23380	-.18300	.04390	.00520	-.00470	.00320	.23150	.05480
.610	2.860	.00000	15.00000	.23070	-.18330	.04290	.00600	-.00460	.00330	.22840	.05360
.609	3.430	.00000	15.00000	.23250	-.18330	.04300	.00550	-.00470	.00320	.23020	.05380
.609	4.010	.00000	15.00000	.23510	-.18440	.04330	.00510	-.00480	.00320	.23280	.05420
.610	4.580	.00000	15.00000	.23670	-.18240	.04330	.00530	-.00470	.00330	.23450	.05430
.609	5.150	.00000	15.00000	.23190	-.18500	.04290	.00590	-.00480	.00320	.22960	.05370
.610	5.720	.00000	15.00000	.23340	-.18400	.04290	.00410	-.00450	.00300	.23110	.05360
.609	6.300	.00000	15.00000	.23270	-.18570	.04290	.00630	-.00470	.00310	.23040	.05370
.610	6.870	.00000	15.00000	.23240	-.18590	.04260	.00560	-.00470	.00310	.23010	.05340
.608	7.420	.00000	15.00000	.23540	-.18660	.04310	.00550	-.00480	.00300	.23310	.05410
.610	7.990	.00000	15.00000	.23610	-.18640	.04270	.00510	-.00480	.00300	.23390	.05370
.610	8.560	.00000	15.00000	.23650	-.18650	.04240	.00540	-.00480	.00290	.23430	.05340
.610	9.140	.00000	15.00000	.23780	-.18570	.04270	.00640	-.00470	.00300	.23550	.05370
.609	9.710	.00000	15.00000	.23930	-.18500	.04280	.00560	-.00490	.00290	.23700	.05400
.608	10.280	.00000	15.00000	.23850	-.18800	.04260	.00610	-.00480	.00300	.23620	.05370
.608	10.850	.00000	15.00000	.23970	-.18770	.04290	.00560	-.00470	.00300	.23740	.05400
.608	11.430	.00000	15.00000	.24100	-.18730	.04240	.00570	-.00470	.00300	.23870	.05360
.609	12.000	.01000	15.00000	.24160	-.18680	.04240	.00600	-.00480	.00280	.23940	.05370
.608	12.570	.01000	14.99000	.24240	-.18870	.04250	.00610	-.00490	.00280	.24020	.05390
.610	13.150	.01000	15.00000	.24050	-.18720	.04220	.00600	-.00490	.00270	.23820	.05340
.610	13.720	.01000	14.99000	.24250	-.18950	.04240	.00630	-.00500	.00280	.24020	.05370
.609	14.290	.01000	14.99000	.24160	-.19050	.04240	.00660	-.00480	.00300	.23940	.05360
.610	14.860	.01000	14.99000	.24240	-.18960	.04250	.00660	-.00490	.00300	.24010	.05380
.607	15.440	.01000	14.99000	.24350	-.19200	.04250	.00680	-.00510	.00310	.24130	.05380
.607	16.010	.01000	14.99000	.24480	-.19250	.04250	.00670	-.00500	.00310	.24260	.05390
.607	16.560	.01000	14.99000	.24500	-.19220	.04250	.00670	-.00500	.00290	.24270	.05390
.609	17.130	.01000	14.99000	.24440	-.19220	.04220	.00590	-.00510	.00270	.24210	.05360
.610	17.700	.01000	14.99000	.24380	-.19030	.04230	.00620	-.00510	.00280	.24160	.05370
.609	18.280	.01000	14.99000	.24480	-.19180	.04230	.00680	-.00510	.00280	.24250	.05370
.607	18.850	.01000	14.99000	.24680	-.19460	.04210	.00720	-.00510	.00280	.24460	.05360
.609	19.420	.01000	14.99000	.24750	-.19240	.04240	.00720	-.00520	.00290	.24530	.05390
.611	20.000	.01000	14.99000	.24850	-.19320	.04200	.00660	-.00500	.00290	.24630	.05360
GRADIENT		.00000	.00000	.00198	-.00066	-.00017	-.00022	-.00000	.00003	.00199	-.00008

LTV44-559(CA26) 747/1 ATY 02 S1 (CARRIER DATA)

(YFE057) (18 NOV 75)

REFERENCE DATA

SREF = 5500.0000 SQ.FT. XMRP = 1339.9000 IN. XC
 LREF = 327.7800 IN. YMRP = .0000 IN. YC
 BREF = 2348.0400 IN. ZMRP = 190.7500 IN. ZC
 SCALE = .0125

PARAMETRIC DATA

ALPHAC = 2.000 BETAC = .000
 STAB = 5.000 ELEVON = 5.000
 BDFLAP = .000 DY = .000
 OZ = 60.000 IORB = 6.000
 BETAO = 5.000 RUDDER = .000

RUN NO. 2050/ 0 RN/L = .00 GRADIENT INTERVAL = -5.00/ 5.00

MACH	DX	DY	DZ	CN	CLM	CA	CY	CYN	CBL	CL	CD
.609	.580	.00000	51.46000	.28090	-.22960	.04350	-.00540	.00190	.00040	.27850	.05660
.607	1.150	.00000	51.46000	.28380	-.23220	.04520	-.00500	.00190	.00030	.28140	.05830
.607	1.730	.00000	51.46000	.28380	-.22950	.04440	-.00530	.00190	.00030	.28140	.05760
.608	2.300	.00000	51.46000	.28350	-.22930	.04370	-.00540	.00190	.00030	.28120	.05690
.609	2.870	.00000	51.46000	.28290	-.23080	.04340	-.00510	.00190	.00020	.28060	.05660
.609	3.450	.00000	51.46000	.28090	-.23000	.04290	-.00560	.00190	.00020	.27860	.05600
.608	4.020	.00000	51.46000	.28340	-.22970	.04300	-.00530	.00180	.00010	.28110	.05610
.607	4.590	.00000	51.46000	.28680	-.23120	.04330	-.00620	.00180	.00010	.28450	.05660
.607	5.160	.00000	51.46000	.28410	-.23180	.04310	-.00680	.00190	.00020	.28180	.05630
.608	5.710	.00000	51.46000	.28160	-.23150	.04320	-.00600	.00180	.00020	.27930	.05620
.608	6.280	.00000	51.46000	.28050	-.23150	.04300	-.00560	.00180	.00010	.27820	.05600
.610	6.860	.00000	51.46000	.28170	-.23080	.04300	-.00510	.00170	.00020	.27940	.05600
.608	7.430	.00000	51.46000	.28320	-.23400	.04350	-.00530	.00170	.00010	.28080	.05660
.610	8.000	.00000	51.46000	.28190	-.23050	.04360	-.00610	.00170	.00010	.27960	.05570
.609	8.580	.00000	51.46000	.28530	-.23120	.04310	-.00640	.00190	.00020	.28300	.05630
.607	9.150	.00000	51.46000	.28590	-.23120	.04330	-.00520	.00180	.00010	.28360	.05650
.607	9.720	.00000	51.46000	.28600	-.23160	.04310	-.00560	.00180	.00010	.28370	.05640
.607	10.290	.00000	51.46000	.28830	-.23270	.04310	-.00550	.00190	.00000	.28600	.05650
.609	10.870	.00000	51.46000	.28350	-.23200	.04270	-.00420	.00200	.00000	.29120	.05590
.609	11.440	.00000	51.46000	.28440	-.23320	.04300	-.00470	.00170	.00020	.28210	.05620
.607	12.010	.00000	51.46000	.28550	-.23420	.04310	-.00570	.00170	.00020	.28320	.05630
.609	12.590	.00000	51.46000	.28550	-.23310	.04270	-.00530	.00170	.00020	.28320	.05600
.607	13.160	.00000	51.46000	.28760	-.23380	.04300	-.00580	.00170	.00010	.28530	.05640
.609	13.730	.00000	51.46000	.28790	-.23370	.04290	-.00490	.00170	.00010	.28160	.05600
.609	14.300	.00000	51.46000	.28680	-.23320	.04290	-.00460	.00170	.00000	.28450	.05620
.609	14.850	.00000	51.46000	.28750	-.23270	.04300	-.00460	.00170	.00010	.28520	.05630
.609	15.420	.00000	51.45000	.28890	-.23200	.04300	-.00480	.00170	.00020	.28660	.05640
.610	16.000	.00000	51.46000	.28390	-.23300	.04250	-.00530	.00170	.00020	.28160	.05570
.610	16.570	.00000	51.46000	.28570	-.23350	.04260	-.00460	.00160	.00000	.28340	.05590
.609	17.140	.00000	51.46000	.28880	-.23550	.04300	-.00510	.00160	.00000	.28640	.05640
.609	17.720	.00000	51.46000	.28510	-.23730	.04290	-.00520	.00160	.00020	.28280	.05610
.610	18.290	.00000	51.45000	.28770	-.23460	.04270	-.00460	.00160	.00010	.28540	.05600
.610	18.860	.00000	51.46000	.28840	-.23590	.04280	-.00440	.00140	.00000	.28610	.05620
.610	19.440	.00000	51.45000	.28740	-.23380	.04230	-.00430	.00160	.00000	.28510	.05610
.609	20.010	.00000	51.45000	.28830	-.23710	.04300	-.00480	.00160	.00010	.28600	.05640
GRADIENT		.00000	.00000	.00062	-.00003	-.00036	-.00016	-.00002	-.00007	.00064	-.00033

LTV44-559(CA26) 747/1 ATY 02 S1 (CARRIER DATA)

(YFE068) (18 NOV 75)

REFERENCE DATA

SREF = 5500.0000 SQ.FT. XMRP = 1339.9000 IN. XC
 LREF = 327.7800 IN. YMRP = .0000 IN. YC
 BREF = 2348.0400 IN. ZMRP = 190.7500 IN. ZC
 SCALE = .0125

PARAMETRIC DATA

ALPHAC = 2.000 BETAC = .000
 STAB = 5.000 ELEVON = .000
 BDFLAP = 16.300 DX = .000
 DY = .000 LORB = 4.000
 BETAO = .000 RUDDER = .000

RUN NO. 51/ 0 RN/L = .00 GRADIENT INTERVAL = -5.00/ 5.00

MACH	DZ	DY	DX	CN	CLM	CA	CY	CYN	CBL	CL	CD
.602	1.760	.00000	.00000	.21500	-.17880	.04440	.00000	-.00140	.00080	.21270	.05440
.601	2.360	.00000	.00000	.21510	-.18060	.04450	.00000	-.00140	.00090	.21280	.05440
.600	2.970	.00000	.00000	.22390	-.19560	.04480	.00020	-.00110	.00110	.22160	.05510
.600	3.760	.00000	.00000	.22340	-.19390	.04500	-.00020	-.00130	.00080	.22110	.05530
.599	4.560	.00000	.01000	.22630	-.20030	.04500	.00070	-.00110	.00070	.22400	.05540
.599	5.960	.00000	.01000	.23320	-.20610	.04540	-.00010	-.00100	.00050	.23090	.05620
.602	7.970	.00000	.01000	.23280	-.20920	.04490	-.00060	-.00090	.00050	.23050	.05660
.603	9.960	.00000	.01000	.24180	-.21950	.04490	-.00020	-.00070	.00060	.23950	.05590
.604	10.960	.00000	.01000	.24660	-.21860	.04500	-.00030	-.00070	.00060	.24420	.05630
.602	11.960	.00000	.00000	.25280	-.21850	.04500	-.00040	-.00070	.00070	.25050	.05660
.607	12.950	.00000	.00000	.25010	-.21650	.04400	-.00090	-.00040	.00050	.24780	.05560
.602	13.940	.00000	.00000	.25350	-.22150	.04480	-.00030	-.00060	.00050	.25120	.05650
.600	14.940	.00000	.00000	.25880	-.22370	.04510	-.00100	-.00040	.00060	.25650	.05700
.600	15.930	.00000	.00000	.26190	-.22550	.04490	-.00150	-.00030	.00070	.25950	.05700
.601	16.930	.00000	.00000	.26060	-.22580	.04490	-.00160	-.00040	.00050	.25830	.05690
.598	17.930	.00000	.00000	.26440	-.22950	.04520	-.00150	-.00030	.00040	.26200	.05740
.600	18.920	.00000	.00000	.26230	-.22950	.04490	-.00160	-.00030	.00050	.26000	.05700
.600	19.910	.00000	.01000	.26430	-.23260	.04490	-.00170	-.00020	.00050	.26200	.05700
.601	20.910	.00000	.00000	.26520	-.23070	.04450	-.00180	.00000	.00030	.26290	.05680
.601	21.900	.00000	.01000	.26650	-.22960	.04450	-.00150	.00010	.00030	.26410	.05690
.601	22.890	.00000	.00000	.26660	-.23300	.04480	-.00160	.00000	.00030	.26420	.05710
.600	23.890	.00000	.00000	.26750	-.23480	.04450	-.00220	.00010	.00020	.26510	.05690
.603	24.890	.00000	.01000	.26930	-.23090	.04440	-.00260	.00040	.00040	.26690	.05680
.602	25.880	.00000	.01000	.27290	-.23380	.04450	-.00200	.00030	.00020	.27050	.05710
.602	26.870	.00000	.01000	.27360	-.23580	.04440	-.00220	.00030	.00040	.27120	.05710
.602	27.870	.00000	.01000	.27190	-.23420	.04410	-.00230	.00040	.00030	.26960	.05660
.602	28.860	.00000	.01000	.27550	-.23510	.04450	-.00210	.00050	.00030	.27310	.05720
.602	29.860	.00000	.01000	.27680	-.23550	.04450	-.00250	.00060	.00000	.27440	.05730
.603	30.860	.00000	.01000	.27860	-.23530	.04450	-.00280	.00070	-.00010	.27620	.05740
.603	31.850	.00000	.01000	.27740	-.23600	.04450	-.00230	.00040	.00000	.27510	.05730
.601	32.840	.00000	.01000	.27810	-.23740	.04410	-.00230	.00040	.00000	.27570	.05690
.602	33.840	.00000	.01000	.28100	-.23650	.04410	-.00220	.00050	.00030	.27870	.05710
.602	34.830	.00000	.01000	.28370	-.23580	.04410	-.00250	.00050	.00020	.28130	.05730
.600	35.830	.00000	.01000	.28300	-.23690	.04430	-.00170	.00040	.00030	.28060	.05740
.601	36.830	.00000	.01000	.28610	-.23750	.04410	-.00170	.00040	.00020	.28370	.05740
.600	37.820	.00000	.01000	.28680	-.23750	.04410	-.00210	.00020	.00010	.28450	.05740
.602	38.820	.00000	.01000	.28320	-.23760	.04360	-.00170	.00020	.00010	.28090	.05690
.602	39.810	.00000	.01000	.28540	-.23830	.04380	-.00220	.00010	.00000	.28300	.05710
.602	40.800	.00000	.01000	.28700	-.23750	.04400	-.00190	.00010	.00010	.28460	.05730
.600	41.800	.00000	.01000	.28820	-.23970	.04410	-.00150	.00020	.00010	.28560	.05750
.600	42.800	.00000	.01000	.29020	-.23780	.04410	-.00200	.00000	.00010	.28780	.05760
.601	43.790	.00000	.01000	.29220	-.23980	.04430	-.00160	.00000	.00000	.28980	.05790

DATE 29 MAR 76

CA-26 FORCE SOURCE DATA TABULATION

PAGE 1089

LTV44-559(CA26) 747/1 ATY 02 S1 (CARRIER DATA)

(YFE068) (18 NOV 75)

REFERENCE DATA

SREF = 5500.0000 SQ.FT. XMRP = 1339.9000 IN. XC
LREF = 327.7800 IN. YMRP = .0000 IN. YC
BREF = 2348.0400 IN. ZMRP = 190.7500 IN. ZC
SCALE = .0125

PARAMETRIC DATA

ALPHAC = 2.000 BETAC = .000
STAB = 5.000 ELEVON = .000
BDFLAP = 16.300 DX = .000
DY = .000 IORB = 4.000
BETAO = .000 RUDDER = .000

RUN NO. S1/ 0 RN/L = .00 GRADIENT INTERVAL = -5.00/ 5.00

MACH	DZ	DY	DX	CN	CLM	CA	CY	CYN	CBL	CL	CD
.602	44.790	.00000	.01000	.29130	-.23980	.04410	-.00140	.00000	.00030	.28890	.05760
	GRADIENT	.00000	.00300	.00433	-.00788	.00024	.00018	.00010	-.00005	.00433	.00041

ORIGINAL PAGE IS
OF POOR QUALITY

LTV44-559(CA26) 747/1 ATY 02 S1 (CARRIER DATA)

(YFE069) (18 NOV 75)

REFERENCE DATA

SREF = 5500.0000 SQ.FT. XMRP = 1339.9000 IN. XC
 LREF = 327.7800 IN. YMRP = .0000 IN. YC
 BREF = 2348.0400 IN. ZMRP = 190.7500 IN. ZC
 SCALE = .0125

PARAMETRIC DATA

ALPHAC = 2.000 BETAC = .000
 STAB = 5.000 ELEVON = .000
 BDFLAP = 16.300 DX = .000
 DY = .000 IORB = 6.000
 BETAO = .000 RUDDER = .000

RUN NO. 1051/ 0 RN/L = .00 GRADIENT INTERVAL = -5.00/ 5.00

MACH	DZ	DY	DX	CN	CLM	CA	CY	CYN	CBL	CL	CD
.603	1.470	.00000	-.01000	.18190	-.12230	.04240	-.00040	-.00150	.00130	.17970	.05090
.601	1.770	.00000	-.01000	.19050	-.13100	.04260	-.00130	-.00130	.00100	.18930	.05150
.598	2.370	.00000	.00000	.19180	-.13610	.04300	-.00110	-.00120	.00120	.18950	.05190
.601	2.970	.00000	.00000	.19040	-.13450	.04240	-.00080	-.00120	.00110	.18820	.05130
.601	3.770	.00000	.00000	.20020	-.14990	.04280	-.00160	-.00080	.00090	.19790	.05210
.601	4.570	.00000	.00000	.19750	-.15110	.04270	-.00120	-.00090	.00100	.195.0	.05190
.602	5.970	.00000	.00000	.21170	-.16970	.04260	-.00150	-.00060	.00060	.20940	.05240
.599	7.970	.00000	.00000	.22090	-.17590	.04410	-.00110	-.00060	.00070	.21860	.05430
.603	9.960	.00000	.00000	.21780	-.17550	.04340	-.00160	-.00060	.00060	.21560	.05350
.601	11.240	.00000	.00000	.22580	-.18680	.04360	-.00160	-.00050	.00060	.22360	.05400
.602	12.520	.00000	.00000	.23150	-.19110	.04360	-.00190	-.00030	.00060	.22920	.05430
.601	13.800	.00000	.00000	.23490	-.19330	.04320	-.00180	-.00010	.00070	.23270	.05410
.601	15.080	.00000	.00000	.23900	-.19930	.04370	-.00260	-.00010	.00050	.23670	.05480
.602	16.350	.00000	.00000	.23760	-.20170	.04320	-.00220	.00000	.00040	.23540	.05410
.600	17.630	.00000	.00000	.24470	-.20370	.04370	-.00290	.00000	.00030	.24240	.05500
.600	18.900	.00000	.00000	.24930	-.20590	.04370	-.00270	.00020	.00060	.24700	.05520
.601	20.180	.00000	.00000	.24820	-.20840	.04370	-.00290	.00030	.00030	.24590	.05520
.601	21.460	.00000	.00000	.24840	-.21060	.04330	-.00240	.00040	.00040	.24610	.05480
.602	22.730	.00000	.01000	.25600	-.21210	.04360	-.00360	.00040	.00040	.25370	.05540
.602	24.000	.00000	.01000	.25620	-.21180	.04360	-.00390	.00050	.00000	.25390	.05550
.603	25.280	.00000	.01000	.25710	-.21670	.04340	-.00370	.00070	.00030	.25480	.05520
.601	26.560	.00000	.01000	.26290	-.22050	.04390	-.00330	.00050	.00030	.26060	.05610
.602	27.840	.00000	.01000	.25960	-.22260	.04360	-.00280	.00060	.00030	.25730	.05560
.601	29.110	.00000	.01000	.26360	-.22230	.04380	-.00240	.00060	.00030	.26130	.05600
.602	30.390	.00000	.01000	.26540	-.22140	.04360	-.00300	.00080	.00010	.26310	.05590
.600	31.660	.00000	.01000	.26950	-.22440	.04400	-.00260	.00070	.00010	.26720	.05650
.601	32.940	.00000	.01000	.26870	-.22590	.04390	-.00290	.00070	.00020	.26640	.05630
.600	34.220	.00000	.01000	.27050	-.22920	.04380	-.00300	.00070	.00040	.26810	.05630
.600	35.490	.00000	.01000	.26910	-.22620	.04380	-.00230	.00060	.00000	.26680	.05620
.601	36.770	.00000	.01000	.27240	-.22870	.04330	-.00330	.00060	.00010	.27010	.05590
.600	38.050	.00000	.01000	.27540	-.22900	.04380	-.00270	.00050	.00010	.27300	.05650
.598	39.330	.00000	.01000	.28060	-.23090	.04410	-.00310	.00040	.00010	.27820	.05710
.602	40.600	.00000	.01000	.27750	-.22840	.04310	-.00210	.00020	.00010	.27520	.05590
.601	41.880	.00000	.01000	.28130	-.22890	.04350	-.00200	.00020	.00010	.27900	.05660
.600	43.150	.00000	.01000	.28080	-.22950	.04350	-.00260	.00020	.00020	.27840	.05650
.601	44.430	.00000	.01000	.28520	-.22750	.04320	-.00220	.00020	.00040	.28290	.05650
.600	45.710	.00000	.01000	.28710	-.23060	.04340	-.00120	.00000	.00040	.28480	.05680
.601	46.990	.00000	.01000	.28260	-.23090	.04280	-.00110	.00000	.00000	.28030	.05600
.602	48.260	.00000	.01000	.28400	-.23150	.04300	-.00070	-.00010	.00000	.28160	.05620
.602	49.540	.00000	.01000	.28470	-.23270	.04350	-.00100	.00000	.00020	.28240	.05670
.601	50.820	.00000	.01000	.28360	-.23370	.04360	-.00220	.00010	.00010	.28130	.05680
GRADIENT		.00000	.00337	.00456	-.00887	.00006	-.00019	.00020	-.00008	.00456	.00026

LTV44-559(CA26) 747/1 ATY 02 S1 (CARRIER DATA)

(YFE070) (18 NOV 75)

REFERENCE DATA

SREF = 5500.0000 SQ.FT. XMRP = 1339.9000 IN. XC
 LREF = 327.7800 IN. YMRP = .0000 IN. YC
 BREF = 2348.0400 IN. ZMRP = 190.7500 IN. ZC
 SCALE = .0125

PARAMETRIC DATA

ALPHAC = 2.000 BETAC = .000
 STAB = 5.000 ELEVON = .000
 BDFLAP = 16.300 DX = .000
 DY = .000 IORB = 8.000
 BETA0 = .000 RUDDER = .000

RUN NO. 52/ 0 RN/L = .00 GRADIENT INTERVAL = -5.00/ 5.00

MACH	OZ	DY	DX	CN	CLM	CA	CY	CYN	CBL	CL	CD
.600	1.760	.00000	-.01000	.15920	-.09920	.04080	.00040	-.00230	.00120	.15710	.04830
.601	2.360	.00000	-.01000	.16180	-.09700	.04120	.00000	-.00220	.00130	.15960	.04880
.601	2.970	.00000	-.01000	.16730	-.09550	.04090	-.00010	-.00150	.00120	.16510	.04880
.601	3.960	.00000	-.01000	.16540	-.09490	.04080	-.00040	-.00160	.00110	.16330	.04860
.601	4.960	.00000	-.01000	.17880	-.10760	.04150	-.00150	-.00110	.00080	.17660	.04990
.600	6.210	.00000	-.01000	.17500	-.10950	.04130	-.00090	-.00120	.00090	.17290	.04950
.602	7.460	.00000	-.01000	.18090	-.11260	.04120	-.00150	-.00100	.00100	.17870	.04970
.600	8.710	.00000	.00000	.18770	-.12130	.04160	-.00100	-.00090	.00090	.18550	.05040
.599	9.960	.00000	.00000	.19660	-.13650	.04220	-.00220	-.00060	.00060	.19440	.05140
.600	11.200	.00000	.00000	.20050	-.13720	.04270	-.00220	-.00050	.00060	.19820	.05210
.600	12.430	.00000	.00000	.20160	-.14170	.04250	-.00230	-.00040	.00070	.19940	.05200
.600	13.670	.00000	.00000	.20480	-.14710	.04220	-.00180	-.00030	.00080	.20260	.05180
.601	14.910	.00000	.00000	.20730	-.15180	.04240	-.00200	-.00020	.00080	.20500	.05200
.599	16.140	.00000	.00000	.21680	-.15640	.04290	-.00280	-.00030	.00070	.21450	.05310
.601	17.370	.00000	.00000	.21450	-.16100	.04220	-.00190	-.00010	.00050	.21230	.05220
.599	18.610	.00000	.00000	.22060	-.16880	.04310	-.00270	.00000	.00050	.21830	.05340
.600	19.840	.00000	.00000	.22410	-.17130	.04320	-.00240	.00000	.00050	.22180	.05360
.599	21.080	.00000	.00000	.22640	-.17710	.04310	-.00230	.00010	.00050	.22420	.05360
.599	22.310	.00000	.01000	.23130	-.18070	.04310	-.00270	.00020	.00040	.22910	.05380
.601	23.550	.00000	.01000	.23360	-.18270	.04320	-.00300	.00020	.00030	.23130	.05410
.600	24.780	.00000	.01000	.23780	-.18650	.04320	-.00330	.00020	.00020	.23560	.05430
.600	26.010	.00000	.01000	.24200	-.18970	.04360	-.00260	.00040	.00040	.23970	.05490
.601	27.250	.00000	.01000	.24450	-.19270	.04370	-.00330	.00050	.00010	.24220	.05510
.602	28.480	.00000	.01000	.24500	-.19580	.04340	-.00270	.00060	.00010	.24280	.05480
.602	29.720	.00000	.01000	.24750	-.19800	.04290	-.00310	.00070	.00020	.24520	.05440
.600	30.950	.00000	.01000	.25170	-.19960	.04380	-.00340	.00060	-.00010	.24930	.05550
.600	32.180	.00000	.01000	.25000	-.20030	.04330	-.00310	.00080	.00000	.24770	.05490
.600	33.420	.00000	.01000	.25300	-.20430	.04330	-.00380	.00080	.00010	.25070	.05500
.597	34.660	.00000	.01000	.25850	-.20830	.04390	-.00320	.00080	-.00010	.25620	.05590
.599	35.900	.00000	.01000	.25930	-.20830	.04360	-.00280	.00070	-.00020	.25700	.05570
.602	37.130	.00000	.01000	.25850	-.20870	.04320	-.00380	.00080	-.00020	.25620	.05520
.600	38.360	.00000	.01000	.26120	-.21030	.04350	-.00370	.00080	.00000	.25890	.05560
.604	39.600	.00000	.01000	.26350	-.20880	.04300	-.00260	.00080	.00020	.26120	.05530
.600	40.830	.00000	.01000	.26580	-.21300	.04350	-.00230	.00070	.00020	.26350	.05590
.600	42.070	.00000	.01000	.26430	-.21460	.04350	-.00270	.00060	.00030	.26500	.05580
.601	43.300	.00000	.01000	.26720	-.21510	.04360	-.00400	.00050	.00010	.26490	.05600
.600	44.540	.00000	.01000	.27140	-.21540	.04330	-.00330	.00050	.00000	.26900	.05590
.599	45.770	.00000	.01000	.27350	-.21680	.04370	-.00310	.00050	.00000	.27120	.05600
.600	47.010	.00000	.01000	.27310	-.21820	.04350	-.00230	.00030	.00000	.27070	.05620
.600	48.250	.00000	.02000	.27780	-.21910	.04370	-.00230	.00030	.00000	.27530	.05670
.599	49.480	.00000	.01000	.27520	-.22000	.04310	-.00330	.00020	-.00010	.27290	.05590
.600	50.710	.00000	.01000	.27580	-.22090	.04360	-.00250	.00010	-.00010	.27350	.05640

LTV44-559(CA26) 747/1 ATY 02 S1 (CARRIER DATA)

(YFE070) (18 NOV 75)

REFERENCE DATA

SREF = 5500.0000 SQ.FT. XMRP = 1339.9000 IN. XC
 LREF = 777.7800 IN. YMRP = .0000 IN. YC
 BREF = 2348.0400 IN. ZMRP = 190.7500 IN. ZC
 SCALE = .0125

PARAMETRIC DATA

ALPHAC = 2.000 BETAC = .000
 STAB = 5.000 ELEVON = .000
 BDFLAP = 16.300 DX = .000
 DY = .000 TORB = 8.000
 BETAO = .000 RUDDER = .000

RUN NO. 52/ 0 RN/L = .00 GRADIENT INTERVAL = -5.00/ 5.00

MACH	DZ	DY	DX	CN	CLM	CA	CY	CYN	CBL	CL	CD
.602	51.950	.00000	.02000	.27630	-.21980	.04270	-.00210	.00010	-.00010	.27400	.05560
.599	53.180	.00000	.02000	.27990	-.22400	.04400	-.00110	.00010	.00010	.27750	.05710
.600	54.420	.00000	.02000	.27940	-.22300	.04290	-.00170	.00000	-.00010	.27710	.05600
.604	55.650	.00000	.02000	.27750	-.22090	.04290	-.00160	.00000	-.00020	.27520	.05580
.600	56.890	.00000	.02000	.27990	-.22550	.04360	-.00090	.00000	.00000	.27750	.05660
.600	58.120	.00000	.02000	.28340	-.22600	.04340	-.00230	.00000	.00020	.28100	.05650
	GRADIENT	.00000	-.00000	.00539	-.00219	.00013	-.00054	.00036	-.00013	.00538	.00038

DATE 29 MAR 76

CA-26 FORCE SOURCE DATA TABULATION

PAGE 1093

LTV44-559(CA26) 747/1 ATY 02 S1 (CARRIER DATA)

(YFE071) (18 NOV 75)

REFERENCE DATA

SREF = 5500.0000 SQ.FT. XMRP = 1339.9000 IN. XC
 LREF = 327.7800 IN. YMRP = .0000 IN. YC
 BREF = 2348.0400 IN. ZMRP = 190.7000 IN. ZC
 SCALE = .0125

PARAMETRIC DATA

ALPHAC = 2.000 BETAC = .000
 STAB = 5.000 ELEVON = .000
 BDFLAP = 5.000 DX = .000
 DY = .000 IORB = 4.000
 BETAO = .000 RUDDER = .000

RUN NO. 53/ 0 RN/L = .00 GRADIENT INTERVAL = -5.00/ 5.00

MACH	DZ	DY	DX	CN	CLM	CA	CY	CYN	CEL	CL	CD
.597	1.760	.00000	.01000	.23090	-.21620	.04660	.00040	-.00190	.00070	.22850	.05720
.597	2.360	.00000	.01000	.23470	-.21630	.04680	.00050	-.00170	.00090	.23230	.05760
.600	2.970	.00000	.01000	.23750	-.21910	.04670	.00140	-.00150	.00090	.23510	.05760
.598	3.760	.00000	.01000	.23980	-.22220	.04690	.00120	-.00160	.00070	.23740	.05790
.600	4.560	.00000	.01000	.23840	-.22160	.04650	.00070	-.00140	.00100	.23600	.05740
.598	5.960	.00000	.01000	.24280	-.22940	.04680	.00030	-.00140	.00060	.24040	.05790
.600	7.970	.00000	.01000	.24360	-.22790	.04650	.00000	-.00130	.00080	.24120	.05760
.597	9.960	.00000	.01000	.25630	-.23350	.04630	.00000	-.00140	.00070	.25390	.05810
.600	10.960	.00000	.01000	.25570	-.22860	.04600	.00090	-.00130	.00060	.25330	.05770
.600	11.960	.00000	.01000	.25460	-.22980	.04500	.00070	-.00130	.00080	.25230	.05660
.600	12.950	.00000	.01000	.25970	-.23300	.04630	-.00010	-.00120	.00060	.25720	.05820
.596	13.940	.00000	.01000	.26170	-.23440	.04620	.00080	-.00120	.00060	.25930	.05820
.599	14.940	.00000	.01000	.26280	-.23370	.04590	-.00070	-.00090	.00060	.26040	.05790
.600	15.930	.00000	.01000	.26300	-.23250	.04540	.00010	-.00090	.00060	.26060	.05750
.600	16.930	.00000	.01000	.26640	-.23340	.04580	-.00060	-.00090	.00070	.26400	.05810
.599	17.930	.00000	.00000	.27020	-.23470	.04570	-.00000	-.00070	.00040	.26780	.05820
.601	18.920	.00000	.00000	.27290	-.23260	.04560	-.00100	-.00060	.00040	.27050	.05820
.601	19.910	.00000	.00000	.27130	-.23510	.04560	-.00160	-.00050	.00050	.26890	.05810
.600	20.910	.00000	.00000	.27420	-.23570	.04540	-.00140	-.00040	.00040	.27180	.05810
.598	21.900	.00000	.01000	.27650	-.23740	.04570	-.00220	-.00020	.00020	.27410	.05850
.599	22.890	.00000	.01000	.27570	-.23750	.04560	-.00290	.00000	.00030	.27320	.05830
.598	23.890	.00000	.01000	.27990	-.23650	.04560	-.00280	.00000	.00010	.27740	.05850
.599	24.890	.00000	.01000	.27680	-.23610	.04510	-.00190	.00000	.00030	.27440	.05790
.599	25.880	.00000	.01000	.27840	-.23910	.04530	-.00150	.00000	.00040	.27600	.05810
.600	26.870	.00000	.01000	.27910	-.23600	.04490	-.00250	.00030	.00030	.27670	.05780
.601	27.870	.00000	.01000	.28300	-.23440	.04510	-.00280	.00010	.00020	.28060	.05820
.598	28.860	.00000	.01000	.28310	-.23600	.04510	-.00210	.00010	.00020	.28070	.05820
.599	29.860	.00000	.01000	.28250	-.23830	.04450	-.00230	.00010	.00030	.28010	.05760
.601	30.860	.00000	.01000	.28170	-.23530	.04470	-.00170	.00000	.00010	.27930	.05770
.599	31.850	.00000	.01000	.28650	-.23540	.04480	-.00250	.00000	.00030	.28410	.05810
.598	32.840	.00000	.01000	.28960	-.23690	.04450	-.00190	.00010	.00000	.28720	.05790
.597	33.840	.00000	.01000	.29330	-.23720	.04520	-.00270	.00010	.00020	.29090	.05880
.600	34.830	.00000	.01000	.28640	-.23600	.04460	-.00240	.00010	.00010	.28400	.05790
.600	35.830	.00000	.01000	.28800	-.23860	.04430	-.00180	.00000	.00010	.28560	.05770
.600	36.830	.00000	.01000	.28940	-.23660	.04420	-.00240	.00010	.00010	.28710	.05760
.600	37.820	.00000	.01000	.29240	-.23630	.04460	-.00160	.00010	.00030	.29000	.05820
.598	38.820	.00000	.01000	.29620	-.23870	.04470	-.00230	.00000	.00000	.29380	.05850
.600	39.810	.00000	.01000	.29170	-.23660	.04380	-.00320	.00000	.00000	.28930	.05740
.596	40.800	.00000	.01000	.29930	-.23950	.04460	-.00240	.00010	.00040	.29690	.05850
.597	41.800	.00000	.01000	.29470	-.23880	.04430	-.00200	-.00010	.00020	.29230	.05800
.599	42.800	.00000	.01000	.29580	-.23940	.04430	-.00130	.00000	.00000	.29340	.05800
.599	43.790	.00000	.01000	.29600	-.23910	.04370	-.00210	.00000	.00000	.29370	.05740

ORIGINAL PAGE IS
 OF POOR QUALITY

DATE 29 MAR 76

CA-26 FORCE SOURCE DATA TABULATION

PAGE 1094

LTV44-559(CA26) 747/1-ATY 02 S1 (CARRIER DATA)

(YFE071) (18 NOV 75)

REFERENCE DATA

SREF = 5500.0000 SQ.FT.	XMRP = 1339.9000 IN. XC
LREF = 327.7800 IN.	YMRP = .0000 IN. YC
BREF = 2348.0400 IN.	ZMRP = 190.7500 IN. ZC
SCALE = .0125	

PARAMETRIC DATA

ALPHAC = 2.000	BETAC = .000
STAB = 5.000	ELEVON = .000
SDFLAP = 5.000	DX = .000
DY = .000	IORB = 4.000
BETA0 = .000	RUDDER = .000

RUN NO. 53/ 0 RN/L = .00 GRADIENT INTERVAL = -5.00/ 5.00

MACH	DZ	DY	DX	CN	CLM	CA	CY	CYN	CBL	CL	CD
.602	44.790	.00000	.01000	.29460	-.23640	.04370	-.00190	.00000	.00010	.29230	.05740
	GRADIENT	.00000	.00000	.00277	-.00237	-.00002	.00016	.00015	.00006	.00277	.00009

REFERENCE DATA

SREF = 5500.0000 SQ.FT. XMRP = 1339.9000 IN. XC
 LREF = 327.7800 IN. YMRP = .0000 IN. YC
 BREF = 2348.0400 IN. ZMRP = 190.7500 IN. ZC
 SCALE = .0125

PARAMETRIC DATA

ALPHAC = 2.000 BETAC = .000
 STAB = 5.000 ELEVON = .000
 BDFLAP = 5.000 DX = .000
 DY = .000 TORB = 6.000
 BETA0 = .000 RUDDER = .000

RUN NO. 1053/ 0 RN/L = .00 GRADIENT INTERVAL = -5.00/ 5.00

MACH	OZ	DY	DX	CN	CLM	CA	CY	CYN	CBL	CL	CD
.598	1.470	.00000	.00000	.19430	-.14770	.04360	-.00110	-.00170	.00090	.19200	.05260
.598	1.770	.00000	.00000	.20070	-.16130	.04360	-.00050	-.00150	.00090	.19840	.05290
.598	2.370	.00000	.00000	.20360	-.16530	.04340	-.00050	-.00160	.00090	.20140	.05290
.598	2.970	.00000	.00000	.20760	-.16410	.04400	-.00050	-.00160	.00100	.20530	.05360
.598	3.770	.00000	.00000	.21290	-.17560	.04370	-.00100	-.00110	.00070	.21070	.05350
.599	4.570	.00000	.00000	.21070	-.17790	.04370	-.00100	-.00110	.00080	.20850	.05350
.598	5.970	.00000	.00000	.22550	-.19200	.04430	-.00180	-.00080	.00070	.22320	.05470
.597	7.970	.00000	.00000	.23140	-.19790	.04500	-.00090	-.00070	.00060	.22910	.05570
.598	9.960	.00000	.00000	.22930	-.19450	.04370	-.00230	-.00070	.00040	.22700	.05430
.599	11.240	.00000	.00000	.23820	-.20270	.04450	-.00200	-.00060	.00070	.23590	.05550
.597	12.520	.00000	.00000	.24270	-.20580	.04510	-.00190	-.00050	.00050	.24040	.05630
.598	13.800	.00000	.00000	.24570	-.20740	.04450	-.00170	-.00060	.00050	.24340	.05590
.597	15.080	.00000	.00000	.24890	-.21040	.04490	-.00230	-.00050	.00050	.24650	.05640
.598	16.350	.00000	.00000	.25140	-.21030	.04450	-.00260	-.00030	.00030	.24900	.05620
.600	17.630	.00000	.00000	.25170	-.21020	.04430	-.00290	-.00010	.00040	.24940	.05600
.598	18.900	.00000	.00000	.25550	-.21260	.04450	-.00290	.00000	.00080	.25320	.05630
.599	20.180	.00000	.00000	.25670	-.21470	.04410	-.00310	.00030	.00050	.25430	.05600
.595	21.460	.00000	.00000	.26020	-.22020	.04480	-.00310	.00040	.00040	.25780	.05680
.598	22.730	.00000	.01000	.26270	-.21770	.04420	-.00360	.00040	.00040	.26030	.05640
.599	24.000	.00000	.01000	.26490	-.21760	.04410	-.00310	.00040	.00030	.26260	.05640
.599	25.280	.00000	.01000	.27030	-.21930	.04430	-.00380	.00040	.00000	.26790	.05690
.598	26.560	.00000	.01000	.26640	-.22220	.04430	-.00350	.00050	.00000	.26400	.05670
.599	27.840	.00000	.01000	.26970	-.21970	.04430	-.00420	.00050	.00000	.26740	.05680
.600	29.110	.00000	.01000	.27100	-.22130	.04380	-.00360	.00060	.00000	.26860	.05640
.599	30.390	.00000	.01000	.27340	-.22450	.04420	-.00320	.00060	.00020	.27110	.05690
.599	31.660	.00000	.01000	.27340	-.22400	.04410	-.00360	.00050	.00000	.27100	.05680
.597	32.940	.00000	.01000	.27720	-.22710	.04430	-.00370	.00050	-.00010	.27480	.05720
.598	34.220	.00000	.01000	.27490	-.22500	.04390	-.00390	.00050	-.00010	.27250	.05670
.596	35.490	.00000	.01000	.27670	-.22870	.04420	-.00250	.00040	.00000	.27430	.05700
.599	36.770	.00000	.01000	.27850	-.22700	.04390	-.00260	.00040	.00000	.27610	.05680
.600	38.050	.00000	.01000	.28040	-.22640	.04380	-.00320	.00040	.00000	.27800	.05680
.596	39.330	.00000	.01000	.28400	-.22980	.04400	-.00300	.00020	.00000	.28170	.05720
.596	40.600	.00000	.01000	.28770	-.22930	.04400	-.00310	.00030	.00010	.28530	.05740
.598	41.880	.00000	.01000	.28470	-.22690	.04340	-.00300	.00030	.00030	.28240	.05670
.597	43.150	.00000	.01000	.28660	-.22900	.04370	-.00290	.00020	.00020	.28420	.05700
.596	44.430	.00000	.01000	.28980	-.23100	.04410	-.00210	.00010	.00010	.28740	.05760
.599	45.710	.00000	.01000	.29200	-.23010	.04340	-.00250	.00010	.00000	.28960	.05700
.600	46.980	.00000	.01000	.28910	-.23170	.04360	-.00240	.00000	.00010	.28680	.05710
.600	48.260	.00000	.02000	.29010	-.22920	.04350	-.00260	.00010	.00000	.28780	.05710
.597	49.540	.00000	.02000	.29320	-.23340	.04390	-.00240	.00000	.00010	.29090	.05760
.598	50.820	.00000	.02000	.29370	-.23280	.04390	-.00280	.00020	.00000	.29140	.05760
GRADIENT		.00000	.00000	.00526	-.00838	.00006	-.00006	.00019	-.00005	.00530	.00030

ORIGINAL PAGE IS
OF POOR QUALITY

LTV44-559(CA26) 747/1 ATY 02 S1 (CARRIER DATA)

(YFE073) (18 NOV 75)

REFERENCE DATA

SREF = 5500.0000 SQ.FT. XMRP = 1339.9000 IN. XC
 LREF = 327.7800 IN. YMRP = .0000 IN. YC
 BREF = 2348.0400 IN. ZMRP = 190.7500 IN. ZC
 SCALE = .0125

PARAMETRIC DATA

ALPHAC = 2.000 BETAC = .000
 STAB = 5.000 ELEVON = .000
 BDFLAP = 5.000 DX = .000
 DY = .000 IORB = 8.000
 BETAO = .000 RUDDER = .000

RUN NO. 54/ 0 RN/L = .00 GRADIENT INTERVAL = -5.00/ 5.00

MACH	DZ	DY	DX	CN	CLM	CA	CY	CYN	CBL	CL	CD
.599	1.760	.00000	-.01000	.15830	-.09930	.04120	.00080	-.00210	.00100	.15620	.04860
.599	2.360	.00000	-.01000	.16030	-.09880	.04100	.00130	-.00210	.00120	.15820	.04850
.600	2.970	.00000	-.01000	.17070	-.10500	.04130	.00050	-.00170	.00080	.16850	.04930
.599	3.960	.00000	-.01000	.17140	-.10460	.04140	.00080	-.00170	.00120	.16920	.04950
.601	4.960	.00000	-.01000	.18170	-.11980	.04190	-.00040	-.00140	.00100	.17950	.05040
.599	6.210	.00000	.00000	.18050	-.12330	.04190	.00020	-.00150	.00100	.17830	.05040
.599	7.460	.00000	.00000	.18720	-.12790	.04250	-.00060	-.00140	.00100	.18500	.05130
.598	8.710	.00000	.00000	.19340	-.13600	.04270	-.00090	-.00130	.00070	.19110	.05170
.600	9.960	.00000	.00000	.20100	-.15240	.04280	-.00020	-.00110	.00070	.19870	.05210
.602	11.200	.00000	.00000	.20190	-.14990	.04240	-.00060	-.00100	.00060	.19970	.05180
.599	12.430	.00000	.00000	.20470	-.15500	.04270	-.00040	-.00110	.00070	.20250	.05220
.601	13.670	.00000	.00000	.20850	-.15840	.04300	-.00100	-.00090	.00080	.20630	.05270
.600	14.910	.00000	.00000	.21240	-.16600	.04290	-.00030	-.00080	.00080	.21020	.05280
.600	16.140	.00000	.00000	.21590	-.17020	.04280	-.00100	-.00070	.00070	.21370	.05280
.598	17.370	.00000	.00000	.22070	-.17370	.04320	-.00110	-.00060	.00080	.21850	.05340
.598	18.610	.00000	.00000	.22550	-.17740	.04360	-.00150	-.00060	.00060	.22320	.05410
.597	19.840	.00000	.00000	.22710	-.18300	.04350	-.00160	-.00030	.00070	.22480	.05400
.599	21.080	.00000	.00000	.22800	-.18620	.04320	-.00150	-.00020	.00060	.22570	.05380
.599	22.310	.00000	.01000	.23280	-.19060	.04360	-.00180	-.00010	.00070	.23050	.05440
.600	23.550	.00000	.01000	.23350	-.19270	.04380	-.00170	-.00010	.00050	.23120	.05460
.602	24.780	.00000	.01000	.23560	-.19330	.04350	-.00280	.00000	.00030	.23330	.05450
.600	26.010	.00000	.01000	.23930	-.19600	.04350	-.00260	.00020	.00010	.23700	.05460
.601	27.250	.00000	.01000	.24190	-.19950	.04340	-.00280	.00020	-.00010	.23960	.05460
.601	28.480	.00000	.01000	.24400	-.20190	.04350	-.00280	.00040	.00000	.24170	.05480
.600	29.720	.00000	.01000	.24820	-.20410	.04400	-.00290	.00040	.00010	.24580	.05550
.601	30.950	.00000	.01000	.24880	-.20560	.04350	-.00320	.00070	.00020	.24650	.05500
.600	32.180	.00000	.01000	.25030	-.20780	.04380	-.00320	.00060	.00000	.24800	.05540
.602	33.420	.00000	.01000	.25400	-.20730	.04340	-.00330	.00070	.00000	.25170	.05510
.599	34.660	.00000	.01000	.25700	-.21170	.04380	-.00350	.00070	.00010	.25470	.05570
.601	35.900	.00000	.01000	.25580	-.20950	.04330	-.00370	.00070	.00020	.25360	.05520
.601	37.130	.00000	.01000	.25990	-.21320	.04350	-.00320	.00070	.00000	.25660	.05550
.602	38.360	.00000	.01000	.25850	-.21330	.04330	-.00290	.00060	.00000	.25620	.05530
.601	39.600	.00000	.01000	.26140	-.21460	.04330	-.00280	.00070	.00000	.25910	.05540
.599	40.830	.00000	.01000	.26520	-.21580	.04320	-.00290	.00050	.00000	.26290	.05550
.600	42.070	.00000	.01000	.26290	-.21630	.04320	-.00260	.00040	.00000	.26060	.05540
.600	43.300	.00000	.01000	.26730	-.21800	.04340	-.00250	.00040	.00020	.26500	.05580
.599	44.540	.00000	.01000	.26780	-.21940	.04350	-.00280	.00050	.00020	.26550	.05590
.601	45.770	.00000	.01000	.26900	-.21740	.04300	-.00290	.00040	.00030	.26670	.05550
.601	47.010	.00000	.01000	.27170	-.21900	.04310	-.00300	.00040	.00020	.26940	.05580
.600	48.250	.00000	.01000	.27550	-.22050	.04350	-.00260	.00030	.00020	.27320	.05630
.599	49.480	.00000	.01000	.27780	-.22250	.04360	-.00260	.00040	.00010	.27470	.05650
.599	50.710	.00000	.01000	.27680	-.22480	.04350	-.00240	.00020	.00020	.27450	.05640

DATE 29 MAR 76

CA-26 FORCE SOURCE DATA TABULATION

PAGE 1097

LTV44-559(CA26) 747/1 ATY 02 S1 (CARRIER DATA)

(YFE073) (18 NOV 75)

REFERENCE DATA

SREF = 5500.0000 SQ.FT. XMRP = 1339.9000 IN. XC
 LREF = 327.7800 IN. YMRP = .0000 IN. YC
 BREF = 2348.0400 IN. ZMRP = 190.7500 IN. ZC
 SCALE = .0125

PARAMETRIC DATA

ALPHAC = 2.000 BETAC = .000
 STAB = 5.000 ELEVON = .000
 BDFLAP = 5.000 DX = .000
 DY = .000 IORB = 8.000
 BETA0 = .000 RUDDER = .000

RUN NO. 54/ 0 RN/L = .00 GRADIENT INTERVAL = -5.00/ 5.00

MACH	DZ	DY	DX	CN	CLM	CA	CY	CYN	CBL	CL	CD
.599	51.950	.00000	.01000	.27910	-.2247C	.04360	-.00240	.00020	.00000	.27680	.05650
.600	53.180	.00000	.02000	.27840	-.2236C	.04320	-.00220	.00010	.00010	.27600	.05610
.599	54.420	.00000	.02000	.28270	-.2254C	.04360	-.00220	.00010	.00020	.28040	.05680
.601	55.650	.00000	.02000	.27880	-.2238C	.04300	-.00250	.00030	.00030	.27650	.05600
.599	56.890	.00000	.02000	.28200	-.2276C	.04350	-.00150	.00010	.00020	.27960	.05660
.599	58.120	.00000	.02000	.28250	-.22880	.04350	-.00150	.00000	.00030	.28020	.05670
	GRADIENT	.00000	-.00000	.00715	-.00602	.00023	-.00038	.00022	.00000	.00711	.00058

LTV44-559(CA26) 747/1 ATY 02 S1 (CARRIER DATA)

(YFE074) (18 NOV 75)

REFERENCE DATA

SREF = 5500.0000 SQ.FT. XMRP = 1339.9000 IN. XC
 LREF = 327.7800 IN. YMRP = .0000 IN. YC
 BREF = 2348.0400 IN. ZMRP = 190.7500 IN. ZC
 SCALE = .0125

PARAMETRIC DATA

ALPHAC = 2.000 BETAC = .000
 STAB = 5.000 ELEVON = .000
 BDFLAP = .000 DX = .000
 DY = .000 TORB = 4.000
 BETAO = .000 RUDDER = .000

RUN NO. 55/ 0 RN/L = .00 GRADIENT INTERVAL = -5.00/ 5.00

MACH	DZ	DY	DX	CN	CLM	CA	CY	CYN	CBL	CL	CD
.600	1.760	.00000	.01000	.22910	-.22780	.04610	.00210	-.00210	.00060	.22670	.05650
.599	2.360	.00000	.01000	.23360	-.23030	.04620	.00180	-.00210	.00060	.23120	.05690
.602	2.970	.00000	.01000	.23690	-.23120	.04610	.00190	-.00200	.00060	.23450	.05690
.603	3.760	.00000	.01000	.23500	-.23210	.04630	.00200	-.00190	.00070	.23260	.05690
.602	4.560	.00000	.01000	.23880	-.23260	.04640	.00250	-.00200	.00050	.23640	.05720
.601	5.960	.00000	.01000	.24360	-.23550	.04650	.00220	-.00180	.00070	.24120	.05730
.601	7.970	.00000	.01000	.24660	-.23610	.04610	.00210	-.00190	.00090	.24420	.05730
.601	9.960	.00000	.01000	.25380	-.23780	.04570	.00180	-.00160	.00070	.25140	.05730
.601	10.960	.00000	.01000	.25560	-.23810	.04610	.00150	-.00160	.00090	.25330	.05780
.600	11.960	.00000	.01000	.25720	-.23790	.04600	.00140	-.00180	.00060	.25480	.05780
.602	12.950	.00000	.01000	.25620	-.23770	.04550	.00090	-.00160	.00060	.25390	.05720
.602	13.940	.00000	.01000	.26200	-.23690	.04560	.00040	-.00160	.00050	.25960	.05780
.602	14.940	.00000	.01000	.26050	-.23670	.04540	.00130	-.00150	.00050	.25820	.05740
.602	15.930	.00000	.01000	.26290	-.23750	.04540	.00130	-.00130	.00060	.26050	.05750
.601	16.930	.00000	.01000	.26570	-.23870	.04560	.00010	-.00120	.00020	.26330	.05780
.602	17.930	.00000	.01000	.26390	-.23830	.04500	.00040	-.00100	.00020	.26150	.05710
.602	18.920	.00000	.01000	.26640	-.23930	.04490	-.00010	-.00070	.00040	.26410	.05720
.602	19.910	.00000	.01000	.26920	-.23870	.04520	-.00080	-.00080	.00050	.26680	.05760
.602	20.910	.00000	.01000	.27180	-.23820	.04490	-.00130	-.00060	.00040	.26940	.05740
.602	21.900	.00000	.00000	.27150	-.23690	.04490	-.00070	-.00060	.00030	.26910	.05740
.602	22.890	.00000	.00000	.27070	-.23730	.04470	-.00050	-.00040	.00040	.26840	.05720
.602	23.890	.00000	.00000	.27280	-.23950	.04470	-.00030	-.00030	.00010	.27040	.05720
.602	24.890	.00000	.00000	.27370	-.23870	.04440	-.00100	-.00040	.00020	.27140	.05710
.602	25.880	.00000	.01000	.27770	-.23800	.04460	-.00140	-.00020	.00000	.27530	.05740
.601	26.870	.00000	.01000	.27730	-.23660	.04420	-.00210	-.00010	.00010	.27490	.05700
.600	27.870	.00000	.01000	.27870	-.23910	.04440	-.00150	-.00010	.00010	.27630	.05730
.601	28.860	.00000	.01000	.27990	-.24030	.04460	-.00180	-.00020	.00010	.27750	.05750
.600	29.860	.00000	.01000	.28390	-.23960	.04440	-.00240	-.00010	-.00020	.28160	.05750
.601	30.860	.00000	.01000	.28280	-.23930	.04430	-.00210	-.00010	.00020	.28040	.05740
.602	31.850	.00000	.01000	.28490	-.23860	.04430	-.00210	-.00010	.00020	.28260	.05750
.603	32.840	.00000	.01000	.28520	-.23730	.04400	-.00220	-.00010	.00020	.28280	.05720
.602	33.840	.00000	.01000	.28490	-.24110	.04400	-.00200	-.00010	.00010	.28250	.05720
.601	34.830	.00000	.01000	.28570	-.23900	.04390	-.00190	-.00010	.00000	.28330	.05710
.602	35.830	.00000	.01000	.28590	-.23970	.04390	-.00130	-.00010	.00000	.28350	.05710
.602	36.830	.00000	.01000	.28960	-.23880	.04390	-.00210	-.00010	.00000	.28720	.05740
.602	37.820	.00000	.01000	.28890	-.23930	.04360	-.00190	.00000	.00010	.28660	.05700
.601	38.820	.00000	.01000	.28960	-.23950	.04370	-.00220	-.00010	-.00010	.28730	.05720
.601	39.810	.00000	.01000	.29170	-.24130	.04370	-.00260	-.00010	.00000	.28940	.05720
.603	40.800	.00000	.01000	.28900	-.23880	.04340	-.00150	-.00010	.00010	.28670	.05690
.602	41.800	.00000	.01000	.29360	-.23880	.04370	-.00170	.00000	.00000	.29120	.05740
.601	42.800	.00000	.01000	.29340	-.24030	.04340	-.00230	.00000	.00000	.29100	.05700
.601	43.790	.00000	.01000	.29160	-.24010	.04340	-.00070	-.00010	.00010	.28920	.05690

DATE 29 MAR 76

CA-26 FORCE SOURCE DATA TABULATION

PAGE 1099

LTV44-559(CA26) 747/1 ATY 02 S1 (CARRIER DATA)

(YFE074) (18 NOV 75)

REFERENCE DATA

SREF =	5500.0000 SQ.FT.	XMRP =	1339.9000 IN. XC
LREF =	327.7800 IN.	YMRP =	.0000 IN. YC
BREF =	2348.0400 IN.	ZMRP =	190.7500 IN. ZC
SCALE =	.0125		

PARAMETRIC DATA

ALPHAC =	2.000	BETAC =	.000
STAB =	5.000	ELEVON =	.000
BDFLAP =	.000	DX =	.000
DY =	.000	IORB =	4.000
BETA0 =	.000	RUDDER =	.000

RUN NO. 55/ 0 RN/L = .00 GRADIENT INTERVAL = -5.00/ 5.00

MACH	DZ	DY	DX	CN	CLM	CA	CY	CYN	CBL	CL	CD
.603	44.790	.00000	.01000	.29390	-.24110	.04330	-.00170	-.00010	.00000	.29150	.05700
	GRADIENT	.00000	.00000	.00289	-.00159	.00010	.00015	.00006	-.00002	.00289	.00020

ORIGINAL PAGE IS
OF POOR QUALITY

LTV44-559(CA26) 747/1 ATY 02 S1 (CARRIER DATA)

(YFE075) (18 NOV 75)

REFERENCE DATA

SREF = 5500.0000 SQ.FT. XMRP = 1339.9000 IN. XC
 LREF = 327.7800 IN. YMRP = .0000 IN. YC
 BREF = 2348.0400 IN. ZMRP = 190.7500 IN. ZC
 SCALE = .0125

PARAMETRIC DATA

ALPHAC = 2.000 BETAC = .000
 STAB = 5.000 ELEVON = .000
 BDFLAP = .000 DX = .000
 DY = .000 TORB = 6.000
 BETA0 = .000 RUDDER = .000

RUN NO. 1055/ 0 RN/L = .00 GRADIENT INTERVAL = -5.00/ 5.00

MACH	OZ	DY	DX	CN	CLM	CA	CY	CYN	CBL	CL	CO
.603	1.470	.00000	.00000	.19290	-.16270	.04310	.00180	-.00220	.00100	.19070	.05200
.602	1.770	.00000	.00000	.20030	-.17140	.04320	.00070	-.00220	.00050	.19810	.05240
.603	2.370	.00000	.00000	.20430	-.17490	.04320	.00060	-.00210	.00080	.20210	.05270
.601	2.970	.00000	.00000	.20500	-.17680	.04340	.00050	-.00220	.00080	.20280	.05280
.601	3.770	.00000	.01000	.21280	-.18690	.04340	.00010	-.00200	.00070	.21050	.05320
.600	4.570	.00000	.00000	.21440	-.18670	.04370	.00040	-.00190	.00080	.21220	.05360
.601	5.970	.00000	.01000	.22440	-.19890	.04390	.00010	-.00160	.00070	.22210	.05420
.602	7.970	.00000	.00000	.22810	-.19850	.04380	-.00020	-.00160	.00040	.22590	.05430
.601	9.960	.00000	.01000	.22800	-.20190	.04390	.00030	-.00170	.00060	.22580	.05430
.601	11.240	.00000	.00000	.23640	-.20630	.04410	-.00020	-.00150	.00090	.23410	.05500
.603	12.520	.00000	.00000	.23920	-.20600	.04370	-.00040	-.00130	.00050	.23700	.05570
.600	13.800	.00000	.01000	.24350	-.21320	.04430	-.00050	-.00120	.00030	.24110	.05560
.602	15.080	.00000	.00000	.24200	-.21160	.04380	-.00090	-.00100	.00060	.23970	.05490
.602	16.350	.00000	.00000	.24550	-.21260	.04360	-.00150	-.00080	.00030	.24320	.05490
.600	17.630	.00000	.00000	.25160	-.21620	.04400	-.00150	-.00070	.00040	.24930	.05560
.599	18.900	.00000	.00000	.25400	-.21840	.04410	-.00190	-.00050	.00040	.25170	.05580
.601	20.180	.00000	.00000	.25510	-.21680	.04370	-.00220	-.00030	.00030	.25280	.05550
.599	21.460	.00000	.00000	.25670	-.21940	.04390	-.00270	-.00010	.00030	.25440	.05570
.602	22.730	.00000	.01000	.25860	-.21930	.04360	-.00270	-.00010	-.00010	.25630	.05560
.600	24.000	.00000	.01000	.26470	-.22060	.04380	-.00320	.00000	-.00010	.26240	.05610
.603	25.280	.00000	.01000	.26180	-.22170	.04350	-.00300	.00000	.00010	.25950	.05560
.601	26.560	.00000	.01000	.26580	-.22240	.04360	-.00310	.00010	.00000	.26350	.05590
.604	27.840	.00000	.01000	.26560	-.22200	.04320	-.00300	.00000	.00000	.26350	.05550
.601	29.110	.00000	.01000	.26760	-.22510	.04340	-.00280	.00020	.00010	.26530	.05580
.602	30.390	.00000	.01000	.26740	-.22560	.04320	-.00290	.00020	.00010	.26510	.05560
.601	31.660	.00000	.01000	.27090	-.22490	.04320	-.00280	.00020	.00000	.26860	.05570
.601	32.940	.00000	.01000	.27040	-.22730	.04330	-.00280	.00020	-.00020	.26810	.05580
.602	34.220	.00000	.01000	.27220	-.22730	.04320	-.00260	.00020	.00000	.26990	.05580
.602	35.490	.00000	.01000	.27410	-.22850	.04320	-.00270	.00010	.00000	.27180	.05590
.602	36.770	.00000	.01000	.27580	-.22660	.04310	-.00270	.00020	.00010	.27350	.05530
.601	38.050	.00000	.01000	.28070	-.22810	.04330	-.00240	.00020	.00030	.27840	.05630
.602	39.330	.00000	.01000	.27930	-.22780	.04290	-.00240	.00010	.00000	.27700	.05590
.601	40.600	.00000	.01000	.27930	-.22930	.04320	-.00280	.00010	.00000	.27690	.05610
.601	41.880	.00000	.01000	.28260	-.23120	.04320	-.00260	.00010	.00000	.28030	.05640
.603	43.150	.00000	.01000	.28160	-.22780	.04290	-.00280	.00010	.00000	.27920	.05600
.602	44.430	.00000	.01000	.28270	-.22970	.04300	-.00240	.00010	.00010	.28040	.05610
.603	45.710	.00000	.01000	.28530	-.23110	.04270	-.00270	.00010	.00010	.28300	.05600
.602	46.980	.00000	.01000	.28730	-.23270	.04290	-.00240	.00010	.00000	.28490	.05620
.602	48.260	.00000	.01000	.28540	-.23130	.04280	-.00210	.00010	.00010	.28310	.05600
.602	49.540	.00000	.01000	.28670	-.23240	.04270	-.00210	.00000	-.00020	.28440	.05600
.602	50.820	.00000	.01000	.28540	-.23190	.04280	-.00220	.00000	-.00010	.28310	.05600
GRADIENT		.00000	.00134	.00639	-.00736	.00017	-.00036	.00009	-.00001	.00637	.00047

LTV44-559(CA26) 747/1 ATY 02 S1 (CARRIER DATA)

(YFED76) (18 NOV 75)

REFERENCE DATA

SREF = 5500.0000 SQ.FT. XMRP = 1339.9000 IN. XC
 LREF = 327.7800 IN. YMRP = .0000 IN. YC
 BREF = 2348.0400 IN. ZMRP = 190.7500 IN. ZC
 SCALE = .0125

PARAMETRIC DATA

ALPHAC = 2.000 BETAC = .000
 STAB = 5.000 ELEVON = .000
 BDFLAP = .000 DX = .000
 DY = .000 IORB = 8.000
 BETAO = .000 RUDDER = .000

RUN NO. 56/ 0 RN/L = .00 GRADIENT INTERVAL = -5.00/ 5.00

MACH	DZ	DY	DX	CN	CLM	CA	CY	CYN	CBL	CL	CD
.598	1.760	.00000	-.01000	.16910	-.11350	.04180	.00310	-.00220	.00070	.16690	.04970
.599	2.360	.00000	-.01000	.17090	-.11370	.04180	.00310	-.00220	.00060	.16880	.04980
.598	2.970	.00000	-.01000	.17770	-.11910	.04210	.00300	-.00210	.00080	.17550	.05040
.600	3.960	.00000	-.01000	.18000	-.11920	.04200	.00280	-.00210	.00080	.17780	.05040
.600	4.960	.00000	.00000	.18910	-.13210	.04240	.00220	-.00190	.00060	.18690	.05120
.500	6.210	.00000	.00000	.18810	-.13360	.04240	.00230	-.00180	.00070	.18590	.05120
.600	7.460	.00000	.00000	.18830	-.13830	.04240	.00210	-.00170	.00070	.18610	.05120
.598	8.710	.00000	.00000	.19540	-.14650	.04290	.00180	-.00150	.00080	.19310	.05200
.599	9.960	.00000	.00000	.20700	-.15880	.04320	.00200	-.00150	.00060	.20470	.05280
.598	11.200	.00000	.00000	.20960	-.15930	.04350	.00230	-.00160	.00060	.20730	.05320
.598	12.430	.00000	.00000	.21300	-.16050	.04360	.00150	-.00150	.00060	.21080	.05350
.598	13.670	.00000	.00000	.21440	-.16700	.04380	.00120	-.00130	.00080	.21210	.05380
.599	14.910	.00000	.00000	.21600	-.17060	.04350	.00100	-.00130	.00040	.21370	.05350
.598	16.140	.00000	.00000	.22120	-.17500	.04360	.00080	-.00120	.00020	.21890	.05380
.598	17.370	.00000	.00000	.22850	-.17990	.04380	.00060	-.00100	.00040	.22620	.05440
.599	18.610	.00000	.00000	.23270	-.18280	.04420	.00080	-.00100	.00040	.23040	.05500
.598	19.840	.00000	.00000	.23670	-.18710	.04450	.00070	-.00090	.00070	.23430	.05550
.600	21.080	.00000	.00000	.23580	-.18900	.04380	.00010	-.00060	.00040	.23350	.05480
.600	22.310	.00000	.01000	.23920	-.19260	.04390	.00060	-.00050	.00050	.23690	.05500
.598	23.550	.00000	.01000	.24080	-.19570	.04400	.00020	-.00040	.00040	.23850	.05520
.599	24.780	.00000	.01000	.24400	-.19560	.04390	-.00030	-.00020	.00020	.24170	.05520
.599	26.010	.00000	.01000	.24660	-.19990	.04410	-.00030	-.00010	.00020	.24430	.05550
.599	27.250	.00000	.01000	.24920	-.20240	.04410	-.00040	.00000	.00040	.24690	.05570
.598	28.480	.00000	.01000	.25030	-.20410	.04420	-.00150	.00010	.00020	.24800	.05580
.598	29.720	.00000	.01000	.25520	-.20610	.04430	-.00210	.00020	.00010	.25280	.05620
.599	30.950	.00000	.01000	.25660	-.20720	.04400	-.00110	.00030	.00000	.25420	.05590
.599	32.180	.00000	.01000	.25730	-.20570	.04370	-.00120	.00040	.00000	.25490	.05560
.597	33.420	.00000	.01000	.25880	-.21020	.04400	-.00120	.00040	.00010	.25650	.05600
.598	34.660	.00000	.01000	.26310	-.21300	.04410	-.00120	.00040	.00000	.26080	.05640
.600	35.900	.00000	.01000	.26020	-.21250	.04370	-.00210	.00030	.00000	.25790	.05580
.598	37.130	.00000	.01000	.26580	-.21460	.04420	-.00180	.00030	.00000	.26350	.05650
.600	38.360	.00000	.01000	.26590	-.21510	.04380	-.00210	.00040	.00010	.26360	.05610
.600	39.600	.00000	.01000	.26670	-.21500	.04370	-.00140	.00040	.00010	.26440	.05610
.598	40.830	.00000	.01000	.27080	-.21880	.04400	-.00200	.00020	.00000	.26850	.05660
.630	42.070	.00000	.01000	.27290	-.21600	.04350	-.00080	.00030	.00020	.27060	.05620
.596	43.300	.00000	.01000	.27360	-.22150	.04410	-.00200	.00030	.00000	.27130	.05680
.600	44.540	.00000	.01000	.27190	-.21950	.04360	-.00190	.00020	.00020	.26960	.05630
.602	45.770	.00000	.01000	.27170	-.21930	.04320	-.00200	.00020	.00010	.26930	.05590
.601	47.010	.00000	.01000	.27540	-.22120	.04370	-.00110	.00020	.00010	.27300	.05660
.599	48.250	.00000	.01000	.27950	-.22200	.04340	-.00120	.00020	.00010	.27720	.05640
.600	49.480	.00000	.02000	.28070	-.22110	.04360	-.00090	.00010	.00000	.27840	.05670
.599	50.710	.00000	.02000	.28290	-.22300	.04390	-.00050	.00020	.00010	.28060	.05710

DATE 29 MAR 76

CA-26 FORCE SOURCE DATA TABULATION

PAGE 1102

LTV44-559(CA26) 747/1 ATY 02 S1 (CARRIER DATA)

(YFE076) (18 NOV 75)

REFERENCE DATA

SREF = 5500.0000 SQ.FT. XMRP = 1339.9000 IN. XC
 LREF = 327.7800 IN. YMRP = .0000 IN. YC
 BREF = 2348.0400 IN. ZMRP = 190.7500 IN. ZC
 SCALE = .0125

PARAMETRIC DATA

ALPHAC = 2.000 BETAC = .000
 STAB = 5.000 ELEVON = .000
 SDFLAP = .000 DX = .000
 DY = .000 IORB = 8.000
 BETA0 = .000 RUDDER = .000

RUN NO. 56 0 RN/L = .00 GRADIENT INTERVAL = -5.00/ 5.00

MACH	DZ	DY	DX	CN	CLM	CA	CY	CYN	CBL	CL	CD
.599	51.950	.00000	.01000	.27880	-.22440	.04330	-.00160	.00010	.00020	.27640	.05630
.595	53.180	.00000	.02000	.28580	-.22640	.04380	-.00140	.00010	.00020	.28440	.05720
.598	54.420	.00000	.02000	.28290	-.22690	.04350	-.00130	.00000	.00000	.28050	.05670
.600	55.650	.00000	.02000	.28570	-.22420	.04330	-.00130	.00000	.00010	.28330	.05660
.600	56.890	.00000	.02000	.28500	-.22450	.04300	-.00150	.00000	.00000	.28270	.05630
.596	58.120	.00000	.02000	.28900	-.22940	.04380	-.00110	.00000	.00000	.28660	.05730
	GRADIENT	.00000	.00270	.00613	-.00546	.00017	-.00027	.00009	-.00001	.00612	.00045

LTV44-559(CA26) 747/1 ATY 02 S1 (CARRIER DATA)

(YFE077) (18 NOV 75)

REFERENCE DATA

SREF = 5500.0000 SQ.FT. XMRP = 1339.9000 IN. XC
 LREF = 327.7800 IN. YMRP = .0000 IN. YC
 BREF = 2348.0400 IN. ZMRP = 190.7500 IN. ZC
 SCALE = .0125

PARAMETRIC DATA

ALPHAC = 2.000 BETAC = .000
 STAB = 5.000 ELEVON = 10.000
 BDFLAP = .000 DX = .000
 DY = .000 LORB = 6.000
 BETAO = .000 RUDDER = .000

RUN NO. 57/ 0 RN/L = .00 GRADIENT INTERVAL = -5.00/ 5.00

MACH	DZ	DY	DX	CN	CLM	CA	CY	CYN	CBL	CL	CD
.600	1.760	.00000	-.03000	.17900	-.05800	.03930	.00490	-.00270	.00100	.17690	.04790
.601	2.360	.00000	-.02000	.17720	-.06160	.03890	.00370	-.00270	.00080	.17510	.04740
.602	2.370	.00000	-.02000	.17980	-.06940	.03930	.00360	-.00260	.00090	.17770	.04790
.602	3.760	.00000	-.02000	.17890	-.06960	.03920	.00370	-.00260	.00090	.17660	.04780
.600	4.560	.00000	-.02000	.18350	-.07140	.03950	.00460	-.00300	.00100	.18140	.04820
.602	5.470	.00000	-.02000	.18850	-.08250	.03970	.00420	-.00280	.00080	.18640	.04870
.601	6.460	.00000	-.02000	.19180	-.08350	.04010	.00370	-.00300	.00090	.18960	.04930
.603	7.460	.00000	-.01000	.19190	-.08990	.04010	.00390	-.00290	.00110	.18980	.04920
.602	8.460	.00000	-.01000	.19600	-.09490	.04040	.00340	-.00280	.00110	.19390	.04970
.601	9.460	.00000	-.01000	.20130	-.10140	.04090	.00410	-.00260	.00110	.19910	.05040
.600	10.560	.00000	-.01000	.20590	-.11050	.04130	.00280	-.00240	.00050	.20360	.05110
.601	11.740	.00000	-.01000	.20630	-.11210	.04130	.00330	-.00240	.00100	.20410	.05110
.602	12.930	.00000	.00000	.20950	-.11660	.04110	.00320	-.00240	.00110	.20730	.05110
.601	14.110	.00000	.00000	.21190	-.12470	.04150	.00240	-.00230	.00080	.20970	.05160
.603	15.300	.00000	.00000	.21780	-.12670	.04180	.00360	-.00230	.00090	.21550	.05210
.603	16.490	.00000	.00000	.21780	-.13130	.04170	.00370	-.00220	.00090	.21560	.05200
.602	17.670	.00000	.00000	.21760	-.13880	.04160	.00260	-.00210	.00100	.21530	.05180
.601	18.860	.00000	.00000	.22350	-.14320	.04190	.00290	-.00180	.00090	.22120	.05250
.603	20.040	.00000	.00000	.22670	-.14740	.04200	.00130	-.00160	.00080	.22440	.05270
.600	21.230	.00000	.00000	.23100	-.15240	.04230	.00120	-.00150	.00090	.22870	.05320
.600	22.410	.00000	.01000	.23280	-.15560	.04300	.00120	-.00130	.00080	.23050	.05400
.601	23.600	.00000	.01000	.23440	-.16010	.04270	.00150	-.00120	.00070	.23210	.05370
.602	24.780	.00000	.01000	.24080	-.16010	.04250	.00080	-.00100	.00070	.23850	.05380
.601	25.970	.00000	.01000	.23270	-.16630	.04260	-.00030	-.00070	.00050	.23640	.05380
.600	27.150	.00000	.01000	.24420	-.17050	.04290	-.00010	-.00060	.00030	.24190	.05440
.601	28.340	.00000	.01000	.24690	-.17290	.04340	.00000	-.00040	.00020	.24460	.05500
.603	29.520	.00000	.01000	.24810	-.17570	.04290	.00000	-.00030	.00030	.24580	.05450
.602	30.710	.00000	.01000	.25110	-.17880	.04310	-.00040	-.00020	.00020	.24880	.05490
.601	31.900	.00000	.01000	.25110	-.18140	.04300	.00000	.00000	.00010	.24880	.05480
.601	33.080	.00000	.01000	.25080	-.18540	.04300	-.00150	.00000	.00040	.24850	.05470
.599	34.270	.00000	.01000	.25290	-.18830	.04310	-.00140	.00000	.00040	.25060	.05490
.600	35.450	.00000	.01000	.25570	-.18950	.04300	-.00150	.00010	.00030	.25340	.05490
.602	36.640	.00000	.01000	.25810	-.19030	.04310	-.00050	.00020	.00040	.25530	.05510
.603	37.820	.00000	.01000	.26080	-.19190	.04300	-.00130	.00020	.00040	.25650	.05520
.602	39.010	.00000	.02000	.26310	-.19360	.04300	-.00180	.00010	.00020	.26080	.05540
.603	40.200	.00000	.01000	.26230	-.19790	.04310	-.00200	.00020	.00010	.26000	.05530
.603	41.380	.00000	.02000	.26410	-.19620	.04280	-.00090	.00020	.00010	.26180	.05510
.601	42.570	.00000	.02000	.26640	-.20120	.04290	-.00230	.00010	.00000	.26410	.05540
.601	43.750	.00000	.02000	.27490	-.20000	.04280	-.00210	.00020	.00010	.26260	.05510
.600	44.940	.00000	.02000	.26630	-.20260	.04290	-.00240	.00030	.00000	.26400	.05540
.603	46.130	.00000	.02000	.27030	-.20560	.04350	-.00090	.00020	.00030	.26800	.05610
.602	47.310	.00000	.02000	.27130	-.20650	.04310	-.00180	.00020	.00010	.26900	.05580

LTV44-559(CA26) 747/1 ATY 02 S1 (CARRIER DATA)

(YFE077) (18 NOV 75)

REFERENCE DATA

SREF = 5500.0000 SQ.FT. XMRP = 1339.9000 IN. XC
 LREF = 327.7800 IN. YMRP = .0000 IN. YC
 BREF = 2348.0400 IN. ZMRP = 190.7500 IN. ZC
 SCALE = .0125

PARAMETRIC DATA

ALPHAC = 2.000 BETAC = .000
 STAB = 5.000 ELEVON = 10.000
 BDFLAP = .000 DX = .000
 DY = .000 IORB = 6.000
 BETA0 = .000 RUDDER = .000

RUN NO. 57/ 0 RN/L = .00 GRADIENT INTERVAL = -5.00/ 5.00

MACH	DZ	DY	DX	CN	CLM	CA	CY	CYN	CBL	CL	CD
.604	48.500	.00000	.02000	.27120	-.20340	.04260	-.00170	.00020	.00030	.26890	.05530
.605	49.690	.00000	.02000	.27040	-.20450	.04250	-.00060	.00020	.00030	.26810	.05520
.603	50.870	.00000	.02000	.27250	-.20840	.04280	-.00190	.00030	.00010	.27020	.05550
.605	51.460	.00000	.02000	.27220	-.20920	.04250	-.00050	.00010	.00010	.26990	.05520
	GRADIENT	.00000	.00268	.00158	-.00483	.00010	-.00005	-.00008	.00002	.00158	.00015

LTV44-559(CA26) 747/1 ATY 02 S1 (CARRIER DATA)

(YFE078) (18 NOV 75)

REFERENCE DATA

SREF = 5500.0000 SQ.FT. XMRP = 1339.9000 IN. XC
 LREF = 327.7800 IN. YMRP = .0000 IN. YC
 BREF = 2348.0400 IN. ZMRP = 190.7500 IN. ZC
 SCALE = .0125

PARAMETRIC DATA

ALPHAC = 2.000 BETAC = .000
 STAB = 5.000 ELEVON = 5.000
 AILRON = -5.000 DX = .000
 DY = .000 IORB = 6.000
 BETA0 = .000 DPFI = .000

RUN NO. 58/ 0 RN/L = .00 GRADIENT INTERVAL = -5.00/ 5.00

MACH	DZ	DY	DX	CN	CLM	CA	CY	CYN	CBL	CL	CD
.599	1.760	.00000	-.01000	.18870	-.10790	.04140	.00110	-.00430	.00220	.18650	.05030
.597	2.360	.00000	-.01000	.19270	-.11140	.04200	.00130	-.00420	.00260	.19050	.05110
.600	2.970	.00000	-.01000	.19470	-.12100	.04120	.00050	-.00440	.00250	.19250	.05040
.600	3.760	.00000	-.01000	.19930	-.11950	.04150	.00090	-.00440	.00260	.19710	.05090
.596	4.560	.00000	-.01000	.19890	-.12610	.04220	.00110	-.00440	.00280	.19670	.05150
.598	5.470	.00000	-.01000	.20570	-.13280	.04220	.00090	-.00400	.00260	.20350	.05180
.598	6.460	.00000	-.01000	.20430	-.13570	.04210	.00080	-.00400	.00260	.20260	.05170
.596	7.460	.00000	.00000	.21080	-.14150	.04250	.00030	-.00350	.00240	.20860	.05240
.599	8.460	.00000	.00000	.21340	-.14630	.04280	-.00020	-.00300	.00250	.21110	.05280
.597	9.460	.00000	.00000	.21620	-.15270	.04320	-.00140	-.00240	.00230	.21390	.05340
.600	10.560	.00000	.00000	.21910	-.15810	.04260	-.00430	-.00140	.00180	.21680	.05280
.600	11.740	.00000	.00000	.21950	-.16000	.04270	-.00380	-.00120	.00190	.21730	.05290
.598	12.930	.00000	.00000	.22300	-.16380	.04310	-.00370	-.00060	.00190	.22070	.05350
.599	14.110	.00000	.00000	.22840	-.16900	.04290	-.00580	.00000	.00160	.22610	.05350
.596	15.300	.00000	.00000	.23310	-.17340	.04360	-.00560	.00050	.00120	.23080	.05440
.598	16.490	.00000	.00000	.23420	-.17670	.04340	-.00680	.00110	.00120	.23190	.05430
.597	17.670	.00000	.00000	.23680	-.18160	.04340	-.00790	.00160	.00110	.23450	.05440
.600	18.860	.00000	.00000	.23810	-.18230	.04330	-.00890	.00220	.00080	.23580	.05440
.599	20.040	.00000	.00000	.24200	-.18650	.04350	-.00900	.00270	.00060	.23970	.05480
.598	21.230	.00000	.00000	.24350	-.19130	.04320	-.01170	.00340	.00050	.24120	.05450
.598	22.410	.00000	.01000	.24830	-.19240	.04360	-.01220	.00380	.00030	.24600	.05520
.601	23.600	.00000	.01000	.24640	-.19420	.04310	-.01240	.00420	.00030	.24410	.05460
.597	24.780	.00000	.01000	.25050	-.19670	.04380	-.01200	.00450	.00000	.24820	.05550
.596	25.970	.00000	.01000	.25480	-.20080	.04380	-.01280	.00480	-.00010	.25250	.05570
.597	27.150	.00000	.01000	.25900	-.20200	.04400	-.01290	.00500	.00000	.25670	.05610
.598	28.340	.00000	.01000	.25980	-.20290	.04320	-.01310	.00490	-.00010	.25750	.05530
.600	29.520	.00000	.01000	.25840	-.20500	.04310	-.01350	.00490	-.00040	.25610	.05510
.599	30.710	.00000	.01000	.26030	-.20660	.04370	-.01270	.00490	-.00020	.25790	.05580
.598	31.900	.00000	.01000	.26110	-.21010	.04310	-.01300	.00470	-.00020	.25880	.05530
.600	33.080	.00000	.01000	.26420	-.21020	.04330	-.01220	.00460	-.00060	.26180	.05560
.601	34.270	.00000	.01000	.26420	-.21030	.04320	-.01170	.00440	-.00060	.26190	.05550
.600	35.450	.00000	.01000	.26500	-.21290	.04330	-.01130	.00420	-.00040	.26270	.05570
.600	36.640	.00000	.01000	.26720	-.21440	.04340	-.01100	.00400	-.00050	.26490	.05580
.599	37.820	.00000	.01000	.27120	-.21450	.04310	-.01010	.00390	-.00040	.26890	.05570
.538	39.010	.00000	.01000	.27490	-.21730	.04380	-.00940	.00370	-.00030	.27250	.05660
.597	40.200	.00000	.01000	.27340	-.21850	.04350	-.01020	.00350	-.00020	.27110	.05620
.597	41.380	.00000	.01000	.27350	-.22040	.04360	-.00960	.00310	-.00020	.27120	.05630
.598	42.570	.00000	.01000	.27360	-.22310	.04370	-.00910	.00280	-.00010	.27130	.05640
.596	43.750	.00000	.01000	.28110	-.22250	.04380	-.00730	.00260	.00000	.27870	.05690
.597	44.940	.00000	.01000	.27810	-.22300	.04350	-.00740	.00240	.00000	.27570	.05640
.598	46.130	.00000	.01000	.28030	-.22120	.04340	-.00640	.00220	-.00030	.27790	.05640
.598	47.310	.00000	.02000	.28450	-.22420	.04340	-.00710	.00210	-.00010	.28210	.05660

ORIGINAL PAGE IS
 OF POOR QUALITY

DATE 29 MAR 76

CA-26 FORCE SOURCE DATA TABULATION

PAGE 1106

LTV44-559(CA26) 747/1 ATY 02 S1 (CARRIER DATA)

(YFE078) (18 NOV 75)

REFERENCE DATA

SREF = 5500.0000 SQ.FT. XMRP = 1339.9000 IN. XC
 LREF = 327.7800 IN. YMRP = .0000 IN. YC
 BREF = 2348.0400 IN. ZMRP = 190.7500 IN. ZC
 SCALE = .0125

PARAMETRIC DATA

ALPHAC = 2.000 BETAC = .000
 STAB = 5.000 ELEVON = 5.000
 AILRON = -5.000 DX = .000
 DY = .000 IORB = 6.000
 BETA0 = .000 CPFI = .000

RUN NO. 58/ 0 RN/L = .00 GRADIENT INTERVAL = -5.00/ 5.00

MACH	DZ	DY	DX	CN	CLM	CA	CY	CYN	CBL	CL	CD
.599	48.500	.00000	.02000	.28230	-.22320	.04330	-.00560	.00190	.00000	.28000	.05640
.600	49.680	.00000	.02000	.28470	-.22420	.04330	-.00530	.00170	.00000	.28230	.05660
.597	50.870	.00000	.02000	.28840	-.22670	.04350	-.00530	.00160	.00010	.28600	.05690
	GRADIENT	.00000	.00000	.00380	-.00625	.00017	-.00004	-.00006	.00017	.00380	.00032

LTV44-559(CA26) 747/1 ATY 02 S1 (CARRIER DATA)

(YFE079) (18 NOV 75)

REFERENCE DATA

SREF = 5500.0000 SQ.FT. XMRP = 1339.9000 IN. XC
 LREF = 327.7800 IN. YMRP = .0000 IN. YC
 BREF = 2348.0400 IN. ZMRP = 190.7500 IN. ZC
 SCALE = .0125

PARAMETRIC DATA

ALPHAC = 2.000 SETAC = .000
 STAR = 5.000 RUDDER = 10.000
 ELEVON = 5.000 DX = .000
 DY = .000 IORJ = 6.000
 BETAO = .000 DPHI = .000

RUN NO. 59/ 0 RN/L = .00 GRADIENT INTERVAL = -5.00/ 5.00

MACH	DZ	DY	DX	CN	CLM	CA	CY	CYN	CBL	CL	CO
.599	1.760	.00000	-.01000	.19230	-.12580	.04320	.03320	-.01720	.00350	.19000	.05230
.599	2.360	.00000	-.01000	.19090	-.12510	.04320	.03220	-.01710	.00340	.18870	.05220
.600	2.970	.00000	-.01000	.19890	-.13460	.04380	.03390	-.01760	.00340	.19660	.05310
.599	3.760	.00000	-.01000	.20010	-.13420	.04370	.03420	-.01750	.00350	.19780	.05310
.597	4.560	.00000	-.01000	.20190	-.13590	.04430	.03320	-.01790	.00340	.19960	.05380
.599	5.470	.00000	-.01000	.20640	-.14160	.04430	.03430	-.01850	.00350	.20410	.05400
.600	6.460	.00000	.00000	.20510	-.14250	.04450	.03420	-.01860	.00370	.20270	.05410
.599	7.460	.00000	.00000	.20650	-.14640	.04430	.03540	-.01900	.00400	.20420	.05400
.597	8.460	.00000	.00000	.21300	-.15010	.04470	.03670	-.01950	.00380	.21070	.05460
.599	9.460	.00000	.00000	.21580	-.15160	.04500	.03650	-.01980	.00370	.21340	.05510
.599	10.560	.00000	.00000	.22200	-.15880	.04530	.03820	-.02050	.00390	.21970	.05570
.597	11.740	.00000	.00000	.22270	-.16240	.04540	.03910	-.02060	.00410	.22030	.05580
.598	12.930	.00000	.00000	.23030	-.16280	.04580	.03970	-.02090	.00440	.22790	.05660
.597	14.110	.00000	.00000	.23120	-.16880	.04600	.03900	-.02100	.00430	.22880	.05680
.598	15.300	.00000	.00000	.23050	-.17090	.04540	.04040	-.02120	.00410	.22810	.05620
.597	16.490	.00000	.00000	.23710	-.17420	.04550	.04050	-.02150	.00450	.23470	.05660
.599	17.670	.00000	.00000	.23490	-.17760	.04560	.04080	-.02140	.00440	.23250	.05650
.598	18.860	.00000	.00000	.24000	-.18210	.04600	.04010	-.02160	.00450	.23760	.05720
.600	20.040	.00000	.00000	.24310	-.18470	.04530	.04090	-.02160	.00440	.24060	.05730
.599	21.230	.00000	.00000	.24850	-.18690	.04630	.04070	-.02180	.00440	.24610	.05790
.599	22.410	.00000	.01000	.24990	-.18720	.04650	.04110	-.02180	.00440	.24740	.05820
.596	23.600	.00000	.01000	.25100	-.19340	.04690	.04010	-.02180	.00440	.24850	.05860
.596	24.780	.00000	.01000	.25200	-.19620	.04660	.04070	-.02180	.00440	.24950	.05830
.600	25.970	.00000	.01000	.25150	-.19430	.04560	.04090	-.02140	.00450	.24910	.05740
.599	27.150	.00000	.01000	.25840	-.19820	.04590	.04040	-.02160	.00430	.25590	.05800
.598	28.340	.00000	.01000	.26090	-.20050	.04650	.04050	-.02170	.00460	.25840	.05870
.593	29.520	.00000	.01000	.26500	-.20430	.04680	.04060	-.02190	.00450	.26250	.05910
.599	30.710	.00000	.01000	.26140	-.20480	.04590	.04090	-.02160	.00440	.25890	.05810
.597	31.900	.00000	.01000	.26700	-.20610	.04660	.04010	-.02180	.00430	.26450	.05910
.597	33.080	.00000	.01000	.27030	-.20750	.04630	.04040	-.02190	.00430	.26790	.05900
.598	34.270	.00000	.01000	.27000	-.20750	.04640	.04040	-.02170	.00430	.26760	.05900
.599	35.450	.00000	.01000	.26950	-.20980	.04610	.04040	-.02160	.00440	.26700	.05860
.598	36.640	.00000	.01000	.27400	-.21060	.04650	.04000	-.02180	.00430	.27160	.05930
.599	37.820	.00000	.01000	.27430	-.21100	.04640	.04070	-.02170	.00470	.27190	.05930
.537	39.010	.00000	.01000	.27350	-.21390	.04620	.04080	-.02170	.00460	.27110	.05900
.600	40.200	.00000	.01000	.27390	-.21190	.04580	.04100	-.02160	.00450	.27140	.05860
.597	41.380	.00000	.01000	.27760	-.21610	.04640	.04020	-.02190	.00460	.27510	.05940
.597	42.570	.00000	.01000	.27830	-.21660	.04610	.04120	-.02190	.00470	.27590	.05910
.599	43.750	.00000	.02000	.28010	-.21630	.04620	.04050	-.02180	.00470	.27770	.05930
.599	44.940	.00000	.01000	.27940	-.21960	.04600	.04090	-.02170	.00430	.27690	.05900
.598	46.130	.00000	.02000	.28310	-.21740	.04610	.04020	-.02180	.00430	.28060	.05940
.596	47.310	.00000	.02000	.28640	-.22040	.04630	.04030	-.02180	.00430	.28390	.05970

LTV44-559(CA26) 747/1 ATY 02 S1 (CARRIER DATA)

(YFE079) (18 NOV 75)

REFERENCE DATA

SREF * 5500.0000 SQ.FT. XMRP * 1339.9000 IN. XC
 LREF = 327.7800 IN. YMRP = .0000 IN. YC
 BREF = 2348.0400 IN. ZMRP = 190.7500 IN. ZC
 SCALE = .0125

PARAMETRIC DATA

ALPHAC = 2.000 BETAC = .000
 STAB = 5.000 RUDDER = 10.000
 ELEVON = 5.000 DX = .000
 DY = .000 TORB = 6.000
 BETA0 = .000 DPHI = .000

RUN NO. 59/ 0 RN/L = .00 GRADIENT INTERVAL = -5.00/ 5.00

MACH	DZ	DY	DX	CN	CLM	CA	CY	CYN	CEL	CL	CD
.599	48.500	.00000	.02000	.28310	-.21880	.04570	.04140	-.02170	.00460	.28060	.05890
.601	49.680	.00000	.02000	.28710	-.21820	.04590	.04090	-.02160	.00450	.28460	.05930
.597	50.870	.00000	.02000	.28750	-.22220	.04670	.04040	-.02180	.00460	.28500	.06010
.600	51.460	.00000	.02000	.28630	-.22250	.04560	.04150	-.02160	.00490	.28390	.05900
	GRADIENT	.00000	.00000	.00401	-.00409	.00039	.00027	-.00026	-.00001	.00399	.00056

LTV44-559(CA26) 747/1 ATY 02 S1 (CARRIER DATA)

(YF080) (18 NOV 75)

REFERENCE DATA

SREF = 5500.0000 SQ.FT. XMRP = 1339.9000 IN. XC
 LREF = 327.7800 IN. YMRP = .0000 IN. YC
 BREF = 2348.0400 IN. ZMRP = 190.7500 IN. ZC
 SCALE = .0125

PARAMETRIC DATA

ALPHAC = 2.000 BETAC = -5.000
 STAB = 5.000 ELEVON = 5.000
 BDFLAP = .000 DX = .000
 DY = .000 IORB = 4.000
 BETA0 = -5.000 RUDDER = .000

RUN NO. 60/ 0 RN/L = .00 GRADIENT INTERVAL = -5.00/ 5.00

MACH	DZ	DY	DX	CN	CLM	CA	CY	CYN	CBL	CL	CD
.592	1.760	.00000	.00000	.24080	-.20150	.04310	.09760	-.01130	.00790	.23850	.05420
.591	2.360	.00000	.00000	.24300	-.20180	.04320	.09800	-.01150	.00830	.24070	.05440
.592	2.970	.00000	.00000	.25060	-.20870	.04250	.09730	-.01260	.00910	.24850	.05410
.591	3.760	.00000	.00000	.25220	-.20630	.04250	.09770	-.01280	.00890	.25000	.05420
.590	4.560	.00000	.00000	.25590	-.20950	.04280	.09770	-.01340	.00910	.25360	.05470
.593	5.960	.00000	.00000	.25510	-.21240	.04190	.09710	-.01430	.00930	.25290	.05370
.590	7.970	.00000	.00000	.25730	-.21240	.04200	.09770	-.01480	.00980	.25510	.05400
.591	9.960	.00000	.00000	.26820	-.21810	.04150	.09750	-.01750	.01090	.26600	.05400
.592	10.960	.00000	.00000	.26680	-.21900	.04110	.09870	-.01760	.01090	.26460	.05350
.589	11.960	.00000	.00000	.27040	-.22190	.04160	.09960	-.01820	.01120	.26810	.05410
.593	12.950	.00000	.00000	.26970	-.22110	.04100	.09880	-.01860	.01130	.26750	.05350
.593	13.940	.00000	.00000	.27240	-.22210	.04100	.09960	-.01900	.01160	.27020	.05360
.590	14.940	.00000	.00000	.27520	-.22420	.04160	.09970	-.02000	.01180	.27300	.05440
.590	15.930	.00000	.00000	.27760	-.22710	.04140	.10130	-.02030	.01210	.27540	.05420
.592	16.930	.00000	.00000	.27770	-.22720	.04110	.10060	-.02040	.01240	.27550	.05390
.593	17.930	.00000	.00000	.27760	-.22610	.04120	.10050	-.02100	.01250	.27540	.05410
.593	18.920	.00000	.00000	.27840	-.22970	.04120	.10100	-.02130	.01260	.27610	.05410
.592	19.910	.00000	.00000	.28080	-.22840	.04120	.10120	-.02150	.01280	.27860	.05430
.592	20.910	.00000	.00000	.28220	-.23000	.04100	.10150	-.02180	.01300	.28000	.05410
.589	21.900	.00000	.01000	.28500	-.23700	.04120	.10380	-.02240	.01320	.28280	.05440
.592	22.900	.00000	.01000	.28820	-.23080	.04100	.10140	-.02220	.01320	.28590	.05450
.589	23.890	.00000	.01000	.29080	-.23720	.04110	.10350	-.02250	.01360	.28850	.05460
.591	24.890	.00000	.01000	.29110	-.23750	.04120	.10180	-.02260	.01360	.28890	.05470
.592	25.880	.00000	.01000	.29100	-.23600	.04110	.10200	-.02250	.01340	.28870	.05460
.593	26.870	.00000	.01000	.29240	-.23710	.04090	.10100	-.02240	.01340	.29020	.05450
.590	27.870	.00000	.01000	.29640	-.23770	.04110	.10140	-.02250	.01370	.29420	.05490
.593	28.860	.00000	.01000	.29360	-.23900	.04070	.10120	-.02260	.01370	.29140	.05440
.595	29.860	.00000	.01000	.29450	-.23890	.04080	.10040	-.02240	.01350	.29230	.05440
.593	30.860	.00000	.01000	.29650	-.24050	.04080	.10030	-.02230	.01350	.29420	.05460
.591	31.850	.00000	.01000	.29780	-.24070	.04060	.10160	-.02250	.01380	.29550	.05450
.590	32.840	.00000	.01000	.29870	-.24170	.04120	.10040	-.02250	.01400	.29650	.05500
.592	33.840	.00000	.01000	.29950	-.24220	.04100	.10030	-.02250	.01400	.29720	.05490
.592	34.830	.00000	.01000	.30100	-.24350	.04080	.10010	-.02220	.01380	.29880	.05480
.593	35.830	.00000	.01000	.30120	-.24100	.04080	.09990	-.02200	.01400	.29900	.05480
.591	36.830	.00000	.01000	.30190	-.24330	.04060	.10060	-.02200	.01410	.29970	.05460
.591	37.820	.00000	.01000	.30460	-.24180	.04100	.09900	-.02220	.01400	.30240	.05520
.589	38.820	.00000	.01000	.30740	-.24540	.04110	.09900	-.02210	.01400	.30520	.05550
.591	39.810	.00000	.01000	.30640	-.24350	.04080	.09880	-.02200	.01400	.30420	.05510
.591	40.800	.00000	.01000	.30720	-.24420	.04070	.09850	-.02190	.01390	.30500	.05500
.592	41.800	.00000	.01000	.30820	-.24480	.04060	.09870	-.02190	.01390	.30490	.05490
.592	42.800	.00000	.01000	.30720	-.24510	.04010	.09850	-.02170	.01400	.30600	.05450
.593	43.790	.00000	.01000	.30770	-.24670	.04040	.09810	-.02180	.01410	.30550	.05470

DATE 29 MAR 76

CA-26 FORCE SOURCE DATA TABULATION

PAGE 1110

LTV44-559(CA26) 747/1 ATY 02 S1 (CARRIER DATA)

(YFE080) (18 NOV 75)

REFERENCE DATA

SREF = 5500.0000 SQ.FT. XMRP = 1339.9000 IN. XC
 LREF = 327.7800 IN. YMRP = .0000 IN. YC
 BREF = 2348.0400 IN. ZMRP = 190.7500 IN. ZC
 SCALE = .0125

PARAMETRIC DATA

ALPHAC = 2.000 BETAC = -5.000
 STAB = 5.000 ELEVON = 5.000
 BDFLAP = .000 DX = .000
 DY = .000 IORB = 4.000
 BETAO = -5.000 RUDDER = .000

RUN NO. 60/ 0 RN/L = .00 GRADIENT INTERVAL = -5.00/ 5.00

MACH	OZ	DY	DX	CN	CLM	CA	CY	CYN	CBL	CL	CD
.590	44.790	.00000	.01000	.31020	-.24540	.04040	.09900	-.02180	.01420	.30800	.05480
	GRADIENT	.00000	.00000	.00555	-.00285	-.00017	-.00001	-.00078	.00041	.00556	.00012

LTV44-559(CA26) 747/1 ATY 02 S1 (CARRIER DATA)

(YFE081) (18 NOV 75)

REFERENCE DATA

SREF = 5500.0000 SQ.FT. XMRP = 1339.9000 IN. XC
 LREF = 327.7800 IN. YMRP = .0000 IN. YC
 BREF = 2348.0400 IN. ZMRP = 190.7500 IN. ZC
 SCALE = .0125

PARAMETRIC DATA

ALPHAC = 2.000 BETAC = -5.000
 STAB = 5.000 ELEVON = 5.000
 BOFLAP = .000 DX = .000
 DY = .000 IORB = 6.000
 BETAO = -5.000 RUDDER = .000

RUN NO. 1060/ 0 RN/L = .00 GRADIENT INTERVAL = -5.00/ 5.00

MACH	DZ	DY	DX	CN	CLM	CA	CY	CYN	CBL	CL	CD
.592	1.470	.00000	.00000	.21210	-.15400	.04090	.09590	-.01240	.00850	.21000	.05080
.589	1.770	.00000	.00000	.22020	-.16070	.04080	.09710	-.01330	.00900	.21800	.05100
.590	2.370	.00000	.00000	.22150	-.16150	.04060	.09640	-.01340	.00930	.21980	.05090
.589	2.970	.00000	.00000	.22260	-.16010	.04090	.09610	-.01340	.00950	.22050	.05130
.589	3.770	.00000	.00000	.22720	-.16690	.04010	.09550	-.01450	.00990	.22500	.05070
.591	4.570	.00000	.00000	.22900	-.16640	.04020	.09470	-.01440	.00960	.22690	.05090
.592	5.970	.00000	.00000	.24000	-.18260	.04040	.09570	-.01620	.01090	.23790	.05160
.590	7.970	.00000	.00000	.24490	-.18510	.04040	.09580	-.01660	.01130	.24270	.05180
.590	9.960	.00000	.00000	.24800	-.18600	.04030	.09540	-.01680	.01120	.24590	.05190
.590	11.240	.00000	.00000	.25340	-.19380	.04040	.09710	-.01790	.01170	.25120	.05220
.590	12.520	.00000	.00000	.25390	-.19970	.04040	.09800	-.01860	.01210	.25170	.05220
.593	13.800	.00000	.00000	.25640	-.19880	.04010	.09710	-.01870	.01200	.25420	.05210
.592	15.080	.00000	.00000	.26140	-.20350	.04040	.09810	-.01930	.01210	.25930	.05260
.592	16.350	.00000	.00000	.26070	-.20510	.03990	.09830	-.01980	.01220	.25860	.05200
.592	17.630	.00000	.00000	.26510	-.20950	.04000	.09830	-.02030	.01250	.26290	.05230
.591	18.900	.00000	.00000	.26780	-.21030	.04010	.09930	-.02060	.01300	.26570	.05260
.592	20.180	.00000	.00000	.26750	-.21390	.04000	.09990	-.02120	.01300	.26530	.05250
.591	21.460	.00000	.00000	.26950	-.21760	.04030	.10160	-.02140	.01320	.26730	.05280
.590	22.730	.00000	.01000	.27460	-.22030	.04040	.10040	-.02180	.01340	.27240	.05320
.591	24.000	.00000	.01000	.27680	-.22240	.04050	.10020	-.02180	.01370	.27460	.05330
.592	25.280	.00000	.01000	.27580	-.22260	.04020	.09940	-.02200	.01390	.27370	.05300
.590	26.560	.00000	.01000	.28290	-.22660	.04030	.10050	-.02210	.01390	.28070	.05410
.592	27.840	.00000	.01000	.27980	-.22260	.04000	.09900	-.02180	.01380	.27760	.05300
.589	29.110	.00000	.01000	.28460	-.23000	.04060	.09980	-.02200	.01420	.28240	.05380
.590	30.390	.00000	.01000	.28630	-.22690	.04030	.09910	-.02180	.01390	.28410	.05360
.592	31.660	.00000	.01000	.28600	-.22610	.04010	.09790	-.02150	.01380	.28380	.05350
.592	32.940	.00000	.01000	.28890	-.22860	.04040	.09740	-.02150	.01380	.28670	.05380
.592	34.220	.00000	.01000	.28910	-.22830	.04000	.09740	-.02150	.01360	.28690	.05350
.589	35.490	.00000	.01000	.29180	-.23390	.04070	.09850	-.02150	.01400	.28950	.05420
.591	36.770	.00000	.01000	.29090	-.23090	.04020	.09770	-.02120	.01420	.28870	.05370
.590	38.050	.00000	.01000	.29680	-.23450	.04060	.09780	-.02140	.01410	.29460	.05440
.589	39.330	.00000	.01000	.29600	-.23490	.04040	.09780	-.02160	.01380	.29380	.05420
.590	40.600	.00000	.01000	.29750	-.23550	.04050	.09760	-.02140	.01380	.29520	.05440
.593	41.880	.00000	.01000	.29830	-.23350	.04040	.09670	-.02110	.01380	.29610	.05430
.531	43.150	.00000	.01000	.30510	-.23640	.04050	.09750	-.02130	.01440	.30290	.05480
.593	44.430	.00000	.02000	.30560	-.23570	.04020	.09660	-.02110	.01430	.30340	.05450
.593	45.710	.00000	.01000	.30120	-.23650	.04000	.09530	-.02120	.01400	.29900	.05400
.592	46.980	.00000	.02000	.30140	-.23690	.04020	.09660	-.02130	.01420	.29920	.05430
.590	48.260	.00000	.02000	.30270	-.23770	.04030	.09700	-.02140	.01410	.30050	.05450
.592	49.540	.00000	.02000	.30150	-.23900	.04000	.09680	-.02130	.01420	.29930	.05410
.589	50.820	.00000	.02000	.30300	-.24100	.04030	.09770	-.02140	.01440	.30080	.05440
GRADIENT		.00000	.00000	.00458	-.00344	-.00025	-.00055	-.00060	.00035	.00458	-.00001

ORIGINAL PAGE IS OF POOR QUALITY

LTV44-559(CA26) 747/1 ATY 02 S1 (CARRIER DATA)

(YFE082) (18 NOV 75)

REFERENCE DATA

SREF = 5500.0000 SQ.FT. XMRP = 1339.9000 IN. XC
 LREF = 327.7800 IN. YMRP = .0000 IN. YC
 BREF = 2348.0400 IN. ZMRP = 190.7500 IN. ZC
 SCALE = .0125

PARAMETRIC DATA

ALPHAC = 2.000 BETAC = -5.000
 STAB = 5.000 ELEVON = 5.000
 BDFLAP = .000 DX = .000
 DY = .000 TORB = 8.000
 BETAO = -5.000 RUDDER = .000

RUN NO. 61/ 0 RN/L = .00 GRADIENT INTERVAL = -5.00/ 5.00

MACH	OZ	DY	DX	CN	CLM	CA	CY	CYN	CBL	CL	CD
.594	1.750	.00000	-.01000	.18360	-.10030	.03970	.09580	-.01380	.00950	.18150	.04840
.592	2.360	.00000	-.01000	.18240	-.10180	.03950	.09630	-.01400	.00970	.18030	.04820
.590	2.970	.00000	-.01000	.19270	-.11070	.03910	.09690	-.01480	.01010	.19060	.04820
.590	3.960	.00000	-.01000	.19400	-.11300	.03920	.09710	-.01490	.01000	.19190	.04830
.593	4.960	.00000	-.01000	.20270	-.12410	.03910	.09520	-.01570	.01060	.20060	.04870
.592	6.210	.00000	-.01000	.20290	-.12390	.03910	.09570	-.01560	.01070	.20090	.04860
.594	7.460	.00000	-.01000	.20600	-.12850	.03920	.09430	-.01580	.01050	.20390	.04890
.592	8.710	.00000	.00000	.21090	-.13510	.03920	.09380	-.01610	.01060	.20890	.04910
.591	9.960	.00000	.00000	.22140	-.15010	.03960	.09400	-.01680	.01100	.21930	.05000
.593	11.200	.00000	.00000	.22200	-.15200	.03940	.09390	-.01660	.01120	.21990	.04980
.592	12.430	.00000	.00000	.22670	-.15370	.03950	.09360	-.01690	.01150	.22460	.05010
.592	13.670	.00000	.00000	.22860	-.16220	.03980	.09430	-.01710	.01140	.22650	.05050
.594	14.910	.00000	.00000	.23210	-.16500	.03970	.09330	-.01730	.01160	.23000	.05060
.592	16.140	.00000	.00000	.23510	-.17160	.03990	.09430	-.01760	.01200	.23300	.05090
.593	17.370	.00000	.00000	.23920	-.17560	.04000	.09440	-.01790	.01190	.23710	.05120
.592	18.610	.00000	.00000	.24470	-.17880	.04000	.09470	-.01800	.01220	.24260	.05150
.591	19.840	.00000	.00000	.24590	-.18330	.04010	.09510	-.01860	.01230	.24370	.05160
.593	21.080	.00000	.00000	.24790	-.18520	.04000	.09410	-.01900	.01220	.24570	.05160
.591	22.310	.00000	.01000	.24980	-.18890	.04000	.09550	-.01940	.01270	.24760	.05160
.594	23.550	.00000	.01000	.25010	-.19130	.03980	.09520	-.01960	.01280	.24800	.05150
.591	24.780	.00000	.01000	.25770	-.19660	.04040	.09630	-.02030	.01300	.25550	.05240
.592	26.010	.00000	.01000	.25790	-.19750	.04010	.09630	-.02030	.01350	.25570	.05210
.591	27.250	.00000	.01000	.26090	-.20190	.04040	.09670	-.02060	.01330	.25870	.05260
.593	28.480	.00000	.01000	.26160	-.20380	.04030	.09670	-.02080	.01340	.25940	.05250
.593	29.720	.00000	.01000	.26660	-.20430	.04020	.09680	-.02090	.01340	.26450	.05270
.593	30.950	.00000	.01000	.26780	-.20560	.04030	.09680	-.02120	.01340	.26560	.05280
.594	32.180	.00000	.01000	.27150	-.20750	.04040	.09640	-.02100	.01360	.26930	.05300
.593	33.420	.00000	.01000	.27030	-.20900	.04000	.09640	-.02120	.01350	.26810	.05260
.594	34.660	.00000	.01000	.27260	-.21230	.04030	.09570	-.02110	.01360	.27050	.05300
.592	35.900	.00000	.01000	.27500	-.21580	.04030	.09660	-.02120	.01390	.27360	.05310
.591	37.130	.00000	.01000	.27700	-.21670	.04040	.09660	-.02120	.01370	.27480	.05330
.592	38.360	.00000	.01000	.27940	-.21700	.04040	.09610	-.02100	.01370	.27720	.05340
.593	39.600	.00000	.01000	.28250	-.21840	.04020	.09560	-.02100	.01360	.28030	.05330
.594	40.830	.00000	.01000	.28140	-.21710	.03970	.09480	-.02080	.01350	.27920	.05290
.592	42.070	.00000	.01000	.28420	-.21840	.04030	.09530	-.02080	.01400	.28200	.05360
.593	43.300	.00000	.01000	.28610	-.22040	.04030	.09500	-.02070	.01390	.28390	.05370
.592	44.540	.00000	.02000	.28910	-.22320	.04020	.09530	-.02080	.01410	.28690	.05370
.592	45.770	.00000	.02000	.28910	-.22370	.04030	.09530	-.02080	.01410	.28690	.05380
.593	47.010	.00000	.02000	.28950	-.22170	.04010	.09490	-.02070	.01410	.28730	.05360
.592	48.250	.00000	.02000	.29060	-.22510	.04030	.09510	-.02090	.01400	.28830	.05390
.592	49.480	.00000	.02000	.29230	-.22600	.04020	.09420	-.02080	.01380	.29010	.05390
.592	50.710	.00000	.02000	.29260	-.22830	.04020	.09500	-.02090	.01390	.29040	.05380

DATE 29 MAR 76

CA-26 FORCE SOURCE DATA TABULATION

PAGE 1113

LTV44-559(CA26) 747/1 ATY 02 SI (CARRIER DATA)

(YFE082) (18 NOV 75)

REFERENCE DATA

SREF = 5500.0000 SQ.FT. XMRP = 1339.9000 IN. XC
 LREF = 327.7800 IN. YMRP = .0000 IN. YC
 BREF = 2348.0400 IN. ZMRP = 190.7500 IN. ZC
 SCALE = .0125

PARAMETRIC DATA

ALPHAC = 2.000 BETAC = -5.000
 STAB = 5.000 ELEVON = 5.000
 BDFLAP = .000 OX = .000
 DY = .000 TORB = 8.000
 BETAC = -5.000 RUDDER = .000

RUN NO. 61/ 0 RN/L = .00 GRADIENT INTERVAL = -5.00/ 5.00

MACH	DZ	DY	DX	CN	CLM	CA	CY	CYN	CBL	CL	CD
.594	51.950	.00000	.02000	.29230	-.22750	.03990	.09430	-.02080	.01390	.29010	.05360
.592	53.180	.00000	.02000	.29700	-.23090	.04010	.09480	-.02090	.01400	.29480	.05400
.593	54.420	.00000	.02000	.29560	-.23080	.04000	.09480	-.02100	.01430	.29340	.05380
.593	55.040	.00000	.02000	.29730	-.23260	.04010	.09490	-.02100	.01450	.29510	.05390
	GRADIENT	.00000	-.00000	.00620	-.00734	-.00019	-.00011	-.00058	.00031	.00620	.00010

LTV44-559(CA26) 747/1 ATY 02 S1 (CARRIER DATA)

(YFE083) (18 NOV 75)

REFERENCE DATA

SREF = 5500.0000 SQ.FT. XMRP = 1339.9000 IN. XC
 LREF = 327.7800 IN. YMRP = .0000 IN. YC
 BREF = 2348.0400 IN. ZMRP = 190.7500 IN. ZC
 SCALE = .0125

PARAMETRIC DATA

ALPHAC = 2.000 BETAC = -5.000
 STAB = 5.000 ELEVON = 5.000
 BDFLAP = .000 DY = .000
 DZ = .000 IORB = 6.000
 BETAO = .000 RUDDER = .000

RUN NO. 62/ 0 RN/L - .00 GRADIENT INTERVAL = -5.00/ 5.00

MACH	DX	DY	DZ	CN	CLM	CA	CY	CYN	CBL	CL	CD
.597	.570	.00000	1.46000	.21480	-.16080	.04040	.10120	-.01610	.01240	.21270	.05040
.596	1.140	.00000	1.46000	.21640	-.16020	.04140	.10130	-.01600	.01250	.21430	.05150
.597	1.710	.00000	1.46000	.21630	-.15970	.04070	.10090	-.01610	.01260	.21420	.05080
.600	2.290	.00000	1.46000	.21760	-.16050	.04010	.10000	-.01600	.01260	.21550	.05020
.599	2.860	.00000	1.46000	.22090	-.16140	.04050	.10120	-.01620	.01290	.21870	.05080
.600	3.430	.00000	1.46000	.21880	-.16240	.03980	.10130	-.01600	.01280	.21670	.05000
.598	4.010	.00000	1.46000	.22170	-.16230	.04020	.10140	-.01640	.01280	.21960	.05060
.598	4.570	.00000	1.46000	.22210	-.15980	.03980	.10110	-.01640	.01280	.21990	.05020
.600	5.140	.00000	1.46000	.22510	-.16050	.03970	.10040	-.01620	.01280	.22300	.05020
.600	5.710	.00000	1.46000	.22290	-.15930	.03950	.10000	-.01620	.01290	.22080	.04990
.597	6.300	.00000	1.46000	.22260	-.16230	.03930	.10150	-.01670	.01290	.22050	.04970
.600	6.860	.00000	1.46000	.22460	-.15850	.03910	.09970	-.01660	.01250	.22500	.04970
.599	7.430	.00000	1.46000	.22660	-.15790	.03920	.10020	-.01670	.01270	.22450	.04980
.598	8.000	.00000	1.46000	.22870	-.15800	.03920	.10080	-.01690	.01290	.22660	.04990
.601	8.580	.00000	1.46000	.22570	-.15680	.03880	.10050	-.01680	.01300	.22360	.04940
.599	9.150	.00000	1.46000	.22880	-.15690	.03890	.10110	-.01700	.01290	.22680	.04960
.599	9.700	.00000	1.46000	.23060	-.15580	.03870	.10060	-.01710	.01280	.22850	.04950
.597	10.270	.00000	1.46000	.23400	-.15630	.03880	.10070	-.01720	.01310	.23190	.04980
.598	10.840	.00000	1.46000	.23250	-.15760	.03850	.10130	-.01710	.01320	.23040	.04940
.598	11.410	.00000	1.46000	.23560	-.15530	.03880	.10010	-.01730	.01320	.23350	.04990
.598	11.990	.00000	1.46000	.23410	-.15640	.03810	.10100	-.01740	.01320	.23200	.04910
.597	12.560	.00000	1.45000	.23840	-.15410	.03850	.10070	-.01760	.01330	.23630	.04970
.598	13.130	.00000	1.45000	.23580	-.15540	.03780	.10110	-.01750	.01330	.23370	.04890
.599	13.710	.00000	1.45000	.23470	-.15430	.03830	.10020	-.01760	.01320	.23270	.04930
.598	14.280	.00000	1.45000	.23650	-.15340	.03810	.09980	-.01780	.01320	.23460	.04920
.597	14.850	.00000	1.45000	.23830	-.15320	.03800	.09990	-.01800	.01320	.23620	.04920
.597	15.420	.00000	1.45000	.23810	-.15280	.03810	.10050	-.01830	.01330	.23610	.04930
.598	16.000	.00000	1.45000	.23730	-.15320	.03770	.10020	-.01800	.01330	.23520	.04890
.599	16.570	.00000	1.45000	.23900	-.15190	.03770	.09920	-.01830	.01320	.23690	.04900
.598	17.140	.00000	1.44000	.24110	-.15160	.03790	.09980	-.01850	.01340	.23910	.04930
.597	17.720	.00000	1.44000	.24270	-.15170	.03760	.10060	-.01860	.01380	.24070	.04910
.597	18.290	.00000	1.44000	.24550	-.15260	.03790	.10040	-.01860	.01370	.24340	.04960
.599	18.840	.00000	1.44000	.24370	-.15290	.03740	.10010	-.01840	.01350	.24160	.04890
.598	19.410	.00000	1.44000	.24390	-.15260	.03730	.10000	-.01850	.01340	.24180	.04890
.537	19.980	.00000	1.44000	.24750	-.15410	.03810	.10000	-.01870	.01360	.24540	.04980
GRADIENT		.00000	.00000	.00184	-.00026	-.00026	.00005	-.00008	.00011	.00182	-.00016

LTV44-559(CA26) 747/1 ATY 02 S1 (CARRIER DATA)

(YFE084) (18 NOV 75)

REFERENCE DATA

SREF = 5500.0000 SQ.FT. XMRP = 1339.9000 IN. XC
 LREF = 327.7800 IN. YMRP = .0000 IN. YC
 BREF = 2348.0400 IN. ZMRP = 190.7500 IN. ZC
 SCALE = .0125

PARAMETRIC DATA

ALPHAC = 2.000 BETAC = -5.000
 STAB = 5.000 ELEVON = 5.000
 BDFLAP = .000 DY = .000
 DZ = 15.000 TORB = 6.000
 BETAO = .000 RUDDER = .000

RUN NO. 1062/ 0 RN/L = .00 GRADIENT INTERVAL = -5.00/ 5.00

MACH	DX	OY	DZ	CN	CLM	CA	CY	CYN	CEL	CL	CD
.599	.570	.00000	15.00000	.25700	-.20230	.04050	.09720	-.02050	.01430	.25480	.05240
.599	1.140	.00000	15.00000	.25760	-.20190	.04220	.09740	-.02060	.01450	.25530	.05420
.598	1.710	.00000	15.00000	.25620	-.20340	.04190	.09670	-.02060	.01450	.25390	.05380
.598	2.290	.00000	15.00000	.25530	-.20350	.04140	.09720	-.02070	.01470	.25410	.05330
.596	2.860	.00000	15.00000	.25660	-.20430	.04130	.09890	-.02090	.01460	.25440	.05330
.596	3.430	.00000	15.00000	.25870	-.20420	.04090	.09780	-.02090	.01450	.25660	.05300
.597	4.010	.00000	15.00000	.26020	-.20510	.04100	.09740	-.02090	.01460	.25800	.05310
.598	4.580	.00000	15.00000	.25760	-.20330	.04050	.09750	-.02070	.01470	.25540	.05250
.599	5.150	.00000	15.00000	.25860	-.20430	.04050	.09680	-.02070	.01470	.25640	.05250
.600	5.720	.00000	15.00000	.25970	-.20440	.04050	.09720	-.02090	.01470	.25760	.05260
.599	6.300	.00000	15.00000	.25890	-.20460	.04040	.09750	-.02100	.01460	.25670	.05240
.599	6.870	.00000	15.00000	.26080	-.20580	.04060	.09690	-.02100	.01470	.25860	.05270
.597	7.420	.00000	15.00000	.26130	-.20820	.04040	.09810	-.02100	.01490	.25910	.05260
.598	7.990	.00000	15.00000	.26080	-.20800	.04020	.09870	-.02110	.01500	.25860	.05230
.599	8.560	.00000	15.00000	.26160	-.20680	.04050	.09730	-.02100	.01490	.25940	.05260
.601	9.140	.00000	15.00000	.26070	-.20740	.03990	.09720	-.02090	.01500	.25860	.05200
.600	9.710	.00000	15.00000	.26180	-.20500	.04000	.09730	-.02100	.01500	.25960	.05220
.600	10.280	.00000	15.00000	.26350	-.20610	.04020	.09710	-.02110	.01480	.26130	.05250
.600	10.850	.00000	15.00000	.26270	-.20700	.03950	.09710	-.02100	.01470	.26050	.05180
.599	11.430	.01000	15.00000	.26350	-.20570	.04000	.09720	-.02120	.01470	.26140	.05230
.600	12.000	.01000	15.00000	.26460	-.20450	.03980	.09610	-.02110	.01450	.26240	.05210
.598	12.570	.01000	15.00000	.26540	-.20820	.03970	.09870	-.02140	.01470	.26320	.05210
.599	13.150	.01000	15.00000	.26500	-.20670	.04000	.09660	-.02140	.01440	.26280	.05230
.598	13.720	.01000	15.00000	.26420	-.20810	.03960	.09760	-.02140	.01450	.26210	.05190
.599	14.290	.01000	14.99000	.26580	-.20830	.03950	.09790	-.02140	.01460	.26370	.05190
.598	14.860	.01000	14.99000	.26530	-.20810	.03960	.09860	-.02150	.01490	.26310	.05190
.599	15.440	.01000	14.99000	.26650	-.20980	.03940	.09830	-.02160	.01490	.26440	.05180
.600	16.010	.01000	14.99000	.26690	-.20830	.03950	.09740	-.02150	.01480	.26480	.05200
.600	16.580	.01000	14.99000	.26520	-.20980	.03910	.09850	-.02160	.01490	.26370	.05150
.600	17.130	.01000	14.99000	.27000	-.20890	.03960	.09760	-.02160	.01510	.26790	.05220
.599	17.700	.01000	14.99000	.26870	-.20960	.03930	.09920	-.02170	.01520	.26650	.05190
.599	18.280	.01000	14.99000	.27080	-.21010	.03930	.09820	-.02170	.01510	.26870	.05200
.599	18.850	.01000	14.99000	.27230	-.21040	.03970	.09850	-.02180	.01510	.27010	.05240
.597	19.420	.01000	14.99000	.27530	-.21200	.03970	.09910	-.02200	.01520	.27310	.05260
.601	20.000	.01000	14.99000	.27080	-.20930	.03870	.09830	-.02170	.01500	.26870	.05130
	GRADIENT	.00000	.00000	.00052	-.00054	-.00019	.00015	-.00008	.00007	.00054	-.00015

ORIGINAL PAGE IS
OF POOR QUALITY

LTV44-559(CA26) 747/1 ATY 02 S1 (CARRIER DATA)

(YFE085) (18 NOV 75)

REFERENCE DATA

SREF = 5500.0000 SQ.FT. XMRP = 1339.9000 IN. XC
 LREF = 327.7800 IN. YMRP = .0000 IN. YC
 BREF = 2348.0400 IN. ZMRP = 190.7500 IN. ZC
 SCALE = .0125

PARAMETRIC DATA

ALPHAC = 2.000 BETAC = -5.000
 STAB = 5.000 ELEVON = 5.000
 BDFLAP = .000 DY = .000
 DZ = 60.000 IORB = 6.000
 BETAO = .000 RUDDER = .000

RUN NO. 2062/ 0 RN/L = .00 GRADIENT INTERVAL = -5.00/ 5.00

MACH	DX	DY	DZ	CN	CLM	CA	CY	CYN	CBL	CL	CD
.597	.590	.00000	51.46000	.30350	-.24110	.04050	.09110	-.01890	.01440	.30120	.05470
.598	1.170	.00000	51.46000	.30420	-.24000	.04200	.09100	-.01890	.01440	.30190	.05620
.601	1.740	.00000	51.46000	.30130	-.23880	.04110	.09010	-.01890	.01430	.29900	.05510
.599	2.310	.00000	51.46000	.30430	-.23770	.04060	.09050	-.01890	.01430	.30210	.05490
.599	2.890	.00000	51.46000	.30400	-.24050	.04050	.09120	-.01900	.01420	.30180	.05470
.601	3.460	.00000	51.46000	.30450	-.23690	.03990	.09030	-.01890	.01420	.30230	.05410
.599	4.030	.00000	51.46000	.30650	-.23990	.04050	.09140	-.01900	.01430	.30430	.05460
.502	4.600	.00000	51.46000	.30320	-.23760	.03990	.08980	-.01880	.01390	.30100	.05400
.601	5.180	.00000	51.46000	.30240	-.23860	.04000	.09010	-.01890	.01400	.30020	.05410
.599	5.720	.00000	51.46000	.30420	-.24070	.04040	.09040	-.01890	.01410	.30200	.05460
.600	6.280	.00000	51.46000	.30210	-.24210	.04010	.09090	-.01900	.01420	.29990	.05410
.600	6.870	.00000	51.46000	.30210	-.24130	.03980	.09060	-.01910	.01420	.29990	.05390
.600	7.440	.00000	51.46000	.30170	-.23920	.03990	.09020	-.01900	.01420	.29960	.05390
.601	8.020	.00000	51.46000	.30130	-.24040	.03980	.09020	-.01890	.01430	.29910	.05380
.600	8.590	.00000	51.46000	.30310	-.23960	.03980	.09010	-.01890	.01410	.30090	.05400
.600	9.160	.00000	51.46000	.30540	-.23970	.03990	.08970	-.01900	.01390	.30320	.05410
.601	9.730	.00000	51.46000	.30350	-.24120	.03990	.09030	-.01900	.01400	.30130	.05410
.597	10.310	.00000	51.46000	.30660	-.24260	.04010	.09120	-.01940	.01440	.30440	.05440
.597	10.880	.00000	51.46000	.30730	-.24310	.04000	.09130	-.01940	.01450	.30510	.05430
.598	11.450	.00000	51.46000	.30700	-.24290	.03990	.09110	-.01920	.01430	.30470	.05420
.598	12.030	.00000	51.46000	.30740	-.24240	.03980	.09100	-.01910	.01450	.30520	.05420
.598	12.600	.00000	51.45000	.30820	-.24320	.03990	.09070	-.01900	.01460	.30600	.05430
.597	13.170	.00000	51.46000	.30670	-.24410	.04010	.09130	-.01900	.01450	.30450	.05440
.597	13.750	.00000	51.45000	.30660	-.24330	.04000	.09060	-.01910	.01450	.30440	.05430
.596	14.320	.00000	51.45000	.30870	-.24270	.03990	.09080	-.01910	.01450	.30650	.05430
.598	14.860	.00000	51.45000	.30680	-.24380	.03980	.09030	-.01920	.01430	.30460	.05410
.598	15.440	.01000	51.45000	.30740	-.24520	.03990	.09090	-.01920	.01440	.30520	.05420
.599	16.010	.01000	51.45000	.30630	-.24390	.04000	.09070	-.01910	.01430	.30410	.05430
.599	16.580	.01000	51.45000	.30610	-.24420	.04010	.09040	-.01900	.01420	.30390	.05430
.601	17.140	.01000	51.45000	.30300	-.24280	.03960	.09000	-.01900	.01430	.30080	.05370
.595	17.720	.01000	51.45000	.30910	-.24760	.04060	.09170	-.01930	.01460	.30690	.05500
.598	18.290	.01000	51.45000	.30680	-.24660	.04000	.09040	-.01930	.01450	.30460	.05430
.600	18.860	.01000	51.45000	.30840	-.24390	.03960	.08980	-.01910	.01440	.30620	.05400
.599	19.440	.01000	51.45000	.30670	-.24740	.03990	.09080	-.01930	.01460	.30450	.05420
.598	20.010	.01000	51.45000	.30620	-.24760	.03980	.09100	-.01930	.01460	.30400	.05410
	GRADIENT	.00000	.00000	.00039	.00058	-.00032	-.00012	.00000	-.00009	.00042	-.00031

LTV44-559(CA26) 747/1 ATY 02 S1 (CARRIER DATA)

(YFE086) (18 NOV 75)

REFERENCE DATA

SREF = 5500.0000 SQ.FT. XMRP = 1339.9000 IN. XC
 LREF = 327.7800 IN. YMRP = .0000 IN. YC
 BREF = 2348.0400 IN. ZMRP = 190.7500 IN. ZC
 SCALE = .0125

PARAMETRIC DATA

ALPHAC = 2.000 BETAC = -5.000
 STAB = 5.000 ELEVON = 5.000
 BDFLAP = .000 DX = .000
 DZ = .000 TORB = 6.000
 BETAO = .000 RUDDER = .000

RUN NO. 63/ 0 RN/L = .00 GRADIENT INTERVAL = -5.00/ 5.00

MACH	DY	DX	DZ	CN	CLM	CA	CY	CYN	CBL	CL	CD
.594	-10.000	-.02000	1.46000	.21660	-.13830	.04060	.09640	-.01000	.00650	.21440	.05080
.594	-9.420	-.02000	1.46000	.21560	-.13790	.04010	.09730	-.01050	.00690	.21340	.05030
.592	-8.850	-.02000	1.46000	.21630	-.13620	.04030	.09820	-.01100	.00750	.21420	.05050
.594	-8.280	-.02000	1.46000	.21270	-.13540	.03970	.09820	-.01150	.00780	.21060	.04980
.592	-7.710	-.02000	1.46000	.21590	-.13380	.04030	.09940	-.01210	.00840	.21380	.05050
.593	-7.140	-.02000	1.46000	.21890	-.13410	.04020	.10000	-.01270	.00880	.21680	.05050
.592	-6.560	-.02000	1.46000	.21860	-.13370	.04020	.10150	-.01340	.00920	.21640	.05050
.593	-5.990	-.02000	1.46000	.21730	-.13700	.03970	.10160	-.01420	.00940	.21520	.05000
.594	-5.420	-.02000	1.46000	.21590	-.13830	.03950	.10200	-.01480	.00990	.21380	.04960
.594	-4.850	-.02000	1.46000	.21550	-.13930	.03950	.10250	-.01540	.01030	.21340	.04960
.593	-4.280	-.02000	1.46000	.21660	-.14140	.04000	.10260	-.01570	.01070	.21440	.05020
.594	-3.710	-.02000	1.46000	.21920	-.14280	.03960	.10200	-.01580	.01110	.21710	.04990
.591	-3.130	-.02000	1.46000	.22250	-.14720	.04010	.10270	-.01590	.01160	.22030	.05050
.594	-2.570	-.02000	1.46000	.22140	-.14990	.03950	.10050	-.01570	.01190	.21930	.04990
.595	-1.990	-.02000	1.46000	.22030	-.15200	.03950	.10020	-.01550	.01240	.21820	.04980
.593	-1.420	-.01000	1.46000	.21760	-.15930	.04020	.10040	-.01570	.01250	.21540	.05030
.595	-.850	-.01000	1.46000	.21890	-.16320	.04010	.09880	-.01580	.01250	.21680	.05030
.593	-.270	-.01000	1.46000	.21710	-.16680	.04040	.09980	-.01600	.01300	.21500	.05050
.593	.270	.00000	1.46000	.21910	-.17010	.04040	.09920	-.01610	.01340	.21690	.05060
.594	.850	.00000	1.46000	.22060	-.17250	.04050	.09790	-.01620	.01350	.21850	.05080
.596	1.420	.00000	1.46000	.22170	-.17120	.04050	.09730	-.01620	.01380	.21950	.05080
.593	1.990	.00000	1.46000	.22030	-.17530	.04060	.09770	-.01660	.01410	.21820	.05080
.594	2.560	.00000	1.46000	.22180	-.18060	.04070	.09670	-.01680	.01430	.21970	.05100
.593	3.130	.00000	1.46000	.22010	-.18510	.04090	.09680	-.01700	.01460	.21800	.05110
.595	3.710	.00000	1.46000	.21960	-.18450	.04090	.09570	-.01720	.01500	.21750	.05100
.594	4.280	.00000	1.46000	.22000	-.19130	.04130	.09580	-.01770	.01530	.21790	.05150
.596	4.850	.00000	1.46000	.22060	-.19210	.04110	.09480	-.01780	.01550	.21850	.05130
.593	5.420	.00000	1.46000	.22520	-.19840	.04160	.09530	-.01820	.01600	.22300	.05190
.595	5.990	.00000	1.46000	.22300	-.19900	.04170	.09360	-.01830	.01640	.22090	.05190
.594	6.560	.00000	1.46000	.22500	-.20340	.04180	.09360	-.01870	.01690	.22290	.05210
.594	7.140	.00000	1.46000	.22660	-.20430	.04200	.09300	-.01900	.01710	.22440	.05240
.594	7.700	.00000	1.46000	.22580	-.20700	.04210	.09300	-.01930	.01740	.22360	.05240
.592	8.280	.00000	1.46000	.22570	-.20710	.04200	.09290	-.01960	.01770	.22350	.05230
.595	8.850	.00000	1.46000	.22290	-.20770	.04180	.09210	-.01950	.01780	.22070	.05200
.595	9.420	.00000	1.46000	.22400	-.20710	.04170	.09210	-.01940	.01780	.22190	.05200
.594	10.000	.00000	1.46000	.22390	-.20820	.04220	.09180	-.01970	.01780	.22170	.05240
	GRADIENT	.00277	-.00000	.00027	-.00567	.00017	-.00081	-.00022	.00051	.00027	.00016

LTV44-559(CA26) 747/1 ATY 02 S1 (CARRIER DATA)

(YFE087) (18 NOV 75)

REFERENCE DATA

SREF = 5500.0000 SQ.FT. XMRP = 1339.9000 IN. XC
 LREF = 327.7800 IN. YMRP = .0000 IN. YC
 BREF = 2348.0400 IN. ZMRP = 190.7500 IN. ZC
 SCALE = .0125

PARAMETRIC DATA

ALPHAC = 2.000 BETAC = -5.000
 STAB = 5.000 ELEVON = 5.000
 BDFLAP = .000 DX = .000
 DZ = 15.000 IORB = 6.000
 BETAJ = .000 RUDDER = .000

RUN NO. 1063/ 0 RN/L = .00 GRADIENT INTERVAL = -5.00/ 5.00

MACH	DY	DX	DZ	CN	CLM	CA	CY	CYN	CBL	CL	CD
.594	-9.420	.00000	15.00000	.25790	-.18470	.04000	.09830	-.01800	.01070	.25570	.05210
.592	-8.850	.00000	15.00000	.26140	-.18590	.04030	.09880	-.01830	.01070	.25920	.05250
.594	-8.280	.00000	15.00000	.25890	-.18760	.04000	.09820	-.01860	.01070	.25670	.05210
.595	-7.710	.00000	15.00000	.25780	-.18780	.04010	.09840	-.01880	.01090	.25560	.05210
.595	-7.140	.00000	15.00000	.25750	-.18880	.03990	.09810	-.01900	.01120	.25530	.05190
.594	-6.560	.00000	15.00000	.25730	-.18920	.04010	.09870	-.01940	.01140	.25520	.05220
.594	-5.990	.00000	15.00000	.25980	-.18740	.04010	.09900	-.01950	.01180	.25760	.05230
.593	-5.420	.00000	15.00000	.26080	-.19150	.04000	.09970	-.02000	.01200	.25870	.05220
.593	-4.850	.00000	15.00000	.25920	-.19410	.03990	.09990	-.02030	.01220	.25710	.05200
.593	-4.280	.00000	15.00000	.26000	-.19470	.03990	.09990	-.02040	.01250	.25790	.05200
.593	-3.710	.00000	15.00000	.25910	-.19370	.04000	.09990	-.02060	.01280	.25690	.05210
.593	-3.140	.00000	15.00000	.25990	-.19500	.04010	.10010	-.02070	.01300	.25770	.05220
.595	-2.570	.00000	15.00000	.25730	-.19380	.04000	.09920	-.02050	.01310	.25520	.05200
.592	-1.990	.00000	15.00000	.26020	-.19650	.04040	.09960	-.02070	.01340	.25810	.05260
.593	-1.420	.00000	15.00000	.25710	-.19910	.04010	.09930	-.02080	.01370	.25490	.05210
.593	-.850	.00000	15.00000	.25580	-.19970	.04010	.09900	-.02090	.01380	.25370	.05210
.593	-.280	.00000	15.00000	.25770	-.20000	.04030	.09870	-.02090	.01420	.25550	.05230
.595	.270	-.01000	15.00000	.25690	-.19960	.03990	.09790	-.02070	.01450	.25480	.05190
.593	.850	-.01000	15.00000	.25810	-.20230	.04020	.09810	-.02080	.01440	.25590	.05220
.593	1.410	-.01000	15.00000	.26090	-.20240	.04030	.09740	-.02060	.01460	.25870	.05300
.594	1.990	-.01000	15.00000	.25710	-.20210	.04050	.09650	-.02050	.01480	.25490	.05240
.595	2.560	-.01000	15.00000	.25700	-.20490	.04050	.09600	-.02060	.01490	.25480	.05240
.593	3.130	-.01000	15.00000	.26160	-.20610	.04110	.09580	-.02050	.01520	.25940	.05330
.592	3.700	-.01000	15.00000	.26000	-.20850	.04100	.09590	-.02060	.01530	.25780	.05310
.593	4.270	-.01000	15.00000	.25770	-.20770	.04080	.09510	-.02050	.01550	.25550	.05280
.595	4.850	-.01000	15.00000	.25590	-.20850	.04050	.09390	-.02040	.01550	.25370	.05240
.595	5.420	-.01000	15.00000	.25910	-.21030	.04130	.09330	-.02020	.01580	.25690	.05330
.595	5.980	-.01000	15.00000	.25560	-.21100	.04080	.09310	-.02020	.01590	.25340	.05270
.595	6.560	-.01000	15.00000	.25560	-.21190	.04100	.09260	-.02010	.01600	.25340	.05280
.594	7.130	-.01000	15.00000	.25670	-.21610	.04130	.09200	-.02010	.01620	.25450	.05310
.595	7.700	-.01000	15.00000	.25790	-.21410	.04130	.09140	-.01980	.01640	.25570	.05320
.594	8.270	-.01000	15.00000	.25790	-.21680	.04130	.09070	-.01980	.01660	.25570	.05320
.595	8.840	-.01000	15.00000	.25930	-.21550	.04140	.08970	-.01940	.01680	.25710	.05340
.594	9.420	-.01000	15.00000	.25930	-.21910	.04160	.08900	-.01950	.01690	.25710	.05360
.593	9.990	-.01000	15.00000	.26190	-.22090	.04160	.08810	-.01920	.01700	.25970	.05380
GRADIENT		-.00147	-.00000	-.00011	-.00166	.00010	-.00061	.00000	.00034	-.00012	.00009

LTV44-559(CA26) 747/1 ATY 02 S1 (CARRIER DATA)

(YFE088) (18 NOV 75)

REFERENCE DATA

SREF = 5500.0000 SQ.FT. XMRP = 1339.9000 IN. XC
 LREF = 327.7800 IN. YMRP = .0000 IN. YC
 BREF = 2348.0400 IN. ZMRP = 190.7500 IN. ZC
 SCALE = .0125

PARAMETRIC DATA

ALPHAC = 2.000 BETAC = -5.000
 STAB = 5.000 ELEVON = 5.000
 BOFLAP = .000 DX = .000
 DZ = 60.000 IORB = 6.000
 BETAO = .000 RUDDER = .000

RUN NO. 2063/ 0 RN/L = .00 GRADIENT INTERVAL = -5.00/ 5.00

MACH	DY	DX	DZ	CN	CLM	CA	CY	CYN	CBL	CL	CD
.594	-10.000	.02000	51.46000	.30550	-.23850	.03960	.09590	-.02100	.01410	.30330	.05390
.596	-9.430	.02000	51.46000	.30420	-.23750	.03970	.09480	-.02090	.01390	.30200	.05390
.593	-8.860	.02000	51.46000	.30280	-.23990	.03960	.09540	-.02090	.01380	.30060	.05370
.594	-8.280	.02000	51.46000	.30490	-.23890	.03970	.09450	-.02080	.01370	.30270	.05390
.594	-7.710	.02000	51.46000	.30310	-.23870	.03960	.09430	-.02050	.01400	.30090	.05390
.595	-7.140	.02000	51.46000	.30300	-.23930	.03970	.09430	-.02040	.01420	.30080	.05390
.595	-6.570	.02000	51.46000	.30250	-.23840	.03990	.09380	-.02030	.01420	.30030	.05400
.594	-6.000	.02000	51.46000	.30380	-.24010	.04020	.09330	-.02020	.01420	.30150	.05430
.593	-5.420	.02000	51.46000	.30390	-.23870	.04010	.09290	-.02010	.01420	.30170	.05430
.594	-4.860	.02000	51.46000	.30430	-.23750	.04010	.09220	-.02000	.01410	.30210	.05430
.595	-4.290	.02000	51.46000	.30270	-.23910	.03960	.09130	-.01960	.01400	.30050	.05380
.595	-3.710	.02000	51.46000	.30300	-.23770	.03970	.09200	-.01950	.01410	.30090	.05380
.594	-3.140	.02000	51.46000	.30500	-.23660	.04010	.09110	-.01940	.01430	.30280	.05440
.595	-2.570	.02000	51.46000	.30070	-.23770	.03950	.09080	-.01920	.01420	.29860	.05350
.594	-2.000	.02000	51.46000	.30540	-.23820	.04030	.09060	-.01930	.01430	.30320	.05450
.594	-1.430	.02000	51.46000	.30540	-.23670	.04030	.08920	-.01900	.01400	.30310	.05460
.592	-.850	.02000	51.46000	.30360	-.23940	.04000	.09040	-.01880	.01410	.30140	.05420
.594	-.280	.02000	51.46000	.30640	-.23640	.04050	.08840	-.01860	.01420	.30420	.05480
.594	.270	.01000	51.46000	.30380	-.23590	.04010	.08860	-.01860	.01400	.30160	.05430
.594	.840	.01000	51.46000	.30340	-.23890	.04050	.08980	-.01850	.01420	.30120	.05460
.594	1.410	.01000	51.46000	.30350	-.23820	.04030	.08820	-.01840	.01400	.30120	.05450
.594	1.990	.01000	51.46000	.30370	-.23890	.04020	.08730	-.01810	.01400	.30150	.05430
.594	2.560	.01000	51.46000	.30560	-.23800	.04050	.08650	-.01800	.01420	.30340	.05480
.593	3.130	.01000	51.46000	.30590	-.23820	.04040	.08660	-.01780	.01420	.30360	.05470
.595	3.700	.01000	51.46000	.30300	-.23580	.03990	.08610	-.01750	.01420	.30070	.05410
.594	4.270	.01000	51.46000	.30810	-.23620	.04040	.08540	-.01740	.01440	.30590	.05480
.594	4.850	.01000	51.46000	.30770	-.23740	.04020	.08510	-.01710	.01460	.30550	.05460
.593	5.410	.01000	51.46000	.30990	-.23810	.04060	.08530	-.01720	.01460	.30770	.05510
.594	5.980	.01000	51.46000	.30690	-.23680	.04060	.08470	-.01710	.01440	.30470	.05490
.595	6.560	.01000	51.46000	.30260	-.23730	.03990	.08440	-.01680	.01440	.30040	.05410
.595	7.130	.01000	51.46000	.30280	-.23560	.04040	.08390	-.01690	.01430	.30050	.05460
.594	7.700	.01000	51.46000	.30300	-.23680	.04050	.08330	-.01670	.01430	.30070	.05460
.594	8.270	.01000	51.46000	.30530	-.23710	.04050	.08350	-.01650	.01420	.30310	.05480
.594	8.840	.01000	51.46000	.30400	-.23730	.04030	.08400	-.01650	.01440	.30180	.05450
.533	9.420	.01000	51.46000	.30370	-.23880	.04020	.08410	-.01650	.01450	.30140	.05440
GRADIENT		-.00146	-.00000	.00030	.00007	.00005	-.00074	.00027	.00002	.00030	.00007

ORIGINAL PAGE IS
OF POOR QUALITY

LTV44-559(CA26) 747/1 ATY 02 S1 (CARRIER DATA)

(YFE089) (18 NOV 75)

REFERENCE DATA

SREF = 5500.0000 SQ.FT. XMRP = 1339.9000 IN. XC
 LREF = 327.7800 IN. YMRP = .0000 IN. YC
 BREF = 2348.0400 IN. ZMRP = 190.7500 IN. ZC
 SCALE = .0125

PARAMETRIC DATA

ALPHAC = 4.000 RETAC = .000
 STAB = 5.000 ELEVON = 5.000
 BDFLAP = .000 DX = .000
 DY = .000 IORB = 4.000
 BETAO = .000 RUDDER = .000

RUN NO. 64/ 0 RN/L = .00 GRADIENT INTERVAL = -5.00/ 5.00

MACH	DZ	DY	DX	CN	CLM	CA	CY	CYN	CBL	CL	CD
.599	1.760	.00000	-.02000	.31180	-.20600	.03910	.00100	-.00170	.00030	.30860	.05930
.599	2.360	.00000	-.02000	.31160	-.20530	.03900	.00060	-.00170	.00020	.30840	.05920
.598	2.970	.00000	-.02000	.31680	-.20530	.03920	.00070	-.00150	.00030	.31360	.05980
.599	3.760	.00000	-.01000	.31320	-.20500	.03900	.00050	-.00160	.00040	.31000	.05930
.599	4.560	.00000	-.01000	.31210	-.20630	.03880	.00090	-.00160	.00020	.30890	.05910
.599	5.960	.00000	-.01000	.32120	-.20850	.03910	.00010	-.00160	.00030	.31800	.05990
.600	7.970	.00000	-.01000	.31970	-.20870	.03810	.00070	-.00140	.00020	.31660	.05880
.600	9.960	.00000	-.01000	.33400	-.21700	.03910	-.00020	-.00140	.00010	.33080	.06090
.600	10.960	.00000	-.01000	.33540	-.21620	.03900	-.00040	-.00140	.00060	.33210	.06080
.600	11.960	.00000	-.01000	.33660	-.21630	.03880	-.00030	-.00140	.00040	.33340	.06070
.600	12.950	.00000	-.01000	.33650	-.21770	.03860	-.00010	-.00140	.00020	.33320	.06050
.598	13.940	.00000	.00000	.33920	-.22130	.03870	.00030	-.00140	.00020	.33590	.06080
.599	14.940	.00000	.00000	.33840	-.22140	.03880	.00010	-.00140	.00040	.33510	.06080
.597	15.930	.00000	.00000	.34300	-.22440	.03920	.00000	-.00130	.00010	.33970	.06150
.598	16.930	.00000	.00000	.34330	-.22470	.03870	-.00050	-.00120	.00000	.34000	.06110
.597	17.930	.00000	.00000	.34520	-.22710	.03880	-.00090	-.00110	.00020	.34190	.06120
.599	18.920	.00000	.00000	.34510	-.22710	.03820	-.00030	-.00090	.00030	.34180	.06070
.597	19.910	.00000	.00000	.35000	-.22620	.03830	-.00050	-.00090	.00040	.34670	.06110
.598	20.910	.00000	.00000	.35540	-.22820	.03860	-.00160	-.00080	.00030	.35210	.06180
.599	21.900	.00000	.01000	.35260	-.22850	.03830	-.00070	-.00060	.00010	.34930	.06130
.598	22.890	.00000	.01000	.35490	-.23120	.03850	-.00140	-.00060	.00010	.35160	.06160
.598	23.890	.00000	.01000	.35710	-.23220	.03820	-.00190	-.00060	-.00010	.35390	.06150
.599	24.890	.00000	.01000	.35590	-.23170	.03810	-.00190	-.00040	.00000	.35270	.06120
.598	25.880	.00000	.01000	.36060	-.23110	.03800	-.00180	-.00040	.00010	.35730	.06150
.598	26.870	.00000	.01000	.36230	-.23400	.03820	-.00160	-.00030	.00010	.35900	.06180
.598	27.870	.00000	.01000	.36120	-.23430	.03800	-.00260	-.00040	.00010	.35790	.06160
.597	28.860	.00000	.01000	.36190	-.23600	.03790	-.00170	-.00020	.00000	.35860	.06150
.599	29.860	.00000	.02000	.36490	-.23550	.03800	-.00210	-.00010	-.00010	.36160	.06180
.599	30.860	.00000	.02000	.36600	-.23470	.03750	-.00210	-.00020	.00000	.36280	.06140
.601	31.850	.00000	.02000	.36610	-.23430	.03780	-.00110	-.00010	.00010	.36280	.06170
.602	32.840	.00000	.02000	.36230	-.23330	.03740	-.00170	.00000	.00000	.35910	.06100
.600	33.840	.00000	.02000	.36670	-.23690	.03720	-.00240	-.00010	-.00020	.36350	.06120
.595	34.830	.00000	.02000	.37450	-.24200	.03810	-.00210	-.00020	-.00010	.37130	.06260
.600	35.830	.00000	.02000	.36760	-.23810	.03710	-.00300	-.00010	.00000	.36430	.06110
.600	36.830	.00000	.03000	.37240	-.23960	.03760	-.00170	-.00010	.00000	.36910	.06190
.598	37.820	.00000	.03000	.37470	-.23930	.03730	-.00270	.00000	.00000	.37140	.06180
.597	38.820	.00000	.03000	.37630	-.24240	.03720	-.00260	-.00010	-.00010	.37300	.06180
.597	39.810	.00000	.03000	.37710	-.24080	.03690	-.00260	.00000	.00010	.37380	.06160
.599	40.800	.00000	.03000	.37730	-.24100	.03740	-.00160	.00000	.00010	.37400	.06210
.599	41.800	.00000	.03000	.37670	-.24360	.03720	-.00300	.00000	.00000	.37340	.06180
.599	42.800	.00000	.05000	.37810	-.24320	.03710	-.00320	.00000	.00000	.37480	.06180
.596	43.790	.00000	.05000	.38120	-.24440	.03730	-.00230	.00000	.00010	.37790	.06220

DATE 29 MAR 76

CA-26 FORCE SOURCE DATA TABULATION

PAGE 1121

LTV44-559(CA26) 747/1 ATY 02 S1 (CARRIER DATA)

(YFE089) (18 NOV 75)

REFERENCE DATA

SREF = 5500.0000 SQ.FT. XMRP = 1339.9000 IN. XC
LREF = 327.7800 IN. YMRP = .0000 IN. YC
BREF = 2348.0400 IN. ZMRP = 190.7500 IN. ZC
SCALE = .0125

PARAMETRIC DATA

ALPHAC = 4.000 BETAC = .000
STAB = 5.000 ELEVON = 5.000
BDFLAP = .000 DX = .000
DY = .000 TORB = 4.000
BETAO = .000 RUDDER = .000

RUN NO. 64/ 0 RN/L = .00 GRADIENT INTERVAL = -5.00/ 5.00

MACH	OZ	DY	DX	CN	CLM	CA	CY	CYN	CBL	CL	CD
.599	44.790	.00000	.05000	.38000	-.24140	.03700	-.00170	-.00010	.00000	.37670	.76180
	GRADIENT	.00000	.00438	.00020	-.00007	-.00009	-.00003	.00004	-.00000	.00020	-.00006

LTV44-559(CA26) 747/1 ATY 02 S1 (CARRIER DATA)

(YFE030) (18 NOV 75)

REFERENCE DATA

SREF = 5500.0000 SQ.FT. XMRP = 1339.9000 IN. XC
 LREF = 327.7800 IN. YMRP = .0000 IN. YC
 BREF = 2348.0400 IN. ZMRP = 190.7500 IN. ZC
 SCALE = .0125

PARAMETRIC DATA

ALPHAC = 4.000 BETAC = .000
 STAB = 5.000 ELEVON = 5.000
 BDFLAP = .000 DX = .000
 DY = .000 IORB = 6.000
 BETA0 = .000 RUDDER = .000

RUN NO. 1064/ D RN/L = .00 GRADIENT INTERVAL = -5.00/ 5.00

MACH	DZ	DY	DX	CN	CLM	CA	CY	CYN	CBL	CL	CD
.598	1.470	.00000	-.02000	.27480	-.14720	.03700	.00150	-.00190	.00030	.27170	.05500
.599	1.770	.00000	-.02000	.28100	-.15300	.03690	.00050	-.00180	.00030	.27790	.05510
.598	2.370	.00000	-.02000	.27930	-.15500	.03650	.00010	-.00180	.00050	.27630	.05480
.597	2.970	.00000	-.02000	.28290	-.15530	.03690	.00070	-.00190	.00060	.27990	.05530
.599	3.770	.00000	-.02000	.28450	-.16010	.03650	.00090	-.00180	.00040	.28140	.05510
.598	4.570	.00000	-.02000	.29040	-.16240	.03690	.00090	-.00170	.00060	.28740	.05590
.597	5.970	.00000	-.02000	.30500	-.17280	.03760	-.00030	-.00150	.00020	.30190	.05750
.598	7.970	.00000	-.01000	.30540	-.18080	.03740	.00040	-.00140	.00060	.30230	.05740
.599	9.960	.00000	-.01000	.30510	-.17920	.03730	-.00090	-.00130	.00050	.30200	.05720
.598	11.240	.00000	-.01000	.31500	-.18670	.03780	-.00120	-.00100	.00060	.31180	.05840
.599	12.520	.00000	-.01000	.31780	-.19160	.03760	-.00060	-.00090	.00030	.31460	.05830
.599	13.800	.00000	-.01000	.32040	-.19570	.03740	-.00080	-.00090	.00030	.31730	.05830
.598	15.080	.00000	.00000	.32570	-.19670	.03770	-.00190	-.00080	.00040	.32250	.05890
.599	16.350	.00000	.00000	.32720	-.19790	.03770	-.00170	-.00080	.00020	.32400	.05910
.597	17.630	.00000	.00000	.33090	-.20540	.03800	-.00100	-.00070	.00000	.32770	.05960
.598	18.900	.00000	.00000	.33250	-.20630	.03780	-.00140	-.00060	.00030	.32930	.05950
.598	20.180	.00000	.00000	.33520	-.20660	.03770	-.00200	-.00050	.00040	.33200	.05960
.597	21.460	.00000	.00000	.33620	-.21180	.03770	-.00200	-.00040	.00020	.33300	.05970
.598	22.730	.00000	.01000	.33850	-.21350	.03840	-.00240	-.00030	.00010	.33520	.06050
.600	24.000	.00000	.01000	.34100	-.21020	.03760	-.00270	-.00020	.00020	.33780	.05990
.599	25.280	.00000	.01000	.34090	-.21310	.03740	-.00280	-.00010	.00000	.33770	.05960
.597	26.560	.00000	.01000	.34730	-.21980	.03780	-.00200	-.00010	.00000	.34410	.06050
.598	27.840	.00000	.01000	.34700	-.21870	.03740	-.00290	.00000	.00000	.34380	.06100
.598	29.110	.00000	.02000	.34780	-.22200	.03730	-.00260	.00000	.00000	.34460	.06000
.595	30.390	.00000	.02000	.35330	-.22340	.03780	-.00320	.00000	.00000	.35010	.06090
.598	31.660	.00000	.02000	.35180	-.22490	.03760	-.00280	.00010	.00020	.34860	.06050
.598	32.940	.00000	.02000	.35460	-.22640	.03720	-.00310	.00000	.00000	.35140	.06030
.600	34.220	.00000	.02000	.35870	-.22470	.03740	-.00230	.00000	-.00010	.35550	.06080
.597	35.490	.00000	.03000	.36130	-.22850	.03730	-.00240	.00000	-.00010	.35810	.06090
.598	36.770	.00000	.03000	.36080	-.22920	.03720	-.00260	.00000	-.00030	.35760	.06080
.598	38.050	.00000	.03000	.36060	-.23180	.03720	-.00250	.00000	-.00010	.35740	.06070
.597	39.330	.00000	.03000	.36540	-.23290	.03720	-.00270	.00010	-.00010	.36220	.06100
.598	40.600	.00000	.03000	.36500	-.23280	.03690	-.00240	.00000	.00010	.36180	.06080
.598	41.880	.00000	.03000	.36620	-.23480	.03710	-.00240	.00000	.00000	.36290	.06100
.537	43.150	.00000	.05000	.36670	-.23560	.03680	-.00220	.00000	.00010	.36350	.06070
.600	44.430	.00000	.05000	.36680	-.23480	.03660	-.00270	.00000	.00020	.36370	.06050
.599	45.710	.00000	.05000	.37520	-.23730	.03690	-.00280	.00000	.00030	.37200	.06150
.599	46.980	.00000	.05000	.37010	-.23750	.03660	-.00230	.00000	.00010	.36690	.06070
.597	48.260	.00000	.06000	.37750	-.23720	.03700	-.00220	.00000	.00030	.37420	.06180
.599	49.540	.00000	.05000	.37060	-.23810	.03660	-.00180	.00000	.00000	.36740	.06080
.598	50.820	.00000	.06000	.37390	-.23670	.03740	-.00310	.00000	-.00010	.37060	.06190
	GRADIENT	.00000	.00000	.00410	-.00428	-.00063	-.00001	.00004	.00008	.00412	.00024

LTV44-559(CA26) 747/1 ATY Q2 S1 (CARRIER DATA)

(YFE091) (18 NOV 75)

REFERENCE DATA

SREF = 5500.0000 SQ.FT. XMRP = 1339.9000 IN. XC
 LREF = 327.7800 IN. YMRP = .0000 IN. YC
 BREF = 2348.0400 IN. ZMRP = 190.7500 IN. ZC
 SCALE = .0125

PARAMETRIC DATA

ALPHAC = 4.000 BETAC = .000
 STAB = 5.000 ELEVON = 5.000
 BDFLAP = .000 DX = .000
 DY = .000 IORB = 8.000
 BETAO = .000 RUDDER = .000

RUN NG. 65/ 0 RN/L = .00 GRADIENT INTERVAL = -5.00/ 5.00

MACH	DZ	DY	DX	CN	CLM	CA	CY	CYN	CBL	CL	CD
.598	1.760	.00000	-.05000	.24240	-.07650	.03450	.00050	-.00200	.00040	.23960	.05060
.598	2.360	.00000	-.05000	.24380	-.07930	.03420	.00050	-.00210	.00030	.24090	.05040
.597	2.970	.00000	-.03000	.25280	-.09170	.03500	.00010	-.00180	.00040	.24990	.05170
.597	3.960	.00000	-.03000	.25360	-.09250	.03530	.00030	-.00160	.00040	.25070	.05200
.600	4.960	.00000	-.03000	.25840	-.10550	.03530	.00010	-.00170	.00040	.25550	.05230
.601	6.210	.00000	-.03000	.26020	-.10270	.03520	.00000	-.00150	.00030	.25730	.05240
.599	7.460	.00000	-.02000	.26760	-.10890	.03580	.00030	-.00150	.00020	.26460	.05350
.598	8.710	.00000	-.02000	.26960	-.11860	.03590	.00020	-.00150	.00040	.26660	.05370
.601	9.960	.00000	-.02000	.27720	-.13200	.03630	-.00030	-.00130	.00010	.27420	.05450
.600	11.150	.00000	-.01000	.27990	-.13070	.03620	-.00040	-.00120	.00020	.27690	.05460
.597	12.330	.00000	-.01000	.28500	-.14030	.03680	.00000	-.00150	.00030	.28200	.05550
.600	13.510	.00000	-.01000	.28650	-.14240	.03630	-.00020	-.00140	.00030	.28340	.05510
.600	14.700	.00000	-.01000	.28920	-.14970	.03650	-.00010	-.00140	.00020	.28610	.05540
.598	15.880	.00000	.00000	.29490	-.15360	.03660	-.00060	-.00120	.00000	.29180	.05600
.600	17.070	.00000	.00000	.29970	-.15730	.03680	-.00070	-.00100	.00030	.29660	.05650
.598	18.250	.00000	.00000	.30620	-.16300	.03720	-.00080	-.00100	.00060	.30310	.05730
.599	19.440	.00000	.00000	.30630	-.16820	.03720	-.00080	-.00100	.00050	.30320	.05730
.600	20.620	.00000	.00000	.30680	-.17170	.03710	-.00120	-.00100	.00050	.30370	.05720
.600	21.790	.00000	.01000	.31320	-.17720	.03790	-.00130	-.00090	.00030	.31000	.05840
.600	22.980	.00000	.01000	.31270	-.18290	.03790	-.00090	-.00090	.00040	.30960	.05830
.598	24.160	.00000	.01000	.31780	-.18720	.03770	-.00080	-.00090	.00050	.31460	.05850
.599	25.350	.00000	.01000	.31920	-.18900	.03760	-.00040	-.00090	.00030	.31610	.05840
.599	26.530	.00000	.01000	.32170	-.19260	.03750	-.00060	-.00080	.00010	.31850	.05860
.597	27.720	.00000	.01000	.32810	-.19660	.03800	-.00070	-.00080	.00010	.32490	.05940
.600	28.900	.00000	.02000	.32720	-.19610	.03760	-.00070	-.00070	.00030	.32400	.05890
.597	30.080	.00000	.02000	.33230	-.19990	.03780	-.00140	-.00060	.00030	.32910	.05960
.597	31.270	.00000	.02000	.33510	-.20040	.03780	-.00220	-.00050	.00020	.33190	.05970
.601	32.450	.00000	.02000	.33320	-.20350	.03740	-.00180	-.00030	.00010	.33010	.05920
.600	33.640	.00000	.02000	.33410	-.20530	.03730	-.00120	-.00030	.00010	.33090	.05910
.597	34.820	.00000	.02000	.34020	-.21080	.03790	-.00230	-.00020	.00000	.33700	.06010
.600	36.010	.00000	.03000	.34170	-.20990	.03760	-.00230	-.00020	.00010	.33850	.05990
.599	37.180	.00000	.03000	.34150	-.21280	.03730	-.00300	-.00020	.00000	.33830	.05960
.598	38.370	.00000	.03000	.34750	-.21500	.03770	-.00180	-.00010	.00020	.34430	.06040
.600	39.550	.00000	.03000	.34690	-.21620	.03750	-.00270	-.00010	.00020	.34370	.06020
.599	40.740	.00000	.03000	.34970	-.21650	.03750	-.00160	-.00010	.00020	.34650	.06030
.598	41.920	.00000	.03000	.34940	-.21820	.03750	-.00210	-.00010	.00020	.34620	.06030
.600	43.110	.00000	.05000	.35160	-.21740	.03720	-.00110	-.00010	.00000	.34840	.06020
.599	44.290	.00000	.05000	.35440	-.21850	.03730	-.00330	-.00010	.00000	.35120	.06040
.599	45.470	.00000	.05000	.35980	-.22120	.03720	-.00270	-.00010	.00040	.35650	.06070
.599	46.650	.00000	.05000	.35820	-.22190	.03730	-.00260	-.00010	.00020	.35500	.06080
.600	47.840	.00000	.05000	.36190	-.22280	.03700	-.00260	-.00010	.00030	.35860	.06070
.602	49.030	.00000	.06000	.36180	-.22060	.03720	-.00140	-.00010	.00000	.35860	.06100

ORIGINAL PAGE IS
 OF POOR QUALITY

LTV44-559(CA26) 747/1 ATY 02 S1 (CARRIER DATA)

(YFE091) (18 NOV 75)

REFERENCE DATA

SREF = 5500.0000 SQ.FT. XMRP = 1339.9000 IN. XC
 LREF = 327.7800 IN. YMRP = .0000 IN. YC
 BREF = 2348.0400 IN. ZMRP = 190.7500 IN. ZC
 SCALE = .0125

PARAMETRIC DATA

ALPHAC = 4.000 BETAC = .000
 STAB = 5.000 ELEVON = 5.000
 BDFLAP = .000 DX = .000
 DY = .000 IORB = 8.000
 BETA0 = .000 RUDDER = .000

RUN NO. 65/ 0 RN/L = .00 GRADIENT INTERVAL = -5.00/ 5.00

MACH	DZ	DY	DX	CN	CLM	CA	CY	CYN	CBL	CL	CD
.500	50.210	.00000	.06000	.36340	-.22440	.03690	-.00210	-.00020	.00000	.36020	.06070
.598	51.400	.00000	.06000	.36410	-.22700	.03730	-.00210	-.00020	-.00030	.36090	.06120
.598	52.580	.00000	.06000	.36490	-.22730	.03720	-.00220	-.00010	.00020	.36170	.06100
.600	53.760	.00000	.06000	.36550	-.22890	.03690	-.00290	-.00020	.00000	.36230	.06080
.600	54.950	.00000	.07000	.36490	-.22730	.03660	-.00280	-.00010	.00000	.36170	.06050
.599	56.130	.00000	.07000	.36910	-.23010	.03680	-.00250	-.00010	.00010	.36580	.06100
	GRADIENT	.00000	.00702	.00508	-.00879	.00033	-.00012	.00013	.00001	.00505	.00061

LTV44-559(CA26) 747/1 ATY G3 S1 (CARRIER DATA)

(YFE092) (18 NOV 75)

REFERENCE DATA

SREF = 5500.0000 SQ.FT. XMRP = 1339.9000 IN. XC
 LREF = 327.7800 IN. YMRP = .0000 IN. YC
 BREF = 2348.0400 IN. ZMRP = 190.7500 IN. ZC
 SCALE = .0125

PARAMETRIC DATA

ALPHAC = 4.000 BETAC = .000
 STAB = 5.000 ELEVON = 5.000
 BDFLAP = .000 DX = .000
 DY = .000 TORB = 4.000
 BETAO = 5.000 RUDDER = .000

RUN NO. 66/ 0 RN/L = .00 GRADIENT INTERVAL = -5.00/ 5.00

MACH	DZ	DY	DX	CN	CLM	CA	CY	CYN	CEL	CL	CD
.596	1.760	.00000	-.02000	.31100	-.20330	.03910	.00420	-.00300	.00260	.30780	.05920
.597	2.360	.00000	-.02000	.31350	-.20210	.03910	.00410	-.00310	.00280	.31030	.05940
.595	2.970	.00000	-.02000	.31770	-.20670	.03920	.00370	-.00340	.00280	.31450	.05980
.594	3.760	.00000	-.02000	.31850	-.20680	.03920	.00430	-.00350	.00270	.31530	.05990
.594	4.560	.00000	-.01000	.32000	-.20730	.03890	.00340	-.00360	.00270	.31670	.05970
.596	5.960	.00000	-.01000	.32180	-.21170	.03900	.00410	-.00380	.00280	.31850	.05990
.595	7.970	.00000	-.01000	.32620	-.21200	.03910	.00390	-.00400	.00280	.32300	.06030
.595	9.960	.00000	-.01000	.33680	-.21870	.03930	.00250	-.00370	.00260	.33350	.06120
.596	10.900	.00000	-.01000	.33370	-.21960	.03920	.00250	-.00370	.00240	.33050	.06080
.595	11.840	.00000	-.01000	.33750	-.22050	.03930	.00240	-.00360	.00250	.33430	.06120
.595	12.780	.00000	-.01000	.34000	-.22190	.03910	.00250	-.00340	.00240	.33670	.06120
.595	13.710	.00000	.00000	.34220	-.22570	.03910	.00140	-.00330	.00240	.33890	.06140
.596	14.650	.00000	.00000	.34210	-.22470	.03910	.00110	-.00290	.00240	.33880	.06130
.598	15.590	.00000	.00000	.34170	-.22540	.03880	.00030	-.00250	.00230	.33840	.06100
.596	16.530	.00000	.00000	.34620	-.22680	.03910	-.00010	-.00220	.00220	.34290	.06160
.596	17.470	.00000	.00000	.34850	-.22860	.03920	-.00060	-.00170	.00210	.34520	.06190
.597	18.410	.00000	.00000	.35020	-.22820	.03900	-.00200	-.00130	.00190	.34690	.06180
.598	19.350	.00000	.00000	.35100	-.23010	.03900	-.00450	-.00100	.00170	.34770	.06180
.597	20.260	.00000	.00000	.35220	-.23010	.03880	-.00330	-.00050	.00160	.34890	.06170
.598	21.220	.00000	.00000	.35460	-.23160	.03880	-.00480	.00000	.00140	.35130	.06180
.595	22.150	.00000	.01000	.35730	-.23360	.03860	-.00430	.00040	.00100	.35400	.06190
.595	23.090	.00000	.01000	.35710	-.23420	.03860	-.00540	.00070	.00080	.35380	.06180
.593	24.030	.00000	.01000	.35920	-.23630	.03880	-.00610	.00090	.00080	.35590	.06220
.596	24.960	.00000	.01000	.35790	-.23420	.03840	-.00610	.00110	.00080	.35460	.06170
.594	25.910	.00000	.01000	.36250	-.23790	.03880	-.00600	.00150	.00080	.35920	.06240
.596	26.850	.00000	.01000	.36140	-.23450	.03860	-.00830	.00160	.00070	.35810	.06220
.596	27.780	.00000	.01000	.36550	-.23520	.03810	-.00760	.00180	.00060	.36220	.06200
.596	28.720	.00000	.01000	.36700	-.23550	.03830	-.00770	.00180	.00080	.36370	.06220
.595	29.660	.00000	.02000	.36900	-.23980	.03850	-.00830	.00200	.00060	.36570	.06250
.598	30.600	.00000	.02000	.36830	-.24000	.03820	-.00730	.00200	.00050	.36500	.06220
.598	31.530	.00000	.02000	.36890	-.23860	.03800	-.00800	.00210	.00050	.36560	.06210
.598	32.470	.00000	.02000	.36360	-.23980	.03780	-.00830	.00210	.00010	.36560	.06190
.598	33.410	.00000	.02000	.36950	-.24130	.03800	-.00820	.00210	.00030	.36630	.06210
.595	34.350	.00000	.02000	.37400	-.24100	.03820	-.00840	.00200	.00060	.37070	.06260
.596	35.290	.00000	.02000	.37330	-.24160	.03780	-.00730	.00200	.00030	.37000	.06220
.594	36.230	.00000	.03000	.37640	-.24170	.03810	-.00850	.00210	.00040	.37310	.06270
.595	37.170	.00000	.03000	.37810	-.24350	.03820	-.00850	.00200	.00020	.37480	.06290
.596	38.100	.00000	.03000	.38020	-.24310	.03800	-.00890	.00210	.00020	.37690	.06280
.597	39.040	.00000	.03000	.37900	-.24470	.03780	-.00820	.00200	.00020	.37570	.06250
.596	39.980	.00000	.03000	.37790	-.24410	.03750	-.00790	.00200	.00020	.37460	.06220
.595	40.920	.00000	.03000	.38290	-.24400	.03750	-.00740	.00200	.00020	.37960	.06260
.596	41.850	.00000	.03000	.38180	-.24490	.03770	-.00720	.00190	.00030	.37850	.06260

LTV44-559(CA26) 747/1 ATY 02 S1 (CARRIER DATA)

(YFE092) (18 NOV 75)

REFERENCE DATA

SREF = 5500.0000 SQ.FT. XMRP = 1339.9000 IN. XC
 LREF = 327.7800 IN. YMRP = .0000 IN. YC
 BREF = 2348.0400 IN. ZMRP = 190.7500 IN. ZC
 SCALE = .0125

PARAMETRIC DATA

ALPHAC = 4.000 BETAC = .000
 STAB = 5.000 ELEVON = 5.000
 BDFLAP = .000 DX = .000
 DY = .000 IORB = 4.000
 BETAC = 5.000 RUDDER = .000

RUN NO. 66/ 0 RN/L = .00 GRADIENT INTERVAL = -5.00/ 5.00

MACH	DZ	DY	DX	CN	CLM	CA	CY	CYN	CBL	CL	CD
.597	42.790	.00000	.05000	.38040	-.24530	.03760	-.00770	.00170	.00030	.37710	.06250
	GRADIENT	.00000	.00300	.00321	-.00178	-.00005	-.00020	-.00023	.00001	.03318	.00020

LTV44-559(CA26) 747/1 ATY 02 S1 (CARRIER DATA)

(YFE093) (18 NOV 75)

REFERENCE DATA

SREF = 5500.0000 SQ.FT. XMRP = 1339.9000 IN. XC
 LREF = 327.7800 IN. YMRP = .0000 IN. YC
 BREF = 2348.0400 IN. ZMRP = 190.7500 IN. ZC
 SCALE = .0125

PARAMETRIC DATA

ALPHAC = 4.000 BETAC = .000
 STAB = 5.000 ELEVON = 5.000
 BOFLAP = .000 DX = .000
 DY = .000 TORB = 6.000
 BETAO = 5.000 RUDDER = .000

RUN NO. 1066/ 0 RN/L = .00 GRADIENT INTERVAL = -5.00/ 5.00

MACH	DZ	DY	DX	CN	CLM	CA	CY	CYN	CBL	CL	CD
.594	1.480	.00000	-.03000	.29170	-.14590	.03640	.00420	-.00320	.00220	.27870	.05480
.594	1.770	.00000	-.02000	.29460	-.15150	.03630	.00460	-.00350	.00210	.28160	.05500
.594	2.370	.00000	-.02000	.29500	-.15390	.03670	.00480	-.00360	.00210	.28200	.05530
.594	2.970	.00000	-.02000	.28540	-.15490	.03670	.00490	-.00360	.00210	.28230	.05530
.597	3.770	.00000	-.02000	.29070	-.15920	.03620	.00510	-.00410	.00210	.28770	.05530
.595	4.570	.00000	-.02000	.29150	-.16360	.03710	.00500	-.00420	.00200	.28840	.05610
.595	5.970	.00000	-.02000	.30500	-.17440	.03720	.00470	-.00410	.00210	.30190	.05710
.595	7.970	.00000	-.01000	.30660	-.18280	.03730	.00430	-.00440	.00230	.30350	.05730
.595	9.970	.00000	-.01000	.30710	-.18260	.03740	.00410	-.00430	.00220	.30400	.05740
.596	11.190	.00000	-.01000	.31420	-.18940	.03760	.00350	-.00390	.00220	.31110	.05810
.594	12.410	.00000	-.01000	.31810	-.19510	.03780	.00320	-.00390	.00240	.31500	.05850
.594	13.620	.00000	-.01000	.32520	-.19900	.03820	.00270	-.00360	.00230	.32200	.05940
.594	14.830	.00000	.00000	.32890	-.20150	.03800	.00230	-.00330	.00210	.32570	.05950
.594	16.050	.00000	.00000	.32930	-.20560	.03800	.00060	-.00310	.00190	.32610	.05940
.596	17.260	.00000	.00000	.32930	-.20540	.03790	.00000	-.00250	.00180	.32610	.05930
.593	18.480	.00000	.00000	.33340	-.20910	.03800	-.00170	-.00210	.00140	.33020	.05970
.596	19.690	.00000	.00000	.33300	-.21120	.03790	-.00220	-.00140	.00130	.32990	.05960
.595	20.910	.00000	.00000	.33860	-.21360	.03800	-.00290	-.00080	.00120	.33540	.06000
.597	22.120	.00000	.01000	.33990	-.21540	.03780	-.00380	-.00030	.00110	.33670	.05990
.595	23.330	.00000	.01000	.34330	-.21830	.03810	-.00420	.00020	.00110	.34010	.06050
.597	24.550	.00000	.01000	.34490	-.21810	.03790	-.00530	.00060	.00100	.34170	.06040
.597	25.770	.00000	.01000	.34660	-.21920	.03760	-.00670	.00090	.00080	.34340	.06020
.595	26.980	.00000	.01000	.35210	-.22220	.03790	-.00680	.00120	.00090	.34890	.06090
.597	28.190	.00000	.01000	.35170	-.22180	.03750	-.00720	.00140	.00060	.34840	.06050
.595	29.410	.00000	.02000	.35520	-.22600	.03800	-.00760	.00150	.00060	.35190	.06120
.595	30.620	.00000	.02000	.35430	-.22640	.03800	-.00770	.00160	.00030	.35100	.06110
.595	31.840	.00000	.02000	.35660	-.22680	.03780	-.00780	.00170	.00040	.35330	.06100
.595	33.060	.00000	.02000	.35750	-.22890	.03750	-.00690	.00190	.00030	.35420	.06090
.594	34.270	.00000	.02000	.36300	-.23070	.03790	-.00640	.00190	.00020	.35980	.06160
.593	35.490	.00000	.02000	.36290	-.23150	.03750	-.00790	.00210	.00040	.35970	.06120
.594	36.700	.00000	.03000	.36540	-.23330	.03760	-.00840	.00190	.00040	.36210	.06140
.594	37.910	.00000	.03000	.36630	-.23510	.03750	-.00720	.00180	.00020	.36310	.06140
.595	39.130	.00000	.03000	.36530	-.23310	.03720	-.00800	.00180	.00020	.36210	.06110
.595	40.350	.00000	.03000	.36660	-.23600	.03720	-.00730	.00180	.00040	.36340	.06110
.597	41.560	.00000	.03000	.36900	-.23420	.03700	-.00730	.00180	.00030	.36570	.06110
.596	42.780	.00000	.03000	.36870	-.23550	.03720	-.00720	.00170	.00030	.36540	.06130
.595	43.990	.00000	.05000	.37170	-.23650	.03740	-.00710	.00160	.00030	.36850	.06160
.594	45.210	.00000	.05000	.37860	-.23830	.03720	-.00690	.00180	.00040	.37530	.06190
.595	46.420	.00000	.05000	.37640	-.23780	.03740	-.00730	.00160	.00010	.37320	.06200
.597	47.630	.00000	.05000	.37420	-.23770	.03730	-.00720	.00150	.00020	.37090	.06180
.595	48.850	.00000	.05000	.37740	-.24210	.03730	-.00700	.00160	.00010	.37420	.06200
GRADIENT		.00000	.00189	.00306	-.00499	.00015	.00023	-.00031	-.00004	.00303	.00034

LTV44-559(CA26) 747/1 ATY 02 S1 (CARRIER DATA)

(YFE094) (18 NOV 75)

REFERENCE DATA

SREF = 5500.0000 SQ.FT. XMRP = 1339.9000 IN. XC
 LREF = 327.7800 IN. YMRP = .0000 IN. YC
 BREF = 2348.0400 IN. ZMRP = 190.7500 IN. ZC
 SCALE = .0125

PARAMETRIC DATA

ALPHAC = 4.000 BETAC = .000
 STAB = 5.000 ELEVON = 5.000
 BDFLAP = .000 DX = .000
 DY = .000 IORB = 8.000
 BETA0 = 5.000 RUDDER = .000

RUN NO. 67/ 0 RN/L = .00 GRADIENT INTERVAL = -5.00/ 5.00

MACH	DZ	DY	DX	CN	CLM	CA	CY	CYN	CBL	CL	CD
.601	1.760	.00000	-.03000	.24070	-.08710	.03360	.00460	-.00230	.00130	.23790	.04950
.603	2.360	.00000	-.03000	.23720	-.08820	.03290	.00370	-.00240	.00130	.23450	.04860
.603	2.970	.00000	-.03000	.24620	-.09570	.03320	.00350	-.00260	.00150	.24340	.04940
.602	3.960	.00000	-.03000	.24900	-.09580	.03370	.00340	-.00270	.00150	.24620	.05020
.603	4.960	.00000	-.03000	.25580	-.11220	.03410	.00420	-.00330	.00140	.25300	.05100
.601	6.210	.00000	-.02000	.25690	-.11150	.03470	.00550	-.00320	.00150	.25400	.05160
.601	7.460	.00000	-.02000	.26100	-.11490	.03490	.00530	-.00340	.00150	.25810	.05200
.601	8.710	.00000	-.02000	.26640	-.12290	.03500	.00540	-.00360	.00160	.26360	.05250
.603	9.960	.00000	-.01000	.27610	-.13920	.03530	.00510	-.00420	.00190	.27310	.05340
.602	11.150	.00000	-.01000	.27390	-.13910	.03520	.00450	-.00420	.00180	.27100	.05310
.602	12.330	.00000	-.01000	.27750	-.14230	.03540	.00530	-.00430	.00180	.27460	.05360
.602	13.510	.00000	-.01000	.28080	-.15010	.03570	.00460	-.00440	.00210	.27780	.05410
.600	14.700	.00000	-.01000	.28800	-.15510	.03650	.00650	-.00450	.00200	.28500	.05540
.603	15.880	.00000	.00000	.28800	-.15870	.03600	.00500	-.00450	.00190	.28500	.05490
.600	17.070	.00000	.00000	.29560	-.16490	.03670	.00560	-.00450	.00190	.29260	.05600
.601	18.250	.00000	.00000	.29710	-.16970	.03670	.00540	-.00440	.00190	.29400	.05610
.602	19.440	.00000	.00000	.29620	-.17310	.03620	.00400	-.00420	.00190	.29320	.05560
.600	20.620	.00000	.00000	.30320	-.17830	.03670	.00360	-.00400	.00190	.30020	.05650
.601	21.790	.00000	.01000	.30860	-.18180	.03730	.00430	-.00380	.00180	.30550	.05740
.602	22.980	.00000	.01000	.31000	-.18510	.03720	.00310	-.00340	.00170	.30680	.05740
.602	24.160	.00000	.01000	.31300	-.18860	.03730	.00250	-.00290	.00150	.30980	.05780
.603	25.350	.00000	.01000	.31190	-.19090	.03670	.00020	-.00240	.00150	.30880	.05710
.603	26.530	.00000	.01000	.31460	-.19470	.03690	-.00050	-.00190	.00110	.31160	.05740
.604	27.720	.00000	.01000	.32120	-.19540	.03750	-.00030	-.00140	.00110	.31810	.05850
.604	28.900	.00000	.02000	.32160	-.19730	.03720	-.00120	-.00090	.00110	.31840	.05820
.603	30.080	.00000	.02000	.32340	-.19950	.03690	-.00030	-.00030	.00100	.32030	.05800
.601	31.270	.00000	.02000	.32590	-.20160	.03670	-.00450	.00000	.00080	.32280	.05800
.602	32.450	.00000	.02000	.32980	-.20350	.03710	-.00380	.00030	.00060	.32660	.05870
.600	33.640	.00000	.02000	.33070	-.20710	.03670	-.00590	.00060	.00050	.32760	.05820
.600	34.820	.00000	.02000	.33610	-.20900	.03710	-.00520	.00080	.00030	.33290	.05900
.600	36.010	.00000	.03000	.33860	-.21060	.03720	-.00530	.00110	.00000	.33540	.05930
.601	37.180	.00000	.03000	.33910	-.21230	.03700	-.00540	.00120	.00010	.33600	.05920
.602	38.370	.00000	.03000	.33840	-.21340	.03680	-.00610	.00130	.00010	.33320	.05870
.600	39.550	.00000	.03000	.34510	-.21510	.03690	-.00600	.00130	.00010	.34190	.05940
.602	40.740	.00000	.03000	.34420	-.21760	.03680	-.00700	.00140	.00000	.34110	.05930
.601	41.920	.00000	.03000	.34340	-.21930	.03680	-.00750	.00150	.00030	.34020	.05920
.601	43.110	.00000	.03000	.34670	-.22040	.03670	-.00670	.00150	.00010	.34650	.05960
.602	44.290	.00000	.05000	.34970	-.22010	.03680	-.00590	.00150	.00010	.34650	.05960
.603	45.470	.00000	.05000	.35090	-.22130	.03670	-.00590	.00150	.00000	.34770	.05990
.602	46.660	.00000	.05000	.35400	-.22200	.03680	-.00640	.00140	.00010	.35080	.05960
.603	47.840	.00000	.05000	.35440	-.22270	.03670	-.00530	.00130	.00010	.35130	.05980
.604	49.030	.00000	.05000	.35100	-.22530	.03630	-.00660	.00120	.00000	.34790	.05920

DATE 29 MAR 76

CA-26 FORCE SOURCE DATA TABULATION

PAGE 1129

LTV44-559(CA26) 747/1 ATY 02 S1 (CARRIER DATA)

(YFE094) (18 NOV 75)

REFERENCE DATA

SREF = 5500.0000 SQ.FT. XMRP = 1339.9000 IN. XC
 LREF = 327.7800 IN. YMRP = .0000 IN. YC
 BREF = 2348.0400 IN. ZMRP = 190.7500 IN. ZC
 SCALE = .0125

PARAMETRIC DATA

ALPHAC = 4.000 BETAC = .000
 STAB = 5.000 ELEVON = 5.000
 BDFLAP = .000 DX = .000
 DY = .000 TORB = 8.000
 BETAO = 5.000 RUDDER = .000

RUN NO. 67/ 0 RN/L = .00 GRADIENT INTERVAL = -5.00/ 5.00

MACH	DZ	DY	DX	CN	CLM	CA	CY	CYN	CBL	CL	CD
.602	50.210	.00000	.06000	.35760	-.22640	.03700	-.00540	.00120	.00010	.35440	.06040
.603	51.400	.00000	.06000	.35600	-.22720	.03630	-.00680	.00130	.00010	.35280	.05950
.602	52.580	.00000	.06000	.35890	-.22780	.03620	-.00650	.00120	.00020	.35570	.05960
.601	53.760	.00000	.06000	.36180	-.22930	.03680	-.00510	.00120	.00010	.35860	.06040
.599	54.950	.00000	.06000	.36210	-.23040	.03690	-.00480	.00110	.00010	.35890	.06050
.601	56.130	.00000	.06000	.36180	-.23100	.03650	-.00550	.00110	.00020	.35860	.06010
	GRADIENT	.00000	-.00000	.00530	-.00735	.00025	.00014	-.00029	.00004	.00529	.00061

LTV44-559(CA26) 747/1 ATY 02 S1 (CARRIER DATA)

(YFE095) (18 NOV 75)

REFERENCE DATA

SREF = 5500.0000 SQ.FT. XMRP = 1339.9000 IN. XC
 LREF = 327.7800 IN. YMRP = .0000 IN. YC
 BREF = 2348.0400 IN. ZMRP = 190.7500 IN. ZC
 SCALE = .0125

PARAMETRIC DATA

ALPHAC = 4.000 BETAC = .000
 STAB = -1.000 ELEVON = 5.000
 BDFLAP = .000 DX = .000
 DY = .000 LORB = 4.000
 BETA0 = .000 RUDDER = .000

RUN NO. 68/ 0 RN/L = .00 GRADIENT INTERVAL = -5.00/ 5.00

MACH	OZ	DY	DX	CN	CLM	CA	CY	CYN	CEL	CL	CD
.596	1.760	.00000	-.13000	.24530	.12450	.03450	.00120	-.00170	.00010	.24220	.05170
.597	2.360	.00000	-.13000	.24710	.12510	.03430	.00190	-.00180	.00000	.24410	.05180
.595	2.970	.00000	-.13000	.25450	.12460	.03430	.00140	-.00170	.00010	.25150	.05230
.600	3.760	.00000	-.11000	.24790	.12210	.03380	.00060	-.00160	.00000	.24490	.05130
.597	4.560	.00000	-.11000	.25540	.12500	.03470	.00200	-.00170	.00000	.25230	.05270
.595	5.960	.00000	-.10000	.25780	.12150	.03420	.00150	-.00140	.00010	.25470	.05240
.599	7.970	.00000	-.09000	.25910	.11940	.03400	.00180	-.00150	.00000	.25610	.05230
.598	9.960	.00000	-.07000	.27050	.11070	.03380	.00190	-.00150	.00000	.26740	.05290
.598	10.900	.00000	-.06000	.26900	.11250	.03370	.00190	-.00150	.00020	.26600	.05270
.595	11.840	.00000	-.06000	.27470	.11180	.03410	.00110	-.00160	.00010	.27160	.05350
.598	12.780	.00000	-.05000	.26980	.10840	.03350	.00100	-.00140	.00030	.26670	.05250
.596	13.710	.00000	-.05000	.27510	.10730	.03400	.00030	-.00140	.00010	.27200	.05350
.595	14.650	.00000	-.03000	.27960	.10810	.03400	.00050	-.00150	.00000	.27650	.05380
.594	15.590	.00000	-.03000	.27840	.10520	.03380	.00020	-.00150	.00000	.27530	.05350
.598	16.530	.00000	-.02000	.27850	.10330	.03330	.00040	-.00130	.00000	.27540	.05230
.595	17.470	.00000	-.02000	.28530	.10240	.03400	.00090	-.00130	.00010	.28220	.05420
.597	18.410	.00000	-.01000	.28390	.09960	.03370	.00010	-.00120	.00010	.28080	.05380
.598	19.350	.00000	-.01000	.28270	.09980	.03340	.00020	-.00100	.00020	.27960	.05340
.598	20.280	.00000	.00000	.28420	.09660	.03330	-.00030	-.00100	.00030	.28110	.05340
.595	21.220	.00000	.00000	.29120	.09650	.03360	.00040	-.00100	.00020	.28810	.05420
.595	22.150	.00000	.01000	.29140	.09550	.03350	-.00070	-.00090	.00010	.28830	.05410
.596	23.090	.00000	.01000	.29240	.09570	.03310	.00070	-.00080	.00000	.28930	.05380
.597	24.030	.00000	.02000	.29380	.09340	.03310	-.00080	-.00080	.00000	.29070	.05390
.597	24.960	.00000	.02000	.29660	.09280	.03330	-.00020	-.00070	.00000	.29350	.05430
.600	25.910	.00000	.03000	.29410	.09310	.03280	.00030	-.00070	.00000	.29100	.05360
.599	26.850	.00000	.05000	.29900	.09150	.03290	-.00110	-.00070	-.00010	.29590	.05410
.600	27.780	.00000	.05000	.29700	.08960	.03250	-.00120	-.00060	-.00010	.29400	.05350
.598	28.720	.00000	.06000	.30320	.09070	.03300	-.00040	-.00080	.00000	.30010	.05450
.599	29.660	.00000	.06000	.29940	.08940	.03220	.00010	-.00060	.00000	.29640	.05340
.596	30.600	.00000	.07000	.30600	.08990	.03270	.00010	-.00070	.00010	.30290	.05440
.599	31.530	.00000	.07000	.30080	.08800	.03200	-.00010	-.00060	.00000	.29780	.05330
.598	32.470	.00000	.09000	.30230	.08690	.03240	-.00080	-.00050	-.00010	.29920	.05390
.597	33.410	.00000	.09000	.30650	.08690	.03220	-.00050	-.00070	.00000	.30340	.05390
.594	34.350	.00000	.10000	.30770	.08540	.03260	-.00010	-.00070	.00000	.30460	.05440
.594	35.290	.00000	.10000	.31040	.08610	.03250	-.00080	-.00070	.00000	.30730	.05450
.597	36.230	.00000	.11000	.30420	.08530	.03180	-.00010	-.00060	.00010	.30120	.05330
.598	37.170	.00000	.13000	.30660	.08560	.03160	-.00030	-.00060	.00000	.30350	.05340
.597	38.100	.00000	.13000	.30950	.08360	.03180	-.00120	-.00060	.00000	.30650	.05370
.598	39.040	.00000	.14000	.30930	.08250	.03160	-.00090	-.00060	.00000	.30620	.05360
.594	39.980	.00000	.14000	.31730	.08490	.03220	-.00020	-.00070	.00000	.31420	.05470
.599	40.920	.00000	.15000	.30890	.08250	.03170	-.00080	-.00070	.00000	.30590	.05360
.596	41.850	.00000	.15000	.31570	.08410	.03180	-.00070	-.00070	.00010	.31260	.05420

DATE 29 MAR 76

CA-26 FORCE SOURCE DATA TABULATION

PAGE 1131

LTV44-559(CA26) 747/1 ATY 02 SI (CARRIER DATA)

(YFE095) (18 NOV 75)

REFERENCE DATA

SREF = 5500.0000 SQ.FT. XMRP = 1339.9000 IN. XC
LREF = 327.7800 IN. YMRP = .0000 IN. YC
BREF = 2348.0400 IN. ZMRP = 190.7500 IN. ZC
SCALE = .0125

PARAMETRIC DATA

ALPHAC = 4.000 BETAC = .000
STAB = -1.000 ELEVON = 5.000
BDFLAP = .000 DX = .000
DY = .000 IORB = 4.000
BETA0 = .000 RUDDER = .000

RUN NO. 68/ 0 RN/L = .00 GRADIENT INTERVAL = -5.00/ 5.00

MACH	DZ	DY	DX	CN	CLM	CA	CY	CYN	CBL	CL	CD
.599	42.790	.00000	.16000	.31500	.08160	.03110	-.00060	-.00070	.00000	.31200	.05340
	GRADIENT	.00000	.00875	.00292	-.00027	-.00000	.00005	.00003	-.00003	.00291	.00022

LTV44-559(CA26) 747/1 ATY 02 S1 (CARRIER DATA)

(YFE096) (18 NOV 75)

REFERENCE DATA

SREF = 5500.0000 SQ.FT. XMRP = 1339.9000 IN. XC
 LREF = 327.7800 IN. YMRP = .0000 IN. YC
 BREF = 2348.0400 IN. ZMRP = 190.7500 IN. ZC
 SCALE = .0125

PARAMETRIC DATA

ALPHAC = 4.000 BETAC = .000
 STAB = -1.000 ELEVON = 5.000
 BDFLAP = .000 DX = .000
 DY = .000 TORB = 6.000
 BETAO = .000 RUDDER = .000

RUN NO. 1068/ 0 RN/L = .00 GRADIENT INTERVAL = -5.00/ 5.00

MACH	DZ	DY	DX	CN	CLM	CA	CY	CYN	CBL	CL	CD
.597	1.480	.00000	-.14000	.21710	.16900	.03200	.00050	-.00200	.00020	.21420	.04740
.596	1.770	.00000	-.14000	.22250	.16720	.03190	.00110	-.00180	.00030	.21970	.04760
.599	2.370	.00000	-.14000	.22050	.16360	.03180	.00070	-.00190	.00030	.21770	.04740
.597	2.970	.00000	-.13000	.22170	.16580	.03200	.00070	-.00190	.00010	.21890	.04770
.598	3.770	.00000	-.13000	.22780	.15820	.03230	.00060	-.00180	.00010	.22490	.04840
.597	4.570	.00000	-.11000	.22860	.15860	.03220	.00050	-.00180	.00020	.22570	.04840
.598	5.970	.00000	-.10000	.24010	.14660	.03240	.00020	-.00160	.00020	.23710	.04940
.597	7.970	.00000	-.09000	.24120	.14020	.03220	.00100	-.00150	.00050	.23830	.04920
.595	9.970	.00000	-.07000	.24510	.14000	.03260	.00140	-.00150	.00030	.24220	.04990
.595	11.190	.00000	-.06000	.25090	.13090	.03280	.00080	-.00150	.00020	.24790	.05060
.597	12.410	.00000	-.06000	.25620	.12710	.03290	.00060	-.00150	.00030	.25320	.05100
.598	13.620	.00000	-.05000	.25600	.12580	.03280	.00030	-.00150	.00030	.25300	.05100
.597	14.830	.00000	-.03000	.26230	.12270	.03300	-.00020	-.00130	.00010	.25930	.05160
.595	16.050	.00000	-.03000	.26520	.12060	.03300	.00040	-.00120	.00020	.26210	.05170
.597	17.260	.00000	-.02000	.26800	.11800	.03320	-.00070	-.00120	.00010	.26490	.05220
.596	18.480	.00000	-.01000	.26900	.11470	.03290	-.00040	-.00100	.00000	.26600	.05190
.597	19.690	.00000	-.01000	.27270	.11310	.03280	-.00060	-.00110	-.00010	.26970	.05210
.595	20.910	.00000	.00000	.27400	.11340	.03270	.00010	-.00090	.00020	.27100	.05200
.598	22.120	.00000	.01000	.27540	.10960	.03270	-.00080	-.00080	.00010	.27240	.05220
.599	23.330	.00000	.02000	.27770	.10770	.03240	-.00140	-.00070	.00010	.27470	.05200
.599	24.550	.00000	.02000	.28040	.10650	.03250	-.00150	-.00080	.00020	.27730	.05240
.596	25.770	.00000	.03000	.28310	.10730	.03230	-.00020	-.00070	.00020	.28010	.05230
.597	26.980	.00000	.05000	.28440	.10360	.03230	-.00060	-.00060	.00000	.28140	.05240
.594	28.190	.00000	.05000	.28890	.10540	.03260	-.00040	-.00060	.00020	.28580	.05300
.596	29.410	.00000	.06000	.28850	.10280	.03210	-.00020	-.00060	.00000	.28550	.05250
.595	30.620	.00000	.07000	.29360	.10100	.03250	.00000	-.00060	.00000	.29050	.05330
.596	31.840	.00000	.09000	.29540	.10070	.03220	-.00030	-.00070	.00000	.29240	.05320
.597	33.060	.00000	.09000	.29580	.09800	.03210	-.00090	-.00060	.00000	.29280	.05310
.596	34.270	.00000	.10000	.29680	.09800	.03220	-.00130	-.00060	.00000	.29380	.05320
.597	35.490	.00000	.11000	.29550	.09740	.03190	-.00170	-.00060	.00010	.29250	.05290
.596	36.700	.00000	.11000	.30060	.09680	.03210	-.00090	-.00070	.00000	.29760	.05340
.596	37.910	.00000	.13000	.29950	.09510	.03190	-.00110	-.00060	-.00020	.29550	.05310
.595	39.130	.00000	.14000	.30420	.09600	.03190	-.00140	-.00070	.00000	.30110	.05340
.595	40.350	.00000	.15000	.30850	.09400	.03180	-.00010	-.00060	.00010	.30550	.05370
.537	41.560	.00000	.15000	.30670	.09440	.03160	-.00050	-.00060	.00010	.30370	.05330
.599	42.780	.00000	.16000	.30510	.09110	.03120	-.00150	-.00050	.00040	.30210	.05280
.599	43.990	.00000	.16000	.30320	.09020	.03150	-.00130	-.00060	.00010	.30020	.05300
.597	45.210	.00000	.18000	.30930	.09080	.03150	-.00090	-.00050	.00000	.30620	.05350
.595	46.420	.00000	.19000	.31320	.09120	.03140	-.00050	-.00060	.00030	.31020	.05370
.597	47.630	.00000	.20000	.30820	.08820	.03140	-.00060	-.00060	.00010	.30520	.05320
.597	48.850	.00000	.20000	.30810	.08830	.03120	-.00120	-.00060	.00000	.30510	.05310
	GRADIENT	.00000	.00895	.00335	-.00347	.00012	-.00008	.00004	-.00004	.00333	.00036

LTV44-559(CA26) 747/1 ATY 02 S1 (CARRIER DATA)

(YFE097) (18 NOV 75)

REFERENCE DATA

SREF = 5500.0000 SQ.FT. XMRP = 1339.9000 IN. XC
 LREF = 327.7800 IN. YMRP = .0000 IN. YC
 BREF = 2348.0400 IN. ZMRP = 190.7500 IN. ZC
 SCALE = .0125

PARAMETRIC DATA

ALPHAC = 4.000 BETAC = .000
 STAB = -1.000 ELEVON = 5.000
 BDFLAP = .000 DX = .000
 DY = .000 IORB = 8.000
 BETAO = .000 RUDDER = .000

RUN NO. 69/ 0 RN/L = .00 GRADIENT INTERVAL = -5.00/ 5.00

MACH	DZ	DY	DX	CN	CLM	CA	CY	CYN	CBL	CL	CD
.596	1.760	.00000	-.15000	.17630	.22640	.02930	.00120	-.00260	.00030	.17380	.04190
.597	2.360	.00000	-.14000	.17650	.22610	.02940	.00120	-.00250	.00040	.17400	.04200
.596	2.970	.00000	-.14000	.18320	.22320	.02980	.00210	-.00270	.00040	.18060	.04290
.596	3.960	.00000	-.13000	.18630	.22500	.03030	.00100	-.00270	.00040	.18370	.04360
.597	4.960	.00000	-.13000	.19430	.21330	.03070	.00010	-.00230	.00030	.19160	.04460
.597	6.210	.00000	-.11000	.19410	.21270	.03050	.00000	-.00220	.00040	.19140	.04440
.596	7.460	.00000	-.10000	.19770	.20900	.03060	.00020	-.00230	.00050	.19490	.04470
.595	8.710	.00000	-.09000	.20510	.20050	.03130	-.00020	-.00200	.00030	.20230	.04590
.596	9.960	.00000	-.07000	.21780	.18690	.03200	-.00050	-.00180	.00030	.21500	.04750
.596	11.150	.00000	-.07000	.21520	.18440	.03170	-.00090	-.00170	.00030	.21230	.04700
.596	12.330	.00000	-.06000	.22000	.18300	.03210	-.00110	-.00180	.00040	.21710	.04780
.598	13.510	.00000	-.05000	.22110	.17340	.03210	-.00020	-.00180	.00020	.21820	.04780
.597	14.700	.00000	-.03000	.22130	.16840	.03200	.00000	-.00170	.00030	.21840	.04770
.596	15.880	.00000	-.03000	.22750	.16260	.03230	-.00020	-.00150	.00030	.22460	.04840
.594	17.070	.00000	-.02000	.23250	.15890	.03240	-.00030	-.00150	.00030	.22960	.04890
.596	18.250	.00000	-.01000	.23540	.15500	.03240	-.00020	-.00160	.00050	.23250	.04910
.598	19.440	.00000	-.01000	.23950	.15210	.03290	-.00040	-.00170	.00050	.23660	.04990
.595	20.620	.00000	.00000	.24310	.14680	.03300	-.00020	-.00150	.00010	.24010	.05020
.596	21.790	.00000	.01000	.24470	.14280	.03270	-.00070	-.00140	.00030	.24180	.05010
.597	22.980	.00000	.01000	.24780	.14080	.03280	-.00080	-.00150	.00010	.24480	.05040
.596	24.160	.00000	.02000	.25030	.13690	.03280	-.00060	-.00130	.00020	.24730	.05050
.597	25.350	.00000	.03000	.25210	.13560	.03270	-.00100	-.00120	.00020	.24910	.05050
.595	26.530	.00000	.03000	.25750	.13350	.03280	-.00120	-.00120	.00010	.25450	.05110
.595	27.720	.00000	.05000	.25820	.13310	.03280	-.00100	-.00120	.00020	.25520	.05100
.598	28.900	.00000	.06000	.26040	.13120	.03250	-.00210	-.00110	.00020	.25750	.05100
.596	30.080	.00000	.07000	.26460	.12990	.03260	-.00210	-.00110	-.00010	.26160	.05140
.594	31.270	.00000	.07000	.27030	.12740	.03310	-.00100	-.00090	.00000	.26720	.05230
.598	32.450	.00000	.09000	.26830	.12450	.03280	-.00190	-.00090	.00000	.26530	.05180
.598	33.640	.00000	.10000	.27100	.12190	.03230	-.00170	-.00080	.00020	.26800	.05150
.594	34.820	.00000	.10000	.27550	.12350	.03260	-.00170	-.00090	.00020	.27240	.05210
.597	36.010	.00000	.11000	.27400	.12070	.03240	-.00170	-.00070	.00010	.27100	.05190
.596	37.190	.00000	.13000	.27640	.11900	.03240	-.00200	-.00080	.00000	.27340	.05200
.596	38.370	.00000	.13000	.27980	.11610	.03260	-.00280	-.00070	-.00010	.27670	.05250
.598	39.550	.00000	.14000	.27800	.11460	.03200	-.00160	-.00070	.00000	.27510	.05170
.537	40.740	.00000	.15000	.28340	.11410	.03190	-.00230	-.00060	.00010	.28040	.05200
.598	41.920	.00000	.15000	.28250	.11340	.03190	-.00140	-.00070	.00000	.27950	.05190
.595	43.110	.00000	.16000	.28670	.11380	.03230	-.00280	-.00070	.00000	.28370	.05260
.595	44.290	.00000	.18000	.28960	.10980	.03250	-.00260	-.00070	.00000	.28650	.05300
.596	45.470	.00000	.19000	.29330	.11030	.03230	-.00220	-.00070	.00000	.29030	.05320
.594	46.660	.00000	.19000	.29210	.10800	.03220	-.00230	-.00070	.00000	.28910	.05290
.597	47.840	.00000	.20000	.29100	.10730	.03210	-.00190	-.00080	.00010	.28810	.05270
.595	49.030	.00000	.22000	.29330	.10680	.03180	-.00130	-.00070	.00000	.29030	.05260

ORIGINAL PAGE IS
 OF POOR QUALITY

LTV44-559(CA26) 747/1 ATY 02 S1 (CARRIER DATA)

(YFE097) (18 NOV 75)

REFERENCE DATA

SREF = 5500.0000 SQ.FT. XMRP = 1339.9000 IN. XC
 LREF = 327.7800 IN. YMRP = .0000 IN. YC
 BREF = 2348.0400 IN. ZMRP = 190.7500 IN. ZC
 SCALE = .0125

PARAMETRIC DATA

ALPHAC = 4.000 BETAC = .000
 STAB = -1.000 ELEVON = 5.000
 BDFLAP = .000 DX = .000
 DY = .000 TORB = 8.000
 BETAO = .000 RUDDER = .000

RUN NO. 69/ 0 RN/L = .00 GRADIENT INTERVAL = -5.00/ 5.00

MACH	DZ	DY	DX	CN	CLM	CA	CY	CYN	CBL	CL	CD
.597	50.210	.00000	.22000	.29520	.10570	.03190	-.00160	-.00080	.00010	.29220	.05290
.595	51.400	.00000	.23000	.29700	.10570	.03180	-.00130	-.00080	.00010	.29400	.05290
.595	52.580	.00000	.24000	.30010	.10440	.03200	-.00160	-.00080	.00010	.29700	.05340
.598	53.760	.00000	.26000	.29900	.10160	.03170	-.00200	-.00070	.00000	.29600	.05290
.596	54.950	.00000	.26000	.30150	.10350	.03170	-.00210	-.00080	-.00010	.29840	.05320
.595	56.130	.00000	.27000	.30300	.10270	.03190	-.00260	-.00080	.00000	.30000	.05350
	GRADIENT	.00000	.00608	.00576	-.00399	.00046	-.00035	.00006	-.00000	.00569	.00088

DATE 29 MAR 76

CA-26 FORCE SOURCE DATA TABULATION

PAGE 1135

LTV44-559(CA26) 747/1 ATY 02 S1 (CARRIER DATA)

(YFE098) (18 NOV 75)

REFERENCE DATA

SREF = 5500.0000 SQ.FT. XMRP = 1339.9000 IN. XC
 LREF = 327.7800 IN. YMRP = .0000 IN. YC
 BREF = 2348.0400 IN. ZMRP = 190.7500 IN. ZC
 SCALE = .0125

PARAMETRIC DATA

ALPHAC = 4.000 BETAC = .000
 STAB = 5.000 ELEVON = .000
 BDFLAP = .000 DX = .000
 DY = .000 IORB = 4.000
 BETAO = .000 RUDDER = .000

RUN NO. 70/ 0 RN/L = .00 GRADIENT INTERVAL = -5.00/ 5.00

MACH	DZ	DY	DX	CN	CLM	CA	CY	CYN	CBL	CL	CD
.600	1.760	.00000	-.01000	.31960	-.24220	.04180	.00140	-.00130	.00010	.31620	.06230
.600	2.360	.00000	-.01000	.32030	-.24250	.04170	.00060	-.00120	.00010	.31690	.06230
.600	2.970	.00000	-.01000	.32690	-.24230	.04140	.00170	-.00130	.00020	.32350	.06240
.599	3.760	.00000	-.01000	.32720	-.24230	.04140	.00150	-.00130	.00000	.32380	.06250
.599	4.560	.00000	-.01000	.32950	-.24430	.04170	.00100	-.00120	.00010	.32620	.06290
.599	5.960	.00000	-.01000	.33400	-.24320	.04150	.00050	-.00110	.00000	.33060	.06300
.599	7.970	.00000	-.01000	.33960	-.24500	.04110	.00100	-.00110	.00040	.33620	.06300
.599	9.960	.00000	-.01000	.34310	-.24650	.04060	.00120	-.00090	.00010	.33970	.06280
.600	10.900	.00000	.00000	.34440	-.24680	.04070	.00080	-.00090	.00010	.34110	.06290
.600	11.840	.00000	.00000	.34820	-.24570	.04100	.00010	-.00090	.00010	.34480	.06350
.600	12.780	.00000	.00000	.34650	-.24750	.04060	.00080	-.00100	.00010	.34320	.06300
.599	13.710	.00000	.00000	.34920	-.24680	.04040	.00050	-.00090	.00000	.34580	.06300
.598	14.650	.00000	.00000	.35120	-.24880	.04050	.00010	-.00090	.00010	.34790	.06320
.598	15.590	.00000	.00000	.35340	-.24790	.04070	.00000	-.00080	.00010	.35000	.06360
.599	16.530	.00000	.00000	.35270	-.24700	.04010	.00010	-.00080	.00010	.34940	.06290
.598	17.470	.00000	.00000	.35580	-.24550	.04000	.00000	-.00080	.00000	.35250	.06360
.599	18.410	.00000	.00000	.35800	-.24770	.04040	.00040	-.00080	.00010	.35460	.06360
.598	19.350	.00000	.00000	.36150	-.24870	.04040	.00000	-.00080	.00000	.35810	.06380
.598	20.280	.00000	.00000	.36060	-.24600	.03980	-.00030	-.00070	.00000	.35720	.06320
.598	21.220	.00000	.00000	.36410	-.24790	.04010	-.00030	-.00080	.00000	.36070	.06380
.600	22.150	.00000	.01000	.36100	-.24700	.03940	-.00010	-.00050	.00000	.35770	.06280
.600	23.090	.00000	.01000	.36370	-.24900	.03970	-.00010	-.00070	.00000	.36030	.06330
.598	24.030	.00000	.01000	.36980	-.24930	.03990	-.00040	-.00070	-.00010	.36640	.06400
.598	24.960	.00000	.01000	.36810	-.24880	.03980	-.00040	-.00060	-.00010	.36470	.06380
.598	25.310	.00000	.01000	.37160	-.24320	.03960	-.00080	-.00070	-.00010	.36820	.06380
.604	26.850	.00000	.01000	.36340	-.24440	.03880	.00000	-.00070	.00000	.36010	.06240
.602	27.780	.00000	.01000	.36880	-.24620	.03870	.00070	-.00060	.00000	.36550	.06270
.602	28.720	.00000	.01000	.37220	-.24670	.03910	-.00030	-.00080	.00000	.36890	.06340
.600	29.660	.00000	.02000	.37300	-.24630	.03850	-.00010	-.00070	.00000	.36970	.06290
.603	30.600	.00000	.02000	.37350	-.24360	.03840	-.00060	-.00070	.00010	.37010	.06280
.600	31.530	.00000	.02000	.37690	-.24750	.03870	-.00040	-.00080	.00000	.37360	.06330
.601	32.470	.00000	.02000	.37400	-.24620	.03850	-.00040	-.00080	.00000	.37070	.06280
.600	33.410	.00000	.02000	.37650	-.24870	.03840	.00010	-.00080	.00000	.37320	.06300
.599	34.350	.00000	.02000	.37820	-.24650	.03840	-.00070	-.00080	-.00030	.37400	.06310
.599	35.290	.00000	.02000	.37710	-.24790	.03810	-.00010	-.00080	.00000	.37370	.06270
.600	36.230	.00000	.03000	.37700	-.24730	.03810	-.00010	-.00090	-.00010	.37370	.06270
.599	37.170	.00000	.03000	.38080	-.24870	.03830	-.00040	-.00070	.00010	.37750	.06320
.598	38.100	.03000	.03000	.38430	-.24950	.03830	-.00030	-.00070	.00000	.38100	.06340
.601	39.040	.00000	.03000	.38190	-.24540	.03770	-.00030	-.00070	-.00020	.37860	.06270
.599	39.980	.00000	.03000	.38330	-.24870	.03800	.00000	-.00080	-.00020	.37990	.06310
.600	40.920	.00000	.03000	.38210	-.24790	.03800	.00010	-.00080	.00000	.37880	.06300
.599	41.850	.00000	.03000	.38370	-.24770	.03790	.00010	-.00080	.00000	.38040	.06290

DATE 29 MAR 76

CA-26 FORCE SOURCE DATA TABULATION

PAGE 1136

LTV44-559(CA26) 747/1 ATY 02 S1 (CARRIER DATA)

(YFE098) (18 NOV 75)

REFERENCE DATA

SREF =	5500.0000 SQ.FT.	XMRP =	1339.9000 IN. XC
LREF =	327.7800 IN.	YMRP =	.0000 IN. YC
BREF =	2348.0400 IN.	ZMRP =	190.7500 IN. ZC
SCALE =	.0125		

PARAMETRIC DATA

ALPHAC =	4.000	BETAC =	.000
STAB =	5.000	ELEVON =	.000
BDFLAP =	.000	DX =	.000
DY =	.000	IORB =	4.000
BETA0 =	.000	RUDDER =	.000

RUN NO.	70/ 0	RN/L =	.00	GRADIENT INTERVAL =	-5.00/ 5.00
---------	-------	--------	-----	---------------------	-------------

MACH	DZ	DY	DX	CN	CLM	CA	CY	CYN	CBL	CL	CD
.601	42.790	.00000	.05000	.38500	-.24880	.03750	.00000	-.00090	.00000	.38170	.06270
	GRADIENT	.00000	.00000	.00375	-.00060	-.00006	.00000	.00002	-.00002	.00378	.00021

LTV44-559(CA26) 747/1 ATY 02 S1 (CARRIER DATA)

(YFE099) (18 NOV 75)

REFERENCE DATA

SREF = 5500.0000 SQ.FT. XMRP = 1339.9000 IN. XC
 LREF = 327.7800 IN. YMRP = .0000 IN. YC
 BREF = 2348.0400 IN. ZMRP = 190.7500 IN. ZC
 SCALE = .0125

PARAMETRIC DATA

ALPHAC = 4.000 BETAC = .000
 STAB = 5.000 ELEVON = .000
 BDFLAP = .000 DX = .000
 DY = .000 IORB = 6.000
 BETAO = .000 RUDDER = .000

RUN NO. 1070/ 0 RN/L = .00 GRADIENT INTERVAL = -5.00/ 5.00

MACH	DZ	DY	DX	CN	CLM	CA	CY	CYN	CBL	CL	CD
.599	1.480	.00000	-.02000	.28750	-.18570	.03870	.00070	-.00150	.00020	.28440	.05740
.603	1.770	.00000	-.02000	.29430	-.19390	.03910	-.00050	-.00140	.00010	.29110	.05820
.600	2.370	.00000	-.01000	.29670	-.19570	.03890	.00000	-.00140	.00010	.29350	.05810
.599	2.970	.00000	-.01000	.29490	-.19500	.03910	-.00080	-.00140	.00000	.29170	.05820
.597	3.770	.00000	-.01000	.30520	-.20430	.03950	-.00040	-.00110	.00020	.30200	.05920
.597	4.570	.00000	-.01000	.30650	-.20440	.03960	-.00080	-.00120	.00000	.30330	.05940
.600	5.970	.00000	-.01000	.31330	-.21180	.03930	-.00030	-.00100	.00010	.31010	.05960
.600	7.970	.00000	-.01000	.32230	-.21250	.03970	-.00090	-.00100	.00000	.31900	.06060
.599	9.970	.00000	-.01000	.31950	-.21400	.03970	-.00080	-.00100	.00020	.31620	.06040
.600	11.190	.00000	-.01000	.32640	-.21920	.03930	-.00060	-.00080	.00020	.32320	.06050
.598	12.410	.00000	.00000	.33100	-.22210	.03950	-.00070	-.00100	.00000	.32770	.06100
.596	13.620	.00000	.00000	.33620	-.22540	.03950	-.00060	-.00070	.00000	.33290	.06130
.597	14.830	.00000	.00000	.33780	-.22570	.03910	-.00110	-.00070	.00000	.33450	.06110
.594	16.050	.00000	.00000	.34440	-.22820	.03980	-.00190	-.00070	.00000	.34110	.06220
.598	17.260	.00000	.00000	.34100	-.22550	.03900	-.00040	-.00060	.00010	.33780	.06110
.598	18.480	.00000	.00000	.34430	-.22580	.03880	-.00080	-.00050	.00000	.34100	.06120
.600	19.690	.00000	.00000	.34380	-.22670	.03820	-.00090	-.00030	.00000	.34050	.06060
.597	20.910	.00000	.00000	.35010	-.23020	.03930	-.00140	-.00050	.00000	.34680	.06200
.596	22.120	.00000	.00000	.35380	-.22900	.03910	-.00120	-.00050	.00000	.35050	.06210
.600	23.330	.00000	.01000	.35130	-.22860	.03800	-.00070	-.00040	.00010	.34810	.06090
.599	24.550	.00000	.01000	.35320	-.23150	.03840	-.00100	-.00050	-.00010	.35000	.06140
.597	25.770	.00000	.01000	.35770	-.23380	.03880	-.00170	-.00050	.00000	.35440	.06210
.600	26.980	.00000	.01000	.35610	-.23280	.03830	-.00100	-.00040	.00000	.35280	.06150
.601	28.190	.00000	.01000	.35860	-.23130	.03820	-.00130	-.00050	-.00010	.35540	.06160
.600	29.410	.00000	.02000	.36190	-.23230	.03800	-.00050	-.00040	.00000	.35860	.06170
.595	30.620	.00000	.02000	.37060	-.23850	.03870	-.00080	-.00060	.00000	.36720	.06290
.599	31.840	.00000	.02000	.36300	-.23500	.03800	-.00070	-.00060	.00000	.35970	.06170
.601	33.060	.00000	.02000	.36250	-.23680	.03800	-.00080	-.00060	.00020	.35920	.06160
.599	34.270	.00000	.02000	.36500	-.23820	.03800	-.00050	-.00050	.00000	.36180	.06180
.600	35.490	.00000	.02000	.36510	-.23590	.03790	-.00050	-.00050	.00000	.36180	.06170
.599	36.700	.00000	.03000	.36930	-.23740	.03790	-.00050	-.00050	.00000	.36600	.06200
.598	37.910	.00000	.03000	.37180	-.23670	.03770	-.00090	-.00060	.00010	.36850	.06200
.600	39.130	.00000	.03000	.37110	-.23740	.03780	-.00070	-.00060	.00000	.36780	.06200
.600	40.350	.00000	.03000	.36810	-.23840	.03740	-.00050	-.00070	.00010	.36480	.06140
.598	41.560	.00000	.03000	.37310	-.24070	.03780	-.00040	-.00070	.00010	.36980	.06220
.599	42.780	.00000	.05000	.37300	-.23870	.03740	-.00050	-.00060	.00000	.36970	.06180
.597	43.990	.00000	.05000	.37560	-.24250	.03770	.00000	-.00070	.00010	.37230	.06220
.597	45.210	.00000	.05000	.37660	-.24060	.03750	-.00040	-.00060	.00010	.37340	.06210
.598	46.420	.00000	.05000	.38010	-.24050	.03750	-.00020	-.00070	.00010	.37680	.06240
.597	47.630	.00000	.05000	.38120	-.24080	.03750	-.00070	-.00070	.00000	.37790	.06250
.601	48.850	.00000	.06000	.38090	-.23800	.03740	-.00090	-.00060	.00000	.37760	.06230
GRADIENT		.00000	.00338	.00561	-.00544	.00027	-.00033	.00011	-.00003	.00560	.00059

LTV44-559(CA26) 747/1 ATY 02 S1 (CARRIER DATA)

(YFE100) (18 NOV 75)

REFERENCE DATA

SREF = 5500.0000 SQ.FT. XMRP = 1339.9000 IN. XC
 LREF = 327.7800 IN. YMRP = .0000 IN. YC
 BREF = 2348.0400 IN. ZMRP = 190.7500 IN. ZC
 SCALE = .0125

PARAMETRIC DATA

ALPHAC = 4.000 BETAC = .000
 STAB = 5.000 ELEVON = .000
 SDFLAP = .000 DX = .000
 DY = .000 IORB = 8.000
 BETAG = .000 RUDDER = .000

RUN NO. 717 0 RN/L = .00 GRADIENT INTERVAL = -5.00/ 5.00

MACH	DZ	DY	DX	CN	CLM	CA	CY	CYN	CBL	CL	CD
.597	1.760	.00000	-.03000	.25550	-.12520	.03700	-.00100	-.00170	.00050	.25250	.05370
.597	2.360	.00000	-.02000	.25450	-.12580	.03700	-.00010	-.00180	.00040	.25150	.05360
.597	2.970	.00000	-.02000	.26090	-.13300	.03720	-.00040	-.00150	.00050	.25790	.05430
.597	3.960	.00000	-.02000	.26240	-.13350	.03720	-.00020	-.00150	.00030	.25940	.05440
.599	4.960	.00000	-.02000	.27080	-.14420	.03740	-.00040	-.00150	.00030	.26770	.05510
.598	6.210	.00000	-.02000	.27410	-.14610	.03750	-.00040	-.00150	.00030	.27100	.05540
.597	7.460	.00000	-.02000	.27800	-.14820	.03770	.00000	-.00150	.00030	.27490	.05590
.595	8.710	.00000	-.01000	.28070	-.15580	.03780	.00000	-.00140	.00030	.27760	.05620
.598	9.960	.00000	-.01000	.28990	-.16720	.03760	.00000	-.00130	.00030	.28680	.05650
.598	11.150	.00000	-.01000	.29350	-.16880	.03820	-.00060	-.00130	.00030	.29030	.05740
.600	12.330	.00000	-.01000	.29180	-.17100	.03800	-.00100	-.00110	.00020	.28870	.05700
.597	13.510	.00000	-.01000	.29770	-.17680	.03810	-.00130	-.00110	.00010	.29450	.05750
.598	14.700	.00000	.00000	.30420	-.18060	.03870	-.00090	-.00110	.00020	.30100	.05850
.598	15.880	.00000	.00000	.30840	-.18400	.03860	-.00100	-.00090	.00010	.30520	.05870
.598	17.070	.00000	.00000	.31200	-.18740	.03870	-.00140	-.00090	.00020	.30880	.05910
.598	18.250	.00000	.00000	.31220	-.19120	.03830	-.00110	-.00070	.00010	.30910	.05870
.598	19.440	.00000	.00000	.32060	-.19400	.03900	-.00180	-.00030	.00000	.31740	.05990
.595	20.620	.00000	.00000	.32340	-.20040	.03890	-.00090	-.00060	.00000	.32010	.06000
.598	21.790	.00000	.01000	.32470	-.19930	.03870	-.00120	-.00040	.00000	.32150	.05990
.597	22.980	.00000	.01000	.32800	-.20240	.03860	-.00130	-.00040	.00000	.32470	.06000
.601	24.160	.00000	.01000	.32620	-.20020	.03840	-.00250	-.00040	-.00010	.32300	.05970
.598	25.350	.00000	.01000	.33060	-.20590	.03860	-.00190	-.00040	-.00010	.32740	.06010
.600	26.530	.00000	.01000	.33200	-.20670	.03860	-.00190	-.00030	.00000	.32870	.06020
.597	27.720	.00000	.01000	.33490	-.21010	.03830	-.00250	-.00020	.00000	.33170	.06010
.597	28.900	.00000	.02000	.33750	-.20930	.03840	-.00190	-.00020	.00000	.33420	.06040
.598	30.060	.00000	.02000	.34120	-.21340	.03820	-.00130	-.00010	.00000	.33800	.06040
.598	31.270	.00000	.02000	.34560	-.21210	.03860	-.00250	-.00010	-.00010	.34230	.06120
.598	32.450	.00000	.02000	.34670	-.21400	.03830	-.00200	-.00010	.00000	.34340	.06090
.597	33.640	.00000	.02000	.34710	-.21720	.03880	-.00220	-.00030	.00010	.34380	.06140
.598	34.820	.00000	.02000	.34670	-.21770	.03790	-.00190	-.00020	.00010	.34350	.06050
.597	36.010	.00000	.03000	.35240	-.21960	.03840	-.00180	-.00040	.00000	.34910	.06140
.598	37.180	.00000	.03000	.35240	-.22110	.03810	-.00130	-.00030	.00000	.34920	.06110
.599	38.370	.00000	.03000	.35370	-.21950	.03780	-.00220	-.00040	-.00020	.35050	.06090
.598	39.550	.00000	.03000	.35460	-.22070	.03820	-.00200	-.00030	.00000	.35130	.06130
.536	40.740	.00000	.03000	.36090	-.22500	.03830	-.00180	-.00050	-.00010	.35760	.06190
.597	41.920	.00000	.03000	.35930	-.22490	.03790	-.00130	-.00040	.00000	.35600	.06140
.593	43.110	.00000	.05000	.35900	-.22470	.03770	-.00110	-.00030	.00000	.35570	.06110
.597	44.290	.00000	.05000	.36270	-.22550	.03770	-.00150	-.00030	.00000	.35950	.06140
.599	45.470	.00000	.05000	.36040	-.22610	.03740	-.00120	-.00050	.00010	.35720	.06100
.597	46.660	.00000	.05000	.36660	-.22780	.03770	-.00140	-.00040	-.00010	.36340	.06170
.598	47.840	.00000	.05000	.36330	-.22670	.03730	-.00140	-.00050	.00000	.36010	.06110
.596	49.030	.00000	.06000	.36940	-.22840	.03740	-.00150	-.00040	.00000	.36620	.06160

DATE 29 MAR 76

CA-26 FORCE SOURCE DATA TABULATION

PAGE 1139

LTV44-559(CA26) 747/1 ATY 02 S1 (CARRIER DATA)

(YFE100) (18 NOV 75)

REFERENCE DATA

SREF = 5500.0000 SQ.FT. XMRP = 1339.9000 IN. XC
 LREF = 327.7800 IN. YMRP = .0000 IN. YC
 BREF = 2348.0400 IN. ZMRP = 190.7500 IN. ZC
 SCALE = .0125

PARAMETRIC DATA

ALPHAC = 4.000 BETAC = .000
 STAB = 5.000 ELEVON = .000
 BDFLAP = .000 DX = .000
 DY = .000 TORB = 8.000
 BETAO = .000 RUDDER = .000

RUN NO. 71/ 0 RN/L = .00 GRADIENT INTERVAL = -5.00/ 5.00

MACH	DZ	DY	DX	CN	CLM	CA	CY	CYN	CBL	CL	CD
.599	50.210	.00000	.06000	.36830	-.22550	.03730	-.00190	-.00050	.00010	.36510	.06140
.595	51.400	.00000	.06000	.37010	-.23060	.03790	-.00070	-.00030	.00010	.36690	.06210
.597	52.580	.00000	.06000	.37060	-.22970	.03740	-.00150	-.00050	.00010	.36740	.06170
.598	53.760	.00000	.07000	.37350	-.22880	.03750	-.00180	-.00060	.00000	.37020	.06200
.600	54.950	.00000	.07000	.37460	-.23050	.03740	-.00170	-.00060	.00000	.37130	.06200
.601	56.130	.00000	.07000	.37230	-.22950	.03700	-.00140	-.00050	.00000	.36910	.06140
	GRADIENT	.00000	.00222	.00487	-.00574	.00012	-.00035	.00008	-.00006	.00485	.00045

ORIGINAL PAGE IS
OF POOR QUALITY

LTV44-559(CA26) 747/1 ATY 02 S1 (CARRIER DATA)

(YFE101) (18 NOV 75)

REFERENCE DATA

SREF = 5500.0000 SQ.FT. XMRP = 1339.9000 IN. XC
 LREF = 327.7800 IN. YMRP = .0000 IN. YC
 BREF = 2348.0400 IN. ZMRP = 190.7500 IN. ZC
 SCALE = .0125

PARAMETRIC DATA

ALPHAC = 4.000 BETAC = -5.000
 STAB = 5.000 ELEVON = 5.000
 BDFLAP = .000 DX = .000
 DY = .000 TORB = 4.000
 BETA0 = -5.000 RUDDER = .000

* RUN NO. 72/ 0 RN/L = .00 GRADIENT INTERVAL = -5.00/ 5.00

MACH	DZ	DY	DX	CN	CLM	CA	CY	CYN	CBL	CL	CD
.594	1.750	.00000	-.02000	.33670	-.21100	.03460	.09410	-.01090	.00920	.33370	.05650
.595	2.360	.00000	-.02000	.33880	-.21430	.03460	.09360	-.01090	.00950	.33580	.05670
.596	2.970	.00000	-.02000	.34090	-.22080	.03400	.09380	-.01240	.00980	.33790	.05620
.596	3.760	.00000	-.02000	.34340	-.21840	.03420	.09330	-.01230	.00990	.34050	.05650
.597	4.560	.00000	-.02000	.34420	-.22310	.03410	.09230	-.01280	.01000	.34120	.05650
.596	5.960	.00000	-.01000	.34910	-.22730	.03400	.09270	-.01390	.01040	.34620	.05670
.595	7.970	.00000	-.01000	.34850	-.22910	.03360	.09200	-.01430	.01050	.34560	.05630
.595	9.960	.00000	-.01000	.36110	-.23570	.03390	.09430	-.01700	.01190	.35810	.05740
.595	10.900	.00000	-.01000	.35980	-.23550	.03340	.09380	-.01690	.01200	.35690	.05690
.594	11.840	.00000	-.01000	.35980	-.23780	.03360	.09400	-.01750	.01200	.35680	.05710
.596	12.780	.00000	-.01000	.36080	-.23750	.03350	.09390	-.01770	.01210	.35780	.05700
.596	13.710	.00000	.00000	.36250	-.23970	.03350	.09460	-.01830	.01210	.35950	.05710
.596	14.650	.00000	.00000	.36350	-.23880	.03300	.09620	-.01870	.01260	.36050	.05670
.595	15.590	.00000	.00000	.36980	-.23990	.03350	.09620	-.01920	.01260	.36680	.05760
.595	16.530	.00000	.00000	.36840	-.24100	.03320	.09650	-.01950	.01290	.36550	.05720
.596	17.470	.00000	.00000	.36980	-.24280	.03320	.09820	-.02000	.01340	.36680	.05730
.595	18.410	.00000	.00000	.37560	-.24430	.03360	.09850	-.02050	.01360	.37260	.05810
.597	19.350	.00000	.00000	.36990	-.24500	.03320	.09670	-.02070	.01350	.36690	.05730
.593	20.280	.00000	.00000	.37630	-.24830	.03350	.09850	-.02100	.01400	.37330	.05800
.597	21.220	.00000	.00000	.37290	-.24630	.03320	.09750	-.02110	.01400	.37000	.05750
.596	22.150	.00000	.01000	.37610	-.24760	.03330	.09750	-.02130	.01420	.37310	.05780
.596	23.090	.00000	.01000	.37690	-.24770	.03310	.09820	-.02150	.01410	.37400	.05770
.595	24.030	.00000	.01000	.38170	-.24870	.03330	.09940	-.02170	.01430	.37870	.05820
.593	24.960	.00000	.01000	.38290	-.25180	.03310	.09930	-.02180	.01450	.37990	.05810
.595	25.910	.00000	.01000	.38200	-.25050	.03320	.09920	-.02180	.01430	.37900	.05810
.593	26.850	.00000	.01000	.38890	-.25240	.03360	.09950	-.02190	.01460	.38590	.05900
.594	27.780	.00000	.01000	.38580	-.25340	.03350	.09880	-.02200	.01460	.38280	.05860
.595	28.720	.00000	.01000	.38670	-.25140	.03340	.09730	-.02170	.01460	.38370	.05870
.597	29.660	.00000	.02000	.38920	-.25000	.03330	.09710	-.02150	.01470	.38610	.05870
.593	30.600	.00000	.02000	.39320	-.25510	.03380	.09740	-.02170	.01490	.39020	.05950
.594	31.530	.00000	.02000	.39060	-.25460	.03350	.09710	-.02170	.01480	.38760	.05900
.595	32.470	.00000	.02000	.39230	-.25180	.03320	.09700	-.02150	.01470	.38920	.05890
.595	33.410	.00000	.02000	.39170	-.25360	.03300	.09760	-.02150	.01470	.38870	.05860
.597	34.350	.00000	.02000	.38810	-.25360	.03290	.09640	-.02130	.01460	.38510	.05830
.595	35.290	.00000	.03000	.39490	-.25410	.03340	.09580	-.02140	.01470	.39180	.05930
.595	36.230	.00000	.03000	.39480	-.25430	.03340	.09620	-.02130	.01480	.39170	.05920
.596	37.170	.00000	.03000	.39310	-.25590	.03270	.09630	-.02110	.01490	.39010	.05840
.596	38.100	.00000	.03000	.39550	-.25660	.03270	.09590	-.02120	.01460	.39250	.05850
.595	39.040	.00000	.03000	.39530	-.25590	.03300	.09610	-.02110	.01480	.39620	.05910
.596	39.980	.00000	.03000	.39850	-.25700	.03320	.09510	-.02100	.01470	.39540	.05920
.597	40.920	.00000	.03000	.39770	-.25690	.03270	.09510	-.02090	.01480	.39470	.05870
.597	41.850	.00000	.05000	.40100	-.25530	.03310	.09410	-.02070	.01470	.39800	.05940

DATE 29 MAR 76

CA-26 FORCE SOURCE DATA TABULATION

PAGE 1141

LTV44-559(CA26) 747/1 ATY 02 S1 (CARRIER DATA)

(YFE101) (18 NOV 75)

REFERENCE DATA

SREF = 5500.0000 SQ.FT. XMRP = 1339.9000 IN. XC
LREF = 327.7800 IN. YMRP = .0000 IN. YC
BREF = 2348.0400 IN. ZMRP = 190.7500 IN. ZC
SCALE = .0125

PARAMETRIC DATA

ALPHAC = 4.000 BETAC = -5.000
STAB = 5.000 ELEVON = 5.000
BDFLAP = .000 DX = .000
DY = .000 IORB = 4.000
BETA0 = -5.000 RUDDER = .000

RUN NO. 72/ 0 RN/L = .00 GRADIENT INTERVAL = -5.00/ 5.00

MACH.	DZ	DY	DX	CN	CLM	CA	CY	CYN	CBL	CL	CD
.594	42.790	.00000	.05000	.40070	-.25800	.03250	.09470	-.02090	.01450	.39770	.05880
	GRADIENT	.00000	.00000	.00277	-.00394	-.00019	-.00057	-.00073	.00028	.00278	-.00002

ORIGINAL PAGE IS
OF POOR QUALITY

LTV44-559(CA26) 747/1 ATY 02 S1 (CARRIER DATA)

(YFE102) (18 NOV 75)

REFERENCE DATA

SREF = 5500.0000 SQ.FT. XMRP = 1339.9000 IN. XC
 LREF = 327.7800 IN. YMRP = .0000 IN. YC
 BREF = 2348.0400 IN. ZMRP = 190.7500 IN. ZC
 SCALE = .0125

PARAMETRIC DATA

ALPHAC = 4.000 BETAC = -5.000
 STAB = 5.000 ELEVON = 5.000
 BDFLAP = .000 DX = .000
 DY = .000 IORB = 6.000
 BETAQ = -5.000 RUDDER = .000

RUN NO. 1072/ 0 RN/L = .00 GRADIENT INTERVAL = -5.00/ 5.00

MACH	DZ	DY	DX	CN	CLM	CA	CY	CYN	CBL	CL	CD
.593	1.480	.00000	-.03000	.31150	-.16110	.03230	.09390	-.01240	.01040	.30870	.05280
.598	1.770	.00000	-.03000	.31390	-.16750	.03210	.09320	-.01310	.01050	.31110	.05270
.597	2.370	.00000	-.03000	.31840	-.16970	.03250	.09180	-.01340	.01070	.31560	.05340
.593	2.970	.00000	-.03000	.31820	-.17070	.03260	.09230	-.01350	.01060	.31530	.05340
.592	3.770	.00000	-.02000	.32430	-.17940	.03250	.09190	-.01410	.01100	.32150	.05380
.593	4.570	.00000	-.02000	.32280	-.17770	.03230	.09160	-.01430	.01110	.32000	.05350
.596	5.970	.00000	-.02000	.33150	-.19150	.03190	.09020	-.01560	.01170	.32860	.05360
.594	7.970	.00000	-.01000	.33770	-.19890	.03230	.09110	-.01620	.01210	.33490	.05440
.595	9.970	.00000	-.01000	.33780	-.19980	.03210	.09070	.01620	.01210	.33500	.05420
.593	11.190	.00000	-.01000	.34630	-.20560	.03230	.09220	-.01720	.01240	.34340	.05500
.594	12.410	.00000	-.01000	.34860	-.21130	.03260	.09330	-.01740	.01270	.34570	.05540
.593	13.620	.00000	-.01000	.35010	-.21230	.03260	.09350	-.01790	.01260	.34720	.05550
.595	14.830	.00000	.00000	.35140	-.21750	.03240	.09420	-.01870	.01320	.35150	.05560
.595	16.050	.00000	.00000	.35440	-.21890	.03230	.09390	-.01910	.01350	.35290	.05560
.595	17.260	.00000	.00000	.35580	-.22240	.03260	.09550	-.01970	.01370	.35500	.05600
.595	18.480	.00000	.00000	.35790	-.22550	.03270	.09480	-.01990	.01410	.35830	.05630
.595	19.690	.00000	.00000	.36120	-.22800	.03250	.09580	-.02030	.01410	.36240	.05640
.594	20.910	.00000	.01000	.36530	-.23010	.03270	.09640	-.02070	.01440	.36300	.05630
.594	22.120	.00000	.01000	.36780	-.23180	.03260	.09620	-.02080	.01450	.36780	.05690
.595	23.330	.00000	.01000	.36590	-.23590	.03260	.09610	-.02100	.01450	.36750	.05680
.596	24.550	.00000	.01000	.37080	-.23610	.03310	.09500	-.02100	.01470	.37170	.05760
.595	25.770	.00000	.01000	.37460	-.23630	.03290	.09500	-.02090	.01470	.37460	.05760
.594	26.980	.00000	.01000	.37760	-.23830	.03250	.09470	-.02070	.01470	.37370	.05710
.595	28.190	.00000	.02000	.37660	-.24060	.03290	.09400	-.02080	.01470	.37660	.05770
.595	29.410	.00000	.02000	.37890	-.23860	.03230	.09410	-.02060	.01470	.37580	.05710
.593	30.620	.00000	.02000	.37950	-.24060	.03300	.09330	-.02060	.01460	.38150	.05810
.594	31.840	.00000	.02000	.37870	-.24190	.03270	.09340	-.02050	.01460	.38350	.05800
.593	33.060	.00000	.03000	.38450	-.24240	.03240	.09300	-.02030	.01470	.38000	.05750
.595	34.270	.00000	.03000	.38300	-.24450	.03240	.09340	-.02030	.01480	.38420	.05770
.595	35.490	.00000	.03000	.38710	-.24320	.03240	.09230	-.02020	.01500	.38700	.05790
.595	36.700	.00000	.03000	.38960	-.24470	.03280	.09340	-.02040	.01490	.39180	.05860
.595	37.910	.00000	.03000	.39110	-.24420	.03220	.09290	-.02010	.01480	.38810	.05780
.596	39.130	.00000	.05000	.39480	-.24540	.03250	.09280	-.02020	.01480	.38660	.05800
.593	40.350	.00000	.05000	.38960	-.24750	.03260	.09290	-.02040	.01480	.38680	.05810
.535	41.560	.00000	.05000	.39230	-.24880	.03250	.09300	-.02030	.01460	.38930	.05820
.597	42.780	.00000	.05000	.39430	-.24940	.03240	.09290	-.02050	.01470	.39130	.05820
.597	43.990	.00000	.05000	.39360	-.24840	.03220	.09280	-.02020	.01480	.39070	.05800
.596	45.210	.00000	.06000	.39330	-.24740	.03240	.09320	-.02040	.01490	.39440	.05850
.595	46.420	.00000	.06000	.39740	-.00525	.00005	-.00063	-.00055	.00022	.00384	.00030
.595	47.630	.00000	.06000	.00384							
.595	48.850	.00000	.06000								
	GRADIENT	.00000	.00380	.00384							

LTV44-559(CALS) 747/1 ATY 02 S1 (CARRIER DATA)

(YFE103) (18 NOV 75)

REFERENCE DATA

SREF = 5500.0000 SQ.FT. XMRP = 1339.9000 IN. XC
 LREF = 327.7800 IN. YMRP = .0000 IN. YC
 BREF = 2348.0400 IN. ZMRP = 190.7500 IN. ZC
 SCALE = .0125

PARAMETRIC DATA

ALPHAC = 4.000 BETAC = -5.000
 STAB = 5.000 ELEVON = 5.000
 BDFLAP = .000 DX = .000
 DY = .000 IORB = 8.000
 BETAO = -5.000 RUDDER = .000

RUN NO. 73/ 0 RN/L = .00 GRADIENT INTERVAL = -5.00/ 5.00

MACH	DZ	DY	DX	CN	CLM	CA	CY	CYN	CBL	CL	CD
.599	1.760	.00000	-.03000	.26160	-.10910	.03440	.09650	-.01390	.01110	.25880	.05170
.600	2.360	.00000	-.03000	.26370	-.10960	.03430	.09630	-.01410	.01090	.26090	.05170
.599	2.970	.00000	-.03000	.27720	-.11730	.03420	.09700	-.01500	.01150	.27430	.05250
.599	3.960	.00000	-.03000	.27820	-.11840	.03440	.09650	-.01500	.01150	.27530	.05270
.601	4.960	.00000	-.03000	.28360	-.13140	.03360	.09420	-.01520	.01170	.28070	.05220
.600	6.210	.00000	-.02000	.28930	-.13110	.03410	.09310	-.01530	.01170	.28640	.05320
.599	7.460	.00000	-.02000	.29090	-.13740	.03400	.09370	-.01520	.01190	.28800	.05320
.600	8.710	.00000	-.02000	.29530	-.14520	.03420	.09300	-.01540	.01190	.29240	.05360
.601	9.960	.00000	-.01000	.30360	-.15740	.03430	.09080	-.01570	.01210	.30060	.05420
.599	11.150	.00000	-.01000	.30630	-.15980	.03420	.09300	-.01580	.01230	.30340	.05430
.600	12.330	.00000	-.01000	.30590	-.16160	.03430	.09210	-.01600	.01220	.30300	.05440
.601	13.510	.00000	-.01000	.30840	-.16850	.03440	.09150	-.01600	.01250	.30540	.05460
.601	14.700	.00000	-.01000	.31370	-.17160	.03460	.09090	-.01640	.01240	.31080	.05520
.601	15.880	.00000	.00000	.31790	-.17510	.03450	.09130	-.01650	.01260	.31490	.05540
.600	17.070	.00000	.00000	.32020	-.17970	.03440	.09240	-.01690	.01270	.31720	.05540
.601	18.250	.00000	.00000	.32350	-.18290	.03430	.09110	-.01720	.01300	.32050	.05550
.600	19.440	.00000	.00000	.32950	-.18640	.03480	.09190	-.01740	.01340	.32650	.05640
.600	20.620	.00000	.00000	.32940	-.18960	.03450	.09270	-.01770	.01310	.32640	.05610
.601	21.790	.00000	.01000	.33510	-.19210	.03480	.09270	-.01810	.01340	.33210	.05680
.600	22.980	.00000	.01000	.33790	-.19440	.03460	.09360	-.01840	.01370	.33490	.05670
.601	24.160	.00000	.01000	.34070	-.19600	.03480	.09250	-.01870	.01400	.33760	.05720
.600	25.350	.00000	.01000	.34410	-.20000	.03500	.09300	-.01900	.01420	.34110	.05760
.600	26.530	.00000	.01000	.34260	-.20320	.03450	.09470	-.01930	.01420	.33960	.05690
.599	27.720	.00000	.01000	.34720	-.20730	.03470	.09470	-.01950	.01450	.34420	.05740
.601	28.900	.00000	.02000	.34910	-.20900	.03460	.09480	-.01960	.01460	.34600	.05750
.600	30.080	.00000	.02000	.35100	-.21080	.03480	.09360	-.01980	.01480	.34790	.05780
.602	31.270	.00000	.02000	.35340	-.21210	.03460	.09460	-.01970	.01480	.35030	.05780
.600	32.450	.00000	.02000	.35690	-.21390	.03460	.09430	-.01990	.01460	.35380	.05800
.599	33.640	.00000	.02000	.36010	-.21700	.03500	.09440	-.02020	.01480	.35700	.05860
.599	34.820	.00000	.03000	.36170	-.21810	.03480	.09460	-.02000	.01500	.35860	.05850
.601	36.010	.00000	.03000	.36170	-.21810	.03460	.09340	-.01990	.01470	.35870	.05830
.601	37.180	.00000	.03000	.36370	-.22050	.03480	.09340	-.01990	.01480	.36070	.05870
.601	38.370	.00000	.03000	.36710	-.22090	.03470	.09390	-.02010	.01470	.36410	.05880
.600	39.550	.00000	.03000	.36830	-.22390	.03440	.09450	-.02000	.01460	.36520	.05860
.601	40.740	.00000	.05000	.37260	-.22420	.03470	.09250	-.02000	.01490	.36950	.05920
.601	41.920	.00000	.05000	.37220	-.22470	.03480	.09290	-.01990	.01490	.36910	.05920
.602	43.110	.00000	.05000	.37520	-.22750	.03490	.09360	-.01980	.01510	.37200	.05950
.601	44.290	.00000	.05000	.37510	-.22830	.03460	.09270	-.01970	.01470	.37200	.05920
.601	45.470	.00000	.05000	.37700	-.23060	.03480	.09340	-.01970	.01500	.37390	.05950
.601	46.660	.00000	.06000	.37880	-.22920	.03450	.09270	-.01970	.01500	.37570	.05940
.600	47.840	.00000	.06000	.38190	-.23130	.03470	.09350	-.01980	.01490	.37880	.05980
.601	49.030	.00000	.06000	.38050	-.23190	.03460	.09300	-.01990	.01480	.37740	.05960

LTV44-559(CA26) 747/1 ATY 02 S1 (CARRIER DATA)

(YFE103) (18 NOV 75)

REFERENCE DATA

SREF = 5500.0000 SQ.FT. XMRP = 1339.9000 IN. XC
 LREF = 327.7800 IN. YMRP = .0000 IN. YC
 BREF = 2348.0400 IN. ZMRP = 190.7500 IN. ZC
 SCALE = .0125

PARAMETRIC DATA

ALPHAC = .000 BETAC = -5.000
 STAB = 0.000 ELEVON = 5.000
 BDFLAP = .000 DX = .000
 DY = .000 TORB = 8.000
 BETAO = -5.000 RUDDER = .000

RUN NO. 73/ 0 RN/L = .00 GRADIENT INTERVAL = -5.00/ 5.00

MACH	DZ	DY	DX	CN	CLM	CA	CY	CYN	CBL	CL	CD
.601	50.210	.00000	.06000	.38160	-.23210	.03420	.09290	-.01980	.01490	.37860	.05930
.599	51.400	.00000	.06000	.38390	-.23370	.03460	.09410	-.01990	.01490	.38070	.05980
.601	52.580	.00000	.07000	.38730	-.23290	.03450	.09270	-.01990	.01510	.38420	.05990
.600	53.760	.00000	.07000	.38570	-.23630	.03400	.09360	-.02010	.01520	.38260	.05940
.601	54.950	.00000	.07000	.38780	-.23620	.03460	.09270	-.02000	.01500	.38470	.06010
.600	56.130	.00000	.07000	.38610	-.23890	.03440	.09450	-.02020	.01510	.38300	.05970
	GRADIENT	.00000	-.00000	.00705	-.00675	-.00020	-.00061	-.00041	.00022	.00701	.00022

LTV44-559(CA26) 747/1 ATY 02 S1 (CARRIER DATA)

(YFE104) (18 NOV 75)

REFERENCE DATA

SREF = 5500.0000 SQ.FT. XMRP = 1339.9000 IN. XC
 LREF = 327.7800 IN. YMRP = .0000 IN. YC
 BREF = 2348.0400 IN. ZMRP = 190.7500 IN. ZC
 SCALE = .0125

PARAMETRIC DATA

ALPHAC = 5.500 BETAC = .000
 STAB = 5.000 ELEVON = 5.000
 BDFLAP = .000 DX = .000
 DY = .000 IORB = 6.000
 BETAO = .000 RUDDER = .000

RUN NO. 74/ 0 RN/L = .00 GRADIENT INTERVAL = -5.00/ 5.00

MACH	DZ	DY	DX	CN	CLM	CA	CY	CYN	CEL	CL	CD
.598	1.760	.00000	-.09000	.44700	-.16440	.02050	-.00220	-.00170	.00000	.44250	.06650
.597	2.360	.00000	-.09000	.44870	-.16460	.02080	-.00170	-.00180	.00000	.44420	.06700
.598	2.970	.00000	-.07000	.45190	-.17230	.02070	-.00260	-.00160	.00000	.44740	.06720
.597	3.760	.00000	-.07000	.45350	-.17470	.02090	-.00230	-.00160	-.00010	.44890	.06760
.597	4.560	.00000	-.07000	.45530	-.17520	.02110	-.00160	-.00160	.00000	.45070	.06800
.596	5.470	.00000	-.06000	.46340	-.18220	.02110	-.00220	-.00140	.00000	.45870	.06880
.598	6.460	.00000	-.06000	.46250	-.18100	.02110	-.00180	-.00140	.00000	.45780	.06870
.598	7.460	.00000	-.06000	.46550	-.18360	.02110	-.00240	-.00150	.00000	.46090	.06910
.596	8.460	.00000	-.05000	.47030	-.18590	.02100	-.00270	-.00130	.00010	.46560	.06940
.599	9.460	.00000	-.05000	.47160	-.18820	.02110	-.00270	-.00140	.00010	.46690	.06960
.597	10.560	.00000	-.03000	.47960	-.19460	.02180	-.00180	-.00130	.00000	.47480	.07120
.597	11.740	.00000	-.03000	.48000	-.19700	.02180	-.00220	-.00130	.00010	.47520	.07120
.596	12.930	.00000	-.03000	.48390	-.19910	.02170	-.00260	-.00120	.00000	.47910	.07150
.598	14.110	.00000	-.02000	.48210	-.20170	.02150	-.00300	-.00120	.00010	.47730	.07110
.598	15.300	.00000	-.02000	.48450	-.20410	.02150	-.00320	-.00130	.00000	.47970	.07140
.597	16.490	.00000	-.01000	.49250	-.20880	.02180	-.00370	-.00120	.00000	.48760	.07250
.598	17.670	.00000	-.01000	.49370	-.21060	.02210	-.00230	-.00120	.00010	.48880	.07300
.598	18.860	.00000	.00000	.49480	-.21180	.02180	-.00250	-.00110	.00000	.48990	.07270
.598	20.040	.00000	.00000	.50130	-.21420	.02190	-.00200	-.00110	-.00010	.49630	.07360
.597	21.230	.00000	.00000	.50540	-.21720	.02190	-.00210	-.00100	.00000	.50050	.07400
.599	22.410	.00000	.01000	.50240	-.21890	.02170	-.00270	-.00090	.00000	.49750	.07340
.597	23.600	.00000	.01000	.51040	-.22040	.02180	-.00260	-.00080	.00000	.50540	.07440
.598	24.780	.00000	.02000	.51130	-.22220	.02180	-.00320	-.00070	.00000	.50630	.07450
.596	25.970	.00000	.02000	.51510	-.22590	.02160	-.00440	-.00060	.00000	.51010	.07460
.596	27.150	.00000	.03000	.52000	-.22400	.02170	-.00320	-.00060	.00000	.51500	.07530
.597	28.340	.00000	.03000	.51890	-.22550	.02140	-.00410	-.00050	.00000	.51390	.07490
.599	29.520	.00000	.03000	.52020	-.22600	.02130	-.00360	-.00050	-.00010	.51520	.07490
.597	30.710	.00000	.05000	.52150	-.23050	.02090	-.00510	-.00040	-.00030	.51650	.07460
.602	31.900	.00000	.05000	.51740	-.22710	.02070	-.00350	-.00030	.00000	.51250	.07410
.598	33.080	.00000	.06000	.52320	-.23320	.02100	-.00390	-.00040	-.00020	.51830	.07490
.598	34.270	.00000	.06000	.52920	-.23420	.02100	-.00390	-.00040	-.00020	.52420	.07560
.597	35.450	.00000	.07000	.53250	-.23620	.02080	-.00480	-.00050	-.00020	.52750	.07570
.599	36.640	.00000	.07000	.52930	-.23630	.02060	-.00440	-.00030	-.00010	.52440	.07520
.596	37.820	.00000	.09000	.53630	-.23920	.02110	-.00420	-.00040	-.00030	.53120	.07640
.536	39.010	.00000	.09000	.53840	-.23980	.02100	-.00470	-.00030	-.00020	.53340	.07650
.597	40.200	.00000	.09000	.53510	-.24000	.02050	-.00380	-.00030	-.00010	.53010	.07570
.593	41.380	.00000	.10000	.53570	-.24230	.02060	-.00520	-.00040	-.00020	.53070	.07580
.597	42.570	.00000	.10000	.54370	-.24100	.02050	-.00380	-.00040	.00000	.53970	.07660
.599	43.750	.00000	.11000	.54120	-.24330	.02030	-.00490	-.00040	.00000	.53620	.07620
.598	44.940	.00000	.11000	.54460	-.24170	.02030	-.00380	-.00040	.00000	.53960	.07650
.599	46.130	.00000	.13000	.54210	-.24300	.02010	-.00380	-.00050	-.00030	.53710	.07600
.602	47.310	.00000	.13000	.54080	-.24050	.02030	-.00330	-.00050	-.00010	.53580	.07610

ORIGINAL PAGE IS
OF POOR QUALITY

LTV44-559(CA26) 747/1 ATY 02 S1 (CARRIER DATA)

(YFE104) (18 NOV 75)

REFERENCE DATA

SREF = 5500.0000 SQ.FT. XMRP = 1339.9000 IN. XC
 LREF = 327.7800 IN. YMRP = .0000 IN. YC
 BREF = 2348.0400 IN. ZMRP = 190.7500 IN. ZC
 SCALE = .0125

PARAMETRIC DATA

ALPHAC = 5.500 BETAC = .000
 STAB = 5.000 ELEVON = 5.000
 BDFLAP = .000 DX = .000
 DY = .000 1ORB = 6.000
 BETAO = .000 RUDDER = .000

RUN NO. 74/ 0 RN/L = .00 GRADIENT INTERVAL = -5.00/ 5.00

MACH	DZ	DY	DX	CN	CLM	CA	CY	CYN	CBL	CL	CD
.597	48.500	.00000	.14000	.54750	-.24650	.02030	-.00390	-.00060	-.00010	.54240	.07680
.598	49.680	.00000	.14000	.54860	-.24640	.02030	-.00290	-.00050	-.00020	.54350	.07690
.596	50.870	.00000	.15000	.55160	-.24650	.02050	-.00320	-.00060	.00000	.54650	.07740
.600	51.460	.00000	.15000	.54710	-.24620	.01970	-.00460	-.00050	-.00010	.54210	.07620
	GRADIENT	.00000	.00830	.00302	-.00445	.00019	.00010	.00006	-.00001	.00298	.00049

DATE 29 MAR 76

CA-26 FORCE SOURCE DATA TABULATION

PAGE 1147

LTV44-559(CA26) 747/1 ATY 02 S1 (CARRIER DATA)

(YFE105) (18 NOV 75)

REFERENCE DATA

SREF = 5500.0000 SQ.FT. XMRP = 1339.9000 IN. XC
 LREF = 327.7800 IN. YMRP = .0000 IN. YC
 BREF = 2348.0400 IN. ZMRP = 190.7500 IN. ZC
 SCALE = .0125

PARAMETRIC DATA

ALPHAC = .000 BETAC = -5.000
 STAB = 5.000 ELEVON = 5.000
 BDFLAP = .000 DX = .000
 DY = .000 IORB = 4.000
 BETAO = -5.000 RUDDER = .000

RUN NO. 75/ 0 RN/L = .00 GRADIENT INTERVAL = -5.00/ 5.00

MACH	DZ	DY	DX	CN	CLM	CA	CY	CYN	CBL	CL	CD
.603	1.760	.00000	.05000	.03740	-.14830	.04650	.09760	-.01160	.00590	.03740	.04650
.601	2.360	.00000	.05000	.03760	-.15220	.04670	.09850	-.01190	.00610	.03760	.04670
.603	2.970	.00000	.05000	.04490	-.15260	.04610	.09880	-.01350	.00700	.04490	.04610
.602	3.760	.00000	.05000	.04340	-.15560	.04600	.09830	-.01390	.00690	.04330	.04600
.601	4.560	.00000	.05000	.04430	-.15460	.04590	.09800	-.01450	.00680	.04430	.04590
.603	5.960	.00000	.05000	.04860	-.15870	.04540	.09950	-.01560	.00780	.04860	.04540
.603	7.970	.00000	.03000	.04940	-.15880	.04580	.09960	-.01600	.00810	.04940	.04580
.602	9.960	.00000	.03000	.06130	-.16480	.04490	.10280	-.01930	.00960	.06130	.04490
.602	10.960	.00000	.02000	.06280	-.16400	.04540	.10130	-.01930	.00920	.06280	.04540
.601	11.960	.00000	.02000	.05870	-.16930	.04510	.10320	-.01990	.00940	.05860	.04510
.602	12.950	.00000	.02000	.06430	-.17150	.04540	.10340	-.02060	.00990	.06430	.04540
.601	13.940	.00000	.02000	.06390	-.17240	.04530	.10400	-.02120	.01010	.06390	.04530
.603	14.940	.00000	.02000	.06550	-.17300	.04490	.10400	-.02170	.01020	.06550	.04490
.601	15.930	.00000	.02000	.07010	-.17480	.04550	.10350	-.02230	.01020	.07010	.04550
.601	16.930	.00000	.01000	.06890	-.17690	.04560	.10410	-.02270	.01060	.06880	.04560
.603	17.930	.00000	.01000	.06890	-.17750	.04500	.10550	-.02300	.01050	.06890	.04500
.601	18.920	.00000	.01000	.07310	-.18110	.04550	.10580	-.02360	.01040	.07310	.04550
.604	19.910	.00000	.01000	.07490	-.17880	.04550	.10540	-.02360	.01080	.07490	.04550
.604	20.910	.00000	.01000	.07370	-.18130	.04510	.10540	-.02390	.01090	.07370	.04510
.601	21.900	.00000	.00000	.07550	-.18470	.04540	.10650	-.02440	.01110	.07550	.04540
.603	22.890	.00000	.00000	.08090	-.18210	.04530	.10630	-.02450	.01130	.08090	.04530
.602	23.890	.00000	.00000	.08160	-.18470	.04560	.10520	-.02470	.01120	.08160	.04560
.603	24.890	.00000	.00000	.08030	-.18560	.04510	.10510	-.02470	.01140	.08030	.04510
.602	25.880	.00000	.00000	.07970	-.18710	.04500	.10610	-.02480	.01140	.07970	.04500
.602	26.870	.00000	-.01000	.08340	-.18830	.04550	.10560	-.02490	.01140	.08340	.04550
.602	27.870	.00000	-.01000	.08080	-.19050	.04550	.10550	-.02500	.01160	.08080	.04550
.602	28.860	.00000	-.01000	.08140	-.19000	.04540	.10600	-.02500	.01190	.08140	.04540
.603	29.860	.00000	-.01000	.08590	-.19020	.04500	.10550	-.02470	.01220	.08590	.04500
.602	30.860	.00000	-.01000	.09020	-.18890	.04550	.10490	-.02470	.01240	.09020	.04550
.603	31.850	.00000	-.01000	.09230	-.19070	.04550	.10450	-.02480	.01230	.09230	.04550
.603	32.840	.00000	-.02000	.08610	-.19260	.04520	.10490	-.02490	.01180	.08610	.04520
.604	33.840	.00000	-.02000	.09120	-.19230	.04550	.10380	-.02480	.01190	.09120	.04550
.605	34.830	.00000	-.02000	.08990	-.19400	.04520	.10420	-.02450	.01170	.08990	.04520
.602	35.830	.00000	-.02000	.08980	-.19520	.04550	.10420	-.02470	.01200	.08980	.04550
.602	36.830	.00000	-.02000	.090.0	-.19320	.04550	.10400	-.02470	.01220	.09080	.04550
.603	37.820	.00000	-.03000	.09070	-.19520	.04530	.10340	-.02450	.01200	.09070	.04530
.602	38.820	.00000	-.03000	.09210	-.19630	.04550	.10330	-.02460	.01180	.09210	.04550
.601	39.810	.00000	-.03000	.09300	-.19770	.04580	.10400	-.02480	.01160	.09300	.04580
.604	40.800	.00000	-.03000	.09460	-.19470	.04530	.10260	-.02410	.01190	.09460	.04530
.601	41.800	.00000	-.03000	.09510	-.19800	.04580	.10400	-.02440	.01230	.09510	.04580
.603	42.800	.00000	-.05000	.09250	-.19770	.04520	.10320	-.02420	.01210	.09250	.04520
.602	43.790	.00000	-.05000	.09310	-.19820	.04520	.10340	-.02440	.01220	.09310	.04520

DATE 29 MAR 76

CA-26 FORCE SOURCE DATA TABULATION

PAGE 1148

LTV44-559(CA26) 747/1 ATY 02 S1 (CARRIER DATA)

(YFE105) (18 NOV 75)

REFERENCE DATA

SREF = 5500.0000 SQ.FT. XMRP = 1339.9000 IN. XC
LREF = 327.7800 IN. YMRP = .0000 IN. YC
BREF = 2348.0400 IN. ZMRP = 190.7500 IN. ZC
SCALE = .0125

PARAMETRIC DATA

ALPHAC = .000 BETAC = -5.000
STAB = 5.000 ELEVON = 5.000
BDFLAP = .000 DX = .000
DY = .000 IORB = 4.000
BETA0 = -5.000 RUDDER = .000

RUN NO. 75/ 0 RN/L = .00 GRADIENT INTERVAL = -5.00/ 5.00

MACH	DZ	DY	DX	CN	CLM	CA	CY	CYN	CBL	CL	CD
.604	44.790	.00000	-.05000	.09660	-.19450	.04510	.10150	-.02400	.01200	-.09660	.04510
	GRADIENT	.00000	.00000	.00270	-.00223	-.00027	.00006	-.00110	.00035	.00268	-.00027

LTV44-559(CA26) 747/1 ATY 02 S1 (CARRIER DATA)

(YFE106) (18 NOV 75)

REFERENCE DATA

SREF = 5500.0000 SQ.FT. XMRP = 1339.9000 IN. XC
 LREF = 327.7800 IN. YMRP = .0000 IN. YC
 BREF = 2348.0400 IN. ZMRP = 190.7500 IN. ZC
 SCALE = .0125

PARAMETRIC DATA

ALPHAC = .000 BETAC = -5.000
 STAB = 5.000 ELEVON = 5.000
 BDFLAP = .000 DX = .000
 DY = .000 LORB = 6.000
 BETAC = -5.000 RUDDER = .000

RUN NO. 1075/ 0 RN/L = .00 GRADIENT INTERVAL = -5.00/ 5.00

MACH	DZ	DY	DX	CN	CLM	CA	CY	CYN	CEL	CL	CD
.603	1.470	.00000	.05000	.00660	-.10240	.04420	.09710	-.01240	.00710	.00660	.04420
.601	1.770	.00000	.05000	.01470	-.10590	.04390	.09800	-.01370	.0710	.01470	.04390
.600	2.370	.00000	.03000	.01520	-.10820	.04380	.09800	-.01420	.00710	.01520	.04390
.602	2.970	.00000	.03000	.01680	-.10650	.04390	.09710	-.01390	.00720	.01680	.04390
.602	3.770	.00000	.03000	.01910	-.11290	.04350	.09840	-.01570	.00790	.01900	.04350
.604	4.570	.00000	.03000	.02060	-.11030	.04310	.09870	-.01560	.00790	.02050	.04320
.602	5.970	.00000	.03000	.03370	-.12760	.04360	.09930	-.01830	.00880	.03370	.04360
.604	7.970	.00000	.03000	.03400	-.13110	.04320	.09890	-.01890	.00890	.03400	.04320
.602	9.960	.00000	.02000	.03760	-.13230	.04370	.09970	-.01900	.00900	.03760	.04380
.603	11.240	.00000	.02000	.04350	-.14090	.04350	.10130	-.02020	.01010	.04350	.04350
.603	12.520	.00000	.02000	.04510	-.14410	.04350	.10160	-.02070	.01000	.04510	.04350
.601	13.800	.00000	.02000	.04860	-.14750	.04370	.10250	-.02140	.00990	.04850	.04370
.601	15.080	.00000	.02000	.05660	-.14900	.04420	.10180	-.02180	.01070	.05660	.04420
.601	16.350	.00000	.01000	.05980	-.15360	.04440	.10300	-.02230	.01100	.05970	.04440
.604	17.630	.00000	.01000	.06110	-.15470	.04410	.10260	-.02270	.01090	.06100	.04410
.602	18.900	.00000	.01000	.05970	-.15830	.04390	.10340	-.02320	.01090	.05970	.04390
.601	20.180	.00000	.01000	.06120	-.16360	.04450	.10490	-.02360	.01120	.06120	.04450
.603	21.460	.00000	.01000	.06140	-.16490	.04400	.10420	-.02370	.01140	.06140	.04400
.604	22.730	.00000	.00000	.06340	-.16680	.04390	.10440	-.02410	.01160	.06340	.04390
.604	24.000	.00000	.00000	.06600	-.16680	.04380	.10420	-.02410	.01170	.06600	.04390
.600	25.280	.00000	.00000	.06810	-.17370	.04490	.10500	-.02440	.01200	.06810	.04490
.601	26.560	.00000	.00000	.06760	-.17340	.04430	.10440	-.02450	.01170	.06760	.04430
.601	27.840	.00000	-.01000	.07230	-.17330	.04480	.10440	-.02460	.01160	.07230	.04480
.601	29.110	.00000	-.01000	.07540	-.17730	.04490	.10370	-.02470	.01190	.07540	.04490
.601	30.390	.00000	-.01000	.07330	-.18000	.04480	.10440	-.02440	.01230	.07330	.04480
.602	31.660	.00000	-.01000	.07550	-.17900	.04460	.10420	-.02450	.01200	.07550	.04460
.603	32.940	.00000	-.02000	.08070	-.17750	.04470	.10270	-.02410	.01200	.08070	.04470
.601	34.220	.00000	-.02000	.07700	-.18150	.04500	.10330	-.02440	.01180	.07700	.04500
.600	35.490	.00000	-.02000	.07960	-.18330	.04480	.10330	-.02420	.01220	.07960	.04480
.603	36.770	.00000	-.02000	.07910	-.18170	.04480	.10190	-.02420	.01180	.07910	.04480
.600	38.050	.00000	-.03000	.08280	-.18590	.04500	.10310	-.02400	.01230	.08270	.04500
.604	39.330	.00000	-.03000	.08110	-.18560	.04500	.10170	-.02390	.01210	.08110	.04500
.602	40.600	.00000	-.03000	.08130	-.18650	.04480	.10260	-.02400	.01200	.08130	.04480
.602	41.880	.00000	-.03000	.08430	-.18620	.04520	.10260	-.02400	.01210	.08430	.04520
.604	43.150	.00000	-.05000	.08610	-.18600	.04450	.10120	-.02380	.01220	.08610	.04450
.604	44.430	.00000	-.05000	.08650	-.18660	.04490	.10100	-.02380	.01250	.08650	.04490
.601	45.710	.00000	-.05000	.08680	-.18960	.04490	.10170	-.02380	.01240	.08680	.04490
.603	46.980	.00000	-.05000	.08850	-.18680	.04500	.10110	-.02370	.01210	.08850	.04510
.600	48.260	.00000	-.05000	.09350	-.18790	.04510	.10170	-.02390	.01230	.09350	.04510
.603	49.540	.00000	-.05000	.09420	-.18750	.04480	.10060	-.02360	.01240	.09420	.04490
.601	50.820	.00000	-.06000	.09220	-.19050	.04540	.10180	-.02380	.01260	.09220	.04540
GRADIENT		.00000	-.00675	.00359	-.00255	-.00030	.00038	-.00095	.00031	.00355	-.00028

ORIGINAL PAGE IS OF POOR QUALITY

LTV44-559(CA26) 747/1 ATY 02 S1 (CARRIER DATA)

(YFE107) (18 NOV 75)

REFERENCE DATA

SREF = 5500.0000 SQ.FT. XMRP = 1339.9000 IN. XC
 LREF = 327.7800 IN. YMRP = .0000 IN. YC
 BREF = 2348.0400 IN. ZMRP = 190.7500 IN. ZC
 SCALE = .0125

PARAMETRIC DATA

ALPHAC = .000 BETAC = -5.000
 STAB = 5.000 ELEVON = 5.000
 BDFLAP = .000 DX = .000
 DY = .000 IORB = 8.000
 BETAO = -5.000 RUDDER = .000

RUN NO. 76/ 0 RN/L = .00 GRADIENT INTERVAL = -5.00/ 5.00

MACH	DZ	DY	DX	CN	CLM	CA	CY	CYN	CBL	CL	CD
.599	1.760	.00000	.03000	-.02460	-.06230	.04270	.10050	-.01450	.00750	-.02460	.04270
.601	2.360	.00000	.03000	-.02100	-.06080	.04260	.10040	-.01470	.00750	-.02100	.04260
.600	2.970	.00000	.03000	-.01240	-.06550	.04220	.10090	-.01580	.00830	-.01250	.04220
.601	3.960	.00000	.03000	-.01340	-.06440	.04230	.10080	-.01610	.00810	-.01340	.04230
.600	4.960	.00000	.03000	-.00350	-.07490	.04230	.09930	-.01750	.00820	-.00350	.04230
.600	6.210	.00000	.03000	-.00300	-.07790	.04240	.10130	-.01760	.00820	-.00310	.04240
.600	7.460	.00000	.02000	-.00160	-.08330	.04260	.10090	-.01790	.00850	-.00160	.04260
.601	8.710	.00000	.02000	.00230	-.08790	.04220	.10100	-.01830	.00900	.00230	.04220
.600	9.960	.00000	.02000	.01360	-.10440	.04310	.10160	-.01970	.00910	.01360	.04320
.600	11.200	.00000	.02000	.01280	-.10420	.04310	.10090	-.01950	.00950	.01280	.04310
.602	12.430	.00000	.02000	.01640	-.10540	.04270	.10020	-.01970	.00950	.01640	.04270
.602	13.670	.00000	.02000	.01990	-.11010	.04270	.10070	-.02010	.00940	.01990	.04270
.600	14.910	.00000	.02000	.02290	-.11750	.04310	.10230	-.02070	.00970	.02290	.04310
.600	16.140	.00000	.01000	.02690	-.12400	.04370	.10220	-.02110	.00980	.02690	.04370
.601	17.370	.00000	.01000	.03000	-.12880	.04340	.10240	-.02130	.01010	.03000	.04340
.601	18.610	.00000	.01000	.03240	-.13310	.04350	.10120	-.02190	.00990	.03240	.04360
.599	19.840	.00000	.01000	.03450	-.14060	.04390	.10400	-.02230	.01050	.03450	.04390
.601	21.080	.00000	.01000	.03910	-.14300	.04370	.10360	-.02260	.01090	.03910	.04370
.602	22.310	.00000	.00000	.04010	-.14570	.04370	.10310	-.02280	.01090	.04010	.04370
.601	23.550	.00000	.00000	.04270	-.14850	.04420	.10270	-.02330	.01100	.04260	.04420
.600	24.780	.00000	.00000	.04640	-.15260	.04430	.10370	-.02380	.01120	.04640	.04430
.600	26.010	.00000	.00000	.04760	-.15500	.04420	.10400	-.02410	.01120	.04760	.04420
.601	27.250	.00000	-.01000	.05170	-.15630	.04440	.10340	-.02430	.01140	.05170	.04440
.601	28.480	.00000	-.01000	.05220	-.15990	.04420	.10530	-.02450	.01150	.05220	.04420
.602	29.720	.00000	-.01000	.05650	-.16330	.04420	.10480	-.02460	.01180	.05650	.04420
.601	30.950	.00000	-.01000	.05670	-.16550	.04430	.10490	-.02470	.01140	.05670	.04430
.601	32.180	.00000	-.02000	.05940	-.16530	.04430	.10390	-.02470	.01180	.05940	.04430
.600	33.420	.00000	-.02000	.06130	-.16680	.04450	.10480	-.02470	.01200	.06130	.04450
.602	34.650	.00000	-.02000	.06180	-.16860	.04430	.10310	-.02470	.01190	.06180	.04430
.600	35.900	.00000	-.02000	.06420	-.17240	.04470	.10470	-.02480	.01220	.06410	.04470
.602	37.130	.00000	-.02000	.06810	-.17090	.04480	.10240	-.02480	.01210	.06810	.04480
.601	38.360	.00000	-.03000	.06990	-.17120	.04490	.10230	-.02430	.01190	.06990	.04490
.602	39.600	.00000	-.03000	.06800	-.17630	.04470	.10300	-.02440	.01190	.06800	.04470
.601	40.830	.00000	-.03000	.07200	-.17790	.04490	.10400	-.02440	.01230	.07200	.04490
.601	42.070	.00000	-.03000	.07310	-.17840	.04500	.10200	-.02410	.01230	.07310	.04500
.601	43.300	.00000	-.05000	.07150	-.17900	.04490	.10250	-.02420	.01210	.07150	.04490
.602	44.540	.00000	-.05000	.07550	-.17920	.04500	.10210	-.02410	.01180	.07550	.04500
.600	45.770	.00000	-.05000	.07840	-.17860	.04510	.10180	-.02400	.01230	.07840	.04510
.601	47.010	.00000	-.05000	.07830	-.17940	.04490	.10120	-.02400	.01230	.07830	.04500
.600	48.250	.00000	-.05000	.07950	-.18120	.04490	.10290	-.02400	.01260	.07950	.04490
.600	50.090	.00000	-.06000	.07680	-.18470	.04490	.10290	-.02420	.01200	.07680	.04490
.600	51.330	.00000	-.06000	.08100	-.18350	.04490	.10220	-.02410	.01190	.08100	.04500

DATE 29 MAR 76

CA-26 FORCE SOURCE DATA TABULATION

PAGE 1151

LTV44-559(CA26) 747/1 ATY 02 S1 (CARRIER DATA)

(YFE107) (18 NOV 75)

REFERENCE DATA

SREF = 5500.0000 SQ.FT. XMRP = 1339.9000 IN. XC
 LREF = 327.7800 IN. YMRP = .0000 IN. YC
 BREF = 2348.0400 IN. ZMRP = 190.7500 IN. ZC
 SCALE = .0125

PARAMETRIC DATA

ALPHAC = .000 BETAC = -5.000
 STAB = 5.000 ELEVON = 5.000
 BDFLAP = .000 DX = .000
 DY = .000 TORB = 8.000
 BETAO = -5.000 RUDDER = .000

RUN NO. 76/ 0 RN/L = .00 GRADIENT INTERVAL = -5.00/ 5.00

MACH	DZ	DY	DX	CN	CLM	CA	CY	CYN	CBL	CL	CD
.602	52.570	.00000	-.06000	.08350	-.18410	.04510	.10100	-.02380	.01210	.08350	.04510
.602	53.800	.00000	-.07000	.08330	-.18530	.04480	.10110	-.02390	.01220	.08330	.04480
.601	55.040	.00000	-.07000	.08170	-.18780	.04500	.10190	-.02390	.01240	.08170	.04500
.601	56.270	.00000	-.07000	.08390	-.18920	.04500	.10230	-.02400	.01250	.08390	.04500
.601	57.500	.00000	-.07000	.08610	-.18660	.04520	.10210	-.02400	.01270	.08610	.04520
.600	58.120	.00000	-.07000	.08590	-.19000	.04520	.10230	-.02390	.01260	.08580	.04520
	GRADIENT	.00000	.00000	.00610	-.00373	-.00012	-.00029	-.00092	.00023	.00611	-.00012

LTV44-559(CA26) 747/1 ATY 06 S1 (CARRIER DATA)

(YFE108) (18 NOV 75)

REFERENCE DATA

SREF = 5500.0000 SQ.FT. XMRP = 1339.9000 IN. XC
 LREF = 327.7800 IN. YMRP = .0000 IN. YC
 BREF = 2348.0400 IN. ZMRP = 190.7500 IN. ZC
 SCALE = .0125

PARAMETRIC DATA

ALPHAC = 2.000 BETAC = .000
 STAB = 5.000 ELEVON = 5.000
 AILRON = .000 DX = .000
 DY = .000 TORB = 6.000
 BETA0 = .000 DPHI = .000

RUN NO. 77/ 0 RN/L = .00 GRADIENT INTERVAL = -5.00/ 5.00

MACH	DZ	DY	DX	CN	CLM	CA	CY	CYN	CBL	CL	CD
.601	1.760	.00000	-.01000	.19050	-.10760	.04140	.00460	-.00260	.00050	.18840	.05040
.601	2.360	.00000	-.01000	.19160	-.10920	.04150	.00440	-.00260	.00040	.18940	.05060
.601	2.970	.00000	-.01000	.19650	-.11520	.04170	.00480	-.00260	.00050	.19430	.05100
.601	3.760	.00000	-.01000	.19300	-.11470	.04110	.00490	-.00250	.00040	.19080	.05020
.602	4.560	.00000	-.01000	.19540	-.11640	.04130	.00360	-.00250	.00060	.19320	.05050
.601	5.470	.00000	-.01000	.20250	-.12420	.04180	.00390	-.00230	.00050	.20030	.05130
.601	6.460	.00000	-.01000	.20060	-.12620	.04150	.00500	-.00220	.00080	.19840	.05100
.601	7.460	.00000	-.01000	.20740	-.12630	.04210	.00380	-.00230	.00070	.20510	.05190
.600	8.460	.00000	-.01000	.21150	-.13040	.04210	.00390	-.00210	.00050	.20930	.05210
.603	9.460	.00000	.00000	.21120	-.13720	.04200	.00400	-.00210	.00050	.20900	.05200
.604	10.560	.00000	.00000	.21400	-.14250	.04180	.00320	-.00180	.00020	.21180	.05190
.602	11.740	.00000	.00000	.21790	-.14580	.04280	.00300	-.00190	.00020	.21560	.05300
.604	12.930	.00000	.00000	.22070	-.14810	.04220	.00310	-.00190	.00060	.21850	.05260
.604	14.110	.00000	.00000	.22170	-.14840	.04200	.00290	-.00170	.00050	.21940	.05250
.601	15.300	.00000	.00000	.22520	-.15590	.04200	.00280	-.00160	.00070	.22300	.05260
.600	16.490	.00000	.00000	.23240	-.15910	.04260	.00260	-.00150	.00050	.22300	.05350
.599	17.670	.00000	.00000	.23490	-.16330	.04270	.00290	-.00130	.00040	.23260	.05370
.599	18.860	.00000	.00000	.23550	-.16660	.04280	.00290	-.00120	.00030	.23330	.05390
.599	20.040	.00000	.00000	.23800	-.16850	.04260	.00210	-.00140	.00040	.23560	.05380
.601	21.230	.00000	.00000	.24040	-.17000	.04270	.00210	-.00140	.00050	.23820	.05390
.601	22.410	.00000	.01000	.24370	-.17440	.04220	.00230	-.00140	.00010	.24140	.05360
.601	23.600	.00000	.01000	.24830	-.17790	.04290	.00240	-.00140	.00010	.24600	.05460
.601	24.780	.00000	.01000	.24730	-.18020	.04270	.00230	-.00120	.00010	.24500	.05430
.603	25.970	.00000	.01000	.24650	-.18210	.04240	.00210	-.00120	.00020	.24420	.05400
.603	27.150	.00000	.01000	.25170	-.18430	.04250	.00190	-.00120	.00050	.24950	.05430
.600	28.340	.00000	.01000	.25570	-.18740	.04290	.00180	-.00120	.00020	.25340	.05490
.600	29.520	.00000	.01000	.25860	-.19110	.04290	.00170	-.00120	.00030	.25630	.05500
.601	30.710	.00000	.01000	.25930	-.19170	.04280	.00120	-.00100	.00030	.25700	.05500
.602	31.900	.00000	.01000	.25930	-.19240	.04260	.00170	-.00100	.00050	.25700	.05470
.602	33.080	.00000	.01000	.26090	-.19290	.04240	.00140	-.00080	.00040	.25860	.05470
.601	34.270	.00000	.01000	.26100	-.19710	.04260	.00130	-.00080	.00020	.25870	.05480
.601	35.450	.00000	.01000	.26370	-.19680	.04240	.00150	-.00050	.00030	.26140	.05470
.601	36.640	.00000	.01000	.26500	-.19660	.04280	.00090	-.00050	.00020	.26270	.05520
.602	37.820	.00000	.01000	.26630	-.19840	.04270	.00090	-.00060	.00030	.26400	.05520
.601	39.010	.00000	.01000	.26840	-.20140	.04240	.00050	-.00070	.00000	.26610	.05490
.600	40.200	.00000	.02000	.27170	-.20060	.04240	.00090	-.00040	.00000	.26950	.05510
.601	41.380	.00000	.02000	.27120	-.20470	.04250	.00160	-.00040	.00030	.26890	.05510
.601	42.570	.00000	.02000	.27150	-.20280	.04210	.00070	-.00060	-.00010	.26920	.05480
.602	43.750	.00000	.02000	.27180	-.20440	.04240	.00110	-.00050	.00010	.26950	.05510
.601	44.940	.00000	.02000	.27310	-.20430	.04200	.00110	-.00050	.00000	.27090	.05480
.601	46.130	.00000	.02000	.27540	-.20670	.04220	.00090	-.00060	.00000	.27310	.05510
.601	47.310	.00000	.02000	.27840	-.20850	.04240	.00030	-.00050	.00020	.27610	.05550

DATE 29 MAR 76

CA-26 FORCE SOURCE DATA TABULATION

PAGE 1153

LTV44-559(CA26) 747/1 ATY 06 S1 (CARRIER DATA)

(YFE108) (18 NOV 75)

REFERENCE DATA

SREF = 5500.0000 SQ.FT. XMRP = 1339.9000 IN. XC
 LREF = 327.7800 IN. YMRP = .0000 IN. YC
 BREF = 2348.0400 IN. ZMRP = 190.7500 IN. ZC
 SCALE = .0125

PARAMETRIC DATA

ALPHAC = 2.000 BETAC = .000
 STAB = 5.000 ELEVON = 5.000
 AILRON = .000 DX = .000
 DY = .000 TORB = 6.000
 BETAO = .000 DPHI = .000

RUN NO. 77/ 0 RN/L = .00 GRADIENT INTERVAL = -5.00/ 5.00

MACH	DZ	DY	DX	CN	CLM	CA	CY	CYN	CBL	CL	CD
.600	48.500	.00000	.02000	.28080	-.21010	.04260	.00090	-.00050	.00020	.27850	.05580
.603	49.680	.00000	.02000	.27890	-.20720	.04180	.00100	-.00050	.00030	.27660	.05480
.602	50.870	.00000	.02000	.28070	-.20860	.04210	.00120	-.00050	.00020	.27840	.05530
.601	51.460	.00000	.02000	.28210	-.21290	.04210	.00100	-.00050	.00010	.27980	.05530
	GRADIENT	.00000	.00000	.00152	-.00321	-.00009	-.00023	.00004	.00003	.00149	-.00004

LTV44-559(CA26) 747/1 ATY 06 S1 (CARRIER DATA)

(YFE109) (18 NOV 75)

REFERENCE DATA

SREF = 5500.0000 SQ.FT. XMRP = 1339.9000 IN. XC
 LREF = 327.7800 IN. YMRP = .0000 IN. YC
 BREF = 2348.0400 IN. ZMRP = 190.7500 IN. ZC
 SCALE = .0125

PARAMETRIC DATA

ALPHAC = 2.000 BETAC = .000
 STAB = 5.000 ELEVON = .000
 AILRON = .500 DX = .000
 DY = .000 IORB = 4.000
 BETAD = .000 DPHI = .000

RUN NO. 78/ 0 RN/L = .00 GRADIENT INTERVAL = -5.00/ 5.00

MACH	DZ	DY	DX	CN	CLM	CA	CY	CYN	CBL	CL	CD
.603	1.760	.00000	.01000	.23570	-.22820	.04650	.00270	-.00180	.00040	.23330	.05730
.601	2.360	.00000	.01000	.24140	-.22760	.04670	.00260	-.00180	.00040	.23900	.05770
.600	2.970	.00000	.01000	.24410	-.23320	.04660	.00230	-.00160	.00040	.24170	.05770
.601	3.760	.00000	.01000	.24380	-.23160	.04630	.00210	-.00150	.00040	.24140	.05750
.600	4.560	.00000	.01000	.24940	-.23400	.04660	.00190	-.00140	.00060	.24700	.05800
.600	5.960	.00000	.01000	.24930	-.23300	.04600	.00160	-.00130	.00050	.24700	.05750
.602	7.970	.00000	.01000	.24910	-.23370	.04600	.00190	-.00140	.00040	.24670	.05730
.600	9.960	.00000	.01000	.26140	-.23010	.04550	.00160	-.00110	.00020	.25910	.05760
.600	10.960	.00000	.01000	.26090	-.23140	.04540	.00170	-.00100	.00050	.25850	.05740
.602	11.960	.00000	.01000	.26140	-.23260	.04540	.00230	-.00110	.00040	.25900	.05740
.601	12.950	.00000	.01000	.26440	-.23380	.04560	.00190	-.00100	.00020	.26200	.05770
.599	13.940	.00000	.01000	.26590	-.23520	.04550	.00160	-.00100	.00000	.26350	.05780
.598	14.940	.00000	.00000	.26910	-.23430	.04560	.00160	-.00110	.00010	.26670	.05800
.606	15.930	.00000	.00000	.26310	-.22820	.04430	.00120	-.00090	.00000	.26080	.05640
.603	16.930	.00000	.00000	.26780	-.23140	.04450	.00100	-.00080	.00000	.26550	.05680
.601	17.930	.00000	.00000	.27010	-.22900	.04470	.00090	-.00090	.00010	.26780	.05720
.602	18.920	.00000	.00000	.27210	-.23150	.04470	.00090	-.00090	.00020	.26980	.05730
.603	19.910	.00000	.00000	.27240	-.23170	.04470	.00070	-.00090	.00000	.27000	.05730
.602	20.910	.00000	.00000	.27220	-.23260	.04430	.00150	-.00100	.00000	.26990	.05690
.602	21.900	.00000	.01000	.27440	-.23320	.04430	.00150	-.00070	.00020	.27210	.05700
.601	22.890	.00000	.01000	.27870	-.23270	.04490	.00080	-.00080	.00000	.27630	.05780
.598	23.890	.00000	.01000	.28080	-.23510	.04480	.00090	-.00080	.00020	.27840	.05780
.601	24.890	.00000	.01000	.28060	-.23100	.04450	.00060	-.00070	.00010	.27820	.05750
.603	25.880	.00000	.01000	.27860	-.23220	.04390	.00130	-.00090	.00010	.27620	.05680
.603	25.870	.00000	.01000	.28360	-.23110	.04410	.00160	-.00080	.00020	.28120	.05730
.601	27.870	.00000	.01000	.28350	-.23380	.04390	.00160	-.00070	.00030	.28120	.05710
.603	28.860	.00000	.01000	.28310	-.23260	.04390	.00120	-.00070	.00010	.28070	.05710
.601	29.860	.00000	.01000	.28570	-.23430	.04410	.00150	-.00080	.00000	.28330	.05740
.601	30.860	.00000	.01000	.28940	-.23300	.04400	.00100	-.00070	-.00010	.28700	.05750
.600	31.850	.00000	.01000	.28920	-.23210	.04390	.00050	-.00080	.00000	.28680	.05740
.602	32.840	.00000	.01000	.28900	-.23210	.04370	.00170	-.00080	.00010	.28660	.05710
.603	33.840	.00000	.01000	.28780	-.23270	.04360	.00110	-.00080	.00010	.28550	.05690
.601	34.830	.00000	.01000	.29030	-.23300	.04370	.00010	-.00090	-.00010	.28790	.05720
.599	35.830	.00000	.01000	.29340	-.23670	.04380	.00120	-.00070	-.00010	.29110	.05740
.598	36.830	.00000	.01000	.29570	-.23660	.04390	.00130	-.00090	.00010	.29330	.05770
.600	37.820	.00000	.01000	.29590	-.23440	.04340	.00120	-.00070	.00010	.29350	.05720
.604	38.820	.00000	.01000	.29320	-.23080	.04300	.00100	-.00070	.00010	.29090	.05670
.603	39.810	.00000	.01000	.29280	-.23100	.04330	.00070	-.00070	.00020	.29040	.05700
.601	40.800	.00000	.01000	.29560	-.23220	.04360	.00020	-.00070	.00010	.29330	.05740
.601	41.800	.00000	.01000	.29930	-.23310	.04360	.00080	-.00060	.00000	.29690	.05760
.601	42.800	.00000	.01000	.29960	-.23610	.04340	.00090	-.00040	.00000	.29730	.05740
.603	43.790	.00000	.01000	.29720	-.23350	.04250	.00100	-.00060	-.00010	.29490	.05630

DATE 29 MAR 76

CA-26 FORCE SOURCE DATA TABULATION

PAGE 1155

LTV44-559(CA26) 747/1 ATY 06 S1 (CARRIER DATA)

(YFE109) (18 NOV 75)

REFERENCE DATA

SREF = 5500.0000 SQ.FT. XMRP = 1339.9000 IN. XC
 LREF = 327.7800 IN. YMRP = .0000 IN. YC
 BREF = 2348.0400 IN. ZMRP = 190.7500 IN. ZC
 SCALE = .0125

PARAMETRIC DATA

ALPHAC = 2.000 BETAC = .000
 STAB = 5.000 ELEVON = .000
 AILRON = .000 DX = .000
 DY = .000 IORB = 4.000
 BETAO = .000 DPHI = .000

RUN NO. 78/ 0 RN/L = .00 GRADIENT INTERVAL = -5.00/ 5.00

MACH	DZ	DY	DX	CN	CLM	CA	CY	CYN	CBL	CL	CD
.603	44.790	.00000	.01000	.29640	-.23410	.04300	.00100	-.00080	.00010	.29410	.05690
	GRADIENT	.00000	.00000	.00420	-.00218	-.00003	-.00030	.00016	.00006	.00420	.00017

ORIGINAL PAGE IS
OF POOR QUALITY

LTV44-559(CA26) 747/1 ATY 06 S1 (CARRIER DATA)

(YFE110) (18 NOV 75)

REFERENCE DATA

SREF = 5500.0000 SQ.FT. XMRP = 1339.9000 IN. XC
 LREF = 327.7800 IN. YMRP = .0000 IN. YC
 BREF = 2348.0400 IN. ZMRP = 190.7500 IN. ZC
 SCALE = .0125

PARAMETRIC DATA

ALPHAC = 2.000 BETAC = .000
 STAB = 5.000 ELEVON = .000
 AILRON = .000 DX = .000
 DY = .000 IORB = 6.000
 BETAO = .000 DPHI = .000

RUN NO. 1078/ 0 RN/L = .00 GRADIENT INTERVAL = -5.00/ 5.00

MACH	DZ	DY	DX	CN	CLM	CA	CY	CYN	CBL	CL	CD
.602	1.470	.00000	.00000	.20270	-.16570	.04370	.00270	-.00240	.00050	.20050	.05310
.600	1.770	.00000	.00000	.20910	-.17450	.04390	.00130	-.00200	.00030	.20680	.05360
.602	2.370	.00000	.00000	.20970	-.17740	.04370	.00120	-.00200	.00060	.20740	.05340
.599	2.970	.00000	.00000	.21210	-.17930	.04400	.00230	-.00190	.00060	.20980	.05380
.601	3.770	.00000	.00000	.21750	-.18440	.04400	.00210	-.00170	.00050	.21530	.05410
.600	4.570	.00000	.00000	.21830	-.18510	.04400	.00110	-.00170	.00050	.21600	.05410
.601	5.970	.00000	.00000	.23140	-.19360	.04400	.00130	-.00130	.00000	.22910	.05470
.600	7.970	.00000	.00000	.23220	-.19420	.04380	.00030	-.00120	.00010	.22990	.05450
.602	9.960	.00000	.00000	.23460	-.19540	.04390	.00130	-.00120	.00020	.23230	.05470
.601	11.240	.00000	.00000	.24510	-.19820	.04410	.00000	-.00080	.00040	.24280	.05550
.603	12.520	.00000	.00000	.24310	-.19970	.04360	.00100	-.00070	.00030	.24080	.05490
.598	13.800	.00000	.00000	.24650	-.20570	.04410	.00020	-.00070	.00030	.24410	.05550
.600	15.080	.00000	.00000	.25040	-.20480	.04380	-.00070	-.00060	.00000	.24810	.05540
.599	16.350	.00000	.00000	.25480	-.20690	.04390	-.00080	-.00040	.00010	.25250	.05580
.600	17.630	.00000	.00000	.25680	-.20750	.04360	.00080	-.00050	.00030	.25450	.05550
.601	18.900	.00000	.00000	.25730	-.20840	.04340	.00040	-.00030	.00030	.25500	.05540
.599	20.180	.00000	.00000	.26080	-.21250	.04370	.00090	-.00040	.00010	.25850	.05590
.601	21.460	.00000	.00000	.25890	-.21150	.04330	.00010	-.00040	.00000	.25660	.05530
.602	22.730	.00000	.01000	.26390	-.21370	.04350	-.00030	-.00070	.00000	.26160	.05580
.602	24.000	.00000	.01000	.25300	-.21310	.04320	.00030	-.00060	.00010	.26070	.05550
.601	25.280	.00000	.01000	.26510	-.21640	.04350	-.00010	-.00070	.00000	.26290	.05580
.602	26.560	.00000	.01000	.26910	-.21510	.04350	.00070	-.00060	.00010	.26680	.05600
.602	27.840	.00000	.01000	.27120	-.21750	.04340	.00010	-.00040	.00010	.26880	.05600
.600	29.110	.00000	.01000	.27420	-.22070	.04350	.00070	-.00060	.00000	.27190	.05630
.605	30.390	.00000	.01000	.27170	-.21590	.04270	-.00020	-.00060	.00010	.26950	.05540
.602	31.660	.00000	.01000	.27380	-.22010	.04310	-.00030	-.00050	.00020	.27150	.05580
.600	32.940	.00000	.01000	.27890	-.22350	.04360	.00070	-.00050	.00030	.27650	.05650
.601	34.220	.00000	.01000	.28030	-.22090	.04320	.00040	-.00060	.00000	.27800	.05630
.600	35.490	.00000	.01000	.28140	-.22340	.04320	.00060	-.00060	.00010	.27900	.05630
.601	36.770	.00000	.01000	.28080	-.22140	.04300	.00000	-.00050	.00020	.27850	.05610
.598	38.050	.00000	.01000	.28200	-.22540	.04320	.00100	-.00050	.00020	.27960	.05630
.599	39.330	.00000	.01000	.28400	-.22240	.04280	.00100	-.00050	.00020	.28170	.05600
.601	40.600	.00000	.01000	.28790	-.22110	.04280	.00000	-.00030	.00040	.28560	.05630
.601	41.880	.00000	.01000	.28550	-.22290	.04240	.00090	-.00050	.00020	.28320	.05580
.601	43.150	.00000	.01000	.28750	-.22520	.04270	.00000	-.00050	.00010	.28520	.05610
.602	44.430	.00000	.02000	.29070	-.22340	.04270	.00040	-.00060	.00010	.28840	.05630
.600	45.710	.00000	.02000	.29100	-.22870	.04290	.00050	-.00060	.00000	.28860	.05640
.601	46.980	.00000	.02000	.29200	-.22620	.04270	.00010	-.00070	.00000	.28970	.05630
.601	48.260	.00000	.02000	.28900	-.22760	.04260	.00000	-.00060	.00010	.28670	.05600
.602	49.540	.00000	.02000	.29190	-.22780	.04280	.00090	-.00050	.00010	.28960	.05640
.604	50.820	.00000	.02000	.29260	-.22510	.04270	.00010	-.00060	.00010	.29030	.05640
	GRADIENT	.00000	.00000	.00462	-.00552	.00009	-.00018	.00019	.00003	.00462	.00030

LTV44-559(CA26) 747/1 ATY 06 S1 (CARRIER DATA)

(YFE111) (18 NOV 75)

REFERENCE DATA

SREF = 5500.0000 SQ.FT. XMRP = 1339.9000 IN. XC
 LREF = 327.7800 IN. YMRP = .0000 IN. YC
 BREF = 2348.0400 IN. ZMRP = 190.7500 IN. ZC
 SCALE = .0125

PARAMETRIC DATA

ALPHAC = 2.000 BETAC = .000
 STAB = 5.000 ELEVON = .000
 AILRON = .000 DX = .000
 DY = .000 TORB = 8.000
 BETA0 = .000 DPHI = .000

RUN NO. 79/ 0 RN/L = .00 GRADIENT INTERVAL = -5.00/ 5.00

MACH	DZ	DY	DX	CN	CLM	CA	CY	CYN	CBL	CL	CD
.600	1.760	.00000	-.01000	.17710	-.11380	.04180	.00200	-.00220	.00070	.17490	.05010
.599	2.360	.00000	-.01000	.17740	-.11530	.04210	.00230	-.00220	.00070	.17530	.05040
.600	2.970	.00000	-.01000	.18230	-.12010	.04190	.00240	-.00200	.00070	.18020	.05050
.600	3.960	.00000	-.01000	.18710	-.11950	.04230	.00220	-.00200	.00080	.18490	.05110
.601	4.960	.00000	-.01000	.19460	-.12740	.04250	.00090	-.00150	.00060	.19230	.05160
.600	6.210	.00000	.00000	.19090	-.12810	.04200	.00130	-.00140	.00050	.18870	.05090
.600	7.460	.00000	.00000	.19660	-.13230	.04250	.00030	-.00140	.00030	.19440	.05170
.599	8.710	.00000	.00000	.20310	-.13740	.04220	.00110	-.00130	.00050	.20090	.05180
.600	9.960	.00000	.00000	.21100	-.15040	.04270	.00000	-.00090	.00020	.20880	.05260
.600	11.200	.00000	.00000	.21150	-.15140	.04310	.00040	-.00080	.00040	.20920	.05300
.600	12.430	.00000	.00000	.21470	-.15350	.04300	-.00010	-.00080	.00030	.21240	.05300
.601	13.670	.00000	.00000	.21710	-.15860	.04310	-.00020	-.00060	.00040	.21480	.05320
.601	14.910	.00000	.00000	.21890	-.16410	.04240	.00030	-.00060	.00050	.21670	.05260
.601	16.140	.00000	.00000	.22210	-.16900	.04310	.00000	-.00060	.00050	.21980	.05350
.601	17.370	.00000	.00000	.22670	-.17080	.04290	-.00040	-.00050	.00030	.22440	.05340
.604	18.610	.00000	.00000	.23210	-.17260	.04310	-.00050	-.00030	.00000	.22980	.05400
.603	19.840	.00000	.00000	.23490	-.17470	.04310	-.00110	-.00020	.00020	.23260	.05410
.601	21.080	.00000	.00000	.23800	-.17790	.04310	-.00110	-.00020	.00030	.23570	.05420
.601	22.310	.00000	.01000	.24380	-.18190	.04340	-.00120	-.00030	.00010	.24150	.05480
.601	23.550	.00000	.01000	.24370	-.18580	.04310	-.00080	-.00020	.00020	.24140	.05440
.600	24.780	.00000	.01000	.24440	-.18780	.04290	-.00020	-.00010	.00040	.24210	.05430
.601	26.010	.00000	.01000	.24550	-.18900	.04290	-.00070	.00000	.00030	.24330	.05440
.599	27.250	.00000	.01000	.25140	-.19030	.04340	-.00140	-.00030	.00020	.24910	.05510
.600	28.480	.00000	.01000	.25230	-.19250	.04310	-.00120	-.00030	.00010	.25000	.05490
.601	29.720	.00000	.01000	.25410	-.19670	.04290	-.00120	-.00030	.00000	.25180	.05470
.600	30.950	.00000	.01000	.25270	-.19850	.04270	-.00020	-.00030	-.00010	.25040	.05440
.603	32.180	.00000	.01000	.25580	-.19850	.04260	-.00030	-.00030	.00020	.25350	.05450
.600	33.420	.00000	.01000	.26000	-.20000	.04290	-.00020	-.00020	.00000	.25770	.05500
.598	34.660	.00000	.01000	.26420	-.20320	.04310	-.00080	-.00030	.00020	.26190	.05550
.598	35.900	.00000	.01000	.26630	-.20310	.04350	-.00110	-.00030	.00000	.26390	.05590
.601	37.130	.00000	.01000	.26460	-.20390	.04230	-.00090	-.00030	.00010	.26230	.05460
.601	38.360	.00000	.01000	.26670	-.20590	.04250	-.00030	-.00020	.00030	.26440	.05500
.603	39.600	.00000	.01000	.26830	-.20570	.04270	-.00070	-.00040	.00020	.26600	.05520
.603	40.830	.00000	.01000	.27060	-.20750	.04280	-.00050	-.00040	.00000	.26830	.05540
.632	42.070	.00000	.02000	.27140	-.20840	.04270	-.00080	-.00040	.00000	.26910	.05540
.602	43.300	.00000	.02000	.27480	-.21010	.04280	-.00010	-.00040	.00000	.27250	.05570
.602	44.540	.00000	.02000	.27570	-.21140	.04260	.00000	-.00040	.00010	.27340	.05550
.601	45.770	.00000	.02000	.27800	-.21050	.04290	-.00080	-.00040	.00000	.27340	.05550
.602	47.010	.00000	.02000	.27790	-.21230	.04230	.00000	-.00050	.00000	.27560	.05530
.600	48.250	.00000	.02000	.27930	-.21200	.04260	-.00040	-.00050	.00000	.27700	.05570
.600	49.480	.00000	.02000	.27970	-.21390	.04260	-.00020	-.00030	.00010	.27740	.05570
.600	50.710	.00000	.02000	.28160	-.21460	.04270	-.00050	-.00040	.00000	.27930	.05590

LTV44-559(CA26) 747/1 ATY 06 S1 (CARRIER DATA)

(YFE111) (18 NOV 75)

REFERENCE DATA

SREF = 5500.0000 70.FT. XMRP = 1339.9000 IN. XC
 LREF = 327.7800 IN. YMRP = .0000 IN. YC
 BREF = 2348.0000 IN. ZMRP = 190.7500 IN. ZC
 SCALE = .0125

PARAMETRIC DATA

ALPHAC = 2.000 BETAC = .000
 STAB = 5.000 ELEVON = .000
 AILRON = .000 DX = .000
 DY = .000 IORB = 8.000
 BETAO = .000 DPHI = .000

RUN NO. 79/ 0 RN/L = .00 GRADIENT INTERVAL = -5.00/ 5.00

MACH	DZ	DY	DX	CN	CLM	CA	CY	CYN	CBI	CL	CD
.601	51.950	.00000	.02000	.28360	-.21290	.04220	-.00030	-.00050	.00000	.28130	.05540
.601	53.180	.00000	.02000	.28260	-.21590	.04220	.00000	-.00050	.00010	.28030	.05540
.601	54.420	.00000	.02000	.28270	-.21460	.04230	-.00020	-.00050	-.00010	.28040	.05550
.601	55.650	.00000	.03000	.28600	-.21360	.04210	-.00050	-.00060	-.00030	.28370	.05550
.604	56.890	.00000	.02000	.28320	-.21360	.04190	.00000	-.00060	.00010	.28090	.05510
.602	58.120	.00000	.03000	.28740	-.21650	.04260	.00020	-.00070	.00030	.28500	.05610
	GRADIENT	.00000	-.00000	.00567	-.00392	.00020	-.00033	.00021	-.00002	.00562	.00047

LTV44-559(CA26) 747/1 ATY 06 S1 (CARRIER DATA)

(YFE112) (18 NOV 75)

REFERENCE DATA

SREF = 5500.0000 SQ.FT. XMRP = 1339.9000 IN. XC
 LREF = 327.7800 IN. YMRP = .0000 IN. YC
 BREF = 23481.0400 IN. ZMRP = 190.7500 IN. ZC
 SCALE = .0125

PARAMETRIC DATA

ALPHAC = 2.000 BETAC = .000
 STAB = 5.000 RUDDER = .000
 ELEVON = .000 DY = .000
 DZ = .000 TORB = 6.000
 BETA0 = .000 DPHI = .000

RUN NO. 81/ 0 RN/L = .00 GRADIENT INTERVAL = -5.00/ 5.00

MACH	DX	DY	DZ	CN	CLM	CA	CY	CYN	CBL	CL	CO
.601	.000	.00000	1.46000	.20580	-.16550	.04410	.00200	-.00190	.00060	.20350	.05360
.600	.390	.00000	1.46000	.20490	-.16730	.04450	.00230	-.00180	.00060	.20260	.05390
.601	.780	.00000	1.46000	.20390	-.16750	.04510	.00230	-.00190	.00050	.20160	.05450
.599	1.140	.00000	1.46000	.20590	-.16790	.04490	.00220	-.00200	.00050	.20360	.05440
.600	1.530	.00000	1.46000	.20580	-.16620	.04410	.00180	-.00180	.00060	.20350	.05360
.601	1.920	.00000	1.46000	.20600	-.16640	.04400	.00250	-.00190	.00090	.20380	.05360
.601	2.290	.00000	1.46000	.21060	-.16710	.04440	.00200	-.00190	.00080	.20830	.05420
.602	2.680	.00000	1.46000	.20690	-.16700	.04400	.00200	-.00190	.00080	.20460	.05360
.602	3.070	.00000	1.46000	.20560	-.16860	.04390	.00240	-.00200	.00060	.20330	.05340
.600	3.430	.00000	1.46000	.20650	-.16890	.04370	.00220	-.00200	.00050	.20430	.05330
.598	3.820	.00000	1.46000	.21100	-.17010	.04440	.00230	-.00210	.00060	.20870	.05410
.602	4.190	.00000	1.46000	.21170	-.16710	.04380	.00210	-.00200	.00060	.20940	.05360
.600	4.580	.00000	1.46000	.21000	-.16760	.04360	.00210	-.00220	.00050	.20770	.05330
.600	4.970	.00000	1.46000	.21130	-.16810	.04380	.00200	-.00200	.00060	.20910	.05360
.601	5.330	.00000	1.46000	.21090	-.16800	.04320	.00180	-.00190	.00050	.20860	.05300
.601	5.720	.00000	1.46000	.21330	-.17060	.04360	.00190	-.00180	.00050	.21100	.05350
.602	6.110	.00000	1.46000	.21140	-.16940	.04300	.00180	-.00160	.00060	.20920	.05280
.602	6.480	.00000	1.46000	.21400	-.16810	.04330	.00160	-.00160	.00060	.21180	.05320
.601	6.870	.00000	1.46000	.21360	-.17060	.04300	.00180	-.00170	.00060	.21130	.05290
.600	7.230	.00000	1.46000	.21530	-.16930	.04330	.00160	-.00160	.00070	.21300	.05330
.601	7.630	.00000	1.46000	.21560	-.16910	.04310	.00140	-.00160	.00060	.21330	.05310
.602	8.020	.00000	1.46000	.21470	-.17020	.04290	.00130	-.00170	.00050	.21250	.05290
.601	8.380	.00000	1.46000	.21730	-.17140	.04300	.00100	-.00170	.00050	.21500	.05310
.602	8.770	.00000	1.46000	.21820	-.17090	.04320	.00170	-.00150	.00050	.21600	.05330
.602	9.160	.00000	1.46000	.21750	-.16860	.04300	.00100	-.00150	.00050	.21530	.05310
.601	9.530	.00000	1.46000	.21920	-.17150	.04280	.00120	-.00160	.00040	.21690	.05300
.602	9.920	.00000	1.46000	.21930	-.16920	.04270	.00140	-.00140	.00060	.21710	.05300
.602	10.280	.00000	1.46000	.22490	-.16970	.04280	.00100	-.00140	.00060	.22260	.05330
.602	10.670	.00000	1.46000	.22420	-.17020	.04240	.00120	-.00150	.00060	.22200	.05280
.603	11.060	.00000	1.46000	.22350	-.17020	.04220	.00060	-.00150	.00050	.22130	.05260
.603	11.430	.00000	1.46000	.22520	-.16830	.04220	.00090	-.00150	.00040	.22300	.05270
.601	11.820	.00000	1.46000	.22630	-.17090	.04260	.00090	-.00150	.00040	.22400	.05310
.602	12.210	.00000	1.46000	.22410	-.17090	.04220	.00100	-.00150	.00040	.22180	.05270
.600	12.570	.00000	1.46000	.22410	-.17270	.04220	.00090	-.00160	.00040	.22190	.05270
.600	12.960	.00000	1.46000	.22360	-.17110	.04240	.00090	-.00150	.00030	.22140	.05280
.602	13.330	.00000	1.46000	.22480	-.17080	.04200	.00080	-.00160	.00040	.22260	.05250
GRADIENT	.00000	.00000	.00000	.00134	-.00040	-.00018	-.00001	-.00005	-.00001	.00134	-.00011

LTV44-559(CA26) 747/1 ATY 06 S1 (CARRIER DATA)

(YFE113) (18 NOV 75)

REFERENCE DATA

SREF = 5500.0000 SQ.FT. XMRP = 1339.9000 IN. XC
 LREF = 327.7800 IN. YMRP = .0000 IN. YC
 BREF = 2348.0400 IN. ZMRP = 190.7500 IN. ZC
 SCALE = .0125

PARAMETRIC DATA

ALPHAC = 2.000 BETAC = .000
 STAB = 5.000 RUDDER = .000
 ELEVON = .000 DY = .000
 DZ = 15.000 LORB = 6.000
 BETAO = .000 DPHI = .000

RUN NO. 1081/ 0 RN/L = .00 GRADIENT INTERVAL = -5.00/ 5.00

MACH	DX	DY	DZ	CN	CLM	CA	CY	CYN	CBL	CL	CO
.600	.390	.00000	15.00000	.25180	-.20550	.04470	-.00070	-.00070	.00040	.24950	.05630
.602	.780	.00000	15.00000	.24710	-.20620	.04530	-.00040	-.00080	.00050	.24480	.05670
.601	1.140	.00000	15.00000	.25090	-.20410	.04560	-.00060	-.00070	.00030	.24850	.05720
.602	1.530	.00000	15.00000	.24950	-.20430	.04460	-.00060	-.00060	.00020	.24720	.05610
.602	1.900	.00000	15.00000	.24650	-.20510	.04390	-.00060	-.00070	.00010	.24420	.05530
.602	2.290	.00000	15.00000	.24850	-.20380	.04400	-.00100	-.00060	.00010	.24610	.05550
.600	2.680	.00000	15.00000	.24940	-.20590	.04420	-.00110	-.00070	.00010	.24700	.05580
.602	3.040	.00000	15.00000	.25120	-.20620	.04430	-.00090	-.00070	.00010	.24890	.05590
.602	3.430	.00000	15.00000	.24790	-.20600	.04370	-.00370	-.00080	.00010	.24560	.05520
.601	3.820	.00000	15.00000	.25100	-.20710	.04440	-.00050	-.00080	.00020	.24870	.05600
.600	4.190	.00000	15.00000	.25100	-.20660	.04430	-.00050	-.00070	.00020	.24860	.05590
.599	4.580	.00000	15.00000	.25100	-.20710	.04410	-.00080	-.00060	.00030	.24860	.05570
.600	4.940	.00000	15.00000	.24940	-.20920	.04420	-.00040	-.00060	.00040	.24710	.05580
.599	5.330	.00000	15.00000	.25050	-.20900	.04400	-.00050	-.00050	.00040	.24820	.05560
.601	5.720	.00000	15.00000	.25140	-.20870	.04420	-.00060	-.00060	.00020	.24910	.05580
.601	6.090	.00000	15.00000	.25050	-.20780	.04390	-.00110	-.00070	.00000	.24820	.05550
.599	6.480	.00000	15.00000	.24970	-.21000	.04410	-.00070	-.00080	.00010	.24740	.05570
.599	6.870	.00000	15.00000	.25270	-.20980	.04420	-.00050	-.00060	.00010	.25040	.05590
.602	7.230	.00000	15.00000	.25110	-.20620	.04360	-.00100	-.00060	.00010	.24880	.05520
.601	7.630	.00000	15.00000	.25340	-.20750	.04400	-.00090	-.00060	.00020	.25110	.05570
.602	7.990	.00000	15.00000	.25170	-.20740	.04360	-.00130	-.00050	.00020	.24940	.05530
.598	8.380	.00000	15.00000	.25350	-.21150	.04420	-.00070	-.00070	.00020	.25110	.05590
.603	8.770	.00000	15.00000	.25260	-.20680	.04370	-.00110	-.00060	.00030	.25020	.05540
.597	9.140	.00000	15.00000	.25730	-.21450	.04460	-.00060	-.00070	.00030	.25490	.05660
.602	9.530	.00000	15.00000	.25290	-.21080	.04370	-.00030	-.00060	.00020	.25060	.05540
.601	9.920	.00000	15.00000	.25460	-.21280	.04420	-.00070	-.00070	.00020	.25230	.05600
.603	10.280	.00000	15.00000	.25290	-.21220	.04380	-.00040	-.00050	.00030	.25050	.05550
.603	10.670	.00000	15.00000	.25320	-.21070	.04380	-.00000	-.00060	.00040	.25090	.05560
.602	11.040	.00000	15.00000	.25510	-.20970	.04390	-.00080	-.00070	.00040	.25280	.05570
.603	11.430	.00000	15.00000	.25480	-.21090	.04360	-.00040	-.00070	.00040	.25250	.05540
.602	11.820	.00000	15.00000	.25590	-.20960	.04340	-.00070	-.00070	.00030	.25360	.05520
.600	12.180	.00000	15.00000	.25760	-.21100	.04380	-.00110	-.00070	.00020	.25530	.05580
.602	12.570	.00000	15.00000	.25640	-.21280	.04360	-.00080	-.00070	.00030	.25410	.05550
.603	12.960	.00000	15.00000	.25720	-.21140	.04340	-.00060	-.00070	.00010	.25490	.05530
.603	13.330	.00000	15.00000	.26040	-.21140	.04350	-.00090	-.00060	.00020	.25810	.05560
.600	GRADIENT	.00000	.00000	.00022	-.00071	-.00022	.00001	.00001	-.00002	.00022	-.00019

DATE 29 MAR 76

CA-26 FORCE SOURCE DATA TABULATION

PAGE 1161

LTV44-559(CA26) 747/1 ATY 06 S1 (CARRIER DATA)

(YFE114) (18 NOV 75)

REFERENCE DATA

SREF = 5500.0000 SQ.FT. XMRP = 1339.9000 IN. XC
 LREF = 327.7800 IN. YMRP = .0000 IN. YC
 BRFB = 2348.0400 IN. ZMRP = 190.7500 IN. ZC
 SCALE = .0125

PARAMETRIC DATA

ALPHAC = 2.000 BETAC = .000
 STAB = 5.000 RUDDER = .000
 ELEVON = .000 DY = .000
 DZ = 60.000 IORB = 6.000
 BETAO = .000 DPHI = .000

RUN NO. 2081/ 0 RN/L = .00 GRADIENT INTERVAL = -5.00/ 5.00

MACH	DX	DY	DZ	CN	CLM	CA	CY	CYN	CBL	CL	CD
.604	.410	.00000	51.46000	.29490	-.22800	.04300	-.00030	-.00090	.00000	.29260	.05670
.604	.780	.00000	51.46000	.29130	-.22770	.04340	-.00010	-.00100	.00000	.28890	.05700
.602	1.170	.00000	51.46000	.29430	-.23040	.04400	-.00010	-.00080	.00010	.29190	.05780
.600	1.560	.00000	51.46000	.29450	-.22970	.04360	-.00070	-.00100	.00000	.29210	.05740
.601	1.920	.00000	51.46000	.29540	-.23010	.04340	-.00100	-.00090	.00000	.29300	.05720
.603	2.310	.00000	51.46000	.29520	-.22720	.04320	-.00090	-.00090	.00000	.29280	.05700
.603	2.680	.00000	51.46000	.29300	-.22770	.04260	-.00030	-.00090	.00020	.29070	.05630
.601	3.070	.00000	51.46000	.29420	-.22920	.04270	-.00010	-.00100	.00020	.29190	.05650
.603	3.460	.00000	51.46000	.29380	-.22710	.04310	-.00070	-.00100	.00010	.29140	.05680
.603	3.820	.00000	51.46000	.29400	-.22780	.04300	-.00060	-.00100	.00000	.29170	.05670
.600	4.210	.00000	51.46000	.29580	-.23120	.04290	-.00030	-.00080	.00000	.29350	.05670
.601	4.600	.00000	51.46000	.29620	-.23140	.04300	.00000	-.00080	.00020	.29380	.05680
.602	4.970	.00000	51.46000	.29480	-.22830	.04300	-.00040	-.00080	.00020	.29240	.05680
.601	5.360	.00000	51.46000	.29520	-.23220	.04280	.00040	-.00080	.00020	.29290	.05660
.600	5.720	.00000	51.46000	.29650	-.23140	.04290	.00000	-.00080	.00030	.29420	.05680
.600	6.110	.00000	51.46000	.29500	-.23050	.04280	-.00010	-.00080	.00040	.29270	.05650
.602	6.510	.00000	51.46000	.29600	-.22950	.04290	-.00080	-.00080	.00030	.29370	.05680
.601	6.870	.00000	51.46000	.29670	-.23190	.04290	-.00050	-.00080	.00020	.29440	.05670
.600	7.260	.00000	51.46000	.29800	-.23280	.04270	.00000	-.00080	.00020	.29560	.05660
.600	7.650	.00000	51.46000	.29730	-.23180	.04320	-.00050	-.00080	.00020	.29490	.05710
.602	8.020	.00000	51.46000	.29350	-.22990	.04260	-.00100	-.00090	.00020	.29120	.05630
.599	8.410	.00000	51.46000	.29680	-.23400	.04280	-.00020	-.00080	.00020	.29450	.05670
.601	8.770	.00000	51.46000	.29360	-.23090	.04300	-.00090	-.00090	.00020	.29130	.05670
.599	9.160	.00000	51.46000	.29510	-.23180	.04290	-.00050	-.00080	.00020	.29270	.05670
.600	9.550	.00000	51.46000	.29490	-.23270	.04280	-.00070	-.00070	.00030	.29250	.05660
.600	9.920	.00000	51.46000	.29700	-.23240	.04300	-.00060	-.00090	.00020	.29470	.05690
.600	10.310	.00000	51.46000	.29790	-.23380	.04310	-.00040	-.00090	.00020	.29560	.05700
.600	10.700	.00000	51.46000	.29850	-.23430	.04310	-.00010	-.00090	.00010	.29610	.05710
.603	11.060	.00000	51.46000	.29420	-.23350	.04270	-.00080	-.00080	.00000	.29190	.05640
.600	11.450	.00000	51.46000	.29300	-.23440	.04280	.00000	-.00100	.00000	.29070	.05650
.603	11.800	.00000	51.46000	.29180	-.23490	.04270	-.00030	-.00090	.00000	.28950	.05630
.601	12.210	.00000	51.46000	.29330	-.23480	.04270	-.00010	-.00100	.00000	.29090	.05640
.603	12.590	.00000	51.46000	.29290	-.23540	.04260	-.00020	-.00100	.00000	.29050	.05620
.605	12.960	.00000	51.46000	.29270	-.23380	.04260	-.00080	-.00090	.00000	.29040	.05620
.603	13.350	.00000	51.46000	.29390	-.23550	.04270	-.00030	-.00080	.00000	.29160	.05640
GRADIENT		.00000	.00000	.00035	-.00020	-.00013	.00001	-.00001	.00003	.00035	-.00012

ORIGINAL PAGE IS
OF POOR QUALITY

LTV44-559(CA26) 747/1 ATY 06 S1 (CARRIER DATA)

(YFE115) (18 NOV 75)

REFERENCE DATA

SREF = 5500.0000 SQ.FT. XMRP = 1339.9000 IN. XC
 LREF = 327.7800 IN. YMRP = .0000 IN. YC
 BREF = 2348.0400 IN. ZMRP = 190.7500 IN. ZC
 SCALE = .0125

PARAMETRIC DATA

ALPHAC = 2.000 BETAC = .000
 STAB = 5.000 RUDDER = .000
 ELEVON = .000 DX = .000
 DZ = .000 IORB = 6.000
 BETA0 = .000 DPHI = .000

RUN NO. 82/ 0 RN/L = .00 GRADIENT INTERVAL = -5.00/ 5.00

MACH	DY	DX	DZ	CN	CLM	CA	CY	CYN	CBL	CL	CD
.605	-10.000	-.01000	1.46000	.21030	-.17370	.04480	.00790	.00090	-.00370	.20800	.05450
.605	-9.420	-.01000	1.46000	.20540	-.17260	.04460	.00730	.00090	-.00350	.20310	.05410
.605	-8.850	-.01000	1.46000	.20510	-.17080	.04450	.00680	.00080	-.00330	.20280	.05400
.605	-8.280	-.01000	1.46000	.20720	-.16890	.04460	.00590	.00090	-.00310	.20490	.05420
.605	-7.710	-.01000	1.46000	.20610	-.16950	.04430	.00540	.00090	-.00290	.20380	.05390
.607	-7.140	-.01000	1.46000	.20640	-.16550	.04430	.00420	.00100	-.00270	.20420	.05390
.606	-6.560	-.01000	1.46000	.20800	-.16680	.04420	.00410	.00100	-.00230	.20570	.05380
.605	-5.990	-.01000	1.46000	.20860	-.16770	.04440	.00300	.00110	-.00200	.20630	.05410
.606	-5.420	-.01000	1.46000	.20940	-.16660	.04430	.00260	.00090	-.00160	.20710	.05410
.606	-4.850	-.01000	1.46000	.20900	-.16600	.04440	.00260	.00060	-.00130	.20670	.05410
.605	-4.280	-.01000	1.46000	.20660	-.16560	.04420	.00280	.00030	-.00090	.20430	.05380
.605	-3.710	-.01000	1.46000	.20440	-.16410	.04420	.00270	-.00010	-.00080	.20210	.05370
.606	-3.130	.00000	1.46000	.20420	-.16620	.04410	.00340	-.00070	-.00060	.20190	.05360
.607	-2.570	.00000	1.46000	.20250	-.16460	.04380	.00350	-.00100	-.00030	.20020	.05310
.604	-1.990	.00000	1.46000	.20750	-.16530	.04450	.00330	-.00170	.00000	.20520	.05420
.603	-1.420	.00000	1.46000	.20560	-.16610	.04420	.00330	-.00220	.00030	.20340	.05370
.603	-.850	.00000	1.46000	.20360	-.16470	.04430	.00360	-.00290	.00080	.20130	.05370
.605	-.270	.00000	1.46000	.20370	-.16450	.04430	.00300	-.00320	.00110	.20140	.05370
.605	.270	-.01000	1.46000	.20450	-.16510	.04440	.00390	-.00380	.00150	.20220	.05390
.605	.850	-.01000	1.46000	.20550	-.16460	.04470	.00380	-.00420	.00160	.20320	.05420
.605	1.420	-.01000	1.46000	.20580	-.16280	.04450	.00280	-.00430	.00200	.20350	.05410
.605	1.990	-.01000	1.46000	.20390	-.16400	.04440	.00250	-.00450	.00230	.20160	.05380
.605	2.560	-.01000	1.46000	.20660	-.16260	.04460	.00170	-.00470	.00250	.20430	.05420
.605	3.130	-.01000	1.46000	.20610	-.16340	.04480	.00130	-.00450	.00260	.20380	.05440
.604	3.710	-.01000	1.46000	.20740	-.16620	.04500	.00070	-.00410	.00300	.20510	.05460
.605	4.280	-.01000	1.46000	.20740	-.16550	.04520	-.00030	-.00380	.00320	.20510	.05490
.605	4.850	-.01000	1.46000	.20650	-.16690	.04510	-.00070	-.00370	.00340	.20420	.05470
.605	5.420	-.01000	1.46000	.20940	-.16890	.04530	-.00180	-.00380	.00350	.20700	.05500
.605	5.990	-.01000	1.46000	.21180	-.16870	.04520	-.00210	-.00380	.00390	.20950	.05510
.605	6.560	-.01000	1.46000	.20980	-.17110	.04530	-.00220	-.00370	.00410	.20750	.05500
.605	7.140	-.01000	1.46000	.20630	-.17430	.04550	-.00200	-.00390	.00440	.20400	.05500
.605	7.700	-.01000	1.46000	.20710	-.17600	.04550	-.00240	-.00390	.00470	.20480	.05510
.606	8.280	-.01000	1.46000	.20890	-.17500	.04550	-.00330	-.00390	.00490	.20650	.05510
.606	8.850	-.01000	1.46000	.20890	-.17740	.04580	-.00370	-.00400	.00500	.20660	.05540
.605	9.420	-.01000	1.46000	.21100	-.17970	.04610	-.00310	-.00400	.00510	.20870	.05580
.605	10.000	-.01000	1.46000	.21140	-.18010	.04590	-.00420	-.00410	.00490	.20910	.05570
GRADIENT		-.00065	-.00000	.00009	.00006	.00010	-.00032	-.00054	.00051	.00009	.00010

LTV44-559(CA26) 747/1 ATY 06 SI (CARRIER DATA)

(YFE116) (18 NOV 75)

REFERENCE DATA

SREF = 5500.0000 SQ.FT. XMRP = 1339.9000 IN. XC
 LREF = 327.7800 IN. YMRP = .0000 IN. YC
 BREF = 2348.0400 IN. ZMRP = 190.7500 IN. ZC
 SCALE = .0125

PARAMETRIC DATA

ALPHAC = 2.000 BETAC = .000
 STAB = 5.000 RUDDER = .000
 ELEVON = .000 DX = .000
 DZ = 15.000 IORB = 6.000
 BETAO = .000 DPHI = .000

RUN NG. 1082/ 0 RN/L = .00 GRADIENT INTERVAL = -5.00/ 5.00

MACH	DY	DX	DZ	CN	CLM	CA	CY	CYN	CBL	CL	CD	
.606	-9.420	.00000	15.00000	.24770	-.20550	.04430	.00820	-.00140	-.00230	.24540	.05580	
.607	-8.850	.00000	15.00000	.24730	-.20530	.04400	.00730	-.00140	-.00230	.24500	.05540	
.606	-8.280	.00000	15.00000	.24820	-.20450	.04400	.00870	-.00150	-.00190	.24590	.05550	
.606	-7.710	.00000	15.00000	.25130	-.20620	.04410	.00830	-.00150	-.00190	.24890	.05580	
.606	-7.140	.00000	15.00000	.24870	-.20540	.04380	.00730	-.00130	-.00190	.24640	.05540	
.606	-6.560	.00000	15.00000	.24940	-.20330	.04400	.00630	-.00130	-.00160	.24700	.05560	
.606	-5.990	.00000	15.00000	.24580	-.20460	.04380	.00640	-.00130	-.00170	.24350	.05520	
.606	-5.420	.00000	15.00000	.24870	-.20580	.04380	.00560	-.00110	-.00160	.24640	.05540	
.605	-4.850	.00000	15.00000	.24730	-.20380	.04380	.00520	-.00110	-.00160	.24500	.05520	
.605	-4.280	.00000	15.00000	.24860	-.20700	.04360	.00440	-.00090	-.00160	.24630	.05510	
.606	-3.710	.00000	15.00000	.24580	-.20220	.04380	.00400	-.00090	-.00120	.24350	.05520	
.606	-3.140	.00000	15.00000	.24720	-.20320	.04400	.00280	-.00060	-.00120	.24490	.05550	
.605	-2.570	.00000	15.00000	.24890	-.20400	.04420	.00190	-.00060	-.00100	.24660	.05570	
.605	-1.990	.00000	15.00000	.24530	-.20370	.04370	.00220	-.00050	-.00070	.24300	.05510	
.606	-1.420	.00000	15.00000	.24590	-.20410	.04380	.00180	-.00050	-.00070	.24360	.05520	
.607	-.850	.00000	15.00000	.24430	-.20430	.04390	.00020	-.00050	-.00070	.24200	.05520	
.607	-.280	.00000	15.00000	.24450	-.20310	.04380	-.00010	-.00060	-.00030	.24220	.05510	
.605	.270	-.01000	15.00000	.24840	-.20290	.04410	.00090	-.00060	.00000	.24600	.05560	
.606	.850	-.01000	15.00000	.24790	-.20440	.04400	-.00010	-.00080	.00000	.24550	.05550	
.605	1.410	-.01000	15.00000	.24820	-.20480	.04430	.00000	-.00100	.00010	.24690	.05580	
.604	1.990	-.01000	15.00000	.24890	-.20510	.04400	.00020	-.00110	.00020	.24660	.05550	
.604	2.560	-.01000	15.00000	.24760	-.20400	.04410	.00010	-.00110	.00040	.24530	.05560	
.605	3.130	-.01000	15.00000	.24670	-.20420	.04390	-.00080	-.00120	.00060	.24430	.05530	
.603	3.700	-.01000	15.00000	.24620	-.20660	.04440	-.00140	-.00130	.00080	.24380	.05580	
.603	4.270	-.01000	15.00000	.24520	-.20520	.04410	-.00130	-.00120	.00090	.24290	.05550	
.603	4.850	-.01000	15.00000	.24410	-.20430	.04390	-.00210	-.00140	.00100	.24180	.05520	
.605	5.420	-.01000	15.00000	.24540	-.20390	.04380	-.00140	-.00130	.00110	.24310	.05520	
.604	5.990	-.01000	15.00000	.24750	-.20610	.04410	-.00300	-.00120	.00130	.24510	.05550	
.604	6.560	-.01000	15.00000	.24760	-.20660	.04390	-.00340	-.00110	.00160	.24530	.05540	
.606	7.130	-.01000	15.00000	.24890	-.20140	.04390	-.00350	-.00090	.00170	.24650	.05540	
.603	7.700	-.01000	15.00000	.25120	-.20600	.04430	-.00380	-.00070	.00190	.24890	.05590	
.605	8.270	-.01000	15.00000	.25030	-.20590	.04410	-.00520	-.00050	.00210	.24790	.05570	
.606	8.840	-.01000	15.00000	.25130	-.20420	.04400	-.00630	-.00040	.00230	.24900	.05560	
.605	9.420	-.01000	15.00000	.25330	-.20470	.04460	-.00600	-.00040	.00230	.25100	.05630	
.605	9.990	-.01000	15.00000	.24780	-.20430	.04390	-.00680	-.00050	.00220	.24550	.05540	
.605		GRADIENT	-.00147	-.00000	-.00011	-.00011	.00004	-.00065	-.00006	.00028	-.00012	.00003

LTV44-559(CA26) 747/1 ATY 06 S1 (CARRIER DATA)

(YFE117) (18 NOV 75)

REFERENCE DATA

SREF = 5500.0000 SQ.FT. XMRP = 1339.9000 IN. XC
 LREF = 327.7800 IN. YMRP = .0000 IN. YC
 BREF = 2348.0400 IN. ZMRP = 190.7500 IN. ZC
 SCALE = .0125

PARAMETRIC DATA

ALPHAC = 2.000 BETAC = .000
 STAB = 5.000 RUDDER = .000
 ELEVON = .000 DX = .000
 DZ = 60.000 TORB = 6.000
 BETA0 = .000 DPHI = .000

RUN NO. 2082/ 0 RN/L = .00 GRADIENT INTERVAL = -5.00/ 5.00

MACH	DY	DX	DZ	CN	CLM	CA	CY	CYN	CBL	CL	CD
.604	-10.000	.02000	51.46000	.29730	-.22580	.04240	.00430	-.00260	.00000	.29500	.05640
.605	-9.430	.02000	51.46000	.29630	-.22470	.04270	.00400	-.00260	.00010	.29390	.05660
.604	-8.860	.02000	51.46000	.29470	-.22800	.04250	.00330	-.00250	-.00010	.29230	.05630
.606	-8.280	.02000	51.46000	.29410	-.22630	.04270	.00340	-.00240	-.00010	.29180	.05650
.604	-7.710	.02000	51.46000	.29720	-.22850	.04310	.00310	-.00240	.00000	.29490	.05700
.606	-7.140	.02000	51.46000	.29430	-.22700	.04280	.00250	-.00230	.00000	.29200	.05650
.603	-6.570	.02000	51.46000	.29580	-.22910	.04280	.00260	-.00210	-.00010	.29350	.05670
.605	-6.000	.02000	51.46000	.29070	-.22760	.04250	.00310	-.00200	-.00010	.28840	.05600
.604	-5.420	.02000	51.46000	.29270	-.22940	.04270	.00230	-.00190	-.00010	.29040	.05630
.604	-4.860	.02000	51.46000	.29360	-.22580	.04240	.00250	-.00180	.00010	.29120	.05620
.604	-4.290	.02000	51.46000	.29470	-.22600	.04270	.00110	-.00170	.00000	.29230	.05650
.603	-3.710	.02000	51.46000	.29490	-.22700	.04260	.00230	-.00160	.00010	.29260	.05640
.604	-3.140	.02000	51.46000	.29750	-.22640	.04280	.00140	-.00160	.00010	.29520	.05670
.606	-2.570	.02000	51.46000	.29550	-.22780	.04280	.00020	-.00150	.00010	.29320	.05670
.605	-2.000	.02000	51.46000	.29310	-.22700	.04270	.00010	-.00130	.00030	.29080	.05640
.603	-1.430	.02000	51.46000	.29570	-.22700	.04270	.00040	-.00110	.00050	.29340	.05660
.605	-.850	.02000	51.46000	.29350	-.22630	.04280	.00000	-.00100	.00030	.29110	.05650
.606	-.280	.02000	51.46000	.29270	-.22520	.04270	-.00120	-.00080	.00020	.29040	.05640
.606	.270	.01000	51.46000	.29360	-.22720	.04270	-.00140	-.00080	.00000	.29120	.05650
.605	.840	.01000	51.46000	.29590	-.22750	.04280	-.00080	-.00080	.00010	.29350	.05670
.604	1.410	.01000	51.46000	.29690	-.22500	.04280	-.00080	-.00060	.00040	.29460	.05670
.606	1.990	.01000	51.46000	.29540	-.22580	.04240	-.00160	-.00050	.00030	.29310	.05630
.604	2.560	.01000	51.46000	.29320	-.22720	.04260	-.00140	-.00050	.00030	.29080	.05630
.607	3.130	.01000	51.46000	.29430	-.22600	.04270	-.00320	-.00020	.00020	.29200	.05650
.606	3.700	.01000	51.46000	.29350	-.22730	.04240	-.00270	-.00020	.00030	.29120	.05610
.606	4.270	.01000	51.46000	.29250	-.22640	.04210	-.00240	-.00010	.00040	.29020	.05580
.603	4.850	.01000	51.46000	.29820	-.22690	.04300	-.00350	.00000	.00030	.29580	.05700
.605	5.410	.01000	51.46000	.29610	-.22720	.04250	-.00330	.00000	.00030	.29370	.05640
.605	5.980	.01000	51.46000	.29530	-.22590	.04230	-.00370	.00010	.00020	.29300	.05610
.605	6.560	.01000	51.46000	.29650	-.22760	.04250	-.00420	.00020	.00020	.29420	.05630
.608	7.130	.02000	51.46000	.29320	-.22590	.04220	-.00400	.00040	.00050	.29090	.05590
.606	7.700	.01000	51.46000	.29650	-.22580	.04260	-.00460	.00030	.00060	.29420	.05640
.607	8.270	.02000	51.46000	.29140	-.22640	.04220	-.00420	.00060	.00070	.28910	.05590
.606	8.840	.02000	51.46000	.29450	-.22840	.04230	-.00450	.00060	.00060	.29220	.05610
.606	9.420	.02000	51.46000	.29660	-.22600	.04310	-.00520	.00050	.00060	.29420	.05700
.606		.02000	51.46000	.29660	-.22600	.04310	-.00520	.00050	.00060	.29420	.05700
GRADIENT		-.00146	-.00000	.00000	-.00008	-.00001	-.00055	.00019	.00002	.00000	-.00001

LTV44-559(CA26) 747/1 ATY 06 S1 (CARRIER DATA)

(YFE118) (18 NOV 75)

REFERENCE DATA

SREF = 5500.0000 SQ.FT. XMRP = 1339.9000 IN. XC
 LREF = 327.7800 IN. YMRP = .0000 IN. YC
 BREF = 2348.0400 IN. ZMRP = 190.7500 IN. ZC
 SCALE = .0125

PARAMETRIC DATA

ALPHAC = 2.000 BETAC = .000
 STAB = -1.000 RUDDDEF = .000
 ELEVON = .000 DX = .000
 DY = .000 IORB = 6.000
 BETAO = .000 DPFI = .000

RUN NO. 83/ 0 RN/L = .00 GRADIENT INTERVAL = -5.00/ 5.00

MACH	DZ	DY	DX	CN	CLM	CA	CY	CYN	CBL	CL	CD
.605	1.760	.00000	-.10000	.13870	.15100	.03960	.00310	-.00220	.00050	.13640	.04680
.602	2.360	.00000	-.10000	.14380	.15380	.04040	.00220	-.00240	.00060	.14150	.04780
.605	2.970	.00000	-.10000	.14700	.14710	.04010	.00150	-.00230	.00030	.14470	.04770
.605	3.760	.00000	-.10000	.14970	.14730	.04030	.00140	-.00220	.00040	.14740	.04800
.603	4.560	.00000	-.09000	.15030	.14430	.04030	.00140	-.00220	.00060	.14800	.04810
.602	5.470	.00000	-.09000	.15760	.14270	.04040	.00130	-.00180	.00060	.15530	.04850
.605	6.460	.00000	-.07000	.15530	.14210	.03940	.00100	-.00200	.00040	.15300	.04750
.603	7.460	.00000	-.07000	.16320	.14140	.04040	.00030	-.00160	.00050	.16080	.04890
.604	8.460	.00000	-.07000	.16700	.13960	.03980	-.00020	-.00150	.00070	.16470	.04850
.603	9.460	.00000	-.06000	.16780	.13570	.04000	.00000	-.00130	.00060	.16540	.04870
.605	10.560	.00000	-.06000	.17100	.13150	.03980	-.00010	-.00120	.00020	.16870	.04870
.606	11.740	.00000	-.05000	.17470	.13520	.03920	-.00030	-.00100	.00040	.17240	.04830
.605	12.930	.00000	-.05000	.17460	.13090	.03970	-.00040	-.00120	.00020	.17230	.04880
.604	14.110	.00000	-.03000	.17720	.12790	.03950	-.00040	-.00100	.00030	.17490	.04870
.606	15.300	.00000	-.02000	.17960	.12540	.03960	-.00070	-.00080	.00040	.17730	.04890
.605	16.490	.00000	-.02000	.18470	.12430	.03960	-.00060	-.00080	.00030	.18240	.04930
.604	17.670	.00000	-.01000	.18680	.12270	.03940	-.00120	-.00090	.00000	.18450	.04920
.602	18.860	.00000	-.01000	.19370	.12210	.03990	-.00100	-.00080	.00020	.19130	.05000
.603	20.040	.00000	.00000	.19250	.11890	.04000	-.00100	-.00070	.00020	.19020	.05000
.603	21.230	.00000	.00000	.19300	.11680	.03930	-.00080	-.00100	.00020	.19060	.04930
.604	22.410	.00000	.01000	.19280	.11660	.03920	-.00080	-.00080	.00020	.19050	.04930
.605	23.600	.00000	.02000	.19720	.11570	.03900	-.00100	-.00090	.00020	.19480	.04930
.605	24.780	.00000	.02000	.19940	.11650	.03910	-.00070	-.00070	.00020	.19710	.04950
.605	25.970	.00000	.03000	.20060	.11220	.03910	-.00070	-.00090	.00010	.19830	.04960
.602	27.150	.00000	.03000	.20830	.11450	.03960	-.00040	-.00080	.00010	.20590	.05050
.605	28.340	.00000	.05000	.20560	.11420	.03870	-.00100	-.00090	.00010	.20330	.04950
.605	29.520	.00000	.05000	.20670	.11260	.03850	-.00090	-.00090	.00020	.20440	.04930
.602	30.710	.00000	.06000	.20770	.11080	.03870	-.00100	-.00100	.00000	.20540	.04960
.603	31.900	.00000	.07000	.20960	.11030	.03870	-.00110	-.00100	.00030	.20730	.04960
.604	33.080	.00000	.07000	.21100	.11040	.03880	-.00130	-.00090	.00000	.20860	.04980
.603	34.270	.00000	.09000	.21280	.10700	.03880	-.00100	-.00100	.00010	.21040	.04990
.605	35.450	.00000	.09000	.21340	.10910	.03840	-.00110	-.00090	.00010	.21110	.04960
.605	36.640	.00000	.10000	.21590	.10790	.03810	-.00080	-.00090	.00020	.21360	.04940
.602	37.820	.00000	.11000	.21890	.10940	.03850	-.00030	-.00080	.00030	.21660	.05000
.603	39.010	.00000	.11000	.22060	.10610	.03840	-.00040	-.00090	.00030	.21830	.05000
.605	40.200	.00000	.13000	.21910	.10720	.03790	-.00110	-.00090	.00010	.21680	.04940
.605	41.380	.00000	.13000	.22040	.10490	.03830	-.00050	-.00090	.00030	.21810	.04990
.603	42.570	.00000	.14000	.22420	.10570	.03840	-.00090	-.00090	.00020	.22190	.05020
.603	43.750	.00000	.15000	.22190	.10600	.03830	-.00050	-.00090	.00010	.21960	.04990
.604	44.940	.00000	.15000	.22450	.10260	.03800	-.00080	-.00100	.00010	.22220	.04980
.603	46.130	.00000	.16000	.22860	.10520	.03820	-.00090	-.00090	.00010	.22630	.05030
.606	47.310	.00000	.16000	.22510	.10260	.03800	-.00060	-.00090	.00050	.22280	.04990

LTV44-559(CA26) 747/1 ATY 06 SI (CARRIER DATA)

(YFE118) (18 NOV 75)

REFERENCE DATA

SREF = 5500.0000 SQ.FT. XMRP = 1339.9000 IN. XC
 LREF = 327.7800 IN. YMRP = .0000 IN. YC
 BREF = 2348.0400 IN. ZMRP = 190.7500 IN. ZC
 SCALE = .0125

PARAMETRIC DATA

ALPHAC = 2.000 BETAC = .000
 STAB = -1.000 RUDDER = .000
 ELEVON = .000 DX = .000
 DY = .000 TORB = 6.000
 BETA0 = .000 DPHI = .000

RUN NO. 83/ 0 RN/L = .00 GRADIENT INTERVAL = -5.00/ 5.00

MACH	DZ	DY	DX	CN	CLM	CA	CY	CYN	CBL	CL	CD
.603	48.500	.00000	.18000	.22760	.10360	.03790	-.00110	-.00100	.00020	.22530	.04990
.606	49.680	.00000	.19000	.22960	.10220	.03780	-.00080	-.00090	.00030	.22730	.04990
.602	50.870	.00000	.19000	.23150	.10340	.03780	-.00090	-.00090	.00040	.22920	.04990
.602	51.460	.00000	.19000	.23260	.10170	.03820	-.00060	-.00090	.00020	.23030	.05040
	GRADIENT	.00000	.00300	.00406	-.00284	.00018	-.00058	.00003	.00001	.00406	.00039

LTV44-559(CA26) 747/1 ATY 06 S1 (CARRIER DATA)

(YFE119) (18 NOV 75)

REFERENCE DATA

SREF = 5500.0000 SQ.FT. XMRP = 1339.9000 IN. XC
 LREF = 327.7800 IN. YMRP = .0000 IN. YC
 BREF = 2348.0400 IN. ZMRP = 190.7500 IN. ZC
 SCALE = .0125

PARAMETRIC DATA

ALPHAC = 2.000 BETAC = .000
 STAB = 5.000 RUDDER = 10.000
 ELEVON = .000 DX = .000
 DY = .000 LORB = 6.000
 BETA0 = .000 DPHI = .000

RUN NO. 84/ 0 RN/L = .00 GRADIENT INTERVAL = -5.00/ 5.00

MACH	DZ	DY	DX	CN	CLM	CA	CY	CYM	CBL	CL	CD
.602	1.760	.00000	.00000	.20840	-.16120	.04610	.03170	-.01830	.00350	.20600	.05580
.606	2.360	.00000	.00000	.20770	-.15740	.04590	.03150	-.01810	.00370	.20540	.05560
.606	2.970	.00000	.00000	.21580	-.16690	.04590	.03150	-.01820	.00370	.21340	.05600
.605	3.760	.00000	.00000	.21330	-.16730	.04600	.03180	-.01840	.00350	.21090	.05590
.607	4.560	.00000	.00000	.22160	-.16800	.04610	.03310	-.01840	.00360	.21920	.05640
.607	5.470	.00000	.00000	.22420	-.17320	.04590	.03200	-.01850	.00370	.22180	.05630
.605	6.460	.00000	.00000	.22250	-.17380	.04640	.03240	-.01870	.00380	.22010	.05680
.604	7.460	.00000	.00000	.22790	-.17630	.04620	.03230	-.01890	.00390	.22550	.05680
.605	8.460	.00000	.00000	.23210	-.17640	.04660	.03390	-.01900	.00380	.22970	.05750
.605	9.460	.00000	.00000	.23340	-.18010	.04620	.03340	-.01920	.00380	.23100	.05710
.604	10.560	.00000	.00000	.23870	-.18280	.04640	.03490	-.01940	.00390	.23630	.05750
.605	11.740	.00000	.00000	.23780	-.18430	.04630	.03400	-.01940	.00400	.23540	.05740
.603	12.930	.00000	.00000	.24290	-.18700	.04680	.03490	-.01970	.00390	.24040	.05810
.603	14.110	.00000	.00000	.24870	-.19180	.04680	.03450	-.01990	.00380	.24620	.05840
.604	15.300	.00000	.00000	.25040	-.19090	.04680	.03450	-.02000	.00380	.24790	.05850
.606	16.490	.00000	.00000	.24850	-.19320	.04630	.03470	-.01980	.00390	.24610	.05790
.605	17.670	.00000	.00000	.25480	-.19500	.04670	.03570	-.02020	.00400	.25230	.05860
.605	18.850	.00000	.00000	.25400	-.19630	.04650	.03480	-.02030	.00370	.25160	.05860
.607	20.040	.00000	.00000	.25660	-.19660	.04600	.03500	-.02030	.00400	.25420	.05800
.606	21.230	.00000	.00000	.26130	-.19770	.04670	.03610	-.02050	.00400	.25880	.05900
.603	22.410	.00000	.01000	.26390	-.20190	.04700	.03710	-.02080	.00420	.26140	.05940
.608	23.600	.00000	.01000	.26050	-.19930	.04600	.03630	-.02070	.00410	.25800	.05820
.606	24.780	.00000	.01000	.26600	-.20080	.04660	.03670	-.02070	.00410	.26350	.05910
.604	25.970	.00000	.01000	.27010	-.20350	.04650	.03700	-.02100	.00420	.26760	.05920
.607	27.150	.00000	.01000	.26760	-.20340	.04580	.03700	-.02110	.00420	.26510	.05830
.604	28.340	.00000	.01000	.27550	-.20520	.04650	.03730	-.02120	.00430	.27300	.05940
.605	29.520	.00000	.01000	.27380	-.20600	.04630	.03720	-.02120	.00400	.27130	.05910
.604	30.710	.00000	.01000	.27370	-.20810	.04630	.03740	-.02140	.00410	.27120	.05920
.605	31.900	.00000	.01000	.28090	-.20600	.04620	.03750	-.02130	.00450	.27840	.05940
.603	33.080	.00000	.01000	.28100	-.20800	.04600	.03730	-.02140	.00430	.27850	.05920
.603	34.270	.00000	.01000	.28380	-.20940	.04610	.03770	-.02150	.00450	.28130	.05950
.607	35.450	.00000	.01000	.27850	-.20890	.04570	.03780	-.02160	.00440	.27600	.05870
.604	36.640	.00000	.01000	.28370	-.21070	.04620	.03830	-.02170	.00430	.28120	.05950
.607	37.820	.00000	.02000	.28290	-.21020	.04570	.03760	-.02160	.00430	.28050	.05900
.604	39.010	.00000	.02000	.28610	-.21180	.04590	.03820	-.02180	.00440	.28360	.05930
.604	40.200	.00000	.02000	.28960	-.21300	.04580	.03800	-.02170	.00440	.28710	.05940
.606	41.380	.00000	.02000	.29020	-.21300	.04590	.03820	-.02160	.00450	.28770	.05950
.604	42.570	.00000	.02000	.29130	-.21420	.04600	.03790	-.02170	.00470	.28880	.05970
.608	43.750	.00000	.02000	.29020	-.20990	.04520	.03760	-.02150	.00430	.28770	.05880
.607	44.940	.00000	.02000	.29190	-.21390	.04540	.03800	-.02160	.00430	.28940	.05920
.607	46.130	.00000	.02000	.29130	-.21370	.04530	.03790	-.02150	.00420	.28880	.05900
.605	47.310	.00000	.02000	.29450	-.21420	.04550	.03790	-.02160	.00430	.29200	.05940

LTV44-559(CA26) 747/1 ATY 06 S1 (CARRIER DATA)

(YFE119) (18 NOV 75)

REFERENCE DATA

SREF = 5500.0000 SQ.FT. XMRP = 1339.9000 IN. XC
 LREF = 327.7800 IN. YMRP = .0000 IN. YC
 BREF = 2349.0100 IN. ZMRP = 190.7500 IN. ZC
 SCALE = .0125

PARAMETRIC DATA

ALPHAC = 2.000 BETAC = .000
 STAB = 5.000 RUDDER = 10.000
 ELEVON = .000 DX = .000
 DY = .000 IORB = 6.000
 BETAO = .000 DPFI = .000

RUN NO. 84/ 0 RN/L = .00 GRADIENT INTERVAL = -5.00/ 5.00

MACH	DZ	DY	DX	CN	CLM	CA	CY	CYN	CBL	CL	CD
.604	48.500	.00000	.03000	.29910	-.21590	.04560	.03800	-.02160	.00440	.29560	.05970
.603	49.680	.00000	.03000	.29670	-.21680	.04600	.03830	-.02170	.00440	.29420	.06000
.606	50.870	.00000	.03000	.29390	-.21360	.04500	.03780	-.02160	.00430	.29140	.05890
.605	51.460	.00000	.03000	.29540	-.21510	.04500	.03790	-.02150	.00430	.29290	.05890
	GRADIENT	.00000	.00000	.00457	-.00331	.00002	.00047	-.00008	-.00000	.00455	.00022

DATE 29 MAR 76

CA-26 FORCE SOURCE DATA TABULATION

LTV44-559(CA26) 747/1 ATY 06 S1 (CARRIER DATA)

(YFE120) (18 NOV 75)

REFERENCE DATA

SREF = 5500.0000 SQ.FT. XMRP = 1339.9000 IN. XC
 LREF = 327.7800 IN. YMRP = .0000 IN. YC
 BREF = 2348.0400 IN. ZMRP = 190.7500 IN. ZC
 SCALE = 0125

PARAMETRIC DATA

ALPHAC = 2.000 BETAC = -5.000
 STAB = 5.000 RUDDER = .000
 ELEVON = .000 DX = .000
 DY = .000 LORB = 6.000
 BETAO = -5.000 DPHI = .000

RUN NO. 85/ 0 RN/L = .00 GRADIENT INTERVAL = -5.00/ 5.00

MACH	DZ	DY	DX	CN	CLM	CA	CY	CYN	CBL	CL	CD
.600	1.760	.00000	.00000	.22550	-.18050	.04240	.09900	-.01390	.00980	.22320	.05290
.600	2.360	.00000	.00000	.22820	-.18210	.04240	.09830	-.01410	.01000	.22600	.05300
.599	2.970	.00000	.00000	.23410	-.18570	.04210	.09710	-.01500	.01050	.23190	.05300
.599	3.760	.00000	.00000	.23670	-.18510	.04240	.09850	-.01500	.01070	.23440	.05340
.599	4.560	.00000	.00000	.23640	-.18620	.04220	.09820	-.01530	.01070	.23410	.05320
.600	5.470	.00000	.00000	.24250	-.18650	.04180	.09750	-.01600	.01090	.24030	.05310
.598	6.460	.00000	.00000	.24690	-.18830	.04210	.09720	-.01610	.01110	.24470	.05360
.597	7.460	.00000	.00000	.24490	-.19260	.04190	.09790	-.01650	.01130	.24270	.05330
.599	8.460	.00000	.00000	.24860	-.19430	.04170	.09480	-.01670	.01120	.24630	.05320
.599	9.460	.00000	.00000	.24850	-.19720	.04140	.09550	-.01690	.01140	.24630	.05300
.599	10.560	.00000	.00000	.25890	-.20070	.04170	.09500	-.01730	.01190	.25660	.05370
.600	11.740	.00000	.00000	.25540	-.20010	.04110	.09510	-.01710	.01160	.25320	.05290
.599	12.930	.00000	.00000	.25940	-.20300	.04130	.09480	-.01740	.01160	.25720	.05330
.600	14.110	.00000	.00000	.26060	-.20400	.04090	.09520	-.01750	.01190	.25840	.05310
.600	15.300	.00000	.00000	.26510	-.20910	.04120	.09560	-.01770	.01190	.26290	.05360
.600	16.490	.00000	.00000	.26680	-.21050	.04120	.09470	-.01770	.01200	.26460	.05360
.599	17.670	.00000	.00000	.26930	-.21090	.04110	.09480	-.01780	.01190	.26710	.05360
.598	18.860	.00000	.00000	.27220	-.21310	.04100	.09470	-.01780	.01220	.27000	.05370
.599	20.040	.00000	.00000	.27320	-.21340	.04080	.09490	-.01830	.01230	.27090	.05360
.597	21.230	.00000	.00000	.27670	-.21780	.04110	.09540	-.01870	.01270	.27440	.05400
.599	22.410	.00000	.01000	.27980	-.21850	.04100	.09480	-.01890	.01280	.27760	.05400
.599	23.600	.00000	.01000	.27940	-.21670	.04040	.09570	-.01930	.01290	.27720	.05350
.600	24.780	.00000	.01000	.28330	-.21670	.04030	.09650	-.01950	.01320	.28110	.05350
.599	25.970	.00000	.01000	.28550	-.22270	.04080	.09610	-.02020	.01330	.28330	.05420
.598	27.150	.00000	.01000	.28490	-.22430	.04040	.09730	-.02050	.01340	.28270	.05370
.599	28.340	.00000	.01000	.28810	-.22220	.04040	.09710	-.02070	.01350	.28580	.05380
.596	29.520	.00000	.01000	.29120	-.22490	.04050	.09770	-.02110	.01350	.28890	.05410
.600	30.710	.00000	.01000	.29250	-.22290	.04030	.09770	-.02100	.01350	.29130	.05400
.600	31.900	.00000	.01000	.29230	-.22520	.04020	.09720	-.02100	.01370	.29010	.05390
.598	33.080	.00000	.01000	.29450	-.22840	.04030	.09890	-.02110	.01380	.29220	.05410
.599	34.270	.00000	.01000	.29500	-.22730	.04030	.09720	-.02120	.01370	.29250	.05400
.599	35.450	.00000	.01000	.29600	-.22810	.04030	.09660	-.02110	.01370	.29380	.05410
.598	36.640	.00000	.01000	.30050	-.23100	.04040	.09760	-.02110	.01390	.29830	.05440
.601	37.820	.00000	.01000	.29940	-.22870	.04010	.09660	-.02120	.01370	.29720	.05410
.598	39.010	.00000	.01000	.30120	-.23260	.04010	.09780	-.02130	.01390	.29890	.05420
.601	40.200	.00000	.02000	.30370	-.22970	.04000	.09670	-.02110	.01430	.30150	.05420
.598	41.380	.00000	.02000	.30510	-.23130	.04020	.09740	-.02130	.01430	.30290	.05450
.599	42.570	.00000	.02000	.30360	-.23040	.03990	.09630	-.02130	.01400	.30140	.05420
.598	43.750	.00000	.02000	.30510	-.23340	.03990	.09680	-.02140	.01390	.30290	.05420
.601	44.940	.00000	.02000	.30540	-.23340	.03990	.09610	-.02130	.01400	.30320	.05420
.598	46.130	.00000	.02000	.30920	-.23470	.04000	.09690	-.02140	.01420	.30690	.05440
.597	47.310	.00000	.02000	.30840	-.23510	.03980	.09610	-.02140	.01440	.30620	.05430

ORIGINAL PAGE IS
OF POOR QUALITY

LTV44-559(CA26) 747/1 ATY 05 S1 (CARRIER DATA)

(YFE120) (18 NOV 75)

REFERENCE DATA

SREF = 5500.0000 SQ.FT. XMRP = 1339.9000 IN. XC
 LREF = 327.7800 IN. YMRP = .0000 IN. YC
 BREF = 2348.0400 IN. ZMRP = 190.7500 IN. ZC
 SCALE = .0125

PARAMETRIC DATA

ALPHAC = 2.000 BETAC = -5.000
 STAB = 5.000 RUDDER = .000
 ELEVON = .000 DX = .000
 DY = .000 TORB = 6.000
 BETAO = -5.000 DPHI = .000

RUN NO. 85/ 0 FN/L = .00 GRADIENT INTERVAL = -5.00/ 5.00

MACH	DZ	DY	DX	CN	CLM	CA	CY	CYN	CBL	CL	CD
.598	48.500	.00000	.02000	.31180	-.23470	.04000	.09730	-.02150	.01420	.30950	.05460
.598	49.680	.00000	.02000	.31340	-.23520	.03980	.09720	-.02150	.01400	.31120	.05450
.599	50.870	.00000	.02000	.31200	-.23440	.03990	.09620	-.02150	.01410	.30980	.05450
.598	51.460	.00000	.02000	.31360	-.23530	.03990	.09780	-.02160	.01440	.31140	.05460
	GRADIENT	.00000	.00000	.00422	-.00199	-.00005	-.00016	-.00052	.00035	.00420	.00014

LTV44-559(CA26) 747/1 ATY 06 S1 (CARRIER DATA)

(YFE121) (18 NOV 75)

REFERENCE DATA

SREF = 5500.0000 SQ.FT. XMRP = 1339.9000 IN. XC
 LREF = 327.7800 IN. YMRP = .0000 IN. YC
 BREF = 2348.0400 IN. ZMRP = 190.7500 IN. ZC
 SCALE = .0125

PARAMETRIC DATA

ALPHAC = 4.000 BETAC = .000
 STAB = 5.000 RUDDER = .000
 ELEVON = .000 DX = .000
 DY = .000 IORB = 4.000
 BETA0 = .000 DPH1 = .000

RUN NO. 86/ 0 RN/L = .00 GRADIENT INTERVAL = -5.00/ 5.00

MACH	DZ	DY	DX	CN	CLM	CA	CY	CYN	CSL	CL	CD
.604	1.760	.00000	-.01000	.32310	-.23790	.04160	.00210	-.00140	.00050	.31970	.06240
.604	2.360	.00000	-.01000	.32410	-.23770	.04160	.00150	-.00140	.00040	.32080	.06240
.602	2.970	.00000	-.01000	.32770	-.24150	.04120	.00140	-.00130	.00030	.32430	.06230
.602	3.760	.00000	-.01000	.33010	-.24070	.04150	.00100	-.00130	.00000	.32700	.06280
.602	4.560	.00000	-.01000	.33290	-.23970	.04150	.00050	-.00130	.00010	.32940	.06300
.602	5.470	.00000	-.01000	.33740	-.24250	.04110	.00040	-.00110	.00030	.33410	.06290
.603	6.460	.00000	-.01000	.33620	-.24190	.04090	.00050	-.00100	.00030	.33290	.06260
.603	7.460	.00000	-.01000	.33820	-.24110	.04090	.00060	-.00090	.00040	.33480	.06270
.599	8.460	.00000	-.01000	.34630	-.24460	.04110	.00000	-.00090	.00020	.34290	.06350
.603	9.460	.00000	-.01000	.34240	-.24220	.04050	.00020	-.00080	.00040	.33910	.06260
.605	10.430	.00000	-.01000	.34920	-.23890	.04000	-.00010	-.00080	.00010	.34590	.06270
.604	11.370	.00000	-.01000	.34610	-.24140	.04000	.00010	-.00060	.00010	.34280	.06240
.604	12.310	.00000	.00000	.34970	-.24100	.03970	-.00050	-.00060	.00010	.34640	.06230
.604	13.250	.00000	.00000	.35340	-.24060	.04000	-.00050	-.00060	.00000	.35000	.06290
.604	14.180	.00000	.00000	.35520	-.24140	.04000	-.00020	-.00050	.00010	.35190	.06310
.602	15.120	.00000	.00000	.35840	-.24190	.03980	.00050	-.00050	.00000	.35500	.06310
.601	16.060	.00000	.00000	.36370	-.24220	.03980	-.00040	-.00060	.00000	.36030	.06340
.601	17.000	.00000	.00000	.36100	-.24110	.03940	-.00040	-.00050	.00020	.35770	.06290
.603	17.940	.00000	.00000	.35830	-.24030	.03900	-.00010	-.00060	.00010	.35500	.06230
.602	18.880	.00000	.00000	.36070	-.24200	.03920	.00050	-.00060	.00020	.35740	.06260
.602	19.810	.00000	.00000	.36470	-.24490	.03950	.00030	-.00070	.00020	.36130	.06320
.603	20.750	.00000	.00000	.36290	-.24310	.03900	.00040	-.00070	.00000	.35950	.06300
.604	21.690	.00000	.01000	.36550	-.24380	.03900	-.00020	-.00070	.00010	.36220	.06280
.604	22.620	.00000	.01000	.37120	-.24330	.03930	-.00070	-.00080	.00000	.36780	.06350
.603	23.560	.00000	.01000	.37430	-.24260	.03860	-.00020	-.00080	.00020	.37100	.06300
.604	24.500	.00000	.01000	.37350	-.24100	.03840	.00050	-.00070	.00020	.37010	.06280
.602	25.440	.00000	.01000	.37390	-.24440	.03860	.00030	-.00090	.00010	.37060	.06300
.604	26.380	.00000	.01000	.37150	-.24560	.03840	.00000	-.00090	.00000	.36820	.06270
.604	27.310	.00000	.01000	.37630	-.24460	.03830	-.00030	-.00060	.00000	.37300	.06290
.604	28.250	.00000	.01000	.37350	-.24240	.03820	-.00010	-.00080	.00020	.37020	.06260
.604	29.190	.00000	.02000	.37580	-.24170	.03840	.00000	-.00080	.00020	.37250	.06290
.604	30.130	.00000	.02000	.37970	-.24170	.03810	.00010	-.00080	.00000	.37630	.06290
.603	31.060	.00000	.02000	.38060	-.24380	.03810	.00030	-.00070	.00020	.37720	.06300
.604	32.000	.00000	.02000	.37690	-.24220	.03760	.00020	-.00090	.00020	.37360	.06220
.604	32.940	.00000	.02000	.38460	-.24350	.03780	.00010	-.00080	.00010	.38130	.06300
.604	33.880	.00000	.02000	.38190	-.24390	.03780	.00090	-.00080	.00020	.37860	.06280
.602	34.820	.00000	.03000	.38200	-.24290	.03700	.00010	-.00080	.00010	.37870	.06290
.602	35.760	.00000	.03000	.38230	-.24490	.03770	-.00010	-.00090	.00000	.37900	.06270
.603	36.700	.00000	.03000	.38400	-.24490	.03770	.00020	-.00080	.00020	.38070	.06280
.603	37.630	.00000	.03000	.38290	-.24560	.03720	.00000	-.00090	.00010	.37970	.06230
.612	38.570	.00000	.03000	.38580	-.24560	.03760	.00030	-.00090	.00010	.38250	.06280
.603	39.510	.00000	.03000	.38580	-.24470	.03740	.00000	-.00090	.00030	.38250	.06270

LTV44-559(CA26) 747/1 ATY 06 S1 (CARRIER DATA)

(YFE121) (18 NOV 75)

REFERENCE DATA

SREF = 5500.0000 SQ.FT. XMRP = 1339.9000 IN. XC
 LREF = 327.7800 IN. YMRP = .0000 IN. YC
 BREF = 2348.0400 IN. ZMRP = 190.7500 IN. ZC
 SCALE = .0125

PARAMETRIC DATA

ALPHAC = 4.000 BETAC = .000
 STAB = 5.000 RUDDER = .000
 ELEVON = .000 DX = .000
 DY = .000 TORB = 4.000
 BETAO = .000 DPHI = .000

RUN NO. 86/ 0 RN/L = .00 GRADIENT INTERVAL = -5.00/ 5.00

MACH	DZ	DY	DX	CN	CLM	CA	CY	CYN	CBL	CL	CD
.603	40.450	.00000	.03000	.38780	-.24680	.03700	.00010	-.00090	.00010	.38450	.06300
.604	41.380	.00000	.05000	.38880	-.24670	.03700	.00000	-.00100	.00000	.38550	.06310
.603	42.320	.00000	.05000	.39060	-.24680	.03730	.00020	-.00100	.00010	.38730	.06340
.604	42.790	.00000	.05000	.38920	-.24450	.03660	.00000	-.00100	.00020	.38600	.06220
	GRADIENT	.00000	.00000	.00366	-.00067	-.00003	-.00053	.00004	-.00017	.00365	.00024

LTV44-559(CA26) 747/1 ATY 06 S1 (CARRIER DATA)

(YFE122) (18 NOV 75)

REFERENCE DATA

SREF = 5500.0000 SQ.FT. XMRP = 1339.9000 IN. XC
 LREF = 327.7800 IN. YMRP = .0000 IN. YC
 BREF = 2348.0400 IN. ZMRP = 190.7500 IN. ZC
 SCALE = .0125

PARAMETRIC DATA

ALPHAC = 4.000 BETAC = .000
 STAB = 5.000 RUDDER = .000
 ELEVON = .000 DX = .000
 DY = .000 TORB = 6.000
 BETA = .000 DFBI = .000

RUN NO. 1086/ 0 RN/L = .00 GRADIENT INTERVAL = -5.00/ 5.00

MACH	DZ	DY	DX	CN	CLM	CA	CY	CYN	CBL	CL	CD
.602	1.480	.00000	-.02000	.29150	-.18570	.03920	.00170	-.00160	.00070	.28630	.05810
.604	1.770	.00000	-.02000	.29340	-.19250	.03890	.00090	-.00160	.00030	.29030	.05790
.602	2.370	.00000	-.02000	.30120	-.19190	.03920	.00030	-.00140	.00040	.29800	.05870
.603	2.970	.00000	-.01000	.29820	-.19510	.03910	.00000	-.00150	.00030	.29500	.05840
.603	3.770	.00000	-.01000	.30460	-.19860	.03900	.00010	-.00120	.00030	.30140	.05880
.600	4.570	.00000	-.01000	.30860	-.19910	.03930	.00030	-.00110	.00040	.30540	.05940
.604	5.470	.00000	-.01000	.31300	-.20200	.03890	-.00060	-.00090	.00000	.30980	.05930
.603	6.480	.00000	-.01000	.31700	-.20550	.03900	-.00020	-.00080	.00020	.31380	.05960
.604	7.470	.00000	-.01000	.32210	-.20680	.03890	-.00120	-.00070	.00020	.31880	.05990
.601	8.470	.00000	-.01000	.32340	-.20720	.03920	-.00120	-.00060	.00000	.32020	.06020
.602	9.480	.00000	-.01000	.32200	-.20930	.03910	-.00030	-.00060	.00030	.31870	.06000
.603	10.630	.00000	-.01000	.32990	-.21400	.03900	-.00140	-.00060	-.00010	.32660	.06050
.602	11.950	.00000	-.01000	.33650	-.21470	.03870	-.00030	-.00040	.00000	.33330	.06060
.605	13.270	.00000	-.01000	.33290	-.21440	.03850	-.00070	-.00040	.00000	.32970	.06010
.603	14.580	.00000	.00000	.33680	-.22070	.03850	-.00070	-.00020	.00000	.33360	.06050
.603	15.900	.00000	.00000	.34020	-.22140	.03860	-.00150	-.00020	.00000	.33690	.06070
.601	17.210	.00000	.00000	.34290	-.22450	.03860	-.00090	-.00030	.00000	.33970	.06090
.603	18.530	.00000	.00000	.34480	-.22120	.03850	-.00120	-.00040	-.00020	.34150	.06100
.603	19.850	.00000	.00000	.34850	-.22340	.03830	-.00100	-.00040	-.00010	.34530	.06100
.603	21.160	.00000	.00000	.35230	-.22370	.03830	-.00040	-.00050	.00010	.34910	.06130
.601	22.470	.00000	.01000	.35360	-.22620	.03780	-.00050	-.00050	.00000	.35030	.06090
.602	23.790	.00000	.01000	.35740	-.22780	.03860	-.00100	-.00040	.00000	.35410	.06190
.602	25.110	.00000	.01000	.35790	-.22960	.03800	-.00060	-.00060	.00000	.35470	.06140
.601	26.420	.00000	.01000	.36160	-.22870	.03800	.00000	-.00060	.00000	.35830	.06170
.604	27.740	.00000	.01000	.36240	-.22870	.03760	-.00040	-.00050	.00010	.35910	.06130
.604	29.050	.00000	.02000	.36400	-.22850	.03720	-.00040	-.00060	.00010	.36070	.06100
.605	30.370	.00000	.02000	.36630	-.23090	.03720	-.00040	-.00070	.00020	.36300	.06120
.601	31.690	.00000	.02000	.36870	-.23350	.03760	-.00040	-.00070	.00020	.36550	.06170
.604	33.000	.00000	.02000	.36700	-.23170	.03730	-.00030	-.00060	.00010	.36380	.06130
.602	34.320	.00000	.02000	.37100	-.23330	.03690	-.00050	-.00060	.00000	.36780	.06110
.600	35.640	.00000	.03000	.37700	-.23440	.03760	-.00020	-.00080	-.00010	.37380	.06230
.601	36.960	.00000	.03000	.37980	-.23450	.03740	-.00010	-.00070	.00000	.37650	.06230
.602	38.270	.00000	.03000	.37390	-.23670	.03700	-.00030	-.00090	.00000	.37060	.06150
.604	39.590	.00000	.03000	.37620	-.23550	.03710	.00000	-.00080	.00010	.37300	.06170
.602	40.900	.00000	.05000	.37960	-.23420	.03720	-.00010	-.00070	.00010	.37630	.06210
.602	42.220	.00000	.05000	.37990	-.23820	.03700	.00010	-.00080	.00000	.37660	.06190
.603	43.540	.00000	.05000	.38270	-.23790	.03710	-.00030	-.00080	.00000	.37940	.06220
.604	44.850	.00000	.05000	.38090	-.23860	.03700	.00010	-.00090	.00000	.37760	.06200
.603	46.170	.00000	.05000	.38360	-.23970	.03680	.00020	-.00090	.00010	.38030	.06190
.603	47.480	.00000	.06000	.38550	-.23650	.03700	-.00020	-.00080	.00000	.38230	.06230
.605	48.800	.00000	.06000	.38040	-.23690	.03660	-.00010	-.00080	.00010	.37720	.06150
GRADIENT		.00000	.00401	.00521	-.00363	.00004	-.00039	.00017	-.00006	.00520	.00041

LTV44-559(CA26) 747/1 ATY 06 S1 (CARRIER DATA)

(YFE123) (18 NOV 75)

REFERENCE DATA

SREF = 5500.0000 SQ.FT. XMRP = 1339.9000 IN. XC
 LREF = 327.7800 IN. YMRP = .0000 IN. YC
 BREF = 2348.0400 IN. ZMRP = 190.7500 IN. ZC
 SCALE = .0125

PARAMETRIC DATA

ALPHAC = 4.000 BETAC = .000
 STAB = 5.000 RUDDER = .000
 ELEVON = .000 DX = .000
 DY = .000 IORB = 8.000
 BETAO = .000 DPHI = .000

RUN NO. 87/ 0 RN/L * .00 GRADIENT INTERVAL = -5.00/ 5.00

MACH	DZ	DY	DX	CN	CLM	CA	CY	CYN	CBL	CL	CD
.600	1.760	.00000	-.03000	.26480	-.12990	.03770	.00000	-.00210	.00060	.26170	.05500
.604	2.360	.00000	-.03000	.26450	-.12960	.03750	.00010	-.00200	.00060	.26150	.05490
.601	2.970	.00000	-.03000	.27180	-.13610	.03790	-.00140	-.00160	.00050	.26870	.05570
.602	3.760	.00000	-.02000	.27090	-.13570	.03740	-.00050	-.00160	.00050	.26790	.05520
.602	4.560	.00000	-.02000	.27680	-.13730	.03770	-.00090	-.00150	.00060	.27370	.05590
.600	5.470	.00000	-.02000	.28060	-.14500	.03780	-.00170	-.00120	.00030	.27750	.05620
.603	6.460	.00000	-.02000	.27870	-.14670	.03750	-.00120	-.00120	.00050	.27560	.05570
.603	7.460	.00000	-.02000	.28610	-.15110	.03800	-.00230	-.00090	.00050	.28290	.05670
.600	8.460	.00000	-.02000	.28970	-.15730	.03770	-.00200	-.00100	.00020	.28660	.05690
.600	9.460	.00000	-.01000	.29570	-.16310	.03770	-.00260	-.00080	.00030	.29250	.05770
.601	10.540	.00000	-.01000	.30250	-.16910	.03840	-.00260	-.00070	.00010	.29930	.05820
.602	11.700	.00000	-.01000	.30310	-.16770	.03790	-.00270	-.00070	.00030	.30000	.05780
.602	12.850	.00000	-.01000	.30620	-.17460	.03820	-.00260	-.00040	.00030	.30300	.05820
.602	14.000	.00000	-.01000	.31210	-.17710	.03820	-.00290	-.00030	.00020	.30890	.05860
.600	15.160	.00000	.00000	.31550	-.18330	.03830	-.00270	-.00030	.00010	.31230	.05890
.603	16.310	.00000	.00000	.31440	-.18590	.03790	-.00250	-.00020	.00020	.31120	.05850
.600	17.460	.00000	.00000	.32410	-.18840	.03870	-.00290	-.00020	.00020	.32080	.05990
.602	18.620	.00000	.00000	.31950	-.18980	.03790	-.00270	-.00020	.00010	.31630	.05870
.600	19.780	.00000	.00000	.33060	-.19260	.03850	-.00360	-.00010	.00020	.32730	.06020
.602	20.930	.00000	.00000	.32950	-.19580	.03810	-.00350	.00000	.00000	.32630	.05970
.602	22.080	.00000	.01000	.33020	-.19880	.03810	-.00340	.00000	.00000	.32700	.05970
.600	23.230	.00000	.01000	.33430	-.20250	.03830	-.00280	.00000	.00000	.33110	.06020
.599	24.390	.00000	.01000	.34030	-.20210	.03810	-.00310	.00000	.00010	.33710	.06040
.603	25.540	.00000	.01000	.33900	-.20090	.03790	-.00340	-.00010	.00000	.33480	.06010
.602	26.700	.00000	.01000	.33870	-.20800	.03800	-.00280	.00000	.00000	.33550	.06010
.602	27.850	.00000	.01000	.34350	-.20820	.03840	-.00370	-.00010	.00000	.34020	.06090
.602	29.000	.00000	.02000	.34490	-.20840	.03840	-.00310	-.00020	.00000	.34160	.06100
.602	30.160	.00000	.02000	.34760	-.21130	.03790	-.00290	-.00020	.00000	.34440	.06070
.603	31.310	.00000	.02000	.34820	-.21170	.03800	-.00280	-.00010	.00000	.34490	.06080
.604	32.460	.00000	.02000	.35080	-.21220	.03780	-.00290	-.00020	.00000	.34750	.06080
.601	33.620	.00000	.02000	.35430	-.21740	.03800	-.00250	-.00040	.00000	.35110	.06120
.600	34.780	.00000	.03000	.35730	-.21730	.03750	-.00260	-.00040	.00000	.35410	.06090
.601	35.930	.00000	.03000	.35740	-.21690	.03780	-.00270	-.00040	.00000	.35410	.06120
.600	37.080	.00000	.03000	.36460	-.21860	.03770	-.00270	-.00030	.00030	.36140	.06160
.601	38.240	.00000	.03000	.36210	-.22100	.03760	-.00280	-.00050	-.00010	.35890	.06140
.601	39.390	.00000	.03000	.36280	-.22130	.03770	-.00260	-.00050	-.00020	.35960	.06140
.602	40.540	.00000	.03000	.36330	-.22060	.03730	-.00290	-.00040	-.00010	.36000	.06110
.605	41.700	.00000	.05000	.36390	-.22000	.03740	-.00270	-.00040	.00000	.36060	.06130
.601	42.860	.00000	.05000	.36950	-.22250	.03740	-.00240	-.00040	.00030	.36620	.06170
.603	44.010	.00000	.05000	.36890	-.22280	.03720	-.00240	-.00050	.00010	.36560	.06140
.602	45.170	.00000	.05000	.37490	-.22500	.03750	-.00180	-.00040	.00000	.37160	.06210
.604	46.320	.00000	.06000	.36970	-.22490	.03720	-.00180	-.00070	.00010	.36640	.06150

DATE 29 MAR 76

CA-26 FORCE SOURCE DATA TABULATION

PAGE 1175

LTV44-559(CA26) 747/1 ATY 06 S1 (CARRIER DATA)

(YFE123) (18 NOV 75)

REFERENCE DATA

SREF = 5500.0000 SQ.FT. XMRP = 1339.9000 IN. XC
 LREF = 327.7800 IN. YMRP = .0000 IN. YC
 BREF = 2348.0400 IN. ZMRP = 190.7500 IN. ZC
 SCALE = .0125

PARAMETRIC DATA

ALPHAC = 4.000 BETAC = .000
 STAB = 5.000 RUDDER = .000
 ELEVON = .000 DX = .000
 DY = .000 TORB = 8.000
 BETA0 = .000 DPHI = .000

RUN. NO. 87/ 0 RN/L = .00 GRADIENT INTERVAL = -5.00/ 5.00

MACH	DZ	DY	DX	CN	CLM	CA	CY	CYN	CBL	CL	CD
.602	47.470	.00000	.06000	.37250	-.22550	.03740	-.00210	-.00050	.00000	.36930	.06180
.602	48.630	.00000	.06000	.37270	-.22750	.03720	-.00220	-.00060	.00000	.36940	.06170
.602	49.780	.00000	.06000	.37410	-.22610	.03710	-.00200	-.00050	.00010	.37080	.06160
.602	50.930	.00000	.06000	.37700	-.22720	.03710	-.00200	-.00050	.00000	.37370	.06190
.603	52.090	.00000	.07000	.37750	-.22910	.03670	-.00210	-.00060	.00000	.37420	.06150
.602	53.250	.00000	.07000	.37720	-.22900	.03660	-.00220	-.00060	.00010	.37400	.06140
.601	54.400	.00000	.07000	.38360	-.22930	.03710	-.00210	-.00060	.00010	.38030	.06230
.602	55.550	.00000	.07000	.38020	-.23150	.03680	-.00230	-.00070	.00000	.37700	.06170
	GRADIENT	.00000	.00438	.00433	-.00292	-.00002	-.00032	.00022	-.00001	.00432	.00030

LTV44-559(CA26) 747/1 ATY 06 S1 (CARRIER DATA)

(YFE124) (18 NOV 75)

REFERENCE DATA

SREF = 5500.0000 SQ.FT. XMRP = 1339.9000 IN. XC
 LREF = 327.7800 IN. YMRP = .0000 IN. YC
 BREF = 2348.0400 IN. ZMRP = 190.7500 IN. ZC
 SCALE = .0125

PARAMETRIC DATA

ALPHAC = .000 BETAC = .000
 STAB = 5.000 RUDDER = .000
 ELEVON = .000 DX = .000
 DY = .000 IORB = 4.000
 BETAO = .000 DPHI = .000

RUN NO. 88/ 0 RN/L = .00 GRADIENT INTERVAL = -5.00/ 5.00

MACH	DZ	DY	DX	CN	CLM	CA	CY	CYN	CBL	CL	CD
.600	1.760	.00000	.07000	.02930	-.18290	.05050	.00420	-.00180	.00030	.02930	.05040
.599	2.360	.00000	.06000	.03430	-.18270	.05080	.00550	-.00180	.00030	.03430	.05070
.601	2.970	.00000	.06000	.03650	-.18730	.05030	.00490	-.00180	.00030	.03650	.05030
.599	3.760	.00000	.06000	.03310	-.18720	.05040	.00490	-.00170	.00020	.03320	.05040
.598	4.560	.00000	.06000	.03580	-.18780	.05030	.00400	-.00190	.00030	.03580	.05020
.599	5.960	.00000	.05000	.03950	-.18610	.05010	.00390	-.00160	.00080	.03950	.05010
.598	7.970	.00000	.05000	.04520	-.18660	.05070	.00480	-.00160	.00060	.04520	.05070
.601	9.960	.00000	.03000	.05200	-.18530	.04950	.00320	-.00150	.00010	.05210	.04950
.603	11.050	.00000	.03000	.05140	-.18510	.04980	.00390	-.00150	.00020	.05140	.04980
.599	12.150	.00000	.03000	.05020	-.18780	.04980	.00370	-.00160	.00020	.05020	.04980
.601	13.230	.00000	.02000	.04840	-.18720	.04900	.00320	-.00160	.00010	.04840	.04890
.601	14.330	.00000	.02000	.05380	-.18770	.04960	.00340	-.00140	.00020	.05390	.04960
.599	15.410	.00000	.02000	.05800	-.18910	.04950	.00270	-.00140	.00010	.05800	.04950
.599	16.510	.00000	.02000	.05830	-.18760	.04980	.00420	-.00140	.00000	.05830	.04970
.601	17.590	.00000	.01000	.05680	-.18700	.04940	.00470	-.00130	.00040	.05690	.04940
.600	18.690	.00000	.01000	.06060	-.18870	.04930	.00290	-.00130	.00030	.06060	.04920
.599	19.780	.00000	.01000	.06290	-.18870	.04960	.00420	-.00130	.00010	.06290	.04960
.600	20.870	.00000	.01000	.06260	-.18790	.04910	.00380	-.00130	.00040	.06260	.04910
.601	21.950	.00000	.00000	.06770	-.18540	.04950	.00380	-.00140	.00020	.06770	.04950
.600	23.040	.00000	.00000	.06800	-.18520	.04900	.00290	-.00130	.00050	.06800	.04900
.599	24.130	.00000	.00000	.07170	-.18550	.04920	.00380	-.00140	.00040	.07170	.04920
.599	25.230	.00000	.00000	.07200	-.18490	.04910	.00390	-.00140	.00030	.07200	.04910
.598	26.310	.00000	.00000	.07200	-.18810	.04920	.00450	-.00130	.00050	.07200	.04920
.601	27.410	.00000	-.01000	.06830	-.18810	.04860	.00360	-.00130	.00020	.06830	.04860
.602	28.490	.00000	-.01000	.07060	-.18810	.04860	.00380	-.00140	.00010	.07060	.04860
.598	29.590	.00000	-.01000	.07370	-.19040	.04940	.00440	-.00140	.00030	.07370	.04930
.598	30.670	.00000	-.01000	.07340	-.19020	.04920	.00400	-.00130	.00030	.07340	.04920
.600	31.770	.00000	-.02000	.07410	-.18870	.04880	.00420	-.00130	.00010	.07410	.04880
.601	32.860	.00000	-.02000	.07230	-.19050	.04850	.00280	-.00130	.00010	.07230	.04850
.599	33.950	.00000	-.02000	.07340	-.19170	.04890	.00260	-.00130	.00020	.07340	.04890
.600	35.040	.00000	-.02000	.07720	-.18790	.04860	.00350	-.00140	.00010	.07720	.04860
.595	36.130	.00000	-.02000	.07790	-.19380	.04940	.00320	-.00140	.00030	.07790	.04940
.599	37.220	.00000	-.03000	.07760	-.19190	.04910	.00410	-.00140	.00040	.07760	.04910
.598	38.310	.00000	-.03000	.08060	-.19030	.04920	.00310	-.00130	.00050	.08060	.04920
.601	39.400	.00000	-.03000	.07830	-.19040	.04830	.00260	-.00140	.00000	.07830	.04830
.599	40.490	.00000	-.03000	.07780	-.19140	.04870	.00390	-.00140	.00000	.07780	.04870
.599	41.580	.00000	-.03000	.08090	-.18880	.04870	.00420	-.00140	.00000	.08090	.04870
.599	42.670	.00000	-.05000	.07820	-.19080	.04860	.00310	-.00130	.00040	.07820	.04860
.602	43.760	.00000	-.05000	.08030	-.19120	.04830	.00290	-.00130	.00020	.08030	.04830
.602	44.850	.00000	-.05000	.08230	-.18890	.04820	.00240	-.00130	.00050	.08230	.04820
.600	45.940	.00000	-.05000	.08350	-.19060	.04900	.00280	-.00120	.00020	.08350	.04900
.599	47.030	.00000	-.05000	.08350	-.19120	.04860	.00430	-.00130	.00020	.08350	.04860

DATE 29 MAR 76

CA-26 FORCE SOURCE DATA TABULATION

PAGE 1177

LTV44-559(CA26) 747/1 ATY 06 S1 (CARRIER DATA)

(YFE124) (18 NOV 75)

REFERENCE DATA

SREF =	5500.0000 SQ.FT.	XMRP =	1339.9000 IN. XC
LREF =	527.7800 IN.	YMRP =	.0000 IN. YC
BREF =	2348.0400 IN.	ZMRP =	190.7500 IN. ZC
SCALE =	.0125		

PARAMETRIC DATA

ALPHAC =	.000	BETAC =	.000
STAB =	5.000	RUDDER =	.000
ELEVON =	.000	DX =	.000
DY =	.000	IORB =	4.000
BETA0 =	.000	DPHI =	.000

RUN NO. 88/ 0 RN/L = .00 GRADIENT INTERVAL = -5.00/ 5.00

MACH	DZ	DY	DX	CN	CLM	CA	CY	CYN	CBL	CL	CD
.600	48.120	.00000	-.06000	.08470	-.18890	.04830	.00310	-.00110	.00050	.08470	.04840
	GRADIENT	.00000	-.00268	.00158	-.00199	-.00011	-.00017	-.00002	-.00001	.00159	-.00010

ORIGINAL PAGE IS
OF POOR QUALITY

27

LTV44-559(CA26) 747/1 ATY 06 S1 (CARRIER DATA)

(YFE125) (18 NOV 75)

REFERENCE DATA

SREF = 5500.0000 SQ.FT. XMRP = 1339.9000 IN. XC
 LREF = 327.7800 IN. YMRP = .0000 IN. YC
 BREF = 2348.0400 IN. ZMRP = 190.7500 IN. ZC
 SCALE = .0125

PARAMETRIC DATA

ALPHAC = .000 BETAC = .000
 STAB = 5.000 RUDDER = .000
 ELEVON = .000 DX = .000
 DY = .000 IORB = 6.000
 BETA0 = .000 DPHI = .000

RUN NO. 1088/ 0 RN/L = .00 GRADIENT INTERVAL = -5.00/ 5.00

MACH	DZ	DY	DX	CN	CLM	CA	CY	CYN	CBL	CL	CD
.504	1.480	.00000	.06000	-.00240	-.12000	.04690	.00510	-.00180	.00050	-.00240	.04690
.600	1.770	.00000	.05000	.00780	-.12120	.04780	.00310	-.00190	.00050	.00780	.04780
.598	2.370	.00000	.05000	.00570	-.12420	.04730	.00390	-.00180	.00060	.00570	.04730
.598	2.970	.00000	.05000	.00680	-.12480	.04730	.00380	-.00170	.00070	.00680	.04730
.599	3.770	.00000	.05000	.01410	-.13080	.04780	.00380	-.00210	.00010	.01410	.04780
.601	4.570	.00000	.05000	.01590	-.13070	.04740	.00380	-.00190	.00050	.01590	.04740
.601	5.970	.00000	.03000	.02630	-.14050	.04780	.00250	-.00170	.00000	.02630	.04780
.599	7.970	.00000	.03000	.02860	-.14750	.04820	.00270	-.00170	.00020	.02860	.04820
.600	9.970	.00000	.03000	.02680	-.14550	.04790	.00340	-.00180	.00030	.02680	.04790
.601	11.350	.00000	.03000	.03340	-.15070	.04810	.00300	-.00140	.00040	.03340	.04810
.600	12.730	.00000	.02000	.03580	-.15410	.04750	.00320	-.00140	.00020	.03580	.04750
.598	14.110	.00000	.02000	.04130	-.15500	.04830	.00240	-.00130	.00020	.04130	.04830
.594	15.490	.00000	.02000	.04730	-.16050	.04870	.00220	-.00130	.00020	.04730	.04870
.599	16.870	.00000	.01000	.04820	-.15870	.04800	.00210	-.00100	.00060	.04820	.04800
.597	18.250	.00000	.01000	.04850	-.15990	.04820	.00170	-.00110	.00010	.04850	.04820
.600	19.630	.00000	.01000	.04600	-.16150	.04770	.00250	-.00110	.00050	.04600	.04770
.599	21.010	.00000	.01000	.04820	-.16770	.04740	.00270	-.00100	.00050	.04820	.04740
.599	22.380	.00000	.00000	.05110	-.16430	.04790	.00220	-.00110	.00040	.05110	.04790
.597	23.760	.00000	.00000	.05430	-.16570	.04800	.00190	-.00110	.00030	.05430	.04800
.601	25.140	.00000	.00000	.05300	-.16720	.04760	.00220	-.00100	.00060	.05300	.04760
.600	26.510	.00000	-.01000	.05650	-.17060	.04770	.00300	-.00110	.00040	.05650	.04770
.599	27.890	.00000	-.01000	.05780	-.17610	.04790	.00210	-.00110	.00050	.05780	.04790
.600	29.270	.00000	-.01000	.05960	-.17360	.04770	.00310	-.00110	.00000	.05960	.04770
.602	30.650	.00000	-.01000	.06060	-.17070	.04760	.00250	-.00110	.00010	.06060	.04760
.601	32.030	.00000	-.02000	.06260	-.17250	.04800	.00280	-.00110	.00040	.06260	.04800
.601	33.420	.00000	-.02000	.06430	-.17290	.04750	.00270	-.00110	.00050	.06430	.04750
.601	34.800	.00000	-.02000	.06980	-.17320	.04770	.00280	-.00120	.00040	.06980	.04770
.601	36.170	.00000	-.02000	.06980	-.17240	.04770	.00300	-.00120	.00040	.06980	.04770
.600	37.550	.00000	-.02000	.07060	-.17380	.04770	.00340	-.00100	.00040	.07060	.04770
.599	38.930	.00000	-.03000	.07090	-.17710	.04810	.00340	-.00110	.00030	.07090	.04810
.599	40.310	.00000	-.03000	.07380	-.17590	.04820	.00270	-.00120	.00000	.07380	.04830
.601	41.690	.00000	-.03000	.07130	-.17740	.04720	.00270	-.00130	-.00010	.07130	.04730
.601	43.070	.00000	-.05000	.06780	-.17950	.04760	.00320	-.00120	.00040	.06780	.04760
.597	44.450	.00000	-.05000	.07420	-.17930	.04820	.00270	-.00120	.00020	.07420	.04820
.600	45.830	.00000	-.05000	.07250	-.18090	.04750	.00260	-.00120	.00010	.07250	.04760
.598	47.200	.00000	-.05000	.07470	-.17940	.04810	.00230	-.00110	.00000	.07470	.04820
.599	48.580	.00000	-.06000	.07540	-.18050	.04770	.00330	-.00110	.00010	.07540	.04770
.599	49.960	.00000	-.06000	.07360	-.18140	.04730	.00320	-.00120	.00000	.07360	.04730
.597	51.340	.00000	-.06000	.07620	-.18420	.04830	.00310	-.00130	-.00010	.07620	.04830
.600	52.730	.00000	-.06000	.07670	-.18240	.04790	.00310	-.00130	.00020	.07670	.04790
.598	54.110	.00000	-.07000	.07740	-.18210	.04790	.00340	-.00120	.00020	.07740	.04790
GRADIENT		.00000	-.00189	.00488	-.00374	.00009	-.00015	-.00005	-.00006	.00488	.00009

LTV44-559(CA26) 747/1 ATY 06 S1 (CARRIER DATA)

(YFE126) (18 NOV 75)

REFERENCE DATA

SREF = 5500.0000 SQ.FT. XMRP = 1339.9000 IN. XC
 LREF = 327.7800 IN. YMRP = .0000 IN. YC
 BREF = 2348.0400 IN. ZMRP = 190.7500 IN. ZC
 SCALE = .0125

PARAMETRIC DATA

ALPHAC = .000 BETAC = .000
 STAB = 5.000 RUDDER = .000
 ELEVON = .000 DX = .000
 DY = .000 TORB = 8.000
 BETAO = .000 DPHI = .000

RUN NO. 89/ 0 RN/L = .00 GRADIENT INTERVAL = -5.00/ 5.00

MACH	DZ	DY	DX	CN	CLM	CA	CY	CYN	CBL	CL	CD
.599	1.760	.00000	.05000	-.03280	-.07300	.04530	.00480	-.00240	.00050	-.03280	.04530
.600	2.360	.00000	.05000	-.03100	-.07130	.04540	.00590	-.00220	.00080	-.03100	.04530
.600	2.970	.00000	.03000	-.02390	-.07220	.04520	.00410	-.00240	.00060	-.02400	.04520
.600	3.960	.00000	.03000	-.02040	-.07060	.04550	.00600	-.00240	.00090	-.02050	.04550
.599	4.960	.00000	.03000	-.01220	-.07960	.04620	.00450	-.00230	.00060	-.01220	.04620
.598	5.210	.00000	.03000	-.01120	-.07730	.04580	.00470	-.00240	.00080	-.01120	.04580
.598	7.460	.00000	.03000	-.00740	-.08290	.04630	.00410	-.00200	.00060	-.00750	.04630
.600	8.710	.00000	.02000	-.00190	-.08900	.04590	.00330	-.00180	.00030	-.00190	.04590
.598	9.960	.00000	.02000	.00740	-.10260	.04650	.00340	-.00150	.00050	.00740	.04650
.599	11.290	.00000	.02000	.00520	-.10380	.04620	.00330	-.00150	.00030	.00520	.04620
.600	12.600	.00000	.02000	.00820	-.10720	.04620	.00320	-.00160	.00020	.00820	.04620
.599	13.920	.00000	.02000	.01070	-.11350	.04660	.00350	-.00140	.00040	.01070	.04660
.599	15.240	.00000	.02000	.01480	-.11760	.04680	.00310	-.00120	.00020	.01470	.04680
.599	16.570	.00000	.01000	.01870	-.12320	.04680	.00290	-.00120	.00030	.01860	.04680
.600	17.890	.00000	.01000	.02290	-.12630	.04700	.00230	-.00110	.00000	.02290	.04700
.600	19.210	.00000	.01000	.02990	-.12810	.04760	.00190	-.00110	.00000	.02990	.04760
.601	20.530	.00000	.01000	.03040	-.13050	.04710	.00190	-.00090	.00040	.03040	.04710
.601	21.840	.00000	.00000	.02310	-.13250	.04740	.00200	-.00100	.00010	.02310	.04740
.600	23.160	.00000	.00000	.03160	-.13870	.04770	.00240	-.00080	-.00010	.03160	.04770
.600	24.480	.00000	.00000	.03450	-.14080	.04720	.00250	-.00090	.00010	.03450	.04720
.600	25.800	.00000	.00000	.03920	-.14170	.04760	.00200	-.00090	.00030	.03920	.04770
.600	27.130	.00000	-.01000	.04020	-.14410	.04740	.00280	-.00100	.00050	.04020	.04740
.600	28.450	.00000	-.01000	.04400	-.14600	.04720	.00170	-.00100	.00020	.04400	.04730
.599	29.770	.00000	-.01000	.04350	-.15070	.04750	.00170	-.00090	.00000	.04350	.04750
.599	31.080	.00000	-.01000	.04580	-.15190	.04720	.00250	-.00090	.00030	.04580	.04720
.598	32.410	.00000	-.02000	.04780	-.15350	.04780	.00290	-.00100	.00010	.04780	.04780
.602	33.730	.00000	-.02000	.05280	-.15000	.04710	.00260	-.00100	.00010	.05270	.04710
.602	35.050	.00000	-.02000	.05160	-.15230	.04730	.00240	-.00110	.00000	.05160	.04740
.599	36.370	.00000	-.02000	.05590	-.15380	.04800	.00240	-.00110	.00010	.05590	.04800
.598	37.690	.00000	-.02000	.05860	-.15900	.04790	.00210	-.00100	.00000	.05860	.04800
.599	39.010	.00000	-.03000	.05620	-.16020	.04720	.00240	-.00090	.00010	.05620	.04730
.598	40.330	.00000	-.03000	.05950	-.16230	.04820	.00220	-.00100	.00020	.05950	.04830
.599	41.650	.00000	-.03000	.06360	-.16130	.04820	.00220	-.00110	.00010	.06360	.04820
.599	42.970	.00000	-.03000	.06230	-.16310	.04800	.00220	-.00110	.00000	.06230	.04800
.600	44.290	.00000	-.05000	.06150	-.16630	.04800	.00260	-.00110	.00000	.06150	.04800
.599	45.620	.00000	-.05000	.06420	-.16570	.04820	.00230	-.00100	.00020	.06420	.04830
.600	46.940	.00000	-.05000	.06220	-.16600	.04780	.00270	-.00110	.00040	.06210	.04780
.600	48.260	.00000	-.05000	.06790	-.16490	.04780	.00280	-.00120	.00040	.06790	.04790
.598	49.570	.00000	-.05000	.06830	-.16750	.04790	.00230	-.00120	.00000	.06830	.04790
.601	50.900	.00000	-.06000	.07000	-.16800	.04770	.00270	-.00100	.00030	.07000	.04770
.601	52.220	.00000	-.06000	.06900	-.16910	.04780	.00280	-.00110	.00020	.06900	.04780
.601	53.540	.00000	-.06000	.06990	-.16950	.04740	.00270	-.00130	.00000	.06990	.04740

ORIGINAL PAGE IS
 OF POOR QUALITY

LTV44-559(CA26) 747/1 ATY 06 S1 (CARRIER DATA)

(YFE126) (18 NOV 75)

REFERENCE DATA

SREF = 5500.0000 SQ.FT. XMRP = 1339.9000 IN. XC
 LREF = 327.7800 IN. YMRP = .0000 IN. YC
 BREF = 2348.0400 IN. ZMRP = 190.7500 IN. ZC
 SCALE = .0125

PARAMETRIC DATA

ALPHAC = .000 BETAC = .000
 STAB = 5.000 RUDDER = .000
 ELEVON = .000 DX = .000
 DY = .000 ICRB = 8.000
 BETA0 = .000 DPHI = .000

RUN NO. 89/ 0 RN/L = .00 GRADIENT INTERVAL = -5.00/ 5.00

MACH	DZ	DY	DX	CN	CLM	CA	CY	CYN	CBL	CL	CD
.600	54.860	.00000	-.07000	.06970	-.17080	.04750	.00270	-.00130	-.00020	.06970	.04750
.599	56.180	.00000	-.07000	.07040	-.17190	.04820	.00270	-.00100	.00000	.07040	.04820
.599	57.500	.00000	-.07000	.06940	-.17370	.04790	.00320	-.00130	.00000	.06940	.04790
.599	58.820	.00000	-.09000	.07000	-.17550	.04780	.00290	-.00140	.00000	.07000	.04780
.599	60.140	.00000	-.09000	.07320	-.17610	.04810	.00290	-.00120	.00000	.07320	.04810
.599	61.460	.00000	-.09000	.07600	-.17460	.04850	.00290	-.00120	.00010	.07590	.04850
	GRADIENT	.00000	-.00702	.00646	-.00175	.00026	-.00006	.00000	.00003	.00645	.00027

DATE 29 MAR 76

CA-26 FORCE SOURCE DATA TABULATION

PAGE 1181

LTV44-559(CA26) 747/1 ATY 05 S1 (CARRIER DATA)

(YFE127) (18 NOV 75)

REFERENCE DATA

SREF = 5500.0000 SQ.FT. XMRP = 1339.9000 IN. XC
 LREF = 327.7800 IN. YMRP = .0000 IN. YC
 8REF = 2348.0400 IN. ZMRP = 190.7500 IN. ZC
 SCALE = .0125

PARAMETRIC DATA

ALPHAC = 2.000 BETAC = .000
 STAB = 5.000 RUDDER = .000
 ELEVON = .000 DX = .000
 DY = .000 IORB = 6.000
 BETAO = .000 DPHI = 7.500

RUN NO. 90/ 0 RN/L = .00 GRADIENT INTERVAL = -5.00/ 5.00

MACH	DZ	DY	DX	CN	CLM	CA	CY	CYN	CSL	CL	CD
.606	1.760	.00000	.00000	.19970	-.15670	.04420	-.00730	.00200	-.00030	.19740	.05340
.605	2.360	.00000	.00000	.20240	-.15890	.04400	-.00640	.00190	-.00040	.20020	.05340
.604	2.970	.00000	.00000	.20970	-.16580	.04450	-.00620	.00120	-.00040	.20740	.05420
.606	3.760	.00000	.00000	.20870	-.16370	.04430	-.00580	.00120	-.00010	.20640	.05400
.604	4.560	.00000	.00000	.21070	-.16700	.04440	-.00470	.00100	-.00010	.20840	.05420
.604	5.470	.00000	.00000	.22090	-.17200	.04470	-.00490	.00070	.00000	.21860	.05500
.606	6.460	.00000	.00000	.21810	-.17380	.04440	-.00320	.00050	-.00010	.21580	.05460
.605	7.460	.00000	.00000	.22380	-.17410	.04480	-.00480	.00030	-.00010	.22150	.05520
.605	8.460	.00000	.00000	.22790	-.17840	.04430	-.00280	.00010	.00010	.22550	.05490
.605	9.460	.00000	.00000	.23010	-.17840	.04430	-.00210	.00000	.00010	.22780	.05500
.605	10.560	.00000	.00000	.23360	-.18150	.04440	-.00170	-.00020	-.00010	.23120	.05520
.605	11.740	.00000	.00000	.23720	-.18330	.04470	-.00270	-.00020	.00000	.23490	.05570
.605	12.930	.00000	.00000	.23810	-.18870	.04460	-.00130	-.00010	.00010	.23580	.05570
.605	14.110	.00000	.00000	.24180	-.18900	.04470	-.00210	-.00010	.00000	.23940	.05600
.604	15.300	.00000	.00000	.24630	-.19160	.04420	-.00230	.00010	-.00030	.24400	.05570
.605	16.490	.00000	.00000	.24610	-.19370	.04400	-.00220	.00010	-.00010	.24380	.05550
.602	17.670	.00000	.00000	.25220	-.19560	.04480	-.00200	.00000	.00000	.24980	.05660
.604	18.860	.00000	.00000	.25240	-.19580	.04460	-.00170	.00000	.00000	.25000	.05630
.605	20.040	.00000	.00000	.25390	-.19860	.04410	-.00180	.00010	-.00040	.25160	.05590
.605	21.230	.00000	.00000	.25530	-.19890	.04430	-.00150	.00000	-.00030	.25300	.05620
.605	22.410	.00000	.01000	.25770	-.20120	.04440	-.00140	.00010	-.00020	.25530	.05640
.604	23.600	.00000	.01000	.26150	-.20460	.04420	-.00070	.00000	-.00010	.25910	.05640
.606	24.780	.00000	.01000	.25990	-.20210	.04390	-.00170	.00010	-.00010	.25760	.05600
.605	25.970	.00000	.01000	.26440	-.20270	.04420	-.00180	.00010	-.00010	.26210	.05650
.604	27.150	.00000	.01000	.26600	-.20560	.04360	-.00130	.00020	.00000	.26370	.05600
.606	28.340	.00000	.01000	.26700	-.20640	.04370	-.00140	.00020	-.00010	.26470	.05620
.605	29.520	.00000	.01000	.27000	-.21030	.04390	-.00100	.00010	-.00020	.26760	.05650
.607	30.710	.00000	.01000	.26790	-.20960	.04340	-.00120	.00020	-.00010	.26560	.05590
.606	31.900	.00000	.01000	.27270	-.20930	.04400	-.00160	.00000	-.00010	.27030	.05670
.605	33.080	.00000	.01000	.27240	-.21140	.04350	-.00070	.00000	-.00020	.27000	.05620
.608	34.270	.00000	.01000	.27480	-.21050	.04360	-.00040	.00000	.00000	.27240	.05650
.607	35.450	.00000	.01000	.27620	-.21090	.04360	-.00130	.00000	-.00010	.27390	.05650
.606	36.640	.00000	.01000	.27980	-.21460	.04360	-.00010	-.00010	.00000	.27740	.05670
.605	37.820	.00000	.01000	.28060	-.21130	.04360	-.00020	-.00040	-.00010	.27820	.05670
.605	39.010	.00000	.01000	.28380	-.21530	.04380	.00050	-.00040	.00000	.28140	.05710
.606	40.200	.00000	.02000	.28230	-.21440	.04330	.00010	-.00040	.00000	.27990	.05650
.606	41.380	.00000	.02000	.28460	-.21300	.04340	-.00010	-.00060	.00000	.28230	.05670
.605	42.570	.00000	.02000	.28400	-.21480	.04320	.00010	-.00060	-.00010	.28170	.05650
.605	43.750	.00000	.02000	.28610	-.21460	.04320	.00010	-.00060	.00000	.28370	.05660
.603	44.940	.00000	.02000	.28880	-.21520	.04370	-.00010	-.00050	.00010	.28640	.05730
.604	46.130	.00000	.02000	.28600	-.21540	.04320	-.00030	-.00050	-.00010	.28370	.05660
.603	47.310	.00000	.02000	.29180	-.21700	.04330	-.00020	-.00050	-.00010	.28940	.05700

LTV44-559(CA26) 747/1 ATY 06 S1 (CARRIER DATA)

(YFE127) (18 NOV 75)

REFERENCE DATA

SREF = 5500.0000 SQ.FT. XMRP = 1339.9000 IN. XC
 LREF = 327.7800 IN. YMRP = .0000 IN. YC
 BREF = 2348.0400 IN. ZMRP = 190.7500 IN. ZC
 SCALE = .0125

PARAMETRIC DATA

ALPHAC = 2.000 BETAC = .000
 STAB = 5.000 RUDDER = .000
 ELEVON = .000 DX = .000
 DY = .000 IGRB = 6.000
 BETAO = .000 DPHI = 7.500

RUN NO. 90/ 0 RN/L = .00 GRADIENT INTERVAL = -5.00/ 5.00

MACH	DZ	DY	DX	CN	CLM	CA	CY	CYN	CBL	CL	CD
.603	48.500	.00000	.02000	.29170	-.21590	.04350	-.00030	-.00050	.00000	.28930	.05720
.606	49.660	.00000	.02000	.28690	-.21870	.04260	.00030	-.00050	.00000	.28450	.05610
.604	50.870	.00000	.02000	.29130	-.22090	.04340	.00010	-.00060	.00000	.28890	.05700
.604	51.460	.00000	.02000	.29420	-.21960	.04340	.00000	-.00060	.00000	.29180	.05720
	GRADIENT	.00000	.00000	.00392	-.00352	.00010	.00083	-.00038	.00010	.00390	.00030

LTV44-559(CA26) 747/1 ATY 02 S1 (CARRIER DATA)

(YFE128) (18 NOV 75)

REFERENCE DATA

SREF = 5500.0000 SQ.FT. XMRP = 1339.9000 IN. XC
 LREF = 327.7800 IN. YMRP = .0000 IN. YC
 BREF = 2348.0400 IN. ZMRP = 190.7500 IN. ZC
 SCALE = .0125

PARAMETRIC DATA

ALPHAC = 2.000 BETAC = .000
 STAB = 5.000 ELEVON = 5.000
 RUDDER = .000 DX = .000
 DY = .000 TORB = 6.000
 BETAO = .000 DPHI = 7.500

RUN NO. 91/ 0 RN/L = .00 GRADIENT INTERVAL = -5.00/ 5.00

MACH	DZ	DY	DX	CN	CLM	CA	CY	CYN	CBL	CL	CD
.605	1.760	.00000	-.01000	.18880	-.12460	.04150	-.00540	.00130	-.00070	.18660	.05040
.605	2.360	.00000	-.01000	.18990	-.12760	.04160	-.00630	.00110	-.00060	.18780	.05050
.605	2.970	.00000	-.01000	.19760	-.13040	.04180	-.00340	.00030	-.00060	.19540	.05110
.605	3.760	.00000	-.01000	.19780	-.12900	.04190	-.00300	.00030	-.00040	.19560	.05120
.606	4.560	.00000	-.01000	.19650	-.13100	.04180	-.00360	.00000	-.00030	.19430	.05100
.606	5.470	.00000	-.01000	.20300	-.13470	.04210	-.00180	-.00060	-.00020	.20080	.05160
.607	6.460	.00000	-.01000	.20510	-.13560	.04240	-.00090	-.00080	-.00020	.20280	.05200
.609	7.460	.00000	.00000	.20270	-.13860	.04160	-.00180	-.00110	.00000	.20050	.05110
.607	8.460	.00000	.00000	.21120	-.14510	.04230	-.00040	-.00150	.00000	.20900	.05220
.606	9.460	.00000	.00000	.20990	-.14700	.04210	-.00040	-.00160	.00000	.20760	.05190
.607	10.560	.00000	.00000	.21700	-.15220	.04200	-.00060	-.00160	.00030	.21480	.05220
.606	11.740	.00000	.00000	.22230	-.15470	.04280	.00020	-.00160	.00030	.22000	.05320
.606	12.930	.00000	.00000	.22290	-.15820	.04290	.00140	-.00160	.00020	.22060	.05330
.605	14.110	.00000	.00000	.22980	-.16150	.04280	.00050	-.00150	.00030	.22750	.05350
.606	15.300	.00000	.00000	.22900	-.16760	.04270	.00010	-.00120	.00020	.22680	.05340
.608	16.490	.00000	.00000	.23200	-.16930	.04270	-.00040	-.00110	.00000	.22970	.05360
.607	17.670	.00000	.00000	.23380	-.17210	.04320	-.00050	-.00100	.00000	.23150	.05410
.606	18.860	.00000	.00000	.23490	-.17570	.04280	-.00020	-.00060	.00000	.23270	.05370
.607	20.040	.00000	.00000	.23780	-.17860	.04280	-.00010	-.00030	.00000	.23550	.05390
.607	21.230	.00000	.00000	.24200	-.18160	.04290	-.00080	-.00020	.00010	.23970	.05420
.606	22.410	.00000	.01000	.24390	-.18300	.04280	-.00060	-.00010	.00030	.24160	.05420
.607	23.600	.00000	.01000	.24450	-.18670	.04280	-.00060	.00000	.00000	.24220	.05420
.606	24.780	.00000	.01000	.25250	-.18870	.04280	-.00120	.00000	.00000	.25020	.05460
.604	25.970	.00000	.01000	.25380	-.18820	.04330	-.00110	.00010	-.00030	.25140	.05520
.606	27.150	.00000	.01000	.25200	-.19270	.04280	-.00180	.00010	-.00040	.24980	.05460
.606	28.340	.00000	.01000	.25260	-.19530	.04290	-.00170	.00030	-.00040	.25030	.05460
.606	29.520	.00000	.01000	.25540	-.19730	.04290	-.00140	.00030	-.00030	.25320	.05490
.606	30.710	.00000	.01000	.26150	-.19670	.04280	-.00200	.00050	-.00010	.25920	.05510
.607	31.900	.00000	.01000	.26350	-.19730	.04300	-.00230	.00030	-.00030	.26120	.05540
.607	33.080	.00000	.01000	.26140	-.20000	.04270	-.00130	.00020	-.00030	.25910	.05490
.606	34.270	.00000	.01000	.26460	-.19870	.04260	-.00200	.00020	-.00020	.26230	.05500
.604	35.450	.00000	.01000	.26750	-.20660	.04310	-.00130	.00010	-.00010	.26520	.05560
.607	36.640	.00000	.01000	.26680	-.20460	.04290	-.00150	.00000	-.00020	.26450	.05530
.607	37.820	.00000	.01000	.26790	-.20340	.04270	-.00130	.00010	-.00010	.26560	.05520
.606	39.010	.00000	.01000	.27090	-.20570	.04280	-.00110	.00010	.00000	.26850	.05550
.608	40.200	.00000	.01000	.27030	-.20580	.04240	-.00060	.00000	.00000	.26800	.05500
.608	41.380	.00000	.02000	.27400	-.20600	.04270	.00000	-.00010	.00000	.27170	.05550
.607	42.570	.00000	.02000	.27260	-.20910	.04230	-.00030	-.00020	.00000	.27030	.05510
.606	43.750	.00000	.02000	.27580	-.20960	.04290	.00000	-.00030	-.00010	.27350	.05580
.606	44.940	.00000	.02000	.27540	-.20910	.04280	-.00070	-.00040	.00000	.27310	.05570
.606	46.130	.00000	.02000	.27510	-.21200	.04260	.00010	-.00030	.00010	.27280	.05550
.607	47.310	.00000	.02000	.27850	-.21080	.04230	.00050	-.00030	.00000	.27620	.05540

ORIGINAL PAGE IS
OF POOR QUALITY

DATE 29 MAR 76

CA-26 FORCE SOURCE DATA TABULATION

PAGE 1184

LTV44-559(CA26) 747/1 ATY 02 S1 (CARRIER DATA)

(YFE128) (18 NOV 75)

REFERENCE DATA

SREF =	5500.0000 SQ.FT.	XMRP =	1339.9000 IN. XC
LREF =	327.7800 IN.	YMRP =	.0000 IN. YC
BREF =	2348.0400 IN.	ZMRP =	190.7500 IN. ZC
SCALE =	.0125		

PARAMETRIC DATA

ALPHAC =	2.000	BETAC =	.000
STAB =	5.000	ELEVON =	5.000
RUDDER =	.000	DX =	.000
DY =	.000	IORB =	6.000
BETA0 =	.000	DPHI =	7.500

RUN NO. 91/ 0 RN/L = .00 GRADIENT INTERVAL = -5.00/ 5.00

MACH	DZ	DY	DX	CN	CLM	CA	CY	CYN	CBL	CL	CD
.606	48.500	.00000	.02000	.28150	-.21180	.04260	.00060	-.00050	.00000	.27920	.05580
.606	49.680	.00000	.02000	.28140	-.21300	.04260	.00010	-.00040	.00000	.27910	.05580
.606	50.870	.00000	.02000	.27900	-.21310	.04260	.00060	-.00060	.00010	.27670	.05560
.606	5.460	.00000	.02000	.27850	-.21470	.04230	.00120	-.00050	.00000	.27620	.05530
	GRADIENT	.00000	.00000	.00319	-.00195	.00012	.00095	-.00048	.00014	.00317	.00026

LTV44-559(CA26) 747/1 ATY 02 S1 (CARRIER DATA)

(YFE129) (18 NOV 75)

REFERENCE DATA

SREF = 5500.0000 SQ.FT. XMRP = 1339.9000 IN. XC
 LREF = 327.7800 IN. YMRP = .0000 IN. YC
 BREF = 2348.0400 IN. ZMRP = 190.7500 IN. ZC
 SCALE = .0125

PARAMETRIC DATA

ALPHAC = 2.000 BETAC = .000
 STAB = 5.000 ELEVON = 5.000
 RUDDER = .000 DX = .000
 DY = .000 TORB = 6.000
 BETAO = 5.000 DPHI = 7.500

RUN NO. 92/ 0 RN/L = .00 GRADIENT INTERVAL = -5.00/ 5.00

MACH	DZ	DY	DX	CN	CLM	CA	CY	CYN	CBL	CL	CD
.604	1.760	.00000	-.01000	.20380	-.13590	.04130	-.00110	-.00160	.00290	.20160	.05090
.604	2.360	.00000	-.01000	.20350	-.13520	.04140	-.00140	-.00160	.00280	.20130	.05090
.605	2.970	.00000	-.01000	.20540	-.13910	.04140	.00010	-.00260	.00260	.20320	.05100
.605	3.760	.00000	-.01000	.20670	-.14030	.04160	.00100	-.00260	.00300	.20450	.05130
.604	4.560	.00000	-.01000	.20960	-.14170	.04190	.00050	-.00290	.00310	.20740	.05170
.603	5.470	.00000	-.01000	.21140	-.14520	.04180	.00240	-.00370	.00300	.20920	.05170
.605	6.460	.00000	.00000	.21360	-.14600	.04190	.00280	-.00400	.00300	.21140	.05200
.605	7.460	.00000	.00000	.21530	-.14810	.04180	.00330	-.00440	.00290	.21300	.05190
.605	8.460	.00000	.00000	.21360	-.14810	.04180	.00330	-.00440	.00290	.21300	.05190
.605	8.460	.00000	.00000	.21360	-.14810	.04180	.00330	-.00440	.00290	.21300	.05190
.604	9.460	.00000	.00000	.22130	-.15150	.04180	.00410	-.00460	.00320	.21900	.05220
.604	10.560	.00000	.00000	.22470	-.15660	.04210	.00500	-.00490	.00320	.22240	.05270
.605	11.740	.00000	.00000	.22930	-.16350	.04240	.00510	-.00480	.00300	.22710	.05320
.602	12.930	.00000	.00000	.22470	-.16380	.04210	.00430	-.00470	.00300	.22250	.05260
.603	14.110	.00000	.00000	.23140	-.16810	.04270	.00490	-.00460	.00290	.22910	.05350
.605	15.300	.00000	.00000	.23350	-.17000	.04260	.00380	-.00440	.00270	.23130	.05350
.605	16.490	.00000	.00000	.23310	-.17440	.04220	.00360	-.00390	.00260	.23080	.05300
.605	17.670	.00000	.00000	.23970	-.17500	.04240	.00230	-.00350	.00260	.23740	.05370
.605	18.860	.00000	.00000	.24110	-.18000	.04250	.00220	-.00290	.00280	.23890	.05380
.605	20.040	.00000	.00000	.24280	-.18220	.04260	.00240	-.00260	.00240	.24060	.05390
.604	21.230	.00000	.00000	.24300	-.18650	.04260	.00090	-.00180	.00210	.24080	.05400
.605	22.410	.00000	.01000	.25070	-.18570	.04320	-.00070	-.00130	.00210	.24840	.05490
.605	23.600	.00000	.01000	.25190	-.18970	.04280	-.00140	-.00070	.00160	.24960	.05460
.605	24.780	.00000	.01000	.25070	-.19070	.04280	-.00410	.00000	.00130	.24840	.05450
.605	25.970	.00000	.01000	.25280	-.19310	.04290	-.00480	.00050	.00110	.25050	.05470
.606	27.150	.00000	.01000	.25600	-.19370	.04280	-.00560	.00110	.00130	.25370	.05480
.605	28.340	.00000	.01000	.25840	-.19590	.04290	-.00560	.00150	.00100	.25610	.05490
.604	29.520	.00000	.01000	.25870	-.19880	.04280	-.00630	.00190	.00080	.25640	.05480
.606	30.710	.00000	.01000	.25950	-.20070	.04300	-.00720	.00220	.00070	.25720	.05510
.605	31.900	.00000	.01000	.26240	-.19830	.04270	-.00710	.00230	.00050	.26010	.05490
.605	33.080	.00000	.01000	.26480	-.19930	.04260	-.00770	.00250	.00070	.26250	.05500
.605	33.080	.00000	.01000	.26900	-.20050	.04250	-.00810	.00250	.00070	.26670	.05510
.605	34.270	.00000	.01000	.26480	-.20050	.04250	-.00810	.00250	.00040	.26560	.05510
.604	35.450	.00000	.01000	.26790	-.20130	.04250	-.00830	.00250	.00040	.26560	.05510
.605	35.450	.00000	.01000	.26700	-.20360	.04240	-.00710	.00260	.00030	.26470	.05490
.605	36.640	.00000	.01000	.26700	-.20360	.04240	-.00710	.00260	.00030	.26490	.05490
.604	37.820	.00000	.01000	.26720	-.20550	.04250	-.00810	.00260	.00030	.26580	.05500
.604	39.010	.00000	.01000	.26800	-.20690	.04250	-.00790	.00250	.00030	.26960	.05540
.606	40.200	.00000	.02000	.27190	-.20990	.04270	-.00650	.00240	.00020	.27200	.05520
.605	41.380	.00000	.01000	.27430	-.20680	.04240	-.00650	.00230	.00020	.27130	.05510
.605	42.570	.00000	.01000	.27360	-.20830	.04230	-.00670	.00230	.00020	.27130	.05510
.605	43.750	.00000	.02000	.27420	-.21020	.04240	-.00700	.00230	.00040	.27190	.05520
.605	44.940	.00000	.02000	.28050	-.20880	.04250	-.00550	.00220	.00050	.27810	.05560
.605	46.130	.00000	.02000	.27640	-.20970	.04220	-.00660	.00200	.00040	.27410	.05510
.605	46.130	.00000	.02000	.27760	-.21140	.04230	-.00660	.00190	.00020	.27530	.05520
.607	47.310	.00000	.02000	.27670	-.21200	.04220	-.00560	.00180	.00030	.27440	.05510

DATE 29 MAR 76

CA-26 FORCE SOURCE DATA TABULATION

PAGE 1186

LTV44-559(CA26) 747/1 ATY 02 S1 (CARRIER DATA)

(YFE129) (18 NOV 75)

REFERENCE DATA

SREF = 5500.0000 SQ.FT. XMRP = 1339.9000 IN. XC
 LREF = 327.7800 IN. YMRP = .0000 IN. YC
 BREF = 2348.0400 IN. ZMRP = 190.7500 IN. ZC
 SCALE = .0125

PARAMETRIC DATA

ALPHAC = 2.000 BETAC = .000
 STAB = 5.000 ELEVON = 5.000
 RUDDER = .000 DX = .000
 DY = .000 IORB = 6.000
 BETA0 = 5.000 DPHI = 7.500

RUN NO. 92/ 0 RN/L = .00 GRADIENT INTERVAL = -5.00/ 5.00

MACH	DZ	DY	DX	CN	CLM	CA	CY	CYN	CBL	CL	CO
.605	48.500	.00000	.02000	.28340	-.21350	.04270	-.00510	.00170	.00010	.28110	.05590
.606	49.680	.00000	.02000	.27940	-.21340	.04210	-.00560	.00160	.00010	.27710	.05520
.606	50.870	.00000	.02000	.28020	-.21360	.04210	-.00470	.00140	.00020	.27790	.05520
.604	51.460	.00000	.02000	.28310	-.21560	.04200	-.00490	.00130	.00000	.28080	.05530
	GRADIENT	.00000	.00000	.00215	-.00238	.00020	.00079	-.00050	.00010	.00215	.00029

DATE 29 MAR 76

CA-26 FORCE SOURCE DATA TABULATION

PAGE 1187

LTV44-559(CA26) 747/1 ATY 02 S1 (CARRIER DATA)

(YFE130) (18 NOV 75)

REFERENCE DATA

SREF = 5500.0000 SQ.FT. XMRP = 1339.9000 IN. XC
 LREF = 327.7800 IN. YMRP = .0000 IN. YC
 BREF = 2348.0400 IN. ZMRP = 190.7500 IN. ZC
 SCALE = .0125

PARAMETRIC DATA

ALPHAC = 2.000 BETAC = -5.000
 STAB = 5.000 ELEVON = 5.000
 RUDDER = .000 DX = .000
 DY = .000 TORB = 6.000
 BETAO = .000 DPHI = 7.500

RUN NO. 93/ 0 RN/L = .00 GRADIENT INTERVAL = -5.00/ 5.00

MACH	DZ	DY	DX	CN	CLM	CA	CY	CYN	CBL	CL	CD
.602	1.760	10.00000	-.01000	.21870	-.15750	.04000	.09170	-.01360	.01210	.21660	.05020
.603	2.360	10.00000	.00000	.21800	-.15950	.03980	.09240	-.01370	.01220	.21590	.05000
.601	2.970	10.00000	-.01000	.22800	-.16100	.03980	.09100	-.01490	.01270	.22590	.05050
.603	3.760	10.00000	.00000	.22490	-.16240	.03900	.09160	-.01490	.01270	.22290	.04950
.604	4.560	10.00000	.00000	.22540	-.16230	.03940	.09030	-.01540	.01290	.22330	.05000
.604	5.470	10.00000	-.01000	.22990	-.16400	.03930	.09130	-.01660	.01310	.22780	.05010
.603	6.460	10.00000	-.01000	.23450	-.16560	.03940	.09080	-.01690	.01300	.23240	.05040
.603	7.460	10.00000	-.01000	.23570	-.16840	.03950	.09260	-.01760	.01340	.23350	.05050
.602	8.460	10.00000	-.01000	.23600	-.17550	.03940	.09200	-.01820	.01340	.23390	.05040
.603	9.460	10.00000	-.01000	.23720	-.17510	.03930	.09230	-.01850	.01380	.23510	.05040
.603	10.560	10.00000	-.01000	.24550	-.18060	.03930	.09250	-.01910	.01390	.24340	.05080
.603	11.740	10.00000	-.01000	.24630	-.17920	.03950	.09380	-.01920	.01410	.24420	.05100
.601	12.930	10.00000	-.01000	.24840	-.18680	.03980	.09330	-.01960	.01420	.24630	.05140
.603	14.110	10.00000	-.01000	.24880	-.18660	.03940	.09270	-.01950	.01440	.24670	.05100
.601	15.300	10.00000	-.01000	.25190	-.19080	.03980	.09350	-.01960	.01430	.24980	.05160
.601	16.490	10.00000	-.01000	.25590	-.19590	.04010	.09310	-.01970	.01450	.25380	.05200
.602	17.670	10.00000	-.01000	.25940	-.19680	.04020	.09230	-.01950	.01460	.25720	.05230
.602	18.860	10.00000	-.01000	.26480	-.19770	.04000	.09250	-.01940	.01440	.26260	.05240
.603	20.040	10.00000	-.01000	.26190	-.19780	.03950	.09180	-.01920	.01400	.25980	.05170
.604	21.230	10.00000	-.01000	.26300	-.20190	.03970	.09070	-.01890	.01410	.26090	.05190
.601	22.410	10.00000	.00000	.26630	-.20560	.03990	.09060	-.01880	.01420	.26410	.05240
.600	23.600	10.00000	.00000	.27030	-.20640	.04010	.08990	-.01840	.01430	.26810	.05270
.602	24.780	10.00000	.00000	.26970	-.20660	.03980	.08990	-.01810	.01400	.26760	.05240
.604	25.970	10.00000	.00000	.27020	-.20640	.03970	.08820	-.01800	.01390	.26800	.05230
.603	27.150	10.00000	.00000	.27360	-.20870	.03990	.08780	-.01770	.01390	.27140	.05270
.602	28.340	10.00000	.00000	.27330	-.21100	.03970	.08820	-.01770	.01400	.27110	.05240
.603	29.520	10.00000	.00000	.27820	-.20990	.03970	.08760	-.01750	.01380	.27600	.05270
.603	30.710	10.00000	.00000	.28130	-.21200	.04030	.08720	-.01750	.01370	.27910	.05340
.604	31.900	10.00000	.00000	.27720	-.21320	.03960	.08690	-.01760	.01340	.27500	.05250
.603	33.080	10.00000	.00000	.28090	-.21360	.03950	.08700	-.01760	.01360	.27890	.05260
.604	34.270	10.00000	.00000	.28290	-.21380	.03940	.08700	-.01740	.01390	.28070	.05270
.604	35.450	10.00000	.00000	.28340	-.21550	.03960	.08680	-.01760	.01380	.28130	.05290
.604	36.640	10.00000	.00000	.28640	-.21530	.03960	.08700	-.01750	.01370	.28430	.05310
.603	37.820	10.00000	.00000	.28910	-.21720	.03990	.08770	-.01790	.01360	.28690	.05340
.603	39.010	10.00000	.00000	.28960	-.21650	.03950	.08800	-.01800	.01360	.28740	.05310
.604	40.200	10.00000	.01000	.29330	-.21320	.03940	.08740	-.01780	.01360	.29110	.05310
.602	41.380	10.00000	.01000	.29320	-.22050	.03940	.08920	-.01810	.01410	.29100	.05320
.602	42.570	10.00000	.01000	.29380	-.21930	.03940	.08840	-.01820	.01400	.29160	.05320
.602	43.750	10.00000	.01000	.29380	-.22310	.03920	.08920	-.01840	.01400	.29160	.05300
.603	44.940	10.00000	.01000	.29240	-.22280	.03900	.08880	-.01840	.01390	.29030	.05270
.602	46.130	10.00000	.01000	.29670	-.22330	.03910	.08920	-.01850	.01420	.29450	.05300
.603	47.310	10.00000	.01000	.29800	-.22610	.03940	.08910	-.01860	.01410	.29580	.05340

LTV44-559(CA26) 747/1 ATY 02 S1 (CARRIER DATA)

(YFE130) (18 NOV 75)

REFERENCE DATA

SREF = 5500.0000 SQ.FT. XMRP = 1339.9000 IN. XC
 LREF = 327.7800 IN. YMRP = .0000 IN. YC
 BREF = 2348.0400 IN. ZMRP = 190.7500 IN. ZC
 SCALE = .0125

PARAMETRIC DATA

ALPHAC = 2.000 BETAC = -5.000
 STAB = 5.000 ELEVON = 5.000
 RUDDER = .000 DX = .000
 DY = .000 TORB = 6.000
 BETA0 = .000 DPHI = 7.500

RUN NO. 93/ 0 RN/L = .00 GRADIENT INTERVAL = -5.00/ 5.00

MACH	DZ	DY	DX	CN	CLM	CA	CY	CYN	CBL	CL	CD
.600	48.500	10.00000	.01000	.30010	-.22780	.03910	.09000	-.01680	.01400	.29790	.05320
.602	49.680	10.00000	.01000	.29710	-.22590	.03880	.08920	-.01680	.01420	.29490	.05270
.602	50.870	10.00000	.01000	.29690	-.22780	.03870	.09020	-.01900	.01420	.29480	.05260
.602	51.460	10.00000	.01000	.30400	-.22330	.03930	.09050	-.01910	.01410	.30180	.05350
	GRADIENT	.00000	.00291	.00275	-.00189	-.00028	-.00052	-.00067	.00029	.00277	-.00013

LTV44-559(CA26) 747/1 ATY

(ZFE016) (18 NOV 75)

REFERENCE DATA

SREF = 5500.0000 SQ.FT. XMRP = 1339.9000 IN. XC
 LREF = 327.7800 IN. YMRP = .0000 IN. YC
 BREF = 2348.0400 IN. ZMRP = 190.7500 IN. ZC
 SCALE = .0125

PARAMETRIC DATA

BETAC = .000 STAB = 5.000
 RUDDER = .000

RUN NO. 17/ 0 RN/L = .00 GRADIENT INTERVAL = -5.00/ 5.00

MACH	ALPHAC	CPCC	CPSB1	CPSB2	CPSB3	Q(PSF)
.599	.110	.00000	-.01900	-.00500	.11700	577.56000
.599	.100	.00300	-.01800	-.00400	.12000	577.69000
.599	.110	.00100	-.02000	-.00300	.11500	578.10000
.599	.110	.00200	-.02100	-.00400	.11700	578.64000
.599	.110	.00300	-.01900	-.00300	.11700	578.78000
.600	.110	.00300	-.02000	-.00200	.11900	579.80000
.598	.110	.00000	-.01900	-.00500	.11800	577.33000
.600	.100	.00400	-.01800	-.00200	.12000	580.67000
.600	.100	.00200	-.02000	-.00400	.11700	581.21000
.600	.100	.00300	-.02000	-.00400	.11800	581.34000
.596	.100	.00000	-.02000	-.00700	.11500	575.19000
	GRADIENT	-.09000	-.04667	.03667	-.08332	-85.12226

DATE 29 MAR 76

CA-26 FORCE SOURCE DATA TABULATION

PAGE 1199

LTV44-559(CA26) 747/1 ATY

(ZFE017) (18 NOV 75)

REFERENCE DATA

SREF = 5500.0000 SQ.FT. XMRP = 1339.9000 IN. XC
 LREF = 327.7800 IN. YMRP = .0000 IN. YC
 BREF = 2348.0400 IN. ZMRP = 190.7500 IN. ZC
 SCALE = .0125

PARAMETRIC DATA

BETAC = .000 STAB = 5.000
 RUDDER = .000

RUN NO. 25/ 0 RN/L = .00 GRADIENT INTERVAL = -5.00/ 5.00

MACH	ALPHAC	CPCC	CPSB1	CPSB2	CPSB3	Q(PSF)
.597	2.690	.00900	.00000	.00300	.12200	580.41000
.598	2.680	.00600	-.00200	.00200	.12200	581.43000
.599	2.680	.00800	.00000	.00200	.11900	583.90000
.598	2.680	.00800	.00000	.00100	.12000	582.20000
.598	2.680	.00700	-.00300	.00000	.11900	582.47000
.598	2.680	.00700	-.00100	.00200	.12200	579.89000
.599	2.680	.00800	-.00100	-.00100	.12000	583.24000
.598	2.690	.00700	.00000	.00300	.12300	581.27000
.599	2.680	.00600	-.00300	-.00100	.12100	583.04000
.599	2.680	.00700	-.00200	.00000	.12200	582.70000
.600	2.680	.00900	.00000	.00100	.12100	583.93000
	GRADIENT	.06478	.12945	.22655	.17901	-160.13169

LTV44-559(CA26) 747/1 ATY

(ZFE018) (18 NOV 75)

REFERENCE DATA

SREF = 5500.0000 SQ.FT. XMRP = 1339.9000 IN. XC
 LREF = 327.7800 IN. YMRP = .0000 IN. YC
 BREF = 2348.0400 IN. ZMRP = 190.7500 IN. ZC
 SCALE = .0125

PARAMETRIC DATA

BETAC = .000 STAB = 5.000
 RUDDER = .000

RUN NO. 24/ 0 RN/L = .00 GRADIENT INTERVAL = -5.00/ 5.00

MACH	ALPHAC	CPCC	CPSB1	CPSB2	CPSB3	Q(PSF)
.599	3.810	-.00100	-.00600	-.00400	.11000	582.61000
.600	3.810	-.00400	-.01000	-.00600	.10300	583.07000
.60E	3.810	.00000	-.00500	-.00200	.10800	592.42000
.607	3.820	.00400	-.00100	-.00200	.12000	597.89000
.603	3.820	.00500	.00000	-.00200	.12700	593.94000
.598	3.810	.00000	-.00500	-.00600	.11700	586.48000
.600	3.810	-.00200	-.01200	-.00800	.10700	586.74000
.607	3.810	.00000	-.00900	-.00600	.10700	598.74000
.607	3.820	.00300	-.00200	-.00100	.11800	601.29000
.599	3.810	.00000	-.00400	.00000	.12100	589.33000
.599	3.810	-.00400	-.01200	-.00800	.10600	587.36000
	GRADIENT	.52510	.67161	.32563	1.15256	917.46584

ORIGINAL PAGE IS
OF POOR QUALITY

LTV44-559(CA26) 747/1 ATY

(ZFE019) (18 NOV 75)

REFERENCE DATA

SREF = 5500.0000 SQ.FT. XMRP = 1339.9000 IN. XC
 LREF = 327.7800 IN. YMRP = .0000 IN. YC
 BREF = 2348.0400 IN. ZMRP = 190.7500 IN. ZC
 SCALE = .0125

PARAMETRIC DATA

BETAC = .000 STAB = 5.000
 RUDDER = .000

RUN NO. 29/ 0 RN/L = .00 GRADIENT INTERVAL = -5.00/ 5.00

MACH	ALPHAC	CPCC	CPSB1	CPSB2	CPSB3	Q(PSF)
.600	6.000	.00400	.00000	.00200	.11200	582.89000
.598	6.000	.00100	-.00100	-.00200	.11000	579.55000
.598	6.000	.00100	-.00200	-.00200	.11000	578.79000
.597	6.000	.00300	-.00200	.00000	.11000	577.50000
.600	6.000	.00200	.00000	.00300	.11000	582.70000
.599	6.000	.00300	-.00200	-.00100	.10900	580.38000
.600	6.000	.00100	-.00200	.00000	.11200	581.14000
.600	6.000	.00100	.00000	.00200	.11000	582.91000
.599	6.000	.00100	.00000	.00100	.11400	580.93000
.600	6.000	.00100	.00000	.00200	.11300	581.00000
.600	6.000	.00100	.00000	.00200	.11000	582.64000
.600	6.000	.00100	.00000	.00000	.11000	582.64000
.600	6.000	.00100	.00000	.00000	.11000	582.64000
GRADIENT		.00000	.00000	.00000	.00000	.00000

LTV44-559(CA26) 747/1 ATY

(ZFE020) (18 NOV 75)

REFERENCE DATA

SREF = 5500.0000 SQ.FT. XMRP = 1339.9000 IN. XC
 LREF = 327.7800 IN. YMRP = .0000 IN. YC
 BREF = 2348.0400 IN. ZMRP = 190.7500 IN. ZC
 SCALE = .0125

PARAMETRIC DATA

BETAC = .000 STAB = -1.000
 RUDDER = .000

RUN NO. 18/ 0 RN/L = .00 GRADIENT INTERVAL = -5.00/ 5.00

MACH	ALPHAC	CPCC	CPSB1	CPSB2	CPSB3	Q(PSF)
.605	.440	-.00600	-.02700	.00600	.09600	595.14000
.605	.440	-.00500	-.02400	.00600	.09500	593.92000
.605	.440	-.00800	-.02700	.00400	.09500	594.81000
.606	.430	-.00500	-.02500	.00500	.09600	595.49000
.606	.440	-.00400	-.02400	.00400	.09600	595.01000
.605	.440	-.00900	-.02800	.00200	.09400	595.01000
.605	.440	-.00500	-.02300	.00600	.09600	594.41000
.606	.440	-.00300	-.02300	.00600	.09600	594.75000
.606	.440	-.00400	-.02300	.00600	.09600	595.56000
.606	.440	-.00300	-.02300	.00600	.09600	595.29000
.606	.440	-.00800	-.02700	.00300	.09400	596.30000
.606	.440	-.00800	-.02700	.00300	.09400	596.30000
GRADIENT		-.04998	.00999	-.00999	-.05982	-47.10010

DATE 29 MAR 76

CA-26 FORCE SOURCE DATA TABULATION

PAGE 1191

LTV44-559(CA26) 747/1 ATY

(ZFE021) (18 NOV 75)

REFERENCE DATA

SREF = 5500.0000 SQ.FT. XMRP = 1339.9000 IN. XC
 LREF = 327.7800 IN. YMRP = .0000 IN. YC
 BREF = 2348.0400 IN. ZMRP = 190.7500 IN. ZC
 SCALE = .0125

PARAMETRIC DATA

BETAC = .000 STAB = -1.000
 RUDDER = .000

RUN NO. 27/ 0 RN/L = .00 GRADIENT INTERVAL = -5.00/ 5.00

MACH	ALPHAC	CPCC	CPSB1	CPSB2	CPSB3	Q(PSF)
.602	2.990	-.00800	-.02300	.00500	.10000	591.14000
.601	2.990	-.00800	-.02400	.00700	.10200	589.44000
.601	2.990	-.00700	-.02300	.00600	.10100	588.56000
.602	2.990	-.01000	-.02300	.00500	.09600	589.78000
.601	2.990	-.00900	-.02400	.00400	.09800	588.91000
.602	2.990	-.00900	-.02200	.01000	.09800	590.21000
.600	2.990	-.00800	-.02300	.00700	.10000	585.72000
.603	2.990	-.00700	-.02100	.00900	.09900	590.50000
.601	2.990	-.00700	-.02400	.00700	.10000	586.75000
.600	2.990	-.01000	-.02600	.00300	.09800	585.17000
.602	2.990	-.00900	-.02300	.00400	.09600	587.64000
	GRADIENT	.00391	.00781	-.00195	-.06250	128.00000

LTV44-559(CA26) 747/1 ATY

(ZFE022) (18 NOV 75)

REFERENCE DATA

SREF = 5500.0000 SQ.FT. XMRP = 1339.9000 IN. XC
 LREF = 327.7800 IN. YMRP = .0000 IN. YC
 BREF = 2348.0400 IN. ZMRP = 190.7500 IN. ZC
 SCALE = .0125

PARAMETRIC DATA

BETAC = .000 STAB = -1.000
 RUDDER = .000

RUN NO. 23/ 0 RN/L = .00 GRADIENT INTERVAL = -5.00/ 5.00

MACH	ALPHAC	CPCC	CPSB1	CPSB2	CPSB3	Q(PSF)
.602	4.120	-.00800	-.02100	.00500	.09700	585.66000
.601	4.120	-.00600	-.02300	.00200	.09700	584.77000
.601	4.120	-.00700	-.02300	.00100	.09600	584.02000
.601	4.120	-.01000	-.02300	.00000	.09300	584.83000
.600	4.120	-.00600	-.02200	.00300	.09600	583.48000
.602	4.120	-.00900	-.02100	.00400	.09400	585.52000
.601	4.120	-.00700	-.02300	.00400	.09500	583.69000
.601	4.120	-.00800	-.02200	.00500	.09400	585.12000
.602	4.120	-.00800	-.02200	.00500	.09500	586.29000
.602	4.120	-.00700	-.02300	.00400	.09600	585.60000
.602	4.120	-.00700	-.02200	.00300	.09700	586.01000
	GRADIENT	-.00195	.01172	.00098	-.01563	128.00000

DATE 29 MAR 76

CA-26 FORCE SOURCE DATA TABULATION

PAGE 1192

LTV44-559(CA26) 747/1 ATY

(ZFEJ23) (18 NOV 75)

REFERENCE DATA

SREF = 5500.0000 SQ.FT. XMRP = 1339.9000 IN. XC
 LREF = 327.7800 IN. YMRP = .0000 IN. YC
 BREF = 2348.0400 IN. ZMRP = 190.7500 IN. ZC
 SCALE = .0125

PARAMETRIC DATA

BETAC = -5.000 STAB = 5.000
 RUDDER = .000

RUN NO. 28/ 0 RN/L = .00 GRADIENT INTERVAL = -5.00/ 5.00

MACH	ALPHAC	CPCC	CPSB1	CPSB2	CPSB3	Q(PSF)
.599	2.680	-.00700	-.01700	-.00200	.10700	582.38000
.599	2.680	-.00900	-.02000	-.00400	.10600	582.80000
.600	2.690	-.00900	-.02000	-.00900	.10200	585.18000
.599	2.680	-.00900	-.02100	-.00600	.10700	581.77000
.600	2.690	-.00800	-.01700	-.00400	.10500	584.70000
.600	2.680	-.00900	-.01800	-.00300	.10600	584.29000
.599	2.680	-.00900	-.02200	-.00900	.10400	583.19000
.600	2.680	-.00700	-.01700	-.00300	.10600	584.84000
.599	2.680	-.00900	-.02000	-.00600	.10700	582.99000
.599	2.680	-.00900	-.01800	-.00400	.10600	583.54000
.600	2.680	-.00900	-.01800	-.00300	.10500	584.23000
	GRADIENT	.00532	.04842	-.19964	-.24203	158.02469

DATE 29 MAR 76

CA-26 FORCE SOURCE DATA TABULATION

PAGE 1193

LTV44-559(CA26) 747/1 ATY

(ZFE024) (18 NOV 75)

REFERENCE DATA

SREF = 5500.0000 SQ.FT. XMRP = 1339.9000 IN. XC
 LREF = 327.7800 IN. YMRP = .0000 IN. YC
 BREF = 2348.0400 IN. ZMRP = 190.7500 IN. ZC
 SCALE = .0125

PARAMETRIC DATA

ALPHAC = 2.000 BETAC = .000
 STAB = 5.000 RUDDER = .000

RUN NO. 1025/ 0 RN/L = .00 GRADIENT INTERVAL = -5.00/ 5.00

MACH	DZ	CPCC	CPSB1	CPSB2	CPSB3	Q(PSF)	ALPHAC	BETAC
.600	.930	.00900	.00000	.00200	.12200	584.54000	2.68000	.00000
.601	1.880	.00900	.00000	.00100	.12100	586.04000	2.68000	.00000
.600	2.820	.00600	-.00300	.00200	.12400	586.02000	2.68000	.00000
.600	3.760	.00700	.00000	.00400	.12300	586.09000	2.68000	.00000
.600	4.720	.00600	-.00100	.00200	.12100	585.01000	2.68000	.00000
.600	5.660	.00700	-.00300	.00000	.11800	584.88000	2.68000	.00000
.600	6.600	.00700	.00000	.00200	.12000	582.98300	2.68000	.00000
.599	7.550	.00600	-.00300	.00000	.12000	582.84000	2.68000	.00000
.600	8.490	.00700	-.00200	.00000	.12000	584.96000	2.68000	.00000
.601	9.440	.00500	-.00300	.00000	.12000	585.10000	2.68000	.00000
.601	10.390	.00500	-.00300	.00000	.12100	586.73000	2.68000	.00000
.603	11.330	.00700	-.00200	.00000	.12100	589.58000	2.68000	.00000
.600	12.270	.00600	-.00400	-.00100	.12100	585.96000	2.68000	.00000
.601	13.220	.00500	-.00200	.00000	.11700	587.87000	2.68000	.00000
.602	14.170	.00500	-.00400	-.00100	.11400	589.22000	2.68000	.00000
.602	15.110	.00600	-.00200	-.00100	.11800	588.43000	2.68000	.00000
.601	16.060	.00600	-.00700	.00000	.11900	586.52000	2.68000	.00000
.601	17.000	.00500	-.00400	-.00200	.11800	587.39000	2.69000	.00000
.602	17.940	.00500	-.00400	-.00100	.11500	588.43000	2.68000	.00000
.603	18.890	.00400	-.00300	.00000	.11600	589.46000	2.68000	.00000
.602	19.840	.00400	-.00500	.00000	.11900	586.94000	2.68000	.00000
.602	20.780	.00400	-.00400	-.00100	.11700	588.23000	2.68000	.00000
.602	21.730	.00500	-.00500	-.00200	.11600	587.55000	2.68000	.00000
.603	22.670	.00400	-.00600	-.00300	.11500	589.58000	2.68000	.00000
.602	23.620	.00500	-.00500	-.00100	.11800	587.42000	2.68000	.00000
.602	24.570	.00400	-.00600	-.00200	.11600	588.17000	2.68000	.00000
.604	25.510	.00500	-.00300	-.00100	.11400	590.08000	2.68000	.00000
.603	26.450	.00400	-.00300	.00000	.11600	589.88000	2.68000	.00000
.602	27.400	.00500	-.00400	.00100	.11700	587.09000	2.68000	.00000
.602	28.350	.00500	-.00500	.00000	.11700	587.63000	2.68000	.00000
.603	29.290	.00300	-.00500	-.00400	.11300	589.19000	2.69000	.00000
.603	30.240	.00500	-.00500	-.00100	.11700	588.51000	2.68000	.00000
.603	31.180	.00400	-.00300	-.00100	.11600	589.61000	2.68000	.00000
.602	32.120	.00400	-.00600	.00000	.11700	586.95000	2.68000	.00000
.602	33.070	.00500	-.00600	-.00200	.11600	586.13000	2.68000	.00000
.602	34.020	.00500	-.00500	.00000	.11700	587.36000	2.68000	.00000
.603	34.960	.00200	-.00500	-.00200	.11300	589.94000	2.68000	.00000
.604	35.910	.00200	-.00500	-.00400	.11300	591.30000	2.68000	.00000
.604	36.850	.00200	-.00600	-.00200	.11400	591.17000	2.69000	.00000
.603	37.800	.00500	-.00700	-.00200	.11600	588.44000	2.68000	.00000
.603	38.750	.00400	-.00600	-.00300	.11500	588.51000	2.68000	.00000
.603	39.690	.00200	-.00600	-.00300	.11400	589.39000	2.68000	.00000
.604	40.630	.00300	-.00500	.00000	.11400	590.55000	2.68000	.00000

DATE 29 MAR 76

CA-26 FORCE SOURCE DATA TABULATION

PAGE 1194

LTV44-559(CA26) 747/1 ATY

(ZFE024) (18 NOV 75)

REFERENCE DATA

SREF = 5500.0000 SQ.FT. XMRP = 1339.9000 IN. XC
 LREF = 327.7800 IN. YMRP = .0000 IN. YC
 BREF = 2348.0400 IN. ZMRP = 190.7500 IN. ZC
 SCALE = .0125

PARAMETRIC DATA

ALPHAC = 2.000 BETAC = .000
 STAB = 5.000 RUDDER = .000

RUN NO. 1025/ 0 RN/L = .00 GRADIENT INTERVAL = -5.00/ 5.00

MACH	OZ	CPCC	CPSB1	CPSB2	CPSB3	Q(PSF)	ALPHAC	BETAC
.603	41.580	.00400	-.00500	-.00200	.11600	589.26000	2.68000	.00000
.603	42.530	.00100	-.00600	-.00200	.11300	590.95000	2.68000	.00000
.601	43.470	.00500	-.00600	-.00300	.11400	586.67000	2.68000	.00000
.602	44.420	.00100	-.00600	-.00300	.11000	587.89000	2.68000	.00000
.602	45.360	.00100	-.00600	-.00400	.11200	587.08000	2.68000	.00000
.603	46.300	.00000	-.00700	-.00500	.11000	589.33000	2.68000	.00000
.602	47.250	.00300	-.00600	-.00300	.11500	587.77000	2.68000	.00000
	GRADIENT	-.00085	-.00021	.00031	-.00000	.10393	.00000	.00000

DATE 29 MAR 76

CA-26 FORCE SOURCE DATA TABULATION

PAGE 1195

LTV44-559(CA26) 747/1 ATY

(ZFE025) (18 NOV 75)

REFERENCE DATA

SREF = 5500.0000 SQ.FT. XMRP = 1339.9000 IN. XC
 LREF = 327.7800 IN. YMRP = .0000 IN. YC
 BREF = 2348.0400 IN. ZMRP = 190.7500 IN. ZC
 SCALE = .0125

PARAMETRIC DATA

ALPHAC = 2.000 BETAC = .000
 STAB = 5.000 RUDDER = .000

RUN NO. 2025/ 0 RN/L = .00 GRADIENT INTERVAL = -3.00/ 5.00

MACH	DX	CPCC	CPSB1	CPSB2	CPSB3	Q(PSF)	ALPHAC	BETAC
.603	.670	.00000	-.00700	-.00500	.11100	590.81000	2.68000	.00000
.603	1.350	.00300	-.00900	-.00300	.11400	590.87000	2.68000	.00000
.605	2.000	.00100	-.00800	-.00100	.11200	593.73000	2.68000	.00000
.603	2.680	.00200	-.00800	-.00500	.11200	590.39000	2.68000	.00000
.604	3.330	.00200	-.00600	-.00100	.11200	591.36000	2.68000	.00000
.603	4.010	.00000	-.01000	-.00700	.10800	589.52000	2.67000	.00000
.604	4.680	.00100	-.00700	-.00100	.11100	591.24000	2.67000	.00000
.604	5.330	.00200	-.00700	-.00200	.11000	591.52000	2.67000	.00000
.604	6.010	.00100	-.00900	-.00500	.10800	589.95000	2.67000	.00000
.605	6.660	.00100	-.00700	-.00200	.10800	592.14000	2.67000	.00000
.604	7.340	.00000	-.00900	-.00600	.10900	588.94000	2.67000	.00000
.603	8.020	.00100	-.00900	-.00600	.11000	587.86000	2.67000	.00000
.604	8.670	.00100	-.01000	-.00600	.11200	589.22000	2.67000	.00000
.605	9.340	.00000	-.00800	-.00500	.10900	591.47000	2.67000	.00000
.603	10.000	.00100	-.01000	-.00600	.11000	587.99000	2.67000	.00000
.604	10.670	.00100	-.00800	-.00200	.11100	588.81000	2.67000	.00000
.602	11.350	.00200	-.00900	-.00300	.11300	586.56000	2.67000	.00000
.603	12.000	-.00100	-.00900	-.00700	.10800	587.51000	2.67000	.00000
.602	12.680	.00100	-.00900	-.00400	.11200	586.62000	2.67000	.00000
.603	13.330	.00000	-.01100	-.00600	.11000	588.18000	2.67000	.00000
.604	14.010	.00000	-.00900	-.00600	.10800	591.04000	2.67000	.00000
.603	14.680	.00000	-.01000	-.00000	.11200	588.72000	2.67000	.00000
.603	15.330	.00000	-.00900	-.00400	.11200	588.58000	2.67000	.00000
.603	16.010	.00000	-.00800	-.00500	.10900	590.01000	2.67000	.00000
.603	16.660	-.00100	-.01100	-.00500	.10900	589.19000	2.67000	.00000
.603	17.340	.00000	-.00900	-.00400	.10800	590.14000	2.67000	.00000
.604	18.020	-.00200	-.01100	-.00900	.10500	590.95000	2.67000	.00000
.603	18.670	-.00100	-.00900	-.00500	.10900	589.12000	2.67000	.00000
.603	19.340	.00000	-.01000	-.00800	.10700	590.34000	2.67000	.00000
.604	20.000	-.00100	-.01000	-.00700	.10600	591.84000	2.67000	.00000
.603	20.670	-.00100	-.01000	-.00400	.10900	590.07000	2.67000	.00000
.604	21.350	-.00200	-.01400	-.00900	.10600	591.90000	2.67000	.00000
.603	22.000	-.00200	-.01300	-.00800	.10800	590.67000	2.67000	.00000
.604	22.680	-.00100	-.01100	-.00800	.10600	592.58000	2.67000	.00000
.604	23.330	-.00100	-.01100	-.00900	.10600	592.03000	2.67000	.00000
.602	24.010	-.00100	-.00900	-.00500	.11000	588.09000	2.67000	.00000
.603	24.660	-.00100	-.01100	-.00900	.10500	590.95000	2.67000	.00000
.603	25.330	.00000	-.01100	-.00700	.10600	589.65000	2.66000	.00000
.602	26.010	-.00400	-.01500	-.01000	.10400	587.61000	2.66000	.00000
.603	26.660	-.00100	-.01100	-.00700	.10400	589.66000	2.66000	.00000
.602	27.340	-.00400	-.01400	-.00800	.10500	588.43000	2.67000	.00000
.603	27.990	-.00300	-.01100	-.00500	.10800	588.58000	2.66000	.00000
.603	28.670	-.00100	-.01000	-.00600	.10700	589.39000	2.66000	.00000

ORIGINAL PAGE IS
OF POOR QUALITY

LTV44-559(CA26) 747/1 ATY

(ZFE025) (18 NOV 75)

REFERENCE DATA

SREF = 5500.0000 SQ.FT. XMRP = 1339.9000 IN. XC
 LREF = 327.7800 IN. YMRP = .0000 IN. YC
 BREF = 2348.0400 IN. ZMRP = 190.7500 IN. ZC
 SCALE = .0125

PARAMETRIC DATA

ALPHAC = 2.000 BETAC = .000
 STAB = 5.000 RUDDER = .000

RUN NO. 2025/ 0 RN/L = .00 GRADIENT INTERVAL = -5.00/ 5.00

MACH	DX	CPCC	CPSB1	CPSB2	CPSB3	Q(PSF)	ALPHAC	BETAC
.603	29.340	-.00400	-.01500	-.01100	.10400	589.79000	2.66000	.00000
.603	30.000	-.00300	-.01100	-.00600	.10800	589.25000	2.66000	.00000
.604	30.670	-.00200	-.01000	-.00700	.10600	591.50000	2.66000	.00000
.602	31.320	-.00300	-.01300	-.00700	.10700	588.64000	2.66000	.00000
.602	32.000	-.00400	-.01500	-.00900	.10500	588.71000	2.66000	.00000
.602	32.680	-.00100	-.01100	-.00800	.10500	588.44000	2.66000	.00000
.603	33.330	-.00200	-.01300	-.01000	.10300	589.94000	2.66000	.00000
GRADIENT		-.00011	-.00000	.00021	-.00064	-.20465	-.00268	.00000

LTV44-559(CA26) 747/1

(ZFE026) (18 NOV 75)

REFERENCE DATA

SREF = 5500.0000 SQ.FT. XMRP = 1339.9000 IN. XC
 LREF = 327.7800 IN. YMRP = .0000 IN. YC
 BREF = 2348.0400 IN. ZMRP = 190.7500 IN. ZC
 SCALE = .0125

PARAMETRIC DATA

BETAC = .000 STAB = -1.000
 RUDDER = .000

RUN NO. 19/ 0 RN/L = .00 GRADIENT INTERVAL = -5.00/ 5.00

MACH	ALPHAC	CPCC	CPSB1	CPSB2	CPSB3	Q(PSF)
.608	.430	-.00700	-.02500	.00400	.09800	599.76000
.608	.430	-.00700	-.02500	.00600	.09800	601.12000
.608	.430	-.00700	-.02700	.00300	.09500	601.05000
.608	.430	-.00700	-.02700	.00400	.09700	601.19000
.609	.440	-.00700	-.02500	.00400	.09600	602.47000
.608	.440	-.00700	-.02500	.00600	.09600	601.66000
.609	.440	-.00600	-.02400	.00500	.09500	602.88000
.608	.440	-.00700	-.02500	.00400	.09400	601.52000
.610	.430	-.00600	-.02300	.00600	.09600	603.70000
.609	.430	-.00700	-.02700	.00200	.09500	601.80000
.609	.430	-.00800	-.02500	.00400	.09600	602.41000
GRADIENT		.02499	.08210	.06070	-.11775	55.87673

DATE 29 MAR 76

CA-26 FORCE SOURCE DATA TABULATION

PAGE 1197

LTV44-559(CA26) 747/1

(ZFE027) (18 NOV 75)

REFERENCE DATA

SREF = 5500.0000 SQ.FT. XMRP = 1339.9000 IN. XC
 LREF = 327.7800 IN. YMRP = .0000 IN. YC
 BREF = 2348.0400 IN. ZMRP = 190.7500 IN. ZC
 SCALE = .0125

PARAMETRIC DATA

BETAC = .000 STAB = 3.000
 RUDDER = .000

RUN NO. 21/ 0 RN/L = .00 GRADIENT INTERVAL = -5.00/ 5.00

MACH	ALPHAC	CPCC	CPSB1	CPSB2	CPSB3	Q(PSF)
.604	.220	-.00600	-.02100	-.00800	.10400	593.36000
.604	.220	-.00500	-.02000	-.00700	.10600	592.34000
.603	.210	-.00800	-.02200	-.00900	.10300	591.32000
.603	.220	-.00700	-.02200	-.00800	.10300	591.66000
.604	.220	-.00700	-.02200	-.00600	.10300	592.34000
.604	.220	-.00600	-.02000	-.00700	.10500	592.61000
.605	.220	-.00400	-.01900	-.00600	.10600	595.54000
.606	.220	-.00400	-.02000	-.00500	.10600	596.43000
.604	.220	-.00800	-.02300	-.00700	.10100	593.23000
.606	.220	-.00500	-.02200	-.00500	.10400	595.96000
.606	.220	-.00500	-.01900	-.00600	.10600	596.29000
GRADIENT		.22999	.11999	.24998	.14000	265.85672

LTV44-559(CA26) 747/1

(ZFE028) (18 NOV 75)

REFERENCE DATA

SREF = 5500.0000 SQ.FT. XMRP = 1339.9000 IN. XC
 LREF = 327.7800 IN. YMRP = .0000 IN. YC
 BREF = 2348.0400 IN. ZMRP = 190.7500 IN. ZC
 SCALE = .0125

PARAMETRIC DATA

BETAC = .000 STAB = 5.000
 RUDDER = .000

RUN NO. 20/ 0 RN/L = .00 GRADIENT INTERVAL = -5.00/ 5.00

MACH	ALPHAC	CPCC	CPSB1	CPSB2	CPSB3	Q(PSF)
.606	.110	-.00200	-.01300	-.00500	.11200	597.85000
.605	.100	-.00600	-.01400	-.01000	.11000	596.55000
.606	.100	-.00400	-.01300	-.00800	.11000	596.76000
.605	.100	-.00300	-.01300	-.01000	.11000	596.35000
.607	.100	-.00200	-.01400	-.00700	.11300	596.80000
.606	.100	-.00500	-.01500	-.01000	.11000	596.82000
.607	.100	-.00400	-.01400	-.00800	.11100	598.66000
.607	.100	-.00500	-.01400	-.00800	.10900	600.02000
.607	.100	-.00300	-.01400	-.00800	.11300	600.02000
.607	.100	-.00300	-.01400	-.01000	.11200	599.27000
.608	.100	-.00400	-.01400	-.01000	.11200	600.77000
GRADIENT		.18998	.08999	.38997	.10005	-54.92744

DATE 29 MAR 76

CA-26 FORCE SOURCE DATA TABULATION

PAGE 1196

LTV44-559(CA26) 747/4

(ZFE029) (18 NOV 75)

REFERENCE DATA

SREF = 5500.0000 SQ.FT. XMRP = 1339.9000 IN. XC
 LREF = 327.7800 IN. YMRP = .0000 IN. YC
 BREF = 2348.0400 IN. ZMRP = 190.7500 IN. ZC
 SCALE = .0125

PARAMETRIC DATA

BETAC = .000 RUDDER = .000

RUN NO. 22/ 0 RN/L = .00 GRADIENT INTERVAL = -5.00/ 5.00

MACH	ALPHAC	CPCC	CPSB1	CPSB2	CPSB3	Q(PSF)
.601	.330	-.01300	-.02700	-.00600	.09200	584.62000
.601	.330	-.01300	-.02800	-.00400	.09300	585.17000
.602	.330	-.01100	-.02500	-.00100	.09400	585.45000
.602	.330	-.01300	-.02800	-.00400	.09200	585.79000
.603	.330	-.00900	-.02400	-.00300	.09300	587.29000
.602	.340	-.01100	-.02700	-.00400	.09300	586.40000
.602	.340	-.01000	-.02700	-.00400	.09200	586.12000
.601	.340	-.01300	-.02900	-.00500	.09200	584.48000
.600	.340	-.01400	-.02800	-.00400	.09400	583.66000
.602	.330	-.00900	-.02500	-.00200	.09300	586.72000
.600	.330	-.01400	-.02800	-.00300	.09500	584.67000
	GRADIENT	-.02857	-.13214	-.09641	-.03924	-50.56360

DATE 29 MAR 76

CA-26 FORCE SOURCE DATA TABULATION

PAGE 1199

LTV44-559(CA26) 747/1 ATY 02 S1 (CARRIER DATA)

(2FE030) (24 MAR 76)

REFERENCE DATA

SREF = 5500.0000 SQ.FT. XMRP = 1339.9000 IN. XC
 LREF = 327.7800 IN. YMRP = .0000 IN. YC
 BREF = 2348.0400 IN. ZMRP = 190.7500 IN. ZC
 SCALE = .0125

PARAMETRIC DATA

ALPHAC = .000 BETAC = .000
 STAB = 5.000 ELEVON = 5.000
 BDFLAP = .000 DX = .000
 DY = .000 IORB = 4.000
 BETAO = .000 RUDDER = .000

RUN NO. 30/ 0 RN/L = .00 GRADIENT INTERVAL = -5.00/ 5.00

MACH	DZ	CPCC	CPSB1	CPSB2	CPSB3	Q(PSF)	ALPHAC	BETAC	ALPHAO	BETAO	INC10
.622	2.110	.00000	-.01600	-.01300	.13400	617.51000	.08000	.01000	3.93000	.03000	3.83372
.626	3.410	.00300	-.01100	-.00900	.13300	625.25000	.07000	.01000	3.94000	.07000	3.84611
.626	4.700	.00300	-.01000	-.00700	.13300	624.24000	.08000	.01000	3.91000	.06000	3.79844
.625	6.000	.00200	-.01000	-.00700	.13400	622.76000	.08000	.01000	3.92000	.05000	3.80077
.626	7.300	.00200	-.01300	-.00900	.13300	623.44000	.08000	.01000	3.89000	.07000	3.76309
.625	8.590	.00000	-.01500	-.01000	.13300	623.30000	.08000	.01000	3.91000	.08000	3.77548
.627	9.890	.00200	-.01300	-.01000	.13300	626.47000	.08000	.01000	3.90000	.06000	3.75781
.626	11.180	.00400	-.00900	-.00500	.13700	626.32000	.07000	.01000	3.88000	.07000	3.74020
.624	12.480	.00300	-.01100	-.00600	.13300	623.96000	.07000	.01000	3.87000	.07000	3.72253
.626	13.780	-.00200	-.01600	-.00900	.12600	626.12000	.08000	.01000	3.87000	.08000	3.70492
.622	15.080	.00100	-.01300	-.00600	.13200	616.97000	.07000	.01000	3.86000	.05000	3.69725
.625	16.370	-.00100	-.01700	-.01300	.12600	621.28000	.07000	.01000	3.83000	.04000	3.65958
.626	17.670	-.00100	-.01700	-.01100	.12400	623.37000	.07000	.01000	3.86000	.04000	3.64430
.626	18.960	.00300	-.01000	-.00900	.13200	623.44000	.07000	.00000	3.83000	.04000	3.64430
.627	20.250	.00100	-.01400	-.00900	.12800	625.59000	.07000	.00000	3.80000	.03000	3.60663
.625	21.550	.00200	-.01500	-.00900	.12600	621.62000	.07000	.00000	3.83000	.06000	3.62902
.624	22.840	.00000	-.01300	-.00700	.12700	620.74000	.07000	.00000	3.80000	.03000	3.59141
.626	24.140	.00300	-.01000	-.00500	.12700	623.50000	.08000	.00000	3.81000	.05000	3.58374
.624	25.440	-.00100	-.01500	-.00600	.12600	620.68000	.08000	.00000	3.79000	.02000	3.54846
.626	26.740	-.00100	-.01400	-.00700	.12500	624.24000	.08000	.00000	3.79000	.02000	3.54846
.626	28.030	.00000	-.01300	-.00700	.12700	623.84000	.08000	.00000	3.80000	.04000	3.55079
.626	29.330	.00200	-.01300	-.00800	.12400	625.05000	.07000	.00000	3.78000	.03000	3.53318
.627	30.620	.00000	-.01500	-.00800	.12400	628.67000	.07000	.00000	3.78000	.06000	3.52551
.624	31.920	-.00100	-.01600	-.01000	.12600	622.68000	.07000	.00000	3.76000	.04000	3.49784
.626	33.210	.00000	-.01700	-.00900	.12000	627.53000	.07000	.00000	3.75000	.02000	3.48023
.627	34.510	-.00100	-.01600	-.00800	.11900	627.93000	.08000	.00000	3.74000	.03000	3.45256
.626	35.800	-.00100	-.01500	-.00700	.12300	626.52000	.07000	.00000	3.73000	.02000	3.44489
.622	37.110	-.00300	-.01700	-.00900	.12200	619.25000	.08000	.00000	3.72000	.00000	3.41728
.624	38.400	.00000	-.01400	-.00700	.12100	622.35000	.08000	.00000	3.73000	.03000	3.41961
.626	39.700	.00100	-.01400	-.00700	.11800	624.64000	.07000	.00000	3.73000	.06000	3.42199
.625	40.990	-.00200	-.01300	-.00700	.12200	623.03000	.07000	.00000	3.73000	.04000	3.41432
.625	42.290	.00000	-.01500	-.00700	.12000	623.03000	.07000	.00000	3.69000	.00000	3.36665
.624	43.580	.00100	-.01500	-.00800	.12100	621.41000	.07000	.00000	3.72000	.07000	3.38898
.626	44.880	.00100	-.01500	-.00500	.11800	624.04000	.07000	.00000	3.70000	.03000	3.36137
.622	46.180	.00000	-.01300	-.00800	.12100	617.98000	.08000	.00000	3.70000	.05000	3.34370
.622	47.470	.00100	-.01500	-.00600	.11900	617.78000	.07000	.00000	3.70000	.04000	3.34609
.626	48.120	.00000	-.01700	-.00700	.11400	624.91000	.08000	.00000	3.67000	.02000	.00000
GRADIENT		.00116	.00232	.00232	-.00039	2.60283	-.00001	.00000	-.00770	.01161	-.01359

LTV44-559(CA26) 747/1 AT: 02 S1 (CARRIER DATA)

(ZFE031) (24 MAR 76)

REFERENCE DATA

SREF = 5500.0000 SQ.FT. XMRP = 1339.9000 IN. XC
 LREF = 327.7800 IN. YMRP = .0000 IN. YC
 BREF = 2348.0400 IN. ZMRP = 190.7500 IN. ZC
 SCALE = .0125

PARAMETRIC DATA

ALPHAC = .000 BETAC = .000
 STAB = 5.000 ELEVON = 5.000
 BDFLAP = .000 DX = .000
 DY = .000 IORB = 6.000
 BETAO = .000 RUDDER = .000

RUN NO. 1030/ D RN/L = .00 GRADIENT INTERVAL = -5.00/ 5.00

MACH	DZ	CPCC	CP5B1	CP5B2	CP5B3	Q(PSF)	ALPHAC	BETAC	ALPHAO	BETAO	INCID
.622	1.480	.00400	-.01100	-.00200	.13300	616.84000	.12000	.01000	5.99000	.03000	.00000
.624	2.630	.00900	-.00800	-.00100	.13800	619.33000	.12000	.01000	5.99000	.03000	5.85791
.623	3.790	.00500	-.00800	-.00200	.13500	618.39000	.12000	.01000	5.99000	.04000	5.85106
.624	4.950	.00700	-.01000	-.00100	.13400	620.21000	.12000	.01000	5.95000	.03000	5.60422
.626	6.110	.00900	-.01000	.00000	.13300	623.50000	.11000	.01000	5.94000	.03000	5.79737
.625	7.270	.01100	-.00900	.00000	.13600	623.70000	.10000	.01000	5.92000	.03000	5.78053
.624	8.430	.00800	-.01100	.00000	.13300	622.89000	.10000	.01000	5.91000	.03000	5.76369
.625	9.590	.00800	-.01000	.00000	.13300	625.31000	.10000	.01000	5.90000	.04000	5.74684
.625	10.750	.00400	-.01100	-.00200	.13200	625.24000	.10000	.01000	5.91000	.02000	5.75000
.626	11.900	.00800	-.00900	.00000	.13600	627.60000	.09000	.01000	5.91000	.04000	5.75315
.627	13.060	.00700	-.00600	-.00100	.13500	625.72000	.10000	.01000	5.91000	.04000	5.73637
.624	14.220	.00400	-.01200	-.00200	.12800	619.27000	.09000	.01000	5.90900	.04000	5.72952
.625	15.380	.00900	-.01000	.00100	.12900	620.62000	.10000	.01000	5.88000	.03000	5.69268
.629	16.540	.00800	-.01000	.00000	.12900	629.61000	.09000	.01000	5.85000	.04000	5.66584
.626	17.700	.00900	-.01000	.00000	.13000	623.10000	.09000	.01000	5.85000	.03000	5.65899
.622	18.860	.00400	-.00900	-.00400	.13100	616.37000	.09000	.00000	5.86000	.03000	5.66215
.626	20.020	.00500	-.00600	-.00300	.12800	624.44000	.09000	.00000	5.83000	.03000	5.62530
.626	21.180	.00700	-.00900	-.00100	.12800	622.90000	.06000	.00000	5.86000	.03000	5.65846
.622	22.330	.00400	-.01200	-.00200	.12400	616.84000	.09000	.00000	5.84000	.02000	5.62168
.624	23.490	.00500	-.00800	-.00200	.12800	622.02000	.08000	.00000	5.81000	.02000	5.59483
.625	24.650	.00800	-.01000	-.00100	.12700	623.16000	.08000	.00000	5.82000	.02000	5.58799
.626	25.810	.00600	-.01200	-.00200	.12300	624.24000	.08000	.00000	5.80000	.02000	5.57114
.624	26.970	.00600	-.01000	-.00100	.12800	620.27000	.09000	.00000	5.79000	.01000	5.54430
.626	28.130	.00500	-.01000	-.00200	.12700	623.50000	.09000	.00000	5.78000	.01000	5.52745
.624	29.290	.00400	-.01400	-.00200	.12400	620.54000	.08000	.00000	5.80000	.00000	5.55061
.623	30.450	.00100	-.01200	-.00500	.12500	620.20000	.08000	.00000	5.75000	.05000	5.49377
.623	31.610	.00500	-.00800	-.00200	.12900	617.45000	.08000	.00000	5.79000	.03000	5.52692
.625	32.760	.00300	-.01000	-.00400	.12500	622.02000	.08000	.00000	5.77000	.00000	5.50014
.625	33.920	.00200	-.00800	-.00400	.12500	622.70000	.08000	.00000	5.77000	.00000	5.49329
.623	35.080	.00200	-.00800	-.00300	.12400	617.99000	.08000	.00000	5.75000	.03000	5.46645
.624	36.240	.00300	-.01400	-.00400	.11900	620.68000	.08000	.00000	5.76000	.05000	5.46961
.625	37.400	.00500	-.00900	-.00300	.12400	623.03000	.08000	.00000	5.73000	.06000	5.43276
.626	38.560	.00400	-.01100	-.00400	.12300	624.44000	.08000	.00000	5.72000	.02000	5.41592
.629	40.880	.00400	-.01200	-.00400	.12100	630.55000	.08000	.00000	5.72000	.00000	5.40223
.624	42.030	.00000	-.01100	-.00600	.12000	620.74000	.08000	.00000	5.72000	.02000	5.39539
.624	43.190	.00000	-.01300	-.00600	.12100	620.27000	.08000	.00000	5.68000	.04000	5.34860
.625	44.360	.00500	-.01200	-.00300	.12300	623.84000	.08000	.00000	5.72000	.06000	5.38170
.626	45.520	.00300	-.01100	-.00300	.12200	623.70000	.08000	.00000	5.71000	.03000	5.36485
.623	46.680	.00000	-.01600	-.00500	.11800	618.39000	.08000	.00000	5.69000	.04000	5.33801
.625	47.840	.00300	-.01400	-.00400	.12000	623.57000	.08000	.00000	5.70000	.00000	5.34117
.624	48.990	.00000	-.01600	-.00600	.11800	621.95000	.08000	.00000	5.67000	.05000	5.30432

DATE 29 MAR 76

CA-26 FORCE SOURCE DATA TABULATION

PAGE 1201

LTV44-559(CA26) 747/1 ATY 02 S1 (CARRIER DATA)

(ZFE031) (24 MAR 76)

REFERENCE DATA

SREF = 5500.0000 SQ.FT. XMRP = 1339.9000 IN. XC
 LREF = 327.7800 IN. YMRP = .0000 IN. YC
 BREF = 2348.0400 IN. ZMRP = 190.7500 IN. ZC
 SCALE = .0125

PARAMETRIC DATA

ALPHAC = .000 BETAC = .000
 STAB = 5.000 ELEVON = 5.000
 BDFLAP = .000 DX = .000
 DY = .000 IORB = 6.000
 BETAO = .000 RUDDER = .000

RUN NO. 1030/ 0 RN/L = .00 GRADIENT INTERVAL = -5.00/ 5.00

MACH	DZ	CPCC	CPSB1	CPSB2	CPSB3	Q(PSF)	ALPHAC	BETAC	ALPHAO	BETAO	INCID
.624	50.150	.00000	-.01300	-.00600	.12000	620.54000	.08000	.00000	5.66000	.00000	5.28754
.624	51.310	.00000	-.01700	-.00500	.11700	620.41000	.08000	.00000	5.64000	-.01000	5.26069
.625	52.470	.00100	-.01600	-.00600	.11500	621.95000	.09000	.00000	5.62000	.00000	5.22385
.623	53.630	-.00100	-.01700	-.00800	.11500	619.73000	.08000	.00000	5.59000	.06000	5.19701
	GRADIENT	.00043	.00026	.00017	-.00000	.79186	.00000	.00000	-.01038	.00086	1.50174

LTV44-559(CA26) 747/1 ATY 02 S1 (CARRIER DATA)

(ZFE032) (24 MAR 76)

REFERENCE DATA

SREF = 5500.0000 SQ.FT. XMRP = 1339.9000 IN. XC
 LREF = 327.7800 IN. YMRP = .0000 IN. YC
 BREF = 2348.0400 IN. ZMRP = 190.7500 IN. ZC
 SCALE = .0125

PARAMETRIC DATA

ALPHAC = .000 BETAC = .000
 STAB = 5.000 ELEVON = 5.000
 BDFLAP = .000 DX = .000
 DY = .000 IORB = 6.000
 BETAO = .000 RUDDER = .000

RUN NO. 2030/ 0 RN/L = .00 GRADIENT INTERVAL = -5.00/ 5.00

MACH	DZ	CPCC	CPSB1	CPSB2	CPSB3	Q(PSF)	ALPHAC	BETAC	ALPHAO	BETAO	INCID
.624	2.630	.00600	-.01100	-.00200	.13200	618.66000	.11000	.01000	5.97000	.03000	5.84106
.624	3.790	.00600	-.01000	.00000	.13500	618.94000	.11000	.01000	5.96000	.03000	5.82422
.622	4.350	.00700	-.00800	-.00100	.13800	614.76000	.11000	.01000	5.95000	.05000	5.80737
.625	6.110	.01000	-.00800	.00000	.13900	619.14000	.12000	.01000	5.95000	.05000	5.79053
.624	7.270	.00700	-.00700	-.00100	.13800	617.19000	.11000	.02000	5.95000	.04000	5.79369
.625	8.430	.00600	-.00900	-.00100	.13500	618.67000	.11000	.01000	5.92000	.04000	5.75684
.626	9.590	.00800	-.00800	.00000	.13600	621.29000	.11000	.02000	5.91000	.03000	5.74000
.625	10.750	.01200	-.00700	.00000	.13900	620.22000	.10000	.01000	5.91000	.03000	5.74315
.626	11.900	.00800	-.01000	.00000	.13400	621.63000	.10000	.01000	5.90000	.04000	5.72631
.626	13.070	.01100	-.00800	.00000	.13800	621.90000	.10000	.01000	5.92000	.04000	5.73947
.625	14.230	.00900	-.00800	-.00200	.13500	619.21000	.09000	.01000	5.98000	.02000	5.70262
.628	15.390	.01100	-.00800	.00000	.13400	625.99000	.10000	.01000	5.90000	.04000	5.70578
.625	16.550	.00400	-.00900	-.00300	.12900	618.74000	.09000	.01000	5.86000	.05000	5.66893
.625	17.710	.01000	-.00900	.00100	.13300	618.47000	.09000	.01000	5.87000	.02000	5.67215
.626	18.860	.00700	-.00900	.00000	.13000	620.55000	.09000	.01000	5.86000	.04000	5.65530
.624	20.020	.00700	-.00900	-.00400	.12900	617.80000	.09000	.01000	5.85000	.05000	5.63846
.625	21.180	.00600	-.00800	.00000	.12900	619.07000	.09000	.00000	5.82000	.04000	5.60169
.625	22.330	.01000	-.00900	-.00200	.13300	618.27000	.09000	.00000	5.83000	.06000	5.60483
.625	23.500	.00600	-.00800	-.00200	.12700	619.81000	.09000	.00000	5.82000	.03000	5.58793
.625	24.660	.00600	-.01100	-.00400	.12600	618.47000	.08000	.00000	5.81000	.03000	5.58108
.625	25.820	.00600	-.01000	-.00400	.12800	618.74000	.08000	.00000	5.79000	.02000	5.55424
.627	26.980	.00900	-.01000	-.00200	.12900	621.76000	.09000	.00000	5.80000	.03000	5.54740
.623	28.140	.00700	-.01100	-.00200	.12800	615.44000	.08000	.00000	5.77000	.03000	5.52061
.625	29.290	.00700	-.00900	-.00700	.12400	618.20000	.08000	.00000	5.79000	.04000	5.53377
.624	30.450	.00700	-.01100	-.00300	.12600	616.99000	.08000	.00000	5.79000	.06000	5.52692
.624	31.610	.00600	-.01000	.00000	.12800	615.65000	.08000	.00000	5.76000	.02000	5.49008
.626	32.770	.00800	-.00700	.00100	.12700	619.01000	.08000	.00000	5.73000	.01000	5.45324
.625	33.930	.00700	-.01100	-.00300	.12500	618.54000	.08000	.00000	5.76000	.01000	5.47633
.625	35.090	.00500	-.01000	.00000	.12900	617.40000	.07000	.00000	5.75000	.04000	5.46955
.627	36.250	.00700	-.01000	-.00300	.12400	621.56000	.07000	.00000	5.74000	.03000	5.45270
.627	37.410	.00800	-.00900	-.00100	.12300	622.24000	.08000	.00000	5.73000	.02000	5.42586
.626	38.570	.00800	-.00700	.00000	.12500	619.42000	.08000	.00000	5.71000	.02000	5.39902
.625	39.730	.00700	-.00800	-.00100	.12400	617.87000	.08000	.00000	5.69000	-.01000	5.37217
.626	40.890	.00800	-.00800	.00000	.12600	619.55000	.08000	.00000	5.72000	.04000	5.39533
.624	42.050	.00800	-.00800	-.00100	.12400	616.79000	.07000	.00000	5.71000	.01000	5.38848
.626	43.210	.00500	-.01200	-.00200	.12100	620.29000	.07000	.00000	5.67000	.00000	5.34164
.625	44.370	.00500	-.01200	-.00400	.12200	617.93000	.08000	.00000	5.69000	.00000	5.34480
.626	45.520	.00400	-.01200	-.00300	.12000	619.28000	.08000	.00000	5.70000	.03000	5.34795
.627	46.690	.00400	-.01100	-.00300	.12000	620.76000	.08000	.00000	5.70000	.04000	5.34111
.626	47.850	.00700	-.00800	.00000	.12300	618.68000	.07000	.00000	5.70000	.01000	5.34426
.627	49.010	.00600	-.01000	-.00100	.12200	621.16000	.07000	.00000	5.70000	.00000	5.28742
.627	50.170	.00500	-.01100	-.00200	.12000	620.49000	.08000	.00000	5.64000	.01000	5.26057

LTV44-559(CA26) 747/1 ATY 02 S1 (CARRIER DATA)

(ZFE032) (24 MAR 76)

REFERENCE DATA

SREF = 5500.0000 SQ.FT. XMRP = 1339.9000 IN. XC
 LREF = 327.7900 IN. YMRP = .0000 IN. YC
 BREF = 2348.0400 IN. ZMRP = 190.7500 IN. ZC
 SCALE = .0125

PARAMETRIC DATA

ALPHAC = .000 BETAC = .000
 STAB = 5.000 ELEVON = 5.000
 BDFLAP = .000 DX = .000
 DY = .000 TORB = 6.000
 BETAO = .000 RUDDER = .000

RUN NO. 2030/ 0 RN/L = .00 GRADIENT INTERVAL = -5.00/ 5.00

MACH	DZ	CPCC	CPSB1	CPSB2	CPSB3	Q(PSF)	ALPHAC	BETAC	ALPHAO	BETAO	INCID
.626	51.330	.00300	-.01300	-.00300	.12100	619.35000	.07000	.00000	5.63000	.00000	5.25379
.626	52.480	.00400	-.01200	-.00300	.12000	619.08000	.07000	.00000	5.66000	-.01000	5.27695
.626	53.640	.00300	-.01300	-.00400	.11900	619.62000	.07000	.00000	5.64000	.00000	5.25010
.622	54.800	.00500	-.01100	-.00300	.12200	611.68000	.07000	.00000	5.64000	.02000	.00000
	GRADIENT	.00043	.00129	.00043	.00259	-1.68101	.00000	.00000	-.00862	.00862	-.01452

LTV44-559(CA26) 747/1 ATY 02 S1 (CARRIER DATA)

(ZFE033) (24 MAR 76)

REFERENCE DATA

SREF = 5500.0000 SQ.FT. XMRP = 1339.9000 IN. XC
 LREF = 327.7800 IN. YMRP = .0000 IN. YC
 BREF = 2348.0400 IN. ZMRP = 190.7500 IN. ZC
 SCALE = .0125

PARAMETRIC DATA

ALPHAC = .000 BETAC = .000
 STAB = 5.000 ELEVON = 5.000
 BDFLAP = .000 DX = .300
 DY = .000 TORB = 6.000
 BETAO = .000 RUDDER = .000

RUN NO. 1034/ 0 RN/L = .00 GRADIENT INTERVAL = -5.00/ 5.00

MACH	DZ	CPCC	CPSB1	CPSB2	CPSB3	Q(PSF)	ALPHAC	BETAC	ALPHAO	BETAO	INCID
.619	1.580	-.01500	-.02500	-.01900	.11400	607.59000	.12000	.01000	6.00000	.05000	5.88000
.618	1.780	-.01700	-.02700	-.01900	.11600	604.95000	.11000	.00000	5.96000	.03000	5.85000
.618	1.980	-.01700	-.03000	-.02400	.11300	606.37000	.11000	.00000	5.94000	.07000	5.84000
.620	2.180	-.01700	-.02600	-.01800	.11500	609.00000	.11000	.01000	5.97000	.07000	5.87000
.618	2.880	-.01600	-.02500	-.02200	.11800	606.30000	.12000	.00000	5.98000	.09000	5.87000
.618	3.700	-.02000	-.02800	-.02400	.11300	606.83000	.11000	.00000	5.97000	.09000	5.88000
.620	4.510	-.01800	-.02600	-.02100	.11700	610.14000	.11000	.00000	5.92000	.06000	5.83000
.617	5.320	-.01900	-.03200	-.02200	.11100	604.20000	.11000	.01000	5.93000	.04000	5.85000
.617	6.140	-.01600	-.02900	-.02100	.11300	604.74000	.11000	.01000	5.92000	.09000	5.84000
.616	6.940	-.02000	-.02900	-.02400	.11100	603.26000	.11000	.01000	5.92000	.04000	5.85000
.616	7.760	-.01900	-.02800	-.02400	.11000	602.66000	.11000	.01000	5.95000	.10000	5.88000
.622	8.570	-.01600	-.02800	-.02000	.11100	613.25000	.11000	.01000	5.94000	.10000	5.87000
.620	8.980	-.01800	-.02800	-.02100	.11200	608.80000	.10000	.01000	5.90000	.06000	5.84000
	GRADIENT	-.00096	.00009	-.00093	.00053	.84995	-.00119	-.00217	-.01302	.00883	-.00508

ORIGINAL PAGE IS
 OF POOR QUALITY

LTV44-559(CA26) 747/1 ATY 02 S1 (CARRIER DATA)

(ZFEO34) (24 MAR 76)

REFERENCE DATA

SREF = 5500.0000 SQ.FT. XMRP = 1339.9000 IN. XC
 LREF = 327.7800 IN. YMRP = .0000 IN. YC
 BREF = 2348.0400 IN. ZMRP = 190.7500 IN. ZC
 SCALE = .0125

PARAMETRIC DATA

ALPHAC = .000 BETAC = .000
 STAB = 5.000 ELEVON = 5.000
 BDFLAP = .000 DX = .000
 DY = .000 IORB = 8.000
 BETAO = .000 RUDDER = .000

RUN NO. 31/ 0 RN/L = .00 GRADIENT INTERVAL = -5.00/ 5.00

MACH	DZ	CPCC	CPSB1	CPSB2	CPSB3	Q(PSF)	ALPHAC	BETAC	ALPHA0	BETA0	INCID
.623	2.110	-.00400	-.01800	.00000	.12900	620.40000	.14000	.01000	8.00000	.01000	7.87000
.625	3.420	.00100	-.01400	-.00100	.12800	624.17000	.15000	.01000	8.00000	.02000	7.86000
.625	4.720	-.00200	-.01500	.00100	.13200	624.37000	.15000	.01000	7.98000	.01000	7.86000
.624	6.030	-.00200	-.01400	.00000	.13000	623.90000	.15000	.01000	7.99000	.04000	7.87000
.625	7.330	-.00600	-.01900	-.00300	.12700	625.51000	.15000	.02000	7.97000	.01000	7.86000
.626	8.640	-.00500	-.01900	-.00300	.12800	625.52000	.14000	.02000	7.99000	.03000	7.89000
.625	9.940	.00000	-.01600	-.00200	.12800	624.51000	.15000	.01000	7.96000	.03000	7.87000
.625	11.250	-.00300	-.01600	.00000	.12800	623.63000	.15000	.01000	7.96000	.05000	7.88000
.624	12.550	-.00200	-.01600	-.00200	.12700	622.89000	.13000	.01000	7.97000	.03000	7.90000
.625	13.860	-.00400	-.01700	-.00200	.12700	623.97000	.12000	.01000	7.95000	.04000	7.90000
.625	15.160	-.00400	-.01900	-.00300	.12600	623.77000	.12000	.01000	7.89000	.01000	7.85000
.626	16.460	-.00300	-.01900	-.00500	.12300	625.31000	.12000	.01000	7.88000	.00000	7.85000
.625	17.770	-.01100	-.02600	-.01000	.12100	623.56000	.11000	.01000	7.89000	.03000	7.87000
.622	19.070	-.00500	-.01800	-.00300	.12400	629.75000	.11000	.01000	7.98000	.05000	7.88000
.622	20.370	-.00100	-.01600	-.00300	.12600	616.57000	.11000	.01000	7.86000	.00000	7.86000
.623	21.680	-.00300	-.01800	-.00400	.12500	619.80000	.11000	.01000	7.85000	.00000	7.87000
.625	22.980	-.00100	-.01500	-.00200	.12500	623.57000	.11000	.00000	7.86000	.02000	7.88000
.624	24.280	-.00200	-.01600	-.00300	.12400	621.55000	.11000	.00000	7.85000	.03000	7.88000
.625	25.590	-.00200	-.01600	-.00200	.12400	624.57000	.10000	.00000	7.83000	.04000	7.87000
.625	26.890	-.01000	-.02300	-.00700	.11800	625.18000	.10000	.00000	7.80000	.00000	7.85000
.626	28.190	-.00300	-.01700	-.00400	.12000	625.45000	.10000	.00000	7.79000	.00000	7.84000
.624	29.500	-.00800	-.02200	-.00700	.12000	622.22000	.09000	.00000	7.82000	.02000	7.90000
.624	30.800	-.00600	-.02100	-.00800	.11900	622.49000	.09000	.00000	7.81000	.03000	7.89000
.627	32.110	-.00400	-.01600	-.00300	.12000	627.53000	.09000	.00000	7.77000	.00000	7.87000
.624	33.420	-.00600	-.02000	-.00500	.12200	622.89000	.09000	.00000	7.75000	.00000	7.85000
.625	34.720	-.00700	-.01900	-.00300	.12100	624.84000	.09000	.00000	7.75000	.00000	7.86000
.626	36.030	-.00700	-.01800	-.00400	.11600	625.99000	.09000	.00000	7.76000	.02000	7.88000
.627	37.330	-.00600	-.01900	-.00200	.11800	625.72000	.08000	.00000	7.75000	.02000	7.89000
.627	38.630	-.00500	-.02000	-.00400	.11800	625.65000	.08000	.00000	7.73000	-.01000	7.87000
.627	39.940	-.00800	-.01800	-.00500	.11500	625.38000	.09000	.00000	7.74000	.00000	7.89000
.629	41.240	-.00500	-.01700	-.00300	.11900	630.35000	.09000	.00000	7.75000	.00000	7.89000
.625	42.540	-.00400	-.01900	-.00700	.12100	625.78000	.09000	.00000	7.71000	-.03000	7.87000
.625	43.850	-.00500	-.02000	-.00300	.11900	625.44000	.08000	.00000	7.69000	-.01000	7.87000
.625	45.150	-.00700	-.02000	-.00300	.11600	624.70000	.09000	.00000	7.70000	.00000	7.87000
.626	46.460	-.00800	-.02000	-.00500	.11500	626.79000	.08000	.00000	7.72000	.00000	7.90000
.627	47.760	-.00800	-.01900	-.00400	.11500	627.80000	.09000	.00000	7.70000	.00000	7.89000
.625	49.070	-.00900	-.02100	-.00900	.11300	623.70000	.08000	.00000	7.66000	.00000	7.87000
.626	50.370	-.00600	-.02100	-.00700	.11700	624.84000	.08000	.00000	7.69000	-.01000	7.90000
.626	51.680	-.00500	-.02000	-.00600	.11800	626.39000	.08000	.00000	7.68000	-.03000	7.91000
.624	52.980	-.00900	-.02100	-.01100	.11400	622.49000	.08000	.00000	7.64000	-.04000	7.87000
.627	54.290	-.00400	-.02000	-.00500	.11800	628.40000	.08000	.00000	7.65000	.00000	7.88000
.625	55.590	-.01100	-.02300	-.00800	.11300	623.70000	.08000	.00000	7.63000	.00000	7.87000

DATE 29 MAR 76

CA-26 FORCE SOURCE DATA TABULATION

PAGE 1205

LTV44-559(CA26) 747/1 ATY 02 S1 (CARRIER DATA)

(ZFE034) (24 MAR 76)

REFERENCE DATA

SREF = 5500.0000 SQ.FT. XMRP = 1339.9000 IN. XC
 LREF = 327.7800 IN. YMRP = .0000 IN. YC
 BREF = 2348.0400 IN. ZMRP = 190.7500 IN. ZC
 SCALE = .0125

PARAMETRIC DATA

ALPHAC = .000 BETAC = .000
 STAB = 5.000 ELEVON = 5.000
 BDFLAP = .000 DX = .000
 DY = .000 10PB = 8.000
 BETAO = .000 RUDDER = .000

RUN NO. 31/ 0 RN/L = .00 GRADIENT INTERVAL = -5.00/ 5.03

MACH	DZ	CPCC	CPSB1	CPSB2	CPSB3	Q(PSF)	ALPHAC	BETAC	ALPHAO	BETAO	INCID
.624	56.890	-.01100	-.02700	-.01200	.11100	623.22000	.08000	.00000	7.60000	-.01000	7.86000
.623	38.200	-.01100	-.02100	-.01100	.11300	620.13000	.08000	.00000	7.62000	-.02000	7.87000
.625	59.500	-.01000	-.02400	-.00800	.11100	625.11000	.09000	.00000	7.60000	-.01000	7.86000
.627	60.800	-.01000	-.02400	-.00800	.11100	627.40000	.09000	.00000	7.62000	-.02000	7.89000
.626	61.460	-.00700	-.02000	-.00800	.11600	624.78000	.08000	.00000	7.63000	-.01000	7.90000
	GRADIENT	.00077	.00115	.00038	.00115	1.52283	.00384	.00000	-.00765	.00001	-.00384

LTV44-559(CA26) 747/1 ATY 02 S1 (CARRIER DATA)

(ZFE035) (24 MAR 76)

REFERENCE DATA

SREF = 5500.0000 SQ.FT. XMRP = 1339.9000 IN. XC
 LREF = 327.7800 IN. YMRP = .0000 IN. YC
 BREF = 2348.0400 IN. ZMRP = 190.7500 IN. ZC
 SCALE = .0125

PARAMETRIC DATA

ALPHAC = .000 BETAC = .000
 STAB = 5.000 ELEVN = 5.000
 BDFLAP = .000 DX = .000
 DY = .000 IORB = 4.000
 BETAO = 5.000 RUDDER = .000

RUN NO. 33/ 0 RN/L = .00 GRADIENT INTERVAL = -5.00/ 5.00

MACH	DZ	CPCC	CPSB1	CPSB2	CPSB3	Q(PSF)	ALPHAC	BETAC	ALPHA0	BETA0	INCID
.628	2.110	-.00800	-.02200	-.02000	.12400	628.17000	.07000	.03000	3.99000	4.93000	3.92000
.628	3.410	-.01200	-.02600	-.02300	.12200	629.85000	.08000	.03000	3.96000	4.93000	3.90000
.627	4.700	-.01000	-.02200	-.02000	.12500	627.09000	.08000	.03000	3.91000	4.90000	3.86000
.629	6.000	-.01000	-.02400	-.02000	.12200	630.32000	.08000	.03000	3.91000	4.91000	3.86000
.627	7.300	-.00900	-.02200	-.01800	.12500	627.36000	.07000	.03000	3.94000	4.91000	3.90000
.627	8.590	-.00500	-.02100	-.01700	.12400	627.90000	.08000	.03000	3.91000	4.90000	3.88000
.627	9.890	-.01300	-.02800	-.02400	.12100	627.16000	.07000	.03000	3.92000	4.94000	3.90000
.629	11.180	-.01100	-.02500	-.02100	.12200	630.52000	.07000	.03000	3.92000	4.92000	3.90000
.627	12.480	-.01000	-.02300	-.02000	.12000	626.49000	.08000	.03000	3.88000	4.91000	3.87000
.627	13.780	-.01100	-.02400	-.02000	.12000	627.36000	.07000	.03000	3.89000	4.91000	3.89000
.627	15.080	-.01100	-.02300	-.01900	.11800	627.03000	.08000	.03000	3.89000	4.88000	3.89000
.628	16.370	-.01600	-.02900	-.02300	.11400	629.17000	.08000	.02000	3.87000	4.95000	3.89000
.627	17.670	-.01200	-.02500	-.01900	.11600	627.70000	.08000	.02000	3.89000	4.91000	3.91000
.628	18.960	-.01200	-.02600	-.02100	.11300	629.44000	.07000	.02000	3.85000	4.87000	3.89000
.628	20.260	-.01200	-.02500	-.01900	.11700	628.10000	.07000	.01000	3.85000	4.94000	3.89000
.628	21.550	-.01100	-.02600	-.02000	.11500	627.77000	.07000	.01000	3.82000	4.86000	3.87000
.627	22.840	-.01000	-.02400	-.01900	.11400	627.43000	.08000	.00000	3.81000	4.87000	3.87000
.630	24.140	-.01200	-.02400	-.01600	.11400	631.26000	.07000	.00000	3.81000	4.89000	3.88000
.627	25.440	-.01900	-.03000	-.02300	.10900	626.62000	.07000	.00000	3.83000	4.88000	3.90000
.628	26.740	-.01000	-.02400	-.01800	.11200	628.50000	.08000	.00000	3.79000	4.88000	3.86000
.628	28.030	-.01000	-.02300	-.01800	.11200	629.11000	.07000	.00000	3.80000	4.86000	3.89000
.629	29.330	-.01000	-.02300	-.01900	.11100	629.78000	.07000	.00000	3.78000	4.84000	3.87000
.628	30.620	-.01300	-.02400	-.01800	.11200	628.64000	.07000	.00000	3.79000	4.84000	3.90000
.628	31.920	-.01600	-.02900	-.02100	.11000	629.11000	.07000	.00000	3.77000	4.85000	3.88000
.628	33.210	-.01200	-.02300	-.01700	.11000	629.11000	.07000	.00000	3.75000	4.92000	3.87000
.628	34.510	-.01500	-.02700	-.01900	.11100	630.11000	.07000	.00000	3.74000	4.91000	3.87000
.630	35.800	-.01400	-.02700	-.02100	.10700	633.94000	.07000	.00000	3.74000	4.91000	3.87000
.629	37.110	-.01200	-.02200	-.01600	.10800	631.79000	.07000	.00000	3.74000	4.88000	3.89000
.627	38.400	-.01600	-.02700	-.02300	.10500	629.17000	.07000	.00000	3.75000	4.84000	3.91000
.627	39.700	-.01600	-.02900	-.02200	.10700	628.10000	.07000	.00000	3.72000	4.89000	3.87000
.628	40.990	-.01600	-.03100	-.02300	.10600	627.70000	.07000	.00000	3.72000	4.91000	3.88000
.628	42.290	-.01600	-.02700	-.02300	.10500	629.78000	.08000	.00000	3.72000	4.91000	3.88000
.629	43.580	-.01600	-.02600	-.02200	.10500	632.66000	.07000	-.01000	3.70000	4.90000	3.88000
.629	44.880	-.01700	-.02700	-.01900	.10800	632.93000	.07000	.00000	3.68000	4.90000	3.87000
.629	46.180	-.01600	-.02800	-.02000	.10600	632.26000	.07000	.00000	3.69000	4.87000	3.89000
.628	47.470	-.01400	-.02800	-.01900	.10700	628.37000	.07000	.00000	3.69000	4.90000	3.89000
.627	48.120	-.01600	-.02900	-.02300	.10300	627.23000	.07000	.00000	3.67000	4.90000	3.88000
	GRADIENT	-.00078	-.00000	-.00000	.00038	-.41478	.00387	.00000	-.03088	-.01157	-.02316

LTV44-559(CA26) 747/1 ATY 02 SI (CARRIER DATA)

(ZFEO36) (24 MAR 76)

REFERENCE DATA

SREF = 5500.0000 SQ.FT. XMRP = 1339.9000 IN. XC
 LREF = 327.7800 IN. YMRP = .0000 IN. YC
 BREF = 2348.0400 IN. ZMRP = 190.7500 IN. ZC
 SCALE = .0125

PARAMETRIC DATA

ALPHAC = .000 BETAC = .000
 STAB = 5.000 ELEVON = 5.000
 BDFLAP = .000 DX = .000
 DY = .000 TORB = 6.000
 BETAO = 5.000 RUDDER = .000

RUN NO. 1033/ 0 RN/L = .00 GRADIENT INTERVAL = -5.00/ 5.00

MACH	OZ	CPC	CPSB1	CPSB2	CPSB3	Q(PSF)	ALPHAC	BETAC	ALPHAO	BETAO	INCID
.625	2.630	-.01200	-.02200	-.01700	.12200	621.25000	.12000	.02000	5.00000	4.86000	5.89000
.627	3.790	-.00900	-.02200	-.01300	.12200	624.54000	.12000	.03000	6.02000	4.88000	5.92000
.628	4.950	-.00700	-.02300	-.01400	.12400	626.29000	.11000	.03000	5.95000	4.87000	5.87000
.627	6.110	-.00900	-.02400	-.01400	.12200	625.28000	.11000	.03000	5.98000	4.89000	5.90000
.626	7.270	-.01000	-.02300	-.01700	.12200	623.47000	.11000	.03000	5.98000	4.87000	5.90000
.628	8.430	-.00900	-.02100	-.01600	.12500	626.29000	.11000	.04000	5.97000	4.90000	5.90000
.627	9.590	-.00900	-.02100	-.01700	.12600	626.02000	.10000	.03000	5.93000	4.86000	5.88000
.629	10.750	-.00700	-.02200	-.01400	.12800	629.31000	.10000	.03000	5.92000	4.88000	5.87000
.625	11.900	-.01400	-.02500	-.01900	.11500	623.33000	.10000	.03000	5.92000	4.87000	5.89000
.628	13.070	-.00700	-.02400	-.01400	.12100	628.91000	.10000	.03000	5.92000	4.89000	5.89000
.627	14.230	-.01000	-.02100	-.01700	.12100	626.02000	.09000	.03000	5.90000	4.89000	5.89000
.626	15.390	-.01100	-.02300	-.01900	.11700	624.54000	.09000	.03000	5.89000	4.89000	5.88000
.626	16.550	-.01100	-.02300	-.01900	.11800	622.53000	.09000	.03000	5.85000	4.91000	5.85000
.627	17.710	-.01200	-.02500	-.01600	.11700	625.75000	.09000	.03000	5.85000	4.88000	5.87000
.626	18.860	-.01300	-.02300	-.01800	.11700	624.54000	.09000	.03000	5.87000	4.89000	5.88000
.629	20.020	-.00600	-.02300	-.01300	.11600	628.98000	.09000	.02000	5.84000	4.87000	5.86000
.628	21.180	-.00700	-.02400	-.01500	.11700	627.16000	.08000	.02000	5.85000	4.85000	5.89000
.626	22.330	-.01300	-.02300	-.01900	.11400	622.33000	.08000	.01000	5.84000	4.89000	5.88000
.627	23.490	-.01200	-.02400	-.01700	.11400	624.48000	.09000	.01000	5.84000	4.87000	5.88000
.629	24.660	-.00800	-.02400	-.01600	.11500	627.97000	.09000	.01000	5.86000	4.84000	5.92000
.626	25.820	-.01300	-.02400	-.02000	.11200	623.20000	.08000	.00000	5.83000	4.88000	5.89000
.628	26.980	-.01300	-.02600	-.01700	.11200	626.36000	.08000	.00000	5.85000	4.85000	5.93000
.630	28.140	-.00800	-.02400	-.01500	.11400	629.98000	.08000	.00000	5.80000	4.85000	5.88000
.627	29.290	-.01400	-.02400	-.01800	.10900	626.36000	.08000	.00000	5.82000	4.84000	5.91000
.628	30.450	-.01300	-.02400	-.01800	.10900	628.44000	.08000	.00000	5.83000	4.86000	5.92000
.628	31.610	-.01100	-.02500	-.01600	.11200	625.95000	.08000	.00000	5.76000	4.86000	5.86000
.627	32.770	-.01200	-.02400	-.01900	.10900	623.88000	.08000	.00000	5.77000	4.84000	5.87000
.629	33.930	-.01100	-.02200	-.01900	.10900	627.63000	.08000	.00000	5.76000	4.84000	5.87000
.628	35.090	-.01100	-.02200	-.01500	.11200	626.16000	.08000	.00000	5.78000	4.84000	5.90000
.630	36.250	-.00900	-.02000	-.01100	.11200	630.18000	.08000	.00000	5.76000	4.84000	5.90000
.627	37.410	-.01600	-.02700	-.02000	.11000	625.55000	.09000	.00000	5.75000	4.85000	5.88000
.628	38.570	-.01600	-.02800	-.02100	.10700	627.83000	.08000	.00000	5.76000	4.86000	5.90000
.627	39.730	-.01200	-.02300	-.01700	.11100	626.29000	.07000	.00000	5.73000	4.84000	5.88000
.628	40.890	-.01600	-.02800	-.02100	.10700	627.97000	.08000	.00000	5.73000	4.84000	5.89000
.629	42.050	-.01600	-.02700	-.01900	.10800	628.77000	.07000	.00000	5.69000	4.85000	5.86000
.628	43.210	-.01200	-.02200	-.01600	.11500	627.97000	.07000	-.01000	5.71000	4.86000	5.89000
.629	44.370	-.01200	-.02600	-.01900	.10600	629.04000	.07000	.00000	5.69000	4.85000	5.87000
.628	45.520	-.01200	-.02300	-.01700	.10600	627.23000	.08000	.00000	5.69000	4.82000	5.87000
.627	46.690	-.01100	-.02600	-.01900	.11100	625.55000	.07000	.00000	5.68000	4.87000	5.88000
.626	47.850	-.01200	-.02700	-.01800	.10800	623.94000	.08000	.00000	5.69000	4.85000	5.89000
.628	49.010	-.01200	-.02500	-.01500	.10800	626.43000	.08000	.00000	5.69000	4.86000	5.89000
.626	50.170	-.01300	-.02600	-.02200	.10600	624.01000	.08000	.00000	5.68000	4.86000	5.89000

LTV44-559(CA26) 747/1 ATY 02 S1 (CARRIER DATA)

(ZF036) (24 MAR 76)

REFERENCE DATA

SREF = 5500.0000 SQ.FT. XMRP = 1339.9000 IN. XC
 LREF = 327.7800 IN. YMRP = .0000 IN. YC
 BREF = 2348.0400 IN. ZMRP = 190.7500 IN. ZC
 SCALE = .0125

PARAMETRIC DATA

ALPHAC = .000 BETAC = .000
 STAB = 5.000 ELEVON = 5.000
 BOFLAP = .000 DX = .000
 DY = .000 IORB = 6.000
 BETA0 = 5.000 RUDDER = .000

RUN NO. 1033/ 0 RN/L = .00 GRADIENT INTERVAL = -5.00/ 5.00

MACH	DZ	CPCC	CPSB1	CPSB2	CPSB3	Q(PSF)	ALPHAC	BETAC	ALPHAO	BETA0	INCID
.627	51.330	-.01300	-.02600	-.02100	.10700	624.55000	.08000	.00000	5.70000	4.84000	5.92000
.628	52.480	-.01300	-.02500	-.01700	.10900	626.56000	.08000	.00000	5.66000	4.89000	5.89000
.627	53.640	-.01500	-.02700	-.02100	.10800	624.61000	.08000	.00000	5.66000	4.85000	5.90000
.628	54.800	-.01700	-.03000	-.02400	.10300	626.69000	.08000	.00000	5.60000	4.86000	5.84000
	GRADIENT	.00216	-.00043	.00129	.01066	2.17246	-.00431	.00431	-.01724	.00431	-.00862

LTV44-559(CA26) 747/1 ATY 02 S1 (CARRIER DATA)

(ZFEQ37) (24 MAR 76)

REFERENCE DATA

SREF = 5500.0000 SQ.FT. XMRP = 1339.9000 IN. XC
 LREF = 327.7800 IN. YMRP = .0000 IN. YC
 BREF = 2348.0400 IN. ZMRP = 190.7500 IN. ZC
 SCALE = .0125

PARAMETRIC DATA

ALPHAC = .000 BETAC = .000
 STAB = 5.000 ELEVON = 5.000
 BDFLAP = .000 DX = .000
 DY = .000 IORB = 8.000
 BETAO = 5.000 RUDDER = .000

RUN NO. 34/ 0 RN/L = .00 GRADIENT INTERVAL = -5.00/ 5.00

MACH	DZ	CPC	CPSB1	CPSB2	CPSB3	Q(P5F)	ALPHAC	BETAC	ALPHAO	BETAO	INC10
.619	2.110	-.00800	-.01900	-.00700	.11300	612.08000	.15000	.03000	8.05000	4.90000	7.90000
.618	3.420	-.00700	-.01900	-.00500	.12300	609.72000	.15000	.03000	8.01000	4.87000	7.87000
.616	4.720	-.00700	-.02300	-.00900	.11800	606.54000	.15000	.03000	7.97000	4.83000	7.85000
.619	6.030	-.00800	-.02000	-.00600	.11400	609.66000	.15000	.03000	7.99000	4.92000	7.87000
.616	7.330	-.01200	-.02500	-.01000	.11200	603.58000	.15000	.03000	7.98000	4.87000	7.87000
.618	8.640	-.01100	-.02200	-.01000	.10900	607.51000	.14000	.04000	7.99000	4.86000	7.90000
.619	9.940	-.01000	-.02300	-.00800	.11300	608.59000	.13000	.04000	7.98000	4.89000	7.90000
.620	11.250	-.00800	-.02300	-.00800	.11700	609.88000	.13000	.03000	7.96000	4.89000	7.89000
.619	12.550	-.00600	-.02200	-.01200	.11800	608.60000	.12000	.03000	7.93000	4.91000	7.88000
.620	13.860	-.01100	-.02200	-.01000	.11200	610.01000	.12000	.03000	7.92000	4.87000	7.87000
.620	15.160	-.00800	-.02400	-.01000	.11400	610.62000	.11000	.03000	7.90000	4.87000	7.87000
.620	16.460	-.00900	-.02300	-.01000	.11300	610.28000	.10000	.03000	7.89000	4.89000	7.88000
.617	17.770	-.01400	-.02500	-.01500	.10900	605.68000	.10000	.03000	7.90000	4.91000	7.90000
.619	19.070	-.00900	-.02400	-.01200	.11200	609.67000	.10000	.03000	7.87000	4.90000	7.87000
.620	20.370	-.00900	-.02400	-.01200	.11000	610.48000	.10000	.03000	7.85000	4.90000	7.85000
.620	21.680	-.00800	-.02300	-.01200	.11200	610.95000	.10000	.02000	7.86000	4.91000	7.89000
.619	22.980	-.00900	-.02400	-.01200	.11200	609.40000	.10000	.02000	7.84000	4.90000	7.87000
.618	24.280	-.01400	-.02500	-.01300	.10700	607.64000	.09000	.02000	7.82000	4.89000	7.87000
.618	25.590	-.01300	-.02400	-.01600	.10900	606.02000	.09000	.01000	7.84000	4.90000	7.89000
.617	26.890	-.01500	-.02600	-.01500	.10400	604.95000	.09000	.01000	7.83000	4.84000	7.89000
.617	28.190	-.01500	-.02500	-.01600	.10500	604.61000	.09000	.01000	7.78000	4.88000	7.85000
.617	29.500	-.01500	-.02400	-.01500	.10500	605.15000	.09000	.01000	7.82000	4.91000	7.90000
.618	30.800	-.01300	-.02200	-.01600	.10700	606.23000	.09000	.00000	7.81000	4.91000	7.90000
.619	32.110	-.01400	-.02300	-.01600	.11100	607.85000	.08000	.00000	7.77000	4.85000	7.87000
.617	33.420	-.01600	-.02700	-.01800	.10200	604.74000	.09000	.00000	7.78000	4.86000	7.88000
.618	34.720	-.01500	-.02900	-.01600	.10400	606.23000	.09000	.00000	7.74000	4.88000	7.86000
.618	36.030	-.01500	-.02800	-.01500	.10100	606.16000	.08000	.00000	7.75000	4.89000	7.87000
.618	37.330	-.01200	-.02700	-.01600	.10100	606.84000	.08000	.00000	7.74000	4.90000	7.87000
.617	38.630	-.01700	-.02600	-.01800	.10300	605.02000	.08000	.00000	7.76000	4.82000	7.91000
.619	39.940	-.01400	-.02200	-.01600	.10600	608.40000	.08000	.00000	7.75000	4.86000	7.91000
.618	41.240	-.01500	-.02900	-.01700	.10000	606.77000	.08000	.00000	7.73000	4.84000	7.89000
.619	42.540	-.01400	-.02700	-.01700	.10300	608.32000	.08000	.00000	7.70000	4.83000	7.86000
.621	43.850	-.01500	-.02400	-.01900	.10200	612.57000	.08000	.00000	7.59000	4.84000	7.87000
.618	45.150	-.01600	-.03000	-.01800	.09900	607.30000	.08000	.00000	7.73000	4.87000	7.91000
.617	46.460	-.01700	-.03000	-.01900	.09900	606.63000	.08000	.00000	7.68000	4.86000	7.87000
.618	47.760	-.01600	-.02900	-.01600	.10000	607.30000	.08000	.00000	7.69000	4.87000	7.89000
.617	49.070	-.01700	-.03100	-.01800	.09800	604.81000	.08000	.00000	7.69000	4.85000	7.90000
.618	50.370	-.01500	-.02900	-.01700	.10000	607.10000	.08000	.00000	7.67000	4.87000	7.88000
.617	51.680	-.01900	-.03000	-.01900	.09700	605.48000	.08000	.00000	7.66000	4.84000	7.88000
.619	52.980	-.01600	-.02900	-.01900	.09900	607.92000	.08000	.00000	7.63000	4.86000	7.85000
.619	54.290	-.01500	-.02700	-.01800	.10100	608.80000	.08000	.00000	7.66000	4.86000	7.89000
.619	55.590	-.01600	-.02800	-.01900	.10000	609.05000	.08000	.00000	7.64000	4.86000	7.88000

ORIGINAL PAGE IS
 OF POOR QUALITY

DATE 29 MAR 76

CA-26 FORCE SOURCE DATA TABULATION

PAGE 1210

LTV44-559(CA26) 747/1 ATY 02 51 (CARRIER DATA)

(ZFEO37) (24 MAR 76)

REFERENCE DATA

SREF = 5500.0000 SQ.FT. XMRP = 1339.9000 IN. XC
 LREF = 327.7800 IN. YMRP = .0000 IN. YC
 BREF = 2348.0400 IN. ZMRP = 190.7500 IN. ZC
 SCALE = .0125

PARAMETRIC DATA

ALPHAC = .000 BETAC = .000
 STAB = 5.000 ELEVON = 5.000
 BDFLAP = .000 DX = .000
 DY = .000 IORB = 8.000
 BETAO = 5.000 RUDDER = .000

RUN NO. 34/ 0 RN/L = .00 GRADIENT INTERVAL = -5.00/ 5.00

MACH	DZ	CPCC	CPSB1	CPSB2	CPSB3	Q(PSF)	ALPHAC	BETAC	ALPHAO	BETAO	INCID
.619	56.890	-.01700	-.02600	-.01900	.09800	609.47000	.07000	.00000	7.63000	4.86000	7.89000
.619	58.200	-.01900	-.02600	-.02100	.10000	609.53000	.08000	.00000	7.66000	4.87000	7.92000
.619	59.500	-.02000	-.02600	-.02100	.10100	609.93000	.08000	.00000	7.59000	4.86000	7.86000
.618	60.800	-.02000	-.02800	-.02200	.09800	607.77000	.08000	.00000	7.60000	4.85000	7.88000
.617	61.460	-.02200	-.03200	-.02100	.09400	606.35000	.08000	.00000	7.60000	4.86000	7.88000
	GRADIENT	.00038	-.00153	-.00076	.00192	-2.12220	.00000	.00000	-.03065	-.02681	-.01916

LTV44-559(CA26) 747/1 ATY 02 S1 (CARRIER DATA)

(ZFEO38) (24 MAR 76)

REFERENCE DATA

SREF = 5500.0000 SQ.FT. XMRP = 1339.9000 IN. XC
 LREF = 327.7800 IN. YMRP = .0000 IN. YC
 BREF = 2348.0400 IN. ZMRP = 190.7500 IN. ZC
 SCALE = .0125

PARAMETRIC DATA

ALPHAC = .000 BETAC = .000
 STAB = -1.000 ELEVON = 5.000
 BDFLAP = .000 DX = .000
 DY = .000 IORB = 4.000
 BETAO = .000 RUDDER = .000

RUN NO. 35/ 0 RN/L = .00 GRADIENT INTERVAL = -5.00/ 5.00

MACH	DZ	CPCC	CPSB1	CPSB2	CPSB3	Q(PSF)	ALPHAC	BETAC	ALPHA0	BETA0	INCID
.627	2.110	-.03100	-.03100	-.00300	.10000	626.96000	.40000	.01000	4.32000	.02000	3.92000
.626	3.410	-.03400	-.03300	-.00300	.10000	625.95000	.41000	.01000	4.31000	.01000	3.91000
.626	4.700	-.03600	-.03200	-.00500	.09500	624.40000	.42000	.01000	4.28000	-.01000	3.88000
.627	6.000	-.03200	-.03200	-.00100	.10000	627.09000	.42000	.01000	4.32000	.01000	3.93000
.626	7.300	-.03600	-.03100	-.00400	.09400	624.14000	.42000	.02000	4.26000	.00000	3.88000
.626	8.590	-.03300	-.03200	-.00200	.09800	624.14000	.42000	.02000	4.28000	.05000	3.91000
.626	9.890	-.03200	-.03300	-.00100	.09900	623.47000	.41000	.02000	4.27000	.02000	3.91000
.627	11.180	-.03200	-.03000	-.00200	.09500	625.75000	.41000	.02000	4.28000	.03000	3.93000
.626	12.480	-.03500	-.03000	-.00100	.09200	624.95000	.42000	.02000	4.24000	.01000	3.90000
.626	13.780	-.03100	-.03100	.00000	.09600	623.13000	.41000	.02000	4.26000	.02000	3.92000
.627	15.080	-.03000	-.03000	.00100	.09600	625.22000	.42000	.01000	4.25000	.01000	3.92000
.626	16.370	-.03700	-.03000	.00000	.08900	622.59000	.42000	.01000	4.20000	.00000	3.87000
.626	17.670	-.03500	-.03000	.00000	.09000	624.48000	.42000	.01000	4.20000	.00000	3.88000
.626	18.960	-.03100	-.03100	.00000	.09300	624.27000	.42000	.01000	4.21000	.01000	3.90000
.628	20.260	-.03100	-.03100	.00200	.09200	628.37000	.41000	.01000	4.23000	.00000	3.93000
.625	21.550	-.03600	-.03100	-.00200	.08700	622.72000	.41000	.01000	4.18000	.00000	3.89000
.627	22.840	-.03500	-.03100	.00100	.08700	627.63000	.42000	.01000	4.20000	.01000	3.91000
.629	24.140	-.03300	-.03100	.00400	.08800	629.98000	.42000	.01000	4.17000	.00000	3.89000
.627	25.440	-.03300	-.03200	.00200	.08700	625.89000	.42000	.01000	4.19000	.02000	3.92000
.627	26.740	-.03700	-.03100	.00000	.08200	624.54000	.41000	.01000	4.15000	-.01000	3.89000
.627	28.030	-.03100	-.03000	.00500	.08800	625.08000	.41000	.01000	4.18000	.03000	3.93000
.627	29.330	-.03700	-.03000	-.00100	.08200	624.28000	.41000	.01000	4.14000	-.01000	3.90000
.626	30.620	-.03600	-.03200	.00000	.08300	623.67000	.41000	.01000	4.13000	.00000	3.90000
.629	31.920	-.03100	-.03500	.00100	.08800	628.30000	.42000	.01000	4.16000	.03000	3.92000
.627	33.210	-.03100	-.03800	-.00400	.09100	625.48000	.41000	.01000	4.13000	.00000	3.90000
.627	34.510	-.03700	-.04100	-.00500	.08500	626.22000	.42000	.01000	4.11000	-.01000	3.89000
.627	35.800	-.03000	-.04000	-.00300	.09000	627.09000	.42000	.01000	4.13000	.01000	3.92000
.628	37.110	-.03400	-.04300	-.00200	.08600	628.64000	.42000	.01000	4.13000	.03000	3.93000
.625	38.400	-.03200	-.04400	-.00600	.08600	622.12000	.42000	.01000	4.10000	-.01000	3.91000
.629	39.700	-.03200	-.04000	.00000	.08700	630.05000	.42000	.01000	4.11000	.04000	3.92000
.626	40.990	-.03500	-.04200	-.00600	.08400	624.47000	.42000	.01000	4.08000	-.02000	3.90000
.627	42.290	-.03600	-.04100	-.00400	.08500	629.10000	.42000	.01000	4.08000	-.01000	3.91000
.627	43.580	-.03200	-.04100	-.00200	.08700	629.31000	.42000	.01000	4.08000	.03000	3.91000
.625	44.880	-.03600	-.04100	-.00500	.08000	624.47000	.42000	.01000	4.06000	-.01000	3.90000
.626	46.180	-.03500	-.04400	-.00800	.07800	626.15000	.42000	.01000	4.05000	.00000	3.90000
.627	47.470	-.03300	-.04100	-.00200	.08500	625.95000	.42000	.01000	4.07000	.02000	3.92000
.626	48.120	-.03600	-.04200	-.00700	.08100	624.47000	.42000	.01000	4.03000	.00000	3.89000
GRADIENT		-.00193	-.00039	-.00077	-.00193	-.98812	.00772	.00000	-.01543	-.01158	-.01543

LTV44-559(CA26) 747/1 ATY 02 S1 (CARRIER DATA)

(ZFEO39) (24 MAR 76)

REFERENCE DATA

SREF = 5500.0000 SQ.FT. XMRP = 1339.9000 IN. XC
 LREF = 327.7800 IN. YMRP = .0000 IN. YC
 BREF = 2348.0400 IN. ZMRP = 190.7500 IN. ZC
 SCALE = .0125

PARAMETRIC DATA

ALPHAC = .000 BETAC = .000
 STAB = -1.000 ELEVON = 5.000
 BOFLAP = .000 DX = .000
 TORB = .000 TORB = 6.000
 RUDDER = .000

RUN NO. 1035/ 0 RN/L = .00 GRADIENT INTERVAL = -5.00/ 5.00

MACH	DZ	CPC	CPSB1	CPSB2	CPSB3	Q(PSF)	ALPHAC	BETAC	ALPHAO	BETAO	INC10
.627	2.630	-.03100	-.02800	-.00100	.09700	625.96000	.44000	.02000	6.28000	.01000	5.85000
.628	3.790	-.03200	-.03000	-.00100	.09600	626.29000	.45000	.02000	6.29000	.02000	5.86000
.626	4.950	-.02900	-.02600	.00100	.09700	622.40000	.44000	.02000	6.29000	.01000	5.87000
.625	6.110	-.03400	-.03100	.00000	.09700	621.05000	.44000	.02000	6.26000	.03000	5.84000
.626	7.270	-.03200	-.02900	.00000	.09600	622.93000	.45000	.02000	6.29000	.02000	5.88000
.626	8.430	-.02900	-.02600	.00200	.09800	623.20000	.44000	.02000	6.27000	.00000	5.87000
.626	9.590	-.02800	-.02600	.00100	.09600	622.66000	.44000	.02000	6.28000	.07000	5.89000
.626	10.750	-.02800	-.02600	.00100	.09500	622.53000	.44000	.02000	6.25000	.07000	5.87000
.626	11.900	-.03100	-.02900	.00000	.09400	622.40000	.43000	.02000	6.26000	.07000	5.89000
.626	13.070	-.02900	-.02600	.00300	.09400	622.20000	.43000	.02000	6.21000	.08000	5.85000
.627	14.230	-.03400	-.03100	.00000	.09200	623.87000	.43000	.02000	6.25000	.02000	5.90000
.625	15.390	-.03100	-.02800	.00200	.09500	621.52000	.43000	.02000	6.21000	.07000	5.87000
.626	16.550	-.03300	-.03000	.00000	.09000	623.07000	.43000	.02000	6.21000	.05000	5.87000
.628	17.710	-.03400	-.03000	.00000	.09000	626.29000	.43000	.02000	6.23000	.01000	5.90000
.628	18.860	-.03400	-.03000	.00000	.09100	626.16000	.42000	.02000	6.22000	.00000	5.90000
.626	20.020	-.02800	-.02400	.00300	.09100	622.60000	.42000	.02000	6.18000	.04000	5.87000
.630	21.180	-.03400	-.03000	.00000	.08700	630.38000	.43000	.02000	6.20000	.05000	5.90000
.627	22.330	-.02900	-.02600	.00300	.09000	623.34000	.42000	.01000	6.15000	.00000	5.86000
.627	23.490	-.03000	-.02800	.00000	.08800	624.28000	.42000	.01000	6.17000	.06000	5.88000
.627	24.630	-.03400	-.02900	.00100	.08800	622.47000	.42000	.01000	6.18000	.04000	5.90000
.627	25.820	-.03300	-.02900	.00100	.08700	622.60000	.42000	.01000	6.17000	.03000	5.89000
.627	26.980	-.03000	-.02700	.00100	.08700	622.06000	.42000	.01000	6.12000	.00000	5.86000
.626	28.140	-.03100	-.02600	.00500	.08700	620.65000	.43000	.01000	6.15000	.03000	5.89000
.628	29.290	-.03400	-.03500	.00000	.08900	626.63000	.42000	.01000	6.08000	.07000	5.83000
.628	30.450	-.03000	-.03500	-.00100	.09200	629.04000	.42000	.01000	6.12000	.00000	5.87000
.626	31.610	-.03100	-.03400	.00000	.09000	625.75000	.42000	.01000	6.13000	.05000	5.90000
.625	32.770	-.03400	-.04000	-.00200	.08800	624.88000	.42000	.01000	6.10000	.01000	5.87000
.627	33.930	-.03200	-.04000	-.00200	.08400	625.89000	.42000	.01000	6.08000	.00000	5.85000
.627	35.090	-.02900	-.03500	.00000	.08500	624.68000	.43000	.01000	6.13000	.00000	5.90000
.627	36.250	-.03400	-.04100	-.00300	.08600	624.21000	.43000	.01000	6.09000	.00000	5.87000
.627	37.410	-.03200	-.03600	.00000	.08600	624.95000	.43000	.01000	6.10000	.05000	5.89000
.627	38.570	-.03400	-.04200	-.00400	.08400	623.67000	.42000	.01000	6.08000	-.01000	5.88000
.626	39.730	-.03400	-.04100	-.00400	.08500	622.53000	.43000	.01000	6.07000	.00000	5.87000
.627	40.890	-.03400	-.04100	-.00400	.08600	623.34000	.42000	.01000	6.06000	.00000	5.88000
.626	42.050	-.03500	-.04100	-.00300	.08600	622.73000	.42000	.01000	6.05000	.01000	5.87000
.626	43.210	-.03600	-.04300	-.00500	.08300	623.27000	.42000	.01000	6.04000	.01000	5.87000
.626	44.370	-.03300	-.03900	-.00100	.08600	621.52000	.42000	.01000	6.05000	.04000	5.89000
.626	45.520	-.03500	-.04100	-.00200	.08500	620.99000	.42000	.01000	6.01000	.05000	5.86000
.627	46.690	-.03300	-.03900	-.00100	.08500	622.00000	.42000	.01000	6.03000	.04000	5.88000
.627	47.850	-.03200	-.03700	.00000	.08600	622.74000	.42000	.01000	6.04000	.02000	5.90000
.628	49.010	-.03000	-.03600	-.00100	.08400	624.01000	.42000	.01000	6.05000	-.01000	5.91000
.627	50.170	-.03400	-.04000	-.00100	.08700	620.38000	.42000	.01000	6.01000	.04000	5.88000

DATE 29 MAR 76

CA-26 FORCE SOURCE DATA TABULATION

PAGE 1213

LTV44-559(CA26) 747/1 ATY 02 S1 (CARRIER DATA)

(ZFE039) (24 MAR 76)

REFERENCE DATA

SREF =	5500.0000 SQ.FT.	XMRP =	1339.9000 IN. XC
LREF =	327.7800 IN.	YMRP =	.0000 IN. YC
BREF =	2348.0400 IN.	ZMRP =	190.7500 IN. ZC
SCALE =	.0125		

PARAMETRIC DATA

ALPHAC =	.000	BETAC =	.000
STAB =	-1.000	ELEVON =	5.000
BDFLAP =	.000	DX =	.000
OY =	.000	IORB =	6.000
BETAO =	.000	RUDDER =	.000

		RUN NO. 1035/ 0	RN/L =	.00	GRADIENT INTERVAL =	-5.00/ 5.00					
MACH	OZ	CPC	CPSB1	CPSB2	CPSB3	Q(PSF)	ALPHAC	BETAC	ALPHAO	BETAO	INCID
.626	51.330	-.03600	-.04300	-.00300	.08600	620.65000	.43000	.01000	5.98000	.03000	5.85000
.627	52.480	-.03100	-.03600	-.00100	.08300	623.07000	.43000	.01000	6.02000	-.01000	5.90000
.627	53.640	-.03100	-.03900	-.00500	.08200	623.41000	.42000	.01000	6.00000	-.02000	5.89000
.626	54.800	-.03300	-.03900	-.00100	.08400	621.73000	.43000	.01000	6.01000	-.01000	5.90000
	GRADIENT	.00086	.00086	.00086	-.00000	-1.53447	.00000	.00000	.00431	-.00000	.00862

ORIGINAL PAGE IS
OF POOR QUALITY

LTV44-559(CA26), 747/1 ATY 02 S1 (CARRIER DATA)

(ZFEO40) (24 MAR 76)

REFERENCE DATA

SREF = 5500.0000 SQ.FT. XMRP = 1339.9000 IN. XC
 LREF = 327.7800 IN. YMRP = .0000 IN. YC
 BREF = 2348.0400 IN. ZMRP = 190.7500 IN. ZC
 SCALE = .0125

PARAMETRIC DATA

ALPHAC = .000 BETAC = .000
 STAB = -1.000 ELEVON = 5.000
 BDFLAP = .000 DX = .000
 DY = .000 TORB = 8.000
 BETAO = .000 RUDDER = .000

RUN NO. 36/ 0 RN/L = .00 GRADIENT INTERVAL = -5.00/ 5.00

MACH	OZ	CPCC	CPSB1	CPSB2	CPSB3	Q(PSF)	ALPHAC	BETAC	ALPHA0	BETA0	INCID
.619	2.110	-.02800	-.02600	.00000	.09300	611.94000	.47000	.02000	8.35000	.01000	7.89000
.621	3.420	-.02900	-.03200	-.00400	.09300	615.18000	.46000	.02000	8.31000	-.01000	7.87000
.621	4.720	-.02700	-.02800	.00100	.09400	614.45000	.47000	.02000	8.29000	.04000	7.84000
.621	6.030	-.02800	-.02800	.00100	.09400	613.64000	.47000	.02000	8.30000	.05000	7.86000
.621	7.330	-.02900	-.02500	.00000	.09500	614.31000	.47000	.02000	8.32000	.05000	7.89000
.619	8.640	-.03000	-.02700	.00000	.09400	612.01000	.46000	.02000	8.30000	.04000	7.89000
.624	9.940	-.03000	-.02700	.00100	.09100	620.44000	.46000	.02000	8.29000	.07000	7.86000
.621	11.250	-.02700	-.02900	.00200	.09200	614.04000	.46000	.02000	8.26000	.01000	7.86000
.624	12.550	-.02500	-.02400	.00200	.09800	621.11900	.45000	.02000	8.26000	.04000	7.86000
.621	13.860	-.02800	-.02900	.00000	.09200	615.86000	.45000	.02000	8.26000	.01000	7.89000
.621	15.160	-.03000	-.02900	.00000	.09100	614.98000	.44000	.01000	8.22000	.00000	7.86000
.621	16.460	-.02700	-.02900	.00100	.09200	614.78000	.44000	.01000	8.24000	.01000	7.90000
.620	17.770	-.03000	-.03200	-.00400	.08600	614.44000	.44000	.02000	8.22000	.00000	7.86000
.623	19.070	-.02700	-.02500	.00200	.09400	618.96000	.44000	.02000	8.20000	.05000	7.87000
.621	20.370	-.02800	-.03000	.00100	.08800	614.51000	.44000	.02000	8.22000	.05000	7.89000
.622	21.680	-.03000	-.02600	.00000	.09100	617.27000	.43000	.01000	8.18000	.00000	7.87000
.623	22.980	-.02900	-.02600	.00100	.09200	619.23000	.43000	.01000	8.16000	.00000	7.86000
.621	24.280	-.02900	-.03100	.00000	.08600	614.51000	.43000	.01000	8.18000	.05000	7.89000
.622	25.590	-.02900	-.02600	.00100	.08900	616.67000	.43000	.01000	8.16000	.00000	7.86000
.623	26.890	-.02900	-.03100	.00100	.08500	618.15000	.43000	.01000	8.16000	.03000	7.88000
.621	28.190	-.02900	-.03100	.00100	.08500	614.18000	.42000	.01000	8.13000	.04000	7.87000
.625	29.500	-.02900	-.02500	.00100	.09100	621.11000	.42000	.01000	8.12000	.04000	7.86000
.624	30.800	-.02900	-.02600	.00100	.08900	621.04000	.43000	.01000	8.14000	.04000	7.89000
.621	32.110	-.03000	-.02700	.00000	.08600	615.86000	.42000	.01000	8.12000	.03000	7.86000
.624	33.420	-.02900	-.03000	.00100	.08400	620.24000	.43000	.01000	8.10000	.06000	7.87000
.624	34.720	-.02800	-.02700	.00200	.08700	619.30000	.43000	.01000	8.10000	.05000	7.87000
.624	36.030	-.02800	-.03000	.00100	.08500	619.23000	.43000	.01000	8.08000	.04000	7.86000
.624	37.330	-.02900	-.02700	.00100	.08600	620.17000	.43000	.00000	8.09000	.06000	7.88000
.621	38.630	-.03200	-.03300	.00000	.08100	614.45000	.42000	.00000	8.05000	.00000	7.85000
.624	39.940	-.02900	-.02900	.00000	.08300	619.77000	.42000	.01000	8.07000	.04000	7.88000
.622	41.240	-.03100	-.03000	.00000	.08200	616.87000	.43000	.01000	8.05000	.00000	7.86000
.623	42.540	-.03200	-.03100	-.00100	.08200	618.62000	.42000	.00000	8.04000	.00000	7.87000
.624	43.850	-.03000	-.03000	.00000	.08300	621.18000	.42000	.01000	8.05000	.03000	7.89000
.622	45.150	-.03200	-.02800	-.00100	.08300	617.54000	.43000	.01000	8.04000	.04000	7.88000
.623	46.460	-.03100	-.02800	.00000	.08500	619.09000	.43000	.01000	8.03000	.03000	7.87000
.621	47.760	-.03300	-.02900	-.00200	.08300	616.19000	.43000	.00000	8.02000	.00000	7.87000
.620	48.420	-.03500	-.03300	-.00200	.07900	613.43000	.42000	.00000	8.03000	.04000	7.88000
GRADIENT		.00038	-.00077	.00038	.00038	.96362	-.00001	.00000	-.02300	.01146	-.01915

LTV44-559(CA26) 747/1 ATY 02 S1 (CARRIER DATA)

(ZF041) (24 MAR 76)

REFERENCE DATA

SREF = 5500.0000 SQ.FT. XMRP = 1339.9000 IN. XC
 LREF = 327.7800 IN. YMRP = .0000 IN. YC
 BREF = 2348.0400 IN. ZMRP = 190.7500 IN. ZC
 SCALE = .0125

PARAMETRIC DATA

ALPHAC = 2.000 BETAC = .000
 STAB = -1.000 ELEVON = 5.000
 BDFLAP = .000 DX = .000
 DY = .000 TORB = 4.000
 BETA0 = .000 RUDDER = .000

RUN NO. 37/ 0 RN/L = .00 GRADIENT INTERVAL = -5.00/ 5.00

MACH	DZ	CPCC	CPSB1	CPSB2	CPSB3	Q(PSF)	ALPHAC	BETAC	ALPHA	BETA0	INCID
.595	1.470	-.02300	-.04000	-.00700	.08100	576.31000	2.98000	.02000	6.94000	.12000	3.96000
.595	2.070	-.02200	-.04200	-.00400	.08700	575.35000	2.98000	.02000	6.91000	.12000	3.93000
.594	2.670	-.02300	-.04300	-.00900	.08100	573.70000	2.98000	.02000	6.88000	.08000	3.91000
.596	3.470	-.02200	-.04000	-.00600	.08200	577.75000	2.99000	.03000	6.88000	.08000	3.91000
.596	4.470	-.02400	-.04000	-.00600	.08200	577.02000	2.99000	.03000	6.90000	.11000	3.93000
.595	5.590	-.02300	-.04200	-.00200	.08200	573.97000	2.98000	.02000	6.88000	.07000	3.92000
.592	6.840	-.02300	-.04300	-.00800	.07800	569.10000	2.99000	.02000	6.87000	.09000	3.91000
.593	8.090	-.02000	-.04400	-.00300	.08300	570.94000	2.98000	.02000	6.88000	.10000	3.94000
.590	9.340	-.02200	-.04400	-.00600	.08000	565.72000	2.98000	.02000	6.84000	.10000	3.90000
.584	10.560	-.02400	-.04300	-.00600	.07300	558.79000	2.98000	.02000	6.82000	.09000	3.90000
.583	11.770	-.02600	-.04500	-.00500	.07000	556.53000	2.98000	.02000	6.83000	.12000	3.92000
.580	12.970	-.02300	-.04500	-.00700	.07400	556.14000	2.98000	.02000	6.84000	.07000	3.93000
.581	14.170	-.02400	-.04300	-.00300	.07400	559.95000	2.98000	.01000	6.80000	.07000	3.90000
.580	15.370	-.02000	-.04400	-.00500	.07800	560.05000	2.98000	.01000	6.83000	.11000	3.94000
.583	16.570	-.02000	-.04300	-.00100	.08000	564.80000	2.99000	.01000	6.78000	.08000	3.90000
.581	17.770	-.02300	-.04200	-.00500	.07800	560.60000	2.98000	.01000	6.80000	.14000	3.92000
.587	18.980	-.01800	-.04000	-.00100	.08300	571.52000	2.99000	.01000	6.81000	.07000	3.93000
.591	20.170	-.01700	-.04000	-.00100	.08300	576.73000	2.99000	.01000	6.80000	.10000	3.93000
.593	21.370	-.02100	-.04300	.00000	.08200	578.14000	3.00000	.01000	6.79000	.11000	3.91000
.600	22.570	-.01800	-.04000	-.00100	.08600	588.66000	3.00000	.01000	6.80000	.05000	3.93000
.604	23.770	-.01900	-.03900	-.00200	.08500	592.48000	3.00000	.01000	6.80000	.09000	3.94000
.608	24.970	-.02500	-.04200	-.00400	.07600	599.04000	3.00000	.01000	6.78000	.05000	3.92000
.610	26.170	-.02200	-.04100	-.00500	.08000	600.22000	3.01000	.01000	6.78000	.08000	3.92000
.609	27.370	-.02400	-.04500	-.00600	.07700	598.40000	3.01000	.01000	6.76000	.04000	3.91000
.611	28.570	-.02300	-.04000	-.00300	.07700	601.42000	3.01000	.01000	6.75000	.08000	3.90000
.610	29.780	-.02600	-.04500	-.00400	.07200	599.76000	3.01000	.01000	6.75000	.04000	3.91000
.613	30.970	-.02400	-.04100	-.00200	.07600	604.04000	3.01000	.01000	6.74000	.07000	3.91000
.613	32.180	-.02100	-.04200	-.00200	.07600	604.85000	3.01000	.01000	6.74000	.10000	3.91000
.612	33.380	-.02400	-.04700	-.00500	-.07200	602.41000	3.02000	.01000	6.76000	.10000	3.94000
.610	34.570	-.02600	-.04500	-.00700	.07400	597.80000	3.01000	.01000	6.74000	.03000	3.93000
.611	35.780	-.02400	-.04700	-.00400	.07200	599.77000	3.02000	.01000	6.74000	.09000	3.93000
.610	36.980	-.02600	-.04500	-.00600	.07400	597.94000	3.01000	.01000	6.73000	.07000	3.93000
.612	38.180	-.02200	-.04000	-.00200	.07900	602.36000	3.01000	.01000	6.72000	.04000	3.93000
.613	39.380	-.02300	-.04400	-.00300	.07500	603.10000	3.02000	.01000	6.71000	.04000	3.92000
.610	40.580	-.02600	-.04800	-.00600	.07000	599.36000	3.02000	.01000	6.70000	.10000	3.92000
.614	41.780	-.02300	-.04400	-.00400	.07500	605.81000	3.02000	.01000	6.69000	.05000	3.91000
.614	42.990	-.02300	-.04500	-.00300	.07400	604.53000	3.02000	.01000	6.69000	.03000	3.92000
.612	44.180	-.02600	-.04800	-.00500	.06900	601.21000	3.02000	.01000	6.68000	.09000	3.92000
	GRADIENT	-.00032	.00036	.00006	-.00041	.58235	.00411	.00411	-.01290	-.00641	-.00908

LTV44-559(CA26) 747/1 ATY 02 S1 (CARRIER DATA)

(ZFE042) (24 MAR 76)

REFERENCE DATA

SREF = 5500.0000 SQ.FT. XMRP = 1339.9000 IN. XC
 LREF = 327.7800 IN. YMRP = .0000 IN. YC
 BREF = 2348.0400 IN. ZMRP = 190.7500 IN. ZC
 SCALE = .0125

PARAMETRIC DATA

ALPHAC = 2.000 BETAC = .000
 STAB = -1.000 ELEVON = 5.000
 BDFLAP = .000 DX = .000
 DY = .000 TORB = 6.000
 BETAO = .000 RUDDER = .000

RUN NO. 1037/ 0 RN/L = .00 GRADIENT INTERVAL = -5.00/ 5.00

MACH	DZ	CPC	CPSB1	CPSB2	CPSB3	Q(PSF)	ALPHAC	BETAC	ALPHAO	BETAO	INCID
.595	1.770	-.01600	-.02500	.01400	.09000	574.95000	2.98000	.02000	8.96000	.06000	5.99000
.595	2.370	-.01700	-.02500	.01500	.09100	574.82000	2.98000	.02000	8.91000	.06000	5.93000
.594	2.970	-.01600	-.02700	.00600	.08000	574.94000	3.01000	.03000	8.80000	.05000	5.80000
.593	3.970	-.01800	-.03000	.00300	.08000	572.28000	3.01000	.03000	8.89000	.13000	5.90000
.593	4.970	-.01700	-.02500	.01200	.08500	572.89000	3.01000	.03000	8.89000	.09000	5.90000
.593	6.220	-.01800	-.02700	.01000	.08200	572.35000	3.02000	.03000	8.89000	.09000	5.90000
.596	7.470	-.01300	-.02100	.01300	.08200	576.53000	3.01000	.03000	8.89000	.12000	5.92000
.597	8.720	-.01700	-.02900	.00800	.08000	580.34000	3.01000	.02000	8.88000	.13000	5.92000
.595	9.970	-.01600	-.02800	.00800	.07800	576.11000	3.01000	.02000	8.87000	.11000	5.92000
.595	11.190	-.01600	-.02500	.01200	.08200	575.09000	3.00000	.02000	8.86000	.10000	5.91000
.596	12.410	-.01700	-.02700	.00900	.07700	576.73000	3.01000	.02000	8.86000	.11000	5.92000
.598	13.630	-.01800	-.02800	.01000	.07700	580.22000	3.00000	.02000	8.85000	.10000	5.92000
.594	14.850	-.01800	-.02700	.01000	.07600	572.77000	3.00000	.02000	8.82000	.08000	5.90000
.595	16.070	-.01400	-.02300	.01400	.08000	574.08000	3.00000	.02000	8.81000	.07000	5.90000
.594	17.300	-.01700	-.02700	.01200	.08000	572.85000	3.00000	.02000	8.81000	.09000	5.93000
.596	18.510	-.01000	-.03000	.01000	.08200	575.52000	3.00000	.02000	8.80000	.08000	5.90000
.595	19.740	-.01300	-.03300	.00900	.08400	575.04000	3.00000	.01000	8.78000	.10000	5.89000
.596	20.950	-.01500	-.03600	.00600	.08200	576.27000	2.99000	.02000	8.79000	.08000	5.92000
.596	22.170	-.01600	-.03900	.00400	.08200	576.80000	3.00000	.01000	8.78000	.08000	5.91000
.595	23.390	-.01100	-.03400	.00900	.08300	574.29000	2.99000	.01000	8.76000	.08000	5.90000
.595	24.610	-.01000	-.03300	.00800	.08200	573.54000	2.99000	.01000	8.76000	.08000	5.91000
.595	25.830	-.01600	-.04000	.00400	.07900	574.64000	3.00000	.01000	8.74000	.10000	5.89000
.596	27.050	-.01200	-.03400	.00900	.08200	575.68000	3.00000	.01000	8.74000	.10000	5.90000
.592	28.270	-.01400	-.03600	.00700	.08200	569.63000	2.99000	.01000	8.76000	.07000	5.93000
.596	29.500	-.01400	-.03800	.00400	.07900	576.13000	2.99000	.01000	8.73000	.07000	5.91000
.594	30.710	-.01100	-.03400	.00900	.08100	572.59000	2.99000	.01000	8.75000	.09000	5.93000
.596	31.940	-.01300	-.03600	.00500	.07800	576.21000	2.99000	.01000	8.70000	.06000	5.89000
.595	33.150	-.01100	-.03700	.00600	.08100	575.10000	3.00000	.01000	8.72000	.05000	5.91000
.595	34.380	-.01200	-.03400	.00800	.08100	574.15000	2.99000	.01000	8.72000	.06000	5.92000
.593	35.600	-.01500	-.04100	.00600	.07700	571.81000	3.00000	.00000	8.73000	.07000	5.93000
.596	36.820	-.01300	-.03900	.00600	.07900	576.06000	3.00000	.00000	8.70000	.05000	5.91000
.596	38.040	-.01500	-.03800	.00500	.07600	576.60000	3.00000	.00000	8.70000	.05000	5.92000
.593	39.260	-.01200	-.03500	.00600	.08100	570.58000	2.99000	.00000	8.68000	.05000	5.91000
.594	40.480	-.01500	-.03600	.00500	.07700	573.12000	3.00000	.00000	8.70000	.07000	5.94000
.535	41.700	-.01300	-.03400	.00600	.08000	573.74000	3.00000	.00000	8.69000	.09000	5.93000
.593	42.920	-.01400	-.03500	.00600	.08100	571.48000	3.00000	.00000	8.68000	.04000	5.93000
.594	44.140	-.01600	-.04100	.00500	.07400	572.22000	3.00000	.00000	8.64000	.05000	5.90000
.595	45.360	-.01400	-.04000	.00700	.07400	573.47000	3.00000	.00000	8.67000	.08000	5.93000
.596	46.590	-.01200	-.03900	.00800	.07600	576.62000	3.00000	.00000	8.55000	.08000	5.93000
.593	47.800	-.01500	-.03900	.00600	.07500	571.34000	3.00000	.00000	8.55000	.08000	5.92000
.597	49.030	-.01200	-.03700	.00700	.07900	578.19000	3.00000	.00000	8.62000	.05000	5.91000
.596	50.240	-.01200	-.03900	.00800	.07500	575.52000	3.00000	.00000	8.63000	.07000	5.92000

DATE 29 MAR 76

CA-26 FORCE SOURCE DATA TABULATION

PAGE 1217

LTV44-559(CA26) 747/1 ATY 02 S1 (CARRIER DATA)

(ZFE042) (24 MAR 76)

REFERENCE DATA

SREF =	5500.0000 SQ.FT.	XMRP =	1339.9000 IN. XC
LREF =	327.7800 IN.	YMRP =	.0000 IN. YC
BREF =	2348.0400 IN.	ZMRP =	190.7500 IN. ZC
SCALE =	.0125		

PARAMETRIC DATA

ALPHAC =	2.000	BETAC =	.000
STAB =	-1.000	ELEVON =	5.000
BDFLAP =	.000	DX =	.000
DY =	.000	IORB =	6.000
BETAO =	.000	RUDDER =	.000

RUN NO. 1037/ 0 TN/L = .00 GRADIENT INTERVAL = -5.00/ 5.00

MACH	DZ	CPCC	CPSB1	CPSB2	CPSB3	Q(PSF)	ALPHAC	BETAC	ALPHA0	BETA0	INC10
.596	51.470	-.01200	-.03900	.00600	.07500	575.80000	3.01000	.00000	8.63000	.03000	5.92000
	GRADIENT	-.00037	-.00051	-.00166	-.00229	-.85122	.01050	.00350	-.01474	.01628	-.02009

ORIGINAL PAGE IS
OF POOR QUALITY

LTV44-559(CA26) 747/1 ATY 02 S1 (CARRIER DATA)

(ZFE045) (24 MAR 76)

REFERENCE DATA

SREF = 5500.0000 SQ.FT. XMRP = 1339.9000 IN. XC
 LREF = 327.7800 IN. YMRP = .0000 IN. YC
 BREF = 2348.0400 IN. ZMRP = 190.7500 IN. ZC
 SCALE = .0125

PARAMETRIC DATA

ALPHAC = 2.000 BETAC = .000
 STAB = 5.000 ELEVON = 5.000
 BOFLA = .000 DX = .000
 DY = .000 IORB = 4.000
 BETAO = .000 RUDDER = .000

RUN NO. 39/ 0 RN/L = .00 GRADIENT INTERVAL = -5.00/ 5.00

MACH	DZ	CPCC	CPSB1	CPSB2	CPSB3	Q(PSF)	ALPHAC	BETAC	ALPHAO	BETAO	INCID
.600	1.470	-.01000	-.02300	-.02400	.11000	584.68000	2.66000	.02000	6.64000	.01000	3.98000
.600	2.070	-.01200	-.02500	-.02500	.10900	585.49000	2.67000	.02000	6.65000	.05000	4.00000
.602	2.670	-.01300	-.02600	-.02600	.10700	587.68000	2.66000	.02000	6.65000	.04000	4.00000
.602	3.470	-.01200	-.02500	-.02500	.11000	588.37000	2.67000	.02000	6.62000	.02000	3.96000
.601	4.470	-.01200	-.02400	-.02300	.11000	585.18000	2.67000	.02000	6.63000	.07000	3.98000
.603	5.590	-.01200	-.02300	-.02500	.10900	589.93000	2.67000	.02000	6.64000	.03000	4.00000
.605	6.840	-.00900	-.02200	-.02200	.10900	593.80000	2.67000	.01000	6.61000	.05000	3.98000
.600	8.090	-.01000	-.02300	-.02300	.11000	585.42000	2.67000	.01000	6.62000	.04000	4.00000
.601	9.340	-.00800	-.02200	-.02200	.10900	586.45000	2.66000	.01000	6.63000	.05000	4.02000
.601	10.560	-.01000	-.02100	-.02200	.10800	586.51000	2.67000	.01000	6.59000	.00000	3.98000
.600	11.770	-.00900	-.02300	-.02300	.10700	585.83000	2.67000	.01000	6.60000	.03000	4.00000
.600	12.970	-.01000	-.02300	-.02300	.10800	584.06000	2.67000	.01000	6.60000	.03000	4.01000
.601	14.170	-.01100	-.02400	-.02200	.10600	586.72000	2.67000	.01000	6.60000	.04000	4.00000
.601	15.370	-.01100	-.02300	-.02200	.10500	586.25000	2.67000	.01000	6.59000	.03000	4.01000
.599	16.570	-.01500	-.02600	-.02400	.10500	582.96000	2.67000	.01000	6.57000	.03000	4.00000
.602	17.770	-.01400	-.02600	-.02300	.10400	588.62000	2.67000	.00000	6.58000	.04000	4.01000
.603	18.980	-.01000	-.02300	-.02300	.10300	591.41000	2.67000	.00000	6.56000	.03000	4.00000
.601	20.170	-.00900	-.02200	-.02100	.10400	586.92000	2.67000	.00000	6.54000	.00000	3.99000
.601	21.370	-.00800	-.02000	-.02000	.10400	587.40000	2.67000	.00000	6.53000	.00000	3.98000
.603	22.570	-.01100	-.02100	-.02100	.10200	590.39000	2.67000	.00000	6.53000	.00000	3.99000
.601	23.770	-.01300	-.02600	-.02100	.10200	588.42000	2.68000	.00000	6.54000	.03000	4.00000
.601	24.970	-.01000	-.02100	-.01900	.10300	588.21000	2.67000	.00000	6.52000	.00000	3.99000
.599	26.170	-.01000	-.02200	-.02100	.10300	584.72000	2.68000	.00000	6.52000	.03000	3.99000
.600	27.370	-.01300	-.02300	-.02000	.10200	586.63000	2.67000	.00000	6.51000	.00000	4.00000
.601	28.570	-.01000	-.02200	-.02000	.10100	588.74000	2.68000	.00000	6.53000	.03000	4.01000
.599	29.780	-.01100	-.02400	-.02200	.10100	585.13000	2.68000	.00000	6.51000	.00000	4.00000
.600	30.970	-.01100	-.02100	-.02100	.10000	587.17000	2.68000	.00000	6.49000	.01000	4.00000
.599	32.180	-.00800	-.02100	-.02100	.10200	584.91000	2.68000	.00000	6.50000	.03000	4.00000
.599	33.380	-.00800	-.02000	-.01900	.10300	585.19000	2.67000	.00000	6.48000	.00000	4.00000
.602	34.570	-.00900	-.02000	-.01700	.10200	589.35000	2.68000	.00000	6.47000	.00000	3.99000
.600	35.780	-.01500	-.02300	-.02100	.10200	586.56000	2.67000	.00000	6.47000	.00000	4.00000
.603	36.980	-.01100	-.02100	-.01800	.10200	589.92000	2.68000	.00000	6.44000	.00000	3.98000
.603	38.180	-.00900	-.02100	-.01900	.10100	589.25000	2.67000	.00000	6.47000	.02000	4.02000
.602	39.380	-.01000	-.02200	-.02100	.10100	586.94000	2.68000	.00000	6.44000	.00000	3.99000
.603	40.580	-.01600	-.02600	-.02300	.09900	591.36000	2.68000	.00000	6.45000	.02000	4.00000
.602	41.780	-.01600	-.02500	-.02100	.09800	589.65000	2.68000	.00000	6.42000	.01000	3.98000
.602	42.990	-.01500	-.02600	-.02200	.09700	589.84000	2.68000	.00000	6.45000	.01000	4.02000
.602	44.180	-.01600	-.02500	-.02100	.09700	589.55000	2.68000	.00000	6.44000	.01000	4.02000
	GRADIENT	-.00046	-.00017	.00037	.00022	.37573	.00274	-.00000	-.00829	.01254	-.00562

LTV44-559(CA26) 7471 ATY 02 S1 (CARRIER DATA)

(ZF046) (24 MAR 76)

REFERENCE DATA

SREF = 5500.0000 SQ.FT. XMRP = 1339.9000 IN. XC
 LREF = 327.7800 IN. YMRP = .0000 IN. YC
 BREF = 2348.0400 IN. ZMRP = 190.7500 IN. ZC
 SCALE = .0125

PARAMETRIC DATA

ALPHAC = 2.000 BETAC = .000
 STAB = 5.000 ELEVON = 5.000
 BDFLAP = .000 DX = .000
 DY = .000 IORB = 6.000
 BETAO = .000 RUDDER = .000

RUN NO. 44/ 0 RN/L = .00 GRADIENT INTERVAL = -5.00/ 5.00

MACH	DZ	CPCC	CPSB1	CPSB2	CPSB3	Q(PSF)	ALPHAC	BETAC	ALPHAO	BETAO	INCID
.326	1.760	.04400	.02200	.05100	.15400	205.90000	2.68000	.00000	8.63000	.03000	5.96000
.325	2.360	.03200	.02600	.05300	.13800	205.36000	2.68000	.00000	8.61000	.02000	5.94000
.317	2.970	.04600	.03000	.05100	.16100	196.62000	2.68000	.00000	8.59000	.00000	5.92000
.313	3.760	.03400	.03300	.05200	.15000	192.71000	2.67000	.00000	8.62000	.04000	5.96000
.314	4.560	.04500	.03400	.05300	.15900	194.22070	2.68000	.00000	8.63000	.03000	5.98000
.314	5.470	.05600	.03100	.06700	.15900	195.11000	2.67000	.00000	8.59000	.00000	5.94000
.311	6.460	.04900	.03600	.05300	.15000	190.92000	2.68000	.00000	8.59000	.01000	5.95000
.314	7.460	.05200	.02600	.05900	.14900	194.45000	2.67000	.00000	8.60000	.00000	5.97000
.315	8.460	.05600	.03000	.06100	.15400	195.77000	2.67000	.00000	8.57000	.00000	5.95000
.312	9.460	.04400	.02800	.06100	.14300	192.99000	2.67000	.00000	8.59000	.00000	5.96000
.308	10.560	.03800	.03200	.05000	.13600	186.71000	2.67000	.00000	8.57000	.00000	5.95000
.310	11.740	.03600	.02800	.05700	.13500	188.87000	2.67000	.00000	8.54000	.00000	5.94000
.309	12.930	.03700	.02900	.05400	.13100	187.28000	2.67000	.00000	8.55000	.01000	5.94000
.308	14.110	.05000	.04000	.05600	.14800	185.66000	2.67000	.00000	8.55000	.04000	5.96000
.311	15.300	.05200	.02800	.05700	.14800	189.41000	2.67000	.00000	8.57000	.03000	5.98000
.310	16.490	.04100	.02800	.06200	.13900	187.98000	2.67000	.00000	8.54000	.01000	5.96000
.307	17.670	.04900	.02500	.05000	.14700	183.74000	2.67000	.00000	8.53000	.02000	5.96000
.311	18.860	.03800	.02400	.05900	.13800	188.41000	2.66000	.00000	8.53000	.01000	5.97000
.310	20.040	.04100	.03500	.06700	.14200	186.25000	2.67000	.00000	8.52000	.06000	5.96000
.310	21.230	.04200	.02500	.04700	.12700	185.79000	2.67000	.00000	8.51000	.03000	5.97000
.310	22.410	.03800	.01600	.04100	.12200	185.99000	2.66000	.00000	8.51000	.06000	5.97000
.310	23.600	.04900	.03200	.05400	.13100	185.01000	2.66000	.00000	8.48000	.01000	5.95000
.306	24.780	.04900	.03800	.06300	.14100	179.84000	2.67000	.00000	8.49000	.06000	5.97000
.308	25.970	.04200	.02600	.05200	.13400	181.78000	2.66000	.00000	8.48000	.05000	5.96000
.306	27.150	.04000	.03100	.06000	.13900	179.57000	2.67000	.00000	8.46000	.01000	5.95000
.308	28.340	.04200	.03800	.06300	.14400	181.30000	2.67000	.00000	8.45000	.03000	5.95000
.308	29.520	.03000	.01400	.04800	.14200	182.37000	2.67000	.00000	8.45000	.02000	5.95000
.310	30.710	.03000	.01200	.04100	.14300	184.60000	2.67000	.00000	8.42000	.01000	5.93000
.308	31.900	.03200	.02600	.06200	.15200	182.41000	2.66000	.00000	8.42000	.03000	5.96000
.309	33.080	.03900	.01900	.04500	.14900	184.26000	2.67000	.00000	8.44000	.01000	5.95000
.312	34.270	.03800	.02800	.06200	.15100	188.54000	2.66000	.00000	8.42000	.01000	5.97000
.310	35.450	.03700	.02100	.04300	.14800	185.70000	2.67000	.00000	8.43000	.04000	5.97000
.311	36.640	.04500	.03600	.06000	.14900	186.88000	2.66000	.00000	8.40000	.02000	5.94000
.314	37.820	.04400	.03100	.05700	.14600	191.57000	2.66000	.00000	8.39000	.01000	5.95000
.316	39.010	.02800	.01700	.04000	.13300	194.07000	2.67000	.00000	8.40000	.00000	5.96000
.313	40.200	.04300	.02800	.05100	.14200	190.45000	2.67000	.00000	8.38000	.00000	5.94000
.314	41.380	.03100	.02100	.04500	.13800	191.73000	2.67000	.00000	8.39000	.00000	5.96000
.315	42.570	.04200	.02900	.05200	.14400	192.41000	2.66000	.00000	8.36000	.06000	5.95000
.313	43.750	.04300	.02800	.05200	.14100	190.64000	2.66000	.00000	8.38000	.05000	5.97000
.317	44.940	.02900	.01600	.04600	.13600	195.00000	2.66000	.00000	8.38000	.00000	5.98000
.313	46.130	.03400	.02600	.05000	.14500	191.07000	2.67000	.00000	8.35000	.00000	5.95000
.314	47.310	.04600	.03300	.05300	.14000	191.91000	2.67000	.00000	8.33000	.06000	5.94000

LTV44-559(CA26) 747/1 ATY 02 S1 (CARRIER DATA)

(ZFE046) (24 MAR 76)

REFERENCE DATA

SREF = 5500.0000 SQ.FT. XMRP = 1339.9000 IN. XC
 LREF = 327.7800 IN. YMRP = .0000 IN. YC
 BREF = 2348.0400 IN. ZMRP = 190.7500 IN. ZC
 SCALE = .0125

PARAMETRIC DATA

ALPHAC = 2.000 BETAC = .000
 STAB = 5.000 ELEVON = 5.000
 BDFLAP = .000 DX = .000
 DY = .000 IORB = 6.000
 BETAO = .000 RUDDER = .000

RUN NO. 44/ 0 RN/L = .00 GRADIENT INTERVAL = -5.00/ 5.00

MACH	DZ	CPCC	CPSB1	CPSB2	CPSB3	Q(PSF)	ALPHAC	BETAC	ALPHAO	BETAO	INC10
.313	48.500	.04500	.03300	.05200	.14000	191.53000	2.67000	.00000	8.33000	.07000	5.95000
.311	49.680	.03700	.02700	.05400	.14400	189.25000	2.66000	.00000	8.32000	.01000	5.94000
.312	50.870	.03200	.02300	.05000	.14100	190.16000	2.67000	.00000	8.32000	.02000	5.95000
.311	51.460	.03300	.02800	.05600	.14200	189.09000	2.67000	.00000	8.33000	.02000	5.96000
	GRADIENT	.00064	.00435	.00044	.00314	-5.03009	-.00138	.00000	.00247	.00352	.00984

REFERENCE DATA

SREF = 5500.0000 SQ.FT. XMRP = 1339.9000 IN. XC
 LREF = 327.7800 IN. YMRP = .0000 IN. YC
 BREF = 2348.0400 IN. ZMRP = 190.7500 IN. ZC
 SCALE = .0125

PARAMETRIC DATA

ALPHAC = 2.000 BETAC = .000
 STAB = 5.000 ELEVON = 5.000
 BDFLAP = .000 DX = .000
 DY = .000 TORB = 6.000
 BETAO = .000 RUDDER = .000

RUN NO. 43/ 0 RN/L = .00 GRADIENT INTERVAL = -5.00/ 5.00

MACH	DZ	CPCC	CPSB1	CPSB2	CPSB3	Q(PSF)	ALPHAC	BETAC	ALPHAO	BETAO	INCID
.505	1.760	.00800	-.00800	-.00500	.12300	442.48000	2.69000	.01000	8.62000	.04000	5.93000
.506	2.360	-.00100	-.01900	-.00100	.11800	445.32000	2.69000	.01000	8.62000	.04000	5.93000
.507	2.970	-.00100	-.01800	-.00200	.11700	445.35000	2.69000	.01000	8.62000	.02000	5.94000
.510	3.760	.00200	-.01400	-.00000	.11800	451.44000	2.69000	.01000	8.61000	.02000	5.94000
.509	4.560	.00000	-.01700	-.00100	.11800	449.32000	2.69000	.01000	8.64000	.06000	5.98000
.508	5.470	.00200	-.01700	-.00100	.11900	447.57000	2.69000	.01000	8.60000	.05000	5.94000
.507	6.460	.00000	-.01800	-.00100	.11900	446.58000	2.69000	.01000	8.61000	.04000	5.95000
.507	7.460	.00500	-.01600	-.00300	.11800	446.18000	2.68000	.01000	8.59000	.03000	5.94000
.507	8.460	-.00100	-.01900	-.00100	.11800	445.27000	2.68000	.01000	8.58000	.03000	5.94000
.507	9.460	.00100	-.01800	-.00100	.11900	445.78000	2.68000	.01000	8.58000	.04000	5.95000
.508	10.560	.00100	-.01200	-.00200	.11700	448.01000	2.68000	.01000	8.55000	.04000	5.93000
.507	11.740	.00400	-.01000	-.00000	.11800	447.08000	2.68000	.01000	8.58000	.06000	5.96000
.507	12.930	.00200	-.01200	-.00300	.11800	445.47000	2.68000	.01000	8.55000	.04000	5.95000
.504	14.110	.00100	-.01600	-.00300	.11900	441.10000	2.68000	.01000	8.57000	.06000	5.97000
.508	15.300	.00200	-.01300	-.00100	.11400	447.45000	2.68000	.01000	8.56000	.06000	5.97000
.504	16.490	-.00100	-.02000	-.00300	.11600	441.27000	2.67000	.01000	8.55000	.07000	5.98000
.503	17.670	.00300	-.01300	-.00400	.12400	438.75000	2.67000	.01000	8.51000	.05000	5.94000
.508	18.860	.00400	-.01300	-.00100	.11700	447.25000	2.67000	.01000	8.49000	.02000	5.92000
.506	20.040	-.00200	-.01900	-.00200	.11400	443.01000	2.67000	.00000	8.50000	.05000	5.95000
.506	21.230	.00100	-.01400	-.00200	.11700	443.82000	2.67000	.01000	8.53000	.07000	5.97000
.507	22.410	-.00100	-.01800	-.00200	.11600	445.81000	2.67000	.00000	8.49000	.03000	5.94000
.503	23.600	.00200	-.01300	-.00400	.12000	437.74000	2.67000	.00000	8.50000	.08000	5.96000
.507	24.780	.00000	-.01500	-.00000	.11500	446.03000	2.67000	.00000	8.47000	.02000	5.94000
.507	25.970	.00000	-.01700	-.00000	.11500	445.47000	2.67000	.00000	8.47000	.02000	5.95000
.506	27.150	-.00100	-.01700	-.00000	.11500	443.81000	2.67000	.00000	8.45000	.01000	5.93000
.507	28.340	-.00100	-.01700	-.00000	.11400	445.90000	2.67000	.00000	8.45000	.04000	5.94000
.507	29.520	-.00200	-.01800	-.00200	.11500	445.24000	2.67000	.00000	8.45000	.01000	5.97000
.508	30.710	-.00200	-.01800	-.00000	.11600	447.51000	2.67000	.00000	8.45000	.00000	5.95000
.508	31.900	.00300	-.01600	-.00100	.11500	446.70000	2.67000	.00000	8.42000	.06000	5.94000
.508	33.080	.00000	-.01600	-.00100	.11500	447.40000	2.67000	.00000	8.45000	.00000	5.97000
.507	34.270	.00300	-.01300	-.00100	.11700	445.48000	2.67000	.00000	8.41000	.00000	5.94000
.508	35.450	.00000	-.01500	-.00000	.11500	447.53000	2.67000	.00000	8.42000	.09000	5.96000
.506	36.640	.00600	-.00800	-.00400	.11900	444.99000	2.67000	.00000	8.40000	.06000	5.93000
.507	37.820	.00000	-.01400	-.00100	.11700	447.26000	2.67000	.00000	8.43000	.01000	5.98000
.537	39.010	.00100	-.01500	-.00000	.11400	447.80000	2.67000	.00000	8.40000	.06000	5.96000
.506	40.200	-.00100	-.01800	-.00200	.11100	445.21000	2.67000	.00000	8.40000	.03000	5.96000
.506	41.380	.00300	-.01300	-.00100	.11300	444.26000	2.67000	.00000	8.36000	.07000	5.93000
.508	42.570	-.00200	-.01800	-.00200	.11000	449.34000	2.67000	.00000	8.39000	.02000	5.97000
.507	43.750	.00000	-.01400	-.00100	.11500	446.05000	2.67000	.00000	8.37000	-.01000	5.95000
.506	44.940	.00300	-.01500	-.00100	.11400	445.94000	2.67000	.00000	8.34000	.05000	5.93000
.506	46.130	.00300	-.01200	-.00000	.11400	445.61000	2.67000	.00000	8.33000	.02000	5.93000
.507	47.310	-.00400	-.02100	-.00400	.11000	447.63000	2.67000	.00000	8.37000	.02000	5.97000

ORIGINAL PAGE IS OF POOR QUALITY

DATE 29 MAR 76

CA-26 FORCE SOURCE DATA TABULATION

PAGE 1222

LTV44-559(CA26) 747/1 ATY 02 S1 (CARRIER DATA)

(ZFE046) (24 MAR 76)

REFERENCE DATA

SREF = 5500.0000 SQ.FT. XMRP = 1339.9000 IN. XC
 LREF = 327.7800 IN. YMRP = .0000 IN. YC
 BREF = 2348.0400 IN. ZMRP = 190.7500 IN. ZC
 SCALE = .0125

PARAMETRIC DATA

ALPHAC = 2.000 BETAC = .000
 STAB = 5.000 ELEVON = 5.000
 BDFLAP = .000 DX = .000
 DY = .000 TORB = 6.000
 BETAO = .000 RUDDER = .000

RUN NO. 43/ 0 RN/L = .00 GRADIENT INTERVAL = -5.00/ 5.00

MACH	DZ	CPCC	CPSB1	CPSB2	CPSB3	Q(PSF)	ALPHAC	BETAC	ALPHAO	BETAO	INCID
.508	48.500	.00100	-.01700	-.00100	.10800	446.61000	2.67000	.00000	8.34000	.04000	5.95000
.508	49.680	.00200	-.01600	-.00100	.11100	446.63000	2.67000	.00000	8.34000	.05000	5.96000
.507	50.870	-.00200	-.01900	-.00300	.11100	446.18000	2.67000	.00000	8.34000	.06000	5.97000
.508	51.460	-.00200	-.01900	-.00100	.11000	446.52000	2.67000	.00000	8.32000	.04000	5.95000
	GRADIENT	-.00170	-.00169	-.00145	-.00132	2.80418	.00000	.00000	.00463	.00370	.01615

DATE 29 MAR 76

CA-26 FORCE SOURCE DATA TABULATION

PAGE 1223

LTV44-559(CA26) 747/1 ATY 02 S1 (CARRIER DATA)

(ZFE046) (24 MAR 76)

REFERENCE DATA

SREF = 5500.0000 SQ.FT. XMRP = 1339.9000 IN. XC
 LREF = 327.7800 IN. YMRP = .0000 IN. YC
 BREF = 2348.0400 IN. ZMRP = 190.7500 IN. ZC
 SCALE = .0125

PARAMETRIC DATA

ALPHAC = 2.000 BETAC = .000
 STAB = 5.000 ELEVON = 5.000
 BDFLAP = .000 DX = .000
 DY = .000 IORP = 6.000
 BETAO = .000 RUDDER = .000

RUN NO. 1039/ 0 RN/L = .00 GRADIENT INTERVAL = -5.00/ 5.00

MACH	DZ	CPCC	CPSB1	CPSB2	CPSB3	Q(PSF)	ALPHAC	BETAC	ALPHAO	BETAO	INCID
.601	1.770	-.01100	-.02400	-.02200	.10800	585.38000	2.71000	.02000	8.66000	.04000	5.96000
.603	2.370	-.01100	-.02400	-.02100	.10900	590.68000	2.71000	.02000	8.69000	.04000	5.99000
.601	2.970	-.00900	-.02200	-.01700	.11100	585.99000	2.70000	.02000	8.64000	.05000	5.95000
.601	3.970	-.00800	-.02100	-.01900	.11000	585.84000	2.71000	.02000	8.64000	.05000	5.96000
.600	4.970	-.01000	-.02400	-.02100	.11000	584.55000	2.70000	.02000	8.65000	.03000	5.98000
.606	6.220	-.00600	-.02100	-.01600	.10800	594.37000	2.70000	.02000	8.64000	.05000	5.97000
.603	7.470	-.00800	-.02100	-.01400	.11000	587.78000	2.70000	.02000	8.63000	.04000	5.97000
.603	8.720	-.00900	-.02100	-.01700	.10900	588.12000	2.70000	.02000	8.64000	.02000	5.99000
.604	9.970	-.00800	-.02000	-.01500	.11000	591.58000	2.69000	.02000	8.63000	.04000	5.99000
.603	11.190	-.01000	-.02000	-.01800	.10700	588.78000	2.69000	.02000	8.59000	.04000	5.96000
.602	12.410	-.01100	-.02100	-.01900	.10600	586.87000	2.69000	.02000	8.58000	.05000	5.96000
.603	13.630	-.00800	-.02100	-.01600	.10900	589.87000	2.69000	.01000	8.58000	.03000	5.97000
.603	14.850	-.00600	-.02000	-.01400	.11000	582.19000	2.68000	.01000	8.59000	.03000	5.99000
.602	16.070	-.00500	-.02000	-.01400	.11100	587.96000	2.68000	.01000	8.55000	.07000	5.96000
.604	17.300	-.00800	-.02200	-.01600	.10700	592.46000	2.68000	.01000	8.55000	.04000	5.96000
.600	18.510	-.01000	-.02100	-.01500	.10400	585.09000	2.68000	.01000	8.57000	.03000	5.99000
.601	19.740	-.01100	-.02100	-.01700	.10300	585.65000	2.68000	.01000	8.57000	.03000	6.00000
.603	20.950	-.00700	-.02000	-.01400	.10600	588.65000	2.68000	.01000	8.53000	.02000	5.97000
.602	22.170	-.00700	-.02200	-.01600	.10600	586.82000	2.68000	.01000	8.53000	.02000	5.97000
.601	23.390	-.00700	-.02100	-.01800	.10600	583.89000	2.68000	.01000	8.52000	.02000	5.97000
.601	24.610	-.01000	-.02100	-.01800	.10300	584.72000	2.68000	.00000	8.51000	.03000	5.97000
.604	25.830	-.00500	-.02000	-.01600	.10900	590.03000	2.68000	.00000	8.52000	.05000	5.99000
.603	27.050	-.00700	-.02100	-.01600	.10500	589.13000	2.68000	.00000	8.52000	.03000	6.00000
.602	28.270	-.00600	-.02100	-.01300	.10700	586.76000	2.68000	.00000	8.51000	.01000	5.99000
.605	29.500	-.00700	-.02000	-.01600	.10500	592.27000	2.68000	.00000	8.48000	.03000	5.97000
.602	30.710	-.00600	-.02000	-.01600	.10700	586.95000	2.68000	.00000	8.48000	.00000	5.97000
.600	31.940	-.01300	-.02200	-.02000	.10000	583.93000	2.67000	.00000	8.46000	.01000	5.97000
.601	33.150	-.00800	-.02000	-.01900	.10400	585.72000	2.68000	.00000	8.45000	.04000	5.96000
.605	34.380	-.00500	-.01900	-.01400	.10600	592.93000	2.68000	.00000	8.48000	.02000	6.00000
.603	35.600	-.00700	-.02100	-.01300	.10500	590.95000	2.68000	.00000	8.46000	.04000	5.98000
.600	36.820	-.00900	-.02100	-.01700	.10400	584.19000	2.67000	.00000	8.44000	.02000	5.98000
.598	38.040	-.00800	-.02100	-.01700	.10300	579.63000	2.67000	.00000	8.45000	.00000	6.00000
.603	39.260	-.00600	-.02000	-.01400	.10400	590.33000	2.68000	.00000	8.45000	.03000	6.00000
.601	40.480	-.01000	-.02100	-.01600	.10100	587.32000	2.68000	.00000	8.42000	.01000	5.97000
.602	41.700	-.00600	-.02100	-.01500	.10300	589.37000	2.67000	.00000	8.41000	.00000	5.98000
.603	42.920	-.00700	-.02200	-.01400	.10000	590.88000	2.68000	.00000	8.42000	.02000	5.99000
.601	44.140	-.00900	-.01900	-.01800	.10100	585.77000	2.68000	.00000	8.43000	.02000	6.01000
.602	45.360	-.01000	-.02200	-.01500	.09900	587.68000	2.68000	.00000	8.39000	.01000	5.97000
.602	46.590	-.00900	-.02300	-.01500	.09800	588.24000	2.68000	.00000	8.36000	.01000	5.95000
.602	47.800	-.00700	-.02100	-.01700	.10200	587.10000	2.68000	.00000	8.39000	.00000	5.99000
.600	49.030	-.01000	-.02100	-.02000	.10100	583.28000	2.68000	.00000	8.40000	.01000	6.01000
.602	50.240	-.00700	-.01900	-.01700	.10300	586.07000	2.68000	.00000	8.37000	.03000	5.99000

DATE 29 MAR 76

CA-26 FORCE SOURCE DATA TABULATION

PAGE 1224

LTV44-559(CA26) 747/1 ATY 02 S1 (CARRIER DATA)

(ZFE046) (24 MAR 76)

REFERENCE DATA

SREF = 5500.0000 SQ.FT. XMRP = 1339.9000 IN. XC
LREF = 327.7800 IN. YMRP = .0000 IN. YC
BREF = 2348.0400 IN. ZMRP = 190.7500 IN. ZC
SCALE = .0125

PARAMETRIC DATA

ALPHAC = 2.000 BETAC = .000
STAB = 5.000 ELEVON = 5.000
BDFLAP = .000 DX = .000
DY = .000 IORB = 6.000
BETA0 = .000 RUDDER = .000

RUN NO. 1039/ 0 RN/L = .00 GRADIENT INTERVAL = -5.00/ 5.00

MACH	DZ	CPCC	CPSB1	CPSB2	CPSB3	Q(PSF)	ALPHAC	BETAC	ALPHA0	BETA0	INCID
.603	51.470	-.00700	-.02000	-.01600	.10300	587.98000	2.68000	.00000	8.35000	.01000	5.96000
	GRADIENT	.00055	.00028	.00031	.00053	-1.09791	-.00233	.00000	-.00817	-.00190	.00190

DATE 29 MAR 76

CA-26 FORCE SOURCE DATA TABULATION

PAGE 1225

LTV44-559(CA26) 747/1 ATY 02 S1 (CARRIER DATA)

(ZFE046) (24 MAR 76)

REFERENCE DATA

SREF = 5500.0000 SQ.FT. XMRP = 1339.9000 IN. XC
 LREF = 327.7800 IN. YMRP = .0000 IN. YC
 BREF = 2348.0400 IN. ZMRP = 190.7500 IN. ZC
 SCALE = .0125

PARAMETRIC DATA

ALPHAC = 2.000 BETAC = .000
 STAB = 5.000 ELEVON = 5.000
 BDFLAP = .000 DX = .000
 DY = .000 TORB = 6.000
 BETAO = .000 RUDDER = .000

		RUN NO.		42/ 0	RN/L =	.00	GRADIENT INTERVAL = -5.00/ 5.00				
MACH	OZ	CPC	CPSB1	CPSB2	CPSB3	Q(PSF)	ALPHAC	BETAC	ALPHAO	BETAO	INCID
.697	1.760	-.01600	-.02700	-.02400	.11100	719.91000	2.68000	.02000	8.65000	.06000	5.97000
.696	2.360	-.02100	-.03200	-.02700	.11000	719.09000	2.68000	.02000	8.60000	.03000	5.93000
.698	2.970	-.01700	-.02700	-.02400	.11000	721.18000	2.68000	.02000	8.61000	.03000	5.94000
.699	3.760	-.01900	-.03100	-.02600	.10900	723.37000	2.68000	.02000	8.63000	.07000	5.97000
.698	4.560	-.01700	-.02900	-.02500	.11000	720.64000	2.68000	.02000	8.61000	.03000	5.95000
.699	5.470	-.02000	-.03100	-.02500	.10800	724.55000	2.68000	.02000	8.62000	.07000	5.97000
.700	6.460	-.02000	-.03100	-.02400	.10900	725.99000	2.67000	.02000	8.58000	.05000	5.94000
.700	7.460	-.01900	-.03000	-.02500	.11100	725.93000	2.67000	.02000	8.61000	.06000	5.97000
.698	8.460	-.01700	-.02900	-.02500	.10900	721.85000	2.67000	.02000	8.59000	.07000	5.96000
.699	9.460	-.01700	-.02900	-.02400	.10900	722.16000	2.68000	.02000	8.59000	.07000	5.96000
.699	10.560	-.02100	-.03200	-.02600	.10900	723.74000	2.67000	.02000	8.56000	.05000	5.95000
.699	11.740	-.01600	-.02800	-.02400	.11100	722.50000	2.67000	.02000	8.57000	.07000	5.97000
.699	12.930	-.01800	-.03000	-.02400	.10900	724.25000	2.67000	.02000	8.56000	.06000	5.97000
.697	14.110	-.01600	-.02700	-.02300	.10900	719.25000	2.66000	.02000	8.56000	.07000	5.97000
.699	15.300	-.01800	-.03000	-.02300	.10800	721.03000	2.67000	.02000	8.55000	.08000	5.96000
.700	16.490	-.01800	-.02900	-.02200	.10900	724.26000	2.67000	.01000	8.55000	.07000	5.97000
.698	17.670	-.01700	-.02700	-.02300	.10900	721.52000	2.67000	.01000	8.51000	.04000	5.95000
.698	18.860	-.01500	-.02600	-.02100	.10900	719.51000	2.67000	.01000	8.49000	.05000	5.93000
.698	20.040	-.01600	-.02800	-.02200	.10700	720.72000	2.66000	.01000	8.51000	.04000	5.96000
.698	21.230	-.01600	-.02800	-.02300	.10600	719.74000	2.66000	.01000	8.51000	.07000	5.97000
.699	22.410	-.02000	-.02900	-.02300	.10600	722.59000	2.67000	.00000	8.50000	.05000	5.96000
.700	23.600	-.01500	-.02700	-.02200	.10700	722.95000	2.67000	.00000	8.47000	.03000	5.94000
.699	24.780	-.01800	-.02900	-.02300	.10500	721.03000	2.66000	.00000	8.50000	.06000	5.98000
.699	25.970	-.01900	-.02800	-.02100	.10600	720.63000	2.66000	.00000	8.45000	.01000	5.93000
.700	27.150	-.02100	-.02900	-.02300	.10500	723.09000	2.66000	.00000	8.48000	.03000	5.98000
.699	28.340	-.02100	-.02900	-.02300	.10600	722.48000	2.66000	.00000	8.47000	.01000	5.97000
.699	29.520	-.01800	-.02600	-.02000	.10600	723.97000	2.66000	.00000	8.43000	.00000	5.93000
.700	30.710	-.02100	-.03000	-.02300	.10200	724.89000	2.66000	.00000	8.46000	.04000	5.98000
.698	31.900	-.02100	-.03000	-.02300	.10200	721.22000	2.66000	.00000	8.46000	.03000	5.98000
.700	33.080	-.01900	-.03000	-.02300	.10300	726.43000	2.66000	.00000	8.45000	.04000	5.98000
.699	34.270	-.02000	-.03000	-.02400	.10100	723.91000	2.66000	.00000	8.43000	.03000	5.97000
.698	35.450	-.01600	-.02500	-.02100	.10300	720.45000	2.66000	.00000	8.39000	-.01000	5.93000
.698	36.640	-.02000	-.03100	-.02400	.10300	721.82000	2.66000	.00000	8.41000	.05000	5.96000
.699	37.820	-.01800	-.02600	-.01900	.10400	720.83000	2.66000	.00000	8.40000	.02000	5.95000
.699	39.010	-.01900	-.02700	-.01900	.10300	721.94000	2.67000	.00000	8.38000	.02000	5.94000
.701	40.200	-.01800	-.02900	-.02100	.10300	726.28000	2.66000	.00000	8.39000	.05000	5.96000
.700	41.380	-.01800	-.02900	-.02300	.10100	725.53000	2.67000	.00000	8.39000	.04000	5.96000
.697	42.570	-.01600	-.02500	-.02000	.10200	719.45000	2.67000	.00000	8.35000	.00000	5.93000
.697	43.750	-.01800	-.02600	-.01800	.10300	718.85000	2.66000	.00000	8.34000	.01000	5.93000
.699	44.940	-.01700	-.02600	-.02100	.10000	721.75000	2.66000	.00000	8.34000	.00000	5.93000
.701	46.130	-.02000	-.03000	-.02300	.10100	726.48000	2.66000	.00000	8.37000	.05000	5.98000
.699	47.310	-.01700	-.02500	-.02000	.10300	722.68000	2.66000	.00000	8.34000	.00000	5.95000

LTV44-559(CA26) 747/1 ATY 02 S1 (CARRIER DATA)

(ZF046) (24 MAR 76)

REFERENCE DATA

SREF = 5500.0000 SQ.FT. XMRP = 1339.9000 IN. XC
 LREF = 327.7800 IN. YMRP = .0000 IN. YC
 BREF = 2348.0400 IN. ZMRP = 190.7500 IN. ZC
 SCALE = .0125

PARAMETRIC DATA

ALPHAC = 2.000 BETAC = .000
 STAB = 5.000 ELEVON = 5.000
 BDFLAP = .000 DX = .000
 DY = .000 IORB = 6.000
 BETAO = .000 RUDDER = .000

RUN NO. 42/ 0 RN/L = .00 GRADIENT INTERVAL = -5.00/ 5.00

MACH	DZ	CPCC	CPSB1	CPSB2	CPSB3	Q(PSF)	ALPHAC	BETAC	ALPHAO	BETAO	INC10
.702	48.500	-.01600	-.02400	-.01900	.10100	728.14000	2.67000	.00000	8.32000	.00000	5.93000
.700	49.680	-.01800	-.03000	-.02200	.10000	724.43000	2.67000	.00000	8.34000	.01000	5.96000
.699	50.870	-.02100	-.02900	-.02100	.10100	722.16000	2.67000	.00000	8.33000	.02000	5.96000
.697	51.460	-.01900	-.02600	-.02000	.10100	719.45000	2.67000	.00000	8.30000	.01000	5.93000
	GRADIENT	.00004	-.00042	-.00014	-.00041	.78651	.00000	.00000	-.00652	-.00255	.00054

LTV44-559(CA26) 747/1 ATY 02 S1 (CARRIER DATA)

(ZFEO47) (24 MAR 76)

REFERENCE DATA

SREF = 5500.0000 SQ.FT. XMRP = 1339.9000 IN. XC
 LREF = 327.7800 IN. YMRP = .0000 IN. YC
 BREF = 2348.0400 IN. ZMRP = 190.7500 IN. ZC
 SCALE = .0125

PARAMETRIC DATA

ALPHAC = 2.000 BETAC = .000
 STAB = 5.000 ELEVON = 5.000
 BDFLAP = .000 DX = .000
 DY = .000 IORB = 8.000
 BETAO = .000 RUDDER = .000

RUN NO. 40/ 0 RN/L = .00 GRADIENT INTERVAL = -5.00/ 5.00

MACH	DZ	CPCC	CPSB1	CPSB2	CPSB3	Q(PSF)	ALPHAC	BETAC	ALPHA0	BETA0	INCID
.599	1.480	.00000	-.02100	-.00100	.11700	582.53000	2.74000	.02000	10.73000	.02000	8.00000
.598	2.070	.00200	-.01700	.00000	.11500	580.68000	2.73000	.02000	10.65000	.07000	7.93000
.598	2.670	.00000	-.02030	.00000	.11800	579.92000	2.73000	.02000	10.66000	.00000	7.94000
.599	3.470	.00200	-.01500	.00000	.11700	584.93000	2.73000	.02000	10.65000	.03000	7.94000
.598	4.480	.00000	-.02100	-.00200	.11700	581.92000	2.73000	.02000	10.66000	.03000	7.96000
.599	5.600	.00000	-.02000	-.00200	.12000	583.04000	2.72000	.02000	10.61000	.00000	7.92000
.599	6.850	-.00100	-.02100	-.00200	.11900	583.86000	2.72000	.02000	10.59000	.00000	7.91000
.601	8.100	-.00300	-.02300	-.00400	.11100	587.26000	2.71000	.02000	10.60000	.01000	7.93000
.600	9.350	-.00300	-.02300	-.00500	.11600	586.04000	2.71000	.02000	10.59000	.01000	7.93000
.601	10.680	.00000	-.02200	-.00600	.11600	585.58000	2.70000	.01000	10.57000	.00000	7.93000
.601	12.100	-.00300	-.02300	-.00500	.11400	585.85000	2.70000	.01000	10.59000	-.01000	7.96000
.599	13.510	-.00100	-.02000	-.00300	.11600	583.12000	2.70000	.01000	10.56000	.05000	7.93000
.600	14.930	.00000	-.01800	-.00100	.11500	585.17000	2.70000	.01000	10.56000	.04000	7.95000
.600	16.340	-.00500	-.02400	-.00500	.11300	585.02000	2.69000	.01000	10.51000	.06000	7.91000
.601	17.760	.00000	-.01800	-.00100	.11400	586.25000	2.69000	.01000	10.54000	.01000	7.95000
.597	19.180	-.00300	-.02400	-.00600	.11300	580.91000	2.69000	.01000	10.50000	.03000	7.93000
.600	20.600	-.00200	-.02100	-.00400	.11500	585.15000	2.68000	.01000	10.53000	.04000	7.96000
.600	22.000	-.00200	-.02200	-.00400	.11200	585.02000	2.68000	.01000	10.48000	.03000	7.93000
.597	23.420	-.00200	-.02200	-.00400	.11400	579.74000	2.68000	.00000	10.46000	.00000	7.91000
.599	24.840	-.00200	-.02100	-.00500	.11400	584.25000	2.68000	.00000	10.49000	.04000	7.95000
.598	26.250	.00100	-.01800	-.00200	.11500	582.69000	2.68000	.00000	10.45000	.00000	7.92000
.597	27.670	-.00300	-.02300	-.00500	.11400	580.90000	2.68000	.00000	10.43000	.00000	7.91000
.598	29.090	.00000	-.01700	-.00100	.11600	583.16000	2.68000	.00000	10.46000	.04000	7.95000
.600	30.500	.00000	-.01800	-.00100	.11500	585.48000	2.68000	.00000	10.44000	.04000	7.94000
.600	31.920	-.00200	-.01900	-.00500	.11100	585.81000	2.67000	.00000	10.42000	.02000	7.93000
.598	33.340	-.00100	-.02000	-.00700	.11400	582.60000	2.67000	.00000	10.40000	.00000	7.92000
.599	34.750	-.00300	-.02000	-.00800	.11100	584.79000	2.67000	.00000	10.39000	.00000	7.92000
.601	36.170	.00100	-.01800	-.00100	.11600	587.19000	2.68000	.00000	10.43000	.03000	7.96000
.602	37.590	-.00200	-.01900	-.00700	.11100	589.24000	2.68000	.00000	10.40000	.00000	7.94000
.600	39.000	-.00100	-.02200	-.00400	.11400	585.57000	2.68000	.00000	10.42000	.00000	7.97000
.602	40.420	-.00300	-.02100	-.00800	.11000	588.37000	2.67000	.00000	10.40000	.01000	7.96000
.598	41.830	-.00300	-.01900	-.00200	.11400	580.12000	2.68000	.00000	10.36000	-.01000	7.93000
.601	43.250	-.00300	-.01800	-.00300	.11100	586.39000	2.68000	.00000	10.36000	-.04000	7.93000
.603	44.670	.00000	-.01600	-.00400	.10900	591.70000	2.68000	.00000	10.37000	.03000	7.94000
.601	46.080	-.00100	-.02100	-.00700	.10900	587.67000	2.68000	.00000	10.36000	.02000	7.95000
.600	47.500	-.00700	-.02500	-.00800	.10900	586.03000	2.67000	.00000	10.33000	.00000	7.94000
.600	48.920	-.00700	-.02400	-.00800	.10800	587.04000	2.67000	.00000	10.32000	-.01000	7.93000
.599	50.340	-.00300	-.02200	-.00800	.10900	584.96000	2.68000	.00000	10.31000	.00000	7.92000
.599	51.750	-.00400	-.02200	-.00800	.10800	586.07000	2.68000	.00000	10.31000	.00000	7.94000
.597	53.170	-.00800	-.02500	-.00800	.10900	582.65000	2.67000	.00000	10.31000	.02000	7.94000
.596	54.580	-.00600	-.02100	-.00600	.11000	580.10000	2.67000	.00000	10.32000	.03000	7.96000
.598	56.000	-.00100	-.01700	-.00500	.11000	584.21000	2.68000	.00000	10.29000	.00000	7.94000

DATE 29 MAR 76

CA-26 FORCE SOURCE DATA TABULATION

PAGE 1228

LTV44-559(CA26) 747/1 ATY 02'S1 (CARRIER DATA)

(ZF047) (24 MAR 76)

REFERENCE DATA

SREF =	5500.0000 SQ.FT.	XMRP =	1339.9000 IN. XC
LREF =	327.7800 IN.	YMRP =	.0000 IN. YC
BREF =	2348.0400 IN.	ZMRP =	190.7500 IN. ZC
SCALE =	.0125		

PARAMETRIC DATA

ALPHAC =	2.000	BETAC =	.000
STAB =	5.000	ELEVON =	5.000
BDFLAP =	.000	DX =	.000
DY =	.000	IORB =	8.000
BETAO =	.000	RUDDER =	.000

RUN NO. 40/ 0 RN/L = .00 GRADIENT INTERVAL = -5.00/ 5.00

MACH	DZ	CPC	CPSB1	CPSB2	CPSB3	Q(PSF)	ALPHAC	BETAC	ALPHAO	BETAO	INCIC
.598	57.410	-.00600	-.02400	-.00900	.10700	585.57000	2.68000	.00000	10.31000	.03000	7.97000
	GRADIENT	-.00005	.00011	-.00035	.00025	.42531	-.00244	-.00000	-.01682	-.00218	-.00594

REFERENCE DATA

SREF = 5500.0000 SQ.FT. XMRP = 1339.9000 IN. XC
 LREF = 327.7800 IN. YMRP = .0000 IN. YC
 BREF = 2348.0400 IN. ZMRP = 190.7500 IN. ZC
 SCALE = .0125

PARAMETRIC DATA

ALPHAC = 2.000 BETAC = .000
 STAB = 5.000 ELEVON = 5.000
 BDFLAP = .000 OX = .000
 DY = .000 TORB = 4.000
 BETAO = 5.000 RUDDER = .000

RUN NO. 41/ 0 RN/L = .00 GRADIENT INTERVAL = -5.00/ 5.00

MACH	DZ	CPCC	CPSB1	CPSB2	CPSB3	Q(PSF)	ALPHAC	BETAC	ALPHA0	BETA0	INCID
.600	1.760	-.01300	-.02200	-.02200	.11400	582.30000	2.65000	.03000	6.58000	4.91000	3.94000
.598	2.360	-.01200	-.02600	-.02000	.11300	581.52000	2.65000	.03000	6.58000	4.92000	3.94000
.602	2.970	-.01000	-.02200	-.02000	.11200	585.32000	2.65000	.03000	6.59000	4.91000	3.95000
.601	3.760	-.01300	-.02400	-.02100	.11000	582.73000	2.65000	.03000	6.56000	4.92000	3.92000
.601	4.560	-.01300	-.02200	-.02100	.11100	583.69000	2.66000	.03000	6.57000	4.96000	3.94000
.604	5.960	-.00800	-.02400	-.01800	.10900	587.60000	2.65000	.03000	6.60000	4.92000	3.96000
.603	7.970	-.00900	-.01900	-.02100	.11500	586.71000	2.65000	.03000	6.56000	4.93000	3.95000
.601	9.960	-.01300	-.02300	-.02100	.11000	584.97000	2.65000	.03000	6.56000	4.91000	3.96000
.601	10.960	-.01200	-.02200	-.02000	.10900	584.62000	2.65000	.03000	6.54000	4.92000	3.95000
.602	11.960	-.00600	-.02000	-.01900	.11700	586.61000	2.66000	.03000	6.54000	4.93000	3.95000
.603	12.950	-.00800	-.02200	-.01800	.11100	587.77000	2.66000	.03000	6.55000	4.91000	3.97000
.602	13.940	-.00700	-.01900	-.01800	.11300	585.93000	2.65000	.03000	6.52000	4.95000	3.95000
.601	14.940	-.01100	-.02000	-.01900	.10900	583.40000	2.65000	.02000	6.53000	4.93000	3.96000
.603	15.930	-.00700	-.01900	-.01700	.11200	587.63000	2.66000	.02000	6.52000	4.93000	3.95000
.603	16.930	-.00700	-.02100	-.01600	.10900	588.17000	2.66000	.02000	6.52000	4.92000	3.95000
.602	17.930	-.00900	-.02100	-.01800	.11000	586.41000	2.65000	.02000	6.51000	4.92000	3.96000
.604	18.920	-.00700	-.01600	-.01600	.11100	589.48000	2.65000	.02000	6.51000	4.92000	3.96000
.601	19.910	-.01200	-.02100	-.01900	.10700	585.64000	2.65000	.01000	6.50000	4.92000	3.96000
.601	20.910	-.01400	-.02300	-.01900	.10800	583.81000	2.66000	.01000	6.50000	4.90000	3.96000
.602	21.900	-.00700	-.01800	-.01700	.10700	585.00000	2.65000	.00000	6.49000	4.91000	3.96000
.604	22.890	-.00800	-.02000	-.01600	.11100	587.11000	2.65000	.00000	6.48000	4.89000	3.96000
.605	23.890	-.00600	-.01900	-.01400	.11100	590.17000	2.65000	.00000	6.48000	4.88000	3.96000
.603	24.890	-.01000	-.02200	-.01300	.10800	588.10000	2.66000	.00000	6.47000	4.89000	3.95000
.603	25.880	-.01100	-.02200	-.01500	.10300	588.17000	2.66000	.00000	6.47000	4.89000	3.95000
.602	26.870	-.01100	-.02000	-.01700	.10500	585.72000	2.66000	.00000	6.48000	4.87000	3.98000
.604	27.870	-.01000	-.02200	-.01500	.10500	588.73000	2.67000	.00000	6.46000	4.90000	3.95000
.602	28.860	-.01200	-.01900	-.01800	.10500	586.19000	2.66000	.00000	6.44000	4.88000	3.95000
.604	29.860	-.00700	-.02100	-.01400	.10600	589.87000	2.66000	.00000	6.48000	4.88000	3.99000
.603	30.860	-.00900	-.02100	-.01400	.10200	588.72000	2.66000	.00000	6.46000	4.88000	3.98000
.602	31.850	-.00800	-.01900	-.01700	.10600	586.48000	2.66000	.00000	6.45000	4.88000	3.97000
.604	32.840	-.00500	-.01900	-.01300	.10600	590.42000	2.66000	.00000	6.45000	4.89000	3.97000
.604	33.840	-.00600	-.01900	-.01200	.10700	590.67000	2.67000	.00000	6.45000	4.87000	3.98000
.599	34.830	-.01300	-.02100	-.01700	.10000	583.63000	2.67000	.00000	6.42000	4.87000	3.96000
.599	35.830	-.01300	-.02200	-.01500	.09800	581.26000	2.66000	.00000	6.41000	4.87000	3.95000
.601	36.830	-.01000	-.02000	-.01600	.10200	584.56000	2.66000	.00000	6.40000	4.87000	3.95000
.602	37.820	-.00900	-.01900	-.01500	.10400	585.46000	2.66000	.00000	6.40000	4.87000	3.95000
.600	38.820	-.01200	-.02000	-.01700	.09700	581.71000	2.66000	.00000	6.39000	4.86000	3.95000
.601	39.810	-.01300	-.02100	-.01800	.10100	583.75000	2.67000	.00000	6.39000	4.88000	3.95000
.603	40.800	-.01300	-.02300	-.01500	.10000	587.44000	2.67000	.00000	6.41000	4.89000	3.98000
.604	41.800	-.01200	-.02300	-.01400	.10000	587.92000	2.67000	.00000	6.38000	4.88000	3.96000
.604	42.800	-.00900	-.02200	-.01500	.10400	587.93000	2.67000	.00000	6.35000	4.88000	3.94000
.605	43.790	-.00800	-.02200	-.01400	.10300	590.58000	2.67000	.00000	6.39000	4.89000	3.97000

ORIGINAL PAGE IS
 OF POOR QUALITY

LTV44-559(CA26) 747/1 ATY 02 S1 (CARRIER DATA)

(ZFE048) (24 MAR 76)

REFERENCE DATA

SREF = 5500.0000 SQ.FT. XMRP = 1339.9000 IN. XC
 LREF = 327.7800 IN. YMRP = .0000 IN. YC
 BREF = 2348.0400 IN. ZMRP = 190.7500 IN. ZC
 SCALE = .0125

PARAMETRIC DATA

ALPHAC = 2.000 BETAC = .000
 STAB = 5.000 ELEVON = 5.000
 BDFLAP = .000 OX = .000
 DY = .000 IORB = 4.000
 BETAO = 5.000 RUDDER = .000

RUN NO. 41/ 0 RN/L = .00 GRADIENT INTERVAL = -5.00/ 5.00

MACH	DZ	CPC	CPSB1	CPSB2	CPSB3	Q(PSF)	ALPHAC	BETAC	ALPHA0	BETA0	INCID
.603	44.790	-.00800	-.02000	-.01300	.10400	588.91000	2.67000	.00000	6.36000	4.87000	3.95000
	GRADIENT	-.00021	.00031	.00010	-.00126	.52196	.00300	.00000	-.00598	.01491	-.00298

LTV44-559(CA26) 747/1 ATY 02 S1 (CARRIER DATA)

(ZFE049) (24 MAR 76)

REFERENCE DATA

SREF = 5500.0000 SQ.FT. XMRP = 1339.9000 IN. XC
 LREF = 327.7800 IN. YMRP = .0000 IN. YC
 BREF = 2348.0400 IN. ZMRP = 190.7500 IN. ZC
 SCALE = .0125

PARAMETRIC DATA

ALPHAC = 2.000 BETAC = .000
 STAB = 5.000 ELEVON = 5.000
 BOFLAP = .000 DX = .000
 DY = .000 IORB = 6.000
 BETAO = 5.000 RUDDER = .000

RUN NO. 1041/ 0 RN/L = .00 GRADIENT INTERVAL = -5.00/ 5.00											
MACH	DZ	CPC	CPSB1	CPSB2	CPSB3	Q(PSF)	ALPHAC	BETAC	ALPHAO	BETAO	INCIO
.602	1.470	-.00500	-.01700	-.01100	.11600	582.51000	2.69000	.03000	8.65000	4.92000	5.96000
.604	1.770	-.00100	-.01700	-.01100	.11700	586.86000	2.69000	.03000	8.65000	4.94000	5.96000
.602	2.370	-.00100	-.01900	-.01300	.11600	583.86000	2.69000	.03000	8.64000	4.95000	5.96000
.601	2.970	-.00700	-.02000	-.01500	.11100	581.87000	2.69000	.03000	8.61000	4.93000	5.93000
.602	3.770	-.00700	-.02000	-.01500	.11600	583.24000	2.69000	.04000	8.60000	4.93000	5.93000
.601	4.570	-.00400	-.02000	-.01400	.11600	581.35000	2.69000	.04000	8.63000	4.92000	5.96000
.601	5.970	-.00800	-.02000	-.01400	.10900	580.53000	2.67000	.04000	8.59000	4.92000	5.94000
.602	7.970	-.00300	-.01800	-.01400	.11400	582.84000	2.67000	.04000	8.58000	4.92000	5.95000
.604	9.960	-.00200	-.01800	-.01200	.11400	586.65000	2.68000	.04000	8.58000	4.93000	5.96000
.604	11.240	-.00400	-.02000	-.01100	.11200	586.31000	2.68000	.03000	8.55000	4.93000	5.93000
.603	12.520	-.00200	-.01800	-.01000	.11300	585.57000	2.67000	.03000	8.55000	4.92000	5.95000
.603	13.800	-.00700	-.01700	-.01200	.10900	584.21000	2.66000	.03000	8.54000	4.93000	5.96000
.601	15.080	-.00700	-.01900	-.01400	.10600	581.34000	2.67000	.03000	8.53000	4.93000	5.95000
.601	16.350	-.00400	-.02000	-.01100	.10600	580.86000	2.67000	.03000	8.53000	4.90000	5.95000
.599	17.630	-.00800	-.02000	-.01400	.10700	579.14000	2.67000	.02000	8.48000	4.92000	5.91000
.602	18.900	-.00600	-.01700	-.01100	.10700	584.53000	2.67000	.02000	8.50000	4.92000	5.94000
.600	20.180	-.00800	-.02000	-.01600	.10600	581.12000	2.67000	.01000	8.49000	4.90000	5.94000
.601	21.460	-.00600	-.01800	-.01400	.10800	582.69000	2.67000	.01000	8.48000	4.89000	5.93000
.603	22.730	-.00700	-.01900	-.01000	.10700	586.08000	2.67000	.00000	8.47000	4.90000	5.93000
.603	24.000	-.00700	-.01900	-.01100	.10500	587.43000	2.67000	.00000	8.49000	4.89000	5.96000
.602	25.280	-.00700	-.01800	-.01500	.10600	585.05000	2.67000	.00000	8.47000	4.87000	5.95000
.601	26.560	-.01000	-.02100	-.01500	.10500	584.44000	2.66000	.00000	8.45000	4.88000	5.93000
.604	27.840	-.00500	-.01800	-.01000	.10900	588.13000	2.67000	.00000	8.45000	4.89000	5.95000
.604	29.110	-.00800	-.01800	-.01000	.10700	588.06000	2.67000	.00000	8.45000	4.89000	5.95000
.602	30.390	-.00400	-.01800	-.01100	.10700	584.66000	2.67000	.00000	8.43000	4.86000	5.94000
.604	31.660	-.00600	-.02000	-.01000	.10300	588.06000	2.67000	.00000	8.45000	4.89000	5.97000
.602	32.940	-.00600	-.01800	-.01300	.10600	584.92000	2.67000	.00000	8.46000	4.87000	5.98000
.602	34.220	-.00800	-.01800	-.01100	.10200	585.25000	2.67000	.00000	8.41000	4.89000	5.94000
.600	35.490	-.01000	-.02100	-.01300	.10300	580.96000	2.67000	.00000	8.40000	4.88000	5.94000
.600	36.770	-.00600	-.01800	-.01400	.10500	581.98000	2.67000	.00000	8.42000	4.86000	5.97000
.602	38.050	-.00500	-.01800	-.01000	.10200	584.65000	2.67000	.00000	8.42000	4.87000	5.96000
.600	39.330	-.00700	-.01800	-.01500	.10300	582.06000	2.67000	.00000	8.39000	4.87000	5.95000
.601	40.600	-.01000	-.01900	-.01300	.10000	582.47000	2.67000	.00000	8.37000	4.86000	5.94000
.601	41.880	-.01000	-.01900	-.01200	.09900	583.62000	2.67000	.00000	8.38000	4.87000	5.95000
.631	43.150	-.00500	-.01800	-.01200	.10500	584.23000	2.67000	.00000	8.37000	4.87000	5.95000
.603	44.430	-.00700	-.02000	-.01100	.10500	587.50000	2.67000	.00000	8.37000	4.88000	5.96000
.602	45.710	-.00600	-.01900	-.01300	.10600	585.74000	2.67000	.00000	8.36000	4.89000	5.95000
.605	46.980	-.00600	-.01900	-.01000	.10200	589.90000	2.67000	.00000	8.35000	4.89000	5.95000
.604	48.260	-.00800	-.02000	-.01100	.10200	588.40000	2.67000	.00000	8.33000	4.87000	5.94000
.601	49.540	-.01100	-.01900	-.01500	.10000	584.09000	2.67000	.00000	8.36000	4.87000	5.93000
.602	50.820	-.01000	-.02000	-.01200	.09900	586.41000	2.67000	.00000	8.31000	4.88000	5.98000
GRADIENT		-.00091	-.00108	-.00123	-.00025	-.78109	.00000	.00379	-.01131	-.00330	-.00464

LTV44-559(CA26) 747/1 ATY 02 S1 (CARRIER DATA)

(ZFE050) (24 MAR 76)

REFERENCE DATA

SREF = 5500.0000 SQ.FT. XMRP = 1339.9000 IN. XC
 LREF = 327.7800 IN. YMRP = .0000 IN. YC
 BREF = 2348.0400 IN. ZMRP = 190.7500 IN. ZC
 SCALE = .0125

PARAMETRIC DATA

ALPHAC = 2.000 BETAC = .000
 STAB = 5.000 ELEVON = 5.000
 BDFLAP = .000 DX = .000
 DY = .000 YORB = 8.000
 BETAO = 5.000 RUDDER = .000

RUN NO. 1040/ 0 RN/L = .00 GRADIENT INTERVAL = -5.00/ 5.00

MACH	DZ	CPCC	CPSB1	CPSB2	CPSB3	Q(PSF)	ALPHAC	BETAC	ALPHAQ	BETAQ	INCID
.599	1.770	.00200	-.01900	.00000	.11700	582.85000	2.74000	.03000	10.67000	4.93000	7.94000
.599	2.370	.00300	-.01800	.00200	.11900	582.73000	2.74000	.03000	10.66000	4.87000	7.93000
.600	2.970	.00500	-.01500	.00300	.11800	584.02000	2.73000	.03000	10.63000	4.89000	7.91000
.599	3.980	.00200	-.02000	.00000	.11900	581.97000	2.73000	.03000	10.66000	4.90000	7.95000
.599	4.980	.00100	-.02100	.00000	.11900	582.31000	2.73000	.03000	10.66000	4.91000	7.96000
.601	6.640	.00600	-.01500	.00200	.11700	587.08000	2.73000	.03000	10.62000	4.90000	7.92000
.602	8.310	.00400	-.01600	.00000	.11600	587.90000	2.72000	.03000	10.63000	4.91000	7.95000
.603	9.980	.00300	-.01800	-.00200	.11600	588.86000	2.71000	.03000	10.61000	4.93000	7.95000
.602	11.210	.00300	-.01900	-.00300	.11200	588.78000	2.71000	.03000	10.59000	4.93000	7.94000
.600	12.450	.00200	-.01800	.00100	.12000	585.02000	2.71000	.03000	10.60000	4.85000	7.96000
.599	13.680	.00000	-.02200	-.00300	.11700	584.80000	2.70000	.03000	10.58000	4.90000	7.96000
.599	14.910	.00000	-.02200	-.00200	.11700	583.45000	2.70000	.03000	10.58000	4.88000	7.97000
.599	16.150	.00400	-.01500	.00500	.11700	583.80000	2.70000	.03000	10.55000	4.89000	7.94000
.598	17.390	.00100	-.01800	.00000	.11700	581.40000	2.69000	.03000	10.54000	4.88000	7.95000
.598	18.620	-.00100	-.02300	-.00400	.11100	581.54000	2.69000	.03000	10.54000	4.87000	7.96000
.599	19.850	.00200	-.01700	.00000	.11700	583.73000	2.69000	.03000	10.50000	4.91000	7.93000
.601	21.090	.00200	-.01600	-.00300	.11300	586.73000	2.69000	.03000	10.53000	4.97000	7.96000
.600	22.320	.00200	-.01600	.00000	.11500	584.70000	2.69000	.02000	10.49000	4.90000	7.93000
.598	23.550	.00100	-.02000	.00000	.11700	580.53000	2.68000	.02000	10.47000	4.85000	7.93000
.601	24.790	.00100	-.01700	.00000	.11400	585.25000	2.68000	.02000	10.50000	4.93000	7.96000
.600	26.030	.00100	-.01700	.00200	.11400	584.30000	2.68000	.02000	10.49000	4.94000	7.96000
.601	27.260	.00100	-.01900	.00000	.11500	584.65000	2.68000	.01000	10.46000	4.87000	7.94000
.601	28.490	.00100	-.01700	.00200	.11500	584.99000	2.67000	.01000	10.43000	4.91000	7.92000
.601	29.730	.00000	-.02200	-.00700	.11200	584.24000	2.68000	.00000	10.45000	4.85000	7.94000
.600	30.970	.00000	-.02000	.00000	.11500	583.90000	2.68000	.00000	10.43000	4.86000	7.93000
.602	32.200	.00300	-.01700	-.00300	.11100	587.96000	2.68000	.00000	10.46000	4.85000	7.97000
.601	33.430	.00000	-.01700	.00000	.11100	586.12000	2.68000	.00000	10.43000	4.89000	7.93000
.601	34.670	.00000	-.01700	-.00200	.11000	585.12000	2.67000	.00000	10.44000	4.87000	7.96000
.599	35.900	.00000	-.01800	.00000	.11200	580.63000	2.68000	.00000	10.41000	4.88000	7.94000
.600	37.140	.00100	-.02000	-.00400	.10900	583.97000	2.68000	.00000	10.43000	4.86000	7.96000
.599	38.380	.00000	-.01900	.00000	.11400	581.64000	2.67000	.00000	10.41000	4.88000	7.95000
.600	39.610	.00000	-.01800	.00000	.11300	583.34000	2.68000	.00000	10.41000	4.90000	7.95000
.601	40.840	.00100	-.01900	-.00400	.11000	585.92000	2.67000	.00000	10.40000	4.81000	7.96000
.600	42.080	.00000	-.01600	.00000	.11000	583.67000	2.67000	.00000	10.37000	4.89000	7.94000
.599	43.320	.00000	-.02200	-.00300	.11100	582.51000	2.68000	.00000	10.38000	4.85000	7.95000
.599	44.550	.00000	-.02100	-.00300	.11800	582.45000	2.67000	.00000	10.38000	4.86000	7.96000
.599	45.780	.00000	-.02000	-.00400	.11300	582.39000	2.67000	.00000	10.34000	4.86000	7.93000
.600	47.020	.00000	-.01800	.00000	.11200	583.21000	2.68000	.00000	10.35000	4.87000	7.95000
.601	48.260	.00000	-.02000	-.00600	.10800	586.06000	2.67000	.00000	10.36000	4.81000	7.97000
.600	49.490	.00000	-.02200	-.00600	.11200	583.81000	2.67000	.00000	10.32000	4.85000	7.94000
.601	50.730	.00000	-.01600	-.00100	.10900	586.13000	2.68000	.00000	10.34000	4.87000	7.96000
.601	51.960	.00000	-.01700	-.00200	.10800	587.08000	2.68000	.00000	10.34000	4.83000	7.96000

DATE 29 MAR 76

CA-26 FORCE SOURCE DATA TABULATION

PAGE 1233

LTV44-559(CA26) 747/1 ATY 02 S1 (CARRIER DATA)

(ZFE050) (24 MAR 76)

REFERENCE DATA

SREF = 5500.0000 SQ.FT. XMRP = 1339.9000 IN. XC
 LREF = 327.7800 IN. YMRP = .0000 IN. YC
 BREF = 2348.0400 IN. ZMRP = 190.7500 IN. ZC
 SCALE = .0125

PARAMETRIC DATA

ALPHAC = 2.000 BETAC = .000
 STAB = 5.000 ELEVON = 5.000
 BDFLAP = .000 DX = .000
 DY = .000 IORB = 8.000
 BETAO = 5.000 RUDDER = .000

RUN NO. 1040/ 0 RN/L = .00 GRADIENT INTERVAL = -5.00/ 5.00

MACH	DZ	CPCC	CPSB1	CPSB2	CPSB3	Q(PSF)	ALPHAC	BETAC	ALPHAO	BETAO	INCID
.600	53.190	.00000	-.02000	-.00100	.11100	583.47000	2.68000	.00000	10.31000	4.90000	7.94000
.599	54.430	-.00100	-.02200	-.00500	.11000	582.85000	2.67000	.00000	10.31000	4.84000	7.95000
.600	55.670	-.00100	-.02100	-.00300	.11000	583.47000	2.68000	.00000	10.33000	4.88000	7.97000
.601	56.900	.00000	-.01700	-.00200	.10900	586.06000	2.68000	.00000	10.31000	4.82000	7.97000
.600	58.140	.00000	-.01900	-.00400	.10700	585.58000	2.68000	.00000	10.27000	4.81000	7.93000
	GRADIENT	-.00051	-.00093	-.00037	.00048	-.27612	-.00349	.00000	-.00108	.00032	.00895

LTV44-559(CA26) 747/1 ATX 02 S1 (CARRIER DATA)

(ZFE051) (24 MAR 76)

REFERENCE DATA

SREF * 5500.0000 SQ.FT. XMRP = 1339.9000 IN. XC
 LREF * 327.7800 IN. YMRP = .0000 IN. YC
 BREF * 2348.0400 IN. ZMRP = 190.7500 IN. ZC
 SCALE = .0125

PARAMETRIC DATA

ALPHAC = 2.000 BETAC = .000
 STAB = 5.000 ELEVON = 5.000
 DOFLAP = .000 DX = .000
 DY = .000 TORB = 4.000
 BETAO = .000 RUDDER = .000

RUN NO. 45/ 0' RN/L = .00 GRADIENT INTERVAL = -5.00/ 5.00

MACH	DZ	CPCC	CPSB1	CPSB2	CPSB3	Q(PSF)	ALPHAC	BETAC	ALPHAO	BETAO	INCID
.605	1.760	-.01000	-.02100	-.01900	.11000	592.98000	2.65000	.01000	6.59000	.03000	3.95000
.603	2.360	-.00700	-.01800	-.01600	.11300	588.91000	2.65000	.01000	6.58000	.06000	3.94000
.604	2.970	-.01100	-.02300	-.02000	.11200	590.95000	2.65000	.01000	6.60000	.04000	3.95000
.603	3.760	-.00700	-.01700	-.01600	.11500	588.84000	2.65000	.01000	6.58000	.01000	3.94000
.604	4.560	-.00600	-.02100	-.02000	.11200	590.73000	2.65000	.01000	6.58000	.03000	3.95000
.602	5.960	-.00900	-.02400	-.01900	.11000	587.06000	2.65000	.01000	6.56000	.02000	3.94000
.602	7.970	-.00800	-.02100	-.01600	.11500	586.74000	2.65000	.01000	6.55000	.02000	3.94000
.605	9.980	-.00700	-.02100	-.01600	.11100	592.06000	2.65000	.00000	6.55000	.08000	3.95000
.603	10.960	-.00700	-.02100	-.01800	.10900	587.97000	2.66000	.00000	6.53000	.08000	3.93000
.603	11.960	-.00900	-.02000	-.01900	.10700	588.31000	2.65000	.00000	6.53000	.05000	3.95000
.606	12.950	-.00900	-.01700	-.01500	.10800	593.15000	2.65000	.00000	6.55000	.02000	3.98000
.606	13.940	-.00700	-.01500	-.01400	.10700	592.13000	2.65000	.00000	6.54000	.03000	3.97000
.603	14.940	-.00800	-.01700	-.01700	.10700	587.71000	2.65000	.00000	6.53000	.05000	3.95000
.605	15.930	-.00400	-.01700	-.01200	.11000	590.85000	2.65000	.00000	6.50000	.06000	3.94000
.605	16.930	-.00400	-.01800	-.01300	.11200	590.98000	2.65000	.00000	6.52000	.05000	3.96000
.604	17.930	-.00600	-.01700	-.01500	.11100	590.02000	2.65000	.00000	6.51000	.06000	3.96000
.606	18.920	-.00600	-.01600	-.01300	.11100	592.88000	2.65000	.00000	6.47000	.02000	3.93000
.605	19.910	-.00400	-.01900	-.01300	.10700	591.58000	2.66000	.00000	6.50000	.05000	3.96000
.607	20.910	-.00700	-.01500	-.01300	.11000	595.05000	2.65000	.00000	6.49000	.05000	3.96000
.605	21.900	-.00500	-.01600	-.01300	.10900	591.51000	2.66000	.00000	6.48000	.04000	3.94000
.603	22.890	-.00700	-.01900	-.01300	.10700	587.42000	2.65000	.00000	6.46000	.01000	3.94000
.605	23.890	-.00300	-.01600	-.01200	.10900	591.84000	2.65000	.00000	6.48000	.07000	3.96000
.606	24.890	-.00700	-.01700	-.01000	.10700	593.14000	2.65000	.00000	6.43000	.02000	3.93000
.607	25.880	-.00800	-.01600	-.01300	.10300	596.32000	2.65000	.00000	6.43000	.05000	3.92000
.604	26.870	-.00800	-.01700	-.01500	.10300	591.22000	2.65000	.00000	6.45000	.07000	3.96000
.603	27.870	-.00700	-.01800	-.01700	.10500	589.37000	2.65000	.00000	6.42000	.02000	3.93000
.604	28.860	-.00900	-.02100	-.01400	.10500	590.26000	2.65000	.00000	6.43000	.04000	3.95000
.605	29.860	-.00600	-.01400	-.00900	.10900	593.39000	2.65000	.00000	6.44000	.07000	3.96000
.605	30.860	-.00500	-.01400	-.01100	.10500	593.26000	2.65000	.00000	6.41000	.05000	3.94000
.604	31.850	-.00500	-.01600	-.01000	.10400	590.35000	2.65000	.00000	6.42000	.06000	3.95000
.604	32.840	-.00600	-.01600	-.01100	.10200	589.20000	2.65000	.00000	6.41000	.05000	3.94000
.605	33.840	-.00900	-.02000	-.01400	.10300	591.92000	2.65000	.00000	6.38000	.04000	3.93000
.604	34.830	-.01000	-.01900	-.01400	.10500	590.07000	2.65000	.00000	6.38000	.04000	3.93000
.606	35.830	-.01000	-.01800	-.01300	.10100	594.15000	2.65000	.00000	6.39000	.06000	3.94000
.604	36.830	-.00900	-.01900	-.01300	.10300	590.49000	2.65000	.00000	6.40000	.04000	3.95000
.604	37.820	-.01000	-.01900	-.01300	.10300	589.81000	2.65000	.00000	6.38000	.05000	3.95000
.604	38.820	-.00500	-.01700	-.01100	.10400	588.73000	2.65000	.00000	6.37000	.06000	3.94000
.604	39.810	-.00800	-.01800	-.01300	.10300	588.67000	2.66000	.00000	6.35000	.01000	3.93000
.604	40.800	-.00800	-.01700	-.01300	.10200	589.54000	2.66000	.00000	6.36000	.03000	3.94000
.604	41.800	-.00700	-.01600	-.01200	.10200	589.91000	2.66000	.00000	6.38000	.08000	3.96000
.606	42.800	-.00500	-.01800	-.00900	.10100	593.50000	2.66000	.00000	6.34000	.00000	3.93000
.605	43.790	-.00700	-.01900	-.01100	.10000	592.11000	2.66000	.00000	6.36000	.05000	3.96000

DATE 29 MAR 76

CA-26 FORCE SOURCE DATA TABULATION

PAGE 1235

LTV44-559(CA26) 747/1 ATX 02 S1 (CARRIER DATA)

(ZFE051) (24 MAR 76)

REFERENCE DATA

SREF = 5500.0000 SQ.FT.	XMRP = 1339.9000 IN. XC
LREF = 327.7800 IN.	YMRP = .0000 IN. YC
BREF = 2348.0400 IN.	ZMRP = 190.7500 IN. ZC
SCALE = .0125	

PARAMETRIC DATA

ALPHAC = 2.000	BETAC = .000
STAB = 5.000	ELEVON = 5.000
BDFLAP = .000	DX = .000
DY = .000	10RB = 4.000
BETA0 = .000	RUDDER = .000

RUN NO. 45/ 0 RN/L = .00 GRADIENT INTERVAL = -5.00/ 5.00

MACH	DZ	CPCC	CPSB1	CPSB2	CPSB3	Q(PSF)	ALPHAC	BETAC	ALPHA0	BETA0	INCID
.605	44.790	-.00800	-.01700	-.01300	.10300	591.57000	2.66000	.00000	6.36000	-.01000	3.96000
	GRADIENT	.00120	.00016	-.00030	.00080	-.60225	.00000	.00000	-.00314	-.00738	-.00014

ORIGINAL PAGE IS
OF POOR QUALITY

LTV44-559(CA26) 747/1 ATX 02 S1 (CARRIER DATA)

(ZFE052) (24 MAR 76)

REFERENCE DATA

SREF = 5500.0000 SQ.FT. XMRP = 1339.9000 IN. XC
 LREF = 327.7800 IN. YMRP = .0000 IN. YC
 BREF = 2348.0400 IN. ZMRP = 190.7500 IN. ZC
 SCALE = .0125

PARAMETRIC DATA

ALPHAC = 2.000 BETAC = .000
 STAB = 5.000 ELEVON = 5.000
 BDFLAP = .000 DX = .000
 DY = .000 IORB = 6.000
 BETAO = .000 RUDDER = .000

RUN NO. 1045/ 0 RN/L = .00 GRADIENT INTERVAL = -5.00/ 5.00

MACH	DZ	CPCC	CPSB1	CPSB2	CPSB3	Q(PSSF)	ALPHAC	BETAC	ALPHAO	BETAO	INCID
.604	1.470	-.00400	-.01900	-.01200	.10900	587.26000	2.69000	.01000	8.62000	.03000	5.94000
.602	1.770	-.00200	-.01600	-.01200	.11000	584.98000	2.69000	.01000	8.64000	.06000	5.96000
.602	2.370	-.00500	-.02000	-.01300	.11100	584.71000	2.69000	.01000	8.61000	.03000	5.93000
.602	2.970	-.00400	-.02000	-.01300	.11200	584.38000	2.69000	.01000	8.61000	.02000	5.93000
.603	3.770	-.00300	-.01700	-.01200	.11100	587.31000	2.68000	.01000	8.60000	.04000	5.93000
.603	4.570	-.00300	-.01800	-.01300	.11000	585.54000	2.68000	.01000	8.62000	.06000	5.96000
.602	5.970	-.00300	-.01900	-.01200	.11200	585.27000	2.67000	.01000	8.56000	.04000	5.92000
.604	7.970	-.00200	-.01700	-.00800	.11400	587.58000	2.67000	.01000	8.57000	.04000	5.94000
.606	9.960	-.00300	-.01700	-.01100	.11000	593.56000	2.67000	.00000	8.53000	.04000	5.91000
.606	11.240	-.00600	-.01700	-.01300	.10700	591.61000	2.67000	.00000	8.55000	.05000	5.94000
.605	12.520	-.00200	-.01700	-.01200	.11000	589.71000	2.66000	.00000	8.53000	.07000	5.94000
.602	13.800	-.00400	-.01800	-.01300	.10900	583.38000	2.66000	.00000	8.53000	.04000	5.94000
.604	15.080	-.00200	-.01700	-.00500	.11100	585.50000	2.66000	.00000	8.49000	.04000	5.92000
.601	16.350	-.00500	-.01800	-.01300	.10700	580.73000	2.66000	.00000	8.49000	.04000	5.92000
.603	17.630	-.00700	-.01800	-.01100	.10300	584.75000	2.66000	.00000	8.49000	.05000	5.93000
.605	18.900	-.00500	-.01700	-.00900	.10400	588.82000	2.66000	.00000	8.49000	.03000	5.93000
.602	20.180	-.00700	-.01700	-.01200	.10500	584.98000	2.66000	.00000	8.47000	.03000	5.93000
.603	21.460	-.00500	-.01800	-.00800	.10600	588.45000	2.66000	.00000	8.47000	.04000	5.93000
.603	22.730	-.00500	-.01700	-.00700	.10600	587.76000	2.66000	.00000	8.44000	.04000	5.91000
.602	24.000	-.00600	-.01600	-.01100	.10600	586.05000	2.66000	.00000	8.47000	.04000	5.95000
.602	25.280	-.00600	-.01600	-.00900	.10500	586.54000	2.66000	.00000	8.46000	.03000	5.95000
.605	26.560	-.00200	-.01500	-.00800	.10700	589.96000	2.66000	.00000	8.43000	.03000	5.93000
.604	27.840	-.00200	-.01400	-.00900	.10300	588.94000	2.66000	.00000	8.43000	.04000	5.93000
.605	29.110	-.00300	-.01500	-.00700	.10300	590.16000	2.66000	.00000	8.43000	.03000	5.94000
.601	30.390	-.00900	-.01700	-.01100	.10200	584.56000	2.66000	.00000	8.42000	.02000	5.93000
.606	31.660	-.00200	-.01600	-.00800	.10400	593.28000	2.66000	.00000	8.43000	.03000	5.95000
.604	32.940	-.00700	-.01600	-.01100	.10300	588.52000	2.66000	.00000	8.39000	.02000	5.92000
.604	34.220	-.00300	-.01300	-.00900	.10700	587.98000	2.66000	.00000	8.38000	.01000	5.92000
.602	35.490	-.00700	-.01600	-.01000	.10300	586.81000	2.66000	.00000	8.38000	.02000	5.93000
.604	36.770	-.00300	-.01600	-.00700	.10600	589.82000	2.66000	.00000	8.40000	.02000	5.96000
.602	38.050	-.00700	-.01700	-.01100	.10300	585.52000	2.65000	.00000	8.37000	.02000	5.93000
.604	39.330	-.00500	-.01800	-.00900	.10200	588.45000	2.66000	.00000	8.36000	.02000	5.93000
.602	40.600	-.00600	-.01400	-.01200	.10300	586.40000	2.66000	.00000	8.38000	.02000	5.95000
.601	41.880	-.00400	-.01400	-.00800	.10600	584.62000	2.66000	.00000	8.37000	.01000	5.95000
.602	43.150	-.00600	-.01500	-.01000	.10500	587.48000	2.66000	.00000	8.36000	.02000	5.95000
.601	44.430	-.00700	-.01800	-.00900	.10000	585.70000	2.66000	.00000	8.31000	.04000	5.90000
.604	45.710	-.00400	-.01700	-.00900	.10400	590.14000	2.66000	.00000	8.33000	.02000	5.93000
.603	46.980	-.00600	-.01600	-.00900	.10300	587.57000	2.66000	.00000	8.35000	.03000	5.96000
.605	48.260	-.00400	-.01200	-.00800	.10500	590.10000	2.66000	.00000	8.31000	.01000	5.93000
.603	49.540	-.00700	-.01900	-.01100	.10000	587.64000	2.66000	.00000	8.29000	.03000	5.92000
.605	50.820	-.00500	-.01400	-.01000	.10300	591.39000	2.66000	.00000	8.31000	.01000	5.94000
	GRADIENT	.00015	.00011	-.00020	.00049	.02068	-.00379	.00000	-.00520	.00408	.00105

DATE 29 MAR 76

CA-26 FORCE SOURCE DATA TABULATION

PAGE 1237

LTV44-559(CA26) 747/1 ATY 02 S1 (CARRIER DATA)

(ZFE053) (24 MAR 76)

REFERENCE DATA

SREF = 5500.0000 SQ.FT. XMRP = 1339.9000 IN. XC
 LREF = 327.7800 IN. YMRP = .0000 IN. YC
 BREF = 2348.0400 IN. ZMRP = 190.7500 IN. ZC
 SCALE = .0125

PARAMETRIC DATA

ALPHAC = 2.000 BETAC = .000
 STAB = 5.000 ELEVON = 5.000
 BDFLAP = .000 DX = .000
 OZ = .000 TORB = 6.000
 BETAO = .000 RUDDER = .000

RUN NO. 46/ 0 RN/L = .00 GRADIENT INTERVAL = -5.00/ 5.00.

MACH	DY	CPCC	CPSF1	CPSB2	CPSB3	Q(PSF)	ALPHAC	BETAC	ALPHAO	BETAO	INCID
.598	-10.000	-.01200	-.03000	-.02500	.10300	578.57000	2.67000	-.02000	8.60000	.06000	5.93000
.600	-9.420	-.01000	-.02800	-.02000	.11100	582.33000	2.68000	-.02000	8.62000	.09000	5.94000
.600	-8.850	-.01000	-.02600	-.01800	.11000	582.47000	2.68000	-.02000	8.64000	.08000	5.96000
.597	-8.280	-.01400	-.03000	-.02300	.10600	577.60000	2.68000	-.02000	8.62000	.03000	5.94000
.600	-7.710	-.01100	-.02500	-.01700	.10900	582.66000	2.69000	-.02000	8.62000	.03000	5.93000
.598	-7.140	-.00900	-.02700	-.02100	.11100	578.84000	2.69000	-.02000	8.61000	.03000	5.93000
.601	-6.560	-.00700	-.02500	-.01700	.11200	583.96000	2.69000	-.02000	8.61000	.03000	5.92000
.598	-5.990	-.01200	-.02700	-.01800	.10900	577.82000	2.69000	-.02000	8.63000	.09000	5.94000
.599	-5.420	-.01200	-.02900	-.01800	.10900	580.69000	2.69000	-.01000	8.61000	.01000	5.92000
.601	-4.850	-.01000	-.02200	-.01800	.11400	584.38000	2.69000	-.01000	8.65000	.07000	5.96000
.601	-4.280	-.00700	-.02700	-.01600	.11000	583.15000	2.69000	.00000	8.64000	.09000	5.96000
.602	-3.710	-.00900	-.02300	-.01700	.11200	585.41000	2.69000	.00000	8.63000	.10000	5.94000
.602	-3.130	-.01000	-.02400	-.01700	.11400	584.87000	2.70000	.00000	8.60000	.07000	5.90000
.603	-2.570	-.01100	-.02600	-.01600	.10900	586.63000	2.69000	.00000	8.61000	.06000	5.93000
.604	-1.990	-.00300	-.01900	-.01200	.12000	588.21000	2.69000	.01000	8.64000	.05000	5.95000
.602	-1.420	-.00900	-.02300	-.01700	.11600	584.32000	2.69000	.02000	8.63000	.11000	5.95000
.602	-.850	-.00800	-.02600	-.01600	.11500	585.29000	2.70000	.02000	8.62000	.11000	5.93000
.602	-.270	-.00700	-.02400	-.01500	.11700	583.39000	2.69000	.03000	8.61000	.13000	5.92000
.603	.270	-.00900	-.02300	-.01300	.11200	585.64000	2.69000	.03000	8.63000	.08000	5.94000
.601	.850	-.01100	-.02700	-.01600	.11200	581.27000	2.69000	.04000	8.61000	.08000	5.92000
.601	1.420	-.01200	-.02500	-.01900	.10800	583.03000	2.69000	.04000	8.65000	.04000	5.96000
.600	1.990	-.01500	-.02900	-.01800	.10900	580.77000	2.69000	.04000	8.63000	.02000	5.95000
.600	2.560	-.01200	-.02800	-.02100	.10900	580.70000	2.69000	.04000	8.62000	.03000	5.93000
.602	3.130	-.01000	-.02200	-.01600	.10900	585.48000	2.69000	.04000	8.61000	.05000	5.93000
.600	3.710	-.01000	-.02700	-.01900	.11100	581.66000	2.68000	.04000	8.62000	.00000	5.94000
.602	4.280	-.01000	-.02100	-.01400	.11100	584.80000	2.68000	.04000	8.63000	.00000	5.96000
.600	4.850	-.01200	-.02700	-.01800	.11100	580.57000	2.68000	.04000	8.64000	.05000	5.96000
.599	5.420	-.01100	-.02700	-.01900	.11100	579.69000	2.68000	.04000	8.63000	.01000	5.96000
.599	5.990	-.01300	-.02500	-.01600	.10500	580.30000	2.68000	.04000	8.61000	.00000	5.93000
.601	6.560	-.01000	-.02500	-.02000	.10800	583.09000	2.67000	.04000	8.61000	.04000	5.94000
.599	7.140	-.01400	-.02800	-.02200	.10900	580.01000	2.67000	.04000	8.62000	.03000	5.96000
.601	7.700	-.01000	-.02400	-.02000	.10800	583.56000	2.66000	.04000	8.62000	.04000	5.95000
.600	8.280	-.01300	-.02800	-.02300	.10500	582.06000	2.66000	.04000	8.61000	.00000	5.95000
.600	8.850	-.00800	-.02200	-.01900	.10800	580.37000	2.66000	.04000	8.60000	.03000	5.94000
.600	9.420	-.01300	-.02700	-.02200	.10800	581.38000	2.66000	.04000	8.61000	.03000	5.96000
.600	10.000	-.01700	-.02900	-.02000	.10700	581.71000	2.65000	.04000	8.60000	.08000	5.95000
	GRADIENT	-.00038	-.00023	-.00014	-.00045	-.36872	-.00107	.00568	-.00042	-.00756	.00067

LTV44-559(CA26) 747/1 ATY 02 S1 (CARRIER DATA)

(ZFE054) (24 MAR 76)

REFERENCE DATA

SREF = 5500.0000 SQ.FT. XMRP = 1339.9000 IN. XC
 LREF = 327.7800 IN. YMRP = .0000 IN. YC
 BREF = 2348.0400 IN. ZMRP = 190.7500 IN. ZC
 SCALE = .0125

PARAMETRIC DATA

ALPHAC = 2.000 BETAC = .000
 STAB = 5.000 ELEVON = 5.000
 BDFLAP = .000 DX = .000
 DZ = 15.000 TORB = 6.000
 BETAO = .000 RUDDER = .000

RUN NO. 1046/ 0 RN/L = .00 GRADIENT INTERVAL = -5.00/ 5.00

MACH	DY	CPC	CPSB1	CPSB2	CPSB3	Q(PSF)	ALPHAC	BETAC	ALPHA0	BETA0	INCID
.599	-9.420	-.01100	-.02600	-.01600	.10800	579.94000	2.67000	.00000	8.51000	.10000	5.93000
.600	-8.850	-.01000	-.02600	-.01600	.10800	581.86000	2.67000	.00000	8.53000	.05000	5.95000
.599	-8.280	-.01300	-.02700	-.01600	.10700	579.13000	2.67000	.00000	8.51000	.12000	5.93000
.600	-7.710	-.01300	-.02400	-.01700	.10900	582.00000	2.67000	.00000	8.53000	.05000	5.95000
.601	-7.140	-.01000	-.02600	-.01500	.10800	582.41000	2.67000	.00000	8.53000	.10000	5.95000
.603	-6.560	-.01000	-.02100	-.01500	.11300	586.03000	2.67000	.00000	8.52000	.06000	5.94000
.602	-5.990	-.00900	-.02500	-.01600	.11200	584.79000	2.67000	.00000	8.54000	.07000	5.96000
.601	-5.420	-.01000	-.02600	-.01600	.11000	582.88000	2.67000	.00000	8.54000	.04000	5.96000
.599	-4.850	-.01200	-.02800	-.01500	.10800	579.40000	2.67000	.00000	8.52000	.08000	5.94000
.601	-4.280	-.00900	-.02200	-.01300	.11100	582.28000	2.67000	.00000	8.54000	.06000	5.96000
.603	-3.710	-.01000	-.02200	-.01600	.11000	586.92000	2.67000	.00000	8.52000	.07000	5.93000
.601	-3.140	-.01700	-.02700	-.02100	.10600	582.61000	2.68000	.00000	8.53000	.07000	5.95000
.601	-2.570	-.01200	-.02400	-.01600	.11100	582.22000	2.67000	.00000	8.53000	.05000	5.95000
.600	-1.990	-.01300	-.02600	-.01700	.10800	580.44000	2.67000	.00000	8.52000	.03000	5.94000
.602	-1.420	-.01000	-.02200	-.01500	.11200	584.95000	2.67000	.00000	8.54000	.06000	5.95000
.600	-.850	-.01200	-.02400	-.01600	.10900	580.59000	2.67000	.00000	8.52000	.04000	5.94000
.602	-.280	-.01200	-.02300	-.01600	.11000	584.40000	2.68000	.00000	8.54000	.05000	5.96000
.601	.270	-.01100	-.02100	-.01500	.11000	582.15000	2.67000	.00000	8.51000	.05000	5.93000
.602	.850	-.01100	-.02700	-.01400	.10800	584.26000	2.67000	.01000	8.53000	.04000	5.95000
.603	1.410	-.00900	-.02400	-.01400	.11200	586.43000	2.68000	.01000	8.55000	.04000	5.96000
.603	1.990	-.00900	-.02400	-.01600	.11300	587.37000	2.68000	.01000	8.53000	.05000	5.95000
.603	2.560	-.00700	-.01600	-.01100	.11900	587.24000	2.67000	.01000	8.51000	.05000	5.93000
.602	3.130	-.01000	-.02200	-.01500	.11300	587.02000	2.68000	.01000	8.52000	.05000	5.93000
.602	3.700	-.00800	-.02300	-.01400	.11300	586.00000	2.68000	.02000	8.55000	.06000	5.96000
.600	4.270	-.01000	-.02200	-.01500	.11200	583.34000	2.68000	.02000	8.49000	.07000	5.90000
.602	4.850	-.00900	-.02200	-.01300	.11300	587.36000	2.67000	.01000	8.52000	.05000	5.95000
.602	5.420	-.01100	-.02600	-.01500	.11000	586.74000	2.67000	.02000	8.54000	.03000	5.96000
.602	5.990	-.00900	-.02400	-.01500	.11100	587.76000	2.67000	.01000	8.52000	.04000	5.95000
.600	6.560	-.01300	-.02500	-.01900	.10800	584.48000	2.67000	.02000	8.54000	.05000	5.96000
.599	7.130	-.01500	-.02700	-.01800	.10500	581.35000	2.67000	.01000	8.54000	.03000	5.95000
.601	7.700	-.01100	-.02400	-.01600	.10800	583.82000	2.68000	.02000	8.53000	.04000	5.94000
.598	8.270	-.01300	-.02500	-.01800	.10600	579.19000	2.67000	.01000	8.54000	.03000	5.96000
.599	8.840	-.01200	-.02500	-.01700	.11300	578.79000	2.67000	.01000	8.53000	.04000	5.95000
.601	9.420	-.00900	-.02500	-.01300	.10800	582.76000	2.67000	.01000	8.54000	.02000	5.96000
.539	9.990	-.01400	-.02500	-.01900	.10600	578.66000	2.67000	.01000	8.52000	.03000	5.94000
	GRADIENT	.00040	.00039	.00029	.00058	.53873	.00071	.00195	-.00096	-.00121	-.00112

LTV44-559(CA26) 747/1 ATY 02 S1 (CARRIER DATA)

(ZFE055) (24 MAR 76)

REFERENCE DATA

SREF = 5500.0000 SQ.FT. XMRP = 1339.9000 IN. XC
 LREF = 327.7800 IN. YMRP = .0000 IN. YC
 BREF = 2348.0400 IN. ZMRP = 190.7500 IN. ZC
 SCALE = .0125

PARAMETRIC DATA

ALPHAC = 2.000 BETAC = .000
 STAB = 5.000 ELEVON = 5.000
 BDFLAP = .000 DX = .000
 OZ = 60.000 IORB = 6.000
 BETAO = .000 RUDDER = .000

RUN NO. 2046/ 0 RN/L = .00 GRADIENT INTERVAL = -5.00/ 5.00

MACH	OY	CPCC	CPSB1	CPSB2	CPSB3	Q(PSF)	ALPHAC	BETAC	ALPHA0	BETA0	INCID
.599	-10.000	-.01600	-.02800	-.01900	.10200	581.02000	2.67000	.01000	8.31000	.06000	5.94000
.600	-9.430	-.01100	-.02500	-.01600	.10400	581.98000	2.67000	.01000	8.31000	.04000	5.94000
.599	-8.860	-.01600	-.02700	-.01700	.10500	581.42000	2.67000	.01000	8.32000	.09000	5.95000
.600	-8.280	-.01300	-.02400	-.01500	.10500	581.57000	2.67000	.01000	8.33000	.09000	5.96000
.599	-7.710	-.01000	-.02400	-.01600	.10500	580.15000	2.67000	.01000	8.31000	.07000	5.94000
.600	-7.140	-.01400	-.02500	-.01600	.10300	581.99000	2.67000	.00000	8.34000	.05000	5.96000
.599	-6.570	-.01100	-.02400	-.01500	.10300	580.02000	2.67000	.00000	8.33000	.04000	5.96000
.598	-6.000	-.01700	-.03000	-.02100	.09900	578.77000	2.67000	.00000	8.34000	.04000	5.96000
.600	-5.420	-.01000	-.02200	-.01400	.10500	581.52000	2.68000	.00000	8.34000	.02000	5.97000
.600	-4.860	-.01200	-.02400	-.01700	.10400	582.40000	2.68000	.00000	8.32000	.01000	5.95000
.600	-4.290	-.01700	-.02900	-.01900	.10100	582.48000	2.67000	.00000	8.32000	.04000	5.94000
.601	-3.710	-.01400	-.02600	-.01600	.10300	583.91000	2.67000	.00000	8.34000	.03000	5.96000
.601	-3.140	-.01400	-.02600	-.01600	.10300	583.10000	2.67000	.00000	8.32000	.02000	5.94000
.601	-2.570	-.01400	-.02500	-.01700	.10500	583.65000	2.67000	.00000	8.34000	.00000	5.96000
.603	-2.000	-.00900	-.02000	-.01200	.10900	586.26000	2.67000	.00000	8.34000	-.02000	5.96000
.601	-1.430	-.01000	-.02300	-.01400	.10500	581.56000	2.67000	.00000	8.34000	.02000	5.96000
.603	-.850	-.01400	-.02600	-.01700	.10100	584.49000	2.68000	.00000	8.33000	.00000	5.96000
.601	-.280	-.01300	-.02600	-.01800	.10100	581.02000	2.68000	.00000	8.34000	.04000	5.97000
.601	.270	-.01400	-.02600	-.01700	.10200	580.34000	2.67000	.00000	8.31000	.00000	5.94000
.598	.840	-.01500	-.02700	-.01800	.10200	576.31000	2.67000	.00000	8.33000	.03000	5.96000
.601	1.410	-.01400	-.02600	-.01600	.10100	582.17000	2.67000	.00000	8.31000	-.01000	5.93000
.601	1.990	-.01400	-.02600	-.01500	.10200	581.83000	2.67000	.00000	8.32000	.00000	5.94000
.602	2.560	-.01400	-.02700	-.01700	.10000	584.35000	2.67000	.00000	8.34000	.07000	5.97000
.601	3.130	-.01200	-.02500	-.01600	.10200	581.14000	2.68000	.00000	8.34000	.04000	5.97000
.600	3.700	-.01400	-.02500	-.01700	.10200	579.72000	2.67000	.00000	8.32000	.03000	5.95000
.599	4.270	-.01700	-.03000	-.02100	.09900	578.54000	2.67000	.00000	8.32000	.00000	5.95000
.600	4.850	-.01200	-.02400	-.01600	.10300	579.57000	2.67000	.00000	8.29000	-.03000	5.92000
.601	5.410	-.01400	-.02700	-.01800	.10100	582.36000	2.67000	.00000	8.33000	-.02000	5.96000
.600	5.980	-.01200	-.02400	-.01500	.10200	579.90000	2.67000	.00000	8.35000	.00000	5.98000
.600	6.560	-.01400	-.02700	-.01800	.10000	580.03000	2.67000	.00000	8.33000	-.03000	5.95000
.600	7.130	-.01500	-.02800	-.01800	.10200	580.50000	2.67000	-.01000	8.32000	.00000	5.95000
.602	7.700	-.01500	-.02600	-.01700	.10200	584.73000	2.67000	-.01000	8.31000	.00000	5.94000
.601	8.270	-.01600	-.02800	-.01800	.10200	582.35000	2.67000	-.01000	8.31000	-.03000	5.94000
.602	8.840	-.01400	-.02600	-.01800	.10200	583.58000	2.67000	-.01000	8.32000	-.03000	5.94000
.601	9.420	-.01600	-.02600	-.01800	.10200	582.90000	2.67000	-.01000	8.35000	.01000	5.98000
.601	GRADIENT	-.00007	-.00012	-.00011	-.00033	-.41577	-.00018	.00000	-.00157	-.00185	-.00070

ORIGINAL PAGE IS
OF POOR QUALITY

LTV44-559(CA26) 747/1 ATY O2 SI (CARRIER DATA)

(ZFE056) (24 MAR 76)

REFERENCE DATA

SREF = 5500.0000 SQ.FT. XMRP = 1339.9000 IN. XC
 LREF = 327.7800 IN. YMRP = .0000 IN. YC
 BREF = 2348.0400 IN. ZMRP = 190.7500 IN. ZC
 SCALE = .0125

PARAMETRIC DATA

ALPHAC = 2.000 BETAC = .000
 STAB = 5.000 ELEVON = 5.000
 BDFLAP = .000 DX = .000
 DZ = .000 IORB = 6.000
 BETAO = 5.000 RUDDER = .000

RUN NO. 47/ 0 RN/L = .00 GRADIENT INTERVAL = -5.00/ 5.00

MACH	DY	CPIIC	CPSB1	CPSB2	CPSB3	Q(PSF)	ALPHAC	BETAC	ALPHA0	BETA0	INCID
.611	-10.000	-.00200	-.02200	-.01100	.11700	602.41000	2.69000	.00000	8.68000	4.89000	5.99000
.610	-9.420	-.00800	-.02300	-.01400	.10900	599.35000	2.70000	.00000	8.65000	4.89000	5.95000
.609	-8.850	-.00900	-.02300	-.01600	.11100	597.45000	2.70000	.00000	8.68000	4.86000	5.98000
.608	-8.280	-.00900	-.02400	-.01500	.11000	597.18000	2.70000	.00000	8.66000	4.86000	5.97000
.609	-7.710	-.00700	-.02200	-.01400	.11100	598.20000	2.70000	.00000	8.67000	4.86000	5.96000
.611	-7.140	-.00400	-.02300	-.01000	.11300	602.20000	2.70000	.00000	8.68000	4.86000	5.99000
.609	-6.560	-.00600	-.02500	-.01300	.11100	598.73000	2.70000	.00000	8.67000	4.86000	5.98000
.607	-5.990	-.00800	-.02200	-.01300	.11100	596.55000	2.70000	.00000	8.67000	4.87000	5.97000
.610	-5.420	-.00400	-.02200	-.00900	.11400	601.37000	2.70000	.00000	8.64000	4.86000	5.94000
.609	-4.850	-.00600	-.02200	-.01200	.11400	601.49000	2.70000	.00000	8.63000	4.87000	5.94000
.608	-4.280	-.00900	-.02400	-.01100	.11200	600.13000	2.69000	.00000	8.68000	4.86000	5.00000
.609	-3.710	-.00600	-.02000	-.01100	.11700	601.62000	2.70000	.01000	8.65000	4.90000	5.95000
.610	-3.130	-.00500	-.02100	-.01100	.11800	603.66000	2.69000	.02000	8.67000	4.88000	5.98000
.611	-2.570	-.00400	-.02100	-.00900	.12000	603.74000	2.69000	.02000	8.65000	4.88000	5.96000
.610	-1.990	-.00600	-.02000	-.01000	.11800	601.44000	2.70000	.03000	8.65000	4.89000	5.96000
.609	-1.420	-.00800	-.02200	-.01100	.11400	599.34000	2.69000	.03000	8.66000	4.95000	5.97000
.608	-.850	-.00900	-.02100	-.01300	.11200	597.71000	2.70000	.03000	8.63000	4.92000	5.93000
.611	-.270	-.00700	-.02400	-.00900	.11200	602.13000	2.69000	.04000	8.66000	4.88000	5.97000
.610	.270	-.00600	-.02200	-.01000	.11500	601.04000	2.69000	.04000	8.65000	4.89000	5.96000
.610	.850	-.00500	-.02300	-.01100	.11500	601.24000	2.69000	.05000	8.66000	4.88000	5.97000
.608	1.420	-.00900	-.02200	-.01400	.11300	598.11000	2.69000	.05000	8.63000	4.88000	5.94000
.609	1.990	-.01000	-.02200	-.01500	.11200	597.63000	2.69000	.05000	8.62000	4.88000	5.94000
.610	2.560	-.00500	-.02200	-.01100	.11500	602.12000	2.68000	.05000	8.64000	4.87000	5.96000
.610	3.130	-.01000	-.02500	-.01300	.11100	601.50000	2.68000	.05000	8.62000	4.87000	5.94000
.610	3.710	-.00700	-.02200	-.01100	.11600	602.32000	2.68000	.05000	8.63000	4.89000	5.96000
.609	4.280	-.00800	-.02200	-.01400	.11300	599.67000	2.67000	.05000	8.61000	4.87000	5.94000
.610	4.850	-.00700	-.02200	-.01200	.11500	602.05000	2.67000	.05000	8.63000	4.90000	5.96000
.611	5.420	-.00600	-.02300	-.01000	.11100	603.35000	2.66000	.05000	8.62000	4.86000	5.96000
.609	5.990	-.00900	-.02200	-.01300	.11100	599.96000	2.66000	.05000	8.62000	4.85000	5.97000
.609	6.560	-.00800	-.02300	-.01300	.11100	599.34000	2.66000	.05000	8.63000	4.88000	5.97000
.607	7.140	-.01400	-.02600	-.01600	.10500	596.21000	2.65000	.05000	8.59000	4.85000	5.93000
.609	7.700	-.00900	-.02300	-.01600	.11100	599.00000	2.65000	.05000	8.61000	4.89000	5.97000
.609	8.280	-.01200	-.02500	-.01400	.10900	600.41000	2.65000	.05000	8.60000	4.85000	5.96000
.608	8.850	-.01300	-.02300	-.01700	.10900	598.65000	2.65000	.05000	8.59000	4.89000	5.95000
.608	9.420	-.01400	-.02400	-.01600	.10800	599.12000	2.64000	.05000	8.59000	4.85000	5.95000
.611	10.000	-.01100	-.02400	-.01300	.10900	604.35000	2.65000	.05000	8.61000	4.86000	5.97000
	GRADIENT	-.00018	-.00012	-.00024	-.00025	-.09025	-.00248	.00547	-.00403	-.00036	-.00190

DATE 29 MAR 76

CA-26 FORCE SOURCE DATA TABULATION

PAGE 1241

LTV44-559(CA26) 747/1 ATY 02 S1 (CARRIER DATA)

(ZFE057) (24 MAR 76)

REFERENCE DATA

SREF = 5500.0000 SQ.FT. XMRP = 1339.9000 IN. XC
 LREF = 327.7800 IN. YMRP = .0000 IN. YC
 BREF = 2348.0400 IN. ZMRP = 190.7500 IN. ZC
 SCALE = .0125

PARAMETRIC DATA

ALPHAC = 2.000 BETAC = .000
 STAB = 5.000 ELEVON = 5.000
 BDFLAP = .000 DX = .000
 DZ = 15.000 TORB = 6.000
 BETA0 = 5.000 RUDDER = .000

RUN NO. 1047/ 0 RN/L = .00 GRADIENT INTERVAL = -5.00/ 5.00

MACH	DY	CPCC	CPSB1	CPSB2	CPSB3	Q(PSF)	ALPHAC	BET. C	ALPHA0	BETA0	INCID
.609	-9.420	-.00800	-.02100	-.01000	.11100	599.74000	2.68000	.00000	8.54000	4.88000	5.94000
.610	-8.850	-.00600	-.02200	-.00900	.11000	601.70000	2.68000	.00000	8.55000	4.89000	5.96000
.608	-8.280	-.01100	-.02000	-.00900	.11200	598.18000	2.68000	.00000	8.55000	4.88000	5.95000
.609	-7.710	-.01100	-.02400	-.01000	.10500	599.26000	2.68000	.00000	8.57000	4.89000	5.98000
.607	-7.140	-.01100	-.02200	-.01200	.10900	596.55000	2.68000	.00000	8.56000	4.90000	5.96000
.610	-6.560	-.00800	-.02400	-.00900	.10900	601.17000	2.67000	.00000	8.58000	4.91000	5.99000
.608	-5.990	-.00900	-.02000	-.01200	.11300	597.64000	2.68000	.00000	8.54000	4.89000	5.95000
.609	-5.420	-.00600	-.02100	-.01100	.11300	600.15000	2.68000	.00000	8.54000	4.91000	5.94000
.607	-4.850	-.01300	-.02400	-.01300	.10600	597.29000	2.68000	.01000	8.57000	4.91000	5.98000
.609	-4.280	-.01100	-.02400	-.01000	.10600	599.13000	2.67000	.01000	8.57000	4.89000	5.98000
.610	-3.710	-.00600	-.02200	-.00500	.11100	601.94000	2.67000	.01000	8.55000	4.90000	5.96000
.607	-3.140	-.01200	-.02100	-.01200	.10800	596.02000	2.68000	.01000	8.56000	4.89000	5.97000
.610	-2.570	-.00600	-.02300	-.00800	.11100	600.03000	2.68000	.02000	8.54000	4.90000	5.95000
.609	-1.990	-.00500	-.02300	-.00700	.11000	599.62000	2.68000	.02000	8.53000	4.91000	5.93000
.608	-1.420	-.01000	-.02400	-.01000	.10600	596.42000	2.68000	.02000	8.53000	4.91000	5.93000
.610	-.850	-.00700	-.02300	-.00900	.10900	600.71000	2.68000	.02000	8.53000	4.89000	5.93000
.608	-.280	-.01100	-.02200	-.01200	.11000	596.63000	2.68000	.02000	8.54000	4.87000	5.94000
.610	.270	-.00700	-.02300	-.00700	.11100	601.52000	2.67000	.02000	8.57000	4.92000	5.98000
.611	.850	-.00800	-.02300	-.00700	.10900	602.06000	2.67000	.03000	8.55000	4.91000	5.97000
.610	1.410	-.01200	-.02400	-.00900	.10600	600.36000	2.67000	.03000	8.57000	4.87000	5.98000
.608	1.990	-.01200	-.02600	-.01000	.10800	597.78000	2.67000	.03000	8.56000	4.89000	5.97000
.609	2.560	-.01300	-.02400	-.01200	.10700	599.27000	2.67000	.03000	8.54000	4.92000	5.95000
.610	3.130	-.01100	-.02000	-.01300	.10300	601.92000	2.67000	.03000	8.55000	4.89000	5.96000
.609	3.700	-.01200	-.02600	-.01100	.10500	599.81000	2.67000	.03000	8.56000	4.89000	5.98000
.611	4.270	-.00800	-.02400	-.01200	.11300	601.99000	2.67000	.03000	8.56000	4.88000	5.98000
.610	4.850	-.00800	-.02300	-.00800	.11000	601.85000	2.67000	.02000	8.54000	4.90000	5.95000
.611	5.420	-.00800	-.02300	-.00900	.11000	602.26000	2.67000	.02000	8.56000	4.90000	5.98000
.609	5.980	-.01200	-.02200	-.01600	.10900	598.33000	2.67000	.02000	8.56000	4.84000	5.97000
.608	6.560	-.01300	-.02200	-.01400	.10700	597.64000	2.67000	.02000	8.56000	4.89000	5.97000
.609	7.130	-.00700	-.02200	-.01300	.11200	599.21000	2.67000	.02000	8.53000	4.86000	5.95000
.610	7.700	-.00800	-.02200	-.01100	.11100	600.70000	2.67000	.02000	8.55000	4.87000	5.97000
.608	8.270	-.01200	-.02400	-.01500	.10700	597.85000	2.67000	.02000	8.55000	4.82000	5.96000
.610	8.840	-.00800	-.02200	-.00700	.11200	600.98000	2.67000	.02000	8.54000	4.89000	5.95000
.610	9.420	-.00900	-.02500	-.01200	.11000	601.31000	2.67000	.01000	8.53000	4.86000	5.95000
.611	9.990	-.00800	-.02200	-.00900	.11000	602.19000	2.66000	.01000	8.54000	4.89000	5.95000
GRADIENT		-.00010	-.00010	-.00014	.00005	.32243	-.00096	.00215	-.00026	-.00091	.00059

LTV44-559(CA26) 747/1 ATY 02 S1 (CARRIER DATA)

(ZFE05B) (24 MAP 76)

REFERENCE DATA

SREF = 5500.0000 SQ.FT. XMRP = 1339.9000 IN. XC
 LREF = 327.7800 IN. YMRP = .0000 IN. YC
 BREF = 2348.0400 IN. ZMRP = 190.7500 IN. ZC
 SCALE = .0125

PARAMETRIC DATA

ALPHAC = 2.000 BETAC = .000
 STAB = 5.000 ELEVON = 5.000
 BDFLAP = .000 DX = .000
 DZ = 60.000 TORB = 6.000
 BETAO = 5.000 RUDDER = .000

RUN NO. 2047/ 0 RN/L = .00 GRADIENT INTERVAL = -5.00/ 5.00

MACH	DY	CPCC	CPSB1	CPSB2	CPSB3	Q(PSF)	ALPHAC	BETAC	ALPHA0	BETA0	INCID
.607	-10.000	-.01600	-.02400	-.01400	.10100	595.68000	2.67000	.00000	8.32000	4.88000	5.95000
.611	-9.430	-.00900	-.02400	-.01100	.10200	602.26000	2.67000	.00000	8.35000	4.85000	5.98000
.608	-8.860	-.01200	-.02500	-.01300	.10200	596.69000	2.67000	.00000	8.35000	4.87000	5.97000
.607	-8.280	-.01500	-.02400	-.01400	.09300	595.46000	2.67000	.00000	8.36000	4.84000	5.98000
.609	-7.710	-.01200	-.02500	-.01100	.09300	599.67000	2.67000	.00000	8.35000	4.87000	5.98000
.607	-7.140	-.01600	-.02400	-.01600	.09300	595.93000	2.67000	.00000	8.37000	4.86000	5.99000
.609	-6.570	-.01000	-.02500	-.01200	.09900	600.68000	2.67000	.00000	8.35000	4.84000	5.98000
.606	-6.000	-.01600	-.02400	-.01500	.09900	596.19000	2.67000	.00000	8.34000	4.82000	5.97000
.610	-5.420	-.01000	-.02200	-.01300	.10500	602.10000	2.67000	.00000	8.35000	4.83000	5.98000
.608	-4.850	-.01400	-.02300	-.01500	.10400	598.98000	2.67000	.00000	8.37000	4.84000	6.00000
.608	-4.290	-.01500	-.02300	-.01500	.10200	599.12000	2.67000	.00000	8.35000	4.83000	5.98000
.611	-3.710	-.01100	-.02300	-.01000	.10300	603.81000	2.67000	.00000	8.38000	4.82000	6.01000
.611	-3.140	-.00900	-.02300	-.01400	.10400	603.27000	2.67000	.00000	8.32000	4.85000	5.95000
.611	-2.570	-.01000	-.02300	-.01200	.10400	603.34000	2.67000	.00000	8.36000	4.83000	5.98000
.611	-2.000	-.00800	-.02300	-.01000	.10500	603.21000	2.67000	.00000	8.33000	4.83000	5.96000
.611	-1.430	-.01000	-.02500	-.01200	.10300	603.07000	2.67000	.00000	8.33000	4.81000	5.95000
.610	-.850	-.01400	-.02200	-.01400	.10300	600.36000	2.67000	-.01000	8.35000	4.82000	5.98000
.608	-.280	-.01600	-.02400	-.01500	.10000	597.99000	2.67000	.00000	8.35000	4.83000	5.98000
.609	.270	-.01400	-.02200	-.01400	.10000	599.35000	2.67000	-.01000	8.34000	4.82000	5.97000
.609	.840	-.01600	-.02300	-.01500	.10000	598.67000	2.67000	-.01000	8.35000	4.81000	5.98000
.609	1.410	-.01600	-.02600	-.01500	.09800	599.89000	2.67000	.00000	8.37000	4.78000	5.99000
.612	1.990	-.01000	-.02400	-.01100	.10400	604.24000	2.67000	-.01000	8.33000	4.79000	5.96000
.610	2.560	-.01600	-.02400	-.01600	.10100	600.03000	2.67000	-.01000	8.34000	4.80000	5.97000
.611	3.130	-.01700	-.02700	-.01600	.09700	601.12000	2.67000	-.01000	8.32000	4.80000	5.94000
.610	3.700	-.01500	-.02400	-.01600	.10300	599.70000	2.67000	-.01000	8.37000	4.80000	6.00000
.612	4.270	-.01100	-.02600	-.01300	.10100	604.57000	2.67000	-.01000	8.35000	4.78000	5.98000
.610	4.850	-.01600	-.02500	-.01700	.09800	600.23000	2.67000	-.01000	8.34000	4.80000	5.96000
.611	5.410	-.01100	-.02400	-.01100	.10300	603.42000	2.67000	-.01000	8.34000	4.80000	5.97000
.609	5.980	-.01400	-.02300	-.01400	.10100	599.96000	2.67000	-.01000	8.31000	4.77000	5.94000
.611	6.560	-.01200	-.02600	-.01100	.09900	603.82000	2.67000	-.01000	8.35000	4.75000	5.98000
.609	7.130	-.01500	-.02500	-.01400	.09800	599.27000	2.67000	-.01000	8.33000	4.79000	5.96000
.611	7.700	-.01300	-.02100	-.01000	.10400	602.06000	2.67000	-.01000	8.32000	4.79000	5.95000
.609	8.270	-.01200	-.02200	-.01100	.10400	599.42000	2.67000	-.02000	8.34000	4.76000	5.97000
.608	8.840	-.01500	-.02300	-.01400	.10200	597.52000	2.67000	-.02000	8.32000	4.79000	5.95000
.610	9.420	-.01100	-.02200	-.01100	.10500	600.24000	2.67000	-.02000	8.31000	4.78000	5.94000
	GRADIENT	-.00039	-.00029	-.00030	-.00054	-.02911	-.00000	-.00132	-.00114	-.00539	-.00149

DATE 29 MAR 76

CA-26 FORCE SOURCE DATA TABULATION

PAGE 1243

LTV44-559(CA26) 747/1 ATY 02 S1 (CARRIER DATA)

(ZFE059) (24 MAR 76)

REFERENCE DATA

SREF = 5500.0000 SQ.FT. XMRP = 1339.9000 IN. XC
 LREF = 327.7800 IN. YMRP = .0000 IN. YC
 BREF = 2348.0400 IN. ZMRP = 190.7500 IN. ZC
 SCALE = .0125

PARAMETRIC DATA

ALPHAC = 2.000 BETAC = .000
 STAB = 5.000 ELEVON = 5.000
 BDFLAP = .000 DX = 10.000
 DZ = .000 TORB = 6.000
 BETAO = .000 RUDDER = .000

		RUN NO.	48/ 0	RN/L =	.00	GRADIENT INTERVAL = -5.00/ 5.00							
MACH	DY	CPCC	CPSB1	CPSB2	CPSB3	Q(PSF)	ALPHAC	BETAC	ALPHAO	BETAO	INCID		
.603	-10.000	-.02000	-.03600	-.02600	.09800	589.40000	2.70000	-.02000	8.65000	.00000	5.95000		
.605	-9.420	-.01600	-.03400	-.02000	.10300	592.27000	2.71000	-.02000	8.66000	.04000	5.95000		
.604	-8.850	-.01700	-.03500	-.02200	.10200	590.57000	2.71000	-.02000	8.68000	.01000	5.98000		
.605	-8.280	-.01700	-.03600	-.02200	.10400	591.86000	2.71000	-.02000	8.68000	.01000	5.98000		
.603	-7.710	-.02100	-.03900	-.02900	.09800	588.92000	2.71000	-.02000	8.68000	.00000	5.97000		
.604	-7.140	-.01800	-.03500	-.02500	.10200	591.04000	2.71000	-.02000	8.66000	.01000	5.95000		
.607	-6.560	-.01800	-.03300	-.02300	.10400	595.94000	2.71000	-.02000	8.66000	.00000	5.95000		
.605	-5.990	-.01700	-.03300	-.02300	.10400	592.74000	2.72000	-.02000	8.67000	.00000	5.97000		
.606	-5.420	-.01700	-.03400	-.02300	.10400	593.36000	2.72000	-.01000	8.68000	-.02000	5.94000		
.607	-4.850	-.01600	-.03100	-.01800	.10400	596.22000	2.72000	.00000	8.65000	.01000	5.95000		
.605	-4.280	-.01800	-.03300	-.02200	.10300	592.75000	2.72000	.00000	8.67000	.01000	5.98000		
.608	-3.710	-.01800	-.03200	-.01800	.10400	598.05000	2.71000	.00000	8.65000	.03000	5.98000		
.607	-3.130	-.01600	-.03300	-.01800	.10800	595.81000	2.72000	.01000	8.69000	.02000	5.98000		
.606	-2.560	-.01800	-.03300	-.02200	.10500	593.36000	2.72000	.01000	8.69000	.02000	5.94000		
.606	-1.990	-.02100	-.03300	-.02100	.10300	593.42000	2.71000	.02000	8.65000	.07000	5.97000		
.608	-1.410	-.01700	-.03000	-.01400	.10800	597.31000	2.71000	.02000	8.68000	.04000	5.98000		
.605	-.840	-.01900	-.03400	-.02100	.10300	591.39000	2.72000	.03000	8.68000	.05000	5.97000		
.608	-.260	-.01300	-.02900	-.01400	.10900	595.15000	2.72000	.04000	8.68000	.02000	5.93000		
.608	.290	-.01800	-.03100	-.01800	.10300	596.36000	2.72000	.04000	8.64000	.04000	5.96000		
.606	.860	-.01700	-.03300	-.02100	.10500	591.94000	2.72000	.05000	8.68000	.05000	5.96000		
.608	1.430	-.01900	-.03100	-.01600	.10500	596.50000	2.71000	.05000	8.67000	.06000	5.95000		
.609	2.010	-.01800	-.03000	-.01600	.10400	598.87000	2.72000	.05000	8.64000	.01000	5.93000		
.608	2.570	-.02100	-.03200	-.02100	.10000	597.37000	2.71000	.05000	8.64000	.04000	5.97000		
.607	3.150	-.01800	-.03300	-.02000	.10700	595.06000	2.71000	.04000	8.67000	.05000	5.96000		
.606	3.720	-.01800	-.03100	-.02300	.10700	593.09000	2.71000	.04000	8.67000	.05000	5.96000		
.607	4.290	-.02000	-.03000	-.02100	.10300	595.40000	2.71000	.04000	8.66000	.01000	5.96000		
.609	4.860	-.02000	-.03000	-.01800	.10400	598.26000	2.70000	.04000	8.64000	.00000	5.94000		
.607	5.430	-.02200	-.03300	-.02300	.10100	595.67000	2.70000	.04000	8.66000	-.01000	5.96000		
.606	6.000	-.02100	-.03300	-.02500	.10200	593.29000	2.70000	.04000	8.65000	.00000	5.95000		
.606	6.580	-.01800	-.03300	-.02200	.10800	594.38000	2.70000	.04000	8.64000	.02000	5.96000		
.608	7.150	-.01900	-.03100	-.02000	.10700	596.36000	2.69000	.04000	8.64000	.02000	5.95000		
.608	7.720	-.02200	-.03100	-.02000	.10300	596.89000	2.69000	.04000	8.63000	.00000	5.95000		
.607	8.290	-.02000	-.03100	-.01900	.10700	596.69000	2.68000	.04000	8.63000	.02000	5.98000		
.605	8.860	-.02000	-.03200	-.02600	.10500	591.79000	2.69000	.04000	8.63000	.01000	5.94000		
.605	9.440	-.01900	-.03300	-.02500	.10500	591.39000	2.69000	.04000	8.63000	.01000	5.95000		
.605	10.010	-.02200	-.03600	-.02500	.10200	594.79000	2.68000	.05000	8.66000	.03000	5.98000		
.607	GRADIENT	-.00024	.00018	-.00008	-.00004	.13489	-.00112	.00586	-.00146	.00187	-.00081		

LTV44-559(CA26) 747/1 ATY 02 S1 (CARRIER DATA)

(ZFE060) (24 MAR 76)

REFERENCE DATA

SREF = 5500.0000 SQ.FT. XMRP = 1339.9000 IN. XC
 LREF = 327.7800 IN. YMRP = .0000 IN. YC
 BREF = 2348.0400 IN. ZMRP = 190.7500 IN. ZC
 SCALE = .0125

PARAMETRIC DATA

ALPHAC = 2.000 BETAC = .000
 STAB = 5.000 ELEVON = 5.000
 BDFLAP = .000 DX = 10.000
 OZ = 15.000 IORB = 6.000
 BETAO = .000 RUDDER = .000

RUN NO. 1048/ 0 RN/L = .00 GRADIENT INTERVAL = -5.00/ 5.00

MACH	DY	CPCC	CPSB1	CPSB2	CPSB3	Q(PSSF)	ALPHAC	BETAC	ALPHAO	BETAO	INCID	
.608	-9.420	-.01900	-.02900	-.01700	.10300	598.45000	2.68000	.00000	8.55000	.01000	5.95000	
.608	-8.850	-.01800	-.02700	-.01400	.10400	598.85000	2.68000	.00000	8.54000	.04000	5.95000	
.606	-8.280	-.02000	-.02900	-.01700	.10100	595.59000	2.68000	.00000	8.54000	.01000	5.95000	
.607	-7.710	-.01800	-.03300	-.01600	.10200	596.41000	2.68000	-.01000	8.55000	.04000	5.95000	
.606	-7.140	-.01900	-.03000	-.01700	.10200	594.37000	2.68000	.00000	8.53000	.01000	5.94000	
.607	-6.560	-.01900	-.03100	-.01600	.10100	595.67000	2.68000	.00000	8.53000	.01000	5.94000	
.605	-5.990	-.01900	-.03200	-.02000	.10100	590.98000	2.68000	-.01000	8.55000	.03000	5.96000	
.606	-5.420	-.01600	-.02900	-.01800	.10500	592.75000	2.68000	-.01000	8.57000	.04000	5.98000	
.608	-4.850	-.01300	-.02900	-.01500	.10800	598.12000	2.68000	-.01000	8.56000	.03000	5.97000	
.608	-4.280	-.01200	-.02800	-.01400	.10900	597.37000	2.67000	-.01000	8.57000	.01000	5.98000	
.607	-3.710	-.01400	-.03000	-.01600	.10600	596.89000	2.67000	-.01000	8.56000	.04000	5.97000	
.606	-3.140	-.01600	-.02900	-.01900	.10400	593.70000	2.68000	.00000	8.58000	.03000	5.98000	
.608	-2.570	-.01600	-.02900	-.01500	.10200	596.96000	2.68000	.00000	8.54000	.00000	5.97000	
.607	-1.990	-.01300	-.02800	-.01400	.10800	596.35000	2.67000	.00000	8.56000	.01000	5.97000	
.607	-1.410	-.02000	-.03000	-.01600	.10200	595.53000	2.68000	.00000	8.52000	.00000	5.92000	
.606	-.850	-.01300	-.02700	-.01600	.10700	592.96000	2.68000	.00000	8.57000	.04000	5.97000	
.606	-.270	-.01400	-.03000	-.01700	.10600	593.57000	2.68000	.00000	8.57000	.04000	5.98000	
.608	.280	-.01700	-.03200	-.01600	.10100	596.16000	2.67000	.01000	8.55000	.00000	5.96000	
.607	.850	-.02000	-.03000	-.01400	.10100	594.25000	2.68000	.01000	8.54000	.00000	5.94000	
.607	1.420	-.01400	-.02800	-.01300	.10700	594.12000	2.68000	.01000	8.58000	.06000	5.98000	
.605	1.990	-.01500	-.02700	-.01500	.10600	591.40000	2.68000	.01000	8.55000	.03000	5.97000	
.606	2.570	-.01500	-.02900	-.01600	.10600	592.56000	2.68000	.02000	8.57000	.06000	5.98000	
.608	3.140	-.01800	-.02900	-.01400	.10200	597.65000	2.68000	.02000	8.54000	.02000	5.95000	
.607	3.710	-.01400	-.02900	-.01600	.10700	595.75000	2.67000	.02000	8.58000	.03000	5.99000	
.605	4.280	-.01800	-.03000	-.01900	.10400	591.87000	2.68000	.02000	8.57000	.00000	5.97000	
.606	4.850	-.02000	-.03100	-.01500	.10500	594.38000	2.68000	.02000	8.57000	.00000	5.98000	
.605	5.420	-.02100	-.03200	-.01900	.10000	591.12000	2.68000	.02000	8.56000	.00000	5.96000	
.607	5.990	-.01600	-.03100	-.01300	.10400	595.68000	2.68000	.02000	8.55000	.01000	5.96000	
.607	6.560	-.01800	-.02900	-.01400	.10200	595.75000	2.68000	.02000	8.54000	.00000	5.94000	
.607	7.140	-.01600	-.03000	-.01400	.10500	594.79000	2.68000	.02000	8.56000	.00000	5.96000	
.608	7.710	-.01700	-.03000	-.01400	.10400	596.42000	2.68000	.02000	8.54000	.01000	5.95000	
.605	8.280	-.02000	-.02900	-.01900	.10200	592.68000	2.68000	.02000	8.56000	.00000	5.96000	
.607	8.850	-.01400	-.02800	-.01200	.10500	596.22000	2.68000	.02000	8.54000	.00000	5.95000	
.606	9.420	-.01900	-.03000	-.01500	.10300	594.11000	2.68000	.02000	8.52000	.00000	5.93000	
.607	10.000	-.01800	-.02900	-.01400	.10100	595.61000	2.68000	.02000	8.58000	.00000	5.98000	
.607		GRADIENT	-.00042	-.00008	-.00003	-.00020	-.34792	.00038	.00345	.00081	-.00014	.00090

DATE 29 MAR 76

CA-26 FORCE SOURCE DATA TABULATION

PAGE 1245

LTV44-559(CA26) 747/1 ATY 02 S1 (CARRIER DATA)

(ZFE061) (24 MAR 76)

REFERENCE DATA

SREF = 5500.0000 SQ.FT. XMRP = 1339.9000 IN. XC
 LREF = 327.7800 IN. YMRP = .0000 IN. YC
 BREF = 2348.0400 IN. ZMRP = 190.7500 IN. ZC
 SCALE = .0125

PARAMETRIC DATA

ALPHAC = 2.000 BETAC = .000
 STAB = 5.000 ELEVON = 5.000
 BDFLAP = .000 DX = 10.000
 DZ = 50.000 TORB = 6.000
 BETAO = .000 RUDDER = .000

RUN NO. 2048/ 0 RN/L = .00 GRADIENT INTERVAL = -5.00/ 5.00

MACH	DY	CPCC	CPSB1	CPSB2	CPSB3	Q(PSF)	ALPHAC	BETAC	ALPHA	BETA	INC10
.607	-10.000	-.01700	-.02800	-.01200	.09900	594.27000	2.67000	.01000	8.31000	.01000	5.94000
.607	-9.420	-.01600	-.02900	-.01500	.10100	593.58000	2.67000	.01000	8.32000	.01000	5.95000
.605	-8.850	-.02000	-.02900	-.01500	.09700	590.93000	2.67000	.00000	8.32000	.02000	5.95000
.607	-8.280	-.01300	-.02800	-.01200	.10200	593.45000	2.68000	.01000	8.32000	.03000	5.95000
.606	-7.700	-.01400	-.02800	-.01200	.10000	593.78000	2.68000	.00000	8.35000	.04000	5.97000
.605	-7.140	-.02000	-.02900	-.01600	.09700	590.64000	2.68000	.00000	8.34000	.04000	5.96000
.607	-6.560	-.01400	-.02900	-.01400	.10100	594.39000	2.68000	.00000	8.32000	.00000	5.94000
.606	-5.990	-.01600	-.02800	-.01400	.09800	594.24000	2.67000	.00000	8.34000	.01000	5.97000
.605	-5.420	-.01800	-.03100	-.01600	.09800	591.52000	2.68000	.00000	8.34000	.02000	5.96000
.607	-4.850	-.01700	-.02700	-.01300	.09800	595.01000	2.67000	.00000	8.34000	-.01000	5.97000
.604	-4.280	-.01900	-.03000	-.01600	.10000	589.34000	2.67000	.00000	8.35000	.03000	5.98000
.603	-3.710	-.02000	-.02800	-.01900	.09900	588.32000	2.67000	.00000	8.33000	-.02000	5.96000
.605	-3.130	-.01900	-.02800	-.01600	.09800	591.80000	2.67000	.00000	8.33000	-.02000	5.96000
.607	-2.560	-.01000	-.02100	-.01000	.10700	594.81000	2.67000	.00000	8.32000	-.04000	5.94000
.606	-2.000	-.01300	-.02700	-.01400	.10100	593.44000	2.67000	.00000	8.35000	-.02000	5.97000
.608	-1.430	-.01400	-.02600	-.01300	.10100	596.42000	2.67000	.00000	8.33000	-.04000	5.96000
.607	-.850	-.01500	-.02900	-.01400	.09700	595.53000	2.67000	.00000	8.35000	-.02000	5.98000
.605	-.280	-.01800	-.02600	-.01600	.10000	591.51000	2.67000	.00000	8.35000	-.03000	5.97000
.608	.270	-.01300	-.02800	-.01100	.10100	598.04000	2.67000	.00000	8.35000	-.02000	5.97000
.607	.840	-.01500	-.02800	-.01100	.10000	595.73000	2.67000	.00000	8.32000	-.01000	5.95000
.606	1.410	-.01700	-.02600	-.01500	.10200	593.83000	2.67000	.00000	8.36000	-.03000	5.99000
.608	1.990	-.01200	-.02600	-.01200	.10300	596.83000	2.67000	.00000	8.33000	-.04000	5.95000
.605	2.560	-.01800	-.02700	-.01500	.09900	591.53000	2.67000	.00000	8.31000	-.02000	5.94000
.607	3.130	-.01700	-.02900	-.01400	.09900	594.12000	2.68000	.00000	8.31000	-.03000	5.93000
.606	3.700	-.01700	-.02600	-.01700	.10000	593.51000	2.67000	.00000	8.34000	-.02000	5.97000
.607	4.270	-.01500	-.02300	-.01300	.10300	594.33000	2.67000	.00000	8.34000	-.02000	5.97000
.607	4.850	-.01800	-.02400	-.01400	.10100	593.52000	2.67000	.00000	8.33000	-.05000	5.96000
.607	5.410	-.01500	-.02500	-.01500	.10200	594.13000	2.67000	.00000	8.34000	-.06000	5.97000
.607	5.980	-.01700	-.02800	-.01500	.09700	593.72000	2.68000	.00000	8.34000	-.06000	5.96000
.607	6.560	-.01700	-.02400	-.01600	.10100	593.52000	2.67000	.00000	8.33000	-.04000	5.96000
.608	7.130	-.01400	-.02700	-.01300	.09900	596.58000	2.68000	.00000	8.35000	-.05000	5.97000
.605	7.700	-.01900	-.02700	-.01800	.09700	590.93000	2.67000	-.01000	8.32000	-.06000	5.95000
.607	8.270	-.01600	-.02400	-.01600	.10000	593.66000	2.67000	.00000	8.35000	-.06000	5.97000
.606	8.840	-.01800	-.02900	-.01500	.09500	593.11000	2.67000	.00000	8.33000	-.07000	5.96000
.607	9.420	-.01700	-.02800	-.01300	.09500	594.47000	2.67000	-.01000	8.36000	-.04000	5.99000
GRADIENT		.00005	.00023	.00009	.00014	.20680	.00020	.00000	-.00105	-.00256	-.00109

LTV44-559(CA26) 747/1 ATY 02 S1 (CARRIER DATA)

(ZFE062) (24 MAR 76)

REFERENCE DATA

SREF = 5500.0000 SQ.FT. XMRP = 1339.9000 IN. XC
 LREF = 327.7800 IN. YMRP = .0000 IN. YC
 BREF = 2348.0400 IN. ZMRP = 190.7500 IN. ZC
 SCALE = .0125

PARAMETRIC DATA

ALPHAC = 2.000 BETAC = .000
 STAB = 5.000 ELEVON = 5.000
 BDFLAP = .000 DY = .000
 DZ = .000 IORB = 6.000
 BETAO = .000 RUDDER = .000

RUN NO. 49/ 0 RN/L = .00 GRADIENT INTERVAL = -5.00/ 5.00

MACH	DX	CPCC	CPSB1	CPSB2	CPSB3	Q(PSF)	ALPHAC	BETAC	ALPHAO	BETAO	INC10
.608	.010	-.01200	-.02500	-.01800	.11100	601.36000	2.69000	.01000	8.63000	.07000	5.94000
.609	.550	-.01400	-.02700	-.02200	.10500	603.20000	2.69000	.01000	8.62000	.03000	5.93000
.608	1.130	-.01400	-.02800	-.02100	.10700	601.84000	2.69000	.01000	8.63000	.05000	5.95000
.611	1.700	-.00900	-.02300	-.01700	.10800	606.93000	2.69000	.02000	8.63000	.03000	5.94000
.609	2.270	-.01400	-.02800	-.02200	.10500	603.07000	2.69000	.01000	8.62000	.02000	5.93000
.609	2.850	-.01300	-.02800	-.02200	.10500	602.06000	2.69000	.02000	8.63000	.02000	5.94000
.608	3.420	-.01500	-.03000	-.02300	.10400	600.50000	2.69000	.01000	8.66000	.05000	5.97000
.610	3.990	-.01200	-.02600	-.02000	.10600	603.36000	2.69000	.01000	8.63000	.04000	5.94000
.609	4.570	-.01600	-.03000	-.02300	.10400	601.19000	2.69000	.01000	8.66000	.04000	5.96000
.609	5.140	-.01600	-.02700	-.02300	.10600	600.44000	2.70000	.01000	8.64000	.03000	5.94000
.608	5.710	-.01600	-.02900	-.02200	.10600	598.67000	2.70000	.01000	8.64000	.02000	5.94000
.608	6.280	-.01100	-.02500	-.01900	.10700	599.56000	2.70000	.01000	8.66000	.04000	5.96000
.610	6.860	-.01200	-.02600	-.02000	.10400	603.83000	2.70000	.02000	8.65000	.05000	5.95000
.611	7.430	-.01600	-.03000	-.02200	.10400	604.51000	2.71000	.02000	8.66000	.01000	5.95000
.610	8.000	-.01400	-.02700	-.02100	.10500	604.37000	2.70000	.02000	8.65000	.02000	5.95000
.609	8.580	-.01300	-.02700	-.02100	.10500	602.13000	2.71000	.01000	8.67000	.07000	5.97000
.607	9.150	-.01900	-.03100	-.02200	.10400	598.80000	2.71000	.02000	8.64000	.07000	5.93000
.607	9.700	-.01800	-.03100	-.02500	.10200	599.27000	2.71000	.01000	8.65000	.05000	5.95000
.608	10.270	-.01300	-.02700	-.02100	.10500	600.23000	2.71000	.02000	8.65000	.00000	5.95000
.610	10.840	-.01700	-.03200	-.02400	.10400	604.10000	2.71000	.02000	8.66000	.03000	5.96000
.608	11.410	-.01400	-.02800	-.02100	.10500	600.43000	2.71000	.02000	8.64000	.01000	5.94000
.609	11.990	-.01700	-.03100	-.02500	.10200	601.32000	2.71000	.02000	8.67000	.06000	5.96000
.608	12.560	-.01600	-.02900	-.02300	.10200	599.96000	2.72000	.02000	8.66000	.05000	5.95000
.609	13.130	-.02100	-.03400	-.02600	.10300	601.73000	2.71000	.02000	8.67000	.03000	5.96000
.607	13.710	-.02300	-.03600	-.02900	.09500	597.51000	2.71000	.02000	8.67000	.05000	5.96000
.608	14.280	-.01600	-.03000	-.02400	.10100	599.49000	2.71000	.02000	8.67000	.04000	5.97000
.608	14.850	-.02500	-.03900	-.03200	.09500	600.09000	2.71000	.02000	8.65000	.02000	5.94000
.609	15.420	-.02000	-.03300	-.02500	.10000	601.45000	2.71000	.02000	8.68000	.05000	5.97000
.608	16.000	-.01800	-.03100	-.02200	.10100	600.91000	2.71000	.02000	8.68000	.04000	5.97000
.608	16.560	-.02000	-.03400	-.02400	.09800	600.22000	2.72000	.02000	8.67000	.04000	5.95000
.610	17.140	-.01900	-.03300	-.02400	.09900	604.22000	2.72000	.02000	8.67000	.06000	5.96000
.608	17.720	-.01900	-.03300	-.02300	.09800	601.57000	2.72000	.02000	8.67000	.03000	5.96000
.607	18.290	-.02200	-.03500	-.02600	.09600	599.67000	2.72000	.02000	8.65000	.02000	5.93000
.610	18.820	-.02100	-.03400	-.02400	.09500	604.83000	2.72000	.02000	8.66000	.00000	5.94000
.609	19.400	-.02000	-.03300	-.02300	.09600	602.73000	2.72000	.02000	8.65000	.00000	5.93000
.610	19.970	-.02000	-.03400	-.02400	.09400	603.81000	2.72000	.02000	8.65000	.01000	5.93000
GRADIENT		-.00047	-.00076	-.00067	-.00108	-.22708	.00000	.00000	.00612	-.00289	.00437

DATE 29 MAR 76

CA-26 FORCE SOURCE DATA TABULATION

PAGE 1247

LTV44-559(CA26) 747/1 ATY 02 S1 (CARRIER DATA)

(ZFE063) (24 MAR 76)

REFERENCE DATA

SREF = 5500.0000 SQ.FT. XMRP = 1339.9000 IN. XC
 LREF = 327.7800 IN. YMRP = .0000 IN. YC
 BREF = 2348.0400 IN. ZMRP = 190.7500 IN. ZC
 SCALE = .0125

PARAMETRIC DATA

ALPHAC = 2.000 BETAC = .000
 STAB = 5.000 ELEVON = 5.000
 BDFLAP = .000 DY = .000
 DZ = 15.000 IORB = 6.000
 BETAO = .000 RUDDER = .000

RUN NO. 1049/ 0 RN/L = .00 GRADIENT INTERVAL = -5.00/ 5.00

MACH	DX	CPCC	CPSB1	CPSB2	CPSB3	Q(PSF)	ALPHAC	BETAC	ALPHAO	BETAO	INC10
.609	.570	-.01500	-.02800	-.02200	.10200	601.38000	2.67000	.01000	8.55000	.04000	5.95000
.606	1.140	-.01300	-.02300	-.01600	.10600	595.01000	2.67000	.01000	8.55000	.00000	5.96000
.608	1.710	-.01400	-.02700	-.01700	.10700	598.34000	2.67000	.01000	8.55000	.02000	5.96000
.609	2.290	-.01300	-.02400	-.01600	.10500	600.10000	2.67000	.01000	8.55000	.00000	5.96000
.611	2.960	-.01000	-.02000	-.01600	.10600	604.92000	2.67000	.01000	8.52000	.02000	5.94000
.610	3.430	-.01100	-.02000	-.01500	.10800	604.77000	2.68000	.01000	8.53000	.00000	5.94000
.611	4.010	-.01200	-.02300	-.01900	.10400	607.00000	2.67000	.01000	8.53000	.00000	5.93000
.608	4.580	-.01500	-.02600	-.02100	.10200	601.01000	2.67000	.01000	8.56000	.05000	5.97000
.610	5.150	-.00900	-.02000	-.01100	.11100	603.95000	2.67000	.01000	8.56000	.03000	5.97000
.608	5.720	-.01400	-.02800	-.02100	.10000	602.18000	2.67000	.01000	8.51000	.06000	5.92000
.609	6.300	-.01300	-.02500	-.02000	.09900	602.26000	2.68000	.01000	8.52000	.02000	5.93000
.609	6.870	-.01500	-.02500	-.01700	.10100	600.64000	2.68000	.01000	8.53000	.00000	5.94000
.608	7.420	-.01600	-.02800	-.02000	.10200	599.90000	2.68000	.01000	8.58000	.03000	5.99000
.610	7.990	-.01500	-.02800	-.02300	.09900	602.61000	2.67000	.01000	8.53000	.05000	5.93000
.609	8.560	-.01600	-.03000	-.02500	.09700	601.18000	2.67000	.01000	8.54000	.05000	5.95000
.608	9.140	-.01700	-.03100	-.02200	.10200	598.81000	2.68000	.01000	8.55000	.06000	5.96000
.610	9.710	-.01500	-.02500	-.01900	.10200	601.94000	2.68000	.01000	8.52000	.00000	5.93000
.609	10.280	-.01700	-.03200	-.02500	.09900	601.45000	2.67000	.01000	8.55000	.04000	5.96000
.608	10.850	-.01800	-.03300	-.02600	.10000	600.83000	2.67000	.01000	8.55000	.05000	5.96000
.610	11.430	-.01500	-.02700	-.02300	.09800	604.37000	2.68000	.01000	8.53000	.04000	5.93000
.612	12.000	-.01600	-.02500	-.02000	.09900	606.74000	2.67000	.01000	8.55000	.03000	5.95000
.609	12.570	-.01800	-.03300	-.02600	.09600	602.53000	2.68000	.01000	8.54000	.05000	5.95000
.608	13.150	-.01800	-.03000	-.02100	.09900	600.03000	2.68000	.01000	8.57000	.00000	5.97000
.610	13.720	-.01700	-.02900	-.02300	.09400	603.76000	2.68000	.01000	8.52000	.03000	5.92000
.610	14.290	-.01700	-.03000	-.02400	.09500	603.29000	2.68000	.01000	8.54000	.05000	5.94000
.610	14.860	-.01600	-.02800	-.02300	.09700	604.03000	2.68000	.01000	8.53000	.07000	5.93000
.610	15.440	-.01700	-.02700	-.02200	.09500	603.97000	2.68000	.01000	8.55000	.04000	5.96000
.609	16.010	-.01700	-.02800	-.02300	.09700	602.13000	2.68000	.01000	8.52000	.08000	5.97000
.609	16.560	-.01900	-.03100	-.02300	.09700	600.78000	2.68000	.01000	8.56000	.07000	5.97000
.608	17.130	-.02000	-.03200	-.02300	.09700	599.15000	2.68000	.01000	8.55000	.02000	5.96000
.610	17.700	-.01800	-.02900	-.02400	.09400	602.95000	2.68000	.01000	8.53000	.04000	5.94000
.610	18.280	-.01500	-.02600	-.01600	.10300	601.40000	2.68000	.01000	8.56000	.00000	5.97000
.609	18.850	-.01800	-.02900	-.01900	.09900	600.65000	2.68000	.01000	8.56000	.03000	5.97000
.609	19.420	-.01800	-.02800	-.01900	.10000	601.59000	2.68000	.01000	8.57000	.05000	5.98000
.610	20.000	-.01800	-.02700	-.02000	.09700	603.90000	2.68000	.01000	8.54000	.06000	5.94000
GRADIENT		.00035	.00081	-.00004	-.00013	1.69330	.00062	.00000	-.00249	.00062	-.00332

ORIGINAL PAGE IS
OF POOR QUALITY

LTV44-559(CA26) 747/1 ATY 02 S1 (CARRIER DATA)

(ZFED54) (24 MAR 76)

REFERENCE DATA

SREF = 5500.0000 SQ.FT. XMRP = 1339.9000 IN. XC
 LREF = 327.7800 IN. YMRP = .0000 IN. YC
 BREF = 2348.0400 IN. ZMRP = 190.7500 IN. ZC
 SCALE = .0125

PARAMETRIC DATA

ALPHAC = 2.000 BETAC = .000
 STAB = 5.000 ELEVON = 5.000
 BDFLAP = .000 DY = .000
 DZ = 60.000 TORB = 6.000
 BETAO = .000 RUDDER = .000

RUN NO. 2049/ 0 RN/L = .00 GRADIENT INTERVAL = -5.00/ 5.00

MACH	DX	CPCC	CPSB1	CPSB2	CPSB3	Q(PSF)	ALPHAC	BETAC	ALPHAO	BETAO	INCID
.611	.590	-.01600	-.02400	-.01600	.09600	604.79000	2.67000	.00000	8.31000	.09000	5.94000
.609	1.170	-.01800	-.02400	-.02100	.09400	601.46000	2.67000	.00000	8.34000	.02000	5.96000
.611	1.740	-.01300	-.02500	-.01600	.09800	603.84000	2.68000	.00000	8.30000	.08000	5.93000
.610	2.310	-.01400	-.02400	-.01600	.09600	603.30000	2.67000	.00000	8.32000	.05000	5.95000
.608	2.870	-.01800	-.02500	-.02300	.09200	599.49000	2.67000	.00000	8.32000	.01000	5.95000
.610	3.450	-.01800	-.02600	-.02300	.09400	601.40000	2.67000	.00000	8.31000	.00000	5.94000
.609	4.020	-.02000	-.02700	-.02200	.09300	600.11000	2.67000	.00000	8.31000	.00000	5.94000
.611	4.590	-.01600	-.02700	-.01800	.09500	603.84000	2.67000	.00000	8.32000	.00000	5.95000
.611	5.180	-.01400	-.02600	-.01700	.09400	604.59000	2.68000	.00000	8.32000	.00000	5.95000
.610	5.720	-.01200	-.02000	-.01600	.10100	601.88000	2.67000	.00000	8.33000	.06000	5.95000
.610	6.280	-.01900	-.02800	-.02100	.09200	602.27000	2.67000	.00000	8.31000	.00000	5.94000
.609	6.860	-.02000	-.02800	-.02200	.09200	601.32000	2.67000	.00000	8.30000	.02000	5.92000
.611	7.430	-.01300	-.02600	-.01800	.09600	605.33000	2.67000	.00000	8.30000	.01000	5.93000
.608	8.000	-.01800	-.02600	-.02200	.09400	600.03000	2.67000	.00000	8.33000	.06000	5.97000
.609	8.580	-.01800	-.02700	-.02200	.09200	600.77000	2.67000	.00000	8.32000	.09000	5.95000
.608	9.150	-.01900	-.02700	-.02200	.09300	599.28000	2.67000	.00000	8.32000	.06000	5.96000
.610	9.720	-.01600	-.02500	-.02100	.09800	602.75000	2.67000	.00000	8.29000	.03000	5.92000
.611	10.290	-.01500	-.02200	-.02100	.09800	603.77000	2.67000	.00000	8.28000	.08000	5.91000
.610	10.870	-.01600	-.02400	-.02000	.09900	603.16000	2.67000	.00000	8.28000	.06000	5.91000
.610	11.440	-.01800	-.02500	-.02100	.09700	601.94000	2.67000	.00000	8.29000	.06000	5.92000
.607	12.010	-.01800	-.03000	-.02300	.09200	596.37000	2.66000	.00000	8.30000	.02000	5.93000
.610	12.590	-.01400	-.02300	-.02000	.09600	603.10000	2.67000	.00000	8.32000	.05000	5.95000
.610	13.160	-.01600	-.02900	-.02100	.09300	601.54000	2.67000	.00000	8.31000	.08000	5.94000
.610	13.730	-.01500	-.02300	-.02000	.09700	602.69000	2.67000	.00000	8.33000	.05000	5.96000
.610	14.300	-.01400	-.02800	-.01900	.09700	601.67000	2.67000	.00000	8.32000	.03000	5.95000
.608	14.860	-.01700	-.02900	-.02000	.09400	598.61000	2.67000	.00000	8.30000	.05000	5.93000
.611	15.420	-.01400	-.02600	-.02100	.09600	603.98000	2.67000	.00000	8.29000	.01000	5.92000
.608	16.000	-.01600	-.02800	-.02200	.09600	598.82000	2.67000	.00000	8.29000	.02000	5.92000
.610	16.570	-.01500	-.02800	-.02100	.09500	601.81000	2.67000	.00000	8.32000	.09000	5.95000
.611	17.140	-.01800	-.02800	-.01900	.09300	603.58000	2.66000	.00000	8.30000	.04000	5.94000
.610	17.720	-.01700	-.02800	-.02300	.09500	600.66000	2.67000	.00000	8.33000	.06000	5.96000
.611	18.290	-.01800	-.02600	-.02000	.09300	604.05000	2.67000	.00000	8.31000	.06000	5.93000
.609	18.880	-.02000	-.02600	-.02300	.09100	600.66000	2.67000	.00000	8.28000	.04000	5.90000
.609	19.440	-.01900	-.02800	-.02500	.09200	600.10000	2.67000	.00000	8.31000	.04000	5.94000
.608	20.010	-.01800	-.02900	-.02400	.09600	599.90000	2.67000	.00000	8.29000	.04000	5.92000
	GRADIENT	-.00060	-.00083	-.00098	-.00058	-.51082	-.00062	.00000	-.00104	-.02107	.00000

LTV44-559(CA26) 747/1 ATY 02 S1 (CARRIER DATA)

(ZFE055) (24 MAR 76)

REFERENCE DATA

SREF = 5500.0000 SQ.FT. XMRP = 1339.9000 IN. XC
 LREF = 327.7800 IN. YMRP = .0000 IN. YC
 BREF = 2348.0400 IN. ZMRP = 190.7500 IN. ZC
 SCALE = .0125

PARAMETRIC DATA

ALPHAC = 2.000 BETAC = .000
 STAB = 5.000 ELEVON = 5.000
 BDFLAP = .000 DY = .000
 DZ = .000 IORB = 6.000
 BETAO = 5.000 RUDDER = .000

RUN NO. 50/ 0 RN/L = .00 GRADIENT INTERVAL = -5.00/ 5.00

MACH	DX	CPCC	CPSB1	CPSB2	CPSB3	Q(PSF)	ALPHAC	BETAC	ALPHAO	BETAO	INCID
.608	.550	-.01200	-.02200	-.01300	.11500	599.43000	2.69000	.03000	8.65000	4.90000	5.96000
.609	1.130	-.01500	-.02600	-.01500	.11300	601.60000	2.69000	.02000	8.65000	4.92000	5.96000
.610	1.700	-.01000	-.02300	-.01400	.11400	601.94000	2.69000	.03000	8.66000	4.91000	5.98000
.608	2.270	-.01500	-.02600	-.01700	.11500	599.50000	2.69000	.03000	8.63000	4.91000	5.94000
.610	2.850	-.01400	-.02600	-.01700	.11200	602.14000	2.69000	.03000	8.66000	4.91000	5.97000
.610	3.420	-.01300	-.02500	-.01700	.11200	601.74000	2.69000	.03000	8.68000	4.92000	6.00000
.610	3.990	-.01600	-.02900	-.02000	.11100	602.27000	2.70000	.03000	8.63000	4.86000	5.94000
.609	4.570	-.01600	-.02800	-.01800	.11200	601.66000	2.70000	.03000	8.63000	4.88000	5.94000
.610	5.140	-.01400	-.02800	-.01400	.11000	603.08000	2.70000	.03000	8.66000	4.88000	5.96000
.610	5.710	-.01700	-.02900	-.01900	.11000	602.74000	2.70000	.03000	8.64000	4.91000	5.95000
.608	6.280	-.01600	-.02900	-.01600	.11400	599.96000	2.70000	.03000	8.64000	4.94000	5.94000
.608	6.860	-.01700	-.02800	-.01800	.11300	599.42000	2.70000	.03000	8.65000	4.90000	5.95000
.609	7.430	-.01900	-.03300	-.02100	.10900	601.18000	2.71000	.03000	8.66000	4.91000	5.95000
.608	8.000	-.02000	-.03100	-.01900	.10900	600.16000	2.71000	.03000	8.67000	4.92000	5.97000
.611	8.580	-.01900	-.03200	-.02000	.10500	604.51000	2.71000	.03000	8.66000	4.87000	5.96000
.609	9.150	-.01600	-.02700	-.01600	.11000	600.37000	2.71000	.03000	8.65000	4.88000	5.94000
.610	9.700	-.01500	-.02700	-.01800	.10800	602.54000	2.71000	.03000	8.67000	4.92000	5.97000
.609	10.270	-.01500	-.02800	-.01900	.10900	602.13000	2.71000	.03000	8.68000	4.91000	5.97000
.608	10.840	-.01800	-.02900	-.01900	.11100	599.69000	2.71000	.03000	8.65000	4.90000	5.94000
.608	11.410	-.02000	-.03400	-.02200	.10900	600.09000	2.71000	.03000	8.65000	4.91000	5.94000
.610	11.990	-.02000	-.03300	-.02700	.10600	604.57000	2.71000	.03000	8.68000	4.91000	5.97000
.610	12.560	-.02000	-.03000	-.01900	.11100	603.28000	2.72000	.03000	8.66000	4.89000	5.95000
.608	13.130	-.02100	-.03400	-.02300	.10700	600.62000	2.72000	.03000	8.65000	4.88000	5.94000
.608	13.690	-.01600	-.02900	-.01500	.10900	600.96000	2.72000	.03000	8.65000	4.88000	5.93000
.608	14.270	-.01900	-.03100	-.01900	.10700	599.74000	2.72000	.03000	8.65000	4.88000	5.93000
.608	14.840	-.02300	-.03400	-.02100	.10600	600.22000	2.72000	.03000	8.66000	4.87000	5.94000
.610	15.410	-.01700	-.03000	-.01900	.10400	603.15000	2.72000	.03000	8.67000	4.91000	5.95000
.610	15.980	-.01900	-.03100	-.02000	.10300	604.03000	2.72000	.03000	8.66000	4.90000	5.94000
.609	16.560	-.02000	-.03100	-.01800	.10400	601.60000	2.72000	.03000	8.68000	4.91000	5.96000
.608	17.130	-.02300	-.03600	-.02100	.10400	598.41000	2.72000	.03000	8.66000	4.92000	5.94000
.610	17.700	-.01900	-.03200	-.02100	.10000	601.40000	2.72000	.03000	8.67000	4.93000	5.95000
.609	18.280	-.02100	-.03400	-.02300	.09900	600.31000	2.72000	.03000	8.67000	4.91000	5.95000
.608	18.820	-.02100	-.03300	-.02100	.09900	599.09000	2.72000	.03000	8.68000	4.94000	5.96000
.607	19.400	-.02300	-.03700	-.02400	.09900	596.38000	2.72000	.03000	8.69000	4.87000	5.97000
.608	19.980	-.02200	-.03500	-.02300	.09900	597.60000	2.72000	.03000	8.70000	4.88000	5.98000
GRADIENT		-.00085	-.00131	-.00143	-.00083	.43671	.00249	.00103	-.00310	-.00850	-.00310

LTV44-559(CA26) 747/1 ATY 02 S1 (CARRIER DATA)

(ZFE066) (24 MAR 76)

REFERENCE DATA

WREF = 5500.0000 SQ.FT. XMRP = 1339.9000 IN. XC
 LREF = 327.7800 IN. YMRP = .0000 IN. YC
 WREF = 2348.0400 IN. ZMRP = 190.7500 IN. ZC
 SCALE = .0125

PARAMETRIC DATA

ALPHAC = 2.000 BETAC = .000
 STAB = 5.000 ELEVON = 5.000
 BOFLAP = .000 DY = .000
 DZ = 15.000 IORB = 6.000
 BETAO = 5.000 RUDDER = .000

RUN NO. 1050/ 0 RN/L = .00 GRADIENT INTERVAL = -5.00/ 5.00

MACH	DX	CPCC	CPSB1	CPSB2	CPSB3	Q(PSF)	ALPHAC	BETAC	ALPHAO	BETAO	INCID
.510	.570	-.01400	-.02600	-.01600	.10700	602.14000	2.67000	.02000	8.57000	4.90000	5.98000
.610	1.140	-.01400	-.02600	-.01500	.10800	603.63000	2.67000	.02000	8.56000	4.88000	5.97000
.612	1.710	-.01400	-.02500	-.01200	.10900	605.40000	2.67000	.03000	8.56000	4.87000	5.97000
.609	2.290	-.01900	-.02700	-.01700	.10400	600.58000	2.67000	.03000	8.54000	4.86000	5.95000
.610	2.860	-.01100	-.02500	-.01500	.11000	602.02000	2.67000	.02000	8.54000	4.90000	5.96000
.609	3.430	-.01600	-.02500	-.01700	.10900	599.30000	2.67000	.02000	8.55000	4.88000	5.96000
.609	4.010	-.01500	-.02300	-.01400	.11100	600.39000	2.67000	.03000	8.56000	4.90000	5.97000
.610	4.580	-.01800	-.02600	-.01700	.10400	601.81000	2.68000	.03000	8.58000	4.86000	5.99000
.609	5.150	-.01500	-.02600	-.01700	.11000	600.12000	2.67000	.02000	8.53000	4.88000	5.95000
.610	5.720	-.01300	-.02600	-.01500	.10300	602.29000	2.67000	.03000	8.53000	4.88000	5.94000
.609	6.300	-.01600	-.03000	-.01700	.10500	600.79000	2.67000	.02000	8.53000	4.89000	5.94000
.610	6.870	-.01600	-.02800	-.01600	.10800	601.68000	2.67000	.02000	8.52000	4.89000	5.93000
.608	7.420	-.01700	-.02900	-.02100	.10900	597.87000	2.67000	.03000	8.56000	4.85000	5.97000
.610	7.990	-.02000	-.02900	-.02000	.10500	602.35000	2.67000	.03000	8.54000	4.86000	5.95000
.610	8.560	-.01900	-.02600	-.01800	.10700	604.10000	2.67000	.03000	8.54000	4.86000	5.95000
.610	9.140	-.01800	-.02700	-.01800	.10700	604.84000	2.67000	.02000	8.52000	4.88000	5.93000
.609	9.710	-.01500	-.02600	-.01700	.10800	602.80000	2.68000	.03000	8.55000	4.87000	5.96000
.608	10.280	-.01900	-.02800	-.01900	.10300	600.77000	2.67000	.02000	8.52000	4.86000	5.93000
.608	10.850	-.01600	-.02800	-.02100	.10500	599.21000	2.67000	.02000	8.56000	4.88000	5.97000
.608	11.430	-.01600	-.02800	-.02000	.10600	599.29000	2.68000	.02000	8.55000	4.84000	5.96000
.609	12.000	-.01700	-.02800	-.01800	.10600	600.24000	2.68000	.03000	8.56000	4.86000	5.97000
.608	12.570	-.01800	-.02800	-.02000	.10500	598.61000	2.67000	.03000	8.56000	4.87000	5.97000
.610	13.150	-.01500	-.02800	-.01600	.10700	602.35000	2.67000	.03000	8.55000	4.88000	5.96000
.610	13.720	-.01700	-.02900	-.01600	.10500	602.69000	2.67000	.03000	8.55000	4.87000	5.96000
.609	14.290	-.01600	-.02900	-.01800	.10600	600.79000	2.67000	.02000	8.53000	4.89000	5.94000
.610	14.860	-.01600	-.02900	-.01300	.10500	602.62000	2.67000	.03000	8.56000	4.87000	5.97000
.607	15.440	-.02100	-.02900	-.02100	.10200	596.44000	2.67000	.03000	8.55000	4.87000	5.96000
.607	16.010	-.02300	-.03000	-.02100	.10100	596.71000	2.67000	.03000	8.53000	4.87000	5.94000
.607	16.560	-.02200	-.03100	-.01700	.10000	597.12000	2.67000	.03000	8.53000	4.85000	5.94000
.609	17.130	-.01500	-.02800	-.01900	.10400	600.45000	2.67000	.03000	8.54000	4.87000	5.95000
.610	17.700	-.01700	-.02700	-.01600	.10400	601.34000	2.67000	.03000	8.55000	4.94000	5.96000
.609	18.280	-.01700	-.02800	-.01800	.10400	600.25000	2.67000	.03000	8.52000	4.91000	5.93000
.607	18.850	-.02200	-.02800	-.02000	.10100	596.85000	2.67000	.03000	8.56000	4.88000	5.98000
.609	19.420	-.02100	-.03200	-.01800	.09800	599.50000	2.68000	.03000	8.55000	4.88000	5.96000
.611	20.000	-.01700	-.02600	-.01400	.10600	603.91000	2.68000	.03000	8.54000	4.92000	5.95000
GRADIENT		-.00064	.00033	-.00031	-.00000	-.73556	.00145	.00166	.00083	-.00228	.00104

LTV44-559(CA26) 747/1 ATY 02 S1 (CARRIER DATA)

(ZFE067) (24 MAR 76)

REFERENCE DATA

SREF = 5500.0000 SQ.FT. XMRP = 1339.9000 IN. XC
 LREF = 327.7800 IN. YMRP = .0000 IN. YC
 BREF = 2348.0400 IN. ZMRP = 190.7500 IN. ZC
 SCALE = .0125

PARAMETRIC DATA

ALPHAC = 2.000 BETAC = .000
 STAB = 5.000 ELEVON = 5.000
 BDFLAP = .000 DY = .000
 DZ = 60.000 IORB = 6.000
 BETAO = 5.000 RUDDER = .000

RUN NO. 2050/ 0 RN/L = .00 GRADIENT INTERVAL = -5.00/ 5.00

MACH	DX	CPC	CPSB1	CPSB2	CPSB3	Q(PSF)	ALPHAC	BETAC	ALPHAO	BETAO	INC1D
.609	.580	-.01900	-.02500	-.01900	.09800	602.06000	2.67000	-.01000	8.34000	4.87000	5.97000
.607	1.150	-.02300	-.02800	-.01700	.09900	598.26000	2.67000	-.01000	8.32000	4.91000	5.96000
.607	1.730	-.02000	-.02800	-.01700	.09800	598.39000	2.67000	-.01000	8.34000	4.83000	5.97000
.608	2.300	-.01800	-.02900	-.01600	.09800	599.14000	2.67000	-.01000	8.35000	4.81000	5.98000
.609	2.870	-.01900	-.02500	-.01600	.10000	600.51000	2.67000	-.01000	8.35000	4.84000	5.98000
.609	3.450	-.01600	-.02300	-.01600	.10100	600.45000	2.67000	.00000	8.35000	4.85000	5.98000
.608	4.020	-.01900	-.02600	-.01300	.10000	599.23000	2.67000	.00000	8.34000	4.87000	5.97000
.607	4.590	-.01900	-.03000	-.01800	.09700	596.57000	2.67000	.00000	8.31000	4.87000	5.94000
.607	5.160	-.01800	-.03000	-.01700	.09900	596.44000	2.67000	.00000	8.34000	4.88000	5.97000
.608	5.710	-.01800	-.02700	-.01800	.10100	598.68000	2.66000	.00000	8.33000	4.86000	5.97000
.608	6.280	-.01900	-.02500	-.01700	.10200	599.63000	2.66000	.00000	8.35000	4.83000	5.98000
.610	6.860	-.01800	-.02500	-.02000	.10100	603.70000	2.67000	.00000	8.32000	4.86000	5.96000
.608	7.430	-.01900	-.02900	-.01800	.09700	598.94000	2.66000	.00000	8.35000	4.82000	5.98000
.610	8.000	-.01700	-.02500	-.01400	.10100	602.47000	2.67000	.00000	8.33000	4.86000	5.96000
.609	8.580	-.01900	-.02400	-.01400	.10200	600.44000	2.67000	.00000	8.31000	4.91000	5.94000
.607	9.150	-.02000	-.02700	-.01900	.09700	596.90000	2.67000	.00000	8.32000	4.85000	5.95000
.607	9.720	-.02000	-.02500	-.01900	.09900	597.24000	2.67000	.00000	8.32000	4.88000	5.94000
.607	10.290	-.02300	-.02800	-.01900	.09700	597.04000	2.67000	.00000	8.35000	4.88000	5.98000
.609	10.870	-.01700	-.02800	-.01500	.10200	600.38000	2.67000	-.01000	8.33000	4.86000	5.96000
.609	11.440	-.01800	-.02800	-.01600	.09700	601.67000	2.67000	-.01000	8.34000	4.84000	5.98000
.607	12.010	-.02100	-.02800	-.02100	.09700	596.03000	2.67000	.00000	8.35000	4.85000	5.98000
.609	12.590	-.01800	-.02800	-.01700	.10400	598.70000	2.67000	.00000	8.34000	4.84000	5.97000
.607	13.160	-.02300	-.02900	-.02000	.09500	596.32000	2.67000	.00000	8.32000	4.85000	5.95000
.609	13.730	-.01800	-.02800	-.01700	.09900	597.82000	2.66000	.00000	8.32000	4.88000	5.96000
.609	14.300	-.01700	-.02700	-.01400	.10000	599.52000	2.67000	.00000	8.34000	4.89000	5.97000
.609	14.850	-.01600	-.02800	-.01500	.10000	599.45000	2.67000	.00000	8.36000	4.90000	5.99000
.609	15.420	-.01600	-.02700	-.01700	.09900	599.11000	2.67000	.00000	8.32000	4.88000	5.95000
.610	16.000	-.02000	-.02600	-.01600	.09800	601.55000	2.67000	.00000	8.36000	4.87000	5.99000
.610	16.570	-.02100	-.02600	-.01900	.09600	601.55000	2.67000	.00000	8.32000	4.83000	5.96000
.609	17.140	-.01800	-.02800	-.01700	.10000	598.09000	2.67000	.00000	8.30000	4.87000	5.93000
.609	17.720	-.01800	-.02900	-.01700	.10000	599.18000	2.66000	.00000	8.34000	4.90000	5.98000
.610	18.290	-.02000	-.02800	-.02000	.09700	601.55000	2.67000	.00000	8.31000	4.88000	5.94000
.610	18.860	-.01800	-.02500	-.01600	.10100	601.07000	2.67000	.00000	8.31000	4.91000	5.94000
.610	19.440	-.01900	-.02500	-.01600	.10000	601.89000	2.67000	.00000	8.32000	4.85000	5.95000
.639	20.010	-.01900	-.02900	-.01700	.10100	599.31000	2.67000	.00000	8.34000	4.88000	5.98000
GRADIENT		.00065	-.00012	.00062	.00019	-.54000	.00000	.00312	-.00165	-.00231	-.00269

LTV44-559(CA26) 747/1 ATY 02 51 (CARRIER DATA)

(ZFE068) (24 MAR 76)

REFERENCE DATA

SREF = 5500.0000 SQ.FT. XMRP = 1339.9000 IN. XC
 LREF = 327.7800 IN. YMRP = .0000 IN. YC
 BREF = 2348.0400 IN. ZMRP = 190.7500 IN. ZC
 SCALE = .0125

PARAMETRIC DATA

ALPHAC = 2.000 BETAC = .000
 STAB = 5.000 ELEVON = .000
 BDFLAP = 16.300 DX = .000
 DY = .000 IORB = 4.000
 BETAO = .000 RUDDER = .000

RUN NO. 51/ 0 RN/L = .00 GRADIENT INTERVAL = -5.00/ 5.00

MACH	DZ	CPCC	CPSB1	CPSB2	CPSB3	Q(PSF)	ALPHAC	BETAC	ALPHAO	BETAO	INCID
.602	1.760	-.01900	-.03200	-.02200	.11100	586.37000	2.66000	.01000	6.61000	.00000	3.95000
.601	2.360	-.01800	-.03200	-.02200	.11000	587.10000	2.65000	.01000	6.61000	.00000	3.96000
.600	2.970	-.01700	-.03100	-.02100	.10900	586.13000	2.65000	.00000	6.60000	.01000	3.97000
.600	3.760	-.01700	-.03100	-.02100	.10800	584.98000	2.65000	.01000	6.59000	.00000	3.96000
.599	4.560	-.01300	-.02800	-.02100	.11200	581.50000	2.64000	.00000	6.55000	.07000	3.93000
.599	5.960	-.01500	-.03100	-.02000	.10700	578.31000	2.64000	.00000	6.58000	.02000	3.96000
.602	7.970	-.01500	-.03000	-.01900	.10800	582.62000	2.64000	.00000	6.56000	.00000	3.96000
.603	9.960	-.01100	-.02500	-.01400	.11000	584.80000	2.64000	.00000	6.55000	.02000	3.97000
.604	10.960	-.01300	-.02700	-.01600	.10900	586.71000	2.64000	.00000	6.53000	.05000	3.95000
.602	11.960	-.01400	-.02700	-.01700	.11000	583.63000	2.65000	.00000	6.54000	.02000	3.96000
.607	12.950	-.01500	-.02900	-.01700	.10800	593.90000	2.65000	.00000	6.53000	.06000	3.95000
.602	13.940	-.01000	-.02300	-.01300	.11400	586.19000	2.65000	.00000	6.52000	.05000	3.95000
.600	14.940	-.01500	-.02900	-.01700	.10900	583.24000	2.65000	.00000	6.52000	.03000	3.95000
.600	15.930	-.01500	-.02900	-.01700	.10800	582.96000	2.65000	.00000	6.50000	.03000	3.94000
.601	16.930	-.01000	-.02400	-.01000	.11200	585.01000	2.65000	.00000	6.50000	.02000	3.94000
.598	17.930	-.01300	-.02700	-.01300	.11200	578.93000	2.65000	.00000	6.49000	.02000	3.94000
.600	18.920	-.01200	-.02600	-.01300	.11100	582.36000	2.65000	.00000	6.48000	.03000	3.95000
.600	19.910	-.01100	-.02200	-.01200	.10900	581.21000	2.64000	.00000	6.51000	.04000	3.97000
.601	20.910	-.01200	-.02300	-.01000	.11100	583.86000	2.65000	.00000	6.51000	.03000	3.98000
.601	21.900	-.01200	-.02400	-.01000	.10900	585.00000	2.65000	.00000	6.51000	.03000	3.98000
.601	22.890	-.00900	-.02200	-.01100	.10700	584.40000	2.65000	.00000	6.46000	-.02000	3.94000
.600	23.890	-.00900	-.02300	-.01100	.10700	581.96000	2.65000	.00000	6.48000	.03000	3.97000
.603	24.890	-.01200	-.02500	-.01100	.10500	587.07000	2.65000	.00000	6.47000	.04000	3.96000
.602	25.880	-.00900	-.02300	-.01000	.10600	585.17000	2.65000	.00000	6.47000	.03000	3.96000
.602	26.870	-.00700	-.02100	-.00900	.10800	585.37000	2.65000	.00000	6.45000	-.01000	3.96000
.602	27.870	-.00700	-.02200	-.01000	.10800	586.92000	2.65000	.00000	6.45000	.00000	3.96000
.602	28.860	-.01300	-.02500	-.01200	.10700	588.13000	2.65000	.00000	6.45000	.00000	3.96000
.602	29.860	-.00800	-.02100	-.01000	.10800	586.71000	2.65000	.00000	6.45000	.00000	3.97000
.603	30.860	-.00700	-.01900	-.00900	.10700	589.29000	2.66000	.00000	6.42000	.00000	3.95000
.603	31.850	-.00900	-.02300	-.00600	.10700	587.94000	2.65000	.00000	6.44000	.01000	3.97000
.601	32.840	-.00900	-.02300	-.00600	.10700	585.02000	2.65000	.00000	6.41000	-.01000	3.95000
.602	33.840	-.01000	-.02200	-.01000	.10500	586.58000	2.66000	.00000	6.43000	.01000	3.97000
.602	34.830	-.01000	-.02100	-.00700	.10600	587.26000	2.66000	.00000	6.42000	.00000	3.96000
.600	35.830	-.00900	-.02400	-.01100	.10600	583.10000	2.66000	.00000	6.44000	.00000	3.98000
.601	36.830	-.01000	-.02300	-.00700	.10500	584.68000	2.66000	.00000	6.39000	-.03000	3.94000
.600	37.820	-.00700	-.02500	-.00700	.10700	581.21000	2.66000	.00000	6.40000	-.03000	3.96000
.602	38.820	-.00800	-.02200	-.00500	.10700	584.97000	2.65000	.00000	6.40000	-.03000	3.97000
.602	39.810	-.01100	-.02300	-.00900	.10500	585.72000	2.66000	.00000	6.41000	.00000	3.98000
.602	40.800	-.00600	-.02100	-.00600	.11100	586.92000	2.66000	.00000	6.38000	.00000	3.95000
.600	41.800	-.00600	-.02100	-.00600	.11000	583.58000	2.66000	.00000	6.40000	.01000	3.98000
.600	42.800	-.01100	-.02300	-.00900	.10100	583.31000	2.67000	.00000	6.37000	.00000	3.95000
.601	43.790	-.00800	-.02100	-.00900	.10600	582.92000	2.67000	.00000	6.40000	-.03000	3.99000

DATE 29 MAR 76

CA-26 FORCE SOURCE DATA TABULATION

PAGE 1253

LTV44-559(CA26) 747/1 ATY 02 S1 (CARRIER DATA)

(ZFE068) (24 MAR 76)

REFERENCE DATA

SREF = 5500.0000 SQ.FT.	XMRP = 1339.9000 IN. XC
I REF = 327.7800 IN.	YMRP = .0000 IN. YC
BREF = 2348.0400 IN.	ZMRP = 190.7500 IN. ZC
SCALE = .0125	

PARAMETRIC DATA

ALPHAC = 2.000	BETAC = .000
STAB = 5.000	ELEVON = .000
BDFLAP = 16.300	DX = .000
DY = .000	IORB = 4.000
BETA0 = .000	RUDDER = .000

RUN NO. 51/ 0 RN/L = .00 GRADIENT INTERVAL = -5.00/ 5.00

MACH	DZ	CPCC	CPSB1	CPSB2	CPSB3	Q(PSF)	ALPHAC	BETAC	ALPHA0	BETA0	INC10
.602	44.790	-.00800	-.02100	-.00600	.10700	585.65000	2.66000	.00000	6.37000	-.04000	3.97000
	GRADIENT	.00188	.00132	.00041	.00008	-1.75418	-.00568	-.00277	-.02053	.02078	-.00655

ORIGINAL PAGE IS
OF POOR QUALITY

LTV44-559(CA26) 747/1 ATY 02 S1 (CARRIER DATA)

(ZFE069) (24 MAR 75)

REFERENCE DATA

SREF = 5500.0000 SQ.FT. XMRP = 1339.9000 IN. XC
 LREF = 327.7600 IN. YMRP = .0000 IN. YC
 BREF = 2348.0400 IN. ZMRP = 190.7500 IN. ZC
 SCALE = .0125

PARAMETRIC DATA

ALPHAC = 2.000 BETAC = .000
 STAB = 5.000 ELEVON = .000
 BDFLAP = 16.300 DX = .000
 DY = .000 TORB = 6.000
 BETAO = .000 RUDDER = .000

RUN NO. 1051/ 0 RN/L = .00 GRADIENT INTERVAL = -5.00/ 5.00

MACH	DZ	CPCC	CPSB1	CPSB2	CPSB3	Q(P5F)	ALPHAC	BETAC	ALPHAO	BETAO	INCID
.603	1.470	-.01300	-.03200	-.01800	.10400	584.53000	2.69000	.01000	8.61000	.01000	5.93000
.601	1.770	-.00700	-.02600	-.01200	.10800	581.66000	2.69000	.01000	8.60000	.03000	5.92000
.598	2.370	-.00700	-.02600	-.01200	.11100	576.13000	2.68000	.01000	8.62000	.04000	5.95000
.601	2.970	-.01300	-.03100	-.01500	.10900	582.19000	2.68000	.01000	8.60000	.03000	5.93000
.601	3.770	-.01100	-.02800	-.01400	.10800	582.14000	2.68000	.00000	8.62000	.06000	5.96000
.601	4.570	-.01000	-.02700	-.01200	.10900	580.17000	2.67000	.00000	8.58000	.06000	5.93000
.602	5.970	-.00900	-.02500	-.01100	.11000	584.45000	2.66000	.00000	8.57000	.02000	5.94000
.599	7.970	-.00800	-.02500	-.01000	.11000	578.39000	2.67000	.00000	8.56000	.05000	5.93000
.603	9.960	-.00900	-.02600	-.01000	.10800	584.86000	2.66000	.00000	8.55000	.00000	5.94000
.601	11.240	-.00500	-.02200	-.00900	.11200	583.01000	2.66000	.00000	8.55000	.01000	5.95000
.602	12.520	-.00900	-.02400	-.00900	.11000	583.35000	2.66000	.00000	8.55000	.01000	5.95000
.601	13.800	-.00700	-.02300	-.00800	.11000	581.85000	2.66000	.00000	8.53000	.04000	5.94000
.601	15.080	-.00700	-.02200	-.00700	.11000	582.05000	2.66000	.00000	8.49000	.06000	5.92000
.602	16.360	-.00900	-.02300	-.00700	.10800	585.92000	2.65000	.00000	8.50000	.06000	5.94000
.600	17.630	-.00400	-.02000	-.00500	.10900	581.63000	2.66000	.00000	8.52000	.02000	5.96000
.600	18.910	-.00400	-.01800	-.00300	.11100	581.77000	2.66000	.00000	8.49000	.01000	5.94000
.601	20.180	-.00700	-.02300	-.00800	.10800	583.61000	2.66000	.00000	8.48000	.01000	5.94000
.601	21.460	-.00900	-.02300	-.00700	.11100	582.59000	2.65000	.00000	8.45000	.06000	5.92000
.602	22.730	-.00800	-.02400	-.00900	.10600	584.53000	2.66000	.00000	8.47000	.04000	5.93000
.602	24.010	-.00600	-.02500	-.01000	.10600	585.51000	2.66000	.00000	8.45000	.06000	5.92000
.603	25.280	-.00900	-.02500	-.00900	.10500	586.67000	2.66000	.00000	8.43000	.08000	5.92000
.601	26.560	-.00400	-.01800	-.00200	.10900	582.86000	2.66000	.00000	8.43000	.03000	5.93000
.602	27.840	-.00300	-.01900	-.00500	.10700	586.39000	2.65000	.00000	8.42000	.04000	5.93000
.601	29.110	-.00600	-.01800	-.00300	.10800	584.82000	2.66000	.00000	8.41000	.06000	5.92000
.602	30.390	-.00700	-.02200	-.00700	.10500	586.86000	2.66000	.00000	8.41000	.04000	5.93000
.600	31.660	-.00900	-.02300	-.00500	.10600	582.16000	2.66000	.00700	8.40000	.02000	5.93000
.601	32.940	-.00600	-.01800	-.00200	.11000	583.59000	2.66000	.00000	8.41000	.00000	5.94000
.600	34.220	-.00700	-.02000	-.00400	.10900	582.63000	2.66000	.00000	8.41000	.00000	5.95000
.600	35.490	-.00900	-.02200	-.00600	.10800	581.34000	2.66000	.00000	8.40000	.00000	5.95000
.601	36.770	-.00500	-.01800	-.00200	.10700	583.39000	2.66000	.00000	8.36000	.05000	5.92000
.600	38.050	-.00700	-.02000	-.00400	.10800	583.31000	2.66000	.00000	8.36000	.05000	5.92000
.598	39.330	-.00700	-.02000	-.00400	.11100	578.13000	2.66000	.00000	8.35000	.03000	5.92000
.602	40.610	-.00300	-.01600	-.00300	.10700	586.19000	2.66000	.00000	8.38000	.02000	5.95000
.601	41.880	-.00800	-.02200	-.00500	.10400	582.58000	2.67000	.00000	8.38000	.01000	5.95000
.600	43.160	-.00600	-.01600	-.00300	.10600	582.11000	2.67000	.00000	8.38000	.01000	5.96000
.601	44.430	-.00800	-.02100	-.00600	.10500	583.88000	2.67000	.00000	8.33000	.01000	5.91000
.600	45.710	-.00800	-.02000	-.00500	.10700	580.00000	2.67000	.00000	8.35000	.07000	5.94000
.601	46.980	-.00600	-.02300	-.00500	.10400	584.08000	2.67000	.00000	8.32000	.02000	5.92000
.602	48.260	-.00700	-.01900	-.00400	.10400	585.37000	2.67000	.00000	8.34000	.01000	5.96000
.602	49.540	-.00400	-.01900	-.00300	.10800	585.17000	2.67000	.00000	8.37000	.01000	5.95000
.601	50.820	-.00500	-.02200	-.00700	.10600	582.78000	2.66000	.00000	8.29000	.05000	5.92000
CPADIENT		-.00026	.00052	.00081	.00094	-48559	-.00583	-.00379	-.00541	.01455	.00422

DATE 29 MAR 76

CA-26 FORCE SOURCE DATA TABULATION

PAGE 1255

LTV44-559(CA26) 747/1 ATY 02 S1 (CARRIER DATA)

(ZF070) (24 MAR 76)

REFERENCE DATA

SREF = 5500.0000 SQ.FT. XMRP = 1339.9000 IN. XC
 LREF = 327.7800 IN. YMRP = .0000 IN. YC
 BREF = 2348.0400 IN. ZMRP = 190.7500 IN. ZC
 SCALE = .0125

PARAMETRIC DATA

ALPHAC = 2.000 BETAC = .000
 STAB = 5.000 ELEVON = .000
 BDFLAP = 16.300 DX = .000
 DY = .000 IORB = 8.000
 BETAO = .000 RUDDER = .000

RUN NO. 52/ 0 RN/L * .00 GRADIENT INTERVAL = -5.00/ 5.00

MACH	DZ	CPCC	CPSB1	CFSB2	CPSB3	Q(PSF)	ALPHAC	BETAC	ALPHAO	BETAO	INCID
.600	1.760	-.01200	-.02400	-.01500	.10700	581.13000	2.69000	.01000	10.62000	.02000	7.93000
.601	2.360	-.01400	-.02400	-.01600	.10700	583.85000	2.70000	.01000	10.60000	.04000	7.91000
.601	2.970	-.01100	-.02400	-.01300	.10700	581.85000	2.71000	.01000	10.61000	.07000	7.92000
.601	3.960	-.01000	-.02300	-.01300	.10900	582.12000	2.71000	.01000	10.62000	.04000	7.93000
.601	4.960	-.01300	-.02500	-.01600	.10700	582.71000	2.70000	.01000	10.61000	.00000	7.93000
.600	6.210	-.01400	-.02700	-.01800	.10700	582.90000	2.70000	.01000	10.58000	.07000	7.91000
.602	7.460	-.01300	-.02600	-.01600	.10700	585.42000	2.70000	.01000	10.57000	.07000	7.90000
.600	8.710	-.01300	-.02300	-.01400	.10900	583.64000	2.70000	.00000	10.56000	.04000	7.91000
.599	9.960	-.01100	-.02300	-.01300	.10800	580.72000	2.69000	.00000	10.56000	.01000	7.93000
.600	11.200	-.00900	-.02200	-.01200	.10900	580.59000	2.69000	.00000	10.55000	.04000	7.92000
.600	12.430	-.00700	-.01800	-.00900	.11300	582.56000	2.69000	.00000	10.56000	.05000	7.94000
.600	13.670	-.00600	-.01800	-.01000	.11200	582.90000	2.68000	.00000	10.55000	.05000	7.93000
.601	14.910	-.00500	-.01900	-.01000	.10900	583.25000	2.68000	.00000	10.53000	.05000	7.93000
.599	16.140	-.01100	-.02200	-.01200	.11000	580.38000	2.69000	.00000	10.51000	.00000	7.91000
.601	17.370	-.00800	-.02100	-.01200	.10800	582.91000	2.68000	.00000	10.51000	.04000	7.93000
.599	18.610	-.00800	-.01900	-.00900	.11000	578.62000	2.67000	.00000	10.50000	.00000	7.93000
.600	19.840	-.00500	-.01600	-.00900	.11000	580.82000	2.68000	.00000	10.48000	.07000	7.92000
.599	21.080	-.00700	-.01700	-.00900	.11200	579.36000	2.67000	.00000	10.46000	.05000	7.91000
.599	22.310	-.00800	-.01700	-.00700	.11100	579.11000	2.67000	.00000	10.46000	.03000	7.91000
.601	23.550	-.00500	-.01500	-.00700	.11200	582.25000	2.67000	.00000	10.49000	.02000	7.95000
.600	24.780	-.01000	-.02100	-.01000	.11000	580.60000	2.67000	.00000	10.44000	.02000	7.91000
.600	26.010	-.00900	-.01900	-.00800	.11100	580.95000	2.67000	.00000	10.43000	.05000	7.91000
.601	27.250	-.01000	-.02000	-.01000	.10900	581.97000	2.67000	.00000	10.43000	.05000	7.91000
.602	28.480	-.00500	-.01500	-.00900	.10900	585.36000	2.67000	.00000	10.45000	-.01000	7.95000
.602	29.720	-.00800	-.02000	-.01200	.10800	585.09000	2.67000	.00000	10.40000	.04000	7.90000
.600	30.950	-.00600	-.01500	-.00700	.10900	580.74000	2.67000	.00000	10.42000	.00000	7.93000
.600	32.180	-.00600	-.01900	-.00900	.10700	581.08000	2.67000	.00000	10.39000	.08000	7.91000
.600	33.420	-.00600	-.01800	-.00900	.10700	581.29000	2.67000	.00000	10.39000	.05000	7.92000
.597	34.660	-.00800	-.02100	-.01100	.10700	576.30000	2.67000	.00000	10.40000	.00000	7.94000
.599	35.900	-.00900	-.02000	-.00900	.10900	579.30000	2.67000	.00000	10.39000	.02000	7.93000
.602	37.130	-.00500	-.01600	-.00900	.10800	585.37000	2.67000	.00000	10.38000	.05000	7.93000
.600	38.360	-.00700	-.01900	-.00800	.10900	582.22000	2.67000	.00000	10.39000	.00000	7.94000
.604	39.600	-.00600	-.01300	-.00500	.10700	588.96000	2.67000	.00000	10.35000	.05000	7.91000
.600	40.830	-.00700	-.01300	-.00500	.10700	582.43000	2.67000	.00000	10.36000	.04000	7.92000
.600	42.070	-.00600	-.01800	-.01000	.10700	581.88000	2.67000	.00000	10.36000	-.01000	7.94000
.601	43.300	-.00600	-.01400	-.00500	.10900	583.52000	2.67000	.00000	10.37000	.02000	7.95000
.600	44.540	-.00700	-.01700	-.01100	.10600	581.88000	2.67000	.00000	10.32000	.02000	7.91000
.599	45.770	-.00700	-.01900	-.00800	.10700	579.22000	2.67000	.00000	10.33000	.06000	7.92000
.600	47.010	-.00700	-.01600	-.00500	.10800	581.97000	2.67000	.00000	10.35000	-.01000	7.95000
.600	48.250	-.00600	-.01800	-.00600	.10800	579.99000	2.68000	.00000	10.34000	.00000	7.94000
.599	49.480	-.00700	-.01700	-.01000	.10600	580.12000	2.67000	.00000	10.30000	.07000	7.92000
.600	50.710	-.00500	-.01600	-.00500	.10900	581.55000	2.67000	.00000	10.30000	.03000	7.93000

LTV44-559(CA26) 747/1 ATY 02 S1 (CARRIER DATA)

(ZFED70) (24 MAR 76)

REFERENCE DATA

SREF = 5500.0000 SQ.FT. XMRP = 1339.9000 IN. XC
 LREF = 327.7800 IN. YMRP = .0000 IN. YC
 BREF = 2348.0400 IN. ZMRP = 190.7500 IN. ZC
 SCALE = .0125

PARAMETRIC DATA

ALPHAC = 2.000 BETAC = .000
 STAB = 5.000 ELEVON = .000
 BDFLAP = 16.300 DX = .000
 DY = .000 TORB = 8.000
 BETAO = .000 RUDDER = .000

RUN NO. 52/ 0 RN/L = .00 GRADIENT INTERVAL = -5.00/ 5.00

MACH	DZ	CPCC	CPSB1	CPSB2	CPSB3	Q(PSF)	ALPHAC	BETAC	ALPHAO	BETAO	INC1D
.602	51.950	-.00800	-.01500	-.00600	.10400	585.30000	2.67000	.00000	10.29000	.05000	7.92000
.599	53.180	-.00400	-.01700	-.00700	.11000	580.12000	2.67000	.00000	10.27000	.04000	7.91000
.600	54.420	-.00900	-.01700	-.01100	.11300	580.93000	2.67000	.00000	10.28000	.02000	7.93000
.604	55.650	-.00600	-.01500	-.00600	.10500	588.17000	2.67000	.00000	10.28000	.07000	7.93000
.600	56.890	-.00500	-.01700	-.00700	.10900	581.16000	2.67000	.00000	10.27000	.05000	7.93000
.600	58.120	-.00900	-.01600	-.01000	.10400	579.99000	2.67000	.00000	10.25000	.02000	7.92000
	GRADIENT	.00019	-.00015	.00002	.00023	.16455	.00302	.00000	.00024	-.00744	.00294

DATE 29 MAR 76

CA-26 FORCE SOURCE DATA TABULATION

PAGE 1257

LTV44-559(CA26) 747/1 ATY 02 S1 (CARRIER DATA)

(ZFE071) (24 MAR 76)

REFERENCE DATA

SREF = 5500.0000 SQ.FT. XMRP = 1339.9000 IN. XC
 LREF = 327.7800 IN. YMRP = .0000 IN. YC
 BREF = 2348.0400 IN. ZMRP = 190.7500 IN. ZC
 SCALE = .0125

PARAMETRIC DATA

ALPHAC = 2.000 BETAC = .000
 STAB = 5.000 ELEVON = .000
 BDFLAP = 5.000 CX = .000
 DY = .000 IORB = 4.000
 BETAO = .000 RUDDER = .000

GRADIENT INTERVAL = -5.00/ 5.00											
MACH	DZ	CPCC	CPSB1	CPSB2	CPSB3	Q(PSF)	ALPHAC	BETAC	ALPHAO	BETAO	INCID
.597	1.760	-.02000	-.03200	-.02700	.10300	580.38000	2.63000	.01000	6.55000	.05000	3.92000
.597	2.360	-.01900	-.03200	-.02700	.10300	579.16000	2.63000	.01000	6.57000	.03000	3.95000
.600	2.970	-.01800	-.02800	-.02600	.10800	584.98000	2.63000	.00000	6.56000	.02000	3.94000
.598	3.760	-.02000	-.03000	-.02700	.10600	581.62000	2.63000	.01000	6.57000	.03000	3.95000
.600	4.560	-.01700	-.02700	-.02300	.11000	585.10000	2.63000	.00000	6.52000	.08000	3.91000
.598	5.960	-.01800	-.02700	-.02600	.11000	581.14000	2.63000	.01000	6.55000	.06000	3.95000
.600	7.970	-.01600	-.02600	-.02500	.11200	584.35000	2.63000	.00000	6.50000	.04000	3.91000
.597	9.960	-.01800	-.02900	-.02600	.10500	581.31000	2.63000	.01000	6.51000	.04000	3.93000
.600	10.960	-.01800	-.02800	-.02600	.10300	584.41000	2.64000	.00000	6.51000	.07000	3.93000
.600	11.960	-.01600	-.02700	-.02200	.10600	583.28000	2.64000	.00000	6.50000	.06000	3.93000
.600	12.950	-.01500	-.02600	-.02200	.10900	582.47000	2.64000	.00000	6.52000	.03000	3.95000
.596	13.940	-.02000	-.03200	-.02500	.10400	576.57000	2.64000	.00000	6.48000	.04000	3.92000
.599	14.940	-.01400	-.02800	-.02300	.10800	581.78000	2.64000	.00000	6.51000	.05000	3.95000
.600	15.930	-.01600	-.02600	-.02300	.10600	583.22000	2.64000	.00000	6.48000	.05000	3.92000
.600	16.930	-.01400	-.02800	-.02100	.10500	582.68000	2.65000	.00000	6.50000	.06000	3.95000
.599	17.930	-.01500	-.02900	-.02000	.10400	580.70000	2.65000	.00000	6.49000	.07000	3.94000
.601	18.920	-.01500	-.02700	-.02200	.10700	583.91000	2.65000	.00000	6.47000	.04000	3.92000
.601	19.910	-.01500	-.02800	-.02000	.10300	585.00000	2.65000	.00000	6.45000	.08000	3.96000
.600	20.910	-.01600	-.02700	-.02100	.10600	583.02000	2.65000	.00000	6.45000	.03000	3.91000
.598	21.900	-.01900	-.02800	-.02100	.10300	580.42000	2.65000	.00000	6.45000	.05000	3.93000
.599	22.890	-.01700	-.02900	-.02000	.10300	582.72000	2.65000	.00000	6.48000	.05000	3.96000
.598	23.890	-.01700	-.02600	-.02100	.10500	581.41000	2.66000	.00000	6.45000	.05000	3.93000
.599	24.890	-.01600	-.02500	-.02000	.10500	584.47000	2.65000	.00000	6.45000	.06000	3.93000
.599	25.880	-.01700	-.02600	-.02200	.10300	582.56000	2.65000	.00000	6.45000	.04000	3.94000
.600	26.870	-.01400	-.02900	-.02000	.10300	584.83000	2.66000	.00000	6.45000	.05000	3.95000
.601	27.870	-.01300	-.02700	-.01600	.10400	586.34000	2.66000	.00000	6.43000	.06000	3.93000
.598	28.860	-.01800	-.02800	-.02000	.10000	581.08000	2.66000	.00000	6.45000	.04000	3.95000
.599	29.860	-.01800	-.03000	-.02000	.10100	583.73000	2.66000	.00000	6.41000	.04000	3.92000
.601	30.860	-.01300	-.02700	-.01700	.10400	586.61000	2.66000	.00000	6.42000	.04000	3.94000
.599	31.850	-.01300	-.02700	-.01900	.10400	582.64000	2.66000	.00000	6.42000	.04000	3.93000
.598	32.840	-.01800	-.02900	-.01900	.09900	582.23000	2.67000	.00000	6.40000	.04000	3.93000
.597	33.840	-.01700	-.02700	-.02000	.10100	579.57000	2.67000	.00000	6.42000	.06000	3.95000
.600	34.830	-.01400	-.02700	-.01600	.10300	584.56000	2.66000	.00000	6.43000	.06000	3.96000
.600	35.830	-.01600	-.02800	-.01600	.10100	584.90000	2.66000	.00000	6.39000	.04000	3.94000
.600	36.830	-.01600	-.02700	-.01700	.10000	585.85000	2.67000	.00000	6.41000	.05000	3.95000
.600	37.820	-.01600	-.02800	-.01700	.10100	586.32000	2.67000	.00000	6.40000	.05000	3.95000
.598	38.820	-.01800	-.02700	-.02100	.09800	582.09000	2.67000	.00000	6.37000	.05000	3.93000
.600	39.810	-.01500	-.02600	-.01600	.10100	585.57000	2.67000	.00000	6.39000	.05000	3.95000
.596	40.800	-.01500	-.02700	-.01900	.10200	577.57000	2.67000	.00000	6.36000	.04000	3.93000
.597	41.800	-.01300	-.02600	-.01700	.10400	580.52000	2.67000	.00000	6.36000	.03000	3.94000
.599	42.800	-.01500	-.02700	-.01600	.10200	583.32000	2.67000	.00000	6.34000	.04000	3.92000
.599	43.790	-.01500	-.02800	-.01700	.10100	581.76000	2.67000	.00000	6.34000	.05000	3.92000

DATE 29 MAR 76

CA-26 FORCE SOURCE DATA TABULATION

PAGE 1258

LTV44-559(CA26) 747/1 ATY 02 S1 (CARRIER DATA)

(ZFE071) (24 MAR 76)

REFERENCE DATA

SREF = 5500.0000 SQ.FT. XMRP = 1339.9000 IN. XC
LREF = 327.7800 IN. YMRP = .0000 IN. YC
BREF = 2348.0400 IN. ZMRP = 190.7500 IN. ZC
SCALE = .0125

PARAMETRIC DATA

ALPHAC = 2.000 BETAC = .000
STAB = 5.000 ELEVON = .000
BDFLAP = 5.000 DX = .000
DY = .000 IORB = 4.000
BETAO = .000 RUDDER = .000

RUN NO. 53/ 0 RN/L = .00 GRADIENT INTERVAL = -5.00/ 5.00

MACH	DZ	CPCC	CPSB1	CPSB2	CPSB3	Q(PSF)	ALPHAC	BETAC	ALPHAO	BETAO	INCID
.602	44.790	-.01600	-.02400	-.01700	.09800	588.84000	2.67000	.00000	6.37000	.05000	3.95000
	GRADIENT	.00071	.00168	.00118	.00240	1.66124	.00000	-.00277	-.00941	.00986	-.00372

LTV44-559(CA26) 747/1 ATY 02 S1 (CARRIER DATA)

(ZFEO72) (24 MAR 76)

REFERENCE DATA

SREF = 5500.0000 SQ.FT. XMRP = 1339.9000 IN. XC
 LREF = 327.7800 IN. YMRP = .0000 IN. YC
 BREF = 2348.0400 IN. ZMRP = 190.7500 IN. ZC
 SCALE = .0125

PARAMETRIC DATA

ALPHAC = 2.000 BETAC = .000
 STAB = 5.000 ELEVON = .000
 BOFLAP = 5.000 DX = .000
 DY = .000 TORB = 6.000
 BETAO = .000 RUDDER = .000

RUN NO. 1053/ 0 RN/L = .00 GRADIENT INTERVAL = -5.00/ 5.00

MACH	DZ	CPCC	CPSB1	CPSB2	CPSB3	Q(PSF)	ALPHAC	BETAC	ALPHA0	BETA0	INCID
.598	1.470	-.01400	-.03000	-.02500	.10500	578.47000	2.67000	.01000	8.60000	.10000	5.93000
.598	1.770	-.01400	-.02700	-.02300	.10700	579.42000	2.66000	.01000	8.59000	.03000	5.93000
.598	2.370	-.01600	-.03000	-.02300	.10700	578.53000	2.66000	.01000	8.60000	.00000	5.95000
.599	2.970	-.01500	-.03100	-.02600	.10600	578.52000	2.67000	.01000	8.60000	.06000	5.95000
.598	3.770	-.01700	-.03000	-.02400	.10900	580.22000	2.66000	.00000	8.55000	.08000	5.91000
.599	4.570	-.01900	-.03200	-.02600	.10600	581.45000	2.65000	.01000	8.57000	.07000	5.93000
.598	5.970	-.01500	-.02800	-.02100	.10700	577.85000	2.65000	.00000	8.54000	.02000	5.92000
.597	7.970	-.01500	-.03000	-.02100	.10900	576.35000	2.65000	.00000	8.55000	.06000	5.94000
.598	9.960	-.01600	-.02900	-.02100	.10500	578.80000	2.65000	.00000	8.53000	.02000	5.93000
.599	11.240	-.01600	-.02800	-.02000	.10600	580.24000	2.65000	.00000	8.52000	.06000	5.93000
.597	12.520	-.01600	-.02900	-.02000	.10700	577.77000	2.65000	.00000	8.51000	.07000	5.92000
.598	13.800	-.01300	-.02600	-.02000	.10500	579.61000	2.65000	.00000	8.51000	.06000	5.93000
.597	15.080	-.01600	-.02800	-.02000	.10600	579.61000	2.65000	.00000	8.47000	.09000	5.90000
.598	16.350	-.01500	-.02800	-.01900	.10600	579.61000	2.66000	.00000	8.48000	.02000	5.92000
.600	17.630	-.01400	-.02600	-.01900	.10200	582.29000	2.66000	.00000	8.51000	.05000	5.95000
.598	18.900	-.01500	-.02800	-.01900	.10500	578.59000	2.66000	.00000	8.47000	.00000	5.92000
.599	20.180	-.01400	-.02600	-.01800	.10300	581.58000	2.66000	.00000	8.45000	.05000	5.91000
.595	21.460	-.01500	-.02700	-.02000	.10500	574.74000	2.65000	.00000	8.48000	.05000	5.95000
.598	22.730	-.01300	-.02600	-.01800	.10400	580.35000	2.66000	.00000	8.46000	.02000	5.93000
.599	24.000	-.01400	-.02600	-.01800	.10300	581.44000	2.66000	.00000	8.45000	.05000	5.93000
.599	25.280	-.01400	-.02600	-.01700	.10300	581.98000	2.67000	.00000	8.43000	.07000	5.91000
.598	26.560	-.01200	-.02600	-.01800	.10300	579.32000	2.66000	.00000	8.45000	.07000	5.94000
.599	27.840	-.01200	-.02500	-.01600	.10300	580.76000	2.67000	.00000	8.45000	.07000	5.95000
.600	29.110	-.01300	-.02500	-.01500	.10400	583.42000	2.67000	.00000	8.44000	.03000	5.94000
.599	30.390	-.01200	-.02400	-.01500	.10300	579.89000	2.66000	.00000	8.44000	.04000	5.95000
.599	31.660	-.01500	-.02700	-.01800	.10000	580.36000	2.66000	.00000	8.40000	.01000	5.92000
.597	32.940	-.01100	-.02300	-.01500	.10300	577.77000	2.66000	.00000	8.42000	.03000	5.95000
.598	34.220	-.01200	-.02500	-.01600	.10200	579.87000	2.66000	.00000	8.37000	.06000	5.91000
.596	35.490	-.01300	-.02500	-.01700	.10300	576.85000	2.66000	.00000	8.38000	.03000	5.92000
.599	36.770	-.01100	-.02400	-.01600	.10200	581.44000	2.67000	.00000	8.38000	.02000	5.93000
.600	38.050	-.01200	-.02600	-.01600	.10000	584.50000	2.67000	.00000	8.41000	.06000	5.96000
.596	39.330	-.01300	-.02500	-.01300	.10300	578.00000	2.67000	.00000	8.36000	.02000	5.92000
.596	40.600	-.01300	-.02400	-.01500	.10300	578.13000	2.67000	.00000	8.36000	.02000	5.92000
.598	41.880	-.01200	-.02400	-.01600	.10100	581.28000	2.67000	.00000	8.35000	.03000	5.92000
.597	43.150	-.01000	-.02300	-.01400	.10100	579.71000	2.67000	.00000	8.36000	.05000	5.94000
.596	44.430	-.01600	-.02800	-.01800	.10100	578.06000	2.67000	.00000	8.35000	.04000	5.93000
.599	45.710	-.01500	-.02700	-.01800	.09900	582.45000	2.68000	.00000	8.35000	.05000	5.93000
.600	46.980	-.01200	-.02300	-.01700	.09800	583.27000	2.67000	.00000	8.32000	.02000	5.92000
.600	48.260	-.01100	-.02200	-.01500	.10200	584.50000	2.68000	.00000	8.31000	.03000	5.91000
.597	49.540	-.01200	-.02400	-.01600	.10000	577.68000	2.67000	.00000	8.33000	.03000	5.94000
.598	50.820	-.01400	-.02400	-.01400	.10200	579.87000	2.68000	.00000	8.29000	.01000	5.91000
	GRADIENT	-.00152	-.00096	-.00056	.00038	.82368	-.00415	-.00134	-.01258	.00576	-.00351

LTV44-559(CA26) 747/1 ATY 02 S1 (CARRIER DATA)

(ZFE073) (24 MAR 76)

REFERENCE DATA

SREF = 5500.0000 SQ.FT. XMRP = 1339.9000 IN. XC
 LREF = 327.7800 IN. YMRP = .0000 IN. YC
 BREF = 2348.0400 IN. ZMRP = 190.7500 IN. ZC
 SCALE = .0125

PARAMETRIC DATA

ALPHAC = 2.000 BETAC = .000
 STAB = 5.000 ELEVON = .000
 BDFLAP = 5.000 DX = .000
 DY = .000 IORB = 0.000
 BETAO = .000 RUDDER = .000

RUN NO. 54/ 0 RN/L = .00 GRADIENT INTERVAL = -5.00/ 5.00

MACH	OZ	CPCC	CPSB1	CPSB2	CPSB3	Q(PSF)	ALPHAC	BETAC	ALPHAO	BETAO	INCID
.599	1.760	-.01100	-.02600	-.01800	.11300	582.04000	2.69000	.01000	10.62000	.06000	7.93000
.599	2.360	-.01300	-.02300	-.01800	.10800	582.99000	2.69000	.01000	10.60000	.02000	7.92000
.600	2.970	-.01000	-.02400	-.01600	.11400	584.23000	2.70000	.01000	10.61000	.01000	7.93000
.599	3.960	-.01300	-.02300	-.01900	.11000	582.51000	2.70000	.01000	10.58000	.10000	7.90000
.601	4.960	-.01100	-.02100	-.01500	.11100	586.61000	2.69000	.01000	10.57000	.09000	7.90000
.599	6.210	-.01000	-.02400	-.01700	.11400	581.83000	2.69000	.01000	10.57000	.04000	7.92000
.599	7.460	-.01200	-.02200	-.01800	.11000	581.44000	2.69000	.01000	10.56000	.04000	7.91000
.599	8.710	-.01300	-.02300	-.01900	.11000	580.42000	2.69000	.01000	10.56000	.03000	7.92000
.600	9.960	-.01100	-.02100	-.01700	.11600	586.58000	2.67000	.00000	10.52000	.09000	7.90000
.602	11.200	-.00800	-.02200	-.01300	.11400	590.46000	2.68000	.00000	10.53000	.09000	7.92000
.599	12.430	-.01200	-.02200	-.01800	.11100	584.19000	2.67000	.00000	10.49000	.05000	7.89000
.601	13.670	-.01000	-.02200	-.01200	.11000	586.94000	2.67000	.00000	10.52000	.05000	7.92000
.600	14.910	-.01300	-.02300	-.01500	.11000	584.35000	2.67000	.00000	10.51000	.05000	7.92000
.600	16.140	-.01100	-.02200	-.01400	.11000	583.75000	2.67000	.00000	10.50000	.04000	7.92000
.598	17.370	-.01200	-.02200	-.01500	.10900	580.28000	2.67000	.00000	10.48000	.04000	7.91000
.598	18.610	-.00700	-.02000	-.01300	.11400	579.27000	2.67000	.00000	10.48000	.10000	7.91000
.597	19.840	-.01300	-.02100	-.01700	.10900	577.35000	2.66000	.00000	10.45000	.07000	7.89000
.599	21.080	-.01200	-.02100	-.01500	.10800	580.10000	2.66000	.00000	10.46000	.02000	7.92000
.599	22.310	-.01200	-.02000	-.01600	.11000	579.56000	2.66000	.00000	10.43000	.07000	7.90000
.600	23.550	-.00900	-.02100	-.01500	.11200	580.79000	2.66000	.00000	10.44000	.09000	7.91000
.602	24.780	-.00800	-.02000	-.01100	.11200	585.70000	2.66000	.00000	10.45000	.05000	7.93000
.600	26.010	-.00900	-.01900	-.01300	.11400	583.63000	2.65000	.00000	10.44000	.06000	7.93000
.601	27.250	-.00800	-.02100	-.01200	.11000	586.42000	2.66000	.00000	10.43000	.05000	7.93000
.601	28.480	-.01000	-.02200	-.01300	.10700	586.28000	2.66000	.00000	10.40000	.03000	7.90000
.600	29.720	-.01200	-.01900	-.01600	.10900	583.23000	2.66000	.00000	10.42000	.09000	7.93000
.601	30.950	-.00800	-.01900	-.01300	.11200	584.54000	2.66000	.00000	10.40000	.07000	7.92000
.600	32.180	-.01300	-.02000	-.01500	.10700	582.08000	2.66000	.00000	10.37000	.08000	7.90000
.602	33.420	-.00900	-.02100	-.01100	.11000	586.31000	2.65000	.00000	10.37000	.04000	7.90000
.593	34.660	-.01200	-.02100	-.01300	.10700	581.66000	2.65000	.00000	10.35000	.06000	7.89000
.601	35.900	-.00800	-.02000	-.01200	.10900	584.67000	2.66000	.00000	10.37000	.04000	7.91000
.601	37.130	-.00800	-.01700	-.01100	.11300	584.93000	2.66000	.00000	10.37000	.02000	7.92000
.602	38.360	-.00800	-.01800	-.01100	.11200	587.36000	2.66000	.00000	10.33000	.03000	7.89000
.601	39.600	-.00800	-.01900	-.01300	.11000	586.88000	2.66000	.00000	10.33000	.05000	7.90000
.599	40.830	-.01000	-.02200	-.01300	.10600	583.19000	2.67000	.00000	10.34000	.08000	7.91000
.600	42.070	-.00800	-.02000	-.01200	.10900	584.23000	2.66000	.00000	10.31000	.05000	7.89000
.600	43.300	-.00900	-.02100	-.01200	.10700	583.68000	2.67000	.00000	10.33000	.09000	7.92000
.593	44.540	-.01200	-.02200	-.01400	.10500	581.90000	2.66000	.00000	10.33000	.08000	7.92000
.601	45.770	-.00800	-.01800	-.01300	.11000	585.73000	2.67000	.00000	10.29000	.05000	7.89000
.601	47.010	-.00900	-.02100	-.01100	.10700	584.71000	2.67000	.00000	10.31000	.10000	7.91000
.600	48.250	-.00900	-.02100	-.01100	.10700	584.58000	2.67000	.00000	10.31000	.07000	7.92000
.599	49.480	-.01000	-.02200	-.01200	.10700	582.19000	2.67000	.00000	10.29000	.09000	7.91000
.599	50.710	-.01200	-.02200	-.01300	.10500	582.99000	2.67000	.00000	10.29000	.07000	7.92000

DATE 29 MAR 76

CA-26 FORCE SOURCE DATA TABULATION

PAGE 1261

LTV44-559(CA26) 747/1 ATY 02 S1 (CARRIER DATA)

(ZFE073) (24 MAR 76)

REFERENCE DATA

SREF = 5500.0000 SQ.FT. XMRP = 1339.9000 IN. XC
 LREF = 327.7800 IN. YMRP = .0000 IN. YC
 BREF = 2348.0400 IN. ZMRP = 190.7500 IN. ZC
 SCALE = .0125

PARAMETRIC DATA

ALPHAC = 2.000 BETAC = .000
 STAB = 5.000 ELEVON = .000
 BDFLAP = 5.000 DX = .000
 DY = .000 IORB = 8.000
 BETA0 = .000 RUDDER = .000

		RUN NO.	54/ 0	RN/L =	.00	GRADIENT INTERVAL = -5.00/ 5.00					
MACH	OZ	CPCC	CPSB1	CPSB2	CPSB3	Q(PSF)	ALPHAC	BETAC	ALPHA0	BETA0	INC10
.599	51.950	-.01100	-.02300	-.01300	.10500	582.45000	2.67000	.00000	10.28000	.03000	7.91000
.600	53.180	-.01000	-.01800	-.01400	.10800	584.04000	2.67000	.00000	10.27000	.07000	7.90000
.599	54.420	-.01100	-.02100	-.01600	.10500	580.36000	2.67000	.00000	10.25000	.07000	7.89000
.601	55.650	-.01100	-.01800	-.01300	.10900	585.47000	2.67000	.00000	10.26000	.12000	7.91000
.599	56.890	-.01300	-.02400	-.01400	.10300	581.92000	2.67000	.00000	10.23000	.03000	7.89000
.599	58.120	-.01200	-.02000	-.01200	.10700	581.45000	2.67000	.00000	10.26000	.04000	7.92000
	GRADIENT	-.00001	.00124	.00062	-.00028	1.08840	.00081	.00000	-.01522	.01972	-.01031

ORIGINAL PAGE IS OF POOR QUALITY

LTV44-559(CA26) 747/1 ATY 02 S1 (CARRIER DATA)

(ZFE074) (24 MAR 76)

REFERENCE DATA

SREF = 5500.0000 SQ.FT. XMRP = 1339.9000 IN. XC
 LREF = 327.7000 IN. YMRP = .0000 IN. YC
 BREF = 2348.0400 IN. ZMRP = 190.7500 IN. ZC
 SCALE = .0125

PARAMETRIC DATA

ALPHAC = 2.000 BETAC = .000
 STAB = 5.000 ELEVON = .000
 BDFLAP = .000 DX = .000
 DY = .000 IORB = 4.000
 BETAO = .000 RUDDER = .000

RUN NO. 55/ 0 RN/L = .00 GRADIENT INTERVAL = -5.00/ 5.00

MACH	DZ	CPCC	CPSB1	CPSB2	CPSB3	Q(PSF)	ALPHAC	BETAC	ALPHAQ	BETAQ	INCID
.600	1.760	-.01500	-.02600	-.02500	.11400	586.05000	2.61000	.01000	6.56000	.03000	3.96000
.599	2.360	-.01700	-.02900	-.02700	.11200	583.52000	2.61000	.01000	6.56000	.04000	3.95000
.602	2.970	-.01600	-.02300	-.02500	.11000	587.31000	2.62000	.01000	6.56000	.00000	3.95000
.603	3.760	-.01500	-.02100	-.02200	.11200	588.54000	2.61000	.01000	6.56000	.02000	3.97000
.602	4.560	-.01700	-.02500	-.02700	.11100	588.05000	2.62000	.01000	6.55000	.00000	3.96000
.601	5.960	-.01700	-.02600	-.02300	.11400	586.08000	2.62000	.01000	6.55000	.02000	3.96000
.601	7.970	-.01700	-.02600	-.02300	.11300	585.19000	2.62000	.01000	6.53000	.03000	3.96000
.601	9.960	-.01700	-.02700	-.02400	.11200	586.48000	2.63000	.00000	6.51000	.06000	3.93000
.601	10.960	-.01500	-.02100	-.01800	.11600	584.31000	2.63000	.01000	6.51000	.07000	3.94000
.600	11.960	-.01700	-.02300	-.02300	.11400	584.04000	2.63000	.01000	6.50000	.05000	3.93000
.602	12.950	-.01400	-.02100	-.01900	.11200	586.64000	2.63000	.01000	6.50000	.07000	3.94000
.602	13.940	-.01400	-.02400	-.02200	.11000	587.52000	2.64000	.01000	6.51000	.03000	3.95000
.602	14.940	-.01600	-.02500	-.02100	.11200	587.72000	2.64000	.01000	6.51000	.01000	3.96000
.602	15.930	-.01600	-.02400	-.02100	.11200	587.51000	2.64000	.00000	6.50000	.03000	3.95000
.601	16.930	-.01400	-.02100	-.01800	.11200	584.78000	2.64000	.00000	6.48000	.03000	3.93000
.602	17.930	-.01600	-.02400	-.01900	.11000	588.26000	2.64000	.00000	6.47000	.07000	3.94000
.602	18.920	-.01300	-.02100	-.01800	.11200	586.97000	2.64000	.00000	6.46000	.03000	3.92000
.602	19.910	-.01900	-.02500	-.02000	.11000	587.44000	2.64000	.00000	6.50000	.03000	3.97000
.602	20.910	-.01500	-.02400	-.02000	.10900	587.11000	2.65000	.00000	6.48000	.03000	3.95000
.602	21.900	-.01900	-.02500	-.02000	.10900	587.45000	2.65000	.00000	6.48000	.02000	3.95000
.602	22.890	-.01600	-.02400	-.01900	.11000	587.46000	2.65000	.00000	6.47000	.03000	3.96000
.602	23.890	-.01800	-.02400	-.01800	.11000	586.90000	2.65000	.00000	6.45000	.00000	3.94000
.602	24.890	-.01400	-.02300	-.01800	.11100	587.23000	2.65000	.00000	6.47000	.01000	3.97000
.602	25.880	-.01300	-.02000	-.01600	.11300	588.91000	2.65000	.00000	6.44000	.07000	3.93000
.601	26.870	-.01700	-.02500	-.01900	.10800	588.56000	2.65000	.00000	6.46000	.00000	3.96000
.600	27.870	-.01400	-.02100	-.01700	.10800	584.62000	2.65000	.00000	6.43000	.05000	3.94000
.601	28.860	-.01600	-.02400	-.01800	.10700	586.35000	2.65000	.00000	6.45000	.00000	3.97000
.600	29.860	-.01400	-.02200	-.01800	.10600	583.97000	2.66000	.00000	6.44000	.04000	3.95000
.601	30.860	-.01500	-.02200	-.01700	.10700	584.11000	2.66000	.00000	6.44000	.03000	3.96000
.602	31.850	-.01300	-.02000	-.01500	.11000	586.84000	2.66000	.00000	6.44000	.04000	3.96000
.603	32.840	-.01500	-.02100	-.01400	.10900	590.22000	2.66000	.00000	6.42000	.06000	3.95000
.602	33.840	-.01500	-.02200	-.01600	.10900	588.04000	2.66000	.00000	6.41000	.00000	3.95000
.601	34.830	-.01500	-.02100	-.01600	.10600	586.68000	2.66000	.00000	6.39000	.02000	3.93000
.602	35.830	-.01400	-.02100	-.01500	.10600	587.58000	2.66000	.00000	6.39000	.02000	3.93000
.602	36.830	-.01800	-.02400	-.01800	.10700	587.17000	2.66000	.00000	6.40000	.02000	3.95000
.602	37.820	-.01400	-.02100	-.01400	.10700	587.57000	2.66000	.00000	6.40000	.06000	3.95000
.601	38.820	-.01600	-.02200	-.01500	.10700	585.13000	2.66000	.00000	6.40000	.04000	3.96000
.601	39.810	-.01600	-.02100	-.01400	.10700	584.18000	2.66000	.00000	6.39000	.05000	3.96000
.603	40.800	-.01500	-.02300	-.01700	.10400	587.73000	2.66000	.00000	6.36000	.02000	3.93000
.602	41.800	-.01800	-.02400	-.01600	.10800	586.90000	2.67000	.00000	6.38000	.05000	3.95000
.601	42.800	-.01300	-.02000	-.01400	.10700	586.68000	2.67000	.00000	6.36000	.03000	3.94000
.601	43.790	-.01800	-.02500	-.01800	.10600	587.41000	2.66000	.00000	6.36000	.03000	3.94000

DATE 29 MAR 76

CA-26 FORCE SOURCE DATA TABULATION

PAGE 1263

LTV44-559(CA26) 747/1 ATY 02 S1 (CARRIER DATA)

(ZFE074) (24 MAR 76)

REFERENCE DATA

SREF = 5500.0000 SQ.FT. XMRP = 1339.9000 IN. XC
LREF = 327.7800 IN. YMRP = .0000 IN. YC
BREF = 2348.0400 IN. ZMRP = 190.7500 IN. ZC
SCALE = .0125

PARAMETRIC DATA

ALPHAC = 2.000 BETAC = .000
STAB = 5.000 ELEVON = .000
BDFLAP = .000 DX = .000
DY = .000 IORB = 4.000
BETAO = .000 RUDDER = .000

RUN NO. 55/ 0 RN/L = .00 GRADIENT INTERVAL = -5.00/ 5.00

MACH	DZ	CPCC	CPSB1	CPSB2	CPSB3	Q(PSF)	ALPHAC	BETAC	ALPHAO	BETAO	INCID
.603	44.790	-.01700	-.02300	-.01700	.10600	588.21000	2.67000	.00000	6.34000	.00000	3.94000
	GRADIENT	-.00028	.00121	.00011	-.00079	1.28508	.00277	.00000	-.00300	-.01116	.00307

LTV44-559(CA26) 747/1 ATY 02 S1 (CARRIER DATA)

(ZFE075) (24 MAR 76)

REFERENCE DATA

SREF = 5500.0000 SQ.FT. XMRP = 1339.9000 IN. XC
 LREF = 327.7800 IN. YMRP = .0000 IN. YC
 BREF = 2348.0400 IN. ZMRP = 190.7500 IN. ZC
 SCALE = .0125

PARAMETRIC DATA

ALPHAC = 2.000 BETAC = .000
 STAB = 5.000 ELEVON = .000
 BDFLAP = .000 DX = .000
 DY = .000 TORB = 6.000
 BETAO = .000 RUDDER = .000

RUN NO. 1055/ 0 RN/L = .00 GRADIENT INTERVAL = -5.00/ 5.00

MACH	DZ	CPC	CPSB1	CPSB2	CPSB3	Q(PSF)	ALPHAC	BETAC	ALPHA0	BETA0	INC10
.603	1.470	-.01900	-.02800	-.02500	.11300	585.65000	2.65000	.01000	8.57000	.02000	5.92000
.602	1.770	-.01300	-.02200	-.02000	.11300	585.11000	2.65000	.01000	8.59000	.05000	5.94000
.603	2.370	-.01700	-.02500	-.02200	.11200	585.59000	2.65000	.01000	8.57000	.02000	5.93000
.601	2.970	-.01900	-.02800	-.02500	.11000	582.72000	2.65000	.01000	8.56000	.03000	5.92000
.601	3.770	-.01800	-.02700	-.02300	.11200	583.18000	2.64000	.01000	8.56000	.02000	5.94000
.600	4.570	-.01600	-.02500	-.02100	.11400	582.15000	2.65000	.01000	8.58000	.04000	5.96000
.601	5.970	-.01900	-.02800	-.02300	.11000	583.18000	2.64000	.01000	8.55000	.02000	5.94000
.602	7.970	-.01200	-.02100	-.01800	.11300	584.55000	2.65000	.01000	8.55000	.05000	5.95000
.601	9.960	-.01800	-.02600	-.02200	.11100	584.47000	2.64000	.01000	8.53000	.03000	5.94000
.601	11.240	-.01700	-.02500	-.02000	.11200	584.54000	2.63000	.01000	8.54000	.03000	5.95000
.603	12.520	-.01200	-.02100	-.01800	.11000	587.33000	2.65000	.01000	8.51000	.03000	5.93000
.600	13.800	-.01600	-.02400	-.01900	.11300	582.96000	2.65000	.00000	8.51000	.02000	5.94000
.602	15.080	-.01300	-.02200	-.01900	.11100	582.65000	2.65000	.00000	8.49000	.01000	5.92000
.602	16.350	-.01100	-.02000	-.01700	.11200	585.64000	2.65000	.00000	8.48000	.02000	5.92000
.600	17.630	-.01700	-.02500	-.02000	.11100	582.16000	2.65000	.00000	8.50000	.04000	5.95000
.599	18.900	-.01700	-.02600	-.02000	.10900	579.77000	2.65000	.00000	8.47000	.00000	5.93000
.601	20.180	-.01300	-.01900	-.01400	.11000	584.61000	2.65000	.00000	8.46000	.02000	5.92000
.599	21.460	-.01600	-.02500	-.01900	.10900	581.11000	2.65000	.00000	8.48000	.04000	5.95000
.602	22.730	-.01300	-.01900	-.01400	.11000	586.43000	2.65000	.00000	8.45000	.03000	5.92000
.600	24.000	-.01400	-.02300	-.01600	.11100	583.56000	2.66000	.00000	8.46000	.03000	5.94000
.603	25.280	-.01400	-.02000	-.01300	.11100	588.27000	2.66000	.00000	8.46000	.02000	5.95000
.601	26.560	-.01500	-.02300	-.01600	.11000	584.79000	2.66000	.00000	8.46000	.03000	5.95000
.604	27.840	-.01300	-.02000	-.01400	.11100	590.05000	2.66000	.00000	8.43000	.01000	5.93000
.601	29.110	-.01500	-.02200	-.01400	.10900	584.74000	2.66000	.00000	8.43000	.01000	5.94000
.602	30.390	-.01400	-.02000	-.01200	.11000	585.97000	2.66000	.00000	8.42000	.00000	5.93000
.601	31.660	-.01400	-.02000	-.01300	.10900	584.26000	2.66000	.00000	8.41000	.01000	5.93000
.601	32.940	-.01400	-.02000	-.01500	.10500	586.02000	2.66000	.00000	8.43000	.01000	5.96000
.602	34.220	-.01400	-.02000	-.01400	.10500	587.38000	2.66000	.00000	8.42000	.00000	5.96000
.602	35.490	-.01400	-.01900	-.01200	.10700	586.76000	2.66000	.00000	8.40000	.01000	5.95000
.602	36.770	-.01400	-.01900	-.01300	.10700	587.72000	2.66000	.00000	8.40000	.03000	5.95000
.601	38.050	-.01400	-.02100	-.01800	.10600	584.52000	2.67000	.00000	8.39000	.03000	5.94000
.602	39.330	-.01400	-.02000	-.01000	.11000	586.17000	2.67000	.00000	8.37000	.00000	5.93000
.601	40.600	-.01400	-.01900	-.01300	.10600	585.21000	2.66000	.00000	8.39000	.03000	5.96000
.601	41.880	-.01300	-.02100	-.01200	.10900	583.92000	2.67000	.00000	8.35000	.00000	5.93000
.603	43.150	-.01400	-.02000	-.01200	.10500	588.41000	2.67000	.00000	8.35000	.04000	5.93000
.602	44.430	-.01400	-.02100	-.01200	.10800	586.70000	2.67000	.00000	8.33000	.00000	5.92000
.603	45.710	-.01400	-.01900	-.01100	.10600	589.01000	2.67000	.00000	8.35000	.01000	5.95000
.602	46.980	-.01400	-.02100	-.01500	.10400	587.51000	2.67000	.00000	8.36000	.04000	5.96000
.602	48.260	-.01400	-.02100	-.01200	.10800	587.36000	2.67000	.00000	8.31000	.01000	5.92000
.602	49.540	-.01300	-.01800	-.00900	.10700	588.92000	2.67000	.00000	8.30000	.00000	5.92000
.602	50.820	-.01300	-.01800	-.01100	.10600	588.92000	2.67000	.00000	8.30000	.00000	5.93000
	GRADIENT	-.00014	-.00020	.00032	.00011	-1.16894	-.00134	.00000	-.00204	.00070	.00893

LTV44-559(CA26) 747/1 ATY 02 S1 (CARRIER DATA)

(ZFE076) (24 MAR 76)

REFERENCE DATA

SREF = 5500.0000 SQ.FT. XMRP = 1339.9000 IN. XC
 LREF = 327.7800 IN. YMRP = .0000 IN. YC
 BREF = 2348.0400 IN. ZMRP = 190.7500 IN. ZC
 SCALE = .0125

PARAMETRIC DATA

ALPHAC = 2.000 BETAC = .000
 STAB = 5.000 ELEVON = .000
 BDFLAP = .000 DX = .000
 DY = .000 IORB = 8.000
 BETAO = .000 RUDDER = .000

RUN NO. 56/ 0 RN/L = .00 GRADIENT INTERVAL = -5.00/ 5.00

MACH	DZ	CPCC	CPSB1	CPSB2	CPSB3	Q(PSF)	ALPHAC	BETAC	ALPHAO	BETAO	INCID
.598	1.760	-.00700	-.02300	-.01500	.10900	578.73000	2.69000	.01000	10.62000	.06000	7.93000
.598	2.360	-.01000	-.02300	-.01600	.10800	579.96000	2.69000	.01000	10.61000	.07000	7.93000
.598	2.970	-.01000	-.02600	-.01600	.11000	579.67000	2.69000	.01000	10.61000	.09000	7.94000
.600	3.960	-.00800	-.02200	-.01500	.10900	582.54000	2.69000	.01000	10.56000	.04000	7.89000
.600	4.960	-.00600	-.02100	-.01500	.11200	583.36000	2.69000	.01000	10.59000	.07000	7.93000
.600	6.210	-.01000	-.02500	-.01800	.11100	583.15000	2.68000	.01000	10.56000	.05000	7.91000
.600	7.460	-.01100	-.02500	-.01700	.10900	583.97000	2.68000	.01000	10.58000	.07000	7.92000
.598	8.710	-.00800	-.02300	-.01500	.11200	578.85000	2.67000	.00000	10.55000	.03000	7.92000
.599	9.960	-.00700	-.02100	-.01400	.11200	580.76000	2.67000	.00000	10.55000	.01000	7.94000
.598	11.200	-.00700	-.02100	-.01400	.11200	579.32000	2.67000	.00000	10.55000	.01000	7.94000
.598	12.430	-.00900	-.02300	-.01600	.11000	581.22000	2.68000	.01000	10.53000	.06000	7.92000
.598	13.670	-.00600	-.02100	-.01400	.10900	579.94000	2.67000	.00000	10.54000	.04000	7.94000
.599	14.910	-.00800	-.02100	-.01700	.10700	580.96000	2.67000	.00000	10.51000	.01000	7.93000
.598	16.140	-.00700	-.02000	-.01400	.10900	579.20000	2.67000	.00000	10.52000	.06000	7.94000
.598	17.370	-.00700	-.02200	-.01500	.10800	579.48000	2.67000	.00000	10.52000	.06000	7.95000
.599	18.610	-.01100	-.02400	-.01600	.10800	580.64000	2.67000	.00000	10.47000	.03000	7.91000
.598	19.840	-.01200	-.02500	-.01600	.10900	578.97000	2.67000	.00000	10.48000	.02000	7.92000
.600	21.080	-.01200	-.02500	-.01700	.10600	583.15000	2.67000	.00000	10.49000	.03000	7.94000
.600	22.310	-.00900	-.02500	-.01600	.10400	581.60000	2.67000	.00000	10.46000	.06000	7.92000
.599	23.550	-.00900	-.02100	-.01300	.10800	578.66000	2.66000	.00000	10.43000	.04000	7.90000
.599	24.780	-.01100	-.02500	-.01700	.10500	581.66000	2.67000	.00000	10.46000	.01000	7.93000
.599	26.010	-.01000	-.02100	-.01200	.10700	579.51000	2.66000	.00000	10.43000	.06000	7.92000
.599	27.250	-.00800	-.01900	-.01100	.10700	579.59000	2.66000	.00000	10.44000	.06000	7.93000
.598	28.480	-.01200	-.02500	-.01600	.10800	578.47000	2.66000	.00000	10.40000	.06000	7.90000
.599	29.720	-.01200	-.02400	-.01400	.10700	578.47000	2.67000	.00000	10.41000	.07000	7.91000
.599	30.950	-.00900	-.02300	-.01600	.10400	579.84000	2.67000	.00000	10.42000	.05000	7.93000
.599	32.180	-.00900	-.02300	-.01700	.10400	580.85000	2.67000	.00000	10.38000	.05000	7.90000
.597	33.420	-.01100	-.02400	-.01500	.10600	576.69000	2.67000	.00000	10.42000	.01000	7.95000
.598	34.650	-.01000	-.02300	-.01300	.10800	577.92000	2.67000	.00000	10.42000	.00000	7.95000
.600	35.890	-.00800	-.02100	-.01500	.10500	581.94000	2.66000	.00000	10.37000	.04000	7.91000
.599	37.130	-.01100	-.02500	-.01800	.10400	579.07000	2.67000	.00000	10.38000	.03000	7.93000
.600	38.360	-.00900	-.02300	-.01500	.10200	583.10000	2.67000	.00000	10.38000	.03000	7.94000
.600	39.600	-.00900	-.02000	-.01500	.10300	582.76000	2.67000	.00000	10.37000	.05000	7.93000
.598	40.830	-.01000	-.02300	-.01200	.10400	577.78000	2.67800	.00000	10.35000	.04000	7.91000
.600	42.070	-.00900	-.02000	-.01400	.10100	582.97000	2.67000	.00000	10.37000	.01000	7.94000
.596	43.300	-.01100	-.02400	-.01400	.10600	575.92000	2.67000	.00000	10.34000	.06000	7.92000
.600	44.540	-.01000	-.02000	-.01300	.10300	583.09000	2.67000	.00000	10.36000	.03000	7.94000
.602	45.770	-.00900	-.02100	-.01500	.10100	587.36000	2.67000	.00000	10.33000	.00000	7.92000
.601	47.010	-.01000	-.02000	-.01200	.10200	584.46000	2.67000	.00000	10.33000	.01000	7.93000
.599	48.250	-.00300	-.02100	-.01200	.10500	580.24000	2.67000	.00000	10.33000	.04000	7.94000
.600	49.490	-.01100	-.02100	-.01700	.10100	582.00000	2.68000	.00000	10.29000	.04000	7.91000
.599	50.710	-.01300	-.02200	-.01700	.10200	580.82000	2.68000	.00000	10.32000	.04000	7.94000

DATE 29 MAR 76

CA-26 FORCE SOURCE DATA TABULATION

PAGE 1256

LTV44-559(CA26) 747/1 ATY 02 S1 (CARRIER DATA)

(ZFE076) (24 MAR 76)

REFERENCE DATA

SREF = 5500.0000 SQ.FT. XMRP = 1339.9000 IN. XC
 LREF = 327.7800 IN. YMRP = .0000 IN. YC
 BREF = 2348.0400 IN. ZMRP = 190.7500 IN. ZC
 SCALE = .0125

PARAMETRIC DATA

ALPHAC = 2.000 BETAC = .000
 STAB = 5.000 ELEVON = .000
 BDFLAP = .000 DX = .000
 DY = .000 TORB = 8.000
 BETAO = .000 RUDDER = .000

RUN NO. 56/ 0 RN/L = .00 GRADIENT INTERVAL = -5.00/ 5.00

MACH	DZ	CPCC	CPSB1	CPSB2	CPSB3	Q(PSF)	ALPHAC	BETAC	ALPHAO	BETAO	INCIO
.599	51.950	-.01200	-.02200	-.01600	.10100	581.23000	2.67000	.00000	10.31000	.02000	7.94000
.595	53.180	-.01100	-.02400	-.01800	.10200	573.72000	2.68000	.00000	10.27000	.01000	7.90000
.598	54.420	-.00800	-.02300	-.01500	.10400	579.68000	2.67000	.00000	10.30000	.05000	7.94000
.600	55.650	-.01000	-.02200	-.01300	.10100	583.17000	2.68000	.00000	10.27000	.02000	7.92000
.600	56.890	-.01000	-.02300	-.01400	.10100	582.89000	2.68000	.00000	10.26000	.01000	7.91000
.596	58.120	-.01400	-.02400	-.01900	.10000	574.91000	2.67000	.00000	10.28000	.03000	7.94000
	GRADIENT	.00065	.00076	.00017	.00090	1.50200	.00000	.00000	.01344	-.00199	-.00502

LTV44-559(CA26) 747/1 ATY OE S1 (CARRIER DATA)

(ZFE077) (24 MAR 76)

REFERENCE DATA

SREF = 5500.0000 SQ.FT. XMRP = 1339.9000 IN. XC
 LREF = 327.7800 IN. YMRP = .0000 IN. YC
 BREF = 2348.0400 IN. ZMRP = 190.7500 IN. ZC
 SCALE = .0125

PARAMETRIC DATA

ALPHAC = 2.000 BETAC = .000
 STAB = 5.000 ELEVON = 10.000
 BOFLAP = .000 DX = .000
 DY = .000 IORB = 6.000
 BETAO = .000 RUDDER = .000

RUN NO. 57/ 0 RN/L = .00 GRADIENT INTERVAL = -5.00/ 5.00

MACH	DZ	CPCC	CPSB1	CPSB2	CPSB3	Q(PSF)	ALPHAC	BETAC	ALPHA0	BETA0	INCID
.600	1.760	.00000	-.01400	.00300	.11900	584.00000	2.76000	.01000	8.69000	.03000	5.93000
.601	2.360	.00000	-.01800	-.00100	.11700	584.88000	2.76000	.01000	8.70000	.05000	5.95000
.602	2.970	.00000	-.01700	-.00100	.11500	587.40000	2.75000	.01000	8.69000	.09000	5.95000
.602	3.760	.00000	-.01400	.00000	.11600	588.68000	2.75000	.01000	8.66000	.04000	5.93000
.600	4.560	.00000	-.01700	-.00200	.11500	585.88000	2.75000	.01000	8.67000	.09000	5.94000
.602	5.470	-.00100	-.01700	.00300	.11700	588.02000	2.75000	.01000	8.65000	.06000	5.93000
.601	6.460	-.00300	-.01700	-.00300	.11400	585.63000	2.75000	.02000	8.67000	.04000	5.95000
.603	7.460	.00600	-.01200	.00400	.12400	588.79000	2.74000	.01000	8.63000	.08000	5.93000
.602	8.460	.00100	-.01600	.00000	.11800	586.52000	2.74000	.01000	8.65000	.04000	5.95000
.601	9.460	-.00300	-.01900	-.00100	.11200	586.11000	2.74000	.01000	8.60000	.09000	5.92000
.600	10.560	-.00500	-.02000	-.00100	.11300	584.47000	2.73000	.01000	8.60000	.09000	5.92000
.601	11.740	-.00600	-.01800	-.00200	.11300	586.44000	2.73000	.01000	8.59000	.05000	5.92000
.602	12.930	-.00100	-.01900	-.00100	.11700	587.06000	2.73000	.01000	8.59000	.06000	5.93000
.601	14.110	-.00300	-.01700	.00100	.11500	584.75000	2.72000	.01000	8.59000	.11000	5.95000
.603	15.300	-.00300	-.01600	.00200	.11700	588.30000	2.72000	.01000	8.57000	.08000	5.93000
.603	16.490	.00100	-.01200	.00100	.11700	589.66000	2.72000	.01000	8.55000	.05000	5.92000
.602	17.670	-.00300	-.01700	-.00200	.11100	588.36000	2.71000	.01000	8.54000	.06000	5.93000
.601	18.860	-.00400	-.01900	-.00500	.11100	586.72000	2.71000	.01000	8.55000	.10000	5.95000
.603	20.040	.00000	-.01600	-.00200	.11200	588.76000	2.71000	.01000	8.50000	.07000	5.91000
.600	21.230	-.00100	-.01500	.00000	.11300	583.93000	2.71000	.01000	8.52000	.07000	5.94000
.600	22.410	-.00600	-.02100	-.00400	.11000	584.12000	2.70000	.00000	8.52000	.07000	5.95000
.601	23.600	-.00400	-.01700	.00000	.11400	584.82000	2.70000	.00000	8.49000	.06000	5.92000
.602	24.780	-.00600	-.02100	-.00400	.11000	586.79000	2.71000	.00000	8.51000	.07000	5.94000
.601	25.970	-.00700	-.02000	-.00300	.11000	585.43000	2.70000	.00000	8.51000	.07000	5.96000
.600	27.150	-.00300	-.01700	.00000	.11200	582.24000	2.70000	.00000	8.46000	.04000	5.91000
.601	28.340	-.00800	-.02300	-.00700	.10600	584.76000	2.70000	.00000	8.46000	.06000	5.93000
.603	29.520	-.00700	-.01800	-.00200	.11200	588.90000	2.70000	.00000	8.46000	.05000	5.94000
.602	30.710	-.00300	-.01700	-.00100	.11200	587.41000	2.70000	.00000	8.47000	.07000	5.95000
.601	31.900	-.00200	-.01800	.00000	.11200	585.11000	2.69000	.00000	8.42000	.05000	5.91000
.601	33.080	-.00600	-.01900	-.00300	.11000	584.35000	2.69000	.00000	8.41000	.02000	5.91000
.599	34.270	-.00600	-.02100	-.00200	.10900	581.01000	2.69000	.00000	8.43000	.05000	5.94000
.600	35.450	-.00600	-.02000	-.00100	.10900	583.19000	2.69000	.00000	8.43000	.09000	5.95000
.602	36.640	-.00300	-.01600	-.00200	.11300	587.55000	2.69000	.00000	8.42000	.08000	5.94000
.603	37.820	-.00500	-.01600	-.00400	.11100	588.30000	2.69000	.00000	8.39000	.00000	5.92000
.602	39.010	-.00500	-.01600	-.00400	.11100	588.02000	2.69000	.00000	8.42000	.03000	5.95000
.603	40.200	-.00300	-.01700	-.00100	.11200	590.31000	2.68000	.00000	8.40000	.05000	5.95000
.603	41.380	-.00600	-.01700	-.00300	.11200	591.86000	2.69000	.00000	8.36000	.08000	5.91000
.601	42.570	-.00600	-.02100	-.00300	.10700	587.84000	2.69000	.00000	8.37000	.06000	5.93000
.601	43.750	-.00400	-.02000	-.00300	.10600	587.31000	2.69000	.00000	8.37000	.08000	5.94000
.603	44.940	-.00400	-.01600	-.00100	.10900	589.24000	2.68000	.00000	8.34000	.08000	5.92000
.600	46.130	-.00700	-.02000	-.00400	.10700	585.26000	2.68000	.00000	8.36000	.07000	5.94000
.602	47.310	-.00700	-.01700	-.00400	.11000	590.02000	2.68000	.00000	8.35000	.07000	5.94000

LTV44-559(CA26) 747/1 ATY 02 S1 (CARRIER DATA)

(ZFE077) (24 MAR 76)

REFERENCE DATA

SREF = 5500.0000 SQ.FT. XMRP = 1339.9000 IN. XC
 LREF = 327.7800 IN. YMRP = .0000 IN. YC
 BREF = 2348.0400 IN. ZMRP = 190.7500 IN. ZC
 SCALE = .0125

PARAMETRIC DATA

ALPHAC = 2.000 BETAC = .000
 STAB = 5.000 ELEVON = 10.000
 BDFLAP = .000 DX = .000
 DY = .000 TORB = 6.000
 BETAO = .000 RUDDER = .000

RUN NO. 57/ 0 RN/L = .00 GRADIENT INTERVAL = -5.00/ 5.00

MACH	OZ	CPC	CPSB1	CPSB2	CPSB3	Q(PSF)	ALPHAC	BETAC	ALPHAO	BETAO	INCID
.604	48.500	-.00700	-.01700	-.00400	.10600	593.64000	2.69000	.00000	8.35000	.02000	5.94000
.605	49.680	-.00500	-.02000	-.00400	.10400	593.39000	2.69000	.00000	8.35000	.05000	5.95000
.603	50.870	-.00900	-.02100	-.00400	.10400	588.57000	2.68000	.00000	8.30000	.05000	5.91000
.605	51.460	-.00900	-.01700	-.00500	.10700	591.71000	2.68000	.00000	8.32000	.05000	5.94000
	GRADIENT	.00000	-.00025	-.00124	-.00123	1.00202	-.00415	.00000	-.01160	.01508	-.00039

LTY44-559(CA26) 747/1 ATY CE S1 (CARRIER DATA)

(ZFE078) (24 MAR 76)

REFERENCE DATA

SREF = 5500.0000 SQ.FT. XMRP = 1339.9000 IN. XC
 LREF = 327.7800 IN. YMRP = .0000 IN. YC
 BREF = 2348.0400 IN. ZMRP = 190.7500 IN. ZC
 SCALE = .0125

PARAMETRIC DATA

ALPHAC = 2.000 BETAC = .000
 STAB = 5.000 ELEVON = 5.000
 AILRON = -5.000 DX = .000
 DY = .000 IORB = 6.000
 BETAO = .000 DPFI = .000

RUN NO. 58/ 0 RN/L = .00 GRADIENT INTERVAL = -5.00/ 5.00

MACH	OZ	CPCC	CPSB1	CPSB2	CPSB3	Q(PSF)	ALPHAC	BETAC	ALPHAO	BETAO	INCID
.599	1.760	-.00800	-.02300	-.02100	.10700	580.81000	2.71000	.03000	.03000	.59000	5.95000
.597	2.360	-.00700	-.02500	-.02100	.11000	577.39000	2.71000	.03000	.03000	.59000	5.91000
.600	2.970	-.00600	-.02100	-.01600	.11200	584.20000	2.71000	.03000	.03000	.60000	5.95000
.600	3.760	-.00500	-.02000	-.01200	.11500	583.71000	2.71000	.03000	.03000	.60000	5.93000
.596	4.560	-.00700	-.02100	-.01600	.11100	576.95000	2.70000	.03000	.03000	.59000	5.93000
.598	5.470	-.00700	-.02000	-.01700	.11200	580.77000	2.70000	.03000	.03000	.59000	5.92000
.598	6.460	-.00600	-.02300	-.01700	.11400	581.59000	2.70000	.03000	.03000	.59000	5.91000
.596	7.460	-.00600	-.02400	-.02000	.11300	576.67000	2.70000	.02000	.02000	.59000	5.93000
.599	8.460	-.00800	-.02100	-.01500	.11000	581.33000	2.69000	.02000	.02000	.59000	5.94000
.597	9.460	-.00700	-.02500	-.02000	.11100	577.44000	2.69000	.02000	.02000	.59000	5.95000
.600	10.560	-.00800	-.02100	-.01600	.11000	582.64000	2.69000	.01000	.01000	.60000	5.91000
.600	11.740	-.00700	-.02100	-.01500	.11300	583.25000	2.68000	.01000	.01000	.60000	5.94000
.598	12.930	-.00800	-.02200	-.01500	.11400	580.71000	2.68000	.00000	.00000	.59000	5.94000
.599	14.110	-.00900	-.02200	-.01900	.10600	581.60000	2.68000	.00000	.00000	.59000	5.93000
.596	15.300	-.01000	-.02600	-.02000	.10900	575.93000	2.68000	.00000	.00000	.59000	5.93000
.598	16.490	-.00800	-.02200	-.02000	.10500	579.50000	2.68000	.00000	.00000	.59000	5.94000
.597	17.670	-.00900	-.02400	-.02100	.10600	578.40000	2.68000	.00000	.00000	.59000	5.93000
.600	18.860	-.00900	-.02000	-.01500	.10800	583.66000	2.68000	.00000	.00000	.60000	5.94000
.599	20.040	-.00800	-.02000	-.01300	.11200	581.13000	2.68000	-.01000	-.01000	.59000	5.90000
.598	21.230	-.00900	-.02000	-.01600	.10600	579.35000	2.67000	-.01000	-.01000	.59000	5.93000
.598	22.410	-.00800	-.02100	-.01400	.11000	578.41000	2.68000	-.01000	-.01000	.59000	5.92000
.601	23.600	-.00800	-.01900	-.01300	.10800	584.22000	2.67000	-.01000	-.01000	.60000	5.94000
.597	24.780	-.00800	-.02200	-.01900	.10500	577.86000	2.67000	-.02000	-.02000	.59000	5.94000
.596	25.970	-.00800	-.02400	-.02000	.10600	575.68000	2.67000	-.02000	-.02000	.59000	5.94000
.597	27.150	-.00800	-.02300	-.01600	.10900	576.78000	2.67000	-.02000	-.02000	.59000	5.94000
.598	28.340	-.00800	-.01900	-.01500	.10500	580.18000	2.67000	-.02000	-.02000	.59000	5.92000
.600	29.520	-.00800	-.01800	-.01300	.10600	582.50000	2.67000	-.02000	-.02000	.60000	5.94000
.599	30.710	-.00700	-.01800	-.01500	.10500	582.29000	2.67000	-.02000	-.02000	.59000	5.96000
.598	31.900	-.01100	-.02400	-.01600	.10500	580.24000	2.67000	-.02000	-.02000	.59000	5.93000
.600	33.080	-.00700	-.01800	-.01300	.10600	582.50000	2.67000	-.02000	-.02000	.60000	5.96000
.601	34.270	-.00900	-.02100	-.01500	.10800	587.19000	2.67000	-.02000	-.02000	.60000	5.92000
.600	35.450	-.00700	-.01800	-.01500	.10600	586.21000	2.67000	-.02000	-.02000	.60000	5.91000
.600	36.640	-.00800	-.02000	-.01600	.10200	584.44000	2.67000	-.01000	-.01000	.60000	5.93000
.599	37.820	-.00800	-.02000	-.01600	.10200	583.16000	2.67000	-.01000	-.01000	.59000	5.94000
.598	39.010	-.01000	-.02000	-.01300	.10700	580.70000	2.67000	-.01000	-.01000	.59000	5.91000
.597	40.200	-.01000	-.02100	-.01500	.10700	579.40000	2.67000	-.01000	-.01000	.59000	5.92000
.597	41.380	-.01200	-.02300	-.01800	.10400	579.40000	2.67000	-.01000	-.01000	.59000	5.94000
.598	42.570	-.01000	-.02000	-.01200	.10800	579.41000	2.67000	-.01000	-.01000	.59000	5.92000
.596	43.750	-.01200	-.02500	-.01700	.10400	576.34000	2.67000	-.01000	-.01000	.59000	5.93000
.597	44.940	-.01200	-.02600	-.01900	.10100	577.85000	2.67000	-.01000	-.01000	.59000	5.92000
.598	46.130	-.00800	-.02100	-.01500	.10200	579.57000	2.67000	-.01000	-.01000	.59000	5.91000
.598	47.310	-.00700	-.01800	-.01300	.10400	577.94000	2.68000	.00000	.00000	.59000	5.94000

ORIGINAL PAGE IS OF POOR QUALITY

LTV44-559(CA26) 747/1 ATY 02 S1 (CARRIER DATA)

(ZF078) (24 MAR 76)

REFERENCE DATA

SREF = 5500.0000 SQ.FT. XMRP = 1339.9000 IN. XC
 LREF = 327.7800 IN. YMRP = .0000 IN. YC
 BREF = 2348.0400 IN. ZMRP = 190.7500 IN. ZC
 SCALE = .0125

PARAMETRIC DATA

ALPHAC = 2.000 BETAC = .000
 STAB = 5.000 ELEVON = 5.000
 AILRON = -5.000 DX = .000
 DY = .000 TORB = 6.000
 BETAO = .000 DPHI = .000

RUN NO. 58/ 0 KN/L = .00 GRADIENT INTERVAL = -5.00/ 5.00

MACH	DZ	CPCC	CPSB1	CPSB2	CPSB3	Q(PSF)	ALPHAC	BETAC	ALPHAO	BETAO	INCLD
.599	48.500	-.00800	-.02000	-.01600	.10200	581.35000	2.67000	.00000	.00000	.59000	5.95000
.600	49.680	-.00900	-.02100	-.01800	.10200	583.86000	2.68000	.00000	.00000	.60000	5.91000
.597	50.870	-.01200	-.02200	-.01300	.10700	578.80000	2.68000	.00000	.00000	.59000	5.91000
	GRADIENT	.00052	.00141	.00263	.00175	-.33484	-.00300	.00000	.00000	.00115	-.00289

LTV44-559(CA26) 747/1 ATY 02 S1 (CARRIER DATA)

(ZFE079) (24 MAR 76)

REFERENCE DATA

SREF = 5500.0000 SQ.FT. XMRP = 1339.9000 IN. XC
 LREF = 327.7800 IN. YMRP = .0000 IN. YC
 BREF = 2348.0400 IN. ZMRP = 190.7500 IN. ZC
 SCALE = .0125

PARAMETRIC DATA

ALPHAC = 2.000 BETAC = .000
 STAB = 5.000 RUDDER = 10.000
 ELEVON = 5.000 DX = .000
 DY = .000 TORB = 6.000
 BETAO = .000 DPHI = .000

RUN NO. 59/ 0 RN/L = .00 GRADIENT INTERVAL = -5.00/ 5.00

MACH	DZ	CPCC	CPSB1	CPSB2	CPSB3	Q11	ALPHAC	BETAC	ALPHAO	BETAO	INCID
.599	1.760	-.01000	-.02200	-.01300	.12000	580.73000	2.70000	.09000	7.90000	.09000	5.20000
.599	2.360	-.00900	-.02000	-.01100	.12000	581.41000	2.70000	.09000	7.88000	.12000	5.20000
.600	2.970	-.01100	-.02200	-.01300	.12000	582.50000	2.69000	.10000	7.90000	.08000	5.22000
.599	3.760	-.01000	-.02000	-.01200	.12200	582.35000	2.70000	.09000	7.89000	.10000	5.21000
.597	4.560	-.01000	-.02400	-.01300	.11900	579.47000	2.70000	.10000	7.89000	.14000	5.22000
.599	5.470	-.00900	-.02500	-.01400	.11700	583.42000	2.69000	.10000	7.91000	.12000	5.24000
.600	6.460	-.00800	-.02100	-.01200	.12000	584.93000	2.69000	.10000	7.90000	.09000	5.24000
.599	7.460	-.01100	-.02200	-.01400	.12100	581.73000	2.69000	.10000	7.88000	.13000	5.23000
.597	8.460	-.01300	-.02400	-.01400	.11600	578.79000	2.69000	.11000	7.87000	.14000	5.23000
.599	9.460	-.00800	-.02200	-.01300	.12000	581.53000	2.69000	.11000	7.86000	.13000	5.22000
.599	10.560	-.01000	-.02600	-.01500	.11700	580.92000	2.69000	.11000	7.84000	.10000	5.21000
.597	11.740	-.01500	-.02500	-.01300	.11200	577.37000	2.69000	.11000	7.85000	.16000	5.23000
.598	12.930	-.01500	-.02300	-.01200	.11500	580.77000	2.69000	.11000	7.86000	.10000	5.23000
.597	14.110	-.01300	-.02300	-.01400	.11600	578.84000	2.69000	.12000	7.82000	.12000	5.21000
.598	15.300	-.01100	-.02400	-.01000	.11600	581.46000	2.68000	.12000	7.81000	.12000	5.21000
.597	16.490	-.01400	-.02400	-.01100	.11100	578.40000	2.69000	.12000	7.82000	.12000	5.22000
.599	17.670	-.01100	-.02300	-.00900	.11300	581.76000	2.68000	.12000	7.82000	.12000	5.24000
.598	18.860	-.01400	-.02200	-.01200	.11100	578.96000	2.68000	.12000	7.79000	.09000	5.21000
.600	20.040	-.01000	-.02200	-.00800	.11700	584.01000	2.68000	.12000	7.80000	.09000	5.23000
.599	21.230	-.00900	-.02200	-.00900	.11900	582.41000	2.68000	.12000	7.77000	.14000	5.21000
.599	22.410	-.00900	-.02200	-.00800	.11500	582.55000	2.69000	.12000	7.75000	.08000	5.19000
.596	23.600	-.01400	-.02400	-.01300	.11200	576.34000	2.68000	.12000	7.73000	.09000	5.19000
.596	24.780	-.01500	-.02400	-.01300	.11000	575.74000	2.60000	.12000	7.73000	.10000	5.20000
.600	25.970	-.01100	-.02300	-.00900	.11300	583.26000	2.68000	.12000	7.72000	.10000	5.19000
.599	27.150	-.00800	-.02200	-.00700	.11800	580.40000	2.68000	.12000	7.74000	.14000	5.22000
.598	28.340	-.00900	-.02300	-.00900	.11600	579.08000	2.68000	.12000	7.72000	.07000	5.20000
.593	29.520	-.01600	-.02400	-.01200	.11100	570.80000	2.68000	.12000	7.70000	.08000	5.19000
.599	30.710	-.01200	-.02200	-.00600	.11200	581.66000	2.68000	.12000	7.73000	.11000	5.23000
.597	31.900	-.01300	-.02000	-.01100	.11100	577.78000	2.68000	.12000	7.69000	.12000	5.20000
.597	33.080	-.01100	-.02100	-.01100	.11500	579.20000	2.68000	.12000	7.68000	.12000	5.19000
.598	34.270	-.01000	-.02200	-.00900	.11400	580.90000	2.68000	.12000	7.67000	.12000	5.18000
.599	35.450	-.01400	-.02200	-.00800	.11000	582.54000	2.68000	.12000	7.69000	.10000	5.21000
.598	36.640	-.01200	-.02300	-.01100	.11200	581.92000	2.68000	.12000	7.66000	.08000	5.19000
.599	37.820	-.01000	-.02300	-.00900	.11300	582.07000	2.68000	.12000	7.64000	.10000	5.18000
.537	39.010	-.01500	-.02500	-.01100	.10800	578.51000	2.68000	.12000	7.66000	.13000	5.20000
.600	40.200	-.01100	-.02400	-.00800	.11100	583.84000	2.68000	.12000	7.64000	.13000	5.19000
.597	41.380	-.01300	-.02300	-.01100	.11000	578.72000	2.68000	.12000	7.64000	.10000	5.20000
.597	42.570	-.01400	-.02700	-.01000	.10800	579.27000	2.68000	.12000	7.64000	.09000	5.20000
.599	43.750	-.01200	-.02300	-.01100	.11000	581.12000	2.68000	.12000	7.61000	.08000	5.18000
.599	44.940	-.01400	-.02400	-.00900	.10800	583.02000	2.68000	.12000	7.61000	.14000	5.19000
.598	46.130	-.01400	-.02400	-.01200	.10900	580.36000	2.68000	.12000	7.60000	.08000	5.16000
.596	47.310	-.01400	-.02300	-.01200	.10900	577.36000	2.68000	.12000	7.60000	.10000	5.19000

LTV44-559(CA26) 747/1 ATY 02 S1 (CARRIER DATA)

(ZFE079) (24 MAR 76)

REFERENCE DATA

SREF = 5500.0000 SQ.FT. XMRP = 1339.9000 IN. XC
 LREF = 327.7800 IN. YMRP = .0000 IN. YC
 BREF = 2348.0400 IN. ZMRP = 190.7500 IN. ZC
 SCALE = .0125

PARAMETRIC DATA

ALPHAC = 2.000 BETAC = .000
 STAB = 5.000 RUDDER = 10.000
 ELEVON = 5.000 DX = .000
 DY = .000 1ORB = 6.000
 BETAO = .000 DPHI = .000

		RUN NO.	59/ 0	RN/L =	.00	GRADIENT INTERVAL = -5.00/ 5.00					
MACH	DZ	CPCC	CPSB1	CPSB2	CPSB3	Q(PSF)	ALPHAC	BETAC	ALPHAO	BETAO	INCID
.599	48.500	-.01200	-.02300	-.00700	.10800	580.86000	2.68000	.12000	7.60000	.15000	5.20000
.601	49.680	-.01000	-.02300	-.00800	.11100	584.35000	2.69000	.12000	7.57000	.13000	5.17000
.597	50.870	-.01500	-.02400	-.01100	.11000	577.65000	2.68000	.12000	7.56000	.09000	5.17000
.600	51.460	-.01200	-.02400	-.00800	.11200	582.83000	2.68000	.12000	7.57000	.11000	5.18000
	GRADIENT	-.00012	-.00062	-.00016	-.00002	-.20377	.00023	.00277	-.00145	.01221	.00692

LTV44-559(CA26) 747/1 ATY 02 S1 (CARRIER DATA)

(ZFE080) (24 MAR 76)

REFERENCE DATA

SREF * 5500.0000 SQ.FT. XMRP * 1339.9000 IN. XC
 LREF * 327.7800 IN. YMRP * .0000 IN. YC
 BRFF * 2348.0400 IN. ZMRP * 190.7500 IN. ZC
 SCALE = .0125

PARAMETRIC DATA

ALPHAC * 2.000 BETAC * -5.000
 STAB * 5.000 ELEVON * 5.000
 BDFLAP * .000 DX * .000
 DY * .000 IORB * 4.000
 BETAO * -5.000 RUDDER * .000

RUN NO. 60/ 0 RN/L = .00 GRADIENT INTERVAL = -5.00/ 5.00

MACH	DZ	CPCC	CPSB1	CPSB2	CPSB3	Q(PSF)	ALPHAC	BETAC	ALPHAO	BETAO	INC10
.592	1.760	-.02300	-.03000	-.02700	.10800	570.88000	2.65000	-5.04000	6.15000	-4.87000	3.50000
.591	2.360	-.02600	-.03400	-.02600	.10200	570.32000	2.66000	-5.04000	6.17000	-4.83000	3.52000
.592	2.970	-.02400	-.03100	-.02700	.10600	569.68000	2.66000	-5.03000	6.14000	-4.84000	3.50000
.591	3.760	-.02400	-.03200	-.02600	.10400	567.77000	2.66000	-5.03000	6.17000	-4.81000	3.53000
.590	4.560	-.02400	-.03400	-.02800	.10200	565.70000	2.66000	-5.03000	6.13000	-4.85000	3.49000
.593	5.960	-.02300	-.02600	-.02500	.10700	572.16000	2.66000	-5.02000	6.15000	-4.80000	3.52000
.590	7.970	-.02500	-.03300	-.02700	.10100	567.48000	2.66000	-5.02000	6.11000	-4.84000	3.49000
.591	9.960	-.02200	-.03000	-.02200	.10500	569.32000	2.66000	-4.99000	6.11000	-4.80000	3.50000
.592	10.960	-.02400	-.02800	-.02200	.10500	571.04000	2.66000	-5.00000	6.10000	-4.78000	3.50000
.589	11.960	-.02400	-.03400	-.02300	.09600	565.75000	2.66000	-4.99000	6.06000	-4.81000	3.47000
.593	12.950	-.02300	-.02600	-.02300	.10600	572.21000	2.66000	-4.99000	6.09000	-4.77000	3.49000
.593	13.940	-.02300	-.02600	-.02100	.10600	572.42000	2.66000	-4.99000	6.08000	-4.77000	3.50000
.590	14.940	-.02400	-.03200	-.02500	.10000	566.58000	2.66000	-4.98000	6.04000	-4.80000	3.46000
.590	15.930	-.02400	-.03300	-.02400	.09800	566.78000	2.66000	-4.98000	6.04000	-4.78000	3.47000
.592	16.930	-.02400	-.02700	-.02300	.09700	571.92000	2.66000	-4.98000	6.03000	-4.77000	3.46000
.593	17.930	-.02300	-.02500	-.02300	.10100	574.67000	2.66000	-4.97000	6.03000	-4.76000	3.47000
.593	18.920	-.02300	-.02600	-.02200	.10000	575.03000	2.66000	-4.97000	6.05000	-4.76000	3.49000
.592	19.910	-.02300	-.02600	-.02100	.09800	572.66000	2.67000	-4.97000	6.03000	-4.74000	3.48000
.592	20.910	-.02300	-.02600	-.02200	.10000	570.57000	2.66000	-4.97000	6.03000	-4.75000	3.48000
.589	21.900	-.02300	-.03200	-.02200	.09700	563.99000	2.66000	-4.96000	6.00000	-4.77000	3.47000
.592	22.890	-.02300	-.02600	-.02200	.10000	569.70000	2.67000	-4.96000	6.01000	-4.73000	3.47000
.589	23.890	-.02500	-.03200	-.02200	.09800	565.02000	2.66000	-4.96000	5.99000	-4.77000	3.46000
.591	24.890	-.02400	-.03000	-.02100	.10000	568.03000	2.67000	-4.96000	5.96000	-4.77000	3.44000
.592	25.880	-.02500	-.02900	-.01800	.09200	570.56000	2.67000	-4.96000	5.97000	-4.77000	3.45000
.593	26.870	-.02400	-.02600	-.01900	.10400	572.01000	2.67000	-4.96000	5.96000	-4.75000	3.44000
.590	27.870	-.02600	-.02900	-.01900	.09600	567.41000	2.67000	-4.96000	5.95000	-4.75000	3.44000
.593	28.860	-.02200	-.03100	-.02000	.09900	571.32000	2.67000	-4.96000	5.94000	-4.76000	3.44000
.595	29.860	-.02100	-.02600	-.02000	.10000	574.89000	2.67000	-4.96000	5.96000	-4.74000	3.46000
.592	30.860	-.02300	-.02700	-.01900	.10100	573.03000	2.67000	-4.96000	5.93000	-4.75000	3.44000
.591	31.850	-.02500	-.03100	-.02000	.09600	569.40000	2.67000	-4.96000	5.93000	-4.75000	3.44000
.590	32.840	-.02500	-.03300	-.02100	.09400	567.81000	2.67000	-4.96000	5.92000	-4.76000	3.44000
.592	33.840	-.02200	-.02900	-.01800	.09600	569.88000	2.67000	-4.96000	5.89000	-4.77000	3.42000
.592	34.830	-.02500	-.02700	-.02000	.10000	571.91000	2.67000	-4.96000	5.91000	-4.73000	3.44000
.593	35.830	-.02300	-.02700	-.01900	.09700	572.19000	2.67000	-4.96000	5.91000	-4.74000	3.44000
.591	36.830	-.02600	-.03000	-.02000	.09500	569.72000	2.67000	-4.96000	5.93000	-4.75000	3.48000
.591	37.820	-.02400	-.03200	-.02100	.09200	569.16000	2.67000	-4.96000	5.88000	-4.77000	3.42000
.589	38.820	-.02500	-.03400	-.02000	.09100	566.15000	2.67000	-4.96000	5.90000	-4.77000	3.45000
.591	39.810	-.02400	-.03100	-.02000	.09400	568.64000	2.67000	-4.96000	5.88000	-4.77000	3.43000
.591	40.800	-.02600	-.03100	-.01800	.09400	569.32000	2.67000	-4.96000	5.89000	-4.73000	3.45000
.592	41.800	-.02500	-.02900	-.02100	.09400	572.18000	2.67000	-4.96000	5.84000	-4.73000	3.41000
.592	42.800	-.02500	-.02800	-.02000	.09800	572.45000	2.67000	-4.96000	5.86000	-4.77000	3.43000
.593	43.790	-.02500	-.02900	-.01800	.09700	573.08000	2.67000	-4.96000	5.87000	-4.77000	3.46000

LTV44-559(CA26) 747/1 ATY 02 S1 (CARRIER DATA)

(ZFE080) (24 MAR 76)

REFERENCE DATA

SREF = 5500.0000 SQ.FT. XMRP = 1339.9000 IN. XC
 LREF = 327.7800 IN. YMRP = .0000 IN. YC
 BREF = 2348.0400 IN. ZMRP = 190.7500 IN. ZC
 SCALE = .0125

PARAMETRIC DATA

ALPHAC = 2.000 BETAC = -5.000
 STAB = 5.000 ELEVON = 5.000
 BDFLAP = .000 DX = .000
 DY = .000 IORB = 4.000
 BETAO = -5.000 RUDDER = .000

RUN NO. 60/ 0 RN/L = .00 GRADIENT INTERVAL = -5.00/ 5.00

MACH	DZ	CPCC	CPSB1	CPSB2	CPSB3	Q(PSF)	ALPHAC	BETAC	ALPHAO	BETAO	INC10
.590	44.790	-.02700	-.03100	-.02000	.09900	567.60000	2.68000	-4.96000	5.86000	-4.77000	3.45000
	GRADIENT	.00002	-.00087	-.00031	-.00143	-1.87300	.00268	.00415	-.00595	.00771	-.00180

C-8

DATE 29 MAR 76

CA-26 FORCE SOURCE DATA TABULATION

PAGE 1275

LTV44-559(CA26) 747/1 ATY 02 S1 (CARRIER DATA)

(ZFE081) (24 MAR 76)

REFERENCE DATA

SREF = 5500.0000 SQ.FT. XMRP = 1339.9000 IN. XC
 LREF = 327.7800 IN. YMRP = .0000 IN. YC
 BREF = 2348.0400 IN. ZMRP = 190.7500 IN. ZC
 SCALE = .0125

PARAMETRIC DATA

ALPHAC = 2.000 BETAC = -5.000
 STAB = 5.000 ELEVON = 5.000
 BDFLAP = .000 DX = .000
 OY = .000 IORB = 6.000
 BETAO = -5.000 RUDDER = .000

RUN NO. 1060/ 0 RN/L = .00 GRADIENT INTERVAL = -5.00/ 5.00

MACH	DZ	CPCC	CPSB1	CPSB2	CPSB3	Q(PSF)	ALPHAC	BETAC	ALPHA0	BETA0	INCID
.592	1.470	-.02000	-.03500	-.02900	.10000	569.04000	2.68000	-5.03000	7.96000	-4.84000	5.28000
.589	1.770	-.02300	-.03300	-.03100	.09900	562.17000	2.68000	-5.03000	7.93000	-4.83000	5.25000
.590	2.370	-.02200	-.03200	-.03000	.09900	563.76000	2.68000	-5.02000	7.94000	-4.84000	5.27000
.589	2.970	-.02200	-.03200	-.02900	.10100	562.73000	2.68000	-5.02000	7.92000	-4.83000	5.25000
.589	3.770	-.02000	-.03400	-.02800	.09500	565.42000	2.68000	-5.02000	7.92000	-4.82000	5.26000
.591	4.570	-.01700	-.03200	-.02600	.10500	568.45000	2.68000	-5.01000	7.91000	-4.81000	5.25000
.592	5.970	-.01900	-.03200	-.02600	.10200	569.36000	2.68000	-5.00000	7.90000	-4.79000	5.26000
.590	7.970	-.02400	-.03400	-.02800	.10000	566.13000	2.68000	-5.00000	7.89000	-4.79000	5.26000
.590	9.960	-.02200	-.03000	-.02500	.10200	566.01000	2.68000	-5.00000	7.87000	-4.80000	5.24000
.590	11.240	-.02400	-.03400	-.02700	.09700	565.64000	2.68000	-4.99000	7.89000	-4.77000	5.27000
.590	12.520	-.02200	-.03300	-.02600	.09900	564.90000	2.67000	-4.99000	7.84000	-4.77000	5.23000
.593	13.800	-.01700	-.02900	-.02200	.10400	570.94000	2.67000	-4.98000	7.87000	-4.75000	5.27000
.592	15.080	-.01700	-.03000	-.02200	.10100	568.74000	2.67000	-4.98000	7.83000	-4.75000	5.24000
.592	16.350	-.01700	-.03000	-.02100	.10400	569.84000	2.67000	-4.98000	7.82000	-4.76000	5.24000
.592	17.630	-.01800	-.03000	-.02100	.10300	568.54000	2.67000	-4.97000	7.80000	-4.77000	5.23000
.591	18.900	-.01900	-.03100	-.02100	.10300	567.92000	2.67000	-4.97000	7.81000	-4.75000	5.24000
.592	20.180	-.01600	-.02600	-.02100	.10100	569.24000	2.67000	-4.97000	7.76000	-4.75000	5.21000
.591	21.460	-.02000	-.02700	-.02300	.09800	566.15000	2.67000	-4.97000	7.77000	-4.75000	5.22000
.590	22.730	-.02100	-.02700	-.02400	.10000	566.27000	2.67000	-4.96000	7.79000	-4.76000	5.25000
.591	24.000	-.02100	-.02700	-.02300	.10000	567.91000	2.67000	-4.97000	7.72000	-4.76000	5.19000
.592	25.280	-.01700	-.02600	-.02200	.10000	570.24000	2.67000	-4.96000	7.74000	-4.76000	5.22000
.590	26.560	-.02400	-.03000	-.02200	.09600	565.30000	2.67000	-4.96000	7.73000	-4.76000	5.22000
.592	27.840	-.01800	-.02900	-.01800	.10100	570.24000	2.67000	-4.96000	7.73000	-4.75000	5.22000
.589	29.110	-.02400	-.02900	-.02000	.09800	564.95000	2.67000	-4.96000	7.72000	-4.76000	5.22000
.590	30.390	-.02100	-.02700	-.02100	.09500	565.84000	2.67000	-4.96000	7.71000	-4.78000	5.22000
.592	31.660	-.01900	-.02900	-.01700	.09800	569.82000	2.67000	-4.96000	7.71000	-4.75000	5.22000
.592	32.940	-.01700	-.02800	-.01700	.10000	570.44000	2.67000	-4.96000	7.70000	-4.76000	5.21000
.592	34.220	-.01700	-.02700	-.01700	.10100	570.49000	2.67000	-4.96000	7.70000	-4.76000	5.22000
.589	35.490	-.02300	-.02700	-.02200	.09900	565.00000	2.67000	-4.97000	7.67000	-4.77000	5.20000
.591	36.770	-.02000	-.02900	-.01600	.09800	569.26000	2.67000	-4.97000	7.65000	-4.75000	5.19000
.590	38.050	-.02400	-.03000	-.02000	.09400	566.37000	2.67000	-4.97000	7.66000	-4.76000	5.21000
.589	39.330	-.02400	-.02900	-.01900	.09600	565.75000	2.67000	-4.96000	7.67000	-4.77000	5.22000
.590	40.600	-.02300	-.02700	-.02000	.09600	567.06000	2.67000	-4.97000	7.66000	-4.77000	5.22000
.593	41.880	-.01800	-.02700	-.01700	.10000	572.27000	2.68000	-4.97000	7.62000	-4.74000	5.18000
.591	43.150	-.02400	-.02700	-.02100	.09600	567.89000	2.68000	-4.97000	7.61000	-4.76000	5.18000
.593	44.430	-.01900	-.02600	-.01700	.09800	571.95000	2.68000	-4.97000	7.62000	-4.73000	5.20000
.593	45.710	-.02000	-.02700	-.01600	.09800	571.00000	2.68000	-4.96000	7.62000	-4.75000	5.20000
.592	46.980	-.02100	-.02700	-.01900	.09600	569.96000	2.68000	-4.96000	7.60000	-4.74000	5.20000
.592	48.260	-.02600	-.03100	-.02000	.09100	566.59000	2.69000	-4.96000	7.62000	-4.76000	5.22000
.592	49.540	-.02000	-.02800	-.01700	.09700	570.85000	2.67000	-4.97000	7.59000	-4.78000	5.20000
.589	50.820	-.02600	-.03100	-.02400	.09300	566.16000	2.67000	-4.97000	7.61000	-4.76000	5.23000
GRADIENT		.00126	.00045	.00123	.00079	.58631	.00000	.00583	-.01279	.00878	-.00562

LTV44-559(CA26) 747/1 ATY 02 S1 (CARRIER DATA)

(ZFE082) (24 MAR 76)

REFERENCE DATA

SREF = 5500.0000 SQ.FT. XMRP = 1339.9000 IN. XC
 LREF = 327.7800 IN. YMRP = .0000 IN. YC
 BREF = 2348.0400 IN. ZMRP = 190.7500 IN. ZC
 SCALE = .0125

PARAMETRIC DATA

ALPHAC = 2.000 BETAC = -5.000
 STAB = 5.000 ELEVON = 5.000
 BDFLAP = .000 DX = .000
 DY = .000 IORB = 8.000
 BETAO = -5.000 RUDDER = .000

		RUN NO. 51/ 0		RN/L = .00		GRADIENT INTERVAL = -5.00/ 5.00					
MACH	DZ	CPCC	CPSB1	CPSB2	CPSB3	Q(PSF)	ALPHAC	BETAC	ALPHAO	BETAO	INCID
.594	1.760	-.01900	-.02400	-.01500	.10600	574.39000	2.72000	-5.02000	9.71000	-4.79000	7.00000
.592	2.360	-.02600	-.02800	-.01900	.10300	571.92000	2.71000	-5.02000	9.71000	-4.82000	7.00000
.590	2.970	-.02600	-.02700	-.01900	.10500	570.09000	2.71000	-5.01000	9.69000	-4.80000	7.00000
.590	3.960	-.02500	-.02600	-.02000	.10500	569.27000	2.71000	-5.01000	9.68000	-4.80000	6.99000
.593	4.960	-.02500	-.02700	-.01800	.10100	572.66000	2.71000	-5.00000	9.69000	-4.80000	7.01000
.592	6.210	-.02100	-.02700	-.01700	.10700	570.75000	2.71000	-5.01000	9.66000	-4.80000	6.99000
.594	7.460	-.02200	-.02700	-.01400	.10600	574.05000	2.71000	-5.00000	9.67000	-4.80000	7.00000
.592	8.710	-.02200	-.02600	-.01500	.10900	571.30000	2.70000	-5.00000	9.67000	-4.81000	7.01000
.591	9.960	-.02300	-.02800	-.02000	.10600	569.57000	2.70000	-4.99000	9.64000	-4.76000	6.99000
.593	11.200	-.02300	-.02800	-.01700	.10800	572.26000	2.69000	-5.00000	9.66000	-4.75000	7.03000
.592	12.430	-.02500	-.02800	-.02100	.10200	571.02000	2.70000	-5.00000	9.65000	-4.78000	7.02000
.592	13.670	-.02300	-.02800	-.01800	.10600	571.98000	2.69000	-4.99000	9.63000	-4.77000	7.02000
.594	14.910	-.02400	-.02600	-.01800	.10300	575.87000	2.69000	-4.99000	9.61000	-4.78000	7.01000
.592	16.140	-.02300	-.02800	-.02000	.10500	572.51000	2.68000	-4.99000	9.60000	-4.76000	7.01000
.593	17.370	-.02600	-.02800	-.01900	.10300	573.88000	2.68000	-4.99000	9.57000	-4.75000	6.99000
.592	18.610	-.02400	-.02800	-.02000	.10300	572.10000	2.69000	-4.99000	9.58000	-4.77000	7.00000
.591	19.840	-.02400	-.02600	-.02000	.10100	570.54000	2.68000	-4.98000	9.57000	-4.78000	7.00000
.593	21.080	-.02300	-.02700	-.01600	.10200	573.30000	2.68000	-4.98000	9.58000	-4.74000	7.02000
.591	22.310	-.02500	-.02900	-.01700	.10300	568.65000	2.68000	-4.98000	9.57000	-4.76000	7.02000
.594	23.550	-.02400	-.02400	-.01600	.10200	573.04000	2.68000	-4.97000	9.58000	-4.74000	7.04000
.591	24.780	-.02300	-.02900	-.01900	.10600	567.75000	2.68000	-4.97000	9.52000	-4.76000	6.99000
.592	26.010	-.02600	-.02800	-.02000	.09500	570.90000	2.68000	-4.97000	9.54000	-4.75000	7.01000
.591	27.250	-.02500	-.02900	-.01900	.10300	568.99000	2.68000	-4.97000	9.54000	-4.76000	7.02000
.593	28.480	-.02500	-.02600	-.01600	.10100	570.99000	2.67000	-4.97000	9.52000	-4.75000	7.01000
.593	29.720	-.02500	-.02700	-.02000	.10000	572.01000	2.68000	-4.97000	9.52000	-4.75000	7.01000
.593	30.950	-.02500	-.02900	-.02100	.10300	572.88000	2.68000	-4.96000	9.48000	-4.74000	6.98000
.594	32.180	-.02500	-.02600	-.01600	.10300	574.25000	2.68000	-4.97000	9.48000	-4.75000	6.99000
.593	33.420	-.02600	-.02700	-.02000	.09800	573.29000	2.68000	-4.96000	9.49000	-4.73000	7.01000
.594	34.660	-.02500	-.02800	-.01900	.09800	574.18000	2.68000	-4.96000	9.49000	-4.72000	7.02000
.592	35.900	-.02600	-.02900	-.01700	.09700	570.75000	2.67000	-4.96000	9.48000	-4.70000	7.01000
.591	37.130	-.02700	-.02900	-.01900	.09700	569.38000	2.67000	-4.96000	9.44000	-4.76000	6.98000
.592	38.360	-.02700	-.03100	-.02200	.09700	570.48000	2.68000	-4.97000	9.43000	-4.74000	6.98000
.593	39.600	-.02600	-.02600	-.01500	.10100	571.53000	2.68000	-4.97000	9.42000	-4.74000	6.97000
.594	40.830	-.02600	-.02500	-.01500	.09800	573.78000	2.68000	-4.97000	9.45000	-4.74000	7.01000
.592	42.070	-.02800	-.03000	-.02100	.09600	572.05000	2.68000	-4.97000	9.44000	-4.76000	7.00000
.593	43.300	-.02700	-.02800	-.02100	.09600	572.80000	2.68000	-4.97000	9.40000	-4.75000	6.97000
.592	44.540	-.02700	-.02800	-.01700	.09900	571.78000	2.68000	-4.97000	9.39000	-4.72000	6.97000
.592	45.770	-.02800	-.01600	-.01600	.09700	572.19000	2.68000	-4.97000	9.41000	-4.73000	6.99000
.593	47.010	-.03200	-.02700	-.02000	.09100	574.03000	2.68000	-4.97000	9.40000	-4.75000	6.99000
.592	48.250	-.03000	-.03200	-.02300	.09300	571.56000	2.68000	-4.97000	9.39000	-4.75000	6.99000
.592	49.480	-.02800	-.03000	-.02100	.09500	570.75000	2.68000	-4.97000	9.38000	-4.74000	6.98000
.592	50.710	-.02900	-.02900	-.01900	.09700	571.78000	2.68000	-4.97000	9.36000	-4.75000	6.98000

DATE 29 MAR 76

CA-26 FORCE SOURCE DATA TABULATION

PAGE 1277

LTV44-559(CA26) 747/1 ATY 02 S1 (CARRIER DATA)

(ZFE082) (24 MAR 76)

REFERENCE DATA

SREF = 5500.0000 SQ.FT. XMRP = 1339.9000 IN. XC
 LREF = 327.7800 IN. YMRP = .0000 IN. YC
 BREF = 2348.0400 IN. ZMRP = 190.7500 IN. ZC
 SCALE = .0125

PARAMETRIC DATA

ALPHAC = 2.000 BETAC = -5.000
 STAB = 5.000 ELEVON = 5.000
 SDFLAP = .000 DX = .000
 DY = .000 IORB = 8.000
 BETAO = -5.000 RUDDER = .000

RUN NO. 61/ 0 RN/L = .00 GRADIENT INTERVAL = -5.00/ 5.00

MACH	OZ	CPCC	CPSB1	CPSB2	CPSB3	Q(PSF)	ALPHAC	BETAC	ALPHAO	BETAO	INC10
.594	51.950	-.02700	-.02800	-.02200	.09200	575.61000	2.68000	-4.96000	9.37000	-4.72000	6.99000
.592	53.180	-.02900	-.02800	-.02000	.09500	571.23000	2.68000	-4.96000	9.33000	-4.75000	6.96000
.593	54.420	-.03100	-.03000	-.02100	.09300	571.99000	2.68000	-4.96000	9.36000	-4.88000	7.00000
.593	55.040	-.03200	-.03200	-.02400	.09200	572.20000	2.68000	-4.96000	9.36000	-4.74000	7.01000
	GRADIENT	-.00116	-.00042	-.00073	-.00104	-.59086	-.00222	.00621	-.00818	.00037	.00154

ORIGINAL PAGE IS
 OF POOR QUALITY

LTV44-559(CA26) 747/1 ATY 02 S1 (CARRIER DATA)

(ZFE083) (24 MAR 76)

REFERENCE DATA

SREF = 5500.0000 SQ.FT. XMRP = 1339.9000 IN. XC
 LREF = 327.7800 IN. YMRP = .0000 IN. YC
 BREF = 2318.0400 IN. ZMRP = 190.7500 IN. ZC
 SCALE = .0125

PARAMETRIC DATA

ALPHAC = 2.000 BETAC = -5.000
 STAB = 5.000 ELEVON = 5.000
 BDFLAP = .000 DY = .000
 DZ = .000 IORB = 6.000
 BETAO = .000 RUDDER = .000

RUN NO. 62/ 0 RN/L = .00 GRADIENT INTERVAL = -5.00/ 5.00

MACH	DX	CPCC	CPSB1	CPSB2	CPSB3	Q(PSF)	ALPHAC	BETAC	ALPHAO	BETAO	INC10
.597	.570	-.01600	-.02700	-.01400	.11300	581.17000	2.68000	-5.01000	7.89000	-.32000	5.22000
.596	1.140	-.02200	-.02800	-.01700	.11000	579.26000	2.68000	-5.01000	7.88000	-.32000	5.21000
.597	1.710	-.02400	-.03000	-.01900	.10700	581.37000	2.68000	-5.01000	7.86000	-.34000	5.19000
.600	2.290	-.02100	-.03000	-.01600	.10700	586.64000	2.68000	-5.01000	7.88000	-.38000	5.20000
.599	2.860	-.01700	-.03000	-.01600	.11300	583.51000	2.68000	-5.01000	7.89000	-.32000	5.22000
.600	3.430	-.02300	-.03000	-.01600	.10800	586.09000	2.68000	-5.01000	7.89000	-.37000	5.22000
.598	4.010	-.01900	-.02900	-.01600	.11200	582.89000	2.68000	-5.01000	7.89000	-.31000	5.21000
.598	4.570	-.02400	-.03000	-.02200	.10800	582.94000	2.68000	-5.01000	7.87000	-.34000	5.19000
.600	5.140	-.02200	-.03200	-.01800	.10900	585.87000	2.69000	-5.01000	7.90000	-.38000	5.22000
.600	5.710	-.02000	-.03100	-.01600	.11000	587.51000	2.69000	-5.01000	7.91000	-.34000	5.23000
.597	6.300	-.02500	-.03300	-.02300	.10800	581.91000	2.68000	-5.01000	7.88000	-.33000	5.20000
.600	6.860	-.01900	-.03300	-.01600	.11100	587.04000	2.69000	-5.01000	7.92000	-.33000	5.23000
.599	7.430	-.02100	-.03400	-.02000	.11000	584.85000	2.69000	-5.01000	7.89000	-.30000	5.20000
.598	8.000	-.02400	-.03400	-.02200	.10800	583.41000	2.69000	-5.01000	7.89000	-.34000	5.20000
.601	8.580	-.02500	-.03200	-.01900	.10700	589.21000	2.69000	-5.01000	7.92000	-.37000	5.23000
.599	9.150	-.02800	-.03400	-.02300	.10400	584.77000	2.70000	-5.01000	7.91000	-.37000	5.22000
.599	9.700	-.02200	-.03500	-.01900	.11000	584.85000	2.70000	-5.00000	7.90000	-.30000	5.20000
.597	10.270	-.02700	-.03600	-.02300	.10500	582.31000	2.70000	-5.00000	7.91000	-.36000	5.21000
.598	10.840	-.02300	-.03600	-.01900	.10800	583.42000	2.70000	-5.00000	7.89000	-.38000	5.20000
.598	11.410	-.02900	-.03700	-.02400	.10200	584.30000	2.70000	-5.00000	7.93000	-.37000	5.23000
.598	11.990	-.02400	-.03700	-.02100	.10700	582.94000	2.70000	-5.00000	7.91000	-.34000	5.21000
.597	12.560	-.02600	-.03600	-.02400	.10500	580.41000	2.71000	-5.00000	7.91000	-.32000	5.20000
.598	13.130	-.02400	-.03700	-.02100	.10700	582.73000	2.70000	-5.00000	7.91000	-.32000	5.21000
.599	13.710	-.02800	-.03600	-.02000	.10400	585.87000	2.71000	-5.00000	7.93000	-.32000	5.23000
.598	14.280	-.03000	-.03500	-.02400	.10100	583.54000	2.71000	-5.00000	7.94000	-.38000	5.24000
.597	14.850	-.02800	-.04000	-.02400	.10300	581.76000	2.71000	-4.99000	7.94000	-.38000	5.24000
.597	15.420	-.02600	-.03800	-.02300	.10300	581.70000	2.71000	-4.99000	7.95000	-.38000	5.24000
.598	16.000	-.02700	-.03800	-.02100	.10300	583.86000	2.71000	-4.99000	7.94000	-.35000	5.23000
.599	16.570	-.02800	-.03700	-.02000	.10100	585.45000	2.71000	-4.99000	7.93000	-.31000	5.22000
.598	17.140	-.02800	-.03900	-.02200	.10000	583.33000	2.72000	-4.99000	7.94000	-.34000	5.23000
.597	17.720	-.03200	-.04000	-.02800	.09600	581.14000	2.72000	-4.99000	7.95000	-.35000	5.24000
.597	18.290	-.02900	-.03800	-.02300	.10000	580.95000	2.72000	-4.99000	7.96000	-.36000	5.25000
.599	18.840	-.03200	-.03600	-.02300	.09500	584.71000	2.72000	-4.99000	7.93000	-.29000	5.22000
.598	19.410	-.02900	-.03700	-.01900	.10000	583.76000	2.72000	-4.99000	7.96000	-.36000	5.25000
.597	19.980	-.03100	-.03900	-.02400	.09700	580.74000	2.72000	-4.99000	7.94000	-.32000	5.23000
GRA		-.00070	-.00054	-.00118	-.00033	.86614	.00000	-.00000	.00022	-.00249	-.00207

LTV44-559(CA26) 747/1 ATY 02 S1 (CARRIER DATA)

(ZF084) (24 MAR 76)

REFERENCE DATA

SREF = 5500.0000 SQ.FT. XMRP = 1339.9000 IN. XC
 LREF = 327.7800 IN. YMRP = .0000 IN. YC
 BREF = 2348.0400 IN. ZMRP = 190.7500 IN. ZC
 SCALE = .0125

PARAMETRIC DATA

ALPHAC = 2.000 BETAC = -5.000
 STAB = 5.000 ELEVON = 5.000
 BDFLAP = .000 DY = .000
 DZ = 15.000 LORB = 6.000
 BETAO = .000 RUDDER = .000

RUN NO. 1062/ 0 RN/L = .00 GRADIENT INTERVAL = -5.00/ 5.00

MACH	DX	CPCC	CPSB1	CPSB2	CPSB3	Q(PSF)	ALPHAC	BETAC	ALPHAO	BETAO	INCID
.599	.570	-.02000	-.02700	-.01400	.11100	585.85000	2.67000	-4.97000	7.78000	-.32000	5.20000
.599	1.140	-.02200	-.03300	-.02000	.10800	585.58000	2.67000	-4.97000	7.79000	-.34000	5.21000
.598	1.710	-.02200	-.02700	-.01600	.10600	583.82000	2.67000	-4.97000	7.81000	-.32000	5.23000
.598	2.290	-.01700	-.02600	-.01100	.11400	581.12000	2.67000	-4.97000	7.78000	-.25000	5.19000
.596	2.860	-.02100	-.03200	-.01700	.11100	578.31000	2.67000	-4.97000	7.78000	-.26000	5.19000
.596	3.430	-.02500	-.03500	-.01900	.10600	578.92000	2.67000	-4.97000	7.77000	-.29000	5.19000
.597	4.010	-.02100	-.03000	-.01500	.11100	579.21000	2.67000	-4.97000	7.79000	-.26000	5.20000
.598	4.580	-.02200	-.02700	-.01200	.11100	581.94000	2.67000	-4.97000	7.80000	-.30000	5.21000
.599	5.150	-.02300	-.02600	-.01400	.10800	583.99000	2.67000	-4.97000	7.81000	-.32000	5.23000
.600	5.720	-.02200	-.02600	-.01300	.11000	584.67000	2.67000	-4.97000	7.81000	-.34000	5.22000
.599	6.300	-.02300	-.03000	-.02000	.10900	583.36000	2.67000	-4.97000	7.79000	-.28000	5.20000
.599	6.870	-.02200	-.02900	-.01400	.11200	583.71000	2.67000	-4.97000	7.81000	-.32000	5.22000
.597	7.420	-.02300	-.03300	-.02100	.10700	581.31000	2.67000	-4.97000	7.78000	-.26000	5.19000
.598	7.990	-.02700	-.03700	-.02100	.10300	582.12000	2.67000	-4.97000	7.79000	-.32000	5.21000
.599	8.560	-.02500	-.03000	-.02000	.10500	584.85000	2.67000	-4.97000	7.78000	-.25000	5.20000
.601	9.140	-.02500	-.02800	-.01700	.10400	588.67000	2.67000	-4.97000	7.82000	-.32000	5.23000
.600	9.710	-.02300	-.02900	-.01500	.10900	587.24000	2.67000	-4.97000	7.81000	-.33000	5.22000
.600	10.280	-.02400	-.03000	-.01600	.10700	585.95000	2.67000	-4.97000	7.80000	-.34000	5.21000
.600	10.850	-.02500	-.02900	-.01800	.10700	585.41000	2.67000	-4.97000	7.81000	-.31000	5.22000
.599	11.430	-.02500	-.03000	-.01700	.10400	584.39000	2.67000	-4.97000	7.81000	-.33000	5.22000
.600	12.000	-.02600	-.03000	-.01700	.10300	586.31000	2.68000	-4.97000	7.82000	-.32000	5.23000
.598	12.570	-.02500	-.03300	-.01800	.10700	581.47000	2.67000	-4.97000	7.80000	-.29000	5.21000
.599	13.150	-.02700	-.03000	-.02000	.10200	584.60000	2.67000	-4.96000	7.80000	-.25000	5.21000
.598	13.720	-.02700	-.03300	-.02300	.10200	581.59000	2.67000	-4.96000	7.80000	-.26000	5.21000
.599	14.290	-.02700	-.03100	-.01700	.10300	583.99000	2.67000	-4.97000	7.79000	-.25000	5.20000
.598	14.860	-.02700	-.03300	-.02000	.10300	581.73000	2.67000	-4.97000	7.79000	-.26000	5.20000
.599	15.440	-.02600	-.03000	-.01700	.10200	583.17000	2.67000	-4.96000	7.82000	-.32000	5.23000
.600	16.010	-.02600	-.03100	-.01500	.10200	585.08000	2.67000	-4.96000	7.79000	-.26000	5.20000
.600	16.560	-.02500	-.02800	-.01600	.10200	585.02000	2.67000	-4.96000	7.79000	-.25000	5.20000
.600	17.130	-.02800	-.03700	-.02300	.10000	585.55000	2.68000	-4.96000	7.79000	-.27000	5.20000
.599	17.700	-.03100	-.03400	-.02300	.09800	584.12000	2.67000	-4.97000	7.79000	-.26000	5.20000
.599	18.280	-.02500	-.03300	-.01500	.10400	583.58000	2.68000	-4.96000	7.81000	-.31000	5.22000
.599	18.850	-.02500	-.03400	-.01700	.10300	582.83000	2.68000	-4.96000	7.81000	-.31000	5.22000
.597	19.420	-.02700	-.03500	-.02100	.10100	580.50000	2.68000	-4.96000	7.83000	-.34000	5.23000
.601	20.000	-.02900	-.03100	-.01700	.09800	586.45000	2.68000	-4.96000	7.80000	-.25000	5.20000
GRADIENT		-.00045	-.00031	.00050	.00025	-1.59348	.00000	-.00000	.00041	.01290	-.00208

LTV44-559(CA26) 747/1 ATY 02 S1 (CARRIER DATA)

(ZFE085) (24 MAR 76)

REFERENCE DATA

SREF = 5500.0000 SQ.FT. XMRP = 1339.9000 IN. XC
 LREF = 327.7800 IN. YMRP = .0000 IN. YC
 BREF = 2348.0400 IN. ZMRP = 190.7500 IN. ZC
 SCALE = .0125

PARAMETRIC DATA

ALPHAC = 2.000 BETAC = -5.000
 STAB = 5.000 ELEVON = 5.000
 BDFLAP = .000 OY = .000
 CZ = 60.000 IORB = 6.000
 BETAO = .000 RUDDER = .000

RUN NO. 2062/ 0 RN/L = .00 GRADIENT INTERVAL = -5.00/ 5.00

MACH	DX	CPC	CPSB1	CPSB2	CPSB3	Q(PSF)	ALPHAC	BETAC	ALPHA0	BETA0	INCID
.597	.590	-.02700	-.03100	-.01800	.09800	580.43000	2.67000	-4.98000	7.57000	-.27000	5.19000
.598	1.170	-.02500	-.02700	-.01700	.10300	580.99000	2.68000	-4.98000	7.56000	-.32000	5.19000
.601	1.740	-.01800	-.02600	-.01100	.10500	585.26000	2.67000	-4.98000	7.53000	-.30000	5.16000
.599	2.310	-.02300	-.02500	-.01400	.10300	581.76000	2.68000	-4.98000	7.56000	-.31000	5.18000
.599	2.890	-.02600	-.03200	-.01700	.09800	583.04000	2.68000	-4.98000	7.54000	-.28000	5.17000
.601	3.460	-.02300	-.02700	-.01700	.10300	586.66000	2.68000	-4.98000	7.53000	-.29000	5.15000
.599	4.030	-.02200	-.02800	-.01500	.10400	582.49000	2.68000	-4.98000	7.57000	-.28000	5.19000
.602	4.600	-.01900	-.02600	-.01300	.10500	588.64000	2.68000	-4.98000	7.53000	-.27000	5.15000
.601	5.180	-.02300	-.03100	-.01500	.10000	587.33000	2.68000	-4.98000	7.55000	-.25000	5.17000
.599	5.720	-.02400	-.03100	-.01500	.10000	584.12000	2.68000	-4.98000	7.56000	-.24000	5.19000
.600	6.280	-.02300	-.03100	-.01500	.10200	585.82000	2.67000	-4.98000	7.55000	-.26000	5.18000
.600	6.870	-.02400	-.03100	-.01600	.10100	586.16000	2.67000	-4.97000	7.55000	-.27000	5.18000
.600	7.440	-.02100	-.02900	-.01500	.10300	586.97000	2.67000	-4.97000	7.55000	-.26000	5.18000
.601	8.020	-.02300	-.02700	-.01500	.10400	588.61000	2.67000	-4.98000	7.55000	-.27000	5.17000
.600	8.590	-.02200	-.02900	-.01400	.10300	586.90000	2.68000	-4.98000	7.56000	-.27000	5.18000
.600	9.160	-.02300	-.03100	-.01400	.09900	586.21000	2.68000	-4.97000	7.55000	-.29000	5.17000
.601	9.730	-.02400	-.02700	-.01500	.10400	588.06000	2.67000	-4.97000	7.57000	-.27000	5.19000
.597	10.310	-.02400	-.03300	-.01700	.09700	581.09000	2.68000	-4.97000	7.54000	-.33000	5.16000
.597	10.880	-.02600	-.03400	-.01800	.09700	580.27000	2.68000	-4.97000	7.53000	-.32000	5.15000
.598	11.450	-.02200	-.03000	-.01800	.10100	581.79000	2.68000	-4.98000	7.57000	-.26000	5.19000
.598	12.030	-.02200	-.03000	-.01800	.10100	582.01000	2.68000	-4.98000	7.57000	-.28000	5.19000
.598	12.600	-.02700	-.03100	-.01800	.09800	581.94000	2.68000	-4.98000	7.54000	-.30000	5.16000
.597	13.170	-.02400	-.03100	-.02000	.10100	580.51000	2.67000	-4.98000	7.57000	-.26000	5.19000
.597	13.750	-.02800	-.03300	-.01900	.09800	579.20000	2.67000	-4.97000	7.56000	-.24000	5.18000
.596	14.320	-.02700	-.03500	-.01800	.09800	578.24000	2.68000	-4.98000	7.57000	-.28000	5.19000
.598	14.860	-.02700	-.03100	-.01800	.09900	580.85000	2.67000	-4.97000	7.57000	-.33000	5.17000
.599	15.440	-.02500	-.03000	-.01900	.09900	581.26000	2.67000	-4.97000	7.56000	-.28000	5.18000
.599	16.010	-.02200	-.03000	-.01800	.10000	583.31000	2.67000	-4.97000	7.57000	-.31000	5.20000
.599	16.580	-.02400	-.02700	-.01800	.10000	584.27000	2.67000	-4.98000	7.55000	-.25000	5.18000
.601	17.140	-.02200	-.02800	-.01800	.10000	586.93000	2.67000	-4.97000	7.54000	-.32000	5.17000
.595	17.720	-.03400	-.03700	-.02400	.09200	576.86000	2.67000	-4.98000	7.56000	-.28000	5.19000
.598	18.290	-.02800	-.03300	-.01900	.09500	581.12000	2.67000	-4.97000	7.57000	-.25000	5.20000
.600	18.880	-.02100	-.02900	-.01700	.10300	585.77000	2.68000	-4.97000	7.55000	-.26000	5.17000
.599	19.440	-.02500	-.03100	-.01600	.10100	584.20000	2.67000	-4.97000	7.53000	-.30000	5.16000
.538	20.010	-.02800	-.03300	-.01800	.09700	581.39000	2.67000	-4.97000	7.54000	-.32000	5.17000
	GRADIENT	.00110	.00041	.00050	.00089	1.40187	.00208	.00000	-.00520	.00539	-.00665

DATE 29 MAR 76

CA-26 FORCE SOURCE DATA TABULATION

PAGE 1261

LTV44-559(CA26) 747/1 ATY 02 S1 (CARRIER DATA)

(ZFEO86) (24 MAR 76)

REFERENCE DATA

SREF = 5500.0000 SQ.FT. XMRP = 1339.9000 IN. XC
 LREF = 327.7800 IN. YMRP = .0000 IN. YC
 BREF = 2348.0400 IN. ZMRP = 190.7500 IN. ZC
 SCALE = .0125

PARAMETRIC DATA

ALPHAC = 2.000 BETAC = -5.000
 STAB = 5.000 ELEVON = 5.000
 BDFLAP = .000 DX = .000
 DZ = .000 IORB = 6.000
 BETAO = .000 RUDDER = .000

RUN NO. 63/ 0 RN/L = .00 GRADIENT INTERVAL = -5.00/ 5.00

MACH	OY	CPC	CPSB1	CPSB2	CPSB3	Q(PSF)	ALPHAC	BETAC	ALPHAO	BETAO	INCID
.594	-10.000	-.02800	-.03600	-.02600	.10000	575.26000	2.71000	-5.05000	7.99000	-.35000	5.20000
.594	-9.420	-.02600	-.03100	-.01900	.10400	574.93000	2.70000	-5.05000	7.89000	-.35000	5.19000
.592	-8.850	-.02700	-.03600	-.02400	.10200	572.39000	2.71000	-5.05000	7.92000	-.34000	5.21000
.594	-8.280	-.02500	-.03100	-.02000	.10200	575.82000	2.70000	-5.04000	7.89000	-.34000	5.19000
.592	-7.710	-.02700	-.03500	-.02200	.10300	573.07000	2.71000	-5.04000	7.93000	-.29000	5.23000
.593	-7.140	-.02500	-.03100	-.01600	.10600	573.29000	2.71000	-5.04000	7.92000	-.30000	5.21000
.592	-6.560	-.02500	-.03400	-.02300	.10200	571.43000	2.71000	-5.03000	7.91000	-.32000	5.20000
.593	-5.990	-.02400	-.03000	-.01600	.10500	573.83000	2.71000	-5.03000	7.91000	-.34000	5.20000
.594	-5.420	-.02400	-.02900	-.01900	.10200	576.63000	2.70000	-5.02000	7.93000	-.31000	5.23000
.594	-4.850	-.02200	-.02900	-.02100	.10300	576.15000	2.70000	-5.02000	7.91000	-.35000	5.21000
.593	-4.280	-.02400	-.03300	-.02200	.10400	574.17000	2.70000	-5.02000	7.91000	-.34000	5.21000
.594	-3.710	-.02300	-.03200	-.02300	.10300	576.77000	2.70000	-5.01000	7.90000	-.35000	5.20000
.591	-3.130	-.03000	-.03900	-.02800	.10400	579.04000	2.70000	-5.01000	7.91000	-.31000	5.21000
.594	-2.570	-.02300	-.02800	-.01900	.10700	576.37000	2.70000	-5.01000	7.88000	-.36000	5.19000
.595	-1.990	-.02400	-.02900	-.01900	.10800	576.51000	2.69000	-5.02000	7.89000	-.37000	5.20000
.593	-1.420	-.02300	-.03100	-.02000	.11000	573.37000	2.68000	-5.01000	7.90000	-.34000	5.22000
.595	-.850	-.02200	-.02900	-.02200	.10600	576.72000	2.68000	-5.01000	7.91000	-.32000	5.23000
.593	-.270	-.02400	-.03400	-.02300	.10800	573.23000	2.67000	-5.01000	7.89000	-.33000	5.22000
.593	.270	-.02500	-.03400	-.02600	.10400	572.96000	2.67000	-5.01000	7.91000	-.35000	5.24000
.594	.850	-.02400	-.03300	-.02600	.10500	574.81000	2.67000	-5.01000	7.90000	-.34000	5.24000
.596	1.420	-.02400	-.03100	-.02000	.10600	577.56000	2.67000	-5.01000	7.86000	-.37000	5.19000
.593	1.990	-.02300	-.03100	-.02200	.10900	573.05000	2.66000	-5.01000	7.87000	-.36000	5.21000
.594	2.560	-.02500	-.03200	-.02900	.10300	573.79000	2.65000	-5.00000	7.89000	-.35000	5.24000
.593	3.130	-.02500	-.03200	-.02900	.10600	572.70000	2.65000	-5.00000	7.88000	-.32000	5.23000
.595	3.710	-.02500	-.02900	-.02900	.10200	576.53000	2.65000	-5.00000	7.87000	-.36000	5.22000
.594	4.280	-.02400	-.03100	-.02700	.10700	574.06000	2.64000	-5.00000	7.86000	-.38000	5.22000
.596	4.850	-.02400	-.02700	-.02700	.10400	578.09000	2.64000	-4.99000	7.87000	-.35000	5.23000
.593	5.420	-.02500	-.03200	-.03200	.10800	572.61000	2.64000	-4.99000	7.84000	-.36000	5.20000
.595	5.990	-.02400	-.02800	-.03100	.10500	576.79000	2.64000	-4.99000	7.86000	-.34000	5.23000
.594	6.560	-.02500	-.03000	-.03300	.10300	574.53000	2.63000	-4.99000	7.86000	-.35000	5.23000
.594	7.140	-.02400	-.02900	-.03000	.10400	574.68000	2.64000	-4.98000	7.85000	-.33000	5.22000
.594	7.700	-.02300	-.02900	-.02600	.10700	574.21000	2.63000	-4.98000	7.85000	-.36000	5.22000
.592	8.280	-.02400	-.03100	-.03100	.10500	571.52000	2.63000	-4.98000	7.83000	-.35000	5.20000
.595	8.850	-.02400	-.02700	-.02500	.10500	576.65000	2.63000	-4.98000	7.85000	-.34000	5.24000
.595	9.420	-.02400	-.02800	-.02900	.10400	576.18000	2.63000	-4.98000	7.85000	-.34000	5.23000
.594	10.000	-.02100	-.02800	-.02800	.10600	575.15000	2.63000	-4.98000	7.86000	-.37000	5.24000
GRADIENT		-.00005	.00021	-.00071	.00003	.04521	-.00682	.00219	-.00436	-.00164	.00251

LTV44-559(CA26) 747/1 ATY 02 S1 (CARRIER DATA)

(ZFE087) (24 MAR 76)

REFERENCE DATA

SREF = 5500.0000 SQ.FT. XMRP = 1339.9000 IN. XC
 LREF = 327.7800 IN. YMRP = .0000 IN. YC
 BREF = 2348.0400 IN. ZMRP = 190.7500 IN. ZC
 SCALE = .0125

PARAMETRIC DATA

ALPHAC = 2.000 BETAC = -5.000
 STAB = 5.000 ELEVON = 5.000
 BDFLAP = .000 DX = .000
 DZ = 15.000 IORB = 6.000
 BETAO = .000 RUDDER = .000

RUN NO. 1063/ 0 RN/L = .00 GRADIENT INTERVAL = -5.00/ 5.00

MACH	DY	CPCC	CPSB1	CPSB2	CPSB3	Q(PSF)	ALPHAC	BETAC	ALPHAO	BETAO	INCID
.594	-9.420	-.02800	-.03400	-.02000	.10200	575.03000	2.69000	-4.99000	7.81000	-.27000	5.20000
.592	-8.850	-.02400	-.03200	-.01700	.10600	571.13000	2.70000	-4.99000	7.78000	-.28000	5.17000
.594	-8.280	-.02200	-.02700	-.01500	.10500	574.22000	2.69000	-4.99000	7.80000	-.28000	5.20000
.595	-7.710	-.02000	-.02600	-.01200	.11100	574.36000	2.69000	-4.98000	7.79000	-.29000	5.19000
.595	-7.140	-.02200	-.03000	-.01900	.10200	576.46000	2.69000	-4.98000	7.83000	-.24000	5.23000
.594	-6.560	-.02100	-.02700	-.01700	.10300	574.14000	2.69000	-4.98000	7.80000	-.27000	5.19000
.594	-5.990	-.02500	-.03200	-.02100	.10100	573.86000	2.69000	-4.98000	7.81000	-.25000	5.21000
.593	-5.420	-.02700	-.03400	-.02100	.10500	571.87000	2.69000	-4.98000	7.83000	-.24000	5.22000
.593	-4.850	-.02600	-.03300	-.01900	.10700	572.14000	2.68000	-4.97000	7.82000	-.25000	5.22000
.593	-4.280	-.02600	-.03200	-.01900	.10900	571.87000	2.68000	-4.97000	7.81000	-.23000	5.21000
.593	-3.710	-.02400	-.03100	-.01800	.10800	572.83000	2.68000	-4.97000	7.81000	-.27000	5.21000
.593	-3.140	-.02400	-.03100	-.01700	.10800	571.74000	2.68000	-4.97000	7.83000	-.26000	5.23000
.595	-2.570	-.02300	-.03100	-.02000	.10300	575.98000	2.68000	-4.97000	7.78000	-.29000	5.19000
.592	-1.990	-.02100	-.02700	-.01600	.10800	570.98000	2.68000	-4.97000	7.81000	-.27000	5.21000
.593	-1.420	-.02700	-.03400	-.02300	.10300	572.62000	2.67000	-4.97000	7.80000	-.29000	5.21000
.593	-.850	-.02700	-.03500	-.02100	.10500	572.83000	2.67000	-4.97000	7.81000	-.25000	5.22000
.593	-.280	-.02700	-.03300	-.02000	.10500	573.38000	2.67000	-4.97000	7.81000	-.27000	5.22000
.595	.270	-.02300	-.03100	-.01900	.10500	575.99000	2.67000	-4.97000	7.78000	-.27000	5.19000
.593	.850	-.02800	-.03600	-.02400	.10300	572.69000	2.67000	-4.97000	7.80000	-.28000	5.21000
.593	1.410	-.02600	-.03300	-.02100	.10700	572.50000	2.67000	-4.97000	7.79000	-.30000	5.20000
.594	1.990	-.02900	-.03500	-.02200	.10600	574.63000	2.67000	-4.97000	7.78000	-.29000	5.20000
.595	2.560	-.02500	-.03300	-.02200	.10400	575.52000	2.67000	-4.97000	7.79000	-.31000	5.21000
.593	3.130	-.02400	-.02900	-.01800	.10700	571.49000	2.67000	-4.97000	7.81000	-.26000	5.23000
.592	3.700	-.02600	-.03300	-.02200	.10600	570.32000	2.67000	-4.97000	7.80000	-.31000	5.21000
.593	4.270	-.02500	-.03100	-.02000	.10700	571.84000	2.66000	-4.97000	7.80000	-.32000	5.22000
.595	4.850	-.02500	-.03100	-.02300	.10100	574.64000	2.66000	-4.97000	7.80000	-.31000	5.22000
.595	5.420	-.02800	-.03300	-.02300	.10400	575.05000	2.66000	-4.97000	7.78000	-.32000	5.20000
.595	5.980	-.02600	-.03300	-.02300	.10400	575.25000	2.66000	-4.97000	7.79000	-.33000	5.21000
.595	6.560	-.02400	-.03000	-.02200	.10400	575.04000	2.65000	-4.97000	7.81000	-.30000	5.23000
.594	7.130	-.02300	-.02700	-.01900	.10800	574.29000	2.65000	-4.97000	7.81000	-.32000	5.24000
.595	7.700	-.02600	-.03200	-.02300	.10400	575.65000	2.66000	-4.97000	7.78000	-.32000	5.20000
.594	8.270	-.02500	-.03200	-.02300	.10400	574.83000	2.65000	-4.97000	7.81000	-.31000	5.24000
.595	8.840	-.02200	-.02800	-.02100	.10500	576.40000	2.66000	-4.97000	7.80000	-.31000	5.23000
.594	9.420	-.02600	-.03000	-.02100	.10900	574.94000	2.65000	-4.97000	7.77000	-.35000	5.20000
.533	9.990	-.02400	-.03000	-.02100	.11000	573.90000	2.65000	-4.97000	7.78000	-.35000	5.22000
	GRADIENT	-.00010	-.00005	-.00037	-.00029	.05354	-.00198	-.00000	-.00193	-.00607	.00028

DATE 29 MAR 76

CA-26 FORCE SOURCE DATA TABULATION

PAGE 1283

LTV44-559(CA26) 747/1 ATY 02 S1 (CARRIER DATA)

(ZFE088) (24 MAR 76)

REFERENCE DATA

SREF = 5500.0000 SQ.FT. XMRP = 1339.9000 IN. XC
 LREF = 327.7800 IN. YMRP = .0000 IN. YC
 BREF = 2348.0400 IN. ZMRP = 190.7500 IN. ZC
 SCALE = .0125

PARAMETRIC DATA

ALPHAC = 2.000 BETAC = -5.000
 STAB = 5.000 ELEVON = 5.000
 BDFLAP = .000 DX = .000
 DZ = 60.000 IORB = 6.000
 BETAO = .000 RUDDER = .000

RUN NO. 2063/ 0 RN/L = .00 GRADIENT INTERVAL = -5.00/ 5.00

MACH	DY	CPC	CPSB1	CPSB2	CPSB3	Q(PSF)	ALPHAC	BETAC	ALPHAO	BETAO	INCID
.594	-10.000	-.02700	-.03100	-.02100	.09800	574.34000	2.68000	-4.97000	7.55000	-.27000	5.17000
.595	-9.430	-.02300	-.02700	-.01700	.10200	577.78000	2.68000	-4.96000	7.55000	-.27000	5.17000
.593	-8.860	-.03100	-.03600	-.02700	.09200	572.41000	2.67000	-4.97000	7.56000	-.32000	5.18000
.594	-8.280	-.02500	-.03100	-.02200	.09700	573.67000	2.68000	-4.97000	7.59000	-.28000	5.20000
.594	-7.710	-.02300	-.02900	-.02000	.09900	574.15000	2.68000	-4.97000	7.57000	-.31000	5.19000
.595	-7.140	-.02500	-.03000	-.02000	.09800	575.93000	2.68000	-4.97000	7.55000	-.31000	5.18000
.595	-6.570	-.02600	-.03200	-.02100	.09800	574.91000	2.68000	-4.97000	7.58000	-.31000	5.21000
.594	-6.000	-.02500	-.03100	-.02100	.09800	573.82000	2.68000	-4.97000	7.58000	-.33000	5.20000
.593	-5.420	-.02500	-.03100	-.02200	.09900	572.31000	2.68000	-4.97000	7.58000	-.28000	5.20000
.594	-4.860	-.02400	-.03000	-.02100	.09800	573.68000	2.68000	-4.97000	7.58000	-.32000	5.20000
.595	-4.290	-.02400	-.02900	-.02000	.09800	575.05000	2.68000	-4.97000	7.58000	-.26000	5.19000
.595	-3.710	-.02800	-.03300	-.02300	.09600	575.38000	2.68000	-4.97000	7.56000	-.26000	5.18000
.594	-3.140	-.02200	-.02900	-.01900	.09900	573.54000	2.68000	-4.97000	7.55000	-.31000	5.17000
.595	-2.570	-.02800	-.03300	-.02300	.09600	576.46000	2.67000	-4.97000	7.57000	-.27000	5.19000
.594	-2.000	-.02400	-.02900	-.02000	.09900	573.73000	2.68000	-4.97000	7.56000	-.35000	5.18000
.594	-1.430	-.02600	-.03000	-.01900	.09800	574.68000	2.68000	-4.97000	7.58000	-.26000	5.19000
.592	-.850	-.02700	-.03300	-.02200	.09700	570.58000	2.68000	-4.98000	7.57000	-.34000	5.19000
.594	-.280	-.02500	-.02800	-.01800	.10000	573.74000	2.68000	-4.98000	7.58000	-.27000	5.20000
.594	.270	-.02400	-.02900	-.01900	.09900	574.43000	2.68000	-4.98000	7.58000	-.32000	5.20000
.594	.840	-.02800	-.03200	-.02200	.09700	573.54000	2.68000	-4.98000	7.57000	-.36000	5.19000
.594	1.410	-.02600	-.03100	-.02100	.09700	574.43000	2.68000	-4.98000	7.56000	-.34000	5.18000
.594	1.990	-.02500	-.03100	-.02000	.09800	573.41000	2.68000	-4.98000	7.58000	-.32000	5.20000
.594	2.560	-.02600	-.03100	-.01900	.09400	573.27000	2.68000	-4.98000	7.58000	-.31000	5.20000
.593	3.130	-.02600	-.03200	-.02100	.10000	572.24000	2.68000	-4.98000	7.57000	-.32000	5.19000
.595	3.700	-.02500	-.03100	-.02100	.09800	576.61000	2.68000	-4.98000	7.56000	-.38000	5.18000
.594	4.270	-.02900	-.03400	-.02400	.09600	573.94000	2.68000	-4.98000	7.55000	-.34000	5.17000
.594	4.850	-.02600	-.03100	-.02100	.09800	574.76000	2.68000	-4.98000	7.55000	-.38000	5.17000
.593	5.410	-.02400	-.03000	-.02000	.10000	572.18000	2.68000	-4.98000	7.58000	-.34000	5.20000
.594	5.980	-.02500	-.03000	-.02000	.10000	572.59000	2.68000	-4.98000	7.57000	-.33000	5.19000
.595	6.560	-.02600	-.03000	-.02100	.09700	575.66000	2.68000	-4.99000	7.55000	-.35000	5.17000
.595	7.130	-.02500	-.03100	-.02000	.09700	574.58000	2.68000	-4.98000	7.58000	-.37000	5.20000
.594	7.700	-.02900	-.03400	-.02300	.09800	574.29000	2.68000	-4.99000	7.54000	-.32000	5.16000
.594	8.270	-.02400	-.03100	-.02000	.09900	573.54000	2.68000	-4.99000	7.58000	-.30000	5.20000
.594	8.840	-.02600	-.03200	-.02100	.09900	573.33000	2.68000	-4.99000	7.53000	-.37000	5.15000
.533	9.420	-.02600	-.03200	-.02200	.09900	573.10000	2.68000	-4.99000	7.57000	-.32000	5.19000
GRADIENT		-.00019	-.00018	-.00006	-.00004	-.03502	.00016	-.00139	-.00083	-.00823	-.00074

LTV44-559(CA26) 747/1 ATY 02 S1 (CARRIER DATA)

(ZFE089) (24 MAR 76)

REFERENCE DATA

SREF = 5500.0000 SQ.FT. XMRP = 1339.9000 IN. XC
 LREF = 327.7800 IN. YMRP = .0000 IN. YC
 BREF = 2348.0400 IN. ZMRP = 190.7500 IN. ZC
 SCALE = .0125

PARAMETRIC DATA

ALPHAC = 4.000 BETAC = .000
 STAB = 5.000 ELEVON = 5.000
 BDFLAP = .000 DX = .000
 DY = .000 TORB = 4.000
 BETAO = .000 RUDDER = .000

RUN NO. 64/ 0 RN/L = .00 GRADIENT INTERVAL = -5.00/ 5.00

MACH	DZ	CPCC	CP5B1	CP5B2	CP5B3	Q(P5F)	ALPHAC	BETAC	ALPHA0	BETA0	INC1D
.599	1.760	-.00800	-.01700	-.01200	.11500	584.23000	3.73000	.01000	7.14000	.00000	3.42000
.599	2.360	-.01100	-.02200	-.01600	.11100	583.81000	3.73000	.01000	7.12000	.00000	3.40000
.599	2.970	-.01000	-.02300	-.01700	.11100	583.60000	3.73000	.01000	7.12000	.02000	3.40000
.599	3.760	-.01000	-.02000	-.01500	.10900	584.09000	3.73000	.01000	7.12000	.01000	3.41000
.599	4.560	-.00900	-.02200	-.01500	.11200	584.37000	3.73000	.01000	7.12000	.01000	3.41000
.599	5.960	-.00900	-.01800	-.01100	.11600	583.84000	3.73000	.01000	7.10000	.02000	3.40000
.600	7.970	-.00800	-.01900	-.01400	.11200	585.55000	3.73000	.01000	7.10000	.01000	3.40000
.600	9.960	-.00700	-.01700	-.01200	.11300	584.46000	3.74000	.01000	7.04000	.00000	3.36000
.600	10.960	-.00500	-.01500	-.00900	.11500	584.99000	3.74000	.01000	7.04000	-.02000	3.36000
.600	11.960	-.00900	-.02000	-.01300	.11100	586.14000	3.74000	.01000	7.03000	-.01000	3.35000
.600	12.950	-.01000	-.02100	-.01300	.11100	586.14000	3.74000	.01000	7.01000	-.01000	3.34000
.598	13.940	-.00500	-.01500	-.01000	.11300	582.05000	3.74000	.01000	7.05000	-.01000	3.39000
.599	14.940	-.00700	-.01600	-.00900	.11300	582.40000	3.74000	.01000	7.05000	-.01000	3.39000
.597	15.930	-.01100	-.02100	-.01300	.11000	579.86000	3.74000	.01000	7.03000	.00000	3.39000
.598	16.930	-.00700	-.01600	-.00900	.11000	581.38000	3.74000	.01000	7.02000	-.01000	3.38000
.597	17.930	-.01000	-.01900	-.00900	.11200	580.22000	3.74000	.01000	7.01000	.03000	3.39000
.599	18.920	-.01000	-.01700	-.00700	.11200	582.95000	3.74000	.00000	6.99000	.02000	3.36000
.597	19.910	-.01100	-.01900	-.00900	.11100	580.35000	3.74000	.00000	6.98000	-.03000	3.35000
.598	20.910	-.01200	-.02000	-.01000	.11000	580.89000	3.75000	.00000	6.97000	-.01000	3.34000
.599	21.900	-.01200	-.02200	-.01300	.10800	583.27000	3.74000	.00000	6.98000	-.00000	3.36000
.598	22.890	-.00800	-.01500	-.00700	.11100	582.38000	3.74000	.00000	6.96000	-.03000	3.34000
.598	23.890	-.00900	-.01600	-.00600	.11000	581.56000	3.74000	.00000	6.95000	-.04000	3.34000
.599	24.890	-.00800	-.01500	-.00600	.10900	584.16000	3.74000	.00000	6.94000	.00000	3.34000
.598	25.880	-.00900	-.01900	-.00900	.11100	583.19000	3.75000	.00000	6.94000	-.02000	3.34000
.598	26.870	-.01000	-.01800	-.00600	.11100	583.53000	3.75000	.00000	6.92000	.01000	3.32000
.598	27.870	-.00900	-.01900	-.00800	.11000	582.72000	3.75000	.00000	6.92000	.03000	3.33000
.597	28.860	-.00900	-.02100	-.01200	.10600	580.95000	3.74000	.00000	6.91000	-.01000	3.33000
.599	29.860	-.01000	-.02000	-.01100	.10600	583.27000	3.75000	.00000	6.90000	.00000	3.32000
.599	30.860	-.01000	-.01900	-.00700	.10600	584.56000	3.75000	.00000	6.91000	.00000	3.33000
.601	31.850	-.00900	-.01800	-.00800	.10800	588.24000	3.75000	.00000	6.90000	-.05000	3.33000
.602	32.840	-.01000	-.01800	-.01000	.10200	590.57000	3.75000	.00000	6.88000	.01000	3.32000
.600	33.840	-.00900	-.01700	-.00700	.10800	585.06000	3.75000	.00000	6.87000	.00000	3.32000
.595	34.830	-.01000	-.02000	-.01300	.10700	575.89000	3.75000	.00000	6.89000	-.06000	3.34000
.600	35.830	-.01100	-.01800	-.00700	.10500	586.28000	3.75000	.00000	6.88000	.02000	3.34000
.600	36.830	-.01300	-.02000	-.01300	.10300	586.14000	3.75000	.00000	6.86000	-.05000	3.32000
.598	37.820	-.01100	-.01800	-.01100	.10400	582.39000	3.75000	.00000	6.84000	-.03000	3.30000
.597	38.820	-.01200	-.02000	-.01300	.10400	580.21000	3.75000	.00000	6.82000	-.02000	3.29000
.597	39.810	-.01200	-.01900	-.01100	.10400	579.26000	3.75000	.00000	6.82000	-.01000	3.30000
.599	40.800	-.00900	-.01900	-.00600	.10700	583.36000	3.76000	.00000	6.85000	-.02000	3.33000
.599	41.800	-.00800	-.01900	-.00800	.10800	582.80000	3.75000	.00000	6.83000	-.05000	3.32000
.599	42.800	-.00700	-.01800	-.00800	.10600	582.68000	3.75000	.00000	6.83000	-.04000	3.32000
.596	43.790	-.01400	-.02100	-.01200	.09900	578.17000	3.75000	.00000	6.82000	.00000	3.32000

DATE 29 MAR 76

CA-26 FORCE SOURCE DATA TABULATION

PAGE 1285

LTV44-559(CA26) 747/1 ATY 02 S1 (CARRIER DATA)

(ZFE089) (24 MAR 76)

REFERENCE DATA

SREF = 5500.0000 SQ.FT. XMRP = 1339.9000 IN. XC
LREF = 327.7800 IN. YMRP = .0000 IN. YC
BREF = 2348.0400 IN. ZMRP = 190.7500 IN. ZC
SCALE = .0125

PARAMETRIC DATA

ALPHAC = 4.000 BETAC = .000
STAB = 5.000 ELEVON = 5.000
BDFLAP = .000 DX = .000
DY = .000 IORB = 4.000
BETAO = .000 RUDDER = .000

RUN NO. 64/ 0 RN/L = .00 GRADIENT INTERVAL = -5.00/ 5.00

MACH	DZ	CPCC	CPSB1	CPSB2	CPSB3	Q(PSF)	ALPHAC	BETAC	ALPHAO	BETAO	INCID
.599	44.790	-.01000	-.01700	-.01000	.10700	582.89000	3.76000	.00000	6.82000	.00000	3.32000
	GRADIENT	-.00009	-.00104	-.00061	-.00105	.09865	.00000	.00000	-.00537	.00392	-.00099

LTV44-559(CA26) 74771 ATY 02 S1 (CARRIER DATA)

(ZFE090) (24 MAR 76)

REFERENCE DATA

SREF = 5500.0000 SQ.FT. XMRP = 1339.9000 IN. XC
 LREF = 327.7800 IN. YMRP = .0000 IN. YC
 BREF = 2348.0400 IN. ZMRP = 190.7500 IN. ZC
 SCALE = .0125

PARAMETRIC DATA

ALPHAC = 4.000 BETAC = .000
 STAB = 5.000 ELEVON = 5.000
 BDFLAP = .000 DX = .000
 DY = .000 ICRB = 6.000
 BETAC = .000 RUDDER = .000

RUN NO. 1064/ 0 RN/L = .00 GRADIENT INTERVAL = -5.00/ 5.00

MACH	DZ	CPCC	CPSB1	CPSB2	CPSB3	Q(PSF)	ALPHAC	BETAC	ALPHA0	BETA0	INCID
.598	1.470	-.00800	-.02300	-.01300	.11100	578.42000	3.76000	.01000	8.87000	.01000	5.12000
.599	1.770	-.00900	-.02000	-.01000	.11100	580.39000	3.76000	.01000	8.88000	.00000	5.12000
.598	2.370	-.00700	-.01700	-.00800	.11300	578.69000	3.75000	.01000	8.91000	.04000	5.17000
.597	2.970	-.00800	-.02100	-.01100	.11300	577.18000	3.76000	.01000	8.87000	.00000	5.13000
.599	3.770	-.00500	-.01700	-.00900	.11400	581.63000	3.75000	.01000	8.87000	.01000	5.13000
.598	4.570	-.00500	-.01700	-.00800	.11400	579.99000	3.76000	.01000	8.88000	.00000	5.15000
.597	5.970	-.00900	-.02100	-.01200	.10700	577.66000	3.76000	.01000	8.84000	.01000	5.11000
.598	7.970	-.00500	-.01600	-.00700	.11500	578.36000	3.75000	.01000	8.87000	.03000	5.14000
.599	9.960	-.00600	-.01600	-.00700	.11300	580.13000	3.75000	.01000	8.84000	.03000	5.14000
.598	11.240	-.00800	-.01900	-.01000	.11200	579.85000	3.75000	.01000	8.83000	.05000	5.14000
.599	12.520	-.00200	-.01400	-.00500	.11200	581.01000	3.75000	.00000	8.80000	.00000	5.12000
.598	13.800	.00000	-.01300	-.00500	.11200	580.60000	3.75000	.00000	8.81000	.00000	5.14000
.598	15.080	-.00200	-.01300	-.00500	.11100	580.45000	3.75000	.01000	8.78000	.01000	5.11000
.599	16.350	-.00300	-.01200	-.00400	.11200	581.20000	3.75000	.00000	8.76000	.00000	5.10000
.597	17.630	-.00800	-.02000	-.00700	.11100	577.86000	3.75000	.00000	8.77000	.01000	5.13000
.598	18.900	-.00800	-.01700	-.00700	.10800	580.52000	3.75000	.00000	8.77000	.03000	5.13000
.598	20.180	-.00500	-.01700	-.00400	.11000	580.86000	3.75000	.00000	8.73000	.00000	5.09000
.597	21.460	-.00900	-.02100	-.00800	.11000	578.39000	3.75000	.00000	8.71000	-.01000	5.09000
.598	22.730	-.00800	-.01700	-.00600	.10900	580.43000	3.75000	.00000	8.71000	.00000	5.09000
.600	24.000	-.00500	-.01300	-.00600	.10700	584.19000	3.75000	.00000	8.70000	.01000	5.09000
.599	25.280	-.00600	-.01500	-.00700	.10500	583.37000	3.75000	.00000	8.69000	.00000	5.08000
.597	26.560	-.00600	-.01700	-.00800	.10700	580.08000	3.75000	.00000	8.72000	.00000	5.12000
.598	27.840	-.00700	-.01700	-.00900	.10600	581.24000	3.75000	.00000	8.71000	-.01000	5.12000
.598	29.110	-.00600	-.01700	-.00500	.11000	581.12000	3.75000	.00000	8.68000	-.01000	5.10000
.595	30.390	-.01000	-.02200	-.01300	.10400	576.38000	3.75000	.00000	8.65000	-.01000	5.08000
.598	31.660	-.00800	-.01700	-.00800	.10400	581.64000	3.75000	.00000	8.65000	.00000	5.09000
.598	32.940	-.00900	-.01600	-.00700	.10500	581.83000	3.75000	.00000	8.64000	.00000	5.08000
.600	34.220	-.00800	-.01500	-.00300	.10800	586.21000	3.76000	.00000	8.63000	.00000	5.07000
.597	35.490	-.00700	-.01500	-.00700	.10900	580.55000	3.75000	.00000	8.63000	.00000	5.08000
.598	36.770	-.01000	-.01700	-.00600	.10500	581.38000	3.75000	.00000	8.63000	.00000	5.09000
.598	38.050	-.00500	-.01500	-.00500	.11000	580.71000	3.75000	.00000	8.62000	.00000	5.10000
.597	39.330	-.01100	-.01600	-.00700	.10500	579.20000	3.75000	.00000	8.61000	.02000	5.09000
.598	40.600	-.00700	-.01500	-.00600	.10900	579.62000	3.75000	.00000	8.61000	.00000	5.09000
.598	41.880	-.00900	-.01600	-.00800	.10700	580.92000	3.75000	.00000	8.58000	-.02000	5.07000
.537	43.150	-.01000	-.01600	-.00800	.10600	578.80000	3.75000	.00000	8.58000	.00000	5.08000
.600	44.430	-.00500	-.01600	-.00500	.10800	583.73000	3.75000	.00000	8.57000	-.01000	5.07000
.599	45.710	-.00700	-.01600	-.00500	.10500	582.36000	3.76000	.00000	8.55000	-.01000	5.06000
.599	46.980	-.00700	-.01600	-.00700	.10600	582.70000	3.75000	.00000	8.58000	-.01000	5.10000
.597	48.260	-.00800	-.02000	-.00500	.10200	578.39000	3.76000	.00000	8.56000	.00000	5.08000
.599	49.540	-.00800	-.01500	-.00600	.10700	582.60000	3.75000	.00000	8.58000	.00000	5.11000
.598	50.820	-.00900	-.02000	-.00900	.10000	582.78000	3.76000	.00000	8.53000	-.01000	5.07000
GRADIENT		.00122	.00150	.00105	.00105	.48081	-.00070	.00000	-.00155	-.00309	.00576

DATE 29 MAR 76

CA-26 FORCE SOURCE DATA TABULATION

PAGE 1287

LTV44-559(CA26) 747/1 ATY 02 S1 (CARRIER DATA)

(ZFEO91) (24 MAR 76)

REFERENCE DATA

SREF = 5500.0000 SQ.FT. XMRP = 1339.9000 IN. XC
 LREF = 327.7800 IN. YMRP = .0000 IN. YC
 BREF = 2348.0400 IN. ZMRP = 190.7500 IN. ZC
 SCALE = .0125

PARAMETRIC DATA

ALPHAC = 4.000 BETAC = .000
 STAB = 5.000 ELEVON = 5.000
 BDFLAP = .000 DX = .000
 DY = .000 IORB = 8.000
 BETAO = .000 RUDDER = .000

RUN NO. 65/ 0 RN/L = .00 GRADIENT INTERVAL = -5.00/ 5.00

MACH	DZ	CPCC	CPSB1	CPSB2	CPSB3	Q(PSF)	ALPHAC	BETAC	ALPHAO	BETAO	INC10
.598	1.760	-.00400	-.01500	-.00700	.11200	582.46000	3.81000	.01000	10.68000	.03000	6.87000
.598	2.360	-.00500	-.01500	-.00500	.11200	582.06000	3.81000	.01000	10.65000	.03000	6.85000
.597	2.970	-.00100	-.01400	-.00500	.11600	581.35000	3.80000	.01000	10.66000	.02000	6.87000
.597	3.960	-.00500	-.01700	-.00800	.11000	579.98000	3.80000	.01000	10.68000	.03000	6.89000
.600	4.960	-.00300	-.01500	-.00400	.11500	585.48000	3.79000	.01000	10.67000	.03000	6.90000
.601	6.210	-.00100	-.01500	-.00400	.11700	585.76000	3.80000	.01000	10.66000	.03000	6.90000
.599	7.460	-.00700	-.01700	-.00700	.11000	582.48000	3.80000	.01000	10.63000	.02000	6.87000
.598	8.710	-.00600	-.01600	-.00800	.11200	579.70000	3.79000	.01000	10.63000	.02000	6.88000
.601	9.960	-.00200	-.01600	-.00500	.11700	585.77000	3.78000	.01000	10.60000	.03000	6.87000
.600	11.150	-.00500	-.01700	-.00500	.11300	584.88000	3.79000	.01000	10.62000	.04000	6.90000
.597	12.330	-.00500	-.02000	-.00900	.11500	583.65000	3.78000	.01000	10.58000	.00000	6.87000
.600	13.510	-.00200	-.01500	-.00600	.11500	583.65000	3.78000	.01000	10.59000	.03000	6.89000
.600	14.700	-.00300	-.01700	-.00500	.11300	584.33000	3.77000	.01000	10.58000	.03000	6.87000
.598	15.880	-.00500	-.01500	-.00700	.11500	580.45000	3.77000	.01000	10.57000	.03000	6.88000
.600	17.070	-.00200	-.01600	-.00300	.11500	583.04000	3.77000	.01000	10.56000	.02000	6.88000
.598	18.250	-.00800	-.01400	-.00700	.11400	580.36000	3.77000	.01000	10.56000	.03000	6.90000
.599	19.440	-.00600	-.01400	-.00700	.11500	583.29000	3.77000	.01000	10.57000	.02000	6.89000
.600	20.620	-.00500	-.01400	-.00700	.11500	585.35000	3.76000	.01000	10.51000	.00000	6.86000
.600	21.790	-.00600	-.01800	-.00700	.10800	584.18000	3.76000	.01000	10.51000	.02000	6.87000
.600	22.980	-.00400	-.01500	-.00600	.11400	583.92000	3.76000	.00000	10.49000	.00000	6.85000
.598	24.160	-.00600	-.01900	-.00700	.11100	580.38000	3.76000	.00000	10.51000	.03000	6.89000
.599	25.350	-.00500	-.01700	-.00600	.11100	581.82000	3.76000	.00000	10.49000	.02000	6.88000
.599	26.530	-.00600	-.01300	-.00700	.11400	580.66000	3.75000	.00000	10.47000	.02000	6.87000
.597	27.720	-.00700	-.01400	-.00800	.11300	577.73000	3.76000	.00000	10.46000	.01000	6.86000
.600	28.900	-.00700	-.01400	-.00600	.11300	583.26000	3.76000	.00000	10.46000	.00000	6.84000
.597	30.080	-.00800	-.01400	-.00700	.11200	577.19000	3.76000	.00000	10.45000	.00000	6.87000
.597	31.270	-.00700	-.01500	-.00700	.10900	578.20000	3.76000	.00000	10.45000	.03000	6.87000
.601	32.450	-.00600	-.01400	-.00700	.11200	585.09000	3.75000	.00000	10.43000	.01000	6.86000
.600	33.640	-.00700	-.01400	-.00700	.11200	583.66000	3.75000	.00000	10.44000	.03000	6.88000
.597	34.820	-.01000	-.01700	-.00900	.10800	578.46000	3.75000	.00000	10.40000	.00000	6.85000
.600	36.010	-.00800	-.01400	-.00700	.11100	582.97000	3.75000	.00000	10.40000	.00000	6.85000
.599	37.180	-.00500	-.01700	-.00600	.10900	582.84000	3.75000	.00000	10.42000	.00000	6.89000
.598	38.370	-.01000	-.01600	-.00800	.10900	579.48000	3.75000	.00000	10.39000	-.02000	6.85000
.600	39.550	-.00600	-.01500	-.00600	.11300	583.17000	3.75000	.00000	10.36000	-.02000	6.83000
.599	40.740	-.00700	-.01900	-.00700	.10600	582.62000	3.76000	.00000	10.39000	.01000	6.85000
.598	41.920	-.01100	-.01700	-.01000	.10700	580.92000	3.75000	.00000	10.37000	.03000	6.86000
.600	43.110	-.00700	-.01600	-.00900	.11000	583.93000	3.76000	.00000	10.37000	.00000	6.84000
.599	44.290	-.00900	-.01800	-.00800	.10500	581.95000	3.76000	.00000	10.32000	.01000	6.82000
.599	45.470	-.00700	-.01400	-.00800	.11200	581.75000	3.76000	.00000	10.34000	.01000	6.84000
.599	46.660	-.00700	-.01400	-.00900	.10900	582.36000	3.76000	.00000	10.34000	.01000	6.84000
.600	47.840	-.00600	-.01500	-.00700	.11000	584.06000	3.76000	.00000	10.32000	.00000	6.83000
.602	49.030	-.00800	-.01600	-.00700	.10600	587.13000	3.76000	.00000	10.33000	.03000	6.85000

ORIGINAL PAGE IS
OF POOR QUALITY

DATE 29 MAR 76

CA-26 FORCE SOURCE DATA TABULATION

PAGE 1288

LTV44-559(CA26) 747/1 ATY 02 S1 (CARRIER DATA)

(ZFE091) (24 MAR 76)

REFERENCE DATA

SREF = 5500.0000 SQ.FT. XMRP = 1339.9000 IN. XC
 LREF = 327.7800 IN. YMRP = .0000 IN. YC
 BREF = 2348.0400 IN. ZMRP = 190.7500 IN. ZC
 SCALE = .0125

PARAMETRIC DATA

ALPHAC = 4.000 BETAC = .000
 STAB = 5.000 ELEVON = 5.000
 BDFLAP = .000 DX = .000
 DY = .000 TORB = 8.000
 BETAO = .000 RUDDER = .000

RUN NO. 65/ 0 RN/L = .00 GRADIENT INTERVAL = -5.00/ 5.00

MACH	CZ	CPCC	CPSB1	CPSB2	CPSB3	Q(PSF)	ALPHAC	BETAC	ALPHAO	BETAO	INCID
.600	50.210	-.00800	-.01700	-.00700	.10700	584.60000	3.76000	.00000	10.31000	.01000	6.84000
.598	51.400	-.00900	-.01600	-.01000	.10900	581.11000	3.76000	.00000	10.30000	-.03000	6.84000
.598	52.580	-.01200	-.01800	-.01100	.10300	580.02000	3.76000	.00000	10.30000	.02000	6.85000
.600	53.760	-.01100	-.01800	-.00900	.10400	583.18000	3.76000	.00000	10.28000	.00000	6.83000
.600	54.950	-.00700	-.01800	-.00700	.10700	583.59000	3.76000	.00000	10.30000	-.04000	6.86000
.599	56.130	-.00900	-.01900	-.00700	.10600	582.09000	3.76000	.00000	10.27000	-.03000	6.83000
	GRADIENT	.00018	-.00027	.00036	.00043	.61836	-.00621	.00000	.00189	.00036	.01302

DATE 29 MAR 76

CA-26 FORCE SOURCE DATA TABULATION

PAGE 1289

LTV44-559(CA26) 747/1 ATY 02 S1 (CARRIER DATA)

(ZFE092) (24 MAR 76)

REFERENCE DATA

SREF = 5500.0000 SQ.FT. XMRP = 1339.9000 IN. XC
 LREF = 327.7800 IN. YMRP = .0000 IN. YC
 BREF = 2348.0400 IN. ZMRP = 190.7500 IN. ZC
 SCALE = .0125

PARAMETRIC DATA

ALPHAC = 4.000 BETAC = .000
 STAB = 5.000 ELEVON = 5.000
 BDFLAP = .000 DX = .000
 DY = .000 LORB = 4.000
 BETAO = 5.000 RUDDER = .000

RUN NO. 66/ 0 RN/L = .00 GRADIENT INTERVAL = -5.00/ 5.00

MACH	DZ	CPCC	CPSB1	CPSB2	CPSB3	Q(PSF)	ALPHAC	BETAC	ALPHAO	BETAO	INCID
.596	1.760	-.01100	-.02500	-.01900	.10800	578.89000	3.73000	.01000	7.12000	4.46000	3.40000
.597	2.360	-.01000	-.01900	-.01900	.11300	581.36000	3.73000	.01000	7.11000	4.48000	3.38000
.595	2.970	-.01000	-.02100	-.01900	.10900	577.79000	3.73000	.02000	7.08000	4.42000	3.36000
.594	3.760	-.01300	-.02400	-.02200	.11000	573.97000	3.73000	.02000	7.07000	4.43000	3.36000
.594	4.560	-.00900	-.02300	-.01700	.10800	575.48000	3.73000	.02000	7.08000	4.48000	3.37000
.596	5.960	-.00800	-.02200	-.01700	.11000	578.01000	3.73000	.02000	7.08000	4.42000	3.38000
.595	7.970	-.01000	-.02200	-.01500	.10800	575.82000	3.73000	.02000	7.07000	4.42000	3.38000
.595	9.960	-.01100	-.02200	-.01800	.10300	576.17000	3.74000	.02000	7.03000	4.49000	3.35000
.596	10.900	-.00800	-.02300	-.01600	.10700	578.29000	3.73000	.02000	7.04000	4.44000	3.36000
.595	11.840	-.01400	-.02400	-.01700	.10500	575.42000	3.74000	.02000	7.04000	4.45000	3.35000
.595	12.780	-.01400	-.02400	-.01700	.10600	574.95000	3.74000	.02000	6.99000	4.49000	3.32000
.595	13.710	-.01200	-.02500	-.01400	.10600	575.36000	3.73000	.02000	7.01000	4.46000	3.35000
.596	14.650	-.01100	-.01900	-.01600	.10900	578.10000	3.74000	.02000	7.03000	4.43000	3.37000
.598	15.590	-.01200	-.01900	-.01600	.11000	581.86000	3.74000	.01000	6.99000	4.48000	3.34000
.596	16.530	-.01200	-.02500	-.01500	.10400	577.83000	3.74000	.01000	7.01000	4.44000	3.36000
.596	17.470	-.01000	-.02400	-.01500	.10600	577.55000	3.74000	.01000	6.96000	4.48000	3.32000
.597	18.410	-.01000	-.02200	-.01200	.10800	579.26000	3.74000	.01000	6.98000	4.44000	3.34000
.598	19.350	-.01100	-.02000	-.01500	.10800	581.37000	3.74000	.01000	6.95000	4.47000	3.32000
.597	20.280	-.00900	-.02200	-.01500	.10600	580.13000	3.74000	.00000	6.96000	4.43000	3.33000
.598	21.220	-.01200	-.01900	-.01400	.10500	583.39000	3.74000	.00000	6.96000	4.39000	3.34000
.595	22.150	-.01300	-.02500	-.01500	.10500	579.80000	3.74000	.00000	6.93000	4.43000	3.32000
.595	23.090	-.01200	-.02400	-.01300	.10400	579.93000	3.74000	.00000	6.94000	4.42000	3.33000
.593	24.030	-.01400	-.02600	-.01700	.10200	576.17000	3.74000	.00000	6.91000	4.42000	3.30000
.596	24.960	-.00900	-.02200	-.01400	.10300	579.36000	3.74000	.00000	6.93000	4.41000	3.33000
.594	25.910	-.01300	-.02500	-.01500	.09900	574.12000	3.74000	.00000	6.90000	4.43000	3.31000
.596	26.850	-.01400	-.01900	-.01400	.10400	577.90000	3.74000	.00000	6.90000	4.42000	3.31000
.596	27.780	-.01100	-.02000	-.01400	.10700	577.90000	3.75000	.00000	6.91000	4.41000	3.32000
.596	28.720	-.01300	-.02000	-.01600	.10700	577.82000	3.75000	.00000	6.89000	4.40000	3.31000
.595	29.660	-.01400	-.02500	-.01400	.10100	576.50000	3.75000	.00000	6.89000	4.42000	3.31000
.598	30.600	-.01200	-.02100	-.01400	.10600	583.19000	3.75000	.00000	6.90000	4.41000	3.32000
.598	31.530	-.01400	-.02000	-.01500	.10600	582.36000	3.75000	.00000	6.88000	4.40000	3.31000
.598	32.470	-.01000	-.02100	-.01300	.10400	582.91000	3.75000	.00000	6.88000	4.40000	3.32000
.598	33.410	-.01100	-.02200	-.01300	.10500	583.32000	3.75000	.00000	6.86000	4.41000	3.31000
.595	34.350	-.01500	-.02300	-.01500	.10200	578.05000	3.75000	.00000	6.83000	4.41000	3.27000
.596	35.290	-.01200	-.02100	-.01500	.10400	578.49000	3.75000	.00000	6.83000	4.40000	3.28000
.594	36.230	-.01300	-.02500	-.01400	.09800	573.52000	3.75000	.00000	6.84000	4.42000	3.30000
.595	37.170	-.01100	-.02400	-.01300	.10000	575.03000	3.75000	.00000	6.85000	4.43000	3.32000
.596	38.100	-.01300	-.02500	-.01400	.10100	577.28000	3.75000	.00000	6.84000	4.41000	3.30000
.597	39.040	-.01400	-.02000	-.01500	.10400	578.51000	3.75000	.00000	6.81000	4.39000	3.29000
.596	39.980	-.01400	-.02100	-.01600	.10300	577.42000	3.75000	.00000	6.79000	4.40000	3.27000
.595	40.920	-.01600	-.02300	-.01400	.10000	575.56000	3.76000	.00000	6.80000	4.40000	3.28000
.596	41.850	-.01500	-.02500	-.01300	.10100	578.34000	3.75000	.00000	6.81000	4.40000	3.30000

LTV44-559(CA26) 747/1 ATY 02 S1 (CARRIER DATA)

(ZFE092) (24 MAR 76)

REFERENCE DATA

SREF = 5500.0000 SQ.FT. XMRP = 1339.9000 IN. XC
 LREF = 327.7800 IN. YMRP = .0000 IN. YC
 BREF = 2348.0400 IN. ZMRP = 190.7500 IN. ZC
 SCALE = .0125

PARAMETRIC DATA

ALPHAC = 4.000 BETAC = .000
 STAB = 5.000 ELEVON = 5.000
 BDFLAP = .000 DX = .000
 DY = .000 IORB = 4.000
 BETAO = 5.000 RUDDER = .000

RUN NO. 66/ 0 RN/L = .00 GRADIENT INTERVAL = -5.00/ 5.00

MACH	DZ	CPCC	CPSB1	CPSB2	CPSB3	Q(PSF)	ALPHAC	BETAC	ALPHAO	BETAO	INCID
.597	42.790	-.01200	-.02100	-.01500	.10400	577.97000	3.75000	.00000	6.77000	4.41000	3.27000
	GRADIENT	.00016	-.00023	.00019	-.00048	-2.03743	.00000	.00415	-.01651	-.00015	-.01067

LTV44-559(CA26) 747/1 ATY 02 S1 (CARRIER DATA)

(ZFE093) (24 MAR 76)

REFERENCE DATA

SREF = 5500.0000 SQ.FT. XMRP = 1339.9000 IN. XC
 LREF = 327.7800 IN. YMRP = .0000 IN. YC
 BREF = 2348.0400 IN. ZMRP = 190.7500 IN. ZC
 SCALE = .0125

PARAMETRIC DATA

ALPHAC = 4.000 BETAC = .000
 STAB = 5.000 ELEVON = 5.000
 BDFLAP = .000 DX = .000
 DY = .000 TORB = 6.000
 BETAO = 5.000 RUDDER = .300

RUN NO. 1066/ 0 RIN/L = .00 GRADIENT INTERVAL = -5.00/ 5.00

MACH	DZ	CPCC	CPSB1	CPSB2	CPSB3	Q(PSF)	ALPHAC	BETAC	ALPHA0	BETA0	INCID
.594	1.480	-.00700	-.02300	-.01400	.11300	572.47000	3.77000	.01000	8.86000	4.46000	5.10000
.594	1.770	-.00700	-.02000	-.01100	.11300	573.47000	3.76000	.02000	8.87000	4.45000	5.11000
.594	2.370	-.00800	-.02300	-.01700	.11300	573.87000	3.76000	.02000	8.87000	4.48000	5.12000
.594	2.970	-.00900	-.02500	-.01900	.11200	573.94000	3.76000	.02000	8.87000	4.47000	5.12000
.597	3.770	-.00800	-.01900	-.01400	.11100	573.74000	3.76000	.02000	8.87000	4.48000	5.12000
.595	4.570	-.00800	-.02300	-.01700	.11200	574.51000	3.76000	.02000	8.87000	4.49000	5.14000
.595	5.970	-.00800	-.02000	-.01100	.11200	574.64000	3.76000	.02000	8.80000	4.48000	5.08000
.595	7.970	-.01000	-.02300	-.01700	.10300	574.64000	3.75000	.02000	8.82000	4.48000	5.11000
.595	9.970	-.00800	-.02300	-.01500	.11000	573.49000	3.75000	.02000	8.80000	4.48000	5.11000
.596	11.190	-.00800	-.01900	-.01200	.10600	576.90000	3.75000	.02000	8.77000	4.47000	5.08000
.594	12.410	-.00900	-.02200	-.01200	.11100	573.47000	3.75000	.02000	8.77000	4.46000	5.09000
.594	13.620	-.00900	-.02200	-.01100	.11200	572.50000	3.75000	.02000	8.75000	4.47000	5.07000
.594	14.830	-.00900	-.02000	-.01500	.10600	573.19000	3.75000	.02000	8.75000	4.49000	5.08000
.594	16.050	-.00900	-.02100	-.01500	.10600	572.71000	3.74000	.02000	8.75000	4.47000	5.10000
.596	17.260	-.00900	-.01800	-.01100	.10400	576.74000	3.75000	.02000	8.72000	4.50000	5.08000
.593	18.480	-.00800	-.02100	-.01400	.10700	572.75000	3.75000	.01000	8.72000	4.47000	5.08000
.596	19.690	-.00900	-.01600	-.01100	.10400	578.09000	3.74000	.01000	8.72000	4.47000	5.09000
.595	20.910	-.00900	-.01900	-.01300	.10500	577.26000	3.75000	.01000	8.71000	4.46000	5.08000
.597	22.120	-.01000	-.01800	-.01000	.10600	579.81000	3.75000	.00000	8.71000	4.46000	5.09000
.595	23.330	-.01200	-.02100	-.01300	.10500	575.91000	3.74000	.00000	8.67000	4.45000	5.05000
.597	24.550	-.00900	-.01700	-.01000	.10600	578.94000	3.75000	.00000	8.69000	4.46000	5.08000
.597	25.770	-.00900	-.01800	-.00900	.10700	577.44000	3.75000	.00000	8.67000	4.44000	5.07000
.595	26.980	-.00800	-.02100	-.01100	.10500	574.23000	3.75000	.00000	8.68000	4.45000	5.08000
.597	28.190	-.00900	-.01800	-.00900	.10500	578.74000	3.75000	.00000	8.65000	4.44000	5.06000
.595	29.410	-.01100	-.02000	-.01500	.10200	575.91000	3.75000	.00000	8.64000	4.43000	5.06000
.595	30.620	-.00900	-.02000	-.01400	.10400	575.78000	3.75000	.00000	8.66000	4.45000	5.09000
.595	31.840	-.01000	-.02100	-.01400	.10500	575.57000	3.75000	.00000	8.64000	4.42000	5.07000
.595	33.060	-.01100	-.01900	-.01300	.10000	576.32000	3.75000	.00000	8.63000	4.44000	5.08000
.594	34.270	-.01000	-.02100	-.01500	.10200	574.13000	3.75000	.00000	8.60000	4.43000	5.05000
.593	35.490	-.01000	-.02000	-.01400	.10300	573.09000	3.75000	.00000	8.59000	4.43000	5.04000
.594	36.700	-.01100	-.02300	-.01400	.10400	574.59000	3.75000	.00000	8.59000	4.43000	5.05000
.594	37.910	-.01300	-.02000	-.01500	.10300	574.67000	3.75000	.00000	8.57000	4.42000	5.04000
.595	39.130	-.01300	-.02100	-.01200	.10000	575.23000	3.75000	.00000	8.59000	4.42000	5.07000
.596	40.350	-.00900	-.02000	-.01000	.10400	576.26000	3.75000	.00000	8.61000	4.42000	5.09000
.597	41.560	-.00800	-.02000	-.01000	.10300	578.44000	3.75000	.00000	8.57000	4.42000	5.05000
.596	42.780	-.00900	-.02100	-.01200	.10500	578.36000	3.75000	.00000	8.55000	4.43000	5.04000
.595	43.990	-.00900	-.02000	-.01200	.10500	577.12000	3.75000	.00000	8.56000	4.41000	5.07000
.594	45.210	-.01500	-.02000	-.01300	.10000	575.13000	3.76000	.00000	8.55000	4.42000	5.05000
.595	46.420	-.01100	-.02200	-.01300	.10300	575.55000	3.76000	.00000	8.54000	4.40000	5.05000
.597	47.630	-.00800	-.02000	-.01000	.10700	580.01000	3.76000	.00000	8.52000	4.41000	5.05000
.595	48.850	-.01300	-.02000	-.01500	.10200	575.09000	3.75000	.00000	8.50000	4.42000	5.03000
GRADIENT		-.00036	.00005	-.00110	-.00054	1.13526	-.00189	.00129	.00189	.01049	.01020

LTV44-559(CA26) 747/1 ATY 02 S1 (CARRIER DATA)

(ZFE094) (24 MAR 76)

REFERENCE DATA

SREF = 5500.0000 SQ.FT. XMRP = 1339.9000 IN. XC
 LREF = 327.7800 IN. YMRP = .0000 IN. YC
 BREF = 2348.0400 IN. ZMRP = 190.7500 IN. ZC
 SCALE = .0125

PARAMETRIC DATA

ALPHAC = 4.000 BETAC = .000
 STAB = 5.000 ELEVEN = 5.000
 BDFLAP = .000 DX = .000
 DY = .000 IORB = 8.000
 BETAO = 5.000 RUDDER = .000

RUN NO. 67/ 0 RN/L = .00 GRADIENT INTERVAL = -5.00/ 5.00

MACH	DZ	CPCC	CPSB1	CPSB2	CPSB3	Q(PSF)	ALPHAC	BETAC	ALPHAO	BETAO	INCID
.601	1.760	.00200	-.01100	-.00300	.11700	586.83000	3.80000	.01000	10.65000	4.49000	6.85000
.603	2.360	.00300	-.00700	-.00100	.11400	589.97000	3.79000	.01000	10.66000	4.46000	6.89000
.603	2.970	.00200	-.00700	.00000	.11700	590.05000	3.79000	.01000	10.60000	4.45000	6.82000
.602	3.960	.00200	-.00600	.00300	.12000	589.70000	3.80000	.01000	10.63000	4.47000	6.86000
.603	4.960	.00000	-.00800	.00000	.11600	590.39000	3.78000	.02000	10.63000	4.47000	6.87000
.601	6.210	.00000	-.01000	.00000	.12000	586.30000	3.78000	.01000	10.61000	4.50000	6.86000
.601	7.460	.00000	-.01100	-.00400	.11800	586.36000	3.78000	.02000	10.60000	4.51000	6.86000
.601	8.710	.00000	-.01000	-.00100	.11900	585.96000	3.78000	.02000	10.60000	4.49000	6.87000
.603	9.960	.00000	-.00700	-.00100	.11500	590.18000	3.77000	.02000	10.56000	4.46000	6.84000
.602	11.150	.00000	-.00900	-.00200	.11400	589.09000	3.77000	.02000	10.57000	4.46000	6.86000
.602	12.330	-.00200	-.01000	.00000	.11700	588.48000	3.77000	.02000	10.58000	4.49000	6.87000
.602	13.510	-.00100	-.00800	.00000	.11500	588.68000	3.76000	.03000	10.56000	4.48000	6.87000
.600	14.700	-.00200	-.01300	-.00300	.11800	585.81000	3.76000	.02000	10.51000	4.52000	6.83000
.603	15.880	.00100	-.00700	.00000	.11700	590.38000	3.76000	.03000	10.53000	4.48000	6.86000
.600	17.070	-.00100	-.01100	-.00500	.11500	586.55000	3.76000	.03000	10.50000	4.48000	6.84000
.601	18.250	.00000	-.00900	.00000	.11700	587.52000	3.76000	.02000	10.52000	4.50000	6.86000
.602	19.440	-.00200	-.00900	-.00300	.11400	588.21000	3.75000	.02000	10.48000	4.49000	6.84000
.600	20.620	.00000	-.01000	-.00500	.11300	583.31000	3.75000	.02000	10.49000	4.51000	6.86000
.601	21.790	-.00100	-.01200	-.00600	.11200	584.89000	3.75000	.02000	10.45000	4.48000	6.82000
.602	22.980	-.00300	-.01100	-.00500	.11200	587.89000	3.75000	.02000	10.42000	4.47000	6.80000
.602	24.160	-.00300	-.01200	-.00300	.11600	586.53000	3.75000	.02000	10.45000	4.51000	6.84000
.603	25.350	-.00300	-.01100	-.00200	.11500	588.17000	3.75000	.01000	10.47000	4.51000	6.87000
.603	26.530	-.00400	-.01000	-.00300	.11200	589.67000	3.75000	.01000	10.43000	4.45000	6.80000
.604	27.720	-.00200	-.00900	-.00500	.11200	591.55000	3.75000	.01000	10.41000	4.46000	6.82000
.604	28.900	-.00300	-.00900	-.00500	.11400	594.04000	3.75000	.00000	10.38000	4.44000	6.80000
.603	30.080	.00000	-.00700	-.00200	.11300	591.52000	3.75000	.00000	10.39000	4.45000	6.82000
.601	31.270	-.00300	-.01100	-.00100	.11300	587.43000	3.75000	.00000	10.40000	4.48000	6.83000
.602	32.450	-.00300	-.00900	-.00400	.10900	588.94000	3.75000	.00000	10.36000	4.44000	6.80000
.600	33.640	-.00300	-.01200	-.00200	.11500	567.39000	3.75000	.00000	10.37000	4.49000	6.82000
.600	34.820	-.00300	-.01200	-.00700	.11000	584.79000	3.75000	.00000	10.36000	4.44000	6.81000
.600	36.010	-.00400	-.01200	-.00700	.10800	585.68000	3.75000	.00000	10.35000	4.43000	6.81000
.601	37.190	-.00400	-.01000	-.00700	.11000	586.50000	3.75000	.00000	10.37000	4.42000	6.84000
.602	38.370	-.00400	-.00900	-.00300	.11000	588.55000	3.75000	.00000	10.36000	4.44000	6.84000
.600	39.550	-.00500	-.01400	-.00600	.11500	585.88000	3.75000	.00000	10.35000	4.46000	6.83000
.602	40.740	-.00400	-.00900	-.00200	.11400	589.29000	3.75000	.00000	10.33000	4.49000	6.82000
.601	41.920	-.00400	-.01300	-.00400	.11200	586.50000	3.75000	.00000	10.34000	4.47000	6.83000
.601	43.110	-.00400	-.01400	-.00600	.11000	585.42000	3.75000	.00000	10.34000	4.44000	6.85000
.602	44.290	-.00500	-.01100	.00000	.11200	587.14000	3.73000	.00000	10.31000	4.45000	6.82000
.603	45.470	-.00600	-.01000	-.00300	.10900	589.86000	3.75000	.00000	10.33000	4.43000	6.84000
.602	46.660	-.00500	-.01100	-.00700	.10800	588.96000	3.75000	.00000	10.29000	4.43000	6.90000
.603	47.840	-.00600	-.01200	-.00900	.10300	589.51000	3.75000	.00000	10.28000	4.39000	6.80000
.604	49.030	-.00600	-.01000	-.00500	.11000	591.01000	3.75000	.00000	10.25000	4.43000	6.78000

DATE 29 MAR 76

CA-26 FORCE SOURCE DATA TABULATION

PAGE 1293

.LTV44-559(CA26) 747/1 ATY 02 S1 (CARRIER DATA)

(ZFE094) (24 MAR 76)

REFERENCE DATA

SREF = 5500.0000 SQ.FT. XMRP = 1339.9000 IN. XC
 LREF = 327.7800 IN. YMRP = .0000 IN. YC
 BREF = 2348.0400 IN. ZMRP = 190.7500 IN. ZC
 SCALE = .0125

PARAMETRIC DATA

ALPHAC = 4.000 BETAC = .000
 STAB = 5.000 ELEVON = 5.000
 BDFLAP = .000 DX = .000
 DY = .000 TORB = 8.000
 BETA0 = 5.000 RUDDER = .000

		RUN NO.	67/ 0	RN/L =	.00	GRADIENT INTERVAL = -5.00/ 5.00					
MACH	DZ	CPCC	CPSB1	CPSB2	CPSB3	Q(PSF)	ALPHAC	BETAC	ALPHA0	BETA0	INC10
.602	50.210	-.00700	-.01300	-.00900	.10600	588.68000	3.75000	.00000	10.25000	4.42000	6.79000
.603	51.400	-.00700	-.01100	-.00500	.11200	589.98000	3.75000	.00000	10.23000	4.42000	6.78000
.602	52.580	-.00500	-.01100	-.00400	.11200	587.26000	3.75000	.00000	10.25000	4.49000	6.80000
.601	53.760	-.00700	-.01400	-.00500	.11000	585.36000	3.75000	.00000	10.25000	4.45000	6.81000
.599	54.950	-.00600	-.01400	-.00600	.11000	582.43000	3.75000	.00000	10.23000	4.47000	6.80000
.601	56.130	-.00700	-.01200	-.00400	.11100	584.62000	3.75000	.00000	10.24000	4.45000	6.81600
	GRADIENT	-.00067	.00073	.00114	.00047	.77500	-.00375	.00270	-.00724	-.00242	.00376

LTV44-559(CA26) 747/1 ATY 02 S1 (CARRIER DATA)

(ZFE095) (24 MAR 76)

REFERENCE DATA

SREF = 5500.0000 SQ.FT. XMRP = 1339.9000 IN. XC
 LREF = 327.7800 IN. YMRP = .0000 IN. YC
 BREF = 2348.0400 IN. ZMRP = 190.7500 IN. ZC
 SCALE = .0125

PARAMETRIC DATA

ALPHAC = 4.000 BETAC = .000
 STAB = -1.000 ELEVON = 5.000
 BDFLAP = .000 DX = .000
 DY = .000 TORB = 4.000
 BETA0 = .000 RUDDER = .000

RUN NO. 68/ 0 RN/L = .00 GRADIENT INTERVAL = -5.00/ 5.00

MACH	OZ	CPCC	CPSB1	CPSB2	CPSB3	Q(PSF)	ALPHAC	BETAC	ALPHA0	BETA0	INC1D
.596	1.760	-.02400	-.03600	-.00800	.09100	577.81000	4.05000	.01000	7.43000	.03000	3.38000
.597	2.360	-.01900	-.03600	-.00500	.09300	580.89000	4.06000	.01000	7.44000	.00000	3.39000
.595	2.970	-.02400	-.03600	-.00800	.09000	576.57000	4.06000	.01000	7.42000	.00000	3.37000
.600	3.760	-.02100	-.03200	-.00600	.09300	584.45000	4.06000	.01000	7.42000	.00000	3.38000
.597	4.560	-.02100	-.03800	-.00500	.08900	579.25000	4.06000	.01000	7.40000	.02000	3.38000
.595	5.960	-.02200	-.03800	-.00400	.08900	575.31000	4.06000	.01000	7.40000	-.01000	3.37000
.599	7.970	-.01900	-.03000	-.00300	.09600	582.35000	4.06000	.01000	7.40000	.02000	3.38000
.598	9.960	-.02000	-.03100	-.00400	.09400	581.58000	4.07000	.01000	7.38000	.00000	3.37000
.598	10.900	-.01900	-.03100	-.00400	.09300	582.26000	4.07000	.01000	7.37000	.00000	3.37000
.595	11.840	-.02300	-.03500	-.00500	.08900	575.62000	4.07000	.01000	7.36000	.01000	3.36000
.598	12.780	-.01700	-.03300	-.00300	.09300	580.76000	4.06000	.01000	7.35000	-.02000	3.36000
.596	13.710	-.02000	-.03800	-.00500	.08900	577.54000	4.06000	.01000	7.34000	.01000	3.35000
.595	14.650	-.02200	-.03600	-.00400	.08600	576.24000	4.07000	.01000	7.33000	.01000	3.35000
.594	15.590	-.02200	-.04000	-.00600	.08600	574.93000	4.06000	.01000	7.32000	.00000	3.35000
.598	16.530	-.01700	-.03500	-.00400	.09100	581.91000	4.06000	.01000	7.31000	-.02000	3.34000
.595	17.470	-.02400	-.03600	-.00500	.08400	576.36000	4.07000	.01000	7.32000	.00000	3.35000
.597	18.410	-.02000	-.03500	-.00200	.08600	581.02000	4.07000	.01000	7.31000	.00000	3.35000
.598	19.350	-.01600	-.03400	-.00200	.09100	580.69000	4.06000	.01000	7.27000	.01000	3.32000
.598	20.290	-.01800	-.03700	-.00300	.08800	582.53000	4.06000	.01000	7.25000	-.02000	3.30000
.595	21.220	-.02300	-.03700	-.00700	.08400	576.52000	4.07000	.01000	7.28000	-.03000	3.34000
.595	22.150	-.01900	-.03700	-.00100	.08800	574.22000	4.06000	.01000	7.27000	-.02000	3.33000
.596	23.090	-.02000	-.03400	-.00400	.09000	577.10000	4.07000	.01000	7.27000	-.01000	3.33000
.597	24.030	-.02000	-.03800	-.00200	.08700	578.19000	4.07000	.01000	7.25000	-.02000	3.32000
.597	24.960	-.02200	-.03800	-.00200	.08500	578.81000	4.07000	.01000	7.26000	-.01000	3.33000
.600	25.910	-.01800	-.03300	-.00200	.09000	583.18000	4.07000	.01000	7.23000	-.01000	3.31000
.599	26.850	-.02100	-.03600	-.00100	.08700	583.22000	4.07000	.01000	7.22000	-.03000	3.30000
.600	27.780	-.01800	-.03500	.00000	.09000	586.49000	4.07000	.01000	7.20000	-.03000	3.28000
.598	28.720	-.02400	-.03800	-.00300	.08400	582.72000	4.08000	.01000	7.23000	.00000	3.31000
.599	29.660	-.01900	-.03400	-.00200	.08900	584.08000	4.07000	.01000	7.23000	-.01000	3.33000
.596	30.600	-.02700	-.03900	-.00800	.08200	579.96000	4.08000	.01000	7.22000	.01000	3.32000
.599	31.530	-.01700	-.03400	-.00100	.09100	585.43000	4.07000	.01000	7.18000	-.02000	3.29000
.598	32.470	-.01700	-.03500	.00000	.09000	583.17000	4.07000	.01000	7.17000	-.01000	3.28000
.597	33.410	-.01900	-.03600	.00000	.08600	580.99000	4.07000	.01000	7.17000	.00000	3.29000
.595	34.350	-.02400	-.03700	-.00500	.08100	577.49000	4.07000	.01000	7.20000	-.02000	3.32000
.594	35.290	-.02400	-.03900	-.00400	.08200	576.13000	4.07000	.01000	7.19000	-.01000	3.31000
.597	36.230	-.01800	-.03400	-.00100	.08700	581.49000	4.07000	.01000	7.16000	-.05000	3.30000
.598	37.170	-.01800	-.03600	-.00300	.08600	583.13000	4.07000	.01000	7.14000	-.02000	3.28000
.597	38.100	-.01800	-.03700	-.00100	.08600	581.22000	4.07000	.01000	7.13000	-.03000	3.28000
.598	39.040	-.01800	-.03800	.00000	.08500	580.83000	4.07000	.01000	7.13000	-.02000	3.28000
.594	39.980	-.02900	-.04500	-.00800	.07500	573.64000	4.08000	.01000	7.15000	-.02000	3.30000
.599	40.920	-.01800	-.03600	-.00200	.08600	582.62000	4.07000	.01000	7.15000	-.03000	3.31000
.596	41.850	-.02500	-.04000	-.00400	.08100	577.21000	4.08000	.01000	7.15000	-.04000	3.31000

DATE 29 MAR 76

CA-26 FORCE SOURCE DATA TABULATION

PAGE 1295

LTV44-559(CA26) 747/1 ATY 02 S1 (CARRIER DATA)

(ZFE095) (24 MAR 76)

REFERENCE DATA

SREF = 5500.0000 SQ.FT. XMRP = 1339.9000 IN. XC
 LREF = 327.7800 IN. YMRP = .0000 IN. YC
 BREF = 2348.0400 IN. ZMRP = 190.7500 IN. ZC
 SCALE = .0125

PARAMETRIC DATA

ALPHAC = 4.000 BETAC = .000
 STAB = -1.000 ELEVON = 5.000
 BDFLAP = .000 DX = .000
 DY = .000 TORB = 4.000
 BETAO = .000 RUDDER = .000

RUN NO. 68/ 0 RN/L = .00 GRADIENT INTERVAL = -5.00/ 5.00

MACH	DZ	CPC	CPSB1	CPSB2	CPSB3	Q(PSF)	ALPHAC	BETAC	ALPHAO	BETAO	INCID
.599	42.790	-.01800	-.03600	-.00200	.08700	581.27000	4.08000	.01000	7.11000	-.06000	3.28000
	GRADIENT	.00058	-.00005	.00074	-.00060	.92280	.00268	.00000	-.00562	-.00205	-.00124

ORIGINAL PAGE IS
OF POOR QUALITY

REFERENCE DATA

SREF = 5500.0000 SQ.FT. XMRP = 1339.9000 IN. XC
 LREF = 327.7800 IN. YMRP = .0000 IN. YC
 BREF = 2348.0400 IN. ZMRP = 190.7500 IN. ZC
 SCALE = .0125

PARAMETRIC DATA

ALPHAC = 4.000 BETAC = .000
 STAB = -1.000 ELEVON = 5.000
 BDFLAP = .000 DX = .000
 DY = .000 TORB = 6.000
 BETAO = .000 RUDDER = .000

RUN NO. 1068/ 0 RN/L = .00 GRADIENT INTERVAL = -5.00/ 5.00

MACH	DZ	CPCC	CPSB1	CPSB2	CPSB3	Q(PSF)	ALPHAC	BETAC	ALPHAO	BETAO	INCID
.597	1.480	-.01800	-.03200	-.00300	.09400	576.85000	4.07000	.02000	9.21000	.00000	5.14000
.596	1.770	-.02400	-.04100	-.00900	.08400	577.56000	4.08000	.01000	9.20000	-.02000	5.13000
.599	2.370	-.01700	-.03200	-.00100	.09100	582.03000	4.08000	.02000	9.20000	-.02000	5.13000
.597	2.970	-.01900	-.03300	-.00400	.09200	577.45000	4.08000	.02000	9.21000	.00000	5.15000
.598	3.770	-.01900	-.03300	-.00200	.09100	579.42000	4.08000	.01000	9.21000	.01000	5.15000
.597	4.570	-.02000	-.03100	-.00300	.09300	578.61000	4.08000	.02000	9.21000	.00000	5.16000
.598	5.970	-.01700	-.03500	-.00200	.09000	579.57000	4.07000	.01000	9.17000	.00000	5.15000
.597	7.970	-.01800	-.03700	-.00200	.08800	578.54000	4.07000	.01000	9.13000	-.01000	5.11000
.595	9.970	-.02100	-.03500	.00000	.08700	575.05000	4.07000	.01000	9.12000	-.01000	5.11000
.595	11.190	-.02100	-.03700	-.00200	.08500	574.51000	4.06000	.01000	9.10000	-.02000	5.10000
.597	12.410	-.01900	-.03600	-.00100	.08600	577.51000	4.07000	.01000	9.10000	-.01000	5.11000
.598	13.620	-.01900	-.03500	.00000	.08700	580.52000	4.07000	.01000	9.11000	.00000	5.13000
.597	14.830	-.02100	-.03300	-.00300	.09000	576.97000	4.07000	.01000	9.09000	-.01000	5.12000
.595	16.050	-.02200	-.03500	-.00300	.08600	574.09000	4.07000	.01000	9.07000	.00000	5.10000
.597	17.260	-.01600	-.03500	.00000	.08800	577.04000	4.07000	.01000	9.07000	-.01000	5.11000
.596	18.480	-.01700	-.03300	-.00200	.09100	576.07000	4.06000	.01000	9.04000	-.04000	5.08000
.597	19.690	-.01900	-.03600	-.00100	.08600	578.05000	4.07000	.01000	9.05000	.02000	5.10000
.595	20.910	-.02400	-.03600	-.00200	.08400	574.28000	4.07000	.01000	9.05000	-.01000	5.10000
.598	22.120	-.01700	-.03400	.00000	.08900	579.48000	4.07000	.01000	9.04000	-.02000	5.10000
.599	23.330	-.01700	-.03500	.00000	.08800	582.35000	4.07000	.01000	9.04000	.01000	5.11000
.599	24.550	-.01800	-.03600	.00000	.08600	581.87000	4.07000	.01000	9.03000	-.04000	5.10000
.596	25.770	-.02000	-.03400	-.00300	.08700	576.14000	4.07000	.01000	9.02000	.00000	5.11000
.597	26.980	-.01700	-.03500	-.00200	.08800	577.71000	4.07000	.01000	9.01000	-.03000	5.10000
.594	28.190	-.02300	-.03700	-.00300	.07900	573.98000	4.07000	.01000	8.99000	.00000	5.09000
.596	29.410	-.01900	-.03400	-.00100	.08800	577.01000	4.07000	.01000	8.99000	.00000	5.09000
.595	30.620	-.02100	-.03500	-.00400	.08600	575.90000	4.07000	.01000	8.98000	-.01000	5.09000
.596	31.840	-.02300	-.03700	-.00200	.08300	577.96000	4.08000	.01000	8.96000	-.06000	5.08000
.597	33.060	-.02100	-.03700	.00000	.08300	579.52000	4.08000	.01000	8.96000	-.06000	5.08000
.596	34.270	-.02100	-.03600	.00000	.08400	578.16000	4.08000	.01000	8.95000	-.06000	5.08000
.597	35.490	-.01900	-.03600	.00000	.08300	578.31000	4.07000	.01000	8.95000	-.03000	5.09000
.596	36.700	-.02200	-.03700	-.00100	.08100	576.47000	4.08000	.01000	8.92000	-.06000	5.06000
.595	37.910	-.02100	-.04000	-.00500	.08200	577.14000	4.07000	.01000	8.92000	.00000	5.07000
.595	39.130	-.02100	-.03800	-.00100	.08100	575.64000	4.08000	.01000	8.89000	-.02000	5.04000
.595	40.350	-.02100	-.03500	-.00400	.08500	576.38000	4.08000	.01000	8.87000	-.03000	5.03000
.537	41.560	-.02400	-.03600	-.00400	.08300	579.52000	4.08000	.01000	8.90000	-.06000	5.07000
.599	42.780	-.01600	-.03500	.00100	.08700	582.69000	4.08000	.01000	8.91000	-.03000	5.09000
.599	43.990	-.01700	-.03500	.00000	.08700	581.94000	4.08000	.01000	8.86000	.00000	5.04000
.597	45.210	-.02200	-.03700	.00000	.08200	579.54000	4.08000	.01000	8.87000	-.05000	5.06000
.595	46.420	-.02500	-.03800	-.00400	.08000	575.84000	4.08000	.01000	8.87000	.00000	5.07000
.597	47.630	-.01800	-.03700	.00100	.08500	578.51000	4.08000	.01000	8.87000	.00000	5.08000
.597	48.850	-.01800	-.03600	.00000	.08500	578.86000	4.08000	.01000	8.87000	.00000	5.08000
GRADIENT		.00018	.00143	.00088	.00098	.35512	.00189	.00015	.00212	.00558	.00860

LTV44-559(CA26) 747/1 ATY 02 S1 (CARRIER DATA)

(ZFE097) (24 MAR 76)

REFERENCE DATA

SREF = 5500.0000 SQ.FT. XMRP = 1339.9000 IN. XC
 LREF = 327.7800 IN. YMRP = .0000 IN. YC
 BRFP = 2348.0400 IN. ZMRP = 190.7500 IN. ZC
 SCALE = .0125

PARAMETRIC DATA

ALPHAC = 4.000 BETAC = .000
 STAB = -1.000 ELEVON = 5.000
 BDFLAP = .000 DX = .000
 DY = .000 TORB = 2.000
 BETAO = .000 RUDDEF = .000

RUN NO. 69/ 0 RN/L = .00 GRADIENT INTERVAL = -5.00/ 5.00

MACH	DZ	CPCC	CPSB1	CP3B2	CPSB3	Q(PSF)	ALPHAC	BETAC	ALPHAO	BETAO	INCID
.596	1.750	-.01900	-.03100	.00400	.08500	579.63000	4.11000	.02000	10.94000	.05000	6.84000
.597	2.360	-.01800	-.03000	.00500	.08600	580.66000	4.10000	.02000	10.93000	.07000	6.93000
.596	2.970	-.02000	-.03100	.00000	.08500	577.80000	4.10000	.02000	10.95000	.06000	6.87000
.596	3.960	-.02200	-.03100	.00400	.08200	578.43000	4.11000	.02000	10.92000	.07000	6.83000
.597	4.960	-.02100	-.03000	.00100	.08800	581.21000	4.11000	.02000	10.94000	.04000	6.86000
.597	6.210	-.02100	-.03400	.00200	.08200	581.96000	4.11000	.02000	10.92000	.06000	6.85000
.596	7.460	-.02300	-.03500	.00100	.08000	578.29000	4.10000	.02000	10.92000	.05000	6.85000
.595	8.710	-.02600	-.03500	.00000	.08000	575.64000	4.10000	.02000	10.89000	.05000	6.84000
.596	9.960	-.02700	-.03400	-.00300	.08300	577.20000	4.10000	.02000	10.88000	.03000	6.83000
.596	11.110	-.02700	-.03400	-.00100	.08100	579.31000	4.09000	.02000	10.87000	.04000	6.83000
.596	12.330	-.02200	-.03200	.00100	.08800	579.64000	4.10000	.02000	10.88000	.03000	6.83000
.598	13.510	-.02100	-.03400	.00200	.08600	582.70000	4.09000	.02000	10.87000	.04000	6.86000
.597	14.700	-.02300	-.03600	.00000	.08200	580.72000	4.08000	.02000	10.84000	.04000	6.84000
.596	15.880	-.02300	-.03500	-.00300	.08200	578.07000	4.08000	.01000	10.83000	.04000	6.84000
.594	17.070	-.02500	-.03600	-.00300	.08100	574.33000	4.08000	.01000	10.84000	.04000	6.85000
.596	18.250	-.02500	-.03800	-.00100	.07900	577.08000	4.08000	.01000	10.81000	.03000	6.84000
.598	19.440	-.02200	-.03600	.00000	.08400	581.45000	4.08000	.02000	10.82000	.05000	6.85000
.595	20.620	-.02800	-.03700	-.00200	.08100	576.45000	4.08000	.01000	10.78000	.03000	6.82000
.596	21.790	-.02200	-.03500	-.00200	.08500	578.09000	4.07000	.01000	10.80000	.04000	6.85000
.597	22.980	-.02300	-.03800	.00100	.08200	579.26000	4.08000	.01000	10.77000	.05000	6.82000
.596	24.160	-.02500	-.03600	-.00400	.08300	577.27000	4.07000	.01000	10.77000	.03000	6.84000
.597	25.350	-.02100	-.03500	.00000	.08500	580.21000	4.07000	.01000	10.76000	.05000	6.83000
.595	26.530	-.02600	-.03600	-.00400	.08100	575.84000	4.07000	.01000	10.75000	.04000	6.83000
.595	27.720	-.02700	-.03900	-.00500	.07800	575.03000	4.07000	.01000	10.74000	.01000	6.82000
.598	28.900	-.02200	-.03800	-.00100	.08200	581.12000	4.08000	.01000	10.75000	.03000	6.83000
.596	30.080	-.02600	-.04000	-.00200	.07800	577.56000	4.08000	.01000	10.70000	.05000	6.80000
.594	31.270	-.03000	-.04000	-.00300	.07700	573.17000	4.08000	.01000	10.70000	.05000	6.80000
.598	32.450	-.02200	-.03800	.00000	.08100	581.25000	4.08000	.01000	10.71000	.03000	6.82000
.598	33.640	-.02300	-.03900	-.00300	.08200	582.13000	4.08000	.01000	10.70000	.03000	6.82000
.594	34.820	-.03200	-.04300	-.01000	.07600	574.80000	4.08000	.01000	10.79000	.04000	6.82000
.597	36.010	-.02400	-.03800	-.00400	.08100	578.86000	4.08000	.01000	10.70000	.02000	6.83000
.596	37.180	-.02700	-.03900	-.00600	.08000	577.62000	4.08000	.01000	10.69000	.01000	6.83000
.596	38.370	-.02800	-.04200	-.00300	.07700	577.68000	4.08000	.01000	10.67000	.01000	6.82000
.598	39.550	-.02000	-.03900	-.00300	.07900	581.37000	4.08000	.01000	10.65000	.04000	6.80000
.537	40.740	-.02700	-.04100	-.00300	.07800	579.11000	4.08000	.01000	10.64000	.00000	6.80000
.598	41.920	-.02300	-.03800	-.00300	.08200	581.84000	4.08000	.01000	10.64000	.00000	6.80000
.595	43.110	-.02800	-.03900	-.00600	.07900	575.89000	4.08000	.01000	10.66000	.01000	6.83000
.595	44.290	-.02900	-.04100	-.00700	.07600	575.28000	4.08000	.01000	10.63000	.03000	6.81000
.596	45.470	-.02900	-.03900	-.00500	.07800	576.59000	4.09000	.01000	10.63000	.05000	6.81000
.594	46.660	-.03000	-.04100	-.00700	.07700	574.27000	4.08000	.01000	10.65000	.02000	6.84000
.597	47.840	-.02300	-.04000	-.00400	.08000	578.59000	4.08000	.01000	10.60000	.01000	6.80000
.595	49.030	-.03000	-.04300	-.00700	.07500	574.21000	4.08000	.01000	10.60000	.01000	6.81000

LTV44-559(CA26) 747/1 ATY 02 S1 (CARRIER DATA)

(ZFED97) (24 MAR 76)

REFERENCE DATA

SREF = 5500.0000 SQ.FT. XMRP = 1339.9000 IN. XC
 LREF = 327.7800 IN. YMRP = .0000 IN. YC
 BREF = 2348.0400 IN. ZMRP = 190.7500 IN. ZC
 SCALE = .0125

PARAMETRIC DATA

ALPHAC = 4.000 BETAC = .000
 STAB = -1.000 ELEVON = 5.000
 BOFLAP = .000 DX = .000
 DY = .000 ICRB = 8.000
 BETA0 = .000 RUDDER = .000

RUN NO. 69/ 0 RN/L = .00 GRADIENT INTERVAL = -5.00/ 5.00

MACH	DZ	CPCC	CPSB1	CPSB2	CPSB3	Q(PSF)	ALPHAC	BETAC	ALPHAO	BETA0	INC10
.597	50.210	-.02500	-.04100	-.00400	.07600	578.11000	4.08000	.01000	10.58000	.01000	6.79000
.595	51.400	-.03000	-.04200	-.00800	.07500	575.23000	4.08000	.01000	10.61000	.01000	6.82000
.595	52.580	-.03000	-.04400	-.00700	.07500	575.57000	4.08000	.01000	10.58000	.02000	6.80000
.598	53.760	-.02700	-.03900	-.00600	.08000	580.83000	4.08000	.01000	10.56000	.02000	6.79000
.596	54.950	-.03000	-.04000	-.00500	.07500	578.16000	4.09000	.01000	10.57000	.02000	6.80000
.595	56.130	-.03000	-.04300	-.00700	.07300	574.96000	4.09000	.01000	10.57000	.00600	6.81000
	GRADIENT	-.00098	.00014	-.00080	.00033	.21905	.00165	.00000	-.00175	-.00332	.00446

LTV44-559(CA26) 747/1 ATY 02 S1 (CARRIER DATA)

(ZFEO98) (24 MAR 76)

REFERENCE DATA

SREF = 5500.0000 SQ.FT. XMRP = .1339.9000 IN. XC
 LREF = 327.7800 IN. YMRP = .0000 IN. YC
 BREF = 2348.0400 IN. ZMRP = 190.7500 IN. ZC
 SCALE = .0125

PARAMETRIC DATA

ALPHAC = 4.000 BETAC = .000
 STAB = 5.000 ELEVON = .000
 BDFLAP = .000 DX = .000
 DY = .000 IORB = 4.000
 BETAO = .000 RUDDER = .000

RUN NO. 70/ 0 RN/L = .00 GRADIENT INTERVAL = -5.00/ 5.00

MACH	DZ	CPC	CPSB1	CPSB2	CPSB3	Q(PSF)	ALPHAC	BETAC	ALPHA0	BETA0	INC10
.600	1.760	-.01100	-.02400	-.02500	.10300	584.51000	3.69000	.00000	7.17000	.00000	3.48000
.600	2.360	-.01300	-.02600	-.02500	.10500	585.27000	3.69000	.00000	7.19000	.01000	3.50000
.600	2.970	-.01400	-.02600	-.02400	.10700	584.66000	3.70000	.00000	7.18000	.00000	3.49000
.599	3.760	-.01400	-.02600	-.02400	.10700	583.77000	3.70000	.00000	7.18000	-.01000	3.49000
.599	4.560	-.01000	-.02000	-.02000	.10800	583.02000	3.70000	.00000	7.17000	-.01000	3.49000
.599	5.960	-.01000	-.02100	-.02000	.11000	582.61000	3.71000	.00000	7.16000	.02000	3.49000
.599	7.970	-.01100	-.02100	-.01900	.10900	582.69000	3.71000	.00000	7.16000	.02000	3.49000
.599	9.960	-.00900	-.02000	-.01900	.11000	583.43000	3.71000	.00000	7.15000	.00000	3.49000
.600	10.900	-.00900	-.01800	-.01700	.10800	584.11000	3.71000	.00000	7.13000	.04000	3.47000
.600	11.840	-.00900	-.02100	-.01900	.10600	585.27000	3.72000	.00000	7.15000	-.01000	3.50000
.600	12.780	-.01500	-.02300	-.01900	.10700	584.78000	3.71000	.00000	7.10000	.00000	3.46000
.599	13.710	-.01400	-.02200	-.01700	.10700	584.51000	3.72000	.00000	7.10000	.03000	3.46000
.598	14.650	-.01300	-.02100	-.01800	.10900	581.91000	3.72000	.00000	7.10000	.02000	3.46000
.598	15.590	-.01500	-.02400	-.01900	.10600	581.16000	3.72000	.00000	7.12000	.00000	3.49000
.599	16.530	-.01500	-.02300	-.01900	.10500	583.96000	3.72000	.00000	7.08000	-.02000	3.45000
.598	17.470	-.00900	-.01900	-.01600	.10800	580.43000	3.73000	.00000	7.10000	-.01000	3.47000
.599	18.410	-.00900	-.01900	-.01600	.10600	583.22000	3.73000	.00000	7.08000	.00000	3.46000
.598	19.350	-.01100	-.01900	-.01500	.10800	581.92000	3.73000	.00000	7.09000	-.02000	3.47000
.598	20.280	-.00900	-.01800	-.01600	.10700	582.66000	3.73000	.00000	7.08000	-.03000	3.46000
.598	21.220	-.01100	-.02000	-.01700	.10600	582.18000	3.73000	.00000	7.07000	-.02000	3.45000
.600	22.150	-.01000	-.02000	-.01600	.10500	585.74000	3.73000	.00000	7.05000	.00000	3.45000
.600	23.090	-.01000	-.02000	-.01500	.10500	584.72000	3.73000	.00000	7.03000	-.04000	3.43000
.598	24.030	-.01500	-.02400	-.01700	.10500	582.05000	3.74000	.00000	7.02000	-.03000	3.42000
.598	24.960	-.01400	-.02500	-.01900	.10000	582.20000	3.74000	.00000	7.03000	.00000	3.44000
.598	25.910	-.01700	-.02500	-.01900	.10300	581.58000	3.74000	.00000	7.02000	-.04000	3.43000
.604	26.850	-.01300	-.02000	-.01400	.10000	593.91000	3.74000	.00000	7.02000	-.04000	3.43000
.602	27.780	-.01300	-.02300	-.01700	.10000	588.80000	3.74000	.00000	7.05000	.01000	3.46000
.602	28.720	-.01300	-.02100	-.01400	.10300	589.35000	3.74000	.00000	7.03000	.00000	3.45000
.600	29.660	-.01500	-.02300	-.01800	.09800	585.94000	3.74000	.00000	7.00000	-.02000	3.43000
.603	30.600	-.01000	-.02200	-.01400	.10200	589.51000	3.75000	.00000	7.02000	.00000	3.45000
.600	31.530	-.01200	-.02000	-.01200	.10200	584.61000	3.75000	.00000	7.01000	.00000	3.45000
.601	32.470	-.01500	-.01900	-.01500	.10100	587.39000	3.75000	.00000	6.98000	-.01000	3.42000
.600	33.410	-.01400	-.02300	-.01900	.10200	584.39000	3.75000	.00000	6.97000	-.03000	3.41000
.599	34.350	-.01400	-.01900	-.01300	.10300	584.64000	3.75000	.00000	6.97000	-.01000	3.41000
.599	35.290	-.01300	-.02600	-.01900	.10000	584.71000	3.75000	.00000	6.97000	.00000	3.41000
.600	36.230	-.01000	-.02000	-.01700	.10100	586.22000	3.75000	.00000	6.98000	-.01000	3.43000
.599	37.170	-.01300	-.01900	-.01200	.10200	584.10000	3.75000	.00000	6.97000	.01000	3.43000
.598	38.100	-.01400	-.02000	-.01200	.10400	581.91000	3.75000	.00000	6.96000	-.01000	3.43000
.601	39.040	-.01400	-.02000	-.01300	.10200	588.11000	3.76000	.00000	6.93000	-.04000	3.40000
.599	39.980	-.01600	-.02500	-.01700	.10000	584.01000	3.75000	.00000	6.93000	-.02000	3.41000
.600	40.920	-.01300	-.02300	-.01700	.10100	585.25000	3.75000	.00000	6.93000	-.02000	3.41000
.599	41.850	-.01300	-.02400	-.01700	.09900	584.09000	3.75000	.00000	6.94000	.01000	3.42000
									6.92000	.00000	3.41000

DATE 29 MAR 76

CA-26 FORCE SOURCE DATA TABULATION

PAGE 1300

LTV44-559(CA26) 747/1 ATY 02 S1 (CARRIER DATA)

(ZFE098) (24 MAR 76)

REFERENCE DATA

SREF = 5500.0000 SQ.FT.	XMRP = 1339.9000 IN. XC
LREF = 327.7800 IN.	YMRP = .0000 IN. YC
BREF = 2348.0400 IN.	ZMRP = 190.7500 IN. ZC
SCALE = .0125	

PARAMETRIC DATA

ALPHAC = 4.000	BETAC = .000
STAB = 5.000	ELEVON = .000
BDFLAP = .000	DX = .000
DY = .000	TORB = 4.000
BETA0 = .000	RUDDER = .000

RUN NO. 70/ 0 RN/L = .00 GRADIENT INTERVAL = -5.00/ 5.00

MACH	DZ	CPCC	CPSB1	CPSB2	CPSB3	Q(PSF)	ALPHAC	BETAC	ALPHA0	BETA0	INC10
.601	42.790	-.01400	-.02400	-.01700	.09700	585.36000	3.76000	.00000	6.94000	-.02000	3.43000
	GRADIENT	.00025	.00126	.00162	.00153	-.66375	.00415	.00000	-.00178	-.00584	.00122

DATE 29 MAR 76

CA-26 FORCE SOURCE DATA TABULATION

PAGE 1301

LTV44-559(CA26) 747/1 ATY 02 S1 (CARRIER DATA)

(ZFEC99) (24 MAR 76)

REFERENCE DATA

SREF = 5500.0000 SQ.FT. XMRP = 1339.9000 IN. XC
 LREF = 327.7800 IN. YMRP = .0000 IN. YC
 BREF = 2348.0400 IN. ZMRP = 190.7500 IN. ZC
 SCALE = .0125

PARAMETRIC DATA

ALPHAC = 4.000 BETAC = .000
 STAB = 5.000 ELEVON = .000
 BDFLAP = .000 DX = .000
 DY = .000 IORB = 6.000
 BETAO = .000 RUDDER = .000

RUN NO. 1070/ 0 RN/L = .00 GRADIENT INTERVAL = -5.00/ 5.00

MACH	DZ	CPC	CPSB1	CPSB2	CPSB3	Q(PSF)	ALPHAC	BETAC	ALPHA	BETA	INCID
.599	1.480	-.01100	-.02500	-.02500	.10600	589.31000	3.73000	.01000	8.97000	.01000	5.25000
.603	1.770	-.01700	-.01800	-.02100	.11500	593.54000	3.73000	.01000	8.98000	-.03000	5.26000
.600	2.370	-.01200	-.02500	-.01900	.10600	583.18000	3.72000	.01000	8.98000	-.01000	5.26000
.599	2.970	-.01000	-.02400	-.02100	.10900	582.29000	3.72000	.01000	8.95000	-.03000	5.24000
.597	3.770	-.01400	-.02300	-.02300	.10800	578.67000	3.72000	.01000	8.96000	-.01000	5.25000
.597	4.570	-.01500	-.02300	-.02300	.10800	578.54000	3.72000	.01000	8.94000	-.04000	5.24000
.600	5.970	-.01200	-.02100	-.02100	.10900	582.92000	3.72000	.00000	8.96000	-.02000	5.27000
.600	7.970	-.01000	-.02300	-.02000	.10800	581.90000	3.73000	.01000	8.93000	-.01000	5.24000
.599	9.970	-.01300	-.02600	-.02000	.10500	582.10000	3.73000	.01000	8.94000	-.01000	5.27000
.600	11.190	-.01100	-.02300	-.01500	.10700	583.67000	3.73000	.00000	8.94000	.00000	5.27000
.598	12.410	-.01600	-.02300	-.01900	.10300	578.90000	3.73000	.01000	8.93000	-.01000	5.27000
.596	13.620	-.01400	-.02300	-.02100	.10400	575.96000	3.73000	.00000	8.91000	-.01000	5.26000
.597	14.830	-.01500	-.02300	-.02000	.10200	578.00000	3.73000	.00000	8.91000	.00000	5.26000
.594	16.050	-.01200	-.02200	-.02000	.10700	571.70000	3.73000	.00000	8.91000	.00000	5.26000
.598	17.260	-.00900	-.02200	-.01400	.10800	579.63000	3.73000	.00000	8.87000	-.01000	5.23000
.598	18.480	-.01000	-.02100	-.01800	.10700	579.62000	3.74000	.00000	8.88000	-.01000	5.25000
.600	19.690	-.01100	-.02200	-.01300	.10600	583.31000	3.74000	.00000	8.84000	-.02000	5.21000
.597	20.910	-.01300	-.02100	-.01800	.10400	578.26000	3.74000	.00000	8.88000	-.01000	5.26000
.595	22.120	-.01100	-.02100	-.01900	.10200	577.70000	3.74000	.00000	8.86000	-.01000	5.25000
.600	23.330	-.00900	-.02100	-.01600	.10700	584.66000	3.74000	.00000	8.84000	.00000	5.23000
.599	24.550	-.00900	-.01900	-.01500	.10800	582.47000	3.74000	.00000	8.83000	.00000	5.23000
.597	25.770	-.01300	-.02100	-.01700	.10200	580.08000	3.74000	.00000	8.84000	-.01000	5.25000
.600	26.980	-.00900	-.02100	-.01100	.10600	584.66000	3.74000	.00000	8.80000	-.02000	5.22000
.601	28.190	-.01100	-.02000	-.01200	.10300	587.24000	3.75000	.00000	8.79000	.00000	5.21000
.600	29.410	-.00900	-.02000	-.01200	.10800	584.58000	3.75000	.00000	8.79000	.00000	5.21000
.595	30.620	-.01300	-.02200	-.01800	.10300	574.95000	3.75000	.00000	8.81000	-.01000	5.23000
.599	31.840	-.01200	-.02300	-.01400	.10500	582.07000	3.75000	.00000	8.79000	.00000	5.23000
.601	33.060	-.01000	-.01700	-.01000	.10300	583.22000	3.75000	.00000	8.77000	-.03000	5.21000
.599	34.270	-.01300	-.02100	-.01500	.10000	582.95000	3.75000	.00000	8.75000	.00000	5.20000
.600	35.490	-.01200	-.01900	-.01300	.10100	585.88000	3.75000	.00000	8.74000	-.03000	5.20000
.599	36.700	-.01200	-.02200	-.01600	.10000	583.09000	3.75000	.00000	8.75000	-.03000	5.21000
.598	37.910	-.01300	-.02300	-.01700	.10100	581.72000	3.75000	.00000	8.75000	-.03000	5.21000
.600	39.130	-.01200	-.01900	-.01500	.09900	584.80000	3.75000	.00000	8.71000	-.02000	5.19000
.600	40.350	-.01200	-.02000	-.01200	.10200	585.08000	3.75000	.00000	8.71000	-.02000	5.20000
.598	41.560	-.01300	-.02300	-.01400	.10300	580.91000	3.75000	.00000	8.73000	-.01000	5.22000
.599	42.780	-.01100	-.02100	-.01500	.10100	582.67000	3.75000	.00000	8.69000	-.03000	5.19000
.597	43.990	-.01400	-.02400	-.01300	.10300	579.39000	3.75000	.00000	8.71000	-.02000	5.22000
.597	45.210	-.01400	-.02200	-.01300	.10300	580.01000	3.75000	.00000	8.72000	-.01000	5.22000
.598	46.420	-.01200	-.02100	-.01200	.10400	580.90000	3.76000	.00000	8.70000	-.01000	5.21000
.597	47.630	-.01300	-.02300	-.01600	.10000	580.20000	3.76000	.00000	8.66000	-.02000	5.18000
.601	48.850	-.00900	-.01700	-.01100	.10200	586.97000	3.76000	.00000	8.68000	.00000	5.20000
GRADIENT		-.00041	-.00026	-.00013	-.00051	-4.46395	-.00338	.00000	-.01128	-.00864	-.00480

ORIGINAL PAGE IS OF POOR QUALITY

LTV44-559(CA26) 747/1 ATY 02 S1 (CARRIER DATA)

(ZFE100) (24 MAR 76)

REFERENCE DATA

SREF = 5500.0000 SQ.FT. XMRP = 1339.9000 IN. XC
 LREF = 327.7800 IN. YMRP = .0000 IN. YC
 BREF = 2348.0400 IN. ZMRP = 190.7500 IN. ZC
 SCALE = .0125

PARAMETRIC DATA

ALPHAC = 4.000 BETAC = .000
 STAB = 5.000 ELEVON = .000
 BDFLAP = .000 DX = .000
 OY = .000 IORB = 8.000
 BETAO = .000 RUDDER = .000

RUN NO. 71/ 0 RN/L = .00 GRADIENT INTERVAL = -5.00/ 5.00

MACH	OZ	CPC	CPSB1	CPSB2	CPSB3	Q(PSF)	ALPHAC	BETAC	ALPHAO	BETAO	INCID
.597	1.760	-.01000	-.02300	-.01200	.11100	580.06000	3.76000	.01000	10.73000	.00000	6.97000
.597	2.360	-.01000	-.02600	-.01500	.10800	579.17000	3.76000	.01000	10.75000	-.01000	7.00000
.597	2.970	-.01200	-.02500	-.01500	.11100	580.32000	3.76000	.01000	10.77000	.00000	7.02000
.597	3.960	-.01000	-.02100	-.01100	.11200	580.87000	3.76000	.01000	10.75000	.00000	7.01000
.599	4.960	-.00900	-.02500	-.01600	.10800	584.48000	3.76000	.01000	10.72000	.03000	6.99000
.598	6.210	-.00700	-.01800	-.01100	.11100	581.56000	3.76000	.01000	10.74000	.01000	7.01000
.597	7.460	-.00900	-.02000	-.01200	.11200	579.78000	3.76000	.01000	10.73000	.05000	7.00000
.595	8.710	-.01600	-.02700	-.01700	.10800	576.55000	3.75000	.01000	10.71000	.04000	7.00000
.598	9.960	-.01300	-.02600	-.01700	.10700	582.90000	3.75000	.01000	10.71000	-.02000	7.01000
.598	11.150	-.00800	-.02400	-.01600	.10700	581.82000	3.75000	.01000	10.70000	.04000	7.01000
.600	12.330	-.01100	-.02200	-.01300	.10900	586.53000	3.75000	.01000	10.70000	.02000	7.01000
.597	13.510	-.01200	-.02500	-.01400	.10800	581.01000	3.75000	.01000	10.68000	.00000	7.01000
.598	14.700	-.00800	-.01900	-.01100	.11100	581.09000	3.75000	.01000	10.69000	.00000	7.02000
.598	15.880	-.00900	-.01900	-.01100	.11000	582.24000	3.75000	.01000	10.69000	.02000	7.02000
.598	17.070	-.01100	-.02200	-.01200	.11000	581.35000	3.75000	.00000	10.67000	.00000	7.02000
.598	18.250	-.00800	-.02000	-.01200	.10800	582.52000	3.75000	.00000	10.64000	-.01000	6.99000
.598	19.440	-.01300	-.02200	-.01200	.10900	582.23000	3.75000	.01000	10.66000	.02000	7.02000
.595	20.620	-.01000	-.02100	-.01100	.10800	577.24000	3.75000	.00000	10.63000	-.02000	7.01000
.598	21.790	-.00700	-.01900	-.01100	.10700	581.22000	3.75000	.00000	10.62000	-.01000	7.00000
.597	22.980	-.01100	-.02000	-.01000	.10700	579.25000	3.75000	.00000	10.63000	.01000	7.01000
.601	24.160	-.00800	-.02100	-.01300	.10500	586.55000	3.75000	.00000	10.59000	.03000	6.98000
.598	25.350	-.01000	-.02300	-.01300	.10600	581.10000	3.75000	.00000	10.59000	.03000	6.99000
.600	26.530	-.01100	-.02300	-.01500	.10400	584.10000	3.75000	.00000	10.58000	.05000	6.98000
.597	27.720	-.00900	-.02000	-.01100	.10700	579.39000	3.75000	.00000	10.45000	.05000	6.86000
.597	28.900	-.00800	-.02000	-.01100	.10600	579.94000	3.75000	.00000	10.55000	-.02000	6.97000
.598	30.080	-.01500	-.02400	-.01300	.10400	581.90000	3.75000	.00000	10.57000	-.01000	6.99000
.598	31.270	-.01000	-.01900	-.01000	.10600	582.44000	3.76000	.00000	10.57000	-.02000	6.99000
.598	32.450	-.01300	-.02200	-.01200	.10400	583.12000	3.76000	.00000	10.55000	.05000	6.98000
.597	33.640	-.01200	-.02200	-.01100	.10400	580.73000	3.75000	.00000	10.54000	-.03000	6.99000
.598	34.820	-.01100	-.02300	-.01100	.10400	580.47000	3.75000	.00000	10.52000	.04000	6.97000
.597	36.010	-.01000	-.02000	-.01000	.10500	578.76000	3.75000	.00000	10.54000	-.04000	6.99000
.598	37.190	-.01000	-.02000	-.01000	.10500	580.88000	3.75000	.00000	10.50000	.00000	6.96000
.599	38.370	-.01400	-.02200	-.01200	.10300	584.82000	3.76000	.00000	10.52000	.02000	6.98000
.598	39.550	-.01300	-.02300	-.01200	.10400	583.93000	3.76000	.00000	10.50000	.02000	6.98000
.536	40.740	-.01500	-.02400	-.01300	.10300	579.68000	3.76000	.00000	10.50000	-.02000	6.98000
.597	41.920	-.00900	-.02100	-.01200	.10300	581.34000	3.75000	.00000	10.49000	.03000	6.98000
.599	43.110	-.01400	-.02400	-.01200	.10100	584.96000	3.76000	.00000	10.46000	-.02000	6.95000
.597	44.290	-.01000	-.02000	-.01000	.10400	581.27000	3.76000	.00000	10.47000	.01000	6.97000
.599	45.470	-.01500	-.02400	-.01400	.10000	584.66000	3.76000	.00000	10.44000	-.04000	6.95000
.597	46.660	-.01600	-.02500	-.01400	.10100	580.64000	3.76000	.00000	10.44000	.00000	6.96000
.598	47.840	-.01500	-.02300	-.01300	.10000	583.18000	3.76000	.00000	10.44000	-.01000	6.96000
.596	49.030	-.01100	-.02200	-.01100	.10300	577.32000	3.76000	.00000	10.46000	.02000	6.98000

DATE 29 MAR 76

CA-26 FORCE SOURCE DATA TABULATION

PAGE 1303

LTV44-559(CA26) 747/1 ATY 02 S1 (CARRIER DATA)

(ZFE100) (24 MAR 76)

REFERENCE DATA

SREF = 5500.0000 SQ.FT. XMRP = 1339.9000 IN. XC
 LREF = 327.7800 IN. YMRP = .0000 IN. YC
 BREF = 2348.0400 IN. ZMRP = 190.7500 IN. ZC
 SCALE = .0125

PARAMETRIC DATA

ALPHAC = 4.000 BETAC = .000
 STAB = 5.000 ELEVON = .000
 BDFLAP = .000 DX = .000
 DY = .000 TORB = 8.000
 BETAO = .000 RUDDER = .000

RUN NO. 71/ 0 RN/L = .00 GRADIENT INTERVAL = -5.00/ 5.00

MACH	DZ	CPCC	CPSB1	CPSB2	CPSB3	Q(PSF)	ALPHAC	BETAC	ALPHAO	BETAO	INCID
.599	50.210	-.00800	-.02000	-.01100	.10200	582.80000	3.76000	.00000	10.44000	-.01000	6.96000
.595	51.400	-.01500	-.02500	-.01200	.10000	576.71000	3.76000	.00000	10.43000	.01000	6.97000
.597	52.580	-.01200	-.02400	-.01400	.09700	578.71000	3.76000	.00000	10.43000	.00000	6.98000
.598	53.760	-.01400	-.02300	-.01300	.10000	580.22000	3.77000	.00000	10.44000	.02000	6.99000
.600	54.950	-.01400	-.02300	-.01300	.09800	583.77000	3.77000	.00000	10.40000	-.02000	6.95000
.601	56.130	-.01100	-.02100	-.01100	.10000	586.36000	3.76000	.00000	10.39000	-.03000	6.95000
	GRADIENT	.00034	.00015	-.00047	-.00031	1.39438	.00000	.00000	-.00439	.00940	.00440

LTV44-F59(CA26) 747/1 ATY 02 S1 (CARRIER DATA)

(ZFE101) (24 MAR 76)

REFERENCE DATA

SREF = 5500.0000 SQ.FT. XMRP = 1333.9000 IN. XC
 LREF = 327.7800 IN. YMRP = .0000 IN. YC
 BREF = 2348.0400 IN. ZMRP = 190.7500 IN. ZC
 SCALE = .0125

PARAMETRIC DATA

ALPHAC = 4.000 BETAC = -5.000
 STAB = 5.000 ELEVON = 5.000
 BDFLAP = .000 DX = .000
 DY = .000 TORB = 4.000
 BETA0 = -5.000 RUDDER = .000

RUN NO. 72/ 0 RN/L = .00 GRADIENT INTERVAL = -5.00 / 5.00

MACH	DZ	CPCC	CPSB1	CPSB2	CPSB3	Q(PSF)	ALPHAC	BETAC	ALPHA0	BETA0	INCID
.594	1.760	-.02900	-.03000	-.02700	.09300	571.07000	3.74000	-5.04000	7.18000	-4.98000	3.44000
.595	2.360	-.02800	-.03000	-.02500	.09200	573.89000	3.74000	-5.04000	7.19000	-4.98000	3.45000
.596	2.970	-.02500	-.02800	-.02500	.09300	575.41000	3.74000	-5.03000	7.16000	-4.96000	3.44000
.596	3.760	-.02900	-.03000	-.02700	.09300	574.85000	3.74000	-5.03000	7.14000	-4.91000	3.42000
.597	4.560	-.02800	-.02800	-.02400	.09500	577.31000	3.74000	-5.03000	7.14000	-4.91000	3.42000
.596	5.960	-.02600	-.02700	-.02300	.10000	575.18000	3.74000	-5.02000	7.14000	-4.91000	3.43000
.595	7.970	-.02700	-.02900	-.02300	.09400	573.54000	3.74000	-5.01000	7.15000	-4.93000	3.45000
.595	9.960	-.02300	-.02800	-.02000	.10000	573.54000	3.74000	-4.99000	7.08000	-4.90000	3.40000
.595	10.900	-.02100	-.02400	-.01800	.10300	573.34000	3.74000	-4.99000	7.08000	-4.85000	3.40000
.594	11.840	-.02700	-.02800	-.02000	.09900	572.24000	3.74000	-4.99000	7.08000	-4.91000	3.41000
.596	12.780	-.02200	-.02300	-.02000	.10200	575.53000	3.74000	-4.99000	7.09000	-4.84000	3.42000
.596	13.710	-.02600	-.02900	-.01900	.09500	575.25000	3.74000	-4.98000	7.09000	-4.90000	3.43000
.596	14.650	-.02100	-.02900	-.01900	.09800	575.54000	3.74000	-4.98000	7.08000	-4.86000	3.42000
.595	15.590	-.02100	-.02500	-.01900	.09900	572.19000	3.75000	-4.98000	7.08000	-4.86000	3.42000
.595	16.530	-.02100	-.02300	-.01600	.10000	573.22000	3.74000	-4.98000	7.04000	-4.86000	3.39000
.596	17.470	-.02000	-.02400	-.01400	.10100	573.64000	3.74000	-4.98000	7.04000	-4.90000	3.40000
.595	18.410	-.02100	-.02600	-.01700	.10100	572.39000	3.75000	-4.97000	7.02000	-4.88000	3.38000
.597	19.350	-.02500	-.02500	-.01600	.09700	577.65000	3.74000	-4.97000	7.06000	-4.85000	3.43000
.593	20.280	-.02400	-.02700	-.02000	.10100	570.59000	3.74000	-4.97000	7.02000	-4.88000	3.40000
.597	21.220	-.01900	-.02600	-.01400	.09900	577.64100	3.74000	-4.97000	7.03000	-4.87000	3.41000
.596	22.150	-.02000	-.02500	-.01500	.10000	576.95000	3.74000	-4.97000	7.00000	-4.89000	3.39000
.596	23.090	-.01900	-.02500	-.01500	.09500	575.66000	3.74000	-4.96000	7.00000	-4.86000	3.39000
.595	24.030	-.02100	-.02800	-.01500	.10000	574.16000	3.75000	-4.96000	6.99000	-4.86000	3.38000
.593	24.960	-.02100	-.02900	-.01500	.09600	569.78000	3.74000	-4.96000	7.00000	-4.85000	3.40000
.595	25.910	-.02300	-.02500	-.01600	.09800	573.34000	3.75000	-4.96000	6.95000	-4.89000	3.35000
.597	26.850	-.02500	-.02700	-.01400	.09600	570.94000	3.75000	-4.96000	6.96000	-4.86000	3.36000
.594	27.780	-.02300	-.02500	-.01500	.09600	571.15000	3.75000	-4.96000	7.00000	-4.84000	3.41000
.595	28.720	-.02000	-.02300	-.01500	.09800	572.73000	3.75000	-4.96000	6.98000	-4.91000	3.40000
.597	29.660	-.01900	-.02400	-.01300	.10000	577.31000	3.75000	-4.96000	6.95000	-4.86000	3.37000
.593	30.600	-.02500	-.02400	-.01600	.09900	570.65000	3.75000	-4.96000	6.95000	-4.88000	3.37000
.594	31.530	-.02100	-.02500	-.01600	.09900	571.82000	3.75000	-4.96000	6.94000	-4.86000	3.38000
.595	32.470	-.01700	-.02500	-.01300	.09900	574.90000	3.75000	-4.96000	6.95000	-4.84000	3.38000
.595	33.410	-.01900	-.02600	-.01100	.09900	574.08000	3.75000	-4.96000	6.91000	-4.91000	3.35000
.597	34.350	-.01900	-.02400	-.01100	.09600	577.58000	3.75000	-4.96000	6.94000	-4.86000	3.39000
.595	35.290	-.01700	-.02500	-.01500	.09600	573.55000	3.75000	-4.96000	6.90000	-4.90000	3.35000
.596	36.230	-.01700	-.02600	-.01600	.09700	573.49000	3.75000	-4.96000	6.92000	-4.87000	3.37000
.596	37.170	-.01700	-.02600	-.01300	.09900	575.34000	3.75000	-4.97000	6.93000	-4.89000	3.39000
.596	38.100	-.01700	-.02400	-.01300	.09900	574.59000	3.75000	-4.96000	6.91000	-4.91000	3.37000
.595	39.040	-.02400	-.02500	-.01500	.09400	572.94000	3.76000	-4.97000	6.91000	-4.88000	3.38000
.596	39.980	-.02300	-.02200	-.01600	.09500	574.78000	3.76000	-4.96000	6.88000	-4.87000	3.35000
.597	40.920	-.02000	-.02600	-.01100	.09700	577.10000	3.75000	-4.97000	6.83000	-4.89000	3.37000
.597	41.850	-.02100	-.02700	-.01000	.09400	576.96000	3.76000	-4.97000	6.82000	-4.88000	3.37000

DATE 29 MAR 76

CA-26 FORCE SOURCE DATA TABULATION

PAGE 1305

LTV44-559(CA26) 747/1 ATY 02 S1 (CARRIER DATA)

(ZFE101) (24 MAR 76)

REFERENCE DATA

SREF = 5500.0000 SQ.FT. XMRP = 1339.9000 IN. XC
LREF = 327.7800 IN. YMRP = .0000 IN. YC
BREF = 2348.0400 IN. ZMRP = 190.7500 IN. ZC
SCALE = .0125

PARAMETRIC DATA

ALPHAC = 4.000 BETAC = -5.000
STAB = 5.000 ELEVEN = 5.000
BDFLAP = .000 DX = .06J
DY = .000 TORB = 4.000
BETAO = -5.000 RUDDER = .000

RUN NO. 72/ 0 RN/L = .00 GRADIENT INTERVAL = -5.00/ 5.00

MACH	DZ	CPCC	CPSB1	CPSB2	CPSB3	Q(PSF)	ALPHAC	BETAC	ALPHA0	BETA0	INC10
.594	42.790	-.01900	-.02500	-.01300	.09900	571.96000	3.76000	-4.96000	6.88000	-4.88000	3.37000
	GRADIENT	.00006	.00055	.00056	.00075	1.88065	.00000	.00415	-.01852	.03018	-.01022

LTV44-559(CA26) 747/1 ATY 02 S1 (CARRIER DATA)

(ZFE102) (24 MAR 76)

REFERENCE DATA

SREF = 5500.0000 SQ.FT. XMRP = 1339.9000 IN. XC
 LREF = 327.7800 IN. YMRP = .0000 IN. YC
 BREF = 2348.0400 IN. ZMRP = 190.7500 IN. ZC
 SCALE = .0125

PARAMETRIC DATA

ALPHAC = 4.000 BETAC = -5.000
 STAB = 5.000 ELEVON = 5.000
 BDFLAP = .000 X = .000
 DY = .000 TORB = 6.000
 BETAO = -5.000 RUDDER = .000

RUN NO. 1072/ 0 RN/L = .00 GRADIENT INTERVAL = -5.00/ 5.00

MACH	DZ	CPCC	CPSB1	CPSB2	CPSB3	Q(PSF)	ALPHAC	BETAC	ALPHA0	BETA0	INCID
.593	1.480	-.02400	-.03600	-.03200	.09200	570.29000	3.78000	-5.03000	8.93000	-4.97000	5.15000
.598	1.770	-.03000	-.02800	-.02800	.09900	581.29000	3.77000	-5.02000	8.96000	-4.96000	5.19000
.597	2.370	-.02500	-.03100	-.02800	.09400	576.08000	3.77000	-5.02000	8.96000	-4.94000	5.19000
.593	2.970	-.02300	-.03300	-.03000	.09500	569.26000	3.77000	-5.02000	8.95000	-4.97000	5.19000
.592	3.770	-.02400	-.03000	-.02900	.10100	567.67000	3.77000	-5.01000	8.92000	-4.91000	5.17000
.593	4.570	-.02200	-.03100	-.02600	.10000	569.73000	3.77000	-5.01000	8.93000	-4.93000	5.18000
.596	5.970	-.01600	-.02800	-.02100	.10300	574.53000	3.76000	-5.00000	8.95000	-4.93000	5.22000
.594	7.970	-.01600	-.02900	-.02500	.10100	570.15000	3.76000	-5.00000	8.93000	-4.89000	5.21000
.595	9.970	-.02100	-.02700	-.02300	.09800	572.19000	3.76000	-5.00000	8.89000	-4.95000	5.19000
.593	11.190	-.02100	-.03100	-.02300	.10100	569.38000	3.76000	-4.99000	8.87000	-4.88000	5.17000
.594	12.410	-.01900	-.02800	-.01900	.10500	569.88000	3.76000	-4.99000	8.86000	-4.85000	5.16000
.593	13.620	-.01900	-.02900	-.02200	.10100	569.33000	3.76000	-4.99000	8.88000	-4.88000	5.20000
.595	14.830	-.02000	-.02500	-.01800	.10100	572.00000	3.76000	-4.98000	8.86000	-4.90000	5.19000
.595	16.050	-.01900	-.02500	-.01800	.10000	572.28000	3.76000	-4.98000	8.82000	-4.89000	5.15000
.595	17.260	-.01800	-.02600	-.02000	.10200	572.36000	3.76000	-4.98000	8.83000	-4.89000	5.17000
.595	18.480	-.01600	-.02300	-.01400	.10400	570.18000	3.75000	-4.98000	8.81000	-4.90000	5.16000
.595	19.690	-.01400	-.02300	-.01300	.10200	570.93000	3.75000	-4.97000	8.81000	-4.90000	5.17000
.594	20.910	-.01700	-.02900	-.01900	.10200	569.67000	3.75000	-4.97000	8.80000	-4.86000	5.17000
.594	22.120	-.01700	-.02700	-.01500	.10200	571.78000	3.76000	-4.97000	8.76000	-4.84000	5.13000
.595	23.330	-.01500	-.02200	-.01200	.10200	573.55000	3.75000	-4.97000	8.77000	-4.89000	5.15000
.596	24.550	-.02000	-.02700	-.01500	.10000	576.28000	3.76000	-4.97000	8.76000	-4.90000	5.14000
.595	25.770	-.02000	-.02300	-.01100	.10200	572.74000	3.75000	-4.97000	8.79000	-4.85000	5.18000
.594	26.980	-.01500	-.02100	-.01000	.10100	571.31000	3.75000	-4.97000	8.75000	-4.89000	5.15000
.594	28.190	-.01700	-.02200	-.01000	.10200	570.90000	3.76000	-4.97000	8.71000	-4.87000	5.12000
.595	29.410	-.01500	-.02400	-.01400	.09900	572.20000	3.75000	-4.97000	8.74000	-4.84000	5.16000
.595	30.620	-.01500	-.02500	-.01300	.09800	572.53000	3.76000	-4.96000	8.74000	-4.86000	5.16000
.593	31.840	-.01300	-.02200	-.01200	.09900	569.93000	3.75000	-4.96000	8.70000	-4.84000	5.13000
.594	33.060	-.01800	-.02700	-.01500	.09700	572.03000	3.76000	-4.97000	8.72000	-4.89000	5.16000
.593	34.270	-.01400	-.02100	-.01100	.10000	570.11000	3.76000	-4.97000	8.69000	-4.86000	5.13000
.593	35.490	-.01600	-.02200	-.01100	.10100	570.72000	3.76000	-4.97000	8.66000	-4.87000	5.11000
.595	36.700	-.01500	-.02300	-.01100	.09900	574.97000	3.76000	-4.97000	8.70000	-4.82000	5.16000
.595	37.910	-.01600	-.02000	-.00900	.10000	573.67000	3.76000	-4.97000	8.70000	-4.84000	5.16000
.596	39.130	-.01800	-.02400	-.01200	.09600	575.52000	3.76000	-4.97000	8.67000	-4.89000	5.14000
.593	40.350	-.02100	-.02600	-.01500	.09600	570.99000	3.76000	-4.97000	8.66000	-4.82000	5.13000
.595	41.560	-.02100	-.02100	-.01000	.09700	574.42000	3.76000	-4.97000	8.65000	-4.86000	5.13000
.597	42.780	-.02200	-.02200	-.01200	.09400	577.52000	3.76000	-4.97000	8.64000	-4.84000	5.12000
.597	43.990	-.01900	-.02100	-.01100	.09500	575.48000	3.76000	-4.97000	8.65000	-4.84000	5.15000
.596	45.210	-.01600	-.02400	-.01200	.09600	574.73000	3.76000	-4.97000	8.59000	-4.87000	5.09000
.595	46.420	-.01600	-.02100	-.01100	.09800	571.72000	3.76000	-4.97000	8.61000	-4.88000	5.12000
.597	47.630	-.01900	-.02500	-.01200	.09700	575.89000	3.76000	-4.97000	8.63000	-4.86000	5.15000
.595	48.850	-.01900	-.02400	-.01000	.09900	572.47000	3.76000	-4.97000	8.60000	-4.84000	5.12000
GRADIENT		.00147	.00059	.00107	.00207	-2.51123	-.00189	.00570	-.00728	.01450	.00243

DATE 29 MAR 76

CA-26 FORCE SOURCE DATA TABULATION

PAGE 1307

LTV44-559(CA26) 747/1 ATY 02 S1 (CARRIER DATA)

(ZFE103) (24 MAR 76)

REFERENCE DATA

SREF = 5500.0000 SQ.FT. XMRP = 1339.9000 IN. XC
 LREF = 327.7800 IN. YMRP = .0000 IN. YC
 BREF = 2348.0400 IN. ZMRP = 190.7500 IN. ZC
 SCALE = .0125

PARAMETRIC DATA

ALPHAC = 4.000 BETAC = -5.000
 STAB = 5.000 ELEVON = 5.000
 BDFLAP = .000 DX = .000
 DY = .000 IORB = 8.000
 BETAO = -5.000 RUDDER = .000

RUN NO. 73/ 0 RN/L = .00 GRADIENT INTERVAL = -5.00/ 5.00

MACH	DZ	CPCC	CPSB1	CPSB2	CPSB3	Q(PSF)	ALPHAC	BETAC	ALPHAO	BETAO	INC1D
.599	1.760	-.01300	-.03100	-.01500	.10800	578.80000	3.79000	-5.02000	10.69000	-4.91000	6.91000
.600	2.360	-.00900	-.02900	-.01200	.10600	578.80000	3.79000	-5.02000	10.71000	-4.93000	6.93000
.599	2.970	-.01200	-.02900	-.01100	.10700	576.63000	3.79000	-5.01000	10.69000	-4.92000	6.91000
.599	3.960	-.01300	-.03000	-.01300	.10700	578.19000	3.79000	-5.01000	10.71000	-4.91000	6.94000
.601	4.960	-.01200	-.03200	-.01200	.10800	580.92000	3.78000	-5.01000	10.69000	-4.96000	6.93000
.600	6.210	-.01100	-.02800	-.01000	.10800	579.62000	3.79000	-5.01000	10.69000	-4.91000	6.93000
.599	7.460	-.01200	-.02800	-.01000	.11000	578.18000	3.78000	-5.01000	10.68000	-4.97000	6.93000
.600	8.710	-.01100	-.03000	-.01200	.10700	580.03000	3.78000	-5.01000	10.66000	-4.94000	6.93000
.601	9.960	-.00400	-.02500	-.00800	.11000	581.53000	3.77000	-5.00000	10.63000	-4.92000	6.91000
.599	11.150	-.00800	-.02600	-.00700	.11200	578.19000	3.77000	-5.00000	10.64000	-4.94000	6.93000
.600	12.330	-.00900	-.03000	-.01100	.10900	580.10000	3.77000	-5.00000	10.64000	-4.91000	6.94000
.601	13.510	-.00400	-.02300	-.00600	.11000	579.50000	3.77000	-5.00000	10.62000	-4.95000	6.93000
.601	14.700	-.00500	-.02500	-.01000	.10800	580.80000	3.77000	-5.00000	10.60000	-4.89000	6.91000
.601	15.880	-.00700	-.02600	-.00900	.10700	581.47000	3.77000	-4.99000	10.60000	-4.92000	6.92000
.600	17.070	-.01000	-.02700	-.00800	.11000	579.69000	3.77000	-4.99000	10.61000	-4.86000	6.94000
.601	18.250	-.00500	-.02100	-.00600	.11000	580.04000	3.77000	-4.99000	10.56000	-4.92000	6.90000
.600	19.440	-.00700	-.02600	-.01000	.10700	579.97000	3.77000	-4.99000	10.55000	-4.90000	6.90000
.600	20.620	-.00200	-.02100	-.00400	.11000	578.35000	3.76000	-4.99000	10.55000	-4.92000	6.91000
.601	21.790	-.00900	-.02700	-.00800	.10400	580.11000	3.77000	-4.98000	10.57000	-4.89000	6.93000
.600	22.980	-.01100	-.02600	-.00600	.10900	578.94000	3.77000	-4.98000	10.56000	-4.88000	6.92000
.601	24.160	-.00500	-.02100	-.00500	.10700	581.60000	3.77000	-4.98000	10.53000	-4.88000	6.90000
.600	25.350	-.00400	-.02000	-.00500	.10800	580.10000	3.77000	-4.98000	10.51000	-4.87000	6.89000
.600	26.530	-.00600	-.02600	-.00700	.11000	579.70000	3.76000	-4.98000	10.54000	-4.89000	6.93000
.599	27.720	-.00800	-.02400	-.00600	.11500	577.72000	3.76000	-4.98000	10.50000	-4.90000	6.90000
.601	28.900	-.00600	-.02500	-.00800	.10700	581.00000	3.76000	-4.98000	10.50000	-4.86000	6.91000
.600	30.080	-.00700	-.02300	-.00500	.10900	579.15000	3.76000	-4.97000	10.49000	-4.91000	6.90000
.602	31.270	-.00900	-.02400	-.00800	.10200	583.44000	3.76000	-4.97000	10.49000	-4.87000	6.91000
.600	32.450	-.01000	-.02600	-.00800	.10800	578.53000	3.76000	-4.97000	10.49000	-4.87000	6.89000
.599	33.640	-.00400	-.02300	-.00500	.11000	577.46000	3.76000	-4.97000	10.47000	-4.92000	6.89000
.599	34.820	-.00600	-.02200	-.00400	.11000	577.05000	3.76000	-4.97000	10.46000	-4.90000	6.88000
.601	36.010	-.00500	-.02200	-.00600	.10500	581.14000	3.76000	-4.97000	10.44000	-4.90000	6.88000
.601	37.180	-.01000	-.02500	-.00600	.10400	581.47000	3.76000	-4.97000	10.48000	-4.87000	6.92000
.601	38.370	-.01200	-.02500	-.00700	.10900	581.67000	3.77000	-4.97000	10.46000	-4.93000	6.91000
.600	39.550	-.00500	-.02000	-.00300	.10400	579.49000	3.76000	-4.97000	10.43000	-4.91000	6.88000
.601	40.740	-.00500	-.02200	-.00600	.10700	580.52000	3.77000	-4.97000	10.41000	-4.86000	6.87000
.601	41.920	-.00500	-.02100	-.00600	.10300	580.85000	3.77000	-4.97000	10.43000	-4.86000	6.90000
.600	43.110	-.00500	-.02200	-.00500	.10600	579.36000	3.77000	-4.97000	10.42000	-4.84000	6.87000
.601	44.290	-.00900	-.02300	-.00500	.10400	581.94000	3.77000	-4.97000	10.39000	-4.85000	6.87000
.601	45.470	-.00500	-.02100	-.00500	.10300	580.51000	3.76000	-4.97000	10.40000	-4.88000	6.89000
.601	46.660	-.00900	-.02300	-.00800	.10200	582.48000	3.77000	-4.97000	10.38000	-4.85000	6.88000
.600	47.840	-.00400	-.01900	-.00200	.10400	579.35000	3.77000	-4.97000	10.39000	-4.88000	6.89000
.601	49.030	-.00500	-.01800	-.00300	.10100	581.12000	3.77000	-4.97000	10.39000	-4.86000	6.91000

LTV44-559(CA26) 747/1 ATY 02 S1 (CARRIER DATA)

(ZFE103) (24 MAR 76)

REFERENCE DATA

SREF = 5500.0000 SQ.FT. XMRP = 1339.9000 IN. XC
 LREF = 327.7800 IN. YMRP = .0000 IN. YC
 BREF = 2348.0400 IN. ZMRP = 190.7500 IN. ZC
 SCALE = .0125

PARAMETRIC DATA

ALPHAC = 4.000 BETAC = -5.000
 STAB = 5.000 ELEVON = 5.000
 BDFLAP = .000 DX = .000
 DY = .000 IORB = 8.000
 BETAO = -5.000 RUDDER = .000

RUN NO. 73/ 0 RN/L = .00 GRADIENT INTERVAL = -5.00/ 5.00

MACH	OZ	CPCC	CPSB1	CPSB2	CPSB3	Q(PSF)	ALPHAC	BETAC	ALPHAO	BETAO	INCID
.601	50.210	-.00800	-.02400	-.00500	.10400	581.58000	3.77000	-4.97000	10.34000	-4.88000	6.86000
.599	51.400	-.00500	-.02300	-.00300	.10700	578.46000	3.77000	-4.97000	10.37000	-4.86000	6.90000
.601	52.580	-.00700	-.02600	-.00700	.10300	580.99000	3.77000	-4.97000	10.36000	-4.85000	6.89000
.600	53.760	-.00900	-.02600	-.00800	.09800	579.89000	3.77000	-4.97000	10.34000	-4.84000	6.88000
.601	54.950	-.00800	-.02500	-.00600	.09900	582.21000	3.77000	-4.97000	10.33000	-4.83000	6.88000
.600	56.130	-.00500	-.02300	-.00300	.10400	579.70000	3.76000	-4.97000	10.30000	-4.88000	6.86000
	GRADIENT	-.00028	-.00048	.00051	.00018	.57905	-.00270	.00351	-.00026	-.01056	.00631

DATE 29 MAR 76

CA-26 FORCE SOURCE DATA TABULATION

PAGE 1309

LTV44-559(CA26) 747/1 ATY 02 SI (CARRIER DATA)

(ZFE104) (24 MAR 76)

REFERENCE DATA

SREF = 5500.0000 SQ.FT. XMRP = 1339.9000 IN. XC
 LREF = 327.7800 IN. YMRP = .0000 IN. YC
 BREF = 2348.0400 IN. ZMRP = 190.7500 IN. ZC
 SCALE = .0125

PARAMETRIC DATA

ALPHAC = 5.500 BETAC = .000
 STAB = 5.000 ELEVON = 5.000
 BDFLAP = .000 DX = .000
 DY = .000 IORB = 6.000
 BETAO = .000 RUDDER = .000

RUN NO. 74/ 0 RN/L = .00 GRADIENT INTERVAL = -5.00/ 5.00

MACH	OZ	CPCC	CPSB1	CPSB2	CPSB3	Q(PSF)	ALPHAC	BETAC	ALPHA0	BETA0	INCID
.598	1.760	-.00300	-.01800	-.01300	.10900	578.66000	5.92000	.02000	10.89000	-.03000	4.97000
.597	2.360	-.00400	-.02100	-.01400	.11200	577.63000	5.92000	.02000	10.89000	-.02000	4.97000
.598	2.970	-.00300	-.01800	-.01000	.10700	578.59000	5.92000	.01000	10.91000	-.02000	5.01000
.597	3.760	.00000	-.01600	-.00700	.11200	576.84000	5.92000	.01000	10.88000	-.03000	4.98000
.597	4.560	-.00600	-.02000	-.01000	.10900	576.55000	5.92000	.01000	10.88000	-.01000	4.99000
.596	5.470	-.00300	-.02000	-.01000	.11400	575.67000	5.92000	.01000	10.89000	-.02000	5.00000
.598	6.460	-.00400	-.01700	-.00500	.11200	578.00000	5.92000	.01000	10.88000	-.01000	4.99000
.598	7.460	-.00300	-.02000	-.01100	.10700	577.79000	5.92000	.01000	10.86000	-.03000	4.98000
.596	8.460	-.00200	-.02100	-.01200	.10900	574.17000	5.92000	.01000	10.82000	.00000	4.98000
.599	9.460	-.00300	-.01600	-.00800	.10800	579.36000	5.92000	.01000	10.82000	-.04000	4.95000
.597	10.560	-.00500	-.01800	-.01100	.10600	578.38000	5.92000	.01000	10.80000	-.02000	4.96000
.597	11.740	-.00100	-.01900	-.01000	.10800	577.77000	5.92000	.01000	10.80000	-.06000	4.95000
.596	12.930	-.00300	-.02000	-.01000	.10800	576.26000	5.92000	.01000	10.79000	-.05000	4.94000
.598	14.110	-.00500	-.01700	-.00700	.10600	578.59000	5.91000	.01000	10.78000	-.06000	4.94000
.598	15.300	-.00200	-.01600	-.00700	.10500	578.50000	5.91000	.01000	10.80000	-.02000	4.97000
.597	16.490	-.00200	-.01800	-.00800	.10400	576.83000	5.92000	.01000	10.76000	-.06000	4.93000
.598	17.670	-.00400	-.01500	-.00700	.10500	578.40000	5.92000	.01000	10.76000	-.05000	4.96000
.598	18.860	-.00300	-.01700	-.00300	.10900	579.29000	5.92000	.01000	10.77000	-.01000	4.95000
.598	20.040	-.00400	-.01500	-.00700	.10400	578.13000	5.92000	.01000	10.75000	-.01000	4.94000
.597	21.230	-.00500	-.01700	-.00700	.10800	577.50000	5.92000	.01000	10.75000	-.01000	4.94000
.599	22.410	-.00300	-.01800	-.00200	.11000	580.10000	5.92000	.01000	10.72000	.00000	4.92000
.597	23.600	-.00100	-.01700	-.00700	.10400	577.10000	5.92000	.01000	10.72000	-.01000	4.93000
.598	24.780	.00200	-.01400	-.00400	.10900	577.40000	5.92000	.01000	10.69000	-.05000	4.90000
.596	25.970	-.00200	-.01800	-.00600	.10400	574.86000	5.92000	.01000	10.70000	-.06000	4.92000
.596	27.150	-.00500	-.01600	-.00700	.10300	574.78000	5.93000	.01000	10.70000	-.02000	4.93000
.597	28.340	-.00100	-.01500	-.00300	.10800	575.68000	5.92000	.01000	10.67000	-.07000	4.90000
.599	29.520	-.00600	-.01700	-.00300	.10000	579.84000	5.92000	.01000	10.67000	-.06000	4.92000
.597	30.710	-.00700	-.01900	-.00900	.09900	576.69000	5.92000	.01000	10.68000	-.02000	4.92000
.602	31.900	-.00700	-.01600	-.00200	.10200	587.19000	5.92000	.00000	10.66000	-.07000	4.88000
.598	33.080	-.00500	-.01500	-.00400	.10300	579.55000	5.92000	.01000	10.65000	-.01000	4.91000
.598	34.270	-.00100	-.01700	-.00300	.10600	578.68000	5.92000	.01000	10.61000	-.07000	4.89000
.597	35.450	-.00300	-.01700	-.00500	.10600	576.69000	5.92000	.01000	10.62000	-.09000	4.89000
.599	36.640	-.00300	-.01700	-.00100	.10600	580.18000	5.92000	.01000	10.61000	-.01000	4.90000
.596	37.820	-.00500	-.01800	-.00800	.11100	576.14000	5.93000	.01000	10.61000	-.08000	4.88000
.536	39.010	-.00400	-.01800	-.00600	.10500	574.36000	5.93000	.01000	10.58000	-.08000	4.89000
.597	40.200	-.00300	-.01700	-.00100	.10600	577.51000	5.92000	.01000	10.59000	-.04000	4.89000
.599	41.380	-.00400	-.01700	-.00200	.10300	579.22000	5.92000	.01000	10.59000	-.04000	4.89000
.597	42.570	-.00500	-.01500	-.00500	.10000	576.42000	5.93000	.01000	10.58000	-.06000	4.85000
.599	43.750	-.00900	-.02000	-.00500	.09900	580.31000	5.93000	.01000	10.54000	-.06000	4.87000
.598	44.940	-.00600	-.01700	-.00500	.10000	578.06000	5.93000	.01000	10.54000	-.05000	4.87000
.599	46.130	-.00600	-.01800	-.00400	.10000	579.98000	5.93000	.01000	10.54000	-.05000	4.88000
.602	47.310	-.00200	-.01800	-.00300	.10300	584.70000	5.93000	.01000	10.51000	-.05000	4.85000

ORIGINAL PAGE IS
OF POOR QUALITY

LTV44-559(CA26) 747/1 ATY 02 S1 (CARRIER DATA)

(ZFE104) (24 MAR 76)

REFERENCE DATA

SREF = 5500.0000 SQ.FT. XMRP = 1339.9000 IN. XC
 LREF = 327.7800 IN. YMRP = .0000 IN. YC
 BREF = 2348.0400 IN. ZMRP = 190.7500 IN. ZC
 SCALE = .0125

PARAMETRIC DATA

ALPHAC = 5.500 BETAC = .000
 STAB = 5.000 ELEVON = 5.000
 BDFLAP = .000 DX = .000
 DY = .000 TORB = 6.000
 BETAO = .000 RUDDER = .000

RUN NO. 74/ 0 RN/L = .00 GRADIENT INTERVAL = -5.00/ 5.00

MACH	OZ	CPCC	CPSB1	CPSB2	CPSB3	Q(PSF)	ALPHAC	BETAC	ALPHAO	BETAO	INC10
.597	48.500	-.00600	-.01800	-.00600	.09900	576.57000	5.93000	.01000	10.51000	-.02000	4.87000
.598	49.680	-.00500	-.01700	-.00200	.10500	577.46000	5.93000	.01000	10.50000	-.06000	4.85000
.596	50.870	-.00400	-.02000	-.00700	.10300	575.00000	5.93000	.01000	10.57000	-.05000	4.94000
.600	51.460	.00000	-.01300	.00200	.10700	581.10000	5.93000	.01000	10.50000	-.06000	4.87000
	GRADIENT	-.00034	.00011	.00180	.00002	-.73106	.00000	-.00415	-.00483	.00431	.00647

DATE 29 MAR 76

CA-26 FORCE SOURCE DATA TABULATION

PAGE 1311

LTV44-559(CA26) 747/1 ATY 02 S1 (CARRIER DATA)

(ZFE105) (24 MAR 76)

REFERENCE DATA

SREF = 5500.0000 SQ.FT. XMRP = 1339.9000 IN. XC
 LREF = 327.7800 IN. YMRP = .0000 IN. YC
 BREF = 2348.0400 IN. ZMRP = 190.7500 IN. ZC
 SCALE = .0125

PARAMETRIC DATA

ALPHAC = .000 BETAC = -5.000
 STAB = 5.000 ELEVON = 5.000
 BDFLAP = .000 DX = .000
 DY = .000 IORB = 4.000
 BETAO = -5.000 RUDDER = .000

RUN NO. 75/ 0 RN/L = .00 GRADIENT INTERVAL = -5.00/ 5.00

MACH	DZ	CPC	CPSB1	CPSB2	CPSB3	Q(PSF)	ALPHAC	BETAC	ALPHA0	BETA0	INCID
.603	1.760	-.01700	-.02700	-.02200	.11200	588.85000	.00000	-5.04000	3.65000	-4.92000	3.65000
.601	2.360	-.02200	-.03300	-.02900	.10400	585.56000	.00000	-5.04000	3.64000	-4.97000	3.65000
.603	2.970	-.01200	-.02900	-.02800	.10900	588.89000	.00000	-5.03000	3.67000	-4.94000	3.68000
.602	3.760	-.01800	-.02600	-.02200	.11300	586.24000	.00000	-5.02000	3.65000	-4.89000	3.67000
.601	4.560	-.01500	-.02500	-.02100	.11300	585.30000	.00000	-5.02000	3.65000	-4.90000	3.67000
.603	5.960	-.01800	-.02800	-.02600	.11000	588.43000	.00000	-5.01000	3.63000	-4.88000	3.66000
.603	7.970	-.01600	-.02700	-.02300	.11400	588.16000	.00000	-5.01000	3.64000	-4.89000	3.68000
.602	9.960	-.01800	-.02900	-.02000	.11400	588.41000	.01000	-4.99000	3.59000	-4.84000	3.63000
.602	10.960	-.01100	-.03100	-.02500	.10900	587.54000	.01000	-4.98000	3.64000	-4.88000	3.69000
.601	11.960	-.01200	-.03000	-.02000	.11400	584.29000	.00000	-4.98000	3.59000	-4.87000	3.66000
.602	12.950	-.01400	-.02700	-.01900	.11300	585.99000	.00000	-4.98000	3.61000	-4.89000	3.68000
.601	13.940	-.01400	-.03200	-.02200	.11100	584.90000	.00000	-4.97000	3.60000	-4.89000	3.67000
.603	14.940	-.01600	-.02800	-.01900	.10900	587.36000	.00000	-4.97000	3.57000	-4.90000	3.65000
.601	15.930	-.01700	-.02800	-.02300	.10700	585.17000	.01000	-4.95000	3.59000	-4.87000	3.67000
.601	16.930	-.01600	-.03100	-.02000	.11000	584.63000	.00000	-4.96000	3.57000	-4.82000	3.66000
.603	17.930	-.01600	-.02800	-.01700	.10800	588.18000	.00000	-4.96000	3.54000	-4.85000	3.64000
.601	18.920	-.01700	-.03100	-.02000	.10900	584.56000	.00000	-4.95000	3.54000	-4.81000	3.64000
.604	19.910	-.01600	-.02700	-.01800	.10900	588.86000	.01000	-4.95000	3.54000	-4.88000	3.65000
.604	20.910	-.01700	-.02600	-.01500	.10700	590.42000	.00000	-4.95000	3.54000	-4.87000	3.65000
.601	21.900	-.02200	-.03500	-.02600	.10100	584.95000	.00000	-4.95000	3.51000	-4.80000	3.64000
.603	22.890	-.01900	-.02600	-.01900	.10400	588.91000	.01000	-4.95000	3.50000	-4.79000	3.63000
.602	23.890	-.02000	-.03000	-.02200	.10300	586.86000	.01000	-4.94000	3.53000	-4.88000	3.66000
.603	24.890	-.01800	-.02800	-.02000	.10300	589.65000	.00000	-4.94000	3.51000	-4.81000	3.65000
.602	25.880	-.01800	-.02800	-.02000	.10300	586.18000	.00000	-4.95000	3.51000	-4.82000	3.66000
.602	26.870	-.01900	-.02900	-.02000	.10100	587.81000	.00000	-4.94000	3.49000	-4.80000	3.64000
.602	27.870	-.01500	-.03000	-.01700	.10600	586.93000	.00000	-4.94000	3.51000	-4.88000	3.67000
.602	28.860	-.01700	-.02900	-.02000	.10200	587.61000	.00000	-4.94000	3.50000	-4.82000	3.66000
.603	29.860	-.01400	-.02700	-.01400	.10600	588.64000	.00000	-4.95000	3.45000	-4.77000	3.62000
.602	30.860	-.01600	-.02800	-.01800	.10600	586.31000	.01000	-4.95000	3.45000	-4.82000	3.62000
.603	31.850	-.01300	-.02900	-.01500	.10500	588.30000	.01000	-4.94000	3.45000	-4.80000	3.63000
.603	32.840	-.01500	-.02900	-.01800	.10300	588.16000	.00000	-4.94000	3.47000	-4.86000	3.66000
.604	33.840	-.01600	-.02900	-.01400	.10300	591.55000	.01000	-4.94000	3.43000	-4.78000	3.62000
.605	34.830	-.02100	-.03000	-.01400	.10100	594.26000	.00000	-4.94000	3.43000	-4.79000	3.62000
.602	35.830	-.01600	-.03000	-.01600	.10600	588.88000	.00000	-4.94000	3.42000	-4.81000	3.63000
.602	36.830	-.01000	-.02900	-.01600	.10500	586.59000	.00000	-4.94000	3.42000	-4.79000	3.62000
.603	37.820	-.00800	-.02900	-.01300	.10500	587.69000	.00000	-4.94000	3.43000	-4.79000	3.64000
.602	38.820	-.01000	-.02900	-.01500	.10500	585.52000	.00000	-4.94000	3.41000	-4.84000	3.63000
.601	39.810	-.01500	-.03000	-.01800	.10400	583.81000	.00000	-4.94000	3.40000	-4.81000	3.62000
.604	40.800	-.01200	-.02600	-.01200	.10300	590.01000	.01000	-4.95000	3.40000	-4.79000	3.63000
.601	41.800	-.02700	-.03400	-.02300	.09400	585.28000	.00000	-4.95000	3.38000	-4.84000	3.62000
.603	42.800	-.01700	-.03100	-.01500	.09900	589.45000	.00000	-4.95000	3.40000	-4.87000	3.65000
.602	43.790	-.01600	-.02800	-.01700	.10100	585.71000	.00000	-4.95000	3.38000	-4.83000	3.63000

DATE 29 MAR 76

CA-26 FORCE SOURCE DATA TABULATION

PAGE 1312

LTV44-559(CA26) 747/1 ATY 02 S1 (CARRIER DATA)

(ZFE105) (24 MAR 76)

REFERENCE DATA

SREF = 5500.0000 SQ.FT. XMRP = 1339.9000 IN. XC
 LREF = 327.7800 IN. YMRP = .0000 IN. YC
 BREF = 2348.0400 IN. ZMRP = 190.7500 IN. ZC
 SCALE = .0125

PARAMETRIC DATA

ALPHAC = .000 BETAC = -5.000
 STAB = 5.000 ELEVON = 5.000
 BDFLAP = .000 DX = .000
 DY = .000 IORB = 4.000
 BETAO = -5.000 RUDDER = .000

RUN NO. 75/ 0 RN/L = .00 GRADIENT INTERVAL = -5.00/ 5.00

MACH	DZ	CPC	CPSB1	CPSB2	CPSB3	Q(PSF)	ALPHAC	BETAC	ALPHAO	BETAO	INCIO
.604	44.790	-.01700	-.02700	-.01100	.09700	591.28000	.01000	-4.95000	3.37000	-4.84000	3.62000
	GRADIENT	.00122	.00166	.00146	.00168	-.94314	.00000	.00853	.00101	.01791	.00807

DATE 29 MAR 76

CA-26 FORCE SOURCE DATA TABULATION

PAGE 1313

LTV44-559(CA26) 747/1 ATY 02 S1 (CARRIER DATA)

(ZFE106) (24 MAR 76)

REFERENCE DATA

SREF = 5500.0000 SQ.FT. XMRP = 1339.9000 IN. XC
 LREF = 327.7800 IN. YMRP = .0000 IN. YC
 BRREF = 2348.0400 IN. ZMRP = 190.7500 IN. ZC
 SCALE = .0125

PARAMETRIC DATA

ALPHAC = .000 BETAC = -5.000
 STAB = 5.000 ELEVON = 5.000
 BDFLAP = .000 DX = .000
 DY = .000 IORB = 6.000
 BETAO = -5.000 RUDDER = .000

RUN NO. 1075/ 0 RN/L = .00 GRADIENT INTERVAL = -5.00/ 5.00

MACH	DZ	CPCC	CPSB1	CPSB2	CPSB3	Q(PSF)	ALPHAC	BETAC	ALPHAO	BETAO	INCID
.603	1.470	-.00400	-.02400	-.01800	.11500	584.94000	.02000	-5.03000	5.45000	-4.90000	5.43000
.601	1.770	-.00900	-.02400	-.01600	.11500	582.89000	.03000	-5.02000	5.47000	-4.91000	5.44000
.600	2.370	-.00900	-.02600	-.01800	.11100	580.02000	.03000	-5.02000	5.45000	-4.86000	5.43000
.602	2.970	-.00500	-.02000	-.01800	.11200	584.80000	.03000	-5.02000	5.44000	-4.88000	5.42000
.602	3.770	-.00600	-.02300	-.01600	.11600	586.14000	.03000	-5.01000	5.45000	-4.88000	5.44000
.604	4.570	-.00800	-.02300	-.01400	.11600	589.20000	.03000	-5.01000	5.42000	-4.91000	5.42000
.602	5.970	-.01200	-.02750	-.01700	.10900	585.31000	.02000	-4.99000	5.40000	-4.88000	5.41000
.604	7.970	-.00700	-.02100	-.01500	.11300	589.61000	.02000	-4.98000	5.43000	-4.85000	5.46000
.602	9.960	-.01200	-.02600	-.01600	.10900	585.72000	.02000	-4.98000	5.38000	-4.83000	5.41000
.603	11.240	-.00800	-.02500	-.01300	.11000	586.96000	.02000	-4.98000	5.38000	-4.81000	5.43000
.603	12.520	-.01100	-.02400	-.01500	.11200	587.03000	.02000	-4.97000	5.40000	-4.81000	5.45000
.601	13.800	-.00800	-.02900	-.01300	.10600	582.53000	.02000	-4.97000	5.38000	-4.85000	5.44000
.601	15.080	-.00700	-.02700	-.01500	.10700	583.01000	.02000	-4.96000	5.35000	-4.82000	5.41000
.601	16.350	-.00800	-.03000	-.01300	.10600	583.47000	.02000	-4.96000	5.37000	-4.84000	5.44000
.604	17.630	-.00700	-.02000	-.01000	.11000	589.73000	.02000	-4.96000	5.37000	-4.81000	5.45000
.602	18.900	-.00600	-.02500	-.01100	.10600	586.13000	.01000	-4.95000	5.35000	-4.80000	5.44000
.601	20.180	-.01000	-.02500	-.01400	.10600	583.67000	.01000	-4.95000	5.30000	-4.84000	5.41000
.603	21.460	-.01000	-.02700	-.01100	.10900	588.24000	.01000	-4.95000	5.30000	-4.83000	5.42000
.604	22.730	-.00900	-.02500	-.01000	.10700	589.94000	.01000	-4.95000	5.32000	-4.79000	5.44000
.604	24.000	-.00800	-.02300	-.01000	.10800	589.13000	.01000	-4.95000	5.27000	-4.79000	5.40000
.600	25.280	-.01100	-.02600	-.01200	.10500	582.17000	.01000	-4.95000	5.28000	-4.84000	5.42000
.601	26.560	-.01100	-.02300	-.01100	.10900	584.97000	.00000	-4.95000	5.29000	-4.82000	5.44000
.601	27.840	-.01500	-.02700	-.01300	.10000	583.73000	.01000	-4.94000	5.29000	-4.82000	5.44000
.601	29.110	-.01500	-.02800	-.01200	.10400	583.94000	.01000	-4.94000	5.26000	-4.83000	5.42000
.601	30.390	-.01100	-.02900	-.01300	.10500	583.20000	.00000	-4.95000	5.28000	-4.84000	5.45000
.602	31.660	-.01300	-.02500	-.01100	.10900	585.79000	.01000	-4.95000	5.26000	-4.85000	5.45000
.603	32.940	-.00500	-.02600	-.01000	.10400	587.23000	.01000	-4.95000	5.25000	-4.77000	5.44000
.601	34.220	-.01100	-.02700	-.01300	.10300	583.20000	.01000	-4.95000	5.25000	-4.81000	5.44000
.600	35.490	-.01400	-.02600	-.01300	.10400	583.39000	.01000	-4.95000	5.23000	-4.83000	5.43000
.603	36.770	-.01400	-.02500	-.00800	.10300	587.62000	.01000	-4.94000	5.20000	-4.85000	5.41000
.600	38.050	-.01500	-.02500	-.01200	.10100	582.72000	.01000	-4.95000	5.24000	-4.81000	5.45000
.604	39.330	-.00800	-.02600	-.00900	.10400	588.72000	.00000	-4.95000	5.22000	-4.84000	5.44000
.602	40.600	-.01300	-.02500	-.01200	.10300	585.86000	.00000	-4.95000	5.23000	-4.85000	5.46000
.602	41.880	-.01300	-.02300	-.01000	.10400	586.00000	.01000	-4.95000	5.22000	-4.85000	5.46000
.604	43.150	-.00800	-.02400	-.00900	.10500	588.59000	.01000	-4.95000	5.20000	-4.86000	5.44000
.604	44.430	-.00600	-.02700	-.00700	.10300	589.47000	.01000	-4.95000	5.16000	-4.85000	5.41000
.601	45.710	-.01400	-.02900	-.01200	.10000	583.73000	.01000	-4.95000	5.18000	-4.80000	5.43000
.603	46.990	-.01200	-.02700	-.01000	.10200	587.89000	.01000	-4.95000	5.15000	-4.83000	5.42000
.600	48.260	-.01800	-.02600	-.01400	.09700	583.86000	.01000	-4.95000	5.19000	-4.80000	5.45000
.603	49.540	-.00900	-.02600	-.00800	.10100	588.52000	.01000	-4.95000	5.16000	-4.86000	5.44000
.601	50.820	-.01500	-.02800	-.01300	.09600	584.07000	.01000	-4.95000	5.14000	-4.80000	5.42000
GRADIENT		-.00022	.00059	.00096	.00057	1.81873	.00190	.00569	-.01054	-.00042	-.00281

LTV44-559(CA26) 747/1 ATY 02 S1 (CARRIER DATA)

(ZFE107) (24 MAR 76)

REFERENCE DATA

SREF = 5500.0000 SQ.FT. XMRP = 1339.9000 IN. XC
 LREF = 327.7800 IN. YMRP = .0000 IN. YC
 BREF = 2348.0400 IN. ZMRP = 190.7300 IN. ZC
 SCALE = .012"

PARAMETRIC DATA

ALPHAC = .000 BETAC = -5.000
 STAB = 5.000 ELEVON = 5.000
 BDFLAP = .000 DX = .000
 DY = .000 IORB = 8.000
 BETAO = -5.000 RUDDER = .000

RUN NO. 76/ 0 RN/L = .00 GRADIENT INTERVAL = -5.00/ 5.00

MACH	DZ	CPCC	CPSB1	CPSB2	CPSB3	Q(PSF)	ALPHAC	BETAC	ALPHAO	BETAO	INC1D
.599	1.760	-.02200	-.03200	-.02000	.11400	582.29000	.04000	-5.02000	7.23000	-4.94000	7.19000
.601	2.360	-.02200	-.03400	-.02200	.11000	584.40000	.05000	-5.02000	7.25000	-4.97000	7.21000
.600	2.970	-.02400	-.03300	-.01900	.11200	583.92000	.05000	-5.01000	7.26000	-4.95000	7.23000
.601	3.960	-.02500	-.03300	-.02000	.10900	586.91000	.05000	-5.01000	7.26000	-4.97000	7.23000
.600	4.960	-.01400	-.02700	-.01700	.10900	584.13000	.05000	-4.99000	7.25000	-4.91000	7.23000
.600	6.210	-.02000	-.03500	-.02000	.11000	583.25000	.04000	-5.00000	7.22000	-4.94000	7.21000
.600	7.460	-.01800	-.02900	-.01500	.10800	581.89000	.04000	-4.99000	7.24000	-4.89000	7.24000
.601	8.710	-.02000	-.03200	-.01700	.11200	584.76000	.04000	-4.99000	7.23000	-4.92000	7.23000
.600	9.960	-.02000	-.03100	-.01400	.10900	582.57000	.03000	-4.98000	7.19000	-4.85000	7.22000
.600	11.200	-.01800	-.03300	-.01500	.11400	582.65000	.03000	-4.98000	7.20000	-4.88000	7.23000
.602	12.430	-.01700	-.03400	-.01900	.10800	585.17000	.03000	-4.98000	7.19000	-4.92000	7.23000
.602	13.670	-.01500	-.03100	-.01800	.10600	595.45000	.03000	-4.98000	7.19000	-4.92000	7.23000
.600	14.910	-.01800	-.03100	-.01800	.10900	582.38000	.02000	-4.97000	7.18000	-4.86000	7.23000
.600	16.140	-.02400	-.03300	-.01500	.11100	583.52000	.02000	-4.97000	7.17000	-4.86000	7.24000
.601	17.370	-.02200	-.03400	-.01800	.10600	586.30000	.02000	-4.97000	7.13000	-4.87000	7.21000
.601	18.610	-.02100	-.03100	-.01400	.11000	586.37000	.02000	-4.96000	7.14000	-4.89000	7.23000
.599	19.840	-.02100	-.03200	-.01400	.11100	582.56000	.01000	-4.96000	7.14000	-4.85000	7.24000
.601	21.080	-.01500	-.03000	-.01500	.10900	585.57000	.01000	-4.96000	7.15000	-4.90000	7.25000
.602	22.310	-.01900	-.03400	-.01700	.10600	586.38000	.01000	-4.96000	7.11000	-4.87000	7.23000
.601	23.550	-.02000	-.03500	-.01700	.10700	585.01000	.01000	-4.95000	7.10000	-4.83000	7.23000
.600	24.780	-.01700	-.03200	-.01300	.11200	582.57000	.01000	-4.95000	7.12000	-4.88000	7.26000
.600	26.010	-.01800	-.03500	-.01700	.10900	583.33000	.01000	-4.95000	7.10000	-4.83000	7.24000
.601	27.250	-.01800	-.03400	-.01700	.10800	584.83000	.01000	-4.95000	7.08000	-4.82000	7.23000
.601	28.480	-.01800	-.03100	-.01400	.10800	583.06000	.00000	-4.95000	7.09000	-4.88000	7.25000
.602	29.720	-.01500	-.03000	-.01600	.10600	584.97000	.01000	-4.95000	7.09000	-4.83000	7.25000
.601	30.950	-.01700	-.02900	-.01200	.10800	584.16000	.00000	-4.94000	7.06000	-4.87000	7.24000
.601	32.180	-.01600	-.03100	-.01600	.10500	584.83000	.01000	-4.94000	7.07000	-4.89000	7.25000
.600	33.420	-.02000	-.02700	-.01200	.10700	583.40000	.01000	-4.94000	7.07000	-4.79000	7.25000
.602	34.660	-.01700	-.03100	-.01500	.10800	586.18000	.00000	-4.94000	7.07000	-4.88000	7.27000
.600	35.900	-.01900	-.03600	-.01700	.10800	582.71000	.00000	-4.94000	7.07000	-4.85000	7.23000
.602	37.130	-.01700	-.03300	-.01600	.10400	586.19000	.01000	-4.94000	7.06000	-4.88000	7.26000
.601	38.360	-.01800	-.03200	-.01700	.10200	585.37000	.01000	-4.94000	7.03000	-4.87000	7.24000
.602	39.600	-.01500	-.02800	-.01300	.10500	585.38000	.00000	-4.94000	7.04000	-4.86000	7.27000
.601	40.830	-.02100	-.03300	-.01400	.10400	584.76000	.00000	-4.95000	7.02000	-4.88000	7.25000
.601	42.070	-.01800	-.02900	-.01300	.10400	585.10000	.00000	-4.95000	6.98000	-4.82000	7.22000
.601	43.300	-.01700	-.02900	-.01400	.10600	585.03000	.00000	-4.95000	7.00000	-4.83000	7.25000
.602	44.540	-.01500	-.03000	-.01600	.10500	586.05000	.01000	-4.95000	6.96000	-4.84000	7.21000
.600	45.770	-.01500	-.02700	-.01400	.10400	583.39000	.01000	-4.95000	7.00000	-4.83000	7.26000
.601	47.010	-.01600	-.03100	-.01500	.10200	585.37000	.01000	-4.95000	7.02000	-4.88000	7.28000
.600	48.250	-.01900	-.03200	-.01400	.10500	581.89000	.01000	-4.95000	6.98000	-4.82000	7.25000
.600	50.090	-.02200	-.03300	-.01600	.10300	583.25000	.00000	-4.95000	6.98000	-4.82000	7.26000
.600	51.330	-.02400	-.03500	-.01600	.10200	583.37000	.01000	-4.95000	6.96000	-4.88000	7.25000

DATE 29 MAR 76

CA-26 FORCE SOURCE DATA TABULATION

PAGE 1315

LTV44-559(CA26) 747/1 ATY 02 S1 (CARRIER DATA)

(ZFE107) (24 MAR 76)

REFERENCE DATA

SREF = 5500.0000 SQ.FT. XMRP = 1339.9000 IN. XC
 LREF = 327.7800 IN. YMRP = .0000 IN. YC
 BREF = 2348.0400 IN. ZMRP = 190.7500 IN. ZC
 SCALE = .0125

PARAMETRIC DATA

ALPHAC = .000 BETAC = -5.000
 STAB = 5.000 ELEVON = 5.000
 BDFLAP = .000 DX = .000
 DY = .000 TORB = 8.000
 BETAO = -5.000 RUDDER = .000

		RUN NO.	76/ 0	RN/L =	.00	GRADIENT INTERVAL = -5.00/ 5.00					
MACH	DZ	CPC	CPSB1	CPSB2	CPSB3	Q(PSF)	ALPHAC	BETAC	ALPHAO	BETAO	INCID
.602	52.570	-.01900	-.03400	-.01700	.10100	587.12000	.01000	-4.95000	6.98000	-4.88000	7.28000
.602	53.800	-.01600	-.03300	-.01600	.10300	586.66000	.01000	-4.95000	6.92000	-4.88000	7.23000
.601	55.040	-.01500	-.02900	-.01200	.10500	584.35000	.00000	-4.95000	6.94000	-4.81000	7.26000
.601	56.270	-.02200	-.03400	-.01700	.10200	584.54000	.00000	-4.95000	6.92000	-4.87000	7.24000
.601	57.500	-.02100	-.03500	-.01700	.10100	584.00000	.01000	-4.95000	6.89000	-4.85000	7.21000
.600	58.120	-.01600	-.03200	-.01200	.10500	582.58000	.00000	-4.95000	6.91000	-4.82000	7.25000
	GRADIENT	.00188	.00153	.00103	-.00134	.70415	.00222	.00891	.00524	.00885	.01145

ORIGINAL PAGE IS
 OF POOR QUALITY

LTV44-559(CA26) 747/1 ATY 05 S1 (CARRIER DATA)

(ZFE108) (24 MAR 76)

REFERENCE DATA

SREF = 5500.0000 SQ.FT. XMRP = 1339.9000 IN. XC
 LREF = 327.7800 IN. YMRP = .0000 IN. YC
 BREF = 2348.0400 IN. ZMRP = 190.7500 IN. ZC
 SCALE = .0125

PARAMETRIC DATA

ALPHAC = 2.000 BETAC = .000
 STAB = 5.000 ELEVON = 5.000
 AIRLON = .000 DX = .000
 DY = .000 IORB = 6.000
 BELLO = .000 DPHI = .000

		RUN NO. 77/ 0		RN/L = .00		GRADIENT INTERVAL = -5.00/ 5.00					
MACH	DZ	CPC	CPSB1	CPSB2	CPSB3	Q(PSF)	ALPHAC	BETAC	ALPHA0	BETA0	INCID
.601	1.760	.00000	-.00700	-.00300	.11700	584.25000	2.72000	.01000	7.92000	-.03000	5.21000
.601	2.360	.00100	-.00800	-.00100	.11700	583.98000	2.72000	.01000	7.92000	-.05000	5.21000
.601	2.970	.00300	-.00800	-.00200	.12000	587.08000	2.71000	.01000	7.93000	-.04000	5.23000
.601	3.760	.00400	-.00800	-.00100	.12000	585.80000	2.71000	.01000	7.90000	-.03000	5.21000
.602	4.560	.00500	-.00900	.00000	.11700	587.72000	2.71000	.01000	7.94000	-.04000	5.25000
.601	5.470	.00300	-.00900	-.00200	.11800	584.11000	2.71000	.01000	7.93000	-.04000	5.25000
.601	6.460	.00000	-.01000	-.00100	.11500	585.33000	2.71000	.01000	7.89000	-.03000	5.21000
.601	7.460	.00000	-.00800	-.00200	.11700	586.21000	2.71000	.01000	7.92000	-.02000	5.25000
.600	8.460	-.00100	-.01000	-.00400	.11500	583.62000	2.71000	.01000	7.90000	-.04000	5.23000
.603	9.460	.00200	-.01000	-.00200	.11700	589.01000	2.70000	.01000	7.90000	-.05000	5.25000
.604	10.560	.00200	-.01000	-.00400	.11500	590.64000	2.70000	.01000	7.87000	-.05000	5.22000
.602	11.740	-.00100	-.01100	.00000	.11400	586.42000	2.70000	.01000	7.86000	-.04000	5.22000
.604	12.930	-.00100	-.01000	.00000	.11300	590.44000	2.70000	.01000	7.87000	-.05000	5.25000
.604	14.110	.00000	-.01100	-.00100	.11300	591.79000	2.70000	.01000	7.85000	-.03000	5.23000
.601	15.300	.00300	-.01200	-.00100	.11600	585.33000	2.70000	.00000	7.84000	-.05000	5.23000
.600	16.490	.00000	-.01000	-.00400	.11300	582.46000	2.70000	.00000	7.82000	-.03000	5.21000
.599	17.670	.00000	-.01300	-.00300	.11500	582.25000	2.70000	.00000	7.79000	-.04000	5.19000
.599	18.860	-.00200	-.01200	-.00400	.11100	580.76000	2.69000	.00000	7.81000	-.03000	5.22000
.599	20.040	.00200	-.01300	-.00500	.11500	580.98000	2.62000	.00000	7.79000	-.02000	5.21000
.601	21.230	.00100	-.01200	-.00700	.11100	584.87000	2.69000	.00000	7.79000	-.04000	5.22000
.601	22.410	.00000	-.01200	-.00600	.11200	584.47000	2.69000	.00000	7.79000	-.05000	5.22000
.601	23.600	.00300	-.01000	-.00400	.11200	583.72000	2.69000	.00000	7.76000	-.03000	5.20000
.601	24.780	.00100	-.01200	-.00300	.11200	584.27000	2.69000	.00000	7.75000	-.05000	5.21000
.603	25.970	-.00300	-.01200	-.00200	.10700	588.08000	2.69000	.00000	7.75000	-.05000	5.21000
.603	27.150	-.00500	-.01000	-.00200	.10900	587.46000	2.69000	.00000	7.75000	-.06000	5.21000
.600	28.340	.00000	-.01000	-.00500	.11200	582.28000	2.69000	.00000	7.72000	-.03000	5.19000
.600	29.520	-.00300	-.01300	-.00600	.10800	582.81000	2.69000	.00000	7.74000	-.05000	5.22000
.601	30.710	-.00300	-.01300	-.00700	.10700	585.20000	2.69000	.00000	7.74000	-.06000	5.23000
.602	31.900	.00000	-.01200	-.00400	.11100	586.43000	2.69000	.00000	7.74000	-.06000	5.23000
.602	33.080	-.00100	-.01200	-.00200	.11200	586.42000	2.69000	.00000	7.71000	-.04000	5.21000
.601	34.270	-.00100	-.01300	-.00500	.11000	584.71000	2.68000	.00000	7.71000	-.05000	5.21000
.601	35.450	.00000	-.01300	-.00600	.11000	584.17000	2.69000	.00000	7.69000	-.06000	5.20000
.601	36.640	-.00400	-.01100	-.00500	.10600	585.80000	2.69000	.00000	7.70000	-.07000	5.22000
.602	37.820	-.00100	-.01400	-.00700	.10600	587.85000	2.69000	.00000	7.68000	-.06000	5.20000
.601	39.010	-.00100	-.01100	-.00400	.10600	585.07000	2.69000	.00000	7.65000	-.07000	5.18000
.600	40.200	-.00200	-.01300	-.00400	.11000	583.49000	2.69000	.00000	7.65000	-.08000	5.19000
.601	41.380	-.00400	-.01300	-.00700	.10500	584.64000	2.69000	.00000	7.67000	-.06000	5.21000
.601	42.570	-.00100	-.01200	-.00200	.10800	585.00000	2.69000	.00000	7.64000	-.07000	5.18000
.602	43.750	.00000	-.01000	-.00200	.10800	585.76000	2.69000	.00000	7.64000	-.06000	5.19000
.601	44.940	-.00200	-.01200	-.00600	.10400	585.00000	2.69000	.00000	7.61000	-.08000	5.18000
.601	46.130	-.00600	-.01400	-.00800	.10100	585.00000	2.69000	.00000	7.60000	-.08000	5.18000
.601	47.310	-.00600	-.01300	-.00500	.10700	585.39000	2.69000	.00000	7.63000	-.06000	5.21000

DATE 29 MAR 76

CA-26 FORCE SOURCE DATA TABULATION

PAGE 1317

LTV44-559(CA26) 747/1 ATY 06 S1 (CARRIER DATA)

(ZFE108) (24 MAR 76)

REFERENCE DATA

SREF = 5500.0000 SQ.FT. XMRP = 1339.9000 IN. XC
 LREF = 327.7800 IN. YMRP = .0000 IN. YC
 BREF = 2348.0400 IN. ZMRP = 190.7500 IN. ZC
 SCALE = .0125

PARAMETRIC DATA

ALPHAC = 2.000 BETAC = .000
 STAB = 5.000 ELEVON = 5.000
 AILRON = .000 DX = .000
 DY = .000 TORB = 6.000
 BETAO = .000 DPFI = .000

RUN NO. 77/ 0 RN/L = .00 GRADIENT INTERVAL = -5.00/ 5.00

MACH	DZ	CPCC	CPSB1	CPSB2	CFSB3	Q(PSF)	ALPHAC	BETAC	ALPHAO	BETAO	INCID
.600	48.500	-.00300	-.01400	-.00800	.10800	583.75000	2.69000	.00000	7.58000	-.07000	5.17000
.603	49.680	-.00100	-.01300	-.00600	.10300	589.48000	2.69000	.00000	7.58000	-.08000	5.18000
.602	50.870	.00000	-.01200	-.00300	.10700	586.91000	2.69000	.00000	7.58000	-.06000	5.19000
.601	51.460	-.00400	-.01400	-.00800	.10300	584.47000	2.69000	.00000	7.58000	-.08000	5.19000
	GRADIENT	.00184	-.00057	.00086	.00034	1.22980	-.00415	.00000	.00302	.00016	.01155

LTV44-559(CA26) 747/1 ATY 05 S1 (CARRIER DATA)

(ZFE109) (24 MAR 76)

REFERENCE DATA

SREF = 5500.0000 SQ.FT. XMRP = 1339.9000 IN. XC
 LREF = 327.7800 IN. YMRP = .0000 IN. YC
 BREF = 2348.0400 IN. ZMRP = 190.7500 IN. ZC
 SCALE = .0125

PARAMETRIC DATA

ALPHAC = 2.000 BETAC = .000
 STAB = 5.000 ELEVEN = .000
 AILRON = .000 DY = .000
 DY = .000 10RB = 4.000
 BETAO = .000 OPHI = .000

RUN NO. 78/ 0 RN/L = .00 GRADIENT INTERVAL = -5.00/ 5.00

MACH	DZ	CPC	CPSB1	CPSB2	CPSB3	Q(PSF)	ALPHAC	BETAC	ALPHA	BETA	INCID
.603	1.760	-.00600	-.01900	-.01300	.11500	590.62000	2.62000	.01000	6.19000	-.10000	3.57000
.601	2.360	-.00600	-.02100	-.01900	.11200	587.81000	2.63000	.01000	6.22000	-.14000	3.61000
.600	2.970	-.00700	-.02200	-.02100	.11000	584.62000	2.62000	.00000	6.22000	-.13000	3.61000
.601	3.760	-.00500	-.02100	-.01800	.11600	585.38000	2.62000	.00000	6.22000	-.11000	3.61000
.600	4.560	-.00600	-.02100	-.02000	.11300	583.88000	2.63000	.00000	6.21000	-.14000	3.61000
.600	5.960	-.00700	-.02000	-.01800	.11400	584.07000	2.63000	.00000	6.22000	-.14000	3.62000
.602	7.970	-.00700	-.02000	-.01300	.11500	589.12000	2.63000	.00000	6.18000	-.14000	3.59000
.600	9.960	-.00600	-.02100	-.01700	.11300	584.63000	2.64000	.00000	6.20000	-.14000	3.61000
.600	10.960	-.00800	-.02000	-.01700	.11100	583.47000	2.64000	.00000	6.19000	-.13000	3.61000
.602	11.960	-.00400	-.02100	-.01500	.11400	587.71000	2.64000	.00000	6.17000	-.16000	3.59000
.601	12.950	-.00700	-.02000	-.01600	.11500	585.86000	2.64000	.00000	6.18000	-.13000	3.60000
.599	13.940	-.00500	-.02100	-.01500	.11600	582.99000	2.64000	.00000	6.16000	-.15000	3.59000
.598	14.940	-.00800	-.02000	-.01700	.11300	579.84000	2.65000	.00000	6.17000	-.15000	3.60000
.606	15.930	-.00200	-.02000	-.01400	.11300	596.34000	2.65000	.00000	6.13000	-.14000	3.57000
.603	16.930	-.00300	-.02100	-.01200	.11300	588.73000	2.65000	.00000	6.12000	-.17000	3.56000
.601	17.930	-.00500	-.02100	-.01600	.11100	585.33000	2.66000	.00000	6.15000	-.15000	3.60000
.602	18.920	-.00600	-.02200	-.01300	.10900	587.31000	2.65000	.00000	6.11000	-.17000	3.57000
.603	19.910	-.00900	-.02200	-.01300	.10700	588.06000	2.65000	.00000	6.12000	-.17000	3.57000
.602	20.910	-.00600	-.02100	-.01300	.11300	587.79000	2.65000	.00000	6.11000	-.17000	3.58000
.602	21.900	-.00600	-.02200	-.01300	.11200	587.99000	2.65000	.00000	6.11000	-.15000	3.56000
.601	22.890	-.01000	-.01900	-.01600	.10900	585.18000	2.66000	.00000	6.12000	-.14000	3.59000
.598	23.890	-.01500	-.02200	-.01800	.10600	581.89000	2.66000	.00000	6.11000	-.16000	3.59000
.601	24.890	-.00600	-.02000	-.01400	.11100	586.67000	2.66000	.00000	6.10000	-.13000	3.58000
.603	25.890	-.00600	-.02100	-.01300	.10800	588.93000	2.66000	.00000	6.07000	-.18000	3.56000
.603	26.870	-.00700	-.02100	-.01100	.11000	588.99000	2.67000	.00000	6.06000	-.16000	3.54000
.601	27.870	-.01100	-.02000	-.01400	.10600	587.01000	2.66000	.00000	6.08000	-.17000	3.58000
.603	28.860	-.00900	-.02100	-.01100	.10700	591.17000	2.66000	.00000	6.06000	-.15000	3.56000
.601	29.860	-.00700	-.02200	-.01400	.10800	587.08000	2.67000	.00000	6.06000	-.16000	3.57000
.601	30.860	-.00900	-.02000	-.01200	.10400	585.04000	2.67000	.00000	6.06000	-.13000	3.57000
.600	31.850	-.01100	-.02100	-.01500	.10300	583.47000	2.67000	.00000	6.06000	-.13000	3.57000
.602	32.840	-.00500	-.02100	-.01300	.10900	586.55000	2.67000	.00000	6.02000	-.16000	3.54000
.603	33.840	-.00600	-.02200	-.01100	.10700	590.16000	2.67000	.00000	6.05000	-.18000	3.58000
.601	34.830	-.00900	-.02000	-.01400	.10500	585.45000	2.67000	.00000	6.01000	-.14000	3.54000
.599	35.830	-.01100	-.02200	-.01400	.10400	582.79000	2.67000	.00000	6.00000	-.17000	3.55000
.598	36.830	-.01100	-.02400	-.01200	.10300	581.15000	2.67000	.00000	6.01000	-.17000	3.55000
.600	37.820	-.01200	-.02100	-.01500	.10500	584.08000	2.68000	.00000	5.99000	-.15000	3.53000
.604	38.820	-.00800	-.01800	-.01300	.10500	592.74000	2.68000	.00000	6.02000	-.15000	3.53000
.603	39.810	-.00800	-.02400	-.01300	.10200	590.15000	2.68000	.00000	6.01000	-.16000	3.53000
.601	40.800	-.00900	-.02300	-.01300	.10100	585.67000	2.68000	.00000	5.97000	-.17000	3.53000
.601	41.800	-.01500	-.02100	-.01600	.10000	587.34000	2.68000	.00000	5.99000	-.15000	3.55000
.601	42.800	-.01500	-.02300	-.01300	.10200	588.27000	2.68000	.00000	5.99000	-.17000	3.56000
.603	43.790	-.00400	-.02000	-.00900	.10900	591.01000	2.68000	.00000	5.95000	-.19000	3.52000

DATE 29 MAR 76

CA-26 FORCE SOURCE DATA TABULATION

PAGE 1319

LTV44-559(CA26) 747/1 ATY DS S1 (CARRIER DATA)

(ZFE109) (24 MAR 76)

REFERENCE DATA

SREF = 5500.0000 SQ.FT.	XMRP = 1339.9000 IN. XC
LREF = 327.7800 IN.	YMRP = .0000 IN. YC
BREF = 2348.0400 IN.	ZMRP = 190.7500 IN. ZC
SCALE = .0125	

PARAMETRIC DATA

ALPHAC = 2.000	BETAC = .000
STAB = 5.000	ELEVON = .000
AILRON = .000	DX = .000
DY = .000	IORB = 4.000
BETA0 = .000	OPHI = .000

RUN NO. 78/ 0 RN/L = .00 GRADIENT INTERVAL = -5.00/ 5.00

MACH	DZ	CPCC	CPSB1	CPSB2	CPSB3	Q(PSF)	ALPHAC	BETAC	ALPHA0	BETA0	INC10
.603	44.790	-.00800	-.02100	-.01100	.10600	589.00000	2.68000	.00000	5.98000	-.16000	3.56000
	GRADIENT	.00016	-.00051	-.00173	.00009	-2.19535	.00153	-.00415	.00505	-.00683	.01074

LTV44-559(CA26) 747/1 ATY 06 S1 (CARRIER DATA)

(ZFE110) (24 MAR 76)

REFERENCE DATA

SREF = 5500.0000 SQ.FT. XMRP = 1339.9000 IN. XC
 LREF = 327.7800 IN. YMRP = .0000 IN. YC
 BREF = 2348.0400 IN. ZMRP = 190.7500 IN. ZC
 SCALE = .0125

PARAMETRIC DATA

ALPHAC = 2.000 BETAC = .000
 STAB = 5.000 ELEVON = .000
 AILRON = .000 DX = .000
 DY = .000 IORB = 6.000
 BETAO = .000 DPHI = .000

RUN NO. 1078/ 0 RN/L = .00 GRADIENT INTERVAL = -5.00/ 5.00

MACH	DZ	CPCC	CPSB1	CPSB2	CPSB3	Q(PSF)	ALPHAC	BETAC	ALPHA0	BETA0	INCID
.602	1.470	-.00300	-.01800	-.00800	.11700	585.03000	2.66000	.01000	7.99000	-.11000	5.33000
.600	1.770	-.00600	-.02300	-.01600	.11500	581.54000	2.66000	.01000	8.00000	-.09000	5.35000
.602	2.370	-.00300	-.02300	-.01600	.11300	584.82000	2.65000	.01000	8.00000	-.09000	5.35000
.599	2.970	.00000	-.02300	-.01200	.11800	580.38000	2.65000	.01000	7.97000	-.11000	5.33000
.601	3.770	-.00600	-.01700	-.01000	.11500	585.27000	2.65000	.01000	7.97000	-.13000	5.34000
.600	4.570	-.00800	-.01900	-.01500	.11400	582.48000	2.65000	.01000	7.98000	-.08000	5.35000
.601	5.970	-.00100	-.02000	-.01000	.11600	583.11000	2.66000	.00000	7.97000	-.14000	5.34000
.600	7.970	-.00700	-.02100	-.01400	.11100	582.00000	2.66000	.00000	7.95000	-.14000	5.34000
.602	9.960	-.00500	-.02100	-.00900	.11200	585.96000	2.66000	.00000	7.95000	-.10000	5.35000
.601	11.240	-.00400	-.01500	-.01100	.11400	582.50000	2.67000	.00000	7.94000	-.09000	5.34000
.603	12.520	-.00300	-.01800	-.01100	.11300	586.86000	2.66000	.00000	7.92000	-.14000	5.33000
.598	13.800	-.00400	-.02400	-.01200	.10900	578.33000	2.66000	.00000	7.91000	-.13000	5.33000
.600	15.080	-.00400	-.01900	-.01100	.11100	581.74000	2.66000	.00000	7.93000	-.10000	5.35000
.599	16.350	-.00200	-.02100	-.01100	.10900	580.30000	2.67000	.00000	7.91000	-.10000	5.34000
.600	17.630	-.00400	-.01800	-.01200	.11200	583.57000	2.67000	.00000	7.91000	-.14000	5.34000
.601	18.900	-.00200	-.02100	-.01100	.11000	584.64000	2.67000	.00000	7.89000	-.13000	5.33000
.599	20.180	-.00700	-.01700	-.01100	.11100	582.45000	2.67000	.00000	7.87000	-.16000	5.32000
.601	21.460	-.00600	-.01600	-.00900	.11000	586.01000	2.66000	.00000	7.88000	-.12000	5.34000
.602	22.730	-.00200	-.02000	-.00900	.10900	585.75000	2.67000	.00000	7.88000	-.10000	5.34000
.602	24.000	-.00200	-.01800	-.01000	.11200	587.59000	2.67000	.00000	7.88000	-.12000	5.35000
.601	25.280	-.00900	-.02100	-.01100	.10500	584.98000	2.67000	.00000	7.85000	-.16000	5.33000
.602	26.560	-.00800	-.02000	-.01000	.10500	587.79000	2.67000	.00000	7.84000	-.14000	5.32000
.602	27.840	-.00500	-.02100	-.00900	.10800	585.82000	2.67000	.00000	7.82000	-.14000	5.31000
.600	29.110	-.00900	-.01900	-.01100	.10600	582.33000	2.67000	.00000	7.85000	-.17000	5.35000
.605	30.390	-.00300	-.01800	-.00900	.10800	592.42000	2.67000	.00000	7.83000	-.16000	5.33000
.602	31.660	-.00300	-.01900	-.00900	.11000	586.64000	2.67000	.00000	7.81000	-.19000	5.32000
.600	32.940	-.00800	-.01900	-.01300	.10700	582.75000	2.67000	.00000	7.81000	-.14000	5.33000
.601	34.220	-.00700	-.02000	-.01000	.10400	585.01000	2.68000	.00000	7.82000	-.15000	5.34000
.600	35.490	-.00400	-.01800	-.01100	.10700	581.94000	2.67000	.00000	7.81000	-.13000	5.34000
.601	36.770	-.00200	-.02000	-.00800	.10600	583.84000	2.68000	.00000	7.80000	-.14000	5.32000
.598	38.050	-.00300	-.02100	-.01100	.10900	580.41000	2.67000	.00000	7.79000	-.13000	5.34000
.599	39.330	-.00500	-.01900	-.01200	.10400	582.23000	2.68000	.00000	7.79000	-.12000	5.34000
.601	40.600	-.00400	-.01800	-.00600	.10600	585.99000	2.68000	.00000	7.76000	-.17000	5.31000
.601	41.880	-.01100	-.02000	-.01300	.10300	587.28000	2.68000	.00000	7.74000	-.16000	5.30000
.601	43.150	-.00500	-.01900	-.00900	.10800	585.52000	2.68000	.00000	7.74000	-.11000	5.31000
.602	44.430	-.01000	-.02000	-.00800	.10300	587.70000	2.68000	.00000	7.73000	-.18000	5.31000
.600	45.710	-.00600	-.01900	-.01100	.10600	583.35000	2.68000	.00000	7.75000	-.17000	5.34000
.601	46.980	-.00300	-.01800	-.00900	.10600	586.01000	2.68000	.00000	7.74000	-.13000	5.33000
.601	48.260	-.00200	-.02000	-.00900	.10800	585.40000	2.68000	.00000	7.70000	-.17000	5.30000
.602	49.540	-.00300	-.02100	-.00800	.10500	587.50000	2.68000	.00000	7.69000	-.17000	5.29000
.604	50.820	-.00400	-.02000	-.00200	.10500	591.24000	2.68000	.00000	7.71000	-.16000	5.32000
GRADIENT		-.00112	.00084	-.00039	-.00044	-.16484	-.00337	.00000	-.00766	-.00098	.00204

LTV44-559(CA26) 747/1 ATY 06 S1 (CARRIER DATA)

(ZFE111) (24 MAR 76)

REFERENCE DATA

SREF = 5500.0000 SQ.FT. XMRP = 1339.9000 IN. XC
 LREF = 327.7800 IN. YMRP = .0000 IN. YC
 BREF = 2348.0400 IN. ZMRP = 190.7500 IN. ZC
 SCALE = .0125

PARAMETRIC DATA

ALPHAC = 2.000 BETAC = .000
 STAB = 5.000 ELEVON = .000
 AILRON = .000 DX = .000
 DY = .000 IORB = 8.000
 BETAO = .000 DPHI = .000

ORIGINAL PAGE IS
OF POOR QUALITY

		RUN NO. 79/ 0		RN/L = .00		GRADIENT INTERVAL = -5.00/ 5.00					
MACH	DZ	CPC	CPSB1	CPSB2	CPSB3	Q(PSF)	ALPHAC	BETAC	ALPHAO	BETAO	INCID
.600	1.760	-.00800	-.02100	-.01300	.11100	585.14000	2.70000	.01000	9.79000	-.09000	7.10000
.599	2.360	-.01000	-.02200	-.01300	.11100	583.36000	2.69000	.01000	9.79000	-.08000	7.11000
.600	2.970	-.00900	-.02200	-.01100	.11300	584.84000	2.69000	.01000	9.78000	-.12000	7.10000
.600	3.960	-.00500	-.01900	-.01000	.11500	586.28000	2.70000	.01000	9.77000	-.08000	7.09000
.601	4.960	-.01200	-.02100	-.01200	.11200	589.44000	2.70000	.01000	9.78000	-.09000	7.11000
.600	6.210	-.00900	-.02300	-.01200	.11400	587.80000	2.69000	.01000	9.75000	-.12000	7.09000
.600	7.460	-.00400	-.02500	-.01400	.11100	585.25000	2.69000	.01000	9.74000	-.10000	7.09000
.599	8.710	-.00100	-.02000	-.01200	.11200	582.62000	2.69000	.00000	9.76000	-.08000	7.12000
.600	9.960	-.01100	-.02200	-.01200	.11000	583.03000	2.69000	.00000	9.73000	-.08000	7.10000
.600	11.200	-.01400	-.02500	-.01300	.11100	583.43000	2.69000	.00000	9.71000	-.07000	7.09000
.600	12.430	-.00700	-.02100	-.01100	.11100	584.81000	2.69000	.00000	9.74000	-.12000	7.12000
.601	13.670	-.00800	-.02000	-.01100	.11100	585.35000	2.68000	.00000	9.74000	-.12000	7.14000
.601	14.910	-.01300	-.02500	-.01400	.10900	586.65000	2.68000	.00000	9.73000	-.15000	7.13000
.601	16.140	-.01300	-.02400	-.01400	.10900	585.35000	2.68000	.00000	9.72000	-.15000	7.13000
.601	17.370	-.01400	-.02600	-.01400	.10900	585.62000	2.68000	.00000	9.70000	-.12000	7.12000
.604	18.610	-.01400	-.02500	-.01600	.10600	591.94000	2.68000	.00000	9.70000	-.10000	7.12000
.603	19.840	-.00800	-.02300	-.01500	.10600	590.59000	2.68000	.00000	9.69000	-.13000	7.12000
.601	21.080	-.01200	-.02600	-.01500	.10600	585.84000	2.68000	.00000	9.66000	-.08000	7.10000
.601	22.310	-.01300	-.02400	-.01300	.10800	585.55000	2.68000	.00000	9.65000	-.09000	7.09000
.601	23.550	-.01300	-.02400	-.01400	.10300	585.88000	2.68000	.00000	9.64000	-.08000	7.09000
.600	24.780	-.01200	-.02100	-.01200	.11000	585.27000	2.68000	.00000	9.65000	-.14000	7.12000
.601	26.010	-.01200	-.02000	-.01000	.10700	586.63000	2.68000	.00000	9.62000	-.09000	7.09000
.599	27.250	-.01300	-.02600	-.01400	.10600	583.89000	2.68000	.00000	9.63000	-.13000	7.11000
.600	28.480	-.01200	-.02600	-.01500	.10500	584.85000	2.68000	.00000	9.62000	-.10000	7.10000
.601	29.720	-.01200	-.02400	-.01700	.10400	586.42000	2.68000	.00000	9.59000	-.07000	7.09000
.600	30.950	-.01100	-.02100	-.01200	.10800	584.51000	2.68000	.00000	9.59000	-.08000	7.09000
.603	32.180	-.01200	-.02100	-.01100	.10700	591.66000	2.68000	.00000	9.58000	-.08000	7.09000
.600	33.420	-.01200	-.02000	-.01100	.10700	586.07000	2.69000	.00000	9.56000	-.07000	7.07000
.598	34.660	-.01100	-.02500	-.01200	.10700	581.78000	2.68000	.00000	9.57000	-.08000	7.08000
.598	35.900	-.00900	-.02500	-.01400	.10600	580.97000	2.68000	.00000	9.56000	-.07000	7.08000
.601	37.130	-.00900	-.02000	-.01400	.10100	586.24000	2.68000	.00000	9.58000	-.15000	7.10000
.601	38.360	-.01000	-.02100	-.01200	.10400	585.63000	2.69000	.00000	9.55000	-.12000	7.10000
.603	39.600	-.01000	-.02200	-.01400	.10300	588.23000	2.68000	.00000	9.56000	-.16000	7.11000
.603	40.830	-.01400	-.02400	-.01800	.09900	589.10000	2.68000	.00000	9.54000	-.15000	7.10000
.602	42.070	-.01600	-.02200	-.01200	.10300	587.59000	2.68000	.00000	9.54000	-.13000	7.10000
.602	43.300	-.01300	-.02600	-.01700	.10200	588.13000	2.68000	.00000	9.51000	-.09000	7.07000
.602	44.540	-.01300	-.02600	-.01700	.10100	588.47000	2.68000	.00000	9.52000	-.13000	7.10000
.601	45.770	-.01300	-.02300	-.01400	.10400	585.55000	2.69000	.00000	9.51000	-.11000	7.09000
.602	47.010	-.01300	-.02200	-.01400	.10100	587.73000	2.68000	.00000	9.51000	-.15000	7.10000
.600	48.250	-.01500	-.02600	-.01800	.09900	585.53000	2.69000	.00000	9.48000	-.11000	7.08000
.600	49.480	-.01500	-.02600	-.01400	.10200	583.77000	2.68000	.00000	9.49000	-.11000	7.09000
.600	50.710	-.01500	-.02500	-.01300	.10400	585.06000	2.69000	.00000	9.49000	-.14000	7.10000

DATE 29 MAR 76

CA-26 FORCE SOURCE DATA TABULATION

PAGE 1322

LTV44-559(CA26) 747/1 ATY 06 S1 (CARRIER DATA)

(ZFE111) (24 MAR 76)

REFERENCE DATA

SREF = 5500.0000 SQ.FT. XMRP = 1339.9000 IN. XC
 LREF = 327.7800 IN. YMRP = .0000 IN. YC
 BREF = 2348.0400 IN. ZMRP = 190.7500 IN. ZC
 SCALE = .0125

PARAMETRIC DATA

ALPHAC = 2.000 BETAC = .000
 STAB = 5.000 ELEVON = .000
 AILRON = .000 DX = .000
 DY = .000 IORB = 8.000
 BETAO = .000 DPHI = .000

RUN NO. 79/ 0 RN/L = .00 GRADIENT INTERVAL = -5.00/ 5.00

MACH	DZ	CPC	CPSB1	CPSB2	CPSB3	Q(PSF)	ALPHAC	BETAC	ALPHAO	BETAO	INCID
.601	51.950	-.01600	-.02200	-.01400	.09900	587.64000	2.69000	.00000	9.46000	-.12000	7.07000
.601	53.180	-.01500	-.02400	-.01700	.09900	588.31000	2.69000	.00000	9.46000	-.12000	7.08000
.601	54.420	-.01400	-.02300	-.01400	.10100	587.64000	2.69000	.00000	9.46000	-.11000	7.09000
.601	55.650	-.01200	-.02300	-.01200	.10100	586.83000	2.69000	.00000	9.45000	-.13000	7.09000
.604	56.890	-.01200	-.02200	-.01400	.09900	592.43000	2.69000	.00000	9.45000	-.11000	7.09000
.602	58.120	-.01200	-.02200	-.01400	.10000	587.60000	2.69000	.00000	9.45000	-.12000	7.10000
GRADIENT		-.00044	.00040	.00055	.00066	1.53549	.00165	.00000	-.00467	.00094	.00024

LTV44-559(CA26) 747/1 ATY 06 S1 (CARRIER DATA)

(ZFE112) (24 MAR 76)

REFERENCE DATA

SREF = 5500.0000 SQ.FT. XMRP = 1339.9000 IN. XC
 LREF = 327.7800 IN. YMRP = .0000 IN. YC
 BREF = 2348.0400 IN. ZMRP = 190.7500 IN. ZC
 SCALE = .0125

PARAMETRIC DATA

ALPHAC = 2.000 BETAC = .000
 STAB = 5.000 RUDDER = .000
 ELEVON = .000 DY = .000
 OZ = .000 IORB = 6.000
 BETAO = .000 DPHI = .000

RUN NO. 81/ 0 RN/L = .00 GRADIENT INTERVAL = -5.00/ 5.00

MACH	DX	CPC	CPSB1	CPSB2	CPSB3	Q(PSF)	ALPHAC	BETAC	ALPHA0	BETA0	INCID
.601	.000	-.01300	-.02700	-.02000	.11300	585.58000	2.66000	.01000	8.02000	-.15000	5.36000
.600	.390	-.00600	-.02100	-.01500	.11700	583.69000	2.66000	.01000	7.97000	-.11000	5.31000
.601	.780	-.01100	-.02700	-.02100	.11200	586.20000	2.66000	.01000	8.02000	-.08000	5.36000
.599	1.140	-.01100	-.02600	-.02000	.11400	581.37000	2.66000	.01000	8.02000	-.08000	5.36000
.600	1.530	-.00600	-.02100	-.01500	.11600	582.53000	2.66000	.01000	7.98000	-.11000	5.32000
.601	1.920	-.00900	-.02300	-.01900	.11300	584.10000	2.66000	.01000	8.00000	-.10000	5.34000
.601	2.290	-.00500	-.02200	-.01800	.11300	583.83000	2.67000	.01000	8.01000	-.08000	5.35000
.602	2.680	-.01100	-.02700	-.02300	.11000	586.96000	2.66000	.01000	8.01000	-.10000	5.35000
.602	3.070	-.00800	-.02100	-.01600	.11800	585.41000	2.66000	.01000	7.99000	-.13000	5.33000
.600	3.430	-.01400	-.02600	-.02100	.11300	582.74000	2.66000	.01000	7.99000	-.13000	5.33000
.598	3.820	-.01600	-.03000	-.02400	.11200	579.18000	2.66000	.01000	8.00000	-.12000	5.34000
.602	4.190	-.01400	-.02800	-.02200	.11200	586.01000	2.67000	.01000	7.99000	-.12000	5.32000
.600	4.580	-.01600	-.02900	-.02500	.11000	583.69000	2.67000	.01000	7.99000	-.12000	5.32000
.600	4.970	-.01700	-.02900	-.02400	.11200	584.03000	2.67000	.01000	8.00000	-.13000	5.34000
.601	5.330	-.01600	-.03100	-.02600	.11000	585.87000	2.67000	.01000	7.99000	-.13000	5.33000
.601	5.720	-.01100	-.02500	-.02100	.11300	583.63000	2.67000	.01000	8.02000	-.09000	5.36000
.602	6.110	-.01400	-.03100	-.02700	.10900	586.62000	2.66000	.01000	8.00000	-.12000	5.34000
.602	6.480	-.01600	-.02900	-.02500	.10800	586.89000	2.67000	.01000	7.98000	-.12000	5.32000
.601	6.870	-.01700	-.03300	-.02700	.11100	583.96000	2.67000	.01000	8.01000	-.09000	5.35000
.600	7.230	-.01400	-.02900	-.02400	.11300	582.82000	2.67000	.01000	8.02000	-.08000	5.36000
.601	7.630	-.01300	-.02900	-.02500	.10900	583.30000	2.67000	.01000	8.02000	-.10000	5.35000
.602	8.020	-.01200	-.02800	-.02500	.11000	586.41000	2.67000	.01000	8.00000	-.12000	5.34000
.601	8.380	-.01700	-.02900	-.02400	.11100	583.10000	2.67000	.01000	8.02000	-.08000	5.36000
.602	8.770	-.01700	-.03400	-.03000	.10700	585.61000	2.67000	.01000	8.01000	-.10000	5.35000
.602	9.160	-.01600	-.03300	-.03000	.10800	585.82000	2.67000	.01000	8.03000	-.06000	5.36000
.601	9.530	-.01700	-.03100	-.02500	.11100	584.46000	2.67000	.01000	8.01000	-.11000	5.34000
.602	9.920	-.01700	-.03300	-.02900	.11000	585.35000	2.67000	.00000	8.00000	-.12000	5.33000
.602	10.280	-.02000	-.03500	-.03100	.10600	586.70000	2.68000	.01000	8.03000	-.09000	5.36000
.602	10.670	-.02000	-.02800	-.02600	.10900	586.02000	2.68000	.01000	8.00000	-.10000	5.33000
.603	11.060	-.01900	-.03100	-.03000	.10600	587.85000	2.68000	.01000	8.03000	-.08000	5.36000
.603	11.430	-.02100	-.03500	-.03200	.10500	587.92000	2.68000	.01000	8.02000	-.12000	5.34000
.601	11.820	-.02100	-.03200	-.02700	.11000	585.12000	2.68000	.01000	8.01000	-.12000	5.33000
.602	12.210	-.02000	-.03300	-.03000	.10700	587.64000	2.68000	.01000	8.04000	-.07000	5.37000
.600	12.570	-.02100	-.03300	-.02900	.10800	584.30000	2.67000	.01000	8.05000	-.10000	5.37000
.600	12.950	-.02200	-.03400	-.02900	.10900	583.89000	2.68000	.01000	8.00000	-.13000	5.33000
.602	13.330	-.01600	-.03400	-.02900	.11100	586.63000	2.68000	.01000	8.02000	-.11000	5.34000
GRADIENT		-.00154	-.00101	-.00130	-.00062	-.16571	.00184	.00000	-.00248	-.00300	-.00311

REFERENCE DATA

SREF = 5500.0000 SQ.FT. XMRP = 1339.9000 IN. XC
 LREF = 327.7800 IN. YMRP = .0000 IN. YC
 BREF = 2348.0400 IN. ZMRP = 190.7500 IN. ZC
 SCALE = .0125

PARAMETRIC DATA

ALPHAC = 2.000 BETAC = .000
 STAB = 5.000 RUDDER = .000
 ELEVON = .000 DY = .000
 DZ = 15.000 IORB = 6.000
 BETAO = .000 DPHI = .000

RUN NO. 1081/ 0 RN/L = .00 GRADIENT INTERVAL = -5.00/ 5.00

MACH	DX	CPCC	CPSB1	CPSB2	CPSB3	Q(PSF)	ALPHAC	BETAC	ALPHA0	BETA0	INCID
.600	.390	-.01400	-.02600	-.02000	.11100	582.87000	2.66000	.00000	7.91000	-.08000	5.33000
.602	.780	-.01600	-.02500	-.01500	.11000	586.96000	2.66000	.00000	7.92000	-.12000	5.35000
.601	1.140	-.01500	-.02700	-.02100	.10600	586.53000	2.66000	.00000	7.92000	-.11000	5.33000
.602	1.530	-.01600	-.02200	-.01500	.10900	588.17000	2.66000	.00000	7.93000	-.09000	5.35000
.602	1.900	-.01500	-.02400	-.01600	.10900	588.58000	2.66000	.00000	7.93000	-.11000	5.35000
.602	2.290	-.01500	-.02800	-.02200	.10700	588.91000	2.66000	.00000	7.90000	-.10000	5.32000
.600	2.680	-.01400	-.02800	-.02000	.11000	584.49000	2.66000	.00000	7.90000	-.12000	5.32000
.602	3.040	-.01300	-.02500	-.01600	.11100	587.29000	2.66000	.00000	7.93000	-.09000	5.35000
.602	3.430	-.01500	-.02500	-.01700	.10900	587.15000	2.66000	.00000	7.93000	-.11000	5.36000
.601	3.820	-.01200	-.02500	-.01700	.11100	586.13000	2.66000	.00000	7.92000	-.12000	5.34000
.600	4.190	-.01200	-.02800	-.02100	.11000	583.40000	2.66000	.00000	7.92000	-.12000	5.34000
.599	4.580	-.01300	-.02900	-.02300	.11000	582.78000	2.66000	.00000	7.92000	-.12000	5.34000
.600	4.940	-.01400	-.02800	-.02300	.10900	583.40000	2.66000	.00000	7.91000	-.12000	5.33000
.599	5.330	-.01600	-.02900	-.02300	.10900	582.85000	2.66000	.00000	7.89000	-.11000	5.32000
.601	5.720	-.01300	-.02700	-.02000	.11300	585.03000	2.66000	.00000	7.93000	-.10000	5.36000
.601	6.090	-.01500	-.02900	-.02000	.11100	586.40000	2.66000	.00000	7.93000	-.11000	5.35000
.599	6.480	-.01500	-.03100	-.02600	.10800	582.71000	2.66000	.00000	7.92000	-.12000	5.35000
.599	6.870	-.01300	-.03100	-.02400	.11000	581.97000	2.66000	.00000	7.94000	-.09000	5.36000
.602	7.230	-.01400	-.02700	-.01900	.11000	586.49000	2.66000	.00000	7.91000	-.07000	5.33000
.601	7.630	-.01200	-.03000	-.02100	.10900	584.86000	2.66000	.00000	7.93000	-.09000	5.35000
.602	7.990	-.01400	-.02700	-.02100	.10800	585.27000	2.66000	.00000	7.89000	-.09000	5.31000
.598	8.380	-.01700	-.03700	-.03000	.10400	579.26000	2.66000	.00000	7.89000	-.10000	5.36000
.603	8.770	-.01600	-.02700	-.02200	.10500	587.25000	2.66000	.00000	7.91000	-.11000	5.36000
.597	9.140	-.01700	-.03100	-.02600	.10800	575.72000	2.66000	.00000	7.94000	-.12000	5.36000
.602	9.530	-.01900	-.03000	-.02300	.10600	586.57000	2.66000	.00000	7.90000	-.11000	5.33000
.601	9.920	-.01700	-.03100	-.02600	.10800	583.57000	2.66000	.00000	7.93000	-.10000	5.36000
.603	10.280	-.01900	-.03100	-.02200	.10900	587.38000	2.66000	.00000	7.91000	-.07000	5.33000
.603	10.670	-.02100	-.03300	-.02700	.10600	588.73000	2.66000	.00000	7.90000	-.11000	5.33000
.602	11.040	-.02400	-.03100	-.02900	.10300	588.24000	2.66000	.00000	7.94000	-.11000	5.36000
.603	11.430	-.02200	-.03200	-.02400	.10700	590.49000	2.66000	.00000	7.91000	-.12000	5.33000
.602	11.820	-.02300	-.03100	-.02700	.10300	588.44000	2.66000	.00000	7.92000	-.12000	5.34000
.600	12.180	-.02000	-.03400	-.03000	.10500	584.15000	2.66000	.00000	7.93000	-.11000	5.35000
.602	12.570	-.01500	-.03200	-.02500	.10800	586.21000	2.66000	.00000	7.91000	-.11000	5.34000
.603	12.960	-.01700	-.03300	-.02400	.10500	587.99000	2.66000	.00000	7.92000	-.12000	5.34000
.600	13.330	-.01900	-.03400	-.02900	.10200	583.42000	2.67000	.00000	7.94000	-.11000	5.36000
GRADIENT		.00059	-.00064	-.00087	.00020	-.59220	.00000	.00000	-.00001	-.00522	.00072

LTV44-559(CA26) 747/1 ATY 06 S1 (CARRIER DATA)

(ZFE114) (24 MAR 76)

REFERENCE DATA

SREF = 5500.0000 SQ.FT. XMRP = 1339.9000 IN. XC
 LREF = 327.7800 IN. YMRP = .0000 IN. YC
 BREF = 2348.0400 IN. ZMRP = 190.7500 IN. ZC
 SCALE = .0125

PARAMETRIC DATA

ALPHAC = 2.000 BETAC = .000
 STAB = 5.000 RUDDER = .000
 ELEVON = .000 DY = .000
 DZ = 60.000 IORB = 6.000
 BETAO = .000 DPFI = .000

RUN NO. 2081/ 0 RN/L = .00 GRADIENT INTERVAL = -5.00/ 5.00

MACH	DX	CPCC	CPSB1	CPSB2	CPSB3	Q(PSF)	ALPHAC	BETAC	ALPHAO	BETAO	INCID
.604	.410	-.01300	-.02700	-.01600	.10400	589.36000	2.68000	.00000	7.70000	-.09000	5.31000
.604	.780	-.01300	-.02500	-.01400	.10400	589.77000	2.68000	.00000	7.69000	-.12000	5.31000
.602	1.170	-.01700	-.02800	-.01700	.10200	586.63000	2.68000	.00000	7.68000	-.11000	5.30000
.600	1.560	-.02000	-.02800	-.02200	.10000	583.42000	2.68000	.00000	7.68000	-.14000	5.30000
.601	1.920	-.01700	-.02600	-.02000	.10300	585.19000	2.68000	.00000	7.70000	-.14000	5.31000
.603	2.310	-.01500	-.02600	-.01900	.10300	588.12000	2.68000	.00000	7.70000	-.12000	5.32000
.603	2.680	-.01600	-.02800	-.01700	.10100	588.12000	2.68000	.00000	7.69000	-.12000	5.30000
.601	3.070	-.01900	-.02500	-.02000	.10200	584.78000	2.68000	.00000	7.69000	-.11000	5.30000
.603	3.460	-.01300	-.02600	-.02000	.10300	587.72000	2.68000	.00000	7.70000	-.13000	5.32000
.603	3.820	-.01400	-.02800	-.02000	.10300	587.65000	2.68000	.00000	7.69000	-.13000	5.31000
.600	4.210	-.02000	-.02700	-.02100	.10000	583.83000	2.68000	.00000	7.67000	-.10000	5.29000
.601	4.600	-.01900	-.02900	-.02000	.09900	584.71000	2.68000	.00000	7.67000	-.12000	5.28000
.602	4.970	-.01700	-.02900	-.01900	.10000	587.10000	2.68000	.00000	7.69000	-.12000	5.30000
.601	5.360	-.01900	-.02700	-.02100	.10200	584.16000	2.68000	.00000	7.69000	-.11000	5.31000
.600	5.720	-.01900	-.02600	-.02000	.10200	583.82000	2.68000	.00000	7.70000	-.11000	5.32000
.600	6.110	-.02300	-.02900	-.02000	.09800	584.56000	2.68000	.00000	7.66000	-.10000	5.28000
.602	6.510	-.01700	-.02700	-.02100	.10100	583.45000	2.68000	.00000	7.70000	-.11000	5.32000
.601	6.870	-.01800	-.02600	-.02100	.10200	584.97000	2.68000	.00000	7.70000	-.13000	5.32000
.600	7.260	-.01800	-.02600	-.02000	.10000	583.81000	2.68000	.00000	7.70000	-.13000	5.32000
.600	7.650	-.02200	-.03100	-.02100	.09700	584.75000	2.68000	.00000	7.67000	-.15000	5.28000
.602	8.020	-.01700	-.02800	-.01900	.10100	587.76000	2.68000	.00000	7.69000	-.14000	5.31000
.599	8.410	-.01900	-.02800	-.02200	.10100	582.63000	2.68000	.00000	7.71000	-.12000	5.33000
.601	8.770	-.01800	-.03100	-.01900	.09900	586.32000	2.68000	.00000	7.68000	-.15000	5.30000
.599	9.160	-.02000	-.03000	-.02700	.09800	582.85000	2.68000	.00000	7.71000	-.16000	5.33000
.600	9.550	-.01600	-.03100	-.02200	.10000	584.56000	2.68000	.00000	7.71000	-.15000	5.33000
.600	9.920	-.02000	-.03100	-.02200	.09700	583.06000	2.68000	.00000	7.70000	-.16000	5.32000
.600	10.310	-.01900	-.03000	-.02200	.09700	583.13000	2.68000	.00000	7.69000	-.16000	5.31000
.600	10.700	-.01800	-.02900	-.02100	.10000	583.96000	2.68000	.00000	7.70000	-.13000	5.32000
.603	11.060	-.01300	-.02900	-.02000	.10100	588.60000	2.68000	.00000	7.68000	-.15000	5.30000
.600	11.450	-.02000	-.02900	-.02500	.09700	583.76000	2.67000	.00000	7.70000	-.14000	5.33000
.603	11.800	-.01500	-.02800	-.02200	.10200	587.72000	2.67000	.00000	7.70000	-.12000	5.33000
.601	12.210	-.02000	-.02800	-.02300	.09900	583.56000	2.67000	.00000	7.69000	-.11000	5.32000
.603	12.590	-.01600	-.02800	-.02200	.10100	587.73000	2.67000	.00000	7.71000	-.14000	5.33000
.605	12.950	-.01600	-.02800	-.02000	.10100	592.62000	2.57000	.00000	7.67000	-.13000	5.30000
.603	13.350	-.01900	-.02600	-.02200	.10200	587.65000	2.67000	.00000	7.69000	-.10000	5.32000
GRADIENT		-.00064	-.00039	-.00085	-.00071	-.61737	.00000	.00000	-.00260	-.00115	-.00318

ORIGINAL PAGE IS OF POOR QUALITY

LTV44-559(CA26) 747/1 ATY 06 S1 (CARRIER DATA)

(ZFE115) (24 MAR 76)

REFERENCE DATA

SREF = 5500.0000 SQ.FT. XMRP = 1339.9000 IN. XC
 LREF = 327.7800 IN. YMRP = .0000 IN. YC
 BREF = 2348.0400 IN. ZMRP = 190.7500 IN. ZC
 SCALE = .0125

PARAMETRIC DATA

ALPHAC = 2.000 BETAC = .000
 STAB = 5.000 RUDDER = .000
 ELEVON = .000 DX = .000
 DZ = .000 IORB = 6.000
 BETAO = .000 DPHI = .000

RUN NO. 82/ 0 RN/L = .00 GRADIENT INTERVAL = -5.00/ 5.00

MACH	DY	CPCC	CPSB1	CPSB2	CPSB3	Q(PSF)	ALPHAC	BETAC	ALPHAO	BETAO	INCID
.605	-10.000	-.00700	-.02600	-.01800	.11000	594.16000	2.66000	-.01000	8.00000	.00000	5.34000
.605	-9.420	-.00700	-.02600	-.01900	.11100	593.81000	2.65000	-.01000	8.01000	-.10000	5.36000
.605	-8.850	-.00500	-.02300	-.01600	.11300	593.47000	2.66000	-.01000	7.98000	-.13000	5.33000
.605	-8.280	-.01000	-.02500	-.01800	.11000	595.37000	2.66000	-.01000	8.00000	-.14000	5.34000
.605	-7.710	-.00800	-.02200	-.01600	.11100	595.44000	2.66000	-.01000	7.99000	-.08000	5.33000
.607	-7.140	-.01100	-.02400	-.01700	.10900	598.09000	2.66000	-.01000	8.01000	-.09000	5.35000
.606	-6.560	-.00800	-.02300	-.01600	.11100	596.61000	2.66000	-.01000	8.01000	-.10000	5.35000
.605	-5.990	-.00800	-.02500	-.01600	.11200	594.43000	2.66000	-.01000	8.01000	-.08000	5.35000
.606	-5.420	-.01000	-.02800	-.01900	.10800	595.58000	2.67000	-.01000	8.00000	-.14000	5.34000
.606	-4.850	-.00800	-.02500	-.01600	.11200	595.25000	2.67000	.00000	7.99000	-.14000	5.32000
.605	-4.280	-.00800	-.02400	-.01500	.11100	594.57000	2.66000	.00000	7.98000	-.09000	5.32000
.605	-3.710	-.01000	-.02400	-.01500	.11300	594.84000	2.66000	.00000	7.97000	-.06000	5.31000
.606	-3.130	-.01000	-.02400	-.01600	.11200	595.31000	2.66000	.00000	7.98000	-.11000	5.32000
.607	-2.570	-.00600	-.02200	-.01400	.11300	597.09000	2.66000	.00000	7.97000	-.12000	5.31000
.604	-1.990	-.00700	-.02400	-.01500	.11200	590.97000	2.67000	.01000	8.00000	-.13000	5.34000
.603	-1.420	-.01000	-.02500	-.01700	.11000	590.75000	2.66000	.01000	7.97000	-.13000	5.32000
.603	-.850	-.00800	-.02500	-.01700	.11200	590.62000	2.66000	.01000	8.01000	-.10000	5.35000
.605	-.270	-.00900	-.02300	-.01400	.11400	594.56000	2.66000	.02000	7.97000	-.12000	5.31000
.605	.270	-.01100	-.02300	-.01600	.11200	594.83000	2.66000	.02000	8.00000	-.07000	5.34000
.605	.850	-.01000	-.02300	-.01400	.11200	593.68000	2.66000	.02000	7.98000	-.12000	5.32000
.605	1.420	-.00900	-.02100	-.01200	.11300	594.03000	2.67000	.03000	7.99000	-.10000	5.32000
.605	1.990	-.00800	-.02200	-.01400	.11300	593.69000	2.66000	.03000	7.99000	-.14000	5.33000
.605	2.560	-.00800	-.02300	-.01500	.11200	594.37000	2.67000	.03000	8.01000	-.12000	5.34000
.605	3.130	-.00800	-.02200	-.01400	.11300	593.14000	2.67000	.03000	8.00000	-.10000	5.34000
.604	3.710	-.01400	-.02900	-.02000	.10700	592.92000	2.66000	.03000	8.00000	-.10000	5.34000
.605	4.280	-.00600	-.02100	-.01100	.11200	592.80000	2.66000	.03000	7.97000	-.09000	5.31000
.605	4.850	-.00500	-.02200	-.01200	.11200	593.35000	2.66000	.02000	7.97000	-.12000	5.31000
.605	5.420	-.00600	-.02400	-.01300	.11100	592.74000	2.66000	.03000	8.00000	-.12000	5.35000
.605	5.990	-.00800	-.02500	-.01500	.11000	594.77000	2.67000	.03000	7.97000	-.16000	5.31000
.605	6.560	-.00800	-.02400	-.01400	.11100	594.76000	2.66000	.03000	7.96000	-.16000	5.30000
.605	7.140	-.00500	-.02200	-.01300	.11100	594.36000	2.65000	.03000	7.99000	-.13000	5.34000
.605	7.700	-.00700	-.02200	-.01400	.11100	594.96000	2.65000	.03000	7.98000	-.14000	5.32000
.606	8.280	-.01100	-.02400	-.01500	.11000	597.06000	2.65000	.03000	7.97000	-.09000	5.32000
.606	8.850	-.00800	-.02200	-.01400	.11000	595.91000	2.65000	.03000	7.98000	-.14000	5.33000
.605	9.420	-.00700	-.02200	-.01100	.11200	594.42000	2.65000	.03000	7.95000	-.14000	5.30000
.605	10.000	-.01100	-.02300	-.01200	.11100	595.10000	2.65000	.03000	7.99000	-.17000	5.34000
GRADIENT		.00004	.00015	.00024	-.00007	-.15846	.00002	.00371	.00101	-.00001	.00078

LTV44-559(CA26) 747/1 ATY 06 S1 (CARRIER DATA)

(ZFE116) (24 MAR 76)

REFERENCE DATA

SREF = 5500.0000 SQ.FT. XMRP = 1339.9000 IN. XC
 LREF = 327.7800 IN. YMRP = .0000 IN. YC
 BREF = 2348.0400 IN. ZMRP = 190.7500 IN. ZC
 SCALE = .0125

PARAMETRIC DATA

ALPHAC = 2.000 BETAC = .000
 STAB = 5.000 RUDDER = .000
 ELEVON = .000 DX = .000
 DZ = 15.000 TORB = 6.000
 BETAO = .000 OPHI = .000

RUN NO. 1082/ 0 RN/L = .00 GRADIENT INTERVAL = -5.00/ 5.00

MACH	DY	CPCC	CPSB1	CPSB2	CPSB3	Q(PSF)	ALPHAC	BETAC	ALPHAO	BETAO	INCLD
.606	-9.420	-.01200	-.02700	-.01700	.11000	595.53000	2.66000	.00000	7.93000	-.11000	5.35000
.607	-8.850	-.00600	-.02100	-.01300	.11100	597.10000	2.66000	.00000	7.90000	-.05000	5.32000
.606	-8.280	-.01200	-.02500	-.01600	.11000	594.50000	2.66000	.00000	7.89000	-.05000	5.31000
.606	-7.710	-.01200	-.02300	-.01400	.11200	594.37000	2.66000	.00000	7.91000	-.05000	5.33000
.606	-7.140	-.01000	-.02200	-.01300	.11000	595.73000	2.66000	.00000	7.91000	-.08000	5.33000
.606	-6.560	-.00900	-.02100	-.01200	.11200	595.93000	2.66000	.00000	7.91000	-.08000	5.33000
.606	-5.990	-.01000	-.02200	-.01300	.11200	595.25000	2.66000	.00000	7.92000	-.09000	5.34000
.606	-5.420	-.00900	-.02100	-.01200	.11100	595.39000	2.66000	.00000	7.92000	-.10000	5.35000
.605	-4.850	-.01300	-.02500	-.01500	.11000	594.22000	2.66000	.00000	7.92000	-.09000	5.34000
.605	-4.280	-.01300	-.02400	-.01400	.11000	593.48000	2.66000	.00000	7.93000	-.12000	5.36000
.606	-3.710	-.00900	-.02000	-.01200	.11000	596.40000	2.66000	.00000	7.91000	-.07000	5.33000
.606	-3.140	-.01000	-.02000	-.01300	.10900	596.13000	2.66000	.00000	7.89000	-.03000	5.32000
.605	-2.570	-.01300	-.02800	-.01800	.10600	594.69000	2.66000	.00000	7.91000	-.08000	5.33000
.605	-1.990	-.01300	-.02600	-.01700	.10600	594.42000	2.66000	.00000	7.92000	-.13000	5.34000
.606	-1.420	-.01000	-.02600	-.01700	.10800	596.80000	2.66000	.00000	7.92000	-.11000	5.34000
.607	-.850	-.00900	-.02200	-.01400	.10900	597.55000	2.66000	.00000	7.90000	-.08000	5.32000
.607	-.280	-.01300	-.02700	-.01700	.10900	598.02000	2.66000	.00000	7.92000	-.13000	5.35000
.605	.270	-.01300	-.02500	-.01300	.11000	594.28000	2.66000	.00000	7.91000	-.07000	5.33000
.606	.850	-.01200	-.02600	-.01600	.10900	596.59000	2.66000	.00000	7.92000	-.10000	5.34000
.605	1.410	-.01400	-.02700	-.01800	.10700	595.56000	2.66000	.00000	7.89000	-.08000	5.31000
.604	1.990	-.01300	-.02300	-.01200	.11200	593.73000	2.66000	.00000	7.92000	-.12000	5.34000
.604	2.560	-.01300	-.02700	-.01600	.11100	593.80000	2.66000	.00000	7.90000	-.08000	5.32000
.605	3.130	-.00900	-.02200	-.01300	.10900	595.30000	2.66000	.01000	7.92000	-.14000	5.35000
.603	3.700	-.01100	-.02700	-.01500	.11000	590.75000	2.66000	.01000	7.92000	-.12000	5.35000
.603	4.270	-.01000	-.02600	-.01400	.11200	590.01000	2.66000	.01000	7.92000	-.09000	5.35000
.603	4.850	-.00900	-.02800	-.01700	.11000	590.15000	2.66000	.01000	7.92000	-.13000	5.35000
.605	5.420	-.00700	-.02400	-.01700	.10700	593.49000	2.66000	.01000	7.90000	-.11000	5.33000
.604	5.990	-.01000	-.02800	-.01700	.10900	590.84000	2.66000	.01000	7.91000	-.11000	5.33000
.604	6.560	-.01100	-.02500	-.01500	.11000	590.98000	2.66000	.01000	7.93000	-.16000	5.35000
.606	7.130	-.01000	-.02300	-.01400	.10700	594.38000	2.67000	.01000	7.89000	-.07000	5.31000
.603	7.700	-.01300	-.02500	-.01300	.11000	590.09000	2.66000	.00000	7.91000	-.14000	5.33000
.605	8.270	-.01100	-.02100	-.01100	.11100	592.00000	2.66000	.00000	7.89000	-.09000	5.31000
.606	8.840	-.00900	-.02200	-.01100	.10900	593.97000	2.66000	.00000	7.89000	-.08000	5.31000
.605	9.420	-.01100	-.02200	-.01000	.11000	592.20000	2.67000	.00000	7.89000	-.09000	5.31000
.605	9.990	-.01200	-.02300	-.01200	.10900	593.69000	2.66000	.01000	7.90000	-.14000	5.32000
.605		.00013	-.00032	-.00005	.00020	-.41533	.00000	.00101	.00022	-.00339	.00075

LTV44-559(CA26) 747/1 ATY 06 S1 (CARRIER DATA)

(ZFE117) (24 MAR 76)

REFERENCE DATA

SREF = 5500.0000 SQ.FT. XMRP = 1339.9000 IN. XC
 LREF = 327.7800 IN. YMRP = .0000 IN. YC
 BREF = 2348.0400 IN. ZMRP = 190.7500 IN. ZC
 SCALE = .0125

PARAMETRIC DATA

ALPHAC = 2.000 BETAC = .000
 STAB = 5.000 RUDDER = .000
 ELEVON = .000 DX = .000
 DZ = 60.000 IORB = 6.000
 BETAO = .000 DPHI = .000

RUN NO. 2082/ 0 RN/L = .00 GRADIENT INTERVAL = -5.00/ 5.00

MACH	DY	CPCC	CPSB1	CPSB2	CPSB3	Q(PSF)	ALPHAC	BETAC	ALPHA0	BETA0	INCID
.604	-10.000	-.01600	-.02500	-.01600	.10900	593.26000	2.69000	.01000	7.72000	-.11000	5.33000
.605	-9.430	-.01600	-.03100	-.01600	.09900	595.57000	2.69000	.01000	7.67000	-.17000	5.27000
.604	-8.860	-.01200	-.02700	-.01300	.10400	593.20000	2.68000	.01000	7.69000	-.16000	5.30000
.606	-8.280	-.01700	-.02700	-.01300	.10000	595.51000	2.69000	.01000	7.69000	-.14000	5.30000
.604	-7.710	-.01100	-.02800	-.01400	.10500	592.11000	2.69000	.01000	7.69000	-.16000	5.30000
.606	-7.140	-.01300	-.02600	-.01100	.10300	595.45000	2.68000	.01000	7.69000	-.15000	5.30000
.603	-6.570	-.01500	-.02500	-.01500	.10100	591.56000	2.68000	.01000	7.72000	-.12000	5.33000
.605	-6.000	-.01300	-.02400	-.01600	.10200	593.34000	2.68000	.01000	7.69000	-.13000	5.31000
.604	-5.420	-.01200	-.02800	-.01600	.10300	591.30000	2.68000	.01000	7.67000	-.16000	5.29000
.604	-4.860	-.01500	-.02700	-.01700	.09900	592.79000	2.68000	.01000	7.68000	-.13000	5.30000
.604	-4.290	-.01300	-.02800	-.01400	.10300	592.38000	2.69000	.01000	7.70000	-.17000	5.32000
.603	-3.710	-.01600	-.02800	-.01800	.10000	590.46000	2.68000	.01000	7.68000	-.18000	5.30000
.604	-3.140	-.01700	-.02500	-.01600	.09500	593.32000	2.69000	.01000	7.72000	-.14000	5.33000
.606	-2.570	-.01700	-.02400	-.01100	.10200	596.12000	2.69000	.01000	7.70000	-.16000	5.31000
.605	-2.000	-.01500	-.02700	-.01400	.10300	593.54000	2.68000	.01000	7.69000	-.18000	5.31000
.603	-1.430	-.02300	-.03100	-.02300	.09400	590.60000	2.69000	.00000	7.69000	-.15000	5.30000
.605	-.850	-.01700	-.02600	-.01700	.09800	592.87000	2.68000	.00000	7.69000	-.17000	5.30000
.606	-.290	-.01300	-.02500	-.01100	.10400	594.72000	2.68000	.00000	7.68000	-.18000	5.30000
.606	.270	-.01300	-.02600	-.01100	.10400	594.86000	2.68000	.00000	7.70000	-.15000	5.31000
.605	.840	-.01600	-.02600	-.01600	.09900	592.13000	2.69000	.00000	7.68000	-.18000	5.29000
.604	1.410	-.01600	-.02700	-.01500	.09800	591.11000	2.69000	.00000	7.72000	-.17000	5.33000
.606	1.990	-.01100	-.02600	-.01300	.10300	593.91000	2.69000	.00000	7.69000	-.19000	5.31000
.604	2.560	-.01300	-.02700	-.01700	.10100	593.00000	2.68000	.00000	7.72000	-.16000	5.33000
.607	3.130	-.00900	-.02400	-.00800	.10400	591.00000	2.69000	.00000	7.68000	-.16000	5.30000
.606	3.700	-.01000	-.02700	-.01400	.10400	591.00000	2.68000	.00000	7.70000	-.16000	5.32000
.606	4.270	-.01200	-.02700	-.01600	.10200	595.25000	2.68000	.00000	7.72000	-.19000	5.33000
.603	4.850	-.01800	-.02900	-.01700	.09700	590.00000	2.69000	.00000	7.73000	-.22000	5.34000
.605	5.410	-.01400	-.02400	-.01500	.10400	594.57000	2.69000	.00000	7.70000	-.23000	5.32000
.605	5.980	-.01600	-.02600	-.01700	.10200	593.27000	2.69000	.00000	7.68000	-.21000	5.29000
.605	6.560	-.01500	-.02700	-.01300	.10100	593.07000	2.69000	.00000	7.67000	-.21000	5.29000
.608	7.130	-.01200	-.02300	-.00800	.10400	597.98000	2.68000	.00000	7.69000	-.20000	5.30000
.606	7.700	-.01800	-.02600	-.01600	.09900	595.67000	2.69000	.00000	7.68000	-.20000	5.30000
.607	8.270	-.01100	-.02700	-.01200	.10200	596.63000	2.68000	.00000	7.71000	-.17000	5.32000
.606	8.840	-.01000	-.02600	-.01300	.10500	595.07000	2.68000	.00000	7.71000	-.20000	5.32000
.606	9.420	-.01500	-.02700	-.01600	.09900	595.13000	2.69000	.00000	7.71000	-.20000	5.32000
.606	9.420	-.01500	-.02700	-.01600	.09900	595.13000	2.69000	.00000	7.71000	-.20000	5.32000
GRADIENT		.00042	.00001	.00019	.00013	.06887	.00005	-.00130	.00143	-.00201	.00116

LTV44-559(CA26) 747/1 ATY 06 S1 (CARRIER DATA)

(ZFE118) (24 MAR 76)

REFERENCE DATA

SREF = 5500.0000 SQ.FT. XMRP = 1339.9000 IN. XC
 LREF = 327.7800 IN. YMRP = .0000 IN. YC
 BREF = 2348.0400 IN. ZMRP = 190.7500 IN. ZC
 SCALE = .0125

PARAMETRIC DATA

ALPHAC = 2.000 BETAC = .000
 STAB = -1.000 RUDDER = .000
 ELEVON = .000 DX = .000
 DY = .000 LORR = 6.000
 BETAO = .000 DPHI = .000

RUN NO. 83/ 0 RN/L = .00 GRADIENT INTERVAL = -5.00/ 5.00

MACH	DZ	CPCC	CPSB1	CPSB2	CPSB3	Q(PSF)	ALPHAC	BETAC	ALPHAO	BETAO	INCID
.605	1.760	-.02400	-.03200	-.00600	.09600	594.94000	2.98000	.01000	8.30000	-.11000	5.33000
.602	2.360	-.02000	-.03800	-.00600	.09300	589.22000	2.99000	.02000	8.28000	-.13000	5.30000
.605	2.970	-.01900	-.03200	-.00400	.09600	595.17000	2.98000	.00000	8.32000	-.08000	5.34000
.605	3.760	-.02100	-.03300	-.00500	.09500	594.55000	2.99000	.02000	8.29000	-.11000	5.32000
.603	4.560	-.02400	-.03600	-.00600	.09200	591.90000	2.98000	.02000	8.27000	-.13000	5.31000
.602	5.470	-.02400	-.03800	-.00500	.09200	588.89000	2.99000	.01000	8.29000	-.09000	5.33000
.605	6.460	-.01700	-.03500	-.00300	.09600	595.30000	2.99000	.02000	8.26000	-.12000	5.31000
.603	7.460	-.02000	-.03800	-.00400	.09000	591.29000	2.99000	.01000	8.29000	-.09000	5.34000
.604	8.460	-.02100	-.03200	-.00500	.09500	593.06000	3.00000	.01000	8.28000	-.11000	5.33000
.603	9.460	-.02400	-.03600	-.00600	.09200	591.08000	2.99000	.01000	8.29000	-.10000	5.35000
.605	10.560	-.02100	-.03400	-.00500	.09400	594.49000	2.99000	.01000	8.27000	-.09000	5.33000
.606	11.740	-.01900	-.03400	-.00100	.09500	595.18000	3.00000	.01000	8.26000	-.10000	5.32000
.605	12.930	-.02400	-.03600	-.00400	.09000	595.70000	3.00000	.01000	8.26000	-.11000	5.34000
.604	14.110	-.02100	-.03800	-.00300	.09000	594.00000	2.99000	.01000	8.22000	-.11000	5.31000
.606	15.300	-.01800	-.03600	-.00200	.09300	595.18000	2.99000	.01000	8.25000	-.11000	5.34000
.605	16.490	-.01700	-.03500	-.00300	.09300	595.30000	3.00000	.01000	8.23000	-.10000	5.32000
.604	17.670	-.02200	-.03900	-.00400	.08700	592.10000	3.00000	.01000	8.23000	-.12000	5.33000
.602	18.860	-.02400	-.03700	-.00600	.08800	588.63000	3.00000	.01000	8.19000	-.13000	5.29000
.603	20.040	-.02400	-.04000	-.00400	.08700	591.70000	3.00000	.01000	8.18000	-.12000	5.30000
.603	21.230	-.02200	-.03500	-.00500	.09200	590.94000	2.99000	.01000	8.17000	-.13000	5.29000
.604	22.410	-.01700	-.03700	-.00300	.09200	593.33000	3.00000	.01000	8.18000	-.11000	5.31000
.605	23.600	-.01800	-.03700	-.00300	.09000	594.96000	3.00000	.01000	8.17000	-.10000	5.31000
.605	24.780	-.02000	-.03800	-.00200	.08800	594.76000	3.00000	.01000	8.17000	-.09000	5.30000
.605	25.970	-.01900	-.03500	-.00200	.09200	594.08000	3.00000	.01000	8.16000	-.10000	5.31000
.602	27.150	-.02500	-.03900	-.00500	.08600	589.65000	3.01000	.01000	8.14000	-.08000	5.29000
.605	28.340	-.02100	-.03600	.00000	.08900	594.15000	3.01000	.01000	8.14000	-.13000	5.30000
.605	29.520	-.01900	-.04100	-.00300	.08700	595.31000	3.01000	.01000	8.14000	-.12000	5.30000
.602	30.710	-.02400	-.03800	-.00500	.08500	589.25000	3.00000	.01000	8.13000	-.12000	5.30000
.603	31.900	-.02500	-.03700	-.00500	.08600	591.01000	3.01000	.01000	8.11000	-.13000	5.29000
.604	33.080	-.02600	-.04200	-.00400	.08300	593.80000	3.01000	.01000	8.12000	-.12000	5.30000
.603	34.270	-.02600	-.04000	-.00500	.08300	590.67000	3.00000	.01000	8.11000	-.14000	5.31000
.605	35.450	-.02200	-.03800	-.00500	.08700	594.07000	3.01000	.01000	8.08000	-.14000	5.27000
.605	36.640	-.02100	-.03800	-.00300	.08900	594.21000	3.01000	.01000	8.08000	-.10000	5.26000
.602	37.820	-.02600	-.04300	-.00700	.08200	588.69000	3.01000	.01000	8.08000	-.12000	5.28000
.603	39.010	-.02300	-.04200	-.00300	.08300	590.89000	3.01000	.01000	8.08000	-.10000	5.30000
.605	40.200	-.01800	-.03900	-.00300	.08800	593.42000	3.01000	.01000	8.05000	-.14000	5.27000
.605	41.380	-.02100	-.04200	-.00300	.08400	593.14000	3.01000	.01000	8.06000	-.12000	5.28000
.603	42.570	-.02600	-.04000	-.00700	.08300	589.46000	3.01000	.01000	8.06000	-.13000	5.29000
.603	43.750	-.02500	-.03800	-.00400	.08600	590.88000	3.01000	.01000	8.05000	-.13000	5.27000
.604	44.940	-.02600	-.04100	-.00200	.08300	592.84000	3.01000	.01000	8.02000	-.12000	5.27000
.603	46.130	-.02300	-.03900	-.00700	.08600	591.14000	3.02000	.01000	8.03000	-.13000	5.27000
.606	47.310	-.01900	-.04000	-.00300	.08700	596.32000	3.02000	.01000	8.00000	-.14000	5.26000

ORIGINAL PAGE IS
 OF POOR QUALITY

DATE 29 MAR 76

CA-26 FORCE SOURCE DATA TABULATION

PAGE 1330

LTV44-559(CA26) 747/1 ATY 06 S1 (CARRIER DATA)

(ZFE118) (24 MAR 76)

REFERENCE DATA

SREF =	5500.0000 SQ.FT.	XMRP =	1339.9000 IN. XC
LREF =	327.7800 IN.	YMRP =	.0000 IN. YC
BREF =	2348.0400 IN.	ZMRP =	190.7500 IN. ZC
SCALE =	.0125		

PARAMETRIC DATA

ALPHAC =	2.000	BETAC =	.000
STAB =	-1.000	RUDDER =	.000
ELEVON =	.000	DX =	.000
DY =	.000	IORB =	6.000
BETA0 =	.000	DPHI =	.000

		RUN NO.	83/ 0	RN/L =	.00	GRADIENT INTERVAL = -5.00/ 5.00					
MACH	DZ	CPCC	CPSB1	CPSB2	CPSB3	Q(PSF)	ALPHAC	BETAC	ALPHA0	BETA0	INC10
.603	48.500	-.02300	-.04000	-.00700	.08400	591.43000	3.02000	.01000	8.02000	-.13000	5.28000
.606	49.680	-.02200	-.04200	-.00400	.08300	597.54000	3.02000	.01000	7.98000	-.13000	5.25000
.602	50.870	-.02900	-.04100	-.00600	.08200	590.79000	3.02000	.01000	8.00000	-.10000	5.27000
.602	51.460	-.02200	-.04100	-.00700	.08400	588.30000	3.02000	.01000	8.00000	-.13000	5.28000
	GRADIENT	-.00029	-.00046	.00009	-.00090	-.13266	-.00009	.00268	-.00790	-.00375	-.00321

LTV44-559(CA26) 747/1 ATY 06 S1 (CARRIER DATA)

(ZFE119) (24 MAR 76)

REFERENCE DATA

SREF = 5500.0000 SQ.FT. XMRP = 1339.9000 IN. XC
 LREF = 327.7800 IN. YMRP = .0000 IN. YC
 BREF = 2348.0400 IN. ZMRP = 190.7500 IN. ZC
 SCALE = .0125

PARAMETRIC DATA

ALPHAC = 2.000 BETAC = .000
 STAB = 5.000 RUDDER = 10.000
 ELEVON = .000 DX = .000
 DY = .000 IORB = 6.000
 BETAO = .000 DPHI = .000

RUN NO. 84/ 0 RN/L = .00 GRADIENT INTERVAL = -5.00/ 5.00

MACH	OZ	CPCC	CPSB1	CPSB2	CPSB3	Q(PSF)	ALPHAC	BETAC	ALPHA0	BETA0	INCID
.602	1.760	-.00900	-.02500	-.02000	.11900	589.24000	2.67000	.11000	7.99000	.02000	5.32000
.606	2.360	-.00600	-.01900	-.01900	.11300	596.05000	2.68000	.10200	7.98000	.02000	5.31000
.606	2.970	-.00800	-.01800	-.01700	.11500	597.27000	2.67000	.11000	7.97000	.01000	5.31000
.605	3.760	-.01000	-.02100	-.01600	.11800	594.96000	2.67000	.11000	7.99000	.02000	5.32000
.607	4.560	-.00900	-.01800	-.01700	.11400	598.36000	2.68000	.11000	7.97000	.03000	5.30000
.607	5.470	-.01000	-.01900	-.01600	.11500	598.96000	2.68000	.11000	7.95000	.03000	5.30000
.605	6.460	-.01000	-.01900	-.01900	.11500	596.38000	2.67000	.11000	7.97000	.01000	5.33000
.604	7.460	-.01200	-.02300	-.01900	.11700	594.19000	2.68000	.11000	7.95000	.06000	5.32000
.605	8.460	-.01200	-.01700	-.01500	.11600	595.21000	2.68000	.11000	7.92000	.02000	5.28000
.605	9.460	-.01100	-.01900	-.01900	.11200	597.25000	2.68000	.11000	7.93000	.00000	5.31000
.604	10.560	-.00900	-.02200	-.01900	.11700	594.94000	2.68000	.11000	7.94000	.03000	5.32000
.605	11.740	-.01000	-.02400	-.02200	.11300	595.62000	2.68000	.11000	7.90000	.00000	5.29000
.603	12.930	-.01200	-.02100	-.01800	.11200	591.96000	2.68000	.11000	7.93000	.02000	5.33000
.603	14.110	-.01200	-.02400	-.02100	.11100	591.27000	2.68000	.12000	7.89000	-.01000	5.29000
.604	15.300	-.01100	-.02300	-.01700	.11300	593.59000	2.68000	.12000	7.92000	.05000	5.32000
.606	16.490	-.01000	-.02000	-.01100	.11500	597.34000	2.68000	.12000	7.89000	.02000	5.30000
.605	17.670	-.01300	-.02300	-.01900	.10900	594.68000	2.68000	.12000	7.90000	.04000	5.32000
.605	18.860	-.01300	-.02200	-.01900	.10900	596.31000	2.68000	.12000	7.89000	.03000	5.32000
.607	20.040	-.01200	-.02000	-.01700	.10900	598.43000	2.68000	.12000	7.86000	.02000	5.30000
.606	21.230	-.01300	-.02200	-.01900	.10700	596.52000	2.69000	.12000	7.84000	.03000	5.28000
.603	22.410	-.01200	-.02400	-.01700	.11200	591.29000	2.68000	.12000	7.87000	.04000	5.31000
.608	23.600	-.01400	-.02200	-.01600	.10700	599.52000	2.68000	.12000	7.84000	.00000	5.29000
.606	24.780	-.01600	-.02200	-.01500	.10700	597.61000	2.69000	.12000	7.85000	.07000	5.31000
.604	25.970	-.01700	-.02100	-.01700	.10700	594.07000	2.69000	.12000	7.81000	.03000	5.27000
.607	27.150	-.01400	-.02300	-.01500	.11000	599.03000	2.69000	.12000	7.83000	.03000	5.29000
.604	28.340	-.01900	-.02100	-.01900	.10600	595.28000	2.69000	.12000	7.83000	.03000	5.30000
.605	29.520	-.01700	-.02100	-.01800	.10800	597.59000	2.69000	.12000	7.80000	.03000	5.28000
.604	30.710	-.02100	-.02200	-.01800	.10500	595.45000	2.69000	.12000	7.82000	.07000	5.31000
.605	31.900	-.01700	-.02000	-.01700	.10800	597.56000	2.70000	.12000	7.78000	.01000	5.27000
.603	33.080	-.02000	-.02700	-.01700	.10200	593.41000	2.69000	.12000	7.77000	.02000	5.27000
.603	34.270	-.01200	-.02600	-.01700	.10400	592.41000	2.70000	.12000	7.80000	.04000	5.30000
.607	35.450	-.01200	-.01900	-.01400	.10900	599.36000	2.69000	.13000	7.79000	.00000	5.30000
.604	36.640	-.01300	-.02300	-.01600	.10500	595.48000	2.69000	.13000	7.76000	.04000	5.28000
.607	37.820	-.01300	-.01900	-.01500	.10800	600.45000	2.69000	.13000	7.76000	.01000	5.29000
.604	39.010	-.01300	-.02600	-.01800	.10300	593.31000	2.70000	.13000	7.73000	.01000	5.26000
.604	40.200	-.01500	-.02300	-.01700	.10500	592.57000	2.70000	.13000	7.73000	.01000	5.27000
.606	41.380	-.01500	-.02100	-.01500	.10600	596.18000	2.70000	.13000	7.73000	.03000	5.27000
.604	42.570	-.01700	-.02500	-.01900	.10300	594.61000	2.70000	.13000	7.71000	.00000	5.26000
.608	43.750	-.01300	-.02400	-.01500	.10400	600.73000	2.70000	.13000	7.72000	.03000	5.27000
.607	44.940	-.01900	-.02500	-.01900	.10200	599.16000	2.70000	.13000	7.73000	.02000	5.29000
.607	46.130	-.01700	-.02300	-.01800	.10500	598.49000	2.70000	.13000	7.72000	.01000	5.29000
.605	47.310	-.02000	-.02300	-.01800	.10200	596.03000	2.70000	.13000	7.69000	-.01000	5.26000

DATE 29 MAR 76

CA-26 FORCE SOURCE DATA TABULATION

PAGE 1332

LTV44-559(CA26) 747/1 ATY 06 S1 (CARRIER DATA)

(ZFE119) (24 MAR 76)

REFERENCE DATA

SREF =	5500.0000 SQ.FT.	XMRP =	1339.9000 IN. XC
LREF =	327.7800 IN.	YMRP =	.0000 IN. YC
BREF =	2348.0400 IN.	ZMRP =	190.7500 IN. ZC
SCALE =	.0125		

PARAMETRIC DATA

ALPHAC =	2.000	BETAC =	.000
STAB =	5.000	RUDDER =	10.000
ELEVON =	.000	DX =	.000
DY =	.000	IORB =	6.000
BETA0 =	.000	DPHI =	.000

		RUN NO.	84/ 0	RN/L =	.00	GRADIENT INTERVAL = -5.00/ 5.00					
MACH	DZ	CPCC	CPSB1	CPSB2	CPSB3	Q(PSF)	ALPHAC	BETAC	ALPHA0	BETA0	INCID
.604	48.500	-.01900	-.02200	-.01700	.10300	594.81000	2.70000	.13000	7.67000	-.01000	5.25000
.603	49.680	-.02100	-.02500	-.01800	.10100	593.77000	2.70000	.13000	7.68000	-.01000	5.27000
.606	50.870	-.01400	-.02400	-.01600	.10300	598.88000	2.70000	.13000	7.69000	.05000	5.29000
.605	51.460	-.01700	-.02100	-.01300	.10500	595.62000	2.70000	.13000	7.67000	.01000	5.26000
	GRADIENT	-.00060	.00161	.00124	-.00067	2.34313	.00154	.00147	-.00408	.00323	.00307

LTV44-559(CA26) 747/1 ATY 06 S1 (CARRIER DATA)

(ZFE120) (24 MAR 76)

REFERENCE DATA

SREF = 5500.0000 SQ.FT. XMRP = 1331.9000 IN. YC
 LREF = 327.7800 IN. YMRP = .0000 IN. YC
 BREF = 2348.0400 IN. ZMRP = 190.7500 IN. ZC
 SCALE = .0125

PARAMETRIC DATA

ALPHAC = 2.000 BETAC = -5.000
 STAB = 5.000 RUDDER = .000
 ELEVON = .000 DX = .000
 DY = .000 IORB = 6.000
 BETAO = -5.000 DPHI = .000

RUN NO. 85/ 0 RN/L = .00 GRADIENT INTERVAL = -5.00/ 5.00

MACH	DZ	CPCC	CPSB1	CPSB2	CPSB3	Q(PSF)	ALPHAC	BETAC	ALPHAO	BETAO	INC10
.600	1.760	-.01400	-.02400	-.01600	.11200	583.76000	2.66000	-5.03000	8.00000	-4.67000	5.34000
.600	2.360	-.01700	-.02300	-.01800	.10800	584.43000	2.66000	-5.02000	8.01000	-4.66000	5.35000
.599	2.970	-.01600	-.02900	-.02100	.11100	581.96000	2.67000	-5.01000	8.01000	-4.66000	5.36000
.599	3.760	-.01600	-.02400	-.01700	.11000	582.38000	2.67000	-5.02000	8.02000	-4.59000	5.37000
.599	4.560	-.01600	-.02300	-.01600	.11000	581.90000	2.67000	-5.01000	8.02000	-4.61000	5.37000
.600	5.470	-.01500	-.02700	-.02000	.10900	582.39000	2.67000	-5.01000	8.01000	-4.63000	5.36000
.598	6.460	-.01900	-.02800	-.01800	.11000	580.00000	2.68000	-5.01000	7.97000	-4.57000	5.33000
.597	7.460	-.01900	-.02800	-.01700	.10800	578.36000	2.67000	-5.00000	8.01000	-4.59000	5.38000
.599	8.460	-.01900	-.02800	-.02000	.10600	581.76000	2.67000	-5.00000	7.96000	-4.62000	5.34000
.599	9.460	-.01600	-.02400	-.01600	.10800	580.94000	2.67000	-5.00000	7.97000	-4.64000	5.35000
.598	10.560	-.01400	-.02800	-.01800	.11000	578.50000	2.68000	-4.99000	7.97000	-4.57000	5.36000
.600	11.740	-.01400	-.02300	-.01700	.10700	583.08000	2.67000	-5.00000	7.95000	-4.63000	5.34000
.599	12.930	-.02300	-.02700	-.01900	.10500	580.88000	2.67000	-4.99000	7.94000	-4.58000	5.34000
.600	14.110	-.01800	-.02900	-.01800	.10500	583.40000	2.67000	-4.99000	7.93000	-4.63000	5.33000
.600	15.300	-.01700	-.02500	-.01700	.10700	582.53000	2.67000	-4.99000	7.92000	-4.61000	5.33000
.600	16.490	-.01700	-.02800	-.02000	.10800	582.60000	2.67000	-4.99000	7.92000	-4.57000	5.34000
.599	17.670	-.01900	-.02500	-.01600	.10400	581.16000	2.67000	-4.99000	7.89000	-4.54000	5.31000
.598	18.860	-.02000	-.02800	-.01800	.10700	580.34000	2.67000	-4.99000	7.93000	-4.56000	5.36000
.599	20.040	-.01400	-.02600	-.01600	.10900	580.76000	2.68000	-4.99000	7.91000	-4.61000	5.35000
.597	21.230	-.01600	-.02500	-.01800	.10600	577.75000	2.67000	-4.98000	7.90000	-4.55000	5.35000
.599	22.410	-.01500	-.02400	-.01500	.10900	580.22000	2.68000	-4.98000	7.86000	-4.61000	5.31000
.599	23.600	-.01700	-.02700	-.01900	.10300	581.03000	2.68000	-4.98000	7.85000	-4.59000	5.31000
.600	24.780	-.01900	-.02800	-.01700	.10200	582.53000	2.68000	-4.97000	7.84000	-4.59000	5.30000
.599	25.970	-.02200	-.02300	-.01200	.10200	581.49000	2.68000	-4.97000	7.87000	-4.56000	5.34000
.598	27.150	-.02700	-.02400	-.01800	.09400	581.80000	2.67000	-4.97000	7.87000	-4.55000	5.35000
.599	28.340	-.02000	-.02600	-.01800	.10200	583.11000	2.68000	-4.97000	7.82000	-4.58000	5.30000
.596	29.520	-.01500	-.02900	-.02000	.10600	576.57000	2.68000	-4.97000	7.84000	-4.55000	5.33000
.600	30.710	-.01200	-.02600	-.01600	.10600	582.80000	2.68000	-4.97000	7.82000	-4.60000	5.31000
.600	31.900	-.01300	-.02300	-.01300	.10100	583.22000	2.68000	-4.97000	7.81000	-4.59000	5.31000
.598	33.080	-.01900	-.02700	-.01700	.09900	580.00000	2.68000	-4.97000	7.81000	-4.55000	5.32000
.599	34.270	-.02000	-.02300	-.01100	.10300	581.16000	2.68000	-4.97000	7.79000	-4.58000	5.30000
.599	35.450	-.01800	-.02300	-.01100	.10200	581.92000	2.68000	-4.97000	7.79000	-4.58000	5.31000
.598	36.640	-.01800	-.02800	-.01700	.10200	578.36000	2.68000	-4.97000	7.79000	-4.52000	5.31000
.601	37.820	-.01900	-.02400	-.01600	.09700	585.59000	2.69000	-4.96000	7.77000	-4.56000	5.31000
.538	39.010	-.02500	-.02800	-.01800	.09400	581.41000	2.68000	-4.97000	7.81000	-4.54000	5.35000
.601	40.200	-.02400	-.02200	-.01000	.09800	586.93000	2.69000	-4.97000	7.75000	-4.59000	5.30000
.598	41.380	-.02200	-.03000	-.01900	.10500	580.58000	2.69000	-4.97000	7.75000	-4.59000	5.31000
.599	42.570	-.01500	-.02800	-.01800	.10000	581.08000	2.69000	-4.96000	7.76000	-4.58000	5.32000
.598	43.750	-.01100	-.03100	-.01800	.10400	578.18000	2.69000	-4.96000	7.78000	-4.58000	5.35000
.601	44.940	-.01700	-.02400	-.01100	.09800	583.64000	2.69000	-4.96000	7.73000	-4.58000	5.30000
.598	46.130	-.02200	-.02800	-.01500	.09700	578.50000	2.69000	-4.96000	7.75000	-4.60000	5.33000
.597	47.310	-.02000	-.02500	-.01700	.09900	577.83000	2.69000	-4.96000	7.72000	-4.53000	5.30000

ORIGINAL PAGE IS
 OF POOR QUALITY

LTV44-559(CA25) 747/1 ATY 06 S1 (CARRIER DATA)

(ZFE120) (24 MAR 76)

REFERENCE DATA

SREF = 5500.0000 SQ.FT. XMRP = 1339.9000 IN. XC
 LREF = 327.7800 IN. YMRP = .0000 IN. YC
 BREF = 2348.0400 IN. ZMRP = 190.7500 IN. ZC
 SCALE = .0125

PARAMETRIC DATA

ALPHAC = 2.000 BETAC = -5.000
 STAB = 5.000 RUDDER = .000
 ELEVON = .000 DX = .000
 DY = .000 IORB = 6.000
 BETAO = -5.000 DPHI = .000

RUN NO. 85/ 0 RN/L = .00 GRADIENT INTERVAL = -5.00/ 5.00

MACH	DZ	CPCC	CPSB1	CPSB2	CPSB3	Q(PSF)	ALPHAC	BETAC	ALPHAO	BETAO	INCID
.598	48.500	-.01800	-.02900	-.01800	.10000	578.17000	2.69000	-4.96000	7.71000	-4.53000	5.30000
.598	49.680	-.01900	-.02800	-.01400	.10000	579.06000	2.69000	-4.96000	7.71000	-4.54000	5.30000
.599	50.870	-.01900	-.02500	-.01600	.09700	579.75000	2.69000	-4.96000	7.71000	-4.58000	5.31000
.598	51.460	-.02100	-.02700	-.01800	.10000	578.31000	2.69000	-4.96000	7.72000	-4.59000	5.32000
	GRADIENT	-.00039	.00027	.00027	-.00027	-.80533	.00415	.00546	.00705	.02732	.01121

LTV44-559(CA26) 747/1 ATY 06 S1 (CARRIER DATA)

(ZFE121) (24 MAR 76)

REFERENCE DATA

SREF = 5500.0000 SQ. FT. XMRP = 1339.9000 IN. XC
LREF = 327.7800 IN. YMRP = .0000 IN. YC
8REF = 2348.0400 IN. ZMRP = 190.7500 IN. ZC
SCALE = .0125

PARAMETRIC DATA

ALPHAC = 4.000 BETAC = .000
STAB = 5.000 RUDDER = .000
ELEVON = .000 DX = .000
DY = .000 IORB = 4.000
BETAO = .000 DPHI = .000

		RUN NO.	86/ 0	RN/L =	.00	GRADIENT INTERVAL =	-5.00/	5.00			
MACH	DZ	CPCC	CPSB1	CPSB2	CPSB3	Q(P5F)	ALPHAC	BETAC	ALPHA0	BETA0	INC10
.604	1.760	-.00700	-.01800	-.01700	.11300	593.13000	3.70000	.00000	7.20000	-.14000	3.50000
.604	2.360	-.00600	-.01900	-.01800	.11400	591.78000	3.70000	.00000	7.22000	-.16000	3.52000
.602	2.970	-.00500	-.01700	-.01500	.11500	589.18000	3.70000	.00000	7.21000	-.16000	3.52000
.602	3.760	-.00700	-.02000	-.01700	.11200	589.59000	3.71000	.00000	7.18000	-.10000	3.49000
.602	4.560	-.00300	-.01700	-.01500	.11400	587.96000	3.71000	.01000	7.19000	-.16000	3.50000
.602	5.470	-.00400	-.01600	-.01400	.11500	588.84000	3.71000	.00000	7.18000	-.13000	3.49000
.603	6.460	-.00500	-.01700	-.01500	.11300	590.13000	3.71000	.00000	7.21000	-.10000	3.53000
.603	7.460	-.00300	-.01600	-.01400	.11400	590.14000	3.71000	.00000	7.19000	-.11000	3.51000
.599	8.460	-.00700	-.02100	-.01800	.11200	583.12000	3.72000	.00000	7.20000	-.12000	3.52000
.603	9.460	-.00300	-.01500	-.01200	.11500	590.83000	3.72000	.00000	7.16000	-.09000	3.50000
.605	10.430	.00100	-.01200	-.00600	.11800	592.89000	3.73000	.00000	7.17000	-.10000	3.50000
.604	11.370	-.00600	-.01800	-.01600	.10900	591.58000	3.72000	.00000	7.16000	-.11000	3.50000
.604	12.310	-.01000	-.02000	-.01800	.10900	593.06000	3.73000	.00000	7.15000	-.15000	3.49000
.604	13.250	-.01200	-.01700	-.01300	.11100	592.30000	3.73000	.00000	7.13000	-.12000	3.47000
.604	14.180	-.01400	-.01700	-.01600	.10900	595.07000	3.73000	.00000	7.13000	-.12000	3.47000
.602	15.120	-.01300	-.02100	-.01600	.11100	591.18000	3.74000	.00000	7.13000	-.11000	3.48000
.601	16.060	-.00700	-.02100	-.01400	.11400	587.91000	3.74000	.00000	7.10000	-.14000	3.45000
.603	17.000	-.00300	-.02300	-.01600	.11200	588.48500	3.74000	.00000	7.14000	-.11000	3.49000
.603	17.940	.00000	-.01900	-.01400	.10900	588.99000	3.74000	.00000	7.11000	-.16000	3.46000
.602	18.880	.00000	-.01700	-.01300	.10900	586.96000	3.74000	.00000	7.11000	-.14000	3.48000
.602	19.810	-.00500	-.02000	-.01200	.11100	584.93000	3.74000	.00000	7.09000	-.13000	3.46000
.603	20.750	-.01000	-.02200	-.01400	.10700	568.88000	3.74000	.00000	7.12000	-.12000	3.50000
.604	21.680	-.01300	-.02100	-.01500	.10700	590.97000	3.74000	.00000	7.10000	-.11000	3.48000
.604	22.620	-.01200	-.01600	-.00900	.10900	592.19000	3.75000	.00000	7.09000	-.14000	3.47000
.603	23.560	-.01100	-.01800	-.01100	.11000	590.83000	3.75000	.00000	7.09000	-.13000	3.47000
.604	24.500	-.01100	-.02100	-.01200	.10800	591.23000	3.75000	.00000	7.08000	-.10000	3.47000
.602	25.440	-.00400	-.01500	-.01000	.10900	587.98000	3.75000	.00000	7.08000	-.13000	3.45000
.604	26.380	-.00800	-.01900	-.01300	.10600	592.05000	3.75000	.00000	7.05000	-.14000	3.45000
.604	27.310	-.01100	-.01600	-.01100	.10700	591.90000	3.75000	.00000	7.05000	-.14000	3.45000
.604	28.250	-.00700	-.01700	-.01200	.10800	592.92000	3.75000	.00000	7.03000	-.17000	3.44000
.604	29.190	-.00700	-.01900	-.01300	.10600	592.45000	3.75000	.00000	7.03000	-.16000	3.44000
.604	30.130	-.01100	-.01900	-.01200	.10400	591.91000	3.76000	.00000	7.03000	-.16000	3.44000
.603	31.060	-.01300	-.02100	-.01100	.10500	591.08000	3.76000	.00000	7.01000	-.15000	3.43000
.604	32.000	-.01400	-.02100	-.01500	.10400	594.07000	3.76000	.00000	7.00000	-.14000	3.42000
.604	32.940	-.01500	-.01900	-.01100	.10500	594.06000	3.76000	.00000	7.00000	-.18000	3.43000
.604	33.880	-.01500	-.02000	-.01200	.10500	594.32000	3.76000	.00000	6.99000	-.15000	3.43000
.602	34.820	-.00500	-.01700	-.01200	.10800	589.77000	3.76000	.00000	7.02000	-.12000	3.46000
.602	35.760	.00000	-.01700	-.01000	.10800	587.62000	3.76000	.00000	7.02000	-.12000	3.46000
.603	36.700	-.00500	-.01900	-.01000	.10500	590.21000	3.76000	.00000	6.99000	-.14000	3.44000
.603	37.630	-.00400	-.01700	-.01000	.10500	589.20000	3.76000	.00000	7.00000	-.12000	3.45000
.602	38.570	-.01000	-.02300	-.01600	.09900	587.69000	3.76000	.00000	6.97000	-.16000	3.43000
.603	39.510	-.00400	-.01700	-.01000	.10500	588.73000	3.76000	.00000	6.99000	-.10000	3.46000

LTV44-559(CA26) 747/1 ATY 06 S1 (CARRIER DATA)

(ZFE121) (24 MAR 76)

REFERENCE DATA

SREF = 5500.0000 SQ.FT. XMRP = 1339.9000 IN. XC
 LREF = 327.7800 IN. YMRP = .0000 IN. YC
 BREF = 2348.0400 IN. ZMRP = 190.7500 IN. ZC
 SCALE = .0125

PARAMETRIC DATA

ALPHAC = 4.000 BETAC = .000
 STAB = 5.000 RUDDER = .000
 ELEVON = .000 DX = .000
 DY = .000 IORB = 4.000
 BETAO = .000 DPHI = .000

RUM NO. 86/ 0 RN/L = .00 GRADIENT INTERVAL = -5.00/ 5.00

MACH	DZ	CPCC	CPSB1	CPSB2	CPSB3	Q(PSF)	ALPHAC	BETAC	ALPHA0	BETA0	INCID
.603	40.450	-.00400	-.01700	-.00900	.10700	588.73000	3.76000	.00000	6.97000	-.14000	3.44000
.604	41.380	-.00500	-.01600	-.01000	.10500	590.09000	3.76000	.00000	6.98000	-.15000	3.45000
.603	42.320	-.01000	-.01900	-.01100	.10500	589.94000	3.76000	.00000	6.94000	-.15000	3.42000
.604	42.790	-.01000	-.02000	-.01100	.10100	592.19000	3.77000	.00000	6.94000	-.15000	3.42000
	GRADIENT	.00101	.00015	.00070	-.00003	-1.75085	.00438	.00300	-.00891	.00289	-.00476

LTV44-559(CA26) 747/1 ATY 06 S1 (CARRIER DATA)

(ZFE122) (24 MAR 76)

REFERENCE DATA

SREF = 5500.0000 SQ.FT. XMRP = 1339.9000 IN. XC
 LREF = 327.7800 IN. YMRP = .0000 IN. YC
 BREF = 2348.0400 IN. ZMRP = 190.7500 IN. ZC
 SCALE = .0125

PARAMETRIC DATA

ALPHAC = 4.000 BETAC = .000
 STAB = 5.000 RUDDER = .000
 ELEVON = .000 DX = .000
 DY = .000 IORB = 6.000
 BETAO = .000 DPHI = .000

RUN NO. 1086 / 0 RN/L = .00 GRADIENT INTERVAL = -5.00 / 5.00

MACH	DZ	CPCC	CPSB1	CPSB2	CPSB3	Q(PSF)	ALPHAC	BETAC	ALPHA0	BETA0	INCID
.602	1.480	-.00400	-.01700	-.01100	.11400	586.64000	3.73000	.01000	9.01000	-.12000	5.28000
.604	1.770	-.00200	-.01800	-.00900	.11400	588.64000	3.73000	.01000	9.01000	-.13000	5.29000
.602	2.370	-.00500	-.01700	-.01200	.11200	585.63000	3.73000	.01000	9.01000	-.11000	5.28000
.603	2.970	-.00400	-.01600	-.01200	.11100	587.74000	3.73000	.01000	9.01000	-.12000	5.30000
.603	3.770	-.00300	-.01600	-.01200	.11100	587.66000	3.73000	.01000	9.00000	-.12000	5.29000
.600	4.570	-.00100	-.02000	-.01700	.11200	583.69000	3.73000	.00000	8.99000	-.13000	5.28000
.604	5.470	-.00900	-.01500	-.01100	.11300	594.32000	3.74000	.00000	8.97000	-.12000	5.27000
.603	6.480	-.01600	-.01200	-.00600	.11200	592.90000	3.74000	.00000	8.95000	-.15000	5.25000
.604	7.470	-.01100	-.01400	-.01100	.10800	591.72000	3.74000	.00000	8.98000	-.11000	5.28000
.601	8.470	-.00300	-.01800	-.01200	.11300	585.20000	3.74000	.00000	8.97000	-.13000	5.29000
.602	9.480	-.00400	-.01800	-.01200	.11400	586.22000	3.73000	.00000	8.96000	-.14000	5.28000
.603	10.630	-.00500	-.01700	-.01300	.11000	588.26000	3.74000	.00000	8.96000	-.12000	5.28000
.602	11.950	-.00500	-.01800	-.01000	.11300	586.49000	3.74000	.00000	8.95000	-.13000	5.27000
.605	13.270	-.00300	-.01800	-.01200	.11000	592.82000	3.74000	.00000	8.93000	-.11000	5.26000
.603	14.580	-.00400	-.01800	-.00900	.11500	587.25000	3.74000	.00000	8.90000	-.15000	5.24000
.603	15.900	-.00600	-.01500	-.00600	.11300	587.99000	3.74000	.00000	8.89000	-.16000	5.23000
.601	17.210	-.00500	-.01600	-.01100	.11200	584.45000	3.74000	.00000	8.90000	-.13000	5.26000
.603	18.530	-.00300	-.01800	-.01100	.10800	587.11000	3.75000	.00000	8.90000	-.11000	5.26000
.603	19.850	-.00100	-.01600	-.00500	.11100	588.14000	3.75000	.00000	8.87000	-.15000	5.23000
.603	21.160	.00000	-.01900	-.01200	.10700	589.21000	3.75000	.00000	8.85000	-.17000	5.22000
.601	22.470	-.00100	-.01900	-.01100	.11000	586.20000	3.75000	.00000	8.87000	-.12000	5.25000
.602	23.790	-.00400	-.01600	-.00500	.11200	588.71000	3.75000	.00000	8.82000	-.14000	5.21000
.602	25.110	-.00500	-.01900	-.01200	.10700	589.18000	3.75000	.00000	8.85000	-.12000	5.25000
.601	26.420	-.00300	-.01700	-.00700	.11100	587.14000	3.75000	.00000	8.84000	-.13000	5.24000
.604	27.740	-.00900	-.01800	-.00700	.10900	591.83000	3.76000	.00000	8.85000	-.13000	5.25000
.604	29.050	-.00900	-.01400	-.00800	.10400	591.57000	3.76000	.00000	8.81000	-.15000	5.22000
.605	30.370	-.00900	-.01600	-.00900	.10300	592.94000	3.76000	.00000	8.80000	-.16000	5.22000
.601	31.690	-.01000	-.01800	-.01100	.10200	586.47000	3.76000	.00000	8.81000	-.14000	5.24000
.604	33.000	-.00700	-.01500	-.00500	.10700	590.03000	3.76000	.00000	8.77000	-.12000	5.21000
.602	34.320	-.00700	-.01800	-.00700	.10800	586.49000	3.76000	.00000	8.79000	-.13000	5.23000
.600	35.640	-.00400	-.02000	-.01100	.10600	583.42000	3.76000	.00000	8.79000	-.13000	5.23000
.601	36.960	-.00300	-.02100	-.01100	.10700	583.96000	3.77000	.00000	8.77000	-.13000	5.21000
.602	38.270	-.00400	-.01600	-.00600	.10700	588.32000	3.76000	.00000	8.74000	-.16000	5.20000
.604	39.590	-.00500	-.01400	-.00500	.10600	591.44000	3.76000	.00000	8.73000	-.16000	5.20000
.602	40.900	-.00800	-.01800	-.01200	.10300	589.45000	3.77000	.00000	8.74000	-.15000	5.21000
.602	42.220	-.01000	-.01800	-.00700	.10800	588.99000	3.76000	.00000	8.73000	-.12000	5.21000
.603	43.540	-.01100	-.02000	-.01100	.10400	589.33000	3.77000	.00000	8.74000	-.13000	5.22000
.604	44.850	-.01000	-.02000	-.01200	.10100	590.90000	3.75000	.00000	8.71000	-.15000	5.21000
.603	46.170	-.01000	-.01800	-.00900	.10500	588.25000	3.76000	.00000	8.72000	-.12000	5.23000
.603	47.480	-.00700	-.01600	-.00600	.10600	588.80000	3.77000	.00000	8.69000	-.16000	5.19000
.605	48.800	-.00900	-.02200	-.01200	.10100	592.67000	3.77000	.00000	8.70000	-.13000	5.22000
	GRADIENT	.00064	-.00044	-.00187	-.00093	-.80052	.00000	-.00247	-.00627	-.00162	.00027

ORIGINAL PAGE IS
OF POOR QUALITY

LTV44-559(CA26) 747/1 ATY 06 S1 (CARRIER DATA)

(ZFE123) (24 MAR 76)

REFERENCE DATA

SREF = 5500.0000 SQ.FT. XMRP = 1339.9000 IN. XC
LREF = 327.7800 IN. YMRP = .0000 IN. YC
BREF = 2348.0400 IN. ZMRP = 190.7500 IN. ZC
SCALE = .0125

PARAMETRIC DATA

ALPHAC = 4.000 BETA0 = .000
STAB = 5.000 RUDDER = .000
ELEVON = .000 DX = .000
DY = .000 TORB = 8.000
BETA0 = .000 DPHI = .000

RUN NO. 87/ 0 RN/L = .0U GRADIENT INTERVAL = -5.00/ 5.00

Table with columns: MACH, DZ, CPCC, CPSB1, CPSB2, CPSB3, Q(PSF), ALPHAC, BETAC, ALPHAO, BETA0, INCID. Contains 40 rows of aerodynamic data points.

DATE 29 MAR 76

CA-26 FORCE SOURCE DATA TABULATION

PAGE 1339

LTV44-559(CA26) 747/1 ATY 05 S1 (CARRIER DATA)

(ZFE123) (24 MAR 76)

REFERENCE DATA

SREF = 5500.0000 SQ.FT. XMRP = 1339.9000 IN. XC
 LREF = 327.7800 IN. YMRP = .0000 IN. YC
 BREF = 2348.0400 IN. ZMRP = 190.7500 IN. ZC
 SCALE = .0125

PARAMETRIC DATA

ALPHAC = 4.000 BETAC = .000
 STAB = 5.000 RUDDER = .000
 ELEVON = .000 DX = .000
 DY = .000 TORB = 8.000
 BETAO = .000 DPHI = .000

RUN NO. 87/ 0 RN/L = .00 GRADIENT INTERVAL = -5.00/ 5.00

MACH	DZ	CPCC	CPSB1	CPSB2	CPSB3	Q(PSF)	ALPHAC	BETAC	ALPHAO	BETAO	INCID
.60	47.470	-.01600	-.02100	-.00800	.10600	589.45000	3.77000	.00000	10.45000	-.09000	6.96000
.602	48.630	-.01300	-.02400	-.01100	.10600	588.02000	3.77000	.00000	10.42000	-.11000	6.94000
.602	49.780	-.01000	-.02300	-.01200	.10200	588.85000	3.77000	.00000	10.42000	-.12000	6.93000
.602	50.930	-.00700	-.01800	-.00600	.10700	586.48000	3.77000	.00000	10.45000	-.08000	6.97000
.603	52.090	-.01000	-.02100	-.01200	.10100	589.54000	3.77000	.00000	10.43000	-.10000	6.96000
.602	53.250	-.01200	-.02300	-.01300	.10200	588.17000	3.77000	.00000	10.42000	-.10000	6.96000
.601	54.400	-.01300	-.02400	-.01000	.10500	585.25000	3.78000	.00000	10.40000	-.12000	6.94000
.602	55.550	-.01200	-.01900	-.00800	.10300	586.48000	3.77000	.01000	10.40000	-.13000	6.95000
	GRADIENT	.00100	.00003	.00085	.00015	.83041	.00000	.00000	.00174	-.00065	.00580

LTV44-559(CA26) 747/1 ATY 05 S1 (CARRIER DATA)

(ZF124) (24 MAR 76)

REFERENCE DATA

SREF = 5500.0000 SQ.FT. XMRP = 1339.9000 IN. XC
 LREF = 327.7800 IN. YMRP = .0000 IN. YC
 BREF = 2348.0400 IN. ZMRP = 190.7500 IN. ZC
 SCALE = .0125

PARAMETRIC DATA

ALPHAC = .000 BETAC = .000
 STAB = 5.000 RUDDER = .000
 ELEVON = .000 DX = .000
 DY = .000 IORB = 4.000
 BETAO = .000 DPH1 = .000

RUN NO. 88/ 0 RN/L = .00 GRADIENT INTERVAL = -5.00/ 5.00

MACH	DZ	CPCC	CPSB1	CPSB2	CPSB3	Q(PSF)	ALPHAC	BETAC	ALPHAO	BETAO	INCID
.600	1.760	-.01400	-.02700	-.02500	.11800	583.13000	-.04000	.00000	3.68000	-.07000	3.73000
.599	2.360	-.01700	-.02700	-.02400	.11600	581.56000	-.03000	.00000	3.69000	-.09000	3.74000
.601	2.970	-.01200	-.02200	-.02100	.11800	586.33000	-.04000	.00000	3.69000	-.09000	3.74000
.599	3.760	-.01200	-.02400	-.02200	.11700	582.99000	-.04000	.00000	3.68000	-.09000	3.74000
.598	4.560	-.01600	-.02700	-.02400	.11600	579.30000	-.03000	.00000	3.65000	-.12000	3.72000
.599	5.960	-.01100	-.01900	-.01500	.12100	582.38000	-.03000	.00000	3.68000	-.06000	3.75000
.598	7.970	-.01200	-.02600	-.02100	.12000	579.04000	-.02000	.00000	3.68000	-.09000	3.75000
.601	9.960	-.01200	-.02500	-.02200	.11400	583.97000	-.02000	.00000	3.67000	-.07000	3.75000
.603	11.050	-.01200	-.02500	-.02400	.11200	587.31000	-.02000	.00000	3.67000	-.06000	3.75000
.599	12.150	-.01400	-.02700	-.02300	.11700	579.95000	-.02000	.00000	3.66000	-.08000	3.76000
.601	13.230	-.01500	-.02400	-.02200	.11300	584.39000	-.02000	.00000	3.65000	-.11000	3.75000
.601	14.330	-.01800	-.02500	-.01700	.11700	583.77000	-.02000	.00000	3.62000	-.12000	3.73000
.598	15.410	-.01900	-.02900	-.02100	.11700	579.86000	-.01000	.00000	3.61000	-.11000	3.72000
.599	16.510	-.01900	-.02800	-.02300	.11100	582.03000	-.01000	.00000	3.61000	-.09000	3.73000
.601	17.590	-.01500	-.02400	-.02100	.11300	584.64000	-.01000	.00000	3.62000	-.09000	3.74000
.600	18.690	-.01200	-.02400	-.01500	.11800	582.61000	-.01000	.00000	3.61000	-.11000	3.74000
.599	19.780	-.01500	-.02700	-.02000	.11400	580.35000	-.01000	.00000	3.59000	-.13000	3.72000
.600	20.870	-.01600	-.02400	-.02000	.11100	583.62000	-.01000	.00000	3.61000	-.10000	3.74000
.601	21.950	-.01700	-.02400	-.01600	.11200	585.46000	.00000	.00000	3.61000	-.08000	3.74000
.600	23.040	-.01800	-.02900	-.02100	.11100	583.74000	.00000	.00000	3.58000	-.10000	3.72000
.599	24.130	-.01600	-.02600	-.02100	.11200	582.16000	.00000	.00000	3.56000	-.13000	3.70000
.599	25.230	-.01500	-.02500	-.02200	.10900	582.38000	.00000	.00000	3.60000	-.07000	3.75000
.598	26.310	-.01500	-.02800	-.01900	.11200	580.13000	.00000	.00000	3.56000	-.09000	3.72000
.601	27.410	-.01700	-.02800	-.01900	.11000	585.92000	.00000	.00000	3.56000	-.13000	3.73000
.602	28.490	-.01700	-.02400	-.01600	.11100	587.15000	.00000	.00000	3.55000	-.14000	3.73000
.598	29.590	-.01700	-.02500	-.02000	.11000	579.57000	.00000	.00000	3.57000	-.09000	3.75000
.598	30.670	-.01400	-.02800	-.02100	.10900	579.30000	.00000	.00000	3.57000	-.11000	3.75000
.600	31.770	-.01400	-.02600	-.01700	.11100	584.09000	.00000	.00000	3.57000	-.08000	3.76000
.601	32.860	-.01900	-.02500	-.01800	.10700	585.72000	.00000	.00000	3.53000	-.14000	3.73000
.599	33.950	-.01500	-.02700	-.02200	.10900	580.94000	.00000	.00000	3.52000	-.10000	3.72000
.600	35.040	-.01600	-.02400	-.01600	.10900	584.30000	.00000	.00000	3.51000	-.13000	3.71000
.595	36.130	-.01600	-.02900	-.02000	.11100	573.71000	.00000	.00000	3.53000	-.13000	3.75000
.599	37.220	-.01600	-.02600	-.02100	.10600	581.84000	.00000	.00000	3.48000	-.12000	3.70000
.598	38.310	-.01500	-.02900	-.02100	.10900	579.87000	.00000	.00000	3.51000	-.12000	3.73000
.601	39.400	-.01500	-.02600	-.01700	.10800	584.86000	.00000	.00000	3.52000	-.09000	3.75000
.599	40.490	-.01900	-.02800	-.02200	.10300	582.11000	.00000	.00000	3.49000	-.13000	3.72000
.599	41.580	-.01900	-.02700	-.02200	.10400	581.84000	.00000	.00000	3.47000	-.14000	3.71000
.599	42.670	-.01800	-.02900	-.02200	.10400	582.11000	.00000	.00000	3.49000	-.09000	3.74000
.602	43.760	-.01800	-.02700	-.01400	.10800	586.82000	.00000	.00000	3.49000	-.07000	3.74000
.602	44.850	-.01800	-.02400	-.01600	.10500	587.09000	.00000	.00000	3.49000	-.10000	3.74000
.600	45.940	-.01900	-.02600	-.01900	.10400	583.14000	.00000	.00000	3.46000	-.07000	3.72000
.599	47.030	-.01600	-.02900	-.02100	.10600	580.96000	.00000	.00000	3.46000	-.09000	3.73000

DATE 29 MAR 76

CA-26 FORCE SOURCE DATA TABULATION

PAGE 1341

LTV44-559(CA26) 747/1 ATY 06 S1 (CARRIER DATA)

(ZFE124) (24 MAR 76)

REFERENCE DATA

SREF = 5500.0000 SQ.FT. XMRP = 1339.9000 IN. XC
LREF = 327.7800 IN. YMRP = .0000 IN. YC
BREF = 2348.0400 IN. ZMRP = 190.7500 IN. ZC
SCALE = .0125

PARAMETRIC DATA

ALPHAC = .000 BETAC = .000
STAB = 5.000 RUDDER = .000
ELEVON = .000 DX = .000
DY = .000 LORB = 4.000
BETAO = .000 DPHI = .000

RUN NO. 88/ 0 RN/L = .00 GRADIENT INTERVAL = -5.00/ 5.00

MACH	DZ	CPCC	CPSB1	CPSB2	CPSB3	Q(PSF)	ALPHAC	BETAC	ALPHAO	BETAO	INCID
.600	48.120	-.01500	-.02600	-.01500	.10700	583.83000	.01000	.00000	3.44000	-.11000	3.71000
	GRADIENT	.00007	.00045	.00048	.00016	-1.01114	.00153	.00000	-.01070	-.01437	-.00332

LTV44-559(CA26) 747/1 ATY 06 S1 (CARRIER DATA)

(ZFE125) (24 MAR 76)

REFERENCE DATA

SREF = 5500.0000 SQ.FT. XMRP = 1339.9000 IN. XC
 LREF = 327.7800 IN. YMRP = .0000 IN. YC
 BREF = 2348.0400 IN. ZMRP = 190.7500 IN. ZC
 SCALE = .0125

PARAMETRIC DATA

ALPHAC = .000 BETAC = .000
 STAB = 5.000 RUDDER = .000
 ELEVEN = .000 DX = .000
 DY = .000 IORB = 6.000
 BETAO = .000 DPHI = .000

RUN NO. 1088/ 0 RN/L = .00 GRADIENT INTERVAL = -5.00/ 5.00

MACH	DZ	CPC	CPSB1	CPSB2	CPSB3	Q(P5F)	ALPHAC	BETAC	ALPHAO	BETAO	INCID
.604	1.480	-.01800	-.02600	-.01200	.11900	589.43000	.00000	.00000	5.48000	-.13000	5.49000
.600	1.770	-.00900	-.02100	-.01900	.11700	581.40000	.01000	.00000	5.53000	-.15000	5.53000
.598	2.370	-.01000	-.02300	-.01700	.12200	578.39000	.00000	.00000	5.50000	-.09000	5.51000
.598	2.970	-.01000	-.02300	-.02100	.11800	579.53000	.00000	.00000	5.51000	-.09000	5.52000
.599	3.770	-.01300	-.02500	-.02000	.11700	580.02000	.00000	.01000	5.51000	-.15000	5.52000
.601	4.570	-.01300	-.02000	-.01600	.11900	583.03000	.00000	.00000	5.47000	-.05000	5.49000
.601	5.970	-.01600	-.02500	-.01900	.11400	583.85000	.00000	.00000	5.49000	-.09000	5.51000
.599	7.970	-.01500	-.02300	-.01600	.11600	579.43000	.00000	.00000	5.50000	-.15000	5.55000
.600	9.970	-.01700	-.02600	-.02200	.11400	581.81000	.00000	.00000	5.45000	-.08000	5.51000
.601	11.350	-.01200	-.02500	-.01500	.11600	581.29000	.00000	.00000	5.47000	-.13000	5.53000
.600	12.730	-.01300	-.02100	-.01800	.11300	581.15000	.00000	.00000	5.44000	-.08000	5.52000
.598	14.110	-.01400	-.02300	-.02100	.11200	577.11000	.00000	.00000	5.47000	-.14000	5.55000
.594	15.490	-.01300	-.02300	-.02100	.11400	570.40000	.00000	.00000	5.46000	-.14000	5.54000
.599	16.970	-.00900	-.02300	-.01700	.11800	579.14000	.00000	.00000	5.40000	-.07000	5.49000
.597	18.250	-.01700	-.02500	-.02000	.11300	577.66000	.00000	.00000	5.42000	-.14000	5.52000
.600	19.630	-.01300	-.02500	-.01300	.11100	583.16000	.00000	.00000	5.43000	-.13000	5.53000
.599	21.010	-.01200	-.02500	-.01400	.11400	581.04000	.00000	.00000	5.40000	-.08000	5.53000
.599	22.380	-.01400	-.02600	-.01500	.11000	581.45000	.00000	.00000	5.42000	-.14000	5.55000
.597	23.760	-.01600	-.02400	-.01900	.11000	577.76000	.00000	.00000	5.38000	-.08000	5.51000
.601	25.140	-.01000	-.02200	-.01200	.11300	584.04000	.00000	.00000	5.39000	-.11000	5.53000
.600	26.510	-.01500	-.02700	-.01400	.11000	584.36000	.00000	.00000	5.36000	-.14000	5.51000
.599	27.890	-.01900	-.02500	-.02000	.10900	582.25000	.00000	.00000	5.37000	-.06000	5.53000
.600	29.270	-.01600	-.02800	-.01600	.10700	583.62000	.00000	.00000	5.35000	-.14000	5.52000
.602	30.650	-.01000	-.02400	-.01400	.11000	585.54000	.00000	.00000	5.35000	-.16000	5.52000
.601	32.030	-.01400	-.02200	-.01800	.11100	583.83000	.00000	.00000	5.35000	-.08000	5.53000
.601	33.420	-.01200	-.02500	-.01400	.10800	584.72000	.00000	.00000	5.32000	-.12000	5.51000
.601	34.800	-.01300	-.02200	-.01500	.11100	583.50000	.01000	.00000	5.31000	-.13000	5.50000
.601	36.170	-.01000	-.02300	-.01600	.11000	584.72000	.01000	.00000	5.30000	-.13000	5.50000
.600	37.550	-.01000	-.02500	-.01600	.10900	583.07000	.01000	.00000	5.31000	-.06000	5.52000
.599	38.930	-.01700	-.02700	-.01800	.10500	581.62000	.01000	.00000	5.33000	-.11000	5.55000
.599	40.310	-.02000	-.02600	-.01900	.10400	581.90000	.01000	.00000	5.30000	-.14000	5.52000
.601	41.690	-.01500	-.02500	-.01600	.10700	584.98000	.00000	.00000	5.30000	-.09000	5.53000
.601	43.070	-.01400	-.02400	-.01500	.10700	585.26000	.00000	.00000	5.27000	-.09000	5.52000
.597	44.450	-.01800	-.02400	-.01800	.10500	577.47000	.01000	.00000	5.26000	-.14000	5.51000
.600	45.820	-.01400	-.02200	-.01400	.11000	583.42000	.00000	.00000	5.23000	-.07000	5.50000
.598	47.200	-.01400	-.02200	-.01600	.10900	579.40000	.01000	.00000	5.22000	-.09000	5.49000
.599	48.580	-.01400	-.02500	-.01600	.10500	581.50000	.01000	.00000	5.25000	-.13000	5.52000
.599	49.960	-.01500	-.02900	-.01700	.10300	581.82000	.00000	.00000	5.24000	-.07000	5.52000
.597	51.340	-.01600	-.02900	-.01600	.10300	579.16000	.00000	.00000	5.22000	-.14000	5.51000
.600	52.730	-.01400	-.02600	-.01500	.10400	583.47000	.00000	.00000	5.21000	-.14000	5.50000
.598	54.110	-.01600	-.02900	-.01700	.10100	581.14000	.01000	.00000	5.19000	-.11000	5.52000
	GRADIENT	.00022	.00074	-.00089	-.00013	-1.14986	-.00148	.00134	-.00652	.01831	-.00257

LTV44-559(CA26) 747/1 ATY 06 S1 (CARRIER DATA)

(ZFE126) (24 MAR 76)

REFERENCE DATA

SREF = 5500.0000 SQ.FT. XMRP = 1339.9000 IN. XC
 LREF = 327.7800 IN. YMRP = .0000 IN. YC
 BREF = 2348.0400 IN. ZMRP = 190.7500 IN. ZC
 SCALE = .0125

PARAMETRIC DATA

ALPHAC = .000 BETAC = .000
 STAB = 5.000 RUDDER = .000
 ELEVON = .000 DX = .000
 DY = .000 IORB = 8.000
 BETAO = .000 DPH1 = .000

RUN NO. 89/ 0 RN/L = .00 GRADIENT INTERVAL = -5.00/ 5.00

MACH	OZ	CPCC	CP5B1	CP5B2	CP5B3	Q(PSF)	ALPHAC	BETAC	ALPHAO	BETAO	INCID
.599	1.760	-.01100	-.02700	-.01600	.11700	580.08000	.02000	.01000	7.31000	-.10000	7.30000
.600	2.360	-.00800	-.02100	-.00900	.12000	582.07000	.02000	.00000	7.27000	-.11000	7.25000
.600	2.970	-.01300	-.02600	-.01200	.11600	583.48000	.03000	.01000	7.32000	-.11000	7.30000
.600	3.960	-.01300	-.02700	-.01600	.11400	582.79000	.04000	.01000	7.32000	-.11000	7.30000
.599	4.960	-.01000	-.02600	-.01500	.11500	580.88000	.03000	.01000	7.29000	-.08000	7.28000
.598	6.210	-.01300	-.02800	-.01300	.11900	580.81000	.04000	.01000	7.28000	-.07000	7.27000
.598	7.460	-.00900	-.02200	-.01000	.12000	579.66000	.04000	.00000	7.26000	-.06000	7.26000
.600	8.710	-.01200	-.02700	-.01400	.11400	583.26000	.03000	.00000	7.26000	-.08000	7.27000
.598	9.960	-.01200	-.02500	-.01500	.11600	579.94000	.03000	.00000	7.27000	-.08000	7.29000
.599	11.290	-.00900	-.02300	-.01200	.11500	580.90000	.02000	.00000	7.24000	-.06000	7.28000
.600	12.600	-.01400	-.03000	-.01700	.11100	582.45000	.02000	.00000	7.23000	-.11000	7.28000
.599	13.920	-.00900	-.02300	-.01400	.11600	580.22000	.02000	.00000	7.25000	-.07000	7.30000
.599	15.240	-.00700	-.02300	-.01600	.11400	580.56000	.02000	.00000	7.25000	-.10000	7.32000
.599	16.570	-.01200	-.02700	-.01700	.11100	580.55000	.01000	.00000	7.25000	-.14000	7.33000
.600	17.890	-.01500	-.03000	-.01800	.11000	583.00000	.01000	.00000	7.23000	-.08000	7.31000
.600	19.210	-.01500	-.03000	-.01800	.11100	583.28000	.02000	.00000	7.22000	-.08000	7.30000
.601	20.530	-.01500	-.02900	-.01800	.11100	584.30000	.02000	.00000	7.22000	-.13000	7.32000
.601	21.840	-.01500	-.02900	-.01800	.11100	583.76000	.02000	.00000	7.21000	-.13000	7.32000
.600	23.160	-.01200	-.02500	-.01500	.11300	581.75000	.01000	.00000	7.19000	-.08000	7.31000
.600	24.480	-.01400	-.02700	-.01600	.11100	583.08000	.01000	.00000	7.20000	-.12000	7.33000
.600	25.800	-.01300	-.02800	-.01600	.10900	581.58000	.01000	.00000	7.18000	-.08000	7.31000
.600	27.130	-.01400	-.02800	-.01600	.10900	582.13000	.01000	.00000	7.19000	-.13000	7.33000
.600	28.450	-.01700	-.03000	-.01700	.10700	582.73000	.01000	.00000	7.15000	-.10000	7.31000
.599	29.770	-.01700	-.02900	-.01700	.10900	581.37000	.01000	.00000	7.17000	-.11000	7.34000
.599	31.080	-.01300	-.02700	-.01800	.10800	581.38000	.01000	.00000	7.13000	-.11000	7.30000
.598	32.410	-.01300	-.02700	-.01800	.10800	579.12000	.01000	.00000	7.14000	-.08000	7.31000
.602	33.730	-.01300	-.02800	-.01700	.10600	587.03000	.02000	.00000	7.15000	-.12000	7.32000
.602	35.050	-.01500	-.02700	-.01700	.10600	587.38000	.01000	.00000	7.11000	-.09000	7.30000
.599	36.370	-.01500	-.02900	-.01700	.10700	580.69000	.02000	.00000	7.12000	-.09000	7.32000
.598	37.690	-.01700	-.03100	-.01700	.10700	579.32000	.01000	.00000	7.09000	-.14000	7.2 000
.599	39.010	-.01500	-.03000	-.01800	.10500	580.55000	.01000	.00000	7.09000	-.14000	7.31000
.598	40.330	-.01600	-.02900	-.01800	.10400	580.21000	.01000	.00000	7.10000	-.15000	7.33000
.599	41.650	-.01700	-.03100	-.01800	.10500	582.04000	.02000	.00000	7.08000	-.16000	7.31000
.599	42.970	-.01700	-.03200	-.01800	.10700	582.31000	.01000	.00000	7.07000	-.13000	7.31000
.600	44.290	-.01400	-.02800	-.01900	.10700	583.27000	.01000	.00000	7.07000	-.07000	7.32000
.599	45.620	-.01300	-.02600	-.01800	.10600	581.31000	.01000	.00000	7.06000	-.08000	7.31000
.600	46.940	-.01600	-.02700	-.02000	.10400	581.72000	.01000	.00000	7.06000	-.15000	7.32000
.600	48.260	-.01600	-.02700	-.01900	.10400	581.86000	.02000	.00000	7.05000	-.15000	7.32000
.598	49.570	-.01400	-.02600	-.01800	.10500	578.52000	.01000	.00000	7.06000	-.12000	7.33000
.601	50.900	-.01800	-.02800	-.01900	.10200	583.50000	.01000	.00000	7.01000	-.12000	7.29000
.601	52.220	-.02100	-.03400	-.01800	.10100	584.44000	.01000	.00000	7.04000	-.10000	7.33000
.601	53.540	-.02000	-.03400	-.02100	.10300	583.96000	.01000	.00000	7.03000	-.11000	7.33000

ORIGINAL PAGE IS OF POOR QUALITY

LTV44-559(CA26) 747/1 ATY 06 S1 (CARRIER DATA)

(ZFE126) (24 MAR 76)

REFERENCE DATA

SREF = 5500.0000 SQ.FT. XMRP = 1339.9000 IN. XC
 LREF = 327.7800 IN. YMRP = .0000 IN. YC
 BREF = 2348.0400 IN. ZMRP = 190.7500 IN. ZC
 SCALE = .0125

PARAMETRIC DATA

ALPHAC = .000 BETAC = .000
 STAB = 5.000 RUDDER = .000
 ELEVON = .000 DX = .000
 DY = .000 TORB = 8.000
 BETA0 = .000 DPHI = .000

RUN NO. B9/ 0 RN/L = .00 GRADIENT INTERVAL = -5.00/ 5.00

MACH	DZ	CPC	CPSB1	CPSB2	CPSB3	Q(P SF)	ALPHAC	BETAC	ALPHA0	BETA0	INCID
.600	54.860	-.01600	-.02900	-.02100	.10400	583.02000	.01000	.00000	7.03000	-.10000	7.34000
.599	56.180	-.01600	-.02700	-.01900	.10500	579.68000	.01000	.00000	6.95000	-.12000	7.30000
.599	57.500	-.02300	-.03400	-.02100	.10100	560.55000	.01000	.00000	6.97000	-.12000	7.29000
.599	58.820	-.02300	-.03600	-.02200	.10100	561.57000	.01000	.00000	6.98000	-.15000	7.32000
.599	60.140	-.02100	-.03300	-.01900	.10400	580.89000	.01000	.00000	6.98000	-.12000	7.32000
.599	61.460	-.02100	-.03500	-.02400	.10000	582.66000	.01000	.00000	6.95000	-.12000	7.30000
	GRADIENT	-.00020	-.00054	-.00078	-.00124	.15313	.00467	.00129	.00058	.00589	.00107

LTV44-559(CA26) 747/1 ATY 06 S1 (CARRIER DATA)

(ZFE127) (24 MAR 76)

REFERENCE DATA

SREF = 5500.0000 SQ.FT. XMRP = 1339.9000 IN. XC
 LREF = 327.7800 IN. YMRP = .0000 IN. YC
 BREF = 2348.0400 IN. ZMRP = 190.7500 IN. ZC
 SCALE = .0125

PARAMETRIC DATA

ALPHAC = 2.000 BETAC = .000
 STAB = 5.000 RUDDER = .000
 ELEVON = .000 DX = .000
 DY = .000 IORB = 6.000
 BETAO = .000 DPHI = 7.500

RUN NO. 90/ 0 RN/L = .00 GRADIENT INTERVAL = -5.00/ 5.00

MACH	OZ	CPCC	CPSB1	CPSB2	CPSB3	Q(PSF)	ALPHAC	BETAC	ALPHAO	BETAO	INC10
.606	1.760	.00100	-.01400	-.00500	.11800	595.60000	2.67000	.00000	8.00000	-.01000	5.34000
.605	2.360	-.00200	-.02000	-.01100	.11300	592.27000	2.67000	.00000	7.98000	.00000	5.32000
.604	2.970	-.00900	-.02000	-.01000	.11200	593.19000	2.67000	.00000	7.98000	-.02000	5.32000
.606	3.760	-.00400	-.01600	-.00600	.11800	597.34000	2.67000	.00000	8.00000	-.01000	5.35000
.604	4.560	-.00100	-.01800	-.01000	.11600	591.90000	2.67000	.00000	7.96000	-.01000	5.32000
.604	5.470	-.00100	-.01800	-.01000	.11600	591.50000	2.67000	.00000	7.99000	.00000	5.35000
.606	6.460	.00000	-.01900	-.01000	.11500	594.78000	2.67000	.00000	7.96000	-.02000	5.33000
.605	7.460	.00000	-.01600	-.00700	.11500	592.80000	2.67000	.00000	7.95000	.00000	5.32000
.605	8.460	-.00700	-.02200	-.01200	.11200	593.47000	2.67000	.00000	7.98000	-.01000	5.35000
.605	9.460	-.00500	-.01900	-.01100	.11400	593.34000	2.67000	.00000	7.97000	.00000	5.34000
.605	10.560	-.00100	-.01700	-.00900	.11600	593.28000	2.67000	.00000	7.94000	.00000	5.32000
.605	11.740	-.00400	-.02100	-.01000	.11400	592.74000	2.68000	.00000	7.94000	.00000	5.33000
.605	12.930	-.00100	-.01900	-.01000	.11200	592.95000	2.67000	.00000	7.93000	-.01000	5.33000
.605	14.110	-.01000	-.02100	-.01200	.10900	593.61000	2.67000	.00000	7.91000	-.01000	5.32000
.604	15.300	-.00900	-.01900	-.01000	.11200	592.79000	2.68000	.00000	7.93000	.00000	5.34000
.605	16.490	-.00200	-.01700	-.00700	.11500	593.41000	2.67000	.00000	7.92000	.01000	5.34000
.602	17.670	-.00400	-.02300	-.01300	.11100	587.09000	2.68000	.00000	7.89000	-.01000	5.32000
.604	18.860	-.00600	-.02300	-.01200	.10800	591.85000	2.68000	.00000	7.89000	-.01000	5.32000
.605	20.040	-.00400	-.01800	-.00800	.10900	593.82000	2.68000	.00000	7.88000	.00000	5.32000
.605	21.230	-.00600	-.01800	-.00900	.10900	594.90000	2.68000	.00000	7.90000	.01000	5.34000
.605	22.410	-.00500	-.02000	-.01000	.11000	593.95000	2.68000	.00000	7.87000	-.01000	5.32000
.604	23.600	-.00400	-.02000	-.01100	.10800	591.44000	2.68000	.00000	7.86000	-.01000	5.34000
.606	24.780	-.00500	-.02200	-.01100	.10900	595.73000	2.68000	.00000	7.86000	.02000	5.32000
.605	25.970	-.00400	-.02200	-.00900	.10900	592.61000	2.68000	.00000	7.83000	.01000	5.30000
.604	27.150	-.00200	-.02000	-.00900	.10700	591.05000	2.68000	.00000	7.86000	-.01000	5.34000
.606	28.340	-.00500	-.01900	-.00700	.10600	594.79000	2.68000	.00000	7.84000	-.02000	5.33000
.605	29.520	-.00400	-.01800	-.00800	.10700	592.34000	2.68000	.00000	7.84000	-.02000	5.33000
.607	30.710	-.00800	-.02100	-.00900	.10600	596.75000	2.68000	.00000	7.81000	-.01000	5.31000
.606	31.900	-.01000	-.02300	-.01000	.10400	594.71000	2.68000	.00000	7.81000	-.02000	5.31000
.605	33.080	-.00700	-.02100	-.01000	.10500	592.74000	2.68000	.00000	7.82000	-.02000	5.33000
.608	34.270	-.00400	-.02000	-.01000	.10400	598.31000	2.68000	.00000	7.81000	.00000	5.32000
.607	35.450	-.00400	-.02000	-.00800	.10400	597.84000	2.68000	.00000	7.78000	.00000	5.30000
.606	36.640	-.00800	-.02300	-.00900	.10600	594.64000	2.68000	.00000	7.77000	-.01000	5.30000
.605	37.820	-.01000	-.02400	-.01000	.10400	593.89000	2.69000	.00000	7.79000	.00000	5.31000
.605	39.010	-.01200	-.01900	-.00700	.10200	593.47000	2.69000	.00000	7.77000	.00000	5.31000
.606	40.200	-.01400	-.02300	-.00900	.09900	596.31000	2.69000	.00000	7.76000	-.02000	5.31000
.606	41.380	-.00900	-.02400	-.01000	.10300	596.18000	2.69000	.00000	7.76000	-.01000	5.31000
.605	42.570	-.00700	-.02200	-.01000	.10200	595.24000	2.69000	.00000	7.75000	.00000	5.31000
.605	43.750	-.00800	-.02000	-.01000	.10200	595.30000	2.69000	.00000	7.74000	-.01000	5.31000
.603	44.940	-.01200	-.02500	-.01100	.10300	591.62000	2.69000	.00000	7.72000	.00000	5.29000
.604	46.130	-.00700	-.02200	-.01000	.10300	593.06000	2.69000	.00000	7.73000	-.01000	5.31000
.603	47.310	-.00500	-.02600	-.01200	.10500	588.86000	2.69000	.00000	7.70000	-.01000	5.28000

LTV44-559(CA26) 747/1 ATY 06 S1 (CARRIER DATA)

(ZFE127) (24 MAR 76)

REFERENCE DATA

SREF =	5500.0000	SQ.FT.	XMRP =	1339.9000	IN.	XC
LREF =	327.7800	IN.	YMRP =	.0000	IN.	YC
BREF =	2348.0400	IN.	ZMRP =	190.7500	IN.	ZC
SCALE =	.0125					

PARAMETRIC DATA

ALPHAC =	2.000	BETAC =	.000
STAB =	5.000	RUDDER =	.000
ELEVON =	.000	DX =	.000
DY =	.000	IORB =	6.000
BETA0 =	.000	DPHI =	7.500

RUN NO. 90/ 0 RN/L = .00 GRADIENT INTERVAL = -5.00/ 5.00

MACH	DZ	CPCC	CPSB1	CPSB2	CPSB3	Q(PSF)	ALPHAC	BETAC	ALPHA0	BETA0	INC10
.603	48.500	-.00400	-.02400	-.01300	.10400	589.21000	2.69000	.00000	7.69000	.00000	5.28000
.606	49.680	-.00500	-.02200	-.00600	.10500	593.17000	2.69000	.00000	7.72000	-.02000	5.33000
.604	50.870	-.00900	-.02300	-.00900	.10300	591.66000	2.69000	.00000	7.70000	-.02000	5.31000
.604	51.460	-.00800	-.02400	-.01200	.10100	590.64000	2.69000	.00000	7.68000	.00000	5.29000
	GRADIENT	-.00062	-.00046	-.00064	.00027	-.32782	.00000	.00000	-.00862	-.00124	-.00124

LTV44-559(CA26) 747/1 ATY 02 S1 (CARRIER DATA)

(ZFE128) (24 MAR 76)

REFERENCE DATA

SREF = 5500.0000 SQ.FT. XMRP = 1339.9000 IN. XC
 LREF = 327.7800 IN. YMRP = .0000 IN. YC
 BREF = 2348.0400 IN. ZMRP = 190.7500 IN. ZC
 SCALE = .0125

PARAMETRIC DATA

ALPHAC = 2.000 BETAC = .000
 STAB = 5.000 ELEVON = 5.000
 RUDDER = .000 DX = .000
 DY = .000 IORB = 6.000
 BETAO = .000 DPHI = 7.500

RUN NO. 91/ 0 RN/L = .00 GRADIENT INTERVAL = -5.00/ 5.00

MACH	DZ	CPCC	CPSB1	CPSB2	CPSB3	Q(PSF)	ALPHAC	BETAC	ALPHAO	BETAO	INCID
.605	1.760	-.00500	-.01800	-.01100	.11500	595.05000	2.70000	.00000	7.87000	.00000	5.18000
.605	2.360	-.00900	-.02000	-.01400	.11300	595.50000	2.69000	.00000	7.85000	.03000	5.17000
.605	2.970	-.00700	-.02100	-.01100	.11500	593.75000	2.70000	.00000	7.86000	.06000	5.18000
.605	3.760	-.00600	-.02500	-.01500	.11400	594.50000	2.70000	.00000	7.84000	.04000	5.16000
.606	4.560	-.00200	-.01800	-.01000	.11600	595.05000	2.70000	.00000	7.87000	.02000	5.20000
.606	5.470	-.00800	-.02100	-.01200	.11400	596.07000	2.70000	.00000	7.84000	.08000	5.17000
.607	6.460	-.00600	-.01800	-.01000	.11200	598.51000	2.70000	.00000	7.85000	.05000	5.18000
.609	7.460	-.00900	-.02000	-.01400	.10800	602.91000	2.69000	.01000	7.85000	.00000	5.20000
.607	8.460	-.01100	-.02100	-.01100	.11400	597.89000	2.70000	.01000	7.82000	.04000	5.17000
.606	9.460	-.01000	-.02300	-.01500	.11200	597.81000	2.69000	.01000	7.84000	.00000	5.20000
.607	10.560	-.00600	-.02100	-.01000	.11200	596.75000	2.69000	.01000	7.82000	.00000	5.19000
.606	11.740	-.00500	-.02000	-.01100	.11300	595.12000	2.69000	.01000	7.81000	.05000	5.18000
.606	12.930	-.00700	-.02200	-.01400	.11200	596.00000	2.69000	.01000	7.78000	.09000	5.16000
.605	14.110	-.01200	-.02800	-.02000	.10500	595.31000	2.69000	.01000	7.80000	.01000	5.18000
.606	15.300	-.01000	-.02300	-.01300	.11000	595.86000	2.69000	.01000	7.79000	.01000	5.19000
.608	16.490	-.00700	-.02300	-.01500	.10600	599.59000	2.69000	.01000	7.79000	.01000	5.20000
.607	17.670	-.00400	-.01600	-.01000	.11100	596.95000	2.69000	.00000	7.74000	.07000	5.15000
.606	18.860	-.00600	-.02100	-.01300	.10800	596.68000	2.68000	.00000	7.75000	.04000	5.17000
.607	20.040	-.00900	-.02400	-.01400	.10700	598.31000	2.68000	.00000	7.73000	.05000	5.16000
.607	21.230	-.00600	-.01900	-.01100	.10600	597.63000	2.68000	.00000	7.73000	.05000	5.16000
.606	22.410	-.00600	-.01900	-.00900	.11000	595.39000	2.68000	.00000	7.74000	.00000	5.19000
.607	23.600	-.00500	-.01800	-.00900	.10900	596.95000	2.68000	.00000	7.73000	-.01000	5.19000
.606	24.780	-.00600	-.01700	-.00800	.10900	595.59000	2.69000	.00000	7.72000	-.01000	5.18000
.604	25.970	-.00700	-.02100	-.01100	.11000	592.46000	2.69000	.00000	7.69000	.04000	5.15000
.606	27.150	-.00600	-.02400	-.01300	.10600	596.28000	2.68000	.00000	7.72000	-.02000	5.19000
.606	28.340	.00200	-.01700	-.00800	.10900	595.41000	2.68000	.00000	7.69000	.04000	5.17000
.606	29.520	-.00500	-.01700	-.00900	.10700	595.74000	2.68000	.00000	7.67000	.04000	5.16000
.606	30.710	-.00600	-.01700	-.01000	.10700	594.99000	2.69000	.00000	7.68000	.01000	5.17000
.607	31.900	-.00800	-.01900	-.01200	.10400	597.70000	2.69000	.00000	7.66000	.04000	5.15000
.607	33.080	-.01000	-.01700	-.00800	.10600	597.48000	2.68000	.00000	7.65000	.02000	5.16000
.606	34.270	-.01100	-.02200	-.01400	.10300	597.75000	2.69000	.00000	7.62000	.01000	5.13000
.604	35.450	-.00800	-.02000	-.01000	.10800	592.04000	2.68000	.00000	7.65000	-.03000	5.17000
.607	36.640	-.00300	-.01900	-.01000	.10600	598.44000	2.68000	.00000	7.64000	-.03000	5.17000
.607	37.820	-.00600	-.02000	-.01000	.10500	597.83000	2.68000	.00000	7.63000	.00000	5.16000
.636	39.010	-.00600	-.01800	-.00800	.10500	596.13000	2.68000	.00000	7.61000	.04000	5.15000
.608	40.200	-.01200	-.02200	-.01200	.10200	601.15000	2.68000	.00000	7.61000	-.02000	5.16000
.608	41.380	-.01700	-.02100	-.01100	.10100	602.15000	2.69000	.00000	7.59000	.00000	5.15000
.607	42.570	-.01000	-.02200	-.01200	.10500	599.51000	2.68000	.00000	7.57000	.03000	5.13000
.606	43.750	-.00300	-.02000	-.01200	.10700	596.12000	2.69000	.00000	7.57000	.03000	5.14000
.606	44.940	-.00200	-.01800	-.01100	.10700	596.67000	2.69000	.00000	7.59000	.00000	5.17000
.606	46.130	-.00600	-.02100	-.01200	.10400	595.99000	2.68000	.00000	7.58000	.01000	5.17000
.607	47.310	-.01000	-.02200	-.01200	.10500	597.49000	2.69000	.00000	7.58000	.04000	5.17000

LTV44-559(CA26) 747/1 ATY C2 S1 (CARRIER DATA)

(ZFE12B) (24 MAR 76)

REFERENCE DATA

SREF = 5500.0000 SQ.FT. XMRP = 1339.9000 IN. XC
 LREF = 327.7800 IN. YMRP = .0000 IN. YC
 BREF = 2348.0400 IN. ZMRP = 190.7500 IN. ZC
 SCALE = .0125

PARAMETRIC DATA

ALPHAC = 2.000 BETAC = .000
 STAB = 5.000 ELEVON = 5.000
 RUDDER = .000 OX = .000
 DY = .000 TORB = 6.000
 BETAO = .000 DPHI = 7.500

RUN NO. 91/ 0 RN/L = .00 GRADIENT INTERVAL = -5.00/ 5.00

MACH	DZ	CPCC	CPSB1	CPSB2	CPSB3	Q(PSF)	ALPHAC	BETAC	ALPHAO	BETAO	INC1D
.606	48.500	-.01200	-.02200	-.01300	.10100	597.68000	2.69000	.00000	7.57000	.00000	5.17000
.606	49.680	-.00900	-.02300	-.01300	.10400	597.28000	2.69000	.00000	7.56000	.02000	5.16000
.606	50.870	-.00700	-.02200	-.01300	.10400	596.74000	2.68000	.00000	7.56000	.01000	5.17000
.606	51.460	-.01100	-.02200	-.01300	.10200	597.61000	2.68000	.00000	7.53000	-.03000	5.15000
	GRADIENT	.00139	-.00060	.00019	.00046	-.38048	.00147	.00000	-.00097	.00575	.00471

LTV44-559(CA26) 747/1 ATY 02 S1 (CARRIER DATA)

(ZFE129) (24 MAR 76)

REFERENCE DATA

SREF = 5500.0000 SQ.FT. XMRP = 1339.9000 IN. XC
LREF = 327.7800 IN. YMRP = .0000 IN. YC
BREF = 2348.0400 IN. ZMRP = 190.7500 IN. ZC
SCALE = .0125

PARAMETRIC DATA

ALPHAC = 2.000 BETAC = .000
STAB = 5.000 ELEVON = 5.000
RUDDER = .000 DX = .000
DY = .000 IORB = 6.000
BETAO = 5.000 OPHI = 7.500

RUN NO. 92/ 0 RN/L = .00 GRADIENT INTERVAL = -5.00/ 5.00

MACH	DZ	CPC	CPSB1	CPSB2	CPSB3	Q(PFSF)	ALPHAC	BETAC	ALPHAO	BETAO	INCID
.604	1.760	-.00400	-.01900	-.01300	.11400	590.17000	2.70000	.01000	7.96000	4.42000	5.27000
.604	2.360	-.00400	-.01800	-.01000	.11700	589.23000	2.70000	.01000	7.97000	4.36000	5.28000
.605	2.970	-.00800	-.02300	-.01200	.11600	590.67000	2.69000	.01000	7.96000	4.39000	5.27000
.605	3.760	-.00600	-.02000	-.01200	.11300	591.96000	2.69000	.01000	7.93000	4.45000	5.25000
.604	4.560	-.00700	-.01900	-.01100	.11600	588.56000	2.70000	.02000	7.94000	4.40000	5.27000
.603	5.470	-.00900	-.02100	-.01300	.11400	588.08000	2.69000	.02000	7.94000	4.42000	5.27000
.605	6.460	-.00700	-.02000	-.01100	.11800	591.01000	2.70000	.02000	7.96000	4.47000	5.29000
.605	7.460	-.00600	-.01900	-.01200	.11400	591.14000	2.69000	.03000	7.94000	4.46000	5.29000
.605	8.460	-.00700	-.01800	-.00900	.11500	591.14000	2.70000	.03000	7.91000	4.45000	5.26000
.604	9.460	-.00900	-.02100	-.01000	.11500	589.64000	2.69000	.03000	7.92000	4.43000	5.27000
.604	10.560	-.00900	-.02000	-.01000	.11400	589.44000	2.69000	.03000	7.88000	4.46000	5.25000
.605	11.740	-.00500	-.01900	-.01200	.11200	592.43000	2.69000	.03000	7.91000	4.41000	5.29000
.602	12.930	-.01000	-.02000	-.01100	.11200	586.84000	2.69000	.02000	7.87000	4.42000	5.26000
.603	14.110	-.00900	-.02400	-.01300	.11300	587.52000	2.69000	.02000	7.86000	4.44000	5.25000
.605	15.300	-.00500	-.02000	-.01200	.11100	591.34000	2.68000	.02000	7.88000	4.41000	5.29000
.605	16.490	-.00300	-.01500	-.01200	.11100	591.07000	2.69000	.02000	7.86000	4.43000	5.27000
.605	17.670	-.00300	-.01600	-.01000	.11100	590.87000	2.68000	.01000	7.88000	4.42000	5.29000
.605	18.860	-.00900	-.01800	-.00700	.10900	591.00000	2.68000	.01000	7.85000	4.44000	5.27000
.605	20.040	-.00800	-.02100	-.01100	.10600	592.70000	2.68000	.01000	7.83000	4.40000	5.26000
.604	21.230	-.00600	-.01600	-.00700	.11300	589.92000	2.69000	.01000	7.82000	4.46000	5.25000
.605	22.410	-.00100	-.01800	-.01000	.11100	591.49000	2.68000	.00000	7.84000	4.38000	5.28000
.605	23.600	-.00300	-.02200	-.01200	.11000	591.49000	2.68000	.00000	7.79000	4.39000	5.25000
.605	24.780	-.00300	-.02200	-.01300	.10900	590.14000	2.68000	.00000	7.79000	4.37000	5.25000
.605	25.970	-.00600	-.02400	-.01200	.10900	589.12000	2.68000	.00000	7.78000	4.40000	5.25000
.606	27.150	-.00700	-.02000	-.01300	.10300	592.11000	2.68000	.00000	7.80000	4.37000	5.27000
.605	28.340	-.01200	-.02300	-.01100	.10500	590.88000	2.68000	.00000	7.76000	4.41000	5.24000
.604	29.520	-.01300	-.02000	-.00800	.10700	590.12000	2.68000	-.01000	7.77000	4.38000	5.26000
.606	30.710	-.01100	-.01900	-.01100	.10200	593.99000	2.68000	-.01000	7.75000	4.39000	5.25000
.605	31.900	-.01100	-.01900	-.01000	.10400	591.81000	2.69000	-.01000	7.77000	4.36000	5.27000
.605	33.080	-.00800	-.01700	-.00700	.10800	590.80000	2.69000	-.01000	7.76000	4.33000	5.26000
.605	34.270	-.00800	-.01600	-.00600	.10600	591.68000	2.69000	-.01000	7.76000	4.35000	5.27000
.604	35.450	-.01200	-.02200	-.01100	.10400	590.30000	2.68000	-.01000	7.72000	4.41000	5.24000
.605	36.640	-.00400	-.01700	-.00700	.10900	591.55000	2.68000	-.01000	7.72000	4.35000	5.25000
.604	37.820	-.00300	-.01700	-.00800	.10900	590.06000	2.68000	-.01000	7.74000	4.35000	5.28000
.604	39.010	-.00300	-.01800	-.00700	.11000	588.29000	2.68000	-.01000	7.71000	4.34000	5.26000
.606	40.200	-.00400	-.02100	-.01200	.10400	592.51000	2.69000	-.01000	7.67000	4.40000	5.22000
.605	41.380	-.00700	-.01700	-.00600	.10600	591.63000	2.68000	-.01000	7.69000	4.36000	5.25000
.605	42.570	-.00700	-.01700	-.00600	.10600	591.81000	2.68000	-.01000	7.66000	4.36000	5.23000
.605	43.750	-.01000	-.02400	-.00900	.10500	590.19000	2.69000	-.01000	7.66000	4.38000	5.22000
.605	44.940	-.00900	-.01800	-.00900	.10200	592.16000	2.69000	.00000	7.66000	4.39000	5.23000
.605	46.130	-.00700	-.01700	-.00700	.10700	591.22000	2.68000	.00000	7.65000	4.34000	5.24000
.607	47.310	-.00400	-.01800	-.00900	.10500	593.67000	2.68000	.00000	7.63000	4.40000	5.22000

ORIGINAL PAGE IS
OF POOR QUALITY

LTV44-559(CA26) 747/1 ATY 02 S1 (CARRIER DATA)

(ZFE129) (24 MAR 76)

REFERENCE DATA

SREF = 5500.0000 SQ.FT. XMRP = 1339.9000 IN. XC
 LREF = 327.7800 IN. YMRP = .0000 IN. YC
 BREF = 2348.0400 IN. ZMRP = 190.7500 IN. ZC
 SCALE = .0125

PARAMETRIC DATA

ALPHAC = 2.000 BETAC = .000
 STAB = 5.000 ELEVON = 5.000
 RUDDER = .000 DX = .000
 DY = .000 TORB = 6.000
 BETAO = 5.000 DPHI = 7.500

RUN NO. 92/ 0 RN/L = .00 GRADIENT INTERVAL = -5.00/ 5.00

MACH	OZ	CPCC	CPSB1	CPSB2	CPSB3	Q(PSF)	ALPHAC	BETAC	ALPHAO	BETAO	INC1D
.605	48.500	-.00400	-.01600	-.00600	.10700	590.41000	2.69000	.00000	7.64000	4.36000	5.24000
.606	49.680	-.00700	-.02200	-.01200	.10200	591.70000	2.68000	.00000	7.65000	4.40000	5.26000
.606	50.870	-.01000	-.02100	-.01200	.10000	592.51000	2.68000	.00000	7.65000	4.39000	5.26000
.604	51.460	-.01200	-.02300	-.01000	.10200	589.84000	2.69000	.00000	7.65000	4.35000	5.26000
	GRADIENT	-.00108	-.00019	.00028	-.00002	-.11029	-.00115	.00300	-.01160	.00761	-.00422

LTV44-559(CA26) 747/1 ATY 02 S1 (CARRIER DATA)

(ZFE130) (24 MAR 76)

REFERENCE DATA

SREF = 5500.0000 SQ.FT. XMRP = 1339.9000 IN. XC
 LREF = 327.7800 IN. YMRP = .0000 IN. YC
 BREF = 2348.0400 IN. ZMRP = 190.7500 IN. ZC
 SCALE = .0125

PARAMETRIC DATA

ALPHAC = 2.000 BETAC = -5.000
 STAB = 5.000 ELEVON = 5.000
 RUDDER = .000 DX = .000
 DY = .000 IORB = 6.000
 BETAO = .000 DPHI = 7.500

RUN NO. 93/ 0 RN/L .CO GRADIENT INTERVAL = -5.00/ 5.00

MACH	DZ	CPCC	CPSB1	CPSB2	CPSB3	Q(PSF)	ALPHAC	BETAC	ALPHAO	BETAO	INCID
.602	1.760	-.01000	-.02200	-.01000	.11000	589.97000	2.68000	-5.02000	7.92000	-.07000	5.24000
.603	2.360	-.00600	-.01900	-.00800	.11300	591.82000	2.68000	-5.02000	7.89000	-.11000	5.22000
.601	2.970	-.01500	-.02700	-.01000	.10900	590.08000	2.69000	-5.01000	7.91000	-.07000	5.23000
.603	3.760	-.01000	-.02300	-.01000	.11300	593.03000	2.69000	-5.01000	7.89000	-.03000	5.22000
.604	4.560	-.00100	-.02400	-.00600	.11900	593.94000	2.69000	-5.00000	7.91000	-.03000	5.24000
.604	5.470	-.01100	-.02200	-.00800	.11000	592.93000	2.69000	-5.00000	7.90000	.00000	5.24000
.603	6.460	-.00600	-.02300	-.00500	.11700	590.76000	2.69000	-4.99000	7.87000	.02000	5.21000
.603	7.460	-.00800	-.02400	-.01000	.11300	589.40000	2.69000	-4.99000	7.90000	-.02000	5.24000
.602	8.460	-.01100	-.02100	-.00400	.11300	588.51000	2.68000	-4.98000	7.86000	-.02000	5.22000
.603	9.460	-.01200	-.02200	-.00700	.10800	591.29000	2.68000	-4.98000	7.82000	.00000	5.19000
.603	10.560	-.01000	-.02500	-.00700	.11100	590.68000	2.69000	-4.98000	7.86000	-.01000	5.24000
.603	11.740	-.00900	-.02000	-.00500	.11400	590.48000	2.69000	-4.98000	7.84000	-.04000	5.22000
.601	12.930	-.01200	-.02500	-.00600	.10900	586.65000	2.68000	-4.97000	7.83000	.00000	5.22000
.603	14.110	-.01100	-.02000	-.00500	.11300	590.67000	2.68000	-4.97000	7.82000	.01000	5.22000
.601	15.300	-.01100	-.02200	-.00600	.11100	586.72000	2.68000	-4.97000	7.81000	-.02000	5.22000
.601	16.490	-.00800	-.02400	-.00600	.11300	587.00000	2.68000	-4.97000	7.82000	-.04000	5.23000
.602	17.670	-.01000	-.02400	-.00400	.10800	589.99000	2.68000	-4.97000	7.79000	-.01000	5.20000
.602	18.860	-.01500	-.02300	-.00400	.10400	589.30000	2.69000	-4.97000	7.77000	-.01000	5.19000
.603	20.040	-.00800	-.02400	-.00300	.10600	591.29000	2.68000	-4.97000	7.79000	-.01000	5.22000
.604	21.230	.00000	-.02100	-.00200	.11600	592.12000	2.68000	-4.98000	7.76000	-.01000	5.21000
.601	22.410	-.00600	-.02300	-.00400	.11100	587.08000	2.68000	-4.98000	7.76000	-.01000	5.21000
.600	23.600	-.01400	-.02300	-.00600	.10600	585.70000	2.68000	-4.98000	7.74000	-.02000	5.19000
.602	24.780	-.00400	-.02200	-.00300	.11300	589.06000	2.68000	-4.98000	7.75000	-.02000	5.21000
.604	25.970	-.00400	-.02100	-.00100	.11300	590.57000	2.68000	-4.98000	7.74000	-.04000	5.21000
.603	27.150	-.00700	-.02100	.00000	.11100	589.47000	2.68000	-4.98000	7.72000	.00000	5.19000
.602	28.340	-.00900	-.02100	-.00100	.10900	588.79000	2.68000	-4.98000	7.73000	-.02000	5.22000
.603	29.520	-.00900	-.01800	-.00100	.10800	590.42000	2.69000	-4.98000	7.71000	-.02000	5.19000
.603	30.710	-.00900	-.02300	-.00200	.10600	590.89000	2.69000	-4.98000	7.72000	.00000	5.21000
.604	31.900	-.00900	-.01900	-.00200	.10400	593.27000	2.68000	-4.98000	7.70000	-.01000	5.21000
.603	33.080	-.00900	-.01900	.00000	.10700	591.09000	2.68000	-4.98000	7.67000	-.04000	5.18000
.604	34.270	-.01100	-.02400	-.00600	.10400	593.26000	2.69000	-4.98000	7.67000	-.05000	5.18000
.604	35.450	-.01200	-.02300	-.00300	.10600	593.40000	2.68000	-4.98000	7.67000	-.03000	5.19000
.604	36.640	-.01100	-.02400	-.00400	.10500	593.40000	2.69000	-4.98000	7.68000	-.01000	5.20000
.603	37.820	-.01100	-.02200	-.00200	.10500	590.47000	2.69000	-4.98000	7.67000	.00000	5.20000
.633	39.010	-.01300	-.02000	.00000	.10200	591.76000	2.69000	-4.98000	7.64000	-.06000	5.18000
.604	40.200	-.01700	-.02000	-.00100	.09700	595.14000	2.69000	-4.98000	7.63000	-.02000	5.17000
.602	41.380	-.01200	-.02100	-.00200	.10200	589.36000	2.69000	-4.98000	7.62000	.01000	5.18000
.602	42.570	-.01100	-.02300	-.00300	.10600	588.96000	2.69000	-4.98000	7.62000	.00000	5.18000
.602	43.750	-.00500	-.01900	.00000	.10800	588.42000	2.69000	-4.98000	7.62000	.00000	5.18000
.603	44.940	-.00800	-.02300	-.00300	.10700	591.49000	2.68000	-4.98000	7.62000	-.03000	5.19000
.602	46.130	-.01000	-.02200	-.00100	.10600	588.96000	2.69000	-4.98000	7.60000	.02000	5.18000
.603	47.310	-.01500	-.02400	-.00400	.09900	592.29000	2.69000	-4.98000	7.62000	-.03000	5.21000

LTV44-559(CA26) 747/1 ATY 02 S1 (CARRIER DATA)

(ZFE130) (24 MAR 76)

REFERENCE DATA

SREF = 5500.0000 SQ.FT. XMRP = 1339.9000 IN. XC
 LREF = 327.7800 IN. YMRP = .0000 IN. YC
 BREF = 2348.0400 IN. ZMRP = 190.7500 IN. ZC
 SCALE = .0125

PARAMETRIC DATA

ALPHAC = 2.000 BETAC = -5.000
 STAB = 5.000 ELEVON = 5.000
 RUDDER = .000 DX = .000
 DY = .000 IORB = 6.000
 BETAD = .000 DPH1 = 7.500

RUN NO. 93/ 0 RN/L = .00 GRADIENT INTERVAL = -5.00/ 5.00

MACH	DZ	CPCC	CPSB1	CPSB2	CPSB3	Q(PSF)	ALPHAC	BETAC	ALPHAO	BETAO	INCID
.600	48.500	-.01700	-.02700	-.00400	.10100	586.62000	2.69000	-4.98000	7.58000	.01000	5.17000
.602	49.680	-.00700	-.02500	-.00500	.10400	589.78000	2.69000	-4.97000	7.59000	.00000	5.20000
.602	50.870	-.00300	-.02500	-.00500	.10800	589.12000	2.68000	-4.97000	7.58000	-.03000	5.19000
.602	51.460	-.01200	-.02600	-.00600	.10100	589.19000	2.69000	-4.97000	7.56000	-.04000	5.17000
	GRADIENT	.00223	-.00106	.00091	.00270	1.33877	.00415	.00715	-.00250	.02337	.00041