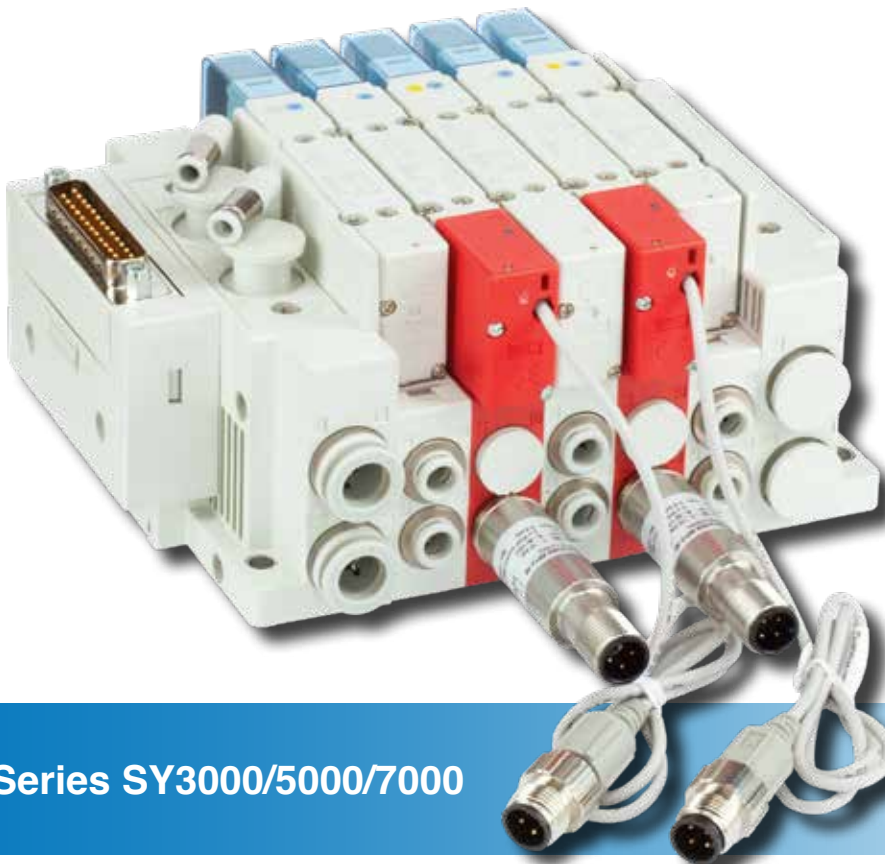




SMC valve series SY in safety applications

Validated according to the principles of EN ISO 13849



SMC Valve Series SY3000/5000/7000

More flexibility for safety applications

SMC is the world's leading manufacturer of pneumatic and electrical automation technology.

In the development of innovative products, we focus on outstanding performance while at the same time ensuring optimum safety for the user. With sound professional expertise, we support you in the implementation of Machinery Directive 2006/42/EC and in the safe design of your plant, including economic issues.

Optimum safety - as early as in the design phase

We have designed the valve manifolds to be as flexible as possible so that you can rely on familiar SMC safety as early as in the design phase: The SY series is available in the different sizes SY3000, SY5000 and SY7000.

It meets the highest safety requirements according to EN ISO 13849 and can be used up to Performance Level e.

Convincing advantages of the SY series:

- Reliable use for safety-related control methods
- External pilot pressure control valve on the manifold, optionally with pressure monitoring or spool detection
- Working valve with spool detection for direct monitoring of the switch position
- Unique, rubber-sealed, double solenoid valve with detent (according to EN ISO 13849-2)
- Valves with spring return type lead the valve spool into the safety-related basic position
- SISTEMA Library available

Maximum process reliability

The variable high-performance valve manifolds in the SY series hit the mark with practical benefits and meet your most demanding requirements:

- The SY series is also available as a single valve on a single sub-plate
- Long lifetime (min. 200 million cycles) enables high operational safety
- Optionally, two sizes are possible on one valve manifold, thereby saving an additional valve manifold
- Decentralized use directly at the application ensures an optimization the hose lengths (enclosure IP67)
- Power-saving circuits reduce current consumption to one third
- Reduction of the installation space by connections from the one side
- Working inputs are possible in all directions

“**Excellent all-rounder: the valve manifold can be configured exactly to your requirements**”

Valve series SY in detail

Modular assembly



PROFIsafe fieldbus module

- ▶ 3 valve zones, 1 module zone
- ▶ 3x8 valve coils per zone, max. 8 output modules, 4x2 secure connections
- ▶ Each valve zone with a pilot air on/off valve

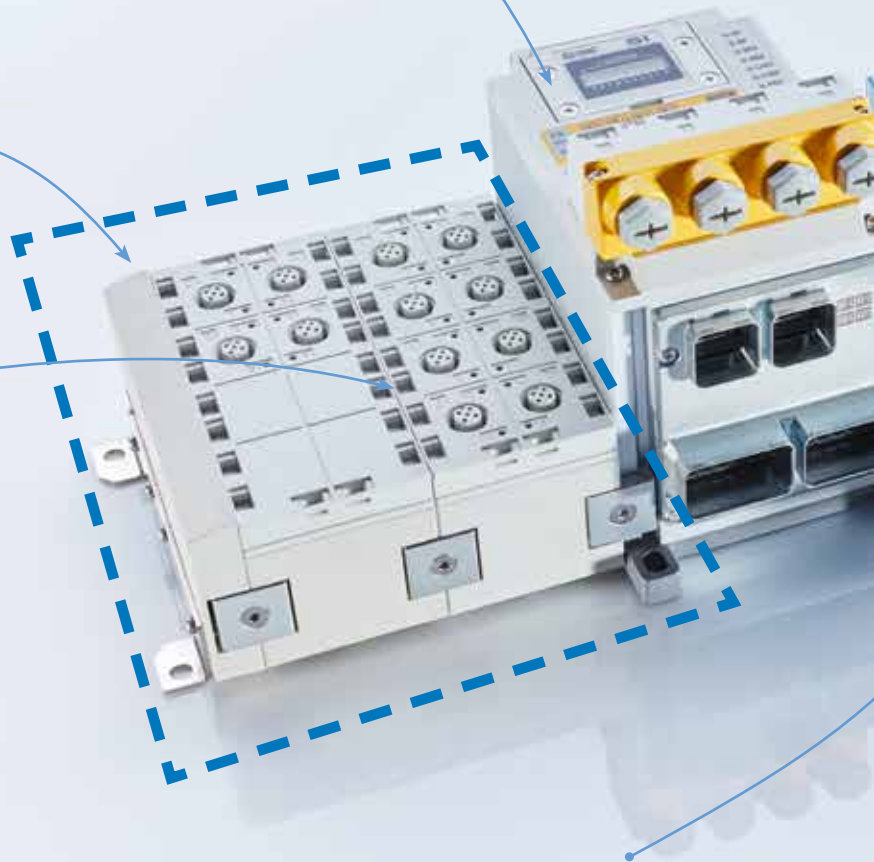
Module Zone

Digital output module

- ▶ 8 outputs, 24V/0.5A per output
- ▶ Short circuit protection

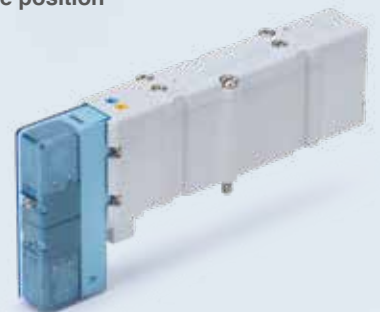
Digital input module

- ▶ 16 inputs, 24V/0.5A per socket
- ▶ Short circuit protection



Double solenoid valve with detent

- ▶ Main valve is held in a secure position

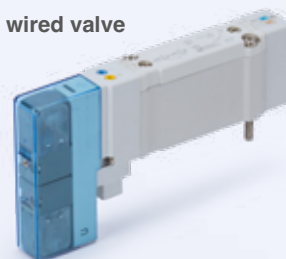


External pilot pressure control valve

- ▶ Controlling the external pilot air inside the valve manifold
- ▶ Available with and without spool detection
- ▶ When the pilot air supply or the electrical signal is cut, the main valve returns to the original position by a pure spring return.

Single solenoid valve with spring return

- ▶ When the pilot air supply or the electrical signal is cut, the main valve returns to the original position by a pure spring return.
- ▶ Also available as individually wired valve



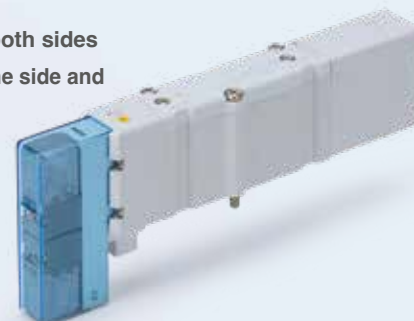
Non-locking push type manual override

Locking-type manual overrides are not permitted in safety-related applications



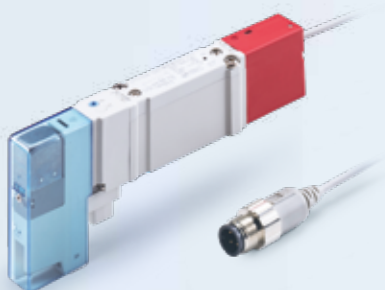
5/3 position valve

- ▶ With spring return on both sides
- ▶ With spring return on one side and detent on the other side



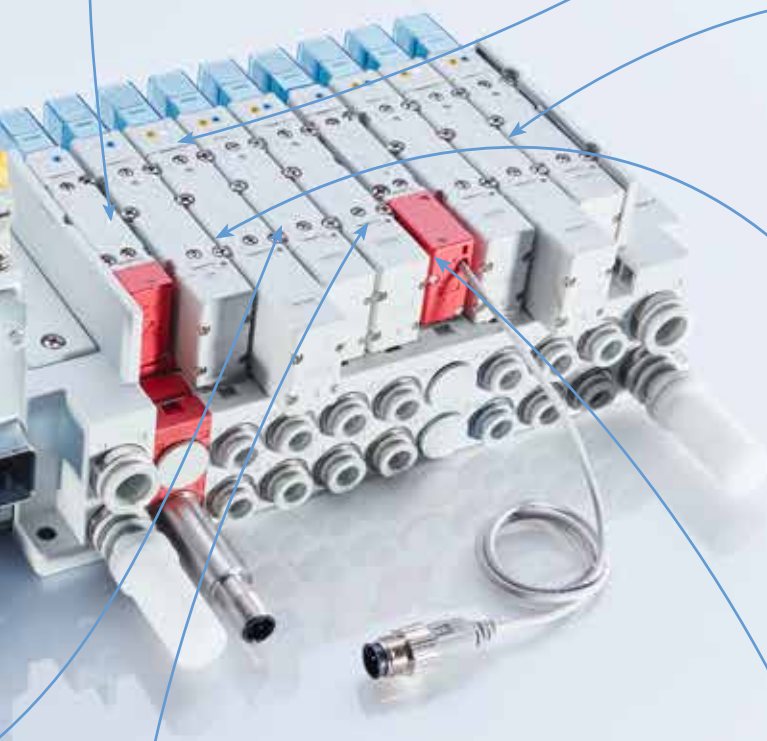
Single solenoid working valve with spool detection

- ▶ Position of the main spool is monitored
- ▶ When the pilot air supply or the electrical signal is cut, the main valve returns to the original position by a pure spring return.
- ▶ Use as working valve



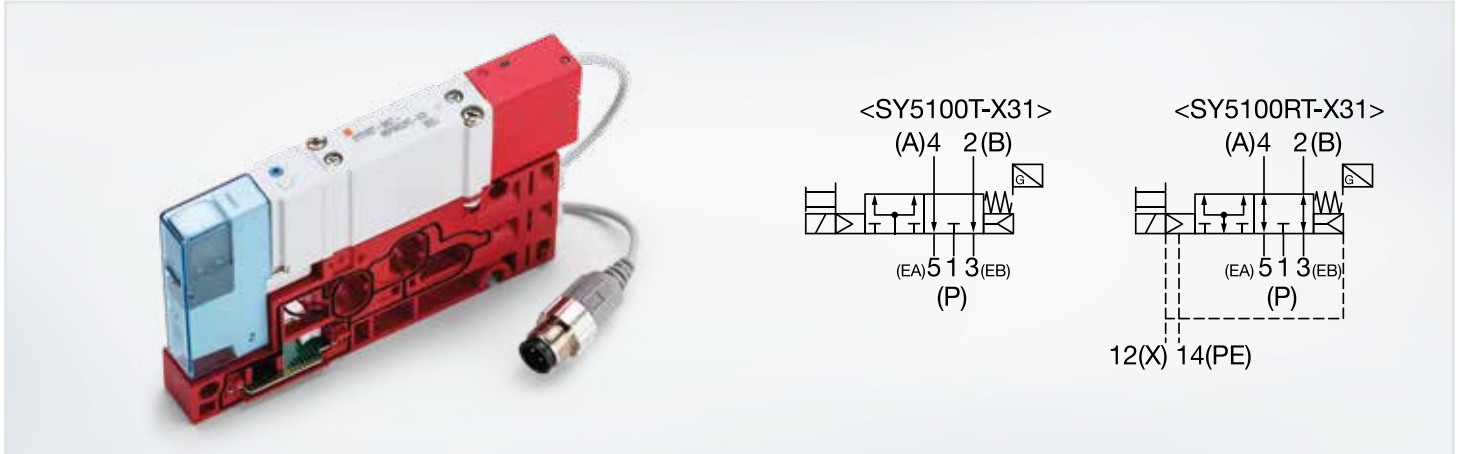
Spool position detection for diagnostics

- ▶ Position of the main spool is monitored
- ▶ Diagnosis of the main spool position of the external pilot pressure control valve
- ▶ When the pilot air supply or the electrical signal is cut, the main valve returns to the original position by a pure spring return.



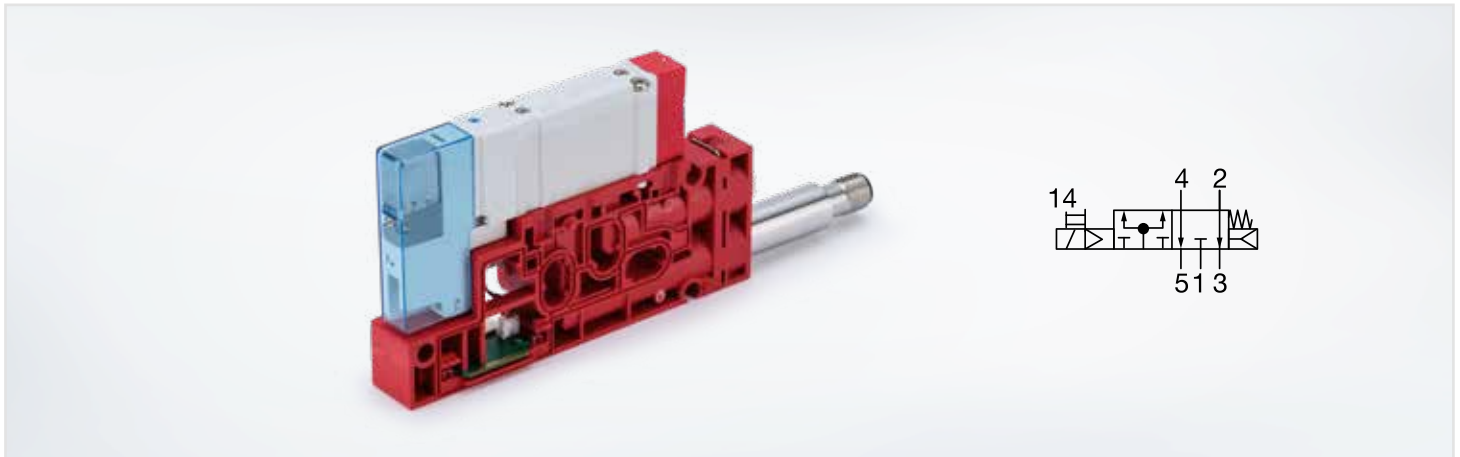
External pilot pressure control valve

SY5100-X31
SY3100 / SY5100-X310
SY5100-X74



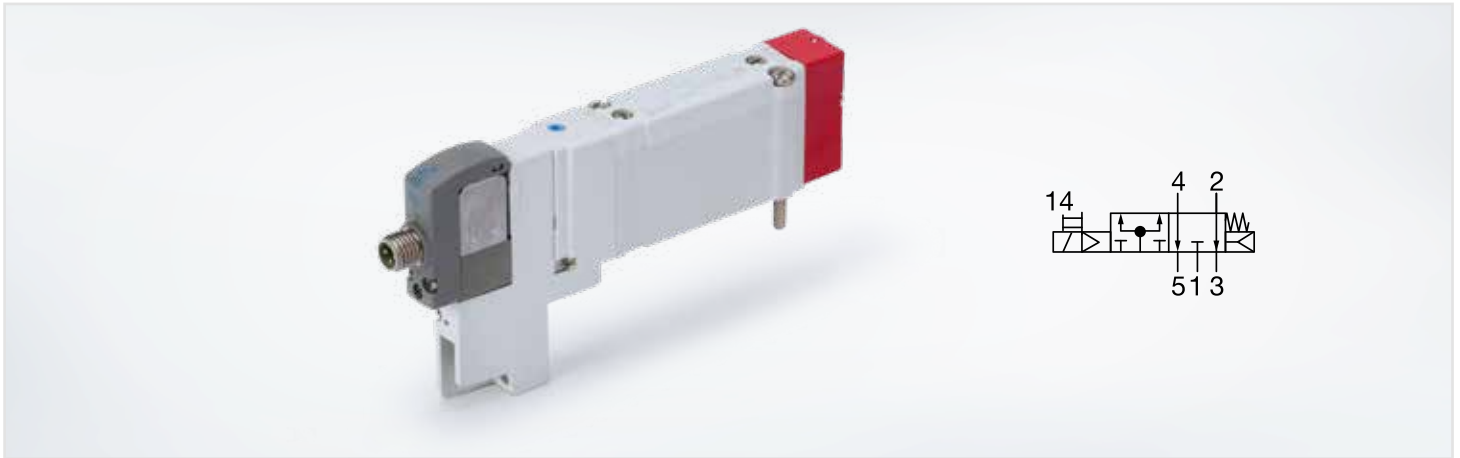
SY5100-X31

- ▶ With spool position detection
- ▶ Also available: SY5100-X32 w/M8 connector and spool position detection



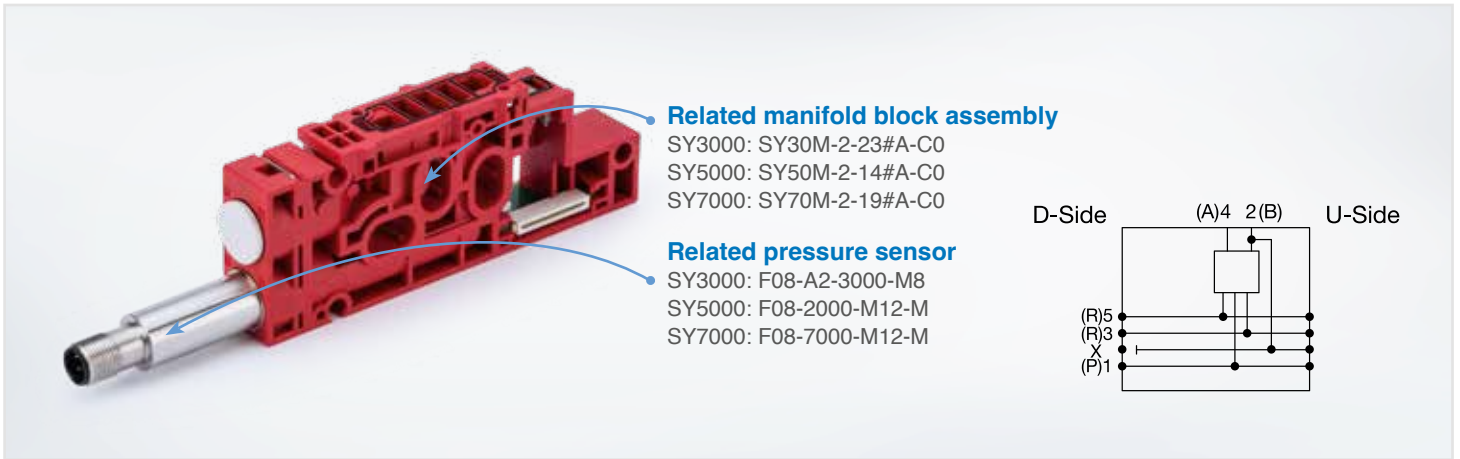
SY3100 / SY5100-X310

- ▶ With pressure detection (optional)



SY5100-X74

▶ With M8 connector



Related manifold block assembly

- SY3000: SY30M-2-23#A-C0
- SY5000: SY50M-2-14#A-C0
- SY7000: SY70M-2-19#A-C0

Related pressure sensor

- SY3000: F08-A2-3000-M8
- SY5000: F08-2000-M12-M
- SY7000: F08-7000-M12-M

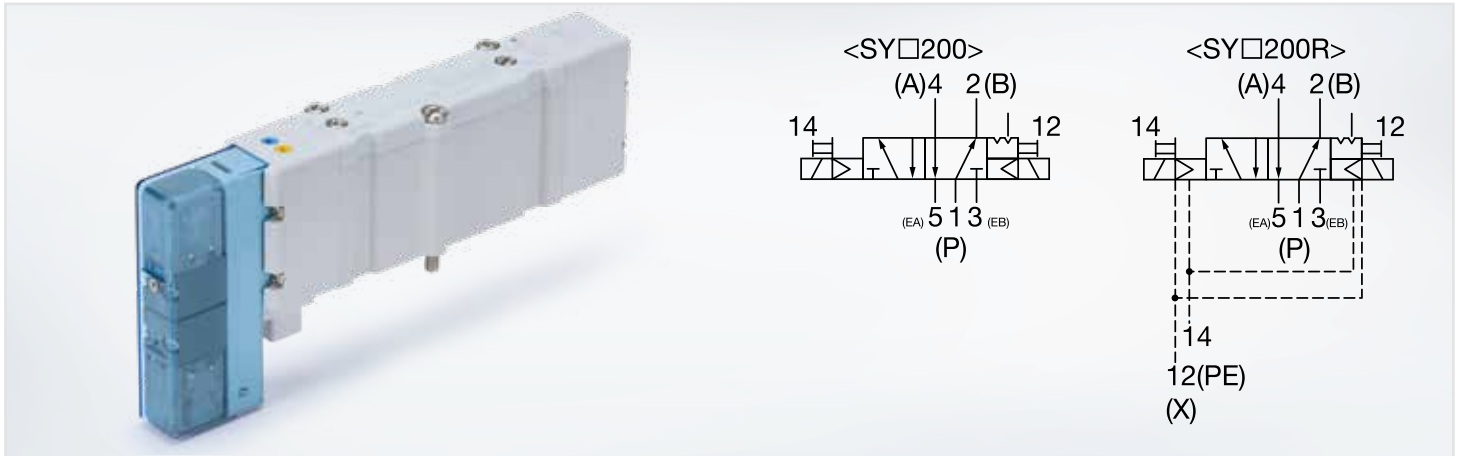
Manifold Body Assembly

Application

- ▶ Control of the external pilot air within the valve manifold
- ▶ Complies with basic and proven safety principles according to EN ISO 13849-2
- ▶ External pilot air can be released inside the valve manifold by a valve

Double solenoid valves with detent

SY3200 / SY5200 / SY7200-X25

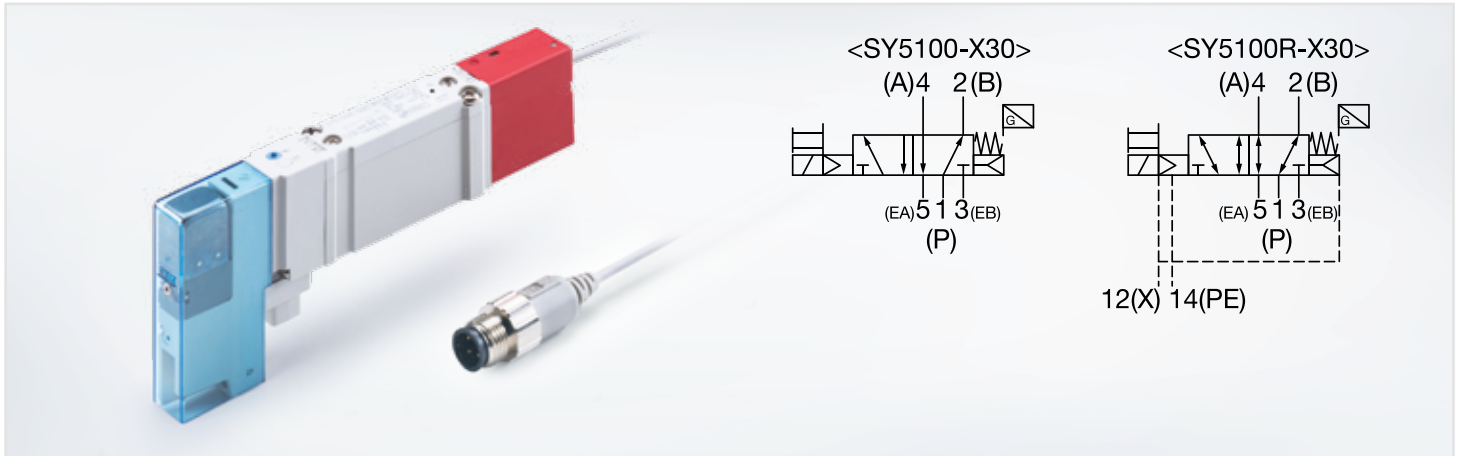


Application

- ▶ The intended use of this valve is to control an actuator
- ▶ Rubber-sealed valve with detent on both sides (according to EN ISO 13849-2)
- ▶ Main spool is held in the respective secured position by a mechanical detent
- ▶ Complies with basic and proven safety principles according to EN ISO 13849-2

Single solenoid valves with spool position detection

SY5100-X30

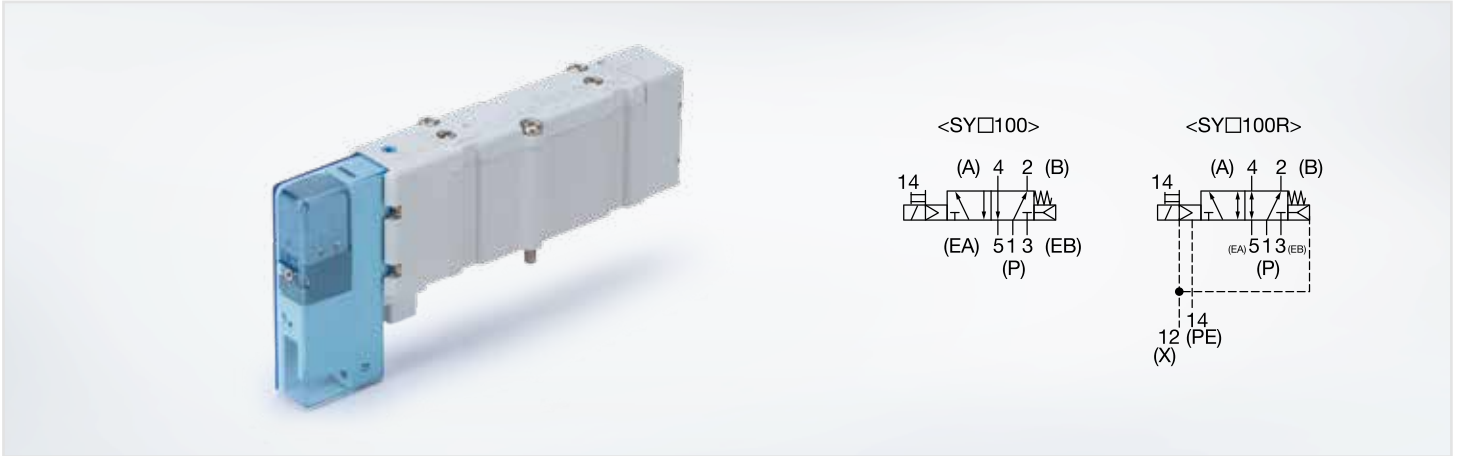


Application

- ▶ The intended use of this valve is to control an actuator
- ▶ Working valve with pure spring return
- ▶ With spool position detection
- ▶ When the pilot air supply or the electrical signal is cut, the main valve returns to the original position by a pure spring return.
- ▶ Complies with basic and proven safety principles according to EN ISO 13849-2

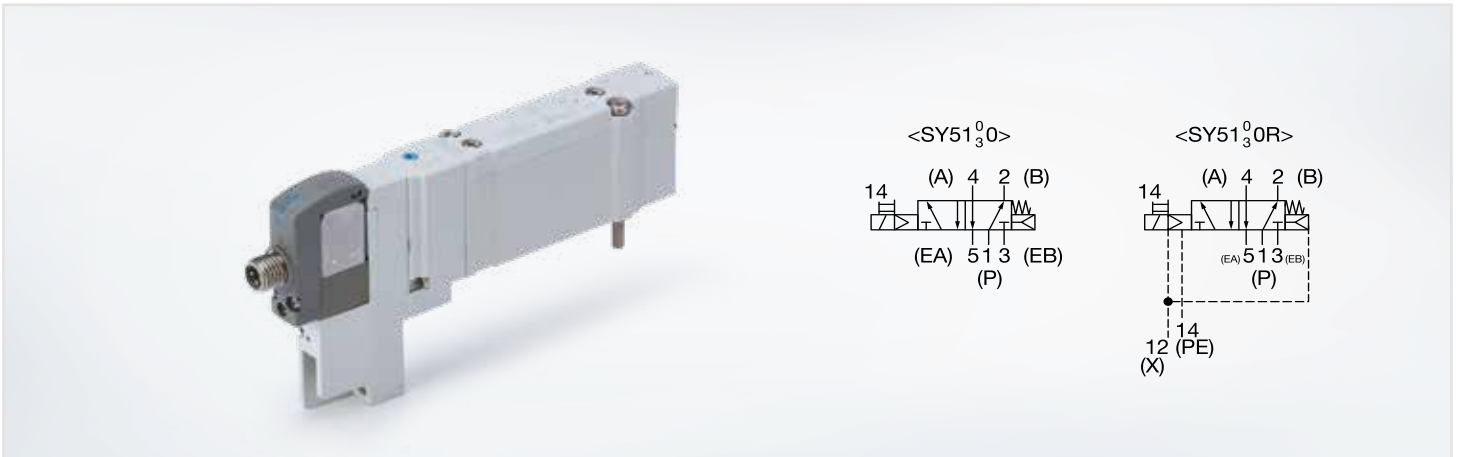
Spring return valves

SY3000 / SY5000 / SY7000-X350
 SY5000-X49
 SY5000-X67
 SY3000-X127 / SY7000-X323



SY3000 / SY5000 / SY7000-X350

► Pure spring return valve



SY5000-X49

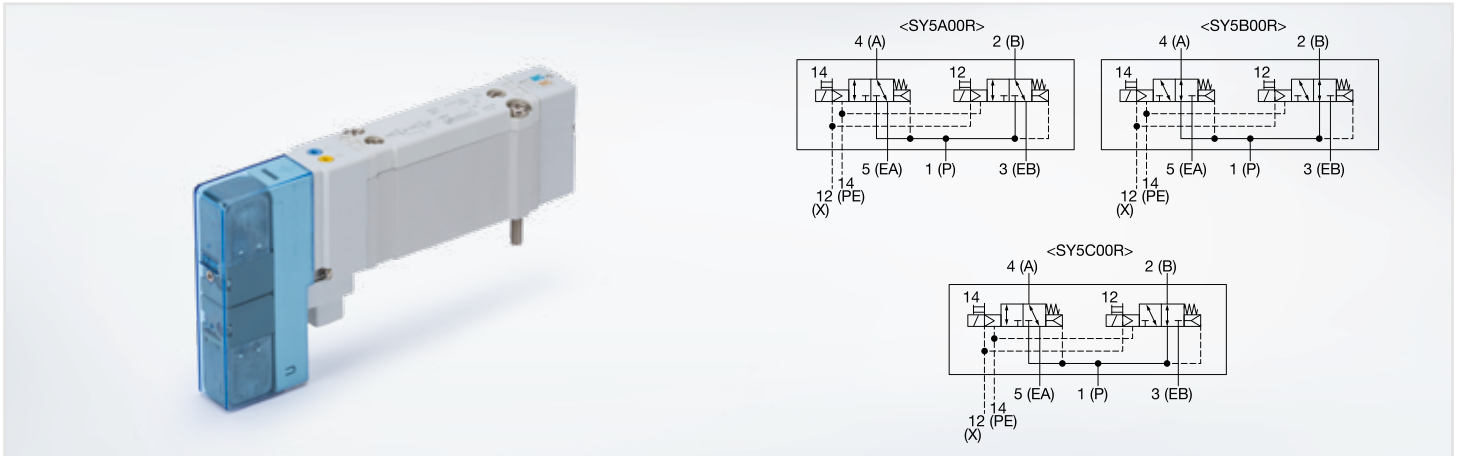
► Pure spring return valve

► Individually wired with M8 connector

Application

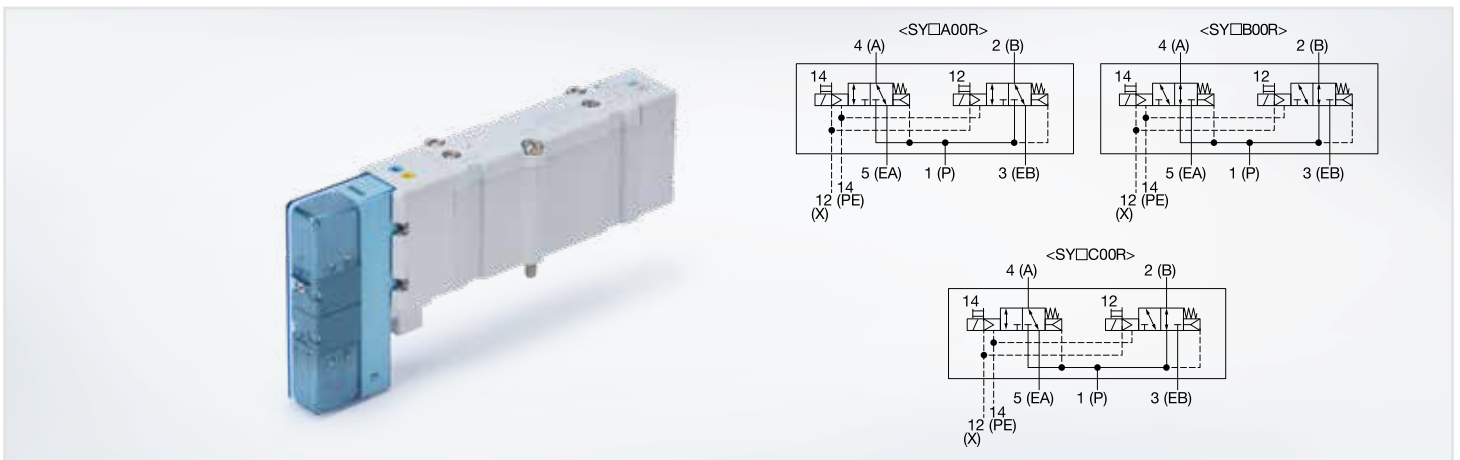
- The intended use of this valve is to control an actuator
- Complies with basic and proven safety principles according to EN ISO 13849-2

- When the pilot air supply or the electrical signal is cut, the main valve returns to the original position by a pure spring return.



SY5000-X67

▶ 2x3/2-4 position dual 3-port valve with pure spring return

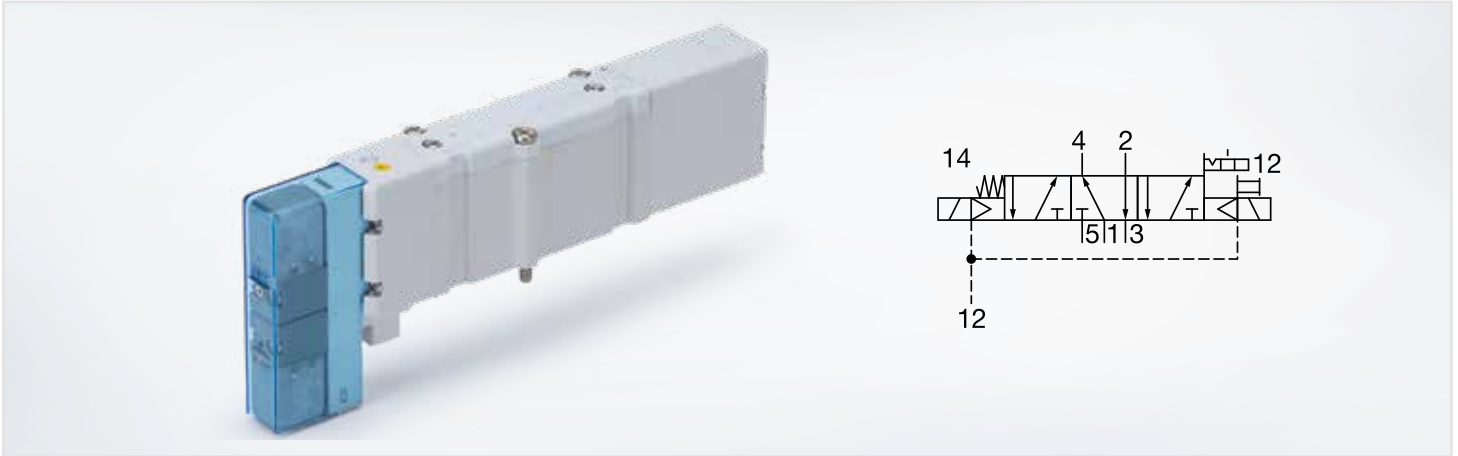


SY3000-X127 / SY7000-X323

▶ 2x3/2-4 position dual 3-port valve with pure spring return

5/3-3-position valve with spring return on one side and detent on the other side

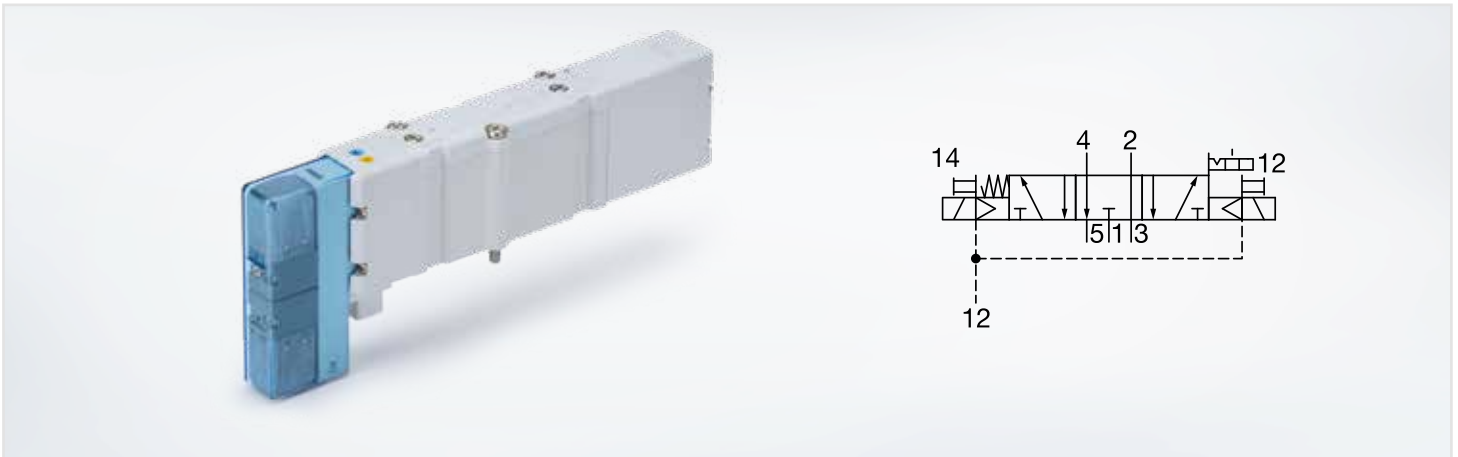
SY7700-X311



SY7700-X311

- ▶ Only the B coil has a non-locking manual override
- ▶ 5/3-3-position valve with special function
 - Middle position – output A(4) pressurized with air
 - Switching position A and B - Output B(2) pressurized with air

SY3400 / SY5400 / SY7400-X312



SY3400 / SY5400 / SY7400-X312

- ▶ Middle position exhausted

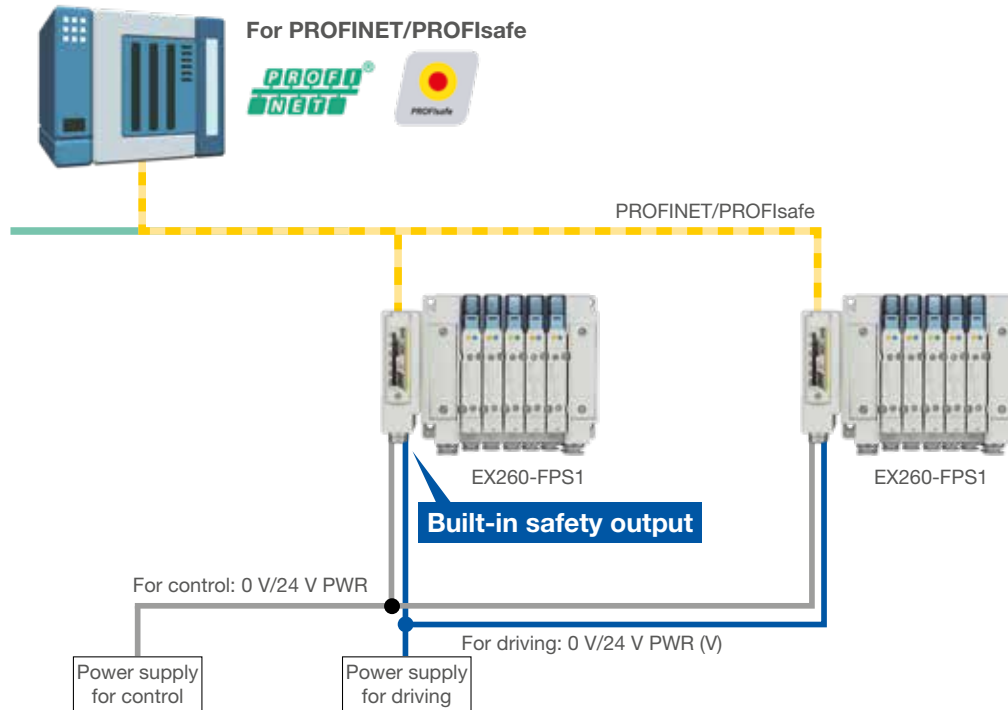
Application

- ▶ The intended use of this valve is to control an actuator
- ▶ Complies with basic and proven safety principles according to EN ISO 13849-2
- ▶ A side with detent and B side with spring return

Safety over fieldbus with PROFINET

EX260-FPS1

Certified up to Cat. 3/ PL e according to EN ISO 13849-1, SIL CL 3 according to IEC 62061 and SIL 3 according to IEC 61508.



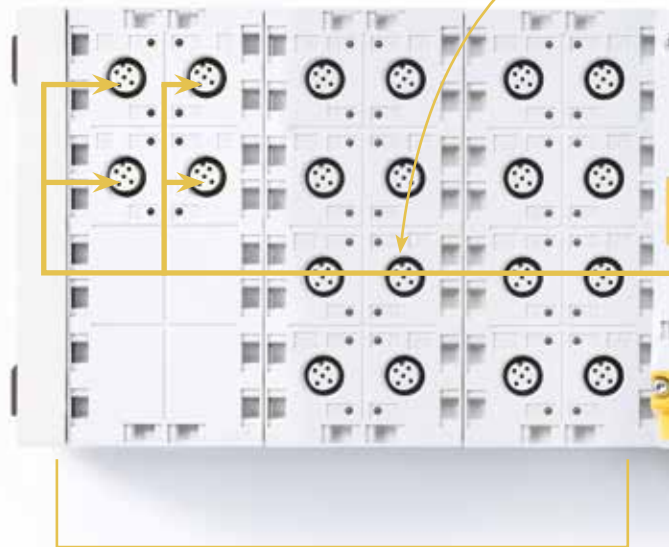
Safety output

- The product has internal safety switches that remove the power from the valve drivers when instructed to enter the safe state by the controlling safety PLC.
- The product has dual switches, one on the 24 V side and the other on the 0 V side. It continuously runs diagnostics and switches to the safe state in the event of an error detection.

Safety over fieldbus with PROFI-safe

With the EX245-FPS#, SMC offers a solution for Safety over Fieldbus, a completely certified PROFI-safe product for use in safety applications up to PL e according to EN ISO 13849-1 and SIL 3 according to IEC 62061/IEC 61508.

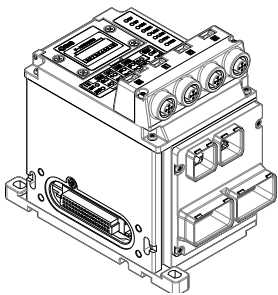
- ▶ Comprehensive diagnostic system and error messages
- ▶ Same mechanical floor space as the existing EX245 PROFINET product line
- ▶ Compatible with EX245 IO modules and can be used as valve nodes



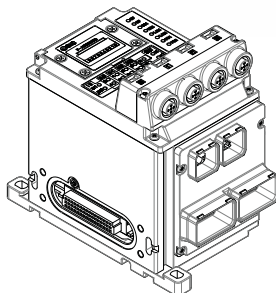
Up to 8x16 inputs (128 inputs) or up to 8x8 outputs (64 outputs)

Inputs: 4 safe input ports with two digital channels /push press fittings

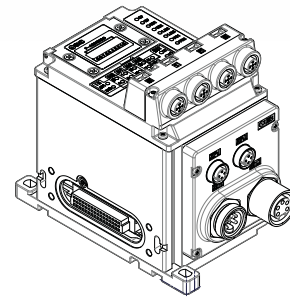
- ▶ Customizable channels for specific applications
- ▶ Single-channel (max. 8) or dual-channel (max. 4) configuration



EX245-FPS1



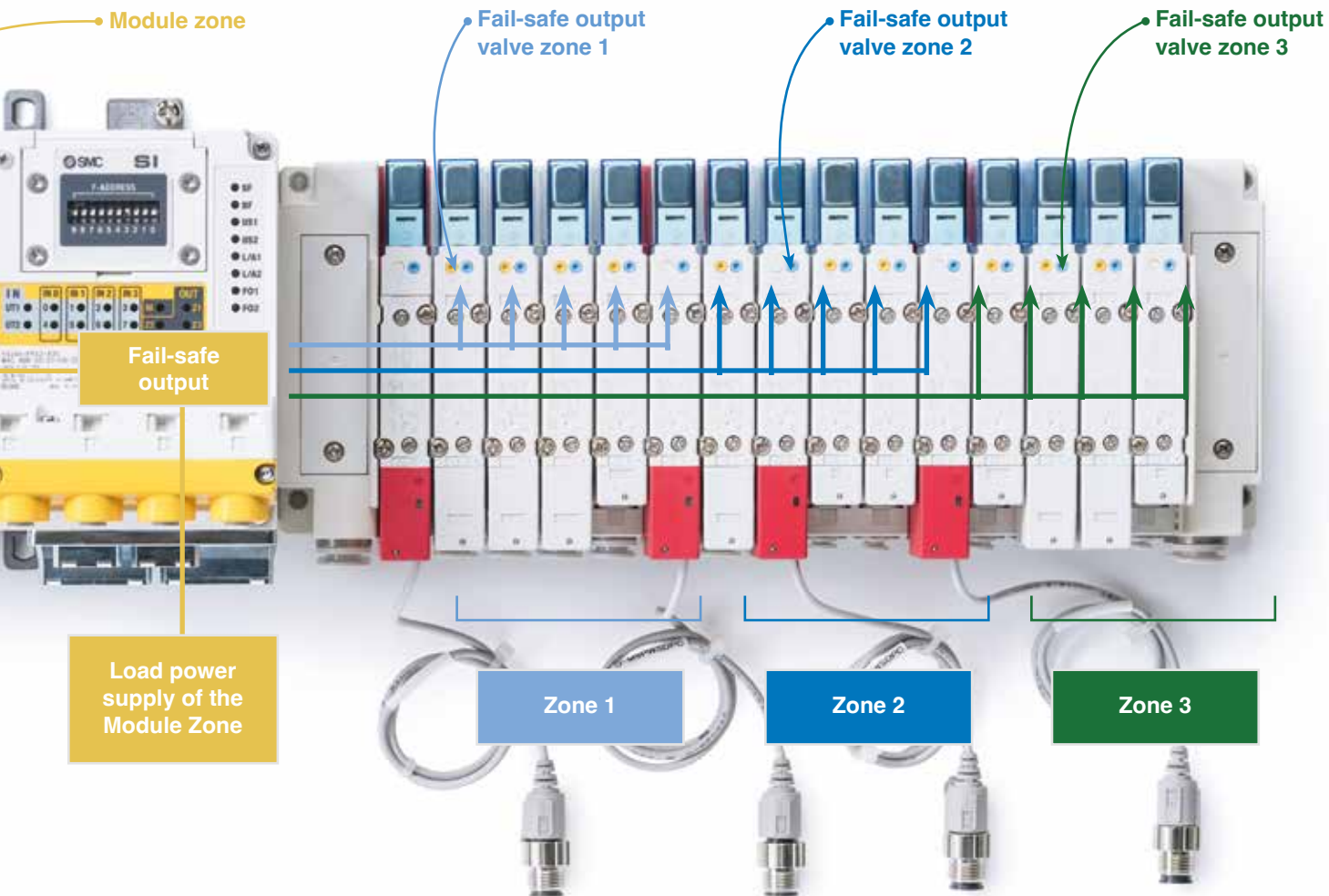
EX245-FPS2



EX245-FPS3

Push press fitting: available with a variety of power levels, push press fitting and media interfaces

- ▶ Optical fiber communication (Push Pull connector SCRJ) or copper communication (Push Pull connector RJ45 or M12 4 pins socket/D-cod)
- ▶ Power supply: Push Pull or 7/8" plug and socket



Outputs: 4 channels of safe output power zones with independent control and operation

- ▶ Up to 3 valve zones can be processed, zones 1 and 2 provide a control signal for pilot air activation and 8 control signals for working valves
- ▶ Zone 3 supplies a control signal for pilot air activation and 8 control signals for working valves
- ▶ 1 zone assigned for use of the output module



Automation - Controls - Process



Leading global pneumatics and industrial automation components manufacturer dedicated to sustainable factory automation.

Serving the industries of semiconductor, food & packaging, life science, automotive, machine tool, process, natural resource, and general needs for automation, controls, and process.

Global Presence

- 532 Sales Offices in 83 Countries
- Production Facilities in 29 Countries & Regions
- Technical Centers in Japan, the U.S., Europe, & China

Extensive Product Line

- 12,000 Basic Models with over 700,000 Variations
 - Actuators
 - Sensors & Switches
 - Connectors
 - Process Gas
 - Electrical Products
 - Temperature Control
 - Vacuum
 - Valves
 - Air Preparation
 - Static Control
 - Chemical Handling
 - Specialty Products

North American Support

- 30 North American Locations
- Configure, Validate, & Download 3D & 2D Models from www.smcusa.com/products
- 2.6 Million sqft North American Headquarters of Engineering, Production, Central Distribution & Administration

Sales Offices

CANADA

Montreal
Toronto

WEST

Austin
Dallas
Denver
El Paso
Los Angeles
Phoenix
Portland
San Jose

CENTRAL

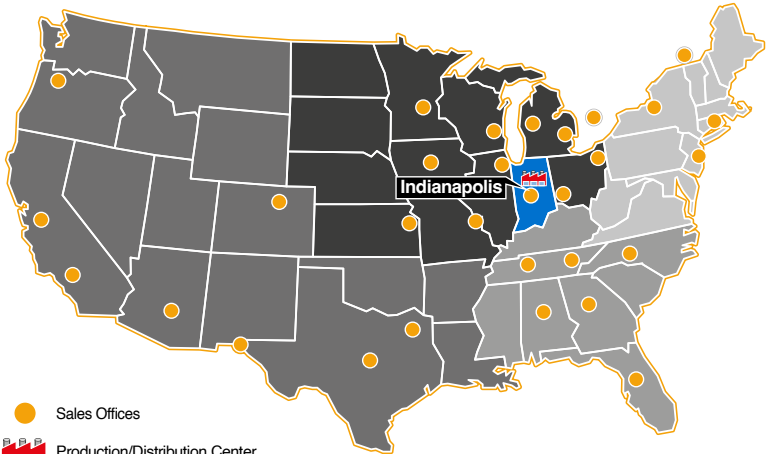
Chicago
Cincinnati
Cleveland
Detroit
Des Moines
Grand Rapids
Indianapolis
Kansas City
Milwaukee
Minneapolis
St. Louis

NORTHEAST

Boston
New Jersey
Rochester

SOUTHEAST

Atlanta
Birmingham
Charlotte
Knoxville
Nashville
Tampa



SMC Corporation of America
10100 SMC Blvd., Noblesville, IN 46060
www.smcusa.com

International inquiries: www.smcworld.com

(800) SMC.SMC1 (762-7621)
email: sales@smcusa.com

SMC Automation (Canada) Ltd.
www.smcautomation.ca

© 2023 SMC Corporation of America, All Rights Reserved.
All reasonable efforts to ensure the accuracy of the information detailed in this catalog were made at the time of publishing. However, SMC can in no way warrant the information herein contained as specifications are subject to change without notice.

BXP RRD 2.5M