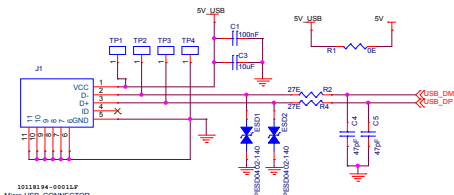
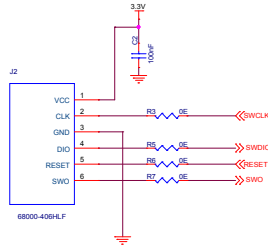


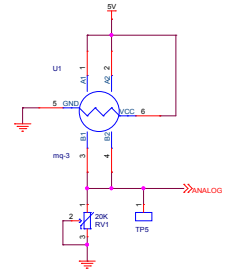
USB INTERFACE



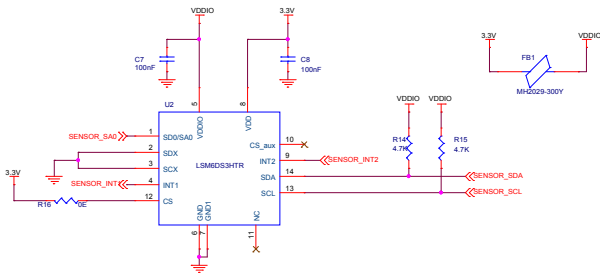
SWD INTERFACE



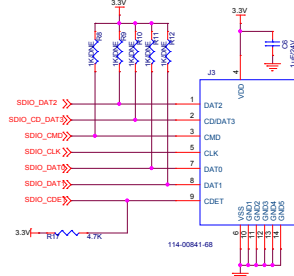
MQ-3 ALCOHOL SENSOR



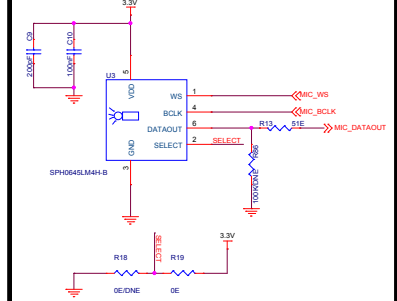
ACCELEROMETER, GYRO AND TEMPERATURE SENSORS



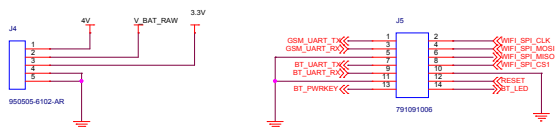
SD CARD INTERFACE

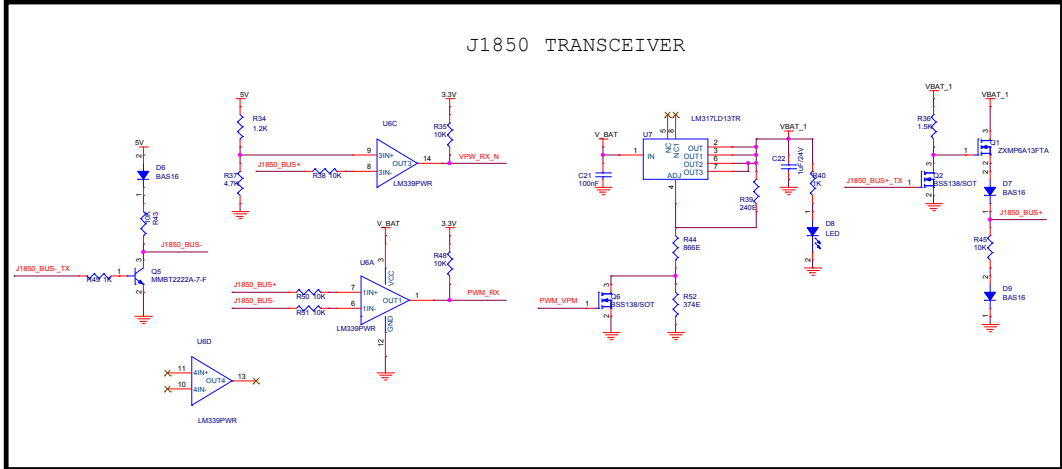
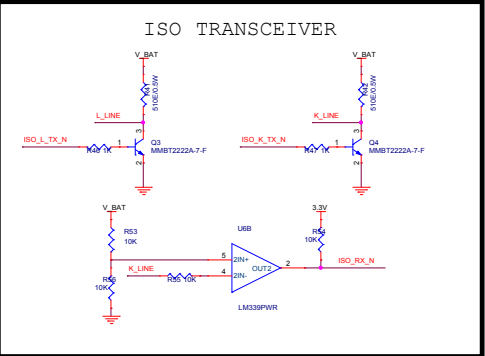
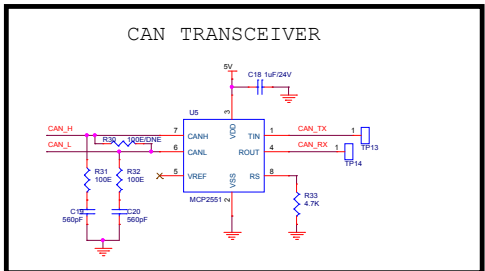
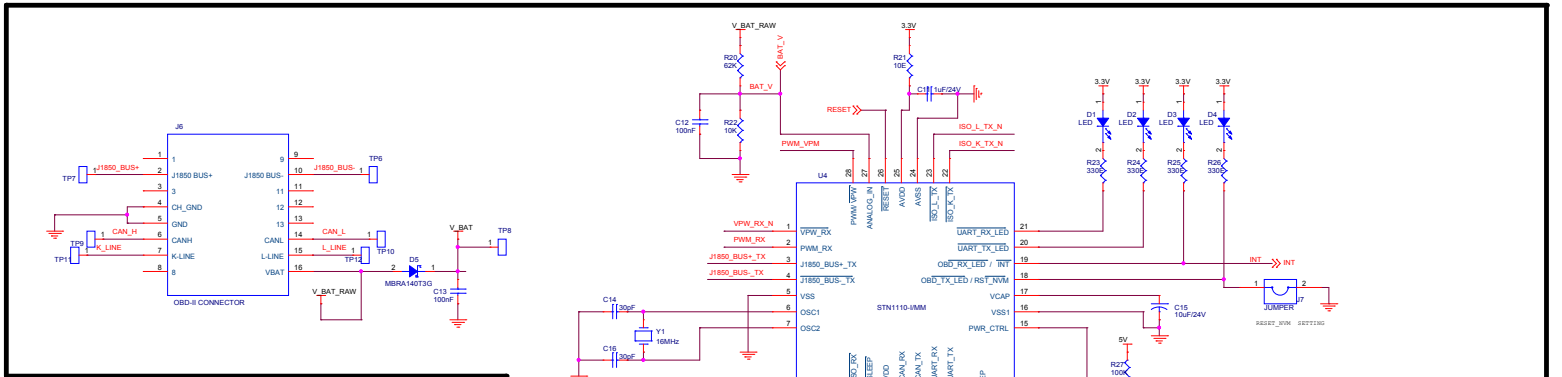


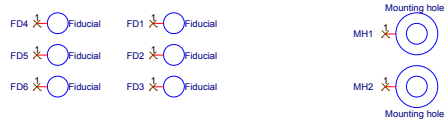
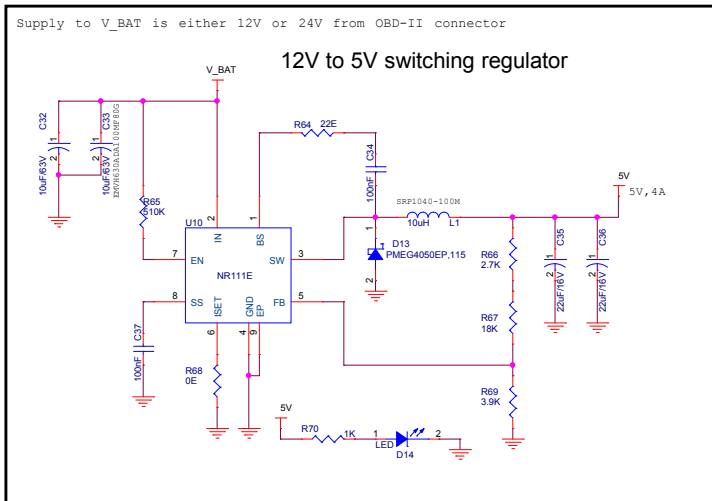
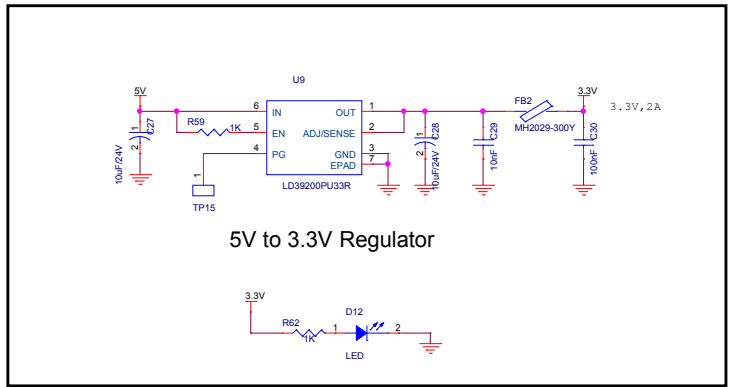
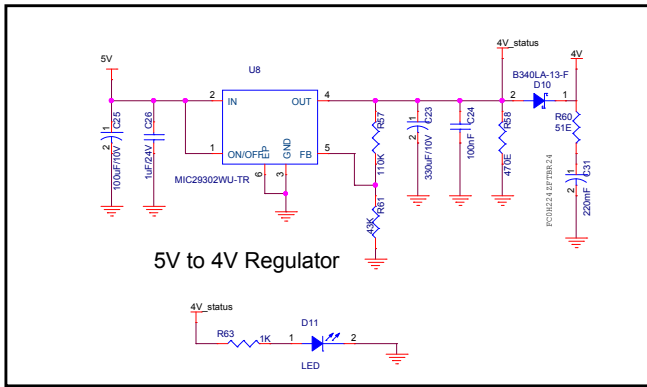
MIC INTERFACE



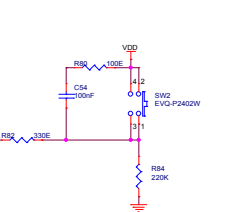
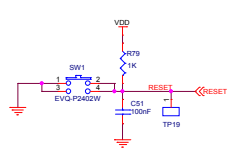
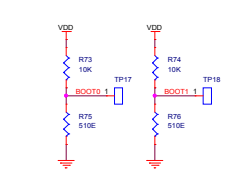
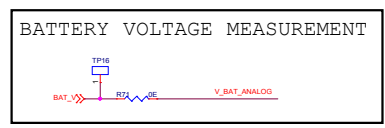
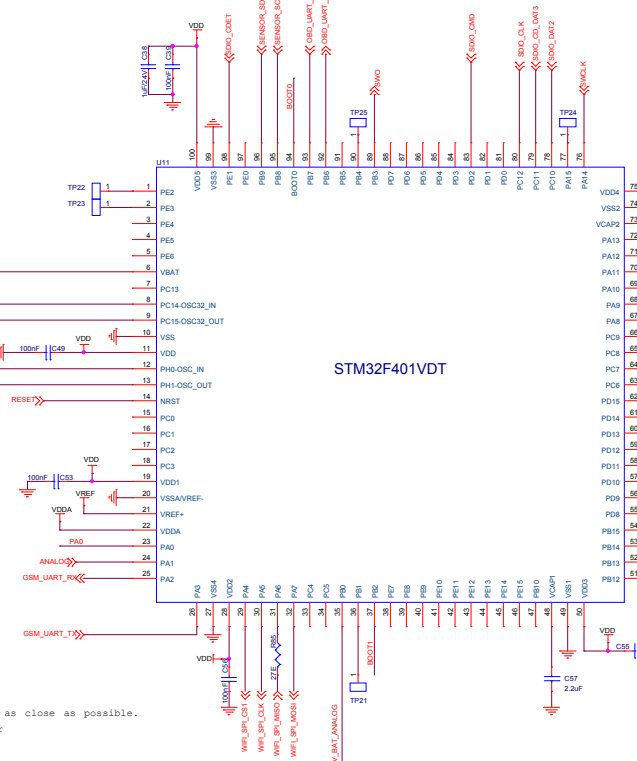
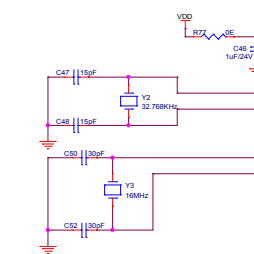
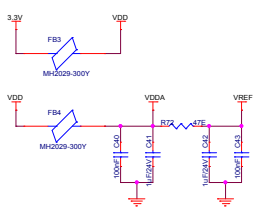
INTERFACING CONNECTORS TO GSM BOARD







Title	<Title>	
Size	Document Number	Rev
B	<Doc>	<Rev Code>
Date:	Saturday, September 10, 2016	Sheet 3 of 4



NOTE

1. De-coupling caps must be placed near to supply pins as close as possible.
2. Place the crystal oscillators near to the Controller

File	<File>	Rev	<Rev Code>
Doc	Document Number		
Desc	<Desc>		
Date	Saturday, September 10, 2016	Sheet	4 of 4