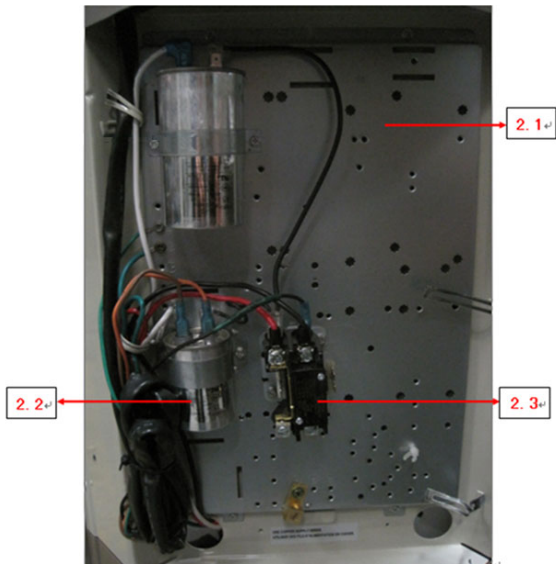
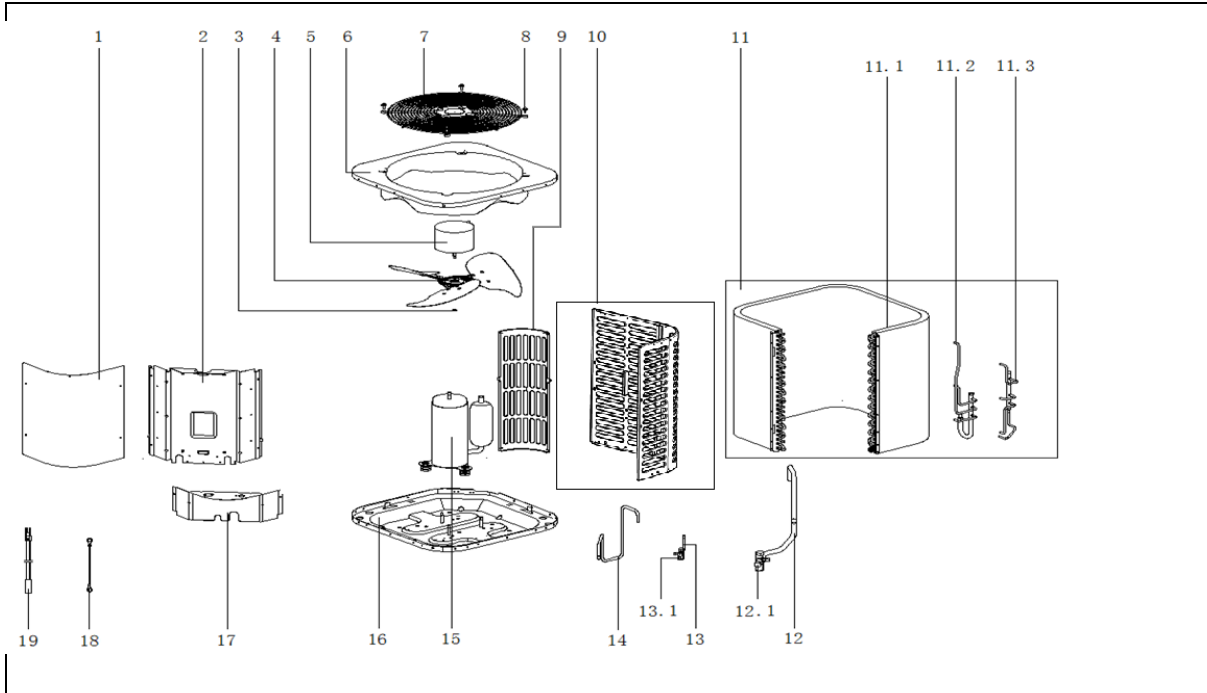


Market model:

MAH18-410



No.	Part Name	Quantity	BOM Code	Price	Remark
1	Top air outlet cover	1	12223100000223		
2	E-part box assembly	1	17223000A02519		
2.1	Installation plate of electric parts subassembly	1.0	12223100000379		
2.2	Capacitor	1.0	17400103000147		
2.3	Capacitor	1.0	17400103000152		
2.4	AC contactor	1.0	11203502000032		
3	Nut	1	11301512000143		
4	Axial fan	1	12200104000022		
5	Motor,208/230V 60Hz 1Ph, 0.6A,1075RPM, C	1	11002012001336		
6	Top cover assembly	1	12223000005915		
7	Grille	1	12923000000034		
8	Stainless steel bolts	4	11301002000001		
9	Support Plate	3	12223000A02333		
12	Condenser ass'y	1	15823000000705		
12.1	Condenser A	1.0	15823000000569		
12.2	Condenser inlet pipe ass'y	1.0	15123000002052		
12.3	Condenser output pipe ass'y	1.0	15123000002012		
13	Low pressure valve ass'y	1	15423000000589		
13.1	Block valve	1.0	15500206000026		
14	Stop valve ass'y	1	15423000003178		
14.1	Block valve	1.0	15500206000018		
15	Discharge pipe	1	15123000002520		
16	Fixed speed rotary compressor	1	11103010000372		
17	Chassis assembly	1	12223100000374		
19	Condenser Outlet Pipe	1	15123100000120		
20	Green ground line	1	17401110000020		
21	Compressor wire joint ass'y	1	17401203001243		