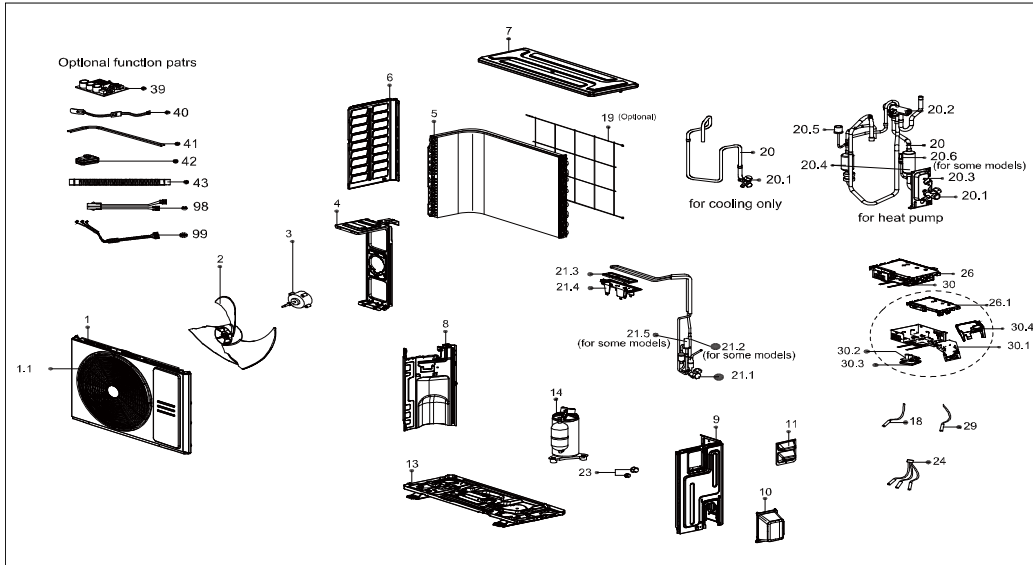


## Exploded View

Sale Model:

CPR24CD(O)



No.	Part Name	Quantity	BOM Code
1	Front panel	1.0	12222000013468
1.1	Air outlet grille	1.0	12222000013469
2	Axial flow fan	1.0	12100105000841
3	Brushless DC Motor	1.0	11002015000366
4	Supporter of fan motor	1.0	12222000012371
5	Condenser assembly	1.0	15822000009796
6	Left supporter	1.0	12222000013472
7	Top cover assembly	1.0	12222000013465
8	Partition board assembly	1.0	12222000013245
9	Right clapboard assembly	1.0	12222000013466
10	Water collector	1.0	12122000007150
11	Big handle assembly	1.0	12222000010966
13	Chassis assembly	1.0	12222000014054
14	DC Inverter Rotary Compressor	1.0	11103020004360
18	Pipe Temperature Sensor	1.0	11201007000124
19	Rear net	1.0	12222000013085
20	4-way valve assembly	1.0	15422000020459
20.1	Gas valve	1.0	15500204000502
20.2	4-way Valve	1.0	15500216000026
20.3	Valve plate	1.0	12222200005738
20.4	Muffler subassembly	1.0	15122000028753
20.4	Pressure switch	1.0	15122000028801
20.5	Pressure sensor	1.0	17400516000849
20.6	Muffler subassembly	1.0	11201008000773
21	Liquid valve assembly	1.0	15422000020460
21.1	Gas valve	1.0	15500204000021
21.3	Radiator	1.0	11203803001176
21.4	U-Typed Support with Copper Pipe	1.0	12122000011478
21.5	Electronic expansion valve body	1.0	15500213000176
23	Copper nut for high-pressure valve	1.0	15500406000003
23	Copper nut for low pressure valve	1.0	15500406000010
24	Combination sensor	1.0	11201011000188
26	Electronic control box subassembly	1.0	17222000036246
26.1	Electronic installing box	1.0	12122000008999
29	Pipe Temperature Sensor	1.0	11201007003445
30	Inverter module electronic control box subassembly	1.0	17222000036247
30.1	Terminal board subassembly	1.0	17222000031639
30.2	Inverter module subassembly	1.0	17122000054059
30.3	Electronic installing box	1.0	12122000029482
30.4	Cover of electronic control box subassembly	1.0	12122000029483
40	Crankcase electric heating strip	1.0	17402001000603
41	tube type electric heater	1.0	17402002000544
99	Compressor wire subassembly	1.0	17401203012697