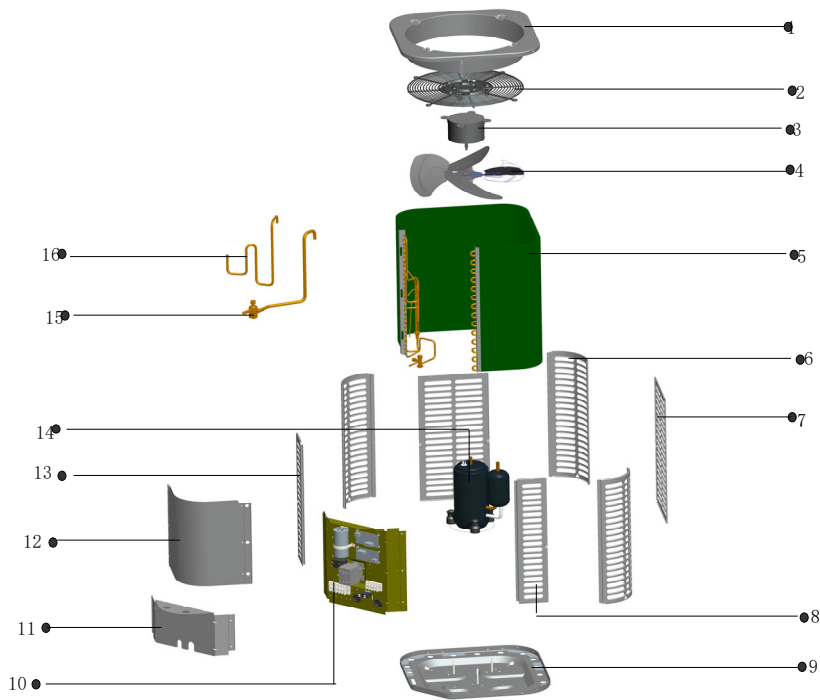
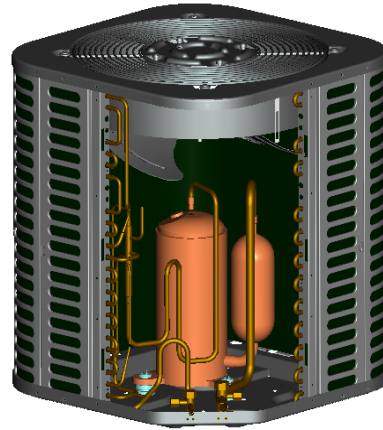
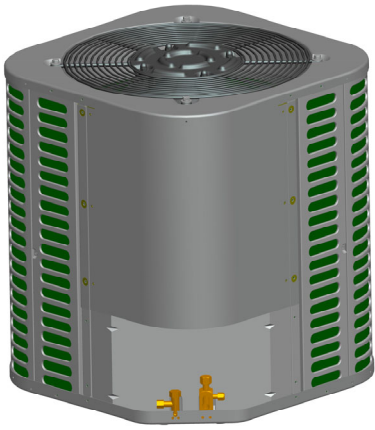


Mode BAR24-14

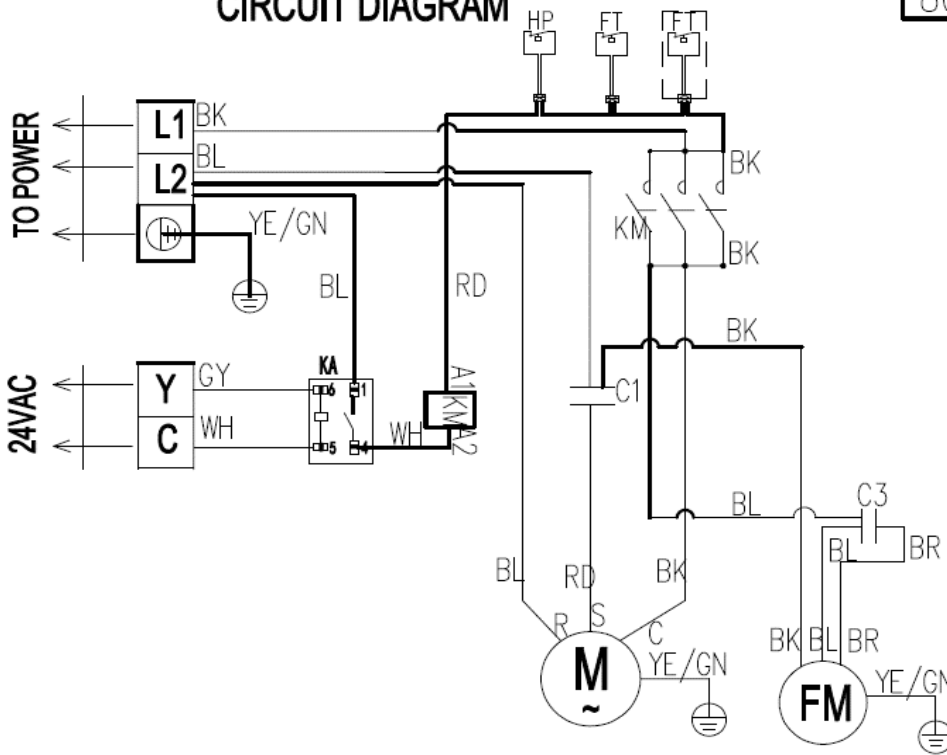
Powe 208/230V_1Ph_60HZ

ComfortStar®



CIRCUIT DIAGRAM

80203289009V.2



WIRE COLOR CODE	NOTES	COMPONENT CODE
RD RED	1. The units should use the unattached power switch, stated-cross-section wires and matching-spec. breaker. 2. Use the fuse within the specified scope, it can not replaced by iron wires or brass wires. 3. The units should install the stated-cross-section earth wire and keep it grounding unfaithfully. 4. Low-voltage switch wiring according to the actual situation.	KM CONTACTOR
OR ORANGE		C CAPACITOR
WH WHITE		M COMPRESSOR
YE YELLOW		TB TERMINAL BLOCK
BK BLACK		FM FAN MOTOR
GY GREY		FT EXHAUST SWITCH
BL BLUE		
GN GREEN		
BR BROWN		
WIRE INFORMATION		
————— FACTORY CONNECTION		
..... PROJECT CONNECTION		
----- PRACTICALITY EXTERIOR		
○ DASHED CIRCLE		

No.	Part Name	Quantity	Sale code	BOM code	Remark
1	Top cover assembly	1		801224290022	
2	Top net cover	1		802924290002	
3	Indoor motor	1		802400400731	
4	Propeller fan	1		802919900009	
5	Condenser component	1		801524290044	
5.1	Condenser assembly	1		801524290045	
5.2	Inlet pipe for condenser	1		801624290227	
5.3	Outlet pipe for condenser	1		801633490187	
5.3.1	Block valve body	1		801600900069	
6	Supporting board	3		801224290030	
7	Rear separating board	2		801224290024	
8	Right separating board	1		801224290028	
9	Chassis assembly	1		801223290006	
10	E-part component	1		803332890022	
10.1	Weld assembly for e-part mounting plate	1		801225490097	
10.2	Waterproof box for e-part	2		801225490020	
10.3	Terminal	1		802425000001	
10.4	Contactur	1		802300100194	
10.5	Compressor capacitor	1		802401000047	
10.6	Fan capacitor	1		802401100044	
11	Botton separating board	1		801224290026	
12	Upper separating board	1		801225490041	
13	Left separating board	1		801224290034	
14	Compressor	1		801401200002	ASH201DG-C8LU1L
15	Low pressure valves welding components	1		801632890105	
15.1	Block valve body	1		801600900072	
16	Discharge pipe	1		801632490125	