

CITY OF NORTH ROYALTON

Consolidated Sanitary Sewer District



Phone: 440-237-5010
Facsimile: 440-582-9281

11675 Royalton Road
North Royalton, Ohio 44133

To: Members of City Council

Re: New Gap Vac Vactor Truck

Date: February 2, 2021

Dear Council Members;

I am recommending the following purchase for the Wastewater Department for the continuing production of our Collection system maintenance program. The purchase of the Gap Vac Vactor Truck will help our department to continue to clean sanitary and storm sewers of unwanted debris and blockages. With this purchase we will be able to have 2 Vactor trucks in service. One will be used to maintain the sanitary collection system and the other will be used to maintain the storm water collection system.

Respectfully,

A handwritten signature in black ink that reads "Mark A. Smith". The signature is written in a cursive, flowing style.

Mark A. Smith
Wastewater Superintendent
City of North Royalton
Consolidated Sanitary Sewer District

Prepared for:
John Simon
NORTH ROYALTON CITY OF
14600 STATE RD
NORTH ROYALTON, OH 44133
Phone: 440-336-5377

Prepared by:
Greg Simonic
Valley Freightliner & Western Star
10901 Brookpark Rd
Parma, OH 44130
Phone: 216-267-4800
E-Mail: gregs@valley1.com



OHIO DEPARTMENT OF TRANSPORTATION

CENTRAL OFFICE • 1980 WEST BROAD STREET • COLUMBUS, OH 43223
MIKE DEWINE, GOVERNOR • JACK MARCHBANKS, PH.D., DIRECTOR

August 26, 2020

Valley Freightliner Sterling and Western Star, Inc
10901 Brook Park Rd.
Parma, OH 44130

Re: 023-21
Single & Tandem Axle Cab and Chassis

Dear Vendor:

Your bid proposal as submitted has been accepted by the Ohio Department of Transportation.

This Invitation permits multiple awarded vendors to provide Single & Tandem Axle Cab and Chassis. The contract will be in effect from September 1, 2020 to August 31, 2021.

A purchase shall only take place upon the issuance of an official purchase order or the use of a payment card. There is no guarantee that purchase orders will be issued or that products will be ordered against issued purchase orders.

Thank you for bidding on our invitation. Jim Schurch is available for any assistance necessary to ensure that a quality partnership exists between your company and our Department. If you have any questions, please call (614) 644-7870 or (800) 459-3778.

Respectfully,

A handwritten signature in black ink, appearing to read "Jack Marchbanks".

Jack Marchbanks, Ph.D.
Director
Ohio Department of Transportation

Prepared for:
John Simon
NORTH ROYALTON CITY OF
14600 STATE RD
NORTH ROYALTON, OH 44133
Phone: 440-336-5377

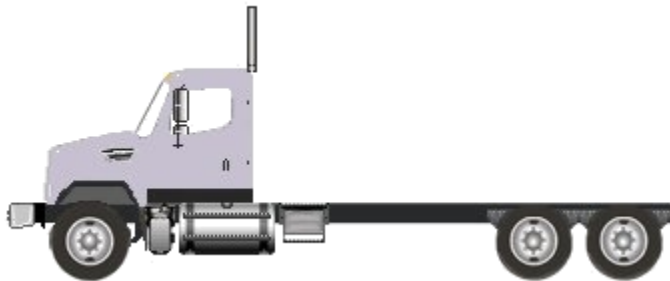
Prepared by:
Greg Simonic
Valley Freightliner & Western Star
10901 Brookpark Rd
Parma, OH 44130
Phone: 216-267-4800
E-Mail: gregs@valley1.com

A proposal for
NORTH ROYALTON CITY OF
ODOT CONTRACT 023-21 CO-OP PRICING

Prepared by
Valley Freightliner & Western Star
Greg Simonic

Jan 12, 2021

Freightliner 114SD



Components shown may not reflect all spec'd options and are not to scale



Prepared for:
 John Simon
 NORTH ROYALTON CITY OF
 14600 STATE RD
 NORTH ROYALTON, OH 44133
 Phone: 440-336-5377

Prepared by:
 Greg Simonic
 Valley Freightliner & Western Star
 10901 Brookpark Rd
 Parma, OH 44130
 Phone: 216-267-4800
 E-Mail: gregs@valley1.com

S P E C I F I C A T I O N P R O P O S A L

Data Code	Description	Weight Front	Weight Rear
Price Level			
PRL-23D	SD PRL-23D (EFF:01/21/20)		
Data Version			
DRL-046	SPECPRO21 DATA RELEASE VER 046		
Vehicle Configuration			
001-177	114SD CONVENTIONAL CHASSIS	7,934	6,476
004-222	2022 MODEL YEAR SPECIFIED		
002-003	SET FORWARD AXLE - TRUCK		
019-002	STRAIGHT TRUCK PROVISION		
003-001	LH PRIMARY STEERING LOCATION		
General Service			
AA1-002	TRUCK CONFIGURATION		
AA6-001	DOMICILED, USA 50 STATES (INCLUDING CALIFORNIA AND CARB OPT-IN STATES)		
A85-010	UTILITY/REPAIR/MAINTENANCE SERVICE		
A84-1GM	GOVERNMENT BUSINESS SEGMENT		
AA4-002	LIQUID BULK COMMODITY		
AA5-002	TERRAIN/DUTY: 100% (ALL) OF THE TIME, IN TRANSIT, IS SPENT ON PAVED ROADS		
AB1-008	MAXIMUM 8% EXPECTED GRADE		
AB5-001	SMOOTH CONCRETE OR ASPHALT PAVEMENT - MOST SEVERE IN-TRANSIT (BETWEEN SITES) ROAD SURFACE		
995-1AE	FREIGHTLINER LEVEL II WARRANTY		
A66-99D	EXPECTED FRONT AXLE(S) LOAD : 21400.0 lbs		
A68-99D	EXPECTED REAR DRIVE AXLE(S) LOAD : 44000.0 lbs		
A63-99D	EXPECTED GROSS VEHICLE WEIGHT CAPACITY : 65400.0 lbs		
Truck Service			
AA3-034	SEWER/INDUSTRIAL VACUUM BODY		
A88-99D	EXPECTED TRUCK BODY LENGTH : 0.0 ft		
* AF3-303	GAPVAX INC		
Engine			



Prepared for:
 John Simon
 NORTH ROYALTON CITY OF
 14600 STATE RD
 NORTH ROYALTON, OH 44133
 Phone: 440-336-5377

Prepared by:
 Greg Simonic
 Valley Freightliner & Western Star
 10901 Brookpark Rd
 Parma, OH 44130
 Phone: 216-267-4800
 E-Mail: gregs@valley1.com

Data Code	Description	Weight Front	Weight Rear
101-3BU	CUM L9 370 HP @ 2100 RPM; 2100 GOV RPM, 1250 LB-FT @ 1200 RPM	-850	-70

Electronic Parameters

	79A-070	70 MPH ROAD SPEED LIMIT	
	79B-000	CRUISE CONTROL SPEED LIMIT SAME AS ROAD SPEED LIMIT	
	79K-002	PTO MODE ENGINE RPM LIMIT - 700 RPM	
	79L-011	PTO MODE THROTTLE OVERRIDE - LIMIT TO 1400 RPM	
	79M-001	PTO MODE BRAKE OVERRIDE - SERVICE BRAKE APPLIED	
	79P-002	PTO RPM WITH CRUISE SET SWITCH - 700 RPM	
	79Q-002	PTO RPM WITH CRUISE RESUME SWITCH - 700 RPM	
	79S-001	PTO MODE CANCEL VEHICLE SPEED - 5 MPH	
	79U-007	PTO GOVERNOR RAMP RATE - 250 RPM PER SECOND	
	79V-001	FUEL DOSING OF AFTERTREATMENT ENABLED IN PTO MODE-CLEANS HYDROCARBONS AT HIGH TEMPERATURES ONLY	
N	80G-002	PTO MINIMUM RPM - 700	
	80J-001	REGEN INHIBIT SPEED THRESHOLD - 0 MPH	

Engine Equipment

	99C-021	2016 ONBOARD DIAGNOSTICS/2010 EPA/CARB/GHG21 CONFIGURATION	
	99D-011	2008 CARB EMISSION CERTIFICATION - CLEAN IDLE (INCLUDES 6X4 INCH LABEL ON LOWER FORWARD CORNER OF DRIVER DOOR)	
	13E-001	STANDARD OIL PAN	
	105-015	OIL FILL AND DIPSTICK LOCATED FOR ENHANCED SERVICEABILITY	
	014-1B5	SIDE OF HOOD AIR INTAKE WITH DONALDSON HIGH CAPACITY AIR CLEANER WITH SAFETY ELEMENT, FIREWALL MOUNTED	
	124-1DJ	DR 12V 160 AMP 36-SI BRUSHLESS QUADRAMOUNT PAD ALTERNATOR WITH REMOTE BATTERY VOLT SENSE	10
	292-236	(3) DTNA GENUINE, FLOODED STARTING, MIN 3000CCA, 555RC, THREADED STUD BATTERIES	
	290-1CD	BATTERY BOX WITH ALUMINUM COVER MOUNTED SHORT SIDE TO RAIL	15
	281-001	STANDARD BATTERY JUMPERS	
	282-003	SINGLE BATTERY BOX FRAME MOUNTED LH SIDE BACK OF CAB	
	291-017	WIRE GROUND RETURN FOR BATTERY CABLES WITH ADDITIONAL FRAME GROUND RETURN	



Prepared for:
 John Simon
 NORTH ROYALTON CITY OF
 14600 STATE RD
 NORTH ROYALTON, OH 44133
 Phone: 440-336-5377

Prepared by:
 Greg Simonic
 Valley Freightliner & Western Star
 10901 Brookpark Rd
 Parma, OH 44130
 Phone: 216-267-4800
 E-Mail: gregs@valley1.com

Data Code	Description	Weight Front	Weight Rear
289-002	POLISHING OF BATTERY BOX COVER		
293-058	POSITIVE LOAD DISCONNECT WITH CAB MOUNTED CONTROL SWITCH MOUNTED OUTBOARD DRIVER SEAT	8	
295-029	POSITIVE AND NEGATIVE POSTS FOR JUMPSTART LOCATED ON FRAME NEXT TO STARTER	2	
107-032	CUMMINS TURBOCHARGED 18.7 CFM AIR COMPRESSOR WITH INTERNAL SAFETY VALVE		
152-041	ELECTRONIC ENGINE INTEGRAL SHUTDOWN PROTECTION SYSTEM		
128-032	C-BRAKE BY JACOBS WITH LOW/OFF/HIGH BRAKING DASH SWITCH	80	
016-1C2	RH OUTBOARD UNDER STEP MOUNTED HORIZONTAL AFTERTREATMENT SYSTEM ASSEMBLY WITH RH B-PILLAR MOUNTED VERTICAL TAILPIPE	30	25
28F-007	ENGINE AFTERTREATMENT DEVICE, AUTOMATIC OVER THE ROAD ACTIVE REGENERATION AND DASH MOUNTED SINGLE REGENERATION REQUEST/INHIBIT SWITCH		
239-026	10 FOOT 06 INCH (126 INCH+0/-5.9 INCH) EXHAUST SYSTEM HEIGHT		
233-017	STANDARD CURVE BRIGHT UPPER STACK(S)		
237-1CR	RH CURVED VERTICAL TAILPIPE B-PILLAR MOUNTED ROUTED FROM STEP		
23U-002	13 GALLON DIESEL EXHAUST FLUID TANK		
30N-003	100 PERCENT DIESEL EXHAUST FLUID FILL		
23Y-001	STANDARD DIESEL EXHAUST FLUID PUMP MOUNTING		
23Z-001	POLISHED ALUMINUM DIAMOND PLATE DIESEL EXHAUST FLUID TANK COVER	15	5
43X-002	LH MEDIUM DUTY STANDARD DIESEL EXHAUST FLUID TANK LOCATION		
43Y-001	STANDARD DIESEL EXHAUST FLUID TANK CAP		
242-001	STAINLESS STEEL AFTERTREATMENT DEVICE/MUFFLER/TAIPIPE SHIELD		
273-048	HORTON 2-SPEED DRIVEMASTER ADVANTAGE POLAREXTREME FAN DRIVE		
276-002	AUTOMATIC FAN CONTROL WITH DASH SWITCH AND INDICATOR LIGHT, NON ENGINE MOUNTED		
110-003	CUMMINS SPIN ON FUEL FILTER		
118-008	COMBINATION FULL FLOW/BYPASS OIL FILTER		
120-009	FLEETGUARD PLAIN COOLANT FILTER		
266-017	1300 SQUARE INCH ALUMINUM RADIATOR	-20	
103-039	ANTIFREEZE TO -34F, OAT (NITRITE AND SILICATE FREE) EXTENDED LIFE COOLANT		



Prepared for:
 John Simon
 NORTH ROYALTON CITY OF
 14600 STATE RD
 NORTH ROYALTON, OH 44133
 Phone: 440-336-5377

Prepared by:
 Greg Simonic
 Valley Freightliner & Western Star
 10901 Brookpark Rd
 Parma, OH 44130
 Phone: 216-267-4800
 E-Mail: gregs@valley1.com

Data Code	Description	Weight Front	Weight Rear
171-007	GATES BLUE STRIPE COOLANT HOSES OR EQUIVALENT		
172-001	CONSTANT TENSION HOSE CLAMPS FOR COOLANT HOSES		
270-016	RADIATOR DRAIN VALVE		
138-011	PHILLIPS-TEMRO 1000 WATT/115 VOLT BLOCK HEATER	4	
166-002	PHILLIPS-TEMRO 150 WATT/115 VOLT OIL PREHEATER	4	
140-022	CHROME ENGINE HEATER RECEPTACLE MOUNTED UNDER LH DOOR		
132-004	ELECTRIC GRID AIR INTAKE WARMER		
155-055	DELCO 12V 39MT HD/OCP STARTER WITH THERMAL PROTECTION AND INTEGRATED MAGNETIC SWITCH		

Transmission

342-582	ALLISON 3000 RDS AUTOMATIC TRANSMISSION WITH PTO PROVISION
---------	--

Transmission Equipment

343-339	ALLISON VOCATIONAL PACKAGE 223 - AVAILABLE ON 3000/4000 PRODUCT FAMILIES WITH VOCATIONAL MODELS RDS, HS, MH AND TRV
84B-012	ALLISON VOCATIONAL RATING FOR ON/OFF HIGHWAY APPLICATIONS AVAILABLE WITH ALL PRODUCT FAMILIES
84C-023	PRIMARY MODE GEARS, LOWEST GEAR 1, START GEAR 1, HIGHEST GEAR 6, AVAILABLE FOR 3000/4000 PRODUCT FAMILIES ONLY
84D-023	SECONDARY MODE GEARS, LOWEST GEAR 1, START GEAR 1, HIGHEST GEAR 6, AVAILABLE FOR 3000/4000 PRODUCT FAMILIES ONLY
84E-017	S5 PERFORMANCE LIMITING PRIMARY SHIFT SCHEDULE, AVAILABLE FOR 3000/4000 PRODUCT FAMILIES ONLY
84F-016	S5 PERFORMANCE LIMITING SECONDARY SHIFT SCHEDULE, AVAILABLE FOR 3000/4000 PRODUCT FAMILIES ONLY
84G-013	2100 RPM PRIMARY MODE SHIFT SPEED
84H-013	2100 RPM SECONDARY MODE SHIFT SPEED
84N-200	FUEL SENSE 2.0 DISABLED - PERFORMANCE - TABLE BASED
84U-000	DRIVER SWITCH INPUT - DEFAULT - NO SWITCHES
353-064	VEHICLE INTERFACE WIRING CONNECTOR WITH BLUNT CUTS, AT FIREWALL
34C-001	ELECTRONIC TRANSMISSION CUSTOMER ACCESS CONNECTOR FIREWALL MOUNTED



Prepared for:
 John Simon
 NORTH ROYALTON CITY OF
 14600 STATE RD
 NORTH ROYALTON, OH 44133
 Phone: 440-336-5377

Prepared by:
 Greg Simonic
 Valley Freightliner & Western Star
 10901 Brookpark Rd
 Parma, OH 44130
 Phone: 216-267-4800
 E-Mail: gregs@valley1.com

Data Code	Description	Weight Front	Weight Rear
362-155	CUSTOMER INSTALLED CHELSEA 859 SERIES PTO		
* 363-002	PTO MOUNTING, RH SIDE OF MAIN TRANSMISSION		
341-018	MAGNETIC PLUGS, ENGINE DRAIN, TRANSMISSION DRAIN, AXLE(S) FILL AND DRAIN		
345-003	PUSH BUTTON ELECTRONIC SHIFT CONTROL, DASH MOUNTED		
97G-004	TRANSMISSION PROGNOSTICS - ENABLED 2013		
370-015	WATER TO OIL TRANSMISSION COOLER, IN RADIATOR END TANK	-15	
346-003	TRANSMISSION OIL CHECK AND FILL WITH ELECTRONIC OIL LEVEL CHECK		
35T-001	SYNTHETIC TRANSMISSION FLUID (TES-295 COMPLIANT)		

Front Axle and Equipment

400-1EB	MFS-20-133A 22,000# FL1 71.0 INCH KPI/3.74 INCH DROP SINGLE FRONT AXLE	270	
402-078	MERITOR 16.5X6 Q+ HIGH CAPACITY CAST SPIDER CAM FRONT BRAKES, DOUBLE ANCHOR, FABRICATED SHOES	20	
403-002	NON-ASBESTOS FRONT BRAKE LINING		
419-023	CONMET CAST IRON FRONT BRAKE DRUMS		
427-001	FRONT BRAKE DUST SHIELDS	5	
409-006	FRONT OIL SEALS		
408-002	STEMCO ALUMINUM VENTED FRONT HUB CAPS WITH WINDOW AND CENTER PLUG - OIL		
416-022	STANDARD SPINDLE NUTS FOR ALL AXLES		
405-031	HALDEX AUTOMATIC FRONT SLACK ADJUSTERS WITH STAINLESS STEEL CLEVIS PINS		
406-001	STANDARD KING PIN BUSHINGS		
* 536-051	TRW THP-60 POWER STEERING WITH RCH60 AUXILIARY GEAR	120	
539-003	POWER STEERING PUMP		
534-003	4 QUART POWER STEERING RESERVOIR		
533-001	OIL/AIR POWER STEERING COOLER		
40T-002	CURRENT AVAILABLE SYNTHETIC 75W-90 FRONT AXLE LUBE		

Front Suspension

620-068	23,000# FLAT LEAF FRONT SUSPENSION	340	
619-004	GRAPHITE BRONZE BUSHINGS WITH SEALS - FRONT SUSPENSION		
62G-998	NO FRONT SUSPENSION OPTIONS		



Prepared for:
 John Simon
 NORTH ROYALTON CITY OF
 14600 STATE RD
 NORTH ROYALTON, OH 44133
 Phone: 440-336-5377

Prepared by:
 Greg Simonic
 Valley Freightliner & Western Star
 10901 Brookpark Rd
 Parma, OH 44130
 Phone: 216-267-4800
 E-Mail: gregs@valley1.com

Data Code	Description	Weight Front	Weight Rear
62H-014	LEFT AND RIGHT FRONT SUSPENSION REAR SHACKLE PINS WITH ZERK FITTINGS OUTBOARD		
410-001	FRONT SHOCK ABSORBERS		
Rear Axle and Equipment			
420-059	RT-46-164P 46,000# R-SERIES TANDEM REAR AXLE		530
421-563	5.63 REAR AXLE RATIO		
424-001	IRON REAR AXLE CARRIER WITH STANDARD AXLE HOUSING		
386-074	MXL 176T MERITOR EXTENDED LUBE MAIN DRIVELINE WITH HALF ROUND YOKES	45	45
388-073	MXL 17T MERITOR EXTENDED LUBE INTERAXLE DRIVELINE WITH HALF ROUND YOKES		
452-006	DRIVER CONTROLLED TRACTION DIFFERENTIAL - BOTH TANDEM REAR AXLES		30
878-023	(1) INTERAXLE LOCK VALVE, (1) DRIVER CONTROLLED DIFFERENTIAL LOCK FORWARD-REAR AND REAR-REAR AXLE VALVE		
87A-001	BLINKING LAMP WITH EACH INTERAXLE LOCK SWITCH, INTERAXLE UNLOCK DEFAULT WITH IGNITION OFF		
87B-004	BLINKING LAMP WITH EACH MODE SWITCH, DIFFERENTIAL UNLOCK WITH IGNITION OFF, ACTIVE <5 MPH		
423-085	MERITOR 16.5X8.62 Q+ CAST SPIDER HEAVY DUTY CAM REAR BRAKES, DOUBLE ANCHOR, FABRICATED SHOES		
433-002	NON-ASBESTOS REAR BRAKE LINING		
434-003	STANDARD BRAKE CHAMBER LOCATION		
451-023	CONMET CAST IRON REAR BRAKE DRUMS		-40
425-002	REAR BRAKE DUST SHIELDS		10
440-006	REAR OIL SEALS		
426-1B3	BENDIX EVERSURE LONGSTROKE 2-DRIVE AXLES SPRING PARKING CHAMBERS		
428-031	HALDEX AUTOMATIC REAR SLACK ADJUSTERS WITH STAINLESS STEEL CLEVIS PINS		
41T-002	CURRENT AVAILABLE SYNTHETIC 75W-90 REAR AXLE LUBE		
42T-001	STANDARD REAR AXLE BREATHER(S)		
Rear Suspension			
622-1E7	HENDRICKSON HAULMAAX @ 46,000# REAR SUSPENSION		310
621-1AP	HENDRICKSON HAULMAAX/ULTIMAAX - 10.50" RIDE HEIGHT		
624-009	54 INCH AXLE SPACING		



Prepared for:
 John Simon
 NORTH ROYALTON CITY OF
 14600 STATE RD
 NORTH ROYALTON, OH 44133
 Phone: 440-336-5377

Prepared by:
 Greg Simonic
 Valley Freightliner & Western Star
 10901 Brookpark Rd
 Parma, OH 44130
 Phone: 216-267-4800
 E-Mail: gregs@valley1.com

Data Code	Description	Weight Front	Weight Rear
628-010	HENDRICKSON HN, HAULMAAX AND ULTIMAAX SERIES STEEL BEAMS WITH BAR PIN		
623-006	FORE/AFT AND TRANSVERSE CONTROL RODS		
Brake System			
490-101	WABCO 4S/4M ABS WITH TRACTION CONTROL, WITH ATC OFF-ROAD SWITCH		
871-001	REINFORCED NYLON, FABRIC BRAID AND WIRE BRAID CHASSIS AIR LINES		
904-001	FIBER BRAID PARKING BRAKE HOSE		
412-001	STANDARD BRAKE SYSTEM VALVES		
46D-002	STANDARD AIR SYSTEM PRESSURE PROTECTION SYSTEM		
413-002	STD U.S. FRONT BRAKE VALVE		
432-003	RELAY VALVE WITH 5-8 PSI CRACK PRESSURE, NO REAR PROPORTIONING VALVE		
480-009	BW AD-9 BRAKE LINE AIR DRYER WITH HEATER	20	
* 483-003	BENDIX OIL COALESCING FILTER FOR AIR DRYER		
479-004	AIR DRYER MOUNTED OUTBOARD ON LH RAIL		
* 460-067	STEEL AIR TANKS MOUNTED UNDER BATTERY BOX WHEN POSSIBLE (NON-DRM TANKS ONLY)		
477-004	PULL CABLES ON ALL AIR RESERVOIR(S)		
Trailer Connections			
335-004	UPGRADED CHASSIS MULTIPLEXING UNIT		
Wheelbase & Frame			
545-665	6650MM (262 INCH) WHEELBASE		
* 546-102	7/16X3-9/16X11-1/8 INCH STEEL FRAME (11.11MMX282.6MM/0.437X11.13 INCH) 120KSI	770	140
547-001	1/4 INCH (6.35MM) C-CHANNEL INNER FRAME REINFORCEMENT	230	450
552-063	2550MM (100 INCH) REAR FRAME OVERHANG		
55W-009	FRAME OVERHANG RANGE: 91 INCH TO 100 INCH	-70	300
549-016	24 INCH INTEGRAL FRONT FRAME EXTENSION WITH 0.25 INCH INSERT	350	-50
AC8-99D	CALC'D BACK OF CAB TO REAR SUSP C/L (CA) : 178.35 in		
AE8-99D	CALCULATED EFFECTIVE BACK OF CAB TO REAR SUSPENSION C/L (CA) : 175.35 in		
AE4-99D	CALC'D FRAME LENGTH - OVERALL : 413.9		
FSS-0LH	CALCULATED FRAME SPACE LH SIDE : 83.33 in		
FSS-0RH	CALCULATED FRAME SPACE RH SIDE : 224.21 in		
AM6-99D	CALC'D SPACE AVAILABLE FOR DECKPLATE : 178.54 in		



Prepared for:
 John Simon
 NORTH ROYALTON CITY OF
 14600 STATE RD
 NORTH ROYALTON, OH 44133
 Phone: 440-336-5377

Prepared by:
 Greg Simonic
 Valley Freightliner & Western Star
 10901 Brookpark Rd
 Parma, OH 44130
 Phone: 216-267-4800
 E-Mail: gregs@valley1.com

Data Code	Description	Weight Front	Weight Rear
553-001	SQUARE END OF FRAME		
587-003	REAR TOW HOOKS		10
550-001	FRONT CLOSING CROSSMEMBER		
559-001	STANDARD WEIGHT ENGINE CROSSMEMBER		
* 562-041	HEAVY DUTY STEEL 6 PIECE BOLTED CONSTRUCTION MIDSHIP CROSSMEMBER(S)		
572-001	STANDARD REARMOST CROSSMEMBER		
565-001	STANDARD SUSPENSION CROSSMEMBER		

Chassis Equipment

556-997	OMIT FRONT BUMPER, CUSTOMER INSTALLED SPECIAL BUMPER, DOES NOT COMPLY WITH FMCSR 393.203	-100	
558-065	FRONT TOW HOOKS - FRONT FRAME EXTENSION MOUNTED	60	
551-001	HUCK-SPIN ROUND COLLAR CHASSIS FASTENERS SUSPENSIONS ONLY		
605-103	D15-28195-000 CENTER PUNCH TO MARK CENTERLINE OF REAR SUSPENSION ON TOP FLANGE OF FRAME		

Fuel Tanks

204-155	90 GALLON/340 LITER ALUMINUM FUEL TANK - LH	15	
218-006	25 INCH DIAMETER FUEL TANK(S)		
215-006	POLISHING OF FUEL/HYDRAULIC TANK(S) WITH POLISHED STAINLESS STEEL BANDS		
212-007	FUEL TANK(S) FORWARD		
664-002	POLISHED STEP FINISH		
205-002	CHROME FUEL TANK CAP(S)		
122-1H8	DAVCO 245 FUEL/WATER SEPARATOR WITH 12 VOLT HEAT AND WATER IN FUEL SENSOR	20	
216-020	EQUIFLO INBOARD FUEL SYSTEM		
20E-004	AUXILIARY FUEL SUPPLY AND RETURN PORTS LOCATED ON LH FUEL TANK		
202-016	HIGH TEMPERATURE REINFORCED NYLON FUEL LINE		
221-001	FUEL COOLER	10	

Tires

093-1E2	MICHELIN XFE 425/65R22.5 20 PLY RADIAL FRONT TIRES	172	
094-1UY	MICHELIN X MULTI D 11R22.5 16 PLY RADIAL REAR TIRES		120

Hubs

418-060	CONMET PRESET PLUS PREMIUM IRON FRONT HUBS		
---------	--	--	--



Prepared for:
 John Simon
 NORTH ROYALTON CITY OF
 14600 STATE RD
 NORTH ROYALTON, OH 44133
 Phone: 440-336-5377

Prepared by:
 Greg Simonic
 Valley Freightliner & Western Star
 10901 Brookpark Rd
 Parma, OH 44130
 Phone: 216-267-4800
 E-Mail: gregs@valley1.com

Data Code	Description	Weight Front	Weight Rear
450-060	CONMET PRESET PLUS PREMIUM IRON REAR HUBS		
Wheels			
* 502-1G0	ALCOA LVL ONE 82362X 22.5X12.25 10-HUB PILOT 2.75 INSET 10-HAND ALUMINUM DISC FRONT WHEELS	-8	
505-693	ALCOA LVL ONE 88267X 22.5X8.25 10-HUB PILOT ALUMINUM DISC REAR WHEELS		-224
524-022	POLISHED DISC SIDE FRONT WHEELS WITH DURA-BRIGHT FINISH		
525-023	POLISHED OUTER (DISHED SIDE) REAR WHEELS WITH OUTER ONLY DURA-BRIGHT FINISH		
498-011	NYLON WHEEL GUARDS FRONT AND REAR ALL INTERFACES		
Cab Exterior			
829-1A2	114 INCH BBC FLAT ROOF ALUMINUM CONVENTIONAL CAB		
650-008	AIR CAB MOUNTING		
705-012	CAB ROOF REINFORCEMENTS FOR ROOF MOUNTED COMPONENTS	2	
648-002	NONREMOVABLE BUGSCREEN MOUNTED BEHIND GRILLE		
667-001	FRONT FENDERS		
754-002	3-1/2 INCH FENDER EXTENSIONS	15	
678-067	SAFETY YELLOW LH AND RH INTERIOR GRAB HANDLES AND LH AND RH EXTERIOR GRAB HANDLES WITH SINGLE RUBBER INSERT		
645-002	BRIGHT FINISH RADIATOR SHELL/HOOD BEZEL		
646-042	STATIONARY BLACK GRILLE WITH BRIGHT ACCENTS		
65X-003	CHROME HOOD MOUNTED AIR INTAKE GRILLE		
644-006	FIBERGLASS HOOD WITH ACCESS HATCHES	10	
690-002	TUNNEL/FIREWALL LINER		
727-1AF	SINGLE 14 INCH ROUND HADLEY AIR HORN UNDER LH DECK		
726-002	DUAL ELECTRIC HORNS		
728-001	SINGLE HORN SHIELD		
657-001	DOOR LOCKS AND IGNITION SWITCH KEYED THE SAME		
78G-004	KEY QUANTITY OF 4		
575-001	REAR LICENSE PLATE MOUNT END OF FRAME		
312-067	HALOGEN COMPOSITE HEADLAMPS WITH BRIGHT BEZELS		
302-047	LED AERODYNAMIC MARKER LIGHTS		



Prepared for:
 John Simon
 NORTH ROYALTON CITY OF
 14600 STATE RD
 NORTH ROYALTON, OH 44133
 Phone: 440-336-5377

Prepared by:
 Greg Simonic
 Valley Freightliner & Western Star
 10901 Brookpark Rd
 Parma, OH 44130
 Phone: 216-267-4800
 E-Mail: gregs@valley1.com

Data Code	Description	Weight Front	Weight Rear
311-012	DAYTIME RUNNING LIGHTS - LOW BEAM ONLY		
294-042	FREIGHTLINER LED FLANGE MOUNTED STOP/TAIL/TURN LIGHTS WITH SEPARATE INCANDESCENT BACKUP LIGHTS		5
300-015	STANDARD FRONT TURN SIGNAL LAMPS		
744-103	DUAL WEST COAST BRIGHT FINISH HEATED MIRRORS WITH LED LIGHTS AND LH AND RH REMOTE		
797-001	DOOR MOUNTED MIRRORS		
796-001	102 INCH EQUIPMENT WIDTH		
743-204	LH AND RH 8 INCH BRIGHT FINISH CONVEX MIRRORS MOUNTED UNDER PRIMARY MIRRORS		
729-001	STANDARD SIDE/REAR REFLECTORS		
677-054	RH AFTERTREATMENT SYSTEM CAB ACCESS WITH PLAIN DIAMOND PLATE COVER		
275-063	2-STAGE ELECTRIC HORN AND HAZARD LAMP ALERT CONTROLLED BY PARTICULATE FILTER REGENERATION REQUIRED STATUS		
768-043	63X14 INCH TINTED REAR WINDOW		
661-004	TINTED DOOR GLASS LH AND RH WITH TINTED OPERATING WING WINDOWS		
654-027	RH AND LH ELECTRIC POWERED WINDOWS, PASSENGER SWITCHES ON DOOR(S)	4	
663-013	1-PIECE SOLAR GREEN GLASS WINDSHIELD		
659-007	8 LITER (2 GAL) WINDSHIELD WASHER RESERVOIR, CAB MOUNTED, WITHOUT FLUID LEVEL INDICATOR		

Cab Interior

707-1AK	OPAL GRAY VINYL INTERIOR		
706-026	MOLDED PLASTIC DOOR PANEL WITHOUT VINYL INSERT WITH ALUMINUM KICKPLATE LOWER DOOR		
708-026	MOLDED PLASTIC DOOR PANEL WITHOUT VINYL INSERT WITH ALUMINUM KICKPLATE LOWER DOOR		
772-006	BLACK MATS WITH SINGLE INSULATION		
785-004	DASH MOUNTED ASH TRAY(S) WITHOUT LIGHTER		
691-008	FORWARD ROOF MOUNTED CONSOLE WITH UPPER STORAGE COMPARTMENTS WITHOUT NETTING		
696-012	CENTER STORAGE CONSOLE MOUNTED ON BACKWALL	20	
693-023	LH DOOR MAP POCKET		
742-007	(2) CUP HOLDERS LH AND RH DASH		
680-007	GRAY/CHARCOAL WING DASH		



Prepared for:
 John Simon
 NORTH ROYALTON CITY OF
 14600 STATE RD
 NORTH ROYALTON, OH 44133
 Phone: 440-336-5377

Prepared by:
 Greg Simonic
 Valley Freightliner & Western Star
 10901 Brookpark Rd
 Parma, OH 44130
 Phone: 216-267-4800
 E-Mail: gregs@valley1.com

Data Code	Description	Weight Front	Weight Rear
860-004	SMART SWITCH EXPANSION MODULE		
720-003	5 LB. FIRE EXTINGUISHER	10	
700-002	HEATER, DEFROSTER AND AIR CONDITIONER		
701-013	STANDARD HVAC DUCTING WITH PRE-FILTER FOR OUTSIDE AIR INTAKE		
703-005	MAIN HVAC CONTROLS WITH RECIRCULATION SWITCH		
170-015	STANDARD HEATER PLUMBING		
130-041	VALEO HEAVY DUTY A/C REFRIGERANT COMPRESSOR		
702-002	BINARY CONTROL, R-134A		
739-034	PREMIUM INSULATION		
285-013	SOLID-STATE CIRCUIT PROTECTION AND FUSES		
280-007	12V NEGATIVE GROUND ELECTRICAL SYSTEM		
324-011	DOMED DOOR ACTIVATED LH AND RH, DUAL READING LIGHTS, FORWARD CAB ROOF		
655-005	LH AND RH ELECTRIC DOOR LOCKS		
284-101	(1) 12V POWER SUPPLY (1) DUAL 2.1 AMP USB CHARGER IN DASH		
756-1D9	PREMIUM HIGH BACK AIR SUSPENSION DRIVER SEAT WITH 3 CHAMBER AIR LUMBAR, INTEGRATED CUSHION EXTENSION, FORWARD AND REAR CUSHION TILT, ADJUSTABLE SHOCK ABSORBER	70	
760-1D9	PREMIUM HIGH BACK AIR SUSPENSION PASSENGER SEAT WITH 3 CHAMBER AIR LUMBAR, INTEGRATED CUSHION EXTENSION, FORWARD AND REAR CUSHION TILT, ADJUSTABLE SHOCK ABSORBER	60	20
759-005	DUAL DRIVER AND PASSENGER SEAT ARMRESTS	8	
711-004	LH AND RH INTEGRAL DOOR PANEL ARMRESTS		
758-014	BLACK CORDURA PLUS CLOTH DRIVER SEAT COVER		
761-014	BLACK CORDURA PLUS CLOTH PASSENGER SEAT COVER		
763-101	BLACK SEAT BELTS		
532-002	ADJUSTABLE TILT AND TELESCOPING STEERING COLUMN	10	
540-015	4-SPOKE 18 INCH (450MM) STEERING WHEEL		
765-002	DRIVER AND PASSENGER INTERIOR SUN VISORS		

Instruments & Controls

732-004	GRAY DRIVER INSTRUMENT PANEL
734-004	GRAY CENTER INSTRUMENT PANEL



Prepared for:
 John Simon
 NORTH ROYALTON CITY OF
 14600 STATE RD
 NORTH ROYALTON, OH 44133
 Phone: 440-336-5377

Prepared by:
 Greg Simonic
 Valley Freightliner & Western Star
 10901 Brookpark Rd
 Parma, OH 44130
 Phone: 216-267-4800
 E-Mail: gregs@valley1.com

Data Code	Description	Weight Front	Weight Rear
87L-001	ENGINE REMOTE INTERFACE WITH PARK BRAKE INTERLOCK		
870-001	BLACK GAUGE BEZELS		
486-001	LOW AIR PRESSURE INDICATOR LIGHT AND AUDIBLE ALARM		
840-002	2 INCH PRIMARY AND SECONDARY AIR PRESSURE GAUGES		
198-003	DASH MOUNTED AIR RESTRICTION INDICATOR WITH GRADUATIONS		
721-025	97 DB BACKUP ALARM MOUNTED INBOARD OF RAIL		3
149-017	ELECTRONIC CRUISE CONTROL WITH SWITCHES ON AUXILIARY GAUGE PANEL (B DASH PANEL)		
156-007	KEY OPERATED IGNITION SWITCH AND INTEGRAL START POSITION; 4 POSITION OFF/RUN/START/ACCESSORY		
811-042	ICU3S, 132X48 DISPLAY WITH DIAGNOSTICS, 28 LED WARNING LAMPS AND DATA LINKED		
160-038	HEAVY DUTY ONBOARD DIAGNOSTICS INTERFACE CONNECTOR LOCATED BELOW LH DASH		
844-001	2 INCH ELECTRIC FUEL GAUGE		
148-071	ENGINE REMOTE INTERFACE WITH INCREMENT/DECREMENT		
163-004	ENGINE REMOTE INTERFACE CONNECTOR IN ENGINE COMPARTMENT		
856-001	ELECTRICAL ENGINE COOLANT TEMPERATURE GAUGE		
864-001	2 INCH TRANSMISSION OIL TEMPERATURE GAUGE		
830-017	ENGINE AND TRIP HOUR METERS INTEGRAL WITHIN DRIVER DISPLAY		
372-051	CUSTOMER FURNISHED AND INSTALLED PTO CONTROLS		
852-002	ELECTRIC ENGINE OIL PRESSURE GAUGE		
679-001	OVERHEAD INSTRUMENT PANEL		
786-113	GENERIC TELEMATICS PREWIRE (CONSTANT BATTERY POWER/IGNITION/GROUND/J1939); RP1226 TYPE CONNECTOR AT PASSENGER SIDE OF DASH END		
746-115	AM/FM/WB WORLD TUNER RADIO WITH BLUETOOTH AND USB AND AUXILIARY INPUTS, J1939	10	
747-001	DASH MOUNTED RADIO		
750-002	(2) RADIO SPEAKERS IN CAB		
753-001	AM/FM ANTENNA MOUNTED ON FORWARD LH ROOF		



Prepared for:
 John Simon
 NORTH ROYALTON CITY OF
 14600 STATE RD
 NORTH ROYALTON, OH 44133
 Phone: 440-336-5377

Prepared by:
 Greg Simonic
 Valley Freightliner & Western Star
 10901 Brookpark Rd
 Parma, OH 44130
 Phone: 216-267-4800
 E-Mail: gregs@valley1.com

Data Code	Description	Weight Front	Weight Rear
748-006	POWER AND GROUND WIRING PROVISION OVERHEAD		
749-001	ROOF/OVERHEAD CONSOLE CB RADIO PROVISION		
810-027	ELECTRONIC MPH SPEEDOMETER WITH SECONDARY KPH SCALE, WITHOUT ODOMETER		
817-001	STANDARD VEHICLE SPEED SENSOR		
812-001	ELECTRONIC 3000 RPM TACHOMETER		
813-998	NO VEHICLE PERFORMANCE MONITOR	-5	
162-002	IGNITION SWITCH CONTROLLED ENGINE STOP		
836-015	DIGITAL VOLTAGE DISPLAY INTEGRAL WITH DRIVER DISPLAY		
660-008	SINGLE ELECTRIC WINDSHIELD WIPER MOTOR WITH DELAY		
304-001	MARKER LIGHT SWITCH INTEGRAL WITH HEADLIGHT SWITCH		
882-009	ONE VALVE PARKING BRAKE SYSTEM WITH WARNING INDICATOR		
299-013	SELF CANCELING TURN SIGNAL SWITCH WITH DIMMER, WASHER/WIPER AND HAZARD IN HANDLE		
298-039	INTEGRAL ELECTRONIC TURN SIGNAL FLASHER WITH HAZARD LAMPS OVERRIDING STOP LAMPS		

Design

065-000 PAINT: ONE SOLID COLOR

Color

980-UBQ CAB COLOR A: 00904952EY QUICKSILVER MET ELITE EY
 986-020 BLACK, HIGH SOLIDS POLYURETHANE CHASSIS PAINT
 963-003 STANDARD E COAT/UNDERCOATING

Certification / Compliance

996-001 U.S. FMVSS CERTIFICATION, EXCEPT SALES CABS AND GLIDER KITS

Secondary Factory Options

998-001 CORPORATE PDI CENTER IN-SERVICE ONLY
 * 999-065 FRONT AND/OR REAR AXLE WIDTH EXCEEDS 2.6M. CUSTOMER ADVISED AND ACCEPTS RESPONSABILITY TO OBTAIN PERMIT OR VEHICLE APPLICATION IS EXEMPT FROM VEHICLE WIDTH REQ.

Raw Performance Data



Prepared for:
 John Simon
 NORTH ROYALTON CITY OF
 14600 STATE RD
 NORTH ROYALTON, OH 44133
 Phone: 440-336-5377

Prepared by:
 Greg Simonic
 Valley Freightliner & Western Star
 10901 Brookpark Rd
 Parma, OH 44130
 Phone: 216-267-4800
 E-Mail: gregs@valley1.com

Data Code	Description	Weight Front	Weight Rear
AE8-99D	CALCULATED EFFECTIVE BACK OF CAB TO REAR SUSPENSION C/L (CA) : 175.35 in		
AM6-99D	CALC'D SPACE AVAILABLE FOR DECKPLATE : 178.54 in		

Sales Programs

NO SALES PROGRAMS HAVE BEEN SELECTED

TOTAL VEHICLE SUMMARY

Weight Summary

	Weight Front	Weight Rear	Total Weight
Factory Weight ⁺	9705 lbs	8095 lbs	17800 lbs
Total Weight⁺	9705 lbs	8095 lbs	17800 lbs

(+) Weights shown are estimates only.

If weight is critical, contact Customer Application Engineering.

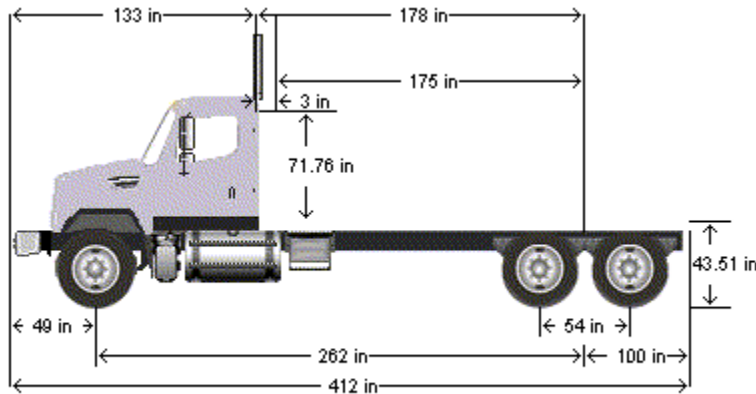
(***) All cost increases for major components (Engines, Transmissions, Axles, Front and Rear Tires) and government mandated requirements, tariffs, and raw material surcharges will be passed through and added to factory invoices.



Prepared for:
 John Simon
 NORTH ROYALTON CITY OF
 14600 STATE RD
 NORTH ROYALTON, OH 44133
 Phone: 440-336-5377

Prepared by:
 Greg Simonic
 Valley Freightliner & Western Star
 10901 Brookpark Rd
 Parma, OH 44130
 Phone: 216-267-4800
 E-Mail: gregs@valley1.com

D I M E N S I O N S



VEHICLE SPECIFICATIONS SUMMARY - DIMENSIONS

Model	114SD
Wheelbase (545)	6650MM (262 INCH) WHEELBASE
Rear Frame Overhang (552)	2550MM (100 INCH) REAR FRAME OVERHANG
Fifth Wheel (578)	NO FIFTH WHEEL
Mounting Location (577)	NO FIFTH WHEEL LOCATION
Maximum Forward Position (in)	0
Maximum Rearward Position (in)	0
Amount of Slide Travel (in)	0
Slide Increment (in)	0
Desired Slide Position (in)	0.0
Cab Size (829)	114 INCH BBC FLAT ROOF ALUMINUM CONVENTIONAL CAB
Sleeper (682)	NO SLEEPER BOX/SLEEPERCAB
Exhaust System (016)	RH OUTBOARD UNDER STEP MOUNTED HORIZONTAL AFTERTREATMENT SYSTEM ASSEMBLY WITH RH B-PILLAR MOUNTED VERTICAL TAILPIPE

TABLE SUMMARY - DIMENSIONS



Prepared for:
 John Simon
 NORTH ROYALTON CITY OF
 14600 STATE RD
 NORTH ROYALTON, OH 44133
 Phone: 440-336-5377

Prepared by:
 Greg Simonic
 Valley Freightliner & Western Star
 10901 Brookpark Rd
 Parma, OH 44130
 Phone: 216-267-4800
 E-Mail: gregs@valley1.com

Dimensions	Inches
Bumper to Back of Cab (BBC)	132.9
Bumper to Centerline of Front Axle (BA)	49.4
Min. Cab to Body Clearance (CB)	3.0
Back of Cab to Centerline of Rear Axle(s) (CA)	178.3
Effective Back of Cab to Centerline of Rear Axle(s) (Effective CA)	175.3
Back of Cab Protrusions (Exhaust/Intake) (CP)	0.0
Back of Cab Protrusions (Side Extenders/Trim Tab) (CP)	0.0
Back of Cab Protrusions (CNG Tank)	0.0
Back of Cab Clearance (CL)	3.0
Back of Cab to End of Frame	278.7
Cab Height (CH)	71.8
Wheelbase (WB)	261.8
Frame Overhang (OH)	100.4
Overall Frame Length	413.9
Overall Length (OAL)	411.6
Rear Axle Spacing	54.0
Unladen Frame Height at Centerline of Rear Axle	43.5

Performance calculations are estimates only. If performance calculations are critical, please contact Customer Application Engineering.



Prepared for:
 John Simon
 NORTH ROYALTON CITY OF
 14600 STATE RD
 NORTH ROYALTON, OH 44133
 Phone: 440-336-5377

Prepared by:
 Greg Simonic
 Valley Freightliner & Western Star
 10901 Brookpark Rd
 Parma, OH 44130
 Phone: 216-267-4800
 E-Mail: gregs@valley1.com

Q U O T A T I O N

114SD CONVENTIONAL CHASSIS

SET FORWARD AXLE - TRUCK CUM L9 370 HP @ 2100 RPM; 2100 GOV RPM, 1250 LB-FT @ 1200 RPM ALLISON 3000 RDS AUTOMATIC TRANSMISSION WITH PTO PROVISION RT-46-164P 46,000# R-SERIES TANDEM REAR AXLE HENDRICKSON HAULMAAX @ 46,000# REAR SUSPENSION MFS-20-133A 22,000# FL1 71.0 INCH KPI/3.74 INCH DROP SINGLE FRONT AXLE	23,000# FLAT LEAF FRONT SUSPENSION 114 INCH BBC FLAT ROOF ALUMINUM CONVENTIONAL CAB 6650MM (262 INCH) WHEELBASE 7/16X3-9/16X11-1/8 INCH STEEL FRAME (11.11MMX282.6MM/0.437X11.13 INCH) 120KSI 2550MM (100 INCH) REAR FRAME OVERHANG 1/4 INCH (6.35MM) C-CHANNEL INNER FRAME REINFORCEMENT
---	--

			PER UNIT		TOTAL
VEHICLE PRICE	TOTAL # OF UNITS (1)	\$	98,804	\$	98,804
EXTENDED WARRANTY		\$	0	\$	0
DEALER INSTALLED OPTIONS		\$	0	\$	0
CUSTOMER PRICE BEFORE TAX		\$	98,804	\$	98,804
TAXES AND FEES					
TAXES AND FEES		\$	0	\$	0
OTHER CHARGES		\$	0	\$	0
TRADE-IN					
TRADE-IN ALLOWANCE		\$	(0)	\$	(0)
BALANCE DUE	(LOCAL CURRENCY)	\$	98,804	\$	98,804

Chassis pricing based under Ohio Department of Transportation contract 023-21 cooperative pricing. Pricing is valid for Ohio municipal purchases and eligibility coincides with contract terms and dates. It is the responsibility of the purchasing entity to request and determine eligibility of cooperative purchases. A purchase order to this proposal thereby agrees to the pricing, specifications, and terms the cooperative contract unless other arrangements are agreed upon.

If an order, please consult with your body builder to assure all dimensions and necessary chassis components are included the specification. All specifications and pricing are subject to final engineering review.

Invoicing will occur upon delivery of bare chassis to customer or location of customer's choice. Payment is due upon receipt of invoice. Titles will be transferred and delivered promptly upon receipt of payment.

APPROVAL:

Please indicate your acceptance of this quotation by signing below:

Customer: X _____ Date: ___ / ___ / ___.



Prepared for:
John Simon
NORTH ROYALTON CITY OF
14600 STATE RD
NORTH ROYALTON, OH 44133
Phone: 440-336-5377

Prepared by:
Greg Simonic
Valley Freightliner & Western Star
10901 Brookpark Rd
Parma, OH 44130
Phone: 216-267-4800
E-Mail: gregs@valley1.com



OHIO DEPARTMENT OF TRANSPORTATION

CENTRAL OFFICE - 1980 WEST BROAD STREET - COLUMBUS, OH 43223
MIKE DEWINE, GOVERNOR - JACK MARCHBANKS, PH.D., DIRECTOR

August 26, 2020

Valley Freightliner Sterling and Western Star, Inc
10901 Brook Park Rd.
Parma, OH 44130

Re: 023-21
Single & Tandem Axle Cab and Chassis

Dear Vendor:

Your bid proposal as submitted has been accepted by the Ohio Department of Transportation.

This Invitation permits multiple awarded vendors to provide Single & Tandem Axle Cab and Chassis. The contract will be in effect from September 1, 2020 to August 31, 2021.

A purchase shall only take place upon the issuance of an official purchase order or the use of a payment card. There is no guarantee that purchase orders will be issued or that products will be ordered against issued purchase orders.

Thank you for bidding on our invitation. Jim Schurch is available for any assistance necessary to ensure that a quality partnership exists between your company and our Department. If you have any questions, please call (614) 644-7870 or (800) 459-3778.

Respectfully,

A handwritten signature in black ink, appearing to read "Jack Marchbanks".

Jack Marchbanks, Ph.D.
Director
Ohio Department of Transportation
