

Electromechanical Relays

Hasco Component's electromechanical relays range from less than an amp to 80 amps. Hasco's relays are UL and CSA with some TUV ratings. All relays have DC coils and many have an AC coil. They come sealed for wave soldering and washing thereby allowing the relays to be put on any assemble line. There are surface mount low current relays available as well.

HAT-900 SERIES HEAVY DUTY SPDT 40A NORMALLY OPEN & 30A NORMALLY CLOSED

 File E75887
 File LR49291



GENERAL SPECIFICATIONS

Contact Material:	silver cadmium oxide with copper base
Max. continuous rated voltage:	110% of nominal voltage
Pull-In voltage:	75% of nominal voltage. Max @ 25°C
Drop-Out voltage:	10% of nominal voltage. Min @ 25°C
Contact Resistance:	20m Ohms max. (Initial value)
Operating Temp:	Class B: -20°C to 85°C Class F: -20°C to 105°C
Insulation Resist:	DC 500V 10 M Ohms min.
Dielectric Strength:	AC 2000V between contact and coil, frame and contact, coil and frame one minute. AC 1500V between contacts one minute.
Operate Time:	approx. 15 ms.
Release Time:	approx. 10 ms.
Electrical Life:	10 x 10 ⁴ operation min. for 30A resistive load (N.O.) 5 x 10 ⁴ operations min. for 40A Resistive Load (N.O.)
Mechanical Life:	10 x 10 ⁶ operation min.

DC COIL SPECIFICATIONS

Nominal Voltage (VDC)	Resistance ±10% @ 25°C (Ohms)	Coil Power @ 25°C (Watts)
5	27	.93
6	40	.90
9	97	.84
12	155	.93
15	256	.88
18	380	.85
22	640	.76
24	660	.87
48	2560	.88
110	13400	.90

AC COIL SPECIFICATIONS

Nominal Voltage (at 25°C)	Resistance ±10% @ 25°C (Ohms)	Coil Power @ 25°C (VA)
12VAC	27	
24VAC	120	Approx 2VA
110VAC	2,360	

120VAC	3,040
220VAC	13,490
240VAC	15,735
277VAC	20,300

MAXIMUM LOAD SPECIFICATIONS

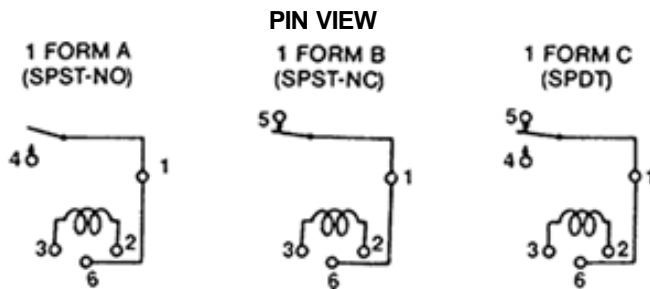
Voltage	Load Type	SPNC	SPNO
AC	Resistive	30A 277VAC	40A 277VAC
	Motor	1HP 120VAC 2HP 277VAC	1HP 120 VAC 2HP 277VAC
	General Purpose	30A 277VAC	40A 277VAC
	Ballast	10A 120VAC 10A 277VAC	30A 120VAC 20A 277VAC
	Tungsten	2A 120VAC	10A 120VAC
DC	Resistive	30A 28VDC	30A 28VDC

Shock Operational - 10g for 11ms w/no contact opening
Shock Destructive - 100g

ORDERING INFORMATION

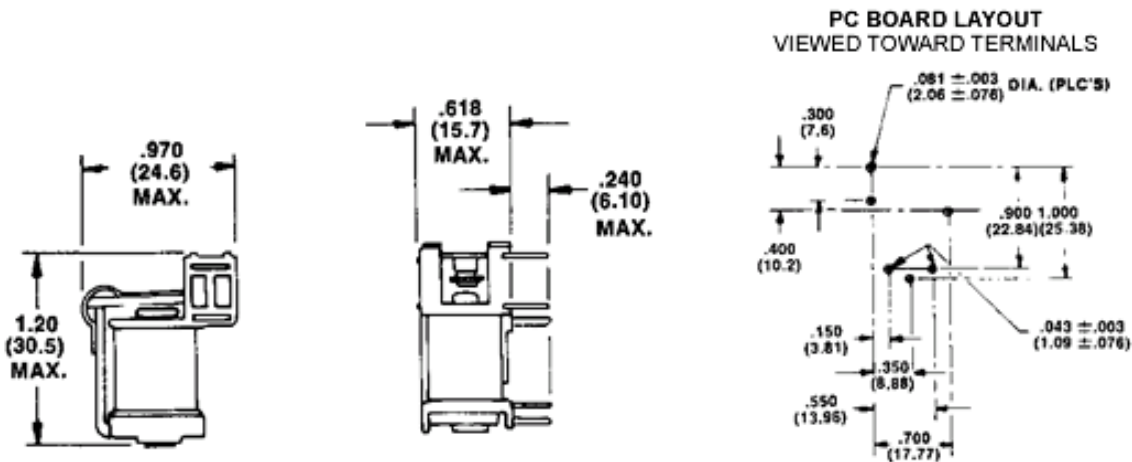
HAT	901	C	S	DC	12	-1
Temp. Class	Type	Form	Style	Coil Voltage	Coil Voltage	Option
Nil: Class B	901: PC Pins Only	A: SPST-NO	Nil: Open	AC or DC	See Table	Pin 6 is Omitted
F: Class F	902: PC Pins & Quick Connects 903: Quick Connects Only — Flange Mount	B: SPST-NC C: SPDT	C: Cover, not sealed S: Cover, sealed			UL 840 *

WIRING DIAGRAMS:

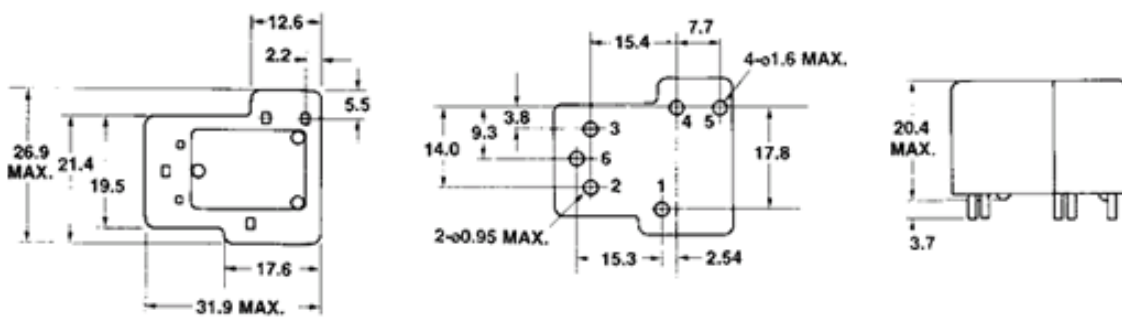


OUTLINE DIMENSIONS: MECHANICAL SPECIFICATIONS

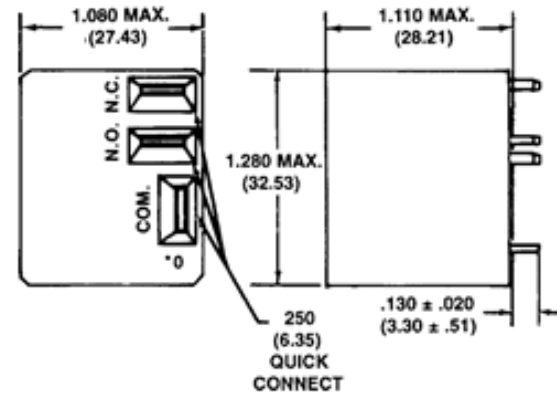
901 OPEN STYLE



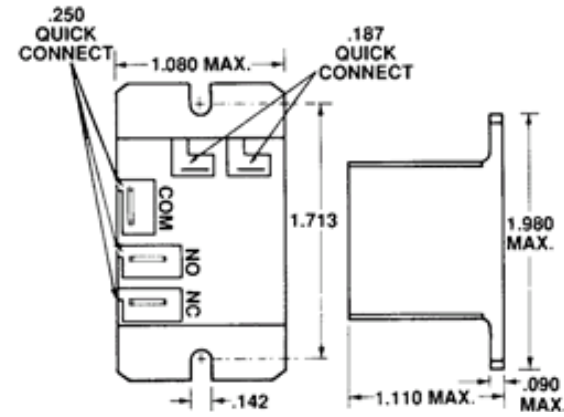
HAT 901 SERIES



HAT 902 SERIES



HAT 903 SERIES



PART NUMBERS

HAT901ADC5	HAT901CCAC12	HAT902CSDC5
HAT901ADC6	HAT901CCAC24	HAT902CSDC6
HAT901ADC9	HAT901CCAC110	HAT902CSDC9
HAT901ADC12	HAT901CCAC120	HAT902CSDC12
HAT901ADC15	HAT901CCAC220	HAT902CSDC15
HAT901ADC18	HAT901CCAC240	HAT902CSDC18
HAT901ADC22	HAT901CCAC277	HAT902CSDC22
HAT901ADC24	HAT901CSAC12	HAT902CSDC24
HAT901ADC48	HAT901CSAC24	HAT902CSDC48
HAT901ADC110	HAT901CSAC110	HAT902CSDC110
HAT901ACDC5	HAT901CSAC120	HAT902CAC12
HAT901ACDC6	HAT901CSAC220	HAT902CAC24
HAT901ACDC9	HAT901CSAC240	HAT902CAC110
HAT901ACDC12	HAT901CSAC277	HAT902CAC120
HAT901ACDC15	HAT902ADC5	HAT902CAC220
HAT901ACDC18	HAT902ADC6	HAT902CAC240
HAT901ACDC22	HAT902ADC9	HAT902CAC277
HAT901ACDC24	HAT902ADC12	HAT902CCAC12
HAT901ACDC48	HAT902ADC15	HAT902CCAC24
HAT901ACDC110	HAT902ADC18	HAT902CCAC110
HAT901ASDC5	HAT902ADC22	HAT902CCAC120
HAT901ASDC6	HAT902ADC24	HAT902CCAC220
HAT901ASDC9	HAT902ADC48	HAT902CCAC240
HAT901ASDC12	HAT902ADC110	HAT902CCAC277
HAT901ASDC15	HAT902ACDC5	HAT902CSAC12
HAT901ASDC18	HAT902ACDC6	HAT902CSAC24
HAT901ASDC22	HAT902ACDC9	HAT902CSAC110
HAT901ASDC24	HAT902ACDC12	HAT902CSAC120
HAT901ASDC48	HAT902ACDC15	HAT902CSAC220
HAT901ASDC110	HAT902ACDC18	HAT902CSAC240
HAT901AAC12	HAT902ACDC22	HAT902CSAC277
HAT901AAC24	HAT902ACDC24	HAT903ACDC5
HAT901AAC110	HAT902ACDC48	HAT903ACDC6
HAT901AAC120	HAT902ACDC110	HAT903ACDC9
HAT901AAC220	HAT902ASDC5	HAT903ACDC12
HAT901AAC240	HAT902ASDC6	HAT903ACDC15

HAT901AAC277	HAT902ASDC9	HAT903ACDC18
HAT901ACAC12	HAT902ASDC12	HAT903ACDC22
HAT901ACAC24	HAT902ASDC15	HAT903ACDC24
HAT901ACAC110	HAT902ASDC18	HAT903ACDC48
HAT901ACAC120	HAT902ASDC22	HAT903ACDC110
HAT901ACAC220	HAT902ASDC24	HAT903ASDC5
HAT901ACAC240	HAT902ASDC48	HAT903ASDC6
HAT901ACAC277	HAT902ASDC110	HAT903ASDC9
HAT901ASAC12	HAT902AAC12	HAT903ASDC12
HAT901ASAC24	HAT902AAC24	HAT903ASDC15
HAT901ASAC110	HAT902AAC110	HAT903ASDC18
HAT901ASAC120	HAT902AAC120	HAT903ASDC22
HAT901ASAC220	HAT902AAC220	HAT903ASDC24
HAT901ASAC240	HAT902AAC240	HAT903ASDC48
HAT901ASAC277	HAT902AAC277	HAT903ASDC110
HAT901BDC5	HAT902ACAC12	HAT903ACAC12
HAT901BDC6	HAT902ACAC24	HAT903ACAC24
HAT901BDC9	HAT902ACAC110	HAT903ACAC110
HAT901BDC12	HAT902ACAC120	HAT903ACAC120
HAT901BDC15	HAT902ACAC220	HAT903ACAC220
HAT901BDC18	HAT902ACAC240	HAT903ACAC240
HAT901BDC22	HAT902ACAC277	HAT903ACAC277
HAT901BDC24	HAT902ASAC12	HAT903ASAC12
HAT901BDC48	HAT902ASAC24	HAT903ASAC24
HAT901BDC110	HAT902ASAC110	HAT903ASAC110
HAT901BCDC5	HAT902ASAC120	HAT903ASAC120
HAT901BCDC6	HAT902ASAC220	HAT903ASAC220
HAT901BCDC9	HAT902ASAC240	HAT903ASAC240
HAT901BCDC12	HAT902ASAC277	HAT903ASAC277
HAT901BCDC15	HAT902BDC5	HAT903BCDC5
HAT901BCDC18	HAT902BDC6	HAT903BCDC6
HAT901BCDC22	HAT902BDC9	HAT903BCDC9
HAT901BCDC24	HAT902BDC12	HAT903BCDC12
HAT901BCDC48	HAT902BDC15	HAT903BCDC15
HAT901BCDC110	HAT902BDC18	HAT903BCDC18
HAT901BSDC5	HAT902BDC22	HAT903BCDC22
HAT901BSDC6	HAT902BDC24	HAT903BCDC24
HAT901BSDC9	HAT902BDC48	HAT903BCDC48
HAT901BSDC12	HAT902BDC110	HAT903BCDC110
HAT901BSDC15	HAT902BCDC5	HAT903BSDC5
HAT901BSDC18	HAT902BCDC6	HAT903BSDC6
HAT901BSDC22	HAT902BCDC9	HAT903BSDC9
HAT901BSDC24	HAT902BCDC12	HAT903BSDC12
HAT901BSDC48	HAT902BCDC15	HAT903BSDC15
HAT901BSDC110	HAT902BCDC18	HAT903BSDC18
HAT901BAC12	HAT902BCDC22	HAT903BSDC22
HAT901BAC24	HAT902BCDC24	HAT903BSDC24
HAT901BAC110	HAT902BCDC48	HAT903BSDC48
HAT901BAC120	HAT902BCDC110	HAT903BSDC110
HAT901BAC220	HAT902BSDC5	HAT903BCAC12
HAT901BAC240	HAT902BSDC6	HAT903BCAC24
HAT901BAC277	HAT902BSDC9	HAT903BCAC110
HAT901BCAC12	HAT902BSDC12	HAT903BCAC120
HAT901BCAC24	HAT902BSDC15	HAT903BCAC220
HAT901BCAC110	HAT902BSDC18	HAT903BCAC240
HAT901BCAC120	HAT902BSDC22	HAT903BCAC277
HAT901BCAC220	HAT902BSDC24	HAT903BSAC12
HAT901BCAC240	HAT902BSDC48	HAT903BSAC24

HAT901BCAC277	HAT902BSCD110	HAT903BSAC110
HAT901BSAC12	HAT902BAC12	HAT903BSAC120
HAT901BSAC24	HAT902BAC24	HAT903BSAC220
HAT901BSAC110	HAT902BAC110	HAT903BSAC240
HAT901BSAC120	HAT902BAC120	HAT903BSAC277
HAT901BSAC220	HAT902BAC220	HAT903CCDC5
HAT901BSAC240	HAT902BAC240	HAT903CCDC6
HAT901BSAC277	HAT902BAC277	HAT903CCDC9
HAT901CDC5	HAT902BCAC12	HAT903CCDC12
HAT901CDC6	HAT902BCAC24	HAT903CCDC15
HAT901CDC9	HAT902BCAC110	HAT903CCDC18
HAT901CDC12	HAT902BCAC120	HAT903CCDC22
HAT901CDC15	HAT902BCAC220	HAT903CCDC24
HAT901CDC18	HAT902BCAC240	HAT903CCDC48
HAT901CDC22	HAT902BCAC277	HAT903CCDC110
HAT901CDC24	HAT902BSAC12	HAT903CSDC5
HAT901CDC48	HAT902BSAC24	HAT903CSDC6
HAT901CDC110	HAT902BSAC110	HAT903CSDC9
HAT901CCDC5	HAT902BSAC120	HAT903CSDC12
HAT901CCDC6	HAT902BSAC220	HAT903CSDC15
HAT901CCDC9	HAT902BSAC240	HAT903CSDC18
HAT901CCDC12	HAT902BSAC277	HAT903CSDC22
HAT901CCDC15	HAT902CDC5	HAT903CSDC24
HAT901CCDC18	HAT902CDC6	HAT903CSDC48
HAT901CCDC22	HAT902CDC9	HAT903CSDC110
HAT901CCDC24	HAT902CDC12	HAT903CCAC12
HAT901CCDC48	HAT902CDC15	HAT903CCAC24
HAT901CCDC110	HAT902CDC18	HAT903CCAC110
HAT901CSDC5	HAT902CDC22	HAT903CCAC120
HAT901CSDC6	HAT902CDC24	HAT903CCAC220
HAT901CSDC9	HAT902CDC48	HAT903CCAC240
HAT901CSDC12	HAT902CDC110	HAT903CCAC277
HAT901CSDC15	HAT902CCDC5	HAT903CSAC12
HAT901CSDC18	HAT902CCDC6	HAT903CSAC24
HAT901CSDC22	HAT902CCDC9	HAT903CSAC110
HAT901CSDC24	HAT902CCDC12	HAT903CSAC120
HAT901CSDC48	HAT902CCDC15	HAT903CSAC220
HAT901CSDC110	HAT902CCDC18	HAT903CSAC240
HAT901CAC12	HAT902CCDC22	HAT903CSAC277
HAT901CAC24	HAT902CCDC24	
HAT901CAC110	HAT902CCDC48	
HAT901CAC120	HAT902CCDC110	
HAT901CAC220		
HAT901CAC240		
HAT901CAC277		