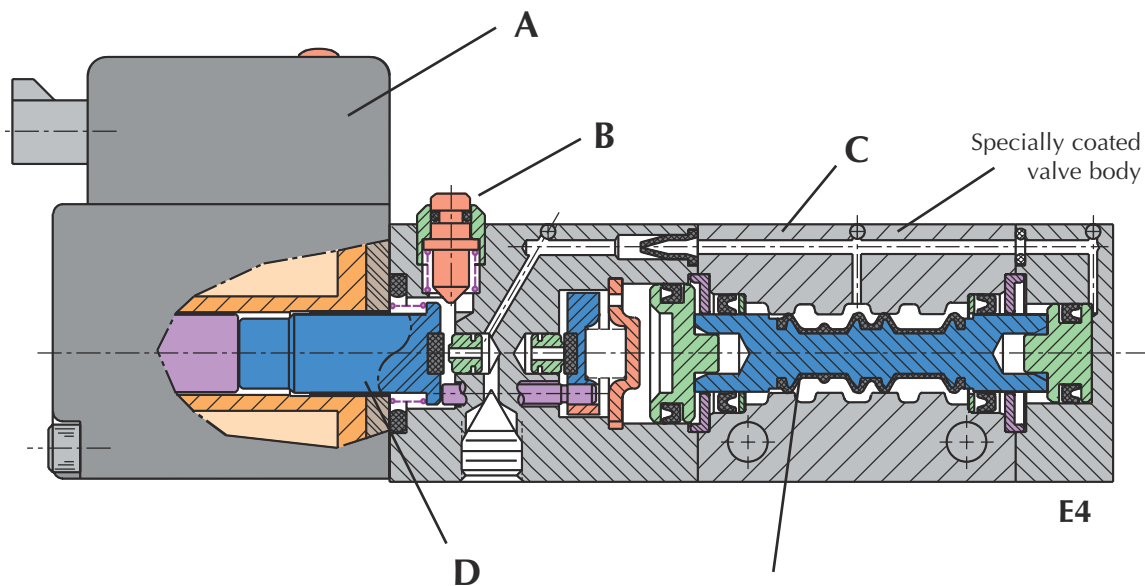
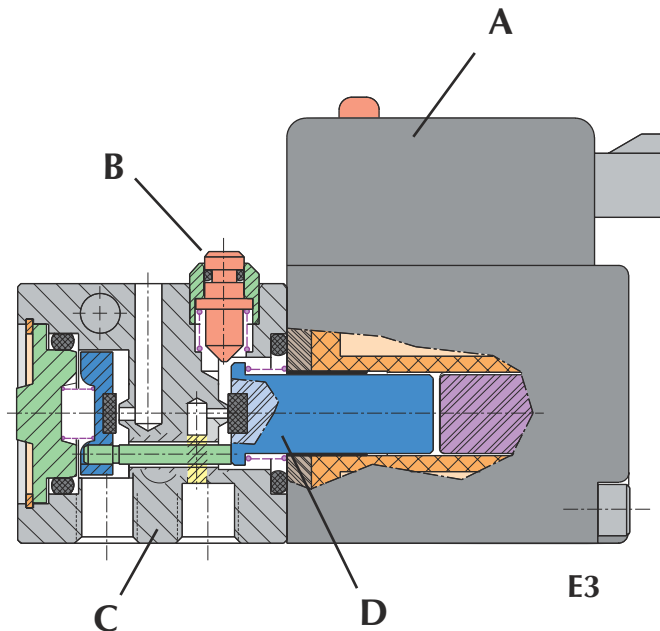
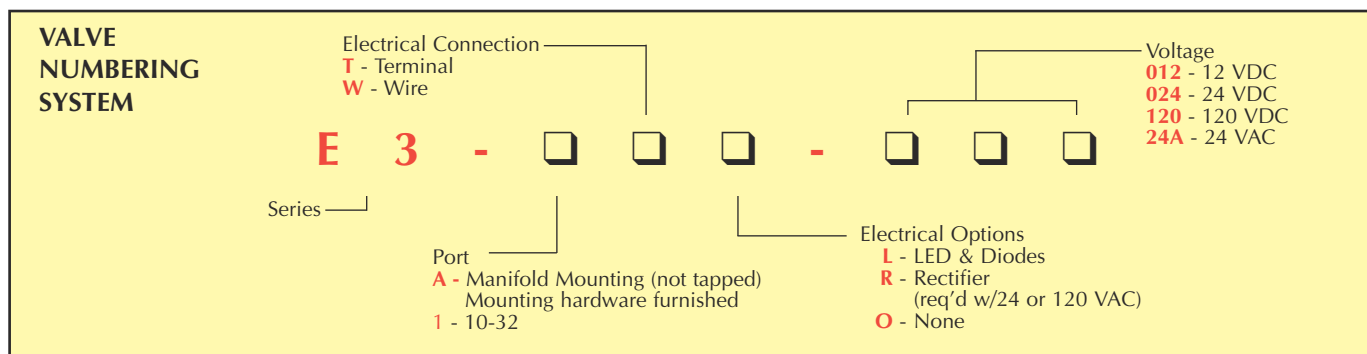


E3 AND E4 SERIES

- A** Solenoid coil is available in AC or DC with LED and plug-in connector or wire leads.
- B** Manual override plunger provides valve actuation with no electrical power.
- C** Valve body is tapped #10-32 and may be mounted inline or on matching manifolds.
- D** Solenoid quality stainless steel plunger with precision-ground elastomer seal.



Balanced spool construction with precision ground molded spool assembly (no o-rings).



The Eagle (E-3) 3-way valve is a direct acting, non-piloted, two-position, plunger type valve. There is one supply port, one output port and one exhaust. The ports are tapped 10-32 on the surface mount valves and drilled .062 on the manifold style. The straightforward operation of this poppet style valve will function for millions of trouble free cycles.

Operated by a single solenoid, the E-3 valve is designed to perform numerous tasks, whether a single valve is needed or a stack mounted on manifolds. The E-3 is available with a AC or DC coil and offers special features with each. Although compact in size, the E-3 valve provides quick response time and a high flow rate. The ease of installation, compact size and performance mean both time and money.

Type: 3-way plunger type

Material: body - anodized aluminum
 coil - epoxy encapsulated

Temperature Range: 30° - 180° F

Medium: air (lubricated or non-lubricated)

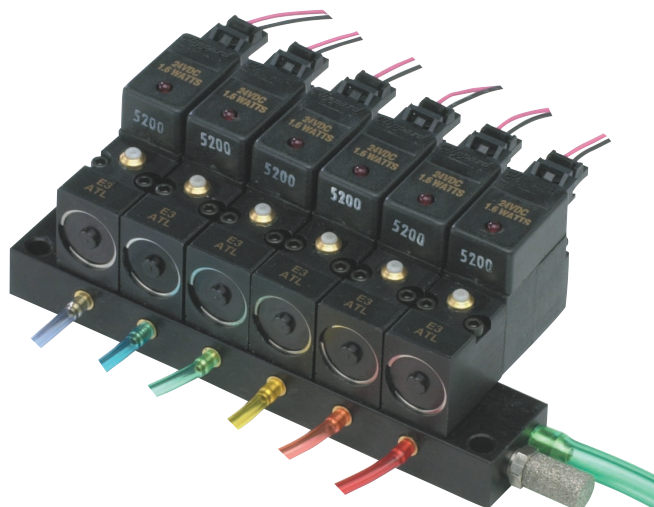
Flow Rate: 1.1 scfm @ 100 psig
 0.65 scfm @ 50 psig

Voltage: 12 or 24 VDC and 24 or 120 VAC

Power Consumption: 1.4 watts DC without LED;
 1.6 watts DC with LED 24 VAC = 1.6 watts;
 120 VAC = 3.0 watts

Operating Pressure: 20 to 105 psig

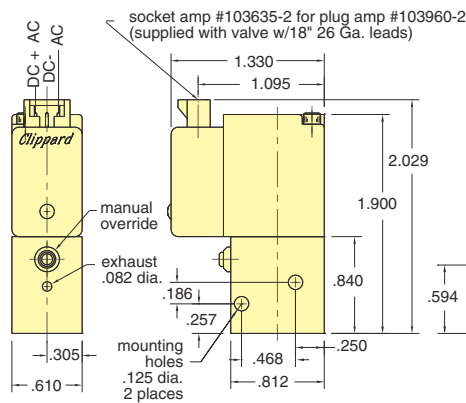
Response: <10 ms



Features

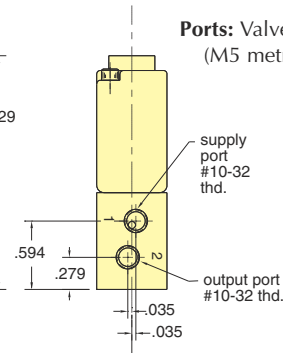
- Made in the USA
- Compact size
- Low power requirement
- Manual override for solenoids
- Plug-in connector or wire leads
- M5 metric threads available
- Numerous models
- AC or DC coils
- Manifold mounts available from one to twelve stations

E3-1TL-□

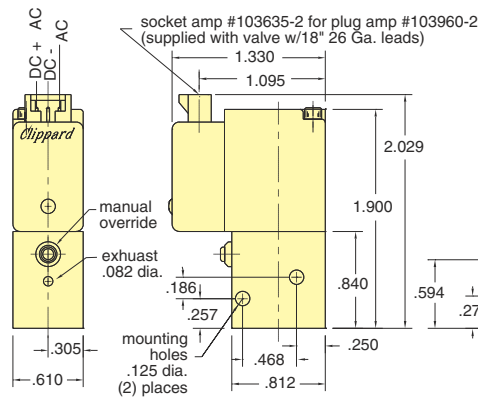


Mounting: There are two mounting holes for 3-56 screws

Ports: Valve body tapped for 10-32 ports (M5 metric optional)

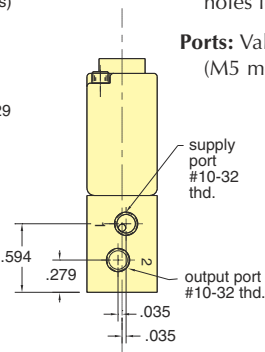


E3-1TR-□

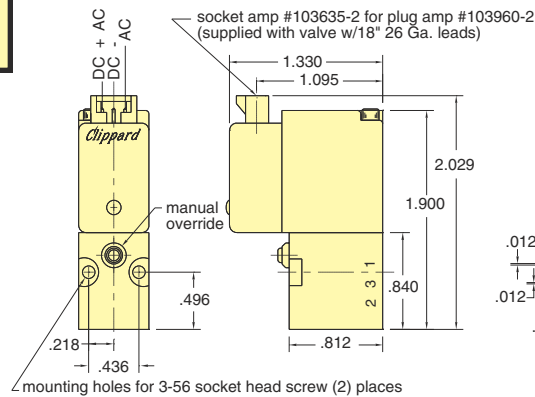


Mounting: There are two mounting holes for 3-56 screws

Ports: Valve body tapped for 10-32 ports (M5 metric optional)

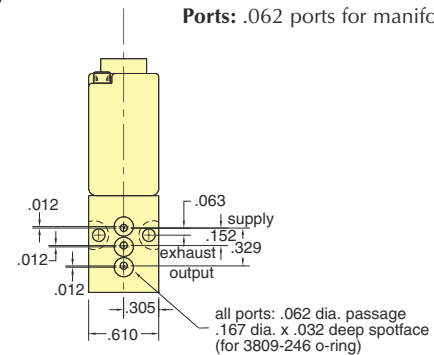


E3-ATL-□

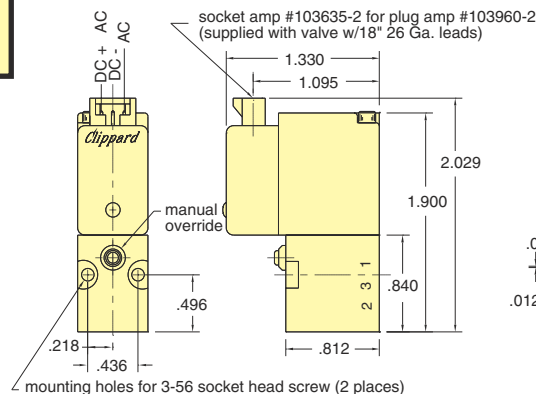


Mounting: Manifold

Ports: .062 ports for manifold

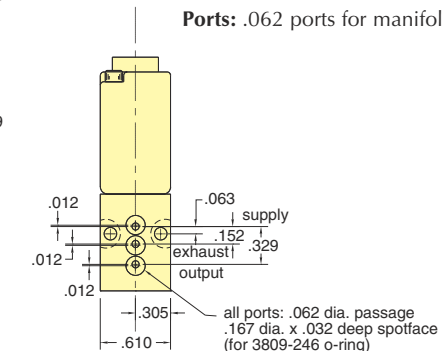


E3-ATR-□

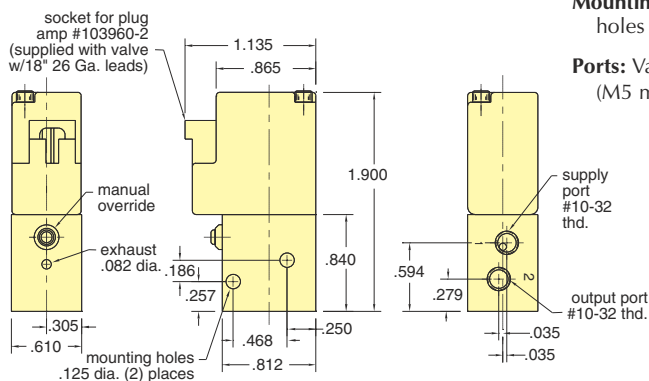


Mounting: Manifold

Ports: .062 ports for manifold



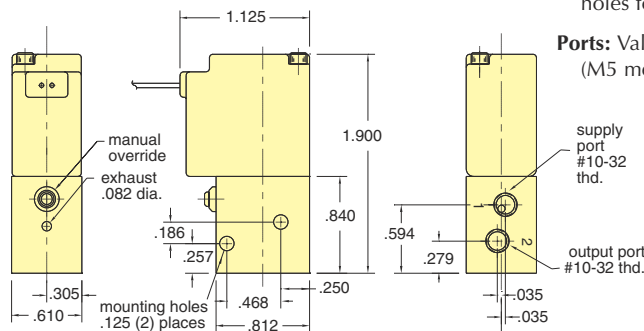
E3-1TO-□



Mounting: There are two mounting holes for 3-56 screws

Ports: Valve body tapped for 10-32 ports (M5 metric optional)

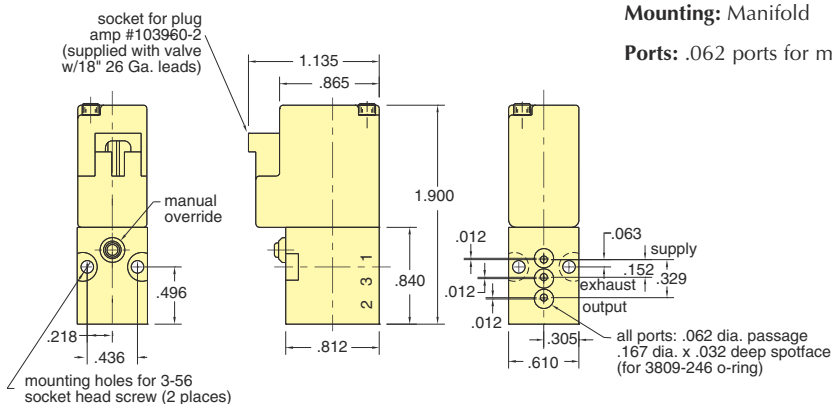
E3-1WO-□



Mounting: There are two mounting holes for 3-56 screws

Ports: Valve body tapped for 10-32 ports (M5 metric optional)

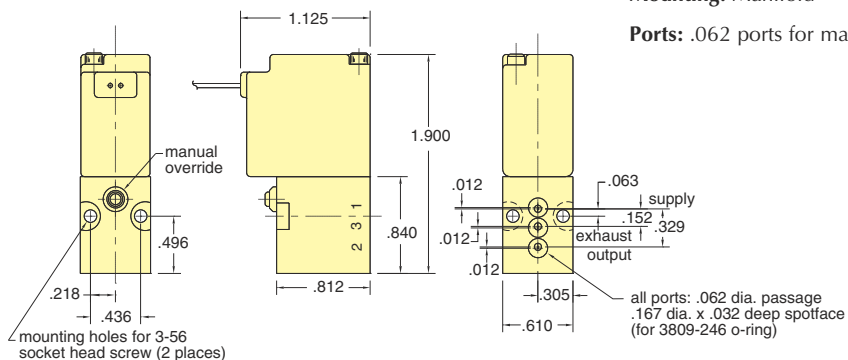
E3-ATO-□



Mounting: Manifold

Ports: .062 ports for manifold

E3-AWO-□



Mounting: Manifold

Ports: .062 ports for manifold

C3-RBX18

C3-WXB18

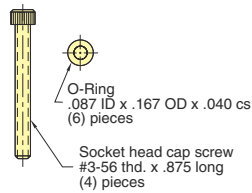
Lead Set Chart For E3/E4 Valve

Part No.	Used On	Wire Colors			Lead Length	Wire gage
		pin 1	pin 2	pin 3		
C3-RXB18	E3/E4 (DC)	red	black	~	18"	26
C3-WXB18	E3/ER (AC)	white	~	black	18"	26

E3M-MH



Mounting hardware



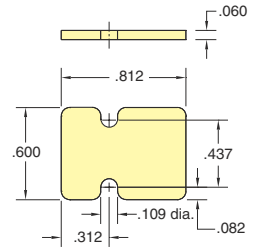
E3M-CP



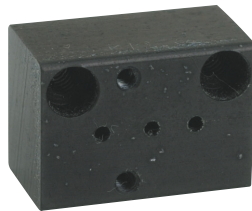
Zinc plated steel

Buna N gasket

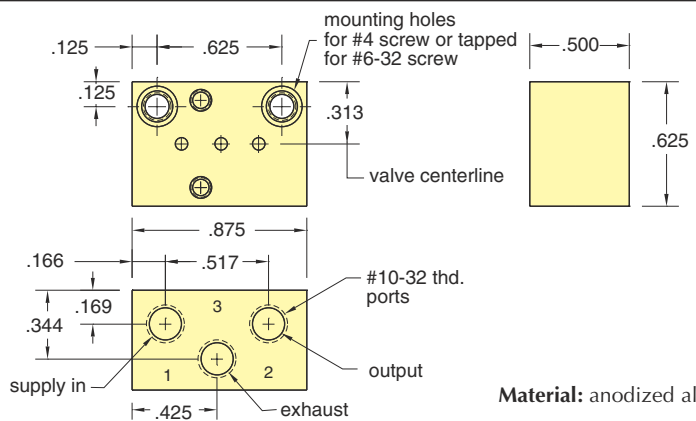
Cover plate



E3M-01



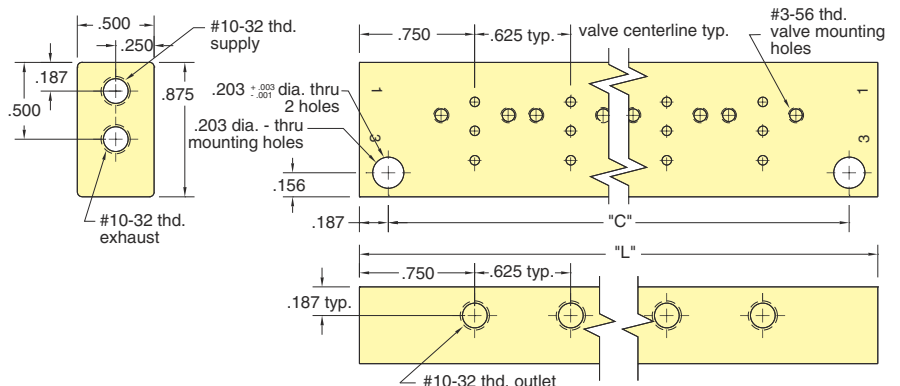
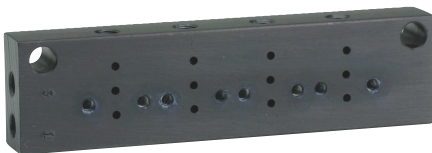
Single Station Manifold



Material: anodized aluminum

E3M-□

Multi-station Manifold



Material: anodized aluminum

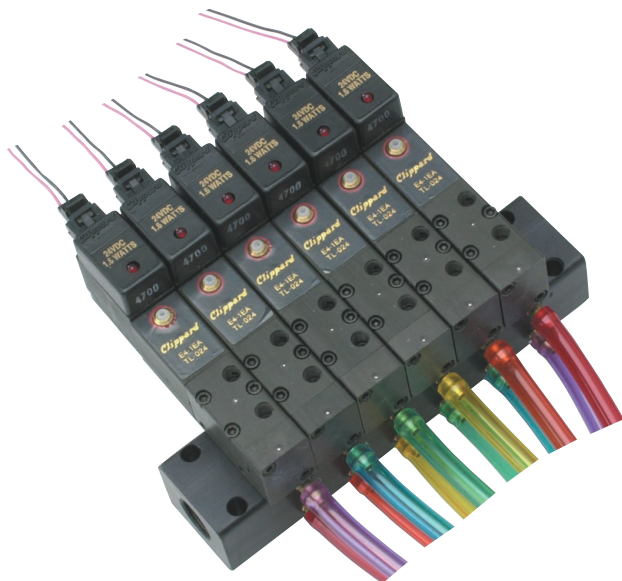
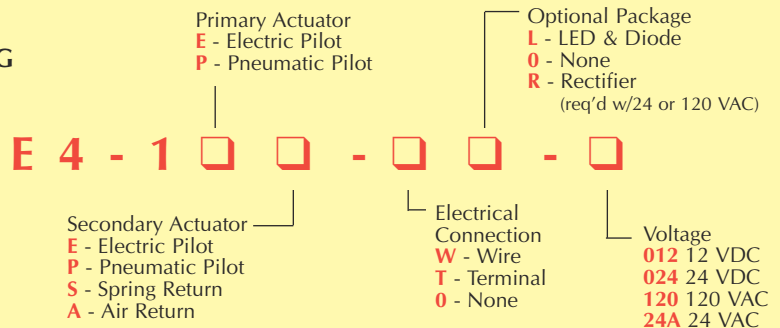
Dash #	Stations	Dim. "L"	Dim. "C"
E3M-1	1	.875"	.625"
E3M-2	2	2.125	1.750
E3M-4	4	3.375	3.000
E3M-6	6	4.625	4.250
E3M-8	8	5.875	5.500
E3M-10	10	7.125	6.750
E3M-12	12	8.375	8.000



E4 SERIES VALVES

The entire Clippard compact Eagle valve line has been designed to meet today's fluid power engineering needs. Advanced features have been added to readily meet tomorrow's manufacturing requirements.

E4 VALVE NUMBERING SYSTEM



By connecting a pressure supply greater than 30 psig to the auxiliary pilot supply port, the valve can still be actuated normally, but the main valve supply can range from 150 psig down to zero and into moderate vacuum. The valve can then be used below its normal operating pressure from “vacuum to 105 psig” as long as the pilot operating pressure is above 30 psig. The internal/auxiliary pilot supply feature is standard on every Eagle 4-way valve.

Features

- Made in the USA
- Compact in size, yet with true 10-32 flow: 9 + scfm
- Low power requirement.. a mere 1.4 watts DC, and 1.6 with LED
- M5 metric threads available
- Auxiliary pilot supply port for low pressure applications.
- Balanced spool construction with precision ground molded spool assembly (no o-rings); the spool travels in a specially coated valve body that is tapped 10-32; the valve can be mounted inline or on matching manifolds with matched input and output ports
- Exhaust can be controlled with a needle valve or can be piped away
- Manual override for solenoids
- Plug-in connector and signal LED, plus “spike” protection; optional electric input through 18” wire leads or plug-in connector only
- 30 models available with 12 or 24 VDC, 24 or 120 VAC piloted; also available with pneumatic pilot operation
- Manifolds for 4, 6, 8, 10, 12 stations; EMC card available
- **Special Feature:**
A unique feature of the Clippard Eagle valve is the internal/auxiliary pilot that allows the pilot section of valve to be powered by the valves supply pressure (as long as it is above 30 psig) or by an external pressure supply that is above 30 psig. When operated on the internal pressure, the valve operates in the 30 to 105 psig range. The auxiliary pilot supply port remains plugged.

E4-1EA-□□-□

Air return single solenoid



E4-1EA-TL-024



E4-1EA-TO-024



E4-1EA-WO-024

Type: 4-way 2-position spool valve

Medium: air (lubricated or non-lubricated); moderate vacuum

Flow Rate: (Cv 0.14)
9.3 scfm @ 100 psig
5 scfm @ 50 psig

Voltage: 12 or 24 VDC and 24 or 120 VAC piloted

Power Consumption:
1.4 watts DC without LED;
1.6 watts DC with LED;
24 VAC 1.6 watts;
120 VAC 3.0 watts

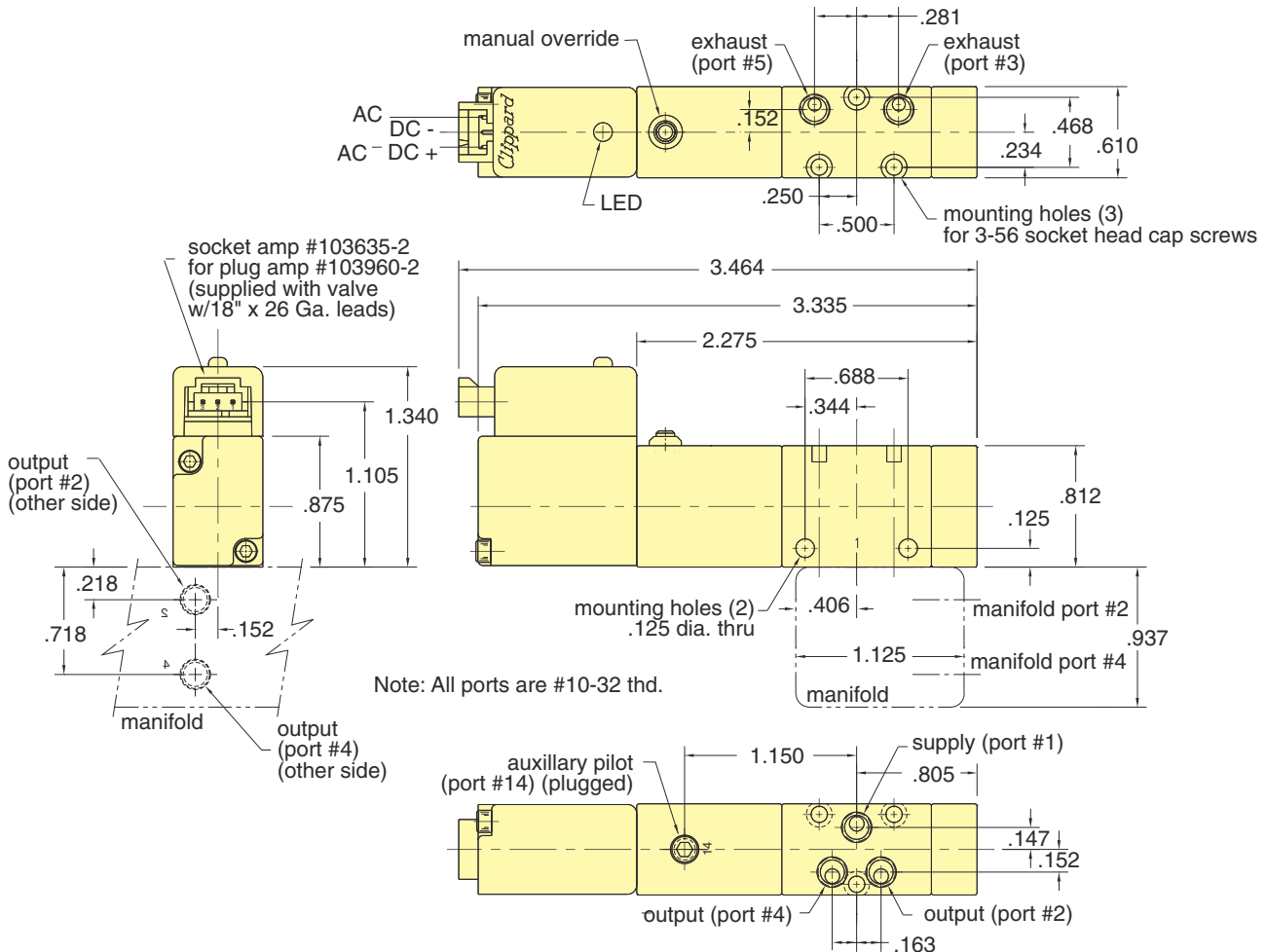
Operating Pressure: 30 to 105 psig

Vacuum: 25 InHg (external pilot required)

Response: 30 ms (on and off)

Mounting: There are three mounting holes for 3-56 screws

Ports: Valve body tapped for 10-32 ports (M5 metric optional)





E4 SERIES VALVES

E4-1EE-□□-□

Double solenoid



E4-1EE-TL-024



E4-1EE-TO-024



E4-1EE-WO-024

Type: 4-way 2-position spool valve

Medium: air (lubricated or non-lubricated); moderate vacuum

Flow Rate: (Cv 0.14)
9.3 scfm @ 100 psig
5 scfm @ 50 psig

Voltage: 12 or 24 VDC and 24 or 120 VAC piloted

Power Consumption:
1.4 watts DC without LED;
1.6 watts DC with LED;
24 VAC 1.6 watts;
120 VAC 3.0 watts

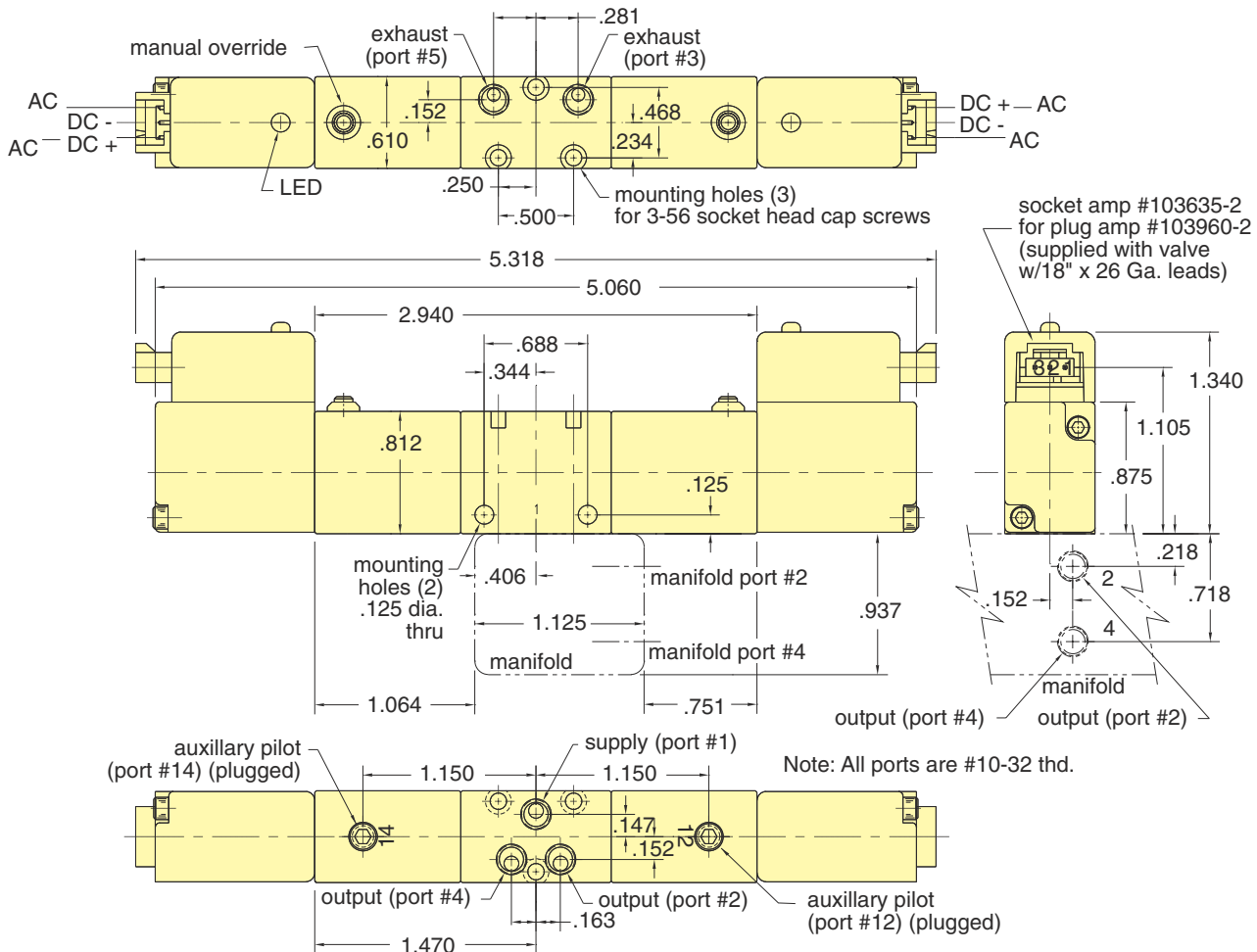
Operating Pressure: 30 to 105 psig

Vacuum: 25 InHg (external pilot required)

Response: 30 ms (on and off)

Mounting: There are three mounting holes for 3-56 screws

Ports: Valve body tapped for 10-32 ports (M5 metric optional)





E4-1EP-□□-□

Air pilot return single solenoid



E4-1EP-TL-024

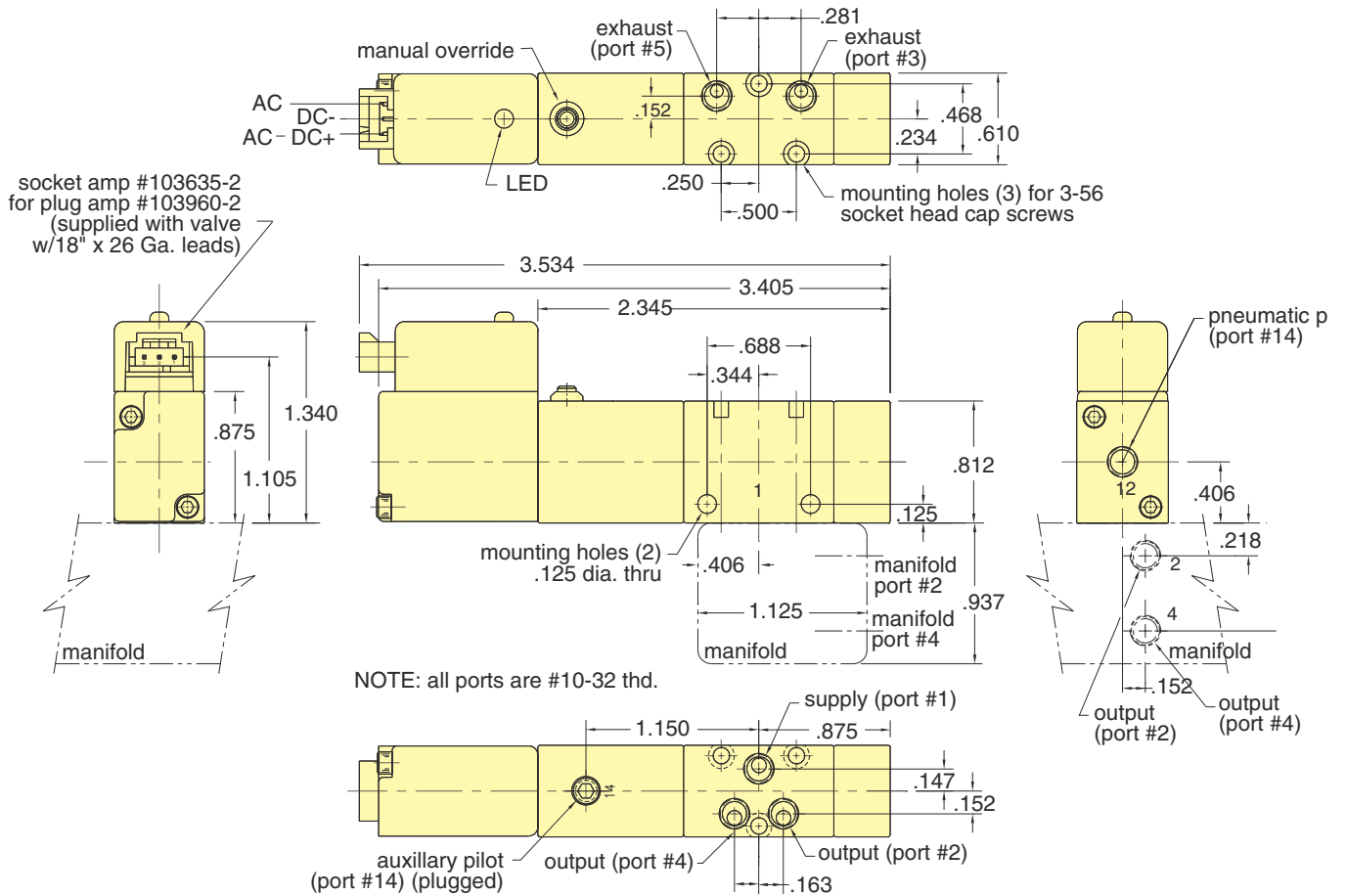


E4-1EP-TO-024



E4-1EP-WO-024

- Type:** 4-way 2-position spool valve
- Medium:** air (lubricated or non-lubricated); moderate vacuum
- Flow Rate:** (Cv 0.14)
9.3 scfm @ 100 psig
5 scfm @ 50 psig
- Voltage:** 12 or 24 VDC and 24 or 120 VAC piloted
- Power Consumption:**
1.4 watts DC without LED;
1.6 watts DC with LED;
24 VAC 1.6 watts;
120 VAC 3.0 watts
- Operating Pressure:** 30 to 105 psig
- Vacuum:** 25 InHg (external pilot required)
- Response:** 30 ms (on and off)
- Mounting:** There are three mounting holes for 3-56 screws
- Ports:** Valve body tapped for 10-32 ports (M5 metric optional)





E4 SERIES VALVES

E4-1ES-□□-□

Spring return single solenoid



E4-1ES-TL-024



E4-1ES-TO-024



E4-1ES-WO-024

Type: 4-way 2-position spool valve

Medium: air (lubricated or non-lubricated); moderate vacuum

Flow Rate: (Cv 0.14)
9.3 scfm @ 100 psig
5 scfm @ 50 psig

Voltage: 12 or 24 VDC and 24 or 120 VAC piloted

Power Consumption:
1.4 watts DC without LED;
1.6 watts DC with LED;
24 VAC 1.6 watts;
120 VAC 3.0 watts

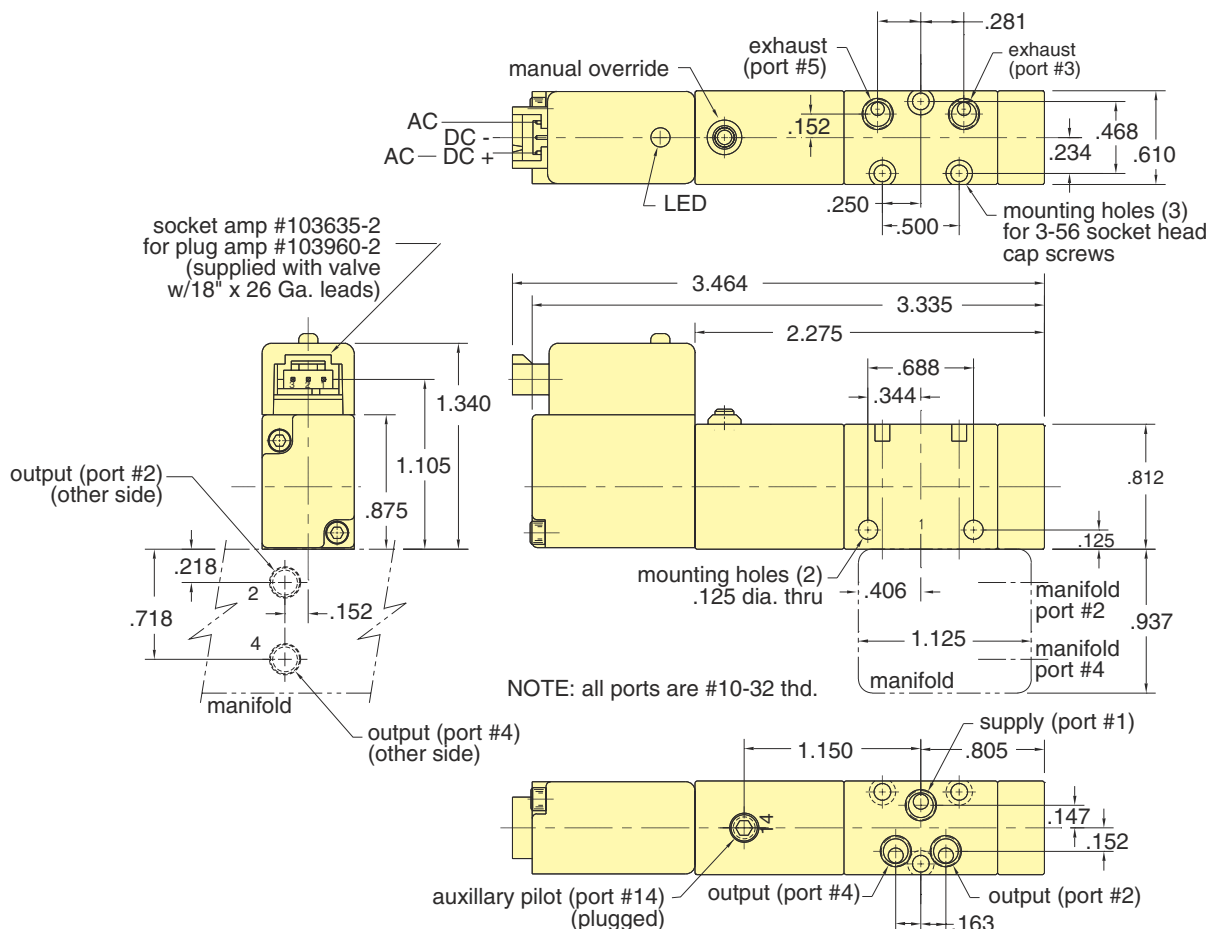
Operating Pressure: 30 to 105 psig

Vacuum: 25 InHg (external pilot required)

Response: 30 ms (on and off)

Mounting: There are three mounting holes for 3-56 screws

Ports: Valve body tapped for 10-32 ports (M5 metric optional)

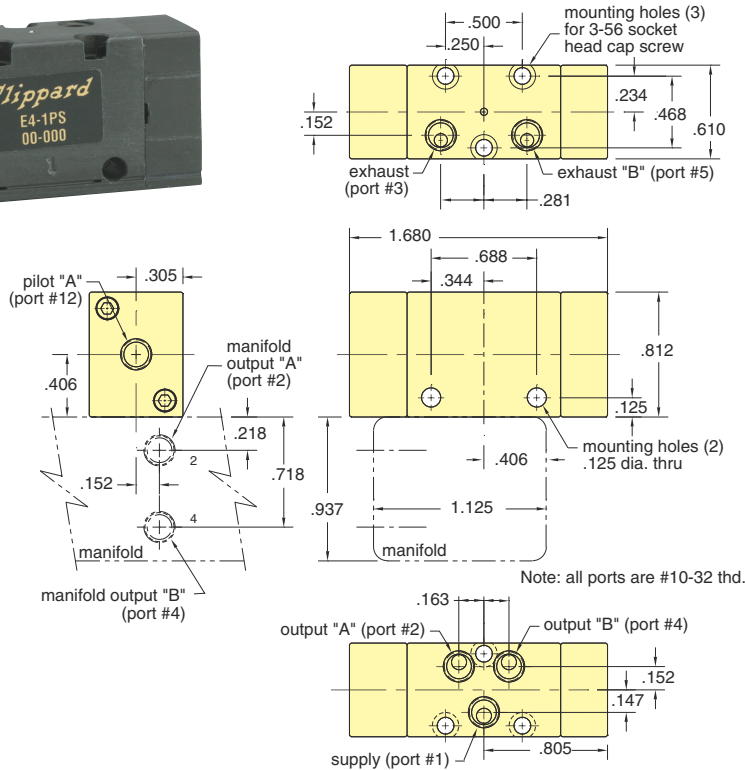




E4-1PS-00-000



Single pneumatic spring

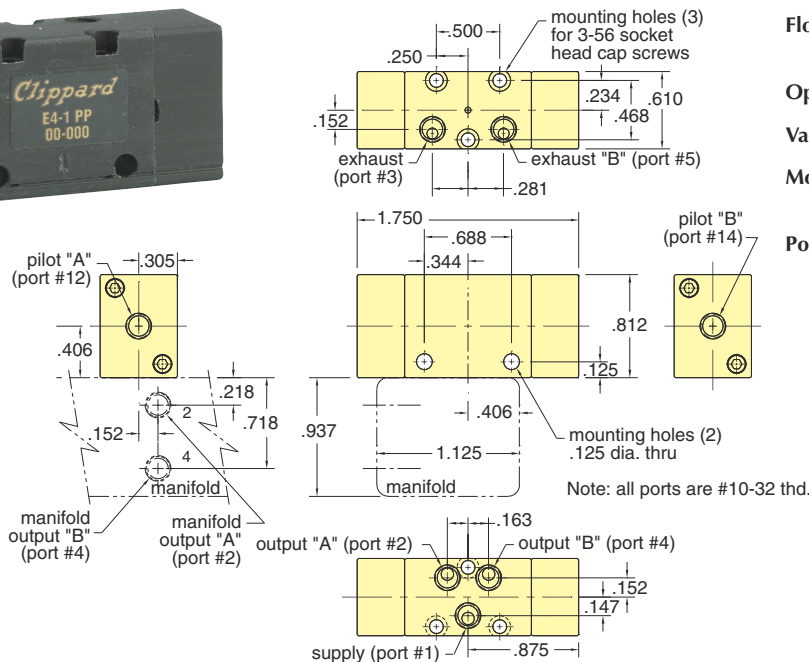


- Type:** 4-way 2-position spool valve
- Medium:** air (lubricated or non-lubricated); moderate vacuum
- Flow Rate:** *(CV 0.14 9.3 scfm @ 100 psig/ 5 scfm @ 50 psig)
- Operating Pressure:** 0 to 105 psig
- Vacuum:** 25 InHg
- Mounting:** There are three mounting holes for 3-56 screws
- Ports:** Valve body tapped for 10-32 ports (M5 metric optional)

E4-1PP-00-000



Double pneumatic pilot



- Type:** 4-way 2-position spool valve
- Medium:** air (lubricated or non-lubricated); moderate vacuum
- Flow Rate:** *(CV 0.14 9.3 scfm @ 100 psig/ 5 scfm @ 50 psig)
- Operating Pressure:** 0 to 105 psig
- Vacuum:** 25 InHg
- Mounting:** There are three mounting holes for 3-56 screws
- Ports:** Valve body tapped for 10-32 ports (M5 metric optional)



E4 SERIES MANIFOLDS

C3-RBX18

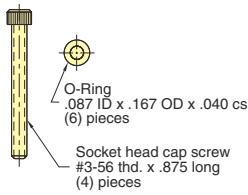
C3-WXB18

Lead Set Chart For E3/E4 Valve						
Part No.	Used On	Wire Colors			Lead Length	Wire gage
		pin 1	pin 2	pin 3		
C3-RXB18	E3/E4 (DC)	red	black	~	18"	26
C3-WXB18	E3/ER (AC)	white	~	black	18"	26

E4M-MH



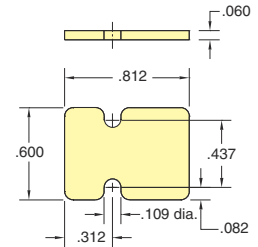
Mounting hardware



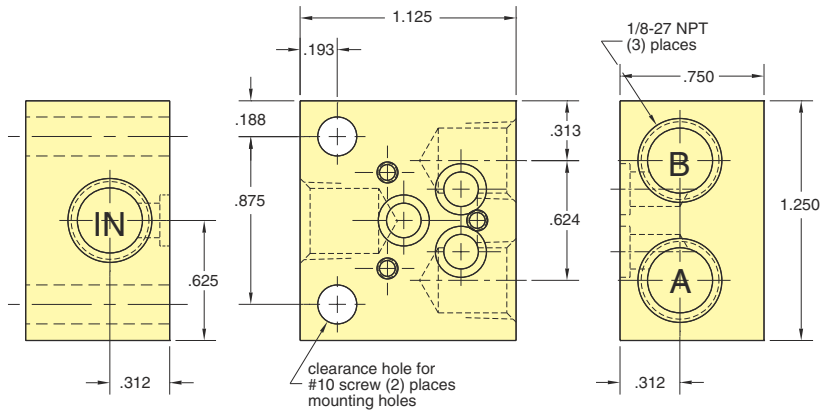
E4M-CP



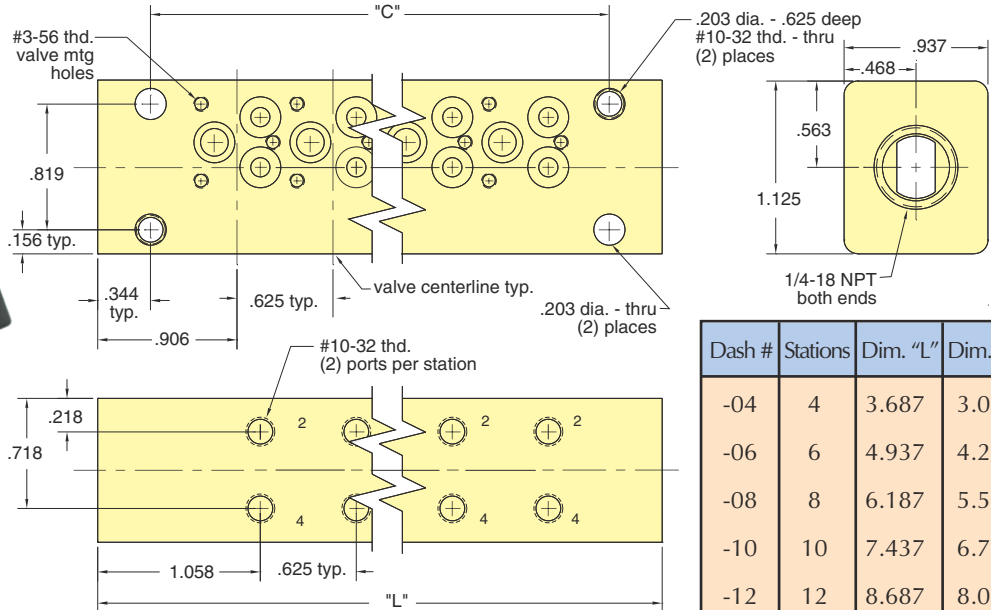
Cover plate



E4M-01P



E4M-□



Dash #	Stations	Dim. "L"	Dim. "C"
-04	4	3.687	3.000
-06	6	4.937	4.250
-08	8	6.187	5.500
-10	10	7.437	6.750
-12	12	8.687	8.000