

# HLI-2W2 2-Wire Interface Module

Digital Partyline Solutions

Linking  
People  
Together



HLI-2W2

## Key Features and Benefits

### Interface

- 2-wire interface for HMS-4X\*\*
- Auto nulling
- Level and VOX control
- Clear-Com / RTS-TW Compatible
- Call and RMK signaling

### The HelixNet System

- Wired Partyline - Networked
- Flexible cabling
- Up to 24 Channels - Licensed
- Program Audio user level control

### Effortless Management

- Fast front panel control & configuration
- Easy to use CCM browser configuration
- Plug-and-go with auto discovery
- Central upgrades from main station

HelixNet® is a networked partyline intercom with up to 24 channels and Program Audio over XLR, LAN or WAN.

## Description

The HelixNet HLI-2W2 is a dual 2-wire interface module for the HMS-4X\*\* main station.

## Interfacing

HLI-2W2's 2-wire analog partyline interface are assignable to any channel in the HelixNet system and provide connectivity to powered Clear-Com or RTS-TW analog partyline systems. Level control and VOX/Gate capability is provided for each interface to accommodate the connected system.

HLI-2W2 include call signaling and remote mic kill circuits when used with compatible Clear-Com and RTS-TW partyline devices.

## Local and Central Management Options

HLI-2W2 can be added to any HMS-4X\*\* main station with an available option slot. Once installed, any channel can be independently assigned to either 2-wire port locally on the HMS-4X front panel or centrally from the Core Configuration Manager™ (CCM\*).

Pin	Function
1	Ground
2	Power (RTS-TW mode: power and audio)
3	Audio

\*CCM requires HLI-ET2

\*\*HMS-4X is a legacy product as of 2022

**Note:** HMS-4X and HLI modules are not used in Arcadia® hosted HelixNet systems. HMS-4X and HLI Modules are legacy products as of 2022 and not recommended for new system designs and specifications, existing HMS-4X units and HLI modules are supported under Clear-Com's Warranty Terms.

# HLI-2W2 2-Wire Interface Module

Digital Partyline Solutions

## Technical Specifications

### Connectors

**2-wire Partyline:** (2) 3-pin XLR-F

### Partyline

**Compatibility:** Clear-Com, RTS-TW configurable with Call and Remote Mic Kill

**Termination:** External system

**Nulling:** R-L-C hybrid; user initiated Auto-Calibration with Echo Cancellation

**Power:** 25mA from external system

**Voltage:** 20-30V DC (max)

**Maximum Level Before Clipping:** 6dBu

**Nominal Input Level:** -18dBu (CC), -12dBu (RTS-TW)

**Input Impedance:** >= 10KΩ bridging

Route to 4-wire input at 0dBu in:

**Frequency Response:** 100Hz - 10kHz ±3dB

**Distortion:** <0.2% THD @ 1kHz

**Noise:** <-55dBu

Route from a 4-wire output at 0dBu out:

**Frequency Response:** 40Hz - 10kHz ±3dB

**Distortion:** <0.2% THD @ 1kHz

**Noise:** <-75dBu

### Dimensions

2.2 x 7.4 x 1.5in (HxWxD)  
(57 x 187 x 39mm)

### Weight

13oz (0.38kg)

## Network Specifications

(Firmware Version 4.2+)

### Network Protocols

Ethernet IPv4-Unicast Audio and Control

mDNS-Multicast Device Discovery

Layer 3-Routable with mDNS function limitations

HTTP-Management

RTP-Audio Transport

WavPack-Audio Codec

### Network Ports

#### Unicast:

Port 80 TCP-System Management

Port 6001 TCP-System Management

Port 6001 UDP-Audio Streams

### Multicast:

Port 5353 UDP-mDNS, Names, Discovery

### Network Parameters

**HMS-4X\*\* Endpoint Resource Use:**

1 per active port

### Bandwidth:

300 (max) kbps from each active port to HMS

1200 (max) kbps from HMS to each active port

### Network Jitter Tolerance:

<= 128ms jitter buffer per audio stream receiver automatically adjusted to network performance

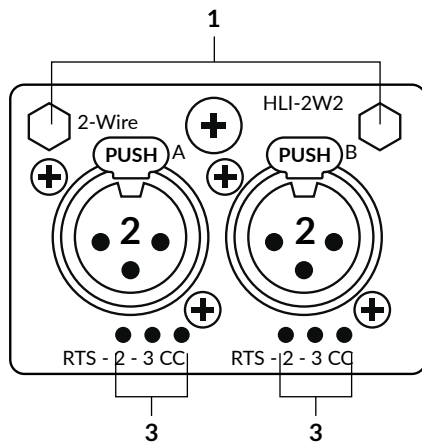
### QoS Tags:

DSCP=41, Assured Forwarding (AF)

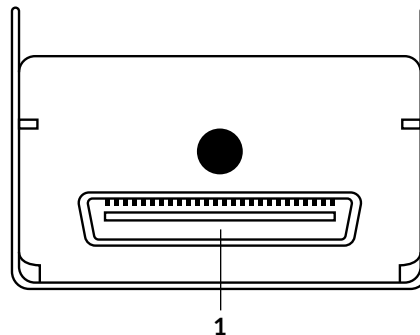
### System reserved IP range:

10.0.0/8 for endpoints

Front



Back



## Legend

### Front

1. Handle mounting point
2. 3-pin XLR-F connectors
3. Configuration indicators

### Back

1. Blade connector to HelixNet Main Station option slot

## Order Code

HLI-2W2



[www.clearcom.com/  
helixnet-knowledge-center/](http://www.clearcom.com/helixnet-knowledge-center/)



[www.clearcom.com](http://www.clearcom.com)

© 2022 Clear-Com LLC. All rights reserved.  
Clear-Com, HelixNet, Arcadia and the Clear-Com logo  
are registered trademarks of Clear-Com LLC.

**Notice About Specifications** | While Clear-Com makes every attempt to maintain the accuracy of the information contained in its documentation, that information is subject to change without notice. Performance specifications included in this document are design-center specifications and are included for customer guidance and to facilitate system installation. Actual operating performance may vary.

**WARNING:** Cancer and Reproductive Harm - [www.P65Warnings.CA.Gov](http://www.P65Warnings.CA.Gov)