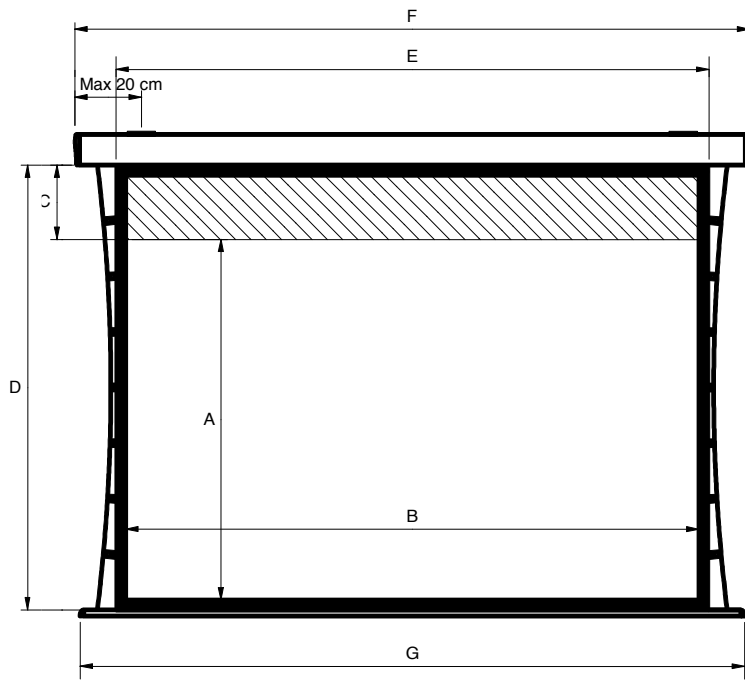


Front view



- A Image height
- B Image base
- C Extradrop
- D Fabric total height
- E Fabric total base
- F Casing length
- G Weighing bar length



Electric screen with tensioned projection surface for perfect flatness. This product has also been designed to be installed easily, no matter the constraints: speed solo system.

Reference		A cm	B cm	C cm	D cm	E cm	F cm	G cm	Wattage w	Net weight kg	
4:3 format											
4 cm black borders											
OR3B5129172	Small casing	129	172	4	137	180	224	219	100	17	
OR3B5144192	Small casing	144	192	4	152	200	244	239	100	19	
OR3B5174232	Small casing	174	232	4	182	240	284	279	100	22	
OR3B5196262	Small casing	196	262	4	204	270	314	309	100	28	
OR3B5219292	Large casing	219	292	4	227	300	344	339	100	31	
OR3B5294392	Large casing	294	392	4	302	400	444	439	140	53	
16:9 format											
4 cm black borders + 30 cm extra drop											
OR3B5108192	Small casing	108	192	30	142	200	244	239	100	19	
OR3B5130232	Small casing	130	232	30	164	240	284	279	100	22	
OR3B5147262	Small casing	147	262	30	181	270	314	309	100	28	
OR3B5164292	Large casing	164	292	30	198	300	344	339	100	30	
OR3B5220392	Large casing	220	392	30	254	400	444	439	140	53	
OR3B5277492	Large casing	277	492	30	311	500	544	539	140	66	
16:10 format											
4 cm black borders + 20 cm extra drop											
OR3B5120192	Small casing	120	192	20	144	200	244	239	100	19	
OR3B5145232	Small casing	145	232	20	169	240	284	279	100	22	
OR3B5164262	Large casing	164	262	20	188	270	314	309	100	28	
OR3B5182392	Large casing	182	292	20	206	300	344	339	100	30	
OR3B5245392	Large casing	245	392	20	269	400	444	439	140	53	
OR3B5307492	Large casing	308	492	20	332	500	544	539	140	66	

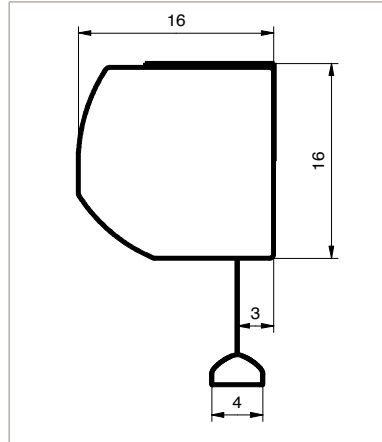
- Fully protected, it does not let appear any screw, including the screen fixing elements.
- Wall or ceiling mounting.
- The two side cables allow the projection surface to remain perfectly flat, whatever the surroundings of the screen.
- Black borders.
- Aluminum weighing bar closing the whole case in stand-up position.
- Aluminum casing with white epoxy finish. Other colors on demand.
- Remote control in option.
- Wired switch included.
- Motor on the right.



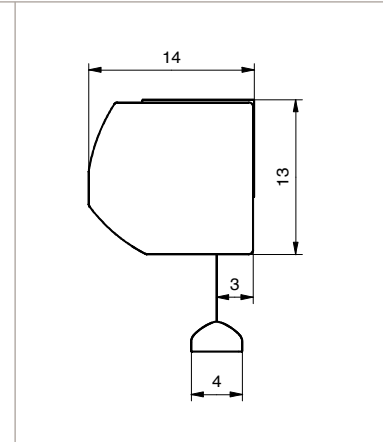
Chemin de Beaurepaire - CS 42005
91410 DOURDAN - FRANCE
Tel +33 1 64 59 94 54

Side views

Large casing

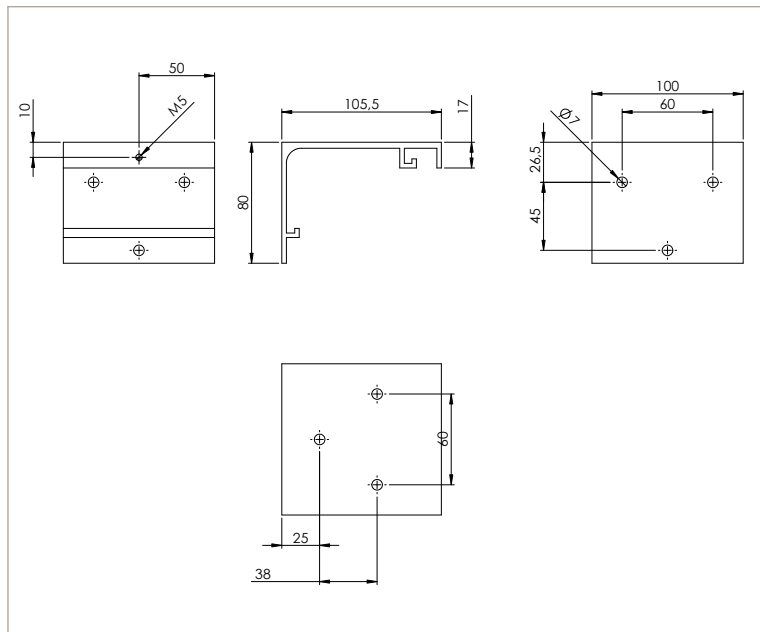


Small casing

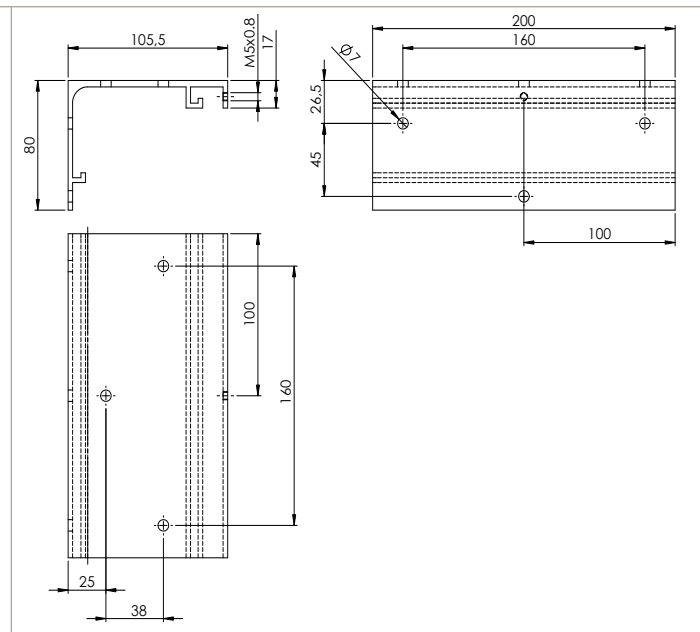


Installation brackets

Installation brackets **A** for screen < 5m base



Installation bracket **B** for screen of 5m base



MOUNTING

INSTALLATION BRACKETS

Base < 3m	2 brackets "A"
3 ≤ Base < 5m	3 brackets "A"
base = 5m	3 brackets "B"



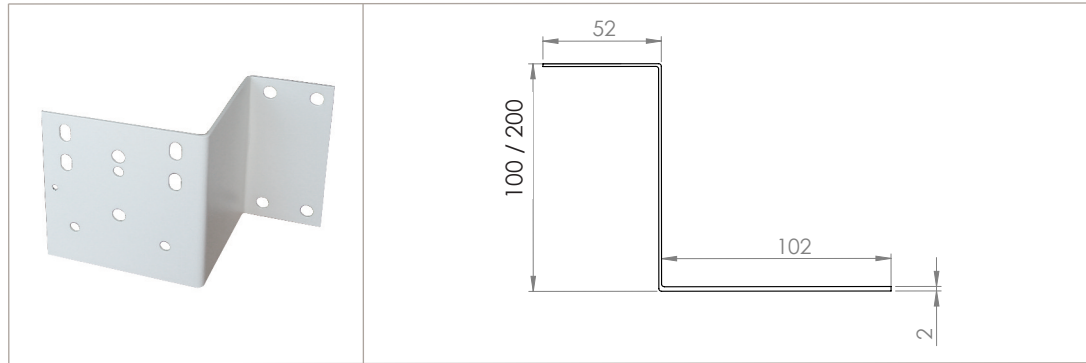
Chemin de Beaupaire - CS 42005
91410 DOURDAN - FRANCE
Tel +33 1 64 59 94 54



Extending brackets

Extending brackets (base < 5m)

10 or 20 cm



EXTENDING BRACKETS

Base < 5m The pair

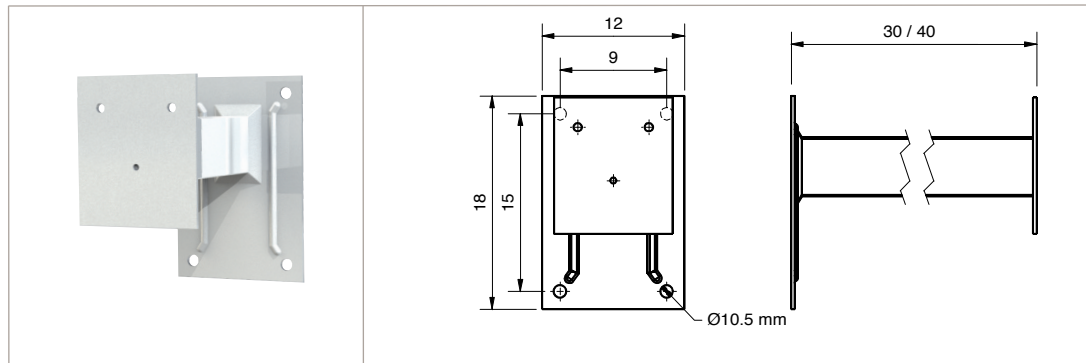
Référence	Dimension
OPTECAR10GOR2	10 cm
OPTECAR20GOR2	20 cm
OPTECAR30GOR2	30 cm
OPTECAR40GOR2	40 cm

3m ≤ base < 5m The trio

Référence	Dimension
OPTECAR10GOR3	10 cm
OPTECAR20GOR3	20 cm
OPTECAR30GOR3	30 cm
OPTECAR40GOR3	40 cm

Extending brackets (base < 5m)

30 or 40 cm

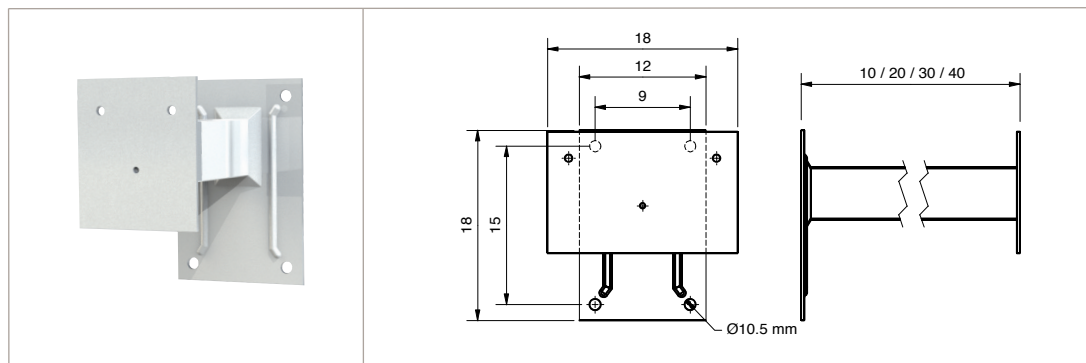


Base = 5m The trio

Référence	Dimension
OPTECAR10GOR5	10 cm
OPTECAR20GOR5	20 cm
OPTECAR30GOR5	30 cm
OPTECAR40GOR5	40 cm

Extending brackets (base = 5m)

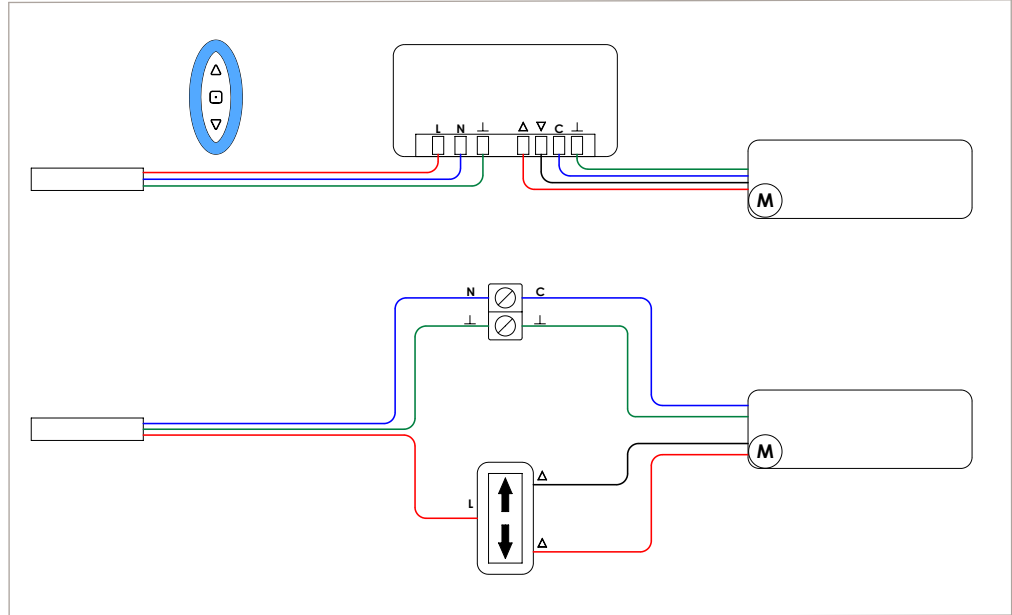
from 10 to 40 cm



Chemin de Beaupaire - CS 42005
91410 DOURDAN - FRANCE
Tel +33 1 64 59 94 54

Wiring

Wiring diagrams for remote control receiver and wired switch



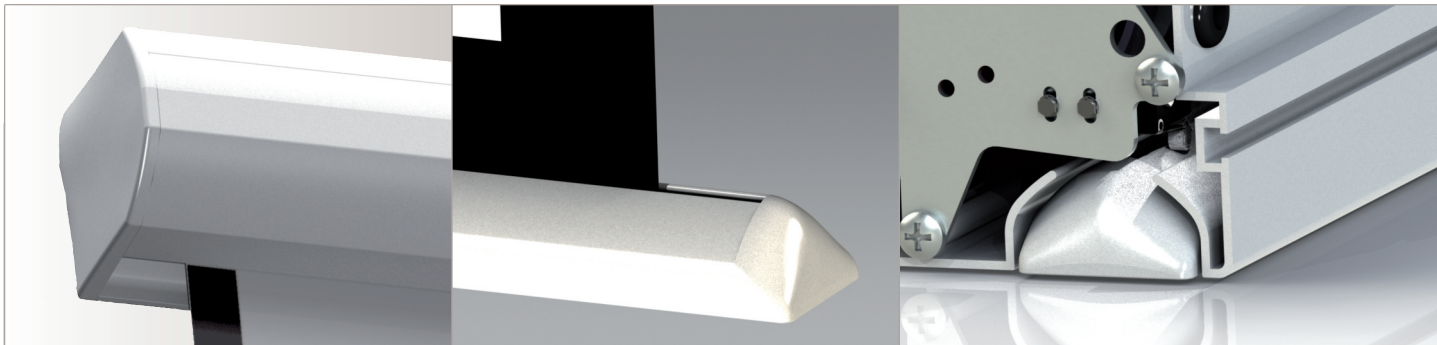
In case of automation control, the power must be cut off between rolling up and unrolling order.

- L Live
- N Neutral
- C Common
- ↑ Up
- ↓ Down
- ⏚ Ground

Casing without visible screw

Weighing bar

Motor cut-off security device when closing



Chemin de Beaupaire - CS 42005
91410 DOURDAN - FRANCE
Tel +33 1 64 59 94 54