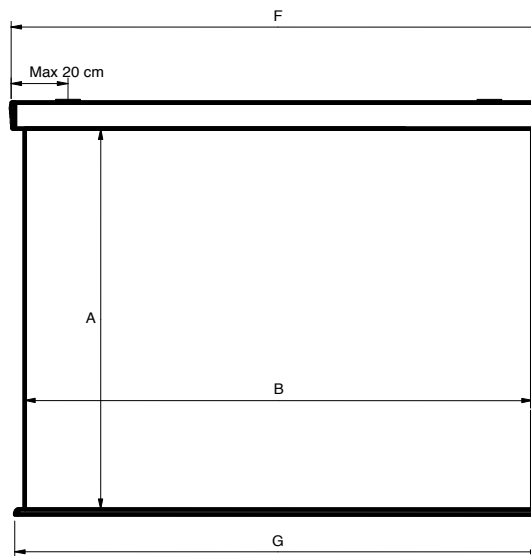


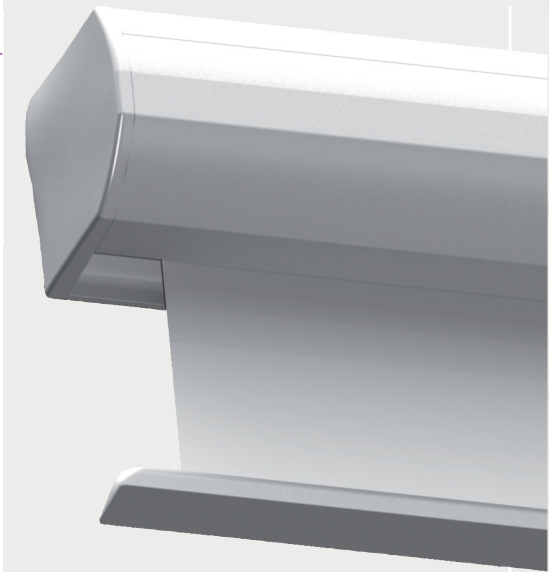
## Front view



- A Image height  
 B Image base  
 F Casing length  
 G Weighing bar length

## Technical data

| Reference           |              | A<br>cm | B<br>cm | F<br>cm | G<br>cm | Wattage<br>w | Net weight<br>kg |
|---------------------|--------------|---------|---------|---------|---------|--------------|------------------|
| <b>1:1 format</b>   |              |         |         |         |         |              |                  |
| OR1B1180180         | Small casing | 180     | 180     | 196     | 192     | 100          | 16               |
| OR1B1200200         | Small casing | 200     | 200     | 216     | 212     | 100          | 18               |
| OR1B1240240         | Small casing | 240     | 240     | 256     | 252     | 100          | 22               |
| OR1B1270270         | Small casing | 270     | 270     | 286     | 282     | 100          | 27               |
| OR1B1300300         | Small casing | 300     | 300     | 316     | 312     | 120          | 32               |
| OR1B1400400         | Large casing | 400     | 400     | 417     | 412     | 140          | 56               |
| <b>4:3 format</b>   |              |         |         |         |         |              |                  |
| OR1B1135180         | Small casing | 135     | 180     | 196     | 192     | 100          | 16               |
| OR1B1150200         | Small casing | 150     | 200     | 216     | 212     | 100          | 18               |
| OR1B1180240         | Small casing | 180     | 240     | 256     | 252     | 100          | 21               |
| OR1B1202270         | Small casing | 202     | 270     | 286     | 282     | 100          | 26               |
| OR1B1225300         | Small casing | 225     | 300     | 316     | 312     | 100          | 30               |
| OR1B1300400         | Large casing | 300     | 400     | 417     | 412     | 120          | 51               |
| OR1B1375500         | Large casing | 375     | 500     | 517     | 512     | 140          | 67               |
| <b>16:10 format</b> |              |         |         |         |         |              |                  |
| OR1B1125200         | Small casing | 125     | 200     | 216     | 212     | 100          | 18               |
| OR1B1150240         | Small casing | 150     | 240     | 256     | 252     | 100          | 21               |
| OR1B1169270         | Small casing | 169     | 270     | 286     | 282     | 100          | 26               |
| OR1B1187300         | Small casing | 187     | 300     | 316     | 312     | 100          | 30               |
| OR1B1250400         | Large casing | 250     | 400     | 417     | 412     | 120          | 51               |
| OR1B1312500         | Large casing | 312     | 500     | 517     | 512     | 140          | 67               |



In addition to its reliability, this top of the range screen offers you a full screen image format.



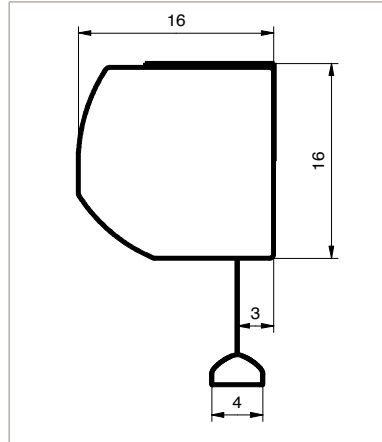
- Fully protected, it does not let appear any screw, including the screen fixing elements.
- Wall or ceiling mounting.
- Fire-resistant projection surface.
- Aluminum weighing bar closing the whole case in stand-up position.
- Aluminum casing with white epoxy finish. Other colors on demand.
- Remote control in option.
- Wired switch included.
- Motor on the right.



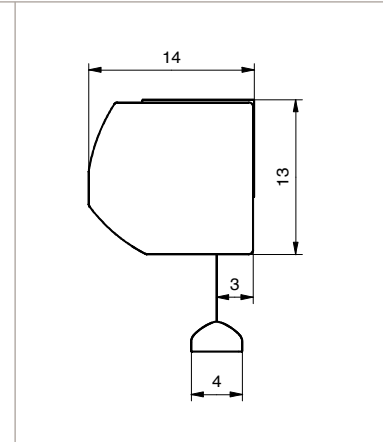
Chemin de Beaurepaire - CS 42005  
 91410 DOURDAN - FRANCE  
 Tel +33 1 64 59 94 54

Side views

Large casing

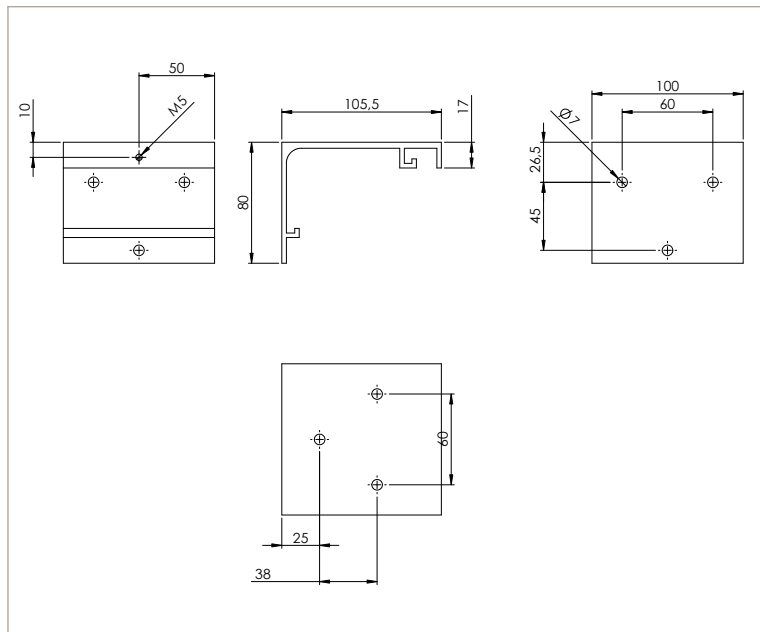


Small casing

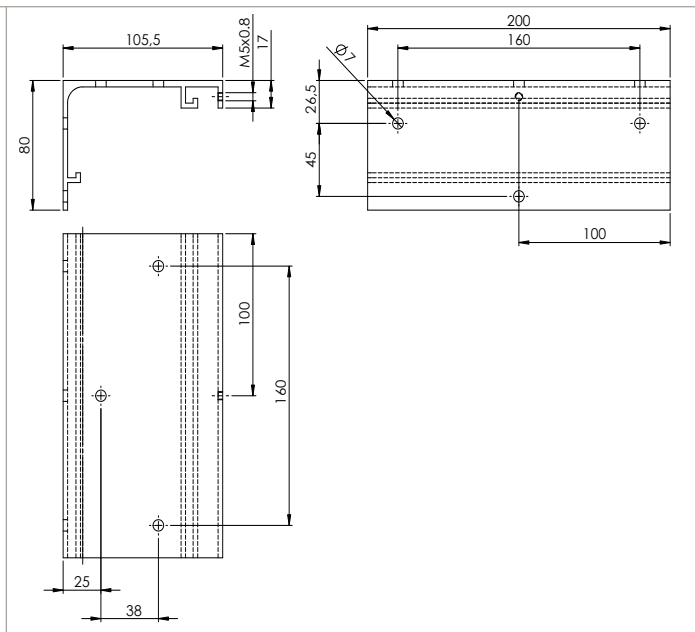


Installation brackets

Installation brackets **A** for screen < 5m base



Installation bracket **B** for screen of 5m base



MOUNTING

INSTALLATION BRACKETS

|               |                |
|---------------|----------------|
| Base < 3m     | 2 brackets "A" |
| 3 ≤ Base < 5m | 3 brackets "A" |
| base = 5m     | 3 brackets "B" |

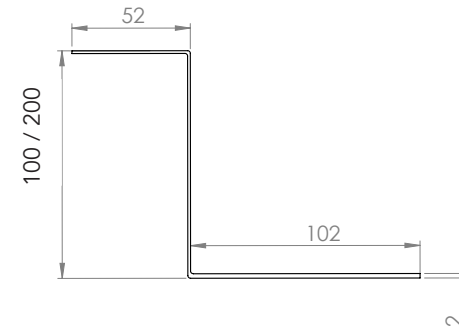


Chemin de Beaurepaire - CS 42005  
91410 DOURDAN - FRANCE  
Tel +33 1 64 59 94 54

Extending brackets

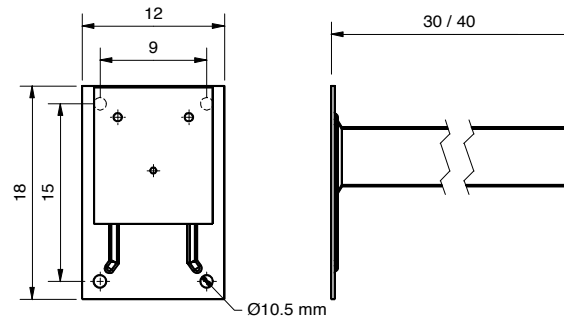
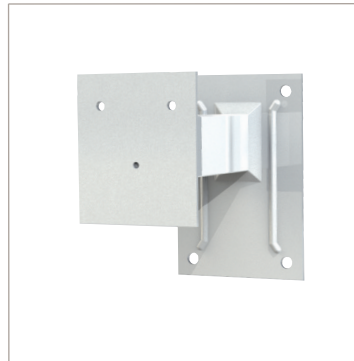
Extending brackets (base < 5m)

10 or 20 cm



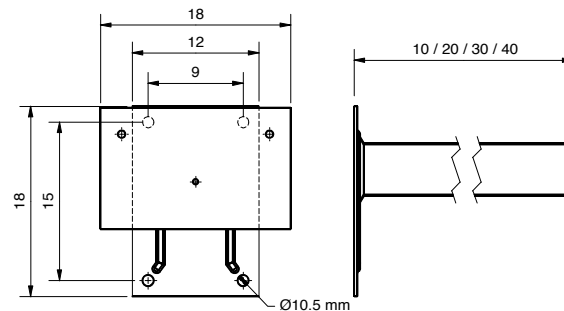
Extending brackets (base < 5m)

30 or 40 cm



Extending brackets (base = 5m)

from 10 to 40 cm



EXTENDING BRACKETS

Base < 5m The pair

| Référence     | Dimension |
|---------------|-----------|
| OPTECAR10GOR2 | 10 cm     |
| OPTECAR20GOR2 | 20 cm     |
| OPTECAR30GOR2 | 30 cm     |
| OPTECAR40GOR2 | 40 cm     |

3m ≤ base < 5m The trio

| Référence     | Dimension |
|---------------|-----------|
| OPTECAR10GOR3 | 10 cm     |
| OPTECAR20GOR3 | 20 cm     |
| OPTECAR30GOR3 | 30 cm     |
| OPTECAR40GOR3 | 40 cm     |

Base = 5m The trio

| Référence     | Dimension |
|---------------|-----------|
| OPTECAR10GOR5 | 10 cm     |
| OPTECAR20GOR5 | 20 cm     |
| OPTECAR30GOR5 | 30 cm     |
| OPTECAR40GOR5 | 40 cm     |

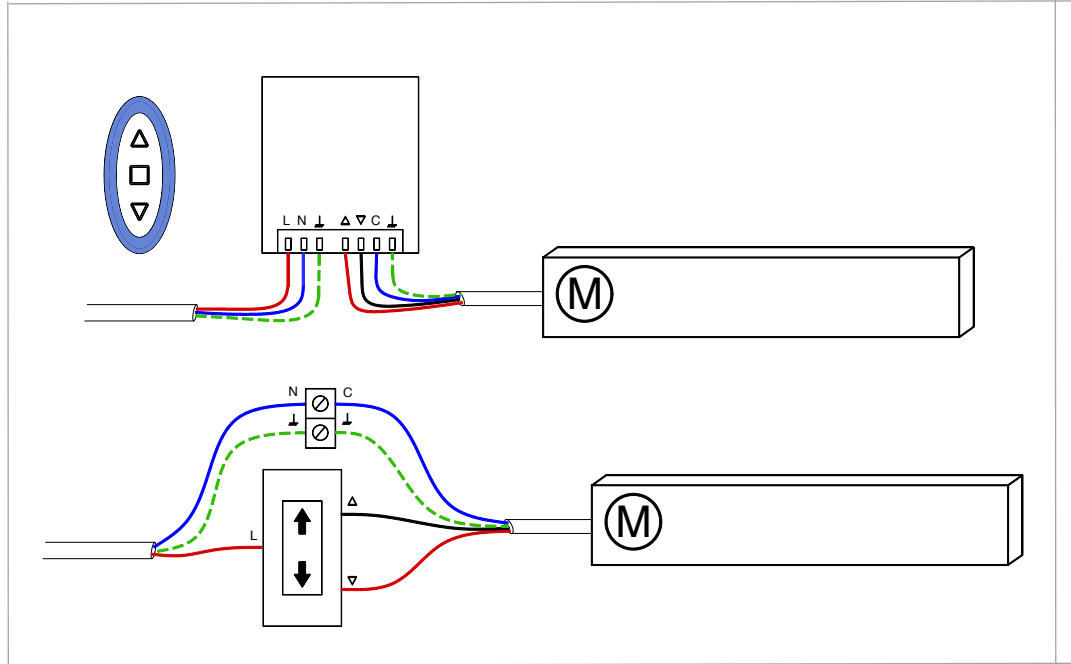


Chemin de Beaurepaire - CS 42005  
91410 DOURDAN - FRANCE  
Tel +33 1 64 59 94 54



Wiring

Wiring diagrams for remote control receiver and wired switch



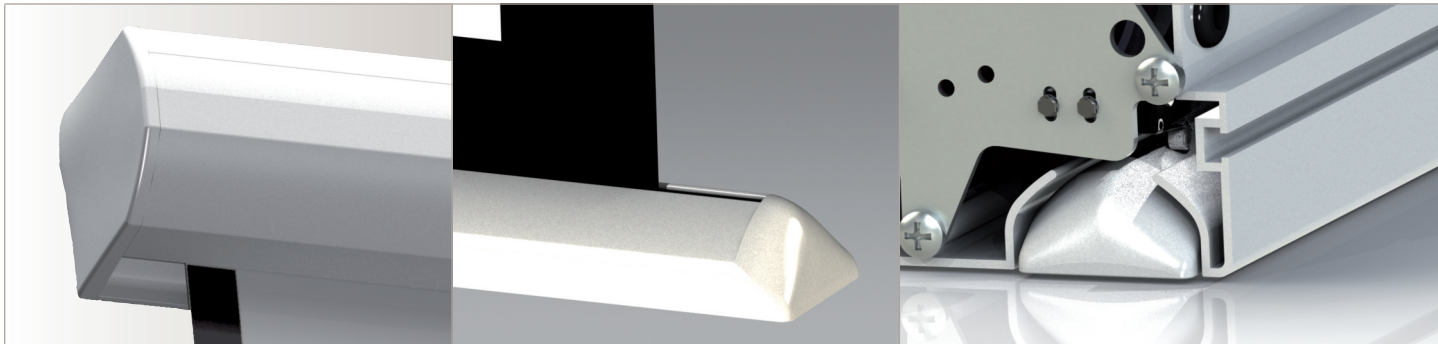
In case of automation control, the power must be cut off between rolling up and unrolling order.

- L Live
- N Neutral
- C Common
- ↑ Up
- ↓ Down
- ⏚ Ground

Casing without visible screw

Weighing bar

Motor cut-off security device when closing



Chemin de Beaurepaire - CS 42005  
91410 DOURDAN - FRANCE  
Tel +33 1 64 59 94 54