

Front view

A Image height  
 B Image base  
 F Casing length  
 G Weighing bar length

Other FABRICS  
 DIMENSIONS,  
 COLORS

On request

Technical data

ORION PRO Reference	A cm	B cm	F cm	G cm	Wattage W	Net Weight kg	
<b>1:1 format</b>							
OR1B1180180	180	180	196	192	100	16	small casing
OR1B1200200	200	200	216	212	100	18	small casing
OR1B1240240	240	240	256	252	100	22	small casing
OR1B1270270	270	270	286	282	100	27	small casing
OR1B1300300	300	300	316	312	120	32	small casing
OR1B1350350	350	350	366	362	140	47	large casing
OR1B1400400	400	400	417	412	140	56	large casing
<b>4:3 format</b>							
OR1B1135180	135	180	196	192	100	16	small casing
OR1B1150200	150	200	216	212	100	18	small casing
OR1B1180240	180	240	256	252	100	21	small casing
OR1B1202270	202	270	286	282	100	26	small casing
OR1B1225300	225	300	316	312	100	30	small casing
OR1B1263350	263	350	366	362	120	45	large casing
OR1B1300400	300	400	417	412	120	51	large casing
OR1B1375500	375	500	517	512	140	67	large casing
<b>16:10 format</b>							
OR1B1125200	125	200	216	212	100	18	small casing
OR1B1150240	150	240	256	252	100	21	small casing
OR1B1169270	169	270	286	282	100	26	small casing
OR1B1187300	187	300	316	312	100	30	small casing
OR1B1219350	219	350	366	362	120	44	large casing
OR1B1250400	250	400	417	412	120	51	large casing
OR1B1312500	312	500	517	512	140	67	large casing



In addition to its reliability, this top of the range screen offers you a full screen image format.

- Fully protected, it does not let appear any screw, including the screen fixing elements
- Fire resistant projection surface
- Aluminium weighing bar closing the whole case in stand up position
- Aluminium casing with white epoxy finish
- Wall or ceiling mounting
- Remote control in option
- Wired switch included
- Motor on the right



Chemin de Beaurepaire  
 91410 DOURDAN - FRANCE  
 Tel +33 1 64 59 94 54

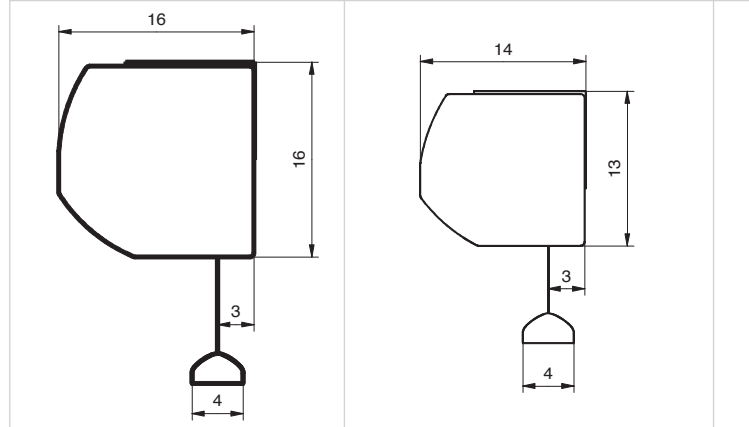


www.oray.fr

Side view

Large casing

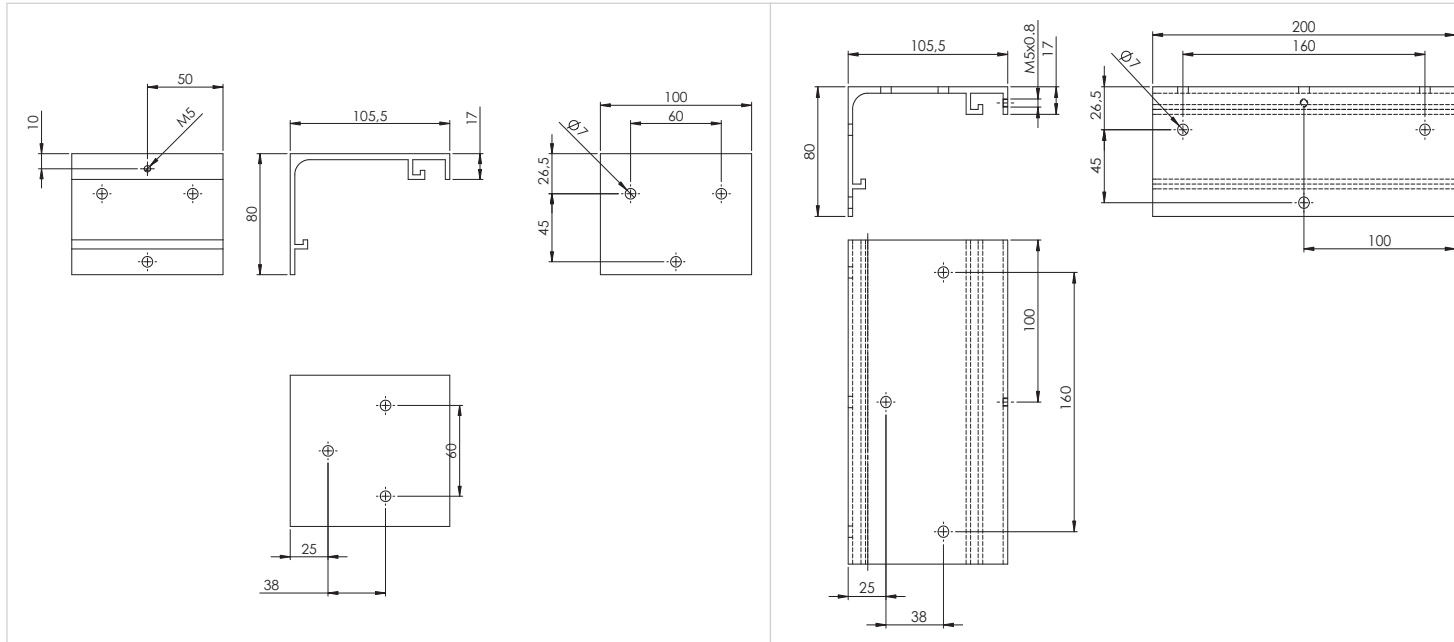
Small casing



Installation brackets

Installation brackets A for screen < 5m base

installation bracket B for screen of 5m base



INSTALLATION BRACKETS

Base < 3m	2 brackets A
3m ≤ base < 5m	3 brackets A
Base = 5m	3 brackets B



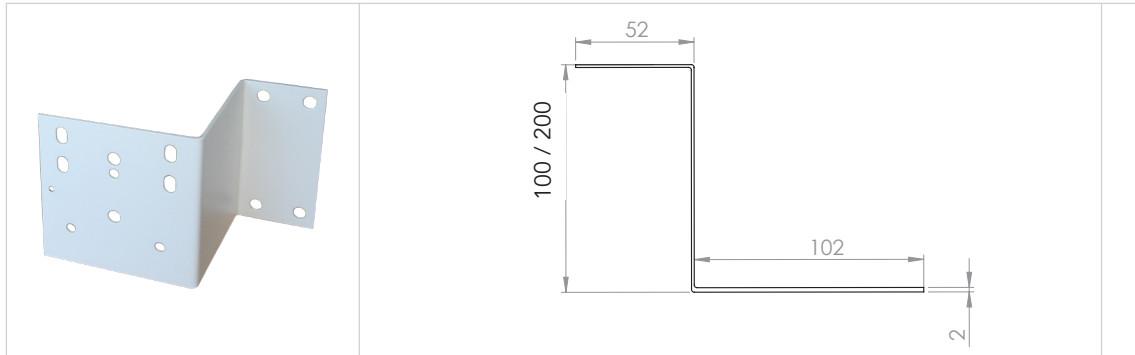
Chemin de Beaurepaire  
91410 DOURDAN - FRANCE  
Tel +33 1 64 59 94 54



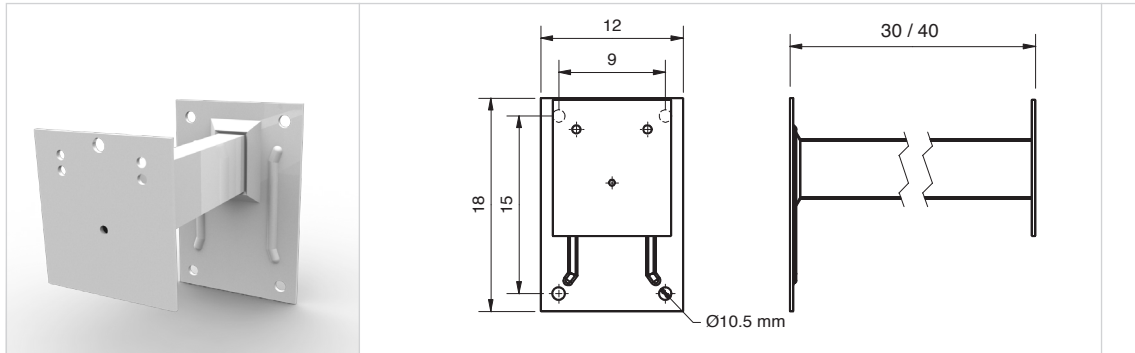
www.oray.fr

## Extending brackets

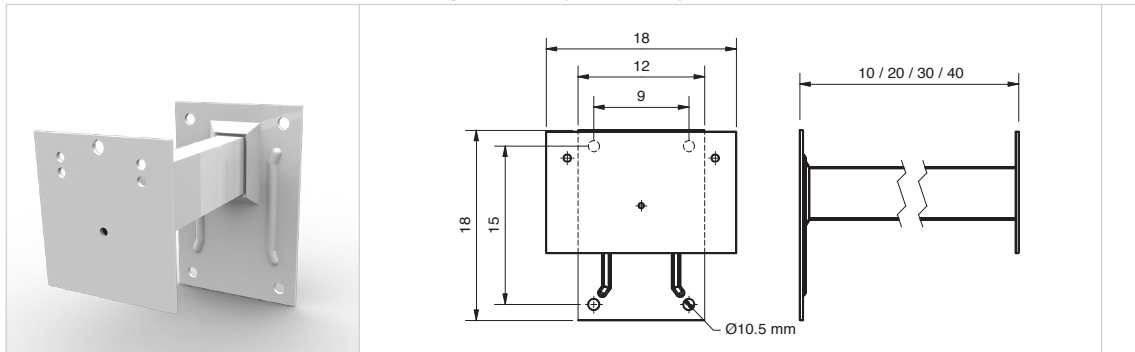
Extending brackets (base < 5m) 10 or 20 cm



Extending brackets (base < 5m) 30 or 40 cm



Extending brackets (base = 5m) from 10 to 40 cm



## EXTENDING BRACKETS

Base < 3m The pair

Dimension	Reference
10cm	OPTECAR10GOR2
20cm	OPTECAR20GOR2
30cm	OPTECAR30GOR2
40cm	OPTECAR40GOR2

3m ≤ Base < 5m The trio

Dimension	Reference
10cm	OPTECAR10GOR3
20cm	OPTECAR20GOR3
30cm	OPTECAR30GOR3
40cm	OPTECAR40GOR3

Base = 5m The trio

Dimension	Reference
10cm	OPTECAR10GOR5
20cm	OPTECAR20GOR5
30cm	OPTECAR30GOR5
40cm	OPTECAR40GOR5



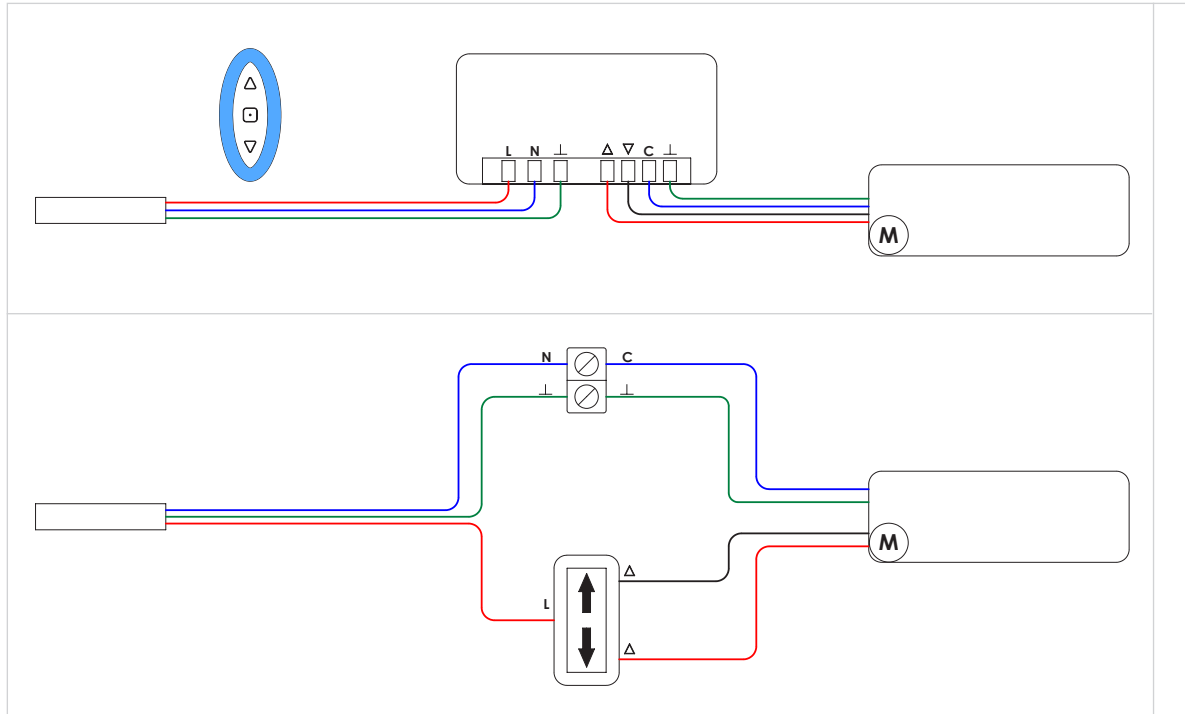
Chemin de Beaurepaire  
91410 DOURDAN - FRANCE  
Tel +33 1 64 59 94 54



www.oray.fr

Wiring

Wiring diagrams for remote control receiver and wired switch



WIRING



In case of automation control, the power must be cut off between rolling up and unrolling order.

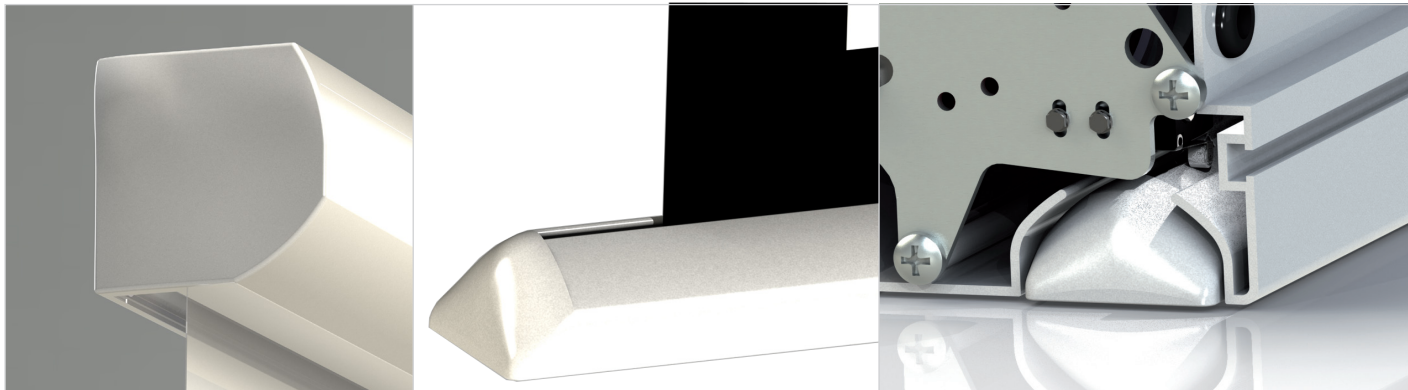
- L Live
- ↑ Up
- N Neutral
- ↓ Down
- C Common
- ⊥ Ground



Casing without visible screw

Weighing bar

Motor cut-off security device when closing



Chemin de Beaurepaire  
91410 DOURDAN - FRANCE  
Tel +33 1 64 59 94 54

