

STIHL®

STIHL BR 340, 420

Instruction Manual Manual de instrucciones

Warning!

For safe operation follow all safety precautions in Instruction Manual - improper use can cause serious injury.

Advertencia!

Para su seguridad durante el manejo de este producto, siga siempre las precauciones de seguridad dadas en el manual de instrucciones - el uso indebido puede causar lesiones graves.



Contents

Guide to Using this Manual	2
Safety Precautions	3
Assembling the Blower	12
Fuel	14
Fueling	15
Information Before You Start	16
Starting / Stopping the Engine	16
Operating Instructions	19
Cleaning the Air Filter	19
Motor Management	20
Adjusting the Carburetor	20
Catalytic Converter	22
Checking the Spark Plug	22
Spark Arresting Screen in Muffler ...	23
Replacing Starter Rope and Rewind Spring	24
Storing the Machine	27
Maintenance Chart	28
Parts and Controls	29
Specifications	31
Special Accessories	32
Maintenance and Repairs	32
STIHL Incorporated Federal and California Emission Control	
Warranty Statement	33
Trademarks	35

Allow only persons who understand this Manual to operate your blower.

To receive maximum performance and satisfaction from your STIHL blower, it is important that you read and understand the maintenance and safety precautions, starting on page 3, before using your blower.

Contact your STIHL dealer or the STIHL distributor for your area if you do not understand any of the instructions in this Manual.

Warning!

Because a blower is a high-speed tool, some special safety precautions must be observed as with any other power tool to reduce the risk of personal injury.

Careless or improper use may cause serious or even fatal injury.

STIHL's philosophy is to continually improve all of its products. As a result, engineering changes and improvements are made from time-to-time. If the operating characteristics or the appearance of your blower differs from those described in this Manual, please contact your STIHL dealer for information and assistance.

STIHL®

BR 340, BR 340 L, BR 420, BR 420 C

Guide to Using this Manual

Pictograms

All the pictograms attached to the machine are shown and explained in this manual.

The operating and handling instructions are supported by illustrations.

Symbols in text

The individual steps or procedures described in the manual may be marked in different ways:

- A bullet marks a step or procedure without direct reference to an illustration.

A description of a step or procedure that refers directly to an illustration may contain item numbers that appear in the illustration.

Example:

Loosen the screw (1)

Lever (2) ...

In addition to the operating instructions, this manual may contain paragraphs that require your special attention. Such paragraphs are marked with the symbols described below:



Warning where there is a risk of an accident or personal injury or serious damage to property.



Caution where there is a risk of damaging the machine or its individual components.



Note or hint which is not essential for using the machine, but may improve the operator's understanding of the situation and result in better use of the machine.



Note or hint on correct procedure in order to avoid damage to the environment.

* Equipment and features

This instruction manual may refer to several models with different features. Components that are not installed on all models and related applications are marked with an asterisk (*). Such components may be available as special accessories from your STIHL dealer.

Engineering improvements

STIHL's philosophy is to continually improve all of its products. As a result, engineering changes and improvements are made from time to time. If the operating characteristics or the appearance of your machine differ from those described in this manual, please contact your STIHL dealer for assistance.

Therefore some changes, modifications and improvements may not be covered in this manual.

Safety Precautions



Warning!

The use of any blower may be dangerous. It is important that you read, fully understand and

observe the following safety precautions.



Warning!



Reread the owner's manual and the safety instructions periodically.

Do not lend or rent your machine without the owner's manual.

Be sure that anyone using your unit understands the information contained in this manual.



Warning!

Careless or improper use of the machine may cause serious injury. Have your STIHL Dealer show you how to operate your blower. Observe all applicable local safety regulations, standards and ordinances.



Warning!

Minors should never be allowed to use a blower. Bystanders, especially children, and animals should not be allowed in the area where a machine is in use. Never let the unit run unattended.

Most of these safety precautions and warnings apply to the use of all STIHL blowers. Different models may have different parts and controls.

See the appropriate section of your owner's manual for a description of the controls and function of the parts of your machine.

Safe use of a blower involves

1. the operator
2. the blower
3. the use of the blower.

THE OPERATOR

Physical Condition

You must be in good physical condition and mental health and not under the influence of any substance (drugs, alcohol, etc.) which might impair vision, dexterity or judgment. Do not operate a blower when you are fatigued.

Be alert - if you get tired while operating your machine, take a break. Tiredness may result in loss of control. Working with any blower can be strenuous. If you have any condition that might be aggravated by strenuous work, check with your doctor before operating the machine.

Your STIHL blower is equipped with an antivibration system (AV). The AV system is designed to reduce the transmission of engine vibrations to the operator's body. An AV system is recommended for those operators who use blowers on a regular or sustained basis.

Keep the AV system well maintained. A blower with loose components or with damaged or worn AV buffers will tend to have higher vibration levels.



Warning!

The ignition system of your unit produces an electromagnetic field of a very low intensity. This field may interfere with some pacemakers. To reduce the risk of serious or fatal injury, persons with pacemaker should consult their physician and the pacemaker manufacturer before operating this tool.

Proper Clothing

Warning!

To reduce the risk of injury, the operator should wear proper protective apparel.

Clothing must be sturdy and snug-fitting, but allow complete freedom of movement.

Warning!



Avoid loose-fitting jackets, flared or cuffed pants, scarfs, unconfined long hair or anything that could be drawn into the air intake.



Use of gloves when working with the blower is recommended.



Good footing is most important. Wear sturdy shoes with nonslip soles.

Warning!

To reduce the risk of injury associated with the inhalation of dust, use an appropriate dust respirator for the material being blown.

Warning!

Use of this product can generate dust, mists, and fumes containing chemicals known to cause respiratory disease, cancer, birth defects, or other reproductive harm. If you are unfamiliar with the risks associated with the particular dust, mists or fumes at issue, consult your employer, governmental agencies such as OSHA and NIOSH and other sources on hazardous materials. If the substance being blown or vacuumed is a commercial substance, review the material safety data sheet for that substance and / or consult the material manufacturer / supplier. The state of California and some other authorities, for instance, have published lists of substances known to cause cancer, reproductive toxicity, etc.

Control dust, mist and fumes at the source where possible. In this regard use good work practices and follow the recommendations of OSHA / NIOSH and occupational and trade associations. When the inhalation of toxic dust, mists and fumes cannot be eliminated, the operator and any bystanders should always wear a respirator approved by NIOSH / MSHA for the substance at issue.

Warning!

Dust with silica in its composition may contain crystalline silica. Silica is a basic component of sand, quartz, brick, clay, granite and numerous other minerals and rocks, including masonry and concrete products.

Repeated and / or substantial inhalation of airborne crystalline silica can cause serious or fatal respiratory disease, including silicosis. In addition, the state of California and some other authorities have listed respirable crystalline silica as a substance known to cause cancer. When encountering such materials, always follow the respiratory precautions mentioned above.

Warning!

Breathing asbestos dust is dangerous and can cause severe or fatal injury, respiratory illness or cancer. The use and disposal of asbestos containing products have been strictly regulated by OSHA and the Environmental Protection Agency. Do not blow or disturb asbestos or asbestos containing products, such as asbestos insulation. If you have any reason to believe that you might be disturbing asbestos, immediately contact your employer or a local OSHA representative.

⚠ Warning!

Proper eye protection is a must. Even though the discharge is directed away from the operator, ricochets and bounce backs can occur during blower operations.



Never operate a blower unless wearing goggles or properly fitted safety glasses with adequate top and side protection which comply with

ANSI Z 87.1 (or your applicable national standard).

Fellow workers must also wear personal protective equipment.

⚠ Warning!

Blower noise may damage your hearing. Wear sound barriers (ear plugs or ear muffers) to help protect your hearing. Continual and regular users should have their hearing checked regularly.

THE BLOWER

For illustrations and definitions of the blower parts see the chapter on "Parts and Controls"!

⚠ Warning!

Never modify a blower in any way. Only attachments supplied by STIHL or expressly approved by STIHL for use with the specific STIHL blower models are authorized. Although certain unauthorized attachment are useable for the STIHL blower, their use may be extremely dangerous.

THE USE OF THE BLOWER**Transport**

Always turn off the engine before taking the machine off your back and putting it down. When transporting your unit in a vehicle, properly secure it to prevent turnover, fuel spillage and damage to the machine.

Adjust carrying harness to suit your size before starting work.

⚠ Warning!

Before starting work, always inspect the rubber buffers which connect the engine to the pack frame. If the buffers are torn or damaged, they should be replaced by your STIHL dealer. Failure of one or more buffers may cause the engine or fuel tank to hit or rub against other parts, and may lead to serious injury from increased vibrations or from fire as the result of fuel leakage.

Fuel

This STIHL unit uses an oil-gasoline mixture for fuel (see the chapter on "Fuel" of your owner's manual).

⚠ Warning!



Gasoline is an extremely flammable fuel. If spilled or ignited by a spark or other ignition source, it can cause fire and serious burn injury or property damage.

⚠ Warning!

To reduce the risk of serious injury from burns, never attempt to refuel the unit until it has been completely removed from the operator.

Use extreme caution when handling gasoline or fuel mix.

Do not smoke or bring any fire or flame near the fuel.

Fueling instructions

Fuel your machine in well-ventilated areas, outdoors only. Always shut off the engine and allow it to cool before refueling. Relieve fuel tank pressure by loosening fuel cap slowly. Never remove fuel filler cap while engine is running.

Select bare ground for fueling and move at least 10 feet (3 m) from the fueling spot before starting the engine. Always tighten fuel filler cap securely after fueling. Wipe off any spilled fuel before starting your blower and check for leakage.

⚠ Warning!

Check for fuel leakage while refueling and during operation. If fuel or oil leakage is found, do not start or run the engine until leak is fixed and spilled fuel has been wiped away. Take care not to get fuel on your clothing. If this happens, change your clothing immediately.

Always store gasoline in approved container.

⚠ Warning!

In order to reduce the risk of fuel spillage and fire from an improperly tightened fuel cap, correctly position and tighten the fuel cap in the fuel tank opening.

⚠ Warning!



Unit vibrations can cause an improperly tightened fuel filler cap to loosen or come off and spill quantities of fuel. In order to reduce the risk of fuel

spillage and fire, tighten the fuel filler cap by hand as securely as possible.

Before Starting


Warning!

Never operate your machine if it is damaged, improperly adjusted or not completely and securely assembled.

You should always inspect your unit before starting it. Make sure the controls and safety devices are working properly.

Warning!

To reduce the risk of injury from thrown parts, check your fanwheel and fan housing for damage (cracks, nicks, chipping). If any damage is found, stop using the unit and contact your STIHL dealer for repair.

- Throttle trigger must move freely and spring back to idle position when released.
- Stop switch must move easily to 
- Tightness of spark plug boot - if boot is loose, sparks may occur and ignite fuel vapor!
- Condition of fanwheel and fan housing.

Starting

Warning!

Your blower is a one-person machine. To reduce the risk of eye or other injury from thrown objects, insure that bystanders are at least 50 feet (15m) away during use. Stop the operation immediately if you are approached.

For specific starting instructions, see the appropriate section of your owner's manual. Place the machine on firm ground or other solid surface in an open area. Maintain good balance and secure footing.

Warning!

When you pull the starter grip, don't wrap the starter rope around your hand. Do not allow the grip to snap back, but guide the starter rope slowly back to permit the rope to rewind properly.

Failure to follow this procedure may result in injury to hand or fingers and may damage the starter mechanism.

The assistance of another person may be needed in placing the unit on your back after starting. In order to reduce the risk of injury to the assistant from thrown objects or from contact with fumes, the engine should be kept at idle speed during this brief period, and your assistant should not stand in the area of the outlet nozzle or exhaust. Otherwise, the unit should be started and operated without assistance.

Muffler and Catalytic Converter

Warning!

The muffler and other parts of the engine (e.g. fins of the cylinder, spark plug) become hot during operation and remain hot for a while after stopping the engine. To reduce risk of burns do not touch the muffler and other parts while they are hot.

Warning!

To reduce the risk of fire or burn injury, let the unit cool down before refueling your power tool after use.

Warning!

Never disassemble or modify your muffler. The muffler could be damaged and cause an increase in heat radiation or sparks, thereby increasing the risk of fire or burn injury. You may also permanently damage the engine. Have your muffler serviced and repaired by your STIHL servicing dealer only.

Warning!

To reduce the risk of fire or burn injury, keep the area around the muffler clean. Remove all debris such as pine needles, branches or leaves.

Warning!



Some STIHL blower models are equipped with a catalytic converter, which is designed to reduce the exhaust emissions of the engine by a chemical process in the muffler. Due to this process, the muffler does not cool down as rapidly as conventional mufflers when the engine returns to idle or is shut off. To reduce the risk of fire and burn injuries, the following specific safety precautions must be observed.

Warning!

Since a muffler with a catalytic converter cools down less rapidly than conventional mufflers, always set your backpack blower down in the upright position and never locate it where the muffler is near dry brush, grass, wood chips or other combustible materials while it is still hot.

Let the engine cool down sitting on concrete, metal, bare ground or solid wood (e.g. the trunk of a felled tree) away from any combustible substances.

Warning!

An improperly mounted or damaged cylinder housing or a damaged/deformed muffler shell may interfere with the cooling effect of the catalytic converter. To reduce the risk of fire or burn injury, do not continue work with a damaged or improperly mounted cylinder housing or a damaged/deformed muffler shell. Your muffler is furnished with a screen designed to reduce the risk of fire from the emission of hot particles. Due to the heat from the catalytic reaction, this screen on a catalytic converter will normally stay clean and need no service or maintenance. If you experience loss of performance and you suspect a clogged screen, have your muffler maintained by a STIHL servicing dealer.

Working instructions

Work carefully.

When working with the blower, always wear it on your back using the carrying harness. Wrap your fingers tightly around the handle, keeping the control handle cradled between your thumb and forefinger. Keep your hand in this position to have your machine under control at all times.

Make sure your control handle (and grip for vacuum attachment) are in good condition and free of moisture, pitch, oil or grease.

Operate the blower under good visibility and daylight conditions only.

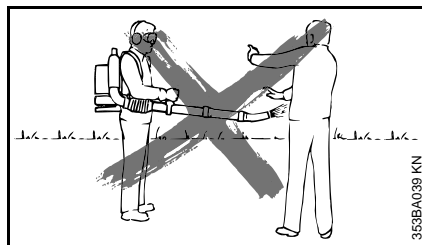
Warning!



Your blower produces poisonous exhaust fumes as soon as the combustible engine is running. These gases (e.g. carbon monoxide) may be colorless and odorless. To reduce the risk of serious or fatal injury from breathing toxic fumes, never start or run the blower indoors or in poorly ventilated locations. Ensure proper ventilation when working in trenches or other confined areas.

Keep the space behind and beside the engine clear at all times to allow for the escape of hot and toxic exhaust fumes.

Keep the space behind and beside the engine clear at all times to allow for the escape of hot and toxic exhaust fumes.



Warning!

To reduce the risk of personal injury, do not direct air blast towards bystanders, since the high pressure of the air flow could injure eyes and could blow small objects at great speed.

Warning!

Always shut off the engine before cleaning or servicing the unit or replacing parts.

Warning!

The blower fan between the air intake and output openings rotates whenever the engine is running.

Never insert any foreign object into the air intake of the machine or into the nozzle of the blower. It will damage the fan wheel and may cause serious injury to the operator or bystanders as a result of the object or broken parts being thrown out at high speed.

Do not place the blower on the ground when operating at high speed, because small objects such as sand, grass, dust, etc. may be pulled into the air intake and damage the fan wheel.

To reduce the risk of stumbling and loss of control, do not walk backward while operating the machine.

In an emergency, you may slip out of the harness and throw off the machine quickly. Try slipping out of the harness a number of times before using the machine in order to become accustomed with it.

Do not throw off the machine while practising as it could damage the machine.

Pay attention to the direction of the wind, i.e., do not work against the wind.

Using the Blower



The blower is designed for single-handed operation. It is carried as a backpack and operated with the right hand on the control handle.

The powerful ground-level airstream can be aimed highly accurately and effectively. It enables the operator to quickly blow-sweep large areas.

The blower may be used only for the operations described in your manual.

The blower can be used for clearing leaves, grass, paper, dust and light snow in yards, gardens, sports stadiums, parks, driveways and parking lots. It is also suitable for clearing forest paths.

Other applications are blowing out pipes, drains, gutters and your carport.

Working techniques

To minimize blowing time, use rakes and brooms to loosen debris before blowing.

Recommended working techniques to minimize airborne debris and pollution:

- In dusty conditions, slightly dampen surfaces.
- Use the full blower nozzle extension so the air stream can work close to the ground.
- Do not direct debris at people, children, pets, at open windows or freshly-washed cars. Blow debris safely away.
- After using blowers, **CLEAN UP**. Dispose of debris in trash receptacles. Do not blow debris onto neighboring properties.

Recommended working techniques to minimize noise:

- Operate power equipment only at reasonable hours - not early in the morning, late at night or during the noon-break when people might be disturbed. Comply with times listed in local ordinances. Usual recommendations are 9:00 a.m. to 12:00 a.m. and 03:00 p.m. to 5:00 p.m. on workdays for professionals. Special considerations should be given to neighbors on weekends.
- Fewer engines mean less noise; therefore use only one piece of power equipment at a time, when possible.
- Operate power blowers at the lowest possible throttle speed to do the job.
- Check your equipment before operation, especially the muffler, air intakes and air filters.

Conserve water by using power blowers instead of hoses for those lawn and garden applications where a blower can be properly used, such as cleaning patios or porches.

Using the Vacuum Attachment (special accessory)

The vacuum is designed to pick up dry material such as leaves, grass, small twigs and bits of paper.

Warning!



To reduce the risk of personal injury from fire and explosion, never attempt to pick up hot or burning substances (e.g. smoldering ashes, glowing cigarettes)



or combustible fluids (e.g. gasoline, paint thinners).

MAINTENANCE, REPAIR AND STORING

Maintenance, replacement, or repair of the emission control devices and systems may be performed by any nonroad engine repair establishment or individual. However if you claim warranty for a component which has not been serviced or maintained properly or if nonapproved replacement parts were used, STIHL may deny warranty.

Use only identical STIHL replacement parts for maintenance and repair. Use of parts manufactured by others may cause serious or fatal injury.

Follow the maintenance and repair instructions in the appropriate section of your owner's manual. Refer to the maintenance chart at the last pages of this manual.

Warning!

Always stop the engine and make sure that the fan is stopped before doing any maintenance or repair work or cleaning the blower. Do not attempt any maintenance or repair work not described in your owner's manual. Have such work performed at your STIHL servicing dealer only.

Check fuel filler cap for leaks at regular intervals. Use the specified spark plug and make sure it and the ignition lead are always in good condition.

Tighten all nuts, bolts and screws except the carburetor adjustment screws after each use.

Warning!

A worn or damaged muffler is a fire hazard and may cause loss of hearing. Check to see that the muffler is in good condition. The blower must not be operated if the muffler is not functioning properly or has been removed.

Remember that the risk of forest fires is greater in hot weather. Use the spark arresting muffler supplied with the unit. Never touch a hot muffler or burn will result.

Warning!

In order to reduce the risk of fire, do not modify or remove any part of the muffler or spark arrestor.

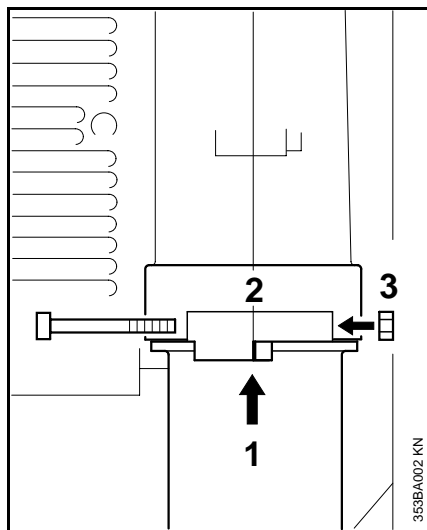
Keep spark plug and wire connection tight and clean. The spark plug electrode gap should be checked with a feeler gauge at least every 50 operating hours and reset if necessary. Fit a new spark plug if the electrodes are badly pitted.

For any maintenance please refer to the maintenance chart **and to the warranty statement** near the end of this manual.

Store blower in a dry, high or locked location and out of reach of children.


Before storing for longer than a few days, always empty the fuel tank.

Assembling the Blower

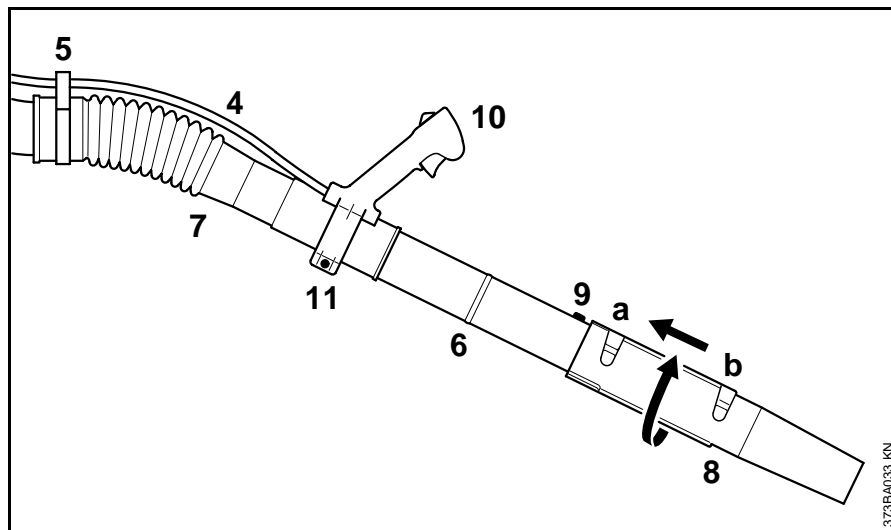


Mounting the Elbow

A combination wrench and carburetor screwdriver are stowed on the underside of the blower.


 The throttle cable is already connected and must not be kinked during assembly.

- Push the elbow (1) into the stub (2) as far as it will go – the stops on the elbow and fan housing stub must line up.
- Fit the nut (3) in the hexagon recess in the stub.
- Insert the screw in the nut from the other side and tighten moderately – the elbow must still turn.



- Secure the throttle cable (4) to the pleated hose with the retainer (5).

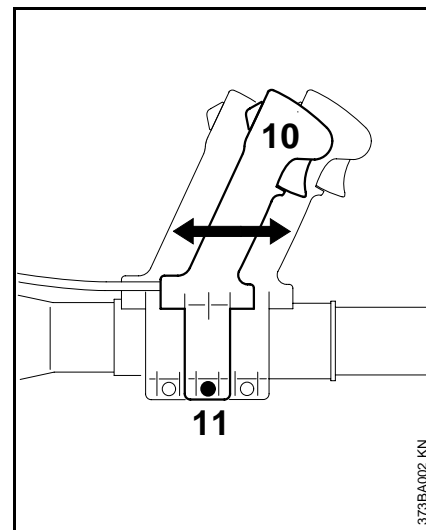
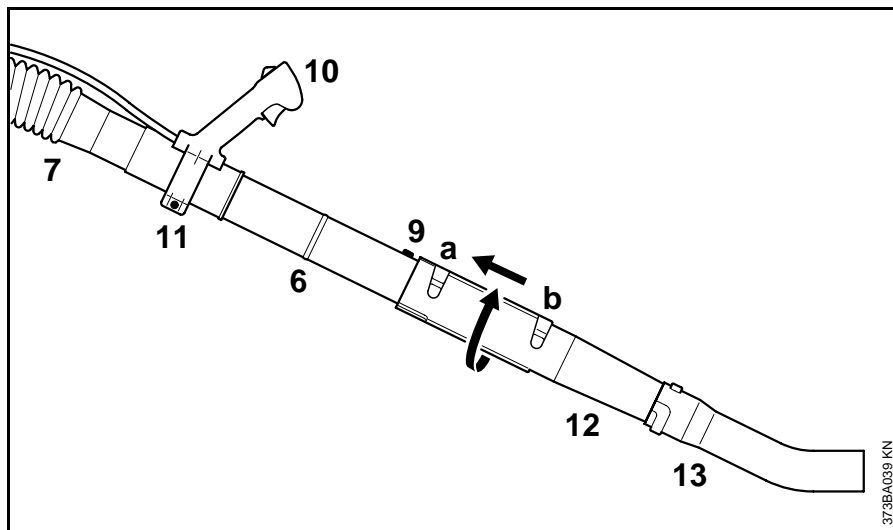
Mounting Blower Tube with Straight Nozzle*

 Operate the machine only with the blower tube **and** nozzle properly mounted.


- Push the blower tube (6) into the pleated hose (7).
- Push the nozzle (8) onto the blower tube (6) to position 'a' (long) or 'b' (short), as far as lug (9), and rotate it in the direction of the arrow (clockwise) to lock.

- Rotate the pleated hose (7) counterclockwise as far as stop and leave it in that position.
- Turn the control handle (10) counterclockwise to the horizontal position and tighten down the clamp screw (11).

* see "Guide to Using this Manual"



Mounting Blower Tube with Curved Nozzle*

 Operate the machine only with **both** blower tubes properly mounted.

- Push the blower tube (6) into the pleated hose (7).
- Push blower tube (12) onto blower tube (6) to position 'a' (long) or 'b' (short), as far as lug (9), and rotate it in the direction of the arrow (clockwise) to lock.
- Fit the nozzle (13) on the end of the blower tube (12) and rotate it clockwise to engage the bayonet coupling.

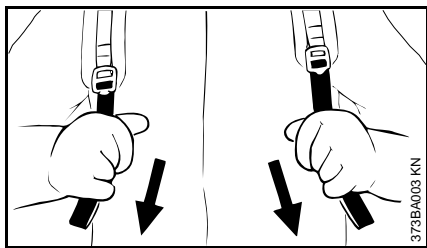
- Rotate the pleated hose (7) counterclockwise as far as stop and leave it in that position.
- Turn the control handle (10) counterclockwise to the horizontal position.
- Rotate the complete blower tube assembly until the nozzle discharge opening points in the same direction as the control handle.
- Tighten down the clamp screw (11).

Adjusting the Control Handle

- Put the unit on your back.
- Loosen the clamp screw (11).
- Slide the control handle (10) along the pleated hose to the most comfortable position.
- Tighten down the clamp screw (11).

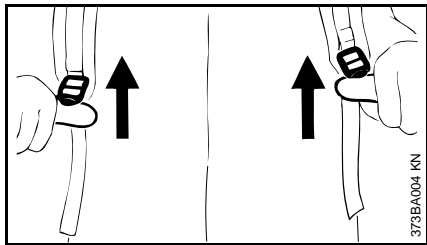
* see "Guide to Using this Manual"

Fuel



Adjusting the Harness Straps

- Pull the ends of the straps downward to tighten the harness.



Loosening the Harness Straps

- Lift the tabs of the two sliding adjusters.
- Adjust the straps so that the backplate is held firmly and comfortably against your back.

This engine is certified to operate on unleaded gasoline and the STIHL two-stroke engine oil at a mix ratio of 50:1.

Your two-stroke engine requires a mixture of high-quality gasoline and quality two-stroke air cooled engine oil.

Use mid-grade unleaded gasoline with a minimum octane rating of 89 (R+M/2). If the octane rating of the mid-grade gasoline in your area is lower, use premium unleaded fuel.

Fuel with a lower octane rating may increase engine temperatures. This, in turn, increases the risk of piston seizure and damage to the engine.

The chemical composition of the fuel is also important. Some fuel additives not only detrimentally affect elastomers (carburetor diaphragms, oil seals, fuel lines, etc.), but magnesium castings and catalytic converters as well. This could cause running problems or even damage the engine. For this reason STIHL recommends that you use only nationally recognized high-quality unleaded gasoline!

Use only STIHL two-stroke engine oil or equivalent high-quality two-stroke engine oils that are designed for use only in air cooled two-cycle engines.

We recommend STIHL 50:1 two-stroke engine oil since it is specially formulated for use in STIHL engines.

Do not use BIA or TCW rated (two-stroke water cooled) mix oils or other mix oils that state they are for use in both water cooled and air cooled engines (e.g., outboard motors, snowmobiles, chainsaws, mopeds, etc.).

Take care when handling gasoline. Avoid direct contact with the skin and avoid inhaling fuel vapor. When filling at the pump, first remove the canister from your vehicle and place the canister on the ground before filling. Do not fill fuel canisters that are sitting in or on a vehicle.

The canister should be kept tightly closed in order to avoid any moisture getting into the mixture.

The machine's fuel tank and the canister in which fuel mix is stored should be cleaned as necessary.

Fueling



Fuel mix ages

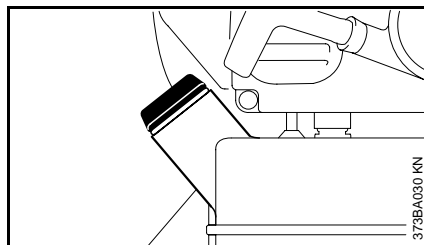
Only mix sufficient fuel for a few days work, not to exceed 3 months of storage. Store in approved fuel-canisters only. When mixing, pour oil into the canister first, and then add gasoline. Close the canister and shake it vigorously by hand to ensure proper mixing of the oil with the fuel.

Gasoline	Oil (STIHL 50:1 or equivalent high-quality oils)
----------	--------------------------------------------------

US gal.	US fl.oz
---------	----------

1	2.6
2 1/2	6.4
5	12.8

Dispose of empty mixing-oil canisters only at authorized disposal locations.

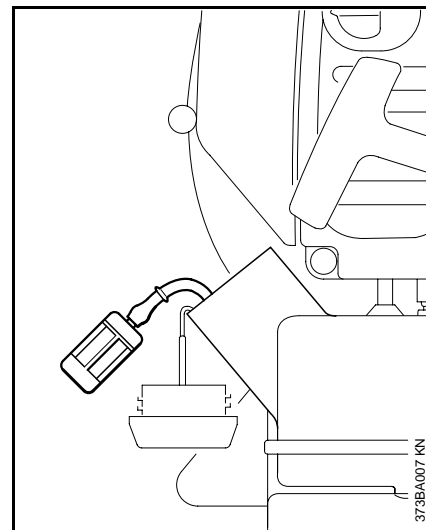


Before fueling, clean the filler cap and the area around it to ensure that no dirt falls into the tank.

Always thoroughly shake the mixture in the canister before fueling your machine.

⚠ In order to reduce the risk of burns or other personal injury from escaping gas vapor and fumes, remove the fuel filler cap carefully so as to allow any pressure build-up in the tank to release slowly.


⚠ After fueling, tighten fuel cap **as securely as possible** by hand.



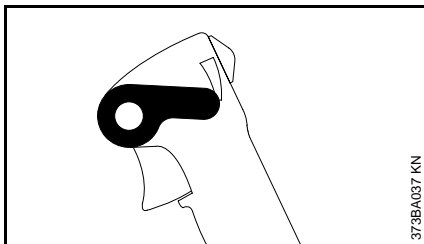
Change the fuel pick up body every year.

Before storing your machine for a long period, drain and clean the fuel tank and run engine until carburetor is dry.

Information Before You Start

-  With the engine stopped and before starting, check the air intakes between the backplate and powerhead for blockages and clean if necessary. A protective screen is available as a special accessory to keep the air intakes clear.

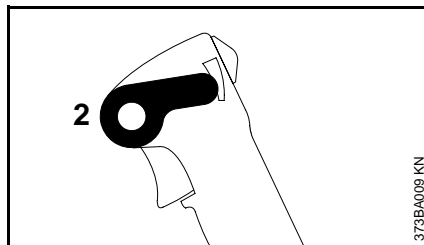
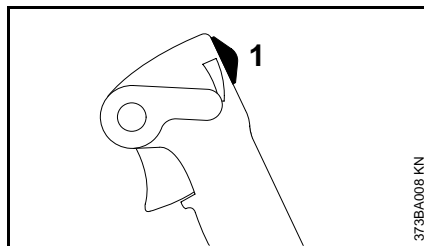
Only machines with catalytic converter



- Move the setting lever to idle position.

Machines with a catalytic converter must always be switched off with the setting lever in the idle position because the throttle cable will otherwise disconnect itself from the throttle trigger. The throttle cable reconnects itself automatically when the setting lever is moved to the idle position.

Starting / Stopping the Engine

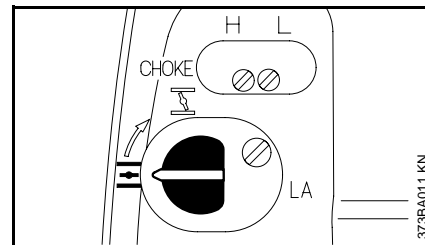
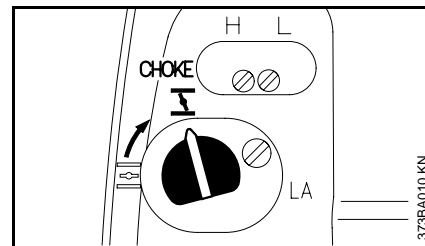


- Observe safety precautions – see chapter “Safety Precautions and Working Techniques”.
- Slide the stop switch (1) to **I**
- Move the setting lever (2) to the center position – **this is the starting throttle position**

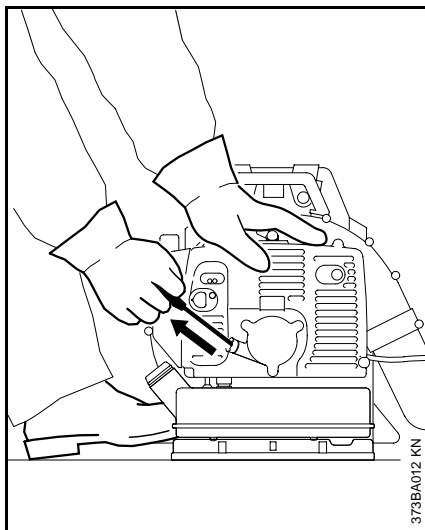
Note:

The setting lever can be used to select any throttle opening between idle speed (lower stop) and full throttle (upper stop).

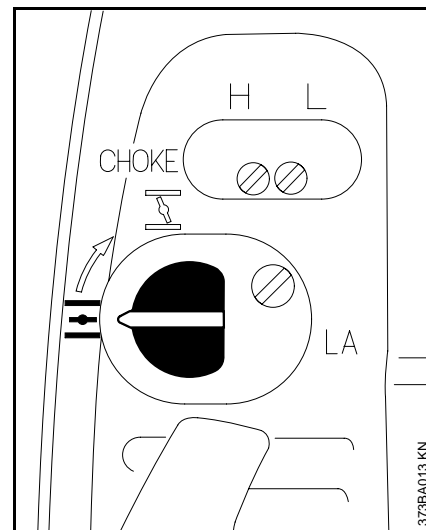
Set the lever to idle position before switching off the engine.



- If the engine is **cold**, turn the choke knob to **I**
 - If the engine is **warm**, turn the choke lever to **II**
- Also use this position if the engine has been running but is still cold.

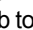


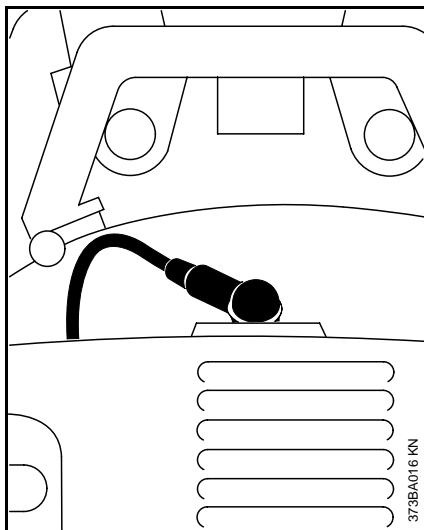
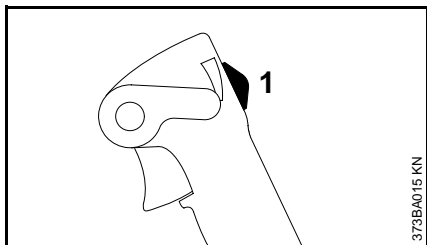
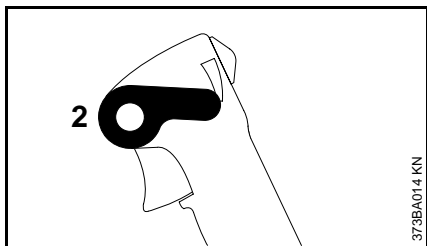
- Pull the starter grip slowly with your right hand until you feel it engage and give it a brisk strong pull. Do not pull the starter rope out all the way as it might otherwise break.
- Do not let the starter grip snap back.
- Guide it slowly back into the housing so that the starter rope can rewind properly.



- Put the unit on the ground. Check that bystanders are well clear of the general work area and the nozzle.
- Make sure you have a firm footing: Hold the unit with your left hand on the housing and put one foot against the base plate to prevent it slipping.

When engine begins to fire:

- If engine is **cold**: Turn choke knob to  and continue cranking until engine runs.
- If engine is **warm**: Continue cranking until engine runs.



- Fit the spark plug and reconnect the spark plug boot.
- Move the stop switch to **I**
- Turn the choke knob to **☐** even if the engine is cold.
- Now start the engine.

Fuel tank run until dry and then refueled

- Pull the starter rope several times to prime the fuel line.

As soon as engine runs:

- Move the setting lever (**2**) to the lower stop so that the engine settles down to idle speed.

To shut down the engine:

- Slide the stop switch (**1**) to **0**

**At very low outside temperatures:
Allow engine to warm up**

As soon as engine runs:

- Move the setting lever to the lower stop – the engine settles down to idle speed.
- Open throttle slightly – warm up engine for a short period.

If the engine does not start:

If you did not turn the choke knob to **☐** quickly enough after the engine began to fire, the combustion chamber is flooded.

- Pull off the spark plug boot.
- Unscrew and dry off the spark plug.
- Set the stop switch to **0**
- Open the throttle fully.
- Pull the starter rope several times to clear the combustion chamber.

Operating Instructions

During break-in period

A factory new machine should not be run at high revs (full throttle off load) for the first three tank fillings. This avoids unnecessary high loads during the break-in period. As all moving parts have to bed in during the break-in period, the frictional resistances in the engine are greater during this period. The engine develops its maximum power after about 5 to 15 tank fillings.

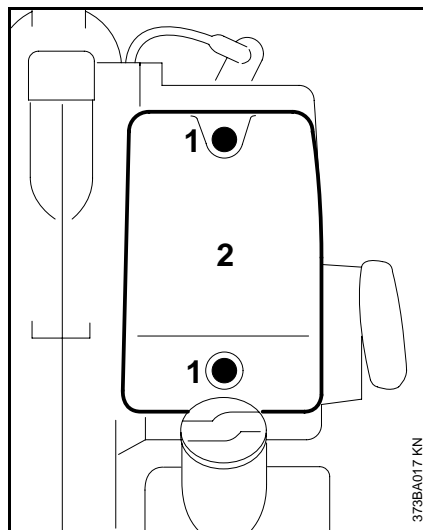
During operation

After a long period of full-throttle operation, allow engine to run for a while at idle speed so that the heat in the engine can be dissipated by flow of cooling air. This protects engine-mounted components (ignition, carburetor) from thermal overload.

After finishing work

Wait for engine to cool down. Drain the fuel tank. Store the machine in a dry place. Check tightness of nuts and screws (not adjusting screws) at regular intervals and retighten as necessary.

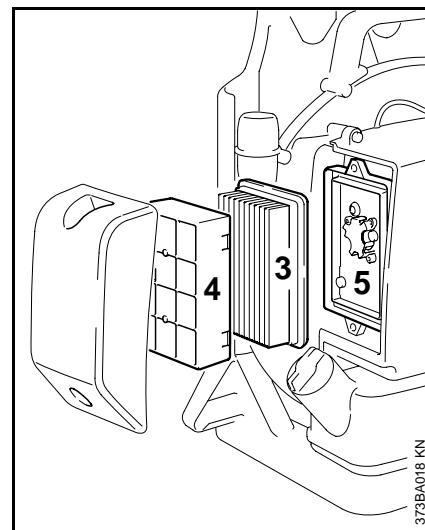
Cleaning the Air Filter



Dirty air filters reduce engine power increase fuel consumption and make starting more difficult.

If there is a noticeable loss of engine power

- Turn choke knob to \overline{I}
- Release the screws (1) and pull off the filter cover (2).



- Remove the main filter (3) from the cover and inspect it – if it is dirty or damaged, fit a new one.
- Take the prefilter (4) out of the filter cover.
- Make sure the prefilter is dry – knock it out on the palm of your hand or blow out with compressed air.
- Always replace a damaged prefilter.

Note:

Always install a new prefilter when you change the main filter.

Motor Management

- Clean the filter cover and filter chamber.
- Install the main filter and prefilter elements in the filter cover.
- Fit the cover on the filter base **(5)** and tighten it down firmly.

Exhaust emissions are controlled by the design of the fundamental engine parameters and components (e.g. carburation, ignition, timing and valve or port timing) without the addition of any major hardware.


Adjusting the Carburetor

General Information

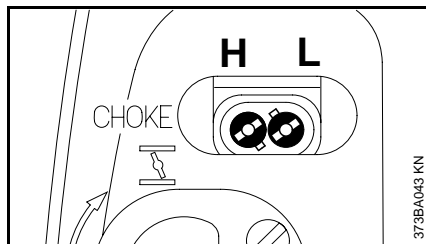
The carburetor comes from the factory with a standard setting.

This setting provides an optimum fuel-air mixture under most operating conditions.

With this carburetor it is only possible to correct the adjustment of the high speed screw within fine limits.

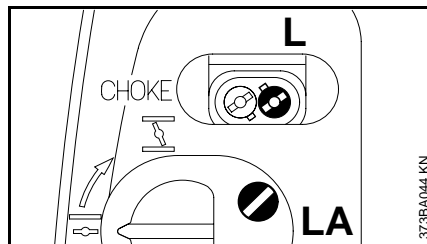
 If the setting is too lean, there is a risk of engine damage due to insufficient lubrication and overheating.

Standard Setting



- Shut off the engine.
- Turn the high speed screw (H) and low speed screw (L) counter-clockwise as far as stop (max. $\frac{1}{4}$ turn).

Adjusting Idle Speed



Engine stops while idling

- Carry out standard setting on the low speed screw.
- Turn idle speed screw (LA) clockwise until the engine runs smoothly.


Erratic idling behavior, poor acceleration

- Carry out standard setting on the low speed screw.
- Turn low speed screw (L) counterclockwise until the engine runs and accelerates smoothly.

It is usually necessary to change the setting of the idle speed screw (LA) after every correction to the low speed screw (L).

Fine Tuning for Operation at High Altitude or at Sea Level

A slight correction of the setting may be necessary if engine power is not satisfactory when operating at high altitude or at sea level:

- Check standard setting.
 - Warm up the engine.
 - Turn the high speed screw (H) slightly clockwise (leaner) – on models with limiter caps (H = 1/4), no further than stop.
-  If the setting is too lean, there is a risk of engine damage due to insufficient lubrication and overheating.

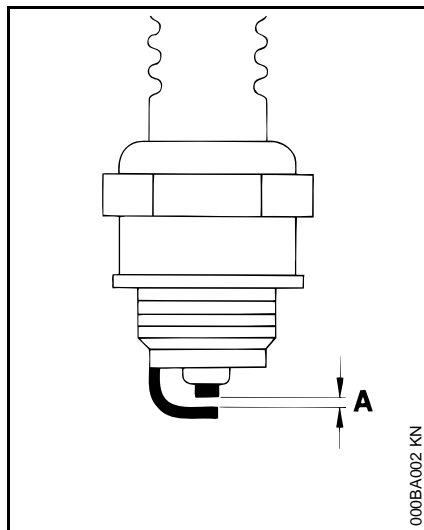
Catalytic Converter*

Units with a catalytic converter* may only be operated with **unleaded gasoline** and **STIHL two cycle engine oil** or equivalent quality two cycle engine oils in a mix ratio of 50:1 (see chapter "Fuel").

The catalytic converter in the muffler reduces noxious emissions in the exhaust gas.

Correct adjustment of the carburetor (if adjustable) and observance of the specified mix ratio of gasoline and two cycle engine oil are essential to minimize harmful exhaust emissions and ensure a long catalyst service life.

Checking the Spark Plug



Wrong fuel mix (too much engine oil in the gasoline), a dirty air filter and unfavorable running conditions (mostly at part throttle etc.) affect the condition of the spark plug. These factors cause deposits to form on the insulator nose which may result in trouble in operation.

If engine is down on power, difficult to start or runs poorly at idling speed, first check the spark plug.

- Remove spark plug – see "Starting / Stopping the Engine".
- Clean dirty spark plug.
- Check electrode gap (**A**) and readjust if necessary – see "Specifications".
- Use only resistor type spark plugs of the approved range.

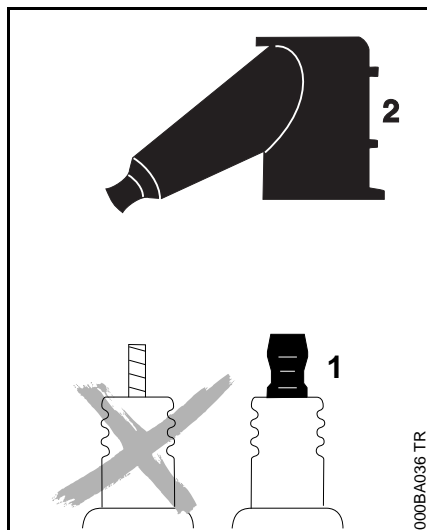
Rectify problems which have caused fouling of spark plug:

- Too much oil in fuel mix.
- Dirty air filter.
- Unfavorable running conditions, e.g. operating at part load.

Fit a new spark plug after approx. 100 operating hours or earlier if the electrodes are badly eroded.

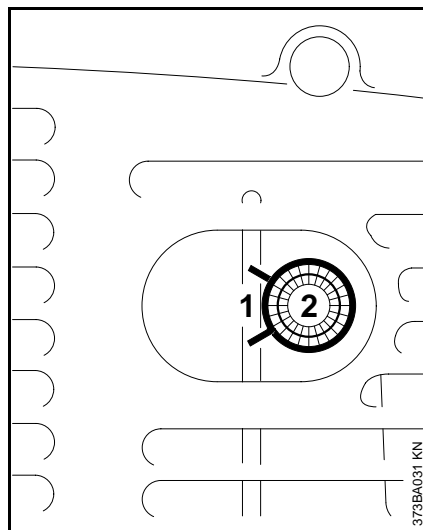
* see "Guide to Using this Manual"

Spark Arresting Screen* in Muffler



⚠ To reduce the risk of fire and burn injury, use only spark plugs authorized by STIHL. Always press spark plug boot (2) snugly onto spark plug terminal (1) of the proper size. (Note: If terminal has detachable SAE adapter nut, it must be attached.)

A loose connection between spark plug boot and ignition wire connector in the boot may create arcing that could ignite combustible fumes and cause a fire.



If the engine is down on power, check the spark arresting screen* in the muffler.

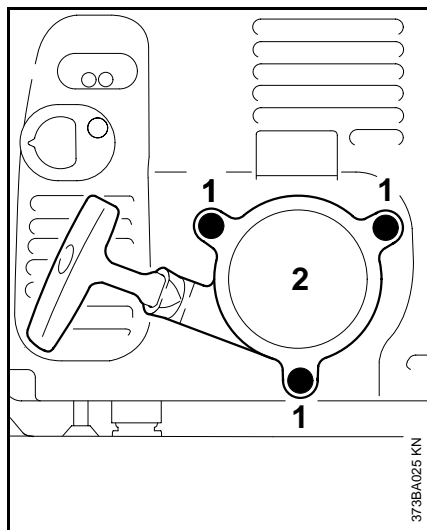
⚠ Wait until engine has cooled down completely before performing the following operations.

- Use suitable tool to squeeze ends of clip (1) together and then lift the clip away.
- Pull the spark arresting screen (2) out of the muffler.

- Clean the spark arresting screen.
- If the screen is damaged or heavily carbonized, fit a new one.
- Install the spark arresting screen (2).
- Refit the clip (1).

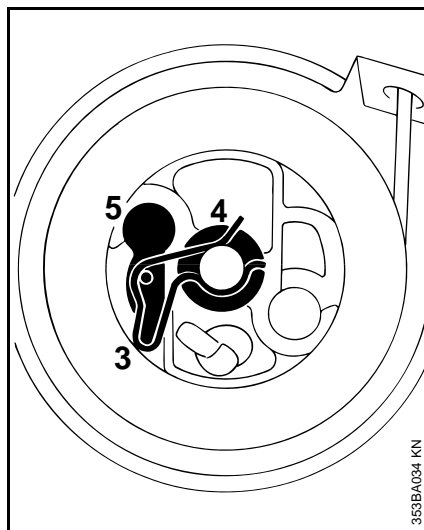
* see "Guide to Using this Manual"

Replacing Starter Rope and Rewind Spring

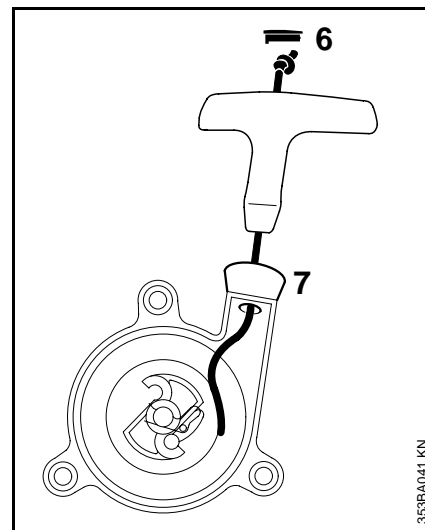


Replacing the starter rope

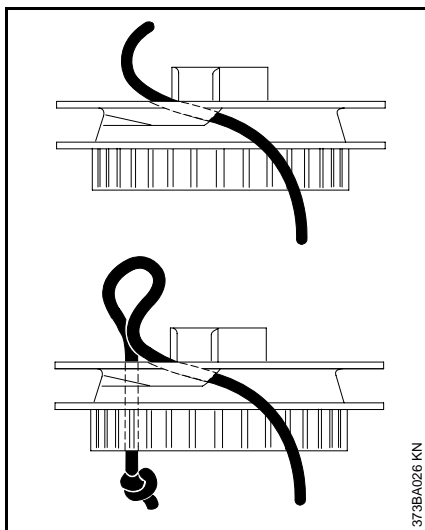
- Remove the screws (1).
- Take the starter cover (2) off the engine.



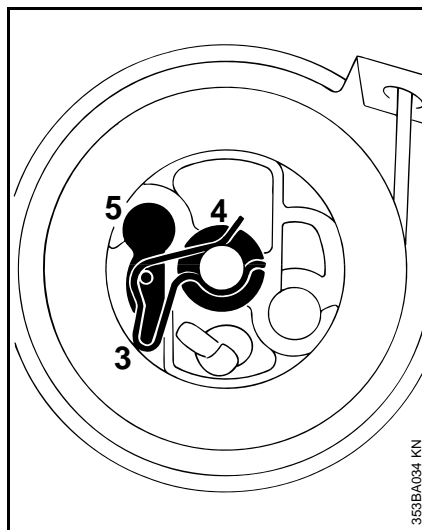
- Remove the spring clip (3).
- Remove the rope rotor with washer (4) and pawl (5).



- Ease the cap (6) out of the starter grip.
- Remove remaining rope from the rotor and grip.
- Tie a simple overhand knot in the end of the new starter rope (see Specifications) and then thread the rope through the top of the grip and the rope bushing (7).
- Refit the cap in the grip.



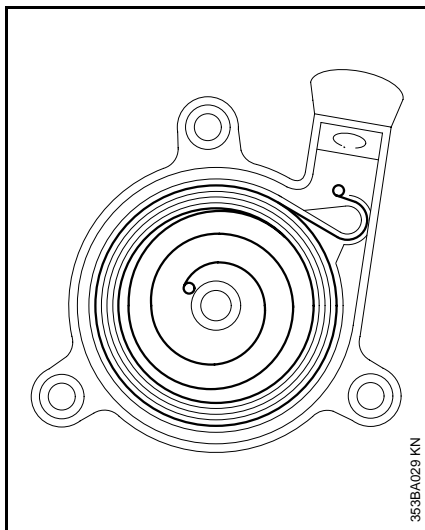
- Thread the rope through the rotor and secure it in the rotor with a simple overhand knot.



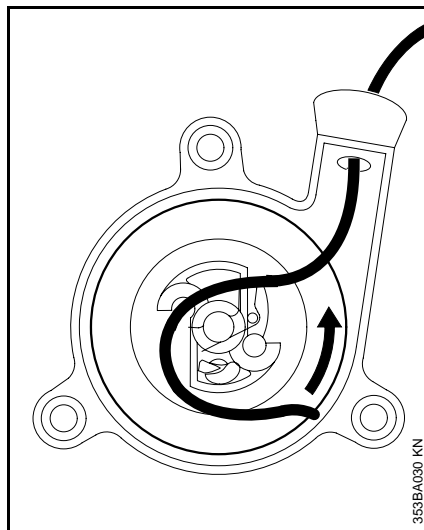
- Fit the pawl (5) in the rotor and slip the washer (4) over the starter post.
- Use a screwdriver or suitable pliers to install the spring clip (3) on starter post and over the peg on the pawl – the spring clip must point clockwise – see illustration. Go to “Tensioning rewind spring”.

Replacing a broken rewind spring

- Lubricate the new spring with a few drops of non-resinous oil.
- Remove the rope rotor as described in “Replacing the starter rope”.
- Remove parts of old spring.




- Fit new spring housing – bottom plate must face downward. Engage outer spring loop over the lug.
- Refit the rope rotor.
Go to “Tensioning rewind spring”.
If the spring pops out and uncoils during installation: Refit it in the spring housing in the counter-clockwise direction – start outside and work inward.



Tensioning rewind spring

- Make a loop in the unwound starter rope and use it to turn the rope rotor six full revolutions in the direction of the arrow (see illustration).
- Hold the rotor steady – straighten the twisted rope.
- Release the rotor and let go of rope slowly so that it winds onto the rotor.
The starter grip must sit firmly in the rope guide bushing. If the grip droops to one side: Increase spring tension by one additional turn.

When the starter rope is fully extended it must be possible to rotate the rotor at least another half turn. If this is not possible, the spring is over tensioned and could break. Take one turn of the rope off the rotor.

- Fit the starter cover on the engine.
- Tighten down the screws firmly.
- Move the stop switch to 

Storing the Machine

For periods of about 3 months or longer:

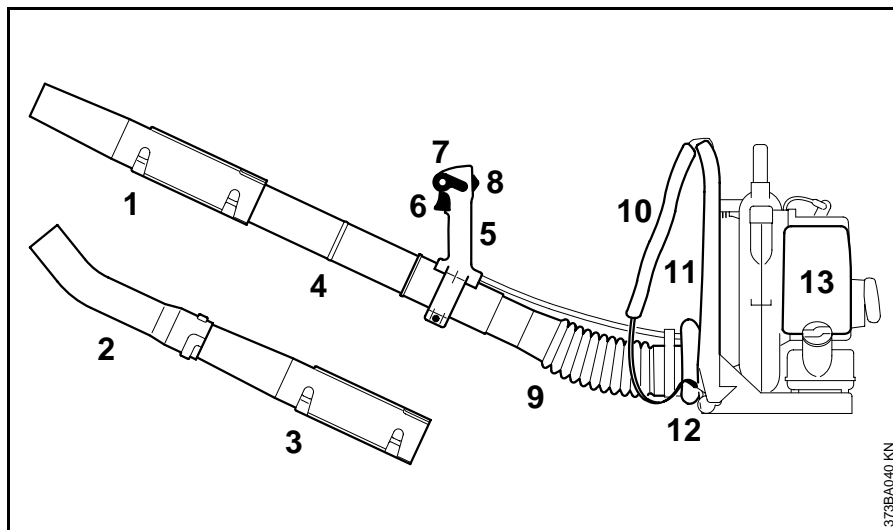
- Drain and clean the fuel tank in a well ventilated area.
- Dispose of remaining fuel and cleaning solution properly in accordance with local environmental requirements.
- Run engine until carburetor is dry – this helps prevent carburetor diaphragms sticking together.
- Thoroughly clean the machine – pay special attention to the cylinder fins and air filter.
- Store the machine in a dry, high or locked location – out of the reach of children and other unauthorized persons.

Maintenance Chart

The following maintenance intervals apply to normal operating conditions only. If your daily working time is longer than normal or operating conditions are difficult (very dusty work area etc.), shorten the specified intervals accordingly.		before starting work	after finishing work or daily	after each refueling stop	weekly	monthly	every 12 months	if problem	if damaged	if required
Complete machine	Visual inspection (condition, leaks)	x		x						
	Clean		x							
Control handle	Check operation	x		x						
Air filter	Clean							x		
	Replace								x	
Pick up body in fuel tank	Check							x		
	Replace						x			x
Fuel tank	Clean					x				
Carburetor	Check idle setting	x		x						
	Readjust idle									x
Spark plug	Readjust electrode gap							x		
	Replace after about 100 operating hours									
Cooling air intakes	Clean				x					
Spark arresting screen in muffler	Check									x
	Clean or replace							x		
All accessible screws and nuts (not adjusting screws)	Tighten									x
Anti-vibration elements	Check	x								
	Have replaced by servicing dealer ¹⁾							x	x	
Blower air intake screen	Check	x		x						
	Clean									x
Safety label	Replace								x	

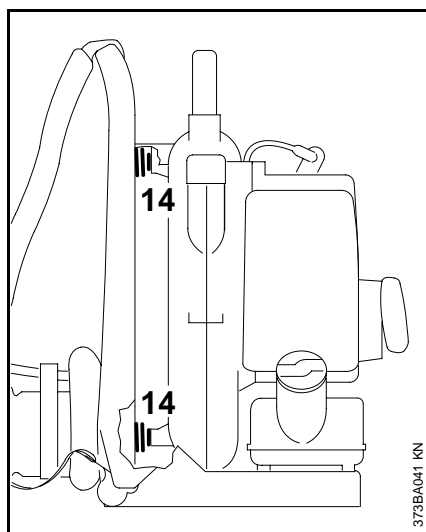
1) STIHL recommends that this work be done by a STIHL servicing dealer

Parts and Controls

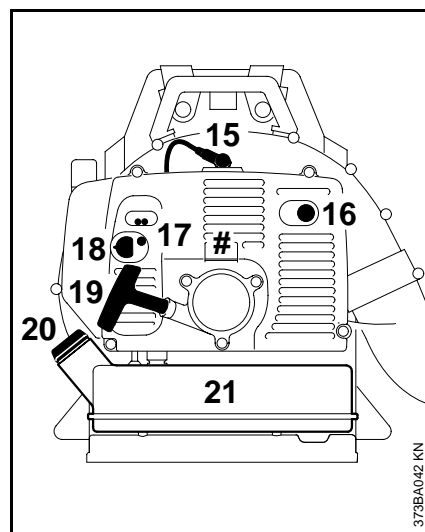


- 1 Nozzle, straight*
- 2 Nozzle, curved*
- 3 Blower tube*
- 4 Blower tube
- 5 Control handle
- 6 Throttle trigger
- 7 Setting lever
- 8 Stop switch
- 9 Pleated hose
- 10 Harness
- 11 Back plate
- 12 Back padding
- 13 Air filter

373BA040 KN



373BA041 KN



373BA042 KN

- 14 Antivibration elements
- 15 Spark plug boot
- 16 Muffler (with spark arresting screen)*
- 17 Carburetor adjusting screws
- 18 Choke knob
- 19 Starter grip
- 20 Fuel filler cap
- 21 Fuel tank
- # Serial number

* see "Guide to Using this Manual"

Definitions

- 1. Nozzle, Straight**
Aims and widens the spray or airstream.
- 2. Nozzle, Curved**
Aims and widens the spray or airstream.
- 3. Blower Tube.**
Directs spray or airstream.
- 4. Blower Tube.**
Directs spray or airstream.
- 5. Control Handle.**
Handle on the flexible hose to hold and direct the tube in the required direction.
- 6. Throttle Trigger.**
Controls the speed of the engine.
- 7. Setting Lever.**
Sets the trottle to various positions.
- 8. Stop Switch.**
Stops engine
- 9. Pleated Hose.**
For spraying, dusting or spreading in the desired direction.
- 10. Harness.**
For carrying the unit.
- 11. Backplate.**
Helps protect the back of the user.
- 12. Back Padding.**
Increases carrying comfort.
- 13. Air Filter Housing.**
Covers the air filter element.
- 14. Antivibration Elements.**
Elements designed to reduce the transmission of vibrations created by the engine to the operators back.
- 15. Spark Plug Boot.**
Connects the spark plug to the ignition wire.
- 16. Muffler (with spark arresting screen).**
Attenuates exhaust noises and diverts exhaust gases away from operator. The spark arresting screen is designed to reduce the risk of fire.
- 17. Carburetor Adjusting Screws.**
For tuning carburetor.
- 18. Choke Knob.**
Eases engine starting by enriching mixture.
- 19. Starter Grip.**
The grip of the pull starter, which is the device to start the engine.
- 20. Fuel Filler Cap.**
For closing the fuel tank.
- 21. Fuel Tank.**
For fuel and oil mixture.

Specifications

EPA:

The Emission Compliance Period referred to on the Emissions Compliance Label indicates the number of operating hours for which the engine has been shown to meet Federal emission requirements.

Category A = 300 hours, B = 125 hours, C = 50 hours

CARB:

The Emission Compliance Period used on the CARB-Air Index Label indicates the terms:

Extended = 300 hours,
Intermediate = 125 hours,
Moderate = 50 hours

BR 340, 340 L

Single cylinder two-stroke engine

Displacement: 2.74 ci
(44.9 cm³)
Bore: 1.61 in (41 mm)
Stroke: 1.34 in (34 mm)
Idle speed: 3,100 rpm

BR 420, 420 C

Single cylinder two-stroke engine

Displacement: 3.45 ci
(56.5 cm³)
Bore: 1.81 in (46 mm)
Stroke: 1.34 in (34 mm)
Idle speed: 3,100 rpm

Ignition System

Type: Electronic magneto ignition

Spark plug (suppressed): Bosch WSR 6 F
or
NGK BPMR 7 A;
Electrode gap: 0.02 in (0.5 mm)
Spark plug thread: M 14 x 1.25;
0.37 in (9.5 mm)
long

Fuel System

Carburetor: All position diaphragm carburetor with integral fuel pump
Air filter: Paper element
Fuel tank capacity: 50 fl.oz. (1.5 l)
Fuel mix: see chapter "Fuel"

Rewind Starter

Starter rope: 0.14 in dia. x 37.8 in
(3.5 mm dia. x 960 mm)
1113 195 8200

Model	Bystander noise per ANSI B 175.2-2000	Air flow rate	Air velocity	Engine power	Weight
	dB(A)	CFM (m ³ /h)	MPH (m/s)	HP (kW)	lbs (kg)
BR 340	73	688 (1170)	161 (72)	2.7 (2.0)	20.1 (9.1)
BR 340L	68	636 (1080)	146 (65)	1.9 (1.4)	20.3 (9.2)
BR 420	74	742 (1260)	174 (78)	3.5 (2.6)	20.1 (9.1)
BR 420 C	73	724 (1230)	172 (77)	3.3 (2.5)	20.5 (9.3)


Special Accessories

Contact your STIHL dealer for information regarding special accessories that may be available for your product.

Maintenance and Repairs

Users of this unit should carry out only the maintenance operations described in this manual. Other repair work may be performed only by authorized STIHL service shops.

Warranty claims following repairs can be accepted only if the repair has been performed by an authorized STIHL servicing dealer using original STIHL replacement parts.

Original STIHL parts can be identified by the STIHL part number, the **STIHL** logo and, in some cases, by the STIHL parts symbol . This symbol may appear alone on small parts.

STIHL Incorporated Federal and California Emission Control Warranty Statement

Your Warranty Rights and Obligations

The U.S. Environmental Protection Agency (EPA), the California Air Resources Board (CARB) and STIHL Incorporated are pleased to explain the Emission Control System Warranty on your model year 2000 and later equipment type engine. In California, new small off-road engines must be designed, built and equipped to meet the State's stringent anti-smog standards. In other states, new 1997 and later model year small off-road equipment engines must be designed, built and equipped, at the time of sale, to meet the U.S. EPA regulations for small non road engines. The equipment engine must be free from defects in materials and workmanship which cause it to fail to conform with U.S. EPA standards for the first two years of engine use from the date of sale to the ultimate purchaser.

STIHL Incorporated must warrant the emission control system on your small off-road engine for the period of time listed below provided there has been no abuse, neglect or improper maintenance of your small off-road equipment engine.

Your emission control system includes parts such as the carburetor and the ignition system. Also included may be hoses, and connectors and other emission related assemblies.

Where a warrantable condition exists, STIHL Incorporated will repair your small off-road equipment engine at no cost to you, including diagnosis (if the diagnostic work is performed at an authorized dealer), parts, and labor.

Manufacturer's Warranty Coverage:

The small off-road equipment engines are warranted for two years in California. In other states, 1997 and later model year small off-road equipment engines are also warranted for two years. If any emission-related part on your engine is defective, the part will be repaired or replaced by STIHL Incorporated free of charge.

Owner's Warranty Responsibilities:

As the small off-road equipment engine owner, you are responsible for the performance of the required maintenance listed in your owner's manual. STIHL Incorporated recommends that you retain all receipts covering maintenance on your small off-road equipment engine, but STIHL Incorporated cannot deny warranty solely for the lack of receipts or for your failure to ensure the performance of all scheduled maintenance.

Any replacement part or service that is equivalent in performance and durability may be used in non-warranty maintenance or repairs, and shall not reduce the warranty obligations of the engine manufacturer.

As the small off-road equipment engine owner, you should be aware, however, that STIHL Incorporated may deny you warranty coverage if your small off-road equipment engine or a part has failed due to abuse, neglect, improper maintenance or unapproved modifications.

You are responsible for presenting your small off-road equipment engine to a STIHL service center as soon as a problem exists. The warranty repairs will be completed in a reasonable amount of time, not to exceed 30 days. If you have any questions regarding your warranty rights and responsibilities, please contact a STIHL customer service representative at 1-800-467-8445 or you can write to STIHL Inc., 536 Viking Drive, P.O. Box 2015, Virginia Beach, VA 23450-2015.

Coverage by STIHL Incorporated

STIHL Incorporated warrants to the ultimate purchaser and each subsequent purchaser that your small off-road equipment engine will be designed, built and equipped, at the time of sale, to meet all applicable regulations. STIHL Incorporated also warrants to the initial purchaser and each subsequent purchaser that your engine is free from defects in materials and workmanship which cause the engine to fail to conform with applicable regulations for a period of two years.

Warranty Period

The warranty periods will begin on the date the utility equipment engine is purchased by the initial purchaser and you have signed and sent back the warranty card to STIHL. If any emission related part on your engine is defective, the part will be replaced by STIHL Incorporated at no cost to the owner. Any warranted part which is not scheduled for replacement as required maintenance, or which is scheduled only for regular inspection to the effect of "repair or replace as necessary" will be warranted for the warranty period. Any warranted part which is scheduled for replacement as required maintenance will be warranted for the period of time up to the first scheduled replacement point for that part.

Diagnosis

You, as the owner, shall not be charged for diagnostic labor which leads to the determination that a warranted part is defective. However, if you claim warranty for a component and the machine is tested as non-defective, STIHL Incorporated will charge you for the cost of the emission test. Mechanical diagnostic work will be performed at an authorized STIHL servicing dealer. Emission test may be performed either at STIHL Incorporated or at any independent test laboratory.

Warranty Work

STIHL Incorporated shall remedy warranty defects at any authorized STIHL servicing dealer or warranty station. Any such work shall be free of charge to the owner if it is determined that a warranted part is defective. Any manufacturer-approved or equivalent replacement part may be used for any warranty maintenance or repairs on emission-related parts and must be provided without charge to the owner. STIHL Incorporated is liable for damages to other engine components caused by the failure of a warranted part still under warranty.

The California Air Resources Board's Emission Warranty Parts List specifically defines the emission-related warranted parts. These warranted parts are:

Carburetor
Choke (Cold start enrichment system)
Intake manifold
Air filter
Spark plug
Magneto or electronic ignition system (ignition module)
Catalytic converter (if applicable)
Fasteners

Where to make a claim for Warranty Service

Bring the product to any authorized STIHL servicing dealer and present the signed warranty card.

Maintenance Requirements

The maintenance instructions in this manual are based on the application of the recommended 2-stroke fuel-oil mixture (see also instruction "Fuel"). Deviations from this recommendation regarding quality and mixing ratio of fuel and oil may require shorter maintenance intervals.

Limitations

This Emission Control Systems Warranty shall not cover any of the following:

- repair or replacement required because of misuse, neglect or lack of required maintenance,
 - repairs improperly performed or replacements not conforming to STIHL Incorporated specifications that adversely affect performance and/or durability, and alterations or modifications not recommended or approved in writing by STIHL Incorporated,
- and
- replacement of parts and other services and adjustments necessary for required maintenance at and after the first scheduled replacement point.

Trademarks

STIHL Registered Trademarks

STIHL®

STIHL®



The color combination orange-grey
(U.S. Registration #2,821,860)

4-MIX®

AUTOCUT®

EASYSTART®

OILOMATIC®

STIHL Cutquik®

STIHL DUROMATIC®

STIHL Farm Boss®

STIHL Quickstop®

STIHL ROLLOMATIC®

STIHL WOOD BOSS®

TIMBERSPORTS®

YARD BOSS®

Some of STIHL's Common Law Trademarks

BioPlus™

Easy2Start™

EasySpool™

ElastoStart™

Ematic /Stihl-E-Matic™

FixCut™

HT Plus™

IntelliCarb™

Master Control Lever™

Micro™

Pro Mark™

Quad Power™

Quiet Line™

STIHL Arctic™

STIHL Compact™

STIHL HomeScaper Series™

STIHL Interchangeable Attachment Series™

STIHL Magnum /Stihl-Magnum™

STIHL MiniBoss™

STIHL MotoPlus 4™

STIHL Multi-Cut HomeScaper Series™

Stihl Outfitters™

STIHL PICCO™

STIHL PolyCut™

STIHL PowerSweep™

STIHL Precision Series™

STIHL Protect™

STIHL RAPID™

STIHL SuperCut™

STIHL Territory™

TapAction™

TrimCut™

This listing of trademarks is subject to change.

Any unauthorized use of these trademarks without the express written consent of ANDREAS STIHL AG & Co. KG, Waiblingen is strictly prohibited.

Contenido

Guía para el uso de este manual ...	38
Precauciones de seguridad	39
Armado del soplador	48
Combustible	50
Llenado de combustible	51
Información previa al arranque	52
Arranque / parada del motor	52
Instrucciones de manejo	55
Limpieza del filtro de aire	55
Manejo del motor	56
Ajuste del carburador	56
Convertidor catalítico	58
Revisión de la bujía	58
Chispero en silenciador	59
Sustitución de la cuerda de arranque y resorte de rebobinado ..	60
Almacenamiento de la máquina	63
Tabla de mantenimiento	64
Piezas y controles	65
Especificaciones	67
Accesorios especiales	68
Mantenimiento y reparaciones	68
Declaración de garantía de STIHL Incorporated sobre sistemas de control de emisiones según normas Federales y del Estado de California	69
Marcas comerciales	71

Permita que solamente las personas que comprenden la materia tratada en este manual manejen su soplador.

Para obtener el rendimiento y satisfacción máximos del soplador STIHL, es importante leer y comprender las instrucciones de mantenimiento y las precauciones de seguridad antes de usarlo.

Comuníquese con el concesionario o distribuidor de STIHL si no se entiende alguna de las instrucciones dadas en el presente manual.

Advertencia

Dado que el soplador es una herramienta de corte motorizada de gran velocidad, es necesario tomar medidas especiales de seguridad para reducir el riesgo de lesiones.

El uso descuidado o inadecuado de cualquier máquina puede causar lesiones graves.

La filosofía de STIHL es mejorar continuamente todos sus productos. Como resultado de ello, periódicamente se introducen cambios de diseño y mejoras. Si las características de funcionamiento o la apariencia de su soplador difieren de las descritas en este manual, comuníquese con el concesionario STIHL para obtener la información y ayuda que requiera.

STIHL®

Guía para el uso de este manual

Pictogramas

Todos los pictogramas que se encuentran en la máquina se muestran y explican en este manual.

Las instrucciones de uso y manipulación vienen acompañadas de ilustraciones.

Símbolos en el texto

Los pasos individuales o procedimientos descritos en el manual pueden estar señalados en diferentes maneras:

- Un punto identifica un paso o procedimiento sin referencia directa a una ilustración.


Una descripción de un paso o procedimiento que se refiere directamente a una ilustración puede tener números de referencia que aparecen en la ilustración.


Ejemplo:


Suelte el tornillo (1)


Palanca (2) ...

Además de las instrucciones de uso, en este manual pueden encontrarse párrafos a los que usted debe prestar atención especial. Tales párrafos están marcados con los símbolos que se describen a continuación.

 Advertencia donde existe el riesgo de un accidente o lesiones personales o daños graves a la propiedad.

 Precaución donde existe el riesgo de dañar la máquina o los componentes individuales.

 Nota o sugerencia que no es esencial para el uso de la máquina, pero puede ayudar al operador a comprender mejor la situación y mejorar su manera de manejar la máquina.

 Nota o sugerencia sobre el procedimiento correcto con el fin de evitar dañar el medio ambiente.

* Equipo y características

Este manual de instrucciones puede describir varios modelos con diferentes características. Los componentes que no se encuentran instalados en todos los modelos y las aplicaciones correspondientes están marcados con un asterisco (*). Esos componentes pueden ser ofrecidos como accesorios especiales por el concesionario STIHL.

Mejoramientos técnicos

La filosofía de STIHL es mejorar continuamente todos sus productos. Como resultado de ello, periódicamente se introducen cambios de diseño y mejoras. Si las características de funcionamiento o la apariencia de su máquina difieren de las descritas en este manual, comuníquese con el concesionario STIHL para obtener la ayuda que requiera.

Por lo tanto, es posible que algunos cambios, modificaciones y mejoramientos no hayan sido descritos en este manual.

Precauciones de seguridad



Advertencia !

El uso de cualquier soplador puede ser peligroso. Es importante que usted lea, com-

prenda bien y respete las siguientes medidas de seguridad.



Advertencia !



Vuelva a leer el manual del usuario y las instrucciones de seguridad periódicamente.

No preste ni alquile nunca la máquina sin entregar el manual del usuario.

Asegúrese que todas las personas que utilicen la máquina lean y comprendan la información contenida en este manual.



Advertencia !

El uso descuidado o inadecuado de cualquier máquina puede causar lesiones graves. Pida a su concesionario STIHL que le enseñe el manejo del soplador. Respete todas las disposiciones, reglamentos y normas de seguridad locales del caso.



Advertencia !

Nunca permita a los niños que usen un soplador. No se debe permitir la proximidad de otros, especialmente niños y animales, donde se esté utilizando la máquina.

La mayoría de las medidas de seguridad y avisos contenidos en este manual se refieren al uso de todos los sopladores de STIHL. Los distintos modelos pueden contar con piezas y controles diferentes.

Vea la sección correspondiente de su manual del usuario para tener una descripción de los controles y la función de cada componente de su modelo de máquina.

El uso seguro de un soplador atañe a

1. el operador
2. el soplador
3. el uso del soplador.

EL OPERADOR

Condición física

Usted debe estar en buenas condiciones físicas y psíquicas y no encontrarse bajo la influencia de ninguna sustancia (drogas, alcohol, etc.) que le pueda restar visibilidad, destreza o juicio. No maneje el soplador cuando está fatigado.

Esté alerta. Si se cansa durante el manejo de la máquina, tómese un descanso. El cansancio puede provocar una pérdida del control. El uso de cualquier soplador es fatigoso. Si usted padece de alguna dolencia que pueda ser agravada por la fatiga, consulte a su médico antes de utilizar la máquina.

El soplador STIHL viene equipado con un sistema antivibración (AV). El sistema AV ha sido diseñado para reducir la transmisión de las vibraciones producidas por el motor al cuerpo del operador. Se recomienda el uso del sistema AV a aquellas personas que utilizan sopladores en forma constante y regular.

Mantenga el sistema AV en buen estado. Un soplador con componentes flojos o con amortiguadores AV dañados o desgastados también tendrá tendencia a tener niveles más altos de vibración.



Advertencia !

El sistema de encendido de la máquina produce un campo electromagnético de intensidad muy baja. El mismo puede interferir con algunos tipos de marcapasos. Para reducir el riesgo de lesiones graves o mortales, las personas portadoras de marcapasos deben consultar a sus médicos y al fabricante del marcapasos antes de usar esta máquina.

Vestimenta adecuada

⚠ Advertencia !

Para reducir el riesgo de lesiones el operador debe usar el equipo protector adecuado.

La ropa debe ser de confección fuerte y ajustada, pero no tanto que impida la completa libertad de movimiento.

⚠ Advertencia !



Evite el uso de chaquetas sueltas, pantalones anchos o con vuelta, pañoletas, cabello largo sin recoger o cualquier cosa que pudiera ser aspirada por el conducto

de admisión.



Se recomienda usar guantes cuando se trabaja con el soplador.



Es sumamente importante tener una buena superficie de apoyo para los pies. Póngase zapatos resistentes con suela antideslizante.

⚠ Advertencia !

Para reducir los riesgos de lesiones relacionadas con la inhalación de polvo, colóquese un respirador apropiado para el material soplado.

⚠ Advertencia !

El uso de este producto puede generar polvo y vapores que contienen productos químicos considerados como causantes de enfermedades respiratorias, cáncer, defectos de nacimiento u otra toxicidad reproductora. Si usted desconoce los riesgos asociados con el polvo o vapor en cuestión, consulte con su empleador, autoridades gubernamentales tales como OSHA y NIOSH y otras fuentes de información sobre materiales peligrosos. Si la sustancia que se está soplando o aspirando es un producto comercial, examine la hoja de datos de seguridad de materiales de la sustancia y/o consulte al fabricante/proveedor del producto. El estado de California y algunas otras autoridades han publicado varias listas de sustancias carcinógenas, de toxicidad reproductora, etc.

Siempre que sea posible, controle el polvo, la niebla y los vapores en su punto de origen. Al respecto, emplee buenas prácticas de trabajo y siga las recomendaciones de OSHA/NIOSH y asociaciones laborales y comerciales. En los casos en que no se puede evitar la inhalación del polvo, la niebla y los vapores, el operador y cualquier persona que se encuentre cerca siempre deben usar un respirador aprobado por NIOSH/MSHA para el material en uso.

⚠ Advertencia !

El polvo que contenga sílice puede contener sílice cristalina. La sílice es un componente básico de la arena, cuarzo, ladrillos, arcilla, granito y numerosos minerales y rocas, incluyendo productos de mampostería y de hormigón.

La inhalación repetida y/o sustancial de la sílice cristalina en suspensión en el aire puede causar una enfermedad respiratoria grave o mortal, incluida la silicosis. Además, el estado de California y algunas otras autoridades han colocado a la sílice cristalina en la lista de sustancias carcinógenas. Cuando trabaje con tales materiales, siempre tome las medidas de precaución respiratorias antes mencionadas.

⚠ Advertencia !

La aspiración de polvo de asbesto es peligrosa y puede causar lesiones graves o mortales, enfermedades de las vías respiratorias o cáncer. El uso y la eliminación de los productos que contienen asbesto están estrictamente reglamentados por OSHA y el Organismo para la Protección del Medio Ambiente (EPA) de los EE.UU. No sople ni perturbe asbesto o productos que contengan asbesto, tales como aislamientos de asbesto. Si por cualquier motivo cree que está perturbando asbesto, póngase en contacto inmediatamente con su empleador o un representante de OSHA local.

⚠ Advertencia !

La protección adecuada de los ojos es indispensable. Aunque la descarga se dirija en sentido alejado del operador, las partículas pueden rebotar al usar el soplador.



Nunca use un soplador a menos que se usen gafas de seguridad bien colocadas con protección superior y lateral adecuada, que satisfagan la norma

ANSI Z 87.1 (o la norma nacional correspondiente).

Los compañeros de trabajo también deberán llevar equipo de protección personal.

⚠ Advertencia !

El ruido del soplador puede dañar los oídos. Siempre use amortiguadores del ruido (tapones u orejeras) para protegerse los oídos. Los usuarios constantes y regulares deben someterse con frecuencia a un examen o control auditivo.

EL SOPLADOR

Para las ilustraciones y definiciones de los componentes del soplador, vea el capítulo "Piezas y controles".

⚠ Advertencia !

Nunca modifique, de ninguna manera, un soplador. Utilice únicamente los accesorios suministrados por STIHL o expresamente autorizados por STIHL para usarse con los modelos específicos de sopladores de STIHL. Si bien es posible conectar al soplador STIHL ciertos accesorios no autorizados, su uso puede ser, en la práctica, extremadamente peligroso.

USO DEL SOPLADOR**Transporte**

Siempre apague el motor antes de quitarse la máquina de la espalda y de ponerla en el suelo. Cuando transporte la máquina en un vehículo, sujétela firmemente para impedir su vuelco, el derrame de combustible y el daño a la máquina.

Ajuste el arnés de transporte de modo correspondiente a su estatura antes de empezar a trabajar.

⚠ Advertencia !

Antes de empezar a trabajar, inspeccione los amortiguadores de caucho que conectan el motor al bastidor. Si los amortiguadores están rotos o dañados, solicite al concesionario STIHL que los reemplace. La falla de uno o más amortiguadores puede permitir que el motor o que el tanque de combustible choque o frote contra otras piezas, lo cual puede causar lesiones graves debido al aumento de las vibraciones o de los incendios que resulten de las fugas del combustible.

Combustible

Esta máquina STIHL utiliza una mezcla de aceite-gasolina como combustible (vea el capítulo "Combustible" en el manual del usuario).

⚠ Advertencia !



La gasolina es un combustible muy inflamable. Si se derrama y arde a causa de una chispa u otra fuente de ignición, puede provocar un incendio y quemaduras graves

o daños a la propiedad.

⚠ Advertencia !

Para reducir el riesgo de lesiones graves causadas por quemaduras, nunca intente abastecer la máquina con combustible sin que el operador se haya despojado de la misma.

Tenga sumo cuidado cuando manipule gasolina o la mezcla de combustible. No fume cerca del combustible, ni acerque ningún fuego o llama al mismo.

Instrucciones para el llenado de combustible

Llene la máquina de combustible en lugares al aire libre bien ventilados solamente. Siempre apague el motor y deje que se enfríe antes de llenar de combustible. Alivie la presión en el tanque de combustible soltando la tapa de combustible lentamente. Nunca quite la tapa de llenado de combustible mientras el motor está funcionando.

Elija una superficie despejada para llenar el tanque y aléjese 3 m (10 pies) por lo menos del lugar en que lo haya llenado antes de arrancar el motor. Siempre apriete la tapa de combustible firmemente después de haber llenado la máquina. Limpie los derrames de combustible antes de arrancar el soplador y compruebe que no existen fugas.

⚠ Advertencia !

Compruebe que no existen fugas de combustible mientras llena el tanque y durante el funcionamiento de la máquina. Si detecta alguna fuga de combustible o aceite, no arranque el motor ni lo haga funcionar sin antes reparar la fuga y limpiar el combustible derramado. Tenga cuidado de no mancharse la ropa con combustible. Si la mancha, cámbiesela inmediatamente.

Siempre guarde la gasolina en un envase aprobado para ello.

⚠ Advertencia !

Para reducir el riesgo de derramar combustible y provocar un incendio debido a una tapa de combustible mal apretada, coloque la tapa en la posición correcta y apriétela en la boca de llenado del tanque.

⚠ Advertencia !



Las vibraciones de la máquina pueden aflojar una tapa de combustible que ha quedado mal apretada, o simplemente soltarla y derramar combustible.

Para reducir el riesgo de derrames e incendio, apriete la tapa de llenado de combustible a mano tan firmemente como sea posible.


Antes de arrancar** Advertencia !**

No maneje nunca una máquina que está dañada, mal ajustada o que no fue armada debidamente.

La máquina siempre debe inspeccionarse antes de arrancarla. Compruebe que los controles y dispositivos de seguridad funcionen correctamente.

 Advertencia !

Para reducir el riesgo de lesiones causadas por las piezas lanzadas, revise el rotor y la caja del ventilador en busca de daños (roturas, melladuras, picaduras). Si se descubren daños, deje de usar la máquina y comuníquese con el representante STIHL para las reparaciones del caso.

- El gatillo de aceleración debe moverse libremente y regresar a la posición de ralentí por la acción de resorte al soltarlo.
- El interruptor de parada debe moverse fácilmente a la posición de 
- Apriete del casquillo de la bujía - Si el casquillo está suelto, se pueden producir chispas que enciendan los vapores de combustible.
- Condición del rotor y la caja del ventilador.

Arranque** Advertencia !**

Su soplador es una máquina que debe ser manejada por solamente una persona. Para reducir el riesgo de ocasionar lesiones a los ojos u otras partes del cuerpo, asegúrese que las personas estén a por lo menos 15 m (50 pies) de distancia de la máquina.

Interrumpa el funcionamiento inmediatamente si se le aproxima alguna persona.

Para las instrucciones específicas de arranque, vea la sección correspondiente en el manual del usuario. Coloque la máquina sobre suelo firme u otra superficie sólida en un lugar abierto. Mantenga el equilibrio y elija un buen punto de apoyo para los pies.

 Advertencia !

Cuando tire del mango de arranque, no enrolle la cuerda de arranque alrededor de la mano. No deje que el mango vuelva por sí solo a su posición original, sino guíe lentamente la cuerda con la mano para que se enrolle correctamente.

Si no ejecuta este procedimiento puede lastimarse la mano o los dedos y también dañar el mecanismo de arranque.

Se puede necesitar la ayuda de otra persona para colocarse la máquina en la espalda después de haberla arrancado. Para reducir el riesgo de que el ayudante sufra lesiones causadas por los objetos lanzados o por el contacto con los vapores, mantenga el motor funcionando a ralentí durante este período breve. Además, el ayudante no debe pararse cerca de la boquilla de salida ni del tubo de escape. Además de esto, la máquina debe arrancarse y usarse sin usar ayuda de otra persona.

Silenciador y convertidor catalítico

Advertencia !

El silenciador y otros componentes del motor (por ej., aletas del cilindro, bujía) se calientan durante el funcionamiento y permanecen calientes por un buen rato después de apagar el motor. Para reducir el riesgo de quemaduras, no toque el silenciador y otros componentes mientras están calientes.

Advertencia !

Para reducir el riesgo de incendio o lesiones por quemadura, deje que la máquina se enfríe antes de reabastecer de combustible la herramienta motorizada después de haberla usado.

Advertencia !

Nunca desarme ni modifique el silenciador. El silenciador podría dañarse y causar el aumento de la radiación de calor o chispas, aumentando así el riesgo de incendio o lesiones por quemadura. Además, se podría dañar permanentemente el motor. Haga reparar el silenciador únicamente por el concesionario de servicio STIHL.

Advertencia !

Para reducir el riesgo de incendio o lesiones por quemadura, mantenga limpia la zona alrededor del silenciador. Quite toda la basura tal como las agujas de pinos, ramas u hojas.

Advertencia !



Algunos modelos de sopladores STIHL están equipados con un convertidor catalítico, el que está diseñado para reducir las emisiones de escape del motor mediante un proceso químico en el silenciador. Debido a este proceso, el silenciador no se enfría tan rápidamente como los del tipo convencional cuando el motor regresa a ralentí o es apagado. Para reducir el riesgo de incendio y de lesiones por quemadura, es necesario respetar las siguientes medidas de seguridad específicas.

Advertencia !

Como un silenciador con convertidor catalítico se enfría más lentamente que los silenciadores convencionales, apoye siempre su soplador en posición vertical y no lo coloque nunca donde el silenciador quede cerca de material seco como por ejemplo matorrales, pasto o virutas de madera, o sobre otros materiales combustibles mientras todavía está caliente.

Deje que el motor se enfríe apoyado sobre una superficie de hormigón, metal, suelo raso o madera maciza (por ej., el tronco de un árbol caído) lejos de cualquier sustancia combustible.

Advertencia !

Una caja de cilindro dañada o mal instalada, o una envuelta del silenciador dañada o deformada, puede perjudicar el efecto de enfriamiento del convertidor catalítico. Para reducir el riesgo de incendio o lesiones por quemadura, no continúe trabajando con una caja de cilindro dañada o mal instalada, o una envuelta del silenciador dañada o deformada. El silenciador tiene una malla diseñada para reducir el riesgo de incendio debido a la emisión de partículas calientes. Debido al calor de la reacción catalítica, esta malla en un convertidor catalítico normalmente permanece limpia y no necesita servicio o mantenimiento. Si el rendimiento de su máquina comienza a disminuir y sospecha que las rejillas están obstruidas, haga reparar el silenciador por un concesionario de servicio STIHL.

Instrucciones de trabajo

Trabaje con mucho cuidado.

Cuando se trabaja con el soplador, siempre llévelo en su espalda, utilizando el arnés de transporte. Cierre firmemente los dedos alrededor del mango, manteniéndolo bien apoyado entre el pulgar y dedo índice. Mantenga la mano en esta posición, para que siempre tenga la máquina bien controlada.

Asegúrese que el mango de control (y el mango del accesorio de aspiradora) están en buenas condiciones y sin humedad, resina, aceite o grasa.

Maneje el soplador solamente cuando tenga buena visibilidad y a la luz del día.

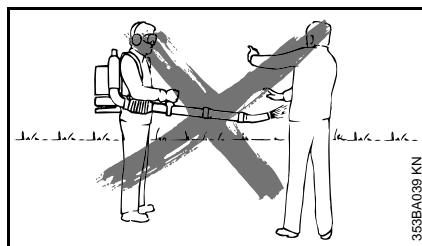
⚠ Advertencia !



Su soplador emite gases de escape tóxicos apenas el motor de combustión empieza a funcionar. Estos gases (por ej., monóxido de carbono)

pueden ser incoloros e inodoros. Para reducir el riesgo de sufrir lesiones graves o mortales por respirar gases tóxicos, nunca arranque ni haga funcionar el soplador puertas adentro o en lugares mal ventilados. Asegúrese de tener ventilación adecuada cuando trabaje en zanjas u otros lugares confinados.

Mantenga despejados los espacios detrás del motor y a sus costados en todo momento para permitir el escape de los vapores calientes y tóxicos.



⚠ Advertencia !

Para reducir el riesgo de sufrir lesiones personales, nunca dirija el chorro de aire hacia otras personas, puesto que la presión elevada del chorro puede lesionar los ojos y lanzar objetos pequeños a velocidad alta.

⚠ Advertencia !

Siempre apague el motor antes de limpiar la máquina, de darle mantenimiento o de reemplazarle piezas.

⚠ Advertencia !

El ventilador ubicado entre el conducto de admisión y las aberturas de salida gira siempre que el motor esté en marcha.

Nunca inserte objetos extraños en la toma de aire de la máquina ni en la boquilla del soplador. Esto puede dañar el rotor del ventilador y puede causar lesiones graves al operador o a las demás personas, como resultado de los objetos o partículas lanzados a velocidad alta.

No coloque el soplador en el suelo mientras funciona a velocidad alta, puesto que objetos pequeños tales como arena, pasto, polvo, etc. pueden aspirarse por la toma de aire y dañar el rotor del ventilador.

Para reducir el riesgo de tropezarse y de perder el control, no camine hacia atrás al usar la máquina.

En caso de emergencia, es posible despojarse del arnés y quitarse la máquina con rapidez. Intente salir del arnés varias veces antes de usar la máquina para acostumbrarse a el mismo.

Para evitar daños, nunca tire la máquina durante estos intentos.

Preste atención a la dirección del viento, es decir, nunca trabaje contra el viento.

Uso del soplador



El soplador ha sido diseñado para usarse con una sola mano. Se lleva como una mochila y se usa colocando la mano derecha sobre el mango de control.

El chorro de aire potente a nivel del suelo puede dirigirse con mucha precisión y eficacia. Permite al operador limpiar zonas grandes con rapidez.

El soplador puede usarse solamente para las operaciones descritas en su manual.

El soplador puede usarse para despejar hojas, pasto, papel, polvo y capas livianas de nieve de los prados, jardines, complejos deportivos, parques, entradas de vehículos y estacionamientos. También es adecuado para despejar caminos en bosques.

Otros usos incluyen el despejar tubos, desagües y cocheras.

Técnicas de trabajo

Para reducir al mínimo el tiempo de soplado, use rastrillos y escobas para aflojar la basura antes de usar el soplador.

Técnicas recomendadas de trabajo para reducir al mínimo la cantidad de basura llevada por el aire y la contaminación:

- En condiciones muy polvorientas, humedezca las superficies ligeramente.
- Utilice la extensión total de la boquilla del soplador, de modo que el chorro de aire se aplique cerca del suelo.
- No dirija la basura hacia las personas, los niños o los animales domésticos, ni hacia lugares tales como ventanas abiertas o automóviles recién lavados. Dirija la basura hacia un lugar seguro.
- Después de usar los sopladores, **EFFECTUE LOS TRABAJOS DE LIMPIEZA CORRESPONDIENTES.** Bote la basura en recipientes apropiados. No envíe la basura hacia propiedades vecinas.

Técnicas recomendadas de trabajo para reducir los ruidos al mínimo:

- Utilice las herramientas motorizadas en horas razonables - no muy temprano de mañana, ni muy tarde por la noche, ni durante el descanso del mediodía, cuando se podría perturbar a otras personas. Aténgase a las horas indicadas por los reglamentos de la localidad. Usualmente se recomienda un horario de 9:00 a.m. a 12:00 m. y de 3:00 p.m. a 5:00 p.m. en días hábiles para profesionales. Tenga consideración especial por los vecinos durante los fines de semana.
- Menos motores significa menos ruido; por lo tanto, utilice una herramienta motorizada a la vez, siempre que sea posible.
- Maneje los sopladores a la velocidad más baja posible que permita cumplir con la tarea.
- Revise el equipo antes de usarlo, especialmente el silenciador, las tomas de aire y los filtros de aire.

Conserve el agua usando sopladores motorizados en lugar de mangueras para aquellas tareas de jardinería que permitan su uso, por ejemplo, al limpiar patios o portales.

Uso del accesorio de aspiradora (accesorio especial)

El accesorio de aspiradora ha sido diseñado para recoger materiales secos tales como hojas, pasto, ramas pequeñas y trozos de papel.

Advertencia !



Para reducir el riesgo de sufrir lesiones personales causadas por los incendios y explosiones, nunca intente recoger sustancias calientes o encendidas (por ejemplo, cenizas encendidas, cigarrillos sin extinguir)



ni líquidos combustibles (por ejemplo, gasolina, adelgazadores).

MANTENIMIENTO, REPARACION Y ALMACENAMIENTO

Los trabajos de mantenimiento, reemplazo o reparación de los dispositivos y sistemas de control de emisiones de escape pueden ser realizados por cualquier taller o técnico de motores no diseñados para vehículos. Sin embargo, si usted está reclamando servicio de garantía para algún componente que no ha sido reparado o mantenido debidamente, o cuando se utilizan repuestos no autorizados, STIHL puede denegar la garantía.

Utilice solamente piezas de repuesto de STIHL para el mantenimiento y reparación. La utilización de piezas fabricadas por otras empresas puede causar lesiones graves o mortales.

Siga las instrucciones de mantenimiento y reparación dadas en la sección correspondiente del manual del usuario. Consulte la tabla de mantenimiento en las últimas páginas de este manual.

Advertencia !

Siempre apague el motor y asegúrese que el ventilador está detenido antes de hacer cualquier trabajo de mantenimiento, reparación o limpieza del soplador. No intente hacer ningún trabajo de mantenimiento o reparación que no esté descrito en su manual del usuario. Este tipo de trabajo debe realizarse únicamente en el taller de servicio de STIHL.

Revise si la tapa de llenado tiene fugas periódicamente. Use la bujía especificada y asegúrese de que ella y el cable de encendido están en buen estado.

Apriete todas las tuercas, pernos y tornillos, excepto los tornillos de ajuste del carburador, después de cada uso.

Advertencia !

Un silenciador desgastado o dañado constituye un riesgo de incendios y puede causar la pérdida del oído. Compruebe que el silenciador se encuentra en buenas condiciones. No use el soplador si el silenciador no funciona correctamente o si ha sido retirado.

Recuerde que el riesgo de incendios forestales es mayor durante las estaciones calurosas. Utilice el silenciador con chispero provisto con la máquina. No toque nunca un silenciador caliente, puede quemarse.

Advertencia !

Para reducir el riesgo de incendios, no modifique ni retire parte alguna del silenciador ni del chispero.

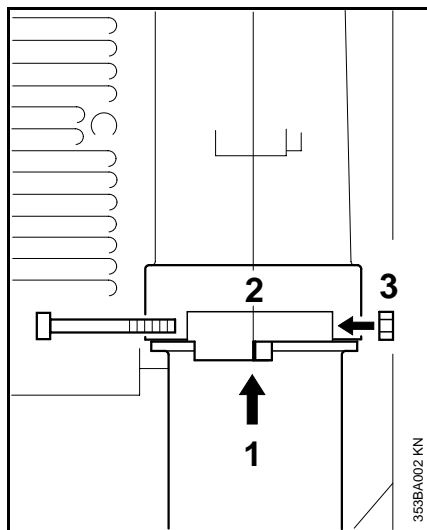
Mantenga apretadas y limpias tanto la bujía como la conexión de su alambre. Revise la separación entre electrodos de la bujía con un calibrador de espesores por lo menos cada 50 horas de funcionamiento y ajústela de ser necesario. Instale una bujía nueva si sus electrodos están muy picados.

Para todo trabajo de mantenimiento, sírvase consultar la tabla de mantenimiento **y la declaración de garantía** que se encuentra al final de este manual.

Guarde el soplador en un lugar seco, elevado o con llave lejos del alcance de los niños.


Antes de guardar la máquina durante un período de más de algunos días, siempre vacíe el tanque de combustible.

Armado del soplador

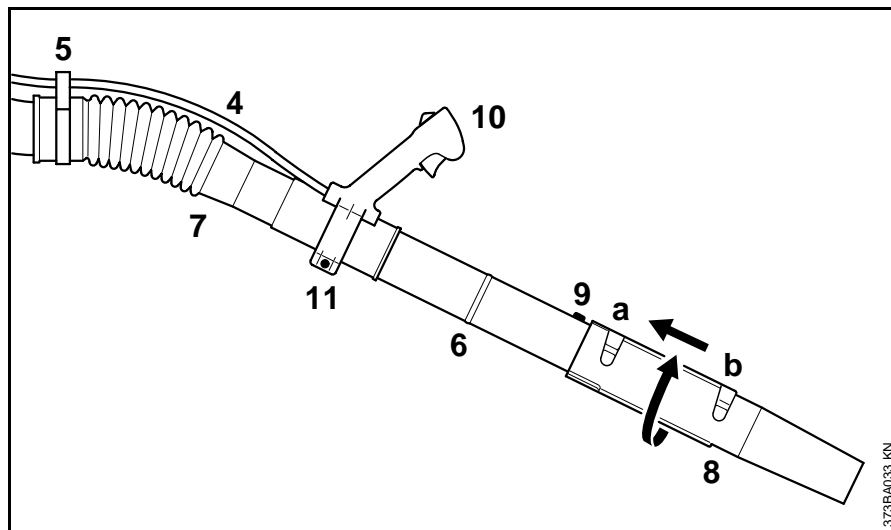


Montaje del codo

Una llave combinada y un destornillador para el carburador se guardan en el lado inferior del soplador.


 El cable del acelerador ya está conectado y no debe retorcerse durante el armado.

- Empuje el codo (1) en el tubo corto (2) hasta donde llegue – los toques del codo y del eje corto de la caja del ventilador deberán quedar alineados entre sí.
- Coloque la tuerca (3) en el rebajo hexagonal del tubo corto.
- Inserte el tornillo en la tuerca del otro lado y apriételo con moderación – debe ser posible girar el codo.



- Fije el cable del acelerador (4) a la manguera con pliegues usando el retenedor (5).

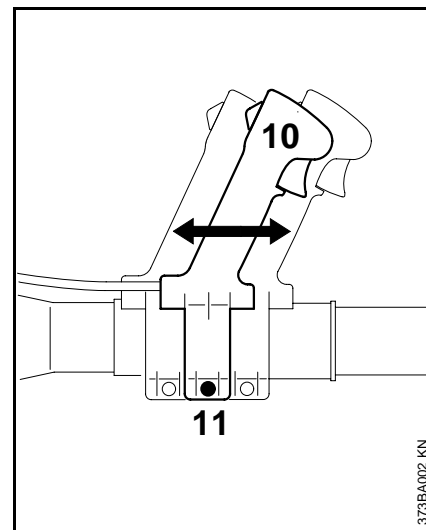
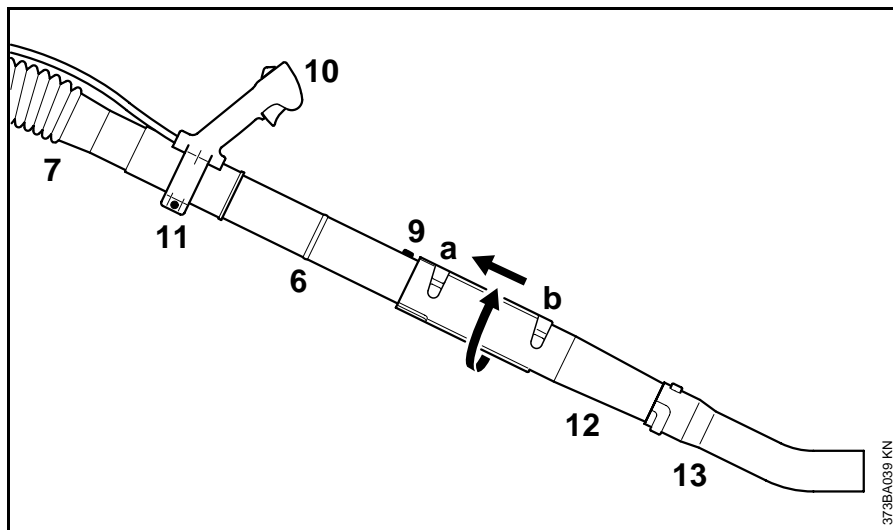
Montaje del tubo soplador con boquilla recta*

 Utilice la máquina sólo con el tubo soplador y boquilla apropiadamente instalados.


- Empuje el tubo soplador (6) dentro de la manguera con pliegues (7).
- Empuje la boquilla (8) sobre el tubo (6) a la posición "a" (larga) o "b" (corta), hasta alcanzar el vástago (9), y gírela en el sentido indicado por la flecha (sentido horario) para trabarla en posición.

- Gire la manguera con pliegues (7) en sentido contrahorario hasta que tope y déjela en esa posición.
- Gire el mango de control (10) en sentido contrahorario a la posición horizontal y apriete el tornillo de fijación (11).

* vea "Guía para el uso de este manual"



Montaje del tubo soplador con boquilla curva*

 Utilice la máquina solamente con **ambos** tubos sopladores apropiadamente instalados.

- Empuje el tubo soplador (6) dentro de la manguera con pliegues (7).
- Empuje el tubo (12) sobre el tubo (6) a la posición "a" (larga) o "b" (corta), hasta alcanzar el vástago (9), y gírela en el sentido indicado por la flecha (sentido horario) para trabarlo en posición.
- Coloque la boquilla (13) en el extremo del tubo soplador (12) y gírela en sentido horario para engancharla al acoplamiento tipo bayoneta.

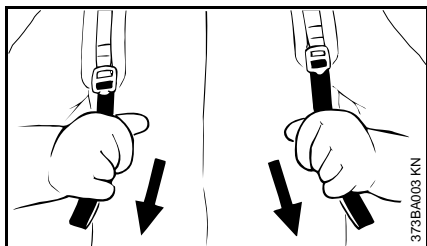
* vea "Guía para el uso de este manual"

- Gire la manguera con pliegues (7) en sentido contrahorario hasta que tope y déjela en esa posición.
- Gire el mango de control (10) en sentido contrahorario hasta la posición horizontal.
- Gire el conjunto completo del tubo soplador hasta que la boquilla de descarga apunte en el mismo sentido que el mango de control.
- Apriete el tornillo de fijación (11) firmemente.

Ajuste del mango de control

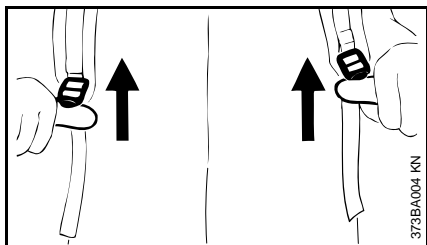
- Colóquese la máquina sobre la espalda.
- Suelte el tornillo de fijación (11).
- Deslice el mango de control (10) a lo largo de la manguera con pliegues para ponerlo en la posición más cómoda.
- Apriete el tornillo de fijación (11) firmemente.

Combustible



Ajuste de las correas del arnés

- Tire de los extremos de las correas hacia abajo para apretar el arnés.



Soltado de las correas del arnés

- Levante las pestañas de las dos hebillas deslizantes de ajuste.
- Ajuste las correas de modo que la placa quede firme y cómoda contra su espalda.

Este motor está certificado para funcionar con una mezcla de 50 a 1 de gasolina sin plomo y aceite STIHL para motores de dos tiempos.

Su motor de dos tiempos requiere una mezcla de gasolina de calidad y aceite de calidad para motores de dos tiempos enfriados por aire.

Use gasolina sin plomo regular con un octanaje mínimo de 89 (R+M/2). Si el octanaje de la gasolina regular en su zona es más bajo, use combustible sin plomo superior.

El combustible de octanaje bajo puede aumentar la temperatura de funcionamiento del motor. Esto, a su vez, aumenta el riesgo de que se agarrote el pistón y se dañe el motor.

La composición química del combustible también es importante. Algunos aditivos de combustible no solamente tienen efectos perjudiciales en los elastómeros (diafragmas de carburador, sellos de aceite, tuberías de combustible, etc.), sino también en las piezas fundidas de magnesio y en los convertidores catalíticos. Esto podría causar problemas de funcionamiento e incluso daño del motor. Por esta razón, STIHL recomienda el uso exclusivo de gasolina sin plomo de buena calidad.

Use solamente el aceite STIHL para motores de dos tiempos o un aceite de marca equivalente para motores de dos tiempos diseñado para usar exclusivamente con los motores de dos tiempos enfriados por aire.

Recomendamos el aceite STIHL para motores de dos tiempos 50:1 pues está especialmente formulado para usarse en motores STIHL.

No use aceites para mezclar con designaciones BIA o TCW (para motores de dos tiempos enfriados por agua) ni otros aceites para mezclar diseñados para usar en motores enfriados por agua o por aire (por ejemplo, para motores marinos fuera de borda, motonieves, sierras de cadenas, bicimotos, etc.).

Manipule la gasolina con sumo cuidado. Evite el contacto directo con la piel y evite inhalar los vapores de combustible. Cuando se reabastece de combustible, quite primero el envase del vehículo y colóquelo en el suelo antes de llenarlo. No llene un envase que está en un vehículo o apoyado sobre el mismo.

Mantenga el envase bien cerrado para evitar la entrada de humedad a la mezcla.

Según sea necesario, limpie el tanque de combustible de la máquina y el envase en que se guarda la mezcla de combustible.

Llenado de combustible



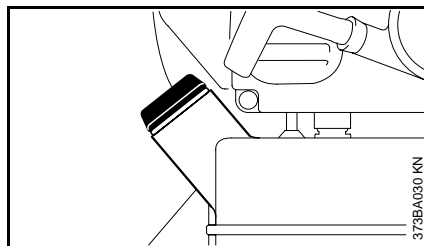
Duración de la mezcla de combustible

Mezcle una cantidad suficiente de combustible para trabajar unos pocos días, no lo guarde por más de 3 meses. Guárdelo únicamente en envases aprobados para combustible. Para el proceso de mezclado, vierta el aceite en el envase primero y luego agregue la gasolina. Cierre el envase y agítelo vigorosamente a mano para asegurar que se mezclen bien el aceite y la gasolina.

Gasolina Aceite (STIHL 50:1 ó aceite de calidad equivalente)

gal EE.UU.	oz fl EE.UU.
1	2.6
2 1/2	6.4
5	12.8

Deseche los envases vacíos usados para mezclar el aceite únicamente en vertederos autorizados para ello.

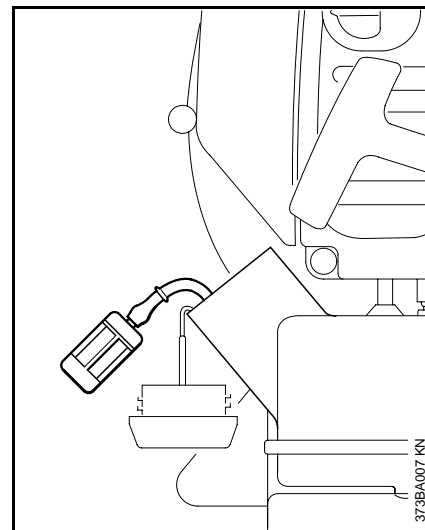


Antes de llenar la máquina con combustible, limpie a fondo la tapa de llenado y la zona alrededor del mismo para evitar la entrada de tierra al tanque.

Siempre agite la mezcla vigorosamente en el recipiente antes de llenar la máquina con combustible.

⚠ Para reducir el riesgo de quemaduras, así como otras lesiones corporales ocasionadas por los escapes de vapor de gasolina y otras emanaciones, quite la tapa de llenado de combustible cuidadosamente de modo que la presión que se pueda haber acumulado en el tanque se disipe lentamente.


⚠ Después de haber llenado la máquina con combustible, apriete la tapa del tanque **tan firmemente como sea posible** con la mano.



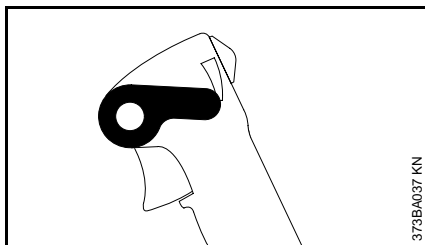
Cambie el recogedor de combustible una vez al año.

Antes de almacenar la máquina por un período prolongado, vacíe y limpie el tanque de combustible y ponga el motor en marcha hasta que se seque el combustible del carburador.

Información previa al arranque

 Con el motor apagado y antes de arrancarlo, revise las tomas de aire entre la placa para la espalda y el motor en busca de obstrucciones y elimínelas según se requiera. Una pantalla protectora está disponible como un accesorio especial para mantener las tomas de aire sin obstrucciones.

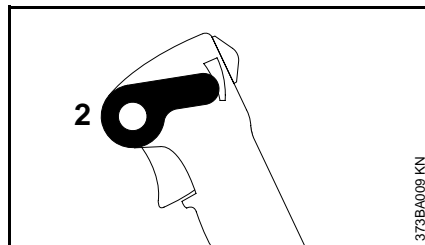
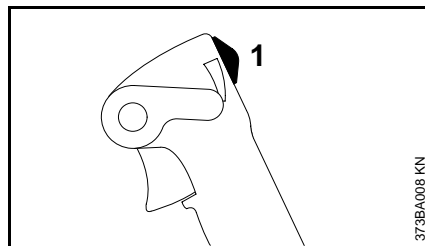
Solamente máquinas con convertidor catalítico



- Mueva la palanca de ajuste a la posición de ralentí.

Las máquinas con convertidor catalítico siempre deben apagarse con la palanca de ajuste en la posición de ralentí, porque de lo contrario el cable del acelerador se desconectará del gatillo de aceleración. El cable del acelerador se vuelve a conectar automáticamente cuando se mueve la palanca de ajuste a la posición de ralentí.

Arranque / parada del motor

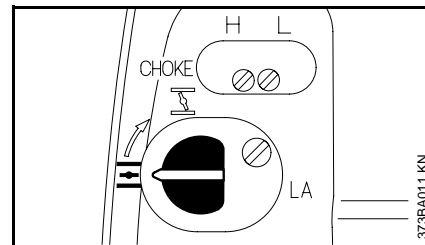
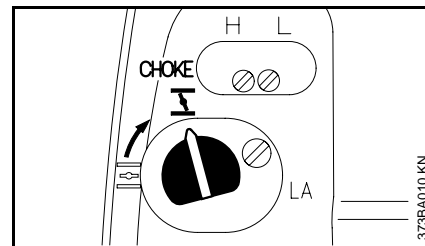


- Respete las medidas de seguridad – vea el capítulo “Medidas de seguridad y técnicas de manejo”.
- Mueva el interruptor de parada (1) a **I**
- Mueva la palanca de ajuste (2) a la posición central – **ésta es la posición de arranque del acelerador**

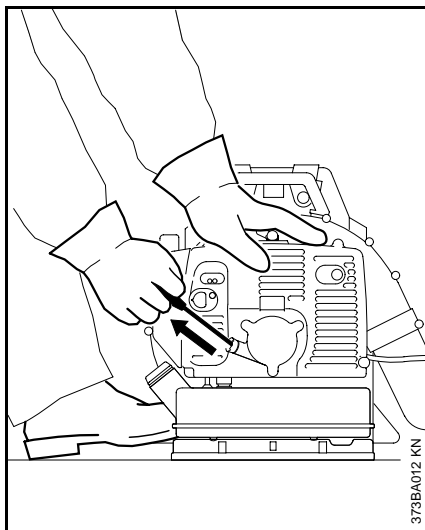
Nota:

La palanca de ajuste puede usarse para regular el acelerador a cualquier velocidad entre la de ralentí (tope inferior) y aceleración máxima (tope superior).

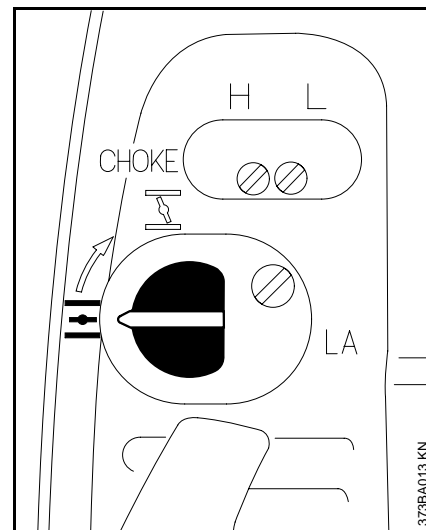
Coloque la palanca en posición de ralentí antes de apagar el motor.



- Si el motor está **frío**, ponga la perilla del estrangulador en **I**
- Si el motor está **caliente**, ponga la perilla del estrangulador en **II**. También utilice esta posición si el motor ha estado en marcha, pero todavía se encuentra frío.

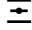


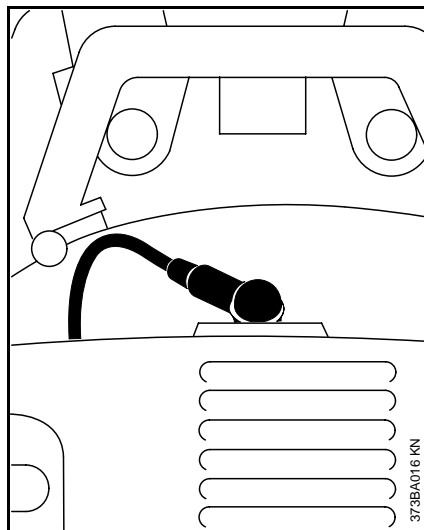
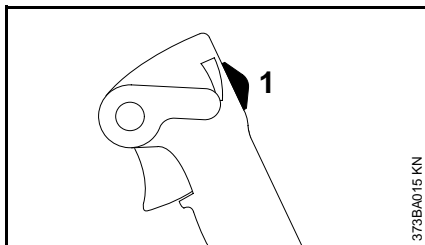
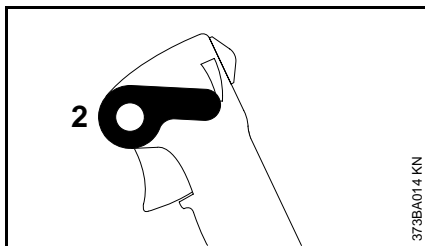
- Con la mano derecha tire lentamente del mango de arranque hasta que sienta una resistencia definitiva y en seguida dele un tirón fuerte y rápido. No tire de la cuerda de arranque totalmente hasta fuera, se podría cortar.
- No deje que el mango de arranque salte bruscamente hacia atrás.
- Guíelo lentamente hacia el interior de la caja para que la cuerda de arranque se enrolle correctamente.



- Apoye la máquina en el suelo. Verifique que las demás personas estén a una distancia prudente de la zona de trabajo y de la boquilla.
- Asegúrese de tener los pies bien apoyados: Sostenga la máquina colocando la mano izquierda sobre la caja y ponga un pie contra la placa de su base para impedir que se desplace.

Cuando el motor empieza a encenderse:

- Si el motor está **frío**: Gire la perilla del estrangulador a  y continúe girando el motor hasta que arranque.
- Si el motor está **caliente**: Continúe haciendo girar el motor hasta que arranque.



- Instale la bujía y vuélvase a conectar su casquillo.
- Mueva el interruptor de parada a **I**
- Ponga la perilla del estrangulador en **I** – aun si el motor está frío.
- Ahora arranque el motor.

Se ha dejado que se agote el combustible y se ha vuelto a llenar

- Tire de la cuerda de arranque varias veces para cebar la línea de combustible.

Tan pronto arranca:

- Mueva la palanca de ajuste (2) hasta su tope inferior para acelerar el motor a ralentí.

Para apagar el motor:

- Mueva el interruptor de parada (1) a **0**

A temperaturas ambiente muy bajas: Permita que el motor se caliente

Tan pronto arranca:

- Mueva la palanca de ajuste hasta su tope inferior – el motor se acelera a ralentí.
- Abra el acelerador levemente – caliente el motor por un período breve.

Si el motor no arranca:

Si no se movió la perilla del estrangulador a **I** en un tiempo suficientemente corto después que el motor empezó a encenderse, la cámara de combustión se encuentra "ahogada".

- Saque el casquillo de la bujía.
- Destornille y seque la bujía.
- Mueva el interruptor de parada a **0**
- Abra el acelerador completamente.
- Tire de la cuerda de arranque varias veces para despejar la cámara de combustión.

Instrucciones de manejo

Durante el período de rodaje

Una máquina nueva no debe hacerse funcionar a velocidad alta (aceleración máxima sin carga) por el lapso que tome llenar el tanque tres veces. Esto evita la imposición de cargas innecesariamente altas durante el período de rodaje. Puesto que todas las piezas móviles necesitan un período de rodaje, las resistencias causadas por la fricción en el motor son mayores durante este período. El motor desarrolla su potencia máxima después de haber llenado el tanque de 5 a 15 veces.

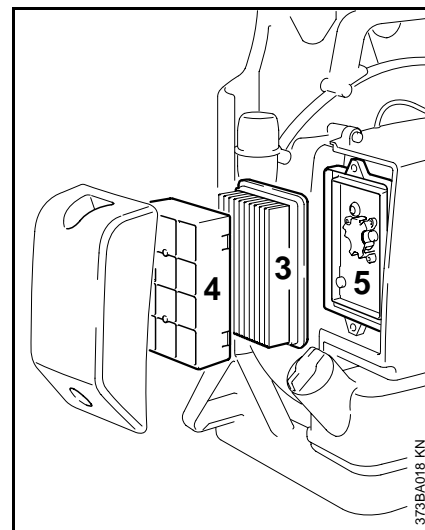
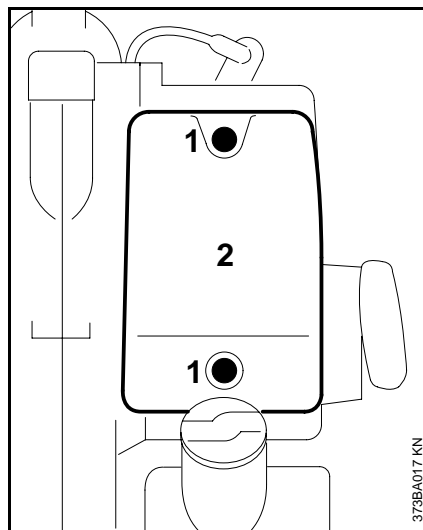
Durante el funcionamiento

Después de un período largo de funcionamiento con el acelerador a fondo, deje funcionar el motor por un rato en ralentí de modo que el calor en el motor sea disipado por la corriente de aire de enfriamiento. Esto ayuda a evitar que los componentes montados en el motor (encendido, carburador) sufran sobrecargas térmicas.

Después de terminar el trabajo

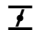
Espere que el motor se enfríe. Vacíe el tanque de combustible. Almacene la máquina en un lugar seco. Revise el apriete de las tuercas y tornillos (no los tornillos de ajuste) periódicamente y vuelva a apretar según sea necesario.

Limpieza del filtro de aire



Los filtros de aire sucios reducen la potencia del motor, aumentan el consumo de combustible y dificultan el arranque del motor.

Si se nota una pérdida considerable de la potencia del motor

- Gire la perilla del estrangulador a 
- Suelte los tornillos (1) y saque la cubierta del filtro (2).

- Quite el filtro principal (3) de la cubierta e inspecciónelo – si está sucio o dañado, instale uno nuevo.
- Quite el prefiltro (4) de la cubierta del filtro.
- Compruebe que el prefiltro esté seco – golpéelo contra la palma de la mano o use un chorro de aire comprimido.
- Un prefiltro dañado siempre debe sustituirse.

Nota:

Siempre instale un prefiltro nuevo cuando se cambie el filtro principal.

Manejo del motor

- Limpie la cubierta y la cámara del filtro.
- Instale los elementos del filtro principal y del prefiltro en la cubierta.
- Coloque la cubierta en la base **(5)** del filtro y apriétela bien firme.

Las emisiones de gases de escape son controladas por el diseño de parámetros y componentes fundamentales del motor (por ej. carburación, encendido, regulación y regulación de la válvula o lumbrera) sin la adición de ningún equipo importante.


Ajuste del carburador

Información general

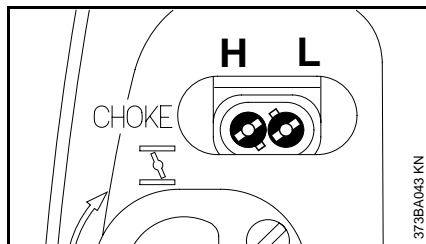
El carburador se ajusta en la fábrica al ajuste estándar.

Este ajuste provee una mezcla óptima de combustible y aire bajo la mayoría de las condiciones de funcionamiento.

Con este carburador es posible corregir el ajuste del tornillo de velocidad rápida dentro de una gama pequeña.

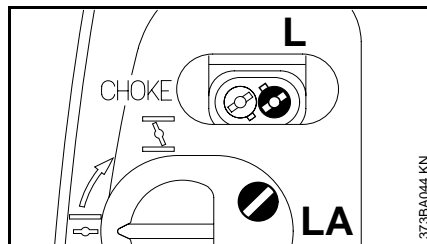
-  Si el ajuste es demasiado pobre, existe riesgo de dañar el motor debido a una lubricación insuficiente y sobrecalentamiento.

Ajuste estándar



- Apague el motor.
- Gire el tornillo de ajuste de velocidad alta (**H**) y el tornillo de ajuste de velocidad baja (**L**) en sentido contrario hasta su tope (no más que $\frac{1}{4}$ de vuelta).

Ajuste de ralentí



El motor se para durante el funcionamiento a ralentí

- Efectúe el ajuste estándar del tornillo de velocidad baja.
- Gire el tornillo de ajuste de ralentí (**LA**) en sentido horario hasta que el motor funcione de modo uniforme.

Funcionamiento irregular a ralentí, aceleración deficiente


- Efectúe el ajuste estándar del tornillo de velocidad baja.
- Gire el tornillo de ajuste de velocidad baja (**L**) en sentido contrario hasta que el motor funcione y se acelere de modo uniforme.

Normalmente es necesario cambiar el ajuste del tornillo de ajuste de ralentí (**LA**) después de cada ajuste del tornillo de baja velocidad (**L**).

Ajuste fino para trabajo a alturas grandes o a nivel del mar

Puede ser necesario efectuar un ajuste ligero si la potencia del motor no es adecuada para trabajar en alturas grandes o al nivel del mar:

- Revise el ajuste estándar.
- Caliente el motor.
- Gire el tornillo de ajuste de velocidad alta (**H**) en sentido horario (mezcla más pobre) – en los modelos con tapas limitadoras ($H = \frac{1}{4}$), pero no más allá del tope.

 Si el ajuste es demasiado pobre existe riesgo de dañar el motor debido a una lubricación insuficiente y sobrecalentamiento.

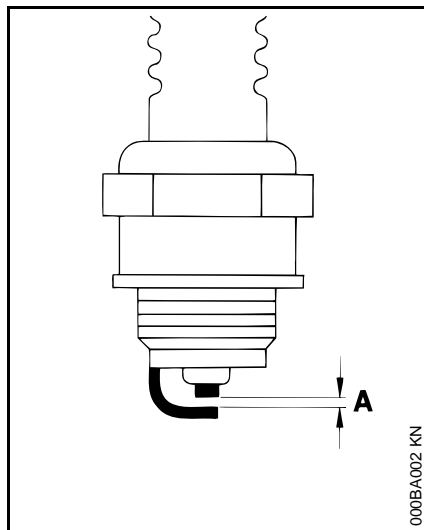
Convertidor catalítico*

En las unidades equipadas con un convertidor catalítico* hay que usar exclusivamente la **gasolina sin plomo** y el **aceite STIHL para motores de dos tiempos** o un aceite equivalente en una mezcla de 50:1 (vea el capítulo "Combustible").

El convertidor catalítico instalado en el silenciador reduce las emisiones nocivas presentes en el gas de escape.

El ajuste correcto del carburador (si es ajustable) y el uso de la mezcla especificada de gasolina y aceite para motores de dos tiempos son esenciales para reducir al mínimo las emisiones nocivas de gases de escapes y asegurar una larga vida útil del convertidor catalítico.

Revisión de la bujía



La mezcla de combustible incorrecta (demasiado aceite de motor en la gasolina), el filtro de aire sucio y condiciones de funcionamiento desfavorables (generalmente a media aceleración, etc.) afectan la condición de la bujía. Estos factores causan la formación de depósitos en la punta del aislador lo que puede dificultar el funcionamiento.

Si el motor tiene poca potencia, le cuesta arrancar o funciona deficientemente a velocidad de ralentí, primero revise la bujía.

- Saque la bujía – vea „Arranque / parada del motor“.
- Limpie la bujía sucia.
- Mida la separación entre electrodos de la bujía (**A**). Vuelva a ajustar si es necesario. Vea “Especificaciones”.
- Use únicamente bujías de tipo resistencia de capacidad aprobada.

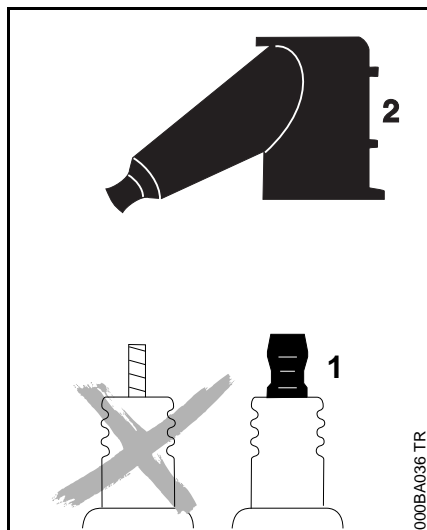
Corrija la causa de la suciedad de la bujía:

- Demasiado aceite en la mezcla de combustible.
- Filtro de aire sucio.
- Condiciones de funcionamiento desfavorables, por ej., funcionamiento a media aceleración.

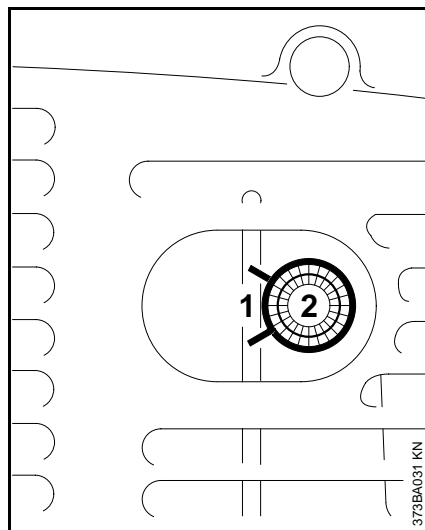
Coloque una bujía nueva después de 100 horas de funcionamiento, aproximadamente, o más temprano si nota que los electrodos están muy desgastados.

* vea “Guía para el uso de este manual”

Chispero* en silenciador



⚠ Para reducir el riesgo de incendios y lesiones por quemadura, use solamente bujías autorizadas por STIHL. Siempre encaje un casquillo (2) del tamaño correcto bien ajustado en el borne (1) de la bujía. (Nota: Si el borne tiene una tuerca adaptadora SAE desprendible, colóquela.) Una conexión suelta entre el casquillo de la bujía y el conector del alambre de encendido puede formar un arco eléctrico, inflamar los vapores combustibles y finalmente causar un incendio.



Si el motor pierde potencia, revise el chispero* del silenciador.

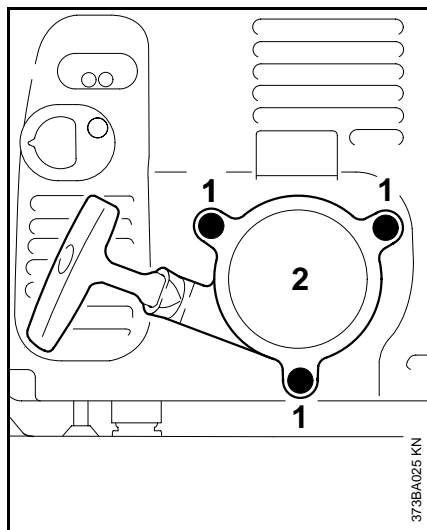
⚠ Espere a que el motor se enfríe por completo antes de efectuar las operaciones siguientes.

- Use una herramienta adecuada para comprimir los extremos de la pinza (1) y levante la pinza para quitarla.
- Quite el chispero (2) del silenciador.

- Limpie el chispero.
- Si el chispero está dañado o con depósitos gruesos de carbón, instale uno nuevo.
- Instale el chispero (2).
- Vuelva a instalar la pinza (1).

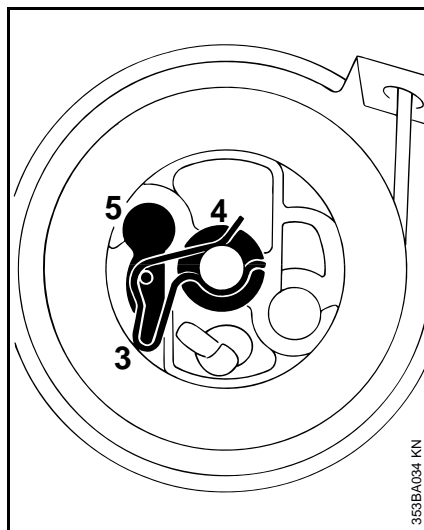
* vea "Guía para el uso de este manual"

Sustitución de la cuerda de arranque y resorte de rebobinado

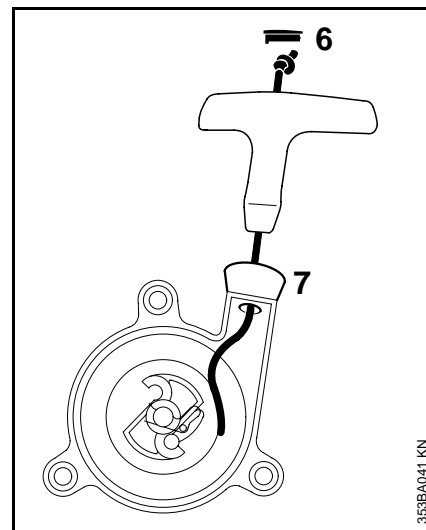


Sustitución de la cuerda de arranque

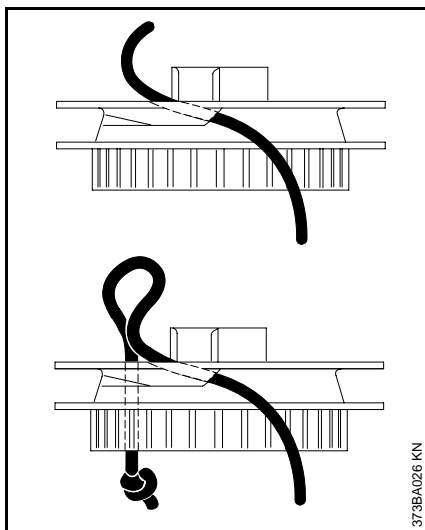
- Saque los tornillos (1).
- Quite la tapa (2) del arrancador del motor.



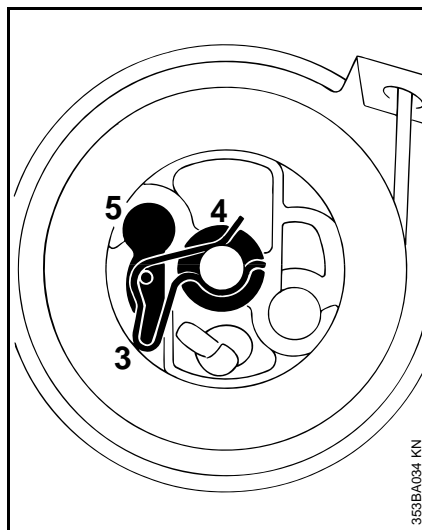
- Quite la pinza con resorte (3).
- Quite el rotor de la cuerda con la arandela (4) y el trinquete (5).



- Saque cuidadosamente la tapa (6) del mango de arranque.
- Quite el resto de la cuerda del rotor y del mango.
- Haga un nudo de rizo sencillo en el extremo de la cuerda de arranque nueva (vea Especificaciones) y después pase la cuerda por la parte superior del mango y por el buje de la cuerda (7).
- Vuelva a instalar la tapa en el mango.



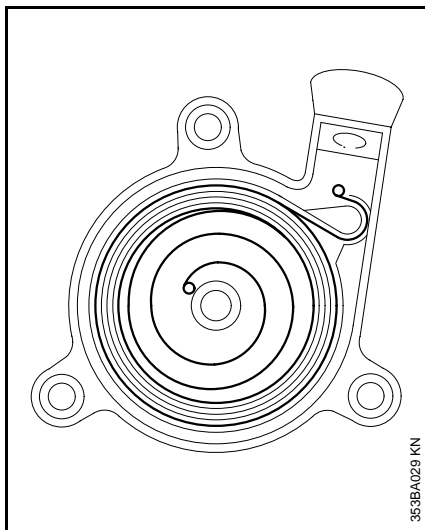
- Pase la cuerda a través del rotor y fíjela en éste con un nudo de rizo simple.



- Instale el trinquete (5) en el rotor y deslice la arandela (4) sobre el poste del arrancador.
- Usar un destornillador o alicates adecuados para instalar la pinza con resorte (3) en el poste del arrancador y sobre el vástago del trinquete – la pinza con resorte debe apuntar en sentido horario – vea la ilustración.
Pase a "Tensado del resorte de rebobinado".

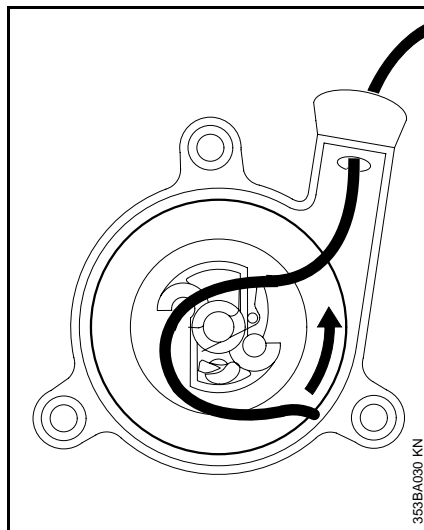
Sustitución de resorte de rebobinado roto

- Lubrique el resorte nuevo con unas cuantas gotas de aceite sin resina.
- Quite el rotor de la cuerda de la forma descrita en "Sustitución de la cuerda de arranque".
- Quite las piezas del resorte viejo.



- Instale una caja de resorte nueva – la placa inferior debe quedar orientada hacia abajo. Enganche el lazo exterior del resorte en la orejeta.
- Vuelva a instalar el rotor de la cuerda.
Pase a "Tensado del resorte de rebobinado".

Si el resorte se sale y se desenrolla durante la instalación: Vuélvalo a instalar en la caja de resorte en sentido contrahorario – empiece desde el exterior y trabaje hacia el interior.




Tensado del resorte de rebobinado

- Forme un bucle con la cuerda de arranque sin envolver y utilícelo para girar el rotor seis revoluciones completas en el sentido de la flecha (vea la ilustración).
- Sujete el rotor inmóvil – enderece la cuerda si se retuerce.
- Suelte el rotor y la cuerda lentamente de modo que ésta se enrolle en el rotor.

El mango de arranque debe quedar firmemente en el buje guía de la cuerda. Si el mango cae hacia un lado: Aumente la tensión del resorte una vuelta adicional.

Cuando la cuerda de arranque se extiende completamente, debe ser posible girar el rotor por lo menos media vuelta adicional. En caso contrario, el resorte está sobretensado y podría romperse. Quítele una vuelta de la cuerda al rotor.

- Instale la cubierta del arrancador en el motor.
- Apriete los tornillos firmemente.
- Mueva el interruptor de parada a 

Almacenamiento de la máquina

Para intervalos de 3 meses o más:

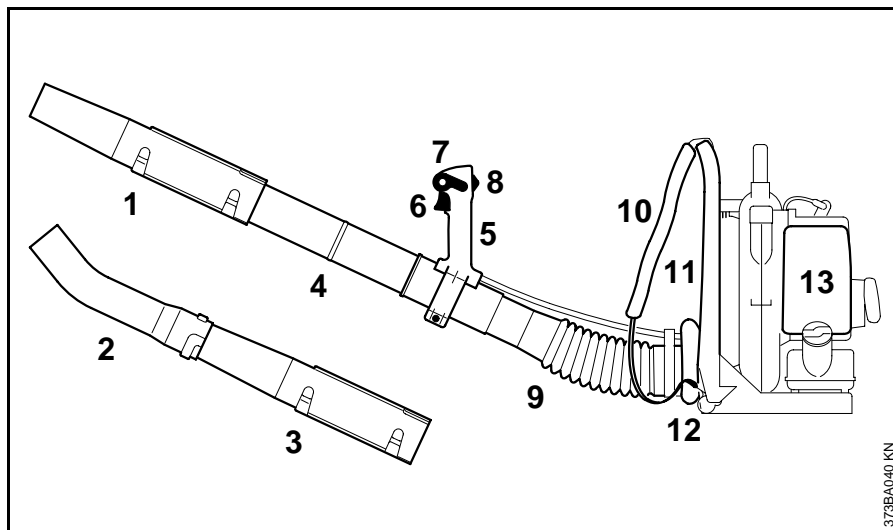
- Vacíe y limpie el tanque de combustible en una zona bien ventilada.
- Deseche los residuos de combustible y solución de limpieza de acuerdo con los requerimientos locales de protección del medio ambiente.
- Haga funcionar el motor hasta que el carburador se seque – esto ayuda a evitar que los diafragmas del carburador se peguen.
- Limpie la máquina a fondo - preste atención especial a las aletas del cilindro y al filtro de aire.
- Guarde la máquina en un lugar seco y elevado, o bajo llave – fuera del alcance de los niños y de otras personas no autorizadas.

Tabla de mantenimiento

Los intervalos de mantenimiento dados a continuación corresponden únicamente a condiciones normales de trabajo. Si el tiempo de trabajo por jornada es más largo que lo normal, o si las condiciones de trabajo son extremas (zonas polvorosas, etc.), acorte los intervalos indicados de modo correspondiente.		antes de comenzar el trabajo	después de terminar el trabajo o diariamente	después de cada parada para cargar combustible	semanalmente	mensualmente	cada 12 meses	si hay problema	si tiene daños	si se requiere
Máquina completa	Inspección visual (condición general, fugas)	x		x						
	Limpiar		x							
Mango de control	Comprobar funcionamiento	x		x						
Filtro de aire	Limpiar							x		
	Reemplazar								x	
Cuerpo aspirador en el tanque de combustible	Revisar							x		
	Reemplazar					x				x
Tanque de combustible	Limpiar					x				
Carburador	Revisar velocidad de ralentí	x		x						
	Ajustar el ralentí									x
Bujía	Ajustar la distancia entre electrodos							x		
	Cambiar después de aprox. 100 horas de funcionamiento									
Conductos de admisión de aire de enfriamiento	Limpiar				x					
Chispero en silenciador	Revisar									x
	Limpiar o reemplazar							x		
Todos los tornillos y tuercas accesibles (salvo los tornillos de ajuste)	Apriete									x
Elementos antivibración	Revisar	x								
	Solicitar al concesionario de servicio su sustitución ¹⁾							x	x	
Rejilla de la toma de aire del soplador	Revisar	x		x						
	Limpiar									x
Etiquetas de seguridad	Reemplazar								x	

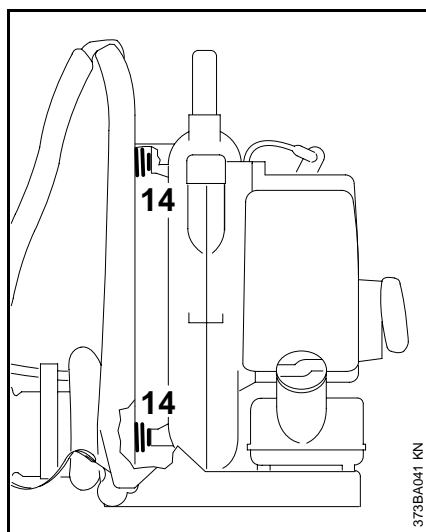
¹⁾ STIHL recomienda que un concesionario de servicio STIHL efectúe este trabajo

Piezas y controles



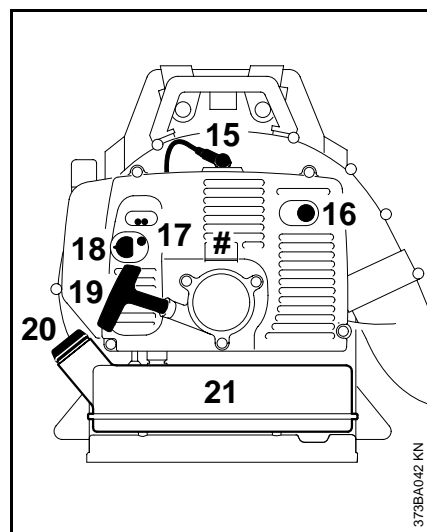
- 1 Boquilla recta*
- 2 Boquilla curva*
- 3 Tubo de soplador*
- 4 Tubo de soplador
- 5 Mango de control
- 6 Gatillo de aceleración
- 7 Palanca de ajuste
- 8 Interruptor de parada
- 9 Manguera con pliegues
- 10 Arnés
- 11 Placa para espalda
- 12 Almohadilla para soporte de espalda
- 13 Filtro de aire

373BA040 KN



- 14 Elementos antivibración
- 15 Casquillo de bujía
- 16 Silenciador (con chispero)*
- 17 Tornillos de ajuste del carburador
- 18 Perilla de estrangulador
- 19 Mango de arranque
- 20 Tapa de llenado de combustible
- 21 Tanque de combustible
- # Número de serie

373BA041 KN



373BA042 KN

* vea "Guía para el uso de este manual"

Definiciones

- 1. Boquilla recta**
Dirige y amplía el chorro de aire o de líquido.
- 2. Boquilla curva***
Dirige y amplía el chorro de aire o de líquido.
- 3. Tubo de soplador.**
Dirige el chorro de aire o de líquido.
- 4. Tubo de soplador.**
Dirige el chorro de aire o de líquido.
- 5. Mango de control.**
El mango de la manguera flexible sirve para sostener y dirigir el tubo en la dirección deseada.
- 6. Gatillo de aceleración.**
Regula la velocidad del motor.
- 7. Palanca de ajuste.**
Ajusta el acelerador a varias posiciones.
- 8. Interruptor de parada.**
Apaga el motor
- 9. Manguera con pliegues.**
Para pulverizar, aplicar o esparcir materiales en la dirección deseada.
- 10. Arnés.**
Para portar la unidad.
- 11. Placa para espalda.**
Ayuda a proteger la espalda del usuario.
- 12. Almohadilla para soporte de espalda.**
Permite portar la máquina con más comodidad.
- 13. Caja del filtro de aire.**
Cubre el elemento del filtro de aire.
- 14. Elementos antivibración.**
Elementos diseñados para reducir la transmisión de las vibraciones creadas por el motor hacia la espalda del operador.
- 15. Casquillo de la bujía.**
Conecta la bujía al alambre de encendido.
- 16. Silenciador (con chispero).**
Atenúa los ruidos del tubo de escape y desvía los gases de escape lejos del operador. El chispero reduce el riesgo de incendios.
- 17. Tornillos de ajuste del carburador.**
Para afinar el carburador.
- 18. Perilla de estrangulador.**
Facilita el arranque del motor al enriquecer la mezcla.
- 19. Mango de arranque.**
El mango de la cuerda de arranque, el cual es el dispositivo usado para arrancar el motor.
- 20. Tapa de llenado de combustible.**
Para tapar el tanque de combustible.
- 21. Tanque de combustible.**
Contiene la mezcla de combustible y aceite.

Especificaciones

E.P.A.:

El período de cumplimiento de emisiones indicado en la etiqueta de cumplimiento de emisiones es la cantidad de horas de funcionamiento para la cual la máquina ha demostrado la conformidad con los requerimientos de emisiones del Gobierno federal de los EE.UU.

Categoría A = 300 horas, B = 125 horas, C = 50 horas

CARB:

El período de cumplimiento de emisiones empleado en la etiqueta del índice de aire CARB tiene las siguientes definiciones:

Extended (extendido) = 300 horas,

Intermediate (intermedio) = 125 horas,

Moderate (moderado) = 50 horas

BR 340, 340 L

Motor de un cilindro, dos tiempos

Cilindrada: 44,9 cm³
(2,74 pulg³)

Diámetro: 41 mm
(1,61 pulg)

Carrera: 34 mm
(1,34 pulg)

Ralentí: 3100 rpm

BR 420, 420 C

Motor de un cilindro, dos tiempos

Cilindrada: 56,5 cm³
(3,45 pulg³)

Diámetro: 46 mm
(1,81 pulg)

Carrera: 34 mm
(1,34 pulg)

Ralentí: 3100 rpm

Cuerda de arranque

Cuerda de arranque: 3,5 mm diám. x 960 mm
(0,14 pulg diám. x 37,8 pulg)
1113 195 8200

Sistema de encendido

Tipo: Encendido por magneto electrónico

Bujía (extinguida): Bosch WSR 6 F
o
NGK BPMR 7 A;

Distancia entre electrodos: 0,5 mm (0,02 pulg)

Roscas de la bujía: M 14 x 1,25;
9,5 mm
(0,37 pulg)
de largo

Sistema de combustible

Carburador: Carburador de diafragma de todas posiciones con bomba de combustible integral

Filtro de aire: Elemento de papel

Capacidad del tanque de combustible: 1,5 l (50 oz. fl.)

Mezcla de combustible: Ve el capítulo "Combustible"

Modelo	Ruido percibido por terceros según ANSI B 175.2-2000	Caudal de aire	Velocidad del aire	Potencia del motor	Peso
	dB(A)	pies ³ /min (m ³ /h)	mph (m/s)	hp (kW)	lbs (kg)
BR 340	73	688 (1170)	161 (72)	2.7 (2.0)	20.1 (9.1)
BR 340L	68	636 (1080)	146 (65)	1.9 (1.4)	20.3 (9.2)
BR 420	74	742 (1260)	174 (78)	3.5 (2.6)	20.1 (9.1)
BR 420 C	73	724 (1230)	172 (77)	3.3 (2.5)	20.5 (9.3)


Accesorios especiales

Comuníquese con su concesionario STIHL para información acerca de los accesorios especiales que pueden estar disponibles para su producto.

Mantenimiento y reparaciones

Los usuarios de esta máquina deben efectuar únicamente los trabajos de mantenimiento descritos en este manual. Solamente los talleres autorizados por STIHL deben llevar a cabo los demás trabajos de reparación.

Los reclamos de garantía presentados después de realizadas las reparaciones serán aceptados únicamente si las mismas fueron ejecutadas por un concesionario de servicio autorizado STIHL utilizando piezas de repuesto originales de STIHL.

Es posible identificar las piezas originales de STIHL por el número de pieza **STIHL**, el logotipo de STIHL y, en algunos casos, el símbolo  de piezas STIHL. En las piezas pequeñas el símbolo puede aparecer solo.

Declaración de garantía de STIHL Incorporated sobre sistemas de control de emisiones según normas Federales y del Estado de California

Sus derechos y obligaciones de garantía

La Agencia de Protección del Medio Ambiente (EPA) de los EE.UU., el Consejo de Recursos del Aire del Estado de California (CARB) y STIHL Incorporated se complacen en explicarle la garantía del sistema de control de emisiones instalado en el motor de su equipo de modelos año 2000 y siguientes. En California, los nuevos motores pequeños para uso fuera de carretera deben estar diseñados, construidos y equipados de conformidad con las rigurosas normas de contaminación del aire del estado. En otros estados, los modelos 1997 y posteriores de tales motores deben estar diseñados, construidos y equipados, al tiempo de la venta, de conformidad con los reglamentos correspondientes de la EPA. El motor debe carecer de defectos en el material y la fabricación que puedan causar el incumplimiento de las normas de la EPA durante los primeros dos años de uso del motor a partir de la fecha de compra por el último comprador. STIHL Incorporated debe garantizar el sistema de control de emisiones en el motor pequeño para uso fuera de carretera por el intervalo mencionado más arriba, siempre que dicho motor no haya estado sujeto a maltrato, negligencia o cuidado inapropiado.

El sistema de control de emisiones de su máquina incluye piezas tales como el carburador y el sistema de encendido. Además puede incluir mangueras, conectores y otros conjuntos relativos a emisiones.

Si existe una condición amparada bajo garantía, STIHL Incorporated reparará el motor sin costo alguno, incluido el diagnóstico (si el trabajo de diagnóstico fue realizado por un concesionario autorizado), las piezas y la mano de obra.

Cobertura de garantía del fabricante:

Los motores pequeños para equipos de uso fuera de carretera están garantizados por dos años en el Estado de California. En otros estados, los modelos de 1997 y posteriores de tales motores también están garantizados por dos años. En el caso de encontrarse defectos en cualquiera de las piezas del motor relacionadas con el sistema de control de emisiones, la pieza será reparada o sustituida por STIHL Incorporated sin costo alguno.

Responsabilidades del usuario relativas a la garantía:

Como propietario de tal motor, usted tiene la responsabilidad de realizar el mantenimiento requerido descrito en su manual del usuario. STIHL Incorporated le recomienda guardar todos los recibos comprobantes de los trabajos de mantenimiento hechos a su motor, pero STIHL Incorporated no puede negar garantía basado en el solo hecho de faltar los recibos o del incumplimiento del propietario de realizar todos los trabajos de mantenimiento programados.

El uso de cualquier pieza de repuesto o servicio cuyo comportamiento y durabilidad sean equivalentes está permitido en trabajos de mantenimiento o reparación

no contemplados en la garantía, y no reducirá las obligaciones de la garantía del fabricante del motor.

Sin embargo, como propietario del motor pequeño para equipo de uso fuera de carretera usted debe ser consciente de que STIHL Incorporated puede negarle cobertura de garantía si dicho motor o una pieza del mismo ha fallado debido a maltrato, descuido, mantenimiento inadecuado o modificaciones no autorizadas.

Usted es responsable de llevar el motor a un centro de servicio STIHL tan pronto surja el problema. Las reparaciones bajo garantía serán realizadas en un tiempo razonable, sin exceder de 30 días. Ante cualquier duda respecto a sus derechos y responsabilidades según lo estipulado en esta garantía, comuníquese con el representante de STIHL al 1-800-467-8445 ó escriba a STIHL Inc., 536 Viking Drive, P.O. Box 2015, Virginia Beach, VA 23450-2015.

Cobertura por STIHL Incorporated

STIHL Incorporated garantiza al último comprador y a cada comprador subsiguiente que el motor pequeño para equipo de uso fuera de carretera está diseñado, construido y equipado, al tiempo de la venta, de conformidad con todos los reglamentos aplicables. Además, STIHL Incorporated garantiza al comprador inicial y a cada comprador subsiguiente que el motor está libre de defectos en el material y fabricación que puedan causar el incumplimiento de los reglamentos aplicables durante un período de dos años.

Período de garantía

El período de garantía comienza en la fecha en que el motor del equipo utilitario es entregado a usted y usted firma y remite la tarjeta de garantía a STIHL. Si cualquier pieza relacionada con el sistema de control de emisiones está defectuosa, la pieza será sustituida por STIHL Incorporated sin costo alguno para el propietario. Cualquier pieza garantizada cuyo reemplazo no está programado como mantenimiento requerido, o que debe recibir únicamente inspección regular en el sentido de "reparar o sustituir según sea necesario", estará garantizada por el período de garantía. Cualquier pieza cuyo reemplazo está programado como mantenimiento requerido estará garantizada por el intervalo hasta el primer punto de reemplazo programado para esa pieza.

Diagnóstico

Como propietario, a usted no se le debe cobrar la mano de obra por los diagnósticos que determinen que una pieza garantizada está defectuosa. No obstante, si usted reclama garantía para un componente y se comprueba que la máquina no está defectuosa, STIHL Incorporated le cobrará el costo de la prueba del sistema de control de emisiones.

El trabajo de diagnóstico mecánico se realiza en un centro de servicio autorizado por STIHL. La prueba del sistema de control de emisiones se realiza ya sea en la fábrica de STIHL Incorporated o en un laboratorio de ensayos independiente.

Trabajo bajo garantía

STIHL Incorporated reparará los defectos amparados por la garantía en cualquier estación de garantía o centro de servicio autorizado por STIHL. Todo trabajo de este tipo se hará gratis para el propietario siempre que se determine que la pieza cubierta por la garantía está defectuosa. Se puede usar cualquier pieza de repuesto aprobada por el fabricante o equivalente en las piezas relacionadas con el sistema de control de emisiones, y debe ser suministrada gratis al propietario. STIHL Incorporated es responsable por daños a otros componentes del motor causados por la falla de una pieza garantizada que todavía está bajo garantía.

La lista de piezas del sistema de control de emisiones garantizadas del Consejo de Recursos del Aire del Estado de California define específicamente las piezas garantizadas que están relacionadas con las emisiones. Estas piezas garantizadas son:

Carburador
Estrangulador (sistema de refuerzo para arranque en frío)
Múltiple de admisión
Filtro de aire
Bujía
Magneto o sistema de encendido electrónico (módulo de encendido)
Convertidor catalítico (si lo tiene)
Sujetadores/pernos

Dónde presentar el reclamo para servicio bajo garantía

Lleve el producto a cualquier centro de servicio autorizado por STIHL y presente la tarjeta de garantía firmada.

Requerimientos de mantenimiento

Las instrucciones presentadas en este manual se basan en la aplicación de la mezcla recomendada para motores de 2 tiempos (vea también la instrucción "Combustible"). Las discrepancias de estas recomendaciones con respecto a la calidad y la proporción de la mezcla de combustible y aceite pueden exigir intervalos de mantenimiento más cortos.

Limitaciones

Esta garantía de los sistemas de control de emisiones no cubrirá ninguno de los puntos siguientes:

- reparación o sustitución requerida debido a maltrato, negligencia o falta del mantenimiento requerido,
- reparaciones mal hechas o sustituciones contrarias a las especificaciones de STIHL Incorporated que afecten desfavorablemente el funcionamiento y/o la durabilidad, y las alteraciones o modificaciones no recomendadas o aprobadas por escrito por STIHL Incorporated, y
- la sustitución de piezas y otros servicios y ajustes necesarios para el mantenimiento requerido en y después del primer punto de reemplazo programado.

Marcas comerciales

Marcas registradas de STIHL

STIHL®

STIHL®



La combinación de colores anaranjado-gris (N° de registro EE.UU. 2,821,860)

4-MIX®

AUTOCUT®

EASystart®

OILOMATIC®

STIHL Cutquik®

STIHL DUROMATIC®

STIHL Farm Boss®

STIHL Quickstop®

STIHL ROLLOMATIC®

STIHL WOOD BOSS®

TIMBERSPORTS®

YARD BOSS®

Marcas comerciales de STIHL por ley común

BioPlus™

Easy2Start™

EasySpool™

ElastoStart™

Ematic /Stihl-E-Matic™

FixCut™

HT Plus™

IntelliCarb™

Master Control Lever™

Micro™

Pro Mark™

Quad Power™

Quiet Line™

STIHL Arctic™

STIHL Compact™

STIHL HomeScaper Series™

STIHL Interchangeable Attachment Series™

STIHL Magnum /Stihl-Magnum™

STIHL MiniBoss™

STIHL MotoPlus 4™

STIHL Multi-Cut HomeScaper Series™

Stihl Outfitters™

STIHL PICCO™

STIHL PolyCut™

STIHL PowerSweep™

STIHL Precision Series™

STIHL Protech™

STIHL RAPID™

STIHL SuperCut™

STIHL Territory™

TapAction™

TrimCut™

Esta lista de marcas comerciales está sujeta a cambios.

Queda terminantemente prohibido todo uso de estas marcas comerciales sin el consentimiento expreso por escrito de ANDREAS STIHL AG & Co. KG, Waiblingen.

 **WARNING!**

The engine exhaust from this product contains chemicals known to the State of California to cause cancer, birth defects or other reproductive harm.

 **ADVERTENCIA!**

El gas de escape del motor de esta máquina contiene productos químicos que en el estado de California son considerados como causantes de cáncer, defectos de nacimiento u otros efectos nocivos para los órganos de la reproducción.

0458 373 3021 B

english / English USA / spanisch / español EE.UU / CARB / EPA