

STAINLESS STEEL CAM TYPE DOOR LOCKS AND ACCESSORIES

Application

"Surface mounted locking gears" are usually mounted on the rear doors of refrigerated bodies or closed bodies of industrial vehicles. They can also be used on container doors or other industrial applications. They have a specific strength, functionality and aesthetics.

Surface mounted locking gear consist of the following elements: Tube, handles or levers, cams, keepers and guide plates.

Tube

The tube is the main element of the locking gear which all the components are welded on to complete the lock. They are divided into three categories according to their outer diameter:

- Ø16. For small sized vehicles.
- Ø22. For medium sized vehicles.
- Ø27. For large sized vehicles.

Handles or levers

Handles or levers allow the operator to rotate the tube. Contrary to levers, the use of handles reduces installation times and are aesthetically more appealing. If using the lever, remember to order the appropriate lever retainer and lever mount kit. To preserve the function of the accessories do not overturn the handle more than 90°.

Cams and keepers

Their main characteristic is to open, close and hold the door in place. In order to select the correct types from the different models available you must evaluate the use, size and weight of the door, type of seal, etc...

All cams act as an anti-rack, providing that during assembly of the locking gear the support guides are positioned perfectly up against the cam. This avoids the racking of the door which will reflect to the hinges.



HI-PULL
025711072 Inox

2780 gr./pc.

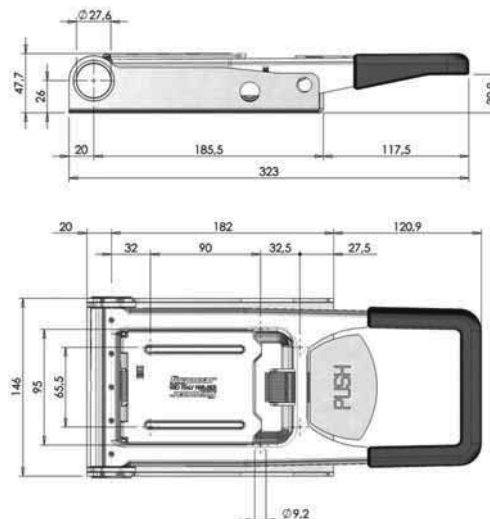
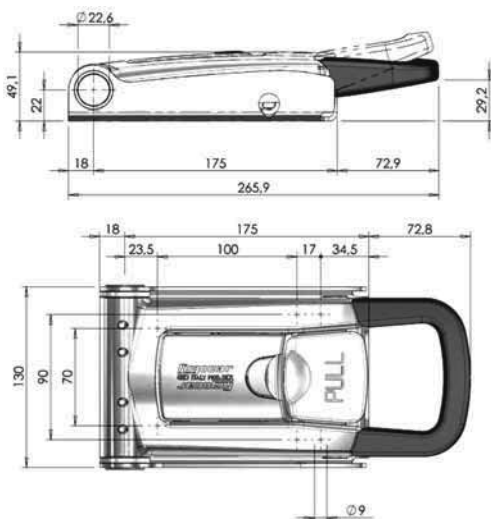
External lock Ø22 HI-PULL.
If fitted with the internal release device it is possible to open the lock even when the barrel is key locked.



PUSH
025704460 Inox

3034 gr./pc.

External lock Ø27 PUSH.



MULTI-POINT LOCKS – 2 & 3 POINT

All latches on this page may be used on right- or left-hand installations. All center cases incorporate a stainless steel spring.



No. 5646-X2XX*



No. 5658-X82X*

For details,
see engineering
drawings on
next page.

No. 5646-X2XX*

2-point latch with round rod plus rubber antirattle grommets in the rod guides. Note that rod guides may be inverted for use as strikes. Has zinc aluminum tumbler for lighter weight and cost.

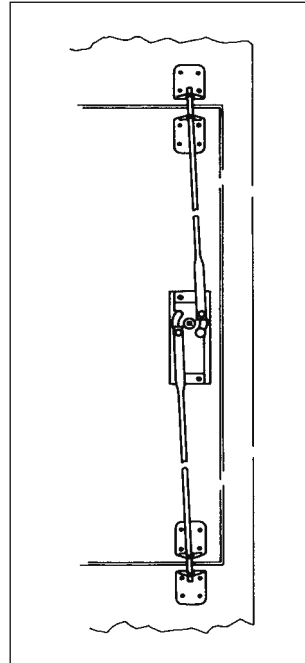
Finish: Zinc-plated

No. 5658-X82X*

2-point latch with flat rod connected to tapered take-up slide bolts. Has zinc aluminum tumbler for lighter weight and cost.

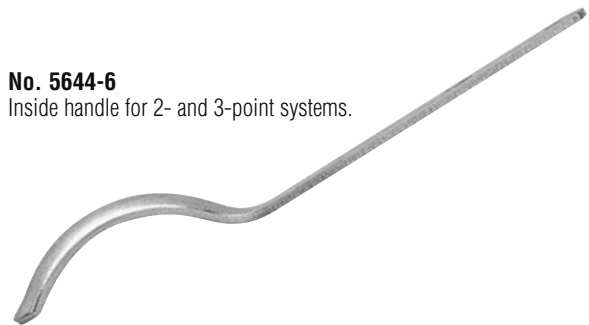
Finish: Zinc-plated

Also available with malleable iron tumbler in center case. To order, remove "X" from in front of 2. Example: **No. 5646-2XX**.



No. 5644-6

Inside handle for 2- and 3-point systems.



MULTI-POINT LOCKS – 2 & 3 POINT

No.	Options	Variations	Weight
5644-XU	2-Point	With handle and inside disconnect feature, zinc aluminum tumbler	4.88 lbs.
5645-XU	3-Point	With handle and inside disconnect feature, zinc aluminum tumbler	5.25 lbs.
5646-X2XX*	2-Point	4 latches per box with zinc aluminum tumbler	4.50 lbs.
5646-50XU	2-Point	Center case for 2-point latch	1.13 lbs.
5646-54		Rod guide	.14 lbs.
5647-X2XX*	3-Point	4 latches per box with zinc aluminum tumbler	4.13 lbs.
5647-50XU		Center case for 3-point latch	1.32 lbs.
5658-X82X*	2-Point	Tapered slide bolts with zinc aluminum tumbler, 4 latches per box	5.13 lbs.
5659-X82X*	3-Point	Tapered slide bolts with zinc aluminum tumbler, 4 latches per box	5.31 lbs.
6-5646-50E1	2-Point	Same as 5646-50U except width of center case measures 2.25" and has .25 radius corners	1.08 lbs.
E1-5647-50X	3-Point	Same as above except 3-Point	1.65 lbs.

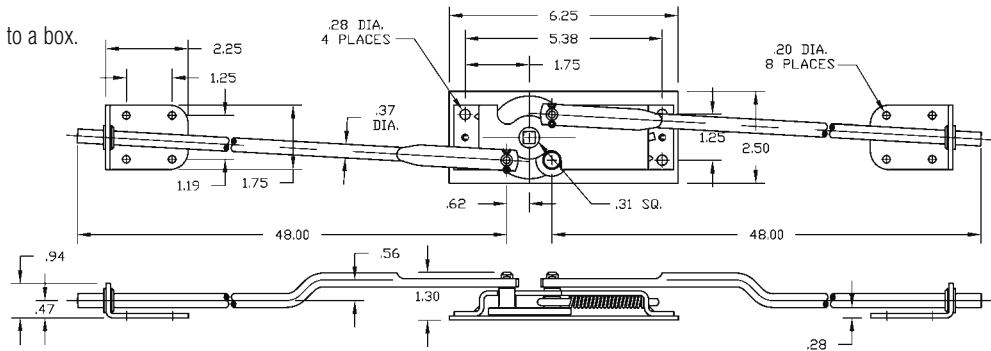
Other versions available.

*82X and 2XX indicates packed four sets to a box.

No. 5646-X2XX

No. 5646-2XX*

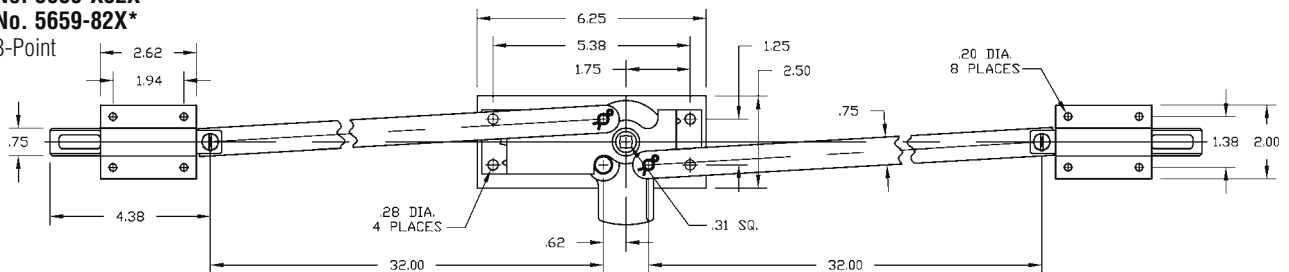
2-Point



No. 5659-X82X*

No. 5659-82X*

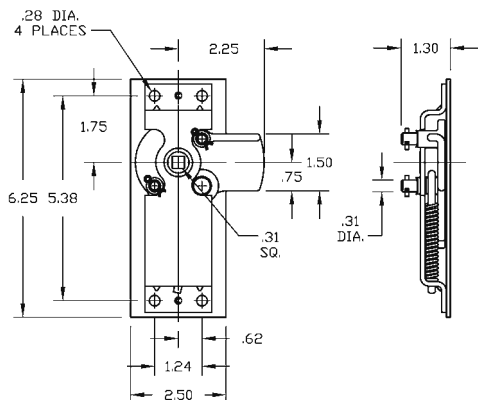
3-Point



No. 5647-50X

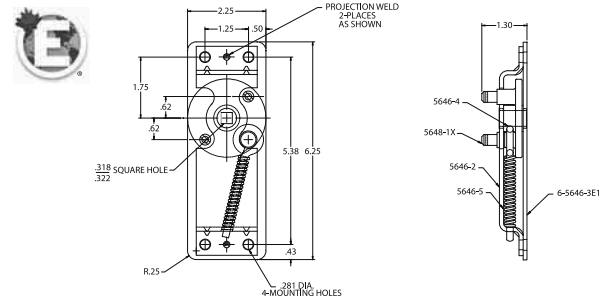
3-Point Center Case
(Shown)

No. 15-5647-50X
3-Point Center Case
(Zinc/aluminum tumbler
with longer studs for
inside handle)



No. 6-5646-50E1

2-Point Center
Case



Industrial Hardware Distributors, Inc.

620 Spicer St., Akron, OH 44311 • 800.824.1864 | 3415 S.W. 6th St., Ocala, FL 34474 • 800.682.8900

www.industrialhwe.com

MULTI-POINT LOCKS – 2 & 3 POINT



No. 5611-82X*R&L

This 3-point latch is designed for lightweight metal or wood doors. With its simplified all-steel construction, it is easily attached by means of screws, bolts, rivets or welding. The center case has detents for positive open and close positioning.

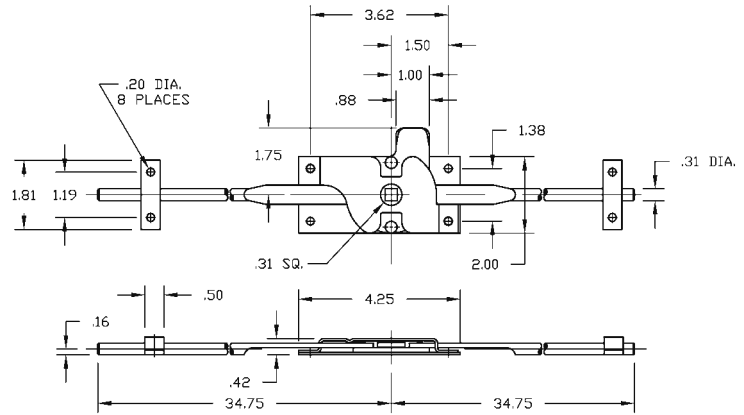
The rods are easily attached or removed without tools; with the rod in a horizontal position, simply place the hole in the flat end of the rod over the pins in the center case, swing the rod to a vertical position and attach the rod guides.

Available in right- or left-hand. Specify when ordering.

For use with a variety of handles having a 5/16" shank.

Finish: Zinc-plated
Weight: 2 lbs. each

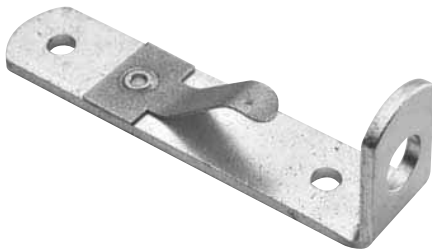
No. 5611-R



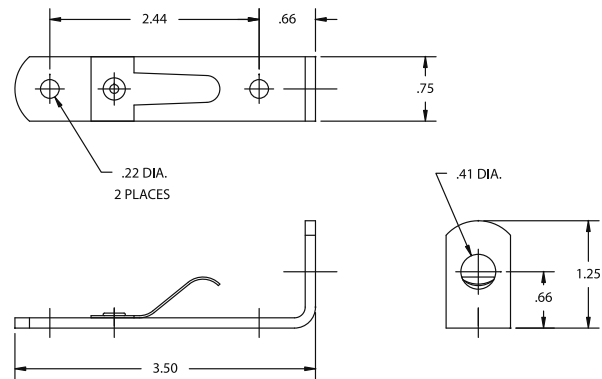
*82X Indicates 4 sets per box.

No. 1-5646-54

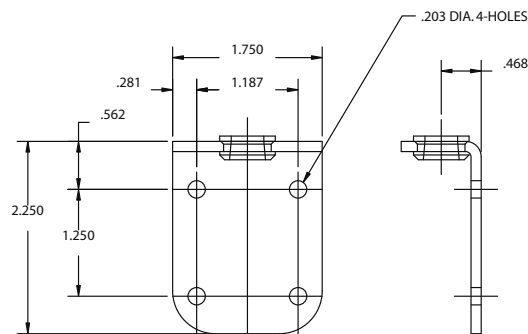
Rod guide assembly for 5/16" diameter rod with spring to reduce rattle. Zinc finish.



No. 1-5646-54



No. 5646-54

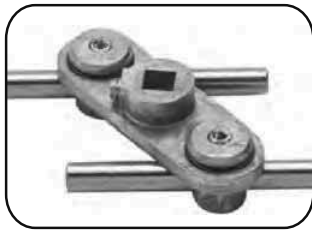
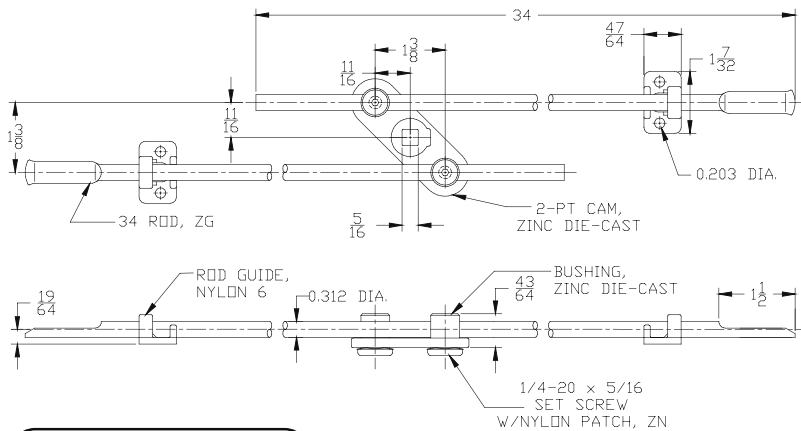


MULTI-POINT LOCKS – 2 & 3 POINT



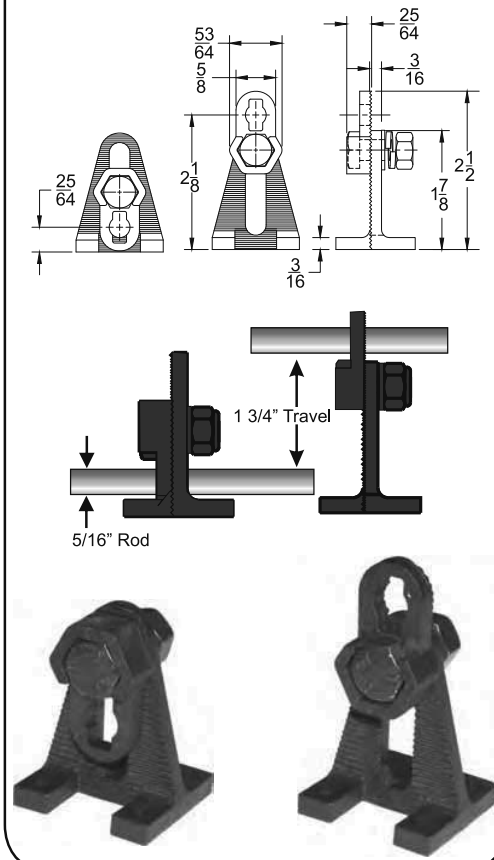
2-PKT 2-POINT DOOR LOCK KIT

- Die cast cam & bushings w/set screw
- Steel 34" rods, yellow zinc finish
- Nylon rod guide
- Accepts 5/16" shank
- ✓ Available with adjustable rod guide
- ★ Set screw & wave washers supplied loose



DIE CAST CAM WITH SET SCREWS

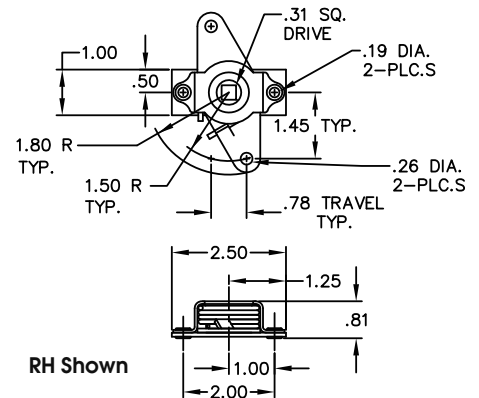
AVAILABLE ADJUSTABLE ROD GUIDE



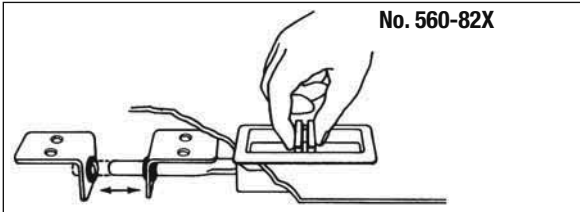
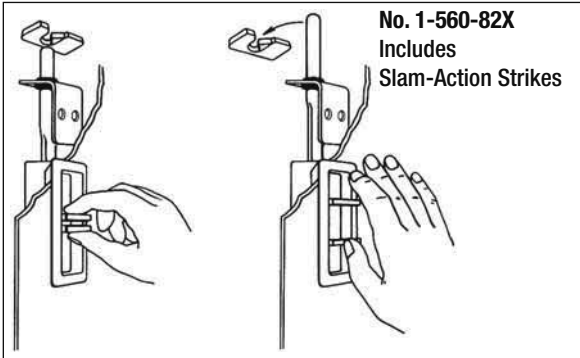
2389 RH or LH, Two Point Center Case

Spring loaded center case used in conjunction with a 5/16" shank handle operating a two point trip arm for multi point applications. Complete systems can be developed to customer specifications. Supporting Hardware: Flat or round rods with lengths to meet specific dimensional requirements, rod guides, end boxes and rotary latches.

Standard Finish: zinc



MULTI-POINT LOCKS – 2 & 3 POINT



No. 560-82X

This unique, light-duty 2-point squeeze dead bolt latch is intended for use on lightweight compartment or cabinet doors. It incorporates a zinc center case, 5/16" aluminum rods, and stamped steel guide brackets and strike points.

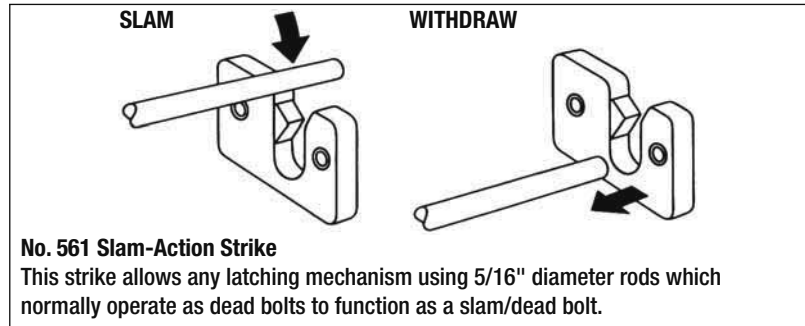
The latch is readily activated with a simple two-finger squeeze. This retracts the end bolts from the strikes (whether the ones shown, or a slam-type strike, such as that illustrated).

The center case is easily attached by means of a steel mounting bracket using two self-tapping screws.

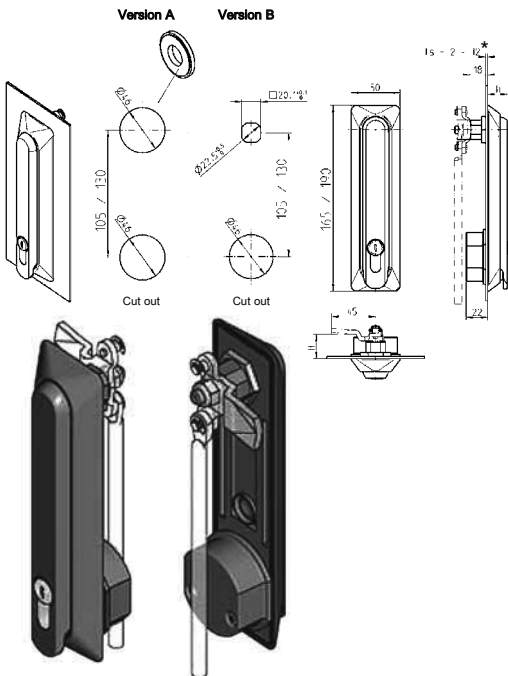
Weight: 3.25 lbs.

Can be used with adjoining key-locking cylinder No. 560-61P5.

Package	560-82X		1-560-82X	
Includes:		Qty.		Qty.
Center Cases	2-560-P8	(4)	2-560-P8	(4)
Rod Guides S/A	1-560-51	(16)	1-560-51	(8)
5/16" Dia. AL Rods	AL1-560-5	(8)	AL1-560-5	(8)
Slam-Action Strike	-		561	(8)



Swinghandle – PROGRAM 1107



Attention:

With adapter the maximum door gauge (TS) will be 6 mm

Note:

If door gauge (Ts) > 4 mm standard round rods cannot be used!

Swinghandle polyamide GF black, shaft brass, fixing material m.s. zinc pl., with seal

Swinghandle "long" (190) for profile half cylinder	
40 (h = 20)	1107-U1-G
but with dust cap sealable	
40 (h = 20)	1107-U2-G
40 (h = 20) (Handle zinc die black p.c.)	1107-U102-G
45 (h = 25)	1107-U32-G
Swinghandle "short" (165), for profile half cylinder	
40 (h = 20)	1107-U158-G
but with dust cap sealable	
40 (h = 20)	1107-U159-G
45 (h = 25)	1107-U169-G
Adapter polyamide GF black required for cut out version A	
	1107-53
Seal for adapter	1107-61-02VB
* Order screw set separately if Ts > 4 mm	1107-U170

MULTI-POINT LOCKS – 2 & 3 POINT

No. 5613-82X R&L

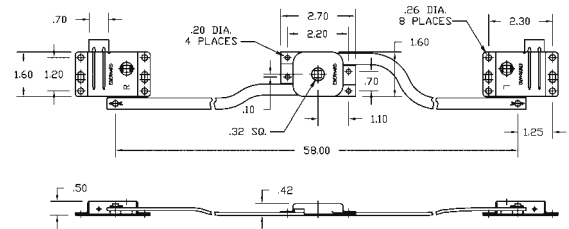
Right-hand shown

Slam-action latch for drop and swing doors.
Weight: 2.32 lbs. each

No. 5613-XP8R&L

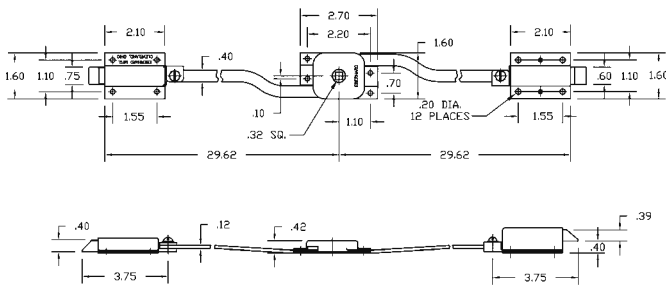
Same as above, but with **No. 565698-5** cable (two 3-foot lengths) instead of rod.
Weight: 1.13 lbs.

No. 5613-82X R



No. FOR-565698-82X

Right hand, one flush & one offset slam latch



No. F-565698X-P8R&L

Is furnished with two 3-foot lengths of cable (**No. 565698-5**) to connect center case with end bolts. Furnished standard with flush bolts on both ends. (Picture)

No. F-565698

Two-point slam latch with flush end bolts and rods.

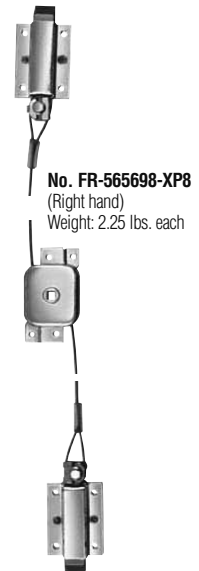
No. FO-565698-82X R&L

Has center case connected to end bolts with flat rod. Furnished with flush upper bolt and with lower bolt 9/16" offset from back of case. If so desired, these latches can be furnished with upper and lower bolts flush (**No. F-565698-82X**), or with upper and lower bolts offset (**No. O-565698-82X**). (Print)

No. 26-565698-82X R&L

Same as No. F-565698-82X, but with reverse bevel on flush type slide bolts.

All center cases are well suited to be used with any 5/16" square handle.



No. FR-565698-XP8
(Right hand)
Weight: 2.25 lbs. each

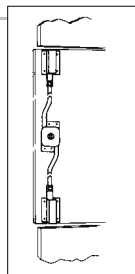
Slam-action latch with tapered slide bolts for light panel doors. Specify right- or left-hand application. Illustration shows right-hand.

Weight: 3.06 lbs. each

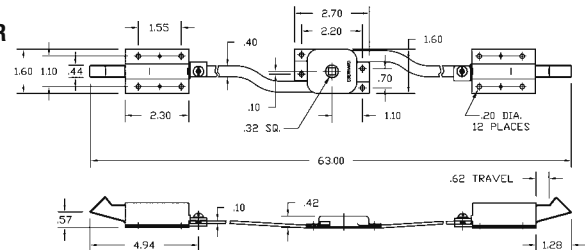
Note: Also available 30° angle bolt assembly.

No. 34-565694-55XU

Weight: .69 lbs.



No. 565694-82X R



2-Point • Rod or Cable Activated Systems

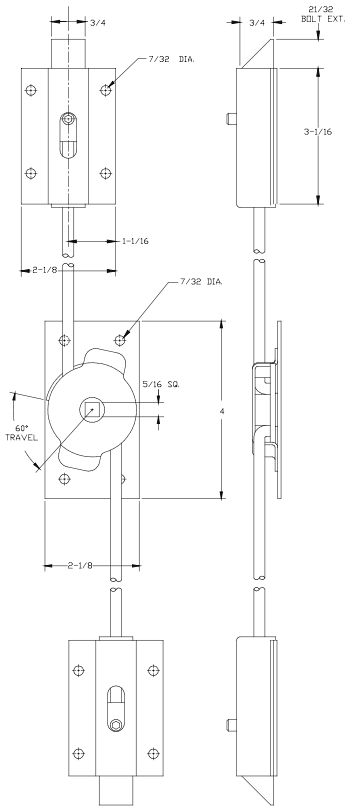
No.	Options	Variations	Weight
5613-82X R&L	For Drop and Swing Doors	Rod-actuated	2.31 lbs.
5613X-P8R&L	Same as 5613-82X	Cable + actuated	2.25 lbs.
565694-82X R&L	Specify R or L	Rod-actuated—with 45° tapered slide bolts	2.25 lbs.
34-565694-55XU	Specify R or L	Rod-actuated—with 30° tapered slide bolts	2.25 lbs.
FO-565698-82X R&L	Specify R or L	Rod-actuated—furnished w/flush upper bolt, offset lower bolt	2.25 lbs.
F-565698-82X R&L	Same as FO-565698-82X	With both bolts flush	2.31 lbs.
O-565698-82X R&L	Same as FO-565698-82X	With both bolts offset	3.06 lbs.
4968-52U	15 lb. spring	End bolts used on F-565698-XP8	.445 lbs.
F-565698X-P8 R&L	Same as F-565698-82X	Cable-actuated—furnished w/both bolts flush-offset available	1.31 lbs.
+565698-5	+ Cable only	Two; three-foot lengths	.03 lbs.
565699-51U	25 lb. spring	Lower offset end bolt on FO-565698-82X	.530 lbs.
565699-52U	25 lb. spring	Upper flush end bolt on FO-565698-82X	.445 lbs.
565694-55U	25 lb. spring	End bolts use on 565694-82X	.69 lbs.
565694-55XU	7 lb. spring	Same as 565694-55U with light spring & cable clamp	.69 lbs.

Other versions available.

Industrial Hardware Distributors, Inc.

620 Spicer St., Akron, OH 44311 • 800.824.1864 | 3415 S.W. 6th St., Ocala, FL 34474 • 800.682.8900
www.industrialhwe.com

MULTI-POINT LOCKS – 2 & 3 POINT



RH Shown

94 2-POINT DOOR LOCK KIT

- Steel construction/zinc finish
- (1) 94 center control
- (2) 94 36" rods
- (2) 90 flush bolts
- Accepts 5/16" square shank
- ✓ Available with various rod lengths
- ✓ Available in stainless steel

REMOTE RELEASE MECHANISM



Mechanism that is designed to be used with either rods or cables. Can interface with multiple styled handles and the actuation effort can be varied by use of different internal springs.

Materials: Cold-Rolled Steel with Zinc Finish
 For Use On: A wide variety of applications and on various size compartment doors.
 Can be used in conjunction with 600 style Bunk Latch or Other Remote Latch Mechanisms.

FLBLUA01	Cold-Rolled Steel with Zinc Finish
-----------------	------------------------------------

MULTI-POINT LOCKS – 2 & 3 POINT

TWO & THREE POINT DEADBOLT ROD LOCK

TWO POINT DEADBOLT ROD LOCK

No. 6011-001 With 2 ROD GUIDES

All steel construction. For use on wood or metal doors. Furnished with two 36", 3/8" Dia. rods. 48" rods also available. Reversible for left or right hand doors. Spring holds rods in open or closed position. Furnished with anti-rattle rod guides.

Finish - Zinc plated.

Weight - 3-3/4 lbs.

TWO POINT DEADBOLT LOCK W/SAFETY RELEASE

No. 6011-001-S With 2 ROD GUIDES

Same as above but with safety release and inside handle.

Finish - Zinc plated

Weight - 4-1/4 lbs.

THREE POINT DEAD BOLT ROD LOCK

No. 6013-001 With 2 ROD GUIDES

Same as two point shown above but with 3rd locking point on center latching mechanism.

Finish - Zinc plated

Weight - 4 lbs.

THREE POINT DEADBOLT LOCK W/SAFETY RELEASE

No. 6013-001-S With 2 ROD GUIDES

Same as above but with safety release and inside handle.

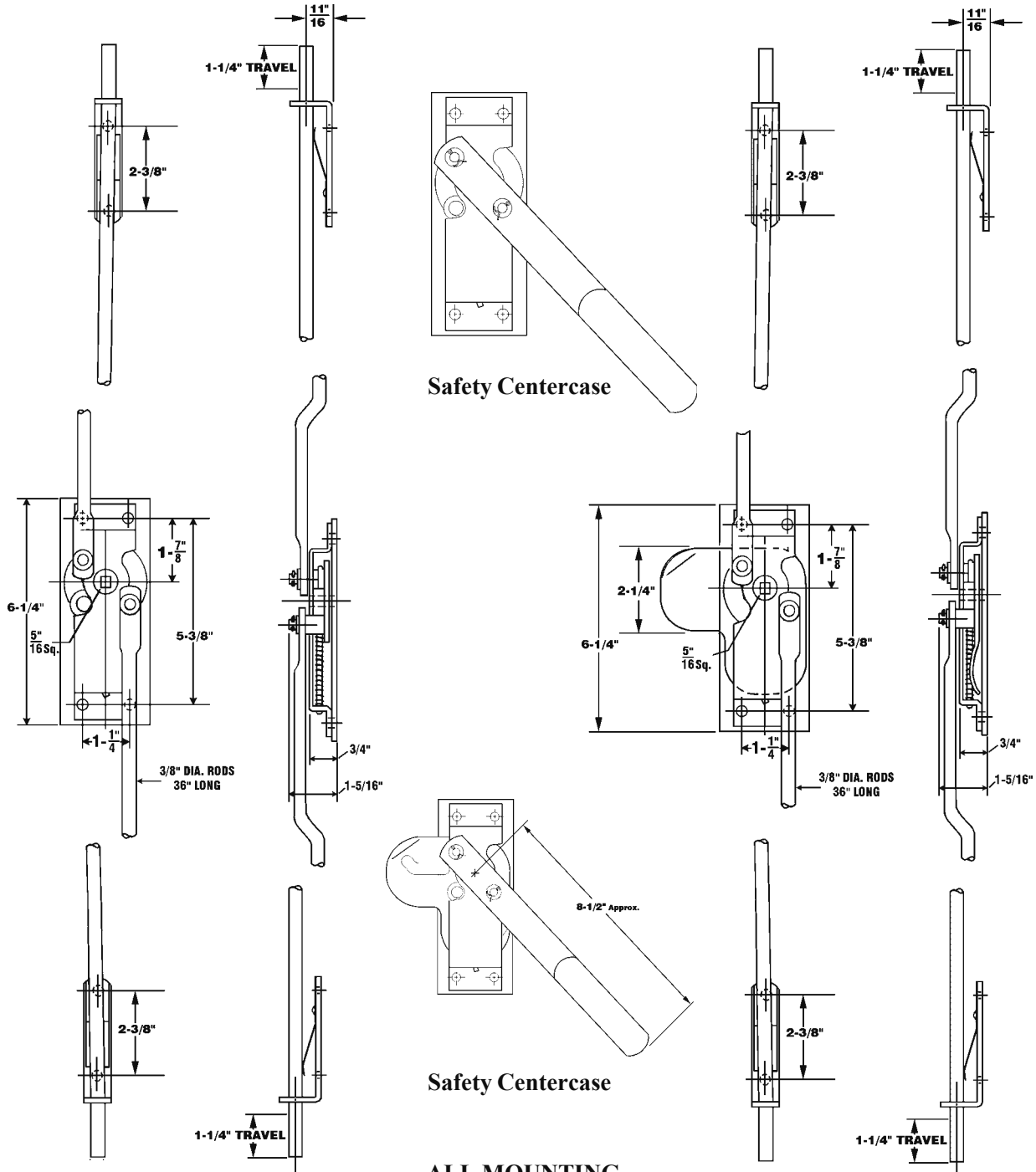
Finish - Zinc plated

Weight - 4-1/2 lbs.



MULTI-POINT LOCKS – 2 & 3 POINT

DIMENSIONAL DRAWINGS



6011-001

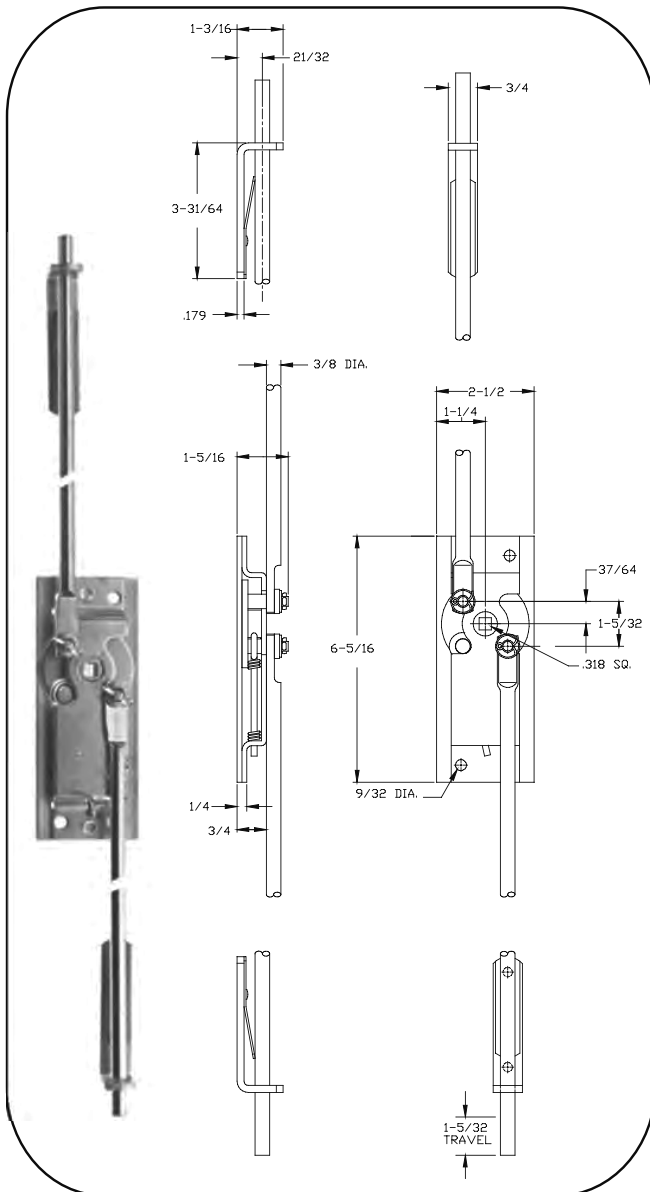
6013-001

MULTI-POINT LOCKS – 2 & 3 POINT

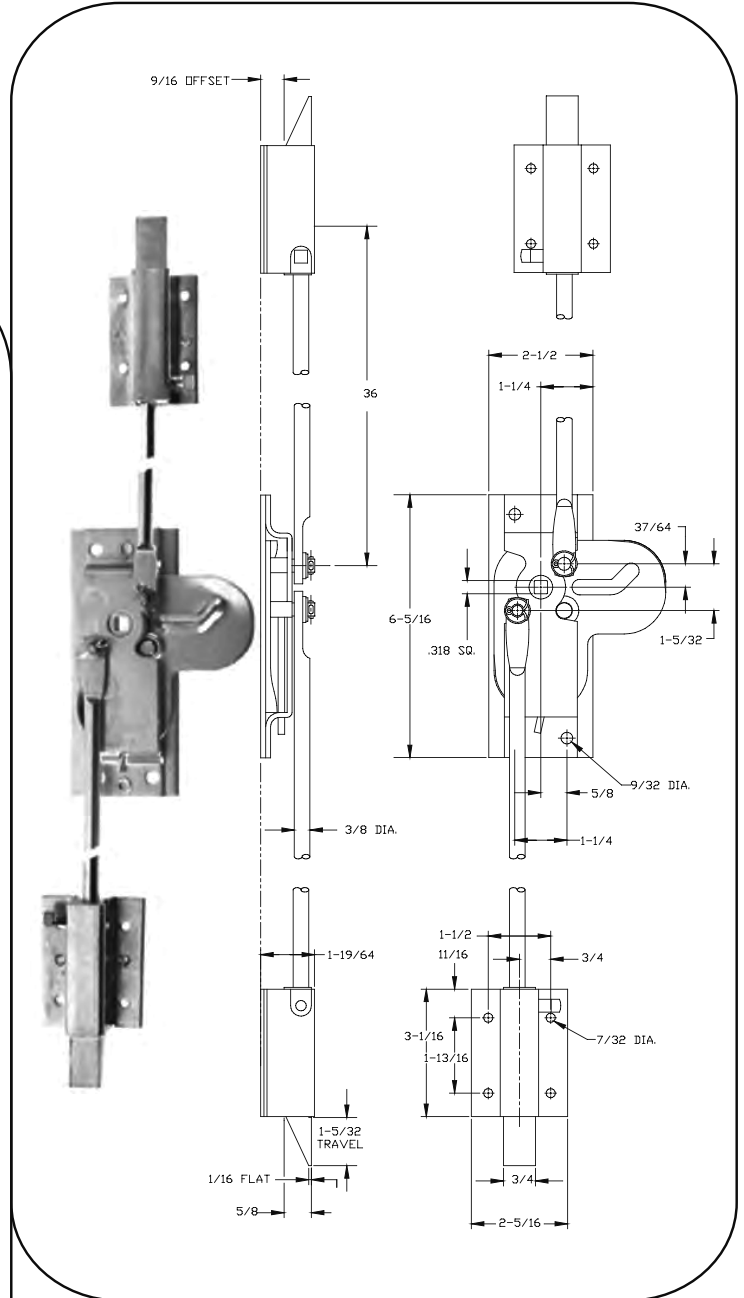
105/107 LOCK KITS

- Steel construction/zinc finish
- (1) washer kit
- Accepts 5/16" square shank

105-KIT



107-KIT



MULTI-POINT LOCKS – 2 & 3 POINT

114 SLAMMING KIT

- Steel construction/zinc finish
- (2) 114 36" rods
- (2) 90 bolts
- (1) washer kit
- Accepts 5/16" square shank
- ✓ Available with various rod lengths

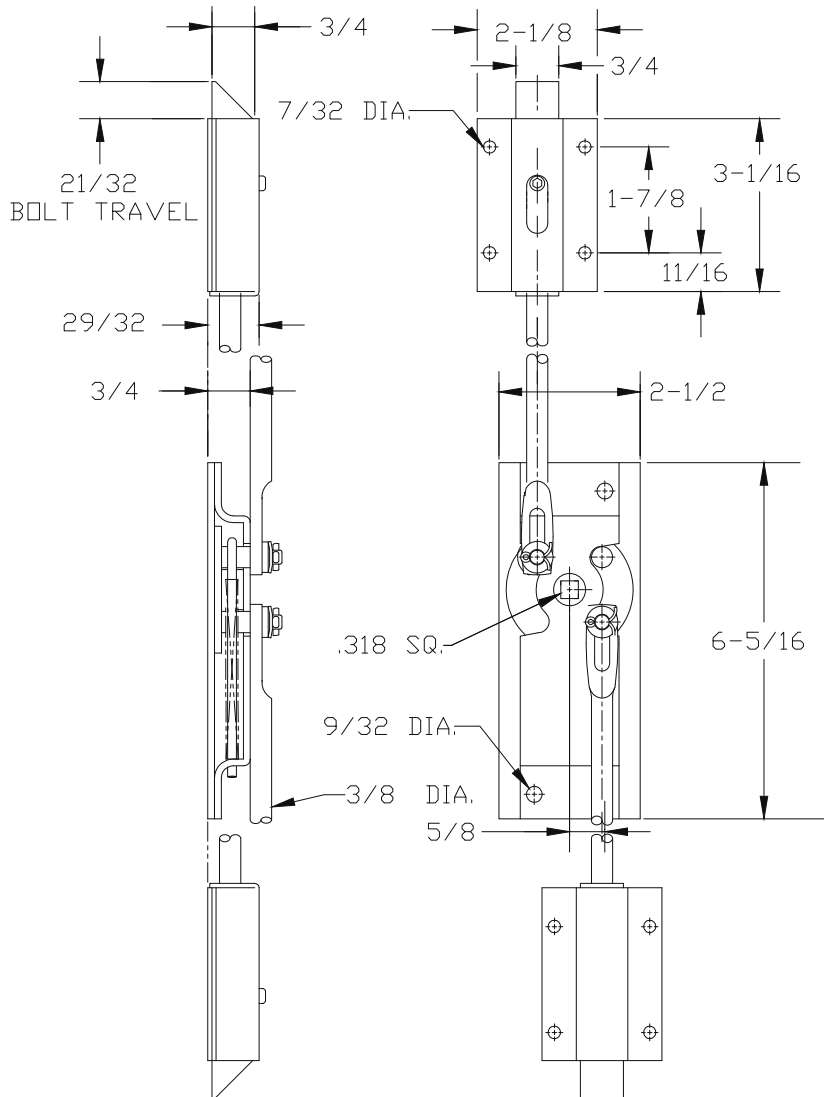
114 SLAMMING KIT ALSO USED WITH:



NO. 120 FLUSH BOLT



No. 121 OFFSET SLAM BOLT



Optional center control
114 with override/handle



114-KIT

MULTI-POINT LOCKS – 2 & 3 POINT

CENTER LOCK MECHANISM FOR USE WITH RODS OR CABLE. AVAILABLE WITH SAFETY RELEASE FEATURE.



**No. 6011-DB
(Shown)
No. 6011-SL**



**No. 6011-DB-S
(Shown)
No. 6011-SL-S**



No. 6013-C



No. 6013-CS

POSITIVE ACTION 90° ROTATION OR SLAM ACTION

These centercase mechanisms are for use with 5/16" square shank handles. They can be used with rods or cable operated endbolts.

2 POINT CENTERCASE

No. 6011-DB Deadbolt action
No. 6011-S Slam action
No. 6011-DB-S Deadbolt w/safety feature
No. 6011-SL-S Slam action w/safety feature

Finish — Zinc plated
Weight — 1-1/4 lbs.

3 POINT CENTERCASE

No. 6013-C Deadbolt action
No. 6013-CS Deadbolt w/safety feature

Can also be used where a single point latch is desired.

Finish — Zinc plated
Weight — 1-1/4 lbs.

MULTI-POINT LOCKS – 2 & 3 POINT

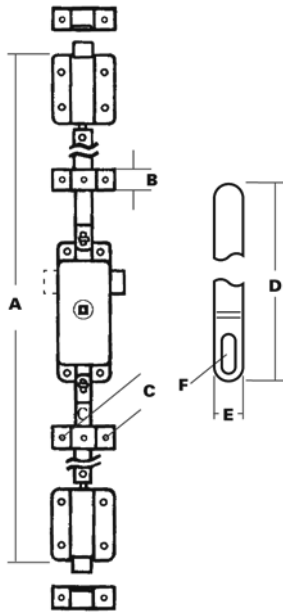
A new left-handed version has recently been developed to suit European and U.S. requirements where fittings are normally on the left-side rear doors.

ORDERING CODE

3/18341	3-way slam system, left-hand
3/18342	3-way slam system, right-hand
3/18343	2-way slam system, right-hand
3/18344	2-way slam system, left-hand

Normally supplied in boxed sets of 10 units.
All components are provided, including guides (3/18617), strikers (3/12341), rivets (19-7) and wave washers (58-21).

SPECIFICATION



Right-hand unit illustrated, left hand is identical but for position of central slam-bolt.

Standard linkage bar 3/12497 used on 3-way slam system.

- A. Max. Length of system..... 2057mm
- B. Guide plate width..... 25mm
- C. Guide hole centres..... 40mm
- D. Length of linkage bar..... 915mm
- E. Linkage bar section 12 x 3mm
..... Cranked 5mm (rolled edges)
- F. 'Free movement' slot..... 22mm

All other dimensions shown on individual component pages.
Centre bolt withdraws by 11mm maximum.

2/3-WAY SLAM SYSTEMS

These versatile systems are assembled on site from standard end-latches, together with centre case (opposite) and connecting bars. The three slam bolts act together and are withdrawn simultaneously.

Left and right-hand versions are identical apart from position of centre bolt and direction of rotation of centre follow-bush. 2-way versions do not have centre slam-bolt.

System slams shut, is opened by inside/outside handle or T-key. It can be slammed even when handle is locked, due to 'free movement' allowed by link bars.

Rotation of centre follow-bush withdraws slam bolt fully into case, also withdraws links at each end, which operates slam latches. System is handed by position of centre-bolt and direction of operation of follow-bush.

Components are fully plant-on, with 'quick fit' attachment of link bars to centre case. Plain end should be cut and drilled as required: rivets and washers are supplied with kit.

Zinc-plated throughout.

- Centre bolt omitted for 3/18343.
- Bolt can be reversed or extended to special request.
- Alternative end latches.
- Special link bars to order.



Complete right hand assembly 3/18342 (includes all items shown).

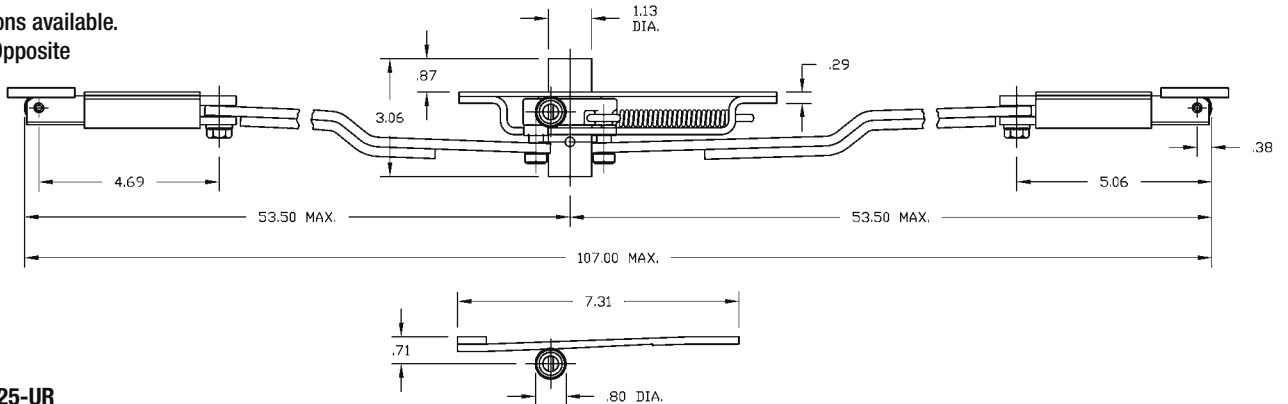
Latch is shown as mounted on inside of panel.

MULTI-POINT LOCKS – 2 & 3 POINT

No. 4-2525-UR

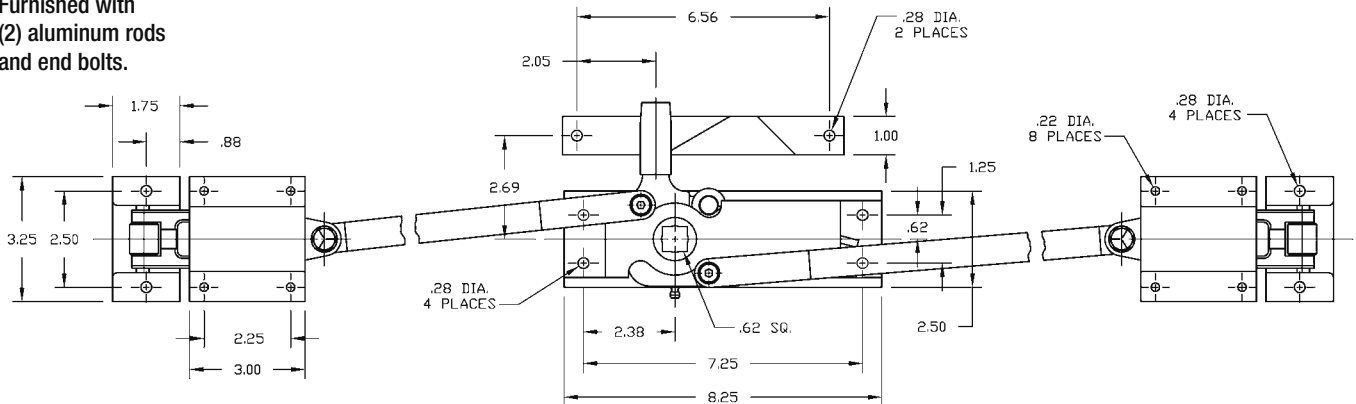
Furnished standard with (2) 48" long double reinforced welded rods.

Other versions available.
Left-Hand Opposite

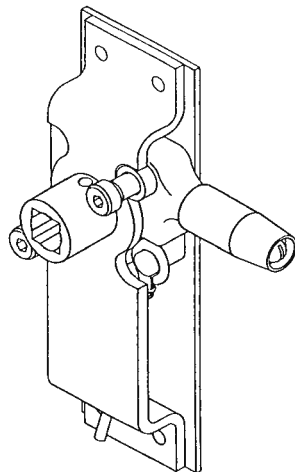


No. AL5-2525-UR

Furnished with (2) aluminum rods and end bolts.



No. 4-2525-50R&L



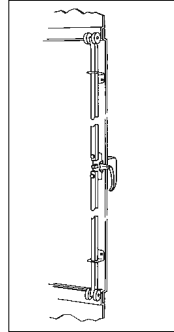
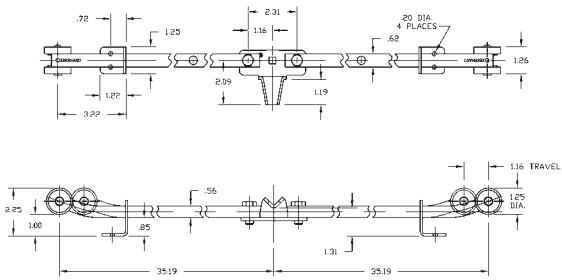
Optional Center Cases for Series 2525 Roller Latch. Other combinations available.

No. 4-2525-50R&L is the most commonly used center latch. The inside handle is attached easily by centering over hub and attaching two bolts. The stainless steel roller extends outward 2-5/16". The latch has (4) .28" dia. mounting holes, is spring-loaded and designed to be used with an inside release.

Finish: .0003 cadmium with yellow chromate per QQP416 Type II, Class II.
Weight: 3.35 lbs.

MULTI-POINT LOCKS – 2 & 3 POINT

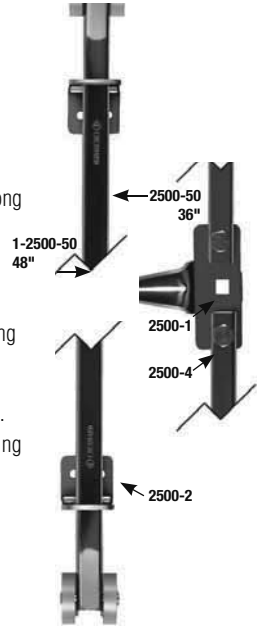
No. 2500-U



No. 2500

- Lightweight 16-gauge steel channel is as strong as rod, but offers significant cost savings.
- Riveted, long-wearing nylon rollers are extra-large diameter (1-1/4") to provide firm, snug closure.
- Easily installed on any metal cabinet (including NEMA) 72" or shorter.
- Will accept any handle with 5/16" square shank, threaded or not. Handles are available.
- Comes complete with two L-brackets for bolting or welding and center cam latch.
- 36" rod is standard on **No. 2500**. When 48" rod is desired, specify **No. 1-2500-U**.

Finish: Zinc-plated with yellow chromate



No. 2500-1

A sturdy latch activated by any handle with 5/16" square shank. Two additional rods, channels or cable may be attached for multipoint latching.

Finish: Zinc-plated with yellow chromate
Weight: .21 lbs.

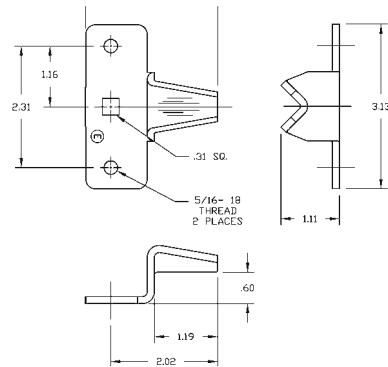
No. 9-2500-1

Offset Striker

Similar to No. 2500-1 except cam is .36" longer.



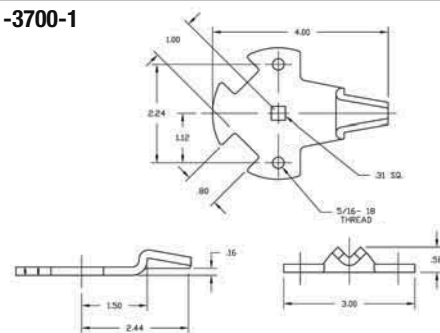
No. 2500-1



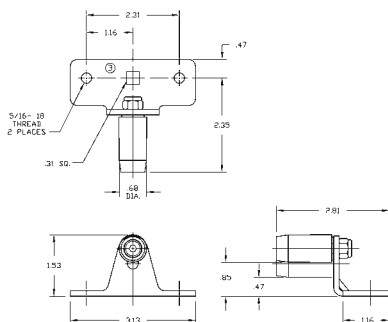
No. CL1-3700-1

Universal center latch similar to 2-2500-1. No need to order right or left.

Finish: Zinc-plated with yellow chromate
Weight: .31 lbs.



No. 3-2500-51



No. 3-2500-51

Roller Pawl Center Latch

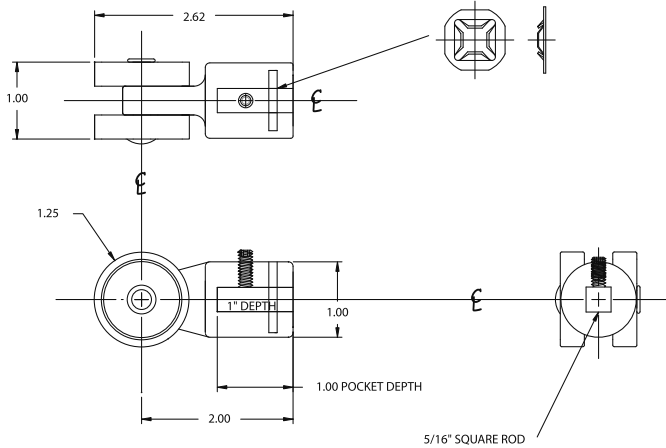
A unique variation on the No. 2500-1 center latch. The nylon roller allows smoother, more noise-free action. In addition, the roller can be adjusted for precise fit.

Finish: Zinc-plated with yellow chromate
Weight: .22 lbs.



MULTI-POINT LOCKS – 2 & 3 POINT

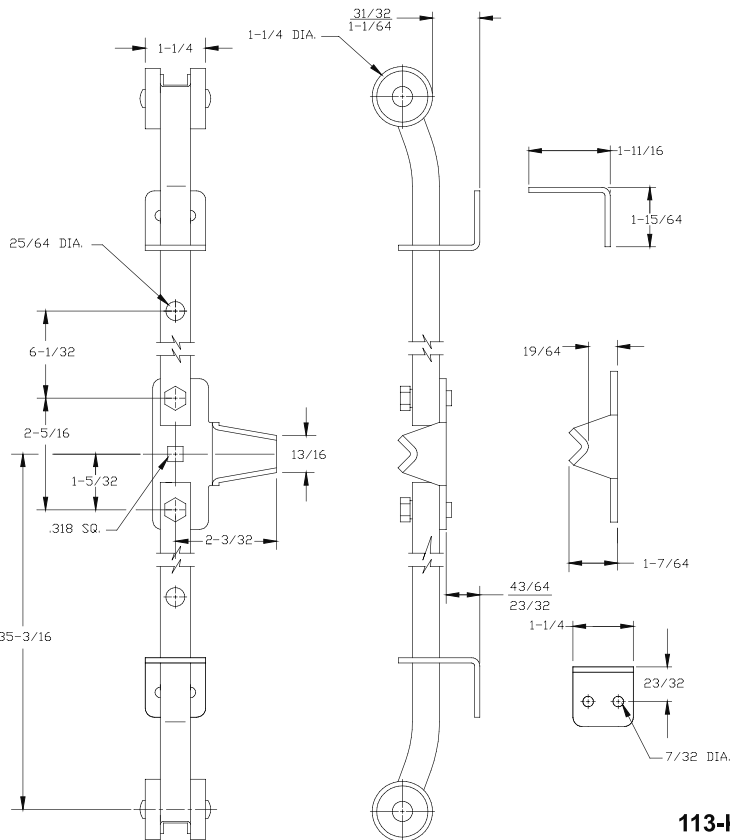
No. 16722-50PK



No. 16722-50PK

Patent Pending

Cast end fitting with nylon rollers designed for 5/16" round or square rod applications, the nylon roller offers ease of actuation of any dead bolt latch. Mounting is achieved by inserting the retaining clip through the side of the casting and inserting the rod. The rod can be further retained by tightening the set screw on the side of the cast body. The design allows the user to use straight rod cut to length and add the end fitting as required. Zinc finish.



113-KIT

113 DOOR LOCK KIT

- Steel construction/zinc finish
- (2) 35" roller rods
- (1) 113 center cam
- (2) "L" brackets
- (2) 113 shoulder screws
- Accepts 5/16" square shank
- ✓ Available in aluminum
- ✓ Specify no. 113-6 for heavy cam
- ✓ Available with roller cam
- ✓ Specify no. 113-48 for 48" rods
- ✓ Available with stainless steel rods

optional cams are available with an adjustable bushing.



This eliminates the need for a threaded shaft, thus reducing cost.

OPTIONAL CAMS



113-6

113-R

MULTI-POINT LOCKS – 2 & 3 POINT

No. 5624-U

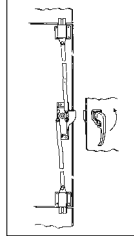
For large, heavy door applications which need to stand up under strenuous service use.

Three-point locking. Liberal slide bolt travel assures a positive grip. Can be used on right- or left-hand installations.

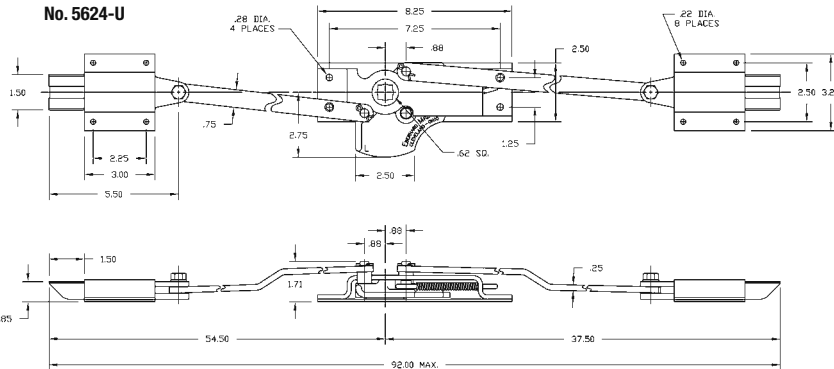
Recommended outside handle is **No. 5624-52** Padlock type with 5/8" square shank. Handles must be ordered separately.

Finish: Zinc-plated

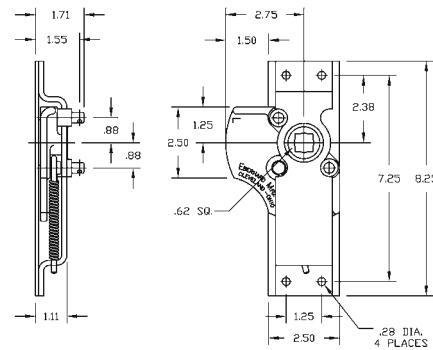
No. 5624-U



No. 5624-U



No. 5624-50U



No.	Options	Variations	Weight
5624-U	3-Point		10.63 lbs.
5624-50U	Single-Point	Center case only	3.25 lbs.
81-5624-U	3-Point	48" rods	x.xx lbs.
5631-14		48" upper rod	x.xx lbs.
5631-15		32" lower rod	x.xx lbs.

All parts shipped including end bolts.

No. 5624-P24
Same as 5624-U except less rods.

No. 15924
Keeper

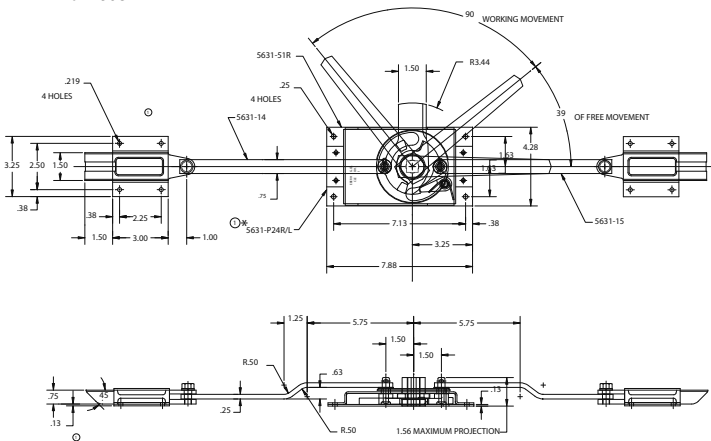
No.	Options	Variations	Weight
A23-5624-50U	Single-Point	Aluminum center case with long reach cam	1.69 lbs.
A25-5624-50U*	Same as above	Less spring	1.54 lbs.

Other versions available.

*82X and 82XX indicate packed four sets to a box.

No. 5631-UR&L

With rods.



No. 5631-P24R&L

Same as 5631-UR/L less rods.

No. 5631-51R&L

Center case.

No. 5631-UR&L Heavy-Duty 3-Point Door Lock.

Fastens doors at top, bottom and center. Lock cannot work open because a trigger automatically secures rods in closed position and only a deliberate turn of handle from base releases them. Slide bolts extra heavy with a travel of 1-1/2" to furnish a good grip in body sills.

Cases made of heavy gauge steel. Rods are flat steel and lie close to surface of door. Can be used on doors up to 3" thick and 7-1/2' high. Also easily fitted to thinner and shorter doors. Available in right- or left-hand. Indicate hand required when ordering.

Recommended outside handles are **No. 5624-52** Padlock type. Handles ordered separately.

Dimensions:

7-7/8"	length of center case
4-9/32"	width of center case
3"	length slide bolt cases
3-1/4"	width slide bolt cases
1-1/2"	width of slide bolt cases
3/4"	thickness of slide bolts
48"	length upper rod
31"	length lower rod

11.25 lbs. weight each

Finish: Cadmium .0003 per QQP416 Type II Class II.

MULTI-POINT LOCKS – 2 & 3 POINT

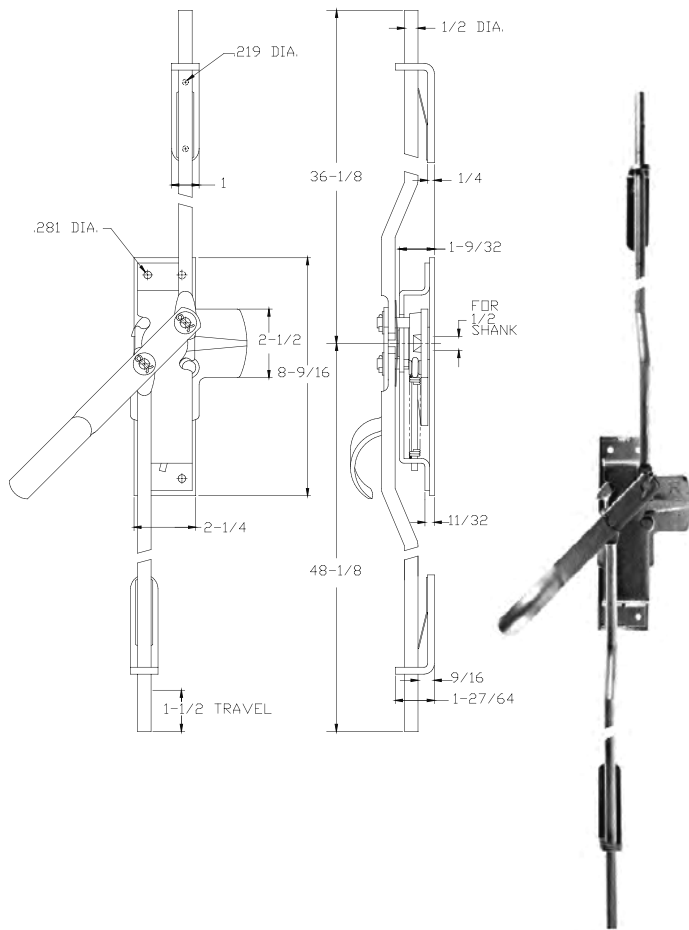
311-A DOOR LOCK KIT

- Steel construction/zinc finish
- (1) 311 center control w/override
- (1) 111 36" round rod
- (1) 111 48" round rod
- (2) 211 rod guides
- (1) Washer kit
- (1) Inside handle
- (1) Anti-rattle spring
- Accepts 1/2" square shank
- ✓ Available with 5/8" square shank hole
- ✓ Available without override
- ♦ Use with 111-A or 111-C handles

311-B DOOR LOCK KIT

- Steel construction/zinc finish
- (1) 311 center control w/override
- (1) 311 36" flat rod
- (1) 311 48" flat rod
- (2) 311 bolts
- Accepts 1/2" square shank
- ✓ Available with 5/8" square shank hole
- ✓ Available with round holes
- ✓ Available with slamming option (specify 311-AH)
- ✓ Available without override
- ✓ Available with round rod & bolt combination (See FIG. 1)

311A-KIT



311B-KIT

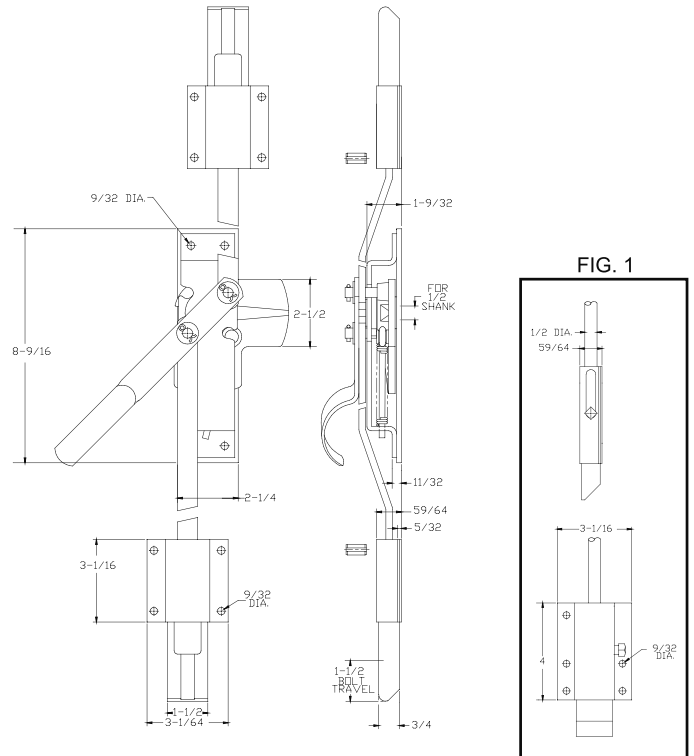
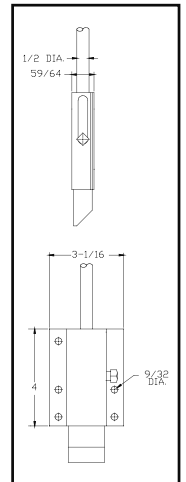


FIG. 1



MULTI-POINT LOCKS – 2 & 3 POINT

HEAVY DUTY 3 PT. DEAD BOLT LOCK WITH OUTSIDE HANDLE No. 7011

For rear and side doors. Inside handle available if desired.

Specifications:

Material — Steel with steel bolts, the 7011 features a tapered center bolt for a positive cam latch at center position. Reversible, may be used on right or left hand doors. For outside handle use 7011-B or 7011-L with 5/8" square shank.

Supplied with center case, top and bottom end bolts
One 36" steel rod & one 48" steel rod. Rod 1/4" x 3/4".

Finish — Zinc Plated Weight — 17 lbs.

No. 7011-C CENTERCASE ONLY

For use where a single point dead bolt lock is desired.

Specifications:

Steel case with steel bolt. Bolt is tapered for positive cam latching. Universal for right and left hand doors. If outside handle is required use No. 7011-B or 7011-L with 5/8 square shank.

Weight — 3 lbs.

OUTSIDE HANDLES FOR USE WITH 7011 LOCKS

No. 7011-B Padlocking Handle

Steel handle with 5/8" shank.

Wt: 3.0 lbs Note: Padlock not included

Finish — Casting is zinc plated and powder coated.

Mounting plate and shank are zinc plated

No. 7011-B-SS Stainless Steel Padlocking Handle

S.S. Padlocking handle with 5/8" shank.

Note: Padlock not supplied Wt: 3.0 lbs

No. 7011-L Keylocking Handle

Steel handle with 5/8" steel shank has push button locking cylinder. Available keyed-alike or keyed misc.

Wt: 3.0 lbs Finish — Casting is zinc plated and powder coated. Mounting plate is zinc plated. Wt. 3.0 lbs

No. 7011-LN Keylocking Handle

Steel, 5/8" steel shank, narrow mounting plate, push button locking cylinder; available keyed alike or miscellaneous.

Wt: 3.0 lbs Finish — Casting is zinc plated and powder coated.

No. 7011-LN-SS Stainless Steel Keylocking Handle

S.S. Keylocking handle, stainless steel, 5/8" shank, narrow mounting plate, push button cylinder available keyed alike or miscellaneous. Wt: 3.0 lbs



No. 7011-C

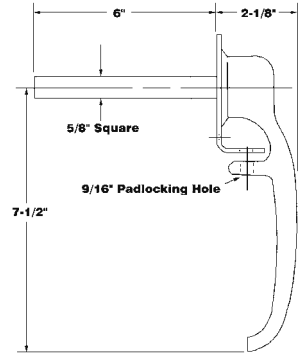
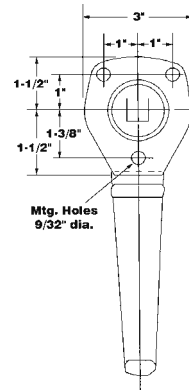
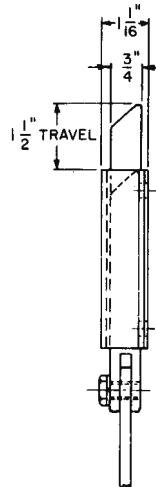
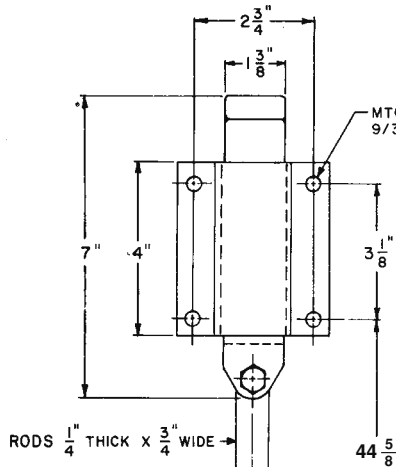
**No. 7011-B
7011-B-SS**

No. 7011-L

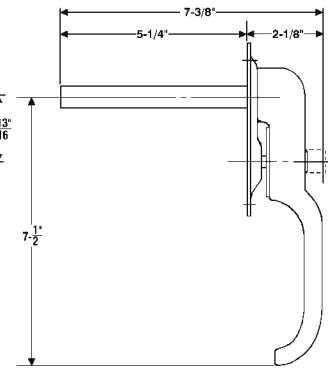
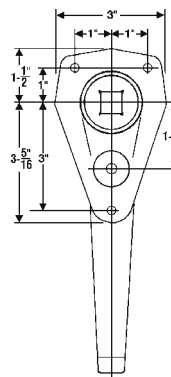
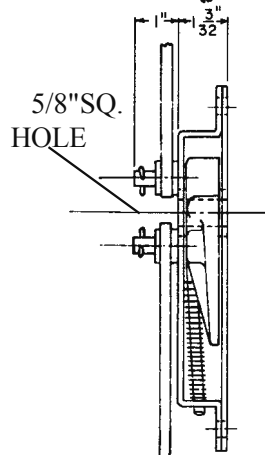
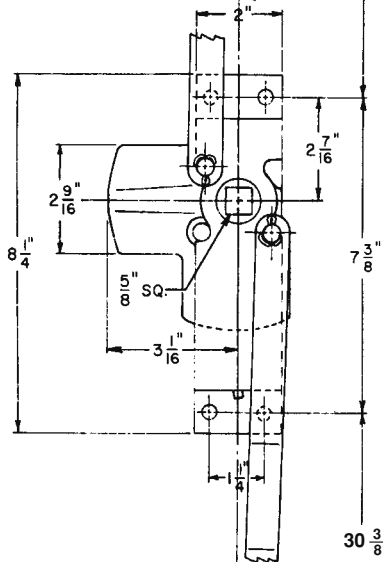
**No. 7011-LN
7011-LN-SS**

MULTI-POINT LOCKS – 2 & 3 POINT

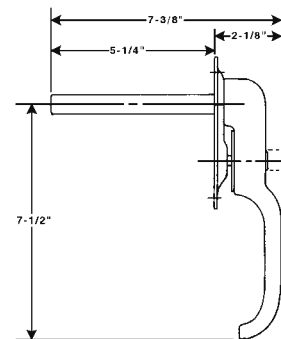
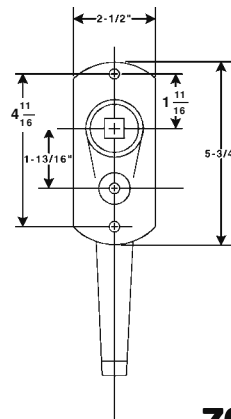
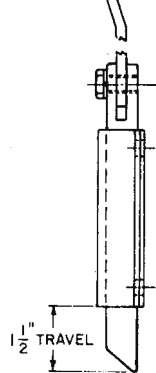
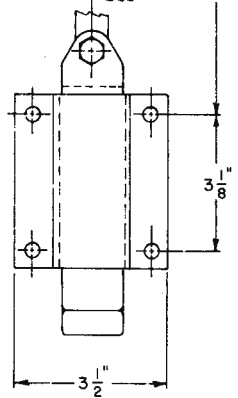
DIMENSIONAL DRAWINGS



7011-B
7011-B-SS



7011-L



7011-LN
7011-LN-SS

7011