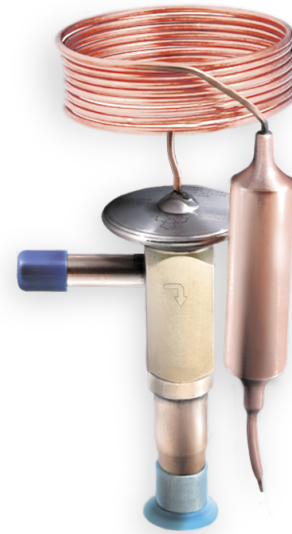




RFGB SERIES

THERMOSTATIC EXPANSION VALVE

RFGB series thermostatic expansion valves are used to adjust mass flow of refrigerant into the evaporator while controlling the refrigerant's superheat at the outlet of the evaporator. They can be used for various refrigerants under all working conditions. Typical applications are refrigeration systems like commercial refrigerators and freezers, icemakers, dehumidifiers as well as air conditioners at various evaporation temperature. RFGB 06 series has been designed and optimized for application with propane (R290).

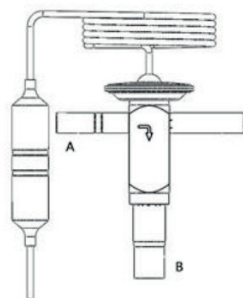


FEATURES

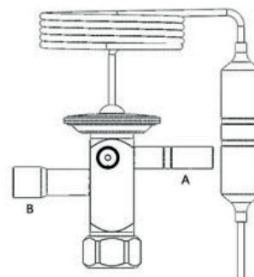
- COMPACT DESIGN WITH BUILD-IN ORIFICE
- WARM THERMO HEAD CONSTRUCTION
- ALL CONNECTIONS PIPES ARE COMPLETELY IN COPPER
- VALVES WITH MOP FUNCTION CAN BE PROVIDED TO ASSURE RELIABLE COMPRESSOR OPERATION
- APPLICABLE IN A WIDE EVAPORATION TEMPERATURE RANGE
- RELIABLE AND CONSISTENT PERFORMANCE OF SUPERHEAT CONTROL

GENERAL SPECIFICATION

- Applicable for all common HCFC and HFC refrigerants such as: R22, R134a, R404A, R407C, R507A...
- Ambient temperature min./max.: -35/+55°C
- Medium temperature TS min./max.: -40°C / +70°C
- Max. operating pressure PS: 3,5 MPa (35 bar)
- Installation position: - Preferably valve head upwards
- Flow direction from inlet A to outlet B
- Certifications: UL/CSA and PED declaration



Angle version



Straight version

THERMOSTATIC EXPANSION VALVE



TECHNICAL PARAMETERS

- RFGB valve available in straight shape with adjustable superheat on site
- RFGB valve available in angle shape with fixed factory superheat settings
- Both versions are available with the following solder connections
 - Metric: Inlet 6mm ODF/ Outlet 10mm ODF or Inlet 10mm ODF/ Outlet 12mm ODF
 - Imperial: Inlet 1/4" ODF/ Outlet 3/8" ODF or Inlet 3/8" ODF/ Outlet 1/2" ODF
- Equalization port available as option:
 - Metric: 6mm ODF (available for models with metric solder connections)
 - Imperial: 1/4" ODF (available for models with imperial solder connections)
- Capillary tube length 800mm

MODEL DESIGNATION LEGEND

Position Number	Model Designation Legend	
1	Product Code	Product Series
	RFGB	Thermostatic expansion valve with built-in orifice
2	Refrigerant	Description
	1	R22
	2	R407C
	3	R404A / R507A
	4	R134a
	6	R290
3	Pressure Equalization	Description
	E	External pressure equalization
	(Omitted)	Internal pressure equalization
4	Valve Size	Internal Orifice Size
	From 1 to 5	Valve size: proportional to the orifice size and to the nominal capacity
5	Valve Shape	Description
	S	Straight Version
	A	Angle Version
6	Connections Type	Description
	Mx	Metric: M6 inlet 6mm ; M10 inlet 10mm
	Ix	Imperial: I2 inlet 1/4" ; I3 inlet 3/8"
7	Miscellaneous	Description
	xxx	Digits for additional information e.g. static superheat, MOP, Bleed...



MODEL DESIGNATION EXAMPLE

Position Number					According to Model Designation Legend
1	2	3	4	5	
R	F	G	B		Thermostatic expansion valve with build-in orifice
	04	E	1.0	xxx	Refrigerant: R134a
	0 4	E	1.0	xxx	With connection for external pressure equalization
	04	E	1.0	xxx	Nominal Capacity (expressed in USRT)
	04	E	1.0	xxx	Additional digits
	04	E	1.0	xxx	



MODELS DESIGNATION (VALVE HEAD)



Code	Description
GB06E-1.0-518	Model
-40/+10°C	Evaporating temperature (°C)
-40/+50°F	Evaporating temperature (°F)
R290	Refrigerant
MWP 3.5Mpa	Max. Working Pressure (MPa)
MWP 505psig	Max. Working Pressure (Psig)

FIXING BULB OPTIONS

For customized RFGB thermostatic expansion valves it is possible to select the preferred bulb mounting element. The available options are the following two:

Strap		Suitable for Tube diameter: 1/4"; 3/8"; 1/2"; 5/8"; 3/4"; 7/8"; 1"
Clip		Suitable for Tube diameter: 1/4"; 3/8"; 1/2"


TECHNICAL DATA

Nominal Cooling Capacities ¹⁾²⁾						
Refrigerant	Size	Model Name ⁴⁾	Drawing	Capacity		PS
				[USRT]	[kW]	[MPa]
R22	0	RFGB 01(E) -0	RFGB01(E)-0.17-xxx	0,17	0,60	3,5
	1	RFGB 01(E) -1	RFGB01(E)-0.35-xxx	0,35	1,20	
	2	RFGB 01(E) -2	RFGB01(E)-0.7-xxx	0,70	2,50	
	3	RFGB 01(E) -3	RFGB01(E)-1.0-xxx	1,00	3,50	
	4	RFGB 01(E) -4	RFGB01(E)-1.5-xxx	1,50	5,30	
	5	RFGB 01(E) -5	RFGB01(E)-2.0-xxx	2,00	7,00	
R407C ³⁾	0	RFGB 02(E) -0	RFGB02(E)-0.19-xxx	0,19	0,67	3,5
	1	RFGB 02(E) -1	RFGB02(E)-0.38-xxx	0,38	1,30	
	2	RFGB 02(E) -2	RFGB02(E)-0.76-xxx	0,76	2,70	
	3	RFGB 02(E) -3	RFGB02(E)-1.1-xxx	1,10	3,90	
	4	RFGB 02(E) -4	RFGB02(E)-1.6-xxx	1,60	5,60	
	5	RFGB 02(E) -5	RFGB02(E)-2.2-xxx	2,20	7,70	
R404A / R507	0	RFGB 03(E) -0	RFGB03(E)-0.13-xxx	0,13	0,50	3,5
	1	RFGB 03(E) -1	RFGB03(E)-0.25-xxx	0,25	0,90	
	2	RFGB 03(E) -2	RFGB03(E)-0.5-xxx	0,50	1,80	
	3	RFGB 03(E) -3	RFGB03(E)-0.7-xxx	1,70	2,50	
	4	RFGB 03(E) -4	RFGB03(E)-1.0-xxx	1,00	3,50	
	5	RFGB 03(E) -5	RFGB03(E)-1.4-xxx	1,40	4,90	
R134a	0	RFGB 04(E) -0	RFGB04(E)-0.12-xxx	0,12	0,40	3,5
	1	RFGB 04(E) -1	RFGB04(E)-0.23-xxx	0,22	0,80	
	2	RFGB 04(E) -2	RFGB04(E)-0.44-xxx	0,44	1,50	
	3	RFGB 04(E) -3	RFGB04(E)-0.63-xxx	0,63	2,20	
	4	RFGB 04(E) -4	RFGB04(E)-0.94-xxx	0,94	3,30	
	5	RFGB 04(E) -5	RFGB04(E)-1.3-xxx	1,30	4,60	
R290	0	RFGB 06(E) -0	RFGB06(E)-0.17-xxx	0,17	1,69	3,5
	1	RFGB 06(E) -1	RFGB06(E)-0.35-xxx	0,35	1,20	
	2	RFGB 06(E) -2	RFGB06(E)-0.7-xxx	0,70	2,50	
	3	RFGB 06(E) -3	RFGB06(E)-1.0-xxx	1,00	3,50	
	4	RFGB 06(E) -4	RFGB06(E)-1.5-xxx	1,50	5,30	
	5	RFGB 06(E) -5	RFGB06(E)-2.0-xxx	2,00	7,00	

Note:

- 1) Nominal capacity valid for: - Version "S" in straight shape and version "A" in angle shape
- Versions with metrical and imperial connections
- 2) Nominal working conditions: Condensing temperature: 38°C; evaporating temperature +4.4°C; Liquid temperature 37°C
- 3) R407C data based on dew point conditions
- 4) Model Name in this table is referred to the first 4 positions of the model designation

THERMOSTATIC EXPANSION VALVE



MODEL LIST

Evaporation Temp. Range to = +10...-40°C¹⁾

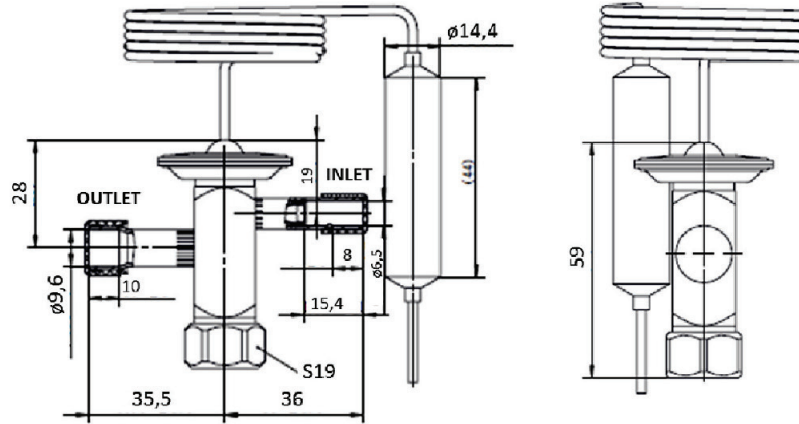
Model Name ^{2) 3) 4) 5)}				Connections Size (Solder ODF)					
Valve Body All Refrigerants	Capacity Size All Sizes	Valve Shape ⁶⁾ Straight / Angle	Pipe connections Metric / Imperial	Inlet		Outlet		Pressure Equal.	
				[mm]	[inch]	[mm]	[inch]	[mm]	[inch]
RFGB 01 - RFGB 02 - RFGB 03 - RFGB 04 - RFGB 06 -	0 - 1 - 2 - 3 - 4 - 5 -	S -	M6	6	-	10	-	-	-
			M10	10	-	12	-	-	-
			2	-	1/4	-	3/8	-	-
		A -	3	-	3/8	-	1/2	-	-
			M6	6	-	10	-	-	-
			M10	10	-	12	-	-	-
RFGB 01E - RFGB 02E - RFGB 03E - RFGB 04E - RFGB 06E -	0 - 1 - 2 - 3 - 4 - 5 -	S -	M6	6	-	10	-	6	-
			M10	10	-	12	-	6	-
			2	-	1/4	-	3/8	-	1/4
		A -	3	-	3/8	-	1/2	-	1/4
			M6	6	-	10	-	6	-
			M10	10	-	12	-	6	-
			2	-	1/4	-	3/8	-	1/4
			3	-	3/8	-	1/2	-	1/4

Note:

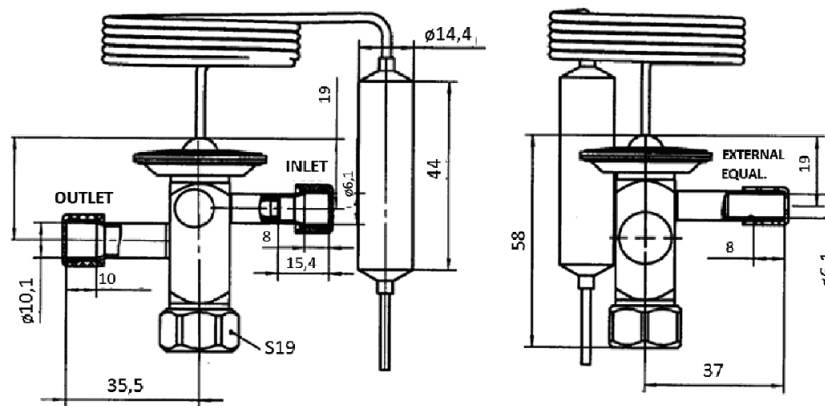
- 1) Different evaporation temperature range on request
- 2) Extent of delivery: valve body and bulb strap
- 3) MOP function on request
- 4) Delivery time on request
- 5) Model Name in this table is referred to the first 6 positions of the model designation
- 6) Superheat : - Straight version "S" with adjustable settings
- Angle version "A" with fixed factory settings



DIMENSIONS



Straight Shape with Internal Pressure Equalization

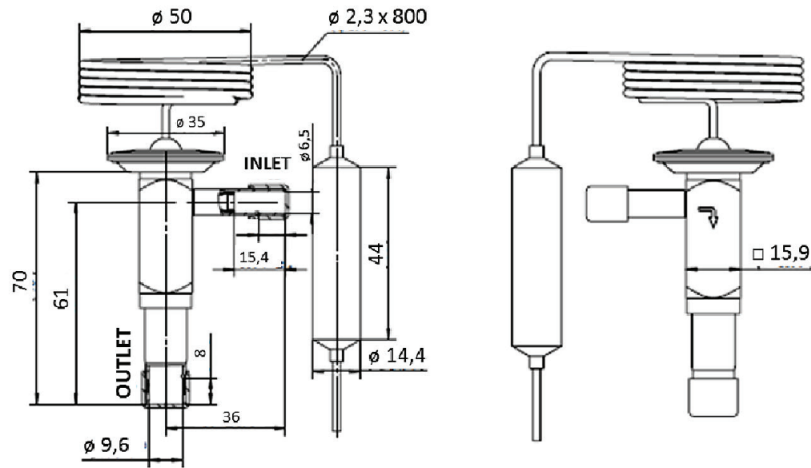


Straight Shape with External Pressure Equalization

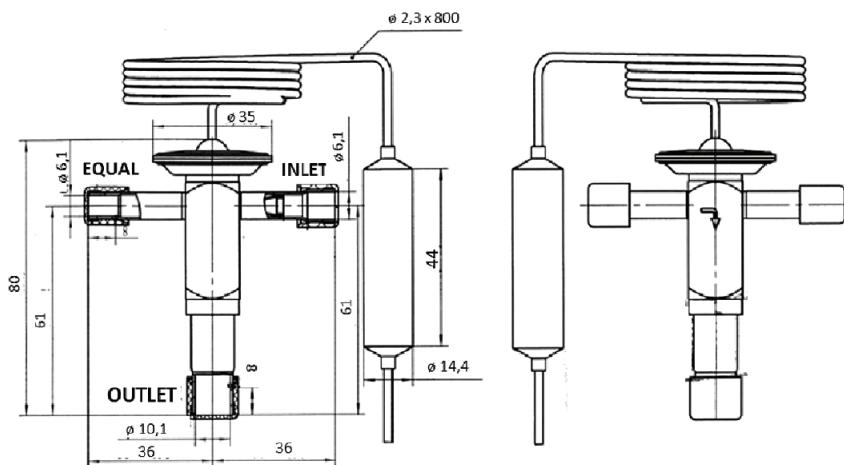
THERMOSTATIC EXPANSION VALVE



DIMENSIONS



Angle Shape with Internal Pressure Equalization



Angle Shape with External Pressure Equalization

For complete product family information please visit us at www.sanhuaeurope.com and download the full range of datasheet at TECHNICAL INFORMATION LINK.