

VR Series, 2 x 3/2, 5/2 or 5/3 Valve Manifolds



- > Vertical or Horizontal 24V DC Multipole
- > Industrial Ethernet and IO-Link
- > 10/15mm Valve Manifolds
- > Modular system offering a wide range of configuration options
- > LED indicator of solenoid function
- > No restriction in installation
- > Up to 24 solenoids
- > Easy to replace valves and fittings
- > IP40 or IP65 protection
- > To configure and order a valve manifold visit - www.norgren.com



Technical features

Medium:

Compressed air, filtered to 40 µm, lubricated or non-lubricated

Operation:

Dynamic softseal spool valve, solenoid pilot operated

Flow:

VR10

Function	l/min	Cv	Kv
5/2	220	0.22	0.20
5/3	270	0.27	0.24
2 x 3/2	220	0.22	0.20

VR15

Function	l/min	Cv	Kv
5/2	520	0.53	0.47
5/3	590	0.60	0.54
2 x 3/2	460	0.47	0.42

Mounting:

Sub-base

Ports 1, 3 & 5 (P,E):

VR10: PIF 8 mm, 5/16"
VR15: PIF 10 mm, 3/8"

Ports 2 & 4 (A,B):

VR10: PIF 4 mm, 6 mm, 5/32", 1/4"
VR15: PIF 4 mm, 6 mm, 8 mm, 5/32", 1/4", 5/16"

Operating pressure:

Maximum pressure 101 psi (7 bar). Details of minimum and maximum pilot pressure see overleaf

Media/Ambient temperature:

+23 ... 122°F (-5 ... +50°C)
Air supply must be dry enough to avoid ice formation at temperatures below +35°F (+2°C).

Materials:

Body:

ZnDC and ADC
Spool: Aluminium
Seal: NBR
Sub-base: PA66

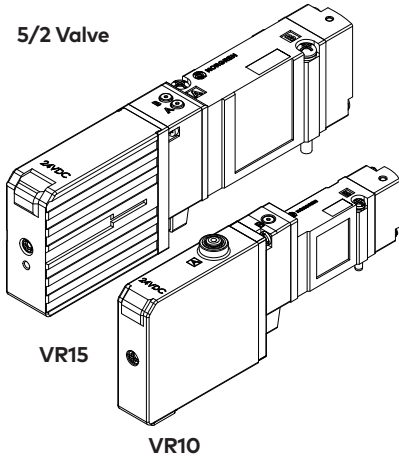
Electrical details for solenoid operators

Supply voltage*:	12 V d.c. & 24V d.c.
Power consumption*:	12 V d.c. & 24 V d.c 0.45W (Energy saving type)
Manual override:	Push only
Rating:	100% E.D.
Indication:	LED red/green
Surge suppression:	surge protecting circuit is equipped
Protection class:	IP40 or IP65

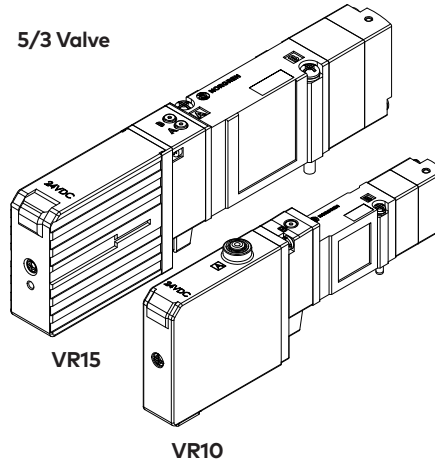
*12V d.c. valves only for Multipole

Technical data valve

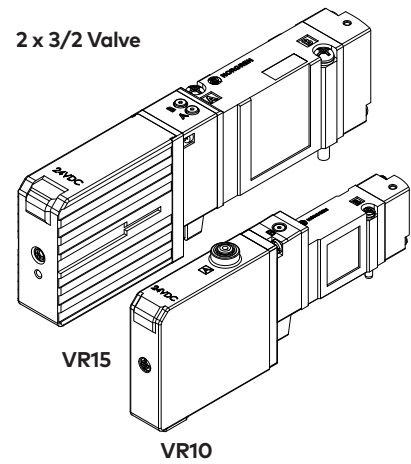
5/2 Valve



5/3 Valve



2 x 3/2 Valve

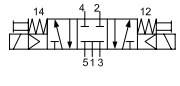
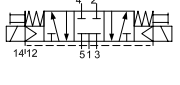
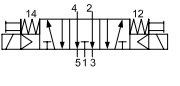
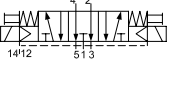
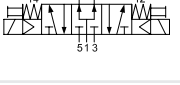
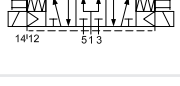


5/2 Single and double solenoid actuated valves

Symbol	Series	Function	Actuation	Pilot Supply	Pilot Pressure (psi)	Pilot Pressure (bar)	Operating Pressure (psi)	Operating Pressure (bar)	Manual Override	Voltage *1)	Weight (lbs / kg)	Model PNP
	VR10	5/2	Sol./Sol.	Internal	29-101	2-7	29-101	2-7	Push only	24 V d.c.	0.1518 / 0.069	VR10S511BV313A
	VR15	5/2	Sol./Sol.	Internal	29-101	2-7	29-101	2-7	Push only	24 V d.c.	0.2046 / 0.093	VR15S511BV313A
	VR10	5/2	Sol./Sol.	Internal	29-101	2-7	29-101	2-7	Push only	12V d.c.	0.1518 / 0.069	VR10S511BV312A
	VR15	5/2	Sol./Sol.	Internal	29-101	2-7	29-101	2-7	Push only	12V d.c.	0.2046 / 0.093	VR15S511BV312A
	VR10	5/2	Sol./Sol.	External	29-101	2-7	-14.5-101	-1-7	Push only	24 V d.c.	0.1518 / 0.069	VR10S522BV313A
	VR15	5/2	Sol./Sol.	External	29-101	2-7	-14.5-101	-1-7	Push only	24 V d.c.	0.2046 / 0.093	VR15S522BV313A
	VR10	5/2	Sol./Sol.	External	29-101	2-7	-14.5-101	-1-7	Push only	12V d.c.	0.1518 / 0.069	VR10S522BV312A
	VR15	5/2	Sol./Sol.	External	29-101	2-7	-14.5-101	-1-7	Push only	12V d.c.	0.2046 / 0.093	VR15S522BV312A
	VR10	5/2	Sol./Spring	Internal	29-101	2-7	29-101	2-7	Push only	24 V d.c.	0.1342 / 0.061	VR10S513BV313A
	VR15	5/2	Sol./Spring	Internal	29-101	2-7	29-101	2-7	Push only	24 V d.c.	0.1848 / 0.084	VR15S513BV313A
	VR10	5/2	Sol./Spring	Internal	29-101	2-7	29-101	2-7	Push only	12V d.c.	0.1342 / 0.061	VR10S513BV312A
	VR15	5/2	Sol./Spring	Internal	29-101	2-7	29-101	2-7	Push only	12V d.c.	0.1848 / 0.084	VR15S513BV312A
	VR10	5/2	Sol./Spring	External	29-101	2-7	-14.5-101	-1-7	Push only	24 V d.c.	0.1342 / 0.061	VR10S523BV313A
	VR15	5/2	Sol./Spring	External	29-101	2-7	-14.5-101	-1-7	Push only	24 V d.c.	0.1848 / 0.084	VR15S523BV313A
	VR10	5/2	Sol./Spring	External	29-101	2-7	-14.5-101	-1-7	Push only	12V d.c.	0.1342 / 0.061	VR10S523BV312A
	VR15	5/2	Sol./Spring	External	29-101	2-7	-14.5-101	-1-7	Push only	12V d.c.	0.1848 / 0.084	VR15S523BV312A

*1) 12V d.c. valves only for Multipole / all solenoids are a 0.45W energy saving type

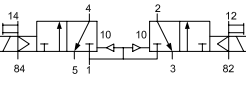
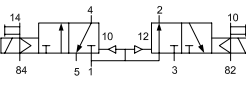
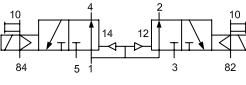
5/3 Single and double solenoid actuated valves

Symbol	Series	Function	Actuation	Pilot Supply	Pilot Pressure (psi)	Pilot Pressure (bar)	Operating Pressure (psi)	Operating Pressure (bar)	Manual Override	Voltage *1)	Weight (lbs / kg)	Model PNP
	VR10	5/3	APB	Internal	29-101	2-7	29-101	2-7	Push only	24 V d.c.	0.1562 / 0.071	VR10S611BV313A
	VR15	5/3	APB	Internal	29-101	2-7	29-101	2-7	Push only	24 V d.c.	0.22 / 0.1	VR15S611BV313A
	VR10	5/3	APB	Internal	29-101	2-7	29-101	2-7	Push only	12V d.c.	0.1562 / 0.071	VR10S611BV312A
	VR15	5/3	APB	Internal	29-101	2-7	29-101	2-7	Push only	12V d.c.	0.22 / 0.1	VR15S611BV312A
	VR10	5/3	APB	Extern	29-101	2-7	-14.5-101	-1-7	Push only	24 V d.c.	0.1562 / 0.071	VR10S622BV313A
	VR15	5/3	APB	Extern	29-101	2-7	-14.5-101	-1-7	Push only	24 V d.c.	0.22 / 0.1	VR15S622BV313A
	VR10	5/3	APB	Extern	29-101	2-7	-14.5-101	-1-7	Push only	12V d.c.	0.1562 / 0.071	VR10S622BV312A
	VR15	5/3	APB	Extern	29-101	2-7	-14.5-101	-1-7	Push only	12V d.c.	0.1 / 0.22	VR15S622BV312A
	VR10	5/3	COE	Internal	29-101	2-7	29-101	2-7	Push only	24 V d.c.	0.1562 / 0.071	VR10S711BV313A
	VR15	5/3	COE	Internal	29-101	2-7	29-101	2-7	Push only	24 V d.c.	0.22 / 0.1	VR15S711BV313A
	VR10	5/3	COE	Internal	29-101	2-7	29-101	2-7	Push only	12V d.c.	0.1562 / 0.071	VR10S711BV312A
	VR15	5/3	COE	Internal	29-101	2-7	29-101	2-7	Push only	12V d.c.	0.22 / 0.1	VR15S711BV312A
	VR10	5/3	COE	Extern	29-101	2-7	-14.5-101	-1-7	Push only	24 V d.c.	0.1562 / 0.071	VR10S722BV313A
	VR15	5/3	COE	Extern	29-101	2-7	-14.5-101	-1-7	Push only	24 V d.c.	0.22 / 0.1	VR15S722BV313A
	VR10	5/3	COE	Extern	29-101	2-7	-14.5-101	-1-7	Push only	12V d.c.	0.1562 / 0.071	VR10S722BV312A
	VR15	5/3	COE	Extern	29-101	2-7	-14.5-101	-1-7	Push only	12V d.c.	0.22 / 0.1	VR15S722BV312A
	VR10	5/3	COP	Internal	29-101	2-7	29-101	2-7	Push only	24 V d.c.	0.1562 / 0.071	VR10S811BV313A
	VR15	5/3	COP	Internal	29-101	2-7	29-101	2-7	Push only	24 V d.c.	0.22 / 0.1	VR15S811BV313A
	VR10	5/3	COP	Internal	29-101	2-7	29-101	2-7	Push only	12V d.c.	0.1562 / 0.071	VR10S811BV312A
	VR15	5/3	COP	Internal	29-101	2-7	29-101	2-7	Push only	12V d.c.	0.22 / 0.10	VR15S811BV312A
	VR10	5/3	COP	Extern	29-101	2-7	-14.5-101	-1-7	Push only	24 V d.c.	0.1562 / 0.071	VR10S822BV313A
	VR15	5/3	COP	Extern	29-101	2-7	-14.5-101	-1-7	Push only	24 V d.c.	0.22 / 0.10	VR15S822BV313A
	VR10	5/3	COP	Extern	29-101	2-7	-14.5-101	-1-7	Push only	12V d.c.	0.1562 / 0.071	VR10S822BV312A
	VR15	5/3	COP	Extern	29-101	2-7	-14.5-101	-1-7	Push only	12V d.c.	0.22 / 0.10	VR15S822BV312A

*1) 12V d.c. valves only for Multipole / all solenoids are a 0.45W energy saving type

APB= All Ports Blocked
 COE= Centre Open Exhaust
 COP= Centre Open Port

2x 3/2 Double solenoid actuated valves

Symbol	Series	Function	Actuation	Pilot Supply	Pilot Pressure (psi)	Pilot Pressure (bar)	Operating Pressure (psi)	Operating Pressure (bar)	Manual Override	Voltage *1)	Weight (lbs / kg)	Model PNP
	VR10	2X3/2	NC/NC	Internal	29-101	2-7	29-101	2-7	Push only	24 V d.c.	0.1518 / 0.069	VR10SA11BV313A
	VR15	2X3/2	NC/NC	Internal	29-101	2-7	29-101	2-7	Push only	24 V d.c.	0.2024 / 0.092	VR15SA11BV313A
	VR10	2X3/2	NC/NC	Internal	29-101	2-7	29-101	2-7	Push only	12V d.c.	0.1518 / 0.069	VR10SA11BV312A
	VR15	2X3/2	NC/NC	Internal	29-101	2-7	29-101	2-7	Push only	12V d.c.	0.2024 / 0.092	VR15SA11BV312A
	VR10	2X3/2	NC/NO	Internal	29-101	2-7	29-101	2-7	Push only	24 V d.c.	0.1518 / 0.069	VR10SC11BV313A
	VR15	2X3/2	NC/NO	Internal	29-101	2-7	29-101	2-7	Push only	24 V d.c.	0.2024 / 0.092	VR15SC11BV313A
	VR10	2X3/2	NC/NO	Internal	29-101	2-7	29-101	2-7	Push only	12V d.c.	0.1518 / 0.069	VR10SC11BV312A
	VR15	2X3/2	NC/NO	Internal	29-101	2-7	29-101	2-7	Push only	12V d.c.	0.2024 / 0.092	VR15SC11BV312A
	VR10	2X3/2	NO/NO	Internal	29-101	2-7	29-101	2-7	Push only	24 V d.c.	0.1518 / 0.069	VR10SB11BV313A
	VR15	2X3/2	NO/NO	Internal	29-101	2-7	29-101	2-7	Push only	24 V d.c.	0.2024 / 0.092	VR15SB11BV313A
	VR10	2X3/2	NO/NO	Internal	29-101	2-7	29-101	2-7	Push only	12V d.c.	0.1518 / 0.069	VR10SB11BV312A
	VR15	2X3/2	NO/NO	Internal	29-101	2-7	29-101	2-7	Push only	12V d.c.	0.2024 / 0.092	VR15SB11BV312A

*1) 12V d.c. valves only for Multipole / all solenoids are a 0.45W energy saving type

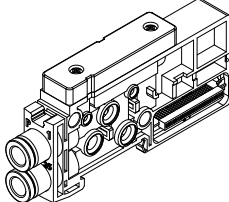
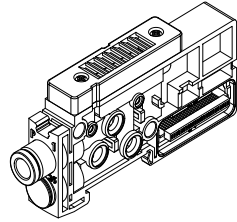
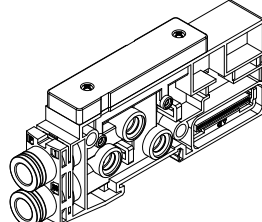
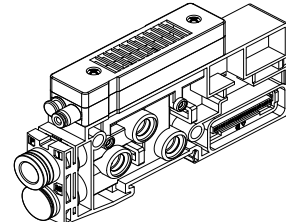
NC= Normally Closed
 NO= Normally Open

Sub-bases only

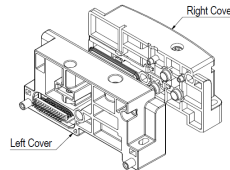
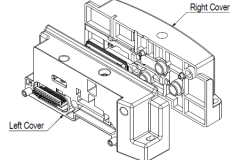
	Series	Port Size	Single / double wiring*	Weight (lbs / kg)	Model
	VR10	Ø4	Single	0.0792 / 0.036	VR107516BM1114
	VR10	Ø4	Double	0.0792 / 0.036	VR107516BM1124
	VR10	Ø6	Single	0.0792 / 0.036	VR107516BM1116
	VR10	Ø6	Double	0.0792 / 0.036	VR107516BM1126
	VR10	Ø5/32"	Single	0.0792 / 0.036	VR107516BM1111
	VR10	Ø5/32"	Double	0.0792 / 0.036	VR107516BM1121
	VR10	Ø1/4"	Single	0.0792 / 0.036	VR107516BM1119
	VR10	Ø1/4"	Double	0.0792 / 0.036	VR107516BM1129
	VR15	Ø4	Single	0.1826 / 0.083	VR157516BM1114
	VR15	Ø4	Double	0.1826 / 0.083	VR157516BM1124
	VR15	Ø6	Single	0.1826 / 0.083	VR157516BM1116
	VR15	Ø6	Double	0.1826 / 0.083	VR157516BM1126
	VR15	Ø8	Single	0.1826 / 0.083	VR157516BM1118
	VR15	Ø8	Double	0.1826 / 0.083	VR157516BM1128
	VR15	Ø5/32"	Single	0.1826 / 0.083	VR157516BM1111
	VR15	Ø5/32"	Double	0.1826 / 0.083	VR157516BM1121
	VR15	Ø1/4"	Single	0.1826 / 0.083	VR157516BM1119
	VR15	Ø1/4"	Double	0.1826 / 0.083	VR157516BM1129
	VR15	Ø5/16"	Single	0.1826 / 0.083	VR157516BM1110
	VR15	Ø5/16"	Double	0.1826 / 0.083	VR157516BM1120

*Sub-bases are available in single and double wired versions. Single wired bases can only be used with single solenoid valves.
Double wired bases can be used with both single solenoid and double solenoid valves

Supply/Exhaust modules only

without silencer	with silencer	Series	Port Size	Pilot Supply	With Silencer	Weight (lbs / kg)	Model
		VR10	Ø8	Internal	Yes	0.1562 / 0.071	VR107516BMY108
		VR10	Ø8	External	Yes	0.2002 / 0.091	VR107516BMY208
		VR10	Ø8	Internal	No	0.1562 / 0.071	VR107516BMN108
		VR10	Ø8	External	No	0.2002 / 0.091	VR107516BMN208
		VR10	Ø5/16"	Internal	Yes	0.1562 / 0.071	VR107516BMY100
		VR10	Ø5/16"	External	Yes	0.2002 / 0.091	VR107516BMY200
		VR10	Ø5/16"	Internal	No	0.1562 / 0.071	VR107516BMN100
		VR10	Ø5/16"	External	No	0.2002 / 0.091	VR107516BMN200
		VR15	Ø10	Internal	Yes	0.231 / 0.105	VR157516BMY10Y
		VR15	Ø10	External	Yes	0.275 / 0.125	VR157516BMY20Y
		VR15	Ø10	Internal	No	0.231 / 0.105	VR157516BMN10Y
		VR15	Ø10	External	No	0.275 / 0.125	VR157516BMN20Y
		VR15	Ø3/8"	Internal	Yes	0.231 / 0.105	VR157516BMY101
		VR15	Ø3/8"	External	Yes	0.275 / 0.125	VR157516BMY201
		VR15	Ø3/8"	Internal	No	0.231 / 0.105	VR157516BMN101
		VR15	Ø3/8"	External	No	0.275 / 0.125	VR157516BMN201





End Plate Only (IP65 Versions)

	Series	Cover Location	Weight (lbs / kg)	Model
	VR10	Right	0.132 / 0.06	VR107516BM0901
	VR10	Left	0.1716 / 0.078	VR107516BM0904
	VR15	Right	0.1892 / 0.086	VR157516BM0901
	VR15	Left	0.2112 / 0.096	VR157516BM0904


VR10 & VR15 Control Modules (IP65 Version)


PROFINET IRT  VR1X7516BM02PN Weight: 0.492 lbs.	EtherNet/IP  VR1X7516BM02EP Weight: 0.493 lbs.	EtherCAT  VR1X7516BM02EC Weight: 0.487 lbs.	IO-Link  VR1X7516BM02IL Weight: 0.399 lbs.	Multipole  VR1X7516BM02M6 Weight: 0.282 lbs.
--	---	--	--	---

Industrial Ethernet - Cable and Connectors

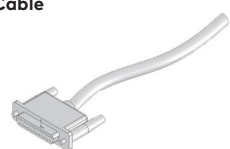
Bus cable: 4-pin D-coded M12 - M12  <table border="1"> <thead> <tr> <th>Model</th> <th>Cable length (m)</th> </tr> </thead> <tbody> <tr> <td>NC-124MS-1244SGA</td> <td>0.5</td> </tr> <tr> <td>NC-124MS-1244SG2</td> <td>2</td> </tr> <tr> <td>NC-124MS-1244SG5</td> <td>5</td> </tr> </tbody> </table>	Model	Cable length (m)	NC-124MS-1244SGA	0.5	NC-124MS-1244SG2	2	NC-124MS-1244SG5	5	Bus cable: 4-pin D-coded M12 - flying lead  <table border="1"> <thead> <tr> <th>Model</th> <th>Cable length (m)</th> </tr> </thead> <tbody> <tr> <td>NC-124MS-00000G2</td> <td>2</td> </tr> <tr> <td>NC-124MS-00000G5</td> <td>5</td> </tr> </tbody> </table>	Model	Cable length (m)	NC-124MS-00000G2	2	NC-124MS-00000G5	5	Bus connector RJ45 Wireable  NC-RJ450-0000000	Power cable: 5-pin A-coded M12 - flying lead  <table border="1"> <thead> <tr> <th>Model</th> <th>Cable length (m)</th> </tr> </thead> <tbody> <tr> <td>NC-125FS-00000-5</td> <td>5</td> </tr> </tbody> </table>	Model	Cable length (m)	NC-125FS-00000-5	5
Model	Cable length (m)																				
NC-124MS-1244SGA	0.5																				
NC-124MS-1244SG2	2																				
NC-124MS-1244SG5	5																				
Model	Cable length (m)																				
NC-124MS-00000G2	2																				
NC-124MS-00000G5	5																				
Model	Cable length (m)																				
NC-125FS-00000-5	5																				

IO-Link - Cables

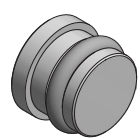
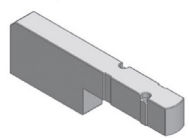


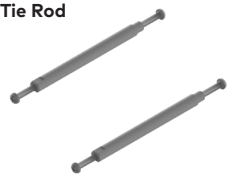
Cable 5-pin A-code M12 - M12  <table border="1"> <thead> <tr> <th>Model</th> <th>Cable length (m)</th> </tr> </thead> <tbody> <tr> <td>NC-084FS-124MS-A</td> <td>0.6</td> </tr> <tr> <td>NC-084FS-124MS-1</td> <td>1</td> </tr> <tr> <td>NC-084FS-124MS-2</td> <td>2</td> </tr> <tr> <td>NC-084FS-124MS-5</td> <td>5</td> </tr> </tbody> </table>	Model	Cable length (m)	NC-084FS-124MS-A	0.6	NC-084FS-124MS-1	1	NC-084FS-124MS-2	2	NC-084FS-124MS-5	5
Model	Cable length (m)									
NC-084FS-124MS-A	0.6									
NC-084FS-124MS-1	1									
NC-084FS-124MS-2	2									
NC-084FS-124MS-5	5									

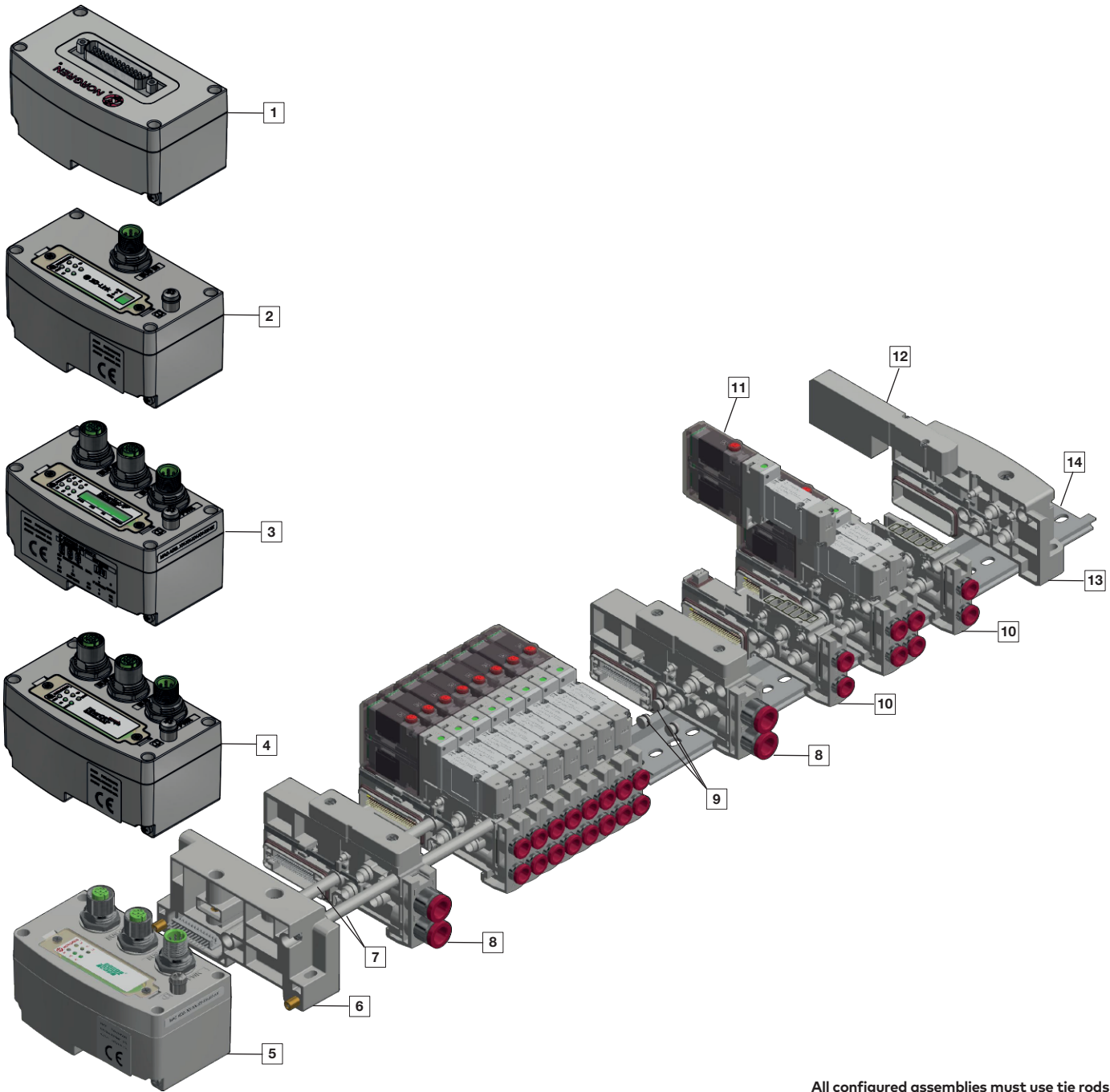
Cable 5-pin A-code M12 - flying lead  <table border="1"> <thead> <tr> <th>Model</th> <th>Cable length (m)</th> </tr> </thead> <tbody> <tr> <td>NC-084FS-00000-5</td> <td>5</td> </tr> </tbody> </table>	Model	Cable length (m)	NC-084FS-00000-5	5
Model	Cable length (m)			
NC-084FS-00000-5	5			

Multipole (IP65) - Cables

D-Sub IP65 Connector Cable  V11569-E## ## Insert 01 for 1m, 03 for 3m and 05 for 5m

Accessories

Blank Plug Kit (3pcs)  VR**7516AM0400 ** Insert 10 for VR10 or 15 for VR15	Blanking Plate  VR**7516AM0300 ** Insert 10 for VR10 or 15 for VR15	DIN Rail  VR**7516AM08## ** Insert 10 for VR10 or 15 for VR15 #Insert 06 for 2-6 stations 10 for 7-10 stations 15 for 11-15 stations 20 for 16-20 stations 24 for 21-24 stations	Tie Rod expansion Kit  VR**7516MM07##NA ** Insert 10 for VR10 or 15 for VR15 ## Insert MS : ISEM expansion rod M1 : 1 Station modular rod M2 : 2 Stations modular rod	Tie Rod  VR**7516MM07#\$ ** Insert 10 for VR10 or 15 for VR15 # Insert 02...24 for number of stations. # Insert 05...24 for number of stations. \$ Insert E1=1, E2 = 2, E3=3 and E4=4 for number of sup/exh modules
---	--	---	---	---

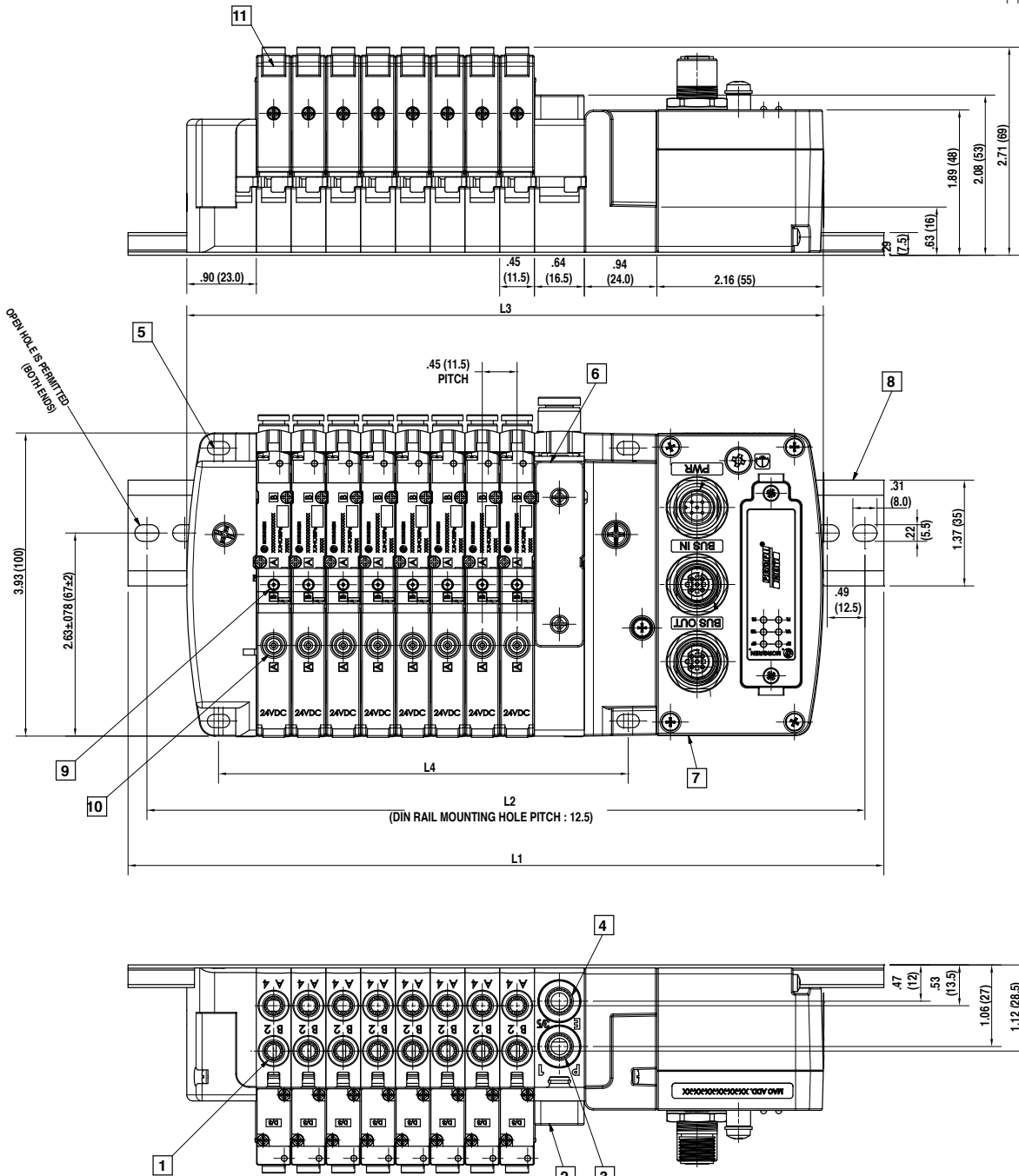
Exploded view (IP65)


All configured assemblies must use tie rods

- 1** Multipole control module
- 2** IO-Link control module
- 3** EtherNet/IP control module
- 4** EtherCAT control module
- 5** PROFINET control module
- 6** Left Endplate (IP65)
- 7** Tie Rods

- 8** Sup/Exh module
- 9** Blank Plugs
- 10** Sub-Base
- 11** Valve slice
- 12** Blanking Plate
- 13** Right Endplate (IP65)
- 14** DIN Rail

VR10 Series (Valve Manifold) Internal Pilot without Silencer (IP65 Version)

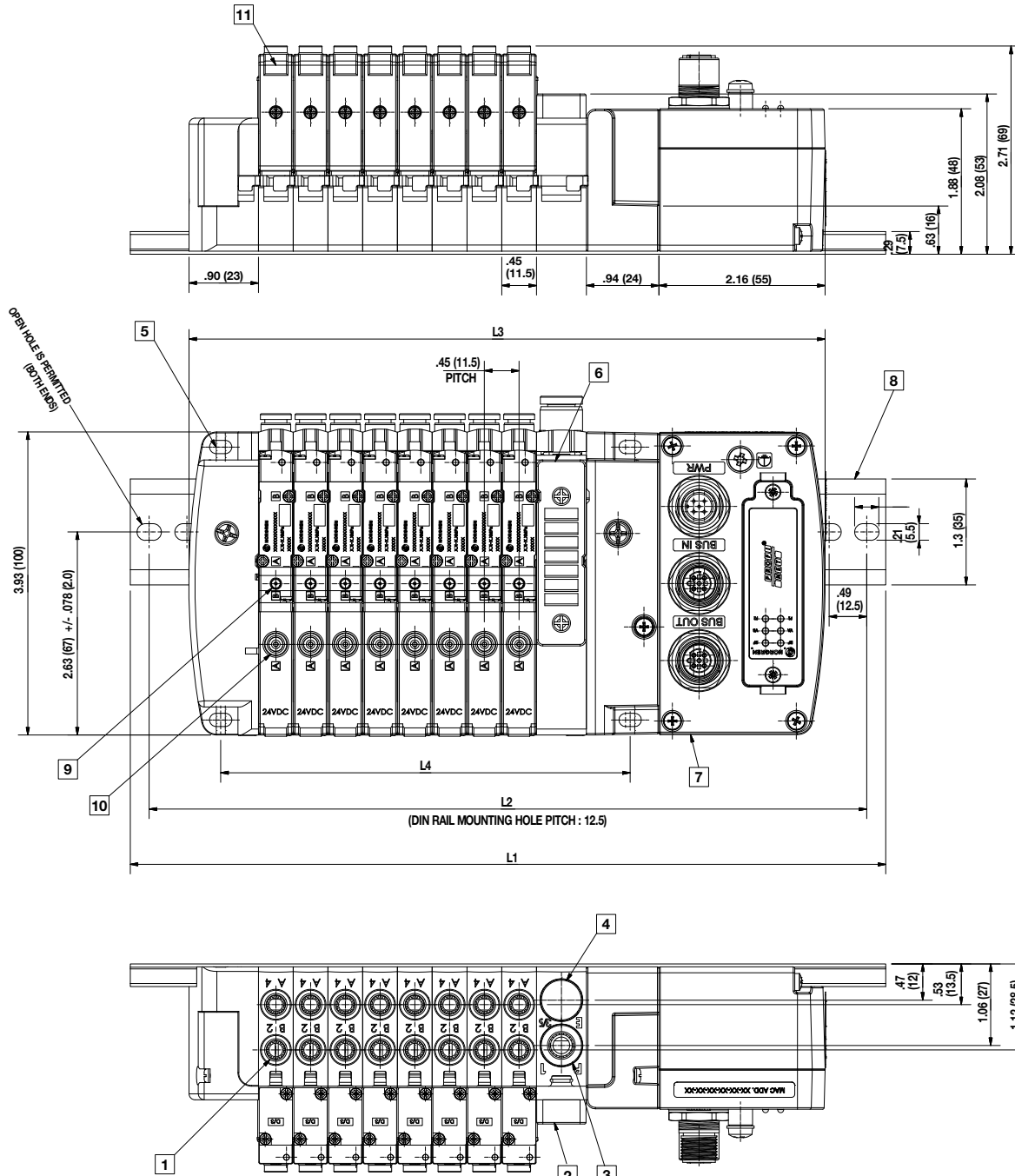
 Dimensions in inches (mm)
 Projection/First angle


- | | |
|---|-----------------------------|
| 1 Outlet Port: PIF for tube O.D 4, O.D 6, O.D 5/32", O.D 1/4" | 7 Control module |
| 2 Sup/Exh module | 8 DIN Rail |
| 3 Supply Port: PIF for tube O.D 8, O.D 5/16" | 9 Manual override (Port 2) |
| 4 Exhaust Port: PIF for tube O.D 8, O.D 5/16" | 10 Manual override (Port 4) |
| 5 Mounting 4x M4 | 11 LED |
| 6 Exhaust Port: Blank Plate | |

N:	2	3	4	5	6	7	8	9	10	11	12	13	14	15	16	17	18	19	20	21	22	23	24
Stations																							
L1 in (mm)			787 (200)				984 (250)				1181 (300)						1523 (387,5)				1722 (437,5)		
L2 in (mm)			738 (187,5)				935 (237,5)				1132 (287,5)						1476 (37,5)				1673 (425)		
L3 in (mm)	5,57 (141,5)	6,02 (153,0)	6,47 (164,5)	6,93 (176,0)	7,38 (187,5)	7,83 (199)	8,28 (210,5)	8,74 (222)	9,19 (233,5)	10,29 (261,5)	10,75 (273)	11,20 (284,5)	11,65 (296)	12,11 (307,5)	12,55 (319)	13,01 (330,5)	13,46 (342)	13,91 (353,5)	14,37 (365)	14,82 (376,5)	15,28 (388)	15,73 (399,5)	16,18 (411)
L4 in (mm)	2,62 (66,5)	3,07 (78,0)	3,52 (89,5)	3,97 (101,0)	4,43 (112,5)	4,88 (124)	5,33 (135,5)	5,78 (147)	6,24 (158,5)	7,34 (186,5)	7,79 (198)	8,24 (209,5)	8,70 (221)	9,15 (232,5)	9,60 (244)	10,05 (255,5)	10,51 (267)	10,96 (278,5)	11,41 (290)	11,87 (301,5)	12,32 (313)	12,77 (324,5)	13,22 (336)

*2-10 stations: one Sup/Exh Module is required. 11-24 stations: two Sup/Exh Modules are recommended.

VR10 Series (Valve Manifold) Internal Pilot with Silencer (IP65 Versions)

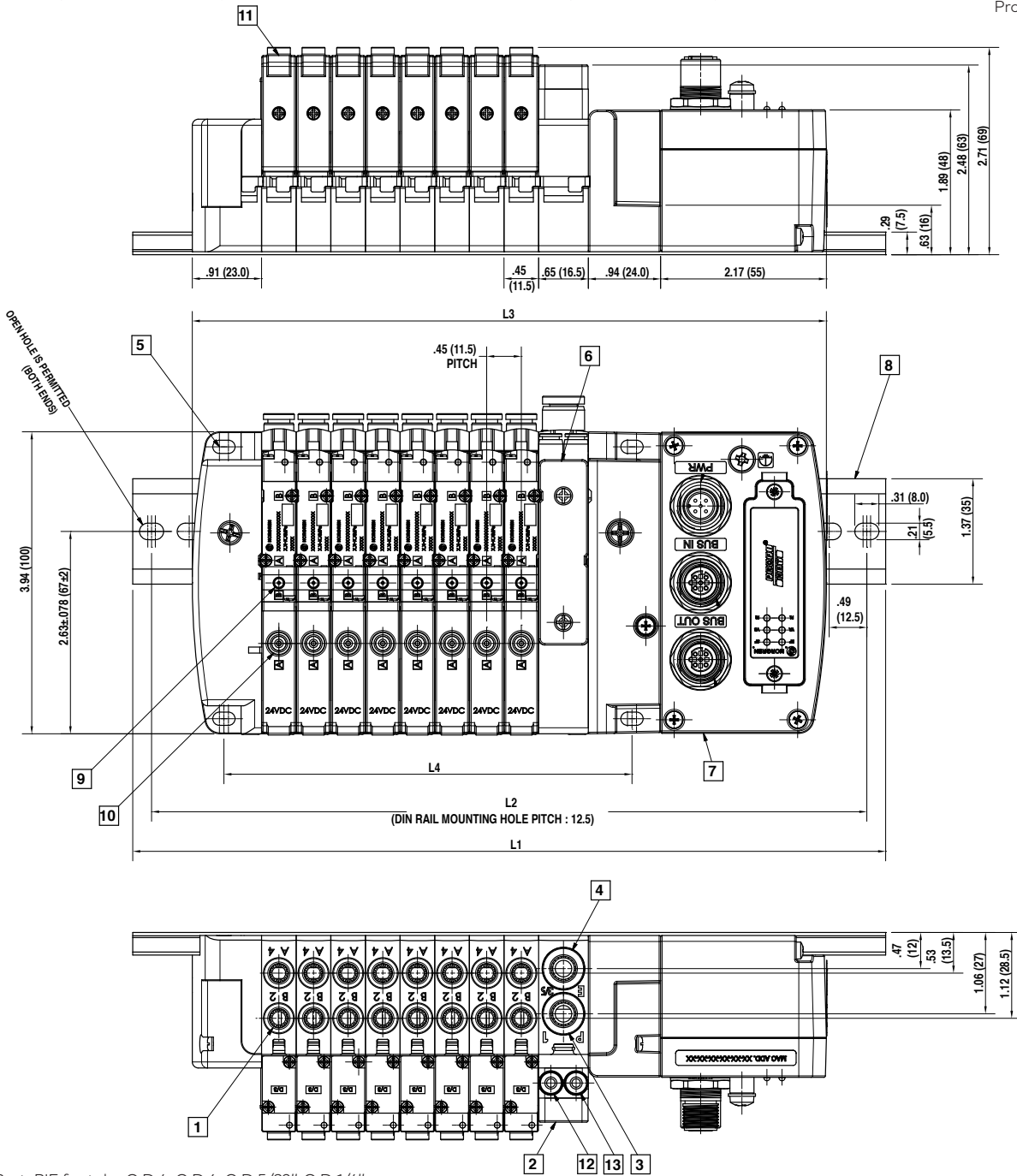
 Dimensions in inches (mm)
 Projection/First angle


- 1 Outlet Port: PIF for tube O.D 4, O.D 6, O.D 5/32", O.D 1/4"
- 2 Sup/exh module
- 3 Supply Port: PIF for tube O.D 8, O.D 5/16"
- 4 Plug
- 5 Mounting 4x M4
- 6 Exhaust Port: Silencer Plate
- 7 Control module
- 8 DIN Rail
- 9 Manual override (Port 2)
- 10 Manual override (Port 4)
- 11 LED

N:	2	3	4	5	6	7	8	9	10	11	12	13	14	15	16	17	18	19	20	21	22	23	24
Stations																							
L1 in (mm)			7.87 (200)					9.84 (250)				11.81 (300)					15.23 (387.5)						17.22 (437.5)
L2 in (mm)			7.38 (187.5)					9.35 (237.5)				11.32 (287.5)					14.76 (375)						16.73 (425)
L3 in (mm)	5.57 (141.5)	6.02 (153.0)	6.47 (164.5)	6.93 (176.0)	7.38 (187.5)	7.83 (199)	8.28 (210.5)	8.74 (222)	9.19 (233.5)	10.29 (261.5)	10.75 (273)	11.20 (284.5)	11.65 (296)	12.11 (307.5)	12.55 (319)	13.01 (330.5)	13.46 (342)	13.91 (353.5)	14.37 (365)	14.82 (376.5)	15.28 (388)	15.73 (399.5)	16.18 (411)
L4 in (mm)	2.62 (66.5)	3.07 (78.0)	3.52 (89.5)	3.97 (101.0)	4.43 (112.5)	4.88 (124)	5.33 (135.5)	5.78 (147)	6.24 (158.5)	6.74 (171.5)	7.19 (183)	7.64 (194.5)	8.09 (206)	8.54 (217.5)	8.99 (229)	9.44 (240.5)	9.89 (252)	10.34 (263.5)	10.79 (275)	11.24 (286.5)	11.69 (298)	12.14 (309.5)	12.59 (321)

*2-10 stations: one Sup/Exh Module is required. 11-24 stations: two Sup/Exh Modules are recommended.

VR10 Series (Valve Manifold) External Pilot without Silencer (IP65 Versions)

 Dimensions in inches (mm)
 Projection/First angle

1 Outlet Port: PIF for tube O.D 4, O.D 6, O.D 5/32", O.D 1/4"

2 Sup/exh module

3 Supply Port: PIF for tube O.D 8, O.D 5/16"

4 Exhaust Port: PIF for tube O.D 8, O.D 5/16"

5 Mounting 4x M4

6 Exhaust Port: Blank Plate

7 Control module

8 DIN Rail

9 Manual override (Port 2)

10 Manual override (Port 4)

11 LED

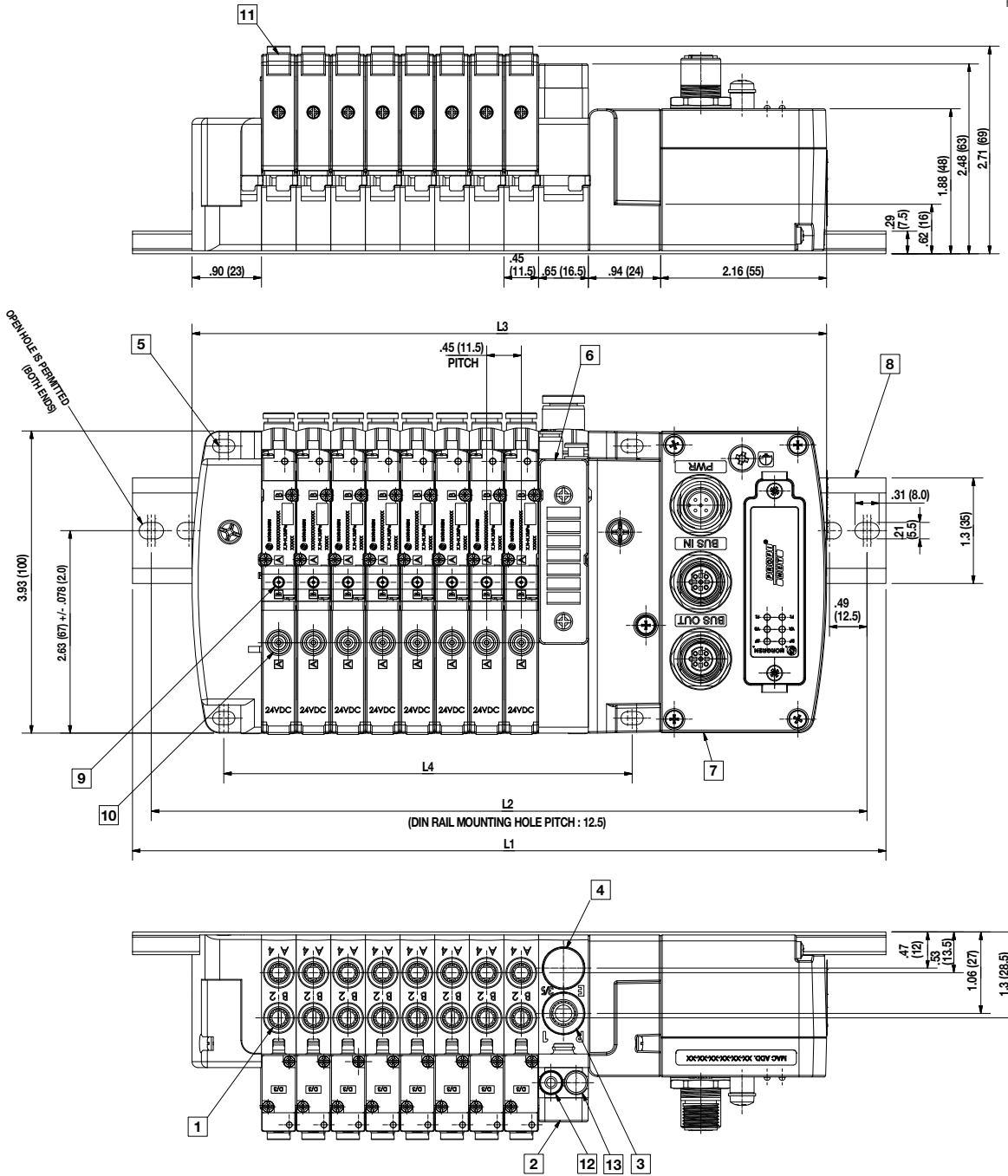
12 Supply Port of external pilot: PIF for tube O.D. 4, O.D. 5/32"

13 Exhaust Port of external pilot: PIF for tube O.D. 4, O.D. 5/32"

N:	2	3	4	5	6	7	8	9	10	11	12	13	14	15	16	17	18	19	20	21	22	23	24	
L1 in (mm)	7.87 (200)					9.84 (250)					11.81 (300)					15.23 (387.5)					17.22 (437.5)			
L2 in (mm)	7.38 (187.5)					9.35 (237.5)					11.32 (287.5)					14.76 (375)					16.73 (425)			
L3 in (mm)	5.57 (141.5)	6.02 (153.0)	6.47 (164.5)	6.93 (176.0)	7.38 (187.5)	7.83 (199)	8.28 (210.5)	8.74 (222)	9.19 (233.5)	10.29 (261.5)	10.75 (273)	11.20 (284.5)	11.65 (296)	12.11 (307.5)	12.55 (319)	13.01 (330.5)	13.46 (342)	13.91 (353.5)	14.37 (365)	14.82 (376.5)	15.28 (388)	15.73 (399.5)	16.18 (411)	
L4 in (mm)	2.62 (66.5)	3.07 (78.0)	3.52 (89.5)	3.97 (101.0)	4.43 (112.5)	4.88 (124)	5.33 (135.5)	5.78 (147)	6.24 (158.5)	7.34 (186.5)	7.79 (198)	8.24 (209.5)	8.70 (221)	9.15 (232.5)	9.60 (244)	10.05 (255.5)	10.51 (267)	10.96 (278.5)	11.41 (290)	11.87 (301.5)	12.32 (313)	12.77 (324.5)	13.22 (336)	

*2~10 stations: one Sup/Exh Module is required. 11~24 stations: two Sup/Exh Modules are recommended.

VR10 Series (Valve Manifold) External Pilot with Silencer (IP65 Versions)

 Dimensions in inches (mm)
 Projection/First angle

1 Outlet Port: PIF for tube O.D 4, O.D 6, O.D 5/32", O.D 1/4"

2 Sup/exh module

3 Supply Port: PIF for tube O.D 8, O.D 5/16"

4 Plug

5 Mounting 4x M4

6 Exhaust Port: Silencer Plate

7 Control module

8 DIN Rail

9 Manual override (Port 2)

10 Manual override (Port 4)

11 LED

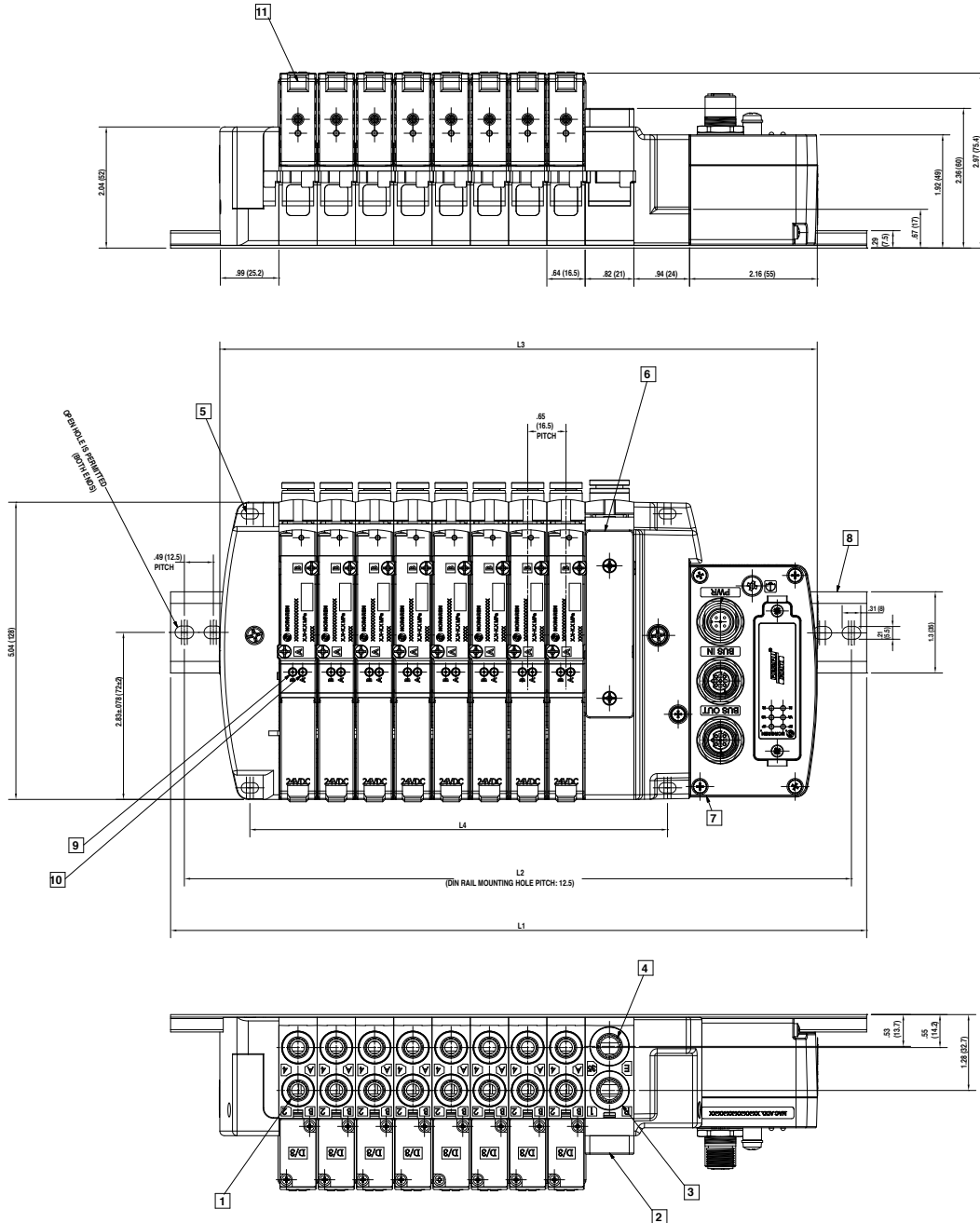
12 Supply Port of external pilot: pif for tube O.D. 4, O.D. 5/32

13 Plug

N:	2	3	4	5	6	7	8	9	10	11	12	13	14	15	16	17	18	19	20	21	22	23	24
Stations																							
L1 in (mm)			7.87 (200)				9.84 (250)				11.81 (300)						15.23 (387,5)				17.22 (437,5)		
L2 in (mm)			7.38 (187,5)				9.35 (237,5)				11.32 (287,5)						14.76 (375)				16.73 (425)		
L3 in (mm)	5.57 (141,5)	6.02 (153,0)	6.47 (164,5)	6.93 (176,0)	7.38 (187,5)	7.83 (199)	8.28 (210,5)	8.74 (222)	9.19 (233,5)	10.29 (261,5)	10.75 (273)	11.20 (284,5)	11.65 (296)	12.11 (307,5)	12.55 (319)	13.01 (330,5)	13.46 (342)	13.91 (353,5)	14.37 (365)	14.82 (376,5)	15.28 (388)	15.73 (399,5)	16.18 (411)
L4 in (mm)	2.62 (66,5)	3.07 (78,0)	3.52 (89,5)	3.97 (101,0)	4.43 (112,5)	4.88 (124)	5.33 (135,5)	5.78 (147)	6.24 (158,5)	7.34 (186,5)	7.79 (198)	8.24 (209,5)	8.70 (221)	9.15 (232,5)	9.60 (244)	10.05 (255,5)	10.51 (267)	10.96 (278,5)	11.41 (290)	11.87 (301,5)	12.32 (313)	12.77 (324,5)	13.22 (336)

*2-10 stations: one Sup/Exh Module is required. 11-24 stations: two Sup/Exh Modules are recommended.

VR15 Series (Valve Manifold) Internal Pilot without Silencer (IP65 Version)

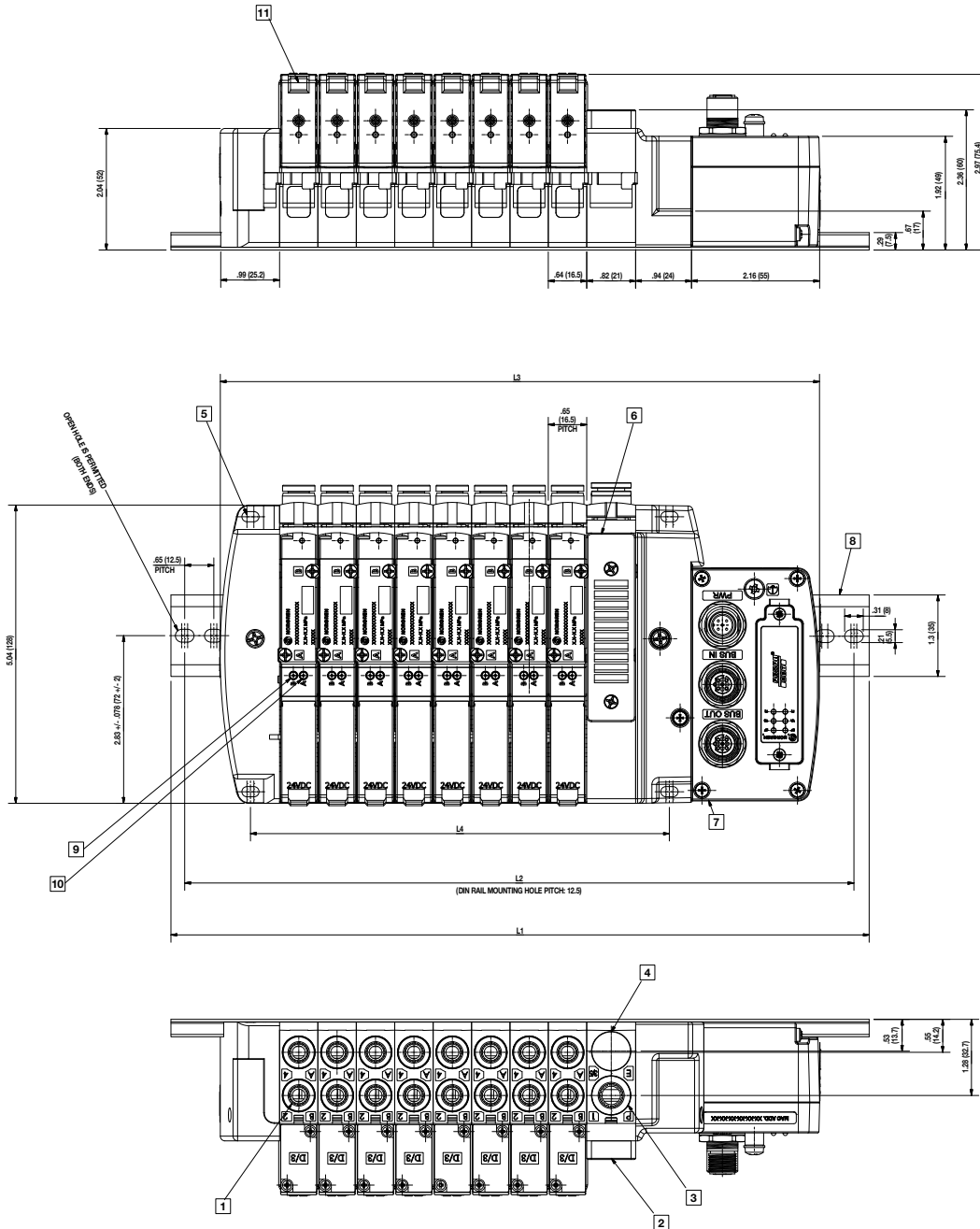
 Dimensions in inches (mm)
 Projection/First angle


- | | |
|---|-----------------------------|
| 1 Outlet Port: PIF for tube O.D 4, O.D 6, O.D 8, O.D 5/32", O.D 1/4", O.D 5/16" | 7 Control module |
| 2 Sup/Exh module | 8 DIN Rail |
| 3 Supply Port: PIF for tube O.D 10, O.D 3/8" | 9 Manual override (Port 2) |
| 4 Exhaust Port: PIF for tube O.D 10, O.D 3/8" | 10 Manual override (Port 4) |
| 5 Mounting 4x M4 | 11 LED |
| 6 Exhaust Port: Blank Plate | |

N: Stations	2	3	4	5	6	7	8	9	10	11	12	13	14	15	16	17	18	19	20	21	22	23	24	
L1 in (mm)	984 (250)					1181 (300)					1574 (400)					1968 (500)					2311 (587)			
L2 in (mm)	935 (237.5)					1131 (287.5)					1525 (387.5)					1919 (487.5)					2261 (574.5)			
L3 in (mm)	6.22 (158.2)	6.87 (174.7)	7.52 (191.2)	8.17 (207.7)	8.82 (224.2)	9.47 (240.7)	10.12 (257.2)	10.77 (273.7)	11.42 (290.2)	12.90 (327.7)	13.55 (344.2)	14.2 (360.7)	14.85 (377.2)	15.5 (393.7)	16.14 (410.2)	16.79 (426.7)	17.44 (443.2)	18.09 (459.7)	18.74 (476.2)	19.39 (492.7)	20.04 (509.2)	20.69 (525.7)	21.34 (542.2)	
L4 in (mm)	3.18 (81.0)	3.83 (97.5)	4.48 (114)	5.13 (130.5)	5.78 (147)	6.43 (163.5)	7.08 (180)	7.74 (196.5)	8.38 (213)	9.86 (250.5)	10.51 (267)	11.16 (283.5)	11.81 (300)	12.46 (316.5)	13.11 (333)	13.74 (349.5)	14.40 (366)	15.06 (382.5)	15.70 (399)	16.35 (415.5)	17.0 (432)	17.65 (448.5)	18.30 (465)	

*2-10 stations: one Sup/Exh Module is required. 11-24 stations: two Sup/Exh Modules are recommended.

VR15 Series (Valve Manifold) Internal Pilot with Silencer (IP65 Version)

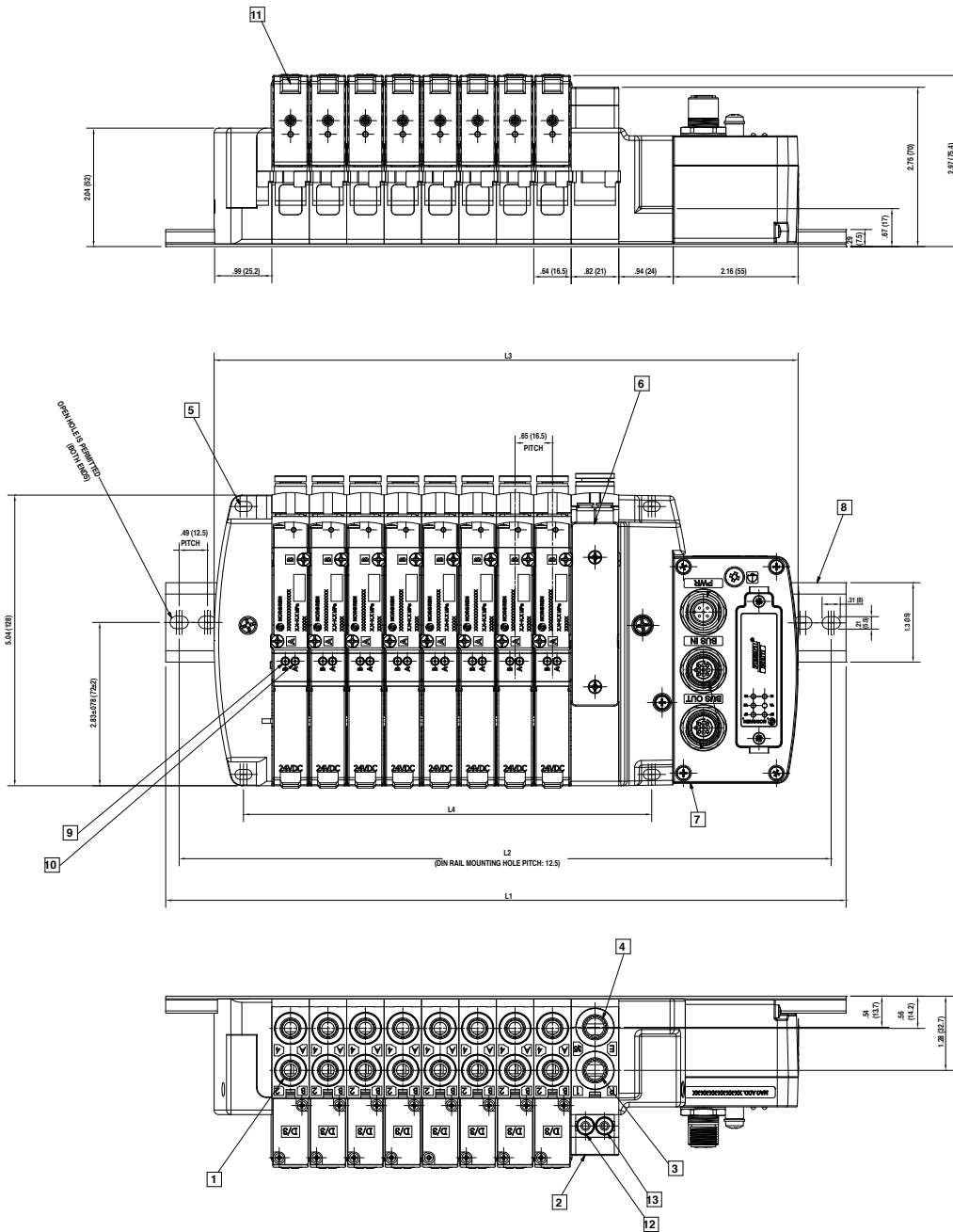
 Dimensions in mm
 Projection/First angle


- 1** Outlet Port: PIF for tube O.D 4, O.D 6, O.D 8, O.D 5/32", O.D 1/4", O.D 5/16"
- 2** Sup/exh module
- 3** Supply Port: PIF for tube O.D 10, O.D 3/8"
- 4** Plug of exhaust
- 5** Mounting 4x M4
- 6** Exhaust Port: Silencer Plate
- 7** Control module
- 8** DIN Rail
- 9** Manual override (Port 2)
- 10** Manual override (Port 4)
- 11** LED

N:	2	3	4	5	6	7	8	9	10	11	12	13	14	15	16	17	18	19	20	21	22	23	24		
Stations																									
L1 in (mm)		984 (250)					1181 (300)					1574 (400)					1968 (500)					2311 (587)			
L2 in (mm)		935 (237,5)					1131 (287,5)					1525 (387,5)					1919 (487,5)					2261 (574,5)			
L3 in (mm)	6,22 (158,2)	6,87 (174,7)	7,52 (191,2)	8,17 (207,7)	8,82 (224,2)	9,47 (240,7)	10,12 (257,2)	10,77 (273,7)	11,42 (290,2)	12,90 (327,7)	13,55 (344,2)	14,2 (360,7)	14,85 (377,2)	15,5 (393,7)	16,14 (410,2)	16,79 (426,7)	17,44 (443,2)	18,09 (459,7)	18,74 (476,2)	19,39 (492,7)	20,04 (509,2)	20,69 (525,7)	21,34 (542,2)		
L4 in (mm)	3,18 (81,0)	3,83 (97,5)	4,48 (114)	5,13 (130,5)	5,78 (147)	6,43 (163,5)	7,08 (180)	7,74 (196,5)	8,38 (213)	9,86 (250,5)	10,51 (267)	11,16 (283,5)	11,81 (300)	12,46 (316,5)	13,11 (333)	13,74 (349,5)	14,40 (366)	15,06 (382,5)	15,70 (399)	16,35 (415,5)	17,0 (432)	17,65 (448,5)	18,30 (465)		

*2-10 stations: one Sup/Exh Module is required. 11-24 stations: two Sup/Exh Modules are recommended.

VR15 Series (Valve Manifold) External Pilot without Silencer (IP65 Version)

 Dimensions in mm
 Projection/First angle

1 Outlet Port: PIF for tube O.D 4, O.D 6, O.D 8, O.D 5/32", O.D 1/4", O.D 5/16"

2 Sup/exh module

3 Supply Port: PIF for tube O.D 10, O.D 3/8"

4 Exhaust Port: PIF for tube O.D 10, O.D 3/8"

5 Mounting 4x M4

6 Exhaust Port: Blank Plate

7 Control module

8 DIN Rail

9 Manual override (Port 2)

10 Manual override (Port 4)

11 LED

12 Supply Port of external pilot: PIF for tube O.D. 4, O.D. 5/32"

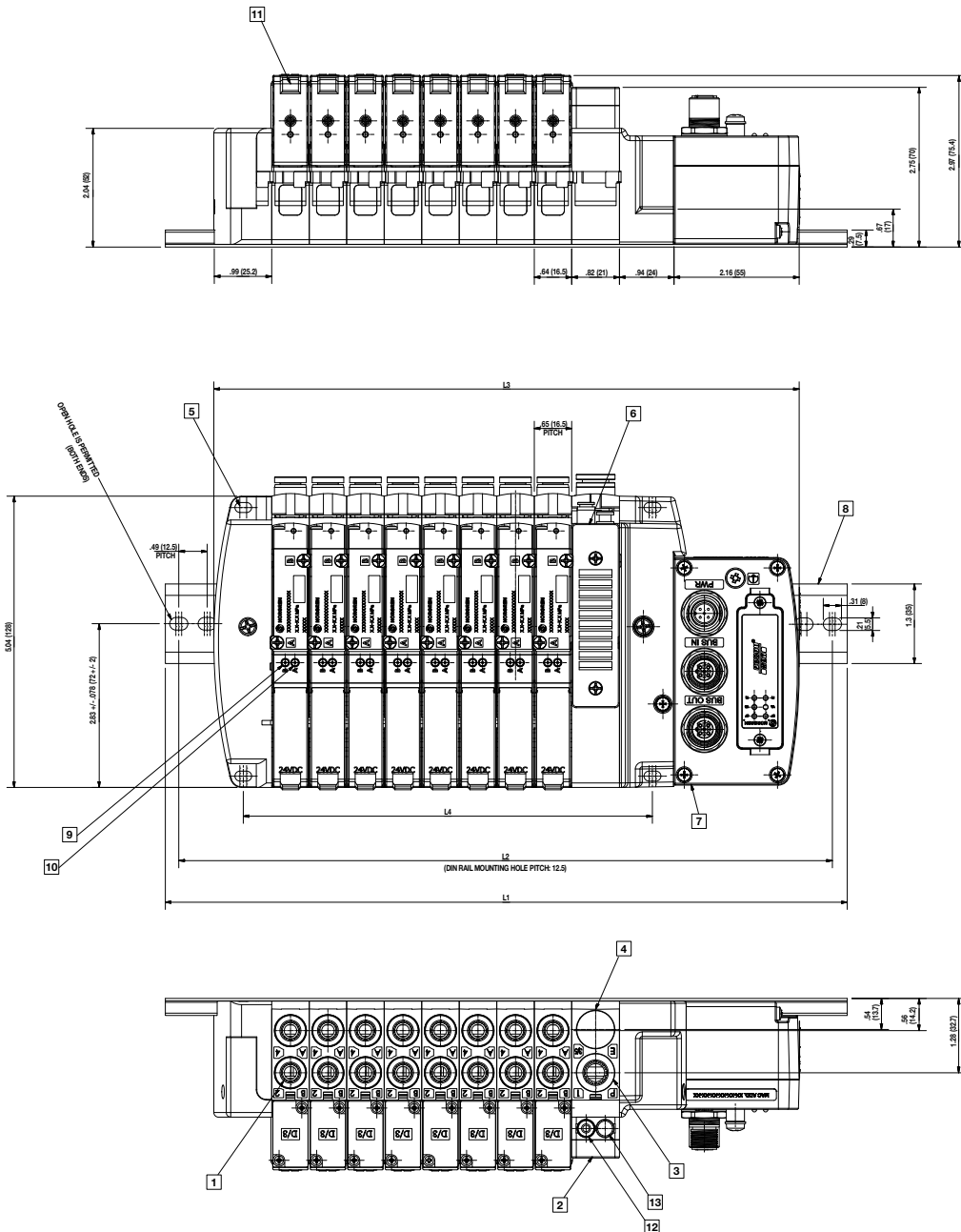
13 Exhaust Port of external pilot: PIF for tube O.D. 4, O.D. 5/32"

N:	2	3	4	5	6	7	8	9	10	11	12	13	14	15	16	17	18	19	20	21	22	23	24
L1 in (mm)	9.84 (250)				11.81 (300)				15.74 (400)				19.68 (500)				23.11 (587)						
L2 in (mm)	9.35 (237.5)				11.31 (287.5)				15.25 (387.5)				19.19 (487.5)				22.61 (574.5)						
L3 in (mm)	6.22 (158.2)	6.87 (174.7)	7.52 (191.2)	8.17 (207.7)	8.82 (224.2)	9.47 (240.7)	10.12 (257.2)	10.77 (273.7)	11.42 (290.2)	12.90 (327.7)	13.55 (344.2)	14.2 (360.7)	14.85 (377.2)	15.5 (393.7)	16.14 (410.2)	16.79 (426.7)	17.44 (443.2)	18.09 (459.7)	18.74 (476.2)	19.39 (492.7)	20.04 (509.2)	20.69 (525.7)	21.34 (542.2)
L4 in (mm)	3.18 (81.0)	3.83 (97.5)	4.48 (114)	5.13 (130.5)	5.78 (147)	6.43 (163.5)	7.08 (180)	7.74 (196.5)	8.38 (213)	9.86 (250.5)	10.51 (267)	11.16 (283.5)	11.81 (300)	12.46 (316.5)	13.11 (333)	13.74 (349.5)	14.40 (366)	15.06 (382.5)	15.70 (399)	16.35 (415.5)	17.0 (432)	17.65 (448.5)	18.30 (465)

*2-10 stations: one Sup/Exh Module is required. 11-24 stations: two Sup/Exh Modules are recommended.

VR15 Series (Valve Manifold) External Pilot with Silencer (IP65 Version)

Dimensions in inches (mm)
Projection/First angle



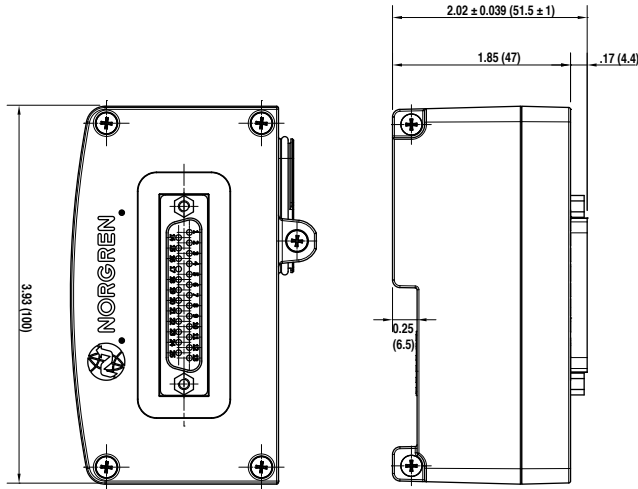
- 1 Outlet Port: PIF for tube O.D 4, O.D 6, O.D 8, O.D 5/32", O.D 1/4", O.D 5/16"
- 2 Sup/exh module
- 3 Supply Port: PIF for tube O.D 10, O.D 3/8"
- 4 Plug
- 5 Mounting 4x M4
- 6 Exhaust Port: Silencer Plate
- 7 Control module
- 8 DIN Rail
- 9 Manual override (Port 2)
- 10 Manual override (Port 4)
- 11 LED
- 12 Supply Port of external pilot: PIF for tube O.D. 4, O.D. 5/32"
- 13 Plug

N:	2	3	4	5	6	7	8	9	10	11	12	13	14	15	16	17	18	19	20	21	22	23	24		
Stations																									
L1 in (mm)		9.84 (250)				11.81 (300)				15.74 (400)				19.68 (500)				23.11 (587)							
L2 in (mm)		9.35 (237.5)				11.31 (287.5)				15.25 (387.5)				19.19 (487.5)				22.61 (574.5)							
L3 in (mm)	6.22 (158.2)	6.87 (174.7)	7.52 (191.2)	8.17 (207.7)	8.82 (224.2)	9.47 (240.7)	10.12 (257.2)	10.77 (273.7)	11.42 (290.2)	12.90 (327.7)	13.55 (344.2)	14.2 (360.7)	14.85 (377.2)	15.5 (393.7)	16.14 (410.2)	16.79 (426.7)	17.44 (443.2)	18.09 (459.7)	18.74 (476.2)	19.39 (492.7)	20.04 (509.2)	20.69 (525.7)	21.34 (542.2)		
L4 in (mm)	3.18 (81.0)	3.83 (97.5)	4.48 (114)	5.13 (130.5)	5.78 (147)	6.43 (163.5)	7.08 (180)	7.74 (196.5)	8.38 (213)	9.86 (250.5)	10.51 (267)	11.16 (283.5)	11.81 (300)	12.46 (316.5)	13.11 (333)	13.74 (349.5)	14.40 (366)	15.06 (382.5)	15.70 (399)	16.35 (415.5)	17.0 (432)	17.65 (448.5)	18.30 (465)		

*2-10 stations: one Sup/Exh Module is required. 11-24 stations: two Sup/Exh Modules are recommended.

VR10 and VR15 Control Modules (IP65 Version)

 Dimensions in inches (mm)
 Projection/First angle

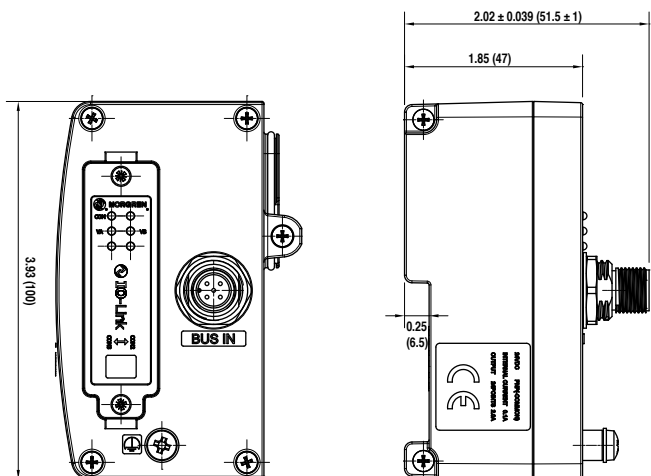
Multipole:
Connector: 1 x D-Sub 25-pin

D-Sub connector wiring


Pin no.	Wire colour	Solenoid	Pilot	Station
1	White	Solenoid 1-a	14	1
2	Brown	Solenoid 2-a	14	2
3	Green	Solenoid 3-a	14	3
4	Yellow	Solenoid 4-a	14	4
5	Grey	Solenoid 5-a	14	5
6	Pink	Solenoid 6-a	14	6
7	Blue	Solenoid 7-a	14	7
8	Red	Solenoid 8-a	14	8
9	Black	Solenoid 9-a	14	9
10	Violet	Solenoid 10-a	14	10
11	Grey/Pink	Solenoid 11-a	14	11
12	Red/Blue	Solenoid 12-a	14	12
13	White/Green	Common	--	--
14	Brown/Green	Solenoid 1-b	12	1
15	White/Yellow	Solenoid 2-b	12	2
16	Yellow/Brown	Solenoid 3-b	12	3
17	White/Grey	Solenoid 4-b	12	4
18	Grey/Brown	Solenoid 5-b	12	5
19	White/Pink	Solenoid 6-b	12	6
20	Pink/Brown	Solenoid 7-b	12	7
21	White/Blue	Solenoid 8-b	12	8
22	Brown/Blue	Solenoid 9-b	12	9
23	White/Red	Solenoid 10-b	12	10
24	Brown/Red	Solenoid 11-b	12	11
25	White/Black	Solenoid 12-b	12	12

* This table is only applicable to the D-Sub cables that NORGREN supplies, IP65 version. Cable part numbers V11569-E01, V11569-E03 and V11569-E05.

* The table indicates corresponding relation between pins, solenoids, pilots and stations based on configuration (12 stations, double solenoids) shown in table.

Valve manifolds exceeding 12 stations please refer to the Installation & Maintenance for Pin-Out

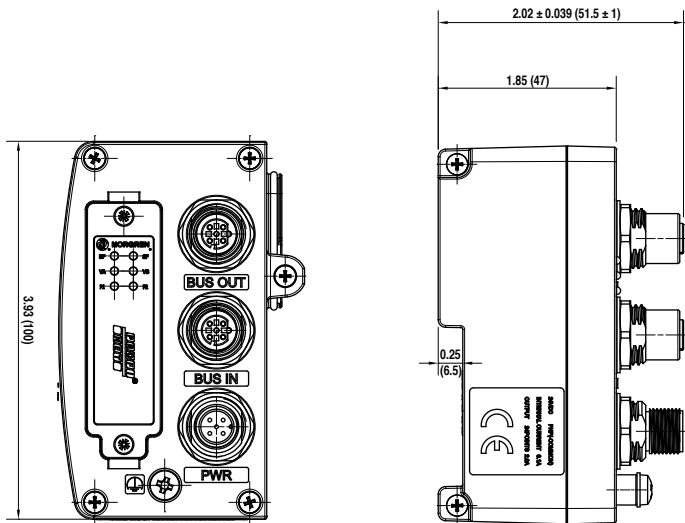
IO-Link (Port Class B):
Connector: 1 x M12 5-pin

Connector: M12 5-pin A-coded


Male	Pin no.	Function	Tolerance	Max. current
	1	L+ (VB+) 24V electronics power supply	+/- 10%	max. 100 mA
	2	2L+ (VA+) 24V valves power supply	+10% / -5%	n x 40 mA
	3	L- (VB-) 0V electronics power supply		
	4	C/Q IO-Link communication		
	5	2M (VA-) 0V valves power supply		

n = number of energized solenoids


VR10 and VR15 Control Modules (IP65 Version)

 Dimensions in inches (mm)
 Projection/First angle

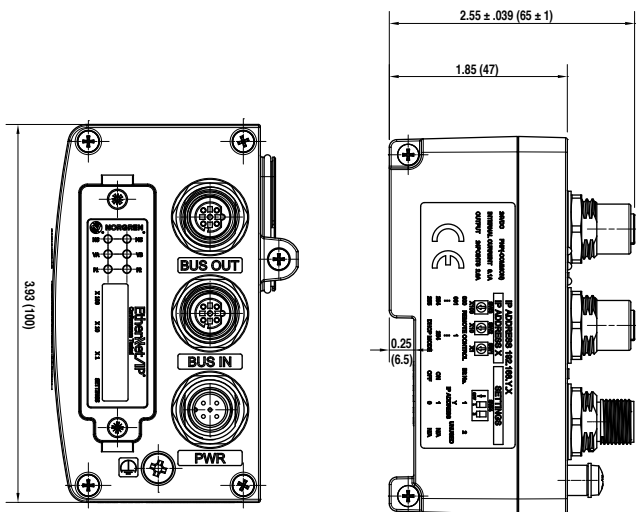
Industrial Ethernet protocol: PROFINET IRT
Connector: 2 x M12 4-pin / 1 x M12 5-pin

Bus connector: M12 4-pin D-coded



Female	Pin no.	Function
	1	Transmission data + (TD +)
	2	Receive data + (RD+)
	3	Transmission data - (TD-)
	4	Receive data - (RD-)

Power connector: M12 5-pin A-coded


Male	Pin no.	Function	Tolerance	Max. current
	1	L1 (VB+) 24 V electronics power supply	+/- 10%	max. 100 mA
	2	N2 (VA-) 0V valves power supply	-	-
	3	N1 (VB-) 0V electronics power supply	-	-
	4	L2 (VA+) 24 V valves power supply	10% +10%/-5%	n x 40 mA
	5	FE (functional earth)		

(n = number of switched valves)

Industrial Ethernet protocol: EtherNet/IP
Connector: 2 x M12 4-pin / 1 x M12 5-pin

Bus connector: M12 4-pin D-coded

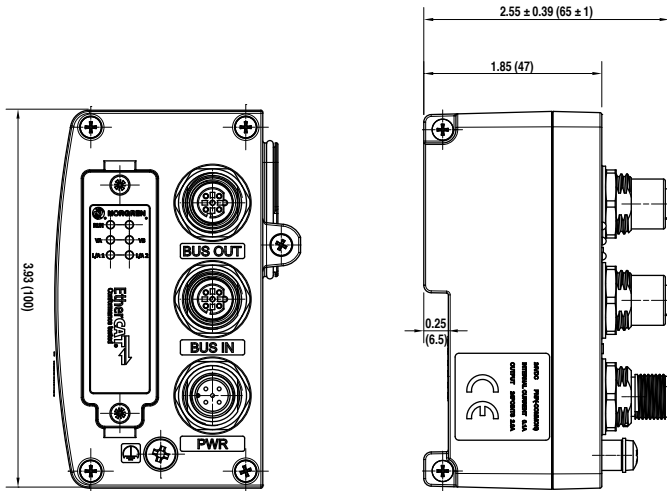
Female	Pin no.	Function
	1	Transmission data + (TD +)
	2	Receive data + (RD+)
	3	Transmission data - (TD-)
	4	Receive data - (RD-)


Power connector: M12 5-pin A-coded

Male	Pin no.	Function	Tolerance	Max. current
	1	L1 (VB+) 24 V electronics power supply	+/- 10%	max. 100 mA
	2	N2 (VA-) 0V valves power supply	-	-
	3	N1 (VB-) 0V electronics power supply	-	-
	4	L2 (VA+) 24 V valves power supply	10% +10%/-5%	n x 40 mA
	5	FE (functional earth)		


(n = number of switched valves)

VR10 and VR15 Control Modules (IP65 Version)
Industrial Ethernet protocol: EtherCAT
Connector: 2 x M12 4-pin / 1 x M12 5-pin

 Dimensions in inches (mm)
 Projection/First angle

Bus connector: M12 4-pin D-coded

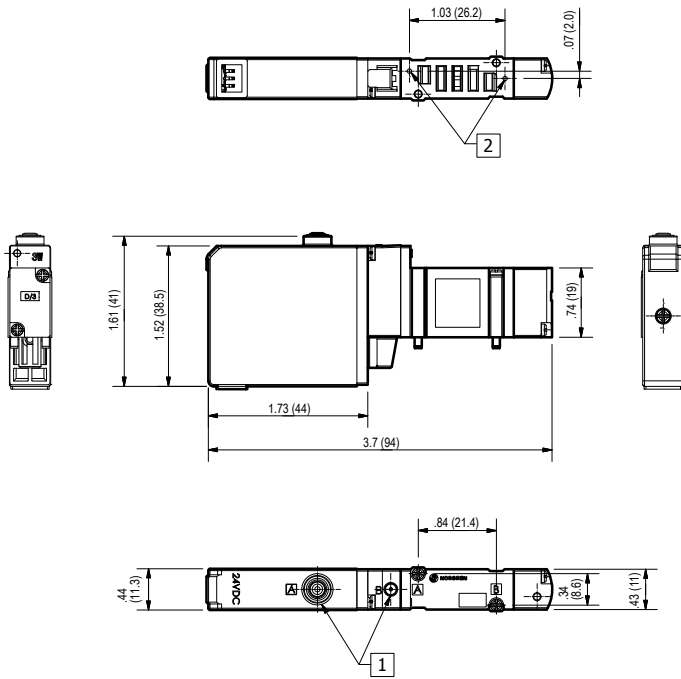
Female	Pin no.	Function
	1	Transmission data + (TD +)
	2	Receive data + (RD+)
	3	Transmission data - (TD-)
	4	Receive data - (RD-)

Power connector: M12 5-pin A-coded

Male	Pin no.	Function	Tolerance	Max. current
	1	L1 (VB+) 24 V electronics power supply	+/- 10%	max. 100 mA
	2	N2 (VA-) 0V valves power supply	-	-
	3	N1 (VB-) 0V electronics power supply	-	-
	4	L2 (VA+) 24 V valves power supply	10% +10%/-5%	n x 40 mA
	5	FE (functional earth)		

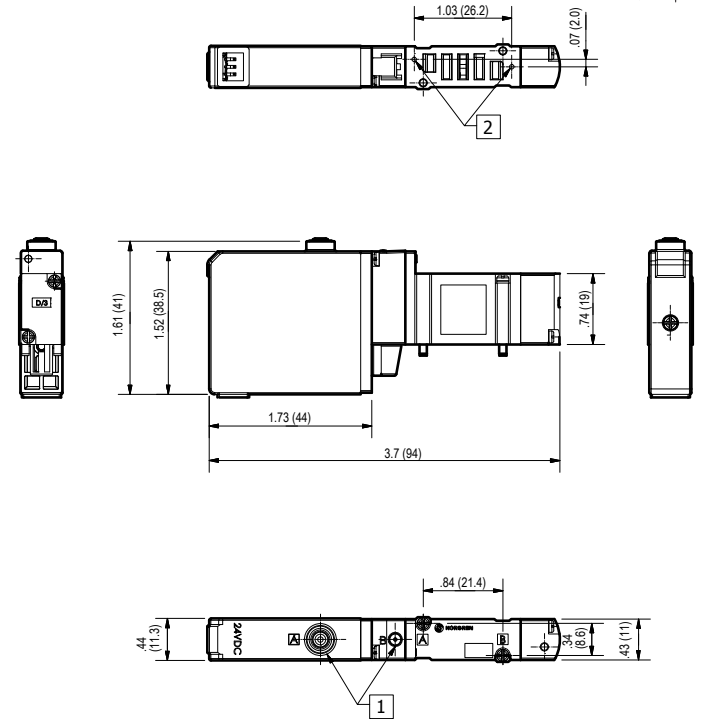
(n = number of switched valves)

VR10 Series (Valve) 2x3/2

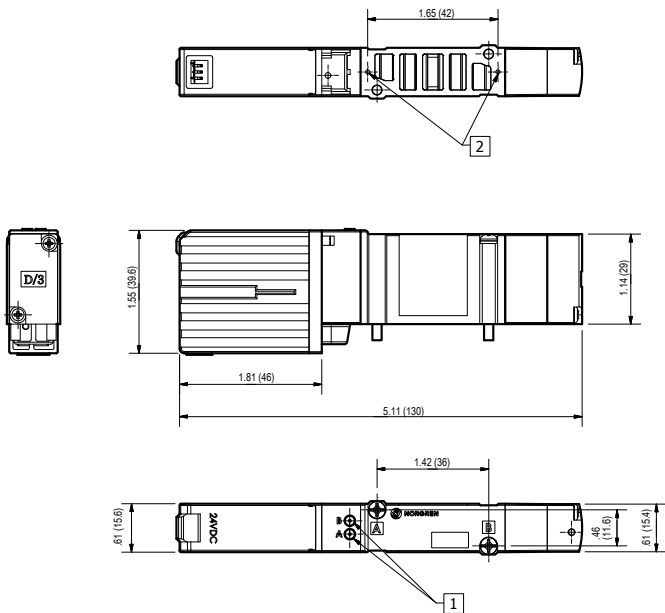


VR10 Series (Valve) 5/2

Dimensions in inches (mm)
Projection/First angle



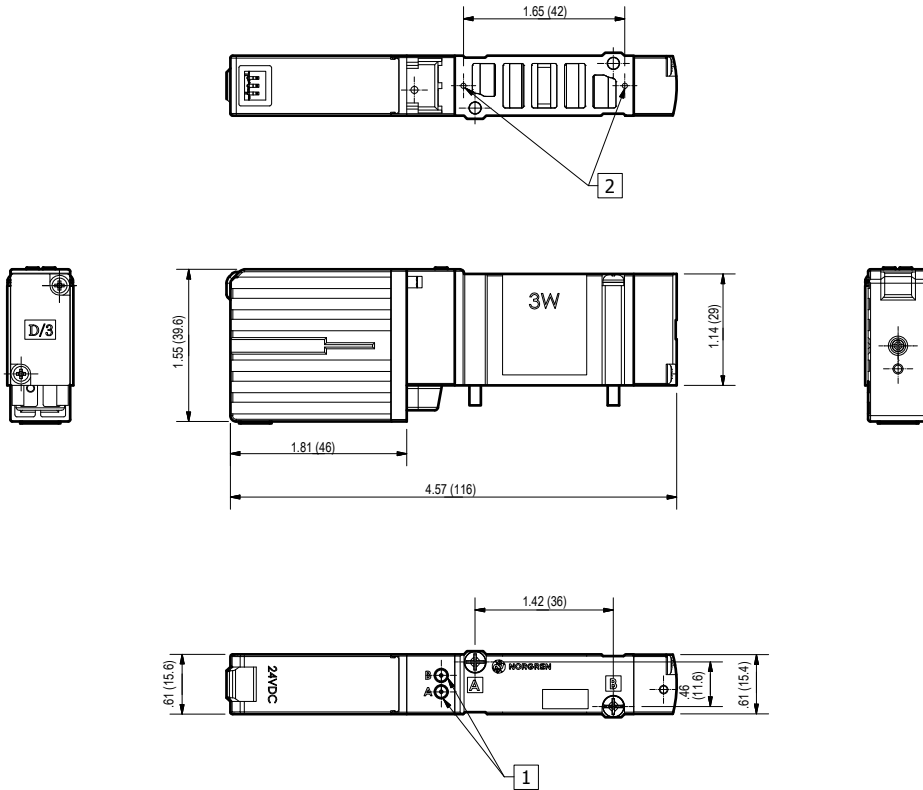
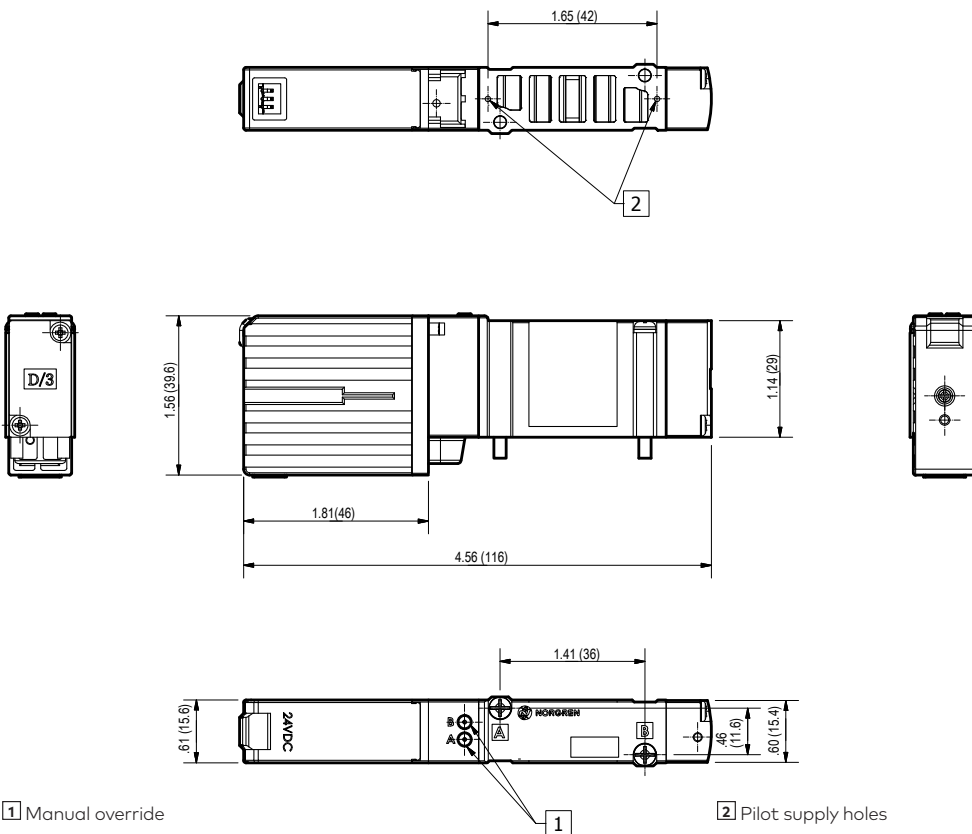
VR10 Series (Valve) 5/3



1 Manual override

2 Pilot supply holes

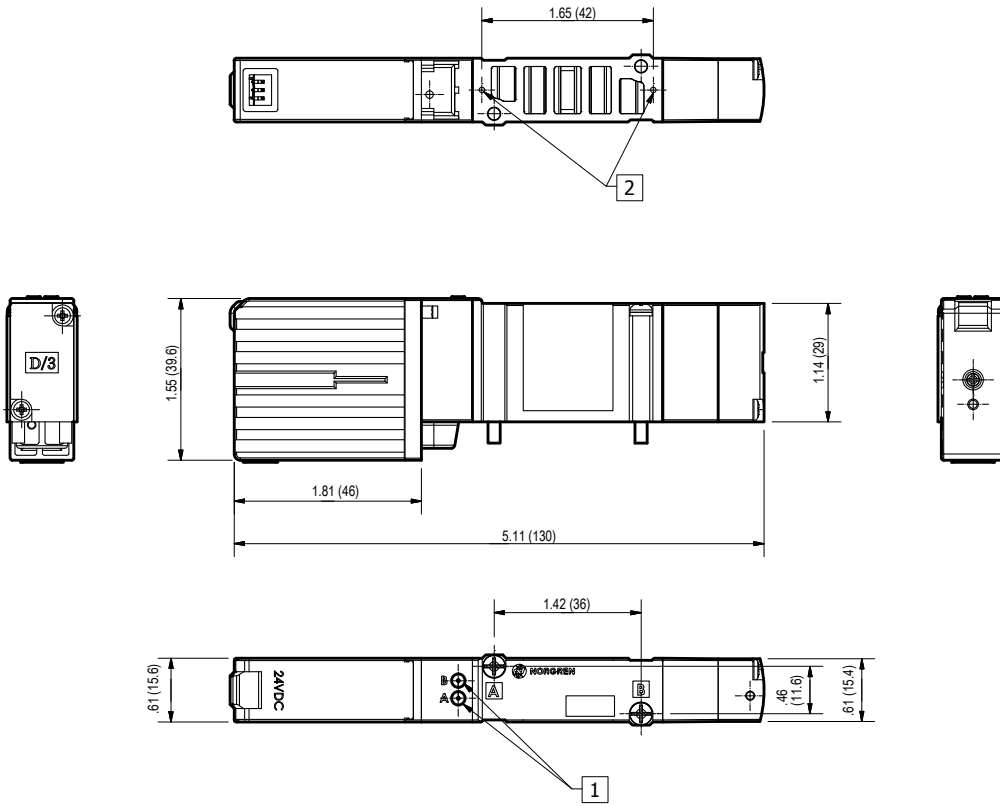
VR15 Series (Valve) 2x3/2

 Dimensions in inches (mm)
 Projection/First angle

VR15 Series (Valve) 5/2


1 Manual override

2 Pilot supply holes

VR15 Series (Valve) 5/3

 Dimensions in mm
 Projection/First angle

1 Manual override

2 Pilot supply holes

Option selector - valve slices
VRS***BV3*3A**

Series	Substitute
VR10	10
VR15	15
Spool Type	Substitute
Softseal Dynamic	S
Function	Substitute
5/2	5
5/3 APB	6
5/3 COE	7
5/3 COP	8
2x3/2 NC/NC*	A
2x3/2 NO/NO*	B
2x3/2 NC/NO*	C
Operator 14	Substitute
Solenoid Internal Pilot	1
Solenoid External Pilot	2

* Internal Pilot Only

Connection	Substitute
Plug-in	A
Voltage	Substitute
12 V d.c. *1)	2
24 V d.c.	3
Electrical	Substitute
Common Positive (NPN) *1)	5
Common Negative (PNP)	1
Override	Substitute
Push only	3
Type	Substitute
Valve	V
Operator 12	Substitute
Solenoid Internal Pilot	1
Solenoid External Pilot	2
Air Spring Return	3

*1) only for Multipole

Option selector - blank plate
VR7516 A M 0300**

Series	Substitute
VR10	10
VR15	15
Type	Substitute
Component	7516
Standard	A

Option	Substitute
Blank Plate	0300
Type	Substitute
Manifold	M

Option selector - Sub-base
VR7516 B M 11 ****

Series	Substitute
VR10	10
VR15	15
Type	Substitute
Component	7516
Type	Substitute
Manifold	M
Option	Substitute
Sub-base	11
Base Style	Substitute
Single Wiring	1
Double Wiring	2

Fitting Size	Substitute
4mm PIF VR10	4
6mm PIF VR10	6
5/32" PIF VR10	1
1/4" PIF VR10	9
4mm PIF VR15	4
6mm PIF VR15	6
8mm PIF VR15	8
5/32" PIF VR15	1
1/4" PIF VR15	9
5/16" PIF VR15	0

Option selector - End Plate IP65
VR7516 B M *****

Series	Substitute
VR10	10
VR15	15
Type	Substitute
Component	7516
IP Rating	Substitute
IP65	B

Base Style	Substitute
End Plate (Right Side)	01
End Plate (Left Side)	04
Option	Substitute
End Plate	09
Type	Substitute
Manifold	M

Warning: For IP65 with silencers option, silencers are not recommended in wash down or very dusty applications.

**Option selector - Supply/
Exhaust Module**
VR7516 B M ** O ***

Series	Substitute
VR10	10
VR15	15
Type	Substitute
Component	7516
Type	Substitute
Manifold	M

Fitting Size	Substitute
8mm PIF	VR10 8
5/16" PIF	VR10 0
10mm PIF	VR15 Y
3/8" PIF	VR15 1
Base Style	Substitute
Internal Pilot Base	1
External Pilot Base	2
Silencer Incorporated	Substitute
No	N
Yes	Y

Option selector - Tie Rod
VR7516 M M 07 ** ** ***

Series	Substitute
VR10	10
VR15	15
Type	Substitute
Component	7516
Option	Substitute
Modular	M
Type	Substitute
Manifold	M
Component Type	Substitute
Tie-rod Assembly	07

Number of Supply/ Exhaust Modules Used	Substitute
1 Supply/Exhaust Module	E1
2 Supply/Exhaust Module	E2
3 Supply/Exhaust Module	E3
4 Supply/Exhaust Module	E4
Number of Stations	Substitute
2 stations	02
3 stations	03
4 stations	04
5 stations	05
6 stations	06
7 stations	07
8 stations	08
9 stations	09
10 stations	10
11 stations	11
12 stations	12
13 stations	13
14 stations	14
15 stations	15
16 stations	16
17 stations	17
18 stations	18
19 stations	19
20 stations	20
21 stations	21
22 stations	22
23 stations	23
24 stations	24

Option Selector - DIN Rail
VR7516 A M 08****

Series	Substitute
VR10	10
VR15	15
Type	Substitute
Component	7516
Option	Substitute
Standard	A
Type	Substitute
Manifold	M
Component Type	Substitute
DIN Rail	08

Length	Substitute
06 = 2-6 stations	06
10 = 7-10 stations	10
15 = 11-15 stations	15
20 = 16-20 stations	20
24 = 21-24 stations	24

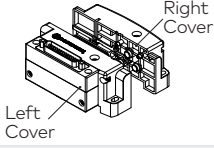
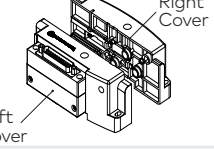
**Option selector -
Control Modules IP65**
VR1X7516 B M 02**

Type	Substitute
Component	7516
IP Rating	Substitute
IP65	B
Type	Substitute
Manifold	M

Control	Substitute
EtherCAT *1)	EC
EtherNet/IP *1)	EP
IO-Link *1)	IL
PROFINET *1)	PN
Multipole D-Sub	M6
Option	Substitute
Module	02

*1) only for use with PNP valves

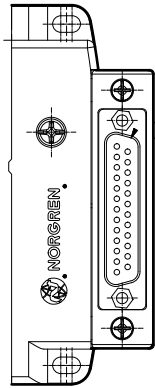
IP40 Options End Plate Only (for IP40 Multipole Versions)

	Series	Connector Type	Connector	Cover Location	Orientation	Weight (lbs)	Model
	VR10	--	None	Right	--	0.132	VR107516BM0901
	VR10	D-Sub Connector 25-Pin	D-Sub	Left	Horizontal	0.231	VR107516AM0902
	VR10	D-Sub Connector 25-Pin	D-Sub	Left	Vertical	0.231	VR107516AM0903
	VR15	--	None	Right	--	0.189	VR157516BM0901
	VR15	D-Sub Connector 25-Pin	D-Sub	Left	Horizontal	0.288	VR157516AM0902
	VR15	D-Sub Connector 25-Pin	D-Sub	Left	Vertical	0.288	VR157516AM0903

Option selector - End Plate IP40 Multipole VR★★7516 A M ★ ★ ★ ★

Series	Substitute	←	→	Base Style	Substitute
VR10	10			End Plate (Right Side)	01
VR15	15	←	→	Multipole Horizontal D-Sub Connector (Left Side)	02
Type	Substitute			Multipole Vertical D-Sub Connector (Left Side)	03
Component	7516			Option	Substitute
IP Rating	Substitute	←	→	End Plate	09
IP40	A			Type	Substitute
				Manifold	M

Multipole (IP40): Connector: 1 x D-Sub 25-pin



* This table is only applicable to the D-Sub cables that NORGREN supplies, IP65 version. Cable part numbers VR10569-E15, VR10569-E03 and VR10569-E05.

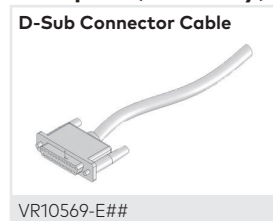
The table indicates corresponding relation between pins, solenoids, pilots and stations based on configuration (12 stations, double solenoids) shown in table.

Valve manifolds exceeding 12 stations please refer to the Installation & Maintenance for Pin-Out

D-Sub connector wiring

Pin no.	Wire colour	Socket	Pilot	Station
1	Black	Solenoid 1-a	14	1
2	Black, White	Solenoid 2-a	14	2
3	Brown	Solenoid 3-a	14	3
4	Brown, White	Solenoid 4-a	14	4
5	Red	Solenoid 5-a	14	5
6	Red, Yellow	Solenoid 6-a	14	6
7	Red, White	Solenoid 7-a	14	7
8	Pink	Solenoid 8-a	14	8
9	Pink, White	Solenoid 9-a	14	9
10	Yellow	Solenoid 10-a	14	10
11	Yellow, Red	Solenoid 11-a	14	11
12	Yellow, Blue	Solenoid 12-a	14	12
13	Green	Common	--	--
14	Green, Yellow	Solenoid 1-b	12	1
15	Green, White	Solenoid 2-b	12	2
16	Blue	Solenoid 3-b	12	3
17	Blue, Yellow	Solenoid 4-b	12	4
18	Blue, White	Solenoid 5-b	12	5
19	Violet	Solenoid 6-b	12	6
20	Violet, White	Solenoid 7-b	12	7
21	Gray	Solenoid 8-b	12	8
22	Gray, Red	Solenoid 9-b	12	9
23	White	Solenoid 10-b	12	10
24	White, Red	Solenoid 11-b	12	11
25	White, Blue	Solenoid 12-b	12	12

Multipole (IP40 only) - Cables



VR10569-E##

Insert **15** for 1.5m,
03 for 3m and
05 for 5m

Part numbering for complete valve manifolds

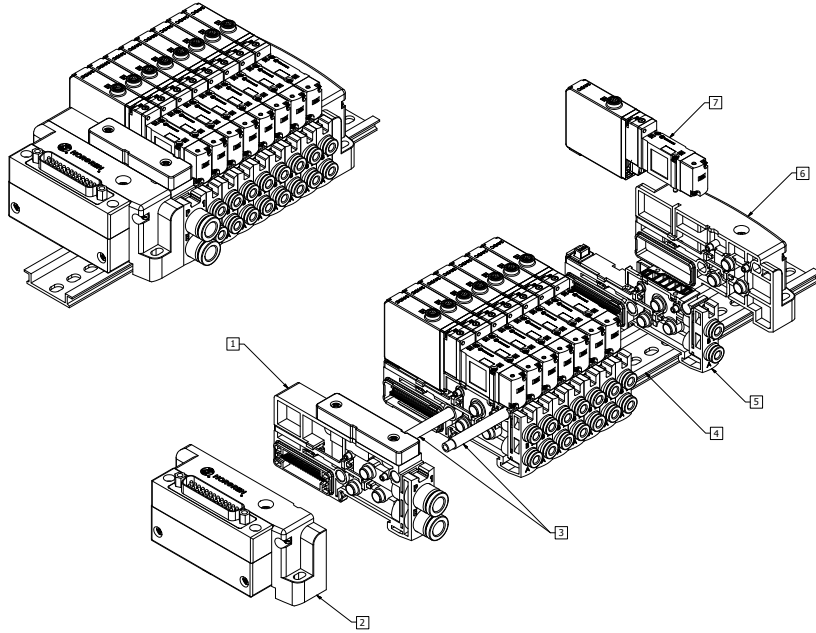
VR*****00-*****

Series	Substitute
VR10	10
VR15	15
Number of stations	Substitute
2 stations	02
3 stations	03
4 stations	04
5 stations	05
6 stations	06
7 stations	07
8 stations	08
9 stations	09
10 stations	10
11 stations	11
12 stations	12
13 stations	13
14 stations	14
15 stations	15
16 stations	16
17 stations	17
18 stations	18
19 stations	19
20 stations	20
21 stations	21
22 stations	22
23 stations	23
24 stations	24
Electrical connection	Substitute
EtherCAT	EC
EtherNet/IP	EP
IO-Link	IL
PROFINET	PN
IP40 Multipole D-Sub 25pin	M2
P65 Multipole D-Sub 25pin	M6

To be defined by online valve manifold configurator based on valve slice selection

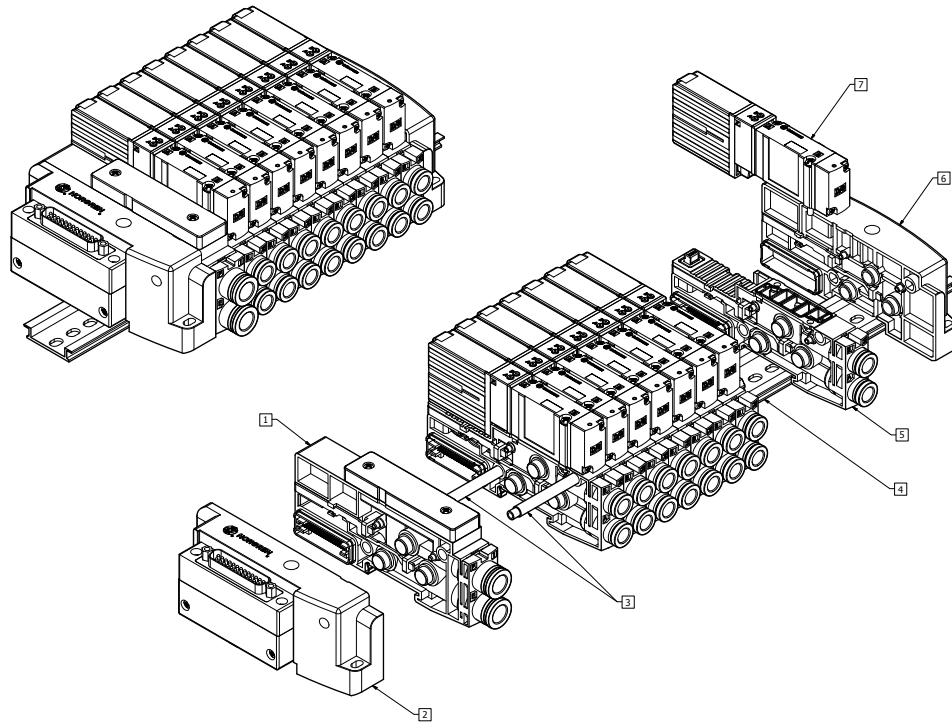
To configure and order a valve manifold visit - <https://www.norgren.com>

VR10 Exploded view (IP40 Multipole Versions)



- 1 Sup/exh module
- 2 Left End Plate
- 3 Tie Rod
- 4 DIN Rail
- 5 Sub-base
- 6 Right End Plate
- 7 Valve

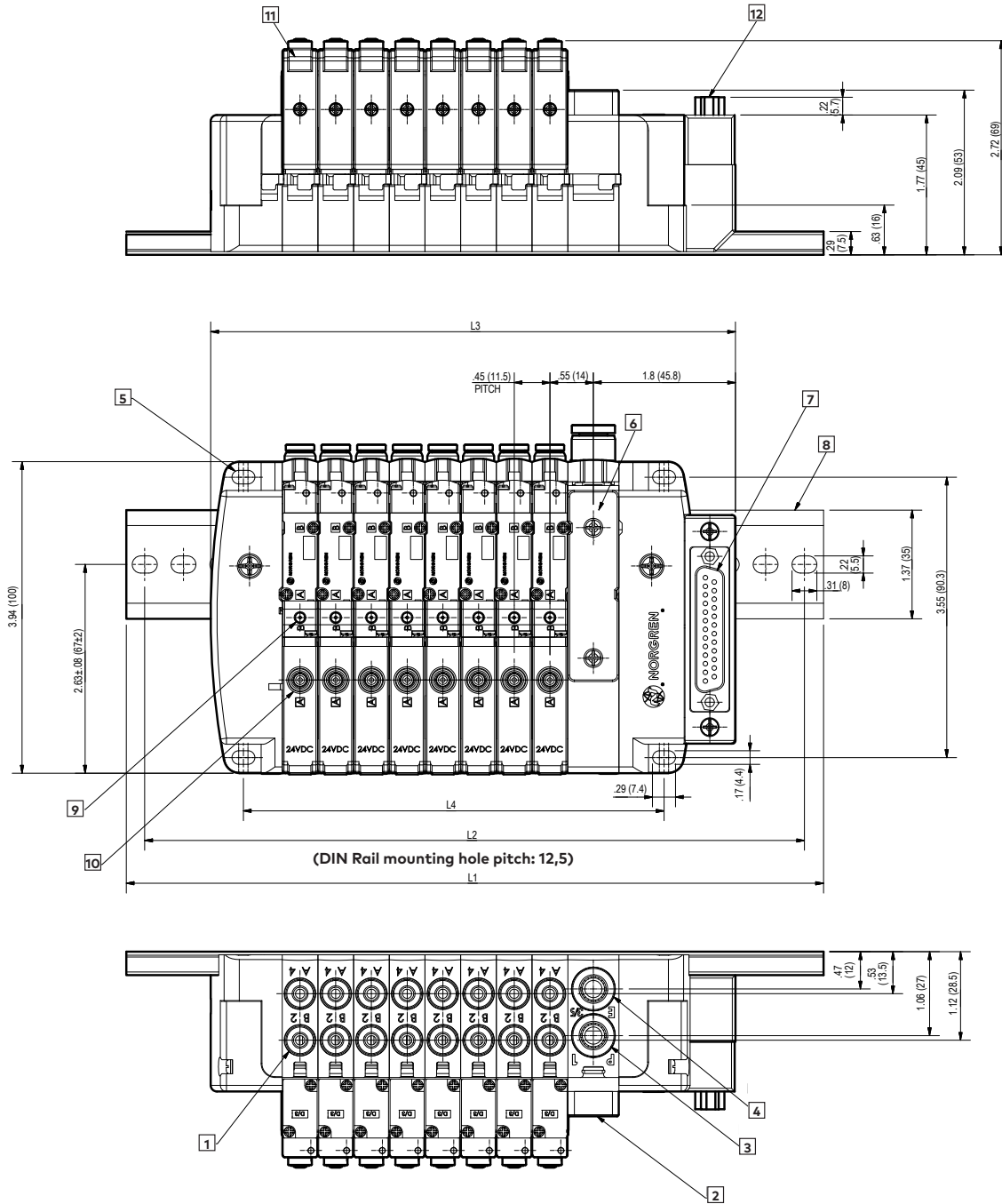
VR15 Exploded view (IP40 Multipole Versions)



- 1 Sup/exh module
- 2 Left End Plate
- 3 Tie Rod
- 4 DIN Rail
- 5 Sub-base
- 6 Right End Plate
- 7 Valve

All configured assemblies must use tie rods

VR10 Series (Valve Manifold) Internal Pilot without Silencer (IP40 Multipole Versions)

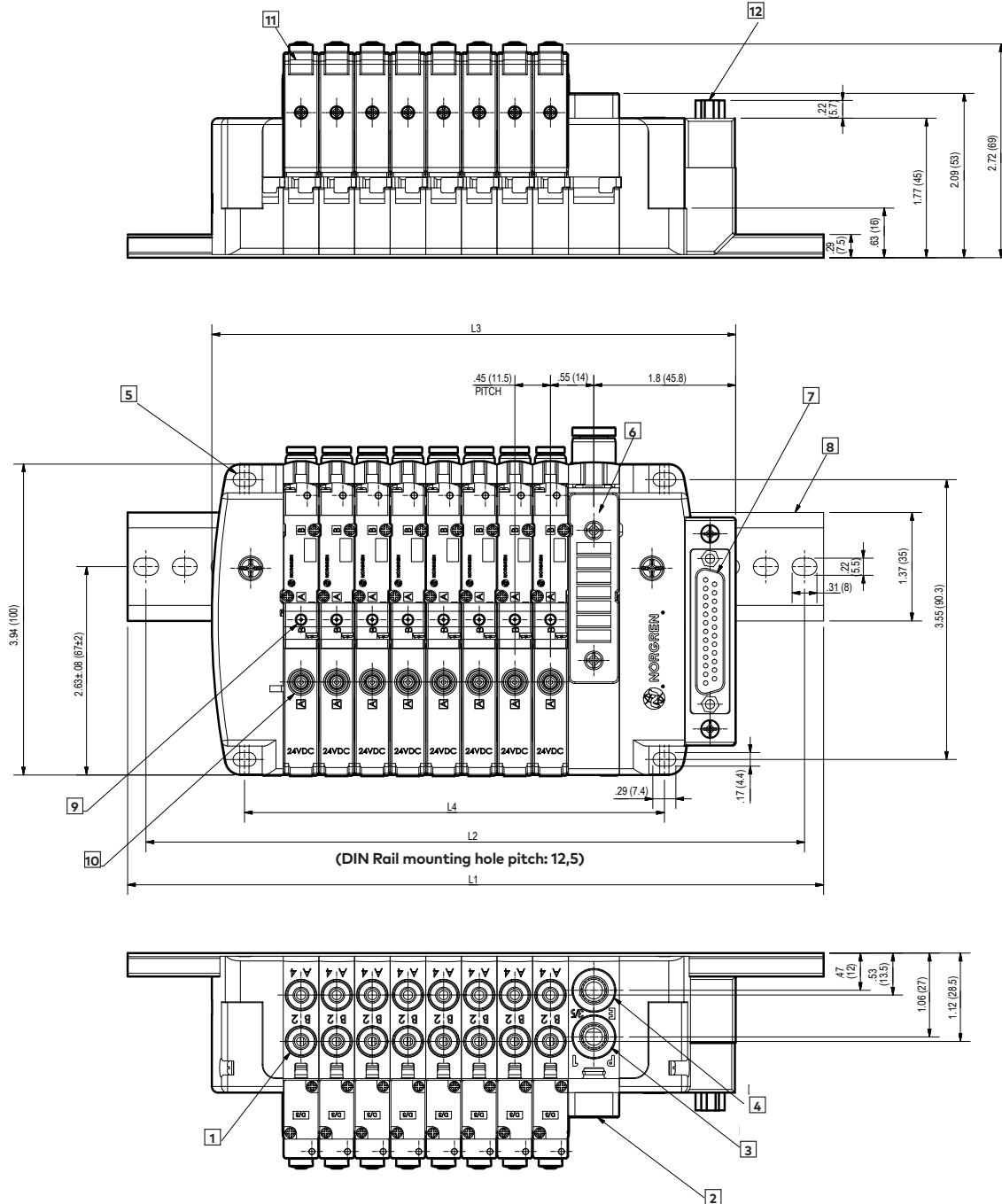
 Dimensions in inches (mm)
 Projection/First angle


- | | |
|---|--|
| 1 Outlet Port: PIF for tube O.D 4, O.D 6, O.D 5/32", O.D 1/4" | 7 Applicable connector: D-Sub Connector 25 Pin |
| 2 Sup/Exh module | 8 DIN Rail |
| 3 Supply Port: PIF for tube O.D 8, O.D 5/16" | 9 Manual override (Port 2) |
| 4 Exhaust Port: PIF for tube O.D 8, O.D 5/16" | 10 Manual override (Port 4) |
| 5 Mounting 4x M4 | 11 LED |
| 6 Exhaust Port: Blank Plate | 12 Connector direction: vertical or horizontal |

N:	2	3	4	5	6	7	8	9	10	11	12	13	14	15	16	17	18	19	20	21	22	23	24
L1 in (mm)	7.87 (200)				9.84 (250)				11.81 (300)				15.25 (387,5)				17.22 (437,5)						
L2 in (mm)	7.38 (187,5)				9.35 (237,5)				11.32 (287,5)				14.76 (375)				16.73 (425)						
L3 in (mm)	3.93 (100)	4.39 (111,5)	4.84 (123)	5.29 (134,5)	5.74 (146)	6.20 (157,5)	6.65 (169)	7.10 (180,5)	7.56 (192)	8.66 (220)	9.11 (231,5)	9.56 (243)	10.02 (254,5)	10.47 (266)	10.93 (277,5)	11.38 (289)	11.83 (300,5)	12.28 (312)	12.74 (323,5)	13.19 (335)	13.64 (346,5)	14.09 (358)	14.55 (369,5)
L4 in (mm)	2.62 (66,5)	3.07 (78)	3.52 (89,5)	3.98 (101)	4.43 (112,5)	4.88 (124)	5.33 (135,5)	5.78 (147)	6.24 (158,5)	7.34 (186,5)	7.79 (198)	8.25 (209,5)	8.70 (221)	9.15 (232,5)	9.60 (244)	10.06 (255,5)	10.51 (267)	10.96 (278,5)	11.41 (290)	11.87 (301,5)	12.32 (313)	12.77 (324,5)	13.23 (336)

*2-10 stations: one Sup/Exh Module is required. 11-24 stations: two Sup/Exh Modules are recommended.

VR10 Series (Valve Manifold) Internal Pilot with Silencer (IP40 Multipole Versions)

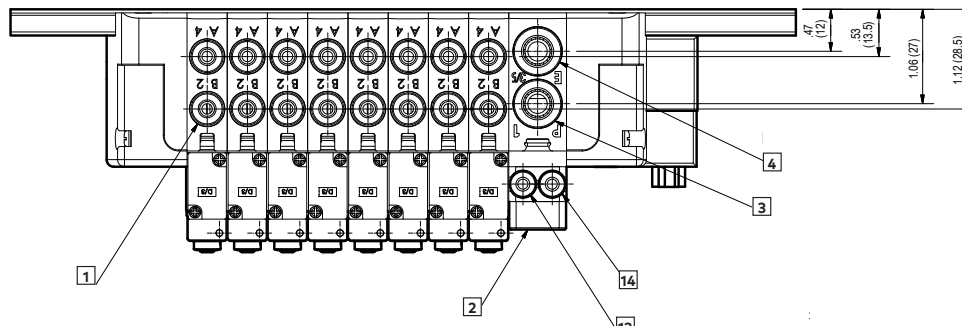
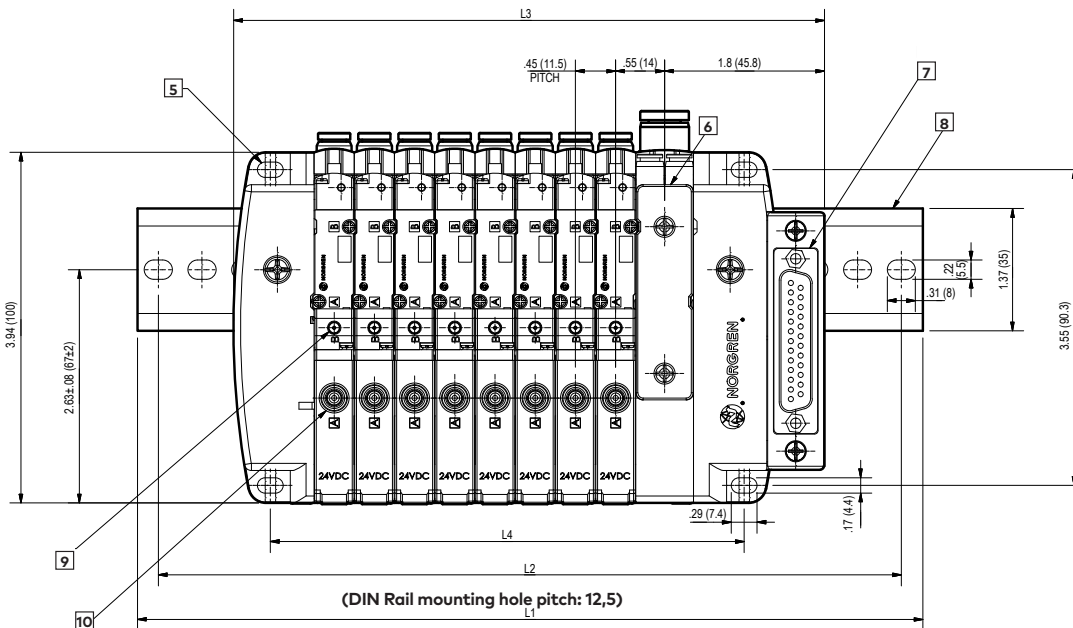
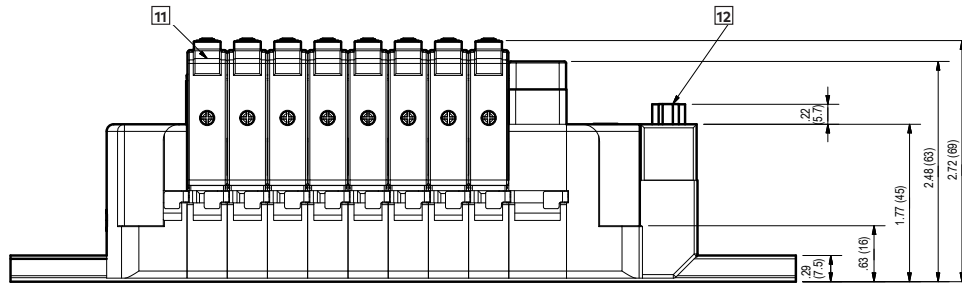
 Dimensions in inches (mm)
 Projection/First angle


- | | |
|---|--|
| 1 Outlet Port: PIF for tube O.D 4, O.D 6, O.D 5/32", O.D 1/4" | 7 Applicable connector: D-Sub Connector 25 Pin |
| 2 Sup/exh module | 8 DIN Rail |
| 3 Supply Port: PIF for tube O.D 8, O.D 5/16" | 9 Manual override (Port 2) |
| 4 Exhaust Port: PIF for tube O.D 8, O.D 5/16" | 10 Manual override (Port 4) |
| 5 Mounting 4x M4 | 11 LED |
| 6 Exhaust Port: Silencer plate | 12 Connector direction: vertical or horizontal |

N:	2	3	4	5	6	7	8	9	10	11	12	13	14	15	16	17	18	19	20	21	22	23	24
L1 in (mm)			7.87 (200)				9.84 (250)				11.81 (300)						15.25 (387,5)				17.22 (437,5)		
L2 in (mm)		7.38 (187,5)					9.35 (237,5)				11.32 (287,5)						14.76 (375)				16.73 (425)		
L3 in (mm)	3.93 (100)	4.39 (111,5)	4.84 (123)	5.29 (134,5)	5.74 (146)	6.20 (157,5)	6.65 (169)	7.10 (180,5)	7.56 (192)	8.66 (220)	9.11 (231,5)	9.56 (243)	10.02 (254,5)	10.47 (266)	10.93 (277,5)	11.38 (289)	11.83 (300,5)	12.28 (312)	12.74 (323,5)	13.19 (335)	13.64 (346,5)	14.09 (358)	14.55 (369,5)
L4 in (mm)	2.62 (66,5)	3.07 (78)	3.52 (89,5)	3.98 (101)	4.43 (112,5)	4.88 (124)	5.33 (135,5)	5.78 (147)	6.24 (158,5)	7.34 (186,5)	7.79 (198)	8.25 (209,5)	8.70 (221)	9.15 (232,5)	9.60 (244)	10.06 (255,5)	10.51 (267)	10.96 (278,5)	11.41 (290)	11.87 (301,5)	12.32 (313)	12.77 (324,5)	13.23 (336)

*2-10 stations: one Sup/Exh Module is required. 11-24 stations: two Sup/Exh Modules are recommended.

VR10 Series (Valve Manifold) External Pilot without Silencer (IP40 Multipole Versions)

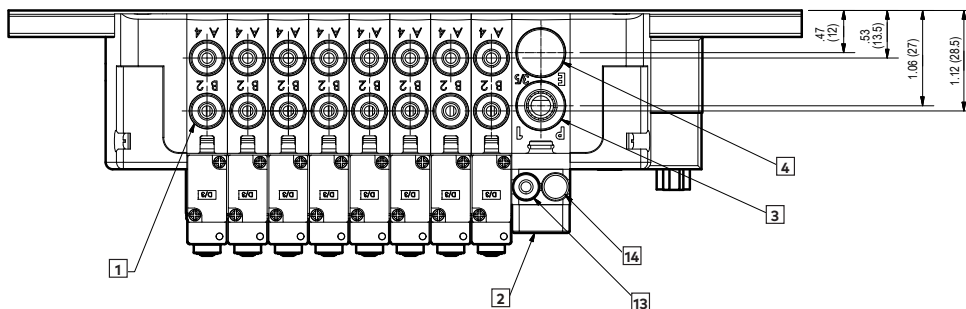
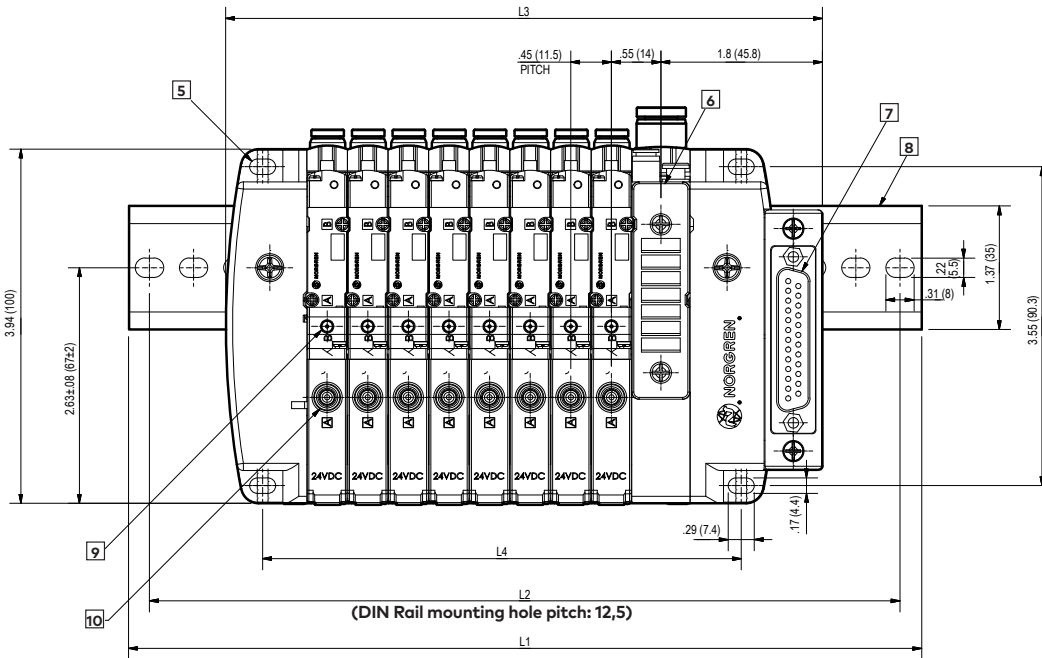
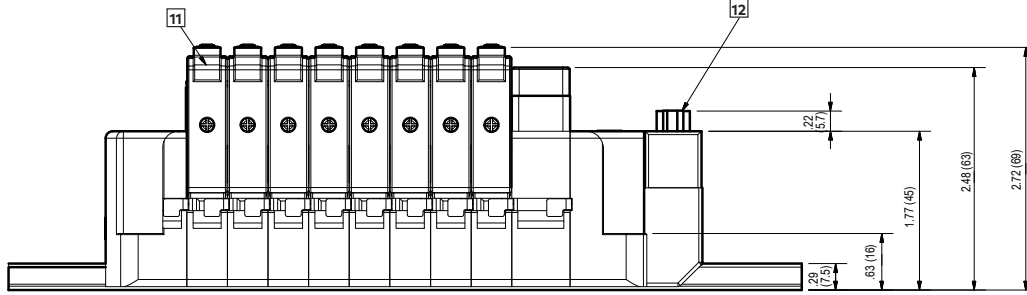
 Dimensions in inches (mm)
 Projection/First angle


- 1 Outlet Port: PIF for tube O.D 4, O.D 6, O.D 5/32", O.D 1/4"
- 2 Sup/exh module
- 3 Supply Port: PIF for tube O.D 8, O.D 5/16"
- 4 Exhaust Port: PIF for tube O.D 8, O.D 5/16"
- 5 Mounting 4x M4
- 6 Exhaust Port: Blank Plate
- 7 Applicable connector: D-Sub Connector 25 Pin
- 8 DIN Rail
- 9 Manual override (Port 2)
- 10 Manual override (Port 4)
- 11 LED
- 12 Connector direction: vertical or horizontal
- 13 Supply Port of external pilot: PIF for tube O.D. 4, O.D. 5/32
- 14 Exhaust Port of external pilot: PIF for tube O.D. 4, O.D. 5/32"

N:	2	3	4	5	6	7	8	9	10	11	12	13	14	15	16	17	18	19	20	21	22	23	24
Stations																							
L1 in (mm)			7.87 (200)				9.84 (250)					11.81 (300)					15.25 (387,5)						17.22 (437,5)
L2 in (mm)			7.38 (187,5)				9.35 (237,5)					11.32 (287,5)					14.76 (375)						16.73 (425)
L3 in (mm)	3.93 (100)	4.39 (111,5)	4.84 (123)	5.29 (134,5)	5.74 (146)	6.20 (157,5)	6.65 (169)	7.10 (180,5)	7.56 (192)	8.66 (220)	9.11 (231,5)	9.56 (243)	10.02 (254,5)	10.47 (266)	10.93 (277,5)	11.38 (289)	11.83 (300,5)	12.28 (312)	12.74 (323,5)	13.19 (335)	13.64 (346,5)	14.09 (358)	14.55 (369,5)
L4 in (mm)	2.62 (66,5)	3.07 (78)	3.52 (89,5)	3.98 (101)	4.43 (112,5)	4.88 (124)	5.33 (135,5)	5.78 (147)	6.24 (158,5)	7.34 (186,5)	7.79 (198)	8.25 (209,5)	8.70 (221)	9.15 (232,5)	9.60 (244)	10.06 (255,5)	10.51 (267)	10.96 (278,5)	11.41 (290)	11.87 (301,5)	12.32 (313)	12.77 (324,5)	13.23 (336)

*2-10 stations: one Sup/Exh Module is required. 11-24 stations: two Sup/Exh Modules are recommended.

VR10 Series (Valve Manifold) External Pilot with Silencer (IP40 Multipole Versions)

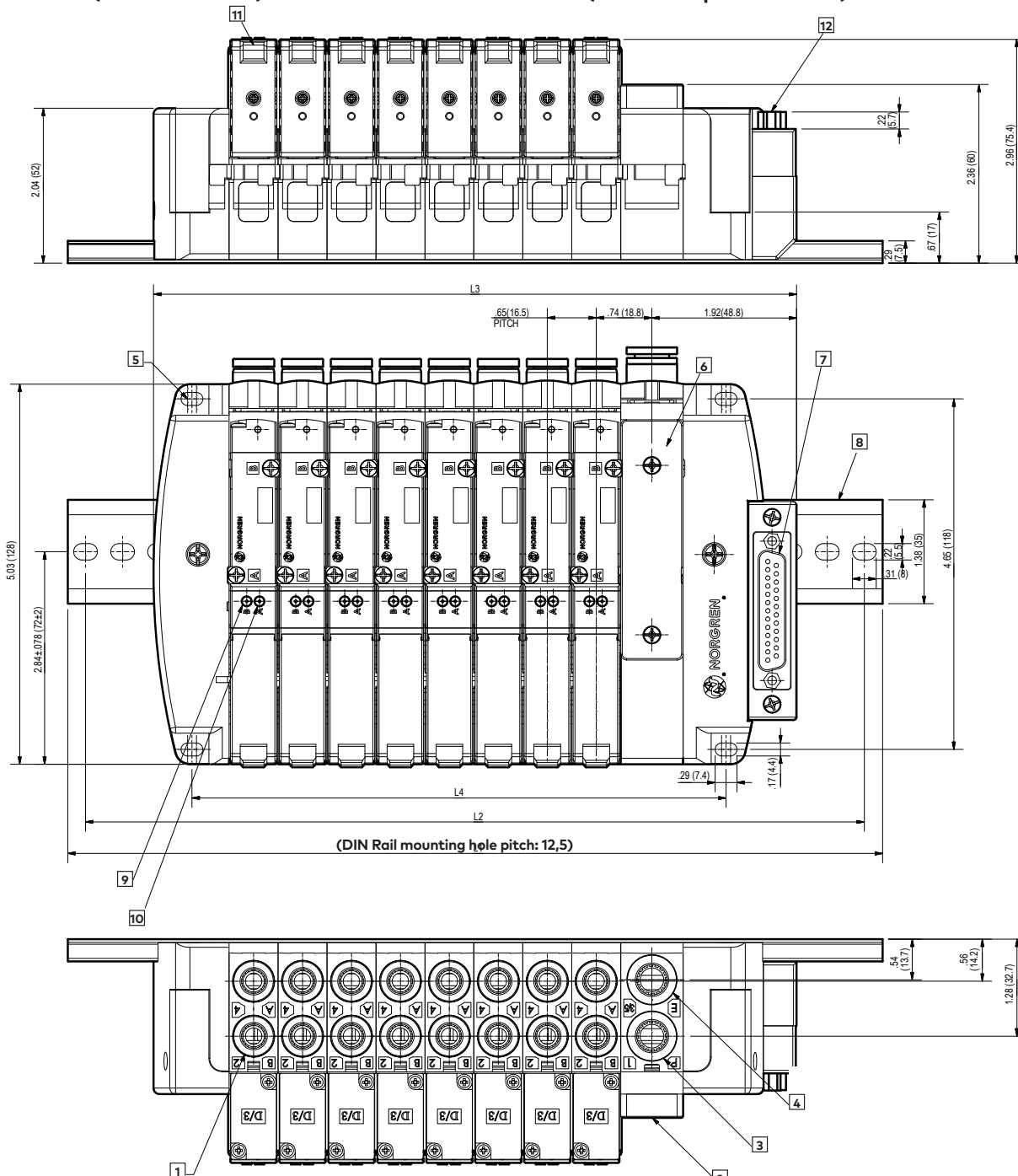
 Dimensions in inches (mm)
 Projection/First angle


- | | |
|---|---|
| 1 Outlet Port: PIF for tube O.D 4, O.D 6, O.D 5/32", O.D 1/4" | 8 DIN Rail |
| 2 Sup/exh module | 9 Manual override (Port 2) |
| 3 Supply Port: PIF for tube O.D 8, O.D 5/16" | 10 Manual override (Port 4) |
| 4 Plug | 11 LED |
| 5 Mounting 4x M4 | 12 Connector direction: vertical or horizontal |
| 6 Exhaust Port: Silencer Plate | 13 Supply Port of external pilot: PIF for tube O.D. 4, O.D. 5/32" |
| 7 Applicable connector: D-Sub Connector 25 Pin | 14 Plug |

N:	2	3	4	5	6	7	8	9	10	11	12	13	14	15	16	17	18	19	20	21	22	23	24
Stations																							
L1 in (mm)			7.87 (200)					9.84 (250)				11.81 (300)					15.25 (387.5)					17.22 (437.5)	
L2 in (mm)		7.38 (187.5)						9.35 (237.5)				11.32 (287.5)					14.76 (375)					16.73 (425)	
L3 in (mm)	3.93 (100)	4.39 (111.5)	4.84 (123)	5.29 (134.5)	5.74 (146)	6.20 (157.5)	6.65 (169)	7.10 (180.5)	7.56 (192)	8.66 (220)	9.11 (231.5)	9.56 (243)	10.02 (254.5)	10.47 (266)	10.93 (277.5)	11.38 (289)	11.83 (300.5)	12.28 (312)	12.74 (323.5)	13.19 (335)	13.64 (346.5)	14.09 (358)	14.55 (369.5)
L4 in (mm)	2.62 (66.5)	3.07 (78)	3.52 (89.5)	3.98 (101)	4.43 (112.5)	4.88 (124)	5.33 (135.5)	5.78 (147)	6.24 (158.5)	7.34 (186.5)	7.79 (198)	8.25 (209.5)	8.70 (221)	9.15 (232.5)	9.60 (244)	10.06 (255.5)	10.51 (267)	10.96 (278.5)	11.41 (290)	11.87 (301.5)	12.32 (313)	12.77 (324.5)	13.23 (336)

*2-10 stations: one Sup/Exh Module is required. 11-24 stations: two Sup/Exh Modules are recommended.

VR15 Series (Valve Manifold) Internal Pilot without Silencer (IP40 Multipole Versions)

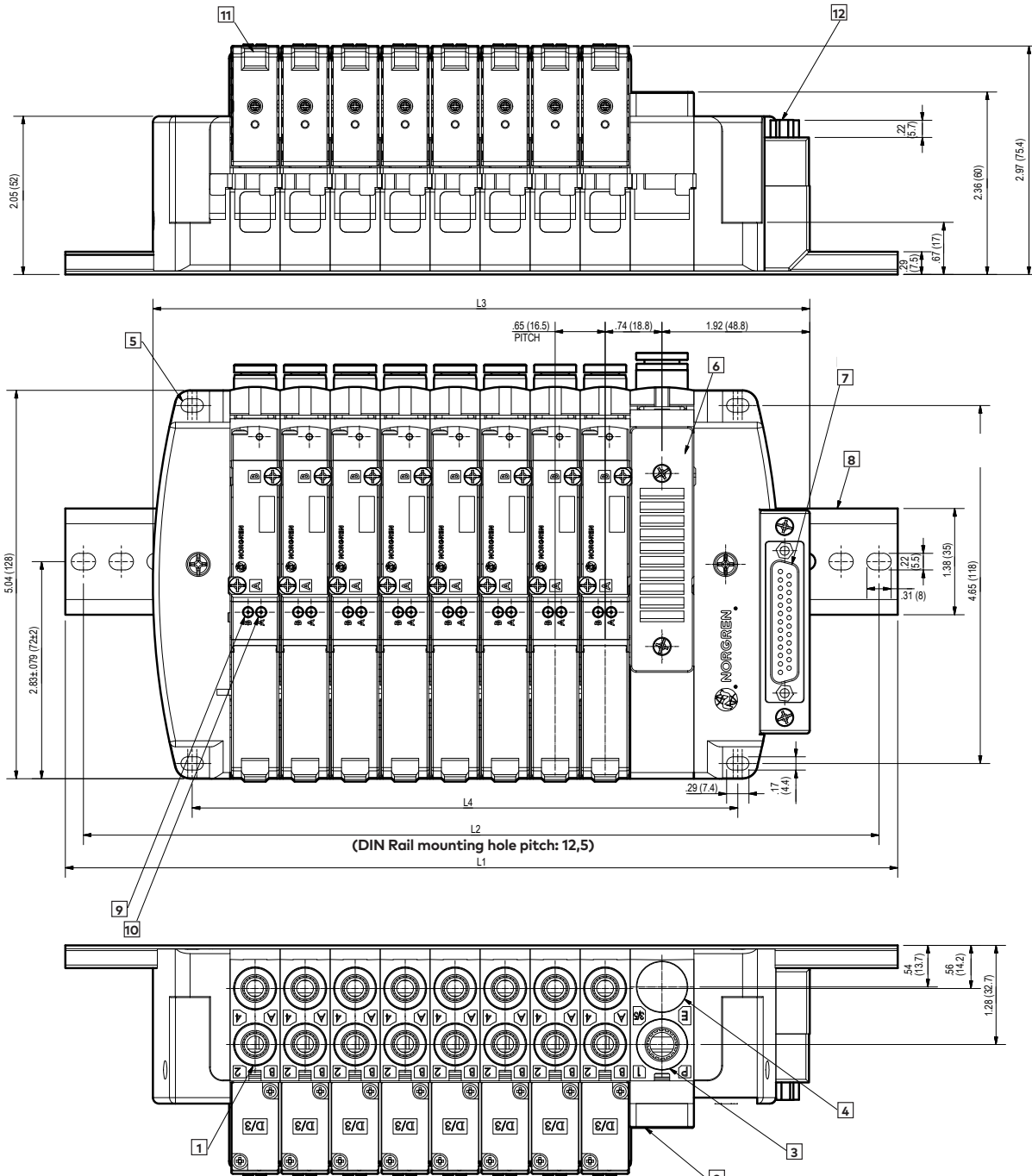
 Dimensions in inches (mm)
 Projection/First angle


- | | |
|---|---|
| <ul style="list-style-type: none"> 1 Outlet Port: PIF for tube O.D. 4, O.D 6, O.D 8, O.D 1/4", O.D 5/16" 2 Sup/exh module 3 Supply Port: PIF for tube O.D 10, O.D 3/8" 4 Exhaust Port: PIF for tube O.D 10, O.D 3/8" 5 Mounting 4x M4 6 Exhaust Port: Blank Plate | <ul style="list-style-type: none"> 7 Applicable connector: D-Sub Connector 25 Pin 8 DIN Rail 9 Manual override (Port 2) 10 Manual override (Port 4) 11 LED 12 Connector direction: vertical or horizontal |
|---|---|

N:	2	3	4	5	6	7	8	9	10	11	12	13	14	15	16	17	18	19	20	21	22	23	24
L1 in (mm)			9.84 (250)				11.81 (300)					15.74 (400)					19.68 (500)					23.11 (587)	
L2 in (mm)			9.35 (237.5)				9.35 (287.5)					15.25 (387.5)					19.19 (487.5)					22.61 (574.5)	
L3 in (mm)	4.64 (117.7)	5.28 (134.2)	5.93 (150.7)	6.58 (167.2)	7.23 (183.7)	7.88 (200.2)	8.53 (216.7)	9.18 (233.2)	9.83 (249.7)	11.30 (287.2)	11.96 (303.7)	12.60 (320.2)	13.25 (336.7)	13.90 (353.2)	14.55 (369.7)	15.20 (386.2)	15.85 (402.7)	16.50 (419.2)	17.15 (435.7)	17.80 (452.2)	18.45 (468.7)	19.10 (485.2)	19.75 (501.7)
L4 in (mm)	3.18 (81)	3.84 (97.5)	4.49 (114)	5.13 (130.5)	5.78 (147)	6.43 (163.5)	7.08 (180)	7.73 (196.5)	8.39 (213)	9.86 (250.5)	10.51 (267)	11.16 (283.5)	11.81 (300)	12.46 (316.5)	13.11 (333)	13.76 (349.5)	14.41 (366)	15.06 (382.5)	15.70 (399)	16.35 (415.5)	17.0 (432)	17.66 (448.5)	18.30 (465)

*2-10 stations: one Sup/Exh Module is required. 11-24 stations: two Sup/Exh Modules are recommended.

VR15 Series (Valve Manifold) Internal Pilot with Silencer (IP40 Multipole Versions)

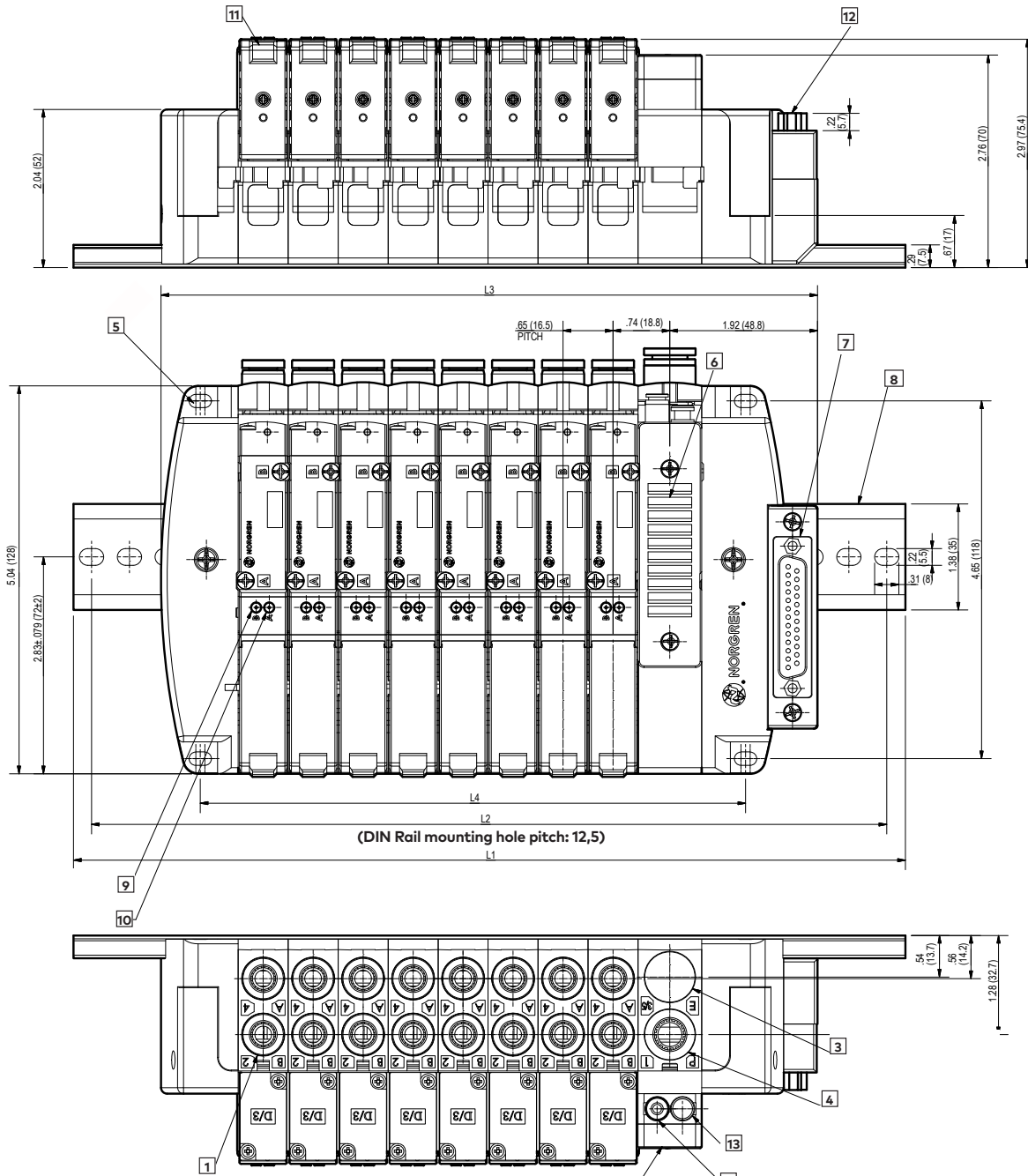
 Dimensions in inches (mm)
 Projection/First angle


- | | |
|---|---|
| <ul style="list-style-type: none"> 1 Outlet Port: PIF for tube O.D. 4, O.D 6, O.D 8, O.D 1/4", O.D 5/16" 2 Sup/exh module 3 Supply Port: PIF for tube O.D 10, O.D 3/8" 4 Plug 5 Mounting 4x M4 6 Exhaust Port: Silencer Plate | <ul style="list-style-type: none"> 7 Applicable connector: D-Sub Connector 25 Pin 8 DIN rail 9 Manual override (Port 2) 10 Manual override (Port 4) 11 LED 12 Connector direction: vertical or horizontal |
|---|---|

N: Stations	2	3	4	5	6	7	8	9	10	11	12	13	14	15	16	17	18	19	20	21	22	23	24													
L1 in (mm)	9.84 (250)				11.81 (300)				15.74 (400)				19.68 (500)				23.11 (587)																			
L2 in (mm)	9.35 (237,5)												15.25 (387,5)												22.61 (574,5)											
L3 in (mm)	4.64 (117,7)	5.28 (134,2)	5.93 (150,7)	6.58 (167,2)	7.23 (183,7)	7.88 (200,2)	8.53 (216,7)	9.18 (233,2)	9.83 (249,7)	11.30 (287,2)	11.96 (303,7)	12.60 (320,2)	13.25 (336,7)	13.90 (353,2)	14.55 (369,7)	15.20 (386,2)	15.85 (402,7)	16.50 (419,2)	17.15 (435,7)	17.80 (452,2)	18.45 (468,7)	19.10 (485,2)	19.75 (501,7)													
L4 in (mm)	3.18 (81)	3.84 (97,5)	4.49 (114)	5.13 (130,5)	5.78 (147)	6.43 (163,5)	7.08 (180)	7.73 (196,5)	8.39 (213)	9.86 (250,5)	10.51 (267)	11.16 (283,5)	11.81 (300)	12.46 (316,5)	13.11 (333)	13.76 (349,5)	14.41 (366)	15.06 (382,5)	15.70 (399)	16.35 (415,5)	17.0 (432)	17.66 (448,5)	18.30 (465)													

*2~10 stations: one Sup/Exh Module is required. 11~24 stations: two Sup/Exh Modules are recommended.

VR15 Series (Valve Manifold) External Pilot without Silencer (IP40 Multipole Versions)

 Dimensions in inches (mm)
 Projection/First angle


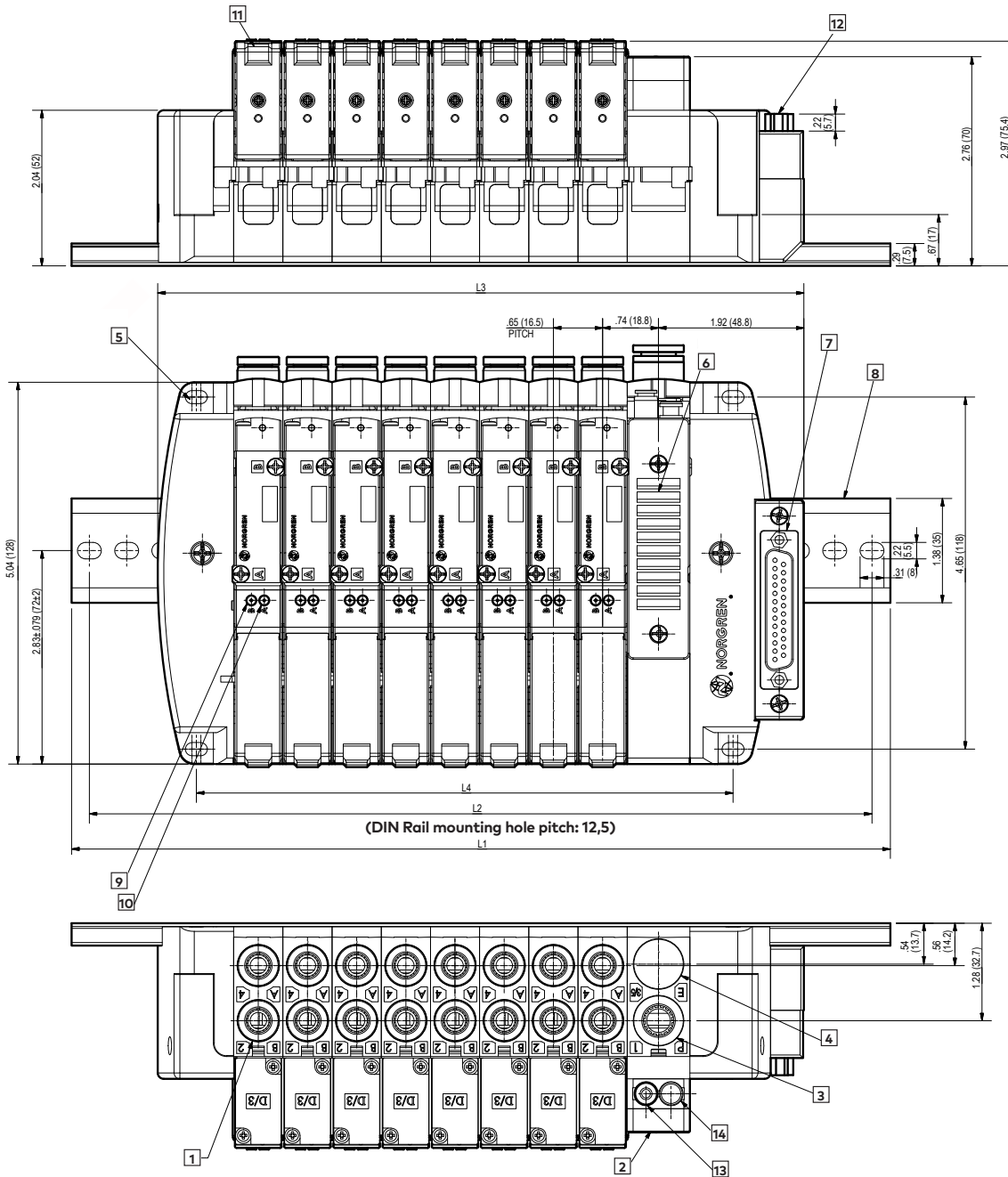
- 1 Outlet Port: PIF for tube O.D. 4, O.D 6, O.D 8, O.D 1/4", O.D 5/16"
- 2 Sup/exh module
- 3 Exhaust Port: PIF for tube O.D 10, O.D 3/8"
- 4 Supply Port: PIF for tube O.D 10, O.D 3/8"
- 5 Mounting 4x M4
- 6 Exhaust Port: Blank Plate
- 7 Applicable connector: D-Sub Connector 25 Pin

- 8 DIN Rail
- 9 Manual override (Port 2)
- 10 Manual override (Port 4)
- 11 LED
- 12 Connector direction: vertical or horizontal
- 13 Exhaust Port of external pilot: PIF for tube O.D. 4, O.D. 5/32"
- 14 Supply Port of external pilot: PIF for tube O.D. 4, O.D. 5/32"

N:	2	3	4	5	6	7	8	9	10	11	12	13	14	15	16	17	18	19	20	21	22	23	24
L1 in (mm)	9.84 (250)				11.81 (300)				15.74 (400)				19.68 (500)				23.11 (587)						
L2 in (mm)	9.35 (237.5)											15.25 (387.5)											
L3 in (mm)	4.64 (117,7)	5.28 (134,2)	5.93 (150,7)	6.58 (167,2)	7.23 (183,7)	7.88 (200,2)	8.53 (216,7)	9.18 (233,2)	9.83 (249,7)	11.30 (287,2)	11.96 (303,7)	12.60 (320,2)	13.25 (336,7)	13.90 (353,2)	14.55 (369,7)	15.20 (386,2)	15.85 (402,7)	16.50 (419,2)	17.15 (435,7)	17.80 (452,2)	18.45 (468,7)	19.10 (485,2)	19.75 (501,7)
L4 in (mm)	3.18 (81)	3.84 (97,5)	4.49 (114)	5.13 (130,5)	5.78 (147)	6.43 (163,5)	7.08 (180)	7.73 (196,5)	8.39 (213)	9.86 (250,5)	10.51 (267)	11.16 (283,5)	11.81 (300)	12.46 (316,5)	13.11 (333)	13.76 (349,5)	14.41 (366)	15.06 (382,5)	15.70 (399)	16.35 (415,5)	17.0 (432)	17.66 (448,5)	18.30 (465)

*2-10 stations: one Sup/Exh Module is required. 11-24 stations: two Sup/Exh Modules are recommended.

VR15 Series (Valve Manifold) External Pilot with Silencer (IP40 Multipole Versions)

 Dimensions in inches (mm)
 Projection/First angle


- 1 Outlet Port: PIF for tube O.D. 4, O.D 6, O.D 8, O.D 1/4", O.D 5/16"
- 2 Sup/exh module
- 3 Supply Port: PIF for tube O.D 10, O.D 3/8"
- 4 Plug
- 5 Mounting 4x M4
- 6 Exhaust Port: Silencer Plate
- 7 Applicable connector: D-Sub Connector 25 Pin

- 8 DIN Rail
- 9 Manual override (Port 2)
- 10 Manual override (Port 4)
- 11 LED
- 12 Connector direction: vertical or horizontal
- 13 Supply Port of external pilot: PIF for tube O.D. 4, O.D. 5/32
- 14 Plug

N: Stations	2	3	4	5	6	7	8	9	10	11	12	13	14	15	16	17	18	19	20	21	22	23	24	
L1 in (mm)	9.84 (250)				11.81 (300)				15.74 (400)				19.68 (500)				23.11 (587)							
L2 in (mm)	9.35 (237,5)											15.25 (387,5)											22.61 (574,5)	
L3 in (mm)	4.64 (117,7)	5.28 (134,2)	5.93 (150,7)	6.58 (167,2)	7.23 (183,7)	7.88 (200,2)	8.53 (216,7)	9.18 (233,2)	9.83 (249,7)	11.30 (287,2)	11.96 (303,7)	12.60 (320,2)	13.25 (336,7)	13.90 (353,2)	14.55 (369,7)	15.20 (386,2)	15.85 (402,7)	16.50 (419,2)	17.15 (435,7)	17.80 (452,2)	18.45 (468,7)	19.10 (485,2)	19.75 (501,7)	
L4 in (mm)	3.18 (81)	3.84 (97,5)	4.49 (114)	5.13 (130,5)	5.78 (147)	6.43 (163,5)	7.08 (180)	7.73 (196,5)	8.39 (213)	9.86 (250,5)	10.51 (267)	11.16 (283,5)	11.81 (300)	12.46 (316,5)	13.11 (333)	13.76 (349,5)	14.41 (366)	15.06 (382,5)	15.70 (399)	16.35 (415,5)	17.0 (432)	17.66 (448,5)	18.30 (465)	

*2-10 stations: one Sup/Exh Module is required. 11-24 stations: two Sup/Exh Modules are recommended.

Warning

These products are intended for use in industrial compressed air systems only. Do not use these products where pressures and temperatures can exceed those listed under **»Technical features/data«**.

Before using these products with fluids other than those specified, for non-industrial applications, life-support systems or other applications not within published specifications, consult IMI Precision Engineering. Through misuse, age, or malfunction, components used in fluid power systems can fail in various modes.

The system designer is warned to consider the failure modes of all component parts used in fluid power systems and to provide adequate safeguards to prevent personal injury or damage to equipment in the event of such failure.

System designers must provide a warning to end users in the system instructional manual if protection against a failure mode cannot be adequately provided.

System designers and end users are cautioned to review specific warnings found in instruction sheets packed and shipped with these products.