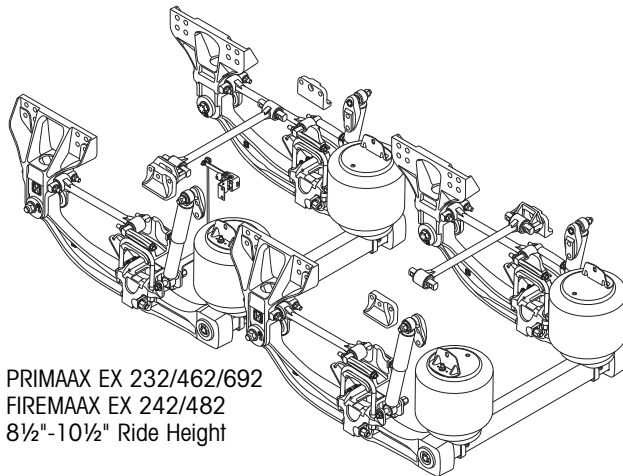


H PARTS LIST

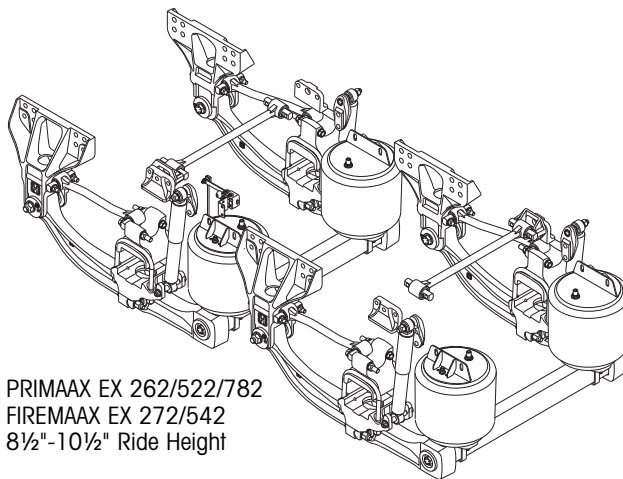
PRIMAAX® EX • FIREMAAX® EX PRIMAAX® • FIREMAAX® Series

LIT NO: SP-164

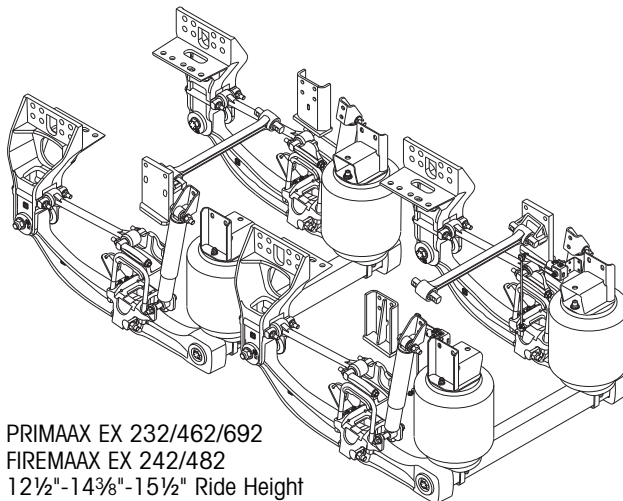
DATE: December 2009 REVISION: G



PRIMAAX EX 232/462/692
FIREMAAX EX 242/482
8½"-10½" Ride Height



PRIMAAX EX 262/522/782
FIREMAAX EX 272/542
8½"-10½" Ride Height



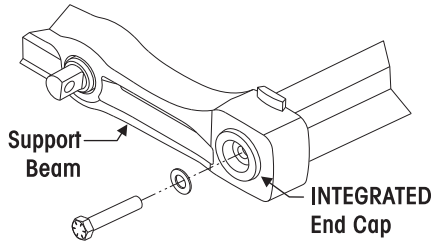
PRIMAAX EX 232/462/692
FIREMAAX EX 242/482
12½"-14¾"-15½" Ride Height

CONTENTS

DESCRIPTION	PAGE
• Technical Notes	2
• Selection Guides	3
• PRIMAAX® EX 232/462/692 FIREMAAX® EX 242/482 8½"-10½" Ride Height	8
• PRIMAAX 230/460/690 FIREMAAX 240/480 8½"-10" Ride Height	10
• PRIMAAX 230/460/690 for International Truck 9" Ride Height	12
• PRIMAAX EX 262/522/782 FIREMAAX EX 272/542 8½"-10½" Ride Height	14
• PRIMAAX 260/520/780 FIREMAAX 270/540 8½"-10" Ride Height	16
• PRIMAAX EX 232/462/692 FIREMAAX EX 242/482 12½"-14¾"-15½" Ride Height	18
• PRIMAAX 230/460/690 FIREMAAX 240/480 12½"-14¾"-15½" Ride Height	20
• Severe Service Kits	22
• Notes	23

■ The following information is intended to assist in determining which suspension is equipped on the vehicle on vehicle. As an example, in Figure 1, the end cap identifies if the suspension is a PRIMAAX EX • FIREMAAX EX or a PRIMAAX • FIREMAAX, and in Figure 3, the frame hanger identifies the ride height.

FIGURE 1 PRIMAAX EX / FIREMAAX EX
Support Beam with Integrated End Cap



PRIMAAX / FIREMAAX
Support Beam with Detachable End Cap

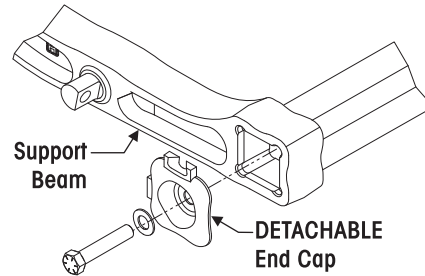


FIGURE 2 Suspension Rating

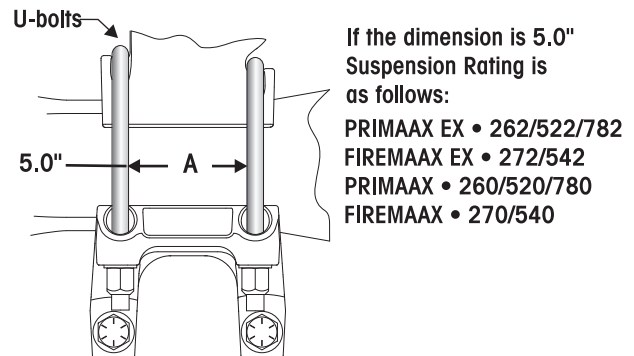
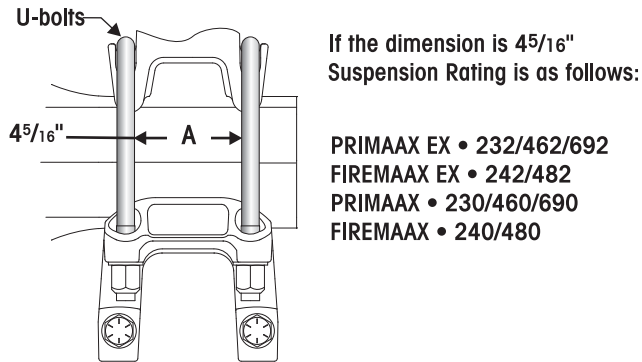
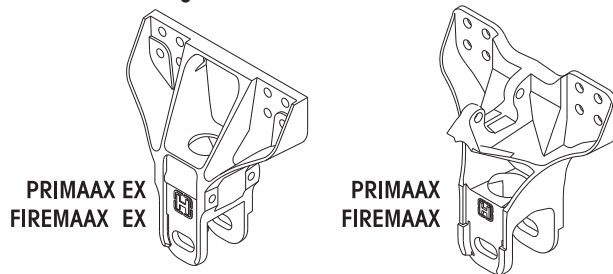


FIGURE 3
Frame Hangers
8½"-10½" Ride Height



Frame Hangers
12½"-15½" Ride Height

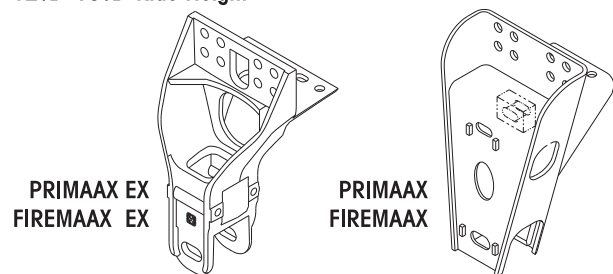
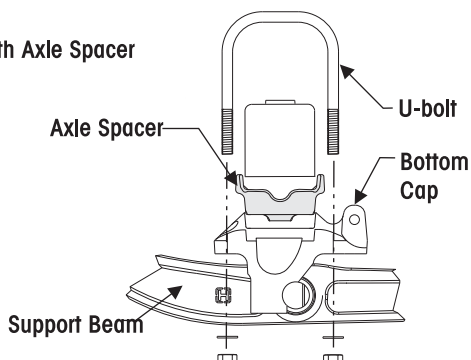
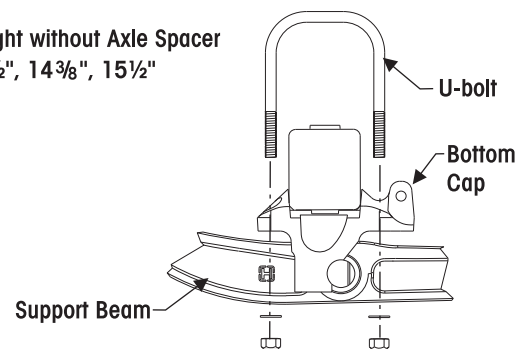


FIGURE 4
Ride Height with Axle Spacer
8½", 9", 12½"

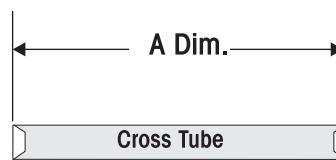
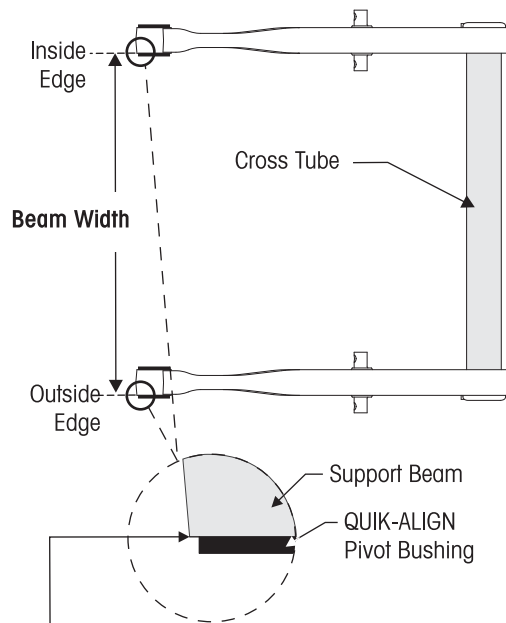


Ride Height without Axle Spacer
10", 10½", 14³/₈", 15½"



U-Beam Assembly and Cross Tube

BEAM WIDTH	FRAME WIDTH	U-BEAM ASSEMBLY PART NO.		CROSS TUBE	
		FRONT	REAR	LENGTH	PART NUMBER
PRIMAAX EX 232/462/692 • FIREMAAX EX 242/482					
40.0"	34.0"	67249-004	67249-003	41.47"	60912-101
40.3"	34.3"	67249-012	67249-011	41.77"	60912-103
40.5"	34.5"	67249-010	67249-009	41.97"	60912-102
40.8"	34.8"	67249-024	67249-023	42.29"	60912-109
41.0"	35.0"	67249-018	67249-017	42.47"	60912-107
PRIMAAX EX 262/522/782 • FIREMAAX 272/542					
40.0"	34.0"	67249-006	67249-005	41.47"	60912-101
40.3"	34.3"	67249-014	67249-013	41.77"	60912-103
40.5"	34.5"	67249-016	67249-015	41.97"	60912-102
40.8"	34.8"	67249-026	67249-025	42.29"	60912-109
PRIMAAX 230/460/690 • FIREMAAX 240/480					
40.0"	34.0"	66659-004	66659-003	41.47"	60912-001
40.3"	34.3"	66659-012	66659-011	41.77"	60912-003
40.5"	34.5"	66659-010	66659-009	41.97"	60912-002
PRIMAAX 260/520/780 • FIREMAAX 270/540					
40.0"	34.0"	66659-006	66659-005	41.47"	60912-001
40.3"	34.3"	66659-014	66659-013	41.77"	60912-003
40.5"	34.5"	66659-016	66659-015	41.97"	60912-002



To measure length "A" Dimension properly:

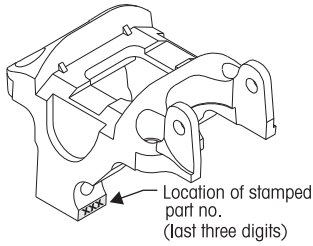
- Remove cross tube from the suspension's existing U-beam assembly.
- **End to end** measurement is needed to determine the proper U-beam assembly aftermarket service kit part number.

IMPORTANT

Measure the beam width from the inside edge of the support beam to outside edge of the support beam while installed on the vehicle to determine the correct U-beam assembly.



Bottom Cap and Longitudinal Torque Rod Assembly



- **8½", 12½", 14¾", 15½" Ride Height** — See part number stamped on component (shown in illustration on left). Chart below *does not* apply.
- **10" Ride Height** — See pinion angle charts below *or* part no. stamped on component — **All OEMs Except International**

Page 9	PRIMAAX EX 232/462/692 FIREMAAX 242/482				
	Key No. 11	Key No. 29, Key No. 32			
PINION ANGLE	BOTTOM CAP PART NO.	LONGITUDINAL TORQUE ROD ASSEMBLY PART NO.			
		FRONT			
		DRUM BRAKE	DISC BRAKE		
1.5	60556-035	67428-425			
2.0	60556-040				
2.5	60556-025				
3.0	60556-030	*67428-435	67219-435		
3.5	60556-035				
4.0	60556-040				
4.5	60556-045				
5.0	60556-050				
5.5	60556-055				
6.0	60556-060				
6.5	60556-065				
				REAR	
7.0	60556-040			67428-450	67219-435 <i>Plus Pinion Spacer:</i> 67045-071
7.5	60556-045				
8.0	60556-050				
8.5	60556-110	67428-460	67219-435 <i>Plus Pinion Spacer:</i> 67045-069		
9.0	60556-115				
9.5	60556-120				
10.0	60556-100	*67428-475	67219-475		
10.5	60556-105				
11.0	60556-110				
11.5	60556-115				
12.0	60556-120				
12.5	60556-125				
13.0	60556-130				
13.5	60556-135				
14.0	60556-140				
14.5	60556-145				

* Torque rod bushings are non-serviceable, replacement requires complete torque rod assembly with bushings.

Page 11	PRIMAAX 230/460/690 FIREMAAX 240/480		
	Key No.11	Key No. 30	
PINION ANGLE	BOTTOM CAP PART NO.	LONGITUDINAL TORQUE ROD ASSEMBLY PART NO.	
		LEFT FRONT	RIGHT FRONT
2.5	60556-025	60827-605A	60827-605B
3.0	60556-030		
3.5	60556-035		
4.0	60556-040		
4.5	60556-045		
5.0	60556-050		
5.5	60556-055		
6.0	60556-060		
6.5	60556-065		
7.0	60556-110	64717-620A	64717-620B
7.5	60556-115		
8.0	60556-120		
8.5	60556-125		
9.0	60556-130		
9.5	60556-135		
10.0	60556-100	60827-645A	60827-645B
10.5	60556-105		
11.0	60556-110		
11.5	60556-115		
12.0	60556-120		
12.5	60556-125		
13.0	60556-130		
13.5	60556-135		
14.0	60556-140		
14.5	60556-145		



Bottom Cap, Torque Rod Spacer, and Longitudinal Torque Rod Assembly

PINION ANGLE	10" RIDE HEIGHT PINION ANGLE CHART PRIMAAX EX 262/522/782 • FIREMAAX EX 272/542 (Except International Truck)	
	LONGITUDINAL TORQUE ROD ASSEMBLY PART NO.	
	LEFT	RIGHT
1.0-2.0	*65302-455A	*65302-455B
2.5-3.0	*65302-470A	*65302-470B
3.5-4.0	*65302-475A	*65302-475B
9.0-9.5	*65302-510A	*65302-510B
10.0-10.5	*65302-515A	*65302-515B
11.0-11.5	*65302-520A	*65302-520B

* Torque rod bushings are non-serviceable, replacement requires complete torque rod assembly with bushings.

PINION ANGLE	10" RIDE HEIGHT PINION ANGLE CHART PRIMAAX 260/520/780 • FIREMAAX 270/540 (Except International Truck)	
	LONGITUDINAL TORQUE ROD ASSEMBLY PART NO.	
	LEFT	RIGHT
2.0-3.5	66359-650A	66359-650B
4.0-5.5	66359-660A	66359-660B
*2.0-3.5	66359-670A	66359-670B
10.0-10.5	66359-585A	66359-585B
11.0-11.5	66359-590A	66359-590B
12.0-12.5	66359-595A	66359-595B
*11.0-11.5	66359-600A	66359-600B

* Pierce

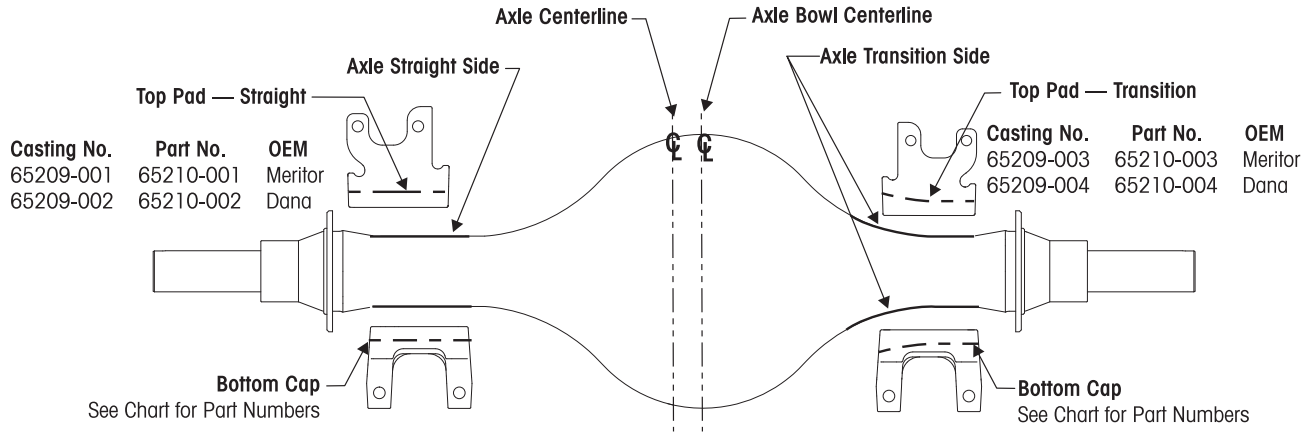
PINION ANGLE	International Truck Vehicles Only 9" RIDE HEIGHT PINION ANGLE CHART		
	KEY NO. 11	*KEY NO. 31	KEY NO. 30
	BOTTOM CAP PART NO. (2 required)	LONGITUDINAL TORQUE ROD ASSEMBLY PART NO. (2 per axle)	TORQUE ROD SPACER PART NO. (4 required)
**2.54	60556-035	*67274-510	**
3.61			67045-072
4.56			67045-071
5.72			67045-070
6.71			67045-069
**6.62	60556-100	*67274-540	**
7.67			67045-072
8.62			67045-071
9.77			67045-070
10.75			67045-069
**7.07	60556-105	*67274-540	**
8.12			67045-072
9.06			67045-071
10.22			67045-070
11.20			67045-069

* Torque rod bushings are non-serviceable, replacement requires complete torque rod assembly with bushings.

** Torque rod spacer not required.



Bottom Cap — 10" Ride Height



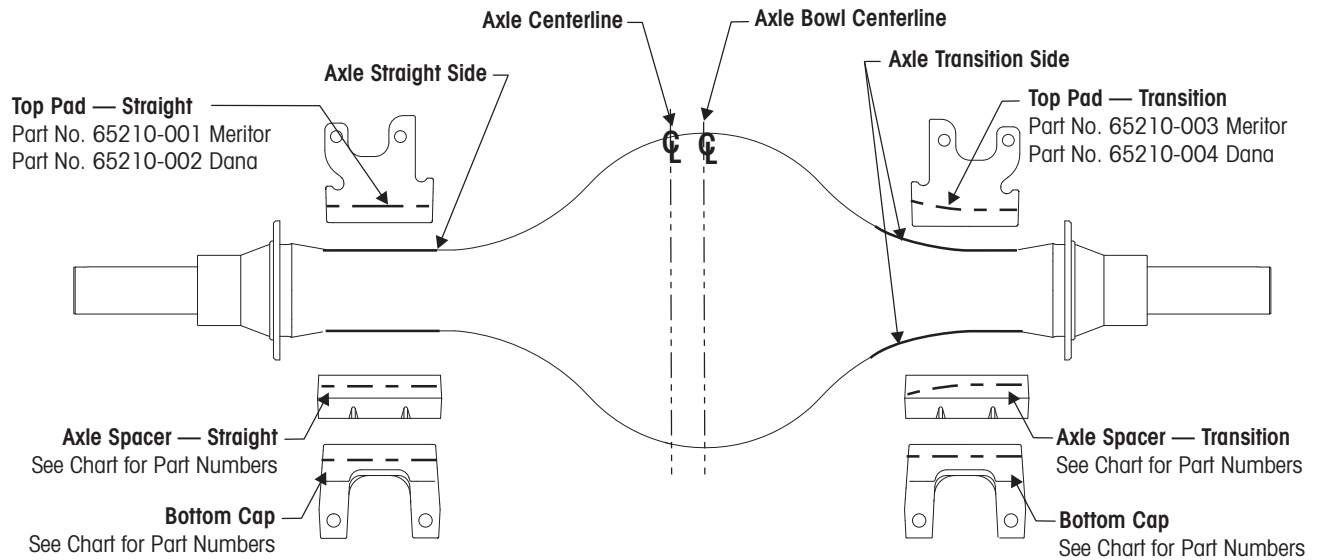
Page 15 & 17
Key No. 11

PRIMAAX EX 262/522/782 • FIREMAAX EX 272/542 | PRIMAAX 260/520/780 • FIREMAAX 270/540
10" RIDE HEIGHT

Beam Centers	Axle Manufacturer	Bottom Cap Part Number					
		TANDEM				SINGLE	
		Straight Side		Transition Side		Straight Side	Transition Side
		FRONT	REAR	FRONT	REAR		
40.0"	MERITOR	65208-101	65208-103	65208-106	65208-109	65208-101	65208-105
	DANA	65208-102	65208-104	65208-108	65208-111	See Page 4	
40.5"	MERITOR	65208-101	65208-103	67913-006	67913-009	65208-101	67913-005
	DANA	65208-102	65208-104	67913-008	67913-011	See Page 4	
40.8"	MERITOR	65208-101	65208-103	67913-106	67913-109	65208-101	67913-105
	DANA	65208-102	65208-104	67913-108	67913-111	See Page 4	



Bottom Cap / Axle Spacer — 8½" • 12½" Ride Height



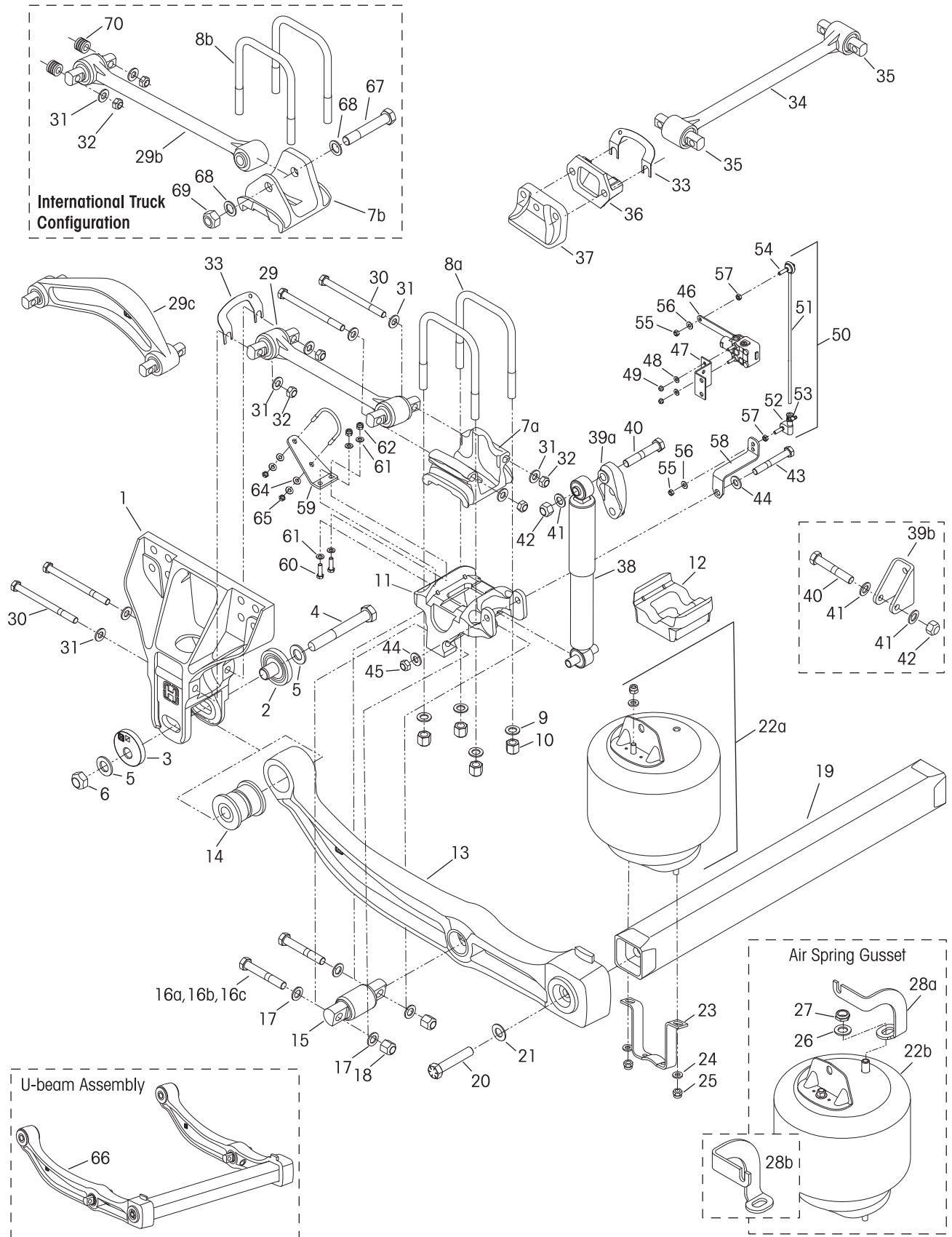
Page 15 & 17
Key No. 11

PRIMAAX EX 262/522/782 • FIREMAAX EX 272/542 | PRIMAAX 260/520/780 • FIREMAAX 270/540
8½" • 12½" RIDE HEIGHT

Beam Centers	Axle Manufacturer	Bottom Cap Part Number					
		TANDEM				SINGLE	
		Straight Side		Transition Side		Straight Side	Transition Side
		Front	Rear	Front	Rear		
40.0"	MERITOR	65208-101	65208-103	65208-101	65208-103	65208-101	65208-101
	DANA	65208-102	65208-104	65208-102	65208-104	See Page 4	
40.5"	MERITOR	65208-101	65208-103	65208-101	65208-103	65208-101	65208-101
	DANA	65208-102	65208-104	65208-102	65208-104	See Page 4	
40.8"	MERITOR	65208-101	65208-103	65208-101	65208-103	65208-101	65208-101
	DANA	65208-102	65208-104	65208-102	65208-104	See Page 4	
Page 15 & 17 Key No. 12	Axle Manufacturer	Axle Spacer Part Number					
40.0"	MERITOR	65276-000		65277-000		65276-000	65277-000
	DANA	65274-000		65275-000		65139-003	
40.5"	MERITOR	67973-003		67973-004		65276-000	65277-000
	DANA	67973-001		67973-002		65139-003	
40.8"	MERITOR	67973-103		67973-104		65276-000	65277-000
	DANA	67973-101		67973-102		65139-003	



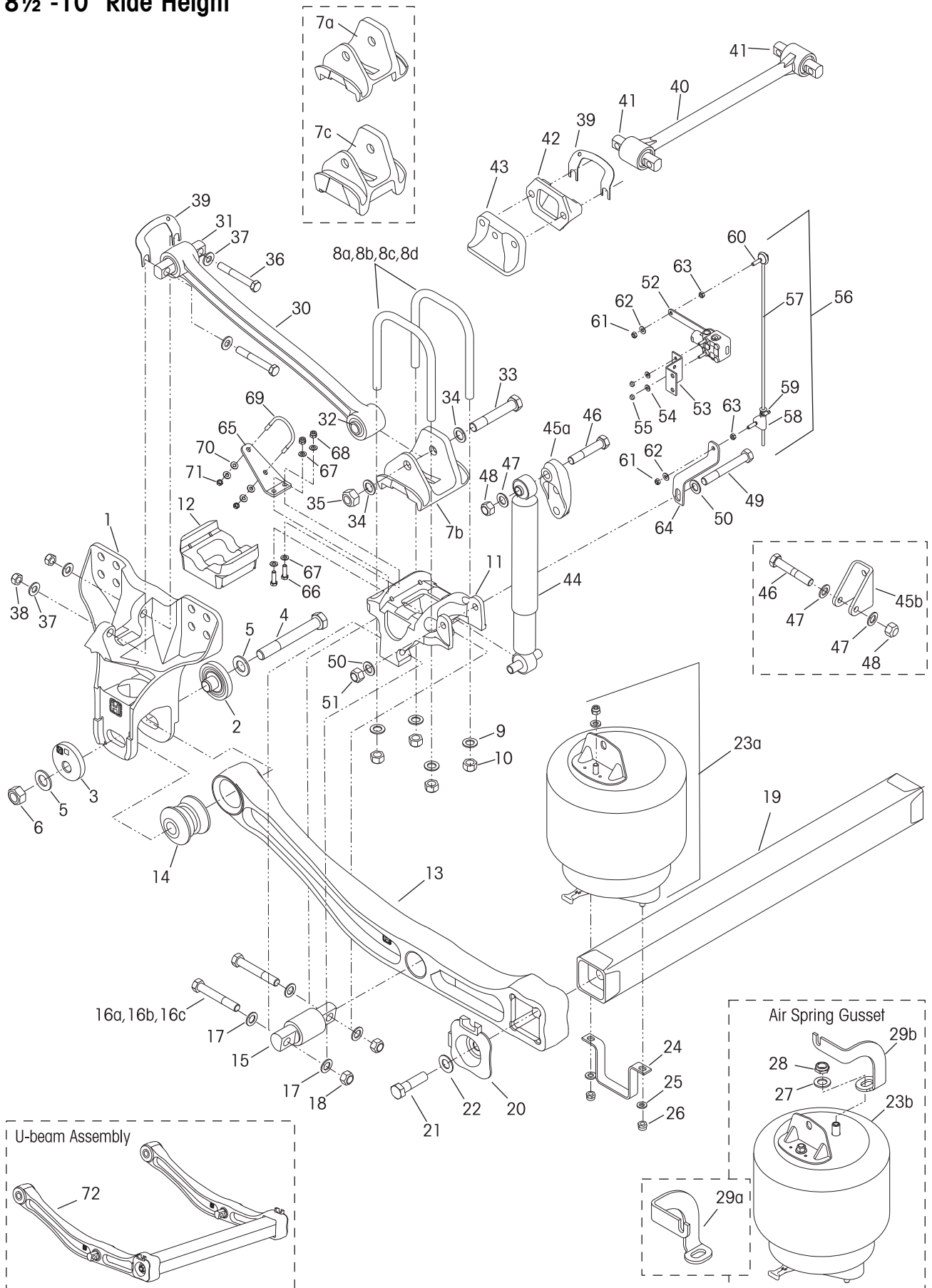
8½"-10½" Ride Height





KEY NO.	PART NO.	DESCRIPTION	*NO.REQ.	KEY NO.	PART NO.	DESCRIPTION	*NO.REQ.
1	67706-000	EX Frame Hanger	4	25	17700-010	½"-13 UNC Locknut	8
	60632-021	QUIK-ALIGN Service Kit, Axle Set, Includes Key Nos. 2-6, Replaces 60632-012		26	22962-001	¾" Flat Washer	4
	60632-020	QUIK-ALIGN Pivot Bushing Service Kit One AXLE Only, Includes Key Nos. 2-6, 14 Replaces 60632-008		27	17700-031	¾"-16 UNF Locknut	4
	60632-019	QUIK-ALIGN Collar Service Kit Per Wheel End, Includes Key Nos. 2-6 Replaces 60632-006		28a	59479-003	Air Spring Gusset	2
	60632-018	QUIK-ALIGN Pivot Bolt Service Kit Per Wheel End, Includes Key Nos. 4-6 Replaces 60632-005		28b	59479-004	Air Spring Gusset	2
2	64633-000	QUIK-ALIGN Concentric Base	4		49176-032	Longitudinal Torque Rod Bolt Service Kit One Torque Rod, Includes Key Nos. 30-32	
3	64632-000	QUIK-ALIGN Eccentric Base	4			Longitudinal Torque Rod Assembly (See chart on page 4)	1
4	68217-000	1.0"-14 UNF-2A H-Coat 7.5" Hex Bolt	4	29a 29c		<i>International Truck</i> (See chart on page 5)	
5	68232-000	1.0" H-Coat Flat Washer,	8	29b			
6	68218-000	1.0"-14 UNF-2B H-Coat Locknut	4	30	32043-016	¾"-11 UNC-2B 8.0" Bolt	16
7a	65289-000	Top Pad	4	31	22962-004	⅝" Flat Washer	32
7b	65290-001	Top Pad - <i>International Truck</i>	4	32	47764-000	⅝"-11 UNC-2A Locknut	16
		U-bolt Service Kit, One Wheel End		33	49689-000	Shim (As Required)	
	48718-129	Includes Key Nos. 8a-10		34		Transverse Torque Rod Assembly, Includes Key No. 35	2
	48718-125	Includes Key Nos. 8b-10			72000-XXXS	• Torque Rod – Specify Length in 5 mm increments	
8a	59367-013	¾" Square U-bolt 10" Ride Ht.	8	35	64400-002L	Bushing - Straddle Bar Pin (⅝" Holes)	4
8b	59367-014	8.5" – 9" Ride Ht. - <i>International Truck</i>		36	22186-000	Transverse Torque Rod Frame Bracket	2
9	22962-001	¾" Flat Washer	16	37		***Frame Mounted Axle Stop	4
10	49685-000	¾"-16 UNF U-bolt Locknut	16		60593-000	All (Except 8½" Ride Height)	
11		Bottom Cap - Front and Rear (Casting No. 60272-000) • See chart on page 4	4		60593-001	8½" Ride Height	4
12	65139-003	Axle Spacer, 8½" – 9" Ride Height	4		50754-030	Single Shock Fastener Service Kit Includes Key Nos. 40-45	
13		Support Beam Assembly, Includes Key Nos. 14-15	1 of Each	38	60657-003	Shock Absorber	4
	66311-003	Left Front (Machining No. 66310-001, Casting No. 66309-001)		39a	67463-002	Upper Shock Frame Bracket	4
	66311-004	Right Front (Machining No. 66310-002, Casting No. 66309-002)		39b	59423-001	FIREMAAX Upper Shock Frame Bracket	4
	66311-001	Left Rear (Machining No. 66310-001, Casting No. 66309-001)		40	50764-010	¾"-10 UNC 4.25" Upper Shock Bolt	4
	66311-002	Right Rear (Machining No. 66310-002, Casting No. 66309-002)		41	22962-001	¾" Flat Washer	4
14	58648-000	QUIK-ALIGN Pivot Bushing	4	42	49842-000	¾"-10 UNC Locknut	4
		Single D-Pin Bushing Service Kit		43	32043-017	⅝"-11 UNC 6.0" Lower Shock Bolt	4
	34013-107	Includes Key Nos. 15, 16a, 17-18		44	22962-004	⅝" Flat Washer	8
	34013-116	Includes Key Nos. 15, 16b, 17-18		45	47764-000	⅝"-11 UNC-2B Locknut	4
	34013-117	Includes Key Nos. 15, 16c, 17-18			58525-019	HCV Assembly Service Kit Includes Key Nos. 46, 50, 58	
15	60383-000	D-Pin Bushing	4	46	57977-000	Height Control Valve Assembly, Includes Key Nos. 47-49	1
		D-Pin Fastener Service Kit, Axle Set		47		**HCV Mounting Bracket	
	56659-009	Includes Key Nos. 16a, 17 and 18		48		**¼" Flat Washer	
	56659-013	Includes Key Nos. 16b, 17 and 18		49		**¼"-20 UNC Locknut	
	56659-012	Includes Key Nos. 16c, 17 and 18		50	58994-005	HCV Linkage Assembly, Includes Key Nos. 51-57	1
		¾"-16 UNF Bolt	8	51		**Linkage Rod	
16a	21867-036	Length 5.0"		52		**Adj. Valve Arm Joint	
16b	21867-026	Length 5.5"		53		**Leveling Valve Link Clamp	
16c	21867-043	Length 4.75"		54		**Leveling Valve Link Stud	
17	22962-001	¾" Flat Washer	16	55		**⅝"-18 UNC Hex Locknut	
18	30191-000	¾"-16 UNF Locknut	8	56		**⅝/16" Flat Washer	
19		Cross Tube (See chart on page 3)	2	57		**⅝/16"-18 UNC Hex Nut	
20	50104-006	⅞"-9 UNC 4.0" Hex Bolt	4	58	60921-000	Height Control Valve Linkage Bracket	1
21	22962-042	⅞" H-Coat Flat Washer	4	59	64508-000	S-cam Support Bracket	4
		Single Air Spring Service Kit		60	58035-004	⅜"-16 UNC 1.25" Hex Bolt	8
	60961-230	for PRIMAAX EX, Includes Key Nos. 22a, 23-25		61	22962-015	⅜" Hardened Washer	16
	60961-229	for FIREMAAX EX, Includes Key Nos. 22b, 23-27		62	17700-006	⅜"-16 UNC Locknut	8
		Air Spring Assembly,	4	63	64202-000	⅝/16" S-Cam U-bolt	4
		Includes Upper Frame Bracket and Fasteners		64	22962-029	⅝/16" Hardened Washer	8
22a	67043-002L	for PRIMAAX EX		65	59016-000	⅝/16"-18 UNC Locknut	8
22b	67392-002	for FIREMAAX EX		66		U-beam Assembly (See chart on page 3), Includes Key Nos. 13, 19-21 • Also see Lit No. SEU-0228 regarding Aftermarket Service Kits	2
Not Shown	67234-002L	Air Spring Assembly - <i>International Truck</i>			58821-012	Longitudinal Torque Rod Rear Bolt Service Kit <i>International Truck,</i> Includes Key Nos. 67-69	
23	60911-002	Lower Air Spring Mounting Bracket	4	67	30418-009	⅞"-14 UNF-2A 5.5" Hex Bolt	4
24	22962-014	½" Flat Washer	8	68	22962-034	⅞" H-Coat Flat Washer	8
				69	29248-000	⅞"-14 UNF-2B Locknut	4
				70	67045-	Torque Rod Spacer (See chart on page 5)	

8½"-10" Ride Height



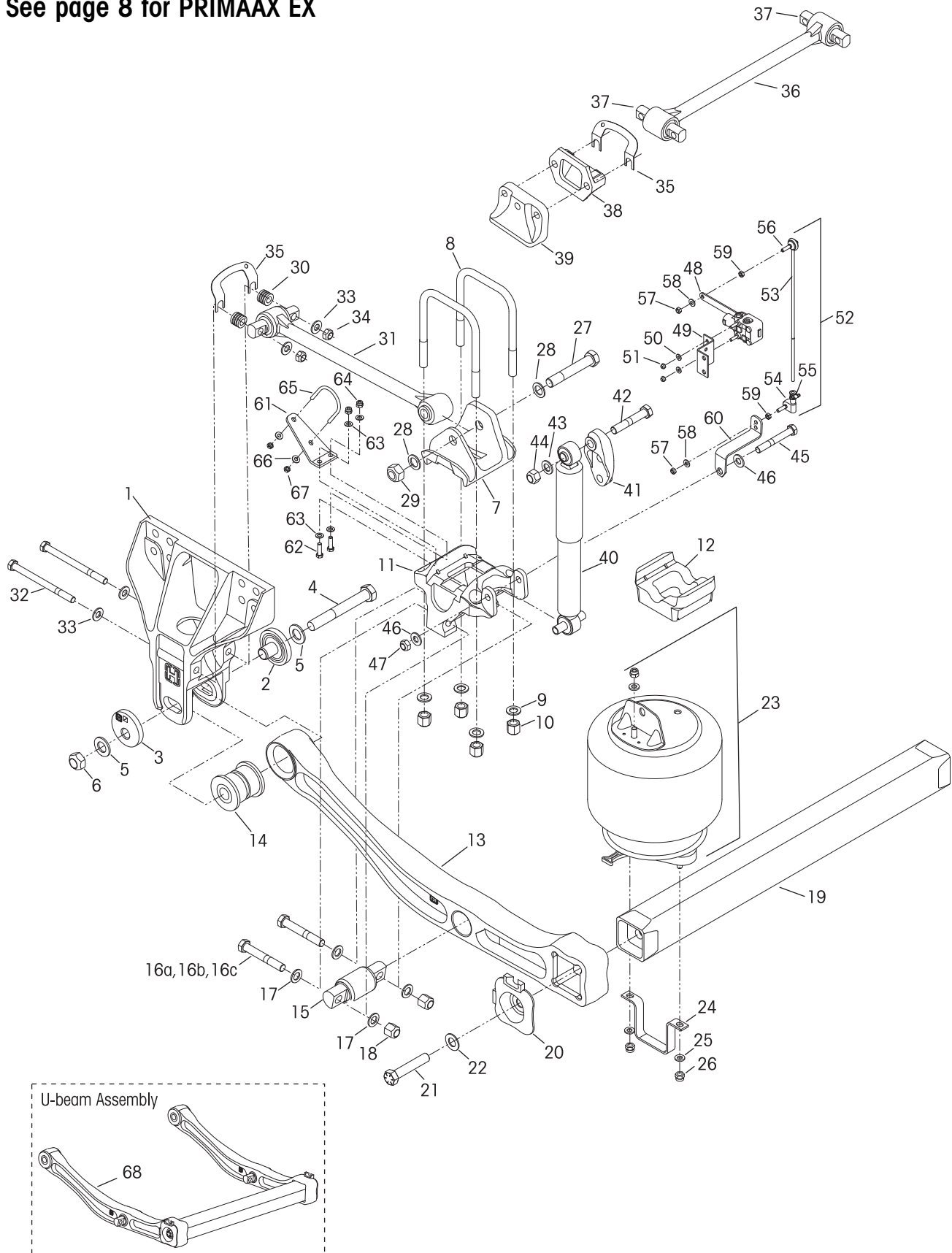


KEY NO.	PART NO.	DESCRIPTION	*NO.REQ.	KEY NO.	PART NO.	DESCRIPTION	*NO.REQ.
1	60821-001	Frame Hanger	4			Air Spring Assembly, Includes Upper Frame Bracket and Fasteners	4
	60632-021	QUIK-ALIGN Service Kit, Axle Set , Includes Key Nos. 2-6, <i>Replaces 60632-012</i>		23a	60271-002L	for PRIMAAX	
	60632-020	QUIK-ALIGN Pivot Bushing Service Kit One AXLE Only , Includes Key Nos. 2-6, 14 <i>Replaces 60632-008</i>		23b	65183-002L	for FIREMAAX	
	60632-019	QUIK-ALIGN Collar Service Kit Per Wheel End , Includes Key Nos. 2-6 <i>Replaces 60632-006</i>		24	60911-000	Lower Air Spring Mounting Bracket	4
	60632-018	QUIK-ALIGN Pivot Bolt Service Kit Per Wheel End , Includes Key Nos. 4-6 <i>Replaces 60632-005</i>		25	22962-014	1/2" Flat Washer	8
2	64633-000	QUIK-ALIGN Concentric Base	4	26	17700-010	1/2"-13 UNC Locknut	8
3	64632-000	QUIK-ALIGN Eccentric Base	4	27	22962-001	3/4" Flat Washer	4
4	68217-000	1.0"-14 UNF-2A H-Coat 7.5" Hex Bolt <i>Replaces 64107-000</i>	4	28	17700-031	3/4"-16 UNF Locknut	4
5	68232-000	1.0" H-Coat Flat Washer, <i>Replaces 22962-035</i>	8	29a	59479-003	Air Spring Gusset	2
6	68218-000	1.0"-14 UNF-2B H-Coat Locknut, <i>Replaces 64108-000</i>	4	29b	59479-004	Air Spring Gusset	2
7a	60877-000	Top Pad – Meritor Axle	4	30		Long. Torque Rod Ass'y, (See chart on pg. 4) Includes Key Nos. 31-32	1
7b	60877-001	Top Pad – Dana Axle	4	31	69210-000H	Bushing - Straddle Bar Pin - 3/4" Holes	4
7c	65641-000	Top Pad – Disc Brake Applications	4	32	47692-000L	Torque Rod Bushing - Thru Holes	4
		U-bolt Service Kit, One Wheel End			58821-012	Longitudinal Torque Rod Rear Bolt Service Kit One Side , Includes Key Nos. 33-35	
	48718-108	Includes Key Nos. 8a-10		33	30418-009	7/8"-14 UNF-2A 5.5" Hex Bolt	4
	48718-125	Includes Key Nos. 8b-10		34	22962-034	7/8" H-Coat Flat Washer	8
	48718-126	Includes Key Nos. 8c-10		35	29248-000	7/8"-14 UNF-2B Locknut	4
	48718-132	Includes Key Nos. 8d-10		36	21867-018	3/4"-16 UNF-2A 3.75" Hex Bolt	8
		3/4" Square U-bolt	8	37	22962-001	3/4" Flat Washer	16
8a	59367-002	10" Ride Ht, use with Key No.7a,7b		38	30191-000	3/4"-16 UNF-2B Locknut	8
8b	59367-004	8 1/2" Ride Ht, use with Key No.7a,7b,12		39	49689-000	Shim (As Required)	
8c	59367-009	10" Ride Ht, use with Key No.7c		40		Transverse Rod Ass'y, Includes Key No. 41 Torque Rod – Specify Length in mm	2
8d	59367-012	8 1/2" Ride Ht, use with Key No.7c,12			72000-XXXS		
9	22962-001	3/4" Flat Washer	16	41	64400-002L	Bushing - Straddle Bar Pin (5/8" Holes)	4
10	49685-000	3/4"-16 UNF U-bolt Locknut	16	42	22186-000	Transverse Torque Rod Frame Bracket	2
11		Bottom Cap - Front and Rear (See chart on page 4)	4	43	60593-000	***Frame Mounted Axle Stop	4
12	65139-003	Axle Spacer - 8 1/2" Ride Ht.	4		50754-030	Single Shock Fastener Service Kit Includes Key Nos. 46-51	
13		Support Beam Assembly, (Forging No. 65204-000) Includes Key Nos. 14-15	1 of Each	44		Shock Absorber	4
	66435-003	Left Front, <i>Replaces 60831-003, 65872-003</i>			60657-003	Standard	
	66435-004	Right Front, <i>Replaces 60831-004, 65872-004</i>			60665-014	FIREMAAX Disc Brake Applications	
	66435-001	Left Rear, <i>Replaces 60831-001, 65872-001</i>			60665-018	FIREMAAX Drum Brake Applications	
	66435-002	Right Rear, <i>Replaces 60831-002, 65872-002</i>		45a	67463-002	Upper Shock Frame Brkt, <i>Replaces 65000-002</i>	4
14	58648-000	QUIK-ALIGN Pivot Bushing	4	45b	59423-001	FIREMAAX Upper Shock Frame Bracket	
		Single D-pin Bushing Service Kit		46	50764-010	3/4"-10 UNC 4.25" Upper Shock Bolt	4
	34013-107	Includes Key Nos. 15, 16a, 17-18		47	22962-001	3/4" Flat Washer	4
	34013-116	Includes Key Nos. 15, 16b, 17-18		48	49842-000	3/4"-10 UNC Locknut	4
	34013-117	Includes Key Nos. 15, 16c, 17-18		49	32043-017	5/8"-11 UNC 6.0" Lower Shock Bolt	4
15	60383-000	D-Pin Bushing	4	50	22962-004	5/8" Flat Washer	8
		D-Pin Fastener Service Kit, Axle Set		51	47764-000	5/8"-11 UNC-2B Locknut	4
	56659-009	Includes Key Nos. 16a, 17 and 18			58525-019	HCV Ass'y Service Kit Includes Key Nos. 52, 56, 64	
	56659-013	Includes Key Nos. 16b, 17 and 18		52	57977-000	HCV Assembly, Includes Key Nos. 53-55	1
	56659-012	Includes Key Nos. 16c, 17 and 18		53		**HCV Mounting Bracket	
16a	21867-036	3/4"-16 UNF Bolt – Length 5.0"	8	54		**1/4" Flat Washer	
16b	21867-026	3/4"-16 UNF Bolt – Length 5.5"	8	55		**1/4"-20 UNC Locknut	
16c	21867-043	3/4"-16 UNF Bolt – Length 4.75"	8	56	58994-005	HCV Linkage Ass'y, Includes Key Nos. 57-63	1
17	22962-001	3/4" Flat Washer	16	57		**Linkage Rod	
18	30191-000	3/4"-16 UNF Locknut	8	58		**Adj. Valve Arm Joint	
19		Cross Tube (See chart on page 3)	2	59		**Leveling Valve Link Clamp	
	46772-001	End Cap and Fastener Kit, Axle Set Includes Key Nos. 20-22		60		**Leveling Valve Link Stud	
20	60822-000	End Cap	4	61		**5/16"-18 UNC Hex Locknut	
21	50104-003	7/8"-9 UNC 3.5" Hex Bolt	4	62		**3/16" Flat Washer	
22	22962-034	7/8" H-Coat Flat Washer	4	63		**5/16"-18 UNC Hex Nut	
		Single Air Spring Service Kit		64	60921-000	Height Control Valve Linkage Bracket	1
	60961-062	for PRIMAAX, Includes Key Nos. 23a, 24-26		65	64508-000	S-cam Support Bracket	4
	60961-126	for FIREMAAX, Includes Key Nos. 23b, 24-28		66	58035-004	3/8"-16 UNC 1.25" Hex Bolt	8
				67	22962-015	3/8" Hardened Washer	16
				68	17700-006	3/8"-16 UNC Locknut	8
				69	64202-000	5/16" S-Cam U-bolt	4
				70	22962-029	5/16" Hardened Washer	8
				71	59016-000	5/16"-18 UNC Locknut	8
				72		U-beam Assembly (See chart on page 3), Includes Key Nos. 13, 19-22	2
						• Also see Lit No. SEU-0228 regarding Aftermarket Service Kits	



9" Ride Height

See page 8 for PRIMAAX EX

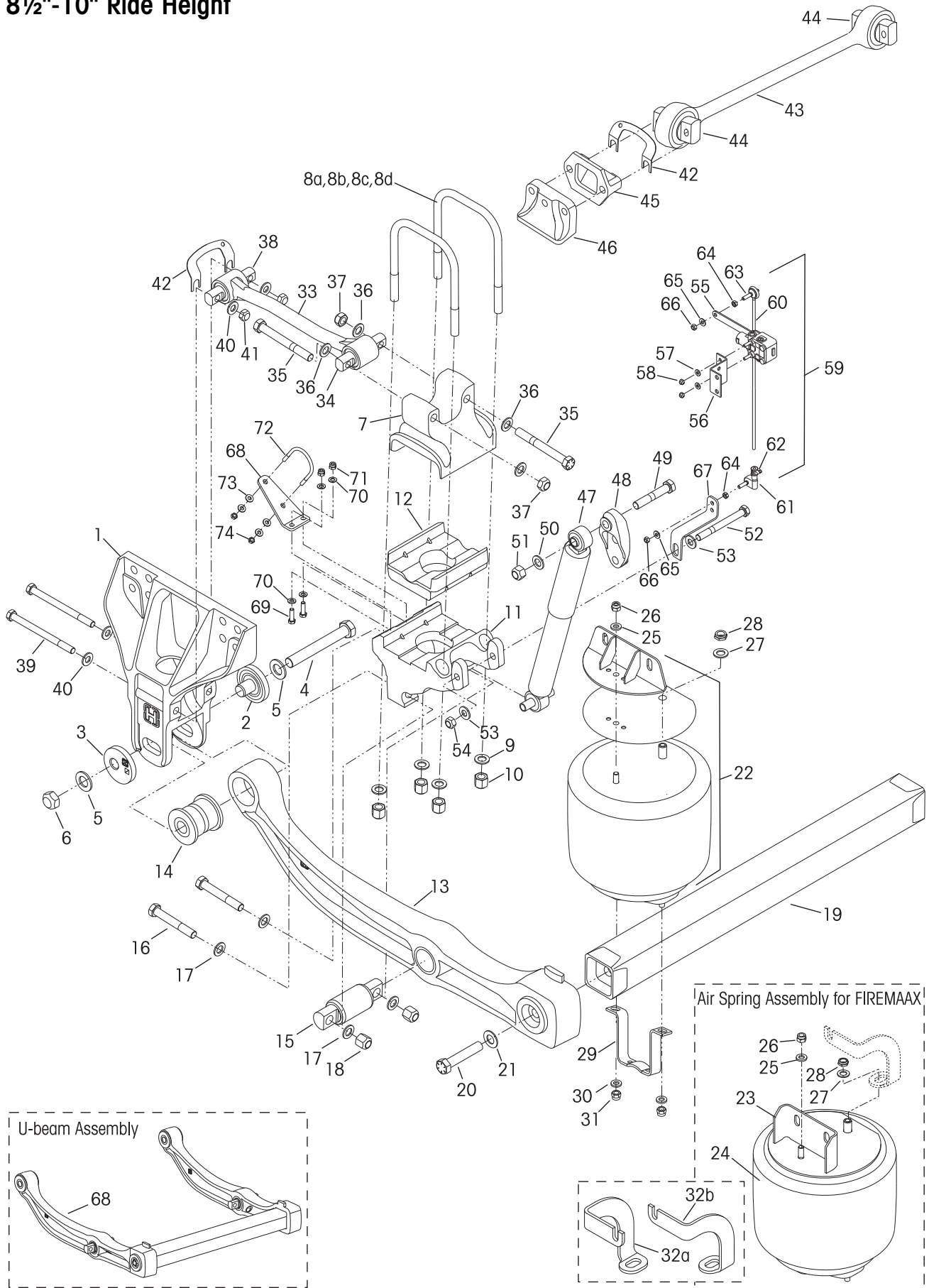




KEY NO.	PART NO.	DESCRIPTION	*NO.REQ.
1	67706-000	Frame Hanger, <i>Replaces 65891-000</i>	4
	60632-021	QUIK-ALIGN Service Kit, Axle Set Includes Key Nos. 2-6, <i>Replaces 60632-012</i>	
	60632-020	QUIK-ALIGN Pivot Bushing Service Kit One AXLE Only , Includes Key Nos. 2-6, 14 <i>Replaces 60632-008</i>	
	60632-019	QUIK-ALIGN Collar Service Kit Per Wheel End , Includes Key Nos. 2-6 <i>Replaces 60632-006</i>	
	60632-018	QUIK-ALIGN Pivot Bolt Service Kit Per Wheel End , Includes Key Nos. 4-6 <i>Replaces 60632-005</i>	
2	64633-000	QUIK-ALIGN Concentric Base	4
3	64632-000	QUIK-ALIGN Eccentric Base	4
4	68217-000	1.0"-14 UNF-2A H-Coat 7.5" Hex Bolt <i>Replaces 64107-000</i>	4
5	68232-000	1.0" H-Coat Flat Washer, <i>Replaces 22962-035</i>	8
6	68218-000	1.0"-14 UNF-2B H-Coat Locknut, <i>Replaces 64108-000</i>	4
7	65290-001	Top Pad	4
	48718-125	U-bolt Service Kit, One Wheel End Includes Key Nos. 8-10	
8	59367-004	¾" Square U-bolt 9" Ride Ht., use with Key No. 7	8
9	22962-001	¾" Flat Washer	16
10	49685-000	¾"-16 UNF U-bolt Locknut	16
11	60556-	Bottom Cap - Front and Rear (See chart on page 5)	4
12	65139-003	Axle Spacer	4
13		Support Beam Assembly, 1 of Each Includes Key Nos. 14-15	
	66435-003	Left Front	
	66435-004	Right Front	
	66435-001	Left Rear	
	66435-002	Right Rear	
14	58648-000	QUIK-ALIGN Pivot Bushing	4
	34013-107	Single D-Pin Bushing Service Kit Bolt Length 5.0" Includes Key Nos. 15, 16a, 17-18	
	34013-116	Bolt Length 5.5" Includes Key Nos. 15, 16b, 17-18	
	34013-117	Bolt Length 4.75" Includes Key Nos. 15, 16c, 17-18	
15	60383-000	D-Pin Bushing	4
	56659-009	D-Pin Fastener Service Kit, Axle Set Includes Key Nos. 16a, 17 and 18	
	56659-013	Includes Key Nos. 16b, 17 and 18	
	56659-012	Includes Key Nos. 16c, 17 and 18	
		¾"-16 UNF Bolt	8
16a	21867-036	Length 5.0"	
16b	21867-026	Length 5.5"	
16c	21867-043	Length 4.75"	
17	22962-001	¾" Flat Washer	16
18	30191-000	¾"-16 UNF Locknut	8
19		Cross Tube (See chart on page 3)	2
	46772-001	End Cap and Fastener Kit Axle Set Includes Key Nos. 20-22	
20	60822-000	End Cap	4
21	50104-003	⅞"-9 UNC 3.5" Hex Bolt	4
22	22962-034	⅞" H-Coat Flat Washer	4
	60961-062	Single Air Spring Service Kit for PRIMAAX, Includes Key Nos. 23-26	
23	60271-002L	Air Spring Assembly, Includes Upper Frame Bracket and Fasteners	4
24	60911-000	Lower Air Spring Mounting Bracket	4
25	22962-014	½" Flat Washer	8
26	17700-010	½"-13 UNC Locknut	8

KEY NO.	PART NO.	DESCRIPTION	*NO.REQ.
	58821-012	Longitudinal Torque Rod Rear Bolt Service Kit <i>International Truck</i> , Includes Key Nos. 27-29	
27	30418-009	⅞"-14 UNF-2A 5.5" Hex Bolt	4
28	22962-034	⅞" H-Coat Flat Washer	8
29	29248-000	⅞"-14 UNF-2B Locknut	4
30	67045-	Torque Rod Spacer (See chart on page 5)	
31		Longitudinal Torque Rod Assembly (See charts on page 5)	1
32	32043-016	⅝"-11 UNC-2B 8.0" Bolt	8
33	22962-004	⅝" Flat Washer	16
34	47764-000	⅝"-11 UNC-2A Locknut	8
35	49689-000	Shim (As Required)	
36	72000-XXXS	Transverse Torque Rod Assembly, Includes Key No. 37 • Torque Rod – Specify length in mm	2
37	64400-002L	Bushing - Straddle Bar Pin (⅞" Holes)	4
38	22186-000	Transverse Torque Rod Frame Bracket	2
39	60593-000	***Frame Mounted Axle Stop	4
	50754-030	Single Shock Fastener Service Kit Includes Key Nos. 40-47	
40	60657-003	Shock Absorber	4
41	67463-002	Upper Shock Frame Bracket, <i>Replaces 65000-002</i>	4
42	50764-010	¾"-10 UNC 4.25" Upper Shock Bolt	4
43	22962-001	¾" Flat Washer	4
44	49842-000	¾"-10 UNC Locknut	4
45	32043-017	⅝"-11 UNC 6.0" Lower Shock Bolt	4
46	22962-004	⅝" Flat Washer	8
47	47764-000	⅝"-11 UNC-2B Locknut	4
	58525-019	HCV Assembly Service Kit Includes Key Nos. 48, 52, 60	
48	57977-000	Height Control Valve Assembly, Includes Key Nos. 49-51	1
49		**HCV Mounting Bracket	
50		**¼" Flat Washer	
51		**¼"-20 UNC Locknut	
52	58994-005	HCV Linkage Assembly, Includes Key Nos. 53-59	1
53		**Linkage Rod	
54		**Adjustable Valve Arm Joint	
55		**Leveling Valve Link Clamp	
56		**Leveling Valve Link Stud	
57		**⅝"-18 UNC Hex Locknut	
58		**⅝" Flat Washer	
59		**⅝"-18 UNC Hex Nut	
60	60921-000	Height Control Valve Linkage Bracket	1
61	64508-000	S-cam Support Bracket	4
62	58035-004	⅜"-16 UNC 1.25" Hex Bolt	8
63	22962-015	⅜" Hardened Washer	16
64	17700-006	⅜"-16 UNC Locknut	8
65	64202-000	⅝" S-Cam U-bolt	4
66	22962-029	⅝" Hardened Washer	8
67	59016-000	⅝"-18 UNC Locknut	8
68		U-beam Assembly (See chart on page 3), Includes Key Nos. 13, 19-22 • Also see Lit No. SEU-0228 regarding Aftermarket Service Kits	2

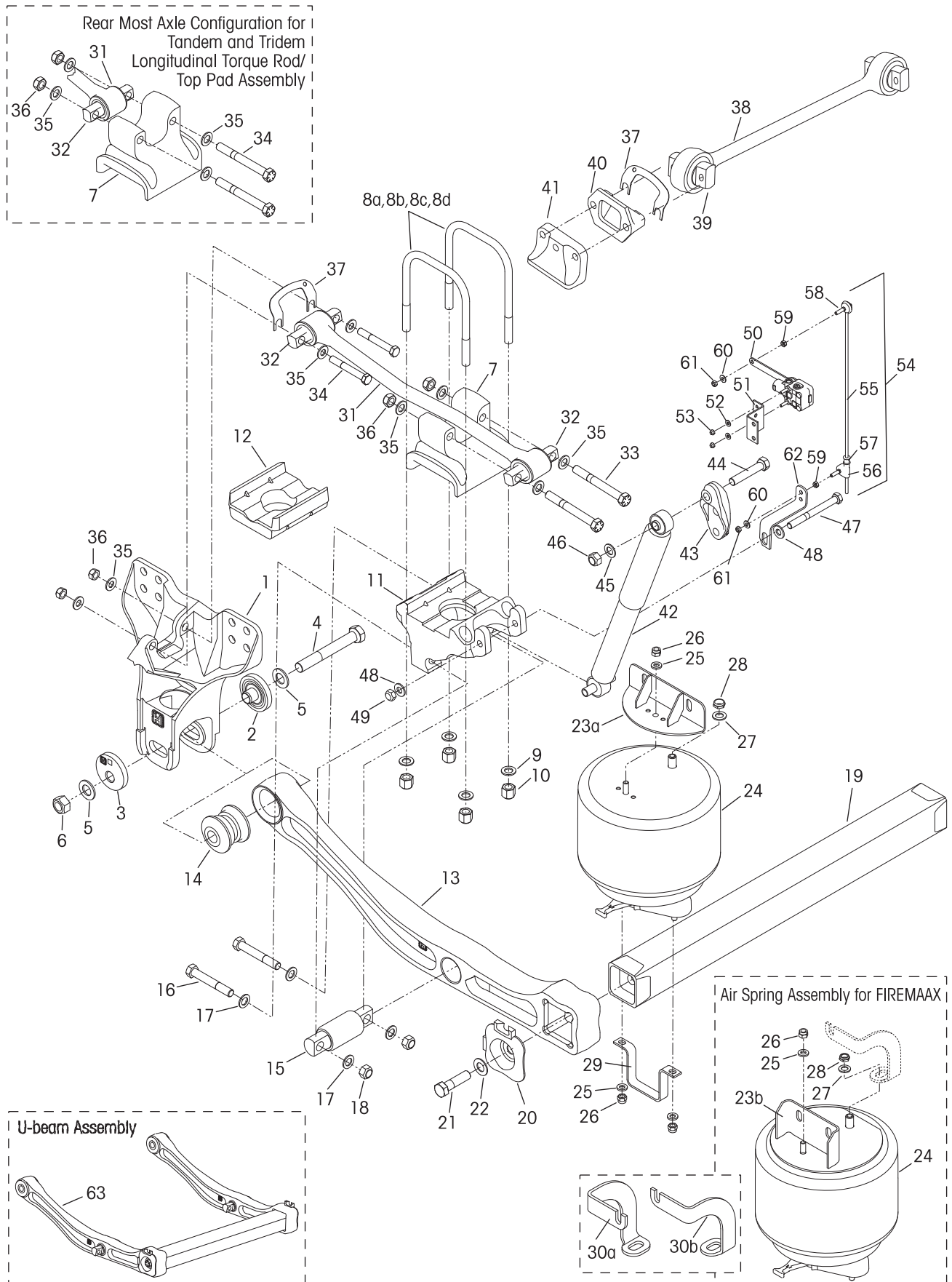
8½"-10" Ride Height





KEY NO.	PART NO.	DESCRIPTION	*NO.REQ.	KEY NO.	PART NO.	DESCRIPTION	*NO.REQ.
1	67706-000	EX Frame Hanger	4	32a	59479-003	Air Spring Gusset	2
	60632-021	QUIK-ALIGN Service Kit, Axle Set Includes Key Nos. 2-6, <i>Replaces 60632-012</i>		32b	59479-004	Air Spring Gusset	2
	60632-020	QUIK-ALIGN Pivot Bushing Service Kit One AXLE Only , Includes Key Nos. 2-6, 14 <i>Replaces 60632-008</i>				Longitudinal Torque Rod Fastener Service Kit Includes Key Nos. 35-37, 39-41	
	60632-019	QUIK-ALIGN Collar Service Kit Per Wheel End , Includes Key Nos. 2-6 <i>Replaces 60632-006</i>		33		Longitudinal Torque Rod Assembly (See chart on page 5)	
	60632-018	QUIK-ALIGN Pivot Bolt Service Kit Per Wheel End , Includes Key Nos. 4-6 <i>Replaces 60632-005</i>		34	69210-000H	Bushing - Straddle Bar Pin - 3/4" Holes	4
2	64633-000	QUIK-ALIGN Concentric Base	4	35	21867-007	3/4"-16 UNF 6.0" Hex Bolt	8
3	64632-000	QUIK-ALIGN Eccentric Base	4	36	22962-001	3/4" Flat Washer	16
4	68217-000	1.0"-14 UNF-2A H-Coat 7.5" Hex Bolt	4	37	30191-000	3/4"-16 UNF Locknut	8
5	68232-000	1.0" H-Coat Flat Washer	8	38	47691-000L	Bushing - Straddle Bar Pin - 5/8" Holes	4
6	68218-000	1.0"-14 UNF-2B H-Coat Locknut,	4	39	32043-016	5/8"-11 UNF 8.0" Hex Bolt	8
7		Top Pad, (See illustration on page 6 & 7)	2	40	22962-004	5/8" Flat Washer	16
		U-bolt Service Kit, One Wheel End		41	47764-000	5/8"-11 UNC Locknut	8
	48718-120	10" Ride Ht. Includes Key Nos. 8a-8b, 9-10		42	49689-000	Shim (As Required)	
	48718-118	8 1/2" Ride Ht. Includes Key Nos. 8c-8d, 9-10		43	72000-xxxS	ULTRA ROD® PLUS™ Transverse Torque Rod Assembly, Includes Key No. 44 Torque Rod - Specify Length in mm.	2
		3/4" Square U-bolt	4	44	64400-002L	Bushing - Straddle Bar Pin - 5/8" Holes	4
8a	59367-007	Outboard 10" Ride Ht.		45	22186-000	Transverse Torque Rod Frame Bracket	2
8b	59367-008	Inboard 10" Ride Ht.		46	60593-000	***Frame Mounted Axle Stop	4
8c	59367-010	Outboard 8 1/2" Ride Ht.			50754-029	Single Shock Fastener Service Kit Includes Key Nos. 49-54	
8d	59367-011	Inboard 8 1/2" Ride Ht.		47		Shock Absorber	4
9	22962-001	3/4" Flat Washer	16		60665-013	For vehicles w/Drum Brakes only	
10	49685-000	3/4"-16 UNF U-bolt Locknut	16		60665-015	For vehicles w/Disc Brakes only	
11		Bottom Cap - Front and Rear (See chart on page 6 & 7)	4	48	67463-002	Upper Shock Frame Bracket,	4
12		Axle Spacer - Front and Rear (See chart on page 7)		49	50764-010	3/4"-10 UNC 4.25" Upper Shock Bolt	4
13		Support Beam Assembly, Includes Key Nos. 14-15	1 of Each	50	22962-001	3/4" Flat Washer	4
	66311-007	Left Front		51	49842-000	3/4"-10 UNC Locknut	4
	66311-008	Right Front		52	32043-007	5/8"-11 UNC 7.0" Lower Shock Bolt	4
	66311-005	Left Rear		53	22962-004	5/8" Flat Washer	8
	66311-006	Right Rear		54	47764-000	5/8"-11 UNC Locknut	4
14	58648-000	QUIK-ALIGN Pivot Bushing	4		58525-019	HCV Assembly Service Kit Includes Key Nos. 55, 59, 67	
	34013-114	Single D-Pin Bushing Service Kit Includes Key Nos. 15-18		55	57977-000	Height Control Valve Assembly, Includes Key Nos. 56-58	2
15	65381-000	D-Pin Bushing	4	56		** HCV Mounting Bracket	
	56659-010	D-Pin Fastener Service Kit Includes Key Nos. 16, 17 and 18		57		** 1/4" Flat Washer	
16	30418-009	7/8"-14 UNF 5.5" Bolt	8	58		** 1/4"-20 UNC Locknut	
17	22962-007	7/8" Flat Washer	16	59	58994-005	HCV Linkage Assembly, Includes Key Nos. 60-66	2
18	29248-000	7/8"-14 UNF Locknut	8			** Linkage Rod	
19		Cross Tube (See chart on page 3)	2	60		** Adj. Valve Arm Joint	
20	50104-006	7/8"-9 UNC 4.0" Hex Bolt	4	61		** Clamp For Leveling Valve Link	
21	22962-042	7/8" H-coat Flat Washer	4	62		** Stud For Leveling Valve Link	
	60961-231	Single Air Spring Service Kit Includes Key Nos. 24-31		63		** 5/16"-18 UNC Hex Nut	
22		Air Spring Assembly	4	64		** 5/16" Flat Washer	
	67247-002	for PRIMAAX EX, Includes Key Nos. 25-28		65		** 5/16"-18 UNC Hex Locknut	
	68056-002	for FIREMAAX EX, Includes Key Nos. 23b-28		66			
23	65868-000	Upper Air Spring Frame Bracket for FIREMAAX	4	67	60921-000	Height Control Valve Linkage Bracket	2
24	67044-002	Air Spring	4	68		U-beam Assembly (See chart on page 3), Includes Key Nos. 13, 19-21 • Also see Lit No. SEU-0228 regarding Aftermarket Service Kits	2
25	22962-014	1/2" Flat Washer	4				
26	17700-010	1/2"-13 UNC Locknut	4				
27	22962-001	3/4" Flat Washer	4				
28	17700-031	3/4"-16 UNF Locknut	4				
29	60911-002	Lower Air Spring Mounting Bracket	4				
30	22962-014	1/2" Flat Washer	8				
31	17700-010	1/2"-13 UNC Locknut	8				

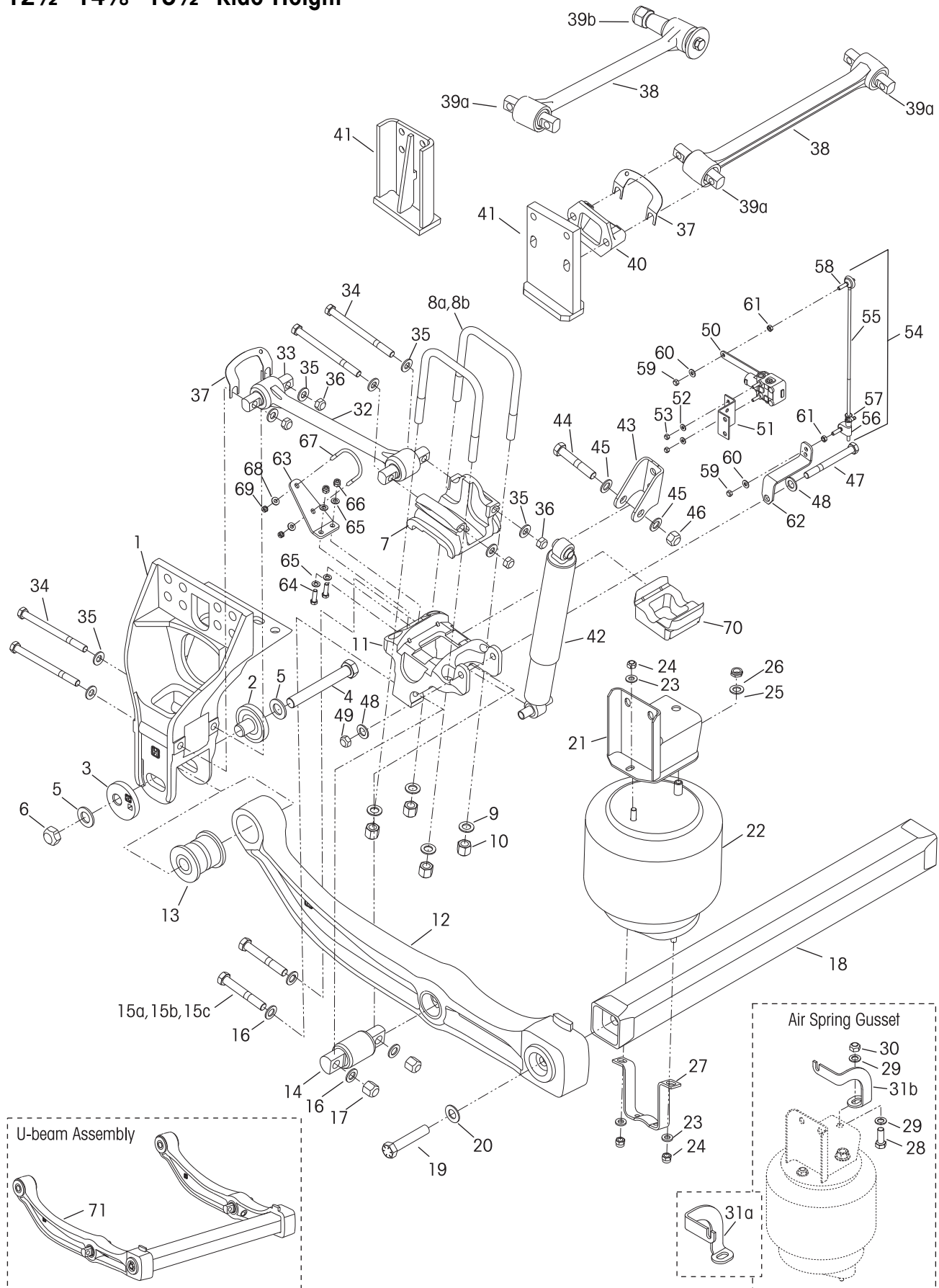
8½"-10" Ride Height





KEY NO.	PART NO.	DESCRIPTION	*NO.REQ.	KEY NO.	PART NO.	DESCRIPTION	*NO.REQ.
1	60821-001	Frame Hanger	4	26	17700-010	½"-13 UNC Locknut	12
	60632-021	QUIK-ALIGN Service Kit, Axle Set, Includes Key Nos. 2-6, <i>Replaces 60632-012</i>		27	22962-001	¾" Flat Washer	4
	60632-020	QUIK-ALIGN Pivot Bushing Service Kit One AXLE Only, Includes Key Nos. 2-6, 14 <i>Replaces 60632-008</i>		28	17700-031	¾"-16 UNF Locknut	4
	60632-019	QUIK-ALIGN Collar Service Kit Per Wheel End, Includes Key Nos. 2-6 <i>Replaces 60632-006</i>		29	60911-000	Lower Air Spring Mounting Bracket	4
	60632-018	QUIK-ALIGN Pivot Bolt Service Kit Per Wheel End, Includes Key Nos. 4-6 <i>Replaces 60632-005</i>				Air Spring Gusset	2
2	64633-000	QUIK-ALIGN Concentric Base	4	30a	59479-003		
3	64632-000	QUIK-ALIGN Eccentric Base	4	30b	59479-004		
4	68217-000	1.0"-14 UNF-2A H-Coat 7.5" Hex Bolt	4	31		Longitudinal Torque Rod Assembly (See chart on page 5)	
5	68232-000	1.0" H-Coat Flat Washer, <i>Replaces 22962-035</i>	8	32	69210-000H	Bushing - Straddle Bar Pin (¾" Holes)	8
6	68218-000	1.0"-14 UNF-2B H-Coat Locknut, <i>Replaces 64108-000</i>	4		58821-021	Longitudinal Torque Rod Rear Bolt Service Kit, One Side, Includes Key No. 33, 35-36	
7		Top Pad (See illustration on page 6 & 7)	2	33	21867-007	¾"-16 UNF 6.0" Hex Bolt	8
	65210-001	Meritor Straight Side		34	21867-018	¾"-16 UNF 3.75" Hex Bolt	16
	65210-002	Dana Straight Side		35	22962-001	¾" Flat Washer	32
	65210-003	Meritor Transition Side		36	30191-000	¾"-16 UNF Locknut	16
	65210-004	Dana Transition Side		37	49689-000	Shim (As Required)	
		U-bolt Service Kit, One Wheel End		38	72000-xxxS	ULTRA ROD® PLUS™ Transverse Torque Rod Assembly, Includes Key No. 39 Torque Rod – Specify Length in 5 mm increments	2
	48718-120	10" Ride Ht. Includes Key Nos. 8a, 8b, 9-10		39	64400-002	Bushing - Straddle Bar Pin - ⅝" Holes	4
	48718-118	8½" Ride Ht. Includes Key Nos. 8c, 8d, 9-10		40	22186-000	Transverse Torque Rod Frame Bracket	2
		¾" Square U-bolt	4	41	60593-000	*** Frame Mounted Axle Stop	4
8a	59367-007	Outboard 10" Ride Ht.			50754-029	Single Shock Fastener Service Kit Includes Key Nos. 44-49	
8b	59367-008	Inboard 10" Ride Ht.		42		Shock Absorber	4
8c	59367-010	Outboard 8½" Ride Ht.			60665-013	For vehicles with <i>Drum Brakes</i> only	
8d	59367-011	Inboard 8½" Ride Ht.			60665-015	For vehicles with <i>Disc Brakes</i> only	
9	22962-001	¾" Flat Washer	16	43	67463-002	Upper Shock Frame Bracket, <i>Replaces 65000-002</i>	4
10	49685-000	¾"-16 UNF U-bolt Locknut	16	44	50764-010	¾"-10 UNC 4.25" Upper Shock Bolt	4
11		Bottom Cap - Front and Rear (See chart on page 6 & 7)	4	45	22962-001	¾" Flat Washer	4
12		Axle Spacer (See chart on page 7)	4	46	49842-000	¾"-10 UNC Locknut	4
13		Support Beam Assembly, Includes Key Nos. 14-15	1 of Each	47	32043-007	⅝"-11 UNC 7.0" Lower Shock Bolt	4
	66435-007	Left Front, <i>Replaces 60831-003, 65872-007</i>		48	22962-004	⅝" Flat Washer	8
	66435-008	Right Front, <i>Replaces 60831-004, 65872-008</i>		49	47764-000	⅝"-11 UNC Locknut	4
	66435-005	Left Rear, <i>Replaces 60831-001, 65872-005</i>			58525-019	HCV Assembly Service Kit Includes Key Nos. 50, 54, 62	
	66435-006	Right Rear, <i>Replaces 60831-002, 65872-006</i>		50	57977-000	Height Control Valve Assembly, Includes Key Nos. 51-53	2
14	58648-000	QUIK-ALIGN Pivot Bushing	4	51		** HCV Mounting Bracket	
	34013-114	Single D-Pin Bushing Service Kit Includes Key Nos. 15-18		52		** ¼" Flat Washer	
15	65381-000	D-Pin Bushing	4	53		** ¼"-20 UNC Locknut	
	56659-010	D-Pin Fastener Service Kit Includes Key Nos. 16, 17 and 18		54	58994-005	HCV Linkage Assembly, Includes Key Nos. 55-61	2
16	30418-009	⅞"-14 UNF 5.5" Bolt	8	55		** Linkage Rod	
17	22962-007	⅞" Flat Washer	16	56		** Adj. Valve Arm Joint	
18	29248-000	⅞"-14 UNF Locknut	8	57		** Clamp For Leveling Valve Link	
19		Cross Tube (See chart on page 3)	2	58		** Stud For Leveling Valve Link	
	46772-001	End Cap and Fastener Kit Axle Set Includes Key Nos. 20-22		59		** ⅝"-18 UNC Hex Nut	
20	60822-000	End Cap	4	60		** ⅝"-18 UNC Hex Washer	
21	50104-003	⅞"-9 UNC 3.5" Hex Bolt	4	61		** ⅝"-18 UNC Hex Locknut	
22	22962-034	⅞" H-coat Flat Washer	4	62	60921-000	Height Control Valve Linkage Bracket	2
		Single Air Spring Service Kit		63		U-beam Assembly (See chart on page 3), Includes Key Nos. 13, 19-22	2
	60961-118	for PRIMAAX, Includes Key Nos. 24-29				• Also see Lit No. SEU-0228 regarding Aftermarket Service Kits	
	60961-119	for FIREMAAX, Includes Key Nos. 23b, 24-29					
		Air Spring Assembly,	4				
	66255-002	Includes Key Nos. 23a, 24-26					
	68056-002	Includes Key Nos. 23b-28					
23a		**Upper Air Spring Frame Bracket	4				
23b	65868-000	Upper Air Spring Frame Bracket	4				
24	65282-002	Air Spring	4				
25	22962-014	½" Flat Washer	12				

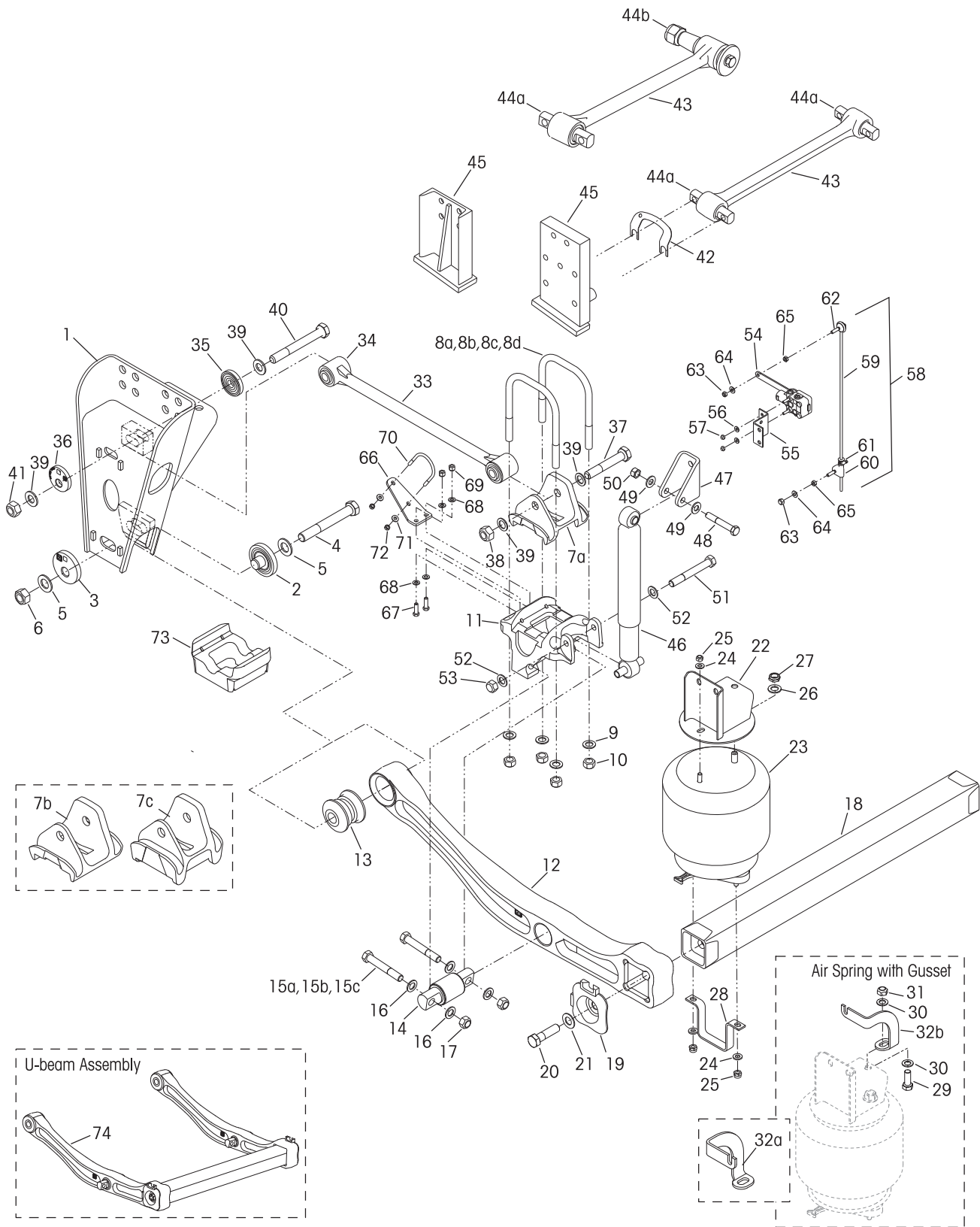
12½"-14¾"-15½" Ride Height





KEY NO.	PART NO.	DESCRIPTION	*NO.REQ.	KEY NO.	PART NO.	DESCRIPTION	*NO.REQ.
1		EX Frame Hanger	4	30	49842-000	¾"-10 UNC Locknut	4
	67299-001	LH		31a	59479-003	Air Spring Gusset	2
	67299-002	RH		31b	59479-004	Air Spring Gusset	2
	60632-021	QUIK-ALIGN Service Kit, Axle Set Includes Key Nos. 2-6, <i>Replaces 60632-012</i>		32		Longitudinal Torque Rod Assembly	2
	60632-020	QUIK-ALIGN Pivot Bushing Service Kit One AXLE Only , Includes Key Nos. 2-6, 13 <i>Replaces 60632-008</i>			67428-XXX	Front, Includes Bushings, Specify Length in mm	
	60632-019	QUIK-ALIGN Collar Service Kit Per Wheel End , Includes Key Nos. 2-6 <i>Replaces 60632-006</i>			67428-XXX	Rear, Includes Bushings, Specify Length in mm	
	60632-018	QUIK-ALIGN Pivot Bolt Service Kit Per Wheel End , Includes Key Nos. 4-6 <i>Replaces 60632-005</i>		33	47691-000L	Torque Rod Bushing - Bar Pin	8
2	64633-000	Support Beam QUIK-ALIGN Concentric Base	4		49176-032	Longitudinal Torque Rod Bolt Service Kit One Torque Rod Includes Key Nos. 34-36	
3	64632-000	Support Beam QUIK-ALIGN Eccentric Base	4	34	32043-016	⅝"-11 UNC 8.0" Bolt	16
4	68217-000	1.0"-14 UNF-2A H-Coat 7.5" Hex Bolt	4	35	22962-004	⅝" Flat Washer	32
5	68232-000	1.0" H-Coat Flat Washer	8	36	47764-000	⅝"-11 UNC Locknut	16
6	68218-000	1.0"-14 UNF-2B H-Coat Locknut	4	37	49689-000	Shim (As Required)	
7	65289-000	Top Pad	4	38		Transverse Torque Rod Assembly, Includes Key No. 39	2
		U-bolt Service Kit, One Wheel End			62250-520	<i>Indiana Phoenix Vehicles</i>	
	48718-129	Includes Key Nos. 8a-10			62250-515	<i>Terex Advance Mixer Vehicles</i>	
	48718-130	Includes Key Nos. 8b-10			62000-620	<i>Oshkosh Truck Vehicles</i>	
8a	59367-013	¾" Square U-bolt 14⅜"-15½" Ride Ht. (if not equipped with Key No. 70)	8	39a	47691-000L	Straddle Torque Rod Bushing	4
8b	59367-014	12½" Ride Ht. (if equipped with Key No. 70)		39b	64809-000	Taper Pin Bushing	4
9	22962-001	¾" Flat Washer	16	40	22186-000	Transverse Torque Rod Frame Bracket	2
10	49685-000	¾"-16 UNF U-bolt Locknut	16	41		***Axle Stop	1
11	60556-	Bottom Cap (See page 4 for stamped part number location)	4		64692-001	Frame Mounted (RR-LH)	
12		Support Beam Assembly, 1 of Each Includes Key Nos. 13-14			64696-002	Frame Mounted (RR-RH) - <i>Oshkosh</i>	
	66311-003	Left Front (Machining No. 66310-001)			64696-003	Frame Mounted (FWD-LH) - <i>Oshkosh</i>	
	66311-004	Right Front (Machining No. 66310-001)			64692-004	Frame Mounted (FWD-RH) - <i>Oshkosh</i>	
	66311-001	Left Rear (Machining No. 66310-001)			64692-006	Frame Mounted (FWD-RH) - <i>IPI</i>	
	66311-002	Right Rear (Machining No. 66310-002)			50754-030	Single Shock Fastener Service Kit Includes Key Nos. 44-49	
13	58648-000	QUIK-ALIGN Pivot Bushing	4	42	60665-011	Shock Absorber	4
		Single D-Pin Bushing Service Kit		43	59423-001	Upper Shock Frame Bracket	4
	34013-107	5.0" Bolt, Includes Key Nos. 14, 15a, 16-17		44	50764-010	¾"-10 UNC 4.25" Upper Shock Bolt	4
	34013-116	5.5" Bolt, Includes Key Nos. 14, 15b, 16-17		45	22962-001	¾" Flat Washer	8
	34013-117	4.75" Bolt, Includes Key Nos. 14, 15c, 16-17		46	49842-000	¾"-10 UNC Locknut	4
14	60383-000	D-Pin Bushing	4	47	32043-017	⅝"-11 UNC 6.0" Lower Shock Bolt	4
		D-Pin Fastener Service Kit, Axle Set		48	22962-004	⅝" Flat Washer	8
	56659-009	Includes Key Nos. 15a, 16 and 17		49	47764-000	⅝"-11 UNC Locknut	4
	56659-013	Includes Key Nos. 15b, 16 and 17			58525-020	HCV Assembly Service Kit Includes Key Nos. 50, 54, 62	
	56659-012	Includes Key Nos. 15c, 16 and 17		50	57977-000	Height Control Valve Assembly, Includes Key Nos. 51-53	2
		¾"-16 UNF Bolt	8	51		** HCV Mounting Bracket	
15a	21867-036	Length 5.0"		52		** ¼" Flat Washer	
15b	21867-026	Length 5.5"		53		** ¼"-20 UNC Locknut	
15c	21867-043	Length 4.75"		54	58994-015	HCV Linkage Assembly, Includes Key Nos. 55-61	2
16	22962-001	¾" Flat Washer	16	55		** Linkage Rod	
17	30191-000	¾"-16 UNF Locknut	8	56		** Adj. Valve Arm Joint	
18		Cross Tube (See chart on page 3)	2	57		** Clamp For Leveling Valve Link	
19	50104-006	7/8"-9 UNC 4.0" Hex Bolt	4	58		** Stud For Leveling Valve Link	
20	22962-042	7/8" H-coat Flat Washer	4	59		** 5/16" 18 UNC Hex Locknut	
21		Upper Air Spring Bracket Assembly	4	60		** 5/16" Hardened Washer	
	65031-003	14⅜" Ride Ht.		61		** 5/16" 18 UNC Hex Nut	
	65031-004	15½" Ride Ht.		62	60921-000	Height Control Valve Linkage Bracket	2
		Single Air Spring Service Kit		63	64508-000	S-cam Support Bracket	4
	60961-227	for PRIMAAX, Includes Key Nos. 22-27		64	58035-004	⅜"-16 UNC 1.25" Hex Bolt	8
	60961-228	for FIREMAAX, Includes Key Nos. 22-30		65	22962-015	⅜" Hardened Washer	16
22	67391-002	Air Spring	4	66	17700-006	⅜"-16 UNC Locknut	8
23	22962-014	½" Flat Washer	12	67	64202-000	5/16" S-Cam U-bolt	4
24	17700-010	½"-13 UNC Locknut	12	68	22962-029	5/16" Hardened Washer	8
25	22962-001	¾" Flat Washer	4	69	59016-000	5/16"-18 UNC Locknut	8
26	17700-031	¾"-16 UNF Locknut	4	70	65139-003	Axle Spacer - 12½" Ride Ht.	4
27	60911-002	Lower Air Spring Mounting Bracket	4	71		U-beam Assembly (See chart on page 3), Includes Key Nos. 12, 18-20	2
28	50764-006	¾"-10 UNC 2.0" Bolt	4			• Also see Lit No. SEU-0228 regarding Aftermarket Service Kits	
29	22962-001	¾" Flat Washer	8				

12½"-14⅜"-15½" Ride Height

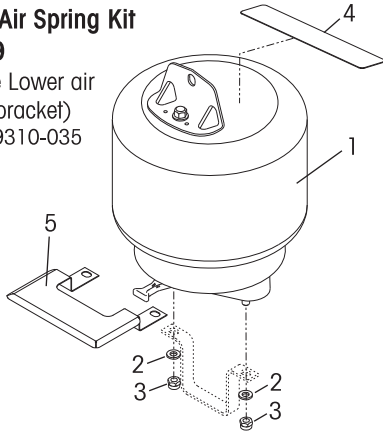




KEY NO.	PART NO.	DESCRIPTION	*NO.REQ.	KEY NO.	PART NO.	DESCRIPTION	*NO.REQ.
1		Frame Hanger	4	25	17700-010	½"-13 UNC Locknut	8
	64451-001	LH - <i>Terex/IPI</i>		26	22962-001	¾" Flat Washer	4
	64451-002	RH - <i>Terex/IPI</i>		27	17700-031	¾"-16 UNF Locknut	4
	64451-003	LH - <i>Oshkosh, Replaces 64851-001</i>		28	60911-000	Lower Air Spring Mounting Bracket	4
	64451-004	RH - <i>Oshkosh, Replaces 64851-002</i>		29	50764-006	¾"-10 UNC 2.0" Bolt	4
†	60632-022	QUIK-ALIGN Pivot Bushing & Torque Rod Service Kit, One AXLE, Replaces 60632-009 Includes Key Nos. 2-6, 13, 37-39		30	22962-001	¾" Flat Washer	8
	60632-023	QUIK-ALIGN Collar Service Kit, One Wheel End <i>Replaces 60632-007, Includes Key Nos. 2-6</i>		31	49842-000	¾"-10 UNC Locknut	4
	60632-024	QUIK-ALIGN & Torque Rod Bolt Service Kit One Wheel End, Replaces 60632-010 Includes Key Nos. 4-6, 37-39		32a	59479-003	Air Spring Gusset	2
2	64600-000	Support Beam QUIK-ALIGN Concentric Base	4	32b	59479-004	Air Spring Gusset	2
3	64632-000	Support Beam QUIK-ALIGN Eccentric Base	4	33		Longitudinal Torque Rod Assembly	2
4	68217-000	1.0"-14 UNF-2A H-Coat 7.5" Hex Bolt <i>Replaces 64107-000</i>	4		60641-640	Front, Includes Bushings	
5	68232-000	1.0" H-Coat Flat Washer, <i>Replaces 22962-035</i>	8		60641-660	Rear, Includes Bushings	
6	68218-000	1.0"-14 UNF-2B H-Coat Locknut, <i>Replaces 64108-000</i>	4	34	47692-000L	Torque Rod Bushing - Thru Holes	8
7a	60877-000	Top Pad for Meritor Axle	4		58821-011	Torque Rod QUIK-ALIGN Collar Bolt Service Kit Per Wheel End, Includes Key Nos.35-36,39-41	
7b	60877-001	Top Pad for Dana Axle	4		58821-012	Longitudinal Torque Rod Rear Bolt Service Kit One Side, Includes Key Nos.37-39	
7c	65641-000	Top Pad for Disc Brake Applications	4	35	64343-000	Torque Rod QUIK-ALIGN Concentric Base	4
		U-bolt Service Kit, One Wheel End		36	64345-000	Torque Rod QUIK-ALIGN Eccentric Base	4
	48718-108	Includes Key Nos. 8a-10		37	30418-009	7/8"-14 UNF 5.5" Hex Bolt	4
	48718-125	Includes Key Nos. 8b-10		38	29248-000	7/8"-14 UNF Locknut	4
	48718-126	Includes Key Nos. 8c-10		39	22962-034	7/8" H-coat Flat Washer	16
	48718-132	Includes Key Nos. 8d-10		40	58705-003	7/8"-9 UNC 7.5" Hex Bolt	4
		¾" Square U-bolt	8	41	60266-000	7/8"-9 UNC H-coat Locknut	4
8a	59367-002	14⅜"-15½" Ride Ht., For use with Key No.7a,7b		42	49689-000	Shim (As Required)	
8b	59367-004	12½" Ride Ht., For use with Key No.73		43		Transverse Torque Rod Assembly, Includes Key No. 44	2
8c	59367-009	14⅜"-15½" Ride Ht., For use with Key No.7c			62250-520	<i>Indiana Phoenix Vehicles</i>	
8d	59367-012	12½" Ride Ht., For use with Key No.7c,73			62250-515	<i>Terex Advance Mixer Vehicles</i>	
9	22962-001	¾" Flat Washer	16		62000-620	<i>Oshkosh Truck Vehicles</i>	
10	49685-000	¾"-16 UNF U-bolt Locknut	16	44a	47691-000L	Straddle Torque Rod Bushing	4
11	60556-	Bottom Cap (See page 4 for stamped part number location)	4	44b	64809-000	Taper Pin Bushing	4
12		Support Beam Assembly	1 of Each	45		***Axle Stop	1
		Includes Key Nos.13-14			64692-001	Frame Mounted (RR-LH)	
	66435-003	Left Front, <i>Replaces 60831-003, 65872-003</i>			64696-002	Frame Mounted (RR-RH) - <i>Oshkosh</i>	
	66435-004	Right Front, <i>Replaces 60831-004, 65872-004</i>			64696-003	Frame Mounted (FWD-LH) - <i>Oshkosh</i>	
	66435-001	Left Rear, <i>Replaces 60831-001, 65872-001</i>			64692-004	Frame Mounted (FWD-RH) - <i>Oshkosh</i>	
	66435-002	Right Rear, <i>Replaces 60831-002, 65872-002</i>			64692-006	Frame Mounted (FWD-RH) - <i>IPI</i>	
13	58648-000	QUIK-ALIGN Pivot Bushing	4		50754-030	Single Shock Fastener Service Kit Includes Key Nos. 48-53	
		Single D-Pin Bushing Service Kit		46	60665-011	Shock Absorber	4
	34013-107	Includes Key Nos. 14, 15a, 16-17		47	59423-001	Upper Shock Frame Bracket	4
	34013-116	Includes Key Nos. 14, 15b, 16-17		48	50764-010	¾"-10 UNC 4.25" Upper Shock Bolt	4
	34013-117	Includes Key Nos. 14, 15c, 16-17		49	22962-001	¾" Flat Washer	8
14	60383-000	D-Pin Bushing	4	50	49842-000	¾"-10 UNC Locknut	4
		D-Pin Fastener Service Kit, Axle Set		51	32043-017	5/8"-11 UNC 6.0" Lower Shock Bolt	4
	56659-009	Includes Key Nos. 15a, 16 and 17		52	22962-004	5/8" Flat Washer	8
	56659-013	Includes Key Nos. 15b, 16 and 17		53	47764-000	5/8"-11 UNC Locknut	4
	56659-012	Includes Key Nos. 15c, 16 and 17			58525-020	HCV Assembly Service Kit Includes Key Nos. 54, 58	
15a	21867-036	¾"-16 UNF Bolt - 5.0"	8	54	57977-000	Height Control Valve Assembly Includes Key Nos. 56-58	2
15b	21867-026	¾"-16 UNF Bolt - 5.5"	8			** HCV Mounting Bracket	
15c	21867-043	¾"-16 UNF Bolt - 4.75"	8	55		** ¼" Flat Washer	
16	22962-001	¾" Flat Washer	16	56		** ¼"-20 UNC Locknut	
17	30191-000	¾"-16 UNF Locknut	8	57			
18		Cross Tube (See chart on page 3)	2	58	58994-015	HCV Linkage Assembly Includes Key Nos. 59-65	2
	46772-001	End Cap and Fastener Kit, Axle Set Includes Key Nos. 19-21				** Linkage Rod	
19	60822-000	End Cap	4			** Adj. Valve Arm Joint	
20	50104-003	7/8"-9 UNC 3.5" Hex Bolt	4			** Clamp For Leveling Valve Link	
21	22962-034	7/8" H-coat Flat Washer	4			** Stud For Leveling Valve Link	
22		Upper Air Spring Bracket Assembly	4			** 7/16" 18 UNC Hex Locknut	
	65031-001	14⅜" Ride Ht.				** 5/16" Hardened Washer	
	65031-002	15½" Ride Ht.				** 5/16" 18 UNC Hex Nut	
		Single Air Spring Service Kit		66	64508-000	S-cam Support Bracket	4
	60961-124	for PRIMAAX, Includes Key Nos. 23-28		67	58035-004	3/8"-16 UNC-- 1.25" Hex Bolt	8
	60961-125	for FIREMAAX, Includes Key Nos.23-31		68	22962-015	3/8" Hardened Washer	16
23	65032-002	Air Spring	4	69	17700-006	3/8"-16 UNC Locknut	8
24	22962-014	½" Flat Washer	8	70	64202-000	5/16" S-Cam U-bolt	4
				71	22962-029	5/16" Hardened Washer	8
				72	59016-000	5/16"-18 UNC Locknut	8
				73	65139-003	Axle Spacer - 12½" Ride Ht.	4
				74		U-beam Assembly (See chart on page 3), Includes Key Nos. 12, 18-21	2

Severe Service Air Spring Kit No. 60961-169

(Does not include Lower air spring mounting bracket)
Reference Lit. No.59310-035

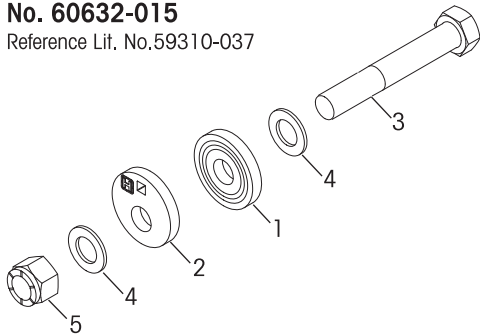


PRIMAAX 230/460/690 8½"-10" Ride Height

KEY NO.	PART NO.	DESCRIPTION	*NO.REQ.
	60961-169	Air Spring Severe Service Kit One Wheel End, Includes Key Nos. 1-5	
1	60271-002	Air Spring Assembly	1
2	22962-014	½" Flat Washer	2
3	17700-010	½"-13 UNC Locknut	2
4	67269-000	Upper Air Spring Shield	1
5	66975-000	Lower Air Spring Shield	1
6	59310-035	Service Instructions	1

Severe Service QUIK-ALIGN Pivot Bolt Kit No. 60632-015

Reference Lit. No.59310-037

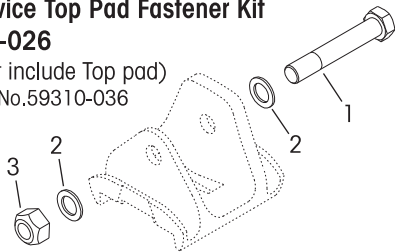


PRIMAAX EX, PRIMAAX 8½"-10" Ride Height

KEY NO.	KIT NO.	DESCRIPTION	*NO.REQ.
	60632-015	QUIK-ALIGN Pivot Bolt Severe Service Kit Per Axle, Includes Key Nos. 1-5	
1		**PAX QUIK-ALIGN Concentric Base	2
2		**PAX QUIK-ALIGN Eccentric Base	2
3		**1¼"-12 UNF Bolt - 8.0"	2
4		**1¼" Hardened Washer	4
5		**1¼"-12 UNF Nylocknut	2

Severe Service Top Pad Fastener Kit No. 58821-026

(Kit does not include Top pad)
Reference Lit. No.59310-036



PRIMAAX 230/460/690 • FIREMAAX 240/480 8½"-10"-12½"-14¾"-15½" Ride Height

KEY NO.	KIT NO.	DESCRIPTION	*NO.REQ.
	58821-026	Top Pad Bolt Severe Service Kit Per Axle, Includes Key Nos. 1-3	
1		**M24 x 3.0-6G H-coat Hex Bolt	2
2		**M24 Hardened Washer	4
3		**M24 x 3.0-6H Locknuts	2



NOTES

- * Quantities specified are shown for tandem suspension. Adjust quantities for single or tridem suspensions. Quantities of service kit components may vary from amount shown in lists.
- ** Item included in assembly / kit only, part not sold separately.
- *** Component supplied by Hendrickson or vehicle manufacturer. Hendrickson is not responsible for components not supplied by Hendrickson, for assistance with maintenance and rebuild instructions on these components see vehicle manufacturer.

This is a general parts list to provide directional information, components may vary by model. Questions regarding parts, contact Hendrickson at 630.910.2800 or email: truckparts@hendrickson-intl.com.

www.hendrickson-intl.com



Truck Suspension Systems
800 South Frontage Road
Woodridge, IL 60517-4904 USA

630.910.2800
Fax 630.910.2899