

1448

Asphalt Paver

Beginning with Serial Number 18101

GEHL®

Form No.
918214

Revision C
06/12



PARTS MANUAL

INTRODUCTION

When ordering service parts, specify the correct part number, full description, quantity required, the unit model number and serial number. For your safety and continued proper operation, use only genuine GEHL service parts.

The model and serial number for this unit are on a tag located on the paver control panel.

"Right" and "left" are determined from the operator's position facing forward.

GEHL Company reserves the right to make changes or improvements in the design or construction of any part of the unit without incurring the obligation to install such changes on any previously delivered units.

If grease fittings and common attaching hardware, such as cotter pins, set screws, woodruff keys, screws, nuts, etc., are not illustrated, they may be in the parts list indented below the part they are associated with. The hardware listed is for mounting purposes and is NOT included when the part is ordered for replacement.

Standard attaching hardware torque values are provided at the back of this manual. Unless otherwise specified, all capscrews are Grade 5, cadmium or zinc plated; hexagon nuts for Grade 5 capscrews and bolts are Grade A.

An hydraulic O-ring sizing chart is also provided on the inside cover of this manual.

The numbers shown in the parts page headers are Engineering tracking numbers only and should not be used for parts ordering purposes.

NOTE: *The following abbreviations may be used herein:*

ASSD.....	Assembled
ASY.....	Assembly
ASSY.....	Assembly
AR.....	As Required
CB.....	Carriage Bolt
CP.....	Cotter Pin
CS.....	Cap Screw (Hexagon Head)
CYL.....	Cylinder
DIA.....	Diameter
FHCS.....	Flat Head Cap Screw
FT.....	Foot or Feet
GR.....	Grade
HB.....	Hex Bolt
HLN.....	Hex Lock Nut
HN.....	Hex Nut
HP.....	High Pressure
HYD.....	Hydraulic
INS.....	Insert
LH.....	Left Hand
LN.....	Lock Nut
LT.....	Left
LW.....	Lock Washer
M.....	Metric
MM/mm.....	Millimeter
NPT.....	National Pipe Threaded
NSS.....	Not Sold Separately
RH.....	Right Hand
RT.....	Right
SHCS.....	Socket Head Cap Screw
SLTD.....	Slotted
SN.....	Serial Number or Slotted Nut
SQ.....	Square
W/.....	With

TABLE OF CONTENTS

Introduction.....	i	Cooling Water System.....	35
Table of Contents.....	1	Lub. Oil System.....	37
Decal Locations.....	2	Fuel Injection Pump (Engine Model 3TNV88-BDGP – SN 18233 and up).....	39
Service Parts.....	5	Fuel Injection Pump (Engine Model 3TNV88-XGP – SN 18232 and before).....	41
Tools/Paint/Special Service Parts and Kits.....	5	Fuel Injection Valve.....	43
Filters.....	6	Governor.....	45
Chassis.....	7	Crankshaft & Piston.....	46
Chassis.....	7	Fuel Line.....	47
400301 - Pullarms.....	7	Starter.....	49
430083 - Hopper.....	8	Alternator.....	50
400301 - Main Screed.....	9	430353 - Engine Exhaust / Air Inlet.....	51
400301 - Screed Extensions.....	11	Electrical.....	53
Screed Cutoff Option.....	12	430357.....	53
805462 - Propane Kit (Option).....	13	Hydraulics.....	55
430087 - Spraydown Tank.....	14	430354 - Main Hydraulics.....	55
430352 - Fuel Tank.....	15	430354 - Screed and Vibrator.....	57
430083 - Hopper.....	16	430354 - Track Drive.....	59
430084 - Wings / Side Gates.....	17	430354 - Hopper and Gates.....	61
430138 - Flow Gate.....	18	Component Detail.....	63
430355 - Chassis Backwall.....	19	P473286 - Hydraulic Pump - Front (Piston) Section.....	63
430356 - Covers.....	21	P700611 - Hydraulic Pump - Rear (Gear) Section.....	65
430132, 430133 - Track.....	22	P470593 - Track Tension Cylinder.....	66
Engine.....	23	P470204 - Screed Lift and Gate Extend Cylinder.....	67
430353 - Engine.....	23	P349450 - Screed Vibrator Motor.....	68
Flywheel Housing & Oil Sump.....	25	P480071 - Auger Drive Motor.....	69
Engine.....	26	P471467 - Track Drive Control Valve.....	70
Cylinder Block.....	26	P271900 - Torque Hub.....	71
Engine.....	27	P480073 - Screed Extend Cylinder.....	73
Gear Housing (Engine Model 3TNV88- BDGP – SN 18233 and up).....	27	P470939 - Hopper Lift Cylinder.....	74
Gear Housing (Engine Model 3TNV88- XGP – SN 18232 and before).....	28	101283 - 9-Stack Control Valve.....	75
Cylinder Head & Bonnet.....	29	9-Stack Control Valve Cap Ends.....	77
Suction Manifold (Engine Model 3TNV88- BDGP – SN 18233 and up).....	31	P471429 - Track Drive Motor.....	78
Suction Manifold (Engine Model 3TNV88- XGP – SN 18232 and before).....	32	Index.....	81
Exhaust Manifold.....	33		
Camshaft & Driving Gear.....	34		

DECAL LOCATIONS

GENERAL INFORMATION

Decal location information is provided to assist in the proper selection and application of new decals, in the event the original decals become damaged or the machine is repainted. Refer to the listing for the illustration reference number, part number, description and quantity of each decal provided in the kit. Refer to the appropriate illustrations for replacement locations.

To ensure proper selection of the correct replacement decals, compare all of the various close-up location drawings to your machine before starting to refinish the unit. Then circle each decal shown (applicable to your machine) while checking off its part number in the listing. After you have verified all the decals needed for replacement, place any extra unnecessary decals aside for disposal.

If there is a decal on a part that is to be replaced, be sure that the replacement part has the decal applied to it.

NOTE: Refer to the SAFETY chapter of the Operator's Manual for specific information provided on the safety decals furnished in the decal kit.

NEW DECAL APPLICATION

Surfaces MUST be free from dirt, dust, grease and other foreign material before applying the new decal. To apply, remove the smaller portion of the decal backing paper and apply this part of the exposed adhesive backing to the clean surface while maintaining proper position and alignment. Slowly peel off the other portion of the backing paper while applying hand pressure to smooth out the decal surface.



CAUTION

ALWAYS follow safety precautions on decals. Replace the decals if they are damaged, or if the unit is repainted. If repainting, **BE SURE** all applicable decals are affixed to your unit.

PAINT NOTICE

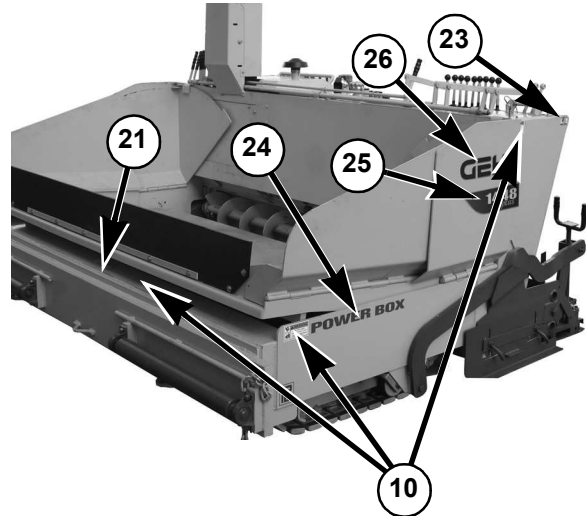
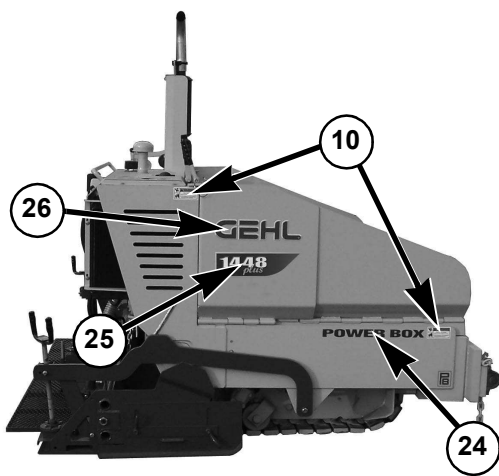
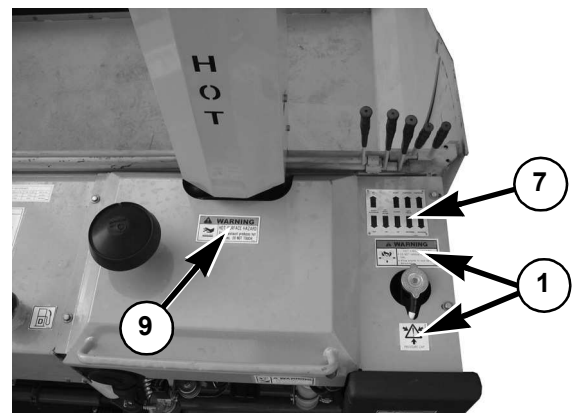
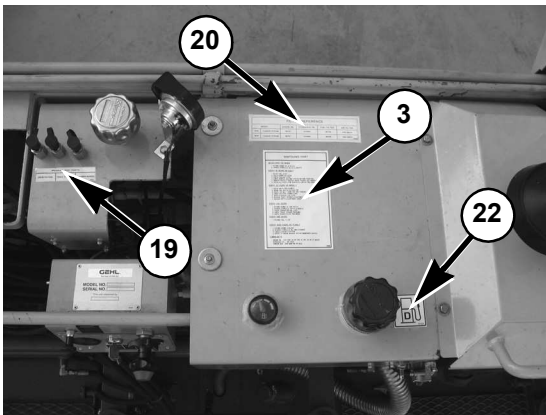
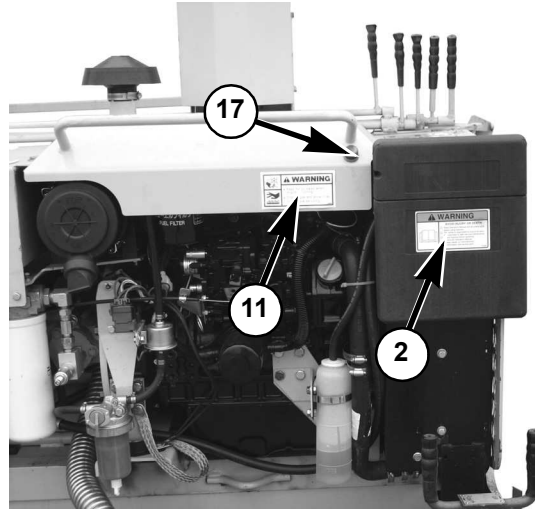
Use this list to order paint for refinishing:

167788	4 qts. Construction Yellow (GEHL)
167758	4 qts. Charcoal Gray (GEHL)
167789	6 (12.8 oz. Spray Cans) Yellow (GEHL)
167760	6 (12.8 oz. Spray Cans) Charcoal Gray (GEHL)

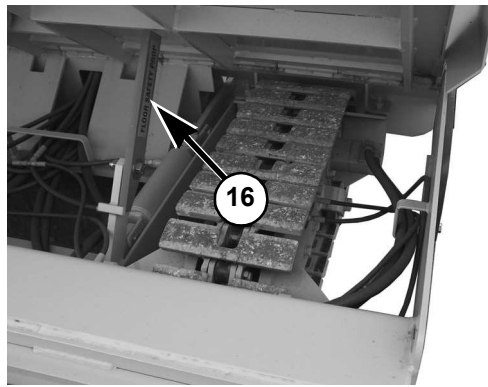
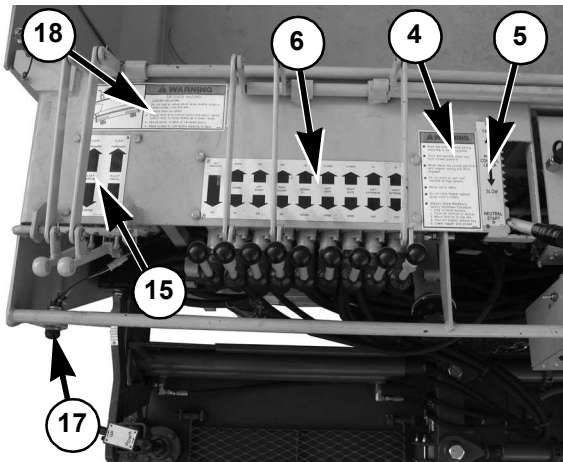
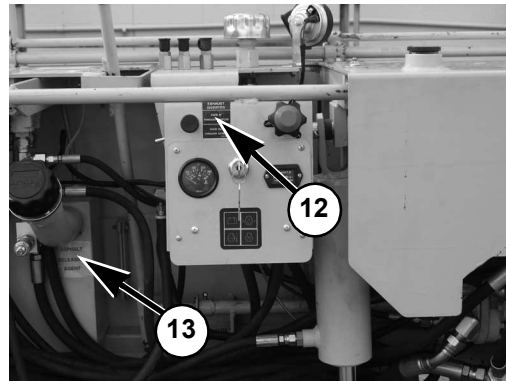
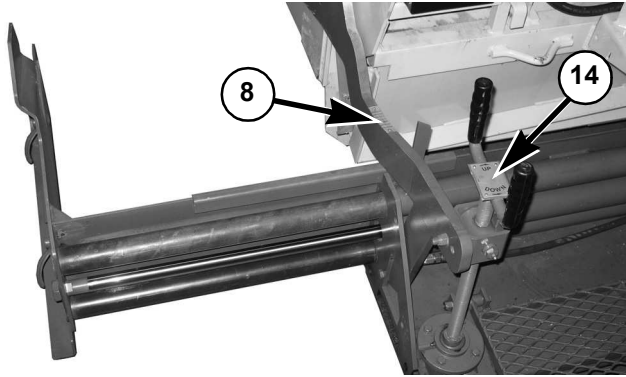
The decal kit for the model 1448 Paver is listed below:

Ref. No.	Part No.	Description & Quantity
	176060	Decal Kit - 1448
1	072798	WARNING - Coolant Under Pressure
2	137628	WARNING - Avoid Injury or Death
3	175862	Maintenance Chart
4	P204100	WARNING - Read Manual
5	P204015	Pump Variable Speed Control
6	P204012	Left Side Control Levers
7	P204013	Right Side Control Levers
8	P201400	Indicator (2 Places)
9	L65942	WARNING - Hot Surface
10	L65927	WARNING - Pinch Point (5 Places)
11	L65924	DANGER - Rotating Components
12	P471840	Exhaust Diverter
13	P471816	Asphalt Release
14	P214000	Up-Down (2 Places)
15	P212750	Drive Control
16	P210200	Safety Prop (2 Places)
17	P204107	Horn (2 Places)
18	P204101	WARNING - Tip-Over Hazard
19	175981	Pressure Test Points
20	175805	Filter Reference
21	137632	Hydraulic Oil
22	137634	Diesel Fuel
23	140516	Flag
24	101481	Power Box (2 Places)
25	175899	1448 Plus/Right
	175933	1448 Plus/Left
26	183963	GEHL 3.75 X 15.92 (2 Places)

DECAL LOCATIONS



DECAL LOCATIONS



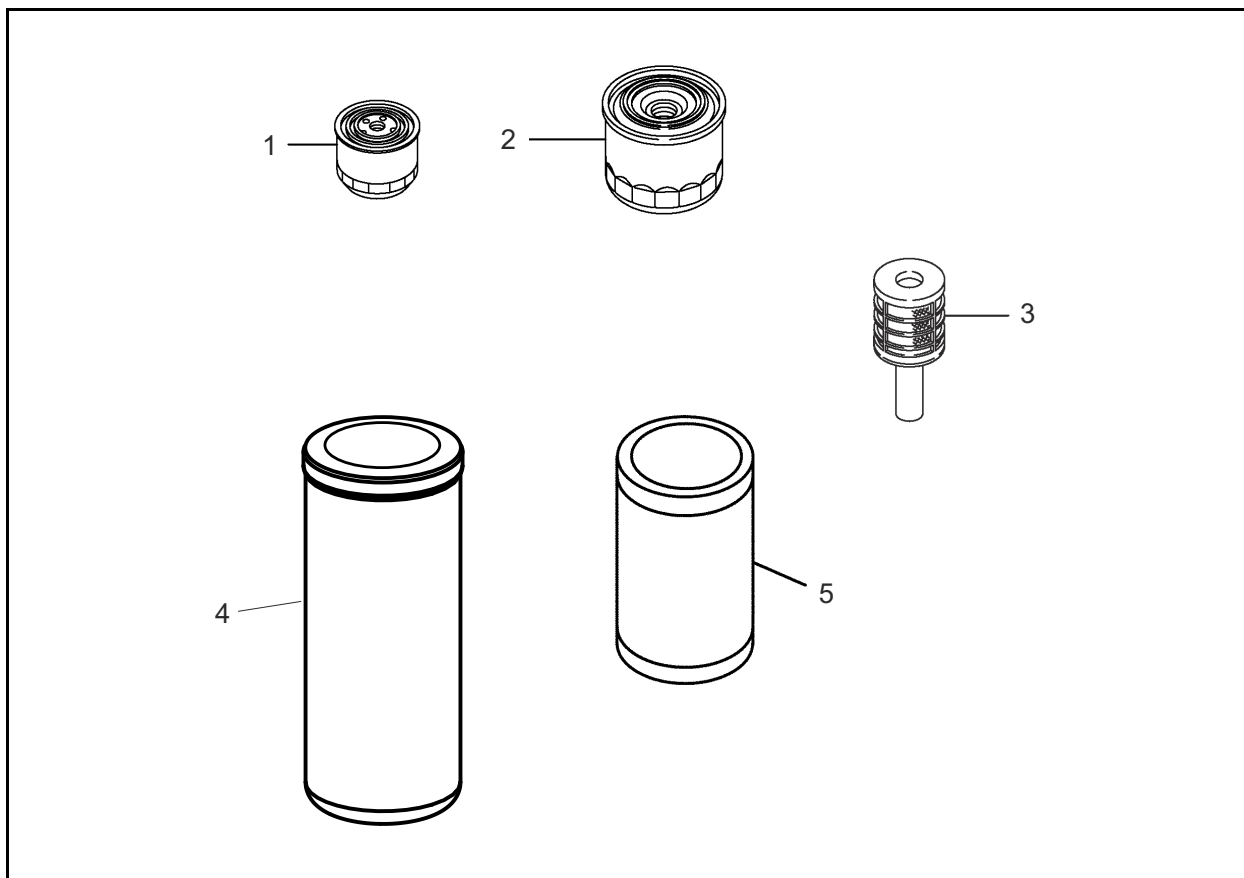
1448 - SERVICE PARTS TOOLS/PAINT/SPECIAL SERVICE PARTS AND KITS

Parts listed on this page not illustrated.

Ref. No.	Part No.	Description	Qty.
3	184467	HYDRAULIC GAUGE KIT	1
4	186011	TEST PORT, 4MP-M16X2, 1/4 NPT	1
5	183877	TEST PORT, 3/4-16 UNF	1
6	184472	TEST GAUGE, 1000PSI	1
7	184473	TEST GAUGE, 6000PSI	1
8	184475	TEST HOSE, 120" (Used with Gauge Kits)	1
9	184476	ADAPTER, 4FP-M16X2BLKHD (Used with Gauge Kits)	1
10	184474	TEST GAUGE, 10,000PSI	1
11	420-34912	ROD SEAL INSTALL TOOL, 3/4" X 1-1/4" DIAMETER SEALS	1
12	420-34913	ROD SEAL INSTALL TOOL, 1-1/2" X 2" DIAMETER SEALS	1
13	420-34914	ROD SEAL INSTALL TOOL, 2" X 3" DIAMETER SEALS	1
14	272814	OIL VACUUM PUMP (incl. in Engine Oil Analysis Kit)	1
15	272815	COOLANT VACUUM PUMP (incl. in Coolant Analysis Kit)	1
16	272816	1/4" PLASTIC TUBING, 100' (incl. in Analysis Kit)	1
21	195387	DIAL INDICATOR (incl. in 195348 Timing Kit Tool)	1
31	272813	FIELD TEST COOLANT STRIP (1 Kit from Coolant Analysis Kit)	1
32	272806	HYDRAULIC OIL ANALYSIS KIT (GEHL)	Set of 10
33	272809	ENGINE OIL ANALYSIS KIT (GEHL)	Set of 10
34	272811	FUEL ANALYSIS KIT (GEHL)	1
35	272812	COOLANT ANALYSIS KIT (GEHL)	Set of 10
36	167788	4-PACK CONSTRUCTION YEL- LOW PAINT	1 qt.
38	167789	6-PACK YELLOW SPRAY PAINT	12.8 oz.
39	167758	4-PACK CHARCOAL GRAY PAINT	1 qt.
40	167760	6-PACK CHARCOAL GRAY SPRAY PAINT	12.8 oz.

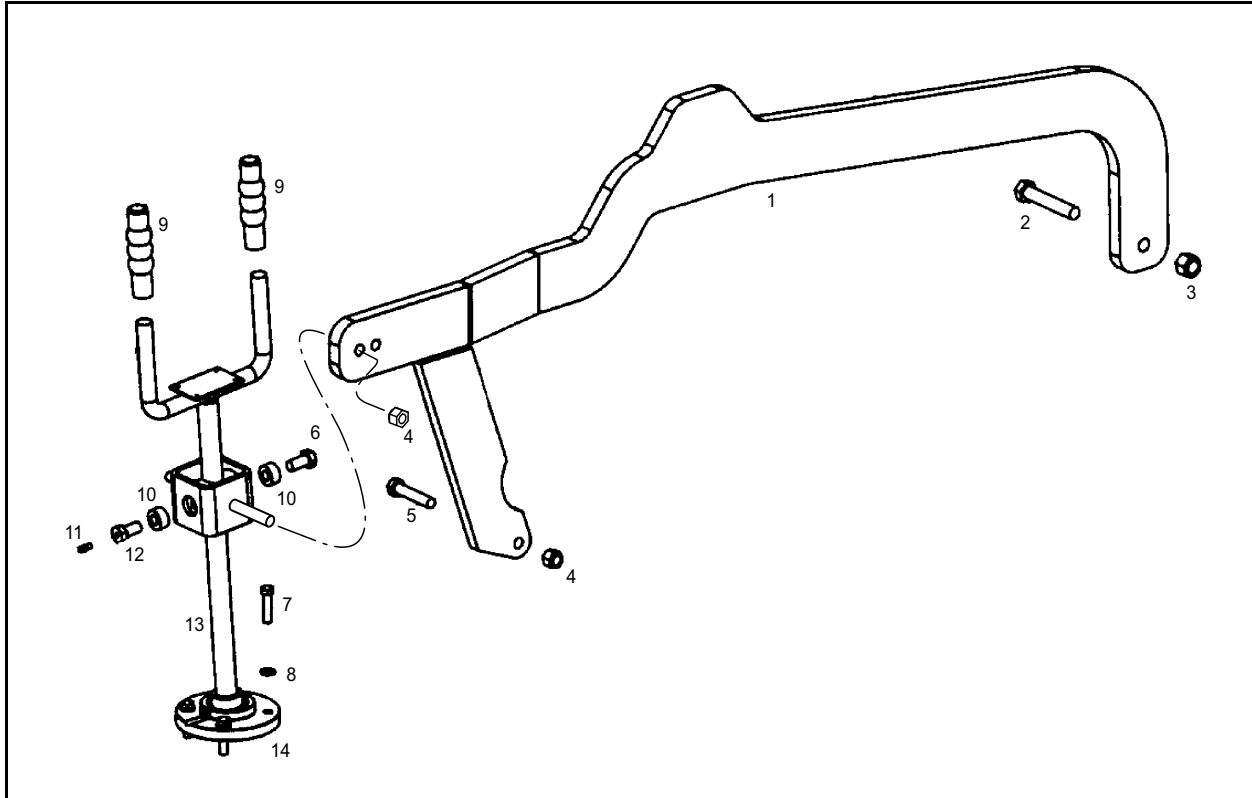
*Analysis Kits - Contact your dealer.

1448 - SERVICE PARTS FILTERS



Ref. No.	Part No.	Description	Qty.
1	182130	FUEL FILTER	1
2	195568	ENGINE OIL FILTER (ENGINE)	1
3	203822	FUEL SEPARATOR FILTER ELEMENT (ENGINE MODEL 3TNV88-BDGP ONLY – SN 18233 AND UP)	1
	186340	FUEL SEPARATOR FILTER ELEMENT (ENGINE MODEL 3TNV88-XGP ONLY – SN 18232 AND BEFORE)	1
4	131838	HYDRAULIC FILTER	1
5	420-36075	AIR CLEANER ELEMENT	1

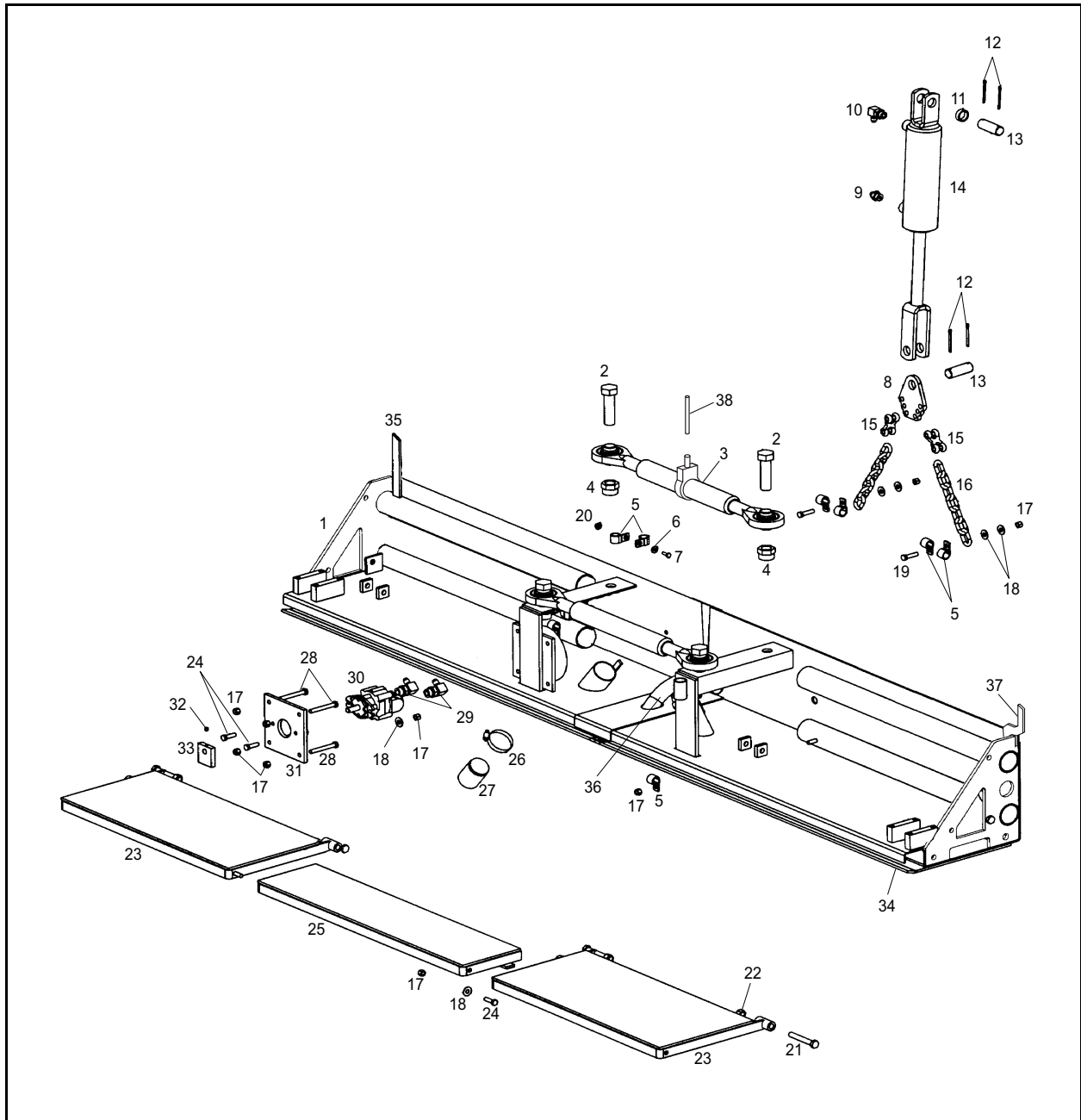
**1448 - CHASSIS
400301 - PULLARMS**



Ref. No.	Part No.	Description	Qty.	Ref. No.	Part No.	Description	Qty.
1	P470065	LH. PULL ARM WELD.	1	8	654026	LW 3/8 RZY	8
	P470066	RH. PULL ARM WELD.	1	9	P252400	GRIP 3/4 RUBBER	4
2	650695	CS 5/8X3-1/2 C5ZY	2	10	P142175	SPACER, DEPTH ADJ SCREED	4
3	067823	HLN INST 5/8 CZY	2	11	570019	ZERK, GREASE STRAIGHT	2
4	068034	HLN INST 1/2 CZY	2	12	P289010	MACH. 1/2X 1 BOLT	2
5	650503	CS 1/2X2-1/2 C5ZY	2	13	P470070	WELD/SCREED ADJ HANDLE	2
6	650494	CS 1/2X1 C5ZY	2	14	P471567	ASY/BEARING DEPTH CONT.	2
7	650533	CS 3/8X1-1/2 C5ZY	8				

1448 - CHASSIS

400301 - MAIN SCREED



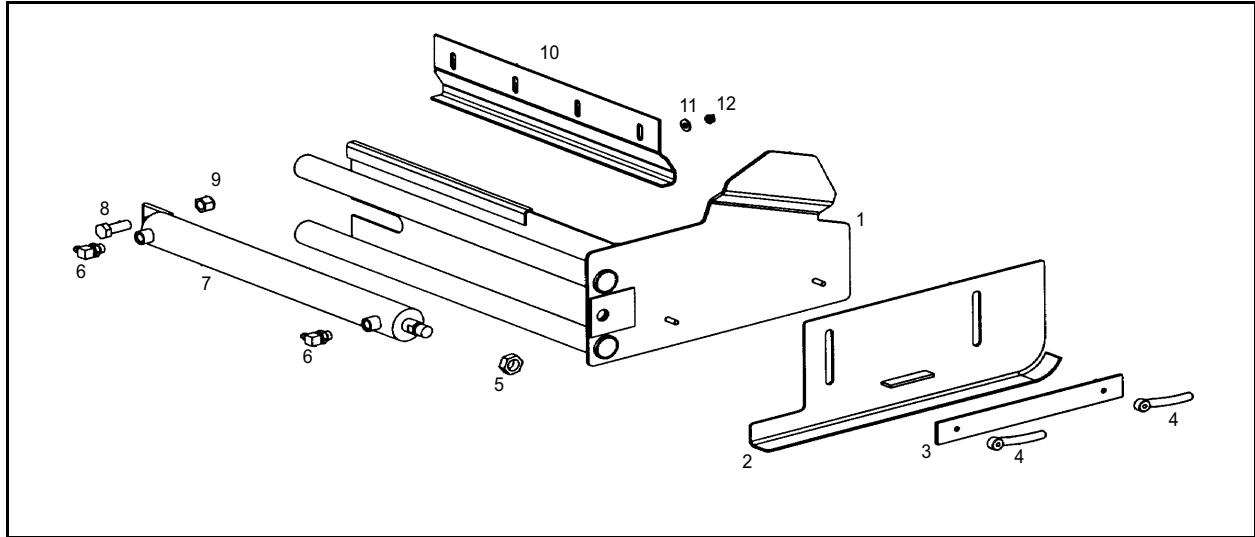
Ref. No.	Part No.	Description	Qty.	Ref. No.	Part No.	Description	Qty.
1	175897	SCREED WELDMENT	1	7	650448	CS 1/4X3/4 C5ZY	2
2	650909	CS 1X3-1/2 C5ZY	4	8	P471455	ANCHOR / CHAIN CLEVIS	1
3	P470205	TURN BUCKLE TOPLINK W/END	2	9	230-24749	ST MJ06-MORB08	1
4	132681	HLN INST 1 CZY	4	10	110227	ELBOW/MALE 3/8 MJ-3/4-16	1
5	136226	CLAMP/HOSE .75 X .41 HOLE	10	11	P471084	SPACER/SCREED CYL	1
6	654002	FW 1/4 AWZY	2	12	655024	CP EPSC 3/16 X 2 Z	4

**1448 - CHASSIS
400301 - MAIN SCREED**

Ref. No.	Part No.	Description	Qty.	Ref. No.	Part No.	Description	Qty.
13	P471297	PIN/CYLINDER CLEVIS END	2	26	L76020	CLAMP/HOSE SAE #32	2
14	P470204	CYL/ SCREED LIFT (SEE PAGE 66 FOR DETAIL)	1	27	P018700	WLDMNT, BURNER CAP	2
15	P471454	CLEVIS/DOUBLE LINK	2	28	650818	CS 3/8X3 C5ZY	4
16	P471203	CHAIN/SCREED LIFT	2	29	P470406	ADP-10 ORM -6 90 DEG	2
17	067847	HLN INST 3/8 CZY	12	30	P349450	MOTOR VIBRATOR (SEE PAGE 67 FOR DETAIL)	1
18	654006	FW 3/8 AWZY	8	31	P316100	PLATE, VIBR. MOTOR MNT.	1
19	650533	CS 3/8X1-1/2 C5ZY	2	32	650201	SHSS CP 5/16X5/16	1
20	070634	LN LG FL SERR 1/4 CZ	2	33	P316400	BAR, CNTRWT. VIBR. MOTOR	1
21	650650	CS 1/2X3-1/2 C5ZY	4	34	P471392	SCREED/WEAR PLATE (WELD ON)	1
22	068034	HLN INST 1/2 CZY	4	35	P470468	BAR/INDICATOR (WELD ON)	1
23	P470080	WLDMNT, SCREED PLATFORM	2	36	P470143	PIPE EXHAUST (WELD ON)	1
24	650491	CS 3/8X1-1/4 C5ZY	4	37	175895	BAR/POINTER (WELD ON)	1
25	P470121	WLDMNT CENTER PLATFORM	1	38	P700459	RATCHET HANDLE	1

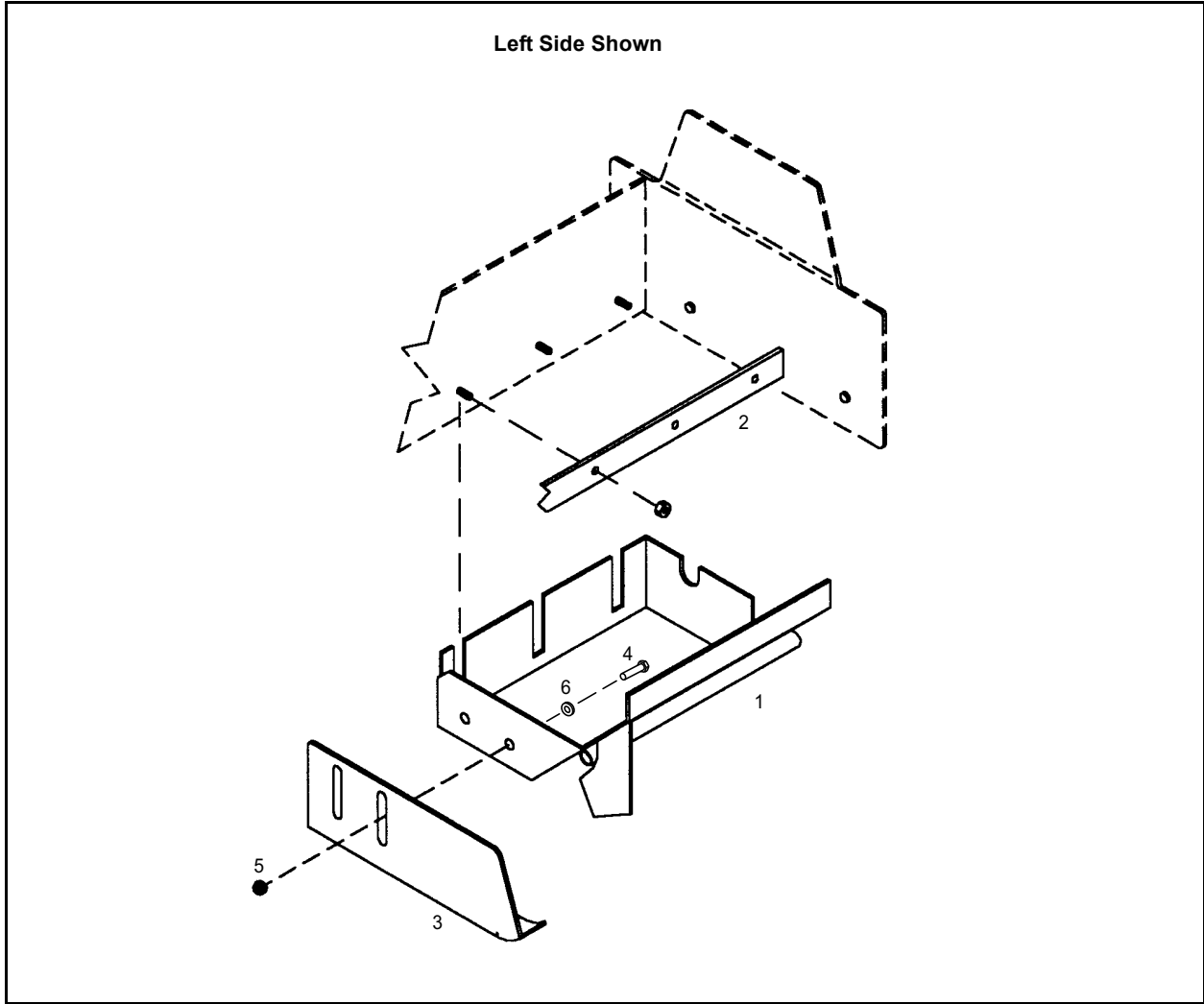
1448 - CHASSIS

400301 - SCREED EXTENSIONS



Ref. No.	Part No.	Description	Qty.	Ref. No.	Part No.	Description	Qty.
1	P471507	LH.SCREED EXT.WELD.	1	7	P480073	CYLINDER/SCREED EXT. (SEE PAGE 72 FOR DETAIL)	2
	P471508	RH.SCREED EXT.WELD.	1	8	650649	CS 3/4X2 C5ZY	2
2	P470057	LH. EXTEND SHOE WELD.	1	9	079209	HLN INST 3/4 CZY	2
	P470058	RH. EXTEND SHOE WELD.	1	10	P470051	PLATE, LOWER EXT. STRIKE	2
3	P178000	TIGHTENER BAR	2	11	654006	FW 3/8 AWZY	8
4	P015900	TIGHTENER HANDLE	4	12	L520022	FLEX/LOCK NUT .375-16	8
5	653116	HJN 1 F2ZY	2				
6	110227	ELBOW/MALE 3/8 MJ-3/4-16	4				

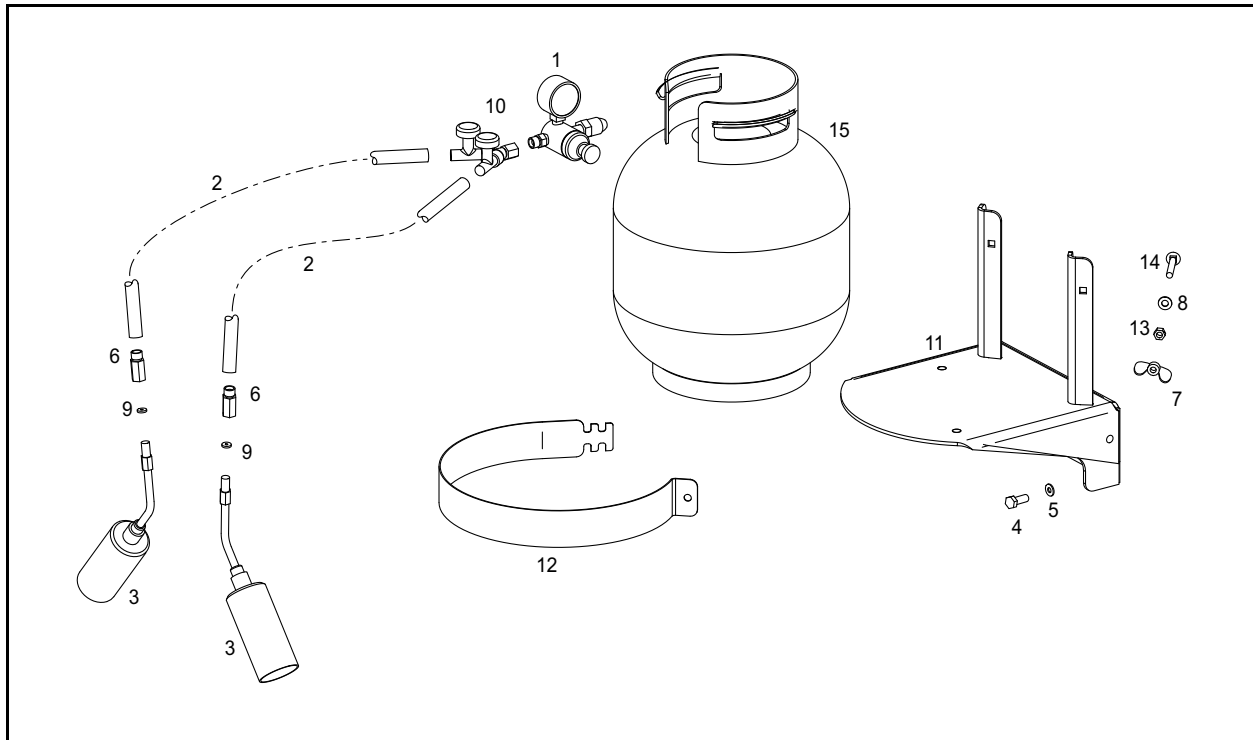
1448 - CHASSIS SCREED CUTOFF OPTION



Ref. No.	Part No.	Description	Qty.	Ref. No.	Part No.	Description	Qty.
1	P473002	CUT-OFF PLATE 6" LEFT SIDE	1		P473010	CUT-OFF PLATE 30" LEFT SIDE	1
	P473001	CUT-OFF PLATE 6" RIGHT SIDE	1		P473009	CUT-OFF PLATE 30" RIGHT SIDE	1
	P473004	CUT-OFF PLATE 12" LEFT SIDE	1	2	101866	MOUNT BAR 6"	1
	P473003	CUT-OFF PLATE 12" RIGHT SIDE	1		101867	MOUNT BAR 12"	1
	P473006	CUT-OFF PLATE 18" LEFT SIDE	1		101868	MOUNT BAR 18"	1
	P473005	CUT-OFF PLATE 18" RIGHT SIDE	1		P471428	MOUNT BAR 24"	1
	P473008	CUT-OFF PLATE 24" LEFT SIDE	1	3	P471577	LH CUT-OFF SHOE	1
	P473007	CUT-OFF PLATE 24" RIGHT SIDE	1		P471579	RH CUT-OFF SHOE	1
				4	650494	CS 1/2X1 C5ZY	2
				5	653018	HN 1/2 C2ZY	2
				6	654009	FW1/2 AWZY	2

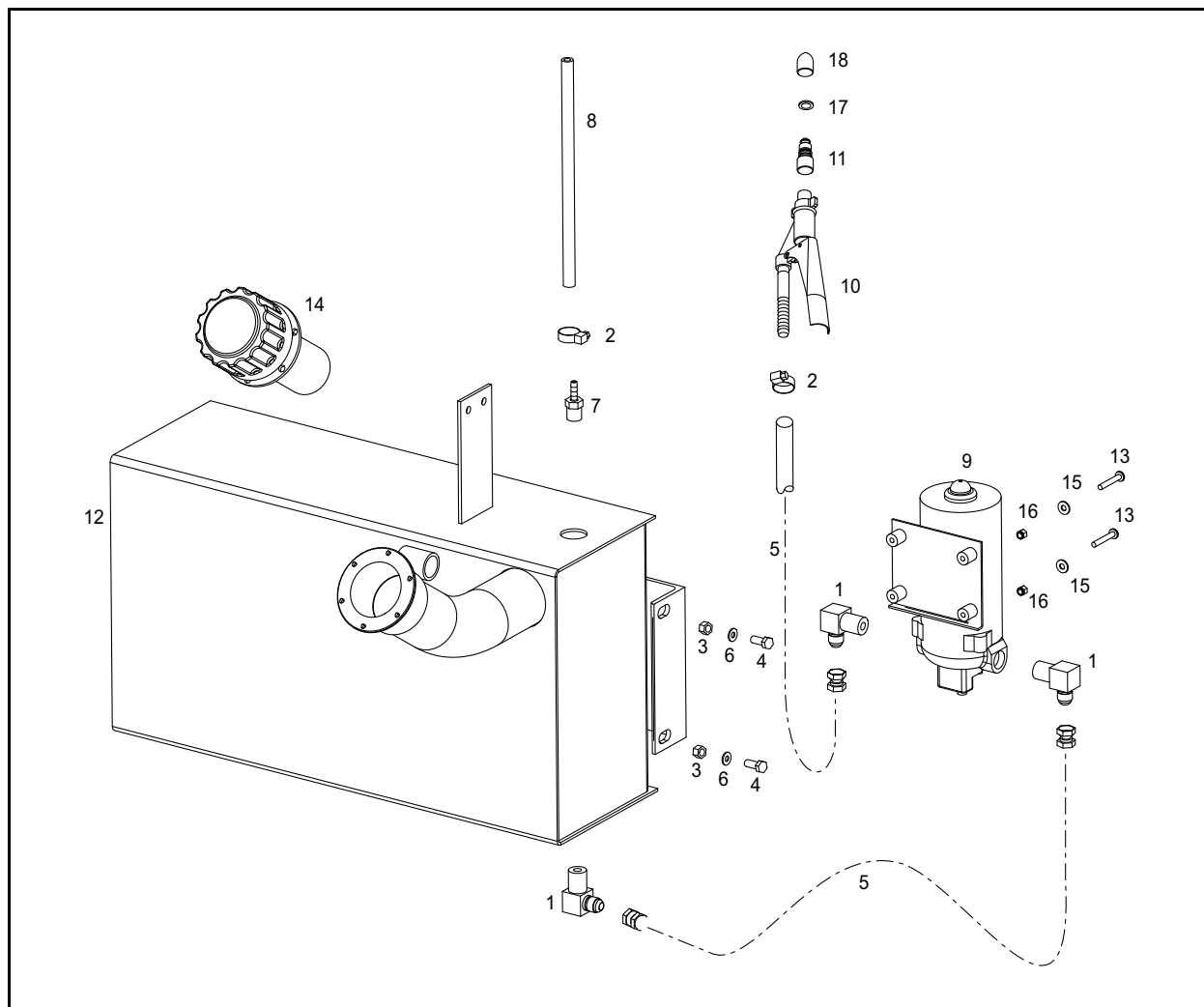
1448 - CHASSIS

805462 - PROPANE KIT (OPTION)



Ref. No.	Part No.	Description	Qty.	Ref. No.	Part No.	Description	Qty.
	805462	PROPANE KIT COMPLETE	1	9	175674	GASKET/PLASTIC	2
1	P380200	REGULATOR	1	10	175632	Y VALVE/LP	1
2	P270200	HOSE	2	11	175572	TANK/SUPPORT	1
3	P412000	TORCH TIP	2	12	175494	BAND/LP	1
4	650488	CS 3/8X3/4 C5ZY	2	13	071701	LN 5/16 CBZY	1
5	654026	LW 3/8 RZY	2	14	650734	CB 5/16X2-1/4 C5ZY	1
6	175811	LP ADAPTER	2	15	*	PROPANE TANK 20#	1
7	653094	NUT/WING LIGHT 5/16 ACZY	1			* Purchase Locally	
8	650810	FW 5/16 ANZY	2				

1448 - CHASSIS 430087 - SPRAYDOWN TANK

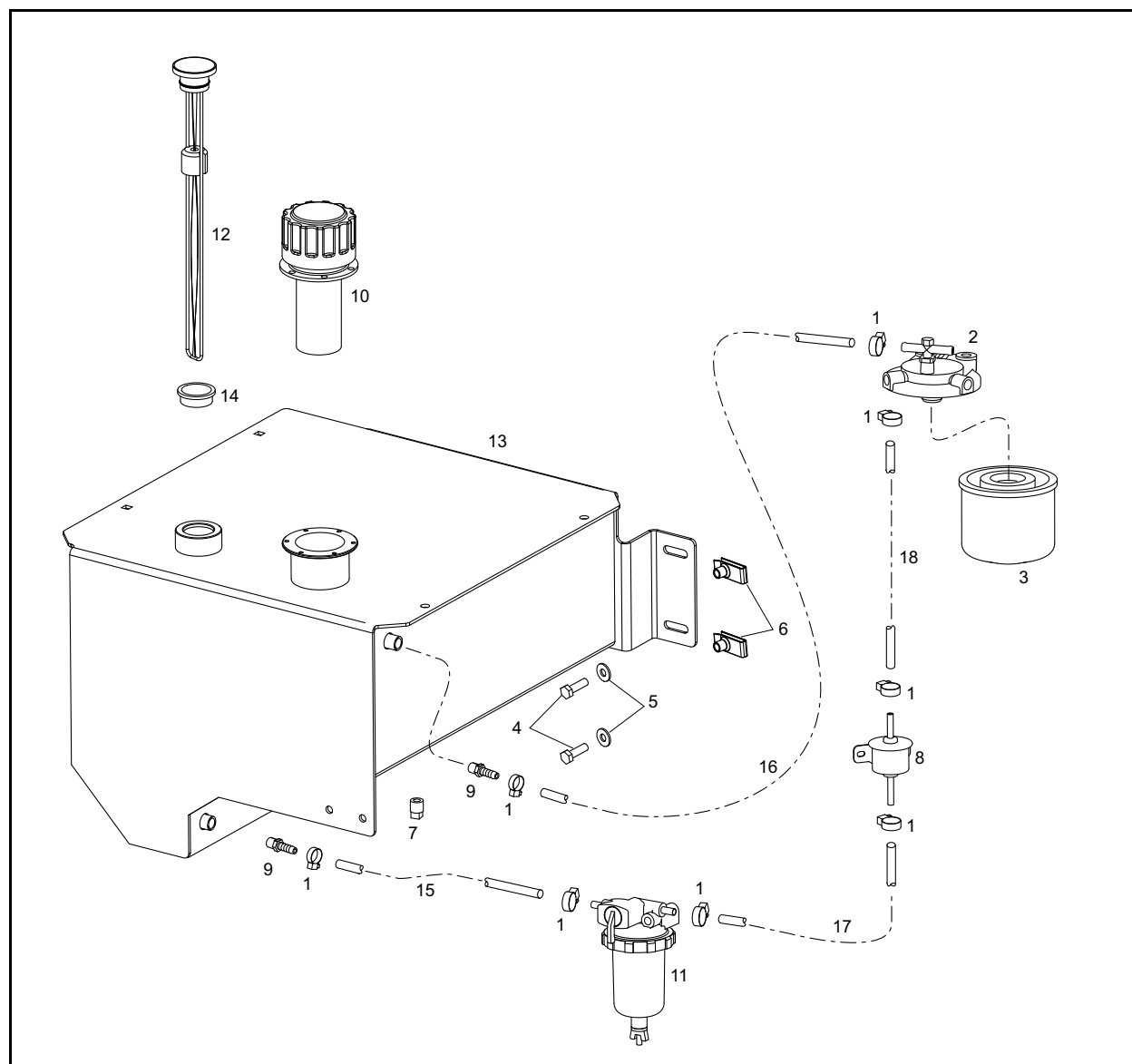


Ref. No.	Part No.	Description	Qty.
1	057650	ADP -6JICM -6NPTM 90	3
2	062023	CLAMP / HOSE	2
3	067847	HLN INST 3/8 CZY	4
4	650490	CS 3/8X1 C5ZY	4
5	P470463	HOSE/ASSY SPRAYDOWN	2
6	654006	FW 3/8 AWZY	4
7	P022800	HOSE BARB 1/4NPT X 1/4	1
8	P270900	HOSE / CLEAR 1/4 X 3/32	1
9	175375	PUMP/12V RELEASE AGENT	1

Ref. No.	Part No.	Description	Qty.
10	175394	HAND APPLICATOR VALVE	1
11	175373	BODY/NOZZLE	1
12	P470341	SPRAYTANK	1
13	651253	PHMS SLT #1024X1-1/4 ZY	4
14	P470472	FILLER CAP	1
15	650584	FW #10 AZY	4
16	084175	HLN INST #1024 CZY	4
17	175372	O-RING	1
18	084175	CAP	1

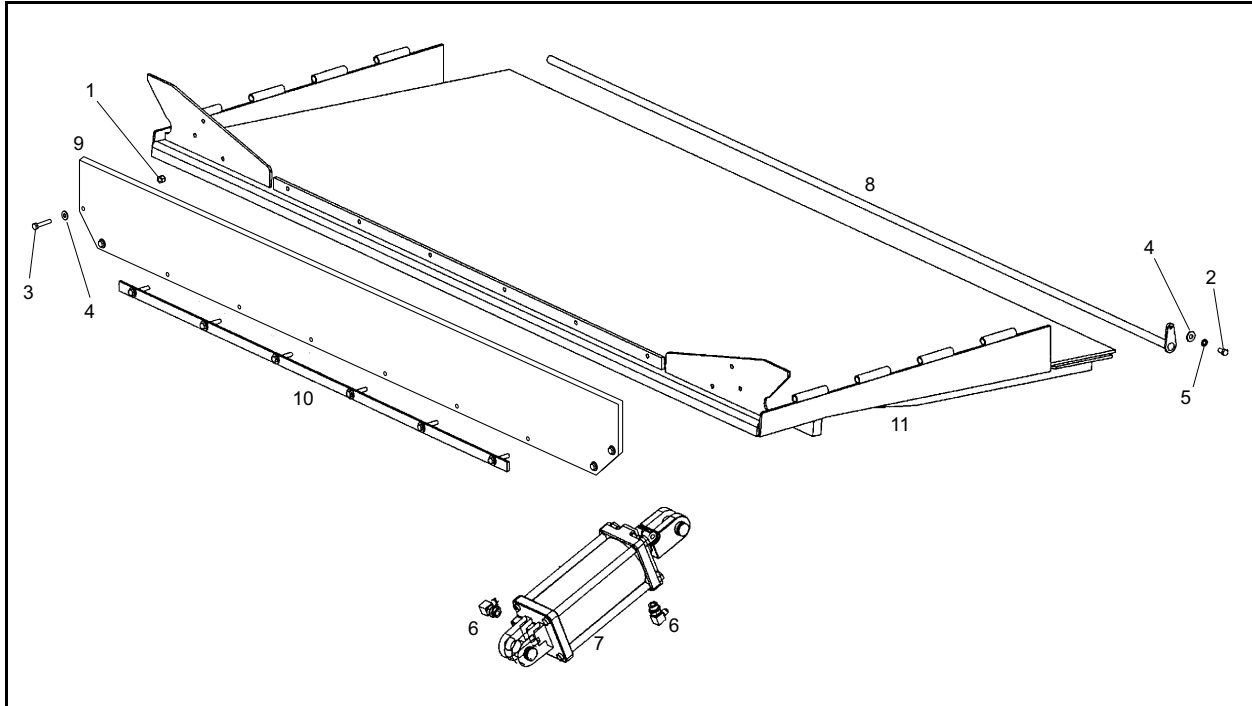
1448 - CHASSIS

430352 - FUEL TANK



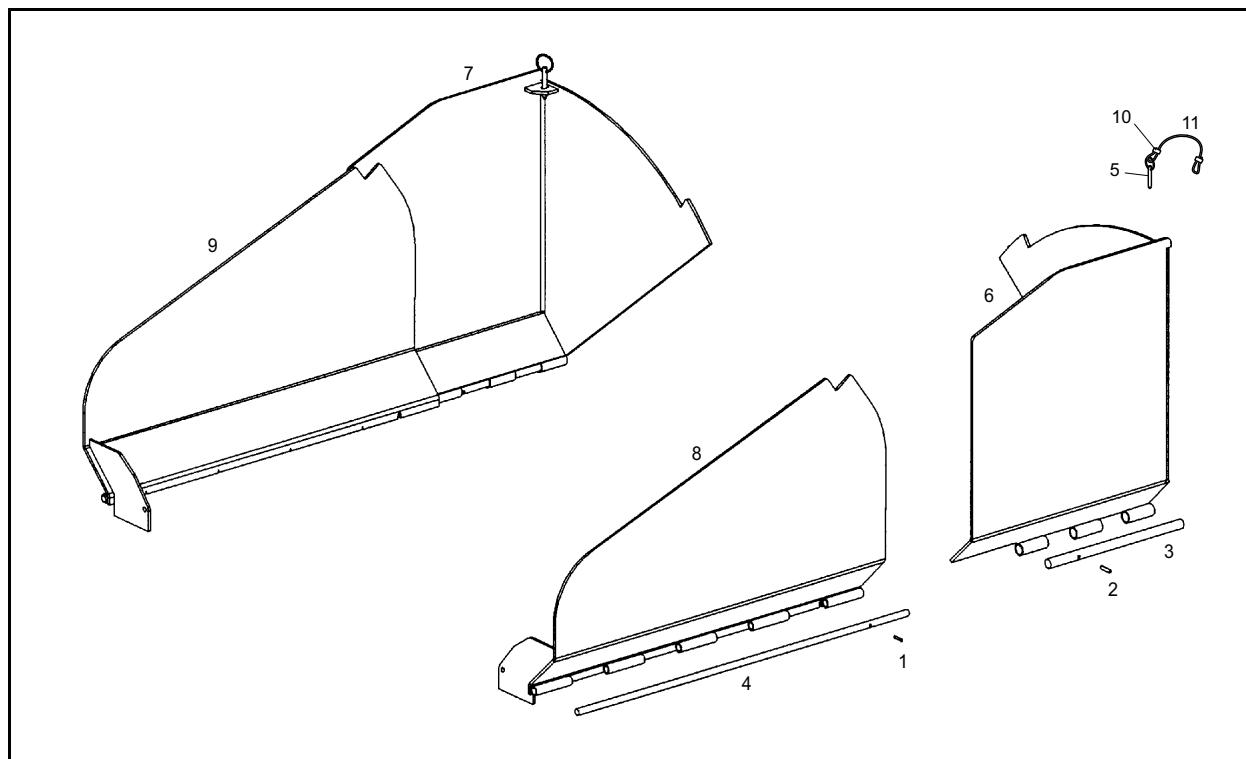
Ref. No.	Part No.	Description	Qty.	Ref. No.	Part No.	Description	Qty.
1	062023	CLAMP / HOSE	8	10	P470472	FILLER CAP	1
2	186467	FUEL FILTER BRACKET	1	11	188492	SEPARATOR ASSY	1
3	182130	FUEL FILTER	1	12	P473298	FUEL GAUGE	1
4	651065	CB SN 5/16 X 1 C5ZY	4	13	175675	FUEL TANK	1
5	654024	LOCK WASHER, 5/16	4	14	P473303	GROMMET FUEL GAUGE	1
6	L530004	NUT/CLIP RETAINING 5/16	4	15	175885	FUEL LINE, 5/16 (20" LENGTH)	1
7	L72019	PLUG -4NPTM	1	16	175882	FUEL LINE, 5/16 (9.5" LENGTH)	1
8	186308	PUMP ASSY / FUEL FEED	1	17	175884	FUEL LINE, 5/16 (5.5" LENGTH)	1
9	133074	HOSE BARB 1/4NPT X 5/16	2	18	175883	FUEL LINE, 5/16 (8.25" LENGTH)	1

**1448 - CHASSIS
430083 - HOPPER**



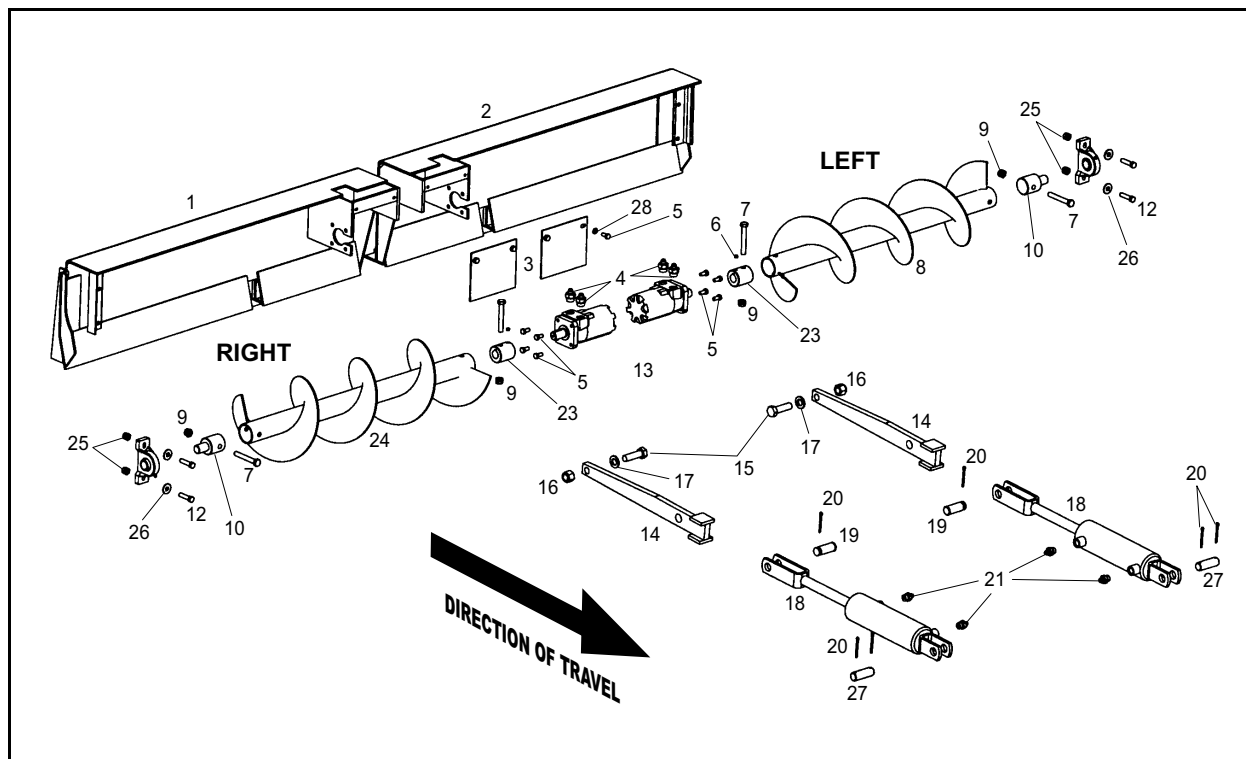
Ref. No.	Part No.	Description	Qty.	Ref. No.	Part No.	Description	Qty.
1	070856	HN LF SLOC 3/8 CZ	10	7	P470939	CYLINDER (SEE PAGE 73 FOR DETAIL)	1
2	650488	CS 3/8 X 3/4 C5ZY	1	8	P471057	FLOOR HINGE PIN	1
3	650528	CS 3/8 X 2 C5ZY	10	9	P471427	LIP / HOPPER	1
4	654006	FW 3/8 AWZY	11	10	102134	BAR / HOPPER LIP	1
5	654026	LW 3/8 RZY	1	11	102134	HOPPER FLOOR	1
6	P470406	ADP -10ORM -6JICM 90	2				

1448 - CHASSIS
430084 - WINGS / SIDE GATES



Ref. No.	Part No.	Description	Qty.	Ref. No.	Part No.	Description	Qty.
1	057864	PIN / SPRING 3/16 X 1	2	7	P471130	RIGHT REAR WING	1
2	L560002	PIN / SPRING 1/4 X 1-1/4	2	8	P471131	LEFT FRONT WING	1
3	P470088	HINGE PIN REAR HOPPER	2	9	P471132	RIGHT FRONT WING	1
4	P470100	HINGE PIN HOPPER WING	2	10	122633	CRIMP SLEEVE	4
5	P470609	PIN / QUICK RELEASE	2	11	P470610	WIRE / NYLON COATED	2
6	P471129	LEFT REAR WING	1				

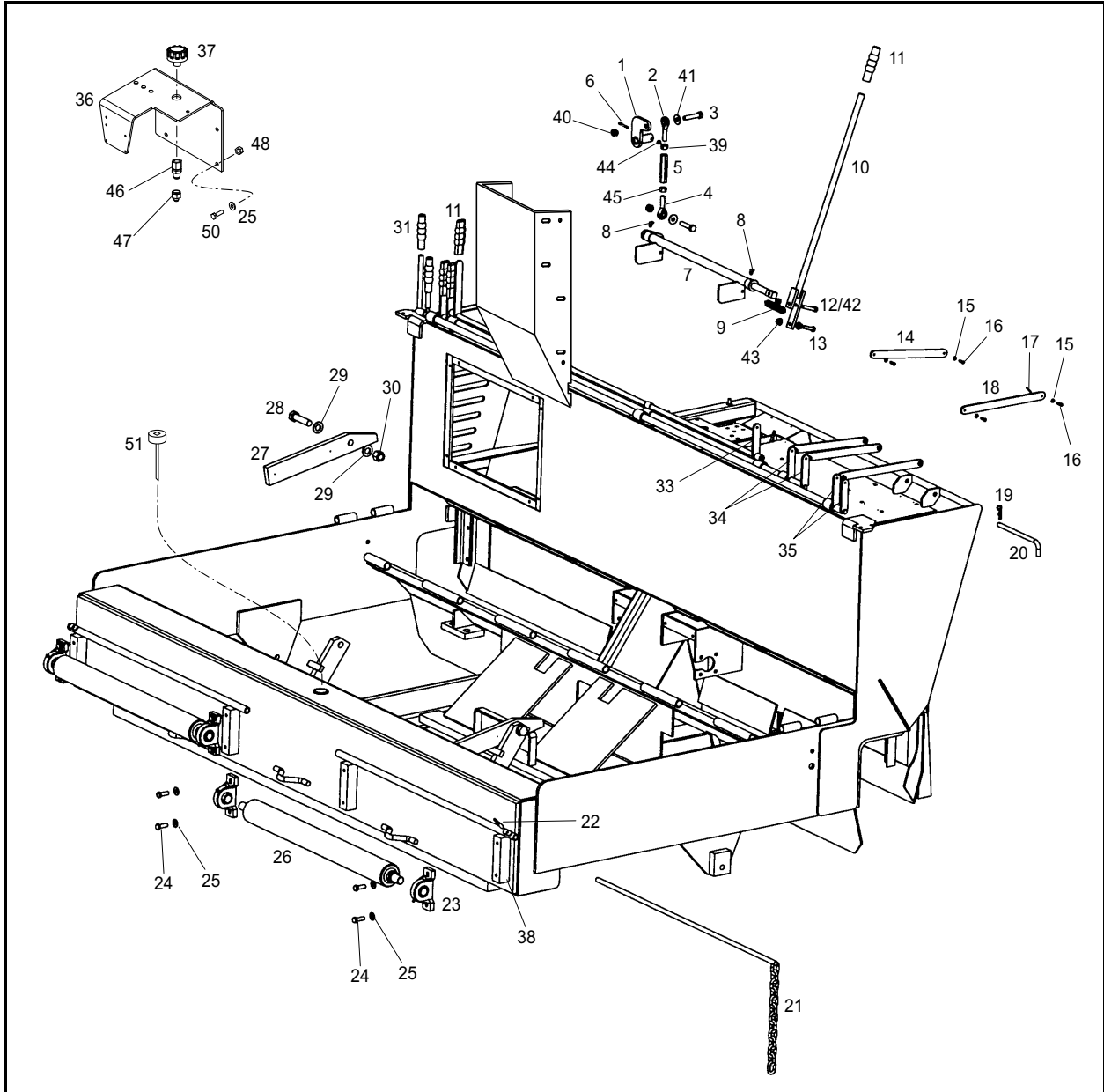
1448 - CHASSIS
430138 - FLOW GATE



Ref. No.	Part No.	Description	Qty.	Ref. No.	Part No.	Description	Qty.
1	P471045	WLDMT/RH GATE	1	15	650416	CS 3/4X2-1/2 C5ZY	2
2	P471044	WLDMT/LH GATE	1	16	079209	HLN INST 3/4 CZY	2
3	P136200	AUGER MOTOR COVER	2	17	654014	FW 3/4 AWZY	2
4	L60253	ADP-10ORM -6JICM	4	18	P470204	CYLINDER (SEE PAGE 66 FOR DETAIL)	2
5	650488	CS 3/8X3/4 C5ZY	12	19	P471297	PIN/CYLINDER CLEVIS END	2
6	L50426	SS ALAN .38-16 X .25	2	20	655024	CP EPSC 3/16 X 2 Z	6
7	650650	CS 1/2X3-1/2 C5ZY	4	21	230-24749	ST MJ06-MORB08	4
8	P473327	AUGER	1	23	P311600	AUGER HUB FEMALE	2
9	L50070	NUT/FL .50-13 CLSA	4	24	P473328	AUGER	1
10	P311800	AUGER HUB / MALE	2	25	L50071	NUT/FLEX LOCK .434-14	4
11	P471466	BEARING/1" PILLOW BLOCK	2	26	654046	FW 7/16 AWZY	4
12	L50746	BOLT/HHCS .44-14X1.75 G8 Z	4	27	P471206	PIN	2
13	P480071	MOTOR/AUGER (SEE PAGE 68 FOR DETAIL)	2	28	654026	LW 3/8 RZY	4
14	P471052	GATE EXT. ARM	2				

1448 - CHASSIS

430355 - CHASSIS BACKWALL

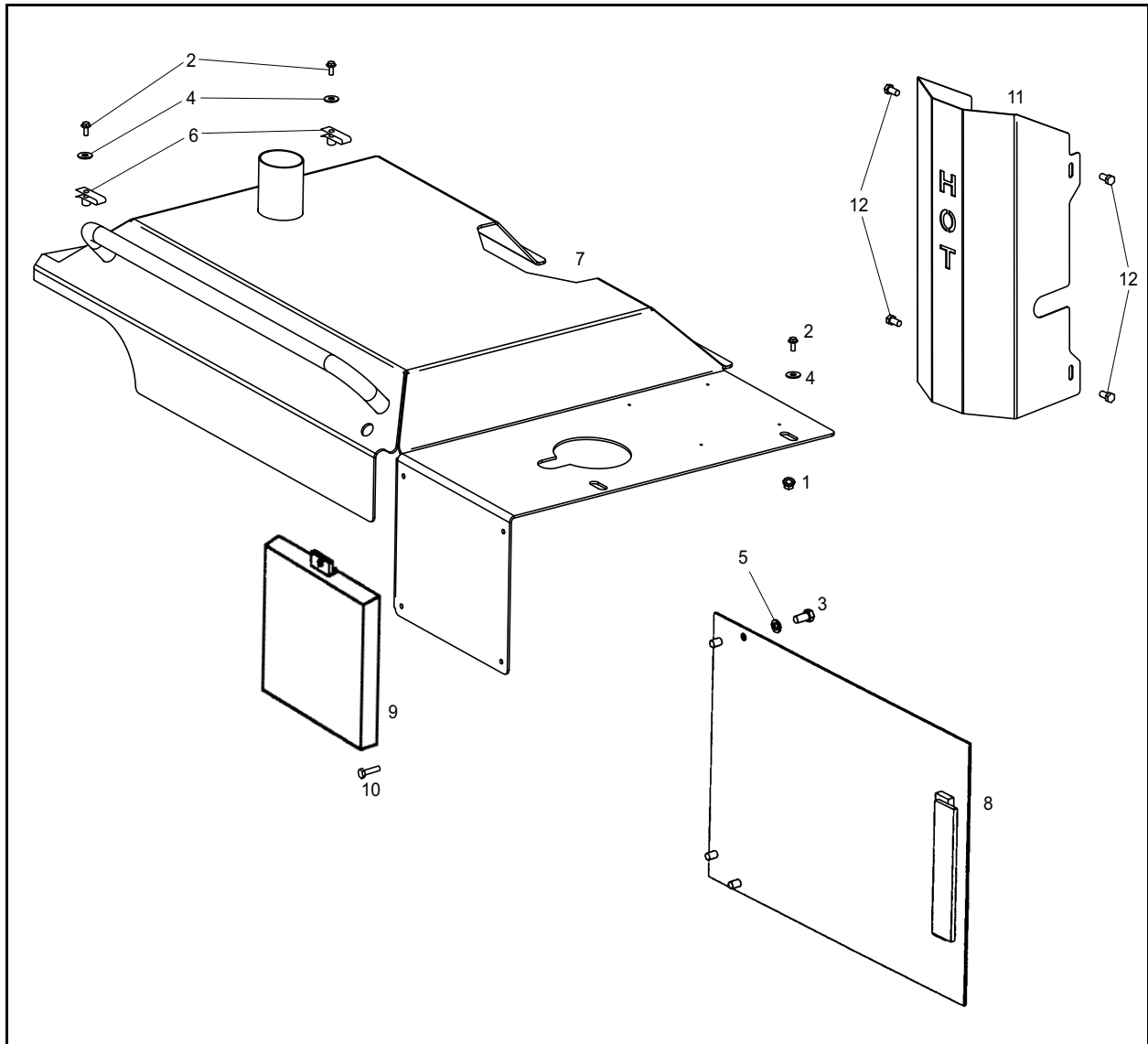


Ref. No.	Part No.	Description	Qty.	Ref. No.	Part No.	Description	Qty.
1	175898	LINK-PUMP CONTROL	1	13	650533	CS 3/8X1-1/2 C5ZY	1
2	P221650	END/ROD BALL-J LH-THRD	1	14	P143200	LEG/CNTRL 12" DUAL	3
3	650502	CS 1/2X2-1/4 C5ZY	2	15	650584	FW #10 AZY	20
4	P221850	END, ROD 1/2 " MALE RH	1	16	072425	CL PIN 1/4 X 51/64 ZY	10
5	175707	ROD/ADJ PUMP SPEED CTRL	1	17	650551	CP EPSC 3/32 X 3/4 Z	10
6	080456	CS 1/4X1-1/2 C8ZY	1	18	P137200	DUAL CONTROL LEG - 13	"2
7	P470836	WELD/PUMP LINKAGE	1	19	071858	COTTER PIN/HAIR	1
8	076002	ZERK, GREASE 1/4-28 90 DEG	2	20	P470246	PIN/DRIVE CONTROL STOP	1
9	L561003	SPRING/EXT 13GA X .73OD	1	21	P470014	ALIGNMENT SLIDE	2
10	P470320	WLDMNT/PUMP CONTROL ARM	1	22	L277729	SCREW/THUMB 3/8X1 CZY	2
11	P252400	GRIP 3/4 RUBBER	4	23	P024000	BEARING 1" PILLOW BLOCK	4
12	L50833	HC .375 X 2 C8 Z	1	24	650558	CS 7/16X1-1/4 C5	8

**1448 - CHASSIS
430355 - CHASSIS BACKWALL**

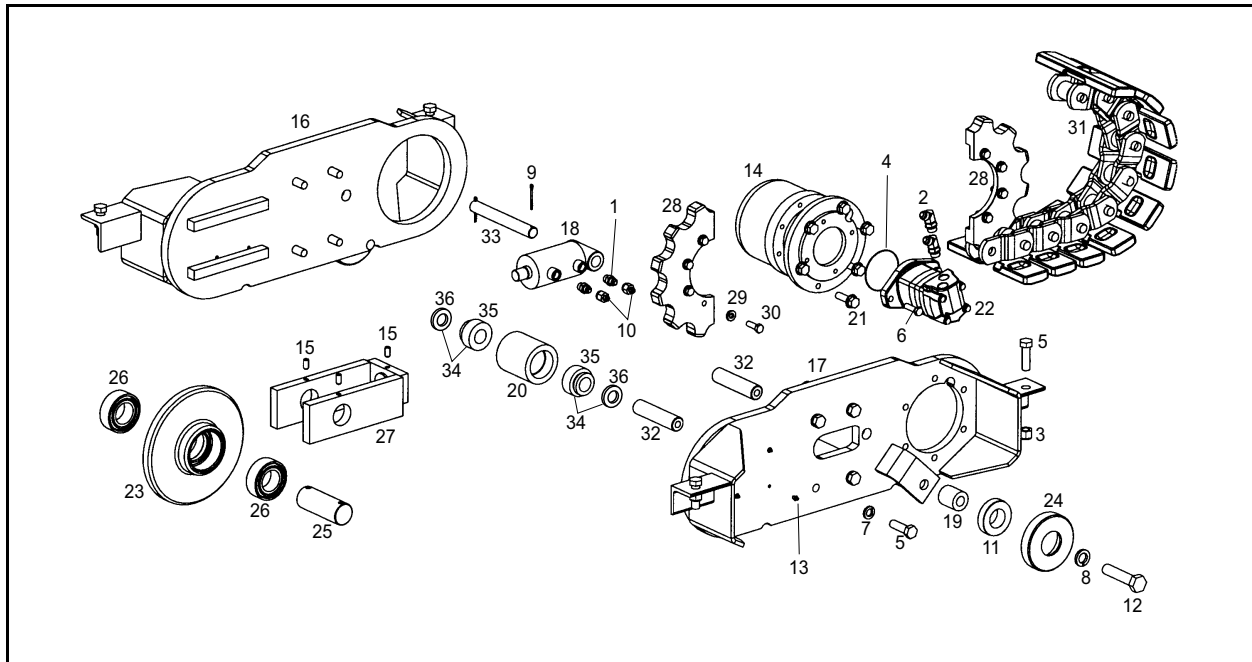
Ref. No.	Part No.	Description	Qty.	Ref. No.	Part No.	Description	Qty.
25	654006	FW 3/8 AWZY	12	39	061826	HN 1/2 F2ZY LH	1
26	P470606	BAR/PUSH ROLLER	2	40	L50070	NUT/FL .50-13 CLSA	2
27	P470025	FLOOR PROP	2	41	654046	FW 7/16 AWZY	2
28	L50385	BOLT/HHCS .75-10X3.0 GR8	2	42	L50065	NUT .375-24 FLEXLOCK Z	1
29	654014	FW 3/4 AWZY	4	43	070856	LN LG FL SERR 3/8 CZ	2
30	079209	HLN INST 3/4 CZY	2	44	L50113	NUT/FL .25-20 Z	1
31	P252600	GRIP 5/8 RUBBER	2	45	653019	HN 1/2 F2ZY	1
33	P470299	WLDMT/EXT DUAL CONTROL	1	46	P471289	ADAP 12 BLKHD STR.	1
34	P470294	WLDMT AUGER FLOOR CNTRL	1	47	230-32672	REDUCER FJ12-MJ08	1
35	P470289	WLDMT/DUAL DRIVE CNTRL	1	48	067847	HLN INST 3/8 CZY	4
36	175807	CHANNEL / MOUNT	1	50	650490	CS 3/8X1 C5ZY	4
37	P471247	BREATHER CAP	1	51	P013150	HYDRAULIC TANK DIPSTICK	1
38	P470006	MOUNT PUSHM ROLLER BRG.	4				

1448 - CHASSIS
430356 - COVERS



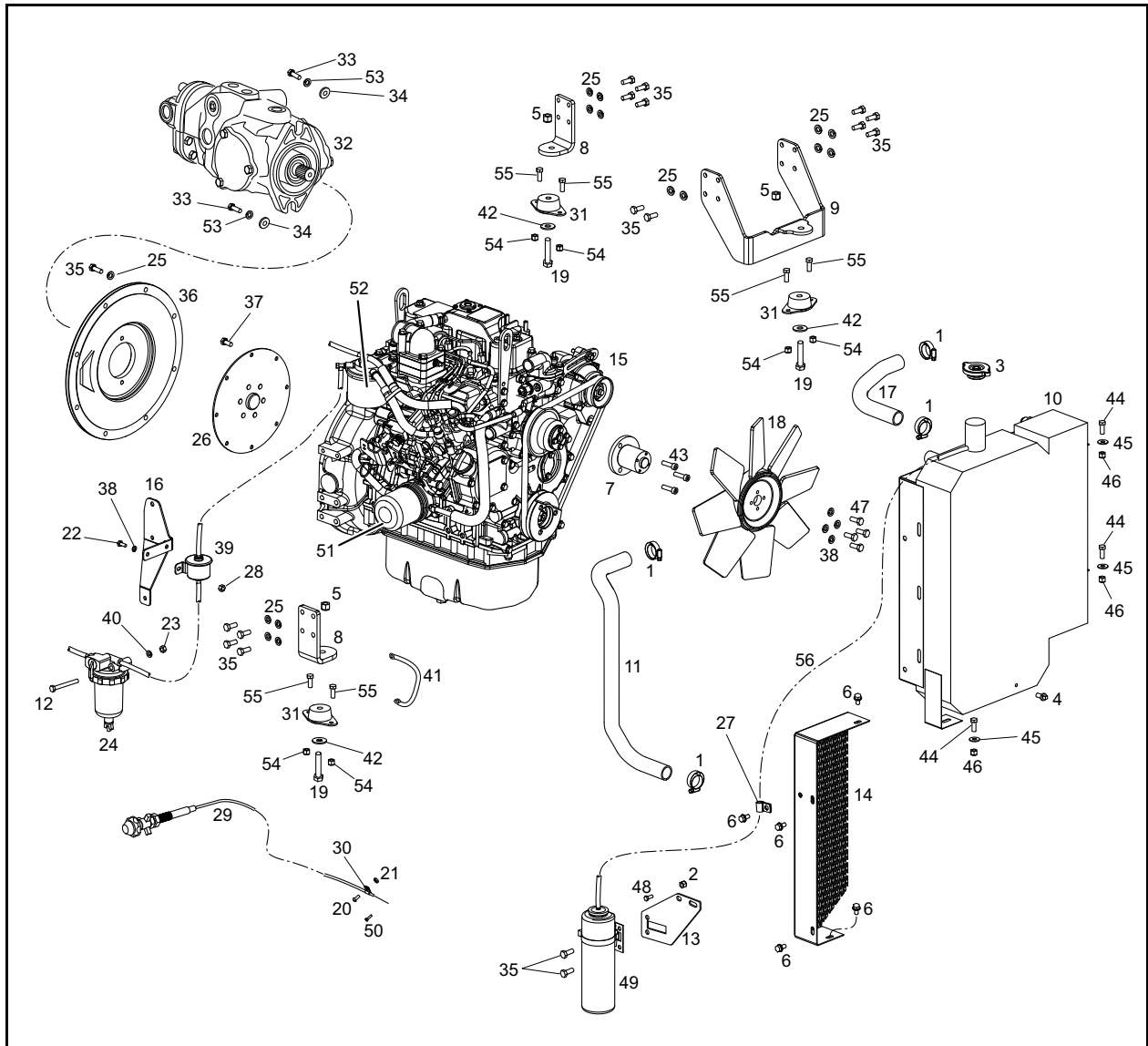
Ref. No.	Part No.	Description	Qty.	Ref. No.	Part No.	Description	Qty.
1	070648	LN LG FL SERR 5/16 CZ	2	7	175815	ENGINE COVER	1
2	650486	CS 5/16X3/4 C5ZY	2	8	P471547	ACCESS PANEL	1
3	650488	CS 3/8X3/4 C5ZY	4	9	L62459	HOLDER/MANUAL PLASTIC	1
4	654004	FW 5/16 AWZY	2	10	650315	SCREW/THWH TC USL 1/4X1/2 CZY	4
5	654026	LW 3/8 RZY	4	11	175724	MUFFLER COVER	1
6	L530004	FASTENER RETAINED NUT	2	12	650315	SCREW/THWH TC USL 1/4X1/2 CZY	4

1448 - CHASSIS
430132, 430133 - TRACK



Ref. No.	Part No.	Description	Qty.	Ref. No.	Part No.	Description	Qty.
	430132	COMPLETE LEFT TRACK ASSY	1	19	P471182	SPACER	2
	430133	COMPLETE RIGHT TRACK ASSY	1	20	P471186	ROLLER/TRACK	2
1	054626	ADP-80RM-8JICM STR	2	21	P471406	BOLT/FLANGE .625-11X 2	6
2	062397	ELBOW/45 DEG MALE	2	22	P471429	MOTOR/LSHT (SEE PAGE 77 FOR DETAIL)	1
3	079209	HLN INST 3/4 CZY	4	23	P471448	MACHINED SPROCKET, IDLER	1
4	101438	O-RING/2-045	1	24	P471479	ROLLER/OUTRIGGER	2
5	650416	CS 3/4X2-1/2 C5ZY	12	25	P471501	AXLE/FRONT MACHINED	1
6	650434	CS 1/2X1-3/4 C5	2	26	P471502	BEARING/IDLER HUB	2
7	654034	LW 3/4 RZY	8	27	P471532	WELDMENT/YOKE	1
8	654057	LW 1 RZY	2	28	P471543	DRIVE SPROCKET	1
9	655024	CP EPSC 3/16 X 2 Z	2	29	P471548	WASHER/HARD .50	8
10	L60588	ADP 37 REDUCING	2	30	P471549	BOLT/HHCS .50 X 1.50 G8Z	8
11	P024500	BEARING W/O COLLAR	2	31	P473055	WELDMENT/TRACK	1
12	P032600	BOLT 1-8X 4.50	2		P700645	TRACK PAD/STANDARD	24
13	P234200	GREASE/ZERK .312	8		P700646	LEFT TRACK PAD, NOTCHED	1
14	P271900	HUB/TORQUE (SEE PAGE 70 FOR DETAIL)	1		P700647	RIGHT TRACK PAD, NOTCHED	1
15	P392450	SS .50 X 1	3	32	P480122	SHAFT/TRACK ROLLER	4
16	P470587	LEFT WELD/TRACK FRAME HUB	1	33	P480124	PIN/TRACK CYL.	1
	P470589	RIGHT WELD/TRACK FRAME HUB	1	34	201115	BEARING/COLLAR KIT	4
17	P470588	LEFT WELD/TRACK FRM MOTOR	1	35	069485	BALL BEARING	4
	P470590	RIGHT WELD/TRACK FRM MOTOR	1	36	201115	KIT/BEARING/COLLAR	4
18	P470593	CYL/TRACK TENSION (SEE PAGE 65 FOR DETAIL)	1				

1448 - ENGINE
430353 - ENGINE



Ref. No.	Part No.	Description	Qty.
1	061946	#24 SAE HOSE CLAMP	4
2	064260	HLN INST 5/16 CZY	2
3	067684	RAD/PRESS CAP	1
4	067685	RADIATOR DRAIN	1
5	068034	HLN INST 1/2 CZY	3
6	076587	CS FL LOCK 5/16X5/8 C5ZY	5
7	175272	SPACER/FAN	1
8	175414	MOUNT/ENGINE	2
9	175515	BRACKET / ENGINE	1
10	175566	COOLER ASSY	1
11	175568	HOSE / LOWER	1
12	650835	CS 5/16 X 3 C5ZY	1
13	176471	BRACKET/OVERFLOW BOTTLE	1
14	175735	WELDMENT/FAN GUARD	1
15	176871	YANMAR/3TNV88-BDGP (SN 18233 AND UP)	1

Ref. No.	Part No.	Description	Qty.
*		YANMAR/3TNV88-XGP (SN 18232 AND BEFORE)	1
16	175777	BRACKET/FUEL PUMP	1
17	175855	RADIATOR HOSE/UPPER	1
18	186998	FAN COOLING	1
19	650503	CS 1/2X2-1/2 C5ZY	3
20	650548	RHMS SLT #1024X1/2 CZY	1
21	650550	HN MS #1024 CZY	1
22	650663	CS 1/4X5/8 C5ZY	2
23	653006	HN 5/16 C2	1
24	188492	SEPARATOR ASSY	1
25	654028	LW 7/16 RZY	28
26	250-32602	FLEXIBLE DRIVE PLATE	1
27	420-19671	CLAMP/HOSE .38 X .41 HOLE	1
28	653005	HN 1/4 C2ZY	2
29	P471410	CABLE/THROTTLE CONTROL	1

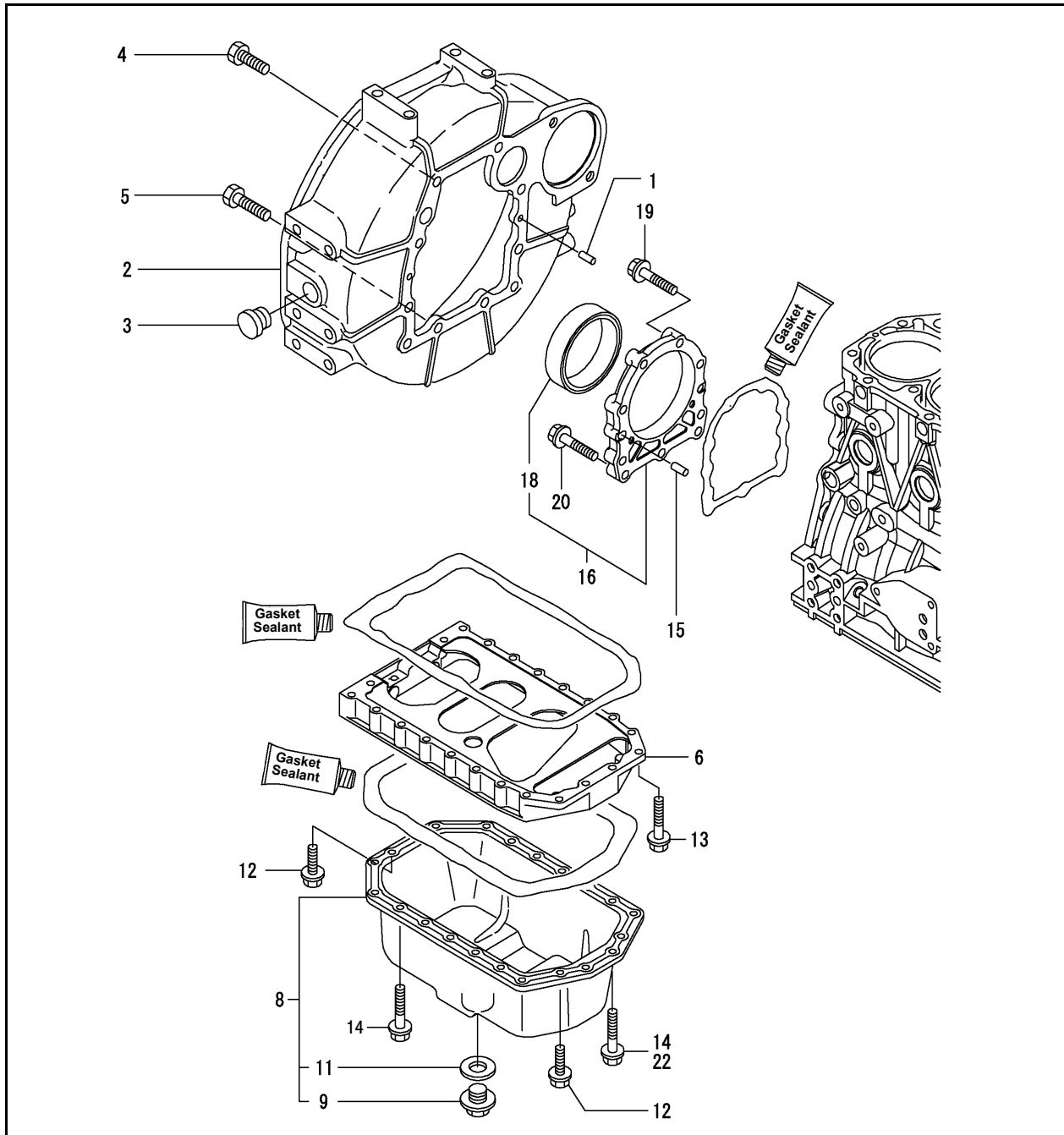
1448 - ENGINE
430353 - ENGINE

Ref. No.	Part No.	Description	Qty.
30	P471411	CLAMP/THROTTLE CABLE	1
31	P471689	ISOLATION MOUNT	3
32	P473286	PUMP/AXIAL GEAR (SEE PAGE 62 TO PAGE 64 FOR DETAILS)	1
33	650533	CS 3/8X1-1/2 C5ZY	2
34	654006	FW 3/8 AWZY	2
35	656007	CS M10-1.5X25 C8.8 ZY	32
36	175214	PUMP MOUNTING PLATE	1
37	176658	CS M8-1.25X16 C8.8ZY SP DIN931	8
38	654022	LW 1/4 RZY	6
39	186308	PUMP ASSY / FUEL FEED	1
40	654024	LW 5/16 RZY	1
41	L630004	STRAP GRND 4 GA X 14INCH SILVER	1
42	654009	FW 1/2 AWZY	3
43	656080	SHCS M10-1.5X20 C12.9 ZY	3
44	650487	CS 5/16X1 C5ZY	3
45	654004	FW 5/16 AWZY	3

Ref. No.	Part No.	Description	Qty.
46	070648	LN LG FL SERR 5/16 CZ	4
47	650448	CS 1/4X3/4 C5ZY	4
48	650486	CS 5/16X3/4 C5ZY	2
49	425-36233	WATER BOTTLE	1
50	651421	CS M4-0.7X16 C8.8 ZY	1
51	195568	OIL FILTER	1
52	182130	FUEL FILTER	1
53	654026	LW 3/8 RZY	2
54	067847	HLN INST 3/8 CZY	6
55	650490	CS 3/8X1 C5ZY	6
56	101132	OVERFLOW HOSE	1

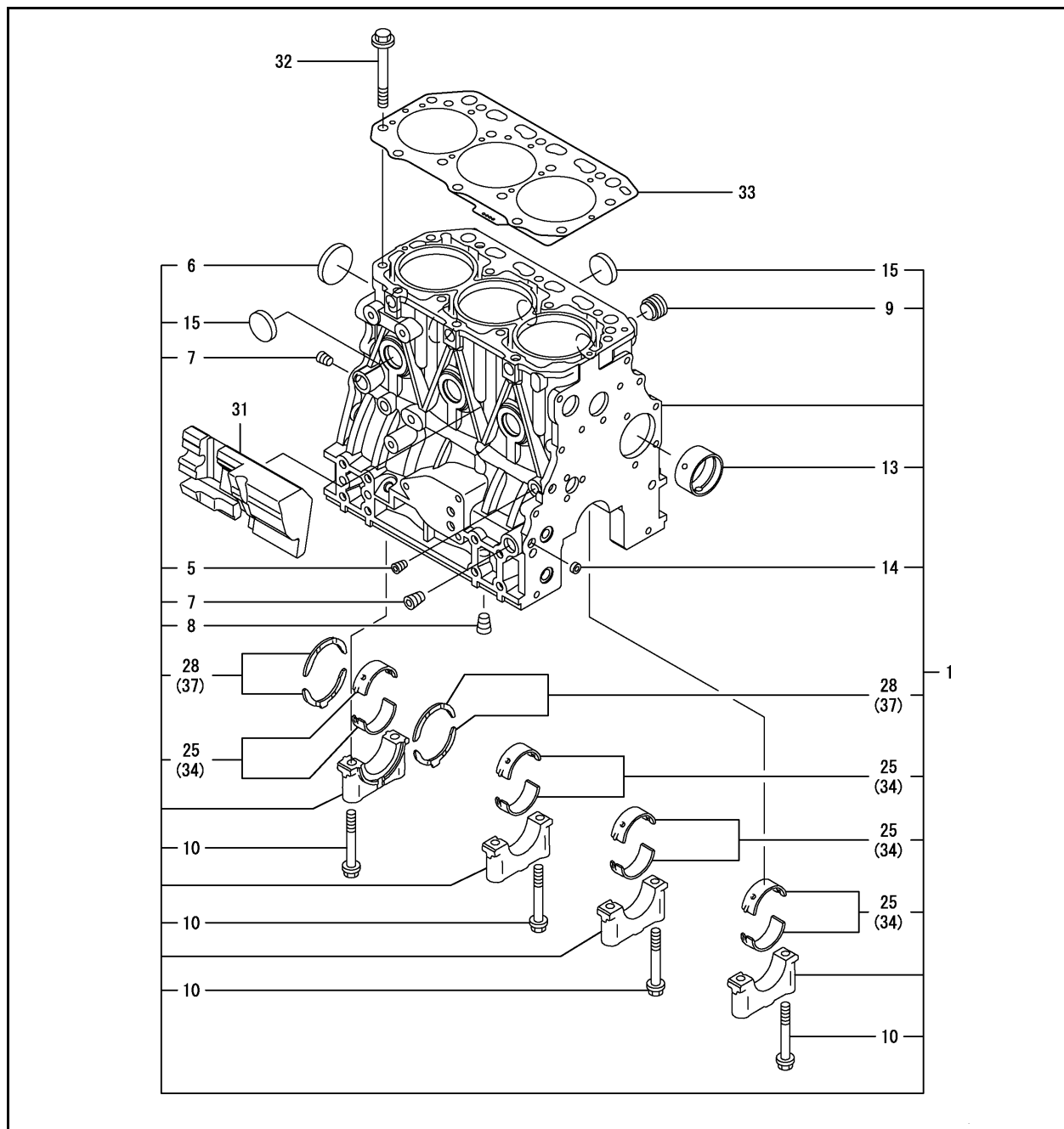
* Complete Tier II Yanmar 3TNV88-XGP Engine Replacement
is service with Tier III Yanmar 3TNV88-BDGP

1448 - ENGINE FLYWHEEL HOUSING & OIL SUMP



Ref. No.	Part No.	Description	Qty.	Ref. No.	Part No.	Description	Qty.
1	188573	PARALLEL PIN 8 X 16	2	12	425-34733	BOLT M8 X 16 PLATED	4
2	425-34754	HOUSING/FLYWHEEL	1	13	425-34765	BOLT M8 X 25 PLATED	2
3	425-34756	FILLER CAP	1	14	425-34747	BOLT M8 X 45 PLATED	20
4	188749	BOLT M10 X 25	6	15	188573	PARALLEL PIN 8 X 16	2
5	188750	BOLT/M10X30	4	16	188574	CAREASSY/OILSEAL	1
6	425-35429	SPACER, SUMP	1	18	425-34759	SEAL/OIL	1
8	192271	SUMP ASSY/LUB. OIL	1	19	188640	BOLTM8X30/COLLARHEAD	6
9	425-36121	PLUG/DRAIN	1	20	425-34761	BOLT M8 X 35 PLATED	3
11	138113	SEAL WASHER	1	22	425-34766	BOLT M8 X 50 PLATED	4

1448 - ENGINE CYLINDER BLOCK

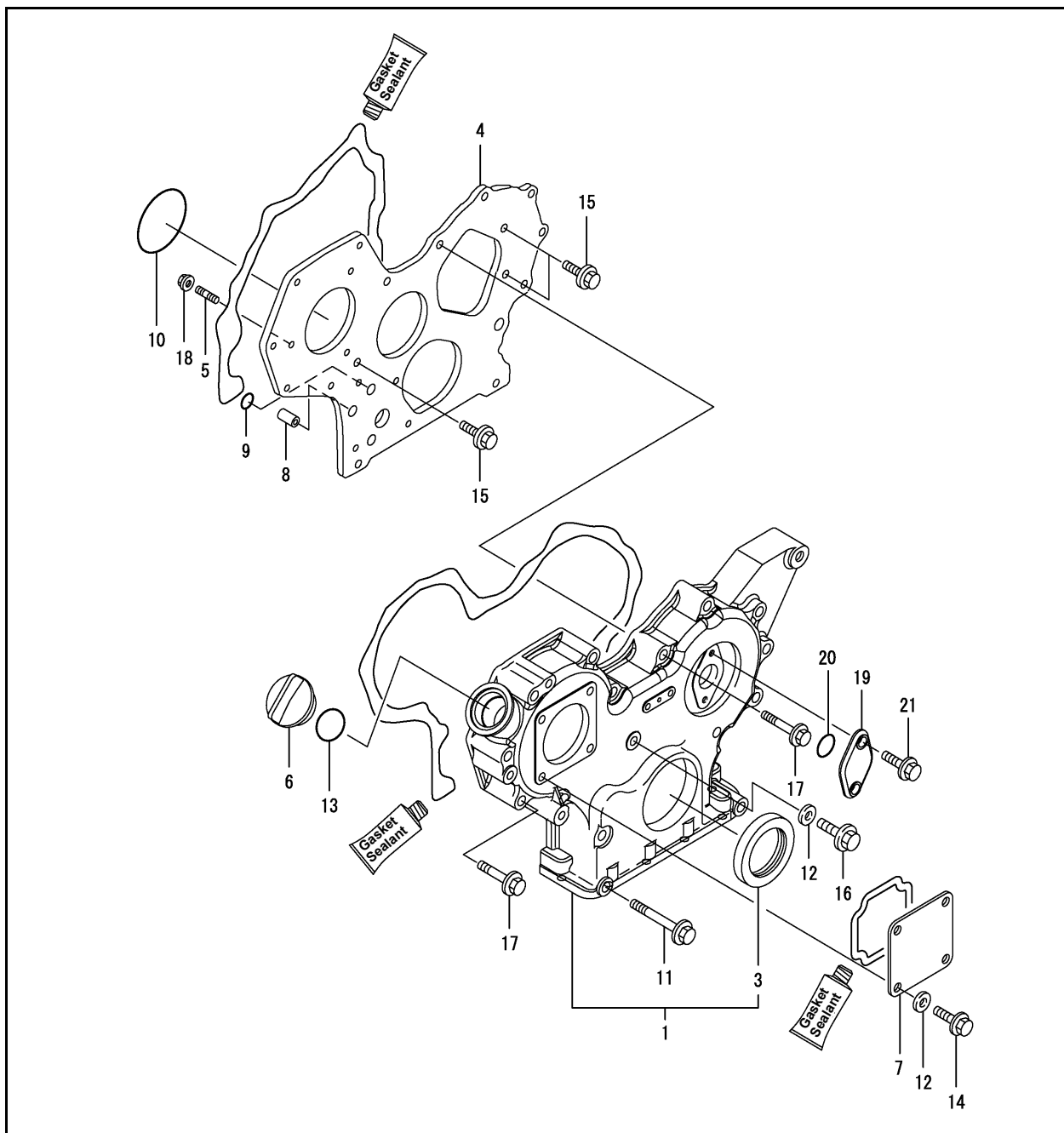


Ref. No.	Part No.	Description	Qty.
1	188762	BLOCK/ASSY/CYLINDER	1
5	425-34723	PLUG PT 1/8	1
6	425-36240	PLUG	1
7	425-34721	PLUG PT 1/4	2
8	425-34721	PLUG PT 1/4	1
9	425-34722	PLUG	1
10	425-34730	BOLT	8
13	425-34732	BUSH, CAMSHAFT	1
14	425-34725	PLUG 12	2
15	425-34726	PLUG 30	6

Ref. No.	Part No.	Description	Qty.
25	425-35931	MAIN BEARING	4
28	425-34731	BEARING THRUST	2
31	188538	SPACER (ENGINE MODEL 3TNV88-XGP ONLY -SN 18232 AND BEFORE)	1
32	425-34638	BOLT/CYLINDER HEAD	14
33	425-36241	GASKET	1
34	425-34734	MAIN BEARING (US=.025)	4
37	425-34735	THRUST BEARING SET (US=.025)	1

1448 - ENGINE

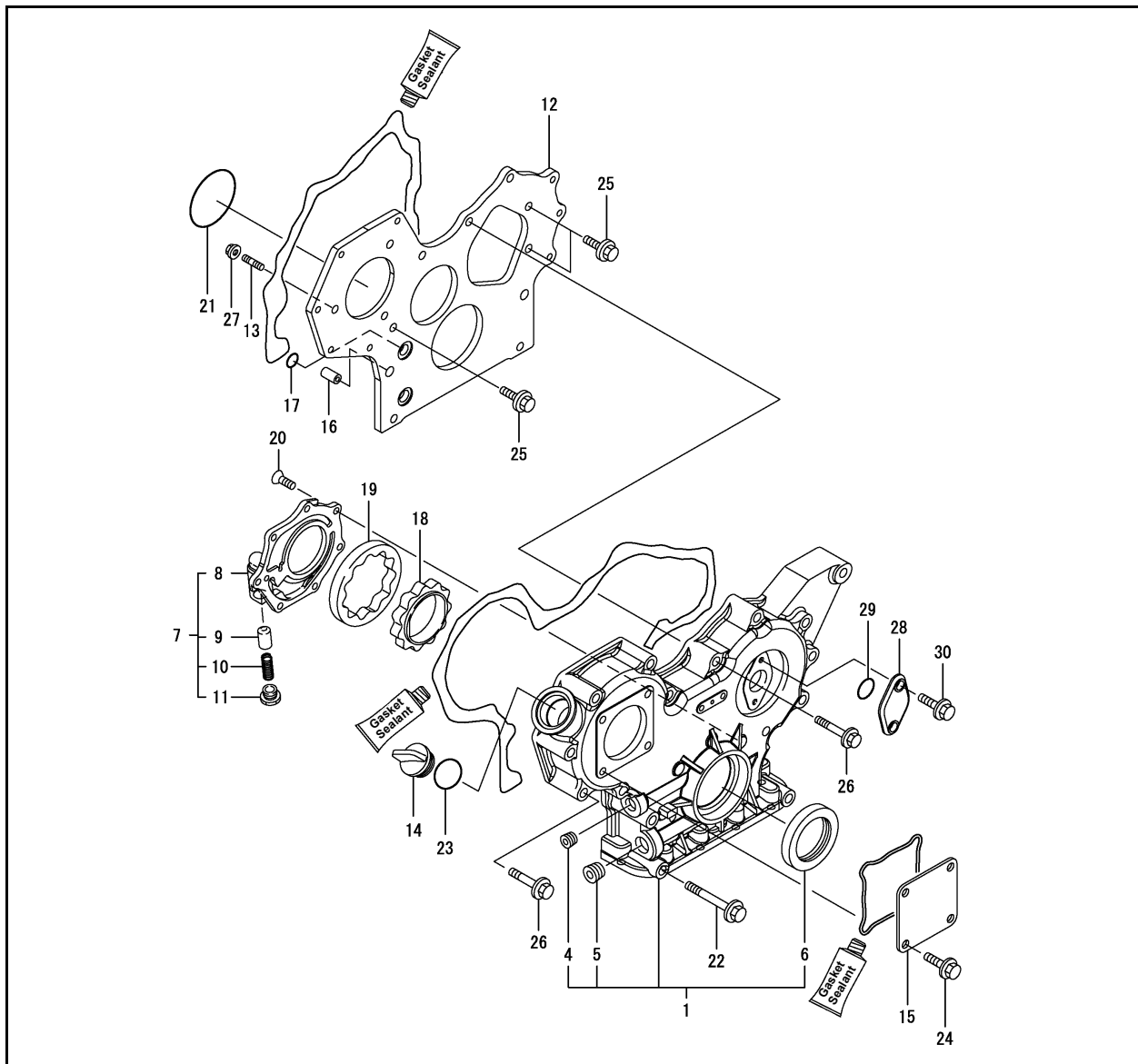
GEAR HOUSING (ENGINE MODEL 3TNV88-BDGP – SN 18233 AND UP)



Ref. No.	Part No.	Description	Qty.
1	197755	GEAR CASE ASSY	1
3	270946	SEAL/OIL	1
4	197771	FLANGE/GEAR CASE	1
5	270948	STUD M8 X 25	3
6	425-34740	FILLER CAP	1
7	425-34741	COVER	1
8	425-34743	KNOCK, PIPE	2
9	188452	O-RING P16	2
10	425-34681	GEAR HOUSING O-RING	1
11	188537	BOLT/M8X85	3

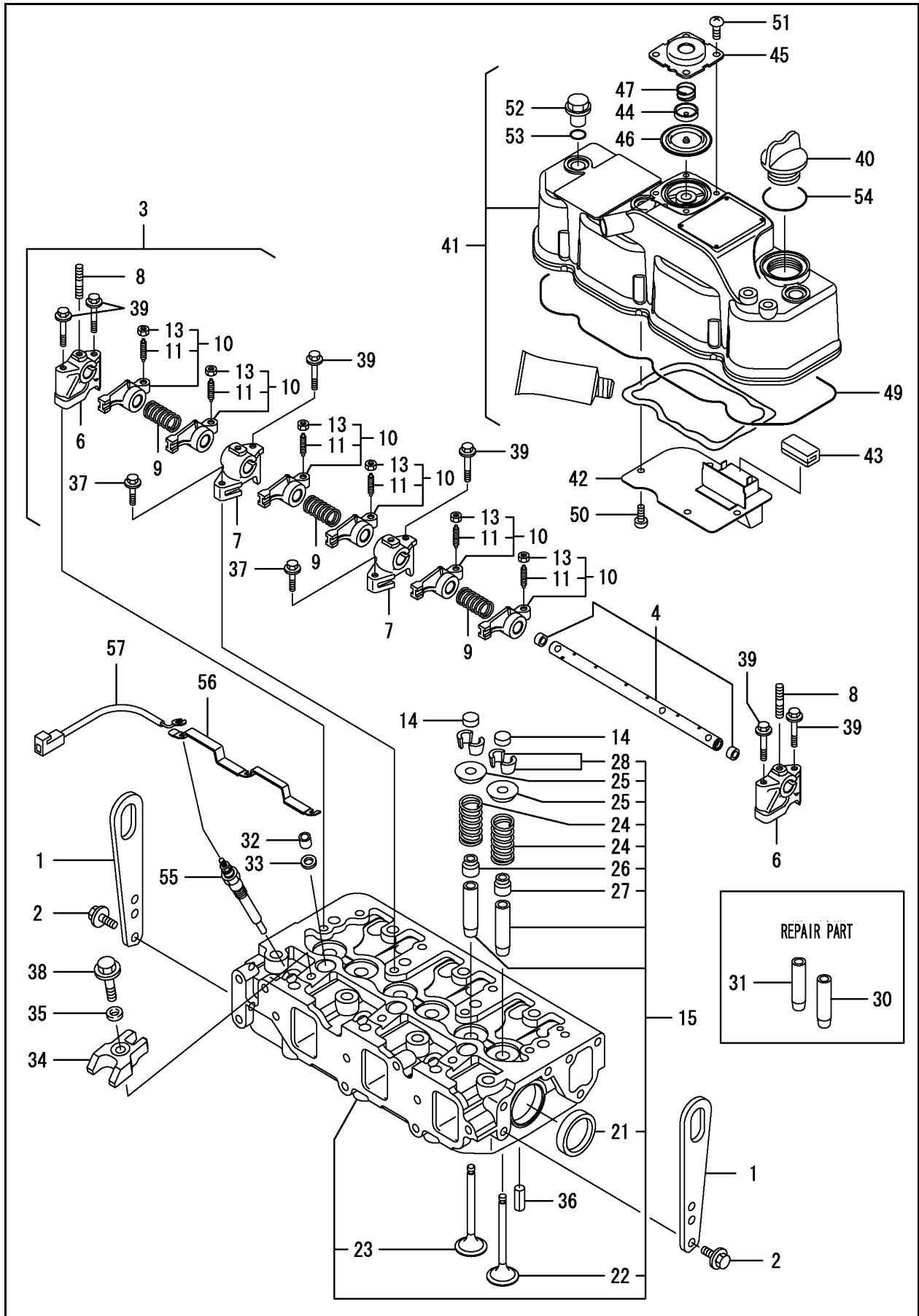
Ref. No.	Part No.	Description	Qty.
12	425-34750	WASHER 8/SEAL	5
13	425-34745	O-RING 1A P-32.0	1
14	425-34733	BOLT M8 X 16 PLATED	4
15	425-34733	BOLT M8 X 16 PLATED	3
16	425-34760	BOLT M8 X 30 PLATED	1
17	425-34748	BOLT M8 X 55 PLATED	12
18	138140	NUT	3
19	270949	COVER	1
20	425-34763	O-RING 1A S-24.0	1
21	425-35164	BOLT M6 X 16 PLATED	2

1448 - ENGINE GEAR HOUSING (ENGINE MODEL 3TNV88-XGP – SN 18232 AND BEFORE)



Ref. No.	Part No.	Description	Qty.	Ref. No.	Part No.	Description	Qty.
1	230093	ASSY/GEAR CASE	1	18	188482	ROTOR/INNER	1
4	425-36260	PLUG	1	19	188483	ROTOR/OUTER	1
5	188723	PLUGPT1/2	1	20	188484	SCREW/M6X16	7
6	270946	SEAL/OIL	1	21	425-34681	GEAR HOUSING O-RING	1
7	188481	COVERASSY/PUMP	1	22	188537	BOLT/M8X85	3
8	188480	COVER/LUBOILPUMP	1	23	425-34745	O-RING 1A P-32.0	1
9	188680	RELIEF VALVE	1	24	425-34733	BOLT M8 X 16 PLATED	4
10	188635	SPRING	1	25	425-34733	BOLT M8 X 16 PLATED	3
11	188536	PLUG	1	26	425-34748	BOLT M8 X 55 PLATED	12
12	188463	FRANGE/GEARCASE	1	27	138140	NUT	3
13	270948	STUD M8 X 25	3	28	270949	COVER	1
14	425-34740	FILLER CAP	1	29	425-34763	O-RING 1A S-24.0	1
15	425-34741	COVER	1	30	425-35164	BOLT M6 X 16 PLATED	2
16	425-34743	KNOCK, PIPE	2				
17	188452	O-RING P16	4				

**1448 - ENGINE
CYLINDER HEAD & BONNET**

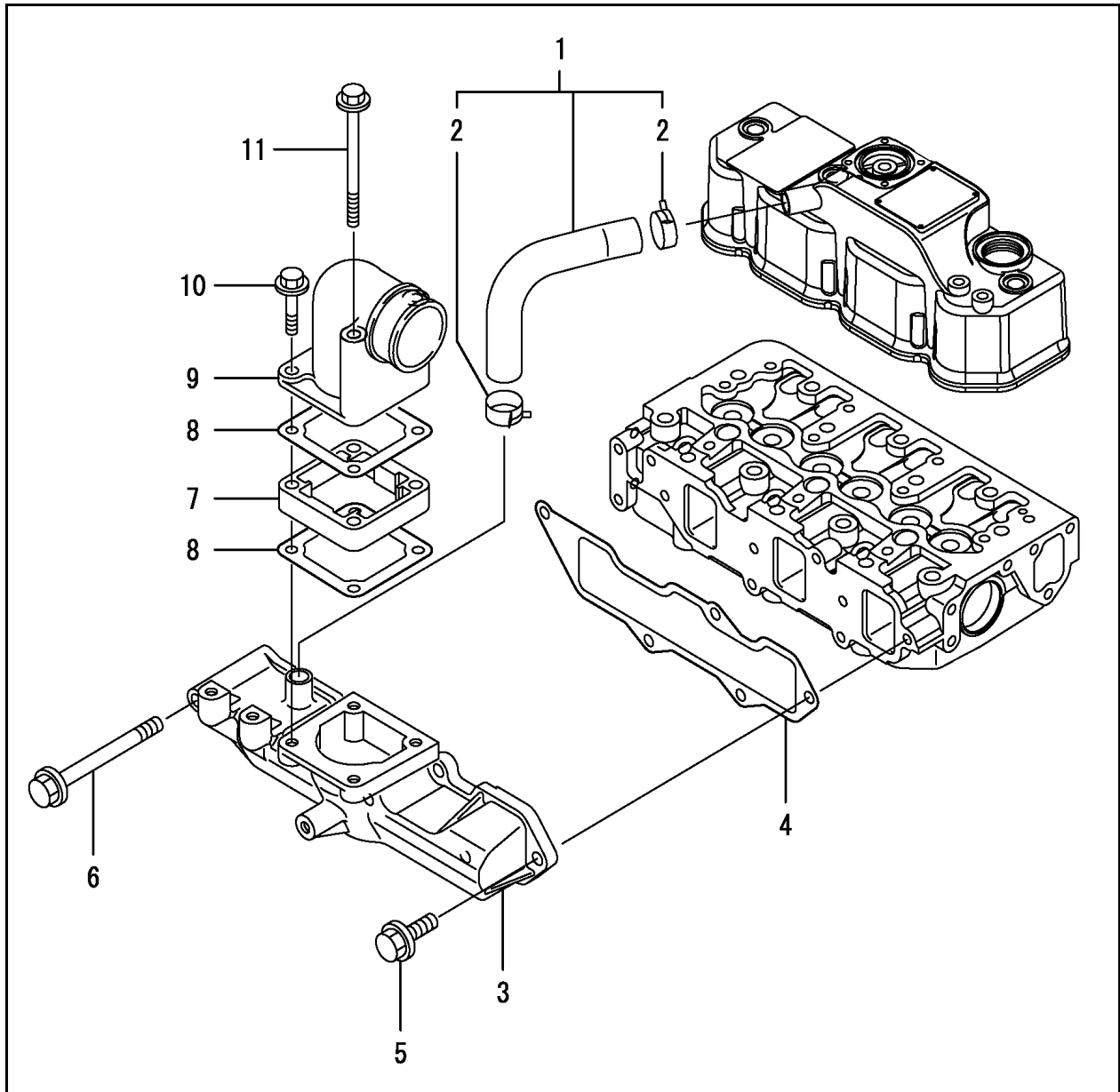


1448 - ENGINE CYLINDER HEAD & BONNET

Ref. No.	Part No.	Description	Qty.	Ref. No.	Part No.	Description	Qty.
1	188679	LIFT BRACKET	2	34	188545	RETAINER/NOZZLE	3
2	425-34733	BOLT M8 X 16 PLATED	4	35	188502	WASHER	3
3	188540	SHAFTASSY/ROCKER	1	36	425-34783	SPRING PIN 6 X 12	2
4	188541	SHAFT/ROCKERARM	1	37	425-34765	BOLT M8 X 25 PLATED	2
6	188470	SUPPORT/ROCKERARM	2	38	425-34761	BOLT M8 X 35 PLATED	3
7	188471	SUPPORT/ROCKERARM	2	39	425-34766	BOLT M8 X 50 PLATED	6
8	188472	STUD	3	40	425-34740	FILLER CAP	1
9	188597	SPRING	3	41	188543	BONNETASSY/HEAD	1
10	188544	ARMASSY/ROCKER	6	42	188539	PLATE/BAFFLE	1
11	188596	SCREW, VALVE	6	43	425-34769	BAFFLE	1
13	425-34791	NUT M8 X P-1.0	6	44	188465	PLATE/DIAPHRAGM	1
14	425-34782	CAP, VALVE	6	45	188466	COVER/DIAPHRAGM	1
15	230089	ASSY/CYLINDER HEAD (ENGINE MODEL 3TNV88-BDGP ONLY - SN 18233 AND UP)	1	46	188467	DIAPHRAGM	1
	188560	ASSY/CYLINDER HEAD (ENGINE MODEL 3TNV88-XGP ONLY - SN 18232 AND BEFORE)	1	47	188469	SPRING/DIAPHRAGM	1
21	425-34779	PLUG 40	2	49	188542	GASKET/BONNET	1
22	188559	VALVE/INTAKE	3	50	186598	SCREW 5 X 10 TAPPING	4
23	425-34639	VALVE/EXHAUST	3	51	186598	SCREW 5 X 10 TAPPING	4
24	425-34643	SPRING, VALVE	6	52	425-34775	KNOB	3
25	425-34644	RETAINER, SPRING	6	53	425-34776	O-RING 1A P-12.0	3
26	188507	SEAL/VALVE STEM	3	54	425-34745	O-RING 1A P-32.0	1
27	425-34645	SEAL, VALVE STEM	3	55	270951	PLUG/GLOW (ENGINE MODEL 3TNV88-BDGP ONLY - SN 18233 AND UP)	3
28	425-34646	COTTER 8	6	56	270952	CONNECTOR/GLOW PLUG (ENGINE MODEL 3TNV88-BDGP ONLY - SN 18233 AND UP)	1
30	425-34642	GUIDE, SUCTION VALVE	1	57	270953	HARNESS/GLOW PLUG (ENGINE MODEL 3TNV88-BDGP ONLY - SN 18233 AND UP)	1
31	425-34641	GUIDE, EXHAUST VALVE	1				
32	186337	PROTECTOR NOZZLE	3				
33	425-34796	SEAL RING	3				

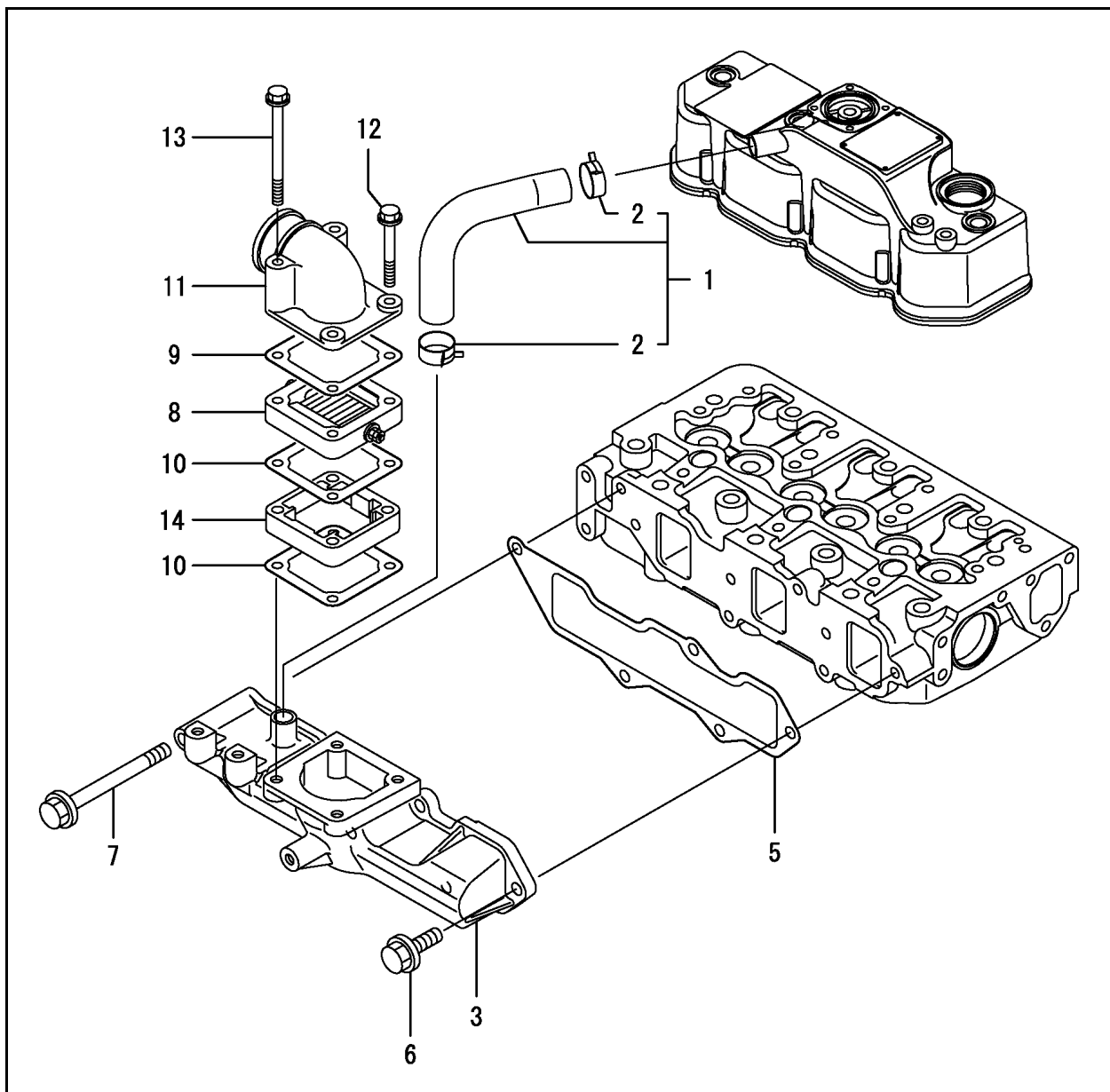
1448 - ENGINE

SUCTION MANIFOLD (ENGINE MODEL 3TNV88-BDGP – SN 18233 AND UP)



Ref. No.	Part No.	Description	Qty.	Ref. No.	Part No.	Description	Qty.
1	188558	PIPE/BREATHER	1	7	176145	SPACER	1
2	188632	CLAMP 22MM	2	8	425-34649	GASKET/AIR HEATER	2
3	188561	MANIFOLD/INTAKE	1	9	270954	BEND	1
4	188535	GASKET/INTAKEMANIFOLD	1	10	425-34805	BOLT M8 X 40 PLATED	2
5	425-34746	BOLT M8 X 20 PLATED	4	11	176144	BOLT M8 X 100 PLATED	2
6	425-34800	BOLT M8 X 80 PLATED	1				

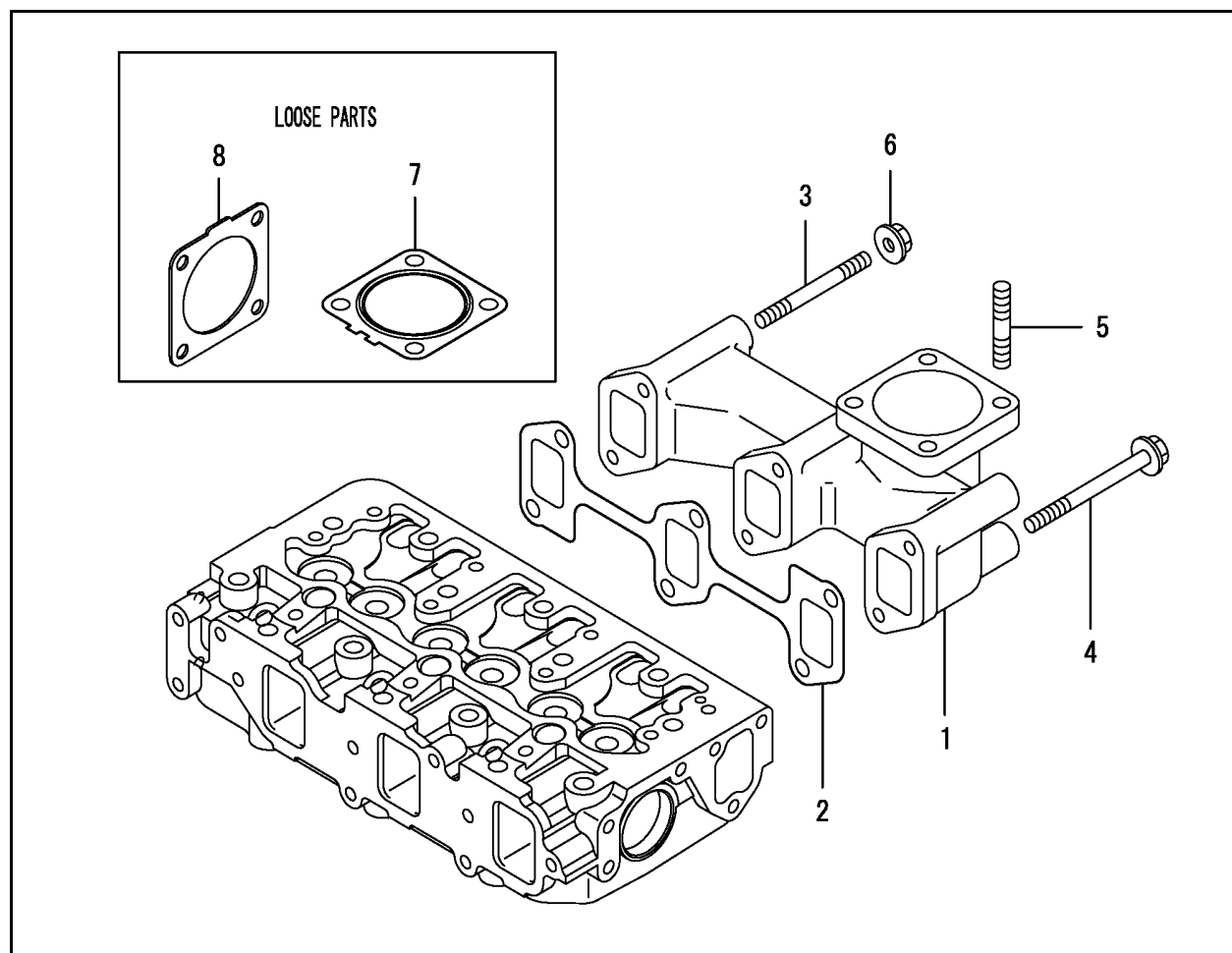
SUCTION MANIFOLD (ENGINE MODEL 3TNV88-XGP – SN 18232 AND BEFORE)



Ref. No.	Part No.	Description	Qty.
1	188558	PIPE/BREATHER	1
2	188632	CLAMP 22MM	2
3	188561	MANIFOLD/INTAKE	1
5	188535	GASKET/INTAKEMANIFOLD	1
6	425-34746	BOLT M8 X 20 PLATED	4
7	425-34800	BOLT M8 X 80 PLATED	1
8	197498	HEATER/AIR	1

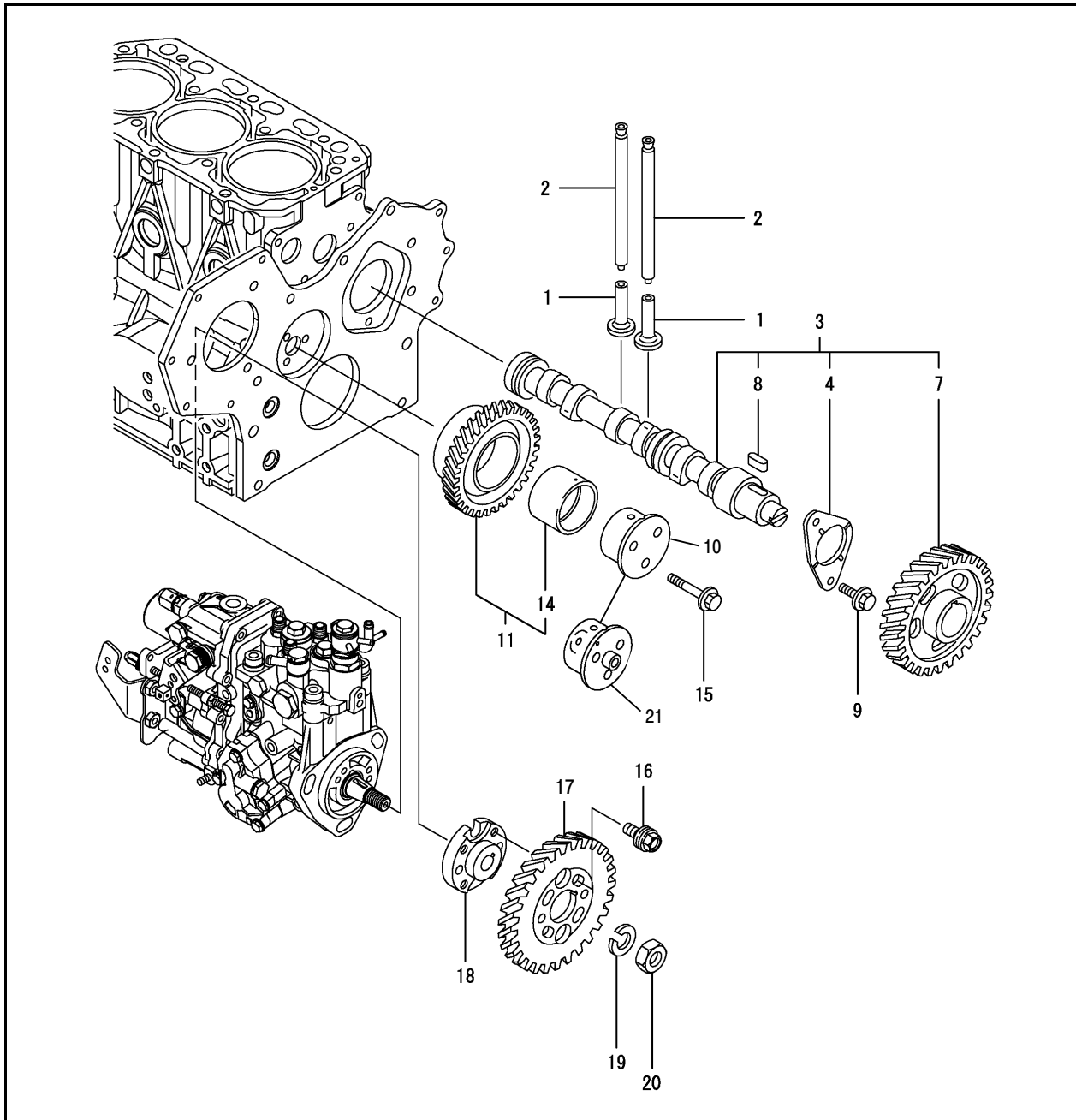
Ref. No.	Part No.	Description	Qty.
9	425-34803	PACKING	1
10	425-34649	GASKET/AIR HEATER	2
11	425-34804	BEND	1
12	425-34838	BOLT M8 X 60 PLATED	2
13	176144	BOLT M8 X 100 PLATED	2
14	176145	SPACER	1

1448 - ENGINE EXHAUST MANIFOLD



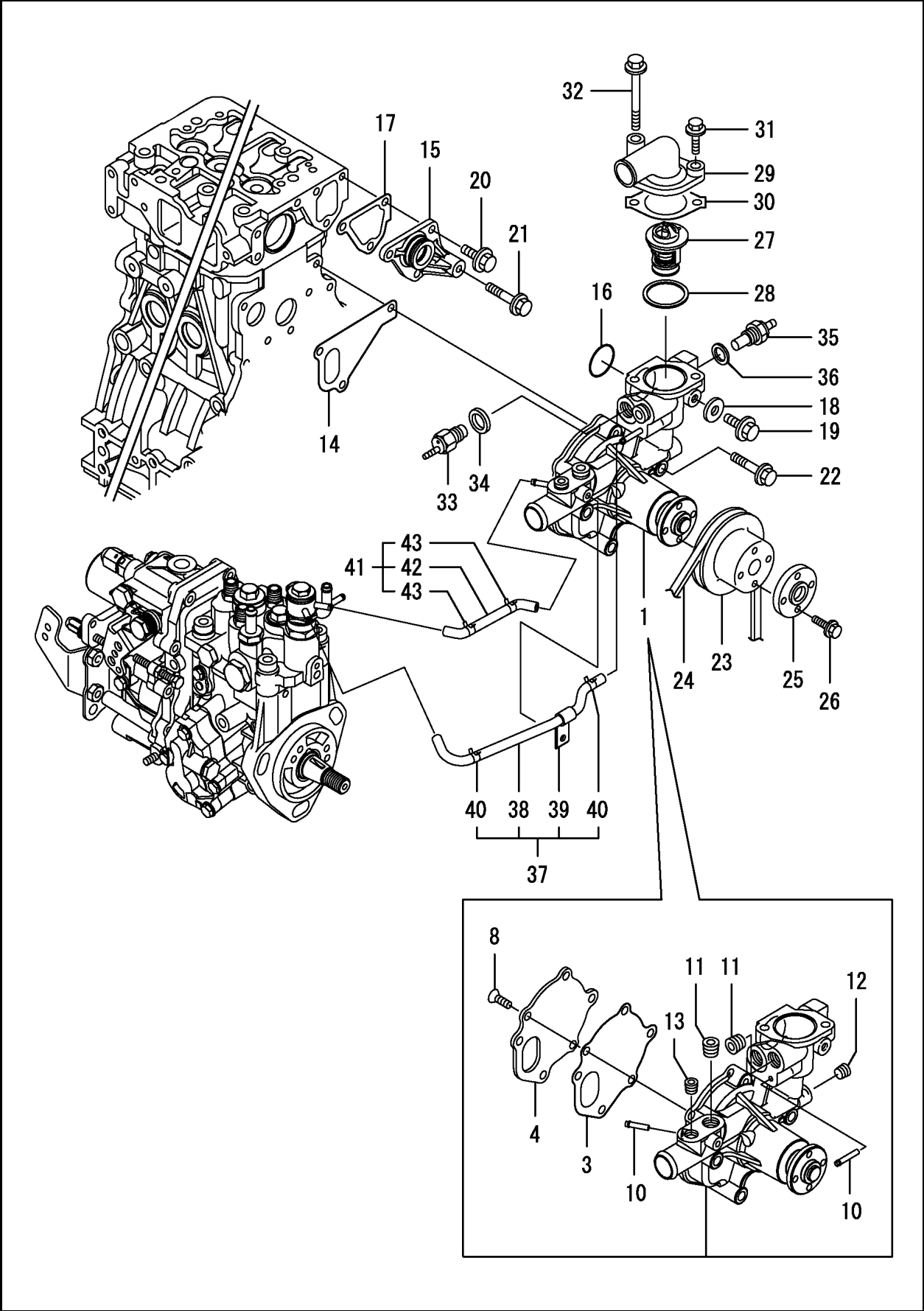
Ref. No.	Part No.	Description	Qty.	Ref. No.	Part No.	Description	Qty.
1	203889	EXHAUST MANIFOLD	1	6	138140	NUT	2
2	425-34828	GASKET/EXHAUST MANIFOLD	1	7	198097	GASKET/SILENCER	1
3	138474	BOLT/STUD M8X80	2	8	138104	GASKET/MUFFLER (ENGINE MODEL 3TNV88-BDGP ONLY - SN 18233 AND UP)	1
4	186375	BOLT 8X80	4				
5	425-36249	BOLT M8 X 22	4				

1448 - ENGINE CAMSHAFT & DRIVING GEAR



Ref. No.	Part No.	Description	Qty.	Ref. No.	Part No.	Description	Qty.
1	425-34808	TAPPET	6	15	425-34805	BOLT M8 X 40 PLATED	3
2	188603	ROD/PUSH	6	16	425-36187	BOLT	4
3	425-36252	CAMSHAFT ASSEMBLY	1	17	188479	GEAR/PUMP	1
4	425-34656	BEARING THRUST	1	18	188692	FLANGE	1
7	425-34807	GEAR, CAMSHAFT	1	19	188712	SPRING/WASHER14	1
8	425-34810	KEY 7X14	1	20	188755	NUT/LOCKM14PLATED	1
9	188736	BOLT/M8X14PLATED	2	21	270956	SHAFT/IDLE GEAR (ENGINE MODEL 3TNV88-BDGP ONLY - SN 18233 AND UP)	1
10	188476	SHAFT/IDLEGEAR (ENGINE MODEL 3TNV88-XGP ONLY - SN 18232 AND BEFORE)	1				
11	270957	GEAR/IDLE ASSY	1				
14	270958	BUSH/IDLE GEAR	1				

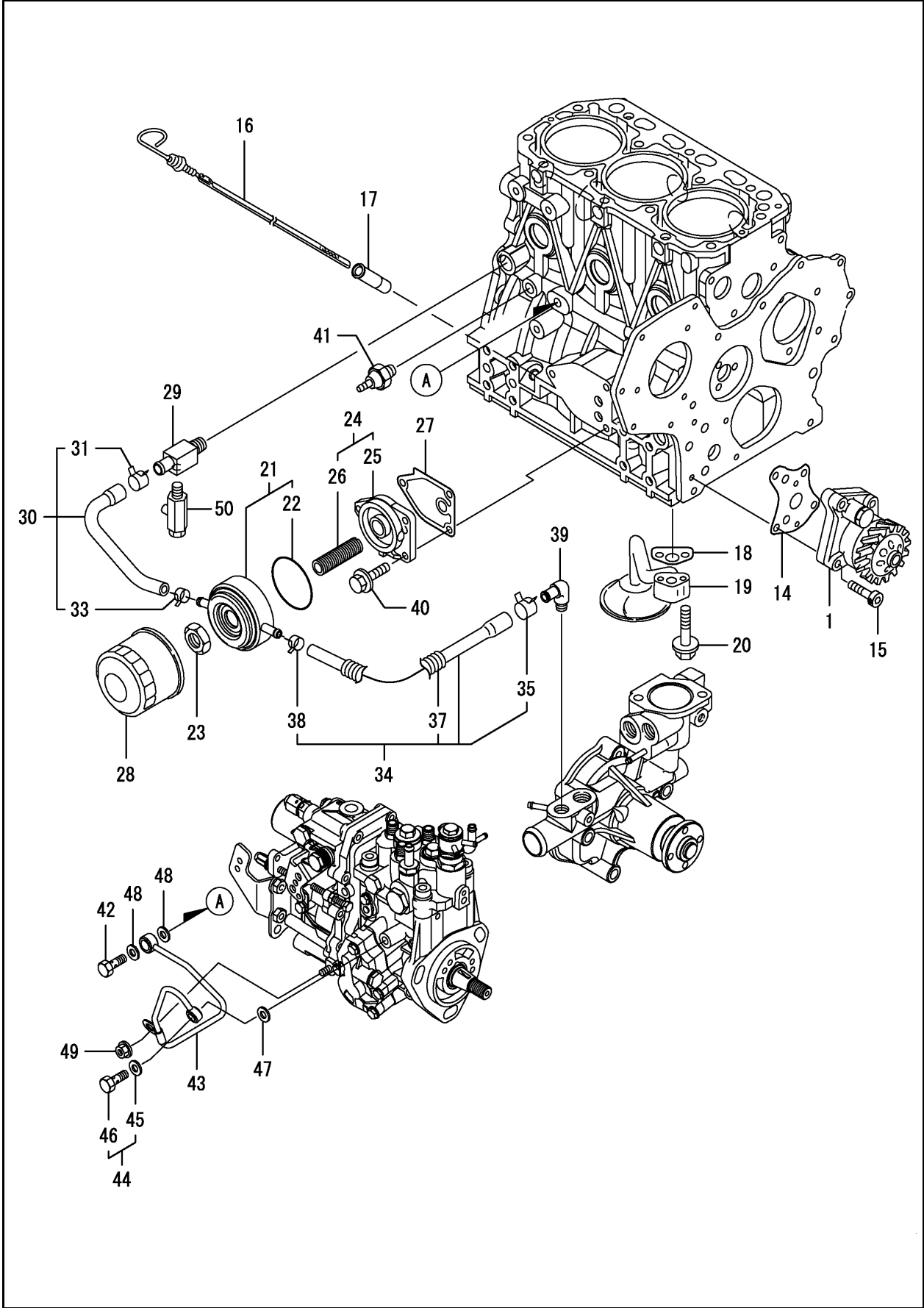
**1448 - ENGINE
COOLING WATER SYSTEM**



1448 - ENGINE COOLING WATER SYSTEM

Ref. No.	Part No.	Description	Qty.	Ref. No.	Part No.	Description	Qty.
1	188549	PUMP ASSY/WATER	1	26	188732	BOLT M6 X 20 PLATED	4
3	188578	GASKET/NON-ASB	1	27	425-36018	THERMOSTAT	1
4	188579	PLATE	1	28	425-34705	GASKET/LOWER	1
8	188512	SCREW	3	29	176155	COVER/THERMOSTAT	1
10	188488	JOINT	2	30	425-34704	GASKET/UPPER	1
11	188686	PLUG/DRAIN	2	31	425-34765	BOLT M8 X 25 PLATED	1
12	425-36239	PLUG	1	32	425-34930	BOLT M8 X 65 PLATED	1
13	186602	PLUG 1/4	1	33	425-34683	SENSOR/THERMOSTAT 110° C	1
14	425-36263	GASKET	1	34	160427	SEAL	1
15	188550	JOINT	1	35	138076	THERMOMETER	1
16	425-36262	O-RING	1	36	425-34707	SEAL	1
17	425-34849	GASKET, CASE	1	37	188551	PIPEASSY/AMP2	1
18	425-34727	PACKING 8	1	38	188553	PIPEASSY/AMP2	1
19	425-34729	BOLT M8 X 12 PLATED	1	39	186339	CLAMP CW-T	1
20	425-34733	BOLT M8 X 16 PLATED	3	40	186464	CLAMP 9	2
21	425-34747	BOLT M8 X 45 PLATED	1	41	188552	PIPEASSY/BMP2	1
22	425-34838	BOLT M8 X 60 PLATED	3	42	188554	PIPE/WATERBMP2	1
23	425-36261	V-PULLEY	1				
24	188730	V-BELT	1				
25	425-34842	SPACER, FAN 8MM	1				

**1448 - ENGINE
LUB. OIL SYSTEM**

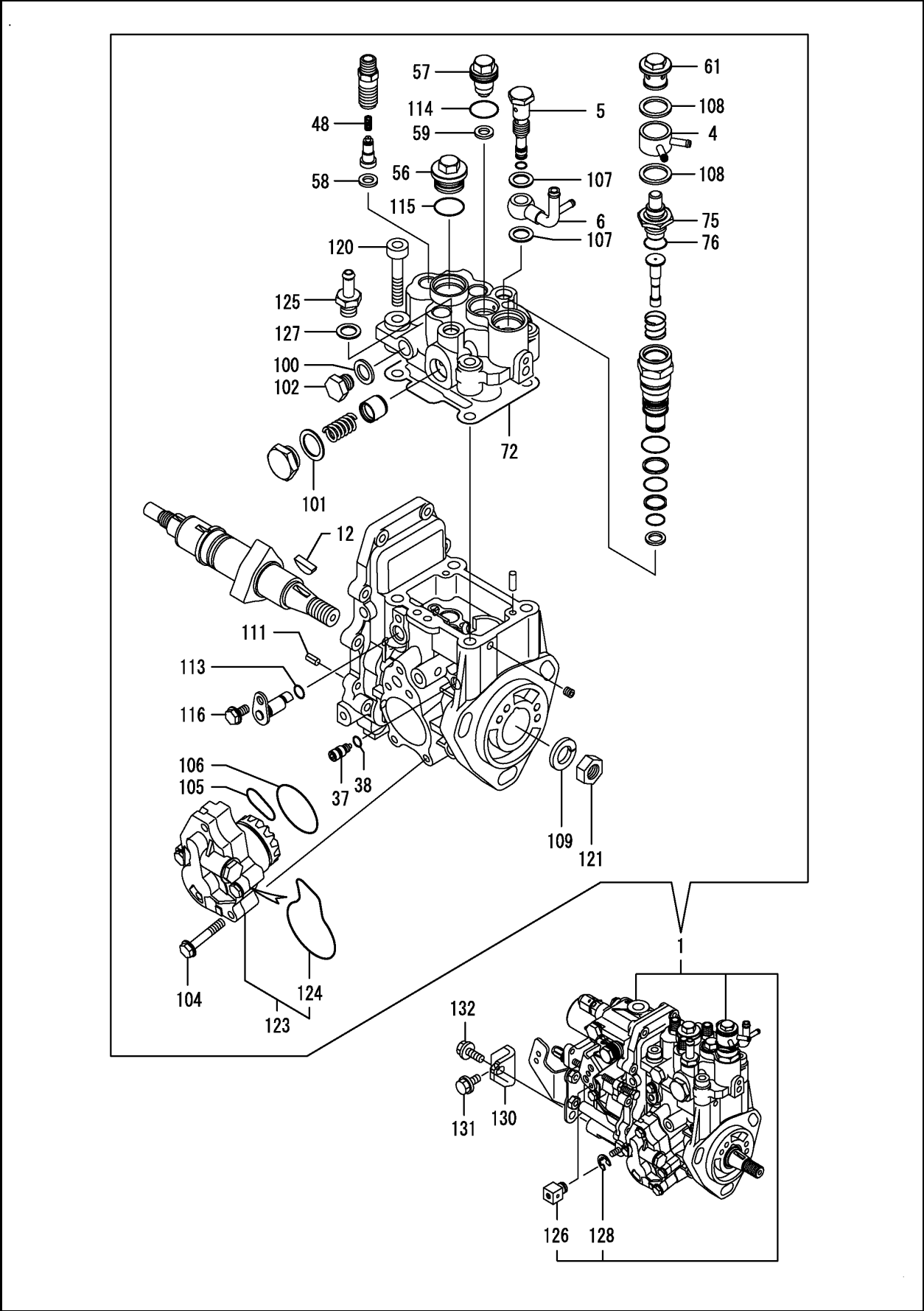


1448 - ENGINE LUB. OIL SYSTEM

Ref. No.	Part No.	Description	Qty.	Ref. No.	Part No.	Description	Qty.
1	425-36257	PUMP ASSY	1	33	188717	CLAMP	1
14	425-34701	GASKET/OIL PUMP	1	34	188568	PIPE/COOLEROUT	1
15	425-34823	BOLT M6 X 25	4	35	188693	CLAMP18.5	1
16	176147	DIPSTICK/LUBE OIL	1	37	192278	PROTECTOR/PIPE 19 MM	1
17	176148	GUIDE/DIPSTICK	1	38	188717	CLAMP	1
18	425-35425	GASKET/EXHAUST MANIFOLD	1	39	188584	ELBOWPT1/4	1
19	192276	PIPE ASSY/OIL INLET	1	40	425-34746	BOLT M8 X 20 PLATED	3
20	425-34761	BOLT M8 X 35 PLATED	2	41	425-34684	SWITCH/OIL PRESSURE	1
21	188649	COOLERASSY/OIL	1	42	425-34835	BOLT, PIPE JOINT	1
22	192279	O-RING	1	43	188487	PIPEASSY/LUBOIL	1
23	188633	NUTOILCOOLER	1	44	186468	BOLT ASSY JOINT	1
24	188566	BRACKETASSY/FILTER	1	45	425-34750	WASHER 8/SEAL	1
25	188486	BRACKET/FILTER	1	46	186600	JOINT BOLT 3	1
26	188634	STUD	1	47	425-34750	WASHER 8/SEAL	1
27	425-34831	GASKET	1	48	425-35958	SEAL WASHER 10S	2
28	195568	CARTRIDGE/FILTER/ENGINE OIL	1	49	425-34781	NUT M6	1
29	188567	JOINT	1	50	425-36264	COCK ASSY	1
30	188650	PIPE/COOLERIN	1				
31	188693	CLAMP18.5	1				

1448 - ENGINE

FUEL INJECTION PUMP (ENGINE MODEL 3TNV88-BDGP – SN 18233 AND UP)

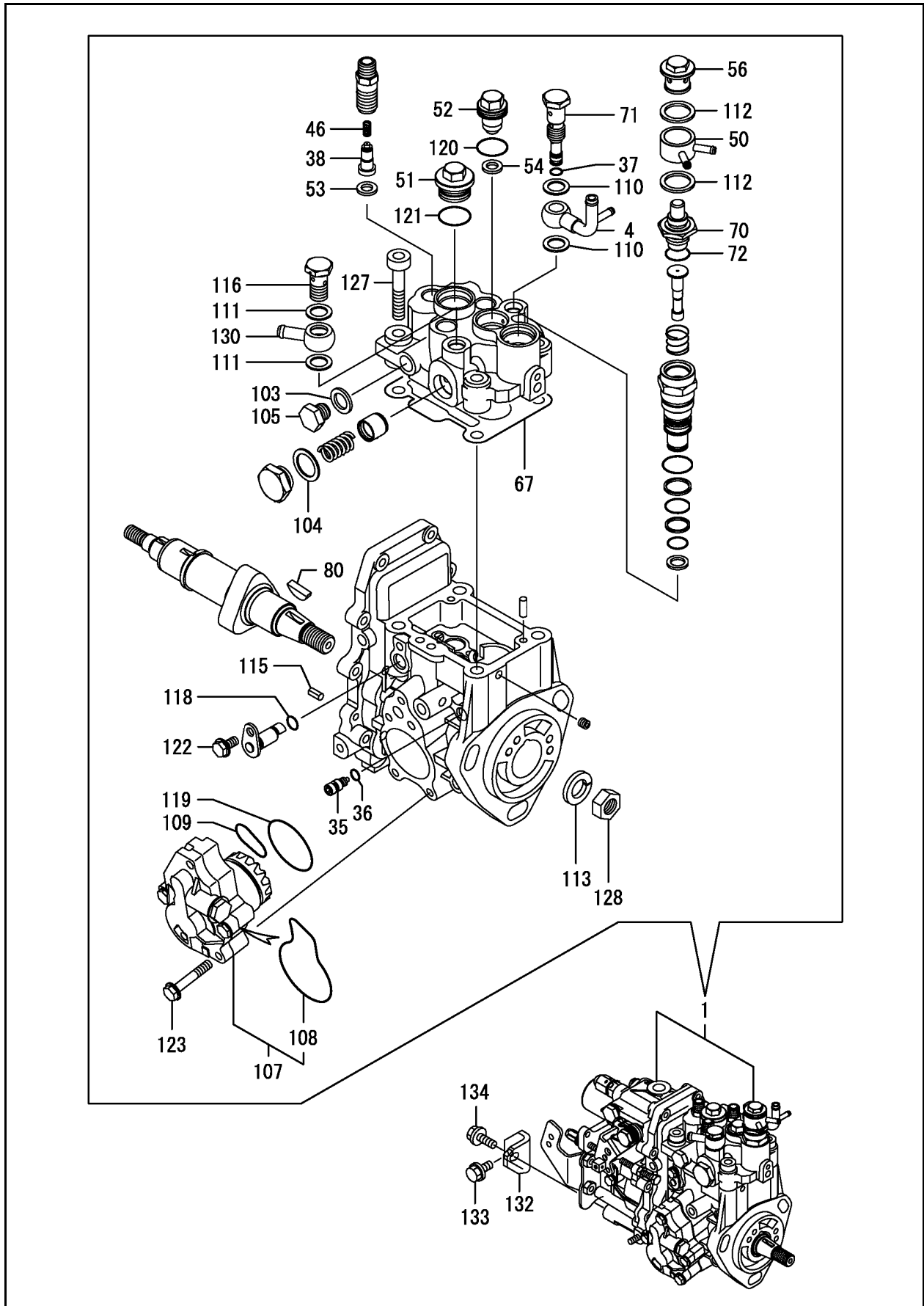


1448 - ENGINE**FUEL INJECTION PUMP (ENGINE MODEL 3TNV88-BDGP – SN 18233 AND UP)**

Ref. No.	Part No.	Description	Qty.	Ref. No.	Part No.	Description	Qty.
1	230091	ASSY/INJECTION PUMP (ENGINE SN 98313 AND UP)	1	105	192297	O-RING	1
	230090	ASSY/INJECTION PUMP (ENGINE SN 98312 AND BEFORE)	1	106	192299	O-RING 4E S42	1
4	192291	JOINT/COOLING WATER	1	107	425-35959	SEAL WASHER 12S	2
5	192292	JOINT	1	108	192294	WASHER/SEAL 18	2
6	192290	JOINT	1	109	188712	SPRING/WASHER14	1
12	192293	KEY/WOODRUFF 4M X 16 MM	1	111	425-34892	SPRING PIN 5 X 1	2
37	197772	STOPPER	1	113	186607	O-RING 1A P-7.0	1
38	197770	O-RING	1	114	197798	O-RING	1
48	186678	SPRING	3	115	198131	PACKING/1020	1
56	197773	PLUG	1	116	425-35263	BOLT M6 X 10 PLATED	1
57	197468	BARREL PLUG	1	120	197872	BOLT M8X45	4
58	186676	BARREL PLUG	3	121	188755	NUT/LOCKM14PLATED	1
59	186676	BARREL PLUG	1	123	192295	PUMP ASSY/FEED	1
61	197854	PLUG/WATER PUMP	1	124	192296	O-RING (FEED P INNER)	1
72	186675	PACKING HEAD	1	125	192298	JOINT/PIPE	1
75	197855	ELEMENT/THERMO	1	126	176151	RETAINER/WIRE	1
76	197856	O-RING/P14	1	127	425-35959	SEAL WASHER 12S	1
100	425-35959	SEAL WASHER 12S	1	128	176152	CIRCLIP E-7	1
101	192294	WASHER/SEAL 18	1	130	188490	BRACKETPUMP	1
102	425-35174	PLUG 22	1	131	425-34733	BOLT M8 X 16 PLATED	1
104	197857	BOLT	4	132	425-34746	BOLT M8 X 20 PLATED	1

1448 - ENGINE

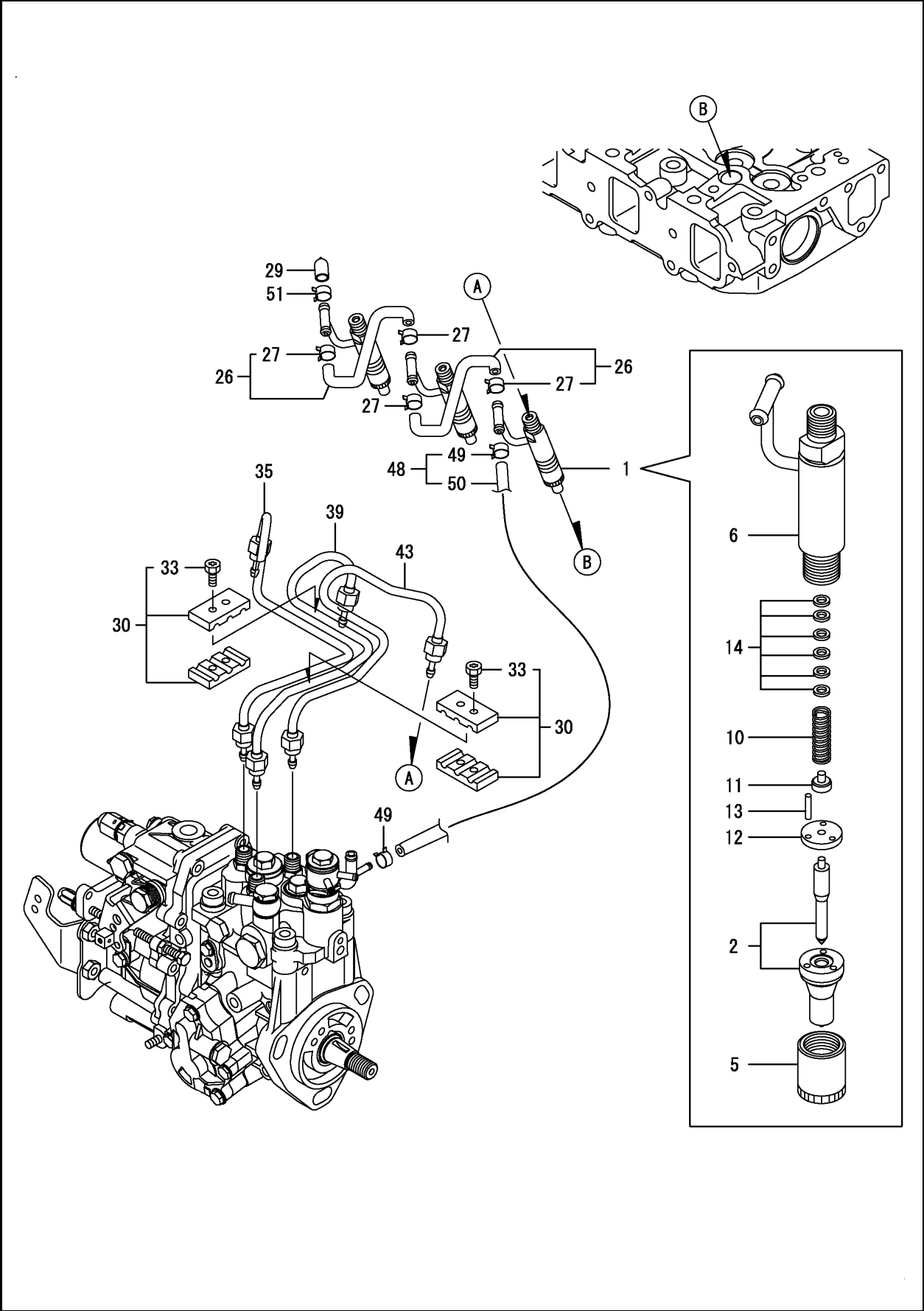
FUEL INJECTION PUMP (ENGINE MODEL 3TNV88-XGP – SN 18232 AND BEFORE)



1448 - ENGINE**FUEL INJECTION PUMP (ENGINE MODEL 3TNV88-XGP – SN 18232 AND BEFORE)**

Ref. No.	Part No.	Description	Qty.	Ref. No.	Part No.	Description	Qty.
1	230094	ASSY/INJECTION PUMP	1	108	192296	O-RING (FEED P INNER)	1
4	192290	JOINT	1	109	192297	O-RING	1
35	197772	STOPPER	1	110	425-35959	SEAL WASHER 12S	2
36	197770	O-RING	1	111	425-35959	SEAL WASHER 12S	2
37	197770	O-RING	1	112	192294	WASHER/SEAL 18	2
38	186677	VALVE ASSY	3	113	188712	SPRING/WASHER14	1
46	186678	SPRING	3	115	425-34892	SPRING PIN 5 X 10	2
50	192291	JOINT/COOLING WATER	1	116	138120	BOLT/JOINT	1
51	197773	PLUG	1	118	186607	O-RING 1A P-7.0	1
52	197468	BARREL PLUG	1	119	192299	O-RING 4E S42	1
53	186676	BARREL PLUG	3	120	197798	O-RING	1
54	186676	BARREL PLUG	1	121	198131	PACKING/1020	1
56	197854	PLUG/WATER PUMP	1	122	425-35263	BOLT M6 X 10 PLATED	1
67	186675	PACKING HEAD	1	123	197857	BOLT	4
70	197855	ELEMENT/THERMO	1	127	197872	BOLT M8X45	4
71	192292	JOINT	1	128	188755	NUT/LOCKM14PLATED	1
72	197856	O-RING/P14	1	130	230092	PIPE JOINT/12	1
80	192293	KEY/WOODRUFF 4M X 16 MM	1	132	188490	BRACKETPUMP	1
103	425-35959	SEAL WASHER 12S	1	133	425-34733	BOLT M8 X 16 PLATED	1
104	192294	WASHER/SEAL 18	1	134	425-34746	BOLT M8 X 20 PLATED	1
105	425-35174	PLUG 22	1				
107	192295	PUMP ASSY/FEED	1				

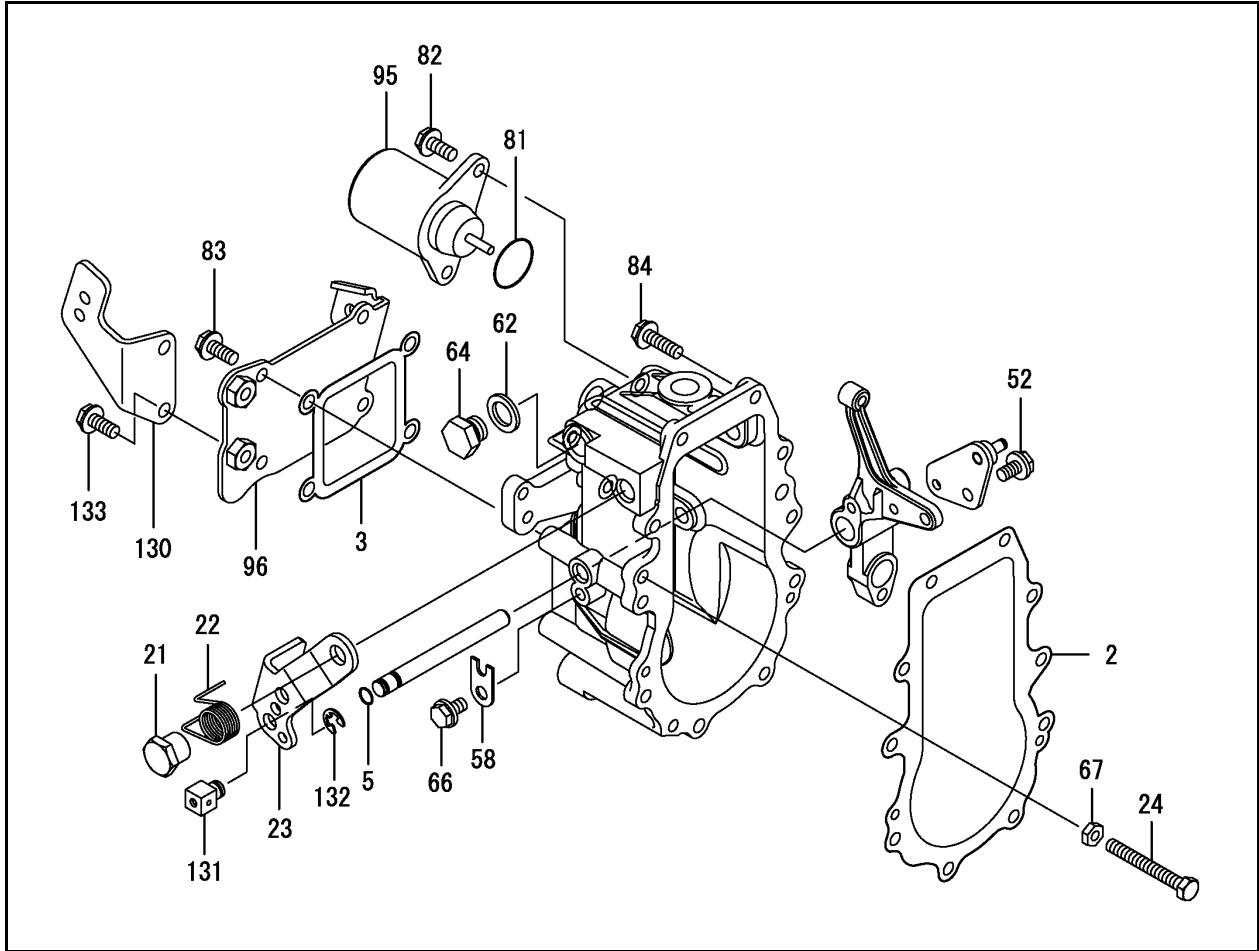
**1448 - ENGINE
FUEL INJECTION VALVE**



1448 - ENGINE FUEL INJECTION VALVE

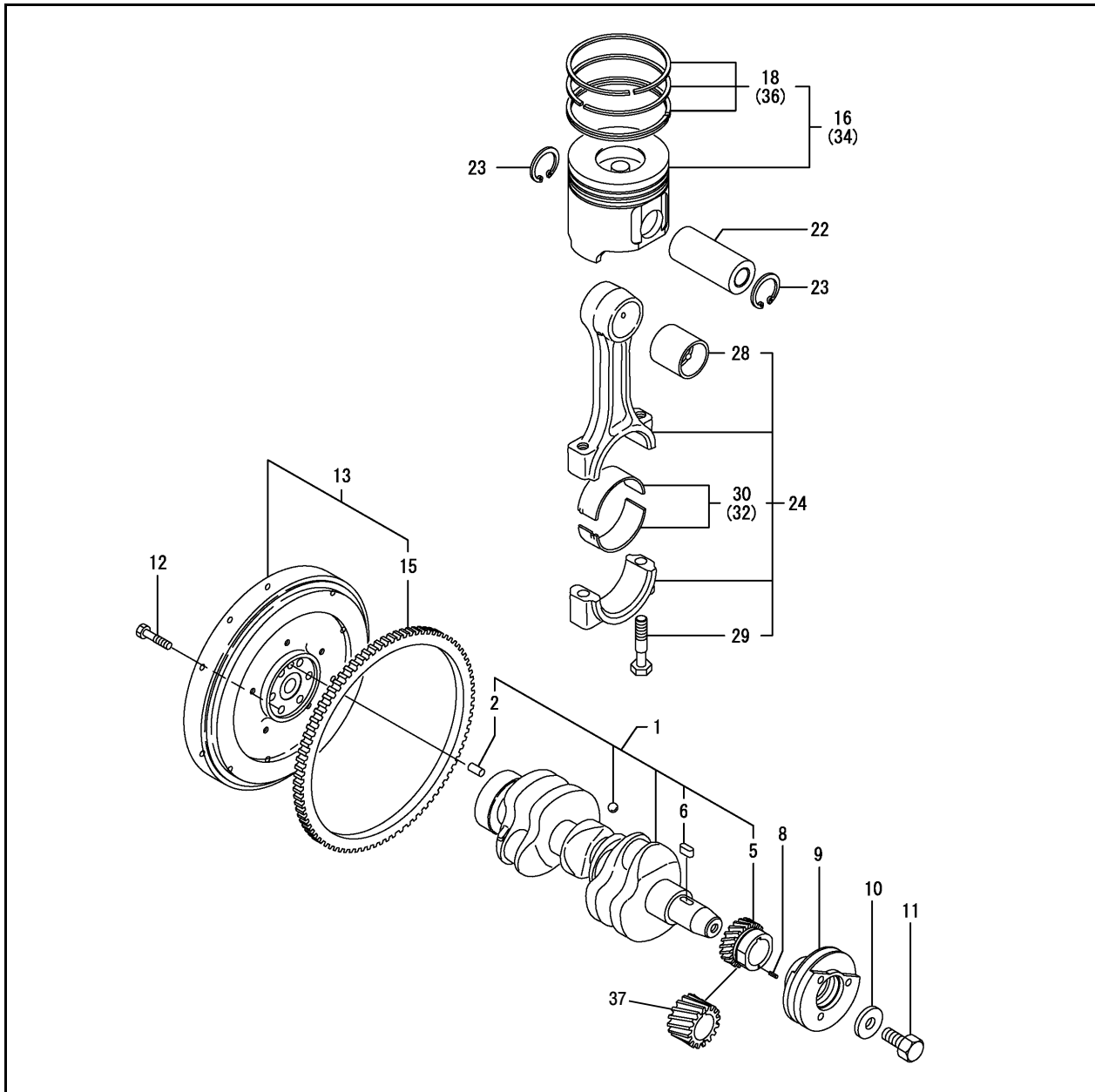
Ref. No.	Part No.	Description	Qty.	Ref. No.	Part No.	Description	Qty.
1	230096	INJECTOR/FUEL (ENGINE MODEL 3TNV88-BDGP ONLY – ENGINE SN 98313 AND UP)	3	13	188447	PIN	6
	270974	INJECTOR/FUEL (ENGINE MODEL 3TNV88-BDGP ONLY – ENGINE SN 98312 AND BEFORE)	3	14	198134	SHIM SET (ENGINE MODEL 3TNV88-BDGP ONLY – SN 18233 AND UP)	3
	188763	FUEL INJECTOR (ENGINE MODEL 3TNV88-XGP ONLY – SN 18232 AND BEFORE)	3		188448	SHIM SET (ENGINE MODEL 3TNV88-XGP ONLY – SN 18232 AND BEFORE)	3
2	230097	NOZZLE ASSY (ENGINE MODEL 3TNV88-BDGP ONLY – ENGINE SN 98313 AND UP)	3	26	186481	PIPE FUEL RETURN	2
	270975	NOZZLE ASSY (ENGINE MODEL 3TNV88-BDGP ONLY – ENGINE SN 98312 AND BEFORE)	3	27	186464	CLAMP 9	4
	188569	NOZZLE ASSY (ENGINE MODEL 3TNV88-XGP ONLY – SN 18232 AND BEFORE)	3	29	188451	CAP	1
5	425-34903	NUT	3	30	425-35452	RETAINER, INJECTOR PIPE	2
6	188491	HOLDERASSY/NOZZLE	3	33	186473	BOLT M4 X 14 HEX SCKT	4
10	425-34666	SPRING, NOZZLE	3	35	188555	PIPEASSY//INJECTION	1
11	425-34905	RETAINER, SPRING	3	39	188556	PIPEASSY//INJECTION	1
12	425-34906	PLATE, STOP	3	43	188557	PIPEASSY//INJECTION	1
				48	188493	PIPEASSY/RETURN	1
				49	186464	CLAMP 9	2
				50	188494	PIPE/FUELRETURN	1
				51	188517	CLAMP10	1

1448 - ENGINE GOVERNOR



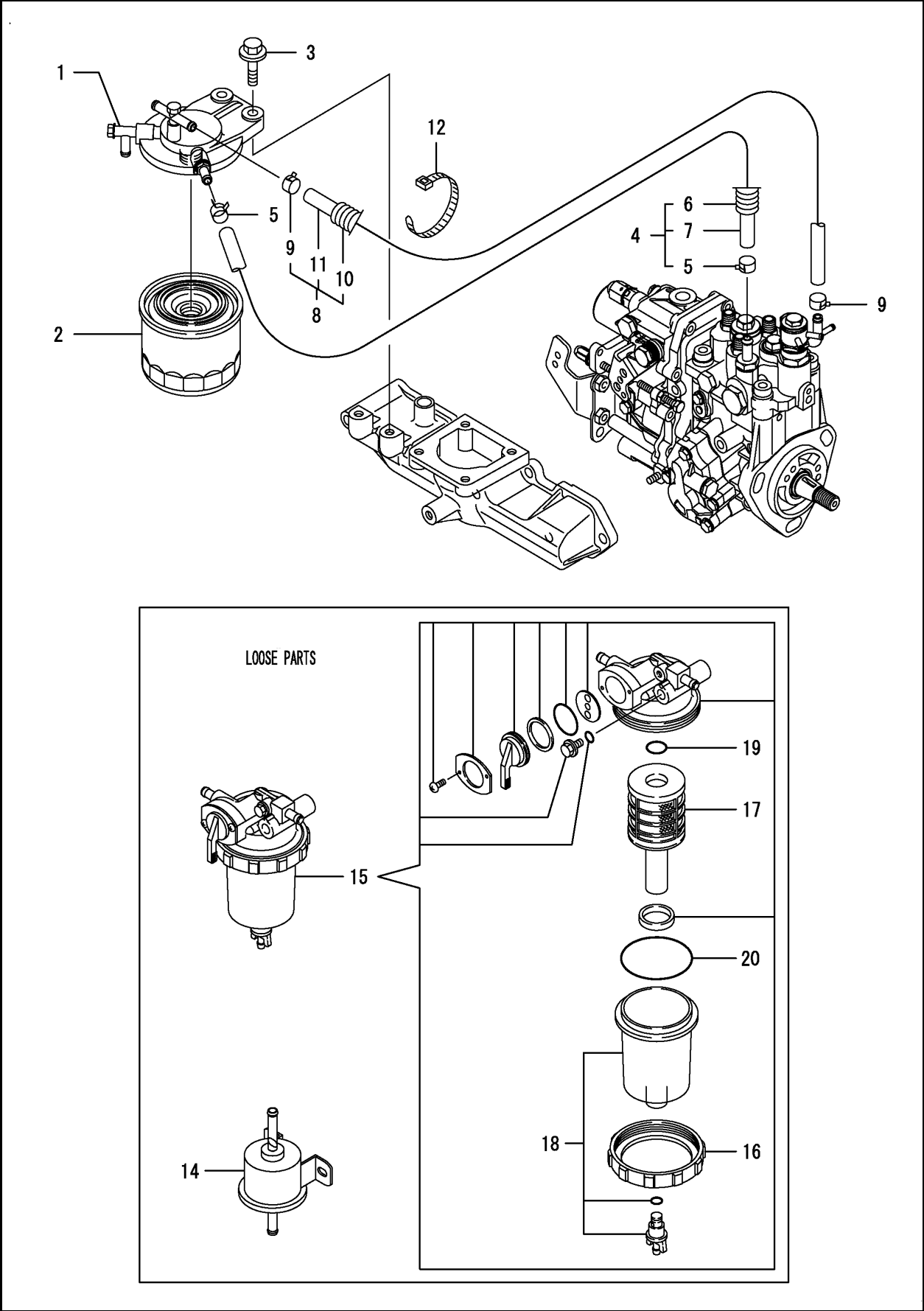
Ref. No.	Part No.	Description	Qty.	Ref. No.	Part No.	Description	Qty.
2	192280	PACKING/CASE	1	81	270973	O-RING	1
3	192281	PACKING	1	82	425-35962	BOLT M6 X 14	2
5	425-34678	O-RING	1	83	425-35962	BOLT M6 X 14	4
21	192283	NUT	1	84	188732	BOLT M6 X 20 PLATED	10
22	192284	SPRING	1	95	425-35925	SOLENOID STOP	1
23	192285	LEVER/REGULATOR	1	96	176149	COVER/CASE	1
24	425-34981	BOLT, IDLE LIMIT	1	130	176150	BRKT/CABLE SPPT	1
52	425-35263	BOLT M6 X 10 PLATED	1	131	176151	RETAINER/WIRE (ENGINE MODEL 3TNV88-XGP ONLY – SN 18232 AND BEFORE)	1
58	425-35352	RETAINER, SHAFT	1	132	176152	CIRCLIP (ENGINE MODEL 3TNV88-XGP ONLY – SN 18232 AND BEFORE)	1
62	270972	WASHER/SEAL 12(BOLT)	1	133	425-35962	BOLT M6 X 14	2
64	425-35174	PLUG 22	1				
66	425-35263	BOLT M6 X 10 PLATED	1				
67	425-34984	LOCK NUT M6 PLATED	1				

1448 - ENGINE CRANKSHAFT & PISTON



Ref. No.	Part No.	Description	Qty.	Ref. No.	Part No.	Description	Qty.
1	188547	CRANKSHAFT ASSY	1	18	188563	RING SET/PISTON	3
2	188573	PARALLEL PIN 8 X 16	1	22	425-35936	PIN, PISTON	3
5	188473	GEAR/CRANKSHAFT	1	23	425-35937	CIRCLIP, 26	6
6	425-34810	KEY 7X14	1	24	425-34698	CONNECTING ROD ASSEMBLY	3
8	138117	PIN/SPRING	1	28	425-34699	BUSHING, PISTON PIN	3
9	188548	V-PULLEY/CRANKSHAFT	1	29	425-34659	BOLT/ROD	6
10	425-34817	WASHER	1	30	270961	CRANKPIN/METAL	3
11	425-34818	BOLT	1	32	270962	PIN/METAL US=0.25	3
12	425-34693	BOLT, FLYWHEEL MOUNT	6	34	188564	PISTON RING OS=1/4	3
13	425-35448	FYLWHEEL W/RING GEAR	1	36	188565	RING SET OS=1/4	3
15	425-34694	RING GEAR	1	37	270960	GEAR/CRANKSHAFT	1
16	188562	PISTON ASSY	3				

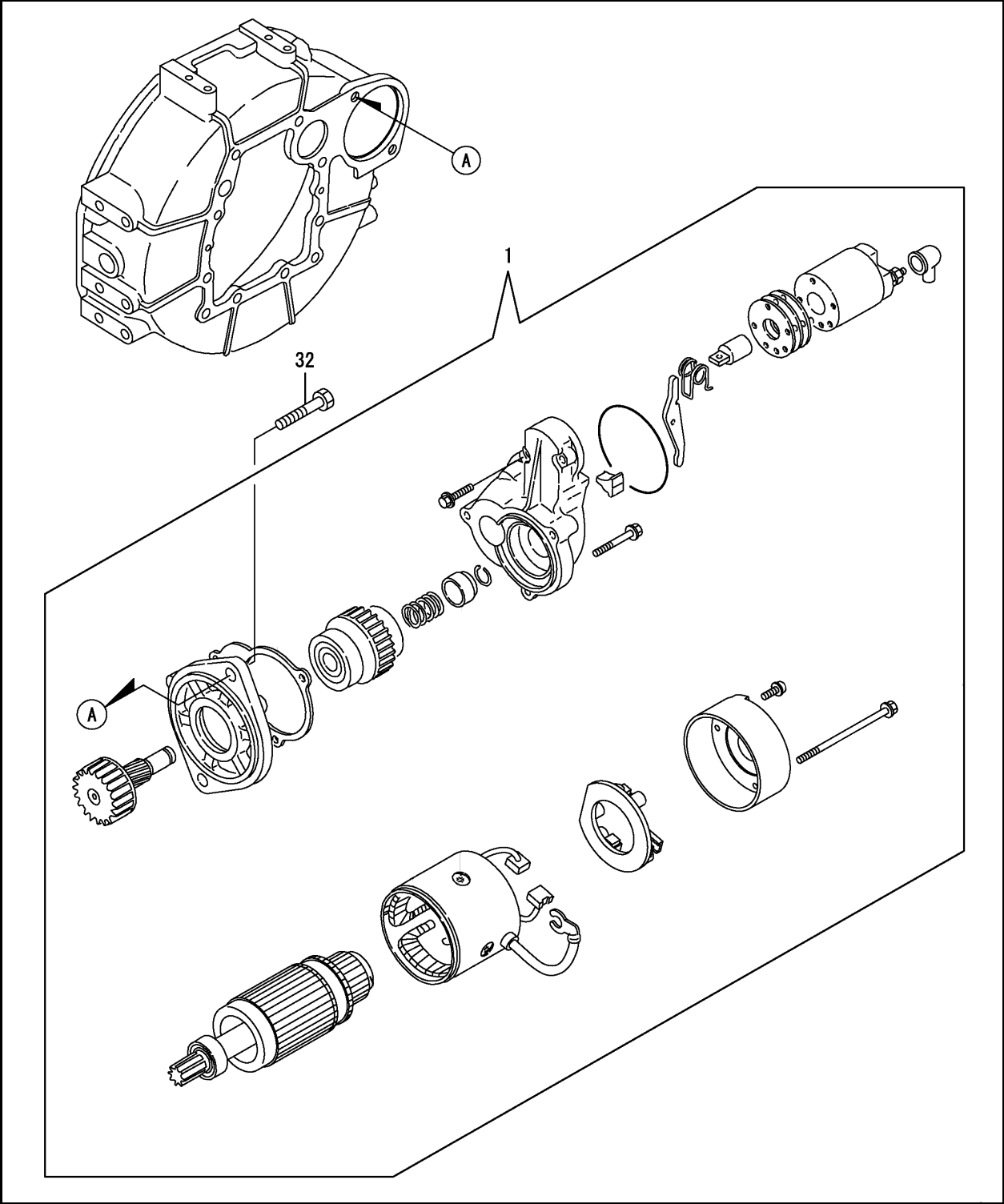
**1448 - ENGINE
FUEL LINE**



1448 - ENGINE FUEL LINE

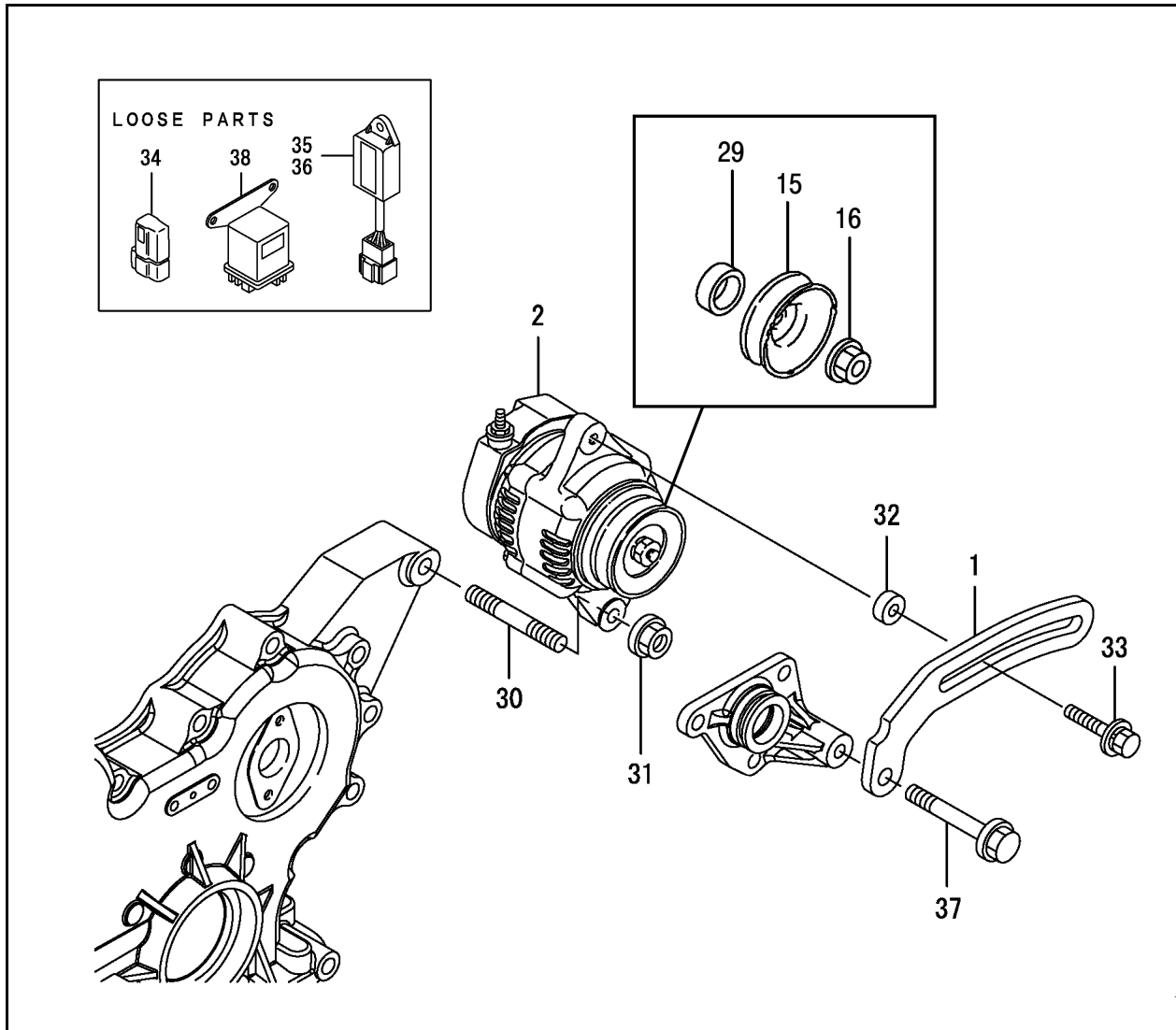
Ref. No.	Part No.	Description	Qty.	Ref. No.	Part No.	Description	Qty.
1	186467	BRACKET FILTER	1	17	186340	FILTER ELEMENT (ENGINE MODEL 3TNV88-BDGP ONLY – SN 18233 AND UP)	1
2	182130	FILTER,FUEL	1		203822	FILTER ELEMENT (ENGINE MODEL 3TNV88-XGP ONLY – SN 18232 AND BEFORE)	1
3	425-34760	BOLT M8 X 30 PLATED	2				
4	188570	PIPE/FUEL	1				
5	425-34916	CLAMP 12	2	18	270981	CUP (ENGINE MODEL 3TNV88-BDGP ONLY – SN 18233 AND UP)	1
6	188571	PROTECTOR/PIPE15	1		203821	CUP (ENGINE MODEL 3TNV88-XGP ONLY – SN 18232 AND BEFORE)	1
7	188572	PIPE/FUELOIL	1				
8	188688	PIPE/FUEL	1	19	425-34744	O-RING 1A P-16.0	1
9	425-34916	CLAMP 12	2	20	203827	O-RING (ENGINE MODEL 3TNV88-BDGP ONLY – SN 18233 AND UP)	1
10	188691	TUBE	1		425-34927	O-RING 1A G65 (ENGINE MODEL 3TNV88-XGP ONLY – SN 18232 AND BEFORE)	1
11	188439	PIPE/FUELOIL	1				
12	137953	CLAMP	1				
14	186308	PUMP ASSY FUEL FEED	1				
15	188492	SEPARATOR ASSY	1				
16	425-34924	RING, RETAINING (ENGINE MODEL 3TNV88-BDGP ONLY – SN 18233 AND UP)	1				

**1448 - ENGINE
STARTER**



Ref. No.	Part No.	Description	Qty.
1	188586	STARTER	1
32	188748	BOLT, M12X25	2

1448 - ENGINE ALTERNATOR

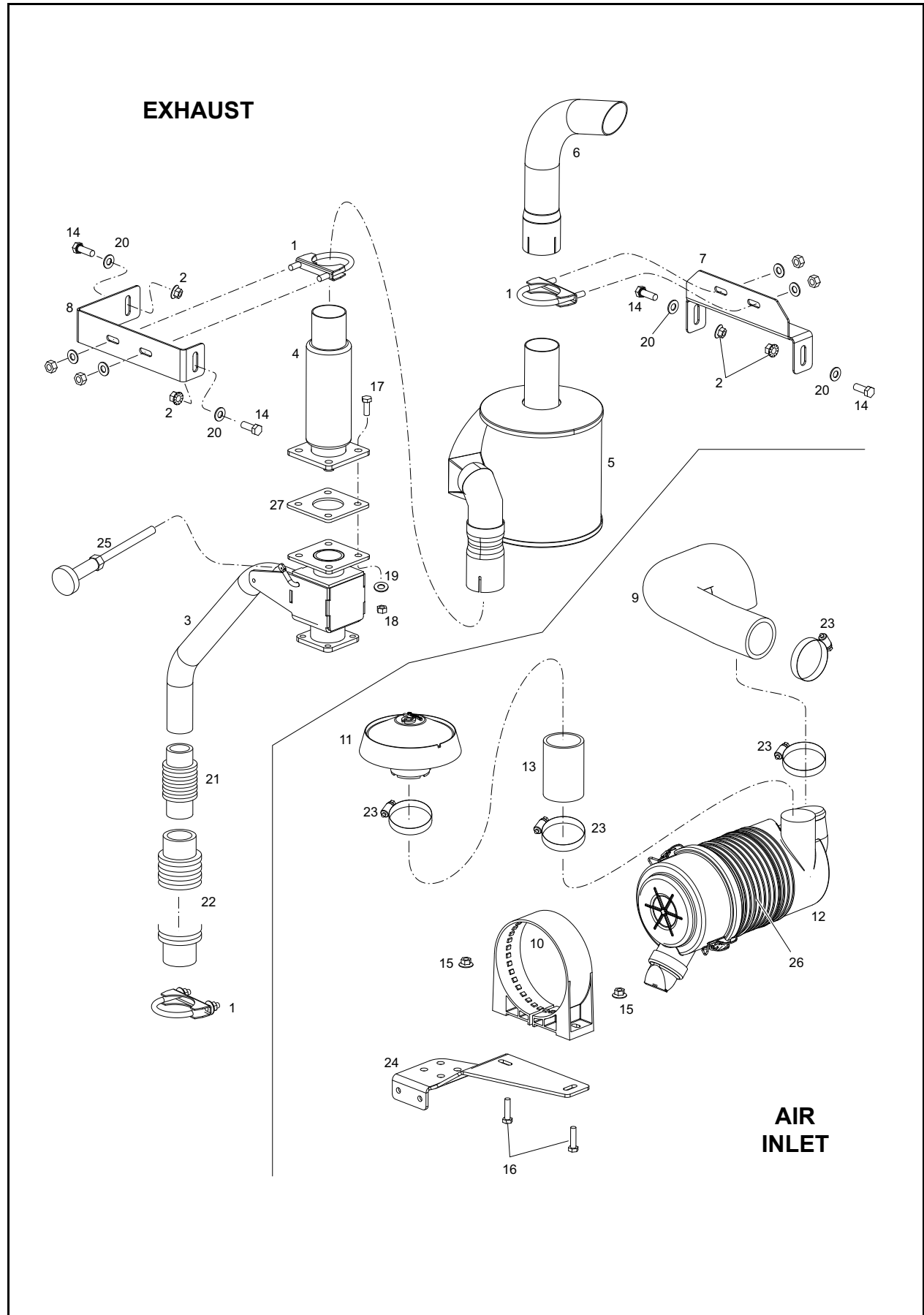


Ref. No.	Part No.	Description	Qty.
1	176153	ADJUSTER/BELT	1
2	188636	ALTERNATOR	1
15	186318	PULLEY	1
16	186319	NUT	1
29	186320	COLLAR	1
30	186484	STUD	1
31	138141	NUT	1
32	188500	ADJUSTER/BELT	1

Ref. No.	Part No.	Description	Qty.
33	192273	ADJUSTER BOLT	1
34	137945	DIODE	1
35	160891	RELAY 10 A	1
36	138089	TIMER	1
37	425-34747	BOLT M8 X 45 PLATED	1
38	137946	RELAY/GLOW	1

1448 - ENGINE

430353 - ENGINE EXHAUST / AIR INLET

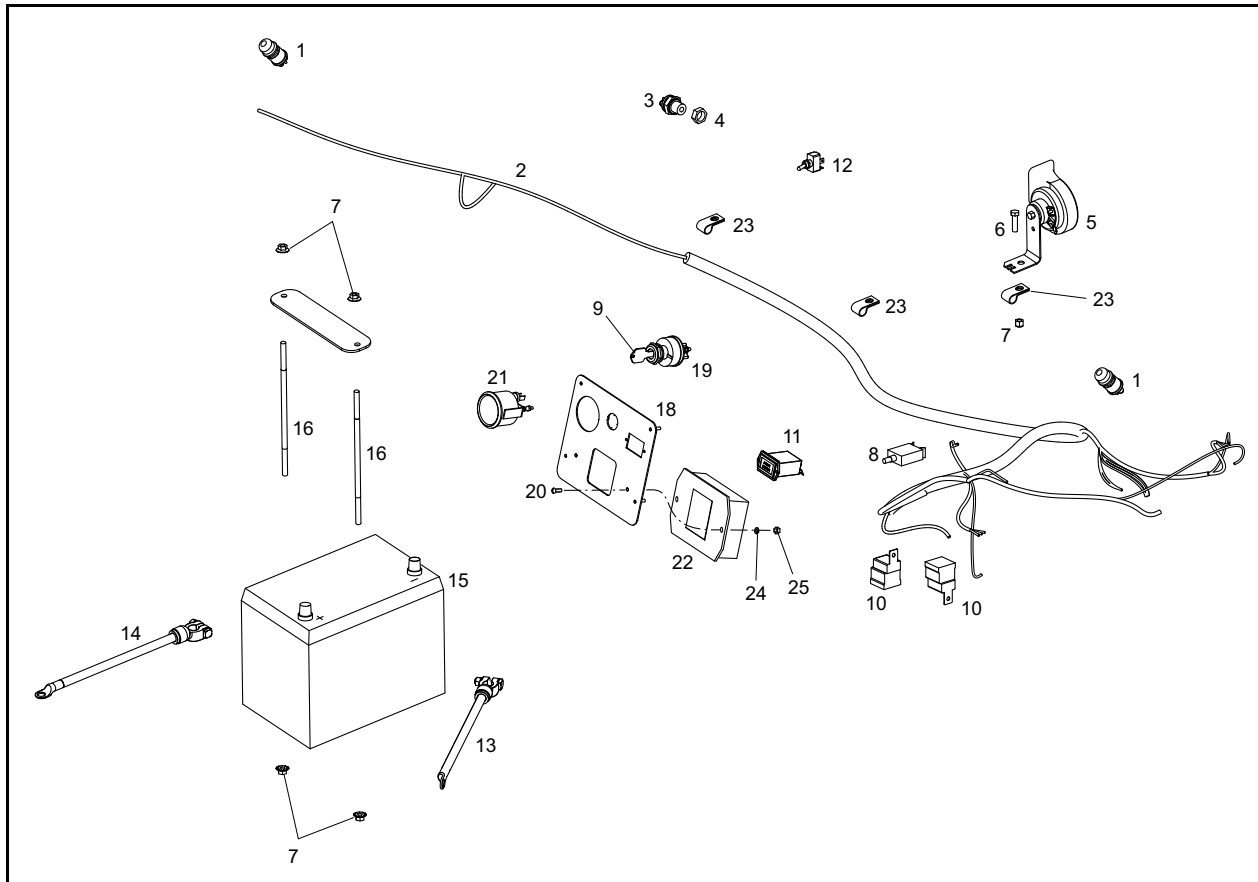


1448 - ENGINE
430353 - ENGINE EXHAUST / AIR INLET

Ref. No.	Part No.	Description	Qty.	Ref. No.	Part No.	Description	Qty.
1	065042	CLAMP/MUFFLER, 5/16 X 2 1	3	15	650518	HN LG FL 5/16 C2ZY	2
2	090666	LN FL SERR 3/8 CZY	4	16	650545	CS 5/16X1-1/4 C5ZY	2
3	175471	WELDMENT/MUFFLER VALVE	1	17	650809	CS 5/16X7/8 C5ZY	4
4	175629	TUBE/EXHAUST FLEXIBLE	1	18	653006	HN 5/16 C2	4
5	175676	MUFFLER/TS20TL	1	19	654024	LW 5/16 RZY	4
6	175734	TUBE/EXHAUST 2" SHORT	1	20	654049	FW 3/8 ANZY	4
7	175771	BRACKET/MUFFLER	1	21	P059600	CONDUIT, 1/50" S.STEEL, 1-1/2"	1
8	175772	MUFFLER BRACKET/LOWER	1	22	P060200	CONDUIT, 2" FLEX ALUM.	1
9	175775	AIR CLEANER HOSE	1	23	L76020	CLAMP/HOSE SAE #32	4
10	175781	BRKT/PLASTIC 5" MOUNT	1	24	175812	BRACKET/FILTER	1
11	175782	RAIN CAP/2"	1	25	P471818	DIVERTER/CABLE CONTROL	1
12	175783	AIR CLEANER	1	26	420-36075	AIR CLEANER ELEMENT	1
13	175850	HOSE/AIR INTAKE 2"	1	27	138104	GASKET	1
14	650430	CS 3/8X1 C5	4				

1448 - ELECTRICAL

430357

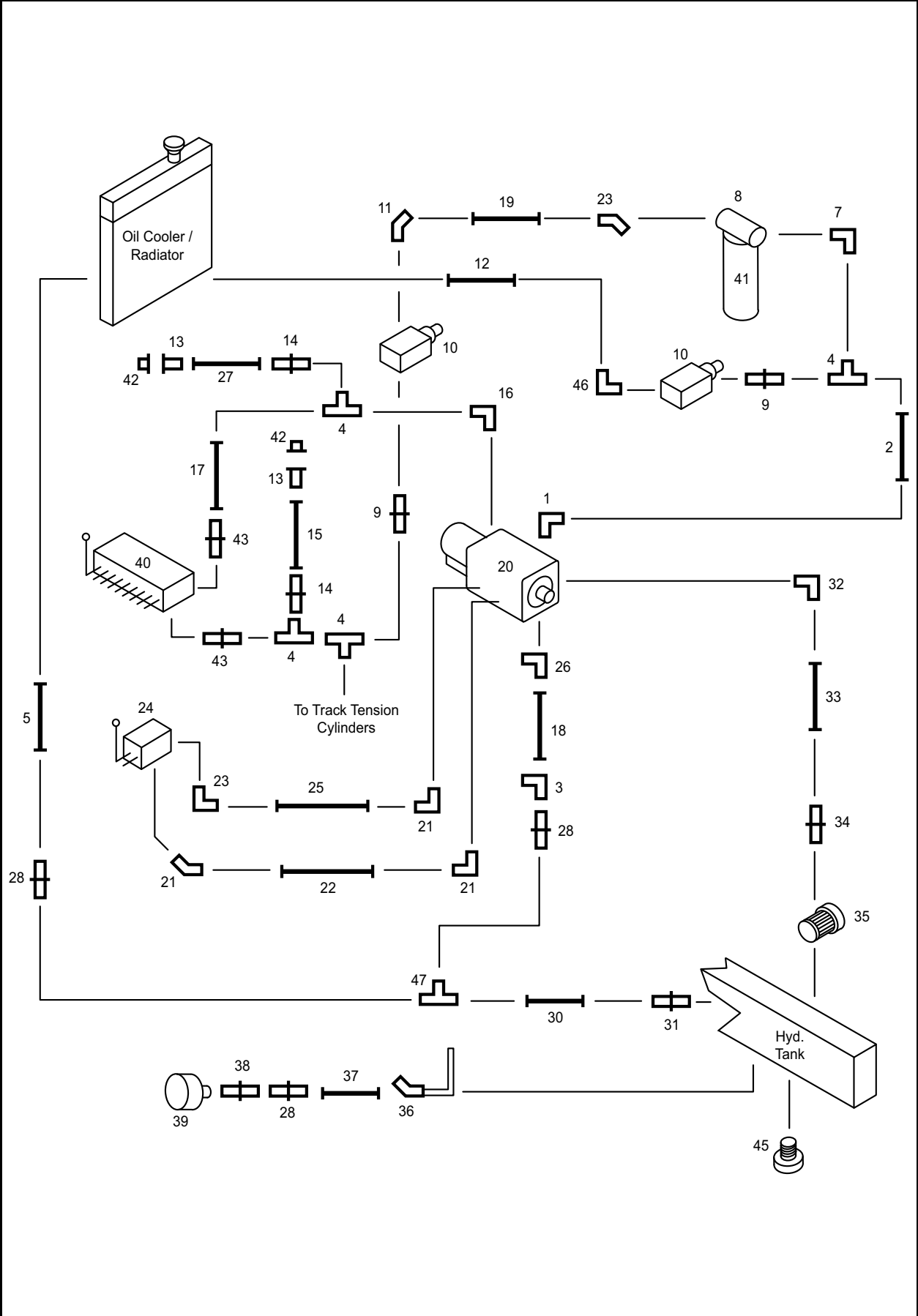


Ref. No.	Part No.	Description	Qty.	Ref. No.	Part No.	Description	Qty.
1	L41848	PUSHBUTTON SWITCH	2	14	175733	CABLE/BATTERY POS	1
2	270112	HARNESS/ENGINE (SN 18233 AND UP)	1	15	*	BATTERY (OBTAIN LOCALLY. GROUP SIZE 49; 680 CCA)	1
	175739	HARNESS/ENGINE (SN 18232 AND BEFORE)	1	16	P470348	ROD/BATTERY HOLDDOWN	2
3	L62277	SWITCH/NEUTTRAL SAFETY	1	17	175619	PLATE/BATTERY HOLD DOWN	1
4	L50172	NUT/BULKHEAD .75-16	1	18	175741	PANEL / GAUGE	1
5	L41847	HORN 12V ELECT.	1	19	195087	SWITCH, IGNITION (WITH KEY)	1
6	650486	CS 5/16X3/4 C5ZY	1	20	650815	RHMS SLT #10-24X3/4 CZY	2
7	070648	HN LF SLOC 5/16 CZ	5	21	137113	GAUGE, WATER TEMP	1
8	420-35569	CIRCUIT BREAKER 35AMP	1	22	175722	MODULE/CONTROL	1
9	P700298	KEY (WITHOUT SWITCH)	1	23	076147	CLAMP / HOSE	3
10	420-35602	RELAY	2	24	651255	LW INT T #10 AZY	2
11	072340	GAUGE/HOURMETER	1	25	084175	HLN INST #10-24 CZY	2
12	L48182	SWITCH ON-OFF TOGGLE	1				
13	175620	BATTERY CABLE/NEGATIVE	1				

* Not serviced separately

NOTES

1448 - HYDRAULICS
430354 - MAIN HYDRAULICS

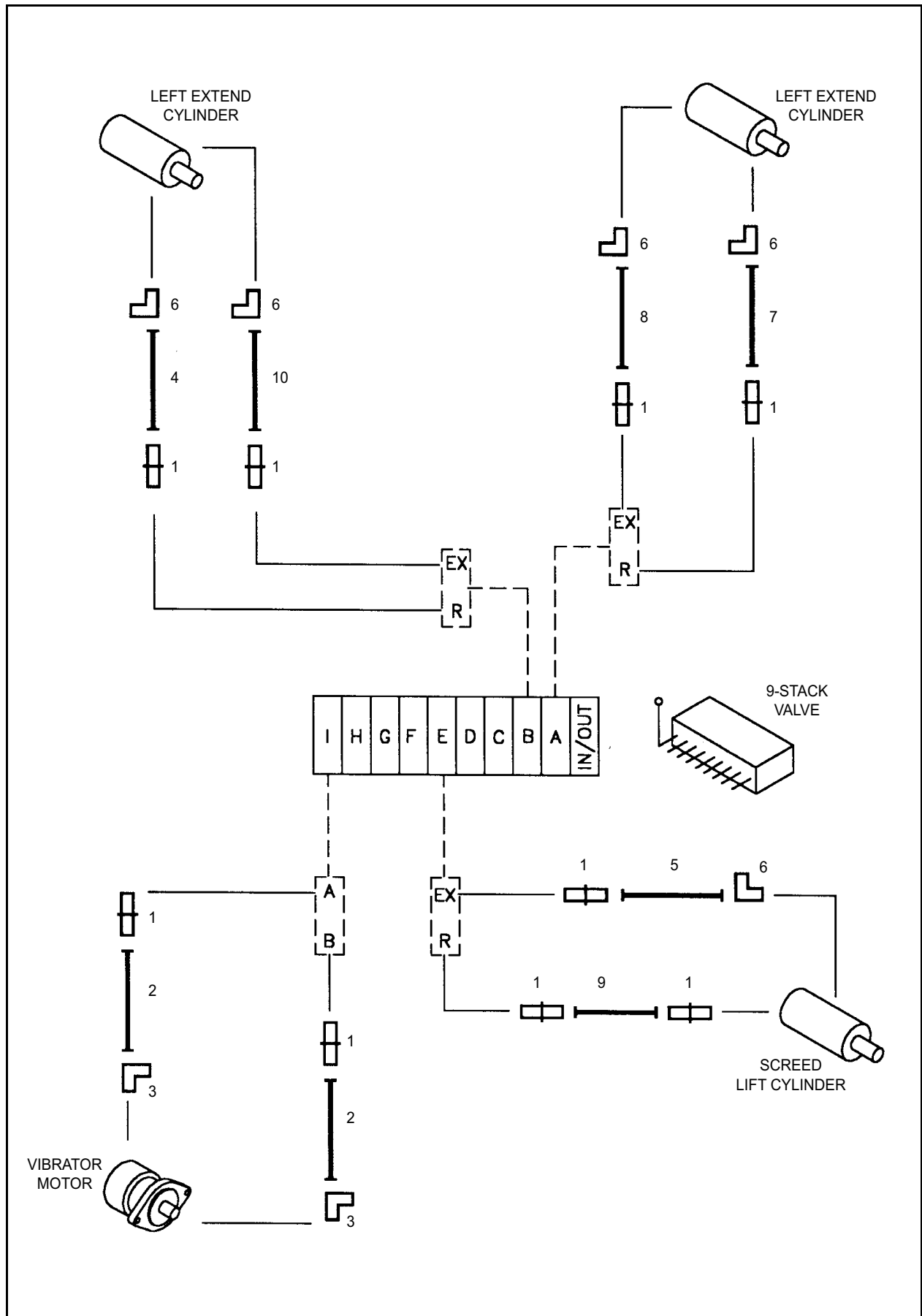


**1448 - HYDRAULICS
430354 - MAIN HYDRAULICS**

Ref. No.	Part No.	Description	Qty.
1	054816	ELBOW 90 DEG	1
2	175893	HOSE-6 A8/A8 18"	1
3	088442	ELBOW,SWIVEL	4
4	076143	TEE/FEMALE RUN SWIVEL	6
5	175874	HOSE-8 A8/DS10 55"	1
7	121775	ADAP/ -12ORM -8JICM 90 DEG	1
8	131838	HYDRAULIC FILTER ASSEMBLY	1
9	P471496	ADAPTER -60RM -8JICF	2
10	103497	RELIEF VALVE, 125 PSI	2
11	230-32739	45 MJ08-MAORB06	2
12	175875	HOSE-8 A10/A10 48"	1
13	L62834	TESTPORT	2
14	L60534	ADP-8JICFSWVL -4 JICM	2
15	P471499	HOSE ASY, - 4 18" A4/A4	1
16	076031	ELBOW/90 DEG	1
17	P470928	HOSE ASY, -8 45" A8/A8	2
18	175892	HOSE-6 A6/A8 18"	1
19	175891	HOSE-8 A8/A8 45"	1
20	P473286	PUMP/AXIAL GEAR (SEE PAGE 62 TO PAGE 64 FOR DETAILS)	1
21	072615	ELBOW/HYD.FITTING 90 DEG	3
22	P471349	HOSE ASY, -10 64" A10/A10	1
23	P471357	ADAP 12ORM -10JICM 45 DEG	1

Ref. No.	Part No.	Description	Qty.
24	P471467	VALVE 2 STACK (SEE PAGE 69 FOR DETAIL)	1
25	175889	HOSE-10 A10/DS10 68"	1
26	068938	ELBOW/90 DEG ADJUSTABLE	1
27	175890	HOSE-4 A4/A4 27"	1
28	230-32672	REDUCER FJ12-MJ08	3
30	P256450	HOSE ASY.	
31	121774	TEE RUN MJ08-MAORB08-MJ08	1
32	121684	90 MJ12-MAORB16	1
33	175888	HOSE-12 A12/DS12 76"	1
34	L277944	ADP-20 ORM 12 JICM	1
35	128299	STRAINER/W/BY PASS	1
36	P471339	ASY/STANDPIPE	1
37	P470533	HOSE ASY, -8 42" A8/A8	1
38	P471289	ADAP 12 BLKHD STR.	1
39	P471247	BREATHER/CAP	1
40	101283	(9-STACK VALVE (SEE PAGE 74 FOR DETAIL)	1
41	074830	ELEMENT ONLY	1
42	L62840	DUST CAP	2
43	054626	ADAP-80RM-8JICM STR	1
45	L43221	PLUG 1/2-14 MAGNETIC B.I	1
46	114824	ELBOW/HYD FITTING 90°	1
47	079115	TEE/12JMDK - 12JM - 12JM	1

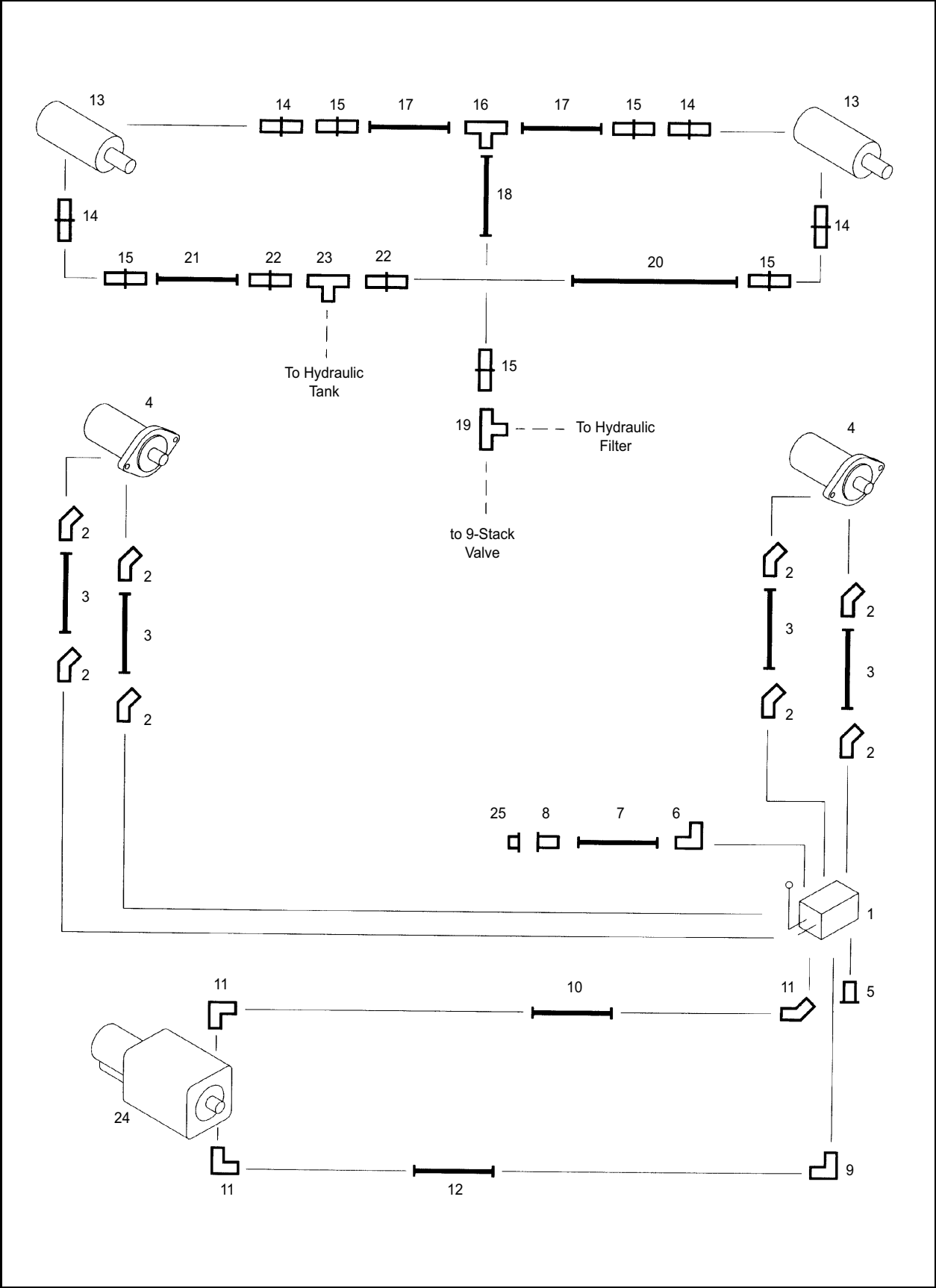
1448 - HYDRAULICS
430354 - SCREED AND VIBRATOR



1448 - HYDRAULICS
430354 - SCREED AND VIBRATOR

Ref.			Ref.				
No.	Part No.	Description	Qty.	No.	Part No.	Description	Qty.
1	230-24749	ST MJ06-MORB08	9	6	110227	90 MJ06-MAORB08	5
2	P470453	HOSE ASY. -6X66"	2	7	P254055	HOSE ASY. -6X41"	1
3	P470406	MALE 90 ELBOW (-10OR/-6JIC)	2	8	P254074	HOSE ASY. -6X109"	1
4	P470460	HOSE ASY. -6X89"	1	9	P470458	HOSE ASY. -6X38"	1
5	P470408	HOSE ASY. -6X46"	1	10	P470459	HOSE ASY. -6X61"	1

1448 - HYDRAULICS
430354 - TRACK DRIVE

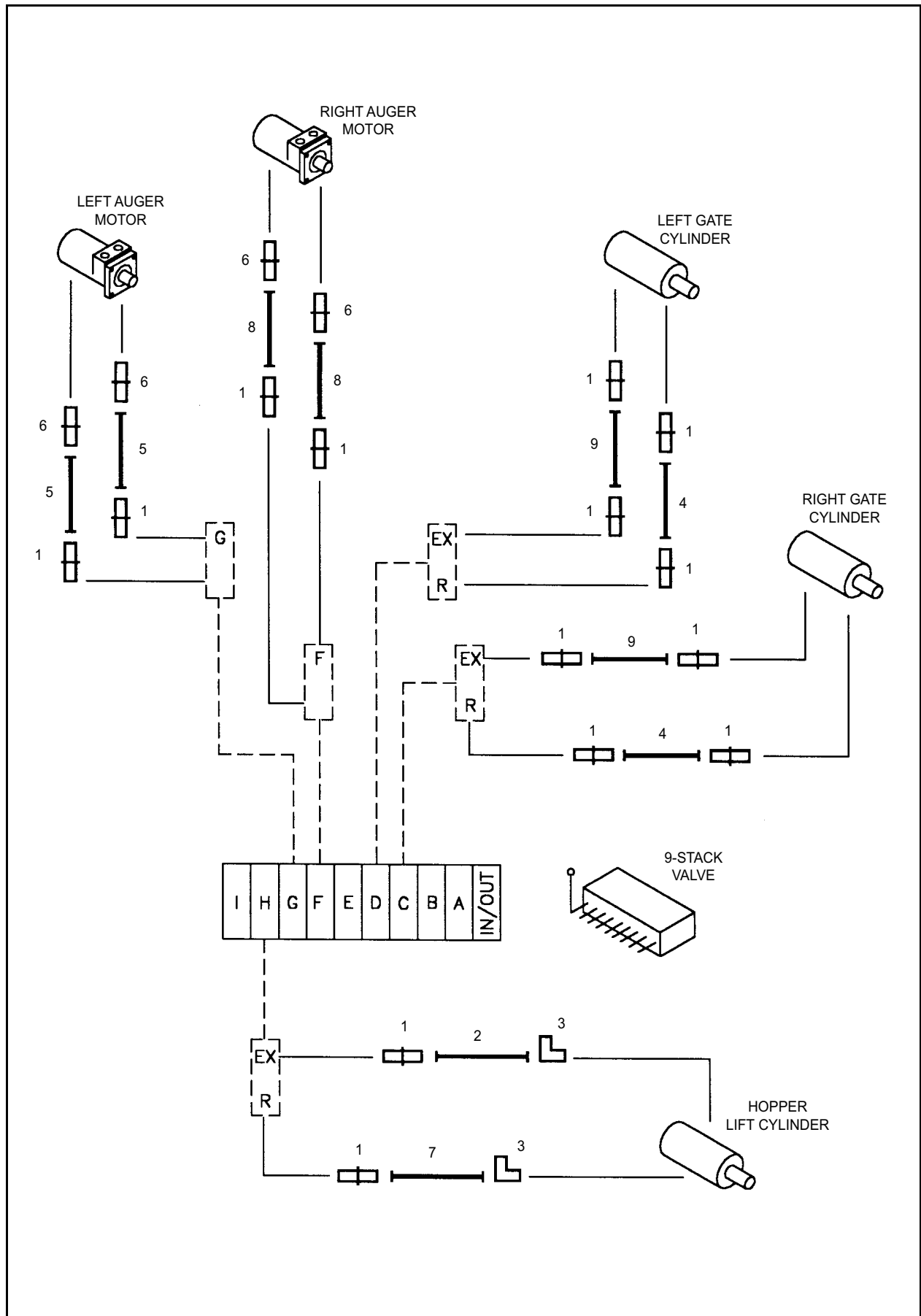


**1448 - HYDRAULICS
430354 - TRACK DRIVE**

Ref. No.	Part No.	Description	Qty.
1	P471467	VALVE/2 STACK (SEE PAGE 69 FOR DETAIL)	1
2	062397	ELBOW/45 DEG MALE	8
3	P471440	HOSE ASY, -10 174" A10/A10	4
4	P471429	DRIVE MOTOR (SEE PAGE 77 FOR DETAIL)	2
5	131522	PLUG MORB12	1
6	187677	90 MJ04-MP04	1
7	P471500	HOSE ASY, -4 60" A4/A4	1
8	L62834	TESTPORT	1
9	P471357	ADP 12ORM -10JICM 45 DEG	1
10	P471349	HOSE ASY, -10 64" A10/A10	1
11	072615	ELBOW/HYD.FITTING 90 DEG	3
12	175889	HOSE ASY, -10 68" A10/A10	1
13	P470593	CYL/TRACK TENSION (SEE PAGE 65 FOR DETAIL)	2

Ref. No.	Part No.	Description	Qty.
14	054626	ADP-80RM-8JICM STR	4
15	L60588	ADP 37 REDUCING	5
16	P231050	ADP 4JICM-4JICM-4JICM	1
17	P471484	HOSE ASY, -4 84" A4/A6	2
18	P471218	HOSE ASY, -6 94" A4/A6	1
19	076143	TEE/FEMALE RUN SWIVEL	1
20	P471443	HOSE ASY, -4 104" A4/A6	20
21	P471369	HOSE ASY, -4 64" A4/A6	1
22	L60534	ADP -8JICFSWL -4 JICM	2
23	114742	TEE RUN MJ08-MAORB08-MJ08	1
24	P473286	PUMP/AXIAL GEAR (SEE PAGE 62 TO PAGE 64 FOR DETAILS)	1
25	L62840	DUSTCAP	1

1448 - HYDRAULICS
430354 - HOPPER AND GATES

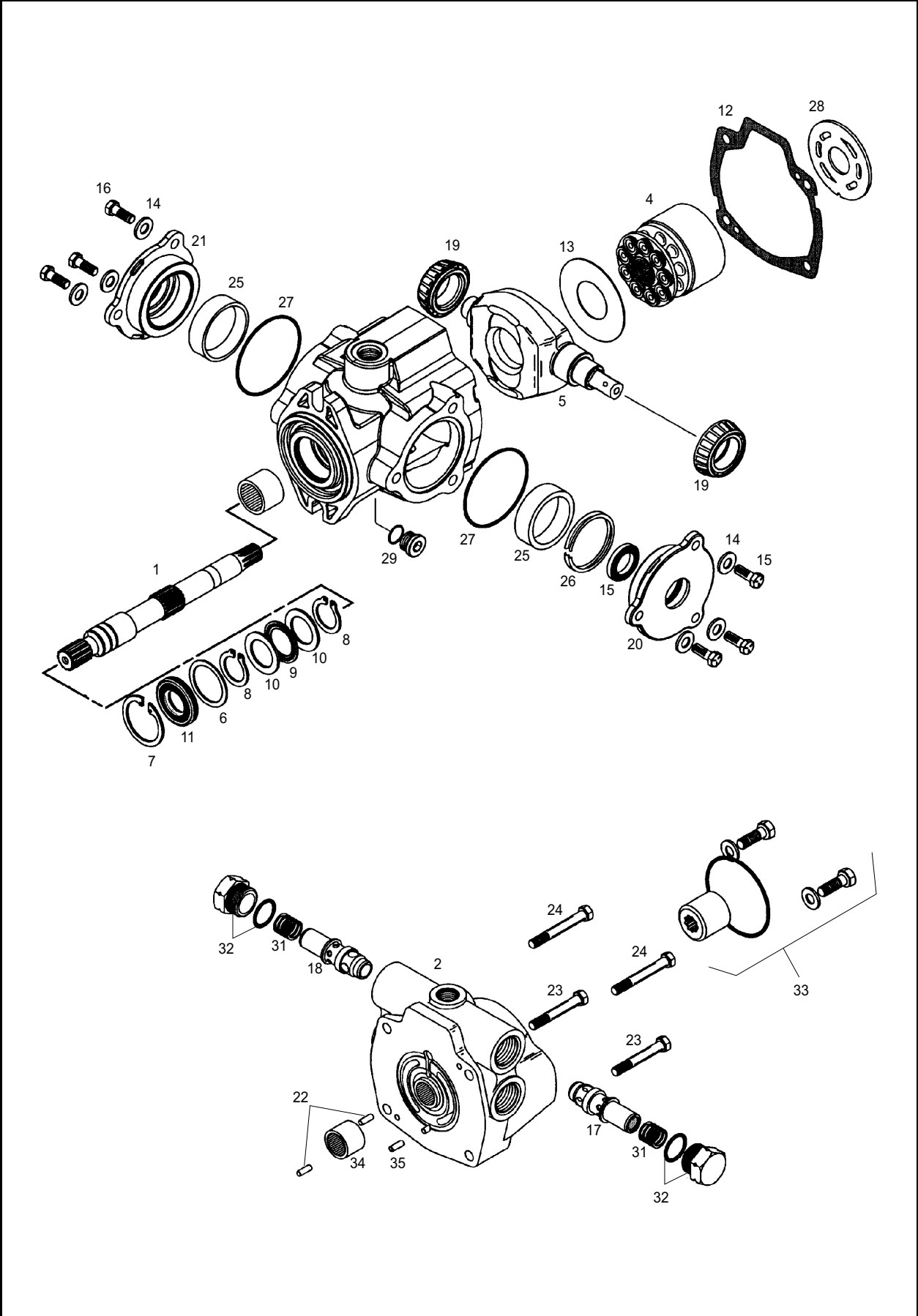


1448 - HYDRAULICS
430354 - HOPPER AND GATES

Ref.	No.	Part No.	Description	Qty.
	1	230-24749	ST MJ06-MORB08	14
	2	P254075	HOSE ASY. -6X98"	1
	3	P470406	MALE 90 ELBOW (-10OR/-6JIC)	2
	4	P254072	HOSE ASY. -6X91"	2
	5	P254040	HOSE ASY. -6X41"	2

Ref.	No.	Part No.	Description	Qty.
	6	L60253	MALE STR. CONNTR. (-10OR/-8JIC)	3
	7	P254074	HOSE ASY. -6X95"	1
	8	L66950	HOSE / .38 A6 59"	2
	9	P254070	HOSE ASY. -6X93"	2

1448 - COMPONENT DETAIL
P473286 - HYDRAULIC PUMP - FRONT (PISTON) SECTION



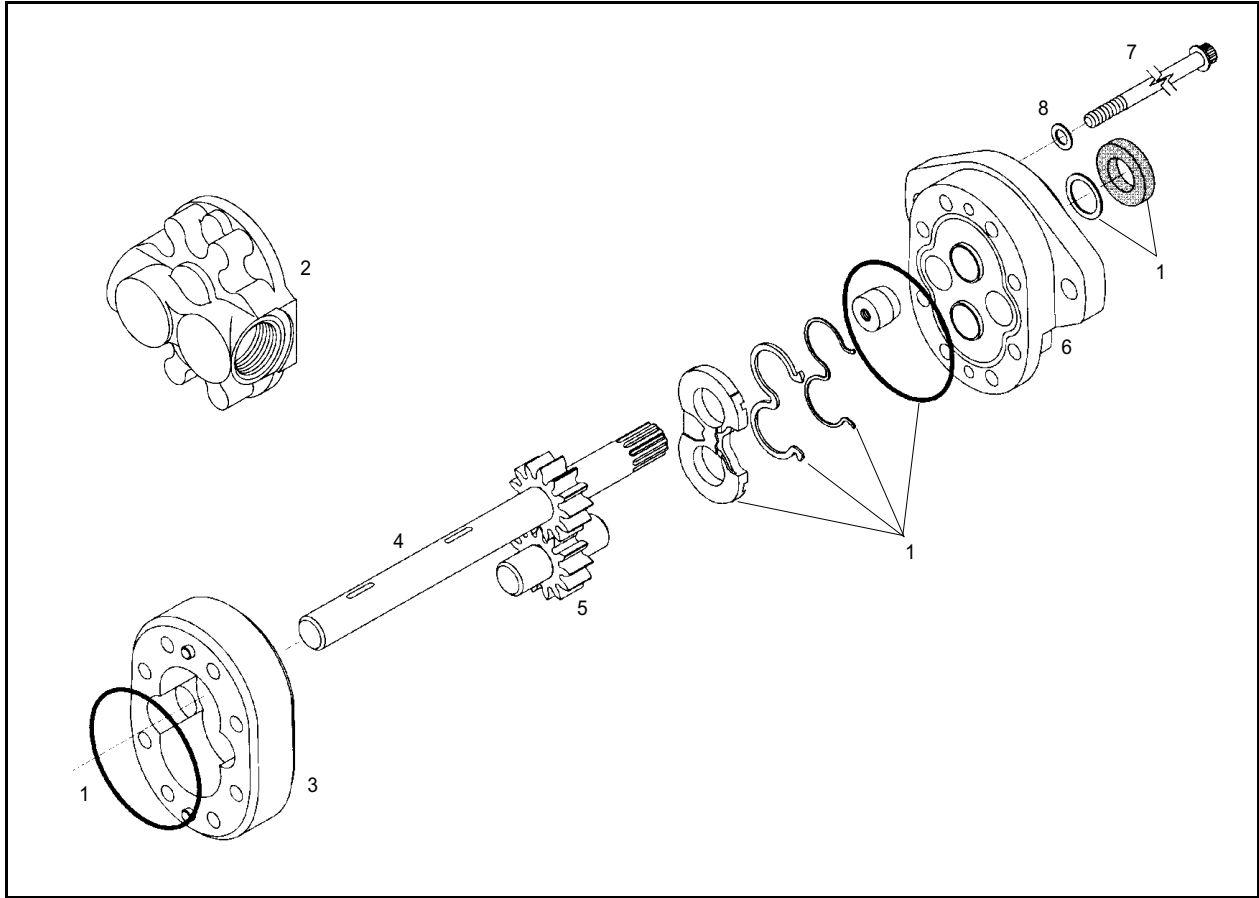
1448 - COMPONENT DETAIL
P473286 - HYDRAULIC PUMP - FRONT (PISTON) SECTION

Ref. No.	Part No.	Description	Qty.	Ref. No.	Part No.	Description	Qty.
	P473286	COMPLETE PUMP (INCLUDES GEAR PUMP)	1	18	P700692	RELIEF VALVE, SUBASY	1
	P700687	COMPLETE PISTON PUMP ONLY	1	19	P700693	BEARING, CONE	2
1	P700418	SHAFT, DRIVE	1	20	*	PLATE, COVER	1
2	*	ENDCOVER SUBASY	1	21	*	PLATE, COVER	1
3	*	HOUSING SUBASY	1	22	*	PIN, DOWEL	2
4	P700688	ROTATING KIT SUBASY	1	23	*	SCREW, CAP	2
5	*	SWASHPLATE	1	24	*	SCREW, CAP	2
6	*	WASHER	1	25	*	CUP, BEARING	2
7	*	RING, RETAINING (INCLUDED IN REF. 36)	1	26	*	RING, CRUSH	1
8	*	RING, RETAINING (INCLUDED IN REF. 36)	2	27	*	O-RING	2
9	P700689	BEARING, THRUST	1	28	P700694	PLATE, VALVE	1
10	P700690	RACE, BEARING	2	29	P700684	PLUG, SUBASY	1
11	P392700	SEAL, SHAFT (INCLUDED IN REF. 36)	1	30	P700210	BEARING	1
12	*	GASKET, HOUSING	1	31	P700018	SPRING	2
13	P700691	INSERT, SWASHPLATE	1	32	088311	PLUG ASSEMBLY	2
14	*	WASHER	6	33	P700200	GEAR PUMP MOUNT KIT	1
15	*	SEAL, SHAFT (INCLUDED IN REF. 36)	1	34	P700201	BEARING	1
16	*	SCREW, CAP	6	35	P700207	ROLL PIN	1
17	P700692	RELIEF VALVE, SUBASY	1	36	P700695	SEAL KIT (INCL. REFS. 7, 8, 11, 12 AND 15)	1

* Not serviced separately

1448 - COMPONENT DETAIL

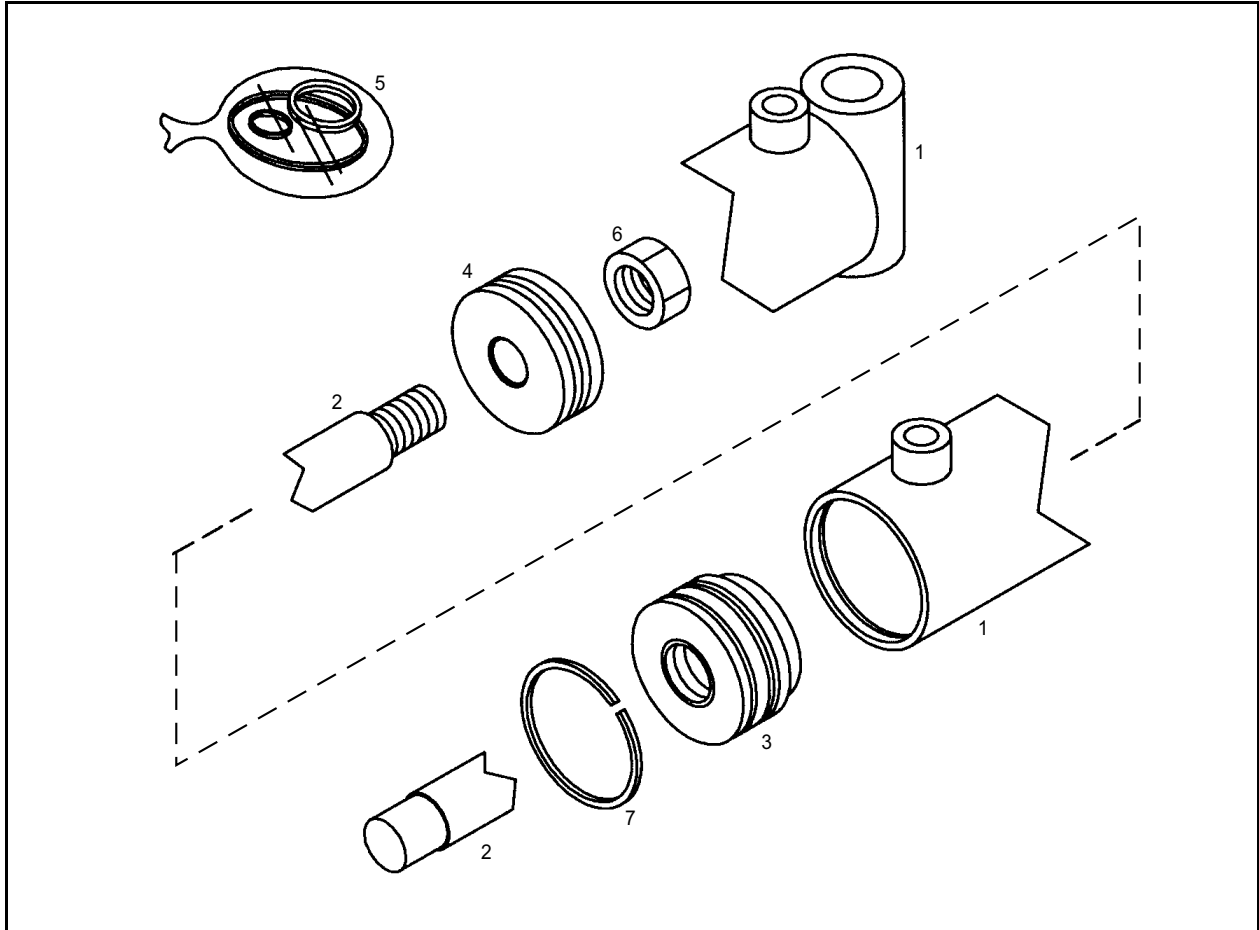
P700611 - HYDRAULIC PUMP - REAR (GEAR) SECTION



Ref. No.	Part No.	Description	Qty.
	P700611	COMPLETE GEAR PUMP ASSEMBLY	1
1	P700620	SEAL REPAIR KIT	1
2	P700022	BACK PLATE	1
3	*	BODY ASSEMBLY	1
4	*	DRIVE GEAR ASSEMBLY	1

Ref. No.	Part No.	Description	Qty.
5	*	IDLER GEAR ASSEMBLY	1
6	*	FRONT PLATE ASSEMBLY	1
7	*	CAP SCREW	8
8	*	WASHER	8
* Not serviced separately			

1448 - COMPONENT DETAIL P470593 - TRACK TENSION CYLINDER



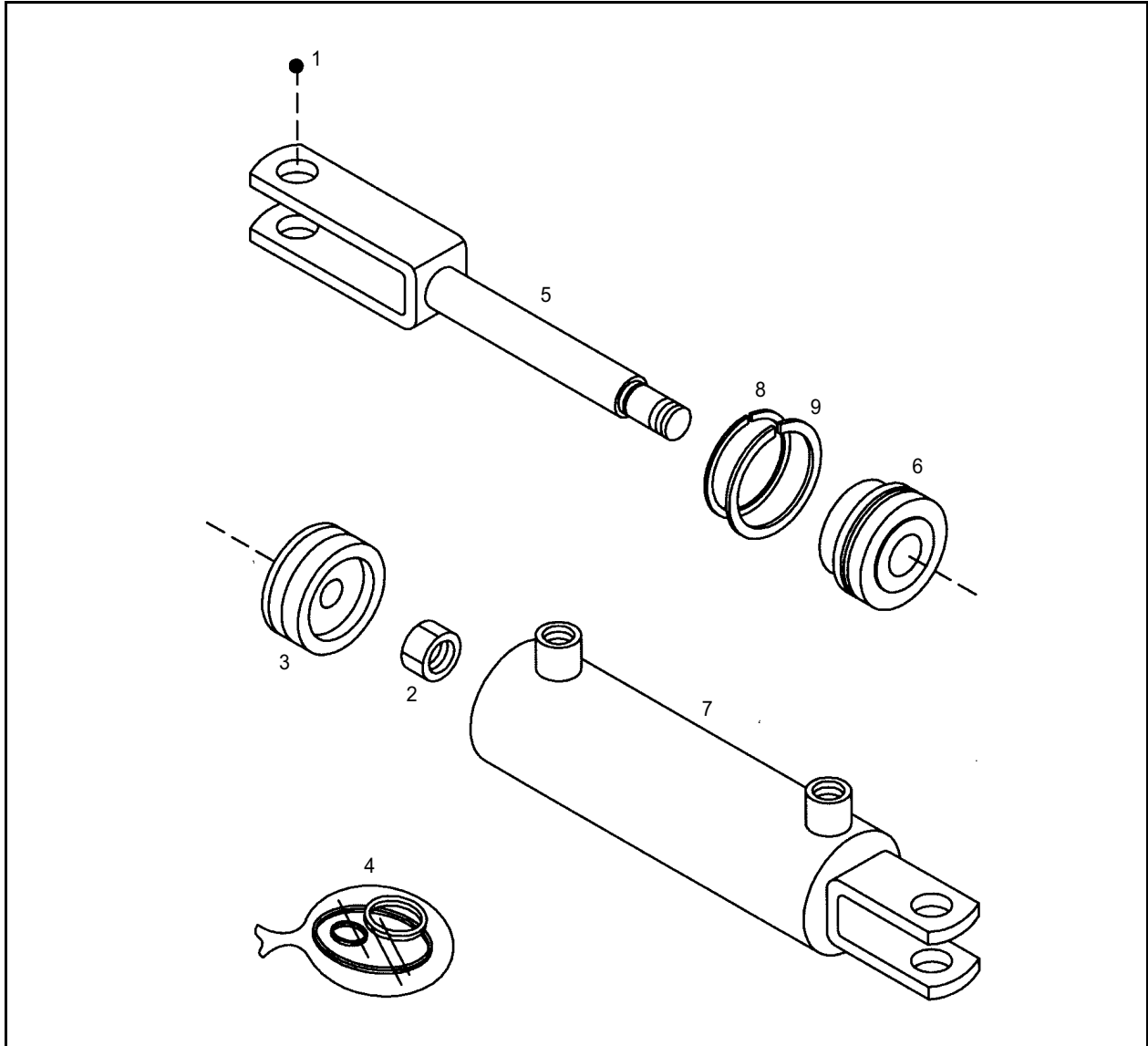
Ref. No.	Part No.	Description	Qty.
	P470593	COMPLETE TRACK TENSION CYLINDER ASSEMBLY	1
1	*	BODY	1
2	102120	ROD	1
3	*	END GLAND	1
4	*	PISTON	1

Ref. No.	Part No.	Description	Qty.
5	102121	SEAL KIT	1
6	P700422	LOCK NUT 7/8-14 UNF	1
7	*	RETAINER RING (INCLUDED WITH REF. 5)	1

* Not serviced separately

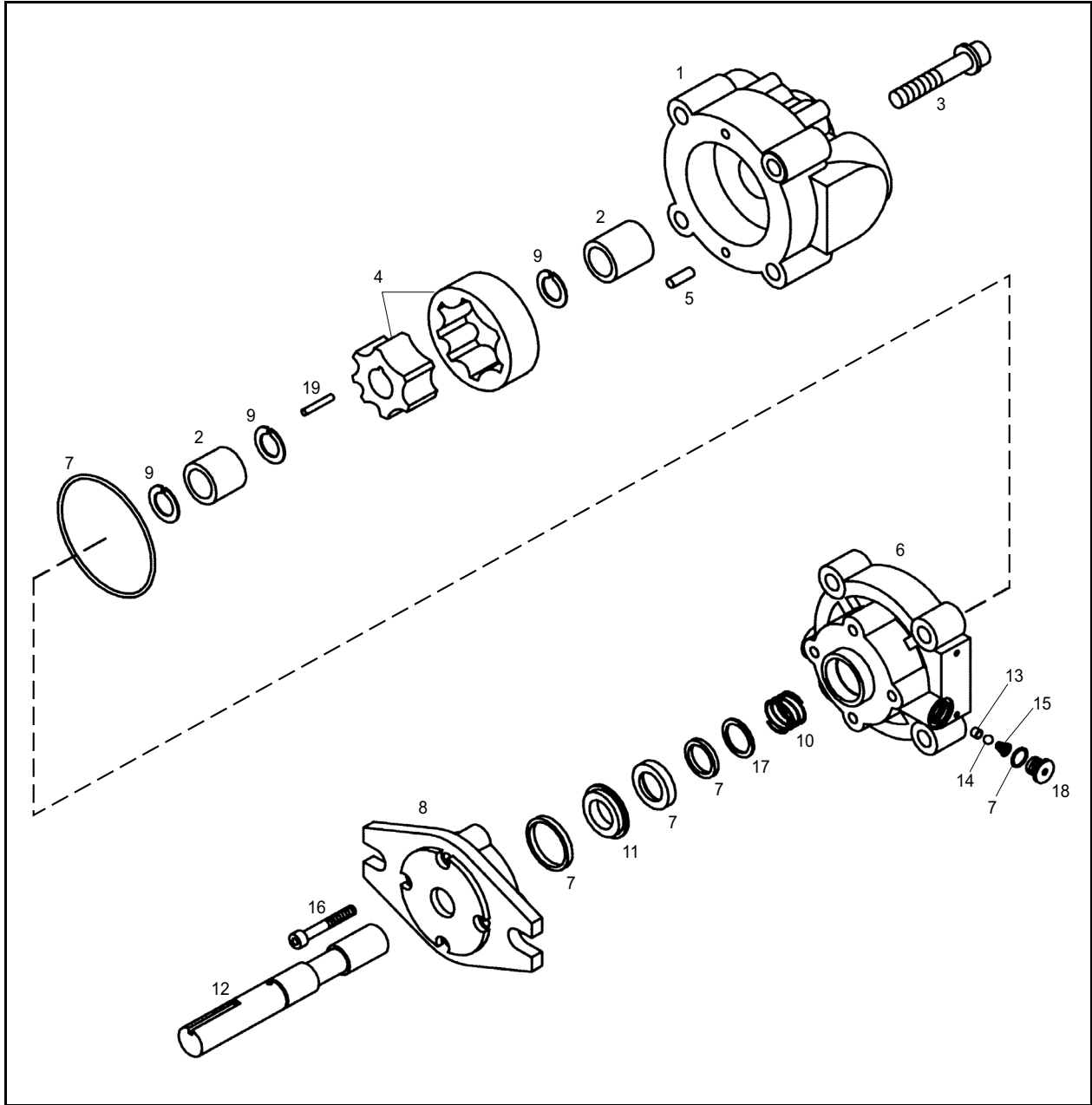
1448 - COMPONENT DETAIL

P470204 - SCREED LIFT AND GATE EXTEND CYLINDER



Ref. No.	Part No.	Description	Qty.	Ref. No.	Part No.	Description	Qty.
	P470204	COMPLETE EXTEND CYLINDER ASSEMBLY	1	6	P700399	END GLAND	1
1	P700400	CLEVIS PIN W/CLIP	1	7	*	TUBE WELDMENT	1
2	P700422	LOCKNUT 7/8-14	1	8	*	INT. RETAINER RING (INCLUDED IN REF. 4)	1
3	P368675	PISTON	1	9	*	EXT. RETAINER RING (INCLUDED IN REF. 4)	1
4	P281800	SEAL KIT (INCLUDES REFS. 8-9)	1	* Not serviced separately			
5	P385600	ROD WELDMENT	1				

1448 - COMPONENT DETAIL P349450 - SCREED VIBRATOR MOTOR



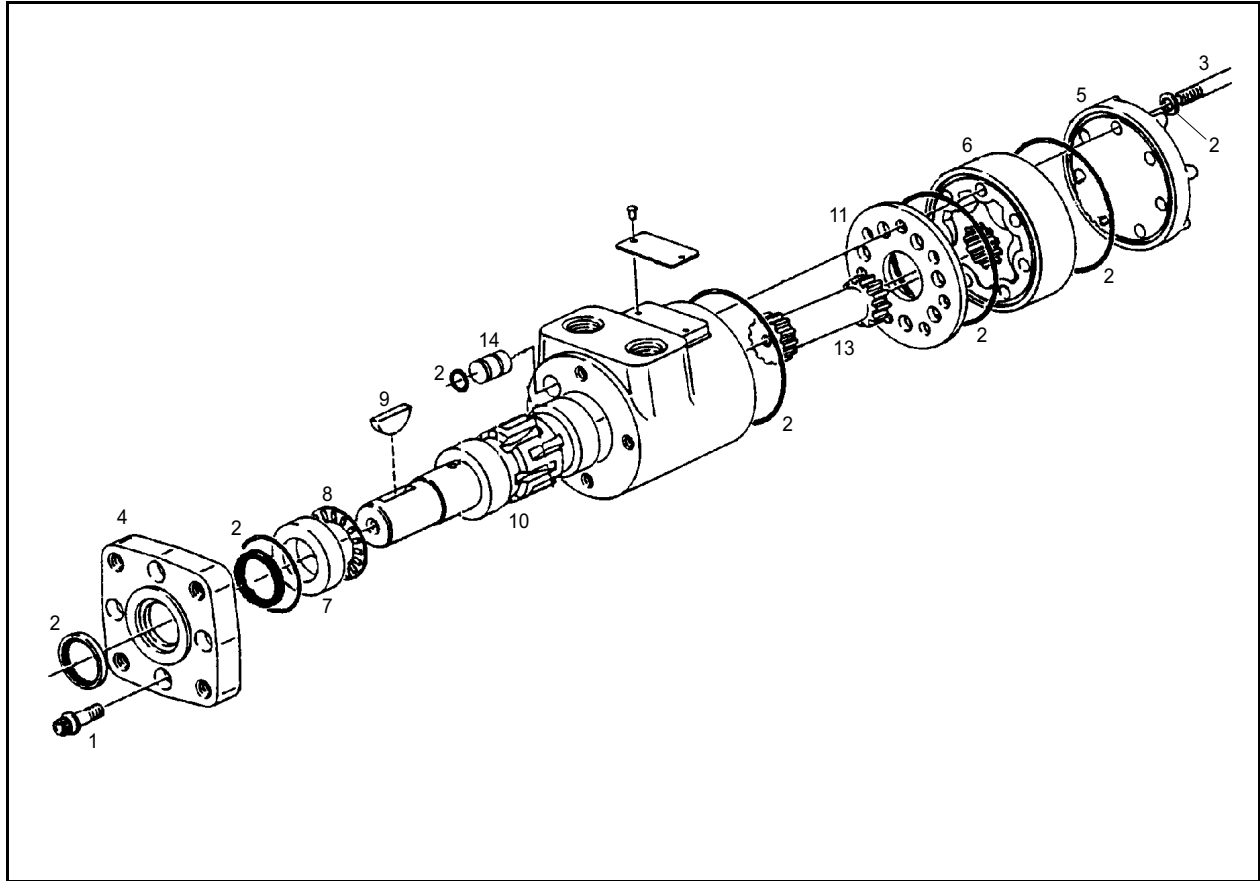
Ref. No.	Part No.	Description	Qty.
	P349450	COMPLETE VIBRATOR MOTOR ASSY	1
1	*	BODY	1
2	*	BEARING	2
3	*	BODY SCREW	4
4	*	GEROTOR ELEMENT	1
5	*	DOWEL PIN	2
6	*	COVER	1
7	P282400	SERVICE KIT (SEALS & REF. 2)	1
8	P700514	MOUNTING PLATE	1
9	P700185	RETAINING RING	3

Ref. No.	Part No.	Description	Qty.
10	P700181	SPRING	1
11	*	SEAT	1
12	*	SHAFT	1
13	*	SEAT	2
14	P700183	BALL	2
15	*	SPRING	2
16	*	SCREW #10-24X1	4
17	*	WASHER	1
18	*	PLUG	2
19	*	DRIVE PIN	1

* Not serviced separately

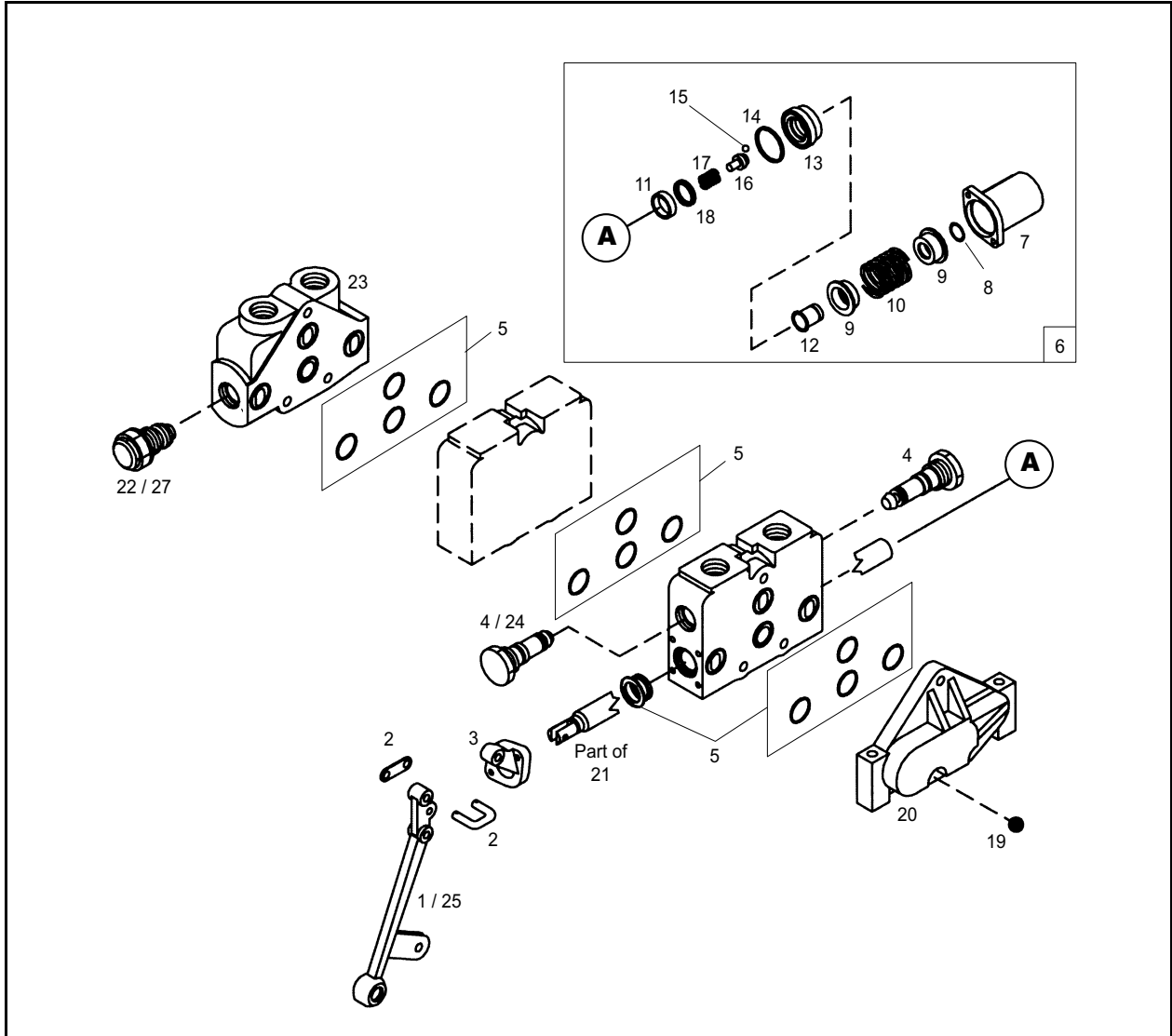
1448 - COMPONENT DETAIL

P480071 - AUGER DRIVE MOTOR



Ref. No.	Part No.	Description	Qty.	Ref. No.	Part No.	Description	Qty.
	P480071	COMPLETE ASSEMBLY	1	8	P700196	NEEDLE BEARING	1
1	*	CAPSCREW 12PT. DR. 5/16-24X7/8	4	9	P700472	KEY	1
2	P279009	SEAL KIT	1	10	*	OUTPUT SHAFT, SPLINED	1
3	*	CAPSCREW 12PT. DR. 5/16-24	7	11	*	SPACER PLATE	1
4	P243860	MOUNTING FLANGE	1	12	*	HOUSING	1
5	*	END CAP	1	13	*	DRIVE	1
6	P700222	GEROTOR SET	1	14	*	PLUG	1
7	P700199	BREARING RACE	1			* Not serviced separately	

1448 - COMPONENT DETAIL P471467 - TRACK DRIVE CONTROL VALVE

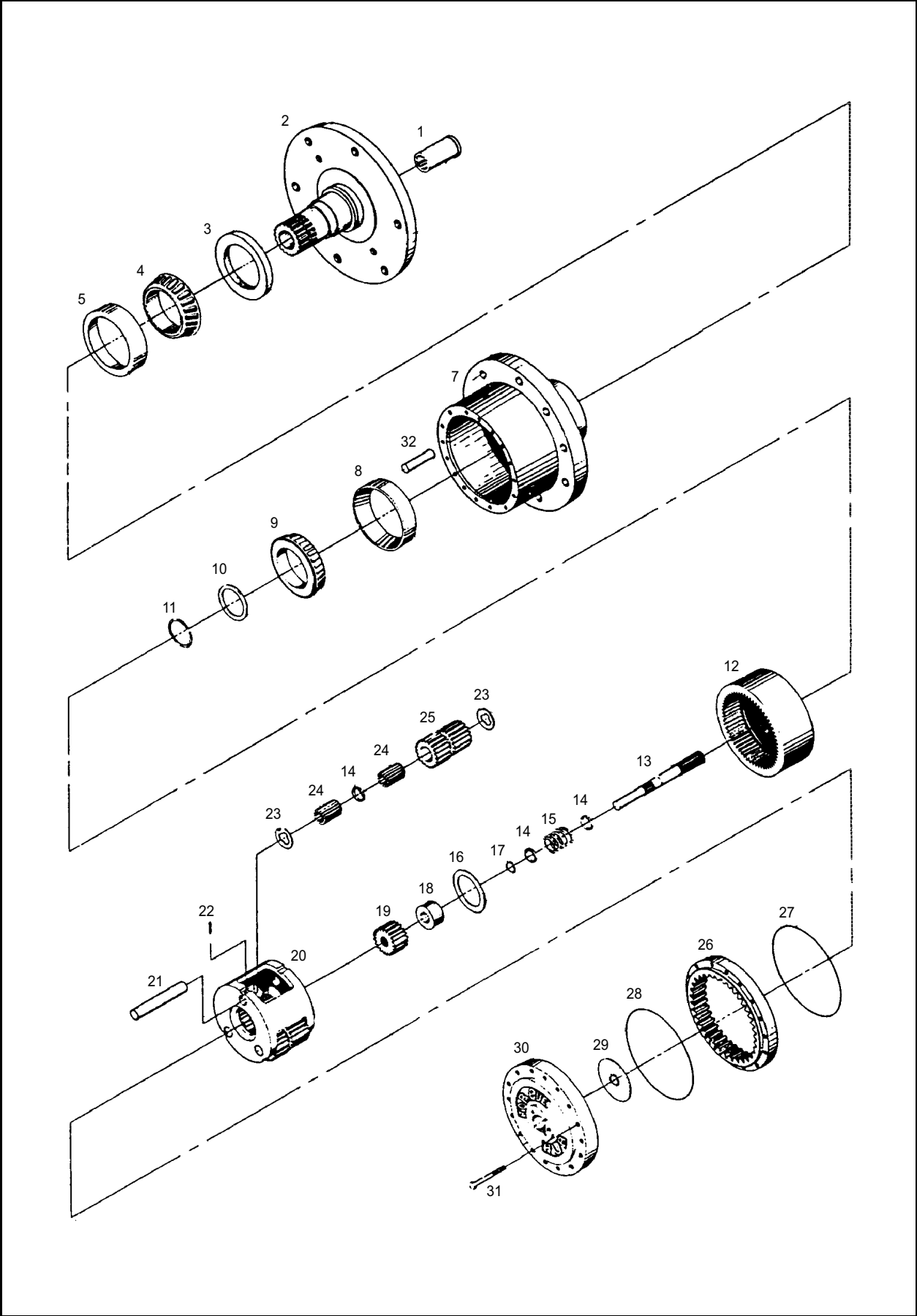


Ref. No.	Part No.	Description	Qty.
	P471467	COMPLETE DRIVE VALVE ASSY	1
1	P283150	HANDLE & LINK KIT (INCLUDES REF. 2)	2
2	P700174	LINK KIT	2
3	P045000	BRACKET	2
4	088311	PLUG	2
5	L98886	COMPLETE SECTION SEAL KIT (INCLUDES SPOOL,CHECK PLUG SEALS)	3
6	P700178	POSITIONER KIT (INCLUDES REFS. 7-18)	2
07	P700606	BONNET	1
08	*	RETAINER	1
09	*	COLLAR	2
10	*	CENTERING SPRING	1
11	*	SLEEVE RETAINER	1
12	*	SPOOL COLLAR	1
13	*	SLEEVE	1

Ref. No.	Part No.	Description	Qty.
14	*	O-RING	1
15	*	BALL	2
16	*	FOLLOWER	1
17	*	DETENT SPRING	1
18	*	SEAL	1
19	*	TIE ROD KIT	1
20	*	END COVER	1
21	P418235	WORK SECTION W/SPOOL	2
22	*	MAIN RELIEF	1
23	*	IN/OUT SECTION	1
24	P700176	CHECK SEAL KIT	2
25	P470407	TAB (WELD ON)	2
26	P283200	SPOOL SEAL KIT	2per
27	P700136	RELIEF SEAL KIT	1

* Not serviced separately

1448 - COMPONENT DETAIL
P271900 - TORQUE HUB



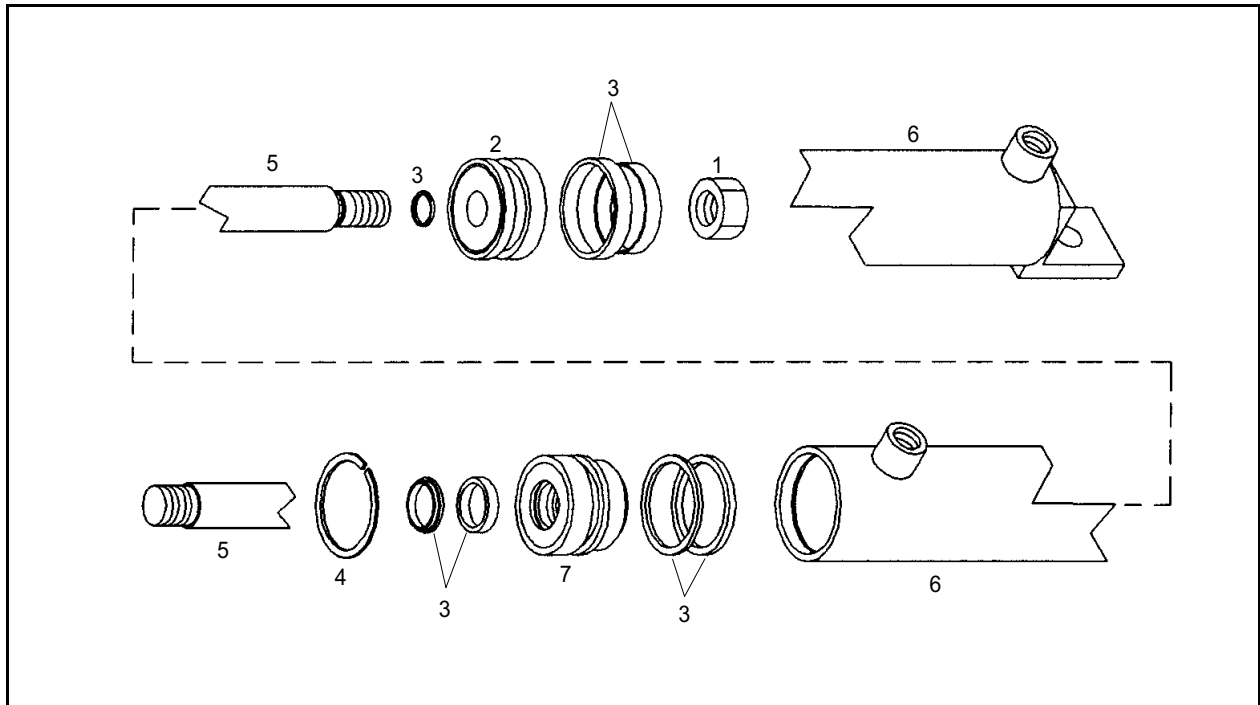
**1448 - COMPONENT DETAIL
P271900 - TORQUE HUB**

Ref. No.	Part No.	Description	Qty.
	P271900	COMPLETE TORQUE HUB ASSY.	1
1	P700670	COUPLING	1
2	P700110	SPINDLE	1
3	P700103	SEAL	1
4	P700253	BEARING CONE	1
5	L97239	BEARING CUP	1
7	*	HOUSING	1
8	P700063	BEARING CUP	1
9	P700064	BEARING CONE	1
10	P700068	THRUST WASHER	1
11	P384600	RETAINER RING	1
12	P700061	INTERNAL GEAR	1
13	*	INPUT SHAFT	1
14	P700073	THRUST WASHER	3
15	P700085	SPRING	1
16	*	THRUST WASHER	1
17	P700081	RETAINER RING	1

Ref. No.	Part No.	Description	Qty.
18	P700111	INPUT SPACER	1
19	P700104	SUN GEAR	1
20	P700076	CARRIER	1
21	P700070	PLANET SHAFT	3
22	P700074	ANTI-ROLL PIN	3
23	P700071	THRUST WASHER	2
24	P700072	NEEDLE ROLLERS	96
25	P700105	CLUSTER GEAR	3
26	P700106	RING GEAR	1
27	P382100	O-RING	1
28	L500774	O-RING	1
29	L500775	THRUST CAP	1
30	L500776	COVER ASSEMBLY	1
31	L500773	GR8 BOLT 5/16-18X2-1/4	12
32	L500777	DOWEL PIN	4

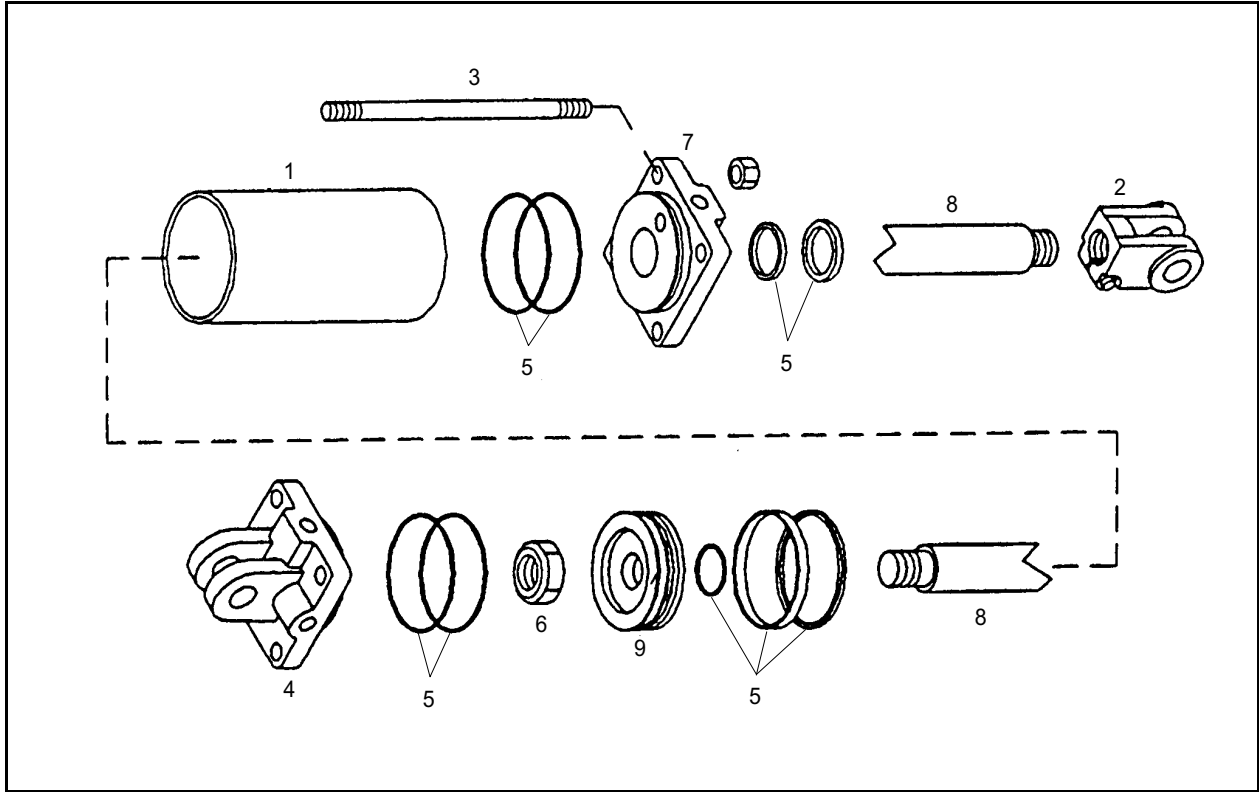
* Not serviced separately

1448 - COMPONENT DETAIL
P480073 - SCREED EXTEND CYLINDER



Ref. No.	Part No.	Description	Qty.	Ref. No.	Part No.	Description	Qty.
	P480073	COMPLETE CYLINDER ASSY	1	5	P700159	ROD	1
1	P700422	LOCKNUT 7/8-14	1	6	*	TUBE WELDMENT	1
2	P700656	PISTON	1	7	P700658	END GLAND	1
3	P700157	SEAL KIT (INCLUDES REF. 4)	1	* Not serviced separately			
4	P700158	RETAINER RING	1				

1448 - COMPONENT DETAIL P470939 - HOPPER LIFT CYLINDER

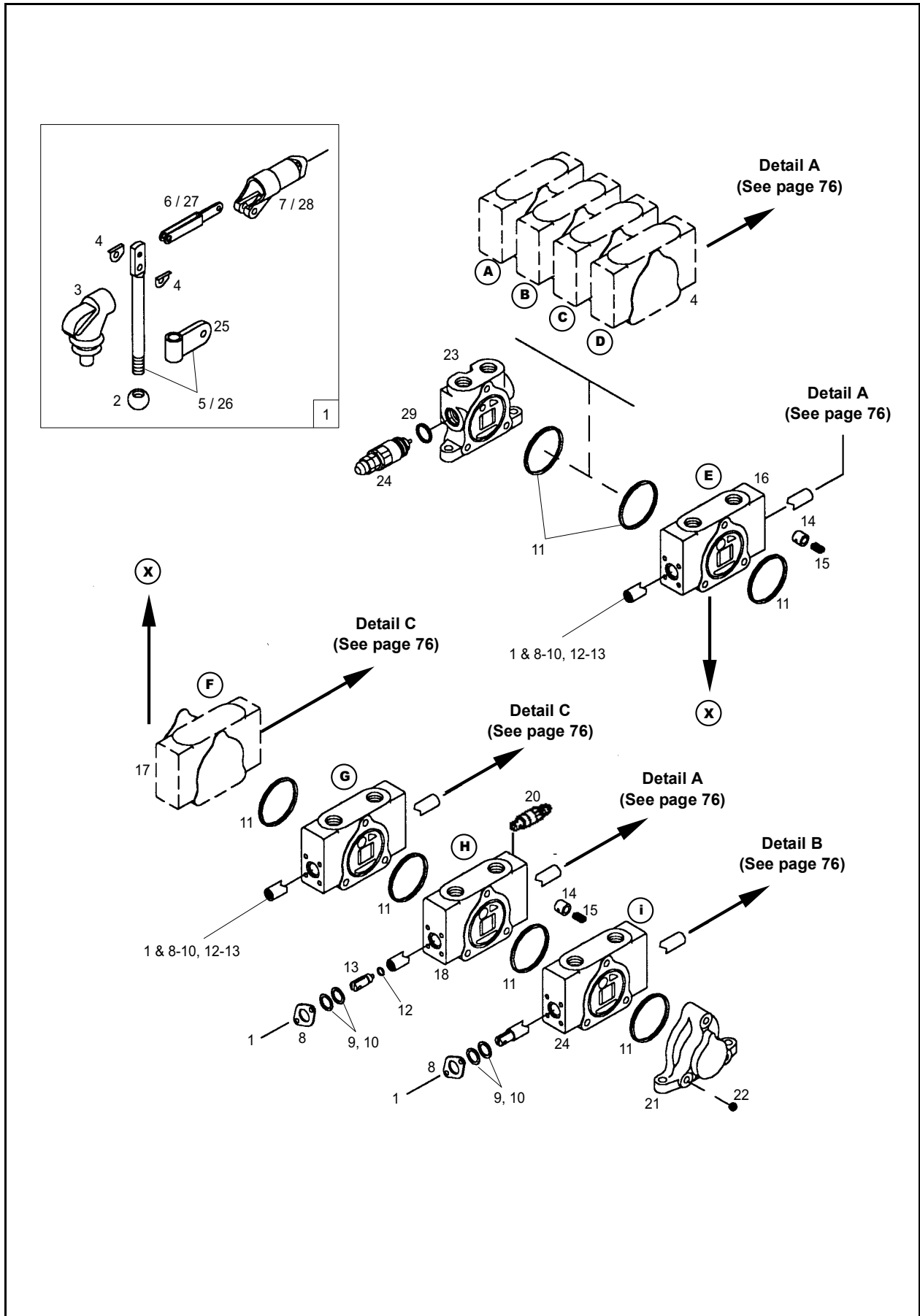


Ref. No.	Part No.	Description	Qty.
	P470939	COMPLETE CYLINDER ASSY (NOTE: CYLINDER P/N STAMPED ON TUBE)	1
1	*	TUBE	1
2	P700238	ROD END CLEVIS	1
3	*	TIE ROD	4
4	*	BUTT END CLEVIS	1
5	P700239	SEAL KIT	1

Ref. No.	Part No.	Description	Qty.
6	P700422	LOCKNUT 7/8-14	1
7	*	END GLAND	1
8	P700233	ROD	1
9	*	PISTON	1

* Not serviced separately.
NOTE: P/N stamped on tube.

1448 - COMPONENT DETAIL
101283 - 9-STACK CONTROL VALVE



1448 - COMPONENT DETAIL

101283 - 9-STACK CONTROL VALVE

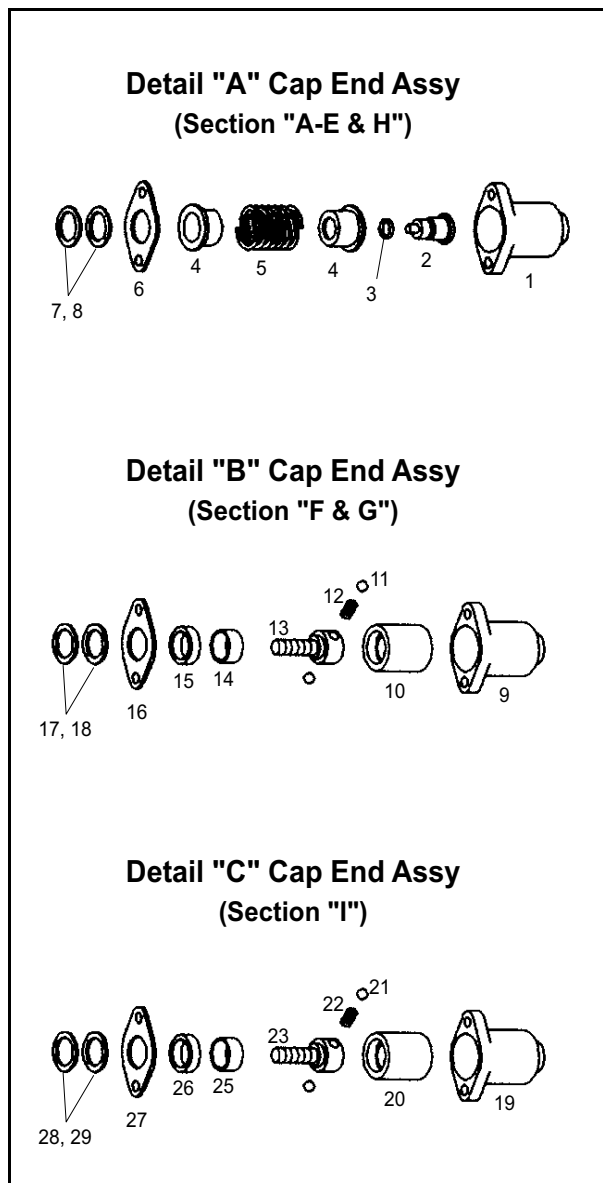
Ref. No.	Part No.	Description	Qty.
	101283	COMPLETE 9-STACK CONTROL VALVE ASSEMBLY	1
	P700480	COMPLETE SEAL KIT	1
1	P286100	HANDLE KIT (INCL. 2-7)	9
2	P284750	KNOB	9
3	P700163	BOOT	9
4	P700164	SHIM	18
5	*	HANDLE	9
6	P700165	LINK	18
7	P045625	PIVOT MOUNT	9
8	P700166	SEAL PLATE, CLEVIS END	9
9	P424000	SPOOL WIPER, CLEVIS END	9
10	*	SPOOL O-RING, CLEVIS END	9
11	P382900	BETWEEN SECTS. O-RING	9
12	*	O-RING, CLEVIS	8
13	P700417	CLEVIS END	8
14	P700416	POPPET, C.V.	8
15	P700115	SPRING	8

Ref. No.	Part No.	Description	Qty.
16	P418040	COMPL. SPOOL SECT. (W/DETAIL "A" CAP END)	5
17	*	COMPL. SPOOL SECT. (W/DETAIL "B" CAP END)	2
18	*	COMPL. SPOOL SECT. (W/DETAIL "A" CAP END)	1
19	*	COMPL. SPOOL SECT. (W/DETAIL "B" CAP END)	1
20	P700642	RELIEF VALVE	1
21	P700643	END SECTION	1
22	P700170	TIE ROD KIT	1
23	P700506	IN/OUT SECTION	1
24	P700519	MAIN RELIEF VALVE	1
25	P470427	TAB ONLY (WELD-ON "A,F & H" HANDLES)	3
26	*	CLEVIS PIN	9
27	*	PIN	9
28	*	SOC. HD. CAPSCREW	18
29	*	O-RING	1

* Not serviced separately

1448 - COMPONENT DETAIL

9-STACK CONTROL VALVE CAP ENDS



DETAIL "A" CAP END ASSY

Ref. No.	Part No.	Description	Qty.
	P700173	COMPLETE ASSEMBLY	
1	P700604	CAP	1
	*	SOC. HD. CAPSCREW	2
2	*	SPOOL END	1
3	*	O-RING, SPOOL END	1
4	*	SPRING SEAT	2
5	P700220	SPRING	1
6	P700166	SEAL PLATE, CAP END	1
7	P424000	SPOOL WIPER, CAP END	1
8	*	SPOOL O-RING, CAP END	1

* Not serviced separately

DETAIL "B" CAP END ASSY

Ref. No.	Part No.	Description	Qty.
	P700171	COMPLETE ASSEMBLY	
9	P700604	CAP	1
	*	SOC. HD. CAPSCREW	2
10	*	DETENT SLEEVE	1
11	*	BALL	2
12	P700168	SPRING	1
13	*	DETENT PIN	1
14	*	SPACER	1
15	*	SPACER	1
16	P700166	SEAL PLATE, CAP END	1
17	P424000	SPOOL WIPER, CAP END	1
18	*	SPOOL O-RING, CAP END	1

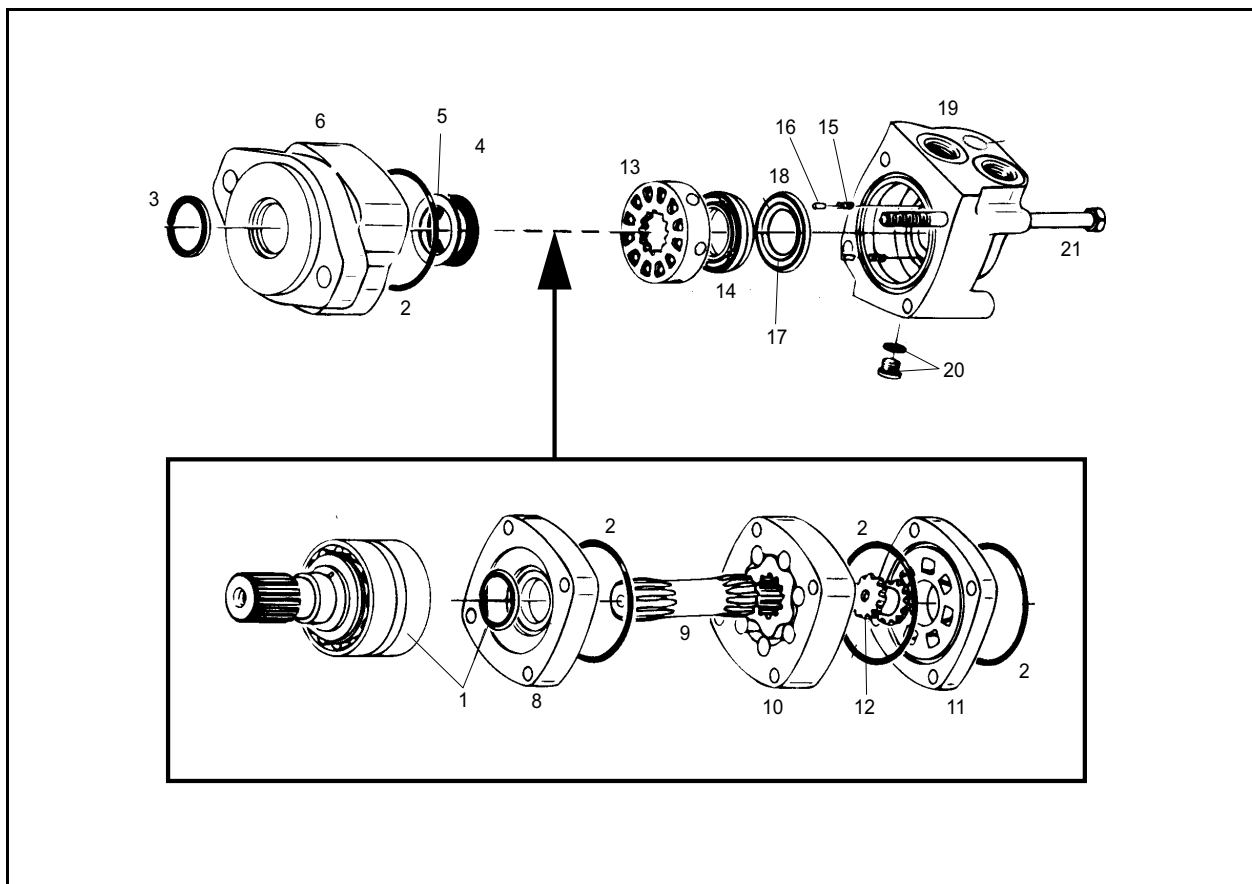
* Not serviced separately

DETAIL "C" CAP END ASSY

Ref. No.	Part No.	Description	Qty.
	P700172	COMPLETE ASSEMBLY	
19	P700604	CAP	1
	*	SOC. HD. CAPSCREW	2
20		DETENT SLEEVE	1
21	*	BALL	2
22	P700168	SPRING	1
23	*	SPOOL END	1
24	*	O-RING, SPOOL END	1
25	*	SPACER	1
26	*	SPACER	1
27	P700166	SEAL PLATE, CAP END	1
28	P424000	SPOOL WIPER, CAP END	1
29	*	SPOOL O-RING, CAP END	1

* Not serviced separately

1448 - COMPONENT DETAIL P471429 - TRACK DRIVE MOTOR



Ref. No.	Part No.	Description	Qty.	Ref. No.	Part No.	Description	Qty.
	P471429	COMPLETE DRIVE MOTOR ASSEMBLY	1	11	*	VALVE PLATE	1
	L500727	COMPL. SEAL KIT (INCLUDES REFS. 2, 3, 4, 7, 17, 18, 22)	1	12	*	DRIVE VALVE	1
1	*	SHAFT & BEARING KIT	1	13	*	VALVE	1
2	*	SEAL	4	14	*	BALANCE RING	1
3	*	EXCLUSION SEAL	1	15	*	RING PIN	2
4	*	SHAFT SEAL	1	16	*	COMPRESSION SPRING	2
5	*	BACKUP RING	1	17	*	INNER FACE SEAL	1
6	P700525	HOUSING	1	18	*	OUTER FACE SEAL	1
7	*	SHAFT FACE SEAL	1	19	*	VALVE HOUSING	1
8	*	WEAR PLATE	1	20	*	PLUG ASY.	1
9	*	MAIN DRIVE	1	21	*	CAPSCREW 5.1" LONG	4
10	*	GEROLER	1	22	*	O-RING	1

* Not serviced separately

NOTES

Index

NUMERICICS

9-Stack Control Valve Cap Ends 77

A

Auger Drive Motor 69

C

Chassis Backwall 19

Control Valve, 9-Stack 75

Control Valve, Track Drive 70

Covers 21

Cylinder, Gate Extend 67

Cylinder, Hopper Lift 74

Cylinder, Screed Extend 73

Cylinder, Screed Lift 67

Cylinder, Track Tension 66

E

Electrical 53

Engine 23

 Alternator 50

 Camshaft & Driving Gear 33

 Cooling Water System 35

 Cylinder Block 26

 Cylinder Head and Bonnet 29

 Exhaust Manifold 33

 Flywheel Housing & Oil Sump 25, 46

 Fuel Injection Pump 39, 41

 Fuel Injection Valve 43

 Fuel Line 47

 Gear Housing 27, 28

 Governor 45

 Lub. Oil System 37

 Starter 49

 Suction Manifold 31, 32

Engine Air Inlet 51

Engine Exhaust 51

F

Filters 6

Flow Gate 18

Fuel Tank 15

H

Hopper 8, 16

Hydraulic Pump, Front (Piston) Section ... 63

Hydraulic Pump, Rear (Gear) Section 65

Hydraulics, Gates 61

Hydraulics, Hopper 61

Hydraulics, Main 55

Hydraulics, Screed 57

Hydraulics, Track Drive 59

Hydraulics, Vibrator 57

M

Main Screed 9

P

Propane Kit 13

Pullarms 7

S

Screed Cutoff Option 12

Screed Extensions 11

Screed Vibrator Motor 68

Service Parts

 Paint 5

 Special Tools 5

Side Gates 17

Spraydown Tank 14

T

Torque Hub 71

Torque Specifications 100

Track 22

Track Drive Motor 78

W

Wings 17

1448 - Numerical Index

Part No.	Page No.	Ref. No.	Part No.	Page No.	Ref. No.	Part No.	Page No.	Ref. No.
176060	2		272815	5	15	P471455	8	8
072798	2	1	272816	5	16	230-24749	8	9
137628	2	2	195387	5	21	110227	8	10
175862	2	3	272813	5	31	P471084	8	11
P204100	2	4	272806	5	32	655024	8	12
P204015	2	5	272809	5	33	P471297	8	13
P204012	2	6	272811	5	34	P470204	8	14
P204013	2	7	272812	5	35	P471454	9	15
P201400	2	8	167788	5	36	P471203	9	16
L65942	2	9	167789	5	38	067847	9	17
L65927	2	10	167758	5	39	654006	9	18
L65924	2	11	167760	5	40	650533	9	19
P471840	2	12	182130	6	1	070634	9	20
P471816	2	13	195568	6	2	650650	9	21
P214000	2	14	203822	6	3	068034	9	22
P212750	2	15	186340	6	3	P470080	9	23
P210200	2	16	131838	6	4	650491	9	24
P204107	2	17	420-36075	6	5	P470121	9	25
P204101	2	18	P470065	7	1	L76020	9	26
175981	2	19	P470066	7	1	P018700	9	27
175805	2	20	650695	7	2	650818	9	28
137632	2	21	067823	7	3	P470406	9	29
137634	2	22	068034	7	4	P349450	9	30
140516	2	23	650503	7	5	P316100	9	31
101481	2	24	650494	7	6	650201	9	32
175899	2	25	650533	7	7	P316400	9	33
175933	2	25	654026	7	8	P471392	9	34
183963	2	26	P252400	7	9	P470468	9	35
184467	5	3	P142175	7	10	P470143	9	36
186011	5	4	570019	7	11	175895	9	37
183877	5	5	P289010	7	12	P471507	10	1
184472	5	6	P470070	7	13	P471508	10	1
184473	5	7	P471567	7	14	P470057	10	2
184475	5	8	175897	8	1	P470058	10	2
184476	5	9	650909	8	2	P178000	10	3
184474	5	10	P470205	8	3	P015900	10	4
420-34912	5	11	132681	8	4	653116	10	5
420-34913	5	12	136226	8	5	110227	10	6
420-34914	5	13	654002	8	6	P480073	10	7
272814	5	14	650448	8	7	650649	10	8

1448 - Numerical Index

Part No.	Page No.	Ref. No.	Part No.	Page No.	Ref. No.	Part No.	Page No.	Ref. No.
079209	10	9	067847	13	3	P470939	15	7
P470051	10	10	650490	13	4	P471057	15	8
654006	10	11	P470463	13	5	P471427	15	9
L520022	10	12	654006	13	6	102134	15	10
P473002	11	1	P022800	13	7	102134	15	11
P473001	11	1	P270900	13	8	057864	16	1
P473004	11	1	175375	13	9	L560002	16	2
P473003	11	1	175394	13	10	P470088	16	3
P473006	11	1	175373	13	11	P470100	16	4
P473005	11	1	P470341	13	12	P470609	16	5
P473008	11	1	651253	13	13	P471129	16	6
P473007	11	1	P470472	13	14	P471130	16	7
P473010	11	1	650584	13	15	P471131	16	8
P473009	11	1	084175	13	16	P471132	16	9
101866	11	2	175372	13	17	122633	16	10
101867	11	2	084175	13	18	P470610	16	11
101868	11	2	062023	14	1	P471045	17	1
P471428	11	2	186467	14	2	P471044	17	2
P471577	11	3	182130	14	3	P136200	17	3
P471579	11	3	651065	14	4	L60253	17	4
650494	11	4	654024	14	5	650488	17	5
653018	11	5	L530004	14	6	L50426	17	6
654009	11	6	L72019	14	7	650650	17	7
805462	12	6	186308	14	8	P473327	17	8
P380200	12	1	133074	14	9	L50070	17	9
P270200	12	2	P470472	14	10	P311800	17	10
P412000	12	3	188492	14	11	P471466	17	11
650488	12	4	P473298	14	12	L50746	17	12
654026	12	5	175675	14	13	P480071	17	13
175811	12	6	P473303	14	14	P471052	17	14
653094	12	7	175885	14	15	650416	17	15
650810	12	8	175882	14	16	079209	17	16
175674	12	9	175884	14	17	654014	17	17
175632	12	10	175883	14	18	P470204	17	18
175572	12	11	070856	15	1	P471297	17	19
175494	12	12	650488	15	2	655024	17	20
071701	12	13	650528	15	3	230-24749	17	21
650734	12	14	654006	15	4	P311600	17	23
057650	13	1	654026	15	5	P473328	17	24
062023	13	2	P470406	15	6	L50071	17	25

1448 - Numerical Index

Part No.	Page No.	Ref. No.
654046	17	26
P471206	17	27
654026	17	28
175898	18	1
P221650	18	2
650502	18	3
P221850	18	4
175707	18	5
080456	18	6
P470836	18	7
076002	18	8
L561003	18	9
P470320	18	10
P252400	18	11
L50833	18	12
650533	18	13
P143200	18	14
650584	18	15
072425	18	16
650551	18	17
P137200	18	18
071858	18	19
P470246	18	20
P470014	18	21
L277729	18	22
P024000	18	23
650558	18	24
654006	19	25
P470606	19	26
P470025	19	27
L50385	19	28
654014	19	29
079209	19	30
P252600	19	31
P470299	19	33
P470294	19	34
P470289	19	35
175807	19	36
P471247	19	37
P470006	19	38

Part No.	Page No.	Ref. No.
061826	19	39
L50070	19	40
654046	19	41
L50065	19	42
070856	19	43
L50113	19	44
653019	19	45
P471289	19	46
230-32672	19	47
067847	19	48
650490	19	50
P013150	19	51
070648	20	1
650486	20	2
650488	20	3
654004	20	4
654026	20	5
L530004	20	6
175815	20	7
P471547	20	8
L62459	20	9
650315	20	10
175724	20	11
650315	20	12
430132	21	12
430133	21	12
054626	21	1
062397	21	2
079209	21	3
101438	21	4
650416	21	5
650434	21	6
654034	21	7
654057	21	8
655024	21	9
L60588	21	10
P024500	21	11
P032600	21	12
P234200	21	13
P271900	21	14

Part No.	Page No.	Ref. No.
P392450	21	15
P470587	21	16
P470589	21	16
P470588	21	17
P470590	21	17
P470593	21	18
P471182	21	19
P471186	21	20
P471406	21	21
P471429	21	22
P471448	21	23
P471479	21	24
P471501	21	25
P471502	21	26
P471532	21	27
P471543	21	28
P471548	21	29
P471549	21	30
P473055	21	31
P700645	21	31
P700646	21	31
P700647	21	31
P480122	21	32
P480124	21	33
201115	21	34
069485	21	35
201115	21	36
061946	22	1
064260	22	2
067684	22	3
067685	22	4
068034	22	5
076587	22	6
175272	22	7
175414	22	8
175515	22	9
175566	22	10
175568	22	11
650835	22	12
176471	22	13

1448 - Numerical Index

Part No.	Page No.	Ref. No.	Part No.	Page No.	Ref. No.	Part No.	Page No.	Ref. No.
175735	22	14	067847	23	54	197771	26	4
176871	22	15	650490	23	55	270948	26	5
175777	22	16	101132	23	56	425-34740	26	6
175855	22	17	188573	24	1	425-34741	26	7
186998	22	18	425-34754	24	2	425-34743	26	8
650503	22	19	425-34756	24	3	188452	26	9
650548	22	20	188749	24	4	425-34681	26	10
650550	22	21	188750	24	5	188537	26	11
650663	22	22	425-35429	24	6	425-34750	26	12
653006	22	23	192271	24	8	425-34745	26	13
188492	22	24	425-36121	24	9	425-34733	26	14
654028	22	25	138113	24	11	425-34733	26	15
250-32602	22	26	425-34733	24	12	425-34760	26	16
420-19671	22	27	425-34765	24	13	425-34748	26	17
653005	22	28	425-34747	24	14	138140	26	18
P471410	22	29	188573	24	15	270949	26	19
P471411	23	30	188574	24	16	425-34763	26	20
P471689	23	31	425-34759	24	18	425-35164	26	21
P473286	23	32	188640	24	19	230093	27	1
650533	23	33	425-34761	24	20	425-36260	27	4
654006	23	34	425-34766	24	22	188723	27	5
656007	23	35	188762	25	1	270946	27	6
175214	23	36	425-34723	25	5	188481	27	7
176658	23	37	425-36240	25	6	188480	27	8
654022	23	38	425-34721	25	7	188680	27	9
186308	23	39	425-34721	25	8	188635	27	10
654024	23	40	425-34722	25	9	188536	27	11
L630004	23	41	425-34730	25	10	188463	27	12
654009	23	42	425-34732	25	13	270948	27	13
656080	23	43	425-34725	25	14	425-34740	27	14
650487	23	44	425-34726	25	15	425-34741	27	15
654004	23	45	425-35931	25	25	425-34743	27	16
070648	23	46	425-34731	25	28	188452	27	17
650448	23	47	188538	25	31	188482	27	18
650486	23	48	425-34638	25	32	188483	27	19
425-36233	23	49	425-36241	25	33	188484	27	20
651421	23	50	425-34734	25	34	425-34681	27	21
195568	23	51	425-34735	25	37	188537	27	22
182130	23	52	197755	26	1	425-34745	27	23
654026	23	53	270946	26	3	425-34733	27	24

1448 - Numerical Index

Part No.	Page No.	Ref. No.
425-34733	27	25
425-34748	27	26
138140	27	27
270949	27	28
425-34763	27	29
425-35164	27	30
188679	29	1
425-34733	29	2
188540	29	3
188541	29	4
188470	29	6
188471	29	7
188472	29	8
188597	29	9
188544	29	10
188596	29	11
425-34791	29	13
425-34782	29	14
230089	29	15
188560	29	15
425-34779	29	21
188559	29	22
425-34639	29	23
425-34643	29	24
425-34644	29	25
188507	29	26
425-34645	29	27
425-34646	29	28
425-34642	29	30
425-34641	29	31
186337	29	32
425-34796	29	33
188545	29	34
188502	29	35
425-34783	29	36
425-34765	29	37
425-34761	29	38
425-34766	29	39
425-34740	29	40
188543	29	41

Part No.	Page No.	Ref. No.
188539	29	42
425-34769	29	43
188465	29	44
188466	29	45
188467	29	46
188469	29	47
188542	29	49
186598	29	50
186598	29	51
425-34775	29	52
425-34776	29	53
425-34745	29	54
270951	29	55
270952	29	56
270953	29	57
188558	30	1
188632	30	2
188561	30	3
188535	30	4
425-34746	30	5
425-34800	30	6
176145	30	7
425-34649	30	8
270954	30	9
425-34805	30	10
176144	30	11
188558	31	1
188632	31	2
188561	31	3
188535	31	5
425-34746	31	6
425-34800	31	7
197498	31	8
425-34803	31	9
425-34649	31	10
425-34804	31	11
425-34838	31	12
176144	31	13
176145	31	14
203889	32	1

Part No.	Page No.	Ref. No.
425-35425	32	2
138474	32	3
186375	32	4
425-36249	32	5
138140	32	6
198097	32	7
138104	32	8
425-34808	33	1
188603	33	2
425-36252	33	3
425-34656	33	4
425-34807	33	7
425-34810	33	8
188736	33	9
188476	33	10
270957	33	11
270958	33	14
425-34805	33	15
425-36187	33	16
188479	33	17
188692	33	18
188712	33	19
188755	33	20
270956	33	21
188549	35	1
188578	35	3
188579	35	4
188512	35	8
188488	35	10
425-36239	35	11
186602	35	12
188686	35	13
425-36263	35	14
188550	35	15
425-36262	35	16
425-34849	35	17
425-34733	35	18
425-34838	35	19
425-36261	35	20
188730	35	21

1448 - Numerical Index

Part No.	Page No.	Ref. No.	Part No.	Page No.	Ref. No.	Part No.	Page No.	Ref. No.
425-34707	35	22	188693	37	31	192299	39	106
425-34842	35	23	188717	37	33	425-35959	39	107
188732	35	24	188568	37	34	192294	39	108
425-36018	35	25	188693	37	35	188712	39	109
425-34705	35	26	192278	37	37	425-34892	39	111
176155	35	27	188717	37	38	186607	39	113
425-34704	35	28	188584	37	39	197798	39	114
425-34765	35	29	425-34746	37	40	198131	39	115
425-34727	35	30	425-34684	37	41	425-35263	39	116
138076	35	31	425-34835	37	42	197872	39	120
425-34683	35	32	188487	37	43	188755	39	121
160427	35	33	186468	37	44	192295	39	123
425-34747	35	34	425-34750	37	45	192296	39	124
188551	35	35	186600	37	46	192298	39	125
188553	35	36	425-34750	37	47	176151	39	126
186339	35	37	425-35958	37	48	425-35959	39	127
186464	35	38	425-34781	37	49	176152	39	128
188552	35	39	425-36264	37	50	188490	39	130
188554	35	40	230091	39	1	425-34733	39	131
186464	35	41	230090	39	1	425-34746	39	132
425-34729	35	42	192291	39	4	230094	41	1
186464	35	43	192292	39	5	192290	41	4
425-36257	37	1	192290	39	6	197772	41	35
425-34701	37	14	192293	39	12	197770	41	36
425-34823	37	15	197772	39	37	197770	41	37
176147	37	16	197770	39	38	186677	41	38
176148	37	17	186678	39	48	186678	41	46
425-35425	37	18	197773	39	56	192291	41	50
192276	37	19	197468	39	57	197773	41	51
425-34761	37	20	186676	39	58	197468	41	52
188649	37	21	186676	39	59	186676	41	53
192279	37	22	197854	39	61	186676	41	54
188633	37	23	186675	39	72	197854	41	56
188566	37	24	197855	39	75	186675	41	67
188486	37	25	197856	39	76	197855	41	70
188634	37	26	425-35959	39	100	192292	41	71
425-34831	37	27	192294	39	101	197856	41	72
195568	37	28	425-35174	39	102	192293	41	80
188567	37	29	197857	39	104	425-35959	41	103
188650	37	30	192297	39	105	192294	41	104

1448 - Numerical Index

Part No.	Page No.	Ref. No.
425-35174	41	105
192295	41	107
192296	41	108
192297	41	109
425-35959	41	110
425-35959	41	111
192294	41	112
188712	41	113
425-34892	41	115
138120	41	116
186607	41	118
192299	41	119
197798	41	120
198131	41	121
425-35263	41	122
197857	41	123
197872	41	127
188755	41	128
230092	41	130
188490	41	132
425-34733	41	133
425-34746	41	134
230096	43	1
270974	43	1
188763	43	1
230097	43	2
270975	43	2
188569	43	2
425-34903	43	5
188491	43	6
425-34666	43	10
425-34905	43	11
425-34906	43	12
188447	43	13
198134	43	14
188448	43	14
186481	43	26
186464	43	27
188451	43	29
425-35452	43	30

Part No.	Page No.	Ref. No.
186473	43	33
188555	43	35
188556	43	39
188557	43	43
188493	43	48
186464	43	49
188494	43	50
188517	43	51
192280	44	2
192281	44	3
425-34678	44	5
192283	44	21
192284	44	22
192285	44	23
425-34981	44	24
425-35263	44	52
425-35352	44	58
270972	44	62
425-35174	44	64
425-35263	44	66
425-34984	44	67
270973	44	81
425-35962	44	82
425-35962	44	83
188732	44	84
425-35925	44	95
176149	44	96
176150	44	130
176151	44	131
176152	44	132
425-35962	44	133
188547	45	1
188573	45	2
188473	45	5
425-34810	45	6
138117	45	8
188548	45	9
425-34817	45	10
425-34818	45	11
425-34693	45	12

Part No.	Page No.	Ref. No.
425-35448	45	13
425-34694	45	15
188562	45	16
188563	45	18
425-35936	45	22
425-35937	45	23
425-34698	45	24
425-34699	45	28
425-34659	45	29
270961	45	30
270962	45	32
188564	45	34
188565	45	36
270960	45	37
186467	47	1
182130	47	2
425-34760	47	3
188570	47	4
425-34916	47	5
188571	47	6
188572	47	7
188688	47	8
425-34916	47	9
188691	47	10
188439	47	11
137953	47	12
186308	47	14
188492	47	15
425-34924	47	16
186340	47	17
203822	47	17
270981	47	18
203821	47	18
425-34744	47	19
203827	47	20
425-34927	47	20
188586	48	1
188748	48	32
176153	49	1
188636	49	2

1448 - Numerical Index

Part No.	Page No.	Ref. No.	Part No.	Page No.	Ref. No.	Part No.	Page No.	Ref. No.
186318	49	15	270112	52	2	175892	55	18
186319	49	16	175739	52	2	175891	55	19
186320	49	29	L62277	52	3	P473286	55	20
186484	49	30	L50172	52	4	072615	55	21
138141	49	31	L41847	52	5	P471349	55	22
188500	49	32	650486	52	6	P471357	55	23
192273	49	33	070648	52	7	P471467	55	24
137945	49	34	420-35569	52	8	175889	55	25
160891	49	35	P700298	52	9	068938	55	26
138089	49	36	420-35602	52	10	175890	55	27
425-34747	49	37	072340	52	11	230-32672	55	28
137946	49	38	L48182	52	12	P256450	55	30
065042	51	1	175620	52	13	121774	55	31
090666	51	2	175733	52	14	121684	55	32
175471	51	3	P470348	52	16	175888	55	33
175629	51	4	175619	52	17	L277944	55	34
175676	51	5	175741	52	18	128299	55	35
175734	51	6	195087	52	19	P471339	55	36
175771	51	7	650815	52	20	P470533	55	37
175772	51	8	137113	52	21	P471289	55	38
175775	51	9	175722	52	22	P471247	55	39
175781	51	10	076147	52	23	101283	55	40
175782	51	11	651255	52	24	074830	55	41
175783	51	12	084175	52	25	L62840	55	42
175850	51	13	054816	55	1	054626	55	43
650430	51	14	175893	55	2	L43221	55	45
650518	51	15	088442	55	3	114824	55	46
650545	51	16	076143	55	4	079115	55	47
650809	51	17	175874	55	5	230-24749	57	1
653006	51	18	121775	55	7	P470453	57	2
654024	51	19	131838	55	8	P470406	57	3
654049	51	20	P471496	55	9	P470460	57	4
P059600	51	21	103497	55	10	P470408	57	5
P060200	51	22	230-32739	55	11	110227	57	6
L76020	51	23	175875	55	12	P254055	57	7
175812	51	24	L62834	55	13	P254074	57	8
P471818	51	25	L60534	55	14	P470458	57	9
420-36075	51	26	P471499	55	15	P470459	57	10
138104	51	27	076031	55	16	P471467	59	1
L41848	52	1	P470928	55	17	062397	59	2

1448 - Numerical Index

Part No.	Page No.	Ref. No.
P471440	59	3
P471429	59	4
131522	59	5
187677	59	6
P471500	59	7
L62834	59	8
P471357	59	9
P471349	59	10
072615	59	11
175889	59	12
P470593	59	13
054626	59	14
L60588	59	15
P231050	59	16
P471484	59	17
P471218	59	18
076143	59	19
P471443	59	20
P471369	59	21
L60534	59	22
114742	59	23
P473286	59	24
L62840	59	25
230-24749	61	1
P254075	61	2
P470406	61	3
P254072	61	4
P254040	61	5
L60253	61	6
P254074	61	7
L66950	61	8
P254070	61	9
P473286	63	9
P700687	63	9
P700418	63	1
P700688	63	4
P700689	63	9
P700690	63	10
P392700	63	11
P700691	63	13

Part No.	Page No.	Ref. No.
P700692	63	17
P700692	63	18
P700693	63	19
P700694	63	28
P700684	63	29
P700210	63	30
P700018	63	31
088311	63	32
P700200	63	33
P700201	63	34
P700207	63	35
P700695	63	36
P700611	64	36
P700620	64	1
P700022	64	2
P470593	65	2
102120	65	2
102121	65	5
P700422	65	6
P470204	66	6
P700400	66	1
P700422	66	2
P368675	66	3
P281800	66	4
P385600	66	5
P700399	66	6
P349450	67	6
P282400	67	7
P700514	67	8
P700185	67	9
P700181	67	10
P700183	67	14
P480071	68	14
P279009	68	2
P243860	68	4
P700222	68	6
P700199	68	7
P700196	68	8
P700472	68	9
P471467	69	9







Part No.	Page No.	Ref. No.
P283150	69	1
P700174	69	2
P045000	69	3
088311	69	4
L98886	69	5
P700178	69	6
P700606	69	07
P418235	69	21
P700176	69	24
P470407	69	25
P283200	69	26
P700136	69	27
P271900	71	27
P700670	71	1
P700110	71	2
P700103	71	3
P700253	71	4
L97239	71	5
P700063	71	8
P700064	71	9
P700068	71	10
P384600	71	11
P700061	71	12
P700073	71	14
P700085	71	15
P700081	71	17
P700111	71	18
P700104	71	19
P700076	71	20
P700070	71	21
P700074	71	22
P700071	71	23
P700072	71	24
P700105	71	25
P700106	71	26
P382100	71	27
L500774	71	28
L500775	71	29
L500776	71	30
L500773	71	31

Part No.	Page No.	Ref. No.	Part No.	Page No.	Ref. No.
L500777	71	32	P700604	76	9
P480073	72	32	P700168	76	12
P700422	72	1	P700166	76	16
P700656	72	2	P424000	76	17
P700157	72	3	P700172	76	17
P700158	72	4	P700604	76	19
P700159	72	5	P700168	76	22
P700658	72	7	P700166	76	27
P470939	73	7	P424000	76	28
P700238	73	2	P471429	77	28
P700239	73	5	L500727	77	28
P700422	73	6	P700525	77	6
P700233	73	8			
101283	75	8			
P700480	75	8			
P286100	75	1			
P284750	75	2			
P700163	75	3			
P700164	75	4			
P700165	75	6			
P045625	75	7			
P700166	75	8			
P424000	75	9			
P382900	75	11			
P700417	75	13			
P700416	75	14			
P700115	75	15			
P418040	75	16			
P700642	75	20			
P700643	75	21			
P700170	75	22			
P700506	75	23			
P700519	75	24			
P470427	75	25			
P700173	76	25			
P700604	76	1			
P700220	76	5			
P700166	76	6			
P424000	76	7			
P700171	76	7			

NOTES

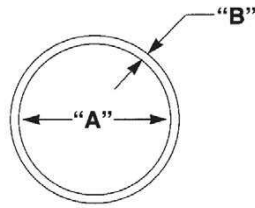
TORQUE SPECIFICATIONS

Use these torque values when tightening hardware (excluding locknuts, and self-tapping, thread-forming, and sheet metal screws) unless otherwise specified.

UNIFIED NATIONAL THREAD	GRADE 2 		GRADE 5 		GRADE 8 	
	DRY	LUBED	DRY	LUBED	DRY	LUBED
8-32	19*	14*	30*	22*	41*	31*
8-36	20*	15*	31*	23*	43*	32*
10-24	27*	21*	43*	32*	60*	45*
10-32	31*	23*	49*	36*	68*	51*
1/4-20	66*	50*	9	75*	12	9
1/4-28	76*	56*	10	86*	14	10
5/16-18	11	9	17	13	25	18
5/16-24	12	9	19	14	25	20
3/8-16	20	15	30	23	45	35
3/8-24	23	17	35	25	50	35
7/16-14	32	24	50	35	70	55
7/16-20	36	27	55	40	80	60
1/2-13	50	35	75	55	110	80
1/2-20	55	40	90	65	120	90
9/16-12	70	55	110	80	150	110
9/16-18	80	60	120	90	170	130
5/8-11	100	75	150	110	220	170
5/8-18	110	85	180	130	240	180
3/4-10	175	130	260	200	380	280
3/4-16	200	150	300	220	420	320
7/8-9	170	125	430	320	600	460
7/8-14	180	140	470	360	660	500
1-8	250	190	640	480	900	680
1-12	270	210	710	530	1000	740
METRIC COARSE THREAD	GRADE 8.8 		GRADE 10.9 		GRADE 12.9 	
	DRY	LUBED	DRY	LUBED	DRY	LUBED
M6-1	8	6	11	8	13.5	10
M8-1.25	19	14	27	20	32.5	24
M10-1.5	37.5	28	53	39	64	47
M12-1.75	65	48	91.5	67.5	111.5	82
M14-2	103.5	76.5	145.5	108	176.5	131
M16-2	158.5	117.5	223.5	165.5	271	200

*All torque values are in ft.-lbs., except those marked with an *, which are in.-lbs.
For metric torque value (N-m), multiply ft.-lbs. value by 1.355, or the in.-lbs. value by 0.113.

O-RING TABLE



FITTING THREAD SIZE	DIAMETER "A"	DIAMETER "B"	GEHL PART NUMBER
9/16 - 18	0.468	0.078	055897
3/4 - 16	0.644	0.087	055896
7/8 - 14	0.755	0.097	055898
1-1/16 - 12	0.924	0.116	048953
1-5/16 - 12	1.171	0.116	058674
1-5/8 - 12	1.475	0.118	077970

Recommended Coupling & Adapter Installation Torque Specifications

For SAE "O" Ring Boss (Steel)

Size		Ft-Lbs (N·m)	
Dash	Fractional (In.)	Minimum	Maximum
-3	3/16	8 (11)	10 (14)
-4	1/4	14 (19)	16 (22)
-5	5/16	18 (24)	20 (27)
-6	3/8	24 (33)	26 (35)
-8	1/2	50 (68)	60 (81)
-10	5/8	72 (98)	80 (108)
-12	3/4	125 (169)	135 (183)
-14	7/8	160 (217)	180 (244)
-16	1	200 (271)	220 (298)
-20	1-1/4	210 (285)	280 (380)
-24	1-1/2	270 (366)	360 (488)

For JIC 37° and 45° (Machined or Flared)

Steel			
Size		Ft-Lbs (N·m)	
Dash	Fractional (In.)	Minimum	Maximum
-4	1/4	10 (14)	11 (15)
-5	5/16	13 (18)	15 (20)
-6	3/8	17 (23)	19 (26)
-8	1/2	34 (46)	38 (52)
-10	5/8	50 (68)	56 (76)
-12	3/4	70 (95)	78 (106)
-16	1	94 (127)	104 (141)
-20	1-1/4	124 (168)	138 (187)
-24	1-1/2	156 (212)	173 (235)
-32	2	219 (297)	243 (330)

GEHL®

Manitou Americas, Inc.
P.O. Box 179, West Bend, WI 53095-0179 U.S.A
www.gehl.com