

# EXPLOSION PROOF VARIABLE SPEED PTZ CAMERA

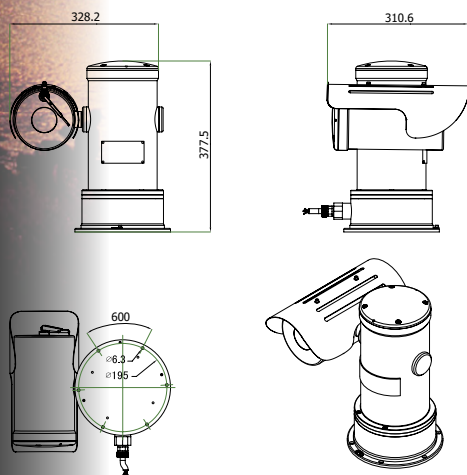
## YK-EP2014-HS(Megapixel)



### Features

- Ex-proof Level : Ex d II C T6 (KCs, ATEX, IECEx)
- Effective Pixels : 2M Pixel / 1920x1080 30fps
- Image Sensor : 1/2.8" Exmor CMOS
- Enclosure Material : Stainless steel 316L
- Communication Type : Network Type (IP CAMERA)  
Analog Type(RS485/RS422)
- Zoom : Optical 20X, Digital 12X
- Pan/Tilt : 360° endless pan rotation,  
Pan 0.05° ~ 30%/s; Tilt 0.05° ~ 30%/s
- IP Rating : IP68

### Dimension



### Technical Specifications

Model	YK-EP2014HS(Megapixel)	YK-EP2014AS(Analog)
<b>Explosion Proof</b>		
Ex-proof Level	KCs : Ex d IIC T6, Ex td A21 T85 °C II 2D Ex db IIC T6 Gb, II 2 G Ex tb IIIC T85 °C Db	
Protection Level	KCs : IP67, ATEX : IP68(2m 1h)	
Enclosure Material	Stainless steel 316L	
Window Material	Borosilicate, bothside nano coating	
Surface Polishment	Electro-polished	
<b>VIDEO/AUDIO</b>		
Video Output	BNC(1.0Vp-p/76), PAL/NTSC	
Video Compression	H.264/MJPEG	
Image Sensor	1/2.8" Exmor CMOS	
Lens	20x, F=4.7mm~94.0mm, F1.6 to F3.5	
Angle of View	55.4°(Wide End) ~ 2.9°(Tele End)	
Min. Illumination	Color : 0.5lux, B/W : 0.095lux (ICR On)	
Day/Night	Color/Off/Auto	
WDR	On/Off/Auto	
Image processing	WDR/White Balace/Stabilizer/Noise reduction /Defog/Auto-focus/12X digital Zoom	
Video Frame	1080P/720P(30FPS)	NTSC : 30FPS, PAL : 25FPS
Resolution	1920x1080, 2.0Megapixels	"NTSC : 525 TV Line PAL : 625TV Line"
<b>PAN/TILT</b>		
Rotation Speed	Pan 0.05° ~ 30%/s; Tilt 0.05° ~ 30%/s	
Pan Rotation Range	0° ~ 360° continuous	
Tilt Rotation Range	-90° ~ 90°	
Cruising Track	8 (Each with 80 presets positions)	1 (8, based on OSD menu, each with 80 presets positions)
Pattern Tour	1 (Record 200 commands)	
Guard Location	Call preset, cruising track, auto scan or pattern tour if there is no command in a period of time	
Motion Schedule	Call preset, cruising track, auto scan or pattern tour if there is no command in a period of time	
Auto Scan	5	1 (5, based on OSD menu)
Preset	80	
Wiper Control	Support	
<b>Network</b>		
Ethernet	RJ-45(10/100Base-T)	RS422/485
Protocol	"TCP/IP,HTTP,UDP,RTP/RTC,PRTSP,DHC, PPPoE,UPNP, SMTP, FTP, SIP, DDNS, DNS"	
ONVIF	ONVIF Support	
Remote Control	Remote S/W update, Remote Reset	
<b>General</b>		
Power Supply	AC 24V ±25%	RS422/485
Power Consumption	96W	Pelco-P/Pelco-D
Working Environment	Temperature: -40°C ~ 60°C Humidity: ≤90% RH (No condensing, no heating)	
Dimensions	310(W)x385(L)x377.5(H) mm	
Weight	28kgs	