



## ECO 3" LED DOWNLIGHT

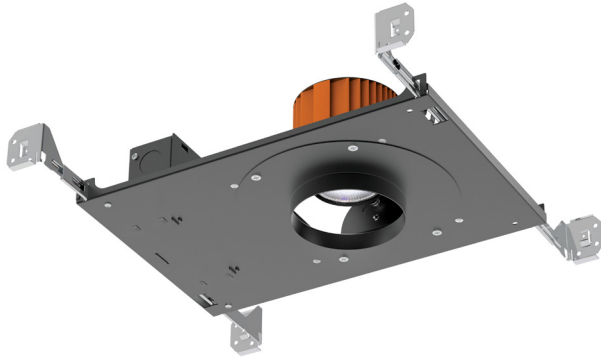
ED3AIC, ED3ANC, ED3NC, ED3RM  
ED3LAIC, ED3LANC, ED3LNIC, ED3LRIC  
ED3SNIC

PROJECT: \_\_\_\_\_

TYPE: \_\_\_\_\_

NOTE: \_\_\_\_\_

SPEC-00272 UPDATED 08/11/2021



- The Overachiever, recessed downlight system
- Silent Vu™ Optics Technology provides exceptional light performance with minimal glare
- Fixed or easily adjustable, installs in low plenum spaces

### ECO FULL SERVICE RECESSED DOWNLIGHT SOLUTIONS

- ED3 – Up to 1929 Delivered Lumens, Universal Dimming Driver  
ED3L – Up to 1226 Delivered Lumens, Phase Control Driver  
ED3S – Shallow Plenum, Up to 1403 Delivered Lumens, Universal Dimming Driver

### LED LIGHT ENGINE

RATED WATTAGE	<b>21W, 15W, 12W</b>
DELIVERED LUMENS	Up to 1929 lm
EFFICACY	Up to 108 LPW
CCT @ 90CRI	2700K, 3000K, 3500K, 4000K
COLOR QUALITY	90+ CRI, 2-Step SDCM
LED LIFETIME	55,000 hours @ L90

### DELIVERED LUMENS MATRIX

ED3 (19.8W)	10° optic	30° optic	50° optic	80° optic
2700K (90CRI)	1669 lm	1744 lm	1592 lm	1125 lm
3000K (90CRI)	1803 lm	1884 lm	1720 lm	1216 lm
3500K (90CRI)	1846 lm	1929 lm	1761 lm	1244 lm
4000K (90CRI)	1900 lm	1985 lm	1812 lm	1281 lm

ED3S (14.1W)	10° optic	30° optic	50° optic	80° optic
2700K (90CRI)	1214 lm	1269 lm	1158 lm	819 lm
3000K (90CRI)	1312 lm	1371 lm	1252 lm	885 lm
3500K (90CRI)	1343 lm	1403 lm	1281 lm	905 lm
4000K (90CRI)	1382 lm	1445 lm	1319 lm	932 lm

ED3L (11.3W)	10° optic	30° optic	50° optic	80° optic
2700K (90CRI)	1061 lm	1108 lm	1012 lm	715 lm
3000K (90CRI)	1146 lm	1198 lm	1093 lm	773 lm
3500K (90CRI)	1173 lm	1226 lm	1119 lm	791 lm
4000K (90CRI)	1207 lm	1262 lm	1152 lm	814 lm

### SILENT VU™ OPTICS TECHNOLOGY

OPTICS	50° Installed, 10°, 30°, 80° available
ADJUSTABLE	0° to 45° tilt (Adjustable housings only)
MEDIA	Clear, Solite, Frosted, Linear Spread

### POWER SUPPLY

INPUT VOLTAGE	120/277V, 50/60Hz
DIMMING	TRIAC, ELV, 0-10V, dims to 1%
SERVICABILITY	Below Ceiling Access

### TRIM OPTIONS

- Fixed or Adjustable
- Round or Square
- Standard or Trimless
- Wall Wash
- Wet Location

### TRIM COLORS

- White
- Black
- Champagne
- Champagne w/ White Flange
- Black w/ White Flange
- Silver w/ White Flange

### HOUSING INSTALLATION

- New Construction includes (2) galvanized steel adjustable hanger bars
- Remodel option available
- 5/8" – 2" ceiling thickness
- Min Plenum Height: 2 1/2" Shallow
- Ceiling Material: Drywall, T-bar grid
- Steel junction box with up to (4) 1/2" knockouts
- AIC/NIC/RIC/SNIC models are Air Tight
- AIC/SNIC models are CCEA compliant.  
(Note: polycell spray-in foam insulation must be kept 3" from housing)

### LISTINGS AND WARRANTY

cULus Listed	ASTM E283 Certified Airtight (AIC/NIC/RIC/SNIC Models)
UL Listed for Damp Location (All Styles)	UL Listed for Wet Location (Wet Location Trim Style)
IC Rated and Non IC Rated Available	CCEA (Chicago Plenum) Approved (AIC/SNIC Models)
Five (5) years limited warranty	CA Title 24-JA8 Compliant (AIC/NIC/RIC/SNIC Models)





## ECO 3" LED DOWNLIGHT

ED3AIC, ED3ANC, ED3NC, ED3RM  
ED3LAIC, ED3LANC, ED3LNIC, ED3LRIC  
ED3SNIC

PROJECT: \_\_\_\_\_

TYPE: \_\_\_\_\_

NOTE: \_\_\_\_\_

SPEC-00272 UPDATED 08/11/2021

### ORDER MATRIX

#### ED3

ECO 3" HOUSING + LIGHT ENGINE ORDER MATRIX (Example: ED3AIC-309050-21S)

HOUSING BASE		LIGHT ENGINE			DRIVER ASSEMBLY	
FAMILY APERTURE	INSTALLATION TYPE	CCT	CRI	OPTIC	WATTAGE	LED DIMMING DRIVER
<b>ED3</b> ECO 3"	<b>AIC*</b> (Adj New Construction IC)	<b>-27</b> (2700K)	<b>90</b> (90 CRI)	<b>50</b> (50° Flood) Installed 10°, 30°, 80° optics available from the Additional Optics Accessories table below	<b>-21</b> (21W)	<b>S</b> Universal Dimming Driver (1%-100% 0-10V, TRIAC, ELV, 120V/277V)
	<b>ANC*</b> (Adj New Construction)	<b>-30</b> (3000K)				
	<b>NC</b> (New Construction)	<b>-35</b> (3500K)				
	<b>RM</b> (Remodel)	<b>-40</b> (4000K)				

\* AIC and ANC: Trimless Style available, order associated Trimless Mudplate from Trim Accessories

#### ED3L

ECO 3" HOUSING + LIGHT ENGINE ORDER MATRIX (Example: ED3LAIC-309050-12S2)

HOUSING BASE		LIGHT ENGINE			DRIVER ASSEMBLY	
FAMILY APERTURE	INSTALLATION TYPE	CCT	CRI	OPTIC	WATTAGE	LED DIMMING DRIVER
<b>ED3L</b> ECO 3" LPD	<b>AIC*</b> (Adj New Construction IC)	<b>-27</b> (2700K)	<b>90</b> (90 CRI)	<b>50</b> (50° Flood) Installed 10°, 30°, 80° optics available from the Additional Optics Accessories table below	<b>-12</b> (12W)	<b>S2</b> Phase Control Dimming Driver (1%-100% TRIAC, ELV, 120V/277V)
	<b>ANC*</b> (Adj New Construction)	<b>-30</b> (3000K)				
	<b>NIC</b> (New Construction IC)	<b>-35</b> (3500K)				
	<b>RIC</b> (Remodel IC)	<b>-40</b> (4000K)				

\* AIC and ANC: Trimless Style available, order associated Trimless Mudplate from Trim Accessories

#### ED3S

ECO 3" HOUSING + LIGHT ENGINE ORDER MATRIX (Example: ED3SNIC-309050-15S)

HOUSING BASE		LIGHT ENGINE			DRIVER ASSEMBLY	
FAMILY APERTURE	INSTALLATION TYPE	CCT	CRI	OPTIC	WATTAGE	LED DIMMING DRIVER
<b>ED3S</b> ECO 3" Shallow	<b>NIC*</b> (New Construction IC)	<b>-27</b> (2700K)	<b>90</b> (90 CRI)	<b>50</b> (50° Flood) Installed 10°, 30°, 80° optics available from the Additional Optics Accessories table below	<b>-15</b> (15W)	<b>S</b> Universal Dimming Driver (1%-100% 0-10V, TRIAC, ELV, 120V/277V)
		<b>-30</b> (3000K)				
		<b>-35</b> (3500K)				
		<b>-40</b> (4000K)				

\* Trimless Style available, order associated Trimless Mudplate from Trim Accessories

### ACCESSORIES

ECO 3" ACCESSORIES FOR ECO ED3, ED3L, ED3S

ADDITIONAL OPTICS	
<b>ED3-10-OPTIC</b>	(10° Spot)
<b>ED3-30-OPTIC</b>	(30° Narrow Flood)
<b>ED3-50-OPTIC</b>	(50° Flood)
<b>ED3-80-OPTIC</b>	(80° Wide Flood)

OPTICAL MEDIA	
<b>ED3-CL</b>	(Clear Lens)
<b>ED3-MP</b>	(Solite Lens)
<b>ED3-FR</b>	(Frosted Lens)
<b>ED3-LS</b>	(Linear Spread Lens)
<b>ED3-MHLDR<sup>1</sup></b>	(Media Holder)

EMERGENCY OPTIONS	
<b>EM-1000</b>	(25W Remote Inverter)
<b>EM-1002</b>	(10W Remote EM Driver)
<b>EM-1003</b>	(35W Remote Inverter)
<b>EM-1004</b>	(50W Remote Inverter)

1. MHLDR required when ordering any optical media



## ECO 3" LED DOWNLIGHT

ED3AIC, ED3ANC, ED3NC, ED3RM  
ED3LAIC, ED3LANC, ED3LNIC, ED3LRIC  
ED3SNIC

PROJECT: \_\_\_\_\_

TYPE: \_\_\_\_\_

NOTE: \_\_\_\_\_

SPEC-00272 UPDATED 08/11/2021

## ORDER MATRIX

### TRIM

#### ECO 3" DOWNLIGHT TRIM ORDER MATRIX (Example: ED3-RFSTWT)

FAMILY APERTURE	SHAPE	POSITION	STYLE	FINISH
<b>ED3-</b> ECO 3"	<b>R</b> (Round)	<b>F</b> (Fixed)	<b>ST</b> (Standard)	<b>WT</b> (White)
	<b>S</b> (Square)	<b>A</b> (Adjustable)	<b>WW</b> <sup>1,2</sup> (Wall Wash)	<b>BK</b> (Black)
			<b>WL</b> <sup>1</sup> (Wet Location)	<b>CN</b> (Champagne)
			<b>TL</b> <sup>3</sup> (Standard Trimless)	<b>BW</b> <sup>4</sup> (Black w/ White Flange)
				<b>SW</b> <sup>4</sup> (Silver w/ White Flange)
				<b>CW</b> <sup>4</sup> (Champagne w/ White Flange)

1. Use F (Fixed Position) for WW (Wall Wash) and WL (Wet Location) style.
2. WW (Wall Wash) Style Trim ships with recommended 80° optic.
3. Must order associated Mudplate from Trim Accessories. Trimless Style for use with AIC, ANC, and SNIC models only.
4. Color option available in ST (Standard) Style only.

### TRIM ACCESSORIES

#### ECO 3" TRIM ACCESSORIES ORDER MATRIX (Example: ED3-R-TL)

SIZE	STYLE
<b>ED3-</b> ECO 3"	<b>R-TL</b> (Round Trimless Mudplate)
	<b>S-TL</b> (Square Trimless Mudplate)
	<b>R-FMA</b> (Round Flush Mount Adapter)
	<b>S-FMA</b> (Square Flush Mount Adapter)
	<b>TC1</b> (Thick Ceiling Adapter for ceilings 1 <sup>1</sup> / <sub>16</sub> " to 1 <sup>1</sup> / <sub>4</sub> ")
	<b>TC2</b> (Thick Ceiling Adapter for ceilings 1 <sup>5</sup> / <sub>16</sub> " to 2")



# ECO 3" LED DOWNLIGHT

ED3AIC, ED3ANC, ED3NC, ED3RM  
 ED3LAIC, ED3LANC, ED3LNIC, ED3LRIC  
 ED3SNIC

PROJECT: \_\_\_\_\_

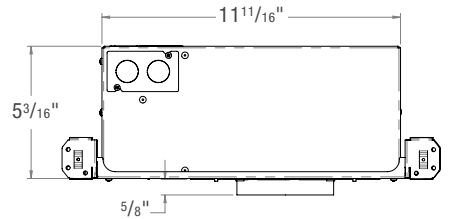
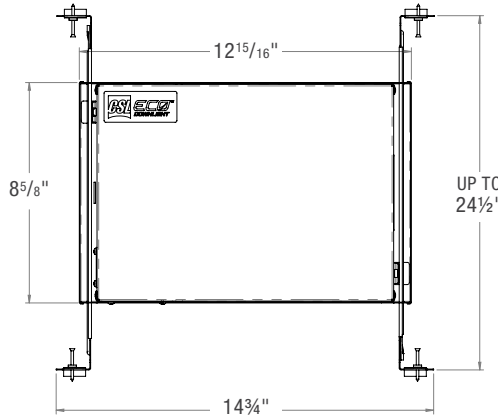
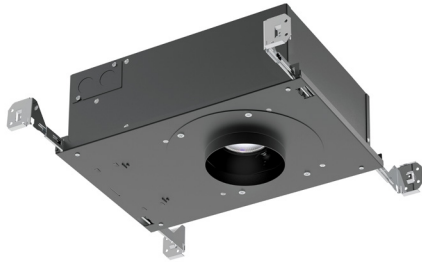
TYPE: \_\_\_\_\_

NOTE: \_\_\_\_\_

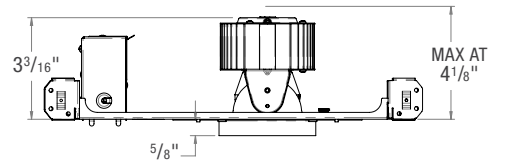
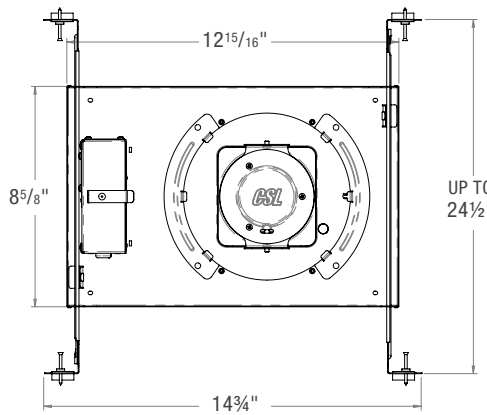
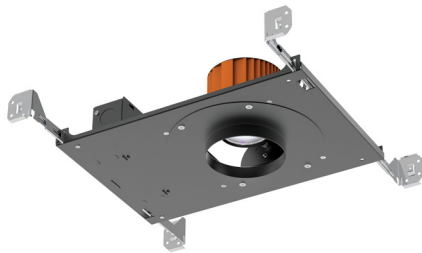
SPEC-00272 UPDATED 08/11/2021

## HOUSING AND LIGHT ENGINE LINE DRAWINGS

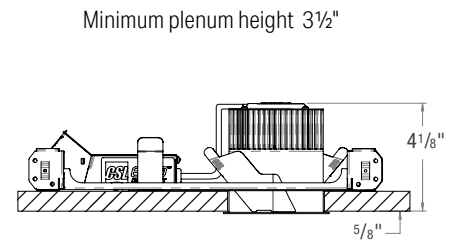
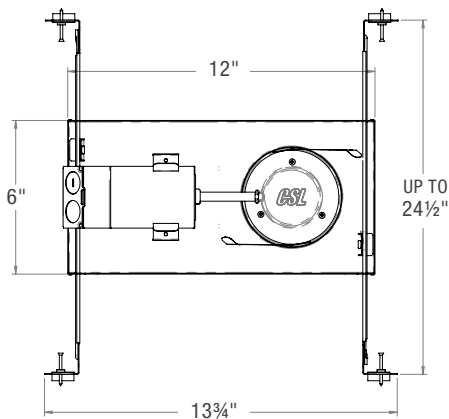
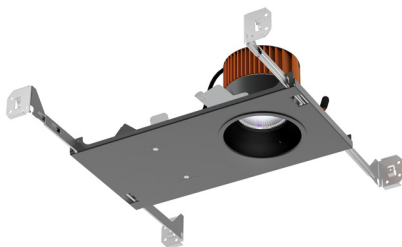
ED3AIC/ED3LAIC



ED3ANC/ED3LANC



ED3NC/ED3LNIC





## ECO 3" LED DOWNLIGHT

ED3AIC, ED3ANC, ED3NC, ED3RM  
 ED3LAIC, ED3LANC, ED3LNIC, ED3LRIC  
 ED3SNIC

PROJECT: \_\_\_\_\_

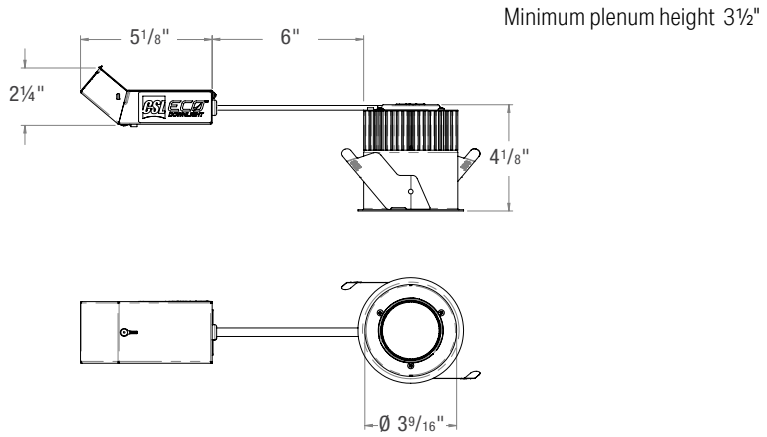
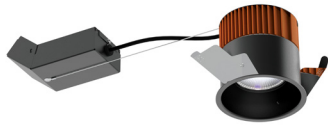
TYPE: \_\_\_\_\_

NOTE: \_\_\_\_\_

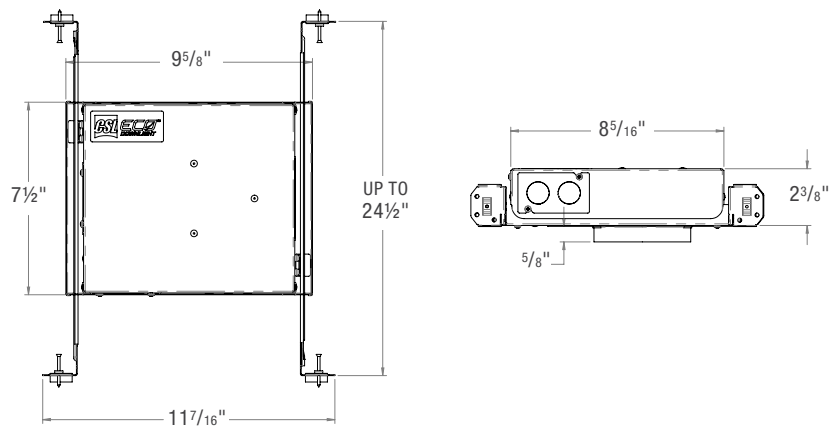
SPEC-00272 UPDATED 08/11/2021

### HOUSING AND LIGHT ENGINE LINE DRAWINGS

#### ED3RM/ED3LRIC



#### ED3SNIC



## ECO 3" LED DOWNLIGHT

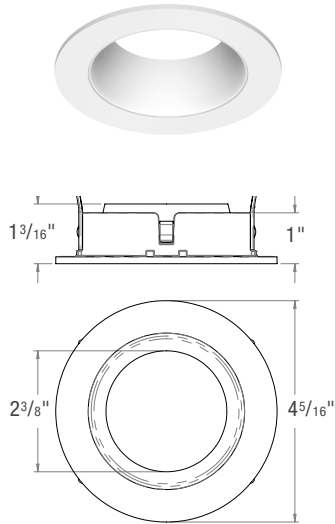
ED3AIC, ED3ANC, ED3NC, ED3RM  
ED3LAIC, ED3LANC, ED3LNIC, ED3LRIC  
ED3SNIC

PROJECT: \_\_\_\_\_

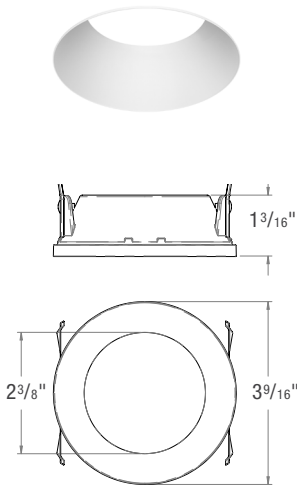
TYPE: \_\_\_\_\_

NOTE: \_\_\_\_\_

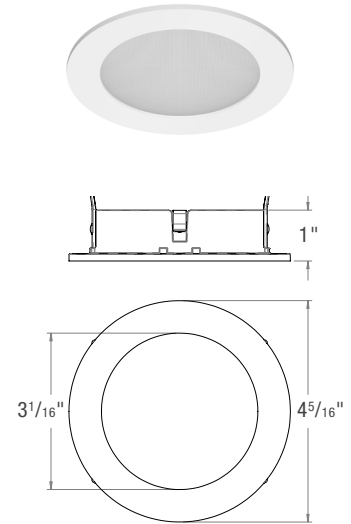
### TRIM STYLES



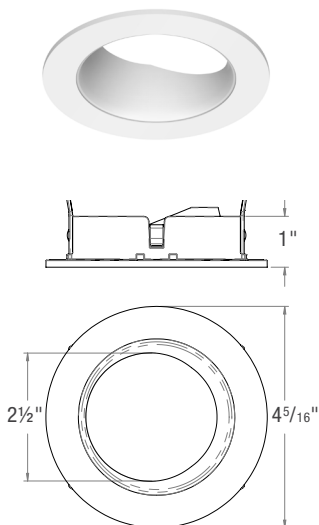
**ED3-RFST**  
Round Fixed Standard



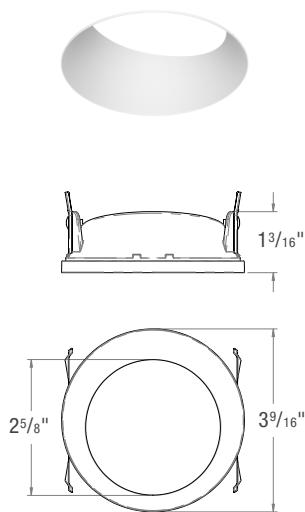
**ED3-RFTL**  
Round Fixed Trimless  
Must order associated Mudplate from Trim Accessories.  
Trimless Style for use with AIC, ANC, and SNIC models only.



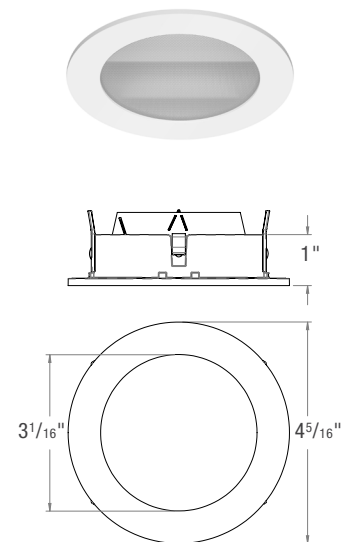
**ED3-RFWL**  
Round Fixed Wet Location



**ED3-RAST**  
Round Adjustable Standard  
Adjustable trim styles for use  
with adjustable AIC and ANC models only.

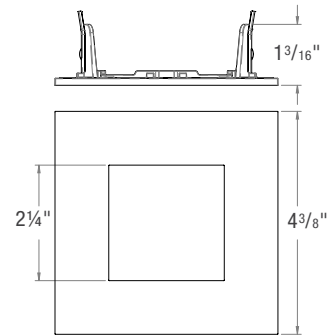
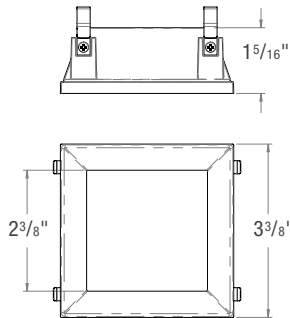
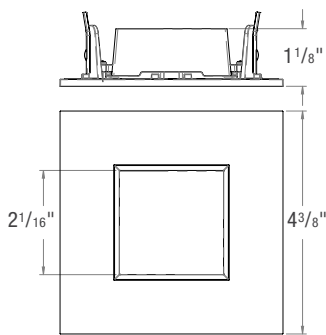


**ED3-RATL**  
Round Adjustable Trimless  
Adjustable trim styles for use with adjustable AIC  
and ANC models only.  
Must order associated Mudplate from Trim Accessories.  
Trimless Style for use with AIC, ANC, and SNIC models only.



**ED3-RFWW**  
Round Fixed Wall Wash

**TRIM STYLES**



**ED3-SFST**

Square Fixed Standard

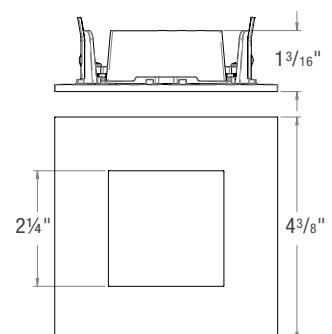
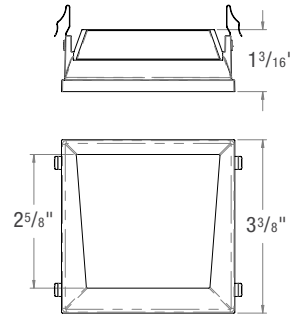
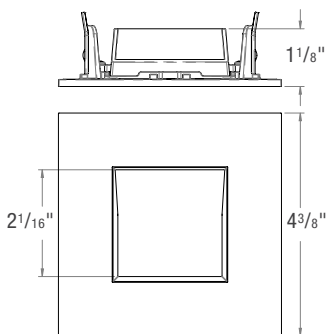
**ED3-SFTL**

Square Fixed Trimless

Must order associated Mudplate from Trim Accessories.  
Trimless Style for use with AIC, ANC, and SNIC models only.

**ED3-SFWL**

Square Fixed Wet Location



**ED3-SAST**

Square Adjustable Standard  
Adjustable trim styles for use  
with adjustable AIC and ANC models only.

**ED3-SATL**

Square Adjustable Trimless  
Adjustable trim styles for use with adjustable AIC  
and ANC models only.  
Must order associated Mudplate from Trim Accessories.  
Trimless Style for use with AIC, ANC, and SNIC models only.

**ED3-SFWW**

Square Fixed Wall Wash



## ECO 3" LED DOWNLIGHT

ED3AIC, ED3ANC, ED3NC, ED3RM  
ED3LAIC, ED3LANC, ED3LNIC, ED3LRIC  
ED3SNIC

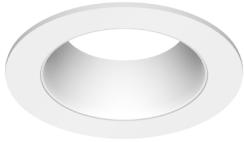
PROJECT: \_\_\_\_\_

TYPE: \_\_\_\_\_

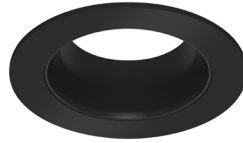
NOTE: \_\_\_\_\_

SPEC-00272 UPDATED 08/11/2021

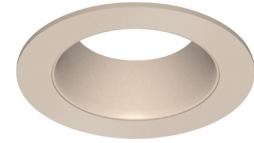
### TRIM FINISHES



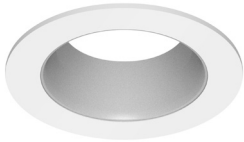
**ED3-RFSTWT**  
WT (White)



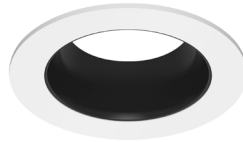
**ED3-RFSTBK**  
BK (Black)



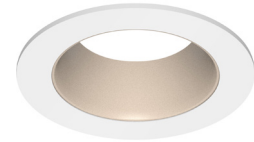
**ED3-RFSTCN**  
CN (Champagne)



**ED3-RFSTSW**  
SW (Silver with White Flange)



**ED3-RFSTBW**  
BW (Black with White Flange)



**ED3-RFSTCW**  
CW (Champagne with White Flange)



**ED3-SFSTWT**  
WT (White)



**ED3-SFSTBK**  
BK (Black)



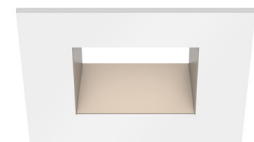
**ED3-SFSTCN**  
CN (Champagne)



**ED3-SFSTSW**  
SW (Silver with White Flange)



**ED3-SFSTBW**  
BW (Black with White Flange)



**ED3-SFSTCW**  
CW (Champagne with White Flange)





SPEC-00272 UPDATED 08/11/2021

## ECO 3" LED DOWNLIGHT

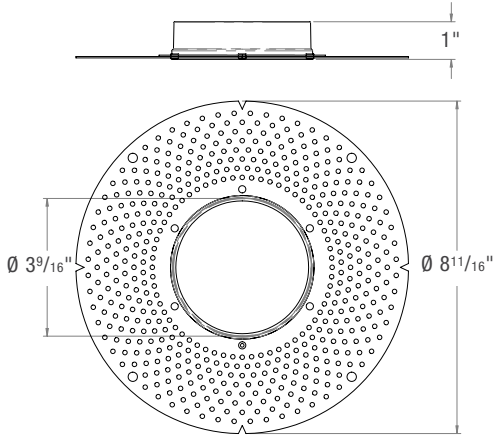
ED3AIC, ED3ANC, ED3NC, ED3RM  
ED3LAIC, ED3LANC, ED3LNIC, ED3LRIC  
ED3SNIC

PROJECT: \_\_\_\_\_

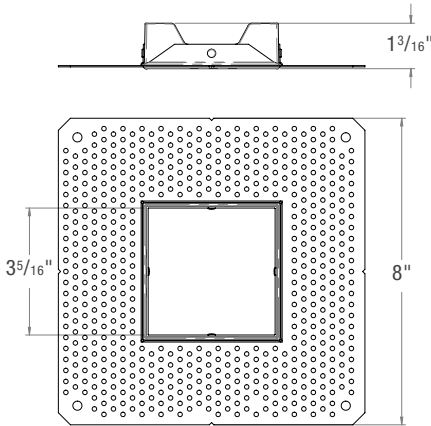
TYPE: \_\_\_\_\_

NOTE: \_\_\_\_\_

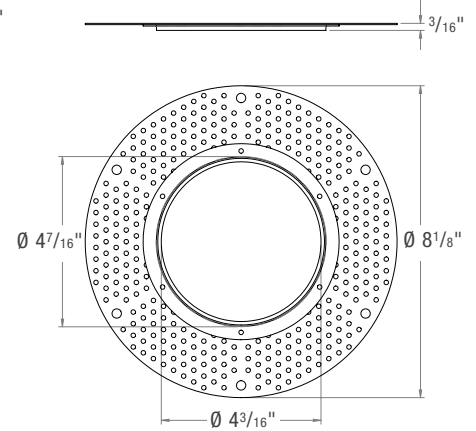
### TRIM ACCESSORIES



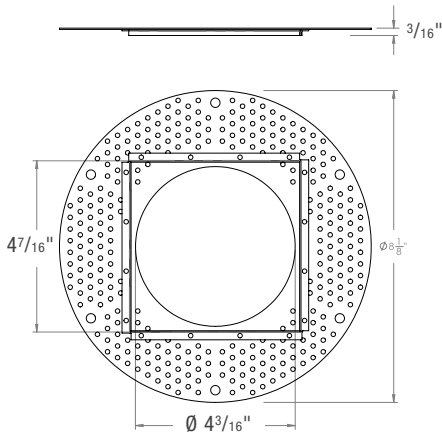
**ED3-R-TL**  
Round Trimless Mudplate



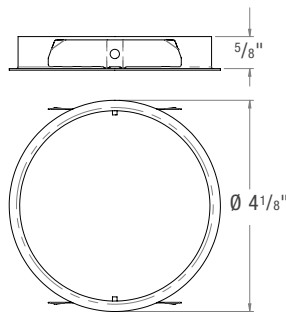
**ED3-S-TL**  
Square Trimless Mudplate



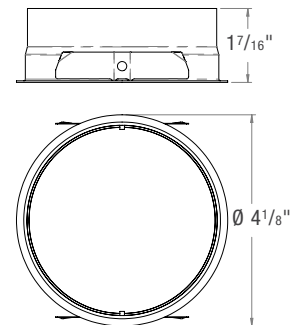
**ED3-R-FMA**  
Round Flush Mount Adapter



**ED3-S-FMA**  
Square Flush Mount Adapter



**ED3-TC1**  
Thick Ceiling Adapter  
for ceilings 1 1/16" to 1 1/4"



**ED3-TC2**  
Thick Ceiling Adapter  
for ceilings 1 5/16" to 2"



## ECO 3" LED DOWNLIGHT

ED3AIC, ED3ANC, ED3NC, ED3RM  
ED3LAIC, ED3LANC, ED3LNIC, ED3LRIC  
ED3SNIC

PROJECT: \_\_\_\_\_

TYPE: \_\_\_\_\_

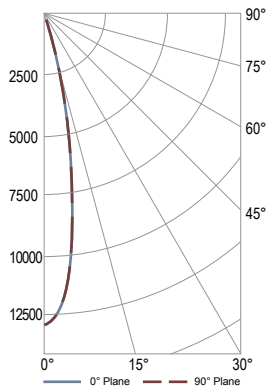
NOTE: \_\_\_\_\_

SPEC-00272 UPDATED 08/11/2021

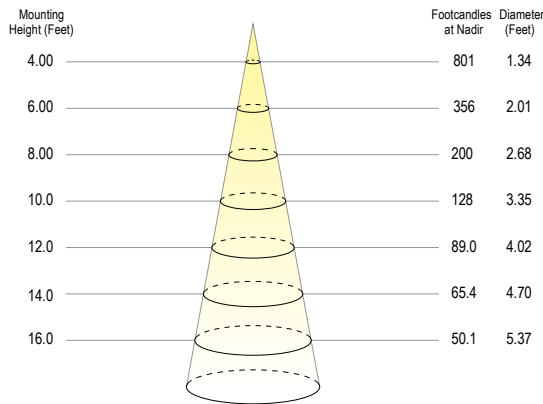
### PHOTOMETRICS

Eco Downlight 3" ANC model (2700K, 90 CRI, 10° Optic, 21W)  
Round, Standard, White Trim

Polar Plot



Cone of Light Tabulation



Voltage	Current	Power
120.1 VAC	0.1664 A	19.62 W

Power Factor	Frequency	Current THD
0.982	60 Hz	16.8%

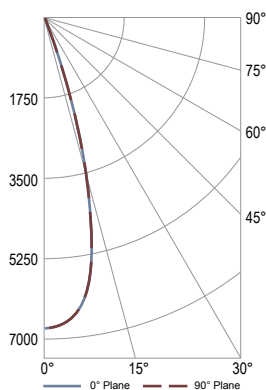
#### Summary of Results

Spacing Criteria 0-180: 0.34  
90-270: 0.34  
Total Lumen Output: 1669 Lumens  
Luminaire Efficacy: 85.0 lm/w  
Maximum Candela: 12818 Candela

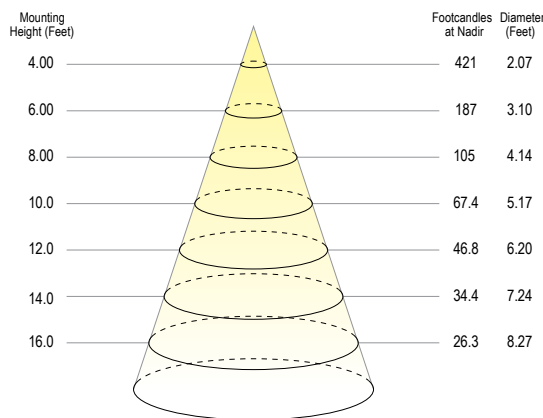
Zone	Lumens	% of Luminaire
0-40	1652	99.0%
0-60	1663	99.6%
0-90	1669	100.0%

Eco Downlight 3" ANC model (2700K, 90 CRI, 30° Optic, 21W)  
Round, Standard, White Trim

Polar Plot



Cone of Light Tabulation



Voltage	Current	Power
120.1 VAC	0.1662 A	19.60 W

Power Factor	Frequency	Current THD
0.982	60 Hz	16.8%

#### Summary of Results

Spacing Criteria 0-180: 0.52  
90-270: 0.52  
Total Lumen Output: 1701 Lumens  
Luminaire Efficacy: 86.8 lm/w  
Maximum Candela: 6743 Candela

Zone	Lumens	% of Luminaire
0-40	1684	99.0%
0-60	1697	99.7%
0-90	1701	100.0%



## ECO 3" LED DOWNLIGHT

ED3AIC, ED3ANC, ED3NC, ED3RM  
ED3LAIC, ED3LANC, ED3LNIC, ED3LRIC  
ED3SNIC

PROJECT: \_\_\_\_\_

TYPE: \_\_\_\_\_

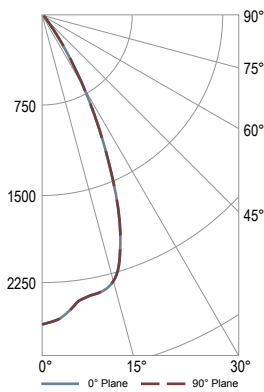
NOTE: \_\_\_\_\_

SPEC-00272 UPDATED 08/11/2021

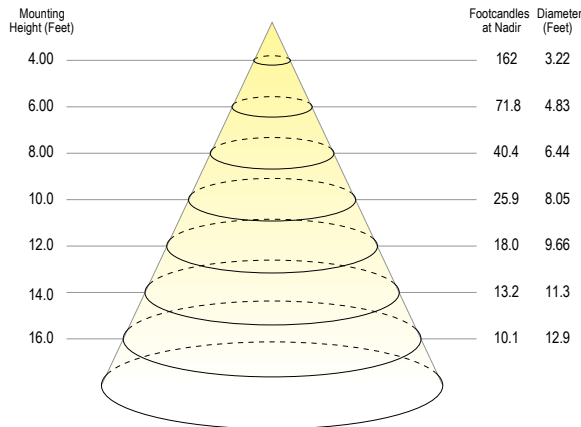
### PHOTOMETRICS

Eco Downlight 3" ANC model (2700K, 90 CRI, 50° Optic, 21W)  
Round, Standard, White Trim

Polar Plot



Cone of Light Tabulation



Voltage	Current	Power
120.1 VAC	0.1663 A	19.62 W

Power Factor	Frequency	Current THD
0.982	60 Hz	16.8%

#### Summary of Results

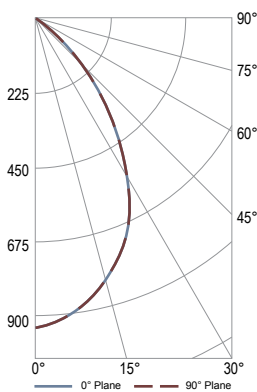
Spacing Criteria 0-180: 0.80  
90-270: 0.80

Total Lumen Output: 1592 Lumens  
Luminaire Efficacy: 81.2 lm/w  
Maximum Candela: 2586 Candela

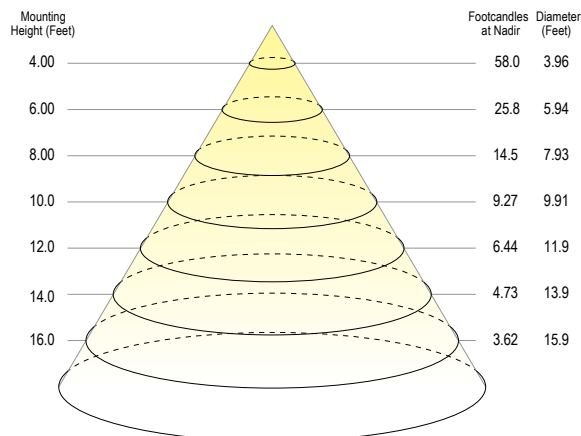
Zone	Lumens	% of Luminaire
0-40	1555	97.7%
0-60	1587	99.7%
0-90	1592	100.0%

Eco Downlight 3" ANC model (2700K, 90 CRI, 80° Optic, 21W)  
Round, Standard, White Trim

Polar Plot



Cone of Light Tabulation



Voltage	Current	Power
120.0 VAC	0.1740 A	20.71 W

Power Factor	Frequency	Current THD
0.991	60 Hz	9.97%

#### Summary of Results

Spacing Criteria 0-180: 0.99  
90-270: 0.99

Total Lumen Output: 1125 Lumens  
Luminaire Efficacy: 54.3 lm/w  
Maximum Candela: 927 Candela

Zone	Lumens	% of Luminaire
0-40	896	79.6%
0-60	1106	98.3%
0-90	1125	100.0%





SPEC-00272 UPDATED 08/11/2021

**ECO 3" LED DOWNLIGHT**

ED3AIC, ED3ANC, ED3NC, ED3RM  
ED3LAIC, ED3LANC, ED3LNIC, ED3LRIC  
ED3SNIC

PROJECT: \_\_\_\_\_

TYPE: \_\_\_\_\_

NOTE: \_\_\_\_\_

**FOR DRIVER TYPE "S"**

Universal Dimming Driver, ED3 and ED3S only

Compatible Phase Control Dimmers			
MFG	Model	MFG	Model
Lutron	LGCL-153PL	Leviton	VPE06
Lutron	DVRP-253P	Leviton	DW1KD-1BZ
Lutron	RRD-6CL	Leviton	IPE04
Lutron	NTELV-600P	Leviton	IPL06
Lutron	DVELV-303P	Cooper	SAL06P
Lutron	MAELV-600		
Lutron	PD-6WCL		
Lutron	SELV-300P		
Lutron	DVCL-153P		

Compatible dimmer information provided by the dimming driver manufacturer

Compatible 0-10VDC Dimmers	
MFG	Model
Lutron	NFTV
Lutron	DTV
Lutron	DVSTV
Leviton	IP710-LFZ
Lightolier	SR1200ZTUNV
Cooper	SF10P-W
Leviton	IP710-DL

Compatible dimmer information provided by the dimming driver manufacturer





SPEC-00272 UPDATED 08/11/2021

**ECO 3" LED DOWNLIGHT**

ED3AIC, ED3ANC, ED3NC, ED3RM  
ED3LAIC, ED3LANC, ED3LNIC, ED3LRIC  
ED3SNIC

PROJECT: \_\_\_\_\_

TYPE: \_\_\_\_\_

NOTE: \_\_\_\_\_

**FOR DRIVER TYPE "S2"**

Phase Control Dimming Driver, ED3L only

Compatible Phase Control Dimmers			
MFG	Model	MFG	Model
Lutron	S-603PG	Leviton	6631-LW
Lutron	DVCL-153P	Leviton	VPE06
Lutron	TGCL-153P	Leviton	6683-IW
Lutron	S600P	Leviton	6161
Lutron	DVELV303P	Leviton	6633-P
Lutron	SELV300P	Leviton	IPE04
Lutron	TG-600P	Cooper	DLC03P
Lutron	LG600P	Cooper	SLC03P
Lutron	CT103P	Cooper	DAL06P
Lutron	MAELV600	Lightolier	ZP260QEW
Lutron	FAELV500		

Compatible dimmer information provided by the dimming driver manufacturer

