

Swing-Arm® Clamps

for MIL-DTL-38999 Series III and IV Connectors

871H001 Swing-Arm Flex Clamp

Self-Locking



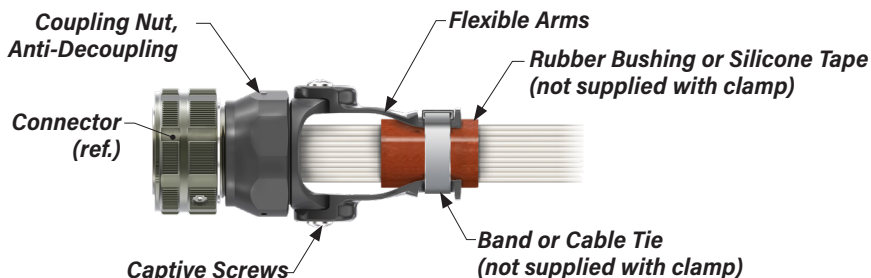
Adapter Code **H**

This accessory fits these connectors:
MIL-DTL-38999 Series III and Series IV

MATERIAL/FINISH

Body, coupling nut :
Code XB: polyetherimide, black
Codes M, MT, NF, TZ, ZR: aluminum alloy
Arms: PEEK, black
Hardware: stainless steel
Anti-decoupling spring: thermoplastic

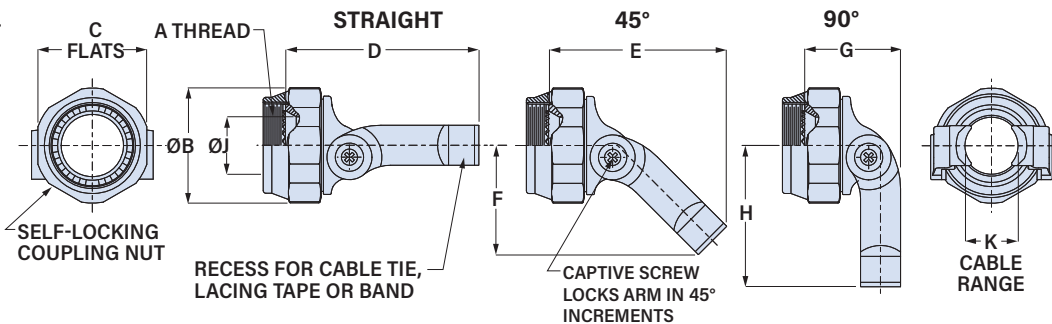
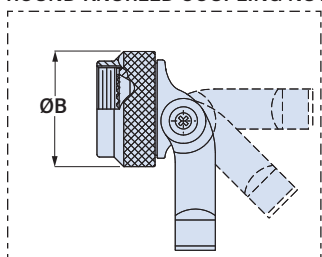
Lightweight, self-locking, flexible arms. 871H001 Swing-Arm Flex Clamp fits MIL-DTL-38999 Series III and IV connectors. Use with unshielded wire bundles. Adjustable arms pivot to 0°, 45° or 90° positions. Use banding strap or cable tie to secure arms to wire bundle. Coupling nut has anti-decoupling mechanism for audible detented coupling and prevents backoff under high vibration. Clamp and coupling nut are composite or aluminum, flex arms are PEEK. Passivated SST hardware.



PART NUMBER

	871H001	XB	13							
Base P/N	871H001									
Material/Finish	<i>Composite</i>									
	XB No Finish (Black)									
	<i>Aluminum</i>									
	M Electroless Nickel	<i>Material/Finish Code applies to coupling nut and clamp body. Flex arms are black thermoplastic.</i>								
	NF Olive Drab Cadmium									
MT Nickel-PTFR										
TZ Tin-Zinc										
ZR Black Zinc-Nickel										
Shell Size	Shell Size	9 A	11 B	13 C	15 D	17 E	19 F	21 G	23 H	25 J
	Size Code	09	11	13	15	17	19	21	23	25

ALUMINUM ALLOY CONFIG. ROUND KNURLED COUPLING NUT



Shell Size	A Thread	ØB Max		C Flats		D Max		E Max		F Max		G Max		H Max		ØJ Min		K Ref.			
		in	mm	in	mm	in	mm	in	mm	in	mm	in	mm	in	mm	in	mm	Max	Min		
9 (A)	M12X1.0-6H	.812	20.6	.750	19.1	1.69	42.9	1.46	37.1	.87	22.1	.85	21.6	1.12	28.4	.264	6.7	.393	10.0	.098	2.5
11 (B)	M15X1.0-6H	.938	23.8	.875	22.2	1.69	42.9	1.46	37.1	.89	22.6	.85	21.6	1.15	29.2	.390	9.9	.455	11.6	.121	3.1
13 (C)	M18X1.0-6H	1.125	28.6	1.000	25.4	1.97	50.0	1.77	45.0	1.10	27.9	.94	23.9	1.44	36.6	.504	12.8	.598	15.2	.157	4.0
15 (D)	M22X1.0-6H	1.250	31.8	1.125	28.6	1.97	50.0	1.77	45.0	1.32	33.5	.94	23.9	1.50	38.1	.630	16.0	.710	18.0	.210	5.3
17 (E)	M25X1.0-6H	1.375	34.9	1.250	31.8	2.18	55.4	2.02	51.3	1.28	32.5	1.10	27.9	1.68	42.7	.756	19.2	.839	21.3	.246	6.2
19 (F)	M28X1.0-6H	1.500	38.1	1.375	34.9	2.18	55.4	2.02	51.3	1.35	34.3	1.10	27.9	1.74	44.2	.843	21.4	.934	23.7	.277	7.0
21 (G)	M31X1.0-6H	1.625	41.3	1.500	38.1	2.64	67.1	2.43	61.7	1.63	41.4	1.26	32.0	2.12	53.8	.969	24.6	1.068	27.1	.313	8.0
23 (H)	M34X1.0-6H	1.750	44.5	1.625	41.3	2.64	67.1	2.43	61.7	1.67	42.4	1.26	32.0	2.16	54.9	1.091	27.7	1.197	30.4	.349	8.9
25 (J)	M37X1.0-6H	1.875	47.6	1.750	44.5	2.85	72.4	2.65	67.3	1.84	46.7	1.35	34.3	2.41	61.2	1.217	30.9	1.323	33.6	.380	9.7