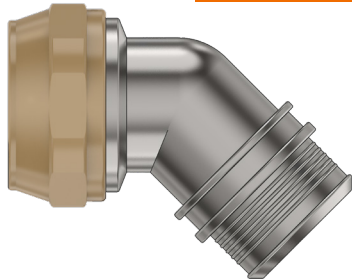


Series 44 Banding Backshells

for AS50151 Crimp, M26482 Series II, M83723 Series III, AS95234

447A*325 Banding Backshell, Composite, Shrink Boot



Self-Locking

Lightweight. High strength composite. Standard .240" band. 447A*325 banding backshell fits AS50151 crimp (MS3450), AS95234, MIL-DTL-26482 Series II, MIL-DTL-83723 Series III connectors. Lightweight, corrosion-free composite material meets AS85049 requirements. Anti-decoupling mechanism provides audible detented coupling and prevents backoff under high vibration. Terminate cable braid to backshell with optional band strap. Optional shrink boot adds strain relief and environmental protection. Glass-reinforced thermoplastic.

Adapter Code **A**

AS50151 crimp, AS95234, MIL-DTL-26482 Ser. II, MIL-DTL-83723 Ser. III

TABLE 1: ENTRY SIZE

Entry Size	±.03(0.8) in	Cable Entry Shell in	Entry Size	±.03(0.8) in	Cable Entry Shell in	Entry Size	±.03(0.8) in	Shell Sizes
03	.19	4.8	08-28	13	.81	20.6	18-28	
04	.25	6.4	08-28	14	.88	22.4	20-28	
05	.31	7.9	10-28	15	.94	23.9	20-28	
06	.38	9.7	10-28	16	1.00	25.4	22-28	
07	.44	11.2	12-28	17	1.06	26.9	22-28	
08	.50	12.7	12-28	18	1.13	28.7	24-28	
09	.56	14.2	14-28	19	1.19	30.2	24-28	
10	.63	16.0	14-28	20	1.25	31.8	28	
11	.69	17.5	16-28	22	1.38	35.1	28	
12	.75	19.1	16-28					

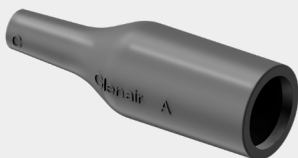
BAND

Optional SST band strap provides fast, cost-effective and highly reliable termination of braided metallic shielding.



SHRINK BOOT

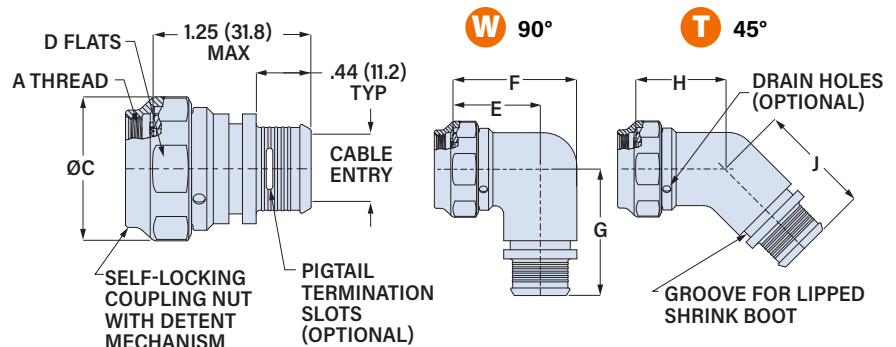
Optional heatshrink boot provides environmental protection and cable strain relief. Type 1 high-performance semi-rigid elastomer resists fuels and oils. Operating temperature range -75 to +150 °C.



PART NUMBER

	447AS325	XM	16	12	D	K	T	S		
Base P/N	447AS325	S								
	447AT325	T								
	447AW325	W								
Base Part No.	447AS325	S	Profile							
	447AT325	T	Straight							
	447AW325	W	45°							
Finish	XM	Electroless Nickel								
	XMT	Nickel-PTFE								
	XW	Olive Drab Cadmium								
	XTZ	Tin-Zinc								
	<i>Coupling nut is unplated.</i>									
Shell Size	08	10	12	14	16	18	20	22	24	28
Entry Size	<i>See Table 1</i>									
Drain Holes	<i>Omit if not required</i>									
	D	Drain Holes								
Band	<i>Omit if not required</i>									
	K	Pre-Coiled Band Included With Backshell								
Shrink Boot	<i>Omit if not required</i>									
	T	Shrink Boot Included With Backshell								
Slot	<i>Omit if not required</i>									
	S	Pigtail Termination Slots								

S Straight



Shell Size	A Thread Class 2B	øC Max in	D Hex Flats in	E ±.06(1.5) in	F ±.09(2.3) in	G ±.09(2.3) in	H ±.06(1.5) in	J ±.06(1.5) in	Max Entry Size							
08	0.500-20 UNF	.86	21.8	.750	19.1	.69	17.5	.88	22.4	1.19	30.2	.72	18.3	1.00	25.4	04
10	0.625-24 UNF	.98	24.9	.875	22.2	.75	19.1	1.00	25.4	1.25	31.8	.75	19.1	1.06	26.9	06
12	0.750-20 UNF	1.16	29.5	1.000	25.4	.81	20.6	1.13	28.7	1.31	33.3	.75	19.1	1.13	28.7	08
14	0.875-20 UNF	1.28	32.5	1.125	28.6	.88	22.4	1.31	33.3	1.38	35.1	.76	19.3	1.16	29.5	10
16	1.000-20 UNF	1.41	35.8	1.250	31.8	.94	23.9	1.38	35.1	1.44	36.6	.78	19.8	1.18	30.0	12
18	1.0625-18 UNF	1.52	38.6	1.375	34.9	.97	24.6	1.44	36.6	1.47	37.3	.79	20.1	1.19	30.2	13
20	1.1875-18 UNF	1.64	41.7	1.500	38.1	1.06	26.9	1.63	41.4	1.56	39.6	.82	20.8	1.22	31.0	15
22	1.3125-18 UNF	1.77	45.0	1.625	41.3	1.13	28.7	1.75	44.5	1.63	41.4	.86	21.8	1.26	32.0	17
24	1.4375-18 UNF	1.89	48.0	1.750	44.5	1.19	30.2	1.88	47.8	1.69	42.9	.89	22.6	1.29	32.8	19
28	1.750-18 UNS	2.15	54.6	2.000	50.8	1.34	34.0	2.13	54.1	1.78	45.2	.92	23.4	1.32	33.5	22