

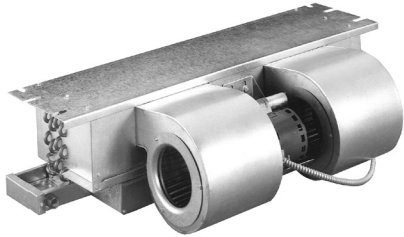
"NEW 1 TON MODEL ADDED"



HXX(-C) Series

Horizontal Recessed
Ceiling Fan Coil

1.0 - 3.0 Tons **Cooling or Heat Pump**
0 - 10 kW **Electric Heat**



HXX Fan Coil



Optional Access Panel
(non-louvered shown)
(see P. 3 for information)

These recessed ceiling fan coils are designed for use with today's higher efficiency split-system condensing units and heat pumps. High efficiency ECM type motors are standard in all **HXX** series fan coils.

The base **HXX** fan coil is an open blower type (non-enclosed) fan coil. It is also available with either a field or factory installed enclosure, with both options including your choice of either a louvered or solid ceiling panel. For **HXX** fan coils factory installed within an enclosure, add "-C" after the kW in the model number. For instance, ordering model **19HXX5-C R410 TXV**, will include an **19HXX5 R410 TXV** fan coil factory installed in a number **9EHX01** enclosure and your choice of either a solid or louvered panel (see "Enclosures with Ceiling Panels" on P. 3). A "cap kit" is also available when the **HXX** is installed above a ceiling, rather than recessed (see P. 4).

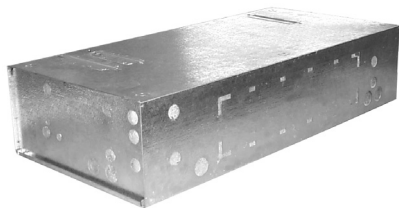
Compatible outdoor units: First Co's customer is ultimately responsible for confirming which fan coil models are compatible with selected outdoor units. To determine certified indoor/outdoor matches, go to www.firstco.com or contact the factory.

Standard Features:

- High efficiency ECM motor
- Drain pan has 3/4" NPT primary and secondary (overflow) fittings
- 240V motor, 24V control
- Factory installed electric heat (up to 10 kW) (except 0 kW models)
- Highly efficient copper tube/aluminum fin cooling coil with factory installed R-410A TXV (non-bleed type)
- Insulated and coated galvanized steel drain pan, sloped for positive drainage
- Effective January 2016, Cabinet air leakage is no more than 2% when tested in accordance with ASHRAE 193.

Optional Features:

- Attractive off-white return air / access panel with captive screws. They can be used with either the non-enclosed **HXX** or the **HXX** with a field or factory installed enclosure.
- **IAQ filter panels** (see P. 3)
- Field installed enclosure. All enclosures are fully insulated and include cutouts for optional ducted return air. Ducted return air option requires remote filter-grille. Heat pump kit - required for all **HXX** models having electric heat (**#942-1**). (P. 2)
- Condensate overflow switch (**# SS3**) (field installed)
- Enclosure "Cap Kit" - for above the ceiling installation (P. 4)



Optional Insulated Enclosure
(see P. 3 for information)

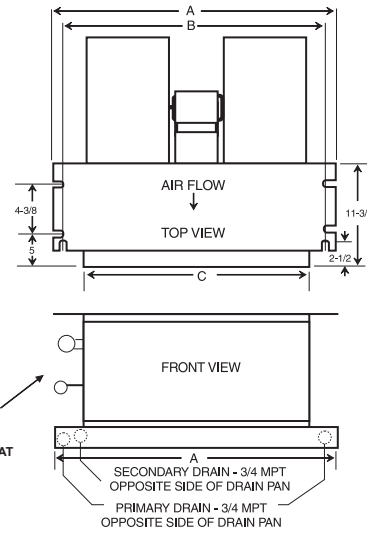
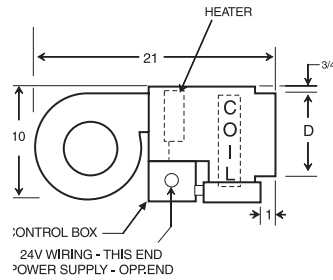


Matching Access Panel for Enclosure
(non-louvered shown)
(see P. 3 for information)

HXX(-C) Series

1.0 through 3.0 tons

Approved for installation with 0" clearance to combustible materials



(See P. 4 for Model Numbers)

PERFORMANCE DATA										
UNIT MODEL	NOM. CFM	NOM. COOL BTUH	HEAT (1)		TOTAL AMPS		MIN. CIR. CAPACITY		MAX FUSE	
			kW	BTUH	208V	240V	208V	240V	208V	240V
12HXX	400	12,000	---	---	1.5	1.5	---	---	---	---
			3	10,200	12.4	14.0	16	18	20	20
			5	17,000	19.6	22.4	25	28	25	30
19HXX 20HXX	600	18,000	---	---	4.3	4.3	---	---	---	---
			3	10,200	15.2	16.8	19	21	20	25
			5	17,000	22.4	25.2	28	32	30	35
			6	20,500	26.0	29.3	33	37	35	40
			8	27,300	33.2	37.7	42	47	50	50
			10	34,100	40.4	46.0	51	58	60	60
24HXX 25HXX 26HXX 28HXX	800	24,000	---	---	4.3	4.3	---	---	---	---
			3	10,200	15.2	16.8	19	21	20	25
			5	17,000	22.4	25.2	28	32	30	35
			6	20,500	26.0	29.3	33	37	35	40
			8	27,300	33.2	37.7	42	47	50	50
			10	34,100	40.4	46.0	51	58	60	60
31HXX 32HXX	1000	30,000	---	---	4.3	4.3	---	---	---	---
			3	10,200	15.2	16.8	19	21	20	25
			5	17,000	22.4	25.2	28	32	30	35
			6	20,500	26.0	29.3	33	37	35	40
			8	27,300	33.2	37.7	42	47	50	50
			10	34,100	40.4	46.0	51	58	60	60
37HXX	1200	36,000	---	---	4.3	4.3	---	---	---	---
			3	10,200	15.2	16.8	19	21	20	25
			5	17,000	22.4	25.2	28	32	30	35
			6	20,500	26.0	29.3	33	37	35	40
			8	27,300	33.2	37.7	42	47	50	50
			10	34,100	40.4	46.0	51	58	60	60

PHYSICAL DIMENSIONS				
MODEL	A	B	C	D
12,19,24HXX	37-1/4	34-11/16	30	6-1/2
20,25HXX	43-1/4	40-11/16	36	6-1/2
26,31HXX	49-1/4	46-11/16	42	6-1/2
28,32,37HXX	56-1/4	53-11/16	49	6-1/2

HEAT PUMP KIT (FIELD INSTALLED)	
PART NO.	DESCRIPTION
942-1	KIT FOR HXX MODELS WITH ELECTRIC HEAT

Note: Heat pump kit must be field installed for all HXX models with electric heat. 0 kW models do not require kit. Contact the factory for compatibility match with condensing unit.

- All BTUH heating ratings at 240V - derate heating capacities by 25% for 208V
- Maximum fuse or HACR-type circuit breaker.



BLOWER DATA													
UNIT MODEL	MOTOR HP (240V)	SPEED TAP	MOTOR BHP	NOM. AMPS	CFM vs. EXTERNAL STATIC PRESSURE								
					0.00	0.05	0.10	0.15	0.20	0.25	0.30	0.35	0.40
12HXX	1/7	OPTIONAL HIGH	.07	0.7	670	645	620	595	570	545	525	500	475
		STD. HIGH	.05	0.5	590	560	525	495	465	440	415	---	---
		STD. LOW	.04	0.3	380	340	300	260	220	180	140	---	---
19HXX	1/2	OPTIONAL HIGH	.16	1.2	800	765	730	695	660	620	580	535	490
		STD. HIGH	.10	.08	660	630	600	575	550	525	500	---	---
		STD. LOW	.08	.07	590	555	520	495	470	445	420	---	---
20HXX	1/2	OPTIONAL HIGH	.16	1.2	800	765	730	695	660	620	580	535	490
		STD. HIGH	.10	0.8	650	625	600	575	550	525	500	---	---
		STD. LOW	.08	0.7	590	560	530	505	480	455	430	---	---
24HXX	1/2	OPTIONAL HIGH	.31	2.1	1000	985	965	950	935	915	900	885	865
		STD. HIGH	.23	1.5	860	840	820	800	780	765	745	---	---
		STD. LOW	.17	1.0	715	685	660	640	615	595	580	---	---
25HXX 28HXX	1/2	OPTIONAL HIGH	.30	2.1	970	950	930	910	890	870	850	825	800
		STD. HIGH	.20	1.5	810	790	770	745	720	705	690	---	---
		STD. LOW	.16	1.0	720	690	660	645	630	615	600	---	---
26HXX	1/2	OPTIONAL HIGH	.30	2.1	1010	980	950	925	900	880	860	840	820
		STD. HIGH	.20	1.5	840	810	780	760	740	720	700	---	---
		STD. LOW	.16	1.0	750	715	680	655	630	615	600	---	---
31HXX	1/2	OPTIONAL HIGH	.43	3.3	1230	1195	1160	1140	1120	1090	1060	995	930
		STD. HIGH	.32	2.2	1060	1015	970	945	920	875	830	---	---
		STD. LOW	.24	1.5	920	885	850	810	770	735	700	---	---
32HXX	1/2	OPTIONAL HIGH	.43	3.3	1280	1245	1210	1180	1150	1115	1080	1025	970
		STD. HIGH	.32	2.2	1090	1050	1010	985	960	930	900	---	---
		STD. LOW	.24	1.5	950	920	890	855	820	790	760	---	---
37HXX	1/2	OPTIONAL HIGH	.51	4.0	1430	1400	1370	1355	1320	1295	1270	1220	1170
		STD. HIGH	.43	3.3	1260	1225	1190	1160	1130	1115	1100	---	---
		STD. LOW	.32	2.2	1110	1080	1050	1025	1000	970	940	---	---

- Add .05 static when enclosure is used.



In keeping with its policy of continuous progress and product improvement, First Co. reserves the right to make changes without notice. Maintenance for all First Co. products is available under "Product Maintenance" at www.firstco.com.

Ceiling Access Panels - (For HXX's installed without enclosure)

CEILING ACCESS PANELS							
FOR MODEL	PANEL NO. (STD.)	PANEL NO. (IAQ)	DESCRIPTION	CEILING PANEL OPENING		PANEL FRAME DIMS. (OUTSIDE)	
12, 19, 24HXX	965	965-M8(*)	LOUVERED	24-1/2	40	27-1/2	43
	965-1	NA	NON-LOUVERED	24-1/2	40	27-1/2	43
20, 25HXX	966	966-M8(*)	LOUVERED	24-1/2	46	27-1/2	49
	966-1	NA	NON-LOUVERED	24-1/2	46	27-1/2	49
26, 31HXX	967	967-M8(*)	LOUVERED	24-1/2	52-1/2	27-1/2	55-1/2
	967-1	NA	NON-LOUVERED	24-1/2	52-1/2	27-1/2	55-1/2
28, 32, 37HXX	967-6	967-6-M8(*)	LOUVERED	24-1/2	60	27-1/2	63
	967-7	NA	NON-LOUVERED	24-1/2	60	27-1/2	63

NOTES:
 (*) Add -2 to end of panel number for panel that accepts 2" filter.

STANDARD PANELS



965-1, 966-1, 967-1, 967-7



965, 966, 967, 967-6
 (Louvers may differ from picture)
 Louvered panels accept 20x20x1" filter
 (field supplied)

IAQ PANELS

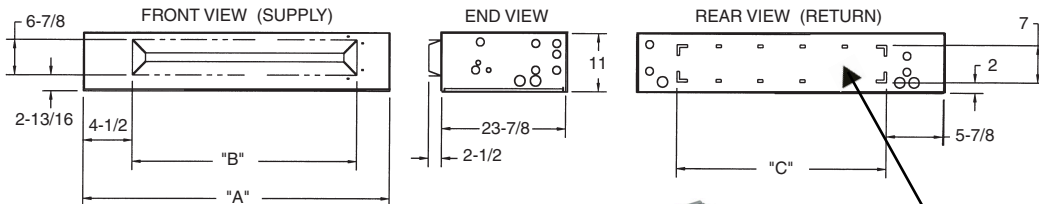


965-M8 (accepts 1-20x30x1 filter)
 # 966-M8, 967-M8 (accepts 2-20x20x1 filter)
 # 967-6-M8 (accepts 2-20x25x1 filter)
 (GlasFloss @ Industries Series
 HV filter or equivalent is recommended)

Enclosures with Ceiling Panels (Enclosures and panels are standard with ALL "-C" models or can be ordered separately for "HXX" models)

CEILING PANEL / ENCLOSURE INFORMATION											
FOR MODEL	ENCLOSURE NO.	ENCLOSURE DIMENSIONS			PANEL NO. (STD.)	PANEL NO. (IAQ)	DESCRIPTION (2)	CEILING PANEL OPENING		PANEL FRAME DIMS (OUTSIDE)	
		H	W	D				W	L	W	L
12, 19, 24HXX	9EHX01	11	39-3/4	23-7/8	965	965-M8(*)	LOUVERED	24-1/2	40	27-1/2	43
					965-1	NA	NON-LOUVERED	24-1/2	40	27-1/2	43
20, 25HXX	9EHX02	11	45-3/4	23-7/8	966	966-M8(*)	LOUVERED	24-1/2	46	27-1/2	49
					966-1	NA	NON-LOUVERED	24-1/2	46	27-1/2	49
26, 31HXX	9EHX03	11	51-3/4	23-7/8	967	967-M8(*)	LOUVERED	24-1/2	52-1/2	27-1/2	55-1/2
					967-1	NA	NON-LOUVERED	24-1/2	52-1/2	27-1/2	55-1/2
28, 32, 37HXX	9EHX04	11	58-3/4	23-7/8	967-6	967-6-M8(*)	LOUVERED	24-1/2	60	27-1/2	63
					967-7	NA	NON-LOUVERED	24-1/2	60	27-1/2	63

NOTES:
 (1) Louvered is the "default" style and automatically shipped unless non-louvered is specified on order.
 (*) Add -2 to end of panel number for panel that accepts 2" filter.



ENCLOSURE DIMENSIONS				
FOR MODEL	ENCLOSURE NO.	A	B	C
12, 19, 24HXX	9EHX01	39-3/4	30-5/8	28
20, 25HXX	9EHX02	45-3/4	36-5/8	34
26, 31HXX	9EHX03	51-3/4	42-5/8	40
28, 32, 37HXX	9EHX04	58-3/4	50	46-3/4



KNOCKOUT FOR DUCTED RETURN
 (Requires remote filter grille - field supplied)
 (Ducted return requires non-louvered panel)

Picture shown is enclosure with installed HXX
 (Available from the factory as a complete unit)

HXX(-C) Series

1.0 through 3.0 tons

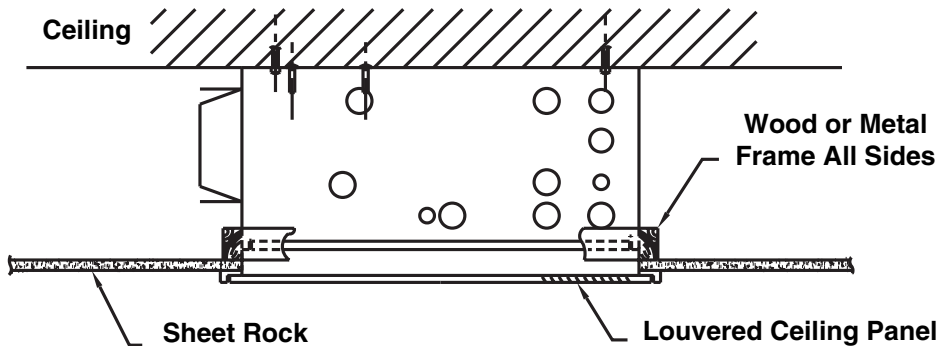
MODEL NUMBERS:

MODEL SIZE (BTU)	UNCASED (NO ENCLOSURE)	FACTORY INSTALLED ENCLOSURE
	(ALL WITH FACTORY INSTALLED R410A TXV)	(ALL WITH FACTORY INSTALLED R410A TXV)
MODEL	MODEL	MODEL
12,000	12HXX(*) R410 TXV	12HXX(*)-C R410 TXV
18,000	19HXX(*) R410 TXV	19HXX(*)-C R410 TXV
18,000	20HXX(*) R410 TXV	20HXX(*)-C R410 TXV
24,000	24HXX(*) R410 TXV	24HXX(*)-C R410 TXV
24,000	25HXX(*) R410 TXV	25HXX(*)-C R410 TXV
24,000	26HXX(*) R410 TXV	26HXX(*)-C R410 TXV
24,000	28HXX(*) R410 TXV	28HXX(*)-C R410 TXV
30,000	31HXX(*) R410 TXV	31HXX(*)-C R410 TXV
30,000	32HXX(*) R410 TXV	32HXX(*)-C R410 TXV
36,000	37HXX(*) R410 TXV	37HXX(*)-C R410 TXV

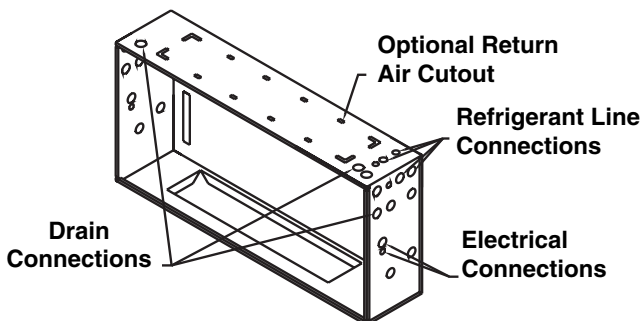
All TXVs are approved for cooling only or heat pump operation (non-bleed type).

(*) = kW HEAT

ENCLOSURE INSTALLATION SUPPORT FRAMING



ENCLOSURE CONNECTION LOCATIONS



CAP KIT - FOR INSTALLATION ABOVE A SUSPENDED CEILING		
PART NO.	FITS ENCLOSURE NO.	FOR UNIT MODEL
9PHX01	9EHX01	12, 19, 24HXX-C
9PHX02	9EHX02	20, 25HXX-C
9PHX03	9EHX03	26, 31HXX-C
9PHX04	9EHX04	28, 32, 37HXX-C

NOTES:

1. Cap kit is an insulated panel that covers the entire bottom opening of the enclosure (requires ducted return)
2. Cap kit would be used in lieu of the ceiling panel